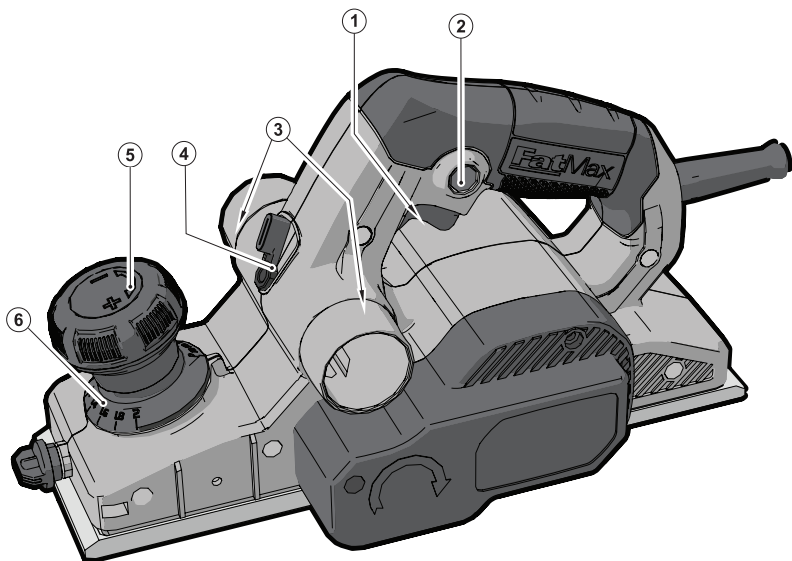


**STANLEY**®

**FatMax**®



[www.stanley.eu](http://www.stanley.eu)

**FME630**

EN

DE

FR

IT

NL

ES

PT

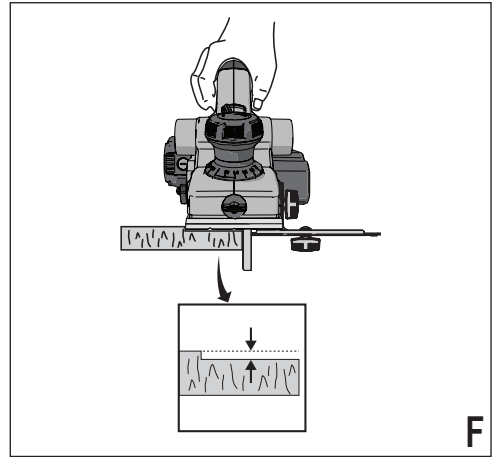
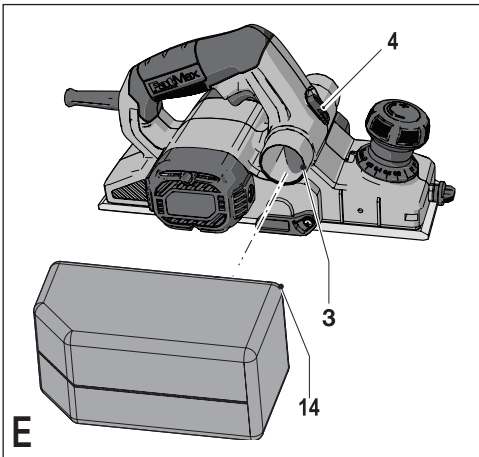
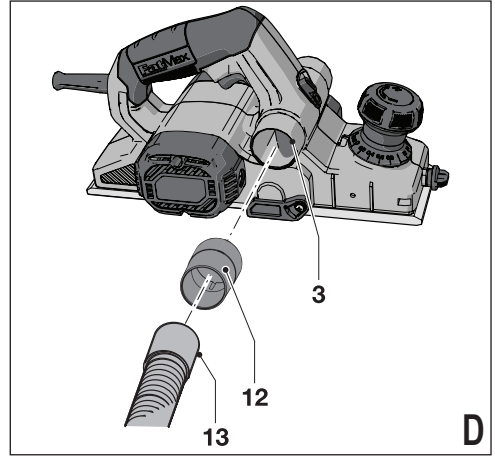
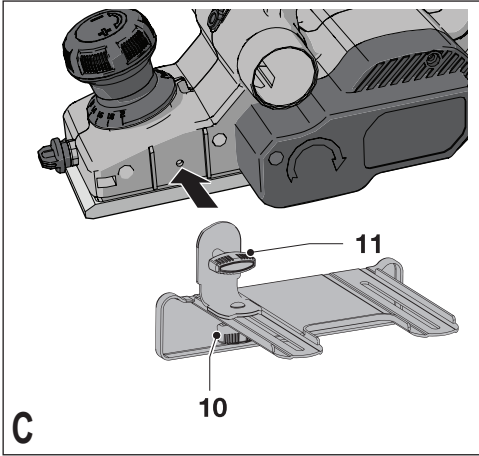
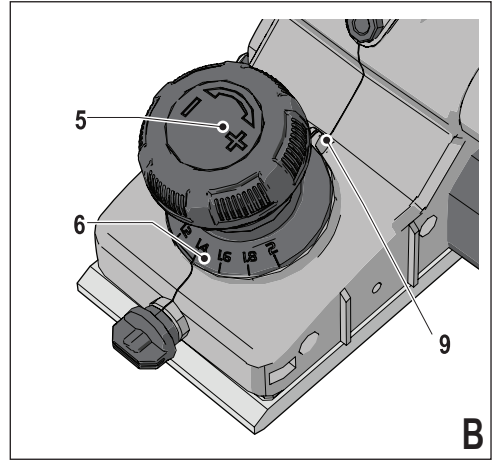
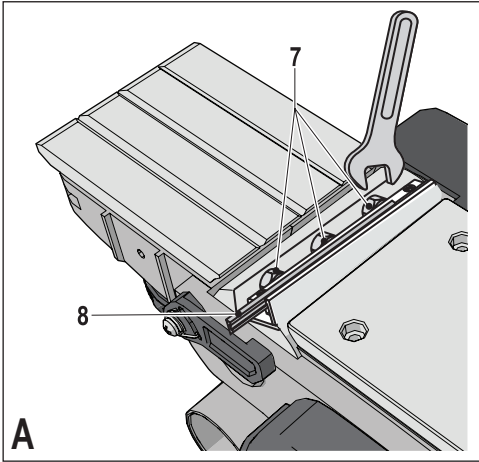
SV

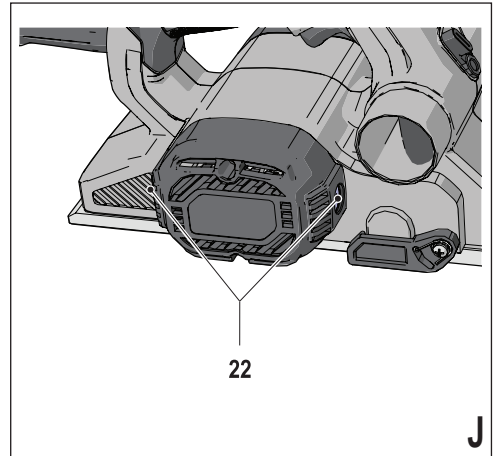
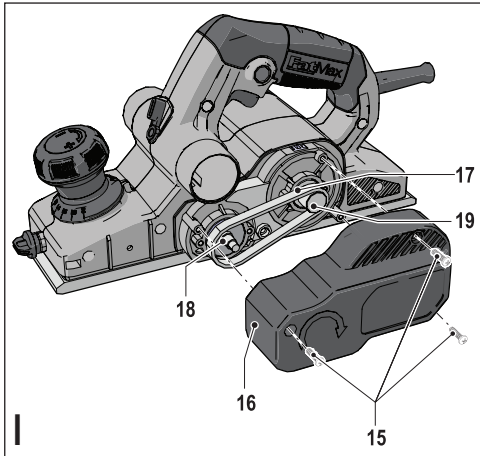
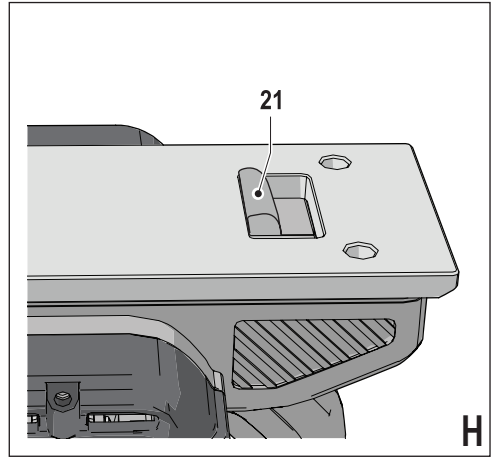
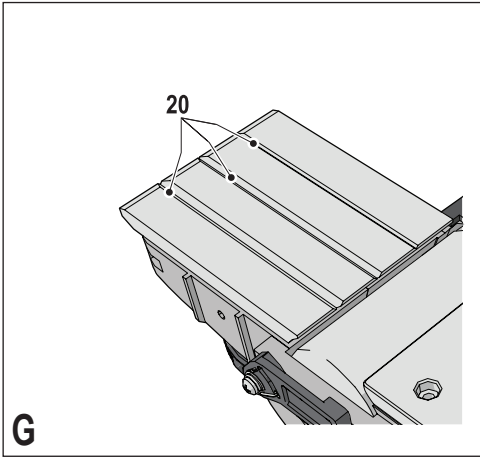
NO

DK

FI

EL





## Intended use

Your Stanley Fat Max planer has been designed for planing wood, wood products and plastics. The tool is intended for hand-held use. This tool is intended for professional and private, non professional users.

## Safety instructions

### General power tool safety warnings



**Warning! Read all safety warnings and all instructions.** Failure to follow the warnings and instructions listed below may result in electric shock, fire and/or serious injury.

### Save all warnings and instructions for future reference.

The term "power tool" in all of the warnings listed below refers to your mains operated (corded) power tool or battery operated (cordless) power tool.

1. **Work area safety**
  - a. **Keep work area clean and well lit.** Cluttered or dark areas invite accidents.
  - b. **Do not operate power tools in explosive atmospheres, such as in the presence of flammable liquids, gases or dust.** Power tools create sparks which may ignite the dust or fumes.
  - c. **Keep children and bystanders away while operating a power tool.** Distractions can cause you to lose control.
2. **Electrical safety**
  - a. **Power tool plugs must match the outlet. Never modify the plug in any way. Do not use any adapter plugs with earthed (grounded) power tools.** Unmodified plugs and matching outlets will reduce risk of electric shock.
  - b. **Avoid body contact with earthed or grounded surfaces such as pipes, radiators, ranges and refrigerators.** There is an increased risk of electric shock if your body is earthed or grounded.
  - c. **Do not expose power tools to rain or wet conditions.** Water entering a power tool will increase the risk of electric shock.
  - d. **Do not abuse the cord. Never use the cord for carrying, pulling or unplugging the power tool. Keep cord away from heat, oil, sharp edges or moving parts.** Damaged or entangled cords increase the risk of electric shock.
  - e. **When operating a power tool outdoors, use an extension cord suitable for outdoor use.** Use of a cord suitable for outdoor use reduces the risk of electric shock.
  - f. **If operating a power tool in a damp location is unavoidable, use a residual current device (RCD) protected supply.** Use of an RCD reduces the risk of electric shock.
3. **Personal safety**
  - a. **Stay alert, watch what you are doing and use common sense when operating a power tool. Do not use a power tool while you are tired or under the influence of drugs, alcohol or medication.** A moment of inattention while operating power tools may result in serious personal injury.
  - b. **Use personal protective equipment. Always wear eye protection.** Protective equipment such as dust mask, non-skid safety shoes, hard hat, or hearing protection used for appropriate conditions will reduce personal injuries.
  - c. **Prevent unintentional starting. Ensure the switch is in the off-position before connecting to power source and/or battery pack, picking up or carrying the tool.** Carrying power tools with your finger on the switch or energising power tools that have the switch on invites accidents.
  - d. **Remove any adjusting key or wrench before turning the power tool on.** A wrench or a key left attached to a rotating part of the power tool may result in personal injury.
  - e. **Do not overreach. Keep proper footing and balance at all times.** This enables better control of the power tool in unexpected situations.
  - f. **Dress properly. Do not wear loose clothing or jewellery. Keep your hair, clothing and gloves away from moving parts.** Loose clothes, jewellery or long hair can be caught in moving parts.
  - g. **If devices are provided for the connection of dust extraction and collection facilities, ensure these are connected and properly used.** Use of dust collection can reduce dust-related hazards.
4. **Power tool use and care**
  - a. **Do not force the power tool. Use the correct power tool for your application.** The correct power tool will do the job better and safer at the rate for which it was designed.
  - b. **Do not use the power tool if the switch does not turn it on and off.** Any power tool that cannot be controlled with the switch is dangerous and must be repaired.
  - c. **Disconnect the plug from the power source and/or the battery pack from the power tool before making any adjustments, changing accessories, or storing power tools.** Such preventive safety measures reduce the risk of starting the power tool accidentally.

- d. **Store idle power tools out of the reach of children and do not allow persons unfamiliar with the power tool or these instructions to operate the power tool.** Power tools are dangerous in the hands of untrained users.
  - e. **Maintain power tools. Check for misalignment or binding of moving parts, breakage of parts and any other condition that may affect the power tools operation. If damaged, have the power tool repaired before use.** Many accidents are caused by poorly maintained power tools.
  - f. **Keep cutting tools sharp and clean.** Properly maintained cutting tools with sharp cutting edges are less likely to bind and are easier to control.
  - g. **Use the power tool, accessories and tool bits etc., in accordance with these instructions, taking into account the working conditions and the work to be performed.** Use of the power tool for operations different from those intended could result in a hazardous situation.
5. **Service**
- a. **Have your power tool serviced by a qualified repair person using only identical replacement parts.** This will ensure that the safety of the power tool is maintained.

### Additional power tool safety warnings



**Warning!** Additional safety warnings for planers

- ◆ **Hold the power tool by insulated gripping surfaces only, because the cutter may contact its own cord.** Cutting a "live" wire may make exposed metal parts of the power tool "live" and could give the operator an electric shock.
- ◆ **Use clamps or another practical way to secure and support the workpiece to a stable platform.** Holding the work by your hand or against the body leaves it unstable and may lead to loss of control.
- ◆ **Wait for the cutter to stop before setting the tool down.** An exposed rotating cutter may engage the surface leading to possible loss of control and serious injury.
- ◆ **Keep the cutter sharp.** Dull or damaged cutters may cause the planer to swerve or stall under pressure. Always use the appropriate type of cutter for the power tool.
- ◆ Do not touch the workpiece or the cutter immediately after operating the tool. They can become very hot.
- ◆ Remove all nails and metal objects from the workpiece before planning.
- ◆ Always hold the tool with both hands and by the handles provided.
- ◆ Immediately disconnect the cable from the mains if it is damaged or cut.

**Warning!** Contact with, or inhalation of dusts arising from planing applications may endanger the health of the operator and possible bystanders. Wear a dust mask specifically designed for protection against dust and fumes and ensure that persons within or entering the work area are also protected.

- ◆ This tool is not intended for use by persons (including children) with reduced physical, sensory or mental capabilities, or lack of experience and knowledge, unless they have been given supervision or instruction concerning use of the appliance by a person responsible for their safety. Children should be supervised to ensure that they do not play with the appliance.
- ◆ The intended use is described in this instruction manual. The use of any accessory or attachment or performance of any operation with this tool other than those recommended in this instruction manual may present a risk of personal injury and/or damage to property.

### Safety of others

- ◆ This appliance is not intended for use by persons (including children) with reduced physical, sensory or mental capabilities, or lack of experience and knowledge, unless they have been given supervision or instruction concerning use of the appliance by a person responsible for their safety.
- ◆ Children should be supervised to ensure that they do not play with the appliance.

### Residual risks.

Additional residual risks may arise when using the tool which may not be included in the enclosed safety warnings. These risks can arise from misuse, prolonged use etc.

Even with the application of the relevant safety regulations and the implementation of safety devices, certain residual risks can not be avoided. These include:

- ◆ Injuries caused by touching any rotating/moving parts.
- ◆ Injuries caused when changing any parts, blades or accessories.
- ◆ Injuries caused by prolonged use of a tool. When using any tool for prolonged periods ensure you take regular breaks.
- ◆ Impairment of hearing.
- ◆ Health hazards caused by breathing dust developed when using your tool (example:- working with wood, especially oak, beech and MDF.)

### Vibration

The declared vibration emission values stated in the technical data and the declaration of conformity have been measured in accordance with a standard test method provided by EN 60745 and may be used for comparing one tool with another. The declared vibration emission value may also be used in a preliminary assessment of exposure.

**Warning!** The vibration emission value during actual use of the power tool can differ from the declared value depending on the ways in which the tool is used. The vibration level may increase above the level stated.

When assessing vibration exposure to determine safety measures required by 2002/44/EC to protect persons regularly using power tools in employment, an estimation of vibration exposure should consider, the actual conditions of use and the way the tool is used, including taking account of all parts of the operating cycle such as the times when the tool is switched off and when it is running idle in addition to the trigger time.

### Labels on tool

The following pictograms are shown on the tool:



**Warning!** To reduce the risk of injury, the user must read the instruction manual.

### Electrical safety



This tool is double insulated; therefore no earth wire is required. Always check that the power supply corresponds to the voltage on the rating plate.

- ◆ If the supply cord is damaged, it must be replaced by the manufacturer or an authorised Stanley Fat Max Service Centre in order to avoid a hazard.

### Features

This tool includes some or all of the following features.

1. On/off switch
2. Lock-off button
3. Shavings discharge outlet
4. Shavings discharge outlet selector
5. Planing depth adjustment knob
6. Planing depth graduation

### Assembly

**Warning!** Before assembly, make sure that the tool is switched off and unplugged.

### Replacing the cutting blades (fig. A)

The cutting blades provided with this tool are reversible. Replacement cutting blades can be obtained from your local retailer.

### Removing

- ◆ Loosen the bolts (7) using the spanner supplied.
- ◆ Slide the blade (8) out of the holder.
- ◆ Reverse the blade so that the unused side comes in position. If both sides are worn, the blade must be replaced.

### Fitting

- ◆ Slide the blade into the holder until it is against the end stop.
- ◆ Tighten the bolts using the spanner supplied.

**Warning!** Always replace both cutters.

### Adjusting the depth of cut (fig. B)

The depth of cut is indicated by the marking (9). The setting range can be read from the graduation (6).

- ◆ Turn the planing depth adjustment knob (5) to the required depth of cut.
- ◆ Turn the knob to the 'P' position whenever the tool is not in use.

### Fitting and removing the parallel fence (fig. C)

The parallel fence is used to for optimum control on narrow workpieces.

- ◆ Thread the knob (11) into the hole on the side of the planer and securely tighten.
- ◆ Loosen the parallel fence adjustment knob (10).
- ◆ Slide the parallel fence into the desired position.
- ◆ Securely tighten the parallel fence adjustment knob.

**Note :** The parallel fence should be below the planer when installed correctly.

- ◆ To remove the parallel fence proceed in reverse order.

### Connecting a vacuum cleaner to the tool (fig. D)

An adaptor is required to connect a vacuum cleaner or dust extractor to the tool. The adaptor can be purchased from your local Stanley Fat Max retailer.

- ◆ Slide the adaptor (12) over the shavings discharge outlet (3).
- ◆ Connect the vacuum cleaner hose (13) to the adaptor.

### Fitting the shavings collection bag (fig. E)

The shavings collection bag is particularly useful when working in confined spaces.

- ◆ Slide the connecting plate (14) of the bag over either side of the shavings discharge outlet (3).
- ◆ To prevent chips from coming out opposite side of shavings discharge outlet, move the shavings discharge outlet selector (4) to the opposite side from the bag.

### Emptying the shavings collection bag

The shavings collection bag should be emptied regularly while using it to prevent blocking.

- ◆ Unzip the bag and empty it before continuing.

## Use

**Warning!** Let the tool work at its own pace. Do not overload.

- ◆ Adjust the depth of cut.
- ◆ If necessary, fit and adjust the parallel fence.

## Switching on and off

### Switching on

- ◆ Keep the lock-off button (2) depressed and press the on/off switch (1).
- ◆ Release the lock-off button.

### Switching off

- ◆ Release the on/off switch.

## Planing

- ◆ Hold the tool with the nose piece of the shoe resting on top of the workpiece surface.
- ◆ Switch the tool on.
- ◆ Move the tool steadily forward to perform the cutting stroke.
- ◆ Switch the tool off after the stroke has been completed.

## Rebating (fig. F)

- ◆ Fit and adjust the parallel fence.
- ◆ Proceed as for planing.

## Chamfering edges (fig. G)

The V-groove in the nose piece of the shoe enables you to chamfer edges at 45°, 30° and 15° angles.

- ◆ Hold the tool at an angle with the desired groove (20) around the edge of the workpiece and perform the cutting stroke.

## Parking rest (fig. H)

Your planer is equipped with a parking rest (21) that automatically lowers into place when the tool is lifted from the work surface. When planing, the parking foot raises as the tool is pushed forward. When the parking foot is lowered, the planer can set on the work surface without the blade touching.

## Hints for optimum use

- ◆ Move the tool along the grain of the wood.
- ◆ If the grain is cross or curly, or if the workpiece material is a hard type of wood, adjust the depth of cut to take only a very thin shaving at each pass and take several passes to achieve the desired result.
- ◆ To keep the tool in a straight line, press down the front of the tool at the start, and press down the back of the tool at the end of the cutting stroke.

## Accessories

The performance of your tool depends on the accessory used. Stanley Fat Max accessories are engineered to high quality standards and designed to enhance the performance of your tool. By using these accessories you will get the very best from your tool.

The following types of cutting blades can be obtained from your local retailer:

- Tungsten carbide tipped reversible cutting blades (part no. X35007, supplied per pair)
- High-speed steel reversible cutting blades (part no. X24192-XJ11, supplied per pair)

## Maintenance

Your tool has been designed to operate over a long period of time with a minimum of maintenance. Continuous satisfactory operation depends upon proper tool care and regular cleaning.

**Warning!** Before performing any maintenance, switch off and unplug the tool.

- ◆ Regularly clean the ventilation slots in your tool using a soft brush or dry cloth.
- ◆ Regularly clean the motor housing using a damp cloth. Do not use any abrasive or solvent-based cleaner.

## Replacing the drive belt (fig. I)

- ◆ Loosen the screws (15) and remove the cover (16).
- ◆ Remove the old drive belt.
- ◆ Place the new belt (17) over the pulleys. Place the belt over the large pulley (18) first, then over the small pulley (19), whilst manually rotating the belt steadily.
- ◆ Put the cover back in place and tighten the screws.

## Motor brush inspection and replacement (fig. J)

Brushes should be regularly inspected for wear.

- ◆ Remove brush cap (22). The brushes should slide freely in brush box. If brushes are worn down to .3" (8mm) they should be replaced.

To reinstall, push new brush back into brush box. If replacing existing brush, maintain same orientation as when removed. Replace the brush cap (do not overtighten).

## Mains plug replacement (U.K. & Ireland only)

If a new mains plug needs to be fitted:

- ◆ Safely dispose of the old plug.
- ◆ Connect the brown lead to the live terminal in the new plug.
- ◆ Connect the blue lead to the neutral terminal.

**Warning!** No connection is to be made to the earth terminal. Follow the fitting instructions supplied with good quality plugs. Recommended fuse: 5 A.

## Protecting the environment



Separate collection. This product must not be disposed of with normal household waste.

Should you find one day that your Stanley Fat Max product needs replacement, or if it is of no further use to you, do not dispose of it with household waste. Make this product available for separate collection.



Separate collection of used products and packaging allows materials to be recycled and used again. Re-use of recycled materials helps prevent environmental pollution and reduces the demand for raw materials.

Local regulations may provide for separate collection of electrical products from the household, at municipal waste sites or by the retailer when you purchase a new product.

Stanley Europe provides a facility for the collection and recycling of Stanley Fat Max products once they have reached the end of their working life. To take advantage of this service please return your product to any authorised repair agent who will collect them on our behalf.

You can check the location of your nearest authorised repair agent by contacting your local Stanley Europe office at the address indicated in this manual. Alternatively, a list of authorised Stanley Europe repair agents and full details of our after-sales service and contacts are available on the Internet at: [www.2helpU.com](http://www.2helpU.com)

## Technical data

		FME630 (Type 1)
Input voltage	V <sub>ac</sub>	230
Power input	W	750
No-load speed	min <sup>-1</sup>	16,500
Planing width	mm	82
Planing depth	mm	2
Rebating depth	mm	12
Weight	kg	2.9

Vibration total values (triax vector sum) according to EN 60745:
Vibration emission value (a <sub>H</sub> ) 1.5 m/s <sup>2</sup>
uncertainty (K) 1.5 m/s <sup>2</sup>
Level of sound pressure according to EN 60745:
Sound pressure (L <sub>pA</sub> ) 84 dB(A), uncertainty (K) 3 dB(A)
Sound power (L <sub>WA</sub> ) 95 dB(A), uncertainty (K) 3 dB(A)

## EC declaration of conformity

MACHINERY DIRECTIVE



FME630

Stanley Europe declares that these products described under "technical data" are in compliance with:  
2006/42/EC  
EN 60745-1, EN 60745-2-14

These products also comply with Directive 2004/108/EC and 2011/65/EU. For more information, please contact Stanley Europe at the following address or refer to the back of the manual.

The undersigned is responsible for compilation of the technical file and makes this declaration on behalf of Stanley Europe.

Kevin Hewitt  
Vice-President Global Engineering  
Stanley Europe, Egide Walschaertsstraat14-18,  
2800 Mechelen, Belgium  
29/01/2013



## Guarantee

StanleyEurope is confident of the quality of its products and offers an outstanding guarantee for professional users of the product. This guarantee statement is in addition to and in no way prejudices your contractual rights as a private non-professional user. The guarantee is valid within the territories of the Member States of the European Union and the European Free Trade Area.

## ONE-YEAR FULL WARRANTY

If your Stanley Fat Max product becomes defective due to faulty materials or workmanship within 12 months from the date of purchase, Stanley Europe guarantees to replace all defective parts free of charge or – at our discretion – replace the unit free of charge provided that:

- ◆ The product has not been misused and has been used in accordance with the instruction manual.
- ◆ The product has been subject to fair wear and tear;
- ◆ Repairs have not been attempted by unauthorised persons;
- ◆ Proof of purchase is produced.
- ◆ The Stanley Fat Max product is returned complete with all original components

If you wish to make a claim, contact your seller or check the location of your nearest authorised Stanley Fat Max repair agent in the Stanley Fat Max catalogue or contact your local Stanley office at the address indicated in this manual. A list of authorised Stanley Fat Max repair agents and full details of our after sales service is available on the internet at:[www.stanley.eu/3](http://www.stanley.eu/3)

## Bestimmungsgemäße Verwendung

Ihr Stanley Fat Max Elektrohobel wurde zum Hobeln von Holz, Holzprodukten und Kunststoff entwickelt. Dieses Gerät kann nicht fest montiert werden. Dieses Werkzeug ist für den professionellen sowie den privaten/nicht-professionellen Anwender gedacht.

## Sicherheitshinweise

### Allgemeine Sicherheitswarnungen für das Gerät



**Achtung!** Lesen Sie sämtliche Sicherheitswarnungen und Anweisungen. Die Nichteinhaltung der nachstehend aufgeführten Warnungen und Anweisungen kann einen elektrischen Schlag, Brand und/oder schwere Verletzungen verursachen.

**Bewahren Sie alle Sicherheitswarnungen und Anweisungen gut auf.** Der nachfolgend verwendete Begriff "Gerät" bezieht sich auf netzbetriebene Geräte (mit Netzkabel) und auf akkubetriebene Geräte (ohne Netzkabel).

#### 1. Sicherheit im Arbeitsbereich

- a. **Halten Sie Ihren Arbeitsbereich sauber, und sorgen Sie für ausreichende Beleuchtung.** Unordnung oder dunkle Arbeitsbereiche können zu Unfällen führen.
- b. **Verwenden Sie die Geräte nicht in Umgebungen, in denen Explosionsgefahr z. B. aufgrund von brennbaren Flüssigkeiten, Gasen oder Staub besteht.** Geräte erzeugen Funken, die den Staub oder die Dämpfe entzünden können.
- c. **Halten Sie Kinder und andere Personen während der Benutzung eines Geräts fern.** Bei Ablenkung können Sie die Kontrolle verlieren.

#### 2. Elektrische Sicherheit

- a. **Der Netzstecker des Geräts muss in die Steckdose passen. Der Stecker darf in keiner Weise verändert werden. Verwenden Sie für schutzgeerdete Geräte keine Adapterstecker.** Unveränderte Stecker und passende Steckdosen verringern das Risiko eines elektrischen Schlags.
- b. **Vermeiden Sie Körperkontakt mit geerdeten Oberflächen von Rohren, Heizungen, Herden und Kühlschränken.** Es besteht ein erhöhtes Risiko eines elektrischen Schlags, wenn Ihr Körper geerdet ist.
- c. **Halten Sie Geräte von Regen und Feuchtigkeit fern.** Das Eindringen von Wasser in ein Gerät erhöht das Risiko eines elektrischen Schlags.

- d. **Verwenden Sie das Kabel ordnungsgemäß. Verwenden Sie es niemals zum Tragen. Trennen Sie das Gerät nicht durch Ziehen am Kabel vom Netz. Halten Sie das Kabel fern von Hitze, Öl, scharfen Kanten oder sich bewegenden Teilen.** Beschädigte oder verwickelte Kabel erhöhen das Risiko eines elektrischen Schlags.
- e. **Verwenden Sie nur für den Außenbereich zugelassene Verlängerungskabel, wenn Sie mit dem Gerät im Freien arbeiten.** Die Verwendung eines für den Außenbereich geeigneten Verlängerungskabels verringert das Risiko eines elektrischen Schlags.
- f. **Wenn das Gerät in einer feuchten Umgebung verwendet werden muss, schließen Sie es unbedingt an eine Steckdose mit Fehlerstromschutzschalter (RCD).** Die Verwendung eines Fehlerstromschutzschalters verringert das Risiko eines elektrischen Schlags.

#### 3. Sicherheit von Personen

- a. **Verwenden Sie das Gerät aufmerksam und vernünftig. Benutzen Sie das Gerät nicht, wenn Sie müde sind oder unter dem Einfluss von Drogen, Alkohol oder Medikamenten stehen.** Ein Moment der Unachtsamkeit beim Gebrauch von Geräten kann zu ernsthaften Verletzungen führen.
- b. **Verwenden Sie eine geeignete Schutzausrüstung. Tragen Sie stets eine Schutzbrille.** Schutzausrüstung wie Staubmaske, rutschfeste Sicherheitsschuhe, Schutzhelm oder Gehörschutz, je nach Art und Einsatz des Geräts, verringert das Risiko von Verletzungen.
- c. **Vermeiden Sie eine unbeabsichtigte Inbetriebnahme. Vergewissern Sie sich, dass das Gerät ausgeschaltet ist, bevor Sie es an eine Steckdose oder einen Akku anschließen, es hochheben oder tragen.** Durch das Tragen des Geräts mit dem Finger am Schalter oder durch das Anschließen eingeschalteter Geräte werden Unfälle provoziert.
- d. **Entfernen Sie Einstell- oder Schraubenschlüssel, bevor Sie das Gerät einschalten.** Ein Schlüssel in einem sich drehenden Teil kann zu Verletzungen führen.
- e. **Beugen Sie sich nicht zu weit nach vorne über. Achten Sie auf einen sicheren Stand, um in jeder Arbeitsposition das Gleichgewicht zu halten.** Dadurch können Sie das Gerät in unerwarteten Situationen besser unter Kontrolle halten.
- f. **Tragen Sie geeignete Kleidung. Tragen Sie keine weite Kleidung oder Schmuck. Halten Sie Haare, Kleidung und Handschuhe fern von sich bewegenden Teilen.** Lockere Kleidung, Schmuck oder lange Haare können von sich bewegenden Teilen erfasst werden.

- g. Falls Staubabsaug- und -fangvorrichtungen vorhanden sind, vergewissern Sie sich, dass diese angeschlossen sind und richtig verwendet werden. Das Verwenden einer Staubauffangvorrichtung verringert Gefährdungen durch Staub.

#### 4. Gebrauch und Pflege von Geräten

- a. **Überlasten Sie das Gerät nicht. Verwenden Sie das für Ihre Arbeit passende Gerät.** Durch das Arbeiten in dem für das Gerät angegebenen Leistungsbereich erzielen Sie nicht nur optimale Ergebnisse, Sie erhöhen auch die Sicherheit.
- b. **Verwenden Sie das Gerät nicht, wenn der Ein-/Ausschalter nicht funktioniert.** Ein Gerät, das sich nicht mehr ein- oder ausschalten lässt, ist gefährlich und muss repariert werden.
- c. **Ziehen Sie den Stecker aus der Steckdose, und/oder trennen Sie das Gerät vom Akku, bevor Sie Einstellungen vornehmen, Zubehörteile wechseln oder das Gerät lagern.** Diese Vorsichtsmaßnahme verhindert den unbeabsichtigten Start des Geräts.
- d. **Bewahren Sie unbenutzte Geräte außerhalb der Reichweite von Kindern auf. Lassen Sie Geräte nicht von Personen benutzen, die damit nicht vertraut sind oder diese Anweisungen nicht gelesen haben.** Geräte sind gefährlich, wenn sie von unerfahrenen Personen benutzt werden.
- e. **Halten Sie Geräte in einem einwandfreien Zustand. Kontrollieren Sie, ob bewegliche Teile falsch ausgerichtet sind oder klemmen und ob Teile gebrochen oder so beschädigt sind, dass die Funktion des Geräts beeinträchtigt ist. Lassen Sie beschädigte Geräte vor dem Gebrauch reparieren.** Viele Unfälle haben ihre Ursache in schlecht gewarteten Geräten.
- f. **Halten Sie Schneidwerkzeuge scharf und sauber.** Sorgfältig gepflegte Schneidwerkzeuge mit scharfen Schneidkanten verklemmen sich seltener und sind leichter zu führen.
- g. **Verwenden Sie Gerät, Zubehör, Einsätze usw. entsprechend diesen Anweisungen, und berücksichtigen Sie dabei die Arbeitsbedingungen und die auszuführende Arbeit.** Der Gebrauch von Geräten für andere als die vorgesehenen Anwendungen kann zu gefährlichen Situationen führen.

#### 5. Service

- a. **Lassen Sie das Gerät nur von qualifiziertem Fachpersonal und nur mit Originalersatzteilen reparieren.** So wird gewährleistet, dass die Sicherheit des Geräts erhalten bleibt.

### Zusätzliche Sicherheitswarnungen für das Gerät



**Achtung!** Zusätzliche Sicherheitswarnungen für Elektrohobel

- ◆ **Halten Sie das Gerät ausschließlich an den isolierten Griffflächen, da das Messer mit dem Gerätekabel in Berührung kommen könnte.** Der Kontakt mit stromführenden Leitungen kann auch offen liegende Metallteile am Gerät unter Strom setzen und zu einem Stromschlag führen.
- ◆ **Fixieren Sie das Werkstück mit Zwingen oder ähnlichen Hilfsmitteln auf einer stabilen Oberfläche.** Ein Werkstück, das mit der Hand oder gegen den Körper gehalten wird, ist unzureichend befestigt und kann leicht außer Kontrolle geraten.
- ◆ **Warten Sie, bis das Messer zum Stillstand gekommen ist, bevor Sie das Gerät aus der Hand legen.** Sich drehende Messer können sich in der Oberfläche der Ablage verfangen. Dadurch ist die Kontrolle über das Gerät nicht mehr gewährleistet, und es besteht das Risiko schwerer Verletzungen.
- ◆ **Halten Sie das Messer scharf.** Stumpfe oder beschädigte Messer können dazu führen, dass der Elektrohobel unter Druck blockiert oder ausbricht. Verwenden Sie stets ein für das Gerät geeignetes Messer.
- ◆ **Unmittelbar nach Gebrauch des Geräts sollten Sie weder das Werkstück noch das Messer berühren.** Beides kann sehr heiß werden.
- ◆ **Entfernen Sie vor dem Hobeln sämtliche Nägel und andere metallische Gegenstände aus dem Werkstück.**
- ◆ **Halten Sie das Gerät stets mit beiden Händen an den jeweiligen Griffen.**
- ◆ **Ziehen Sie den Stecker sofort aus der Netzsteckdose, falls das Kabel beschädigt oder durchtrennt wurde.**

**Achtung!** Die beim Hobeln von bestimmten Materialien entstehenden Stäube können bei Berührung oder Einatmen die Gesundheit schädigen. Tragen Sie eine speziell für den Schutz vor Staub und Dämpfen vorgesehene Staubmaske, und stellen Sie sicher, dass auch andere Personen entsprechend geschützt sind, die den Arbeitsplatz betreten oder sich dort aufhalten.

- ◆ **Dieses Gerät darf nicht von Personen (einschließlich Kindern) mit eingeschränkten körperlichen, sensorischen oder geistigen Fähigkeiten oder mangelnder Erfahrung und Wissen in Bezug auf dessen Gebrauch bedient werden, es sei denn, sie werden bei der Verwendung des Geräts von einer erfahrenen Person beaufsichtigt oder angeleitet. Kinder müssen beaufsichtigt werden, um sicherzustellen, dass sie nicht mit dem Gerät spielen.**

- ◆ Der vorgesehene Verwendungszweck ist in dieser Anleitung beschrieben. Die Verwendung von Zubehör oder Anbauteilen, die nicht in dieser Anleitung empfohlen sind, sowie die Bedienung des Geräts in Abweichung von den in dieser Anleitung beschriebenen Verfahren können zu Verletzungen und/oder Sachschäden führen.

### Sicherheit anderer Personen

- ◆ Dieses Gerät darf nicht von Personen (einschließlich Kindern) mit eingeschränkten körperlichen, sensorischen oder geistigen Fähigkeiten sowie mangelnder Erfahrung und Kenntnissen bedient werden, es sei denn, sie werden bei der Verwendung des Geräts von einer erfahrenen Person beaufsichtigt oder angeleitet.
- ◆ Kinder müssen beaufsichtigt werden, um sicherzustellen, dass sie nicht mit dem Gerät spielen.

### Restrisiken.

Für den Gebrauch dieses Geräts verbleiben zusätzliche Restrisiken, die möglicherweise nicht in den Sicherheitswarnungen genannt werden. Diese Risiken bestehen beispielsweise bei Missbrauch oder längerem Gebrauch.

Auch bei der Einhaltung der entsprechenden Sicherheitsvorschriften und der Verwendung aller Sicherheitsgeräte bestehen weiterhin bestimmte Restrisiken. Diese werden im Folgenden aufgeführt:

- ◆ Das Berühren von sich drehenden/bewegenden Teilen kann Verletzungen zur Folge haben.
- ◆ Der Austausch von Teilen, Messern oder Zubehör kann Verletzungen zur Folge haben.
- ◆ Der längere Gebrauch eines Geräts kann Verletzungen zur Folge haben. Legen Sie bei längerem Gebrauch regelmäßige Pausen ein.
- ◆ Beeinträchtigung des Gehörs.
- ◆ Gesundheitsrisiken durch das Einatmen von Staub beim Gebrauch des Geräts (beispielsweise bei Holzarbeiten, insbesondere Eiche, Buche und Pressspan).

### Vibration

Die in den Abschnitten "Technische Daten" und "EU-Konformitätserklärung" angegebenen Werte für die Vibrationsemission wurden mit einer Standard-Prüfmethode nach EN 60745 ermittelt und können zum Vergleich verschiedener Geräte herangezogen werden. Außerdem kann mit Hilfe dieses Werts die Belastung bei Verwendung des Geräts schon im Voraus eingeschätzt werden.

**Achtung!** Die bei Verwendung des Geräts auftretende Vibrationsemission hängt von der Art des Gerätegebrauchs ab und kann dementsprechend von dem angegebenen Wert abweichen. Gegebenenfalls kann die Vibration über dem angegebenen Wert liegen.

Für die Ermittlung der Vibrationsbelastung müssen die tatsächlichen Einsatzbedingungen und Verwendungen des Geräts während des gesamten Arbeitsgangs berücksichtigt werden, einschließlich der Zeiten, wenn das Gerät nicht verwendet oder im Leerlauf betrieben wird. Diese Werte werden benötigt, um die gemäß 2002/44/EG erforderlichen Sicherheitsmaßnahmen zum Schutz von Personen festlegen zu können.

### Warnsymbole am Gerät

Am Gerät sind folgende Warnsymbole angebracht:



**Achtung!** Lesen Sie vor Gebrauch die Anleitung. Andernfalls besteht Verletzungsgefahr.

### Elektrische Sicherheit



Dieses Gerät ist schutzisoliert, daher ist keine Erdleitung erforderlich. Überprüfen Sie stets, ob die Netzspannung der auf dem Typenschild des Geräts angegebenen Spannung entspricht.

- ◆ Ist das Netzkabel beschädigt, muss es durch den Hersteller oder eine Stanley Fat Max Vertragswerkstatt ausgetauscht werden, um eine mögliche Gefährdung zu vermeiden.

### Merkmale

Dieses Gerät verfügt über einige oder alle der folgenden Merkmale:

1. Ein-/Ausshalter
2. Einschaltsperr
3. Spanauswurföffnung
4. Spanauswurfauswahl
5. Einstellknopf für die Hobeltiefe
6. Hobeltiefenskala

### Montage

**Achtung!** Vergewissern Sie sich vor der Montage, dass das Gerät ausgeschaltet ist und der Netzstecker gezogen wurde.

### Auswechseln der Schneidmesser (Abb. A)

Die mit diesem Gerät gelieferten Messer sind doppelseitig. Im Einzelhandel ist eine Auswahl an Ersatzmessern erhältlich.

### Abnehmen

- ◆ Lösen Sie die Schrauben (7) mit dem mitgelieferten Schraubenschlüssel.
- ◆ Ziehen Sie die Klinge (8) aus der Halterung.
- ◆ Drehen Sie die Klinge um, so dass nun die bislang ungenutzte Seite verwendet wird. Die Klinge muss ersetzt werden, wenn beide Seiten abgenutzt sind.

**Anbringen**

- ◆ Schieben Sie die Klinge in die Halterung, bis diese am Anschlag anliegt.
- ◆ Ziehen Sie die Schrauben mit dem mitgelieferten Schraubenschlüssel fest.

**Achtung!** Ersetzen Sie stets beide Messer.

**Einstellen der Schnitttiefe (Abb. B)**

Die Schnitttiefe wird durch die Markierung (9) angezeigt. Der Einstellungsbereich kann auf der Skala (6) abgelesen werden.

- ◆ Stellen Sie den Einstellknopf für die Hobeltiefe (5) auf die gewünschte Schnitttiefe ein.
- ◆ Stellen Sie den Knopf stets auf die Stellung "P" ein, wenn das Gerät nicht verwendet wird.

**Anbringen und Entfernen des Parallelanschlags (Abb. C)**

Der Parallelanschlag dient einer optimalen Führung bei schmalen Werkstücken.

- ◆ Schrauben Sie den Knopf (11) in das Loch an der Seite des Hobels, und ziehen Sie diesen sicher fest.
- ◆ Lösen Sie den Einstellknopf für den Parallelanschlag (10).
- ◆ Schieben Sie den Parallelanschlag in die gewünschte Position.
- ◆ Ziehen Sie den Einstellknopf für den Parallelanschlag sicher fest.

**Hinweis:** Bei ordnungsgemäßer Anbringung befindet sich der Parallelanschlag unter dem Hobel.

- ◆ Führen Sie die vorherigen Schritte in umgekehrter Reihenfolge aus, um den Parallelanschlag abzunehmen.

**Anschließen eines Staubsaugers (Abb. D)**

Zum Anschließen eines Staubsaugers oder einer Absaugvorrichtung ist ein Staubsaugeradapter erforderlich. Der Staubsaugeradapter ist bei Ihrem Stanley Fat Max Händler erhältlich.

- ◆ Schieben Sie den Adapter (12) über die Spanauswurföffnung (3).
- ◆ Schließen Sie den Schlauch des Staubsaugers (13) am Adapter an.

**Anbringen des Spanauffangbehälters (Abb. E)**

Der Spanauffangbehälter ist bei der Arbeit in beengten Platzverhältnissen besonders nützlich.

- ◆ Schieben Sie die Verbindungsplatte (14) des Behälters über die Spanauswurföffnung (3) an einer Seite des Geräts.
- ◆ Stellen Sie die Spanauswurfauswahl (4) auf die dem Behälter gegenüberliegende Seite ein, um zu verhindern, dass auf dieser Seite Späne ausgeworfen werden.

**Leeren des Spanauffangbehälters**

Der Spanauffangbehälter sollte während der Verwendung regelmäßig geleert werden, um ein Verstopfen der Auswurföffnung zu verhindern.

- ◆ Öffnen und entleeren Sie den Behälter, bevor Sie mit der Arbeit fortfahren.

**Verwendung**

**Achtung!** Beschleunigen Sie den Arbeitsvorgang nicht mit Gewalt. Vermeiden Sie eine Überlastung des Geräts.

- ◆ Stellen Sie die Schnitttiefe ein.
- ◆ Bringen Sie ggf. den Parallelanschlag an, und stellen Sie diesen ein.

**Ein- und Ausschalten****Einschalten**

- ◆ Halten Sie den Verriegelungsknopf (2) gedrückt, und drücken Sie den Ein-/Ausschalter (1).
- ◆ Lassen Sie den Verriegelungsknopf los.

**Ausschalten**

- ◆ Lassen Sie den Ein-/Ausschalter los.

**Hobeln**

- ◆ Halten Sie das Gerät so, dass die Nase der Grundplatte auf dem Werkstück aufliegt.
- ◆ Schalten Sie das Gerät ein.
- ◆ Führen Sie die Schnittbewegung aus, indem Sie das Gerät gleichmäßig vorwärts bewegen.
- ◆ Schalten Sie das Gerät nach dem Abschluss des Schnitts aus.

**Einfalzen (Abb. F)**

- ◆ Bringen Sie den Parallelanschlag an, und stellen Sie diesen ein.
- ◆ Gehen Sie vor wie beim Hobeln.

**Abschrägen von Kanten (Abb. G)**

Die V-förmigen Nuten in der Nase der Grundplatte ermöglichen das Abschrägen von Kanten im Winkel von 45°, 30° oder 15°.

- ◆ Setzen Sie das Gerät schrägwinklig mit der gewünschten Nut (20) auf die Kante des Werkstücks, und führen Sie die Schnittbewegung aus.

## Auflage (Abb. H)

Der Elektrohobel verfügt über eine Auflage (21), die automatisch ausgefahren wird, sobald der Hobel vom Werkstück abgehoben wird. Beim Hobeln wird die Auflage in das Gerät gedrückt. Der Hobel kann mit ausgefahrener Auflage auf der Arbeitsfläche abgesetzt werden, ohne dass die Klinge diese berührt.

## Hinweise für optimale Arbeitsergebnisse

- ◆ Bewegen Sie das Gerät in Richtung der Holzmaserung.
- ◆ Stellen Sie die Schnitttiefe so ein, dass nur eine dünne Schicht abgehobelt wird, wenn Sie gegen die Maserung arbeiten, diese wellig ist oder es sich bei dem Werkstück um Hartholz handelt. Führen Sie mehrere Durchgänge aus, um das gewünschte Ergebnis zu erzielen.
- ◆ Bewegen Sie das Gerät in gerader Linie. Drücken Sie zu Beginn der Schnittbewegung auf die Vorderseite des Geräts und zum Ende der Schnittbewegung auf die Hinterseite des Geräts.

## Zubehörteile

Das verwendete Zubehör hat wesentlichen Einfluss auf die Leistung des Geräts. Zubehörteile von Stanley Fat Max erfüllen höchste Qualitätsstandards und wurden speziell für die Verwendung mit Ihrem Gerät entwickelt. Bei Verwendung dieses Zubehörs erhalten Sie stets optimale Ergebnisse.

Im Einzelhandel sind folgende Ersatzmesser erhältlich:

- Doppelseitige hartmetallbestückte Klingen (Artikelnr. X35007, Doppelpack)
- Doppelseitige Schnellarbeitsstahl-Klingen (Artikelnr. X24192-XJ11, Doppelpack)

## Wartung

Ihr Gerät wurde im Hinblick auf eine lange Lebensdauer und einen möglichst geringen Wartungsaufwand entwickelt. Ein dauerhafter, einwandfreier Betrieb setzt eine regelmäßige Pflege und Reinigung voraus.

**Achtung!** Schalten Sie das Gerät vor der Durchführung von Pflege-, Reinigungs- und Wartungsarbeiten aus, und ziehen Sie den Netzstecker.

- ◆ Reinigen Sie regelmäßig die Lüftungsschlitze des Geräts mit Hilfe einer weichen Bürste oder eines trockenen Tuchs.
- ◆ Reinigen Sie das Motorgehäuse regelmäßig mit einem feuchten Tuch. Verwenden Sie keine scheuernden Reinigungsmittel oder Reinigungsmittel auf Lösungsmittelbasis.

## Auswechseln des Antriebsriemens (Abb. I)

- ◆ Lösen Sie die Schrauben (15), und nehmen Sie die Abdeckung (16) ab.

- ◆ Entfernen Sie den alten Antriebsriemen.
- ◆ Legen Sie den neuen Antriebsriemen (17) um die Riemenscheiben. Legen Sie den Riemen zuerst über die große Riemenscheibe (18) und anschließend über die kleine Riemenscheibe (19). Drehen Sie den Riemen dabei gleichmäßig.
- ◆ Bringen Sie die Abdeckung wieder an, und ziehen Sie die Schrauben fest.

## Kontrollieren und Ersetzen der Motorbürsten (Abb. J)

Die Bürsten sollten regelmäßig auf Abnutzung kontrolliert werden.

- ◆ Nehmen Sie die Bürstenkappe (22) ab. Die Bürsten sollten sich innerhalb des Bürstengehäuses frei bewegen können. Bürsten, die auf 8 mm abgenutzt sind, müssen ersetzt werden.

Bringen Sie eine neue Bürste an, indem Sie diese in das Bürstengehäuse drücken. Stellen Sie sicher, dass die neue Bürste ebenso ausgerichtet ist, wie die zuvor verwendete. Bringen Sie die Bürstenabdeckung wieder an, und ziehen Sie diese nicht zu fest an.

## Austauschen des Netzsteckers (nur Großbritannien und Irland)

Gehen Sie folgendermaßen vor, wenn ein neuer Netzstecker angebracht werden muss:

- ◆ Entsorgen Sie den alten Stecker auf sachgerechte Weise.
- ◆ Verbinden Sie die braune Leitung mit dem spannungsführenden Anschluss des Steckers.
- ◆ Verbinden Sie die blaue Leitung mit dem neutralen Anschluss.

**Achtung!** Der Erdleiter wird nicht angeschlossen. Befolgen Sie die Anleitungen, die dem Stecker beiliegen. Empfohlene Sicherung: 5 A.

## Umweltschutz



Getrennte Entsorgung. Dieses Produkt darf keinesfalls mit dem Hausmüll entsorgt werden.

Sollten Sie Ihr Stanley Fat Max Produkt eines Tages ersetzen oder nicht mehr benötigen, entsorgen Sie es nicht mit dem Hausmüll. Führen Sie das Produkt einer getrennten Sammlung zu.



Durch die getrennte Sammlung von ausgedienten Produkten und Verpackungsmaterialien können Rohstoffe recycelt und wiederverwendet werden. Die Wiederverwendung aufbereiteter Materialien trägt zur Vermeidung der Umweltverschmutzung bei und senkt den Rohstoffbedarf.

Die Verordnung zur Abfallentsorgung Ihrer Gemeinde sieht möglicherweise vor, dass Elektrogeräte getrennt vom Hausmüll gesammelt, an der örtlichen Abfallentsorgungseinrichtung abgegeben oder beim Kauf eines neuen Produkts vom Fachhandel zur Entsorgung angenommen werden müssen.

Stanley Europe nimmt Ihre ausgedienten Stanley Fat Max Geräte gern zurück und sorgt für eine umweltfreundliche Entsorgung bzw. Wiederverwertung. Um diese Dienstleistung in Anspruch zu nehmen, geben Sie das Gerät bitte bei einer autorisierten Reparaturwerkstatt ab, die für uns die Einsammlung übernimmt.

Die Adresse der zuständigen Niederlassung von Stanley Europe steht in dieser Anleitung. Dort teilt man Ihnen gerne die nächstgelegene Vertragswerkstatt mit. Eine Liste der Vertragswerkstätten und aller Kundendienststellen von Stanley Europe sowie der zuständigen Ansprechpartner finden Sie auch im Internet unter: [www.2helpU.com](http://www.2helpU.com)

## Technische Daten

		FME630 (Typ 1)
Eingangsspannung	$V_{ac}$	230
Leistungsaufnahme	W	750
Leerlaufdrehzahl	$\text{min}^{-1}$	16.500
Hobelbreite	mm	82
Hobeltiefe	mm	2
Einfalztiefe	mm	12
Gewicht	kg	2.9

### Gesamtvibration (Triax-Vektorsumme) gemäß EN 60745:

Vibrationsemissionswert ( $a_w$ ) 1.5  $\text{m/s}^2$ ,

Unsicherheitsfaktor (K) 1.5  $\text{m/s}^2$

### Schalldruckpegel gemäß EN 60745:

Schalldruck ( $L_{pA}$ ) 84 dB(A), Unsicherheitsfaktor (K) 3 dB(A)

Schalleistung ( $L_{WA}$ ) 95 dB(A), Unsicherheitsfaktor (K) 3 dB(A)

## EG-Konformitätserklärung

MASCHINENRICHTLINIE



FME630

Stanley Europe erklärt, dass diese unter "Technische Daten" beschriebenen Geräte übereinstimmen mit:

2006/42/EG

EN 60745-1, EN 60745-2-14

Diese Produkte entsprechen außerdem den Richtlinien 2004/108/EG und 2011/65/EU. Weitere Informationen erhalten Sie von Stanley Europe unter der folgenden Adresse. Diese befindet sich auch auf der Rückseite dieser Anleitung.

Der Unterzeichnete ist verantwortlich für die Zusammenstellung der technischen Daten und gibt diese Erklärung im Namen von Stanley Europe ab.

Kevin Hewitt  
Vice-President Global Engineering  
Stanley Europe, Egide Walschaertsstraat 14-18,  
2800 Mechelen, Belgien  
29/01/2013

## Garantie

Stanley Europe vertraut auf die Qualität der eigenen Geräte und bietet gewerblichen Anwendern eine außergewöhnliche Garantie. Bei dieser Garantieerklärung handelt es sich um eine Ergänzung zu den vertraglich festgeschriebenen Rechten von Heimanwendern, die durch diese Garantieerklärung keinesfalls eingeschränkt werden. Sie gilt in sämtlichen Mitgliedstaaten der Europäischen Union und der Europäischen Freihandelszone EFTA.

### **VOLLE GARANTIE FÜR EIN JAHR**

Tritt innerhalb von 12 Monaten ab Kaufdatum an einem Gerät von Stanley Fat Max ein auf Material- oder Verarbeitungsfehler zurückzuführender Mangel auf, garantiert Stanley Europe den kostenlosen Austausch sämtlicher defekter Teile bzw. – nach eigenem Ermessen – den kostenlosen Ersatz des Geräts, allerdings vorbehaltlich folgender Bedingungen:

- ◆ Das Gerät wurde gemäß dieser Anleitung verwendet.
- ◆ Das Gerät wurde nur normaler Abnutzung ausgesetzt.
- ◆ Es wurden keine Reparaturversuche durch unberechtigte Personen unternommen.
- ◆ Es ist ein Kaufbeleg vorhanden.
- ◆ Das Gerät von Stanley Fat Max wird vollständig und mit allen Originalkomponenten eingereicht.

Wenn Sie Garantieleistungen in Anspruch nehmen möchten, wenden Sie sich an den Verkäufer oder die zuständige Niederlassung von Stanley Fat Max. Die Adresse finden Sie im Stanley Fat Max Katalog, oder sie wird Ihnen von der örtlichen Niederlassung genannt, deren Adresse in dieser Anleitung steht. Eine Liste der Vertragswerkstätten und aller Kundendienststellen von Stanley Fat Max finden Sie auch im Internet unter: [www.stanley.eu/3](http://www.stanley.eu/3)



## Utilisation

Votre raboteuse Stanley Fat Max a été spécialement conçue pour raboter le bois, les morceaux de bois et le plastique. Elle est portable. Ce produit est destiné aux professionnels et privés, des utilisateurs non professionnels.

## Consignes de sécurité

### Consignes de sécurité concernant les outils électroportatifs



**Attention !** Lisez avec attention tous les avertissements et toutes les instructions. Le non-respect de cette consigne peut entraîner une électrocution, un incendie et/ou de graves blessures.

**Conservez tous les avertissements et instructions pour référence ultérieure.** La notion d'« outil électroportatif » mentionnée par la suite se rapporte à des outils électriques raccordés au secteur (avec câble de raccordement) ou fonctionnant avec piles (sans fil).

#### 1. Sécurité de la zone de travail

- a. **Maintenez la zone de travail propre et bien éclairée.**  
Un lieu de travail en désordre ou mal éclairé augmente le risque d'accidents.
- b. **N'utilisez pas les outils électroportatifs dans un environnement présentant des risques d'explosion ni en présence de liquides, gaz ou poussières inflammables.** Les outils électroportatifs génèrent des étincelles risquant d'enflammer les poussières ou les vapeurs.
- c. **Tenez les enfants et autres personnes éloignés durant l'utilisation de l'outil électroportatif.** En cas d'inattention, vous risquez de perdre le contrôle de l'outil.

#### 2. Sécurité électrique

- a. **La prise de l'outil électroportatif doit être compatible avec la prise d'alimentation. Ne modifiez en aucun cas la prise. N'utilisez pas de prises d'adaptateur avec des appareils ayant une prise de terre.** Le respect de ces consignes réduit le risque de choc électrique.
- b. **Évitez le contact physique avec des surfaces mises à la terre telles que tuyaux, radiateurs, fours et réfrigérateurs.** Le risque de choc électrique augmente si votre corps est relié à la terre.
- c. **N'exposez pas l'outil électroportatif à la pluie ou à l'humidité.** La pénétration d'eau dans un outil électroportatif augmente le risque de choc électrique.

- d. **Préservez le câble d'alimentation. N'utilisez pas le câble pour porter l'outil, pour l'accrocher. Ne le tirez pas pour le débrancher. Maintenez le câble éloigné des sources de chaleurs, des parties huilées, des bords tranchants ou des parties de l'appareil en rotation.** Le risque de choc électrique augmente si les câbles sont endommagés ou emmêlés.
- e. **Si vous utilisez l'outil électroportatif à l'extérieur, utilisez une rallonge homologuée pour une utilisation à l'extérieur.** L'utilisation d'une rallonge électrique homologuée pour les travaux à l'extérieur réduit le risque de choc électrique.
- f. **Si l'outil doit être utilisé dans un endroit humide, prenez les précautions nécessaires en utilisant un dispositif à courant résiduel (RCD).** L'utilisation d'un tel dispositif réduit les risques d'électrocution.

#### 3. Sécurité personnelle

- a. **Restez vigilant, surveillez ce que vous faites. Faites preuve de bon sens quand vous utilisez un outil électroportatif. N'utilisez pas l'outil lorsque vous êtes fatigué ou après avoir consommé de l'alcool ainsi que des médicaments.** Un moment d'inattention en utilisant l'outil peut entraîner de graves blessures.
- b. **Portez un équipement de protection. Portez toujours des lunettes de protection.** Selon le travail à effectuer, le port d'équipement de protection tels que masque anti-poussières, chaussures de sécurité antidérapantes, casque ou protection auditive, réduit le risque de blessures.
- c. **Évitez un démarrage imprévu. L'appareil doit être en position OFF (arrêt) avant d'effectuer le branchement à l'alimentation et/ou au bloc-batterie, de le ramasser ou de le porter.** Ne laissez pas votre doigt sur le bouton de commande en le transportant. N'alimentez pas l'outil si le bouton est activé. Ceci pourrait être à l'origine d'accident.
- d. **Enlevez tout outil ou clé de réglage avant de mettre l'appareil en marche.** Une clé ou un outil se trouvant sur une partie en rotation peut causer des blessures.
- e. **Adoptez une position confortable. Adoptez une position stable et gardez votre équilibre en permanence.** Vous contrôlerez ainsi mieux l'outil dans des situations inattendues.
- f. **Portez des vêtements appropriés. Ne portez pas de vêtements amples ou de bijoux. N'approchez pas les cheveux, vêtements ou gants des parties des pièces mobiles.** Les vêtements amples, les bijoux ou les cheveux longs peuvent s'accrocher dans les pièces en mouvement.

- g. **En cas d'utilisation d'appareils servant à aspirer ou à recueillir les poussières, assurez-vous qu'ils sont correctement raccordés et utilisés.** L'utilisation de tels dispositifs réduit les dangers dus aux poussières.

#### 4. Utilisation des outils électroportatifs et précautions

- a. **Respectez la capacité de l'outil. Utilisez l'outil électroportatif approprié pour le travail à effectuer.** Avec un outil approprié, vous travaillerez mieux et en toute sécurité.

- b. **N'utilisez pas un outil électroportatif dont l'interrupteur est défectueux.** Un outil électroportatif qui ne répond pas à la commande marche/arrêt est dangereux et doit être réparé.

- c. **Retirez la prise de courant et/ou débranchez le bloc-batterie avant d'effectuer des réglages, de changer les accessoires ou de ranger l'outil.** Cette mesure de précaution empêche de mettre l'outil en marche accidentellement.

- d. **Rangez les outils électroportatifs hors de portée des enfants. Les personnes ne connaissant pas l'outil ou n'ayant pas lu ces instructions ne doivent en aucun cas l'utiliser.** Les outils électroportatifs sont dangereux lorsqu'ils sont utilisés par des personnes non initiées.

- e. **Entretenez les outils électroportatifs. Vérifiez que les parties en mouvement fonctionnent correctement et qu'elles ne sont pas coincées. Vérifiez qu'il n'y a pas de pièces cassées ou endommagées susceptibles de nuire au bon fonctionnement de l'outil. S'il est endommagé, faites réparer l'outil avant de l'utiliser.** De nombreux accidents sont la conséquence d'outils mal entretenus.

- f. **Maintenez les outils de coupe aiguisés et propres.** Des outils soigneusement entretenus avec des bords tranchants bien aiguisés se coincent moins souvent et peuvent être guidés plus facilement.

- g. **Utilisez les outils électroportatifs, les accessoires, etc., en suivant ces instructions et en tenant compte des conditions de travail, ainsi que du travail à effectuer.** L'utilisation des outils électroportatifs à d'autres fins que celles prévues peut vous mettre en situation dangereuse.

#### 5. Réparations

- a. **Faites réparer votre outil électroportatif uniquement par du personnel qualifié et seulement avec des pièces de rechange appropriées.** Cela garantira le maintien de la sécurité de votre outil.

### Consignes de sécurité supplémentaires concernant les outils électroportatifs



**Attention !** Instructions de sécurité supplémentaires pour raboteuses.

- ◆ **Tenez l'outil au niveau des surfaces de prise isolées pour éviter que la lame ne se trouve en contact avec le câble.** En touchant un fil sous tension, la charge électrique passe dans les parties métalliques de l'outil électroportatif et il y a risque de choc électrique.
- ◆ **Utilisez des pinces ou autres pour fixer et soutenir la pièce de manière stable.** Si vous la tenez à la main ou contre votre corps, elle ne sera pas stable et vous pouvez en perdre le contrôle.
- ◆ **Attendez que la lame s'arrête avant de reposer l'outil.** Une lame en rotation peut s'accrocher à la surface, ce qui aurait pour effet la perte de contrôle et de sérieuses blessures.
- ◆ **La lame doit toujours être aiguisée.** Les lames émoussées ou endommagées peuvent faire déraiper ou bloquer la raboteuse pendant le fonctionnement. Utilisez toujours le type approprié de lame correspondant à l'outil.
- ◆ **Ne touchez pas la pièce ou la lame immédiatement après avoir utilisé l'outil.** Elles peuvent être très chaudes.
- ◆ **Retirez tous les clous et objets métalliques sur la pièce avant de commencer.**
- ◆ **Tenez toujours l'outil avec les deux mains et par les poignées prévues à cet effet.**
- ◆ **Débranchez immédiatement le câble du secteur s'il est endommagé ou coupé.**

**Attention !** Tout contact ou inhalation de poussières pendant le rabotage peut présenter un danger pour la santé de l'utilisateur ainsi que des personnes autour. Portez un masque antipoussières spécialement conçu pour vous protéger des sciures et des fumées toxiques et veillez à ce que les personnes se trouvant à l'intérieur de la zone de travail ou y pénétrant soient également protégées.

- ◆ Cet outil ne peut être utilisé par des personnes (y compris des enfants) ayant des capacités mentales, sensorielles ou physiques réduites, ou celles manquant d'expérience et de connaissances, à moins qu'elles ne soient encadrées ou qu'elles n'aient été formées à l'utilisation de l'outil par une personne responsable de leur sécurité. Ne laissez jamais les enfants sans surveillance pour éviter qu'ils ne jouent avec cet outil.
- ◆ Les consignes d'utilisation sont données dans ce manuel d'instructions. L'utilisation d'un accessoire ou d'une fixation, ou bien l'utilisation de cet outil à d'autres fins que celles recommandées dans ce manuel d'instructions peut entraîner des blessures et/ou des dommages matériels.

## Sécurité des personnes

- ◆ Cet outil ne doit pas être utilisé par des personnes (y compris les enfants) ayant des déficiences physiques, mentales ou sensorielles. Cette consigne s'applique aussi aux personnes manquant d'expérience et de connaissance du matériel, à moins que celles-ci n'aient reçu les instructions appropriées ou qu'elles ne soient encadrées par une personne responsable de leur sécurité pour utiliser l'outil.
- ◆ Ne laissez jamais les enfants sans surveillance pour éviter qu'ils ne jouent avec cet outil.

## Risques résiduels.

L'utilisation d'un outil non mentionné dans les consignes de sécurité données peut entraîner des risques résiduels supplémentaires. Ces risques peuvent survenir si la machine est mal utilisée, si l'utilisation est prolongée, etc.

Malgré l'application des normes de sécurité correspondantes et la présence de dispositifs de sécurité, les risques résiduels suivants ne peuvent être évités. Ceci comprend :

- ◆ Les blessures dues au contact avec une pièce mobile/en rotation.
- ◆ Les blessures causées en changeant des pièces, lames ou accessoires.
- ◆ Les blessures dues à l'utilisation prolongée d'un outil. Une utilisation prolongée de l'outil nécessite des pauses régulières.
- ◆ Déficience auditive.
- ◆ Risques pour la santé causés par l'inhalation de poussières produites pendant l'utilisation de l'outil (exemple : travail avec du bois, surtout le chêne, le hêtre et les panneaux en MDF).

## Vibration

La valeur des émissions de vibration déclarée dans la section Déclaration/Données techniques de conformité a été mesurée selon une méthode d'essai standard fournie par la norme EN 60745 et peut être utilisée pour comparer un outil à un autre. Elle peut aussi être utilisée pour une évaluation préliminaire à l'exposition.

**Attention !** Selon la manière dont l'outil est utilisé, la valeur des émissions de vibration pendant l'utilisation de l'outil peut être différente de la valeur déclarée. Le niveau de vibration peut augmenter au-dessus du niveau établi.

Quand l'exposition aux vibrations est évaluée afin de déterminer les mesures de sécurité requises par la norme 2002/44/CE pour protéger les personnes utilisant régulièrement des outils électroportatifs, il faut tenir compte d'une estimation de l'exposition aux vibrations, des conditions actuelles d'utilisation et de la manière dont l'outil est utilisé. Il faut aussi tenir compte de toutes les pièces du cycle de fonctionnement comme la durée pendant laquelle l'outil est arrêté et quand il fonctionne au ralenti, ainsi que la durée du déclenchement.

## Étiquettes de l'outil

Les pictogrammes ci-dessous se trouvent sur l'appareil :



**Attention !** Pour réduire le risque de blessures, l'utilisateur doit lire le manuel d'instructions.

## Sécurité électrique



Cet outil est doublement isolé. Par conséquent, aucun câble de mise à la terre n'est nécessaire. Vérifiez si l'alimentation mentionnée sur la plaque signalétique de l'outil correspond bien à la tension présente sur le lieu.

- ◆ Si le câble d'alimentation est endommagé, il doit être remplacé par le fabricant ou par un Centre de réparation agréé Stanley Fat Max pour éviter les risques éventuels.

## Caractéristiques

Cet outil comprend certains ou tous les éléments suivants.

1. Déclencheur
2. Bouton de déblocage
3. Sortie de copeaux
4. Sélecteur de sortie de copeaux
5. Bouton de réglage de profondeur de rabotage
6. Graduation de profondeur de rabotage

## Assemblage

**Attention !** Avant l'assemblage, assurez-vous que l'outil est éteint et débranché.

## Remplacement des lames (figure A)

Les deux côtés des lames fournies avec cet outil sont utilisables. Votre représentant local peut vous proposer des lames de rechange.

## Retrait

- ◆ Desserrez les boulons (7) en utilisant la clé fournie.
- ◆ Glissez la lame (8) hors du support.
- ◆ Retournez la lame pour installer le côté non utilisé. Si les deux côtés sont usés, la lame doit être remplacée.

**Mise en place**

- ◆ Glissez la lame dans le support jusqu'à ce qu'elle soit en butée.
- ◆ Serrez les boulons en utilisant la clé fournie.

**Attention !** Remplacez toujours les deux lames.

**Réglage de la profondeur de coupe (figure B)**

La profondeur de coupe est indiquée par le repère (9). Le réglage peut être lu sur la graduation (6).

- ◆ Tournez le bouton de réglage (5) à la profondeur de coupe requise.
- ◆ Le bouton doit être réglé sur P si l'outil n'est pas utilisé.

**Installation et retrait du guide parallèle (figure C)**

Le guide parallèle est utilisé pour un meilleur contrôle sur les pièces étroites.

- ◆ Insérez le bouton (11) dans le trou sur le côté de la raboteuse et serrez fermement.
- ◆ Desserrez le bouton de réglage du guide parallèle (10).
- ◆ Glissez le guide parallèle dans la position requise.
- ◆ Serrez fermement le bouton de réglage du guide parallèle.

**Remarque :** le guide parallèle doit se trouver sous la raboteuse quand il est correctement installé.

- ◆ Pour retirer le guide parallèle, procédez inversement.

**Raccordement d'un aspirateur à l'outil (figure D)**

Il faut un adaptateur pour connecter l'aspirateur ou le récupérateur de poussière à l'outil. L'adaptateur peut être acheté auprès d'un revendeur Stanley Fat Max.

- ◆ Glissez l'adaptateur (12) sur la sortie de copeaux (3).
- ◆ Raccordez le tuyau d'aspirateur (13) à l'adaptateur.

**Installation du sac de récupération des copeaux (figure E)**

Le sac de récupération des copeaux est très utile particulièrement dans les endroits étroits.

- ◆ Glissez la plaque (14) du sac sur un des côtés de la sortie de copeaux (3).
- ◆ Pour éviter la sortie des copeaux du côté opposé à la sortie, déplacez le sélecteur de sortie de copeaux (4) du côté opposé au sac.

**Vidage du sac de récupération des copeaux**

Le sac de récupération des copeaux doit être régulièrement vidé pour éviter les blocages en utilisant l'outil.

- ◆ Ouvrez le sac pour vider la poussière avant de continuer.

**Utilisation**

**Attention !** Laissez l'outil fonctionner à sa propre vitesse. Ne le poussez pas au-delà de sa limite.

- ◆ Réglez la profondeur de coupe.

- ◆ Si nécessaire, installez et ajustez le guide parallèle.

**Mise en marche et arrêt****Démarrage**

- ◆ Appuyez sur le bouton de déblocage (2) et appuyez sur le déclencheur (1).
- ◆ Relâchez le bouton de déblocage.

**Arrêt**

- ◆ Relâchez le déclencheur.

**Rabotage**

- ◆ Maintenez l'outil avec le bout de la semelle sur le bout de la pièce.
- ◆ Mettez l'outil en marche.
- ◆ Poussez l'outil de manière régulière pour effectuer la course.
- ◆ Éteignez l'outil une fois la course effectuée.

**Feuillure (figure F)**

- ◆ Installez et ajustez le guide parallèle.
- ◆ Procédez comme pour le rabotage

**Chanfreinage (figure G)**

La rainure en V au bout de la semelle permet de chanfreiner les bords à 45°, 30° et 15°.

- ◆ Maintenez l'outil dans l'angle avec la rainure choisie (20) sur le bord de la pièce et effectuer la course.

**Dispositif de positionnement (figure H)**

Votre raboteuse est munie d'un dispositif de positionnement (21) qui s'abaisse automatiquement quand l'outil est soulevé de la surface de travail. Pendant le rabotage, le dispositif de positionnement se lève dès que l'outil est poussé en avant. Quand le dispositif de positionnement est abaissé, la raboteuse reste sur la surface de travail sans que la lame ne soit en contact.

**Conseils pour une utilisation optimale**

- ◆ Déplacez l'outil dans le sens du grain du bois.
- ◆ Si le grain est croisé ou ondulé, ou si la pièce à raboter est en bois dur, ajustez la profondeur de coupe pour n'éliminer que quelques copeaux à chaque passage et effectuez plusieurs passages pour obtenir le résultat souhaité.
- ◆ Pour maintenir l'outil en ligne droite, appuyez sur l'avant de l'outil au démarrage, puis sur l'arrière à la fin de la course.

## Accessoires

La qualité du travail réalisé par votre outil dépend des accessoires utilisés. Les accessoires Stanley Fat Max correspondent aux normes de qualité supérieure et sont conçus pour donner le meilleur résultat possible. Votre outil vous donnera entière satisfaction avec ces accessoires.

Votre représentant local peut vous proposer des lames de rechange des types suivants :

- Lames réversibles en carbure de tungstène (réf. X35007, vendues par paire)
- Lames réversibles en acier haute vitesse (réf. X24192-XJ11, vendues par paire)

## Entretien

Votre outil a été conçu pour fonctionner pendant longtemps avec un minimum d'entretien. Un fonctionnement continu satisfaisant dépend d'un nettoyage régulier et d'un entretien approprié de l'outil.

**Attention !** Préalablement à toute opération d'entretien, éteignez et débranchez l'outil.

- ◆ Nettoyez régulièrement les orifices de ventilation de votre outil à l'aide d'une brosse souple ou d'un chiffon sec.
- ◆ Nettoyez régulièrement le compartiment du moteur à l'aide d'un chiffon humide. N'utilisez pas de produit abrasif ou à base de solvant.

## Remplacement de la courroie d'entraînement (figure I)

- ◆ Desserrez les vis (15) et retirez le couvercle (16).
- ◆ Retirez la courroie d'entraînement usée.
- ◆ Placez une nouvelle courroie (17) sur les poulies. Placez d'abord la courroie sur la grande poulie (18), puis sur la petite poulie (19), tout en tournant régulièrement à la main la courroie.
- ◆ Remplacez le couvercle et serrez les vis.

## Vérification et remplacement de la brosse du moteur (figure J)

Vérifiez régulièrement les brosses pour détecter le niveau d'usure.

- ◆ Retirez le cache du balai (22). Les brosses doivent glisser librement dans le boîtier. Si les brosses sont usées de 0,3" (8 mm), il faut les remplacer.

Pour la réinstallation, poussez la nouvelle brosse dans le boîtier. Pour remplacer la brosse existante, maintenez la même orientation que lors du retrait. Remplacez le cache (sans trop serrer).

## Remplacement des prises secteur (RUet Irlande uniquement)

Si une nouvelle prise secteur doit être installée :

- ◆ Mettez au rebut la vieille prise.
- ◆ Branchez le fil brun dans la borne de la nouvelle prise.
- ◆ Branchez le fil bleu à la borne neutre.

**Attention !** Aucune connexion ne doit être faite à la borne de terre. Suivez les instructions de montage fournies avec les prises de bonne qualité. Fusibles recommandés : 5 A.

## Protection de l'environnement



Recyclage. Ce produit ne doit pas être jeté avec les déchets ménagers.

Si votre appareil/outil Stanley Fat Max doit être remplacé ou si vous ne l'utilisez plus, ne le jetez pas avec les ordures ménagères. Songez à la protection de l'environnement et recyclez-le.



La collecte séparée des produits et des emballages usagés permet de recycler et de réutiliser des matériaux.

La réutilisation de matériaux recyclés évite la pollution de l'environnement et réduit la demande de matières premières.

Des réglementations locales peuvent stipuler la collecte séparée des produits électriques et des produits ménagers, dans des déchetteries municipales ou par le revendeur lorsque vous achetez un nouveau produit.

Stanley Europe offre une solution permettant de recycler les produits Stanley Fat Max lorsqu'ils ont atteint la fin de leur cycle de vie. Pour pouvoir profiter de ce service, veuillez retourner votre produit à un réparateur agréé qui se chargera de le collecter pour nous.

Pour connaître l'adresse du réparateur agréé le plus proche de chez vous, contactez le bureau Stanley Europe à l'adresse indiquée dans ce manuel. Vous pourrez aussi trouver une liste de réparateurs agréés par Stanley Europe et de plus amples informations à propos de notre service après-vente sur le site Internet : [www.2helpU.com](http://www.2helpU.com)

## Caractéristiques techniques

		FME630 (Type 1)
Tension d'entrée	$V_{ac}$	230
Puissance	W	750
Vitesse à vide	$\text{min}^{-1}$	16,500
Largeur de rabotage	mm	82
Profondeur de rabotage	mm	2
Profondeur de feuillure	mm	12
Poids	kg	2.9

### Valeurs totales des vibrations (somme vectorielle triaxiale) selon la norme EN 60745 :

Valeur des émissions de vibration ( $a_{hv}$ ) 1.5  $\text{m/s}^2$

Incertitude (K) 1.5  $\text{m/s}^2$

### Niveau de pression sonore selon la norme EN 60745 :

Pression sonore ( $L_{pA}$ ) 84 dB(A), incertitude (K) 3 dB(A)

Puissance sonore ( $L_{WA}$ ) 95 dB(A), incertitude (K) 3 dB(A)

## Déclaration de conformité CE

CONSIGNES DE MACHINERIE



FME630

Stanley Europe confirme que les produits décrits dans les « Caractéristiques techniques » sont conformes aux normes :

2006/42/CE

EN 60745-1, EN 60745-2-14

Ces produits sont conformes aux Directives 2004/108/CE et 2011/65/UE. Pour plus de détails, veuillez contacter Stanley Europe à l'adresse suivante ou reportez-vous au dos du manuel.

Le soussigné est responsable des données de la fiche technique et fait cette déclaration au nom de Stanley Europe.

Kevin Hewitt

Vice-Président - ingénierie internationale

Stanley Europe, Egide Walschaertsstraat 14-18,

2800 Malines, Belgique

29/01/2013

## Garantie

Stanley Europe assure la qualité de ses produits et offre aux utilisateurs professionnels une garantie très élargie. Ce certificat de garantie est un document supplémentaire et ne peut en aucun cas se substituer à vos droits contractuels en tant qu'utilisateur privé non professionnel. La garantie est valable sur tout le territoire des États Membres de l'Union Européenne et de la Zone de Libre Échange Européenne.

### **GARANTIE TOTALE UN AN**

Si un produit Stanley Fat Max s'avère défectueux en raison de matériaux en mauvais état ou d'une erreur humaine dans les 12 mois suivant la date d'achat, Stanley Europe garantit le remplacement gratuit ou – à sa discrétion - des pièces défectueuses si :

- ◆ Le produit a été correctement utilisé et a été utilisé en respectant les instructions du manuel.
- ◆ L'usure du produit est normale ;
- ◆ Les réparations ont été effectuées par des personnes agréées ;
- ◆ Une preuve d'achat est donnée ;
- ◆ Le produit Stanley Fat Max est réexpédié avec tous les composants d'origine.

Pour toutes réclamations, recherchez l'adresse du réparateur agréé Stanley le plus proche de chez vous dans le catalogue Fat Max ou contactez le bureau local Stanley à l'adresse indiquée dans ce manuel. Une liste de réparateurs agréés Fat Max et de plus amples détails sur notre service après-vente sont disponibles sur le site Internet [www.stanley.eu/3](http://www.stanley.eu/3)

## Uso previsto

La piallatrice Stanley Fat Max è stata progettata per piallare legno, articoli di legno e plastica. Questo elettroutensile è stato progettato per essere usato tenendolo in mano. Questo strumento è destinato a professionisti e private, gli utenti non professionali.

## Istruzioni di sicurezza

### Avvisi di sicurezza generici per gli elettroutensili



**Avvertenza!** Leggere tutti gli avvisi di sicurezza e tutte le istruzioni. La mancata osservazione dei presenti avvisi e istruzioni potrebbe causare scosse elettriche, incendi e/o infortuni gravi.

**Conservare tutte le istruzioni e le avvertenze per futura consultazione.** Il termine "elettroutensile" che ricorre in tutti gli avvisi seguenti si riferisce ad utensili elettrici con o senza filo.

#### 1. Sicurezza nella zona di lavoro

- a. **Mantenere pulita e bene illuminata la zona di lavoro.** Il disordine o la scarsa illuminazione possono causare incidenti.
- b. **Evitare d'impiegare gli elettroutensili in ambienti esposti al rischio di esplosione, ad esempio in presenza di liquidi, gas o polveri infiammabili.** Gli elettroutensili producono scintille che possono far infiammare la polvere o i fumi.
- c. **Mantenere lontani bambini e osservatori mentre si usa l'elettroutensile.** Eventuali distrazioni possono comportare la perdita del controllo dell'elettroutensile.

#### 2. Sicurezza elettrica

- a. **Le spine elettriche degli elettroutensili devono essere adatte alla presa. Evitare assolutamente di modificare la spina elettrica. Non usare adattatori con elettroutensili provvisti di messa a terra.** L'uso di spine inalterate e delle prese corrispondenti riduce il rischio di scosse elettriche.
- b. **Evitare il contatto fisico con superfici collegate a terra, come tubi, radiatori, forni e frigoriferi.** Un corpo collegato a terra è esposto maggiormente al rischio di scosse elettriche.
- c. **Custodire gli elettroutensili al riparo dalla pioggia o dall'umidità.** L'eventuale infiltrazione di acqua in un elettroutensile va ad aumentare il rischio di scosse elettriche.

- d. **Non utilizzare il cavo in modo improprio. Non usare il cavo per trasportare o trainare l'elettroutensile e non tirarlo per estrarre la spina dalla presa di corrente. Mantenere il cavo al riparo da calore, olio, bordi taglienti e/o da parti in movimento.** I cavi danneggiati o aggrovigliati aumentano il rischio di scosse elettriche.
- e. **Se l'elettroutensile viene adoperato all'aperto, usare esclusivamente prolunghie omologate per l'impiego all'esterno.** Un cavo adatto per uso esterno riduce il rischio di scosse elettriche.
- f. **Se non è possibile evitare di lavorare in una zona umida, usare un'alimentazione elettrica protetta da un dispositivo a corrente residua (RCD).** L'uso di un dispositivo RCD riduce il rischio di scosse elettriche.

#### 3. Sicurezza delle persone

- a. **È importante concentrarsi su ciò che si sta facendo e maneggiare con giudizio l'elettroutensile. Non adoperare l'elettroutensile se si è stanchi o sotto l'effetto di stupefacenti, alcol o medicinali.** Un attimo di distrazione durante l'uso dell'elettroutensile può causare gravi infortuni personali.
- b. **Utilizzare un equipaggiamento di protezione personale. Indossare sempre occhiali di sicurezza.** Se si avrà cura d'indossare l'equipaggiamento protettivo necessario, ad esempio una maschera antipolvere, delle calzature antiscivolo, un casco o delle otoprotezioni, si ridurrà il rischio di infortuni.
- c. **Impedire l'avviamento involontario. Accertarsi che l'interruttore di accensione sia spento prima di collegare l'elettroutensile all'alimentazione elettrica e/o al battery pack, di prenderlo in mano o di trasportarlo.** Per non esporsi al rischio di incidenti, non trasportare gli elettroutensili tenendo le dita sull'interruttore oppure, se sono collegati a un'alimentazione elettrica, con l'interruttore acceso.
- d. **Prima di accendere un elettroutensile, togliere eventuali chiavi o attrezzi di regolazione.** Un attrezzo o una chiave lasciati in un componente mobile dell'elettroutensile possono causare infortuni.
- e. **Non piegarsi eccessivamente in avanti. Mantenere sempre un buon equilibrio evitando posizioni instabili.** In questo modo è possibile controllare meglio l'elettroutensile in situazioni inaspettate.
- f. **Vestirsi adeguatamente. Evitare di indossare indumenti larghi o gioielli. Tenere capelli, capi di vestiario e guanti lontani da parti in movimento.** Indumenti larghi, gioielli o capelli lunghi possono impigliarsi nelle parti in movimento.



g. **Se gli elettroutensili sono provvisti di attacchi per il collegamento di dispositivi di aspirazione o di raccolta della polvere, assicurarsi che questi siano installati e utilizzati correttamente.** L'impiego di dispositivi di raccolta della polvere diminuisce i rischi relativi alle polveri.

#### 4. Uso e cura degli elettroutensili

- a. **Non sovraccaricare l'elettroutensile. Usare l'elettroutensile adatto al lavoro da eseguire.**  
Utilizzando l'elettroutensile adatto si potrà lavorare meglio e con maggiore sicurezza alla potenza nominale prevista.
  - b. **Non utilizzare elettroutensili con interruttori difettosi.**  
Un elettroutensile che non può essere controllato mediante l'interruttore è pericoloso e deve essere riparato.
  - c. **Scollegare la spina dalla presa di corrente e/o il battery pack dall'elettroutensile prima di regolarlo, di sostituire gli accessori o di riparlo.** Queste precauzioni di sicurezza riducono la possibilità che l'elettroutensile sia messo in funzione inavvertitamente.
  - d. **Quando non sono usati, gli elettroutensili devono essere custoditi fuori della portata dei bambini. Non consentire l'uso dell'elettroutensile a persone inesperte o che non abbiano letto le presenti istruzioni.** Gli elettroutensili risultano pericolosi se usati da persone inesperte.
  - e. **Sottoporre gli elettroutensili alle necessarie procedure di manutenzione. Verificare che le parti mobili siano bene allineate e non inceppate, che non vi siano componenti rotti e che non sussistano altre condizioni che possono compromettere il funzionamento dell'elettroutensile. In caso di danni, riparare l'elettroutensile prima dell'uso.** La scarsa manutenzione causa molti incidenti.
  - f. **Mantenere affilati e puliti gli utensili da taglio.** Se sottoposti alla giusta manutenzione, gli strumenti da taglio con taglienti affilati s'inceppano meno frequentemente e sono più facili da manovrare.
  - g. **Utilizzare l'elettroutensile, gli accessori e le punte in conformità alle presenti istruzioni, tenendo conto delle condizioni di lavoro e del lavoro da eseguire.** L'impiego dell'elettroutensile per usi diversi da quelli consentiti può dar luogo a situazioni pericolose.
- #### 5. Riparazioni
- a. **Fare riparare l'elettroutensile solo ed esclusivamente da personale specializzato e solo impiegando pezzi di ricambio originali, onde non alterarne la sicurezza.**

## Altri avvisi di sicurezza per gli elettroutensili



**Avvertenza!** Ulteriori avvisi di sicurezza per le piallatrici

- ◆ **Afferrare l'elettroutensile solo sull'impugnatura provvista di materiale isolante, dato che la lama potrebbe venire a contatto del proprio filo di alimentazione.** Il taglio di un filo sotto tensione mette sotto tensione le parti metalliche esposte dell'elettroutensile e potrebbe esporre l'operatore a scosse elettriche.
- ◆ **Usare morsetti o altri metodi pratici per fissare e sorreggere il pezzo in lavorazione su una base stabile.** Un pezzo tenuto in mano o contro il corpo, può diventare poco stabile e causare la perdita di controllo.
- ◆ **Attendere fino a quando la lama si è fermata prima di appoggiare l'elettroutensile.** Una lama rotante scoperta potrebbe innestarsi nella superficie causando, in tutta probabilità, la perdita di controllo e lesioni gravi.
- ◆ **Mantenere ben affilata la lama.** Delle lame poco affilate o danneggiate possono causare la deviazione o lo spegnimento della piallatrice sotto sforzo. Usare sempre il tipo di lama idoneo all'elettroutensile.
- ◆ **Non toccare il pezzo o la lama subito dopo aver fatto funzionare l'elettroutensile, dato che potrebbero essere molto caldi.**
- ◆ **Eliminare chiodi od oggetti metallici dal pezzo prima di iniziare la piallatura.**
- ◆ **Tenere sempre l'elettroutensile con entrambe le mani e mediante le impugnature fornite.**
- ◆ **Scollegare immediatamente il cavo dalla rete di alimentazione se danneggiato o tagliato.**

**Avvertenza!** Il contatto o l'inalazione della polvere generata dalla piallatura potrebbe nuocere alla salute dell'operatore e di eventuali astanti. Indossare una mascherina antipolvere specifica per polveri e fumi e controllare che anche le persone presenti o in arrivo nella zona di lavoro siano adeguatamente protette.

- ◆ Questo elettroutensile non è stato progettato per impiego da parte di persone (o bambini) portatrici di handicap fisici, psichici o sensoriali o che non abbiano la dovuta esperienza o conoscenza, a meno che non siano seguite o opportunamente istruite sul suo impiego da parte di una persona responsabile della loro sicurezza. Controllare che i bambini non giochino con l'elettroutensile.
- ◆ L'uso previsto è descritto nel presente manuale d'uso. Se questo elettroutensile viene usato con accessori o per usi diversi da quelli raccomandati nel presente manuale d'uso, si potrebbero verificare lesioni personali e/o danni alle cose.

## Sicurezza altrui

- ◆ Questo elettroutensile non è stato progettato per impiego da parte di persone (o bambini) portatrici di handicap fisici, psichici o sensoriali o che non abbiano la dovuta esperienza o conoscenza, a meno che non siano seguite o opportunamente istruite sul suo impiego da parte di una persona responsabile della loro sicurezza.
- ◆ Controllare che i bambini non giochino con l'elettroutensile.

## Rischi residui.

Quando si usa l'elettroutensile, possono esservi altri rischi residui che possono non essere stati contemplati negli avvisi di sicurezza allegati. Tali rischi possono sorgere a seguito di un uso prolungato o improprio, ecc.

Perfino adottando gli appositi regolamenti di sicurezza e utilizzando i dispositivi di sicurezza, certi rischi residui non possono essere evitati. Essi comprendono:

- ◆ Lesioni causate o subite a seguito del contatto con parti rotanti/in movimento.
- ◆ Lesioni causate o subite durante la sostituzione di parti, lame o accessori.
- ◆ Lesioni causate dall'impiego prolungato di un elettroutensile. Quando si usa qualsiasi elettroutensile per lunghi periodi, accertarsi di fare regolarmente delle pause.
- ◆ Problemi di udito.
- ◆ Rischi per la salute causati dall'aspirazione di polvere generata dall'utilizzo dell'elettroutensile (ad esempio quando si lavora con il legno, in modo particolare quello di quercia, faggio o l'MDF.)

## Vibrazioni

I valori dichiarati delle emissioni di vibrazioni al paragrafo Dati tecnici e nella Dichiarazione di conformità del presente manuale sono stati misurati in base al metodo di test standard previsto dalla normativa EN 60745 e possono essere usati come parametri di confronto tra due utensili. Il valore delle emissioni di vibrazioni dichiarato può anche essere usato come valutazione preliminare dell'esposizione.

**Avvertenza!** Il valore delle emissioni di vibrazioni durante l'impiego effettivo dell'elettroutensile può variare da quello dichiarato a seconda delle modalità d'uso. Il livello delle vibrazioni può aumentare oltre quello dichiarato.

Quando si valuta l'esposizione alle vibrazioni per determinare le misure di sicurezza richieste, in conformità alla normativa 2002/44/CE e destinata alla protezione delle persone che usano regolarmente gli elettroutensili nello svolgimento delle proprie mansioni, è necessario prendere in considerazione le condizioni effettive di utilizzo e il modo in cui l'utensile è usato, oltre a tenere in conto tutte le componenti del ciclo operativo, vale a dire i periodi in cui l'elettroutensile è spento, quelli in cui è acceso, ma a riposo e quelli in cui è effettivamente utilizzato.

## Etichette sull'elettroutensile

Sull'elettroutensile appaiono i seguenti pittogrammi:



**Avvertenza!** Per ridurre il rischio di infortuni, l'utente deve leggere il manuale d'uso.

## Sicurezza elettrica



Il doppio isolamento di cui è provvisto l'elettroutensile rende superfluo il filo di terra. Controllare sempre che l'alimentazione corrisponda alla tensione indicata sulla targhetta dei dati tecnici.

- ◆ In caso di danneggiamento del filo di alimentazione, è necessario farlo riparare dal fabbricante o presso un centro assistenza Stanley Fat Max autorizzato in modo da evitare eventuali pericoli.

## Caratteristiche

Questo elettroutensile presenta alcune o tutte le seguenti caratteristiche.

1. Interruttore di accensione
2. Pulsante di sicurezza
3. Uscita scarico trucioli
4. Selettore uscita scarico trucioli
5. Pomello di regolazione profondità di piallatura
6. Graduazione profondità di piallatura

## Montaggio

**Avvertenza!** Prima di montare l'elettroutensile, assicurarsi che sia spento e scollegato dalla presa di corrente.

## Sostituzione delle lame di taglio (fig. A)

Le lame da taglio fornite con questo elettroutensile sono reversibili. Le lame da taglio di ricambio possono essere acquistate presso il rivenditore di zona.

## Distacco

- ◆ Allentare i bulloni (7) con la chiave fornita.
- ◆ Sfilare la lama (8) dal porta lama.
- ◆ Invertire la lama in modo che il lato vergine sia ora in vista. Se entrambi i lati sono usurati, sostituire la lama.

**Montaggio**

- ◆ Infilare la lama nel porta lama fino a quando si trova contro l'arresto terminale.
- ◆ Serrare i bulloni con la chiave fornita.

**Avvertenza!** Sostituire sempre entrambe le lame.

**Regolazione della profondità di taglio (fig. B)**

La profondità di taglio è indicata dal contrassegno (9). La gamma di regolazione può essere letta sulla graduazione presente (6).

- ◆ Ruotare il pomello di regolazione della profondità di piallatura (5) per ottenere la profondità di taglio richiesta.
- ◆ Ruotare il pomello sulla posizione "P" quando l'elettrotensile non è utilizzato.

**Montaggio e smontaggio della guida pezzo parallela (fig. C)**

La guida pezzo parallela è usata per controllare nel modo migliore i pezzi stretti.

- ◆ Avvitare il pomello (11) nel foro sul lato della piallatrice e serrarlo saldamente.
- ◆ Allentare il pomello di regolazione della guida pezzo parallela (10).
- ◆ Far scorrere la guida pezzo parallela nella posizione richiesta.
- ◆ Serrare saldamente il pomello di regolazione della guida pezzo parallela.

**Nota:** la guida pezzo parallela dovrebbe trovarsi sotto la piallatrice se è stata montata correttamente.

- ◆ Per staccare la guida pezzo parallela eseguire in ordine inverso la procedura.

**Collegamento di un aspirapolvere all'elettrotensile (fig. D)**

Per collegare un aspirapolvere di qualsiasi tipo all'elettrotensile, è necessario usare un adattatore di estrazione della polvere che può essere acquistato presso il rivenditore Stanley Fat Max di zona.

- ◆ Infilare un adattatore (12) sull'apertura dell'uscita di scarico dei trucioli (3).
- ◆ Collegare il tubo dell'aspirapolvere (13) all'adattatore..

**Montaggio del sacco di raccolta dei trucioli (fig. E)**

Il sacco di raccolta dei trucioli è particolarmente utile quando si lavora in spazi ristretti.

- ◆ Infilare la piastra di collegamento (14) del sacco su uno dei lati dell'uscita di scarico dei trucioli (3).
- ◆ Per evitare la fuoriuscita dei trucioli dal lato opposto a quello prescelto, spostare il selettore dell'uscita di scarico dei trucioli (4) sul lato opposto a quello in cui si trova il sacco.

**Svuotamento del sacco di raccolta dei trucioli**

Il sacco di raccolta dei trucioli deve essere svuotato regolarmente durante l'impiego per evitare intasamenti.

- ◆ Sganciare il sacchetto e svuotarlo prima di continuare.

**Utilizzo**

**Avvertenza!** Lasciare che l'elettrotensile funzioni al suo ritmo. Non sovraccaricarlo.

- ◆ Regolare la profondità di taglio.
- ◆ Se necessario, montare e regolare la guida pezzo parallela.

**Accensione e spegnimento****Accensione**

- ◆ Tenere premuto il pulsante di sicurezza (2) e premere l'interruttore di accensione (1).
- ◆ Rilasciare il pulsante di sicurezza.

**Spegnimento**

- ◆ Rilasciare l'interruttore di accensione.

**Piallatura**

- ◆ Afferrare l'elettrotensile in modo che la punta del piedino scorrimento lama poggi contro la superficie del pezzo.
- ◆ Accendere l'elettrotensile.
- ◆ Spostare progressivamente in avanti l'elettrotensile per eseguire la corsa di taglio.
- ◆ Spegnere l'elettrotensile al completamento della corsa.

**Piallatura di un incavo (fig. F)**

- ◆ Montare e regolare la guida pezzo parallela.
- ◆ Procedere come indicato per la piallatura:

**Smussatura dei bordi (fig. G)**

La scanalatura a V nella punta del piedino scorrimento lama consente di smussare bordi con un angolo di 45°, 30° e 15°.

- ◆ Tenere l'elettrotensile in posizione angolare rispetto alla scanalatura desiderata (20) attorno al bordo del pezzo ed eseguire la corsa di taglio.

**Supporto di stazionamento (fig. H)**

La piallatrice è dotata di supporto di stazionamento (21) che si abbassa automaticamente quando l'elettrotensile viene sollevato dalla superficie di lavoro. Durante la piallatura, il piedino di stazionamento si solleva quando l'elettrotensile viene spinto in avanti. Quando il piedino di stazionamento è abbassato, la piallatrice può essere appoggiata sulla superficie di lavoro senza che la lama faccia contatto.

## Consigli per un utilizzo ottimale

- ◆ Spostare l'elettrotensile lungo la venatura del legno.
- ◆ Se la venatura del legno è trasversale o ondulata, oppure se il pezzo è di legno duro, regolare la profondità di taglio in modo da asportare solo uno strato sottile ad ogni passata ed eseguire varie passate per ottenere il risultato desiderato.
- ◆ Per mantenere l'elettrotensile in linea retta, premere la parte anteriore dell'elettrotensile all'inizio e quindi quella posteriore alla fine della corsa di taglio.

## Accessori

Le prestazioni dell'elettrotensile dipendono dall'accessorio usato. Gli accessori Stanley Fat Max sono stati fabbricati in base a standard qualitativi elevati e sono stati progettati per ottenere le migliori prestazioni dall'elettrotensile. Usando questi accessori si otterrà il meglio dall'elettrotensile.

Presso il rivenditore di zona è possibile acquistare i seguenti tipi di lame da taglio:

- Lame da taglio reversibili in carburo di tungsteno (parte n. X35007, fornite in coppia)
- Lame da taglio reversibili in acciaio ad alta velocità (parte n. X24192-XJ11, fornite in coppia)

## Manutenzione

Questo elettrotensile è stato progettato per funzionare a lungo con una manutenzione minima. Per ottenere prestazioni sempre soddisfacenti occorre avere cura dell'elettrotensile e sottoporlo a pulizia periodica.

**Avvertenza!** Prima di eseguire operazioni di manutenzione, spegnere l'elettrotensile ed estrarre la spina dalla presa di corrente.

- ◆ Le prese di ventilazione dell'elettrotensile devono essere pulite regolarmente con un pennello morbido o un panno asciutto.
- ◆ Il vano del motore deve essere pulito regolarmente con un panno umido. Non usare materiali abrasivi o detergenti a base di solventi.

## Sostituzione della cinghia di trasmissione (fig. I)

- ◆ Allentare le viti (15) e staccare il coperchio (16).
- ◆ Togliere la vecchia cinghia di trasmissione.
- ◆ Posizionare la nuova cinghia (17) sopra le pulegge. Posizionare per prima la cinghia sopra la puleggia grande (18) e quindi sopra quella piccola (19), mentre si ruota in modo graduale la cinghia.
- ◆ Rimontare in sede il coperchio e serrare le viti.

## Ispezione e sostituzione delle spazzole del motore (fig. J)

Ispezionare regolarmente le spazzole per controllare che non siano usurate.

- ◆ Staccare il coperchio delle spazzole (22). Le spazzole devono scorrere liberamente nella relativa scatola. Sostituire le spazzole quando restano solo 8 mm (0,3").

Per rimontarle, premere la nuova spazzola nella relativa scatola. Se si sostituisce una spazzola esistente, mantenere l'orientamento originale che aveva al momento del distacco. Sostituire il coperchio delle spazzole (senza serrarlo eccessivamente).

## Sostituzione della spina (solo Regno Unito e Irlanda)

Se è necessario montare una nuova spina:

- ◆ smaltire in tutta sicurezza quella vecchia.
- ◆ Collegare il filo marrone al morsetto sotto tensione della nuova spina.
- ◆ Collegare il filo blu al morsetto neutro.

**Avvertenza!** Non effettuare nessun collegamento sul morsetto di terra. Seguire le istruzioni fornite con le spine di buona qualità. Fusibile raccomandato: 5 A.

## Protezione dell'ambiente



Raccolta differenziata. Questo prodotto non deve essere smaltito con i normali rifiuti domestici.

Nel caso in cui l'elettrotensile Stanley Fat Max debba essere sostituito o non sia più necessario, non smaltirlo con i normali rifiuti domestici. Metterlo da parte per la raccolta differenziata.



La raccolta differenziata dei prodotti e degli imballaggi utilizzati consente il riciclaggio dei materiali e il loro continuo utilizzo.

Il riutilizzo dei materiali riciclati favorisce la protezione dell'ambiente prevenendo l'inquinamento e riduce il fabbisogno di materie prime.

Seguire la regolamentazione locale per la raccolta differenziata dei prodotti elettrici che può prevedere punti di raccolta o la consegna dell'elettrotensile al rivenditore presso il quale viene acquistato un nuovo prodotto.

Stanley Europe offre ai propri clienti la possibilità di riciclare i prodotti Stanley Fat Max che hanno esaurito la loro vita di servizio. Per usufruire di tale servizio, è sufficiente restituire il prodotto a qualsiasi tecnico autorizzato, incaricato della raccolta per conto dell'azienda.

Per individuare il tecnico autorizzato più vicino, rivolgersi alla sede Stanley Europe locale, presso il recapito indicato nel presente manuale. Altrimenti, un elenco completo di tutti i tecnici autorizzati Stanley Europe e i dettagli completi sui contatti e i servizi post-vendita sono disponibili su Internet all'indirizzo: [www.2helpU.com](http://www.2helpU.com)

## Dichiarazione di conformità CE

DIRETTIVA SUI MACCHINARI



FME630

Stanley Europe dichiara che questi prodotti descritti al paragrafo "Dati tecnici" sono conformi a:

2006/42/CE

EN 60745-1, EN 60745-2-14

Questi prodotti sono conformi alla Direttiva 2004/108/CE e 2011/65/UE. Per ulteriori informazioni contattare Stanley Europe al seguente indirizzo oppure consultare l'ultima di copertina del manuale.

Il sottoscritto è responsabile della redazione di questo documento tecnico e rilascia questa dichiarazione per conto di Stanley Europe.

Kevin Hewitt

Vice-President Global Engineering

Stanley Europe, Egide Walschaertsstraat14-18,

2800 Mechelen, Belgio

29/01/2013

### Dati tecnici

		FME630 (Tipo 1)
Tensione in ingresso	$V_{ac}$	230
Potenza assorbita	W	750
Regime a vuoto	$\text{min}^{-1}$	16,500
Larghezza di piallatura	mm	82
Profondità di piallatura	mm	2
Profondità di un incavo	mm	12
Peso	kg	2.9

Valori totali vibrazioni (somma vettoriale triassiale) in base a EN 60745:
Valore emissioni vibrazioni ( $a_{Hv}$ ) 1.5 $\text{m/s}^2$
incertezza (K) 1.5 $\text{m/s}^2$

Livello di pressione sonora misurato in base a EN 60745:
Pressione sonora ( $L_{pA}$ ) 84 dB(A), incertezza (K) 3 dB(A)
Potenza acustica ( $L_{WA}$ ) 95 dB(A), incertezza (K) 3 dB(A)

## Garanzia

Certa della qualità dei suoi prodotti, Stanley Europe offre una garanzia eccezionale agli utenti professionali di questo prodotto. Il presente certificato di garanzia è complementare ai diritti contrattuali come utente privato non professionale e non li pregiudica in alcun modo. La garanzia è valida entro il territorio degli Stati membri dell'Unione Europea e dell'EFTA (European Free Trade Area).

### GARANZIA TOTALE DI UN ANNO

Se un prodotto Stanley Fat Max risulta difettoso per qualità del materiale, della costruzione o per mancata conformità entro 12 mesi dalla data di acquisto, Stanley Europe garantisce, a sua discrezione, la sostituzione gratuita di tutte le parti difettose oppure la sostituzione gratuita del prodotto sempre che:

- ◆ il prodotto non sia stato usato in modo improprio ma bensì in conformità al manuale d'uso;
- ◆ il prodotto sia stato usato in modo ragionevole;
- ◆ il prodotto non sia stato sottoposto a riparazioni da parte di persone non autorizzate;
- ◆ venga fornita la prova comprovante l'acquisto;
- ◆ il prodotto Stanley Fat Max venga reso completo con tutti i componenti originali

Se si desidera sporgere reclamo, rivolgersi al rivenditore di zona oppure controllare l'indirizzo del tecnico Stanley autorizzato più vicino nel catalogo Stanley Fat Max o contattare la sede Stanley Fat Max presso il recapito indicato nel presente manuale. Un elenco completo di tutti i tecnici autorizzati Stanley Fat Max e i dettagli completi sui servizi post-vendita sono disponibili su Internet all'indirizzo: [www.stanley.eu/3](http://www.stanley.eu/3)

## Beoogd gebruik

De Stanley Fat Max-schaafmachine is ontworpen voor het schaven van houtproducten en kunststof. Het gereedschap is bedoeld voor gebruik met de hand. Deze tool bedoeld voor beroeps- en prive, niet-professionele gebruikers.

## Veiligheidsinstructies

### Algemene veiligheidswaarschuwingen voor elektrisch gereedschap



**Waarschuwing!** Lees alle veiligheidswaarschuwingen en alle instructies. Wanneer de volgende waarschuwingen en voorschriften niet in acht worden genomen, kan dit een elektrische schok, brand of ernstig letsel tot gevolg hebben.

**Bewaar alle waarschuwingen en instructies als referentiemateriaal.** Het hierna gebruikte begrip 'elektrisch gereedschap' heeft betrekking op elektrische gereedschappen voor gebruik op de netspanning (met netsnoer) of op een accu (snoerloos).

#### 1. Veilige werkomgeving

- a. **Houd uw werkomgeving schoon en opgeruimd.** Een rommelige of slecht verlichte werkomgeving kan tot ongevallen leiden.
- b. **Gebruik elektrisch gereedschap niet in een omgeving met explosiegevaar, zoals in de nabijheid van brandbare vloeistoffen, gasen of stof.** Elektrisch gereedschap veroorzaakt vonken die het stof of de dampen tot ontsteking kunnen brengen.
- c. **Houd kinderen en andere personen tijdens het gebruik van elektrisch gereedschap uit de buurt.** Wanneer u wordt afgeleid, kunt u de controle over het gereedschap verliezen.

#### 2. Elektrische veiligheid

- a. **De netstekker van het gereedschap moet in het stopcontact passen. De stekker mag in geen geval worden omgebouwd. Gebruik geen adapterstekkers in combinatie met gearde gereedschappen.** Niet-omgebouwde stekkers en passende stopcontacten beperken het risico van een elektrische schok.
- b. **Vermijd aanraking van het lichaam met gearde oppervlakken, bijvoorbeeld buizen, verwarmingen, fornuizen en koelkasten.** Er bestaat een verhoogd risico op een elektrische schok wanneer uw lichaam geaard is.
- c. **Houd het gereedschap uit de buurt van regen en vocht.** Het binnendringen van water in het elektrische gereedschap vergroot het risico van een elektrische schok.

- d. **Gebruik het snoer niet voor een verkeerd doel. Gebruik het snoer niet om het gereedschap te dragen of op te hangen of om de stekker uit het stopcontact te trekken. Houd het snoer uit de buurt van hitte, olie, scherpe randen of bewegende delen.** Beschadigde of in de war geraakte snoeren vergroten het risico van een elektrische schok.
- e. **Wanneer u buitenshuis met elektrisch gereedschap werkt, dient u alleen verlengsnoeren te gebruiken die zijn goedgekeurd voor gebruik buitenshuis.** Het gebruik van een verlengsnoer dat geschikt is voor gebruik buitenshuis, beperkt het risico van een elektrische schok.
- f. **Als u een elektrisch gereedschap moet gebruiken in een vochtige locatie, moet u een reststroomschakelaar (RCD) gebruiken.** Met een aardlekschakelaar wordt het risico van een elektrische schok verkleind.

#### 3. Veiligheid van personen

- a. **Wees alert, let goed op wat u doet en ga met verstand te werk bij het gebruik van elektrische gereedschappen. Gebruik elektrisch gereedschap niet wanneer u moe bent of onder invloed van drugs, alcohol of medicijnen.** Een moment van onoplettendheid bij het gebruik van het gereedschap kan leiden tot ernstige verwondingen.
- b. **Draag een persoonlijke beschermende uitrusting. Draag altijd een veiligheidsbril.** Het dragen van een persoonlijke beschermende uitrusting zoals een stofmasker, slipvast werkschoenen, een veiligheidshelm of gehoorbescherming, afhankelijk van de aard en het gebruik van het elektrische gereedschap, vermindert het risico van verwondingen.
- c. **Voorkom per ongeluk inschakelen. Controleer of de schakelaar in de uit-stand staat voordat u het gereedschap aansluit op het stopcontact en/of de accu en voordat u het gereedschap optilt of gaat dragen.** Wanneer u bij het dragen van het gereedschap uw vinger op de schakelaar houdt of wanneer u het gereedschap per ongeluk inschakelt, kan dat leiden tot ongevallen.
- d. **Verwijder instelgereedschappen of schroefslutels voordat u het gereedschap inschakelt.** Een instelgereedschap of sleutel in een draaiend deel van het gereedschap kan tot verwondingen leiden.
- e. **Reik niet te ver. Zorg er altijd voor dat u stevig staat en in evenwicht blijft.** Daardoor kunt u het gereedschap in onverwachte situaties beter onder controle houden.
- f. **Draag geschikte kleding. Draag geen loshangende kleding of sieraden. Houd haren, kleding en handschoenen uit de buurt van bewegende delen.** Loshangende kleding, sieraden en lange haren kunnen door bewegende delen worden meegenomen.

g. **Wanneer stofafzuigings- of stofopvangvoorzieningen kunnen worden gemonteerd, dient u zich ervan te verzekeren dat deze zijn aangesloten en juist worden gebruikt.** Het gebruik van stofopvangvoorzieningen beperkt het gevaar door stof.

4. **Gebruik en onderhoud van elektrisch gereedschap**

- a. **Overbelast het gereedschap niet.** Gebruik het geschikte elektrische gereedschap voor uw toepassing. Met het geschikte elektrische gereedschap werkt u beter en veiliger binnen het aangegeven capaciteitsbereik.
- b. **Gebruik geen elektrisch gereedschap waarvan de schakelaar defect is.** Elektrisch gereedschap dat niet meer kan worden in- of uitgeschakeld, is gevaarlijk en moet worden gerepareerd.
- c. **Trek de stekker uit het stopcontact en/of verwijder de accu uit het elektrisch gereedschap voordat u het gereedschap instelt, toebehoren wisselt of het gereedschap opbergt.** Met deze voorzorgsmaatregel voorkomt u onbedoeld starten van het gereedschap.
- d. **Bewaar niet-gebruikte elektrische gereedschappen buiten bereik van kinderen. Laat het gereedschap niet gebruiken door personen die er niet vertrouwd mee zijn en deze aanwijzingen niet hebben gelezen.** Elektrische gereedschappen zijn gevaarlijk wanneer deze door onervaren personen worden gebruikt.
- e. **Verzorg het gereedschap zorgvuldig.** Controleer of bewegende delen van het gereedschap correct functioneren en niet klemmen, en of er onderdelen zodanig zijn gebroken of beschadigd dat de werking van het gereedschap nadelig wordt beïnvloed. Laat beschadigde delen repareren voordat u het gereedschap gebruikt. Veel ongevallen worden veroorzaakt door slecht onderhouden elektrische gereedschappen.
- f. **Houd snijdende inzetgereedschappen scherp en schoon.** Zorgvuldig onderhouden snijdende inzetgereedschappen met scherpe snijkanten klemmen minder snel vast en zijn gemakkelijker te geleiden.
- g. **Gebruik elektrische gereedschappen, toebehoren, inzetgereedschappen en dergelijke volgens deze aanwijzingen. Let daarbij op de werkomstandigheden en de uit te voeren werkzaamheden.** Het gebruik van elektrische gereedschappen voor andere dan de voorziene toepassingen kan leiden tot gevaarlijke situaties.

5. **Onderhoud**

- a. **Laat het gereedschap alleen repareren door gekwalificeerd en vakkundig personeel en alleen met originele vervangingsonderdelen.** Daarmee wordt de veiligheid van het gereedschap gewaarborgd.

## Aanvullende veiligheidswaarschuwingen voor elektrisch gereedschap



**Waarschuwing!** Aanvullende veiligheidswaarschuwingen voor schaafmachines.

- ◆ **Houd het gereedschap alleen vast bij de geïsoleerde greepoppervlakken, omdat het schaaftmes met het eigen snoer in aanraking kan komen.** Als een draad onder spanning wordt geraakt, komen onbedekte metalen onderdelen van het gereedschap onder spanning te staan en kunt u een elektrische schok krijgen.
- ◆ **Gebruik klemmen of een andere praktische manier om het werkstuk op een stabiel platform vast te zetten en te steunen.** Als u het werkstuk met de hand of tegen uw lichaam vasthoudt, is het niet stabiel en kunt u de controle over het gereedschap verliezen.
- ◆ **Wacht tot het schaaftmes stilstaat voordat u het gereedschap neerzet.** Het blootgestelde draaiende schaaftmes kan contact maken met oppervlak en dit kan leiden tot verlies van controle en mogelijk tot ernstig letsel.
- ◆ **Zorg ervoor dat het schaaftmes altijd scherp is.** Door botte of beschadigde schaaftmessen kan de schaaaf onder druk afwijken of blijven steken. Gebruik altijd het juiste type mes voor het gereedschap.
- ◆ **Raak het werkstuk of het schaaftmes niet aan meteen na gebruik van het gereedschap.** Ze kunnen zeer heet worden.
- ◆ **Verwijder alle spijkers en metalen objecten uit het te bewerken object voordat u gaat schaven.**
- ◆ **Houd het gereedschap altijd met beide handen aan de daartoe bestemde hendels vast.**
- ◆ **Koppel het netsnoer onmiddellijk los van de netspanning als het netsnoer beschadigd raakt.**

**Waarschuwing!** Contact met of inademing van het stof dat bij het schaven vrijkomt, kan de gezondheid van de gebruiker en omstanders schaden. Draag een stofmasker dat speciaal is ontworpen ter bescherming tegen stoffen en dampen, en verzekeer u ervan dat andere personen op de werkvloer of die de werkvloer betreden eveneens zijn beschermd.

- ◆ **Dit gereedschap mag niet worden gebruikt door personen (waaronder kinderen) die lichamelijk of geestelijk mindervalide zijn of die geen ervaring met of kennis van dit gereedschap hebben, tenzij ze onder toezicht staan of instructies krijgen wat betreft het gebruik van het gereedschap van een persoon die verantwoordelijk is voor hun veiligheid.** Houd toezicht op kinderen om ervoor te zorgen dat zij niet met het apparaat gaan spelen.



- ◆ In deze instructiehandleiding wordt ingegaan op het beoogde gebruik. Het gebruik van andere accessoires of hulpstukken dan wel de uitvoering van andere handelingen met dit gereedschap dan in deze gebruikershandleiding worden aanbevolen, kan tot persoonlijk letsel en/of schade aan eigendom leiden.

## Veiligheid van anderen

- ◆ Dit apparaat mag niet worden gebruikt door personen (waaronder kinderen) met een lichamelijke of geestelijke beperking of die geen ervaring met of kennis van dit apparaat hebben, tenzij ze onder toezicht staan of instructies krijgen wat betreft het gebruik van het apparaat van een persoon die verantwoordelijk is voor hun veiligheid.
- ◆ Houd toezicht op kinderen om ervoor te zorgen dat zij niet met het apparaat gaan spelen.

## Overige risico's

Er kunnen zich tijdens het gebruik van het gereedschap ook andere risico's voordoen, die misschien niet in de bijgevoegde veiligheidswaarschuwingen worden vermeld. Deze risico's kunnen zich voordoen als gevolg van onoordeelkundig gebruik, langdurig gebruik, enz.

Zelfs als de veiligheidsvoorschriften in acht worden genomen en de veiligheidsvoorzieningen worden geïmplementeerd, kunnen bepaalde risico's niet worden vermeden. Deze omvatten:

- ◆ Verwondingen die worden veroorzaakt door het aanraken van draaiende of bewegende onderdelen.
- ◆ Verwondingen die worden veroorzaakt bij het vervangen van onderdelen, bladen of accessoires.
- ◆ Verwondingen die worden veroorzaakt door langdurig gebruik van het gereedschap. Als u langere periodes met het gereedschap werkt, is het raadzaam om regelmatig een pauze in te lassen.
- ◆ Gehoorbeschadiging.
- ◆ Gezondheidsrisico's als gevolg van het inademen van stof dat door gebruik van het gereedschap wordt veroorzaakt (bijvoorbeeld tijdens het werken met hout, vooral eiken, beuken en MDF.)

## Trillingen

De aangegeven waarden voor trillingsemmissie in de technische gegevens en de conformiteitsverklaring zijn gemeten conform een standaardtestmethode die door EN 60745 wordt geboden. Hiermee kan het ene gereedschap met het andere worden vergeleken. De aangegeven waarde voor trillingsemmissie kan ook worden gebruikt bij een voorlopige bepaling van blootstelling.

**Waarschuwing!** De waarde voor trillingsemmissie tijdens het werkelijke gebruik van het gereedschap kan verschillen van de aangegeven waarde afhankelijk van de manieren waarop het gereedschap wordt gebruikt. Het trillingsniveau kan hoger worden dan het aangegeven niveau.

Wanneer de blootstelling aan trillingen wordt vastgesteld teneinde veiligheidsmaatregelen te bepalen die worden vereist door 2002/44/EG ter bescherming van personen die tijdens hun werk regelmatig elektrische gereedschappen gebruiken, moet bij een schatting van de blootstelling aan trillingen rekening worden gehouden met de werkelijke omstandigheden van het gebruik en de manier waarop het gereedschap wordt gebruikt. Daarbij moet ook rekening worden gehouden met alle stappen in de gebruikscyclus, zoals het moment waarop het gereedschap wordt uitgeschakeld en wanneer het gereedschap stationair loopt alsook de aanlooptijd.

## Labels op het gereedschap

Het apparaat is voorzien van de volgende pictogrammen:



**Waarschuwing!** De gebruiker moet de instructiehandleiding lezen om het risico op letsel te verminderen.

## Elektrische veiligheid



Dit gereedschap is dubbel geïsoleerd. Een aardaansluiting is daarom niet noodzakelijk. Controleer altijd of uw netspanning overeenkomt met de waarde op het typeplaatje.

- ◆ Als het netsnoer is beschadigd, moet dit, om ongelukken te voorkomen, worden vervangen door de fabrikant of in een Stanley Fat Max-servicecentrum.

## Onderdelen

Dit gereedschap kan de volgende onderdelen bevatten:

1. Aan-/uitschakelaar
2. Ontgrendelingsknop
3. Schaafselafvoer
4. Selector voor schaaftelafvoer
5. Instelknop voor schaaftdiepte
6. Schaalverdeling voor schaaftdiepte

## Montage

**Waarschuwing!** Zorg vóór aanvang van de montage dat het apparaat is uitgeschakeld en de netstekker is losgekoppeld van het lichtnet.

## De messen vervangen (fig. A)

De schaafmessen die worden geleverd bij dit gereedschap zijn omkeerbaar en aan beide kanten te gebruiken. U kunt vervangende messen aanschaffen bij uw lokale detailhandel.

### Verwijderen

- ◆ Draai de bout van de kettingbeschermer (7) los met de meegeleverde moersleutel.
- ◆ Schuif het mes (8) uit de houder.
- ◆ Draai het mes om zodat de ongebruikte kant in de juiste positie komt. Als beide kanten van het mes versleten zijn, moet het mes vervangen worden.

### Bevestigen

- ◆ Schuif het mes in de houder totdat het tegen de eindstop rust.
- ◆ Draai de bouten vast met de meegeleverde moersleutel.

**Waarschuwing!** Vervang altijd beide messen.

## De schaafdiepte instellen (fig. B)

De schaafdiepte wordt aangegeven door de markering (9). U kunt het instellingsbereik aflezen van de schaalverdeling (6).

- ◆ Door te draaien aan de instelknop voor de schaafdiepte (5) kunt u de gewenste diepte instellen.
- ◆ Draai de knop naar positie 'P' als u het gereedschap niet gebruikt.

## De parallelle geleider bevestigen en verwijderen (fig. C)

De parallelle geleider is een hulpstuk voor optimale controle bij werkstukken waarvoor nauwkeurigheid vereist is.

- ◆ Draai de knop (11) in het daarvoor bestemde schroefgat op de zijkant van de schaaaf en draai de knop goed vast.
- ◆ Draai de knop voor de parallelle geleider (10) los.
- ◆ Schuif de parallelle geleider in de gewenste stand.
- ◆ Draai de knop voor de parallelle geleider goed vast.

**Opmerking:** Als de parallelle geleider op de juiste manier is geïnstalleerd, bevindt deze zich onder de schaaaf.

- ◆ Als u de parallelle geleider wilt verwijderen, volgt u de bovenstaande stappen in omgekeerde volgorde.

## Stofzuiger op het gereedschap aansluiten (fig. D)

Als u een stofzuiger wilt aansluiten op het gereedschap, hebt u een adapter nodig. De stofzuigeradapter kan worden aangeschaft bij een leverancier van Stanley Fat Max-gereedschap.

- ◆ Schuif de adapter (12) over de schaafelselafvoer (3).
- ◆ Sluit de slang van de stofzuiger (13) op de adapter aan.

## Opvangzak voor schaaftel plaatsen (fig. E)

De zak voor het opvangen van schaaftel is met name handig wanneer u werkt in kleinere ruimtes.

- ◆ Schuif de verbingsplaat (14) van de zak over beide kanten van de schaafelselafvoer (3).
- ◆ Om te voorkomen dat houtsnippers naar buiten komen uit de ander zijde van de schaafelselafvoer verplaatst u de selector van de schaafelselafvoer (4) naar de tegenoverliggende positie.

## De opvangzak voor schaaftel legen

De opvangzak voor schaaftel dient bij gebruik regelmatig geleegd te worden om verstopping te voorkomen.

- ◆ Rits de zak los en leeg de zak voordat u verdergaat.

## Gebruik

**Waarschuwing!** Laat het gereedschap in zijn eigen tempo werken. Niet overbelasten.

- ◆ Pas de schaaftdiepte aan.
- ◆ Plaats indien nodig de parallelle geleider of stel deze opnieuw in.

## In- en uitschakelen

### Inschakelen

- ◆ Houd de ontgrendelingsknop (2) ingedrukt en trek de aanschakelaar (1) naar u toe.
- ◆ Laat de ontgrendelingsknop los.

### Uitschakelen

- ◆ Laat de aan/uit-schakelaar los.

## Schaven

- ◆ Houd het gereedschap zo vast dat de neusstuk van de zool rust op het te bewerken oppervlak.
- ◆ Schakel de machine in.
- ◆ Beweeg het gereedschap langzaam naar voren om te schaven.
- ◆ Schakel het gereedschap uit als de schaaftbeweging is voltooid.

## Sponningen (fig. F)

- ◆ Plaats de parallelle geleider en stel deze in.
- ◆ Ga op dezelfde wijze te werk als bij het schaven.

## Randen afschuinen (fig. G)

Met behulp van de V-groef in het neusstuk van de zool kunt u randen afschuinen met een hoek van 45°, 30° en 15°.

- ◆ Houd het gereedschap in de juiste hoek met de gewenste groef (20) rond de rand van het werkstuk en voer de schaaftbeweging uit.

## Beschermstand (fig. H)

Uw schaafmachine is voorzien van een beschermstand (21) die ervoor zorgt dat een klep automatisch in positie schuift wanneer u het apparaat van het werkoppervlak neemt.

Tijdens het schaven schuift de klep naar boven wanneer u het gereedschap naar voren beweegt. Als de klep naar beneden is, kunt u de schaafmachine op het werkoppervlak plaatsen zonder dat het mes het oppervlak raakt.

## Tips voor optimaal gebruik

- ◆ Schaaf met de nerf mee.
- ◆ Als de nerf overdwars of golvend is, of als u een harde houtsoort bewerkt, kunt u de schaafdiepte zo instellen dat per keer slechts een minimale laag wordt afgeschaafd en zult u meerdere keren moeten schaven om het gewenste resultaat te bereiken.
- ◆ Om te zorgen dat het gereedschap een rechte lijn houdt, geeft u aan begin van het schaaftretraject meer druk op de voorkant van de schaafmachine en aan het eind van het schaaftretraject meer druk op de achterkant.

## Accessoires

De prestaties van het gereedschap zijn afhankelijk van de gebruikte accessoires. Accessoires van Stanley Fat Max zijn ontworpen om aan hoge kwaliteitsnormen te voldoen en de prestaties van uw gereedschap te verhogen. In combinatie met deze accessoires kunt u uw gereedschap nog beter laten presteren.

U kunt de volgende soorten messen aanschaffen bij uw lokale detailhandel:

- Omkeerbare tungsten messen met hardmetalen snijvlak (ond.nr. X35007, per twee)
- Omkeerbare stalen hogesnelheidsmessen (ond.nr. X24192-XJ11, per twee)

## Onderhoud

Uw gereedschap is ontworpen om gedurende een lange periode te functioneren met een minimum aan onderhoud. U kunt het gereedschap naar volle tevredenheid blijven gebruiken als u voor correct onderhoud zorgt en het gereedschap regelmatig schoonmaakt.

**Waarschuwing!** Schakel de machine uit en haal de stekker uit het stopcontact voordat er onderhoud wordt uitgevoerd.

- ◆ Reinig regelmatig de ventilatieopeningen van het gereedschap met een zachte borstel of droge doek.
- ◆ Reinig de behuizing van de motor regelmatig met een vochtige doek. Gebruik geen schuur- of oplosmiddel.

## De aandrijfriem vervangen (fig. I)

- ◆ Draai de twee schroeven (15) los en verwijder het deksel (16).
- ◆ Verwijder de oude aandrijfriem.
- ◆ Plaats de nieuwe riem (17) om de riemschijven. Plaats de riem eerst om de grote riemschijf (18) en vervolgens om de kleine riemschijf (19), en draai onderwijl de riem langzaam rond.
- ◆ Plaats het deksel en draai de schroeven vast.

## Motorborstels inspecteren en vervangen (fig. J)

Controleer de borstels regelmatig op slijtage.

- ◆ Borstelkap verwijderen (22). De borstels moeten vrij in de borstelhouder heen en weer kunnen schuiven. Als de borstels zijn afgesleten tot een lengte van 8 mm moeten ze worden vervangen.

U kunt een nieuwe borstel installeren door deze in de houder te duwen. Als u een bestaande borstel vervangt, moet u de nieuwe borstel in dezelfde richting plaatsen als de verwijderde borstel. Plaats de borstelkap terug (niet te strak aandraaien).

## Netstekker vervangen (alleen Verenigd Koninkrijk en Ierland)

Als er een nieuwe netstekker moet worden aangebracht:

- ◆ Gooi de oude stekker op verantwoorde wijze weg.
- ◆ Verbind de bruine draad met de spannings-/fasepool in de nieuwe stekker.
- ◆ Verbind de blauwe draad met de nul-/neutraalpool.

**Waarschuwing!** De aardepool hoeft niet te worden aangesloten. Volg de bevestigingsinstructies die met hoogwaardige stekkers worden meegeleverd. Aanbevolen zekering: 5 A.

## Milieu



Aparte inzameling. Dit product mag niet met normaal huishoudelijk afval worden weggegooid.

Mocht u op een dag constateren dat het Stanley Fat Max-product aan vervanging toe is of dat u het apparaat niet meer nodig hebt, gooi het product dan niet bij het restafval. Het product valt onder de categorie voor elektrische apparaten.



Gescheiden inzameling van gebruikte producten en verpakkingsmaterialen maakt het mogelijk materialen te recycleren en opnieuw te gebruiken. Hergebruik van gerecycleerde materialen zorgt voor minder milieuvuiling en dringt de vraag naar grondstoffen terug.

Plaatselijke verordeningen kunnen voorzien in gescheiden inzameling van huishoudelijke elektrische producten via gemeentelijke stortplaatsen of via de leverancier bij wie u een nieuw product aanschaft.

Stanley Europe biedt de mogelijkheid tot het recyclen van afgedankte Stanley Fat Max-producten. Om gebruik te maken van deze service, dient u het product naar een van onze servicecentra te sturen, die de inzameling voor ons verzorgen.

U kunt het adres van het dichtstbijzijnde Stanley Europe-servicecentrum opvragen via de adressen op de achterzijde van deze handleiding. U kunt ook een lijst van Stanley Europe-servicecentra en meer informatie over onze klantenservice en contactpersonen vinden op het volgende internetadres: [www.2helpU.com](http://www.2helpU.com)

**Technische gegevens**

		FME630 (Type 1)
Ingangsspanning	V <sub>ac</sub>	230
Opgenomen vermogen	W	750
Onbelast toerental	min <sup>-1</sup>	16.500
Schaafbreedte	mm	82
Schaafdiepte	mm	2
Sponningdiepte	mm	12
Gewicht	kg	2.9

<b>Totale trillingswaarden (som triaxvector) volgens EN 60745:</b>
Waarde trillingsemisssie (a <sub>v</sub> ) 1.5 m/s <sup>2</sup>
onzekerheid (K) 1.5 m/s <sup>2</sup>

<b>Geluidsdruk niveau volgens EN 60745:</b>
Geluidsdruk (L <sub>pA</sub> ) 84 dB(A), meetonzekerheid (K) 3 dB(A)
Geluidsvermogen (L <sub>WA</sub> ) 95 dB(A), meetonzekerheid (K) 3 dB(A)

**EG-conformiteitsverklaring**

MACHINERICHTLIJN



FME630

Stanley Europe verklaart dat deze producten, die zijn beschreven onder "Technische gegevens", voldoen aan:

2006/42/EG

EN 60745-1, EN 60745-2-14

Deze producten voldoen tevens aan richtlijn 2004/108/EG en 2011/65/EU. Neem voor meer informatie contact op met Stanley Europe op het volgende adres of raadpleeg de achterzijde van de handleiding.

Ondergetekende is verantwoordelijk voor de compilatie van het technische bestand en geeft deze verklaring namens Stanley Europe af.

Kevin Hewitt  
 Vice-President Global Engineering  
 Stanley Europe, Egide Walschaertsstraat14-18,  
 2800 Mechelen, België  
 29/01/2013

## Garantie

Stanley Europe heeft vertrouwen in haar producten en biedt een uitstekende garantie voor professionele gebruikers van het product. Deze garantieverklaring is een aanvulling op, en vormt op geen enkele wijze een beperking van, uw contractuele rechten als private niet-professionele gebruiker. De garantie geldt in de lidstaten van de Europese Unie en de Europese Vrijhandelsassociatie.

### EEN JAAR VOLLEDIGE GARANTIE

Als uw Stanley Fat Max-product binnen 12 maanden na aankoop defect raakt ten gevolge van materiaal- of constructiefouten, dan garandeert Stanley Europe de kosteloze vervanging van defecte onderdelen, de reparatie van het product of – naar eigen inzicht – de vervanging van het product, indien wordt voldaan aan de volgende voorwaarden:

- ◆ Het product is niet misbruikt en is gebruikt in naleving van de instructiehandleiding.
- ◆ Het product is blootgesteld aan redelijkerwijs te verwachten slijtage of gebruik;
- ◆ Er zijn geen reparaties of pogingen tot reparatie uitgevoerd door niet-geautoriseerde personen.
- ◆ Bewijs van aanschaf kan worden getoond.
- ◆ Het Stanley Fat Max product wordt compleet geretourneerd met alle originele onderdelen

Indien u een claim wilt indienen, neemt u contact op met uw verkooppunt, gaat u naar uw dichtstbijzijnde Stanley Fat Max-centrum (u vindt het adres in de Stanley Stanley Fat Max -catalogus) of neemt u contact op met de Stanley Fat Max-vestiging waarvan het adres wordt vermeld in deze handleiding. Er is ook een lijst van Stanley Fat Max -servicecentra en meer informatie over onze klantenservice te vinden op het volgende internetadres: [www.stanley.eu/3](http://www.stanley.eu/3)

## Uso previsto

La máquina cepilladora de Stanley Fat Max se ha diseñado para cepillar madera, productos de madera y plásticos. La herramienta se ha diseñado para utilizarse a mano. Esta herramienta está diseñada para profesionales y privados, los usuarios no profesionales.

## Instrucciones de seguridad

### Advertencias de seguridad generales para herramientas eléctricas



**¡Atención!** Lea todas las advertencias e instrucciones de seguridad. En caso de no atenerse a las siguientes advertencias e instrucciones de seguridad, podría producirse una descarga eléctrica, incendio o lesión grave.

**Guarde todas las advertencias e instrucciones para futuras consultas.** El término "herramienta eléctrica" empleado en las advertencias a continuación hace referencia a la herramienta eléctrica con alimentación de red (con cable) o alimentada por batería (sin cable).

#### 1. Seguridad del área de trabajo

##### a. Mantenga limpia y bien iluminada el área de trabajo.

El desorden o una iluminación deficiente en las áreas de trabajo pueden provocar accidentes.

##### b. No utilice la herramienta eléctrica en un entorno con peligro de explosión, en el que se encuentren líquidos, gases o material en polvo inflamables.

Las herramientas eléctricas producen chispas que pueden llegar a inflamar el polvo o los vapores.

##### c. Cuando utilice la herramienta eléctrica, mantenga alejados a los niños y a otras personas del área de trabajo.

Una distracción le puede hacer perder el control sobre la herramienta.

#### 2. Seguridad eléctrica

##### a. El enchufe de la herramienta eléctrica debe corresponder a la toma de corriente utilizada.

No modifique el enchufe. No emplee adaptadores en herramientas eléctricas dotadas con toma de tierra.

Estas pautas le ayudarán a reducir el riesgo de descargas eléctricas.

##### b. Evite tocar partes conectadas a tierra como tuberías, radiadores, cocinas y refrigeradores.

El riesgo de descarga eléctrica es mayor si el usuario entra en contacto con elementos conectados a tierra.

##### c. No exponga las herramientas eléctricas a la lluvia y evite que penetren líquidos en su interior, ya que existe el peligro de recibir una descarga eléctrica.

##### d. Cuide el cable de alimentación. No lo utilice para transportar o colgar la herramienta eléctrica, ni tire de él para sacar el enchufe de la toma de corriente.

**Manténgalo alejado del calor, aceite, bordes afilados o piezas móviles.** Los cables de red dañados o enredados incrementan el riesgo de descarga eléctrica.

##### e. Si trabaja con la herramienta eléctrica en el exterior, utilice solamente cables de prolongación homologados para uso en exteriores.

Esto le ayudará a reducir el riesgo de descarga eléctrica.

##### f. Si la utilización de una herramienta eléctrica en un lugar húmedo es inevitable, utilice una fuente protegida con un dispositivo de corriente residual (RCD).

La utilización de un RCD reduce el riesgo de sufrir descargas eléctricas.

#### 3. Seguridad personal

##### a. Esté atento a lo que hace y utilice la herramienta eléctrica con prudencia. No la use si está cansado, ni si se encuentra bajo los efectos del alcohol, drogas o medicamentos.

Si desatiende la herramienta, aunque sea durante unos instantes, puede haber riesgo de lesiones graves.

##### b. Utilice material de protección personal. Utilice siempre gafas de protección.

El riesgo de lesiones se reduce considerablemente si se utiliza material de protección adecuado como una mascarilla antipolvo, zapatos de seguridad con suela antideslizante, casco o protectores auditivos.

##### c. Impida que la herramienta se ponga en marcha accidentalmente. Asegúrese de que el interruptor de encendido/apagado se encuentre en la posición de apagado antes de conectar la herramienta a la fuente de alimentación o a la batería, o de coger o transportar la herramienta.

Transportar la herramienta eléctrica con el dedo sobre el interruptor o enchufarla con el interruptor encendido puede provocar accidentes.

##### d. Retire las herramientas de ajuste o llaves fijas antes de conectar la herramienta eléctrica.

Una herramienta o llave colocada en una pieza giratoria de la herramienta puede producir lesiones al ponerse ésta en marcha.

##### e. Sea precavido. Evite adoptar una posición que fatigue su cuerpo; mantenga un apoyo firme sobre el suelo y conserve el equilibrio en todo momento.

Ello le permitirá controlar mejor la herramienta eléctrica en caso de presentarse una situación inesperada.

##### f. Vístase con la ropa adecuada. No lleve ropa holgada ni joyas. Aleje el pelo, la ropa y los guantes de las piezas móviles.

La ropa holgada, las joyas y el pelo largo se pueden enganchar con las piezas en movimiento.

- g. **Siempre que sea posible utilizar unos equipos de aspiración o captación de polvo, asegúrese de que éstos estén montados y que sean utilizados correctamente.** El empleo de estos equipos reduce los riesgos derivados del polvo.
4. **Uso y cuidado de herramientas eléctricas**
- a. **No sobrecargue la herramienta eléctrica. Use la herramienta adecuada para cada aplicación.** Con la herramienta eléctrica adecuada podrá trabajar mejor y más seguro dentro del margen de potencia indicado.
- b. **No utilice herramientas eléctricas con un interruptor defectuoso.** Las herramientas eléctricas que no se puedan conectar o desconectar son peligrosas y deben hacerse reparar.
- c. **Desconecte de la herramienta eléctrica el enchufe de la fuente de alimentación y de la batería antes de realizar cualquier ajuste, cambiar accesorios o guardar la herramienta.** Esta medida preventiva reduce el riesgo de encender accidentalmente la herramienta eléctrica.
- d. **Guarde las herramientas eléctricas fuera del alcance de los niños y de las personas que no estén familiarizadas con su uso.** Las herramientas eléctricas utilizadas por personas inexpertas son peligrosas.
- e. **Cuide sus herramientas eléctricas con esmero. Controle si funcionan correctamente, sin atascarse, las partes móviles de la herramienta eléctrica, y si existen partes rotas o deterioradas que pudieran afectar al funcionamiento de la herramienta. Si la herramienta eléctrica estuviese defectuosa haga que la reparen antes de volver a utilizarla.** Muchos accidentes se deben a herramientas eléctricas con un mantenimiento deficiente.
- f. **Mantenga las herramientas de corte limpias y afiladas.** Las herramientas de corte que se mantienen correctamente se dejan guiar y controlar mejor.
- g. **Utilice la herramienta eléctrica, los accesorios, los útiles de la herramienta, etc. de acuerdo con estas instrucciones, y tenga en cuenta las condiciones de trabajo y la tarea que se va a realizar.** El uso de herramientas eléctricas para trabajos diferentes de aquellos para los que han sido concebidas puede resultar peligroso.
5. **Servicio técnico**
- a. **Esta herramienta eléctrica sólo la puede reparar personal técnico autorizado que emplee exclusivamente piezas de repuesto originales.** Solamente así se garantiza la seguridad de la herramienta eléctrica.

## Advertencias de seguridad adicionales para herramientas eléctricas



**¡Atención!** Advertencias de seguridad adicionales para máquinas cepilladoras

- ◆ **Sujete la herramienta eléctrica únicamente por la superficie de agarre aislada, ya que la cortadora podría entrar en contacto con su propio cable.** Si se corta un cable conectado a la red eléctrica, podría provocar que las partes metálicas de la herramienta eléctrica transmitieran esa electricidad y producir una descarga al usuario.
- ◆ **Utilice pinzas u otro método práctico para asegurar y sujetar la pieza de trabajo a una plataforma estable.** Si sostiene la pieza con la mano o contra el cuerpo le producirá inestabilidad, lo que podría provocar una pérdida de control.
- ◆ **Espere a que la cortadora se detenga antes de dejar la herramienta.** Es posible que una hoja de corte giratoria expuesta entre en contacto con la superficie, lo que producirá una posible pérdida de control y lesiones graves.
- ◆ **Mantenga la cortadora afilada.** Las hojas de corte flojas o dañadas pueden provocar que la máquina de cepillar dé un giro brusco o que se atasque al ejercer la presión para el corte. Utilice siempre el tipo adecuado de cortadora para la herramienta eléctrica.
- ◆ No toque la pieza de trabajo ni la cortadora justo después de utilizar la herramienta. Pueden alcanzar temperaturas muy elevadas.
- ◆ Retire todos los clavos y piezas metálicas de la pieza de trabajo antes de cepillarla.
- ◆ Sujete siempre la herramienta con ambas manos por las empuñaduras suministradas a tal efecto.
- ◆ Desconecte de inmediato el cable de la toma de corriente si presenta daños o está cortado.

**¡Atención!** El contacto o la inhalación del polvo procedente de la máquina cepilladora puede suponer un peligro para la salud del usuario y de cualquier otra persona que se encuentre a su alrededor. Utilice una mascarilla diseñada específicamente para proteger contra el polvo y los vapores, y asegúrese de que las demás personas que se encuentren dentro o vayan a entrar en el área de trabajo también estén protegidas.

- ◆ Las personas (incluyendo niños) con capacidades físicas, sensoriales o mentales disminuidas o que carezcan de experiencia y conocimientos no deben utilizar esta herramienta, salvo que hayan recibido supervisión o formación con respecto al uso del aparato por parte de una persona responsable de su seguridad. Los niños deben vigilarse en todo momento para garantizar que el aparato no se toma como elemento de juego.

- ◆ En este manual de instrucciones se describe el uso para el que se ha diseñado el aparato. La utilización de accesorios o la realización de operaciones con esta herramienta distintas de las recomendadas en este manual de instrucciones puede implicar un riesgo de lesiones o daños materiales.

### Seguridad de terceros

- ◆ Ninguna persona (incluyendo niños) con capacidades físicas, sensoriales o mentales disminuidas, o que carezca de experiencia y conocimientos, debe utilizar este aparato, salvo que haya recibido supervisión o formación con respecto al uso del aparato por parte de una persona responsable de su seguridad.
- ◆ Los niños deben vigilarse en todo momento para garantizar que el aparato no se toma como elemento de juego.

### Riesgos residuales.

El uso de esta herramienta puede producir riesgos residuales adicionales no incluidos en las advertencias de seguridad adjuntas. Estos riesgos se pueden generar por un uso incorrecto, demasiado prolongado, etc.

El cumplimiento de las normas de seguridad correspondientes y el uso de dispositivos de seguridad no evitan ciertos riesgos residuales. Estos riesgos incluyen:

- ◆ Lesiones producidas por el contacto con piezas móviles o giratorias.
- ◆ Lesiones producidas al cambiar cualquier pieza, cuchilla o accesorio.
- ◆ Lesiones producidas al usar una herramienta por un tiempo demasiado prolongado. Si utiliza una herramienta durante períodos de tiempo demasiado prolongados, asegúrese de realizar pausas con frecuencia.
- ◆ Discapacidad auditiva.
- ◆ Riesgos para la salud producidos al respirar el polvo que se genera al usar la herramienta (por ejemplo: en los trabajos con madera, especialmente de roble, haya y tableros de densidad mediana).

### Vibración

El valor de emisión de vibraciones indicado en el apartado de características técnicas y en la declaración de conformidad se ha calculado según un método de prueba estándar proporcionado por la norma EN 60745 y podrá utilizarse para comparar una herramienta con otra. El valor de emisión de vibraciones especificado también podrá utilizarse en una evaluación preliminar de la exposición.

**¡Atención!** El valor de emisión de vibraciones durante el funcionamiento real de la herramienta eléctrica puede diferir del valor declarado en función de cómo se utilice dicha herramienta. El nivel de las vibraciones puede superar el indicado.

Al evaluar la exposición a las vibraciones con el fin de determinar las medidas de seguridad que exige la norma 2002/44/CE para proteger a las personas que utilizan periódicamente herramientas eléctricas en el entorno laboral, deberá tenerse en cuenta una estimación de la exposición a las vibraciones, las condiciones de uso reales y el modo de empleo de la herramienta, así como los pasos del ciclo operativo como, por ejemplo, el número de veces que la herramienta se apaga, el tiempo que está parada y el tiempo de activación.

### Etiquetas en la herramienta

Encontrará los siguientes pictogramas en la herramienta:



**¡Atención!** Para reducir el riesgo de lesiones, el usuario debe leer el manual de instrucciones.

### Seguridad eléctrica



Esta herramienta lleva un doble aislamiento; por lo tanto, no requiere una toma a tierra. Compruebe siempre que la tensión de la red corresponda con el valor indicado en la placa de datos de la herramienta.

- ◆ Si se dañara el cable de alimentación, deberá ser sustituido por el fabricante o un centro de asistencia técnica autorizado de Stanley Fat Max para evitar cualquier situación de riesgo.

### Características

Esta herramienta incluye una o más de las siguientes características.

1. Interruptor de encendido/apagado
2. Botón de desbloqueo
3. Salida de descarga de virutas
4. Selector de salida de descarga de virutas
5. Mando de ajuste de profundidad de la máquina cepilladora
6. Graduación de profundidad de la máquina cepilladora

### Montaje

**¡Atención!** Antes de proceder al montaje, compruebe que la herramienta está apagada y desenchufada.

### Sustitución de las hojas de corte (fig. A)

Las hojas de corte suministradas con esta herramienta son reversibles. Es posible obtener hojas de corte de repuesto a través de su proveedor local.

### Desmontaje

- ◆ Afloje los pernos (7) con la llave de tuercas suministrada.
- ◆ Deslice la hoja (8) hacia fuera del soporte.



- ◆ Invierta la hoja, de manera que quede colocada con la cara no utilizada hacia afuera. Si ambas caras están gastadas, la hoja debe sustituirse.

### Montaje

- ◆ Deslice la hoja hacia el interior del soporte hasta que toque el tope del extremo.
- ◆ Apriete los pernos con la llave de tuercas suministrada.

¡Atención! Sustituya siempre ambas cortadoras.

### Ajuste de la profundidad del corte (fig. B)

La profundidad del corte se indica con la marca (9). La gama de ajustes se puede leer desde la graduación (6).

- ◆ Gire el mando de ajuste de profundidad de la máquina cepilladora (5) hacia la profundidad de corte que requiera.
- ◆ Gire el mando hacia la posición "P" cuando no utilice la herramienta.

### Montaje y desmontaje de la guía paralela (fig. C)

La guía paralela se utiliza para ejercer un control óptimo sobre las piezas de trabajo muy estrechas.

- ◆ Pase el regulador (11) por el orificio situado en el lateral de la máquina cepilladora y apriete con firmeza.
- ◆ Afloje el regulador de ajuste de la guía paralela (10).
- ◆ Deslice la guía paralela hasta la posición deseada.
- ◆ Apriete firmemente el regulador de ajuste de la guía paralela.

**Nota:** La guía paralela debería estar situada debajo de la máquina cepilladora si está instalada correctamente.

- ◆ Para extraer la guía paralela, proceda en el orden inverso.

### Conexión de una aspiradora a la herramienta (fig. D)

Se necesita un adaptador para conectar una aspiradora o un extractor de polvo a la herramienta. El adaptador puede adquirirse a través del distribuidor local de Stanley Fat Max.

- ◆ Deslice el adaptador (12) sobre la salida de descarga de virutas (3).
- ◆ Conecte la manguera de la aspiradora (13) al adaptador.

### Fijación de la bolsa recolectora de virutas (fig. E)

La bolsa recolectora de virutas es particularmente útil cuando se trabaja en espacios cerrados.

- ◆ Deslice la base de conexión (14) de la bolsa sobre cualquier lado de salida de descarga de virutas (3).
- ◆ Para evitar que las astillas salgan por el lado contrario de la salida de descarga de virutas, desplace el selector de salida de descarga de virutas (4) hacia el lado opuesto de la bolsa.

### Vaciado de la bolsa recolectora de virutas

La bolsa recolectora de virutas debería vaciarse regularmente durante el uso para evitar que la máquina se bloquee.

- ◆ Abra la bolsa y vacíela antes de continuar.

### Uso

¡Atención! Deje que la herramienta funcione a su ritmo. No la sobrecargue.

- ◆ Ajuste la profundidad de corte.
- ◆ Si fuera necesario, coloque y ajuste la guía paralela.

### Encendido y apagado

#### Encendido

- ◆ Mantenga presionado el botón de desbloqueo (2) y pulse el interruptor de encendido/apagado (1).
- ◆ Suelte el botón de desbloqueo.

#### Apagado

- ◆ Suelte el interruptor de encendido/apagado.

#### Cepillado

- ◆ Sujete la herramienta con la pieza dentada de la zapata apoyada sobre la parte superior de la superficie de la pieza de trabajo.
- ◆ Encienda la herramienta.
- ◆ Desplace la herramienta firmemente hacia delante para realizar el movimiento de corte.
- ◆ Apague la herramienta una vez haya finalizado el movimiento de corte.

#### Remache (fig. F)

- ◆ Coloque y ajuste la guía paralela.
- ◆ Proceda del mismo modo que con el cepillado.

#### Extremos biselados (fig. G)

La ranura en forma de V de la pieza dentada de la zapata permite biselar los extremos en ángulos de 45°, 30° y 15°.

- ◆ Sujete la herramienta en ángulo, con la ranura deseada (20) alrededor del extremo de la pieza de trabajo, y realice el movimiento de corte.

#### Apoyo de aparcamiento (fig. H)

La máquina cepilladora está equipada con un apoyo de aparcamiento (21) que la deja en su sitio automáticamente cuando la herramienta se ha levantado por encima de la superficie de trabajo. Durante el cepillado, la mordaza de aparcamiento se levanta a medida que la herramienta se empuja hacia delante. Cuando la mordaza de aparcamiento está bajada, la máquina cepilladora puede situarse sobre la superficie de trabajo sin que la cuchilla la toque.

## Consejos para un uso óptimo

- ◆ Desplace la herramienta en el sentido de la veta de la madera.
- ◆ Si la veta es entrecruzada o rizada, o si el material de la pieza de trabajo es de algún tipo de madera dura, ajuste la profundidad de corte para realizar solamente un rasurado muy fino en cada pasada y realice muchas pasadas para conseguir el resultado deseado.
- ◆ Para mantener la herramienta sobre una línea recta, presione la parte frontal de la herramienta al principio, y presione la parte trasera de la herramienta al final del movimiento de corte.

## Accesorios

El rendimiento de la herramienta depende de los accesorios que utilice. Los accesorios Stanley Fat Max se han fabricado siguiendo estándares de alta calidad y se han diseñado para mejorar el funcionamiento de la herramienta. Si utiliza estos accesorios, conseguirá el máximo rendimiento de la herramienta.

Es posible obtener los siguientes tipos de hojas de corte a través de su proveedor local:

- Hojas de corte reversibles con puntas de carburo de tungsteno (n.º de pieza X35007, suministrada por pares)
- Hojas de corte reversibles de acero de alta velocidad (n.º de pieza X24192-XJ11, suministrada por pares)

## Mantenimiento

La herramienta se ha diseñado para que funcione durante un largo período de tiempo con un mantenimiento mínimo. El funcionamiento satisfactorio continuado depende de un cuidado apropiado y una limpieza periódica de la herramienta.

**¡Atención!** Antes de realizar cualquier tarea de mantenimiento, apague y desenchufe la herramienta.

- ◆ Limpie periódicamente las ranuras de ventilación de la herramienta con un cepillo suave o un paño seco.
- ◆ Limpie periódicamente la carcasa del motor con un paño húmedo. No utilice limpiadores de base abrasiva o disolventes.

## Sustitución de la correa motriz (fig. I)

- ◆ Afloje los tornillos (15) y extraiga la tapa (16).
- ◆ Retire la correa motriz antigua.
- ◆ Coloque la nueva correa (17) sobre las poleas. Primero, coloque la correa sobre la polea grande (18) y, a continuación, sobre la polea pequeña (19), mientras gira manualmente la correa con firmeza.
- ◆ Vuelva a colocar la tapa en su sitio y apriete los tornillos.

## Inspección y sustitución de la escobilla del motor (fig. J)

Se deberían revisar las escobillas en busca de desgaste.

- ◆ Retire el tapón del cepillo (22). Las escobillas deberían deslizarse libremente en la caja de escobillas. Si las escobillas están desgastadas por debajo de 0.3" (8 mm) deberían sustituirse.

Para reinstalarlas, empuje las nuevas escobillas en la caja de escobillas. Si se sustituye una escobilla existente, mantenga la misma orientación que la que se retiró. Vuelva a colocar la tapa de las escobillas sin apretarla demasiado.

## Sustitución del enchufe de la red eléctrica (sólo para el Reino Unido e Irlanda)

Si es necesario colocar un nuevo enchufe para la red eléctrica:

- ◆ Deseche el enchufe anterior según las normas de seguridad.
- ◆ Conecte el cable marrón al terminal conductor del nuevo enchufe.
- ◆ Conecte el cable azul al terminal neutro.

**¡Atención!** No se debe realizar ninguna conexión al terminal de conexión a tierra. Siga las instrucciones de montaje que se suministran con los enchufes de buena calidad. Fusible recomendado: 5 A.

## Protección del medio ambiente



Recogida selectiva. No se debe desechar este producto con el resto de residuos domésticos.

Si llegase el momento en que fuese necesario sustituir su producto Stanley Fat Max o si este dejase de tener utilidad para usted, no lo deseche junto con los residuos domésticos. Sepárelo para su recogida selectiva.



La recogida selectiva de productos y embalajes usados permite el reciclaje de materiales y su reutilización.

La reutilización de materiales reciclados contribuye a evitar la contaminación medioambiental y reduce la demanda de materias primas.

Las normativas municipales deben ofrecer la recogida selectiva de productos eléctricos del hogar en puntos municipales previstos para tal fin o a través del distribuidor cuando adquiera un nuevo producto.

Stanley Europe proporciona facilidades para la recogida y reciclado de los productos Stanley Fat Max que han llegado al final de su vida útil. Para poder utilizar este servicio, le rogamos que entregue el producto a cualquier agente de servicio técnico autorizado para que se haga cargo de él en nuestro nombre.

Puede consultar la dirección de su agente de servicio técnico más cercano si se pone en contacto con la oficina local de Stanley Europe en la dirección que se indica en este manual. Como alternativa puede consultar la lista de servicios técnicos autorizados de Stanley Europe y obtener la información completa de nuestros servicios de posventa y los contactos disponibles en la siguiente dirección de Internet: [www.2helpU.com](http://www.2helpU.com)

### Ficha técnica

		FME630 (Tipo 1)
Voltaje de entrada	V <sub>ca</sub>	230
Potencia de entrada	W	750
Velocidad sin carga	min <sup>-1</sup>	16,500
Anchura de cepillado	mm	82
Profundidad de cepillado	mm	2
Profundidad de remache	mm	12
Peso	kg	2.9

Valores totales de vibración (suma vectorial triaxial) de acuerdo con la directiva EN 60745:
Valor de emisión de vibraciones (a <sub>v</sub> ) 1.5 m/s <sup>2</sup>
incertidumbre (K) 1.5 m/s <sup>2</sup>

Nivel de presión acústica de acuerdo con la directiva EN 60745:
Presión acústica (L <sub>pA</sub> ) 84 dB (A), incertidumbre (K) 3 dB (A)
Potencia acústica (L <sub>WA</sub> ) 95 dB (A), incertidumbre (K) 3 dB (A)

## Declaración de conformidad de la CE

DIRECTIVA DE MAQUINARIAS



FME630

Stanley Europe declara que los productos descritos en la "ficha técnica" cumplen con las siguientes directrices:

2006/42/CE

EN 60745-1, EN 60745-2-14

Estos productos también cumplen con las Directivas 2004/108/CE y 2011/65/UE. Si desea obtener más información, póngase en contacto con Stanley Europe a través de la siguiente dirección o consulte el dorso del manual.

La persona que firma a continuación es responsable de la elaboración del archivo técnico y realiza esta declaración en nombre de Stanley Europe.

Kevin Hewitt  
Vicepresidente de Ingeniería global  
Stanley Europe, Egide Walschaertsstraat 14-18,  
2800 Mechelen, Bélgica  
29/01/2013

## Garantía

Stanley Europe confía plenamente en la calidad de sus productos y ofrece una garantía extraordinaria destinada a usuarios profesionales del producto. Esta declaración de garantía es un añadido y en ningún caso un perjuicio a sus derechos legales como usuario no profesional privado. La garantía es válida dentro de los territorios de los Estados miembros de la Unión Europea y de los de la Zona Europea de Libre Comercio.

### UN AÑO DE GARANTÍA TOTAL

Si un producto Stanley Fat Max resultara defectuoso debido a materiales o mano de obra defectuosos, Stanley Europe garantiza, dentro de los 12 meses de la fecha de compra, la sustitución de las piezas defectuosas sin cargo alguno o, según nuestro criterio, la sustitución de la unidad sin cargo alguno siempre que:

- ◆ El producto no se ha sometido a un uso inadecuado o se ha utilizado de acuerdo con este manual de instrucciones.
- ◆ El producto se ha sometido a un desgaste y rotura razonables.
- ◆ Personal no autorizado no ha intentado reparar el producto.
- ◆ Se aporta prueba de compra.
- ◆ Se devuelve el producto Stanley Fat Max completo con todos los componentes originales.

Si desea realizar una reclamación, póngase en contacto con su vendedor o consulte la dirección de su servicio técnico especializado autorizado de Stanley Fat Max más cercano que aparece en el catálogo de Stanley Fat Max o póngase en contacto con la oficina de Stanley en la dirección que se indica en este manual. Puede consultar la lista de servicios técnicos autorizados de Stanley Fat Max y obtener la información completa de nuestros servicios de posventa disponibles en la siguiente dirección de Internet: [www.stanley.eu/3](http://www.stanley.eu/3)

## Utilização prevista

A sua plaina Stanley Fat Max foi concebida para alisar madeira, produtos de madeira e plásticos. Esta ferramenta destina-se apenas a utilização manual. Esta ferramenta destina-se a profissionais e privadas, usuários não-profissionais.

## Instruções de segurança

### Avisos de segurança gerais para ferramentas eléctricas



**Atenção!** Leia com atenção todos os avisos de segurança e instruções. O não cumprimento dos seguintes avisos e instruções pode resultar em choque eléctrico, incêndio e/ou graves lesões.

**Guarde todos os avisos e instruções para futura referência.** A expressão "ferramenta eléctrica" utilizada a seguir refere-se a ferramentas eléctricas com ligação à corrente eléctrica (com cabo) ou com bateria (sem fios).

#### 1. Segurança na área de trabalho

- a. **Mantenha a área de trabalho limpa e bem iluminada.** Áreas desarrumadas ou mal iluminadas são propícias a acidentes.
- b. **Não trabalhe com ferramentas eléctricas em áreas com risco de explosão, nas quais se encontrem líquidos, gases ou poeiras inflamáveis.** As ferramentas eléctricas produzem faíscas que podem provocar a ignição de poeiras ou vapores.
- c. **Mantenha crianças e outras pessoas afastadas durante a utilização da ferramenta eléctrica.** As distrações podem dar origem a que perca o controlo da ferramenta.

#### 2. Segurança eléctrica

- a. **A ficha da ferramenta eléctrica deve caber na tomada. A ficha não deve ser modificada de modo algum. Não utilize quaisquer fichas adaptadoras em ferramentas eléctricas com ligação à terra.** Fichas sem modificações e tomadas adequadas reduzem o risco de choques eléctricos.
- b. **Evite que o corpo entre em contacto com superfícies ligadas à terra, como tubos, radiadores, fogões e frigoríficos.** Existe um maior risco de choque eléctrico se o seu corpo estiver ligado à terra.
- c. **As ferramentas eléctricas não podem ser expostas a chuva nem humidade.** A penetração de água na ferramenta eléctrica aumenta o risco de choques eléctricos.

- d. **Manuseie o cabo com cuidado. O cabo não deve ser utilizado para transportar ou pendurar a ferramenta, nem para puxar a ficha da tomada. Mantenha o cabo afastado de calor, óleo, pontas afiadas ou partes móveis.** Cabos danificados ou torcidos aumentam o risco de choques eléctricos.
- e. **Quando trabalhar com uma ferramenta eléctrica ao ar livre, utilize um cabo de extensão apropriado para esse fim.** A utilização de um cabo apropriado para áreas ao ar livre reduz o risco de choques eléctricos.
- f. **Se for inevitável trabalhar com uma ferramenta eléctrica num local húmido, utilize um Dispositivo de Corrente Residual (RCD).** A utilização de um RCD reduz o risco de choque eléctrico.

#### 3. Segurança pessoal

- a. **Mantenha-se atento, observe o que está a fazer e seja prudente ao trabalhar com a ferramenta eléctrica. Não utilize uma ferramenta eléctrica se estiver cansado ou sob a influência de drogas, álcool ou medicamentos.** Um momento de falta de atenção durante a utilização de ferramentas eléctricas poderá causar graves lesões.
- b. **Utilize equipamento de protecção pessoal. Use sempre óculos de protecção.** Equipamento de protecção como, por exemplo, máscara anti-poeiras, sapatos de segurança anti-derrapantes, capacete de segurança ou protecção auricular, de acordo com o tipo e a aplicação de ferramenta eléctrica, reduz o risco de lesões.
- c. **Evite arranques involuntários. Certifique-se de que o botão está desligado antes de ligar a ferramenta à corrente eléctrica e/ou à bateria, e antes de pegar ou transportar a ferramenta.** Transportar ferramentas eléctricas com o dedo no botão ou ligar ferramentas eléctricas à tomada com o interruptor na posição de ligado pode dar origem a acidentes.
- d. **Retire eventuais chaves de ajuste ou chaves de fenda antes de ligar a ferramenta eléctrica.** Uma chave de fenda ou chave de ajuste que se encontre numa peça em rotação da ferramenta eléctrica poderá causar lesões.
- e. **Não se incline. Mantenha-se sempre bem posicionado e em equilíbrio.** Desta forma, será mais fácil controlar a ferramenta eléctrica em situações inesperadas.
- f. **Utilize vestuário adequado. Não utilize roupas largas nem jóias. Mantenha o cabelo, roupa e luvas afastados de peças em movimento.** Roupas largas, jóias ou cabelos longos podem ficar presos nas peças em movimento.
- g. **Se for prevista a montagem de dispositivos de extracção e recolha de pó, assegure-se de que estão ligados e que são utilizados de forma correcta.** A recolha das poeiras pode reduzir os riscos provocados por poeiras.

4. **Utilização e manutenção da ferramenta eléctrica**
- Não sobrecarregue a ferramenta eléctrica. Utilize a ferramenta eléctrica adequada para o trabalho pretendido.** A ferramenta eléctrica correcta realizará o trabalho de forma melhor e mais segura, com a potência com que foi concebida.
  - Não utilize a ferramenta eléctrica se o interruptor não puder ser ligado nem desligado.** Qualquer ferramenta eléctrica que não possa ser controlada com o interruptor é perigosa e terá de ser reparada.
  - Desligue a ficha da tomada e/ou a bateria da tomada antes de proceder a ajustes, trocar acessórios ou guardar ferramentas eléctricas.** Estas medidas de prevenção de segurança reduzem o risco de ligação inadvertida da ferramenta eléctrica.
  - Mantenha as ferramentas eléctricas que não estiverem a ser utilizadas fora do alcance de crianças. Não permita que a ferramenta eléctrica seja utilizada por pessoas não familiarizadas com a mesma ou que não tenham lido estas instruções.** As ferramentas eléctricas são perigosas se utilizadas por pessoas não qualificadas.
  - Efectue a manutenção das ferramentas eléctricas. Verifique se as partes móveis estão desalinhadas ou bloqueadas, se existem peças partidas ou qualquer outra situação que possa afectar o funcionamento das ferramentas eléctricas. As peças danificadas devem ser reparadas antes da utilização da ferramenta eléctrica.** Muitos acidentes têm como causa uma manutenção insuficiente das ferramentas eléctricas.
  - Mantenha as ferramentas de corte sempre afiadas e limpas.** As ferramentas de corte com a manutenção adequada e extremidades afiadas bloqueiam com menos frequência e são mais fáceis de controlar.
  - Utilize a ferramenta eléctrica, acessórios e peças de ferramenta, etc., de acordo com estas instruções, considerando as condições de trabalho e a tarefa a ser executada.** A utilização da ferramenta eléctrica para fins diferentes dos previstos pode resultar em situações perigosas.
5. **Reparação**
- A sua ferramenta eléctrica só deve ser reparada por pessoal qualificado e só devem ser colocadas peças sobressalentes originais.** Isso garante a manutenção da segurança da ferramenta eléctrica.

## Avisos de segurança adicionais para ferramentas eléctricas



**Atenção!** Avisos de segurança adicionais para plainas

- ◆ **Segure a ferramenta eléctrica só pelas áreas isoladas, porque a lâmina pode entrar em contacto com o próprio cabo.** Cortar um acessório em contacto com um cabo "electrificado" poderá expor peças metálicas do sistema eléctrico da ferramenta e provocar um choque eléctrico ao operador.
- ◆ **Utilize grampos ou outro meio para fixar e apoiar a peça numa plataforma estável.** Se fixar a peça com a mão ou contra o corpo, a peça fica instável e pode dar origem à perda de controlo.
- ◆ **Não pouse a ferramenta sem a lâmina estar completamente parada.** Uma lâmina rotativa exposta pode ficar presa na superfície levando a uma possível perda de controlo e lesões graves.
- ◆ **Mantenha a lâmina afiada.** As lâminas embotadas ou danificadas podem fazer com que a plaina se desvie ou fique encravada sob pressão. Utilize sempre o tipo apropriado de lâmina na ferramenta eléctrica.
- ◆ Não toque na peça ou na lâmina imediatamente após utilizar a ferramenta. Podem estar muito quentes.
- ◆ Remova todos os pregos e objectos metálicos da peça antes de utilizar a plaina para aplainar.
- ◆ Segure sempre a ferramenta com ambas as mãos e pelos punhos fornecidos.
- ◆ Desligue imediatamente o cabo da ficha principal se este ficar danificado ou cortado.

**Atenção!** O contacto ou a inalação de poeiras originadas pelas aplicações do aplainamento poderá colocar em perigo a saúde do operador ou das pessoas presentes. Utilize uma máscara especificamente concebida para protecção contra poeiras e vapores e certifique-se de que as pessoas perto da área de trabalho também estão protegidas.

- ◆ Esta ferramenta não deve ser utilizada por pessoas (incluindo crianças) que apresentem capacidades físicas, sensoriais ou mentais reduzidas ou que não possuam os conhecimentos e a experiência necessários, excepto se forem vigiadas e instruídas acerca da utilização do aparelho por uma pessoa responsável pela sua segurança. As crianças deverão ser vigiadas para que não mexam no aparelho.
- ◆ A utilização prevista para este aparelho está descrita no manual de instruções. A utilização de qualquer acessório ou a realização de qualquer operação com esta ferramenta que não se inclua no presente manual de instruções poderá representar um risco de ferimentos e/ou danos materiais.

## Segurança de terceiros

- ◆ Este aparelho não deve ser utilizado por pessoas (incluindo crianças) que apresentem capacidades físicas, sensoriais ou mentais reduzidas ou que não possuam os conhecimentos e a experiência necessários, excepto se forem vigiadas e instruídas acerca da utilização do aparelho por uma pessoa responsável pela sua segurança.
- ◆ As crianças deverão ser vigiadas para que não mexam no aparelho.

## Riscos residuais.

Podem surgir riscos residuais adicionais durante a utilização da ferramenta que poderão não constar nos avisos de segurança incluídos. Estes riscos podem resultar de má utilização, uso prolongado, etc.

Mesmo com a aplicação dos regulamentos de segurança relevantes e com a implementação de dispositivos de segurança, alguns riscos residuais não podem ser evitados. Incluem:

- ◆ ferimentos causados pelo contacto com peças em rotação/movimento.
- ◆ ferimentos causados durante a troca de peças, lâminas ou acessórios.
- ◆ ferimentos causados pela utilização prolongada de uma ferramenta. Quando utilizar uma ferramenta por períodos prolongados, faça intervalos regulares.
- ◆ Diminuição da audição.
- ◆ Os problemas de saúde causados pela inalação de poeiras resultantes da utilização da ferramenta (exemplo: trabalhos em madeira, especialmente carvalho, faia e MDF).

## Vibração

Os valores de emissão de vibração declarados na secção de dados técnicos e na declaração de conformidade foram medidos de acordo com o método de teste padrão fornecido pela norma EN 60745 e podem ser utilizados para comparar ferramentas. O valor de emissão de vibração declarado pode ainda ser utilizado numa avaliação preliminar de exposição.

**Atenção!** O valor de emissão de vibração durante a utilização real da ferramenta eléctrica pode ser diferente do valor declarado, dependendo da forma como a ferramenta é utilizada. O nível de vibração pode aumentar acima do nível indicado.

Quando avaliar a exposição da vibração para determinar as medidas de segurança exigidas pela norma 2002/44/CE para proteger pessoas que utilizem regularmente ferramentas eléctricas na sua actividade profissional, deve ser considerada uma estimativa de exposição de vibração, as actuais condições de utilização e o modo de utilização da ferramenta, incluindo ainda todas as partes do ciclo de funcionamento, como os períodos de inactividade e espera da ferramenta, para além do tempo de funcionamento.

## Rótulos na ferramenta

A ferramenta apresenta os seguintes pictogramas:



**Atenção!** Para reduzir o risco de ferimentos, o utilizador deve ler o manual de instruções.

## Segurança eléctrica



Esta ferramenta tem um isolamento duplo e, por isso, não é necessário um fio de terra. Verifique sempre se a fonte de alimentação corresponde à tensão indicada na placa de especificações.

- ◆ Se o cabo de alimentação estiver danificado, terá de ser substituído pelo fabricante ou por um centro de assistência autorizado Stanley Fat Max para evitar acidentes.

## Componentes

Esta ferramenta inclui alguns ou todos os seguintes componentes.

1. Interruptor para ligar/desligar
2. Botão de travamento
3. Saída de descarga de aparas
4. Selector de saída de descarga de aparas
5. Botão de ajuste da profundidade de aplainamento
6. Escala da profundidade de aplainamento

## Montagem

**Atenção!** Antes da montagem, certifique-se de que a ferramenta está desligada e que não está ligada à corrente eléctrica.

## Substituir as lâminas de corte (fig. A)

As lâminas de corte fornecidas com esta ferramenta são reversíveis. Poderá solicitar a substituição das lâminas de corte junto do seu revendedor local.

## Remover

- ◆ Desaperte os parafusos (7) utilizando a chave-inglesa fornecida.
- ◆ Faça deslizar a lâmina (8) para fora do suporte.
- ◆ Inverta a lâmina para colocar o lado não utilizado em posição. Se ambos os lados estiverem gastos, é necessário substituir a lâmina.

**Ajustar**

- ◆ Faça deslizar a lâmina para o suporte até ficar encostada ao batente.
- ◆ Aperte os parafusos utilizando a chave-inglesa fornecida.

**Atenção!** Substitua sempre ambas as lâminas.

**Ajustar a profundidade de corte (fig. B)**

A profundidade de corte é indicada pelo marcador (9). As opções de definição estão indicadas na escala (6).

- ◆ Rode o botão de ajuste da profundidade de aplainamento (5) para a profundidade de corte pretendida.
- ◆ Rode o botão para a posição 'P' sempre que a ferramenta não estiver a ser utilizada.

**Montagem e remoção do batente paralelo (fig. C)**

O batente paralelo é utilizado para um controlo optimizado das peças estreitas.

- ◆ Enrosque o botão (11) no orifício da parte lateral da plaina e aperte com firmeza.
- ◆ Desaperte o botão de ajuste do batente paralelo (10).
- ◆ Faça deslizar o batente paralelo para a posição pretendida.
- ◆ Aperte com firmeza o botão de ajuste do batente paralelo.

**Nota:** o batente paralelo deve ficar abaixo da plaina quando é instalado correctamente.

- ◆ Para remover o batente paralelo, proceda pela ordem inversa.

**Ligar um aspirador à ferramenta (fig. D)**

É necessário um adaptador para ligar um aspirador ou extractor de poeiras à ferramenta. Pode adquirir o adaptador no seu revendedor local Stanley Fat Max.

- ◆ Faça deslizar o adaptador (12) sobre a saída de descarga de aparas (3).
- ◆ Ligue o tubo do aspirador (13) ao adaptador.

**Montar o saco de recolha de aparas (fig. E)**

O saco de recolha de aparas é útil especialmente quando se trabalha em espaços confinados.

- ◆ Faça deslizar a placa de ligação (14) do saco sobre ambos os lados da saída de descarga de aparas (3).
- ◆ Para impedir a saída de lascas pelo lado oposto da saída de descarga de aparas, mova o selector (4) para o lado contrário do saco.

**Esvaziar o saco de recolha de aparas**

O saco de recolha de aparas deve ser esvaziado regularmente durante a utilização para evitar bloqueios.

- ◆ Abra o saco e esvazie-o antes de continuar.

**Utilização**

**Atenção!** Deixe a ferramenta funcionar ao seu próprio ritmo. Não a sobrecarregue.

- ◆ Ajuste a profundidade de corte.
- ◆ Se necessário, coloque e ajuste o batente paralelo.

**Ligar e desligar****Ligar**

- ◆ Mantenha o botão de desbloqueio (2) por premir e prima o interruptor ligar/desligar (1).
- ◆ Liberte o botão de desbloqueio.

**Desligar**

- ◆ Solte o interruptor para ligar/desligar.

**Aplainar**

- ◆ Segure a ferramenta com a ponta do arrasto sobre a superfície da peça.
- ◆ Ligue a ferramenta.
- ◆ Mova a ferramenta para a frente com firmeza para efectuar o corte.
- ◆ Desligue a ferramenta após efectuar o movimento de corte.

**Recortar (fig. F)**

- ◆ Coloque e ajuste o batente paralelo.
- ◆ Proceda da mesma forma que para o aplainamento:

**Chanfrar arestas (fig. G)**

A ranhura em forma de V na ponta do arrasto permite-lhe chanfrar arestas em ângulos de 45°, 30° e 15°.

- ◆ Coloque a ferramenta num ângulo com a ranhura pretendida (20) em volta da aresta da peça e execute o movimento de corte.

**Apoio de estacionamento (fig. H)**

A sua plaina vem equipada com um apoio de estacionamento (21) que se baixa automaticamente assim que a ferramenta é levantada da superfície da peça. Durante o aplainamento, o pé de estacionamento ergue-se assim que a ferramenta é empurrada para a frente. Quando o pé de estacionamento é baixado, a plaina pode assentar sobre a superfície da peça sem haver contacto com a lâmina.

**Sugestões para uma utilização ideal**

- ◆ Desloque a ferramenta sobre a granulação da madeira.
- ◆ Se a granulação estiver frisada ou encrespada, ou se o material da peça for um tipo difícil de madeira, ajuste a profundidade de corte de modo a cortar apenas uma aparas muito fina em cada passagem e faça vários movimentos de corte para obter o resultado pretendido.



- ◆ Para manter a ferramenta numa linha direita, faça pressão sobre a parte da frente da ferramenta no início do movimento de corte e faça pressão sobre a parte de trás da ferramenta no final do movimento.

## Acessórios

O desempenho da ferramenta depende do acessório utilizado. Os acessórios Stanley Fat Max são construídos sob normas de alta qualidade e concebidos para melhorar o desempenho da ferramenta. Ao utilizar estes acessórios, obterá o melhor desempenho da sua ferramenta.

Poderá solicitar os seguintes tipos de lâminas de corte junto do seu revendedor local:

- Lâminas de corte reversíveis com ponta de carboneto de tungsténio (N.º de peça X35007, disponível aos pares)
- Lâminas de corte reversíveis de aço de alta velocidade (N.º de peça X24192-XJ11, disponível aos pares)

## Manutenção

A sua ferramenta foi concebida para funcionar por um longo período de tempo com uma manutenção mínima. Um funcionamento contínuo e satisfatório depende de uma manutenção adequada e da limpeza regular da ferramenta.

**Atenção!** Antes de proceder a qualquer acção de manutenção, desligue a ferramenta e retire a ficha da tomada.

- ◆ Limpe regularmente as aberturas de ventilação da ferramenta com uma escova suave ou um pano seco.
- ◆ Limpe regularmente o compartimento do motor com um pano húmido. Não utilize produtos de limpeza abrasivos ou à base de solventes.

## Substituição da correia de transmissão (fig. I)

- ◆ Desaperte os parafusos (15) e remova a tampa (16).
- ◆ Remova a correia de transmissão antiga.
- ◆ Coloque a nova correia (17) nas polias. Coloque a correia sobre a polia maior (18) primeiro e, em seguida, sobre a polia mais pequena (19), ao mesmo tempo que roda manualmente a correia num movimento firme.
- ◆ Volte a colocar a tampa e aperte os parafusos.

## Inspeção e substituição da escova do motor (fig. J)

O desgaste das escovas deverá ser inspecionado a intervalos regulares.

- ◆ Remover a tampa da escova (22). As escovas deverão deslizar livremente na caixa de escovas. Se as escovas apresentarem um desgaste até 8 mm, deverão ser substituídas.

Para reinstalar uma escova, empurre a nova escova de volta à caixa de escovas. Se estiver a substituir uma escova existente, mantenha a mesma orientação da escova removida. Substitua a tampa da escova (não a aperte demasiado).

## Substituição da ficha de alimentação (apenas Reino Unido e Irlanda)

Se for necessário montar uma nova ficha de alimentação:

- ◆ Elimine com segurança a ficha antiga.
- ◆ Ligue o cabo castanho ao terminal electricificado na nova ficha.
- ◆ Ligue o cabo azul ao terminal neutro.

**Atenção!** Não é necessário efectuar qualquer ligação ao terminal de terra. Siga as instruções de montagem fornecidas com fichas de boa qualidade. Fusível recomendado: 5 A.

## Protecção do ambiente



Recolha separada. Este produto não pode ser eliminado juntamente com os resíduos domésticos normais.

Se, em algum momento, for necessário substituir este produto Stanley Fat Max ou se este deixar de ter utilidade, não elimine o produto num caixote do lixo. Este produto pode ser separado para reciclagem.



A recolha separada de produtos e embalagens usados permite que os materiais sejam reciclados e reutilizados.

A reutilização de materiais reciclados ajuda a evitar a poluição ambiental e reduz a procura de matérias-primas.

A legislação local poderá prever a recolha separada de produtos domésticos eléctricos, seja em lixeiras municipais ou através do revendedor quando adquire um produto novo.

A Stanley Europe dispõe de instalações para recolha e reciclagem de produtos Stanley Fat Max quando estes atingem o fim da vida útil. Para usufruir deste serviço, devolva o produto em qualquer agente de reparação autorizado, que os recolherá em seu nome.

Para verificar a localização do agente de reparação autorizado mais perto de si, contactando os escritórios locais da Stanley Europe através do endereço indicado neste manual. Se preferir, pode encontrar na Internet uma lista de agentes de manutenção autorizados Stanley Europe, detalhes completos e contactos do serviço pós-venda, no endereço: [www.2helpU.com](http://www.2helpU.com)

**Dados técnicos**

		FME630 (Tipo 1)
Tensão de entrada	V <sub>ac</sub>	230
Potência utilizada	W	750
Velocidade sem carga	min <sup>-1</sup>	16,500
Largura de aplainamento	mm	82
Profundidade de aplainamento	mm	2
Profundidade de recorte	mm	12
Peso	kg	2.9

**Declaração de conformidade CE**

DIRECTIVA PARA MÁQUINAS



FME630

A Stanley Europe declara que os produtos descritos em "dados técnicos" estão em conformidade com as seguintes

normas:

2006/42/CE

EN 60745-1, EN 60745-2-14

Estes produtos estão também em conformidade com as Directivas 2004/108/CE e 2011/65/UE. Para obter mais informações, contacte a Stanley Europe no endereço indicado ou consulte a parte posterior do manual.

O signatário é responsável pela compilação do ficheiro técnico e efectua esta declaração em nome da Stanley Europe.

Kevin Hewitt

Vice-Presidente, Engenharia Global

Stanley Europe, Egide Walschaertsstraat14-18,

2800 Mechelen, Bélgica

29/01/2013

Valores totais de vibração (soma vectores triax) de acordo com a norma EN 60745:
Valor de emissão de vibração (a <sub>v</sub> ) 1.5 m/s <sup>2</sup>
imprecisão (K) 1.5 m/s <sup>2</sup>

Nível de pressão acústica de acordo com a norma EN 60745:
Pressão acústica (L <sub>PA</sub> ) 84 dB(A), imprecisão (K) 3 dB(A)
Potência acústica (L <sub>WA</sub> ) 95 dB(A), imprecisão (K) 3 dB(A)

## Garantia

A Stanley Europe confia na qualidade dos seus produtos e oferece uma garantia excelente a utilizadores profissionais do produto. Esta declaração de garantia é um complemento dos seus direitos contratuais como utilizador privado não profissional, não os prejudicando de forma alguma. A garantia é válida nos territórios dos Estados Membros da União Europeia e da Associação Europeia de Comércio Livre.

### GARANTIA TOTAL DE UM ANO

Se o seu produto Stanley Fat Max avariar devido a defeitos de material ou fabrico, num período de 12 meses após a data da compra, a Stanley Europe garante a substituição das peças defeituosas sem qualquer encargo ou – se assim o entendermos – a substituição da unidade sem encargos, desde que:

- ◆ O produto não tenha sido alvo de utilização indevida e tenha sido utilizado em conformidade com o manual de instruções.
- ◆ O produto tenha sido sujeito a um desgaste aceitável;
- ◆ Não tenham sido tentadas reparações por pessoas não autorizadas;
- ◆ Seja apresentada prova de compra.
- ◆ O produto Stanley Fat Max seja devolvido com todos os componentes originais

Se pretender fazer uma reclamação, contacte o seu vendedor ou verifique a localização do agente de manutenção autorizado Stanley Fat Max mais perto de si no catálogo Stanley Fat Max ou contacte os escritórios locais da Stanley no endereço indicado neste manual. Pode encontrar na Internet uma lista de agentes de manutenção autorizados Stanley Fat Max e detalhes completos do serviço pós-venda, no endereço: [www.stanley.eu/3](http://www.stanley.eu/3)

## Användningsområde

Din Stanley Fat Max-hyvel är avsedd för hyvling av trä, träprodukter och plast. Verktaget är endast avsett att hållas i händerna. Detta verktyg avsett för professionella och privata, icke professionella användare.

## Säkerhetsföreskrifter

### Allmänna säkerhetsanvisningar för elverktyg



**Varning!** Läs alla säkerhetsföreskrifter och alla anvisningar. Fel som uppstår till följd av att säkerhetsföreskrifterna och anvisningarna nedan inte följts kan orsaka elstöt, brand och/eller allvarliga kroppsskador.

**Spara alla säkerhetsföreskrifter och anvisningar för framtida bruk.** Begreppet "elverktyg" nedan syftar på nätdrivna elverktyg (med nätsladd) och batteridrivna elverktyg (sladdlösa).

#### 1. Säkerhet i arbetsområdet

- Håll arbetsplatsen ren och väl upplyst.** Oreda eller dålig belysning på arbetsplatsen kan leda till olyckor.
- För att undvika explosionsrisk bör du inte använda elverktyget i omgivningar med brännbara vätskor, gaser eller damm.** Elverktyg alstrar gnistor som kan antända dammet eller gaserna.
- Håll barn och andra personer på betryggande avstånd när du använder elverktyg.** Om du blir distraherad kan du förlora kontrollen.

#### 2. Elsäkerhet

- Elverktygets stickkontakt måste passa i eluttaget.** Stickkontakten får absolut inte ändras. Använd inte adapterkontakter tillsammans med jordade elverktyg. Med oförändrade stickkontakter och passande vägguttag minskas risken för elstöt.
- Undvik kroppskontakt med jordade ytor som t.ex. rör, värmeelement, spisar och kylskåp.** Risken för elektriska stötter ökar om din kropp är jordad.
- Skydda elverktyget mot regn och väta.** Om vatten tränger in i ett elverktyg ökar risken för elektriska stötter.
- Hantera inte nätsladden ovarsamt. Använd inte sladden för att bära eller dra elverktyget och inte heller för att dra ut kontakten ur vägguttaget. Håll nätsladden borta från värme, olja, skarpa kanter och rörliga maskindelar.** Risken att du får en elstöt är större om sladdarna är skadade eller tilltrasslade.

- Använd endast förlängningssladdar som är godkända för utomhusbruk när du arbetar med elverktyg utomhus.** Om du använder en förlängningssladd som är avsedd för utomhusbruk minskar risken för att du ska få en elstöt.
- Om du måste använda ett elverktyg på en fuktig plats ska du använda jordfelsbrytare.** Jordfelsbrytaren minskar risken för stötter.

#### 3. Personlig säkerhet

- Var uppmärksam, se på vad du gör och använd elverktyget med förnuft.** Använd inte elverktyget när du är trött eller om du är påverkad av droger, alkohol eller mediciner. Vid användning av elverktyg kan även en kort tids uppmärksamhet leda till allvarliga kroppsskador.
- Använd skyddsutrustning. Bär alltid skyddsglasögon.** Den personliga skyddsutrustningen, t.ex. dammfiltermask, halkfria säkerhetsskor, hjälm och hörselskydd, minskar risken för kroppsskada när den används vid rätt tillfällen.
- Undvik oavsiktlig igångsättning. Kontrollera att strömbrytaren står i avstängt läge innan du ansluter verktyget till elnätet eller sätter i batteriet, samt innan du tar upp eller bär verktyget.** Det kan vara mycket farligt att bära ett elverktyg med fingret på strömbrytaren eller koppla det till nätet respektive sätta i batteriet med strömbrytaren i till-läge.
- Ta bort alla inställningsverktyg och skruvnycklar innan du startar elverktyget.** Ett verktyg eller en nyckel i en roterande komponent kan orsaka kroppsskada.
- Sträck dig inte för långt. Se till att du alltid har säkert fotfäste och balans.** Därmed har du bättre kontroll över elverktyget i oväntade situationer.
- Bär lämpliga kläder. Bär inte löst hängande kläder eller smycken. Håll undan hår, kläder och handskar från rörliga delar.** Löst hängande kläder, smycken och långt hår kan fastna i roterande delar.
- Om elverktyget har utrustning för dammsugning och -uppsamling ska du kontrollera att utrustningen är rätt monterad och används på korrekt sätt.** Utrustningen kan minska riskerna när damm bildas.

#### 4. Bruk och skötsel av elverktyg

- Överbelasta inte elverktyget. Använd rätt elverktyg för det aktuella arbetet.** Med rätt elverktyg kan du arbeta bättre och säkrare med det som verktyget är avsett för.
- Använd inte elverktyget om det inte går att starta och stänga av det med strömbrytaren.** Ett elverktyg som inte kan startas och stängas av med strömbrytaren är farligt och måste repareras.
- Dra ut stickproppen ur vägguttaget och/eller ta ut batteriet ur elverktyget innan inställningar utförs, tillbehör byts eller elverktyget ställs undan.** Denna säkerhetsåtgärd förhindrar oavsiktlig start av elverktyget.

- d. **Förvara elverktyg utom räckhåll för barn. Låt inte elverktyget användas av personer som inte är vana vid det, eller som inte läst denna bruksanvisning.** Elverktyg är farliga om de används av ovana personer.
- e. **Sköt elverktyget omsorgsfullt. Kontrollera att rörliga komponenter fungerar felfritt och inte kärvar, att komponenter inte gått sönder eller skadats och inget annat föreligger som kan påverka elverktygets funktion. Om elverktyget är skadat ska du se till att få det reparerat innan det används.** Många olyckor orsakas av dåligt skötta elverktyg.
- f. **Håll skärverktyg vassa och rena.** Omsorgsfullt skötta skärverktyg med skarp egg fastnar inte så lätt och går lättare att styra.
- g. **Använd elverktyget, tillbehör, insatsverktyg o.s.v. enligt dessa anvisningar och på det sätt som föreskrivits för aktuell verktygsmodell. Ta hänsyn till arbetsvillkoren och arbetsmomenten.** Om elverktyget används på icke ändamålsenligt sätt kan farliga situationer uppstå.
5. **Service**
- a. **Elverktyget ska bara repareras av utbildade reparatörer och med originalreservdelar.** Detta säkerställer att elverktyget förblir säkert.

## Ytterligare säkerhetsanvisningar för elverktyg



**Varning!** Ytterligare säkerhetsanvisningar för hyvlar

- ◆ **Håll endast elverktyget i de isolerade greppytorna eftersom det finns risk för att hyvelstålet kommer i kontakt med sin egen nätsladd.** Om hyvelstålet går igenom en strömförande ledning kan verktygets metalldelar bli strömförande och ge dig en elektrisk stöt.
- ◆ **Fäst arbetsstycket vid ett stabilt underlag med tvingar eller på något annat lämpligt sätt.** Om du håller fast arbetsstycket med handen eller trycker det mot kroppen blir det instabilt och du kan förlora kontrollen.
- ◆ **Vänta tills hyvelstålet har stannat innan du sätter ned verktyget.** Ett roterande hyvelstål som inte är skyddat kan hugga tag i ytan och göra att du förlorar kontrollen med allvariga skador som följd.
- ◆ **Håll hyvelstålet väslipat.** Slöa eller skadade hyvelstål kan orsaka att hyveln kastas åt sidan eller stannar helt när den belastas. Använd alltid rätt typ av hyvelstål för elverktyget.
- ◆ Vidrör inte arbetsstycket eller hyvelstålet direkt efter hyvling. De kan bli mycket varma.
- ◆ Ta bort alla spikar och metallföremål från arbetsstycket innan du hyvlar.
- ◆ Verktyget ska endast hållas med händerna och i handtagen.

- ◆ Dra omedelbart ur sladden om den skadas eller sågas av. **Varning!** Hyvling ger upphov till damm som kan skada den som använder verktyget och andra i närheten vid kontakt eller inandning. Använd en specialkonstruerad ansiktsmask som skyddar mot damm och ångor och se till att personer som vistas inom eller i närheten av arbetsområdet också är skyddade.
- ◆ Verktyget ska inte användas av personer (inklusive barn) med nedsatt fysisk eller mental förmåga eller bristande erfarenhet och kunskap, om de inte får vägledning och övervakas av en person som ansvarar för deras säkerhet. Barn ska hållas under uppsikt så att de inte leker med verktyget.
- ◆ Användningsområdet beskrivs i den här bruksanvisningen. Om andra tillbehör eller tillsatser används, eller om någon annan åtgärd än de som rekommenderas i den här bruksanvisningen utförs med verktyget, kan personer och/eller egendom skadas.

## Säkerhet för andra

- ◆ Verktyget ska inte användas av personer (inklusive barn) med nedsatt fysisk eller psykisk förmåga eller bristande erfarenhet och kunskap, om de inte får vägledning och övervakas av en person som ansvarar för deras säkerhet.
- ◆ Barn ska hållas under uppsikt så att de inte leker med verktyget.

## Övriga risker.

Ytterligare risker som inte finns med i de bifogade säkerhetsföreskrifterna kan uppstå när verktyget används. Dessa risker kan uppstå vid felaktig användning, långvarig användning, o.s.v.

Även om alla relevanta säkerhetsföreskrifter följs och säkerhetsanordningar används kan vissa ytterligare risker inte undvikas. Dessa innefattar:

- ◆ Skador orsakade av att roterande/rörliga delar vidrörs.
- ◆ Skador som uppstår vid byte av delar, blad eller tillbehör.
- ◆ Skador som orsakas av långvarig användning av ett verktyg. Se till att ta regelbundna raster när du använder ett verktyg under en längre period.
- ◆ Skador på hörseln.
- ◆ Hälsorisker orsakade av inandning av damm när verktyget används (exempel: arbete med trä, särskilt ek, bok och MDF).

## Vibrationer

De vibrationsvärden som anges i avsnitten Tekniska data och EG-deklarationen om överensstämmelse har uppmätts i enlighet med en standardtestmetod föreskriven i EN 60745 och kan användas för jämförelse med andra verktyg. Det angivna vibrationsvärdet kan även användas för en preliminär bedömning av exponeringen.

**Varning!** Vibrationsvärdet under faktisk användning av elverktuget kan skilja sig från det uppgivna värdet beroende på hur verktyget används. Vibrationsnivån kan överstiga den angivna nivån.

Vid uppskattning av vibrationsexponering i syfte att bedöma vilka säkerhetsåtgärder som är nödvändiga enligt 2002/44/EG för att skydda personer som regelbundet använder elverktyg i arbetet ska man utgå från de faktiska omständigheter under vilka elverktuget används och sättet på vilket det används. Bedömningen ska även ta hänsyn till alla moment i arbetsscykeln, t.ex. när verktyget är avstängt och när det går på tomgång såväl som när det faktiskt används.

### Etiketter på verktyget

Följande symboler finns på redskapet:



**Varning!** Läs bruksanvisningen före användning för att minska risken för olyckor.

### Elsäkerhet



Eftersom verktyget är dubbelisolerat behövs ingen jordledare. Kontrollera alltid att nätspänningen överensstämmer med värdet på typskylten.

- ◆ Om nätsladden är skadad måste den bytas ut av tillverkaren eller en auktoriserad Stanley Fat Max-verkstad för att farliga situationer ska undvikas.

### Funktioner

Detta verktyg har några eller samtliga av följande funktioner.

1. Strömbrytare
2. Låsknapp
3. Utkastaröppning för hyvelspån
4. Väljare för utkastaröppning för hyvelspån
5. Ratt för inställning av hyvel djup
6. Skala för inställning av hyvel djup

### Montering

**Varning!** Se till att redskapet är avstängt och att det inte är anslutet innan monteringen börjar.

### Byta ut hyvelstålen (fig. A)

Hyvelstålen som medföljer det här verktyget är vändbara. Nya hyvelstål hittar du hos din återförsäljare.

### Ta bort

- ◆ Lossa bultarna (7) med hjälp av den medföljande nyckeln.
- ◆ Skjut ut stålen (8) från hållaren.
- ◆ Vänd stålen så att den oanvända sidan kommer i läge. Byt ut bladets om båda sidor har använts.

### Montera

- ◆ Skjut tillbaka stålet i hållaren tills det tar stopp.
- ◆ Dra åt bultarna med hjälp av den medföljande nyckeln.

**Varning!** Byt alltid ut båda stålen.

### Justera skärdjupet (fig. B)

Skärdjupet visas av markeringen (9). Inställningsintervallet kan avläsas på skalan (6).

- ◆ Vrid ratten för inställning av hyvel djup (5) till önskat skärdjup.
- ◆ Vrid ratten till läge 'P' när verktyget inte används.

### Montera och ta bort parallellslaget (fig. C)

Parallellslaget används för optimal kontroll vid smala arbetsstycken.

- ◆ Skruva in ratten (11) i hålet på sidan av hyveln och dra åt ordentligt.
- ◆ Lossa parallellslagets justeringsratt (10).
- ◆ Skjut parallellslaget till önskat läge.
- ◆ Dra åt parallellslagets justeringsratt ordentligt.

**Obs!** Parallellslaget bör inte vara lägre än hyveln när det är korrekt installerat.

- ◆ Ta bort parallellslaget genom att följa anvisningarna i omvänd ordning.

### Ansluta en dammsugare till verktyget (fig. D)

För att ansluta en dammsugare till verktyget krävs en adapter. Adaptern finns att köpa hos din Stanley Fat Max-återförsäljare.

- ◆ Dra adaptern (12) över utkastaröppningen för hyvelspån (3).
- ◆ Anslut dammsugarslangen (13) till adaptern.

### Montera hyvelspånsbehållaren (fig. E)

Hyvelspånsbehållaren är särskilt användbar när du arbetar i trånga utrymmen.

- ◆ Skjut behållarens anslutningsplatta (14) över en av utkastaröppningarna för hyvelspån (3).
- ◆ Genom att dra väljaren för utkastaröppning för hyvelspån (4) till motsatta sidan förhindrar du att hyvelspån kastas ut där ingen behållare finns.

### Tömma hyvelspånsbehållaren

Hyvelspånsbehållaren bör tömmas regelbundet vid användning för att förhindra stopp i utkastet.

- ◆ Öppna dragkedjan och töm påsen innan du fortsätter.

### Användning

**Varning!** Låt redskapet arbeta i sin egen takt. Överbelasta det inte.

- ◆ Justera skärdjupet.

- ◆ Om det behövs, montera och ta bort parallellanslaget.

## Slå på och av

### Starta verktyget

- ◆ Håll ned låsknappen (2) och dra strömbrytarhandtaget (1) mot dig.
- ◆ Släpp låsknappen.

### Stänga av apparaten

- ◆ Släpp strömbrytaren.

## Hyvling

- ◆ Håll verktyget med framdelen av plattan tryckt mot ovasidan av arbetsstyckets yta.
- ◆ Starta verktyget.
- ◆ Flytta verktyget stadigt framåt för att utföra hyvlingen.
- ◆ Stäng av verktyget när hyvlingen har avslutats.

## Falsning (fig. F)

- ◆ Montera och justera parallellanslaget.
- ◆ Försätt som vid hyvling.

## Avfasningskanter (fig. G)

De V-formade spåren i framkant gör att du kan fasa kanter i vinklarna 45°, 30° och 15°.

- ◆ Håll verktyget i en vinkel med önskat spår (20) mot arbetsstyckets kant och utför falsningen.

## Parkeringsstöd (fig. H)

Hyveln är utrustad med ett parkeringsstöd (21) som automatiskt fälls ned när verktyget lyfts upp från arbetsytan. Vid hyvling höjs parkeringsstödet upp när verktyget skjuts framåt. När parkeringsstödet är nedfällt kan hyveln placeras på arbetsytan utan att hyvelstålet vidrör den.

## Råd för optimal användning

- ◆ Förflytta verktyget i virkets fiberriktning.
- ◆ Om fiberriktningen är diagonal eller vågig eller om arbetsmaterialet är av hårt virke justerar du skärdjupet så att mycket tunna spån hyvlas varje gång. Gör sedan flera körningar för att uppnå önskat resultat.
- ◆ Genom att pressa ned verktygets främre del vid starten och dess bakre del vid slutet av hyvlingen hålls verktyget i en rak linje.

## Tillbehör

Verktygets prestanda beror på vilka tillbehör du använder. Stanley Fat Max-tillbehören är av hög kvalitet och konstruerade för att fungera optimalt med verktyget. Med dessa tillbehör får du ut mesta möjliga av verktyget.

Följande typer av hyvelstål hittar du hos din återförsäljare:

- Vändbara hyvelstål med karbidspets i tungsten (artikelnr X35007, levereras i par)
- Vändbara hyvelstål i snabbstål (artikelnr X24192-XJ11, levereras i par)

## Underhåll

Detta verktyg har tillverkats för att fungera under lång tid med ett minimum av underhåll. Med rätt underhåll och regelbunden rengöring behåller verktyget sina prestanda.

**Varning!** Innan något underhåll utförs måste verktyget stängas av och sladden dras ur vägguttaget.

- ◆ Rengör regelbundet apparatens luftintag med en mjuk borste eller torr trasa.
- ◆ Rengör motor kåpan regelbundet med en fuktig trasa. Använd aldrig rengöringsmedel med lösnings- eller slipmedel.

## Ersätta drivremmen (fig. I)

- ◆ Lossa skruvarna (15) och ta bort kåpan (16).
- ◆ Ta av den gamla drivremmen.
- ◆ Sätt den nya remmen (17) över rullarna. Sätt remmen över den stora rullen (18) först, sedan över den lilla rullen (19) medan du manuellt vridet remmen.
- ◆ Sätt tillbaka kåpan och dra åt skruvarna.

## Kontroll och byte av motorborstar (fig. J)

Kontrollera regelbundet om borstarna är slitna.

- ◆ Ta bort borstloppet (22). Borstarna ska glida fritt i borsthuset. Om borstarna är nedslitna till 0,3" (8 mm) ska de bytas ut.

Montera en ny borste genom att trycka in den i borsthuset. Sätt in nya borstar i samma riktning som när borsten togs bort. Sätt tillbaka borsthöljet (skruva inte åt det för hårt).

## Byte av nätkontakt (endast Storbritannien och Irland)

Byt kontakten på följande sätt:

- ◆ Gör dig av med den gamla kontakten på lämpligt sätt.
- ◆ Anslut den bruna ledningen till den strömförande anslutningen i den nya kontakten.
- ◆ Anslut den blå ledningen till den icke strömförande anslutningen.

**Varning!** Anslut inte till jordanslutningen. Följ monteringsanvisningarna som medföljer kontakter av god kvalitet. Rekommenderad säkring: 5 A.

## Miljö



Separat insamling. Produkten får inte kastas i hushållssoporna.

Tänk på miljön när du slänger denna Stanley Fat Max-produkt. Släng den inte tillsammans med hushållsavfallet. Lämna produkten för separat insamling.



Insamling av uttjänta produkter och förpackningsmaterial gör att material kan återanvändas. Användning av återvunnet material minskar föroreningar av miljön och behovet av råmaterial.

Lokala föreskrifter kan kräva separat insamling av elprodukter från hushållen, vid kommunala insamlingsplatser eller hos återförsäljaren när du köper en ny produkt.

Stanley Europe samlar in och återvinner uttjänta Stanley Fat Max-produkter. Om du vill utnyttja denna tjänst återlämnar du produkten till en auktoriserad verkstad, som samlar in den för vår räkning.

För information om närmaste auktoriserade verkstad, kontakta det lokala Stanley Europe-kontoret på den adress som är angiven i bruksanvisningen. En lista över alla auktoriserade Stanley Europe-verkstäder samt servicevillkor finns på Internet: [www.2helpU.com](http://www.2helpU.com)

## Tekniska data

		FME630 (typ 1)
Inspänning	$V_{ac}$	230
Ineffekt	W	750
Tomgångshastighet	$\text{min}^{-1}$	16,500
Hyllingsbredd	mm	82
Hyvel djup	mm	2
Falsningsdjup	mm	12
Vikt	kg	2,9

### Totala vibrationsvärden (vektorsumman av tre axlar) enligt EN 60745:

Vibrationsvärde ( $a_{hv}$ ) 1.5  $\text{m/s}^2$

osäkerhet (K) 1.5  $\text{m/s}^2$

### Ljudnivå enligt EN 60745:

Ljudnivå ( $L_{pA}$ ) 84 dB(A), osäkerhet (K) 3 dB(A)

Ljudeffekt ( $L_{WA}$ ) 95 dB(A), osäkerhet (K) 3 dB(A)

## EG-deklaration om överensstämmelse

MASKINDIREKTIV



FME630

Stanley Europe garanterar att produkterna som beskrivs under "Tekniska data" uppfyller:

2006/42/EG

EN 60745-1, EN 60745-2-14

De här produkterna överensstämmer även med direktiven 2004/108/EG och 2011/65/EU. Mer information får du genom att kontakta Stanley Europe på följande adress eller titta i slutet av bruksanvisningen.

Undertecknad är ansvarig för sammanställningen av tekniska data och gör denna försäkran för Stanley Europe.

Kevin Hewitt  
Vice-President Global Engineering  
Stanley Europe, Egide Walschaertsstraat14-18,  
2800 Mechelen, Belgien  
29/01/2013



## Garanti

Stanley Europe garanterar att produkten är fri från material- och/eller fabrikationsfel vid leverans till kunder som använder produkten i arbetet. Garantin gäller utöver eventuella avtalsrättigheter för privatkonsumentens rättigheter enligt lag och påverkar inte dessa. Garantin gäller inom medlemsstaterna i Europeiska Unionen och i det Europeiska Frihandelsområdet.

### ETT ÅRS FULL GARANTI

Om din Stanley Fat Max-produkt går sönder på grund av material- och/eller fabrikationsfel inom 12 månader från köpet, åtar sig Stanley Europe att byta ut alla trasiga delar utan kostnad med minsta besvär för kunden eller, efter eget godtycke, utan kostnad byta ut produkten förutsatt att:

- ◆ produkten inte har missköts och har använts enligt bruksanvisningen.
- ◆ produkten har utsatts för normalt slitage.
- ◆ reparationer inte har utförts av personer som inte är auktoriserade reparatörer.
- ◆ inköpskvitto finns.
- ◆ Stanley Fat Max-produkten returneras komplett med alla originaldelar

Om du vill göra ett garantianspråk kontaktar du återförsäljaren, letar upp närmaste auktoriserade Stanley Fat Max-verkstad i Stanley Fat Max-katalogen eller kontaktar det lokala Stanley-kontoret på den adress som är angiven i bruksanvisningen. En lista över alla auktoriserade Stanley Fat Max-verkstäder samt servicevillkor finns på Internet: [www.stanley.eu/3](http://www.stanley.eu/3)

## Bruksområde

Stanley Fat Max-høvelen er konstruert for høvling av treverk, treprodukter og plast. Verktøyet er beregnet for håndholdt bruk. Dette verktøyet ment for profesjonelle og private, ikke-profesjonelle brukere.

## Sikkerhetsinstruksjoner

### Generelle sikkerhetsadvarsler for elektroverktøy



**Advarsel!** Les alle sikkerhetsadvarsler og alle instruksjoner. Hvis advarslene og anvisningene nedenfor ikke overholdes, kan det medføre elektrisk støt, brann og/eller alvorlige personskader.

**Ta vare på alle advarsler og instruksjoner for fremtidig bruk.** Begrepet "elektroverktøy" i advarslene nedenfor gjelder nettdrevet elektroverktøy (med ledning) eller batteridrevet elektroverktøy (uten ledning).

#### 1. Sikkerhet i arbeidsområdet

- Hold arbeidsområdet rent og godt opplyst.** Rotete eller mørke områder fører lett til ulykker.
- Ikke arbeid med elektroverktøy i eksplosjonsfarlige omgivelser – der det befinner seg brennbare væsker, gass eller støv.** Elektroverktøy forårsaker gnister som kan antenne støv eller gass/damp.
- Hold barn og andre personer unna når du bruker et elektroverktøy.** Hvis du blir forstyrret under arbeidet, kan du miste kontrollen.

#### 2. Elektrisk sikkerhet

- Støpselet til elektroverktøy må passe i stikkontakten. Støpselet må ikke forandres på noen som helst måte. Ikke bruk adapterstøpsler sammen med jordede elektroverktøy.** Bruk av originale støpsler og passende stikkontakter reduserer risikoen for elektrisk støt.
- Unngå kroppskontakt med jordede overflater som rør, radiatorer, komfyrer og kjøleskap.** Det er større fare for elektrisk støt dersom kroppen din er jordet.
- Hold elektroverktøy unna regn eller fuktighet.** Dersom det kommer vann i et elektroverktøy, øker faren for elektrisk støt.
- Unngå uforvarlig behandling av ledningen. Bruk aldri ledningen til å bære eller trekke elektroverktøyet eller til å trekke ut støpselet. Hold ledningen unna varme, olje, skarpe kanter eller bevegelige deler.** Skadde eller sammenflokede ledninger øker risikoen for elektrisk støt.
- Når du bruker et elektroverktøy utendørs, må du bruke en skjøteledning som er egnet for utendørs bruk.** Når du bruker en skjøteledning som er egnet for utendørs bruk, reduseres risikoen for elektrisk støt.

- Hvis du ikke kan unngå å bruke et elektroverktøy på et fuktig sted, bruker du strømforsyning som er beskyttet med jordfeilbryter.** Bruk av jordfeilbryter reduserer risikoen for elektrisk støt.

#### 3. Personssikkerhet

- Vær oppmerksom, pass på hva du gjør, og vis fornøft når du arbeider med et elektroverktøy. Ikke bruk elektroverktøy når du er trett eller er påvirket av narkotika, alkohol eller medikamenter.** Et øyeblikks uoppmerksomhet under bruk av verktøyet kan føre til alvorlige personskader.
- Bruk personlig verneutstyr. Bruk alltid vernebriller.** Bruk av personlig verneutstyr, for eksempel støvmaske, sklisikre vernesko, hjelm eller hørselvern som passer til forholdene, reduserer risikoen for personskader.
- Forhindre utilsiktet start. Kontroller at bryteren står i posisjon "av" før du kobler til strømkilden og/eller batteripakken, og før du tar opp eller bærer verktøyet.** Det kan føre til ulykker hvis du bærer elektroverktøyet med fingrene på bryteren, eller setter strøm på verktøyet når bryteren står på.
- Fjern eventuelle innstillingsverktøy eller skruverktøy før du slår på elektroverktøyet.** Et skruverktøy eller en nøkkel som fortsatt er festet til en roterende del av elektroverktøyet, kan føre til personskade.
- Ikke strekk deg for langt. Pass på at du alltid har sikkert fotfeste og god balanse.** Da kan du kontrollere elektroverktøyet bedre i uventede situasjoner.
- Bruk egnede klær. Ikke bruk løstsittende klær eller smykker. Hold hår, klær og hansker unna bevegelige deler.** Løstsittende tøy, smykker eller langt hår kan bli sittende fast i bevegelige deler.
- Hvis det kan monteres støvavsug- og oppsamlingsinnretninger, må du forvise deg om at disse er tilkoblet og brukes på riktig måte.** Bruk av støvoppsamling kan redusere faren i forbindelse med støv.

#### 4. Bruk og behandling av elektroverktøy

- Ikke bruk makt på elektroverktøyet. Bruk riktig elektroverktøy for bruksområdet.** Med et passende elektroverktøy arbeider du bedre og sikrere med den farten det er beregnet for.
- Ikke bruk elektroverktøyet hvis du ikke kan slå det på og av med bryteren.** Et elektroverktøy som ikke kan kontrolleres med bryteren, er farlig og må repareres.
- Trekk støpselet ut av stikkontakten og/eller koble fra batteripakken på elektroverktøyet før du utfører innstillinger, bytter tilbehør eller legger elektroverktøyet bort.** Disse forebyggende sikkerhetstiltakene reduserer risikoen for utilsiktet start av elektroverktøyet.

- d. **Elektroverktøy som ikke er i bruk, må oppbevares utilgjengelig for barn. Ikke la verktøyet bli brukt av personer som ikke er fortrolig med det, eller som ikke har lest denne bruksanvisningen.** Elektroverktøy er farlige når de brukes av uerfarne personer.
- e. **Sørg for vedlikehold av elektroverktøy. Undersøk om bevegelige deler er feiljustert eller blokkert, om deler er skadet, og om det er andre forhold som kan påvirke elektroverktøyet funksjon. Hvis elektroverktøyet er skadet, må det repareres før bruk.** Dårlig vedlikeholdt elektroverktøy er årsaken til mange ulykker.
- f. **Hold skjæreverktøy skarpe og rene.** Godt vedlikeholdte skjæreverktøy med skarpe egger setter seg ikke så ofte fast og er lettere å føre.
- g. **Bruk elektroverktøy, tilbehør, bits osv. i henhold til disse instruksjonene. Ta hensyn til arbeidsforholdene og arbeidet som skal utføres.** Bruk av elektroverktøy til andre formål enn det som er angitt, kan føre til farlige situasjoner.
5. **Service**
- a. **Elektroverktøy skal alltid repareres av kvalifisert personell og kun med originale reservedeler.** Dette sikrer at elektroverktøyet sikkerhet opprettholdes.

## Ytterligere sikkerhetsadvarsler for elektroverktøy



**Advarsel!** Ekstra sikkerhetsadvarsler for høvler

- ◆ **Hold elektroverktøyet bare i de isolerte grepsoverflatene, fordi bladene kan komme i kontakt med verktøyet egen ledning.** Hvis en strømførende ledning kuttes, kan frittliggende metalldele på verktøyet bli strømførende, og brukeren kan få elektrisk støt.
- ◆ **Bruk klemmer eller andre praktiske metoder for å spenne fast og støtte arbeidsstykket på en stabil plattform.** Hvis arbeidsstykket holdes med hånden eller inn mot kroppen, vil det være ustabil, og dette kan lett føre til at du mister kontrollen.
- ◆ **Vent til bladene stopper før du setter verktøyet ned.** Eksponerte roterende blader kan gripe i overflaten, og dette kan føre til tap av kontroll og alvorlig personskade.
- ◆ **Hold bladene skarpe.** Sløve eller skadde blader kan få høvelen til å skjene eller stanse under press. Bruk alltid riktig type blad for elektroverktøyet.
- ◆ Ikke berør arbeidsstykket eller bladene straks etter at du har brukt verktøyet. De kan bli svært varme.
- ◆ Fjern alle spiker og metallgjenstander fra arbeidsstykket før høvling.
- ◆ Hold alltid verktøyet med begge hender i håndtakene som er beregnet for dette.
- ◆ Ta umiddelbart ledningen ut av støpselet hvis den blir skadet eller kuttet av.

**Advarsel!** Kontakt med eller innånding av støv som oppstår ved høvling, kan være helseskadelig for brukeren og eventuelle personer i nærheten. Bruk en støvmaske som er spesielt utformet for å verne mot støv og damp/gass, og pass på at personer som er i eller kommer inn i arbeidsområdet, også er beskyttet.

- ◆ Det er ikke meningen at dette verktøyet skal brukes av personer (inkludert barn) med reduserte fysiske, sansemessige eller mentale evner, eller som mangler erfaring og kunnskap, med mindre de har fått oppfølging eller instruksjon når det gjelder bruken av apparatet, fra en person som er ansvarlig for deres sikkerhet. Barn skal være under oppsyn så du er sikker på at de ikke leker med verktøyet.
- ◆ Beregnet bruk er beskrevet i denne håndboken. Bruk av tilbehør eller utføring av oppgaver som ikke er anbefalt for verktøyet i denne håndboken, kan medføre fare for personskade og/eller skade på eiendom.

## Andre personers sikkerhet

- ◆ Det er ikke meningen at dette produktet skal brukes av personer (inkludert barn) med reduserte fysiske, sansemessige eller mentale evner, eller som mangler erfaring og kunnskap, med mindre de har fått oppfølging eller instruksjon når det gjelder bruken av produktet, fra en person som er ansvarlig for deres sikkerhet.
- ◆ Barn skal være under oppsyn så du er sikker på at de ikke leker med produktet.

## Andre risikoer

Ved bruk av produktet kan det oppstå ytterligere risikoer som kanskje ikke er inkludert i sikkerhetsadvarslene som følger med. Disse risikoene kan bli forårsaket av feil bruk, langvarig bruk osv.

Selv om de relevante sikkerhetsbestemmelsene blir fulgt, og sikkerhetstiltakene blir gjennomført, kan visse gjenværende risikoer ikke unngås. Disse omfatter:

- ◆ Personskader som forårsakes av berøring av en roterende/bevegelig del.
- ◆ Personskader som forårsakes av at en del, et blad eller tilbehør endres.
- ◆ Personskader som forårsakes av langvarig bruk av et verktøy. Når du bruker et verktøy i lange perioder, må du sørge for å ta regelmessige pauser.
- ◆ Svekket hørsel.
- ◆ Helsefare som forårsakes av innånding av støv som dannes når du bruker verktøyet (eksempel: arbeid med tre, spesielt eik, bøk og MDF).

## Vibrasjon

Vibrasjonsemisjonsverdien som er angitt under tekniske data og samsvarserklæring, er blitt målt i henhold til en standard testmetode som er angitt i EN 60745, og kan brukes til å sammenligne et verktøy med et annet. Den oppgitte vibrasjonsemisjonsverdien kan også brukes til en foreløpig vurdering av eksponering.

**Advarsel!** Vibrasjonsemisjonsverdien under faktisk bruk av elektroverktøyet kan avvike fra den oppgitte verdien avhengig av måten verktøyet blir brukt på. Vibrasjonsnivået kan øke over nivået som er oppgitt.

Når man vurderer vibrasjonseksponering for å bestemme sikkerhetstiltak som kreves i 2002/44/EF, for å beskytte personer som bruker elektroverktøy regelmessig i arbeidet, skal man når man anslår vibrasjonseksponeringen, ta hensyn til de faktiske bruksforholdene og måten verktøyet blir brukt på, inkludert hensyn til alle deler av brukssyklusen – også de gangene verktøyet slås av, og når det går på tomgang, i tillegg til tiden utløseren er inne.

## Merking på verktøyet

Følgende symboler vises på verktøyet:



**Advarsel!** Brukeren må lese håndboken for å redusere risikoen for personskade.

## Elektrisk sikkerhet



Dette apparatet er dobbeltisolert. Jording er derfor ikke nødvendig. Kontroller alltid at strømforsyningen er i overensstemmelse med spenningen på type-skiltet.

- ◆ Hvis strømledningen blir skadet, må den skiftes av produsenten eller et autorisert Stanley Fat Max-service-senter så man unngår fare.

## Funksjoner

Dette verktøyet har enkelte av eller alle funksjonene nedenfor.

1. På/av-bryter
2. Utløserknapp
3. Sponutmatingsutgang
4. Velger for sponutmatingsutgang
5. Justeringsknott for høvledybde
6. Høvledybdeskala

## Montering

**Advarsel!** Før monteringen må du passe på at verktøyet er slått av, og at støpselet er trukket ut.

## Skifte kutteblader (figur A)

Kuttebladene som følger med dette verktøyet, kan snus. Du kan kjøpe nye kutteblader hos din lokale forhandler.

## Demontering

- ◆ Løsne skruene (7) med skrunøkkelen som følger med.
- ◆ Skyv bladet (8) ut av holderen.
- ◆ Snu bladet, så den ubrukte siden kommer i posisjon. Hvis begge sidene er brukt, må bladet skiftes.

## Montering

- ◆ Skyv bladet inn i holderen til det når sitt stoppunkt.
- ◆ Stram skruene med skrunøkkelen som følger med.

**Advarsel!** Bytt alltid begge bladene.

## Justere skjæredybden (figur B)

Skjæredybden er indikert med merkingen (9). Innstillingsområdet kan leses av på skalaen (6).

- ◆ Drei justeringsknotten (5) for høvledybde til ønsket skjæredybde.
- ◆ Drei knotten til stillingen "P" når verktøyet ikke er i bruk.

## Montering og demontering av parallellguiden (figur C)

Parallellguiden brukes for å gi best mulig kontroll over smale arbeidsstykker.

- ◆ Skru knotten (11) inn i hullet på siden av høvelen, og stram godt.
- ◆ Løsne justeringsknotten for parallellguiden (10).
- ◆ Skyv parallellguiden til den ønskede stillingen.
- ◆ Stram justeringsknotten for parallellguiden godt.

**Merknad:** Parallellguiden skal være under høvelen når den er montert riktig.

- ◆ Når du skal fjerne parallellguiden, går du frem i omvendt rekkefølge.

## Koble en støvsuger til verktøyet (figur D)

Du trenger en adapter for å koble en støvsuger eller et støvavtrekk til verktøyet. Du kan kjøpe en adapter hos din lokale Stanley Fat Max-forhandler.

- ◆ Skyv adapteren (12) over sponutmatingsutgangen (3).
- ◆ Koble støvsugerslangen (13) til adapteren.

## Montere sponoppsamlingsposen (figur E)

Sponoppsamlingsposen er spesielt nyttig når det er begrenset plass der du arbeider.

- ◆ Skyv festeplaten (14) til posen over en av sidene på sponutmatingsutgangen (3).
- ◆ For å hindre at det kommer spon ut av den andre siden av sponutmatingsutgangen flytter du velgeren (4) for sponutmatingsutgang til den motsatte siden av posen.

## Tømme sponoppsamlingsposen

Sponoppsamlingsposen skal tømmes regelmessig under bruk, så du unngår blokkering.

- ◆ Åpne posen og tøm den før du fortsetter.

## Bruk

**Advarsel!** La verktøyet arbeide med sin egen hastighet. Ikke overbelast det.

- ◆ Juster skjæredybden
- ◆ Om nødvendig monterer og justerer du parallellguiden.

## Slå på og av

### Slå på

- ◆ Hold utløserknappen (2) inne, og trykk på på/av-knappen (1).
- ◆ Slipp utløserknappen.

### Slå av

- ◆ Slipp av/på-knappen.

## Høvling

- ◆ La tuppen av foten hvile oppå arbeidsstykket.
- ◆ Slå på verktøyet.
- ◆ Beveg verktøyet jevnt fremover for utføre kuttebevegelsen.
- ◆ Slå verktøyet av etter at bevegelsen er fullført.

## False (figur F)

- ◆ Monter og juster parallellguiden.
- ◆ Gå frem som ved høvling:

## Skråkanter (figur G)

V-sporet i tuppen av foten gjør det mulig å skråskjære kanter med vinkel på 45°, 30° og 15°.

- ◆ Hold verktøyet i en vinkel med det ønskede sporet (20) rundt kanten av arbeidsstykket, og utfør kuttebevegelsen.

## Parkeringsstøtte (figur H)

Høvelen er utstyrt med en parkeringsstøtte (21) som senkes på plass automatisk når verktøyet løstes fra arbeidsflaten. Når du høvler, heves parkeringsstøtten når verktøyet skyves fremover. Når parkeringsstøtten er senket, kan høvelen settes på arbeidsflaten uten at bladet berører den.

## Råd for optimal bruk

- ◆ Beveg verktøyet i treets fiberretning.
- ◆ Hvis fibrene er grove eller buet, eller hvis materialet i arbeidsstykket er hardt tre, justerer du skjæredybden, slik at du bare høvler svært tynt ved hver bevegelse og utfører flere bevegelser for å oppnå det ønskede resultatet.

- ◆ For å bevege verktøyet i rett linje trykker du ned foran på verktøyet ved starten og trykker ned baksiden av verktøyet ved slutten av kuttebevegelsen.

## Tilbehør

Verktøyets ytelse avhenger av tilbehøret du bruker. Stanley Fat Max-tilbehør er produsert etter høye kvalitetsstandarder og er konstruert for å bedre verktøyets ytelse. Hvis du bruker dette tilbehøret, yter verktøyet best mulig.

Du kan kjøpe disse typene kutteblader hos din lokale forhandler:

- Vendbare kutteblader med wolframkarbidtupp (delenr. X35007, leveres i par)
- Vendbare kutteblader av høyhastighetsstål (delenr. X24192-XJ11, leveres i par)

## Vedlikehold

Verktøyet er konstruert for å være i drift over lengre tid med et minimum av vedlikehold. Det er avhengig av riktig stell og regelmessig rengjøring for å fungere som det skal til enhver tid.

**Advarsel!** Før vedlikehold må verktøyet slås av og støpselet trekkes ut.

- ◆ Rengjør ventilasjonsåpningene i verktøyet jevnlige med en myk børste eller tørr klut.
- ◆ Rengjør motorhuset regelmessig med en fuktig klut. Ikke bruk slipende eller løsemiddelbaserte rengjøringsmidler.

## Bytte drivremmen (figur I)

- ◆ Løsne skruene (15) og fjern dekselet (16).
- ◆ Fjern den gamle drivremmen.
- ◆ Plasser den nye drivremmen (17) over remskivene. Sett belte på den store skiven (18) først og deretter på den lille skiven (19) mens du dreier remmen jevnt manuelt.
- ◆ Sett dekselet tilbake på plass, og stram skruene.

## Kontroll og bytte av motorbørster (figur J)

Børstene bør kontrolleres for slitasje regelmessig.

- ◆ Fjern børstehetten (22). Børstene skal gli fritt i børstekassen. Hvis børstene er slitt ned til 0,3" (8 mm), skal de byttes.

Skyv en ny børste tilbake inn i børstekassen for å montere. Hvis du erstatter en eksisterende børste, beholder du orienteringen til den som ble fjernet. Sett på plass børstehetten (ikke stram for mye).

## Bytte nettstøpsel (gjelder bare Storbritannia og Irland)

Hvis det må settes på nytt nettstøpsel:

- ◆ Kast det gamle støpselet på en trygg måte.

- ◆ Koble den brune ledningen til den strømførende terminalen i det nye støpselet.
- ◆ Koble den blå ledningen til den nøytrale terminalen.

**Advarsel!** Du skal ikke koble til jordterminalen. Følg monteringsinstruksjonene som følger med støpsler av god kvalitet. Anbefalt sikring: 5 A.

## Miljø



Separat avfallshåndtering. Dette produktet må ikke kastes sammen med vanlig husholdningsavfall.

Hvis du synes Stanley Fat Max-produktet bør skiftes ut, eller du ikke har bruk for det lenger, må du ikke kaste det sammen med husholdningsavfall. Sørg for separat avfallshåndtering for dette produktet.



Hvis brukte produkter og emballasje leveres atskilt, kan materialer resirkuleres og brukes på nytt. Gjenbruk av resirkulerte materialer bidrar til redusert miljøforurensning og reduserer behovet for råmaterialer.

Det kan være lokale bestemmelser for separat avfallshåndtering for elektriske produkter fra husstander på kommunale avfallsplasser eller hos forhandleren, når du kjøper et nytt produkt.

Stanley Europe har en ordning for innsamling og resirkulering av Stanley Fat Max-produkter som ikke skal brukes lenger. Du kan benytte denne tjenesten ved å levere produktet til et hvilket som helst autorisert serviceverksted.

Du kan finne ut hvor nærmeste autoriserte serviceverksted er, ved å kontakte din lokale Stanley Europe-avdeling på adressen som er oppgitt i denne håndboken. En oversikt over autoriserte Stanley Europe-serviceverksteder og alle opplysninger om ettersalgsservice og kontakter er også tilgjengelig på Internett: [www.2helpU.com](http://www.2helpU.com)

## Tekniske data

		FME630 (Type 1)
Inngangsspenning	$V_{ac}$	230
Inngangseffekt	W	750
Hastighet ubelastet	$\text{min}^{-1}$	16,500
Høylebredde	mm	82
Høyledybde	mm	2
Fasingsdybde	mm	12
Vekt	kg	2,9

**Totale vibrasjonsverdier (vektorsum fra tre retninger) bestemt i samsvar med EN 60745:**

Vibrasjonsemissjonsverdi ( $a_{hv}$ ) 1.5  $\text{m/s}^2$

usikkerhet (K) 1.5  $\text{m/s}^2$

**Lydtryknivå i henhold til EN 60745:**

Lydtrykk ( $L_{pA}$ ) 84 dB(A), usikkerhet (K) 3 dB(A)

Lydeffekt ( $L_{WA}$ ) 95 dB(A), usikkerhet (K) 3 dB(A)

**EF-samsvarserklæring**

MASKINDIREKTIV



FME630

Stanley Europe erklærer at disse produktene som er beskrevet under "Tekniske data", er i samsvar med:

2006/42/EF

EN 60745-1, EN 60745-2-14

Disse produktene er også i samsvar med direktiv 2004/108/EF og 2011/65/EU. Hvis du ønsker mer informasjon, kontakt Stanley Europe på følgende adresse, eller se på baksiden av håndboken.

Undertegnede er ansvarlig for utarbeidelsen av den tekniske dokumentasjonen og gir denne erklæringen på vegne av Stanley Europe.

Kevin Hewitt  
Vice-President Global Engineering  
Stanley Europe, Egide Walschaertsstraat 14-18,  
2800 Mechelen, Belgia  
29/01/2013

**Garanti**

Stanley Europe er trygg på kvaliteten på sine produkter og tilbyr en enestående garanti til profesjonelle brukere av produktet. Denne garantierklæringen kommer i tillegg til og reduserer på ingen måte dine kontraktmessige rettigheter som privat ikke-profesjonell bruker. Garantien er gyldig i EU- og EFTA-medlemsstatene.

**FULL GARANTI I ETT ÅR**

Hvis Stanley Fat Max-produktet blir defekt på grunn av material- eller produksjonsfeil innen 12 måneder fra kjøpsdatoen, garanterer Stanley Europe å erstatte alle defekte deler uten betaling eller – hvis vi velger dette – å erstatte enheten uten betaling forutsatt at:

- ◆ Produktet er ikke blitt brukt på feil måte og er blitt brukt i samsvar med bruksanvisningen.
- ◆ Produktet har vært utsatt for rimelig slitasje.
- ◆ Uautoriserte personer har ikke gjort forsøk på å reparere produktet.
- ◆ Det legges frem kjøpsdokumentasjon.
- ◆ Stanley Fat Max-produktet returneres i sin helhet med alle originale komponenter.

Hvis du ønsker å fremme et krav, må du kontakte selgeren eller finne adressen til nærmeste autoriserte Stanley Fat Max-serviceverksted i Stanley Fat Max-katalogen eller kontakte din lokale Stanley-avdeling på adressen som er oppgitt i denne håndboken. En liste over autoriserte Stanley Fat Max-serviceverksteder og alle opplysninger om ettersalgsservice er tilgjengelig på Internett: [www.stanley.eu/3](http://www.stanley.eu/3)

## Anvendelsesområde

Din Stanley Fat Max-høvl er designet til at høvle træ, træprodukter og plastic. Værktøjet er beregnet til håndholdt brug. Dette værktøj er beregnet til professionelle og private, ikke-professionelle brugere.

## Sikkerhedsanvisninger

### Generelle sikkerhedsadvarsler vedrørende elværktøj



**Advarsel!** Læs alle sikkerhedsadvarsler og instruktioner. Hvis nedenstående instruktioner og advarsler ikke følges, er der risiko for elektrisk stød, brand og/eller alvorlige personskader.

### Gem alle advarsler og anvisninger til senere brug.

Begrebet "elværktøj", der benyttes i nedenstående advarsler, henviser til netdrevet elværktøj (med netledning) eller batteridrevet elværktøj (uden netledning).

#### 1. Sikkerhed i arbejdsområdet

- Hold arbejdsområdet rent og ordentligt oplyst.**  
Uordentlige og mørke områder øger faren for uheld.
- Brug ikke elværktøj i eksplosive omgivelser, f.eks. hvor der er brændbare væsker, gasser eller støv.**  
Elværktøj kan forårsage gnister, der kan antænde støv eller dampe.
- Hold børn og andre personer på afstand, når et elværktøj er i brug.** Du kan miste kontrollen over værktøjet, hvis du distraheres.

#### 2. Elektricitet og sikkerhed

- Elværktøjsstik skal passe til stikkontakten. Stikket må under ingen omstændigheder ændres. Brug ikke adapterstik sammen med jordforbundet elværktøj.**  
Uændrede stik, der passer til stikkontakterne, nedsætter risikoen for elektrisk stød.
- Undgå kropskontakt med jordforbundne overflader som f.eks. rør, radiatorer, komfurer og køleskabe.** Hvis din krop er jordforbundet, øges risikoen for elektrisk stød.
- Elværktøj må ikke udsættes for regn eller fugt.**  
Indtrængen af vand i elværktøj øger risikoen for elektrisk stød.
- Ødelæg ikke ledningen. Bær, træk eller afbryd ikke elværktøjet vha. ledningen. Beskyt ledningen mod varme, olie, skarpe kanter eller maskindele, der er i bevægelse.** Beskadigede eller sammenfiltrede ledninger øger risikoen for elektrisk stød.
- Hvis elværktøj benyttes i det fri, skal der benyttes en forlængerledning, som er godkendt til udendørs brug.**  
Brug af en forlængerledning til udendørs brug nedsætter risikoen for elektrisk stød.

- Brug en strømkilde med fejlstrømsbeskyttelse, hvis det er uundgåeligt at anvende elværktøj på fugtige steder.** Med en fejlstrømsbeskyttelse reduceres risikoen for elektrisk stød.

#### 3. Personlig sikkerhed

- Vær opmærksom, hold øje med, hvad du laver, og brug elværktøjet fornuftigt. Brug ikke et elværktøj, hvis du er træt eller påvirket af stoffer, medicin eller alkohol.** Få sekunders uopmærksomhed ved brug af elværktøjet kan føre til alvorlige personskader.
- Brug personlige værnemidler. Brug altid beskyttelsesbriller.** Brug af værnemidler som f.eks. støvmaske, skridsikkert fodtøj, beskyttelseshjelm eller høreværn nedsætter risikoen for personskader, hvis udstyret anvendes korrekt.
- Sørg for, at værktøjet ikke kan starte utilsigtet. Kontroller, at afbryderkontakten står på slukket, inden værktøjet tilsluttes strømkilden og/eller batteriet, samles op eller bæres.** Bæres elværktøj, mens fingeren er på kontakten, eller tilsluttes det, mens kontakten står på tændt, kan der nemt ske en ulykke.
- Fjern indstillingsværktøj eller skruenøgler, inden elværktøjet tændes.** Et værktøj eller en nøgle, der efterlades i en roterende del i elværktøjet, kan resultere i personskader.
- Stræk dig ikke for langt. Sørg for, at du altid har sikkert fodfæste og balance.** Det gør det nemmere at kontrollere elværktøjet, hvis der skulle opstå uventede situationer.
- Brug egnet arbejdstøj. Undgå løse beklædningsgenstande eller smykker. Hold hår, tøj og handsker væk fra dele, der bevæger sig.** Bevægelige dele kan gribe fat i løstsiddende tøj, smykker eller langt hår.
- Hvis støvudsugnings- og opsamlingsudstyr kan monteres, er det vigtigt, at dette tilsluttes og benyttes korrekt.** Brug af udstyr til opsamling af støv kan nedsætte risikoen for støvrelateret personskade.

#### 4. Brug og vedligeholdelse af elværktøj

- Undgå at overbelaste elværktøjet. Brug altid det rette elværktøj til opgaven.** Med det rigtige elværktøj udføres arbejdet lettere og sikrere og i det tempo, som værktøjet er beregnet til.
- Brug ikke elværktøjet, hvis afbryderen er defekt.**  
Elværktøj, der ikke kan reguleres med afbryderen, er farligt og skal repareres.
- Træk stikket ud af stikkontakten og/eller batteriet inden indstilling, tilbehørsudskiftning eller opbevaring af elværktøjet.** Disse sikkerhedsforanstaltninger reducerer risikoen for utilsigtet start af værktøjet.



- d. **Opbevar ubenyttet elværktøj uden for børns rækkevidde. Lad aldrig personer, der ikke er fortrolige med elværktøj, eller som ikke har gennemlæst disse instruktioner, benytte maskinen.** Elværktøj er farligt, hvis det benyttes af ukendte personer.
- e. **Elværktøj bør vedligeholdes omhyggeligt. Kontroller, om bevægelige dele er skæve og ikke sidder fast, og om delene er brækket eller beskadiget, så elværktøjets funktion påvirkes. Få beskadigede dele repareret, inden elværktøjet tages i brug.** Mange uheld skyldes dårligt vedligeholdt elværktøj.
- f. **Sørg for, at skæreværktøjer er skarpe og rene.** Ordentligt vedligeholdt skæreværktøj med skarpe skærekanten sætter sig ikke så hurtigt fast og er nemmere at styre.
- g. **Brug elværktøjet, tilbehøret, indsatsværktøj osv. i overensstemmelse med disse instruktioner under hensyntagen til arbejdsforholdene og arbejdet, der skal udføres med værktøjet.** I tilfælde af anvendelse af elværktøjet til formål, som ligger uden for det fastsatte anvendelsesområde, kan der opstå farlige situationer.
5. **Service**
- a. **Få altid elværktøjet repareret af kvalificerede fagfolk med udelukkende identiske reservedele.** Dermed opretholdes elværktøjets sikkerhed.

### Yderligere sikkerhedsadvarsler for elværktøj



**Advarsel!** Yderligere sikkerhedsadvarsler for høvle.

- ◆ **Hold kun i elværktøjets isolerede gribeblader, da cutteren kan komme i kontakt med værktøjets ledning.** Hvis man skærer i en strømførende ledning, bliver elværktøjets blottede dele strømførende, så brugeren får stød.
- ◆ **Brug skruetvinger eller lignende til at holde og støtte materialet på et stabilt underlag.** Det er ikke nok at holde materialet med hånden eller ind mod kroppen. Det bliver ustabilt, og du kan miste kontrollen.
- ◆ **Vent til cutteren stopper, før du sætter værktøjet ned.** En blottet roterende cutter kan få fat i overfladen, og du kan miste kontrollen og komme alvorligt til skade.
- ◆ **Hold cutteren skarp.** Døve eller beskadigede cuttere kan få høvlen til at slingre eller standse under pres. Brug altid den rigtige type cutter til elværktøjet.
- ◆ Rør ikke ved materialet eller cutteren umiddelbart efter, at værktøjet har været i brug. De kan være meget varme.
- ◆ Fjern alle søm og metalobjekter fra materialet før høvlearbejdet.
- ◆ Hold altid værktøjet med begge hænder i håndtagene.
- ◆ Træk straks ledningen ud af stikkontakten, hvis ledningen beskadiges, eller der skæres i den.

**Advarsel!** Kontakt med eller indånding af støvpartikler fra høvlearbejde kan udgøre en fare for både brugerens og eventuelle omkringståendes helbred. Bær en støvmaske, der er specielt beregnet til beskyttelse mod støv og røg, og sørg for, at personer på eller på vej ind i arbejdsområdet også er beskyttet.

- ◆ Dette værktøj er ikke beregnet til at blive brugt af personer (herunder børn) med nedsatte fysiske, sensoriske eller mentale evner eller manglende erfaring og viden, med mindre det sker under overvågning, eller der gives instruktion i brugen af værktøjet af en person, der er ansvarlig for deres sikkerhed. Børn skal holdes under opsyn, så det sikres, at de ikke leger med værktøjet.
- ◆ Apparatets påtænkte anvendelse fremgår af vejledningen. Brugen af ekstraudstyr eller tilbehør eller udførelse af opgaver med værktøjet ud over de i brugervejledningen anbefalede kan medføre risiko for personskade og/eller materiel skade.

### Andres sikkerhed

- ◆ Dette apparat må ikke bruges af personer (herunder børn) med nedsatte fysiske, sensoriske eller mentale evner eller manglende erfaring og viden, med mindre det sker under overvågning, eller der gives instruktion i brugen af apparatet af en person, der er ansvarlig for deres sikkerhed.
- ◆ Børn skal holdes under opsyn, så det sikres, at de ikke leger med værktøjet.

### Restrisici.

Der kan opstå yderligere restrisici under brugen af værktøjet, som ikke kan medtages i vedlagte sikkerhedsadvarsler. Disse risici kan opstå pga. forkert anvendelse, langvarig brug etc. Selv ved overholdelse af relevante sikkerhedsforskrifter og anvendelse af sikkerhedsudstyr kan visse restrisici ikke undgås. Disse omfatter:

- ◆ Tilskadekomst forårsaget af berøring af roterende/bevægelige dele.
- ◆ Tilskadekomst forårsaget af udskiftning af dele, blade eller tilbehør.
- ◆ Tilskadekomst forårsaget af langvarig brug af et værktøj. Husk at holde pause jævnligt ved brug af et værktøj i længere tid.
- ◆ Høreskader.
- ◆ Sundhedsrisici forårsaget af indånding af støv, der genereres ved brug af værktøjet (eksempel: Arbejde med træ, især, eg, bøg og MDF).

## Vibration

De angivne værdier for udsendelse af vibration anført under de tekniske data og overensstemmelseserklæringen er målt i henhold til standardtestmetoden i EN 60745 og kan bruges til at sammenligne ét værktøj med et andet. Den angivne værdi for udsendelse af vibration kan også bruges som en foreløbig vurdering af eksponeringen.

**Advarsel!** Værdien for udsendelse af vibration ved faktisk brug af elværktøjet kan afvige fra den angivne værdi afhængig af måden, værktøjet anvendes på. Vibrationsniveauet kan overstige det angivne niveau.

I vurderingen af eksponeringen for vibration med henblik på fastsættelse af sikkerhedsforanstaltninger som krævet i 2002/44/EF til beskyttelse af personer, der jævnligt anvender elværktøj i deres arbejde, skal der tages hensyn til de faktiske betingelser under brugen, og måden værktøjet bruges på, herunder alle arbejdsrytters elementer, f.eks. perioder, hvor værktøjet er slukket og kører i tomgang tillige med startperioderne.

## Mærkatet på værktøjet

Følgende symboler er anbragt på værktøjet:



**Advarsel!** Brugeren skal læse brugervejledningen for at reducere risikoen for tilskadekomst.

## Elektricitet og sikkerhed



Denne maskine er dobbelt isoleret. Derfor er jordledning ikke nødvendig. Kontroller altid, at strømforsyningen svarer til spændingen på typeskiltet.

- ◆ Hvis netledningen beskadiges, skal den udskiftes af producenten eller et autoriseret Stanley Fat Max-værksted, så farlige situationer undgås.

## Komponenter

Dette værktøj leveres med nogle af eller alle de følgende komponenter.

1. Afbryderkontakt
2. Låseknop
3. Spånudkaståbning
4. Knap til spånudkaståbning
5. Knap til indstilling af høvledybde
6. Høvledybdejustering

## Samling

**Advarsel!** Kontroller før montering, at værktøjet er slukket, og at stikket er taget ud af stikkontakten.

## Udskiftning af klingerne (fig. A)

De medleverede klinger er vendbare. Du kan få udskiftningsklinger hos din lokale forhandler.

### Aftagning

- ◆ Løsn boltene (7) vha. den medfølgende skrueøgle.
- ◆ Skub klingen (8) ud af holderen.
- ◆ Vend klingens, så den ubrugte side kommer på plads. Hvis begge sider er slidte, skal klingens udskiftes.

### Påsætning

- ◆ Skub klingens ind i holderen, indtil den ligger an mod endestoppet.
- ◆ Stram boltene vha. den medfølgende skrueøgle.

**Advarsel!** Udskift altid begge cuttere.

## Justering af skæredybden (fig. B)

Skæredybden vises ved markeringen (9). Indstillingsområdet kan aflæses på skalaen (6).

- ◆ Drej knappen til indstilling af høvledybden (5) til den ønskede skæredybde.
- ◆ Drej knappen til position 'P', når værktøjet ikke er i brug.

## Påsætning og aftagning af parallelanslaget (fig. C)

Parallelanslaget anvendes til den bedst mulige styring på smalle materialer.

- ◆ Drej knappen (11) ind i hullet på siden af høvlen, indtil den sidder fast.
- ◆ Løsn knappen til indstilling af parallelanslaget (10).
- ◆ Skub parallelanslaget ind det ønskede sted.
- ◆ Stram knappen til indstilling af parallelanslaget.

**Bemærk:** Parallelanslaget befinder sig under høvlen, når det er monteret korrekt.

- ◆ Parallelanslaget fjernes ved at udføre proceduren i omvendt rækkefølge.

## Tilslutning af en støvsuger til værktøjet (fig. D)

Der kræves en adapter for at slutte en støvsuger eller støvudsukker til værktøjet. Adapteren kan købes hos en lokal Stanley Fat Max-forhandler.

- ◆ Sæt adapteren (12) fast over spånudkaståbningen (3).
- ◆ Sæt støvsugerslangen (13) i adapteren.

## Påsætning af spånposen (fig. E)

Spånposen er især nyttig, når der arbejdes på trange steder.

- ◆ Sæt posens tilslutningsskive (14) fast på en af siderne på spånudkaståbningen (3).
- ◆ For at forhindre, at der ryger spåner ud på den modsatte side af spånudkaståbningen, flyttes knappen til spånudtag (4) til den modsatte side af posen.

## Tømning af spånposen

Spånposen skal tømmes regelmæssigt, når den bruges til at forhindre blokering.

- ◆ Lyn posen af, og tøm den, inden der fortsættes.

## Anvendelse

**Advarsel!** Lad værktøjet arbejde i dets eget tempo. Det må ikke overbelastes.

- ◆ Juster skæredybden.
- ◆ Påsæt og indstil om nødvendigt parallelanslaget.

## Start og stop

### Start

- ◆ Hold låseknappen (2) trykket ned, og tryk på afbryderknappen (1).
- ◆ Slip låseknappen.

### Stop

- ◆ Slip afbryderknappen.

## Høvlearbejde

- ◆ Hold værktøjet, så spidsen af sålen ligger an mod materialets overflade.
- ◆ Tænd værktøjet.
- ◆ Bevæg roligt værktøjet fremad for at høvle materialet.
- ◆ Klingen fortsætter med at rotere, efter at værktøjet er slukket.

## Falsning (fig. F)

- ◆ Tilpas og indstil parallelanslaget.
- ◆ Fortsæt som til høvlearbejde.

## Afskråning af kanter (fig. G)

V-noten på spidsen af sålen anvendes til afskråning af kanter i vinkler på 45°, 30° og 15°.

- ◆ Hold værktøjet i en vinkel med den ønskede not (20) på kanten af materialet og lav skærebævelsen.

## Parkeringsfod (fig. H)

Din høvl er udstyret med en parkeringsfod (21), som automatisk kører ned, når værktøjet løftes fra arbejdsfladen. Under høvlearbejdet løftes parkeringsfoden, når værktøjet skubbes fremad. Når parkeringsfoden er kørt ned, kan høvlen sættes ned på arbejdsfladen, uden at klingens berører den.

## Gode råd til optimal brug

- ◆ Bevæg værktøj langs med årene i træet.
- ◆ Hvis årene er meget ujævne eller hvis der arbejdes i hårdt træmateriale, indstilles skæredybden til meget tynd spåntagning ved hver bevægelse, så der skal foretages mange bevægelser for at opnå det ønskede resultat.

- ◆ For at holde værktøjet på en lige linje trykkes den forreste ende af værktøjet ned til at starte med, og derefter trykkes den bagerste ende af værktøjet ned for at afslutte skærebævelsen.

## Tilbehør

Værktøjets ydeevne afhænger af det anvendte tilbehør. Tilbehør fra Stanley Fat Max er fremstillet efter høje kvalitetsstandarder og er designet til at forbedre dit værktøjs præstation. Når du bruger dette tilbehør, vil værktøjet yde optimalt.

Følgende typer klinger fås hos din lokale forhandler:

- Vendbare klinger i wolframkarbid (reserveredel nr. X35007, leveres i par)
- Vendbare klinger i hurtigstål (reserveredel nr. X24192-XJ11, leveres i par)

## Vedligeholdelse

Dette værktøj er beregnet til brug gennem lang tid med et minimum af vedligeholdelse. Fortsat tilfredsstillende drift afhænger af korrekt behandling af værktøjet samt regelmæssig rengøring.

**Advarsel!** Før der udføres vedligeholdelse, skal værktøjet slukkes og stikket trækkes ud.

- ◆ Rengør regelmæssigt værktøjets ventilationshuller med en blød børste eller en tør klud.
- ◆ Rengør med jævne mellemrum motorhuset med en fugtig klud. Der må ikke bruges skuremidler eller opløsningsmidler.

## Udskiftning af drivremmen (fig. I)

- ◆ Løsn skruerne (15) og fjern dækslet (16).
- ◆ Fjern den gamle drivrem.
- ◆ Sæt den nye rem (17) over remskiverne. Sæt remmen over den store remskive (18) først, og derefter over den lille remskive (19), og drej samtidigt remmen manuelt med rolige tag.
- ◆ Sæt dækslet på plads igen og stram skruerne.

## Kontrol og udskiftning af motorkul (fig. J)

Kullene skal jævnligt kontrolleres for slid.

- ◆ Fjern kulhætten (22). Kullene skal kunne glide frit i kulboksen. Hvis kullene er slidt ned til 0,3" (8 mm), skal de udskiftes.

Skub nye kul tilbage i kulboksen for at sætte dem i. Ved udskiftning af eksisterende kul holdes samme retning, som da de blev taget ud. Sæt kuldækslet på igen (overspænd ikke).

## Udskiftning af stik (kun Storbritannien og Irland)

Sådan monteres et nyt stik:

- ◆ Det gamle stik skal bortskaffes på en sikker måde.

- ◆ Slut den brune ledning til den strømførende klemme på det nye stik.
- ◆ Slut den blå ledning til den neutrale klemme.

**Advarsel!** Der skal ikke foretages nogen tilslutning til jordklemmen. Følg de monteringsanvisninger, der leveres sammen med kvalitetsstik. Anbefalet sikring: 5 A.

## Miljøbeskyttelse



Separat bortskaffelse. Dette produkt må ikke bortskaffes sammen med almindeligt husholdningsaffald.

Når dit Stanley Fat Max-produkt en dag er udtjent, eller du ikke længere har brug for det, må du ikke smide det ud sammen med det almindelige affald. Produktet skal bortskaffes separat.



Ved separat bortskaffelse af brugte produkter og emballage bliver der mulighed for at genanvende forskellige materialer. Genanvendelse af materialer medvirker til at forebygge miljøforurening og mindsker behovet for råstoffer.

Lokal lovgivning kan kræve separat indsamling af elektriske husholdningsapparater på kommunale affaldsdepoter eller af den detailhandlende ved køb af et nyt produkt.

Stanley Europe sørger for at indsamle og genanvende Stanley Fat Max-produkter, når disse ikke længere kan bruges. Hvis du vil benytte dig af denne service, skal du returnere produktet til et autoriseret værksted, der indsamler produkterne for os.

Kontakt det lokale Stanley Europe-kontor på den adresse, der er opgivet i denne vejledning, for at få oplysninger om nærmeste autoriserede værksted. En liste over alle autoriserede Stanley Europe-serviceværksteder samt servicevilkår og kontaktpersoner er tilgængelig på internettet på adressen: [www.2helpU.com](http://www.2helpU.com)

## Tekniske data

		FME630 (Type 1)
Indgangsspænding	$V_{ac}$	230
Motoreffekt	W	750
Hastighed uden belastning	$\text{min}^{-1}$	16.500
Høvlebredde	mm	82
Høvledybde	mm	2
Falsdybde	mm	12
Vægt	kg	2.9

### Samlede værdier for vibration (triaksial vektorsum) i henhold til EN 60745:

Værdi for udsendelse af vibration ( $a_{hv}$ ) 1.5  $\text{m/s}^2$

usikkerhed (K) 1.5  $\text{m/s}^2$

### Lydtrykniveau i henhold til EN 60745:

Lydtryk ( $L_{pA}$ ) 84 dB(A), usikkerhed (K) 3 dB(A)

Lydeffekt ( $L_{WA}$ ) 95 dB(A), usikkerhed (K) 3 dB(A)

**EU-overensstemmelseserklæring**

MASKINDIREKTIV



FME630

Stanley Europe erklærer, at produkterne beskrevet under

"Tekniske data" er i overensstemmelse med:

2006/42/EF

EN 60745-1, EN 60745-2-14

Disse produkter er endvidere i overensstemmelse med direktiv 2004/108/EF og 2011/65/EU. Kontakt Stanley Europe på nedenstående adresse, eller se vejledningens bagside for at få flere oplysninger.

Undertegnede er ansvarlig for udarbejdelsen af de tekniske data og fremsætter denne erklæring på vegne af Stanley Europe.

Kevin Hewitt  
Vice-President Global Engineering  
Stanley Europe, Egide Walschaertsstraat 14-18,  
2800 Mechelen, Belgien  
29/01/2013

**Garanti**

Stanley Europe garanterer, at produktet er fri for skader og fejl og tilbyder en fremragende garanti for erhvervs-mæssige brugere af produktet. Garantien er et tillæg til forbrugernes kontraktmæssige rettigheder og påvirker ikke disse som en privat ikke-erhvervs-mæssig bruger. Garantien gælder inden for medlemsstaterne af den Europæiske Union og i det Europæiske Frihandelsområde.

**ET ÅRS FULD GARANTI**

Hvis dit Stanley Fat Max-produkt går i stykker på grund af materiel skade eller fabriktionsfejl inden for 12 måneder fra købsdatoen, påtager Stanley Europe sig gratis at udskifte alle defekte dele eller efter vores skøn gratis at udskifte enheden forudsat at:

- ◆ Produktet ikke har været anvendt forkert og har været anvendt i overensstemmelse med brugervejledningen.
- ◆ Produktet ikke har været udsat for andet end almindelig slitage;
- ◆ Reparationer ikke er udført af uautoriserede personer;
- ◆ Købsbeviset kan fremvises.
- ◆ Hele Stanley Fat Max-produktet returneres med alle originale komponenter

Hvis du ønsker erstatning for skade, skal du kontakte forhandleren eller det nærmeste autoriserede Stanley Fat Max-værksted i Stanley Fat Max-kataloget eller kontakte dit lokale Stanley-kontor på den adresse, der er opgivet i denne vejledning. Der findes en liste over alle autoriserede Stanley Fat Max-serviceværksteder samt servicevilkår på følgende internetadresse: [www.stanley.eu/3](http://www.stanley.eu/3)

## Käyttötarkoitus

Stanley Fat Max -höylä on suunniteltu puun, puutuotteiden ja muovin höyläämiseen. Kyseessä on käsityökalu. Tämä työkalu on tarkoitettu ammattikäyttöön ja yksityiseen, ei ammattikäyttäjille.

## Turvallisuusohjeet

### Sähkötyökalujen yleiset turvavaroitukset



**Varoitus! Lue kaikki turvavaroitukset ja ohjeet.**

Alla olevien varoitusten ja ohjeiden noudattamisen laiminlyönti saattaa johtaa sähköiskun, tulipaloon ja/tai vakavaan loukkaantumiseen.

### Säästä kaikki varoitukset ja ohjeet tulevaa käyttöä varten.

Ohjeissa käytetty käsite "sähkötyökalu" tarkoittaa verkkokäyttöisiä sähkötyökaluja (verkkojohdolla varustettuja) ja akkukäyttöisiä sähkötyökaluja (ilman verkkojohdotta).

#### 1. Työalueen turvallisuus

- Pidä työalue puhtaana ja hyvin valaistuna.** Työpaikan epäjärjestys tai valaisemattomat työalueet voivat johtaa tapaturmiin.
- Älä käytä sähkötyökalua räjähdysalttiissa ympäristössä, jossa on palavaa nestettä, kaasua tai pölyä.** Sähkötyökalu saa aikaan kipinöitä, jotka saattavat sytyttää pölyn tai höyryt.
- Pidä lapset ja sivulliset loitolla sähkötyökalua käyttäessäsi.** Voit menettää laitteen hallinnan, jos huomiosi suuntautuu muualle.

#### 2. Sähköturvallisuus

- Sähkötyökalun pistokkeen on sovittava pistorasiaan.** Pistoketta ei saa muuttaa millään tavalla. Älä käytä mitään pistorasiasovittimia maadoitettujen sähkötyökalujen kanssa. Alkuperäiset pistokkeet ja niille sopivat pistorasiat vähentävät sähköiskun vaaraa.
- Vältä koskettamasta maadoitettuja pintoja, kuten putkia, pattereita, liesiä tai jääkaappeja.** Sähköiskun vaara kasvaa, jos kehosi on maadoitettu.
- Älä altista sähkötyökalua sateelle tai kosteudelle.** Veden tunkeutuminen sähkötyökalun sisään lisää sähköiskun riskiä.
- Älä käsittele virtajohtoa kovakouraisesti. Älä käytä sitä sähkötyökalun kantamiseen, vetämiseen tai pistokkeen irrottamiseen pistorasiasta.** Pidä johto loitolla kuumuudesta, öljystä, terävistä reunoista ja liikkuvista osista. Vahingoittuneet tai sotkeutuneet johdot lisäävät sähköiskun vaaraa.
- Käyttäessäsi sähkötyökalua ulkona käytä ainoastaan ulkokäyttöön soveltuvaa jatkojohtoa.** Ulkokäyttöön soveltuvan jatkojohdon käyttö pienentää sähköiskun vaaraa.

- Jos sähkötyökalua on välttämättä käytettävä kosteassa paikassa, käytä jännösvirtalaitteella (RCD) suojattua virtalähdettä.** Jännösvirtalaitteen käyttö vähentää sähköiskun vaaraa.

#### 3. Henkilöturvallisuus

- Keskity työskentelyysi ja noudata tervettä järkeä käyttäessäsi sähkötyökaluja. Älä käytä sähkötyökalua, jos olet väsynyt tai huumeiden, alkoholin tai lääkkeiden vaikutuksen alaisena.** Hetken tarkkaamattomuus sähkötyökalua käytettäessä saattaa johtaa vakavaan loukkaantumiseen.
- Käytä henkilökohtaisia suojavarusteita. Käytä aina suojalaseja.** Suojavarusteet, kuten hengityssuojain, luistamattomat turvajalkineet, kypärä ja kuulosuojaimet, pienentävät loukkaantumisriskiä, jos niitä käytetään tilanteen mukaan oikein.
- Vältä tahatonta käynnistämistä. Varmista, että kytkin on OFF-asennossa, ennen kuin liität laitteen virtalähteeseen ja/tai akkuun, nostat laitteen tai kannat sitä.** Onnettomuusvaara lisääntyy, jos kannat sähkötyökalua sormi käyttökytkimellä tai kytket työkalun virtajohtoon pistorasiaan, kun käyttökytkin on päällä.
- Irrota mahdollinen säätö- tai kiintoavain, ennen kuin käynnistät sahan.** Sahan pyöriivään osaan kiinni jäänyt avain voi johtaa loukkaantumiseen.
- Älä kurkota liian kaus. Seiso aina tukevasti ja tasapainossa.** Tällöin voit paremmin hallita sähkötyökalua yllättävissä tilanteissa.
- Käytä tarkoitukseen soveltuvia vaatteita. Älä käytä löysiä työvaatteita tai koruja. Pidä hiukset, vaatteet ja käsineet loitolla liikkuvista osista.** Väljät vaatteet, korut ja pitkät hiukset voivat takertua liikkuviin osiin.
- Jos laitteeseen voi kiinnittää pölynkerääjän tai -imurin, tarkista, että se on paikallaan ja että se toimii kunnolla.** Pölynimurin käyttö voi vähentää pölyn aiheuttamia vaaroja.

#### 4. Sähkötyökalujen käyttö ja hoito

- Älä ylikuormita sähkötyökalua. Käytä kyseiseen työhön tarkoitettua sähkötyökalua.** Sopivaa sähkötyökalua käyttäen työskentelet paremmin ja turvallisemmin tehoalueella, jolle sähkötyökalu on tarkoitettu.
- Älä käytä sähkötyökalua, jota ei voida käynnistää ja pysäyttää virtakytkimestä.** Jos sähkötyökalua ei voi käynnistää ja pysäyttää virtakytkimellä, se on vaarallinen ja se täytyy korjata.
- Irrota pistotulppa pistorasiasta ja/tai akku laitteesta, ennen kuin suoritat säätöjä, vaihdat tarvikkeita tai siirät sähkötyökalun varastoitavaksi.** Nämä turvatoimenpiteet pienentävät sähkötyökalun tahattoman käynnistämisen riskiä.

- d. Säilytä sähkötyökalut poissa lasten ulottuvilta, kun niitä ei käytetä. Älä anna sähkötyökalua sellaisen henkilön käyttöön, joka ei tunne sitä tai joka ei ole tutustunut tähän käyttöohjeeseen. Sähkötyökalut ovat vaarallisia kokemattoman käyttäjän käsissä.
- e. Hoida sähkötyökalusi huolella. Tarkista, että liikkuvat osat toimivat moitteettomasti ja etteivät ne ole puristuksessa. Tarkista myös, ettei työkalussa ei ole murtuneita tai vahingoittuneita osia, jotka saattaisivat vaikuttaa haitallisesti sen toimintaan. Korjauta mahdolliset viat ennen käyttöönottoa. Moni tapaturma aiheutuu huonosti huolletuista laitteista.
- f. Pidä leikkausterät terävinä ja puhtaina. Huolellisesti hoidetut leikkausterät, joiden leikkausreunat ovat teräviä, eivät tartu helposti kiinni, ja niitä on helpompi hallita.
- g. Käytä sähkötyökaluja, tarvikkeita, vaihtotyökaluja yms. näiden ohjeiden mukaisesti. Ota tällöin huomioon työolosuhteet ja suoritettava toimenpide. Sähkötyökalun käyttö muuhun kuin sille määrättyyn käyttöön saattaa johtaa vaarallisiin tilanteisiin.

## 5. Huolto

- a. Korjauta sähkötyökalu koulutetulla ja ammattitaitoisella henkilöllä ja hyväksy korjauksiin vain alkuperäisiä varaosia. Siten varmistat, että sähkötyökalu säilyy turvallisena.

## Sähkötyökalujen lisäturvavaroitukset



**Varoitus!** Lisäturvavaroitukset höyliille

- ◆ Pitele sähkötyökalua vain sen eristävistä tartuntapinnoista, sillä terä voi osua laitteen virtajohtoon. Työkalun kosketus jännitteisen johtimen kanssa voi tehdä myös työkalun paljaista metalliosista jännitteisiä ja aiheuttaa sähköiskun käyttäjälle.
- ◆ Kiinnitä työstettävä kappale esimerkiksi ruuvipuristimella tukevaan alustaan. Kappaleen kannattelemisen käsin tai sen tukeminen omaa vartaloa vasten voi johtaa kappaleen irtoamiseen ja vaaratilanteeseen.
- ◆ Odota, että terä on pysähtynyt, ennen kuin lasket työkalun käsistäsi. Paljaana oleva terä voi juuttua pintaan ja aiheuttaa työkalun hallinnan menetyksen ja vakavan loukkaantumisen.
- ◆ Pidä terä terävänä. Tylsät tai vahingoittuneet terät voivat leikata vinoon tai jäädä kiinni. Käytä aina sähkötyökaluun soveltuvaa terää.
- ◆ Älä kosketa työkalun pinta- tai terää heti työkalun käytön jälkeen. Ne voivat olla hyvin kuumia.
- ◆ Poista naulat ja metalliesineet työkalusta ennen höyläämistä aloittamista.
- ◆ Pidä aina kiinni työkalun kahvoista molemmin käsin.

- ◆ Jos virtajohto vaurioituu tai katkeaa, irrota se välittömästi sähköverkosta.

**Varoitus!** Höylätessä syntyvä pöly voi aiheuttaa terveyshaittoja käyttäjälle ja mahdollisille sivullisille. Käytä kasvosuojusta, joka on erityisesti tarkoitettu suojaamaan pölyltä ja höyryiltä, ja varmista, että kaikki työskentelyalueella olevat ja sinne tulevat henkilöt käyttävät suojavarusteita.

- ◆ Tätä työkalua ei ole tarkoitettu sellaisten henkilöiden käyttöön, joilla on fyysisiä tai älyllisiä rajoitteita tai aistirajoitteita, eikä laitteen toimintaan perehtymättömien henkilöiden käyttöön (lapset mukaan luettuina), paitsi valvonnan alaisina, tai jos he ovat saaneet laitteen käyttöön liittyvää opastusta heidän turvallisuudestaan vastaavalta henkilöltä. Lapsia on valvottava ja heitä on estettävä leikkimästä laitteella.
- ◆ Työkalun käyttötarkoitus on kuvattu tässä käyttöohjeessa. Käytä työkalua ainoastaan sellaiseen työhön, johon se on tarkoitettu, ja käytä vain käyttöohjeessa ja tuotekuvastossa suositeltuja tarvikkeita ja lisälaitteita. Ohjeesta poikkeava käyttö voi aiheuttaa henkilö- ja/tai omaisuusvahinkoja.

## Muiden turvallisuus

- ◆ Tätä laitetta ei ole tarkoitettu sellaisten henkilöiden käyttöön, joilla on fyysisiä tai älyllisiä rajoitteita tai aistirajoitteita, eikä laitteen toimintaan perehtymättömien henkilöiden käyttöön (lapset mukaan luettuina), paitsi valvonnan alaisina tai jos he ovat saaneet laitteen käyttöön liittyvää opastusta heidän turvallisuudestaan vastaavalta henkilöltä.
- ◆ Lapsia on valvottava ja heitä on estettävä leikkimästä laitteella.

## Muut riskit.

Myös muut kuin turvavaroituksissa mainitut riskit ovat mahdollisia työkalua käytettäessä. Nämä riskit voivat liittyä muun muassa virheelliseen tai pitkäaikaiseen käyttöön.

Tiettyjä jäännösriskejä ei voi välttää, vaikka noudatetaan kaikkia turvamääräyksiä ja käytetään turvalaitteita. Näihin kuuluvat muun muassa

- ◆ pyörievien tai liikkuvien osien koskettamisen aiheuttamat vahingot
- ◆ osia, teriä tai lisävarusteita vaihdettaessa aiheutuneet vahingot
- ◆ työkalun pitkäaikaisen käytön aiheuttamat vahingot Kun käytät työkalua pitkään, varmista, että pidät säännöllisesti taukoja.
- ◆ kuulovauriot
- ◆ työkalua käytettäessä (esimerkiksi puuta, erityisesti tammea, pyökkiä ja MDF-levyjä, käsiteltäessä) syntyneen pölyn sisäänhengityksen aiheuttamat terveysriskit.

## Tärinä

Teknisissä tiedoissa ja vaatimustenmukaisuusilmoituksessa ilmoitettu tärinäpäästöarvo on mitattu standardin EN 60745 testausmenetelmän mukaisesti, ja sen avulla voidaan vertailla työkaluja keskenään. Ilmoitettua tärinäpäästöarvoa voidaan käyttää myös altistumisen alustavaan arviointiin.

**Varoitus!** Sähkötyökalun käytön aikana mitattu todellinen tärinäpäästöarvo voi poiketa ilmoitetusta tärinäpäästöarvosta työkalun käyttötavan mukaan. Tärinätasoa voi olla ilmoitettua tasoa suurempi.

Kun tärinälle altistumista arvioidaan sen määrittämiseksi, mitä direktiivin 2002/44/EY mukaisia turvatoimenpiteitä vaaditaan sähkötyökaluja säännöllisesti käyttävien henkilöiden suojelemiseksi, tärinälle altistumisen arvioinnissa on otettava huomioon todelliset käyttöolosuhteet ja työkalun käyttötavat. Todellisen käytön lisäksi on kiinnitettävä huomiota myös siihen, milloin työkalu on sammutettuna tai se käy tyhjäkäynnillä.

## Laitteessa olevat merkinnät

Työkalussa on seuraavat kuvamerkinnot:



**Varoitus!** Käyttäjän on luettava käyttöohje vahinko- ja vaurioita välttämiseksi.

## Sähköturvallisuus



Tämä työkalu on kaksoeristetty, joten erillistä maadoitusta ei tarvita. Tarkista aina, että virtalähde vastaa arvokilvessä ilmoitettua jännitettä.

- ◆ Jos virtajohto vahingoittuu, sen vaihtaminen on turvallisuussyistä jätettävä valmistajan tai valtuutetun Stanley Fat Max -huoltoliikkeen tehtäväksi.

## Yleiskuvasu

Tässä työkalussa on joitakin tai kaikki seuraavista ominaisuuksista.

1. Virtakytin
2. Lukituspainike
3. Lastunpoistoaukko
4. Lastunpoistoaukon valitsin
5. Höyläysvyvyyden säätönuppi
6. Höyläysvyvyyden asteikko

## Kokoaminen

**Varoitus!** Varmista ennen kokoamista, että virta on katkaistu ja että virtajohto on irti pistorasiasta.

## Terien vaihtaminen (kuva A)

Työkalun mukana toimitettavat terät voidaan kääntää. Paikalliselta jälleenmyyjältä on saatavilla vaihtoteriä.

## Irrottaminen

- ◆ Löysää pultit (7) työkalun mukana toimitetulla kiintoavaimella.
- ◆ Työnnä terä (8) pidikkeestään.
- ◆ Käännä terä niin, että käyttämätön puoli tulee oikeaan käyttöasentoonsa. Jos molemmat puolet ovat kuluneet, terä pitää vaihtaa.

## Kiinnittäminen

- ◆ Liu'uta terää pitimeen, kunnes se on päätytäytintä vasten.
- ◆ Kiristä pultit työkalun mukana toimitetulla kiintoavaimella.

**Varoitus!** Vaihda aina molemmat terät.

## Höyläysvyvyyden säätö (kuva B)

Höyläysvyvyys on merkitty (9). Asetusalue voidaan lukea asteikolta (6).

- ◆ Aseta syvyys oikeaksi kääntämällä säätönuppia (5) tarpeen mukaan.
- ◆ Aseta nuppi asentoon P, kun työkalu ei ole käytössä.

## Sivuohjaimen kiinnitys ja poisto (kuva C)

Sivuohjain sopii apuvälineeksi höylättäessä kapeita työkalupaleita.

- ◆ Kierrä nuppi (11) höylän sivussa olevaan reikään ja kiristä se kunnolla.
- ◆ Löysää sivuohjaimen säätönuppi (10).
- ◆ Työnnä sivuohjain haluamaasi kohtaan.
- ◆ Kiristä sivuohjaimen säätönuppi kunnolla.

**Huomautus:** Sivuhjaimen on oltava höylän alapuolella, kun se on asennettu oikein.

- ◆ Jos haluat irrottaa sivuohjaimen, tee yllä mainitut toimenpiteet vastakkaisessa järjestyksessä.

## Teollisuuspölynimurin kytkeminen laitteeseen (kuva D)

Pölynimurin tai pölynimulaitteen yhdistämiseksi laitteeseen tarvitaan sovitin. Voit ostaa sovittimen paikalliselta Stanley Fat Max -jälleenmyyjältä.

- ◆ Kiinnitä sovitin (12) lastunpoistoaukkoon (3).
- ◆ Kytke pölynimurin letku (13) sovittimeen.

## Lastupussin kiinnittäminen (kuva E)

Lastupussi on erityisen hyödyllinen ahtaissa tiloissa työskennellessä.

- ◆ Työnnä pussin liitäntälevy (14) lastunpoistoaukon (3) yhdelle puolelle.



- ◆ Siirrä lastunpoistoaukon valitsin (4) pussin vastakkaiselle puolelle, jotta lastut eivät tule ulos lastunpoistoaukon toiselta puolelta.

## Lastupussin tyhjentäminen

Lastupussi on tyhjennettävä säännöllisesti, kun sitä käytetään.

- ◆ Avaa pussin vetoketju ja tyhjennä se, ennen kuin jatkat työskentelyä.

## Käyttö

**Varoitus!** Anna työkalun käydä omaan tahtiinsa. Älä ylikuormita sitä.

- ◆ Säädä höyläyssyvyyttä.
- ◆ Asenna ja säädä sivuohjain tarvittaessa.

## Käynnistäminen ja pysäyttäminen

### Käynnistäminen

- ◆ Pidä lukituspainike (2) alhaalla ja paina virtakytkintä (1).
- ◆ Vapauta lukituspainike.

### Sammuttaminen

- ◆ Vapauta virtakytkin.

## Höyläminen

- ◆ Pitele työkalua niin, että kengän päätykappale on työkalupaleen päällä.
- ◆ Käynnistä työkalu.
- ◆ Siirrä työkalua vakaasti eteenpäin, kun haluat höylätä.
- ◆ Sammuta työkalu, kun höyläys on valmis.

## Huulosten tekeminen (kuva F)

- ◆ Asenna ja säädä sivuohjain.
- ◆ Toimi kuten höylätessä.

## Reunojen särmäys (kuva G)

Kengän päätykappaleen V-ura mahdollistaa reunojen särmäämisen 45, 30 ja 15 asteen kulmassa.

- ◆ Pidä työkalua kulmassa niin, että ura (20) on työkalupaleen reunan ympärillä. Aloita työstäminen.

## Pysäköintijalka (kuva H)

Höylässä on pysäköintijalka (21), joka laskeutuu automaattisesti paikalleen, kun työkalu nostetaan irti työstettävästä pinnasta. Höyläyksen aikana pysäköintijalka nousee ylös, kun työkalua työnnetään eteenpäin. Kun pysäköintijalka lasketaan alas, höylä voidaan laskea työstettävälle pinnalle niin, että terä ei kosketa sitä.

## Vinkkejä parhaimman tuloksen saavuttamiseksi

- ◆ Liikuta työkalua puun syiden mukaisesti.

- ◆ Jos syyt ovat ristikkäin tai aaltoilevia tai jos työstettävä materiaali on kovapuuta, säädä höyläyssyvyyttä pieneksi ja höylää useita kertoja peräkkäin.
- ◆ Pidä työkalu suorassa linjassa painamalla aluksi työkalun etuosaa alaspäin. Paina työkalun takaosaa alaspäin työn loppuvaiheessa.

## Lisävarusteet

Työkalun suorituskyky riippuu käytetystä lisävarusteesta. Stanley Fat Max -lisävarusteet on valmistettu korkealaatuisiksi ja suunniteltu parantamaan työkalun suorituskykyä. Käytämällä näitä lisävarusteita saat työkalustasi parhaan hyödyn.

Paikalliselta jälleenmyyjältä saa seuraavanlaisia teriä:

- Kovametalliset, käännettävät kärkiterät (osanro X35007, toimitetaan pareittain)
- Käännettävät suurnopeusterät (osanro X24192-XJ11, toimitetaan pareittain)

## Huolto

Tämä työkalu on suunniteltu toimimaan mahdollisimman pitkän aikaa mahdollisimman vähällä huollolla. Oikealla huollolla ja säännöllisellä puhdistuksella työkalu säilyttää suorituskykynsä.

**Varoitus!** Katkaise työkalusta virta ja irrota virtajohto pistora- siasta aina ennen huoltotoimenpiteitä.

- ◆ Puhdista laitteen ilma-aukot säännöllisesti pehmeällä harjalla tai kuivalla rievulla.
- ◆ Puhdista moottorin kotelo säännöllisesti kostealla rätillä. Älä käytä hankaavia tai liuotinpohjaisia puhdistusaineita.

## Käyttöhihnan vaihtaminen (kuva I)

- ◆ Löysää ruuvit (15) ja irrota kansi (16).
- ◆ Irrota vanha käyttöhihna.
- ◆ Aseta uusi hihna (17) rullien päälle. Aseta hihna ensin suuren rullan (18) päälle ja sitten pienen rullan (19) päälle. Käännä hihna käsin tasaisesti.
- ◆ Aseta kansi takaisin paikalleen ja kiristä ruuvit.

## Moottorin harjan tarkistaminen ja vaihtaminen (kuva J)

Harja tulisi tarkistaa säännöllisin väliajoin kulumisen varalta.

- ◆ Irrota harjan kansi (22). Harjojen tulisi liikkua vapaasi harjalaatikossa. Jos harjat ovat kuluneet 8 mm:n (0,3 tuuman) puituisiksi, ne tulisi vaihtaa.

Asentaaksesi harjan uudelleen, työnnä uusi harja harjalaatikkoon. Jos vaihdat olemassa olevia harjoja, säilytä sama asento kuin vanhaa harjaa poistettaessa. Aseta kansi takaisin paikoilleen (älä kiristä sitä liikaa).

## Virtapistokkeen vaihto (vain Iso-Britannia ja Irlanti)

Syn joudut vaihtamaan virtapistokkeen:

- ◆ Hävitä vanha pistoke ympäristöystävällisesti.
- ◆ Liitä ruskea johto uuden pistokkeen jännitteeseen napaan.
- ◆ Liitä sininen johto tähtipisteliittimeen.

**Varoitus!** Maadoitusliittimeen ei liitetä johtoa. Noudata pistokkeen mukana toimitettuja kiinnitysohjeita. Suositeltava sulake: 5 A.

## Ympäristönsuojelu



Erillinen keräys. Tätä tuotetta ei saa hävittää normaalin kotitalousjätteen mukana.

Kun Stanley Fat Max -laitteesi aikanaan täytyy vaihtaa tai ei kelpaa enää käyttöön, älä hävitä laitetta kotitalousjätteen mukana. Toimita laite kierrätettäväksi.



Käytettyjen tuotteiden ja pakkausmateriaalien erilliskeruun avulla materiaalit voidaan kierrättää ja käyttää uudelleen. Kierrätysmateriaalin käyttö auttaa vähentämään ympäristön saastumista ja uusien raaka-aineiden tarvetta.

Paikallisissa säädöksissä voidaan määrätä, että kodin sähkötuotteiden keruu tapahtuu kaupunkien jätteidenkäsittelyasemilla tai laitteita myyvissä liikkeissä uuden tuotteen oston yhteydessä.

Stanley Europe kerää ja kierrättää Stanley Fat Max -tuotteet, kun ne ovat tulleet elinkaarensa loppuun. Vie tuotteesi valtuutettuun huoltoliikkeeseen, joka kerää vanhat laitteet puolestamme.

Saat valtuutettujen huoltoliikkeiden yhteystiedot ottamalla yhteyttä paikalliseen Stanley European toimipisteeseen tässä käyttöoppaassa ilmoitetussa osoitteessa. Valtuutettujen Stanley Europe -huoltoliikkeiden yhteystiedot sekä lisätietoja palveluistamme on myös Internetissä osoitteessa [www.2helpU.com](http://www.2helpU.com).

## Tekniset tiedot

		FME630 (tyyppi 1)
Syöttöjännite	$V_{ac}$	230
Ottoteho	W	750
Kuormittamaton nopeus	$\text{min}^{-1}$	16,500
Höyläysleveys	mm	82
Höyläysvyvyys	mm	2
Huulossivyvyys	mm	12
Paino	kg	2.9

Tärinän kokonaisarvot (vektorisumma) standardin EN 60745 mukaisesti:

Tärinäpäästöarvo ( $a_h$ ) 1.5  $\text{m/s}^2$

epävarmuus (K) 1.5  $\text{m/s}^2$

Äänenpainetaso standardin EN 60745 mukaisesti:

Äänenpaine ( $L_{pA}$ ) 84 dB(A), epävarmuus (K) 3 dB(A)

Äänitehotaso ( $L_{WA}$ ) 95 dB(A), epävarmuus (K) 3 dB(A)

**EY-vaatimustenmukaisuusvakuutus**

KONEDIREKTIIVI



FME630

Stanley Europe ilmoittaa, että tuotteet, jotka on kuvattu kohdassa Tekniset tiedot, täyttävät seuraavien direktiivien

vaatimukset:

2006/42/EY

EN 60745-1, EN 60745-2-14

Nämä tuotteet täyttävät myös direktiivien 2004/108/EY ja 2011/65/EU vaatimukset. Lisätietoja saa ottamalla yhteyttä Stanley Europeen seuraavassa osoitteessa. Tiedot ovat myös käyttöoppaan takakannessa.

Allekirjoittanut vastaa teknisten tietojen kokoamisesta ja antaa tämän ilmoituksen Stanley Europeen puolesta.

Kevin Hewitt  
Vice-President Global Engineering  
Stanley Europe, Egide Walschaertsstraat 14-18,  
2800 Mechelen, Belgium  
29/01/2013

**Takuu**

Stanley Europe takaa, ettei tuotteessa ole materiaali- ja/ tai valmistusvikaa silloin, kun se toimitetaan ostajalle ammattikäyttöön. Takuu on lisäys yksityisen ammattikäyttäjän sopimusoikeuksiin eikä se vaikuta niihin. Takuu on voimassa Euroopan unionin jäsenmaissa ja Euroopan vapaakauppa-alueella (EFTA).

**YHDEN VUODEN TÄYDELLINEN TAKUU**

Mikäli Stanley Fat Max -tuotteessa ilmenee vika materiaali- ja/ tai valmistusvirheen vuoksi 12 kuukauden kuluessa ostopäivästä, Stanley Europe takaa vaihtavansa vialliset osat tai koko tuotteen Stanley Europeen valinnan mukaan ilman kustannuksia ostajalle edellyttäen, että

- ◆ tuotetta ei ole käytetty virheellisesti, vaan sitä on käytetty käyttöoppaan ohjeiden mukaisesti
- ◆ tuote on altistunut vain normaaliille kulumiselle
- ◆ tuotetta ei ole korjannut valtuuttamaton henkilö
- ◆ ostokuitti esitetään
- ◆ Stanley Fat Max -tuote palautetaan kaikkien alkuperäisten osien kanssa.

Jos haluat tehdä korvausvaatimuksen, ota yhteyttä ostopaikkaan tai katso lähimmän valtuutetun Stanley Fat Max -huoltoliikkeen yhteystiedot Stanley Fat Max -tuoteluettelosta tai ota yhteyttä paikalliseen Stanley-toimipisteeseen tässä ohjeessa kerrotussa osoitteessa. Valtuutettujen Stanley Fat Max -huoltoliikkeiden yhteystiedot sekä lisätietoja palveluistamme on myös Internetissä osoitteessa [www.stanley.eu/3](http://www.stanley.eu/3).

## Ενδεξιμένη χρήση

Η ηλεκτρική πλάνη σας Stanley Fat Max έχει σχεδιαστεί για το πλάνισμα ξύλου, προϊόντων ξύλου και πλαστικών. Το εργαλείο προορίζεται για χρήση χειρός. Το εργαλείο αυτό προορίζεται για επαγγελματική και ιδιωτική, μη επαγγελματίες χρήστες.

## Οδηγίες ασφαλείας

### Γενικές προειδοποιήσεις ασφαλείας για τα ηλεκτρικά εργαλεία



**Προειδοποίηση!** Διαβάστε όλες τις υποδείξεις και όλες τις οδηγίες. Η μη τήρηση των παρακάτω προειδοποιήσεων και οδηγιών μπορεί να προκαλέσει ηλεκτροπληξία, πυρκαγιά ή/και σοβαρούς τραυματισμούς.

Φυλάξτε όλες τις προειδοποιήσεις και τις οδηγίες για μελλοντική αναφορά. Ο χαρακτηρισμός "ηλεκτρικό εργαλείο" που χρησιμοποιείται σε όλες τις παρακάτω προειδοποιήσεις αφορά είτε το εργαλείο που συνδέεται στην πρίζα (με καλώδιο) είτε το εργαλείο που λειτουργεί με μπαταρία (χωρίς καλώδιο).

#### 1. Ασφάλεια χώρου εργασίας

- a. Διατηρείτε το χώρο που εργάζεστε καθαρό και καλά φωτισμένο. Η αβία στο χώρο εργασίας και τα σημεία χωρίς καλό φωτισμό μπορεί να οδηγήσουν σε ατυχήματα.
- b. **Μη χρησιμοποιείτε ηλεκτρικά εργαλεία σε περιβάλλον όπου υπάρχει κίνδυνος έκρηξης, π.χ. παρουσία εύφλεκτων υγρών, αερίων ή σκόνης.** Τα ηλεκτρικά εργαλεία μπορεί να δημιουργήσουν σπινθηρισμό ο οποίος μπορεί να αναφλέξει τη σκόνη ή τις αναθυμιάσεις.
- c. **Όταν χρησιμοποιείτε το ηλεκτρικό εργαλείο, κρατάτε τα παιδιά και τα υπόλοιπα άτομα μακριά από το χώρο εργασίας.** Σε περίπτωση που άλλα άτομα αποσπάσουν την προσοχή σας μπορεί να χάσετε τον έλεγχο του εργαλείου.

#### 2. Ασφαλής χρήση ηλεκτρικού ρεύματος

- a. Το φως του καλωδίου του ηλεκτρικού εργαλείου πρέπει να ταιριάζει στην αντίστοιχη πρίζα. Δεν επιτρέπεται με κανέναν τρόπο η μετασκευή του φως. **Μη χρησιμοποιείτε προσαρμοστικά φως με γειωμένα ηλεκτρικά εργαλεία.** Τα φως που δεν έχουν υποστεί τροποποιήσεις και οι κατάλληλες πρίζες μειώνουν τον κίνδυνο ηλεκτροπληξίας.
- b. Αποφύγετε την επαφή του σώματός σας με γειωμένες επιφάνειες όπως σωλήνες, θερμαντικά σώματα (καλοριφέρ), κουζίνες και ψυγεία. Όταν το σώμα σας είναι γειωμένο, αυξάνεται ο κίνδυνος ηλεκτροπληξίας.

- c. **Μην εκθέτετε τα ηλεκτρικά εργαλεία στη βροχή ή την υγρασία.** Η εισχώρηση νερού στο ηλεκτρικό εργαλείο αυξάνει τον κίνδυνο ηλεκτροπληξίας.
- d. **Μην κακομεταχειρίζεστε το καλώδιο. Μη χρησιμοποιείτε ποτέ το καλώδιο για να μεταφέρετε το εργαλείο, να το τραβήξετε ή να το αποσυνδέσετε από την πρίζα.** Κρατάτε το καλώδιο μακριά από θερμότητα, λάδια, αιχμηρά άκρα ή κινούμενα μέρη. Τυχόν χαλασμένα ή μπερδεμένα καλώδια αυξάνουν τον κίνδυνο ηλεκτροπληξίας.
- e. **Όταν χρησιμοποιείτε το ηλεκτρικό εργαλείο σε εξωτερικούς χώρους, να χρησιμοποιείτε πάντοτε καλώδια προέκτασης κατάλληλα για χρήση σε εξωτερικούς χώρους.** Η χρήση προεκτάσεων κατάλληλων για εργασία σε εξωτερικούς χώρους μειώνει τον κίνδυνο ηλεκτροπληξίας.
- f. **Εάν η χρήση ενός ηλεκτρικού εργαλείου σε μία υγρή τοποθεσία είναι αναπόφευκτη, χρησιμοποιήστε μια Διάταξη Προστασίας Ρεύματος Διαρροής (RCD).** Η χρήση μιας διάταξης RCD μειώνει τον κίνδυνο ηλεκτροπληξίας.

#### 3. Ασφάλεια προσώπων

- a. **Όταν χρησιμοποιείτε το ηλεκτρικό εργαλείο, να είστε προσεκτικοί, να δίνετε προσοχή στην εργασία που κάνετε και να επιστρατεύετε την κοινή λογική. Μη χρησιμοποιείτε το ηλεκτρικό εργαλείο όταν είστε κουρασμένοι ή όταν βρίσκεστε υπό την επίδραση ναρκωτικών, οινοπνεύματος ή φαρμάκων.** Μια στιγμή απροσεξία κατά το χειρισμό του ηλεκτρικού εργαλείου μπορεί να οδηγήσει σε σοβαρούς τραυματισμούς.
- b. **Να χρησιμοποιείτε εξοπλισμό προσωπικής προστασίας. Να φοράτε πάντα προστατευτικά γυαλιά.** Ο κίνδυνος τραυματισμών μειώνεται όταν χρησιμοποιείτε εξοπλισμό προστασίας, όπως μάσκα προστασίας από σκόνη, αντιλιοθητικά παπούτσια ασφαλείας, κράνη ή ωαποπίδες, ανάλογα με τις συνθήκες εργασίας.
- c. **Αποφύγετε την ακούσια ενεργοποίηση. Βεβαιωθείτε ότι ο διακόπτης λειτουργίας βρίσκεται στη θέση "OFF" πριν συνδέσετε το εργαλείο στην πρίζα ή/και τοποθετήσετε τη μπαταρία, πριν το σηκώσετε ή το μεταφέρετε.** Η μεταφορά ηλεκτρικών εργαλείων με το δάχτυλό σας επάνω στο διακόπτη ή η σύνδεση ηλεκτρικών εργαλείων στην πρίζα ενώ ο διακόπτης βρίσκεται στη θέση ενεργοποίησης, ενέχει κινδύνους πρόκλησης ατυχημάτων.
- d. **Πριν θέσετε το ηλεκτρικό εργαλείο σε λειτουργία, αφαιρέστε τυχόν εργαλεία ή κλειδιά ρύθμισης.** Εάν αφήσετε ένα εργαλείο ή κλειδί πάνω σε κάποιο περιστρεφόμενο εξάρτημα του ηλεκτρικού εργαλείου μπορεί να προκληθούν τραυματισμοί.

- e. Μην τεντώνεστε. Φροντίστε πάντοτε να έχετε την κατάλληλη στάση και να διατηρείτε την ισορροπία σας. Αυτό σας επιτρέπει τον καλύτερο έλεγχο του ηλεκτρικού εργαλείου σε περιπτώσεις απροσδόκων καταστάσεων.
- f. Φοράτε κατάλληλη ενδυμασία εργασίας. Μην φοράτε φαρδιά ρούχα ή κοσμήματα. Κρατάτε τα μαλλιά, τα ενδύματα και τα γάντια σας μακριά από τα κινούμενα εξαρτήματα. Τα φαρδιά ρούχα, τα κοσμήματα και τα μακριά μαλλιά μπορεί να εμπλακούν στα κινούμενα εξαρτήματα.
- g. Αν προβλέπονται διατάξεις απαγωγής και συλλογής της σκόνης, βεβαιωθείτε ότι είναι συνδεδεμένες και ότι χρησιμοποιούνται σωστά. Η χρήση τέτοιων διατάξεων μειώνει τους κινδύνους που προέρχονται από τη σκόνη.
4. Χρήση και συντήρηση του ηλεκτρικού εργαλείου
- a. Μην υπερφορτώνετε το ηλεκτρικό εργαλείο. Χρησιμοποιείτε για την εκάστοτε εργασία σας το ηλεκτρικό εργαλείο που προορίζεται γι' αυτήν. Με το κατάλληλο ηλεκτρικό εργαλείο, εργάζεστε καλύτερα και ασφαλέστερα στην ονομαστική περιοχή ισχύος του.
- b. Μην χρησιμοποιήσετε ποτέ ένα ηλεκτρικό εργαλείο του οποίου ο διακόπτης λειτουργίας είναι χαλασμένος. Ένα ηλεκτρικό εργαλείο του οποίου η λειτουργία δεν μπορεί να ελεγχθεί με το διακόπτη είναι επικίνδυνο και πρέπει να επισκευαστεί.
- c. Βγάλτε το φως από την πρίζα ή/και την μπαταρία από το ηλεκτρικό εργαλείο, πριν διεξαγάγετε κάποια εργασία ρύθμισης, πριν αλλάξετε κάποιο εξάρτημα ή όταν πρόκειται να αποθηκεύσετε τα ηλεκτρικά εργαλεία. Αυτά τα προληπτικά μέτρα ασφαλείας μειώνουν τον κίνδυνο να θεθεί το εργαλείο ακούσια σε λειτουργία.
- d. Να φυλάτε τα ηλεκτρικά εργαλεία που δε χρησιμοποιείτε μακριά από παιδιά. Μην αφήνετε άτομα που δεν είναι εξοικειωμένα με το ηλεκτρικό εργαλείο ή που δεν έχουν διαβάσει αυτές τις οδηγίες χρήσης να το χρησιμοποιήσουν. Τα ηλεκτρικά εργαλεία είναι επικίνδυνα όταν χρησιμοποιούνται από άπειρα άτομα.
- e. Να συντηρείτε τα ηλεκτρικά εργαλεία. Ελέγξτε εάν τα κινούμενα εξαρτήματα είναι σωστά ευθυγραμμισμένα ή αν έχουν μπλοκάρει, εάν έχουν σπάσει κομμάτια και εάν πληρούνται όλες οι υπόλοιπες προϋποθέσεις που ενδεχομένως να επηρεάσουν τη σωστή λειτουργία του εργαλείου. Δώστε τυχόν χαλασμένα εξαρτήματα του ηλεκτρικού εργαλείου για επισκευή πριν το χρησιμοποιήσετε πάλι. Η ανεπαρκής συντήρηση των ηλεκτρικών εργαλείων αποτελεί αιτία πολλών ατυχημάτων.
- f. Διατηρείτε τα κοπτικά εργαλεία κοφτερά και καθαρά. Τα κοπτικά εργαλεία με αιχμηρά κοπτικά άκρα που συντηρούνται σωστά έχουν λιγότερες πιθανότητες να μπλοκάρουν και ελέγχονται ευκολότερα.
- g. Να χρησιμοποιείτε τα ηλεκτρικά εργαλεία, τα εξαρτήματα και τα άκρα των εργαλείων κλπ., σύμφωνα με τις παρούσες οδηγίες, λαμβάνοντας υπόψη σας τις συνθήκες εργασίας και την εργασία που θέλετε να εκτελέσετε. Η χρήση του ηλεκτρικού εργαλείου για εργασίες πέρα από τις προβλεπόμενες μπορεί να οδηγήσει σε επικίνδυνες καταστάσεις.
5. Σέρβις
- a. Το σέρβις του ηλεκτρικού σας εργαλείου πρέπει να αναλαμβάνει έμπειρος τεχνικός που θα χρησιμοποιεί μόνο γνήσια ανταλλακτικά. Έτσι εξασφαλίζεται η διατήρηση της ασφάλειας του ηλεκτρικού εργαλείου.

### Συμπληρωματικές προειδοποιήσεις ασφαλείας για τα ηλεκτρικά εργαλεία



**Προειδοποίηση!** Συμπληρωματικές προειδοποιήσεις ασφαλείας για ηλεκτρικές πλάνες

- ◆ Κρατάτε το ηλεκτρικό εργαλείο από τις μονωμένες επιφάνειες λαβής μόνο, διότι το κοπτικό μπορεί να έρθει σε επαφή με το δικό του καλώδιο. Η κοπή ενός ηλεκτροφόρου καλωδίου μπορεί να καταστήσει και τα εκτεθειμένα μεταλλικά μέρη του ηλεκτρικού εργαλείου ηλεκτροφόρα και να προκαλέσει ηλεκτροπληξία στο χειριστή του.
- ◆ Χρησιμοποιείτε σφινγκήτρες ή άλλα πρακτικά μέσα για να ασφαρίζετε και να στηρίζετε το προς επεξεργασία αντικείμενο σε μια σταθερή βάση. Η συγκράτηση του κατεργαζόμενου τεμαχίου με το χέρι σας ή επάνω στο σώμα σας το καθιστά ασταθές και μπορεί να οδηγήσει σε απώλεια του ελέγχου.
- ◆ Περιμένετε να ακινητοποιηθεί το κοπτικό προτού ακουμπήσετε κάτω το εργαλείο. Ένα εκτεθειμένο περιστρεφόμενο κοπτικό μπορεί να εμπλακεί στην επιφάνεια με αποτέλεσμα την απώλεια ελέγχου και σοβαρό τραυματισμό.
- ◆ Διατηρείτε το κοπτικό κοφτερό. Τα στομωμένα ή κατεστραμμένα κοπτικά μπορεί να προκαλέσουν παρέκκλιση της πλάνης ή διακοπή της λειτουργίας της υπό πίεση. Πάντοτε χρησιμοποιείτε τον κατάλληλο τύπο κοπτικού για το ηλεκτρικό εργαλείο.
- ◆ Μην αγγίζετε το κατεργαζόμενο τεμάχιο ή το κοπτικό αμέσως μετά τη χρήση του εργαλείου. Μπορεί να είναι πολύ ζεστό.
- ◆ Αφαιρέστε όλα τα καρφιά και τα μεταλλικά αντικείμενα από το κατεργαζόμενο τεμάχιο πριν το πλάνισμα.

- ◆ Πάντα να κρατάτε το εργαλείο με τα δύο χέρια και από τις παρεχόμενες λαβές.
- ◆ Αποσυνδέστε αμέσως το καλώδιο από την πρίζα εάν φθαρεί ή κοπεί.

**Προειδοποίηση!** Η επαφή ή η εισπνοή της σκόνης που δημιουργούν οι εφαρμογές πλάνισματος μπορεί να ενέχουν κίνδυνο για την υγεία του χειριστή και των παρευρισκομένων. Φορέστε μάσκα σκόνης ειδικά σχεδιασμένη για προστασία έναντι της σκόνης και των αναθυμιάσεων και βεβαιωθείτε ότι τα άτομα που βρίσκονται ή εισέρχονται στο χώρο εργασίας είναι επίσης προστατευμένα.

- ◆ Αυτό το εργαλείο δεν προορίζεται για χρήση από άτομα (στα οποία περιλαμβάνονται και τα παιδιά) με μειωμένες φυσικές, αντιληπτικές ή διανοητικές ικανότητες ή άτομα χωρίς εμπειρία και γνώσεις, παρά μόνο εφόσον επιτηρούνται ή τους έχουν δοθεί οδηγίες σχετικά με τη χρήση του εργαλείου από άτομο υπεύθυνο για την ασφάλειά τους. Τα παιδιά πρέπει να επιτηρούνται για να εξασφαλίζεται ότι δεν παίζουν με το εργαλείο.
- ◆ Η προβλεπόμενη χρήση περιγράφεται στο παρόν εγχειρίδιο οδηγιών. Η χρήση οποιουδήποτε αξεσουάρ ή προσαρτήματος ή η εκτέλεση με αυτό το εργαλείο οποιασδήποτε άλλης εργασίας πέραν από αυτές που συνιστώνται στο παρόν εγχειρίδιο οδηγιών ενδέχεται να εγκυμονεί κίνδυνο τραυματισμού ή/και υλικών ζημιών.

### Ασφάλεια τρίτων

- ◆ Αυτό το εργαλείο δεν προορίζεται για χρήση από άτομα (στα οποία περιλαμβάνονται και τα παιδιά) με μειωμένες φυσικές, αντιληπτικές ή διανοητικές ικανότητες ή άτομα χωρίς εμπειρία και γνώσεις, παρά μόνο εφόσον επιτηρούνται ή τους έχουν δοθεί οδηγίες σχετικά με τη χρήση του εργαλείου από άτομο υπεύθυνο για την ασφάλειά τους.
- ◆ Τα παιδιά πρέπει να επιτηρούνται για να διασφαλίζεται ότι δεν παίζουν με το εργαλείο.

### Αναπόφευκτοι κίνδυνοι.

Μπορεί να προκληθούν επιπρόσθετοι αναπόφευκτοι κίνδυνοι όταν χρησιμοποιείτε το εργαλείο, οι οποίοι μπορεί να μην συμπεριλαμβάνονται στις προειδοποιήσεις ασφαλείας που εσωκλείονται. Αυτοί οι κίνδυνοι μπορεί να προκληθούν από κακή χρήση, παρατεταμένη χρήση κτλ.

Ακόμα και με την τήρηση των σχετικών κανονισμών ασφαλείας και τη χρήση μέσων προστασίας, ορισμένοι κίνδυνοι δεν είναι δυνατόν να εξαλειφθούν. Αυτοί περιλαμβάνουν:

- ◆ Τραυματισμούς από το άγγιγμα των περιστρεφόμενων/κινούμενων εξαρτημάτων.
- ◆ Τραυματισμούς από αλλαγή οποιωνδήποτε εξαρτημάτων, λεπίδων ή αξεσουάρ.

- ◆ Τραυματισμούς από παρατεταμένη χρήση του εργαλείου. Όταν χρησιμοποιείτε οποιουδήποτε εργαλείο για παρατεταμένες χρονικές περιόδους βεβαιωθείτε ότι κάνετε τακτικά διαλείμματα.
- ◆ Προβλήματα ακοής.
- ◆ Κίνδυνοι στην υγεία που προκαλούνται από την εισπνοή σκόνης όταν χρησιμοποιείτε το εργαλείο (παράδειγμα:- όταν επεξεργάζεστε ξύλο, ειδικά δρυ, οξιά και MDF.)

### Δόνηση

Η δηλωμένη τιμή εκπομπής δόνησης που αναφέρεται στα τεχνικά χαρακτηριστικά και τη δήλωση συμμόρφωσης έχει μετρηθεί σύμφωνα με μια τυποποιημένη μέθοδο δοκιμής που παρέχεται από το πρότυπο EN 60745 και μπορεί να χρησιμοποιηθεί για τη σύγκριση ενός εργαλείου με ένα άλλο. Η δηλωμένη τιμή εκπομπής δόνησης μπορεί επίσης να χρησιμοποιηθεί σε έναν προκαταρκτικό προσδιορισμό της έκθεσης.

**Προειδοποίηση!** Η τιμή εκπομπής δόνησης κατά την πραγματική χρήση του ηλεκτρικού εργαλείου μπορεί να διαφέρει από τη δηλωμένη τιμή, ανάλογα με το τρόπο που χρησιμοποιείται το εργαλείο. Η στάθμη δόνησης μπορεί να αυξηθεί πάνω από τη στάθμη που έχει δηλωθεί.

Κατά τον προσδιορισμό της έκθεσης σε δόνηση για τον καθορισμό των απαιτούμενων μέτρων ασφαλείας σύμφωνα με την οδηγία 2002/44/ΕΚ για την προστασία προσώπων που χρησιμοποιούν συχνά ηλεκτρικά εργαλεία στην εργασία τους, μια προσεγγιστική εκτίμηση της έκθεσης σε δόνηση πρέπει να λαμβάνει υπόψη τις πραγματικές συνθήκες χρήσης και τον τρόπο χρήσης του εργαλείου, συμπεριλαμβανομένων και όλων των επιμέρους τμημάτων του κύκλου εργασίας, όπως, πόσες φορές τέθηκε το εργαλείο εκτός λειτουργίας, πότε είναι σε λειτουργία χωρίς φορτίο επιπρόσθετα στο χρόνο πίεσης της σκανδάλης.

### Ετικέτες στο εργαλείο

Τα ακόλουθα εικονογράμματα εμφανίζονται στο εργαλείο:



**Προειδοποίηση!** Για να μειωθεί ο κίνδυνος τραυματισμού, ο χρήστης πρέπει να διαβάσει το εγχειρίδιο οδηγιών.

### Ασφαλής χρήση ηλεκτρικού ρεύματος



Αυτό το εργαλείο διαθέτει διπλή μόνωση, επομένως δεν απαιτείται καλώδιο γείωσης. Ελέγχετε πάντοτε αν η τάση τροφοδοσίας αντιστοιχεί σε αυτήν που αναγράφεται στην πινακίδα τεχνικών χαρακτηριστικών.

- ◆ Αν το καλώδιο ρεύματος έχει υποστεί φθορά, πρέπει να αντικατασταθεί από τον κατασκευαστή ή από ένα εξουσιοδοτημένο κέντρο επισκευών της Stanley Fat Max, ώστε να μην αποτελέσει κίνδυνο.

## Χαρακτηριστικά

Αυτό το εργαλείο διαθέτει μερικά ή όλα από τα παρακάτω χαρακτηριστικά.

1. Διακόπτης on/off
2. Διακόπτης απασφάλισης
3. Στόμιο αποβολής ροκανιδιών
4. Επιλογέας στομίου αποβολής ροκανιδιών
5. Κουμπί ρύθμισης βάθους πλανίσματος
6. Διαβάθμιση βάθους πλανίσματος

## Συναρμολόγηση

**Προειδοποίηση!** Πριν από τη συναρμολόγηση, βεβαιωθείτε ότι το εργαλείο είναι απενεργοποιημένο και ότι το φως δεν είναι στην πρίζα.

## Αντικατάσταση των λεπίδων κοπής (εικ. Α)

Οι λεπίδες κοπής που παρέχονται με αυτό το εργαλείο είναι αναστρέψιμες. Ανταλλακτικές λεπίδες κοπής μπορείτε να προμηθευτείτε από τον τοπικό σας έμπορο.

## Αφαίρεση

- ◆ Χαλαρώστε τα μπουλόνια (7) με το παρεχόμενο γερμανικό κλειδί.
- ◆ Σύρετε τη λεπίδα (8) έξω από την υποδοχή.
- ◆ Αντιστρέψτε τη λεπίδα έτσι ώστε η μη χρησιμοποιημένη πλευρά να μπει στη θέση της. Εάν και οι δύο πλευρές έχουν φθαρεί, η λεπίδα πρέπει να αντικατασταθεί.

## Τοποθέτηση

- ◆ Σύρετε τη λεπίδα μέσα στην υποδοχή μέχρι να βρει στον αναστολέα άκρου.
- ◆ Σφίξτε τα μπουλόνια με το παρεχόμενο γερμανικό κλειδί.

**Προειδοποίηση!** Πάντοτε αντικαθιστάτε και τα δύο κοπτικά.

## Ρύθμιση του βάθους κοπής (εικ. Β)

Το βάθος κοπής υποδεικνύεται από την ένδειξη (9). Το εύρος των ρυθμίσεων μπορεί να διαβαστεί από τη διαβάθμιση (6).

- ◆ Περιστρέψτε το κουμπί ρύθμισης βάθους πλανίσματος (5) στο απαιτούμενο βάθος κοπής.
- ◆ Περιστρέψτε το κουμπί στη θέση 'P' όπου το εργαλείο δεν είναι σε χρήση.

## Τοποθέτηση και αφαίρεση του παράλληλου οδηγού (εικ. C)

Ο παράλληλος οδηγός χρησιμοποιείται για το βέλτιστο έλεγχο σε στενά κατεργαζόμενα τεμάχια.

- ◆ Βιδώστε το κουμπί (11) μέσα στην οπή στο πλευρό της πλάνης και σφίξτε καλά.
  - ◆ Χαλαρώστε το κουμπί ρύθμισης του παράλληλου οδηγού (10).
  - ◆ Σύρετε τον παράλληλο οδηγό στην επιθυμητή θέση.
  - ◆ Σφίξτε καλά το κουμπί ρύθμισης του παράλληλου οδηγού.
- Σημείωση:** Ο παράλληλος οδηγός πρέπει να βρίσκεται κάτω από την πλάνη όταν είναι τοποθετημένος σωστά.
- ◆ Για την αφαίρεση του παράλληλου οδηγού προχωρήστε με την αντίστροφη σειρά.

## Σύνδεση ηλεκτρικής σκούπας στο εργαλείο (εικ. D)

Απαιτείται ένας προσαρμογέας για τη σύνδεση μιας ηλεκτρικής σκούπας ή μιας συσκευής απαγωγής σκόνης επάνω στο εργαλείο. Μπορείτε να αγοράσετε τον προσαρμογέα από τον τοπικό σας έμπορο Stanley Fat Max.

- ◆ Μετακινήστε τον προσαρμογέα (12) πάνω από το στόμιο αποβολής ροκανιδιών (3).
- ◆ Συνδέστε τον ελαστικό σωλήνα της σκούπας (13) στον προσαρμογέα.

## Τοποθέτηση της σακούλας περισυλλογής ροκανιδιών (εικ. E)

Η σακούλα περισυλλογής ροκανιδιών είναι ιδιαίτερα χρήσιμη όταν εργάζεστε σε περιορισμένους χώρους.

- ◆ Σύρετε το έλασμα σύνδεσης (14) της σακούλας πάνω από οποιαδήποτε πλευρά του στομίου αποβολής ροκανιδιών (3).
- ◆ Για να εμποδίσετε την έξοδο ροκανιδιών από την απέναντι πλευρά του στομίου αποβολής ροκανιδιών, μετακινήστε τον επιλογέα στομίου αποβολής ροκανιδιών (4) στην απέναντι πλευρά από τη σακούλα.

## Αδειασμα της σακούλας περισυλλογής ροκανιδιών

Η σακούλα περισυλλογής ροκανιδιών πρέπει να αδειάζει τακτικά κατά τη χρήση για μην αποφραχθεί.

- ◆ Αποσπμπίστε τη σακούλα και αδειάστε την πριν συνεχίσετε.

## Χρήση

**Προειδοποίηση!** Αφήστε το εργαλείο να λειτουργήσει με το δικό του ρυθμό. Μην το υπερφορτώνετε.

- ◆ Ρυθμίστε το βάθος της κοπής.
- ◆ Εάν χρειάζεται, τοποθετήστε και ρυθμίστε τον παράλληλο οδηγό.

## Ενεργοποίηση και απενεργοποίηση του εργαλείου

### Ενεργοποίηση

- ◆ Κρατήστε πατημένο το κουμπί απασφάλισης (2) και πιέστε το διακόπτη on/off (1).

- ◆ Απελευθερώστε το κουμπί απαασφάλισης.

### Απενεργοποίηση

- ◆ Απελευθερώστε το διακόπτη on/off.

### Πλάνισμα

- ◆ Κρατήστε το εργαλείο με τη μύτη του πέδιλου πάνω στην επιφάνεια του κατεργαζόμενου τεμαχίου.
- ◆ Ενεργοποιήστε το εργαλείο.
- ◆ Μετακινήστε το εργαλείο σταθερά προς τα εμπρός για να εκτελέσετε τη διαδρομή κοπής.
- ◆ Απενεργοποιήστε το εργαλείο μετά την ολοκλήρωση της διαδρομής.

### Δημιουργία πατούρας (εικ. F)

- ◆ Τοποθετήστε και ρυθμίστε τον παράλληλο οδηγό.
- ◆ Προχωρήστε όπως και για το πλάνισμα.

### Φαλτσοκοπή άκρων (εικ. G)

Η εγκοπή σχήματος V στη μύτη του πέδιλου σας επιτρέπει να φαλτσοκόβετε άκρα σε γωνίες 45°, 30° και 15°.

- ◆ Κρατήστε το εργαλείο υπό γωνία με την επιθυμητή εγκοπή (20) γύρω από το άκρο του κατεργαζόμενου τεμαχίου και εκτελέστε τη διαδρομή κοπής.

### Στήριγμα στάθμευσης (εικ. H)

Η πλάνη σας είναι εξοπλισμένη με ένα στήριγμα στάθμευσης (21) το οποίο χαμηλώνει αυτόματα στη θέση του όταν το εργαλείο αναστηθεί από την επιφάνεια εργασίας. Κατά το πλάνισμα, το στήριγμα στάθμευσης ανυψώνεται καθώς το εργαλείο σπρώχνεται μπροστά. Όταν χαμηλώνει το στήριγμα στάθμευσης, η πλάνη μπορεί να ακουμπά στην επιφάνεια εργασίας χωρίς να ακουμπά η λεπίδα.

### Συμβουλές για άριστη χρήση

- ◆ Μετακινείτε το εργαλείο σύμφωνα με τα νερά του ξύλου.
- ◆ Εάν τα νερά είναι εγκάρσια ή κατασάρια, ή εάν το υλικό του κατεργαζόμενου τεμαχίου είναι ξύλο σκληρού τύπου, ρυθμίστε το βάθος της κοπής ώστε να αφαιρείται μόνο ένα πολύ λεπτό ροκανίδι με κάθε πέρασμα και χρησιμοποιήστε πολλά περάσματα για να επιτύχετε το αποτέλεσμα που επιθυμείτε.
- ◆ Για να κρατήσετε το εργαλείο σε ευθεία γραμμή, πιέστε το εμπρός μέρος του εργαλείου στην αρχή, και πιέστε το πίσω μέρος του εργαλείου στο τέλος της διαδρομής κοπής.

### Αξεσουάρ

Η απόδοση του εργαλείου σας εξαρτάται από τα αξεσουάρ που χρησιμοποιούνται. Τα αξεσουάρ της Stanley Fat Max έχουν κατασκευαστεί μηχανικά με πρότυπα υψηλής ποιότητας και είναι σχεδιασμένα για να ενισχύουν την απόδοση του εργαλείου σας. Χρησιμοποιώντας αυτά τα αξεσουάρ θα λάβετε τη μέγιστη απόδοση από το εργαλείο σας.

Τους παρακάτω τύπους λεπίδας κοπής μπορείτε να προμηθευτείτε από τον τοπικό σας έμπορο:

- Αναστρέψιμες λεπίδες κοπής με άκρο καρβιδίου του βολφραμίου (αρ. ανταλλακτικού X35007, παρέχονται σε ζευγάρι)
- Αναστρέψιμες λεπίδες κοπής ταχυχάλυβα (αρ. ανταλλακτικού X24192-XJ11, παρέχονται σε ζευγάρι)

### Συντήρηση

Αυτό το εργαλείο της Black & Decker έχει σχεδιαστεί έτσι ώστε να λειτουργεί για μεγάλο χρονικό διάστημα με την ελάχιστη δυνατή συντήρηση. Η αδιάλειπτη και ικανοποιητική λειτουργία εξαρτάται από τη σωστή φροντίδα του εργαλείου και τον τακτικό καθαρισμό του.

**Προειδοποίηση!** Πριν από κάθε εργασία συντήρησης πρέπει να θέτετε το εργαλείο εκτός λειτουργίας και να το βγάξετε από την πρίζα.

- ◆ Καθαρίζετε τακτικά τις εγκοπές εξαερισμού του εργαλείου με μια μαλακή βούρτσα ή με ένα στεγνό πανί.
- ◆ Να καθαρίζετε τακτικά το περιβλήμα του μοτέρ με ένα υγρό πανί. Μη χρησιμοποιείτε λειαντικά ή υγρά καθαρισμού που περιέχουν διαλυτικά.

### Αντικατάσταση του ιμάντα κίνησης (εικ. I)

- ◆ Χαλαρώστε τις βίδες (15) και αφαιρέστε το κάλυμμα (16).
- ◆ Αφαιρέστε τον παλιό ιμάντα κίνησης.
- ◆ Τοποθετήστε το νέο ιμάντα (17) πάνω στις τροχαλίες. Τοποθετήστε τον ιμάντα πάνω από τη μεγάλη τροχαλία (18) πρώτα, στη συνέχεια πάνω από τη μικρή τροχαλία (19), ενώ περιστρέψετε τον ιμάντα σταθερά με το χέρι.
- ◆ Επανατοποθετήστε το κάλυμμα και σφίξτε τις βίδες.

### Επιθεώρηση και αντικατάσταση ψηκρών μοτέρ (εικ. J)

Οι ψήκτρες πρέπει να επιθεωρούνται τακτικά για φθορά.

- ◆ Αφαιρέστε το καπάκι των ψηκρών (22). Οι ψήκτρες πρέπει να ολισθαίνουν ελεύθερα στο κιβώτιο ψηκρών. Εάν οι ψήκτρες έχουν φθαρεί μέχρι τις 3" (8mm) πρέπει να αντικατασταθούν.



Για να επαναποθετήσετε, πιέστε την καινούρια ψήκτρα μέσα στο κιβώτιο ψηκτρών. Εάν αντικαθιστάται μια υπάρχουσα ψήκτρα, διατηρήστε τον ίδιο προσανατολισμό όπως όταν αφαιρέθηκε. Επαναποθετήστε το καπάκι των ψηκτρών (μη σφίξετε πολύ).

## Αντικατάσταση του ρευματολήπτη (H.B. & Ιρλανδία μόνο)

Αν χρειαστεί να εγκαταστήσετε έναν καινούριο ρευματολήπτη (φίς):

- ◆ Απορρίψτε με ασφαλή τρόπο το παλιό φίς.
- ◆ Συνδέστε τον καφέ αγωγό στον ηλεκτροφόρο ακροδέκτη του νέου ρευματολήπτη.
- ◆ Συνδέστε τον μπλε αγωγό στον ουδέτερο ακροδέκτη.

**Προειδοποίηση!** Δε χρειάζεται καμία σύνδεση στον ακροδέκτη γείωσης. Ακολουθήστε τις οδηγίες τοποθέτησης που παρέχονται με τους καλής ποιότητας ρευματολήπτες (φίς). Προτεινόμενη ασφάλεια τήξης: 5 A.

## Προστασία του περιβάλλοντος



Επιλεκτική περισυλλογή. Αυτό το προϊόν δεν πρέπει να απορρίπτεται μαζί με τα κοινά οικιακά απορρίμματα.

Εάν κάποια μέρα διαπιστώσετε ότι το προϊόν σας Stanley Fat Max χρειάζεται αντικατάσταση ή ότι δεν το χρειάζεστε άλλο, μην το απορρίψετε μαζί με τα κοινά οικιακά απορρίμματα αλλά διαθέστε αυτό το προϊόν για ξεχωριστή περισυλλογή.



Η ξεχωριστή περισυλλογή των μεταχειρισμένων προϊόντων και των υλικών συσκευασίας επιτρέπει την ανακύκλωση και επαναχρησιμοποίηση των υλικών.

Με την επαναχρησιμοποίηση των ανακυκλωμένων υλικών αποτρέπεται η μόλυνση του περιβάλλοντος και μειώνεται η ζήτηση πρώτων υλών.

Οι κανονισμοί που ισχύουν στην περιοχή σας ενδέχεται να προβλέπουν την ξεχωριστή περισυλλογή των ηλεκτρικών συσκευών που προέρχονται από νοικοκυριά σε δημοτικές εγκαταστάσεις ή από τον έμπορο όταν αγοράσετε ένα καινούργιο προϊόν.

Η Stanley Europe δίνει τη δυνατότητα ανακύκλωσης των προϊόντων της Stanley Fat Max που έχουν συμπληρώσει τη διάρκεια ζωής τους. Για να χρησιμοποιήσετε αυτήν την υπηρεσία, επιστρέψτε το προϊόν σας σε οποιοδήποτε εξουσιοδοτημένο κέντρο επισκευών, όπου θα το παραλάβουν εκ μέρους μας.

Ενημερωθείτε για το πλησιέστερο εξουσιοδοτημένο κέντρο επισκευών της περιοχής σας, επικοινωνώντας με τα γραφεία της Stanley Europe στη διεύθυνση που αναγράφεται στο εγχειρίδιο. Επίσης, μια λίστα με τα εξουσιοδοτημένα κέντρα επισκευών της Stanley Europe και πλήρεις λεπτομέρειες για τις υπηρεσίες που παρέχονται μετά την πώληση καθώς και στοιχεία επικοινωνίας υπάρχουν στο Διαδίκτυο, στη διεύθυνση: [www.2helpU.com](http://www.2helpU.com)

## Τεχνικά χαρακτηριστικά

		FME630 (Τύπος 1)
Τάση εισόδου	V <sub>ac</sub>	230
Ισχύς εισόδου	W	750
Ταχύτητα χωρίς φορτίο	min <sup>-1</sup>	16,500
Πλάτος πλανίσματος	mm	82
Βάθος πλανίσματος	mm	2
Βάθος δημιουργίας πατούρας	mm	12
Βάρος	kg	2.9

Οι συνολικές τιμές δόνησης (διανυσματικό άθροισμα τριών αξόνων) κατά EN 60745:

Τιμή εκπομπής δόνησης (a<sub>h</sub>) 1.5 m/s<sup>2</sup>

αβεβαιότητα (K) 1.5 m/s<sup>2</sup>

Στάθμη ηχητικής πίεσης, μετρημένη σύμφωνα με το πρότυπο EN 60745:

Ηχητική πίεση (L<sub>pA</sub>) 84 dB(A), αβεβαιότητα (K) 3 dB(A)

Ηχητική ισχύς (L<sub>WA</sub>) 95 dB(A), αβεβαιότητα (K) 3 dB(A)

**Δήλωση συμμόρφωσης EK**

ΟΔΗΓΙΑ ΠΕΡΙ ΜΗΧΑΝΗΜΑΤΩΝ



FME630

Η Stanley Europe δηλώνει ότι τα προϊόντα αυτά που περιγράφονται στα "τεχνικά χαρακτηριστικά"

συμμορφώνονται με:

2006/42/EK

EN 60745-1, EN 60745-2-14

Αυτά τα προϊόντα συμμορφώνονται επίσης με την Οδηγία 2004/108/EK και 2011/65/EE. Για περισσότερες πληροφορίες, παρακαλείστε να επικοινωνήσετε με την Stanley Europe στην παρακάτω διεύθυνση ή να ανατρέξετε στο πίσω μέρος του εγχειριδίου.

Ο κάτωθι υπογεγραμμένος είναι υπεύθυνος για την κατάρτιση του τεχνικού φακέλου και δηλώνει τα παρόντα εκ μέρους της Stanley Europe.

Kevin Hewitt

Αντιπρόεδρος παγκόσμιας μηχανικής  
Stanley Europe, Egide Walschaertsstraat14-18,  
2800 Mechelen, Belgium  
29/01/2013

**Εγγύηση**

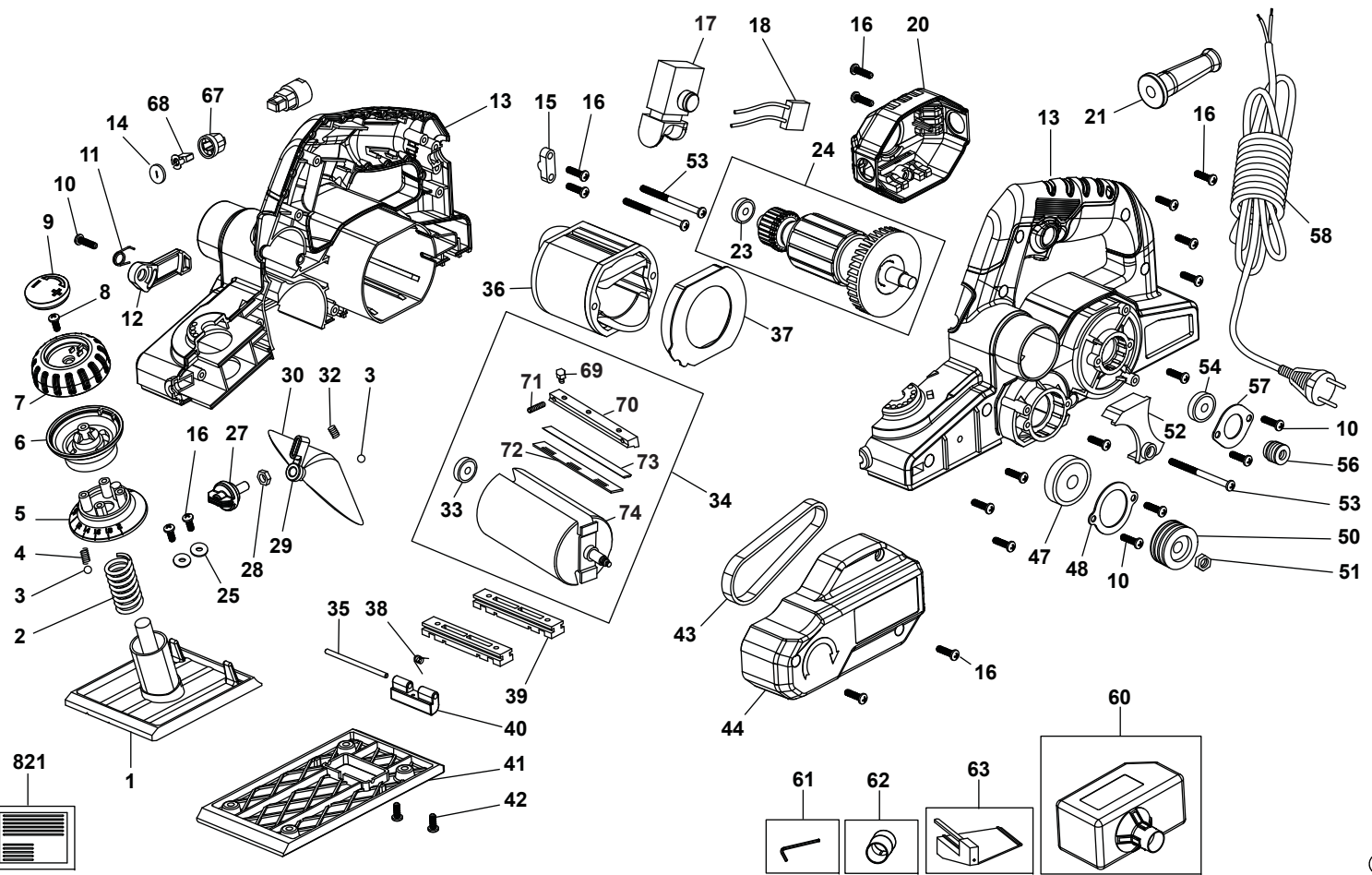
Η Stanley Europe είναι σίγουρη για την ποιότητα των προϊόντων της και παρέχει μια εξαιρετική εγγύηση για τους επαγγελματίες χρήστες του προϊόντος. Αυτή η δήλωση εγγύησης είναι επιπρόσθετη στα και δεν επηρεάζει με κανένα τρόπο τα συμβατικά δικαιώματά σας ως ιδιώτη μη επαγγελματία χρήστη. Η εγγύηση ισχύει εντός της επικράτειας των Κρατών Μελών της Ευρωπαϊκής Ένωσης και της Ευρωπαϊκής Ζώνης Ελευθέρων Συναλλαγών.

**ΠΛΗΡΗΣ ΕΓΓΥΗΣΗ ΕΝΟΣ ΕΤΟΥΣ**

Εάν το προϊόν σας Stanley Fat Max καταστεί ελαττωματικό λόγω ελαττωματικών υλικών ή εργασίας εντός 12 μηνών από την ημερομηνία αγοράς, η Stanley Ευρώπη αναλαμβάνει να αντικαταστήσει όλα τα ελαττωματικά μέρη δωρεάν ή – κατά την κρίση μας – να αντικαταστήσει τη μονάδα χωρίς χρέωση, υπό τον όρο ότι:

- ◆ Το προϊόν δεν έχει υποστεί κακομεταχείριση και έχει χρησιμοποιηθεί σύμφωνα με το εγχειρίδιο οδηγιών.
- ◆ Το προϊόν έχει υποβληθεί σε φυσιολογική φθορά.
- ◆ Δεν έχει γίνει προσπάθεια επισκευής από μη εξουσιοδοτημένα άτομα.
- ◆ Υπάρχει απόδειξη αγοράς.
- ◆ Το προϊόν Stanley Fat Max επιστρέφεται πλήρες, με όλα τα αυθεντικά εξαρτήματα

Εάν επιθυμείτε να γεμίσετε αξιώσεις, επικοινωνήστε με τον πωλητή σας ή ελέγξτε την τοποθεσία του πλησιέστερου εξουσιοδοτημένου κέντρου επισκευών Stanley Fat Max στον κατάλογο της Stanley Fat Max ή επικοινωνήστε με το τοπικό σας γραφείο της Stanley στη διεύθυνση που αναγράφεται στο παρόν εγχειρίδιο. Εναλλακτικά, μια λίστα με τα εξουσιοδοτημένα κέντρα επισκευών της Stanley Fat Max και πλήρεις λεπτομέρειες για τις υπηρεσίες που παρέχονται μετά την πώληση διατίθενται στο Διαδίκτυο, στη διεύθυνση: [www.stanley.eu/3](http://www.stanley.eu/3)



<b>België/Belgique</b>	Stanley Fat Max E. Walschaertstraat 14-16 2800 Mechelen Belgium	De. Tel. +32 70 220 065 Fr. Tel. +32 70 220 066 Fax +32 15 473 799 www.stanleytools.eu Enduser.be@SBDinc.com
<b>Danmark</b>	Stanley Fat Max Farveland 1B 2600 Glostrup	Tel. 70 20 15 10 Fax 70 22 49 10 www.stanleyworks.dk
<b>Deutschland</b>	Stanley Fat Max Richard Klinger Str. 11, D - 65510 Idstein	Tel. 06126 21-1 Fax 06126 21-2770
<b>Ελλάδα</b>	Stanley Fat Max. Στράβωνος 7 & Λεωφ. Βουλιαγμένης 159 Γλυφάδα 166 74 - Αθήνα	Τηλ. +30 210 8981-616 Φαξ +30 210 8983-285 www.stanleyworks.gr
<b>España</b>	Stanley Fat Max. Parc de Negocis "Mas Blau" Edificio Muntadas, c/Bergadá, 1, Of. A6 08820 El Prat de Llobregat (Barcelona)	Tel. 934 797 400 Fax 934 797 419 respuesta.postventa@sbdinc.com www.stanleyworks.es
<b>France</b>	Stanley Fat Max 5 allée des Hêtres B.P. 30084 69579 Limonest Cédex	Tel. 04 72 20 39 20 Fax 04 72 20 39 00 www.stanleyouillage.fr
<b>Helvetia</b>	Stanley Fat Max In der Luberzen 40 8902 Urdorf	Tel. 01 730 67 47 Fax 01 730 70 67 www.stanleyworks.de
<b>Italia</b>	Stanley Fat Max EnergyPark-Building 03 sud, Via Monza 7/A 20871 Vimercate (MB)	Tel. 039-9590200 Fax 039-9590313 www.stanley.it
<b>Nederland</b>	Stanley Fat Max Joulehof 12, 4600 RG Bergen op Zoom	Tel. +31 164 283 065 Fax +31 164 283 200 Enduser.NL@SBDinc.com
<b>Norge</b>	Stanley Fat Max Postboks 4613, Nydalen 0405 Oslo	Tlf. 45 25 13 00 Fax 45 25 08 00
<b>Österreich</b>	Stanley Fat Max Oberlaaerstraße 248, A-1230 Wien	Tel. 01 66116-0 Fax 01 66116-614 www.stanleyworks.de
<b>Portugal</b>	Stanley Fat Max Centro de Escritórios de Sintra Avenida Almirante Gago Coutinho, 132/134, Edifício 142710-418 Sintra 2710-418 Lisboa	Tel. 214667500 Fax 214667575 resposta.posvenda@sbdinc.com
<b>Suomi</b>	Stanley Fat Max Tekniikkantie 12, 02150 Espoo	Puh. 010 400 430 Faksi 0800 411 340 www.stanleyworks.fi
<b>Sverige</b>	Stanley Fat Max Box 94, 431 22 Mölndal	Tel. 031-68 61 00 Fax 031-68 60 08
<b>Türkiye</b>	Stanley Fat Max KALE Hırdavat ve Makina A.Ş. Defterdar Mah. Savaklar Cad. No:15 Edirnekapı / Eyüp / İSTANBUL 34050	Puh. 0212 533 52 55 Faks 0212 533 10 05 www.stanleyworks.fi
<b>United Kingdom</b>	Stanley Fat Max 210 Bath Road Slough, Berkshire SL1 3YD	Tel. +44 (0)1753 511234 Fax +44 (0)1753 551155 www.stanleytools.co.uk
<b>Middle East &amp; Africa</b>	Stanley Fat Max P.O.Box - 17164 Jebel Ali (South Zone), Dubai, UAE	Tel. +971 4 8127400 Fax +971 4 8127036 www.stanleyworks.ae