
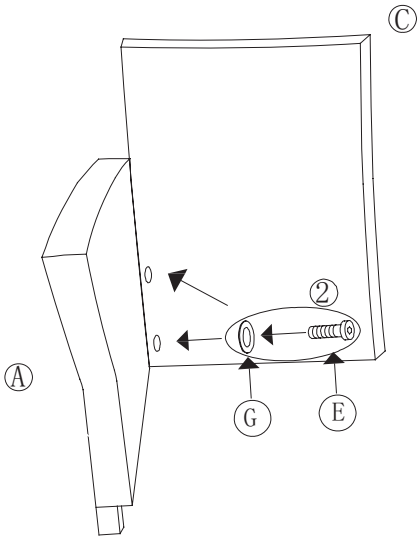
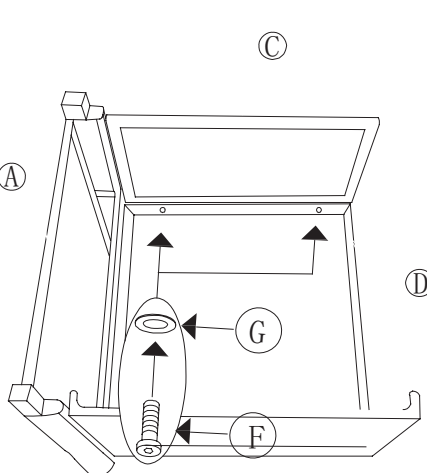


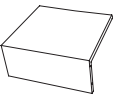
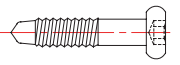
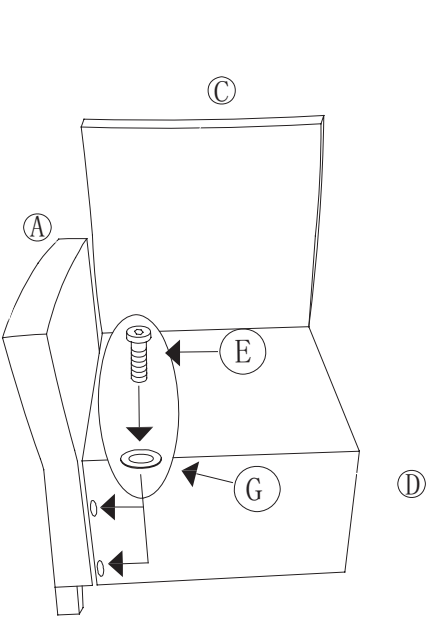
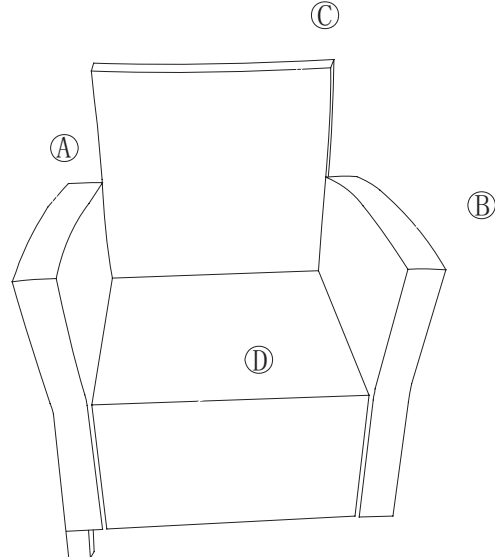
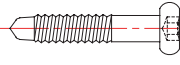

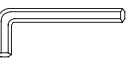
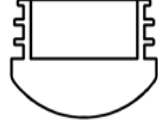


SUNSET SOFA SET LOUNGE CHAIR D76*W74.5*H81.5CM

NO.	PART LIST	DESCRIPTION	QTY PCS	(1)	(2)
A		RIGHT ARMREST	1pcs		
B		LEFT ARMREST	1pcs		
C		BACK	1pcs		
D		SEAT	1pcs		
E		BOLT M6*33	8pcs		
F		BOLT M6*40	2pcs		
G		WASHER $\phi 6.5 * \phi 12 * 1.0$	10pcs		
H		ALLEN KEY	1pcs		
I		PLASTIC FOOT 40*40*30	4pcs		

Note:do not tighten bolts until all parts are connected