
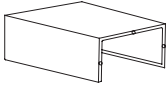
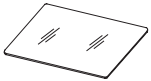
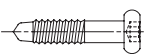


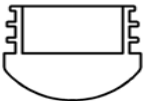
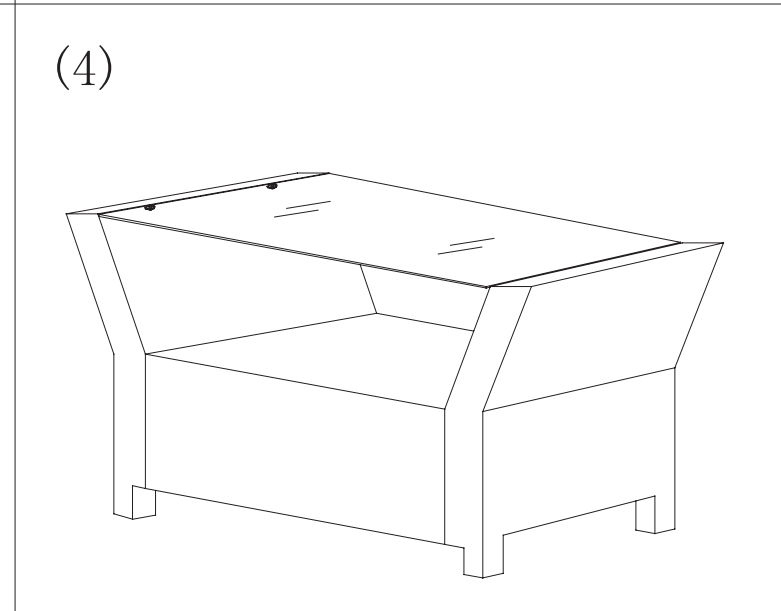
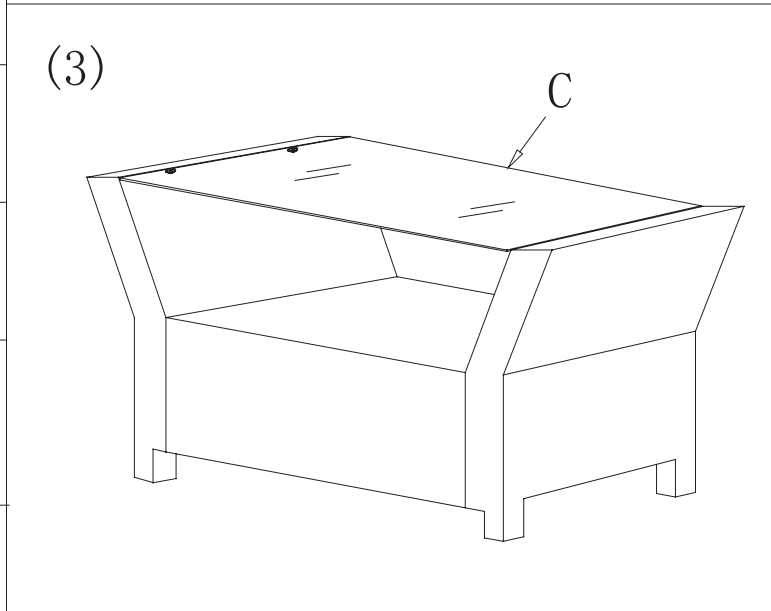
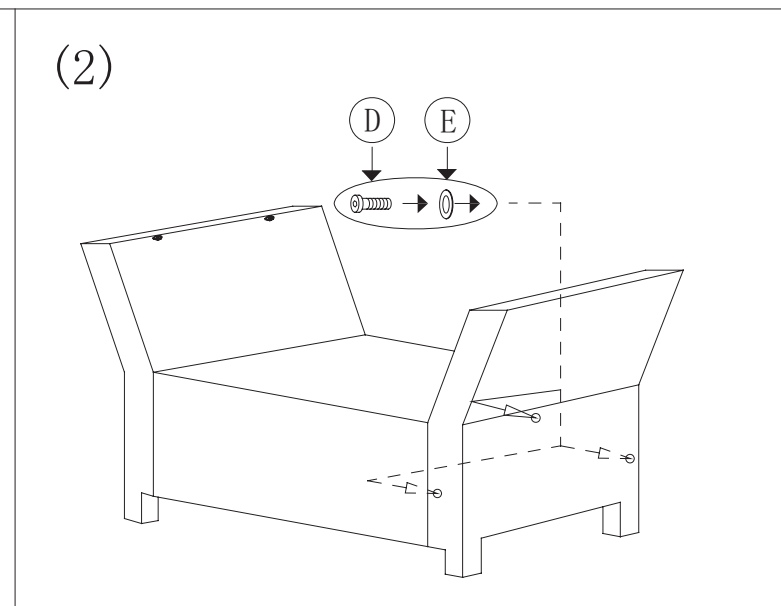
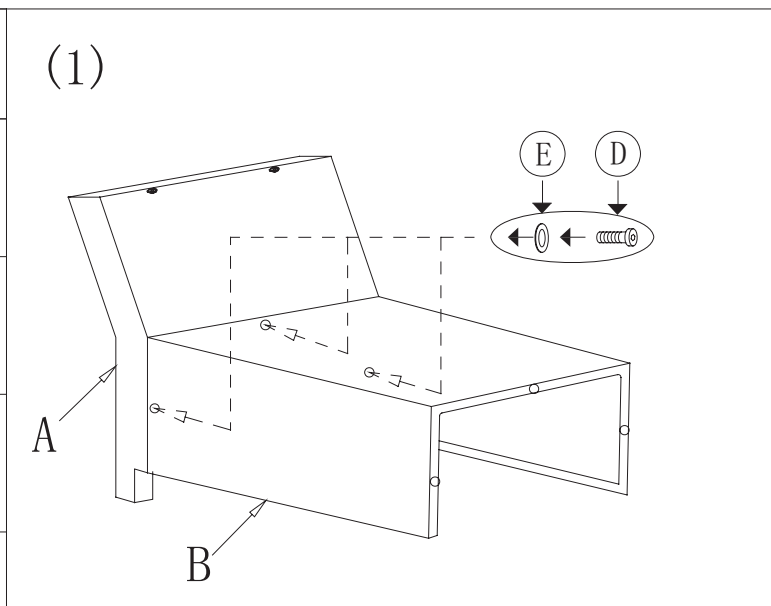


SUNSET SOFA SET COFFEE TABLE D90*W55*H43CM

NO.	PART LIST	DESCRIPTION	QTY
A		TABLE LEG	2pcs
B		LEG CONNECTOR BRACKET	1pcs
C		GLASS	1pcs
D		BOLT M6*33	6pcs
E		WASHER $\phi 6.5 * \phi 12 * 1.0$	6pcs
F		ALLEN KEY	1pcs
G		PLASTIC FOOT 40*40*30	4pcs



Note:do not tighten bolts until all parts are connected