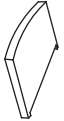
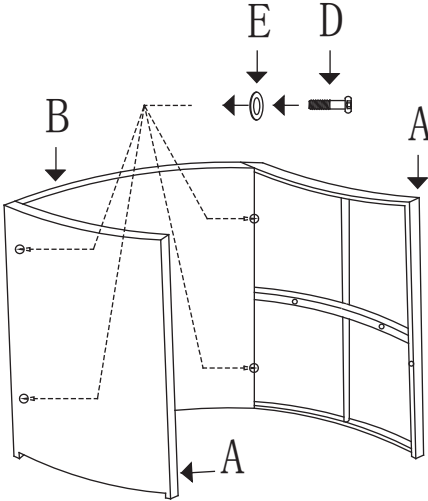

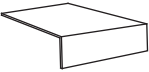
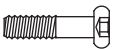


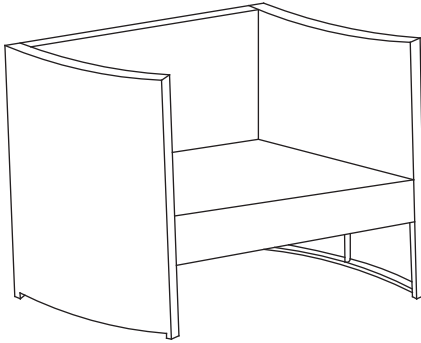


# Assembly Instruction

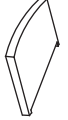
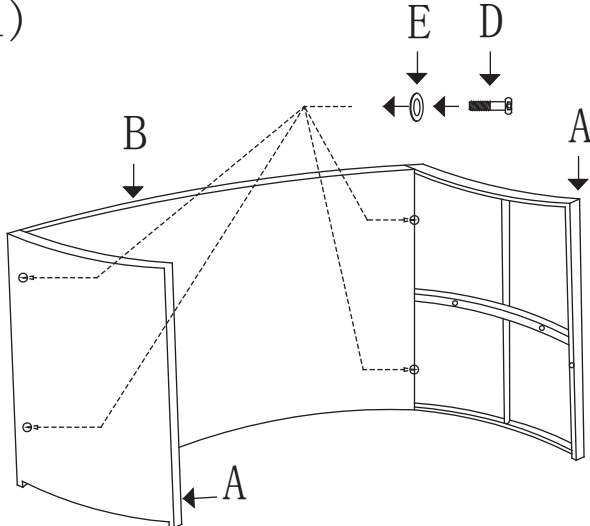
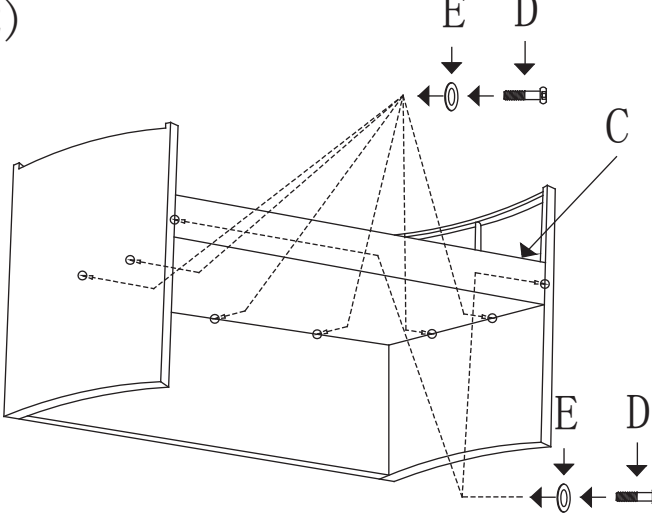
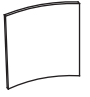
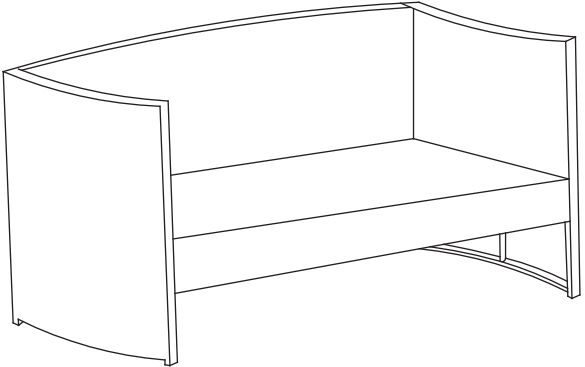
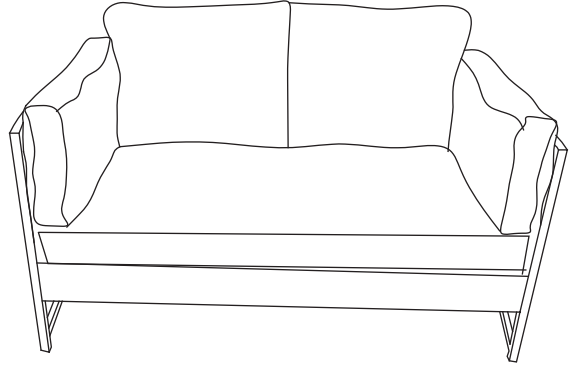
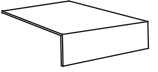
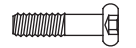


213490010KD

NO.	PART LIST	DESCRI PTION	QTY/ PCS		
A		ARREST	2pcs	(1)	
B		BACK	1pc		
C		SEAT	1pc		
D		BOLT M6*45	11pcs		
E		WASHER	11pcs		
F		ALLEN KEY	1pc		
				(3)	

Note:do not tighten bolts until all parts are connected

# Assembly Instruction

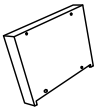
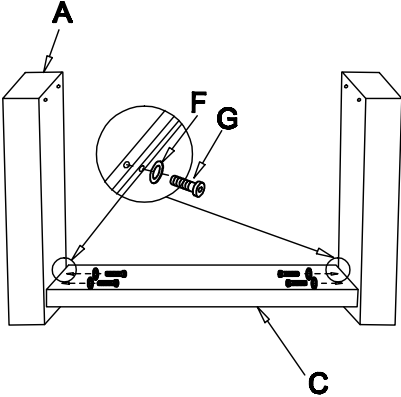
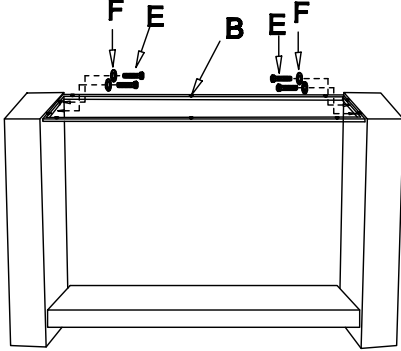

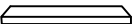

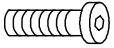
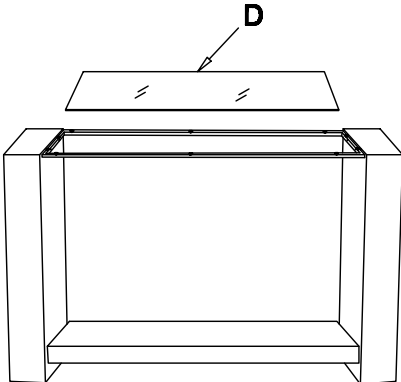
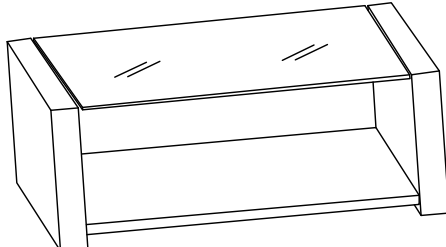
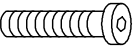


213490020KD

NO.	PART LIST	DESCRI PTION	QTY/ PCS	(1)	(2)				
A		ARMEST	2pcs						
B		BACK	1pc						
C		SEAT	1pc						
D		BOLT M6*45	12pcs						
E		WASHER	12pcs						
F		ALLEN KEY	1pc						

Note:do not tighten bolts until all parts are connected

### Assembly Instruction

211722033-1KD

NO.	PART LIST	DESCRI PTION	QTY/ PCS		
A		TABLE LEG	2PCS	(1) 	(2) 
B		LEG CONNECTOR BRACKET 1	1PC		
C		LEG CONNECTOR BRACKET 2	1PC		
D		GLASS	1PC		
E		BOLT M6*30	4PCS	(3) 	(4) 
F		BOLT M6*45	4PCS		
G		WASHER	8PCS		
H		ALLEN KEY	1PC		

**Note:do not tighten bolts until all parts are connected**