



# WORX



**LANDROID**®   
**UNMANNED**  
**MOWING**  
**VEHICLE**

<b>Lawn Mowing Robot</b>	<b>EN</b>	<b>P02</b>
<b>Roboter-Rasenmäher</b>	<b>D</b>	<b>P18</b>
<b>Robot de fauchage à pelouse</b>	<b>F</b>	<b>P34</b>
<b>Robot tosaerba</b>	<b>I</b>	<b>P50</b>
<b>Robot cortacesped</b>	<b>ES</b>	<b>P66</b>
<b>Grasmaairobot</b>	<b>NL</b>	<b>P82</b>

## WG794E

# ORIGINAL INSTRUCTIONS

## TABLE OF CONTENTS

<b>1. Safety Instruction</b>	<b>3</b>
1.1 General & additional safety instruction	3
1.2 Information on the Landroid®M	5
<b>2. Technical Data and Packaging Content</b>	<b>6</b>
2.1 Technical data	6
2.2 Component list	7
<b>3. Understanding Your Landroid®M</b>	<b>9</b>
3.1 How does my Landroid®M know what to mow?	9
3.2 How does my Landroid®M know where to go?	10
A. Finding the charging base	10
B. Rain sensors	10
C. Sensing the boundary wire	10
D. Starting and stopping while mowing	10
3.3 How big of an area can my Landroid®M mow?	11
3.4 How efficiently will my Landroid®M mow the grass?	11
<b>4. Boundary Wire Basics</b>	<b>12</b>
4.1 Pegging the Boundary Wire	12
4.2 Burying the Boundary Wire	12
4.3 Joining the Boundary Wire	12
4.4 Turn on and test installation	13
<b>5. Maintenance</b>	<b>13</b>
5.1 Battery life	13
5.2 Winter hibernation	13
5.3 Keep it clean	14
A. Cleaning the body	14
B. Cleaning the underbelly	14
C. Clean the contact pins and the charging strips	15
5.4 Keep it sharp	15
A. Rotate and flip the blades	15
B. Replace the blades	15
5.5 Replacing the battery	16
<b>6. Declaration of Conformity</b>	<b>17</b>

# 1. Safety Instruction

## 1.1 General & additional safety instruction

 **WARNING: Read all safety warnings and all instructions. Failure to follow the warnings and instructions may result in electric shock, fire and/or serious injury.**

**Carefully read the instructions for the safe operation of the machine.**

**Save all warnings and instructions for future reference.**

- This appliance is not intended for use by persons (including children) with limited physical, sensory or mental capabilities, or lack of experience and knowledge, unless they have been given supervision or instruction concerning use of the appliance by a person responsible for their safety.
- Children should be supervised to ensure that they do not play with the appliance.

### **IMPORTANT**

**READ CAREFULLY BEFORE USE**

**KEEP FOR FUTURE REFERENCE**

### **SAFE OPERATION PRACTICES**

#### **Training**

- a) Read the instructions carefully. Make sure you understand the instructions and are familiar with the controls and the proper use of the appliance;
- b) Never allow people unfamiliar with these instructions or children to use the appliance. Local regulations can restrict the age of the operator;
- c) The operator or user is responsible for accidents or hazards occurring to other people or their property

#### **Preparation**

- a) Ensure the correct installation of the automatic perimeter delineation system as instructed.
- b) Periodically inspect the area where the appliance is to be used and remove all stones, sticks, wires, bones, and other foreign objects.
- c) Periodically visually inspect to see that the blades, blade bolts and cutter assembly are not worn or damaged. Replace worn or damaged blades and bolts in sets to preserve balance.
- d) On multi-spindle appliances, take care as rotating one blade can cause other blades to rotate.

### **OPERATION**

#### **1. GENERAL**

- a) Never operate the appliance with defective guards, or without safety devices, for example deflectors, in place;
- b) Do not put hands or feet near or under rotating parts. Keep clear of the discharge opening at all times;
- c) Never pick up or carry an appliance while the motor is running;
- d) Turn off the machine.
  - Before clearing a blockage.
  - Before checking, cleaning or working on the appliance.
- e) It is not permitted to modify the original design of robotic lawnmower. All modifications are made at your own risk.
- f) Start robotic lawnmower according to the instructions. When the main switch is in the ON position, make sure you keep your hands and feet away from the rotating blades. Never put your hands and feet under the mower.
- g) Never lift up robotic lawnmower or carry it around when the main switch is in the ON position.
- h) Do not let persons who do not know how robotic lawnmower works and behaves use the mower.
- i) Do not put anything on top of robotic lawnmower or its charging station.
- j) Do not allow robotic lawnmower to be used with a defective blade disc or body. Neither should it be used with defective blades, screws, nuts or cables.
- k) Do not use robotic lawnmower if the main switch does not work.
- l) Always switch off robotic lawnmower using the main switch when you do not intend to use the mower. Robotic lawnmower can only start when the main switch is moved to the ON position and the correct PIN code has been entered.

#### **2. ADDITIONALLY WHEN THE APPLIANCE IS OPERATING AUTOMATICALLY**

- a) Do not leave the machine to operate unattended if you know that there are pets, children or people in the vicinity.

#### **3. ADDITIONALLY WHEN USING THE MANUAL CONTROLLER**

- a) Mow only in daylight or in good artificial light;
- b) Avoid operating the equipment in wet grass;
- c) Do not operate the appliance when barefoot or wearing open sandals. Always wear substantial footwear and long trousers;

- d) Always be sure of your footing on slopes;
- e) Use extreme caution when reversing the appliance towards you;
- f) Always switch on the motor according to instructions with feet well away from the blades(s);

## **MAINTENANCE AND STORAGE**



**WARNING! When the mower is turned upside down the main switch must always be set to the OFF position.**

**The main switch should be set to the OFF position during all work on the mowers under frame, such as cleaning or replacing the blades.**

- a) Keep all nuts, bolts and screws tight to be sure the appliance is in safe working condition;
- b) Inspect the robotic lawnmower each week and replace worn or damaged parts for safety;
- c) Check especially that the blades and blade disc are not damaged. Replace all blades and screws at the same time if necessary so that the rotating parts are balanced.
- d) Ensure that only replacement cutting means of the right type are used;
- e) Ensure that batteries are charged using the correct charger recommended by the manufacturer. Incorrect use may result in electric shock, overheating or leakage of corrosive liquid from the battery;
- f) In the event of leakage of electrolyte flush with water/neutralizing agent, seek medical help if it comes into contact with the eyes etc;
- g) Servicing of the appliance should be according to manufacturers instructions.

## **Transport**

The original packaging should be used when transporting robotic lawn mower over long distances.

To safely move from or within the working area:

- a) Press the STOP button to stop the mower. If the anti-theft alarm is activated, enter the first digit of the PIN code. You select the four digit PIN code when you start the mower for the first time.
- b) Move the main switch to the OFF position if you intend to carry the mower.
- c) Carry the mower by the handle at the rear under the mower. Carry the mower with the blade disc away from the body.

## 1.2 Information on the Landroid® M



WARNING - Robotic lawnmower can be dangerous if incorrectly used.

Read through the Operator's manual carefully and understand the content before using your robotic lawnmower.



WARNING - Keep a safe distance from the machine when operating.



WARNING - Operate the disabling device before working on or lifting the machine.

Keep your hands and feet away from the rotating blades. Never place your hands or feet close to or under the body when robotic lawnmower is in operation.

Robotic lawnmower can only start when the ON/OFF button press ON and the correct PIN code has been entered. Inspection and /or maintenance must be carried out with the main switch set to OFF.



WARNING - Do not ride on the machine.



Don't litter to fire



Don't throw into water



Batteries should be recycled



Li-Ion

Batteries contain Li-ion, Waste batteries should be sorted for eco-friendly. Do not dispose of waste batteries as unsorted municipal waste.



Waste electrical products should not be disposed of with household waste. Please recycle where facilities exist. Check with your Local Authority or retailer for recycling advice.

## 2. Technical Data and Component List

### 2.1 Technical data

Type: **WG794E (790-799-Designation of machinery, representative of lawn mowing robot)**

Rated voltage	28V $\equiv$ Max*
No load speed	2800/min
Cutting diameter	180mm
Cutting height	20-60mm
Cutting height positions	5
Battery type	Lithium-ion
Battery model	WA3225
Charging time	1.5h approx.
Charger model	WA3716
Charger rating	Input: 100-240V~50/60Hz, 50W,
	Output: 24-28V Dc, 1.5A
Machinery weight	8.3kg
Protection degree	IPX4

\*Voltage measured without workload. Initial battery voltage reaches maximum of 28 volts. Nominal voltage is 25.2volts.

### Noise and technical data

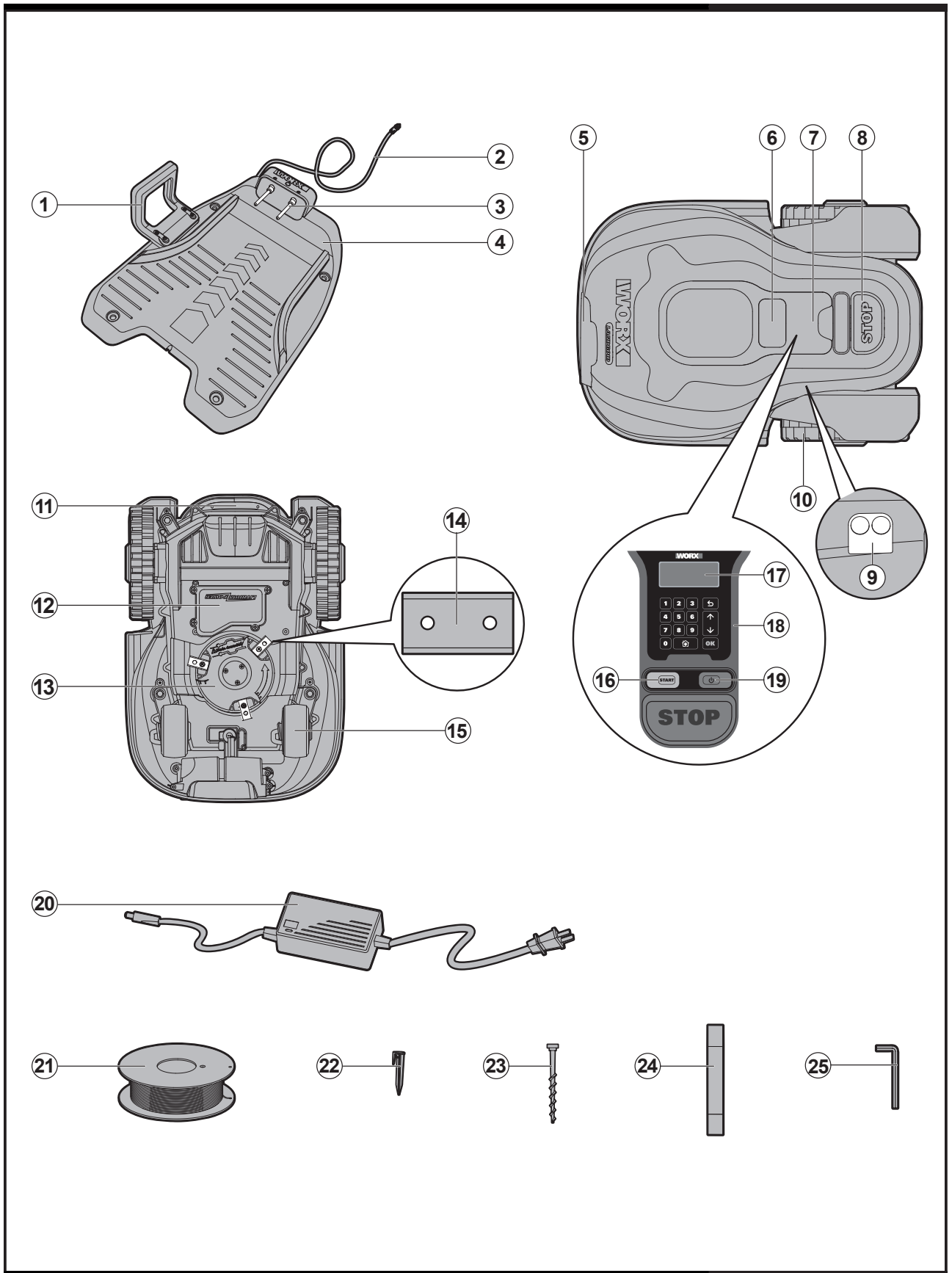
A weighted sound pressure	44.5dB(A), $K_{PA}$ : 3.25dB(A)
A weighted sound power	63dB(A)
Wear ear protection when sound pressure is over	80dB(A) 

### Accessories

<b>Charging Base with 15m Extension Cable</b>	<b>1pc</b>
<b>Cutting Blades and Screws</b>	<b>9pc</b>
<b>Wire Pegs</b>	<b>200pc</b>
<b>180m Boundary Wire</b>	<b>1pc</b>
<b>Charging Base Fixing Nails</b>	<b>4pc</b>
<b>Power Adaptor</b>	<b>1pc</b>
<b>Boundary Wire Distance Gauge</b>	<b>1pc</b>
<b>Hex Key</b>	<b>1pc</b>

We recommend that you purchase genuine accessories listed in the above list from the same store that sold you the tool. Use good quality accessories marked with a well-known brand name. Refer to the accessory packaging for further details. Store personnel can assist you and offer advice.

## 2.2 Component List



- 
- 1. HANDLE BAR**

---

  - 2. LOW VOLTAGE CABLE**

---

  - 3. CONTACT PINS**

---

  - 4. CHARGING BASE**

---

  - 5. CHARGING STRIP**

---

  - 6. DISPLAY WINDOW**

---

  - 7. CONTROL PANEL COVER**

---

  - 8. STOP BUTTON**

---

  - 9. RAIN SENSOR**

---

  - 10. DRIVING WHEEL**

---

  - 11. HANDLE**

---

  - 12. BATTERY PACK**

---

  - 13. BLADE TURNING DISC**

---

  - 14. CUTTING BLADE**

---

  - 15. FRONT WHEEL**

---

  - 16. START KEY**

---

  - 17. DISPLAY**

---

  - 18. KEYPAD**

---

  - 19. ON/OFF KEY**

---

  - 20. POWER ADAPTOR**

---

  - 21. BOUNDARY WIRE (180m)**

---

  - 22. WIRE PEGS**

---

  - 23. CHARGING BASE FIXING NAILS**

---

  - 24. BOUNDRY WIRE DISTANCE GAUGE**

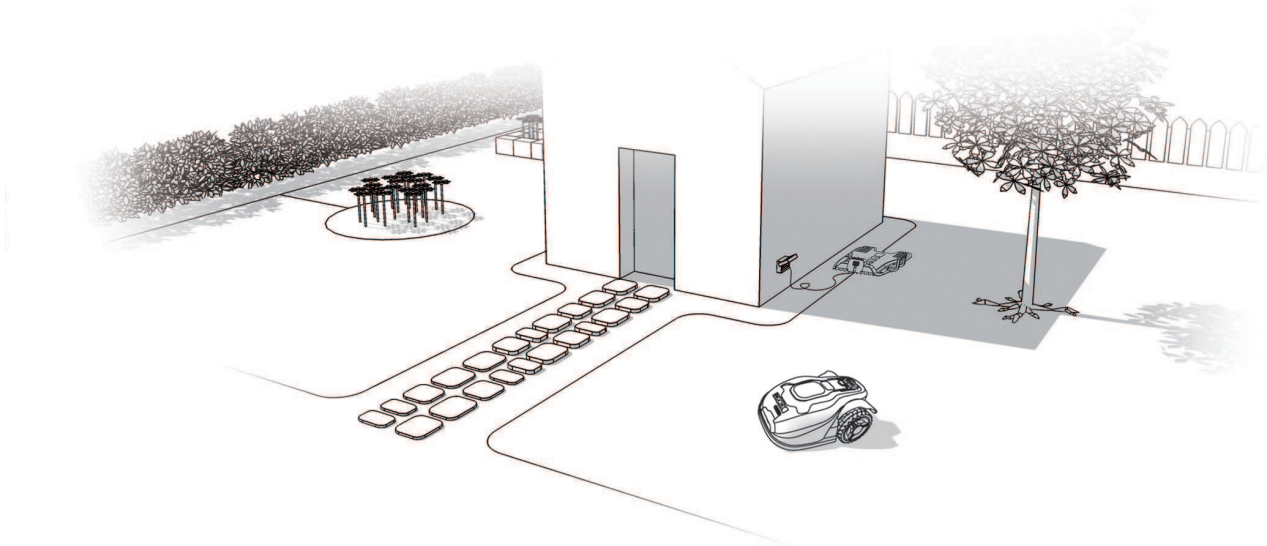
---

  - 25. HEX KEY**
-



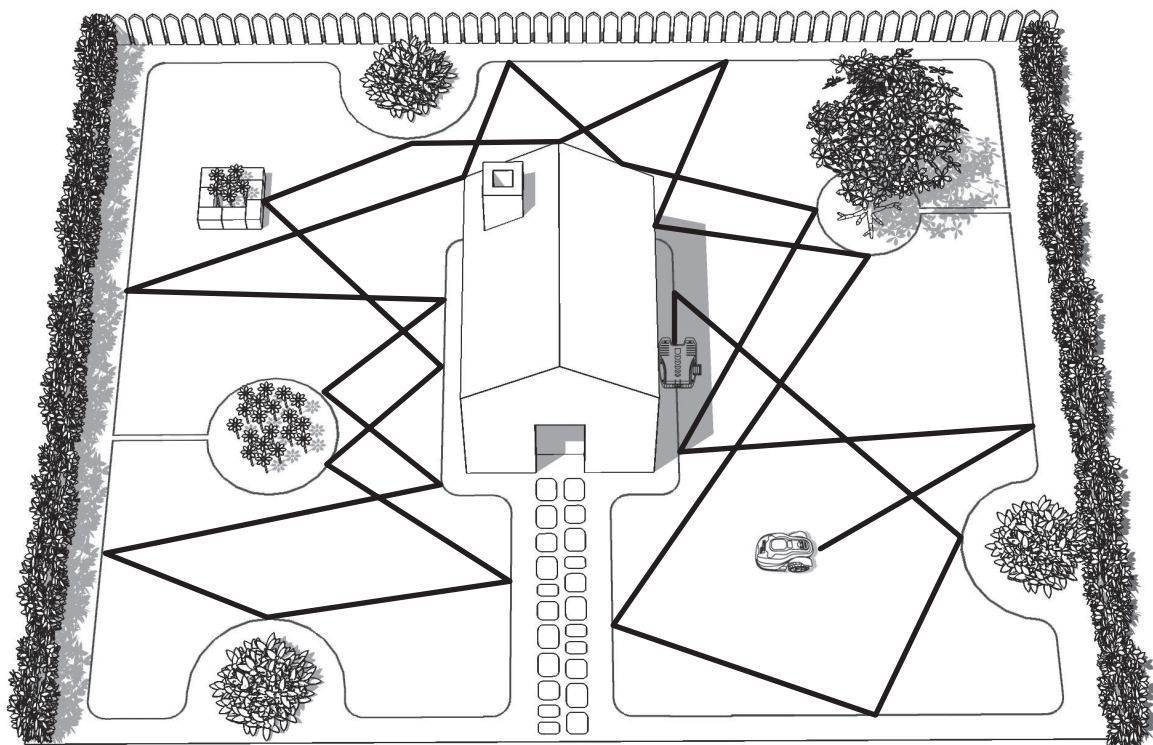
### 3. Understanding Your Landroid® M

We would like to congratulate you on your new purchase of the Landroid® M and entering into the care-free life of automatic mowing. In the following, We would like to help you better understand how your Landroid® M thinks.



#### 3.1 How does my Landroid® M know what to mow?

The Landroid® M chooses its direction at random and never repeats the same mowing direction. It will make sure your entire lawn is evenly mowed without leaving behind any unattractive mowing paths (See Fig. A).



**A**

## 3.2 How does my Landroid® M know where to go?

Your Landroid® M is capable of doing things on its own. The Landroid® M knows when it needs to go to its Charging Base (4) to charge, can sense when it is raining, can stop itself if it senses a problem, and knows to stop and turn around when it bumps into something blocking its path, such as a person, pet, or other object. The Landroid® M will also automatically stop its Blade Turning Disc (13) from rotating if it is lifted off the ground to prevent an accident.

### A. Finding the charging base

When your Landroid® M needs to recharge, it will stop mowing and follow the Boundary Wire (21) in an anti-clockwise motion back to its Charging Base. To save energy, the Landroid® M chooses not to rotate its Blade Turning Disc when returning to its Charging Base.

### B. Rain sensors

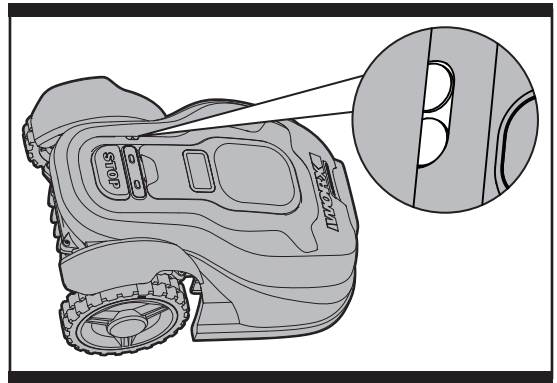
The Landroid® M has a Rain Sensor (9) at its side that will sense rain drops and tell the Landroid® M to stop mowing and follow the Boundary Wire back to its Charging Base (See Fig. B). The Landroid® M is programmable to have a delay start function (0 – 180 mins) when it rains. When the rain sensors are wet, the Landroid® M returns to its docking station. Only when the rain sensors become dry will the Landroid® M begin the delay start countdown or return to mowing immediately. See the Programming and Troubleshooting Guide for more details.

### C. Sensing the boundary wire

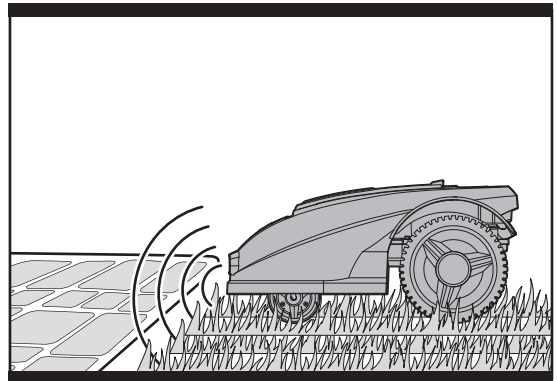
The Landroid® M always obeys the border set by the Boundary Wire and uses two sensors at its front to sense when it is getting close (See Fig. C). Before changing direction, the Landroid® M will overrun the Boundary Wire up to 20cm\*. \*This is the recommended distance. Use the provided distance gauge to ensure proper installation.

### D. Starting and stopping while mowing

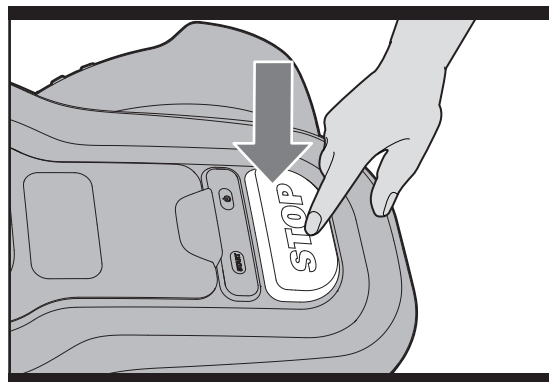
If you would like to command the Landroid® M to stop mowing, then simply press the STOP button (8) on top of the mower. To start mowing, press the ON/OFF key, press start key directly or open the Control Panel Cover and input your further commands, at last press START key (See Fig. D,E).



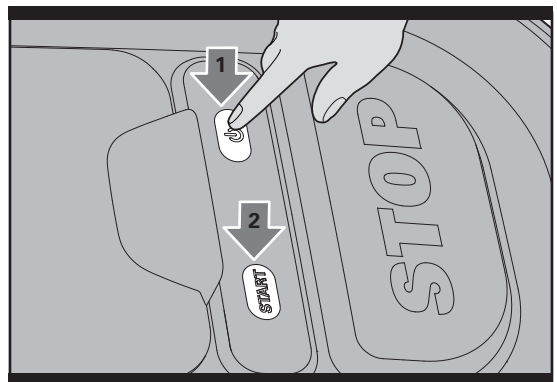
B



C



D



E

If the Landroid®M senses that something is wrong, it will display a fault message on the Display (16), and will turn itself off if it does not receive any input from the user within 20 min (for information on fault messages refer to the Programming and Troubleshooting Guide).

To resume:

- Correct the problems.
- Press ON/OFF Key (19).
- Press START Key.
- Now the Landroid®M will begin to mow!

### 3.3 How big of an area can my Landroid®M mow?

Your Landroid®M is capable of mowing areas of up to around 1000m<sup>2</sup>, although this depends on various factors, such as:

- Species of grass in your lawn and its growth rate.
- Sharpness of the Cutting Blades (14).
- Humidity.
- Surrounding temperature.
- Amount of obstacles in your Lawn.

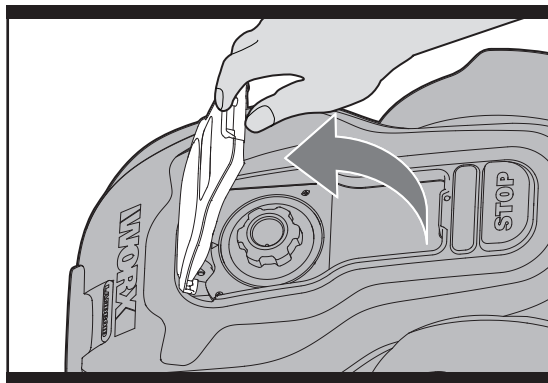
If the surrounding temperature is very hot where you live then your Landroid®M may charge at a slightly slower rate. The Landroid®M uses less energy in open areas that have fewer obstacles, such as flower beds, fountains, walkways, etc... See the chart below for mowing time suggestions depending on the area of your lawn:

Area(m <sup>2</sup> )	Recommended mowing time per day(hour)
200	4
500	13.5
1000	27

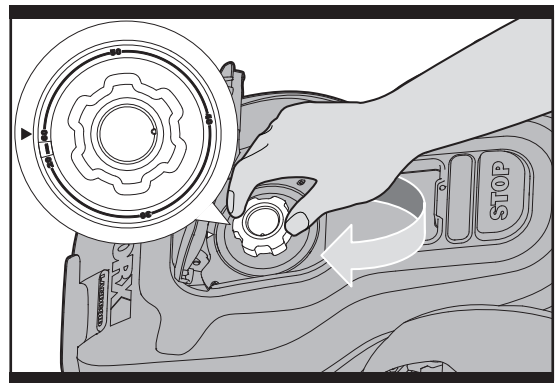
Mowing time are different for every lawn depending on the factors mentioned previously. Gradually adjust the time you allow your Landroid®M to mow each day until you find most suitable setting.

### 3.4 How efficiently will my Landroid®M mow the grass?

The Landroid®M's cutting height can be adjusted between 2cm - 6cm. Before starting your Landroid®M for the first time, you should cut the grass to the height not more than 9 cm. Then make sure you open the Control Panel Cover (7) and set the cutting height to its maximum cutting height of 6cm (See Fig. F, G).



F



G

Your Landroid®M will cut its best in dry weather. It does not like wet grass, which can build up on the Blade Turning Disc (13) and within the motor, and can also cause loose traction and slippage while working. Your Landroid®M is afraid of Lightening Storms. In case of a Lightening Storm, protect the Landroid®M by unplugging the Charging Base (4), disconnecting the Boundary Wire (21), and making sure the Landroid®M is not allowed to charge.

Your Landroid®M loves mowing grass and needs its Cutting Blades (14) kept in good condition to cut its best. The Landroid®M can do most things by itself, but will need your help sometimes to keep from hurting itself.

- Never let the Landroid®M travel over gravel.
- Remove or block off obstacles that the Landroid®M could accidentally climb on and hurt its Blade Turning Disc.
- Remove all debris and foreign objects from your lawn.

## 4. Boundary Wire Basics

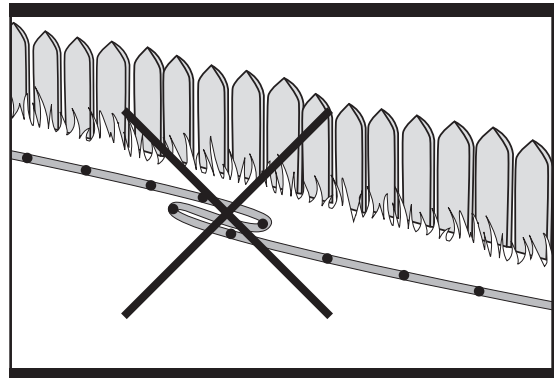
### 4.1 Pegging the Boundary Wire

Use the Boundary Wire Distance Gauge (24) to set the correct distance from the border of your lawn (approx. 35cm\*).

\* This is the recommended distance. Use the provided distance gauge to ensure proper installation.

If your neighbor also uses a Landroid®M, then you must keep a spacing of at least 4.5 metres between your Boundary Wire and your neighbors.

**Please be aware that your Landroid®M will not be able to receive a signal from the Boundary Wire beyond the distance of 18m.**



H

**The boundary wire must outline the intended mowing area exactly.** Your Landroid®M will become confused by extra bends or coils of Boundary Wire that are not part of its mowing area ( See Fig. H). If there is excess Boundary Wire after the mowing area has been outlined, then cut it off and store this additional wire in a separate location. However, it is important to leave the necessary length where it connects to the Charging Base so it can be connected and still remain buried.

### 4.2 Burying the Boundary Wire

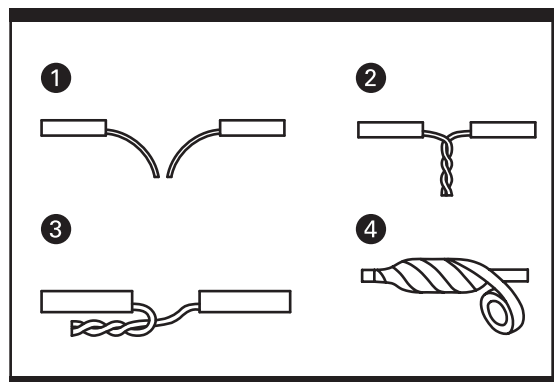
We recommend that you bury your boundary wire a few centimeters underground. This will ensure trouble-free operation year after year, season after season. For burying the Boundary Wire you may purchase the optional WORX Territorial Marker Tool accessory at the same store that sold you your Landroid®M.

If you are planning to bury the Boundary Wire then it should be noted that when entering its Charging Base for the first time, your Landroid®M may find problems with the way you have laid the wire. It is recommended to first peg down the Boundary Wire to the lawn so it is easy to make adjustments if necessary. This will allow the Landroid®M to become adjusted to its new environment and ensures it will successfully work with the charging base before the Boundary Wire is buried.

### 4.3 Joining the Boundary Wire

**IMPORTANT: The Boundary Wire will not work properly if it is joined to extend over a distance of 200m.**

The Boundary Wire (21) can be extended simply by splicing the ends and connecting it to the ends of another piece of wire. You can use scotch tape to secure the joined part of the wire. (See Fig. I)



I

## 4.4 Turn on and test installation

If the green light does not come on, then check the power connections.

If the LED is flashing green, check if the boundary wire is connected well.

Red light on: charging.

Red light flashing: error message, correct the problems.

If your Landroid®M is inside its territory but the display says "out of cutting area" and the LED is green, it means you clamped the boundary wire ends incorrectly. Just reverse them.

## 5. Maintenance

Your Landroid®M needs to be checked from time to time. The Landroid®M works hard and after time needs a good cleaning as well as to have its parts replaced, as they can become worn. In the following we want to let you know how to take care of your Landroid®M.

### 5.1 Battery life

The heart of the Landroid®M is its 28-volt lithium-ion battery. No maintenance is required. For proper storage of the battery, make sure it is fully charged in kept in a cool dry place between (20°C-60°C).

The life-span of the Landroid®M's battery depends on various factors, such as:

- How long the mowing season last in your region
- Amount of hours the Landroid®M mows per day
- How to maintain your battery while in storage

For manually charging without the boundary wire, please follow the below steps:

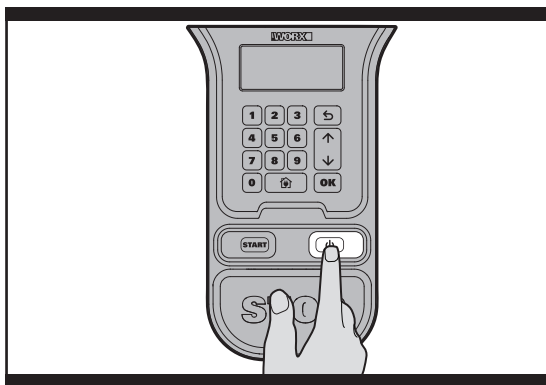
1. Connect the Charging Base to a suitable power supply
2. Manually dock the Landroid®M within the Charging Base while the Landroid®M is powered off.
3. The red light will flash for 3 seconds; then press the Power Button and the Landroid®M will begin to charge.

### 5.2 Winter hibernation

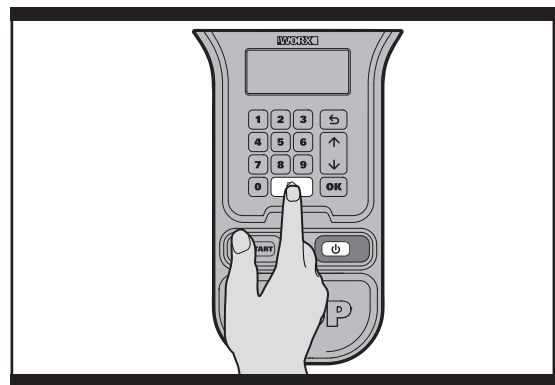
Your Landroid®M will live longer and healthier if it is allowed to hibernate. So even though it is tough, we would recommend that you store your Landroid®M in your shed or garage during the winter.

Before you set your Landroid®M away for winter hibernation, you should make sure to:

- Thoroughly clean your Landroid®M.
- Fully charge the battery.
- Turn the power off.



J

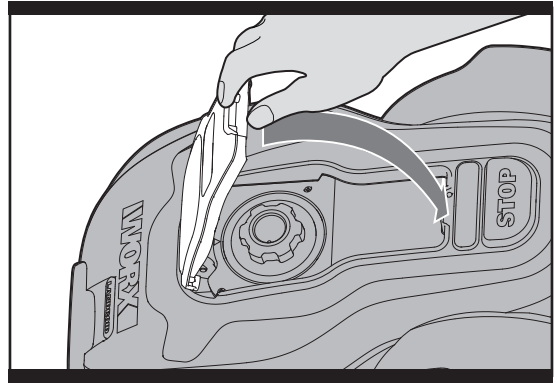


K

To maximize the battery's life, it is recommended to fully charge the battery before storage during winter. To only charge the battery you:

- Connect the Boundary Wire (21) to the Charging Base (4).
- Connect the Charging Base to a power source.
- Place the Landroid®M in the Charging Base.
- Press the On/Off Key. (See Fig. J)
- Then press the Home Key. (See Fig. K)
- Close the Control Panel Cover. (See Fig. L)
- Allow the Landroid®M to charge for at least 1.5 hrs.

The Boundary Wire can be left in the ground although its ends should be protected, such as placed in a tin can with grease. If the Charging Base is left outside for winter, leave the Boundary Wire connected.



**L**

**NOTE:** Before storing for winter, you can take your Landroid®M to a dealer for a thorough cleaning and tune-up, where its functions will be tested and worn parts will be replaced.

When bringing the Landroid®M back to work after winter hibernation, make sure the Charging Strips (5) and Contact Pins (3) are clean, it is recommended to use a fine grade emery cloth to clean. Then make sure the date and time are correct and send the Landroid®M back to what it loves doing: mowing.

### 5.3 Keep it clean

**! WARNING: Before cleaning turn your Landroid®M OFF by pressing the ON/OFF Button. Put on protective gloves before cleaning the Blade Turning Disc (13) and do not use running water. (See Fig. M,N)**

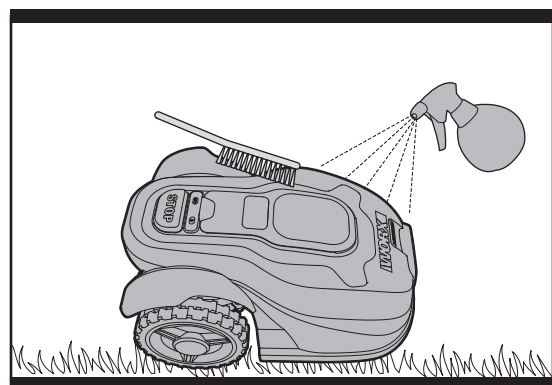
#### A. Cleaning the body

Your Landroid®M will live a much happier and longer life if it is cleaned regularly. Although, as your Landroid®M is an electric machine, you will need to take care when cleaning, so **DO NOT** use a hose or otherwise pour running water on your Landroid®M, it is best to use a spray bottle filled with water. When cleaning the machine body use a soft brush or clean cloth and avoid using solvents or polishes (See Fig.M) .Lastly, make sure that you remove all build up of grass clippings and debris.

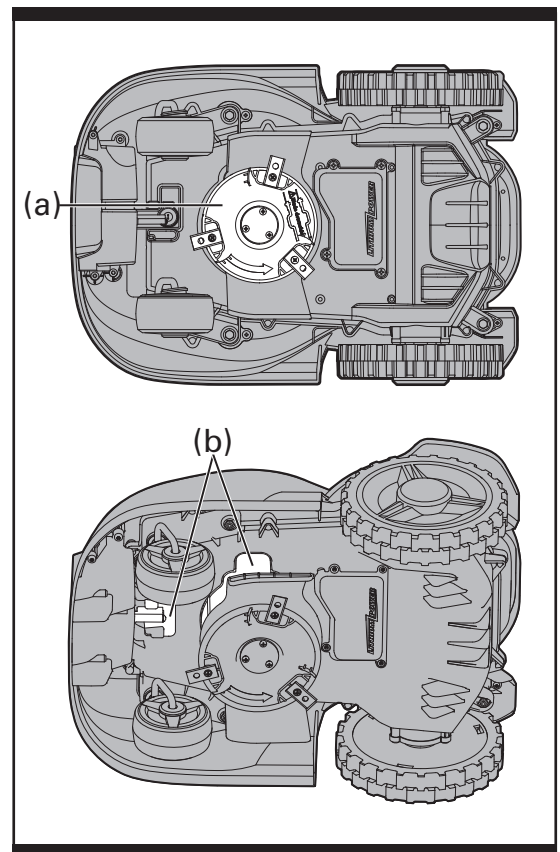
#### B. Cleaning the Underside

Again, it is important that you power the Landroid®M OFF using the ON/Off Button and **wear protective gloves before touching the Blade Turning Disc (13).**

First, flip your Landroid®M upside down to expose its underside. Here you will see the Blade Disc (a), the chassis (b), and the Front Wheel (15) and Driving Wheel(10). Clean everything thoroughly with a soft brush or moist rag.(See Fig.N)



**M**



**N**

Rotate the Blade Disc to make sure it moves freely and that there is not anything lodged between it and the surrounding Motor Frame Box. Also, make sure the Blades are able to spin freely and that there's no grass obstructing them.

**IMPORTANT:** Remove any lodged debris so that it does not cause a crack in the Blade Disc. Even the tiniest crack can decrease your Landroid®M's mowing output.

### C. Clean the contact pins and the charging strips

Clean the Contact Pin (3) located on the Charging Base (4) and the Charging Strip (5) located on the Landroid®M using a cloth. Remove any build up of grass clippings and debris around the contact pins and charge strips periodically to ensure the Landroid®M successfully charges each time.

## 5.4 Keep it sharp

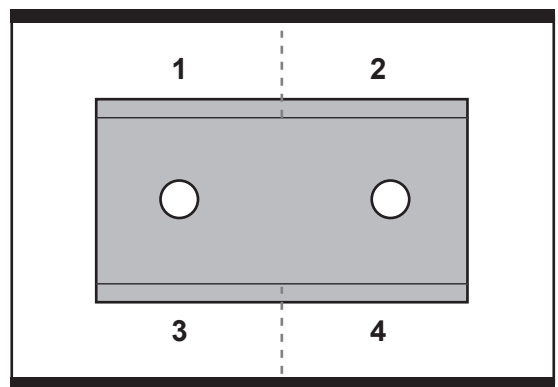


**WARNING:** Before cleaning, adjusting, or replacing the Blades, turn your Landroid®M OFF by pressing the ON/OFF Button to OFF and put on protective gloves.



**WARNING!** For blade replacement, make sure you replace ALL the blades every time. If the blade is new but the screw has been reused, then the screw can wear off while mowing causing the blade to fly off the mower violently. This could cause serious injury.

The Landroid®M does not cut grass like other mowers. Its Cutting Blades (14) are razor sharp on all 4 edges and spin in both directions for maximum cutting capacity (See Fig.O ).Each blade of your Landroid®M has 4 cutting edges. Depending on the frequency the Landroid®M mows your lawn, the cutting blades will need to be flipped/rotated periodically for a new cutting edge. If your Landroid®M is programmed to mow the lawn every day then the cutting blades will need to be rotated monthly for the best mowing results. Each cutting blade will last up to 4 months when it is programmed to mow every day. When the cutting blades are dull and worn out, they should be replaced with the spare blades provided with your Landroid®M. Spare blades are also available at your nearest WORX retailer.



**O**

### A. Rotate and flip the blades

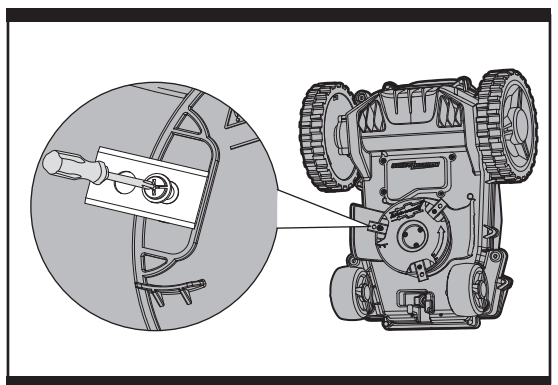
Your Landroid®M carries 3 Blades that are all screwed onto your its Blade Turning Disc (13). The Blades are what let the Landroid®M do its job and need care and attention. Every once in awhile, you should simultaneously rotate and flip all 3 blades for a perfect cut. When rotating and flipping the Blades, make sure all the Blades are adjusted at the same time or else it could make the Blade Disc off balance. If your Landroid®M mows on a normal schedule (daily) then the Blades should last one season if they are rotated and flipped every month. Always check to see if the Blades are chipped or damaged and replace them if they are.

### B. Replace the blades

After some time, usually every season, your Landroid®M's Blades will need to be replaced. Your Landroid®M does not like mowing while using Blades of different age and quality. So when replacing the Blades, make sure to replace all of them at the same time. You can replace them with one of the three spare Blade kits and extra Blade screws supplied with your Landroid®M.

Before attempting to replace your Landroid®M's Blades, turn the power off and put on protective gloves. Then follow these steps:

1. Gently flip the Landroid®M over.
2. Take the screws off the Blades with a straight or Phillips screwdriver.
3. Firmly screw on the new Blades.(See Fig. P)



**P**

**IMPORTANT:** After screwing the Blade to the Blade Disc, make sure the Blade is able to spin freely.

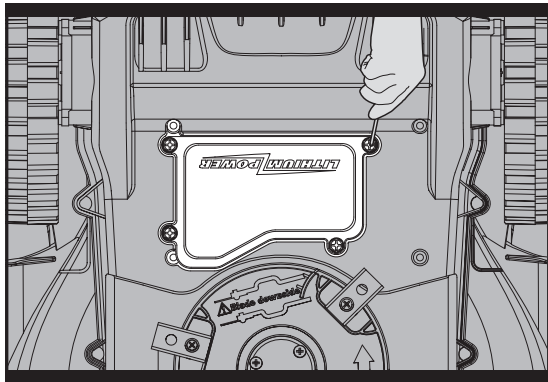
## 5.5 Replacing the battery



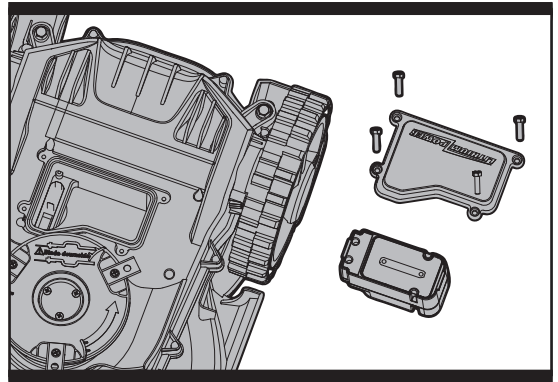
**WARNING:** Press the ON/OFF Key to OFF before attempting any adjustment, replacement or repair.

If you need to replace the Battery, follow these steps:

1. Gently Turn your Landroid®M upside down.
2. Remove the four screws on the battery. (See Fig. Q)
3. Take out the old battery. (See Fig. R)
4. Put in the new battery.
5. Firmly replace the 4 screws.



**Q**



**R**

## Environmental Protection



Waste electrical products should not be disposed of with household waste. Please recycle where facilities exist.



Check with your Local Authority or retailer for recycling advice.

## Plug Replacement (UK & Ireland Only)

If you need to replace the fitted plug then follow the instructions below.

### IMPORTANT

The wires in the mains lead are colored in accordance with the following code:

**Blue - Neutral**

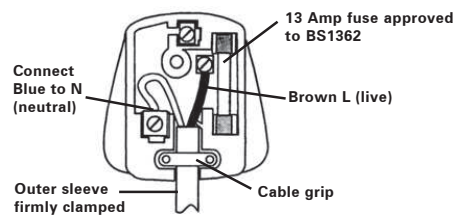
**Brown - Live**

As the colors of the wires in the mains lead of this appliance may not correspond with the coloured markings identifying the terminals in your plug, proceed as follows. The wire which is coloured blue must be connected to the terminal which is marked with N. The wire which is coloured brown must be connected to the terminal which is marked with L.



**WARNING:** Never connect live or neutral wires to the earth terminal of the plug. Only fit an approved BS1363/A plug and the correct rated fuse.

**NOTE:** If a moulded plug is fitted and has to be removed take great care in disposing of the plug and severed cable, it must be destroyed to prevent engaging into a socket.





# Declaration of Conformity

We,  
POSITEC Germany GmbH Konrad-Adenauer-Ufer 37 50668 Köln

Declare that the product  
Description **WORX Lawn Mowing Robot**  
Type **WG794E (790-799-Designation of machinery, representative of lawn mowing robot)**  
Function **Cutting grass**

Complies with the following Directives,  
Machinery Directive **2006/42/EC**  
Electromagnetic Compatibility Directive **2004/108/EC**  
RoHS Directive **2011/65/EU**  
**Noise Emission in the Environment by Equipment for Use Outdoors Directive**  
**2000/14/EC amended by 2005/88/EC**

Conformity Assessment Procedure as per **Annex V.**  
Measured Sound Power Level: **61.95dB(A)**  
Declared Guaranteed Sound Power Level: **63dB(A)**

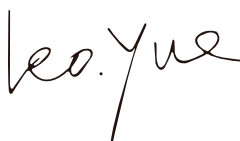
Standards conform to,

**EN ISO 12100-1**  
**EN ISO 12100-2**  
**EN ISO 14121-1**  
**EN ISO 3744**  
**EN 55014-1**  
**EN 55014-2**

The person authorized to compile the technical file,

**Name Russell Nicholson**  
**Address Positec Power Tools (Europe) Ltd, PO Box 152, Leeds, LS10 9DS, UK**

17



2013/01/10  
Leo Yue  
POSITEC Quality Manager

**PIN Code Area:**

# BEDIENUNGSANLEITUNG

## INHALT

<b>1. Sicherheitsvorschriften</b>	<b>19</b>
1.1 Allgemeine Sicherheitshinweise für Elektrowerkzeuge	19
1.2 Informationen zum Landroid®M	21
<b>2. Technische Daten und Lieferumfang</b>	<b>22</b>
2.1 Technische Daten	22
2.2 Komponenten	23
<b>3. Wissenswertes zu Ihrem Landroid®M</b>	<b>25</b>
3.1 Wie weiß mein Landroid®M, wo er mähen soll?	25
3.2 Wie weiß mein Landroid®M, wohin er fahren soll?	26
A. Ladebasis finden	26
B. Regensensor	26
C. Begrenzungskabel erkennen	26
D. Beim Mähen stoppen und wieder starten	26
3.3 Welche Fläche kann mein Landroid®M mähen?	27
3.4 Wie gut mäht der Landroid®M das Gras?	27
<b>4. Grundlegendes zum Begrenzungskabel</b>	<b>28</b>
4.1 Begrenzungskabel abstecken	28
4.2 Begrenzungskabel eingraben	28
4.3 Begrenzungskabel verbinden	28
4.4 Einschalten und Installation prüfen	29
<b>5. Wartung</b>	<b>29</b>
5.1 Akkulaufzeit und -haltbarkeit	29
5.2 Überwintern	29
5.3 Sauber halten	30
A. Gehäuse reinigen	30
B. Unterseite reinigen	30
C. Kontakte und Ladestreifen reinigen	31
5.4 Immer schön scharf	31
A. Messer drehen und umdrehen	31
B. Messer austauschen	31
5.5 Akku austauschen	32
<b>6. Konformitätserklärung</b>	<b>33</b>

# 1. Sicherheitsvorschriften

## 1.1 Allgemeine Sicherheitshinweise für Elektrowerkzeuge

**!** **WARNUNG: Lesen Sie alle Sicherheitshinweise und Anweisungen. Versäumnisse bei der Einhaltung der Sicherheitshinweise und Anweisungen können elektrischen Schlag, Brand und/oder schwere Verletzungen verursachen.**

**Lesen Sie die Bedienungsanleitung zum sicheren Betrieb des Gerätes aufmerksam durch. Bewahren Sie alle Sicherheitshinweise und Anweisungen für die Zukunft auf.**

- Dieses Gerät ist nicht zur Verwendung durch Personen (einschließlich Kindern) vorgesehen, die über reduzierte körperliche Eignung, Wahrnehmung oder geistige Fähigkeiten, Mangel an Erfahrung und Wissen verfügen, sofern diese Personen nicht von einer verantwortlichen Person beaufsichtigt oder in der Verwendung des Gerätes unterwiesen wurden.
- Kinder sollten grundsätzlich beaufsichtigt werden, damit sie nicht mit dem Gerät spielen.

**VOR GEBRAUCH BITTE GENAU DURCHLESEN UND FÜR WEITERE FRAGEN AUFBEWAHREN**

### SICHERER BETRIEB

#### Training

- a) Die Anweisungen aufmerksam durchlesen. Machen Sie sich mit den Bedienelementen und dem vorschriftsmäßigen Gebrauch des Rasenmähers vertraut.
- b) Niemals Kindern oder mit diesen Anweisungen nicht vertrauten Personen erlauben, den Rasenmäher zu benutzen. Nationale Vorschriften können das Alter der Bedienperson möglicherweise beschränken.
- c) Bedenken Sie, dass der Bediener oder Benutzer bei Unfällen oder Gefährdungen anderer Personen oder deren Eigentum die Verantwortung trägt!

#### Vorbereitung

- a) Prüfen Sie, ob der Draht für die automatische Begrenzung des Fahrwegs korrekt installiert ist.
- b) Inspizieren Sie die Gegend, in der die Ausrüstung eingesetzt werden soll, gründlich und entfernen Sie alle Objekte, die durch die Maschine aufgeschleudert werden könnten.
- c) Vor der Benutzung immer durch Augenschein prüfen, ob Messer, Messerschrauben und Schneidbalken abgenutzt oder beschädigt sind. Abgenutzte Messer und Schrauben nur im ganzen Satz auswechseln, um Unwuchten zu vermeiden.
- d) Achten Sie darauf, dass bei Geräten mit mehreren Klingen ein Klingensatz durch den anderen in Rotation versetzt werden kann.

### BETRIEB

#### 1. ALLGEMEINE SICHERHEITSHINWEISE

- a) Betreiben Sie das Gerät niemals mit defektem Schutz oder ohne installierte Sicherheitsvorrichtungen, wie etwa Deflektoren;
- b) Hände und Füße nicht in die Nähe oder unter rotierende Teile bringen.
- c) Niemals den Rasenmäher bei laufendem Motor anheben oder tragen.
- d) Maschine ausschalten
  - Vor dem Beseitigen einer Verstopfung;
  - Vor dem Überprüfen, Reinigen oder Arbeiten am Gerät.
- e) Der ursprüngliche Zustand des WORX Landroid<sup>®</sup>M darf nicht modifiziert werden. Alle Änderungen erfolgen auf eigene Verantwortung.
- f) Starten Sie den WORX Landroid<sup>®</sup>M vorschriftsgemäß. Mit dem Hauptschalter in Position ON darauf achten, dass Hände und Füße nicht in die Nähe der rotierenden Messer gelangen. Hände oder Füße nie unter den Mäher halten.
- g) Wenn sich der Hauptschalter in der Position ON befindet, darf der WORX Landroid<sup>®</sup>M niemals angehoben oder herumgetragen werden.
- h) Erlauben Sie niemandem, der sich mit den Funktionen und Verhaltensmustern von WORX Landroid<sup>®</sup>M nicht auskennt, den Mäher zu benutzen.
- i) Keine Gegenstände auf den WORX Landroid<sup>®</sup>M oder seine Ladestation legen.
- j) Wenn der Messerteller oder das Gehäuse defekt ist, darf der WORX Landroid<sup>®</sup>M nicht in Betrieb genommen werden. Das gleiche gilt für defekte Messer, Schrauben, Muttern oder Kabel.
- k) Den WORX Landroid<sup>®</sup>M nicht benutzen, wenn der Hauptschalter defekt ist.
- l) Den WORX Landroid<sup>®</sup>M stets mit dem Hauptschalter ausschalten, sobald der Mäher nicht benutzt wird. Der WORX Landroid<sup>®</sup>M kann nur gestartet werden, wenn sich der Hauptschalter in der Stellung ON befindet und der korrekte PIN-Code eingegeben wurde.

## 2. HINWEIS ZUM AUTOMATIKBETRIEB DES ROBOTERS

- a) Den WORX Landroid®M niemals verwenden, wenn sich Personen – besonders Kinder – oder Haustiere in der Nähe aufhalten.

## 3. GENERELLE HINWEISE ZUM UMGANG MIT RASENMÄHERN

- a) Nur bei Tageslicht oder gutem künstlichen Licht mähen.
- b) Nach Möglichkeit nicht in nassem Gras arbeiten.
- c) Tragen Sie beim Mähen stets festes Schuhwerk und eine lange Hose. Den Rasenmäher nicht barfuß oder mit offenen Sandalen benutzen.
- d) Auf schrägen Flächen stets auf sicheren Tritt achten.
- e) Beim Rückwärtsgehen oder Ziehen des Rasenmähers äußerst vorsichtig sein.
- f) Den Motor wie in den Anweisungen beschrieben starten und dabei darauf achten, dass die Füße ausreichend weit von den Messern entfernt sind.

## WARTUNG UND AUFBEWAHRUNG



**WARNUNG! Wenn der Mäher auf dem Kopf steht, muss sich der Hauptschalter stets in der Position OFF befinden.**

**Bei allen Arbeiten am Untergestell des Mähers sowie beim Reinigen oder Austauschen der Messer muss sich der Hauptschalter stets in der Position OFF befinden.**

- a) Den festen Sitz aller Schrauben, Muttern und Bolzen sicherstellen um zu gewährleisten, dass sich der Rasenmäher in einem betriebssicheren Zustand befindet;
- b) Den WORX Landroid®M einmal pro Woche kontrollieren und eventuell beschädigte oder verschlissene Teile austauschen.
- c) Messer und Messerteller besonders sorgfältig auf Schäden untersuchen. Bei Bedarf alle Messer und Schrauben gleichzeitig austauschen, um eine Unwucht der rotierenden Teile zu vermeiden.
- d) Verwenden Sie beim Austausch nur Original WORX Messer.
- e) Verwenden Sie zum Laden des Akkus nur das vom Hersteller empfohlene Ladegerät. Eine nicht den Hinweisen entsprechende Verwendung kann zu einem Stromschlag, zur Überhitzung oder zum Auslaufen der Batterieflüssigkeit führen.
- f) Tritt Batterieflüssigkeit aus, beseitigen Sie sie mit Wasser und einem neutralen Reinigungsmittel. Kommt sie mit Augen etc. in Kontakt, suchen Sie sofort einen Arzt auf.
- g) Warten Sie den Roboter nach den Anweisungen des Herstellers.

### Transport

Für längere Transporte legen Sie den WORX Landroid®M am besten in die Originalverpackung.

Für einen sicheren Transport vom oder innerhalb des Arbeitsbereichs:

- a) STOP -Taste drücken, um den Mäher anzuhalten. Ist der Diebstahlsalarm aktiviert, geben Sie die erste Ziffer des PIN-Codes ein. Beim erstmaligen Start des Mähers wählen Sie einen vierstelligen PIN-Code.
- b) Bringen Sie den Hauptschalter in die Stellung OFF, wenn der Mäher getragen werden soll.
- c) Den Mäher an seinem Griff ganz hinten unten tragen. Halten Sie den Messerteller beim Tragen des Mähers vom Körper weg.

## 1.2 Informationen zum Landroid® M



WARNUNG - Rasenmäroboter können bei inkorrekt Verwendung gefährlich sein.

Lesen Sie die Bedienungsanleitung sorgfältig durch und verstehen Sie deren Inhalt, bevor Sie Ihren Rasenmäroboter betreiben.



WARNUNG - Halten Sie einen Sicherheitsabstand zu Unbeteiligten ein.



WARNUNG - Betätigen Sie die Deaktivierungsvorrichtung, bevor Sie am Gerät arbeiten oder die Maschine anheben.

Halten Sie Ihre Hände und Füße von den rotierenden Messern fern. Greifen Sie nie mit der Hand oder dem Fuß nahe an oder unter das Gehäuse, wenn der Rasenmäroboter in Betrieb ist.

Rasenmäroboter können nur starten, wenn sich der Hauptschalter in der EINGESCHALTETEN Position befindet und der korrekte PIN eingegeben wurde. Bei der Inspektion und/oder Wartung muss der Hauptschalter AUSGESCHALTET sein.



WARNUNG - Rasenmäroboter darf nicht als Transportmittel missbraucht werden.



Nicht im Feuer entsorgen



Nicht ins Wasser werfen



Akkus sollten dem Recycling zugeführt werden.



Akkus enthalten Lithium-Ionen, Altakkus sollten einer umweltgerechten Wiederverwertung zugeführt werden. Altakkus nicht über den unsortierten Siedlungsabfall entsorgen.

Li-Ion



Akku nicht in den Haushaltsmüll geben. Bringen Sie den leeren Akku zu Ihrer lokalen Sammel- oder Recyclingstelle.

## 2. Technische Daten und Komponenten


### 2.1 Technische Daten

Typ: **WG794E (790-799-Bezeichnung der Maschine, repräsentiert den Rasenmäroboter)**

Nennleistung	28V $\overline{=}$ Max*
Nenndrehzahl	2800/min
Schneidradius	180mm
Schnitthöhe	20-60mm
Schneidehöhen-Positionen	5
Batterietyp	Lithium-Ionen-Akku
Akkumodell	WA3225
Aufladezeit	Ca. 1.5 Stunden
Ladegerätmodell	WA3716
Leistung des Ladegeräts	Eingang: 100-240V~50/60Hz, 50W
	Ausgang: 24-28V dc(Gleichstrom), 1.5A
Gewicht	8.3kg
Schutzklasse	IPX4

\*Spannung ohne Arbeitslast gemessen. Die anfängliche Akkuspannung erreicht maximal 28 Volt. Die Nennspannung liegt bei 25.2 Volt.

### Informationen über lärm

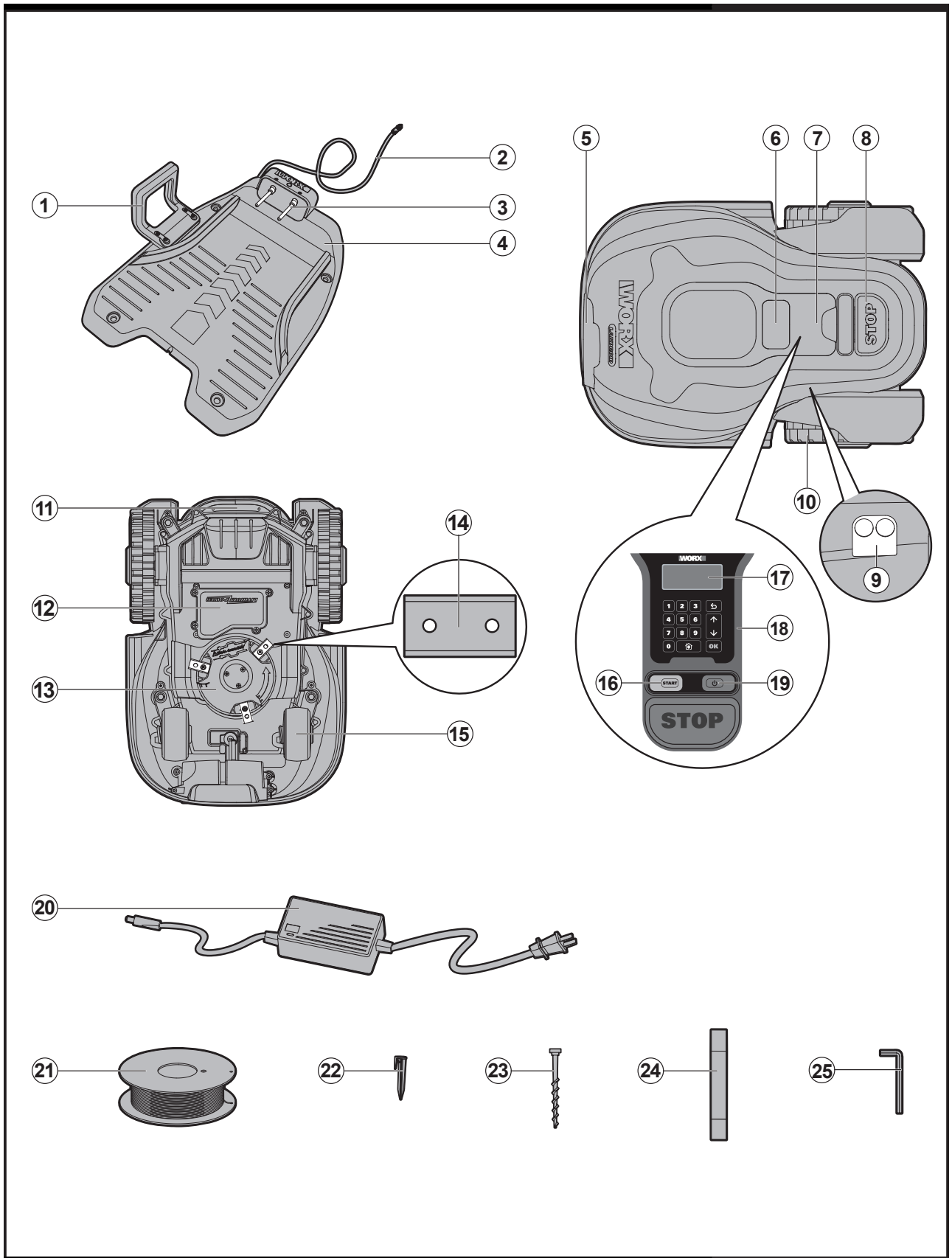
Gewichteter Schalldruck	44.5dB(A), $K_{PA}$ : 3.25dB(A)
Gewichtete Schalleistung	63dB(A)
Tragen Sie bei einem Schalldruck über einen Gehörschutz	80dB(A) 

### Zubehörteile

<b>Ladebasis mit 15m langem Verlängerungskabel</b>	<b>1</b>
<b>Messer und Schrauben</b>	<b>9</b>
<b>Begrenzungsnägel</b>	<b>200</b>
<b>180m Begrenzungsdraht</b>	<b>1</b>
<b>Ladebasis-Haltenägel</b>	<b>4</b>
<b>Netzteil</b>	<b>1</b>
<b>Begrenzungskabel-Abstandlehre</b>	<b>1</b>
<b>Nbusschlüssel</b>	<b>1</b>

Wir empfehlen Ihnen, sämtliche Zubehörteile beim selben Fachhändler zu beziehen, bei dem Sie auch Ihr Elektrowerkzeug gekauft haben. Verwenden Sie nur hochwertige Zubehörteile von namhaften Herstellern. Weitere Informationen finden Sie auf der Verpackung der Zubehörteile. Auch Ihr Fachhändler berät Sie gerne.

## 2.2 Komponenten



- 
- 1. HANDLE BAR**

---

  - 2. NIEDERSPANNUNGSKABEL**

---

  - 3. KONTAKTSTIFTE**

---

  - 4. LADEBASIS**

---

  - 5. LADESTREIFEN**

---

  - 6. TASTATURFENSTER**

---

  - 7. ABDECKUNG DES BEDIENFELDES**

---

  - 8. STOPPTASTE**

---

  - 9. REGENSENSOR**

---

  - 10. ANTRIEBSRAD**

---

  - 11. GRIFF**

---

  - 12. AKKU**

---

  - 13. DREHSCHEIBE DER MESSER**

---

  - 14. SCHNEIDMESSER**

---

  - 15. VORDERRAD**

---

  - 16. STARTTASTE**

---

  - 17. DISPLAY**

---

  - 18. TASTATUR**

---

  - 19. EIN-/AUSTASTE**

---

  - 20. NETZTEIL**

---

  - 21. BEGRENZUNGSKABEL (180m)**

---

  - 22. DRAHTSTIFTE**

---

  - 23. LADEBASIS-HALTENÄGEL**

---

  - 24. BEGRENZUNGSKABEL-ABSTANDLEHRE**

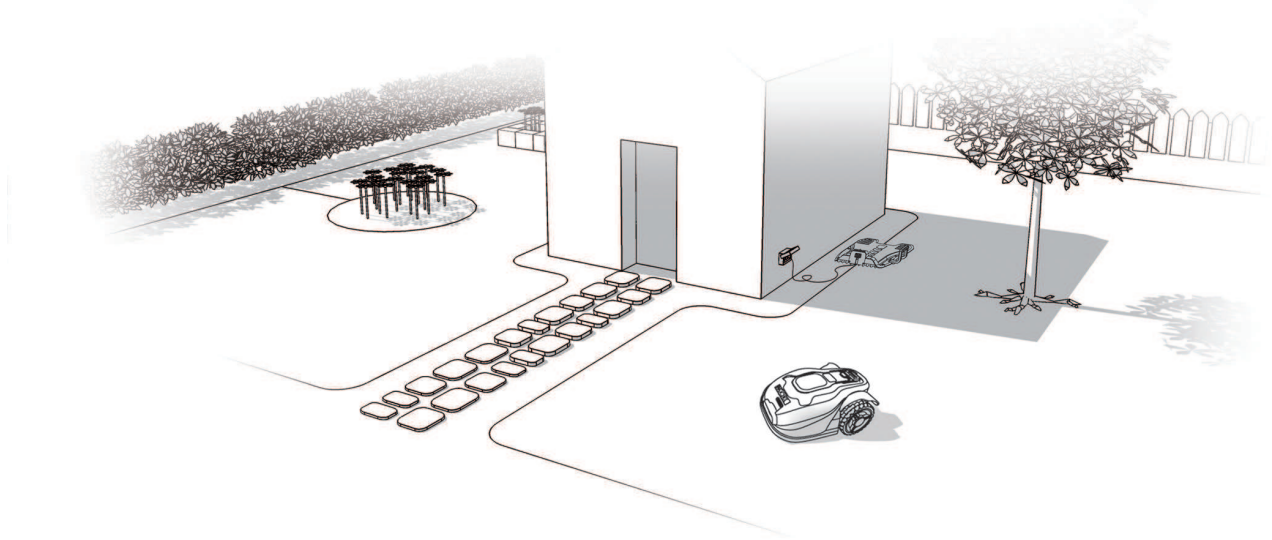
---

  - 25. INBUSSCHLÜSSEL**
-



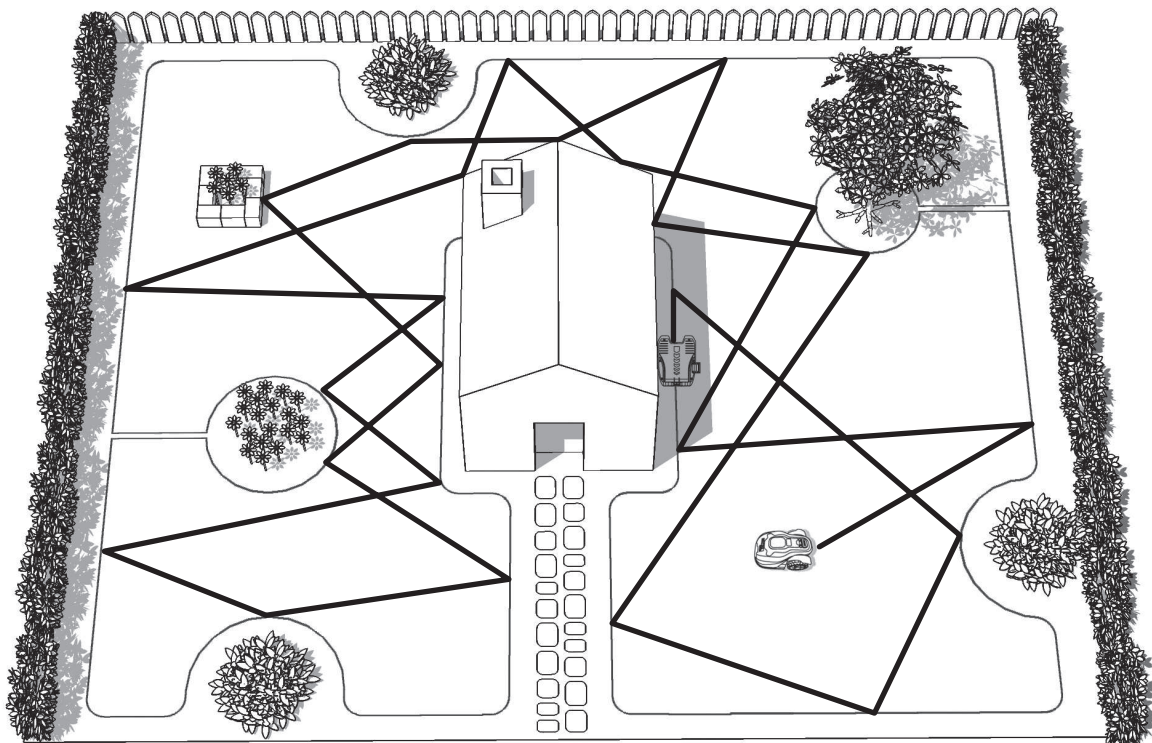
### 3. Wissenswertes zu Ihrem Landroid®M

Herzlichen Glückwunsch zum Kauf Ihres neuen Landroid®M und willkommen in der komfortablen Welt des automatischen Mähens. Nun möchten wir Ihnen zeigen, wie Ihr Landroid®M funktioniert und „denkt“.



#### 3.1 Wie weiß mein Landroid®M, wo er mähen soll?

Der Landroid®M wählt seine Bewegungen zufällig, sorgt dabei aber dafür, dass bereits gemähte Stellen nicht noch einmal gemäht werden. Dadurch sorgt das Gerät dafür, dass der Rasen gleichmäßig gemäht wird und keine auffälligen Mähwege entstehen. (Siehe Abbildung A)



A

## 3.2 Wie weiß mein Landroid® M, wohin er fahren soll?

Ihr Landroid® M kann völlig selbstständig arbeiten. Der Landroid® M weiß, wann es Zeit ist, seine Ladebasis (4) anzusteuern, bemerkt Regen, stoppt selbsttätig, falls ein Problem auftritt – und umfährt Hindernisse wie Menschen, Tiere und Gegenstände. Der Landroid® M stoppt auch die Messerscheibe automatisch, sobald er angehoben wird, damit es nicht zu Unfällen kommt.

### A. Ladebasis finden

Wenn Ihr Landroid® M aufgeladen werden muss, stellt er das Mähen ein und folgt dem Begrenzungskabel (21) gegen den Uhrzeigersinn zurück zu seiner Ladebasis. Damit keine Energie verschwendet wird, stoppt der Landroid® M seine Messerscheibe, wenn er zu seiner Ladebasis zurückkehrt.

### B. Regensensor

Der Landroid® M hat einen Regensensor (9) auf der Seite, der Regentropfen registriert und den Landroid® M anweist, mit dem Mähen aufzuhören und den Begrenzungsdraht entlang zurück zur Ladestation zu folgen. (Siehe Abbildung B)

Der Landroid® M ist bei Regen über eine verzögerte Startfunktion (0 - 180Min.) programmierbar. Sollten die Regensensoren nass werden, so kehrt der Landroid® M zurück in seine Docking-Station. Erst wenn die Regensensoren trocken sind, beginnt der Landroid® M mit dem verzögerten Start-Countdown oder fährt umgehend mit dem Mähvorgang fort.

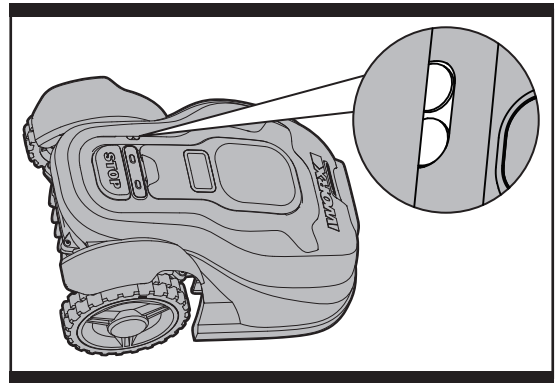
### C. Begrenzungskabel erkennen

Der Landroid® M hält sich grundsätzlich an die vom Begrenzungskabel vorgegebenen Grenzen; dazu setzt er zwei spezielle Sensoren an seiner Vorderseite ein. Zum Wenden überfährt der Landroid® M das Begrenzungskabel um bis zu 20cm\*. (Siehe Abbildung C)

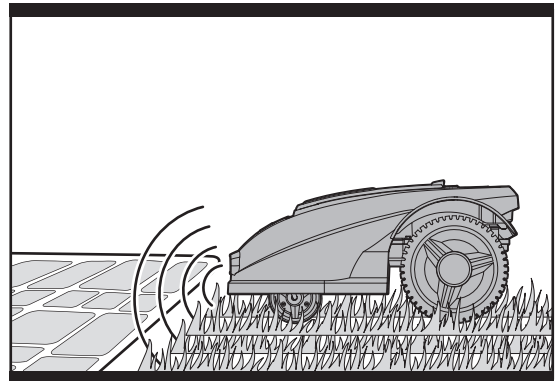
\*Dies ist ein empfohlener Abstand, da dieser nicht vom Landroid® M selbst berechnet werden kann. Sorgen Sie mit der mitgelieferten Abstandlehre für die richtigen Entfernungen.

### D. Beim Mähen stoppen und wieder starten

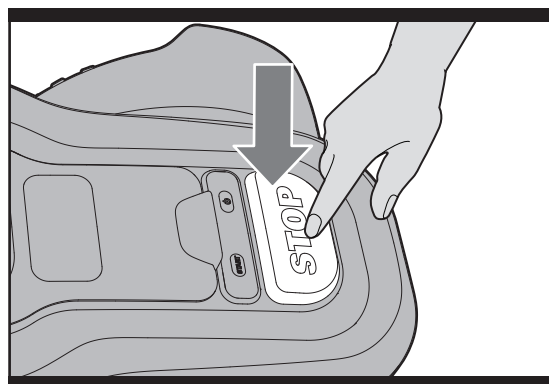
Wenn Sie den Landroid® M beim Mähen stoppen möchten, drücken Sie einfach die Zugangstaste (8) am Oberteil. Zum Starten des Mähens die EIN/AUS-Taste drücken, die Starttaste direkt betätigen oder die Abdeckung des Bedienfeldes öffnen und weitere Befehle eingeben, zuletzt Starttaste drücken. (Siehe Abbildung D,E)



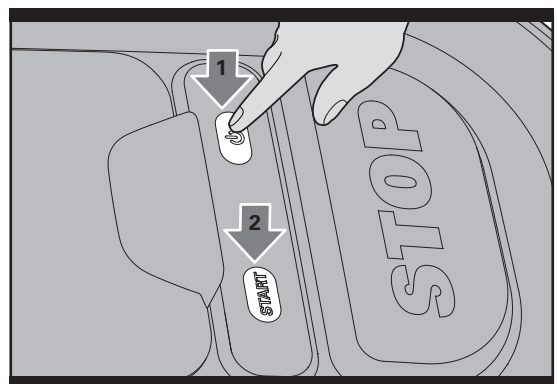
B



C



D



E

Falls der Landroid®M erkennt, dass etwas nicht stimmt, zeigt er eine Fehlermeldung im Display (16) an und schaltet sich selbst aus, wenn er vom Benutzer innerhalb von 20 Minuten keinen Befehl erhält. (Hinweise zu Fehlermeldungen finden Sie in der Programmierungs- und Problemlösungsanleitung.)

Betrieb wiederaufnehmen:

- Problem beseitigen.
- Schalten Sie das Gerät mit der Ein-/Austaste (19) ein.
- Starttaste drücken.
- Der Landroid®M beginnt zu mähen!

### 3.3 Welche Fläche kann mein Landroid®M mähen?

Ihr Landroid®M kann Flächen bis etwa 1000m<sup>2</sup> mähen; die exakte Fläche hängt natürlich von verschiedenen Faktoren ab-beispielsweise:

- Art und Wachstumsgeschwindigkeit des Grases.
- Schärfe der Messer (14).
- Feuchtigkeit.
- Umgebungstemperatur.
- Art und Anzahl der Hindernisse im oder auf dem Rasen.

Wenn die Umgebungstemperatur an Ihrem Wohnort sehr heiß ist, ist es möglich, dass sich Ihr Landroid®M etwas langsamer auflädt. Auf offenen Flächen mit nur wenigen Hindernissen wie Blumenbeeten, Springbrunnen, Gehwegen und dergleichen verbraucht der Landroid®M weniger Energie.

In der folgenden Tabelle finden Sie Empfehlungen zur Mähdauer je nach Fläche Ihres Rasens:

Fläche (m <sup>2</sup> )	Empfohlene Dauer pro Tag (Stunden)
200	4
500	13.5
1000	27

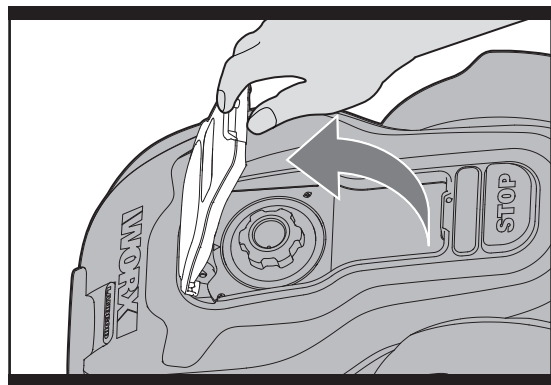
Die Mähdauer fällt wegen der oben erwähnten Faktoren je nach Rasen unterschiedlich aus. Experimentieren Sie ein wenig mit der Zeit, die Sie Ihrem Landroid®M täglich zum Mähen zugestehen, bis Sie die perfekte Vorgabe gefunden haben.

### 3.4 Wie gut mäht der Landroid®M das Gras?

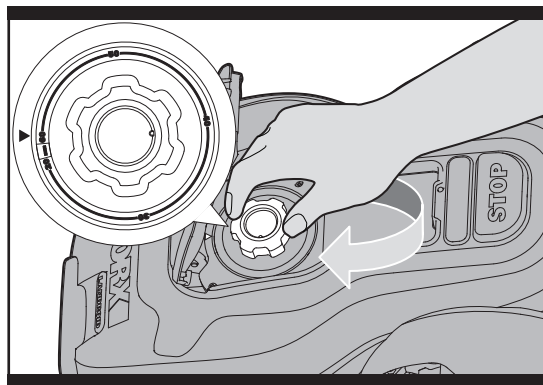
Die Schnitthöhe des Landroid®M lässt sich zwischen 2 und 6 cm einstellen. Bevor Sie Ihren Landroid®M das erste Mal in Betrieb nehmen, sollten Sie das Gras auf eine Höhe von unter 9 cm schneiden. Dann müssen Sie unbedingt die Abdeckung des Bedienfeldes (7) öffnen und die Schnitthöhe auf die Maximalschnitthöhe von 6 cm einstellen. (Siehe Abbildungen F, G)

Ihr Landroid®M mäht am besten bei trockenem Wetter. Ihr Landroid®M mag kein feuchtes Gras, da sich dieses an der Messerscheibe (13) und am Motor zusammenballen kann; zusätzlich kommt der Landroid®M auf feuchtem Untergrund nur mühsam vorwärts und kommt leichter ins Rutschen.

Ihr Landroid®M fürchtet Gewitter. Schützen Sie den Landroid®M bei Gewittern, indem Sie den Stecker der Ladebasis (4) ziehen, das Begrenzungskabel trennen und dafür sorgen, dass sich der Landroid®M nicht aufladen darf.



F



G

Ihr Landroid®M liebt Rasenmähen; vor allem dann, wenn Sie seine Messer (14) stets in gutem Zustand halten. Der Landroid®M kann eine Menge Dinge ganz allein erledigen – allerdings benötigt er manchmal Ihre Hilfe, damit er sich nicht selbst verletzt.

- Lassen Sie den Landroid®M niemals über Kies fahren.
- Entfernen oder blockieren Sie Hindernisse, an denen der Landroid®M aus Versehen hochklettern und seine Messerscheibe beschädigen könnte.
- Befreien Sie Ihren Rasen von sämtlichen Abfällen und Fremdkörpern.

## 4. Grundlegendes zum Begrenzungskabel

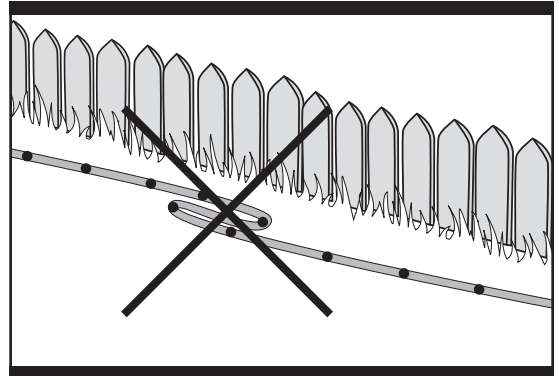
### 4.1 Begrenzungskabel abstecken

Mit der Begrenzungskabel-Abstandlehre (24) schaffen Sie den richtigen Abstand zur Rasenkante (etwa 35cm\*).

\* Dies ist ein empfohlener Abstand. Sorgen Sie mit der mitgelieferten Abstandlehre für die richtigen Entfernungen.

Falls Ihr Nachbar ebenfalls einen Landroid®M nutzt, müssen Sie einen Abstand von mindestens 4,5m zwischen Ihrem Begrenzungskabel und dem des Nachbarn einhalten.

**Bitte beachten Sie, dass Ihr Landroid®M Signale vom Begrenzungskabel nur bis zu einer Entfernung von 18m empfangen kann.**



H

**Das Begrenzungskabel muss die Fläche, die gemäht werden soll, exakt umschließen.** Ihr Landroid®M kommt durcheinander, wenn er auf zusätzliche Biegungen oder Windungen des Grenzka- bels stößt, die nicht zur Mähfläche gehören (Siehe Abbildung H). Wenn nach dem Umschließen der Mähfläche noch Begrenzungskabel übrig sein sollte, schneiden Sie das überschüssige Stück ab und lagern es separat. Vergessen Sie aber nicht, beim Abschneiden ein kleines Stück zum Anschluss an die Ladebasis zu verschonen, damit der Anschluss möglich ist, ohne wieder einen Teil des Kabels ausgraben zu müssen.

### 4.2 Begrenzungskabel eingraben

Auch wenn einige Hersteller vorschlagen, den Begrenzungsdraht über dem Boden zu verlegen, empfehlen wir Ihnen, ihn einige Zentimeter tief im Boden zu versenken.

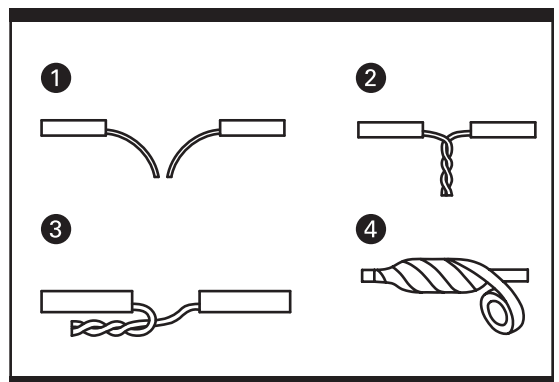
Zum Eingraben des Begrenzungskabels können Sie das separat erhältliche Territorium-Markierungswerkzeug von WORX erwerben; dies erhalten Sie dort, wo Sie auch Ihren Landroid®M gekauft haben.

Wenn Sie das Begrenzungskabel eingraben möchten, sollten Sie bedenken: Es kann vorkommen, dass der Landroid®M bei seinem ersten Ausflug in seinem neuen Umfeld auf Schwierigkeiten stößt, die Sie beim Verlegen des Begrenzungskabels nicht bedacht haben. Es wird empfohlen, dass Sie zuerst den Begrenzungsdraht im Rasen festpflocken, damit Sie gegebenenfalls leicht Einstellungen vornehmen können. Dadurch kann sich der Landroid®M an seine neue Umgebung gewöhnen und es wird sichergestellt, dass er erfolgreich mit der Ladestation arbeitet, bevor der Begrenzungsdraht eingegraben wird.

### 4.3 Begrenzungskabel verbinden

**WICHTIG: Das Begrenzungskabel kann bis zu 200m lang sein.**

Des Begrenzungskabel (21) lässt sich problemlos verlängern, indem Sie die Enden aufpleißen (also „auseinanderdröseln“) und mit den Enden eines weiteren Kabels verbinden. Die Verbindungsstelle können Sie mit wasserfestem Klebeband sichern. (Siehe Abbildung I)



I

## 4.4 Einschalten und Installation prüfen

Wenn das grüne Licht nicht aufleuchtet, sind die Stromverbindungen zu überprüfen

Wenn die LED auf Ihrer Landroid®M Ladestation grün blinkt, prüfen Sie, ob der Begrenzungsdraht gut angeschlossen oder durchgeschnitten ist.

Rot an: Akku wird geladen. Rot blinkt: Funktionsmeldungen, beheben Sie zunächst das Problem

Sollte sich Ihr Landroid®M innerhalb seines Arbeitsbereichs befinden, aber das Display "außerhalb des Mähbereichs" anzeigen und die LED-Anzeige aufleuchten, so bedeutet dies, dass Sie die Enden des Begrenzungsdrahts falsch abgeklemmt haben. Einfach wieder vertauschen.

## 5. Wartung

Ihr Landroid®M muss hin und wieder überprüft werden. Der Landroid®M arbeitet hart und verdient daher von Zeit zu Zeit eine ordentliche Reinigung oder einen Austausch von Verschleißteilen. In Folgenden möchten wir Ihnen erklären, wie Sie Ihren neuen Landroid®M am besten an sein neues Umfeld gewöhnen und ihm die Pflege zukommen lassen, die er verdient.

### 5.1 Akkulaufzeit und -haltbarkeit

Das Herzstück des Landroid®M ist sein 28 V-Lithiumbatterie. Keine Wartung ist notwendig. Für eine ordnungsgemäße Lagerung des Akkus ist sicherzustellen, dass er voll aufgeladen an einem kühlen, trockenen Ort zwischen (20°C-60°C) aufbewahrt wird.

Die Lebenserwartung des Landroid®M-Akkus hängt von unterschiedlichen Faktoren ab; beispielsweise:

- Dauer der Schönwettersaison (der "Mähseason") an Ihrem Wohnort.
- Landroid®M-Arbeitsstunden pro Tag.
- Art und Weise der Akkulagerung.

Zum manuellen Aufladen ohne den Begrenzungsdraht gehen Sie folgendermaßen vor:

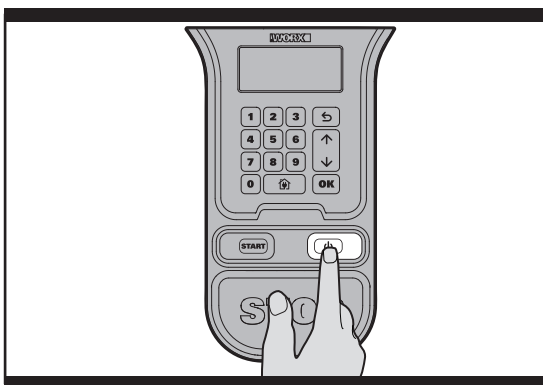
1. Schließen Sie die Ladestation an eine geeignete Stromversorgung an.
2. Docken Sie den Landroid®M manuell an die Ladestation an, während der Landroid®M ausgeschaltet ist.
3. Die rote LED-Anzeige blinkt drei Sekunden lang; drücken Sie anschließend die Stromtaste, und der Landroid®M fängt mit dem Ladevorgang an.

### 5.2 Überwintern

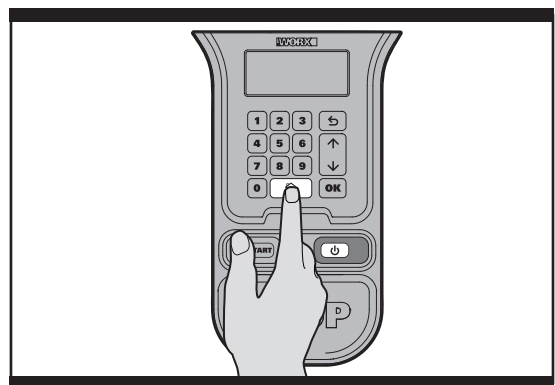
Ihr Landroid®M lebt länger und gesünder, wenn Sie ihm einen wohlverdienten Winterschlaf gönnen. Obwohl der Landroid®M ein zäher Bursche ist, sollten Sie ihm im Winter einen Platz im Schuppen oder in der Garage zugestehen.

Bevor Sie Ihren Landroid®M in den Winterschlaf entlassen, sollten Sie noch Folgendes erledigen:

- Reinigen Sie Ihren Landroid®M gründlich.
- Laden Sie den Akku komplett auf.
- Schalten Sie das Gerät ab.



J

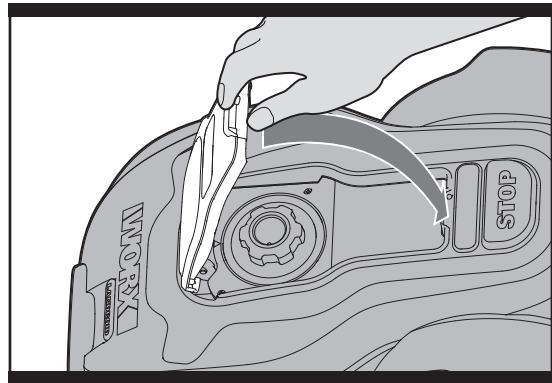


K

Zum Maximieren der Lebensdauer des Akkus wird empfohlen, den Akku vor dem Lagern im Winter voll aufzuladen. Gehen Sie folgendermaßen vor, wenn Sie nur den Akku aufladen wollen:

- Schließen Sie das Begrenzungskabel (21) an die Ladebasis (4) an.
- Verbinden Sie die Ladebasis mit der Steckdose.
- Setzen Sie den Landroid®M in die Ladebasis.
- Schalten Sie ihn mit der Ein-/Austaste ein. (Siehe Abbildung J)
- Drücken Sie die Zuhause-Taste. (Siehe Abbildung K)
- Schließen Sie das Tastaturfenster. (Siehe Abbildung L)
- Lassen Sie den Landroid®M mindestens zweieinhalb Stunden lang aufladen.

Das Begrenzungskabel kann im Boden verbleiben; seine Enden sollten Sie jedoch vor der Witterung schützen – zum Beispiel, indem Sie es mit Fett gefülltes Döschen darüber stülpen. Falls die Ladebasis im Winter draußen verbleibt, lassen Sie das Begrenzungskabel angeschlossen.



L

**HINWEIS:** Vor der Überwinterung können Sie Ihren Landroid®M vom Händler gründlich reinigen und warten lassen; dabei werden seine Funktionen geprüft und verschlissene Teile ausgetauscht.

Wenn Sie den Landroid®M wieder aus seinem Winterschlaf erwecken, sorgen Sie dafür, dass die Ladestreifen (5) und die Kontaktstreifen (3) gründlich sauber sind; dies können Sie mit feinem Schleifpapier erledigen. Überzeugen Sie sich dann davon, dass Datum und Uhrzeit stimmen; anschließend lassen Sie den Landroid®M wieder das tun, was er am liebsten mag: Mähen!

## 5.3 Sauber halten

**! WARNUNG:** Vor dem Reinigen schalten Sie Ihren Landroid®M unbedingt mit der Ein-/Austaste aus! Ziehen Sie Schutzhandschuhe über, bevor Sie die Messerscheibe (13) reinigen; nutzen Sie dazu kein fließendes Wasser. (Siehe Abbildung M,N)

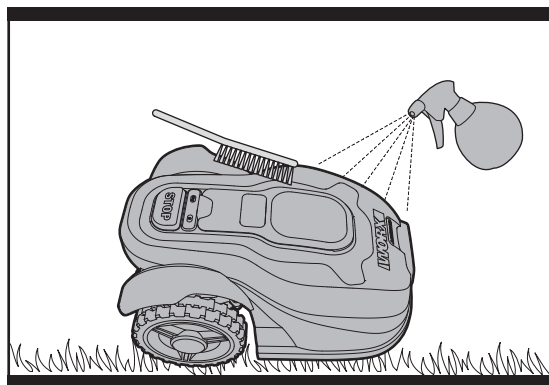
### A. Gehäuse reinigen

Ihr Landroid®M fühlt sich deutlich wohler und lebt länger, wenn Sie ihn regelmäßig reinigen. Da Ihr Landroid®M im Grunde ein Elektrogerät ist, müssen Sie beim Reinigen mit einer gewissen Sorgfalt vorgehen: Spritzen Sie den Landroid®M daher **nicht** mit einem Schlauch ab, ertränken Sie ihn **nicht** mit fließendem Wasser; greifen Sie zum besten zu einer mit Wasser gefüllten Sprühflasche. Reinigen Sie das Kunststoffgehäuse (10) mit einer weichen Bürste oder einem Tuch, verzichten Sie auf Lösungsmittel und Polituren. (Siehe Abbildung M)

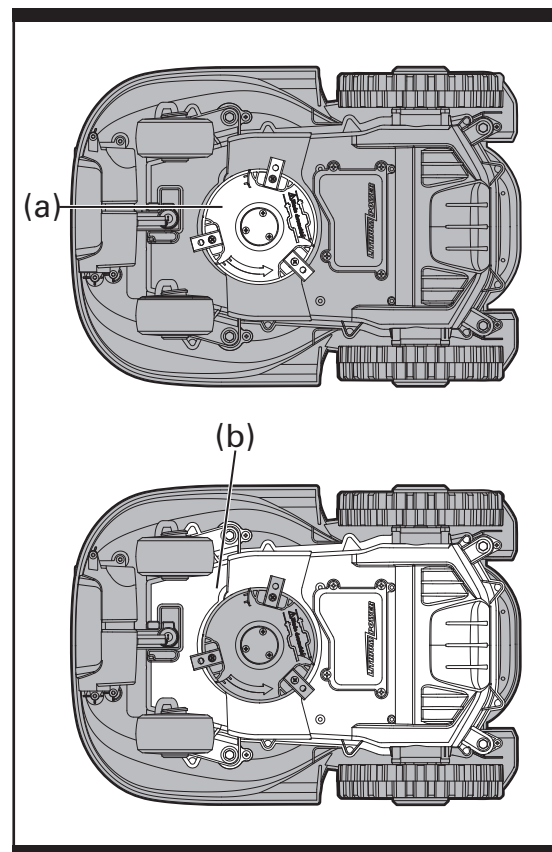
Achten Sie gut darauf, dass sämtliche Grasreste und sonstige Rückstände gründlich entfernt werden.

### B. Unterseite reinigen

Nicht vergessen, ganz wichtig: **Schalten Sie den Landroid®M mit der Ein-/Austaste aus, ziehen Sie Schutzhandschuhe über, bevor Sie die Messerscheibe (13) berühren!**



M



N

**Drehen Sie zuerst Ihren Landroid®M um, so dass die Unterseite exponiert wird.** Bauch herankommen. Nun sehen Sie die Messerscheibe (a), den umgebenden Motorgehäuserahmen (b) sowie die Vorderräder (15) und Antriebsräder (10). Reinigen Sie alles gründlich mit einer weichen Bürste oder mit einem feuchten Lappen. (Siehe Abbildung N)

Drehen Sie die Messerscheibe, überzeugen Sie sich davon, dass sich diese frei bewegen lässt und nichts zwischen der Scheibe und dem Motorgehäuserahmen darum herum eingeklemmt ist. Vergewissern Sie sich auch, dass sich die Messer frei drehen lassen und nicht von Grasresten behindert werden.

**WICHTIG: Entfernen Sie sämtliche (auch die kleinsten) Rückstände, damit es nicht zu Rissen in der Messerscheibe kommt. Auch der winzigste Riss kann die Mähleistung Ihres Landroid®M beeinträchtigen.**

### C. Kontakte und Ladestreifen reinigen

Reinigen Sie die Kontakte (3) an der Ladebasis (4) und den Ladestreifen (5) am Landroid®M mit einem Tuch. Entfernen Sie sämtliche Grasreste und sonstige Rückstände rund um die Kontakte und Ladestreifen regelmäßig, damit sich der Landroid®M stets problemlos aufladen kann.

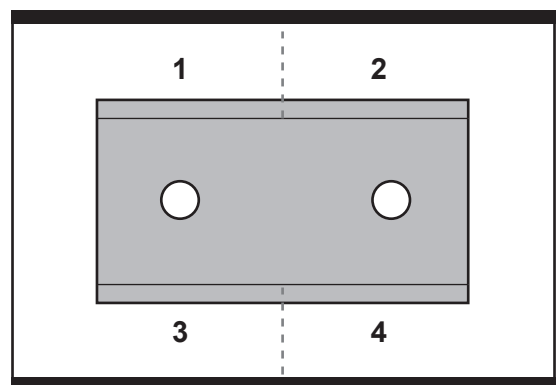
## 5.4 Immer schön scharf

**! WARNUNG: Zum Austauschen des Messers, Schalten Sie Ihren Landroid®M mit der Ein-/Austaste ab, ziehen Sie Schutzhandschuhe über, bevor Sie den Landroid®M reinigen, einstellen oder die Messer auswechseln!**

**! WARNUNG! Zum Austauschen des Messers. Wechseln Sie bei einem Austausch unbedingt grundsätzlich alle Messer auf einmal. Falls neue Messer mit gebrauchten Schrauben fixiert werden, können Schrauben beim Mähen verschleifen und bewirken, dass sich die Messer lösen und mit Wucht vom Mäher geschleudert werden. Dies kann zu schweren Verletzungen führen.**

Der Landroid®M schneidet Gras nicht wie andere Rasenmäher. Seine Messer (14) sind an allen vier Kanten rasiermesserscharf und wirbeln zum perfekten Schnitt in beide Richtungen. (Siehe Abbildung O)

Jedes Messer Ihres Landroid®M ist mit vier Schneiden ausgestattet. Je nachdem, wie häufig der Landroid®M Ihren Rasen mäht, müssen die Messer früher oder später gedreht/umgedreht werden, damit eine neue Schneide ihre Arbeit aufnehmen kann. Falls Ihr Landroid®M den Rasen täglich mäht, sollten Sie die Messer monatlich drehen, damit die Leistung nicht nachlässt. Die einzelnen Messer halten bis zu vier Monate, wenn täglich gemäht wird. Wenn die Messer stumpf und verschlissen sind, sollten sie durch die Ersatzmesser ersetzt werden, die mit Ihrem Landroid®M geliefert wurden. Ersatzmesser erhalten Sie auch beim WORX-Händler in Ihrer Nähe.



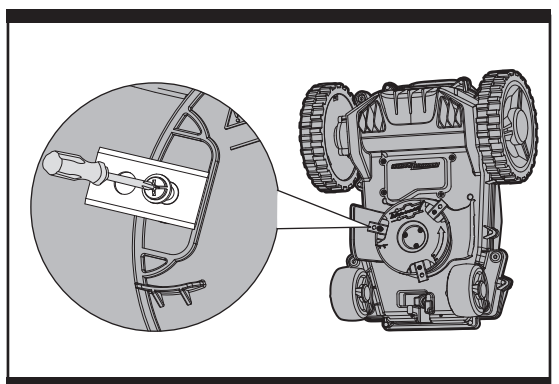
**O**

### A. Messer drehen und umdrehen

Ihr Landroid®M arbeitet mit drei Messern, die allesamt mit der Messerscheibe (13) verschraubt sind. Die Messer braucht der Landroid®M mehr als alles andere, um seinen Job gut zu erledigen – daher brauchen diese auch etwas Pflege und Aufmerksamkeit. Hin und wieder sollten Sie alle drei Messer drehen und umdrehen, damit die Schnittleistung möglichst lange erhalten bleibt. Beim Drehen und Umdrehen der Messer beachten Sie unbedingt, dass Sie sämtliche Messer gleichzeitig drehen und umdrehen müssen, damit die Messerscheibe nicht ihre Balance verliert. Falls Sie Ihren Landroid®M täglich einsetzen, sollten die Messer eine ganze Saison lang halten, wenn sie monatlich gedreht und umgedreht werden. Schauen Sie immer nach, ob die Messer angeschlagen oder anderweitig beschädigt sind; falls ja, wechseln Sie die Messer aus.

### B. Messer austauschen

Nach einer Weile (normalerweise einmal pro Saison) müssen die Messer Ihres Landroid®M komplett ausgewechselt werden. Ihr



**P**

Landroid®M mäht nicht gerne mit Messern unterschiedlichen Alters und unterschiedlicher Qualität. Tauschen Sie also unbedingt immer alle Messer auf einmal aus. Zum Austausch können Sie einen der drei Ersatzmessersätze und die zusätzlichen Messerschrauben verwenden, die mit Ihrem Landroid®M geliefert wurden.

Vor dem Austausch der Messer schalten Sie den Landroid®M unbedingt ab und ziehen Schutzhandschuhe über! Dann führen Sie diese Schritte aus:

1. Drehen Sie den Landroid®M sanft auf den Rücken.
2. Lösen Sie die Messerschrauben mit einem Schlitz- oder Kreuzkopfschraubendreher.
3. Schrauben Sie die neuen Messer gut fest. (Siehe Abbildung P)

**WICHTIG: Überzeugen Sie sich nach dem Verschrauben der Messer, dass sich diese frei drehen lassen.**

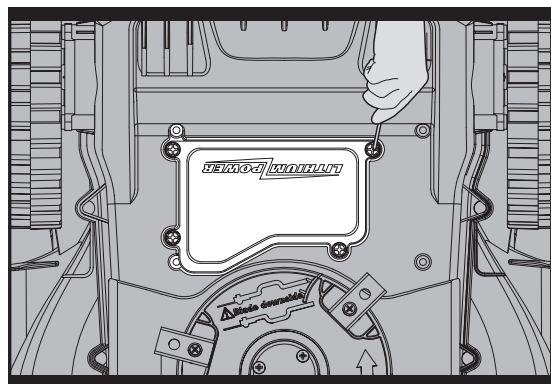
## 5.5 Akku austauschen



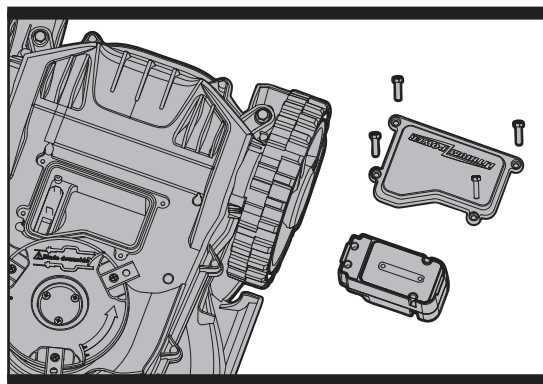
**WARNUNG: Schalten Sie das Gerät unbedingt mit der Ein-/Austaste aus, bevor Sie sich Einstellungen, Austausch oder Reparatur zuwenden!**

Wenn der Akku ausgetauscht werden muss, erledigen Sie dies mit den folgenden Schritten:

1. Drehen Sie Ihren Landroid®M sanft auf den Rücken.
2. Lösen Sie die sechs Schrauben am Akku (Siehe Abbildung Q).
3. Nehmen Sie den alten Akku heraus (Siehe Abbildung R).
4. Legen Sie den neuen Akku ein.
5. Ziehen Sie die sechs Schrauben wieder fest an.




**Q**



**R**

## Umweltschutz

 Schadhafte und/ oder entsorgte elektrische oder elektronische Geräte müssen an den dafür vorgesehenen Recycling-Stellen abgegeben werden. Wir möchten Sie daher bitten, uns mit Ihrem aktiven Beitrag beim Umweltschutz zu unterstützen und dieses Gerät bei den Wertstoff-/ Recycling-Sammelstellen abzugeben. Bitte erkundigen Sie sich bei der örtlichen Behörde oder beim Vertragshändler über Müllsammlung und -Entsorgung.



# Konformitätserklärung

Wir,  
POSITEC Germany GmbH Konrad-Adenauer-Ufer 37 50668 Köln

Erklären Hiermit, Dass Unser Produkt  
Beschreibung **WORX Roboter-Rasenmäher**  
Type **WG794E (790-799-Bezeichnung der Maschine, Repräsentant der Roboter-Rasenmäher)**  
Function **Grasschnitt**

Den Bestimmungen der folgenden Richtlinien entspricht:

Maschinenrichtlinie **2006/42/EC**

EMV-Richtlinie **2004/108/EC**

RoHS Weisung **2011/65/EU**

**Umweltbelastende Geräuschemissionen von zur Verwendung im Freien vorgesehenen Geräten und Maschinen, Richtlinie 2000/14/EC geändert durch 2005/88/EC**

Konformitätsbewertungsverfahren nach **Annex V.**

Gemessene Schallleistung: **61.95dB(A)**

Garantierte Schallleistung: **63dB(A)**

Normen:

**EN ISO 12100-1**

**EN ISO 12100-2**

**EN ISO 14121-1**

**EN ISO 3744**

**EN 55014-1**

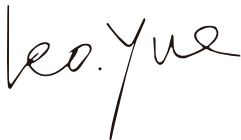
**EN 55014-2**

Zur Kompilierung der technischen Datei ermächtigte Person,

**Name Russell Nicholson**

**Anschrift Positec Power Tools (Europe) Ltd, PO Box 152, Leeds, LS10 9DS, UK**

33



2013/01/10

Leo Yue

POSITEC Qualitätsleiter

**PIN-Code-Bereich:**

# NOTICE ORIGINALE

## TABLE DES MATIÈRES

<b>1. Instructions de Sécurité</b>	<b>35</b>
1.1 Mises en garde générales et complémentaires	35
1.2 Informations sur le Landroid®M	37
<b>2. Liste des composants et données techniques</b>	<b>38</b>
2.1 Caractéristiques techniques	38
2.2 Liste des composants	39
<b>3. Principe de fonctionnement du Landroid®M</b>	<b>41</b>
3.1 Comment mon Landroid®M peut-il savoir quels endroits il est censé tondre?	41
3.2 Comment mon Landroid®M peut-il savoir où il est censé aller?	42
A. Recherche du socle de recharge	42
B. Capteurs pluviométriques	42
C. Détection du fil-barrière	42
D. Démarrage et arrêt au cours du travail	42
3.3 Quelle superficie maximale mon Landroid®M est-il capable de tondre?	43
3.4 Quel sera le degré d'efficacité du travail de mon Landroid®M?	43
<b>4. Principe de fonctionnement du fil-barrière</b>	<b>44</b>
4.1 Pose du fil-barrière	44
4.2 Enterrement du fil-barrière	44
4.3 Liaison du fil-barrière	44
4.4 Mise en marche et test de l'installation	45
<b>5. Entretien</b>	<b>45</b>
5.1 Durée de vie de la batterie	45
5.2 Hibernation	45
5.3 Nettoyage	46
A. Nettoyage du boîtier	46
B. Nettoyage de la partie inférieure	46
C. Nettoyez les broches de contact et les bandes de chargement	47
5.4 Affûtage	47
A. Rotation et retournement des lames	47
B. Changement des lames	47
5.5 Changement de la batterie	48
<b>6. Déclaration de conformité</b>	<b>49</b>

# 1. Instructions de Sécurité

## 1.1 Mises en garde générales et complémentaires

 **ATTENTION: Lisez toutes les mises en garde et toutes les instructions. Le non-respect des mises en garde et des instructions peut être à l'origine d'électrocutions, d'incendies et/ou de blessures graves.**

**Lisez attentivement le manuel d'utilisation afin d'utiliser l'appareil d'une manière sécurisée. Gardez le mode d'emploi et les mises en garde pour pouvoir vous y référer ultérieurement.**

- Cet appareil n'est pas conçu pour être utilisé par des personnes aux capacités physiques, mentales, sensorielles réduites, ou manquant d'expérience et de connaissances (y compris les enfants), sauf si une personne responsable de leur sécurité leur a donné les indications nécessaires ou les surveille pendant l'utilisation.
- Il convient de surveiller les enfants pour s'assurer qu'ils ne jouent pas avec l'appareil.

### IMPORTANT

**LISEZ ATTENTIVEMENT LE MODE D'EMPLOI AVANT D'UTILISER L'APPAREIL  
CONSERVEZ-LE POUR RÉFÉRENCE ULTÉRIEURE**

### PRATIQUES DE TRAVAIL SÛRES

#### Apprentissage

- a) Lisez attentivement le mode d'emploi. Vous devez impérativement comprendre les instructions et vous familiariser avec les contrôles et le mode d'utilisation de l'appareil.
- b) Ne laissez en aucun cas l'appareil à un enfant ou à une personne n'ayant pas pris connaissance du mode d'emploi. Les réglementations locales définissent parfois des limites d'âge pour l'utilisateur.
- c) L'utilisateur est responsable des accidents et des dommages causés à d'autres personnes ou à leurs biens.

#### Préparation

- a) Le système de délimitation automatique du périmètre doit être correctement installé au préalable.
- b) Inspectez régulièrement la zone où l'appareil doit être utilisé et enlevez toutes les pierres, tous les bâtons, câbles, os et autres objets étrangers.
- c) Procédez régulièrement à un examen visuel des lames, des boulons de lame et de l'unité de coupe pour vous assurer qu'ils ne sont ni usés, ni endommagés. Afin de préserver l'équilibre de la machine, changez toujours les lames et leurs boulons en même temps.
- d) Sur les appareils comportant plusieurs arbres, veuillez noter que la rotation d'une lame peut entraîner la rotation des autres lames.

### UTILISATION

#### 1. GÉNÉRALITÉS

- a) Ne faites jamais fonctionner l'appareil si l'une de ses protections est défectueuse ou si l'un de ses dispositifs de sécurité n'est pas en place (ex: les déflecteurs).
- b) N'approchez jamais les mains ou les pieds des parties rotatives, et ne les mettez jamais sous l'appareil. Ne vous mettez jamais en travers de l'ouverture d'évacuation.
- c) Ne soulevez jamais et ne portez jamais une tondeuse dont le moteur est en marche.
- d) Éteignez l'appareil
  - Avant de le débloquer;
  - Avant d'inspecter, de nettoyer ou de travailler sur l'appareil.
- e) Il n'est pas permis de modifier le design d'origine du robot tondeuse. Toute modification effectuée est à vos risques et périls.
- f) Démarrez le robot tondeuse de la manière décrite dans le mode d'emploi. Lorsque le bouton marche/arrêt est en position marche, n'approchez pas vos mains ou vos pieds des lames en rotation. Ne mettez jamais vos mains ou vos pieds sous la tondeuse.
- g) Le robot ne doit en aucun cas être soulevé ou transporté avec le bouton marche/arrêt en position marche.
- h) Ne laissez en aucun cas la tondeuse à une personne non familiarisée avec l'appareil et son mode d'utilisation.
- i) Ne posez jamais des objets sur le robot ou sur le socle de recharge.
- j) Ne faites jamais fonctionner le robot si le boîtier ou l'une des lames sont endommagés. L'appareil ne doit pas être utilisé si les lames, les vis, les écrous ou les câbles sont endommagés.
- k) N'utilisez pas le robot si le bouton marche/arrêt est défectueux.
- l) Éteignez toujours le robot avec le bouton marche/arrêt lorsque vous ne souhaitez plus l'utiliser. Le robot ne peut fonctionner que si le bouton marche/arrêt est en position marche et si le code PIN a été composé.

## 2. MISE EN GARDE COMPLÉMENTAIRE EN CAS DE FONCTIONNEMENT AUTOMATIQUE

- a) Ne laissez pas la machine fonctionner sans surveillance si vous savez que des personnes (notamment des enfants) ou des animaux domestiques se trouvent à proximité.

## 3. MISE EN GARDE COMPLÉMENTAIRE EN CAS DE FONCTIONNEMENT MANUEL

- a) Tondez uniquement à la lumière du jour ou dans des conditions d'éclairage suffisantes.
- b) Évitez d'utiliser l'appareil sur de l'herbe humide.
- c) Ne faites pas fonctionner l'appareil pieds nus ou en portant des sandales ouvertes. portez toujours un pantalon long et des chaussures solides.
- d) Sur les pentes, soyez toujours sûr de vos appuis.
- e) Faites extrêmement attention quand vous tirez l'appareil vers vous.
- f) Démarrez toujours le moteur prudemment, de la manière indiquée dans le mode d'emploi, en veillant à éloigner vos pieds des lames.

## ENTRETIEN ET RANGEMENT



**ATTENTION! Mettez toujours le bouton marche/arrêt en position arrêt avant de retourner la tondeuse.**

**Mettez le bouton marche/arrêt en position arrêt avant d'effectuer toute manipulation sur l'appareil (ex: nettoyage, changement des lames).**

- a) Veillez à ce que tous les écrous, vis et boulons soient bien serrés, afin de vous assurer que l'appareil reste en bon état de marche.
- b) Inspectez le robot tondeuse régulièrement et, par sécurité, remplacez toute pièce usée ou endommagée.
- c) Assurez-vous que les lames et le disque de coupe ne sont pas endommagés. Afin d'assurer l'équilibre des pièces rotatives, changez toujours les lames et les vis en même temps.
- d) Les accessoires de coupe de rechange doivent impérativement être du même type que ceux d'origine.
- e) Rechargez toujours la batterie avec le chargeur fourni par le fabricant. Toute utilisation incorrecte peut être à l'origine d'un choc électrique, d'une surchauffe ou d'une fuite du liquide corrosif de la batterie.
- f) En cas de fuite d'électrolyte et de contact avec les yeux, rincez abondamment avec de l'eau ou un agent neutralisant et appelez les urgences.
- g) Toute réparation sur l'appareil doit s'effectuer d'une manière conforme aux instructions du fabricant.

### Déplacer l'appareil

Utilisez l'emballage d'origine pour transporter le robot sur de longues distances.

Pour déplacer l'appareil de ou vers la zone de travail en toute sécurité:

- a) Appuyez sur le bouton STOP pour arrêter la tondeuse. Si l'alarme antivol est activé, entrez le premier chiffre du code PIN. Vous choisissez un code PIN à quatre chiffres lorsque vous démarrez la tondeuse pour la première fois.
- b) Mettez le bouton marche/arrêt en position arrêt avant de soulever la tondeuse.
- c) Portez la tondeuse en la tenant par la poignée située à l'arrière, en dessous. Tenez la tondeuse avec le disque de coupe du côté opposé à vous.

## 1.2 Informations sur le Landroid® M



ATTENTION - Ce robot tondeuse peut être dangereux s'il est utilisé de manière incorrecte.

Avant d'utiliser le robot tondeuse pour la première fois, vous devez avoir lu et compris le contenu dans son intégralité.



ATTENTION - Restez à distance de la machine pendant qu'elle fonctionne.



ATTENTION - Éteignez la machine avant de la manipuler ou de la soulever.

Veillez à maintenir vos mains et vos pieds éloignés des lames en rotation! Ne mettez jamais vos mains ou vos pieds sous le boîtier ou à proximité lorsque le robot tondeuse fonctionne.

Le robot tondeuse ne peut démarrer que si le bouton marche/arrêt est en position marche et si le code PIN correct a été composé. Le bouton marche/arrêt doit être mis en position arrêt avant toute manipulation de contrôle et/ou d'entretien.



ATTENTION - Ne pas s'asseoir sur la machine.



Ne pas jeter au feu



Ne pas jeter à l'eau



Les piles doivent être recyclées



Li-Ion

Les piles au Li-Ion, doivent être triés avec respect pour l'environnement. Ne jetez pas les piles usagées avec les ordures ménagères.




Les produits électriques usagés ne doivent pas être jetés avec les ordures ménagères. Apportez le produit à un endroit où il pourra être recyclé. Pour plus d'informations sur le recyclage, adressez-vous au magasin d'achat ou aux autorités de votre commune.

## 2. Liste des composants et données techniques


### 2.1 Caractéristiques techniques

Modèle: **WG794E (790-799-désignations des pièces, illustration de la Robot de fauchage à pelouse)**

Tension nominale	28V  MAXI*
Vitesse à vide nominale	2800/min
Diamètre de coupe	180mm
Hauteur de coupe	20-60mm
Positions de hauteur de coupe	5
Type de batterie	Lithium
Modèle de batterie	WA3225
Durée de charge	Environ 1.5h
Modèle de chargeur	WA3716
Valeurs nominales du chargeur	Entrée: 100-240V~50/60Hz, 50W
	Sortie: 24-28V Dc, 1.5A
Poids de la machine	8.3kg
Classe de protection	IPX4

\* La tension est mesurée à vide. La tension initiale de la batterie atteint un maximum de 28 volts. La tension nominale est de 25.2 volts

### Informations relatives au bruit

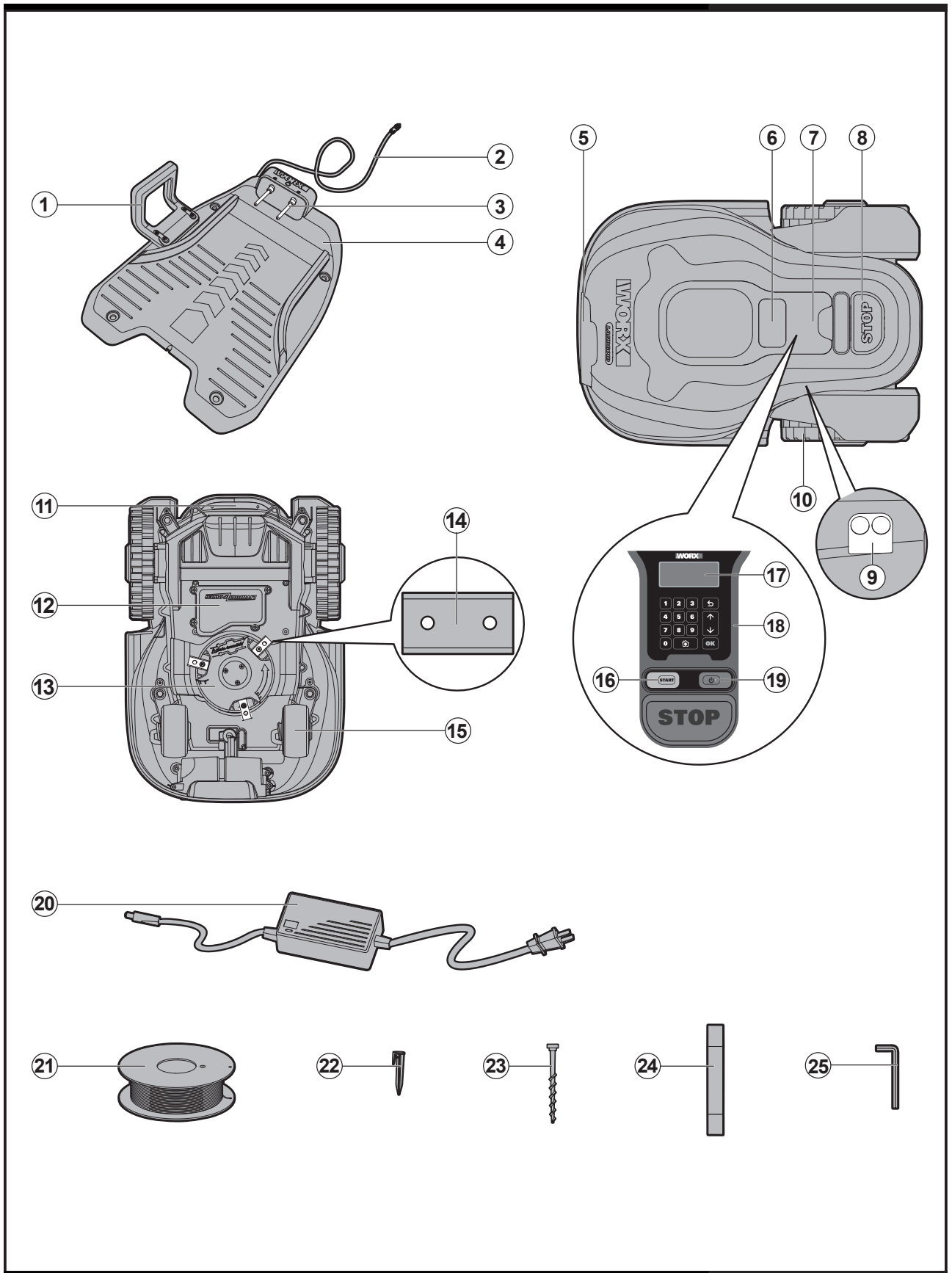
Niveau de pression acoustique	44.5dB(A), $K_{PA}$ : 3.25dB(A)
Niveau de puissance acoustique	63dB(A)
Porter des protections auditives lorsque la pression sonore est supérieure à	80dB(A) 

### Accessories

<b>Socle de recharge avec rallonge de 15m</b>	<b>1</b>
<b>Lames et vis</b>	<b>9</b>
<b>Chevilles de bord</b>	<b>200</b>
<b>180m fil-barrière</b>	<b>1</b>
<b>Clous de fixation du socle de recharge</b>	<b>4</b>
<b>Câble d'alimentation avec transformateur ac/dc</b>	<b>1</b>
<b>Jauge de distance du fil-barrière</b>	<b>1</b>
<b>Clef allen</b>	<b>1</b>

Nous recommandons d'acheter tous les accessoires dans le magasin d'acquisition de la machine. Il est impératif d'utiliser des accessoires de bonne qualité et de marque connue et de choisir l'accessoire correct recommandé dans ce manuel. Pour plus d'informations, se référer à l'emballage des accessoires. Le personnel du magasin est également là pour vous conseiller.

## 2.2 Liste des composants

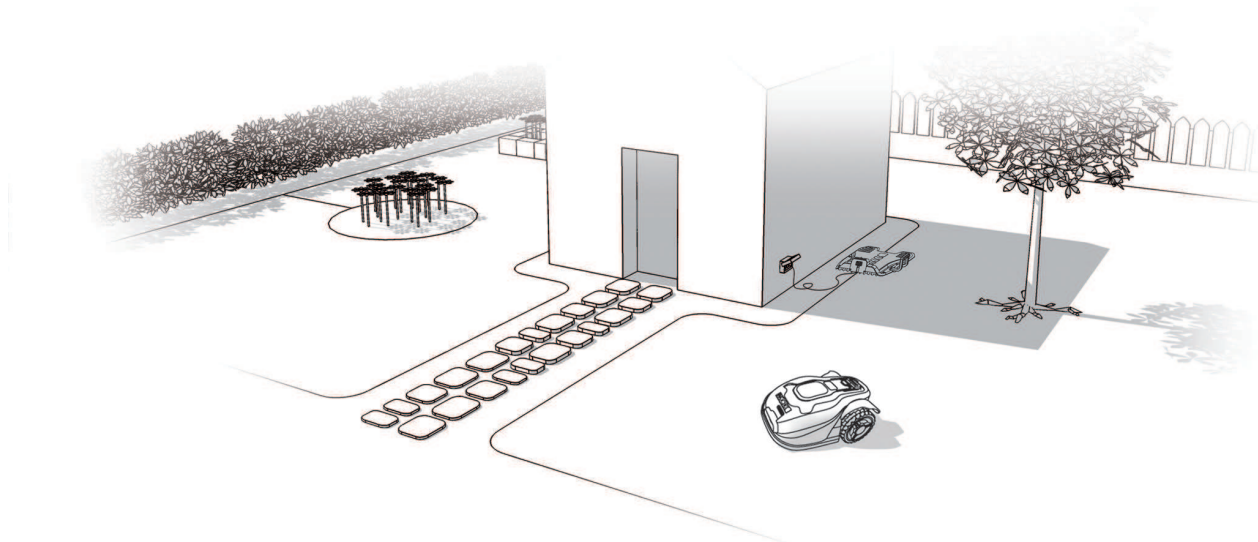


- 
1. **POIGNÉE**
  2. **CÂBLE BASSE TENSION**
  3. **BROCHES DE CONTACT**
  4. **CÂBLE BASSE TENSION SOCLE DE RECHARGE**
  5. **BORNES DE RECHARGE**
  6. **COUVERCLE DU ÉCRAN**
  7. **COUVERCLE DU PANNEAU DE COMMANDE**
  8. **BOUTON DE DÉMARRAGE**
  9. **CAPTEUR PLUVIOMÉTRIQUE**
  10. **BOÎTIER EN PLASTIQUE MOULÉ ROUE MOTRICE**
  11. **ROUE MOTRICE POIGNÉE**
  12. **CAPTEUR PLUVIOMÉTRIQUE BATTERIE**
  13. **DISQUE A LAME**
  14. **LAME**
  15. **ROUE AVANT**
  16. **BOUTON START**
  17. **ÉCRAN**
  18. **CLAVIER**
  19. **BOUTON MARCHE/ARRÊT**
  20. **ADAPTATEUR D'ALIMENTATION**
  21. **FIL-BARRIÈRE(180m)**
  22. **PIEUX**
  23. **CLOUS DE FIXATION DU SOCLE DE RECHARGE**
  24. **JAUGE DE DISTANCE DU FIL-BARRIÈRE**
  25. **CLEF ALLEN**
-



### 3. Principe de fonctionnement du Landroid®M

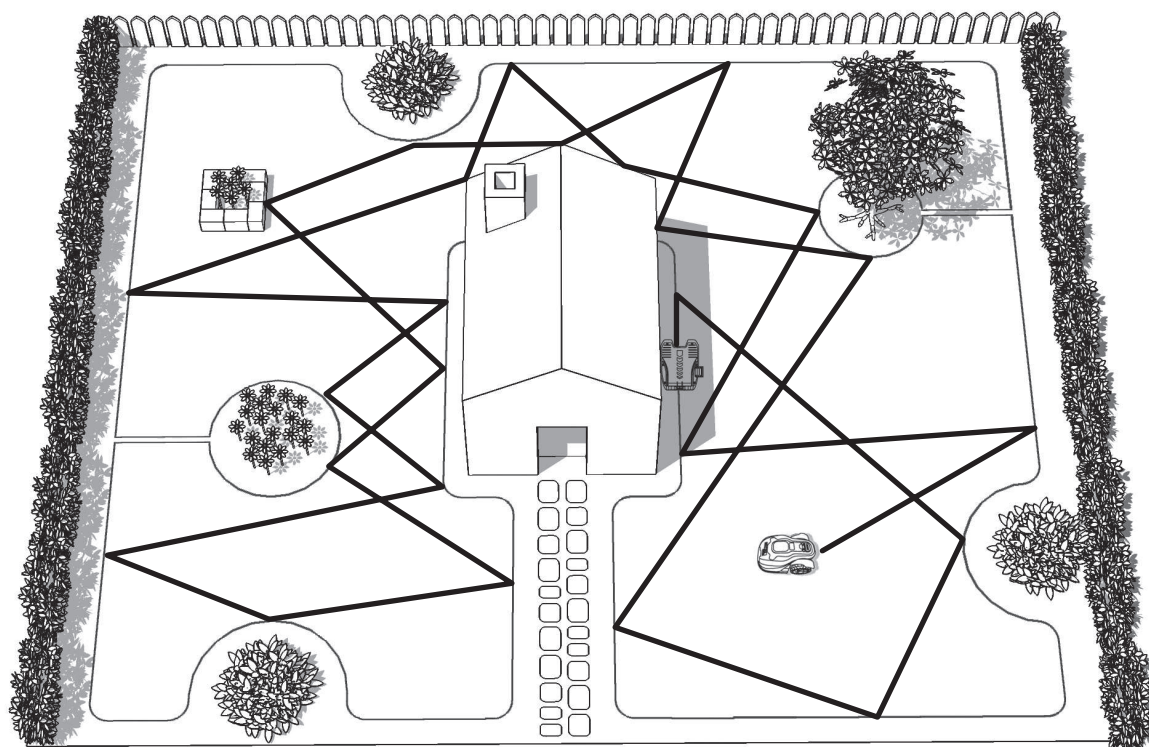
Félicitations pour votre achat de ce Landroid®M; avec cet appareil commence pour vous une nouvelle vie dans laquelle votre pelouse se tondra toute seule! Dans cette section, nous vous aiderons à mieux comprendre le mode de fonctionnement du Landroid®M.



#### 3.1 Comment mon Landroid®M peut-il savoir quels endroits il est censé tondre?

Le Landroid®M choisit sa direction au hasard et ne repasse jamais deux fois au même endroit. Grâce à lui, toute votre pelouse sera tondue de manière parfaitement uniforme et sans couloirs disgracieux. (Voir Fig. A)

41



A

## 3.2 Comment mon Landroid® M peut-il savoir où il est censé aller?

Le Landroid® M peut fonctionner de manière autonome. Il sait quand il a besoin de retourner sur son socle (4) pour se recharger, il peut détecter la pluie, s'arrêter en cas de problème, et il est capable de s'arrêter et de faire un détour lorsqu'il rencontre un obstacle (ex: une personne, un animal ou un objet). D'autre part, afin de prévenir tout risque d'accident, le disque de coupe s'arrête automatiquement lorsque le Landroid® M est soulevé.

### A. Recherche du socle de recharge

Lorsque le Landroid® M a besoin de se recharger, il arrête de travailler et suit le fil-barrière (21) dans le sens contraire des aiguilles d'une montre jusqu'au socle de recharge. Afin d'économiser l'énergie, le disque de coupe du Landroid® M arrête de tourner lorsqu'il retourne sur le socle.

### B. Capteurs pluviométriques

Le Landroid® M dispose d'un Détecteur de pluie (9) sur ses côtés qui détecte les gouttes de pluie et informe le Landroid® M pour arrêter la tonte et suivre le câble délimitant jusqu'à sa base de chargement. (Voir Fig. B)

Le Landroid® M peut être programmé pour un démarrage différé (0-180 minutes) quand il pleut. Lorsque les capteurs de pluie sont humides, le Landroid® M retourne à sa station d'accueil. Ce n'est que lorsque les capteurs de pluie deviennent secs que le Landroid® M commence le compte à rebours avant le démarrage différé ou retourne immédiatement à la tonte. Pour plus de détails, veuillez vous référer au Guide de programmation et de dépannage.

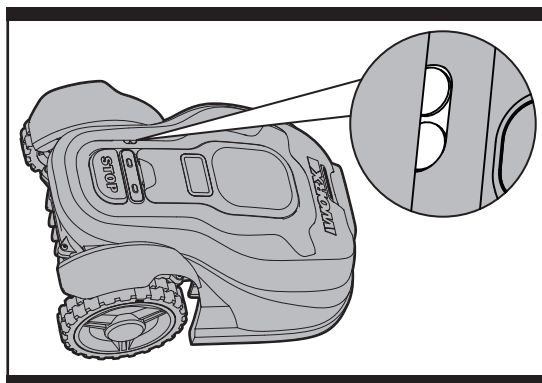
### C. Détection du fil-barrière

Grâce à ses deux capteurs situés à l'avant, le Landroid® M sait lorsqu'il s'approche du fil-barrière et ne dépasse jamais cette limite. Avant de changer de direction, le Landroid® M franchit le fil-barrière sur une distance d'environ 20cm\*.

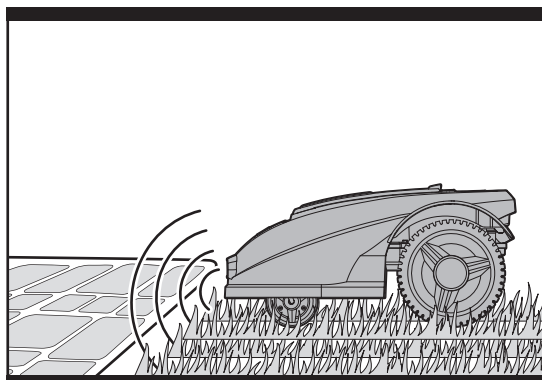
\* C'est la distance recommandée. Utilisez la jauge de distance fournie pour assurer une bonne installation.

### D. Démarrage et arrêt au cours du travail

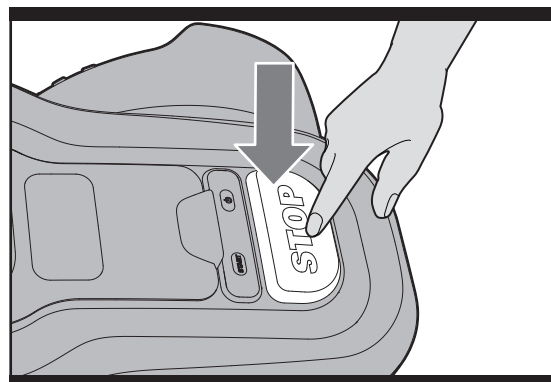
Si vous souhaitez que le Landroid® M arrête de travailler, il vous suffit d'appuyer la touche d'accès (8) située au-dessus. Pour commencer à tondre, appuyez sur la touche ON / OFF, appuyez directement sur le bouton de démarrage ou ouvrez le couvercle du panneau de configuration et entrez d'autres commandes et finalement, appuyez sur le bouton de démarrage. (Voir Fig. D,E)



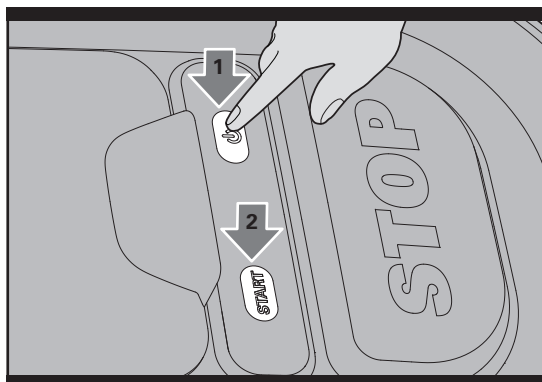
B



C



D



E

Chaque fois que le Landroid®M détecte un problème, un message d'erreur apparaît à l'écran (17) et s'éteindra automatiquement s'il ne reçoit aucune commande de l'utilisateur dans les 20 mins (Pour plus d'informations sur les messages d'erreur, référez-vous au Guide de dépannage et de programmation).

Pour Continuer:

- Rectifiez le problème.
- Mettez le bouton marche/arrêt (19) en position marche.
- Appuyez sur le bouton de démarrage.
- Le Landroid®M est prêt à reprendre son travail!

### 3.3 Quelle superficie maximale mon Landroid®M est-il capable de tondre?

Le Landroid®M est capable de tondre une surface d'une superficie allant jusqu'à 1000m<sup>2</sup> environ; cette superficie dépend cependant de plusieurs facteurs:

- L'espèce d'herbe dont est constituée votre pelouse, ainsi que sa vitesse de croissance.
- L'affûtage des lames (14).
- L'humidité.
- La température ambiante.
- Le nombre d'obstacles dans votre jardin.

Si la température ambiante où vous habitez est très chaude, votre Landroid®M peut recharger à un rythme légèrement plus lent. Le Landroid®M consomme moins d'énergie quand il travaille dans un espace ouvert comportant peu d'obstacles (ex: parterres de fleurs, fontaines, allées etc.).

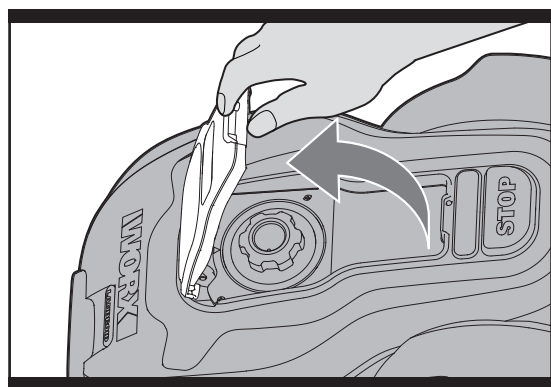
Le tableau ci-dessous vous donne un ordre d'idée de la durée en fonction de la superficie de votre pelouse:

Superficie (m <sup>2</sup> )	Durée recommandée en heures par jour
200	4
500	13.5
1000	27

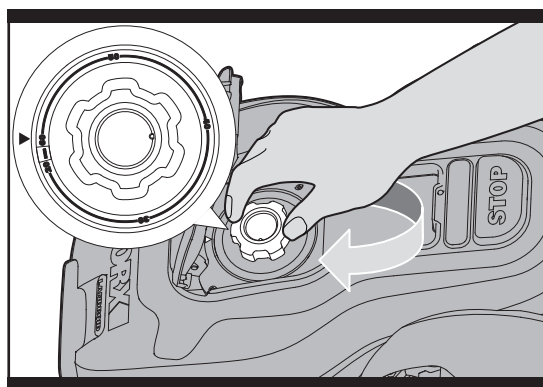
Les durées indiquées peuvent varier selon les facteurs susmentionnés. Ajustez progressivement la durée de travail quotidienne du Landroid®M jusqu'à trouver le réglage qui convient.

### 3.4 Quel sera le degré d'efficacité du travail de mon Landroid®M?

La hauteur de coupe du Landroid®M se règle entre 2cm et 6cm. Avant de démarrer votre Landroid®M pour la première fois, vous devrez couper l'herbe à une hauteur n'excédant pas 9 cm. Ensuite, assurez-vous d'ouvrir le couvercle du panneau de commande (7) et de régler la hauteur de coupe à sa hauteur maximale de 6cm. (Voir Fig. F, G)



F



G

Le Landroid®M produit un meilleur travail par temps sec. Il n'aime pas l'herbe mouillée car celle-ci a tendance à s'accumuler sur le disque de coupe (13) et dans le moteur, outre le fait qu'elle peut le faire dévier et glisser.

Le Landroid®M a peur de la foudre! En cas d'orage, protégez-le en débranchant le socle de recharge (4), en déconnectant le fil-barrière (21) et en vous assurant que le robot n'est pas sur son socle.

Le Landroid®M aime tondre la pelouse et a besoin d'avoir des lames (14) en bon état pour pouvoir mener sa tâche à bien.

- Ne laissez jamais le Landroid®M rouler sur du gravier.
- Enlevez tous les obstacles sur lesquels le Landroid®M risquerait de monter ou qui seraient susceptibles d'abîmer le disque de coupe; ou isolez de tels obstacles.
- Enlevez tous les débris et autres objets étrangers de votre pelouse.

## 4. Principe de fonctionnement du fil-barrière

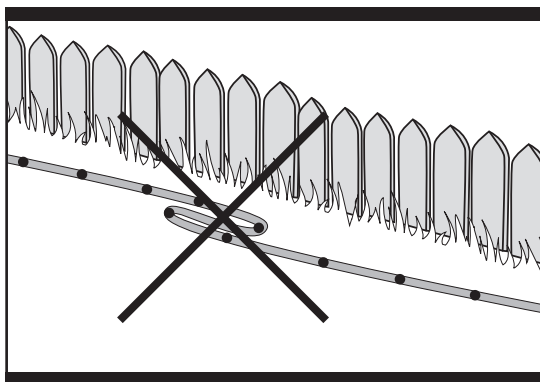
### 4.1 Pose du fil-barrière

Utilisez la jauge de distance de bord (24) pour régler correctement la distance jusqu'au bord de votre pelouse (environ 35cm\*).

\* C'est la distance recommandée. Utilisez la jauge de distance fournie pour assurer une bonne installation.

Si votre voisin utilise également un Landroid®M, laissez un espace d'au moins 4,5m entre le fil-barrière et la propriété voisine.

**Veillez noter que le Landroid®M ne peut pas recevoir de signaux du fil-barrière au-delà d'une distance de 18m.**



H

**Le fil-barrière est censé délimiter précisément la surface devant être tondue.** Les plis et les tas de fil ne faisant pas partie de la zone de travail sont susceptibles de perturber le fonctionnement du Landroid®M (Voir Fig. H). Si vous disposez d'un excédent de fil après avoir délimité le périmètre de coupe, coupez-le et rangez-le dans un endroit à part. Il est cependant important de prévoir une longueur suffisante pour que le fil puisse être correctement relié au socle de recharge tout en étant enterré.

### 4.2 Enterrement du fil-barrière

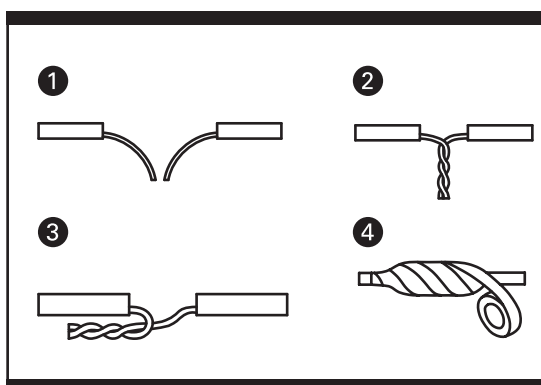
Nous vous recommandons d'enterrer votre câble délimitant à quelques centimètres sous terre. Cela permettra d'assurer des années d'opération sans problème année après année, saison après saison. Pour enterrer le fil-barrière, vous pouvez vous procurer l'outil de marquage territorial de WORX en option, disponible au magasin où vous avez acheté votre Landroid®M.

Si vous avez l'intention d'enterrer le fil, veuillez noter que la disposition du fil pourra poser des difficultés au Landroid®M lorsqu'il retournera sur son socle de recharge pour la première fois. Il est recommandé d'arrimer d'abord le fil délimitant au gazon pour qu'il soit facile de faire des ajustements si nécessaire. Ceci permettra au Landroid®M de s'ajuster à son nouvel environnement et garantira qu'il réussira à fonctionner avec sa base de recharge avant que le câble délimitant ne soit enterré.

### 4.3 Liaison du fil-barrière

**IMPORTANT: Le fil-barrière ne fonctionnera pas correctement s'il est relié sur une distance supérieure à 200m.**

Le fil-barrière (21) peut être rallongé simplement en épissant le bout et en le reliant au bout d'un autre fil. Vous pouvez utiliser de l'adhésif pour fixer la jointure entre les fils. (Voir Fig. I)



I

## 4.4 Mise en marche et test de l'installation

Si le voyant vert ne s'allume pas, vérifiez les connexions électriques.

Si le voyant lumineux du socle de votre Landroid®M clignote en vert, vérifiez si le câble délimitant est connecté ou s'il est coupé.

Rouge allumée: la batterie charge. Clignotement rouge: Messages fonctionnels, corrigez d'abord le problème.

Si l'écran indique "hors de la zone de coupe" alors que le Landroid®M est dans son périmètre et que la LED est allumée, cela signifie que vous avez inversé les branchements des bouts du fil-barrière. Rebranchez-les dans le bon sens.

## 5. Entretien

Le Landroid®M doit faire l'objet d'un examen périodique. Le Landroid®M travaille dur, c'est pourquoi vous devez régulièrement le nettoyer en profondeur et changer les pièces usées. Dans cette section, nous vous expliquerons comment prendre soin de votre nouveau Landroid®M de manière à ce qu'il s'adapte parfaitement à sa nouvelle demeure.

### 5.1 Durée de vie de la batterie

Le cœur du Landroid®M est une Pile de Lithium de 28V. Aucun entretien n'est nécessaire. Pour un entreposage adéquat de la batterie, assurez-vous qu'elle soit complètement chargée et conservée dans un endroit frais et sec entre (20°C-60°C).

La durée de vie de la batterie du Landroid®M dépend de plusieurs facteurs:

- La durée de la saison de tonte dans votre région.
- Le nombre d'heures que le Landroid®M travaille chaque jour.
- L'entretien de la batterie pendant le rangement.

Pour recharger manuellement l'appareil sans le câble périphérique, veuillez suivre les étapes ci-dessous:

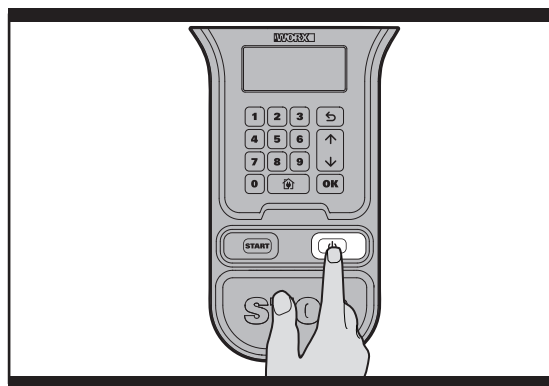
1. Connectez la base de charge à une source d'alimentation appropriée.
2. Placez manuellement la Landroid®M dans la base de charge alors que la Landroid®M est éteinte.
3. L'indicateur rouge clignotera pendant 3 secondes; puis appuyez sur le bouton d'alimentation et la Landroid®M commencera à se recharger.

### 5.2 Hibernation

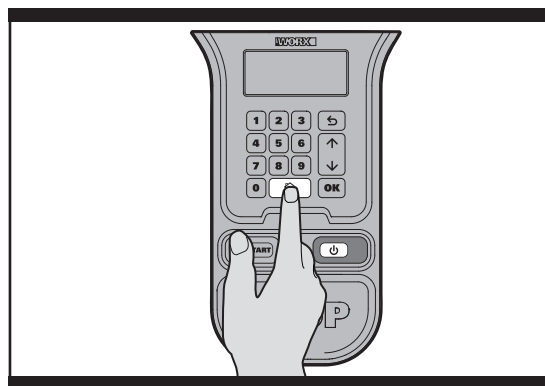
Votre Landroid®M fonctionnera mieux et plus longtemps si vous le laissez reposer pendant l'hiver. Bien que le Landroid®M soit un appareil très solide, nous vous recommandons néanmoins de le ranger dans une remise ou dans un garage pendant l'hiver.

Avant de ranger le Landroid®M pour l'hiver, n'oubliez pas:

- De le nettoyer soigneusement.
- De recharger complètement la batterie.
- De l'éteindre.



J

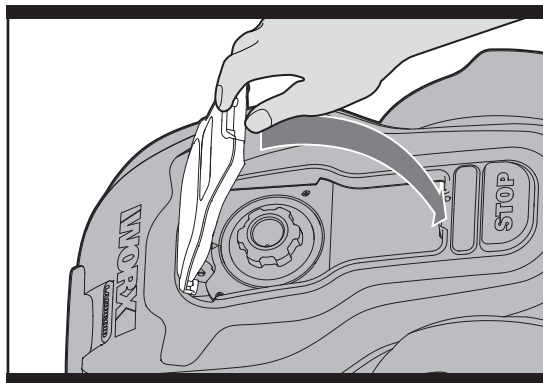


K

Pour maximiser la vie de la batterie, il est recommandé de la charger complètement avant de l'entreposer pour l'hiver. Pour ne charger que la batterie:

- Reliez le fil-barrière (21) au socle de recharge (4).
- Branchez le socle de recharge sur une prise de courant.
- Placez le Landroid®M sur le socle de recharge.
- Mettez le bouton marche/arrêt en position marche. (Voir Fig. J)
- Appuyez sur le bouton Base. (Voir Fig. K)
- Refermez le couvercle du clavier. (Voir Fig. L)
- Laissez le Landroid®M charger pendant au moins 1.5h et demie.

Le fil-barrière peut être laissé par terre, mais il est préférable de protéger les extrémités, par exemple en les mettant dans une boîte de conserve remplie de graisse. Si vous choisissez de laisser le socle de recharge à l'extérieur pendant l'hiver, laissez le fil-barrière relié au socle.



L

**REMARQUE:** Avant de ranger le Landroid®M pour l'hiver, amenez-le dans un magasin spécialisé où il sera nettoyé en profondeur et examiné. Il y subira un test de fonctionnement et les pièces usées seront changées.

Lorsque vous redémarrez le Landroid®M après le repos hivernal, nettoyez soigneusement les bornes de recharge (5) et les broches de contact (3) en utilisant de préférence une toile émeri fine. Ensuite, vérifiez l'heure et la date, puis renvoyez le Landroid®M à son travail préféré: tondre la pelouse!

## 5.3 Nettoyage

**⚠ ATTENTION: Avant de nettoyer le Landroid®M, mettez le bouton marche/arrêt en position arrêt. Mettez des gants de protection avant de nettoyer le disque de coupe (13), et ne le lavez pas sous le robinet. (Voir Fig. M,N)**

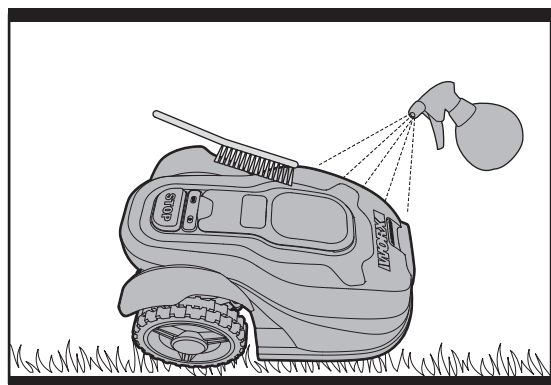
### A. Nettoyage du boîtier

46

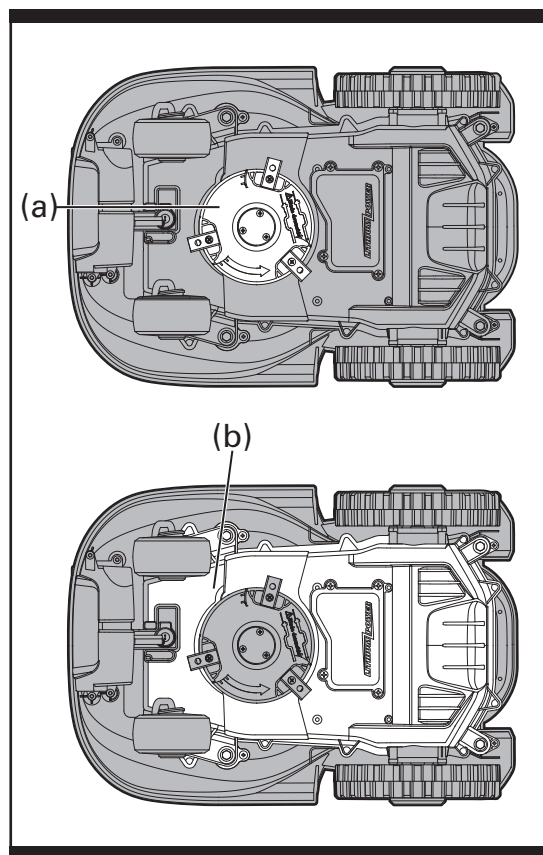
Votre Landroid®M fonctionnera mieux et plus longtemps s'il est nettoyé régulièrement. Le Landroid®M étant une machine électrique, le nettoyage doit s'accompagner de mesures de précaution; notamment, n'utilisez **EN AUCUN CAS** un tuyau ou autre système d'arrosage sur le Landroid®M; utilisez de préférence un vaporisateur rempli d'eau. Pour nettoyer le boîtier en plastique moulé (10), utilisez un chiffon ou une brosse à poils mous et évitez les solvants et les produits de cirage. (Voir Fig. M) Enfin, n'oubliez pas d'enlever tous les dépôts d'herbe et autres débris.

### B. Nettoyage de la partie inférieure

Une fois encore, vous devez impérativement éteindre le Landroid®M avec le bouton marche/arrêt et **mettre des gants de protection avant de toucher le disque de coupe (13).**



M



N

Retournez tout d'abord votre Landroid®M à l'envers pour en exposer sa face inférieure. Repérez le disque de coupe (a), le boîtier du moteur (b) ainsi que les roues avant (15) et les roues motrices (10). Nettoyez soigneusement toutes ces pièces avec un chiffon mouillé ou une brosse à poils mous. (Voir Fig. N)

Faites tourner le disque de coupe afin de vous assurer qu'il peut tourner librement et qu'aucun objet n'est bloqué entre le disque et le boîtier du moteur. D'autre part, assurez-vous que les lames peuvent tourner librement et que leur mouvement n'est pas entravé par des dépôts d'herbe.

**IMPORTANT:** Enlevez tous les débris accumulés susceptibles de fissurer le disque de coupe. Même la fissure la plus microscopique peut influencer le fonctionnement du Landroid®M de manière importante.

### C. Nettoyez les broches de contact et les bandes de chargement

Nettoyer la broche de contact (3) située sur la base de chargement (4) et la bande de chargement (5) situé sur le Landroid®M à l'aide d'un chiffon. Enlevez toute accumulation de débris d'herbe et de débris autour des broches de contact et des bandes de chargement de temps en temps pour vous assurer que le Landroid®M se charge correctement à chaque fois.

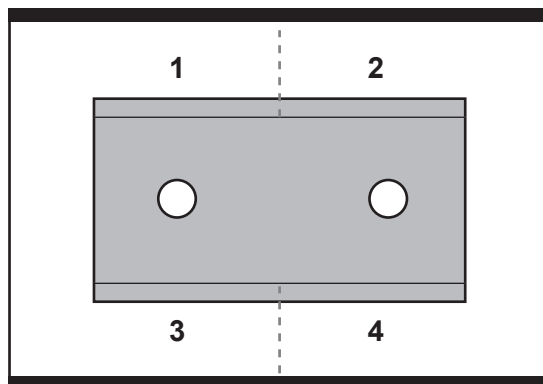
## 5.4 Affûtage

**⚠ ATTENTION: Avant d'effectuer toute manipulation de nettoyage, de réglage ou de changement des lames, éteignez le Landroid®M en mettant le bouton marche/arrêt en position arrêt, et mettez des gants de protection.**

**⚠ ATTENTION: Pour le remplacement des lames, assurez-vous de remplacer TOUTES les lames à la fois. Changez TOUJOURS toutes les lames en même temps. Si vous utilisez une lame neuve avec une vis usagée, il existe un risque que la vis se détache au cours du travail. La lame risquerait alors de se décrocher brutalement et de causer de graves blessures.**

Le Landroid®M ne coupe pas l'herbe de la même manière que les autres tondeuses. Ses lames (14) sont tranchantes comme des rasoirs sur leurs 4 bords et tournent dans les deux sens pour une efficacité de coupe maximale. (Voir Fig. O)

Chaque lame de votre Landroid®M a 4 bords coupants. Selon la fréquence que le Landroid®M tond votre pelouse, les lames devront être tournées/retournées périodiquement pour utiliser un nouveau bord coupant. Si votre Landroid®M est programmé pour tondre la pelouse tous les jours, alors les lames devront être tournées tous les mois pour des meilleurs résultats. Chaque lame va durer jusqu'à 4 mois quand il est programmé pour tondre la pelouse tous les jours. Lorsque les lames sont usées et ne coupent plus bien, elles doivent être remplacées par les lames de rechange fourni avec votre Landroid®M. Des lames de rechange sont également disponibles chez votre détaillant WORX le plus proche.



**O**

### A. Rotation et retournement des lames

Le Landroid®M est équipé de 3 lames, qui sont vissées sur le disque de coupe (13). Les lames sont l'outil dont le Landroid®M a besoin pour faire son travail; elles doivent donc faire l'objet d'un soin particulier. De temps en temps, les 3 lames doivent être retournées en même temps; cela permet d'assurer une coupe parfaite. Lorsque vous retournez les lames, n'oubliez pas d'ajuster toutes les lames en même temps, faute de quoi le disque de coupe risquerait d'être déséquilibré. Si votre Landroid®M travaille en suivant un planning normal (quotidien), les lames doivent durer une saison entière si elles sont retournées tous les mois. Vérifiez chaque fois si les lames sont ébréchées ou endommagées et changez-les le cas échéant.

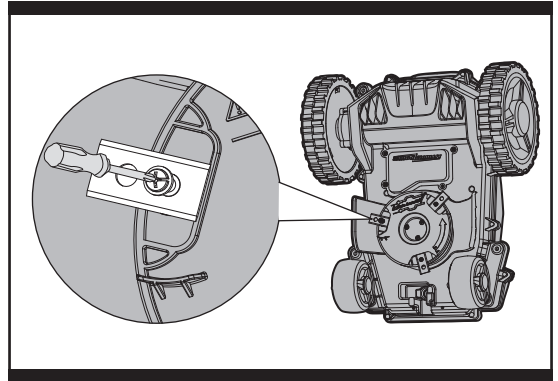
### B. Changement des lames

Au bout d'une certaine durée d'utilisation (normalement en fin de saison), les lames du Landroid®M auront besoin d'être changées. Le Landroid®M n'aime pas travailler avec des lames de différents âges et de différents niveaux de qualité, c'est pourquoi il est indispensable de toujours changer toutes les lames en même temps. Vous pouvez utiliser l'un des trois kits de rechange fournis avec le Landroid®M, avec les vis de montage correspondantes.

Avant de changer les lames, coupez le moteur et mettez des gants de protection. Puis procédez de la manière suivante:

1. Retournez délicatement le Landroid®M.
2. Dévissez les vis des lames avec un tournevis plat ou cruciforme.
3. Puis fixez solidement les lames neuves. (Voir Fig. P)

**IMPORTANT: Après avoir vissé les lames sur le disque, assurez-vous qu'elles peuvent tourner librement.**



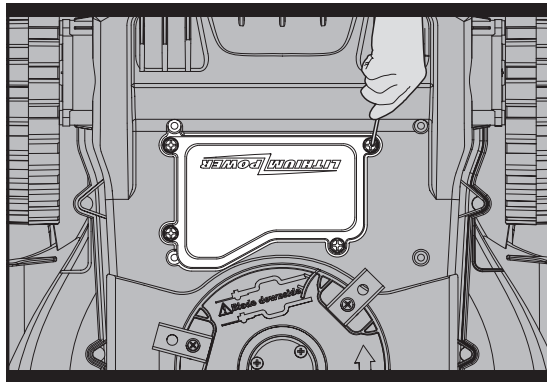
**P**

## 5.5 Changement de la batterie

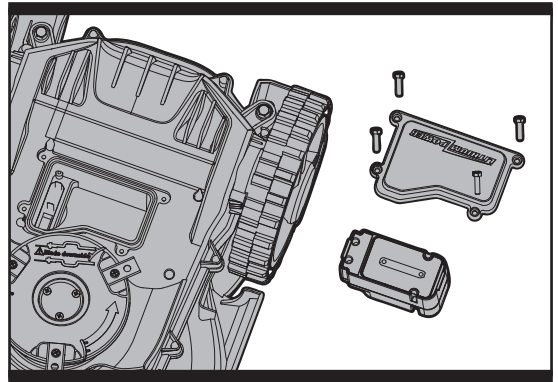
**!** **ATTENTION: Mettez le bouton marche/arrêt sur la position arrêt avant d'effectuer toute manipulation de réglage, de changement ou de réparation.**

Si vous devez changer la batterie, procédez de la manière suivante:

1. Retournez délicatement le Landroid®M.
2. Enlevez les six vis de fixation de la batterie. (Voir Fig. Q)
3. Sortez la batterie usagée. (Voir Fig. R)
4. Insérez la batterie neuve.
5. Remettez les 4 vis en place et serrez-les bien.





**Q**



**R**

## Protection de l'environnement

-  Les déchets d'équipements électriques et électroniques ne doivent pas être déposés avec les ordures ménagères. Ils sont collectés pour être recyclés dans des centres spécialisés. Consultez les autorités locales ou votre revendeur  pour obtenir des renseignements sur l'organisation de la collecte.



# Déclaration de conformité

Nous,  
POSITEC Germany GmbH Konrad-Adenauer-Ufer 37 50668 Köln

Déclarons ce produit

Description **WORX Robot de fauchage à pelouse**

Modèle **WG794E(790-799-désignations des pièces, illustration de la Robot de fauchage à pelouse)**

Fonction **Tondeuse à gazon**

Est conforme aux directives suivantes:

Directive européenne machine **2006/42/CE**

Directive européenne sur la comptabilité électromagnétique **2004/108/CE**

Directive RoHS **2011/65/EU**

**Directive sur l'émission du bruit pour un équipement à utiliser en extérieur  
2000/14/CE amendée par 2005/88/CE**

Procédure d'évaluation de la conformité conformément à **Annex V.**

Niveau de pression acoustique I: **61.95dB(A)**

Niveau d'intensité acoustique: **63dB(A)**

Et conforme aux normes:

**EN ISO 12100-1**

**EN ISO 12100-2**

**EN ISO 14121-1**

**EN ISO 3744**

**EN 55014-1**

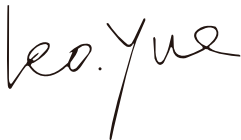
**EN 55014-2**

La personne autorisée à compiler le dossier technique,

**Nom Russell Nicholson**

**Adresse Positec Power Tools (Europe) Ltd, PO Box 152, Leeds, LS10 9DS, UK**

49



2013/01/10

Leo Yue

Responsable qualité POSITEC

**Zone code PIN:**

# ISTRUZIONI ORIGINALI

## IDICE

<b>1. Istruzioni generali di sicurezza</b>	<b>51</b>
1.1 Avvisi generali per la sicurezza degli utensili a motore	51
1.2 Informazioni su Landroid®M	53
<b>2. Dati tecnici e elementi dell'apparecchio</b>	<b>54</b>
2.1 Dati tecnici	54
2.2 Elementi dell'apparecchio	55
<b>3. Per comprendere Landroid®M</b>	<b>57</b>
3.1 Come fa Landroid®M a riconoscere ciò che deve tagliare?	57
3.2 Come fa Landroid®M a sapere dove deve andare?	58
A. Per trovare la base di ricarica	58
B. Sensori pioggia	58
C. Rilevazione del filo perimetrale	58
D. Avvio e arresto durante la tosatura	58
3.3 Quanto può essere grande l'area di tosatura di Landroid®M?	59
3.4 Con che efficienza Landroid®M taglia l'erba?	59
<b>4. Nozioni di base relative al filo perimetrale</b>	<b>60</b>
4.1 Per fissare il filo perimetrale	60
4.2 Per interrare il filo perimetrale	60
4.3 Per unire il filo perimetrale	60
4.4 Accensione e controllo dell'installazione	61
<b>5. Manutenzione</b>	<b>61</b>
5.1 Durata della batteria	61
5.2 Rimessaggio invernale	61
5.3 Pulizia	62
A. Pulizia del corpo	62
B. Pulizia della scocca	62
C. Pulizia dei pin di contatto e delle strisce di ricarica	63
5.4 Mantenere affilate le lame	63
A. Ruotare e capovolgere le lame	63
B. Sostituire le lame	63
5.5 Sostituzione della batteria	64
<b>6. Dichiarazione di conformità</b>	<b>65</b>

# 1. Istruzioni generali di sicurezza

## 1.1 Avvisi generali per la sicurezza degli utensili a motore

 **ATTENZIONE! È assolutamente necessario leggere attentamente tutte le istruzioni. Eventuali errori nell'adempimento delle istruzioni qui di seguito riportate potranno causare scosse elettriche, incendi e/o lesioni gravi.**

**Leggere accuratamente queste istruzioni per usare la macchina in sicurezza.**

**Conservare tutti gli avvisi e le istruzioni per poterle consultare quando necessario.**

- Questo dispositivo non è inteso per l'uso da parte di persone (inclusi i bambini) con capacità fisiche, sensorie o mentali ridotte o con scarsa esperienza e conoscenza del prodotto, a meno che non sia utilizzato sotto la supervisione da parte di persone responsabili per la loro sicurezza.
- I bambini devono essere controllati per garantire che non giochino con il dispositivo.

### **IMPORTANTE**

**LEGGERE ATTENTAMENTE PRIMA DELL'USO  
CONSERVARE PER RIFERIMENTO FUTURO**

### **PROCEDURE PER UN USO SICURO**

#### **Addestramento**

- a) Leggere con attenzione le istruzioni. Acquisire familiarità con i comandi e il corretto funzionamento dell'apparecchio.
- b) Non permettere mai ai bambini o alle persone sprovviste delle necessarie competenze di utilizzare l'attrezzo. L'età minima di utilizzo dello stesso può variare a seconda delle diverse normative locali.
- c) Ricordare che l'operatore o l'utente sono responsabili di incidenti o rischi che dovessero verificarsi ai danni di terzi o delle proprietà.

#### **Operazioni preliminari**

- a) Assicurarsi che l'installazione del sistema di delimitazione automatica del perimetro sia eseguita correttamente.
- b) Ispezionare con attenzione l'area in cui si deve utilizzare l'apparecchiatura e togliere tutti gli oggetti che potrebbero essere lanciati dall'apparecchiatura.
- c) Prima dell'uso, verificare visivamente che le lame, i rispettivi bulloni e il gruppo di taglio non siano usurati o danneggiati. In tal caso, sostituire le lame o i bulloni in blocco per mantenere l'equilibrio.
- d) Su macchine con più lame, prestare attenzione perché ruotando una lama si provoca la rotazione dell'altra lama.

### **FUNZIONAMENTO**

#### **1. GENERALI**

- a) Non utilizzare mai il tosaerba se le protezioni o i ripari sono danneggiati o senza i gli appositi apparati di sicurezza, come i deflettori e di raccolta erba.
- b) Non avvicinare mani o piedi accanto o sotto le parti rotanti. Nel caso di falciatrici rotative, mantenere costantemente libere le aperture di scarico.
- c) Non raccogliere, né trasportare il tosaerba a motore in funzione.
- d) Premere il tasto STOP per fermare il rasaerba.
  - Prima di eliminare un'ostruzione,
  - Prima di controllare, pulire o effettuare lavori sulla apparecchiatura,
- e) Non è consentito modificare la versione originale di robot tosaerba. Il produttore declina ogni responsabilità per eventuali modifiche non autorizzate.
- f) Avviare robot tosaerba come indicato nelle istruzioni. Se l'interruttore principale è in posizione ON : tenere mani e piedi lontani dalle lame rotanti. Non infilare mai le mani o i piedi sotto il rasaerba.
- g) Non sollevare mai robot tosaerba, né trasportarlo, quando l'interruttore principale è in posizione ON.
- h) Non consentire a persone che non conoscono il funzionamento e il comportamento di robot tosaerba, di utilizzarlo.
- i) Non sistemare oggetti sopra robot tosaerba o la stazione di ricarica.
- j) Non utilizzare robot tosaerba se il disco a lame o la scocca presentano difetti. Non utilizzarlo nemmeno se presenta lame, viti, dadi o cavi difettosi.
- k) Non utilizzare robot tosaerba se l'interruttore principale non funziona.
- l) Spegner sempre robot tosaerba con l'interruttore principale quando non viene utilizzato. Robot tosaerba può essere avviato solo con l'interruttore principale in posizione ON e dopo aver inserito il codice PIN corretto.

#### **2. ULTERIORI INFORMAZIONI QUANDO L'APPARECCHIATURA FUNZIONA IN MODALITÀ AUTOMATICA**

- a) Non usare il tosaerba in presenza di altre persone, in particolar modo di bambini o di animali domestici.

### 3. ULTERIORI INFORMAZIONI QUANDO VIENE UTILIZZATO IL CONTROLLER MANUALE

- a) Usare il tosaerba solo nelle ore diurne o in buone condizioni di luce artificiale.
- b) Se possibile, evitare di utilizzare l'apparecchio su erba bagnata.
- c) Durante il lavoro, indossare sempre calzature robuste e pantaloni lunghi. Non utilizzare l'apparecchio scalzi o indossando sandali aperti.
- d) Sui terreni in pendenza, è necessario mantenere sempre la stabilità.
- e) Prestare la massima attenzione tirando a sé l'apparecchio o invertendo la direzione dello stesso.
- f) Azionare il motore attenendosi alle istruzioni e mantenendo i piedi a distanza di sicurezza dagli attrezzi da taglio.

### MANUTENZIONE E CONSERVAZIONE



**AVVERTENZA: Quando si capovolge il rasaerba, l'interruttore principale deve sempre essere in posizione OFF .**

**L'interruttore principale deve essere in posizione OFF durante tutti i lavori al sottoscocca del rasaerba, ad esempio pulizia o sostituzione delle lame.**

- a) Ai fini della sicurezza delle operazioni, accertarsi che tutti i dadi, i bulloni e le viti dell'apparecchio siano saldamente avvitati;
- b) Controllare robot tosaerba ogni settimana e sostituire le eventuali parti danneggiate o usurate.
- c) Controllare in particolare che le lame e il disco a lame siano integri. All'occorrenza, sostituire tutte le lame e le viti contemporaneamente in modo che le parti rotanti siano bilanciate,
- d) Assicurarsi di utilizzare solo accessori di taglio di ricambio del tipo corretto;
- e) Assicurarsi che le batterie siano caricate utilizzando il caricabatteria corretto consigliato dal costruttore. L'uso non corretto potrebbe causare folgorazioni, surriscaldamento o perdite di liquidi corrosive dalla batteria;
- f) Nel caso di perdite di elettroliti insieme a acqua/agente neutralizzante, chiedere l'aiuto di un medico nel caso vengano a contatto con gli occhi, ecc;
- g) La manutenzione dell'apparecchiatura deve essere eseguita seguendo le istruzioni del costruttore.

### Trasferimento

Per i trasporti più lunghi, si raccomanda di riporre robot tosaerba nell'imballaggio originale.

Per un trasferimento sicuro dall'area di lavoro e al suo interno:

- a) Per fermare il tagliaerba premere il tasto STOP. Se si attiva l'allarme antifurto inserire la prima cifra del codice PIN. Si sceglie il PIN a quattro cifre quando si avvia il tagliaerba per la prima volta.
- b) Prima di trasportare il rasaerba, portare l'interruttore principale in posizione OFF.
- c) Afferrare il rasaerba per l'impugnatura presente sul fondo, nella parte posteriore. Trasportare il rasaerba con il disco a lame lontano dal corpo.

## 1.2 Informazioni su Landroid®M



Avvertenza-In caso di uso improprio, robot tosaerba può essere pericoloso.

Leggere attentamente le istruzioni per l'uso e comprenderne il significato prima di utilizzare robot tosaerba.



Avvertenza - Tenere gli astanti a distanza di sicurezza.



Avvertenza-Spegnere la macchina prima di utilizzarla o di sollevarla.

Tenere mani e piedi lontani dalle lame rotanti. Non infilare mai le mani o i piedi sotto la scocca né avvicinarle ad robot tosaerba in funzione.

Robot tosaerba si avvia solo quando il pulsante ON/OFF si trova nella posizione ON ed è stato inserito il codice PIN corretto. Controlli e/o manutenzione devono essere eseguiti quando il pulsante ON/OFF è in posizione OFF.



Avvertenza -Non salire su robot tosaerba.



Non gettare nel fuoco



Non gettare nell'acqua



Le batterie vanno con la raccolta differenziata



Le batterie contengono ioni di Li, disporne in modo da proteggere l'ambiente. Non gettare le batterie scariche con la raccolta indifferenziata.

Li-Ion



I prodotti elettrici non possono essere gettati tra i rifiuti domestici. L'apparecchio da rottamare deve essere portato al centro di riciclaggio per un corretto trattamento. Controllare con le autorità locali o con il rivenditore per localizzare il centro di riciclaggio più vicino.

## 2. Dati tecnici e elementi dell'apparecchio


### 2.1 Dati tecnici

Codice: **WG794E(790-799-Designazione del macchinario, rappresentativo della Robot tosaerba)**

Potenza nominale	28V $\overline{=}$ Max*
Velocità a vuoto nominale	2800/min
Diametro di taglio	180mm
Altezza di taglio	20-60mm
Posizioni altezza di taglio	5
Tipo di batteria	Litio
Modello batteria	WA3225
Tempo di ricarica	1.5 ore circa
Modello caricatore	WA3716
Potenza caricabatteria	Ingresso: 100-240V~50/60Hz, 50W
	Uscita: 24-28V Dc, 1,5A
Peso macchina	8.3kg
Classe protezione	IPX4

\* Tensione misurata senza carico di lavoro. La tensione iniziale della batteria raggiunge un massimo di 28 Volt. La tensione nominale è di 25.2 Volt.

### Dati relativi al rumore e alla vibrazione

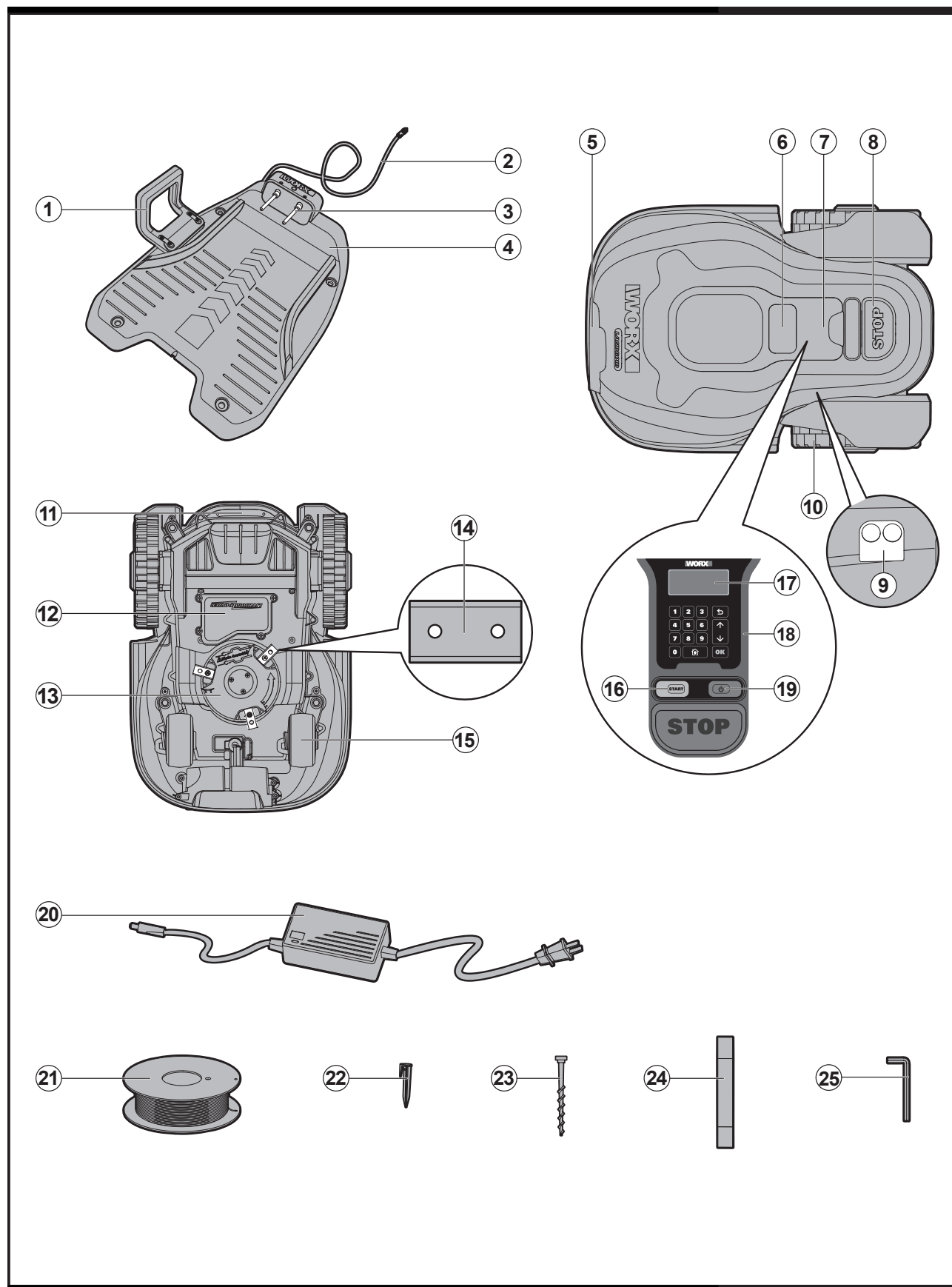
Pressione acustica ponderata A	44.5dB(A), $K_{PA}$ : 3.25dB(A)
Potenza acustica ponderata A	63dB(A)
Indossare protezione per le orecchie quando la pressione acustica è superiore a	80dB(A) 

### Accessori

<b>Base di ricarica con prolunga di 15m</b>	<b>1</b>
<b>Lame e viti</b>	<b>9</b>
<b>Picchetti</b>	<b>200</b>
<b>180m di filo perimetrale</b>	<b>1</b>
<b>Chiodi di ancoraggio della base di ricarica</b>	<b>4</b>
<b>Trasformatore</b>	<b>1</b>
<b>Distanziatore del filo perimetrale</b>	<b>1</b>
<b>Chiave allen</b>	<b>1</b>

Si raccomanda di acquistare tutti gli accessori nello stesso negozio in cui è stato acquistato l'attrezzo. Usare accessori di buona qualità e di marca sconosciuta. Fare riferimento alla confezione dell'accessorio per altri dettagli. Il personale del negozio può aiutarvi e consigliarvi.

## 2.2 Elementi dell'apparecchio



- 
- 1. MANUBRIO**

---

  - 2. CAVO DI BASSA TENSIONE**

---

  - 3. PIN DI CONTATTO**

---

  - 4. BASE DI RICARICA**

---

  - 5. STRISCIA DI RICARICA**

---

  - 6. COPERTURA DI REGOLAZIONE ALTEZZA DI TAGLIO ERBA   FINESTRA DISPLAY**

---

  - 7. COPERCHIO DEL PANNELLO DEI COMANDI**

---

  - 8. TASTO STOP**

---

  - 9. SENSORE PIOGGIA**

---

  - 10. ALLOGGIAMENTO IN PLASTICA STAMPO   RUOTA MOTRICE**

---

  - 11. MANIGLIA**

---

  - 12. PACCO BATTERIA**

---

  - 13. DISCO PER RUOTARE LA LAMA**

---

  - 14. LAMA DA TAGLIO**

---

  - 15. RUOTA ANTERIORE**

---

  - 16. TASTO START**

---

  - 17. LAMA DISPLAY**

---

  - 18. TASTIERA**

---

  - 19. TASTO ON/OFF**

---

  - 20. TRASFORMATORE**

---

  - 21. DI FILO PERIMETRALE (180m)**

---

  - 22. PINZE DI FISSAGGIO**

---

  - 23. CHIODI DI ANCORAGGIO DELLA BASE DI RICARICA**

---

  - 24. DISTANZIATORE DEL FILO PERIMETRALE**

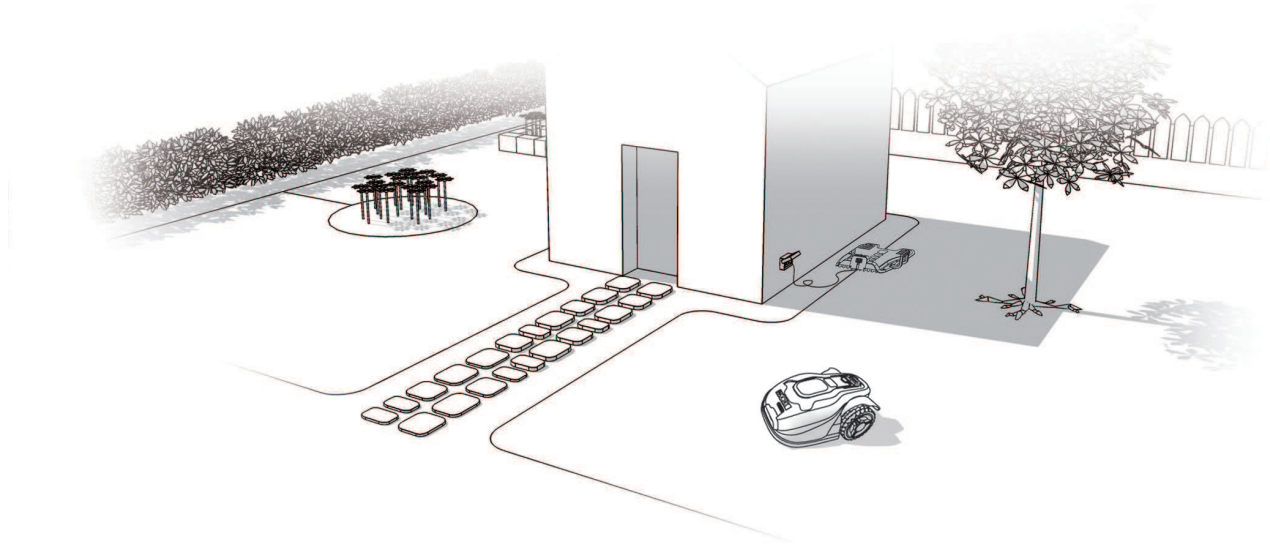
---

  - 25. CHIAVE ALLEN**
-



### 3. Per comprendere Landroid®M

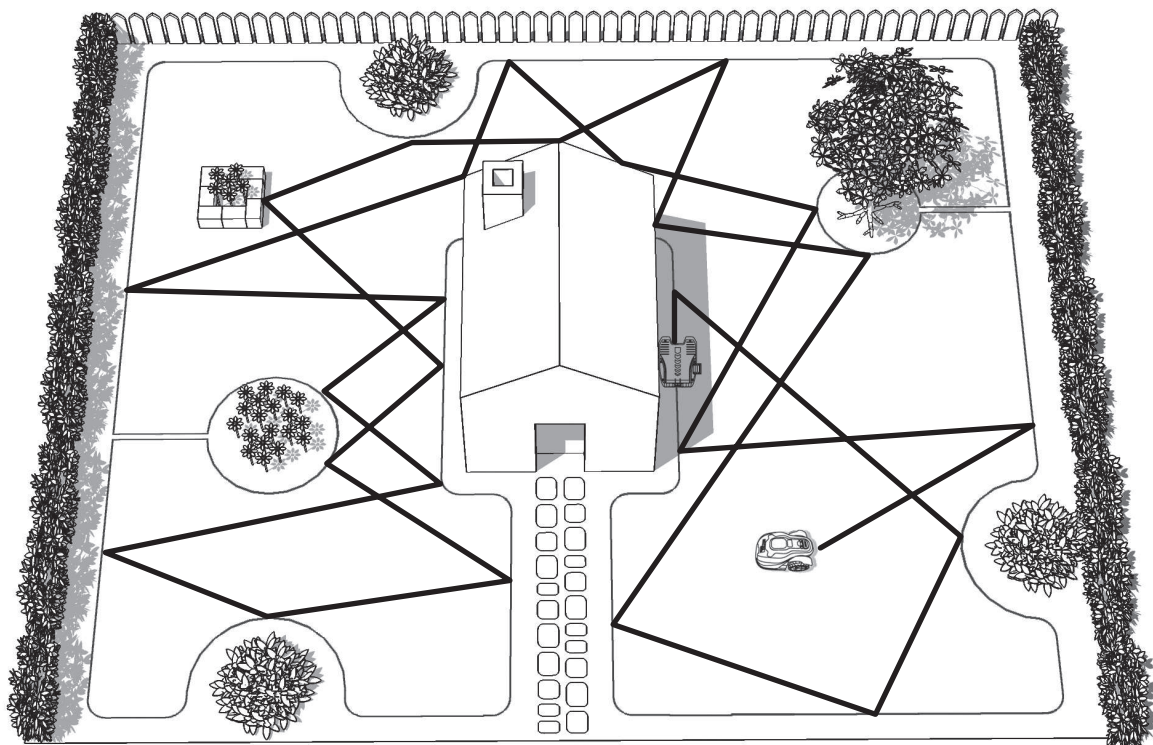
Complimenti per l'acquisto del nuovo Landroid®M e per essere entrati nella spensierata vita della tosatura automatica. Di seguito, vogliamo aiutarvi a capire meglio come pensa Landroid®M.



#### 3.1 Come fa Landroid®M a riconoscere ciò che deve tagliare?

Landroid®M sceglie la sua direzione a caso e non ripete mai la stessa direzione di taglio. Si assicura che tutto il prato venga tagliato uniformemente senza lasciare alcuna striscia di erba poco attraente. (Vedere la Fig. A)

57



**A**

## 3.2 Come fa Landroid®M a sapere dove deve andare?

Landroid®M è in grado di agire per conto proprio. Landroid®M sa quando deve andare alla base di ricarica (4) per effettuare la carica, è in grado di percepire quando piove, si ferma se si rileva un problema e sa arrestarsi e girarsi quando urta qualcosa sul suo percorso, ad esempio una persona, un animale domestico o un altro oggetto. Landroid®M arresta inoltre automaticamente la rotazione del disco lama se questo è sollevato da terra al fine di evitare un incidente.

### A. Per trovare la base di ricarica

Quando Landroid®M deve essere ricaricato, cessa di tagliare e segue il filo perimetrale (21) con un movimento in senso antiorario fino alla base di ricarica. Per risparmiare energia, Landroid®M sceglie di non ruotare il disco lama quando torna alla base di ricarica.

### B. Sensori pioggia

Il Landroid®M è dotato di un sensore per la pioggia (9) laterale sensibile alle gocce di pioggia che dice al Landroid®M di smettere di tosare l'erba e di seguire il cavo di confine fino alla base di ricarica. (Vedere le Fig. B).

La funzione di partenza ritardata di Landroid®M (0-180min) può essere programmata quando piove. Quando i sensori pioggia sono bagnati, Landroid®M ritorna alla sua docking station. Solo quando i sensori pioggia si asciugano Landroid®M inizierà il conto alla rovescia impostato per la partenza ritardata, oppure tornerà a falciare immediatamente.

Per ulteriori dettagli, consultare la Guida alla programmazione e alla risoluzione dei problemi.

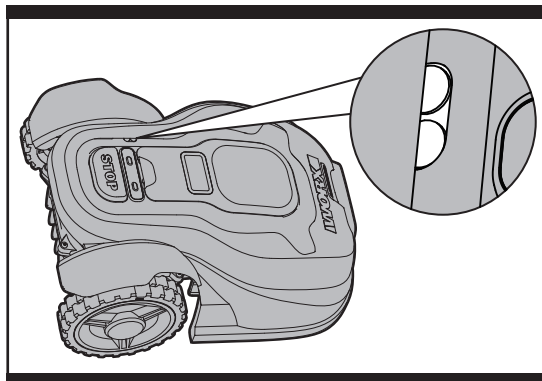
### C. Rilevazione del filo perimetrale

Landroid®M segue sempre il limite impostato dal filo perimetrale e utilizza due sensori nella parte anteriore per rilevare quando si avvicina. Prima di cambiare direzione, Landroid®M supera il filo perimetrale fino a 20cm\*. (Vedere le Fig. C)

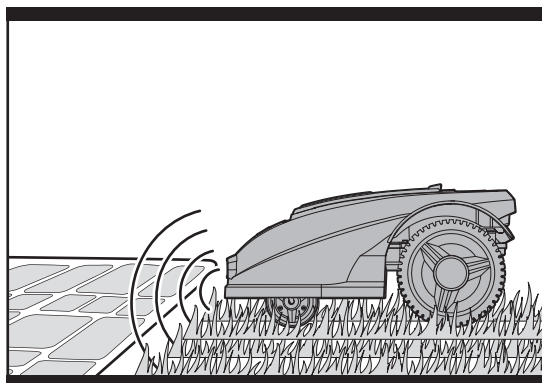
\* Questa è la distanza raccomandata perché Landroid®M non può calcolare automaticamente la distanza. Utilizzare il distanziatore per un'installazione adeguata.

### D. Avvio e arresto durante la tosatura

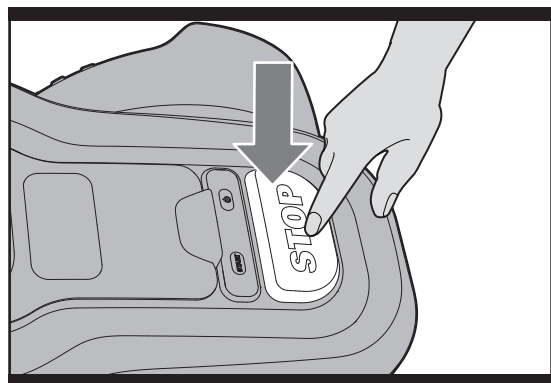
Per comandare a Landroid®M di arrestare la tosatura, basta premere il pulsante di STOP (8) nella parte superiore del tosaerba. Per iniziare a rasare l'erba premere il tasto ON/OFF, premere il tasto Avvio direttamente o aprire il pannello dei comandi e inserire gli altri comandi che desiderate dare e premere il tasto Avvio. (Vedere le Fig. D,E)



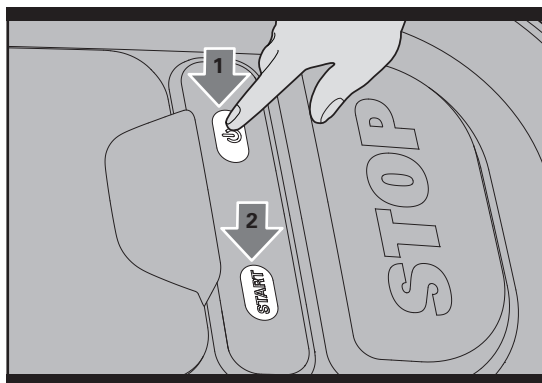
**B**



**C**



**D**



**E**

Se il Landroid®M sente che qualcosa è sbagliato sul display compare un messaggio d'errore (17), e se non riceve alcun input dall'utente per 20 minuti si spegne (per informazioni sui messaggi di errore, fare riferimento alla Guida alla programmazione e alla risoluzione dei problemi).

Per riavviarlo:

- Correggere i problemi.
- Premere il tasto ON/OFF (19) su ON.
- Premere il tasto avvio.
- Landroid®M è quindi pronto per iniziare la tosatura!

### 3.3 Quanto può essere grande l'area di tosatura di Landroid®M?

Landroid®M è in grado di eseguire la tosatura in aree fino a circa 1000m<sup>2</sup>, sebbene ciò dipenda da vari fattori, tra cui:

- Tipo di erba nel prato e relativo tasso di crescita.
- Acutezza delle lame (14).
- Umidità.
- Temperatura circostante.
- Quantità di ostacoli presenti nel prato.

Se la temperatura ambientale è molto calda nella vostra zona è possibile che il vostro Landroid®M si ricarichi più lentamente. Landroid®M utilizza meno energia in aree aperte con una quantità di ostacoli inferiore, come aiuole, fontane, sentieri, ecc... Vedere la tabella di seguito per i tempi di tosatura approssimativi in base all'area del prato:

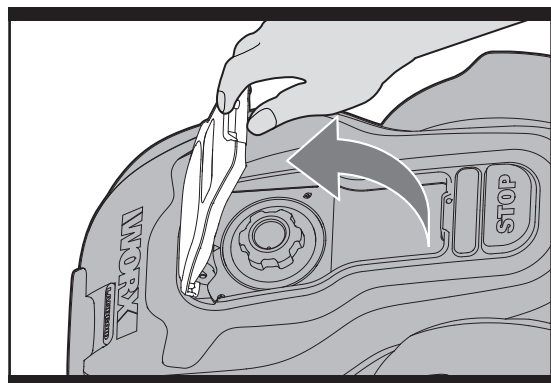
Area (m <sup>2</sup> )	Tempo raccomandato al giorno (ora)
200	4
500	13.5
1000	27

I tempi di tosatura sono diversi per ogni prato in base ai fattori citati in precedenza. Regolare gradualmente i tempi di tosatura di Landroid®M al giorno fino a trovare l'impostazione più adeguata.

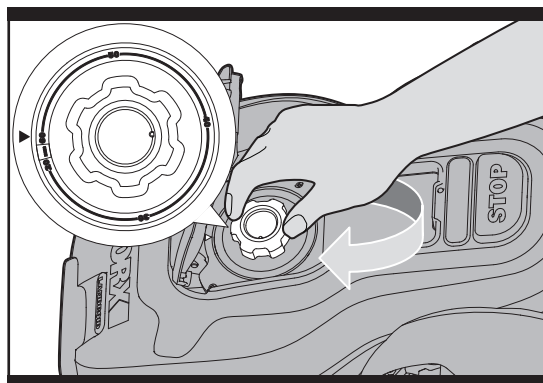
### 3.4 Con che efficienza Landroid®M taglia l'erba?

L'altezza di taglio di Landroid®M può essere regolata tra 2cm e 6cm. Prima di avviare il Landroid®M per la prima volta tagliare l'erba ad un'altezza non superiore a 9cm. Quindi assicurarsi di aprire il coperchio del pannello dei comandi (7) e impostare l'altezza del taglio all'altezza massima di taglio di 6cm. (Vedere le Fig. F, G)

Landroid®M offre prestazioni di taglio ottimali in condizioni climatiche asciutte. Non gradisce l'erba bagnata che può accumularsi sul disco lama (13) e all'interno del motore, causando la mancanza di trazione e lo slittamento durante il lavoro. Landroid®M teme i temporali. In caso di temporale, proteggere Landroid®M scollegando la base di ricarica (4), scollegando il filo perimetrale (21) e assicurandosi che Landroid®M non possa caricarsi.



F



G

Landroid®M adora tagliare l'erba e, per tagliare meglio, richiede che le sue lame (14) siano tenute in buone condizioni. Landroid®M è in grado di compiere varie operazioni da solo, ma a volte necessita di aiuto per evitare che si danneggi.

- Evitare che Landroid®M si muova sulla ghiaia.
- Rimuovere o sbloccare gli ostacoli sui quali Landroid®M potrebbe accidentalmente salire e con i quali potrebbe danneggiare il disco lama.
- Rimuovere tutti i detriti e i corpi estranei dal prato.

## 4. Nozioni di base relative al filo perimetrale

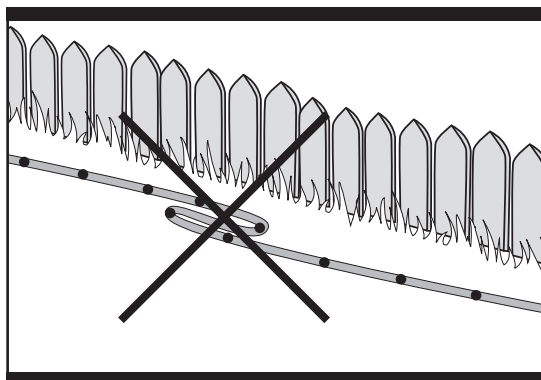
### 4.1 Per fissare il filo perimetrale

Utilizzare il distanziatore del filo perimetrale (24) per impostare la distanza adeguata dal bordo del prato (circa 35cm\*).

\* Questa è la distanza raccomandata perché Landroid®M non può calcolare automaticamente la distanza. Utilizzare il distanziatore per un'installazione adeguata.

Se anche i vicini utilizzano un Landroid®M, è necessario mantenere una distanza di almeno 4,5 metri tra il filo perimetrale ed i vicini.

**Landroid®M non è in grado di ricevere un segnale dal filo perimetrale oltre una distanza di 18m.**



**Il filo perimetrale deve delimitare esattamente l'area di taglio prevista.** Landroid®M potrebbe confondersi in presenza di altre curve o bobine di filo perimetrale che non fanno parte della sua area di taglio. (Vedere la Fig. H)

In caso di eccesso di filo perimetrale una volta delimitata l'area di taglio, tagliare e conservare il filo in un altro luogo.

Tuttavia, è importante lasciare la lunghezza necessaria nel punto in cui si collega alla base di ricarica in modo che possa collegarsi e rimanere interrato.

### 4.2 Per interrare il filo perimetrale

Si raccomanda di seppellire il cavo di confine sotto terra di alcuni centimetri. Questo vi garantirà un uso senza problemi anno dopo anno, stagione dopo stagione.

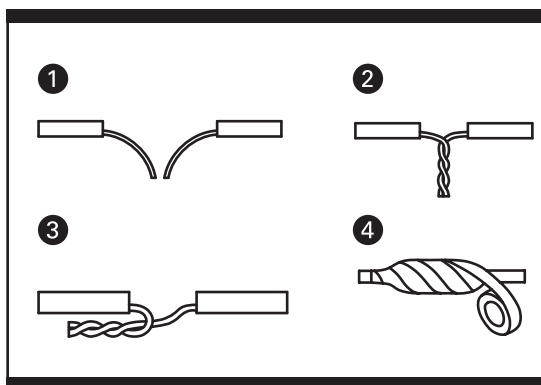
Per interrare il filo perimetrale, è possibile acquistare l'utensile accessorio WORX Territorial Marker presso lo stesso negozio in cui si è acquistato Landroid®M.

Se si pianifica di seppellire il cavo perimetrale, si noti che, quando entra nella base di ricarica per la prima volta, Landroid®M potrebbe avere problemi a rilevare il filo interrato. Si raccomanda prima di fissare il cavo di confine con le apposite pinze al prato per facilitare eventuali regolazioni che dovessero essere necessarie. Ciò consentirà verificare il funzionamento del Landroid®M nel nuovo ambiente garantendone il funzionamento in relazione alla base si ricarica prima di seppellire il cavo di confine.

### 4.3 Per unire il filo perimetrale

**IMPORTANTE: Il filo perimetrale non funziona correttamente se viene unito su una distanza di 200m.**

Il filo perimetrale (21) può essere esteso per renderlo più lungo semplicemente congiungendo le estremità e collegandolo alle estremità di un altro pezzo di filo. È possibile utilizzare nastro adesivo per fissare la parte unita del filo. (Vedere le Fig. I)



## 4.4 Accensione e controllo dell'installazione

Se la luce verde non si accende controllare i collegamenti elettrici.

Se il LED della base di ricarica vostro Landroid®M lampeggia in verde, controllare se il cavo di confine è collegato bene o se è tagliato.

Rossa accesa: in carica. Luce rossa: Messaggi di funzione, correggere prima il problema

Se Landroid®M è all'interno del suo territorio ma il display visualizza il messaggio "Out of cutting area" (Fuori area di taglio) e la luce LED è accesa,, significa che le estremità del cavo perimetrale sono state collegare in modo sbagliato. Invertire i collegamenti.

## 5. Manutenzione

Controllare periodicamente Landroid®M. Landroid®M lavora sodo e dopo un certo periodo di tempo ha bisogno di una buona pulizia e di sostituire le sue parti, le quali potrebbero usurarsi. Nella seguente documentazione desideriamo mostrare come lasciar adattare il nuovo Landroid®M alla sua nuova casa offrendogli la migliore assistenza possibile.

### 5.1 Durata della batteria

Il cuore di Landroid®M è costituito da una batteria al litio a 28V. Non occorre manutenzione. Per riporre la batteria in modo corretto, assicurarsi che sia completamente carica e riporta in un luogo asciutto tra (20°C-60°C).

La vita utile della batteria di Landroid®M dipende da vari fattori, tra cui:

- La durata della stagione di tosatura nella propria regione.
- La quantità di ore in cui Landroid®M esegue la tosatura al giorno.
- La cura della batteria quando viene conservata.

Per ricaricare manualmente senza il cavo perimetrale, si prega di seguire le seguenti procedure:

1. Connettere la Base di Ricarica ad una fonte di alimentazione adatta.
2. Mentre Landroid®M è spento, agganciarlo manualmente alla Base di Ricarica.
3. La luce rossa lampeggerà per 3 secondi; premere quindi il Pulsante di Accensione e Landroid®M inizierà a ricaricarsi.

### 5.2 Rimessaggio invernale

Landroid®M dura più a lungo e conserva le prestazioni ottimali se viene riposto al coperto. Perciò, sebbene sia resistente, si consiglia di riporre Landroid®M nella rimessa o nel garage durante l'inverno.

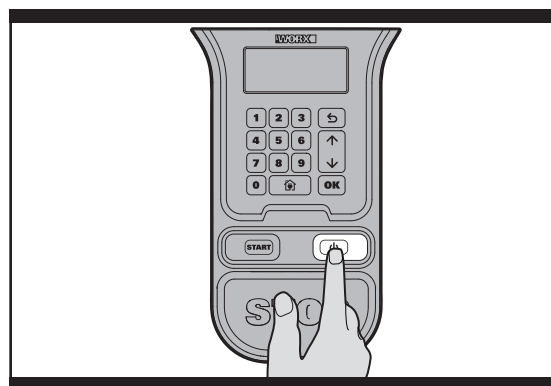
Prima di riporre al coperto Landroid®M, assicurarsi di:

- Pulire accuratamente Landroid®M.
- Caricare completamente la batteria.
- Spegnerne il tosaerba.

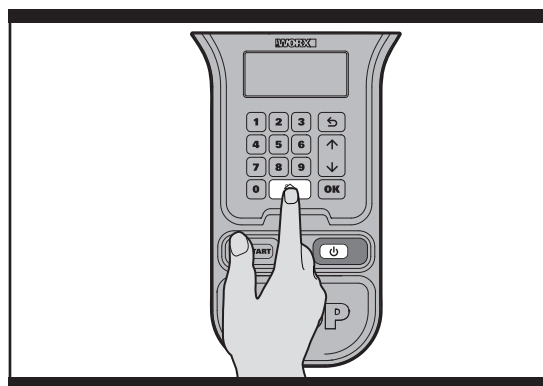
Per massimizzare la durata della batteria si raccomanda di caricarla completamente prima di riporre l'attrezzo per l'inverno.

Per caricare solamente la batteria:

- Collegare il filo di ricarica (21) alla base di ricarica (4).
- Collegare la base di ricarica ad una sorgente di alimentazione.
- Posizionare Landroid®M nella base di ricarica.



J



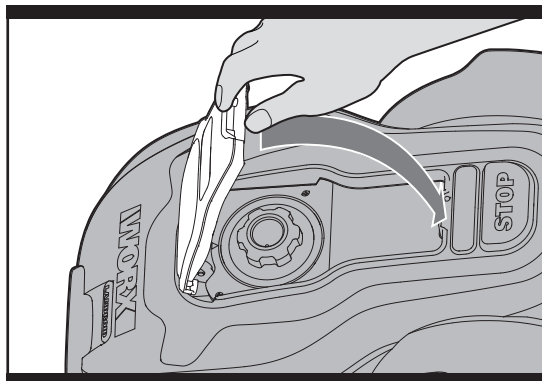
K

- Premere il tasto On/Off su ON. (Vedere le Fig. J)
- Quindi premere il tasto Home. (Vedere le Fig. K)
- Chiudere la finestra tastiera. (Vedere le Fig. L)
- Lasciare che Landroid®M si carichi per almeno 1.5 ore.

Il filo perimetrale può essere lasciato nel terreno, anche se le sue estremità devono essere protette, ad esempio collocandole in una lattina di grasso. Se la base di ricarica viene lasciata fuori durante l'inverno, lasciare il filo perimetrale collegato.

**NOTA:** Prima di riportarlo per l'inverno, portare Landroid®M presso un rivenditore per una pulizia e una messa a punto complete, al fine di collaudare le funzioni e sostituire le parti usurate.

Quando si riattiva Landroid®M dal rimessaggio invernale, assicurarsi che le strisce di ricarica (5) e le pin di contatto (3) siano pulite. È meglio utilizzare carta vetrata fine. Assicurarsi quindi che data e ora siano corretti e riportare Landroid®M al suo tanto adorato lavoro: la tosatura.



L

## 5.3 Pulizia

**⚠ AVVISIO: prima di eseguire la pulizia, spegnere Landroid®M premendo il pulsante ON/OFF su OFF. Indossare guanti protettivi prima di pulire il disco lama (13) e non utilizzare acqua corrente. (Vedere le Fig. M,N)**

### A. Pulizia del corpo

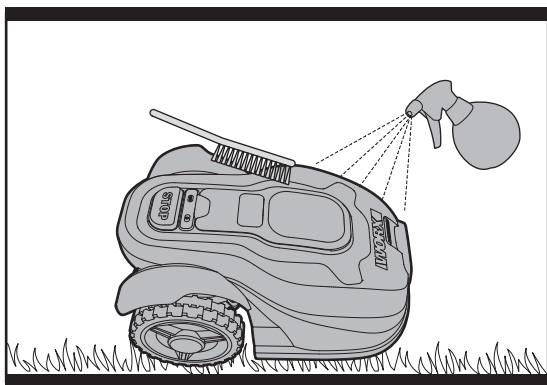
Landroid®M dura più a lungo e meglio se pulito periodicamente. Tuttavia, poiché Landroid®M è un macchinario elettrico, è necessario fare attenzione durante la pulizia. Pertanto **NON** utilizzare un tubo flessibile né versare in altro modo acqua corrente su Landroid®M; è preferibile utilizzare un flacone spray pieno di acqua. Per la pulizia dell'alloggiamento in plastica stampo (10) utilizzare una spazzola morbida o un panno pulito ed evitare l'uso di solventi o lucidanti. (Vedere la Fig. M) Infine, assicurarsi di rimuovere tutto l'accumulo di erba tagliata e di detriti, soprattutto dalle prese d'aria di raffreddamento del motore.

### B. Pulizia della scocca

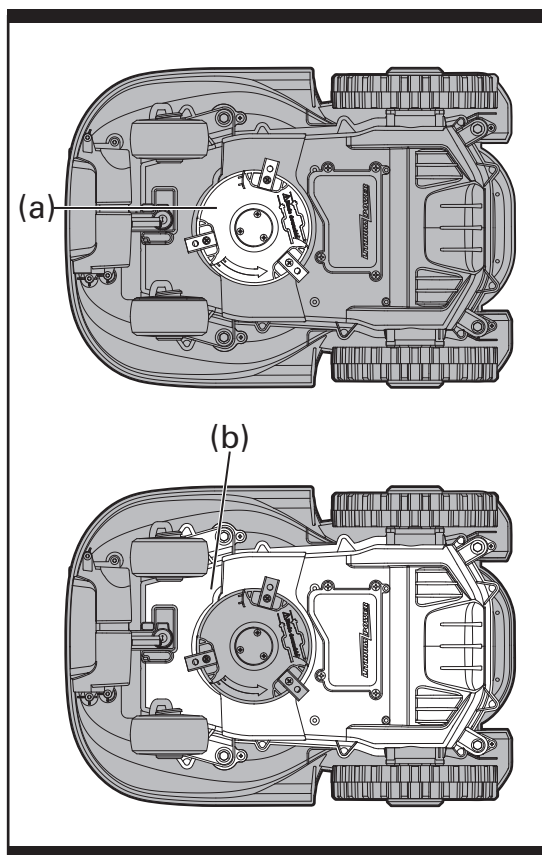
Anche in questo caso, è importante spegnere Landroid®M utilizzando il pulsante On/Off e **indossare guanti protettivi prima di toccare il disco lama (13).**

Prima capovolgere il Landroid®M per esporne la parte inferiore. Qui si può notare il disco lama (a), il telaio scatolato motore circostante (b) e le ruote anteriori (15) e motrici (10). Pulire tutto accuratamente con una spazzola morbida o un panno umido. (Vedere le Fig. N)

Ruotare il disco lama per assicurarsi che si muova liberamente e che non vi sia alcun deposito tra esso e il telaio scatolato motore circostante. Assicurarsi inoltre che le lame possano ruotare liberamente e che l'erba non le ostruisca.



M



N

**IMPORTANTE:** rimuovere i detriti depositatisi in modo che non causino crepe nel disco lama. Anche la più piccola crepa può ridurre la potenza di taglio di Landroid®M.

### C. Pulizia dei pin di contatto e delle strisce di ricarica

Pulire con un panno i pin di contatto (3) situati sulla base di ricarica(4) e le strisce di ricarica (5) situate su Landroid®M. Rimuovere periodicamente tutto l'accumulo di erba tagliata e di detriti intorno ai pin di contatto e alle strisce di ricarica per garantire ogni volta il corretto caricamento di Landroid®M.

## 5.4 Mantenere affilate le lame

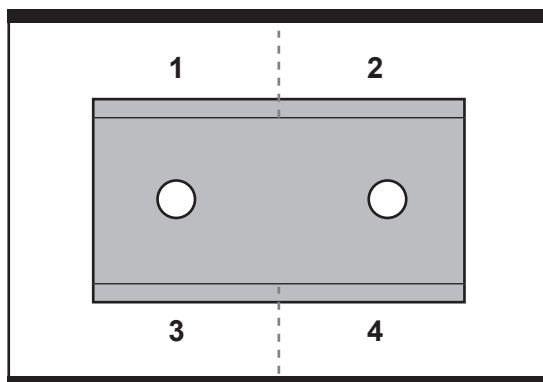


**AVVISO:** Prima di pulire, regolare o sostituire le lame, spegnere Landroid®M premendo il pulsante ON/OFF su OFF e indossare guanti protettivi.



**AVVISO:** Per sostituire la lama, assicurarsi di sostituire **TUTTE** le lame ogni volta. Se la lama è nuova, ma la vite è stata riutilizzata, la vite potrebbe usurarsi durante la tosatura causando la fuoriuscita violenta della lama dal tosaerba. Ciò potrebbe causare serie lesioni.

Landroid®M non taglia l'erba come altri tosaerba. Le sue lame (14) sono affilatissime su tutti i 4 lati e ruotano in entrambe le direzioni raggiungendo la massima capacità di taglio. (Vedere le Fig. O)  
Ogni lama del Landroid®M ha 4 estremità taglienti. A seconda della frequenza con cui Landroid®M tosa l'erba del giardino e per ottenere un taglio perfetto, le lame devono essere periodicamente capovolte/ruotate. Ad esempio se Landroid®M è programmato per rasare l'erba ogni giorno, le lame devono essere ruotate ogni mese per garantire una tosatura ottimale. Ogni lama durerà 4 mesi se il dispositivo è programmato per tagliare l'erba ogni giorno. Quando le lame sono smussate e usurate devono essere sostituite dalle lame di ricambio fornite con Landroid®M. Le lame di ricambio sono anche disponibili dal rivenditore WORX più vicino.



**O**

### A. Ruotare e capovolgere le lame

Landroid®M dispone di 3 lame, tutte avvitate sul disco lama (13).

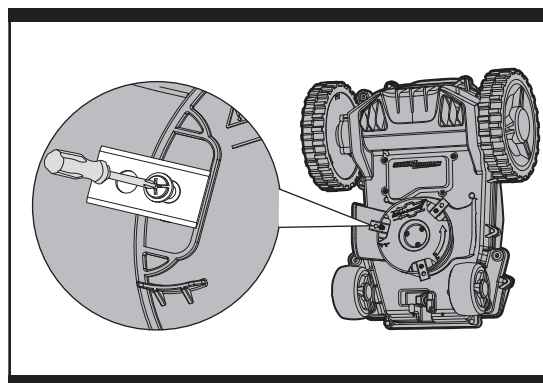
Le lame sono ciò che consentono a Landroid®M di svolgere il suo lavoro e necessitano di cura e attenzione. Ogni tanto è necessario ruotare e capovolgere contemporaneamente tutte le 3 lame per ottenere un taglio perfetto. Quando si ruotano e capovolgono le lame, assicurarsi che tutte le lame siano regolate contemporaneamente. In caso contrario, potrebbero sbilanciare il disco lama. Qualora Landroid®M tagli con normale frequenza (quotidiana), le lame devono durare una stagione se ruotate e capovolte ogni mese. Verificare sempre se le lame sono scheggiate o danneggiate e sostituirle, se necessario.

### B. Sostituire le lame

Dopo un certo periodo di tempo, di solito dopo ogni stagione, le lame di Landroid®M devono essere sostituite. Landroid®M non gradisce eseguire la tosatura con lame di anni e qualità diversi. Pertanto, quando si sostituiscono le lame, assicurarsi di sostituirle tutte contemporaneamente. È possibile sostituirle con uno dei tre kit di lame di ricambio e le viti della lama supplementare in dotazione con Landroid®M.

Prima di tentare di sostituire le lame di Landroid®M, spegnere il tosaerba e indossare guanti protettivi. Quindi attenersi alle seguenti procedure:

1. Capovolgere delicatamente Landroid®M.
2. Svitare le viti delle lame con un cacciavite a taglio o Phillips
3. Avvitare saldamente le nuove lame.(Vedere le Fig. P)



**P**

**IMPORTANTE:** Una volta avvitata la lama sul disco lama, assicurarsi che la lama ruoti liberamente.

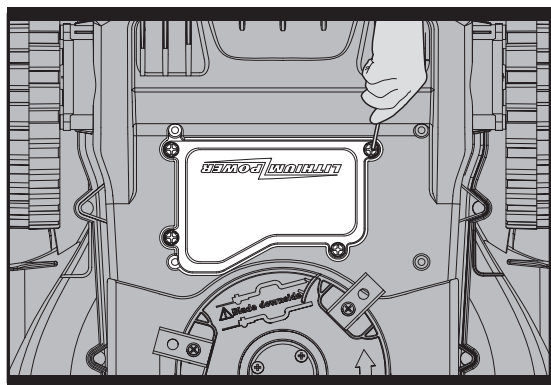
## 5.5 Sostituzione della batteria



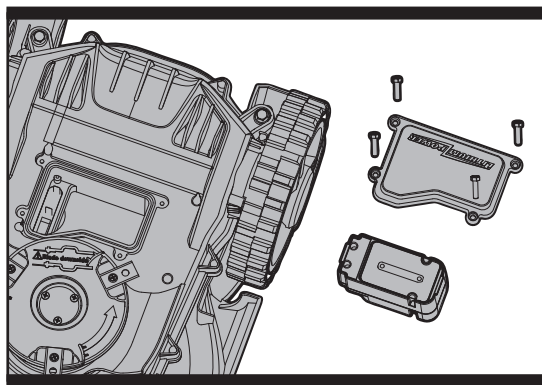
**AVVISO:** Premere il tasto ON/OFF su OFF prima di effettuare qualsiasi regolazione, sostituzione o riparazione.

Per sostituire la batteria, attenersi alle seguenti procedure:

1. Capovolgere delicatamente Landroid®M.
2. Rimuovere le sei viti sulla batteria. (Vedere le Fig. Q)
3. Estrarre la vecchia batteria. (Vedere le Fig. R)
4. Inserire la nuova batteria.
5. Reinscrivere saldamente le 4 viti.



**Q**



**R**

## Tutela ambientale



I prodotti elettrici non possono essere gettati tra i rifiuti domestici. L'apparecchio da rottamare deve essere portato al centro di riciclaggio per un corretto trattamento. Controllare con le autorità locali o con il rivenditore per localizzare il centro di riciclaggio più vicino.



# Dichiarazione di conformità

Noi,  
POSITEC Germany GmbH Konrad-Adenauer-Ufer 37 50668 Köln

Dichiara che l'apparecchio ,  
Descrizione **WORX Robot tosaerba**  
Codice **WG794E (790-799- Designazione del macchinario, rappresentativo della Robot tosaerba)**  
Funzione **Falciatura prati**

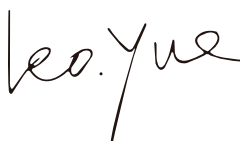
È conforme alle seguenti direttive,  
Direttiva macchine **2006/42/EC**  
Direttiva sulla compatibilità elettromagnetica **2004/108/EC**  
Direttiva RoHS **2011/65/EU**  
**Direttiva sulla rumorosità delle macchine ed attrezzature funzionanti all'aperto**  
**2000/14/EC modificata dalla 2005/88/EC**

Procedura di conformità come da **Annex V**  
Potenza acustica pesata **61.95dB(A)**  
Massima potenza di rumore garantita **63dB(A)**

conforme a,  
**EN ISO 12100-1**  
**EN ISO 12100-2**  
**EN ISO 14121-1**  
**EN ISO 3744**  
**EN 55014-1**  
**EN 55014-2**

Il responsabile autorizzato alla compilazione della documentazione tecnica,  
**Nome Russell Nicholson**  
**Indirizzo Positec Power Tools (Europe) Ltd, PO Box 152, Leeds, LS10 9DS, UK**

65



2013/01/10  
Leo Yue  
POSITEC Direttore Qualità

**Area codice PI:**


# MANUAL ORIGINAL

## SUMARIO

<b>1. Instrucciones de seguridad</b>	<b>67</b>
1.1 Instrucciones generales y adicionales de seguridad	67
1.2 Información sobre el Landroid®M	69
<b>2. Datos técnicos y lista de componentes</b>	<b>70</b>
2.1 Datos técnicos	70
2.2 Lista de componentes	71
<b>3. Funcionamiento del Landroid®M</b>	<b>73</b>
3.1 ¿Cómo sabe mi Landroid®M qué tiene que cortar?	73
3.2 ¿Cómo sabe mi Landroid®M adónde tiene que ir?	74
A. Encontrar el cargador	74
B. Sensor de lluvia	74
C. Detectar el cable delimitador	74
D. Arrancar y parar el funcionamiento	74
3.3 ¿Cuál es el área máxima de césped que puede cortar el Landroid®M?	75
3.4 ¿Cuál es la eficiencia de mi Landroid®M al cortar el césped?	75
<b>4. Fundamentos del cable delimitador</b>	<b>76</b>
4.1 Fijar el cable delimitador	76
4.2 Enterrar el cable delimitador	76
4.3 Unir el cable delimitador	76
4.4 Encendido e instalación de prueba	77
<b>5. Mantenimiento</b>	<b>77</b>
5.1 Duración de la batería	77
5.2 Hibernación	77
5.3 Manténgalo limpio	78
A. Limpieza del mecanismo	78
B. Limpieza de la parte inferior	78
C. Limpie las patillas de los contactos y las regletas de carga	79
5.4 Mantenerlo afilado	79
A. Rotar y voltear las cuchillas	79
B. Cambiar las cuchillas	79
5.5 Sustituir la batería	80
<b>6. Declaración de conformidad</b>	<b>81</b>

# 1. Instrucciones de seguridad

## 1.1 Instrucciones generales y adicionales de seguridad

 **ADVERTENCIA: Lea todas las advertencias e instrucciones de seguridad. El incumplimiento de las advertencias e instrucciones puede provocar una descarga eléctrica, incendio y/o lesiones Lea atentamente las instrucciones para un correcto funcionamiento de la máquina. Guarde todas las advertencias e instrucciones como referencia para el futuro.**

- Este aparato no se ha diseñado para ser utilizado por personas (incluidos niños) con una incapacidad física, sensorial o mental reducida, o falta de experiencia y conocimiento, a menos que una persona responsable de su seguridad les autorice a ello o les proporcione la formación necesaria para usar el aparato.
- No se debe permitir que los niños jueguen con este aparato.

### IMPORTANTE

#### LEA ATENTAMENTE ANTES DE USAR

#### GUARDE COMO REFERENCIA PARA EL FUTURO

### PRÁCTICAS PARA UN CORRECTO FUNCIONAMIENTO

#### Formación

- a) Lea las instrucciones con atención. Asegúrese que ha entendido las instrucciones y se ha familiarizado con los controles y el uso apropiado del aparato;
- b) No permita que el aparato sea usado por niños o por personas que desconocen las instrucciones. La normativa local puede restringir la edad del operador;
- c) El operador o usuario es responsable de los accidentes o peligros que se produzcan a otras personas o propiedades.

#### Preparación

- a) Asegure la correcta instalación del sistema de delimitación del perímetro automático de acuerdo con las instrucciones.
- b) Revise periódicamente el área donde el aparato se va a utilizar y elimine todas las piedras, palos, cables, huesos y otros objetos extraños.
- c) Periódicamente realice una inspección visual para comprobar que las cuchillas, los pernos de la cuchillas y el montaje del equipo de corte no estén desgastados o dañados. Cambie el juego completo de cuchillas y pernos para conservar el equilibrio.
- d) Tenga cuidado con los equipos que presentan un sistema multiteje porque el giro de una hoja puede provocar que las otras hojas también giren.

### FUNCIONAMIENTO

#### 1. GENERAL

- a) Nunca haga funcionar el aparato con los protectores defectuosos o sin los dispositivos de seguridad, por ejemplo los deflectores, en su sitio;
- b) No ponga las manos ni los pies cerca o debajo de las partes giratorias. Manténgase alejado de la apertura de descarga en todo momento;
- c) Nunca levante o transporte el aparato con el motor en marcha;
- d) Apague la máquina  
Antes de despejar un obstáculo;  
Antes de inspeccionar, limpiar o trabajar con el equipo;
- e) No se permite modificar el diseño original del robot cortacésped. Todas las modificaciones se hacen bajo su propio riesgo.
- f) Ponga en marcha el robot cortacésped de acuerdo con las instrucciones. Cuando el interruptor principal está en la posición de ON, asegúrese de mantener las manos y los pies lejos de las cuchillas giratorias. No ponga nunca las manos y los pies debajo del cortacésped.
- g) Nunca levante el robot cortacésped o lo transporte de un sitio para otro con el interruptor principal en la posición de ON.
- h) No permita que el robot cortacésped sea usado por personas que desconocen su funcionamiento.
- i) No ponga nada encima del robot cortacésped o el cargador.
- j) No permita que se use el robot cortacésped con una cuchilla de corte o mecanismo defectuoso. Tampoco se debe utilizar con cuchillas, tornillos, tuercas o cables defectuosos.
- k) No utilice el robot cortacésped si el interruptor principal no funciona.
- l) Apague siempre el robot cortacésped con el interruptor principal cuando no se vaya a utilizar la máquina. El robot cortacésped empieza a funcionar cuando el interruptor principal se ha puesto a la posición de ON y se ha introducido el código PIN correcto.

#### 2. EN EL CASO DE QUE EL EQUIPO FUNCIONE AUTOMÁTICAMENTE

- a) No deje que el aparato funcione sin vigilancia si sabe que hay animales domésticos, niños o personas en los alrededores.

### 3. EN EL CASO DE QUE UTILICE EL CONTROLADOR MANUAL

- a) Corte el césped sólo con luz de día o con luz artificial buena;
- b) Evite el funcionamiento del equipo con la hierba mojada;
- c) No haga funcionar el aparato mientras está descalzo o usa sandalias. Utilice siempre un buen calzado y pantalones largos;
- d) Asegure siempre una posición firme en las pendientes;
- e) Extreme la precaución cuando ponga el aparato del revés mirando hacia usted;
- f) Encienda siempre el motor según las instrucciones con los pies bien lejos de las cuchillas;

### MANTENIMIENTO Y ALMACENAMIENTO



**ADVERTENCIA! Cuando el cortacésped se pone boca abajo el interruptor principal debe estar siempre en la posición de OFF.**

**Cuando se trabaja con el mecanismo de corte, por ejemplo en la limpieza y cambio de las hojas, el interruptor general debe estar en la posición de OFF.**

- a) Mantenga todas las tuercas, pernos y tornillos apretados para unas condiciones de trabajo seguras.
- b) Por su seguridad inspeccione el robot cortacésped cada semana y sustituya las piezas desgastadas o dañadas;
- c) Compruebe que las cuchillas y el disco de corte no están dañados. Cuando sea necesario cambie las cuchillas y los tornillos al mismo tiempo a fin de que las partes giratorias estén equilibradas.
- d) Asegúrese de que las partes cortantes que se sustituyen son del tipo correcto;
- e) Asegúrese de que las baterías se cargan con el cargador correcto recomendado por el fabricante. El uso incorrecto puede provocar descargas eléctricas, sobrecalentamiento o una fuga del líquido corrosivo de la batería;
- f) En el caso de que se produzca una fuga de electrolito y se mezcle con agua o agente neutralizante, busque ayuda médica si entrara en contacto con los ojos, etc;
- g) La asistencia técnica del equipo se debería realizar de acuerdo con las instrucciones del fabricante.

### Transporte

Para el transporte del robot cortacésped a largas distancias, se debe utilizar el embalaje original.

Para un traslado seguro desde o dentro de la zona de trabajo:

- a) Pulse el botón STOP para detener la segadora. Si se activa la alarma anti-robo, introduzca el primer dígito del código PIN. Seleccione los cuatro dígitos del PIN cuando utiliza la segadora por primera vez.
- b) Coloque el interruptor principal en la posición de OFF si tiene la intención de transportar el equipo.
- c) Lleve el cortacésped por el mango de la parte trasera. Lleve el cortacésped con el disco de corte lejos del cuerpo.

## 1.2 Información sobre el Landroid® M



ADVERTENCIA - El robot cortacésped puede ser peligroso si se usa incorrectamente.

Lea con atención el Manual de Usuario y entienda su contenido antes de usar su robot cortacésped.



ADVERTENCIA - Manténgase a una distancia segura mientras la máquina esté en funcionamiento.



ADVERTENCIA - Apague la máquina antes de trabajar en ella o levantarla.

Mantenga sus manos y pies a distancia de las hojas giratorias. No ponga las manos ni los pies cerca o debajo del mecanismo mientras el robot cortacésped está en funcionamiento.

El robot cortacésped solo puede comenzar cuando el botón de ON/OFF está ON y se ha introducido el código de PIN correcto. La inspección y/o el mantenimiento se deben realizar con el botón de ON/OFF en OFF.



ADVERTENCIA - No use la máquina como medio de transporte.



No arrojar al fuego



No arrojar al agua



Las baterías deben reciclarse



Li-Ion

Las baterías contienen iones de litio. Las baterías usadas deben desecharse por separado para respetar el medio ambiente. No deseché las baterías usadas con el resto de los residuos municipales.



Los residuos de productos eléctricos no se deben tirar con la basura doméstica. Por favor, recicle donde existan instalaciones. Consulte con las autoridades locales o su distribuidor para consejo sobre el reciclaje.

## 2. Datos técnicos y lista de componentes


### 2.1 Datos técnicos

Modelo: **WG794E (790-799-denominaciones de maquinaria, representantes de Robot Cortacesped)**

Tensión nominal	28V $\overline{\text{---}}$ Max*
Velocidad en vacío	2800/min
Diámetro de corte	180mm
Altura de corte	20-60mm
Posiciones de altura de corte	5
Tipo de batería	Litio
Modelo de la batería	WA3225
Tiempo de carga	1.5 hora aprox.
Modelo del cargador	WA3716
Datos nominales del cargador	Entrada: 100-240V~50/60Hz, 50W
	Salida: 24-28V Dc, 1.5A
Peso de la máquina	8.3kg
Clase de protección	IPX4

\* Voltaje medido sin carga. El voltaje inicial máximo de la batería es de 28 voltios. El voltaje nominal es de 25.2 voltios.

### Información de ruido

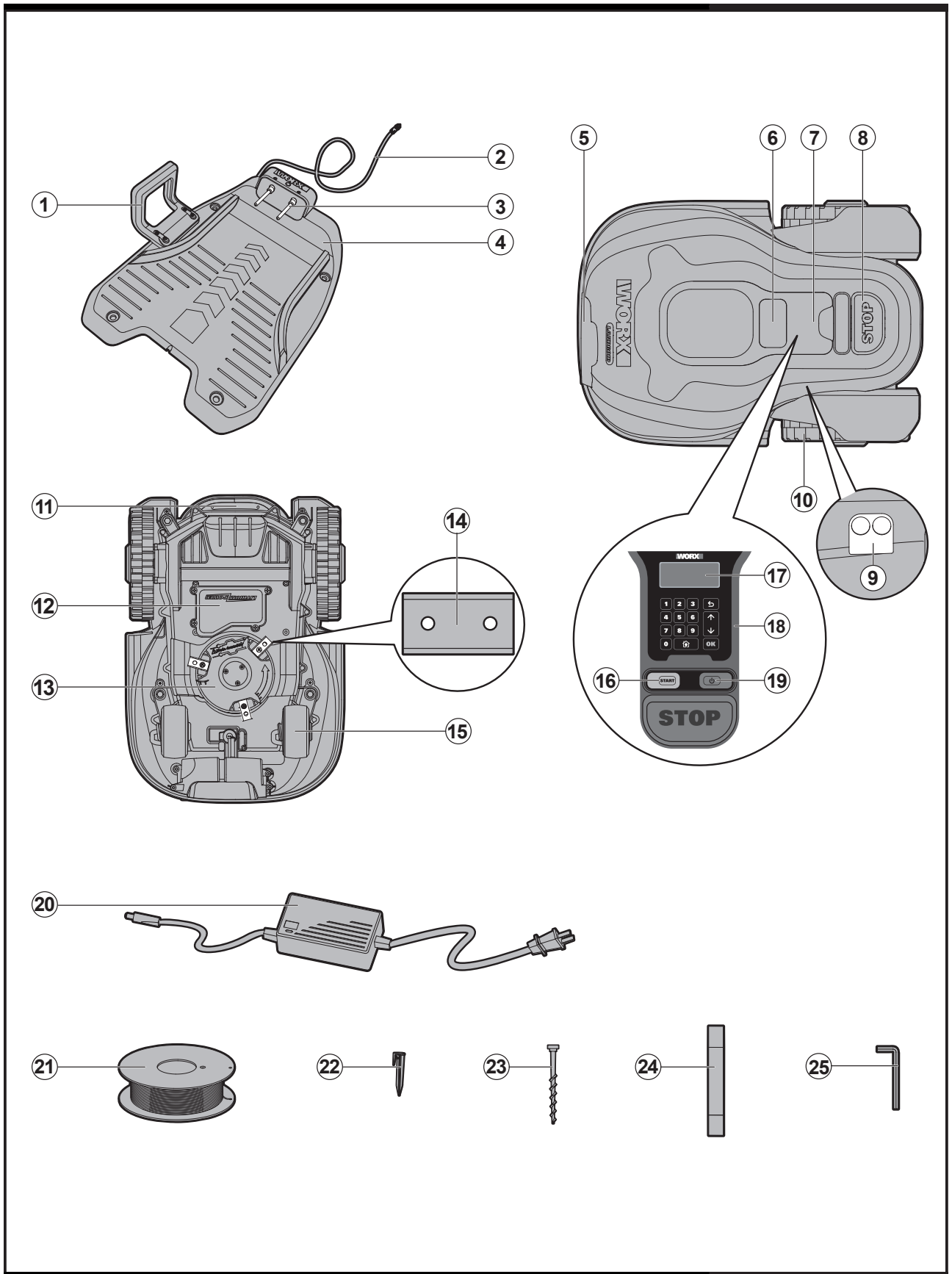
Nivel de presión acústica de ponderación	44.5dB(A), $K_{PA}$ : 3.25dB(A)
Nivel de potencia acústica de ponderación	63dB(A)
Úsese protección auditiva cuando la presión acústica sea mayor a	80dB(A) 

### Accesorios

<b>Base de carga con un cable de extensión de 15m</b>	<b>1</b>
<b>Cuchillas y tornillos</b>	<b>9</b>
<b>Clavijas limitadoras</b>	<b>200</b>
<b>180m cable delimitador</b>	<b>1</b>
<b>Clavos de retención de la base de carga</b>	<b>4</b>
<b>Adaptador de alimentación</b>	<b>1</b>
<b>Medidor de distancia del cable delimitador</b>	<b>1</b>
<b>Llave allen</b>	<b>1</b>

Recomendamos que adquiera todos sus accesorios en el mismo comercio donde compró la herramienta. Utilice accesorios de buena calidad y de marca reconocida. Elija los accesorios de acuerdo con el trabajo que pretende realizar. Consulte los estuches de los accesorios para más detalles. El personal del comercio también puede ayudar y aconsejar.

## 2.2 Lista de componentes

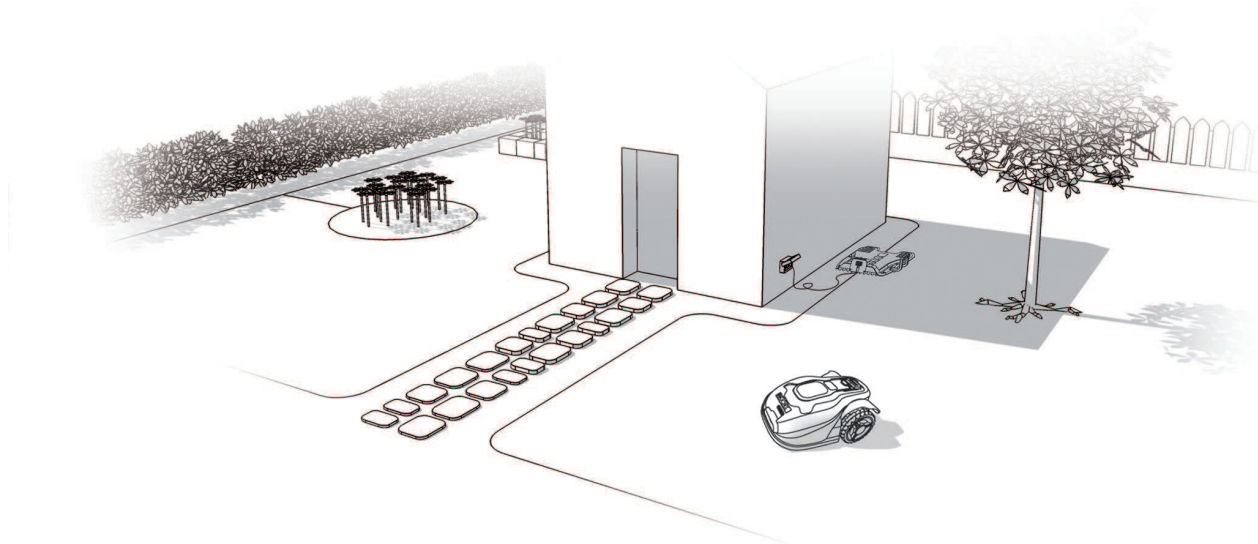


- 
- 1. PALANCA**
  - 2. CABLE DE BAJA TENSIÓN**
  - 3. PATILLAS DE CONTACTO**
  - 4. BASE DE CARGA**
  - 5. PLETINA DE CARGA**
  - 6. PANEL DEL PANTALLA**
  - 7. CUBIERTA DEL PANEL DE CONTROL**
  - 8. BOTÓN STOP (DETENER)**
  - 9. SENSOR DE LLUVIA**
  - 10. CARCASA DE PLÁSTICO RUEDAS MOTRICES**
  - 11. MANGO**
  - 12. BATERÍA**
  - 13. DISCO GIRADOR DE LA CUCHILLA**
  - 14. HOJA DE LA CUCHILLA**
  - 15. RUEDAS DELANTERAS**
  - 16. TECLA START**
  - 17. PANTALLA**
  - 18. TECLADO**
  - 19. TECLA ON/OFF**
  - 20. ADAPTADOR DE ALIMENTACIÓN**
  - 21. CABLE DELIMITADOR(180m)**
  - 22. CLAVIJAS DEL CABLE**
  - 23. CLAVOS DE RETENCIÓN DE LA BASE DE CARGA**
  - 24. MEDIDOR DE DISTANCIA DEL CABLE DELIMITADOR**
  - 25. LLAVE ALLEN**
-



### 3. Funcionamiento del Landroid® M

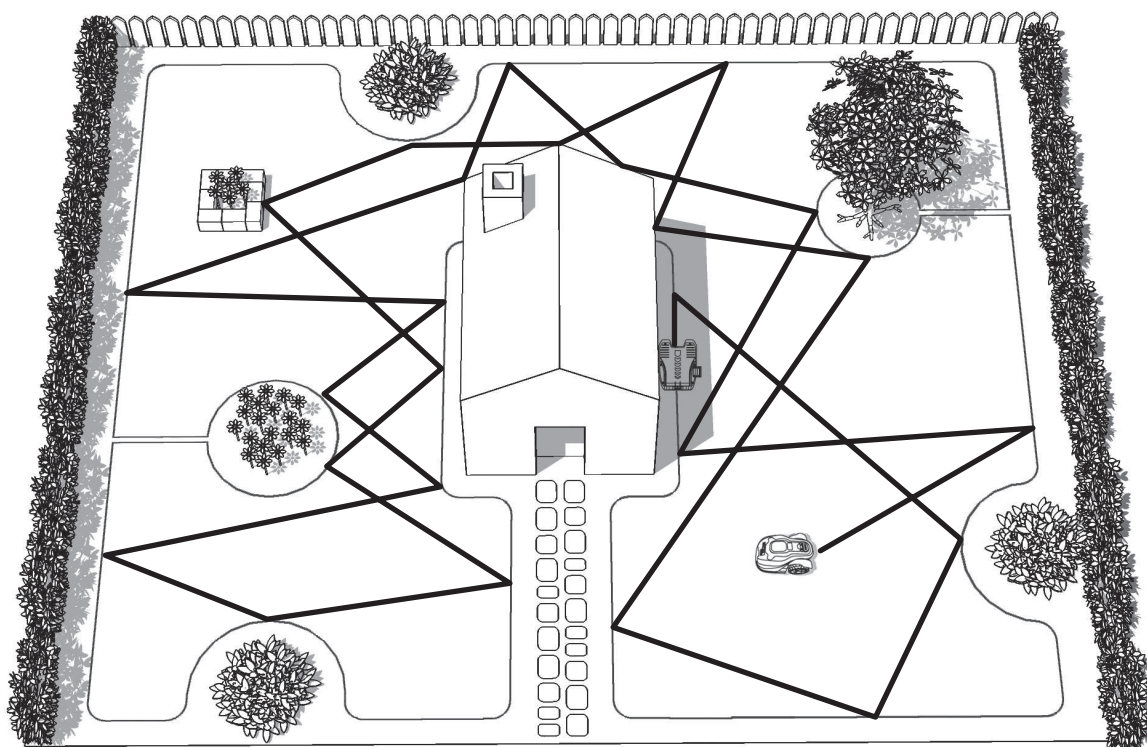
Nos gustaría felicitarle por la nueva compra del Landroid® M y por su entrada en la vida sin preocupaciones con el uso de cortacéspedes automáticos. En las páginas siguientes, nos gustaría ayudarle a comprender mejor cómo piensa su Landroid® M.



#### 3.1 ¿Cómo sabe mi Landroid® M qué tiene que cortar?

El Landroid® M elige su dirección al azar y nunca repite la misma dirección de corte. Se asegurará de que todo el césped está cortado de manera uniforme sin dejar de lado las rutas de corte poco interesantes. (Ver Fig. A)

73



A

## 3.2 ¿Cómo sabe mi Landroid®M adónde tiene que ir?

Su Landroid®M es capaz de hacer cosas por su cuenta. El Landroid®M sabe cuándo tiene que ir a la base de carga (4) a cargar, sabe cuando está lloviendo, puede pararse si detecta un problema y sabe detenerse y dar media vuelta cuando choca con algo que bloquea su camino, como una persona, animal u otro objeto. El Landroid®M parará automáticamente el disco de corte si el aparato se levanta del suelo con el fin de evitar un accidente.

### A. Encontrar el cargador

Cuando su Landroid®M necesite recargarse, dejará de cortar y seguirá el cable delimitador (21) en un sentido antihorario hacia el cargador. Para ahorrar energía, cuando el Landroid®M regresa a su base de carga, no gira el disco de corte.

### B. Sensor de lluvia

La Landroid®M cuenta con un Sensor de lluvia (9) en el lateral que detecta las gotas de lluvia y ordena al Landroid®M que deje de cortar y siga al Cable delimitador hasta su Base de carga. (Ver Fig. B) Landroid®M se puede programar para una función de puesta en marcha retardada (0 a 180 minutos) cuando llueve. Cuando los sensores de lluvia se mojan, Landroid®M regresa a su base de acoplamiento. Landroid®M iniciará la cuenta atrás para la puesta en marcha retardada o volverá a segar inmediatamente solamente cuando los sensores de lluvia estén secos. Vea la Guía de Resolución de Problemas y Programación para más detalles.

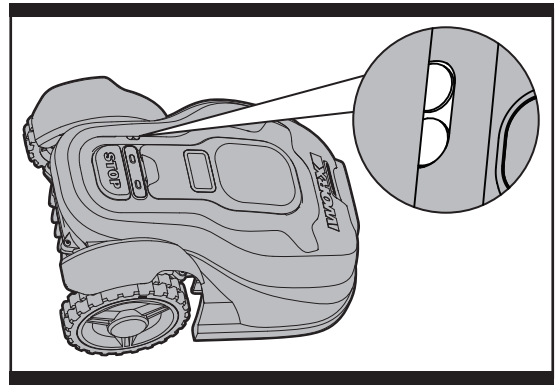
### C. Detectar el cable delimitador

El Landroid®M siempre se mantiene dentro del límite establecido por el cable delimitador y utiliza dos sensores en su parte delantera para detectar cuando se está acercando. Antes de cambiar de dirección, el Landroid®M sobrepasará el cable delimitador hasta 20cm\*. (Ver Fig. C)

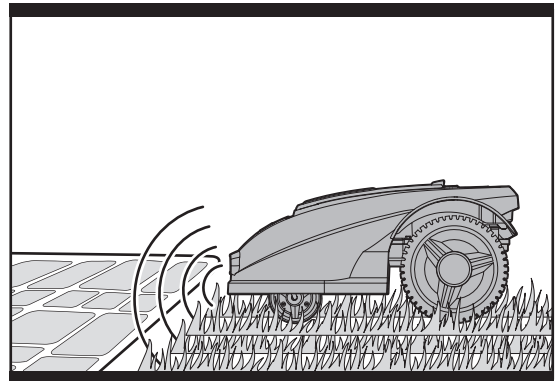
\* Esta es la distancia recomendada porque su Landroid®M no puede calcular dicha distancia por sí mismo. Utilice el calibre de distancia proporcionado para garantizar la instalación adecuada.

### D. Arrancar y parar el funcionamiento

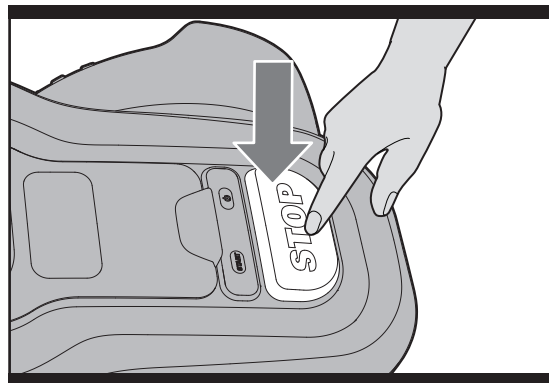
Si quiere que el Landroid®M cese de cortar, solo tiene que pulsar el botón de STOP (8) en la parte superior de la máquina. Para comenzar a cortar, presione la tecla ENCENDIDO/APAGADO, presione directamente la tecla de puesta en marcha o bien abra la Cubierta del panel de control e introduzca instrucciones adicionales, finalmente presione la tecla START (puesta en marcha). (Ver Fig. D, E)



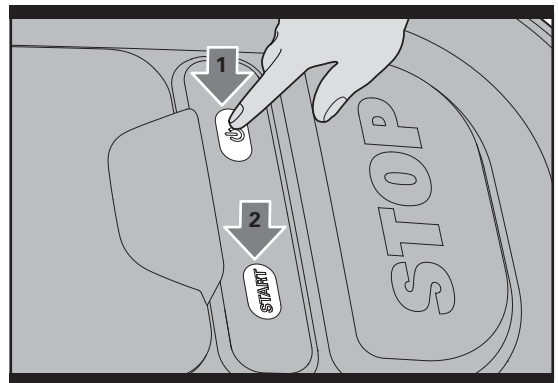
B



C



D



E

Si el Landroid®M detecta que algo está mal, mostrará un mensaje de error en la pantalla (16) y se apagará automáticamente si no recibe ninguna respuesta por parte del usuario en los siguientes 20 minutos (para más información sobre mensajes de error consultar la Guía de Resolución de Problemas y Programación).

Para reanudar:

- Solucione los problemas.
- Pulse la tecla ON/OFF (19) en ON.
- Pulse la tecla START (puesta en marcha).
- ¡Ahora el Landroid®M empezará a cortar!

### 3.3 ¿Cuál es el área máxima de césped que puede cortar el Landroid®M?

Su Landroid®M es capaz de cortar áreas de hasta 1000m<sup>2</sup>, aunque esto depende de varios factores como por ejemplo:

- Variedades de hierba en su césped y su tasa de crecimiento.
- Delgadez de las hojas de corte (14).
- Humedad.
- Temperatura ambiental.
- Cantidad de obstáculos en el césped.

Si la temperatura ambiente del lugar donde vive es muy alta, es posible que la Landroid®M se cargue más lentamente. El Landroid®M utiliza menos energía en las áreas abiertas que tienen menos obstáculos tales como flores, fuentes, pasarelas, etc ...

Consulte la siguiente tabla de tiempos de corte recomendados dependiendo del área de césped:

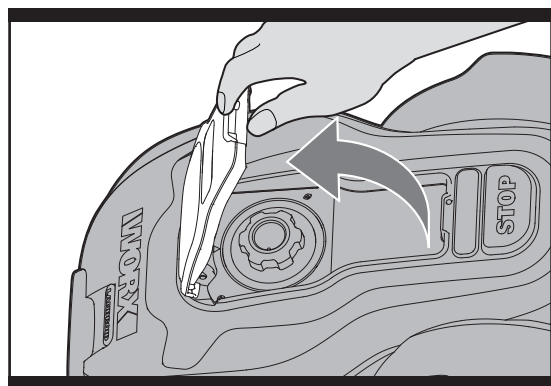
Área (m <sup>2</sup> )	Tiempo recomendado por día (horas)
200	4
500	13.5
1000	27

Los tiempos de corte son diferentes para cada césped en función de los factores mencionados anteriormente. Ajuste gradualmente el tiempo de corte de su Landroid®M hasta que encuentre el valor más adecuado para usted.

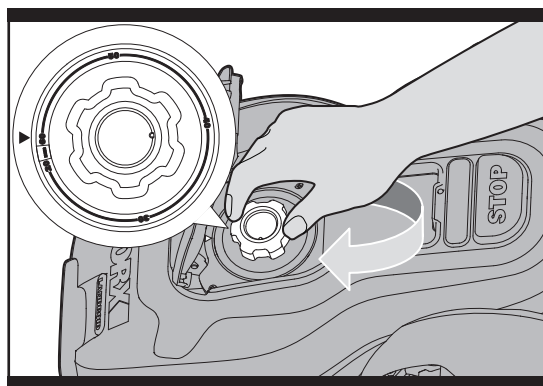
### 3.4 ¿Cuál es la eficiencia de mi Landroid®M al cortar el césped?

La altura de corte del Landroid®M se puede ajustar entre 2cm y 6cm. Antes de poner en marcha la Landroid®M por primera vez, es recomendable que corte la hierba a una altura que no supere los 9cm. A continuación, asegúrese de abrir la Cubierta del panel de control (7) y ajustar la altura de corte al valor máxima de altura de corte (6cm). (Ver Fig. F, G)

El Landroid®M cortará mejor con tiempo seco. No le gusta la hierba mojada, que puede acumularse en el disco de corte (13) y dentro del motor, y también puede causar la pérdida de tracción y deslizamiento durante el trabajo.



F



G

A su Landroid®M no le gustan las tormentas eléctricas. En el caso de tormenta eléctrica, desconecte el Landroid®M de la base de carga (4), desconecte el cable delimitador (21) y asegúrese de que el Landroid®M no puede cargarse.

A su Landroid®M le gusta cortar la hierba y necesita unas Cuchillas (14) en buenas condiciones para poder cortarla bien. El Landroid®M puede hacer la mayoría de las cosas por sí mismo, pero a veces necesitará su ayuda para no hacerse daño.

- No deje nunca que el Landroid®M se desplace sobre grava.
- Elimine o bloquee los obstáculos sobre los que el Landroid®M podría subir accidentalmente y dañar su disco de corte.
- Elimine todos los restos y objetos extraños de su césped.

## 4. Fundamentos del cable delimitador

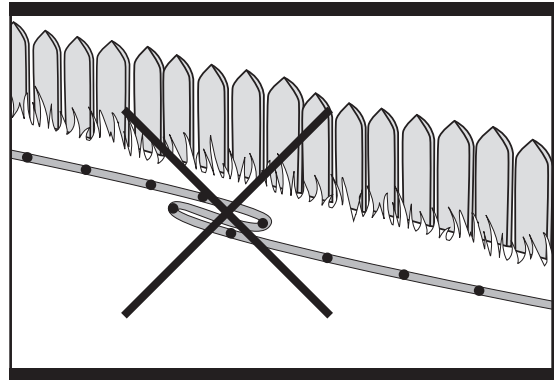
### 4.1 Fijar el cable delimitador

Utilice el calibre de distancia del alambre de limitador (24) para establecer la distancia correcta desde el borde del césped (aproximadamente 35cm\*)

\* Esta es la distancia recomendada porque su Landroid®M no puede calcular dicha distancia por sí mismo.

Utilice el calibre de distancia proporcionado para garantizar la instalación adecuada.

Si su vecino también utiliza un Landroid®M, entonces debe mantener una distancia mínima de 4,5 metros entre su cable delimitador y su vecino.



H

**Tenga en cuenta que su Landroid®M no será capaz de recibir la señal del cable delimitador más allá de una distancia de 18m.**

El cable delimitador debe marcar el perímetro exacto del área de césped que se quiere cortar. Su Landroid®M se va confundir si encuentra curvas adicionales o rollos de cable delimitador que no son parte del área de corte. (Ver Fig. H) Si hay demasiado cable delimitador después de haber marcado el perímetro de trabajo, córtelo y guárdelo en un lugar separado. Sin embargo, es importante dejar la longitud necesaria en el punto donde se conecta a la base de carga para que pueda conectarse y permanecer enterrado.

### 4.2 Enterrar el cable delimitador

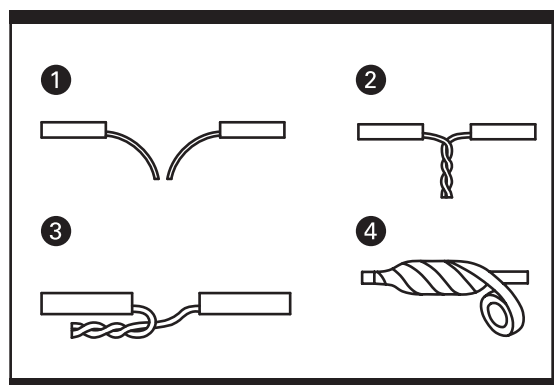
Le recomendamos que entierre el cable delimitador unos centímetros bajo el terreno. Con ello, se garantiza un funcionamiento sin incidencias año tras año, estación tras estación. Para enterrar el cable delimitador puede comprar el accesorio opcional WORX Territorial Marker Tool en la misma tienda que le vendió el Landroid®M.

Si planea enterrar el cable delimitador debe tener en cuenta que al entrar en su base de carga por primera vez, su Landroid®M puede tener problemas según la forma como haya puesto el cable. Es recomendable fijar el Cable delimitador al césped de forma que resulte más fácil hacer ajustes en caso necesario. Con ello, se permite que la Landroid®M se ajuste al nuevo entorno y funcione correctamente con la base de carga antes de enterrar el Cable delimitador.

### 4.3 Unir el cable delimitador

**IMPORTANTE: El cable delimitador no funcionará correctamente si está unido a lo largo de una distancia superior a 200m.**

El cable delimitador (21) se puede extender empalmando los extremos y conectándolos a otro trozo de cable. Puede utilizar cinta adhesiva para asegurar la parte del cable unido. (Ver Fig. I)



I

## 4.4 Encendido e instalación de prueba

Si no se enciende la luz verde, compruebe las conexiones de alimentación.

Si el indicador LED de la base de carga de la Landroid®M compruebe que el cable delimitador está bien conectado o si está cortado.

Rojo continuo: Cargando. Rojo intermitente: Mensajes, corrija los problemas en primer lugar

Si su Landroid®M se encuentra dentro de su territorio, pero la pantalla indica "fuera de la zona de corte" y el indicador LED está encendido, esto significa que ha sujetado los extremos del cable delimitador de forma incorrecta. Inviértalos.

## 5. Mantenimiento

Tiene que revisar su Landroid®M de vez en cuando. El Landroid®M trabaja mucho y después de un tiempo necesita una buena limpieza, así como reemplazar aquellas partes que se hayan podido desgastar. En los siguientes apartados queremos informarle de cómo hacer que su nuevo Landroid®M se adapte a su nuevo hogar y darle el mejor cuidado posible.

### 5.1 Duración de la batería

El corazón del Landroid®M es la Batería de Litio de 28 voltios. No se precisa ningún mantenimiento. Para un almacenamiento correcto de la batería, asegúrese de que está totalmente cargada y en un lugar fresco y seco (20°C-60°C).

La vida útil de la batería del Landroid®M depende de varios factores, tales como:

- Duración de la temporada de corte en su región.
- Cantidad de horas que el Landroid®M funciona diariamente.
- La forma de tratar la batería durante el almacenamiento.

Para cargarlo manualmente sin el cable delimitador, siga estos pasos:

1. Conecte la Base de Carga a una toma de corriente adecuada
2. Conecte manualmente el Landroid®M en la Base de Carga mientras el Landroid®M está apagado.
3. La luz roja parpadeará durante 3 segundos; después pulse el Botón de Conexión y se iniciará el proceso de carga del Landroid®M.

### 5.2 Hibernación

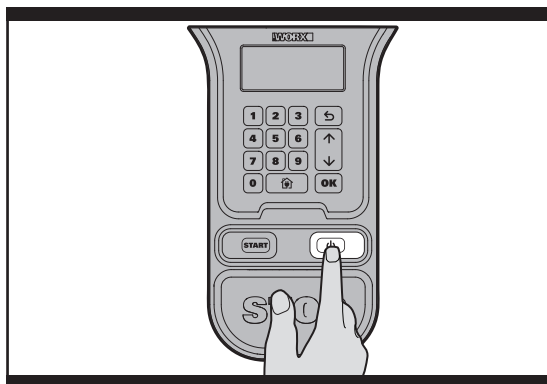
Su Landroid®M vivirá más tiempo y más saludable si se le permite hibernar. Así que, aunque es pesado, le recomendamos que durante el invierno guarde el Landroid®M en el cobertizo o en el garaje.

Antes de poner su Landroid®M a hibernar, debe asegurarse de:

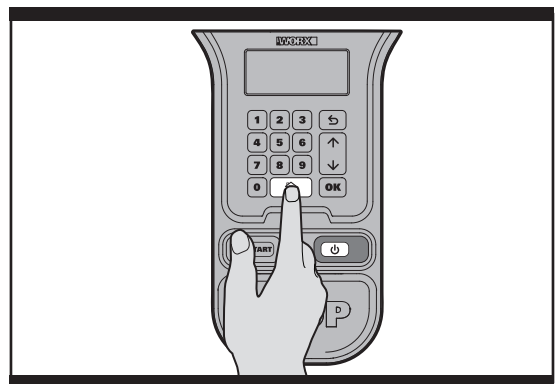
- Limpiar a fondo su Landroid®M.
- Cargar completamente la batería.
- Volterar el cortacésped.

Para maximizar la vida útil de la batería, le recomendamos que la cargue totalmente antes de almacenarla durante el invierno. Para cargar solamente la batería haga lo siguiente:

- Conectar el cable delimitador (21) a la base de carga (4).



J

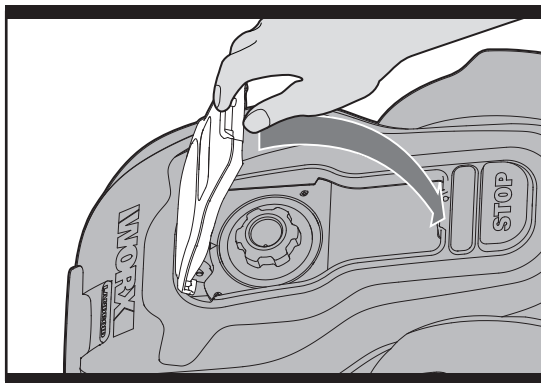


K

- Conectar la base de carga a una fuente de alimentación.
- Colocar el Landroid®M en la base de carga.
- Pulse el botón ON/OFF en ON. (Ver Fig. J)
- Luego presione el símbolo CASA. (Ver Fig. K)
- Cierre el panel del teclado. (Ver Fig. L)
- Deje que el Landroid®M se cargue por lo menos durante 1.5 horas.

El cable delimitador se puede dejar en el suelo pero se deberían proteger los extremos, por ejemplo colocándolos dentro en una lata con grasa. Si la base de carga queda fuera durante el invierno, deje el cable delimitador conectado.

**NOTA:** Antes de guardarlo para el invierno, puede llevar su Landroid®M a un distribuidor para una limpieza a fondo y una puesta a punto, en la que se verificarán sus funciones y se reemplazarán las piezas desgastadas.



**L**

Cuando vuelva a usar el Landroid®M después de la hibernación, asegúrese de que las bandas de carga (5) y patillas de contacto (3) están limpias, lo mejor es usar un paño muy suave. A continuación, asegúrese de que la fecha y la hora son correctas y envíe el Landroid®M otra vez a lo que le gusta hacer: cortar hierba.

## 5.3 Manténgalo limpio

**⚠ ADVERTENCIA:** Antes de limpiar su Landroid®M pulse el botón ON/OFF en OFF. Póngase guantes de protección antes de limpiar el disco de corte (13) y no utilice agua corriente. (Ver Fig. M,N)

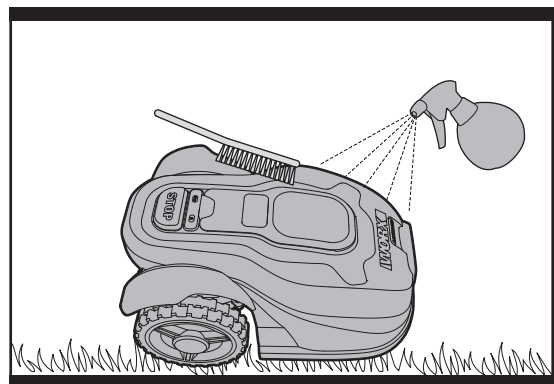
### A. Limpieza del mecanismo

El Landroid®M tendrá una vida mucho más saludable y larga más si se limpia con regularidad. El Landroid®M es una máquina eléctrica por lo que tendrá que tener cuidado al limpiarlo. **NO USE** una manguera o similares para verter agua corriente encima del Landroid®M, es mejor utilizar una botella pulverizadora lleno de agua. Al limpiar la carcasa de plástico (10) utilice un cepillo suave o un paño limpio y evite el uso de solventes o limpiadores. (Ver Fig. M) Por último, asegúrese de retirar toda la acumulación de restos de césped y residuos, especialmente de las rejillas de ventilación del motor.

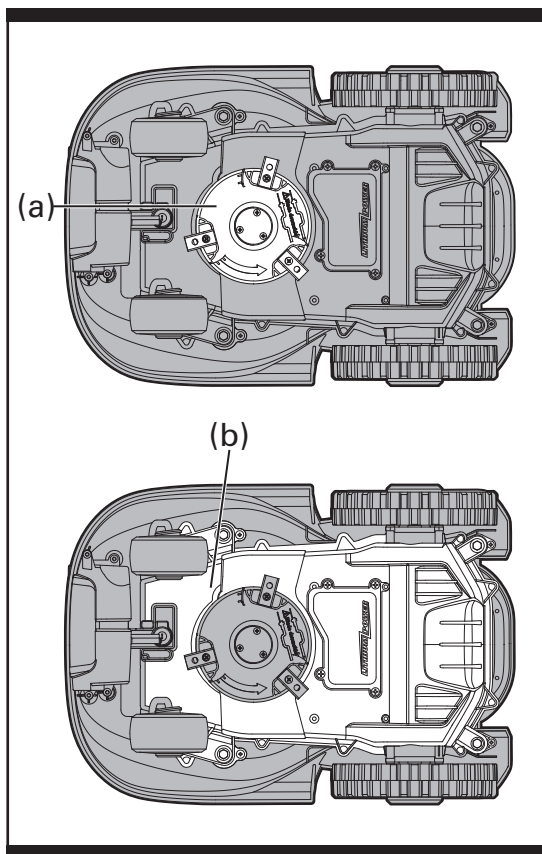
### B. Limpieza de la parte inferior

Una vez más, es importante que apague el Landroid®M con la tecla **ON/OFF en OFF** y use **guantes de protección antes de tocar el disco de corte (13)**.

En primer lugar, coloque la Landroid®M boca abajo para exponer la parte inferior. Aquí verá el disco de corte (a), la caja del motor (b) y las ruedas delanteras (15) y motrices (10). Limpie todo a fondo con un cepillo suave o un paño húmedo. (Ver Fig.N)



**M**



**N**

Gire el disco de corte para asegurarse de que se mueve libremente y que no hay nada atrancado entre este y la caja del motor. Asegúrese también de que las hojas son capaces de girar libremente y que no hay hierba en medio.

**IMPORTANTE:** Elimine todos los residuos para que no se resquebraje el disco de corte. La más pequeña fisura puede disminuir el rendimiento de corte de su Landroid®M.

### C. Limpie las patillas de los contactos y las regletas de carga

Mediante un paño, limpie la patilla de contacto (3) situada en la base de carga (4) y la regleta de carga (5) situada en su Landroid®M. Quite cualquier resto de hierba cortada alrededor de las patillas de contacto y las regletas de carga para garantizar que su Landroid®M se carga correctamente en todo momento.

## 5.4 Mantenerlo afilado



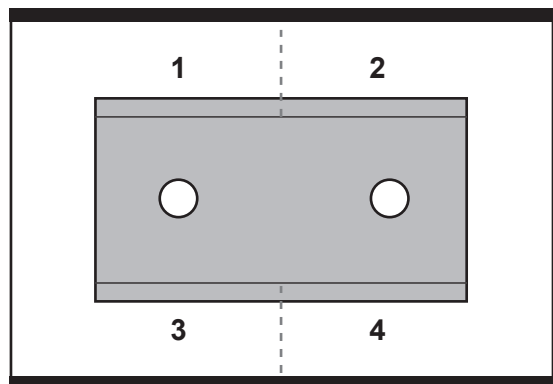
**ADVERTENCIA:** Antes de limpiar, ajustar o reemplazar las hojas, apague el Landroid®M pulsando el botón ON/OFF en OFF y póngase guantes de protección.



**ADVERTENCIA!** Para sustituir la cuchilla. Asegúrese de cambiar todas las hojas si cambia una. Si la hoja es nueva, pero el tornillo se ha reutilizado, este puede desaparecer durante la siega y la hoja puede salir volando con violencia. Esto podría causar lesiones muy graves.

El Landroid®M no corta el césped como las otras cortadoras. Las cuchillas son como un cuchillo afilado en los 4 bordes y gira en ambas direcciones para obtener una capacidad máxima de corte. (Ver Fig. O)

Cada hoja de su Landroid®M tiene 4 bordes de corte. Dependiendo de la frecuencia con la que su Landroid®M siega el césped, la hoja de corte necesitará darse la vuelta o girarse periódicamente para trabajar con un nuevo borde de corte. Si su Landroid®M está programado para segar el césped todos los días, entonces será necesario girar las hojas de corte mensualmente para conseguir los mejores resultados en la siega. Cada hoja de corte tendrá una duración de hasta 4 meses cuando la siega se realice diariamente. Cuando la hoja de corte esté roma o desgastada, se debe cambiar por una hoja de repuesto proporcionada con su Landroid®M. También puede obtener las hojas de repuesto en su distribuidor de Worx más cercano.



**O**

### A. Rotar y voltear las cuchillas

Su Landroid®M lleva tres cuchillas que están ancladas al disco de corte (13). Las cuchillas son las que permiten que el Landroid®M haga su trabajo y requieren cuidado y atención. De vez en cuando, debe rotar y voltear los 3 hojas al mismo tiempo para un corte perfecto. Al girar y voltear las cuchillas, asegúrese de ajustarlas simultáneamente o de lo contrario el disco de corte podría perder el equilibrio. Si su Landroid®M funciona durante un horario típico (diariamente) las cuchillas deberían durar una temporada si se giran y voltean cada mes. Siempre revise si las cuchillas están astilladas o dañadas y cámbielas si lo están.

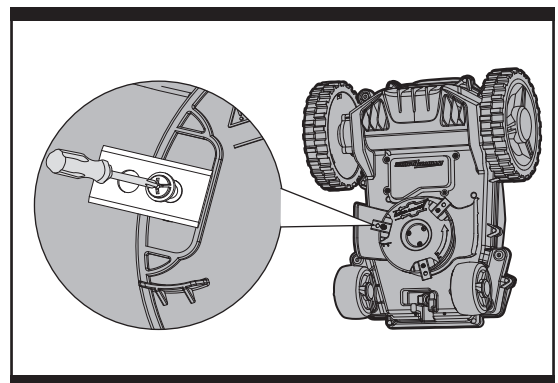
### B. Cambiar las cuchillas

Después de un tiempo, por lo general cada temporada, tendrá que reemplazar las cuchillas del Landroid®M. A su Landroid®M no le gusta cortar con hojas de diferente edad y calidad. Así que cuando cambie las cuchillas, asegúrese de cambiarlas todas al mismo tiempo. Se pueden reemplazar con uno de los tres conjuntos de cuchillas de repuesto y tornillos adicionales suministrados con el Landroid®M.

Antes de proceder a cambiar las cuchillas del Landroid®M, apague el cortacésped y póngase guantes de protección. Luego siga los pasos siguientes:

1. Ponga el Landroid®M del revés con delicadeza.
2. Saque los tornillos de las cuchillas con un destornillador de punta plana o Phillips.
3. Atornille las hojas nuevas firmemente. (Ver Fig. P)

**IMPORTANTE:** Después de enroscar las cuchillas al disco de corte, asegúrese de que el disco puede girar libremente.



**P**

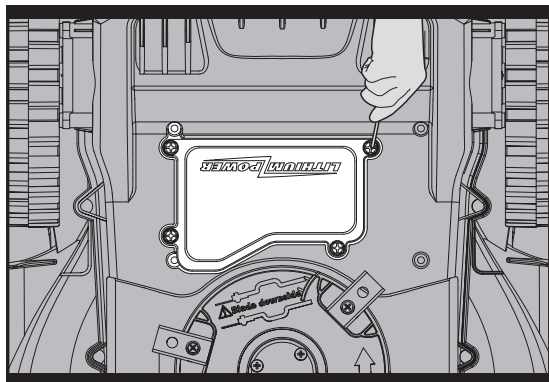
## 5.5 Sustituir la batería



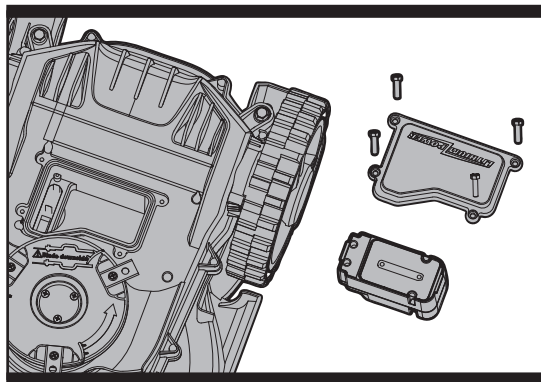
**ADVERTENCIA:** Pulse el botón ON/OFF en OFF antes de realizar cualquier ajuste, sustitución o reparación.

Si necesita reemplazar la batería, siga estos pasos:

1. Ponga el Landroid®M del revés con delicadeza.
2. Retire los seis tornillos de la batería. (Ver Fig. Q)
3. Saque la batería vieja. (Ver Fig. R)
4. Ponga la batería nueva.
5. Reemplace firmemente los 4 tornillos.



**Q**



**R**

## Protección medioambiental



Los residuos de productos eléctricos no se deben tirar con la basura doméstica. Por favor, recicle donde existan instalaciones. Consulte con las autoridades locales o su distribuidor para consejo sobre el reciclaje.



# Declaración de conformidad

Los que reciben,  
POSITEC Germany GmbH Konrad-Adenauer-Ufer 37 50668 Köln

Declaran que el producto

Descripción **WORX Robot cortacesped**

Modelo **WG794E (790-799-denominaciones de maquinaria, representantes de Robot Cortacesped)**

Función **Corte de césped**

Cumple con las siguientes Directivas :

Directiva de Maquinaria **2006/42/EC**

Directiva de Compatibilidad Electromagnética **2004/108/EC**

Directiva de RoHS **2011/65/EU**

**Directiva sobre la emisión del ruido para un equipo que debe utilizarse en exterior  
2000/14/EC modificada por 2005/88/EC**

Procedimiento de evaluación de la conformidad de acuerdo co **Annex V**

Nivel de presión acústica: **61.95dB(A)**

Nivel de intensidad acústica: **63dB(A)**

Normativas conformes a,

**EN ISO 12100-1**

**EN ISO 12100-2**

**EN ISO 14121-1**

**EN ISO 3744**

**EN 55014-1**

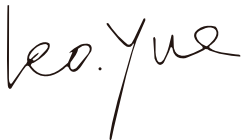
**EN 55014-2**

La persona autorizada para componer el archivo técnico,

**Navn Russell Nicholson**

**Adresse Positec Power Tools (Europe) Ltd, PO Box 152, Leeds, LS10 9DS, UK**

81



2013/01/10

Leo Yue

Director de Calidad de POSITEC

**Área de código PIN:**

# OORSPRONKELIJKE GEBRUIKSAANWIJZING

## INHOUD

<b>1. Veiligheidsinstructies</b>	<b>83</b>
1.1 Algemene veiligheidswaarschuwingen voor vermogensmachine	83
1.2 Over Landroid®M	85
<b>2. Technische gegevens, onderdelenlijst</b>	<b>86</b>
2.1 Technische gegevens	86
2.2 Onderdelenlijst	87
<b>3. Kennismaking met uw Landroid®M</b>	<b>89</b>
3.1 Hoe weet de Landroid®M wat er gemaaid moet worden?	89
3.2 Hoe weet de Landroid®M waar hij heen moet gaan?	90
A. Het laadstation vinden	90
B. Regensensor	90
C. De grensdraad volgen	90
D. Starten en stoppen tijdens het maaien	90
3.3 Hoe groot kan de oppervlakte van het gazon zijn?	91
3.4 Hoe efficiënt maait de Landroid®M het gras?	91
<b>4. Het principe van de grensdraad</b>	<b>92</b>
4.1 De grensdraad vastleggen	92
4.2 De grensdraad ingraven	92
4.3 Verbindingen met de grensdraad	92
4.4 Inschakelen en installatie testen	93
<b>5. Onderhoud</b>	<b>93</b>
5.1 Levensduur van de batterij	93
5.2 Winteropslag	93
5.3 Houd hem schoon	94
A. De behuizing schoonmaken	94
B. De onderkant schoonmaken	94
C. Maak de contactpinnen en de laadstrips schoon	95
5.4 Houd hem scherp	95
A. Messen draaien en omkeren	95
B. De messen vervangen	95
5.5 De batterij vervangen	96
<b>6. Conformiteitverklaring</b>	<b>97</b>

# 1. Veiligheidsinstructies

## 1.1 Algemene veiligheidswaarschuwingen voor vermogensmachine

 **WAARSCHUWING! Lees alle instructies zorgvuldig door. Indien u zich niet aan alle onderstaande instructies houdt, kan dat leiden tot een elektrische schok, brand en/of ernstig letsel.**

**Lees de instructies aandachtig voor een veilig gebruik van de machine.**

**Bewaar alle waarschuwingen en instructies voor latere naslag.**

- Dit apparaat is niet bedoeld voor gebruik door personen (waaronder kinderen) met verminderde fysieke of mentale capaciteiten of een verminderd waarnemingsvermogen, tenzij ze voor gebruik van het apparaat toezicht en instructie krijgen van iemand die verantwoordelijk is voor hun veiligheid.
- Kinderen moeten onder toezicht worden gehouden om te verzekeren dat ze niet met het apparaat spelen.

### **BELANGRIJK**

**LEES ALLE INSTRUCTIES ZORGVULDIG DOOR.**

**BEWAAR ALLE WAARSCHUWINGEN EN INSTRUCTIES VOOR LATERE NASLAG**

### **VEILIGE BEDIENING**

#### **Training**

- a) Lees de instructies nauwkeurig door. Zorg ervoor dat u de instructies begrijpt en dat u bekend bent met de bedieningsorganen en het juiste gebruik van het toestel;
- b) Sta niet toe dat het toestel gebruikt wordt door personen die niet bekend zijn met deze instructies of door kinderen. Plaatselijke voorschriften kunnen een grens leggen aan de leeftijd van de gebruiker;
- c) De gebruiker is verantwoordelijk voor ongevallen en gevaren die optreden met andere personen of hun eigendommen.

#### **Vorbereiding**

- a) Zorg voor de juiste installatie en de juiste afbakening van het terrein, zoals s in de instructies.
- b) controleer het gebied waarin het toestel gebruik wordt geregeld. Verwijder alle stenen, stokken, draden, botten en ander vreemde voorwerpen.
- c) Inspecteer de messen, bouten en het snijmechanisme geregeld op slijtage en schade. Vervang versleten en beschadigde messen en bouten gelijktijdig, zodat de balans behouden blijft.
- d) Bij toestellen met meerdere assen let u erop dat het draaien van het ene mes ook het ander mes in beweging brengt.

### **BEDIENING**

#### **1. ALGEMEEN**

- a) Gebruik het toestel niet met een defecte kap of zonder dat de veiligheidsmiddelen, zoals de afbuigers, op hun plaats zitten;
- b) Steek geen handen of voeten in de buurt van de draaiende delen. Houd steeds afstand van de uitwerpopening;
- c) Til het toestel niet op en vervoer het niet terwijl het in werking is;
- d) Schakel de machine uit
  - Voordat u een blokkering verwijdert;
  - Voordat u de machine controleert, schoonmaakt of onderhoudt;
- e) Het is niet toegestaan het oorspronkelijke ontwerp van de grasmaaier te veranderen. Alle wijzigingen zijn op eigen risico.
- f) Start de grasmaaier volgens de instructies. Staat de hoofdschakelaar AAN, houd dan handen en voeten uit de buurt van de draaiende messen. Steek nooit een hand of voet onder de maaier.
- g) Til de grasmaaier nie top en draag hem niet terwijl de hoofdschakelaar in de stand AAN staat.
- h) Sta niet toe dat de maaier gebruikt wordt door personen die niet weten hoe de grasmaaier werkt en zich gedraagt.
- i) Leg geen voorwerpen op de grasmaaier of op het laadstation.
- j) Laat de grasmaaier niet werken met een defect mes of een defecte behuizing. Hij moet ook niet worden gebruikt met defecte messen, schroeven, moeren of kabels.
- k) Gebruik de grasmaaier niet als de hoofdschakelaar niet werkt.
- l) Schakel de grasmaaier uit met de hoofdschakelaar als hij niet in gebruik is. De grasmaaier kan alleen starten als de hoofdschakelaar AAN staat en de juiste PIN-code ingevoerd is.

#### **2. ALS HET TOESTEL AUTOMATISCH FUNCTIONEERT**

- a) Laat de machine niet werken zonder toezicht als u weet dat er dieren, kinderen of andere personen in de omgeving zijn.

#### **3. BIJ GEBRUIK VAN DE HANDMATIGE CONTROLLER**

- a) Maai alleen bij daglicht of bij goed kunstlicht;
- b) Gebruik de machine niet in nat gras;
- c) Gebruik de machine niet op blote voeten of met open sandalen. Draag altijd voldoende schoeisel en een lange broek;

- d) Zet uw voeten stevig neer als u op een helling werkt;
- e) Wees uiterst voorzichtig als u de machine naar u toe trekt;
- f) Schakel de machine steeds in volgens de instructies, met uw voeten uit de buurt van de messen;

## **ONDERHOUD EN OPSLAG**



**WAARSCHUWING! Wordt de maaier omgekeerd, dan moet de hoofdschakelaar steeds in de stand UIT staan.**

**De hoofdschakelaar moet UIT blijven bij alle werkzaamheden onder het frame van de maaier, zoals het schoonmaken of vervangen van de messen.**

- a) Zet alle moeren, bouten en schroeven vast om zeker te weten dat het toestel in de veilige werktoestand is;
- b) Inspecteer de grasmaaier elke week en vervang versleten of beschadigde onderdelen voor de veiligheid;
- c) Controleer of de messen en de schijf niet beschadigd zijn. Verwijder alle messen en schroeven tegelijk, zodat de draaiende delen in balans blijven.
- d) Zorg ervoor dat uitsluitend vervangingsonderdelen van het juiste type worden gebruikt;
- e) Zorg ervoor dat batterijen worden opgeladen met de juiste lader, aanbevolen door de fabrikant. Onjuist gebruik kan resulteren in een elektrische schok, oververhitting of lekkage van de corroderende vloeistof uit de batterij;
- f) Bij lekkage van het elektrolyt spoelt u met water of een neutraliserend middel. Vraag medische hulp als het elektrolyt in contact komt met de ogen e.d.;
- g) Onderhoud van het toestel moet geschieden in overeenstemming met de instructies van de fabrikant.

### **Transport**

De oorspronkelijke verpakking moet worden gebruikt als de grasmaaier over een langere afstand vervoerd wordt. Veilig vervoer van en naar het werkgebied:

- a) Druk op de knop STOP om de maaier te stoppen. Is het antidiefstalalarm geactiveerd, toets dan het eerste cijfer van de PIN-code in. U geeft de volledige PIN-code van vier cijfers als u de maaier voor het eerst start.
- b) Zet de hoofdschakelaar UIT als u de maaier wilt optillen.
- c) Draag de maaier bij het handvat aan de achterkant, onder de maaier. Draag hem met de messen van uw lichaam afgekeerd.

## 1.2 Over Landroid® M



WAARSCHUWING: Lees de gebruiksaanwijzing zorgvuldig en zorg ervoor dat u snapt hoe de bediening werkt.

Läs noga igenom bruksanvisningen och sätt dig in i dess innehåll innan du använder din robotgräsklippare.



WAARSCHUWING: - Houd omstanders op afstand



WAARSCHUWING: - Gebruik het inactiveringsapparaat voordat u aan de machine werkt of de machine optilt.

Houd handen en voeten uit de buurt van de draaiende messen. Steek geen handen of voeten onder de behuizing als de maaier in bedrijf is.

De grasmaaier kan alleen starten als de hoofdschakelaar in de stand AAN is en de juiste PIN-code ingevoerd is. Inspectie en onderhoud moeten geschieden met de hoofdschakelaar in de stand UIT.



WAARSCHUWING: – Rij niet op de machine.



Niet in het vuur werpen



Niet in het water gooien



Batterijen horen bij chemisch afval



Batterijen bevatten Lithiumionen. Gebruikte batterijen moeten milieuvriendelijk worden afgevoerd. Gooi gebruikte batterijen niet ongesorteerd bij gemeentelijk afval.

Li-Ion




Afgedankte elektrische producten kunt u niet met het normale huisafval weggoien. Breng deze producten, indien mogelijk, naar een recyclecentrum bij u in de buurt. Vraag de verkoper of de gemeente naar informatie en advies over het recyclen van elektrische producten.

## 2. Technische gegevens, onderdelenlijst

### 2.1 Technische gegevens

Type: **WG794E (790-799-aanduiding van machinerie, kenmerkend voor Snoerloze grasmaaier)**

Nominaal vermogen	28V  Max.*
Nominale snelheid onbelast	2800/min
Snijdiameter	180mm
Maaihoogte	20-60mm
Hoogte-instellingen	5
Accutype	Lithium
Batterijmodel	WA3225
Laadtijd	Ongeveer 1.5 uur
Ladermodel	WA3716
Charger rating	Lader primair: 100-240V~50/60Hz, 50W, Secundair: 24-28V Dc, 1,5A
Gewicht machine	8.3kg
Veiligheidsklasse	IPX4

\* Spanning gemeten zonder belasting. Beginspanning batterij bereikt maximum 28 volt. Nominale spanning is 25.2 volt.

### Geluids- en trillingsgegevens

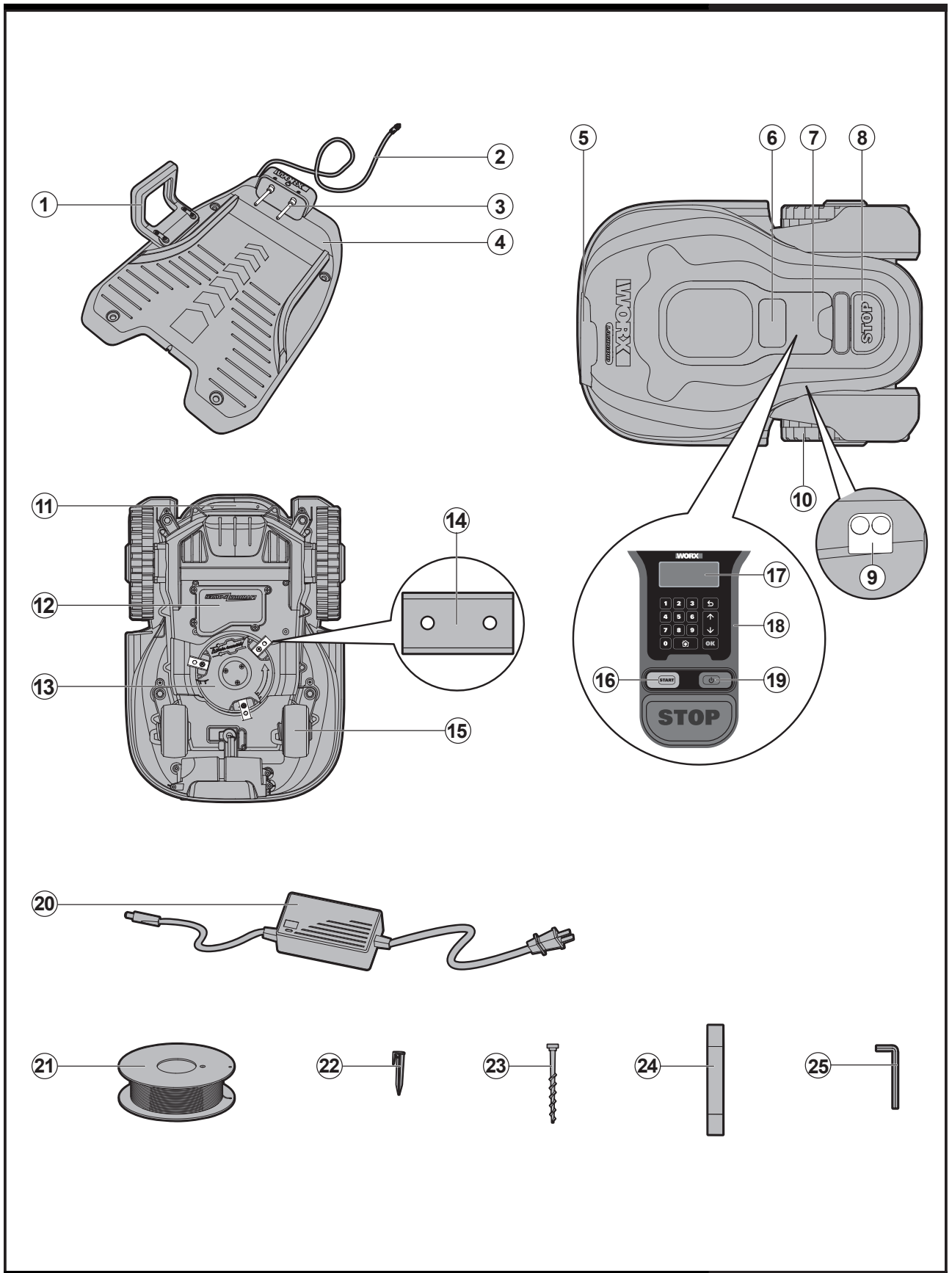
A-gewogen geluidsdruk	44.5dB(A), $K_{PA}$ : 3.25dB(A)
A-gewogen geluidsvermogen	63dB(A)
Gebruik gehoorbescherming indien de geluidsdruk hoger is dan	80dB(A) 

### Accessoires

<b>15m laagspanningskabel</b>	<b>1</b>
<b>Snijmes, schroeven</b>	<b>9</b>
<b>Draadpennen</b>	<b>200</b>
<b>180m grensdraad</b>	<b>1</b>
<b>Bevestigingsspijkers voor laadstation</b>	<b>4</b>
<b>Voedingsapparaat</b>	<b>1</b>
<b>Afstandmal voor grensdraad</b>	<b>1</b>
<b>Inbussleutel</b>	<b>1</b>

Wij adviseren u alle accessoires te kopen in de winkel waar u het gereedschap heeft gekocht. Gebruik producten van goede kwaliteit met een bekende merknaam. Kijk op de verpakking van het accessoire voor meer informatie. Ook het winkelpersoneel kan u helpen en adviseren.

## 2.2 Onderdelenlijst

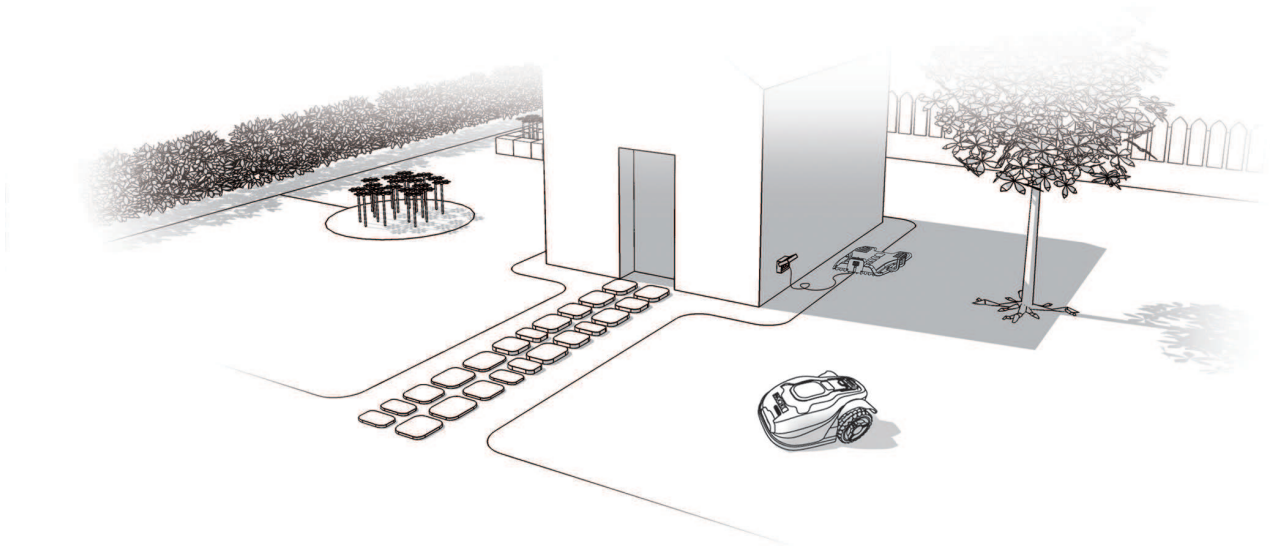


- 
- 1. STUURKRUK**
  - 2. LAAGSPANNINGSKABEL**
  - 3. CONTACTPINNEN**
  - 4. LAADSTATION**
  - 5. LAADSTRIP**
  - 6. BEELDSCHERM**
  - 7. KAP VAN BEDIENINGSPANEEL**
  - 8. STOPKNOP**
  - 9. REGENSENSOR**
  - 10. AANDRIJFWIEL**
  - 11. HANDVAT**
  - 12. BATTERIJPAKKET**
  - 13. MESDRAAIENDE SCHIJF**
  - 14. SNIJMES**
  - 15. VOORWIEL**
  - 16. STARTSLEUTEL**
  - 17. SCHERM**
  - 18. TOETSENBORD**
  - 19. AN/UITTOETS**
  - 20. VOEDINGSAPPARAAT**
  - 21. GRENSDRAAD (180m)**
  - 22. DRAADPENNEN**
  - 23. BEVESTIGINGSSPIJKERS VOOR LAADSTATION**
  - 24. AFSTANDMAL VOOR GRENSDRAAD**
  - 25. INBUSSLEUTEL**
-



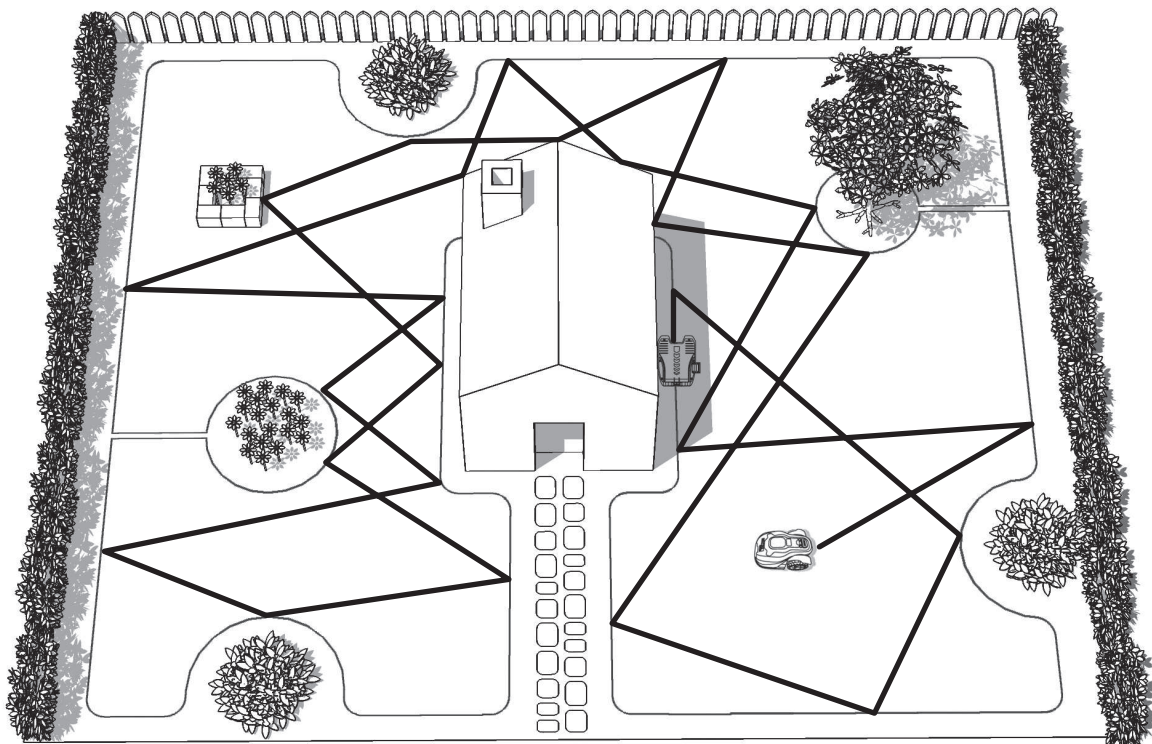
### 3. Kennismaking met uw Landroid® M

We feliciteren u met de aankoop van een Landroid® M waarmee u het leven van zorgeloos grasmaaien betreedt. Hierna helpen we u om beter te begrijpen hoe uw Landroid® M denkt.



#### 3.1 Hoe weet de Landroid® M wat er gemaaid moet worden?

De Landroid® M kiest een willekeurige richting en herhaalt nooit dezelfde beweging. Hij zorgt ervoor dat het hele gazon gemaaid wordt, zonder lelijke maaipaden achter te laten. (Zie Afbeelding A)



A

## 3.2 Hoe weet de Landroid®M waar hij heen moet gaan?

De Landroid®M is in staat op zichzelf te werken. De Landroid®M weet wanneer het tijd is om het laadstation (4) op te zoeken en op te laden, voelt het als het regent, stopt automatisch als er een probleem is, keert om als hij een obstakel tegenkomt, zoals ene persoon, dier of ander voorwerp. De Landroid®M brengt de messen automatisch tot stilstand (13) als hij wordt opgetild, om ongelukken te vermijden.

### A. Het laadstation vinden

Als de Landroid®M opgeladen moet worden, stopt hij met maaien en volgt hij de grensdraad (21) linksom tot hij bij het laadstation komt. Om energie te sparen, draaien de messen van de Landroid®M niet terwijl hij terugrijdt naar het laadstation.

### B. Regensensor

De Landroid®M heeft een regensensor (9) aan de zijkant die regendruppels waarneemt, waarna de Landroid®M stopt met maaien en langs de grensdraad terugrijdt naar het laadstation. (Zie Afbeelding B)

De Landroid®M is programmeerbaar met een vertraagde startfunctie (0 – 180 min) als het regent. Zijn de regensensoren nat, dan rijdt de Landroid®M terug naar het dokstation. Pas als de regensensoren weer droog zijn zal de Landroid®M beginnen met aftellen voor d vertraagde start of meteen weer gaan maaien. Zie de gids voor programmering en oplossen van problemen voor meer informatie.

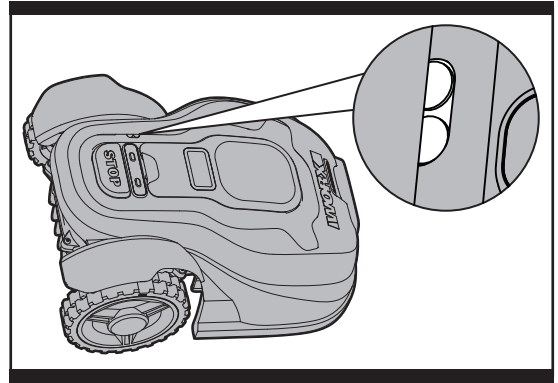
### C. De grensdraad volgen

De Landroid®M gehoorzaamt steeds als de grens die bestaat uit de grensdraad. Hij heeft twee sensoren aan de voorkant die vaststellen of de draad in de buurt is. (Zie Afbeelding C) Voordat hij van richting verandert, rijdt de Landroid®M maximaal 20cm\* over de draad heen.

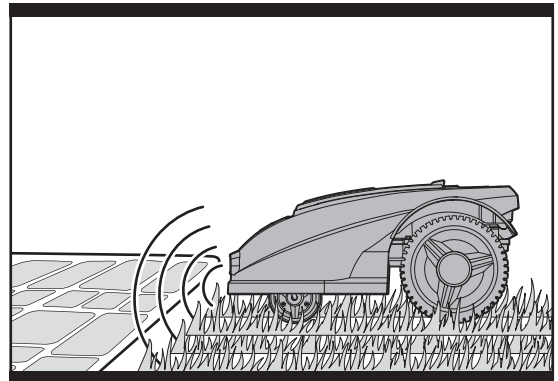
\*Dit is de aanbevolen afstand. Gebruik de meegeleverde afstandsmal om zeker te zijn van correcte installatie.

### D. Starten en stoppen tijdens het maaien

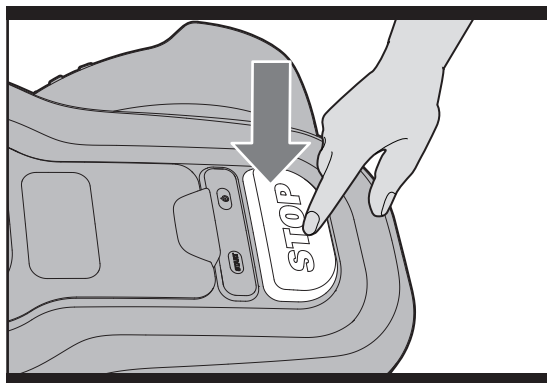
Wilt u dat de Landroid®M stopt met maaien, druk dan op de STOP-knop (8) boven op de maaier. Om te beginnen met maaien drukt u op de AAN/UIT-knop, drukt u direct op de startknop of opent u de kap van het bedieningspaneel om verdere opdrachten in te voeren, waarna u tenslotte op de startknop drukt. (Zie Afbeelding D,E)



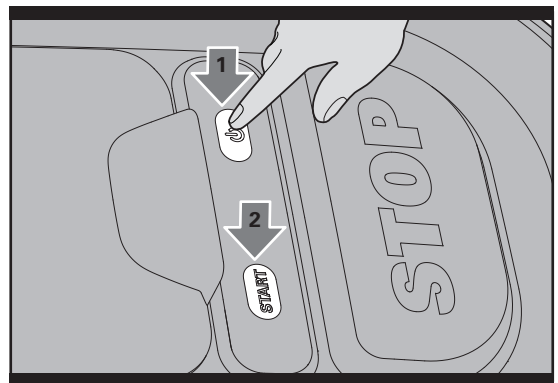
B



C



D



E

Constateert de Landroid®M een probleem, dan verschijnt er een foutmelding op het scherm (16), en schakelt hij zichzelf uit als er geen opdrachten worden ontvangen binnen 20 minuten (voor informatie over foutmeldingen zie de gids voor programmering en oplossen van problemen).

Hervatten:

- Herstel de problemen.
- Druk op de AAN/Uit-toets (19).
- Druk op de Start-knop.
- De Landroid®M begint met maaien!

### 3.3 Hoe groot kan de oppervlakte van het gazon zijn?

De Landroid®M kan een gazon maaien met een oppervlakte van maximaal 1000m<sup>2</sup>. Dit is afhankelijk van diverse factoren, zoals:

- Grassoort in uw gazon en groeisnelheid.
- Scherpheid van de snijmessen (14).
- Vochtigheid.
- Omgevingstemperatuur.
- Obstakels in het grasveld.

Woont u in een gebied met een zeer hoge omgevingstemperatuur, dan duurt het laden van de Landroid®M iets langer. De Landroid®M gebruikt minder energie in ene open gebied met minder obstakels, zoals bloembedden, fonteinen, paden enz. ...

Zie de tabel hieronder voor een indicatie van de maaitijd, afhankelijk van de oppervlakte van het gazon:

Gebied (m <sup>2</sup> )	Hooitijd (hour)
200	4
500	13.5
1000	27

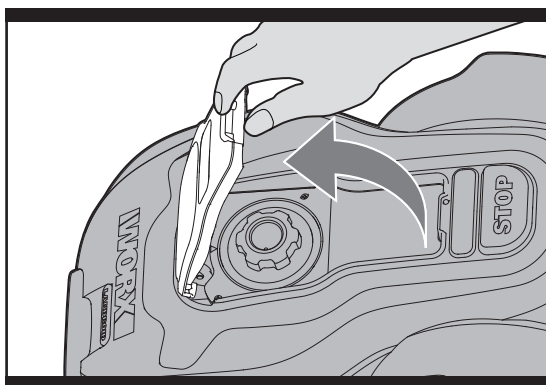
De maaitijd kan per gazon verschillen, afhankelijk van de genoemde factoren. Stel de tijdsduur geleidelijk in tot u de beste instelling gevonden hebt.

### 3.4 Hoe efficiënt maait de Landroid®M het gras?

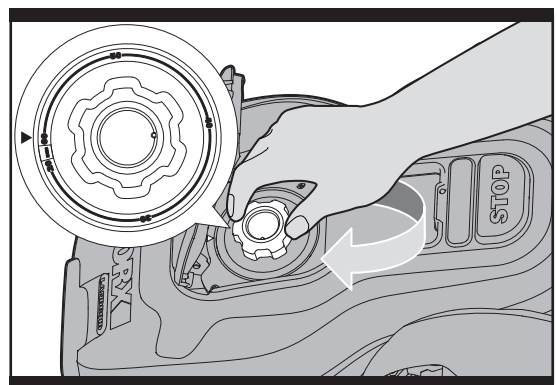
De snijhoogte van de Landroid®M kan worden ingesteld tussen 2 en 6 cm. Voordat u de Landroid®M voor het eerst start, zorgt u ervoor dat het gras niet hoger is dan 9 cm. Open daarna de kap van het bedieningspaneel (7) en stel de snijhoogte in op een maximum van 6cm. (Zie Afbeelding F, G)

De Landroid®M werkt het best bij droog weer. Hij houdt niet van nat gras, wat zich kan ophopen op de draaischijf (13) en in de motor, en bovendien problemen kan geven met de aandrijving.

De Landroid®M is bang voor onweer. Bij onweer beschermt u de Landroid®M door de stekker van het laadstation (4) uit het stopcontact te nemen, de grensdraad (21) los te maken en ervoor te zorgen dat de Landroid®M niet opgeladen kan worden. De Landroid®M houdt ervan om gras te maaien en heeft graag goede, scherpe snijmessen (14) om zijn werk zo goed



F



G

mogelijk te doen. De Landroid®M kan de meeste dingen zelf doen, maar soms is uw hulp nodig om te voorkomen dat hij zich bezeert.

- Laat de Landroid®M niet op grind werken.
- Verwijder obstakels waar de Landroid®M tegenop zou kunnen klimmen waarbij hij zich bezeert aan zijn messen.
- Verwijder alle vreemde voorwerpen van het gras.

## 4. Het principe van de grensdraad

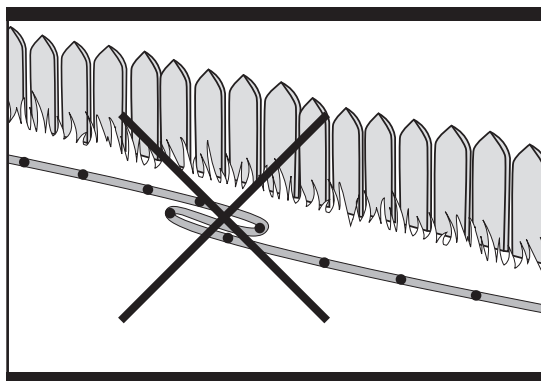
### 4.1 De grensdraad vastleggen

Met de afstandsmal van de grensdraad (24) zorgt u voor de juiste afstand tot de rand van uw gazon (ca. 35cm \*).

\* Dit is de aanbevolen afstand. Gebruik de meegeleverde afstandsmal om zeker te zijn van correcte installatie.

Gebruiken uw burens ook een Landroid®M, zorg dan voor minstens 4,5meter ruimte tussen uw grensdraad en de grensdraad van uw burens.

**Denk eraan dat de Landroid®M de grensdraad niet kan zien vanaf een afstand van 18meter.**



H

**De grensdraad moet precies langs de rand van het gewenste maaigebied liggen.** De Landroid®M raakt in de war als er extra stukken of lussen grensdraad zijn die niet gebruikt zijn om het maaigebied af te bakenen. (Zie Afbeelding H) Hebt u nog draad over nadat het maaigebied is afgebakend, snij het dan weg en bewaar het restant elders. Het is echter nodig wat extra lengte te gebruiken bij de verbinding met het laadstation en om de draad in te graven.

### 4.2 De grensdraad ingraven

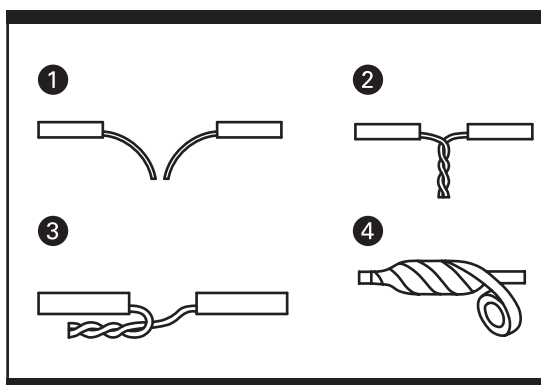
We adviseren u de grensdraad een paar centimeters in te graven. Hierdoor bent u verzekerd van probleemloze werking, jaar na jaar, seizoen na seizoen. Voor het ingraven kunt u gebruik maken van het accessoire WORX Territorial Marker Tool, dat verkrijgbaar is in dezelfde winkel als waar u de Landroid®M kocht.

Wilt u de grensdraad ingraven, denk er dan aan dat de Landroid®M er moeite mee kan hebben om het laadstation voor de eerste keer te vinden, afhankelijk van de manier waarop de draad gelegd is. Het is aan te bevelen de grensdraad eerst met pennen langs het gazon te leggen zodat de ligging gemakkelijk gewijzigd kan worden. De Landroid®M stelt zich dan in op de nieuwe omgeving en zal correct met het laadstation werken voordat de grensdraad wordt ingegraven.

### 4.3 Verbindingen met de grensdraad

**BELANGRIJK: De grensdraad werkt niet goed als hij wordt verlengd tot een afstand groter dan 200m.**

De grensdraad (21) kan eenvoudig verlengd worden door de einden aan elkaar te lassen. Met plakband kunt u de las beschermen. (Zie afbeelding I)



I

## 4.4 Inschakelen en installatie testen

Gaat het groene lampje branden, controleer dan de netaansluiting.

Knippert de led van het laadstation van de Landroid®M groen, controleer dan of de grensdraad goed ingegraven is en niet doorgesneden is.

Rood aan: aan het opladen. Rood knipperend: Functieberichten, herstel dan het probleem.

Is de Landroid®M binnen het territorium, controleer dan of de led op het laadstation brandt. Zo niet, controleer dan de verbinding met het stopcontact. Is de led dan nog steeds uit, controleer dan of de grensdraad goed is aangesloten op de klemmen van het laadstation.

## 5. Onderhoud

De Landroid®M moet af en toe gecontroleerd worden. De Landroid®M werkt hard en heeft af en toe een schoonmaakbeurt nodig, waarbij onderdelen vervangen worden, want ze kunnen slijten. Hieronder staat hoe u de Landroid®M verzorgt.

### 5.1 Levensduur van de batterij

Het hart van de Landroid®M is een lithium-ionbatterij van 28volt. Er is geen onderhoud nodig. Voor de juiste opslag van de batterij zorgt u ervoor dat hij volledig opgeladen is en ligt op een droge plaats tussen 20°C en 60°C.

De levensduur van de batterij van de Landroid®M is van diverse factoren afhankelijk zoals:

- Hoe lang het maaiseizoen duurt in uw woonplaats.
- Aantal uren per dag dat de Landroid®M maait.
- Onderhoud van de batterij bij opslag.

Volg de onderstaande stappen voor handmatig opladen zonder de begrenzingskabel:

1. Sluit het laadstation aan op een geschikte voedingsbron.
2. Dok de uitgeschakelde Landroid®M handmatig in het laadstation.
3. Het rode lampje gaat 3 seconden lang knipperen. Druk da op de stroomtoets en de Landroid®M begint op te laden.

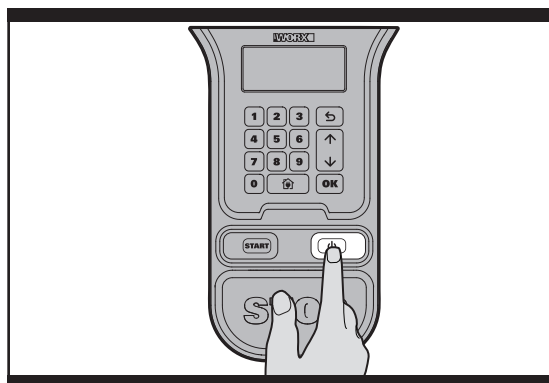
### 5.2 Winteropslag

De Landroid®M leeft langer en blijft gezonder als u hem een goede winterslaap toestaat. Hij is onverwoestbaar, maar hij slaapt in de winter toch liever in de schuur of in de garage.

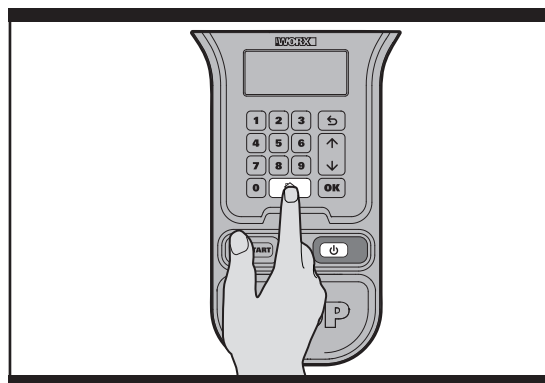
Voordat u de Landroid®M wegbrengt voor de winterslaap, zorgt u voor het volgende:

- Maak de Landroid®M grondig schoon.
- Laad de batterij volledig op.
- Schakel de Landroid®M uit.

Om de levensduur van de batterij te verlengen, is het aan te bevelen de batterij volledig op te laden voor de winteropslag. U laadt de batterij als volgt:



J

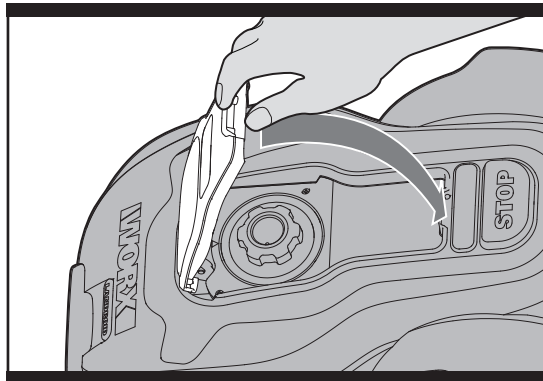


K

- Sluit de grensdraad (21) aan op het laadstation (4).
- Sluit het laadstation aan op het stopcontact.
- Zet de Landroid®M in het laadstation.
- Druk op de Aan/Uittoets. (Zie Afbeelding J)
- Druk op de Home-toets. (Zie Afbeelding K)
- Sluit het venster van het toetsenbord. (Zie Afbeelding L)
- Laat de Landroid®M minstens 1.5 uur opladen.

De grensdraad kan in de grond blijven liggen, maar de uiteinden moeten beschermd worden, bijvoorbeeld in een blikje vet. Blijft het laadstation in de winter buiten, laat de grensdraad dan aangesloten.

**OPMERKING:** Vóór de winteropslag brengt u de Landroid®M naar de leverancier voor een grondige schoonmaakbeurt en controle van de instellingen, waarbij alle functies getest worden en versleten onderdelen vervangen worden.



L

Neemt u de Landroid®M na de winterslaap weer in gebruik, zorg er dan voor dat de laadstrips (5) en contactpinnen (3) schoon zijn. Het is aan te bevelen ze schoon te maken met een fijne schuurdoek. Zorg er dan voor dat datum en tijd juist zijn ingesteld en laat de Landroid®M doen wat hij graag doet: gras maaien.

## 5.3 Houd hem schoon

**! WAARSCHUWING: Voordat u de Landroid®M schoonmaakt, zet u hem uit met de Aan/uitknop. Draag beschermende handschoenen als u de schijf (13) schoonmaakt en gebruik geen stromend water. (Zie Afbeelding M,N)**

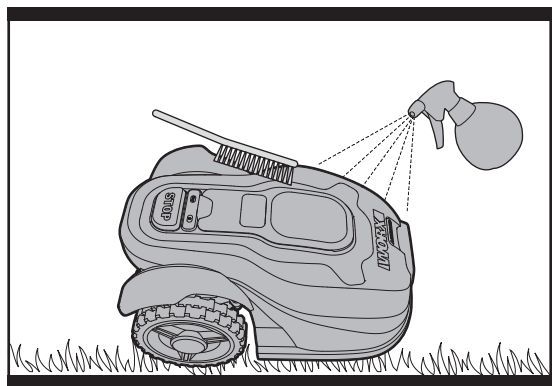
### A. De behuizing schoonmaken

De Landroid®M is gelukkiger en leeft langer als hij geregeld schoongemaakt wordt. Omdat uw Landroid®M een elektrische machine is, moet u voorzichtig te werk gaan. Gebruik GEEN tuinslang of ander stromend water voor de Landroid®M, beter is een spuitfles met water. Bij het schoonmaken van de behuizing gebruikt u een zachte borstel of schone doek, zonder oplos- of polijstmiddelen (Zie Afbeelding M). Tenslotte verwijdert u alle resten van afgemaaid gras en vuil.

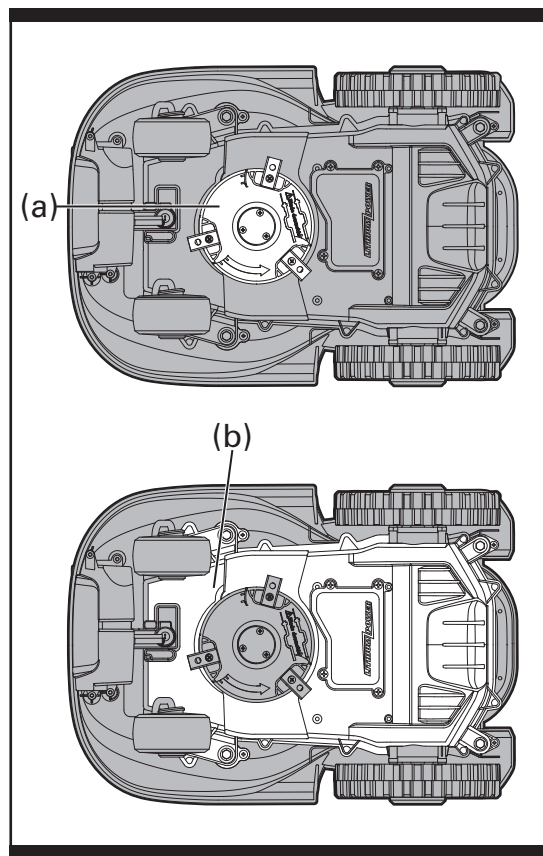
### B. De onderkant schoonmaken

We herhalen het, het is belangrijk dat u de Landroid®M uitschakelt met de Aan/uitknop en dat u **beschermende handschoenen draagt voordat u de schijf aanraakt (13)**.

Keer de Landroid®M eerst ondersteboven, zodat de onderkant zichtbaar wordt. U ziet de schijf (a), het chassis (b) en de voorste wielen (15) en de aandrijfwielen (10). Maak alles grondig schoon met een zachte doek of een zachte borstel. (Zie Afbeelding.N)



M



N

Draai de schijf om zeker te weten dat hij vrij kan bewegen en dat er geen materiaal zit tussen de schijf en het frame van de motor. Controleer ook of de messen vrij kunnen draaien en dat ze niet door gras geblokkeerd worden.

**BELANGRIJK: Verwijder vastzittend materiaal zodat het geen barst in de schijf kan veroorzaken. Zelfs een kleine barst kan de maaiprestaties van de Landroid®M negatief beïnvloeden.**

### C. Maak de contactpinnen en de laadstrips schoon

Maak de contactpin (3) op het laadstation (4) en de laadstrip (5) op de Landroid®M schoon met een doek. Verwijder restanten van gras en vuil rondom de contactpinnen en laadstrips periodiek om zeker te weten dat de Landroid®M elke keer goed kan worden opgeladen.

## 5.4 Houd hem scherp



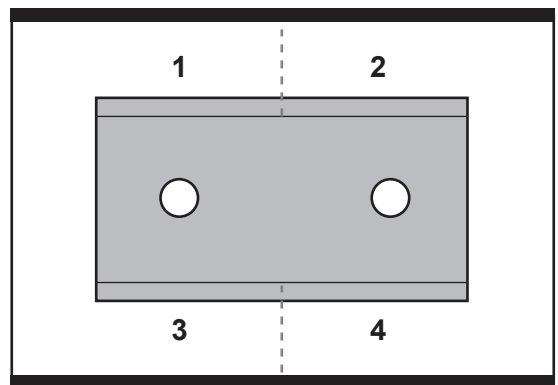
**WAARSCHUWING: Voordat u de messen schoonmaakt, instelt of vervangt, schakelt u de Landroid®M UIT met de Aan/uitschakelaar en trekt u beschermende handschoenen aan.**



**WAARSCHUWING! Vervangt u het mes vervang dan alle messen tegelijk. Is een mes nieuw maar de schroef opnieuw gebruikt, dan kan de schroef slijten waardoor het mes met kracht wordt weggeslingerd. Dit kan ernstig letsel veroorzaken.**

De Landroid®M maait het gras niet zoals andere maaiers. De messen (14) zijn aan alle kanten scherp als een scheermes en draaien in beide richtingen voor de maximale snijcapaciteit. (Zie Afbeelding O)

Elk mes van de Landroid®M heeft 4 snijranden. Afhankelijk van de frequentie waarmee de Landroid®M uw gras maait, moeten de messen omgekeerd en gedraaid worden zodat er een nieuwe snijrand in bedrijf komt. Is de Landroid®M geprogrammeerd om het gras elke dag te maaien, dan moeten de messen maandelijks gedraaid worden voor de beste maaieresultaten. Elk mes heeft een levensduur van maximaal 4 maanden als er elke dag gemaaid wordt. Zijn de messen bot en versleten, dan moeten ze vervangen worden door de reservemessen die met de Landroid®M geleverd zijn. U vindt ook reservemessen bij uw WORX-leverancier.



**O**

### A. Messen draaien en omkeren

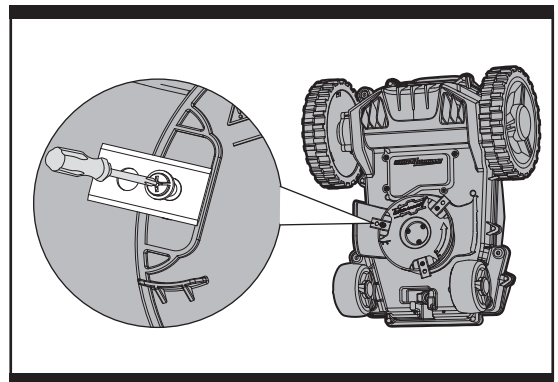
De Landroid®M heeft drie messen die vastgeschroefd zijn op de schijf (13). Met de messen doet de Landroid®M zijn werk. Ze hebben zorg en aandacht nodig. Af en toe moeten ze tegelijk gedraaid en omgekeerd worden om perfect te kunnen werken. Doet u dit, dan is het nodig dat alle messen tegelijk worden verstuurd, zodat de schijf niet uit balans raakt. Werkt de Landroid®M volgens een normale (dagelijkse) planning, dan gaan de messen een seizoen mee als ze elke maand gedraaid en omgekeerd worden. Controleer steeds of de messen niet beschadigd zijn en vervang ze zo nodig.

### B. De messen vervangen

Na enge tijd, meestal een keer per seizoen, moeten de messen van de Landroid®M vervangen worden. De Landroid®M heeft er een hekel aan om te werken met oude en nieuwe messen tegelijk, dus vervang ze allemaal tegelijk. U kunt ze vervangen met een van de drie kits met reservemessen en extra schroeven die met de Landroid®M geleverd zijn.

Voordat u begint met het vervangen van de messen van de Landroid®M, Schakelt u de voeding uit en trekt u beschermende handschoenen aan. Ga dan als volgt te werk:

1. Keer de Landroid®M voorzichtig om.
2. Maak de bevestigingsschroeven van de messen los met een gewone of kruisschroevendraaier.
3. Zet de nieuwe messen stevig vast. (Zie Afbeelding. P)



**P**

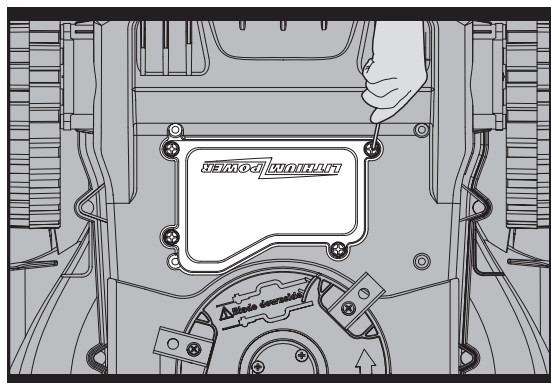
**IMPORTANT: Nadat u de messen aan de schijf heeft vastgeschroefd, controleert u of de messen vrij kunnen draaien.**

## 5.5 De batterij vervangen

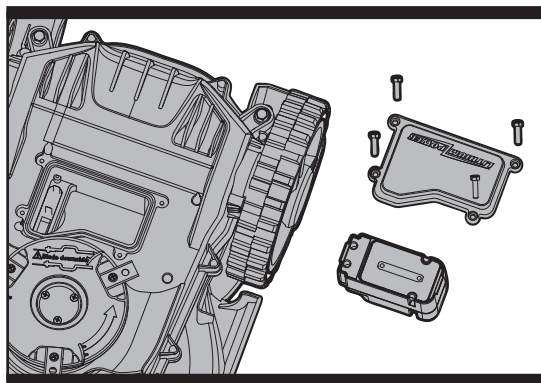
**!** **WAARSCHUWING: Zet de Aan/uitschakelaar in de stand UIT voordat u begint met enige instelling, vervanging of reparatie.**

Moet u de batterij vervangen, ga dan als volgt te werk:

1. Keer de Landroid® M voorzichtig om.
2. Draai de vier schroeven van de batterij los. (Zie Afbeelding Q)
3. Verwijder de oude batterij. (Zie Afbeelding R)
4. Monteer de nieuwe batterij.
5. Draai de vier schroeven weer stevig vast.




**Q**



**R**

## Bescherming van het milieu

 Afgedankte elektrische producten kunt u niet met het normale huisafval weggooien. Breng deze producten, indien mogelijk, naar een recyclecentrum bij u in de buurt. Vraag de verkoper of de gemeente naar informatie en advies over het recyclen van elektrische producten.



# Conformiteitverklaring

Wij,  
POSITEC Germany GmbH Konrad-Adenauer-Ufer 37 50668 Köln

Verklaren dat het product,  
Beschrijving **WORX Grasmaairobot**  
Type **WG794E (790-799 aanduiding van machinerie, kenmerkend voor Snoerloze grasmaaier)**  
Functie **Gras maaien**

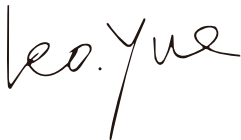
Overeenkomt met de volgende richtlijnen,  
Richtlijn Machines **2006/42/EG**  
Richtlijn Elektronische Compatibiliteit **2004/108/EG**  
Directiva respectante RoHS **2011/65/EU**  
**Geluidsemissie in het milieu door materieel voor gebruik buitenshuis**  
**2000/14/EC gewijzigd door 2005/88/EC**

Procedure beoordeling conformiteit volgens: **Annex V**  
Niveau gemeten geluidsvermogen: **61.95dB(A)**  
Opgegeven, gegarandeerde niveau geluidsvermogen: **63dB(A)**

Standaards in overeenstemming met,  
**EN ISO 12100-1**  
**EN ISO 12100-2**  
**EN ISO 14121-1**  
**EN ISO 3744**  
**EN 55014-1**  
**EN 55014-2**

De persoon die bevoegd is om het technische bestand te compileren,  
**Naam Russell Nicholson**  
**Adres Positec Power Tools (Europe) Ltd, PO Box 152, Leeds, LS10 9DS, UK**

97



2013/01/10  
Leo Yue  
POSITEC Kwaliteitsmanager

**PIN-code:**







Copyright © 2013, Positec. All Rights Reserved.  
2CLM81APK11000A1