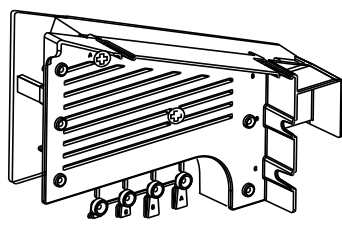
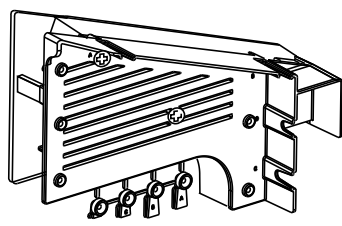
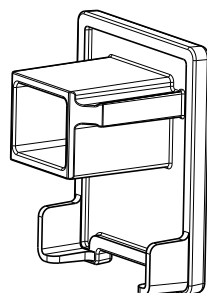
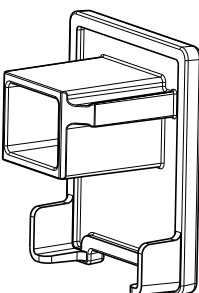
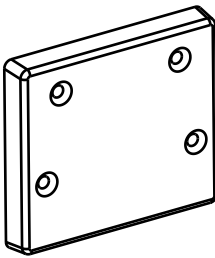

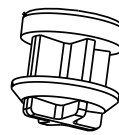
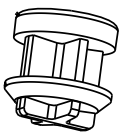
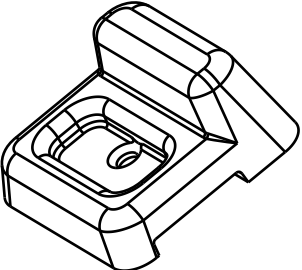
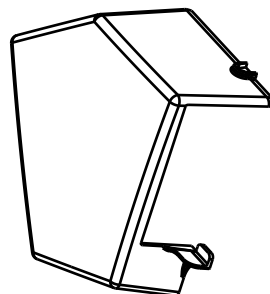
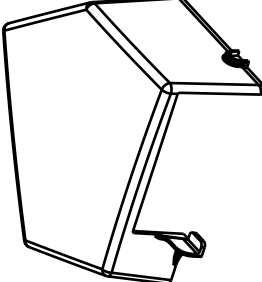
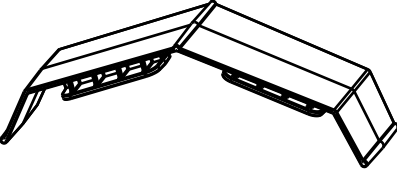
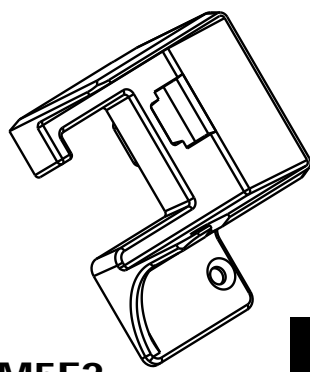
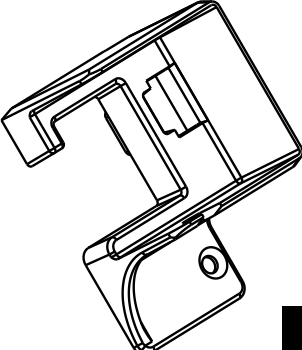
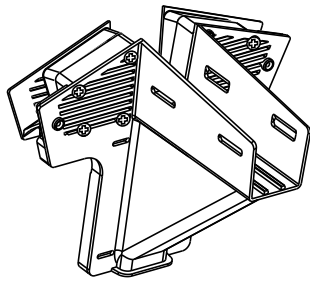


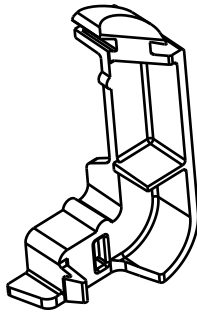
# NOMENCLATURE

 <p>M1A1</p> <p><b>x2</b></p>	 <p>M1A2</p> <p><b>x2</b></p>	 <p>M02A</p> <p><b>x4</b></p>	 <p>M02B</p> <p><b>x2</b></p>
 <p>M03</p> <p><b>x12</b></p>	 <p>M5E1</p> <p><b>x2</b></p>	 <p>M5E2</p> <p><b>x2</b></p>	 <p>M5G</p> <p><b>x4</b></p>
 <p>M5D</p> <p><b>x1</b></p>	 <p>M5B</p> <p><b>x2</b></p>	 <p>M5A</p> <p><b>x2</b></p>	
 <p>M5C</p> <p><b>x1</b></p>	 <p>M5F1</p> <p><b>x2</b></p>	 <p>M5F2</p> <p><b>x2</b></p>	



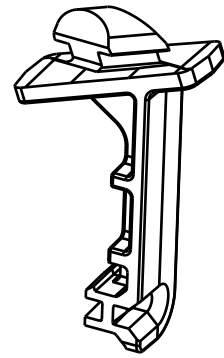
M06A

**x2**



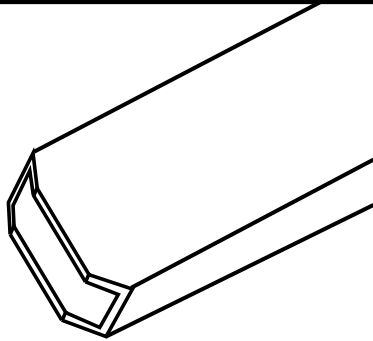
M8A

**x16**



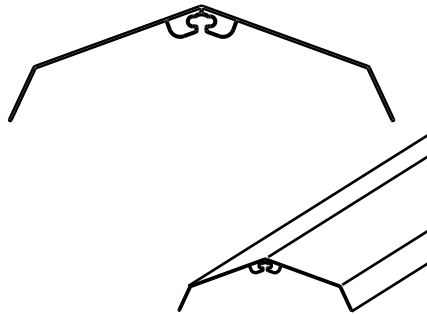
M8B

**x6**



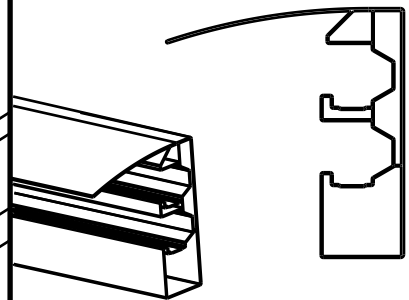
F10A L 1765 mm

**x18**



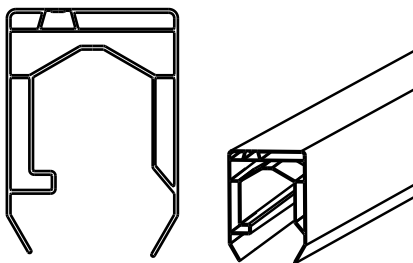
F8C L 1095 mm

**x2**



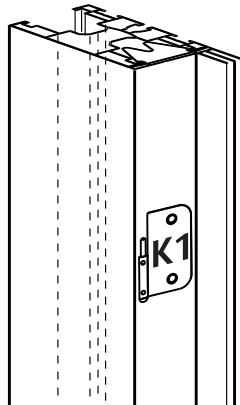
F71D L 1610 mm

**x4**



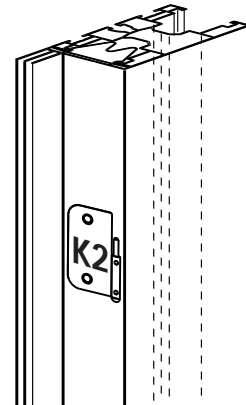
F72C L 1060 mm

**x4**



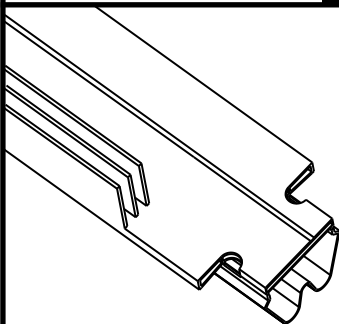
EM1

**x1**



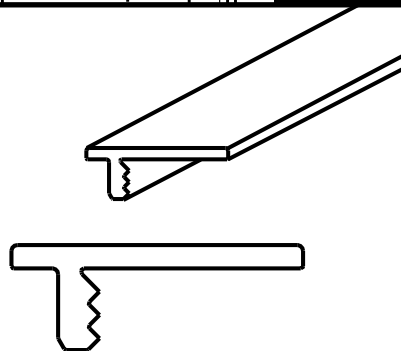
EM2

**x1**



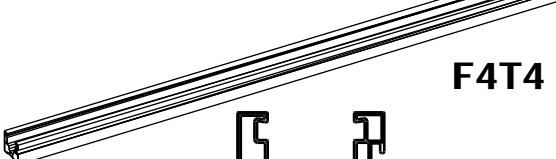
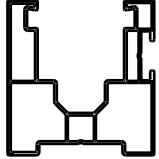
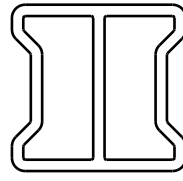
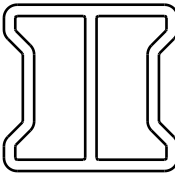
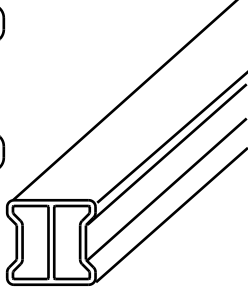
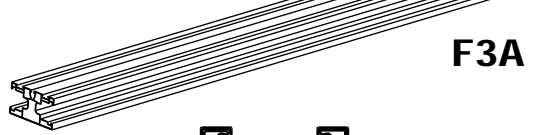
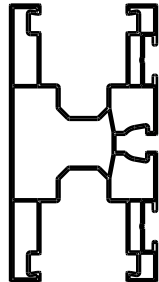
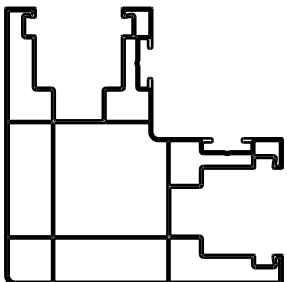
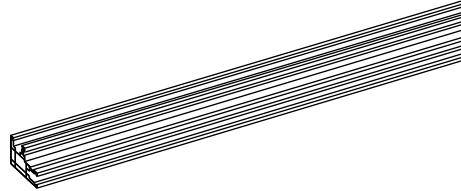

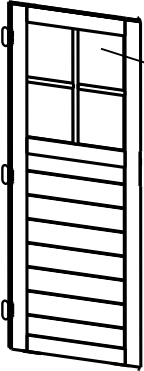
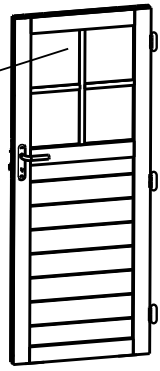
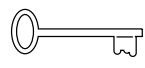
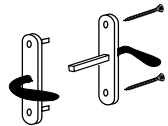

F6A2 L 1482 mm

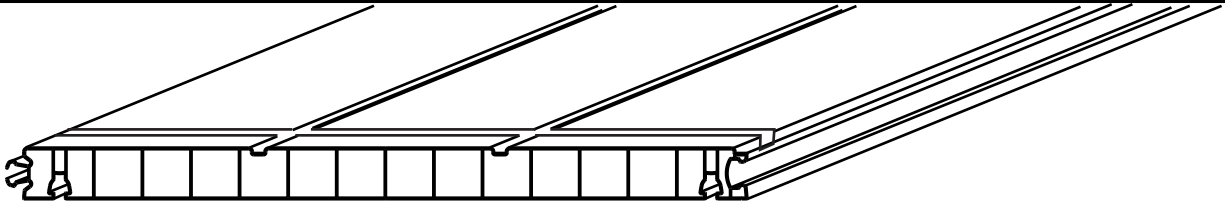
**x1**



FP113 L 1800 mm

**x1**

 	<b>F4T4</b> L 1025 mm	<b>x4</b>	 
	<b>F4B4</b> L 840 mm	<b>x1</b>	
	<b>F4B6</b> L 1660 mm	<b>x5</b>	
	<b>F4F4</b> L 530mm	<b>x2</b>	
 	<b>F3A</b> L 1781 mm	<b>x4</b>	
	<b>F3D2</b> L 1160 mm	<b>x2</b>	
	<b>F3B3</b> L 1540 mm	<b>x1</b>	
	<b>F3C2</b> L 390 mm	<b>x2</b>	
		<b>F2A</b> L 1781 mm	
	 		
<b>K04</b>	<b>EP1D</b>	<b>K11</b>	
			
		<b>K10</b>	
			
		<b>K03</b>	

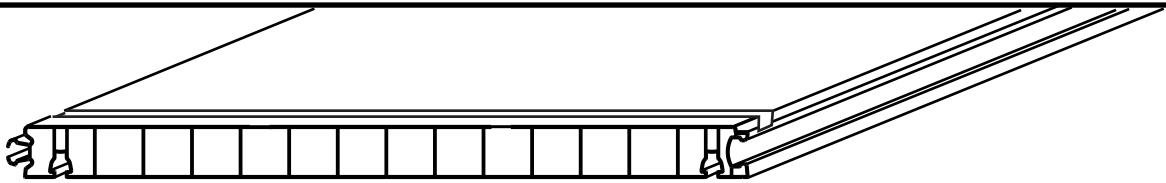


**F1H1** L 810 mm

**x35**

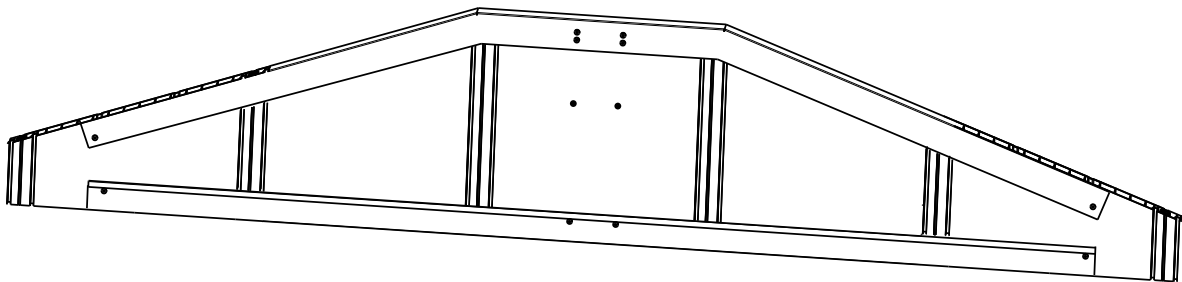
**F1H2** L 466 mm

**x10**



**F1T4** L 1650 mm

**x12**



**ET4**

**x2**



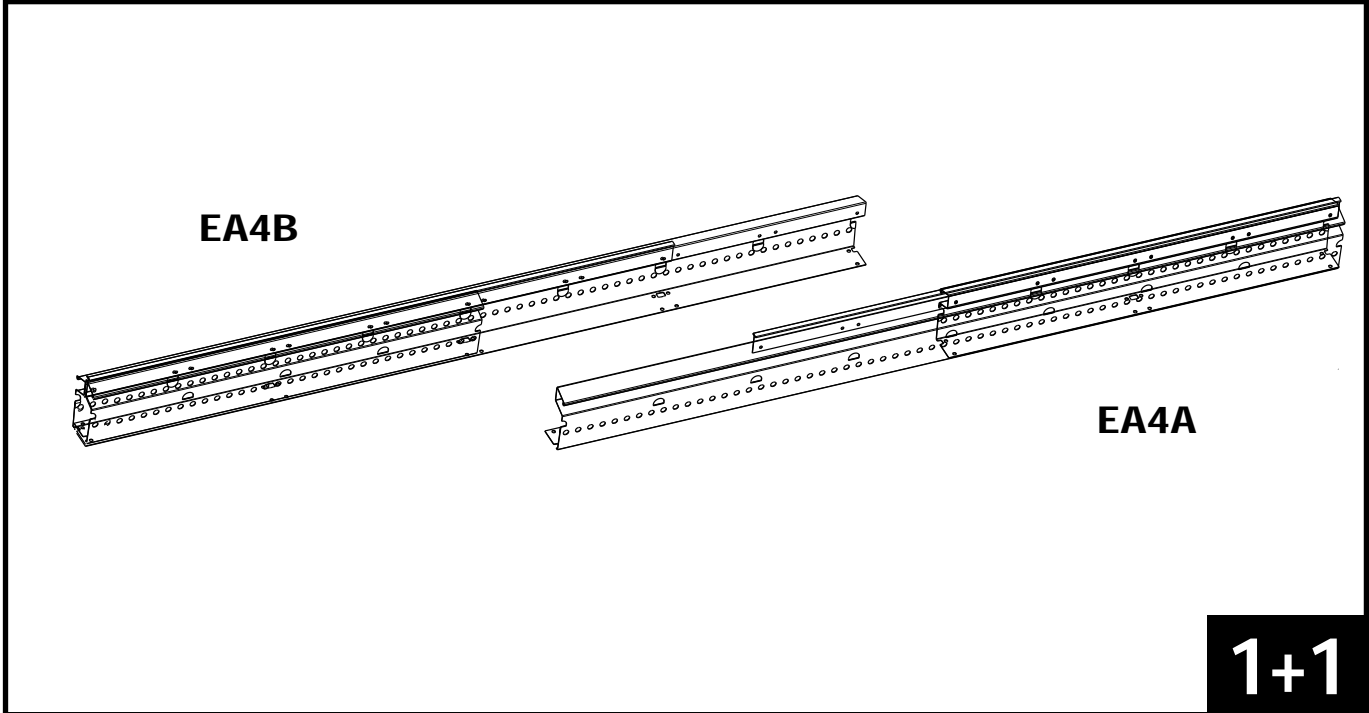
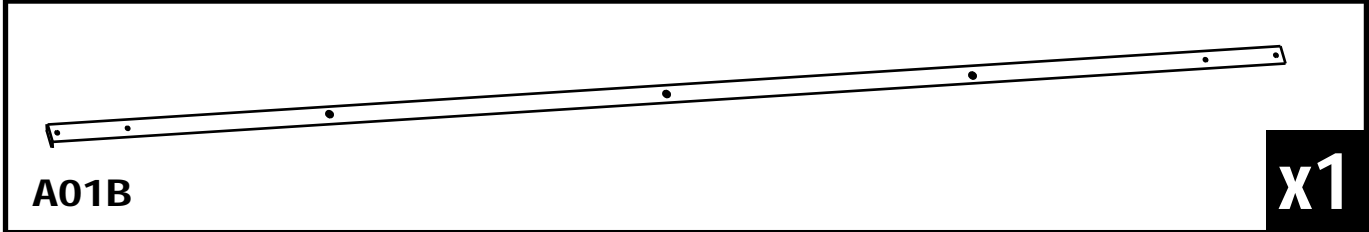
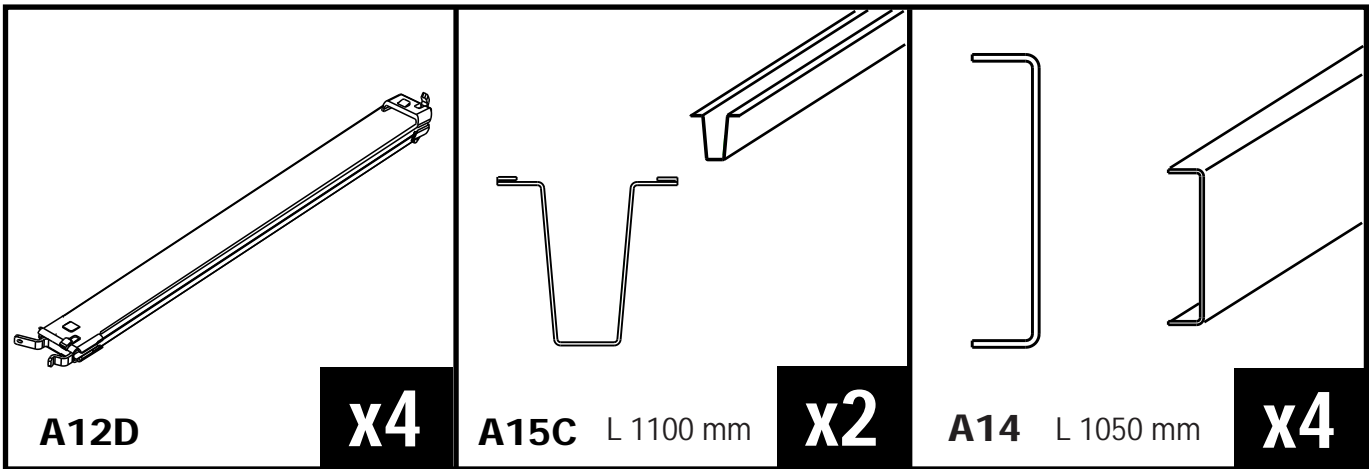
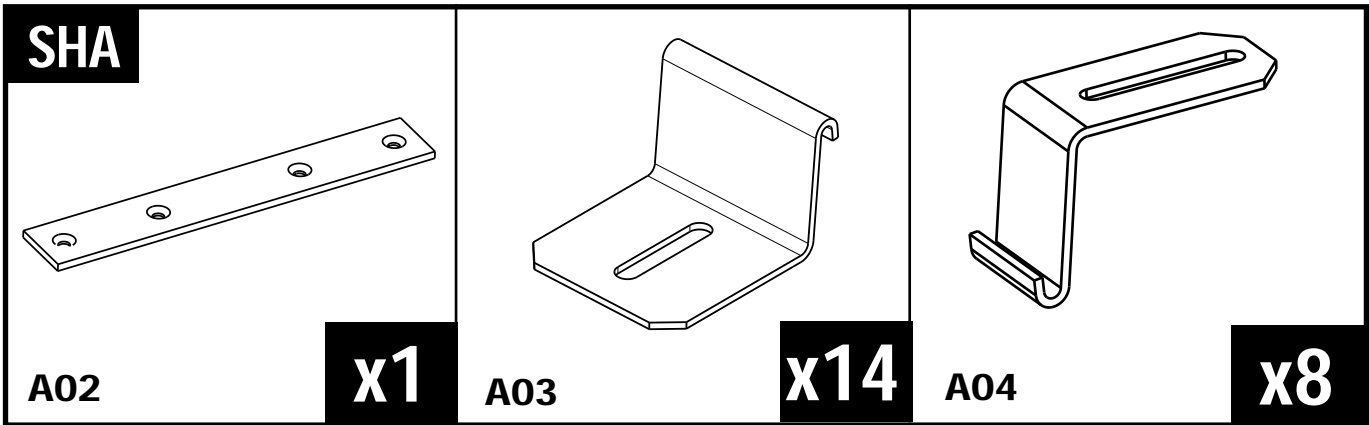
**T4-2**

**x2**

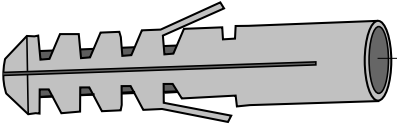


**T4-1**

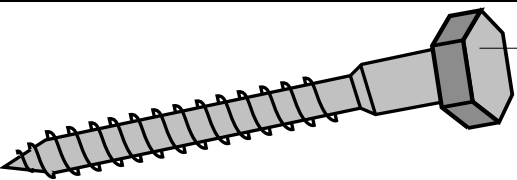
**x2**



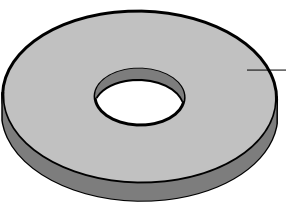
# VISSERIE

**SH01**  **V04**  
Ø10mm

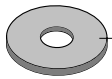
**x4**

 **V08**  
Ø8 x 50mm

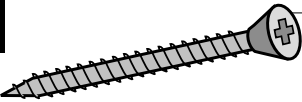
**x4**

 **V23**  
Ø36mm

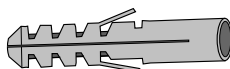
**x4**

**SH07**  **V22**  
Ø14mm

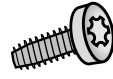
**x32**

**SH08**  **V20**  
Ø4 x 40mm

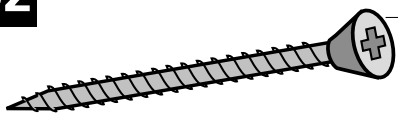
**x13**

**SH09**  **V03**  
Ø6mm

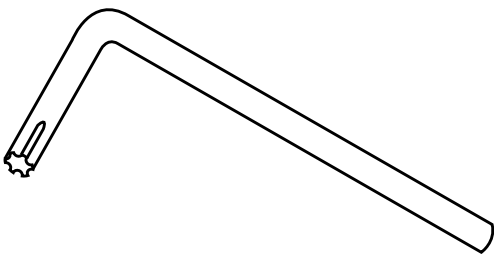
**x30**

**SH10**  **V07**  
Ø4 x 8mm

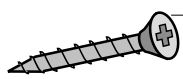
**x6**

**SH02**  **V11**  
Ø4 x 45mm

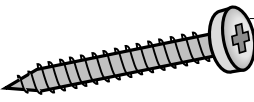
**x95**



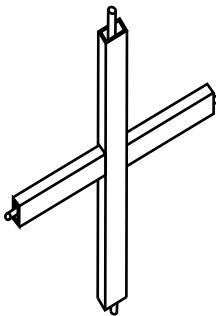
**x1**

**SH03**  **V13**  
Ø4,2 x 25mm

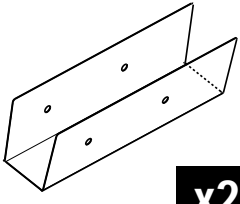
**x45**

**SH04**  **V01**  
Ø4 x 32mm

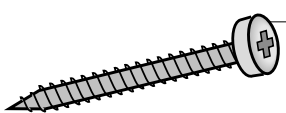
**x10**

**PBYN1** 

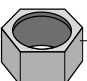
**x2**

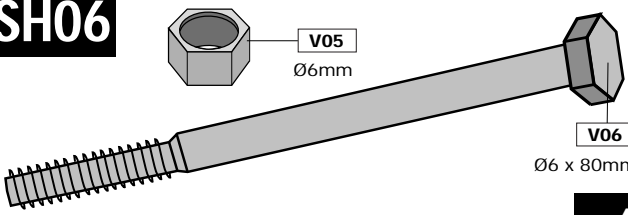
**YP02** 

**x2**

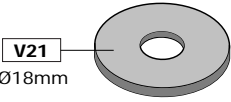
**SH05**  **V16**  
Ø4,2 x 35mm

**x25**

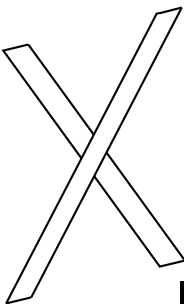
**SH06**  **V05**  
Ø6mm

 **V06**  
Ø6 x 80mm

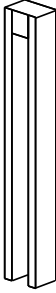
**x4**

 **V21**  
Ø18mm

**x8**

**PBYN3** 

**x2**

**YM09** 

**x2**