



Thinking of you
Electrolux



SG2570N

EN	FREEZER	USER MANUAL	2
FR	CONGÉLATEUR	NOTICE D'UTILISATION	19
DE	GEFRIERGERÄT	BENUTZERINFORMATION	38
IT	CONGELATORE	ISTRUZIONI PER L'USO	57



CONTENTS

1. SAFETY INSTRUCTIONS	3
2. CONTROL PANEL	5
3. DAILY USE	7
4. HELPFUL HINTS AND TIPS	9
5. CARE AND CLEANING	9
6. WHAT TO DO IF...	10
7. INSTALLATION	13
8. NOISES	16
9. TECHNICAL DATA	18
10. ENVIRONMENT CONCERNS	18

WE'RE THINKING OF YOU

Thank you for purchasing an Electrolux appliance. You've chosen a product that brings with it decades of professional experience and innovation. Ingenious and stylish, it has been designed with you in mind. So whenever you use it, you can be safe in the knowledge that you'll get great results every time.

Welcome to Electrolux.

Visit our website for:



Get usage advice, brochures, trouble shooter, service information:
www.electrolux.com



Register your product for better service:
www.electrolux.com/productregistration



Buy Accessories, Consumables and Original spare parts for your appliance:
www.electrolux.com/shop

CUSTOMER CARE AND SERVICE

We recommend the use of original spare parts.

When contacting Service, ensure that you have the following data available.

The information can be found on the rating plate. Model, PNC, Serial Number.



Warning / Caution-Safety information



General information and tips



Environmental information

Subject to change without notice.

1. SAFETY INSTRUCTIONS

In the interest of your safety and to ensure the correct use, before installing and first using the appliance, read this user manual carefully, including its hints and warnings. To avoid unnecessary mistakes and accidents, it is important to ensure that all people using the appliance are thoroughly familiar with its operation and safety features. Save these instructions and make sure that they remain with the appliance if it is moved or sold, so that everyone using it through its life will be properly informed on appliance use and safety.

For the safety of life and property keep the precautions of these user's instructions as the manufacturer is not responsible for damages caused by omission.

1.1 Children and vulnerable people safety

- This appliance is not intended for use by persons (including children) with reduced physical, sensory or mental capabilities, or lack of experience and knowledge, unless they have been given supervision or instruction concerning use of the appliance by a person responsible for their safety.

Children should be supervised to ensure that they do not play with the appliance.

- Keep all packaging well away from children. There is risk of suffocation.
- If you are discarding the appliance pull the plug out of the socket, cut the connection cable (as close to the appliance as you can) and remove the door to prevent playing children to suffer electric shock or to close themselves into it.
- If this appliance featuring magnetic door seals is to replace an older appliance having a spring lock (latch) on the door or lid, be sure to make that spring lock unusable before you discard the old appliance. This will prevent it from becoming a death trap for a child.

1.2 General safety



WARNING!

Keep ventilation openings, in the appliance enclosure or in the built-in structure, clear of obstruction.

- The appliance is intended for keeping foodstuff and/or beverages in a normal household as explained in this instruction booklet.
- Do not use a mechanical device or any artificial means to speed up the thawing process.
- Do not use other electrical appliances (such as ice cream makers) inside of refrigerating appliances, unless they are approved for this purpose by the manufacturer.
- Do not damage the refrigerant circuit.
- The refrigerant isobutane (R600a) is contained within the refrigerant circuit of the appliance, a natural gas with a high level of environmental compatibility, which is nevertheless flammable.

During transportation and installation of the appliance, be certain that none of the components of the refrigerant circuit become damaged.

If the refrigerant circuit should become damaged:

- avoid open flames and sources of ignition
- thoroughly ventilate the room in which the appliance is situated
- It is dangerous to alter the specifications or modify this product in any way. Any damage to the cord may cause a short-circuit, fire and/or electric shock.



WARNING!

Any electrical component (power cord, plug, compressor) must be replaced by a certified service agent or qualified service personnel to avoid hazard.

1. Power cord must not be lengthened.
2. Make sure that the power plug is not squashed or damaged by the back of the appliance. A squashed or damaged power plug may overheat and cause a fire.
3. Make sure that you can come to the mains plug of the appliance.

4. Do not pull the mains cable.
 5. If the power plug socket is loose, do not insert the power plug. There is a risk of electric shock or fire.
 6. You must not operate the appliance without the lamp cover (if foreseen) of interior lighting.
- This appliance is heavy. Care should be taken when moving it.
 - Do not remove nor touch items from the freezer compartment if your hands are damp/wet, as this could cause skin abrasions or frost/freezer burns.
 - Avoid prolonged exposure of the appliance to direct sunlight.
 - Bulb lamps (if foreseen) used in this appliance are special purpose lamps selected for household appliances use only. They are not suitable for household room illumination.

1.3 Daily Use

- Do not put hot pot on the plastic parts in the appliance.
- Do not store flammable gas and liquid in the appliance, because they may explode.
- Do not place food products directly against the air outlet on the rear wall. (If the appliance is Frost Free)
- Frozen food must not be re-frozen once it has been thawed out.
- Store pre-packed frozen food in accordance with the frozen food manufacturer's instructions.
- Appliance's manufacturers storage recommendations should be strictly adhered to. Refer to relevant instructions.
- Do not place carbonated or fizzy drinks in the freezer compartment as it creates pressure on the container, which may cause it to explode, resulting in damage to the appliance.
- Ice lollies can cause frost burns if consumed straight from the appliance.

1.4 Care and cleaning

- Before maintenance, switch off the appliance and disconnect the mains plug from the mains socket.
- Do not clean the appliance with metal objects.

- Do not use sharp objects to remove frost from the appliance. Use a plastic scraper.
- Never use a hair drier or other heating appliances to speed up defrosting. Excessive heat may damage the plastic interior, and humidity could enter the electric system making it live.

1.5 Installation



For electrical connection carefully follow the instructions given in specific paragraphs.

- Unpack the appliance and check if there are damages on it. Do not connect the appliance if it is damaged. Report possible damages immediately to the place you bought it. In that case retain packing.
- It is advisable to wait at least four hours before connecting the appliance to allow the oil to flow back in the compressor.
- Adequate air circulation should be around the appliance, lacking this leads to overheating. To achieve sufficient ventilation follow the instructions relevant to installation.
- Wherever possible the back of the product should be against a wall to avoid touching or catching warm parts (compressor, condenser) to prevent possible burn.
- The appliance must not be located close to radiators or cookers.
- Make sure that the mains plug is accessible after the installation of the appliance.
- Connect to potable water supply only (if a water connection is foreseen).

1.6 Service

- Any electrical work required to do the servicing of the appliance should be carried out by a qualified electrician or competent person.
- This product must be serviced by an authorized Service Centre, and only genuine spare parts must be used.

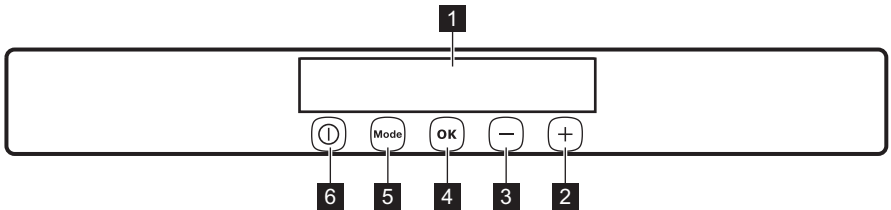
1.7 Environment Protection



This appliance does not contain gasses which could damage the ozone layer, in either its refrigerant circuit or insulation materials. The appliance shall not be discarded together with the urban refuse and rubbish. The insulation foam con-

tains flammable gases: the appliance shall be disposed according to the applicable regulations to obtain from your local authorities. Avoid damaging the cooling unit, especially at the rear near the heat exchanger. The materials used on this appliance marked by the symbol are recyclable.

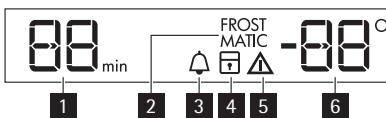
2. CONTROL PANEL



- 1 Display
- 2 Temperature warmer button
- 3 Temperature colder button
- 4 OK button
- 5 Mode button
- 6 ON/OFF button

It is possible to change predefined sound of buttons to a loudly one by pressing together Mode button and Temperature colder button for some seconds. Change is reversible.

2.1 Display/Indicator



- 1 Timer indicator
- 2 FROSTMATIC function
- 3 Minute Minder function
- 4 Child Lock function
- 5 Alarm indicator
- 6 Temperature indicator

2.2 Switching on

To switch on the appliance do these steps:

1. Connect the mains plug to the power socket.
2. Press the ON/OFF button if the display is off.
3. The alarm buzzer could operate after few seconds.

To reset the alarm refer to "High temperature alarm".

4. If "dEMo" appears on the display, the appliance is in demonstration mode. Refer to "What to do if..." paragraph.
5. The temperature indicators show the set default temperature.

To select a different set temperature refer to "Temperature regulation".



If the door remains open for some minutes, the light will turn off automatically. The light is reset by closing and opening the door itself.

2.3 Switching off

To switch off the appliance do these steps:

1. Press the ON/OFF button for few seconds.

2. The display switches off.
3. To disconnect the appliance from the power disconnect the mains plug from the power socket.

2.4 Temperature regulation

The set temperature of the freezer may be adjusted by pressing the temperature button.

Set default temperature:

- -18°C for the freezer

The temperature indicator shows the set temperature.

The set temperature will be reached within 24 hours.



After a power failure the set temperature remains stored.

2.5 FROSTMATIC function

To switch on the function:

1. Press the Mode button until the corresponding icon appears.

The FROSTMATIC indicator flashes.

2. Press the OK button to confirm.

The FROSTMATIC indicator is shown.

This function stops automatically after 52 hours.

To switch off the function before its automatic end:

1. Press the Mode button until the FROSTMATIC indicator flashes.
2. Press the OK button to confirm.
3. The FROSTMATIC indicator goes off.



The function switches off by selecting a different freezer set temperature.

2.6 Minute Minder function

The Minute Minder function is to be used to set an acoustic alarm at the preferred time, useful for example when a recipe requires to cool down a mixture for a certain length of time, or when a reminder is needed in order not to forget the bottles placed in the freezer for fast cooling.

To switch on the function:

1. Press the Mode button until the corresponding icon appears.

The Minute Minder indicator flashes.

The Timer shows the set value (30 minutes) for a few seconds.

2. Press the Temperature colder button or the Temperature warmer button to change the Timer set value from 1 to 90 minutes.
3. Press the OK button to confirm.

The Minute Minder indicator is shown.

The Timer start to flash (min).

At the end of the countdown the Minute Minder indicator flashes and an audible alarm sounds:

1. Remove any drinks contained in the freezer compartment.
2. Press OK button to switch off the sound and terminate the function.

It is possible to deactivate the function at any time during the countdown:

1. Press the Mode button until the Minute Minder indicator flashes.
2. Press the OK button to confirm.
3. The Minute Minder indicator goes off. It is possible to change the time during the countdown and at the end by pressing the Temperature colder button and the Temperature warmer button.

2.7 Child Lock function

To lock the buttons from unintentional operation select the Child Lock function.

To switch on the function:

1. Press the Mode button until the corresponding icon appears.
2. The Child Lock indicator flashes.
3. Press the OK button to confirm.

The Child Lock indicator is shown.

To switch off the function:

1. Press the Mode button until the Child Lock indicator flashes.
2. Press the OK button to confirm.
3. The Child Lock indicator goes off.

2.8 High temperature alarm

Temperature increase in the freezer compartment (for example due to an earlier power failure or door is open) is indicated by:

- flashing the alarm and freezer temperature indicators
- sounding of buzzer.

To reset the alarm:

1. Press any button.
2. The buzzer switches off.
3. The freezer temperature indicator shows the highest temperature reached for a few seconds. Then show again the set temperature.
4. The alarm indicator continue to flash until the normal conditions are restored.

- flashing alarm indicator
- acoustic buzzer.

When normal conditions are restored (door closed), the alarm will stop. During the alarm phase, the buzzer can be switched off by pressing any button.

2.9 Door open alarm

An acoustic alarm will sound if the door is left open for a few minutes. The door open alarm conditions are indicated by:

3. DAILY USE

3.1 Freezing fresh food

The freezer compartment is suitable for freezing fresh food and storing frozen and deep-frozen food for a long time.

To freeze small amount of fresh foods it is not necessary to change the present setting.

To freeze fresh food activate the Action Freeze function 24 hours before placing the food to be frozen in the freezer compartment.

It is possible to place the fresh food to be frozen in all compartments except the lowest.

The maximum amount of food that can be frozen in 24 hours is specified on the **rating plate**, a label located on the inside of the appliance.

The freezing process lasts 24 hours: during this period do not add other food to be frozen.

3.2 Storage of frozen food

When first starting-up or after a period out of use, before putting the products in the compartment let the appliance run at least 2 hours.

The freezer baskets ensure that it is quick and easy to find the food package you want. If large quantities of food are to be stored, remove all drawers except for the

bottom basket which needs to be in place to provide good air circulation. On all shelves except for the top shelf it is possible to place food that protrude 15 mm from the door.



In the event of accidental defrosting, for example due to a power failure, if the power has been off for longer than the value shown in the technical characteristics chart under "rising time", the defrosted food must be consumed quickly or cooked immediately and then re-frozen (after cooling).

3.3 Thawing

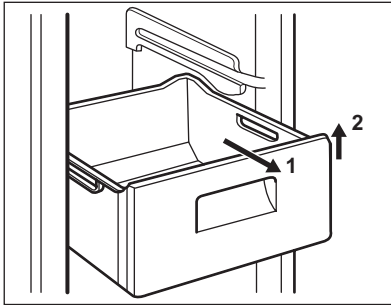
Deep-frozen or frozen food, prior to being used, can be thawed in the refrigerator compartment or at room temperature, depending on the time available for this operation.

Small pieces may even be cooked still frozen, directly from the freezer: in this case, cooking will take longer.

3.4 Cold accumulators

One or more cold accumulators are supplied in the freezer; these increase the length of time for which food will keep in the event of a power failure or breakdown.

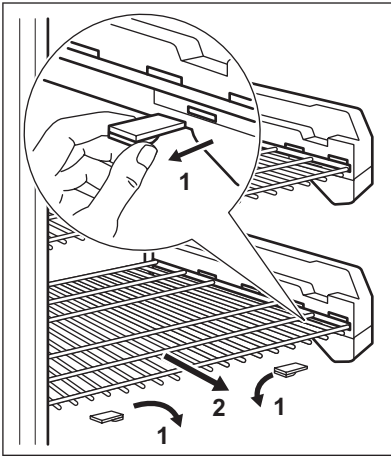
3.5 Removal of freezing baskets and wire shelves from the freezer



Some of the freezing baskets have a limit stop to prevent their accidental removal or falling out. At the time of its removal from the freezer, pull the basket towards yourself and, upon reaching the end point, remove the basket by tilting its front upwards.

At the time of putting it back, slightly lift the front of the basket to insert it into the freezer.

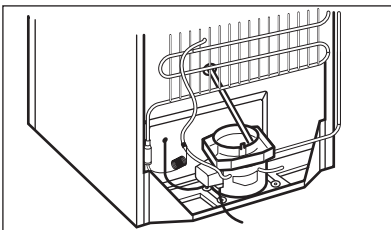
Once you are over the end points, push the basket back in their position.



The wire shelves equipped with expander rollers are secured with locking pins. To remove them proceed as follow:

- Loosen the locking pin on each side on the expander roller. If necessary, use a screwdriver.
- Then pull out both locking pin (1).
- Then pull the wire shelf outwards (2).

3.6 Cleaning the interior



Before using the appliance for the first time, wash the interior and all internal accessories with lukewarm water and some neutral soap so as to remove the typical smell of a brand-new product, then dry thoroughly.



Do not use detergents or abrasive powders, as these will damage the finish.

Check that the drain hose at the rear of the cabinet discharges into the drip tray

4. HELPFUL HINTS AND TIPS

4.1 Hints for freezing

To help you make the most of the freezing process, here are some important hints:

- the maximum quantity of food which can be frozen in 24 hrs. is shown on the rating plate;
- the freezing process takes 24 hours. No further food to be frozen should be added during this period;
- only freeze top quality, fresh and thoroughly cleaned, foodstuffs;
- prepare food in small portions to enable it to be rapidly and completely frozen and to make it possible subsequently to thaw only the quantity required;
- wrap up the food in aluminium foil or polythene and make sure that the packages are airtight;
- do not allow fresh, unfrozen food to touch food which is already frozen, thus avoiding a rise in temperature of the latter;
- lean foods store better and longer than fatty ones; salt reduces the storage life of food;

- water ices, if consumed immediately after removal from the freezer compartment, can possibly cause the skin to be freeze burnt;
- it is advisable to show the freezing in date on each individual pack to enable you to keep tab of the storage time.

4.2 Hints for storage of frozen food

To obtain the best performance from this appliance, you should:

- make sure that the commercially frozen foodstuffs were adequately stored by the retailer;
- be sure that frozen foodstuffs are transferred from the foodstore to the freezer in the shortest possible time;
- not open the door frequently or leave it open longer than absolutely necessary;
- once defrosted, food deteriorates rapidly and cannot be refrozen;
- do not exceed the storage period indicated by the food manufacturer.

5. CARE AND CLEANING



CAUTION!

Unplug the appliance before carrying out any maintenance operation.



This appliance contains hydrocarbons in its cooling unit; maintenance and recharging must therefore only be carried out by authorized technicians.

5.1 Periodic cleaning

The equipment has to be cleaned regularly:

- clean the inside and accessories with lukewarm water and some neutral soap.
- regularly check the door seals and wipe clean to ensure they are clean and free from debris.

- rinse and dry thoroughly.



Do not pull, move or damage any pipes and/or cables inside the cabinet.

Never use detergents, abrasive powders, highly perfumed cleaning products or wax polishes to clean the interior as this will damage the surface and leave a strong odor.

Clean the condenser (black grill) and the compressor at the back of the appliance with a brush. This operation will improve the performance of the appliance and save energy consumption.



Take care of not to damage the cooling system.



When moving the cabinet, lift it by the front edge to avoid scratching the floor.

Many proprietary kitchen surface cleaners contain chemicals that can attack/damage the plastics used in this appliance. For this reason use a soft cloth rinsed in warm water and neutral soap emulsion for cleaning external surfaces.



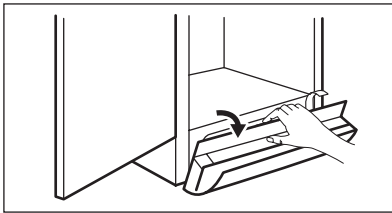
Do not use detergents or abrasive paste as these will damage the paint, or stainless steel anti finger print coating.

After cleaning, reconnect the equipment to the mains supply.

5.2 Defrosting of the freezer

The freezer compartment of this model, on the other hand, is a "no frost" type. This means that there is no buildup of frost when it is in operation, neither on the internal walls nor on the foods.

5.4 Cleaning the ventilation grille



The ventilation grille can be removed for washing.

Make sure the door is open and then:

- Loosen the upper edge of the grille by pulling outward/downward.
- Pull the grille straight out to completely remove it.
- Vacuum clean under the cabinet.

The absence of frost is due to the continuous circulation of cold air inside the compartment, driven by an automatically controlled fan.

5.3 Periods of non-operation

When the appliance is not in use for long periods, take the following precautions:

1. disconnect the appliance from electricity supply
2. remove all food
3. clean the appliance and all accessories
4. leave the door/doors open to prevent unpleasant smells.



If the cabinet will be kept on, ask somebody to check it once in a while to prevent the food inside from spoiling in case of a power failure.

6. WHAT TO DO IF...

During operation of the appliance some smaller but annoying trouble can often occur, which does not require calling a technician out. In the following chart information is given about them to avoid unnecessary charges on service.



The operation of the appliance goes with certain sounds (compressor and circulating sound). This not means a trouble, but a normal operation.



The appliance operates discontinuously, so the stopping of compressor does not mean being no current. That is why you must not touch the electrical parts of the appliance before breaking the circuit.

Problem	Possible cause	Solution
The appliance is noisy.	The appliance is not supported properly.	Check if the appliance stands stable (all feet and wheels should be on the floor). Refer to "Levelling".
The buzzer sounds. The Alarm icon flashing.	The temperature in the freezer is too high.	Refer to "High Temperature Alarm".
	The door is not closed correctly.	Refer to "Door open alarm".
Upper or lower square is shown in the temperature display	An error has occurred in measuring the temperature.	Call your service representative (the cooling system will continue to keep food products cold, but temperature adjustment will not be possible).
The compressor runs continuously.	The Temperature regulator may be set incorrectly.	Set a warmer temperature.
	The door is not closed correctly.	Refer to "Closing the door".
	The door has been opened too frequently.	Do not keep the door open longer than necessary.
	The food temperature is too high.	Let the food temperature decrease to room temperature before storage.
	The room temperature is too high.	Decrease the room temperature.
There is too much frost and ice.	The door is not closed correctly.	Refer to "Closing the door".
	The door gasket is deformed or dirty.	Refer to "Closing the door".
The temperature in the appliance is too cold.	The Temperature regulator may be set incorrectly.	Set a warmer temperature.
The temperature in the appliance is too warm.	The Temperature regulator may be set incorrectly.	Set a colder temperature.
	The door is not closed correctly.	Refer to "Closing the door".
	The food temperature is too high.	Let the food temperature decrease to room temperature before storage.
The temperature in the freezer is too warm.	Food is too near to each other.	Store food so that there is cold air circulation.

Problem	Possible cause	Solution
	Large quantities of food to be frozen were put in at the same time.	Insert smaller quantities of food to be frozen at the same time.
The appliance does not operate.	The appliance is switched off.	Switch on the appliance.
	The mains plug is not connected to the mains socket correctly.	Connect the mains plug to the mains socket correctly.
	The appliance has no power. There is no voltage in the mains socket.	Connect another electrical appliance to the mains socket. Check fuse. Contact a qualified electrician.
The lamp does not work.	The lamp is defective.	Refer to "Replacing the lamp".
	The door has been open too long.	Close the door.
Door interferes with ventilation grill.	The appliance is not levelled.	Refer to "Levelling".
Misaligned door.	The appliance is not levelled.	Refer to "Levelling".
DEMO appears on the Display	The appliance is in demonstration mode (DEMO).	Keep pressed approximately 10 sec the Mode button since a long sound of buzzer is heard and the Display shut off for a short while: appliance start works regularly.

As much as the advice does not lead to result, call the nearest brand-mark service.

6.1 Replacing the lamp

The appliance is equipped with a longlife LED interior light. Only service is allowed to replace the lighting device. Contact your Service Center .

2. If necessary, adjust the door. Refer to "Installation".
3. If necessary, replace the defective door gaskets. Contact the Service Center.

6.2 Closing the door

1. Clean the door gaskets.

7. INSTALLATION



WARNING!

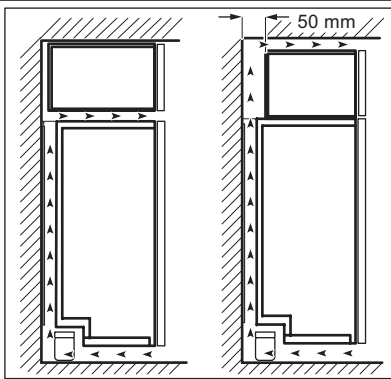
Read the "Safety Information" carefully for your safety and correct operation of the appliance before installing the appliance.

7.1 Positioning

Install this appliance at a location where the ambient temperature corresponds to the climate class indicated on the rating plate of the appliance:

Cli- mate class	Ambient temperature
SN	+10°C to + 32°C
N	+16°C to + 32°C
ST	+16°C to + 38°C
T	+16°C to + 43°C

7.2 Location



To ensure best performance, if the appliance is positioned below an overhanging wall unit, the minimum distance between the top of the cabinet and the wall unit must be at least 40 mm. Ideally, however, the appliance should not be positioned below overhanging wall units.

The ventilation space can be:

- directly above the appliance
- behind and above the top cupboard.

In this case, the space behind the top cupboard must be at least 50 mm deep.

7.3 Electrical connection

Before plugging in, ensure that the voltage and frequency shown on the rating plate correspond to your domestic power supply.

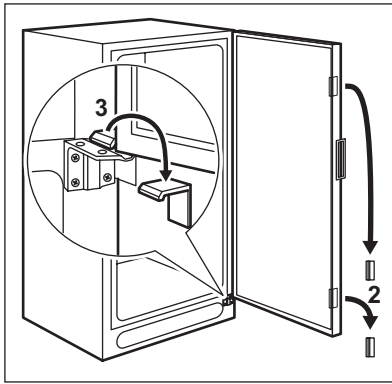
The appliance must be earthed. The power supply cable plug is provided with a contact for this purpose. If the domestic

power supply socket is not earthed, connect the appliance to a separate earth in compliance with current regulations, consulting a qualified electrician.

The manufacturer declines all responsibility if the above safety precautions are not observed.

This appliance complies with the E.E.C. Directives.

7.4 Removing the transport support



Your appliance is equipped with transport support to secure the door during transportation.

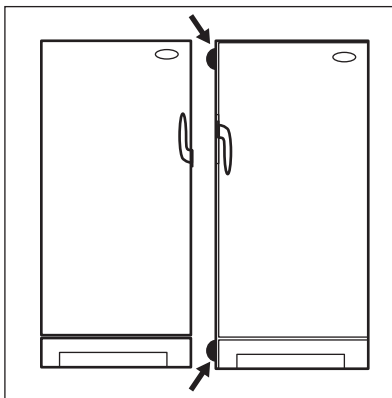
To remove them do these steps:

- Open the door.
- Remove the transport support from the door sides.
- Remove the transport support from the lower hinge (some models).

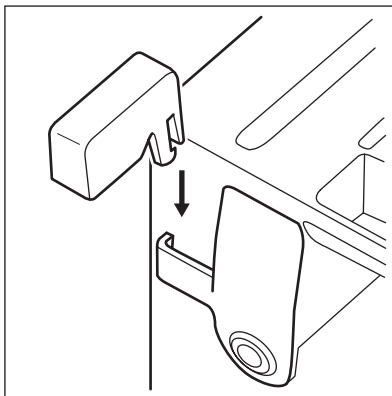


Some models are fitted with a silencing pad under the cabinet. Do not remove this pad.

7.5 Spacers

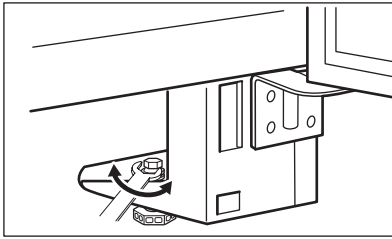


Install the spacers provided within the accessory bag as shown in the figures. When two appliances are placed beside each other, attach the adhesive spacers between the appliances.



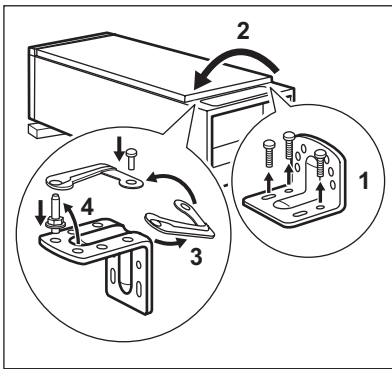
Install the spacers on the back side of the panel.

7.6 Levelling



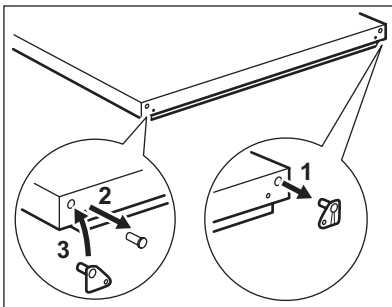
When placing the appliance ensure that it stands level. If necessary adjust the feet using the adjustment spanner supplied.

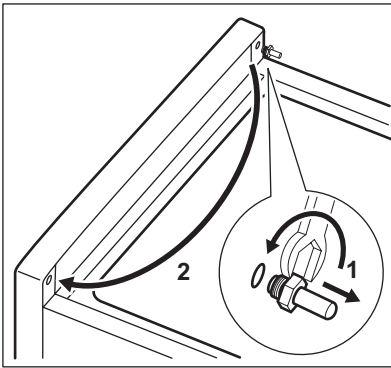
7.7 Door reversibility



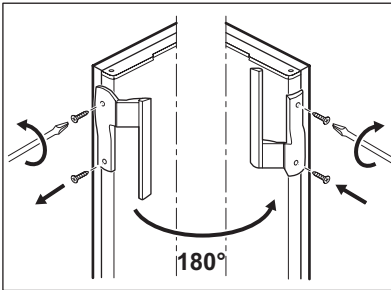
To change the opening direction of the door, do these steps:

- Remove the plug from the power.
- Remove the ventilation grille. Remove the filling and install it on the opposite side of the grille.
- Lay down the appliance back side down on a wooden support.
- Unscrew the lower hinge.
- Remove the door closure device from the hinge and move the pin to the other side. Re-screw the door closure device provided within the accessory bag on the opposite side.
- Remove the door closure device on the door.
- Re-screw the door closure device provided within the accessory bag on the opposite side.





- Remove the door.
- Unscrew and move the pin to the opposite side.
- Re-insert the door.
- Re-screw the lower hinge.
- Raise the appliance and install the ventilation grille.



- Unscrew the handle. On the opposite side remove the hole covers by driving a 3-4 mm drift or drill into them.
- Install the handle. Fit the handle on to the opposite side by turning it on half circle.
- Install the hole covers provided within the accessory bag.
- Put the cabinet in position.



WARNING!

Reposition, level the appliance, wait for at least four hours and then connect it to the power socket.

Do a final check to make sure that:

- All screws are tightened.
- The edges of the doors run parallel to the side edge of the appliance.

- The magnetic seal adheres to the cabinet.
- The door opens and closes correctly.

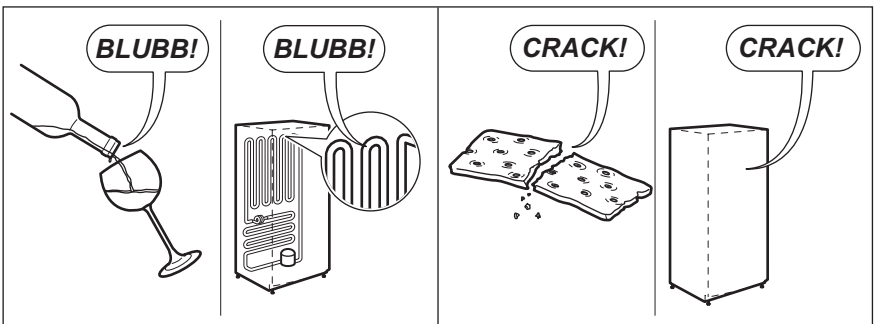
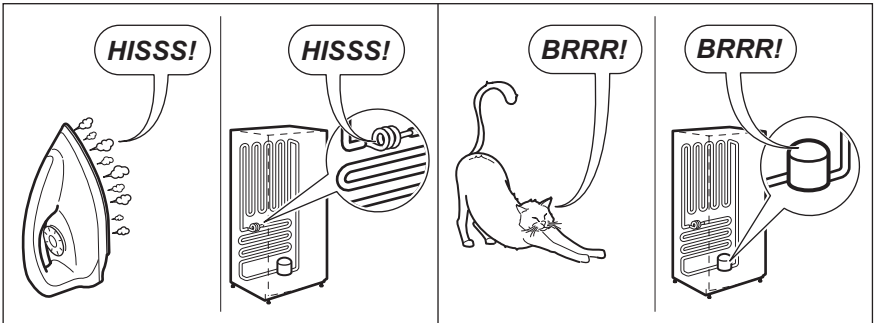
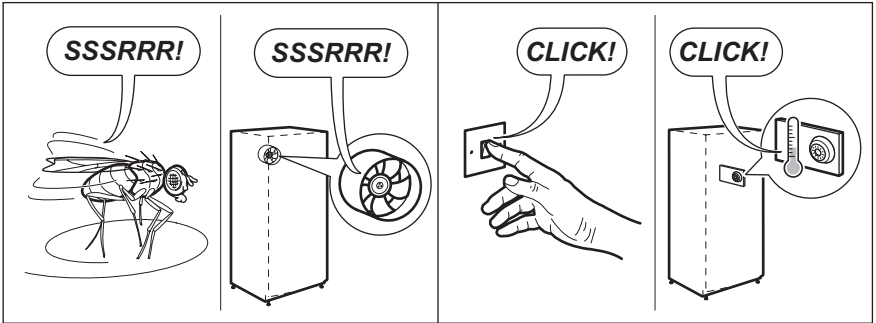
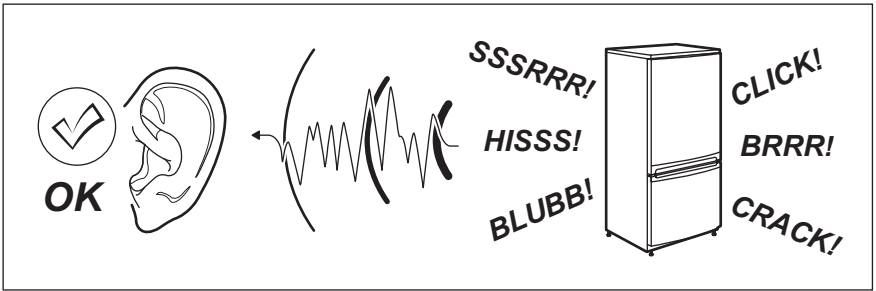


WARNING!

If the ambient temperature is cold (i.e. in Winter), the gasket may not fit perfectly to the cabinet. In that case, wait for the natural fitting of the gasket.

8. NOISES

There are some sounds during normal running (compressor, refrigerant circulation).




9. TECHNICAL DATA

Dimension		
Height		1650 mm
Width		660 mm
Depth		680 mm
Rising Time		16 h
Voltage		230 V
Frequency		50 Hz

The technical information are situated in the rating plate on the internal left side of the appliance and in the energy label.

10. ENVIRONMENT CONCERNS

Recycle the materials with the symbol  . Put the packaging in applicable containers to recycle it. Help protect the environment and human health and to recycle waste of electrical

and electronic appliances. Do not dispose appliances marked with the symbol  with the household waste. Return the product to your local recycling facility or contact your municipal office.

SOMMAIRE

1. INSTRUCTIONS DE SÉCURITÉ	20
2. BANDEAU DE COMMANDE	22
3. UTILISATION QUOTIDIENNE	24
4. CONSEILS	27
5. ENTRETIEN ET NETTOYAGE	27
6. EN CAS D'ANOMALIE DE FONCTIONNEMENT	29
7. INSTALLATION	31
8. BRUITS	35
9. CARACTÉRISTIQUES TECHNIQUES	37
10. EN MATIÈRE DE PROTECTION DE L'ENVIRONNEMENT	37

NOUS PENSONS À VOUS

Merci d'avoir choisi ce produit Electrolux. Avec ce produit, vous bénéficiez de dizaines d'années d'expérience professionnelle et d'innovation. Ingénieux et élégant, il a été conçu sur mesure pour vous. Grâce à cet appareil, vous savez que chaque utilisation vous apportera satisfaction.

Bienvenue chez Electrolux.

Visitez notre site Internet pour :



Obtenir des conseils d'utilisation, des brochures, de l'aide, des informations :
www.electrolux.com



Enregistrer votre produit pour obtenir un meilleur service :
www.electrolux.com/productregistration



Acheter des accessoires, consommables et pièces de rechange d'origine pour votre appareil :
www.electrolux.com/shop

SERVICE APRÈS-VENTE

N'utilisez que des pièces de rechange d'origine.

Avant de contacter le service, assurez-vous de disposer des informations suivantes :

Vous trouverez ces informations sur la plaque signalétique. Modèle, PNC, numéro de série.



Avertissement/Attention : consignes de sécurité.



Informations générales et conseils



Informations écologiques

Sous réserve de modifications.

1. INSTRUCTIONS DE SÉCURITÉ

Pour votre sécurité et garantir une utilisation correcte de l'appareil, lisez attentivement cette notice, y compris les conseils et avertissements, avant d'installer et d'utiliser l'appareil pour la première fois. Pour éviter toute erreur ou accident, veillez à ce que toute personne qui utilise l'appareil connaisse bien son fonctionnement et ses fonctions de sécurité. Conservez cette notice avec l'appareil. Si l'appareil doit être vendu ou cédé à une autre personne, veillez à remettre cette notice au nouveau propriétaire, afin qu'il puisse se familiariser avec son fonctionnement et sa sécurité.

Pour la sécurité des personnes et des biens, conservez et respectez les consignes de sécurité figurant dans cette notice. Le fabricant décline toute responsabilité en cas de dommages dus au non-respect de ces instructions.

1.1 Sécurité des enfants et des personnes vulnérables

- Cet appareil n'est pas destiné à être utilisé par des enfants ou des personnes dont les capacités physiques, sensorielles ou mentales, ou le manque d'expérience et de connaissance les empêchent d'utiliser l'appareil sans risque lorsqu'ils sont sans surveillance ou en l'absence d'instruction d'une personne responsable qui puisse leur assurer une utilisation de l'appareil sans danger.

Empêchez les enfants de jouer avec l'appareil.

- Ne laissez pas les différents emballages à portée des enfants. Ils pourraient s'asphyxier.
- Si l'appareil doit être mis au rebut, veillez à couper le câble d'alimentation électrique au ras de l'appareil pour éviter les risques d'électrocution. Démontez la porte pour éviter que des enfants ne restent enfermés à l'intérieur.
- Cet appareil est muni de fermetures magnétiques. S'il remplace un appareil équipé d'une fermeture à ressort, nous vous conseillons de rendre celle-ci inutilisable avant de vous en débarrasser. Ceci afin d'éviter aux enfants de s'en-

fermer dans l'appareil et de mettre ainsi leur vie en danger.

1.2 Consignes générales de sécurité



AVERTISSEMENT

Veillez à ce que les orifices de ventilation, situés dans l'enceinte de l'appareil ou la structure intégrée, ne soient pas obstrués.

- Les appareils sont destinés uniquement à la conservation des aliments et/ou des boissons dans le cadre d'un usage domestique normal, tel que celui décrit dans la présente notice.
- N'utilisez pas d'appareils électriques, d'agents chimiques ou tout autre système artificiel pour accélérer le processus de dégivrage.
- Ne faites pas fonctionner d'appareils électriques (comme des sorbetières électriques, ...) à l'intérieur des appareils de réfrigération à moins que cette utilisation n'ait reçu l'agrément du fabricant.
- N'endommagez pas le circuit frigorifique.
- Le circuit frigorifique de l'appareil contient de l'isobutane (R600a), un gaz naturel offrant un haut niveau de compatibilité avec l'environnement mais qui est néanmoins inflammable.

Pendant le transport et l'installation de votre appareil, assurez-vous qu'aucune partie du circuit frigorifique n'est endommagée.

Si le circuit frigorifique est endommagé :

- évitez les flammes vives et toute autre source d'allumage
- aérez soigneusement la pièce où se trouve l'appareil
- Ne modifiez pas les spécifications de l'appareil. Si le câble d'alimentation est endommagé, il peut causer un court circuit, un incendie et/ou une électrocution.



AVERTISSEMENT

Les éventuelles réparations ou interventions sur votre appareil, ainsi que le remplacement du câble d'alimentation, ne doivent être effectuées que par un professionnel qualifié.

1. Ne branchez pas le cordon d'alimentation à une rallonge.
 2. Assurez-vous que la prise n'est pas écrasée ou endommagée par l'arrière de l'appareil. Une prise de courant écrasée ou endommagée peut s'échauffer et causer un incendie.
 3. Vérifiez que la prise murale de l'appareil est accessible.
 4. Ne débranchez pas l'appareil en tirant sur le câble.
 5. Si la prise murale n'est pas bien fixée, n'introduisez pas de prise dedans. Risque d'électrocution ou d'incendie.
 6. N'utilisez pas l'appareil sans le dif-fuseur de l'ampoule (si présent) de l'éclairage intérieur.
- Cet appareil est lourd. Faites attention lors de son déplacement.
 - Ne touchez pas avec les mains humides les surfaces givrées et les produits congelés (risque de brûlure et d'arrachement de la peau).
 - Évitez une exposition prolongée de l'appareil aux rayons solaires.
 - Les ampoules (si présentes) utilisées dans cet appareil sont des ampoules spécifiques uniquement destinées à être utilisées sur des appareils ménagers. Elles ne sont pas du tout adaptées à un éclairage quelconque d'une habitation.

1.3 Utilisation quotidienne

- Ne posez pas d'éléments chauds sur les parties en plastique de l'appareil.
- Ne stockez pas de gaz ou de liquides inflammables dans l'appareil (risque d'explosion).
- Ne placez pas d'aliments directement contre la sortie d'air sur la paroi arrière de l'appareil. (Si l'appareil est sans givre.)

- Un produit décongelé ne doit jamais être recongelé.
- Conservez les aliments emballés conformément aux instructions de leur fabricant.
- Respectez scrupuleusement les conseils de conservation donnés par le fabricant de l'appareil. Consultez les instructions respectives.
- Ne mettez pas de bouteilles ni de boîtes de boissons gazeuses dans le compartiment congélateur, car la pression se formant à l'intérieur du contenant pourrait le faire éclater et endommager ainsi l'appareil.
- Ne consommez pas certains produits tels que les bâtonnets glacés dès leur sortie de l'appareil, car ils peuvent provoquer des brûlures.

1.4 Entretien et nettoyage

- Avant toute opération d'entretien, mettez l'appareil à l'arrêt et débranchez-le.
- N'utilisez pas d'objets métalliques pour nettoyer l'appareil.
- N'utilisez pas d'objet tranchant pour gratter la couche de givre. Utilisez une spatule en plastique.
- N'utilisez pas d'appareils électriques ou agents chimiques pour dégivrer l'appareil. La chaleur excessive pourrait endommager le revêtement plastique interne et l'humidité pourrait s'introduire dans le système électrique.

1.5 Installation



Avant de procéder au branchement électrique, respectez scrupuleusement les instructions fournies dans cette notice.

- Déballez l'appareil et vérifiez qu'il n'est pas endommagé. Ne branchez pas l'appareil s'il est endommagé. Signalez immédiatement au revendeur de l'appareil les dommages constatés. Dans ce cas, gardez l'emballage.
- Il est conseillé d'attendre au moins quatre heures avant de brancher l'appareil pour que le circuit frigorifique soit stabilisé.
- Veillez à ce que l'air circule librement autour de l'appareil pour éviter qu'il ne

surchauffe. Pour assurer une ventilation suffisante, respectez les instructions de la notice (chapitre Installation).

- Placez l'appareil dos au mur pour éviter tout contact avec le compresseur et le condenseur (risque de brûlure).
- Placez de préférence votre appareil loin d'une source de chaleur (chauffage, cuisson ou rayons solaires trop intenses).
- Assurez-vous que la prise murale reste accessible après l'installation de l'appareil.
- Branchez à l'alimentation en eau potable uniquement. (Si un branchement sur le réseau d'eau est prévu.)

1.6 Maintenance

- Les branchements électriques nécessaires à l'entretien de l'appareil doivent être réalisés par un électricien qualifié ou une personne compétente.
- Cet appareil ne doit être entretenu et réparé que par un Service après-vente

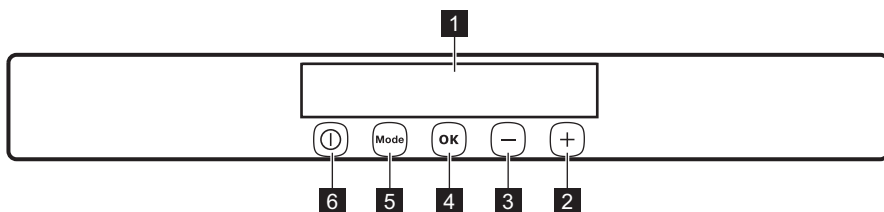
autorisé, exclusivement avec des pièces d'origine.

1.7 Protection de l'environnement



Le système frigorifique et l'isolation de votre appareil ne contiennent pas de C.F.C. contribuant ainsi à préserver l'environnement. L'appareil ne doit pas être mis au rebut avec les ordures ménagères et les déchets urbains. La mousse d'isolation contient des gaz inflammables : l'appareil sera mis au rebut conformément aux règlements applicables disponibles auprès des autorités locales. Veillez à ne pas détériorer les circuits frigorifiques, notamment au niveau du condenseur. Les matériaux utilisés dans cet appareil identifiés par le symbole ♻️ sont recyclables.

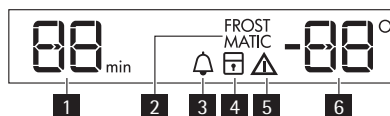
2. BANDEAU DE COMMANDE



- 1 Affichage
- 2 Touche d'augmentation de la température
- 3 Touche de diminution de la température
- 4 Touche OK
- 5 Touche Mode
- 6 Touche ON/OFF

Pour augmenter le volume défini lors de l'activation ou désactivation des touches, appuyez simultanément sur la touche Mode et la touche de réglage de température (plus de froid) pendant plusieurs secondes. Ce changement est réversible.

2.1 Affichage/voyant



- 1 Affichage de la minuterie
- 2 Fonction FROSTMATIC
- 3 Fonction Minute Minder
- 4 Fonction Sécurité enfants
- 5 Voyant d'alarme
- 6 Indicateur de température

2.2 Mise en marche

Pour mettre l'appareil marche, procédez comme suit :

1. Branchez la fiche électrique de l'appareil à la prise de courant.
2. Appuyez sur la touche ON/OFF si l'affichage est éteint.
3. L'alarme sonore peut se déclencher au bout de quelques secondes.
Pour réinitialiser l'alarme, reportez-vous au paragraphe « Alarme haute température ».
4. Si « dEMo » s'affiche sur l'écran, l'appareil est en mode démonstration. Reportez-vous au paragraphe « En cas d'anomalie de fonctionnement ».
5. Les indicateurs de température indiquent la température programmée par défaut.

Pour sélectionner une température programmée différente, reportez-vous au paragraphe « Réglage de la température ».



Si la porte reste ouverte pendant quelques minutes, l'éclairage s'éteint automatiquement. Pour le rallumer, fermez et ouvrez de nouveau la porte.

2.3 Position Arrêt

Pour mettre à l'arrêt l'appareil, procédez comme suit :

1. Appuyez sur la touche ON/OFF pendant quelques secondes.
2. L'écran est désactivé.
3. Pour mettre l'appareil hors tension, débranchez-le électriquement.

2.4 Réglage de la température

La température de consigne du congélateur peut être réglée en appuyant sur la touche de température.

Réglage de la température par défaut :

- -18 °C dans le compartiment congélateur

L'indicateur de température indique la température programmée.

La température programmée sera atteinte en 24 heures.



Après une coupure de courant, la température programmée reste activée.

2.5 Fonction FROSTMATIC

Pour activer la fonction :

1. Appuyez sur le bouton Mode jusqu'à ce que le voyant correspondant apparaisse.

L'indicateur FROSTMATIC clignote.

2. Appuyez sur la touche OK pour confirmer.

L'indicateur FROSTMATIC s'affiche.

Cette fonction s'arrête automatiquement au bout de 52 heures.

Pour désactiver la fonction avant sa désactivation automatique :

1. Appuyez sur le bouton Mode jusqu'à ce que l'indicateur FROSTMATIC clignote.
2. Appuyez sur la touche OK pour confirmer.
3. L'indicateur FROSTMATIC s'éteint.



La fonction se désactive en sélectionnant une température de consigne différente.

2.6 Fonction Minute Minder

La fonction Minute Minder est à utiliser pour le réglage d'une alarme sonore à une heure souhaitée, ce qui est utile, par exemple, lorsque l'on souhaite refroidir une préparation pendant un certain temps dans le cadre d'une recette de cuisine ou lorsque l'on refroidit des bouteilles rapidement dans le congélateur.

Pour activer cette fonction :

1. Appuyez sur la touche Mode jusqu'à ce que le symbole correspondant s'affiche.

L'indicateur Minute Minder clignote.

Le minuteur indique pendant quelques secondes la valeur programmée (30 minutes).

2. Appuyez sur la touche de diminution de la température ou sur la touche d'augmentation de la température pour faire varier la valeur programmée du minuteur de 1 à 90 minutes.

3. Appuyez sur la touche OK pour confirmer.

L'indicateur Minute Minder s'affiche.

Le minuteur se met à clignoter (min).

À la fin du décompte, le voyant Minute Minder clignote et un signal sonore retentit :

1. Retirez les boissons placées dans le compartiment de congélation.
2. Appuyez sur la touche OK pour arrêter le signal sonore et désactiver la fonction.

Il est possible de désactiver cette fonction à tout moment pendant le décompte :

1. Appuyez sur la touche Mode jusqu'à ce que le voyant Minute Minder clignote.
2. Appuyez sur la touche OK pour confirmer.
3. Le voyant Minute Minder s'éteint. Il est possible de modifier l'heure pendant et à la fin du décompte en appuyant sur la touche "Plus de froid" ou sur la touche "Moins de froid".

2.7 Fonction Sécurité enfants

Pour verrouiller les touches afin de prévenir les erreurs de manipulation, sélectionnez la fonction Sécurité enfants.

Pour activer la fonction :

1. Appuyez sur la touche Mode jusqu'à ce que le symbole correspondant apparaisse.
2. Le voyant Sécurité enfants clignote.
3. Appuyez sur la touche OK pour confirmer.

Le voyant Sécurité enfants apparaît. Pour désactiver la fonction :

1. Appuyez sur la touche Mode jusqu'à ce que le voyant Sécurité enfants clignote.

2. Appuyez sur la touche OK pour confirmation.
3. Le voyant Sécurité enfants s'éteint.

2.8 Alarme haute température

Une augmentation de la température dans le compartiment congélateur (par exemple à cause d'une coupure de courant ou de l'ouverture de la porte) est indiquée par :

- le clignotement des voyants d'alarme et de température
- le déclenchement d'une alarme sonore. Pour réinitialiser l'alarme :
 1. Appuyez sur une touche quelconque.
 2. L'alarme s'éteint.
 3. L'indicateur de température du congélateur affiche pendant quelques secondes la température la plus élevée atteinte. Puis il affiche à nouveau la température programmée.
 4. Le voyant d'alarme continue à clignoter jusqu'à ce que les conditions normales soient restaurées.

2.9 Alarme porte ouverte

Une alarme sonore se déclenche si la porte reste ouverte pendant quelques minutes. Les conditions d'alarme de porte ouverte sont indiquées par :

- le clignotement d'un voyant d'alarme
- une alarme sonore.

Au rétablissement des conditions normales (porte fermée), l'alarme s'arrête.

Pendant la phase d'alarme, l'alarme sonore peut être désactivée en appuyant sur une touche quelconque.

3. UTILISATION QUOTIDIENNE

3.1 Congélation d'aliments frais

Le compartiment congélateur est idéal pour congeler des denrées fraîches et conserver à long terme des aliments surgelés ou congelés.

Pour congeler de petites quantités d'aliments frais, il n'est pas nécessaire de modifier le présent réglage.

Activez la fonction Action Freeze 24 heures au moins avant d'introduire les den-

rées fraîches à congeler dans le compartiment congélateur.

Les aliments frais à congeler peuvent être placés dans tous les compartiments, à l'exception du plus bas.

La quantité maximum d'aliments pouvant être congelés en 24 heures est indiquée sur la **plaque signalétique**, située à l'intérieur de l'appareil.

Le processus de congélation dure 24 heures : vous ne devez ajouter aucune

autre denrée à congeler au cours de cette période.

3.2 Conservation d'aliments congelés

À la mise en service ou après un arrêt prolongé, faites fonctionner l'appareil pendant 2 heures environ, avant d'introduire les produits dans le compartiment.

Les paniers de congélation vous permettent de trouver facilement et rapidement les aliments dont vous avez besoin. Si vous devez stocker une grande quantité d'aliments, retirez tous les tiroirs et le bac à glaçons sauf le panier inférieur qui doit être en place afin de permettre une circulation d'air optimale. Sur toutes les clayettes (exceptée la clayette supérieure), vous pouvez placer des aliments qui dépassent de 15 mm du bord avant de la clayette.



En cas de décongélation accidentelle, due par exemple à une coupure de courant, si la coupure a duré plus de temps qu'il n'est prévu au paragraphe « Autonomie de fonctionnement » du chapitre Caractéristiques techniques, consommez rapidement les aliments décongelés ou cuisez-les immédiatement avant de les recongeler (une fois refroidis).

3.3 Décongélation

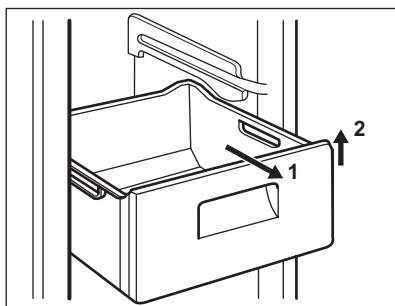
Avant utilisation, les aliments surgelés ou congelés peuvent être décongelés dans le compartiment du réfrigérateur ou à température ambiante en fonction du temps disponible pour cette opération.

Les petites portions peuvent même être cuites sans décongélation préalable (la cuisson sera cependant un peu plus longue).

3.4 Accumulateurs de froid

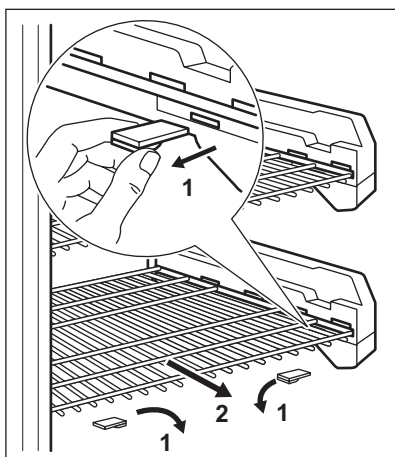
Le compartiment congélateur est équipé d'un ou plusieurs accumulateurs ; il(s) vous permette(nt) d'augmenter l'autonomie de fonctionnement de l'appareil en cas de coupure de courant, de transporter des produits congelés ou surgelés, de maintenir le froid dans les produits surgelés ou congelés durant la période de dégivrage.

3.5 Retrait des paniers de congélation et des clayettes du congélateur



Certains paniers de congélation sont équipés d'une butée afin d'empêcher leur retrait accidentel ou chute. Pour retirer le bac du congélateur, tirez-le vers vous et, lorsque vous atteignez la butée, retirez-le en inclinant la partie avant vers le haut. Pour le remettre, relevez légèrement l'avant du bac et insérez-le dans le congélateur.

Dès que vous avez dépassé la butée, poussez le panier dans la bonne position.

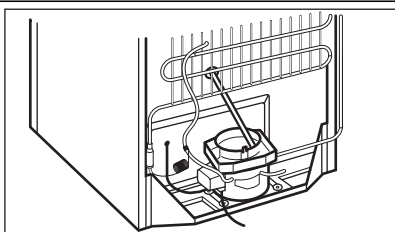


Les clayettes à disposant de rouleaux expansibles sont fixées à l'aide de goupilles d'arrêt.

Pour les enlever, procédez comme suit :

- Desserrez les goupilles d'arrêt de chaque côté du rouleau expansible. Si nécessaire, utilisez un tournevis.
- Retirez ensuite les deux goupilles d'arrêt (1).
- Retirez la clayette en la tirant vers vous (2).

3.6 Nettoyage de l'intérieur



Avant d'utiliser l'appareil pour la première fois, nettoyez l'intérieur et tous les accessoires avec de l'eau tiède savonneuse (pour supprimer toute odeur de neuf), puis séchez-les soigneusement.



N'utilisez jamais de produits abrasifs ou caustiques car ils pourraient endommager le revêtement.

Contrôlez que le flexible d'évacuation à l'arrière du compartiment débouche bien dans le bac collecteur

4. CONSEILS

4.1 Conseils pour la congélation

Pour obtenir les meilleurs résultats, voici quelques conseils importants :

- la quantité maximale de denrées que vous pouvez congeler par 24 heures est indiquée sur la plaque signalétique.
- le temps de congélation est de 24 heures. Aucune autre denrée à congeler ne doit être ajoutée pendant cette période.
- congélez seulement les denrées alimentaires fraîches, de qualité supérieure (une fois nettoyées).
- préparez la nourriture en petits paquets pour une congélation rapide et uniforme, adaptés à l'importance de la consommation.
- enveloppez les aliments dans des feuilles d'aluminium ou de polyéthylène et assurez-vous que les emballages sont étanches ;
- ne laissez pas des aliments frais, non congelés, toucher des aliments déjà congelés pour éviter une remontée en température de ces derniers.
- les aliments maigres se conservent mieux et plus longtemps que les aliments gras ; le sel réduit la durée de conservation des aliments
- la température très basse à laquelle se trouvent les bâtonnets glacés, s'ils sont consommés dès leur sortie du compar-

timent congélateur, peut provoquer des brûlures.

- L'identification des emballages est importante : indiquez la date de congélation du produit, et respectez la durée de conservation indiquée par le fabricant.

4.2 Conseils pour la conservation des produits surgelés et congelés du commerce

Pour obtenir les meilleures performances possibles :

- assurez-vous que les denrées surgelées achetées dans le commerce ont été correctement entreposées par le revendeur ;
- prévoyez un temps réduit au minimum pour le transport des denrées du magasin d'alimentation à votre domicile ;
- évitez d'ouvrir trop souvent la porte du congélateur et ne la laissez ouverte que le temps nécessaire ;
- une fois décongelés, les aliments se détériorent rapidement et ne peuvent pas être recongelés ;
- ne dépassez pas la durée de conservation indiquée par le fabricant.

5. ENTRETIEN ET NETTOYAGE



ATTENTION

débrancher l'appareil avant toute opération d'entretien.



Cet appareil contient des hydrocarbures dans son circuit réfrigérant : l'entretien et la recharge ne doivent donc être effectués que par du personnel autorisé.

- nettoyez l'intérieur et les accessoires avec de l'eau tiède et un détergent doux ;
- lavez régulièrement le joint de porte en caoutchouc.
- rincez et séchez soigneusement.

5.1 Nettoyage périodique

L'appareil doit être nettoyé régulièrement :



Ne tirez pas, ne déplacez pas, n'endommagez pas les tuyaux et/ou câbles qui se trouvent à l'intérieur de l'appareil.

N'utilisez jamais de détergents, de poudres abrasives, de produits de nettoyage très parfumés ou de produits caustiques pour nettoyer l'intérieur de l'appareil car cela risque d'endommager la surface et de laisser une forte odeur.

Nettoyez le condenseur (grille noire) et le compresseur situés à l'arrière de l'appareil avec une brosse. Cette opération améliore les performances de l'appareil et permet des économies d'énergie.



Attention à ne pas endommager le système de réfrigération.



Lorsque vous déplacez l'appareil, veillez à le soulever par l'avant pour éviter de rayer le sol.

De nombreux détergents pour la cuisine recommandés par les fabricants contiennent des produits chimiques qui peuvent attaquer/endommager les pièces en plastique utilisées dans cet appareil. Il est donc recommandé de ne laver le revêtement extérieur de cet appareil qu'avec de l'eau chaude et un petit peu de détergent liquide non agressif, pour vaisselle par exemple.



N'utilisez jamais de produits abrasifs ou caustiques, de poudre à récurer, ni d'éponge métallique ou avec grattoir pour procéder au nettoyage intérieur et extérieur de l'appareil.

Après le nettoyage, rebranchez l'appareil.

5.2 Dégivrage du congélateur

Le compartiment congélateur de ce modèle est "sans givre". Cela signifie qu'il n'y a aucune formation de givre pendant son fonctionnement, ni sur les parois internes si sur les aliments.

L'absence de givre est due à la circulation continue de l'air froid à l'intérieur du compartiment, sous l'impulsion d'un ventilateur à commande automatique.

5.3 En cas d'absence prolongée ou de non-utilisation

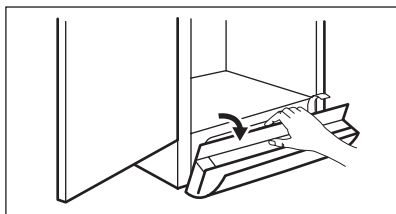
Si vous prévoyez de ne pas utiliser l'appareil pendant une longue période, prenez les précautions suivantes :

1. débranchez l'appareil
2. retirez tous les aliments
3. nettoyez l'appareil et tous les accessoires
4. laissez la porte/les portes entrouverte(s) pour prévenir la formation d'odeurs désagréables.



Si, toutefois, vous n'avez pas la possibilité de débrancher et de vider l'appareil, faites vérifier régulièrement son bon fonctionnement pour éviter la détérioration des aliments ceci en tenant compte de sa charge et de son autonomie de fonctionnement.

5.4 Nettoyage de la grille de ventilation



La grille de ventilation est amovible pour permettre son nettoyage.

Assurez-vous que la porte est ouverte puis :

- Délogez le bord supérieur de la grille en tirant vers le haut/vers le bas.
- Enlevez la grille en tirant dessus tout droit.
- Passez l'aspirateur sous l'appareil.

6. EN CAS D'ANOMALIE DE FONCTIONNEMENT

Pendant le fonctionnement de l'appareil, des anomalies minimales mais gênantes peuvent se produire qui n'exigent cependant pas l'intervention d'un technicien. Le tableau suivant vous donne des informations vous permettant d'éviter des frais de réparation inutiles.



L'appareil produit certains bruits lorsqu'il fonctionne (compresseur et bruit de circulation). Ce n'est pas un signe de dysfonctionnement, c'est normal.



L'appareil fonctionne de façon discontinue. L'arrêt du compresseur ne signifie donc pas l'absence de courant électrique. C'est pourquoi vous ne devez en aucun cas toucher les composants électriques avant d'avoir coupé le courant.

Problème	Cause possible	Solution
L'appareil est bruyant.	L'appareil n'est pas stable.	Vérifiez que l'appareil est de niveau et d'aplomb (les pieds et les roulettes doivent tous être en contact avec le sol). Reportez-vous au chapitre « Mise à niveau ».
Le signal sonore se déclenche. Le symbole d'alarme clignote.	La température du congélateur est trop élevée.	Consultez le paragraphe « Alarme haute température ».
	La porte n'est pas fermée correctement.	Reportez-vous au chapitre « Alarme porte ouverte ».
Un carré supérieur ou inférieur apparaît sur l'affichage de la température	Une erreur s'est produite lors la mesure de la température.	Contactez le service après-vente (le système de réfrigération continue de maintenir les aliments au froid, mais le réglage de la température n'est pas possible).
Le compresseur fonctionne en permanence.	Le dispositif de réglage de la température n'est pas correctement réglé.	Augmentez la température.
	La porte n'est pas fermée correctement.	Reportez-vous au chapitre « Fermeture de la porte ».
	La porte a été ouverte trop souvent.	Ne laissez pas la porte ouverte plus longtemps que nécessaire.
	La température des aliments est trop élevée.	Laissez les aliments refroidir à température ambiante avant de les placer dans l'appareil.
	La température ambiante est trop élevée.	Diminuez la température ambiante.

Problème	Cause possible	Solution
Il y a trop de givre et de glace.	La porte n'est pas fermée correctement.	Reportez-vous au chapitre « Fermeture de la porte ».
	Le joint de porte est déformé ou sale.	Reportez-vous au chapitre « Fermeture de la porte ».
La température à l'intérieur de l'appareil est trop basse.	Le dispositif de réglage de la température n'est pas correctement réglé.	Augmentez la température.
La température à l'intérieur de l'appareil est trop élevée.	Le dispositif de réglage de la température n'est pas correctement réglé.	Diminuez la température.
	La porte n'est pas fermée correctement.	Reportez-vous au chapitre « Fermeture de la porte ».
La température à l'intérieur du congélateur est trop élevée.	La température des aliments est trop élevée.	Laissez les aliments refroidir à température ambiante avant de les placer dans l'appareil.
	Les produits sont trop près les uns des autres.	Stockez les produits de façon à permettre la circulation de l'air froid.
L'appareil ne fonctionne pas.	Trop de produits à congeler ont été introduits en même temps dans l'appareil.	Introduisez de plus petites quantités d'aliments à congeler en même temps.
	L'appareil est éteint.	Mettez l'appareil en marche.
L'ampoule ne fonctionne pas.	La fiche du câble d'alimentation n'est pas correctement insérée dans la prise de courant.	Branchez correctement la fiche du câble d'alimentation dans la prise de courant.
	Le courant n'arrive pas à l'appareil. La prise de courant n'est pas alimentée.	Branchez un autre appareil électrique sur la prise de courant. Vérifiez le fusible. Contactez un électricien qualifié.
	L'ampoule est défectueuse.	Reportez-vous au chapitre « Remplacement de l'ampoule ».
La porte touche la grille de ventilation.	La porte a été ouverte trop longtemps.	Fermez la porte.
	L'appareil n'est pas de niveau.	Reportez-vous au chapitre « Mise à niveau ».
La porte n'est pas correctement alignée.	L'appareil n'est pas de niveau.	Reportez-vous au chapitre « Mise à niveau ».

Problème	Cause possible	Solution
DEMO s'affiche.	L'appareil est en mode démonstration (DEMO).	Maintenez la touche Mode appuyée pendant environ 10 secondes jusqu'à ce qu'une alarme sonore se fasse longuement entendre et que l'écran s'éteigne momentanément : l'appareil commence à fonctionner de façon normale.

Si ces conseils n'apportent pas de solution à votre problème, veuillez consulter le service après-vente le plus proche

6.1 Remplacement de l'ampoule

L'appareil est équipé d'un éclairage à diode DEL longue durée.

Le remplacement du dispositif d'éclairage doit uniquement être effectué par un technicien du service après-vente. Contactez votre service après-vente.

2. Si nécessaire, ajustez la porte. Reportez-vous au chapitre « Installation ».
3. Si nécessaire, remplacez les joints de porte défectueux. Contactez votre service après-vente.

6.2 Fermeture de la porte

1. Nettoyez les joints de la porte.

7. INSTALLATION



AVERTISSEMENT

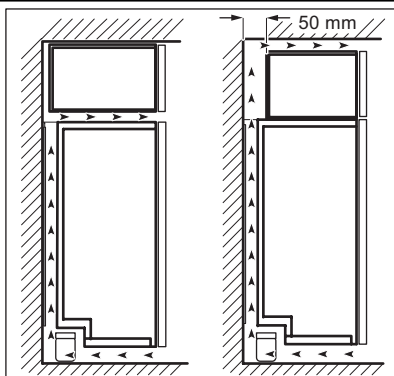
Pour votre sécurité et le bon fonctionnement de l'appareil, veuillez lire attentivement les "Consignes de sécurité" avant d'installer l'appareil.

7.1 Emplacement

Installez cet appareil à un endroit où la température ambiante correspond à la classe climatique indiquée sur la plaque signalétique de l'appareil :

Classe climatique	Température ambiante
SN	+10 à + 32 °C
N	+16 à + 32 °C
ST	+16 à + 38 °C
T	+16 à + 43 °C

7.2 Emplacement



Pour garantir un rendement optimal si l'appareil est installé sous un élément suspendu, la distance entre le haut de l'appareil et cet élément suspendu doit être de 40 mm minimum. Si possible, évitez de placer l'appareil sous des éléments suspendus.

L'espace de ventilation peut être :

- directement au-dessus de l'appareil
- derrière et au-dessus de l'élément supérieur.

Dans ce cas, laissez un espace d'au moins 50 mm derrière l'élément supérieur.

7.3 Branchement électrique

Contrôlez, avant de brancher l'appareil, si la tension et la fréquence indiquées sur la plaque signalétique correspondent à celles de votre réseau.

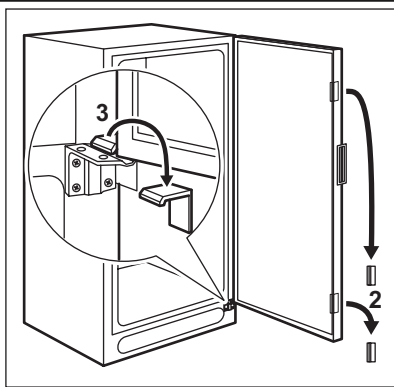
L'appareil doit être relié à la terre. La fiche du câble d'alimentation comporte un logement pour mise à la terre. Si la prise de courant murale n'est pas mise à la terre,

branchez l'appareil sur une prise de terre conformément aux normes en vigueur, en demandant conseil à un électricien qualifié.

Le fabricant décline toute responsabilité en cas d'incident suite au non-respect des consignes de sécurité sus-mentionnées.

Cet appareil est conforme aux directives communautaires.

7.4 Retrait des cales de transport



L'appareil est équipé de cales de transport qui permettent d'immobiliser la porte au cours du transport.

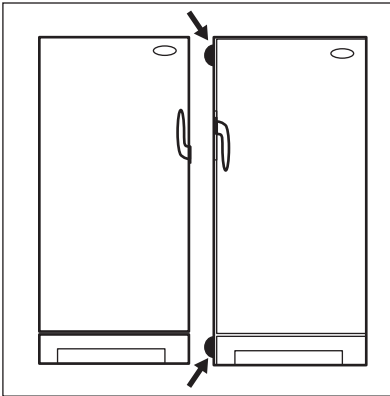
Pour les retirer, procédez comme suit :

- Ouvrez la porte.
- Retirez les cales de transport des côtés de la porte.
- Retirez les cales de transport de la charnière inférieure (sur certains modèles).

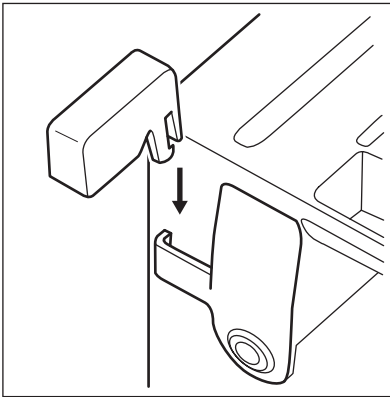


Certains modèles sont équipés d'un bloc destiné à réduire le niveau sonore (sous l'appareil). Ne retirez jamais ce bloc.

7.5 Entretoises

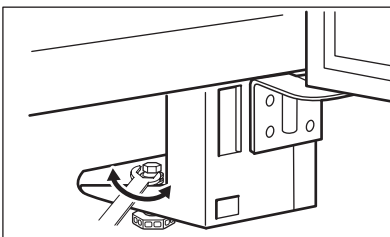


Installez les entretoises, contenues dans le sachet d'accessoires, comme indiqué sur les figures.
Lorsque deux appareils sont placés l'un à côté de l'autre, fixez les entretoises entre les appareils.



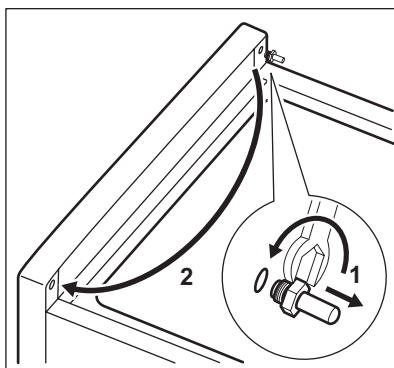
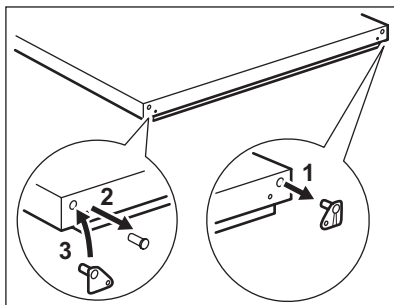
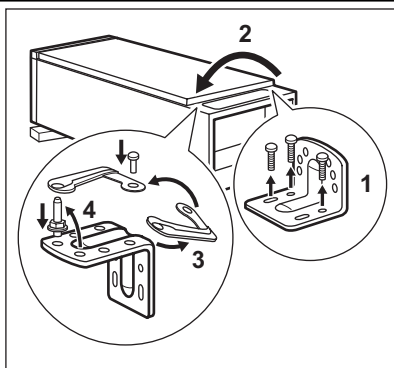
Installez les entretoises à l'arrière de l'appareil.

7.6 Mise de niveau



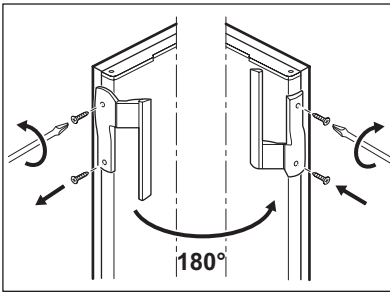
Lorsque vous installez l'appareil, veillez à le placer de niveau. Si besoin est, réglez les pieds en utilisant la clé fournie.

7.7 Réversibilité de la porte



Pour changer le sens d'ouverture de la porte, procédez comme suit :

- Débranchez la fiche de la prise électrique.
- Enlevez la grille de ventilation. Enlevez le cache et placez-le de l'autre côté de la grille.
- Couchez l'appareil sur le dos sur une cale en bois.
- Dévissez la charnière inférieure.
- Retirez de la charnière le dispositif de fermeture de la porte et placez la goupille de l'autre côté. Revissez le dispositif de fermeture de la porte, fourni dans le sachet d'accessoires, sur le côté opposé.
- Enlevez le dispositif de fermeture de la porte.
- Revissez le dispositif de fermeture de la porte, fourni dans le sachet d'accessoires, sur le côté opposé.
- Retirez la porte.
- Dévissez et placez la goupille sur l'autre côté.
- Remettez la porte en place.
- Revissez la charnière inférieure.
- Soulevez l'appareil et installez la grille de ventilation.



- Dévissez la poignée. Retirez les caches des orifices du côté opposé en perçant un trou de 3 à 4 mm à l'intérieur.
- Installez la poignée. Installez la poignée sur le côté opposé en effectuant un demi-cercle.
- Installez les caches des orifices fournis dans le sachet d'accessoires.
- Mettez l'appareil en place.



AVERTISSEMENT

Remettez l'appareil en place, mettez-le de niveau, attendez au moins quatre heures puis branchez-le à la prise de courant.

Faites une dernière vérification pour vous assurer que :

- Toutes les vis sont bien serrées.
- Les bords des portes sont parallèles au côté de l'appareil.
- Le joint magnétique adhère bien à l'appareil.

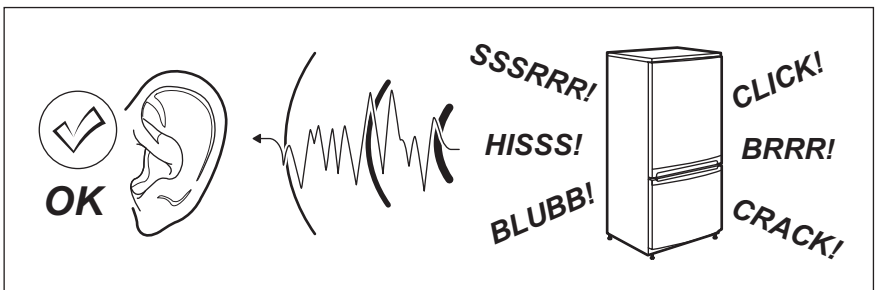


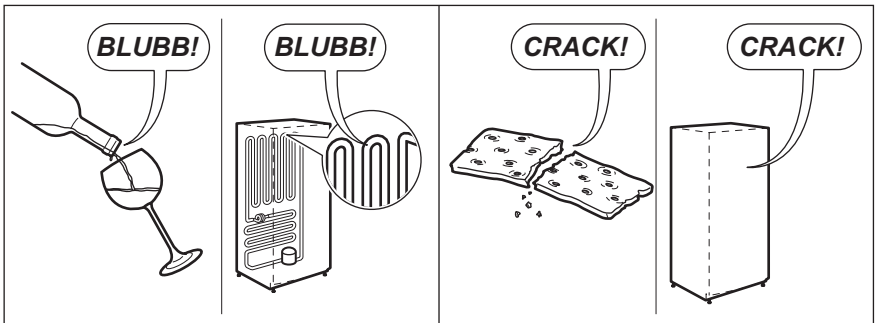
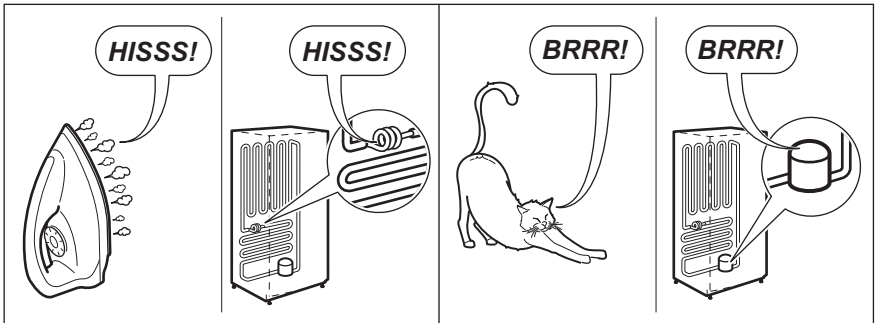
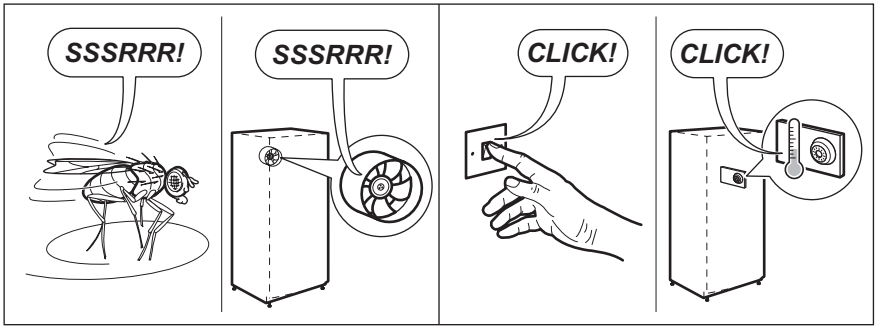
AVERTISSEMENT

Si la température ambiante est basse (par exemple, en hiver), il se peut que le joint n'adhère pas parfaitement. Dans ce cas, attendez que le joint reprenne sa taille naturelle.

8. BRUITS

L'appareil émet certains bruits pendant son fonctionnement (compresseur, circuit frigorifique).







9. CARACTÉRISTIQUES TECHNIQUES

Dimension		
	Hauteur	1650 mm
	Largeur	660 mm
	Profondeur	680 mm
Autonomie de fonctionnement		16 h
Tension		230 V
Fréquence		50 Hz

Les caractéristiques techniques figurent sur la plaque signalétique située sur le côté gauche à l'intérieur de l'appareil et sur l'étiquette énergétique.

10. EN MATIÈRE DE PROTECTION DE L'ENVIRONNEMENT

Recyclez les matériaux portant le symbole . Déposez les emballages dans les conteneurs prévus à cet effet. Contribuez à la protection de l'environnement et à votre sécurité, recyclez vos produits électriques et

électroniques. Ne jetez pas les appareils portant le symbole  avec les ordures ménagères. Emmenez un tel produit dans votre centre local de recyclage ou contactez vos services municipaux.

INHALT

1. SICHERHEITSHINWEISE	39
2. BEDIENFELD	41
3. TÄGLICHER GEBRAUCH	43
4. HILFREICHE HINWEISE UND TIPPS	46
5. REINIGUNG UND PFLEGE	46
6. WAS TUN, WENN	48
7. MONTAGE	50
8. GERÄUSCHE	54
9. TECHNISCHE DATEN	56
10. UMWELTTIPPS	56

WIR DENKEN AN SIE

Vielen Dank, dass Sie sich für ein Electrolux Gerät entschieden haben. Sie haben ein Produkt gewählt, hinter dem eine jahrzehntelange professionelle Erfahrung und Innovation steht. Bei der Entwicklung dieses großartigen und eleganten Geräts haben wir an Sie gedacht. So haben Sie bei jedem Gebrauch die Gewissheit, dass Sie stets großartige Ergebnisse erzielen werden.

Willkommen bei Electrolux.

Besuchen Sie uns auf unserer Website, um:



Anwendungshinweise, Prospekte, Fehlerbehebungs- und Service-Informationen zu erhalten:

www.electrolux.com



Ihr erworbenes Produkt zu registrieren, um den besten Service dafür zu gewährleisten:

www.electrolux.com/productregistration



Zubehör, Verbrauchsmaterial und Original-Ersatzteile für Ihr Gerät zu erwerben:

www.electrolux.com/shop

KUNDENDIENST UND -BETREUUNG

Bitte verwenden Sie ausschließlich Original-Ersatzteile für Ihre Produkte.

Halten Sie folgende Angaben bereit, wenn Sie sich an den Kundendienst wenden (diese Informationen finden Sie auf dem Typenschild): Modell, Produktnummer (PNC), Seriennummer.



Warnungs-/ Sicherheitshinweise.



Allgemeine Hinweise und Ratschläge



Hinweise zum Umweltschutz

Änderungen vorbehalten.

1. SICHERHEITSHINWEISE

Lesen Sie zu Ihrer Sicherheit und für die optimale Geräteanwendung vor der Installation und dem Gebrauch des Gerätes die vorliegende Benutzerinformation aufmerksam durch, einschließlich der Ratschläge und Warnungen. Es ist wichtig, dass zur Vermeidung von Fehlern und Unfällen alle Personen, die das Gerät benutzen, mit der Bedienung und den Sicherheitsvorschriften vertraut sind. Heben Sie die Benutzerinformation gut auf und übergeben Sie sie bei einem Weiterverkauf des Gerätes dem neuen Besitzer, so dass jeder während der gesamten Lebensdauer des Gerätes über Gebrauch und Sicherheit informiert ist.

Halten Sie sich zu Ihrer Sicherheit und zum Schutz Ihres Eigentums strikt an die Vorsichtsmaßnahmen der vorliegenden Benutzerinformation, da der Hersteller bei Missachtung derselben von jeder Haftung freigestellt ist.

1.1 Sicherheit von Kindern und hilfsbedürftigen Personen

- Das Gerät darf von Personen (einschließlich Kindern), deren physische, sensorische Fähigkeiten und deren Mangel an Erfahrung und Kenntnissen einen sicheren Gebrauch des Gerätes ausschließen nur unter Aufsicht oder nach ausreichender Einweisung durch eine verantwortungsbewusste Person benutzt werden, die sicherstellt, dass sie sich der Gefahren des Gebrauchs bewusst sind.
Kinder müssen beaufsichtigt werden, damit sie nicht am Gerät herumspielen können.
- Halten Sie das Verpackungsmaterial unbedingt von Kindern fern. Erstickungsgefahr!
- Ziehen Sie vor der Entsorgung des Gerätes den Netzstecker, schneiden Sie das Netzkabel (so nah wie möglich am Gerät) ab und entfernen Sie die Tür, so dass spielende Kinder vor elektrischem Schlag geschützt sind und sich nicht in dem Gerät einschließen können.
- Wenn dieses Gerät mit magnetischer Türdichtung ein älteres Modell mit Schnappverschluss (Türflasche) an der

Tür oder auf dem Deckel ersetzt, machen Sie den Schnappverschluss vor dem Entsorgen des Altgerätes unbrauchbar. So verhindern Sie, dass das Gerät nicht zu einer Todesfalle für Kinder wird.

1.2 Allgemeine Sicherheitshinweise



WARNUNG!

Achten Sie darauf, dass die Belüftungsoffnungen im Gehäuse oder in der Einbaunische nicht blockiert sind.

- Das Gerät ist für die Aufbewahrung von Lebensmitteln und/oder Getränken in einem normalen Haushalt bestimmt, wie in der vorliegenden Gebrauchsanweisung beschrieben wird.
- Benutzen Sie keine mechanischen oder sonstigen Hilfsmittel, um den Abtauprozess zu beschleunigen.
- Verwenden Sie keine anderen Elektrogeräte (wie Speiseeisbereiter) in Kühlgeräten, wenn solche Geräte nicht ausdrücklich vom Hersteller für diesen Zweck zugelassen sind.
- Beschädigen Sie nicht den Kältekreislauf.
- Das Kältemittel Isobutan (R600a) im Kältekreislauf des Gerätes ist ein natürliches und sehr umweltfreundliches Gas, das jedoch leicht entflammbar ist.

Achten Sie beim Transport und bei der Aufstellung des Gerätes darauf, nicht die Komponenten des Kältekreislaufs zu beschädigen.

Bei einer eventuellen Beschädigung des Kältekreislaufs:

- Offene Flammen und Zündfunken vermeiden
- Den Raum, in dem das Gerät installiert ist, gut lüften
- Technische und anderweitige Änderungen am Gerät sind gefährlich. Ein defektes Netzkabel kann Kurzschlüsse und einen Brand verursachen und/oder zu Stromschlägen führen.



WARNUNG!

Elektrische Bauteile (Netzkabel, Stecker, Kompressor) dürfen zur Vermeidung von Gefahren nur vom Kundendienst oder einer Fachkraft ausgewechselt werden.

1. Das Netzkabel darf nicht verlängert werden.
 2. Vergewissern Sie sich, dass der Netzstecker nicht von der Geräterückseite geklemmt oder beschädigt wird. Ein geklemmter oder beschädigter Netzstecker überhitzt und kann einen Brand verursachen.
 3. Vergewissern Sie sich, dass der Netzstecker des Geräts frei zugänglich ist.
 4. Ziehen Sie nicht am Netzkabel.
 5. Stecken Sie den Netzstecker nie in eine lockere Steckdose. Es besteht Brand- und Stromschlaggefahr.
 6. Betreiben Sie das Gerät nicht ohne Lampenabdeckung (wenn vorgesehen) der internen Beleuchtung.
- Dieses Gerät ist schwer. Vorsicht beim Transport.
 - Entnehmen oder berühren Sie nie mit nassen/feuchten Händen Tiefkühlgut, da dies zu Hautverletzungen oder Kälteverbrennungen führen kann.
 - Das Gerät nicht direkter Sonneneinstrahlung aussetzen.
 - Die Leuchtmittel (wenn vorgesehen) in diesem Gerät sind Speziallampen, die nur für Haushaltsgeräte geeignet sind. Sie eignen sich nicht zur Raumbeleuchtung.

1.3 Täglicher Gebrauch

- Stellen Sie keine heißen Töpfe auf die Kunststoffteile des Gerätes.
- Lagern Sie keine feuergefährlichen Gase oder Flüssigkeiten in dem Gerät. Explosionsgefahr.
- Legen Sie Lebensmittel nicht direkt vor den Luftauslass in der Rückwand. (Wenn es ein No-Frost-Gerät ist)
- Ein aufgetautes Produkt darf nicht wieder eingefroren werden.
- Abgepackte Tiefkühlkost immer entsprechend den Herstellerangaben aufbewahren.

- Die Lagerempfehlungen des Geräteherstellers sollten strikt eingehalten werden. Halten Sie sich an die betreffenden Anweisungen.
- Keine kohlenensäurehaltigen Getränke oder Sprudel in den Tiefkühlschrank stellen, da der Druckanstieg in den Behältern zur Explosion führen und das Gerät beschädigen kann.
- Eis am Stiel kann Kälteverbrennungen verursachen, wenn es direkt nach der Entnahme aus dem Gefrierschrank gegessen wird.

1.4 Reinigung und Pflege

- Schalten Sie vor Wartungsarbeiten immer das Gerät ab und ziehen Sie den Netzstecker aus der Steckdose.
- Reinigen Sie das Gerät nicht mit Metallgegenständen.
- Verwenden Sie keine scharfen Gegenstände zum Entfernen von Reif und Eis im Gerät. Verwenden Sie einen Kunststoffschaber.
- Verwenden Sie niemals einen Haartrockner oder andere Heizgeräte, um das Abtauen zu beschleunigen. Starke Hitze kann die Plastikteile im Innenraum beschädigen und Feuchtigkeit kann in das elektrische System eindringen, so dass die Teile unter Spannung stehen.

1.5 Montage



Halten Sie sich für den elektrischen Anschluss strikt an die Anweisungen der betreffenden Abschnitte.

- Kontrollieren Sie nach dem Auspacken das Gerät auf eventuelle Beschädigungen. Nehmen Sie das Gerät nicht in Betrieb, wenn es beschädigt ist. Melden Sie die Schäden umgehend dem Händler, bei dem Sie es erworben haben. Bewahren Sie in diesem Fall die Verpackung auf.
- Lassen Sie das Gerät mindestens vier Stunden stehen, bevor Sie es elektrisch anschließen, damit das Öl in den Kompressor zurückfließen kann.
- Ausreichenden Freiraum zur Luftzirkulation um das Gerät lassen; anderenfalls besteht Überhitzungsgefahr. Halten Sie

sich für die Belüftung an die Installationsanweisungen.

- Das Gerät sollte zur Vermeidung von Verbrennungen durch Berührung von heißen Bauteilen (Kompressor, Kondensator) möglichst mit der Rückseite gegen eine Wand aufgestellt werden.
- Das Gerät darf nicht in der Nähe von Heizkörpern oder Kochern installiert werden.
- Vergewissern Sie sich, dass der Netzstecker des Gerätes nach der Installation frei zugänglich ist.
- Wenn ein Wasseranschluss vorgesehen ist, verbinden Sie das Gerät nur mit dem Trinkwasseranschluss.

1.6 Kundendienst

- Sollte die Wartung des Gerätes elektrische Arbeiten verlangen, so dürfen diese nur von einem qualifizierten Elektriker oder einem Elektro-Fachmann durchgeführt werden.

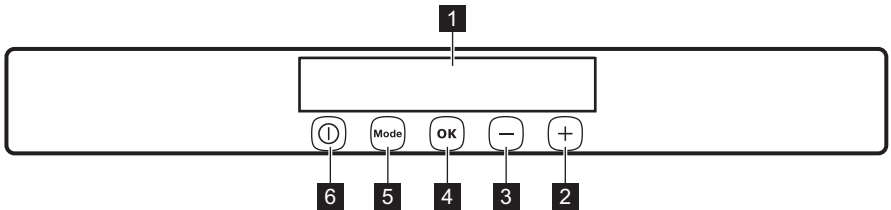
- Wenden Sie sich für Reparaturen und Wartung nur an Fachkräfte der autorisierten Kundendienststellen und verlangen Sie stets Original-Ersatzteile.

1.7 Umweltschutz



Das Gerät enthält im Kältekreis oder in dem Isoliermaterial keine ozonschädigenden Gase. Das Gerät darf nicht wie normaler Hausmüll entsorgt werden. Die Isolierung enthält entzündliche Gase: das Gerät muss gemäß den geltenden Vorschriften entsorgt werden; sie erhalten diese bei Ihrer Gemeindeverwaltung. Nicht das Kälteaggregat beschädigen, insbesondere nicht in der Nähe des Wärmetauschers. Die Materialien, die bei der Herstellung dieses Geräts verwendet wurden und mit dem Symbol ♻️ markiert sind, können recycelt werden.

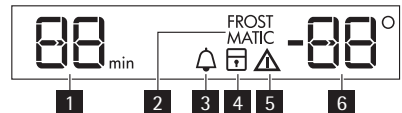
2. BEDIENFELD



- 1** Display
- 2** Taste zur Erhöhung der Temperatur
- 3** Taste zum Senken der Temperatur
- 4** Taste OK
- 5** Taste Mode
- 6** Taste ON/OFF

Der voreingestellte Tastenton lässt sich auf einen lauten Ton einstellen. Halten Sie dazu die Taste Mode und die Taste zum Senken der Temperatur mehrere Sekunden gedrückt. Die Änderung lässt sich rückgängig machen.

2.1 Display/Anzeige



- 1** Timer-Anzeige
- 2** Funktion FROSTMATIC
- 3** Funktion Minute Minder
- 4** Funktion Kindersicherung
- 5** Alarmanzeige
- 6** Temperaturanzeige

2.2 Einschalten des Geräts

Um das Gerät einzuschalten, folgen Sie diesen Schritten:

1. Stecken Sie den Netzstecker in die Netzsteckdose.
2. Drücken Sie die ON/OFF-Taste, wenn das Display ausgeschaltet ist.
3. Nach ein paar Sekunden ertönt möglicherweise ein akustisches Alarmsignal.
Wie Sie den Alarm ausschalten, erfahren Sie unter „Temperaturwarnung“.
4. Wenn "dEMo" auf dem Display angezeigt wird, befindet sich das Gerät im Demo-Modus. Schlagen Sie dazu bitte unter „Was tun, wenn ...“ nach.
5. Die Temperaturanzeigen zeigen die jeweils eingestellte Standardtemperatur an.

Informationen zur Auswahl einer anderen Temperatur finden Sie unter „Temperaturregelung“.



Bleibt die Tür einige Minuten lang geöffnet, schaltet sich die Beleuchtung automatisch aus. Die Beleuchtung wird durch das Schließen und Öffnen der Tür automatisch aus- bzw. eingeschaltet.

2.3 Ausschalten des Geräts

Zum Ausschalten des Gerätes:

1. Halten Sie die Taste ON/OFF einige Sekunden lang gedrückt.
2. Das Display wird ausgeschaltet.
3. Ziehen Sie den Gerätestecker aus der Steckdose, um das Gerät vom Netz zu trennen.

2.4 Temperaturregelung

Die Temperatur des Gefriergeräts wird mit der Temperatortaste eingestellt.

Stellen Sie die Standardtemperatur ein:

- -18 °C für den Gefrierschrank
- Die Temperaturanzeige zeigt die eingestellte Temperatur.

Die eingestellte Temperatur wird innerhalb von 24 Stunden erreicht.



Nach einem Stromausfall bleibt die eingestellte Temperatur gespeichert.

2.5 Funktion FROSTMATIC

Zum Einschalten der Funktion:

1. Drücken Sie die Taste Mode, bis das entsprechende Symbol angezeigt wird.
Die Anzeige FROSTMATIC blinkt.
2. Drücken Sie zur Bestätigung die Taste OK.

Die Anzeige FROSTMATIC leuchtet. Diese Funktion endet automatisch nach 52 Stunden.

Zum Ausschalten der Funktion vor ihrer automatischen Abschaltung:

1. Drücken Sie die Taste Mode, bis die Anzeige FROSTMATIC blinkt.
2. Drücken Sie zur Bestätigung die Taste OK.
3. Die Anzeige FROSTMATIC erlischt.



Die Funktion wird durch die Auswahl einer anderen Gefrieretemperatur ausgeschaltet.

2.6 Minute Minder-Funktion

Mit der Funktion Minute Minder lässt sich ein Alarmton einstellen, der zu der gewünschten Zeit ertönt. Dies ist zum Beispiel praktisch, wenn ein Gericht eine gewisse Zeit abkühlen muss oder Sie die Flaschen, die Sie für eine schnellere Kühlung in den Gefrierraum gelegt haben, nicht vergessen möchten.

Zum Einschalten der Funktion:

1. Drücken Sie die Taste Mode, bis das entsprechende Symbol angezeigt wird.

Die Minute Minder Anzeige blinkt.

Der Timer zeigt den eingestellten Wert (30 Minuten) ein paar Sekunden lang an.

2. Drücken Sie die Taste zum Erhöhen oder Senken der Temperatur, um die Timereinstellung von 1 bis 90 Minuten zu ändern.

3. Drücken Sie zur Bestätigung die Taste OK.

Die Minute Minder Anzeige erscheint.

Der Timer beginnt zu blinken (min). Nach Ablauf des Countdowns blinkt die Anzeige Minute Minder und es ertönt ein Alarmsignal.

1. Entnehmen Sie die Getränke aus dem Gefrierraum.
2. Schalten Sie den Alarmton und die Funktion mit der Taste OK aus.

Diese Funktion kann während des Countdowns jederzeit ausgeschaltet werden:

1. Drücken Sie die Taste Mode bis die Minute Minder Anzeige blinkt.
2. Drücken Sie zur Bestätigung die Taste OK.
3. Die Minute Minder Anzeige erlischt. Die Zeit kann während des Countdowns geändert werden, indem Sie die Tasten zur Erhöhung und Verringerung der Temperatur drücken.

2.7 Funktion Kindersicherung

Wählen Sie die Kindersicherung, um die Tasten gegen eine unbeabsichtigte Betätigung zu verriegeln.

Zum Einschalten der Funktion:

1. Drücken Sie die Taste Mode, bis das entsprechende Symbol angezeigt wird.
2. Die Anzeige „Kindersicherung“ blinkt.
3. Drücken Sie zur Bestätigung die Taste OK.
Die Anzeige „Kindersicherung“ leuchtet.

Zum Ausschalten der Funktion:

1. Drücken Sie die Taste Mode, bis die Anzeige „Kindersicherung“ blinkt.
2. Drücken Sie zur Bestätigung die Taste OK.
3. Die Anzeige „Kindersicherung“ erlischt.

2.8 Temperaturwarnung

Ein Anstieg der Temperatur im Gefrierraum (zum Beispiel aufgrund eines vorausgegangenen Stromausfalls oder einer geöffneten Gerätetür) wird wie folgt angezeigt:

- Blinkende Alarm- und Temperaturanzeige des Gefrierschranks.
 - Durch das Ertönen eines Summers.
- Zurücksetzen des Alarms:

1. Drücken Sie eine beliebige Taste.
2. Der Alarmton wird abgeschaltet.
3. Die Temperaturanzeige des Gefrierschranks zeigt die höchste erreichte Temperatur ein paar Sekunden lang an. Danach zeigt sie wieder die eingestellte Temperatur an.
4. Die Alarmanzeige blinkt so lange, bis die normalen Bedingungen wieder hergestellt sind.

2.9 Alarm „Tür offen“

Es ertönt ein Signalton, wenn die Tür einige Minuten lang offen steht. Der Alarm „Tür offen“ wird wie folgt angezeigt:

- Blinkende Alarmanzeige
- Akustisches Signal.

Sobald der Normalzustand wieder hergestellt ist (Tür geschlossen), wird der Alarm deaktiviert.

In der Alarmphase kann das akustische Alarmsignal durch Drücken einer beliebigen Taste ausgeschaltet werden.

3. TÄGLICHER GEBRAUCH

3.1 Einfrieren frischer Lebensmittel

Der Gefrierraum eignet sich zum Einfrieren von frischen Lebensmitteln und zum Lagern von gefrorenen und tiefgefrorenen Lebensmitteln über einen längeren Zeitraum.

Für das Einfrieren einer kleinen Menge frischer Lebensmittel ist keine Änderung der Einstellung erforderlich.

Aktivieren Sie zum Einfrieren frischer Lebensmittel die Funktion Action Freeze mindestens 24 Stunden, bevor Sie die einzufrierenden Lebensmittel in das Gefrierfach legen.

Frische einzufrierende Lebensmittel dürfen in jedes Fach außer in das unterste Fach gelegt werden.

Die maximale Menge an Lebensmitteln, die in 24 Stunden eingefroren werden kann, ist auf dem **Typenschild** angege-

ben, das sich im Inneren des Geräts befindet.

Der Gefriervorgang dauert 24 Stunden. Legen Sie während dieses Zeitraums keine weiteren einzufrierenden Lebensmittel in das Gerät.

3.2 Lagerung gefrorener Lebensmittel

Lassen Sie das Gerät bei der ersten Inbetriebnahme oder wenn das Gerät einige Zeit nicht benutzt wurde, mindestens 2 Stunden lang eingeschaltet, bevor sie Lebensmittel hineingeben.

Die Gefrierkörbe sorgen dafür, dass Sie die Lebensmittel schnell und einfach finden. Wenn große Mengen an Lebensmitteln gelagert werden sollen, entfernen Sie die Schubladen, ausgenommen den unteren Korb, der an seinem Platz bleiben muss, um eine gute Luftzirkulation zu garantieren. Es ist auf allen Ablagen - mit Ausnahme der oberen Ablage - möglich, Lebensmittel einzulagern, die 15 mm über die Vorderkante überstehen.



Kam es zum Beispiel durch einen Stromausfall, der länger dauerte als der in der Tabelle mit den technischen Daten angegebene Wert (siehe „Lagerzeit bei Störung“) zu einem ungewollten Auftauen, dann müssen die aufgetauten Lebensmittel sehr rasch verbraucht oder sofort gekocht und nach dem Abkühlen erneut eingefroren werden.

3.3 Auftauen

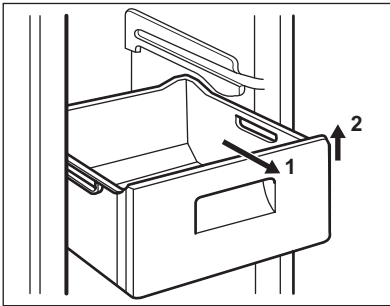
Tiefgefrorene oder gefrorene Lebensmittel können vor der Verwendung je nach der zur Verfügung stehenden Zeit im Kühlschrank oder bei Raumtemperatur aufgetaut werden.

Kleinere Teile können sogar direkt aus dem Gefrierraum entnommen und anschließend sofort gekocht werden. In diesem Fall dauert der Garvorgang etwas länger.

3.4 Kälteakku(s)

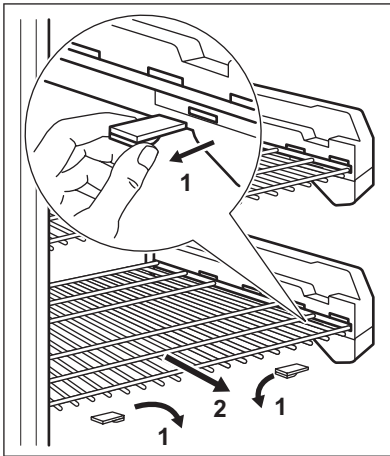
Der Gefrierschrank wird mit einem oder mehreren Kälteakku(s) geliefert. Diese verlängern die Zeitdauer, in der die Lebensmittel bei einem Stromausfall oder einem Ausfall des Gerätes gekühlt werden.

3.5 Herausnehmen der Gefrierkörbe und Gitterablagen aus dem Gefriergerät



Einige der Gefrierkörbe sind mit einem Anschlag ausgestattet, der ein versehentliches Herausziehen oder ein Herausfallen verhindert. Um einen Gefrierkorb aus dem Gefriergerät zu nehmen, ziehen Sie den Korb in Ihre Richtung, bis er den Anschlag erreicht, und kippen Sie den Korb an der Vorderseite nach oben, bis er sich herausnehmen lässt.

Wenn Sie den Gefrierkorb wieder zurück in das Gerät einschieben möchten, heben Sie die Vorderseite des Korbs leicht an und setzen ihn in das Gefriergerät ein. Sobald der Gefrierkorb über die Endpunkte hinweg ist, schieben Sie ihn in seine ursprüngliche Position.

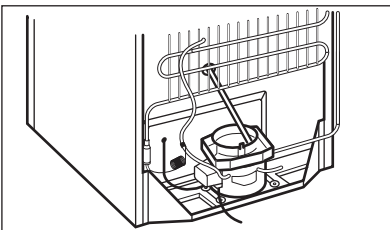


Die mit Expanderrollen ausgestatteten Gitterablagen sind durch Haltestifte gesichert.

Um diese zu entfernen, gehen Sie wie folgt vor:

- Lockern Sie den Haltestift auf jeder Seite der Expanderrolle. Benutzen Sie, falls erforderlich, einen Schraubendreher.
- Ziehen Sie dann beide Haltestifte heraus (1).
- Ziehen Sie dann die Gitterablage heraus (2).

3.6 Reinigen des Innenraums



Bevor Sie das Gerät in Betrieb nehmen, beseitigen Sie den typischen „Neugeruch“ am besten durch Reinigen der Innenteile mit lauwarmem Wasser und einer neutralen Seife. Sorgfältig nachtrocknen.



Verwenden Sie keine Reinigungsmittel oder Scheuermittel, da hierdurch die Oberfläche beschädigt wird.

Vergewissern Sie sich, dass die Ablaufleitung auf der Rückseite des Gerätes in die Tropfschale führt.

4. HILFREICHE HINWEISE UND TIPPS

4.1 Hinweise zum Einfrieren

Im Folgenden finden Sie einige wertvolle Tipps für einen optimalen Gefriervorgang:

- die maximale Menge an Lebensmitteln, die innerhalb von 24 Stunden eingefroren werden kann, ist auf dem Typschild angegeben;
- der Gefriervorgang dauert 24 Stunden. Legen Sie während dieses Zeitraums keine weiteren einzufrierenden Lebensmittel in das Gefrierfach;
- frieren Sie ausschließlich frische und gründlich gewaschene Lebensmittel von sehr guter Qualität ein;
- teilen Sie die Lebensmittel in kleinere Portionen ein, damit diese schnell und vollständig gefrieren und Sie später nur die Menge auftauen müssen, die Sie gerade benötigen;
- die einzufrierenden Lebensmittelportionen sollten stets luftdicht in Aluminiumfolie oder in lebensmittelechte Gefrierbeutel verpackt werden, um so wenig Luft wie möglich in der Verpackung zu haben;
- achten Sie beim Hineinlegen von frischen, noch ungefrorenen Lebensmitteln darauf, dass diese keinen Kontakt mit Gefriergut bekommen, da dieses sonst antauen kann;
- weniger fetthaltige Lebensmittel lassen sich besser lagern als fetthaltigere; Salz

verkürzt die Lagerzeit von Lebensmitteln im Gefrierfach;

- werden Gefrierwürfel direkt nach der Entnahme aus dem Gefrierfach verwendet, können Sie zu Frostbrand auf der Haut führen;
- es empfiehlt sich, das Einfrierdatum auf jeder einzelnen Packung zu notieren, um einen genauen Überblick über die Lagerzeit zu haben.

4.2 Hinweise zur Lagerung gefrorener Produkte

So erzielen Sie die besten Ergebnisse mit Ihrem Gerät:

- Vergewissern Sie sich, dass die gefrorenen Lebensmittel vom Händler angemessen gelagert wurden.
- Achten Sie unbedingt darauf, die eingekauften gefrorenen Lebensmittel in der kürzest möglichen Zeit in das Gefriergerät zu bringen.
- Öffnen Sie die Tür nicht zu häufig, und lassen Sie die Tür nicht länger offen als notwendig.
- Aufgetaute Lebensmittel verderben sehr schnell und eignen sich nicht für ein erneutes Einfrieren.
- Das Haltbarkeitsdatum auf der Tiefkühlkostverpackung darf nicht überschritten werden.

5. REINIGUNG UND PFLEGE



VORSICHT!

Ziehen Sie bitte vor jeder Reinigungsarbeit immer den Netzstecker aus der Steckdose.



Der Kältekreis des Gerätes enthält Kohlenwasserstoffe; Wartungsarbeiten und Nachfüllen von Kältemitteln dürfen daher nur durch vom Hersteller autorisiertes Fachpersonal ausgeführt werden.

5.1 Regelmäßige Reinigung

Das gesamte Gerät muss regelmäßig gereinigt werden:

- Reinigen Sie die Innenseiten und die Zubehörteile mit lauwarmem Wasser und etwas Neutralseife.
- Prüfen und säubern Sie die Türdichtungen in regelmäßigen Abständen, um zu gewährleisten, dass diese sauber und frei von Fremdkörpern sind.
- Spülen und trocknen Sie sie sorgfältig ab.



Ziehen Sie nicht an Leitungen und/oder Kabeln im Innern des Kühlschranks und achten Sie darauf, diese nicht zu verschieben oder zu beschädigen.

Benutzen Sie zur Reinigung des Innenraums keinesfalls Putzmittel, Scheuerpulver, stark parfümierte Reinigungsmittel oder Wachspolituren, da diese die Oberfläche des Innenraums beschädigen und einen starken Eigengeruch hinterlassen können.

Reinigen Sie den Kondensator (schwarzes Gitter) und den Kompressor auf der Geräterückseite mit einer Bürste. Dieser Vorgang verbessert die Leistung des Geräts und senkt den Stromverbrauch.



Bitte achten Sie darauf, das Kühlsystem nicht zu beschädigen.



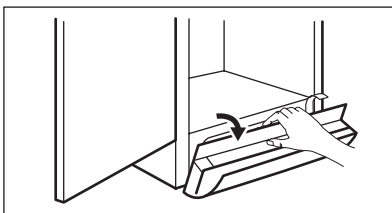
Wenn Sie das Gerät verschieben möchten, heben Sie es bitte an der Vorderkante an, um den Fußboden nicht zu verkratzen.

Viele Haushaltsreiniger für Küchen enthalten Chemikalien, die den im Gerät verwendeten Kunststoff angreifen können. Aus diesem Grund ist es empfehlenswert, die Außenseiten des Geräts nur mit warmem Wasser und Neutralseife zu reinigen.



Verwenden Sie keine Reinigungsmittel oder Scheuerpulver, da dies den Lack oder die Antifinger-Edelstahl-Beschichtung beschädigt.

5.4 Belüftungsgitter reinigen



Schließen Sie das Gerät nach der Reinigung wieder an die Netzversorgung an.

5.2 Abtauen des Gefrierschranks

Das Gefrierfach dieses Modells ist vom Typ "No Frost". Dies bedeutet, dass es während des Betriebs weder an den Innenwänden noch auf den Lebensmitteln zu Frostbildung kommt.

Die Bildung von Frost wird durch die ständig zirkulierende Kaltluft in diesem Fach verhindert; eine automatische Lüfterregelung sorgt für den Ventilatorantrieb.

5.3 Stillstandzeiten

Bei längerem Stillstand des Geräts müssen Sie folgende Vorkehrungen treffen:

1. Trennen Sie das Gerät von der Netzversorgung.
2. Entnehmen Sie alle Lebensmittel.
3. Reinigen Sie das Gerät und alle Zubehörteile.
4. Lassen Sie die Tür(en) offen, um das Entstehen unangenehmer Gerüche zu vermeiden.



Möchten Sie bei einer längeren Abwesenheit das Gerät weiter laufen lassen, bitten Sie jemanden, gelegentlich die Temperatur zu prüfen, damit das Kühlgut bei einem möglichen Stromausfall nicht im Innern des Geräts verdirbt.

Das Belüftungsgitter kann zur Reinigung herausgenommen werden.

Vergewissern Sie sich, dass die Tür offen ist, und gehen Sie dann wie folgt vor:

- Lösen Sie die Oberkante des Gitters, indem Sie diese nach außen und nach unten wegziehen.
- Ziehen Sie das Gitter gerade heraus, um es ganz herausnehmen zu können.
- Reinigen Sie den Bereich unter dem Gerät mit dem Staubsauger.

6. WAS TUN, WENN ...

Während des Gerätebetriebs kann es zuweilen zu geringfügigen, aber dennoch unerfreulichen Problemen kommen, für die kein Techniker gerufen werden muss. In der folgenden Tabelle finden Sie Informationen, wie unnötige Reparaturkosten vermieden werden können.



Während das Gerät in Betrieb ist, entstehen bestimmte Geräusche (Kompressor und Umwälzgeräusche). Dies ist normal und kein Grund zur Beunruhigung.



Das Gerät arbeitet nicht kontinuierlich; wenn der Kompressor aufhört zu arbeiten, bedeutet das nicht, dass kein Strom mehr fließt. Aus diesem Grund dürfen Sie erst dann elektrische Teile des Geräts berühren, wenn das Gerät vom Netz getrennt wurde.

Problem	Mögliche Ursache	Abhilfe
Das Gerät ist zu laut.	Unebenheiten im Boden wurden nicht ausgeglichen.	Prüfen Sie, ob das Gerät stabil steht (alle Füße und Räder müssen fest auf dem Boden stehen). Siehe hierzu „Ausrichten des Gerätes“.
Es ertönt ein Alarmsignal. Das Alarmsymbol blinkt.	Die Temperatur im Gefrierraum ist zu hoch.	Siehe hierzu „Temperaturwarnung“.
	Die Tür wurde nicht richtig geschlossen.	Siehe hierzu „Alarm Tür öffnen“.
Die Temperaturanzeige zeigt oben oder unten ein Quadrat an.	Beim Messen der Temperatur ist ein Fehler aufgetreten.	Bitte wenden Sie sich an Ihren Kundendienstmitarbeiter (das Kühlsystem hält zwar die eingelagerten Lebensmittel weiterhin kühl, doch eine Temperatureinstellung ist nicht mehr möglich).
Der Kompressor läuft ständig.	Der Temperaturregler kann falsch eingestellt sein.	Stellen Sie eine höhere Temperatur ein.
	Die Tür wurde nicht richtig geschlossen.	Siehe hierzu „Schließen der Tür“.
	Die Tür wurde zu häufig geöffnet.	Lassen Sie die Tür nicht länger offen als unbedingt erforderlich.
	Die Temperatur des Kühlguts ist zu hoch.	Lassen Sie das Kühlgut auf Raumtemperatur abkühlen, bevor Sie es in das Gerät stellen.
	Die Raumtemperatur ist zu hoch.	Senken Sie die Raumtemperatur.
Zu starke Reif- und Eisbildung.	Die Tür wurde nicht richtig geschlossen.	Siehe hierzu „Schließen der Tür“.

Problem	Mögliche Ursache	Abhilfe
	Die Türdichtung ist verzo- gen oder verschmutzt.	Siehe hierzu „Schließen der Tür“.
Die Temperatur im Gerät ist zu niedrig.	Der Temperaturregler kann falsch eingestellt sein.	Stellen Sie eine höhere Temperatur ein.
Die Temperatur im Gerät ist zu hoch.	Der Temperaturregler kann falsch eingestellt sein.	Stellen Sie eine niedrigere Temperatur ein.
	Die Tür wurde nicht richtig geschlossen.	Siehe hierzu „Schließen der Tür“.
	Die Temperatur des Kühl- guts ist zu hoch.	Lassen Sie das Kühlgut auf Raumtemperatur abkühlen, bevor Sie es in das Gerät stellen.
Die Temperatur im Gefriergerät ist zu hoch.	Die einzelnen Packungen des Gefrierguts liegen zu dicht aneinander.	Lagern Sie das Gefriergut so, dass die Kaltluft im Ge- rät zirkulieren kann.
	Es wurden zu große Men- gen an Lebensmitteln gleichzeitig zum Einfrieren eingelegt.	Legen Sie nur kleinere Le- bensmittelmengen gleich- zeitig zum Einfrieren in das Gerät.
Das Gerät funk- tioniert nicht.	Das Gerät ist ausgeschal- tet.	Schalten Sie das Gerät ein.
	Der Netzstecker wurde nicht richtig in die Steck- dose gesteckt.	Stecken Sie den Netzste- cker richtig in die Steckdo- se.
	Das Gerät wird nicht mit Spannung versorgt. Es liegt keine Spannung an der Netzsteckdose an.	Testen Sie, ob ein anderes Gerät an dieser Steckdose funktioniert. Prüfen Sie die Sicherung. Wenden Sie sich an eine qualifizierte Elektrofachkraft.
Die Lampe funk- tioniert nicht.	Die Lampe ist defekt.	Siehe hierzu „Austauschen der Lampe“.
	Die Tür stand zu lange of- fen.	Schließen Sie die Tür.
Die Tür kommt mit dem Belüftungsgit- ter in Berührung.	Das Gerät ist nicht eben ausgerichtet.	Siehe hierzu „Ausrichten des Gerätes“.
Die Tür ist falsch ausgerichtet.	Das Gerät ist nicht eben ausgerichtet.	Siehe hierzu „Ausrichten des Gerätes“.

Problem	Mögliche Ursache	Abhilfe
DEMO erscheint auf dem Display.	Das Gerät befindet sich im Demo-Modus.	Halten Sie die Modus-Taste ca. 10 Sekunden gedrückt, bis ein langer Signalton ertönt und das Display eine kurze Zeit ausgeschaltet wird. Danach arbeitet das Gerät wieder normal.

Bitte rufen Sie den nächsten Kundendienst an, wenn alle genannten Abhilfemaßnahmen nicht zum gewünschten Erfolg führen.

6.1 Austauschen der Lampe

Das Gerät ist mit einer langlebigen LED-Innenbeleuchtung ausgestattet. Die Beleuchtung darf nur von einem Fachmann ausgetauscht werden. Wenden Sie sich hierzu an den Kundendienst.

2. Stellen Sie die Tür nach Bedarf ein. Siehe hierzu „Montage“.
3. Ersetzen Sie die defekten Türdichtungen, falls erforderlich. Wenden Sie sich hierzu an den Kundendienst.

6.2 Schließen der Tür

1. Reinigen Sie die Türdichtungen.

7. MONTAGE



WARNUNG!

Lesen Sie bitte die "Sicherheitshinweise" sorgfältig vor der Aufstellung des Geräts durch, um Gefahren für Sie selbst zu vermeiden und einen korrekten Betrieb des Geräts zu gewährleisten.

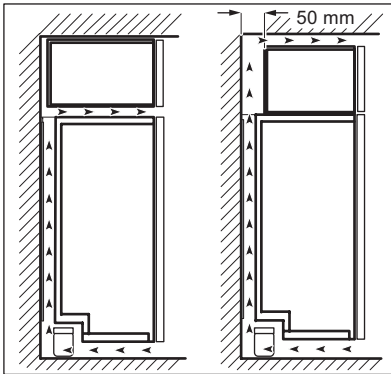
der Klimaklasse übereinstimmt, die auf dem Typschild des Geräts angegeben ist:

Klimaklasse	Umgebungstemperatur
SN	+10°C bis + 32°C
N	+16°C bis + 32°C
ST	+16°C bis + 38°C
T	+16°C bis + 43°C

7.1 Aufstellung

Installieren Sie dieses Gerät an einem Ort, an dem die Umgebungstemperatur mit

7.2 Aufstellungsort



Wenn das Gerät unter einem Hängeschränk installiert wird, muss der Abstand zwischen der Geräteoberseite und dem Hängeschränk mindestens 40 mm betragen, um die bestmögliche Leistung zu garantieren. Es wird jedoch empfohlen, das Gerät nicht unter einem Hängeschränk aufzustellen.

Der Belüftungsraum kann sein:

- direkt über dem Gerät,
- hinter und über dem Oberschränk.

In diesem Fall muss der Platz hinter dem Oberschränk mindestens 50 mm tief sein.

7.3 Elektrischer Anschluss

Kontrollieren Sie vor der ersten Benutzung des Gerätes, ob die Netzspannung und -frequenz Ihres Hausanschlusses mit den auf dem Typenschild angegebenen Anschlusswerten übereinstimmen.

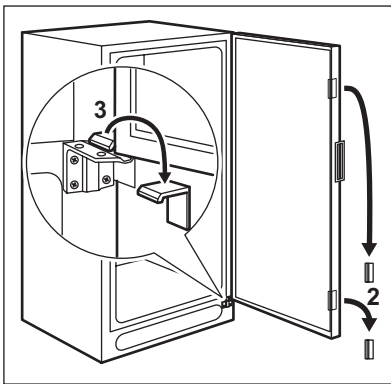
Das Gerät muss geerdet sein. Zu diesem Zweck ist die Netzkabelsteckdose mit einem Schutzkontakt ausgestattet. Falls die

Steckdose Ihres Hausanschlusses nicht geerdet sein sollte, lassen Sie das Gerät erden und fragen Sie dafür einen qualifizierten Elektriker.

Der Hersteller übernimmt keinerlei Haftung für Schäden oder Verletzungen, die durch Missachtung der oben genannten Sicherheitshinweise entstehen.

Das Gerät entspricht den EU- Richtlinien.

7.4 Entfernen der Transportsicherungen



Das Gerät ist mit Transportsicherungen ausgestattet, die zum Sichern der Tür während des Transports dienen.

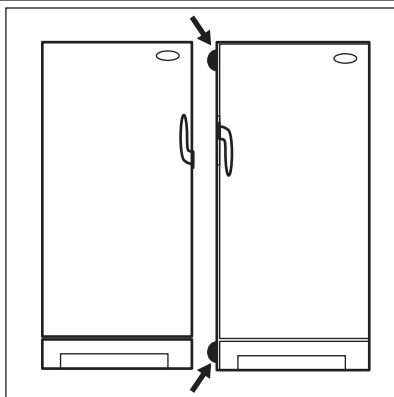
Entfernen Sie diese wie folgt:

- Öffnen sie die Tür.
- Entfernen Sie die Transportsicherungen von den Türseiten.
- Entfernen Sie die Transportsicherungen vom unteren Scharnier (damit sind einige Modelle ausgestattet).

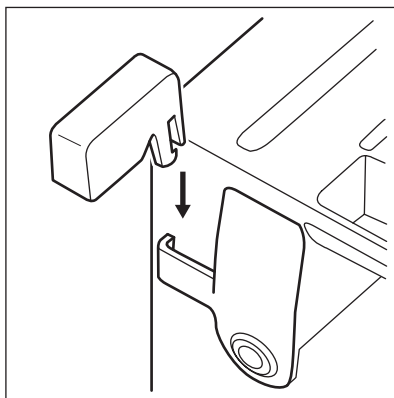


Einige Modelle sind mit einem Geräuschdämmelement unter dem Gerät ausgestattet. Bitte entfernen Sie dieses Element nicht.

7.5 Distanzstücke

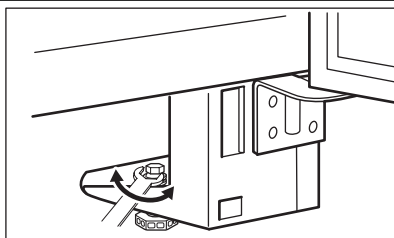


Bringen Sie die im Zubehörbeutel mitgelieferten Distanzstücke wie in den Abbildungen gezeigt an. Werden zwei Geräte direkt nebeneinander aufgestellt, bringen Sie bitte die selbstklebenden Distanzstücke zwischen den Geräten an.



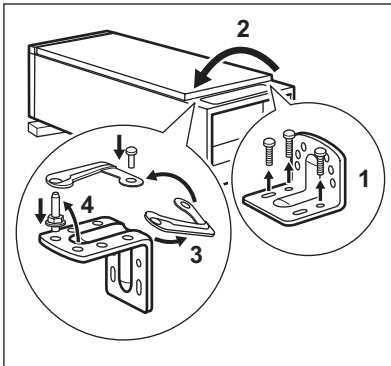
Setzen Sie die Distanzstücke an der Rückseite der Blende ein.

7.6 Ausrichten



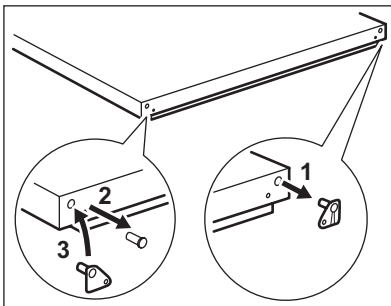
Bei der Aufstellung des Geräts ist dieses waagrecht auszurichten. Stellen Sie nach Bedarf die Stellfüße mit dem mitgelieferten Einstellschlüssel ein.

7.7 Wechseln des Türanschlags

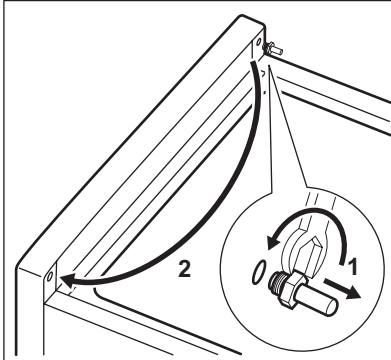


Zum Wechseln des Türanschlags muss wie folgt vorgegangen werden:

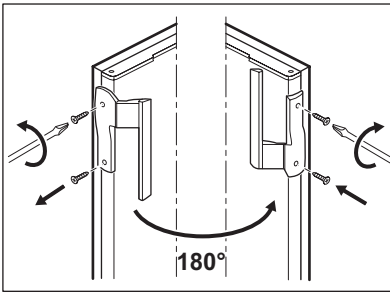
- Trennen Sie den Netzstecker von der Netzversorgung.
- Entfernen Sie das Belüftungsgitter. Entfernen Sie die Füllung und installieren Sie diese auf der gegenüberliegenden Seite des Gitters.
- Legen Sie das Gerät mit der Rückseite nach unten auf einen Träger aus Holz.
- Schrauben Sie das untere Scharnier ab.
- Entfernen Sie den Türschließermechanismus vom Scharnier und versetzen Sie den Bolzen auf die andere Seite. Schrauben Sie den im Zubehörbeutel mitgelieferten Türschließermechanismus an der gegenüber liegenden Seite wieder an.



- Entfernen Sie den Türschließermechanismus von der Tür.
- Schrauben Sie den im Zubehörbeutel mitgelieferten Türschließermechanismus an der gegenüber liegenden Seite wieder an.



- Nehmen Sie die Tür ab.
- Schrauben Sie den Stift ab und schrauben Sie ihn an der gegenüber liegenden Seite wieder ein.
- Bringen Sie die Tür wieder an.
- Schrauben Sie das untere Scharnier wieder fest.
- Stellen Sie das Gerät auf und bringen Sie das Belüftungsgitter an.



- Schrauben Sie den Griff los. Schlagen Sie auf der gegenüberliegenden Seite die Bohrungsabdeckungen mit einem 3-4 mm Treibdorn heraus oder durchbohren Sie sie.
- Bringen Sie den Griff an. Setzen Sie den Griff auf der gegenüber liegenden Seite durch eine halbe Umdrehung ein.
- Setzen Sie die im Zubehörbeutel mitgelieferten Bohrungsabdeckungen ein.
- Bringen Sie das Gerät in Stellung.



WARNUNG!

Rücken Sie das Gerät wieder an die richtige Stelle und richten Sie es waagrecht aus. Warten Sie mindestens vier Stunden, bevor Sie es wieder an die Stromversorgung anschließen.

Führen Sie eine Endkontrolle durch, um sicherzustellen, dass:

- Alle Schrauben fest angezogen sind.
- Die Türkanten parallel zum Seitenrand des Gerätes laufen.

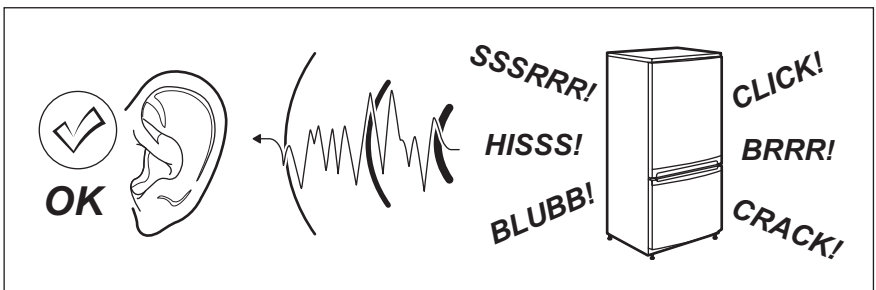


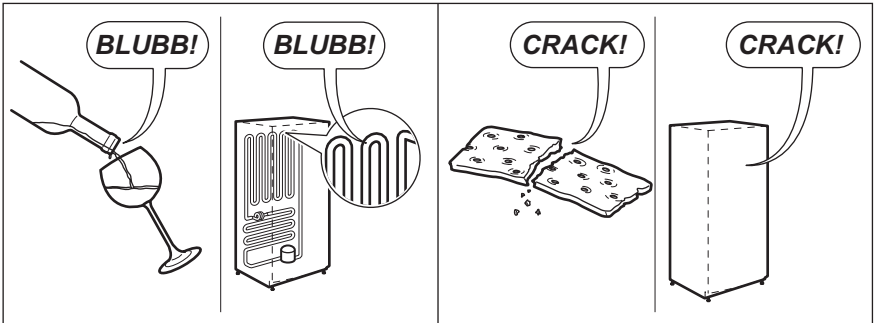
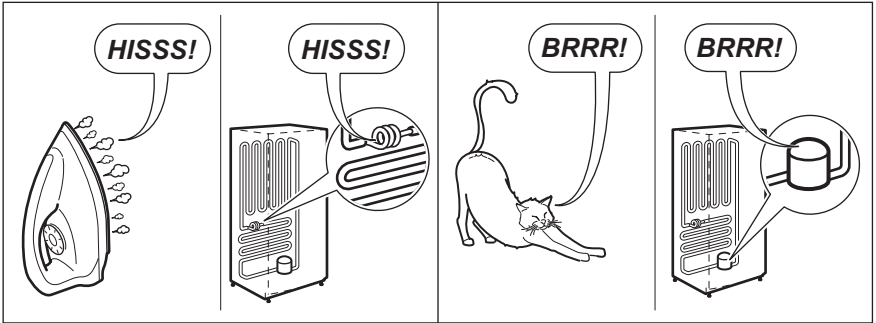
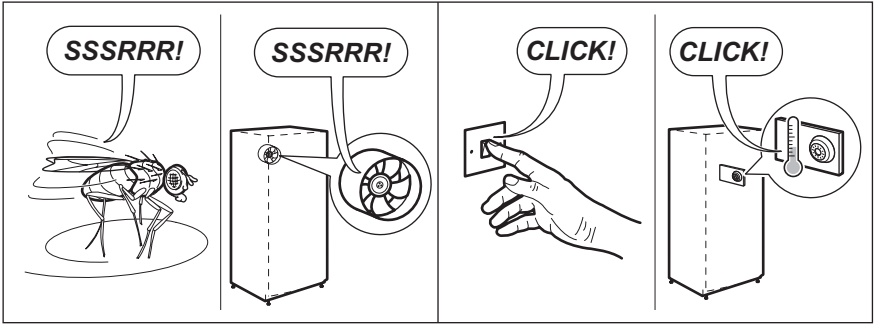
WARNUNG!

Bei niedrigen Umgebungstemperaturen (z. B. im Winter) kann es vorkommen, dass die Türdichtung nicht richtig am Gerät anliegt. Warten Sie in diesem Fall ab, bis sich die Dichtung allmählich anpasst.

8. GERÄUSCHE

Während das Gerät in Betrieb ist, entstehen bestimmte Geräusche (Kompressor und Kühlkreislauf).






9. TECHNISCHE DATEN


Abmessungen		
Höhe	1650 mm	
Breite	660 mm	
Tiefe	680 mm	
Lagerzeit bei Störung	16 Std.	
Spannung	230 V	
Frequenz	50 Hz	

Die technischen Daten befinden sich auf dem Typenschild im Innern des Gerätes

auf der linken Seite sowie auf der Energieplakette.

10. UMWELTTIPPS

Recyclen Sie Materialien mit dem Symbol . Entsorgen Sie die Verpackung in den entsprechenden Recyclingbehältern. Recyclen Sie zum Umwelt- und Gesundheitsschutz elektrische und

elektronische Geräte. Entsorgen Sie Geräte mit diesem Symbol  nicht mit dem Hausmüll. Bringen Sie das Gerät zu Ihrer örtlichen Sammelstelle oder wenden Sie sich an Ihr Gemeindeamt.

INDICE

1. ISTRUZIONI DI SICUREZZA	58
2. PANNELLO DEI COMANDI	60
3. UTILIZZO QUOTIDIANO	62
4. SUGGERIMENTI E CONSIGLI UTILI	65
5. PULIZIA E CURA	65
6. COSA FARE SE...	66
7. INSTALLAZIONE	69
8. RUMORI	73
9. DATI TECNICI	74
10. CONSIDERAZIONI AMBIENTALI	74

PENSATI PER VOI

Grazie per aver acquistato un'apparecchiatura Electrolux. Avete scelto un prodotto che ha alle spalle decenni di esperienza professionale e innovazione. Ingegnoso ed elegante, è stato progettato pensando a voi. Quindi, in qualsiasi momento desiderate utilizzarlo, potete esser certi di ottenere sempre i migliori risultati.

Benvenuti in Electrolux.

Visitate il nostro sito web per:



ricevere consigli, scaricare i nostri opuscoli, eliminare eventuali anomalie, ottenere informazioni sull'assistenza.

www.electrolux.com



registrare il vostro prodotto e ricevere un servizio migliore:

www.electrolux.com/productregistration



acquistare accessori, materiali di consumo e ricambi originali per la vostra apparecchiatura:

www.electrolux.com/shop

SERVIZIO CLIENTI E MANUTENZIONE

Consigliamo sempre l'impiego di ricambi originali.

Quando si contatta l'Assistenza, accertarsi di disporre dei seguenti dati.

Le informazioni si trovano sulla targhetta di identificazione. Modello, numero dell'apparecchio (PNC), numero di serie.



Avvertenza / Attenzione - Importanti Informazioni di Sicurezza



Informazioni e consigli generali



Informazioni in materia di sicurezza ambientale

Con riserva di modifiche.

1. ISTRUZIONI DI SICUREZZA

Per garantire un impiego corretto e sicuro dell'apparecchio, prima dell'installazione e del primo utilizzo leggere con attenzione il libretto istruzioni, inclusi i suggerimenti e le avvertenze. Per evitare errori e incidenti, è importante garantire che tutte le persone che utilizzano l'apparecchio ne conoscano il funzionamento e le caratteristiche di sicurezza. Conservare queste istruzioni e accertarsi che rimangano unite all'apparecchio in caso di vendita o trasloco, in modo che chiunque lo utilizzi sia correttamente informato sull'uso e sulle norme di sicurezza.

Per la sicurezza delle persone e delle cose osservare le precauzioni indicate nelle presenti istruzioni per l'utente, il prodotto non è responsabile dei danni provocati da eventuali omissioni.

1.1 Sicurezza dei bambini e delle persone fragili

- Questo apparecchio non deve essere usato da persone, bambini inclusi, con ridotte capacità fisiche, sensoriali o psichiche, oppure prive di conoscenza e esperienza, a meno che non siano state istruite all'uso dell'apparecchio da parte dei responsabili della loro sicurezza, oppure sotto vigilanza di questi.

I bambini devono essere sorvegliati per assicurarsi che non giochino con l'apparecchio.

- Tenere i materiali di imballaggio al di fuori della portata dei bambini. Alcuni materiali possono creare rischi di soffocamento.
- Qualora l'apparecchio venga demolito, estrarre la spina dalla presa, tagliare il cavo di collegamento (il più vicino possibile all'apparecchio) e smontare lo sportello per evitare che i bambini giocando possano subire scosse elettriche o chiudersi dentro l'apparecchio.
- Se questo nuovo apparecchio, che è dotato di guarnizioni magnetiche nello sportello, va a sostituirne uno più vecchio avente sportello o coperchio con chiusure a molla, si deve rendere inutilizzabili tali chiusure prima di eliminare l'apparecchio sostituito, per evitare che

diventi una trappola mortale per i bambini.

1.2 Norme di sicurezza generali



AVVERTENZA!

Verificare che le aperture di ventilazione, sia sull'apparecchiatura che nella struttura da incasso, siano libere da ostruzioni.

- L'apparecchiatura è progettata per la conservazione domestica di alimenti e/o bevande nelle modalità descritte nelle presenti istruzioni.
- Non usare dispositivi elettrici o altri mezzi artificiali non raccomandati dal produttore allo scopo di accelerare il processo di sbrinamento.
- Non utilizzare altre apparecchiature elettriche (per esempio gelatiere) all'interno del frigorifero, salvo quelle approvate per tale scopo dal produttore.
- Non danneggiare il circuito refrigerante.
- Il circuito refrigerante dell'apparecchiatura contiene isobutano (R600a), un gas naturale con un elevato livello di compatibilità ambientale che, tuttavia, è infiammabile.

Durante il trasporto e l'installazione dell'apparecchiatura, assicurarsi che nessuno dei componenti del circuito refrigerante venga danneggiato.

In caso di danneggiamento del circuito refrigerante:

- evitare fiamme libere e scintille
- aerare bene il locale in cui si trova l'apparecchiatura

- È pericoloso cambiare le specifiche o modificare il prodotto in qualunque modo. Un danneggiamento del cavo potrebbe provocare cortocircuiti, incendi e/o scosse elettriche.



AVVERTENZA!

Tutti i componenti elettrici (cavo di alimentazione, spina, compressore) devono essere sostituiti da un tecnico certificato o da personale d'assistenza qualificato al fine di evitare di correre rischi.

1. Non collegare prolunghe al cavo di alimentazione.
 2. Evitare che il lato posteriore dell'apparecchiatura possa schiacciare o danneggiare la spina, causandone il surriscaldamento con un conseguente rischio di incendio.
 3. La spina dell'apparecchiatura deve trovarsi in una posizione accessibile.
 4. Evitare di tirare il cavo di alimentazione.
 5. Se la presa elettrica non è perfettamente stabile, non inserire la spina. Il collegamento potrebbe provocare scosse elettriche o creare un rischio di incendio.
 6. L'apparecchiatura non deve essere messa in funzione senza il copri-lampada interno (se previsto).
- Questa apparecchiatura è pesante. Procedere con cautela durante gli spostamenti.
 - Evitare di estrarre o di toccare gli alimenti riposti nel vano congelatore con le mani bagnate o umide; il contatto potrebbe provocare abrasioni o ustioni da freddo.
 - Evitare un'esposizione prolungata dell'apparecchiatura alla luce solare diretta.
 - Le lampadine utilizzate in questa apparecchiatura (se previste) sono lampade speciali selezionate esclusivamente per elettrodomestici. Non sono adatte per l'illuminazione degli ambienti.

1.3 Uso quotidiano

- Non collocare pentole calde sulle parti in plastica dell'apparecchio.
- Non collocare gas e liquidi infiammabili nell'apparecchio, perché potrebbero esplodere.
- Evitare di appoggiare gli alimenti contro la presa d'aria situata nella parete posteriore (per le apparecchiature di tipo no-frost)
- Gli alimenti congelati non devono essere ricongelati una volta scongelati.
- Riporre gli alimenti surgelati preconfezionati secondo le istruzioni del produttore dell'alimento surgelato.

- Osservare rigorosamente i consigli per la conservazione degli alimenti del produttore dell'apparecchio. Vedere le relative istruzioni.
- Non collocare bevande gassate o frizzanti nello scomparto congelatore perché creano pressione sul recipiente che può esplodere danneggiando l'apparecchio.
- I ghiaccioli possono provocare bruciate da gelo se consumati immediatamente dopo averli tolti dall'apparecchio.

1.4 Pulizia e cura

- Prima di eseguire qualunque intervento di manutenzione, spegnere l'apparecchiatura ed estrarre la spina dalla presa.
- Non pulire l'apparecchiatura con oggetti metallici.
- Non usare oggetti appuntiti per sbrinare l'apparecchiatura. Usare un raschietto di plastica.
- Non utilizzare mai asciugacapelli o altri apparecchi riscaldanti per accelerare lo sbrinamento. Un calore eccessivo può danneggiare le parti in plastica interne e l'umidità può penetrare nel sistema elettrico rendendolo sotto tensione.

1.5 Installazione



Per il collegamento elettrico, seguire attentamente le istruzioni dei paragrafi corrispondenti.

- Disimballare l'apparecchio e assicurarsi che non presenti danni. Non collegare l'apparecchio se è danneggiato. Segnalare immediatamente gli eventuali danni al negozio in cui è stato acquistato. In questo caso conservare l'imballaggio.
- Si consiglia di attendere almeno due ore prima di collegare l'apparecchio per consentire all'olio di arrivare nel compressore.
- Attorno all'apparecchio vi deve essere un'adeguata circolazione dell'aria, altrimenti si può surriscaldare. Per ottenere una ventilazione sufficiente seguire le istruzioni di installazione.
- Se possibile il retro dell'apparecchio dovrebbe essere posizionato contro una parete per evitare di toccare le parti calde o di rimanervi impigliati (compres-

sore, condensatore), evitando così possibili scottature.

- L'apparecchio non deve essere posto vicino a radiatori o piani di cottura a gas.
- Installare l'apparecchio in modo che la presa rimanga accessibile.
- Collegare solo a sorgenti d'acqua potabile (se è previsto un collegamento alla rete idrica).

1.6 Assistenza tecnica

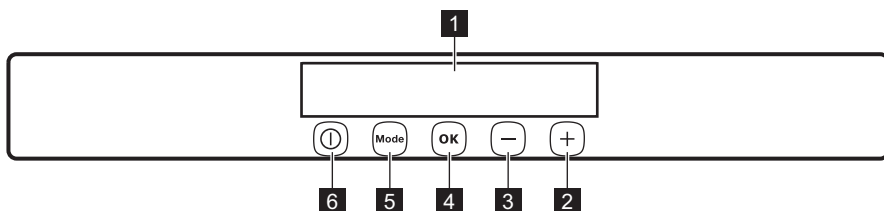
- Gli interventi elettrici sull'apparecchiatura devono essere eseguiti esclusivamente da elettricisti qualificati o da personale competente.
- Gli interventi di assistenza devono essere eseguiti esclusivamente da tecnici autorizzati e utilizzando solo ricambi originali.

1.7 Tutela ambientale



Questo apparecchio non contiene gas che potrebbero danneggiare lo strato di ozono nel circuito refrigerante o nei materiali isolanti. L'apparecchio non deve essere smaltito assieme ai rifiuti urbani e alla spazzatura. La schiuma dell'isolamento contiene gas infiammabili: lo smaltimento dell'apparecchio va eseguito secondo le prescrizioni vigenti da richiedere alle autorità locali. Evitare di danneggiare il gruppo refrigerante, specialmente nella parte posteriore vicino allo scambiatore di calore. I materiali usati su questo apparecchio contrassegnati dal simbolo sono riciclabili.

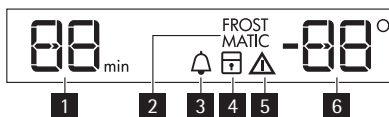
2. PANNELLO DEI COMANDI



- 1** Display
- 2** Tasto Temperatura più calda
- 3** Tasto Temperatura più fresca
- 4** Tasto OK
- 5** Tasto Mode
- 6** Tasto ON/OFF

È possibile modificare le impostazioni audio predefinite dei tasti e impostarle con un volume più alto, premendo contemporaneamente il tasto Mode e il tasto temperatura più fresca per alcuni secondi. La modifica è reversibile.

2.1 Display/Indicatore



- 1** Spia timer
- 2** Funzione FROSTMATIC
- 3** Funzione Minute Minder
- 4** Funzione Sicurezza bambini
- 5** Spia allarme
- 6** Indicatore della temperatura

2.2 Accensione

Per accendere l'apparecchiatura procedere come segue:

1. Inserire la spina nella presa di alimentazione.
2. Premere il tasto ON/OFF se il display è spento.
3. Il segnale acustico d'allarme potrebbe attivarsi dopo alcuni secondi.
Per resettare l'allarme, consultare la sezione "Allarme di alta temperatura".
4. Se "dEMo" appare sul display, l'apparecchiatura si trova in modalità dimostrazione. Fare riferimento al paragrafo "Cosa fare se...".
5. Gli indicatori di temperatura visualizzano la temperatura impostata predefinita.

Per selezionare una temperatura diversa, consultare la sezione "Regolazione della temperatura".



Se la porta resta aperta per alcuni minuti, la spia si spegnerà automaticamente. Per resettare la spia chiudere e aprire la porta.

2.3 Spegnimento

Per spegnere l'apparecchiatura, procedere come segue:

1. Premere il tasto ON/OFF per alcuni secondi.
2. Il display si spegne.
3. Per scollegare l'apparecchiatura dalla corrente elettrica, staccare la spina dalla presa di alimentazione.

2.4 Regolazione della temperatura

È possibile regolare la temperatura impostata del congelatore premendo il tasto temperatura.

Impostare la temperatura predefinita:

- -18°C per il congelatore
- Gli indicatori della temperatura visualizzano la temperatura impostata. La temperatura impostata verrà raggiunta entro 24 ore.



Dopo un'interruzione di corrente la temperatura impostata rimane in memoria.

2.5 FROSTMATIC funzione

Per attivare la funzione:

1. Premere il tasto Mode finché non appare l'icona corrispondente.
L'indicatore FROSTMATIC lampeggia.
2. Premere il tasto OK per confermare.
La spia FROSTMATIC viene visualizzata.

Questa funzione si interrompe in modo automatico dopo 52 ore.
Per disattivare la funzione prima dello spegnimento automatico:

1. Premere il tasto Mode fino a quando la spia FROSTMATIC lampeggia.
2. Premere il tasto OK per confermare.
3. La spia FROSTMATIC si spegne.



La funzione si disattiva selezionando un'impostazione di temperatura per il congelatore diversa.

2.6 funzione Minute Minder

La funzione Minute Minder deve essere usata per impostare un segnale acustico in un preciso momento, utile per esempio quando una pietanza richiede il raffreddamento per un certo periodo di tempo o quando è necessario un promemoria per non dimenticare le bottiglie messe in congelatore per un raffreddamento rapido. Per attivare la funzione:

1. Premere il tasto Mode finché non appare l'icona corrispondente.
L'indicatore Minute Minder lampeggia.
Il timer visualizza il valore impostato (30 minuti) per alcuni secondi.
2. Premere il tasto Temperatura più fredda o Temperatura più calda per modificare il valore preimpostato del timer da 1 a 90 minuti.
3. Premere il tasto OK per confermare.
La spia Minute Minder viene visualizzata.

Il Timer inizia a lampeggiare (min). Al termine del conto alla rovescia la spia Minute Minder lampeggia e viene emesso un segnale acustico:

1. Estrarre le eventuali bevande dal vano congelatore.
2. Premere il tasto OK per spegnere il segnale acustico e porre fine alla funzione.

È possibile disattivare la funzione in qualsiasi momento durante il conto alla rovescia:

1. Premere il tasto Mode fino a quando la spia Minute Minder lampeggia.
2. Premere il tasto OK per confermare.
3. La spia Minute Minder si spegne.

È possibile modificare l'ora in qualsiasi momento e prima della fine premendo il tasto Raffreddamento Temperatura ed il tasto Riscaldamento Temperatura.

2.7 Funzione Sicurezza Bambini

Per evitare che i tasti vengano premuti accidentalmente, selezionare la funzione Sicurezza Bambini.

Per attivare la funzione:

1. Premere il tasto Mode fino a quando non appare l'icona corrispondente.
2. L'indicatore Sicurezza Bambini lampeggia.
3. Premere il tasto OK per confermare. Viene visualizzato l'indicatore Sicurezza Bambini.

Per disattivare la funzione:

1. Premere il tasto Mode fino a quando l'indicatore Sicurezza Bambini non lampeggia.
2. Premere il tasto OK per confermare.
3. L'indicatore Sicurezza Bambini si spegne.

2.8 Allarme di alta temperatura

L'aumento della temperatura all'interno del vano congelatore (ad esempio in se-

guito ad un'interruzione della corrente elettrica o all'apertura della porta) viene indicato nei seguenti modi:

- lampeggiamento degli indicatori di allarme e della temperatura del congelatore
 - Emissione di un segnale acustico.
- Per resettare l'allarme:

1. Premere un tasto qualsiasi.
2. Il segnale acustico si spegne.
3. L'indicatore della temperatura del congelatore visualizza per alcuni secondi la temperatura più alta raggiunta, quindi viene nuovamente visualizzata la temperatura impostata.
4. L'indicatore di allarme continua a lampeggiare fino al ripristino delle condizioni normali.

2.9 Allarme porta aperta

Se la porta è lasciata aperta per alcuni minuti, viene emesso un segnale acustico. Le condizioni di allarme della porta aperta sono indicate da:

- indicatore allarme lampeggiante
- segnale acustico.

Al ripristino delle condizioni normali (porta chiusa), l'allarme si interrompe.

Durante la fase di allarme, il segnale acustico può essere disattivato premendo qualsiasi tasto.

3. UTILIZZO QUOTIDIANO

3.1 Congelazione di alimenti freschi

Il vano congelatore è adatto alla congelazione di alimenti freschi e alla conservazione a lungo termine di alimenti congelati e surgelati.

Per congelare piccole quantità di cibi freschi non è necessario modificare l'impostazione corrente.

Per congelare cibo fresco, attivare la funzione Action Freeze almeno 24 ore prima

di inserire gli alimenti da congelare nel comparto congelatore.

È possibile disporre gli alimenti freschi da congelare in tutti i vani ad eccezione di quello più basso.

La quantità massima di cibo che può essere congelata in 24 ore è riportata sulla **targhetta del modello**, un'etichetta che si trova all'interno dell'apparecchiatura.

Il processo di congelamento dura 24 ore: non aggiungere altri alimenti da congelare per tutta la durata del processo.

3.2 Conservazione dei surgelati

Al primo avvio o dopo un periodo di inutilizzo si consiglia di lasciare in funzione l'apparecchiatura per almeno 2 ore, prima di introdurre gli alimenti nel vano. I cestelli del congelatore consentono di individuare rapidamente e facilmente la confezione di alimenti desiderata. Se occorre conservare grandi quantità di cibo, si consiglia di rimuovere tutti i cassetti ad eccezione del cestello inferiore, la cui presenza è necessaria per assicurare la buona circolazione dell'aria. Su tutti i ripiani, eccezion fatta per quello superiore, è possibile posizionare alimenti fino a una sporgenza massima di 15 mm dalla porta.



In caso di sbrinamento accidentale, per esempio a causa di un'interruzione dell'alimentazione elettrica, se l'alimentazione manca per un periodo superiore al valore indicato nella tabella dei dati tecnici sotto "Tempo di risalita", il cibo scongelato deve essere consumato rapidamente o cucinato immediatamente e quindi ricongelato (dopo il raffreddamento).

3.3 Scongelamento

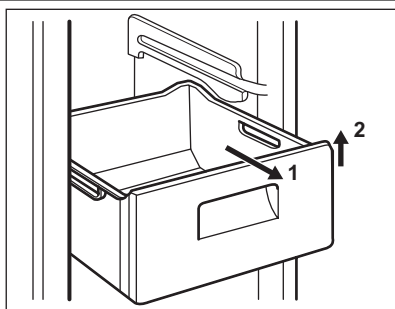
Prima dell'utilizzo, i cibi surgelati o congelati possono essere scongelati nel vano frigorifero o a temperatura ambiente, in funzione del tempo disponibile per questa operazione.

I pezzi piccoli possono addirittura essere cucinati ancora congelati, direttamente dal congelatore: in questo caso la cottura durerà più a lungo.

3.4 Accumulatori di freddo

Il congelatore dispone di uno o più accumulatori di freddo che prolungano la durata di conservazione degli alimenti in caso di guasto o interruzione dell'energia elettrica.

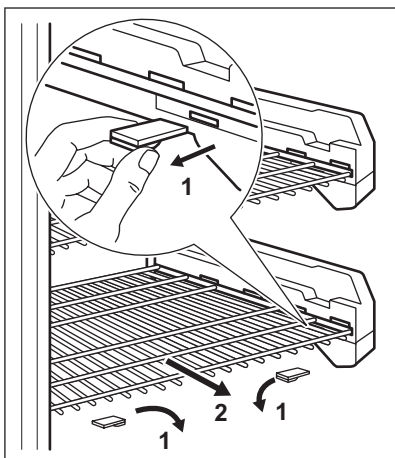
3.5 Rimozione dei cestelli e dei ripiani a filo dal congelatore



Alcuni dei cestelli del congelatore sono provvisti di un fermo che ne impedisce la caduta o la rimozione accidentale. Per estrarre un cestello dal vano congelatore, tirarlo in avanti e, al raggiungimento del fermo, inclinare verso l'alto la parte anteriore

Per reinserire il cestello, sollevarlo leggermente sul lato anteriore e introdurlo nel congelatore.

Una volta superato il fermo, spingere il cestello nella posizione originaria.

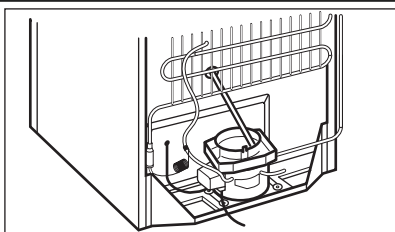


I ripiani a filo corredati di rulli di espansione sono bloccati dai perni di arresto.

Per rimuoverli, procedere nel seguente modo:

- Allentare i perni di arresto su ogni lato dei rulli di espansione. Se necessario, servirsi di un cacciavite.
- Quindi estrarre entrambi i perni di arresto (1).
- Poi tirare il ripiano a filo verso l'esterno (2).

3.6 Pulizia dell'interno



Prima di utilizzare l'apparecchiatura per la prima volta, lavare l'interno e gli accessori con acqua tiepida e sapone neutro per eliminare il tipico odore dei prodotti nuovi, quindi asciugare accuratamente.



Non usare detergenti corrosivi o polveri abrasive che possano danneggiare la finitura.

Controllare che il tubo di scarico posto sul retro del mobile scarichi nella vaschetta di raccolta

4. SUGGERIMENTI E CONSIGLI UTILI

4.1 Consigli per il congelamento

Per un processo di congelamento ottimale, ecco alcuni consigli importanti:

- la quantità massima di cibo che può essere congelata in 24 h è riportata sulla targhetta;
- il processo di congelamento dura 24 ore. In questo periodo non aggiungere altro cibo da congelare;
- congelare solo alimenti freschi, di ottima qualità e accuratamente puliti;
- preparare il cibo in piccole porzioni per consentire un congelamento rapido e completo e per scongelare in seguito solo la quantità necessaria;
- avvolgere il cibo in pellicole di alluminio o in polietilene e verificare che i pacchetti siano ermetici;
- non lasciare che cibo fresco non congelato entri in contatto con quello già congelato, per evitare un aumento della temperatura in quest'ultimo;
- i cibi magri si conservano meglio e più a lungo di quelli grassi; il sale riduce il periodo di conservazione del cibo;
- i ghiaccioli, se consumati immediatamente dopo la rimozione dal vano con-

gelatore, possono causare ustioni da congelamento della pelle;

- si consiglia di riportare la data di congelamento su ogni singolo pacchetto per riuscire a tenere traccia del tempo di conservazione;

4.2 Consigli per la conservazione dei surgelati

Per ottenere risultati ottimali

- Controllare che i surgelati esposti nei punti vendita non presentino segni di interruzione della catena del freddo
- Il tempo di trasferimento dei surgelati dal punto vendita al congelatore domestico deve essere il più breve possibile;
- Non aprire frequentemente la porta e limitare il più possibile i tempi di apertura;
- Una volta scongelati, gli alimenti si deteriorano rapidamente e non possono essere ricongelati;
- Non superare la durata di conservazione indicata sulla confezione.

5. PULIZIA E CURA



ATTENZIONE

Staccare la spina dell'apparecchio prima di eseguire lavori di manutenzione.



Questo apparecchio contiene idrocarburi nell'unità di raffreddamento; la manutenzione e la ricarica devono pertanto essere effettuate esclusivamente da tecnici autorizzati.

5.1 Pulizia periodica

L'apparecchiatura deve essere pulita regolarmente:

- Lavare l'interno e gli accessori con acqua calda e sapone neutro.

- Ispezionare regolarmente le guarnizioni dello sportello ed eliminare con un panno umido lo sporco e i residui.
- Risciacquare e asciugare accuratamente.



Evitare di tirare, spostare o danneggiare tubi e/o cavi all'interno dell'apparecchio
Per la pulizia delle parti interne, non usare mai detersivi, polveri abrasive, prodotti con forti profumazioni o cere lucidanti, che potrebbero danneggiare la superficie e lasciare un odore intenso.

Pulire il condensatore (griglia nera) e il compressore sul retro dell'apparecchiatura con una spazzola. Questa operazione

migliorerà le prestazioni dell'apparecchiatura riducendone i consumi di energia.



Prestare attenzione a non danneggiare il sistema refrigerante.



Quando si sposta l'apparecchiatura, sollevarla per il bordo anteriore, così da non graffiare il pavimento.

Molti detersivi per cucina contengono agenti chimici che possono intaccare/danneggiare le parti in plastica di questa apparecchiatura. Per questo motivo, usare un panno morbido inumidito con acqua calda e un'emulsione di sapone neutro per la pulizia delle superfici esterne.



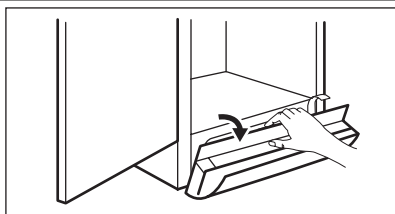
Non usare detersivi corrosivi o paste abrasive che possono danneggiare la vernice o il rivestimento anti-impronte in acciaio inossidabile.

Dopo la pulizia, ricollegare l'apparecchio alla rete di alimentazione.

5.2 Sbrinamento del vano congelatore

Il vano congelatore in questo modello è di tipo "no frost", cioè non forma ghiaccio

5.4 Pulizia della griglia di ventilazione



È possibile rimuovere la griglia di ventilazione per lavarla.

Accertarsi che la porta sia aperta e:

- Allentare il bordo superiore della griglia tirando verso l'esterno/il basso.
- Tirare la griglia verso l'esterno per estrarla.
- Passare l'aspirapolvere sotto il mobile.



Se l'apparecchiatura rimane accesa, farlo controllare periodicamente per evitare che gli alimenti si deteriorino in caso di interruzione della corrente elettrica.

sulle pareti interne e sugli alimenti durante il funzionamento.

L'assenza di ghiaccio è dovuta alla circolazione continua di aria fredda prodotta all'interno del vano da una ventola azionata automaticamente.

5.3 Periodi di inutilizzo

Se l'apparecchiatura non viene utilizzata per un lungo periodo, adottare le seguenti precauzioni:

1. Scollegare l'apparecchio dalla rete elettrica
2. Togliere tutti gli alimenti
3. Pulire l'apparecchiatura e tutti gli accessori
4. Lasciare lo sportello/gli sportelli socchiuso/i per evitare la formazione di odori sgradevoli

6. COSA FARE SE...

Durante l'utilizzo dell'apparecchiatura si possono verificare piccoli problemi, risolvibili senza l'intervento di un tecnico. Seguendo le indicazioni della tabella seguente sarà possibile evitare costi di assistenza non necessari.



Determinati rumori causati dal funzionamento dell'apparecchiatura (come quelli del compressore e del circuito refrigerante) sono da considerarsi normali e non segnalano anomalie.



Il funzionamento dell'apparecchiatura è discontinuo, perciò l'arresto del compressore non segnala un'interruzione della corrente elettrica. Non toccare i componenti elettrici dell'apparecchiatura senza aver prima interrotto il circuito.

Problema	Causa possibile	Soluzione
L'apparecchiatura è rumorosa.	L'apparecchiatura non è appoggiata in modo corretto.	Controllare che l'apparecchiatura sia appoggiata in modo stabile (tutti i piedini e ruote devono essere a contatto con il pavimento). Fare riferimento alla sezione "Livellamento".
Viene emesso un segnale acustico. Il simbolo di Allarme lampeggia.	La temperatura nel vano congelatore è troppo alta.	Fare riferimento alla sezione "Allarme di alta temperatura".
	La porta non è chiusa correttamente.	Fare riferimento alla sezione "Allarme porta aperta".
Sul display della temperatura è visualizzato un quadrato superiore o inferiore	Si è verificato un errore durante la misurazione della temperatura.	Contattare il servizio assistenza (il sistema refrigerante continuerà a tenere gli alimenti freddi, ma non sarà possibile regolare la temperatura).
Il compressore funziona ininterrottamente.	Il regolatore di temperatura potrebbe non essere impostato correttamente.	Impostare una temperatura superiore.
	La porta non è chiusa correttamente.	Consultare la sezione "Chiusura della porta".
	La porta viene aperta troppo frequentemente.	Limitare il più possibile il tempo di apertura della porta.
	La temperatura degli alimenti è troppo alta.	Prima di introdurre gli alimenti, lasciarli raffreddare a temperatura ambiente.
	La temperatura ambiente è troppo alta.	Abbassare la temperatura ambiente.
	Presenza di brina eccessiva.	La porta non è chiusa correttamente.
La guarnizione della porta è deformata o sporca.		Consultare la sezione "Chiusura della porta".
La temperatura all'interno dell'apparecchiatura è troppo fredda.	Il regolatore di temperatura potrebbe non essere impostato correttamente.	Impostare una temperatura superiore.

Problema	Causa possibile	Soluzione
La temperatura all'interno dell'apparecchiatura è troppo calda.	Il regolatore di temperatura potrebbe non essere impostato correttamente.	Impostare una temperatura inferiore.
	La porta non è chiusa correttamente.	Consultare la sezione "Chiusura della porta".
	La temperatura degli alimenti è troppo alta.	Prima di introdurre gli alimenti, lasciarli raffreddare a temperatura ambiente.
La temperatura all'interno del congelatore è troppo alta.	I surgelati sono troppo vicini tra loro.	Disporre i surgelati in modo da consentire una corretta circolazione dell'aria fredda.
	Sono stati introdotti insieme molti alimenti da surgelare.	Introdurre contemporaneamente quantità ridotte di alimenti.
L'apparecchiatura non funziona.	L'apparecchiatura è spenta.	Accendere l'apparecchiatura.
	La spina non è inserita correttamente nella presa di alimentazione.	Inserire correttamente la spina nella presa di alimentazione.
	L'apparecchiatura non riceve corrente. Assenza di tensione nella presa di alimentazione.	Collegare alla presa un'altra apparecchiatura elettrica. Controllare il fusibile. Rivolgersi ad un elettricista qualificato.
La lampadina non si accende.	La lampadina è difettosa.	Fare riferimento alla sezione "Sostituzione della lampadina".
	La porta è rimasta aperta troppo a lungo.	Chiudere la porta.
La porta interferisce con la griglia di ventilazione.	L'apparecchiatura non è correttamente livellata.	Fare riferimento alla sezione "Livellamento".
Porta non allineata.	L'apparecchiatura non è correttamente livellata.	Fare riferimento alla sezione "Livellamento".
Sul display compare DEMO	L'apparecchiatura è in modalità dimostrazione (DEMO).	Tenere il tasto Mode premuto per circa 10 sec., finché non si sente un suono prolungato provenire dal cicalino ed il display si spegne per un tempo brevissimo: l'apparecchiatura inizia a funzionare regolarmente.

Se il problema persiste, rivolgersi al Centro di Assistenza autorizzato più vicino.

6.1 Sostituzione della lampadina

L'apparecchiatura è dotata di una lampadina interna a LED a lunga durata. Solo al servizio assistenza è permesso sostituire l'impianto d'illuminazione. Contattare il Centro di Assistenza locale.

6.2 Chiusura della porta

1. Pulire le guarnizioni della porta.

2. Se necessario, regolare la porta. Vedere "Installazione".
3. Se necessario, sostituire le guarnizioni della porta difettose. Contattare il Centro di assistenza locale.

7. INSTALLAZIONE



AVVERTENZA!

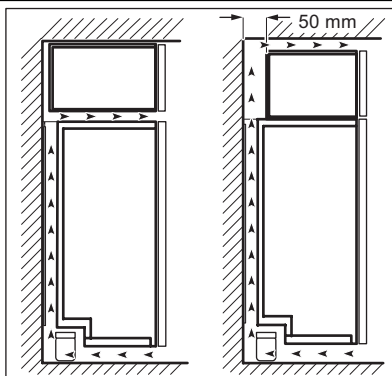
Leggere con attenzione le "Informazioni per la sicurezza" per la vostra sicurezza e per il corretto funzionamento dell'apparecchio prima di procedere all'installazione.

7.1 Posizionamento

Installare questo apparecchio in un punto in cui la temperatura ambiente corrisponda alla classe climatica indicata sulla sua targhetta:

Classe climatica	Temperatura ambiente
SN	da + 10°C a + 32°C
N	da + 16°C a + 32°C
ST	da + 16°C a + 38°C
T	da + 16°C a + 43°C

7.2 Posizione



Per ottenere prestazioni ottimali, se l'apparecchiatura è installata sotto a un pensile si raccomanda di mantenere una distanza minima di 40 mm tra quest'ultimo e lo spigolo superiore dell'apparecchiatura. Se possibile, tuttavia, evitare di installare l'apparecchiatura sotto un pensile. Lo spazio per la ventilazione può essere:

- direttamente sopra l'apparecchiatura
- dietro e sopra il mobile superiore.

In tal caso, lo spazio dietro il mobile superiore deve avere una profondità di almeno 50 mm.

7.3 Collegamento elettrico

Prima di inserire la spina, verificare che la tensione e la frequenza riportate sulla targhetta corrispondano ai valori della rete elettrica domestica.

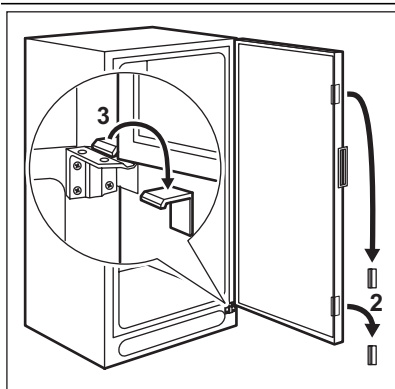
L'apparecchio deve essere collegato a massa. La spina del cavo di alimentazione

è dotata di un contatto a tale scopo. Se la presa della rete elettrica domestica non è collegata a massa, collegare l'apparecchio ad una massa separata in conformità alle norme relative alla corrente, consultando un elettricista qualificato.

Il fabbricante declina qualsiasi responsabilità se le precauzioni suddette non sono rispettate.

Il presente apparecchio è conforme alle direttive CEE.

7.4 Rimozione del supporto per il trasporto



L'apparecchiatura è dotata di un supporto per il trasporto, per mantenere chiusa la porta durante il trasporto.

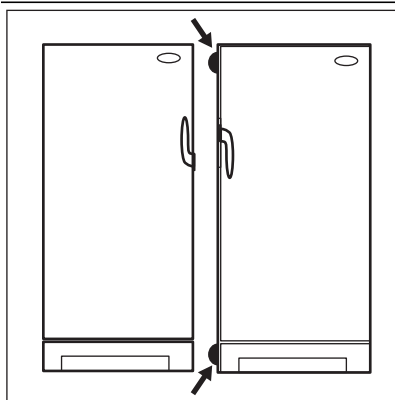
Per togliere il supporto procedere come segue:

- Aprire la porta.
- Togliere il supporto per il trasporto dai lati della porta.
- Togliere il supporto per il trasporto dalla cerniera inferiore (alcuni modelli).



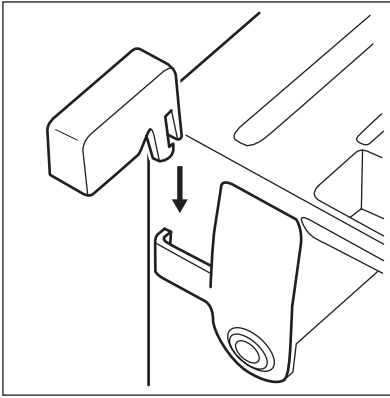
Alcuni modelli sono dotati di un cuscinetto di silenziamento sotto il mobile. Non togliere il cuscinetto.

7.5 Distanziatori



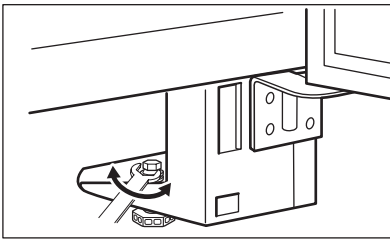
Installare i distanziatori inclusi nel sacchetto degli accessori come indicato nelle figure.

Quando si sistemano due apparecchiature uno accanto all'altra, applicare i distanziatori adesivi tra le apparecchiature.



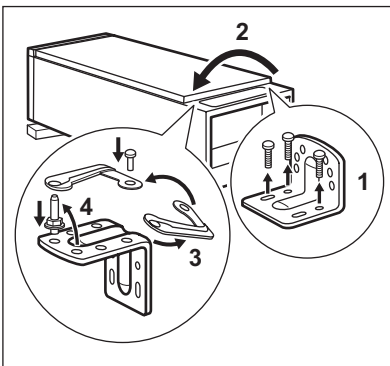
Installare i distanziatori sul retro del pannello.

7.6 Livellamento



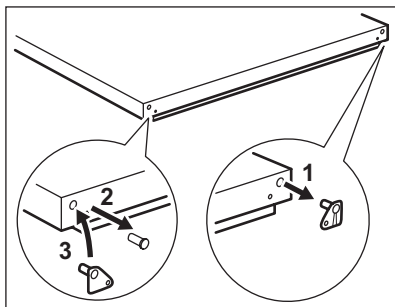
L'apparecchiatura deve trovarsi perfettamente in piano. Se necessario, regolare i piedini per mezzo della chiave di regolazione in dotazione.

7.7 Possibilità di invertire la porta

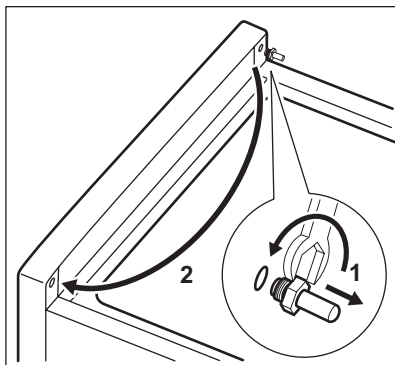


Per modificare il senso di apertura della porta, procedere come segue:

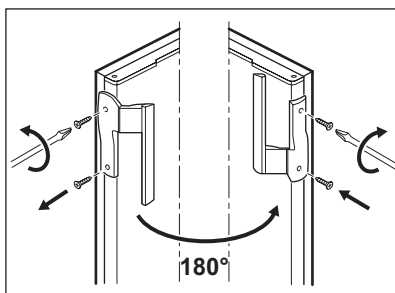
- Staccare la spina dalla presa.
- Estrarre la griglia di ventilazione. Estrarre e installare sul lato opposto della griglia.
- Appoggiare l'apparecchiatura capovolta su un supporto in legno.
- Svitare la cerniera inferiore.
- Estrarre il dispositivo di chiusura della porta dalla cerniera e spostare il perno sull'altro lato. Riavvitare il dispositivo di chiusura della porta sul lato opposto servendosi della sacca accessori in dotazione.



- Estrarre il dispositivo di chiusura della porta dalla stessa.
- Riavvitare il dispositivo di chiusura della porta sul lato opposto servendosi della sacca accessori in dotazione.



- Rimuovere la porta.
- Svitare e spostare il perno sul lato opposto.
- Reinscrivere la porta.
- Riavvitare la cerniera inferiore.
- Sollevare l'apparecchiatura e installare la griglia di ventilazione.



- Svitare la maniglia. Sul lato opposto, estrarre i copriferro servendosi di una spina da 3 - 4 mm oppure di un trapano.
- Installare la maniglia. Adattare la maniglia sul lato opposto ruotandola di mezzo giro.
- Installare i copriferro in dotazione con la sacca degli accessori.
- Rimettere l'apparecchiatura al suo posto.



AVVERTENZA!

Riposizionare l'apparecchiatura, livellarla, attendere almeno quattro ore e inserire la spina nella presa.

Eseguire un controllo finale per accertarsi che:

- Tutte le viti siano serrate.
- Gli spigoli delle porte siano paralleli a quelli dell'apparecchiatura.
- La guarnizione magnetica aderisca all'apparecchiatura.



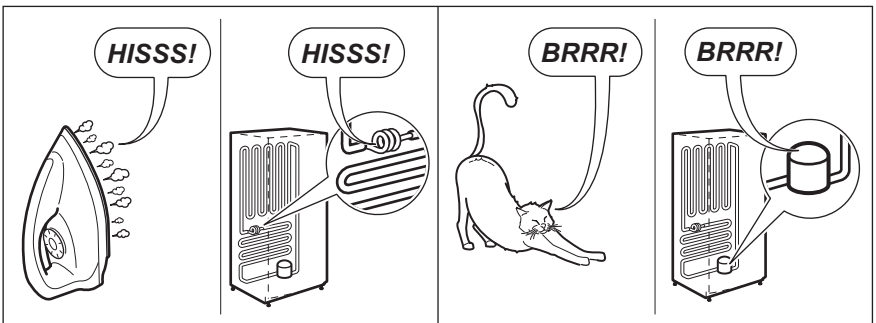
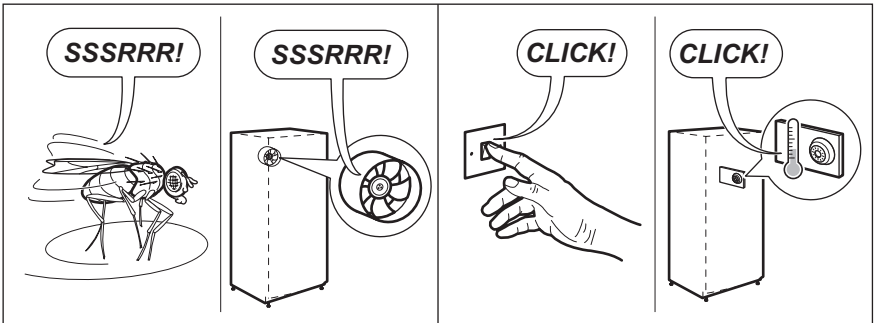
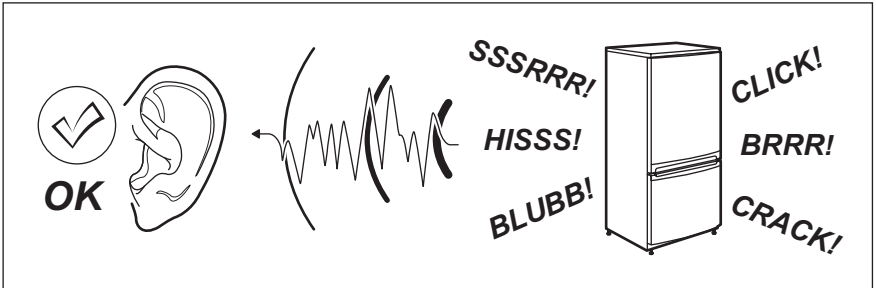
AVVERTENZA!

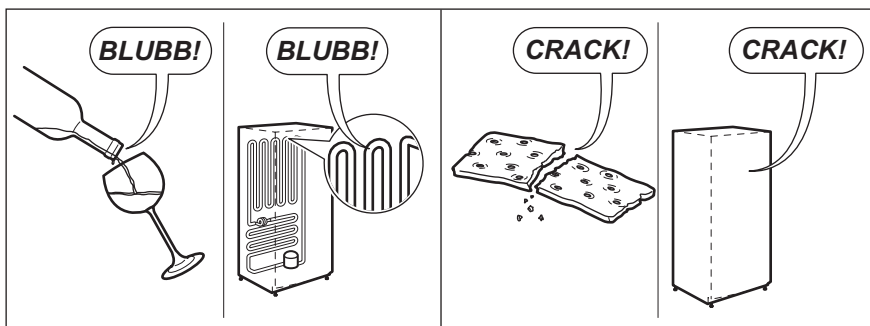
Se la temperatura ambiente è bassa (ad esempio in inverno), è possibile che la guarnizione non aderisca perfettamente all'apparecchiatura. In tal caso, attendere che aderisca naturalmente.

- La porta si apra e si chiuda correttamente.

8. RUMORI

Durante l'uso, alcuni rumori di funzionamento (come quelli del compressore o del circuito refrigerante) sono da considerarsi normali.






9. DATI TECNICI

Dimensioni		
Altezza	1650 mm	
Larghezza	660 mm	
Profondità	680 mm	
Tempo di risalita	16 h	
Tensione	230 V	
Frequenza	50 Hz	


I dati tecnici sono riportati sulla targhetta del modello, applicata sul lato sinistro in-

terno dell'apparecchiatura, e sull'etichetta dei valori energetici.

10. CONSIDERAZIONI AMBIENTALI

Riciclare i materiali con il simbolo .

Buttare l'imballaggio negli appositi contenitori per il riciclaggio. Aiutare a proteggere l'ambiente e la salute umana e a riciclare rifiuti derivanti da apparecchiature elettriche ed elettroniche.

Non smaltire le apparecchiature che riportano il simbolo  insieme ai normali rifiuti domestici. Portare il prodotto al punto di riciclaggio più vicino o contattare il comune di residenza.

www.electrolux.com/shop



855828600-A-262012

