

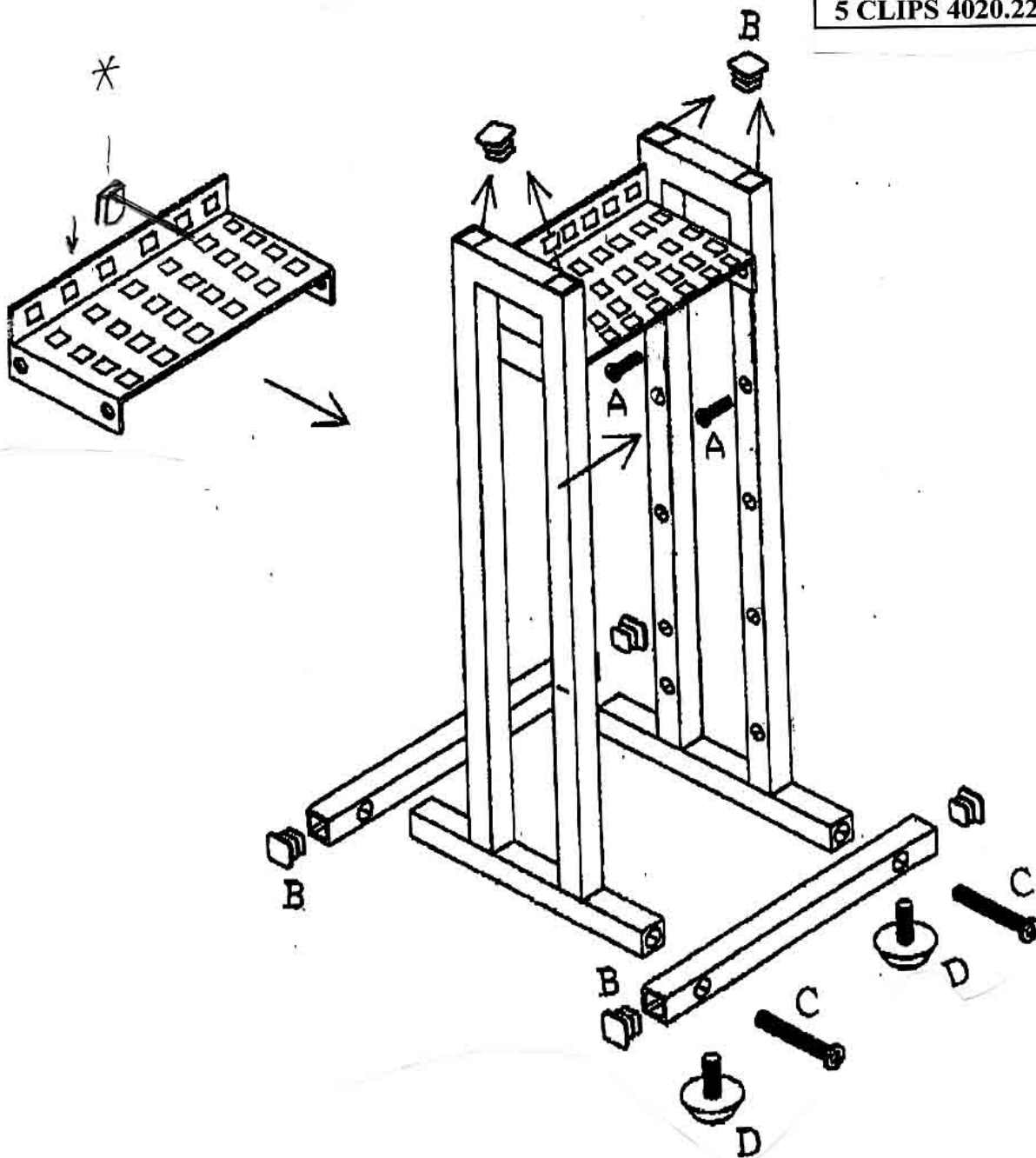


Montageanleitung
 Instructions de montage
 Istruzioni di montaggio

TAP DVD/VIDEO-STÄNDER
 TAP PORTE CD/DVD
 TAP PORTA CD/DVD

4020.583

* ACCES./EXTRA
 5 CLIPS 4020.220



ACCES./EXTRA
 5 CLIPS 4020.220

A x 20	B x 8	C x 4	D x 4	E x 5	F x 1	G x 5