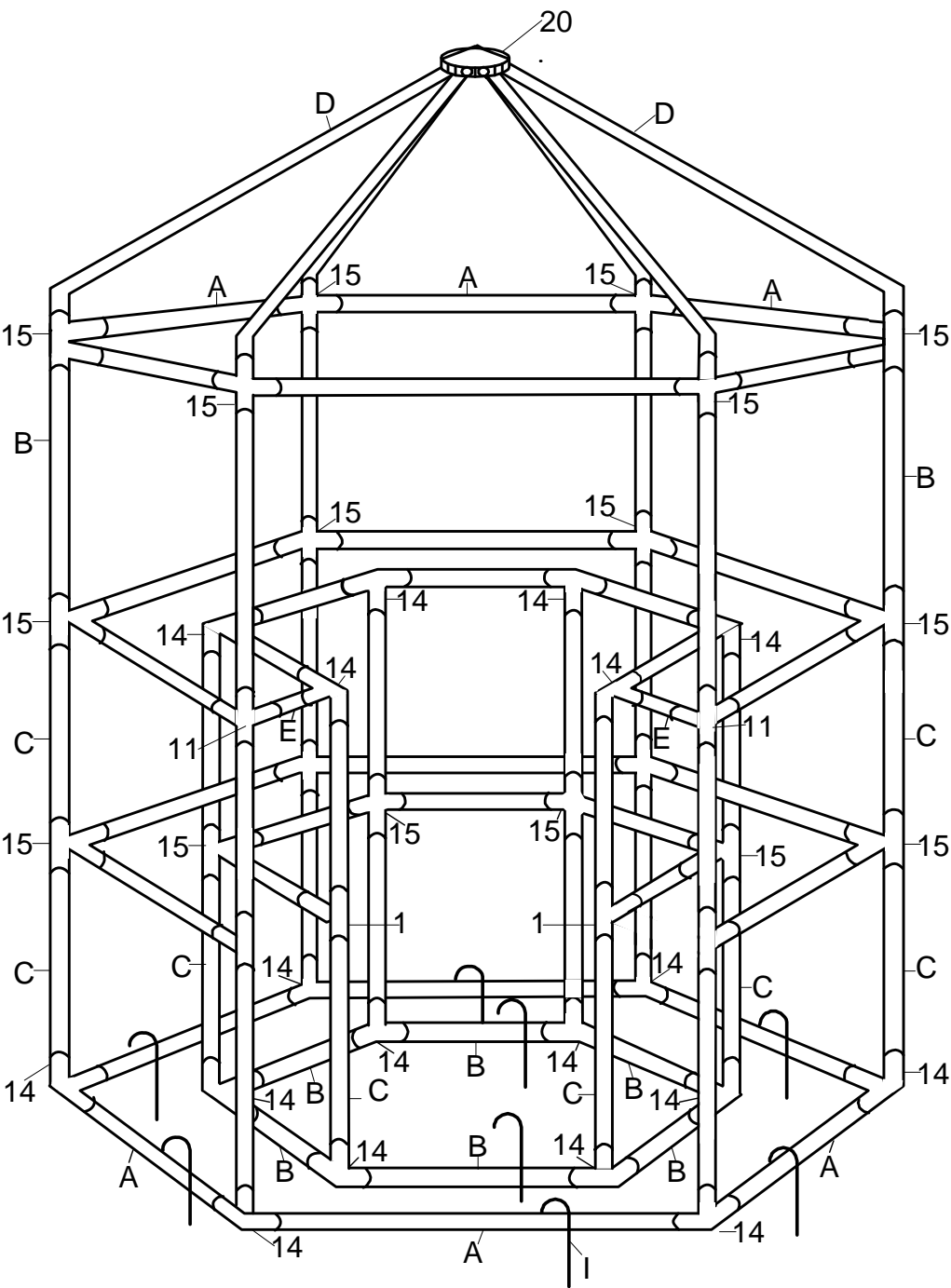
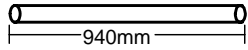
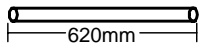
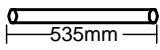
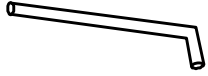
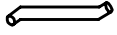
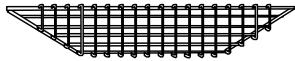
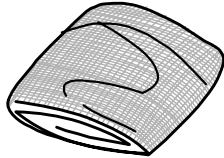

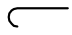







# S102



NO.		QTY
A		22
B		22
C		24
D		6
E		2
F		10
G		1
H		4
I		12
20		1
15		18
14		18
11		2
1		4

