

Broil King®



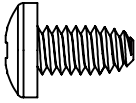
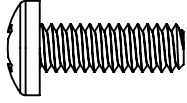
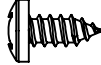
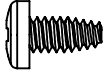
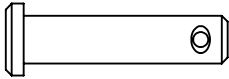
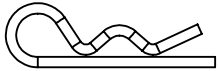
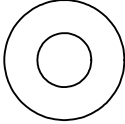
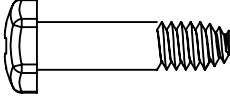
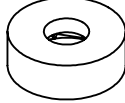
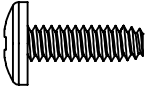
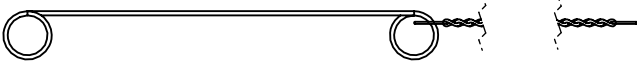
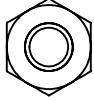
9831-83

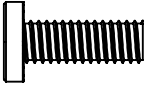
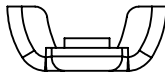
Onward
MANUFACTURING COMPANY
SINCE 1906
585 KUMPF DRIVE LIMITED
WATERLOO, ONTARIO, CANADA



HARDWARE INCLUDED



Y-12865		x16	Y-12310		x8	S21125		x8
Y-29304		x6	S21235		x2	S21233		x2
Y-12857		x4	Y-11551		x2	Y-12124		x2
S35094		x1	20005-000					x1
Y-11793		x4						

S35095		x2	S21061		x2
--------	---	----	--------	---	----

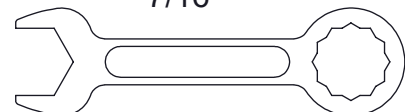
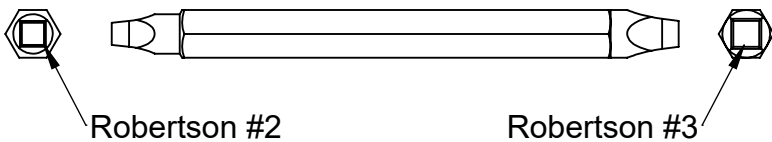


TOOLS REQUIRED

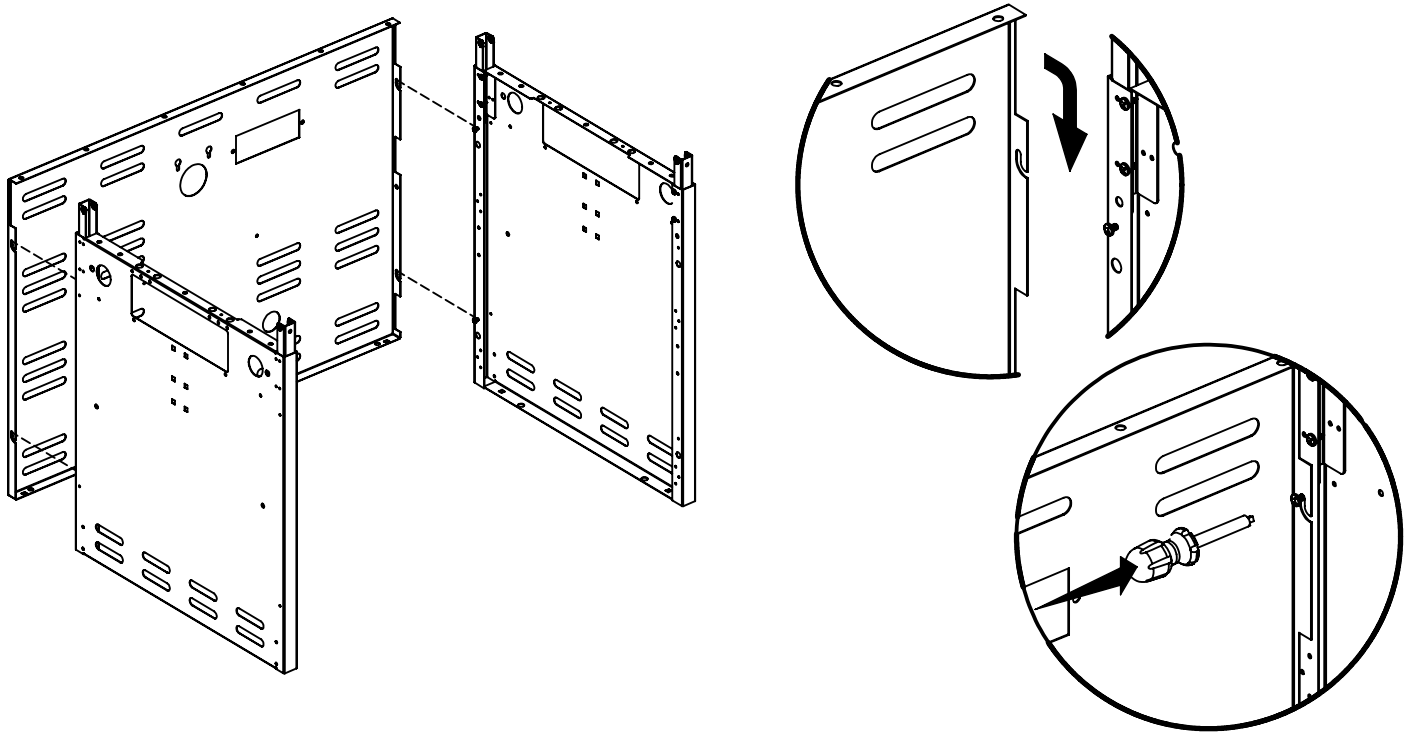


Y-31223

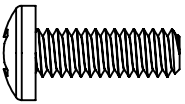
7/16"

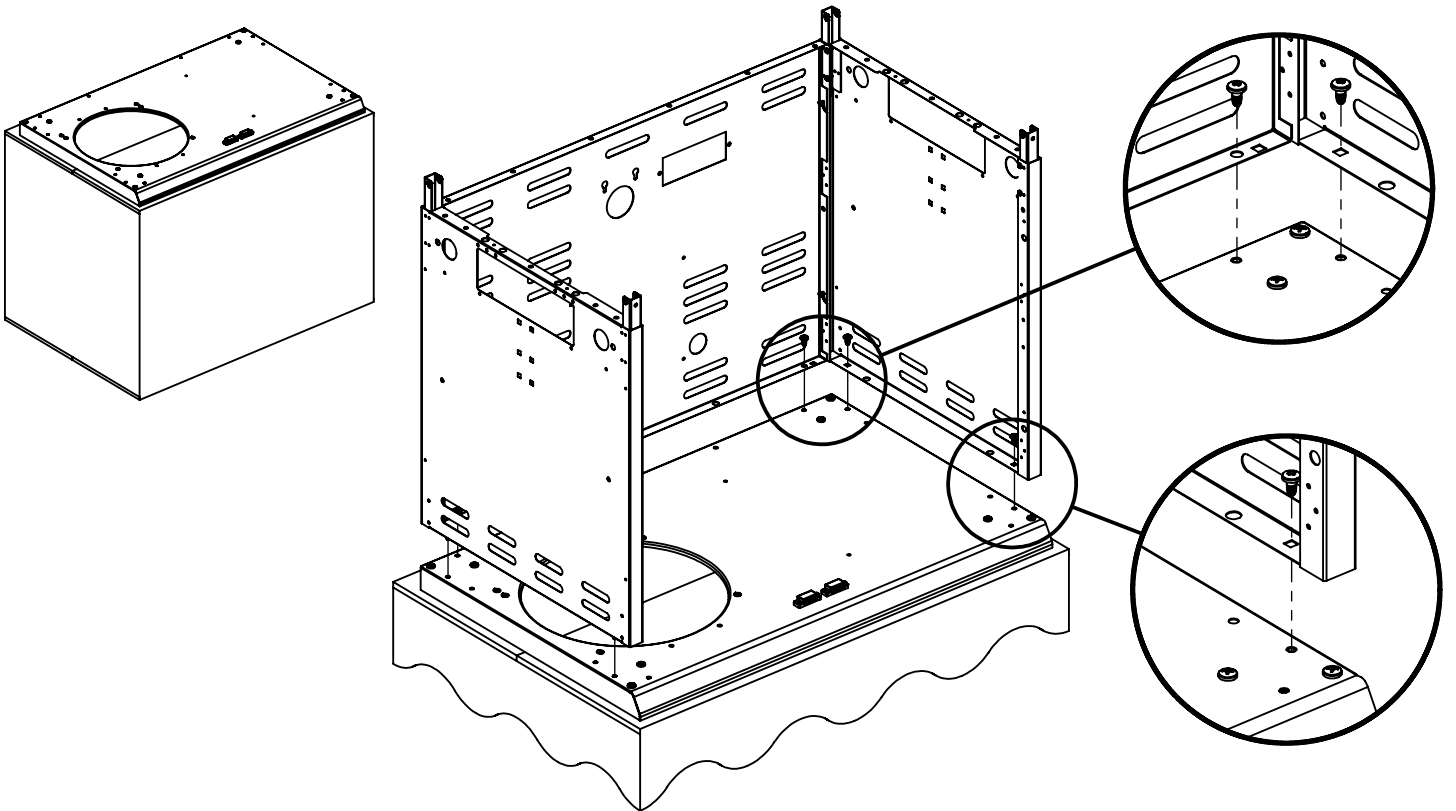


1

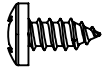


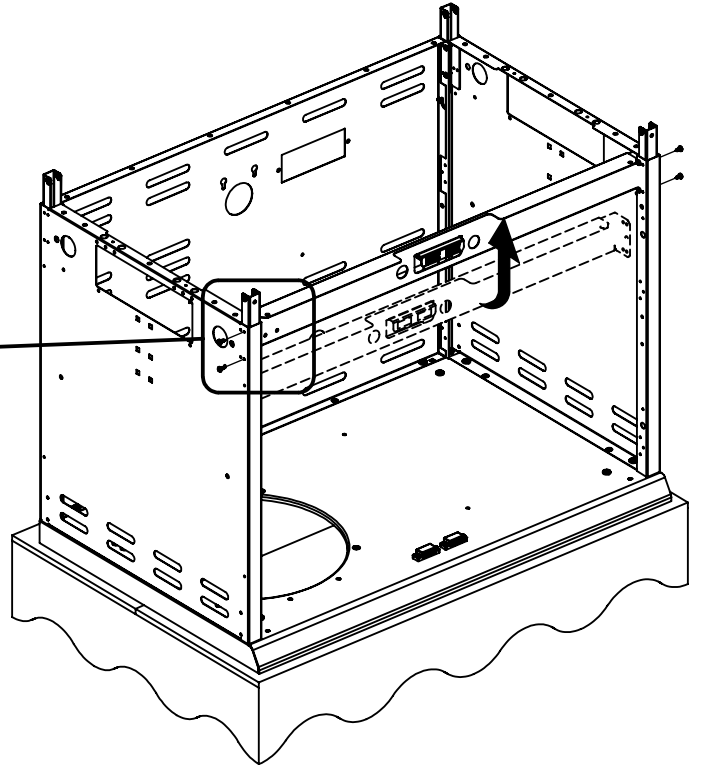
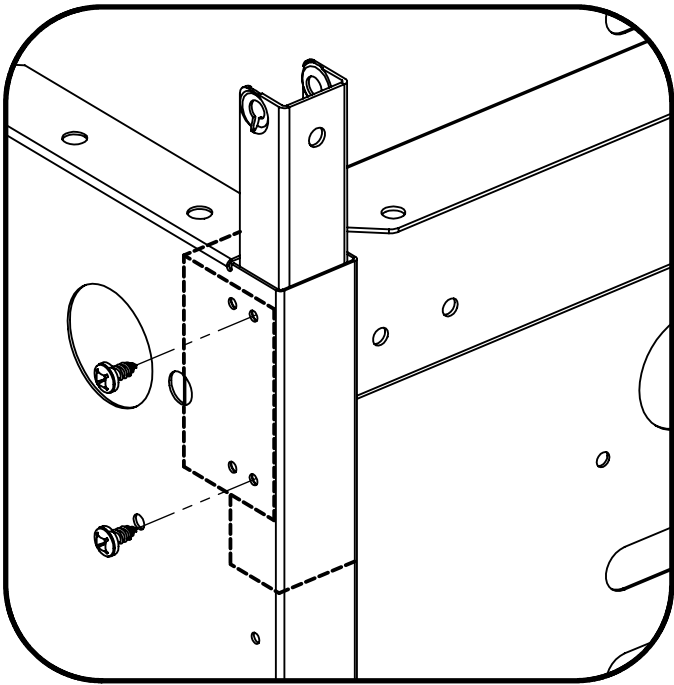
2

(6) 





3

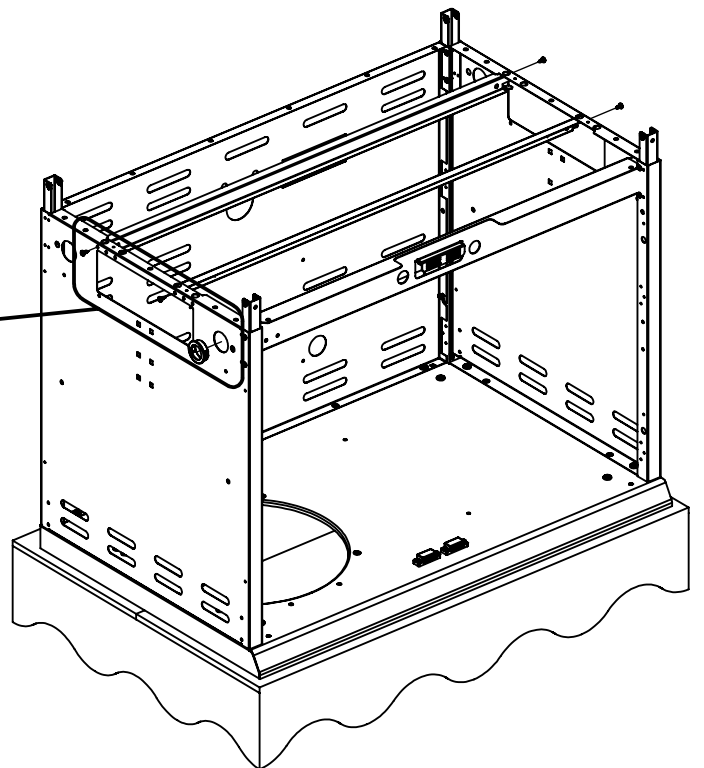
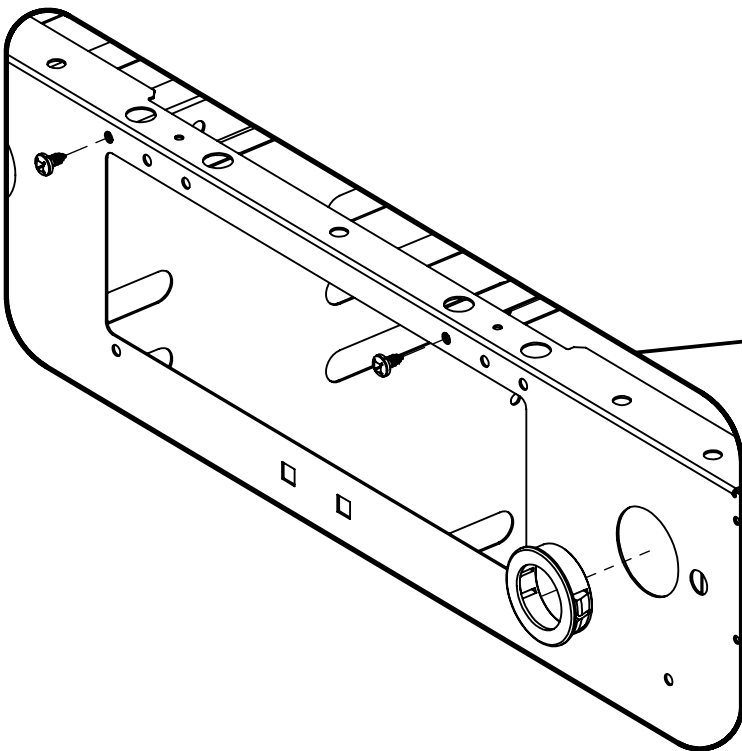
(4) 



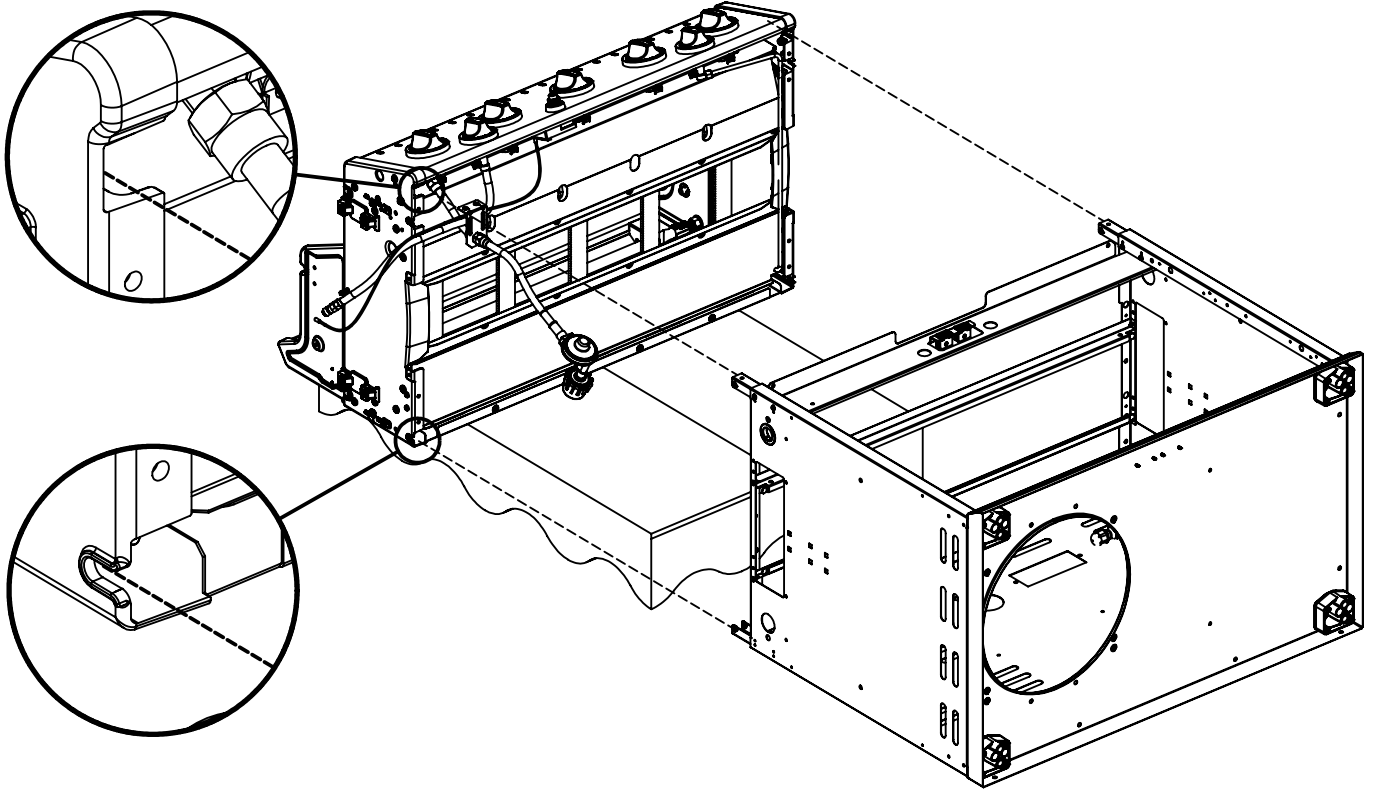
4

(4) 

(1) 

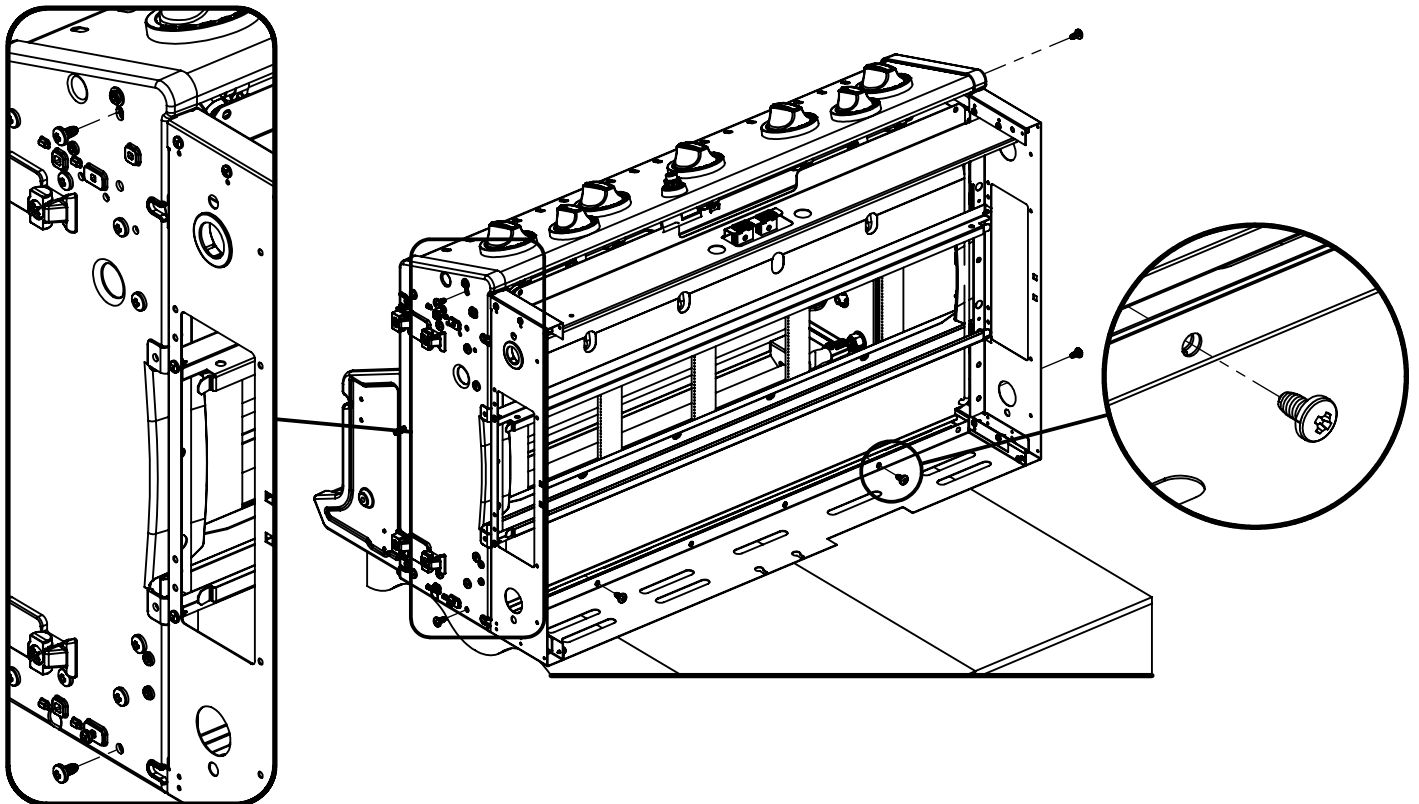
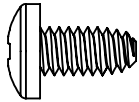


5

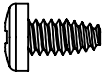


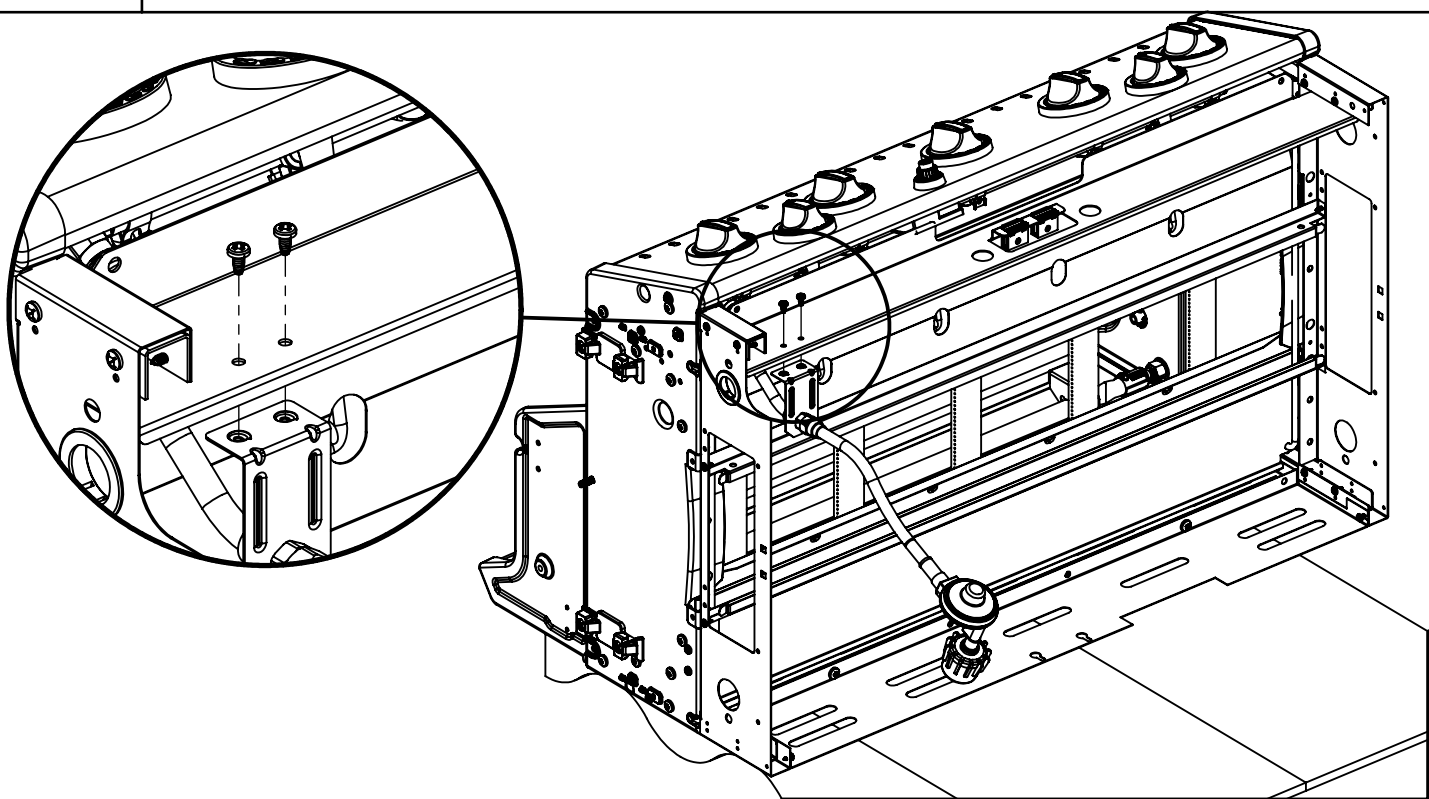
6

(6)

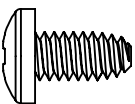


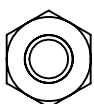
7

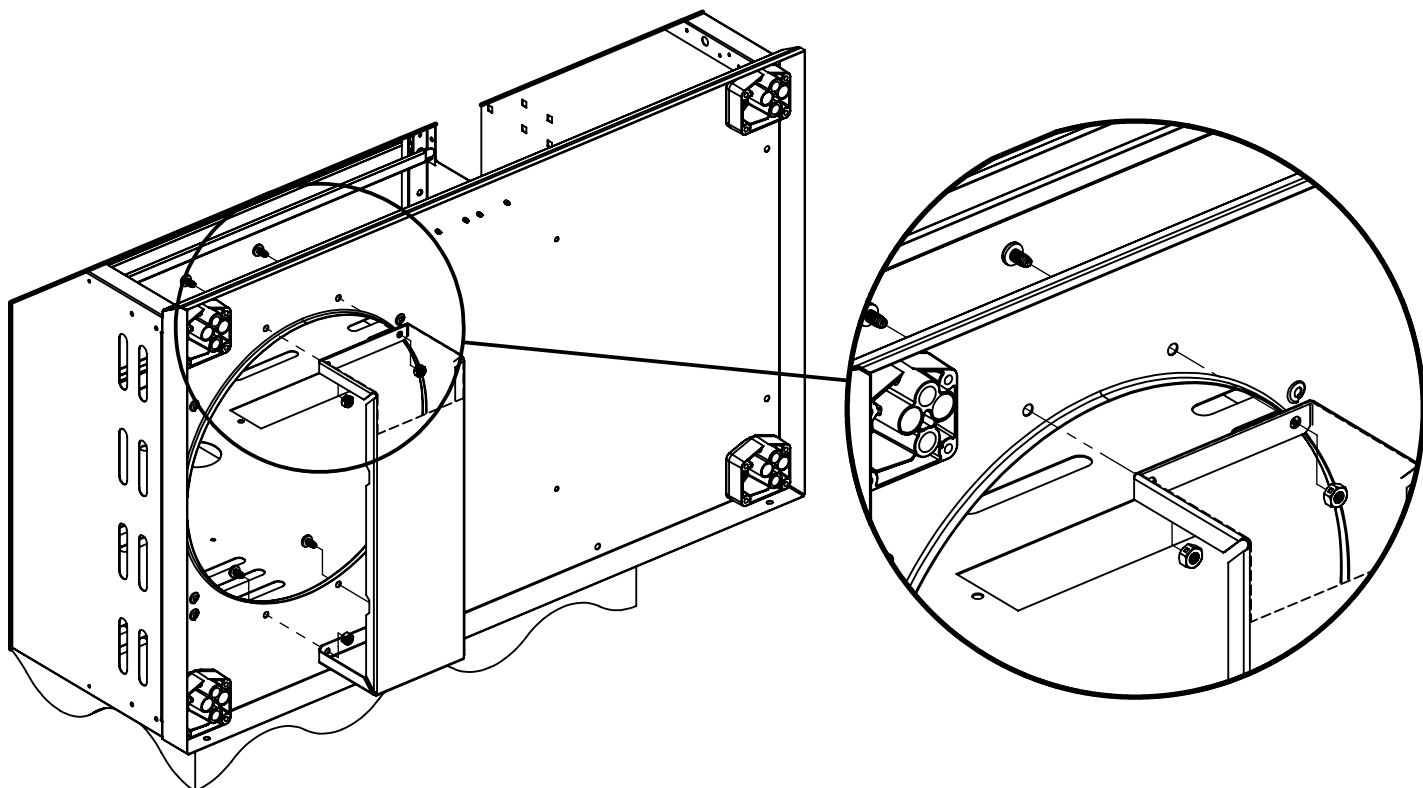
(2) 



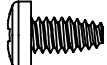
8

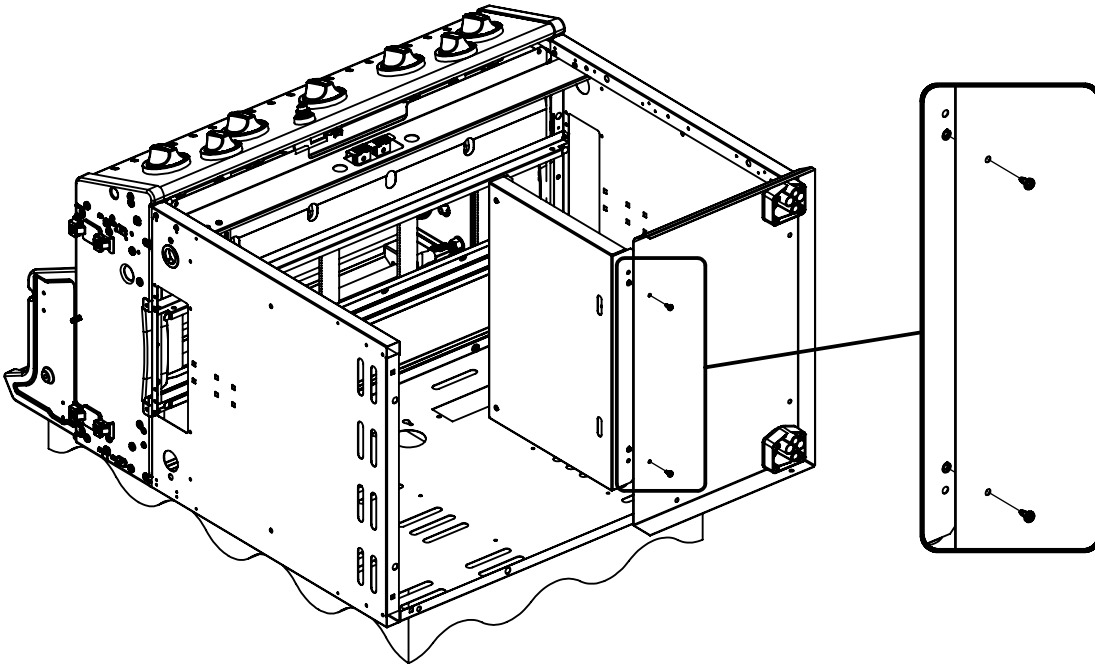
(4) 

(4) 




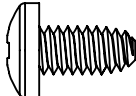
9

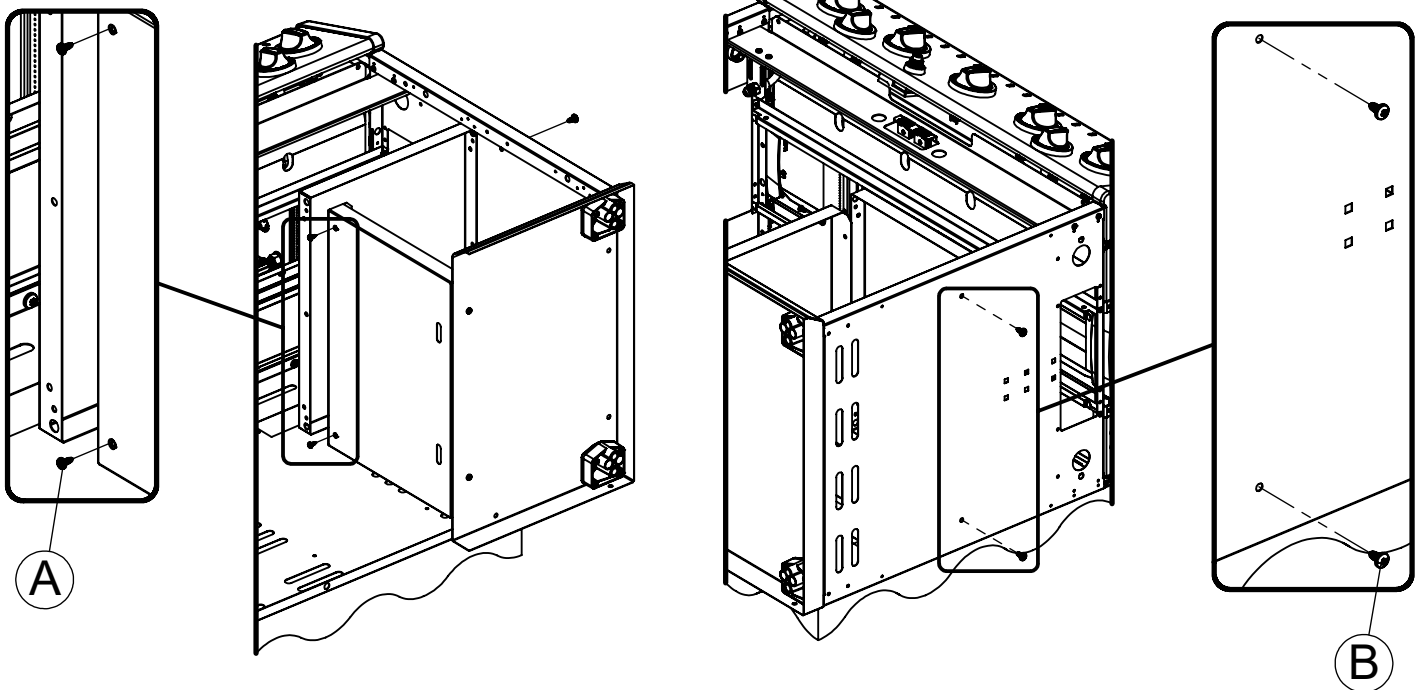
(2) 



10

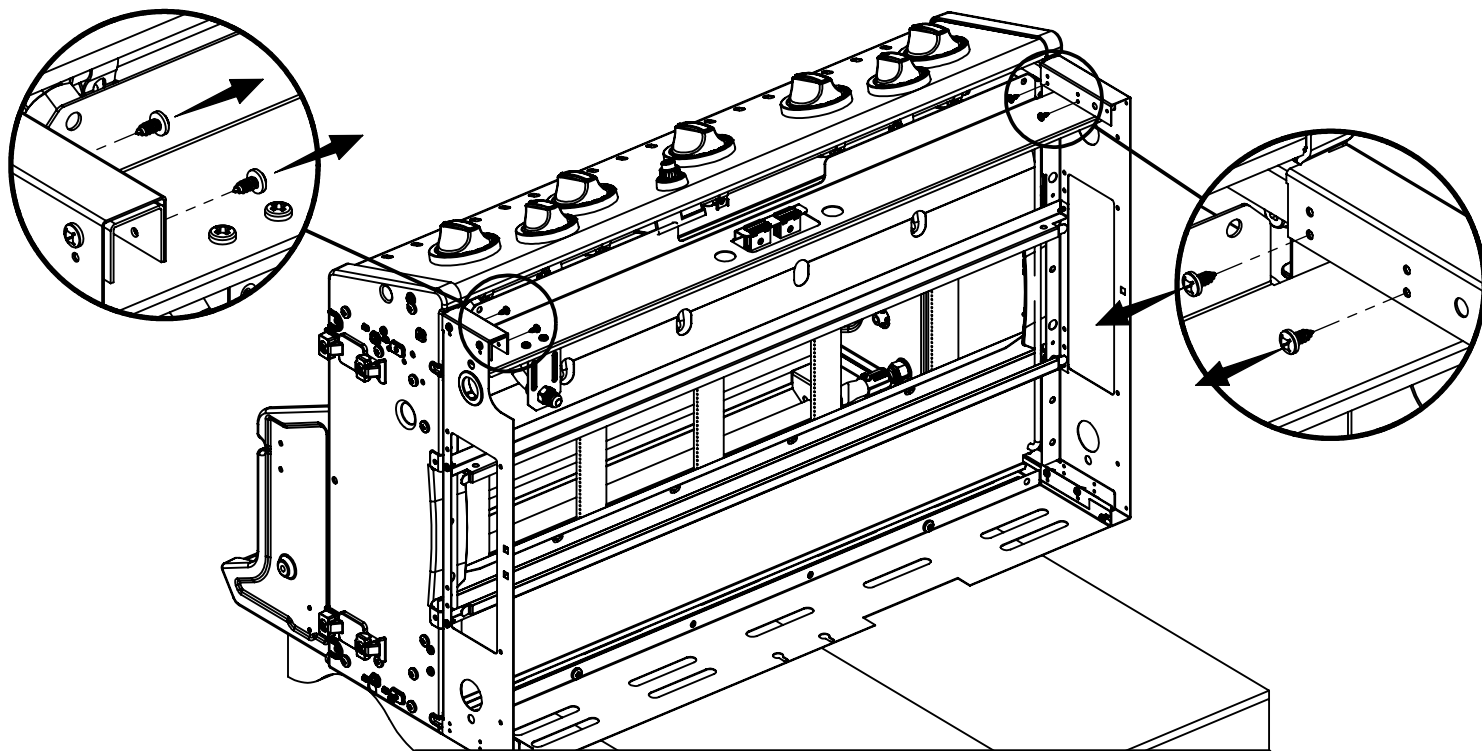
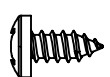
(2) 

(2) 



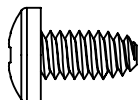
11

(4)

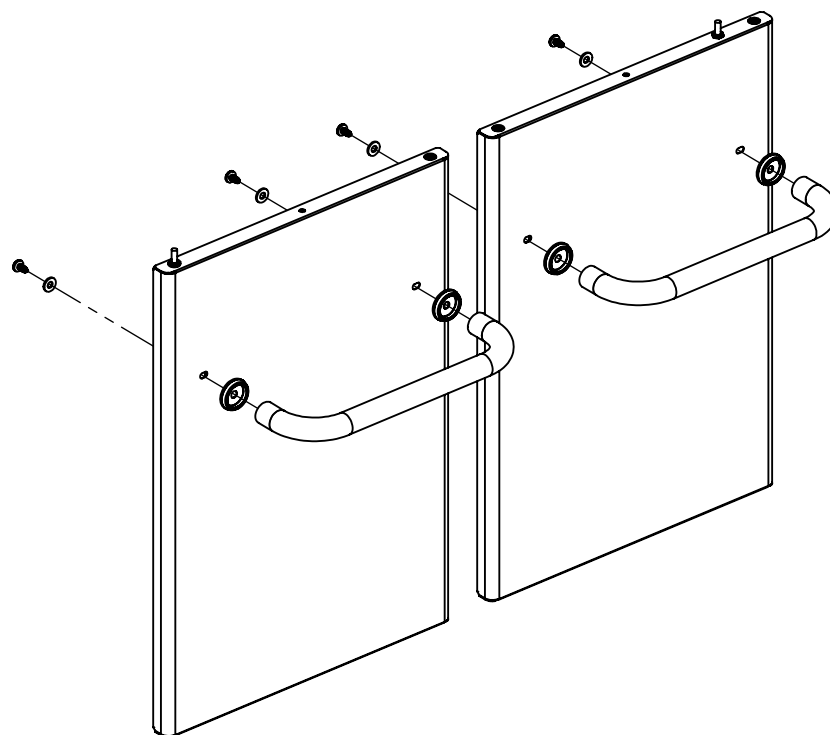
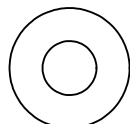


12

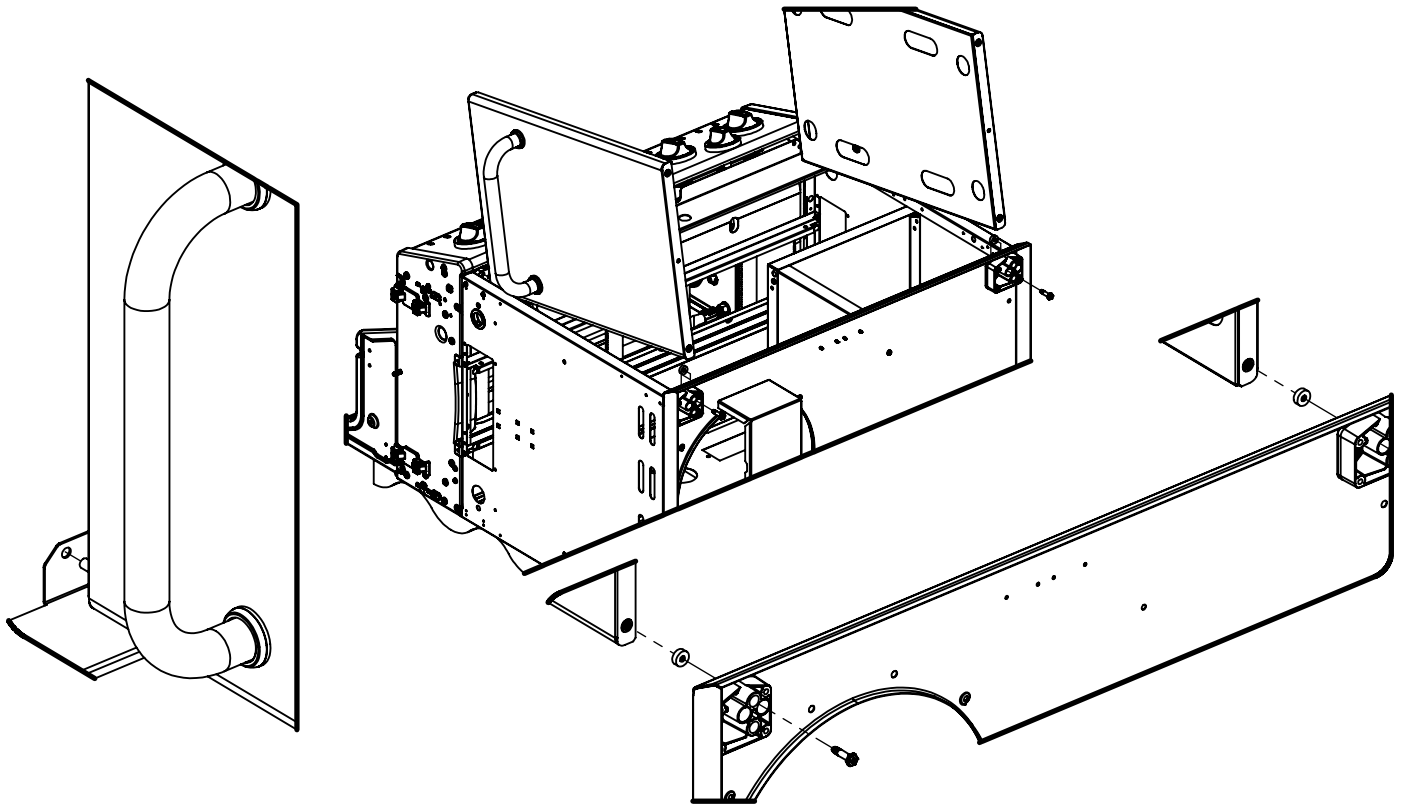
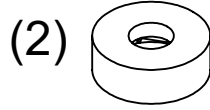
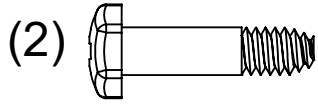
(4)



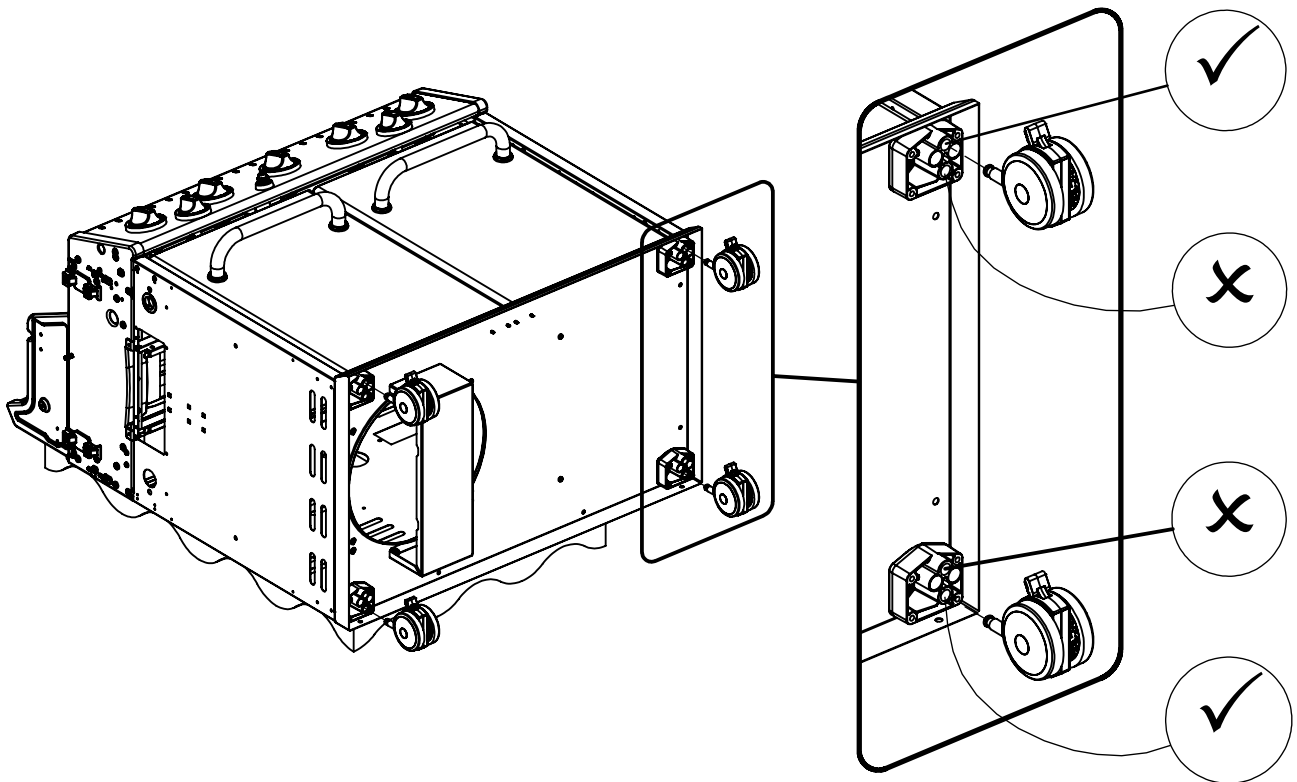
(4)



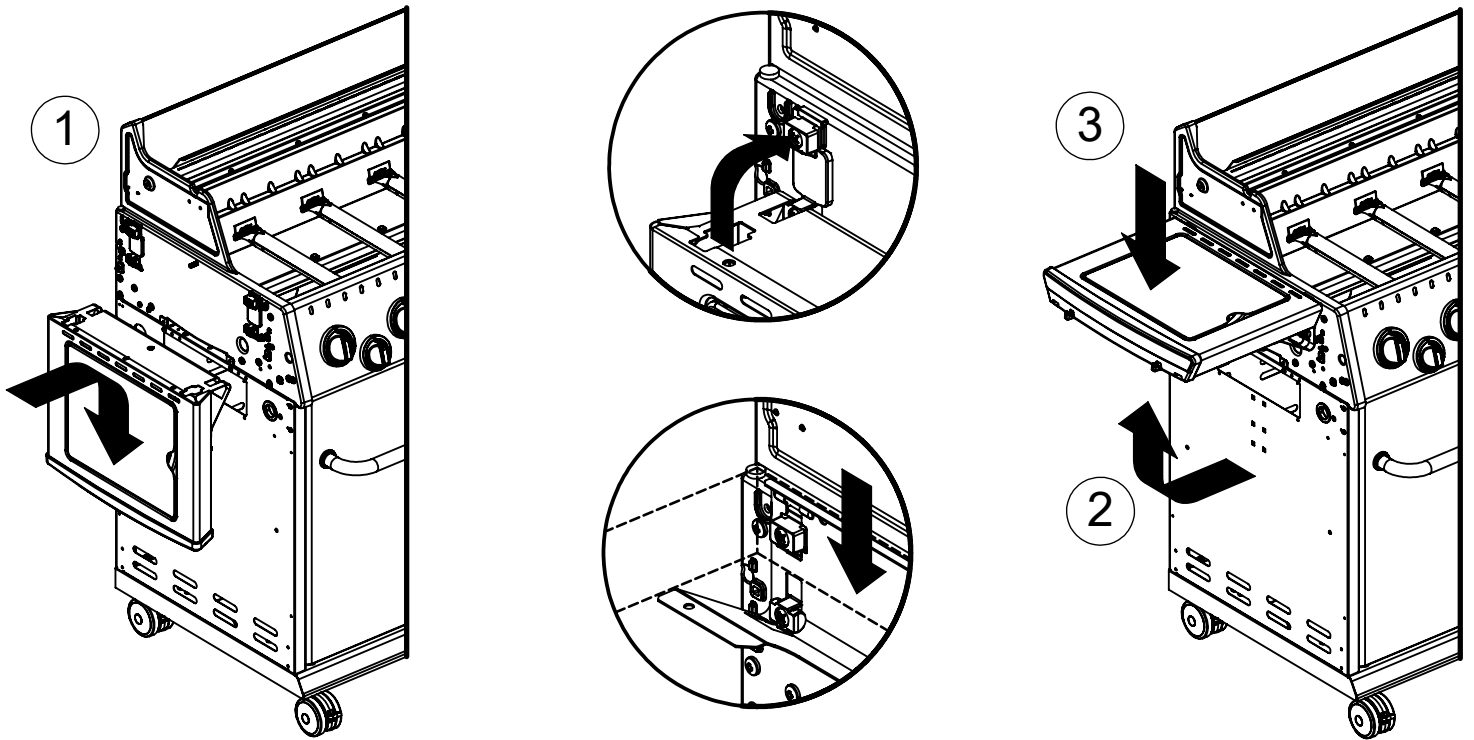
13



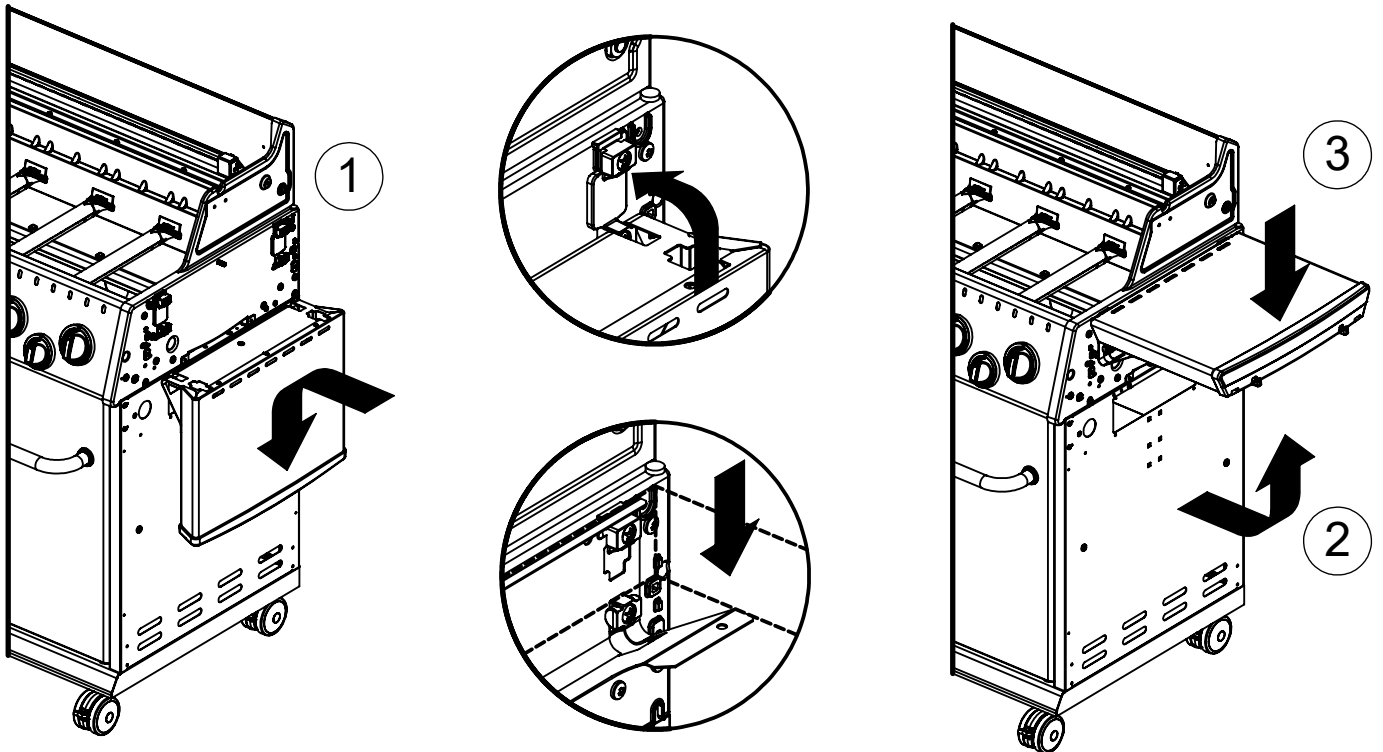
14



15

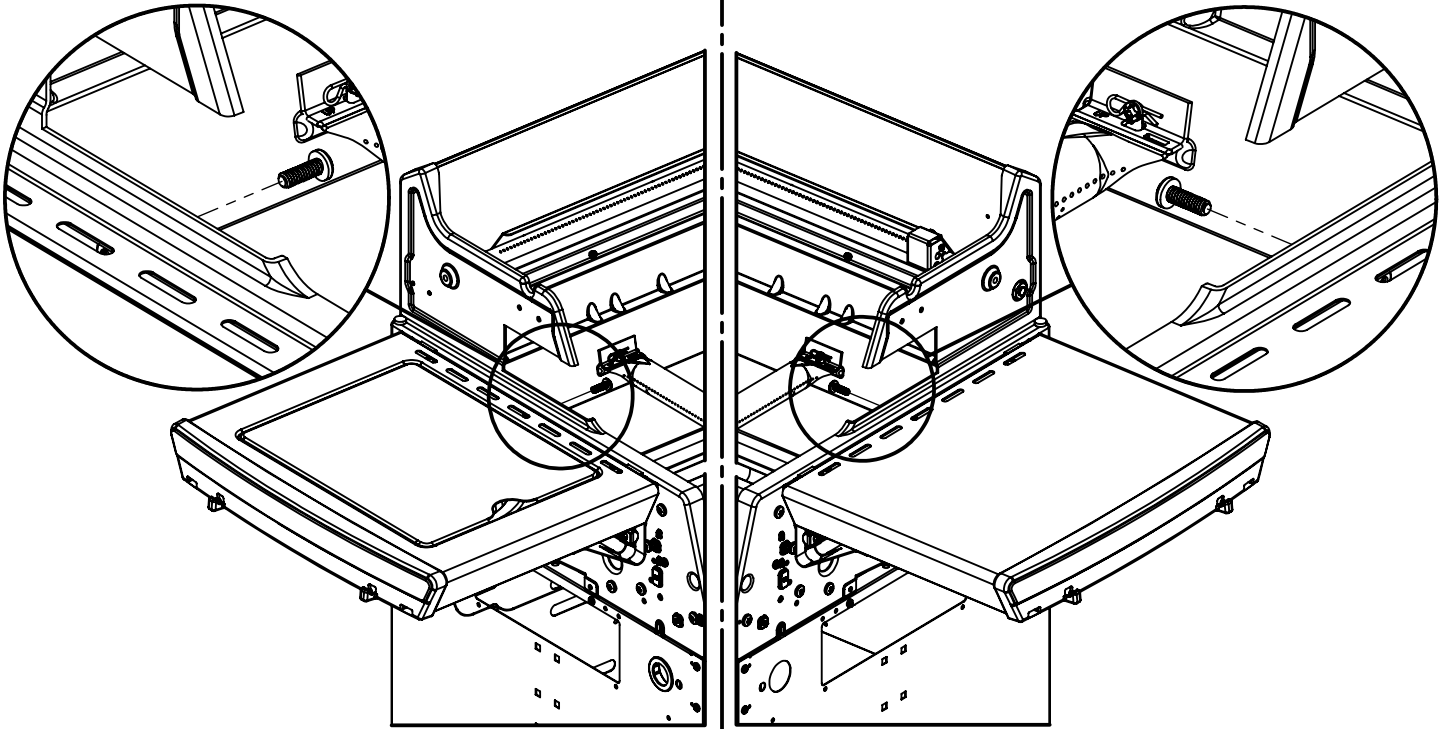
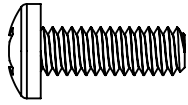


16



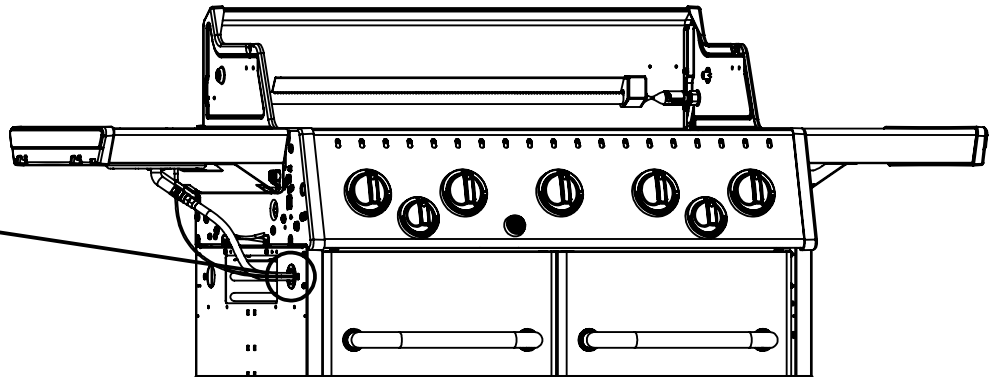
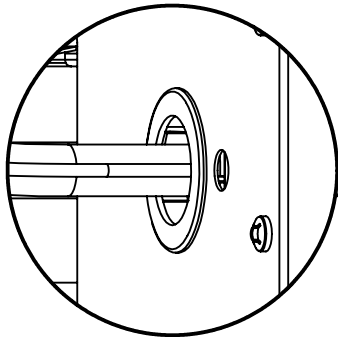
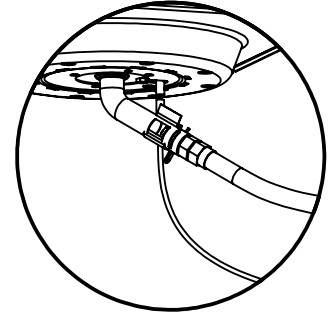
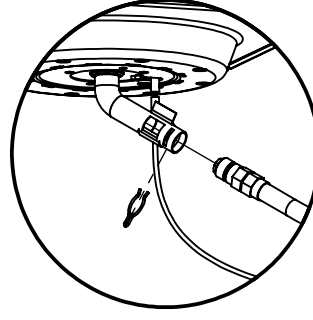
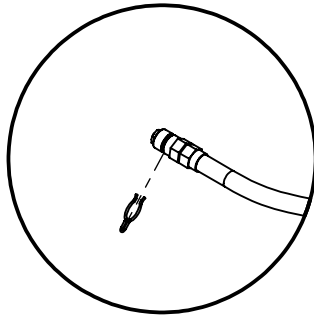
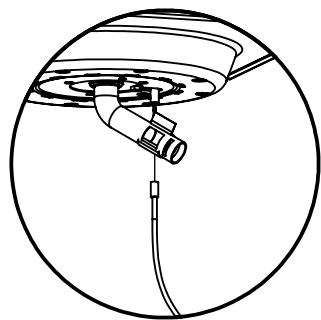
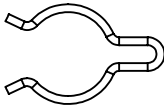
17

(2)

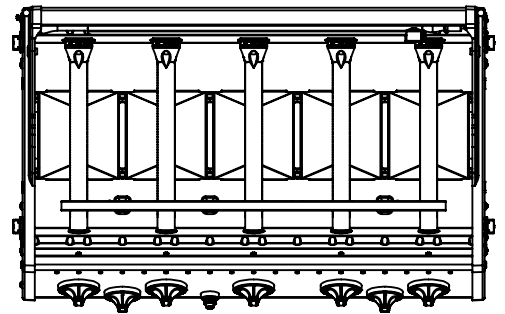
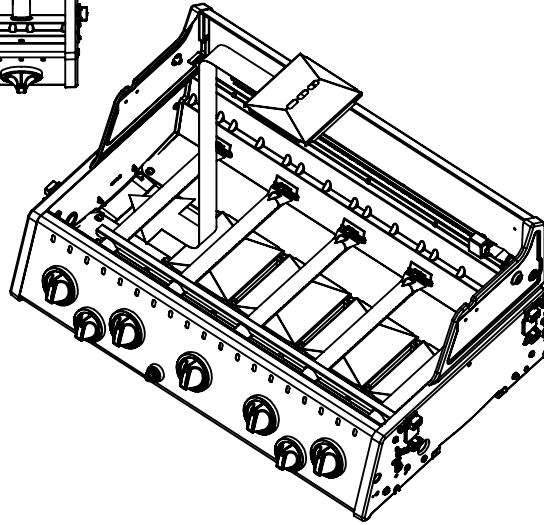
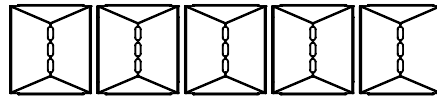
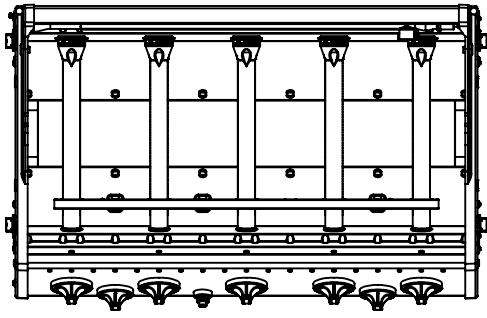


18

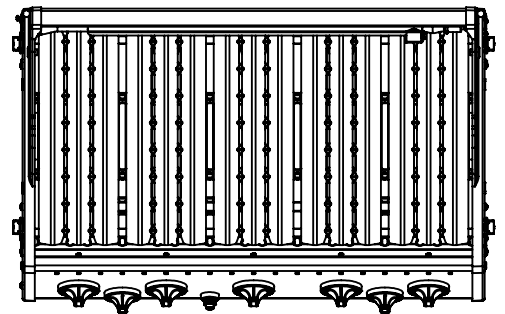
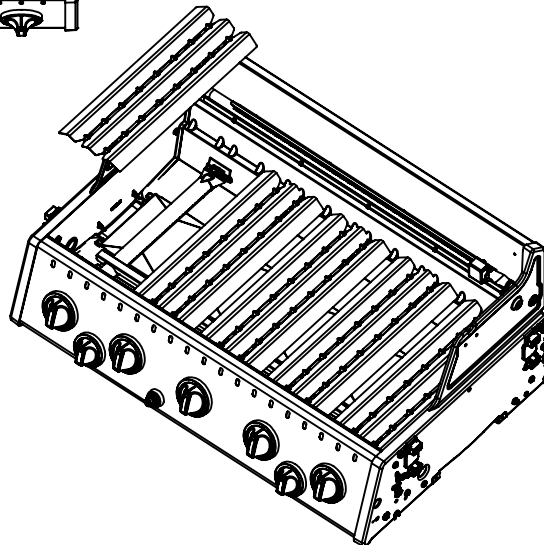
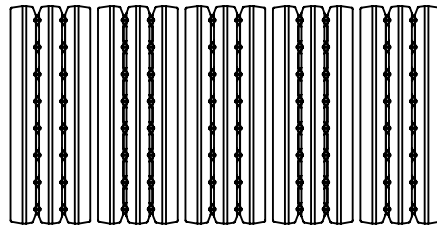
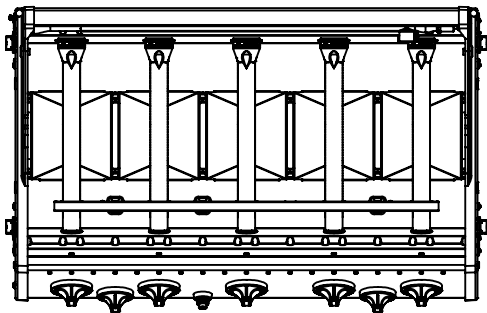
(1)



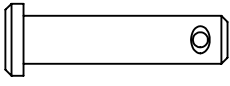
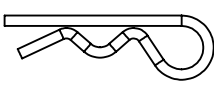
19

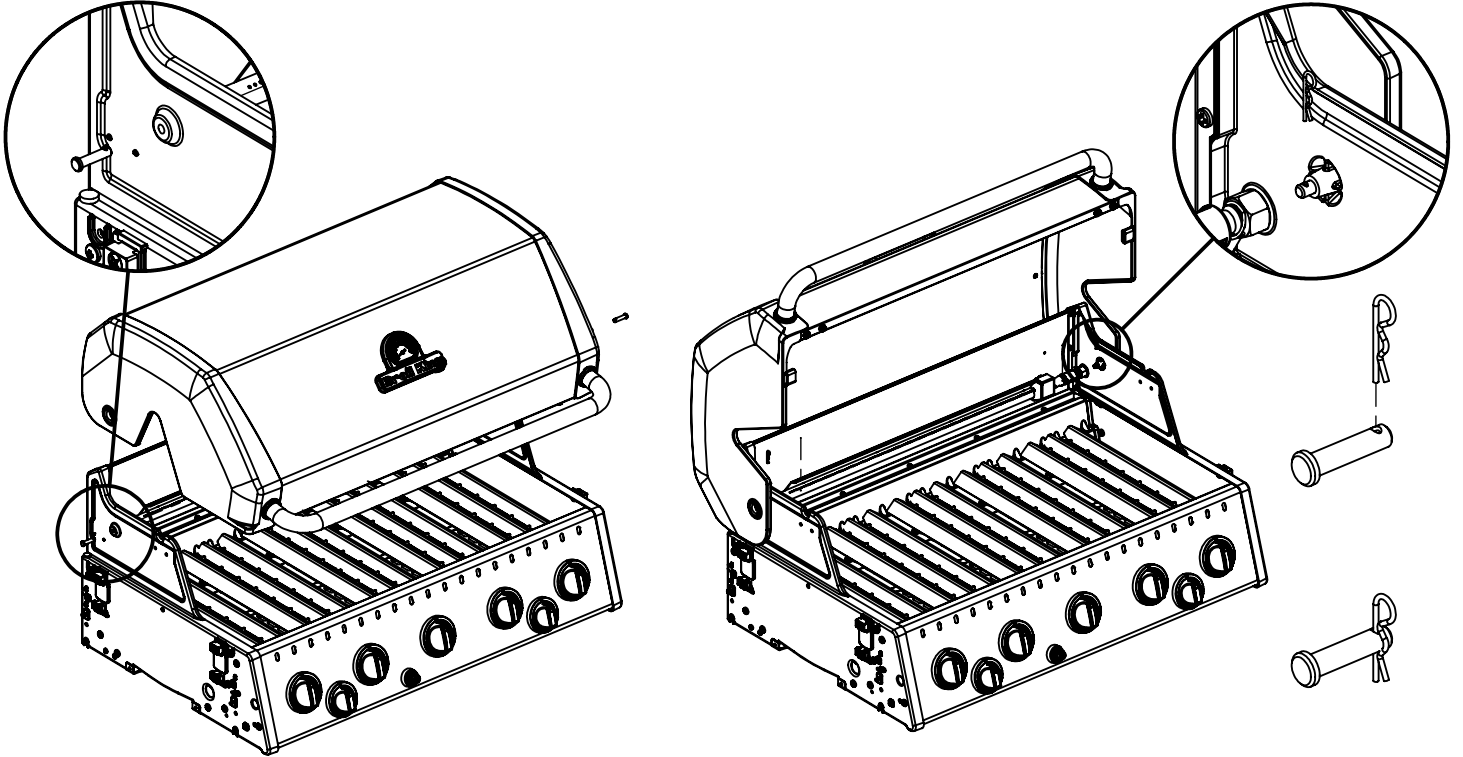


20

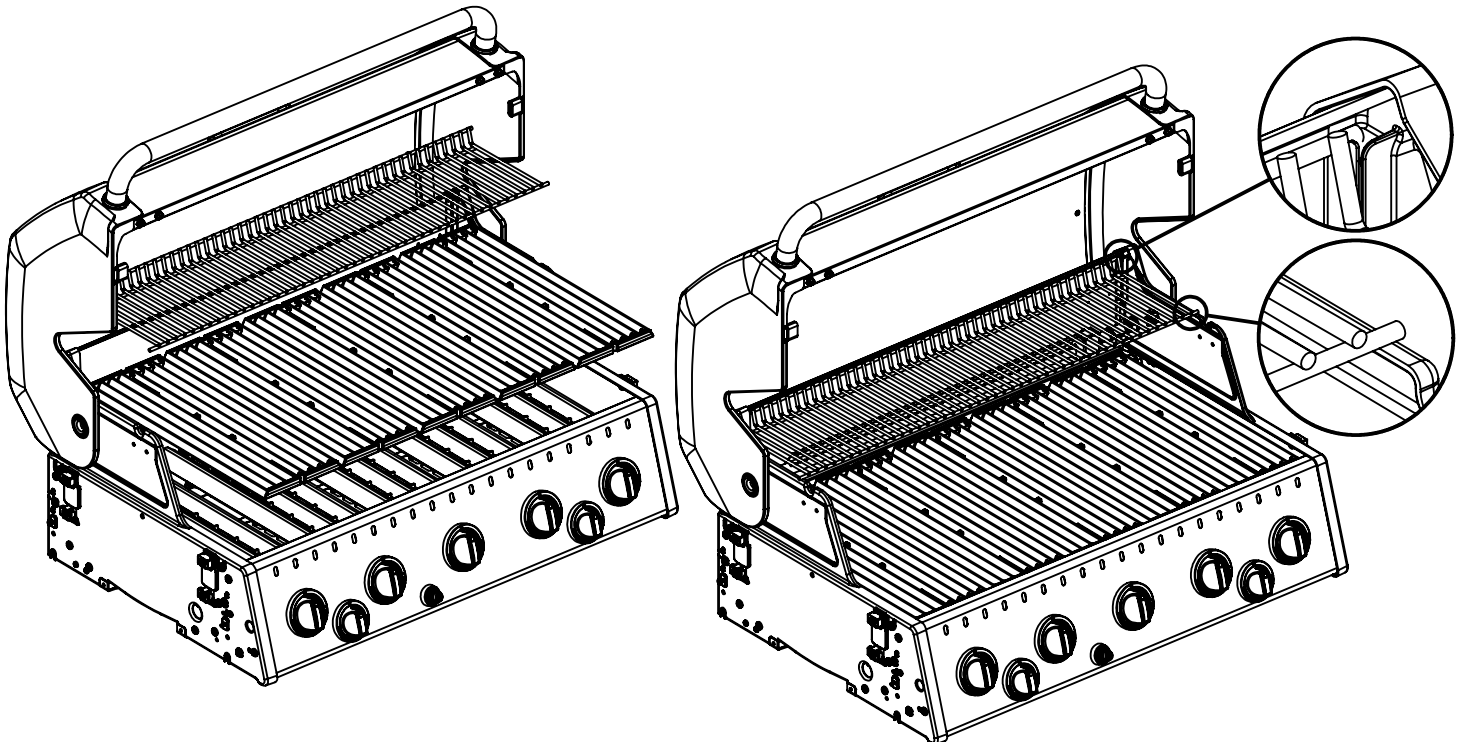


21

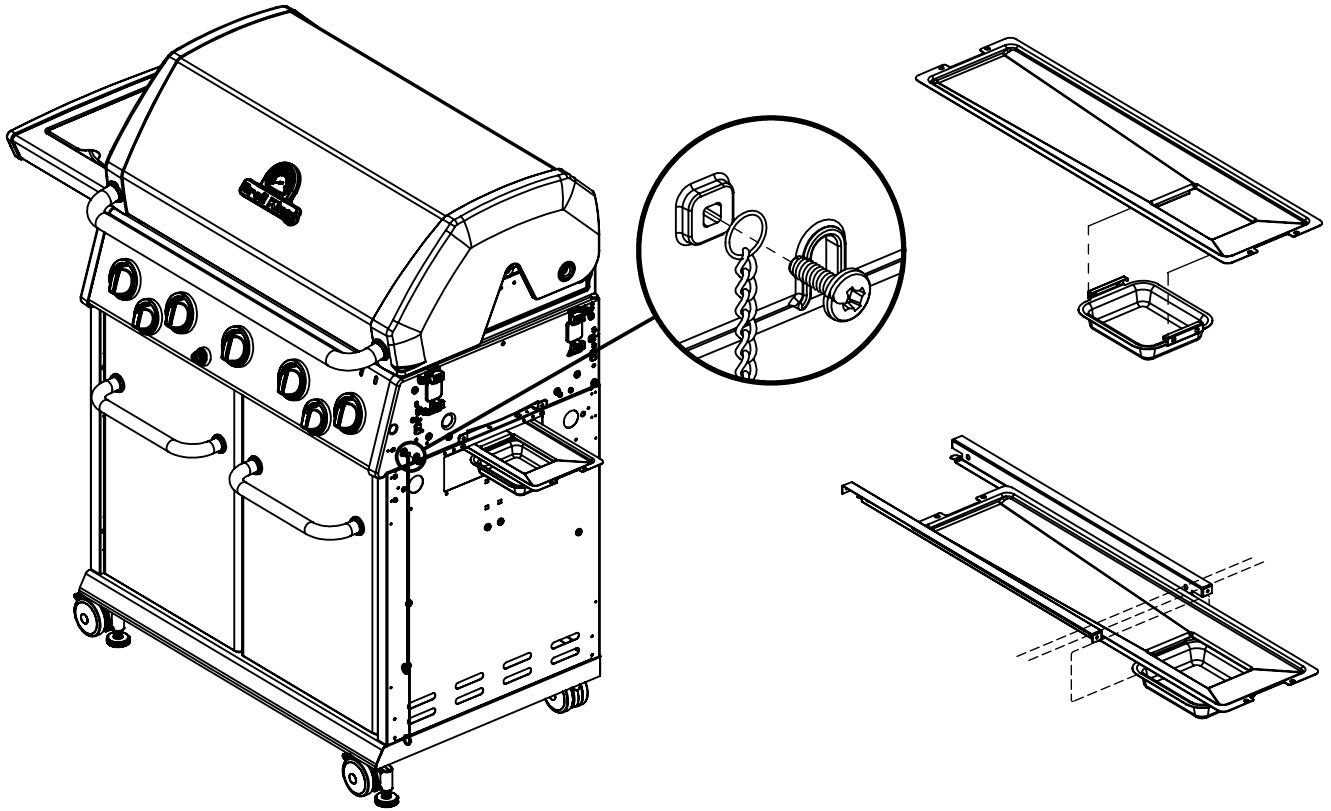
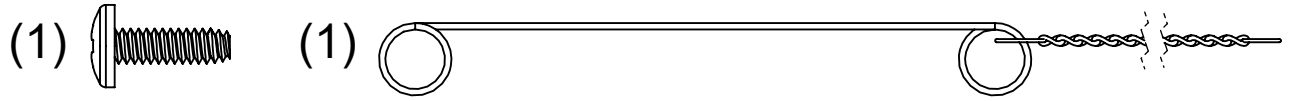
(2)  (2) 



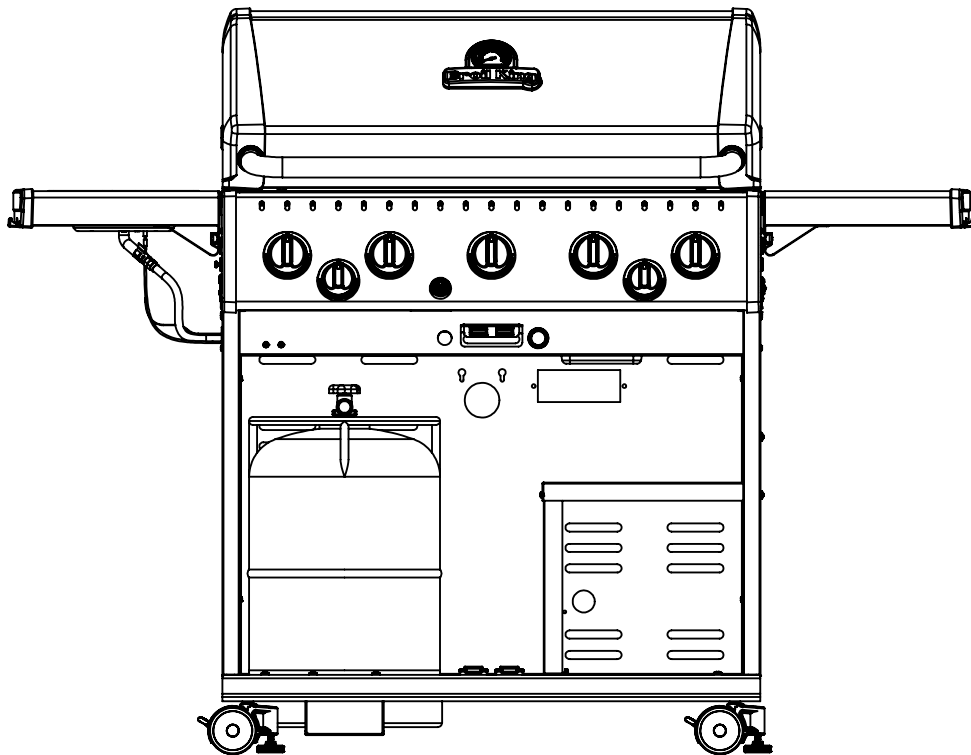
22



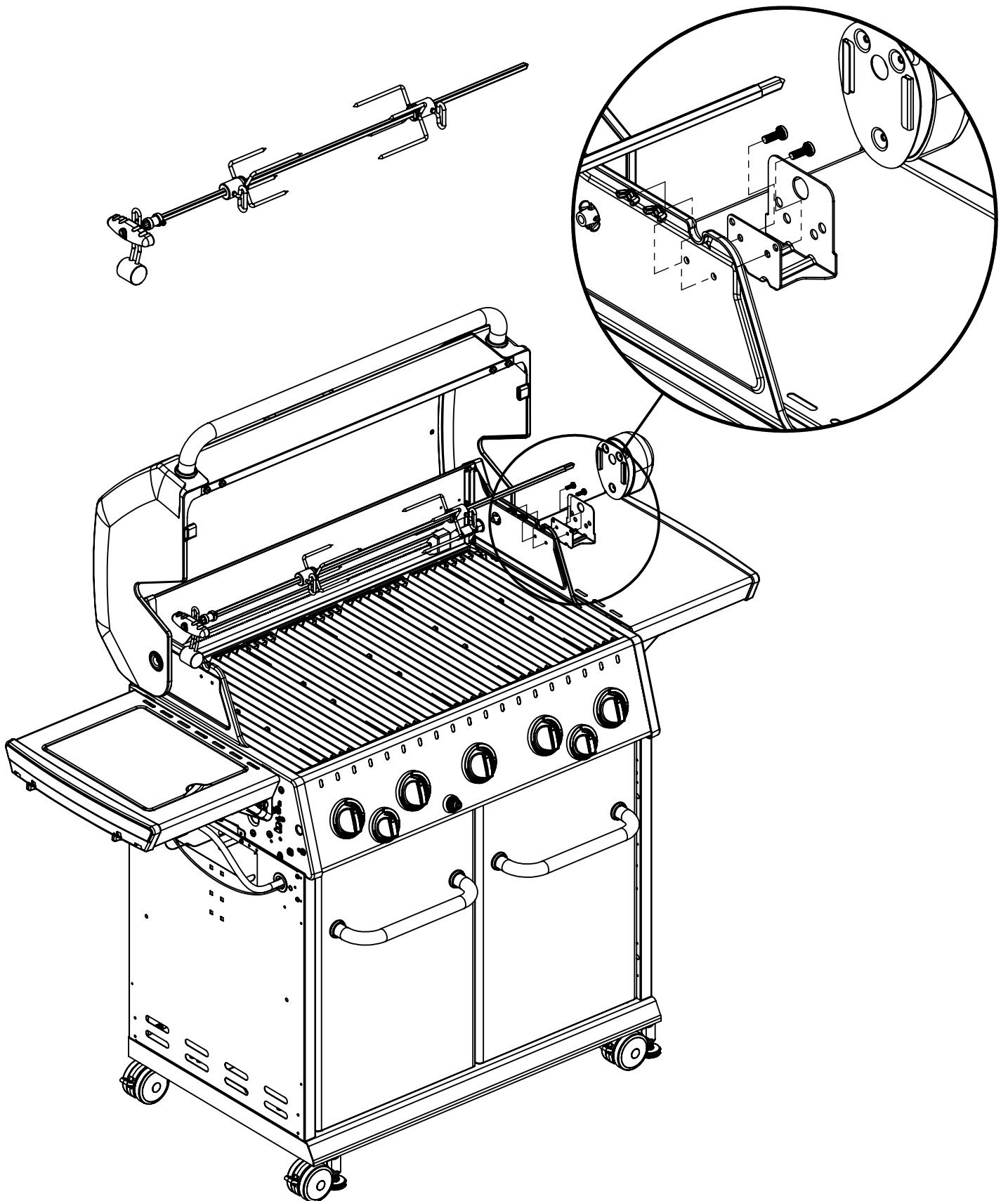
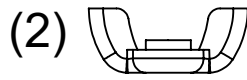
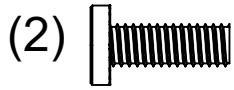
23



24



25



<u>KEY #</u>	<u>ITEM #</u>	<u>DESCRIPTION</u>	<u>9831-83</u>	<u>KEY #</u>	<u>ITEM #</u>	<u>DESCRIPTION</u>	<u>9821-83</u>
1	56006-801	LID	1	77	25208-201	CABINET SHELF	1
5	10081-BK630	NAMEPLATE	1	78	21036-901	CABINET SHELF SUPPORT	1
6	10571-6	HEAT INDICATOR	1	80	50711-E111A	SIDE SHELF	1
8	24006-12A	HANDLE	1	82	50711-E131A	SIDE BURNER SHELF	1
9	24009-936	HANDLE BEZEL	2	86	10390-E10D	SIDE BURNER	•
10	52106-974	FIREBOX	1		10390-E10E		1
13	53139-988	SHELF BRACKET	4		10390-E10NGE		•
15	52226-014A	COLLECTOR BOX	1	87	53004-271	SIDE BURNER - BODY	1
17	27249-904	GREASE SHEILD	5	88	53000-251	SIDE BURNER - COVER	1
25	52904-144D	BURNER - MAIN	•	89	63139-981	SIDE BURNER GRID	1
	52904-144E		5	92	10342-T18	SIDE BURNER ELECTRODE	1
	52904-144NGE		•	100	Y-12220	GROMMET	1
28	52026-304EU1	CONTROL COVER	1	105	S21362	SPRING	1
29	59006-075	CONTROL ASSEMBLY	1	108	10693-099	REAR BURNER ORIFICE	•
	59006-072		•		10693-104		1
30	S13473-073	HOSE - SIDE BURNER	•		10693-161		•
	S13473-079		1	110	S15271	HANDLE	1
	S13473-118		•	111	S15270	BALANCE	1
32	10111-15A	HOSE	1	112	S15299	WASHER	1
33	27906-354	BURNER - ROTISSERIE	1	113	S15263	BUSHING	1
34	S15509	ELECTRODE	1	114	S15259	ROTISSERIE ROD	1
35	50809-957	MANIFOLD - REAR BURNER	1	115	S15287	4 PRONG FORK	2
36	Y-11990	NUT HEX	1	116	57039-901EU	ROTISSERIE BRACKET	1
38	22002-268	CONTROL BEZEL	5	125	Y-12835	SCREW - #6 X 1/4	2
39	22001-168	CONTROL BEZEL	2	127	S21125	SCREW - #8 X 3/8	4
40	10472-K431	CONTROL KNOB	5	128	S21124	SCREW - #8 X 1/2	16
41	10472-K231	CONTROL KNOB	2	131	S21136	SCREW - #8-32 X 1/2	12
42	10342-251	ELECTRONIC IGNITOR	1	133	Y-12641	SCREW - SHOULDER #8 X 1/2	2
43a	10342-E13	ELECTRODE	2	134	Y-29304	SCREW - #10-24 X 3/8	6
43b	10342-E12		1	135	S35094	SCREW - #10-24 X 5/8	1
44	52209-404	FLAV-R-WAVE®	5	137	S35095	SCREW - #10-24 X 5/8	2
45a	52005-281	GRID – SINGLE	•	140	Y-12865	SCREW - 1/4-20 X 1/2	8
	52007-181		1	141	Y-12310	SCREW - 1/4-20 X 3/4	16
45b	52006-281	GRID – DOUBLE	•	142	Y-11559	SCREW - 1/4-20 X 1	10
	52002-181		2	151	Y-11793	NUT - 1/4-20	4
46	52006-991	GRID - WARMING RACK	1	154	S21061	WING NUT #10	2
47	27056-901	GREASE TRAY	1	160	Y-12857	WASHER	2
48	52009-901	GREASE PAN	1	169	Y-11230	SIDE BURNER – RETAINER CLIP	1
49	21036-991	GREASE TRAY - RAIL	2	170	S21235	HINGE PIN	2
50	51276-231A	DOOR - LEFT HAND	1	171	S21233	CLIP	2
51	51276-211A	DOOR - RIGHT HAND	1	173	10240-20	DOOR HINGE PIN - TOP	2
55	211106-13	DOOR HANDLE	2	175	Y-11551	DOOR SCREW	2
56	21070-13	HANDLE BEZEL	4	176	Y-12124	DOOR HINGE COVER	2
60	21109-901	CABINET - SIDE PANEL	2	177	Y-12222	MAGNET	2
61	21306-921	CABINET - REAR PANEL	1	178	Y-12223	MAGNET - SNAP IN	2
65	51616-231	CABINET - LOWER BASE	1	181	Y-11231	LID BUMPER - ROUND	4
66	21039-301	TANK BRACKET	1	184	20005-000	MATCH LIGHT CHAIN	1
67	51336-211	MAGNET BRACKET	1	185	Y-11544S	BURNER SCREW	5
68	57139-13	CONNECTION BRACKET	4	186	S21242	CLIP	5
73	51639-908	CASTER BRACKET	4				
74	10892-286	CASTER	4				

