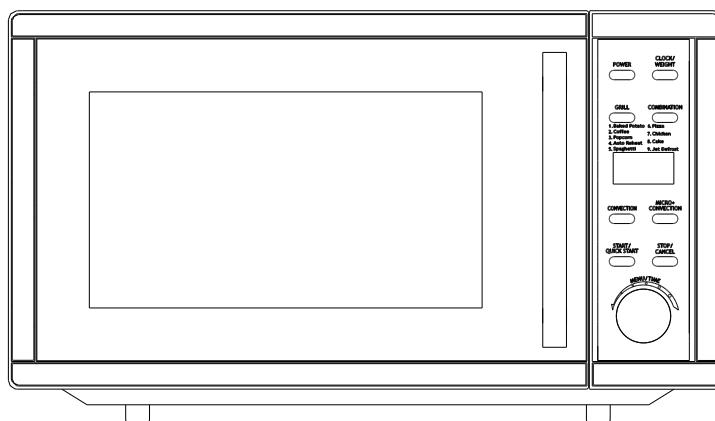


MODEL: D80D20ESLRIII-B7
CONVECTION MICROWAVE OVEN



Microwave Oven Owner's Manual

Please read these instructions carefully before installing and operating the oven.
Record in the space below the SERIAL NO. found on the nameplate on your oven and retain
this information for future reference.
SERIAL NO.

PRECAUTIONS TO AVOID POSSIBLE EXPOSURE TO EXCESSIVE MICROWAVE ENERGY

1. Do not attempt to operate this oven with the door open since open door operation can result in harmful exposure to microwave energy. It is important not to defeat or tamper with the safety interlocks.
2. Do not place any object between the oven front face and the door or allow soil or cleaner residue to accumulate on sealing surfaces.
3. Do not operate the oven if it is damaged. It is particularly important that the oven door close properly and that there is no damage to the
 - a. Door (bent),
 - b. Hinges and latches (broken or loosened),
 - c. Door seals and sealing surfaces.
4. The oven should not be adjusted or repaired by anyone except properly qualified service personnel.

CONTENTS

PRECAUTIONS TO AVOID POSSIBLE EXPOSURE TO EXCESSIVE MICROWAVE ENERGY	1
IMPORTANT SAFETY INSTRUCTIONS	1
SPECIFICATIONS*.....	3
INSTALLATION	3
RADIO INTERFERENCE	3
GROUNDING INSTRUCTIONS.....	4
MICROWAVE COOKING PRINCIPLES	4
BEFORE YOU CALL FOR SERVICE	4
UTENSILS GUIDE	5
PART NAMES	5
CONTROL PANEL	6
HOW TO SET THE OVEN CONTROLS	7
SETTING THE CLOCK.....	7
QUICK START.....	9
MICROWAVE COOKING	7
GRILL	7
COMBI	7
CONVECTION	8
MICROWAVE +CONVECTION	8
MENU COOK	9
JET DEFROST	9
MULTI-STAGE COOKING	9
CHILD PROOF LOCK.....	10
TO STOP THE OVEN WHILE THE OVEN IS OPERATING.....	10

AUTOMATIC PROTECTION MECHANISM	10
CLEANING AND CARE	11

IMPORTANT SAFETY INSTRUCTIONS

When using electrical appliance basic safety precautions should be followed, including the following:

WARNING: To reduce the risk of burns, electric shock, fire, injury to persons or exposure to excessive microwave energy:

1. Read all instructions before using the appliance.
2. Use this appliance only for its intended use as described in this manual. Do not use corrosive chemicals or vapors in this appliance. This type of oven is specifically designed to heat, cook or dry food. It is not designed for industrial or laboratory use.
3. Do not operate the oven when empty.
4. Do not operate this appliance if it has a damaged cord or plug, if it is not working properly or if it has been damaged or dropped. If the supply cord is damaged, it must be replaced by the manufacturer or its service agent or a similarly qualified person in order to avoid a hazard
5. **WARNING:** Only allow children to use the oven without supervision when adequate instructions have been given so that the child is able to use the oven in a safe way and understands the hazards of improper use.
6. **Warning:** When the appliance is operated in the combination mode, children should only use the oven under adult supervision due to the temperatures generated.
7. To reduce the risk of fire in the oven cavity:
 - a. When heating food in plastic or paper container, keep an eye on the oven due to the possibility of ignition;
 - b. Remove wire twist-ties from paper or plastic bags before placing bag in oven.
 - c. If smoke is observed, switch off or unplug the appliance and keep the door closed in order to stifle any flames.
 - d. Do not use the cavity for storage purposes. Do not leave paper products, cooking utensils or food in the cavity when not in use.
8. **WARNING:** Liquid or other food must not be heated in sealed containers since they are liable to explode.
9. Microwave heating of beverage can result in delayed eruptive boiling, therefore care has to be taken when handling the container.
10. Do not fry food in the oven. Hot oil can damage oven parts and utensils and even result in skin burns.
11. Eggs in their shell and whole hard-boiled eggs should not be heated in microwave ovens since they may explode even after microwave heating has ended.
12. Pierce foods with heavy skins such as potatoes, whole squashes, apples and chestnuts before cooking.
13. The contents of feeding bottles and baby jars should be stirred or shaken and the temperature should be checked before serving in order to avoid burns.
14. Cooking utensils may become hot because of heat transferred from the heated food. Potholders may be needed to handle the utensil.
15. Utensils should be checked to ensure that they are suitable for use in microwave oven.
16. **WARNING:** It is hazardous for anyone other than a trained person to carry out any service or repair operation which involves the removal of any cover which gives protection against exposure to microwave energy.
17. This product is a Group 2 Class B ISM equipment. The definition of Group 2 which contains all ISM (Industrial, Scientific and Medical) equipment in which radio-frequency energy is intentionally generated and/or used in the form of electromagnetic radiation for the treatment of material, and spark erosion equipment. For Class B equipment is equipment suitable for use in domestic establishments and in establishments directly connected to a low voltage power supply network which supplies buildings used for

domestic purpose.

18. This appliance is not intended for use by persons (including children) with reduced physical, sensory or mental capabilities, or lack of experience and knowledge, unless they have

been given supervision or instruction concerning use of the appliance by a person responsible for their safety.

19. Children should be supervised to ensure that they do not play with the appliance.

SPECIFICATIONS*


Power Consumption:	230V~50Hz, 1200W (Microwave)
	2200W (Convection)
	1200W (Grill)
Rated Microwave Power Output:	800W
Operation Frequency:	2450MHz
Outside Dimensions:	262mm(H) × 452mm(W) × 395mm(D)
Oven Cavity Dimensions:	195mm(H) × 315mm(W) × 325mm(D)
Oven Capacity:	20Litres
Cooking Uniformity:	Turntable System
Net Weight:	Approx. 14.4kg

INSTALLATION

1. Make sure that all the packing materials are removed from the inside of the door.
2. **WARNING:** Check the oven for any damage, such as misaligned or bent door, damaged door seals and sealing surface, broken or loose door hinges and latches and dents inside the cavity or on the door. If there is any damage, do not operate the oven and contact qualified service personnel.
3. This microwave oven must be placed on a flat, stable surface to hold its weight and the heaviest food likely to be cooked in the oven.
4. Do not place the oven where heat, moisture, or high humidity are generated, or near combustible materials.
5. For correct operation, the oven must have sufficient airflow. Allow 20cm of space above the oven, 10cm at back and 5cm at both sides. Do not cover or block any openings on the appliance. Do not remove feet.
6. Do not operate the oven without glass tray, roller support, and shaft in their proper positions.
7. Make sure that the power supply cord is undamaged and does not run under the oven or over any hot or sharp surface.
8. The socket must be readily accessible so that it can be easily unplugged in an emergency.
9. Do not use the oven outdoors.

RADIO INTERFERENCE

Operation of the microwave oven can cause interference to your radio, TV, or similar equipment. When there is interference, it may be reduced or eliminated by taking the following measures:

1. Clean door and sealing surface of the oven.
2. Reorient the receiving antenna of radio or television.
3. Relocate the microwave oven with respect to the receiver.
4. Move the microwave oven away from the receiver.
5. Plug the microwave oven into a different outlet  so that microwave oven and receiver are on

different branch circuits.

GROUNDING INSTRUCTIONS

This appliance must be grounded. This oven is equipped with a cord having a grounding wire with a grounding plug. It must be plugged into a wall receptacle that is properly installed and grounded. In the event of an electrical short circuit, grounding reduces risk of electric shock by providing an escape wire for the electric current. It is recommended that a separate circuit serving only the oven be provided. Using a high voltage is dangerous and may result in a fire or other accident causing oven damage.

WARNING Improper use of the grounding plug can result in a risk of electric shock.

Note:

1. If you have any questions about the grounding or electrical instructions, consult a qualified electrician or service person.
2. Neither the manufacturer nor the dealer can accept any liability for damage to the oven or personal injury resulting from failure to observe the electrical connection procedures.

The wires in this cable main are colored in accordance with the following code:

Green and Yellow = EARTH

Blue = NEUTRAL

Brown = LIVE

MICROWAVE COOKING PRINCIPLES

1. Arrange food carefully. Place thickest areas towards outside of dish.
2. Watch cooking time. Cook for the shortest amount of time indicated and add more as needed. Food severely overcooked can smoke or ignite.
3. Cover foods while cooking. Covers prevent spattering and help foods to cook evenly.
4. Turn foods over once during microwaving to speed cooking of such foods as chicken and hamburgers. Large items like roasts must be turned over at least once.
5. Rearrange foods such as meatballs halfway through cooking both from top to bottom and from the center of the dish to the outside.

BEFORE YOU CALL FOR SERVICE

If the oven fails to operate:

1. Check to ensure that the oven is plugged in securely. If it is not, remove the plug from the outlet, wait 10 seconds, and plug it in again securely.
2. Check for a blown circuit fuse or a tripped main circuit breaker. If these seem to be operating properly, test the outlet with another appliance.
3. Check to ensure that the control panel is programmed correctly and the timer is set.
4. Check to ensure that the door is securely closed engaging the door safety lock system. Otherwise, the microwave energy will not flow into the oven.

IF NONE OF THE ABOVE RECTIFIES THE SITUATION, THEN CONTACT A QUALIFIED TECHNICIAN. DO NOT TRY TO ADJUST OR REPAIR THE OVEN BY YOURSELF.

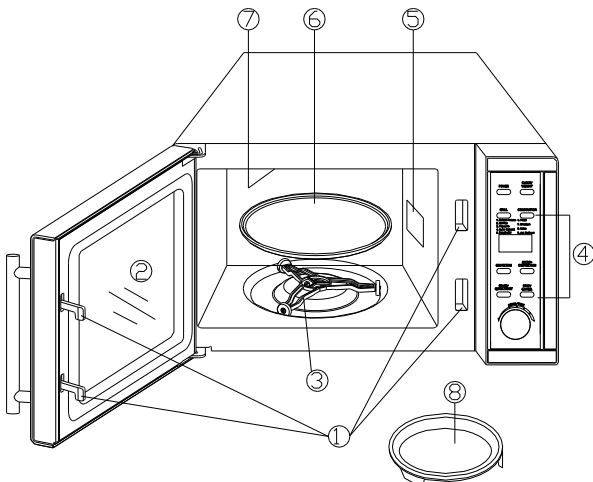
UTENSILS GUIDE

1. The ideal material for a microwave utensil is transparent to microwave, it allows energy to pass through the container and heat the food.
 2. Microwave cannot penetrate metal, so metal utensils or dishes with metallic trim should not be used.
 3. Do not use recycled paper products when microwave cooking, as they may contain small metal fragments which may cause sparks and/or fires.
 4. Round /oval dishes rather than square/oblong ones are recommend, as food in corners tends to overcook.
 5. Narrow strips of aluminum foil may be used to prevent overcooking of exposed areas. But be careful don't use too much and keep a distance of 1 inch (2.54cm) between foil and cavity.
- The list below is a general guide to help you select the correct utensils.

Cookware	Microwave	Grill	Convection	Combination*
Heat-Resistant Glass	Yes	Yes	Yes	Yes
Non Heat-Resistant Glass	No	No	No	No
Heat-Resistant Ceramics	Yes	Yes	Yes	Yes
Microwave-Safe Plastic Dish	Yes	No	No	No
Kitchen Paper	Yes	No	No	No
Metal Tray	No	Yes	Yes	No
Metal Rack	No	Yes	Yes	No
Aluminum Foil & Foil Container	No	Yes	Yes	No

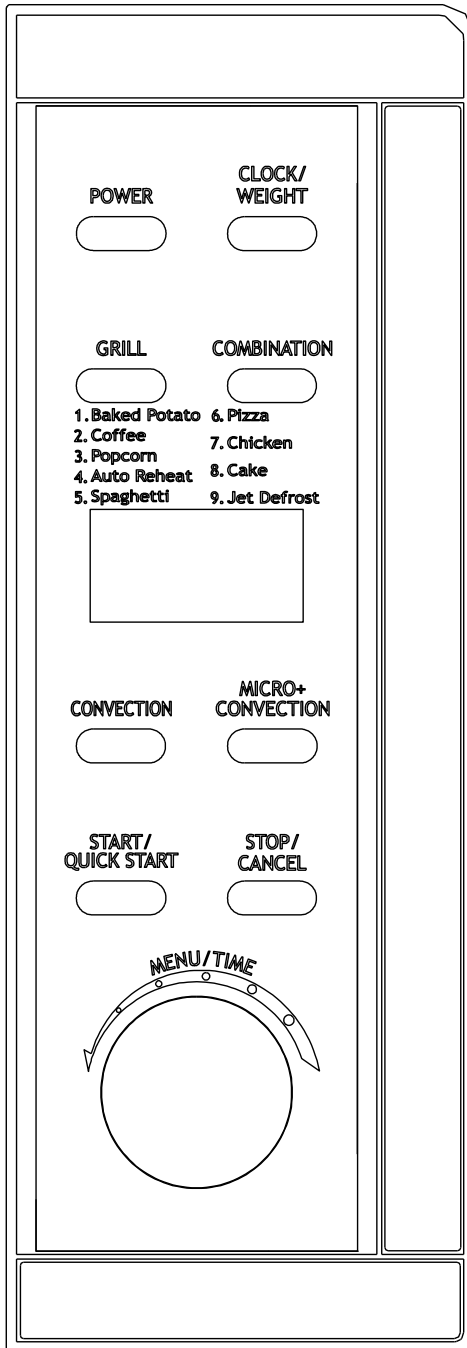
* Combination: applicable for both "microwave+grill", and "microwave+convection" cooking.

PART NAMES



1. Door Safety Lock System
2. Oven Window
3. Turntable Support
4. Control Panel
5. Oven Air Vent
6. Glass Tray
7. Grill Heater
8. Baking Plate

CONTROL PANEL



DISPLAY SCREEN

Cooking time, power, indicators and present time are displayed.

POWER

Press to select microwave power level.

GRILL

Press to set a grill cooking program.

CONVECTION

Press to program convection temperature.

COMBINATION

Press to select one of two combination cooking settings.

MICRO +CONVECTION

Press to select one of four combination cooking settings.

MENU / TIME (DIAL)

Rotate to set cooking time or select auto-menu.

START/QUICK START

Press to start cooking program or set quick start cooking program.

CLOCK/WEIGHT

Press to select the amount of food; press and hold to set clock.

STOP/CANCEL

Touch to stop cooking program or clear all previous settings before cooking starts.

(Please also see the following pages for more detail)

HOW TO SET THE OVEN CONTROLS

SETTING THE CLOCK

1. In waiting mode, press CLOCK/WEIGHT button once.
2. Rotate the MENU/TIME dial until the correct hour is displayed.
3. Press CLOCK/WEIGHT button.
4. Rotate the MENU/TIME dial until the correct minute is displayed.
5. Press CLOCK/WEIGHT button to confirm.

Note: Press the CLOCK/WEIGHT button during the cooking, the current time will display.

MICROWAVE COOKING

Microwave cooking allows you to customize cooking power and time. First, you select a power level by pressing the POWER button a number of times (see the table below). Then you set the cooking time (maximum 95min.) by rotating the MENU/TIME dial before pressing the START/QUICK START button to start.

Press	Power Level
Once	100%(P100)
Twice	90%(P-90)
Thrice	80%(P-80)
4 times	70%(P-70)
5 times	60%(P-60)
6 times	50%(P-50)
7 times	40%(P-40)
8 times	30%(P-30)
9 times	20%(P-20)
10 times	10%(P-10)
11 times	0%(P-00)

Suppose you want to cook for 5 minutes at 60% power level.

1. Press POWER button a number of times till the screen show the intended power.
2. Use the MENU/TIME dial to enter cooking time until the correct cooking time (5:00) is

displayed.

3. Press START/QUICK START button.

NOTE:

If you want to temporarily stop a cooking session, press the STOP/CANCEL pad once and then you can start the cooking again by pressing START/QUICK START ; press the STOP/CANCEL twice will cancel the cooking program altogether.

GRILL

Grill cooking is particularly useful for thin slices of meat, steaks, chops, kebabs, sausages and pieces of chicken. It is also suitable for hot sandwiches and au gratin dishes.

Suppose you want to program grill cooking for 12 minutes.

1. Make sure the system is reset, which means no current cooking program is running, and the system is waiting for instructions.
2. Press GRILL button.
3. Turn the MENU/TIME to 12:00.
4. Press START/QUICK START button.

NOTE: Maximum cooking time for grill is 95 minutes.

COMBI.

This feature allows you to combine grill and microwave cooking on two different settings. First, press this button once or twice to choose an appropriate combination setting, then, at the screen prompt, enter the desired cooking time by turning the MENU/TIME dial. After you have pushed the START/QUICK START button, the system begins to count down.

NOTE:

1. The maximum cooking time here is 95 minutes.
2. During cooking, you can see the programmed setting by pressing this

button.

COMBINATION 1

30% time for microwave cooking, 70% for grill cooking. Use for fish, au gratin.

Suppose you want to set combination 1 cooking for 25 minutes.

1. Press COMBI. button once.
2. Turn MENU/TIME to 25:00.
3. Press START/QUICK START button.

COMBINATION 2

55% time for microwave cooking, 45% for grill cooking. Use for pudding, omelets, baked potatoes and poultry.

Suppose you want to set combination 2 cooking for 12 minutes.

1. Press STOP/CANCEL button.
2. Press COMBI. button twice.
3. Turn MENU/TIME to 12:00.
4. Press START/QUICK START button.

CONVECTION

During convection cooking, hot air is circulated throughout the oven cavity to brown and make crisp foods quickly and evenly. This oven can be programmed for ten different cooking temperatures. Maximum cooking time for convection is 9 hours 30 minutes (9H: 30).

To Cook with Convection

To cook with convection, press CONVECTION button repeatedly to enter the desired convection temperature.

110 °C 120 °C 130 °C 140 °C 150 °C 160 °C
170 °C 180 °C 190 °C 200 °C

Suppose you want to cook at 180 °C for 40 minutes (H: 40).

1. Press CONVECTION button to select cooking temperature.
2. Use the MENU/TIME dial to enter cooking time.
3. Press START/QUICK START button.

NOTE:

You can check the convection temperature while cooking is in progress by pressing the CONVECTION button.

To Preheat and Cook with Convection

Your oven can be programmed to combine preheating and convection cooking operations. Suppose you want to preheat to 170 °C and then cook 35 minutes (H: 35).

1. Press CONVECTION button to select cooking temperature.
2. Press START/QUICK START button to start. Beeps will sound when the designated temperature is reached.
3. Open the door and place container of food at the center of the turntable.
4. Use the MENU/TIME dial to enter cooking time.
5. Press START/QUICK START button.

MICROWAVE + CONVECTION

This oven has four pre-programmed settings that make it easy to cook with both convection heat and microwave automatically.

Press MICRO+CONVECTION button repeatedly to program convection temperature:

	temperature(°C)
COMB1	110
COMB2	140
COMB3	170
COMB4	200

Suppose you want to bake a cake for 24 minutes (H: 24) on COMB3.

1. Press MICRO+CONVECTION button for 3 times.
2. Use the MENU/TIME dial to enter cooking time as desired
3. Press START/QUICK START button to start.

NOTE:

You can check the convection temperature while cooking is in progress by pressing the MICRO+CONVECTION button.

MENU COOK

For food or the following cooking mode, it is not necessary to program the duration and the cooking power. It is sufficient to indicate the type of food that you wish to cook as well as the weight of this food.

1. Rotate the digital knob MENU/TIME to select food code from 1~9, to specify the food to be cooked.
2. Press CLOCK/WEIGHT to enter weight, check the screen for number of servings or preset weights, which should match weight of food you have placed in the oven.
3. Press START/QUICK START button to start.

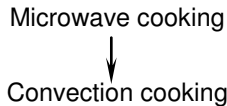
Auto Cook Code/Menu

Select food code	Note
1 Baked Potato(each 230g)	1. The user is required to set weight for the system to determine the time needed to do the job, without entering cooking time by the user who might first at a loss as to how much time is needed for the cooking. 2. For food 7 (Chicken), beeps can be heard in half cooking time to remind user to turn food over for uniform cooking. 3. Power fluctuation and other factors may cause the auto cooking not done exactly to your taste; the user may adjust cooking time accordingly. 4. For Spaghetti add boiling water before cooking.
2 Coffee(each 200ml)	
3 Popcorn(99g)	
4 Auto Reheat (g)	
5 Spaghetti(g)	
6 Pizza(g)	
7 Chicken(g)	
8 Cake(475g)	
9 Jet Defrost	

MULTI-STAGE COOKING

Your oven can be programmed for up to 3 automatic cooking sequences.

Suppose you want to set the following cooking program.



1. Press POWER button to set power level.
2. Rotate the MENU/TIME dial to program cooking time.
3. Press CONVECTION button to set convection temperature.
4. Rotate the MENU/TIME dial to program cooking time.
5. Press START/QUICK START button to start.

JET DEFROST

Suppose you want to defrost frozen food.

1. Rotate the MENU/TIME dial to select corresponding code (09)
2. Press CLOCK/WEIGHT button to select weight shown on screen.
3. Press START/QUICK START .

NOTE : During defrosting program, the system will pause and sound beeps to remind user to turn food over, and then press START/QUICK START to resume the defrosting.

QUICK START

Use this feature to program the oven to start at 100% power conveniently.

Press START/QUICK START button in quick

succession to set the cooking time (maximum 10min.). The oven will auto-start immediately.

CHILD PROOF LOCK

The childproof lock prevents unsupervised operation by little children.

To set the child proof lock: Press STOP/CANCEL button for 3 seconds, then a beep will sound and the indicator light will come on. In the lock state, all buttons are disabled.

To cancel the child proof lock: Press STOP/CANCEL button for three seconds, then a beep will sound and the indicator light will come off.

TO STOP THE OVEN WHILE THE OVEN IS OPERATING

1. Press STOP/CANCEL button :

Once, the oven pause and you can restart the oven by pressing START/QUICK START button.

Twice, all instructions are erased.

2. Open the door.

You can restart the oven by closing the door and pressing START/QUICK START button.

NOTE:

Oven stops operating when door is opened.

AUTOMATIC PROTECTION MECHANISM

Anytime in the operation of the oven, when the oven cavity temperature reaches 300°C, the screen displays error code E 01, and the oven automatically enters into protection mode with beeps until pressing the STOP/CANCEL button.

If the sensor is short circuited, the screen displays error code E 03, and the oven automatically enters into protection mode with beeps until pressing the STOP/CANCEL button.

COOLING FEATURE

The controlling system of the microwave oven has the feature of cooling. As for any cooking mode which cooking time above 2 minutes, after finishing cooking, the oven fan will work about 3 minutes automatically to cool the oven for prolonging the life of the oven.

CLEANING AND CARE

1. Turn off the oven and remove the power plug from the wall socket before cleaning.
2. Keep the inside of the oven clean. When food splatters or spilled liquids adhere to oven walls, wipe with a damp cloth. Mild detergent may be used if the oven gets very dirty. Avoid the use of spray and other harsh cleaners as they may stain, streak or dull the door surface.
3. The outside surfaces should be cleaned with a damp cloth. To prevent damage to the operating parts inside the oven, water should not be allowed to seep into the ventilation openings.
4. Wipe the door and window on both sides, the door seals and adjacent parts frequently with a damp cloth to remove any spills or spatters. Do not use abrasive cleaner.
5. Do not allow the control panel to become wet. Clean with a soft, damp cloth. When cleaning the control panel, leave oven door open to prevent oven from accidentally turning on.
6. If steam accumulates inside or around the outside of the oven door, wipe with a soft cloth. This may occur when the microwave oven is operated under high humidity condition. And it is normal.
7. It is occasionally necessary to remove the glass tray for cleaning. Wash the tray in warm sudsy water or in a dishwasher.
8. The roller ring and oven floor should be cleaned regularly to avoid excessive noise. Simply wipe the bottom surface of the oven with mild detergent. The roller ring may be washed in mild sudsy water or dishwasher. When removing the roller ring from cavity floor for cleaning, be sure to replace in the proper position.
9. Remove odors from your oven by combining a cup of water with the juice and skin of one lemon in a deep microwaveable bowl, microwave for 5 minutes. Wipe thoroughly and dry with a soft cloth.
10. When it becomes necessary to replace the oven light, please consult a dealer to have it replaced.
11. The oven should be cleaned regularly and any food deposits removed. Failure to maintain the oven in a clean condition could lead to deterioration of the surface that could adversely affect the life of the appliance and possibly result in a hazardous situation.
12. Please do not dispose this appliance into the domestic rubbish bin; it should be disposed to the particular disposal center provided by the municipalities.