


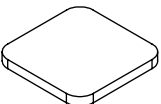

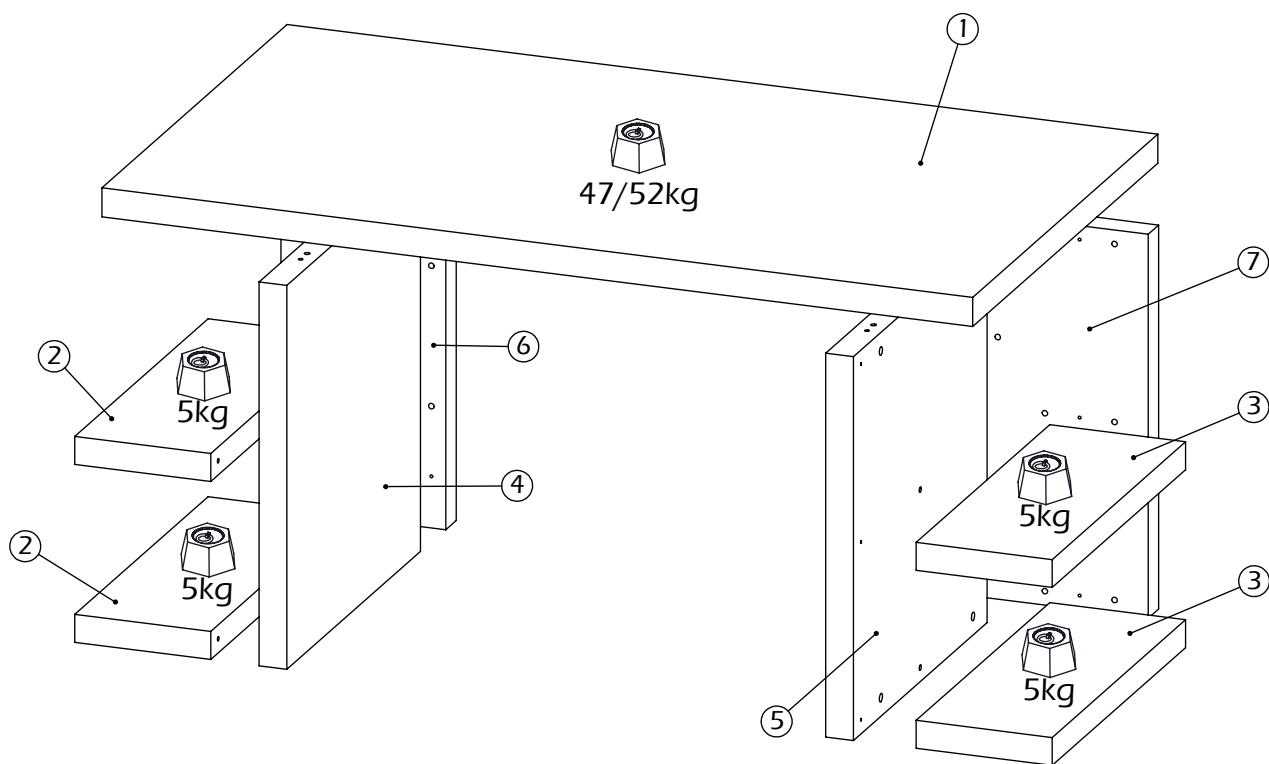


7200.379/380/381



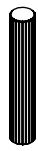
A - 16x	B - 16x	C - 22x	D - 8x	E - 20x
 <p data-bbox="73 2063 220 2114">Ø15x13mm 0512.042</p>	 <p data-bbox="272 2063 403 2114">Ø7x41mm 0512.041</p>	 <p data-bbox="448 2063 579 2114">Ø10x60mm 0540.012</p>	 <p data-bbox="628 2063 775 2114">32x32x2mm 0992.002</p>	 <p data-bbox="810 2033 976 2114">Ø20x1mm 0520.165/171 172/009</p>

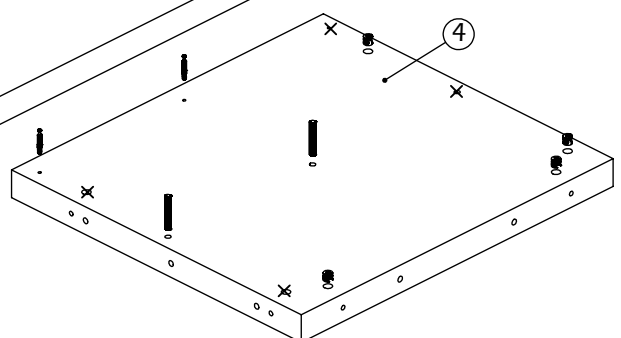
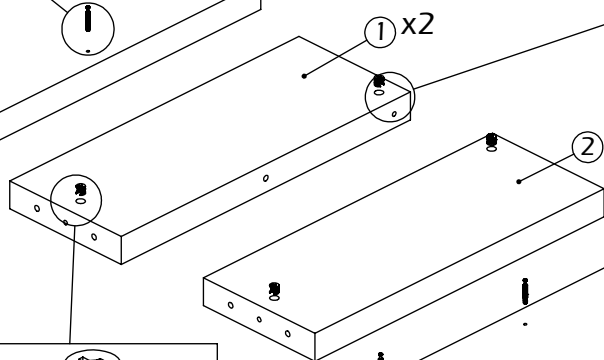
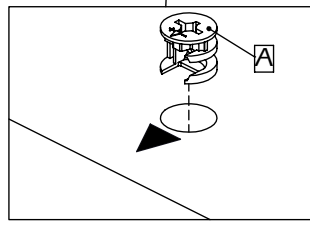
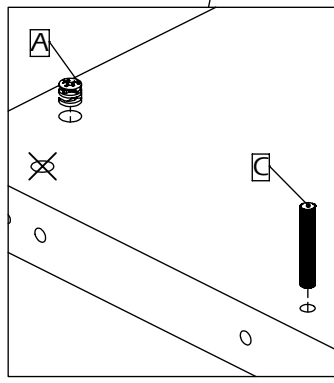
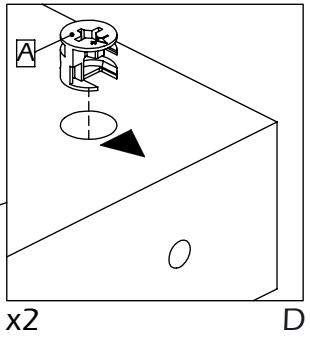
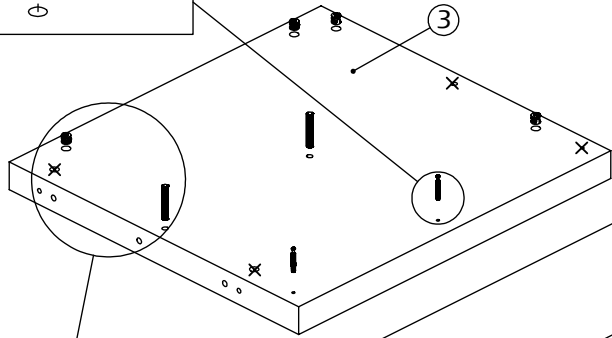
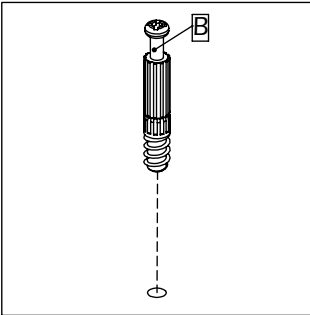
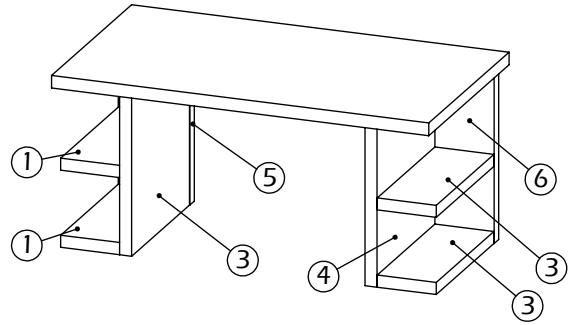
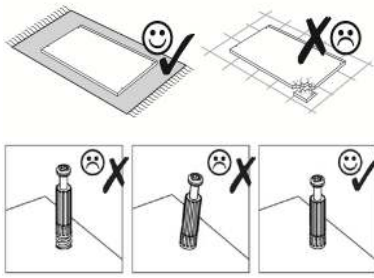
IM-0623.748/5



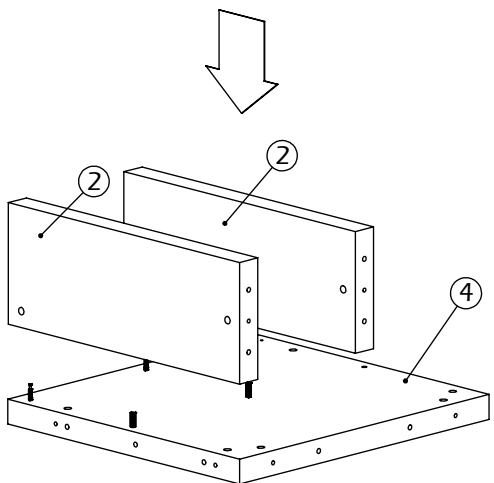
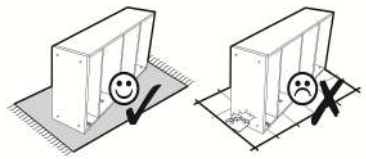
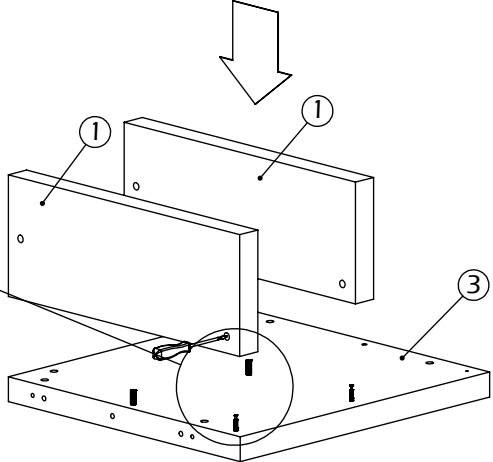
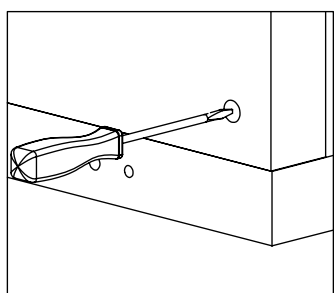
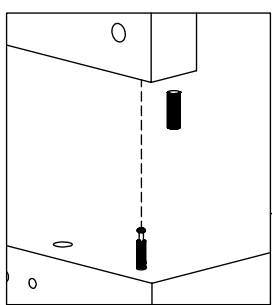
n°	x	mm
1	1	1600/1800 x 900 x 52
2	2	649 x 250 x 50
3	2	649 x 250 x 50
4	1	700 x 650 x 50
5	1	700 x 650 x 50
6	1	700 x 303 x 50
7	1	700 x 303 x 50

1

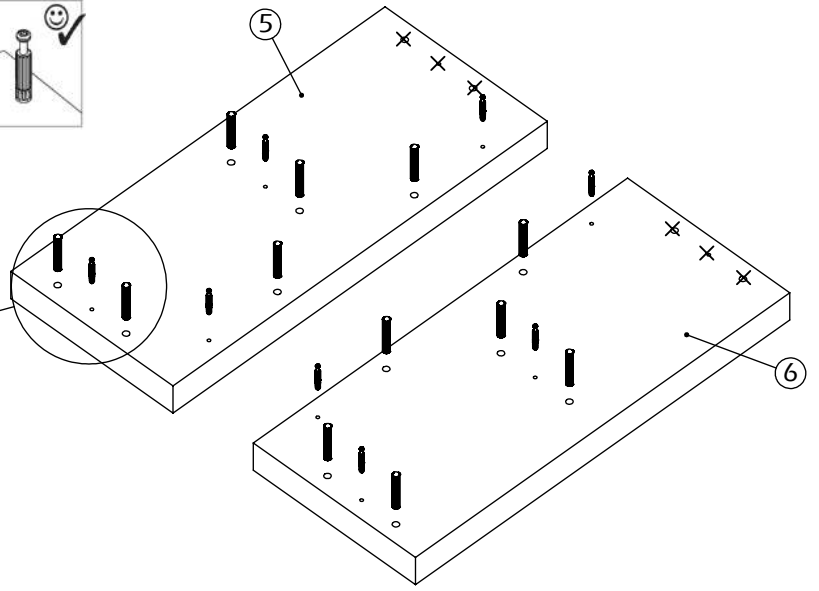
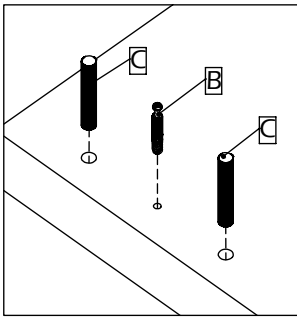
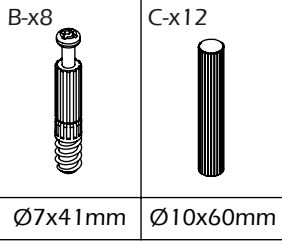
A-x16 	B-x4 	C-x4 
Ø15x13mm	Ø7x41mm	Ø10x60mm



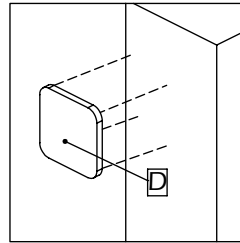
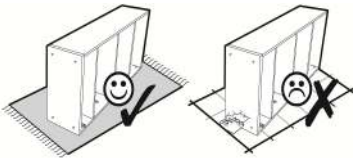
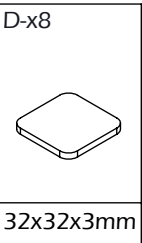
2



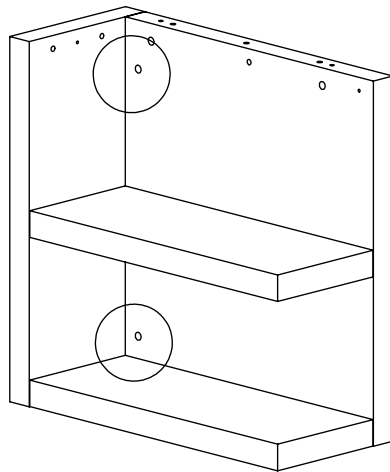
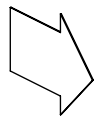
3



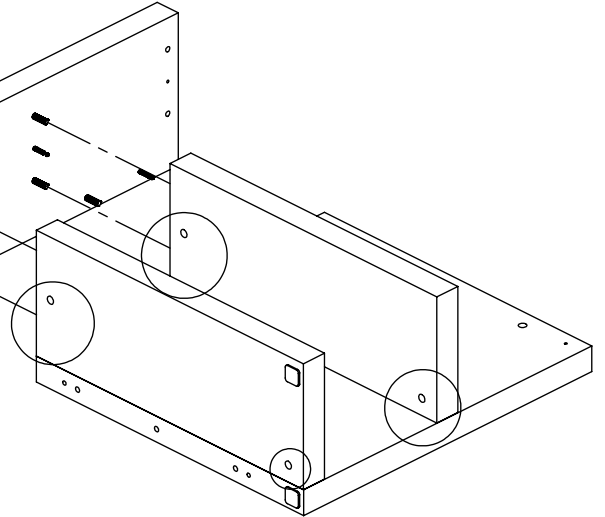
4



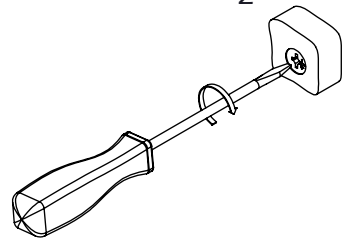
1°



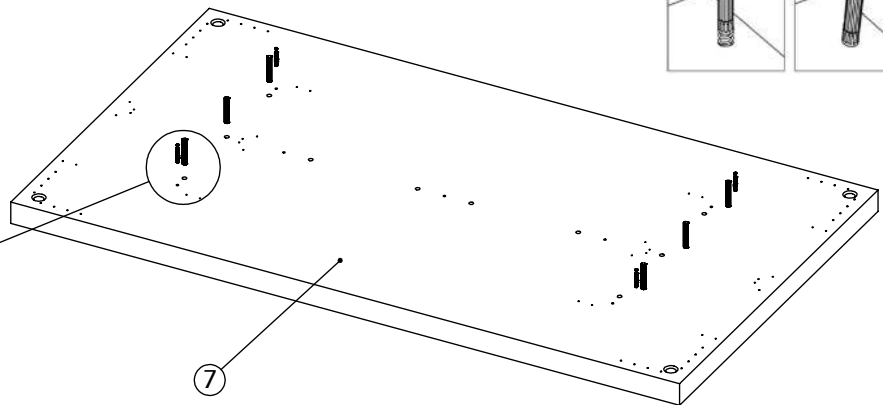
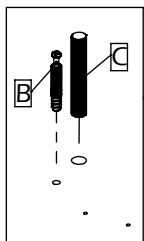
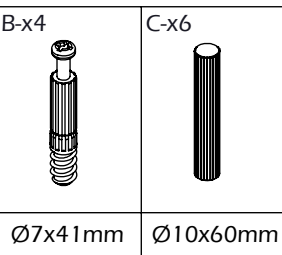
90°



2°

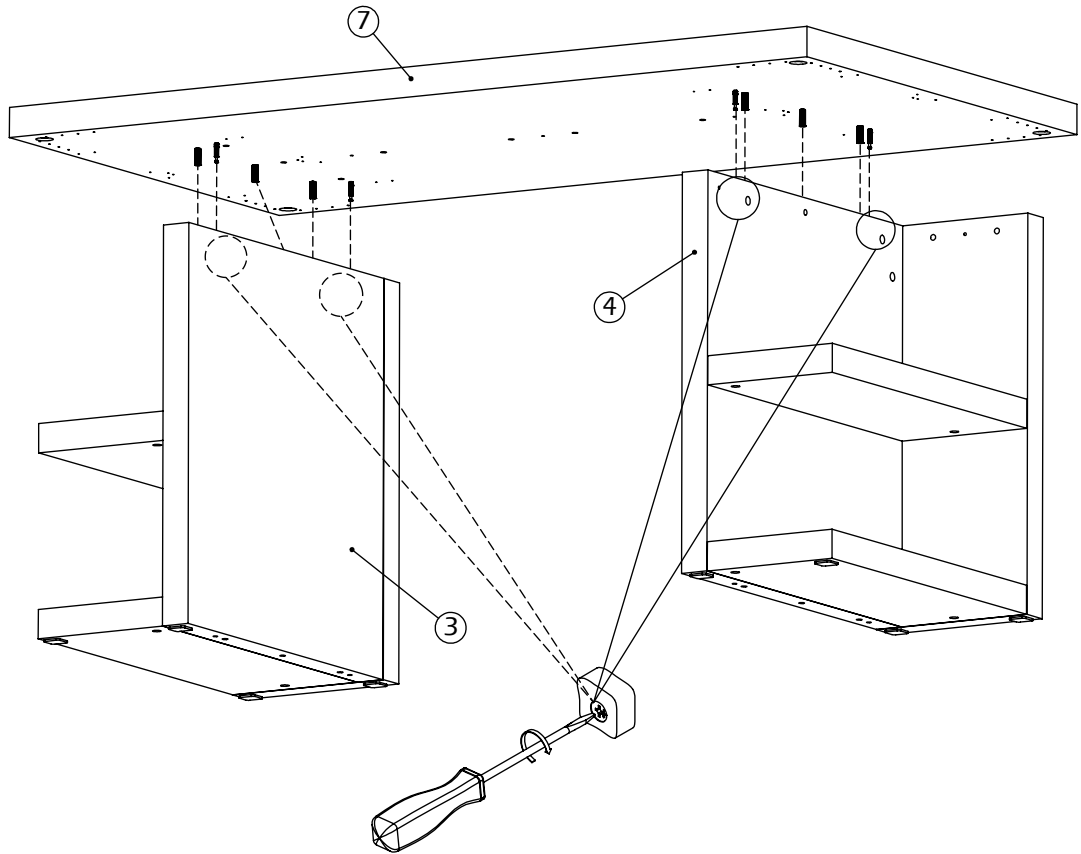


5



7

6



7

