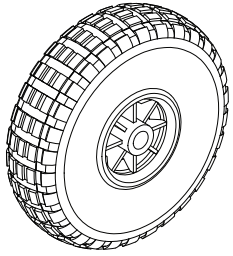
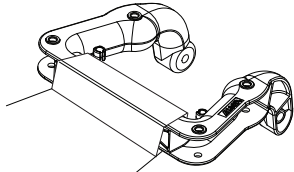


## Parts List

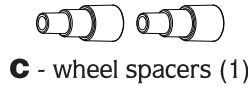


**A** - wheel (1)

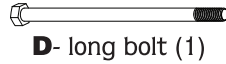
**Tools Required**  
2 Adjustable  
Crescent Wrenches



**B** - front frame (1)



**C** - wheel spacers (1)



**D** - long bolt (1)



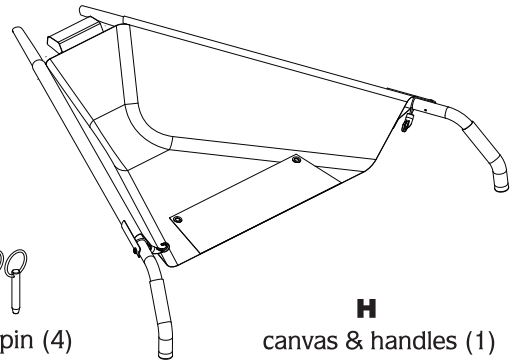
**E** - washer (2)



**F** - nut (1)



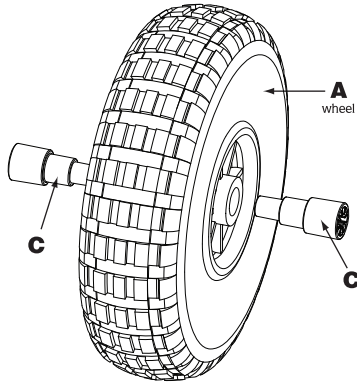
**G** - detent pin (4)



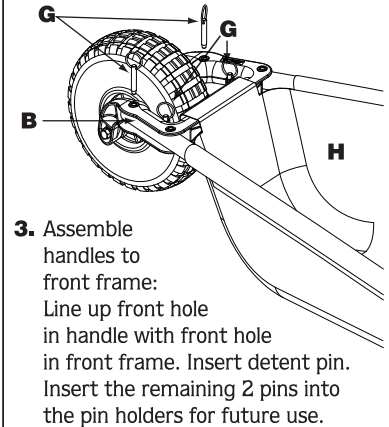
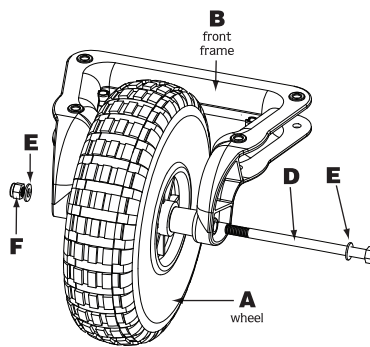
**H**  
canvas & handles (1)

## Easy To Assemble

**1.** Insert wheel spacers into wheel

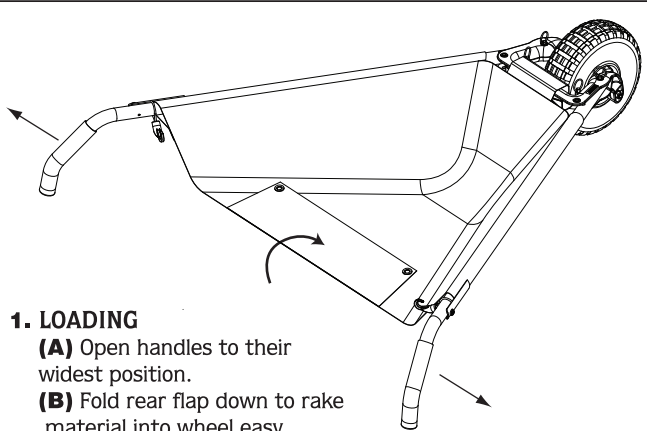


**2.** Assemble wheel to front frame.

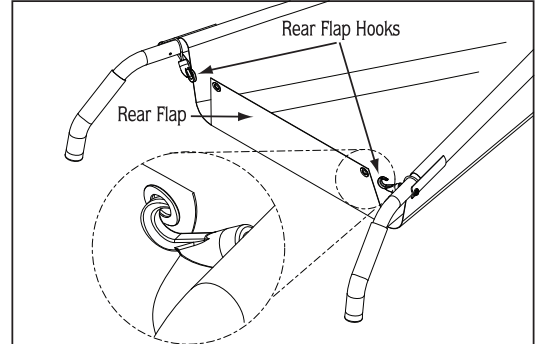


**3.** Assemble handles to front frame:  
Line up front hole in handle with front hole in front frame. Insert detent pin. Insert the remaining 2 pins into the pin holders for future use.

## Easy To Use

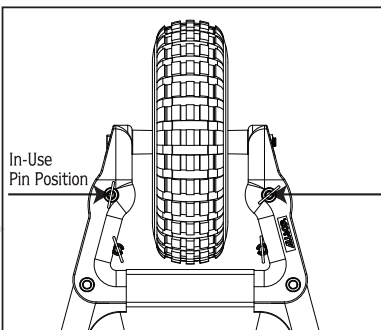


**1. LOADING**  
**(A)** Open handles to their widest position.  
**(B)** Fold rear flap down to rake material into wheel easy.

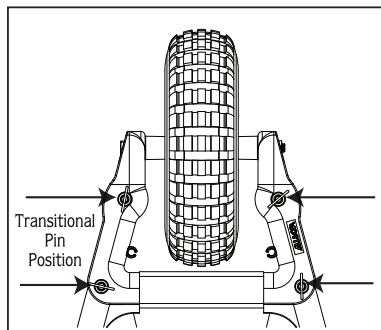


**2. REAR FLAP USE**  
Use rear flap to keep loose material in the WheelEasy™ LE. Attach rear flap hooks as shown.

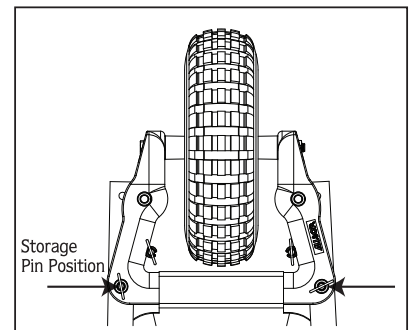
## Easy To Store



**Position #1 – In-Use**  
Move detent pins to the forward, "in-use" position.



**Position #2 – Transitional**  
Use additional pins to hold handles in place while changing positions  
**DO NOT USE IN THIS POSITION**



**Position #3 – Fold and Store**  
Move detent pins to the rear, "storage" position to fold and store the WheelEasy™ LE.