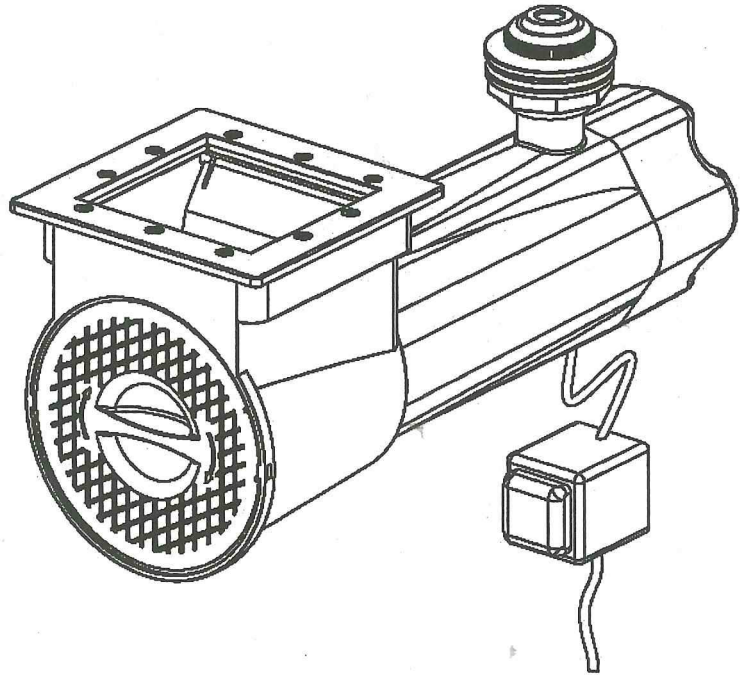


SUPER CLEAN FILTER PUMP USER'S MANUAL

(Model: CT-GEX-002A)



CE



ROHS
COMPLIANCE

Table Of Contents

Table Of Contents.....	1
Introduction & Features.....	2
Notice Of WEEE.....	2
Safety Instructions.....	3
Troubleshooting Guide.....	4
General Maintenance.....	5
Installation Instructions.....	6~7
Maintenance & Replacement.....	8
Parts List.....	9
Installation Illustration.....	10

Introduction & Features

We thank you for your purchase of our filter pump. We think you will find it quite simple to install and performance efficiently. We hereby would like to impress upon you the importance of reading this manual carefully in order to acquaint yourself thoroughly with the instructions and rules step by step. We guarantee you will have a very gratifying and rewarding experience and a pool, which will provide great pleasure and bring water recreation and poolside enjoyment to your family and friends. To maximize the benefits of the portable pool, it's absolutely necessary to properly filter the water to maintain high hygiene standards. The filter pump is manufactured as high quality performance that combines superior water filtration and following features:

- Designed for above ground swimming pool
- High volume flow through filter
- Easy Installation and maintenance
- Low cost on maintenance and operation
- Offer quiet and high quality performance
- Quality certified construction
- Reliable, corrosion-proof and reinforced material
- Elegant and delightful design.
- Smaller dimension easy to store and compact for winter
- TÜV-GS certified filter pump
- Safer for swimming --- and for the environment.
- The sound pressure level is less than 70dB(A).



Notice Of WEEE

- Do not dispose of electrical appliances as unsorted municipal waste, use separate collection facilities.
- Contact your local government for information regarding the collection systems available.
- If electrical appliances are disposed of in landfills or dumps, hazardous substances can leak into the groundwater and get into the food chain, damaging your health and well-being.
- When replacing old appliances with new ones, the retailer is legally obligated to take back your old appliance for disposal at least for free of charge.

Safety Instructions

When you want to install and use this electric equipment, following important points should followed and taking precautions:

1. **WARNING** - Check all parts and system accessories before starting.
2. **WARNING** - Do not bury supply cord. Locate supply cord where will not be damaged by lawn mowers, hedge trimmers and other equipments.
3. **WARNING** - The power cord of this appliance cannot be replaced. If the cord is damaged the appliance should be scrapped.
4. **WARNING** - Don't use this filter pump to vacuum pool. And this unit designed only for storable pool, not for permanently installed pool. Improper use to cause overheating will make the motor burnout and damage.
5. **WARNING** - To avoid overheating on the filter pump motor, make sure the pump is running with water and never left off the water when using this appliance.
6. **WARNING** - This appliance is not intended for use by persons (including children) with reduced physical, sensory or mental capabilities, or lack of experience and knowledge, unless they have been given supervision or instruction concerning use of the appliance by a person responsible for their safety.
7. **WARNING** - Children must be supervised to ensure that they do not play with the appliance.
8. **WARNING** - The pump must be supplied through a residual current device (RCD) having a rated residual operating current not exceeding 30mA.
9. **WARNING** - The transformer shall be located 2 m away from the pool.

Trouble Shooting Guide

1. **PUMP DOES NOT OPERATE**
 - A. Check for blown fuses, circuit breakers, or disconnected electrical wiring.
 - B. Check motor to shut it off if too hot or overload. Let motor cool down.
 - C. Consult dealer/installer or service representative.
2. **WATER FLOWS VERY SLOW OR NOT RUNNING OUT WATER WHILE MOTORIS RUNNING**
 - A. Check obstructions in intake hose or discharge hose inside pool wall.
 - B. Replace cartridge.
 - C. Clean cartridge more often.
 - D. Consult dealer/installer or service representative for assistance.
3. **FILTER PUMP DOES NOT FUNCTION PROPERLY**
 - A. Make sure there is no leaks in filter housing.
 - B. Check if the filter is too dirty and needs to be clean.
 - C. Consult dealer/installer or service representative for assistance.
4. **FILTER PUMP IS NOT CLEANING THE POOL**
 - A. Adjust chlorine and PH level.
 - B. Clean or replace cartridge.
 - C. Check for holes in cartridge. Replace if damaged.
 - D. Let filter operate more longer.
 - E. Clean the debris off strainer screen at pool wall.
 - F. Consult dealer/installer or service representative for assistance.

General Maintenance

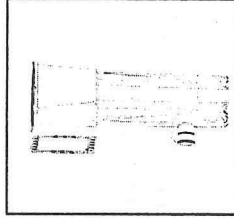
1. To avoid danger or fatal electrical shock hazard, disconnect power before any maintenance.
2. Depending on the parts usage, keep some spare available; strongly recommend to have two Filter Cartridges for spare use.
3. No lubrication or regular mechanical maintenance is needed.
4. Clean the filter pump with a mild detergent and rinsing off with water.
5. Do not use any type of solvents to clean filter; solvents may damage plastic components in system.
6. Maintain pool PH level between 7.2 to 7.6.
7. Do not use extension cord outlet or converter plugs of any sort.
8. Dry off water from inner housing of the Filter Pump.
9. Store all component parts in a dry storage location with ventilation. But make sure they are dried before storing.
10. You can utilize the original packing carton for easy storage and employ again for the next season.

Installation Instructions

Please see the diagram of Page 9 & Page 10 for reference.

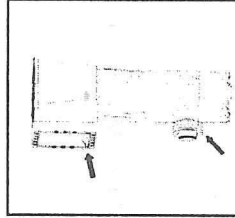
1. Before setting up the filter pump, make sure pool frame is fully assemble and filled with water. Then carefully follow step by step of users instructions manual for simple installation.
2. Remove the filter pump, AC adapter and all other accessories from the packaging.
3. The maximum height of filter pump position shall not exceed 75cm above water level.

Please Note:



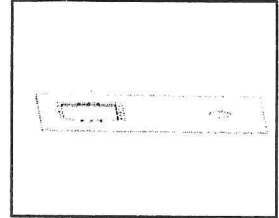
Step 1 :

Attach the waterproof tape around the water outlet port.



Step 2 :

Install the movable door (P07) from the water inlet of the filter pump. Then Affixed a Spigot (P15) with fastener (P12), cork buffer (P13), and o-ring (P14) onto the water outlet port of the pump the pump.

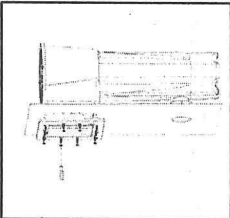


Step 3 :

Annex a waterproof cushion (P09) to the inner side of swimming pool wall.

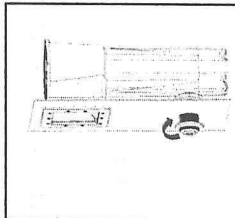
Step 4 :

Padlock the protection frame (P10) to the pump through waterproof cushion (P09) with screws and screwdriver.



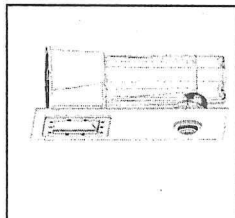
Step 5 :

Clockwise revolve the spray nozzle into the pool wall and out until it has a clear visibility to move about.



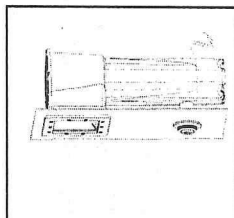
Step 6 :

Then tighten down the pump connection by revolving fastener (P12) counterclockwise until both sides of spray nozzle and fastener can no longer be moved.



Step 7 :

After Installation is completed you can start to connect the power supply and begin to use.

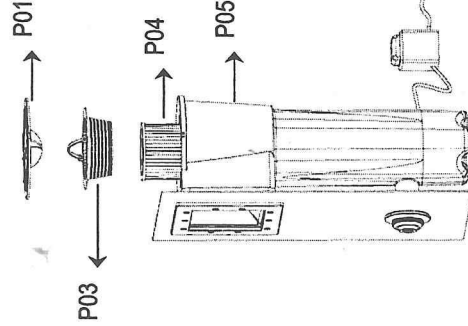


Maintenance & Replacement

NOTE : Make sure the AC adapter power supply is cutoff from the outlet.

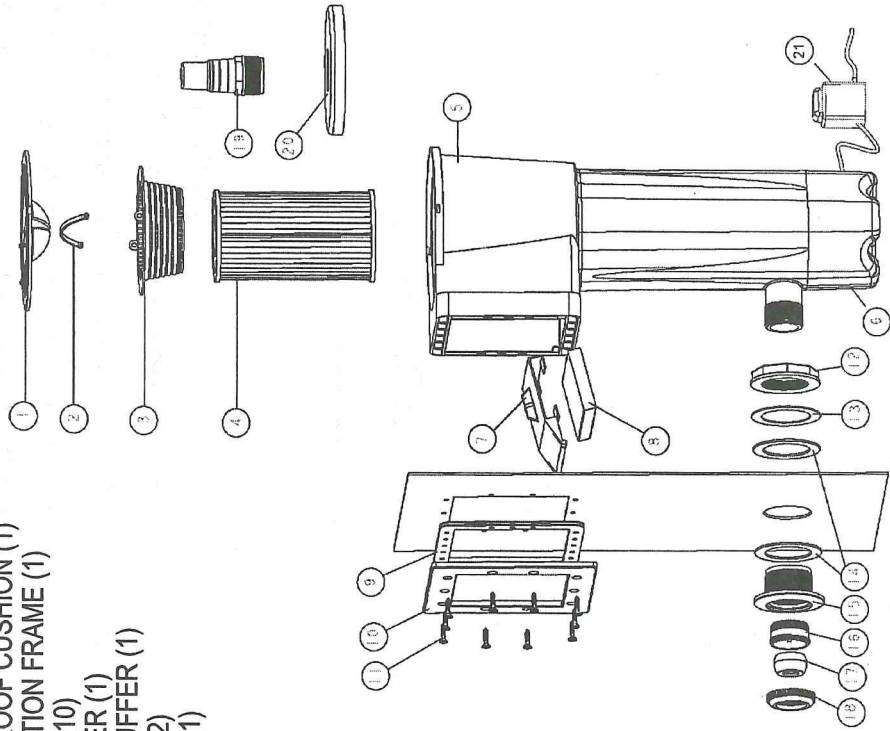
Steps :

1. In a counter-clockwise direction, remove the Upper Cover (P01). and place it at a visible location..
2. Remove old Filter Basket (P03) and Filter Cartridge (P04)
3. Place a new Filter Cartridge (P04) into the Filter Housing (P05).
4. Put the Filter Basket (P03) in the Filter Housing (P05).
5. Place Upper Cover (P01) backs to its original position and secure tightly onto the Filter Housing (P05) from a clockwise direction.
6. Reconnect the power supply.



Parts List

- | | |
|--------------------------------|--------------------------|
| 1. UPPER COVER (1) | 16. SPRAY NOZZLE (1) |
| 2. BASKET HANDLE (1) | 17. SPRAY HEAD (1) |
| 3. FILTER BASKET (1) | 18. CAP NUT (1) |
| 4. FILTER CARTRIDGE (1) | 19. DEFECATOR NOZZLE (1) |
| 5. FILTER HOUSING (1) | 20. DEFECATOR COVER (1) |
| 6. LOWER COVER (1) | 21. TRANSFORMER (1) |
| 7. MOVABLE DOOR (1) | |
| 8. ARTIFICIAL PEARL COTTON (1) | |
| 9. WATERPROOF CUSHION (1) | |
| 10. PROTECTION FRAME (1) | |
| 11. SCREW (10) | |
| 12. FASTENER (1) | |
| 13. CORK BUFFER (1) | |
| 14. O-RING (2) | |
| 15. SPIGOT (1) | |



Installation Illustration

