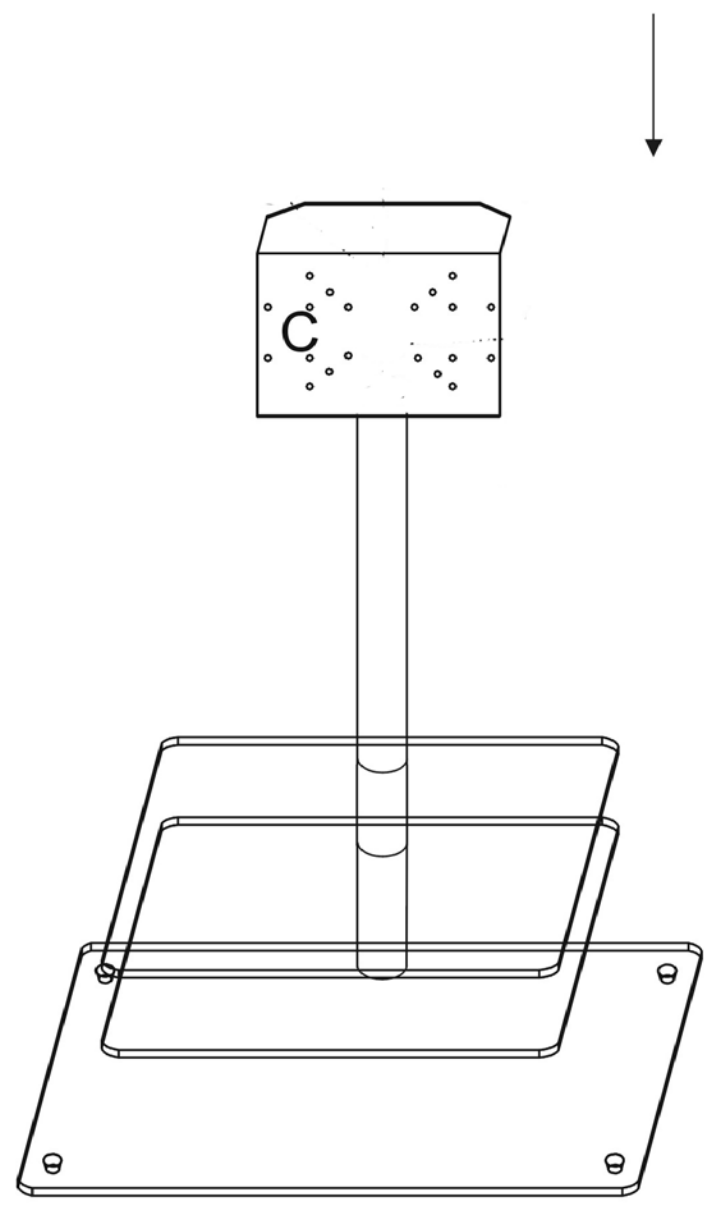
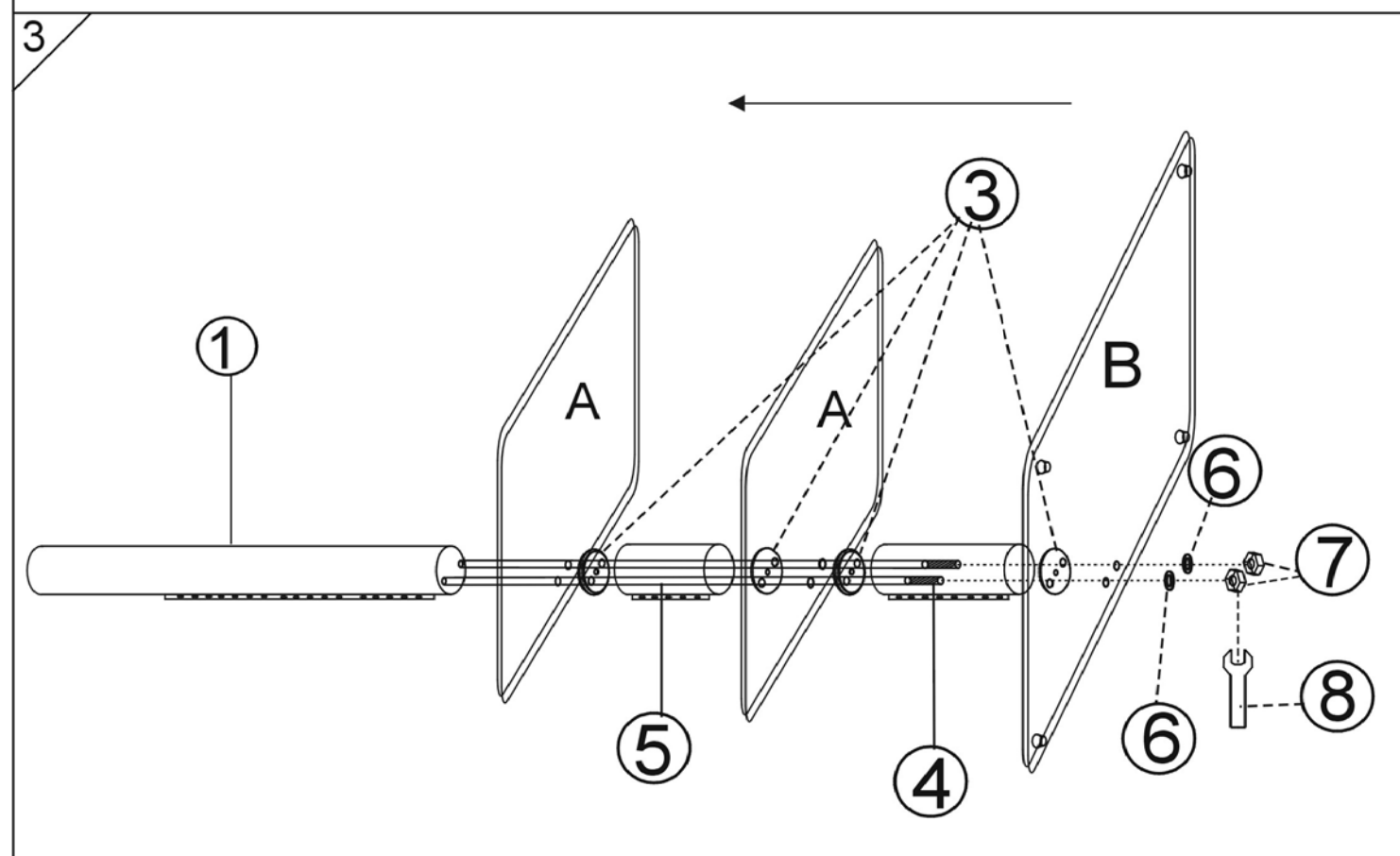
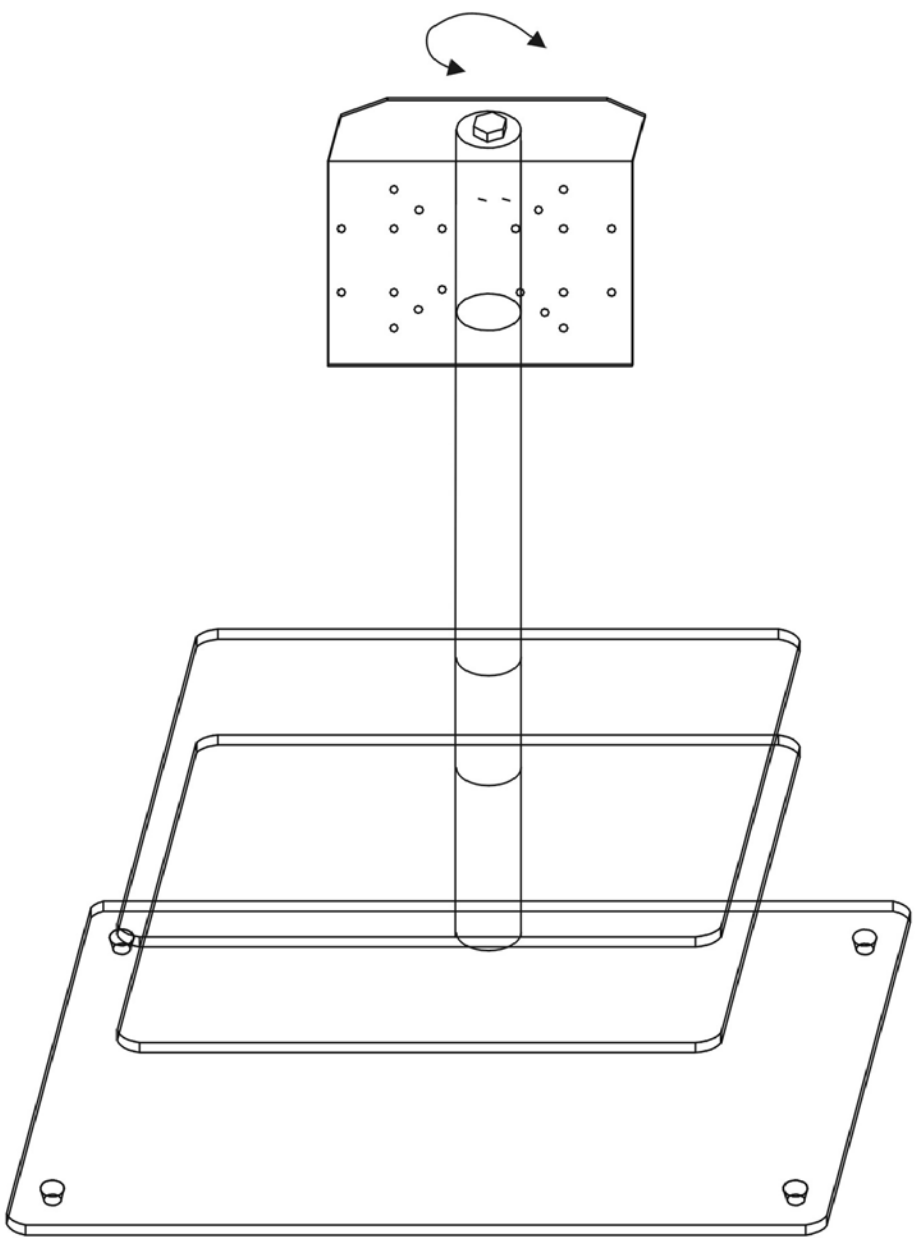


Gesamtbelastbarkeit: max. 50 kg
 Belastbarkeit Flatscreen
 Vorrichtung: max. 50 kg
 Belastbarkeit Table: 25 kg



Model 3896/38

1



1	2	3	4	5	6	7	8
1* ϕ 76X660	1* ϕ 76X160	2*M10X500	1* ϕ 76X210	2*	2*	5*	1*

A	B	C
2*500X400X12	1*600X460X12	1*

	1	4	5
	1* ϕ 76X660	1* ϕ 76X160	1* ϕ 76X210

Bearing capacity mount : max. 50kg
 Bearing capacity glassplate (A) : max. 25kg
 Bearing capacity bottom glassplate (B) : max. 25kg

Total bearing capacity : max 50kg

+ = \pm 30min