

Register your product and get support at
www.philips.com/welcome

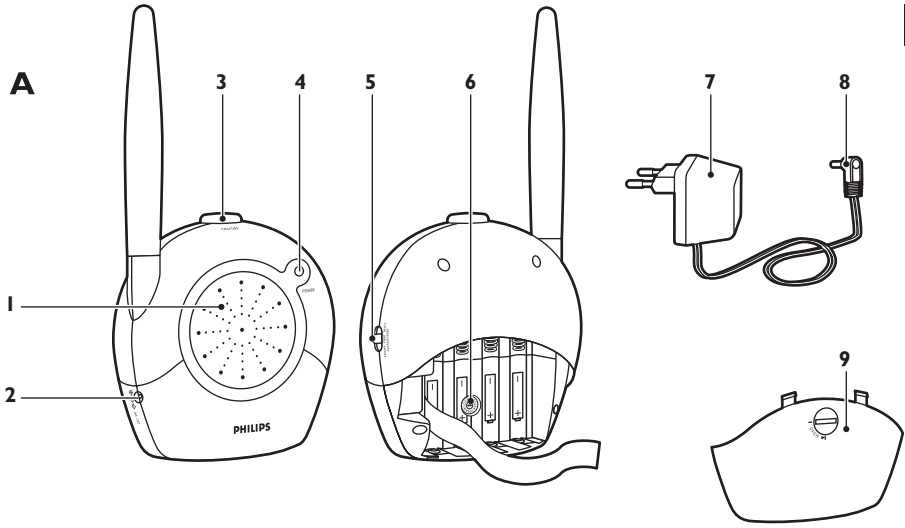
SCD480



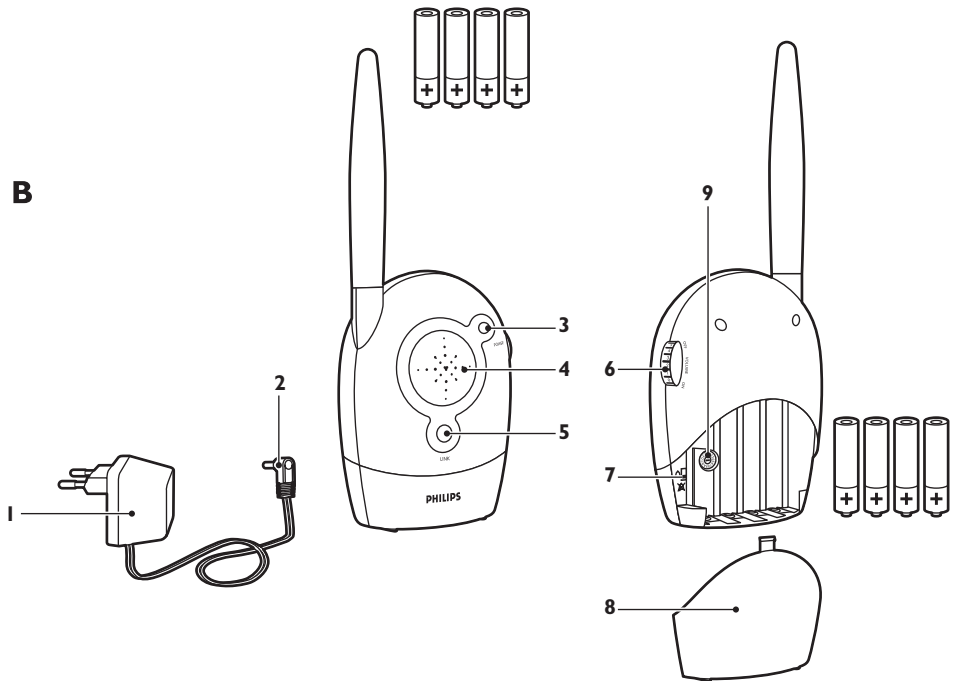
PHILIPS
AVENT



A



B



ENGLISH	6
DANSK	13
DEUTSCH	21
ΕΛΛΗΝΙΚΑ	29
SUOMI	38
FRANÇAIS	45
NEDERLANDS	53
ESPAÑOL	62
ITALIANO	70
NORSK	78
PORTUGUÊS	85
SVENSKA	92
TÜRKÇE	100
BAHASA INDONESIA	107

Introduction

Congratulations on your purchase and welcome to Philips AVENT! To fully benefit from the support that Philips AVENT offers, register your product at www.philips.com/welcome.

Philips AVENT is dedicated to producing caring, reliable products that give parents the reassurance they need. This Philips AVENT baby monitor allows you to hear your baby from wherever you are in and around your home. The sixteen different channel options guarantee minimal interference and a secure reception, enabling you to be in constant contact with your baby.

General description (Fig. 1)

A Baby unit

- 1 Microphone
- 2 Socket for small plug
- 3 On/off button
- 4 Power-on light
- 5 Microphone sensitivity control
- 6 Channel selector
- 7 Adapter
- 8 Small plug
- 9 Battery compartment lid

B Parent unit

- 1 Adapter
- 2 Small plug
- 3 Power-on light
- 4 Loudspeaker
- 5 Connection light
- 6 Volume control with on/off function
- 7 Connection alarm switch
- 8 Battery compartment lid
- 9 Channel selector

Important

Read these instructions for use carefully before you use the appliance and save them for future reference.

Danger

- Never immerse any part of the baby monitor in water or any other liquid.

Warning

- Check if the voltage indicated on the adapters of the baby unit and the parent unit correspond to the local mains voltage before you connect the appliance.
- Only use the adapters supplied to connect the baby unit and the parent unit to the mains.
- The adapters contain a transformer. Do not cut off the adapters to replace them with other plugs, as this causes a hazardous situation.
- If the adapters are damaged, always have them replaced with one of the original type in order to avoid a hazard. For the correct type, see chapter 'Replacement'.
- Never use the baby monitor in moist places or close to water.
- Except for the battery compartments, do not open the housing of the baby unit or the parent unit in order to prevent electric shock.
- This appliance is not intended for use by persons (including children) with reduced physical, sensory or mental capabilities, or lack of experience and knowledge, unless they have been given supervision or instruction concerning use of the appliance by a person responsible for their safety.

- Children should be supervised to ensure that they do not play with the appliance.
- The baby monitor has an operating range of 200 meters/600 feet in open air. Depending on the surroundings and other disturbing factors, the operating range may be smaller (see section 'Operating range', in chapter 'Using the appliance'.

Caution

- Use and store the appliance at a temperature between 10°C and 40°C.
- Do not expose the baby unit and parent unit to extreme cold, heat or direct sunlight.
- Make sure the baby unit and its cord are always out of reach of the baby (at least 1 metre/3 feet away).
- Never place the baby unit inside the baby's bed or playpen.
- Never cover the parent unit and the baby unit with anything (e.g. a towel or blanket).
- Always place non-rechargeable batteries of the correct type in the baby unit and the parent unit.

General

- This baby monitor is intended as an aid. It is not a substitute for responsible and proper adult supervision and should not be used as such.

Electromagnetic fields (EMF)

This Philips AVENT appliance complies with all standards regarding electromagnetic fields (EMF). If handled properly and according to the instructions in this user manual, the appliance is safe to use based on scientific evidence available today.

Preparing for use

Baby unit

You can use the baby unit from the mains or on non-rechargeable batteries. Even if you are going to use the unit from the mains, we advise you to insert the non-rechargeable batteries. This guarantees automatic back-up in case of mains failure.

Mains operation

- 1 Put the appliance plug in the baby unit and put the adapter into a wall socket (Fig. 2).**
The power-on light goes on.

Operation on non-rechargeable batteries

The baby unit runs on four 1.5V R6 AA batteries (not included). We strongly advise you to use Philips LR6 PowerLife batteries.

Do not use rechargeable batteries, as the baby unit does not have a charging function.

Unplug the baby unit and make sure your hands and the unit are dry when you insert the non-rechargeable batteries.

- 1 Unlock the battery compartment lid by turning the locking knob with a coin. Then remove the lid (Fig. 3).**
- 2 Insert four non-rechargeable batteries.**
Make sure the + and - poles of the batteries point in the right direction.
- 3 Reattach the battery compartment lid and close it by turning the locking knob with a coin.**
When the batteries are low, the power light on the baby unit flashes red.

Parent unit

You can use the parent unit from the mains or on non-rechargeable batteries. Even if you are going to use the unit from the mains, we advise you to insert the non-rechargeable batteries. This guarantees automatic back-up in case of mains failure.

Mains operation

- 1 Put the appliance plug in the parent unit and put the adapter into a wall socket. The power-on light goes on.

Operation on non-rechargeable batteries

The parent unit runs on four 1.5V R6 AA batteries (not included). We strongly advise you to use Phillips LR6 PowerLife batteries.

Do not use rechargeable batteries, as the parent unit does not have a charging function.

Unplug the parent unit and make sure your hands and the unit are dry when you insert the non-rechargeable batteries.

- 1 Turn the locking knob a quarter turn (1) and slide the battery cover downwards to remove it (2) (Fig. 4).
- 2 Insert four non-rechargeable batteries. Make sure the + and - poles of the batteries point in the right direction.
- 3 Replace the battery compartment lid.

Note: When the batteries are low, the power light on the parent unit flashes red.

Note: When the batteries are completely empty, the parent unit automatically switches off and loses contact with the baby unit.

Using the appliance

- 1 Place the two units in the same room to test the connection (Fig. 5). Make sure the baby unit is at least 1 metre/3 feet away from the parent unit.
 - 2 Press the on/off button to switch on the baby unit (Fig. 6). The power-on light lights up green continuously.
 - 3 Turn the volume control to switch on the parent unit and to set the volume to the level you prefer. (Fig. 7).
The power-on light lights up green continuously.
- ▶ When a connection has been established between the units, the connection light on the parent unit lights up green constantly.

Note: It takes about 30 seconds before a connection is established.

Note: If a connection cannot be established, the connection light on the parent unit flashes red.

- 4 Place the baby unit at least 1 metre/3 feet away from your baby (Fig. 8).
- 5 Place the parent unit within the operating range of the baby unit. Make sure it is at least 1 metre/3 feet away from the baby unit. For more information on the operating range, see section 'Operating range' below (Fig. 9).

Operating range

The operating range of the baby monitor is 200 metres/600 feet in open air. Depending on the surroundings and other disturbing factors, this range may be smaller.

Dry materials	Material thickness	Loss of range
Wood, plaster, plaster cardboard, glass (without metal, wires or lead)	<30cm/12in	0-10%
Brick, plywood	<30cm/12in	5-35%

Dry materials	Material thickness	Loss of range
Reinforced concrete	<30cm/12in	30-100%
Metal grilles or bars	<1cm/0.4in	90-100%
Metal or aluminium sheets	<1cm/0.4in	100%

For wet and moist materials, the range loss may be up to 100%.

Features

Digital signal confirmation

The parent unit has a link light that continuously advises you of the status of the connection between the baby and the parent units. You can set an alert on the parent unit to notify you if the link is lost. The alert will sound an audible beep and the link light will flash red when a connection is lost.

To activate the alert on the parent unit:

- 1 Turn the locking knob a quarter turn (1) and slide the battery cover downwards to remove it (2) (Fig. 4).
 - 2 Set the link alarm switch in the battery compartment to the 'on' position.
 - 3 Replace the battery compartment lid.
- To switch off the alert, set the link alert switch to the 'off' position.

Adjustable sound sensitivity

With the microphone sensitivity control on the baby unit, you can set the sound that is picked up by the baby unit to the desired level: low, mid or high. When the microphone sensitivity is set to 'high', the baby unit picks up all sounds.

Note: The sensitivity of the baby unit can only be changed when there is a connection between the baby unit and the parent unit.

- 1 Use the microphone sensitivity control to set the microphone sensitivity of the baby unit to the desired level. You can use your own voice as a sound reference (Fig. 10). The power-on light on the baby unit turns yellow when a sound is transmitted.

Note: Whilst operating on batteries, if the sensitivity is set to a high level, the parent unit will consume more power.

Adjustable loudspeaker volume

You can change the volume on the parent unit, so you can adjust to suit your surroundings.

- 1 Turn the volume dial on the right side of the parent unit until the desired loudspeaker volume for the parent unit has been reached.

Note: Whilst operating on batteries, if the volume is set to a high level, the parent unit will consume more power.

Channel selector

Always make sure that the channel selectors inside the battery compartments of both units are set to the same channel. With these channel selectors, you can select sixteen different channel positions. If you experience interference from other baby monitors, radio devices etc., select a different channel..

- 1 Open the battery compartment lids of both units.

10 ENGLISH

► **Baby unit: (Fig. 3)**

- Turn the locking knob with a coin and remove the lid.
- Remove the batteries from the battery compartment, if present.
- Use a small, flat screwdriver to turn the channel selector to the desired position.

► **Parent unit: (Fig. 4)**

- Turn the locking knob a quarter turn (1) and slide the battery cover downwards to remove it (2).
- Remove the batteries from the battery compartment, if present.
- Use a small, flat screwdriver to turn the channel selector to the desired position.

Note: Make sure both units are set to the same channel.

If you do not experience any interference when you test the connection, close the battery compartments of the baby and the parent units.

If you experience interference, set the selector to another channel and test the connection again.

If the units are operating on non-rechargeable batteries, replace the batteries and close the battery compartments.

Cleaning and Maintenance

Do not immerse the parent unit or the baby unit in water and do not clean them under the tap.

Do not use cleaning spray or liquid cleaners.

- Unplug the baby unit or the parent unit if they are connected to the mains.
- Clean the parent unit and the baby unit with a damp cloth.

Make sure the units are dry before you connect them to the mains.

- Clean the adapters with a dry cloth.

Storage

When you are not going to use the baby monitor for some time, remove the non-rechargeable batteries from the baby unit and parent unit. Store the baby unit, the parent unit and the adapters in a cool and dry place.

Replacement

Baby unit

Batteries

Only replace the non-rechargeable batteries of the baby unit with four 1.5V R6 AA batteries.

Note: We strongly advise you to use Philips non-rechargeable batteries.

Adapter

Only replace the adapter of the baby unit with an adapter of the original type. You can order a new adapter from your dealer or a Philips service centre:

- SBC CS0920/00W (EU/SGP only)
- SBC CS0920/05W (UK only)
- 9VD200 (AU/NZ only)

Parent unit

Batteries

Only replace the non-rechargeable batteries of the parent unit with four 1.5V R6 AA batteries.

Note: We strongly advise you to use Philips non-rechargeable batteries.

Adapter

Only replace the adapter of the parent unit with an adapter of the original type. You can order a new adapter from your dealer or a Philips service centre:

- SBC CS0920/00W (EU/SGP only)
- SBC CS0920/05W (UK only)
- 9VD200 (AU/NZ only)

Environment

- ▶ **Do not throw away the appliance with the normal household waste at the end of its life, but hand it in at an official collection point for recycling. By doing this, you help to preserve the environment (Fig. 11).**
- ▶ **Batteries contain substances that may pollute the environment. Do not throw empty batteries away with the normal household waste, but hand them in at an official collection point. Always remove the batteries before discarding the appliance or handing it in at an official collection point. (Fig. 12)**

Guarantee and service

If you need service or information or if you have a problem, please visit the Philips AVENT website at **www.philips.com/AVENT** or contact the Philips Consumer Care Centre in your country (you can find the phone number in the worldwide guarantee leaflet). If there is no Consumer Care Centre in your country, go to your local Philips dealer.

Frequently asked questions

This chapter lists the questions most frequently asked about the appliance. If you cannot find the answer to your question, contact the Customer Care Centre in your country.

Question	Answer
Why is the power-on light not on?	Perhaps the appliance plug has not been inserted properly into the socket on the unit, or perhaps the adapter has not or not properly been inserted into the wall socket.
	You may also have forgotten to switch on the units. Press the on/off button on the baby unit and turn the volume control on the parent unit downwards to switch on the units.
	If you operate the units on batteries, the batteries may be low. In that case, replace the batteries.
Why does the power on light flash red?	You are operating the unit on batteries and the batteries are low. Replace the batteries.
Why does the parent unit produce a high pitched noise?	The units are too close together. Move the parent unit at least 1 metre/3 feet away from the baby unit. If this does not help, the volume is too high. Turn the volume control to a lower volume.
Why is there no sound coming from the parent unit?	Check if the volume is set high enough. If the volume is too low, turn the volume control to a higher volume. Also check the microphone sensitivity of the baby unit.

Question	Answer
Why does the link light flash red?	It flashes red because there is no connection. The parent unit may be out of range of the baby unit or may be set to a different channel than the baby unit. Check if the parent unit and the baby unit are both set to the same channel. If they are, put the parent unit in a different place, closer to the baby unit.
Why does the parent unit beep?	What you hear is the link alarm. It indicates that there is no link between the baby and the parent units. The parent unit may be out of range of the baby unit or may be set to a different channel than the baby unit. Check if the parent unit and the baby unit are both set to the same channel. If they are, put the parent unit in a different place, closer to the baby unit.
Why does the parent unit react too slowly to the baby's sounds?	Set the microphone sensitivity on the baby unit to a higher level and/or move the baby unit closer to the baby. Make sure the baby unit is at least 1 metre/3 feet away from the baby.
Why does the parent unit react too quickly to other sounds?	Set the microphone sensitivity on the baby unit to a lower level and/or move the baby unit closer to the baby.
Why is the connection lost every now and then?	The parent unit is probably close to the boundaries of the operating range. Put the parent unit closer to the baby unit in a place where it has better reception. Please note that it takes about 30 seconds before the connection is re-established when you move one or both of the units.
Why do I get interference on the parent unit?	You may get interference when the parent unit is out of range of the baby unit. The parent unit may also be too close to a window and pick up interfering signals through this window. Move the parent unit away from the window.
	Interference also occurs if there are too many walls or ceilings between the parent unit and the baby unit. Put the parent unit in a different place, closer to the baby unit. Also make sure the units are well away from mobile or cordless phones, radios or TVs.
Why does the parent unit pick up signals from another baby monitor?	The baby monitor operates on the same channel as another baby monitor in the neighbourhood. Set both units to a different channel with the channel selector.
Why doesn't the baby monitor manage the specified range of 200m?	The specified range of 200 metres is only valid in open air. Inside the house the range is limited by the number and type of walls and/or ceilings between the two units. Change the position of one or both units to optimise the range.
What happens when there is a mains failure?	If you are using the units from the mains without having put batteries in them, the connection will be lost when there is a mains failure. If there are batteries in both units, they will automatically switch to battery power in case of a mains failure and the connection will not be lost.

Introduktion

Tillykke med dit køb og velkommen til Philips AVENT! For at få fuldt udbytte af den support, Philips AVENT tilbyder, skal du registrere dit produkt på www.philips.com/welcome.

Philips AVENT sætter en ære i at producere pålidelige produkter, der kan give forældre den tryghed, de har brug for. Denne Philips AVENT-babyalarm gør dig i stand til at høre din baby, lige meget hvor du befinder dig i og rundt om hjemmet. Muligheden for seksten forskellige kanalindstillinger garanterer minimal interferens og en sikker modtagelse, så du kan være i konstant kontakt med din baby.

Generel beskrivelse (fig. 1)

A Babyenhed

- 1 Mikrofon
- 2 Lille strømstik
- 3 On/Off-knap
- 4 Lysindikator for tændt
- 5 Indstilling af mikrofonfølsomhed
- 6 Kanalvælger
- 7 Adapter
- 8 Lille stik
- 9 Låg til batterirum

B Forældreenhed

- 1 Adapter
- 2 Lille stik
- 3 Lysindikator for tændt
- 4 Højtaler
- 5 Lysindikator for tilslutning
- 6 Lydstyrkekontrol med on/off-funktion
- 7 Alarm-omskifter for tilslutning
- 8 Låg til batterirum
- 9 Kanalvælger

Vigtigt

Læs brugsvejledningen omhyggeligt igennem, inden apparatet tages i brug, og gem den til eventuelt senere brug.

Fare

- Babyalarmen (eller dele af den) må aldrig kommes ned i vand eller andre væsker.

Advarsel

- Kontrollér, om den angivne netspænding på adapteren til babyenheden og forældreenheden svarer til den lokale netspænding, før du tilslutter apparatet.
- Brug kun de medfølgende adaptere ved tilslutning af babyenheden og forældreenheden til lysnettet.
- Begge adaptere indeholder en transformer, som aldrig må klippes af eller udskiftes med andre stik, da dette kan føre til farlige situationer.
- Hvis adapterne er beskadigede, skal de altid udskiftes med en original type for at undgå fare. Se i kapitlet "Udskiftning" for at finde den korrekte type.
- Babyalarmen må ikke bruges i fugtige omgivelser eller tæt ved vand.
- Forsøg aldrig at åbne andet end baby- eller forældreenhedens batterirum. Derved undgås elektrisk stød.
- Dette apparat er ikke beregnet til at blive brugt af personer (herunder børn) med nedsatte fysiske og mentale evner, nedsat følesans eller manglende erfaring og viden, medmindre de er

blevet vejledt eller instrueret i apparatets anvendelse af en person, der er ansvarlig for deres sikkerhed.

- Apparatet bør holdes uden for børns rækkevidde for at sikre, at de ikke kan komme til at lege med det.
- Babyalarmen har en rækkevidde på 200 meter i et åbent miljø. Afhængigt af omgivelserne og andre forstyrrende faktorer, kan rækkevidden være kortere (se afsnittet "Senderækkevidde" i kapitlet "Sådan bruges apparatet").

Forsigtig

- Apparatet skal opbevares ved temperaturer mellem 10° C og 40° C.
- Hverken baby- eller forældreenheden må udsættes for ekstrem kulde eller varme eller for direkte sollys.
- Babyenheden og dens ledning skal altid være uden for barnets rækkevidde (mindst 1 meter væk).
- Anbring ikke babyenheden i barnets seng eller kravlegård.
- Forældre- og babyenhederne må aldrig tildækkes (f.eks. med et håndklæde eller et tæppe).
- Brug altid den korrekte type ikke-genopladelige batterier i baby- og forældreenheden.

Generelt

- Denne babyalarm er beregnet som et hjælpemiddel. Den kan aldrig erstatte ansvarlig og korrekt forældreopsyn og -overvågning og må ikke bruges sådan.

Elektromagnetiske felter (EMF)

Dette Philips AVENT-apparat overholder alle standarder for elektromagnetiske felter (EMF). Ved korrekt anvendelse i overensstemmelse med instruktionerne i denne brugsvejledning er apparatet sikkert at anvende, ifølge den videnskabelige viden, der er tilgængelig i dag.

Klargøring

Babyenhed

Babyenheden kan enten bruges via lysnettet eller med ikke-genopladelige batterier. Selvom enheden får strøm fra lysnettet, anbefaler vi, at du sætter ikke-genopladelige batterier i. Det garanterer automatisk backup i tilfælde af strømsvigt.

Brug via lysnet

1 Sæt stikket til apparatet i babyenheden og sæt adapteren i en stikkontakt (fig. 2). Kontrollampen lyser.

Brug med ikke-genopladelige batterier

Babyenheden benytter fire 1,5 V batterier af typen R6 AA (medfølger ikke). Vi anbefaler Philips LR6 PowerLife-batterier.

Anvend ikke genopladelige batterier, da babyenheden ikke har nogen ladefunktion.

Tag babyenheden ud af stikkontakten, og sørg for, at dine hænder og enheden er tørre, når du isætter de ikke-genopladelige batterier.

1 Lås dækslet til batterirummet op ved at dreje låseknappen med en mønt. Fjern derefter dækslet (fig. 3).

2 Isæt fire ikke-genopladelige batterier.

Sørg for, at batteriernes poler (+ og -) vender den rigtige vej.

3 Sæt dækslet til batterirummet på igen, og lås det ved at dreje låseknappen med en mønt. Når batterierne er ved at løbe tør for strøm, blinker strømindikatoren på babyenheden rødt.

Forældreenhed

Forældreenheden kan enten bruges via lysnettet eller med ikke-genopladelige batterier. Selvom enheden får strøm fra lysnettet, anbefaler vi, at du sætter ikke-genopladelige batterier i. Det garanterer automatisk backup i tilfælde af strømsvigt.

Brug via lysnet

1 Sæt stikket til apparatet i forældreenheden, og sæt adapteren i en stikkontakt. Kontrollampen lyser.

Brug med ikke-genopladelige batterier

Forældreenheden benytter fire 1,5 V batterier af typen R6 AA (medfølger ikke). Vi anbefaler Philips LR6 PowerLife-batterier.

Anvend ikke genopladelige batterier, da forældreenheden ikke har nogen ladefunktion.

Tag forældreenheden ud af stikkontakten, og sørg for, at dine hænder og enheden er tørre, når du isætter de ikke-genopladelige batterier.

1 Drej låsekappen en kvart omgang (1), og skub dækslet nedad for at fjerne det (2) (fig. 4).

2 Isæt fire ikke-genopladelige batterier.

Sørg for, at batteriernes poler (+ og -) vender den rigtige vej.

3 Udskift låget til batterirummet.

Bemærk: Når batterierne er ved at løbe tør for strøm, blinker strømindikatoren på forældreenheden rødt.

Bemærk: Når batterierne er helt afladede, slukker forældreenheden automatisk, og kontakten til babyenheden afbrydes.

Sådan bruges apparatet

1 Anbring de to enheder i det samme værelse for at teste forbindelsen (fig. 5).

Babyenheden skal stå mindst 1 meter fra forældreenheden.

2 Tryk på on/off-knappen for at tænde babyenheden (fig. 6).

Lysindikatoren lyser konstant grønt.

3 Drej på lydstyrkeknapen for at tænde forældreenheden og for at indstille lydstyrken til det ønskede niveau. (fig. 7)

Lysindikatoren lyser konstant grønt.

► Når der er oprettet forbindelse mellem enhederne, lyser forbindelsesindikatoren på forældreenheden konstant grønt.

Bemærk: Det tager cirka 30 sekunder, før der er forbindelse.

Bemærk: Hvis der ikke kan oprettes forbindelse, blinker forbindelsesindikatoren på forældreenheden rødt.

4 Anbring babyenheden mindst 1 meter fra barnet (fig. 8).

5 Anbring forældreenheden inden for babyenhedens senderækkevidde. Sørg for, at den står min. 1 meter fra babyenheden. Se afsnittet "Senderækkevidde" herunder for at få flere oplysninger om rækkevidde (fig. 9).

Senderækkevidde

Babyalarmen har en rækkevidde på 200 meter i et åbent miljø. Rækkevidden kan være mindre afhængig af omgivelserne og andre forstyrrende elementer

Tørre materialer	Materialets tykkelse	Tab af rækkevidde
Træ, gips, pap, glas (uden metal, ledninger eller bly)	< 30 cm	0-10 %
Mursten, krydsfiner	< 30 cm	5-35 %
Armeret beton	< 30 cm	30-100 %
Metalgitter eller -stænger	< 1 cm	90-100 %
Metal- eller aluminiumsplader	< 1 cm	100 %

Våde og fugtige materialer kan give op til 100 % tab i rækkevidden.

Funktioner

Digital signalbekræftelse

Forældreenheden er udstyret med en forbindelsesindikator, der hele tiden oplyser dig om status for forbindelsen mellem baby- og forældreenheden. Du kan indstille en alarm på forældreenheden til at lyde, hvis forbindelse bliver afbrudt. Alarmen afgiver en bippelyd og forbindelsesindikatoren blinker rødt, når forbindelsen afbrydes.

Aktivering af alarmer på forældreenheden:

- 1 Drej låsekappen en kvart omgang (1), og skub dækslet nedad for at fjerne det (2) (fig. 4).
 - 2 Indstil alarm-omskifteren i batterirummet på "on".
 - 3 Udskift låget til batterirummet.
- For at deaktivere alarmer skal du indstille alarm-omskifteren på "off".

Justérbar lydfølsomhed

Med indstilling af mikrofonfølsomhed på babyenheden kan du indstille hvilket lydniveau, der bliver opfanget af babyenheden: lav, middel eller høj. Når mikrofonfølsomheden indstilles til "høj", opfanger babyenheden alle lyde.

Bemærk: Babyenhedens følsomhed kan kun ændres, når der er forbindelse mellem baby- og forældreenheden.

- 1 Brug indstilling af mikrofonfølsomheden til at indstille mikrofonfølsomheden på babyenheden til det ønskede niveau. Du kan bruge din egen stemme til at finde niveauet (fig. 10).
Lysindikatoren på babyenheden lyser gult, når der sendes lyd.

Bemærk: Hvis enheden kører på batterier samtidig med, at følsomheden er indstillet til et højt niveau, vil forældreenheden bruge mere strøm.

Justering af højttalerens lydstyrke

Du kan justere lydstyrken på forældreenheden, så den passer til omgivelserne.

- 1 Drej lydstyrkevælgeren på højre side af forældreenheden indtil det ønskede lydniveau for højttaleren er nået.

Bemærk: Hvis enheden kører på batterier samtidig med, at lydstyrken er indstillet til et højt niveau, vil forældreenheden bruge mere strøm.

Kanalvælger

Sørg for, at kanalvælgerne i batterirummet på begge enheder er indstillet på den samme kanal. Med disse kanalvælgere kan du vælge mellem seksten forskellige kanalindstillinger. Hvis du oplever interferens fra andre babyalarmer eller radioenheder osv., kan du vælge en anden kanal.

1 Fjern dækslet til batterirummet på begge enheder.

● Babyenhed: (fig. 3)

- Drej låseknappen med en mønt, og fjern dækslet.
- Fjern eventuelle batterier fra batterirummet.
- Brug en lille, almindelig skruetrækker til at indstille kanalvælgeren til den ønskede position.

● Forældreenhed: (fig. 4)

- Drej låseknappen en kvart omgang (1), og skub dækslet nedad for at fjerne det (2).
- Fjern eventuelle batterier fra batterirummet.
- Brug en lille, almindelig skruetrækker til at indstille kanalvælgeren til den ønskede position.

Bemærk: Sørg for, at begge enheder er indstillet på den samme kanal.

Hvis du ikke oplever nogen interferens, når du tester forbindelsen, skal du lukke batterirummet på baby- og forældreenheden.

Hvis du oplever interferens, skal du indstille vælgeren på en anden kanal og teste forbindelsen igen. Hvis enhederne bruger ikke-genopladelige batterier, skal du indsætte dem igen og lukke batterirummet.

Rengøring og vedligeholdelse

Forældre- eller babyenheden må aldrig komme ned i vand eller skylles under vandhanen.

Anvend aldrig rengøringsmidler i spraydåse eller flydende rengøringsmidler.

- Tag stikket ud af baby- og forældreenheden, hvis de er tilsluttet lysnettet.
- Rengør forældre- og babyenhed med en fugtig klud.

Kontroller, at enhederne er tørre, før du slutter dem til lysnettet.

- Tør adapterne med en tør klud.

Opbevaring

Hvis babyalarmen ikke skal bruges i en længere periode, skal du fjerne de ikke-genopladelige batterier fra baby- og forældreenheden. Opbevar babyalarmen og adapterne på et køligt og tørt sted.

Udskiftning

Babyenhed

Batterier

Udskift kun de ikke-genopladelige batterier i babyenheden med fire 1,5 V R6 AA-batterier.

Bemærk: Vi anbefaler Philips' ikke-genopladelige batterier.

Adapter

Udskift kun babyenhedens adapter med en original type. Du kan bestille en ny adapter fra din forhandler eller et Philips Kundecenter:

- SBC CS0920/00W (Kun for EU/SGP)
- SBC CS0920/05W (Kun for UK)
- 9VD200 (kun AU/NZ)

Forældreenhed

Batterier

Udskift kun de ikke-genopladelige batterier i forældreenheden med fire 1,5V R6 AA-batterier.

Bemærk: Vi anbefaler Philips' ikke-genopladelige batterier.

Adapter

Udskift kun forældreenhedens adapter med en original type. Du kan bestille en ny adapter fra din forhandler eller et Philips Kundecenter:

- SBC CS0920/00W (Kun for EU/SGP)
- SBC CS0920/05W (Kun for UK)
- 9VD200 (kun AU/NZ)

Miljøhensyn

- ▶ Apparatet må ikke smides ud sammen med almindeligt husholdningsaffald, når det til sin tid kasseres. Aflever det i stedet på en kommunal genbrugsstation. På den måde er du med til at beskytte miljøet (fig. 11).
- ▶ Batterier indeholder substanser, der kan skade miljøet. Smid aldrig batterier ud sammen med det normale husholdningsaffald, men aflever dem på et officielt indsamlingssted for brugte batterier. Fjern altid batterierne, inden apparatet til sin tid kasseres, og aflever dem på et officielt indsamlingssted. (fig. 12)

Reklamationsret og service

Hvis der opstår behov for service eller oplysninger eller ved eventuelle problemer henvises til Philips AVENTs hjemmeside på adressen **www.philips.com/AVENT** eller det lokale Philips Kundecenter (telefonnumre findes i den vedlagte "WorldWide Guarantee"-folder). Hvis der ikke findes et kundecenter i dit land, bedes du kontakte din lokale Philips-forhandler.

Ofte stillede spørgsmål

Dette kapitel indeholder de mest almindeligt forekommende spørgsmål om apparatet. Hvis du ikke kan finde svar på dit spørgsmål, bedes du kontakte dit lokale Philips Kundecenter.

Spørgsmål	Svar
Hvorfor lyser indikatoren for tændt ikke?	Stikket til apparatet er muligvis ikke indsat korrekt i stikket på enheden, eller måske er adapteren ikke indsat korrekt i stikkontakten.
	Det er også muligt, at du har glemt at tænde for enhederne. Tryk på on/off-knappen på babyenheden, og drej lydstyrkeknappen på forældreenheden nedad for at tænde for enhederne.
	Hvis enhederne kører på batterier, er de muligvis ved at være afladede. I så fald skal de udskiftes.
Hvorfor blinker lysindikatoren rødt?	Enhederne kører på batterier, og batterierne er ved at være afladede. Udskift batterierne.
Hvorfor afgiver forældreenheden en høj hvinetone?	Enhederne er for tæt på hinanden. Anbring forældreenheden min. 1 meter fra babyenheden. Hvis det ikke hjælper, er lydstyrken for høj. Indstil lydstyrken til et lavere niveau.

Spørgsmål	Svar
Hvorfor kommer der ingen lyd fra forældreenheden?	Kontroller, om lydstyrken er tilstrækkelig høj. Hvis lydstyrken er for lav, skal du indstille den til et højere niveau. Kontroller også mikrofonfølsomheden på babyenheden.
Hvorfor blinker forbindelsesindikatoren rødt?	Den blinker rødt fordi der ikke er nogen forbindelse. Forældreenheden er muligvis ude for babyenhedens rækkevidde, eller indstillet på en anden kanal end babyenheden. Kontroller, om forældre- og babyenheden er indstillet på samme kanal. Hvis det er tilfældet, skal forældreenheden anbringes et andet sted tættere på babyenheden.
Hvorfor bipper forældreenheden?	Lyden kommer fra forbindelsesalarmer. Den indikerer, at der ikke er nogen forbindelse mellem baby- og forældreenheden. Forældreenheden er muligvis uden for babyenhedens rækkevidde eller indstillet på en anden kanal end babyenheden. Kontroller, om forældre- og babyenheden er indstillet på samme kanal. Hvis det er tilfældet, skal forældreenheden anbringes et andet sted tættere på babyenheden.
Hvordan kan det være, at forældreenheden reagerer så langsomt på lydene fra barnet?	Indstil mikrofonfølsomheden på babyenheden til et højere niveau, og/eller anbring babyenheden tættere på barnet. Sørg for, at babyenheden står min. 1 meter fra barnet.
Hvorfor reagerer forældreenheden alt for hurtigt på lyde fra omgivelserne?	Indstil mikrofonfølsomheden på babyenheden til et lavere niveau, og/eller anbring babyenheden tættere på barnet.
Hvorfor falder forbindelsen ud fra tid til anden?	Forældreenheden er formentlig tæt på den maksimale rækkevidde. Flyt forældreenheden tættere på babyenheden, så der bliver bedre forbindelse. Bemærk venligst, at der går omkring 30 sekunder, før forbindelsen gendannes, når du flytter en af enhederne.
Hvorfor opstår der interferens i forældreenheden?	Der kan opstå interferens, når forældreenheden er ude for babyenhedens rækkevidde. Forældreenheden kan også være anbragt for tæt på et vindue, hvorfra den opfanger forstyrrende signaler. Anbring forældreenheden væk fra vinduet. Der kan også opstå interferens, hvis der er for mange vægge eller etager mellem forældreenheden og babyenheden. Anbring forældreenheden et andet sted, tættere på babyenheden. Sørg også for, at enhederne står på afstand af mobile og trådløse telefoner, radioer eller TV-apparater.
Hvorfor modtager forældreenheden signaler fra en anden babyalarm?	Babyalarmer anvender den samme kanal som en anden babyalarm i området. Indstil begge enheder på en anden kanal via kanalvælgeren.
Hvorfor kan babyalarmer ikke klare de angivne 200 m?	Den angivne rækkevidde på 200 meter gælder kun for åbne miljøer. Inde i huset begrænses rækkevidden af antallet og typen af vægge og etager, der adskiller de to enheder. Anbring den ene eller begge enheder et andet sted for at optimere rækkevidden.

Spørgsmål	Svar
Hvad sker der ved strømsvigt?	Hvis du bruger enhederne via lysnettet, uden at der er sat batterier i, afbrydes forbindelsen ved strømsvigt. Hvis der er batterier i begge enheder, skifter de automatisk til batteristrøm i tilfælde af strømsvigt, og forbindelsen vil ikke gå tabt.

Einführung

Herzlichen Glückwunsch zu Ihrem Kauf und willkommen bei Philips AVENT! Um den Support von Philips AVENT optimal zu nutzen, registrieren Sie Ihr Produkt bitte unter www.philips.com/welcome. Philips AVENT hat es sich zur Aufgabe gemacht, zuverlässige Produkte für Babys und Kleinkinder zu entwickeln, die den Eltern die beruhigende Gewissheit verschaffen, die sie brauchen. Mit diesem Babyphone von Philips AVENT können Sie Ihr Baby hören, egal wo Sie sich in Haus und Garten befinden. Die 16 verfügbaren Kanalooptionen minimieren Störungen und garantieren Ihnen einen sicheren Empfang, sodass Sie jederzeit in Kontakt mit Ihrem Baby sind.

Allgemeine Beschreibung (Abb. 1)

A Babyeinheit

- 1 Mikrophon
- 2 Buchse für kleinen Stecker
- 3 Ein-/Ausschalter
- 4 Betriebsanzeige
- 5 Schalter für Mikrofonempfindlichkeit
- 6 Kanalwahlregler
- 7 Adapter

- 8 Gerätestecker
- 9 Batteriefachabdeckung

B Elterneinheit

- 1 Adapter
- 2 Gerätestecker
- 3 Betriebsanzeige
- 4 Lautsprecher
- 5 Verbindungsanzeige
- 6 Lautstärkereglern mit Ein/Aus-Funktion
- 7 Schalter für Verbindungsalarm
- 8 Batteriefachabdeckung
- 9 Kanalwahlregler

Wichtig

Lesen Sie diese Bedienungsanleitung vor dem ersten Gebrauch des Geräts sorgfältig durch und bewahren Sie sie für eine spätere Verwendung auf.

Gefahr

- Tauchen Sie keinen Teil des Babyphones in Wasser oder andere Flüssigkeiten.

Warnhinweis

- Prüfen Sie vor dem Anschluss des Geräts, ob die auf den Adaptern der Babyeinheit und der Elterneinheit angegebene Spannung mit der örtlichen Netzspannung übereinstimmt.
- Verwenden Sie zum Anschließen der Baby- und Elterneinheit an das Stromnetz ausschließlich die mitgelieferten Adapter.
- Die Adapter enthalten jeweils einen Transformator. Ersetzen Sie die Adapter keinesfalls durch andere Stecker, da dies den Benutzer gefährden würde.
- Wenn die Adapter beschädigt sind, dürfen sie nur durch Original-Ersatzteile ersetzt werden, um Gefährdungen zu vermeiden. Informationen zu den richtigen Typen finden Sie im Kapitel "Ersatz".
- Benutzen Sie das Babyphone keinesfalls in feuchter Umgebung oder in der Nähe von Wasser.
- Um Stromschläge zu vermeiden, sollten Sie mit Ausnahme des Batteriefachs das Gehäuse der Baby- und der Elterneinheit nicht öffnen.
- Dieses Gerät ist für Benutzer (einschl. Kinder) mit eingeschränkten physischen, sensorischen oder psychischen Fähigkeiten bzw. ohne jegliche Erfahrung oder Vorwissen nur dann geeignet,

wenn eine angemessene Aufsicht oder ausführliche Anleitung zur Benutzung des Geräts durch eine verantwortliche Person sichergestellt ist.

- Achten Sie darauf, dass Kinder nicht mit dem Gerät spielen.
- Der Empfangsbereich des Babyphones beträgt im Freien 200 Meter. Je nach Umgebung und anderen Störfaktoren kann die Reichweite auch geringer sein. Mehr Informationen dazu finden Sie im Abschnitt "Empfangsbereich" im Kapitel "Das Gerät benutzen".

Achtung

- Benutzen und verwahren Sie das Gerät bei Temperaturen zwischen 10 °C und 40 °C.
- Setzen Sie die Baby- und die Elterneinheit keinen extrem kalten oder heißen Temperaturen und keinem direkten Sonnenlicht aus.
- Achten Sie darauf, dass sich Babyeinheit und Kabel immer außerhalb der Reichweite Ihres Kindes befinden (Entfernung mindestens 1 Meter).
- Legen Sie die Babyeinheit keinesfalls in das Kinderbett oder in den Laufstall.
- Decken Sie die Elterneinheit und die Babyeinheit niemals ab (z. B. mit einem Handtuch oder einer Decke).
- Legen Sie immer Batterien des richtigen Typs in die Baby- und Elterneinheit ein.

Allgemeines

- Dieses Babyphone ist als Unterstützung für Sie gedacht und nicht als Ersatz für eine verantwortungsbewusste und ordnungsgemäße Überwachung durch Erwachsene. Daher sollte es auch nicht zu diesem Zweck eingesetzt werden.

Elektromagnetische Felder

Dieses Philips AVENT Gerät erfüllt sämtliche Normen bezüglich elektromagnetischer Felder (EMF). Nach aktuellen wissenschaftlichen Erkenntnissen ist das Gerät sicher im Gebrauch, sofern es ordnungsgemäß und entsprechend den Anweisungen in dieser Bedienungsanleitung gehandhabt wird.

Für den Gebrauch vorbereiten

Babyeinheit

Sie können die Babyeinheit entweder über die Steckdose oder mit Batterien betreiben. Doch selbst bei Netzbetrieb empfehlen wir, die Batterien einzusetzen. So bleibt das Gerät auch bei einem Stromausfall betriebsbereit.

Netzbetrieb

- 1** Stecken Sie den Gerätestecker in die Buchse der Babyeinheit und den Adapter in eine Steckdose (Abb. 2).

Die Betriebsanzeige leuchtet auf.

Batteriebetrieb

Die Babyeinheit benötigt vier Batterien vom Typ 1,5 V R6 AA (nicht im Lieferumfang enthalten). Wir empfehlen den Einsatz von Philips LR6 PowerLife-Batterien.

Verwenden Sie keine Akkus, da die Babyeinheit über keine Ladefunktion verfügt.

Ziehen Sie die Babyeinheit aus der Steckdose, und achten Sie darauf, dass Ihre Hände und die Einheit beim Einsetzen der Batterien vollkommen trocken sind.

- 1** Öffnen Sie die Abdeckung des Batteriefachs mithilfe einer Münze, und entfernen Sie die Abdeckung (Abb. 3).

- 2** Setzen Sie vier nicht wiederaufladbare Batterien ein.

Achten Sie darauf, dass die Polung (+) bzw. (-) auf den Batterien mit den Markierungen im Batteriefach übereinstimmt.

- 3** Bringen Sie die Abdeckung des Batteriefachs wieder an, und schließen Sie sie mithilfe einer Münze.

Wenn die Batterien fast leer sind, blinkt die Betriebsanzeige an der Babyeinheit rot.

Elterneinheit

Sie können die Elterneinheit entweder über die Steckdose oder mit Batterien betreiben. Doch selbst bei Netzbetrieb empfehlen wir, die Batterien einzusetzen. So bleibt das Gerät auch bei einem Stromausfall betriebsbereit.

Netzbetrieb

- 1** Stecken Sie den Gerätestecker in die Buchse der Elterneinheit und den Adapter in eine Steckdose.

Die Betriebsanzeige leuchtet auf.

Batteriebetrieb

Die Elterneinheit benötigt vier Batterien vom Typ 1,5V R6 AA (nicht im Lieferumfang enthalten). Wir empfehlen den Einsatz von Philips LR6 PowerLife-Batterien. Verwenden Sie keine Akkus, da die Elterneinheit über keine Ladefunktion verfügt.

Ziehen Sie die Elterneinheit aus der Steckdose, und achten Sie darauf, dass Ihre Hände und die Einheit beim Einsetzen der Batterien vollkommen trocken sind.

- 1** Drehen Sie die Verriegelung um 90 Grad (1), und schieben Sie die Abdeckung des Batteriefachs nach unten, um sie abzunehmen (2) (Abb. 4).

- 2** Setzen Sie vier nicht wiederaufladbare Batterien ein.

Achten Sie darauf, dass die Polung (+) bzw. (-) auf den Batterien mit den Markierungen im Batteriefach übereinstimmt.

- 3** Ersetzen Sie die Abdeckung des Batteriefachs.

Hinweis: Wenn die Batterien fast leer sind, blinkt die Betriebsanzeige an der Elterneinheit rot.

Hinweis: Wenn die Batterien vollständig entleert sind, schaltet sich die Elterneinheit automatisch aus, und die Verbindung zur Babyeinheit wird unterbrochen.

Das Gerät benutzen

- 1** Stellen Sie die beiden Geräte im selben Raum auf, um die Verbindung zu überprüfen (Abb. 5).

Die Babyeinheit muss dabei mindestens 1 Meter von der Elterneinheit entfernt sein.

- 2** Drücken Sie den Ein-/Ausschalter, um die Babyeinheit einzuschalten (Abb. 6).

Die Betriebsanzeige leuchtet grün.

- 3** Drehen Sie den Lautstärkeregel, um die Elterneinheit einzuschalten und die gewünschte Lautstärke einzustellen. (Abb. 7)

Die Betriebsanzeige leuchtet grün.

- Wenn eine Verbindung zwischen den beiden Geräten hergestellt worden ist, leuchtet die Verbindungsanzeige an der Elterneinheit grün.

Hinweis: Es dauert ca. 30 Sekunden, bis eine Verbindung hergestellt ist.

Hinweis: Wenn keine Verbindung hergestellt werden kann, blinkt die Verbindungsanzeige an der Elterneinheit rot.

- 4** Stellen Sie die Babyeinheit mindestens 1 Meter von Ihrem Kind entfernt auf (Abb. 8).

- 5** Stellen Sie die Elterneinheit innerhalb des Empfangsbereichs der Babyeinheit auf. Achten Sie darauf, dass der Abstand zur Babyeinheit mindestens einen Meter beträgt. Weitere Informationen zum Empfangsbereich finden Sie im Abschnitt "Empfangsbereich" (Abb. 9).

Empfangsbereich

Der Empfangsbereich des Babyphones beträgt im Freien 200 Meter. Je nach Umgebung und anderen Störfaktoren kann die Reichweite auch geringer sein.

Trockene Materialien	Materialstärke	Empfangsverlust
Holz, Gips, Gipskarton, Glas (ohne Metall, Leitungen oder Blei)	< 30 cm	0 - 10%
Ziegel, Sperrholz	< 30 cm	5 - 35%
Stahlbeton	< 30 cm	30 - 100%
Metallgitter oder -stangen	< 1 cm	90 - 100%
Metall- oder Aluplatten	< 1 cm	100%

Bei nassen und feuchten Materialien kann der Empfangsverlust bis zu 100 % ausmachen.

Produktmerkmale

Digitale Signalbestätigung

Die Elterneinheit verfügt über eine Verbindungsanzeige, anhand derer Sie stets den Verbindungsstatus zwischen Baby- und Elterneinheit erkennen können. Sie können an der Elterneinheit einen Alarm einstellen, der Sie benachrichtigt, wenn die Verbindung unterbrochen wird. Es wird dann ein akustisches Signal ausgegeben, und die Verbindungsanzeige blinkt rot.

So aktivieren Sie den Alarm an der Elterneinheit:

- 1** Drehen Sie die Verriegelung um 90 Grad (1), und schieben Sie die Abdeckung des Batteriefachs nach unten, um sie abzunehmen (2) (Abb. 4).
- 2** Stellen Sie den Schalter für den Verbindungsalarm im Batteriefach in die Ein-Position.
- 3** Ersetzen Sie die Abdeckung des Batteriefachs.

Wenn Sie den Alarm deaktivieren möchten, stellen Sie den Schalter für den Verbindungsalarm in die Aus-Position.

Einstellbare Geräuschempfindlichkeit

Mit dem Regler für die Mikrofonempfindlichkeit an der Babyeinheit können Sie über drei Stufen festlegen, wie viele Geräusche die Babyeinheit übertragen soll: "Low" (Niedrig), "Mid" (Mittel) oder "High" (Hoch). Wenn die Mikrofonempfindlichkeit auf "High" eingestellt ist, überträgt die Babyeinheit alle Geräusche.

Hinweis: Die Empfindlichkeit der Babyeinheit kann nur bei bestehender Verbindung zwischen der Baby- und der Elterneinheit geändert werden.

- 1** Stellen Sie mit dem Regler für die Mikrofonempfindlichkeit die Empfindlichkeit der Babyeinheit auf die gewünschte Stufe. Sie können selbst in das Mikrofon sprechen, um einen Ansatzpunkt für die zu wählende Einstellung zu haben (Abb. 10).

Die Betriebsanzeige leuchtet gelb, wenn eine Übertragung stattfindet.

Hinweis: Im Batteriebetrieb verbraucht die Elterneinheit bei einer höheren Empfindlichkeitseinstellung mehr Strom.

Einstellbare Lautsprecherlautstärke

Sie können die Lautstärke an der Elterneinheit an die jeweilige Umgebung anpassen.

- 1 Stellen Sie mit dem Lautstärkeregler an der rechten Seite der Elterneinheit die gewünschte Lautstärke ein.

Hinweis: Im Batteriebetrieb verbraucht die Elterneinheit bei höheren Lautstärken mehr Strom.

Kanalwahlregler

Achten Sie immer darauf, dass die Kanalwahlregler in den Batteriefächern der beiden Geräte auf denselben Kanal eingestellt sind. Die Kanalwahlregler verfügen über 16 verschiedene Kanalpositionen. Stellen Sie einen anderen Kanal ein, wenn der Empfang durch andere Babyphones, Radiogeräte usw. gestört ist.

- 1 Öffnen Sie bei beiden Geräten die Abdeckungen der Batteriefächer.

► Babyeinheit: (Abb. 3)

- Drehen Sie die Verriegelung mithilfe einer Münze, und nehmen Sie die Abdeckung ab.
- Nehmen Sie die Batterien aus dem Batteriefach (sofern eingelegt).
- Stellen Sie den Kanalwahlregler mit einem kleinen Schlitzschraubendreher auf die gewünschte Position ein.

► Elterneinheit: (Abb. 4)

- Drehen Sie die Verriegelung um 90 Grad (1), und schieben Sie die Abdeckung des Batteriefachs nach unten, um sie abzunehmen (2).
- Nehmen Sie die Batterien aus dem Batteriefach (sofern eingelegt).
- Stellen Sie den Kanalwahlregler mit einem kleinen Schlitzschraubendreher auf die gewünschte Position ein.

Hinweis: Vergewissern Sie sich, dass beide Geräte auf denselben Kanal eingestellt sind.

Überprüfen Sie die Verbindung. Wenn keine Störungen auftreten, schließen Sie die Batteriefächer an der Baby- und Elterneinheit.

Sollten Störungen auftreten, stellen Sie mit den Kanalwahlreglern an beiden Geräten einen anderen Kanal ein, und überprüfen Sie die Verbindung erneut.

Wenn die Geräte mit nicht wiederaufladbaren Batterien betrieben werden, setzen Sie die Batterien wieder ein, und schließen Sie die Batteriefächer.

Reinigung und Wartung

Tauchen Sie die Eltern- oder die Babyeinheit nicht in Wasser ein, und reinigen Sie sie auch nicht unter fließendem Wasser.

Verwenden Sie weder Reinigungsspray noch flüssige Reinigungsmittel.

- Ziehen Sie die Adapter der Baby- und Elterneinheit aus der Steckdose, sofern sie eingesteckt sind.
- Reinigen Sie die Eltern- und die Babyeinheit mit einem feuchten Tuch.

Prüfen Sie, dass die Einheiten vollkommen trocken sind, bevor Sie sie an das Stromnetz anschließen.

- Reinigen Sie die Adapter mit einem trockenen Tuch.

Aufbewahrung

Wenn Sie vorhaben, das Babyphone längere Zeit nicht zu benutzen, entnehmen Sie die Batterien aus der Baby- und der Elterneinheit. Verwahren Sie die Babyeinheit, die Elterneinheit und die Adapter an einem kühlen und trockenen Ort.

Ersatz

Babyeinheit

Batterien

Ersetzen Sie die Batterien der Babyeinheit ausschließlich durch vier 1,5-V-Batterien des Typs R6 AA.

Hinweis: Wir empfehlen Ihnen, Batterien von Philips zu verwenden.

Adapter

Der Adapter der Babyeinheit darf nur durch einen Adapter des Originaltyps ersetzt werden. Neue Adapter können Sie bei Ihrem Händler oder bei einem Philips Service-Center bestellen:

- SBC CS0920/00W (nur EU/Singapur)
- SBC CS0920/05W (nur GB)
- 9VD200 (nur AU/NZ)

Elterneinheit

Batterien

Ersetzen Sie die Batterien der Elterneinheit ausschließlich durch vier 1,5-V-Batterien des Typs R6 AA.

Hinweis: Wir empfehlen Ihnen, Batterien von Philips zu verwenden.

Adapter

Der Adapter der Elterneinheit darf nur durch einen Adapter des Originaltyps ersetzt werden. Neue Adapter können Sie bei Ihrem Händler oder bei einem Philips Service-Center bestellen:

- SBC CS0920/00W (nur EU/Singapur)
- SBC CS0920/05W (nur GB)
- 9VD200 (nur AU/NZ)

Umweltschutz

- ▶ Werfen Sie das Gerät am Ende der Lebensdauer nicht in den normalen Hausmüll. Bringen Sie es zum Recycling zu einer offiziellen Sammelstelle. Auf diese Weise tragen Sie zum Umweltschutz bei (Abb. 11).
- ▶ Batterien enthalten Substanzen, die die Umwelt gefährden können. Entsorgen Sie Batterien nicht über den gewöhnlichen Hausmüll, sondern geben Sie sie an einer der offiziellen Sammelstellen ab. Entnehmen Sie die Batterien, bevor Sie das Gerät entsorgen und an einer offiziellen Sammelstelle abgeben. (Abb. 12)

Garantie und Kundendienst

Benötigen Sie weitere Informationen oder treten Probleme auf, besuchen Sie bitte die Philips AVENT Website (www.philips.com/AVENT), oder setzen Sie sich mit einem Philips Service-Center in Ihrem Land in Verbindung (Telefonnummer siehe Garantieschrift). Sollte es in Ihrem Land kein Service-Center geben, wenden Sie sich bitte an Ihren Philips Händler.

Häufig gestellte Fragen

Dieses Kapitel enthält die am häufigsten zu diesem Gerät gestellten Fragen. Sollten Sie hier keine Antwort auf Ihre Frage finden, wenden Sie sich bitte an das Philips Service-Center in Ihrem Land.

Frage	Antwort
Die Betriebsanzeige leuchtet nicht. Woran liegt das?	Der Gerätestecker wurde nicht richtig in die Buchse am Gerät gesteckt, oder der Netzstecker wurde nicht richtig in die Steckdose gesteckt.
	Möglicherweise haben Sie die Geräte nicht eingeschaltet. Drücken Sie den Ein-/Ausschalter an der Babyeinheit, und drehen Sie den Lautstärkeregler an der Elterneinheit, um die beiden Geräte einzuschalten.
	Wenn die Geräte mit Batterien betrieben werden, sind diese möglicherweise leer. Setzen Sie in diesem Fall neue Batterien ein.
Warum blinkt die Betriebsanzeige rot?	Sie betreiben das Gerät mit Batterien, die leer sind. Setzen Sie neue Batterien ein.
Warum ertönt aus der Elterneinheit ein schriller Ton?	Die Geräte sind nicht weit genug voneinander aufgestellt, sodass eine Rückkopplung auftritt. Stellen Sie die Elterneinheit mindestens 1 Meter von der Babyeinheit auf. Wenn das Problem dadurch nicht behoben wird, ist die Lautstärke zu hoch. Wählen Sie mit dem Lautstärkeregler eine niedrigere Lautstärke aus.
Warum höre ich an der Elterneinheit nichts?	Überprüfen Sie, ob die Lautstärke hoch genug eingestellt ist. Wenn die Lautstärke zu niedrig ist, wählen Sie mit dem Lautstärkeregler eine höhere Lautstärke aus. Überprüfen Sie außerdem die Mikrofonempfindlichkeit an der Babyeinheit.
Warum blinkt die Verbindungsanzeige rot?	Ein rotes Blinken bedeutet, dass keine Verbindung besteht. Möglicherweise befindet sich die Elterneinheit außerhalb des Empfangsbereichs der Babyeinheit, oder sie ist auf einen anderen Kanal eingestellt als die Babyeinheit. Vergewissern Sie sich, dass die Eltern- und die Babyeinheit auf denselben Kanal eingestellt sind. Wenn dies der Fall ist, stellen Sie die Elterneinheit näher zur Babyeinheit auf.
Warum ertönt an der Elterneinheit ein akustisches Signal?	Der Signalton ist der Verbindungsalarm, der ausgelöst wird, wenn die Verbindung zwischen der Baby- und der Elterneinheit unterbrochen ist. Möglicherweise befindet sich die Elterneinheit außerhalb des Empfangsbereichs der Babyeinheit, oder sie ist auf einen anderen Kanal eingestellt als die Babyeinheit. Vergewissern Sie sich, dass die Eltern- und die Babyeinheit auf denselben Kanal eingestellt sind. Wenn dies der Fall ist, stellen Sie die Elterneinheit näher zur Babyeinheit auf.
Warum reagiert die Elterneinheit zu langsam auf die Geräusche des Kindes?	Stellen Sie die Mikrofonempfindlichkeit an der Babyeinheit auf eine höhere Stufe, und/oder stellen Sie die Babyeinheit näher zum Baby auf. Stellen Sie sicher, dass die Babyeinheit mindestens 1 Meter vom Baby entfernt ist.
Warum reagiert die Elterneinheit zu schnell auf Umgebungsgeräusche?	Stellen Sie die Mikrofonempfindlichkeit an der Babyeinheit auf eine niedrigere Stufe, und/oder stellen Sie die Babyeinheit näher zum Baby auf.

Frage	Antwort
Weshalb geht zwischendurch die Verbindung immer wieder einmal verloren?	Die Elterneinheit befindet sich vermutlich an der äußeren Grenze ihres Empfangsbereichs. Verringern Sie den Abstand zur Babyeinheit, und platzieren Sie die Elterneinheit an einem Ort, an dem der Empfang besser ist. Beachten Sie bitte, dass es etwa 30 Sekunden dauert, die Verbindung wieder aufzubauen, nachdem Sie eine oder beide Einheiten bewegt haben.
Weshalb ist die Elterneinheit gestört?	Störungen können auftreten, wenn die Elterneinheit außerhalb des Empfangsbereichs der Babyeinheit ist. Es kann auch sein, dass die Elterneinheit zu nah an einem Fenster aufgestellt ist und durch dieses Fenster störende Signale empfängt. Stellen Sie die Elterneinheit an einem Ort auf, der weiter vom Fenster entfernt ist.
	Störungen können außerdem auftreten, wenn sich zwischen der Eltern- und der Babyeinheit zu viele Wände oder Decken befinden. Stellen Sie die Elterneinheit an einem anderen Ort auf, der näher an der Babyeinheit ist. Vergewissern Sie sich außerdem, dass die Geräte sich nicht in der Nähe von Mobiltelefonen, schnurlosen Telefonen, Radios oder Fernsehgeräten befinden.
Weshalb nimmt die Elterneinheit Signale eines anderen Babyphones auf?	Das Babyphone ist auf denselben Kanal wie ein anderes Babyphone in Ihrer Nähe eingestellt. Stellen Sie Ihre beiden Geräte mit den Kanalwahlreglern auf einen anderen Kanal ein.
Der Empfangsbereich beträgt weniger als 200 Meter. Woran kann das liegen?	Der angegebene Empfangsbereich von 200 Metern gilt nur im Freien. Innerhalb von Gebäuden wird die Reichweite durch die Anzahl und die Art der Wände und Decken zwischen den beiden Geräten verringert. Sie können die Reichweite erhöhen, indem Sie eines oder beide Geräte umstellen.
Was passiert bei einem Stromausfall?	Wenn Sie beide Geräte mit Netzstrom betreiben, geht die Verbindung bei einem Stromausfall verloren. Wenn in beide Geräte Batterien eingelegt sind, stellen diese automatisch auf Batteriebetrieb um, und die Verbindung bleibt erhalten.

Εισαγωγή

Συγχαρητήρια για την αγορά σας και καλώς ήρθατε στη Philips AVENT! Για να επωφεληθείτε πλήρως από την υποστήριξη που παρέχει η Philips AVENT, καταχωρήστε το προϊόν σας στην ιστοσελίδα www.philips.com/welcome.

Η Philips AVENT είναι αφοσιωμένη στη δημιουργία αξιόπιστων προϊόντων φροντίδας που προσφέρουν στους γονείς τη σιγουριά που χρειάζονται. Αυτό το βρεφικό μόνιτορ της Philips AVENT σας επιτρέπει να ακούτε το μωρό σας οπουδήποτε μέσα και σε κοντινή απόσταση από το σπίτι. Οι δεκαεξί διαφορετικές επιλογές καναλιών εξασφαλίζουν ελάχιστες παρεμβολές και ασφαλή λήψη, επιτρέποντάς σας να διατηρείτε συνεχή επαφή με το μωρό σας.

Γενική περιγραφή (Εικ. 1)

A Μονάδα μωρού

- 1 Μικρόφωνο
- 2 Υποδοχή για μικρό βύσμα
- 3 Κομπι on/off
- 4 Λυχνία λειτουργίας
- 5 Έλεγχος ευαισθησίας του μικροφώνου
- 6 Διακόπτης επιλογής καναλιών
- 7 Μετασχηματιστής
- 8 Μικρό βύσμα
- 9 Καπάκι θήκης μπαταριών

B Μονάδα γονέα

- 1 Μετασχηματιστής
- 2 Μικρό βύσμα
- 3 Λυχνία λειτουργίας
- 4 Ηχείο
- 5 Λυχνία σύνδεσης
- 6 Έλεγχος έντασης ήχου με λειτουργία on/off (ενεργοποίησης/απενεργοποίησης)
- 7 Διακόπτης ειδοποίησης σύνδεσης
- 8 Καπάκι θήκης μπαταριών
- 9 Διακόπτης επιλογής καναλιών

Σημαντικό

Διαβάστε αυτές τις οδηγίες χρήσης προσεκτικά πριν χρησιμοποιήσετε τη συσκευή και φυλάξτε τις για μελλοντική αναφορά.

Κίνδυνος

- Μην βυθίζετε ποτέ κανένα μέρος του βρεφικού μόνιτορ σε νερό ή οποιοδήποτε άλλο υγρό.

Προειδοποίηση

- Πριν συνδέσετε τη συσκευή, ελέγξτε εάν η τάση που αναγράφεται στους μετασχηματιστές της μονάδας μωρού και της μονάδας γονέα αντιστοιχεί στην τοπική τάση ρεύματος.
- Χρησιμοποιήστε μόνο τους μετασχηματιστές που παρέχονται για να συνδέσετε τη μονάδα μωρού και τη μονάδα γονέα στο ρεύμα.
- Οι μετασχηματιστές περιέχουν μετατροπείς. Μην κόψετε τα βύσματα των μετασχηματιστών για να τα αντικαταστήσετε με άλλα, καθώς αυτό θα προκαλέσει επικίνδυνες καταστάσεις.
- Εάν οι μετασχηματιστές υποστούν βλάβη, θα πρέπει να αντικατασταθούν μόνο με γνήσιους προς αποφυγή κινδύνου. Για πληροφορίες σχετικά με το σωστό τύπο μετασχηματιστών, ανατρέξτε στο κεφάλαιο 'Αντικατάσταση'.
- Μην χρησιμοποιείτε ποτέ το βρεφικό μόνιτορ σε υγρά μέρη ή κοντά σε νερό.

- Με εξαίρεση τις θήκες μπαταριών, μην ανοίγετε το περίβλημα της μονάδας μωρού ή της μονάδας γονέα προς αποφυγή κινδύνου ηλεκτροπληξίας.
- Αυτή η συσκευή δεν προορίζεται για χρήση από άτομα (συμπεριλαμβανομένων των παιδιών) με περιορισμένες σωματικές, αισθητήριες ή διανοητικές ικανότητες ή από άτομα χωρίς εμπειρία και γνώση, εκτός και εάν τη χρησιμοποιούν υπό επιτήρηση ή έχουν λάβει οδηγίες σχετικά με τη χρήση της συσκευής από άτομο υπεύθυνο για την ασφάλειά τους.
- Τα παιδιά θα πρέπει να επιβλέπονται προκειμένου να διασφαλιστεί ότι δεν θα παίζουν με τη συσκευή.
- Το βρεφικό μόνιτορ έχει εμβέλεια λειτουργίας 200 μέτρων/600 ποδιών σε εξωτερικό χώρο. Ανάλογα με τον περιβάλλοντα χώρο και άλλους παρεμβάλλοντες παράγοντες, η εμβέλεια λειτουργίας ενδέχεται να είναι μικρότερη (δείτε την ενότητα 'Εμβέλεια λειτουργίας' στο κεφάλαιο 'Χρήση της συσκευής').

Προσοχή

- Χρησιμοποιείτε και αποθηκεύετε τη συσκευή σε θερμοκρασίες μεταξύ 10°C και 40°C.
- Μην εκθέτετε τη μονάδα μωρού και τη μονάδα γονέα σε υπερβολικό κρύο, ζέστη ή σε άμεσο ηλιακό φως.
- Φροντίστε ώστε η μονάδα μωρού και το καλώδιο της να βρίσκονται πάντα σε σημείο που δεν μπορεί να φτάσει το μωρό (σε απόσταση τουλάχιστον 1 μέτρου/3 ποδιών).
- Μην τοποθετείτε ποτέ τη μονάδα μωρού στο κρεβάτι ή το πάρκο του μωρού.
- Μην καλύπτετε ποτέ τη μονάδα γονέα και τη μονάδα μωρού με οτιδήποτε (π.χ. πετσέτα ή κουβέρτα).
- Τοποθετείτε πάντα μη επαναφορτιζόμενες μπαταρίες σωστού τύπου στη μονάδα μωρού και στη μονάδα γονέα.

Γενικά

- Αυτό το βρεφικό μόνιτορ προορίζεται για βοήθημα. Δεν αποτελεί υποκατάστατο της υπεύθυνης και σωστής επιτήρησης ενός ενηλίκου και δεν πρέπει να χρησιμοποιείται ως τέτοιο.

Ηλεκτρομαγνητικά Πεδία (EMF)

Η συγκεκριμένη συσκευή της Philips AVENT συμμορφώνεται με όλα τα πρότυπα που αφορούν τα ηλεκτρομαγνητικά πεδία (EMF). Εάν γίνει σωστός χειρισμός και σύμφωνα με τις οδηγίες του παρόντος εγχειριδίου χρήσης, η συσκευή είναι ασφαλής στη χρήση βάσει των επιστημονικών αποδείξεων που είναι διαθέσιμες μέχρι σήμερα.

Προετοιμασία για χρήση

Μονάδα μωρού

Μπορείτε να χρησιμοποιήσετε τη μονάδα μωρού είτε με ρεύμα είτε με μη επαναφορτιζόμενες μπαταρίες. Ακόμα και εάν πρόκειται να χρησιμοποιήσετε τη μονάδα με ρεύμα, σας συνιστούμε να τοποθετήσετε τις μη επαναφορτιζόμενες μπαταρίες. Έτσι εξασφαλίζεται η αυτόματη εφεδρική λειτουργία σε περίπτωση διακοπής ρεύματος.

Λειτουργία με ρεύμα

- 1** Συνδέστε το βύσμα της συσκευής στη μονάδα μωρού και το μετασχηματιστή στην πρίζα (Εικ. 2).

Η λυχνία λειτουργίας ανάβει.

Λειτουργία με μη επαναφορτιζόμενες μπαταρίες

Η μονάδα μωρού λειτουργεί με τέσσερις μπαταρίες R6 AA 1,5V (δεν συμπεριλαμβάνονται). Σας συνιστούμε να χρησιμοποιείτε τις μπαταρίες LR6 PowerLife της Philips.

Μην χρησιμοποιείτε επαναφορτιζόμενες μπαταρίες, καθώς η μονάδα μωρού δεν διαθέτει λειτουργία φόρτισης.

Αποσυνδέστε τη μονάδα μωρού από την πρίζα και βεβαιωθείτε ότι τα χέρια σας και η μονάδα είναι στεγνά όταν τοποθετείτε τις μη επαναφορτιζόμενες μπαταρίες.

- 1** Απασφαλίστε το καπάκι της θήκης μπαταριών, γυρίζοντας την ασφάλεια με ένα κέρμα. Στη συνέχεια, αφαιρέστε το καπάκι (Εικ. 3).
- 2** Τοποθετήστε τέσσερις μη επαναφορτιζόμενες μπαταρίες. Βεβαιωθείτε ότι οι πόλοι + και - των μπαταριών δείχνουν προς τη σωστή κατεύθυνση.
- 3** Επανατοποθετήστε το καπάκι της θήκης μπαταριών και κλείστε το γυρίζοντας την ασφάλεια με ένα κέρμα. Όταν η ισχύς των μπαταριών είναι χαμηλή, η λυχνία λειτουργίας στη μονάδα μωρού αναβοσβήνει κόκκινη.

Μονάδα γονέα

Μπορείτε να χρησιμοποιήσετε τη μονάδα γονέα είτε με ρεύμα είτε με μη επαναφορτιζόμενες μπαταρίες. Ακόμα και εάν πρόκειται να χρησιμοποιήσετε τη μονάδα με ρεύμα, σάς συνιστούμε να τοποθετήσετε τις μη επαναφορτιζόμενες μπαταρίες. Έτσι εξασφαλίζεται η αυτόματη εφεδρική λειτουργία σε περίπτωση διακοπής ρεύματος.

Λειτουργία με ρεύμα

- 1** Συνδέστε το βύσμα της συσκευής στη μονάδα γονέα και το μετασχηματιστή στην πρίζα. Η λυχνία λειτουργίας ανάβει.

Λειτουργία με μη επαναφορτιζόμενες μπαταρίες

Η μονάδα γονέα λειτουργεί με τέσσερις μπαταρίες R6 AA 1,5V (δεν συμπεριλαμβάνονται). Σας συνιστούμε να χρησιμοποιείτε μπαταρίες LR6 PowerLife της Philips. Μην χρησιμοποιείτε επαναφορτιζόμενες μπαταρίες, καθώς η μονάδα γονέα δεν διαθέτει λειτουργία φόρτισης.

Αποσυνδέστε τη μονάδα γονέα από την πρίζα και βεβαιωθείτε ότι τα χέρια σας και η μονάδα είναι στεγνά όταν τοποθετείτε τις μη επαναφορτιζόμενες μπαταρίες.

- 1** Γυρίστε την ασφάλεια κατά ένα τέταρτο (1) και σύρετε το καπάκι της θήκης μπαταριών προς τα κάτω για να το αφαιρέσετε (2) (Εικ. 4).
- 2** Τοποθετήστε τέσσερις μη επαναφορτιζόμενες μπαταρίες. Βεβαιωθείτε ότι οι πόλοι + και - των μπαταριών δείχνουν προς τη σωστή κατεύθυνση.
- 3** Επανατοποθετήστε το καπάκι της θήκης μπαταριών.

Σημείωση: Όταν η ισχύς των μπαταριών είναι χαμηλή, η λυχνία λειτουργίας στη μονάδα γονέα αναβοσβήνει κόκκινη.

Σημείωση: Όταν οι μπαταρίες είναι εντελώς άδειες, η μονάδα γονέα απενεργοποιείται αυτόματα και χάνει την επαφή με τη μονάδα μωρού.

Χρήση της συσκευής

- 1** Τοποθετήστε τις δύο μονάδες στο ίδιο δωμάτιο για να ελέγξετε τη σύνδεση (Εικ. 5). Φροντίστε ώστε η μονάδα μωρού να βρίσκεται σε απόσταση τουλάχιστον 1 μέτρου/3 ποδιών από τη μονάδα γονέα.
- 2** Πατήστε το κουμπί on/off για να ενεργοποιήσετε τη μονάδα μωρού (Εικ. 6). Η λυχνία λειτουργίας ανάβει συνεχόμενα πράσινη.
- 3** Γυρίστε το διακόπτη ρύθμισης έντασης ήχου για να ενεργοποιήσετε τη μονάδα γονέα και για να ρυθμίσετε την ένταση στο επίπεδο που επιθυμείτε. (Εικ. 7) Η λυχνία λειτουργίας ανάβει συνεχόμενα πράσινη.

- ▶ Όταν επιτευχθεί σύνδεση μεταξύ των δύο μονάδων, η λυχνία σύνδεσης στη μονάδα γονέα ανάβει συνεχόμενα πράσινη.

Σημείωση: Για τη δημιουργία σύνδεσης χρειάζονται περίπου 30 δευτερόλεπτα.

Σημείωση: Εάν δεν μπορεί να επιτευχθεί σύνδεση, η λυχνία σύνδεσης στη μονάδα γονέα αναβοσβήνει κόκκινη.

- 4** Τοποθετήστε τη μονάδα μωρού σε απόσταση τουλάχιστον 1 μέτρου/3 ποδιών από το μωρό σας (Εικ. 8).

- 5** Τοποθετήστε τη μονάδα γονέα εντός της εμβέλειας λειτουργίας της μονάδας μωρού. Φροντίστε ώστε να βρίσκεται σε απόσταση τουλάχιστον 1 μέτρου/3 ποδιών από τη μονάδα μωρού. Για περισσότερες πληροφορίες σχετικά με την εμβέλεια λειτουργίας, δείτε την ενότητα 'Εμβέλεια λειτουργίας' στη συνέχεια. (Εικ. 9)

Εμβέλεια λειτουργίας

Η εμβέλεια λειτουργίας του βρεφικού μόνιτορ είναι 200 μέτρα/600 πόδια σε εξωτερικό χώρο. Ανάλογα με τον περιβάλλοντα χώρο και άλλους παρεμβάλλοντες παράγοντες, αυτή η εμβέλεια ενδέχεται να είναι μικρότερη.

Στεγνά υλικά	Πάχος υλικών	Απώλεια εμβέλειας
Ξύλο, γύψος, χαρτόνι, γυαλί (χωρίς μέταλλο, καλώδια ή μολυβδο)	<30 εκ./12 ίν.	0-10%
Τούβλο, κοντραπλακέ	<30 εκ./12 ίν.	5-35%
Ενισχυμένοτσιμέντο	<30 εκ./12 ίν.	30-100%
Μεταλλικές γρίλιες ή μπάρες	< 1εκ./0,4 ίν.	90-100%
Φύλλα μετάλλου ή αλουμίνιου	< 1εκ./0,4 ίν.	100%

Για υγρά υλικά, η απώλεια εμβέλειας ενδέχεται να φτάνει το 100%.

Χαρακτηριστικά

Επιβεβαίωση ψηφιακού σήματος

Η μονάδα γονέα διαθέτει μια λυχνία σύνδεσης που σας ενημερώνει συνεχώς για την κατάσταση της σύνδεσης ανάμεσα στη μονάδα μωρού και τη μονάδα γονέα. Μπορείτε να ρυθμίσετε μια ειδοποίηση στη μονάδα γονέα για να σας ενημερώσει εάν χαθεί η σύνδεση. Όταν συμβεί αυτό θα ακουστεί ένα ηχητικό σήμα (ένα 'μπιπ') και η λυχνία σύνδεσης αρχίζει να αναβοσβήνει κόκκινη.

Για να ενεργοποιήσετε την ειδοποίηση στη μονάδα γονέα :

- 1** Γυρίστε την ασφάλεια κατά ένα τέταρτο (1) και σύρετε το καπάκι της θήκης μπαταριών προς τα κάτω για να το αφαιρέσετε (2) (Εικ. 4).
- 2** Ρυθμίστε το διακόπτη ειδοποίησης σύνδεσης μέσα στη θήκη μπαταριών στη θέση 'on'.
- 3** Επανατοποθετήστε το καπάκι της θήκης μπαταριών.

Για να απενεργοποιήσετε την ειδοποίηση, ρυθμίστε το διακόπτη ειδοποίησης σύνδεσης στη θέση 'off'.

Προσαρμοσίμη ευαισθησία στον ήχο

Με τον έλεγχο ευαισθησίας του μικροφώνου στη μονάδα μωρού, μπορείτε να ρυθμίσετε τον ήχο που λαμβάνει η μονάδα μωρού στο επιθυμητό επίπεδο: χαμηλό, μεσαίο ή υψηλό. Όταν η

ευαισθησία του μικροφώνου έχει ρυθμιστεί σε 'υψηλό', η μονάδα μωρού λαμβάνει όλους τους ήχους.

Σημείωση: Μπορείτε να αλλάξετε την ευαισθησία της μονάδας μωρού όταν υπάρχει σύνδεση μεταξύ της μονάδας μωρού και της μονάδας γονέα.

1 Χρησιμοποιήστε τον έλεγχο ευαισθησίας του μικροφώνου για να ρυθμίσετε την ευαισθησία του μικροφώνου της μονάδας μωρού στο επιθυμητό επίπεδο. Μπορείτε να χρησιμοποιήσετε τη φωνή σας ως αναφορά ήχου (Εικ. 10).

Η λυχνία λειτουργίας στη μονάδα μωρού ανάβει κίτρινη όταν μεταδίδεται ένας ήχος.

Σημείωση: Κατά τη λειτουργία με μπαταρίες, εάν η ευαισθησία έχει ρυθμιστεί σε υψηλό επίπεδο, η μονάδα γονέα θα καταναλώνει περισσότερη ισχύ.

Ρυθμιζόμενη ένταση ηχείου

Μπορείτε να αλλάξετε την ένταση στη μονάδα γονέα, ώστε να την προσαρμόσετε στις ανάγκες του περιβάλλοντός σας.

1 Γυρίστε το διακόπτη ρύθμισης έντασης προς τη δεξιά πλευρά της μονάδας γονέα μέχρι να επιτευχθεί η επιθυμητή ένταση ηχείου για τη μονάδα γονέα.

Σημείωση: Κατά τη λειτουργία με μπαταρίες, εάν η ένταση του ήχου έχει ρυθμιστεί σε υψηλό επίπεδο, η μονάδα γονέα θα καταναλώνει περισσότερη ισχύ.

Διακόπτης επιλογής καναλιών

Φροντίζετε πάντα ώστε οι διακόπτες επιλογής καναλιών μέσα στη θήκη μπαταριών να είναι ρυθμισμένοι στο ίδιο κανάλι και στις δύο μονάδες. Με αυτούς τους διακόπτες επιλογής καναλιών, μπορείτε να επιλέξετε δεκαέξι διαφορετικές θέσεις καναλιών. Εάν αντιμετωπίζετε παρεμβολές από άλλα βρεφικά μόνιτορ, ραδιοφωνικές συσκευές κτλ., επιλέξτε διαφορετικό κανάλι.

1 Ανοίξτε τα καπάκια από τις θήκες μπαταριών και των δύο μονάδων.

Δ Μονάδα μωρού: (Εικ. 3)

- Γυρίστε την ασφάλεια με ένα κέρμα και αφαιρέστε το καπάκι.
- Αφαιρέστε τις μπαταρίες από τη θήκη μπαταριών, εάν υπάρχουν.
- Χρησιμοποιήστε ένα μικρό επίπεδο κατσαβίδι για να γυρίσετε το διακόπτη επιλογής καναλιών στην επιθυμητή θέση.

Δ Μονάδα γονέα: (Εικ. 4)

- Γυρίστε την ασφάλεια κατά ένα τέταρτο (1) και σύρετε το καπάκι της θήκης μπαταριών προς τα κάτω για να το αφαιρέσετε (2).
- Αφαιρέστε τις μπαταρίες από τη θήκη μπαταριών, εάν υπάρχουν.
- Χρησιμοποιήστε ένα μικρό επίπεδο κατσαβίδι για να γυρίσετε το διακόπτη επιλογής καναλιών στην επιθυμητή θέση.

Σημείωση: Βεβαιωθείτε ότι και οι δύο μονάδες είναι συντονισμένες στο ίδιο κανάλι.

Εάν δεν αντιμετωπίσετε παρεμβολές κατά τον έλεγχο της σύνδεσης, κλείστε τις θήκες των μπαταριών από τις μονάδες μωρού και γονέα.

Εάν αντιμετωπίσετε παρεμβολές, ρυθμίστε το διακόπτη επιλογής σε άλλο κανάλι και ελέγξτε ξανά τη σύνδεση.

Εάν οι μονάδες λειτουργούν με μη επαναφορτιζόμενες μπαταρίες, αντικαταστήστε τις μπαταρίες και κλείστε τις θήκες των μπαταριών.

Καθαρισμός και συντήρηση

Μην βυθίζετε τη μονάδα γονέα και τη μονάδα μωρού σε νερό και μην τις πλένετε με νερό βρύσης.

Μην χρησιμοποιείτε σπρέι καθαρισμού ή καθαριστικά υγρά.

- Αποσυνδέστε τη μονάδα μωρού ή τη μονάδα γονέα από την πρίζα, εάν είναι συνδεδεμένες.
- Καθαρίστε τη μονάδα γονέα και τη μονάδα μωρού με ένα νωπό πανί.

Βεβαιωθείτε ότι οι μονάδες είναι στεγνές πριν τις συνδέσετε στην πρίζα.

- Καθαρίστε τους μετασχηματιστές με ένα στεγνό πανί.

Αποθήκευση

Όταν δεν πρόκειται να χρησιμοποιήσετε το βρεφικό μόνιτορ για κάποιο χρονικό διάστημα, αφαιρέστε τις μη επαναφορτιζόμενες μπαταρίες από τη μονάδα μωρού και τη μονάδα γονέα. Αποθηκεύστε τη μονάδα μωρού, τη μονάδα γονέα και τους μετασχηματιστές σε δροσερό και στεγνό μέρος.

Αντικατάσταση

Μονάδα μωρού

Μπαταρίες

Αντικαθιστάτε τις μη επαναφορτιζόμενες μπαταρίες της μονάδας μωρού μόνο με τέσσερις μπαταρίες R6 AA 1,5V.

Σημείωση: Σας συνιστούμε να χρησιμοποιείτε μη επαναφορτιζόμενες μπαταρίες Philips.

Μετασχηματιστής

Αντικαθιστάτε το μετασχηματιστή της μονάδας μωρού μόνο με γνήσιο. Μπορείτε να παραγγείλετε ένα νέο μετασχηματιστή από τον αντιπρόσωπό σας ή από ένα εξουσιοδοτημένο κέντρο σέρβις της Philips:

- SBC CS0920/00W (μόνο σε Ευρώπη/Σιγκαπούρη)
- SBC CS0920/05W (μόνο στο Ην. Βασίλειο)
- 9VD200 (μόνο σε Αυστραλία/Ν. Ζηλανδία)

Μονάδα γονέα

Μπαταρίες

Αντικαθιστάτε τις μη επαναφορτιζόμενες μπαταρίες της μονάδας γονέα μόνο με τέσσερις μπαταρίες R6 AA 1,5V.

Σημείωση: Σας συνιστούμε να χρησιμοποιείτε μη επαναφορτιζόμενες μπαταρίες Philips.

Μετασχηματιστής

Αντικαθιστάτε το μετασχηματιστή της μονάδας γονέα μόνο με γνήσιο. Μπορείτε να παραγγείλετε ένα νέο μετασχηματιστή από τον αντιπρόσωπό σας ή από ένα εξουσιοδοτημένο κέντρο σέρβις:

- SBC CS0920/00W (μόνο σε Ευρώπη/Σιγκαπούρη)
- SBC CS0920/05W (μόνο στο Ην. Βασίλειο)
- 9VD200 (μόνο σε Αυστραλία/Ν. Ζηλανδία)

Περιβάλλον

- ▶ Στο τέλος της ζωής της συσκευής μην την πετάξετε μαζί με τα συνηθισμένα απορρίμματα του σπιτιού σας, αλλά παραδώστε την σε ένα επίσημο σημείο συλλογής για ανακύκλωση. Με αυτόν τον τρόπο θα βοηθήσετε στην προστασία του περιβάλλοντος (Εικ. 11).

- Οι μπαταρίες περιέχουν ουσίες που ενδέχεται να μολύνουν το περιβάλλον. Μην απορρίπτετε τις άδειες μπαταρίες μαζί με τα συνηθισμένα απορρίμματα του σπιτιού σας, αλλά παραδώστε τις σε ένα επίσημο σημείο συλλογής. Αφαιρείτε πάντα τις μπαταρίες πριν απορρίψετε τη συσκευή ή την παραδώσετε σε ένα επίσημο σημείο συλλογής. (Εικ. 12)

Εγγύηση και σέρβις

Εάν χρειάζεστε σέρβις ή πληροφορίες ή εάν αντιμετωπίζετε κάποιο πρόβλημα, παρακαλούμε επισκεφτείτε την ιστοσελίδα της Philips AVENT στη διεύθυνση www.philips.com/AVENT ή επικοινωνήστε με το Κέντρο Εξυπηρέτησης Καταναλωτών της Philips στη χώρα σας (θα βρείτε το τηλέφωνο στο διεθνές φυλλάδιο εγγύησης). Εάν δεν υπάρχει Κέντρο Εξυπηρέτησης Καταναλωτών στη χώρα σας, απευθυνθείτε στον τοπικό αντιπρόσωπό σας της Philips.

Συχνές ερωτήσεις

Στο κεφάλαιο αυτό αναγράφονται οι πιο συχνές ερωτήσεις σχετικά με τη συσκευή. Εάν δεν μπορείτε να βρείτε την απάντηση στην ερώτησή σας, επικοινωνήστε με το Τμήμα Εξυπηρέτησης Πελατών της χώρας σας.

Ερώτηση	Απάντηση
Γιατί δεν είναι αναμμένη η λυχνία λειτουργίας;	Ίσως το βύσμα της συσκευής να μην έχει τοποθετηθεί σωστά στην υποδοχή της μονάδας, ή ίσως ο μετασχηματιστής να μην έχει τοποθετηθεί σωστά στην πρίζα. Μπορεί ακόμη να έχετε ξεχάσει να ενεργοποιήσετε τις μονάδες. Πατήστε το κουμπί on/off στη μονάδα μωρού και γυρίστε το διακόπτη ρύθμισης έντασης ήχου στη μονάδα γονέα προς τα κάτω για να ενεργοποιήσετε τις μονάδες.
Γιατί η λυχνία λειτουργίας αναβοσβήνει κόκκινη;	Εάν οι μονάδες λειτουργούν με μπαταρίες, ενδέχεται οι μπαταρίες να έχουν χαμηλή ισχύ. Σε αυτή την περίπτωση, αντικαταστήστε τις μπαταρίες.
Γιατί η μονάδα γονέα παράγει ένα διαπεραστικό ήχο;	Η μονάδα λειτουργεί με μπαταρίες και αυτές έχουν χαμηλή ισχύ. Αντικαταστήστε τις μπαταρίες.
Γιατί η μονάδα γονέα παράγει ένα διαπεραστικό ήχο;	Οι μονάδες βρίσκονται πολύ κοντά η μία στην άλλη. Τοποθετήστε τη μονάδα γονέα σε απόσταση τουλάχιστον 1 μέτρου/3 ποδιών από τη μονάδα μωρού. Εάν ο συγκεκριμένος ήχος επιμένει, τότε το επίπεδο έντασης ήχου είναι πολύ υψηλό. Γυρίστε το διακόπτη ρύθμισης έντασης σε χαμηλότερο επίπεδο έντασης.
Γιατί δεν ακούγεται ήχος από τη μονάδα γονέα;	Ελέγξτε εάν η ένταση του ήχου έχει ρυθμιστεί σε αρκετά υψηλό επίπεδο. Εάν η ένταση του ήχου είναι πολύ χαμηλή, γυρίστε το διακόπτη ρύθμισης έντασης ήχου σε υψηλότερη ένταση. Ελέγξτε επιπλέον την ευαισθησία του μικροφώνου στη μονάδα μωρού.
Γιατί η λυχνία σύνδεσης αναβοσβήνει κόκκινη;	Αναβοσβήνει κόκκινη γιατί δεν υπάρχει σύνδεση. Η μονάδα γονέα ενδέχεται να βρίσκεται εκτός της εμβέλειας της μονάδας μωρού ή ίσως να έχει ρυθμιστεί σε ένα διαφορετικό κανάλι από τη μονάδα μωρού. Ελέγξτε εάν η μονάδα γονέα και η μονάδα μωρού έχουν ρυθμιστεί στο ίδιο κανάλι. Εάν ναι, τοποθετήστε τη μονάδα γονέα σε διαφορετική θέση, πιο κοντά στη μονάδα μωρού.
Γιατί ακούγεται ένα ηχητικό σήμα από τη μονάδα γονέα;	Πρόκειται για την ειδοποίηση σύνδεσης. Υποδεικνύει ότι δεν υπάρχει σύνδεση ανάμεσα στη μονάδα μωρού και τη μονάδα γονέα. Η μονάδα γονέα ενδέχεται να βρίσκεται εκτός της εμβέλειας της μονάδας μωρού ή ίσως να έχει ρυθμιστεί σε ένα διαφορετικό κανάλι από τη μονάδα μωρού. Ελέγξτε εάν η μονάδα γονέα και η μονάδα μωρού έχουν ρυθμιστεί στο ίδιο κανάλι. Εάν ναι, τοποθετήστε τη μονάδα γονέα σε διαφορετική θέση, πιο κοντά στη μονάδα μωρού.
Γιατί η μονάδα γονέα αντιδρά με τόση καθυστέρηση στους ήχους του μωρού;	Ρυθμίστε την ευαισθησία του μικροφώνου στη μονάδα μωρού σε υψηλότερο επίπεδο ή/και μετακινήστε τη μονάδα μωρού πιο κοντά στο μωρό. Βεβαιωθείτε ότι η μονάδα μωρού βρίσκεται σε απόσταση τουλάχιστον 1 μέτρου/3 ποδιών από το μωρό.

Ερώτηση	Απάντηση
Γιατί η μονάδα γονέα αντιδρά τόσο γρήγορα σε άλλους ήχους;	Ρυθμίστε την ευαισθησία του μικροφώνου στη μονάδα μωρού σε χαμηλότερο επίπεδο ή/και μετακινήστε τη μονάδα μωρού πιο κοντά στο μωρό.
Γιατί κατά διαστήματα χάνεται η σύνδεση;	Η μονάδα γονέα βρίσκεται μάλλον κοντά στα όρια της εμβέλειας λειτουργίας. Τοποθετήστε τη μονάδα γονέα πιο κοντά στη μονάδα μωρού και σε σημείο με καλύτερη λήψη. Σημειώστε ότι εάν μετακινήσετε μία ή και τις δύο μονάδες, χρειάζονται περίπου 30 δευτερόλεπτα μέχρι να αποκατασταθεί η σύνδεση.
Γιατί λαμβάνω παράσιτα στη μονάδα γονέα;	Μπορεί να αντιμετωπίσετε παρεμβολές όταν η μονάδα γονέα βρίσκεται εκτός της εμβέλειας της μονάδας μωρού. Επίσης, η μονάδα γονέα ενδέχεται να βρίσκεται πολύ κοντά σε παράθυρο και λαμβάνει παρεμβάλλοντα σήματα από αυτό. Απομακρύνετε τη μονάδα γονέα από το παράθυρο. Μπορεί επίσης να υπάρχουν παρεμβολές, εάν υπάρχουν πολλοί τοίχοι ή ταβάνια ανάμεσα στη μονάδα γονέα και τη μονάδα μωρού. Τοποθετήστε τη μονάδα γονέα σε διαφορετική θέση, πιο κοντά στη μονάδα μωρού. Ακόμη βεβαιωθείτε ότι οι μονάδες βρίσκονται μακριά από κινητά ή ασύρματα τηλέφωνα, ραδιόφωνα και τηλεοράσεις.
Γιατί η μονάδα γονέα λαμβάνει σήματα από κάποιο άλλο βρεφικό μόνιτορ;	Το βρεφικό μόνιτορ είναι συντονισμένο στο ίδιο κανάλι με κάποιο άλλο βρεφικό μόνιτορ στη γειτονιά. Συντονίστε και τις δύο μονάδες σε κάποιο άλλο κανάλι με το διακόπτη επιλογής καναλιών.
Γιατί το βρεφικό μόνιτορ δεν καλύπτει την καθορισμένη εμβέλεια των 200 μέτρων;	Η καθορισμένη εμβέλεια των 200 μέτρων ισχύει μόνο για εξωτερικούς χώρους. Μέσα στο σπίτι, η εμβέλεια περιορίζεται από τον αριθμό και τον τύπο των τοίχων ή/και ταβανίων που παρεμβάλλονται ανάμεσα στις δύο μονάδες. Αλλάξτε τη θέση μίας ή και των δύο μονάδων για να βελτιστοποιήσετε την εμβέλεια.
Τι συμβαίνει σε περίπτωση διακοπής ρεύματος;	Εάν οι μονάδες λειτουργούν με ρεύμα χωρίς να έχετε τοποθετήσει μπαταρίες σε αυτές, η σύνδεση θα χαθεί σε περίπτωση διακοπής ρεύματος. Εάν υπάρχουν μπαταρίες και στις δύο μονάδες, σε περίπτωση διακοπής ρεύματος, θα μεταβούν αυτόματα στη λειτουργία μπαταρίας και η σύνδεση δεν θα χαθεί.

Johdanto

Onnittelut ostoksestasi ja tervetuloa Philips AVENT -tuotteiden käyttäjäksi! Hyödynnä Philips AVENTin tuki ja rekisteröi tuotteesi osoitteessa www.philips.com/welcome.

Philips AVENT on sitoutunut valmistamaan turvallisia tuotteita, joihin vanhemmat voivat luottaa. Tämän Philips AVENT -itkuhälyttimen avulla kuulet lapsen äänet sekä talon sisällä että puutarhassa. 16 kanavaihtoehtoa takaa häiriöttömän ja salatun yhteyden sinun ja lapsesi välillä.

Laitteen osat (Kuva 1)

A Lapsen yksikkö

- 1 Mikrofoni
- 2 Liitäntä pienelle liittimelle
- 3 Käynnistuspainike
- 4 Virran merkkivalo
- 5 Mikrofonin herkkyyden säätö
- 6 Kanavanvalitsin
- 7 Latauslaite
- 8 Pieni liitin
- 9 Paristolokeron kansi

B Vanhemman yksikkö

- 1 Latauslaite
- 2 Pieni liitin
- 3 Virran merkkivalo
- 4 Kaiutin
- 5 Yhteyden merkkivalo
- 6 Äänenvoimakkuuden säätö ja kytkintoiminto
- 7 Yhteyshälytyksen kytkin
- 8 Paristolokeron kansi
- 9 Kanavanvalitsin

Tärkeää

Lue tämä käyttöohje huolellisesti ennen laitteen käyttöönottoa ja säilytä ohje vastaisen varalle.

Vaara

- Älä upota mitään itkuhälyttimen osaa veteen tai muuhun nesteeseen.

Tärkeää

- Tarkista, että lapsen ja vanhemman yksikön latauslaitteen pohjassa oleva jännitemerkintä vastaa paikallista verkkojännitettä, ennen kuin liität laitteen pistorasiaan.
- Kytke lapsen yksikkö verkkovirtaan ainoastaan laitteen mukana toimitetuilla latauslaitteilla.
- Verkkoalaite sisältää jännitemuuntajan. Älä vaihda verkkolaitteen tilalle toisenlaista pistoketta, jotta et aiheuta vaaratilannetta.
- Jos sovittimet ovat vioittuneet, vaihda vaaratilanteiden välttämiseksi tilalle aina alkuperäisen tyyppinen sovitin. Lisätietoja sovintityypeistä on luvussa Varaosat.
- Älä käytä itkuhälytintä kosteissa paikoissa tai veden lähellä.
- Älä avaa lapsen tai vanhemman yksikön koteloa (paristolokeroa lukuun ottamatta), ettet saa sähköiskua.
- Laitetta ei ole tarkoitettu lasten tai sellaisten henkilöiden käyttöön, joiden fyysinen tai henkinen toimintakyky on rajoittunut tai joilla ei ole kokemusta tai tietoa laitteen käytöstä, muuten kuin heidän turvallisuudestaan vastaavan henkilön valvonnassa ja ohjauksessa.
- Pienten lasten ei saa antaa leikkiä laitteella.

- Itkuhälyttimen kuuluvuusalue on 200 metriä avoimessa tilassa. Kuuluvuus saattaa vaihdella ympäristön ja erilaisten häiriötekijöiden mukaan (lisätietoja on Käyttö-luvun kohdassa Kuuluvuusalue.

Varoitus

- Käytä ja säilytä laitetta 10 - 40 °C:n lämpötilassa.
- Älä jätä lapsen tai vanhemman yksikköä liian kuumaan tilaan tai suoraan auringonpaisteeseen.
- Varmista, että lapsen yksikkö ja johto ovat lapsen ulottumattomissa (pidä ne vähintään metrin etäisyydellä).
- Älä aseta lapsen yksikköä vauvan sänkyyn tai leikkikehään.
- Älä peitä vanhemman tai lapsen yksikköä (esim. pyyhkeellä tai peitolla).
- Käytä aina lapsen ja vanhemman yksikössä oikeantyyppisiä paristoja.

Yleistä

- Tämä itkuhälytyn on tarkoitettu apuvälineeksi. Se ei korvaa vastuuntuntoisen aikuisen valvontaa eikä sitä saa käyttää tämän korvikkeena.

Sähkömagneettiset kentät (EMF)

Tämä Philips AVENT -laite vastaa kaikkia sähkömagneettisia kenttiä (EMF) koskevia standardeja. Jos laitetta käytetään oikein ja tämän käyttöohjeen ohjeiden mukaisesti, sen käyttäminen on turvallista tämänhetkisten tieteellisten tutkimusten perusteella.

Käyttöönotto

Lapsen yksikkö

Lapsen yksikkö on verkkovirta- ja paristokäyttöinen. Vaikka aikoisitkin käyttää sitä verkkovirralla, suosittelemme paristojen asettamista laitteeseen. Tällä tavoin laite on käytössä myös sähkökatkoksen yhteydessä.

Verkkovirtakäyttö

1 Työnä laitteen liitin lapsen yksikköön ja kytke latauslaite pistorasiaan (Kuva 2).
Virran merkivalo syttyy.

Käyttö paristojen kanssa

Lapsen yksikköön tarvitaan neljä 1,5 voltin R6 AA -paristoa (ei toimiteta laitteen mukana). Suosittelemme Philips LR6 PowerLife -paristoja. Älä käytä paristokäyttöisessä lapsen yksikössä akkuja.

Irrota lapsen yksikön pistoke pistorasiasta ja varmista, että kätesi ja yksikkö ovat kuivia, kun asetat paristot laitteeseen.

1 Avaa paristolokero kääntämällä lukitusta kolikolla. Irrota kansi (Kuva 3).

2 Aseta lokeroon neljä paristoa.

Varmista, että paristojen plus- ja miinusmerkit osoittavat oikeaan suuntaan.

3 Aseta paristolokeron kansi takaisin paikalleen ja sulje se kääntämällä lukitusta kolikolla. Kun paristojen virta on vähissä, lapsen yksikön punainen virtamerkkivalo vilkkuu.

Vanhemman yksikkö

Vanhemman yksikkö on verkkovirta- ja paristokäyttöinen. Vaikka aikoisitkin käyttää sitä verkkovirralla, suosittelemme paristojen asettamista laitteeseen. Tällä tavoin laite on käytössä myös sähkökatkoksen yhteydessä.

Verkkovirtakäyttö

1 Työnä laitteen liitin vanhemman yksikköön ja kytke latauslaite pistorasiaan.
Virran merkivalo syttyy.

Käyttö paristojen kanssa

Vanhemman yksikköön tarvitaan neljä 1,5 voltin R6 AA -paristoa (ei toimiteta laitteen mukana). Suosittelemme Philips LR6 PowerLife -paristoja. Älä käytä paristokäyttöisessä vanhemman yksikössä akkuja.

Irrota vanhemman yksikön pistoke pistorasiasta ja varmista, että kätesi ja yksikkö ovat kuivia, kun asetat paristot laitteeseen.

1 Käännä lukitusta neljännesosakierros (1) ja irrota paristolokeron kansi työntämällä sitä alaspäin (2) (Kuva 4).

2 Aseta lokeroon neljä paristoa.

Varmista, että paristojen plus- ja miinusmerkit osoittavat oikeaan suuntaan.

3 Sulje paristolokeron kansi.

Huomautus: Kun paristojen virta on vähissä, vanhemman yksikön punainen virtamerkkivalo vilkkuu.

Huomautus: Kun akut ovat täysin tyhjä, vanhemman yksikön virta katkeaa automaattisesti ja yhteys lapsen yksikköön katkeaa.

Käyttö

1 Testaa yhteys kokeilemalla molempia yksiköjä samassa huoneessa (Kuva 5).

Varmista, että lapsen yksikön ja vanhemman yksikön välinen etäisyys on vähintään 1 metri.

2 Kytke lapsen yksikköön virta painamalla laitteen virtapainiketta (Kuva 6).

Virran merkkivalot palavat vihreinä.

3 Käynnistä vanhemman yksikkö kääntämällä äänenvoimakkuuden säätöä ja aseta voimakkuus haluamallesi tasolle. (Kuva 7)

Virran merkkivalot palavat vihreinä.

• Kun yksikköjen välillä on yhteys, vanhemman yksikön yhteyden merkkivalo palaa vihreinä.

Huomautus: yhteyden muodostuminen kestää noin 30 sekuntia.

Huomautus: jos yhteyden muodostaminen ei onnistu, vanhemman yksikön yhteyden merkkivalo vilkkuu punaisena.

4 Aseta lapsen yksikkö vähintään 1 metrin etäisyydelle lapsesta (Kuva 8).

5 Tuo vanhemman yksikkö lapsen yksikön kuuluvuusalueelle. Varmista, että se on vähintään 1 metrin etäisyydellä lapsen yksiköstä. Lisätietoja kuuluvuusalueesta on jäljempänä kohdassa Kuuluvuusalue (Kuva 9).

Kuuluvuusalue

Lapsen yksikön kuuluvuusalue on 200 metriä avoimessa tilassa. Kuuluvuus saattaa vaihdella ympäristön ja erilaisten häiriötekijöiden mukaan.

Huonekalut	Seinät ja muut esteet	Huono kuuluvuus
Puu, kipsi, pahvi, lasi (ei metallia), johtoja tai lyijyä)	< 30 cm	0 - 10 %
Tiili, vaneri	< 30 cm	5 - 35 %
Vahvistettu betoni	< 30 cm	30 - 100 %
Metalliristikot tai -tangot	<1 cm	90 - 100 %

Huonekalut	Seinät ja muut esteet	Huono kuuluvuus
Metalli- tai alumiinilevyt	<1 cm	100 %

Kosteat ja märät materiaalit saattavat estää kuuluvuuden jopa sataprosenttisesti.

Ominaisuudet

Digitaalinen signaalivahvistus

Vanhemman yksikön yhteyden merkkipalo osoittaa jatkuvasti lapsen ja vanhemman välisen yhteyden tilan. Vanhemman yksikköön voi asettaa hälytyksen siltä varalta, että yhteys katkeaa. Kun yhteys katkeaa, yksiköstä kuuluu tällöin merkkiääni ja yhteyden merkkipalo vilkkuu punaisena.

Hälytyksen ottaminen käyttöön vanhemman yksikössä:

- 1 Käännä lukitusta neljännesosakerros (1) ja irrota paristolokeron kansi työntämällä sitä alaspäin (2) (Kuva 4).
 - 2 Käännä yhteyshälytyksen kytkin paristokotelossa ON-asentoon.
 - 3 Sulje paristolokeron kansi.
- Voit poistaa hälytyksen käytöstä kääntämällä yhteyshälytyksen kytkimen OFF-asentoon.

Säädettävä ääniherkkyys

Lapsen yksikön mikrofonin herkkyuden säädöllä voit määrittää tason, jolla laite havaitsee äänet. Tasot ovat alhainen, keskitaso ja korkea. Kun mikrofonin herkkyystasoksi on valittu korkea, lapsen yksikkö havaitsee kaikki äänet.

Huomautus: Lapsen yksikön mikrofonin herkkyyttä voi muuttaa ainoastaan, kun lapsen ja vanhemman yksikön välillä on yhteys.

- 1 Säädä lapsen yksikön mikrofonin herkkyys toivotulle tasolle siirtämällä mikrofonin herkkyyskytkintä. Voit käyttää määrittämisen apuna omaa ääntäsi (Kuva 10).
- Lapsen yksikön virran merkkipalo muuttuu keltaiseksi, kun yksikkö lähettää ääntä.

Huomautus: Paristokäytössä vanhemman yksikkö kuluttaa sitä enemmän virtaa, mitä korkeammaksi herkkyys on asetettu.

Säädettävä kaiuttimen äänenvoimakkuus

Vanhemman yksikön äänenvoimakkuutta voi säätää ympäristön mukaan.

- 1 Säädä vanhemman yksikön kaiuttimen äänenvoimakkuus haluamallasi tasolle yksikön oikeanpuoleisessa kyljessä olevasta äänenvoimakkuuden säätimestä.

Huomautus: Paristokäytössä vanhemman yksikkö kuluttaa sitä enemmän virtaa, mitä korkeammaksi äänenvoimakkuus on asetettu.

Kanavanvalitsin

Muista aina varmistaa, että kummankin yksikön kanavanvalintakytkimet ovat samassa asennossa. Kanavanvalitsimilla voi valita 16 eri kanavaa. Jos esimerkiksi muut itkuhälyttimet tai radiolaitteet aiheuttavat häiriöitä, valitse jokin toinen kanava.

- 1 Avaa molempien yksikköjen paristolokeron kansi.
 - Lapsen yksikkö: (Kuva 3)
 - Käännä lukitusta kolikolla ja irrota kansi.
 - Poista mahdolliset paristot paristolokerosta.
 - Käännä kanavanvalitsin pienellä ruuvitaltalla haluamaasi asentoon.
 - Vanhemman yksikkö: (Kuva 4)

- Käännä lukitusta neljännesosakerros (1) ja irrota paristolokeron kansi työntämällä sitä alaspäin (2).
- Poista mahdolliset paristot paristolokerosta.
- Käännä kanavanvalitsin pienellä ruuvitaltalla haluamaasi asentoon.

Huomautus: *Varmista, että molemmissa yksiköissä on valittu sama kanava.*

Jos yhteydessä ei ole häiriöitä, sulje lapsen ja vanhemman yksikön paristolokeron kansi.

Jos yhteydessä on häiriöitä, käännä valitsin jollekin toiselle kanavalle ja testaa yhteys uudelleen.

Jos yksiköissä on paristot, vaihda ne ja sulje paristolokerot.

Puhdistus ja hoito

Älä upota vanhemman tai lapsen yksikköä veteen äläkä puhdista niitä juoksevilla vedellä.

Älä käytä puhdistamiseen puhdistussuihkeita tai nestemäisiä pesuaineita.

- Jos lapsen tai vanhemman yksikkö on liitetty sähköverkkoon, irrota se pistorasiasta.
- Puhdista vanhemman ja lapsen yksikkö kostealla liinalla.

Varmista, että yksiköt ovat kuivia, ennen kuin liität ne verkkovirtaan.

- Pyyhi sovittimet puhtaiksi kuivalla liinalla.

Säilytys

Jos itkuhälytintä ei käytetä vähään aikaan, poista paristot lapsen ja vanhemman yksiköstä. Säilytä vanhemman ja lapsen yksiköt sekä sovittimet viileässä, kuivassa paikassa.

Varaosat

Lapsen yksikkö

Paristot

Vaihda lapsen yksikön paristot aina neljään 1,5 V:n R6 AA -paristoon.

Huomautus: Suosittelemme Philipsin paristojen käyttämistä

Latauslaite

Vaihda lapsen yksikön latauslaite ainoastaan alkuperäisen tyyppiseen latauslaitteeseen. Voit tilata uuden latauslaitteen jälleenmyyjältä tai Philipsin huoltoliikkeestä.

- SBC CS0920/00W (vain EU/SGP)
- SBC CS0920/05W (vain UK)
- 9VD200 (vain AU/NZ)

Vanhemman yksikkö

Paristot

Vaihda vanhemman yksikön paristot aina neljään 1,5 V:n R6 AA -paristoon.

Huomautus: Suosittelemme Philipsin paristojen käyttämistä

Latauslaite

Vaihda vanhemman yksikön latauslaite ainoastaan alkuperäisen tyyppiseen latauslaitteeseen. Voit tilata uuden latauslaitteen jälleenmyyjältä tai Philipsin huoltoliikkeestä:

- SBC CS0920/00W (vain EU/SGP)
- SBC CS0920/05W (vain UK)
- 9VD200 (vain AU/NZ)

Ympäristöasiaa

- ▶ Älä hävitä vanhoja laitteita tavallisen talousjätteen mukana, vaan toimita ne valtuutettuun kierrätyspisteeseen. Näin autat vähentämään ympäristölle aiheuttavia haittavaikutuksia (Kuva 11).
- ▶ Paristot sisältävät aineita, jotka saattavat olla ympäristölle haitallisia. Älä hävitä paristoja talousjätteen mukana, vaan toimita ne valtuutettuun kierrätyspisteeseen. Poista laitteen paristot aina ennen laitteen toimittamista valtuutettuun keräyspisteeseen. (Kuva 12)

Takuu ja huolto

Jos haluat lisätietoja tai laitteen kanssa tulee ongelmia, tutustu Philips AVENT -verkkosivustoon osoitteessa www.philips.com/AVENT tai kysy neuvoa Philipsin kuluttajapalvelukeskuksesta (puhelinnumero on kansainvälisessä takuulehtisessä). Jos maassasi ei ole kuluttajapalvelukeskusta, ota yhteyttä Philipsin jälleenmyyjään.

Tavallisimmat kysymykset

Tässä luvussa on usein kysyttyjä kysymyksiä laitteesta. Jos et löydä vastausta kysymykseesi, ota yhteys oman maasi asiakaspalveluun.

Kysymys	Vastaus
Miksi virran merkkivalo ei pala?	Laitteen pistoketta ei ehkä ole liitetty laitteen liitäntään oikein tai sovitinta ei ole asetettu pistorasiaan oikein.
	Yksikköihin ei ehkä ole kytketty virtaa. Kytke yksikköihin virta painamalla lapsen yksikön virtapainiketta ja kääntämällä vanhemman yksikön äänenvoimakkuuden säädintä alaspäin.
	Jos käytät yksiköissä paristoja, niiden virta saattaa olla vähissä. Vaihda paristot.
Miksi virran merkkivalo vilkkuu punaisena?	Käytät yksiköissä paristoja, ja niiden virta on vähissä. Vaihda paristot.
Miksi vanhemman yksiköstä kuuluu kimeä ääni?	Yksiköt ovat liian lähellä toisiaan. Siirrä vanhemman yksikkö vähintään 1 metrin päähän lapsen yksiköstä. Jos tämä ei auta, äänenvoimakkuus on liian suuri. Vähennä äänenvoimakkuutta.
Miksi vanhemman yksiköstä ei kuulu ääntä?	Tarkista, että äänenvoimakkuus on tarpeeksi suuri. Jos äänenvoimakkuus on liian pieni, säädä sitä suuremmaksi säätimellä. Tarkista myös lapsen yksikön mikrofonin herkkyys.
Miksi yhteyden merkkivalo vilkkuu punaisena?	Se vilkkuu punaisena, koska yhteyttä ei ole. Vanhemman yksikkö ei ehkä ole lapsen yksikön kuuluvuusalueella tai yksiköt on säädetty eri kanaville. Varmista, että yksiköt ovat samalla kanavalla. Jos näin on, sijoita vanhemman yksikkö eri paikkaan, lähemmäs lapsen yksikköä.
Miksi vanhemman yksiköstä kuuluu äänimerkki?	Se on yhteyshälytys. Se osoittaa, että lapsen ja vanhemman yksikön välillä ei ole yhteyttä. Vanhemman yksikkö ei ehkä ole lapsen yksikön kuuluvuusalueella tai yksiköt on säädetty eri kanaville. Varmista, että yksiköt ovat samalla kanavalla. Jos näin on, sijoita vanhemman yksikkö eri paikkaan, lähemmäs lapsen yksikköä.
Miksi vanhemman yksikkö reagoi liian hitaasti lapsen ääniin?	Säädä lapsen yksikön mikrofonin herkkyys suuremmaksi ja/tai siirrä lapsen yksikkö lähemmäs lasta. Varmista, että lapsen yksikkö on vähintään 1 metrin päässä lapsesta.

Kysymys	Vastaus
Miksi vanhemman yksikkö reagoi liian nopeasti muihin ääniin?	Säädä lapsen yksikön mikrofonin herkkyyks pienemmäksi ja/tai siirrä lapsen yksikkö lähemmäs lasta.
Miksi yhteys katkeaa välillä?	Vanhemman yksikkö on luultavasti lähellä kuuluvuusalueen rajaa. Sijoita vanhemman yksikkö lähemmäs lapsen yksikköä, jolloin sen vastaanotto paranee. Huomaa, että yhteyden uudelleenmuodostaminen yksiköiden välillä kestää noin 30 sekuntia, kun jompaakumpaa yksikköä tai niitä molempia on siirretty.
Miksi vanhemman yksikössä on häiriöitä?	Yhteydessä voi olla häiriöitä, kun vanhemman yksikkö on lapsen yksikön kuuluvuusalueen ulkopuolella. Lisäksi vanhemman yksikkö saattaa olla liian lähellä ikkunaa, jonka kautta se havaitsee häiritseviä signaaleja. Siirrä vanhemman yksikkö kauemmas ikkunasta. Häiriöitä voi ilmetä myös, jos vanhemman ja lapsen yksikön välillä on liian monta seinää tai kattoa. Sijoita vanhemman yksikkö eri paikkaan, lähemmäs lapsen yksikköä. Varmista myös, että yksiköt ovat tarpeeksi kaukana matkapuhelimista ja langattomista puhelimista sekä radioista ja televisioista.
Miksi vanhemman yksikkö poimii jonkin muun itkuhälyttimen signaalit?	Itkuhälytyn käyttää samaa kanavaa kuin jokin toinen lähistöllä oleva itkuhälytyn. Vaihda yksiköiden kanavaa.
Miksi itkuhälytyn ei kuulu ilmoitetulla 200 metrin kuuluvuusalueella?	Ilmoitetulla 200 metrin kuuluvuusalueella tarkoitetaan kuuluuutta avoimessa tilassa. Talon sisällä kuuluvuusalueetta rajoittavat yksiköiden välissä olevat seinä- ja kattorakenteet. Voit parantaa kuuluuutta siirtämällä toisen tai kummankin yksikön paikkaa.
Mitä sähkökatkoksen aikana tapahtuu?	Jos käytät kummankin yksikön virtalähteenä verkkovirtaa eikä niissä ole paristoja, yhteys katkeaa sähkökatkoksen aikana. Jos kummassakin yksikössä on paristot, ne siirtyvät automaattisesti käyttämään paristovirtaa sähkökatkoksen sattuessa ja yhteys säilyy ennallaan.

Introduction

Félicitations pour votre achat et bienvenue dans l'univers Philips AVENT ! Pour profiter pleinement de l'assistance Philips AVENT, enregistrez votre produit sur le site www.philips.com/welcome. Philips AVENT s'engage à fabriquer des produits pour bébés fiables afin de fournir aux parents toute l'assurance dont ils ont besoin. Cet écoute-bébé Philips AVENT vous permet d'entendre votre bébé, que vous vous trouviez dans la maison ou à proximité. Grâce aux seize canaux disponibles, les risques d'interférence sont considérablement réduits. La réception est garantie, vous permettant ainsi de rester en contact permanent avec votre bébé.

Description générale (fig. 1)

A Unité bébé

- 1 Microphone
- 2 Prise pour petite fiche
- 3 Bouton marche/arrêt
- 4 Voyant d'alimentation
- 5 Commande de sensibilité du microphone
- 6 Sélecteur de canal
- 7 Adaptateur
- 8 Petite fiche
- 9 Couvercle du compartiment à piles

B Unité parents

- 1 Adaptateur
- 2 Petite fiche
- 3 Voyant d'alimentation
- 4 Haut-parleur
- 5 Voyant de connexion
- 6 Molette de réglage du volume avec fonction d'activation/désactivation
- 7 Commutateur de l'alarme de connexion
- 8 Couvercle du compartiment à piles
- 9 Sélecteur de canal

Important

Avant d'utiliser l'appareil, lisez les instructions ci-dessous et conservez ce mode d'emploi pour un usage ultérieur.

Danger

- Ne plongez jamais l'écoute-bébé dans l'eau ou dans tout autre liquide.

Avertissement

- Avant de brancher l'appareil, vérifiez que la tension indiquée sur les adaptateurs des unités bébé et parents correspond à la tension secteur locale.
- Utilisez exclusivement les adaptateurs fournis pour brancher les unités bébé et parents sur le secteur.
- Les adaptateurs contiennent un transformateur. N'essayez pas de remplacer la fiche des adaptateurs afin d'éviter tout accident.
- Si un adaptateur est endommagé, remplacez-le toujours par un adaptateur du même type afin d'éviter tout accident. Pour connaître le type d'adaptateur approprié, consultez le chapitre « Remplacement ».
- N'utilisez jamais l'écoute-bébé dans des lieux humides ou à proximité d'une source d'eau.
- À l'exception des compartiments à piles, n'ouvrez pas le boîtier de l'unité bébé ou parents, cela afin d'éviter tout risque d'électrocution.

- Cet appareil n'est pas destiné à être utilisé par des personnes (notamment des enfants) dont les capacités physiques, sensorielles ou intellectuelles sont réduites, ou par des personnes manquant d'expérience ou de connaissances, à moins que celles-ci ne soient sous surveillance ou qu'elles n'aient reçu des instructions quant à l'utilisation de l'appareil par une personne responsable de leur sécurité.
- Veillez à ce que les enfants ne puissent pas jouer avec l'appareil.
- L'écoute-bébé a une portée de 200 mètres en plein air. Cette portée peut être inférieure en fonction de l'environnement et d'autres facteurs perturbateurs (consultez la section « Portée » du chapitre « Utilisation de l'appareil »).

Attention

- Conservez l'appareil à une température comprise entre 10 °C et 40 °C.
- N'exposez pas les unités bébé et parents à des températures trop élevées ou trop basses, ni au soleil.
- Veillez ce que l'unité bébé et son cordon d'alimentation soient toujours hors de portée de bébé (à une distance minimale d'un mètre).
- Ne placez jamais l'unité bébé dans le lit ou le parc de l'enfant.
- Ne recouvrez jamais les unités bébé et parents (par exemple, d'une serviette ou d'une couverture).
- Insérez toujours des piles non rechargeables adéquates dans les unités bébé et parents.

Général

- Cet écoute-bébé est destiné à offrir une assistance, mais il ne saurait en aucun cas remplacer une surveillance responsable et appropriée de la part d'un adulte.

Champs électromagnétiques (CEM)

Cet appareil Philips AVENT est conforme à toutes les normes relatives aux champs électromagnétiques (CEM). Il répond aux règles de sécurité établies sur la base des connaissances scientifiques actuelles s'il est manipulé correctement et conformément aux instructions de ce mode d'emploi.

Avant l'utilisation

Unité bébé

L'unité bébé peut être raccordée au secteur ou alimentée par des piles non rechargeables. Même si vous avez l'intention de la raccorder au secteur, nous vous conseillons d'insérer des piles non rechargeables. Cette précaution vous permet de garantir une sauvegarde automatique en cas de coupure de courant.

Utilisation sur secteur

- 1** Insérez la fiche de l'appareil dans l'unité bébé et branchez l'adaptateur sur une prise secteur (fig. 2).

Le voyant d'alimentation s'allume.

Fonctionnement sur piles non rechargeables

L'unité bébé fonctionne avec quatre piles AA R6 1,5 V (non fournies). Il est fortement recommandé d'utiliser des piles Philips LR6 PowerLife.

N'utilisez pas de batteries rechargeables. L'unité bébé ne possède pas de fonction de recharge.

Débranchez l'unité bébé et veillez à avoir les mains sèches et à bien sécher l'appareil avant d'insérer les piles non rechargeables.

- 1** Déverrouillez le couvercle du compartiment des piles en tournant le bouton de verrouillage à l'aide d'une pièce de monnaie. Retirez ensuite le couvercle (fig. 3).
- 2** Insérez quatre piles non rechargeables.

Veillez à respecter la polarité des piles.

- 3** Remplacez le couvercle du compartiment des piles, puis fermez-le en tournant le bouton de verrouillage à l'aide d'une pièce de monnaie.

Lorsque les piles sont faibles, le voyant d'alimentation de l'unité bébé clignote en rouge.

Unité parents

L'unité parents peut être raccordée au secteur ou alimentée par des piles non rechargeables. Même si vous avez l'intention de la raccorder au secteur, nous vous conseillons d'insérer des piles non rechargeables. Cette précaution vous permet de garantir une sauvegarde automatique en cas de coupure de courant.

Utilisation sur secteur

- 1** Insérez la fiche de l'appareil dans l'unité parents et branchez l'adaptateur sur une prise secteur.

Le voyant d'alimentation s'allume.

Fonctionnement sur piles non rechargeables

L'unité parents fonctionne avec quatre piles AA R6 1,5V (non fournies). Il est fortement recommandé d'utiliser des piles Philips LR6 PowerLife.

N'utilisez pas de piles rechargeables. L'unité parents ne possède pas de fonction de recharge.

Débranchez l'unité parents et veillez à avoir les mains sèches et à bien sécher l'appareil avant d'insérer les piles non rechargeables.

- 1** Tournez le bouton de verrouillage d'un quart de tour (1). Retirez ensuite le couvercle du compartiment à piles en le faisant glisser vers le bas (2) (fig. 4).

- 2** Insérez quatre piles non rechargeables.

Veillez à respecter la polarité des piles.

- 3** Remettez le couvercle du compartiment à piles.

Remarque : Lorsque les piles sont faibles, le voyant d'alimentation de l'unité parents clignote en rouge.

Remarque : Lorsque les piles sont complètement épuisées, l'unité parents s'éteint automatiquement et perd le contact avec l'unité bébé.

Utilisation de l'appareil

- 1** Placez les deux unités dans la même pièce afin de tester la connexion (fig. 5).

Assurez-vous que la distance entre les deux unités soit d'au moins 1 mètre.

- 2** Allumez l'unité bébé en appuyant sur le bouton on/off (fig. 6).

Le voyant d'alimentation s'allume en vert.

- 3** Tournez le bouton de contrôle du volume pour allumer l'unité parents et régler le niveau de volume à votre convenance. (fig. 7)

Le voyant d'alimentation s'allume en vert.

- 4** Lorsqu'une connexion a été établie entre les unités, le voyant de connexion de l'unité parents s'allume en vert.

Remarque : L'établissement d'une connexion prend environ 30 secondes.

Remarque : Si aucune connexion ne peut être établie, le voyant de connexion de l'unité parents clignote en rouge.

- 4** Placez l'unité bébé à 1 mètre au moins de votre bébé (fig. 8).

- 5** Placez l'unité parents à portée de l'unité bébé, en veillant à maintenir une distance minimale d'un mètre entre les deux unités. Pour plus d'informations sur la portée, voir la section « Portée » ci-dessous (fig. 9).

Portée

L'écoute-bébé a une portée de 200 mètres en plein air. Cette portée peut être inférieure en fonction de l'environnement et d'autres facteurs perturbateurs.

Matériaux secs	Épaisseur du matériau	Perte de portée
Bois, plâtre, carton-plâtre, verre (sans métal, fil de fer ou plomb)	< 30 cm	0-10 %
Brique, contreplaqué	< 30 cm	5-35 %
Béton armé	< 30 cm	30-100 %
Grilles ou barres métalliques	< 1 cm	90-100 %
Feuilles de métal ou d'aluminium	< 1 cm	100 %

Pour les matériaux humides, la perte de portée peut aller jusqu'à 100 %.

Caractéristiques

Signal numérique de confirmation

L'unité parents est dotée d'un voyant de connexion qui vous informe en permanence de l'état de la connexion entre les unités bébé et parents. Vous pouvez définir sur l'unité parents une alarme qui vous alerte en cas de perte de la liaison. L'alarme émet alors un signal sonore et le voyant de connexion clignote en rouge.

Pour activer l'alarme sur l'unité parents :

- 1** Tournez le bouton de verrouillage d'un quart de tour (1). Retirez ensuite le couvercle du compartiment à piles en le faisant glisser vers le bas (2) (fig. 4).
- 2** Réglez le commutateur d'alarme de connexion situé dans le compartiment à piles sur la position « on » (marche).
- 3** Remettez le couvercle du compartiment à piles.

Pour désactiver l'alarme, réglez le commutateur d'alarme de connexion sur la position « off » (arrêt).

Sensibilité sonore réglable

Grâce à la commande de sensibilité du microphone de l'unité bébé, vous pouvez régler le son capté par l'unité bébé sur le niveau souhaité : low (faible), mid (moyen) ou high (élevé). Lorsque la sensibilité du microphone est réglée sur « high » (élevé), l'unité bébé capte tous les sons.

Remarque : Vous pouvez modifier la sensibilité de l'unité bébé uniquement lorsqu'une liaison est établie entre les unités bébé et parents.

- 1** Utilisez la commande de sensibilité du microphone pour régler la sensibilité du microphone de l'unité bébé sur le niveau souhaité. Vous pouvez utiliser votre propre voix comme référence sonore (fig. 10).

Le voyant d'alimentation de l'unité bébé devient jaune lorsqu'un son est transmis.

Remarque : L'unité parents consomme plus d'énergie si l'appareil fonctionne sur piles et que la sensibilité est réglée sur un niveau élevé.

Réglage du volume du haut-parleur

Vous pouvez modifier le volume de l'unité parents afin de l'adapter à votre environnement.

- 1 Tournez la molette de réglage du volume située sur le côté droit de l'unité parents jusqu'à obtention du volume souhaité pour l'unité parents.

Remarque : L'unité parents consomme plus d'énergie si l'appareil fonctionne sur piles et que le volume est réglé sur un niveau élevé.

Sélecteur de canal

Veillez à ce que les sélecteurs de canal situés dans les compartiments à piles des deux unités soient toujours réglés sur le même canal. Les sélecteurs de canal permettent de choisir parmi les seize canaux disponibles. Si vous constatez des interférences avec d'autres écoute-bébés, appareils radio, etc., sélectionnez un autre canal.

- 1 Ouvrez le couvercle du compartiment à piles des deux unités.

Unité bébé : (fig. 3)

- Tournez le bouton de verrouillage à l'aide d'une pièce de monnaie, puis retirez le couvercle.
- Le cas échéant, retirez les piles du compartiment à piles.
- À l'aide d'un petit tournevis plat, tournez le sélecteur de canal jusqu'à la position souhaitée.

Unité parents : (fig. 4)

- Tournez le bouton de verrouillage d'un quart de tour (1). Retirez ensuite le couvercle du compartiment à piles en le faisant glisser vers le bas (2).
- Le cas échéant, retirez les piles du compartiment à piles.
- À l'aide d'un petit tournevis plat, tournez le sélecteur de canal jusqu'à la position souhaitée.

Remarque : Veillez à ce que les unités soient réglées sur le même canal.

Si vous ne constatez aucune interférence lors du test de la connexion, fermez le compartiment à piles des unités bébé et parents.

Si vous constatez des interférences, réglez le sélecteur sur un autre canal, puis testez de nouveau la connexion.

Si les unités fonctionnent sur piles non rechargeables, réinsérez les piles et fermez les compartiments à piles.

Nettoyage et entretien

Ne plongez jamais l'unité parents ou l'unité bébé dans l'eau et ne les passez pas sous le robinet pour les nettoyer.

N'utilisez pas de spray ni de détergents liquides.

- Débranchez l'unité bébé ou parents si celle-ci est branchée sur le secteur.
- Nettoyez les unités parents et bébé à l'aide d'un chiffon humide.

Assurez-vous que les unités sont parfaitement sèches avant de les brancher sur le secteur.

- Nettoyez les adaptateurs avec un chiffon sec.

Rangement

Lorsque vous n'utilisez pas l'écoute-bébé pendant une période prolongée, retirez les piles non rechargeables des unités bébé et parents. Rangez les unités bébé et parents, ainsi que les adaptateurs dans un endroit frais et sec.

Remplacement

Unité bébé

Piles

Remplacez exclusivement les piles non rechargeables de l'unité bébé par quatre piles AA R6 de 1,5V.

Remarque : Il est fortement recommandé d'utiliser les piles Philips non rechargeables.

Adaptateur

Remplacez uniquement l'adaptateur de l'unité bébé par un adaptateur du même type. Vous pouvez vous procurer un nouvel adaptateur auprès de votre revendeur ou d'un Centre Service Agréé Philips :

- SBC CS0920/00W (UE/SGP uniquement)
- SBC CS0920/05W (R.-U. uniquement)
- 9VD200 (AU/NZ uniquement)

Unité parents

Piles

Remplacez exclusivement les piles non rechargeables de l'unité parents par quatre piles AA R6 de 1,5V.

Remarque : Il est fortement recommandé d'utiliser les piles Philips non rechargeables.

Adaptateur

Remplacez uniquement l'adaptateur de l'unité bébé par un adaptateur du même type. Vous pouvez vous procurer un nouvel adaptateur auprès de votre revendeur ou d'un Centre Service Agréé Philips :

- SBC CS0920/00W (UE/SGP uniquement)
- SBC CS0920/05W (R.-U. uniquement)
- 9VD200 (AU/NZ uniquement)

Environnement

- Lorsqu'il ne fonctionnera plus, ne jetez pas l'appareil avec les ordures ménagères, mais déposez-le à un endroit assigné à cet effet, où il pourra être recyclé. Vous contribuerez ainsi à la protection de l'environnement (fig. 11).
- Les piles contiennent des substances polluantes pour l'environnement. Ne jetez pas les piles usées avec les ordures ménagères, mais déposez-les à un endroit assigné à cet effet. Retirez toujours les piles avant de mettre l'appareil au rebut ou de le déposer à un endroit assigné à cet effet. (fig. 12)

Garantie et service

Si vous souhaitez obtenir de l'aide ou des informations supplémentaires, ou si vous rencontrez un problème, rendez-vous sur le site Web de Philips AVENT à l'adresse **www.philips.com/AVENT** ou contactez le Service Consommateurs Philips de votre pays (vous trouverez le numéro de téléphone correspondant sur le dépliant de garantie internationale). S'il n'existe pas de Service Consommateurs Philips dans votre pays, renseignez-vous auprès de votre revendeur Philips local.

Foire aux questions

Ce chapitre reprend les questions les plus fréquemment posées au sujet de l'appareil. Si vous ne trouvez pas la réponse à votre question ici, contactez le Service Consommateurs Philips de votre pays.

Question	Réponse
Pourquoi le voyant d'alimentation n'est-il pas allumé ?	La fiche de l'appareil n'a pas été insérée correctement dans la prise de l'unité ou l'adaptateur n'a pas été inséré dans la prise secteur.
	Vous avez peut-être oublié d'allumer les unités. Appuyez sur le bouton marche/arrêt de l'unité bébé et tournez la molette de réglage du volume de l'unité parents vers le bas pour allumer les unités.
	Si les unités fonctionnent sur piles, celles-ci sont peut-être faibles. Dans ce cas, remplacez les piles.
Pourquoi le voyant d'alimentation clignote-t-il en rouge ?	L'unité fonctionne sur piles et les piles sont faibles. Remplacez-les.
Pourquoi l'unité parents produit-elle un bruit aigu ?	Les unités sont trop proches l'une de l'autre. Éloignez l'unité parents de l'unité bébé d'au moins 1 mètre. Si le problème persiste, le volume est peut-être trop fort. Tournez la molette de réglage du volume pour obtenir un volume moins élevé.
Pourquoi l'unité parents n'émet-elle aucun son ?	Assurez-vous que le volume est suffisamment élevé. Si le volume est trop bas, tournez la molette de réglage du volume pour obtenir un volume plus élevé. Vérifiez également la sensibilité du microphone de l'unité bébé.
Pourquoi le voyant de connexion clignote-t-il en rouge ?	Il clignote en rouge en cas d'absence de connexion. L'unité parents est peut-être hors de portée de l'unité bébé ou les deux unités sont peut-être réglées sur deux canaux différents. Assurez-vous que les unités bébé et parents sont réglées sur le même canal. Si c'est le cas, rapprochez l'unité parents de l'unité bébé.
Pourquoi l'unité parents émet-elle un signal sonore ?	Le signal que vous entendez est l'alarme de connexion. Ce signal indique l'absence de connexion entre les unités bébé et parents. L'unité parents est peut-être hors de portée de l'unité bébé ou les deux unités sont peut-être réglées sur deux canaux différents. Assurez-vous que les unités bébé et parents sont réglées sur le même canal. Si c'est le cas, rapprochez l'unité parents de l'unité bébé.
Pourquoi l'unité parents réagit-elle trop lentement aux sons du bébé ?	Réglez la sensibilité du microphone de l'unité bébé sur un niveau plus élevé et/ou rapprochez l'unité bébé de votre bébé, en veillant à maintenir une distance minimale d'un 1 mètre entre l'unité et votre bébé.
Pourquoi l'unité parents réagit-elle trop rapidement aux bruits ambiants ?	Réglez la sensibilité du microphone de l'unité bébé sur un niveau plus bas et/ou rapprochez l'unité de votre bébé.

Question	Réponse
Pourquoi la connexion est-elle perdue de temps à autre ?	L'unité parents est probablement proche de la portée limite. Placez-la plus près de l'unité bébé, à un endroit où la réception est meilleure. Notez que le rétablissement de la connexion prend environ 30 secondes lorsque vous déplacez une ou les deux unités.
Pourquoi y a-t-il des interférences sur l'unité parents ?	Vous pouvez constater des interférences lorsque l'unité parents est hors de portée de l'unité bébé. Il est également possible que l'unité parents soit trop proche d'une fenêtre. En effet, l'unité parents peut capter des signaux à travers la fenêtre, ce qui crée des interférences. Éloignez l'unité parents de la fenêtre. La transmission peut également être perturbée lorsque de nombreux murs ou plafonds séparent les unités bébé et parents. Rapprochez l'unité parents de l'unité bébé. Veillez également à ce que les unités soient suffisamment éloignées des téléphones portables ou sans fil, des radios ou des téléviseurs.
Pourquoi l'unité parents capte-t-elle les signaux d'un autre écoute-bébé ?	L'écoute-bébé fonctionne sur le même canal qu'un autre écoute-bébé du voisinage. À l'aide du sélecteur de canal, réglez les deux unités sur un canal différent.
Pourquoi l'écoute-bébé ne fonctionne-t-il pas à la portée nominale de 200 mètres ?	La portée nominale de 200 mètres n'est valable qu'en plein air. À l'intérieur, la portée est limitée par le nombre et le type de murs et/ou de plafonds qui séparent les deux unités. Modifiez l'emplacement d'une ou des deux unités afin d'optimiser la portée.
Que se passe-t-il en cas de coupure de courant ?	Si vous faites fonctionner les unités sur secteur sans y avoir inséré de piles, la connexion sera perdue en cas de coupure de courant. Si vous avez placé des piles dans les deux unités, celles-ci basculent automatiquement sur l'alimentation des piles en cas de coupure de courant. Ainsi, la connexion n'est pas perdue.

Inleiding

Gefeliciteerd met uw aankoop en welkom bij Philips AVENT! Als u volledig wilt profiteren van de ondersteuning die Philips AVENT biedt, registreer uw product dan op www.philips.com/welcome. Philips AVENT spant zich in om zorgzame, betrouwbare producten te maken die ouders de gerustheid geven die ze nodig hebben. Met deze Philips AVENT-babyfoon kunt u in en om het huis uw baby horen. Dankzij de zestien verschillende kanaalopties wordt interferentie tot een minimum beperkt en bent u zeker van een betrouwbare ontvangst, waardoor u altijd contact hebt met uw baby.

Algemene beschrijving (fig. 1)

A Babyunit

- 1 Microfoon
- 2 Aansluitopening voor kleine stekker
- 3 Aan/uitknop
- 4 Aan-lampje
- 5 Regelaar microfoongevoeligheid
- 6 Kanaalselectieknop
- 7 Adapter
- 8 Kleine stekker
- 9 Klep van batterijvak

B Ouderunit

- 1 Adapter
- 2 Kleine stekker
- 3 Aan-lampje
- 4 Luidspreker
- 5 Verbindingslampje
- 6 Volumeregelaar met aan/uitfunctie
- 7 Schakelaar verbindingsalarm
- 8 Klep van batterijvak
- 9 Kanaalselectieknop

Belangrijk

Lees deze gebruiksaanwijzing zorgvuldig door voordat u het apparaat gaat gebruiken. Bewaar de gebruiksaanwijzing om deze indien nodig te kunnen raadplegen.

Gevaar

- Dompel geen enkel deel van de babyfoon in water of een andere vloeistof.

Waarschuwing

- Controleer of het voltage dat wordt aangegeven op de adapters van de babyunit en de ouderunit, overeenkomt met de plaatselijke netspanning voordat u het apparaat aansluit.
- Gebruik alleen de bijgeleverde adapters om de babyunit en de ouderunit aan te sluiten op netspanning.
- De adapters bevatten een transformator. Knip de adapters niet af om deze te vervangen door andere stekkers, omdat dit een gevaarlijke situatie oplevert.
- Als de adapters beschadigd zijn, zorg er dan voor dat deze altijd worden vervangen door adapters van het oorspronkelijke type om gevaar te voorkomen. Zie hoofdstuk 'Vervangen' voor het goede type.
- Gebruik de babyfoon niet in een vochtige omgeving of nabij water.
- Maak de behuizing van de babyunit en de ouderunit niet open, behalve de batterijvakken, om elektrische schokken te voorkomen.

- Dit apparaat is niet bedoeld voor gebruik door personen (waaronder kinderen) met verminderde lichamelijke, zintuiglijke of geestelijke vermogens, of die gebrek aan ervaring of kennis hebben, tenzij iemand die verantwoordelijk is voor hun veiligheid toezicht op hen houdt of hen heeft uitgelegd hoe het apparaat dient te worden gebruikt.
- Houd toezicht op kinderen om te voorkomen dat ze met het apparaat gaan spelen.
- De babyfoon heeft een bereik van 200 meter in de open lucht. Dit bereik kan, afhankelijk van de omgeving en andere storingsfactoren, kleiner zijn (zie 'Bereik' in hoofdstuk 'Het apparaat gebruiken').

Let op

- Gebruik en bewaar het apparaat bij een temperatuur tussen 10°C en 40°C.
- Stel de babyunit en de ouderunit niet bloot aan extreem hoge of lage temperaturen of direct zonlicht.
- Zorg ervoor dat de babyunit en het snoer altijd buiten het bereik van de baby blijven (ten minste 1 meter verwijderd).
- Plaats de babyunit niet in het bed of de box van de baby.
- Dek de ouderunit en de babyunit nooit af (bijvoorbeeld met een handdoek of een deken).
- Plaats altijd niet-oplaadbare batterijen van het juiste type in de babyunit en de ouderunit.

Algemeen

- Deze babyfoon is bedoeld als hulpmiddel. Het is geen vervanging voor verantwoordelijk en degelijk toezicht door volwassenen en moet niet als zodanig worden gebruikt.

Elektromagnetische velden (EMV)

Dit Philips AVENT-apparaat voldoet aan alle richtlijnen met betrekking tot elektromagnetische velden (EMV). Mits het apparaat op de juiste wijze en volgens de instructies in deze gebruiksaanwijzing wordt gebruikt, is het veilig te gebruiken volgens het nu beschikbare wetenschappelijke bewijs.

Klaarmaken voor gebruik

Babyunit

U kunt de babyunit gebruiken door deze aan te sluiten op netspanning of door gebruik te maken van niet-oplaadbare batterijen. Zelfs indien u van plan bent de babyunit op netspanning te laten werken, raden we u aan de niet-oplaadbare batterijen in het batterijvak te plaatsen. Hierdoor blijft de babyunit werken wanneer de stroom uitvalt.

Gebruik op netspanning

1 Steek de apparaatstekker in de babyunit en steek de adapter in een stopcontact (fig. 2). Het aan-lampje gaat branden.

Gebruik van niet-oplaadbare batterijen

De babyunit werkt op vier 1,5V R6 AA-batterijen (niet bijgeleverd). We raden u sterk aan om Philips LR6 PowerLife-batterijen te gebruiken.

Gebruik geen oplaadbare batterijen, want de babyunit heeft geen oplaadfunctie.

Trek de stekker van de babyunit uit het stopcontact en zorg ervoor dat uw handen en de unit droog zijn wanneer u de niet-oplaadbare batterijen plaatst.

- 1** Ontgrendel de klep van het batterijvak door de vergrendelknop met een muntje te draaien. Verwijder vervolgens de klep (fig. 3).
- 2** Plaats vier niet-oplaadbare batterijen. Zorg ervoor dat de + en - polen van de batterijen in de juiste richting wijzen.
- 3** Plaats de klep van het batterijvak weer terug en vergrendel deze door de vergrendelknop te draaien met een muntje.

Als de batterijen bijna leeg zijn, gaat het aan-lampje op de babyunit rood knipperen.

Ouderunit

U kunt de ouderunit gebruiken door deze aan te sluiten op netspanning of door gebruik te maken van niet-oplaadbare batterijen. Zelfs indien u van plan bent de ouderunit op netspanning te laten werken, raden we u aan de niet-oplaadbare batterijen in het batterijvak te plaatsen. Hierdoor blijft de ouderunit werken wanneer de stroom uitvalt.

Gebruik op netspanning

1 Steek de apparaatstekker in de ouderunit en steek de adapter in een stopcontact.
Het aan-lampje gaat branden.

Gebruik van niet-oplaadbare batterijen

De ouderunit werkt op vier 1,5V R6 AA-batterijen (niet bijgeleverd). We raden u sterk aan om Philips LR6 PowerLife-batterijen te gebruiken.

Gebruik geen oplaadbare batterijen, want de ouderunit heeft geen oplaadfunctie.

Trek de stekker van de ouderunit uit het stopcontact en zorg ervoor dat uw handen en de unit droog zijn wanneer u de niet-oplaadbare batterijen plaatst.

1 Draai de vergrendelknop een kwartslag (1) en schuif vervolgens de klep van het batterijvak naar beneden om deze te verwijderen (2) (fig. 4).

2 Plaats vier niet-oplaadbare batterijen.

Zorg ervoor dat de + en - polen van de batterijen in de juiste richting wijzen.

3 Plaats de klep weer op het batterijvak.

Opmerking: Als de batterijen bijna leeg zijn, gaat het aan-lampje op de ouderunit rood knipperen.

Opmerking: Wanneer de batterijen geheel leeg zijn, schakelt de ouderunit automatisch uit en wordt het contact met de babyunit verbroken.

Het apparaat gebruiken

1 Plaats de twee units in dezelfde ruimte om de verbinding te testen (fig. 5).

Zorg dat de beide units ten minste 1 meter uit elkaar staan.

2 Druk op de aan/uitknop om de babyunit in te schakelen (fig. 6).

Het aan-lampje brandt continu groen.

3 Draai aan de volumeregelaar om de ouderunit in te schakelen en om het gewenste volumeniveau in te stellen. (fig. 7)

Het aan-lampje brandt continu groen.

4 Wanneer er een verbinding tot stand is gebracht tussen de units, brandt het verbindingslampje op de ouderunit continu groen.

Opmerking: Het duurt ongeveer 30 seconden voordat de verbinding tot stand is gebracht.

Opmerking: Als er geen verbinding tot stand kan worden gebracht, knippert het verbindingslampje op de ouderunit rood.

4 Zorg dat de babyunit ten minste 1 meter van uw baby verwijderd is (fig. 8).

5 Plaats de ouderunit binnen het bereik van de babyunit. Zorg ervoor dat de ouderunit ten minste 1 meter van de babyunit verwijderd is. Zie 'Bereik' hieronder voor meer informatie over het bereik (fig. 9).

Bereik

Het bereik van de babyfoon is 200 meter in de open lucht. Dit bereik kan, afhankelijk van de omgeving en andere storingsfactoren, kleiner zijn.

Droge materialen	Dikte van het materiaal	Vermindering bereik
Hout, pleisterwerk, gipsplaat, glas (zonder metaal, bedrading of lood)	< 30 cm	0-10%
Steen, triplex	< 30 cm	5-35%
Gewapend beton	< 30 cm	30-100%
Metalen roosters of stangen	< 1 cm	90-100%
Metaal- of aluminiumplaten	< 1 cm	100%

Voor natte en vochtige materialen kan het bereikverlies oplopen tot 100%.

Funcities

Digitale signaalbevestiging

De ouderunit heeft een verbindingslampje dat u continu informeert over de status van de verbinding tussen de babyunit en de ouderunit. U kunt op de ouderunit een alarm instellen om u te waarschuwen als de verbinding wordt verbroken. Als de verbinding wordt verbroken, laat het alarm een pieptoon afgaan en knippert het verbindingslampje rood.

Het alarm op de ouderunit activeren:

- 1 Draai de vergrendelknop een kwartslag (1) en schuif vervolgens de klep van het batterijvak naar beneden om deze te verwijderen (2) (fig. 4).
- 2 Zet de schakelaar voor het verbindingsalarm in het batterijvak op de stand 'aan'.
- 3 Plaats de klep weer op het batterijvak.

Als u het alarm wilt uitschakelen, zet u de schakelaar voor het verbindingsalarm op de stand 'uit'.

Instelbare geluidsgevoeligheid

Met de regelaar voor de microfoongevoeligheid op de babyunit kunt u het gewenste niveau instellen voor het geluid dat door de microfoon moet worden opgemerkt: laag, middel of hoog. Als de microfoongevoeligheid op 'hoog' staat, worden alle geluiden door de babyunit opgemerkt.

Opmerking: De gevoeligheid van de babyunit kan alleen worden gewijzigd indien er verbinding is tussen de babyunit en de ouderunit.

- 1 Stel met de regelaar voor de microfoongevoeligheid het gewenste gevoeligheidsniveau voor de babyunit in. U kunt uw eigen stem gebruiken om de microfoongevoeligheid te testen (fig. 10).

Het aan-lampje op de babyunit wordt geel wanneer er geluid wordt verzonden.

Opmerking: Als de ouderunit op batterijen werkt, verbruikt deze meer stroom als de gevoeligheid hoog staat.

Instelbaar luidspreekervolume

U kunt het volume op de ouderunit wijzigen, zodat u het kunt aanpassen aan uw omgeving.

- 1 Draai aan de volumeknop aan de rechterkant van de ouderunit totdat u het gewenste luidspreekervolume voor de ouderunit hebt bereikt.

Opmerking: Als de ouderunit op batterijen werkt, verbruikt deze meer stroom als het volume hoog staat.

Kanaalselectieknop

Zorg er altijd voor dat de kanaalselectieknoppen in de batterijvakken van beide units op hetzelfde kanaal staan ingesteld. Met deze kanaalselectieknoppen kunt u zestien verschillende kanaalinstellingen kiezen. Ondervindt u storing van andere babyfoons, radioapparatuur enz., kies dan een ander kanaal.

1 Open op beide units de klep van het batterijvak.

► Babyunit: (fig. 3)

- Gebruik een muntje om de vergrendelknop te draaien en verwijder de klep.
- Verwijder de oude batterijen, indien aanwezig, uit de batterijvakken.
- Draai met een kleine, platte schroevendraaier de kanaalselectieknop naar de gewenste stand.

► Ouderunit: (fig. 4)

- Draai de vergrendelknop een kwartslag (1) en schuif vervolgens de klep van het batterijvak naar beneden om deze te verwijderen (2).
- Verwijder de oude batterijen, indien aanwezig, uit de batterijvakken.
- Draai met een kleine, platte schroevendraaier de kanaalselectieknop naar de gewenste stand.

Opmerking: Zorg ervoor dat beide units op hetzelfde kanaal zijn ingesteld.

Als u tijdens het testen van de verbinding geen interferentie hebt ervaren, sluit dan de batterijvakken van de units.

Ervaat u echter wel interferentie, dan moet u de selectieknop op een ander kanaal instellen en vervolgens de verbinding opnieuw testen.

Als beide units op niet-oplaadbare batterijen werken, moet u de batterijen vervangen en de batterijvakken sluiten.

Schoonmaken en onderhoud

Dompel de ouderunit en de babyunit niet in water en maak ze niet schoon onder de kraan.

Gebruik geen reinigingsspray of vloeibare schoonmaakmiddelen.

- Trek de stekker van de babyunit of de ouderunit uit het stopcontact als deze op netspanning is aangesloten.
- Maak de ouderunit en de babyunit schoon met een vochtige doek.

Zorg ervoor dat de units droog zijn voordat u deze op netspanning aansluit.

- Maak de adapters schoon met een droge doek.

Opbergen

Als u de babyfoon langere tijd niet gebruikt, verwijder dan de niet-oplaadbare batterijen uit de babyunit en de ouderunit. Bewaar de babyunit, de ouderunit en de adapters op een koele en droge plaats.

Vervangen

Babyunit

Batterijen

Vervang de niet-oplaadbare batterijen van de babyunit uitsluitend door vier R6 AA-batterijen van 1,5V.

Opmerking: We raden u sterk aan om niet-oplaadbare batterijen van Philips te gebruiken.

Adapter

Vervang de adapter van de babyunit alleen door een adapter van het oorspronkelijke type. U kunt een nieuwe adapter bestellen bij uw Philips-dealer of een Philips-servicecentrum:

- SBC CS0920/00W (alleen EU/SGP)
- SBC CS0920/05W (alleen VK)
- 9VD200 (alleen AU/NZ)

Ouderunit

Batterijen

Vervang de niet-oplaadbare batterijen van de ouderunit uitsluitend door vier R6 AA-batterijen van 1,5V.

Opmerking: We raden u sterk aan om niet-oplaadbare batterijen van Philips te gebruiken.

Adapter

Vervang de adapter van de ouderunit alleen door een adapter van het oorspronkelijke type. U kunt een nieuwe adapter bestellen bij uw Philips-dealer of een Philips-servicecentrum:

- SBC CS0920/00W (alleen EU/SGP)
- SBC CS0920/05W (alleen VK)
- 9VD200 (alleen AU/NZ)

Milieu

- ▶ Gooi het apparaat aan het einde van zijn levensduur niet weg met het normale huisvuil, maar lever het in op een door de overheid aangewezen inzamelpunt om het te laten recyclen. Op die manier lever je een bijdrage aan een schonere leefomgeving (fig. 11).
- ▶ Batterijen bevatten stoffen die schadelijk kunnen zijn voor het milieu. Gooi lege batterijen niet weg met het gewone huisvuil, maar lever deze in bij een officieel aangewezen inzamelpunt. Verwijder altijd de batterijen voordat u het apparaat afdankt of inlevert op een officieel inzamelpunt. (fig. 12)

Garantie en service

Als u service of informatie nodig hebt of als u een probleem hebt, bezoek dan de Philips AVENT-website op www.philips.com/AVENT, of neem contact op met het Philips Consumer Care Centre in uw land (u vindt het telefoonnummer in het 'worldwide garantie'-vouwblad). Als er geen Consumer Care Centre in uw land is, ga dan naar uw Philips-dealer.

Veelgestelde vragen

In dit hoofdstuk vindt u de meestgestelde vragen over het apparaat. Als u het antwoord op uw vraag niet kunt vinden, neem dan contact op met het Customer Care Centre in uw land.

Vraag	Antwoord
Waarom brandt het aan-lampje niet?	Mogelijk is de apparaatstekker niet goed aangesloten op de unit, of mogelijk is de adapter niet (goed) aangesloten op het stopcontact.
	Mogelijk bent u vergeten beide units in te schakelen. Druk op de aan/uitknop op de babyunit en draai de volumeregelaar op de ouderunit naar beneden om de units in te schakelen.
	Als de units op batterijen werken, zijn de batterijen mogelijk bijna leeg. Vervang in dat geval de batterijen.
Waarom knippert het aan-lampje rood?	De units werken op batterijen en de batterijen zijn bijna leeg. Vervang de batterijen.
Waarom maakt de ouderunit een hoog geluid?	De units staan te dicht bij elkaar. Zorg ervoor dat de ouderunit ten minste 1 meter van de babyunit verwijderd is. Is het probleem hiermee niet verholpen, dan staat het volume te hoog. Draai de volumeregelaar naar een lagere stand.
Waarom komt er geen geluid uit de ouderunit?	Controleer of het volume hoog genoeg staat ingesteld. Als het volume te laag is, draai dan de volumeregelaar naar een hoger volume. Controleer ook de microfoongevoeligheid van de babyunit.
Waarom knippert het verbindingslampje rood?	Het lampje knippert rood omdat er geen verbinding is. De ouderunit valt mogelijk buiten het bereik van de babyunit of de ouderunit staat ingesteld op een ander kanaal dan de babyunit. Controleer of de ouderunit en de babyunit allebei staan ingesteld op hetzelfde kanaal. Als dit laatste het geval is, moet u de ouderunit op een andere plek neerzetten, dichterbij de babyunit.
Waarom piept de ouderunit?	Dit is het verbindingsalarm. Dit geeft aan dat er geen verbinding is tussen de babyunit en de ouderunit. De ouderunit valt mogelijk buiten het bereik van de babyunit of de ouderunit staat ingesteld op een ander kanaal dan de babyunit. Controleer of de ouderunit en de babyunit allebei staan ingesteld op hetzelfde kanaal. Als dit laatste het geval is, moet u de ouderunit op een andere plek neerzetten, dichterbij de babyunit.
Waarom reageert de ouderunit te langzaam op geluiden van de baby?	Stel de microfoongevoeligheid op de babyunit in op een hoger niveau en/of plaats de babyunit dichterbij de baby. Zorg ervoor dat de babyunit ten minste 1 meter van de baby verwijderd is.

Vraag	Antwoord
Waarom reageert de ouderunit te snel op andere geluiden?	Stel de microfoongevoeligheid op de babyunit in op een lager niveau en/of plaats de babyunit dichterbij de baby.
Waarom valt de verbinding nu en dan weg?	De ouderunit zit waarschijnlijk op de rand van het bereik. Plaats de ouderunit dichterbij de babyunit in een omgeving met een betere ontvangst. Het duurt ongeveer 30 seconden voordat de verbinding is hersteld als u een of beide unit(s) verplaatst.
Waarom hoor ik storing op de ouderunit?	Er kan interferentie optreden wanneer de ouderunit buiten het bereik van babyunit valt. De ouderunit kan ook te dicht bij een raam staan en interferentiesignalen oppikken door het raam. Plaats de ouderunit uit de buurt van het raam. Interferentie kan ook optreden wanneer er zich te veel muren of plafonds tussen de ouderunit en de babyunit bevinden. Zet de ouderunit op een andere plek, dichterbij de babyunit. Controleer ook of de units ver genoeg van mobiele of draadloze telefoons, radio's of TV's zijn geplaatst.
Waarom vangt de ouderunit signalen op van een andere babyfoon?	De babyfoon staat op hetzelfde kanaal als een andere babyfoon in de buurt. Stel beide units met de kanaalselectieknop in op een ander kanaal.
Waarom haalt de babyfoon het opgegeven bereik van 200 meter niet?	Het opgegeven bereik van 200 meter is alleen geldig in de open lucht. Binnenshuis wordt het bereik minder door het aantal en type muren en/of plafonds tussen de twee units. Verplaats een van de units of beide units voor een beter bereik.
Wat gebeurt er als er een stroomstoring plaatsvindt?	Als u de units op netspanning hebt aangesloten zonder batterijen te plaatsen, zal de verbinding worden verbroken als er een stroomstoring is. Als u in beide units batterijen hebt geplaatst, schakelen de units automatisch over op batterijvoeding in geval van een stroomstoring en wordt de verbinding niet verbroken.

Introducción

Enhorabuena por la compra de este producto y bienvenido a Philips AVENT. Para sacar el mayor partido de la asistencia que Philips AVENT le ofrece, registre su producto en www.philips.com/welcome.

Philips AVENT se dedica a la fabricación de productos fiables para el cuidado del bebé, que proporcionen a los padres la tranquilidad que necesitan. Este vigilabebés de Philips AVENT le permite escuchar a su bebé desde cualquier parte, tanto dentro como fuera de casa. Sus dieciséis opciones de canal diferentes garantizan unas interferencias mínimas y una recepción segura para que pueda estar constantemente en contacto con su bebé.

Descripción general (fig. 1)

A Unidad del bebé

- 1 Micrófono
- 2 Toma para clavija pequeña
- 3 Botón de encendido/apagado
- 4 Piloto de encendido
- 5 Control de sensibilidad del micrófono
- 6 Selector de canal
- 7 Adaptador de corriente
- 8 Clavija pequeña
- 9 Tapa del compartimento de las pilas

B Unidad de padres

- 1 Adaptador de corriente
- 2 Clavija pequeña
- 3 Piloto de encendido
- 4 Altavoz
- 5 Piloto de conexión
- 6 Control de volumen con función de encendido/apagado
- 7 Interruptor de alarma de conexión
- 8 Tapa del compartimento de las pilas
- 9 Selector de canal

Importante

Antes de usar el aparato, lea atentamente estas instrucciones de uso y consérvelas por si necesitara consultarlas en el futuro.

Peligro

- No sumerja nunca ninguna parte del vigilabebés en agua u otros líquidos.

Advertencia

- Antes de enchufarlo, compruebe si el voltaje indicado en los adaptadores de la unidad del bebé y de la unidad de padres se corresponde con el voltaje de la red local.
- Utilice sólo los adaptadores que se suministran para conectar la unidad del bebé y la unidad de padres a la red.
- Los adaptadores contienen un transformador. No corte los adaptadores para sustituirlos por otras clavijas, ya que se producirán situaciones de peligro.
- Si los adaptadores están dañados, sustitúyalos siempre por otros del modelo original para evitar situaciones de peligro. Para conocer el tipo adecuado, consulte el capítulo "Sustitución".
- No utilice nunca el vigilabebés en lugares húmedos o cerca del agua.
- No abra nunca la carcasa de la unidad del bebé o de la unidad de padres (excepto los compartimentos de las pilas), con el fin de evitar descargas eléctricas.

- Este aparato no debe ser usado por personas (adultos o niños) con su capacidad física, psíquica o sensorial reducida, ni por quienes no tengan los conocimientos y la experiencia necesarios, a menos que sean supervisados o instruidos acerca del uso del aparato por una persona responsable de su seguridad.
- Asegúrese de que los niños no jueguen con este aparato.
- El alcance de funcionamiento del vigilabebés es de 200 metros al aire libre. En función del entorno y de otros factores de interferencia, este alcance puede ser menor (consulte la sección "Alcance de funcionamiento" del capítulo "Uso del aparato").

Precaución

- Utilice y guarde el aparato a una temperatura entre 10 °C y 40 °C.
- No exponga la unidad de padres ni la unidad del bebé a temperaturas extremadamente bajas o altas ni al contacto directo con la luz del sol.
- Mantenga siempre la unidad del bebé y el cable fuera del alcance del bebé (a 1 metro de distancia como mínimo).
- No coloque nunca la unidad del bebé en el interior de la cuna o del parque.
- No cubra nunca la unidad de padres ni la unidad del bebé (por ejemplo, con una toalla o una manta).
- Inserte siempre pilas no recargables del tipo adecuado en la unidad del bebe y en la unidad de padres.

General

- El objetivo de este vigilabebés es servir de ayuda. En ningún caso sustituye la supervisión responsable y adecuada por parte de un adulto, y no debe utilizarse como tal.

Campos electromagnéticos (CEM)

Este aparato Philips AVENT cumple todos los estándares sobre campos electromagnéticos (CEM). Si se utiliza correctamente y de acuerdo con las instrucciones de este manual, el aparato se puede usar de forma segura según los conocimientos científicos disponibles hoy en día.

Preparación para su uso

Unidad del bebé

Puede utilizar la unidad del bebé conectada a la red eléctrica o con pilas no recargables. Recomendamos que utilice pilas no recargables aunque vaya a utilizar la unidad conectada a la red eléctrica. De esta manera se garantiza una alimentación de reserva que se activa automáticamente en caso de producirse un corte del suministro eléctrico.

Funcionamiento conectado a la red

- 1** Enchufe la clavija del aparato a la unidad del bebé y conecte el adaptador a la toma de corriente (fig. 2).

El piloto de encendido se ilumina.

Funcionamiento con pilas no recargables

La unidad del bebé funciona con 4 pilas R6 AA de 1,5V (no incluidas). Recomendamos usar pilas Philips LR6 PowerLife.

No utilice pilas recargables, ya que la unidad del bebé no tiene una función de carga.

Desenchufe la unidad del bebé y, cuando vaya a poner las pilas no recargables, asegúrese de que sus manos y la unidad estén secas.

- 1** Para desbloquear la tapa del compartimiento de las pilas, gire el botón de bloqueo con una moneda. A continuación, extraiga la tapa (fig. 3).

- 2** Inserte cuatro pilas no recargables.

Asegúrese de que los polos + y - de las pilas estén en la posición correcta.

- 3** Vuelva a colocar la tapa del compartimento de las pilas y gire el botón de bloqueo con una moneda para cerrarlo.

Cuando las pilas se estén agotando, el piloto de encendido de la unidad del bebé parpadeará en rojo.

Unidad de padres

Puede utilizar la unidad de padres conectada a la red eléctrica o con pilas no recargables.

Recomendamos que utilice pilas no recargables aunque vaya a utilizar la unidad conectada a la red eléctrica. De esta manera se garantiza una alimentación de reserva que se activa automáticamente en caso de producirse un corte del suministro eléctrico.

Funcionamiento conectado a la red

- 1** Enchufe la clavija del aparato a la unidad de padres y conecte el adaptador a la toma de corriente.

El piloto de encendido se ilumina.

Funcionamiento con pilas no recargables

La unidad de padres funciona con 4 pilas R6 AA de 1,5V (no incluidas). Recomendamos usar pilas Philips LR6 PowerLife.

No utilice pilas recargables, ya que la unidad de padres no tiene una función de carga.

Desenchufe la unidad de padres y, cuando vaya a poner las pilas no recargables, asegúrese de que sus manos y la unidad estén secas.

- 1** Gire el botón de bloqueo un cuarto de vuelta (1) y deslice la tapa del compartimento de las pilas hacia abajo para quitarla (2) (fig. 4).

- 2** Inserte cuatro pilas no recargables.

Asegúrese de que los polos + y - de las pilas estén en la posición correcta.

- 3** Vuelva a colocar la tapa del compartimento de las pilas.

Nota: Cuando las pilas se estén agotando, el piloto de encendido de la unidad de padres parpadeará en rojo.

Nota: Cuando las pilas están completamente descargadas, la unidad de padres se apaga automáticamente y pierde el contacto con la unidad del bebé.

Uso del aparato

- 1** Coloque las dos unidades en la misma habitación para probar la conexión (fig. 5).

Coloque la unidad del bebé a una distancia de al menos 1 metro de la unidad de padres.

- 2** Pulse el botón de encendido/apagado para encender la unidad del bebé (fig. 6).

El piloto de encendido se ilumina con una luz verde constante.

- 3** Gire el control del volumen para encender la unidad de padres y ajuste el volumen al nivel que desee. (fig. 7)

El piloto de encendido se ilumina con una luz verde constante.

- Cuando el piloto de conexión de la unidad de padres permanece encendido en verde, significa que se ha establecido una conexión entre las dos unidades.

Nota: El proceso de conexión dura unos 30 segundos.

Nota: Si el piloto de conexión de la unidad de padres parpadea en rojo, significa que no se puede establecer la conexión.

- 4** Coloque la unidad del bebé al menos a 1 metro de distancia del bebé (fig. 8).

- 5** Coloque la unidad de padres dentro del alcance de funcionamiento de la unidad del bebé. Compruebe que se encuentra al menos a 1 metro de distancia de la unidad del bebé. Si desea obtener más información sobre el alcance de funcionamiento, consulte la sección “Alcance de funcionamiento” (fig. 9).

Alcance de funcionamiento

El alcance de funcionamiento del vigilabebés es de 200 metros al aire libre. En función del entorno y de otros factores de interferencia, este alcance puede ser menor.

Materiales secos	Grosor del material	Pérdida de alcance
Madera, yeso, cartón, cristal (sin metal, cables o plomo)	< 30 cm	0 - 10%
Ladrillo, madera contrachapada	< 30 cm	5 - 35%
Hormigón armado	< 30 cm	30 - 100%
Rejillas o barras metálicas	< 1 cm	90 - 100%
Láminas de metal o aluminio	< 1 cm	100%

En el caso de materiales húmedos, la pérdida de alcance puede ser de hasta el 100%.

Características

Confirmación de señal digital

La unidad de padres dispone de un piloto de conexión que le indica constantemente el estado de la conexión entre la unidad de padres y la unidad del bebé. Puede establecer una alarma en la unidad de padres para que le avise si la conexión se pierde. La alarma consiste en una señal sonora (un pitido). Además, el piloto de conexión parpadeará en rojo cuando se pierda la conexión.

Para activar la alarma en la unidad de padres:

- 1** Gire el botón de bloqueo un cuarto de vuelta (1) y deslice la tapa del compartimento de las pilas hacia abajo para quitarla (2) (fig. 4).
- 2** Ajuste el interruptor de la alarma que se encuentra en el compartimento de las pilas a la posición de encendido.
- 3** Vuelva a colocar la tapa del compartimento de las pilas.

Para desconectar la alarma, ajuste el interruptor de la alarma de conexión a la posición de apagado.

Nivel de sensibilidad de sonido ajustable

Con el control de sensibilidad del micrófono que hay en la unidad del bebé puede ajustar el sonido que recogerá la unidad del bebé al nivel que desee: bajo, medio o alto. Cuando la sensibilidad del micrófono es alta, la unidad del bebé recoge todos los sonidos.

Nota: Sólo se puede cambiar la sensibilidad de la unidad del bebé cuando hay una conexión establecida entre la unidad del bebé y la unidad de padres.

- 1** Utilice el control de sensibilidad del micrófono de la unidad del bebé para ajustar la sensibilidad del micrófono hasta el nivel que desee. Puede usar su propia voz como referencia de sonido (fig. 10).

El piloto de encendido de la unidad del bebé cambia a color amarillo cuando se transmite un sonido.

Nota: Si ajusta la sensibilidad a un nivel alto, la unidad de padres consumirá más energía cuando funcione con las pilas.

Volumen del altavoz ajustable

Puede cambiar el volumen de la unidad de padres, para se ajuste al entorno.

- 1 Gire el control de volumen que se encuentra en la parte derecha de la unidad de padres hasta que se alcance el volumen del altavoz que desee.

Nota: Si ajusta el volumen a un nivel alto, la unidad de padres consumirá más energía cuando funcione con las pilas.

Selector de canal

Asegúrese siempre de que los selectores de canal de ambas unidades, que se encuentran dentro de los compartimentos para las pilas, están ajustados en el mismo canal. Puede seleccionar dieciséis posiciones de canal diferentes con estos selectores. Si se producen interferencias con otros vigilabebés, aparatos de radio, etc., seleccione otro canal.

- 1 Abra las tapas de los compartimentos para las pilas de ambas unidades.

► Unidad del bebé: (fig. 3)

- Gire el botón de bloqueo con una moneda y retire la tapa.
- Saque las pilas del compartimento de las pilas, si las hay.
- Utilice un destornillador pequeño de punta plana para ajustar el selector de canal a la posición deseada.

► Unidad de padres: (fig. 4)

- Gire el botón de bloqueo un cuarto de vuelta (1) y deslice la tapa del compartimento de las pilas hacia abajo para quitarla (2).
- Saque las pilas del compartimento de las pilas, si las hay.
- Utilice un destornillador pequeño de punta plana para ajustar el selector de canal a la posición deseada.

Nota: Asegúrese de que ambas unidades están ajustadas en el mismo canal.

Si no aprecia interferencias al probar la conexión, cierre los compartimentos de las pilas de la unidad de padres y de la unidad del bebé.

Si se producen interferencias, ajuste los selectores en otro canal y vuelva a probar la conexión.

Si las unidades están funcionando con pilas no recargables, sustituya las pilas y cierre los compartimentos de las pilas.

Limpieza y mantenimiento

No sumerja la unidad de padres ni la del bebé en agua ni las lave bajo el grifo.

No utilice aerosoles ni líquidos de limpieza.

- Desenchufe la unidad del bebé o la unidad de padres si están enchufadas a la red.
- Limpie la unidad de padres y la unidad del bebé con un paño húmedo.

Asegúrese de que las unidades estén completamente secas antes de conectarlas a la red.

- Limpie los adaptadores con un paño seco.

Almacenamiento

Si no va a utilizar el vigilabebés durante un periodo de tiempo prolongado, quite las pilas no recargables de la unidad del bebé y de la unidad de padres. Guarde la unidad del bebé, la unidad de padres y los adaptadores en un lugar fresco y seco.

Sustitución

Unidad del bebé

Pilas

Sustituya las pilas no recargables de la unidad del bebé únicamente por cuatro pilas R6 AA de 1,5V.

Nota: Le recomendamos que utilice pilas no recargables de Philips.

Adaptador de corriente

Sustituya el adaptador de la unidad del bebé únicamente por otro del modelo original. Puede solicitar un adaptador nuevo a su distribuidor o a un centro de servicio Philips:

- SBC CS0920/00W (sólo UE/Singapur)
- SBC CS0920/05W (sólo Reino Unido)
- 9VD200 (sólo Australia/Nueva Zelanda)

Unidad de padres

Pilas

Sustituya las pilas no recargables de la unidad de padres únicamente por cuatro pilas R6 AA de 1,5V.

Nota: Le recomendamos que utilice pilas no recargables de Philips.

Adaptador de corriente

Sustituya el adaptador de la unidad de padres únicamente por otro del modelo original. Puede solicitar un adaptador nuevo a su distribuidor o a un centro de servicio Philips.

- SBC CS0920/00W (sólo UE/Singapur)
- SBC CS0920/05W (sólo Reino Unido)
- 9VD200 (sólo Australia/Nueva Zelanda)

Medio ambiente

- ▶ Al final de su vida útil, no tire el aparato junto con la basura normal del hogar. Llévelo a un punto de recogida oficial para su reciclado. De esta manera ayudará a conservar el medio ambiente (fig. 11).
- ▶ Las pilas contienen sustancias que pueden contaminar el medio ambiente. No tire las pilas gastadas con la basura normal del hogar; deposítelas en un punto de recogida oficial. Quite siempre las pilas antes de deshacerse del aparato o de llevarlo a un punto de recogida oficial. (fig. 12)

Garantía y servicio

Si necesita información o si tiene algún problema, visite la página Web de Philips AVENT en **www.philips.com/AVENT**, o póngase en contacto con el Servicio de Atención al Cliente de Philips en su país (puede encontrar el número de teléfono en el folleto de la garantía mundial). Si no hay Servicio de Atención al Cliente en su país, diríjase a su distribuidor local de Philips.

Preguntas más frecuentes

En este capítulo se exponen las preguntas más frecuentes sobre el aparato. Si no encuentra la respuesta a su pregunta, póngase en contacto con el Servicio de Atención al Cliente de su país.

Pregunta	Respuesta
¿Por qué no se ilumina el piloto de encendido?	Puede que no haya enchufado correctamente la clavija del aparato en la toma de la unidad o puede que el adaptador no esté bien enchufado a la toma de corriente.
	También es posible que no haya encendido las unidades. Pulse el botón de encendido/apagado de la unidad del bebé y gire el control de volumen de la unidad de padres hacia abajo para encender las unidades. Si las unidades están funcionando con las pilas, es posible que éstas estén agotadas. En ese caso, cambie las pilas.
¿Por qué el piloto de encendido parpadea en rojo?	Las unidades están funcionando con las pilas y éstas están agotadas. Cambie las pilas.
¿Por qué la unidad de padres produce un ruido muy agudo?	Las unidades están demasiado cerca una de otra. Coloque la unidad de padres a al menos 1 metro de la unidad del bebé. Si esto no soluciona el problema, significa que el volumen está demasiado alto. Ajuste el control de volumen a un volumen más bajo.
¿Por qué la unidad de padres no emite ningún sonido?	Compruebe si el volumen está lo suficientemente alto. Si el volumen está demasiado bajo, ajuste el control de volumen a un volumen más alto. Compruebe también el nivel de sensibilidad del micrófono de la unidad del bebé.
¿Por qué parpadea en rojo el piloto de conexión?	Si parpadea en rojo significa que no hay conexión. Puede que la unidad de padres esté fuera del alcance de la unidad del bebé o que cada una esté ajustada en un canal diferente. Compruebe que la unidad de padres y la unidad del bebé están ajustadas en el mismo canal. Si lo están, coloque la unidad de padres en un lugar diferente, más cerca de la unidad del bebé.
¿Por qué la unidad de padres emite un pitido?	Lo que escucha es la alarma de conexión, que indica que no hay conexión entre la unidad del bebé y la unidad de padres. Puede que la unidad de padres esté fuera del alcance de la unidad del bebé o que cada una esté ajustada en un canal diferente. Compruebe que la unidad de padres y la unidad del bebé están ajustadas en el mismo canal. Si lo están, coloque la unidad de padres en un lugar diferente, más cerca de la unidad del bebé.
¿Por qué la unidad de padres reacciona tan lentamente a los sonidos del bebé?	Ajuste la sensibilidad del micrófono de la unidad del bebé a un nivel más alto o coloque la unidad del bebé más cerca del bebé. Asegúrese de que la unidad del bebé se encuentra a al menos 1 metro del bebé.
¿Por qué la unidad de padres reacciona tan rápidamente a otros sonidos?	Ajuste la sensibilidad del micrófono de la unidad del bebé a un nivel más bajo o coloque la unidad del bebé más cerca del bebé.
¿Por qué se pierde la conexión de vez en cuando?	Probablemente, la unidad de padres está cerca del límite del alcance de funcionamiento. Acerque la unidad de padres a la unidad del bebé en un lugar donde haya una mejor recepción. Tenga en cuenta que, cuando mueve una o las dos unidades, la conexión tarda unos 30 segundos en restablecerse.

Pregunta	Respuesta
<p>¿Por qué recibo interferencias en la unidad de padres?</p>	<p>Puede que aprecie interferencias si la unidad de padres está fuera del alcance de la unidad del bebé. Es posible también que la unidad de padres se encuentre demasiado cerca de una ventana y reciba interferencias a través de ella. Aleje la unidad de padres de la ventana.</p>
	<p>También pueden ocurrir interferencias si hay demasiadas paredes o techos entre la unidad de padres y la unidad del bebé. Coloque la unidad de padres en un lugar diferente o más cerca de la unidad del bebé. Asegúrese de que no hay teléfonos móviles o inalámbricos, radios o televisores cerca de ambas unidades.</p>
<p>¿Por qué la unidad de padres recoge señales de otro vigilabebés?</p>	<p>El vigilabebés funciona en el mismo canal que otro vigilabebés cercano. Ajuste las dos unidades a otro canal con el selector de canales.</p>
<p>¿Por qué el vigilabebés no tiene el alcance especificado de 200 metros?</p>	<p>El alcance de 200 metros sólo es válido al aire libre. Dentro de una casa, ese alcance se ve limitado por el número y tipo de paredes y techos que haya entre las dos unidades. Cambie de posición una o ambas unidades para optimizar su alcance.</p>
<p>¿Qué ocurre si se produce un corte en el suministro eléctrico?</p>	<p>Si utiliza las unidades enchufadas a la red eléctrica y sin pilas y se produce un corte en el suministro eléctrico, se perderá la conexión. Si hay pilas instaladas en ambas unidades y se produce un corte en el suministro eléctrico, se activará la alimentación por pilas y no se perderá la conexión.</p>

Introduzione

Congratulazioni per l'acquisto e benvenuti in Philips AVENT! Per trarre il massimo vantaggio dall'assistenza Philips AVENT, registrate il vostro prodotto su www.philips.com/welcome. Philips AVENT si impegna a realizzare prodotti totalmente affidabili, così mamma e papà possono stare sempre tranquilli. Questo baby monitor Philips AVENT vi consente di sentire il vostro bambino ovunque vi troviate all'interno o in prossimità della casa. Grazie ai 16 canali diversi a vostra disposizione, le interferenze risultano minime, la ricezione sicura e potrete sempre rimanere in contatto con il vostro bambino.

Descrizione generale (fig. 1)

A Unità bambino

- 1 Microfono
- 2 Presa spinotto
- 3 Pulsante on/off
- 4 Spia alimentazione
- 5 Controllo della sensibilità del microfono
- 6 Selettore del canale
- 7 Adattatore
- 8 Spinotto
- 9 Coperchio scomparto batterie

B Unità genitore

- 1 Adattatore
- 2 Spinotto
- 3 Spia alimentazione
- 4 Altoparlante
- 5 Spia di connessione
- 6 Sistema di controllo del volume con funzione on/off
- 7 Interruttore di allarme connessione
- 8 Coperchio scomparto batterie
- 9 Selettore del canale

Importante

Prima di utilizzare l'apparecchio, leggete attentamente le istruzioni e conservatele per eventuali riferimenti futuri.

Pericolo

- Non immergete alcuna parte del baby monitor in acqua o altri liquidi.

Avvertenza

- Prima di collegare l'apparecchio, verificate che la tensione riportata sugli adattatori dell'unità bambino e dell'unità genitore corrisponda alla tensione disponibile.
- Utilizzate solo gli adattatori forniti per collegare le unità bambino e genitore alla presa di corrente.
- Gli adattatori contengono un trasformatore. Non tagliate l'adattatore per sostituirlo con un'altra spina onde evitare situazioni pericolose.
- Se gli adattatori sono danneggiati, sostituiteli sempre con unità originali in modo da evitare possibili pericoli. Per il tipo corretto, consultate il capitolo "Sostituzione".
- Non utilizzate il baby monitor in luoghi umidi o in prossimità dell'acqua.
- Ad eccezione dello scomparto batterie, non aprite l'unità bambino o l'unità genitore al fine di evitare scosse elettriche.

- L'apparecchio non è destinato a persone (inclusi bambini) con capacità mentali, fisiche o sensoriali ridotte, fatti salvi i casi in cui tali persone abbiano ricevuto assistenza o formazione per l'uso dell'apparecchio da una persona responsabile della loro sicurezza.
- Adottate le dovute precauzioni per evitare che i bambini giochino con l'apparecchio.
- La portata effettiva del baby monitor è di 200 metri all'aperto. A seconda dell'ambiente esterno e di altri fattori di disturbo, tale portata potrebbe ridursi (vedere la sezione "Portata effettiva" nel capitolo "Modalità d'uso dell'apparecchio").

Attenzione

- Utilizzate e riponete l'apparecchio a una temperatura compresa tra 10° C e 40° C.
- Non esponete l'unità bambino e l'unità genitore a temperature troppo elevate o troppo basse o alla luce diretta del sole.
- Accertatevi che l'unità bambino e il cavo siano sempre fuori dalla portata del bambino (almeno a 1 metro di distanza).
- Non posizionate l'unità bambino nel lettino o nel box.
- Non coprite mai l'unità bambino e l'unità genitore (ad esempio, con un asciugamano o una coperta).
- Inserite sempre batterie non ricaricabili del tipo corretto sia all'interno dell'unità bambino che dell'unità genitore.

Indicazioni generali

- Questo baby monitor è destinato ad aiutare i genitori, ma non può sostituire una supervisione corretta e responsabile da parte di un adulto e non deve essere utilizzato a tale scopo.

Campi elettromagnetici (EMF)

Questo apparecchio Philips AVENT è conforme a tutti gli standard relativi ai campi elettromagnetici (EMF). Se utilizzato in modo appropriato seguendo le istruzioni contenute nel presente manuale, l'apparecchio consente un utilizzo sicuro come confermato dai risultati scientifici attualmente disponibili.

Predisposizione dell'apparecchio

Unità bambino

L'unità bambino può essere collegata a una presa di corrente o alimentata con le batterie non ricaricabili. Anche se intendete utilizzare l'unità collegandola alla presa di corrente, si consiglia di inserire comunque le batterie non ricaricabili, per garantire il funzionamento anche in caso di interruzioni di corrente.

Funzionamento a corrente

- 1** Inserite la spina dell'apparecchio nella presa dell'unità bambino e collegate l'adattatore a una presa di corrente (fig. 2).

La spia di accensione si illumina.

Funzionamento tramite batterie non ricaricabili

L'unità bambino funziona con quattro batterie AA R6 da 1,5 V (non incluse). Si consiglia vivamente di utilizzare batterie Philips LR6 PowerLife.

Non utilizzate batterie ricaricabili poiché l'unità bambino non ha una funzione di ricarica.

Scollegate l'unità bambino e assicuratevi che le vostre mani e l'unità siano asciutte quando inserite le batterie non ricaricabili.

- 1** Sblocate il coperchio del vano batterie girando il perno di blocco con una moneta, quindi rimuovetelo (fig. 3).

- 2** Inserite quattro batterie non ricaricabili.

Controllate che la direzione dei poli +/- delle batterie sia corretta.

3 Reinserite il coperchio e chiudetelo girando il perno di blocco con una moneta. Quando le batterie sono scariche, l'apposita spia sull'unità bambino lampeggia in rosso.

Unità genitore

L'unità genitore può essere collegata a una presa di corrente o alimentata con batterie non ricaricabili. Anche se intendete utilizzare l'unità collegandola alla presa di corrente, si consiglia di inserire comunque delle batterie non ricaricabili, per garantire il funzionamento anche in caso di interruzioni di corrente.

Funzionamento a corrente

1 Inserite la spina dell'apparecchio nella presa dell'unità genitore e collegate l'adattatore a una presa di corrente.

La spia di accensione si illumina.

Funzionamento tramite batterie non ricaricabili

L'unità genitore funziona con quattro batterie AA R6 da 1,5V (non incluse). Si consiglia vivamente di utilizzare batterie Philips LR6 PowerLife.

Non utilizzate batterie ricaricabili poiché l'unità genitore non è dotata di funzione di ricarica.

Scollegate l'unità genitore e assicuratevi che le vostre mani e l'unità siano asciutte quando inserite le batterie non ricaricabili.

1 Ruotate di un quarto di giro il perno di blocco con una moneta (1) e fate scorrere verso il basso il coperchio del vano batterie per rimuoverlo (2) (fig. 4).

2 Inserite quattro batterie non ricaricabili.

Controllate che la direzione dei poli +/- delle batterie sia corretta.

3 Riposizionate il coperchio del vano batterie.

Nota Quando le batterie sono scariche, l'apposita spia sull'unità genitore lampeggia in rosso.

Nota Quando le batterie sono completamente scariche, l'unità genitore si spegne automaticamente e viene interrotta la connessione con l'unità bambino.

Modalità d'uso dell'apparecchio

1 Posizionate le due unità nella stessa stanza per verificare la connessione (fig. 5).

Accertatevi che l'unità bambino si trovi ad almeno 1 metro di distanza dall'unità genitore.

2 Premete il pulsante on/off per accendere l'unità bambino (fig. 6).

La spia di accensione rimane accesa con luce verde.

3 Ruotate il sistema di controllo del volume per attivare l'unità genitore e impostare il livello audio desiderato. (fig. 7)

La spia di accensione rimane accesa con luce verde.

► Quando le unità sono connesse tra loro, la spia relativa si illumina fisso in verde.

Nota Per stabilire una connessione, è necessario attendere circa 30 secondi.

Nota Se non è possibile stabilire una connessione, la spia relativa sull'unità genitore lampeggia in rosso.

4 Posizionate l'unità bambino ad almeno 1 metro di distanza dal vostro bambino (fig. 8).

5 Posizionate l'unità genitore entro la portata effettiva dell'unità bambino e accertatevi che si trovi ad almeno 1 metro di distanza. Per ulteriori informazioni sulla portata, consultate la sezione "Portata effettiva" riportata di seguito (fig. 9).

Portata effettiva

La portata effettiva del baby monitor è di 200 metri all'aperto. A seconda dell'ambiente e di altri fattori di disturbo, tale portata potrebbe ridursi.

Materiali asciutti	Spessore dei materiali	Perdita di portata
Legno, gesso, cartongesso, vetro (privo di metalli, fili o piombo)	< 30 cm	0-10%
Mattoni, legno compensato	< 30 cm	5-35%
Cemento armato	< 30 cm	30-100%
Griglie o barre metalliche	< 1 cm	90-100%
Lastre di metallo o alluminio	< 1 cm	100%

Per i materiali bagnati o umidi, la perdita di portata può raggiungere il 100%.

Caratteristiche

Sistema per la conferma del segnale digitale

L'unità genitore è dotata di una spia di collegamento che indica lo stato della connessione tra le due unità. È possibile impostare un avviso sull'unità genitore che consente di sapere se la connessione si interrompe. Verrà quindi emesso un segnale acustico mentre, se la connessione viene interrotta, la spia di collegamento lampeggia in rosso.

Per attivare gli avvisi sull'unità genitore:

- 1 Ruotate di un quarto di giro il perno di blocco con una moneta (1) e fate scorrere verso il basso il coperchio del vano batterie per rimuoverlo (2) (fig. 4).
- 2 Posizionate l'interruttore di avviso relativo al collegamento su "on".
- 3 Riposizionate il coperchio del vano batterie.

Per spegnere l'avviso, posizionate l'interruttore di avviso relativo al collegamento su "off".

Livello di sensibilità ai suoni regolabile

Il sistema di controllo della sensibilità del microfono posto sull'unità bambino consente di impostare il livello desiderato di suono rilevato dall'unità: basso, medio o alto. Quando la sensibilità del microfono è impostata su "alto", l'unità bambino rileva tutti i suoni.

Nota La sensibilità dell'unità bambino può essere modificata solo quando sussiste una connessione tra le due unità.

- 1 Utilizzate il sistema di controllo della sensibilità del microfono per impostare il livello di ricezione desiderato. Come riferimento vocale potete usare la vostra voce (fig. 10).

Quando viene trasmesso un suono, la spia di accensione sull'unità bambino diventa gialla.

Nota Se la sensibilità è impostata su un livello elevato e si utilizza l'alimentazione tramite batterie, l'unità genitore consuma più energia.

Volume regolabile dell'altoparlante

Il volume dell'unità genitore può essere regolato per adattarsi alle condizioni esterne.

- 1 Ruotate la manopola del volume dell'unità genitore verso destra fino a che l'altoparlante non raggiunge il livello desiderato.

Nota Se il volume è impostato su un livello elevato e si utilizza l'alimentazione tramite batterie, l'unità genitore consuma più energia.

Selettore del canale

Assicuratevi che il selettore del canale all'interno del vano batterie di entrambe le unità sia impostato sulla stessa frequenza. È possibile utilizzare fino a 16 canali diversi. In caso rileviate interferenze da altri baby monitor, dispositivi radio, ecc., selezionate un altro canale.

1 Aprite i coperchi dei vani batterie di entrambe le unità.

► Unità bambino (fig. 3)

- Ruotate il perno di blocco con una moneta e rimuovete il coperchio.
- Se presenti, estraete le batterie dal vano.
- Utilizzate un piccolo cacciavite a testa piatta per impostare il selettore del canale nella posizione desiderata.

► Unità genitore (fig. 4)

- Ruotate di un quarto di giro il perno di blocco con una moneta (1) e fate scorrere verso il basso il coperchio del vano batterie per rimuoverlo (2).
- Se presenti, estraete le batterie dal vano.
- Utilizzate un piccolo cacciavite a testa piatta per impostare il selettore del canale nella posizione desiderata.

Nota Assicuratevi che entrambe le unità si trovino sullo stesso canale.

Se durante il test non si verificano interferenze, chiudete i vani batterie delle due unità.

In caso contrario, selezionate un altro canale ed eseguite nuovamente il test.

Se le unità funzionano con batterie non ricaricabili, sostituitele e chiudete i vani.

Pulizia e manutenzione

non immergete le unità genitore o bambino in acqua e non lavatele sotto l'acqua del rubinetto.

Non utilizzate detergenti spray e/o liquidi.

- Se l'unità bambino o l'unità genitore sono collegate a una presa di corrente, scollegatele.
- Pulite le unità genitore e bambino con un panno umido.

Assicuratevi che le unità siano asciutte prima di collegarle alla presa di corrente.

- Pulite sempre gli adattatori con un panno asciutto.

Come riporre l'apparecchio

Se non utilizzate il baby monitor per lunghi periodi di tempo, togliete le batterie non ricaricabili dall'unità bambino e dall'unità genitore. Conservate l'unità bambino, l'unità genitore, il caricabatterie dell'unità genitore e gli adattatori in un luogo fresco e asciutto.

Sostituzione

Unità bambino

Batterie

Sostituite le batterie non ricaricabili dell'unità bambino con quattro batterie non ricaricabili R6 AA da 1,5V.

Nota Consigliamo vivamente l'uso di batterie non ricaricabili Philips.

Adattatore

Sostituite l'adattatore dell'unità bambino con uno originale. Potete ordinarlo dal vostro rivenditore o da un centro assistenza Philips.

- SBC CS0920/00W (solo UE/Singapore)
- SBC CS0920/05W (solo Regno Unito)
- 9VD200 (solo Australia/Nuova Zelanda)

Unità genitore

Batterie

Sostituite le batterie non ricaricabili dell'unità genitore con quattro batterie non ricaricabili R6 AA da 1,5 V.

Nota Consigliamo vivamente l'uso di batterie non ricaricabili Philips.

Adattatore

Sostituite l'adattatore dell'unità genitore con uno originale. Potete ordinarlo presso il vostro rivenditore o un centro assistenza Philips.

- SBC CS0920/00W (solo UE/Singapore)
- SBC CS0920/05W (solo Regno Unito)
- 9VD200 (solo Australia/Nuova Zelanda)

Tutela dell'ambiente

- ▶ Per contribuire alla tutela dell'ambiente, non smaltite l'apparecchio insieme ai rifiuti domestici ma consegnatelo a un centro di raccolta ufficiale (fig. 11).
- ▶ Le batterie contengono sostanze potenzialmente nocive per l'ambiente. Non smaltite le batterie scariche insieme ai comuni rifiuti domestici, ma consegnatele a un apposito centro di raccolta ufficiale. Rimuovete sempre le batterie prima dello smaltimento o consegnate l'apparecchio a un centro di raccolta ufficiale. (fig. 12)

Garanzia e assistenza

Per assistenza, informazioni, o per qualunque dubbio o richiesta, visitate il sito web di Philips AVENT (www.philips.com/AVENT), oppure contattate il Centro Assistenza Clienti Philips nel vostro paese (per conoscere il numero di telefono del vostro paese, consultate il foglietto della garanzia). Se non esiste alcun Centro Assistenza Clienti nel vostro paese, rivolgetevi direttamente al vostro rivenditore autorizzato Philips.

Domande frequenti

Nella presente sezione sono riportate le domande più frequenti relative all'apparecchio. Se non riuscite a trovare una risposta esaustiva alla vostra domanda, rivolgetevi al Centro Assistenza Clienti del vostro paese.

Domanda

Perché la spia di accensione non è attiva?

Risposta

La spina dell'apparecchio potrebbe non essere inserita correttamente nella presa dell'unità, oppure l'adattatore non è stato inserito (oppure non è stato collegato correttamente) alla presa a muro.

Le unità potrebbero essere spente. Premete il pulsante on/off sull'unità bambino e ruotate il sistema di controllo del volume sull'unità genitore verso il basso per accendere le unità.

Se le unità funzionano a batterie, queste ultime potrebbero essere scariche. In questo caso, sostituitele.

Domanda	Risposta
Perché la spia di accensione è rossa e lampeggia?	L'unità funziona a batterie e queste ultime sono scariche. Sostituitele.
Perché l'unità genitore produce un rumore acuto?	Le unità sono troppo vicine tra loro. Spostate l'unità genitore ad almeno un metro dall'unità bambino. Se questo non risolve il problema, significa che il volume è troppo alto ed è quindi necessario abbassarlo.
Perché l'unità genitore non emette alcun suono?	Verificate che il volume sia al livello corretto. Se è troppo basso, alzate il livello. Verificate anche la sensibilità del microfono dell'unità bambino.
Perché la spia rossa di collegamento lampeggia?	Questo indica che non è presente alcuna connessione. L'unità genitore potrebbe essere fuori portata oppure potrebbe essere su un canale diverso rispetto a quello dell'unità bambino. Verificate che entrambe le unità siano impostate sullo stesso canale. In caso affermativo posizionate l'unità genitore in modo che sia più vicina all'unità bambino.
Perché l'unità genitore emette un segnale acustico?	Si tratta dell'avviso di collegamento. Questo indica che non è presente alcuna connessione. L'unità genitore potrebbe essere fuori portata oppure potrebbe essere su un canale diverso rispetto a quello dell'unità bambino. Verificate che entrambe le unità siano impostate sullo stesso canale. In caso affermativo posizionate l'unità genitore in modo che sia più vicina all'unità bambino.
Perché l'unità genitore reagisce troppo lentamente ai suoni del bambino?	Impostate la sensibilità del microfono dell'unità bambino su un livello più alto e/o spostate l'unità in prossimità del bambino (ad almeno 1 metro).
Perché l'unità genitore reagisce troppo rapidamente ad altri suoni?	Impostate la sensibilità del microfono dell'unità bambino su un livello più basso e/o spostate l'unità in prossimità del bambino.
Perché di tanto in tanto si perde la connessione?	Probabilmente l'unità genitore è al limite della portata effettiva. Posizionala più vicino all'unità bambino, in un luogo con una ricezione migliore. Si noti che servono circa 30 secondi per ristabilire la connessione quando spostate una o entrambe le unità.
Perché l'unità genitore è soggetta a interferenze?	Se l'unità genitore non si trova entro la portata dell'unità bambino si possono verificare delle interferenze. L'unità genitore potrebbe essere troppo vicina a una finestra e quindi ricevere segnali che interferiscono con il suo normale funzionamento. Spostatela. Si possono verificare interferenze anche se tra le due unità si sovrappongono pareti/soffitti. Posizionate l'unità genitore in modo che sia più vicina all'unità bambino. Verificate anche che le unità non si trovino in prossimità di telefono cellulari, cordless, radio o televisori.
Perché l'unità genitore riceve segnali da un altro baby monitor?	Il baby monitor funziona sullo stesso canale di un altro baby monitor nelle vicinanze. Impostate entrambe le unità su un canale diverso tramite il selettore.

Domanda	Risposta
Perché l'unità bambino non funziona entro la portata specificata di 200 metri?	La portata di 200 metri è valida solo in campo aperto. All'interno della casa, la portata è limitata dal numero e dal tipo di pareti e/o soffitti che si frappongono tra le due unità. Per ottimizzarla, modificate la posizione di una o di entrambe le unità.
Cosa succede in caso di interruzioni di corrente?	In caso di interruzioni di corrente, se le unità sono collegate all'alimentazione principale senza batterie, la connessione andrà persa. Se all'interno di entrambe le unità sono invece presenti delle batterie, verranno utilizzate queste ultime senza che venga persa la connessione.

Innledning

Gratulerer med kjøpet og velkommen til Philips AVENT! Du kan få enda større nytte av støtten fra Philips AVENT hvis du registrerer produktet ditt på www.philips.com/welcome.

Philips AVENT er svært opptatt av å produsere pålitelige produkter som gir foreldrene den tryggheten de trenger. Denne Philips AVENT-babymonitoren gjør at du kan høre babyen der du er i og rundt huset. De 16 forskjellige kanalvalgene garanterer minimal forstyrrelse og et sikkert mottak. Det gjør at du kan være i konstant kontakt med babyen.

Generell beskrivelse (fig. 1)

A Babyenhet

- 1 Mikrofon
- 2 Uttak for liten kontakt
- 3 Av/på-knapp
- 4 På-lampe
- 5 Følsomhetskontroll, mikrofon
- 6 Kanalvelger
- 7 Adapter
- 8 Liten kontakt
- 9 Lukk på batterirom

B Foreldreenhet

- 1 Adapter
- 2 Liten kontakt
- 3 På-lampe
- 4 Høyttaler
- 5 Forbindelseslys
- 6 Volumkontroll med av/på-funksjon
- 7 Forbindelsesalarmbryter
- 8 Lukk på batterirom
- 9 Kanalvelger

Viktig

Les denne bruksanvisningen nøye før apparatet tas i bruk, og ta vare på den for senere referanse.

Fare

- Ikke senk noen del av babymonitoren i vann eller annen væske.

Advarsel

- Før du kobler til apparatet, må du kontrollere at spenningen som er angitt på adapterne til babyenheten og foreldreenheten, stemmer overens med den lokale nettspenningen.
- Bruk kun adapterne som følger med, når du kobler babyenheten og foreldreenheten til strømmettet.
- Adapterne inneholder en omformer. Ikke kutt av adapterne og erstatt dem med andre kontakter. Dette kan være farlig.
- Hvis adapterne blir ødelagt, må de alltid byttes ut med én adapter av samme type som originalen for å unngå at det oppstår farlige situasjoner. Den riktige typen finner du i avsnittet Utskifting.
- Ikke bruk babymonitoren på fuktige steder eller i nærheten av vann.
- Du må ikke åpne babyenheten eller foreldreenheten med unntak av batterirommet. Da kan du få elektrisk støt.
- Dette apparatet er ikke tiltenkt bruk av personer (inkludert barn) som har nedsatt sanseevne eller fysisk eller psykisk funksjonsevne, eller personer som ikke har erfaring eller kunnskap,

unntatt hvis de får tilsyn eller instruksjoner om bruk av apparatet av en person som er ansvarlig for sikkerheten.

- Pass på at barn er under tilsyn, slik at de ikke leker med apparatet.
- Babymonitoren har en driftsrekkevidde på 200 meter i åpent område. Avhengig av omgivelsene og andre forstyrrende faktorer kan rekkevidden være kortere (se delen Driftsrekkevidde i avsnittet Bruke apparatet).

Viktig

- Bruk og oppbevar apparatet ved en temperatur på mellom 10 °C og 40 °C.
- Ikke utsett babyenheten og foreldreenheten for ekstrem kulde, varme eller direkte sollys.
- Kontroller at babyen ikke kan få tak i babyenheten og ledningen (minst 1 meter unna).
- Ikke legg babyenheten i babyens seng eller lekegrind.
- Ikke dekk til foreldreenheten og babyenheten med noe (f.eks. et håndkle eller teppe).
- Du må alltid plassere riktig type ikke-oppladbare batterier i babyenheten og foreldreenheten.

Generelt

- Denne babymonitoren skal brukes som et hjelpemiddel. Den er ikke en erstatning for ansvarlig og riktig tilsyn fra voksne og skal ikke brukes som dette.

Elektromagnetiske felt (EMF)

Denne Philips AVENT-apparatet overholder alle standarder som gjelder for elektromagnetiske felt (EMF). Hvis apparatet håndteres riktig og i samsvar med instruksjonene i denne brukerveiledningen, er det trygt å bruke det ut fra den kunnskapen vi har per dags dato.

Før bruk

Babyenhet

Du kan bruke babyenheten når den er koblet til strømmettet, eller når den går på ikke-oppladbare batterier. Selv om du skal bruke enheten med strøm, anbefaler vi likevel at du setter inn de ikke-oppladbare batteriene. Dette garanterer at enheten ikke slås av hvis strømmen går.

Drift med strøm

- 1** Koble apparatstøpselet til babyenheten, og sett deretter adapteren i vegguttaket (fig. 2). På-lampen tennes.

Drift med ikke-oppladbare batterier

Babyenheten drives på fire 1,5V R6 AA-batterier (følger ikke med). Vi anbefaler at du bruker Philips LR6 PowerLife-batterier.

Ikke bruk oppladbare batterier. Babyenheten har ingen ladefunksjon.

Koble fra babyenheten, og sørg for at hendene dine og enheten er tørre når du setter inn de ikke-oppladbare batteriene.

- 1** Lås opp dekslet til batterirommet ved å dreie låseknappen ved hjelp av en mynt. Fjern dekslet (fig. 3).
- 2** Sett inn fire ikke-oppladbare batterier. Kontroller at polene + og - på batteriene peker i riktig retning.
- 3** Sett dekslet til batterirommet tilbake på plass, og lukk det ved å dreie låseknappen ved hjelp av en mynt.

Når batterinivået er lavt, blinker batterilampen på babyenheten rødt.

Foreldreenhet

Du kan bruke foreldreenheten når den er koblet til strømmettet, eller når den går på ikke-oppladbare batterier. Selv om du skal bruke enheten med strøm, anbefaler vi likevel at du setter inn de ikke-oppladbare batteriene. Dette garanterer at enheten ikke slås av hvis strømmen går.

Drift med strøm

- 1 Koble apparatstøpelet til foreldreenheten, og sett deretter adapteren i vegguttaket. På-lampen tennes.

Drift med ikke-oppladbare batterier

Foreldreenheten drives med fire 1,5 V R6 AA-batterier (følger ikke med). Vi anbefaler at du bruker Philips LR6 PowerLife-batterier.

Ikke bruk oppladbare batterier. Foreldreenheten har ingen ladefunksjon.

Koble fra foreldreenheten, og sørg for at hendene dine og enheten er tørre når du setter inn de ikke-oppladbare batteriene.

- 1 Drei låseknappen en kvart omgang (1), og skyv batteridekselet nedover for å fjerne det (2) (fig. 4).

- 2 Sett inn fire ikke-oppladbare batterier.

Kontroller at polene + og - på batteriene peker i riktig retning.

- 3 Sett lokket på batterirommet tilbake på plass.

Merk: Når batterinivået er lavt, blinker batterilampen på foreldreenheten rødt.

Merk: Hvis batteriene er helt tomme, slås foreldreenheten automatisk av og mister forbindelsen med babyenheten.

Bruke apparatet

- 1 Plasser de to enhetene i samme rom for å teste forbindelsen (fig. 5).

Kontroller at babyenheten står minst én meter fra foreldreenheten.

- 2 Trykk på av/på-knappen for å slå på babyenheten (fig. 6).

På-lampen lyser grønt kontinuerlig.

- 3 Skru på volumkontrollen for å slå på foreldreenheten og stille inn ønsket volumnivå. (fig. 7)

På-lampen lyser grønt kontinuerlig.

- ▶ Når det er opprettet en forbindelse mellom enhetene, lyser forbindelseslyset på foreldreenheten grønt kontinuerlig.

Merk: Det tar cirka 30 sekunder før det opprettes forbindelse.

Merk: Hvis det ikke kan opprettes noen forbindelse, blinker forbindelseslampen på foreldreenheten rødt.

- 4 Sett babyenheten minst én meter fra babyen (fig. 8).

- 5 Plasser foreldreenheten innenfor driftsrekkevidden til babyenheten. Pass på at den står minst 1 meter fra babyenheten. Hvis du vil ha mer informasjon om driftsrekkevidden, kan du se delen Driftsrekkevidde nedenfor (fig. 9).

Driftsrekkevidde

Driftsrekkevidden for babymonitoren er 200 meter. Avhengig av omgivelsene og andre forstyrrende faktorer kan rekkevidden være kortere.

Tørre materialer	Materialtykkelse	Tap av rekkevidde
Tre, gips, papp, glass (uten metall, ledninger eller bly)	< 30 cm	0–10 %
Murstein, kryssfinér	< 30 cm	5–35 %

Tørre materialer	Materialtykkelse	Tap av rekkevidde
Armert betong	< 30 cm	30–100 %
Metallrister eller -stenger	< 1 cm	90–100 %
Metall- eller aluminiumsplater	< 1 cm	100 %

For våte eller fuktige materialer kan tap av rekkevidde være opptil 100 %.

Funksjoner

Digital signalbekreftelse

Foreldreenheten har en LINK-lampe som kontinuerlig viser statusen på forbindelsen mellom baby- og foreldreenheten. Du kan stille inn et varsel på foreldreenheten som gir deg beskjed hvis forbindelsen blir brutt. Du hører et lydsignal, og LINK-lampen lyser rødt hvis forbindelsen blir brutt.

Slik aktiverer du varslingen på foreldreenheten:

- 1 Drei låseknappen en kvart omgang (1), og skyv batteridekselet nedover for å fjerne det (2) (fig. 4).
- 2 Sett bryteren for LINK-alarm i batterirommet til på.
- 3 Sett lokket på batterirommet tilbake på plass. Sett bryteren til av for å slå av varslingen.

Juster lydfølsomheten

Mikrofonfølsomhetskontrollen på babyenheten gjør det mulig å stille inn lyden som fanges opp av babyenheten, på ønsket nivå: lav, middels eller høy. Når mikrofonfølsomheten stilles inn på høy, kan babyenheten fange opp alle lydene.

Merk: Følsomheten til babyenheten kan bare endres hvis det er forbindelse mellom babyenheten og foreldreenheten.

- 1 Bruk mikrofonfølsomhetskontrollen for å stille inn mikrofonfølsomheten til babyenheten på ønsket nivå. Du kan bruke din egen stemme som lydreferanse (fig. 10).

På-lampen på babyenheten lyser gult når det overføres en lyd.

Merk: Hvis følsomheten er stilt inn på et høyt nivå under batteridrift, vil foreldreenheten bruke mer strøm.

Justerbart høytalervolum

Du kan endre volumet på foreldreenheten, slik at det tilpasses omgivelsene.

- 1 Skru på volumbryteren på høyre side av foreldreenheten til ønsket høytalervolum for foreldreenheten er nådd.

Merk: Hvis volumet er stilt inn på et høyt nivå under batteridrift, vil foreldreenheten bruke mer strøm.

Kanalvelger

Sørg for at kanalvelgerne i batterirommene til begge enhetene alltid er stilt inn på samme kanal. Du kan velge 16 forskjellige kanalposisjoner med disse kanalvelgerne. Velg en annen kanal hvis det oppstår forstyrrelser fra andre babymonitorer, radioenheter osv.

- 1 Åpne dekselet til batterirommet for begge enhetene.
 - ▶ **Babyenhet: (fig. 3)**
 - Drei låseknappen med en mynt, og fjern dekselet.
 - Ta batteriene ut av batterirommet.
 - Bruk en liten flat skrutrekker til å vri kanalvelgeren til ønsket posisjon.

D Foreldreenhet: (fig. 4)

- Drei låseknappen en kvart omgang (1), og skyv batteridekselet nedover for å fjerne det (2).
- Ta batteriene ut av batterirommet.
- Bruk en liten flat skrutrekker til å vri kanalvelgeren til ønsket posisjon.

Merk: Kontroller at begge enhetene er stilt inn på samme kanal.

Hvis det ikke oppstår forstyrrelser når du tester forbindelsen, lukker du batterirommene til babyenheten og foreldreenheten.

Hvis det oppstår forstyrrelser, setter du velgeren på en annen kanal og tester forbindelsen på nytt.

Hvis enhetene drives av ikke-oppladbare batterier, må du skifte batteriene og lukke batterirommene.

Rengjøring og vedlikehold

Ikke senk foreldreenheten eller babyenheten i vann, og ikke rengjør dem under springen.

Ikke bruk rengjøringspray eller flytende rengjøringsmidler.

- Dra ut støpselet til babyenheten eller foreldreenheten hvis de er koblet til strømmettet.
- Rengjør foreldreenheten og babyenheten med en fuktig klut.

Kontroller at enhetene er helt tørre før du setter støpselet i stikkontakten.

- Rengjør adapterne med en tørr klut.

Oppbevaring

Ta det ikke-oppladbare batteriet ut av baby- og foreldreenheten hvis du ikke skal bruke babymonitoren på en stund. Oppbevar babyenheten, foreldreenheten og adapterne på et kaldt og tørt sted.

Utskifting

Babyenhet

Batterier

De ikke-oppladbare batteriene i babyenheten må bare byttes ut med fire 1,5V R6 AA-batterier.

Merk: Vi anbefaler at du bruker ikke-oppladbare batterier fra Philips.

Adapter

Adapteren til babyenheten må bare byttes ut med en adapter av samme type som originalen. Du kan bestille en ny adapter fra forhandleren eller et Philips-servicесenter:

- SBC CS0920/00W (bare EU/SGP)
- SBC CS0920/05W (bare GB)
- 9VD200 (bare AU/NZ)

Foreldreenhet

Batterier

De ikke-oppladbare batteriene i foreldreenheten må bare byttes ut med fire 1,5V R6 AA-batterier.

Merk: Vi anbefaler at du bruker ikke-oppladbare batterier fra Philips.

Adapter

Adapteren til foreldreenheten må bare byttes ut med en adapter av samme type som originalen. Du kan bestille en ny adapter fra forhandleren eller et Philips-servicесenter:

- SBC CS0920/00W (bare EU/SGP)
- SBC CS0920/05W (bare GB)

- 9VD200 (bare AU/NZ)

Miljø

- Ikke kast apparatet som restavfall når det ikke kan brukes lenger. Lever det på en gjenvinningsstasjon. Ved å gjøre dette hjelper du til med å ta vare på miljøet (fig. 11).
- Batterier inneholder stoffer som kan forurense miljøet. Ikke kast tomme batterier i restavfallet, men lever dem på et offentlig innsamlingssted for batterier. Ta alltid ut batteriene før du kaster eller leverer inn apparatet på et offentlig innsamlingssted. (fig. 12)

Garanti og service

Hvis du trenger service eller informasjon, eller hvis du har et problem med produktet, kan du gå til nettsidene til Philips AVENT på www.philips.com/AVENT. Du kan også ta kontakt med Philips-forbrukerstøtte (du finner telefonnummeret i garantiheftet). Hvis det ikke finnes noe forbrukerstøttesenter der du bor, tar du kontakt med den lokale Philips-forhandleren.

Vanlige spørsmål

I dette avsnittet finner du en oversikt over de vanligste spørsmålene som stilles om apparatet. Hvis du ikke finner svar på spørsmålet ditt her, kan du ta kontakt med kundestøtten der du bor.

Spørsmål

Svar

Hvorfor lyser ikke på-lampen?

Kanskje apparatstøpelet er koblet feil i uttaket på enheten, eller kanskje adapteren ikke er satt i eller er satt inn feil i vegguttaket.

Du kan ha glemt å slå på enhetene. Trykk på av/på-knappen på babyenheten, og skru ned volumkontrollen på foreldreenheten for å slå på enhetene.

Hvis enhetene er batteridrevet, kan batterinivået være for lavt. Skift batteriene hvis det er tilfelle.

Hvorfor lyser på-lampen rødt?

Enheten er batteridrevet, og batterinivået er lavt. Skift batteriene.

Hvorfor kommer det en høy pipelyd fra foreldreenheten?

Enhetene står for nær hverandre. Flytt foreldreenheten minst 1 meter vekk fra babyenheten. Hvis det ikke hjelper, er volumet for høyt. Skru ned volumet med volumkontrollen.

Hvorfor kommer det ingen lyd fra foreldreenheten?

Kontroller om volumet er høyt nok. Hvis volumet er for lavt, stiller du inn volumkontrollen på et høyere volum. Kontroller også mikrofonsensitiviteten til babyenheten.

Hvorfor blinker LINK-lampen rødt?

Det blinker rødt fordi det ikke er noen forbindelse. Foreldreenheten kan være utenfor rekkevidde for babyenheten, eller den kan være stilt inn på en annen kanal enn babyenheten. Undersøk om foreldreenheten og babyenheten er stilt inn på samme kanal. Hvis det er tilfelle, må foreldreenheten settes et annet sted, nærmere babyenheten.

Hvorfor piper foreldreenheten?

Det er LINK-alarmen som høres. Den indikerer at det ikke er noen forbindelse mellom babyenheten og foreldreenheten. Foreldreenheten kan være utenfor rekkevidde for babyenheten, eller den kan være stilt inn på en annen kanal enn babyenheten. Undersøk om foreldreenheten og babyenheten er stilt inn på samme kanal. Hvis det er tilfelle, må foreldreenheten settes et annet sted, nærmere babyenheten.

Spørsmål	Svar
Hvorfor reagerer foreldreenheten for sakte på lyder fra babyen?	Still inn mikrofonfølsomheten til babyenheten på et høyere nivå, og/eller flytt babyenheten nærmere babyen. Pass på at babyenheten er minst 1 meter fra babyen.
Hvorfor reagerer foreldreenheten for raskt på andre lyder?	Still inn mikrofonfølsomheten til babyenheten på et lavere nivå, og/eller flytt babyenheten nærmere babyen.
Hvorfor blir forbindelsen av og til brutt?	Foreldreenheten er sannsynligvis nær grensene for driftsrekkevidde. Sett foreldreenheten nærmere babyenheten på et sted der det er bedre mottak. Legg merke til at når du flytter den ene eller begge enhetene, tar det cirka 30 sekunder før forbindelsen gjenopprettes.
Hvorfor er det forstyrrelser i foreldreenheten?	Det kan oppstå forstyrrelser hvis foreldreenheten er utenfor rekkevidde for babyenheten. Foreldreenheten kan stå for nært vinduet og registrere forstyrrende signaler gjennom vinduet. Flytt foreldreenheten vekk fra vinduet. Det kan også oppstå forstyrrelser hvis det er for mange vegger eller tak mellom foreldreenheten og babyenheten. Plasser foreldreenheten på et annet sted, nærmere babyenheten. Sørg også for at enhetene befinner seg langt vekk fra mobiltelefoner, trådløse telefoner, radioer og TVer.
Hvorfor plukker foreldreenheten opp signaler fra en annen babymonitor?	Babymonitoren drives på samme kanal som en annen babymonitor i nabolaget. Still inn begge enhetene på forskjellige kanaler ved hjelp av kanalvelgeren.
Hvorfor når ikke babymonitoren frem til den angitte rekkevidden på 200 meter?	Den angitte rekkevidden på 200 meter er bare gyldig i åpent landskap. Inne i huset begrenses driftsrekkevidden av antallet og typen vegger og/eller tak som befinner seg mellom de to enhetene. Endre plasseringen for én eller begge enhetene for å optimalisere rekkevidden.
Hva skjer hvis strømmen går?	Hvis du bruker enhetene fra strømmettet uten at batteriene er satt inn, blir forbindelsen brutt ved strømbrudd. Hvis det er batterier i begge enhetene, skiftes det automatisk til batteristrøm ved strømbrudd, slik at forbindelsen ikke blir brutt.

Introdução

Parabéns pela sua compra e bem-vindo(a) à Philips AVENT! Para usufruir de todas as vantagens da assistência da Philips AVENT, registe o seu produto em www.philips.com/welcome.

A Philips AVENT dedica-se à produção de produtos de cuidado e fiáveis, que oferecem aos pais a tranquilidade de que necessitam. Este monitor para bebé Philips AVENT permite ouvir o seu bebé onde quer que se encontre em sua casa. As dezasseis opções de canais diferentes garantem uma interferência mínima e uma recepção segura, permitindo que esteja em contacto constante com o seu bebé.

Descrição geral (fig. 1)

A Unidade do bebé

- 1 Microfone
- 2 Tomada para ficha pequena
- 3 Botão de ligar/desligar
- 4 Luz de alimentação
- 5 Controlo de sensibilidade do microfone
- 6 Selector de canais
- 7 Adaptador
- 8 Ficha pequena
- 9 Tampa do compartimento da pilha

B Unidade dos pais

- 1 Adaptador
- 2 Ficha pequena
- 3 Luz de alimentação
- 4 Altifalante
- 5 Luz de ligação
- 6 Controlo de volume com função de ligar/desligar
- 7 Interruptor de alarme da ligação
- 8 Tampa do compartimento da pilha
- 9 Selector de canais

Importante

Leia estas instruções com atenção antes de utilizar o aparelho e guarde-as para uma eventual consulta futura.

Perigo

- Nunca mergulhe qualquer parte do intercomunicador em água ou noutro líquido.

Aviso

- Antes de ligar o aparelho, verifique se a voltagem indicada nos adaptadores da unidade do bebé e no carregador corresponde à voltagem eléctrica local.
- Utilize apenas os adaptadores fornecidos para ligar a unidade do bebé e a unidade dos pais à corrente eléctrica.
- Os adaptadores integram um transformador. Não corte os adaptadores para os substituir por outras fichas, pois provocará uma situação de perigo.
- Se os adaptadores estiverem danificados, substitua-os sempre por adaptadores de origem de forma a prevenir riscos. Para confirmar o tipo correcto, consulte o capítulo "Substituição".
- Nunca utilize o intercomunicador para bebé em locais húmidos ou próximo de água.
- Com excepção dos compartimentos das pilhas, não abra a estrutura da unidade do bebé e dos pais, de forma a evitar choques eléctricos.
- Este aparelho não se destina a ser utilizado por pessoas (incluindo crianças) com capacidades físicas, sensoriais ou mentais reduzidas, ou com falta de experiência e conhecimentos, salvo se

tiverem recebido supervisão ou instruções sobre o uso do aparelho por alguém responsável pela sua segurança.

- As crianças devem ser supervisionadas para garantir que não brincam com o aparelho.
- O monitor para bebé conta com um alcance de funcionamento de 200 metros em áreas abertas; dependendo do ambiente e outros factores de perturbação, o alcance poderá ser inferior (consulte a secção “Alcance de funcionamento”, no capítulo “Utilização do aparelho”).

Cuidado

- Utilize e guarde o aparelho a uma temperatura entre 10 °C e 40 °C.
- Não exponha a unidade do bebé ao frio ou calor extremo ou à luz directa do sol.
- Certifique-se de que a unidade do bebé e o fio ficam sempre fora do alcance do bebé (a pelo menos 1 metro de distância).
- Nunca coloque a unidade do bebé dentro do berço ou do parque do bebé.
- Nunca cubra a unidade do bebé nem a unidade dos pais (por exemplo, com uma toalha ou cobertor).
- Instale sempre pilhas não recarregáveis do tipo correcto na unidade do bebé e na unidade dos pais.

Geral

- Este intercomunicador para bebé é um equipamento auxiliar: Não substitui a supervisão adulta responsável e adequada e não deve ser utilizado como tal.

Campos electromagnéticos (EMF)

Este aparelho Philips AVENT cumpre todas as normas relativas a campos electromagnéticos (EMF). Se for manuseado correctamente e de acordo com as instruções deste manual do utilizador, o aparelho proporciona uma utilização segura, como demonstrado pelas provas científicas actualmente disponíveis.

Preparar para a utilização

Unidade do bebé

Pode utilizar a unidade do bebé directamente ligada à corrente ou com pilhas não recarregáveis. Mesmo se pretende utilizar a unidade ligada directamente à corrente, recomendamos a introdução de pilhas. Isto garante uma alimentação de segurança automática, caso exista uma falha de corrente.

Funcionamento a corrente

- 1** Coloque a ficha pequena na unidade do bebé e introduza o adaptador numa tomada eléctrica (fig. 2).

A luz acende-se para indicar que está ligado.

Funcionamento com pilhas não recarregáveis

A unidade do bebé funciona com quatro pilhas R6 AA de 1,5 volts (não incluídas). Recomenda-se vivamente a utilização de pilhas LR6 PowerLife da Philips.

Não utilize pilhas recarregáveis, pois a unidade do bebé não dispõe de uma função de carregamento.

Desligue a unidade do bebé da corrente e certifique-se de que as suas mãos e o aparelho estão secos quando introduzir as pilhas não recarregáveis.

- 1** Destranque a tampa do compartimento das pilhas rodando o botão de bloqueio com uma moeda. Em seguida, retire a tampa (fig. 3).

- 2** Introduza quatro pilhas não recarregáveis.

Certifique-se de que os pólos + e - das pilhas ficam virados na direcção certa.

- 3** Instale novamente a tampa do compartimento das pilhas e feche, rodando o botão com uma moeda.

Quando as pilhas tiverem pouca carga, a luz das pilhas na unidade do bebé apresenta-se vermelha intermitente.

Unidade dos pais

Pode utilizar a unidade do bebé directamente ligada à corrente ou com pilhas não recarregáveis. Mesmo se pretende utilizar a unidade ligada directamente à corrente, recomendamos a introdução de pilhas. Isto garante uma alimentação de segurança automática, caso exista uma falha de corrente.

Funcionamento a corrente

- 1** Coloque a ficha do aparelho na unidade dos pais e introduza o adaptador numa tomada eléctrica.

A luz acende-se para indicar que está ligado.

Funcionamento com pilhas não recarregáveis

A unidade dos pais funciona com quatro pilhas R6 AA de 1,5 volts (não incluídas). Recomenda-se vivamente a utilização de pilhas LR6 PowerLife da Philips. Não utilize pilhas recarregáveis, pois a unidade dos pais não dispõe de uma função de carregamento.

Desligue a unidade dos pais da corrente e certifique-se de que as suas mãos e o aparelho estão secos quando introduzir as pilhas não recarregáveis.

- 1** Rode o botão de bloqueio um quarto de volta (1) e faça deslizar a tampa da bateria para baixo para removê-la (2) (fig. 4).

- 2** Introduza quatro pilhas não recarregáveis.

Certifique-se de que os pólos + e - das pilhas ficam virados na direcção certa.

- 3** Coloque novamente a tampa do compartimento das pilhas.

Nota: Quando as pilhas tiverem pouca carga, a luz das pilhas na unidade dos pais apresenta-se vermelha intermitente.

Nota: Se as pilhas estiverem vazias, a unidade dos pais desliga-se automaticamente e perde o contacto com a unidade do bebé.

Utilizar o aparelho

- 1** Coloque as duas unidade na mesma divisão para testar a ligação (fig. 5).

Certifique-se de que a unidade do bebé se encontra a pelo menos 1 metro de distância da unidade dos pais.

- 2** Prima o botão ligar/desligar para ligar a unidade do bebé (fig. 6).

A luz de arranque acende-se a verde continuamente.

- 3** Rode o controlo de volume na unidade dos pais e regule o volume para o nível pretendido. (fig. 7)

A luz de arranque acende-se a verde continuamente.

- Quando tiver sido estabelecida uma ligação entre as unidades, a luz de ligação na unidade dos pais acende-se a verde constante.

Nota: Demora cerca de 30 segundos a estabelecer uma ligação.

Nota: Se não for possível estabelecer uma ligação, a luz de ligação na unidade dos pais fica vermelha intermitente.

- 4** Coloque a unidade do bebé a pelo menos 1 metro/3 pés de distância do seu bebé (fig. 8).

- 5** Coloque a unidade dos pais dentro do alcance de funcionamento da unidade do bebé.

Certifique-se de que está, no mínimo, a 1 metro de distância da unidade do bebé. Para obter

mais informações acerca do alcance de funcionamento, consulte a secção “Alcance de funcionamento” em baixo (fig. 9).

Alcance de funcionamento

O alcance de funcionamento do monitor para bebé é de 200 metros em áreas abertas. Dependendo do ambiente e de outros factores, este alcance pode ser inferior:

Materiais secos	Espessura do material	Perda de alcance
Madeira, estuque, contraplacado, vidro (sem metal, fios ou chumbo)	< 30 cm	0-10%
Tijolo, contraplacado	< 30 cm	5-35%
Betão reforçado	< 30 cm	30-100%
Grelhas ou barras de metal	< 1 cm	90-100%
Folhas de metal ou de alumínio	< 1 cm	100%

Para materiais húmidos, a perda de alcance pode ser superior a 100%.

Funções

Confirmação do sinal digital

A unidade dos pais inclui uma luz de ligação que aconselha continuidade quanto ao estado da ligação entre as unidades do bebé e dos pais. Pode definir um alerta na unidade dos pais para notificá-lo se a ligação se perder. O alerta emite um sinal sonoro e acende-se uma luz intermitente vermelha quando a ligação se perder.

Para activar o alerta na unidade dos pais:

- 1 Rode o botão de bloqueio um quarto de volta (1) e faça deslizar a tampa da bateria para baixo para removê-la (2) (fig. 4).
- 2 Coloque o interruptor de alarme da ligação no compartimento das pilhas na posição 'ligado'.
- 3 Coloque novamente a tampa do compartimento das pilhas.

Para activar o alarme, coloque o interruptor do alarme de ligação na posição 'desligado'.

Sensibilidade ao som ajustável

Com o controlo de sensibilidade do microfone na unidade do bebé, pode regular o som que é captado pela unidade do bebé no nível desejado: baixo, médio ou alto. Quando a sensibilidade do microfone é definida como “alta”, a unidade do bebé capta todos os sons.

Nota: A sensibilidade da unidade do bebé só pode ser alterada quando existir uma ligação entre a unidade do bebé e a unidade dos pais.

- 1 Utilize o controlo de sensibilidade do microfone para regular a sensibilidade do microfone da unidade do bebé para o nível desejado. Pode utilizar a sua própria voz como um som de referência (fig. 10)

A luz de arranque na unidade do bebé passa a amarelo quando for transmitido um som.

Nota: Durante o funcionamento a pilhas, se a sensibilidade estiver regulada para um nível alto, a unidade dos pais consome mais energia.

Volume do altifalante ajustável

Pode alterar o volume na unidade dos pais para que se ajuste ao ambiente em que se encontra.

- 1** Rode o botão de volume no lado direito da unidade dos pais até alcançar o volume do altifalante desejado para a unidade dos pais.

Nota: Durante o funcionamento a pilhas, se a sensibilidade estiver regulada para um nível alto, a unidade dos pais consome mais energia.

Selector de canais

Certifique-se sempre de que os selectores de canais no interior dos compartimentos das pilhas de ambas as unidades estão regulados para o mesmo canal. Com estes selectores de canais, pode seleccionar até dezasseis posições de canais diferentes. Se sentir interferências de outros monitores, dispositivos de rádio, etc., seleccione um canal diferente.

- 1** Abra as tampas dos compartimentos das pilhas de ambas as unidades.

► Unidade do bebé: (fig. 3)

- Rode o botão de bloqueio com uma moeda e retire a tampa.
- Remova as pilhas antigas do compartimento das pilhas.
- Utilize uma pequena chave de fendas plana para rodar o selector de canais para a posição pretendida.

► Unidade dos pais: (fig. 4)

- Rode o botão de bloqueio um quarto de volta (1) e faça deslizar a tampa da bateria para baixo para removê-la (2).
- Remova as pilhas antigas do compartimento das pilhas.
- Utilize uma pequena chave de fendas plana para rodar o selector de canais para a posição pretendida.

Nota: Certifique-se de que ambas as unidades estão reguladas para o mesmo canal.

Se não sentir qualquer interferência quando testar a ligação, feche os compartimentos das pilhas de ambas as unidades.

Se sentir interferência, regule o selector para outro canal e teste novamente a ligação.

Se as unidades estiverem a funcionar com pilhas não recarregáveis, substitua as pilhas e feche os compartimentos das pilhas.

Limpeza e manutenção

Não mergulhe a unidade dos pais e a unidade do bebé em água e não as lave à torneira.

Não utilize um spray de limpeza e/ou produtos de limpeza líquidos.

- Desligue a unidade do bebé e a unidade dos pais se estiverem ligadas à corrente eléctrica.
- Limpe a unidade dos pais e a unidade do bebé com um pano húmido.

Certifique-se de que as unidades estão secas antes de ligá-las à corrente eléctrica.

- Limpe os adaptadores com um pano seco.

Armazenamento

Quando não utilizar o monitor para bebé durante um prolongado período de tempo, retire as pilhas não recarregáveis da unidade do bebé e da unidade dos pais. Guarde a unidade do bebé, a unidade dos pais e os adaptadores num local fresco e seco.

Substituição

Unidade do bebé

Pilhas

Ao substituir as pilhas não recarregáveis da unidade do bebé utilize sempre quatro pilhas R6 AA de 1,5V.

Nota: Recomendamos vivamente a utilização de pilhas não recarregáveis Philips.

Adaptador

Substitua o adaptador da unidade do bebé apenas por adaptadores de origem. Pode encomendar um novo adaptador a partir do seu fornecedor ou de um centro de assistência Philips:

- SBC CS0920/00W (só UE/SGP)
- SBC CS0920/05W (só RU)
- 9VD200 (só AU/NZ)

Unidade dos pais

Pilhas

Ao substituir as pilhas não recarregáveis da unidade do bebé utilize sempre quatro pilhas R6 AA de 1,5V.

Nota: Recomendamos vivamente a utilização de pilhas não recarregáveis Philips.

Adaptador

Substitua o adaptador da unidade do bebé apenas por adaptadores de origem. Pode encomendar um novo adaptador a partir do seu fornecedor ou de um centro de assistência Philips.

- SBC CS0920/00W (só UE/SGP)
- SBC CS0920/05W (só RU)
- 9VD200 (só AU/NZ)

Meio ambiente

- Não deite fora o aparelho junto com o lixo doméstico normal no final da sua vida útil; entregue-o num ponto de recolha oficial para reciclagem. Ao fazê-lo ajuda a preservar o ambiente (fig. 11).
- As pilhas contêm substâncias que podem poluir o ambiente. Não deite fora as pilhas vazias junto com o lixo doméstico; entregue-as num ponto de recolha oficial. Retire sempre as pilhas antes de se desfazer do aparelho ou de o entregar num ponto de recolha oficial. (fig. 12)

Garantia e assistência

Se necessitar de reparações, informações ou se tiver problemas, visite o Web site da Philips AVENT em **www.philips.com/AVENT** ou contacte o Centro de Assistência ao Consumidor do seu país (pode encontrar o número de telefone no folheto de garantia mundial). Se não existir um Centro de Assistência no seu país, visite o seu representante Philips local.

Perguntas mais frequentes

Este capítulo apresenta as perguntas mais frequentes sobre o aparelho. Se não conseguir encontrar a resposta à sua pergunta, contacte o Centro de Atendimento ao Cliente do seu país.

Pergunta	Resposta
Por que razão a luz de arranque não se acende?	Talvez a ficha do aparelho não tenha sido introduzida correctamente na tomada na unidade ou talvez o adaptador não tenha sido introduzido correctamente na tomada de parede.
	Também se pode ter esquecido de ligar as unidades. Prima o botão de ligar/desligar na unidade do bebé e rode o controlo de volume na unidade dos pais para baixo para ligar as unidades.

Pergunta	Resposta
	Se as unidades estiverem a funcionar a pilhas, as pilhas poderão estar gastas. Nesse caso, troque as pilhas.
Por que razão a luz de arranque está vermelha intermitente?	A unidade está a funcionar a pilhas e as pilhas estão fracas. Substitua as pilhas.
Porque é que a unidade dos pais produz um ruído muito estridente?	As unidades estão demasiado próximas. Coloque a unidade dos pais, no mínimo, a 1 metro de distância da unidade do bebé. Se não ajudar, o volume está demasiado alto. Rode o botão do volume para um nível mais baixo.
Por que razão não é emitido som da unidade dos pais?	Verifique se o volume está correctamente definido. Se o volume estiver muito baixo, rode o controlo do volume para um nível mais alto. Verifique também a sensibilidade do microfone da unidade do bebé.
Por que razão a luz está vermelha intermitente?	A luz está vermelha intermitente porque não existe ligação. A unidade dos pais poderá estar fora do alcance da unidade do bebé ou poderá estar definida para um canal diferente da unidade do bebé. Verifique se a unidade dos pais e a unidade do bebé estão ambas reguladas para o mesmo canal. Se estiverem, coloque a unidade dos pais num local diferente, mais próxima da unidade do bebé.
Por que razão a unidade dos pais emite um bip?	O que ouve é uma alarme de ligação. Indica que não existe ligação entre a unidade do bebé e a unidade dos pais. A unidade dos pais poderá estar fora do alcance da unidade do bebé ou poderá estar regulada para um canal diferente da unidade do bebé. Verifique se a unidade dos pais e a unidade do bebé estão reguladas para o mesmo canal. Se estiverem, coloque a unidade dos pais num local diferente, mais próximo da unidade do bebé.
Porque é que a unidade dos pais reage de forma lenta aos sons do bebé?	Regule a sensibilidade do microfone na unidade do bebé para um nível mais alto e/ou aproxime a unidade do bebé do bebé. Certifique-se de que a unidade do bebé está, no mínimo, a 1 metro de distância do bebé.
Por que razão a unidade dos pais reage demasiado depressa a outros sons?	Regule a sensibilidade do microfone na unidade do bebé para um nível mais baixo e/ou aproxime a unidade do bebé.
Porque é que a ligação se perde de vez em quando?	A unidade dos pais está provavelmente próxima do limite máximo do alcance de funcionamento. Coloque a unidade dos pais junto à unidade do bebé num local onde tenha uma recepção melhor. Tenha em atenção que demora cerca de 30 segundos antes de a ligação ser restabelecida quando move uma ou ambas as unidades.
Porque é que obtenho interferência na unidade dos pais?	Poderá estar a receber interferência quando a unidade dos pais está fora do alcance da unidade do bebé. A unidade dos pais também poderá estar demasiado próxima de uma janela e captar sinais de interferência. Afaste a unidade dos pais da janela.

Pergunta	Resposta
	A interferência também ocorre se existirem demasiadas paredes ou tectos entre a unidade dos pais e a unidade do bebé. Coloque a unidade dos pais num local diferente, mais próxima da unidade do bebé. Certifique-se também de que as unidades estão bastante afastadas de telemóveis ou telefones sem fios, rádios ou TVs.
Porque é que a unidade dos pais capta sinais do monitor de outro bebé?	O monitor para bebé funciona no mesmo canal que outro monitor para bebé na vizinhança. Defina ambas as unidades para um canal diferente com o selector de canais.
Por que razão o monitor para bebé não cumpre o alcance especificado de 200m?	O alcance especificado de 200 metros só é válido em áreas abertas. No interior de uma casa, o alcance é limitado pelo número e tipo de paredes e/ou tectos entre as duas unidades. Mude a posição de uma ou de ambas as unidades para otimizar o alcance.
O que acontece se ocorrer um corte de energia?	Se estiver a utilizar as unidades a partir da corrente sem a introdução de pilhas, a ligação perder-se-á se ocorrer uma falha de energia. Se existirem pilhas em ambas as unidades, a alimentação a pilhas é accionada automaticamente no caso de um corte de energia e a ligação não se perderá.

Introduktion

Grattis till inköpet och välkommen till Philips AVENT! För att dra maximal nytta av den support som Philips erbjuder kan du registrera din produkt på www.philips.com/welcome.

Philips AVENT strävar efter att utveckla ansvarsfulla, tillförlitliga produkter som ger föräldrar den trygghet de behöver. Med babyvakten Philips AVENT kan du höra ditt barn oavsett var i eller omkring huset du befinner dig. De 16 olika kanalalternativen garanterar minimala störningar och säker mottagning, så att du kan ha ständig kontakt med ditt barn.

Allmän beskrivning (Bild 1)

A Babyenhet

- 1 Mikrofon
- 2 Anslutning för liten kontakt
- 3 På/av-knapp
- 4 Strömlampa
- 5 Kontroll för mikrofonkänslighet
- 6 Kanalväljare
- 7 Adapter
- 8 Liten kontakt
- 9 Lock till batterifack

B Föräldraenhet

- 1 Adapter
- 2 Liten kontakt
- 3 Strömlampa
- 4 Högtalare
- 5 Anslutningsljus
- 6 Volymkontroll med av/på-funktion
- 7 Omkopplare för anslutningslarm
- 8 Lock till batterifack
- 9 Kanalväljare

Viktigt

Läs instruktionerna noga innan du använder apparaten och spara dem ifall du behöver dem igen.

Fara

- Sänk inte ned någon del av babyvakten i vatten eller någon annan vätska.

Varning

- Kontrollera att den nätspänning som anges på adapterna till babyenheten och föräldraenheten motsvarar den lokala nätspänningen innan du ansluter apparaten.
- Använd endast de medföljande adapterna när du ansluter babyenheten och föräldraenheten till elnätet.
- Adapterna innehåller en transformator. Skär inte av adapterna för att ersätta dem med andra kontakter eftersom det leder till en farlig situation.
- Om adapterna är skadade ska du alltid byta ut dem mot adapter av originaltyp för att undvika fara. Rätt modell hittar du i kapitlet Byten.
- Använd inte babyvakten på fuktiga platser eller nära vatten.
- Du får inte öppna andra delar av höljet än batterifacket på babyenheten och föräldraenheten. I annat fall finns risk för elektriska stötar.
- Apparaten är inte avsedd för användning av personer (inklusive barn) med olika funktionshinder, eller av personer som inte har kunskap om hur apparaten används, om de inte övervakas eller får instruktioner angående användning av apparaten av en person som är ansvarig för deras säkerhet.

- Små barn ska övervakas så att de inte kan leka med apparaten.
- Babyvakten har en räckvidd på 200 meter utomhus. Beroende på omgivningen och andra störande faktorer kan den faktiska räckvidden bli kortare (se avsnittet Räckvidd i kapitlet Använda apparaten).

Varning!

- Använd och förvara apparaten vid en temperatur mellan 10 °C och 40°C.
- Utsätt inte babyenheten eller föräldraenheten för extrem kyla, värme eller för direkt solljus.
- Se till att babyenheten och sladden är utom räckhåll för barnet (minst en meter bort).
- Lägg aldrig babyenheten i barnets säng eller lekhage.
- Täck aldrig över föräldra- eller babyenheten med någonting (t.ex. en handduk eller en filt).
- Använd alltid ej laddningsbara batterier av rätt typ i baby- och föräldraenheterna.

Allmänt

- Babyvakten är avsedd att vara ett hjälpmedel. Den är inte en ersättning för ansvarsfull och korrekt övervakning av en vuxen och ska inte användas som sådan.

Elektromagnetiska fält (EMF)

Den här apparaten från Philips AVENT uppfyller alla standarder för elektromagnetiska fält (EMF). Om apparaten hanteras på rätt sätt och enligt instruktionerna i den här användarhandboken är den säker att använda enligt de vetenskapliga belägg som finns i dagsläget.

Förberedelser inför användning

Babyenhet

Du kan driva babyenheten från elnätet eller med ej laddningsbara batterier. Även om du avser att ansluta enheten till elnätet rekommenderar vi att du sätter i ej laddningsbara batterier. På så sätt har du en fungerande apparat i händelse av strömavbrott.

Elnätsdrift

1 Sätt in kontakten i uttaget på babyenheten och anslut adaptern till ett vägguttag (Bild 2). Strömlampan tänds.

Drift med ej laddningsbara batterier

Babyenheten drivs av fyra 1,5V R6 AA-batterier (medföljer inte). Vi rekommenderar att du använder Philips LR6 PowerLife-batterier.

Använd inte laddningsbara batterier då babyenheten inte har en laddningsfunktion.

Koppla ur babyenheten och se till att dina händer och enheten är torra när du sätter in de ej laddningsbara batterierna.

1 Lås upp batterifackets lock genom att vrida låsratten med ett mynt. Ta sedan bort locket (Bild 3).

2 Sätt i fyra ej laddningsbara batterier.

Kontrollera att batteriets poler (+ och -) är placerade åt rätt håll.

3 Sätt tillbaka locket till batterifacket och stäng det genom att vrida låsratten med ett mynt. När batterierna börjar ta slut blinkar strömlampan på babyenheten med rött sken.

Föräldraenhet

Du kan driva föräldraenheten från elnätet eller med ej laddningsbara batterier. Även om du avser att ansluta enheten till elnätet rekommenderar vi att du sätter i ej laddningsbara batterier. På så sätt har du en fungerande apparat i händelse av strömavbrott.

Elnätsdrift

1 Sätt in kontakten i uttaget på föräldraenheten och anslut adaptern till ett vägguttag.

Strömlampan tänds.

Drift med ej laddningsbara batterier

Föräldraenheten drivs av fyra 1,5V R6 AA-batterier (medföljer inte). Vi rekommenderar att du använder Philips LR6 PowerLife-batterier.

Använd inte laddningsbara batterier då föräldraenheten inte har en laddningsfunktion.

Koppla ur föräldraenheten och se till att dina händer och enheten är torra när du sätter in de ej laddningsbara batterierna.

1 Vrid låsratten ett kvarts varv (1) och skjut batteriluckan nedåt för att avlägsna den (2) (Bild 4).

2 Sätt i fyra ej laddningsbara batterier.
Kontrollera att batteriets poler (+ och -) är placerade åt rätt håll.

3 Sätt tillbaka locket till batterifacket.

Obs! När batterierna börjar ta slut blinkar batterilampan på föräldraenheten med rött sken.

Obs! När batterierna är helt tomma stängs föräldraenheten automatiskt av och förlorar kontakten med babyenheten.

Använda apparaten

1 Ställ de två enheterna i samma rum för att testa anslutningen (Bild 5).
Se till att babyenheten är minst en meter från föräldraenheten.

2 Tryck på på-/avknappen för att slå på babyenheten (Bild 6).
Strömlampan lyser med fast grönt sken.

3 Vrid volymkontrollen för att sätta på föräldraenheten och ställ in volymen till önskad nivå. (Bild 7)

Strömlampan lyser med fast grönt sken.

► När en anslutning har upprättats mellan enheterna lyser anslutningslampan på föräldraenheten med fast grönt sken.

Obs! Det tar ca 30 sekunder innan en anslutning har upprättats.

Obs! Om en anslutning inte kan upprättas blinkar anslutningslampan på föräldraenheten med rött sken.

4 Placera babyenheten minst en meter från barnet (Bild 8).

5 Placera föräldraenheten inom babyenhetens räckvidd. Se till att den är minst en meter från babyenheten. Mer information om räckvidden finns i avsnittet Räckvidd nedan (Bild 9).

Räckvidd

Babyvaktens räckvidd är 200 meter utomhus. Beroende på omgivningen och andra störande faktorer kan den faktiska räckvidden bli kortare.

Torra material	Materialtjocklek	Sämrre räckvidd
Trä, murbruk, gips, papp, glas (utan metall, ledningar eller bly)	< 30 cm	0–10 %
Tegel, plywood	< 30 cm	5–35 %
Armerad betong	< 30 cm	30–100 %
Metallgaller eller bjälkar	< 1 cm	90–100 %

Torra material	Materialtjocklek	Sämrre räckvidd
Metall- eller aluminiumplattor	< 1 cm	100 %

För våta och fuktiga material kan räckviddsförsämringen bli upp till 100 %.

Funktioner

Digital signalbekräftelse

Föräldraenheten har en länklampa som kontinuerligt visar status för anslutningen mellan baby- och föräldraenheterna. Det går att ställa in en varning på föräldraenheten som meddelar om länken bryts. Varningen består av ett tydligt pip och att länklampen blinkar rött vid avbruten anslutning.

Aktivera varning på föräldraenheten:

- 1 Vrid låsratten ett kvarts varv (1) och skjut batteriluckan nedåt för att avlägsna den (2) (Bild 4).
- 2 Ställ länklarmsreglaget i batterifacket i läget "on".
- 3 Sätt tillbaka locket till batterifacket.

För att stänga av varningen ställer du länkvarningsreglaget i läget "off".

Justerbar ljudkänslighet

Med kontrollen för mikrofonkänslighet på babyenheten kan du ställa in ljudet som tas upp från barnet till önskad nivå: låg, mellan eller hög. När mikrofonkänsligheten har satts till hög tas alla ljud upp av babyenheten.

Obs! Babyenhetens känslighet kan endast ändras när det finns en anslutning mellan babyenheten och föräldraenheten.

- 1 Använd kontrollen för mikrofonkänslighet för att ställa in babyenhetens mikrofonkänslighet till önskad nivå. Använd din egen röst som ljudreferens (Bild 10).

Strömlampan på babyenheten blir gul när ljud överförs.

Obs! Om föräldraenheten drivs med batterier förbrukar den mer ström om du ställer in känsligheten på en hög nivå.

Justerbar högtalarvolym

Du kan justera volymen på föräldraenheten så att den passar omgivningen.

- 1 Vrid på volymratten på föräldraenhetens högra sida tills önskad volym uppnåtts.

Obs! Om föräldraenheten drivs med batterier förbrukar den mer ström om du ställer in volymen på en hög nivå.

Kanalväljare

Se alltid till att kanalväljarna inuti batterifacket är inställda på samma kanal. Med dessa kanalväljare kan du välja 16 olika kanaler. Ställ in dem på en annan kanal om du märker av störningar från andra babyvakter eller radioenheter.

- 1 Öppna batterifackets lucka på bägge enheterna.

Babyenhet: (Bild 3)

- Vrid låsratten med ett mynt och avlägsna locket.
- Ta ut batterierna ur batterifacket, om det finns några där.
- Använd en liten spårskruvmejsel för att ställa in kanalväljaren i önskat läge.

Föräldraenhet: (Bild 4)

- Vrid låsratten ett kvarts varv (1) och skjut batteriluckan nedåt för att avlägsna den (2).

- Ta ut batterierna ur batterifacket, om det finns några där.
- Använd en liten spårskruvmejsel för att ställa in kanalväljaren i önskat läge.

Obs! Se till att båda enheterna är inställda på samma kanal.

Om du inte märker av några störningar när du testar anslutningen kan du stänga batterifacken på bägge enheterna.

Om du märker av störningar ställer du in väljarna på en annan kanal och testar anslutningen igen.

Om du kör enheterna på ej laddningsbara batterier byter du ut dem och stänger batterifacket.

Rengöring och underhåll

Sänk aldrig ned föräldraenheten eller babyenheten i vatten och rengör dem aldrig under kranen.

Använd inte rengöringsspray eller flytande rengöringsmedel.

- Koppla ur babyenheten och föräldraenheten om de är anslutna till elnätet.
- Rengör föräldra- och babyenheterna med en fuktig trasa.

Se till att enheterna är torra innan du ansluter dem till elnätet.

- Rengör adaptrarna med en torr trasa.

Förvaring

När du inte ska använda babyvakten under en längre tid tar du ur de ej laddningsbara batterierna ur baby- och föräldraenheterna. Förvara babyenheten, föräldraenheten och adaptrarna på en sval och torr plats.

Byten

Babyenhet

Batterier

Ersätt bara babyenhetens ej laddningsbara batterier med fyra 1,5V R6 AA-batterier:

Obs! Vi rekommenderar att du använder ej laddningsbara batterier från Philips.

Adapter

Ersätt adaptern till babyenheten endast med en adapter av originaltyp. Du kan beställa en ny adapter från din återförsäljare eller ett Philips-serviceombud:

- SBC CS0920/00W (endast EU/SGP)
- SBC CS0920/05W (endast UK)
- 9VD200 (endast AU/NZ)

Föräldraenhet

Batterier

Ersätt bara föräldraenhetens ej laddningsbara batterier med fyra 1,5V R6 AA-batterier:

Obs! Vi rekommenderar att du använder ej laddningsbara batterier från Philips.

Adapter

Ersätt adaptern till föräldraenheten endast med en adapter av originaltyp. Du kan beställa en ny adapter från din återförsäljare eller ett Philips-serviceombud.

- SBC CS0920/00W (endast EU/SGP)
- SBC CS0920/05W (endast UK)
- 9VD200 (endast AU/NZ)

Miljön

- Kasta inte apparaten i hushållssoporna när den är förbrukad. Lämna in den för återvinning vid en officiell återvinningsstation, så hjälper du till att skydda miljön (Bild 11).
- Batterier innehåller ämnen som kan vara skadliga för miljön. Släng inte batterier i hushållssoporna, utan lämna dem till en återvinningsstation för batterier. Ta alltid ut batterierna innan du kasserar apparaten eller lämnar in den till en återvinningsstation. (Bild 12)

Garanti och service

Om du behöver service eller information eller har problem med apparaten kan du besöka Philips AVENT-webbplatsen på www.philips.com/AVENT eller kontakta Philips kundtjänst i ditt land (du hittar telefonnumret i garantibroschyren). Om det inte finns någon kundtjänst i ditt land vänder du dig till din lokala Philips-återförsäljare.

Vanliga frågor

Det här kapitlet innehåller de vanligaste frågorna om apparaten. Om du inte hittar svaret på din fråga kan du kontakta kundtjänst i ditt land.

Fråga	Svar
Varför är inte strömlampan tänd?	Apparatens kontakt kanske inte har satts in ordentligt i enhetens uttag, eller så har kanske adaptern inte satts in ordentligt i vägguttaget. Du kanske även har glömt att sätta på enheterna. Tryck på på/av-knappen på babyenheten och vrid volymkontrollen på föräldraenheten nedåt för att sätta på enheterna. Om du kör enheterna med batterier kan dessa vara urladdade. I sådana fall bör du byta batterier.
Varför blinkar strömlampan rött?	Du kör enheten med batterier och dessa är urladdade. Byt ut batterierna.
Varför avger föräldraenheten ett högt ljud?	Enheterna är för nära varandra. Flytta föräldraenheten åtminstone en meter från babyenheten. Om detta inte hjälper är volymen för hög. Ställ in volymkontrollen på en lägre volym.
Varför kommer inget ljud från föräldraenheten?	Kontrollera om volymen är inställd tillräckligt högt. Om volymen är för låg vrid du volymkontrollen till en högre volym. Kontrollera även mikrofonkänsligheten på babyenheten.
Varför blinkar länklampan rött?	Den blinkar rött för att det inte finns någon anslutning. Föräldraenheten kanske är utom babyenhetens räckvidd, eller inställd på en annan kanal. Kontrollera att de är inställda på samma kanal. Om så är fallet ställer du föräldraenheten på en annan plats, närmare babyenheten.
Varför piper föräldraenheten?	Det du hör är länklarmet. Det varnar när det inte finns någon anslutning mellan babyenheten och föräldraenheten. Föräldraenheten kan vara utom räckvidd från babyenheten, eller inställd på en annan kanal. Kontrollera att de är inställda på samma kanal. Om så är fallet ställer du föräldraenheten på en annan plats, närmare babyenheten.

Fråga	Svar
Varför reagerar föräldraenheten för långsamt på barnets ljud?	Ställ in mikrofonkänsligheten på babyenheten till en högre nivå, och/eller flytta babyenheten närmare barnet. Se till att babyenheten är minst en meter ifrån barnet.
Varför reagerar föräldraenheten för snabbt på omgivande ljud?	Ställ in mikrofonkänsligheten på babyenheten till en lägre nivå, och/eller flytta babyenheten närmare barnet.
Varför bryts anslutningen då och då?	Föräldraenheten är sannolikt nära räckviddens gräns. Flytta föräldraenheten närmare babyenheten till en plats med bättre mottagning. Observera att det tar ca 30 sekunder innan anslutningen upprättas igen om du flyttar någon av eller båda enheterna.
Varför får jag störningar i föräldraenheten?	Störningar kan uppstå när föräldraenheten är utom räckvidd från babyenheten. Föräldraenheten kan även vara för nära ett fönster som den tar upp störande signaler genom. Flytta föräldraenheten bort från eventuella fönster.
Varför fångar föräldraenheten upp signaler från en annan babyvakt?	Störningar kan även uppstå om det är för många väggar eller tak mellan enheterna. Ställ föräldraenheten någon annanstans, närmare babyenheten. Se även till att enheterna inte befinner sig nära mobila eller sladdlösa telefoner, radio- eller tv-apparater.
Varför fångar föräldraenheten upp signaler från en annan babyvakt?	Babyvakten är inställd på samma kanal som en annan babyvakt i närheten. Ställ in båda enheterna på en annan kanal med kanalväljaren.
Varför klarar inte babyvakten den angivna räckvidden på 200 meter?	Den angivna räckvidden på 200 meter gäller endast utomhus. Inomhus begränsas räckvidden av antalet väggar och typ av väggar och/eller tak mellan enheterna. Flytta på en av eller båda enheterna för att optimera räckvidden.
Vad händer om det blir strömavbrott?	Om du använder enheterna med nätström utan att ha batterier i dem förloras anslutningen om det blir strömavbrott. Om det finns batterier i båda enheterna växlas de automatiskt till batteridrift om det blir strömavbrott och anslutningen upprätthålls.

Giriş

Ürünümüzü satın aldığınız için teşekkür ederiz; Philips AVENT'e hoş geldiniz! Philips AVENT tarafından sunulan destekten tam faydalanmak için ürününüzü kaydettirin: www.philips.com/welcome. Philips AVENT, ebeveynlere ihtiyaçları olan güvenceyi sağlayacak güvenilir ürünler üretmektedir; Bu Philips AVENT bebek monitörü, evinizin içinde ve çevresinde nereye giderseniz gidin bebeğinizin duymasına olanak verir. Onaltı farklı kanal seçeneği, minimum parazit ve güvenli kapsama alanını garanti ederek, bebeğinizle sürekli temas halinde olmanızı sağlar.

Genel açıklamalar (Şek. 1)**A Bebek ünitesi**

- 1 Mikrofon
- 2 Küçük fiş için soket
- 3 Açma/kapama düğmesi
- 4 Güç açık ışığı
- 5 Mikrofon hassasiyet kontrolü
- 6 Kanal seçici
- 7 Adaptör
- 8 Küçük fiş
- 9 Pil bölmesi kapağı

B Ana ünite

- 1 Adaptör
- 2 Küçük fiş
- 3 Güç açık ışığı
- 4 Hoparlör
- 5 Bağlantı ışığı
- 6 Açma/kapama fonksiyonu ile ses seviyesi kontrolü
- 7 Bağlantı alarm anahtarı
- 8 Pil bölmesi kapağı
- 9 Kanal seçici

Önemli

Lütfen cihazı kullanmadan önce verilen talimatları dikkatli şekilde okuyun. İleride başvurmak için bu talimatları saklayın.

Tehlike

- Bebek monitörünün herhangi bir parçasını suya ya da başka bir sıvıya asla batırmayın.

Uyarı

- Cihazı prize takmadan önce, bebek ünitesinin ve ana ünitenin adaptörlerinde belirtilen gerilimin yerel şebeke gerilimiyle uygunluğunu kontrol edin.
- Bebek ünitesini ve ana üniteyi ana şebekeye bağlamak için sadece cihaz ile birlikte verilen adaptörleri kullanın.
- Adaptörlerde bir transformatör bulunmaktadır. Tehlikeli bir duruma neden olacağından, adaptörleri keserek diğer fişlerle değiştirmeye çalışmayın.
- Adaptörler hasarlıysa, tehlike oluşmasını engellemek için bunları her zaman orijinali ile değiştirin. Doğru tip için bkz. 'Değiştirme' bölümü.
- Bebek monitörünü asla nemli ya da suya yakın alanlarda kullanmayın.
- Elektrik çarpmalarını engellemek amacıyla, pil bölmesi dışında bebek ünitesinin veya ana ünitenin gövdesini açmayın.
- Bu cihaz, güvenliklerinden sorumlu kişilerin nezareti veya talimatı olmadan, fiziksel, motor ya da zihinsel becerileri gelişmemiş veya bilgi ve tecrübe açısından yetersiz kişiler tarafından (çocuklar da dahil) kullanılmamalıdır.

- Küçük çocukların cihazla oynamaları engellenmelidir.
- Bebek ünitesi, 200 metre/600 feet çalışma menziline sahiptir. Açık havada çevreye ve diğer engelleyici faktörlere bağlı olarak, çalışma menzili daha kısa olabilir (bkz. 'Cihazın kullanımı' bölümünde 'Çalışma menzili' kısmı).

Dikkat

- Cihazı 10°C - 40°C arasındaki sıcaklıklarda kullanın ve saklayın.
- Bebek monitörünü ve ana üniteyi, aşırı soğuğa, sıcağa veya doğrudan güneş ışığına maruz bırakmayın.
- Bebek ünitesinin ve kordonun, bebeğin ulaşamayacağı bir yerde olduğundan emin olun (en az 1 metre/3 feet uzaklıkta).
- Bebek ünitesini hiçbir zaman bebeğin yatağına ya da oyun alanına koymayın.
- Ana üniteyi ve bebek ünitesini asla havlu, battaniye vb. ile kapatmayın.
- Bebek ünitesine ve ana üniteye mutlaka doğru tipte şarj edilemeyen pil takın.

Genel

- Bu bebek monitörünün amacı destek sağlamaktır. Sorumluluk sahibi yetişkinler tarafından uygun şekilde gerçekleştirilen bakımın yerini alamaz ve bu şekilde kullanılmamalıdır.

Elektromanyetik alanlar (EMF)

Bu Philips AVENT cihazı, elektromanyetik alanlarla (EMF) ilgili tüm standartlarla uyumludur. Bu cihazın kullanımı, düzgün ve bu kılavuzdaki talimatlarla uygun şekilde kullanıldığında, günümüz bilimsel verilerine göre güvenlidir.

Cihazın kullanıma hazırlanması

Bebek ünitesi

Bebek ünitesini elektrikle ya da şarj edilemeyen pille kullanabilirsiniz. Elektrikle kullanacak olsanız bile, şarj edilemeyen pilleri takmanızı öneririz. Bu, elektrik kesintisi durumunda cihazın, pilleri kullanarak çalışmaya devam edebilmesini sağlar.

Prizde kullanım

1 Cihaz fişini bebek ünitesinin soketine takın ve adaptörü bir prize takın (Şek. 2).

Güç lambası yanar.

Şarj edilemeyen pillerle çalıştırma

Bebek ünitesi, dört adet 1,5V R6 AA pil (birlikte verilmemektedir) ile çalışır. Philips LR6 PowerLife pillerini kullanmanızı şiddetle öneririz.

Bebek ünitesinin şarj etme fonksiyonu olmadığından, şarj edilebilir pil kullanmayın.

Şarj edilemeyen pilleri takarken bebek ünitesinin fişini çıkarın ve ellerinizin ve ünitenin kuru olduğundan emin olun.

1 Kilitleme kadrantını bir bozuk para ile çevirerek pil bölmesi kapağının kilidini açın ve kapağı çıkarın (Şek. 3).

2 Dört şarj edilemeyen pil takın.

Pillerin + ve - kutuplarının doğru yönde olduğundan emin olun.

3 Pil bölmesi kapağını yerine takın ve kilitleme kadrantını bir bozuk para ile çevirerek kapatın.

Piller azaldığında, bebek ünitesindeki güç ışığı kırmızı renkte yanıp söner.

Ana ünite

Ana üniteyi elektrikle ya da şarj edilemeyen pille kullanabilirsiniz. Elektrikle kullanacak olsanız bile, şarj edilemeyen pilleri takmanızı öneririz. Bu, elektrik kesintisi durumunda cihazın, pilleri kullanarak çalışmaya devam edebilmesini sağlar.

Prizde kullanım

- 1 Cihaz fişini ana ünitenin soketine takın ve adaptörü bir prize takın.
Güç lambası yanar.

Şarj edilemeyen pillerle çalıştırma

Ana ünite, dört adet 1,5V R6 AA pil (birlikte verilmemektedir) ile çalışır. Philips LR6 PowerLife pillerini kullanmanızı şiddetle öneririz.
Ana ünitenin şarj etme fonksiyonu olmadığından, şarj edilebilir pil kullanmayın.

Şarj edilemeyen pilleri takarken ana ünitenin fişini çıkarın ve ellerinizin ve ünitenin kuru olduğundan emin olun.

- 1 Kilitleme kadranını çeyrek tur çevirin (1) ve çıkarmak için pil bölmesi kapağını aşağıya doğru kaydırın (2) (Şek. 4).
- 2 Dört şarj edilemeyen pil takın.
Pillerin + ve - kutuplarının doğru yönde olduğundan emin olun.
- 3 Pil bölmesi kapağını yerine takın.

Dikkat: Piller azaldığında, ana üniteye güç ışığı kırmızı renkte yanıp söner.

Dikkat: Piller tamamen boşaldığında, ana ünite otomatik olarak kapanır ve bebek ünitesiyle bağlantısı kesilir.

Cihazın kullanımı

- 1 Bağlantıyı test etmek için üniteleri aynı odaya koyun (Şek. 5).
Bebek ünitesinin ana üniteden en az 1 metre/3 feet uzakta olduğuna emin olun.
- 2 Bebek ünitesini çalıştırmak için açma/kapama düğmesine basın (Şek. 6).
Güç açık ışığı sürekli olarak yeşil renkte yanar.
- 3 Ana üniteyi açmak için ve tercih ettiğiniz ses seviyesini ayarlamak için ses seviyesi kontrol düğmesini çevirin. (Şek. 7)
Güç açık ışığı sürekli olarak yeşil renkte yanar.
- 4 Üniteler arasında bağlantı kurulduğunda, ana üniteye bağlantı ışığı sürekli olarak yeşil renkte yanar.

Dikkat: Bağlantının sağlanması yaklaşık 30 saniye sürer.

Dikkat: Bağlantı kurulmıyorsa, ana üniteye bağlantı ışığı kırmızı renkte yanıp söner.

- 4 Bebek ünitesini bebeğinizden en az 1 metre/3 feet uzağa yerleştirin (Şek. 8).
- 5 Ana üniteyi bebek ünitesinin çalışma menzili içinde bir yere yerleştirin. Bebek ünitesinden en az 1 metre/3 feet uzakta olduğuna emin olun. Çalışma menziliyle ilgili daha fazla bilgi almak için bkz. 'Çalışma menzili' (Şek. 9).

Çalışma menzili

Bebek monitörünün çalışma menzili açık havada 200 metre/600 feet'tir. Çevreye ve diğer engelleyici faktörlere bağlı olarak bu menzil daha kısa olabilir.

Kuru malzemeler	Malzeme kalınlığı	Menzil kaybı
Ahşap, plaster, karton, cam (metal, kablo ya da kurşun içermeyen)	< 30cm/12inç	%0-%10
Tuğla, kontrplak	< 30cm/12inç	%5-%35

Kuru malzemeler	Malzeme kalınlığı	Menzil kaybı
Güçlendirilmiş beton	< 30cm/12inç	%30-%100%
Metal ızgaralar veya çubuklar	< 1cm/0,4inç	%90-%100
Metal ya da alüminyum levhalar	< 1cm/0,4inç	%100

Islak ya da nemli malzemeler için, menzil kaybı %100'e ulaşabilir.

Özellikler

Dijital sinyal doğrulama

Ana ünite, bebek ünitesi ve ana ünite arasındaki bağlantının durumu hakkında sizi sürekli olarak bilgilendiren bir bağlantı ışığı bulunmaktadır. Bağlantı kaybolduğunda sizi uyarması için ana ünite bir uyarı ayarlayabilirsiniz. Bağlantı kaybolduğunda, duyulabilir bir 'bip' sesi ile uyarı verilir ve bağlantı ışığı kırmızı renkte yanıp söner.

Ana ünite, bebek ünitesi için etkinleştirmek için:

- 1 Kilitleme kadranını çeyrek tur çevirin (1) ve çıkarmak için pil bölmesi kapağını aşağıya doğru kaydırın (2) (Şek. 4).
 - 2 Pil bölmesindeki bağlantı alarm anahtarını 'on' (açık) konumuna getirin.
 - 3 Pil bölmesi kapağını yerine takın.
- Uyarıyı kapatmak için, bağlantı uyarı anahtarını 'off' (kapalı) konumuna getirin.

Ayarlanabilir ses hassasiyeti

Bebek ünitesindeki mikrofon hassasiyet kontrolü ile, bebek ünitesi tarafından alınan sesi, düşük, orta veya yüksek olmak üzere istediğiniz seviyeye ayarlayabilirsiniz. Mikrofon hassasiyeti 'yüksek' olarak ayarlandığında, bebek ünitesi tüm sesleri alır.

Dikkat: Bebek ünitesinin hassasiyeti sadece, bebek ünitesi ve ana ünite arasında bir bağlantı varken değiştirilebilir.

- 1 Bebek ünitesinin mikrofon hassasiyetini istediğiniz seviyeye ayarlamak için mikrofon hassasiyet kontrolünü kullanın. Ses referansı olarak kendi sesiniz kullanılabilir (Şek. 10). Bebek ünitesindeki güç açık ışığı, ses aktarıldıkça sanya döner.

Dikkat: Pillerle çalışırken, hassasiyet yüksek bir seviyeye ayarlanmışsa, ana ünite daha fazla güç tüketir.

Ayarlanabilir hoparlör sesi seviyesi

Ana ünite ses seviyesini, bulunduğunuz ortama uyacak şekilde değiştirebilirsiniz.

- 1 Ana ünite için istenen ses seviyesine ulaşana kadar, ana ünitenin sağ tarafındaki ses seviyesi düğmesini çevirin.

Dikkat: Pillerle çalışırken, ses seviyesi yüksek bir seviyeye ayarlanmışsa, ana ünite daha fazla güç tüketir.

Kanal seçici

Her iki ünitenin pil bölmelerindeki kanal seçicilerin aynı kanala ayarlanmış olduğundan her zaman emin olun. Bu kanal seçicilerle, onaltı farklı kanal konumu seçebilirsiniz. Eğer diğer bebek monitörlerinden ya da radyolardan kaynaklanan parazitlerle karşılaşılırsa, farklı bir kanal seçin.

- 1 Ünitelerdeki pil bölmesi kapaklarını açın.
- Bebek ünitesi: (Şek. 3)
 - Kilitleme kadranını bir bozuk para ile çevirin ve kapağı çıkarın.
 - Varsa, pil bölmesindeki pilleri çıkarın.

104 TÜRKÇE

- Kanal seçiciyi istediğini konuma getirmek için küçük ve düz uçlu bir tornavida kullanın.
- **Ana ünite: (Şek. 4)**
- Kilitleme kadranını çeyrek tur çevirin (1) ve çıkarmak için pil bölmesi kapağını aşağıya doğru kaydırın (2).
- Varsa, pil bölmesindeki pilleri çıkarın.
- Kanal seçiciyi istediğini konuma getirmek için küçük ve düz uçlu bir tornavida kullanın.

Dikkat: Her iki ünitenin de aynı kanala ayarlanmış olduğundan emin olun.

Bağlantıyı test ettiğinizde parazit sorunu yaşamazsanız, bebek ünitesi ve ana ünitenin pil bölmelerini kapatın.

Parazit sorunuyla karşılaşırsanız, seçiciyi bir başka kanala ayarlayın ve bağlantıyı yeniden test edin. Üniteler şarj edilemeyen pillerle çalışıyorsa, pilleri değiştirin ve pil bölmelerini kapatın.

Temizlik ve Bakım

Ana üniteyi veya bebek ünitesini suya batırmayın ve musluğun altında yıkamayın.

Temizleme spreyi veya sıvı temizleyiciler kullanmayın.

- Ana şebekeye bağlanmışlarsa, bebek ünitesini veya ana üniteyi prizden çekin.
- Ana üniteyi ve bebek ünitesini nemli bir bezle temizleyin.

Üniteleri ana şebekeye bağlamadan önce kuru olduklarından emin olun.

- Adaptörleri kuru bir bezle silerek temizleyin.

Saklama

Bebek ünitesini bir süre kullanmayacaksanız, bebek ünitesindeki ve ana üniteye şarj edilemeyen pilleri çıkarın. Bebek ünitesini, ana üniteyi ve adaptörleri serin ve kuru bir ortamda saklayın.

Değiştirme

Bebek ünitesi

Piller

Bebek ünitesinin şarj edilmez pilleri yerine sadece dört adet 1,5V R6 AA pil kullanın.

Dikkat: Philips şarj edilemeyen pillerini kullanmanızı şiddetle tavsiye ederiz.

Adaptör

Bebek ünitesinin adaptörünü yalnızca orijinaliyle değiştirin. Yeni adaptörü, bayinizden ya da bir Philips servis merkezinden sipariş edebilirsiniz.

- SBC CS0920/00W (sadece AB/Singapur)
- SBC CS0920/05W (sadece İngiltere)
- 9VD200 (sadece Avusturya/Yeni Zelanda)

Ana ünite

Piller

Ana ünitenin şarj edilemeyen pilleri yerine sadece dört adet 1,5V R6 AA pil kullanın.

Dikkat: Philips şarj edilemeyen pillerini kullanmanızı şiddetle tavsiye ederiz.

Adaptör

Ana ünitenin adaptörünü yalnızca orijinaliyle değiştirin. Yeni adaptörü, bayinizden ya da bir Philips servis merkezinden sipariş edebilirsiniz:

- SBC CS0920/00W (sadece AB/Singapur)

- SBC CS0920/05W (sadece İngiltere)
- 9VD200 (sadece Avusturya/Yeni Zelanda)

Çevre

- Kullanım ömrü sonunda, cihazı normal ev atıklarınızla birlikte atmayın; bunun yerine, geri dönüşüm için resmi toplama noktalara teslim edin. Böylece, çevrenin korunmasına yardımcı olursunuz (Şek. 11).
- Piller çevre kirliliğine neden olabilecek maddeler içermektedir. Boş pilleri normal evsel atıklarınızla birlikte atmayın; bunun yerine, resmi toplama noktalarına teslim edin. Cihazı atmadan ya da resmi toplama noktasına teslim etmeden önce pilleri mutlaka çıkarın. (Şek. 12)

Garanti ve servis

Servise ya da daha fazla bilgiye ihtiyaç duyarsanız veya bir sorunla karşılaşırsanız, www.philips.com/AVENT adresindeki Philips AVENT internet sitesini ziyaret edin veya ülkenizde bulunan Philips Müşteri Merkeziyle iletişim kurun (telefon numarasını dünya çapında geçerli garanti belgesinde bulabilirsiniz). Ülkenizde bir Müşteri Merkezi yoksa, yerel Philips bayisine başvurun.

Sıkça sorulan sorular

Bu bölümde cihazla ilgili en sık sorulan sorular bulunmaktadır. Sorunuzun cevabını burada bulamıyorsanız, ülkenizdeki Müşteri Hizmetleri Merkezine başvurun.

Soru	Cevap
Güç açık ışığı neden yanmıyor?	Cihaz fişi ünite üzerindeki sokete düzgün şekilde takılmamış veya adaptör prize takılmamış veya düzgün şekilde takılmamış olabilir. Üniteleri açmayı unutmuş olabilirsiniz. Üniteleri açmak için, bebek ünitesindeki açma/kapama düğmesine basın ve ana ünite üzerindeki ses seviyesi kontrolünü çevirin. Üniteleri pille çalıştırıyorsanız, piller zayıflamış olabilir. Bu durumda, pilleri değiştirin.
Güç açık ışığı neden kırmızı renkte yanıp sönüyor?	Üniteyi pille çalıştırıyorsunuz ve piller zayıf. Pilleri değiştirin.
Ana ünite neden çok tiz bir ses çıkarıyor?	Üniteler birbirine çok yakındır. Ana üniteyi bebek ünitesinin en az 1 metre/3 feet uzağına taşıyın. Bu işe yaramıyorsa, ses seviyesi çok yüksektir. Ses seviyesi kontrolünü daha düşük bir ses seviyesine ayarlayın.
Ana üniteden neden ses gelmiyor?	Ses seviyesinin yeterince yüksek olup olmadığını kontrol edin. Ses seviyesi çok düşükse, ses seviyesi kontrolünü daha yüksek bir seviyeye ayarlayın. Ayrıca, bebek ünitesindeki mikrofon hassasiyetini kontrol edin.
Bağlantı ışığı neden kırmızı renkte yanıp sönüyor?	Bağlantı olmadığı için kırmızı renkte yanıp söner. Ana ünite bebek ünitesinin menzili dışında veya bebek ünitesinininkinden farklı bir kanala ayarlanmış olabilir. Ana ünite ve bebek ünitesinin aynı kanala ayarlanmış olup olmadığını kontrol edin. Aynı kanala ayarlanmışlarsa, ana üniteyi bebek ünitesine daha yakın bir yere koyun.

Soru	Cevap
Ana ünite neden bip sesi çıkıyor?	Duyduğunuz bir bağlantı alarmıdır; Bebek ünitesi ve ana ünite arasında bağlantı olmadığını gösterir; Ana ünite bebek ünitesinin menzili dışında veya bebek ünitesinininkinden farklı bir kanala ayarlanmış olabilir; Ana ünite ve bebek ünitesinin aynı kanala ayarlanmış olup olmadığını kontrol edin. Aynı kanala ayarlanmışlarsa, ana üniteyi bebek ünitesine daha yakın bir yere koyun.
Ana ünite bebeğin çıkardığı seslere niçin geç tepki veriyor?	Bebek ünitesindeki mikrofona hassasiyetini daha yüksek bir seviyeye ayarlayın ve/veya bebek ünitesi bebeğe daha yakın bir konuma taşıyın. Bebek ünitesinin, bebekten en az 1 metre/3 feet uzakta olduğundan emin olun.
Ana ünite diğer seslere neden çok hızlı tepki veriyor?	Bebek ünitesindeki mikrofona hassasiyetini daha düşük bir seviyeye ayarlayın ve/veya bebek ünitesini bebekten uzaklaştırın.
Bağlantı niçin sık sık kaybediliyor?	Ana ünite muhtemelen çalışma menzilinın sınırlarına yakın; Ana üniteyi daha iyi alı gerektirebileceği, bebek ünitesine daha yakın bir yere yerleştirin. Ünitelerden birini veya her ikisini hareket ettirdiğinizde, tekrar bağlantı kurulmasının yaklaşık 30 saniye süreceğini lütfen unutmayın.
Ana ünite de niçin parazit var?	Ana ünite bebek ünitesinin menzili dışındayken parazit sorunu yaşayabilirsiniz. Ayrıca ana ünite, bir pencereye çok yakın ve bu pencereden kaçan sinyaller alıyor olabilir; Ana üniteyi pencereden uzaklaştırın. Parazit ayrıca, ana ünite ile bebek ünitesi arasında çok fazla duvar ve tavan olması durumunda meydana gelir; Ana üniteyi bebek ünitesine daha yakın bir yere koyun. Ayrıca ünitelerin, cep telefonları, kablosuz telefonlar, radyolar veya TV'lerden yeterince uzakta olduğundan emin olun.
Ana ünite niçin başka bir bebek monitöründen sinyal alıyor?	Bebek monitörü yakın çevredeki bir başka bebek monitörü ile aynı kanalda çalışıyor; Her iki üniteyi de, kanal seçici ile farklı bir kanala ayarlayın.
Bebek monitörü neden belirtilen 200 m menzili kapsamıyor?	Belirtilen 200 metrelik mesafe, sadece açık havada geçerlidir; Ev içinde menzil, iki ünite arasındaki duvar ve/veya tavan sayısı ve tipi ile sınırlanır; En yüksek menzile ulaşmak için ünitelerin konumunu değiştirin.
Güç kesintisi durumunda ne olur?	Üniteleri pil takmadan prizden kullanıyorsanız, bir güç kesintisi olduğunda bağlantı kesilir; Her iki ünite de pil varsa, güç kesintisi durumunda üniteler otomatik olarak pil gücüne geçer ve bağlantı kaybı yaşanmaz.

Pendahuluan

Selamat atas pembelian Anda dan selamat datang di Philips AVENT! Untuk memanfaatkan sepenuhnya dukungan yang ditawarkan Philips AVENT, daftarkan produk Anda di www.philips.com/welcome.

Philips AVENT didedikasikan untuk menghasilkan produk yang dapat diandalkan dan peduli, yang memberikan ketenteraman yang dibutuhkan para orang tua. Monitor bayi Philips AVENT ini memungkinkan Anda mengetahui keadaan bayi Anda dari mana saja di dalam dan di seputar rumah Anda. Opsi enam belas saluran yang berbeda menjamin interferensi minimal dan penerimaan yang aman, memungkinkan Anda senantiasa mengetahui keadaan bayi Anda.

Gambaran umum (Gbr. 1)

A Unit bayi

- 1 Mikrofon
- 2 Soket untuk steker kecil
- 3 Tombol on/off
- 4 Lampu daya sedang hidup
- 5 Kontrol kepekaan mikrofon
- 6 Pemilih saluran
- 7 Adaptor
- 8 Steker kecil
- 9 Tutup wadah baterai

B Unit orang tua

- 1 Adaptor
- 2 Steker kecil
- 3 Lampu daya sedang hidup
- 4 Pengeras suara
- 5 Lampu koneksi
- 6 Kontrol volume dengan fungsi on/off
- 7 Sakelar alarm koneksi
- 8 Tutup wadah baterai
- 9 Pemilih saluran

Penting

Bacalah instruksi penggunaan ini dengan saksama sebelum menggunakan alat dan simpanlah untuk referensi jika dibutuhkan kelak.

Bahaya

- Jangan sekali-kali merendam komponen monitor bayi dalam air atau cairan apa pun.

Peringatan

- Periksa apakah tegangan yang ditunjukkan pada adaptor unit bayi dan unit orang tua sesuai dengan tegangan listrik setempat sebelum Anda menghubungkan alat.
- Gunakan hanya adaptor yang disertakan untuk menghubungkan unit bayi dan unit orang tua ke arus listrik.
- Adaptor tersebut berisi trafo. Jangan memotong adaptor untuk menggantinya dengan steker lain karena hal ini dapat berbahaya.
- Jika adaptor sudah rusak, gantilah selalu dengan jenis yang asli untuk menghindari bahaya. Untuk jenis yang benar, lihatlah bab 'Penggantian'.
- Jangan sekali-kali menggunakan monitor bayi di tempat lembab atau dekat dengan air.
- Selain wadah baterai, jangan membuka rumah unit bayi atau unit orang tua untuk mencegah kejutan listrik.

- Alat ini tidak dimaksudkan untuk digunakan oleh orang (termasuk anak-anak) dengan cacat fisik, indera atau kecakapan mental yang kurang, atau kurang pengalaman dan pengetahuan, kecuali jika mereka diberikan pengawasan atau petunjuk mengenai penggunaan alat oleh orang yang bertanggung jawab bagi keselamatan mereka.
- Anak kecil harus diawasi untuk memastikan mereka tidak bermain-main dengan alat ini.
- Monitor bayi ini mempunyai jangkauan pengoperasian 200 meter/600 kaki di udara terbuka. Tergantung pada keadaan sekitarnya dan faktor pengganggu lainnya, jangkauan pengoperasian mungkin lebih kecil (lihat bagian 'Jangkauan pengoperasian', dalam bab 'Menggunakan alat').

Perhatian

- Gunakan dan simpan alat pada suhu antara 10 °C dan 40 °C.
- Jangan biarkan unit bayi dan unit orang tua terkena dingin atau panas yang berlebihan atau sinar matahari langsung.
- Pastikan unit bayi dan kabelnya dijauhkan dari jangkauan bayi (setidaknya sejauh 1 meter/3 kaki).
- Jangan sekali-kali memasang unit bayi di kasur atau ranjang bayi.
- Jangan sekali-kali menutupi unit orang tua dan unit bayi dengan apa pun (misalnya handuk atau selimut).
- Pasanglah selalu baterai non-isi-ulang dengan jenis yang tepat di unit bayi dan unit orang tua.

Umum

- Monitor bayi ini dimaksudkan sebagai bantuan. Bukan untuk menggantikan pengawasan orang dewasa yang bertanggung jawab dan yang semestinya dan tidak boleh digunakan demikian.

Medan elektromagnet (EMF)

Alat Philips AVENT ini mematuhi semua standar yang berkenaan dengan medan elektromagnet (EMF). Jika ditangani dengan benar dan sesuai dengan petunjuk pengguna ini, alat tersebut aman digunakan menurut bukti ilmiah yang kini tersedia.

Menyiapkan penggunaan

Unit bayi

Anda dapat menggunakan unit bayi dari arus listrik atau baterai non-isi-ulang. Sekalipun Anda akan menggunakan unit dari arus listrik, kami sarankan Anda memasukkan baterai non-isi-ulang. Hal ini menjamin cadangan otomatis bila listrik mati.

Pengoperasian dengan arus listrik

1 Tancapkan steker alat di unit bayi dan tancapkan adaptor ke stopkontak dinding (Gbr. 2). Lampu daya menyala terus.

Pengoperasian dengan baterai non-isi-ulang

Unit bayi dijalankan dengan empat baterai AA R6 1,5V (tidak disertakan). Kami sangat menyarankan Anda untuk menggunakan baterai Philips LR6 PowerLife. Jangan gunakan baterai isi-ulang, karena unit bayi tidak mempunyai fungsi pengisi daya.

Cabut steker unit bayi dan pastikan tangan Anda dan unit tersebut kering saat memasukkan baterai non-isi-ulang.

1 Buka kunci tutup wadah baterai dengan memutar kenop penguncinya dengan uang logam. Kemudian lepaskan tutupnya (Gbr. 3).

2 Masukkan empat buah baterai baterai non-isi-ulang. Pastikan kutub + dan - baterai menunjuk ke arah yang benar.

3 Buka kunci tutup wadah baterai dengan memutar kenop penguncinya dengan uang logam. Kemudian lepaskan tutupnya.

Bila baterai tinggal sedikit, lampu daya pada unit bayi akan berkedip merah.

Unit orang tua

Anda dapat menggunakan unit orang tua dari arus listrik atau baterai non-isi-ulang. Sekalipun Anda akan menggunakan unit dari arus listrik, kami sarankan Anda memasukkan baterai non-isi-ulang. Hal ini menjamin cadangan otomatis bila listrik mati.

Pengoperasian dengan arus listrik

1 Tancapkan steker alat di unit orang tua dan tancapkan adaptor ke stopkontak dinding. Lampu daya menyala terus.

Pengoperasian dengan baterai non-isi-ulang

Unit orang tua dijalankan dengan empat baterai AA R6 1,5 V (tidak disertakan). Kami sangat menyarankan Anda untuk menggunakan baterai Philips LR6 PowerLife.

Jangan gunakan baterai isi-ulang, karena unit orang tua tidak mempunyai fungsi pengisi daya.

Cabut steker unit orang tua dan pastikan tangan Anda dan unit tersebut kering saat memasukkan baterai non-isi-ulang.

1 Putar kenop pengunci seperempat putaran (1) dan tarik ke bawah tutup baterainya untuk melepas (2) (Gbr. 4).

2 Masukkan empat buah baterai baterai non-isi-ulang. Pastikan kutub + dan - baterai menunjuk ke arah yang benar.

3 Pasang kembali tutup wadah baterainya.

Catatan: Bila baterai tinggal sedikit, lampu daya pada unit orang tua akan berkedip merah.

Catatan: Bila baterai habis sama sekali, unit orang tua secara otomatis akan mati dan kehilangan kontak dengan unit bayi.

Menggunakan alat

1 Pasang kedua unit di ruangan yang sama untuk menguji koneksinya (Gbr. 5).

Pastikan jarak unit bayi setidaknya 1 meter/3 kaki dari unit orang tua.

2 Tekan tombol on/off untuk menghidupkan unit bayi (Gbr. 6).

Lampu tanda hidup akan terus menyala hijau.

3 Putar kontrol volume untuk menghidupkan unit orang tua dan untuk menyetel volume ke tingkat yang Anda sukai. (Gbr. 7)

Lampu tanda hidup akan terus menyala hijau.

4 Bila koneksi telah terjalin antara kedua unit, lampu koneksi akan terus menyala hijau pada unit orang tua.

Catatan: Butuh waktu sekitar 30 detik sebelum koneksi terjalin.

Catatan: Jika koneksi tidak dapat terjalin, lampu koneksi pada unit orang tua akan berkedip merah.

4 Pasang unit bayi setidaknya 1 meter/3 kaki dari bayi Anda (Gbr. 8).

5 Pasang unit orang tua dalam jangkauan pengoperasian unit bayi. Pastikan jarak unit bayi setidaknya 1 meter/3 kaki dari unit bayi. Untuk informasi lebih lanjut mengenai jangkauan pengoperasian, lihat bagian 'Jangkauan pengoperasian' di bawah (Gbr. 9).

Jangkauan pengoperasian

Jangkauan pengoperasian monitor bayi adalah 200 meter/600 kaki di udara terbuka. Tergantung pada keadaan sekitarnya dan faktor pengganggu lainnya, jangkauan mungkin lebih kecil.

Bahan kering	Ketebalan bahan	Hilangnya jangkauan
Kayu, plaster, karton plaster, kaca (tanpa logam, kawat atau timbal)	<30 cm/12 inci	0-10%
Bata, kayu lapis	<30 cm/12 inci	5-35%
Beton bertulang	<30 cm/12 inci	30-100%
Teralis atau batang logam	<1 cm/0,4 inci	90-100%
Lembar aluminium atau logam	<1 cm/0,4 inci	100%

Untuk bahan basah dan lembab, hilangnya jangkauan dapat mencapai 100%.

Fitur

Konfirmasi sinyal digital

Unit orang tua mempunyai lampu hubungan yang terus memberitahu Anda mengenai status koneksi antara unit orang tua dan unit bayi. Anda dapat menyetel peringatan pada unit orang tua agar memberitahu Anda mengenai hubungan yang terputus. Peringatan akan berbunyi bip dan lampu hubungan akan berkedip merah bila koneksi terputus.

Untuk mengaktifkan peringatan pada unit orang tua:

- 1 Putar kenop pengunci seperempat putaran (1) dan tarik ke bawah tutup baterainya untuk melepas (2) (Gbr. 4).
- 2 Setel sakelar alarm hubungan di wadah baterai ke posisi 'on'.
- 3 Pasang kembali tutup wadah baterainya.

Untuk mematikan peringatan, setel alarm hubungan ke posisi 'off'.

Kepekaan suara yang dapat disesuaikan

Dengan kontrol kepekaan mikrofon pada unit bayi, Anda dapat menyetel suara yang akan dideteksi oleh unit bayi ke tingkat yang diinginkan: rendah, sedang atau tinggi. Bila kepekaan mikrofon disetel ke 'tinggi', unit bayi akan mendeteksi semua suara.

Catatan: Kepekaan unit bayi hanya dapat diubah bila ada koneksi antara unit bayi dan unit orang tua.

- 1 Gunakan kontrol kepekaan mikrofon untuk menyetel kepekaan mikrofon pada unit bayi ke tingkat yang diinginkan. Anda dapat menggunakan suara sendiri sebagai acuan suara (Gbr. 10). Lampu tanda hidup pada unit bayi akan berubah kuning bila suara telah dikirim.

Catatan: Saat pengoperasian dengan baterai, jika kepekaan disetel ke tingkat tinggi, unit orang tua akan menghabiskan daya lebih banyak.

Volume pengeras suara yang dapat disesuaikan

Anda dapat mengubah volume pada unit orang tua, sehingga Anda dapat menyesuaikan dengan keadaan sekitar.

- 1 Putar tombol volume di sebelah kanan unit orang tua hingga mencapai volume pengeras suara yang diinginkan untuk unit orang tua.

Catatan: Saat pengoperasian dengan baterai, jika volume disetel ke tingkat tinggi, unit orang tua akan menghabiskan daya lebih banyak.

Pemilih saluran

Selalu pastikan bahwa pemilih saluran dalam wadah baterai di kedua unit disetel ke saluran yang sama. Dengan kedua pemilih saluran ini, Anda dapat memilih enam belas posisi saluran yang berbeda. Jika Anda mengalami interferensi dari monitor bayi lainnya, perangkat radio, dsb., pilih saluran berbeda.

1 Buka tutup wadah baterai di kedua unit.

Unit bayi: (Gbr. 3)

- Putar kenop pengunci dengan uang logam dan lepaskan tutupnya.
- Lepaskan baterai dari wadah baterai, jika ada.
- Gunakan obeng minus kecil untuk memutar pemilih saluran ke posisi yang diinginkan.

Unit orang tua: (Gbr. 4)

- Putar kenop pengunci seperempat putaran (1) dan tarik ke bawah tutup baterainya untuk melepas (2).
- Lepaskan baterai dari wadah baterai, jika ada.
- Gunakan obeng minus kecil untuk memutar pemilih saluran ke posisi yang diinginkan.

Catatan: Pastikan kedua unit disetel ke saluran yang sama.

Jika Anda tidak mengalami interferensi saat mengetes koneksi, tutuplah wadah baterai pada unit bayi dan unit orang tua.

Jika Anda mengalami interferensi, setel pemilih tersebut ke saluran lain dan tes lagi koneksinya. Jika kedua unit beroperasi dengan menggunakan baterai non-isi-ulang, gantilah baterainya dan tutuplah wadah baterai.

Membersihkan dan Pemeliharaan

Jangan merendam unit orang tua atau unit bayi dalam air dan jangan membersihkannya di keran.

Jangan gunakan semprotan pembersih atau cairan pembersih.

- Cabut steker unit bayi atau unit orang tua jika terhubung ke arus listrik.
- Bersihkan unit orang tua dan unit bayi dengan kain lembap.

Pastikan kedua unit kering sebelum Anda menghubungkannya ke arus listrik.

- Bersihkan adaptor dengan kain kering.

Penyimpanan

Bila Anda tidak akan menggunakan monitor bayi untuk sekian lama, keluarkan baterai non-isi-ulangnya dari unit bayi dan unit orang tua. Simpanlah unit bayi, unit orang tua dan adaptornya di tempat yang sejuk dan kering.

Penggantian

Unit bayi

Baterai

Gantilah baterai non-isi-ulang pada unit bayi hanya dengan empat baterai AA R6 1,5 V.

Catatan: Kami sangat menyarankan Anda untuk menggunakan baterai non-isi-ulang Philips.

Adaptor

Gantilah adaptor pada unit bayi hanya dengan adaptor jenis asli. Anda dapat memesan adaptor baru dari dealer atau pusat layanan Philips:

- SBC CS0920/00W (EU/SGP saja)
- SBC CS0920/05W (UK saja)

112 BAHASA INDONESIA

- 9VD200 (AU/NZ saja)

Unit orang tua

Baterai

Gantilah baterai non-isi-ulang pada unit orang tua hanya dengan empat baterai AA R6 1,5 V.

Catatan: Kami sangat menyarankan Anda untuk menggunakan baterai non-isi-ulang Philips.

Adaptor

Gantilah adaptor pada unit orang tua hanya dengan adaptor jenis asli. Anda dapat memesan adaptor baru dari dealer atau pusat layanan Philips:

- SBC CS0920/00W (EU/SGP saja)
- SBC CS0920/05W (UK saja)
- 9VD200 (AU/NZ saja)

Lingkungan

- ▶ Jangan membuang alat bersama limbah rumah tangga biasa jika alat sudah tidak dapat dipakai lagi, tetapi serahkan ke tempat pengumpulan barang bekas resmi untuk didaur ulang. Dengan melakukannya, berarti Anda ikut membantu melestarikan lingkungan (Gbr. 11).
- ▶ Baterai mengandung bahan yang dapat mencemari lingkungan. Jangan membuang baterai kosong bersama limbah rumah tangga biasa, tetapi serahkan ke tempat pengumpulan resmi. Selalu keluarkan baterai sebelum membuang alat atau menyerahkannya ke tempat pengumpulan resmi. (Gbr. 12)

Garansi dan layanan

Jika Anda butuh servis atau informasi atau mengalami masalah, harap kunjungi situs web Philips AVENT di **www.philips.com/AVENT** atau hubungi Pusat Layanan Pelanggan Philips di negara Anda (Anda dapat menemukan nomor teleponnya dalam leaflet garansi internasional). Jika tidak ada Pusat Layanan Pelanggan di negara Anda, kunjungi dealer Philips setempat.

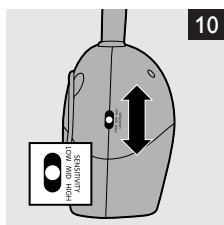
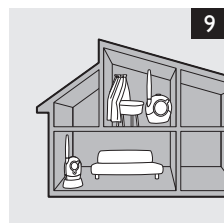
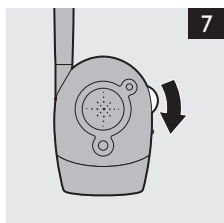
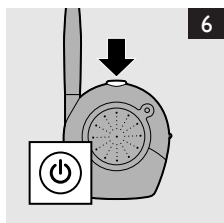
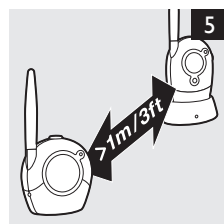
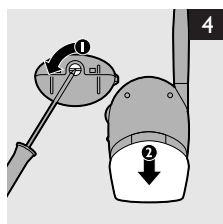
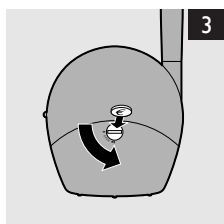
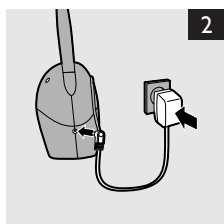
Pertanyaan yang sering diajukan

Bab ini mencantumkan sejumlah pertanyaan yang sering diajukan mengenai alat ini. Jika Anda tidak dapat menemukan jawaban atas pertanyaan Anda, hubungi Pusat Layanan Pelanggan di negara Anda.

Pertanyaan	Jawab
Mengapa lampu tanda hidup tidak menyala?	Mungkin steker alat belum dimasukkan dengan benar ke soket pada unit, atau mungkin adaptor belum atau tidak dimasukkan dengan benar ke stopkontak dinding.
	Mungkin juga Anda lupa menyalakan unit. Tekan tombol on/off pada unit bayi dan putar ke bawah kontrol volume pada unit orang tua untuk menyalakan kedua unit.
	Jika Anda mengoperasikan unit dengan baterai, baterainya mungkin tinggal sedikit. Jika demikian, gantilah baterainya.
Mengapa lampu tanda hidup berkedip merah?	Anda sedang mengoperasikan unit dengan baterai dan baterainya tinggal sedikit. Gantilah baterainya.

Pertanyaan	Jawab
Mengapa unit orang tua menghasilkan suara melengking tinggi?	Kedua unit terlalu dekat. Pindahkan unit orang tua setidaknya 1 meter/3 kaki dari unit bayi. Jika hal ini tidak membantu, volume-nya mungkin terlalu tinggi. Putar kontrol volume ke yang lebih rendah.
Mengapa tidak ada suara dari unit orang tua?	Periksa apakah volume disetel cukup tinggi. Jika volume terlalu rendah, putar kontrol volume ke yang lebih tinggi. Periksa juga kepekaan mikrofon pada unit bayi.
Mengapa lampu hubungan berkedip merah?	Berkedip merah karena tidak ada koneksi. Unit orang tua mungkin di luar jangkauan unit bayi atau mungkin disetel ke saluran yang berbeda dengan unit bayi. Periksa apakah unit orang tua dan unit bayi disetel ke saluran yang sama. Jika ya, letakkan unit orang tua di tempat berbeda yang lebih dekat dengan unit bayi.
Mengapa unit orang tua berbunyi bip?	Yang Anda dengar adalah alarm hubungan. Ini menunjukkan bahwa tidak ada koneksi antara unit orang tua dan unit bayi. Unit orang tua mungkin di luar jangkauan unit bayi atau mungkin disetel ke saluran yang berbeda dengan unit bayi. Periksa apakah unit orang tua dan unit bayi disetel ke saluran yang sama. Jika ya, letakkan unit orang tua di tempat berbeda yang lebih dekat dengan unit bayi.
Mengapa reaksi unit orang tua terlalu lambat pada suara bayi?	Setel kepekaan mikrofon pada unit bayi ke tingkat yang lebih tinggi dan/atau pindahkan unit bayi lebih dekat ke bayi. Pastikan unit bayi berada setidaknya 1 meter/3 kaki dari bayi.
Mengapa reaksi unit orang tua terlalu cepat pada suara lainnya?	Setel kepekaan mikrofon pada unit bayi ke tingkat yang lebih rendah dan/atau pindahkan unit bayi lebih dekat ke bayi.
Mengapa koneksi kadang-kadang terputus?	Unit orang tua mungkin mendekati batas jangkauan pengoperasian. Letakkan unit orang tua lebih dekat ke unit bayi di tempat yang mempunyai penerimaan lebih baik. Ingatlah bahwa butuh waktu sekitar 30 detik sebelum koneksi terjalin kembali saat Anda memindah salah satu atau kedua unit.
Mengapa saya mendapatkan interferensi di unit orang tua?	Anda mungkin mendapatkan interferensi saat unit orang tua di luar jangkauan unit bayi. Mungkin juga unit orang tua terlalu dekat ke jendela dan menerima sinyal gangguan melalui jendela ini. Pindahkan unit orang tua menjauhi jendela. Interferensi juga terjadi jika terlalu banyak dinding atau langit-langit antara unit orang tua dan unit bayi. Letakkan unit orang tua di tempat berbeda yang lebih dekat dengan unit bayi. Pastikan juga kedua unit berada jauh dari telepon seluler atau nirkabel, radio atau TV.
Mengapa unit orang tua menerima sinyal dari monitor bayi yang lain?	Monitor bayi beroperasi dengan saluran yang sama dengan monitor bayi lainnya di tempat tetangga. Setel kedua unit ke saluran berbeda dengan pemilih saluran.

Pertanyaan	Jawab
Mengapa monitor bayi tidak memantau jarak 200 m yang ditetapkan?	Jarak 200 meter yang ditetapkan hanya berlaku di udara terbuka. Di dalam rumah, jarak tersebut dibatasi oleh jumlah dan jenis dinding dan/ atau langit-langit di antara kedua unit. Ubah posisi salah satu atau kedua unit untuk mengoptimalkan jarak.
Apa yang terjadi bila listrik mati?	Jika Anda menggunakan unit dari arus listrik tanpa memasang baterai, koneksi akan terputus bila listrik mati. Jika ada baterai di kedua unit, alat secara otomatis berpindah ke tenaga baterai jika listrik mati dan koneksi tidak akan terputus.





PHILIPS

EC DECLARATION OF CONFORMITY

Philips Domestic Appliances and Personal Care	Ref: DOC-SCD481
	Date: 9 Dec, 2008
	By: Phoebe Cheng

We, PHILIPS DOMESTIC APPLIANCES AND PERSONAL CARE BV
(Manufacturer's name)

Tussendiepen 4, 9206 AD DRACHTEN, The Netherlands
(Manufacturer's address)

declare under our responsibility that the electrical products:

Philips SCD470, SCD480, SCD481

(Name)

(Type or model)

Baby Monitor
(Product description)

To which this declaration relates is in conformity with the following harmonized standards:

EN60950-1:2006	EN 62311:2008	ETSI EN 301 489-1 V1.8.1
		ETSI EN 301 489-3 V1.4.1
		ETSI EN 300 220-1 V2.2.1
		ETSI EN 300 220-2 V2.2.1

Year in which the CE-mark was affixed: (2008)

Following the provisions of 1999/5/EC (R&TTE Directive)

and are produced under a quality scheme at least in conformity with ISO 9001 or CENELEC Permanent Documents

For the CoC

Signature:

Name Quality Manager: Agamen Pun

Date: 9 Dec, 2008

For DAP

Signature:

Name Quality Manager DAP:

Date: 12-12-08

© Philips Domestic Appliances and Personal Care B.V.
UKV 696-2504-08

Corporate Quality Support

R&TTE Directive 1999/5 EC

AT ✓	DK ✓	DE ✓	IT ✓	MT ✓	SK ✓	GB ✓	CH ✓
BE ✓	EE ✓	GR ✓	LV ✓	NL ✓	SI ✓	IS ✓	BG ✓
CY ✓	FI ✓	HU ✓	LT ✓	PL ✓	ES ✓	LI ✓	RO ✓
CZ ✓	FR ✓	IE ✓	LU ✓	PT ✓	SE ✓	NO ✓	TR ✓

