

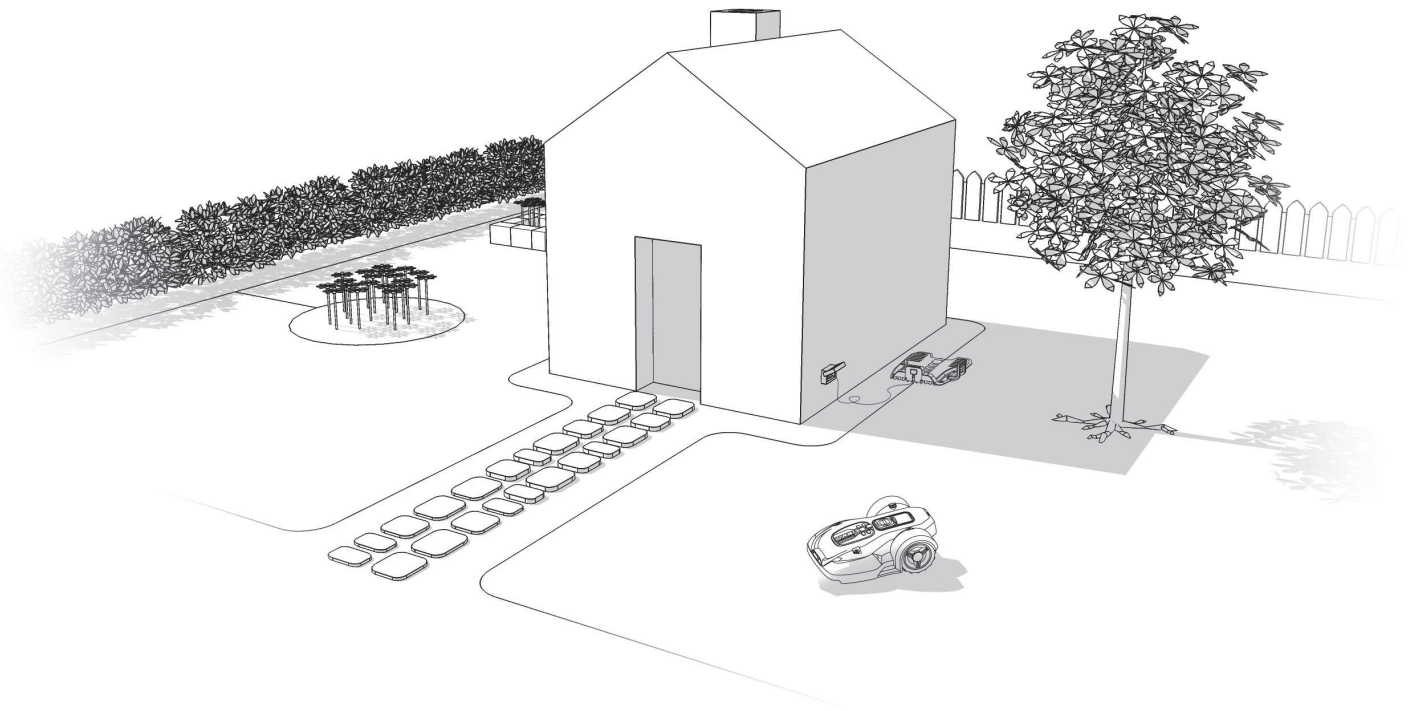


LANDROID[®] 
UNMANNED
MOWING
VEHICLE

INSTALLATION
GUIDE



Installation guide	EN	P04
Installationsanleitung	D	P18
Guide d'installation	F	P32
Guida d'installazione	I	P46
Guía de instalación	ES	P60
Installationsvejledning	DK	P74
Asennusopas	FIN	P88
Installasjonsguide	NOR	P102
Monteringshandbok	SV	P116



How to install your Landroid®L

4

EN

The installation of the Landroid®L is easy. Depending on the size of your garden, the entire process only takes a short amount of time. If you are like us, you hate having to waste your precious free time mowing your lawn. The Landroid®L will prove to be your best investment eliminating the need to mow your lawn ever again. You can watch the installation demo video at www.worxlandroid.com.

The Landroid®L loves to mow

It is designed to mow often, maintaining a healthier and better looking lawn than ever before. Depending on the size of your lawn, the Landroid®L may be programmed to operate at any time or frequency with no restrictions. It is here to work for you.

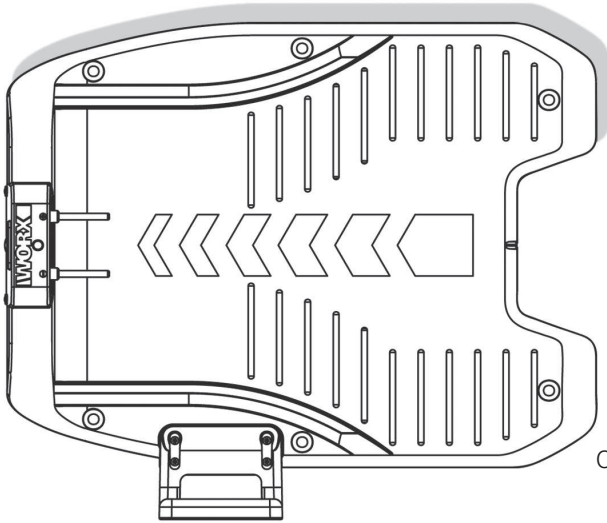
Operating costs

Worried about your electricity bill? Let's do the math: if you let your Landroid®L work 3 hours a day, 5 days a week, 25 weeks a year, your Landroid®L will cost you approximately **£4** in electricity*. Yes, **£4** a year. A fraction of what you would spend in petrol for your noisy, polluting petrol mower.

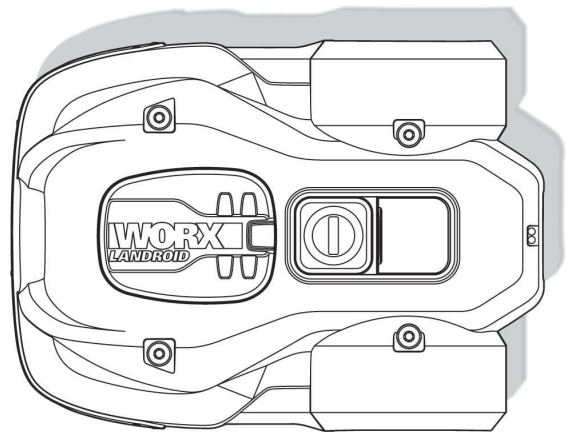
* Source: www.energy.eu

Preparation

In the box



Charging base



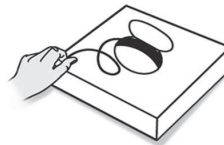
Landroid®L



6 Base retention pegs



9 Spare blades (3 kits)



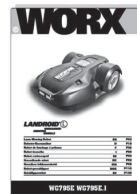
Boundary wire reel 200m



250 Boundary Pegs



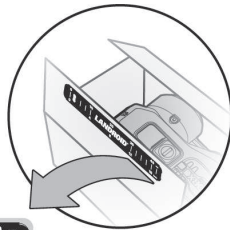
Power cord with AC/DC transformer



Owner's manual



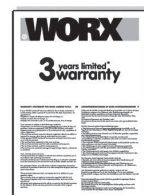
Installation guide



Distance gauge



Programming and trouble shooting guide



Warranty statement



Hex key

From your shed



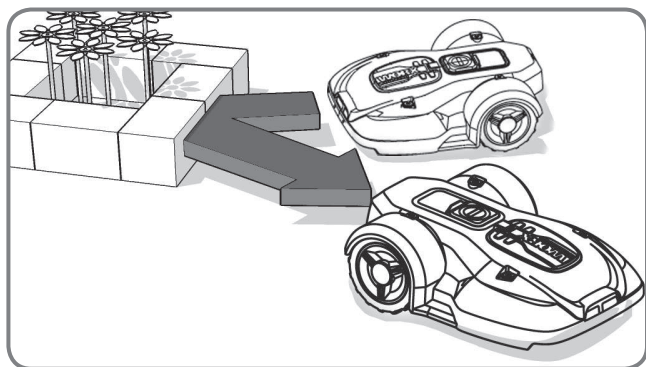
Scissors



Hammer

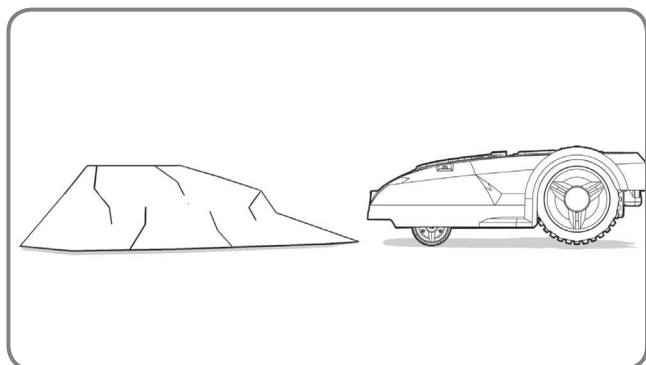
Landroid®L's new home—your garden

Let's start by having a closer look at Landroid®L's new home—your lawn—highlighting the areas where it can safely go and areas it's best for Landroid®L to avoid.



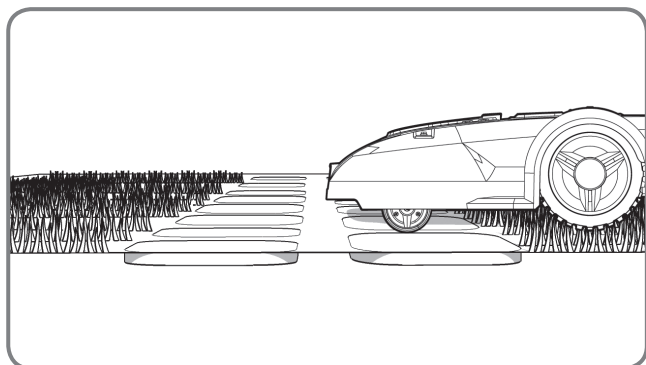
Obstacles that can be hit

When hitting any obstacle that's rigid, stable and taller than 15cm—such as a wall or a fence—your Landroid®L will simply stop and re-direct away from the obstacle.



Stones

Stones that are heavy enough not to be moved by your Landroid®L can be safely hit. However, if any stone has an inclined surface that your Landroid®L can climb, you should either remove it or exclude from the working area.

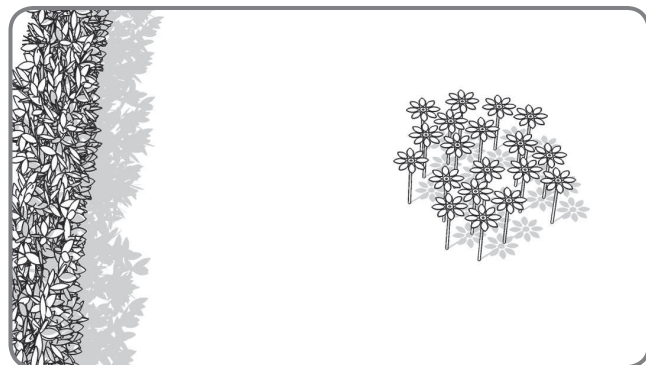
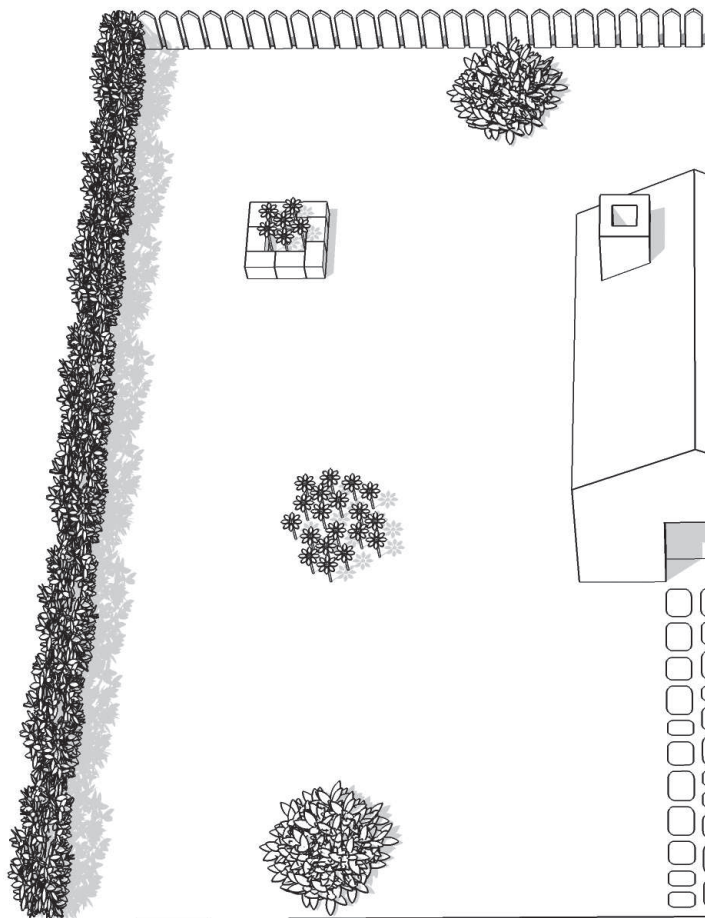


Driveways

If your driveway is level with your lawn, without any protruding surface, the Landroid®L can freely run over it. If you'd like the Landroid®L to avoid it, then only a 10cm* space between the Boundary Wire and the driveway is needed.

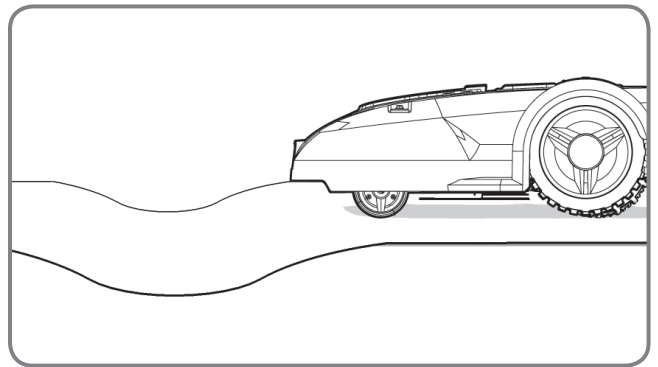
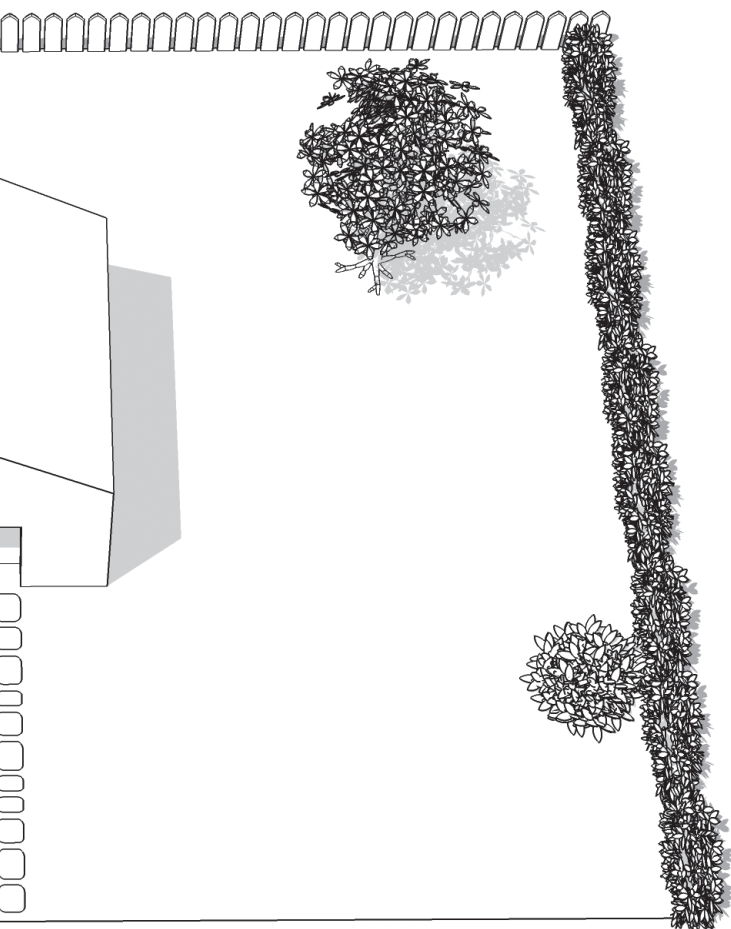
If it's covered with gravel, you should not allow the Landroid®L to travel over it, using the distance gauge in this case, keeping a 45cm* space between the boundary wire and the driveway.

*This is the recommended distance. Use the provided distance gauge to ensure proper installation.



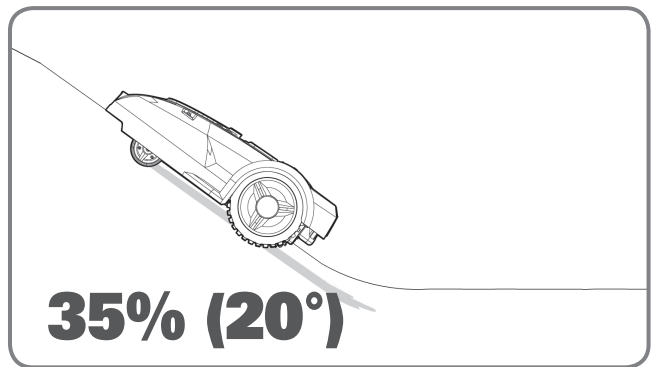
Flowerbeds, ponds, pools...

You certainly don't want your Landroid®L to mow your flowers, or fall into the water. These areas should be avoided.



Depressions and bumps

In the case of large bumps or dips, please consider if the blades could touch the ground; if this is the case, either make the inclines smoother or exclude those areas from your Landroid®'s operation.



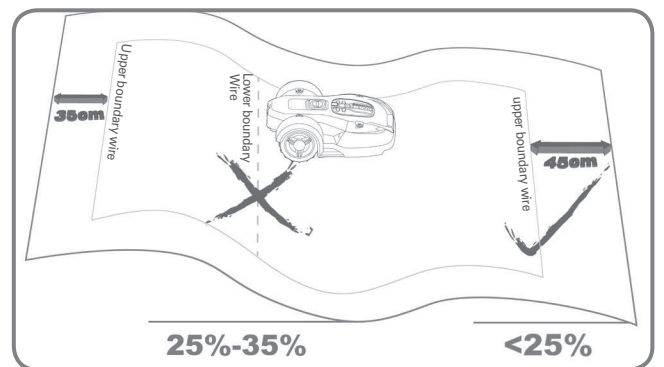
Slopes

Your Landroid®L has the ability to safely climb slopes up to 35% (20°), so just avoid anything steeper than this.



Trees

If there are roots emerging from the ground, this area should be avoided in order not to damage the roots.



Placement of Boundary Wire on slopes

The Upper Boundary Wire should NOT be placed on slopes steeper than 35% (20°). The Upper Boundary Wire should have a distance of at least 35cm between any obstacles. The Lower Boundary Wire should NOT be placed on slopes steeper than 25% (15°). The Lower Boundary Wire should have a distance of at least 45cm between any obstacles when it is positioned on a slope that is 25%.

Marking out Landroid®L's territory within your garden

Your Landroid®L needs to know where to mow. This is why you have to mark its working area with a boundary wire that will form an invisible fence. This wire will also guide your Landroid®L to its charging base.

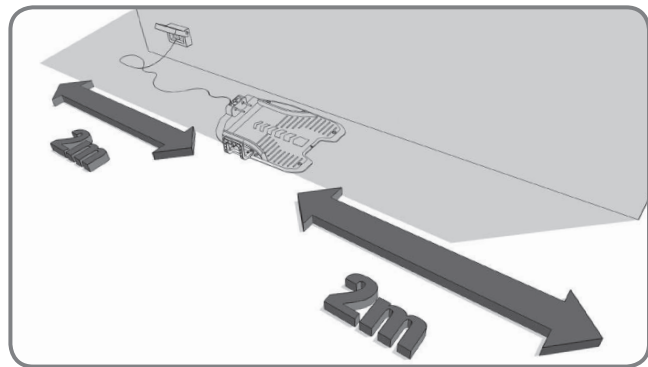
If your neighbor also uses a Landroid®L, then you must keep a space of at least 2 metres between your Boundary Wire and your neighbors.

Please be aware that your Landroid®L will not be able to receive a signal from the Boundary Wire beyond the distance of 25m.

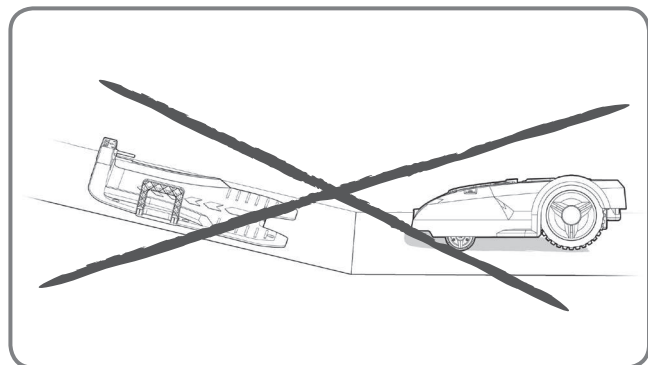
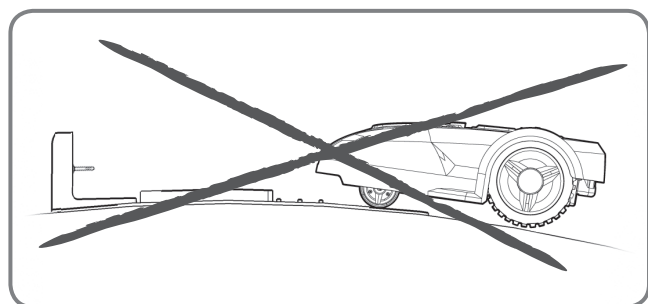
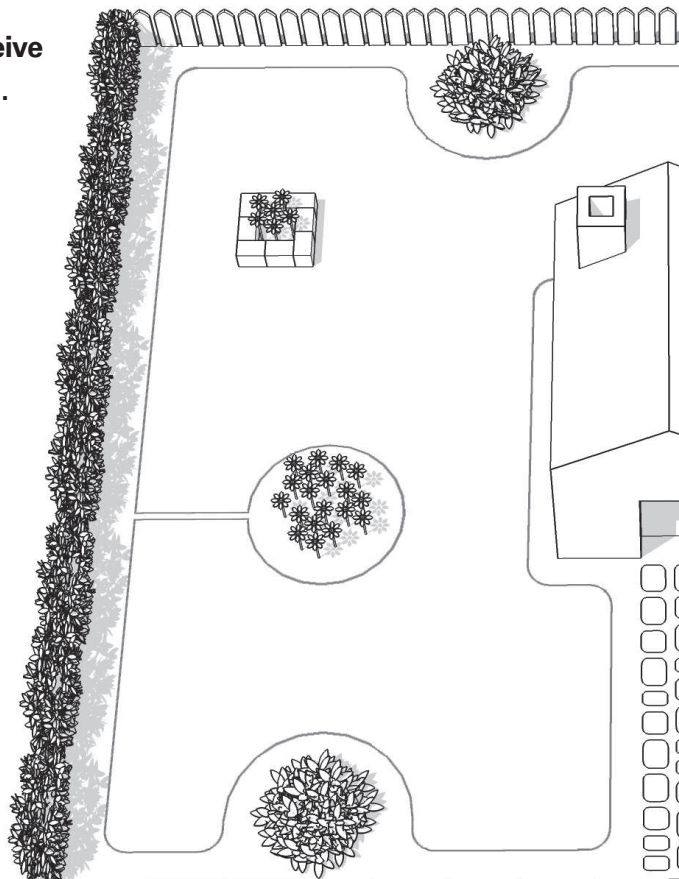
First of all, locate the best spot for the charging base, taking into account where your nearest outdoor electricity socket is.

The charging base has a 15m power cord.

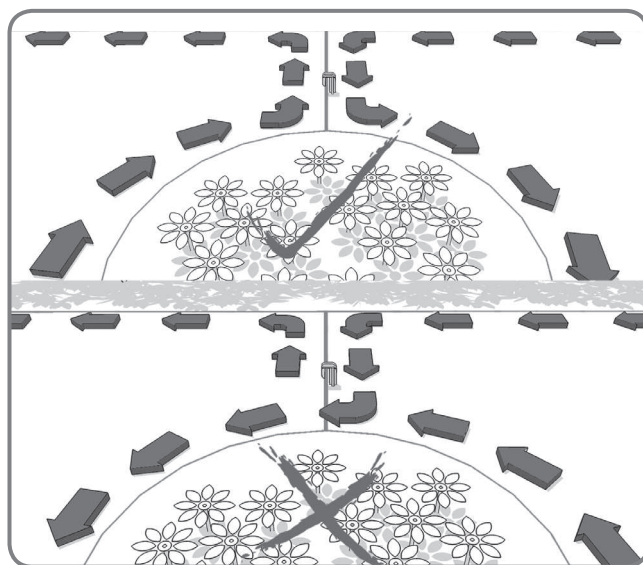
NOTE: Make sure the transformer and the electrical socket are kept in a dry area at all times.



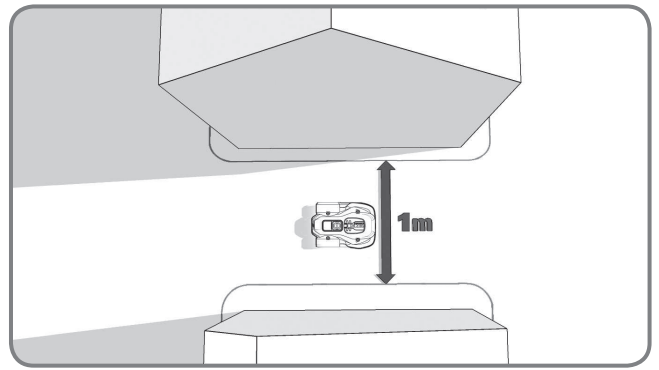
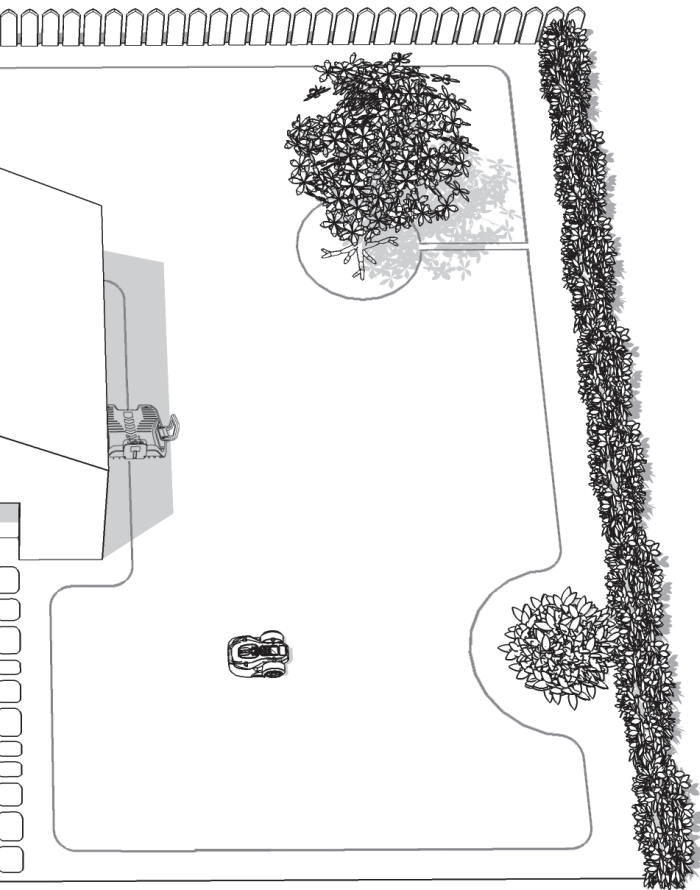
The charging base should be placed along a straight line—allow 2 meters at both the front and the back. If possible, place the charging base in the shade—batteries are better recharged in a cool place.



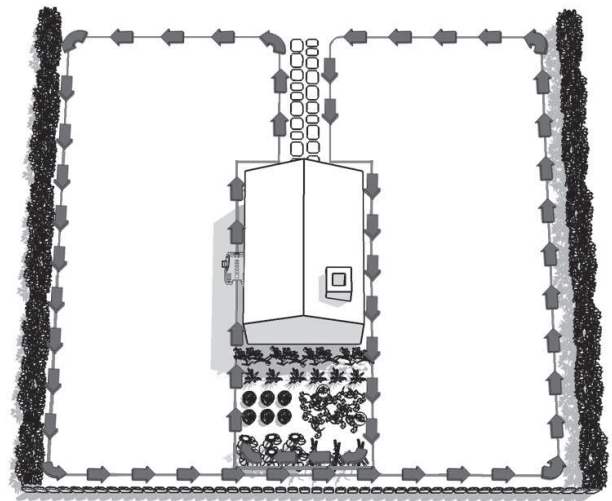
Make sure it is on a flat area, clear of any obstacles.



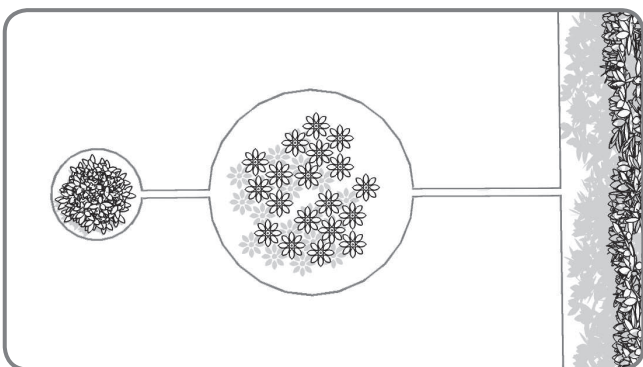
An island is an area that sits inside your lawn where you don't want Landroid®L to go. The boundary wire starts from the mowing boundary, goes straight to the island, around it and back to the boundary as shown by the arrows on the picture.



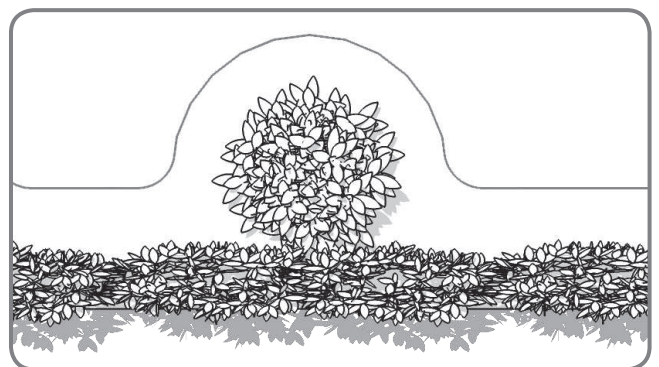
If your lawn has two or more separate areas connected to each other by means of a corridor, this should be at least 1 meters wide.



If your lawns are not connected by a corridor that's wide enough, then you'll have to pick your Landroid®L up and move it to the other lawn. Landroid®L will mow this lawn no problem, but you'll have to bring it back to the charging base when the battery runs out.



In the case of two islands that are close to each other, it would be convenient to lay out the wire as illustrated above. The Landroid®L can travel freely over the boundary wire in between the islands and the mowing boundary.

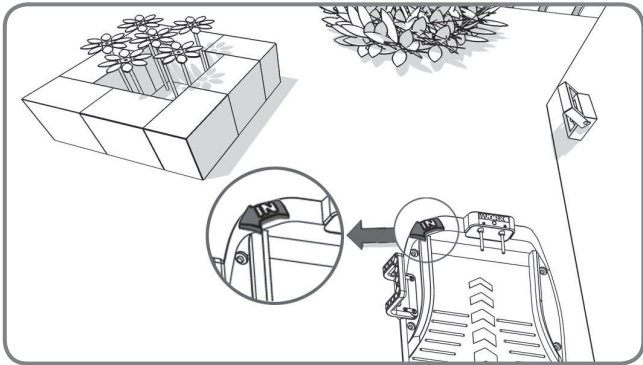


A forbidden area that's close to the mowing boundary should be a part of the boundary itself, as shown in the picture.

Installation

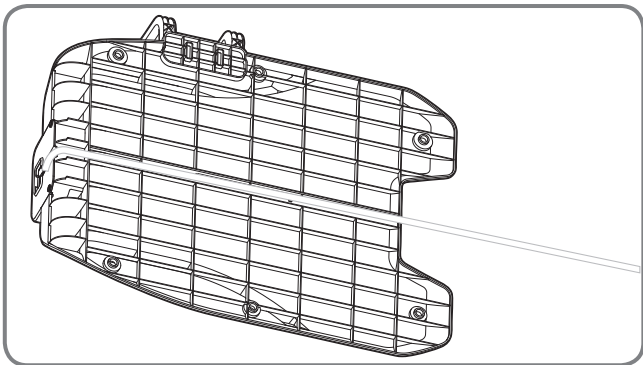
Pegging your boundary wire

We recommend that you first mow the lawn where the wire is to be laid using a normal lawn mower or a grass trimmer. This ensures that the wire is laid as close to the ground as possible so the Landroid®L does not accidentally cut the wire. The boundary wire is powered with a very low voltage so that it is totally safe to human beings and pets.



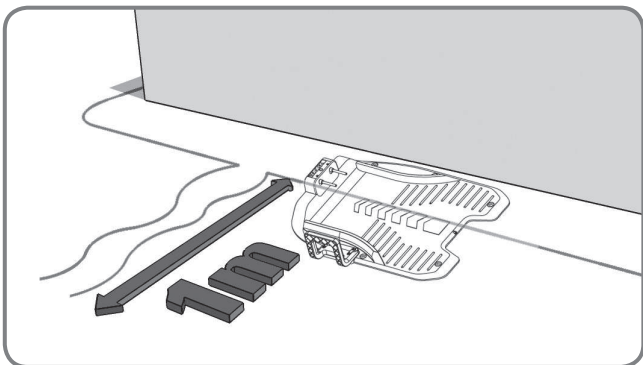
1

Place the Charging Base in its designated spot, without fixing it permanently. The "IN" arrow should be oriented so that it indicates the inside of your lawn.



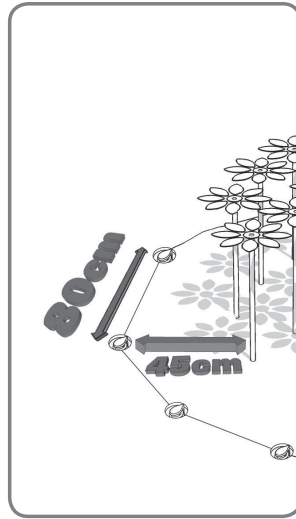
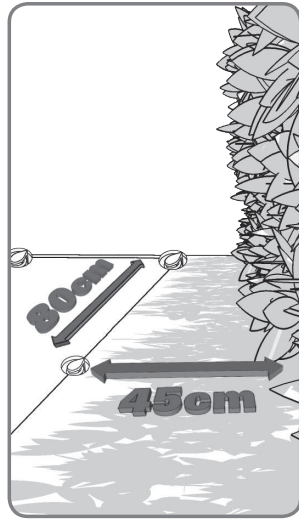
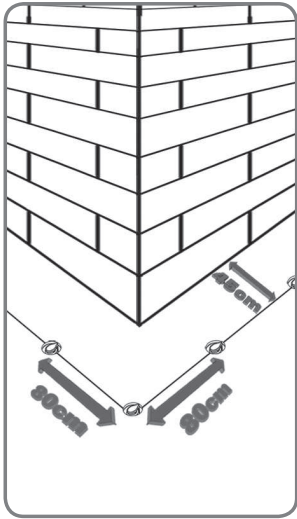
2

Feed the boundary wire through the tunnel underneath the charging base.



3

Leaving about 1 meter in length of extra wire, start from the rear of your charging base and begin pegging the wire along the boundary. When you've finished laying the wire along the boundary back to the charging base, leave another meter of extra wire and then cut it.



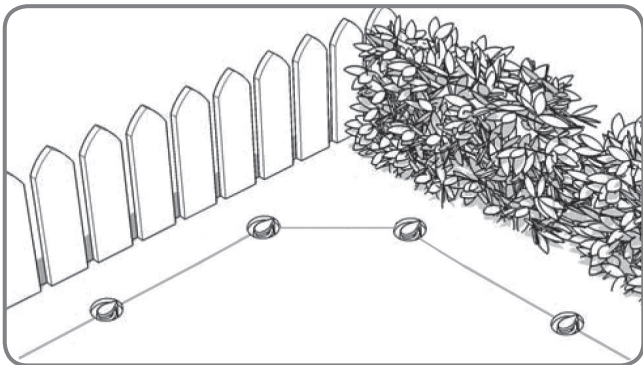
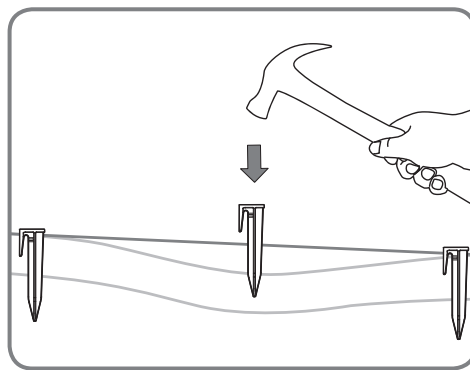
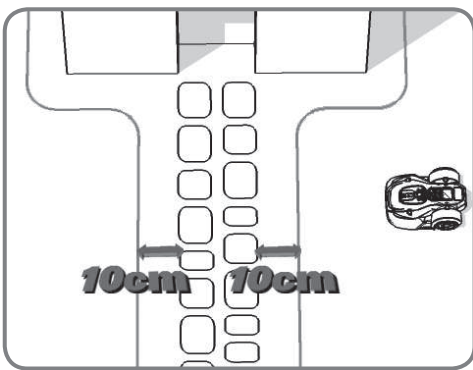
4

When laying the boundary wire, use the distance gauge to keep a 45cm* space between the wire and the boundary. However, in the case of an obstacle that is level with ground and safe for the Landroid®L to run over, such as a driveway or sidewalk, then only a 10cm* space is needed.

Each boundary peg should be placed around 80cm apart.

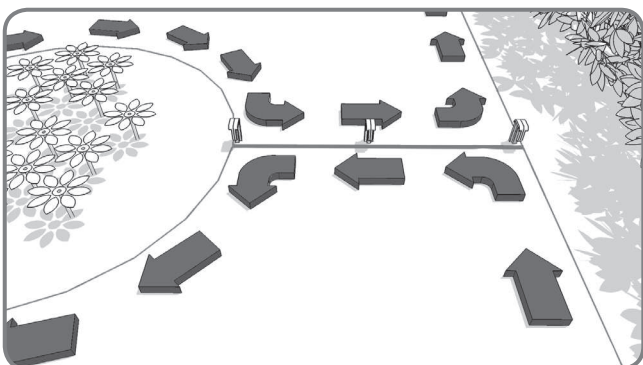
Knock the boundary pegs tight to the ground with the help of the hammer, although avoid putting too much pressure on the wire. Keep the boundary wire straight and tight between the pegs, there should not be any slack wire.

* This is the recommended distance. Use the provided distance gauge to ensure proper installation.



5

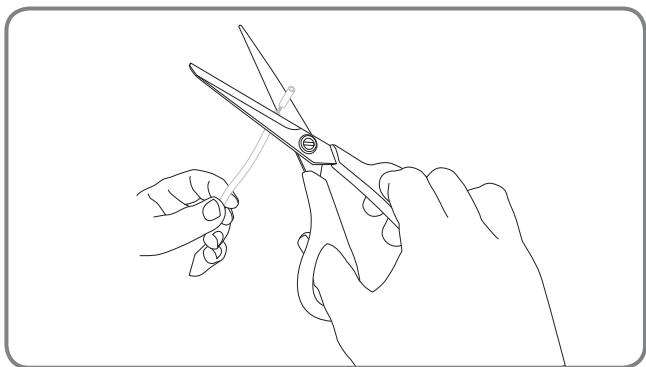
Ensure the Boundary Wire is perfectly straight in each corner.



6

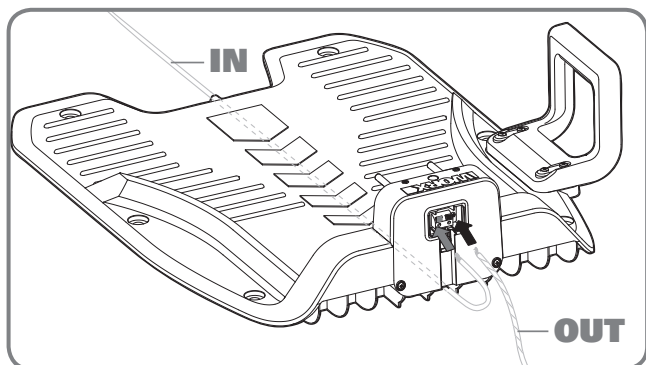
When making an island with the boundary wire, follow the path as shown. The wire should run from the perimeter to outline the defined island and then return back to the perimeter. The boundary wire in between the island and perimeter should be laid close together and held in place by the same boundary peg. During operation, the Landroid®L will be able to freely pass over this part of the wire.

Connect the base to the boundary wire



1

Cut the two ends of the wire to a length that's appropriate convenient for reaching the clamps.
Strip the two ends of the wire.

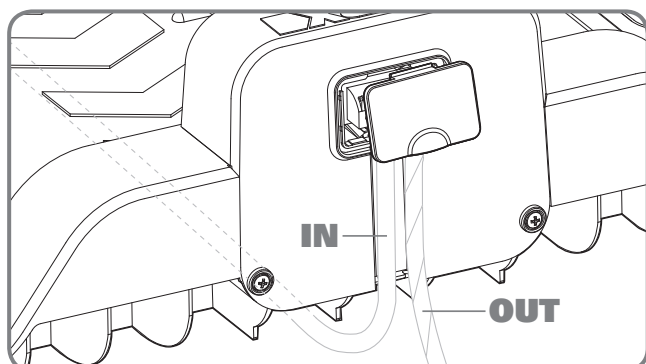
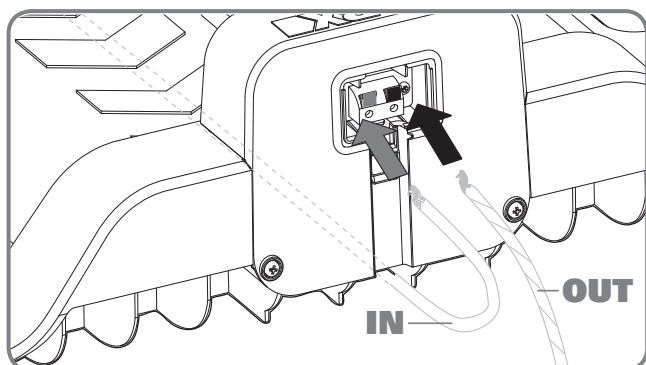


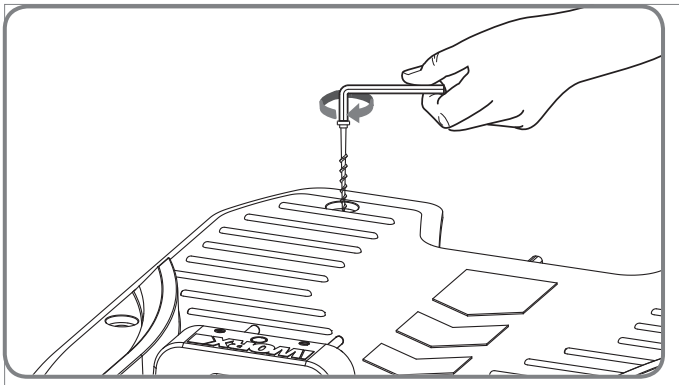
2

When connecting to the charging base there will be an IN-wire and an OUT-wire, as shown. Connect the IN-wire to the red clamp of the charging base and the OUT-wire to the black clamp.
Then close the cover.

12

EN

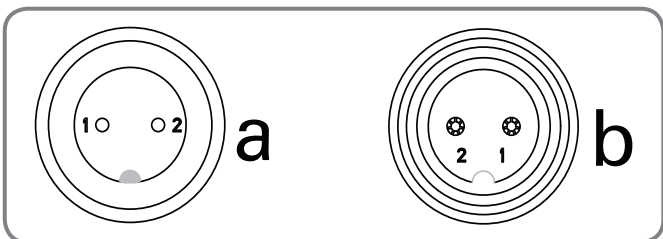




3

You can now permanently fix the charging base on the ground by tightening the supplied Base Retention Pegs with the supplied Hex key.

NOTE: Make sure the IN-wire is running straight through the tunnel underneath the charging base.



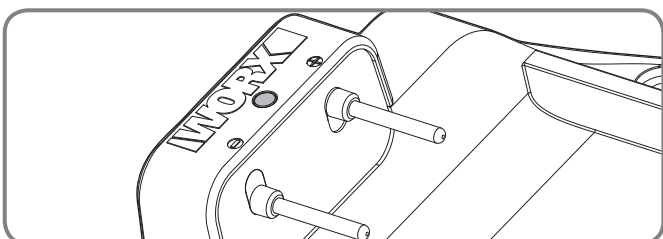
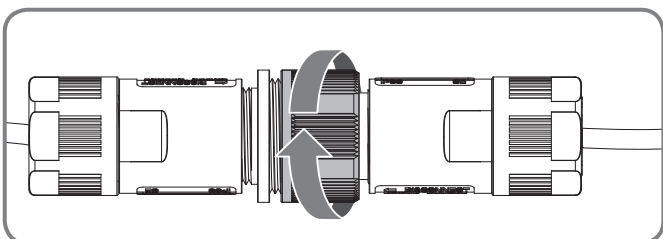
4

Connect the power cord to the transformer and then to the AC electrical socket, the LED on the charging base will turn on. If the LED is off, please refer to the Trouble shooting guide. When connecting, align the notch on the power cord connector (a) with the groove on the transformer connector (b).

Make sure to only screw or unscrew the highlighted piece of the connector.

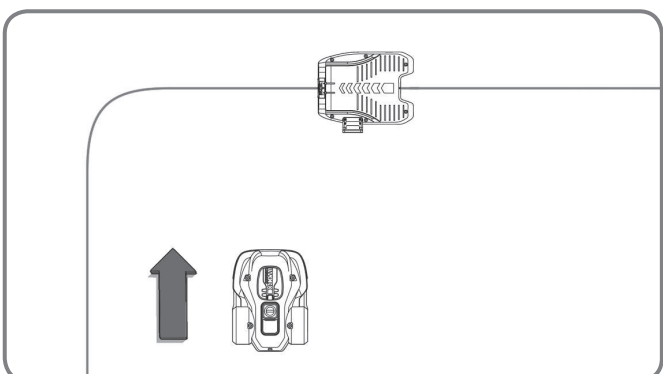
If the green light does not come on, then check the power connections.

In case the power cord is within the working area, you may bury it as needed.



Turn on and test the installation


This is the exciting part where you can turn your Landroid®L on for the first time.

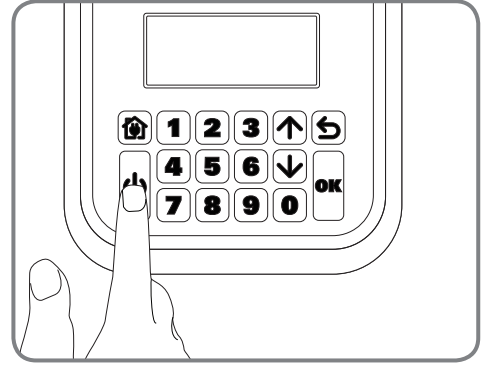
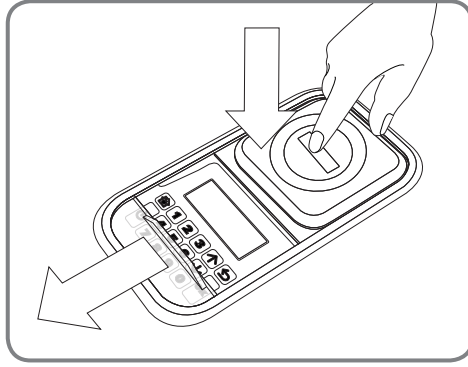



1

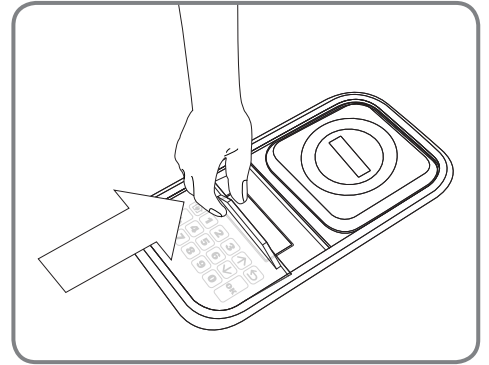
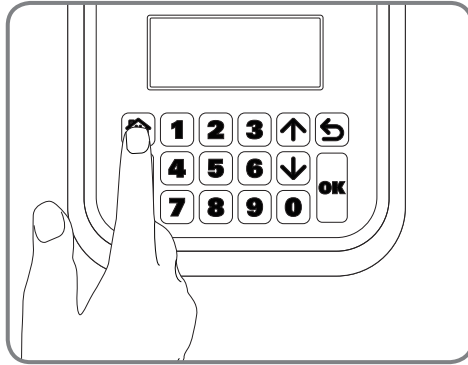
Place your Landroid®L inside the working area, a few meters from the back of the charging base.

2

Open the keypad window by pressing the ACCESS button on the top of your Landroid®L.
Press and hold down the Power ON/OFF  key until the Landroid®L turns on.



Press the  key and close the keypad window: your Landroid®L will now find its way to the charging base. Watch the Landroid®L as it returns to the charging base and modify the positioning of the boundary wire if necessary. When the Landroid®L successfully returns to the charging base, this means the installation has been successfully completed! Now your Landroid®L will start to fully charge.



NOTE: If your Landroid®L is in the charging base during a time you have programmed it to mow, then simply press the ACCESS button and close keypad window to send it back to mowing.



Warning

- If your Landroid®L is outside its territory, it will not move and the display will indicate **"out of cutting area"** error. Just move it inside its territory and repeat step 2.
- If your Landroid®L is inside its territory but the display says **"out of cutting area,"** and the LED is on, it means you clamped the boundary wire ends incorrectly. Just reverse them.
- Your Landroid®L should always remain switched on. If you ever need to turn it off, then make sure you place it within its boundary area before you switching it back on again.
- Should your Landroid®L stop operating unexpectedly, just press the ACCESS button, open its keypad window, press its ON/OFF key to ON, correct the problems, press 0 button, close its keypad window.

NOTE: Please refer to the Programming and Troubleshooting Guide for more information.

Programming

Having finished the installation, it is now time to program the Landroid®L when you want it to go to work by using the keypad display shown below. Please refer to the Programming and Troubleshooting Guide included in the packaging.



You could find more details about default work time of Landroid®L in following table:

Landroid®L WG795E - Auto mowing time schedule.

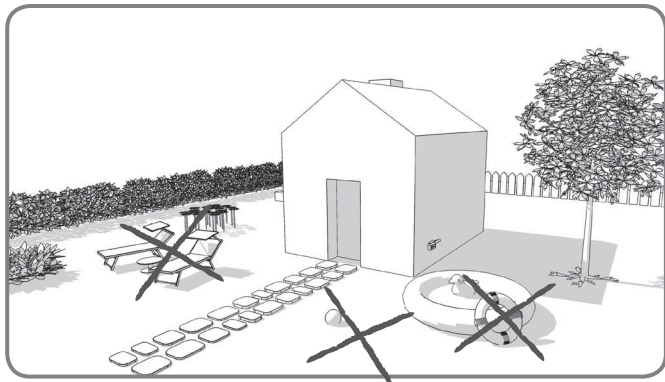
Area m ²	Auto mowing runtime-hours	Monday mowing hours	Tuesday mowing hours	Wednesday mowing hours	Thursday mowing hours	Friday mowing hours	Saturday mowing hours	Sunday mowing hours
100	1.5	7:00-8:30	/	/	7:00-8:30	/	/	/
200	5	7:00-8:00	7:00-8:00	7:00-8:00	7:00-8:00	7:00-8:00	/	/
300	6	7:00-8:12	7:00-8:12	7:00-8:12	7:00-8:12	7:00-8:12	/	/
400	7.5	7:00-8:30	7:00-8:30	7:00-8:30	7:00-8:30	7:00-8:30	/	/
500	10	7:00-9:00	7:00-9:00	7:00-9:00	7:00-9:00	7:00-9:00	/	/
600	11	7:00-9:12	7:00-9:12	7:00-9:12	7:00-9:12	7:00-9:12	/	/
700	13	7:00-9:36	7:00-9:36	7:00-9:36	7:00-9:36	7:00-9:36	/	/
800	15	7:00-10:00	7:00-10:00	7:00-10:00	7:00-10:00	7:00-10:00	/	/
900	16.5	7:00-10:18	7:00-10:18	7:00-10:18	7:00-10:18	7:00-10:18	/	/
1000	18	7:00-10:36	7:00-10:36	7:00-10:36	7:00-10:36	7:00-10:36	/	/
1100	20	7:00-11:00	7:00-11:00	7:00-11:00	7:00-11:00	7:00-11:00	/	/
1200	22.5	7:00-11:30	7:00-11:30	7:00-11:30	7:00-11:30	7:00-11:30	/	/
1300	25	7:00-12:00	7:00-12:00	7:00-12:00	7:00-12:00	7:00-12:00	/	/
1400	26.5	7:00-12:18	7:00-12:18	7:00-12:18	7:00-12:18	7:00-12:18	/	/
1500	28	7:00-12:48	7:00-12:48	7:00-12:48	7:00-12:48	7:00-12:48	/	/

Ready to go?

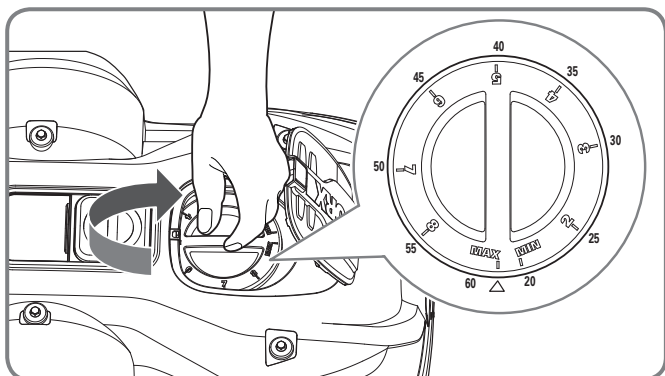
The Landroid®L is designed for maintaining your grass at a perfect length during the season, but is not designed for deforesting a jungle.

Before starting it for the first time,

1. You should mow your lawn to the desired height.
2. Make sure the operating area is clear from objects such as toys and branches...



3. Adjust the cutting height to its maximum level for the first mow and then adjust to your preferred lawn grass height.



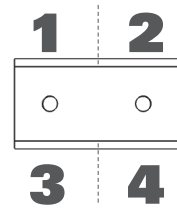
Next Spring, let your Landroid®L start mowing early, when the grass is still short, so that you can avoid a preliminary grass cut.

Keep it sharp



Always wear gloves when adjusting the blades.

Each blade of your Landroid®L has 4 cutting edges. Depending on the frequency the Landroid®L mows your lawn, the cutting blades will need to be flipped/rotated periodically for a new cutting edge. If your Landroid®L is programmed to mow the lawn every day then the cutting blades will need to be rotated monthly for the best mowing results. Each cutting blade will last up to 4 months when it is programmed to mow every day. When the cutting blades are dull and worn out, they should be replaced with the spare blades provided with your Landroid®L. Spare blades are also available at your nearest WORX retailer.



Maintenance

Your Landroid®L is engineered and built to stay outdoor regardless of adverse conditions. Just periodically clean its deck from grass clipping build ups and your Landroid®L will mow for you trouble-free, year after year, season after season. Don't wash the machine with high pressure squirt gun. This may cause damage of the battery or the machine.

Winter storage

Even though it is tough, we would recommend that you store your Landroid®L in your shed or garage during the Winter. Before storing it, give your Landroid®L a full recharge that will preserve its battery from damage. You can then disconnect the plug of the charging base. A good tip to prolong the life of the battery is to periodically re-charge it during the Winter. A full charge every 3 months will be fine. We'd also suggest that you cover the base with a nylon sheet in Winter time.

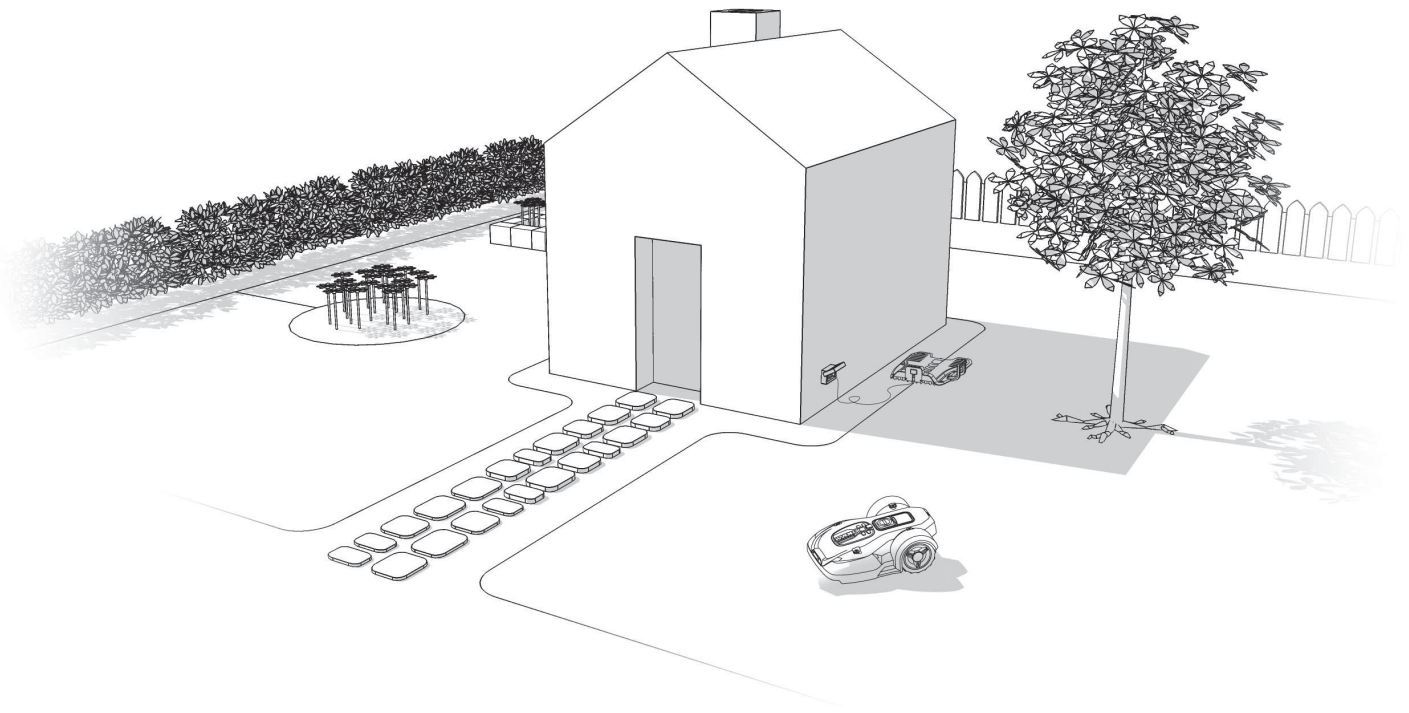
Safety

Your Landroid®L is safe to human beings and pets. First of all, there's a large clearance between the outer border of the machine and the blade. Moreover, the tilt sensors will instantly stop the blades if the unit is lifted from the ground.

Security

Your Landroid®L is protected by a PIN code. This PIN code prevents unauthorised people from being able to use it. Once it's taken outside its territory, it will not be possible to re-start it by anyone who does not know the PIN code. This also means that you will not be able to start your Landroid®L if you forget your PIN code! We strongly recommend that you write your PIN code here for future reference. Even better, register your Landroid®L online at www.worxlandroid.com and record your PIN code there. You'll be able to access your PIN code online any time.

Write your PIN code here



So installieren Sie Ihren Landroid®L

18

D

Die Installation des Landroid®L ist ganz einfach. Je nach Größe Ihres Gartens nimmt der ganze Vorgang nur kurze Zeit in Anspruch. Wahrscheinlich hassen Sie es so wie wir, Ihre kostbare Freizeit damit zu vergeuden, den Rasen zu mähen. Der Landroid®L wird garantiert Ihre beste Investition sein, da Sie nun nie mehr den Rasen selbst mähen müssen.

Sie können das Demo-Video zur Installation unter www.worxlandroid.com ansehen.

Der Landroid®L liebt das Mähen

Er ist zum häufigen Mähen bestimmt – er hält Ihren Rasen gesund und dieser wird gepflegter aussehen als je zuvor. Je nach Größe des Rasens kann der Landroid®L so programmiert werden, dass er zu jeder beliebigen Zeit und mit jeder beliebigen Frequenz uneingeschränkt arbeitet. Er ist dazu da, für Sie zu arbeiten.

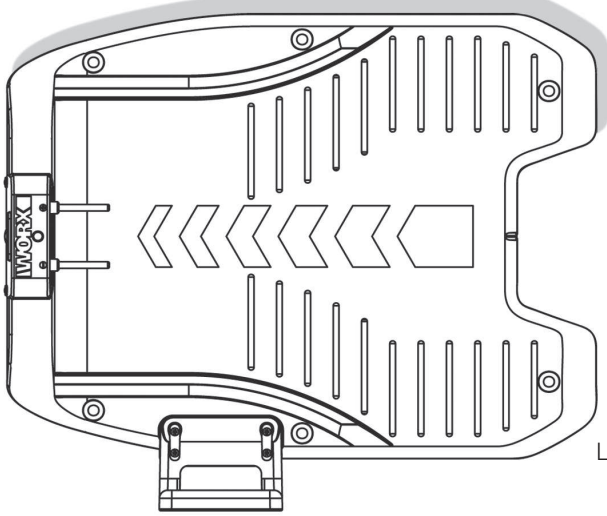
Betriebskosten

Sie sorgen sich wegen der Stromrechnung? Rechnen wir das doch einmal durch: Wenn Sie Ihren Landroid®L 5 Stunden pro Tag, 5 Tage pro Woche, 25 Wochen pro Jahr arbeiten lassen, kostet Sie das etwa 8 euro an Strom*. Ja, 8 euro pro Jahr. Ein Bruchteil dessen, was Sie an Benzin für Ihren lauten, schmutzigen Motormäher ausgeben müssten.

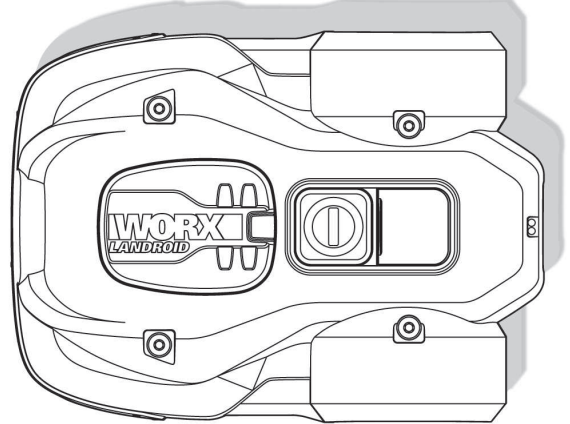
* Quelle: www.energy.eu

Vorbereitung

Im Lieferumfang



Ladebasis



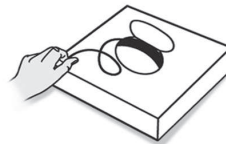
Landroid® L



6 Basis-Haltenägel



9 Ersatzmesser (3 Sätze)



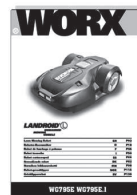
Begrenzungskabelrolle 200m



250 Begrenzungsnägel



Netzkabel mit Netzteil

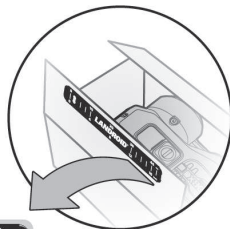


Bedienungsanleitung



Installationsanleitung

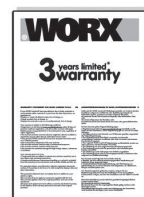
Begrenzungskabel-Abstandlehre



Inbusschlüssel



Programmierungs- und Problemlösungsanleitung



Garantierklärung

Aus Ihrem Schuppen



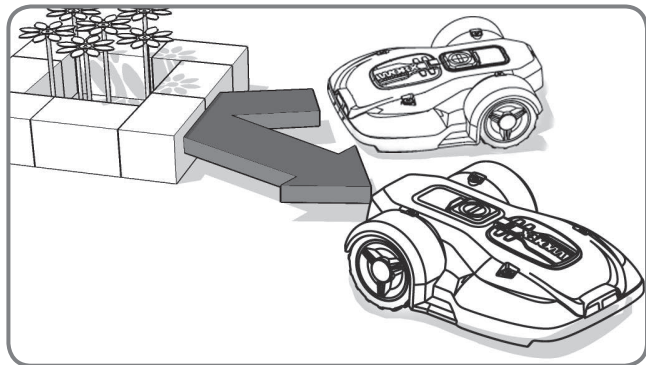
Schere



Hammer

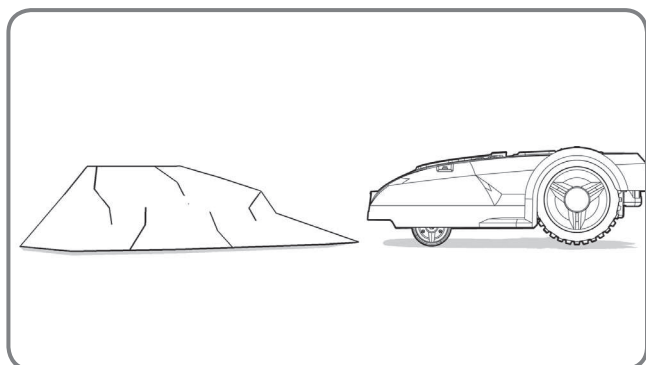
Landroid®L's Neues Zuhause-Ihr Garten

Lassen Sie uns zunächst einen Blick auf das neue Zuhause Ihres Landroid®L werfen: Ihren Garten. Betrachten wir uns insbesondere die Stellen, die der Landroid®L problemlos befahren kann – und welche er besser meiden sollte.



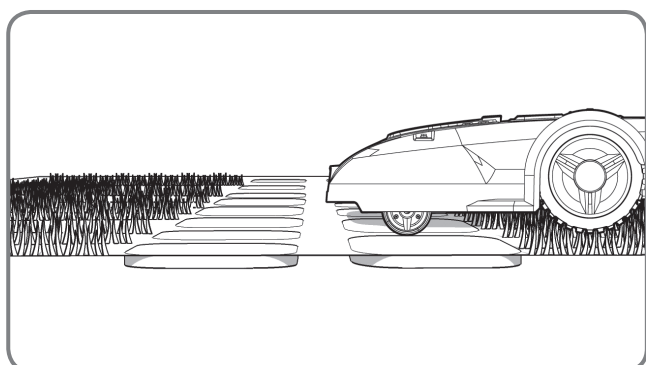
Hindernisse, die zu Kollisionen einladen

Bei festen, stabilen Hindernissen, die höher als 15cm sind (wie Mauern oder Zäune) hält Ihr Landroid®L einfach an und fährt in eine andere Richtung.



Steine

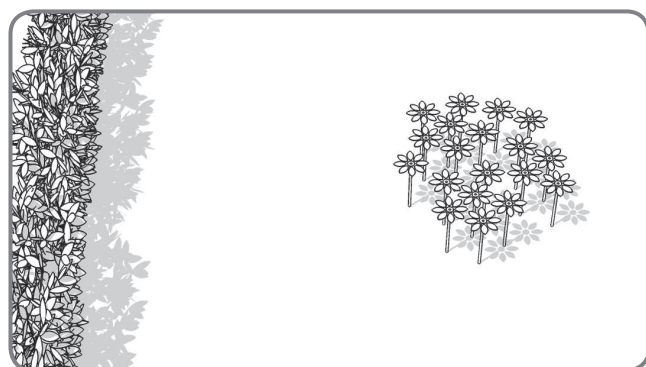
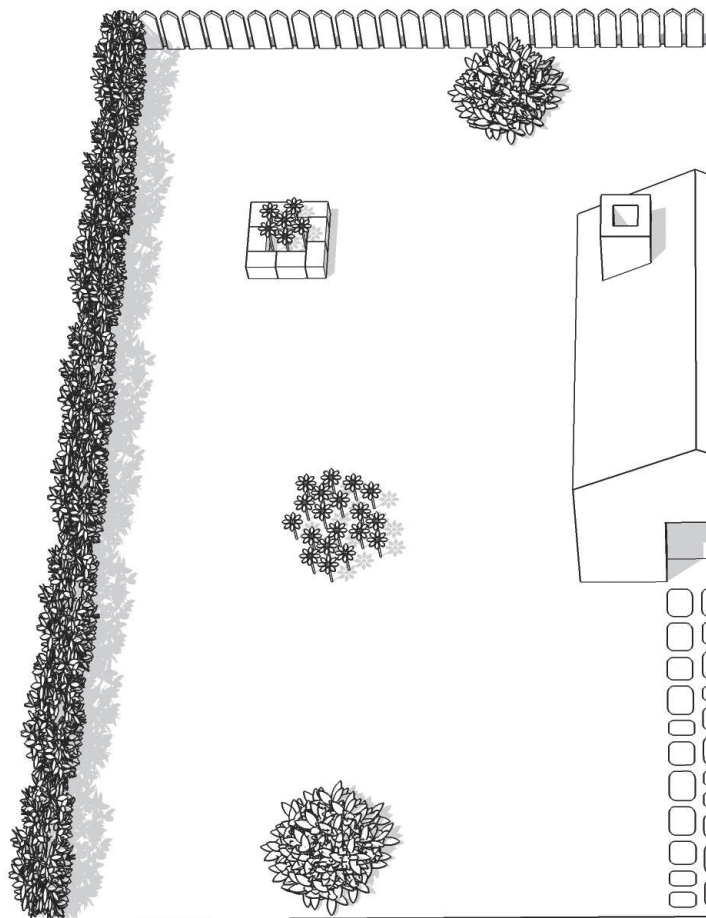
Steine, die so schwer sind, dass sie nicht vom Landroid®L umgeworfen oder verschoben werden können, sind kein Problem. Falls Steine aber wie eine Rampe wirken und den Landroid®L zum Klettern verleiten könnten, sollten diese entweder entfernt oder aus dem Arbeitsbereich ausgeschlossen werden.



Zufahrten und Fahrwege

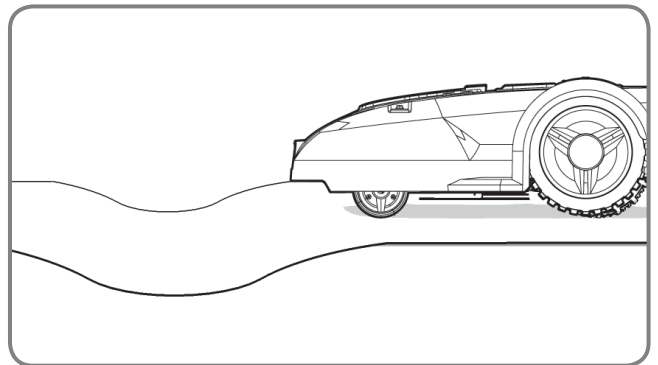
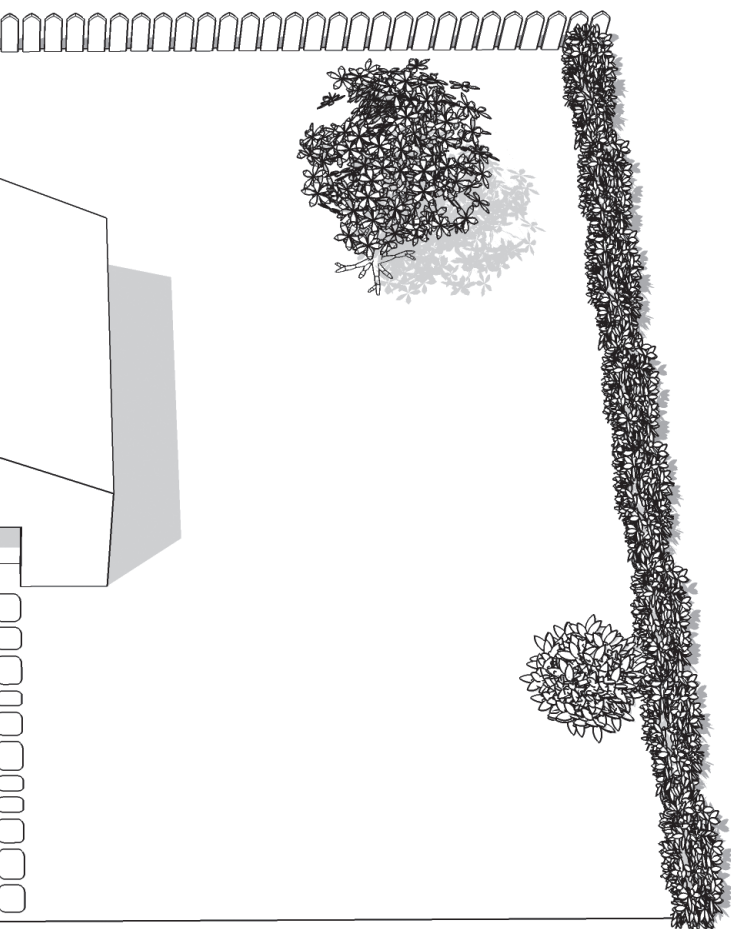
Wenn Ihre Zufahrt auf einer Ebene mit dem Rasen liegt, also nicht darüber hinaus ragt, kann sie vom Landroid®L problemlos überfahren werden. Wenn Sie wollen, dass der Landroid®L Ihre Einfahrt vermeidet, benötigen Sie nur einen Zwischenraum von 10cm* zwischen dem Begrenzungsdraht und der Einfahrt. Mit Kies bedeckte Zufahrten sollten nicht vom Landroid®L überfahren werden, wobei ein Zwischenraum von 45cm* zwischen dem Begrenzungsdraht und der Einfahrt eingehalten werden soll.

* Dies ist ein empfohlener Abstand, Sorgen Sie mit der mitgelieferten Abstandlehre für die richtigen Entfernungen.



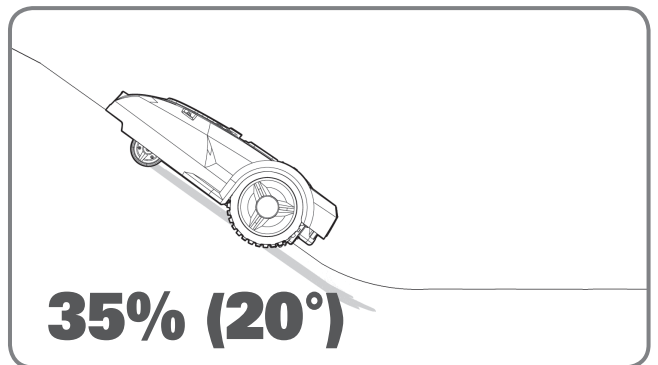
Blumenbeete, Teiche, Pools...

Sie möchten ganz bestimmt nicht, dass Ihr Landroid®L die Blumen mäht oder ein Vollbad nimmt. Daher sollten solche Stellen gemieden werden.



Senken und Buckel

Bei großen Senken oder Buckeln sollten Sie abschätzen, ob die Messer den Boden berühren können. Falls dies der Fall ist, können Sie die Boden­neigung entweder verflachen oder solche Stellen für den Landroid®L zum Sperrgebiet erklären.



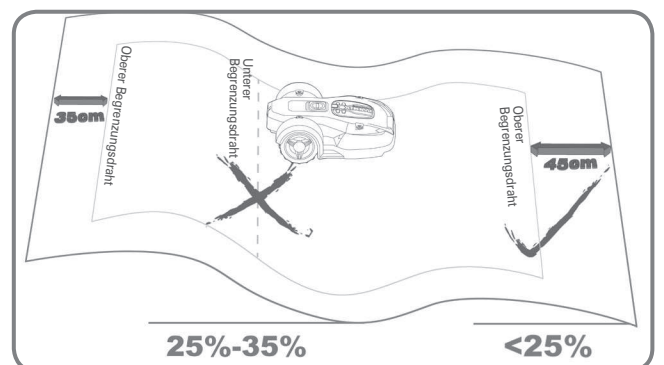
Steigungen

Ihr Landroid®L bewältigt Steigungen bis 35% (20°) problemlos; meiden Sie daher einfach alles, was steiler ist.



Bäume

Falls aber Wurzeln aus dem Boden ragen, sollte der Landroid®L solche Stellen meiden, damit die Wurzeln nicht geschädigt werden.



Verlegung des Begrenzungsdrahtes auf Steigungen

Der obere Begrenzungsdraht sollte NICHT auf Gefällen verlegt werden, die 35% (20°) überschreiten. Der Abstand zwischen dem oberen Begrenzungsdraht und etwaigen Hindernissen sollte mindestens 35cm betragen. Der untere Begrenzungsdraht sollte NICHT auf Gefällen verlegt werden, die 25% (15°) überschreiten. Der Abstand zwischen dem unteren Begrenzungsdraht und etwaigen Hindernissen sollte mindestens 45cm betragen, wenn er auf einer 25%igen Steigung verlegt wird.

Arbeitsbereich im Garten markieren

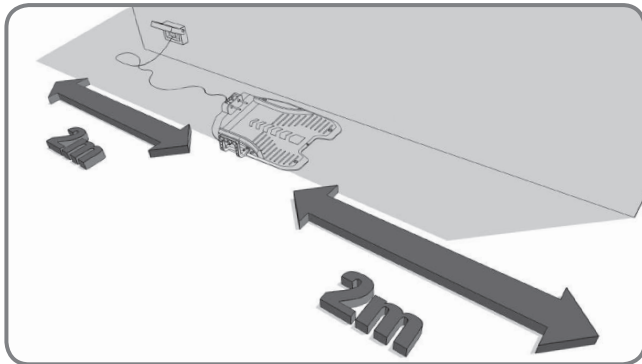
In Landroid®L muss wissen, wo er arbeiten soll. Daher müssen Sie seinen Arbeitsbereich mit einem Begrenzungskabel markieren, das wie ein unsichtbarer Zaun wirkt. Dieses Kabel leitet Ihren Landroid®L auch zurück zu seiner Ladebasis.

Falls Ihr Nachbar auch einen Landroid®L benutzt, müssen Sie zwischen Ihrem Begrenzungsdraht und dem des Nachbarn einen Abstand von mindestens 2 Metern halten.

Bitte achten Sie darauf, dass Ihr Landroid®L kein Signal vom Begrenzungsdraht jenseits eines Abstands von 25 Metern erhält.

Zu allererst wählen Sie die richtige Stelle für die Ladebasis aus; dabei sollte natürlich eine Steckdose in der Nähe sein. Das Netzkabel der Ladebasis ist 15 Metern lang.

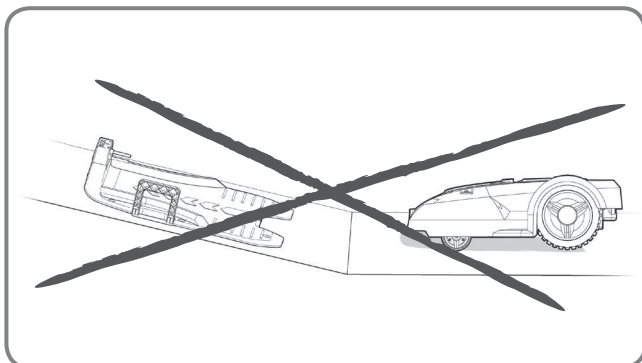
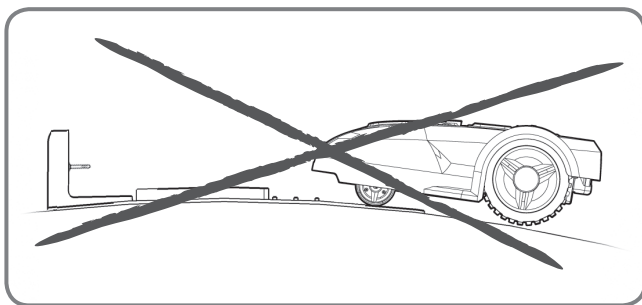
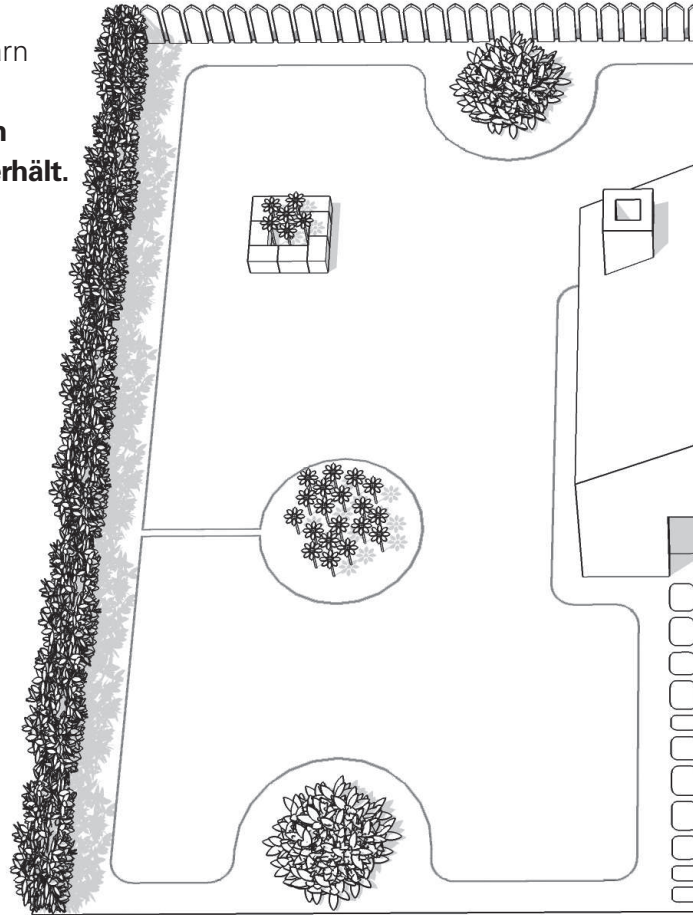
HINWEIS: Stellen Sie sicher, dass sich der Transformator und die Elektrosteckdose stets in einem trockenen Bereich befinden.



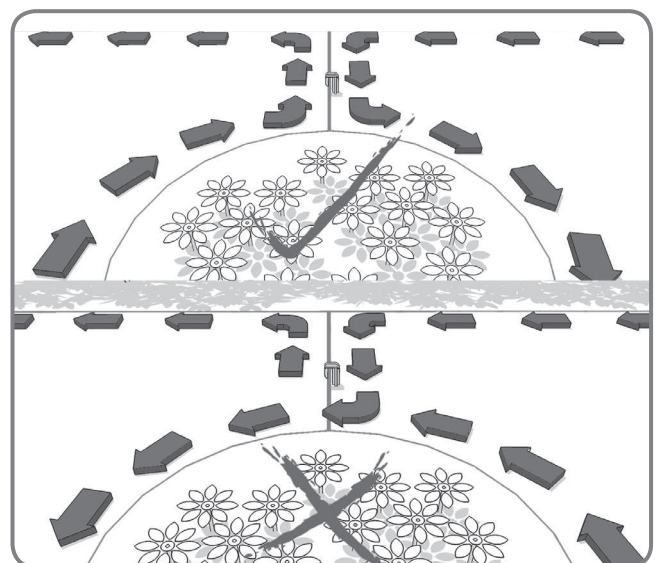
22

D

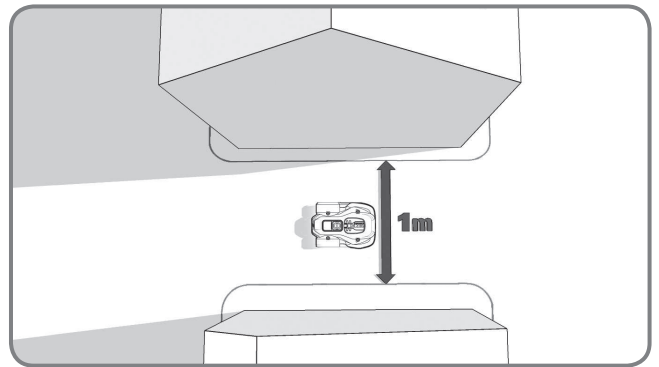
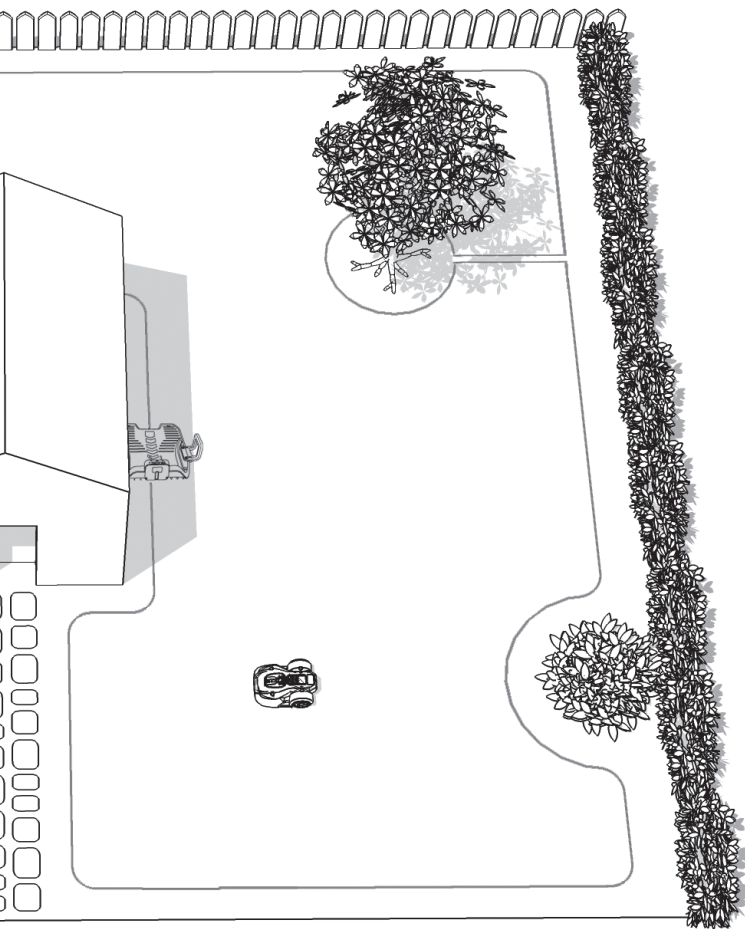
Vor und hinter der Ladebasis sollten jeweils 2 Metern frei bleiben. Stellen Sie die Ladebasis wenn möglich im Schatten auf – Akkus lassen sich am besten an einem kühlen Ort aufladen.



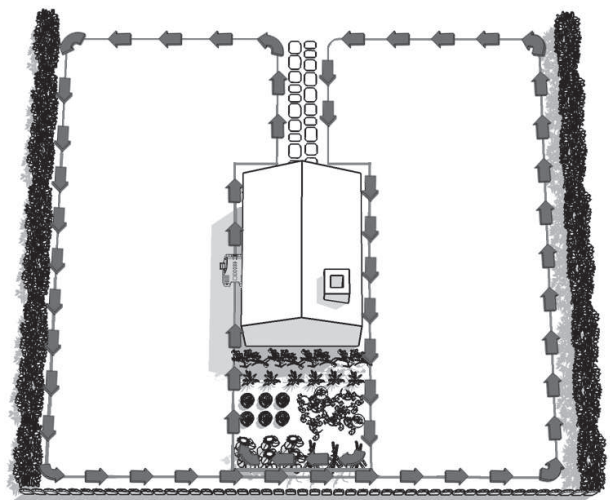
Achten Sie auf eine flache Stelle ohne jegliche Hindernisse.



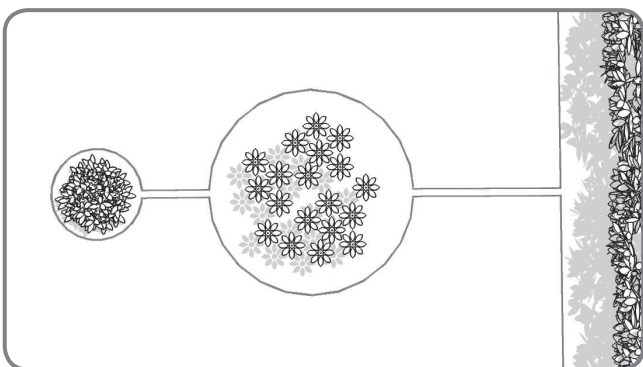
Eine Insel ist ein Bereich Ihres Rasens, die der Landroid®L nicht befahren soll. Der Begrenzungsdraht beginnt an der Mähgrenze, verläuft dann gerade zur Insel, um sie herum und dann zurück zum Rand, wie es die Pfeile in der Abbildung anzeigen.



Falls Ihr Rasen aus mehreren getrennten, aber miteinander verbundenen Flächen besteht, sollte der Korridor dazwischen mindestens 1m breit sein.

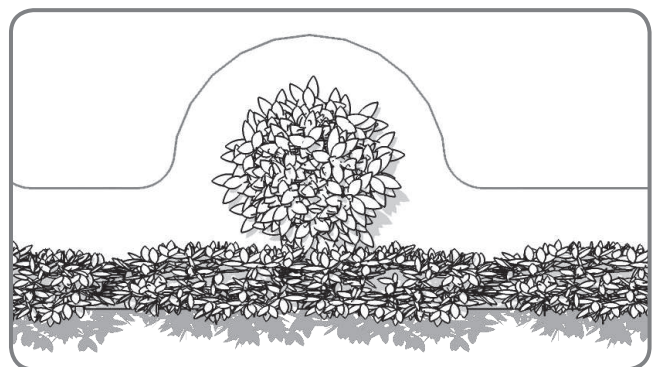


Falls der Verbindungsweg zwischen Ihren Rasenflächen nicht breit genug sein sollte, müssen Sie Ihren Landroid®L aufheben und auf den zweiten Rasen setzen. Der Landroid®L mäht diesen Rasen mühelos; allerdings müssen Sie ihn wieder zu seiner Ladebasis zurückbringen, wenn ihm die Energie ausgeht.



Bei zwei nahe beieinander liegenden Inseln ist es sinnvoll, das Kabel wie oben gezeigt zu verlegen.

Der Landroid®L kann sich frei über das Begrenzungskabel zwischen Insel und Mähgrenze bewegen.

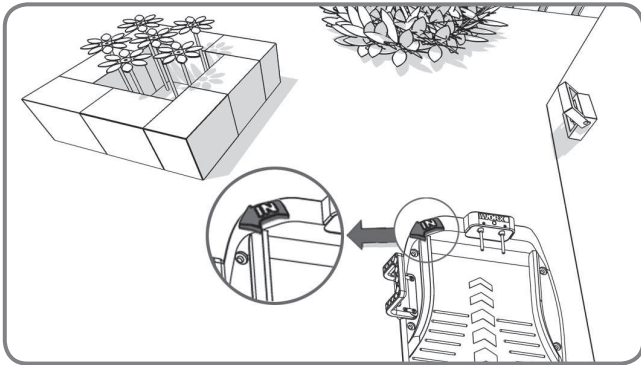


Ein gesperrter Bereich, der sich nahe an der Mähgrenze befindet, sollte selbst Teil der Grenze sein, siehe Abbildung.

Installation

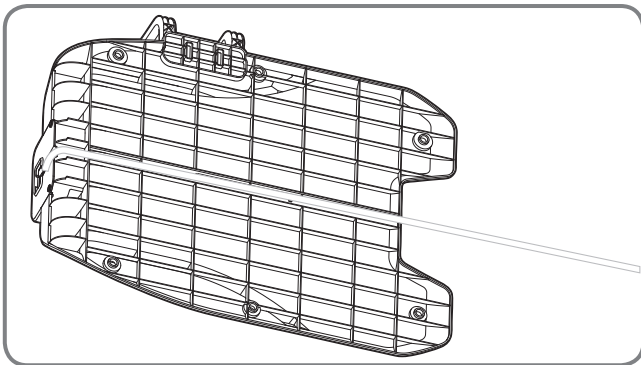
Begrenzungskabel abstecken

Wir empfehlen, zunächst die Stellen des Rasens, an denen das Begrenzungskabel verlegt werden soll, mit einem normalen Rasenmäher oder einem Trimmer zu mähen oder zu kürzen. Dadurch kann das Kabel so nahe wie möglich am Boden verlegt werden, damit es vom Landroid®L nicht aus Versehen zerschnitten wird. Das Begrenzungskabel führt nur eine sehr niedrige Spannung, stellt daher absolut keine Gefahr für Menschen oder Tiere dar.



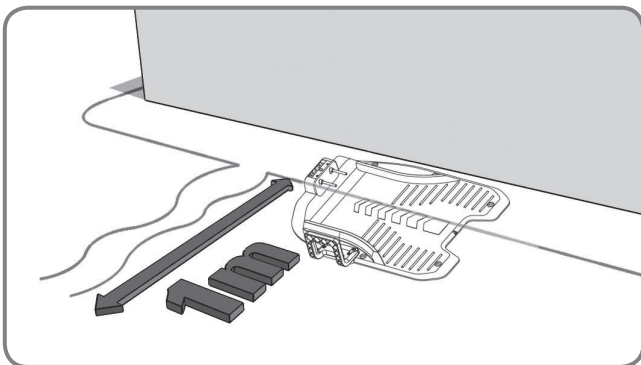
1

Stellen Sie die Ladebasis zunächst provisorisch an der gewünschten Stelle auf; noch nicht fixieren. Der „IN“-Pfeil sollte dabei zum Rasen zeigen.



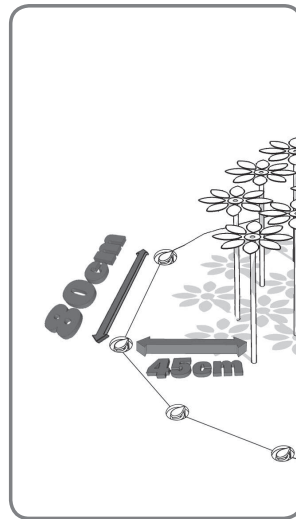
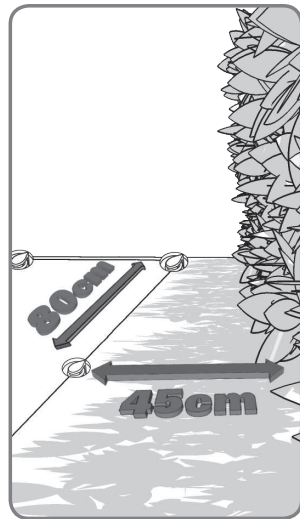
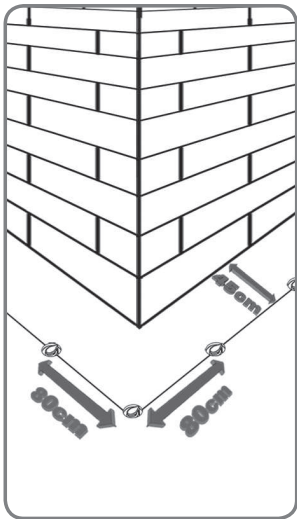
2

Verlegen Sie den Begrenzungsdraht durch das Tunnel unter der Ladebasis.



3

Lassen Sie etwa einen Meter Extradraht übrig und fangen Sie von der Rückseite der Ladebasis aus an, den Draht der Begrenzung entlang festzupflocken. Wenn Sie mit dem Verlegen des Drahtes entlang der Begrenzung zurück zur Ladebasis fertig sind, lassen Sie nochmals einen Meter Extradraht übrig und schneiden Sie dann den Draht ab.



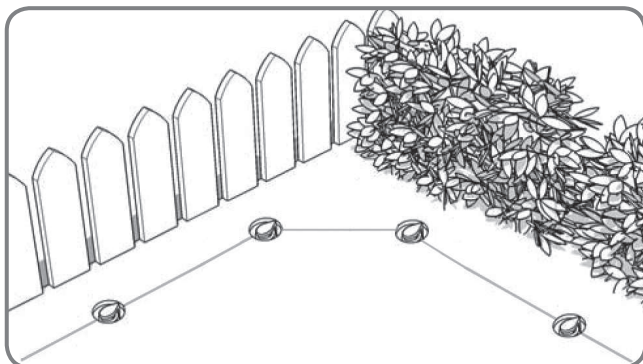
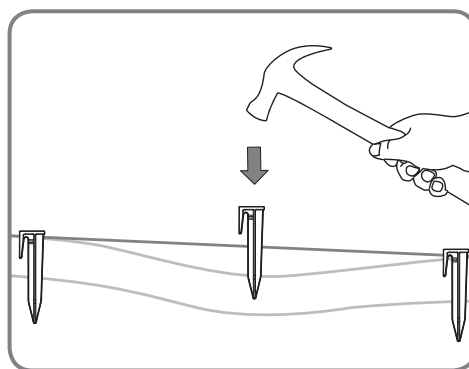
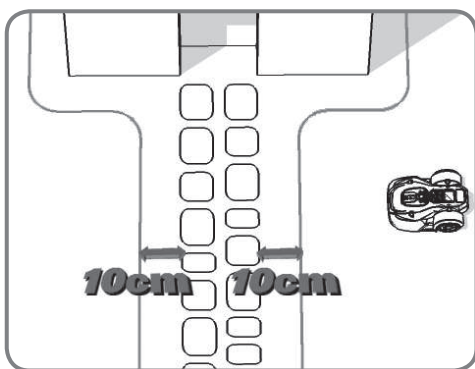
4

Setzen Sie beim Verlegen des Begrenzungskabels die Abstandlehre ein, damit stets 45 cm* Platz zwischen Kabel und Grenze verbleiben. Bei Hindernissen auf Bodenhöhe, die problemlos vom Landroid®L überfahren werden können (z. B. Zufahrten oder Gehwege) ist lediglich 10cm* Abstand erforderlich.

Die Begrenzungsnägel sollten in einem Abstand von etwa 80cm platziert werden.

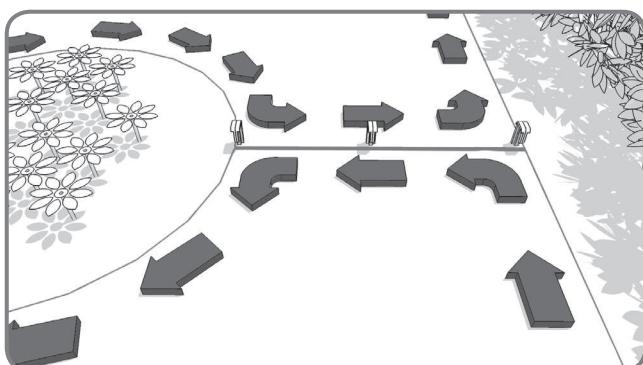
Schlagen Sie die Begrenzungsstifte mithilfe des Hammers fest in den Boden, vermeiden Sie dabei jedoch zu viel Druck auf den Draht. Halten Sie das Begrenzungskabel zwischen den Begrenzungsnägeln straff gespannt und gerade.

* Dies ist ein empfohlener Abstand, Sorgen Sie mit der mitgelieferten Abstandlehre für die richtigen Entfernungen.



5

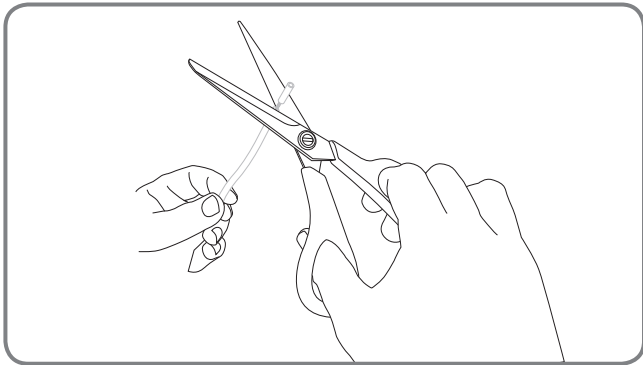
Stellen Sie sicher, dass das Begrenzungskabel in den Ecken keinen rechten Winkel aufweist.



6

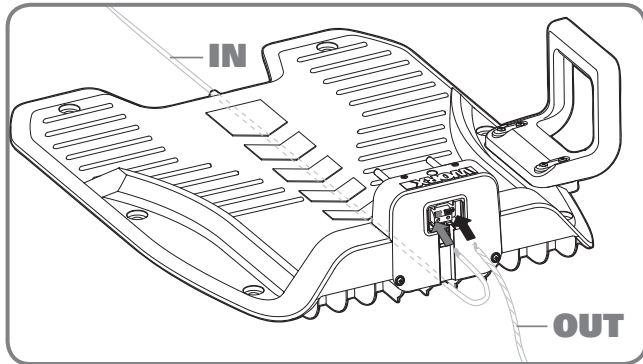
Wenn Sie mit dem Begrenzungsdraht eine Insel legen, folgen Sie dem in der Abbildung angezeigten Pfad. Der Draht sollte vom äußeren Rand aus so verlaufen, dass er die Konturen der jeweiligen Insel zeichnet und dann zum äußeren Rand zurückkehrt. Die Begrenzungsdrahte zwischen der Insel und dem Rand sollten nahe aneinander verlegt und mit demselben Nagel fixiert werden. Während des Betriebs kann dann der Landroid®L ungehindert über dieses Stück Draht fahren.

Begrenzungskabel an die Basis anschließen



1

Schneiden Sie die beiden Enden des Kabels so weit ab, dass Sie die Klemmen noch bequem erreichen.
Isolieren Sie die beiden Kabelenden ab.

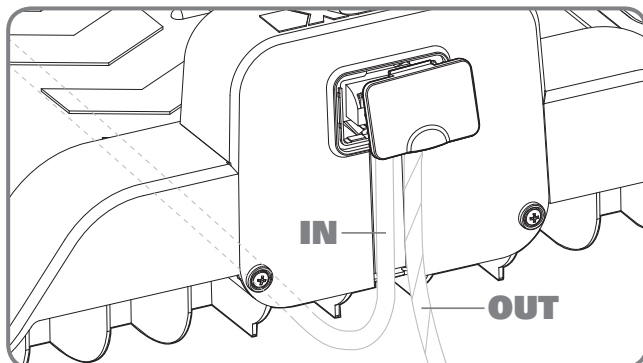
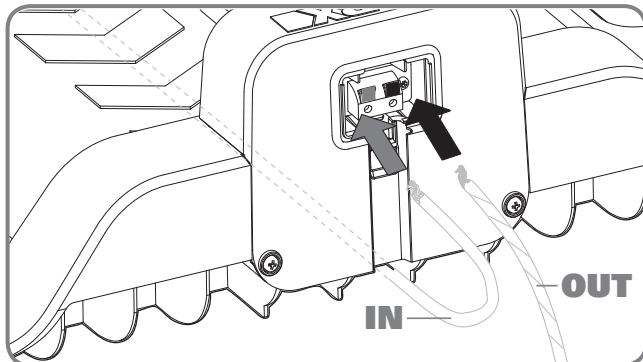


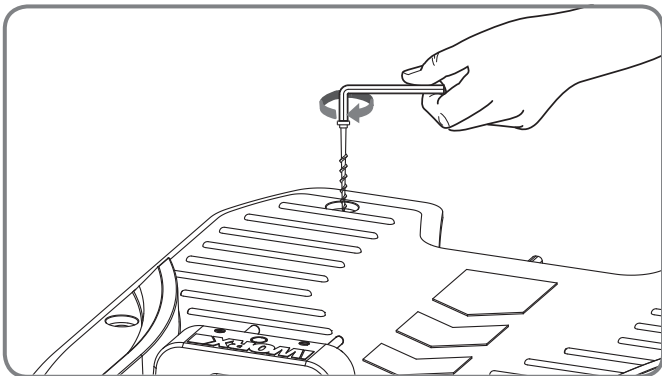
2

Die Kabelenden werden wie abgebildet als Eingangskabel (IN) und als Ausgangskabel (OUT) an die Ladebasis angeschlossen.
Verbinden Sie den IN-Draht mit der roten Klemme an der Ladestation und den OUT-Draht mit der schwarzen Klemme.
Schließen Sie anschließend die Abdeckung.

26

D

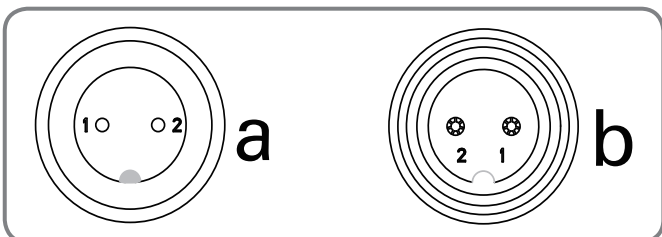




3

Sie können die Ladestation nun dauerhaft am Boden fixieren, indem Sie die mitgelieferten Basishalterungsstifte mit dem mitgelieferten Inbusschlüssel festdrehen.

HINWEIS: Stellen Sie sicher, dass der IN-Draht unterhalb der Mitte der Ladestation geradlinig verläuft.



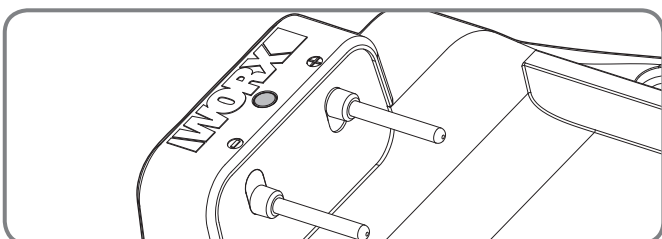
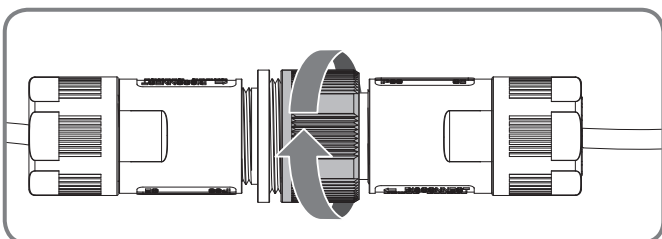
4

Schließen Sie das Netzteil über das Netzkabel an die Steckdose an; die LED an der Ladebasis leuchtet auf. Sollte die LED-Anzeige nicht aufleuchten, so schlagen Sie bitte in der Störungsbehebung nach. Achten Sie beim Anschluss des Netzteils darauf, dass die Nase am Netzteilstecker (a) in die Aussparung am Netzteilanschluss (b) greift.

Verschrauben oder lösen Sie ausschließlich den markierten Teil des Verbinders.

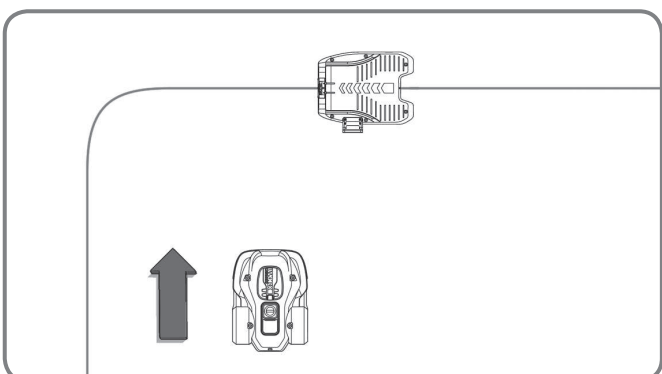
Wenn das grüne Licht nicht aufleuchtet, sind die Stromverbindungen zu überprüfen

Falls das Netzkabel durch den Arbeitsbereich verlaufen sollte, können Sie es bei Bedarf eingraben.



Einschalten und Installation ausprobieren

Jetzt wird es spannend – Sie können Ihren Landroid®L nun zum ersten Mal einschalten.




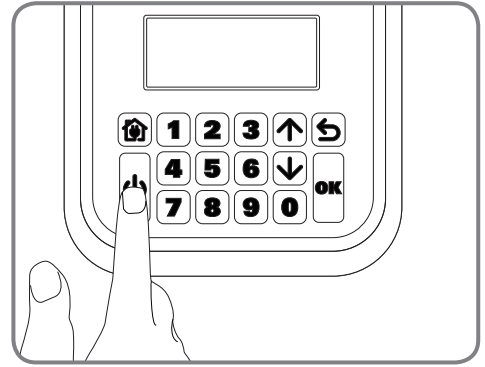
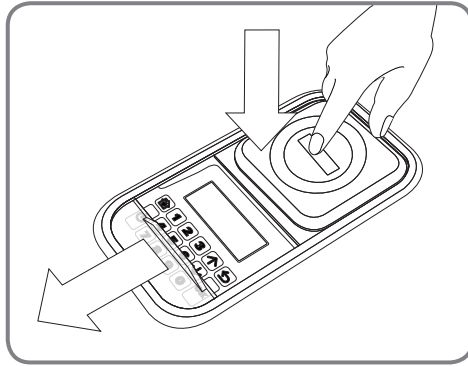
1


Setzen Sie Ihren Landroid®L in den Arbeitsbereich, ein paar Meter von der Rückseite der Ladebasis entfernt.

2

Öffnen Sie das Tastaturfenster mit einem Druck auf die große rote Taste am Landroid®L Oberteil.

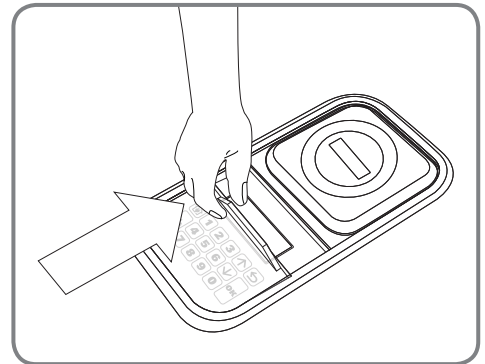
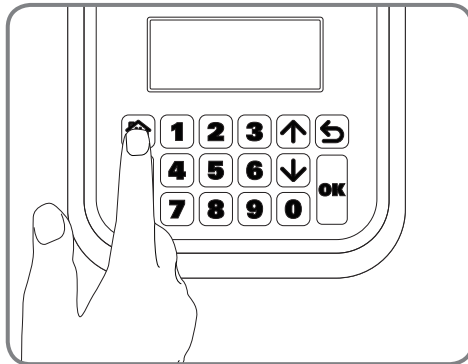
Halten Sie die Ein-/Austaste  gedrückt, bis sich der Landroid®L einschaltet.



Drücken Sie die Taste  schließen Sie dann das

Tastaturfenster:

Ihr Landroid®L sucht sich nun einen Weg zur Ladebasis. Beobachten Sie, wie der Landroid®L zur Ladesation zurückkehrt, und ändern Sie die Position des Begrenzungsdrahts, falls erforderlich. Wenn der Landroid®L seinen Weg zur Ladestation zurückfindet, bedeutet das, dass Sie die Installation erfolgreich durchgeführt haben! Jetzt fängt der Landroid®L an, sich vollständig aufzuladen.



28

D

HINWEIS: Falls sich Ihr Landroid®L zu einem Zeitpunkt, zu dem er laut Programmierung eigentlich mähen sollte, in der Ladebasis aufhält, drücken Sie einfach die Zugangstaste und schließen das Tastaturfenster gleich wieder, um ihn zurück an die Arbeit zu schicken.



Warnung

- Falls sich Ihr Landroid®L außerhalb seines Arbeitsbereiches heruntreibt, bleibt er stehen und zeigt die Fehlermeldung „**Arbeitsbereich überschritten**“ an. Bringen Sie ihn einfach in seinen Arbeitsbereich zurück, wiederholen Sie dann Schritt 2.

- Sollte sich Ihr Landroid®L innerhalb seines Arbeitsbereichs befinden, aber das Display **„außerhalb des Mähbereichs“** anzeigen und die LED-Anzeige aufleuchten, so bedeutet dies, dass Sie die Enden des Begrenzungsdrahts falsch abgeklemmt haben. Einfach wieder vertauschen.

- Ihr Landroid®L sollte stets eingeschaltet bleiben. Falls Sie ihn jemals abschalten müssen, achten Sie darauf, ihn vor dem Einschalten wieder in seinen Arbeitsbereich zu setzen.

- Falls Ihr Landroid®L seine Arbeit unerwartet einstellen sollte, drücken Sie die Zugangstaste, öffnen das Tastaturfenster, schalten ihn mit der Ein-/Austaste ein, beheben die Probleme, drücken die 0-Taste und schließen das Tastaturfenster wieder.

HINWEIS: Weitere Hinweise finden Sie in der Programmierungs- und Problemlösungsanleitung.

Programmieren

Wenn Sie die Installation abgeschlossen haben, ist es an der Zeit, den Landroid®L zu programmieren und ihm zu sagen, wann er starten soll, indem Sie die unten angezeigte Tastatur benutzen. Bitte schlagen Sie im beigefügten Leitfaden zur Programmierung und Störungsbehebung nach.



Nähere Einzelheiten zur normalen Arbeitszeit des Landroid®L finden Sie in der folgenden Tabelle:

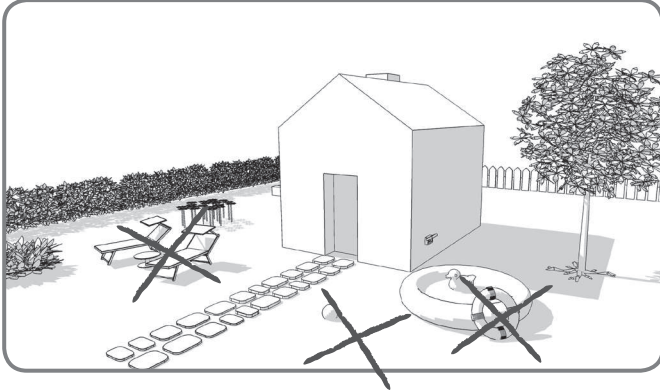
Landroid®L WG795E - ZEITPLAN FÜR AUTOMATISCHE MÄHZEIT								
BEREICH m ²	AUTOMAT. MÄH- LAUFZEIT – STUNDEN	MONTAG MÄH- STUNDEN	DIEN- STAGMÄH- STUNDEN	MITTWOCH MÄH- STUNDEN	DON- NERSTAG MÄH- STUNDEN	FREITAG MÄH- STUNDEN	SAMSTAG MÄH- STUNDEN	SONNTAG MÄH- STUNDEN
100	1.5	7:00-8:30	/	/	7:00-8:30	/	/	/
200	5	7:00-8:00	7:00-8:00	7:00-8:00	7:00-8:00	7:00-8:00	/	/
300	6	7:00-8:12	7:00-8:12	7:00-8:12	7:00-8:12	7:00-8:12	/	/
400	7.5	7:00-8:30	7:00-8:30	7:00-8:30	7:00-8:30	7:00-8:30	/	/
500	10	7:00-9:00	7:00-9:00	7:00-9:00	7:00-9:00	7:00-9:00	/	/
600	11	7:00-9:12	7:00-9:12	7:00-9:12	7:00-9:12	7:00-9:12	/	/
700	13	7:00-9:36	7:00-9:36	7:00-9:36	7:00-9:36	7:00-9:36	/	/
800	15	7:00-10:00	7:00-10:00	7:00-10:00	7:00-10:00	7:00-10:00	/	/
900	16.5	7:00-10:18	7:00-10:18	7:00-10:18	7:00-10:18	7:00-10:18	/	/
1000	18	7:00-10:36	7:00-10:36	7:00-10:36	7:00-10:36	7:00-10:36	/	/
1100	20	7:00-11:00	7:00-11:00	7:00-11:00	7:00-11:00	7:00-11:00	/	/
1200	22.5	7:00-11:30	7:00-11:30	7:00-11:30	7:00-11:30	7:00-11:30	/	/
1300	25	7:00-12:00	7:00-12:00	7:00-12:00	7:00-12:00	7:00-12:00	/	/
1400	26.5	7:00-12:18	7:00-12:18	7:00-12:18	7:00-12:18	7:00-12:18	/	/
1500	28	7:00-12:48	7:00-12:48	7:00-12:48	7:00-12:48	7:00-12:48	/	/

Kann es losgehen?

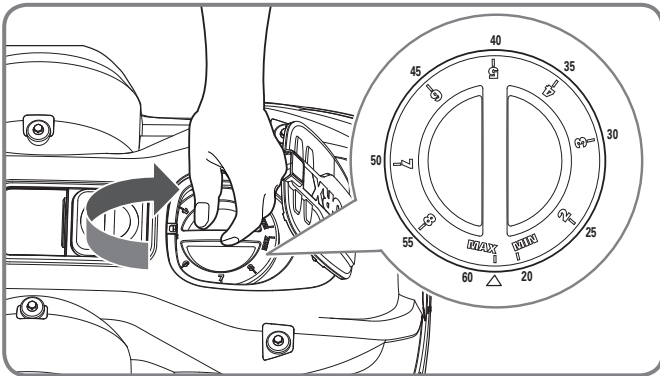
Der Landroid®L sorgt während der Saison für eine perfekte Höhe Ihres Rasens, ist allerdings nicht zum Roden eines Urwaldes vorgesehen.

Vor dem ersten Einsatz:

1. Mähen Sie Ihren Rasen noch einmal auf herkömmliche Weise.
2. Achten Sie darauf, dass sich keine Fremdkörper wie Spielzeuge oder Äste im Arbeitsbereich befinden.



3. Stellen Sie die Schnitthöhe beim ersten Mähen maximal ein, stellen Sie dann die bevorzugte Rasenhöhe ein.



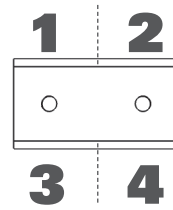
Im nächsten Frühjahr lassen Sie Ihren Landroid®L möglichst früh (nämlich dann, wenn das Gras noch kurz ist) mit dem Mähen beginnen; so können Sie sich den Vorschnitt sparen.

Immer schön scharf



Tragen Sie beim Einstellen der Messer grundsätzlich Schutzhandschuhe.

Jedes Messer Ihres Landroid®L ist mit vier Schneiden ausgestattet. Je nachdem, wie häufig der Landroid®L Ihren Rasen mäht, müssen die Messer früher oder später gedreht/umgedreht werden, damit eine neue Schneide ihre Arbeit aufnehmen kann. Falls Ihr Landroid®L den Rasen täglich mäht, sollten Sie die Messer monatlich drehen, damit die Leistung nicht nachlässt. Die einzelnen Messer halten bis zu vier Monate, wenn täglich gemäht wird. Wenn die Messer stumpf und verschlissen sind, sollten sie durch die Ersatzmesser ersetzt werden, die mit Ihrem Landroid®L geliefert wurden. Ersatzmesser erhalten Sie auch beim WORX-Händler in Ihrer Nähe.



Wartung

Ihr Landroid®L ist ein wahrer Naturbursche, der auch bei widrigen Wetterbedingungen gerne im Freien bleibt. Untersuchen Sie ihn lediglich hin und wieder auf Grasschnittablagerungen und entfernen Sie diese. So mäht der Landroid®L für Sie problemlos Jahr für Jahr, Saison für Saison. Waschen Sie die Maschinen nicht mit Hochdruckspritzpistolen, da dies dem Akku bzw. dem Gerät Schaden zufügen könnte.

Überwintern

Obwohl der Landroid®L ein zäher Bursche ist, sollten Sie ihm im Winter einen Platz im Schuppen oder in der Garage zugestehen. Laden Sie den Landroid®L - Akku vor dem Überwintern komplett auf, damit der Akku keinen Schaden nimmt. Anschließend können Sie die Ladebasis von der Stromversorgung trennen. Damit der Akku möglichst lange hält, laden Sie ihn in Winter hin und wieder nach. Eine volle Ladung alle drei Monate reicht aus. Zusätzlich kann es nicht schaden, die Ladebasis im Winter mit einer Nylonplane abzudecken.

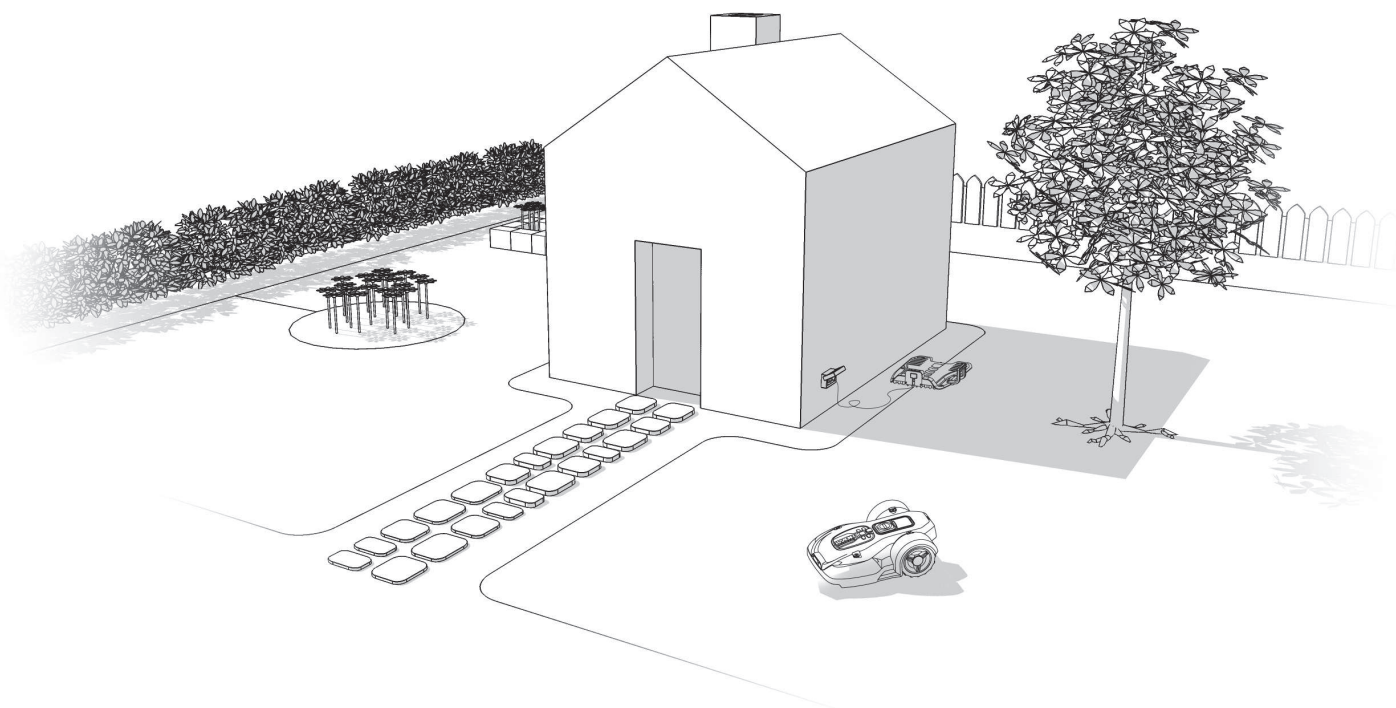
Sicherheit

Ihr Landroid®L ist keine Gefahr für Menschen oder Tiere. Zunächst gibt es einen großen Abstand zwischen den Außenkanten des Gerätes und den Messern. Zusätzlich stoppen die Neigungssensoren die Messer sofort, falls das Gerät vom Boden abgehoben wird.

Schutz vor Missbrauch

Ihr Landroid®L wird mit einem PIN-Code geschützt. Dieser PIN-Code verhindert den Einsatz durch Unbefugte. Sobald der Landroid®L aus seinem Arbeitsbereich entfernt wird, lässt er sich nicht mehr starten, wenn nicht der richtige PIN-Code eingegeben wird. Das bedeutet aber auch, dass auch Sie Ihren Landroid®L nicht mehr starten können, falls Sie den PIN-Code vergessen! Wir empfehlen dringend, den PIN-Code hier zu notieren, damit Sie bei Bedarf nachschlagen können. Noch besser: Registrieren Sie Ihren Landroid®L online unter www.worxlandroid.com, hinterlegen Sie Ihren PIN-Code dort. So können Sie Ihren PIN-Code jederzeit online abrufen.

PIN-Code hier notieren



Installation du Landroid®L

32

F

Le Landroid®L est facile à installer. L'ensemble de la procédure est très rapide, mais dépend de la taille de votre jardin. Comme tout le monde, vous n'aimez pas perdre votre précieux temps à tondre votre pelouse. Avec ce Landroid®L, vous venez de réaliser un très bon investissement puisque grâce à lui, vous n'aurez plus jamais besoin de la tondeuse!

La vidéo de démonstration d'installation est disponible sur notre site www.worxlandroid.com.

Le Landroid®L adore bouger

Il est conçu pour tondre fréquemment la pelouse de manière à la garder plus belle et plus saine que jamais auparavant. Selon la taille de votre pelouse, le Landroid®L peut être programmé de manière à travailler à n'importe quel moment et avec n'importe quelle fréquence, sans aucune limitation. Il est là pour travailler à votre place!

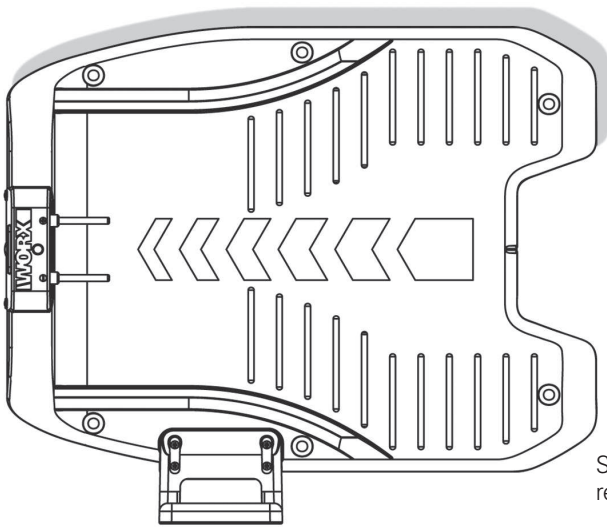
Coûts de fonctionnement

Votre facture d'électricité vous préoccupe? Un peu de mathématiques: Si vous faites fonctionner le Landroid®L pendant 3 heures par jour, 5 jours par semaine et 25 semaines par an, il vous coûtera approximativement... 8 € en électricité! Eh oui, seulement 8 € par an! Une fraction insignifiante de ce que vous coûterait votre tondeuse à essence bruyante et polluante sur la même période!

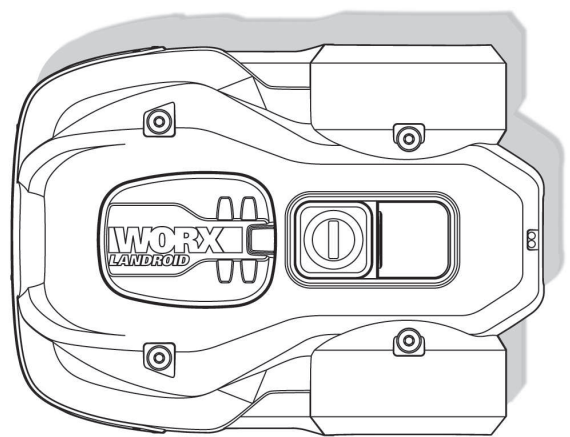
* Source: www.energy.eu

Préparation

Contenu



Socle de recharge



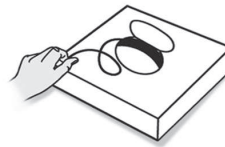
Landroid® L



6 Cheville de rétention de la base



9 Lames de recharge (3 kits)



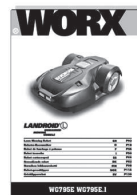
Bobine de fil de bord 200m



250 Cheville de bord



Câble d'alimentation avec transformateur AC/DC

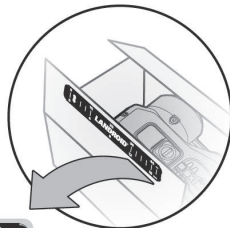


Manuel de l'utilisateur



Guide d'installation

Jauge de distance du fil-barrière



Guide de programmation et de dépannage



Conditions de garantie



Clef Allen

De votre garage



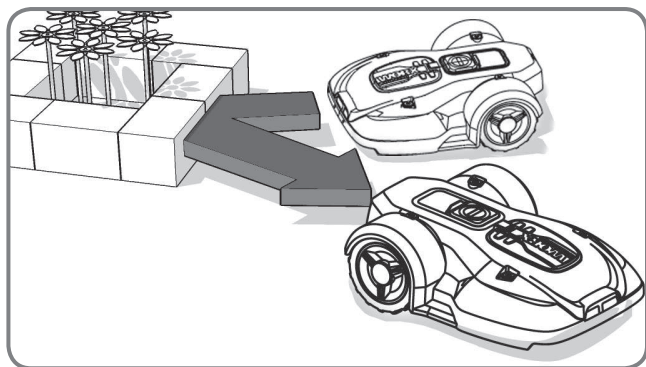
Ciseaux



Marteau

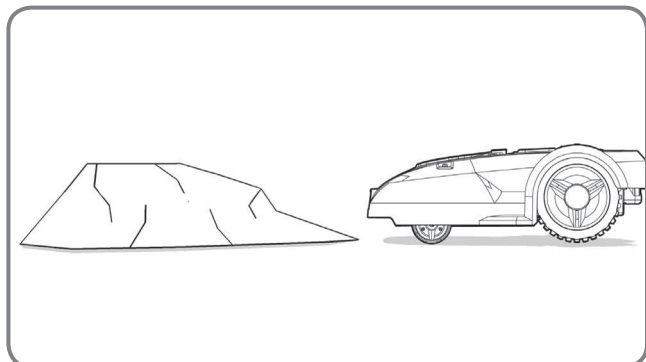
La nouvelle demeure du Landroid®L: votre jardin

Pour commencer, examinons en détail ce qui sera la nouvelle demeure de votre Landroid®L: votre jardin. Faisons le tri entre les endroits où il pourra aller et les endroits qu'il devra éviter.



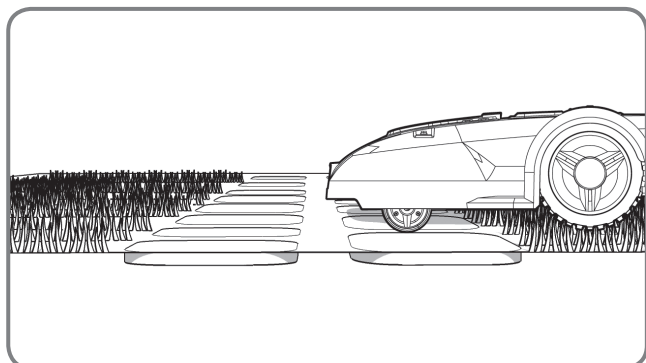
Obstacles sans danger

Lorsqu'il heurte un obstacle rigide et stable dont la hauteur est supérieure à 15cm (ex: un mur ou une barrière), le Landroid®L s'arrête et s'en écarte.



Rochers

Les rochers suffisamment lourds pour ne pas être déplacés par le Landroid®L ne constituent pas des obstacles à risque. Cependant, si un rocher comporte un plan incliné sur lequel le Landroid®L risquerait de monter, enlevez-le ou excluez-le de la zone de travail.

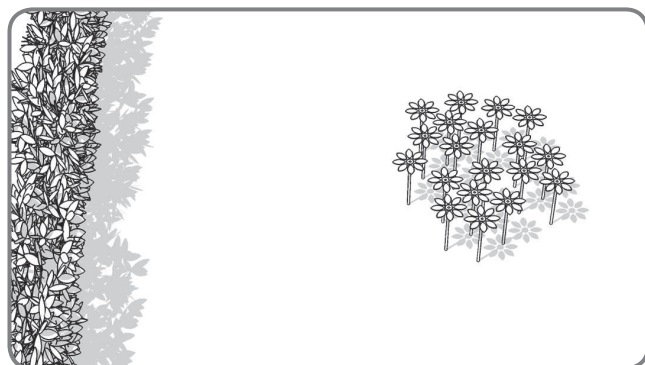
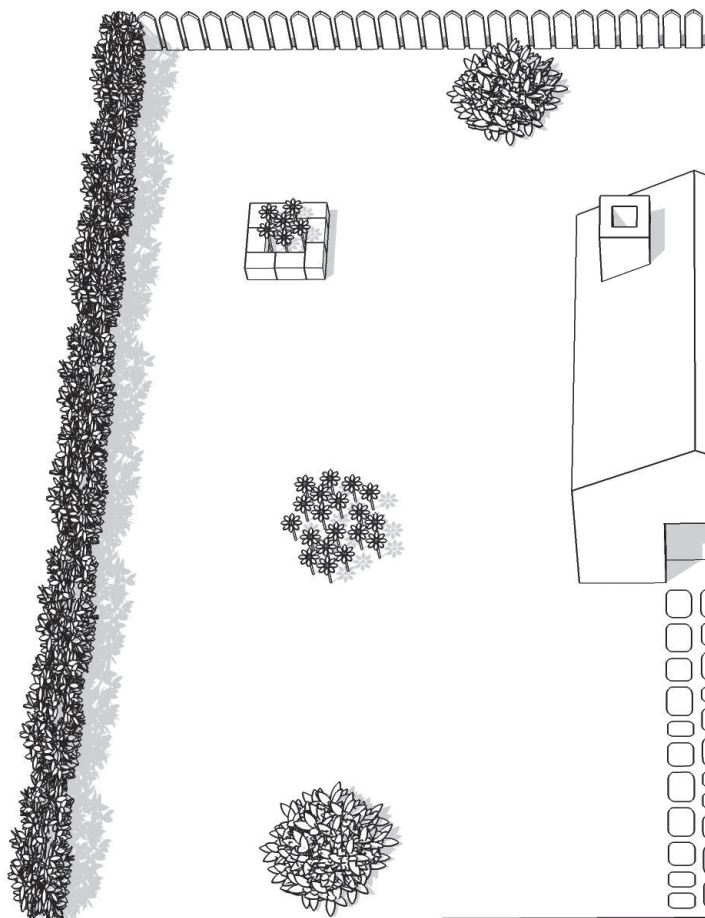


Allées

Si les allées sont au même niveau que le gazon et ne comportent aucune surface saillante, le Landroid®L peut passer dessus en toute sécurité. Si vous souhaitez que le Landroid®L évite une allée, un espace de 10cm* suffit entre l'allée et le fil-barrière.

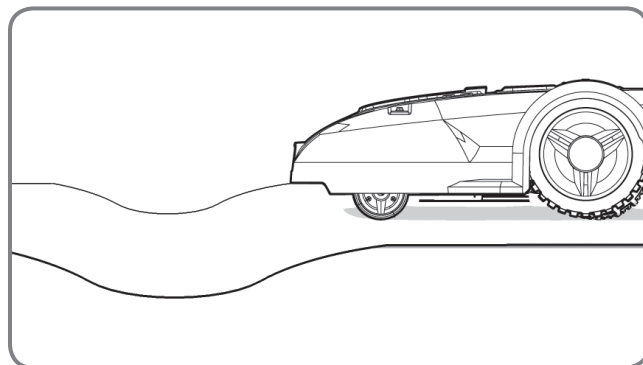
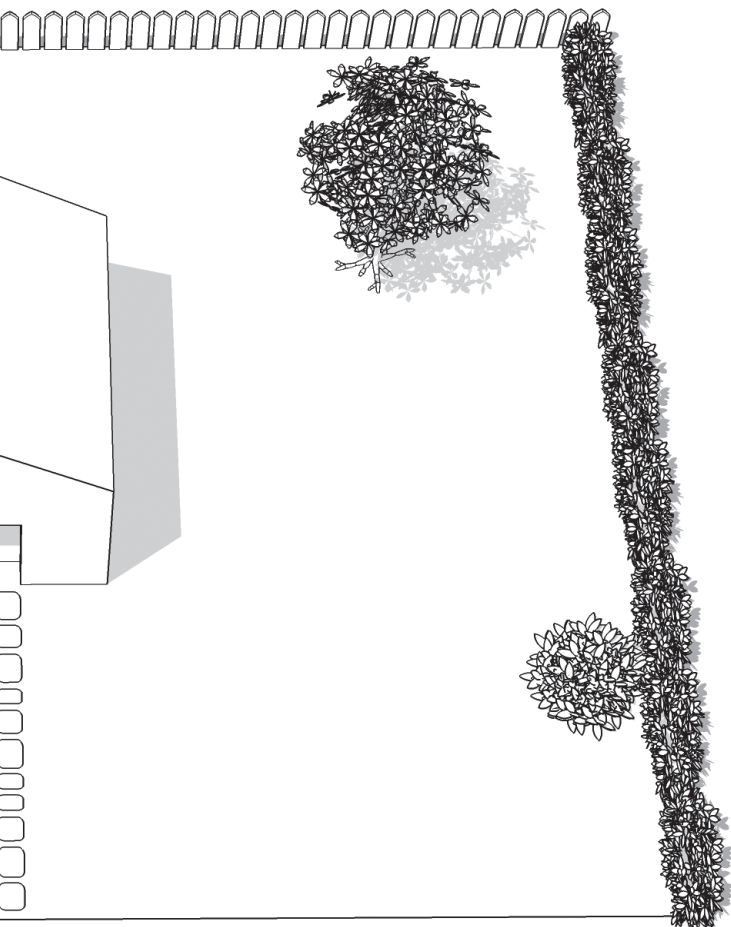
Si l'allée est recouverte de gravier, ne laissez pas le Landroid®L rouler dessus: pour mesurer une distance de 45cm* entre le fil et le bord.

*C'est la distance recommandée. Utilisez la jauge de distance fournie pour assurer une bonne installation.



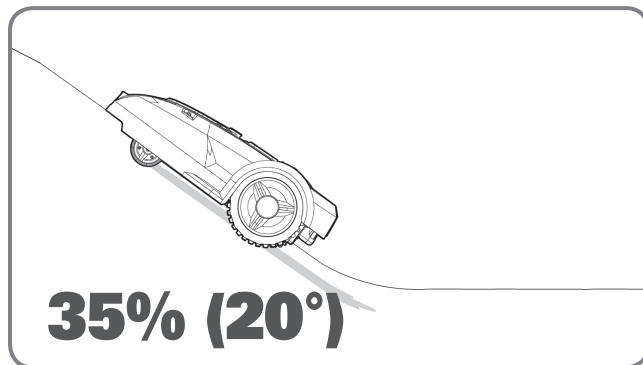
Parterres, bassins, étangs...

Il va de soi que vous ne voulez pas que le Landroid®L tonde vos fleurs, de même que vous ne souhaitez pas le voir tomber dans l'eau! Ces endroits sont donc à éviter.



Creux et bosses

Dans le cas de creux importants ou de bosses volumineuses, vérifiez s'il existe un risque que la lame touche le sol; si c'est le cas, réduisez l'inclinaison des pentes ou excluez cette surface de la zone de travail du Landroid®L.



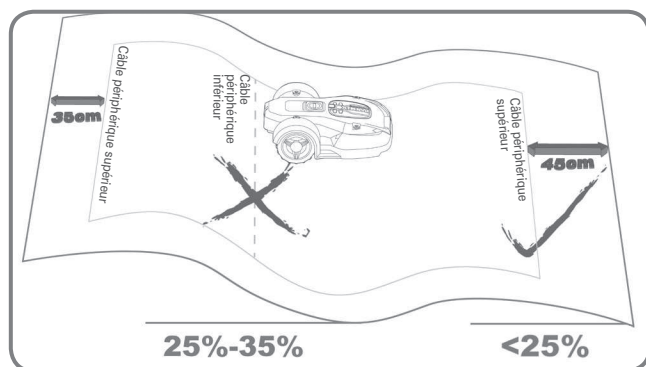
Pentes

Le Landroid®L est en mesure de monter des pentes de (20°); toute pente plus raide doit donc être évitée.



Arbres

Si des racines dépassent du sol, il est cependant préférable que le Landroid®L évite cette zone car il risquerait d'abîmer les racines.



Pose du câble périphérique sur les pentes

Le câble périphérique supérieur NE DOIT PAS être placé sur des pentes plus raides que 35% (20°). Le câble périphérique supérieur doit être placé à une distance d'au moins 35cm des obstacles. Le câble périphérique inférieur NE DOIT PAS être placé sur des pentes plus raides que 25% (15°). Le câble périphérique inférieur doit être placé à une distance d'au moins 45cm des obstacles lorsqu'il est positionné sur une pente à 25%.

Marquage du territoire du Landroid®L dans le jardin

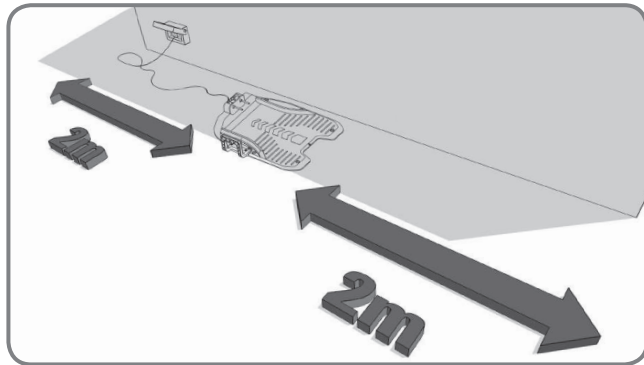
Votre Landroid®L a besoin de savoir où il est censé tondre. Il est donc indispensable de délimiter sa zone de travail grâce au fil fourni, qui constituera une sorte de barrière invisible. Ce fil permettra également de guider le Landroid®L vers son socle de recharge.

Si votre voisin utilise également un Landroid®L, vous devez garder un espace d'au moins 2 mètres entre votre fil périphérique et celui de vos voisins.

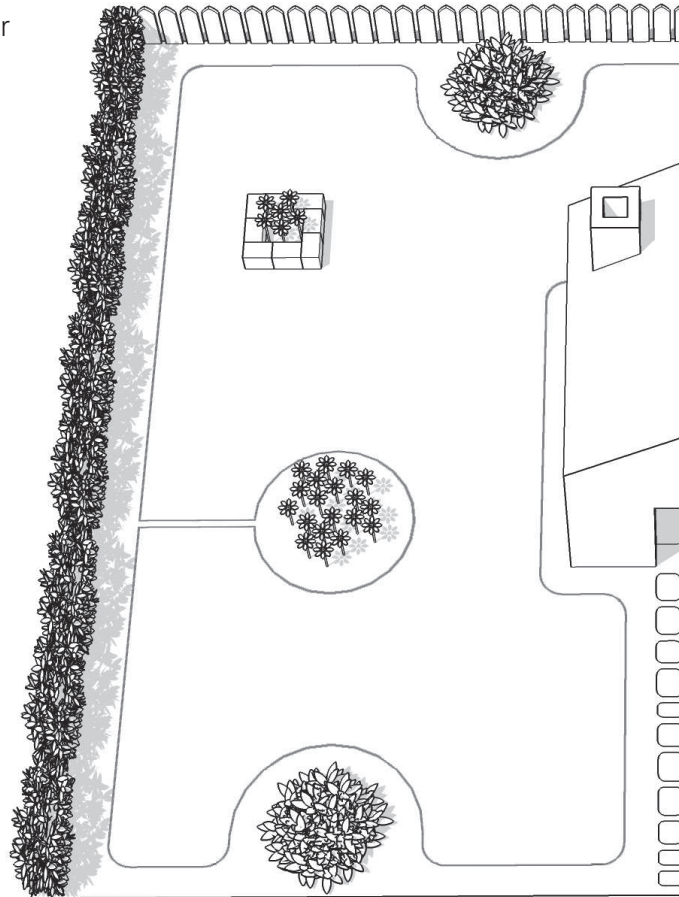
Veillez garder à l'esprit que votre Landroid®L ne sera pas en mesure de recevoir un signal provenant du fil périphérique au-delà d'une distance de 25m.

Pour commencer, choisissez un emplacement idéal pour le socle de recharge, en prenant en compte la distance qui le sépare de la prise de courant la plus proche. Le câble du socle de recharge fait 15m de long.

REMARQUE: Le transformateur et la prise électrique ne doivent en aucun cas être exposés à l'humidité.

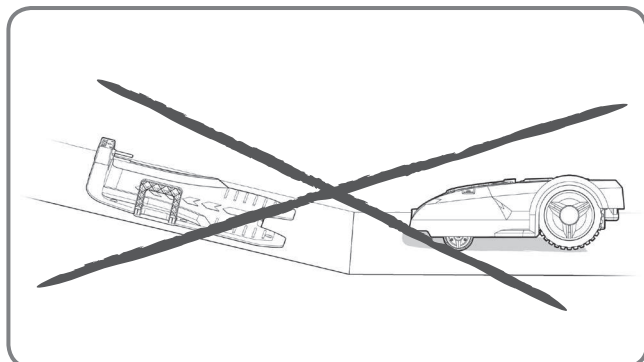
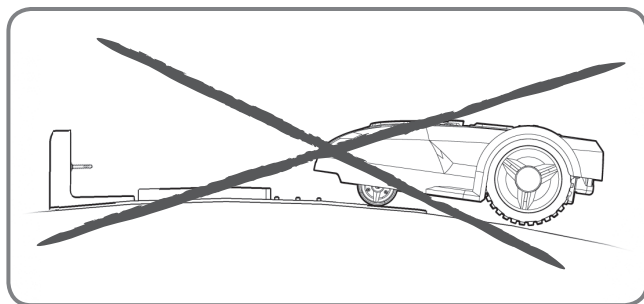


Le socle de recharge doit être placée le long d'une ligne droite, à au moins 2 mètres de chaque extrémité. Mettez-le à l'ombre si possible: les batteries se rechargent mieux dans un endroit frais.

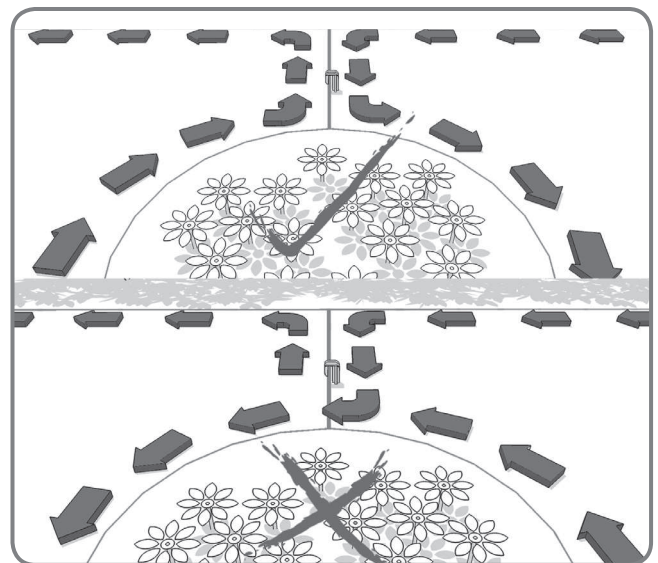


36

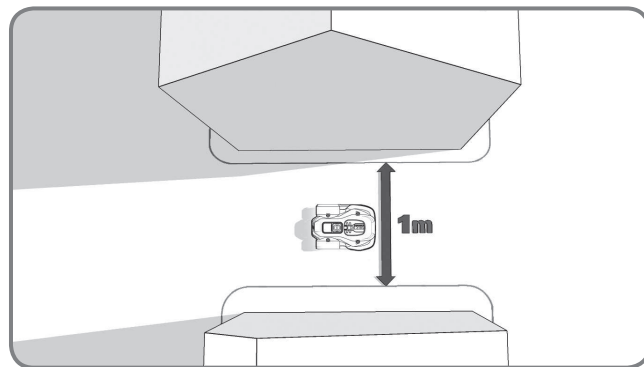
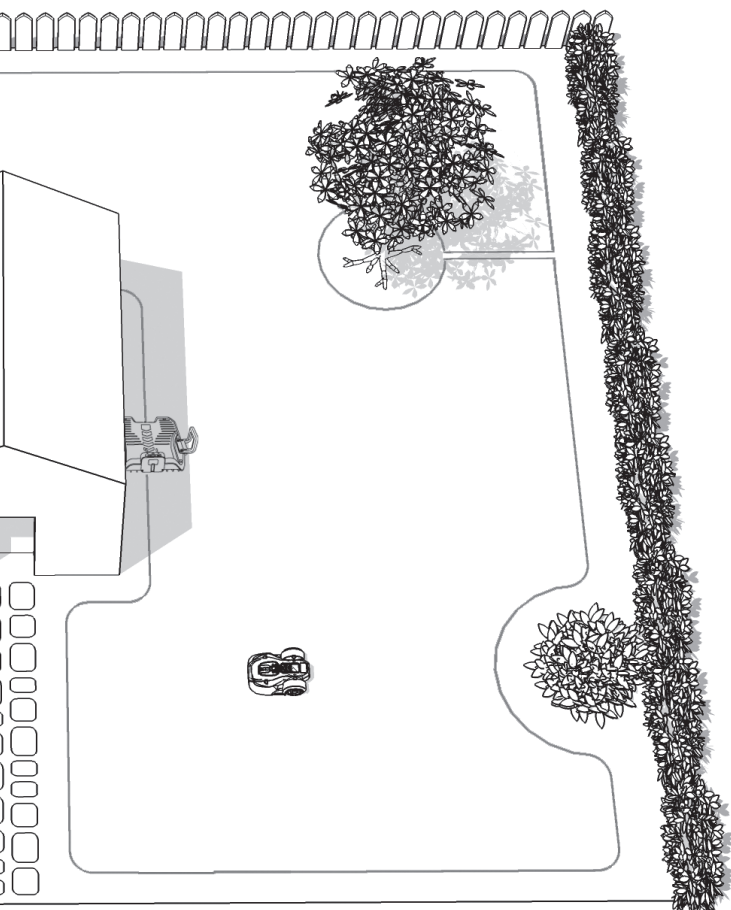
F



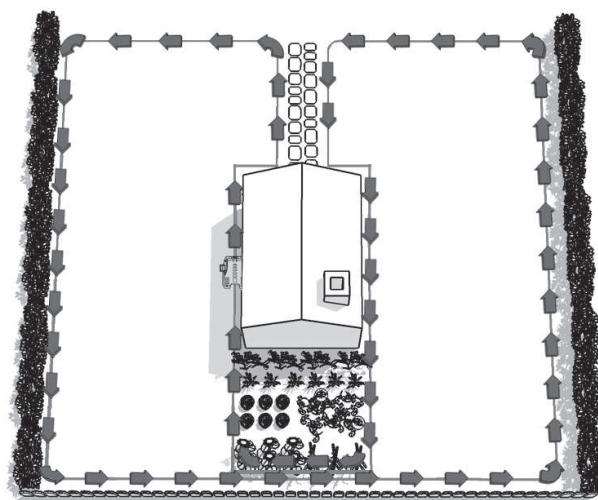
La surface sur laquelle il est posé doit être plane et libre de tout obstacle.



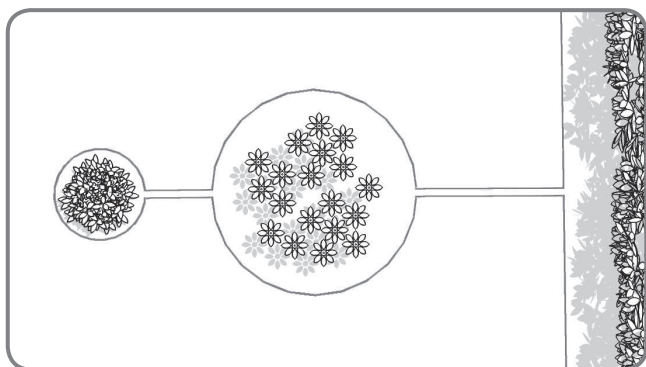
Un îlot est un espace situé au milieu du gazon dans lequel vous ne voulez pas que le Landroid®L pénètre. Le fil-barrière doit partir à angle droit du bord de la pelouse en direction de l'îlot, faire le tour de celui-ci puis repartir en ligne droite vers le bord, comme indiqué par les flèches sur l'illustration.



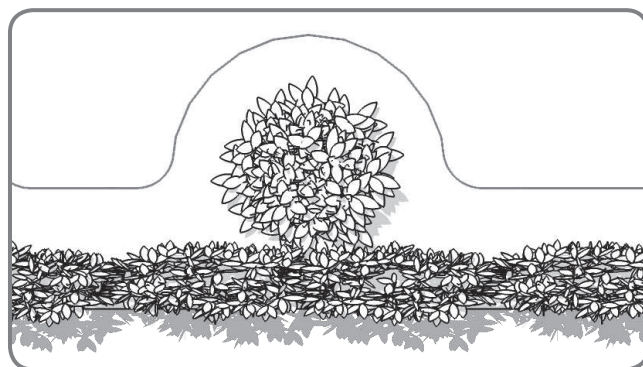
Si la pelouse est divisée en deux parties ou plus, séparées entre elles par un couloir, celui-ci doit faire au moins 1 mètres de large.



Si le couloir entre les deux parties n'est pas assez large, vous devrez ramasser le Landroid®L et le porter vers l'autre partie du gazon, et une fois cette autre partie entièrement tondue, vous devrez rapporter vous-même le Landroid®L sur le socle si la batterie est épuisée.



Dans le cas de deux îlots situés trop près l'un de l'autre, il est préférable de poser le fil de la manière indiquée ci-dessus. Le Landroid®L pourra ainsi passer par-dessus le fil situé entre les îlots d'une part, et entre les îlots et le bord du gazon d'autre part.

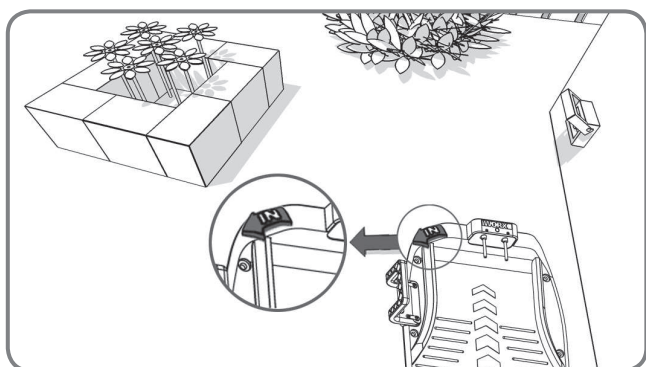


Une zone interdite située à proximité du bord de la pelouse est à considérer comme faisant partie du bord (voir illustration ci-dessus).

Installation

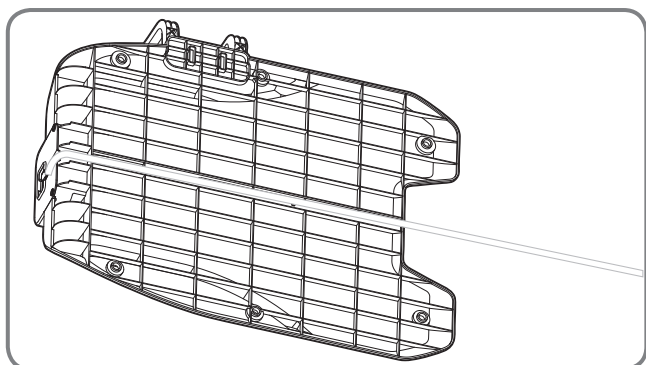
Pose du fil-barrière

Avant de poser le fil, il est recommandé de tondre la pelouse au préalable, avec une tondeuse conventionnelle ou un coupe-gazon. Ainsi, le fil sera situé le plus près du sol possible et le Landroid®L ne risquera pas de le trancher accidentellement. Le fil-barrière est électrifié avec une tension très basse et est donc totalement inoffensif pour les personnes et les animaux domestiques.



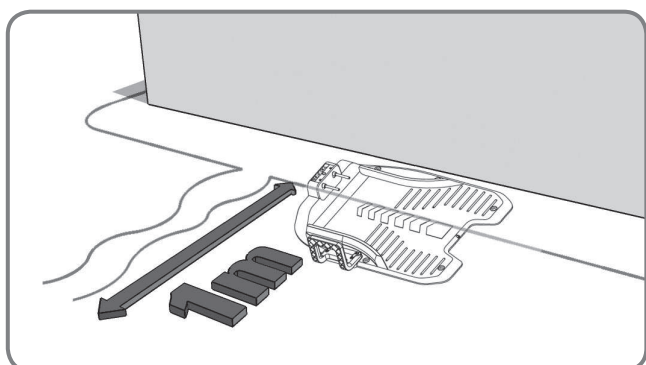
1

Placez le socle de recharge sur son emplacement désigné, sans le fixer définitivement. La flèche "IN" doit être orientée vers l'intérieur de la pelouse.



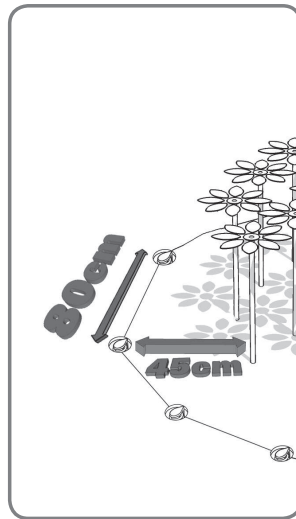
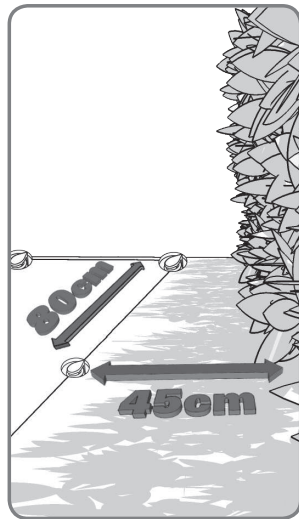
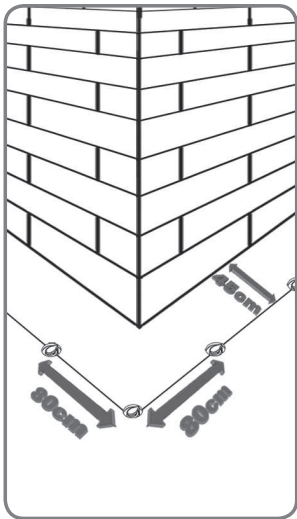
2

Faites passer le câble périphérique à travers le tunnel sous la base de charge.



3

En laissant environ 1 mètre de longueur de fil supplémentaire, commencez à partir de l'arrière de votre base de charge et attachez le fil le long de la frontière. Quand vous avez fini de placer le câble le long de la frontière, revenez vers la base de charge, laissez un autre mètre de câble supplémentaire, puis coupez-le.



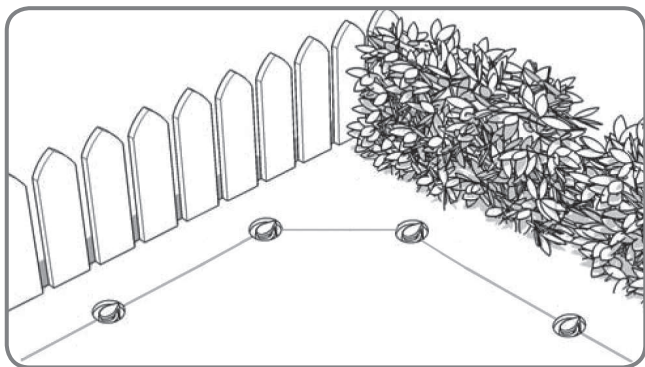
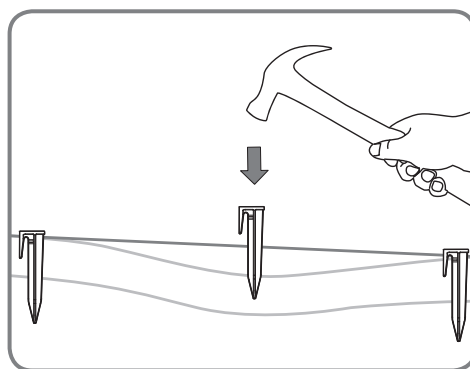
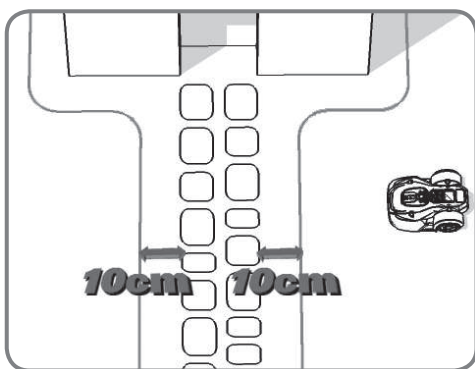
4

Lors de la pose du fil-barrière, laissez un espace de 45cm* entre le fil et le bord (utilisez la jauge de distance). Dans le cas d'obstacles situés au niveau du sol et ne représentant pas de danger pour le Landroid®L (ex: un trottoir ou une allée), un espace de 10cm* suffit.

Les piquets doivent être espacés d'au moins 80cm.

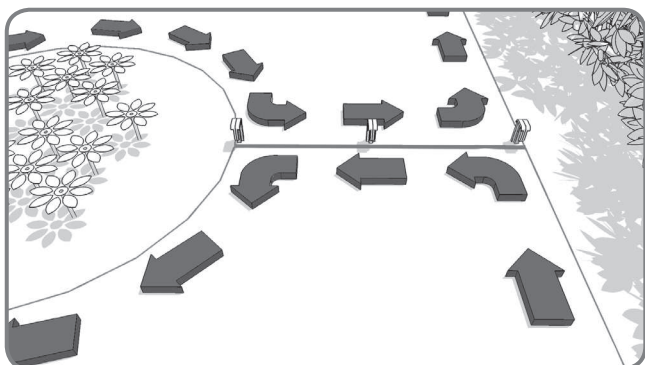
Enfoncez fermement les tiges dans le sol avec l'aide du marteau, en évitant toutefois de mettre trop de pression sur le câble. Le fil doit être bien tendu entre chaque piquet: il ne doit pas y avoir de mou.

* C'est la distance recommandée. Utilisez la jauge de distance fournie pour assurer une bonne installation.



5

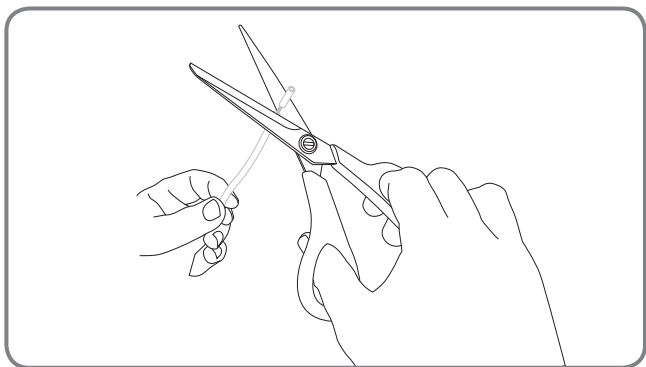
Assurez-vous que le fil du bord est parfaitement droit dans chaque coin.



6

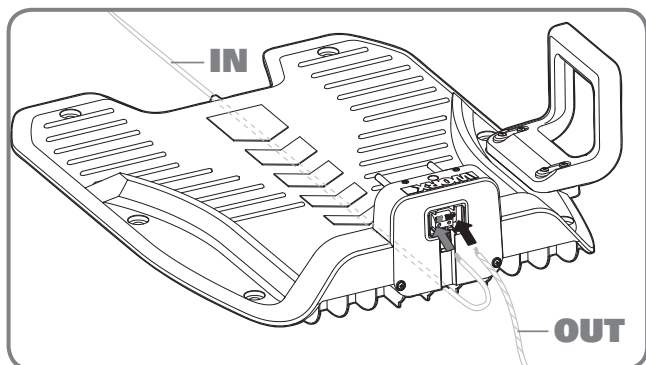
Pour poser le fil autour d'un îlot, procédez de la manière suivante: Le fil-barrière doit partir à angle droit du bord de la pelouse en direction de l'îlot, faire le tour de celui-ci puis repartir en ligne droite vers le bord. Les deux portions de fil entre l'îlot et le bord doivent être très proches l'une de l'autre et être fixées sous le même piquet. Au cours du travail, le Landroid®L pourra ainsi passer librement pardessus cette partie du fil.

Connexion du fil au socle de recharge



1

Coupez les bouts du fil à une longueur permettant d'atteindre facilement les bornes.

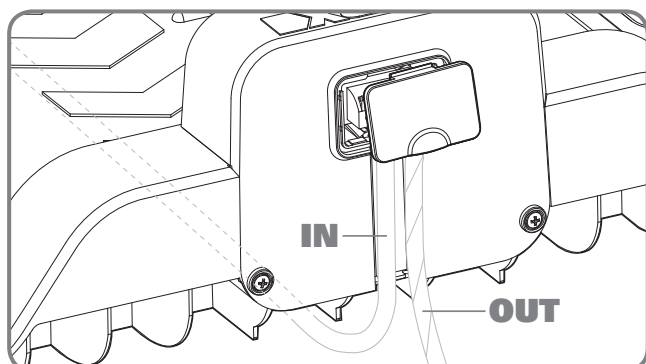
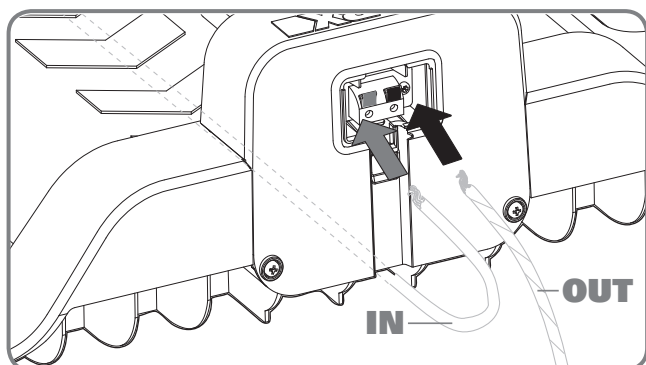


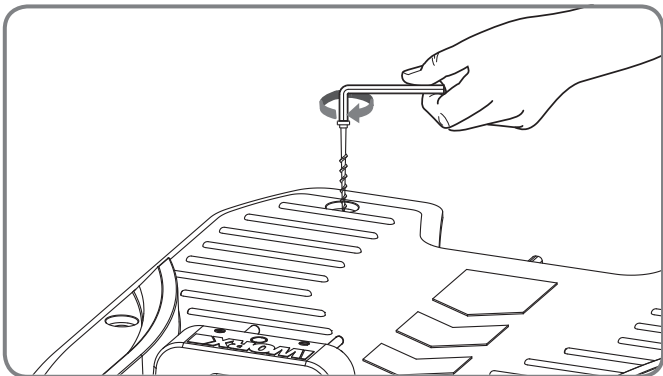
2

L'un des bouts du fil sera relié à la borne IN du socle de recharge, tandis que l'autre sera relié à la borne OUT (voir schéma). Connectez le câble d'ENTRÉE à la pince rouge de la base de chargement et le câble de SORTIE à la pince noire. Puis, refermez le couvercle.

40

F

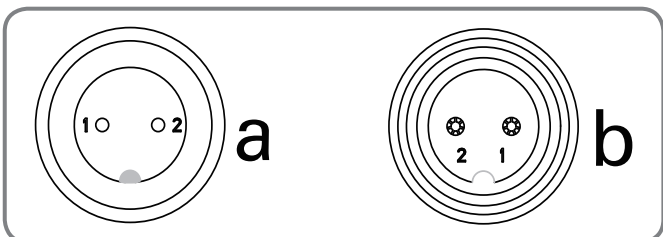




3

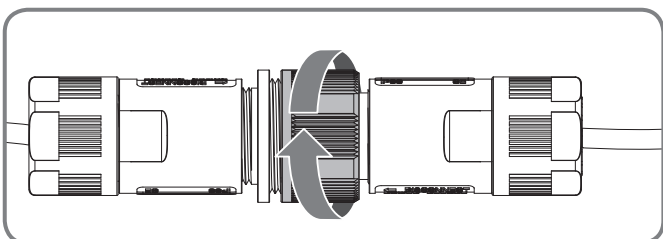
Vous pouvez maintenant fixer définitivement la base de chargement sur le sol en resserrant les tiges de maintien de la base fournies avec la clé hexagonale incluse.

REMARQUE: Faites attention à bien faire passer le fil IN sous le milieu du socle.



4

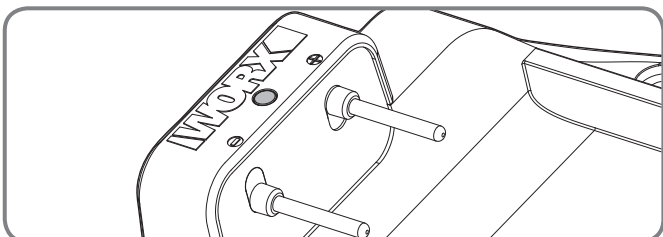
Reliez le câble d'alimentation au transformateur, puis branchez-le sur une prise de courant AC; la LED du socle de recharge s'allume. Si la LED est éteinte, référez-vous au guide de dépannage. Lors de la connexion, alignez l'encoche du connecteur du câble (a) avec la rainure située sur le connecteur du transformateur (b).



Seule la partie surlignée du connecteur doit être vissée ou dévissée.

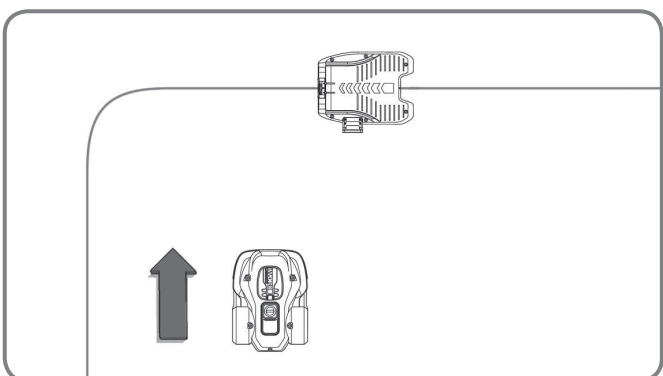
Si le voyant vert ne s'allume pas, vérifiez les connexions électriques.

Si le câble d'alimentation passe par la zone de travail, vous pouvez éventuellement l'enterrer si nécessaire.



Mise en marche et test d'installation


Le moment fatidique est arrivé: vous allez mettre en marche votre Landroid®L pour la première fois!

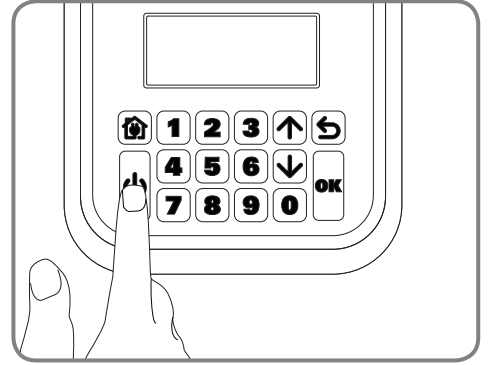
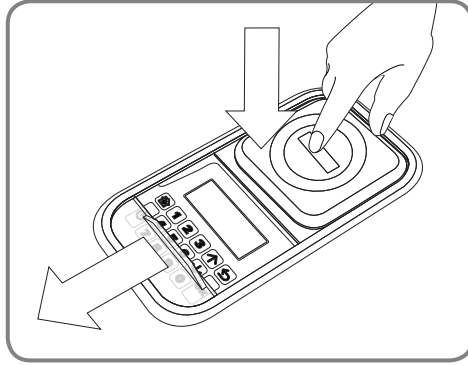



1

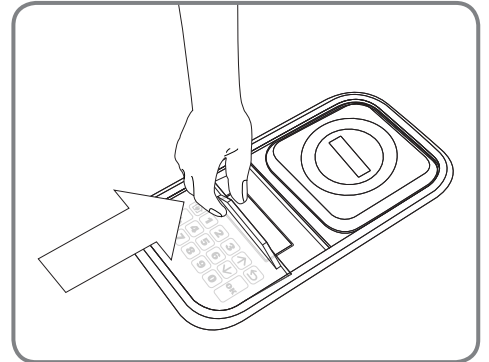
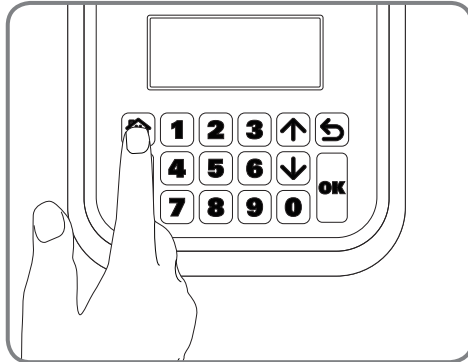
Placez le Landroid®L à l'intérieur de la zone de travail, quelques mètres derrière le socle de recharge.

2

Ouvrez le couvercle du clavier en appuyant sur le gros bouton rouge situé sur le Landroid®L. Maintenez enfoncé le bouton marche/arrêt  jusqu'à ce que le Landroid®L s'allume.



Appuyez sur la touche  et fermez le couvercle du clavier: votre Landroid®L doit maintenant se diriger automatiquement vers le socle de recharge. Regardez le trajet emprunté par le Landroid®L pour revenir sur le socle et modifiez le tracé du fil-barrière si nécessaire. Si le Landroid®L réussit à revenir sur le socle, cela veut dire que l'installation est achevée avec succès! Maintenant, le Landroid®L restera sur le socle jusqu'à ce que la batterie soit entièrement rechargée.



42

REMARQUE: Si le Landroid®L se trouve sur le socle de recharge à une heure à laquelle vous l'avez programmé pour qu'il travaille, il vous suffit d'appuyer sur la touche ACCESS et de refermer le couvercle du clavier pour qu'il retourne au travail.

F



Avertissement

- Si le Landroid®L se trouve à l'extérieur de son périmètre, il reste immobile et l'écran indique le message d'erreur **"hors de la zone de coupe"**. Remettez-le dans son périmètre et répétez l'étape 2.

- Si l'écran indique **"hors de la zone de coupe"** alors que le Landroid®L est dans son périmètre et que la LED est allumée, cela signifie que vous avez inversé les branchements des bouts du fil-barrière. Rebranchez-les dans le bon sens.

- Le Landroid®L doit rester allumé en permanence. Si vous devez l'éteindre, n'oubliez pas de le remettre dans son périmètre avant de le rallumer.

- Si votre Landroid®L arrête de fonctionner normalement, appuyez simplement sur le bouton ACCÈS, ouvrez la fenêtre du clavier, appuyez sur la touche MARCHE/ARRÊT pour mettre en MARCHE, rectifiez les problèmes, appuyez sur la touche 0, fermez la fenêtre du clavier.

REMARQUE: Pour plus d'informations, veuillez vous référer au Guide de programmation et de dépannage.

Programmation

Une fois l'installation terminée, vous devez programmer les heures de travail de votre Landroid®L à l'aide du clavier affiché ci-dessous. Référez-vous au Guide de programmation et de dépannage inclus.



Vous trouverez plus d'informations sur le temps de travail par défaut de Landroid®L dans le tableau suivant:

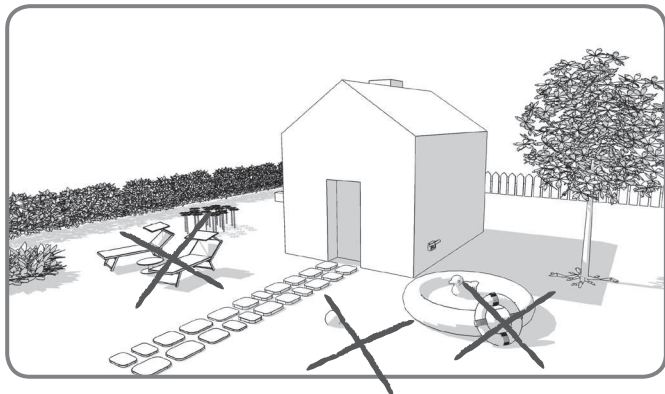
Landroid®L WG795E - Emploi du temps de tonte automatique.								
Surface m ²	Durée de tonte auto - heures	Heures de tonte lundi	Heures de tonte mardi	Heures de tonte mercredi	Heures de tonte jeudi	Heures de tonte vendredi	Heures de tonte samedi	Heures de tonte dimanche
100	1.5	7:00-8:30	/	/	7:00-8:30	/	/	/
200	5	7:00-8:00	7:00-8:00	7:00-8:00	7:00-8:00	7:00-8:00	/	/
300	6	7:00-8:12	7:00-8:12	7:00-8:12	7:00-8:12	7:00-8:12	/	/
400	7.5	7:00-8:30	7:00-8:30	7:00-8:30	7:00-8:30	7:00-8:30	/	/
500	10	7:00-9:00	7:00-9:00	7:00-9:00	7:00-9:00	7:00-9:00	/	/
600	11	7:00-9:12	7:00-9:12	7:00-9:12	7:00-9:12	7:00-9:12	/	/
700	13	7:00-9:36	7:00-9:36	7:00-9:36	7:00-9:36	7:00-9:36	/	/
800	15	7:00-10:00	7:00-10:00	7:00-10:00	7:00-10:00	7:00-10:00	/	/
900	16.5	7:00-10:18	7:00-10:18	7:00-10:18	7:00-10:18	7:00-10:18	/	/
1000	18	7:00-10:36	7:00-10:36	7:00-10:36	7:00-10:36	7:00-10:36	/	/
1100	20	7:00-11:00	7:00-11:00	7:00-11:00	7:00-11:00	7:00-11:00	/	/
1200	22.5	7:00-11:30	7:00-11:30	7:00-11:30	7:00-11:30	7:00-11:30	/	/
1300	25	7:00-12:00	7:00-12:00	7:00-12:00	7:00-12:00	7:00-12:00	/	/
1400	26.5	7:00-12:18	7:00-12:18	7:00-12:18	7:00-12:18	7:00-12:18	/	/
1500	28	7:00-12:48	7:00-12:48	7:00-12:48	7:00-12:48	7:00-12:48	/	/

Prêt?

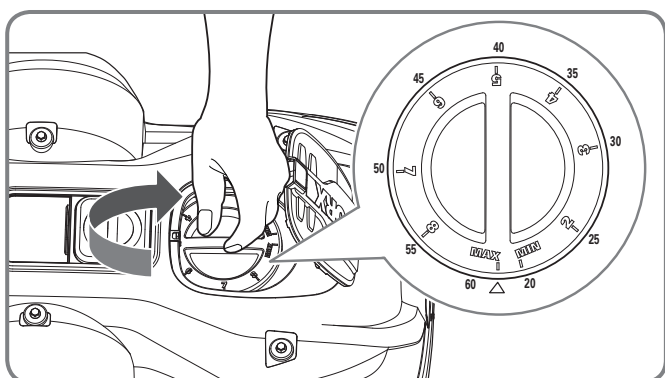
Le Landroid®L est conçu pour maintenir votre gazon à une hauteur parfaite pendant toute la saison; il ne peut pas servir pour débroussailler une jungle!

Avant de commencer à utiliser l'appareil,

1. Vous devez tondre votre pelouse à la hauteur souhaitée.
2. Vous devez vous assurer que la zone de travail ne comporte aucun objet étranger (ex: jouets, branches etc.).



3. Tondez une première fois avec le réglage de hauteur maximal, puis une deuxième fois à la hauteur souhaitée.

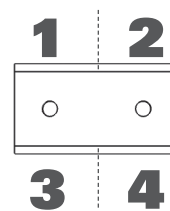


Au printemps suivant, commencez à utiliser le Landroid®L le plus tôt possible, lorsque l'herbe est encore courte; ainsi, vous n'aurez pas besoin de tondre la pelouse au préalable.

Affûtage

 Portez toujours des gants de protection lorsque vous ajustez les lames.

Chaque lame de votre Landroid®L a 4 bords coupants. Selon la fréquence que le Landroid®L tond votre pelouse, les lames devront être tournées/retournées périodiquement pour utiliser un nouveau bord coupant. Si votre Landroid®L est programmé pour tondre la pelouse tous les jours, alors les lames devront être tournées tous les mois pour des meilleurs résultats. Chaque lame va durer jusqu'à 4 mois quand il est programmé pour tondre la pelouse tous les jours. Lorsque les lames sont usées et ne coupent plus bien, elles doivent être remplacées par les lames de rechange fourni avec votre Landroid®L. Des lames de rechange sont également disponibles chez votre détaillant WORX le plus proche.



Entretien

Votre Landroid®L est conçu pour rester dehors quelles que soient les conditions météorologiques. Tout ce que vous avez à faire est de vérifier régulièrement l'intérieur et d'enlever les dépôts de coupures d'herbe, et votre Landroid®L vous fournira un travail irréprochable, saison après saison, année après année! Ne lavez pas la machine avec un pistolet à jet haute pression. Cela pourrait endommager la batterie ou la machine.

Repos hivernal

Bien que le Landroid®L soit un appareil très solide, nous vous recommandons néanmoins de le ranger dans une remise ou dans un garage pendant l'hiver. Avant de le ranger, laissez la batterie se recharger entièrement; cela lui évitera de s'abîmer. Puis débranchez le socle de recharge. Le fait de recharger régulièrement la batterie au cours de l'hiver est une bonne chose car cela permet de prolonger sa durée de vie. Il est raisonnable de la recharger entièrement une fois tous les 3 mois. D'autre part, nous vous conseillons également de recouvrir le socle avec une bâche en nylon pendant l'hiver.

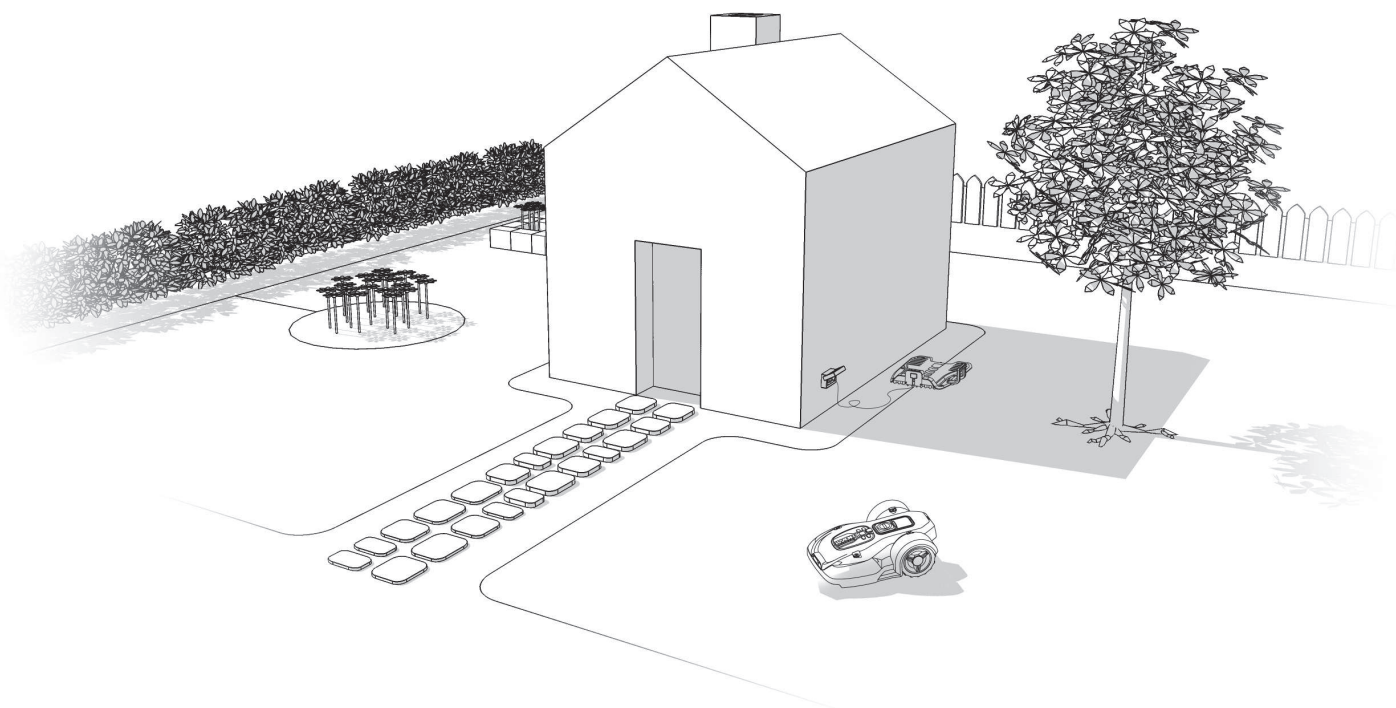
Sécurité

Le Landroid®L ne représente aucun danger pour les animaux et les personnes. D'une part, il existe un espace très large entre les lames et le bord extérieur de la machine. D'autre part, les capteurs d'inclinaison arrêtent automatiquement les lames lorsque l'appareil est soulevé.

Protection

Votre Landroid®L est protégé par un code PIN. Ce code permet d'en interdire l'utilisation aux personnes non autorisées. Une fois le Landroid®L sorti de son périmètre, il est impossible de le redémarrer sans connaître le code PIN. Mais cela signifie également que vous ne pourrez pas le redémarrer non plus si vous oubliez votre code PIN! C'est pourquoi nous vous recommandons fortement de noter votre code PIN sur cette page afin de pouvoir vous y référer en cas d'oubli. Ou mieux encore, inscrivez votre Landroid®L sur le site Internet www.worxlandroid.com et enregistrez votre code PIN. Vous pourrez ainsi y accéder à tout moment.

Écrivez votre code PIN ici



Come installare Landroid®L

46

L'installazione di Landroid®L è facile. In base alle dimensioni del giardino, l'intera procedura impiega un periodo breve di tempo. Se sei come noi, non ami sprecare prezioso tempo libero per falciare il prato. Landroid®L si dimostrerà un ottimo investimento perché non dovrai mai più falciare il prato.

Puoi guardare il video dimostrativo dell'installazione su: www.worxlandroid.com.

Landroid®L ama falciare il prato

È progettato per falciare spesso, mantenendo il prato più vigoroso e bello che mai. In base alle dimensioni del prato, Landroid®L può essere programmato per funzionare in qualsiasi orario e con qualsiasi frequenza, senza limitazioni. Fa il lavoro al posto tuo.

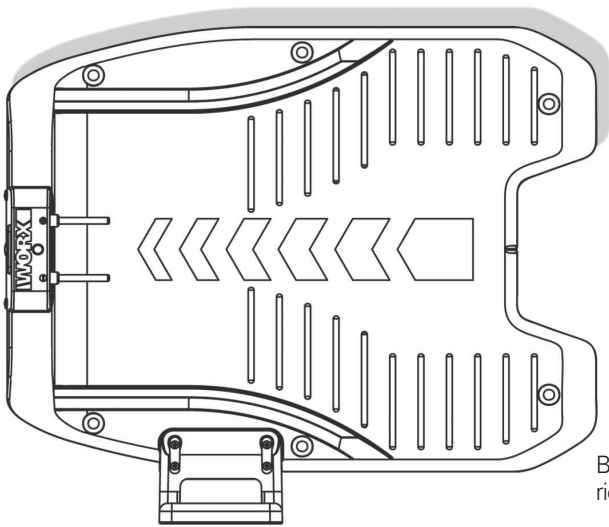
Costi operativi

Vi preoccupa il consumo elettrico? Facciamo un paio di conti: se fate lavorare Landroid®L 3 ore al giorno per 5 giorni la settimana, 25 settimane all'anno, il costo annuale di energia elettrica per il funzionamento di Landroid®L sarà di circa 8 €. Avete letto bene, 8 € all'anno. Una frazione di quello che spendereste in benzina per un rumoroso e inquinante tosaerba a scoppio.

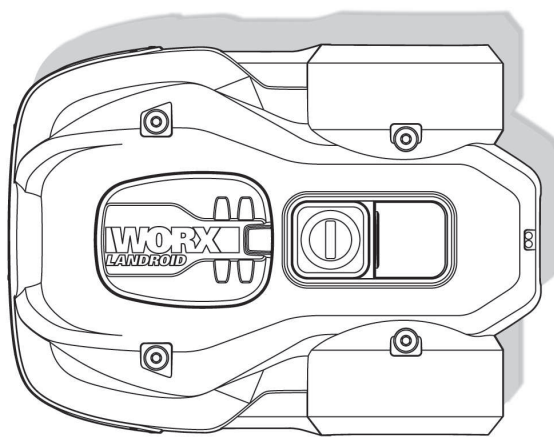
* Fonte: www.energy.eu

Preparazione

Nella confezione



Base di ricarica



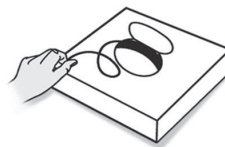
Landroid® L



6 Chiodi di ancoraggio



9 Lame di ricambio (3 set)



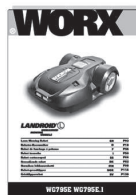
Bobina di filo perimetrale 200m



250 Chiodi perimetrali



Cavo di alimentazione con trasformatore CA/CC



Manuale dell'utente



Guida d'installazione

Distanziatore del filo perimetrale



Guida alla programmazione e alla risoluzione dei problemi



Dichiarazione di garanzia



Chiave allen

Dal tuo garage



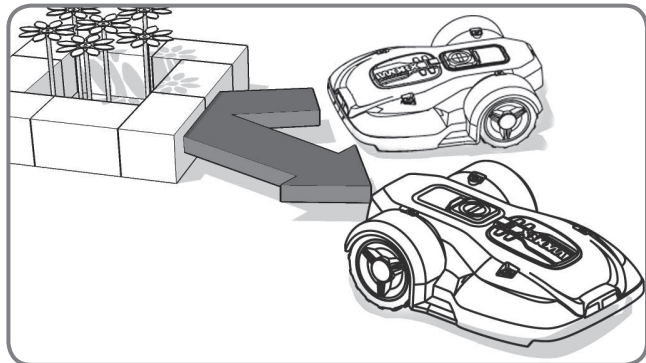
Forbici



Martello

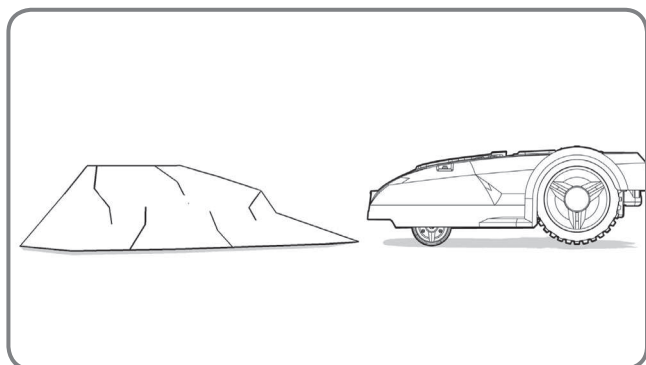
La nuova casa di Landroid®L: il vostro giardino

Iniziamo con uno sguardo più da vicino alla nuova casa di Landroid®L, il vostro prato, evidenziando le aree dove può tranquillamente andare e quelle che è meglio che Landroid®L eviti.



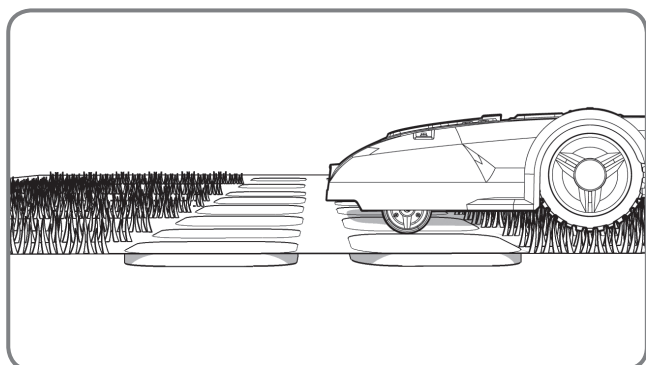
Ostacoli che possono essere urtati

Quando Landroid®L urta un ostacolo rigido, stabile e più alto di 15cm (ad esempio un muro o una palizzata), semplicemente si arresta e si dirige lontano dall'ostacolo.



Pietre

Pietre sufficientemente pesanti da non essere spostate da Landroid®L possono essere urtate, ma se presentano superfici inclinate su cui Landroid®L può arrampicarsi, devono essere rimosse o escluse dall'area di lavoro.

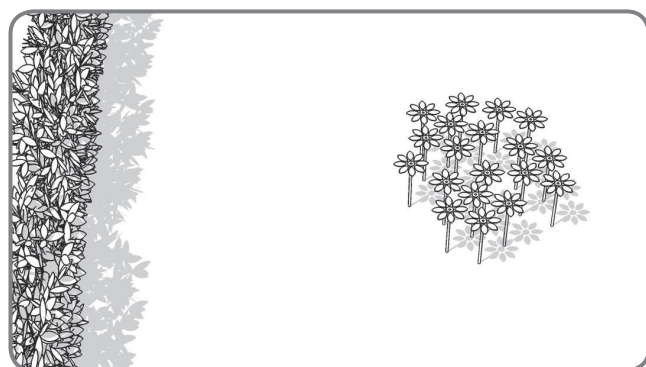
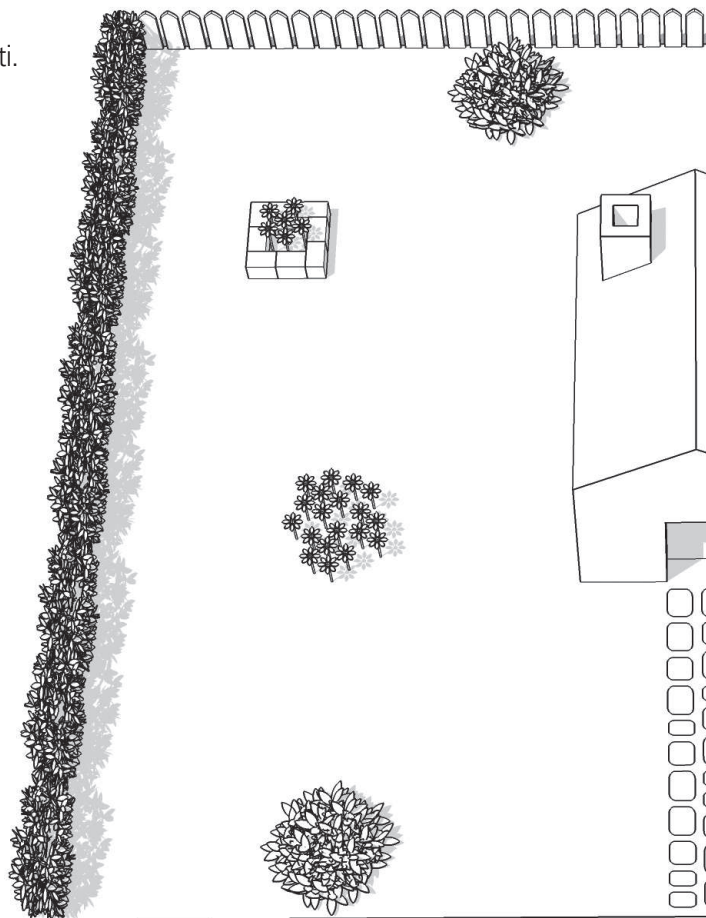


Vialetti

Se il vialetto è allo stesso livello del prato, senza nessuna sporgenza, Landroid®L può tranquillamente passarci sopra. Se si vuole che Landroid®L lo eviti, basta solo uno spazio di 10cm* tra il filo perimetrale e il vialetto.

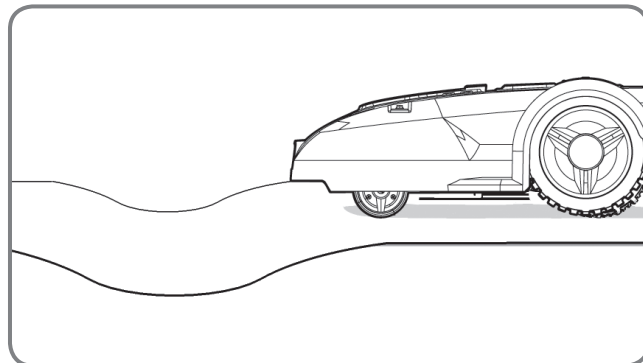
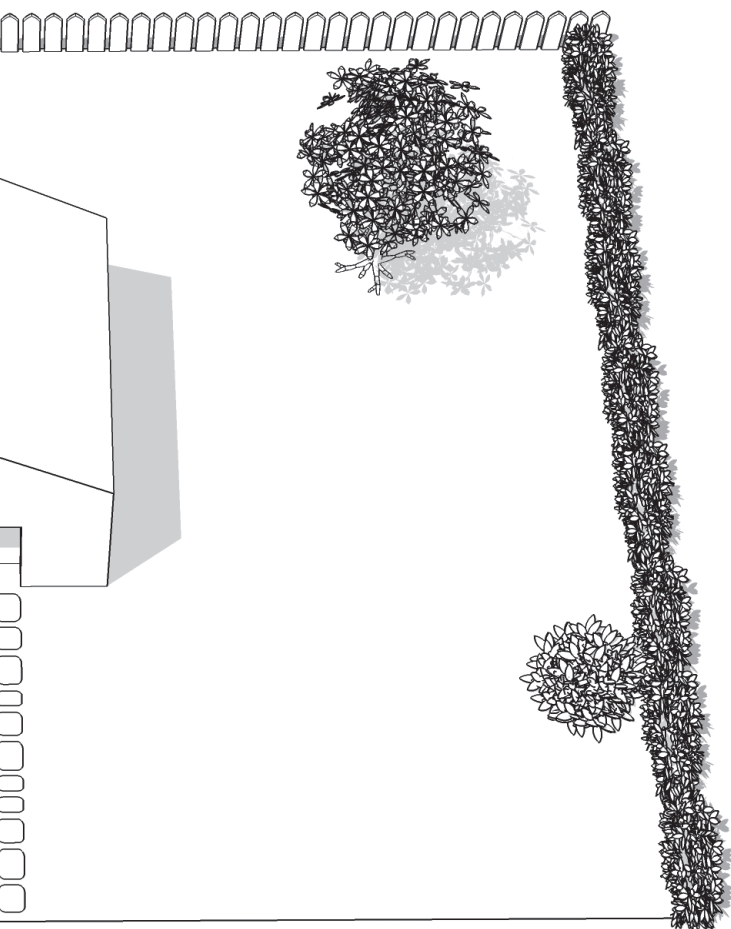
Se invece il vialetto è in ghiaia, è necessario evitare che Landroid®L si muova su di esso, utilizzando un distanziatore e lasciando uno spazio di 45cm*

*Questa è la distanza consigliata. Utilizzare il distanziatore per un'installazione adeguata.



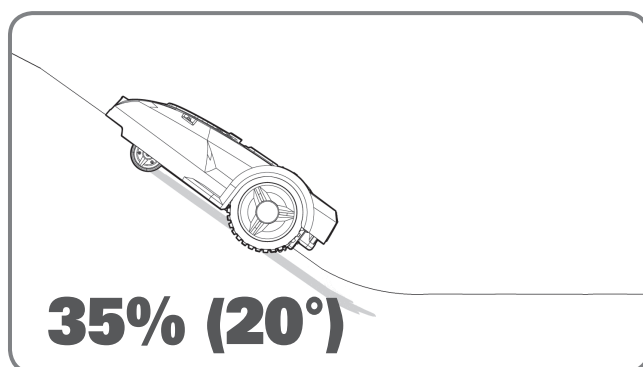
Aiuole, laghetti, piscine...

Sicuramente non vorrete che Landroid®L tagli i fiori né che cada in acqua, quindi queste aree devono essere escluse.



Avvallamenti e dossi

In caso di pendii accentuati, si dovrà valutare se le lame possano toccare il terreno. In tal caso, bisognerà procedere a smussare gli spigoli oppure a escludere queste zone dall'area di lavoro di Landroid®L.



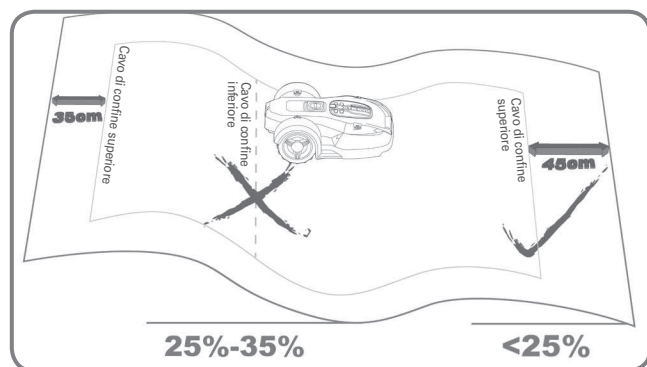
Superfici inclinate

Landroid®L può arrampicarsi su superfici inclinate fino a 35% (20°). Evitare pertanto superfici con un'inclinazione maggiore.



Alberi

Tuttavia, se vi sono radici che emergono dal terreno, l'area deve essere esclusa per evitare di danneggiarle.



Sistemazione dei cavi di confine sui pendii

Il cavo del confine superiore NON va sistemato su pendenze superiori al 35% (20°). Il cavo di confine superiore deve avere una distanza di almeno 35cm dagli ostacoli. Il cavo di confine inferiore NON va sistemato su pendenze superiori al 25% (15°). Il cavo di confine inferiore si deve trovare a una distanza di almeno 45cm dagli ostacoli quando si trova su una pendenza del 25%.

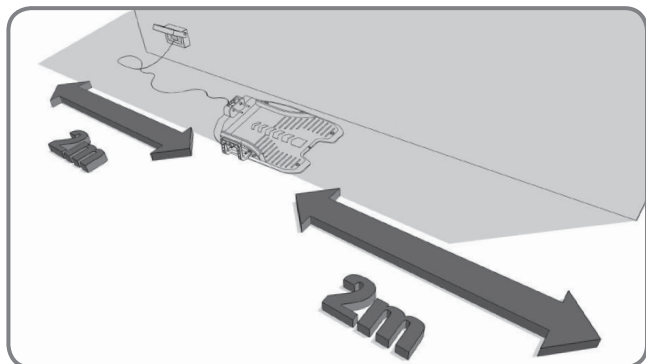
Delimitazione dell'area di lavoro di Landroid®L nel giardino

Landroid®L deve sapere dove tosare. Ecco perché è necessario delimitare la sua area di lavoro con il filo perimetrale che formerà una sorta di limite invisibile e che guiderà inoltre Landroid®L alla base di ricarica. Se anche i vostri vicini usano un Landroid®L, occorre mantenere una distanza di almeno 2 metri tra il cavo di confine e loro.

Tenere presente che il vostro Landroid®L, non riuscirà a ricevere un segnale dal cavo di confine se la distanza supera i 25 mt.

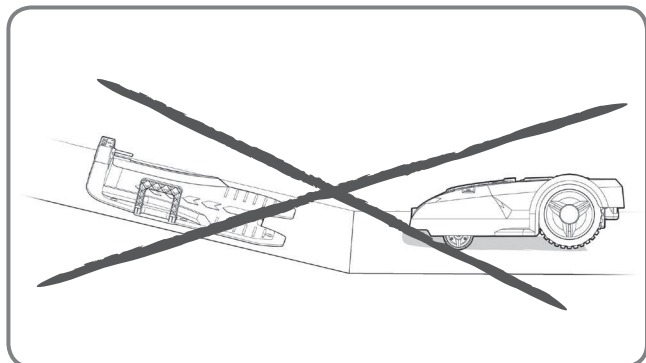
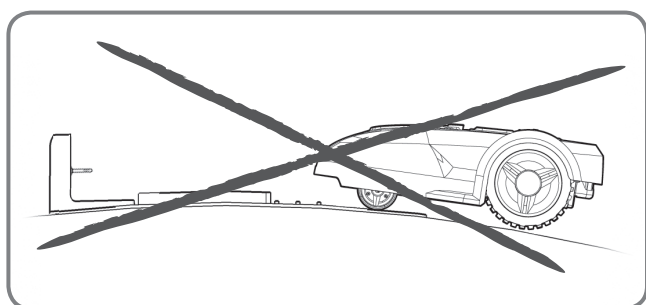
Prima di tutto, individuare il posto migliore in cui collocare la base di ricarica, tenendo in considerazione il punto in cui si trova la più vicina presa elettrica. La base di ricarica dispone di un cavo di alimentazione di 15m.

NOTA: Assicurarsi che il trasformatore e la presa di corrente siano sempre all'asciutto.

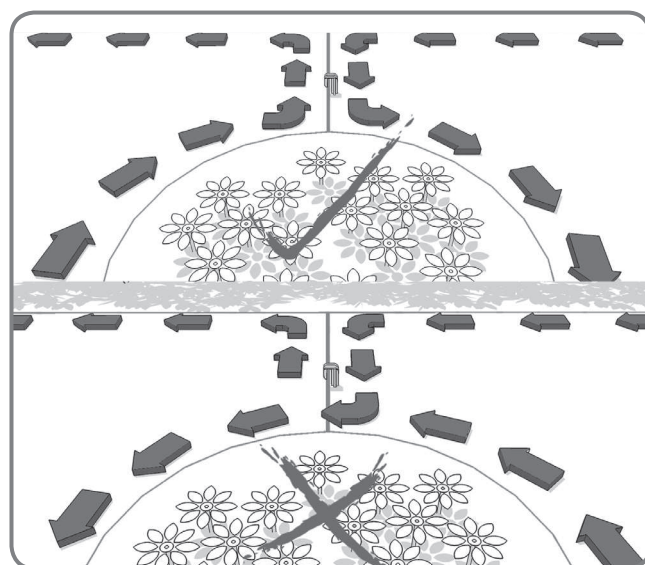
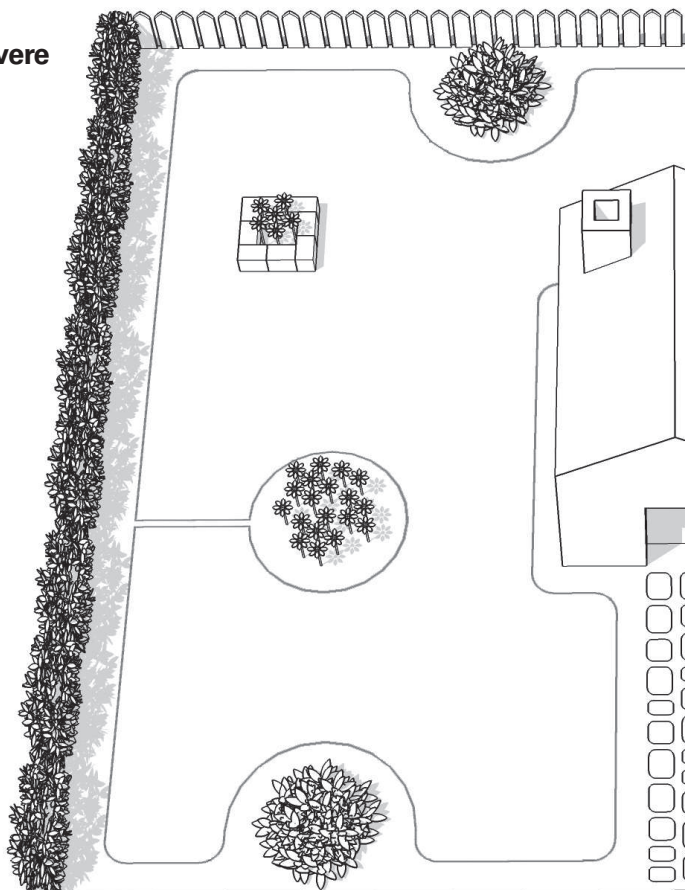


50

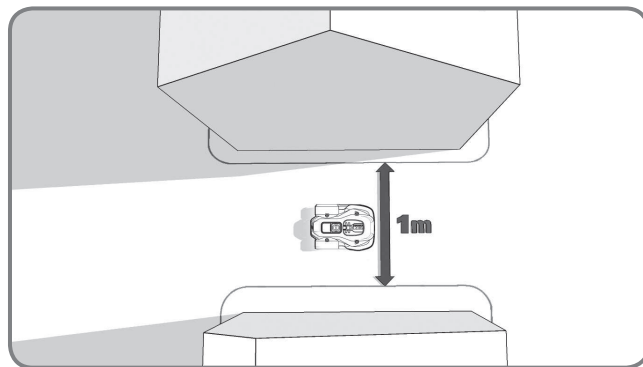
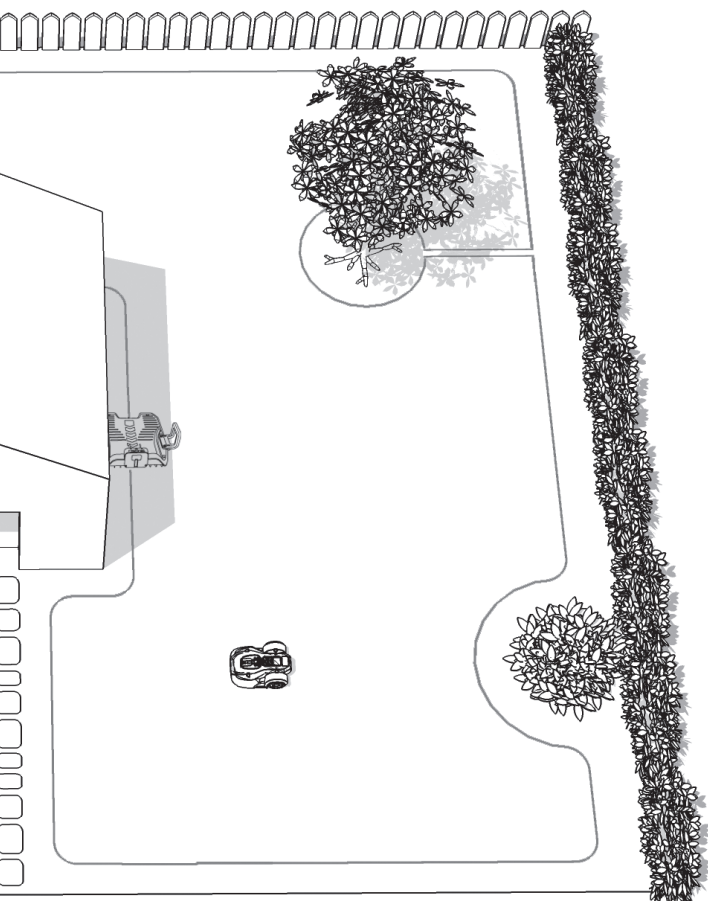
La base di ricarica deve essere collocata su una linea retta, con uno spazio di 2 metri sulla parte anteriore e posteriore. Se possibile, posizionare la base di ricarica all'ombra, in quanto le batterie si ricaricano più efficientemente in un posto fresco.



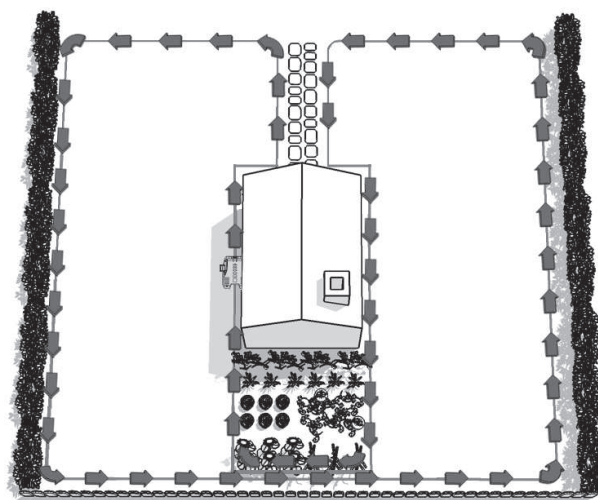
La base di ricarica deve essere collocata su una superficie piatta, priva di ostacoli.



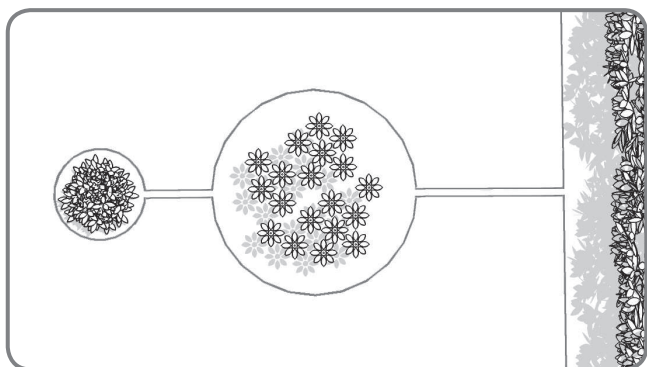
Chiameremo "isola" un'area all'interno del prato cui Landroid®L non avrà accesso. Il cavo perimetrale parte dal perimetro, prosegue dritto all'isola, la aggira e torna al perimetro, come mostrato dalle frecce nell'immagine.



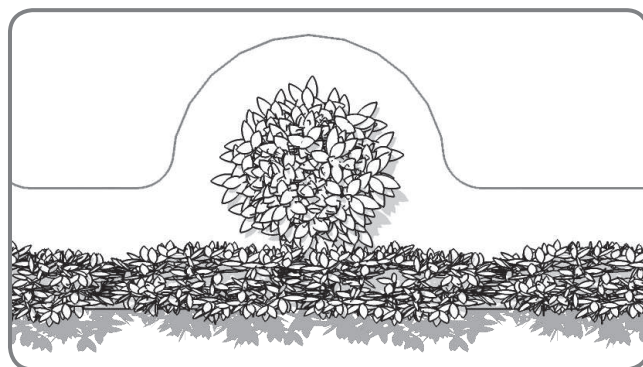
Se il prato è formato da due o più aree separate collegate da un passaggio, quest'ultimo deve essere largo almeno 1 metri.



Se i prati non sono collegati da un passaggio sufficientemente ampio, spostare manualmente Landroid®L sull'altro prato. Landroid®L toserà il prato senza problemi, ma sarà necessario riportarlo alla base di ricarica una volta scaricata la batteria.



Nel caso di due isole ravvicinate, sarà conveniente stendere il filo perimetrale come illustrato in precedenza. Landroid®L è in grado di muoversi liberamente sul filo perimetrale tra le isole e il perimetro stesso.

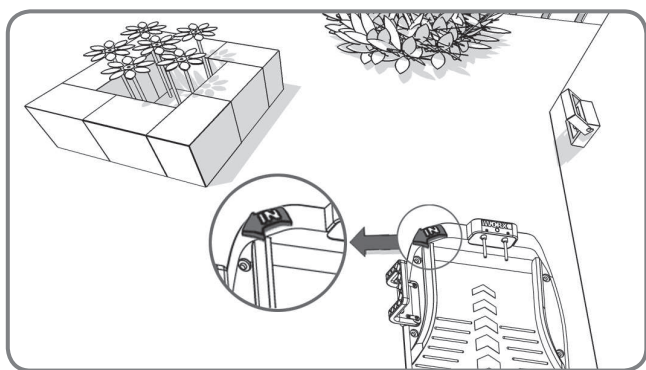


Una zona proibita che è vicina al perimetro deve essere parte del perimetro stesso, come mostrato nell'immagine.

Installazione

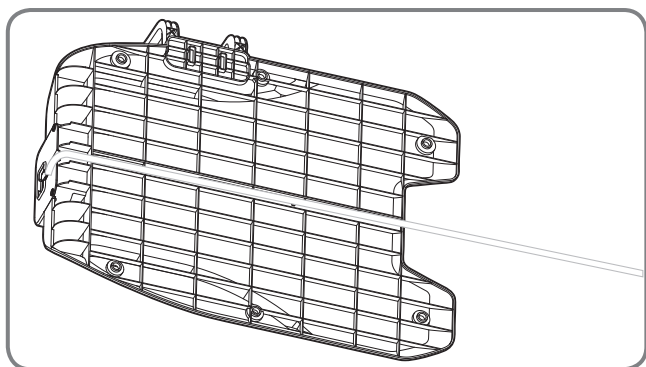
Per fissare il filo perimetrale

Si consiglia di tosare per la prima volta il prato nel punto in cui si deve stendere il filo utilizzando un normale tosaerba per prati. Questo assicurerà di stendere il filo il più vicino possibile al terreno in modo che Landroid®L non tagli accidentalmente il filo. Il filo perimetrale è alimentato a bassissima tensione ed è pertanto completamente sicuro per esseri umani e animali domestici.



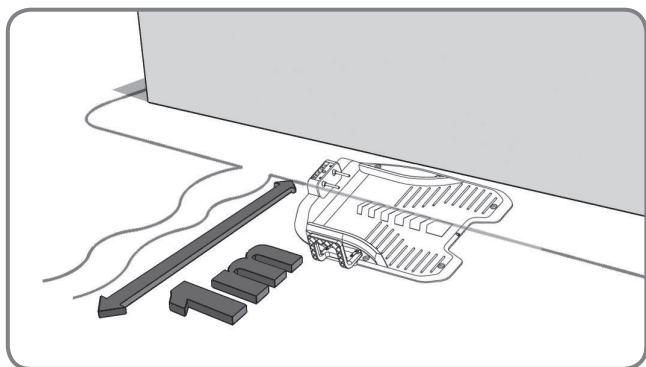
1

Collocare la base di ricarica nel posto stabilito, senza fissarla in modo definitivo. La freccia "IN" dovrà essere rivolta verso l'interno del prato.



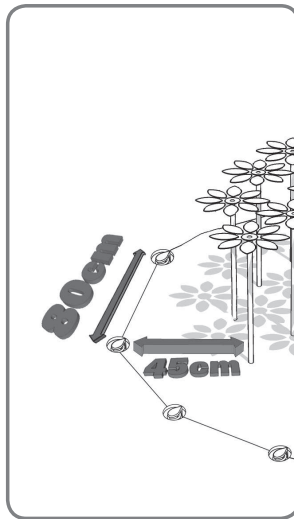
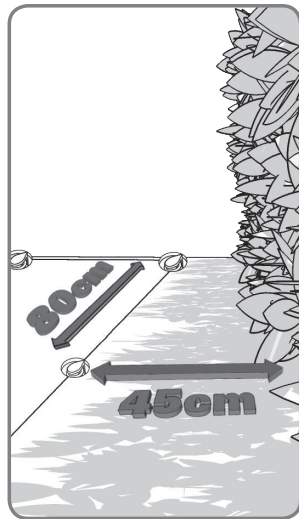
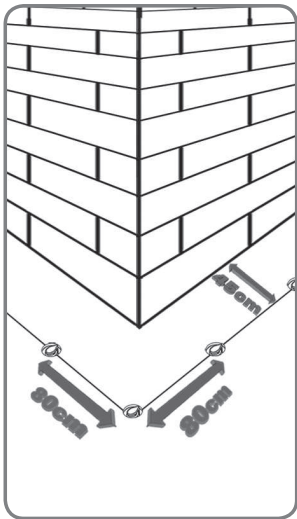
2

Fare passare il cavo di confine nel tunnel sotto la base di ricarica.



3

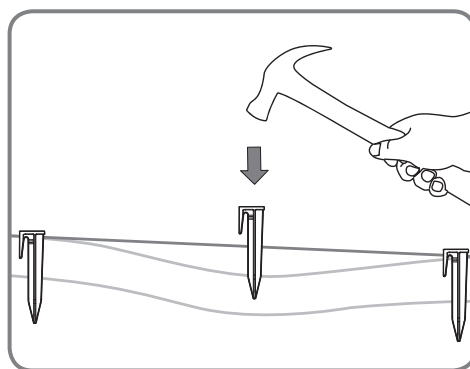
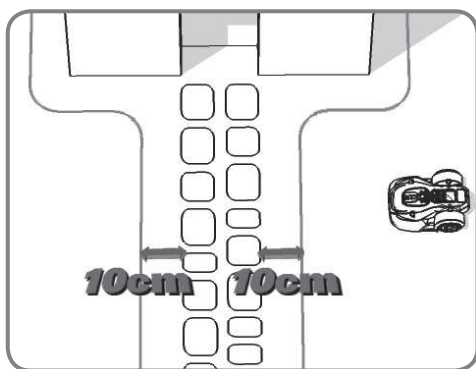
Lasciare circa 1 mt di cavo extra a partire dalla parte posteriore della base di ricarica e iniziare a fissare il cavo lungo il perimetro. Quando avete terminato di posare il cavo lungo il confine fino alla base di ricarica, lasciare un altro metro di cavo extra e poi tagliare.



4

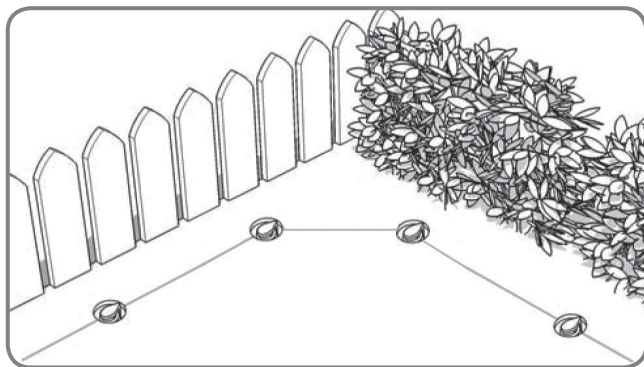
Quando si stende il filo perimetrale, utilizzare il distanziatore per mantenere uno spazio di 45cm* tra il filo e il perimetro. Tuttavia, in presenza di un ostacolo a livello del terreno e sicuro da percorrere per Landroid®L, come una vialetto o un marciapiede, è necessario solo uno spazio di 10cm*.

Ciascun picchetto deve essere posizionato ad una distanza di circa 80cm.



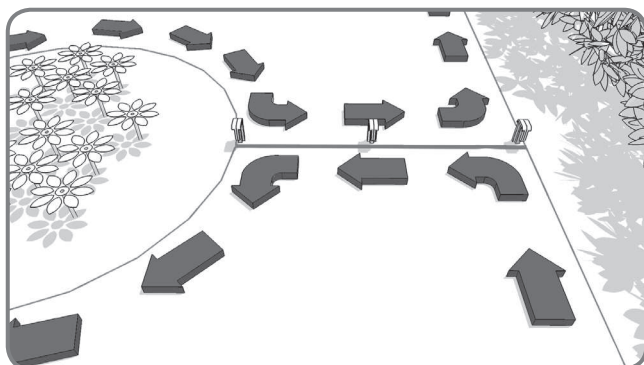
Inserire saldamente i picchetti nel terreno con il martello evitando di esercitare eccessiva pressione sul filo. Tenere il filo perimetrale e serrare i picchetti per evitare che si allenti.

* Questa è la distanza consigliata. Utilizzare il distanziatore per un'installazione adeguata.



5

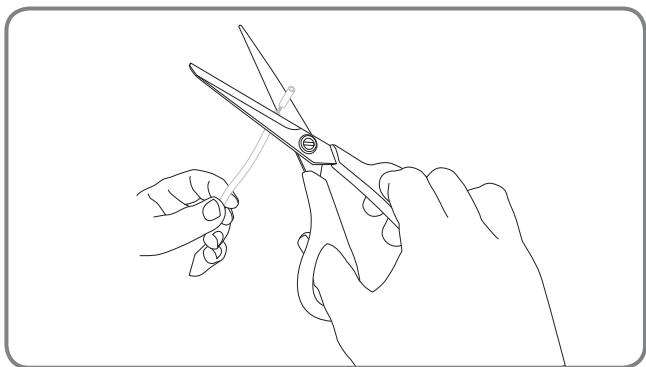
Assicurarsi che il filo sia teso.



6

Quando si crea un'isola col cavo perimetrale, seguire il percorso mostrato. Il cavo deve partire dal perimetro, definire l'isola, e poi tornare al perimetro. Il cavo perimetrale di andata deve essere posato adiacente a quello di ritorno tra l'isola ed il perimetro e deve essere fissato usando lo stesso picchetto. Durante il funzionamento Landroid®L sarà capace di transitare liberamente sopra questa parte di cavo.

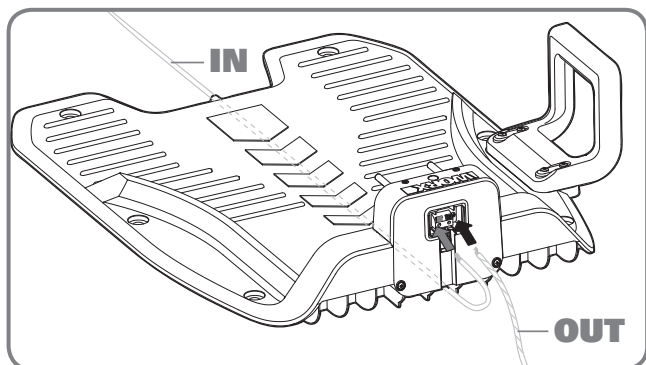
Collegare la base al filo perimetrale



1

Katkaise johtojen kaksi päätä pituuteen, jolla ne voi liittää helposti kiristimiin.

Kuori johtojen päät.



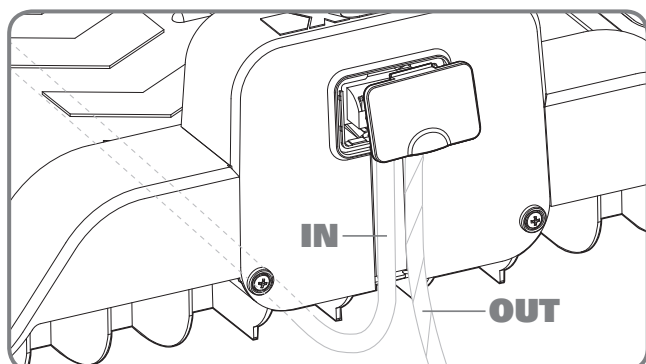
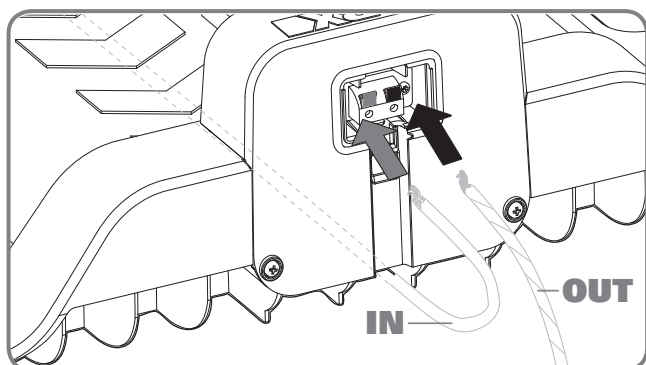
2

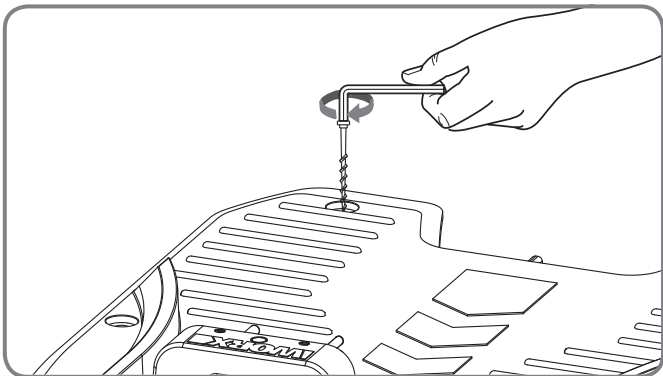
Kun liität latausalustan, huomioi IN (Sisään) -johto ja OUT (Ulos) -johto, kuten kuvassa. Collegare il filo IN al morsetto rosso della base di ricarica e il filo OUT al morsetto nero.

Quindi chiudere il coperchio.

54

I

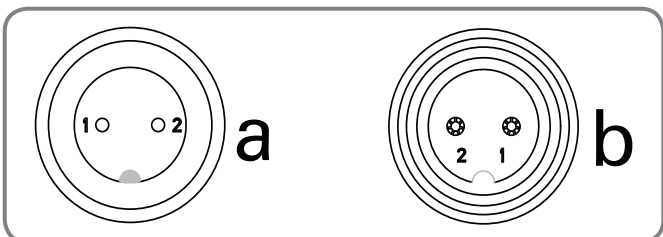




3

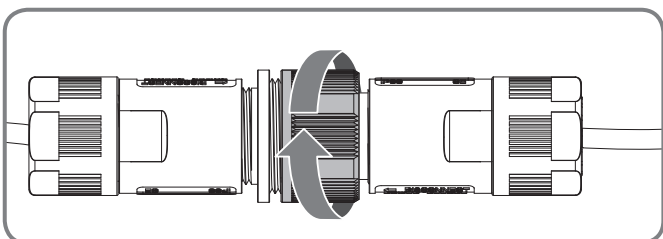
Ora si può procedere a fissare in maniera permanente la base di ricarica sul terreno serrando i picchetti di ancoraggio della base con la chiave esagonale in dotazione.

NOTA: Assicurarsi che la sezione d'ingresso del cavo sia diritta e si trovi sotto la parte centrale della base.



4

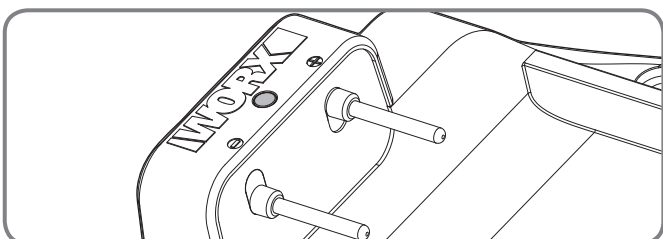
Collegare il cavo di alimentazione al trasformatore e quindi alla presa di rete CA. Il LED della base di ricarica si accende. Se il LED è spento, fare riferimento alla Guida alla risoluzione dei problemi. Quando si effettua il collegamento, allineare la tacca sul connettore del cavo di alimentazione (a) con la scanalatura sul connettore del trasformatore (b).



Assicurarsi di avvitare o svitare solo il pezzo evidenziato del connettore.

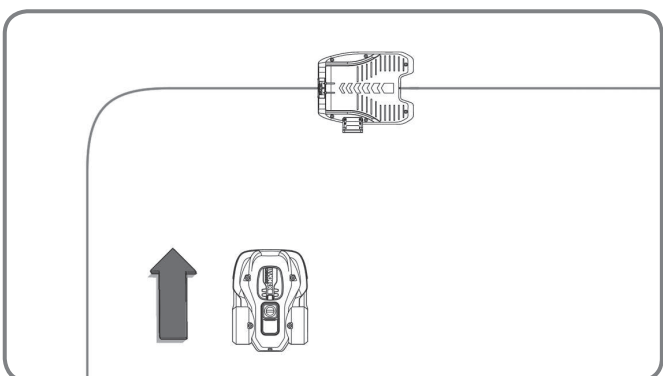
Se la luce verde non si accende controllare i collegamenti elettrici.

Se il cavo di alimentazione si trova all'interno dell'area di lavoro, potrebbe essere necessario interrarlo.



Accendere e testare l'installazione

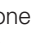
Questa è la parte eccitante in cui si accende Landroid®L per la prima volta.

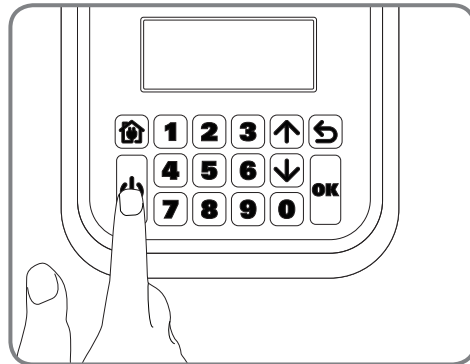
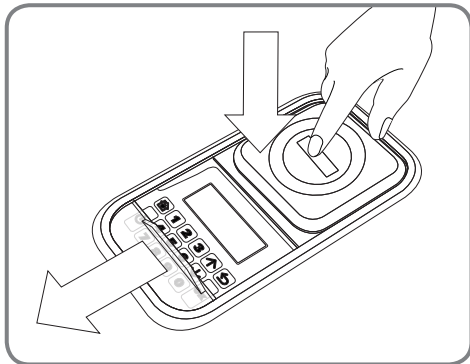



1

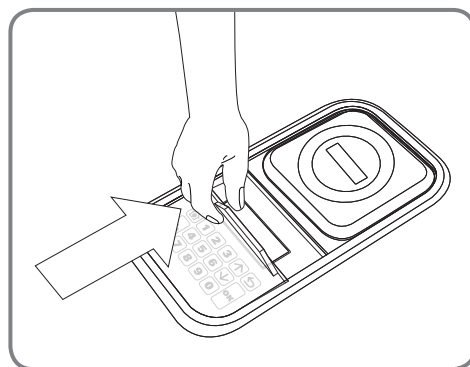
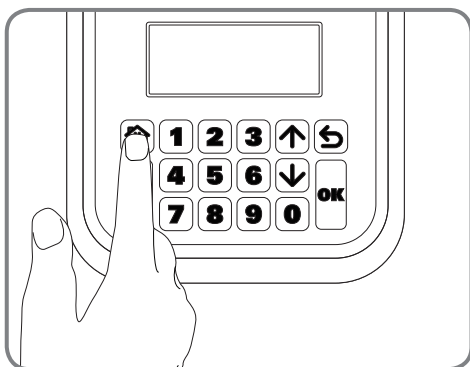
Posizionare Landroid®L all'interno dell'area di lavoro, a pochi metri di distanza dal retro della base di ricarica.

2

Aprire la finestra tastiera premendo il grande pulsante rosso sopra Landroid®L. Tenere premuto il tasto ON/OFF  di accensione finché Landroid®L non si accende.



Premere il tasto  e chiudere la finestra tastiera: Landroid®L quindi si muoverà fino alla base di ricarica. Guardare Landroid®L mentre torna alla base e modificare la posizione del cavo perimetrale, se necessario. Quando Landroid®L torna regolarmente alla base, significa che l'installazione è stata completata correttamente! Adesso Landroid®L inizierà a caricarsi.



NOTA: Se Landroid®L è nella base di ricarica nel momento in cui si è programmata la tosatura, basta premere il pulsante di ACCESSO e chiudere la finestra tastiera per riprendere il taglio.



Attenzione

- Se Landroid®L è all'esterno dell'area di lavoro, non si azionerà e sul display viene visualizzato il messaggio di errore **"fuori area di taglio"**. Riportare Landroid®L all'interno dell'area di lavoro e ripetere la fase 2.
- Se Landroid®L è all'interno del suo territorio ma il display visualizza il messaggio **"Fuori area di taglio"** e la luce LED è accesa,, significa che le estremità del cavo perimetrale sono state collegate in modo sbagliato. Invertire i collegamenti.
- Landroid®L deve rimanere sempre acceso. In caso di spegnimento, assicurarsi che alla riaccensione si trovi all'interno dell'area di lavoro.
- Se Landroid®L dovesse fermarsi accidentalmente, premere il tasto di ACCESSO, aprire lo sportello, e premere sul tasto ON/OFF per riaccenderlo, correggere i problemi e premere su 0 e chiudere lo sportello.

NOTA: Per ulteriori informazioni, consultare la Guida alla programmazione e alla risoluzione dei problemi.

Programmazione

Una volta terminata l'installazione è ora di passare alla programmazione del percorso di Landroid®L usando il tastierino, come mostrato di seguito. Fare riferimento alla Guida alla programmazione ed alla Guida alla risoluzione dei problemi fornite in dotazione.



È possibile trovare ulteriori particolari sui tempi di lavoro di default del Landroid®L nella tabella che segue:

Landroid®L WG795E – Durata rasatura automatica.

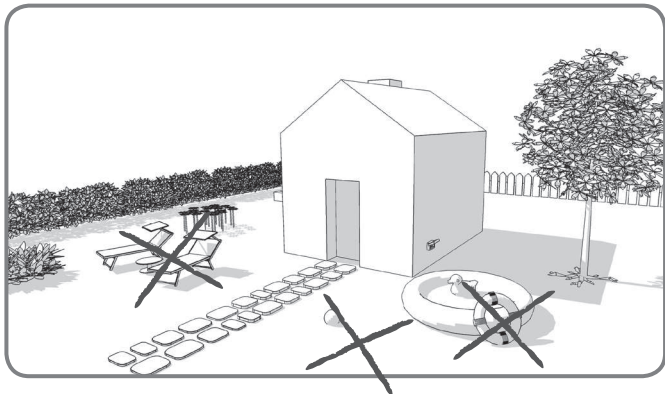
Area m ²	Durata rasatura auto Ore	Lunedì Ore di rasatura	Martedì ore di rasatura	Mercoledì Ore di rasatura	Giovedì ore di rasatura	Venerdì ore di rasatura	Sabato ore di rasatura	Domenica ore di rasatura
100	1.5	7:00-8:30	/	/	7:00-8:30	/	/	/
200	5	7:00-8:00	7:00-8:00	7:00-8:00	7:00-8:00	7:00-8:00	/	/
300	6	7:00-8:12	7:00-8:12	7:00-8:12	7:00-8:12	7:00-8:12	/	/
400	7.5	7:00-8:30	7:00-8:30	7:00-8:30	7:00-8:30	7:00-8:30	/	/
500	10	7:00-9:00	7:00-9:00	7:00-9:00	7:00-9:00	7:00-9:00	/	/
600	11	7:00-9:12	7:00-9:12	7:00-9:12	7:00-9:12	7:00-9:12	/	/
700	13	7:00-9:36	7:00-9:36	7:00-9:36	7:00-9:36	7:00-9:36	/	/
800	15	7:00-10:00	7:00-10:00	7:00-10:00	7:00-10:00	7:00-10:00	/	/
900	16.5	7:00-10:18	7:00-10:18	7:00-10:18	7:00-10:18	7:00-10:18	/	/
1000	18	7:00-10:36	7:00-10:36	7:00-10:36	7:00-10:36	7:00-10:36	/	/
1100	20	7:00-11:00	7:00-11:00	7:00-11:00	7:00-11:00	7:00-11:00	/	/
1200	22.5	7:00-11:30	7:00-11:30	7:00-11:30	7:00-11:30	7:00-11:30	/	/
1300	25	7:00-12:00	7:00-12:00	7:00-12:00	7:00-12:00	7:00-12:00	/	/
1400	26.5	7:00-12:18	7:00-12:18	7:00-12:18	7:00-12:18	7:00-12:18	/	/
1500	28	7:00-12:48	7:00-12:48	7:00-12:48	7:00-12:48	7:00-12:48	/	/

Pronti a partire?

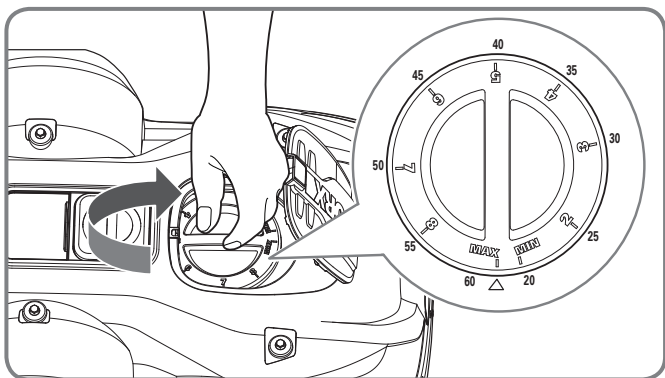
Landroid®L è progettato per mantenere l'erba all'altezza perfetta per tutta la stagione, ma non per deforestare una giungla.

In occasione del primo taglio,

1. È necessario tosare l'erba all'altezza desiderata.
2. Assicurarsi che l'area di lavoro sia priva di oggetti quali giocattoli e rami...



3. Alla prima tosatura, regolare l'altezza di taglio al livello massimo, quindi regolarla all'altezza preferita.



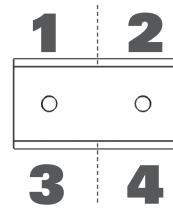
La prossima stagione fate in modo che Landroid®L venga messo in funzione presto, quando l'erba è ancora corta, in modo da evitare il taglio preliminare.

Mantenere affilate le lame



Indossare sempre i guanti quando si regolano le lame.

Ogni lama del Landroid®L ha 4 estremità taglienti. A seconda della frequenza con cui Landroid®L tosa l'erba del giardino e per ottenere un taglio perfetto, le lame devono essere periodicamente capovolte/ruotate. Ad esempio se Landroid®L è programmato per rasare l'erba ogni giorno, le lame devono essere ruotate ogni mese per garantire una tosatura ottimale. Ogni lama durerà 4 mesi se il dispositivo è programmato per tagliare l'erba ogni giorno. Quando le lame sono smussate e usurate devono essere sostituite dalle lame di ricambio fornite con Landroid®L. Le lame di ricambio sono anche disponibili dal rivenditore WORX più vicino.



Manutenzione

Landroid®L è progettato e costruito per rimanere all'esterno, incurante delle condizioni atmosferiche avverse. Landroid®L necessita soltanto di una pulizia periodica dai frammenti d'erba che si accumulano per una tosatura senza problemi, anno dopo anno, stagione dopo stagione. Non lavare l'apparecchio con pistole ad alta pressione. Possono danneggiarne la batteria.

Rimessaggio invernale

Sebbene sia resistente, si consiglia di riporre Landroid®L nella rimessa o nel garage durante l'inverno. Prima del rimessaggio invernale, effettuare una carica completa di Landroid®L per prevenire possibili danni alla batteria. Sarà quindi possibile scollegare la spina della base di carica. Un buon sistema per prolungare la vita utile della batteria è di ricaricarla periodicamente durante l'inverno. Una carica completa ogni 3 mesi sarà sufficiente. Si consiglia inoltre di coprire la base con un foglio di nylon durante l'inverno.

Sicurezza

Landroid®L è sicuro per esseri umani e animali domestici. Prima di tutto, vi è una grande distanza tra il bordo esterno della macchina e le lame. Inoltre, i sensori di inclinazione arrestano immediatamente le lame se l'unità viene sollevata dal terreno.

Protezione

Landroid®L è protetto con un codice PIN, che impedisce l'utilizzo del prodotto da parte di persone non autorizzate. Una volta portato fuori dalla sua area di lavoro, non potrà essere riavviato da nessuno che non conosca il codice PIN. Ciò significa che il proprietario stesso non sarà in grado di riavviare Landroid®L nel caso in cui dimentichi il PIN! Si consiglia caldamente di annotare il codice PIN qui per riferimenti futuri. Meglio ancora: registrare Landroid®L online sul sito www.worxlandroid.com e registrare il codice PIN. Sarà sempre possibile accedere al proprio codice PIN online.

Annotare qui il codice PIN

www.worxlandroid.com

WORX
it's your nature