

the 3X Bluicer™

BJB615 / SJB615



EN QUICK GUIDE

FR GUIDE RAPIDE

IT GUIDA RAPIDA

PT MANUAL RÁPIDO

DE KURZANLEITUNG

NL SNELSTARTGIDS

ES GUÍA RÁPIDA

Sage®



Contents

- 2 Sage Recommends Safety First
- 6 Components
- 7 Assembly
- 10 Functions
- 12 Care & Cleaning
- 14 Troubleshooting

SAGE® RECOMMENDS SAFETY FIRST

At Sage® we are very safety conscious. We design and manufacture consumer products with the safety of you, our valued customer, foremost in mind. In addition we ask that you exercise a degree of care when using any electrical appliance and adhere to the following precautions.

IMPORTANT SAFEGUARDS

READ ALL INSTRUCTIONS BEFORE USE AND SAVE FOR FUTURE REFERENCE

- Before using the first time ensure your electricity supply is the same as shown on the label on the underside of the appliance. This appliance is equipped with a power cord having a grounding wire with a grounding plug. The appliance must be grounded using a properly grounded outlet. This appliance incorporates an earth connection for functional purposes only.
- Do not, under any circumstances, cut or remove the third (ground) prong from the power cord or use an adapter.
- Consult a qualified electrician if the grounding instructions are not completely understood, or if doubt exists as to whether the appliance is properly grounded.
- The installation of a residual current safety switch is recommended to provide additional safety when using all electrical appliances. Safety switches with a rated operating current not more than 30mA are recommended. Consult an electrician for professional advice.

- Remove and discard any packaging materials safely, before first use.
- To eliminate a choking hazard for young children, discard the protective cover fitted to the power plug safely.
- Always ensure the appliance is properly assembled, as per instructions, before use. Using the appliance without being properly assembled may cause product malfunction, product damage or pose safety risk including personal injury.
- This appliance is for household use only. Do not use the appliance for anything other than its intended purpose. Do not use in moving vehicles or boats. Do not use outdoors. Misuse may cause injury.
- Position the appliance on a stable, heat resistant, level, dry surface away from the counter edge, and do not operate on or near a heat source such as a hot plate, oven or gas hob.
- Fully unwind the power cord before operating.
- Do not let the power cord hang over the edge of a counter or table. Do not let the power cord touch hot surfaces or become knotted.
- Do not leave the appliance unattended when in use.
- If the appliance is to be left unattended, cleaned, moved, assembled or stored, always switch off the appliance by pressing the ON | OFF button to OFF. Switch off and unplug from the power outlet.
- Turn the appliance OFF, then unplug from the outlet when not in use, before assembling or disassembling parts and before cleaning. To unplug, grasp the plug and pull from the outlet. Never pull from the power cord.
- Regularly inspect the power cord, plug and actual appliance for any damage. If found to be damaged in any way, immediately cease use of the appliance and return the entire appliance to the nearest authorised Sage Service Centre for examination, replacement or repair.
- Keep the appliance and accessories clean. Follow the cleaning instructions provided in this book. Any procedure not listed in this instruction booklet should be performed at an authorised Sage Service Centre.
- This appliance is not intended for use by children or by persons with reduced physical, sensory, or mental capabilities, or lack of experience and knowledge. Close supervision is necessary when any appliance is used

- near children. Children should be supervised to ensure that they do not play with the appliance.
- Children should not play with the appliance.
 - Cleaning of the appliance should not be carried out by children.
 - The appliance power cord, and any components, attachments or accessories should be kept out of reach of children aged 8 years and younger.
 - Never use attachments or accessories that are not supplied with this product or authorised by Sage to be used on this product. Failing to follow this instruction may cause product malfunction, product damage or even pose safety risk.
 - Do not attempt to operate the appliance by any method other than those described in this booklet.
 - Do not move the appliance while in operation.
 - Do not operate the appliance on an inclined surface.
 - Do not push food into the feed chute with your fingers or other utensils. Always use the food pusher provided. Do not place hand or fingers into the food chute when it is attached to the appliance.
 - Do not juice stone fruit unless seeds and/or stones have been removed.
 - Make sure the product is turned OFF and the stainless-steel filter basket has stopped rotating and the motor has completely stopped before releasing the safety locking arm and/or attempting to move the appliance, when the unit is not in use, and before disassembling, cleaning and storing.
 - Any significant spillage onto the surface under or around the appliance, or onto the appliance itself, should be cleaned and dried before continuing to use the appliance.
 - Be careful when handling the stainless-steel filter basket as the small cutting blades at the base of the filter basket are very sharp. Mishandling may cause injury.
 - Blender blades are sharp, take care when handling, emptying and cleaning the blender jug.
 - Remove rind from all citrus fruit before juicing.
 - Do not use the appliance if the rotating sieve (filter basket) or lid is damaged.
 - Always make sure juicer cover is clamped securely in place before motor is turned on.
 - Do not operate without the pulp container in place.

- Do not unfasten interlock arm while unit is in operation.
- Do not juice more than 3kg (approximately 6 pounds) of carrot at a time.
- Avoid putting the blender jug on the motor base while the motor is still spinning.
- Do not operate without any ingredients in the jug.
- Never attempt to operate with damaged blades, or with utensils, or any foreign objects inside the jug.
- Do not put the jug in extremes of heat or cold, for example placing a cold jug into hot water, or vice versa.
- Lid must be firmly secured to the jug before operation to ensure internal contents do not escape, spray or overflow.
- Do not remove the jug from the motor base while blender is in use.
- Do not use blender while **OVERLOAD PROTECTION** is flashing on the LCD. If this occurs, unplug the blender and wait for 30 minutes until the motor has cooled. Once cooled, you will be able to use the blender as usual again.

- Do not process hot or boiling liquids. Allow to cool before placing into the blender jug.
- To protect against electric shock, do not immerse the power plug, cord or appliance in water or any liquid.
- Do not use the appliance if the power cord, power plug, or appliance becomes damaged in any way. If damaged and maintenance other than cleaning is required please contact Sage Customer Service or go to sageappliances.com



The symbol shown indicates that this appliance should not be disposed of in normal household waste.

It should be taken to a local authority waste collection centre designated for this purpose or to a dealer providing this service. For more information, please contact your local council office.

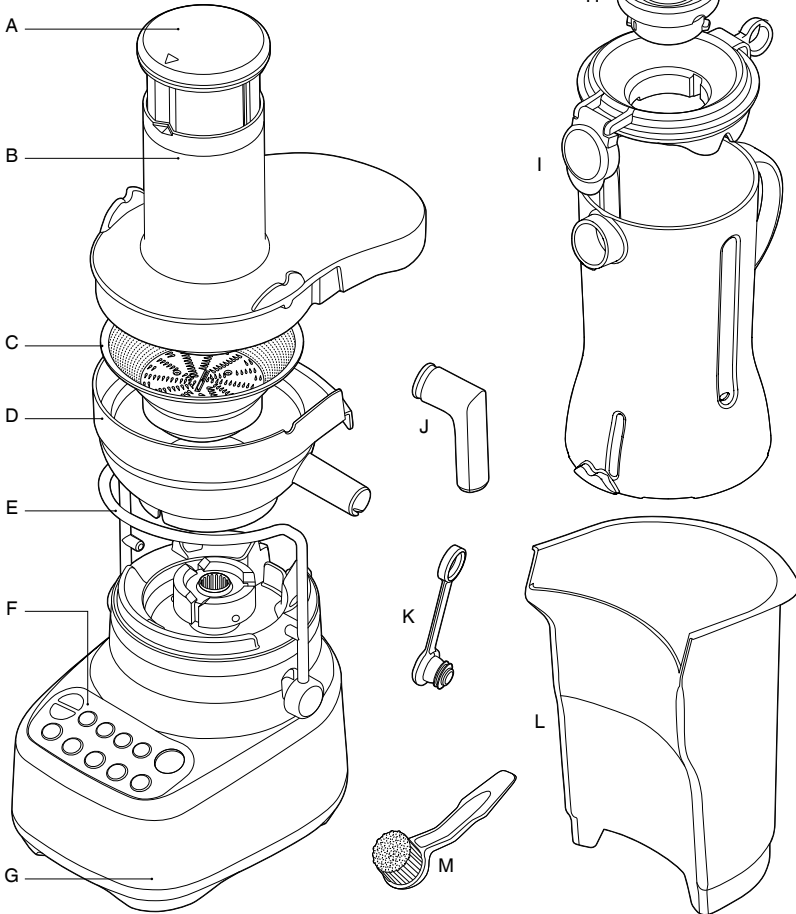


To protect against electric shock, do not immerse the, power base, power cord or power plug in water or allow moisture to come in contact with these parts. Avoid spilling water onto the power base's connector. Do not immerse the power base for cleaning.

SAVE THESE INSTRUCTIONS



Components



- A. Food pusher (not dishwasher safe)
- B. Juicer cover (dishwasher safe)
- C. Stainless steel filter basket (dishwasher safe)
- D. Filter bowl surround (dishwasher safe)
- E. Interlocking safety arm
Stops motor base operating without cover locked into place.
- F. Control panel
- G. Durable motor base
- H. Inner measuring cup (dishwasher safe)
- I. 1.5 litre blending jug & lid (dishwasher safe)
- J. Juicing nozzle (dishwasher safe)
Can be placed over spout to juice directly into a cup.
- K. Drip stop plug (dishwasher safe)
- L. Pulp container (dishwasher safe)
- M. Cleaning brush (to clean the filter basket)

CE Rating Information
220-240V~ 50Hz 1000W



Assembly

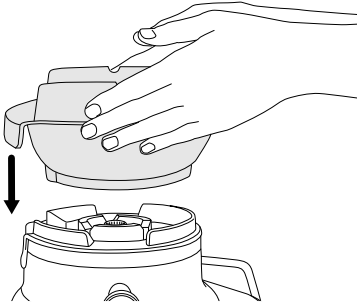
BEFORE FIRST USE

Wash the lid, inner measuring cup, jug, the filter bowl surround, filter basket, juicer cover, food pusher and pulp container in warm, soapy water with a soft cloth. Rinse and dry thoroughly.

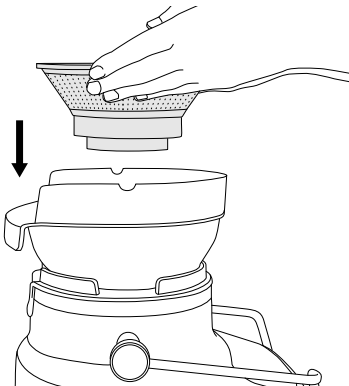
Place motor base on a flat, dry surface such as a countertop. Ensure that the appliance is switched to OFF at the motor base and the power cord is unplugged.

JUICING

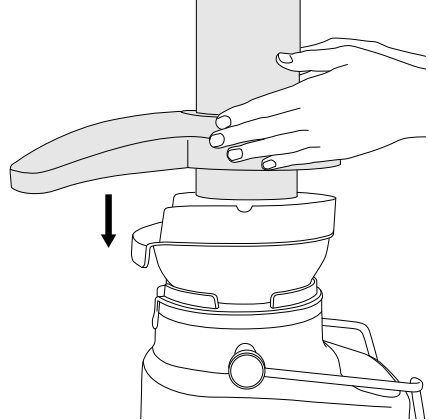
1. Place filter bowl surround on top of the motor base.



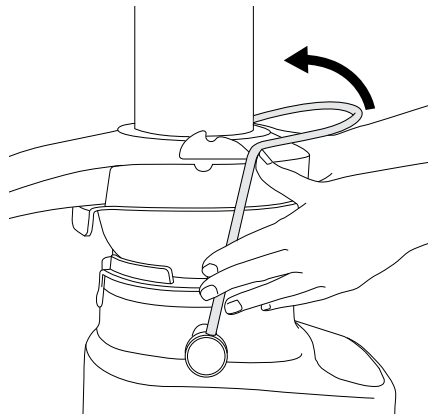
2. Align the arrows at the base of the stainless-steel filter basket with the arrows on the motor drive coupling and push down until it clicks into place to create a secure fit with the motor base.



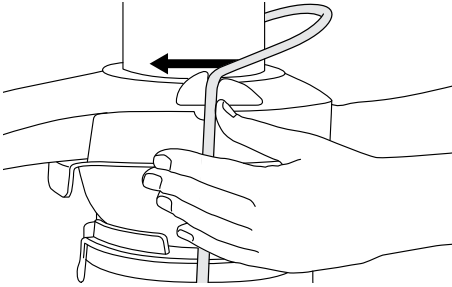
3. Place the juicer cover over the filter bowl surround, positioning the lower part of the feed chute over the stainless steel filter basket.



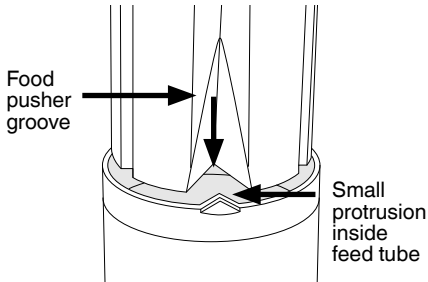
4. Raise the safety locking arm up and locate into the two grooves on either side of the juicer cover.



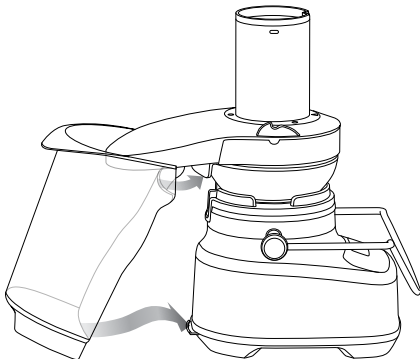
5. The safety locking arm should now be in a vertical position and locked into place on top of the juicer cover.



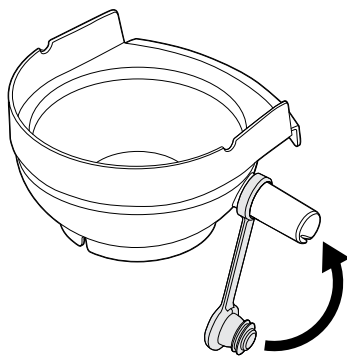
6. Slide the food pusher down the food chute by aligning the groove in the food pusher, with the small protrusion on the inside of the top of the feed tube.



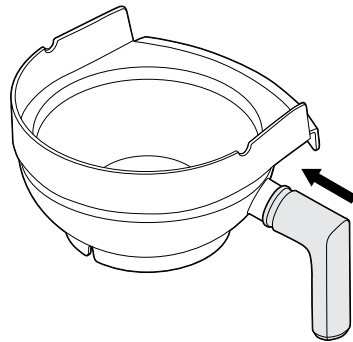
7. Place the pulp container into position by tilting and lifting the motor base slightly. Insert the pulp container under the juicer cover on the back ensuring the front edge is tucked under the back lip of the filter bowl surround and the bottom edge is clipped into the bottom of the motor base.



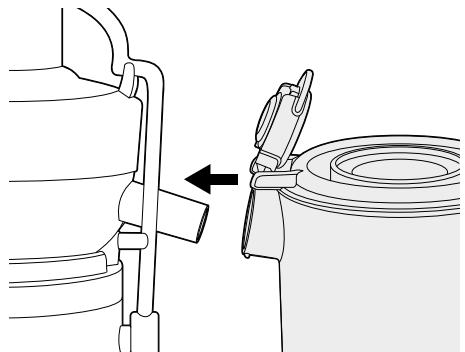
8. Drip stop plug can be fitted over juice outlet nozzle. It then allows the outlet to be plugged to prevent dripping after juicing.



9. Optional: For juicing into a cup the Juicing Nozzle can be fitted onto the juice outlet nozzle.

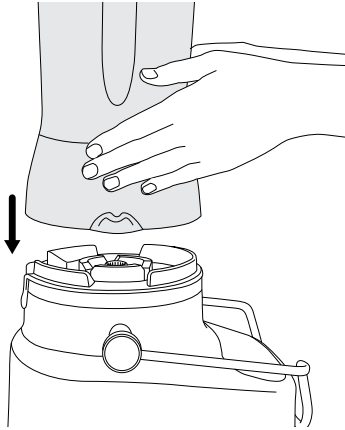


10. Fit the lid to the blender jug and position jug under juice spout.

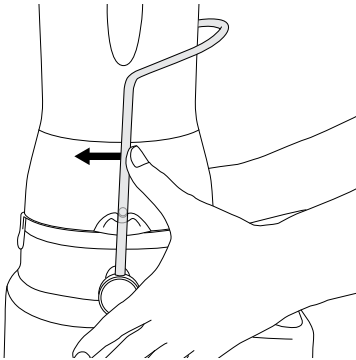


BLENDING

1. With the blender jug in the upright position place it on the motor base. The handle of the blender can be positioned to the left or right-hand side of the appliance.

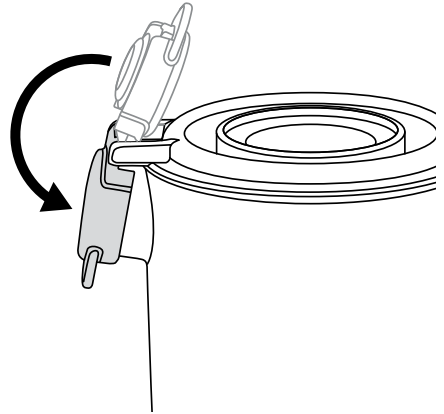


2. Raise the safety locking arm up and locate into the two grooves on either side of the blender.



3. Add food or liquid into the blender jug ensuring not to exceed the 'MAX' mark. Place the blender lid firmly into position on the top of the blender jug. Insert the clear, inner measuring lid into the blender lid and turn clockwise to lock into position. The jug features a Sage Assist™ Lid. This allows the lid to fit tightly onto the blender jug, avoiding displacement during operation.

4. Do not fill the blender jug above the 'MAX' line.
5. Ensure the spout cover of the blender lid is clipped into place and closed. The ring pull design allows the user to easily remove the lid with a simple leverage action.

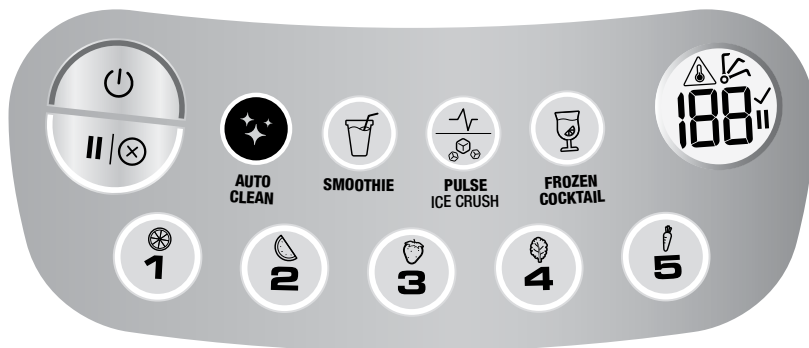


After appliance is assembled into blender or juicer configuration, plug power cord into a 220–240V power outlet and turn on.

Press the ON / OFF button to turn the appliance on. The ON / OFF button will illuminate. The LCD timer screen will illuminate with '0:00' displayed.



Functions



GETTING STARTED

The ON / OFF button powers the unit into READY mode.

PRESET PROGRAMS

BLENDING

The appliance has 4 preset functions: Smoothie, Pulse / Ice Crush, Auto Clean and Frozen Cocktail. These pre-programmed cycles automatically adjust the blending time and speeds to optimise blending results. These programs are only activated when your appliance is in blender set up. They can't be used when your appliance is set up in juicing configuration.

Select the required function by pressing the corresponding function button. The unit will start to operate, and the selected function button will illuminate. The timer will start to count down and program will end automatically when it reaches '0:00'.

The program and timer can be paused by pressing the pause button. Resume by pressing program button again, or cancel by pressing pause again.

The program can also be cancelled at any time by pressing the ON/OFF button. The timer will reset to 0:00

Smoothie

For dairy-based smoothies, a combination of speeds and pulses are designed to combine and aerate ingredients into a smooth and creamy texture.

Pulse / Ice Crush

A program of continuous pulsing designed to chop food into an even consistency or crush ice cubes. Use the PULSE button when the food that is being processed is too thick or coarse to circulate within the blender jug.

The maximum amount of ice cubes the blender can blend at any one time without liquid in the jug is 1 standard ice tray or 250g.

Frozen Cocktail

For creating ice-based cocktails and drinks like Margaritas, Daiquiris and Slushies, an ice crush program is followed by a short blend.

Auto Clean

Use to remove most of the ingredients off the blender walls and blades. Add 2 cups of warm, soapy water and press the clean button. For harder to clean, sticky or thick ingredients, add ½ teaspoon of dishwashing detergent for extra cleaning power.

For best results, clean the blender jug this way immediately after use. The Auto Clean function only cleans the blender jug. It doesn't clean the juicer.

Speed Control Selection

There are 5 speed buttons. Speed 1 combines more delicate foods with a folding motion, good for combining wet and dry ingredients. Speed 5 is the fastest setting and is ideal for breaking down ingredients to create sauces, salad dressings and other finely blended mixtures.

JUICING

Most fruit and vegetables such as apples, carrots and cucumbers will not need to be cut or trimmed to size as these will fit whole into the feed chute. Ensure vegetables such as beets, carrots etc. have

all soil removed, are washed well and trimmed of leaves before using.

1. Plug the power cord into your 220–240V power outlet.



IMPORTANT

Do not load feed chute with produce before the Juicer has reached the selected speed.

2. Turning the Juicer On

Select desired speed setting by pressing button 1-5. Use lower numbers (1-3) for soft fruits and vegetables and higher numbers (4 and 5) for hard fruits and vegetables. See Speed Selector Guide table on the next page to match speed and produce type for maximum yield. "Low" range, while it may not maximise yield of some produce, allows you to extract juice at a significantly lower noise.

3. With the motor running, place food into the feed chute and use the food pusher to gently guide food down. To extract the maximum amount of juice, always push the food pusher down slowly.

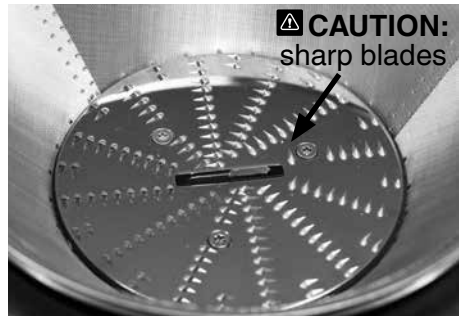
4. Full Blender Jug

You can keep juicing until the jug is filled to MAX. level.



WARNING

Never use fingers, hands or utensils to push food down the feed chute or to clear the feed chute. Always use the food pusher provided.



The stainless steel filter basket contains small sharp blades to cut and process fruit and vegetables. Avoid touching the blades when handling the filter basket.

SPEED SELECTOR GUIDE

FOOD TYPE	SPEED
APPLES	5
BABY SPINACH	5
BETROOTS	5
CAPSICUMS	5
BLUEBERRIES	3
BROCCOLI	4
CABBAGE	5
CARROT	5
CELERY	2
CITRUS FRUITS (peeled)	1
CUCUMBER	2
GINGER	4
GRAPES (seedless)	2
HONEYDEW MELON (peeled)	3
KALE	4
KIWI (peeled)	4
MANGO (peeled, stone removed)	2
MINT	5
PEACH (pit removed)	2
PEARS	4
PINEAPPLE (peeled)	4
RHUBARB	4
SQUASH	5
STRAWBERRIES	3
TOMATOES	3
WATERMELON (peeled)	2
ZUCCHINI	4



Care & Cleaning

Ensure the motor base is turned off by pressing the ON / OFF button. Then unplug the power cord.

CLEANING

1. Remove Blender Jug.
2. Disengage Locking Bar, pull up entire Juice Collector Assembly and take to sink.
3. Remove Pulp Container.

Empty as much pulp as possible into bin/compost. Rinse all parts after use (except the motor base) under running water to clear away the majority of juice and pulp. Wash in warm soapy water with a soft cloth.

To avoid food drying on to the blades, mesh or transparent parts, rinse and wash as soon as possible after use.

PULP CONTAINER

To minimize cleaning, you can line the pulp container with a biodegradable bag to collect the pulp.

MOTOR BASE

Wipe down with a soft damp cloth. Do not immerse the motor base in liquids.

CLEANING AGENTS

Do not use abrasive scouring pads or cleaners on either the motor base or the jug, as they may scratch the surface. Use only warm soapy water with a soft cloth.

JUG AND LID

In order to keep your Jug clean and avoid food drying on the blades and jug, follow the below steps as soon as possible after use.

Rinse most of the ingredients off the jug and lid.

Fill the jug with 500ml of warm water, fit the lid and press the AUTO CLEAN button. If thick or sticky ingredients require extra cleaning power add a few drops of dish liquid detergent.

Rinse the jug and lid again and/or wash separately in warm soapy water with a soft cloth or bottle brush.

It is most effective to clean the jug immediately after use.

FILTER BASKET

To ensure consistent juicing results, always clean the filter basket thoroughly immediately after use, using the brush provided.

If pulp is left to dry, it may clog the fine pores of the filter mesh, which can affect juicing performance. The filter basket can be soaked in hot soapy water for 10 minutes, if necessary.

DISHWASHER

All parts except for the motor base and food pusher are dishwasher safe. The blender jug can be placed on the bottom shelf of the dishwasher, however the lid and inner measuring cup should be washed on the top shelf only. However, washing parts on a regular basis in the dishwasher can shorten the life of them due to prolonged exposure to harsh detergents, hot water and pressure.

Cleaning the parts in the dishwasher may also cause parts to deteriorate so inspect the parts regularly and stop using the product if any signs of damage is noticed.

STUBBORN FOOD STAINS

Strong smelling foods such as garlic, fish and some vegetables such as carrots may leave an odour or stain on the blender jug and lid. To remove, soak blender jug and lid for 5 minutes in warm soapy water. Then wash with a mild detergent and warm water, rinse well and dry thoroughly. Store jug with the lid off.

STORAGE

Store the appliance upright with the blender jug assembled on the motor base, or beside it. Do not place anything on top. To allow air to circulate, keep the lid off.




WARNING

Oils in citrus rind can damage the material of your blender jug if being exposed to it for a longer period. Always clean your blender jug immediately after processing citrus rind.



Troubleshooting

LCD screen turns on but appliance doesn't respond to controls.

- The safety locking arm may not be correctly engaged in the vertical operating position. In this case, the LCD screen will show an animated prompt . Check the top cover is properly aligned and the locking arm is located firmly into the two grooves on either side of the juicer cover or blender jug.

Food is unevenly chopped

- This can happen when too much food is being added at one time. Try a smaller amount, and work in batches if necessary.

Food is chopped too fine or is watery

- Try blending for shorter period of time. Use the PULSE function for better control.

Excess pulp building up in the stainless-steel filter basket

- Turn the appliance off. Disassemble to scoop excess pulp off the juicer cover.
- Reassemble and continue juicing. Alternating soft and hard ingredients may help avoid this.

Pulp too wet and reduced extracted juice

- Pusher force could reduce yield because it slows the motor down. Avoid putting pressure on the food pusher when pushing ingredients down the feed chute.
- The cleaner the filter, the better the juice yield, and dryer the pulp. Be sure to thoroughly clean the juicer as soon as possible after each use. Remove the stainless-steel filter basket and thoroughly clean mesh walls with a cleaning brush. Rinse the filter basket under hot water. If the fine mesh holes are blocked, soak the basket in a solution of hot water with 10% lemon juice to unblock the holes or wash in the dishwasher (top shelf). This will remove excess fiber build up which could be inhibiting the flow.
- If juicing large amounts of fibrous ingredients like rhubarb and pineapple, cleaning the filter basket in between might be required.

Juice leaks between the filter bowl surround and the juicer cover

- Ensure the appliance assembled correctly
- Try a slower juicing speed (if possible) and push the food pusher down the feed chute more slowly.
- Ensure there is no build up in the filter basket.

Juice sprays out from spout

- The juice is being extracted too fast; try a slower juicing speed (if possible) and push the food pusher down the feed chute more slowly.

Juice in filter bowl is left after juicer stopped

- Turn the speed dial up to highest speed setting and operate for five seconds. That can help moving the remaining juice into the jug.
-



Troubleshooting

Motor appears to stall during juicing

- Wet pulp can build up under the juicer cover and stall the appliance if the appliance is used excessively without cleaning. If this occurs, disassemble and follow the cleaning instructions to clean the filter bowl surround, the stainless-steel filter basket and the juicer cover.
 - The appliance can also stall if excessive force is used to push produce down the feed chute. If this occurs, ensure that a gentler pressure is used to push produce down the chute.
 - Turn on the appliance before putting ingredients in the chute. Pressing ingredients down before the motor reaches the appropriate speed can cause it to stall or overload. Use gentle to moderate pressure on the pusher. Lower pressure produces a better juice yield.
 - Hard fruit and vegetables will put excess strain onto the motor if a low speed is selected. Refer to the reference guide to determine the correct speed for the fruit and vegetables selected for juicing.
-

All control panel lights flash and Overload Protection displayed on LCD screen

- This indicates motor overload protection is activated due to motor overheating or stalling.
 - To reset the protector, unplug from the power supply, then plug back in and turn on.
 - If overload protection is still displayed, unplug the appliance and leave to cool for at least 30 minutes, then try again. The appliance must be unplugged while cooling in order to reset properly.
 - If the issue persists after allowing to cool, this indicates an internal problem. Please call Sage Customer Service or your nearest Authorised Sage Service Centre.
 - Note that triggering the overload protection indicates abnormal use of the appliance, such as too much load in the blender jug, excessive push force when juicing or extended continuous use. Please take note of the conditions and refer to all of the information in these instructions to avoid this occurrence and extend the life of the appliance.
-



Notes

the 3X Bluicer™

BJB615 / SJB615



DE KURZANLEITUNG

Sage®



Inhalt

- 2 Bei Sage® steht Sicherheit an erster Stelle
- 7 Komponenten
- 8 Montage
- 12 Funktionen
- 14 Pflege und Reinigung
- 16 Störungsbehebung

BEI SAGE® STEHT SICHERHEIT AN ERSTER STELLE

Wir bei Sage® sind sehr sicherheitsbewusst. Beim Design und der Herstellung unserer Produkte denken wir zuallererst an die Sicherheit unserer Kunden. Wir bitten Sie, bei der Verwendung aller Elektrogeräte angemessene Sorgfalt walten zu lassen und sich an die folgenden Vorsichtsmaßnahmen zu halten.

HINWEISE ZUR SICHERHEIT

BITTE ALLE ANWEISUNGEN VOR GEBRAUCH LESEN UND ZUM SPÄTEREN NACHSCHLAGEN AUFBEWAHREN

- Vergewissern Sie sich vor dem ersten Gebrauch, dass die Netzspannung der Angabe auf der Unterseite des Geräts entspricht. Dieses Gerät ist mit einem Netzkabel mit Erdungskabel und einem Erdungsstecker ausgestattet. Das Gerät muss über eine richtig geerdete Steckdose geerdet werden. Der Erdungsanschluss dieses Geräts dient einzig und allein seiner Verwendung.
- Unter keinen Umständen darf der dritte Stift des Steckers (der Erdungsstift) gekürzt oder entfernt werden, noch darf ein Adapter verwendet werden.
- Wenden Sie sich an einen qualifizierten Elektriker, falls Sie die Erdungsanweisungen nicht vollständig verstanden oder Zweifel haben, ob das Gerät richtig geerdet ist.
- Als zusätzliche Schutzmaßnahme bei der Verwendung von Elektrogeräten wird die Installation eines Schutz- oder Sicherheitsschalters empfohlen. Ideal sind Sicherheitsschalter mit einer Nennleistung von maximal 30 mA. Wenden Sie sich an einen Elektriker für fachgerechte Beratung.

- Entfernen und entsorgen Sie alle Verpackungsmaterialien sorgfältig, bevor Sie das Gerät zum ersten Mal in Gebrauch nehmen.
- Entsorgen Sie die Schutzhülle des Netzsteckers, da diese eine Erstickungsgefahr für Kleinkinder darstellt.
- Vergewissern Sie sich vor dem Gebrauch, dass das Gerät gemäß der Anleitung richtig zusammengesetzt wurde. Wird das Gerät gebraucht, obwohl es nicht ordnungsgemäß zusammengesetzt wurde, kann dies zu einer Fehlfunktion des Geräts, Schäden am Gerät oder Sicherheitsrisiken sowie Verletzungen führen.
- Dieses Gerät ist nur für den Hausgebrauch bestimmt. Verwenden Sie das Gerät ausschließlich zu seinem Bestimmungszweck. Verwenden Sie das Gerät nicht in fahrenden Fahrzeugen oder Booten. Verwenden Sie das Gerät nicht im Freien. Fehlgebrauch kann zu Verletzungen führen.
- Stellen Sie das Gerät auf eine stabile, hitzebeständige, ebene und trockene Fläche in einem sicheren Abstand zur Kante und betreiben Sie es nicht in der Nähe einer Hitzequelle, wie beispielsweise Kochplatten, Backöfen oder Gaskochfelder.
- Rollen Sie das Kabel vor Inbetriebnahme ganz aus.
- Lassen Sie das Kabel nicht über die Kante einer Arbeitsfläche oder eines Tisches hängen. Das Netzkabel darf nicht mit heißen Oberflächen in Berührung kommen oder sich verknoten.
- Lassen Sie das Gerät während des Gebrauchs nicht unbeaufsichtigt.
- Wenn Sie das Gerät unbeaufsichtigt stehen lassen, reinigen, umstellen, zusammenbauen oder aufbewahren möchten, müssen Sie es zuvor ausschalten, indem Sie die Powertaste drücken. Schalten Sie das Gerät aus und ziehen Sie den Netzstecker.
- Schalten Sie das Gerät aus und ziehen Sie bei Nichtgebrauch den Stecker, bevor Sie Teile an-/abmontieren oder reinigen. Um den Stecker zu ziehen, greifen Sie den Stecker und ziehen Sie ihn aus der Steckdose. Ziehen Sie zum Ausstecken niemals am Netzkabel.
- Überprüfen Sie das Netzkabel, den Stecker und das Gerät regelmäßig auf Schäden. Wenn das Gerät in irgendeiner Weise beschädigt ist, verwenden Sie es nicht und senden Sie es an das nächstgelegene Sage Service Center zur Überprüfung, Reparatur oder um einen Ersatz zu erhalten.
- Halten Sie das Gerät und das Zubehör sauber. Befolgen Sie die Reinigungsanweisungen in dieser Broschüre. Alle nicht in dieser Bedienungsanleitung

beschriebenen Vorgänge sind in einem Sage Service Center durchzuführen.

- Dieses Gerät ist nicht für die Verwendung von Kindern oder Menschen mit körperlichen, sensorischen oder geistigen Einschränkungen sowie unerfahrenen oder ungeübten Menschen geeignet. Strenge Beaufsichtigung ist notwendig, wenn das Gerät in der Nähe von Kindern verwendet wird. Um sicherzustellen, dass Kinder nicht mit dem Gerät spielen, sollten diese stets beaufsichtigt werden.
- Das Gerät ist kein Spielzeug für Kinder.
- Das Gerät sollte nicht von Kindern gereinigt werden.
- Das Netzkabel und alle anderen Gerätekomponenten, Zubehörteile und Zusatzgeräte müssen außerhalb der Reichweite von Kindern unter 8 Jahren aufbewahrt werden.
- Verwenden Sie keine Zubehörteile oder Zusatzgeräte, die nicht mit dem Produkt mitgeliefert werden oder von Sage für den Gebrauch mit diesem Produkt freigegeben sind. Nichtbefolgung dieser Anweisung kann zu einer Fehlfunktion des Geräts, Schäden am Gerät oder gar zu Sicherheitsrisiken führen.
- Versuchen Sie nicht, das Gerät auf andere Weise als der in dieser Anleitung beschriebenen zu betreiben.
- Bewegen Sie das Gerät nicht, während es in Betrieb ist.
- Betreiben Sie das Gerät nicht auf einer geneigten Fläche.
- Füllen Sie den Einfüllschacht nicht mit bloßen Fingern oder anderen Hilfsmitteln. Verwenden Sie dazu immer den mitgelieferten Speiseschieber. Greifen Sie nicht mit Händen oder Fingern in den Einfüllschacht, wenn dieser am Gerät befestigt ist.
- Entsaften Sie Kernobst nur, wenn die Samen und Kerne zuvor entfernt wurden.
- Vergewissern Sie sich bei Nichtgebrauch und vor dem Auseinanderbauen, Reinigen und Verstauen des Geräts, dass es ausgeschaltet ist, der Siebeinsatz aus Edelstahl sich nicht mehr dreht und der Motor nicht mehr läuft, bevor Sie den Schutzriegel lösen und/oder das Gerät bewegen.
- Wenn eine erhebliche Menge an Flüssigkeit unter das Gerät läuft oder sich um das Gerät herum ausbreitet, muss die Fläche vor dem weiteren Gebrauch des Geräts gereinigt und getrocknet werden.
- Lassen Sie beim Umgang mit dem Siebeinsatz aus Edelstahl Vorsicht walten, da die kleinen Schneideklingen am Boden sehr scharf sind. Ein unsachgemäßer Umgang kann zu Verletzungen führen.

- Geben Sie beim Reinigen, Ausleeren und Gebrauch des Mixers auf die scharfen Klingen acht.
- Schälen Sie Zitrusfrüchte vor dem Entsaften.
- Verwenden Sie das Gerät nicht, wenn das rotierende Sieb (Siebeinsatz) oder der Deckel Schäden aufweisen.
- Der Entsafter-Deckel muss vor Einschalten des Motors stets fest sitzen.
- Verwenden Sie das Gerät nicht ohne Tresterbehälter.
- Lösen Sie die Verriegelungsklinke nicht, während das Gerät in Betrieb ist.
- Entsaften Sie nicht mehr als 3 kg Karotten gleichzeitig.
- Setzen Sie den Mixerkrug nicht auf den Motorsockel, während der Motor sich noch dreht.
- Verwenden Sie das Gerät nur, wenn Zutaten im Mixerkrug sind.
- Das Gerät darf nicht in Betrieb genommen werden, wenn eine der Klingen beschädigt ist oder sich Zubehör oder andere Fremdgegenstände im Krug befinden.
- Setzen Sie den Krug keinen hohen Temperaturunterschieden aus. Stellen Sie also zum Beispiel den kalten Krug nie in heißes Wasser oder umgekehrt.
- Vor Gebrauch muss der Deckel sicher auf dem Krug befestigt werden, damit der Inhalt des Kruges nicht austritt, herausspritzt oder überläuft.
- Nehmen Sie den Krug nicht vom Motorsockel, während der Mixer läuft.
- Verwenden Sie den Mixer nicht, wenn auf dem LCD-Display „OVERLOAD PROTECTION“ (Überlastschutz) angezeigt wird. Ziehen Sie in diesem Fall den Stecker des Geräts und warten Sie 30 Minuten, bis der Motor abgekühlt ist. Danach können Sie den Mixer wieder wie gewohnt verwenden.
- Dieses Gerät ist nicht für die Verarbeitung von heißen oder kochenden Flüssigkeiten geeignet. Lassen Sie diese vor dem Einfüllen in den Mixerkrug abkühlen.
- Um sich vor Stromschlägen zu schützen, tauchen Sie den Netzstecker, das Netzkabel oder das Gerät nicht in Wasser oder eine andere Flüssigkeit ein.
- Benutzen Sie das Gerät nicht, wenn das Stromkabel, der Netzstecker oder das Gerät selbst in irgendeiner Weise beschädigt ist. Im Falle von Schäden oder Wartungsarbeiten, die über die gewöhnliche Reinigung hinausgehen, kontaktieren Sie bitte den Sage Kundendienst oder besuchen Sie sageappliances.com.



Dieses Symbol bedeutet, dass das Gerät nicht mit dem gewöhnlichen Haushaltsmüll entsorgt werden darf. Stattdessen muss es zu einer für diesen Zweck eingerichteten behördlichen Sammelstelle oder zu einem Händler gebracht werden, der Entsorgung anbietet. Weitere Informationen dazu erhalten Sie bei Ihrem Gemeindeamt.

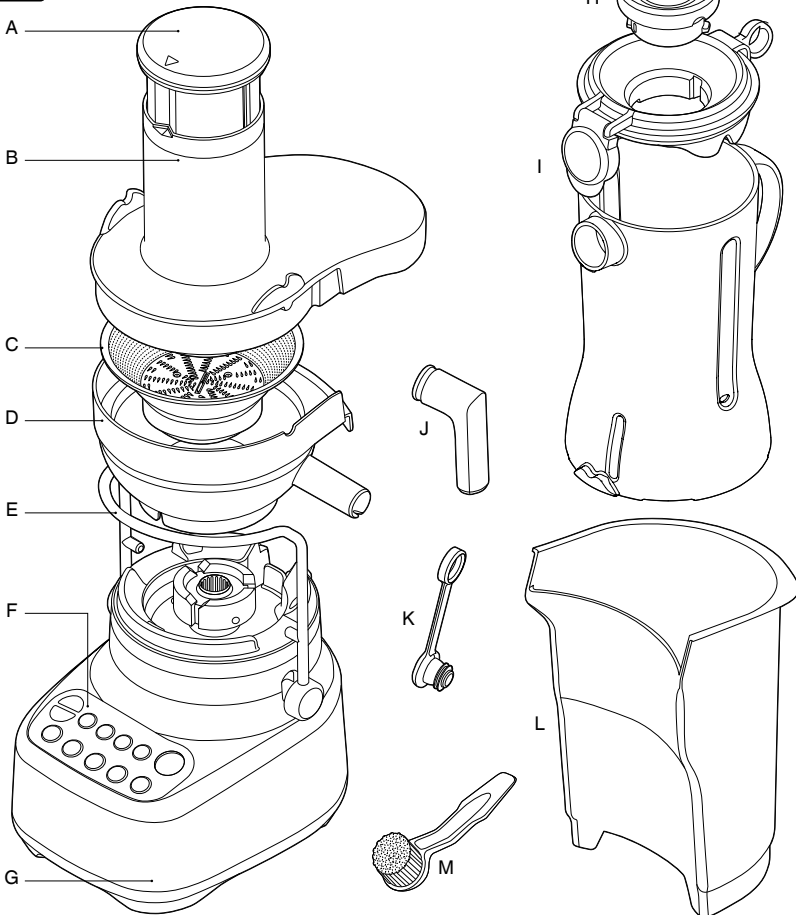


Um sich vor Stromschlägen zu schützen, tauchen Sie niemals den Motorsockel, das Stromkabel oder den Netzstecker in Wasser ein und achten Sie darauf, dass diese Teile nicht feucht werden. Achten Sie darauf, der Motorsockel nicht mit Wasser in Berührung kommt. Tauchen Sie den Motorsockel beim Reinigen nicht in Wasser ein.

ANLEITUNG BITTE AUFBEWAHREN



Komponenten



- A. Speiseschieber (nicht spülmaschinenfest)
- B. Deckel des Entsafters (spülmaschinenfest)
- C. Siebeinsatz aus Edelstahl (spülmaschinenfest)
- D. Einfassung des Siebeinsatzes (spülmaschinenfest)
- E. Schutzriegel
Verhindert, dass der Motorsockel in Betrieb genommen wird, solange der Deckel nicht fest aufsitzt.
- F. Bedienfeld
- G. Langlebiger Motorsockel
- H. Interner Messbecher (spülmaschinenfest)
- I. 1,5 Liter Mixerkrug mit Deckel (spülmaschinenfest)
- J. Ausgießer (spülmaschinenfest)
Kann am Ausguss befestigt werden, um den fertigen Saft direkt in ein Glas laufen zu lassen.
- K. Tropfschutz-Stopfen (spülmaschinenfest)
- L. Tresterbehälter (spülmaschinenfest)
- M. Reinigungsbürste (zur Reinigung des Siebeinsatzes)

CE Leistungsdaten
220–240 V~ 50 Hz 1000 W



Montage

VOR DEM ERSTEN GEBRAUCH

Reinigen Sie Deckel, internen Messbecher, Krug, Einfassung des Siebeinsatzes, Siebeinsatz, Entsafter-Deckel, Speiseschieber und Tresterbehälter mit warmem Seifenwasser und einem weichen Tuch. Spülen und trocknen Sie die Teile danach gründlich ab.

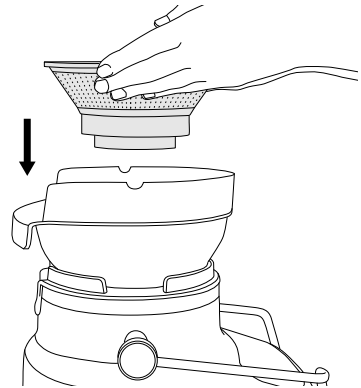
Stellen Sie den Motorsockel auf eine ebene, trockene Fläche, z. B. eine Arbeitsplatte. Vergewissern Sie sich, dass der Motorsockel des Geräts ausgeschaltet und der Stecker eingesteckt ist.

ENTSAFTEN

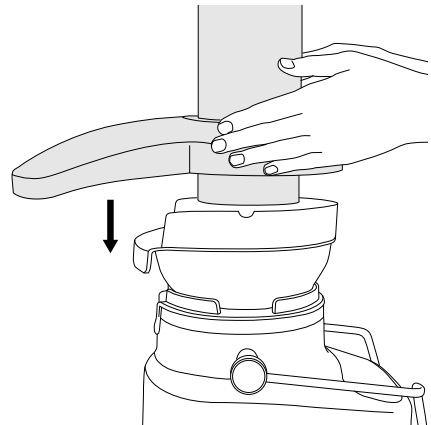
1. Platzieren Sie die Einfassung des Siebeinsatzes auf dem Motorsockel.



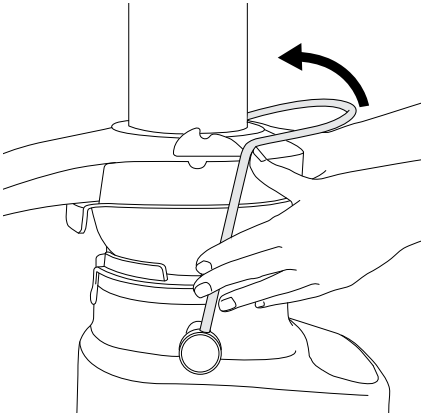
2. Richten Sie die Pfeile an der Unterseite des Siebeinsatzes mit den Pfeilen an der Antriebskupplung des Motorsockels aus und drücken Sie den Einsatz nach unten, bis er einrastet, um ihn sicher mit dem Motorsockel zu verbinden.



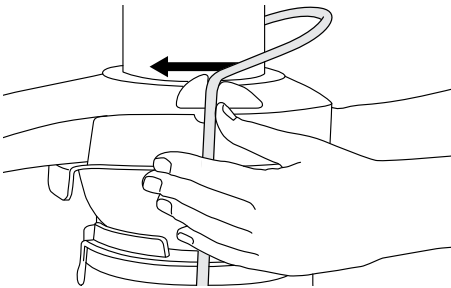
3. Setzen Sie den Deckel des Entsafters auf die Einfassung des Siebeinsatzes und positionieren Sie den unteren Teil des Einfüllschachts so, dass er auf dem Siebeinsatz aus Edelstahl aufsitzt.



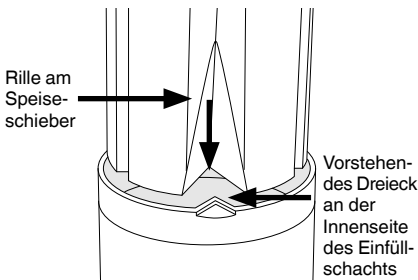
4. Heben Sie den Schutzriegel an und schieben Sie ihn in die Rillen zu beiden Seiten des Entsafter-Deckels.



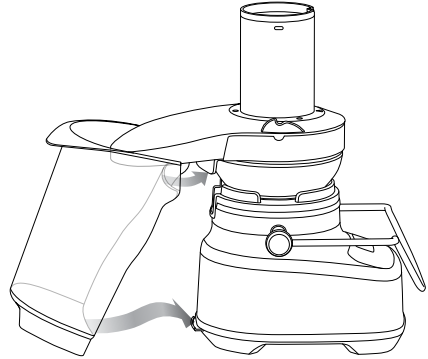
5. Der Schutzriegel sollte nun in aufrechter Position auf dem Entsafter-Deckel aufliegen und fest eingerastet sein.



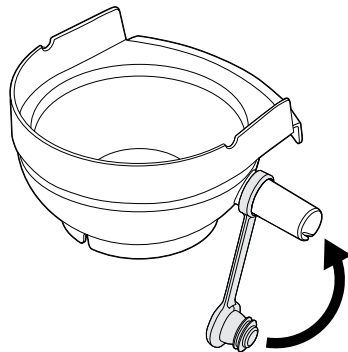
6. Schieben Sie den Speiseschieber in den Füllschacht, indem Sie die Rille des Speiseschiebers auf eine Linie mit dem vorstehenden Dreieck innen an der Oberkante des Einfüllschachts bringen.



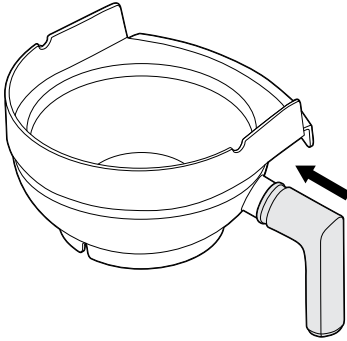
7. Bringen Sie den Tresterbehälter durch leichtes Kippen und Anheben des Motorsockels in Position. Setzen Sie den Tresterbehälter unter dem Deckel des Entsafters auf der Rückseite ein und vergewissern Sie sich, dass die vordere Kante unter der hinteren Kante der Einfassung des Siebeinsatzes befestigt ist. Die untere Kante des Behälters muss im Motorsockel eingerastet sein.



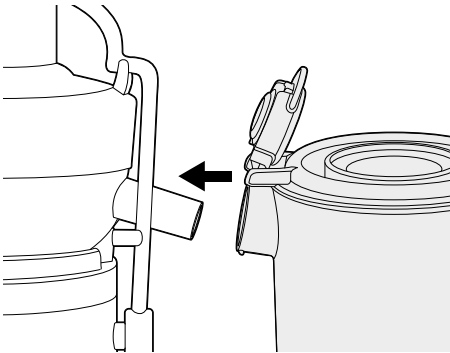
8. Der Tropfschutz-Stopfen kann auf dem Saftausguss befestigt werden. Dadurch wird der Ausguss mit dem Stopfen verschlossen, sodass das Gerät nach dem Entsaften nicht tropft.



9. Optional: Um den Saft direkt in ein Glas laufen zu lassen, kann der Ausgießer auf dem Ausguss angebracht werden.

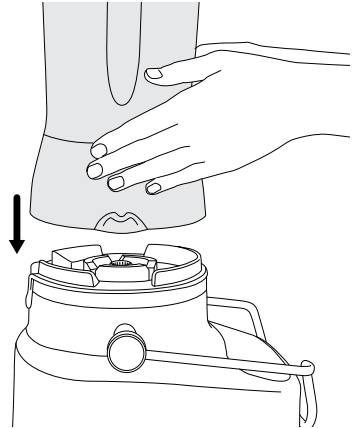


10. Richten Sie den Deckel mit dem Mixerkrug aus und platzieren Sie den Krug unter dem Saftauslauf.

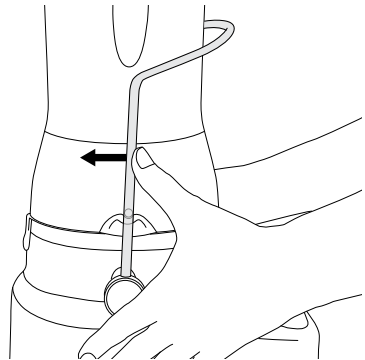


MIXEN

1. Stellen Sie den Mixerkrug in aufrechter Position auf den Motorsockel. Der Griff des Mixers kann auf der linken oder rechten Seite des Geräts sein.

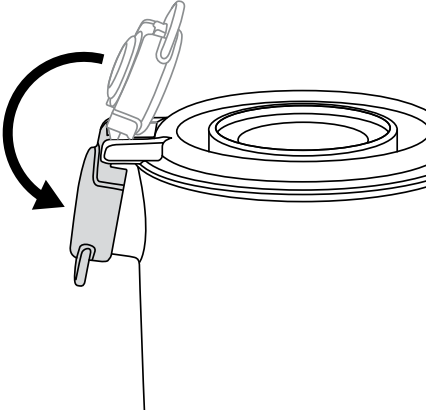


2. Heben Sie den Schutzriegel an und schieben Sie ihn in die Rillen zu beiden Seiten des Mixers.



3. Füllen Sie den Mixerkrug mit Lebensmitteln oder Flüssigkeiten, ohne dabei die „MAX“-Markierung zu überschreiten. Befestigen Sie den Deckel des Mixers sicher auf der Oberseite des Mixerkruges. Setzen Sie den durchsichtigen Deckel des inneren Messbechers in den Deckel des Mixers ein und drehen Sie ihn im Uhrzeigersinn, bis er einrastet. Der Krug ist mit einem Sage Assist™-Deckel ausgestattet. Dadurch sitzt der Deckel fest auf dem Mixerkrug und verhindert, dass sich Teile während des Gebrauchs verschieben.

4. Befüllen Sie den Mixerkrug nur bis zur ‚MAX‘-Markierung und nicht darüber hinaus.
5. Vergewissern Sie sich, dass die Ausgussabdeckung des Mixerdeckels sicher befestigt und geschlossen ist. Durch den Zugring kann der Deckel mit einer einfachen Hebelbewegung ganz leicht entfernt werden.

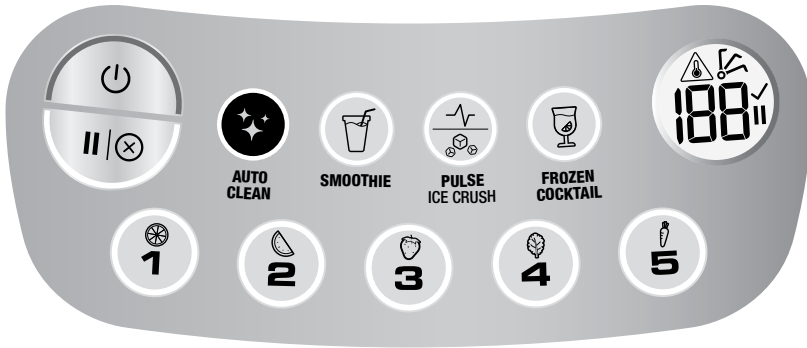


Nachdem das Gerät zum Entsaften oder Mixen aufgebaut wurde, stecken Sie den Stecker in eine Steckdose mit einer Spannung von 220-240 V ein und schalten Sie es an.

Drücken Sie die Powertaste, um das Gerät einzuschalten. Dadurch leuchtet die Taste auf. Auf dem LCD-Display wird „0:00“ angezeigt.



Funktionen



ERSTE SCHRITTE

Mit der Powertaste wird das Gerät in den Bereitschaftsmodus („READY“) versetzt.

VOEINGESTELLTE PROGRAMME

MIXEN

Das Gerät verfügt über 4 voreingestellte Funktionen: Smoothie, Pulse/Ice Crush (Pulse-Funktion/Eis zerkleinern), Auto Clean (Automatische Reinigung) und Frozen Cocktail (Gefrorene Cocktails). Diese voreingestellten Programme passen die Mixdauer und -geschwindigkeit für perfekte Ergebnisse automatisch an. Diese Programme werden nur aktiviert, wenn Ihr Gerät als Mixer eingerichtet ist. Wenn Ihr Gerät als Entsafter eingerichtet ist, können die Programme nicht verwendet werden.

Um eine Funktion auszuwählen, drücken Sie die entsprechende Taste. Dadurch beginnt das Gerät mit der Verarbeitung der Zutaten und die ausgewählte Funktionstaste leuchtet auf. Der Timer beginnt nun einen Countdown. Das Programm endet automatisch, wenn der Timer ‚0:00‘ anzeigt.

Das Programm und der Timer können durch Drücken der Pause-Taste angehalten werden. Durch erneutes Drücken der Funktionstaste wird das Programm wieder aufgenommen, ein weiteres Drücken der Pause-Taste bricht das Programm ab.

Das Programm kann auch jederzeit durch Drücken der Powertaste abgebrochen werden. Der Timer wird auf 0:00 zurückgesetzt.

Smoothie

Diese Funktion bietet eine Kombination verschiedener Geschwindigkeiten und Pulse-Aktivierungen, die speziell für Smoothies auf Milchbasis entwickelt wurden. Die Zutaten werden dadurch locker und luftig vermischt und das Getränk wird sämig und cremig.

Pulse / Ice Crush (Pulse-Funktion / Eis zerkleinern)

Ein Programm mit durchgehenden Pulse-Intervallen, durch die Lebensmittel oder Eiswürfel gleichmäßig zerkleinert werden. Verwenden Sie diese Taste, wenn Lebensmittel zu dick oder zu groß sind, um sich im Mixerkrug zu bewegen.

Ohne Flüssigkeit im Mixerkrug kann das Gerät maximal den Inhalt eines standardmäßigen Eiswürfelbehälters bzw. 250 g Eiswürfel zerkleinern.

Frozen Cocktail (Gefrorene Cocktails)

Um Getränke und Cocktails auf Eisbasis, z.B. Margaritas, Daiquiris und Slushies, kreieren zu können, beginnt dieses Programm mit einem Intervall zur Eiszerkleinerung, gefolgt von einem kurzen Mixvorgang.

Auto Clean (Automatische Reinigung)

Verwenden Sie diese Funktion, um einen Großteil der Zutaten von der Innenseite und den Klingen des Mixers zu entfernen. Gießen Sie dafür 2 Tassen warmes Seifenwasser in den Krug und drücken Sie die Reinigungstaste. Für eingetrocknete, klebrige oder besonders dickflüssige Zutaten geben Sie einen halben Teelöffel Spülmittel dazu. Für ein optimales Mixererlebnis reinigen Sie den Mixerkrug sofort nach jedem Gebrauch auf diese Art. Die Auto Clean-Funktion reinigt nur den Mixerkrug. Der Entsafter wird dadurch nicht gereinigt.

Geschwindigkeitsauswahl

Das Gerät verfügt über 5 Tasten zur Geschwindigkeitsauswahl. In Stufe 1 werden empfindlichere Lebensmittel durch Faltbewegungen miteinander vermischt. Diese Stufe eignet sich sowohl für nasse als auch trockene Zutaten. Stufe 5 ist die schnellste Stufe und eignet sich ideal, um Zutaten in Saucen, Salatdressings und andere fein gemixte Rezepturen zu verwandeln.

ENTSAFTEN

Die meisten Obst- und Gemüsesorten wie Äpfel, Karotten und Gurken müssen nicht geschnitten oder zerkleinert werden, da sie ganz in den Einfüllschacht passen. Gemüsesorten wie Rüben, große Karotten usw. müssen vor der Verwendung vollständig von Erdrückständen und Blättern befreit und gut gewaschen werden.

1. Schließen Sie das Netzkabel an eine Steckdose mit einer Spannung von 220-240 V an.



WICHTIG

Warten Sie vor dem Befüllen des Einfüllschachts, bis der Entsafter die eingestellte Geschwindigkeit erreicht hat.

2. Einschalten des Entsafters

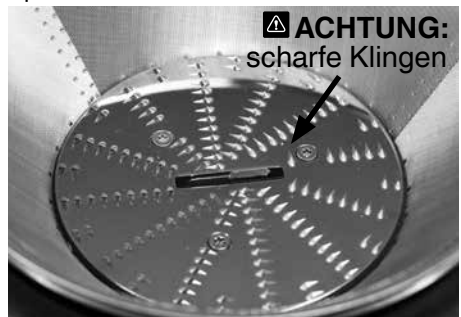
Stellen Sie die gewünschte Geschwindigkeitsstufe ein, indem Sie eine der Tasten von 1 bis 5 drücken. Die unteren Geschwindigkeitsstufen (1-3) sind für weiches Obst und Gemüse geeignet, die höheren (4 und 5) für hartes Obst und Gemüse. Informationen zur richtigen Geschwindigkeitsstufe für unterschiedliche Obst- und Gemüsesorten finden Sie in der Tabelle auf der nächsten Seite. Auf der niedrigeren Stufe verursacht der Entsaftungsprozess deutlich weniger Lärm, doch je nach Obst- oder Gemüsesorte kann damit nicht die maximale Saftmenge gewonnen werden.

3. Befüllen Sie den Einfüllschacht bei laufendem Motor und drücken Sie den Inhalt mit dem Speiseschieber vorsichtig nach unten. Drücken Sie den Speiseschieber für eine maximale Saftmenge stets langsam nach unten.
4. **Maximaler Füllstand des Mixerkrugs**
Sie können bis zum MAX-Füllstand des Krugs mit dem Entsaften fortfahren.



WARNUNG

Verwenden Sie niemals Ihre Finger, Hände oder andere Hilfsmittel, um den Einfüllschacht zu befüllen oder zu entleeren. Verwenden Sie dazu immer den mitgelieferten Speiseschieber.



Der Siebeinsatz aus Edelstahl ist mit kleinen scharfen Klingen zum Schneiden und Verarbeiten von Obst und Gemüse versehen. Stellen Sie sicher, dass Sie bei der Handhabung des Siebeinsatzes die Klingen nicht direkt berühren.

LEITFADEN FÜR GESCHWINDIGKEITSSTUFEN

OBST-/GEMÜSESORTE	STUFE
ÄPFEL	5
BLATTSPINAT	5
ROTE BEETE	5
PAPRIKASCHOTEN	5
HEIDELBEEREN	3
BROKKOLI	4
KOHL	5
KAROTTEN	5
SELLERIE	2
ZITRUSFRÜCHTE (geschält)	1
GURKEN	2
INGWER	4
TRAUBEN (entkernt)	2
HONIGMELONE (geschält)	3
GRÜNKOHL	4
KIWI (geschält)	4
MANGO (geschält und entsteint)	2
MINZE	5
PFIRSICHE (entkernt)	2
BIRNEN	4
ANANAS (geschält)	4
RHABARBER	4
KÜRBIS	5
ERDBEEREN	3
TOMATEN	3
WASSERMELONE (geschält)	2
ZUCCHINI	4



Pflege und Reinigung

Vergewissern Sie sich, dass der Motorsockel ausgeschaltet ist, indem Sie die Power Taste drücken. Ziehen Sie dann das Stromkabel aus der Steckdose.

REINIGUNG

1. Entfernen Sie den Mixerkrug.
2. Lockern Sie den Schutzriegel, entnehmen Sie die gesamte Saftauffangeinheit und tragen Sie diese zum Spülbecken.
3. Entfernen Sie den Tresterbehälter.

Leeren Sie so viel Fruchtfleisch wie möglich in Ihren Biomüll- oder Kompostbehälter. Spülen Sie alle Teile (außer den Motorsockel) nach Gebrauch unter fließendem Wasser ab, um grobe Saft- und Fruchtfleischrückstände zu entfernen. Reiben Sie alles in warmem Seifenwasser mit einem weichen Lappen ab.

Das Abspülen und Abreiben sollte schnellstmöglich nach dem Gebrauch erfolgen, um zu verhindern, dass Rückstände an den Schneideklingen, Sieben und transparenten Teilen antrocknen.

TRESTERBEHÄLTER

Sie können den Tresterbehälter mit einem kompostierbaren Bio-Müllbeutel auslegen, um den Reinigungsaufwand zu minimieren.

MOTORSOCKEL

Wischen Sie den Sockel mit einem weichen, feuchten Tuch ab. Tauchen Sie den Motorsockel in keine Flüssigkeit ein.

REINIGUNGSMITTEL

Verwenden Sie keine Scheuerschwämme oder Scheuermittel zur Reinigung des Motorsockels oder Saftkrugs, da dies Kratzer verursachen kann. Reiben Sie diese Komponenten stattdessen in warmem Seifenwasser mit einem weichen Lappen ab.

KRUG UND DECKEL

Um Ihren Krug möglichst sauber zu halten und angetrocknete Lebensmittelreste auf der Innenseite und den Mixerklingen zu vermeiden, sollten Sie die folgenden Schritte so schnell wie möglich nach dem Mixvorgang durchführen.

Spülen Sie einen Großteil der Rückstände von Krug und Deckel mit Wasser ab.

Füllen Sie den Krug mit 500 ml warmem Wasser, setzen Sie den Deckel auf und drücken Sie auf „Auto Clean“. Für dickflüssige oder klebrige Rückstände können Sie ein paar Tropfen Spülmittel hinzufügen.

Spülen Sie Krug und Deckel erneut mit klarem Wasser ab oder reinigen Sie sie separat in warmem Seifenwasser mit einem weichen Lappen oder einer Flaschenbürste.

Die Reinigung ist direkt nach dem Mixvorgang am effektivsten.

SIEBEINSATZ

Reinigen Sie den Siebeinsatz unmittelbar nach dem Gebrauch gründlich mit der mitgelieferten Bürste, um konstante Entsaftungsqualität zu gewährleisten.

Angetrocknete Fruchtfleischrückstände könnten andernfalls die feinen Poren des Siebs verstopfen und die Leistung des Entsafters beeinträchtigen. Der Siebeinsatz kann bei Bedarf 10 Minuten lang in heißem Seifenwasser eingeweicht werden.

GESCHIRRSPÜLER

Alle Teile mit Ausnahme des Motorsockels und des Speiseschiebers sind spülmaschinenfest. Der Mixerkrug kann im unteren Fach der Spülmaschine gereinigt werden, der Deckel des Mixerkrugs und der interne Messbecher jedoch sollten nur im obersten

Fach gewaschen werden. Bei regelmäßiger Reinigung im Geschirrspüler kann sich jedoch die Lebensdauer der Teile verkürzen, da sie dort ständig aggressiven Reinigungsmitteln, Heißwasser und Druck ausgesetzt sind.

Außerdem kann sich der Zustand der Teile durch die Reinigung im Geschirrspüler verschlechtern. Halten Sie daher regelmäßig nach Anzeichen von Schäden Ausschau und stellen Sie den Gebrauch bei Beschädigung ein.

HARTNÄCKIGE LEBENSMITTELFLECKEN

Lebensmittel mit kräftigem Geruch wie z.B. Knoblauch, Fisch und manche Gemüsesorten wie Karotten können Gerüche oder Flecken im Mixerkrug oder auf dem Deckel hinterlassen. Um diese zu entfernen, lassen Sie Krug und Deckel 5 Minuten in warmem Seifenwasser einweichen. Reinigen Sie sie dann mit einem milden Reinigungsmittel und warmem Wasser, spülen Sie mit klarem Wasser nach und trocknen Sie beide Teile gründlich ab. Bewahren Sie Krug und Deckel separat auf.

AUFBEWAHRUNG

Das Gerät muss aufrecht aufbewahrt werden, mit dem Mixerkrug im Motorsockel oder daneben. Stellen Sie keine Gegenstände auf das Gerät. Damit Luft zirkulieren kann, setzen Sie den Deckel während der Aufbewahrung nicht auf das Gerät.



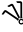
WARNUNG

Die Schalen von Zitrusfrüchten enthalten Öle, die dem Material Ihres Mixerkrugs im Laufe der Zeit schaden können. Reinigen Sie denn Krug daher sofort nachdem Sie die Schalen von Zitrusfrüchten verarbeitet haben.



Störungsbehebung

Das LCD-Display lässt sich einschalten, aber das Gerät reagiert nicht auf Befehle

- Möglicherweise ist der Schutzriegel nicht richtig in der aufrechten Betriebsstellung eingerastet. In diesem Fall wird auf dem LCD-Display eine kleine Animation  eingeblendet. Überprüfen Sie, ob der Deckel richtig ausgerichtet ist und der Schutzriegel sicher in den Rillen auf beiden Seiten des Entsafter-Deckels bzw. des Kruges positioniert ist.

Das Essen wird ungleichmäßig zerkleinert

- Dies kann vorkommen, wenn zu viele Lebensmittel auf einmal eingefüllt werden. Probieren Sie es mit einer kleineren Menge erneut und teilen Sie die Zutaten gegebenenfalls in mehrere Portionen auf.

Das Essen wird zu fein zerkleinert oder ist wässrig

- Probieren Sie, die Zutaten weniger lang zu mixen. Mit der PULSE-Funktion können Sie die Mixdauer besser steuern.

Fruchtfleischrückstände sammeln sich im Siebeinsatz aus Edelstahl

- Schalten Sie das Gerät aus. Zerlegen Sie es anschließend, um die Fruchtfleischrückstände vom Entsafter-Deckel entfernen zu können.
- Setzen Sie das Gerät wieder zusammen und fahren Sie mit dem Entsaften fort. Durch abwechselndes Entsaften von weichen und harten Zutaten können Sie diesem Problem eventuell vorbeugen.

Zu feuchtes Fruchtfleisch und geringe Saftmenge

- Wenn die Zutaten zu kräftig in den Einfüllschacht geschoben werden, kann dies die Saftmenge reduzieren, da sich dadurch der Motor verlangsamt. Üben Sie daher nicht zu viel Druck auf den Speiseschieber aus, wenn Sie Zutaten im Einfüllschacht nach unten schieben.
- Je sauberer das Sieb, desto mehr Saft kann extrahiert werden und desto trockener sind folglich die Fruchtfleischrückstände. Daher sollten Sie den Entsafter nach jedem Gebrauch so schnell wie möglich gründlich reinigen. Entfernen Sie den Siebeinsatz aus Edelstahl und reinigen Sie das Siebgitter gründlich mit der Bürste. Spülen Sie den Siebeinsatz mit heißem Wasser ab. Wenn die feinen Poren verstopft sind, weichen Sie ihn in einer Lösung aus heißem Wasser und 10 % Zitronensaft ein, um die Verstopfung zu lösen, oder waschen Sie ihn im Geschirrspüler (oberes Fach). Dadurch werden Faserrückstände entfernt, die möglicherweise den Saftfluss behindern.
- Wenn Sie große Mengen faseriger Zutaten wie z.B. Rhabarber oder Ananas entsaften, kann es sein, dass der Siebeinsatz zwischendurch gereinigt werden muss.

Zwischen der Einfassung des Siebeinsatzes und dem Entsafter-Deckel tritt Saft aus

- Vergewissern Sie sich, dass das Gerät richtig zusammengebaut ist.
- Stellen Sie eine niedrigere Geschwindigkeitsstufe ein (falls möglich) und verringern Sie die Geschwindigkeit, mit der Sie den Inhalt des Einfüllschachts mit dem Speiseschieber nach unten drücken.
- Vergewissern Sie sich, dass sich im Siebeinsatz keine Rückstände bilden.

Saft spritzt aus dem Ausguss

- Der Saft wird mit zu hoher Geschwindigkeit extrahiert. Stellen Sie (falls möglich) eine niedrigere Geschwindigkeitsstufe ein und drücken Sie die Zutaten im Einfüllschacht langsamer mit dem Speiseschieber nach unten.

Nach dem Entsaften bleibt Saft im Siebeinsatz zurück

- Drehen Sie den Geschwindigkeitsdrehregler auf die höchste Geschwindigkeitsstufe und lassen Sie das Gerät fünf Sekunden lang laufen. Dies kann dabei helfen, den restlichen Saft vom Siebeinsatz in den Krug zu bewegen.

Beim Entsaften scheint der Motor anzuhalten

- Feuchte Fruchtfleischrückstände können sich bei übermäßigem Gebrauch des Geräts ohne anschließende Reinigung unter dem Deckel ansammeln und das Gerät verstopfen. Nehmen Sie in diesem Fall das Gerät auseinander und befolgen Sie die Reinigungsanweisungen, um die Einfassung des Siebeinsatzes, den Siebeinsatz aus Edelstahl und den Deckel des Entsafters zu reinigen.
- Das Gerät kann auch verstopfen, wenn der Inhalt des Einfüllschachts mit übermäßiger Kraft nach unten gedrückt wird. Wenn dieses Problem auftritt, verringern Sie den Druck beim Füllen des Einfüllschachts.
- Schalten Sie das Gerät ein, bevor Sie Zutaten in den Einfüllschacht geben. Wenn Sie Zutaten in den Schacht drücken, bevor der Motor die jeweils notwendige Drehzahl erreicht hat, kann dies zu Stillstand oder Überlastung führen. Üben Sie leichten bis moderaten Druck auf den Speiseschieber aus. Bei niedrigerem Druck kann mehr Saft gewonnen werden.
- Auf niedrigen Geschwindigkeitsstufen überlastet die Verarbeitung harter Obst- und Gemüsesorten den Motor. Informationen zur richtigen Geschwindigkeitsstufe für unterschiedliche Obst- und Gemüsesorten finden Sie in der Anleitung.

Alle Bedienfelder leuchten auf und auf dem LCD-Display wird „Overload Protection“ (Überlastschutz) angezeigt

- Dies zeigt an, dass der Motorüberlastschutz aktiviert wurde, weil der Motor überhitzt oder verstopft ist.
 - Um den Überlastschutz zurückzusetzen, müssen Sie das Gerät aus- und wieder einstecken und einschalten.
 - Wenn der Überlastschutz weiterhin angezeigt wird, stecken Sie das Gerät aus und lassen Sie es mindestens 30 Minuten abkühlen, bevor Sie es erneut versuchen. Damit der Überlastschutz effektiv zurückgesetzt wird, muss das Gerät vom Stromkreis getrennt werden, während es abkühlt.
 - Wenn das Problem nach dem Abkühlen weiterhin besteht, weist dies auf eine interne Fehlfunktion hin. Bitte wenden Sie sich an den Sage-Kundendienst oder an Ihre nächstgelegene autorisierte Sage®-Kundendienststelle.
 - Bitte nehmen Sie zur Kenntnis, dass eine Aktivierung des Überlastschutzes darauf hinweist, dass das Gerät nicht ordnungsgemäß verwendet wurde, also beispielsweise zu viele Zutaten in den Mixerkrug gefüllt wurden oder das Gerät durch zu viel Druck beim Entsaften oder häufigen langen Gebrauch überlastet wurde. Wir bitten Sie, diese Hinweise zu beachten und sich nach den Informationen in dieser Anleitung zu richten, um dieses Problem zu vermeiden und die Lebensdauer des Gerätes zu verlängern.
-



Notizen

the 3X Bluicer™

BJB615 / SJB615



FR GUIDE RAPIDE

Sage®



Table des matières

- 2 Sage® recommande la sécurité avant tout
- 7 Composants
- 8 Assemblage
- 12 Fonctions
- 14 Entretien et nettoyage
- 16 Dépannage

SAGE® RECOMMANDE LA SÉCURITÉ AVANT TOUT

Chez Sage®, la sécurité est une priorité.

Nous concevons et fabriquons des produits consommateurs en mettant la sécurité de nos précieux clients, c'est-à-dire vous, au premier plan. Nous vous demandons également de faire attention lorsque vous utilisez un appareil électrique et de respecter les consignes suivantes.

CONSIGNES DE SÉCURITÉ IMPORTANTES

LISEZ TOUTES LES INSTRUCTIONS AVANT UTILISATION ET CONSERVEZ- LES POUR RÉFÉRENCE ULTÉRIEURE

- Avant une première utilisation, assurez-vous que l'alimentation électrique est identique à celle illustrée sur l'étiquette sous l'appareil. Cet appareil est équipé d'un cordon d'alimentation muni d'un fil de mise à la terre et d'une fiche de mise à la terre. L'appareil doit être mis à la terre à l'aide d'une prise de courant correctement reliée à la terre. Cet appareil intègre une connexion à la terre pour des raisons fonctionnelles uniquement.
- Ne coupez ou n'enlevez en aucun cas la troisième broche (de mise à la terre) du cordon d'alimentation ou utilisez un adaptateur.
- Consultez un électricien qualifié si les instructions de mise à la terre ne sont pas entièrement comprises ou s'il existe un doute quant à la mise à la terre correcte de l'appareil.

- L'installation d'un commutateur de sécurité de courant résiduel est recommandée pour fournir une sécurité supplémentaire lors de l'utilisation de tous les appareils électriques. Les interrupteurs différentiels avec un courant de fonctionnement nominal maximal de 30 mA sont recommandés. Consultez un électricien pour obtenir des conseils professionnels.
- Retirez et éliminez de façon sûre tout emballage avant la première utilisation.
- Pour éviter tout risque d'étouffement pour les jeunes enfants, éliminez de manière sûre le capot de protection sur la prise d'alimentation.
- Assurez-vous toujours que l'appareil est correctement assemblé conformément aux instructions avant utilisation. L'utilisation de l'appareil sans qu'il soit correctement assemblé peut provoquer un dysfonctionnement du produit, des dommages au produit ou engendrer un risque de sécurité, notamment une blessure corporelle.
- Cet appareil est destiné à un usage domestique uniquement. N'utilisez pas l'appareil pour toute autre fin que son utilisation prévue. Ne l'utilisez pas sur un bateau ou dans des véhicules en mouvement. Ne l'utilisez pas en plein air. Une mauvaise utilisation peut engendrer des blessures.
- Placez l'appareil sur une surface stable, résistante à la chaleur, plane et sèche, loin du bord. Ne l'utilisez pas sur ou à proximité d'une source de chaleur (plaque chauffante, four ou cuisinière au gaz).
- Déroulez entièrement le cordon d'alimentation avant utilisation.
- Ne laissez pas le cordon d'alimentation suspendu au bord d'un plan de travail ou d'une table. Ne laissez pas le cordon d'alimentation entrer en contact avec des surfaces chaudes ou se nouer.
- Ne laissez pas l'appareil sans surveillance lorsqu'il est en marche.
- Si l'appareil doit être laissé sans surveillance, nettoyé, déplacé, assemblé ou rangé, éteignez toujours l'appareil en appuyant sur le bouton d'alimentation ON | OFF. Débranchez-le ensuite de la prise de courant.
- Mettez l'appareil hors tension, puis débranchez-le de la prise lorsqu'il n'est pas utilisé, avant d'assembler ou de désassembler des pièces et avant de le nettoyer. Pour débrancher, saisissez la fiche et retirez-la de

la prise de courant. Ne tirez jamais sur le cordon d'alimentation.

- Inspectez régulièrement le cordon d'alimentation, la fiche et l'appareil et vérifiez qu'ils ne sont pas endommagés. S'ils sont endommagés de quelque façon que ce soit, cessez immédiatement d'utiliser l'appareil et renvoyez-le au centre de réparation Sage agréé le plus proche pour qu'il soit vérifié, remplacé ou réparé.
- Nettoyez régulièrement l'appareil et ses accessoires. Suivez les instructions de nettoyage indiquées dans ce livret. Toute procédure non répertoriée dans ce manuel doit être effectuée dans un centre de réparation Sage agréé.
- Cet appareil n'est pas destiné à être utilisé par des enfants ou des personnes aux capacités mentales, sensorielles ou physiques réduites, ou ayant peu d'expérience et de connaissances. Une surveillance étroite doit être exercée lorsque l'appareil est utilisé à proximité d'enfants. Les enfants doivent être surveillés pour s'assurer qu'ils ne jouent pas avec l'appareil.
- Les enfants ne doivent pas jouer avec l'appareil.
- Le nettoyage de l'appareil ne doit pas être effectué par des enfants.
- Le cordon d'alimentation de l'appareil, ainsi que tout composant ou accessoire, doivent être conservés hors de la portée des enfants de moins de 8 ans.
- N'utilisez jamais d'autres accessoires que ceux fournis avec ce produit ou autorisés par Sage. Le non-respect de cette consigne peut entraîner un dysfonctionnement de l'appareil, une détérioration de l'appareil ou même des risques pour la sécurité.
- N'essayez pas de faire fonctionner l'appareil par une méthode autre que celles décrites dans ce livret.
- Ne déplacez pas l'appareil en cours de fonctionnement.
- N'utilisez pas l'appareil sur une surface inclinée.
- Ne poussez pas les aliments dans le goulot d'alimentation avec vos doigts ou d'autres ustensiles. Utilisez toujours le poussoir de l'extracteur. Ne placez pas votre main ou vos doigts dans le goulot d'alimentation lorsqu'il est fixé sur l'appareil.
- Ne pressez pas les fruits à noyau tant que vous n'avez pas enlevé les graines ou les noyaux.

- Assurez-vous que le produit est hors tension, que le panier-filtre en acier inoxydable s'est arrêté de tourner et que le moteur est entièrement arrêté avant de libérer l'arceau de blocage de sûreté ou avant de déplacer l'appareil, lorsque l'unité n'est pas utilisée, et avant le démontage, le nettoyage et l'entreposage.
- Nettoyez et séchez toute fuite importante sur la surface en dessous ou autour de l'appareil, ou sur l'appareil lui-même avant de continuer de l'utiliser.
- Faites attention lorsque vous manipulez le panier-filtre en acier inoxydable, car les petites lames de coupe à la base du panier sont très tranchantes. Une mauvaise manipulation peut engendrer des blessures.
- Les lames du blender étant tranchantes, procédez avec précaution lors de la manipulation, du vidage et du nettoyage du pichet.
- Enlevez les zestes de tous les agrumes avant de les presser.
- N'utilisez pas l'appareil si le tamis rotatif (panier-filtre) ou le couvercle est endommagé.
- Vérifiez toujours que le couvercle de l'extracteur est bien en place avant de mettre en route le moteur.
- Ne faites pas fonctionner l'appareil si le récipient à pulpe n'est pas en place.
- Ne détachez pas l'arceau de verrouillage lorsque l'unité est en marche.
- Ne pressez pas plus de 3 kg de carottes à la fois.
- Évitez de placer le pichet sur la base du moteur lorsque le moteur tourne toujours.
- Ne l'utilisez pas sans ingrédient dans le pichet.
- N'essayez jamais de l'utiliser avec des lames endommagées, ou avec des ustensiles ou tout autre objet étranger dans le pichet.
- Ne soumettez pas le pichet à des conditions de chaleur ou de froid extrêmes, par exemple en le plaçant froid dans de l'eau chaude, ou inversement.
- Le couvercle doit être fermement fixé au pichet avant l'utilisation pour assurer que le contenu interne ne fuit pas, ne se pulvérise pas ou ne déborde pas.
- Ne retirez pas le pichet de la base du moteur lorsque le blender est en cours d'utilisation.
- N'utilisez pas le blender lorsque la PROTECTION CONTRE LES SURCHARGES clignote sur l'écran LCD. Si cela se produit, débranchez

le blender et attendez pendant 30 minutes que le moteur refroidisse. Une fois refroidi, vous pourrez à nouveau utiliser le blender normalement.

- N'insérez pas de liquides chauds ou bouillants. Laissez refroidir avant de les placer dans le pichet du blender.
- À des fins de protection contre les décharges électriques, ne plongez pas la prise électrique, le cordon ou l'appareil dans de l'eau ou dans un liquide.
- N'utilisez pas l'appareil si le cordon d'alimentation, la prise ou l'appareil sont endommagés de quelque manière que ce soit. En cas de dommages ou si un entretien autre que le nettoyage est nécessaire, contactez le service client Sage ou consultez le site sageappliances.com.



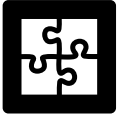
Le symbole illustré indique que cet appareil ne doit pas être jeté aux ordures ménagères habituelles.

Il doit être amené dans un centre de collecte de déchets des autorités locales désigné à cette fin ou à un revendeur proposant ce service. Pour en savoir plus, veuillez contacter le bureau de votre municipalité.

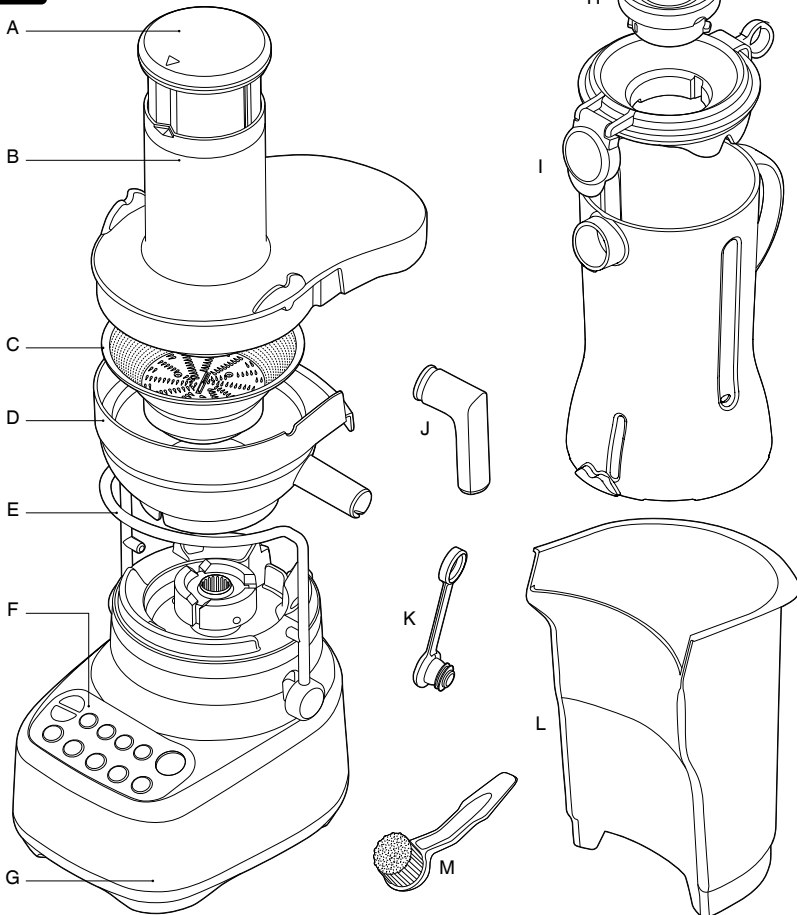


Pour vous protéger contre les chocs électriques, n'immergez jamais la base, le cordon d'alimentation ou la prise électrique dans l'eau, et ne laissez pas l'humidité entrer en contact avec ces pièces. Évitez de renverser de l'eau sur le connecteur de la base d'alimentation. N'immergez pas la base d'alimentation lors du nettoyage.

CONSERVEZ CES INSTRUCTIONS



Composants



- A. Poussoir (non adapté au lave-vaisselle)
- B. Couvercle de l'extracteur de jus (adapté au lave-vaisselle)
- C. Panier-filtre en acier inoxydable (adapté au lave-vaisselle)
- D. Contenant du filtre (adapté au lave-vaisselle)
- E. Arceau de blocage de sûreté
Arrête le fonctionnement de la base du moteur lorsque le couvercle n'est pas en place.
- F. Panneau de commande
- G. Base du moteur résistante
- H. Bouchon doseur interne (adapté au lave-vaisselle)
- I. Couvercle et pichet du blender 1,5 L (adapté au lave-vaisselle)
- J. Buse d'extraction (adaptée au lave-vaisselle)
Peut être placée au-dessus du bec verseur pour extraire directement dans une tasse.
- K. Bouchon anti-goutte (adapté au lave-vaisselle)
- L. Récipient à pulpe (adapté au lave-vaisselle)
- M. Brosse de nettoyage (pour nettoyer le panier-filtre)

CE Informations sur la tension nominale
220 – 240 Volts ~ 50 Hz 1000 Watts



Assemblage

AVANT LA PREMIÈRE UTILISATION

Lavez le couvercle, le bouchon doseur intérieur, le pichet, le contenant du filtre, le panier-filtre, le couvercle de l'extracteur, le poussoir et le récipient à pulpe à l'eau chaude savonneuse avec un chiffon doux. Rincez et séchez soigneusement.

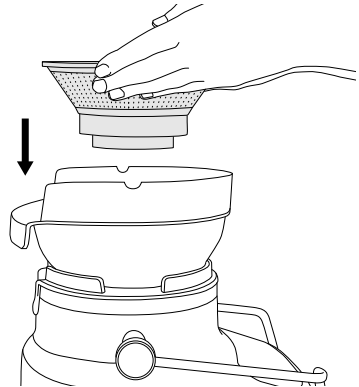
Placez la base du moteur sur une surface plane et sèche, comme un plan de travail. Assurez-vous que le bouton situé sur la base du moteur est sur OFF et que le cordon d'alimentation est débranché.

EXTRACTION DE JUS

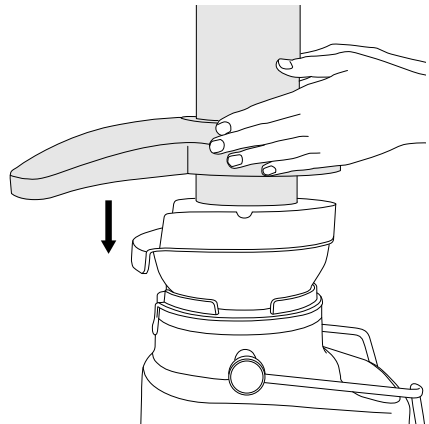
1. Placez le contenant du filtre au-dessus de la base du moteur.



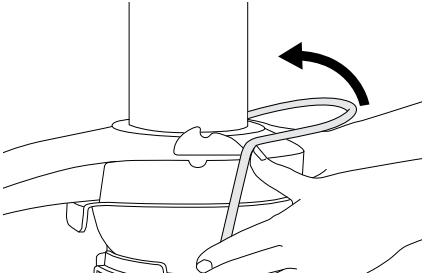
2. Alignez les flèches à la base du panier-filtre en acier inoxydable avec celles du couplage de la commande du moteur et poussez vers le bas jusqu'à ce que vous entendiez un déclic, afin que le tout soit bien fixé sur la base du moteur.



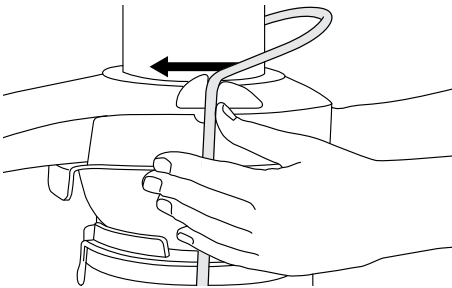
3. Placez le couvercle de l'extracteur sur le contenant du filtre, en plaçant la partie basse du goulot d'alimentation sur le panier-filtre en acier inoxydable.



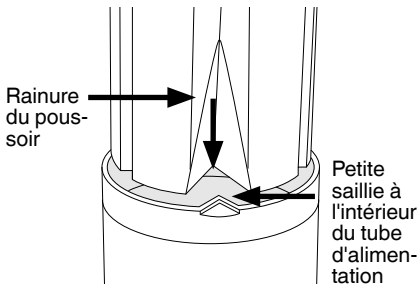
4. Relevez l'arceau de blocage de sûreté et placez-le dans les deux encoches situées de part et d'autre du couvercle.



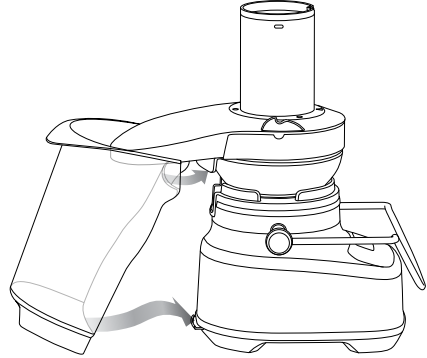
5. L'arceau de blocage de sûreté devrait maintenant être en position verticale et verrouillé sur le couvercle de l'extracteur.



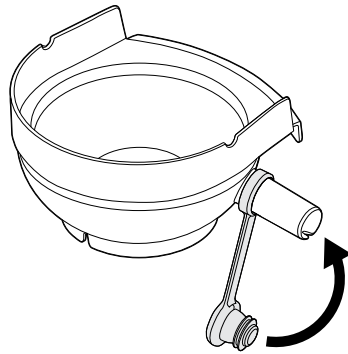
6. Faites glisser le poussoir dans le goulot d'alimentation en alignant la fente du poussoir sur la petite saillie à l'intérieur du tube d'alimentation.



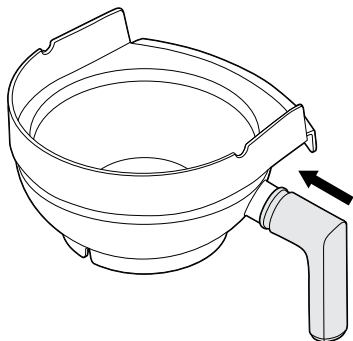
7. Mettez en place le récipient à pulpe en inclinant et soulevant légèrement la base du moteur. Insérez le récipient à pulpe sous le couvercle de l'extracteur à l'arrière, en vous assurant que le bord avant est inséré sous le rebord arrière du contenant du filtre et que le bord arrière est inséré dans le fond de la base du moteur.



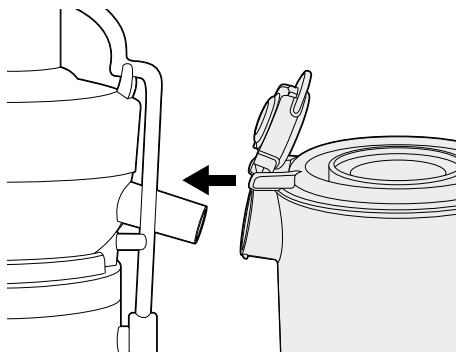
8. Le bouchon anti-goutte peut être placé sur la buse de sortie du jus. Il permet ainsi d'empêcher que du jus ne s'écoule une fois l'extraction terminée.



9. En option : Pour réaliser une extraction dans un verre, vous pouvez placer la buse d'extraction sur la buse de sortie du jus.

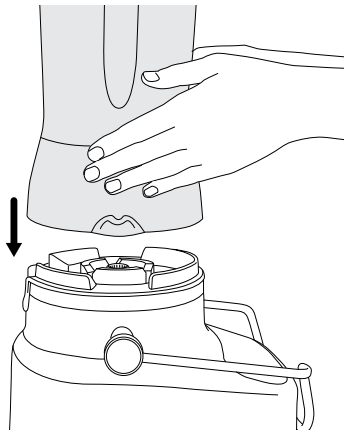


10. Placez le couvercle sur le pichet et placez ce dernier sous le bec verseur.

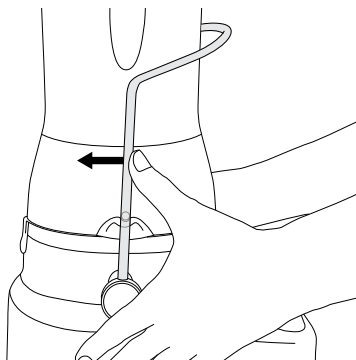


MIXAGE

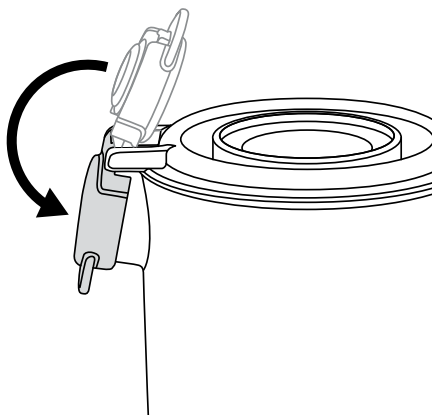
1. Avec le pichet du blender en position droite, placez-le sur la base du moteur. La poignée du blender peut être positionnée à gauche ou à droite de l'appareil.



2. Relevez l'arc de blocage de sécurité et placez-le dans les deux encoches situées de part et d'autre du blender.



3. Tout aliment ou liquide inséré dans le pichet du blender ne doit pas dépasser le repère « MAX ». Placez le couvercle du blender fermement en position en haut du pichet du blender. Insérez le bouchon doseur interne propre dans le couvercle du blender et tournez-le dans le sens des aiguilles d'une montre pour le fixer. Le pichet est doté d'un couvercle Sage Assist™. Cela permet au couvercle d'être ajusté fermement dans le pichet du blender, évitant ainsi les déplacements lors du fonctionnement.
4. Ne remplissez pas le mixeur au-delà de la ligne « MAX ».
5. Assurez-vous que le bouchon du bec verseur situé sur le couvercle du blender est clipsé et fermé. L'ouverture facile permet à l'utilisateur de facilement retirer le couvercle avec un simple effet de levier.



Une fois l'appareil assemblé en blender ou en extracteur de jus, branchez le cordon d'alimentation à une prise de courant 220 – 240 Volts et mettez-le sous tension.

Appuyez sur le bouton ON / OFF pour mettre l'appareil sous tension. Le bouton ON / OFF s'allume. L'écran minuteur LCD s'allume et affiche « 0:00 ».



Fonctions



COMMENCER

Le bouton ON / OFF allume l'unité en mode READY (Prêt).

PROGRAMMES PRÉCONFIGURÉS

MIXAGE

L'appareil est doté de 4 fonctions pré-réglées : Smoothie, Pulse/Ice Crush (battement/glace pilée), Auto Clean (nettoyage automatique) et Frozen Cocktail (cocktail glacé). Ces cycles pré-programmés règlent automatiquement la durée de mixage et les vitesses pour optimiser les résultats de mixage. Ces programmes ne sont activés que lorsque votre appareil est en mode blender. Ils ne peuvent pas être utilisés lorsque votre appareil est configuré en extracteur de jus.

Sélectionnez la fonction souhaitée en appuyant sur le bouton de la fonction correspondant. L'unité commence à fonctionner et le bouton de la fonction sélectionnée s'allume. Le minuteur démarre et le programme se termine automatiquement lorsqu'il atteint « 0:00 ».

Le programme et le minuteur peuvent être mis en pause en appuyant sur le bouton pause. Relancez le programme en appuyant de nouveau sur le bouton correspondant, ou annulez en appuyant une nouvelle fois sur le bouton pause.

Le programme peut également être annulé à tout moment en appuyant sur le bouton ON / OFF. La minuterie se réinitialise à 0:00.

Smoothie

Pour réaliser des smoothies à base de lait, l'association de vitesses et battements permet de combiner et d'aérer les ingrédients en une texture onctueuse et crémeuse.

Pulse/Ice Crush (Battement/glace pilée)

Programme de battement continu conçu pour hacher les aliments dans une consistance homogène ou en glace pilée. Utilisez le bouton PULSE (battement) lorsque l'aliment inséré est trop épais ou gros pour circuler dans le pichet du blender.

La quantité maximale de glaçons que le blender peut mixer simultanément sans liquide dans le pichet est d'une plaque standard de glaçons, ou 250 g.

Frozen Cocktail (Cocktail glacé)

Pour créer des cocktails et des boissons contenant de la glace, comme une margarita, un daïquiri ou un slushie, un programme de glace pilée est suivi d'un court cycle de mixage.

Auto Clean (Nettoyage automatique)

Utilisez cette fonction pour retirer la plupart des ingrédients des parois et lames du blender. Ajoutez deux verres d'eau savonneuse tiède, puis appuyez sur le bouton de nettoyage. Pour les ingrédients collants, épais ou difficiles à nettoyer, ajouter 1/2 cuillère à café de liquide vaisselle pour obtenir un effet nettoyant supplémentaire. Pour de meilleurs résultats, nettoyez de cette manière le pichet du blender immédiatement après utilisation. La fonction Auto Clean nettoie uniquement le pichet du blender. Elle ne permet pas de nettoyer l'extracteur de jus.

Sélection de la vitesse

Il existe 5 boutons de vitesse. La vitesse 1 combine plus d'aliments délicats dans un mouvement de basculement, idéal pour mélanger des ingrédients humides et secs. La vitesse 5 est le paramètre le plus rapide, et est idéale pour broyer des ingrédients afin de préparer des sauces, des assaisonnements et d'autres mélanges délicatement mixés.

EXTRACTION DE JUS

La plupart des fruits et légumes comme les pommes, les carottes et les concombres n'ont pas besoin d'être coupés, car ils pourront être insérés entièrement dans le goulot d'alimentation. Assurez-vous que les légumes comme les betteraves, les carottes, etc. ont été bien lavés et débarrassés de leurs feuilles avant utilisation.

1. Branchez le cordon d'alimentation à une prise de courant de 220 – 240 Volts.



IMPORTANT

Ne remplissez pas le goulot d'alimentation avant que l'extracteur ait atteint la vitesse sélectionnée.

2. Mise en marche de l'extracteur de jus

Sélectionnez la vitesse souhaitée en appuyant sur l'un des boutons 1 à 5. Utilisez les chiffres les plus faibles (1 à 3) pour les fruits et légumes mous et les chiffres les plus élevés (4 et 5) pour les fruits et légumes durs. Reportez-vous au tableau « Guide de sélection de la vitesse » à la page suivante pour faire correspondre la vitesse et le type de produit afin d'obtenir le rendement maximal. La vitesse faible, bien qu'elle n'offre pas le meilleur rendement de certains produits, vous permet une extraction de jus nettement moins bruyante.

3. Lorsque le moteur est en marche, placez les aliments dans le goulot d'alimentation. À l'aide du poussoir, guidez doucement les aliments vers le bas. Pour extraire la quantité maximale de jus, poussez toujours lentement le poussoir vers le bas.

4. Pichet du blender plein

Vous pouvez continuer à extraire le jus jusqu'à ce que le pichet soit rempli au niveau MAX.



AVERTISSEMENT

Ne vous servez jamais de vos doigts, de vos mains ou d'ustensiles pour pousser les aliments dans le goulot d'alimentation ou pour le dégager. Utilisez toujours le poussoir de l'extracteur.



Le panier-filtre en acier inoxydable contient de petites lames tranchantes pour couper et mixer les fruits et légumes. Évitez de toucher les lames lorsque vous manipulez le panier-filtre.

GUIDE DE SÉLECTION DE LA VITESSE

TYPE D'ALIMENT	VITESSE
POMMES	5
PETITS ÉPINARDS	5
BETTERAVES	5
POIVRONS	5
MYRTILLES	3
BROCOLI	4
CHOU	5
CAROTTE	5
CÉLERI	2
AGRUMES (épluchés)	1
CONCOMBRE	2
GINGEMBRE	4
RAISINS (sans pépins)	2
MELON VERT (épluché)	3
CHOU KALE	4
KIWI (épluché)	4
MANGUE (épluchée, noyaux retirés)	2
MENTHE	5
PÊCHE (épluchée, dénoyautée)	2
POIRES	4
ANANAS (épluché)	4
RHUBARBE	4
COURGE	5
FRAISES	3
TOMATES	3
PASTÈQUE (épluchée)	2
COURGETTE	4



Entretien et nettoyage

Assurez-vous que la base du moteur est hors tension en appuyant sur le bouton ON / OFF. Débranchez ensuite le cordon d'alimentation.

NETTOYAGE

1. Retirez le pichet du blender.
2. Déverrouillez la barre de verrouillage, soulevez le bloc du récupérateur de pulpe et placez-le dans l'évier.
3. Retirez le récipient à pulpe.

Videz autant de pulpe que possible dans la poubelle/le bac à compost. Rincez toutes les pièces après utilisation (sauf la base du moteur) à l'eau courante pour éliminer la majorité du jus et de la pulpe. Lavez avec de l'eau tiède savonneuse et un chiffon doux.

Pour empêcher les aliments de sécher sur les lames, les mailles du filtre ou les éléments transparents, rincez et lavez-les dès que possible après utilisation.

RÉCIPIENT À PULPE

Pour réduire le nettoyage, vous pouvez doubler le récipient à pulpe avec un sac biodégradable pour recueillir la pulpe.

BASE DU MOTEUR

Essuyez avec un chiffon doux et humide. Ne plongez pas la base du moteur dans un liquide.

AGENTS DE NETTOYAGE

N'utilisez pas d'éponges ou nettoyeurs abrasifs sur la base du moteur ou le pichet, car ils pourraient rayer la surface. Utilisez uniquement de l'eau savonneuse tiède avec un chiffon doux.

PICHET ET COUVERCLE

Pour conserver votre pichet propre et empêcher les aliments de sécher sur les lames et le pichet, suivez les étapes ci-dessous dès que possible après utilisation.

Rincez la plupart des ingrédients du pichet et du couvercle.

Remplissez le pichet avec 500 ml d'eau tiède, fixez le couvercle et appuyez sur le bouton AUTO CLEAN (Nettoyage automatique). Si des ingrédients épais ou collants nécessitent un effort nettoyant supplémentaire, ajoutez quelques gouttes de liquide vaisselle.

Rincez le pichet et le couvercle à nouveau, ou lavez-les séparément dans de l'eau savonneuse tiède avec un chiffon doux ou un goupillon.

Il est plus efficace de nettoyer le pichet immédiatement après utilisation.

PANIER-FILTRE

Pour une extraction homogène, nettoyez toujours soigneusement le panier-filtre juste après utilisation à l'aide de la brosse fournie.

Lorsque la pulpe sèche, elle peut boucher les petits pores du filtre, ce qui peut réduire l'efficacité de l'extracteur. Le panier-filtre peut être trempé dans de l'eau tiède savonneuse pendant 10 minutes, si nécessaire.

LAVE-VAISSELLE

Toutes les pièces sont adaptées au lave-vaisselle, sauf la base du moteur et le poussoir. Le pichet du blender peut être placé sur le panier inférieur du lave-vaisselle, cependant le couvercle et le bouchon doseur interne doivent être uniquement nettoyés sur le panier supérieur. Toutefois, nettoyer les pièces régulièrement dans un lave-vaisselle peut réduire leur durée de vie en raison d'une exposition prolongée à des détergents durs, à l'eau chaude et à de la pression.

Le nettoyage des pièces au lave-vaisselle peut également détériorer les pièces, aussi inspectez-les régulièrement et cessez d'utiliser le produit si vous remarquez qu'il est endommagé.

TÂCHES D'ALIMENTS TENACES

Les aliments à forte odeur comme l'ail, le poisson et certains légumes (carottes) peuvent laisser une odeur ou des tâches sur le couvercle et le pichet du blender. Pour les retirer, faites tremper le couvercle et le pichet du blender pendant 5 minutes dans de l'eau savonneuse tiède. Nettoyez ensuite avec un détergent doux et de l'eau tiède, rincez bien et séchez soigneusement. Entreposez le pichet sans le couvercle dessus.

RANGEMENT

Entreposez votre appareil dans une position droite, avec le pichet du blender assemblé sur la base du moteur, ou à côté. Ne déposez rien sur le dessus. Pour laisser l'air circuler, ne laissez pas le couvercle sur le pichet.




AVERTISSEMENT

Les huiles des zestes d'agrumes peuvent endommager le matériel si le pichet de votre mixeur y est exposé pendant une longue période. Nettoyez toujours le pichet de votre blender immédiatement après avoir utilisé des zestes d'agrumes.



Dépannage

L'écran LCD s'allume mais l'appareil ne répond pas

- Il se peut que l'arceau de blocage de sûreté ne soit pas correctement engagé en position de fonctionnement verticale. Dans ce cas, l'écran LCD affiche une invite animée . Vérifiez que le couvercle supérieur est correctement aligné et que l'arceau de blocage de sûreté est bien placé dans les deux encoches situées de part et d'autre du couvercle de l'extracteur ou du pichet du blender.

Les aliments ne sont pas hachés uniformément

- Cela peut se produire lorsque trop d'aliments sont ajoutés simultanément. Essayez avec une plus petite quantité, et faites plusieurs paquets si nécessaire.

Les ingrédients sont hachés trop finement ou sont aqueux

- Essayez de mixer sur des périodes plus courtes. Utilisez la fonction PULSE (Battement) pour un meilleur contrôle.

Accumulation excessive de pulpe dans le panier-filtre en acier inoxydable

- Mettez l'appareil hors tension. Démontez l'appareil pour vider l'excès de pulpe du couvercle de l'extracteur.
- Remontez l'appareil et continuez l'extraction. L'alternance d'ingrédients mous et durs peut aider à éviter cela.

La pulpe est trop humide et le débit de jus est faible

- La force du poussoir pourrait réduire le rendement car elle ralentit le moteur. Évitez d'appliquer une trop forte pression sur le poussoir lorsque vous insérez les ingrédients dans le goulot d'alimentation.
- Un filtre propre améliore le rendement du jus et permet d'obtenir une pulpe plus sèche. Veillez à bien nettoyer l'extracteur de jus le plus tôt possible après chaque utilisation. Enlevez le panier-filtre en acier inoxydable et nettoyez soigneusement les parois avec une brosse de nettoyage. Rincez le panier-filtre à l'eau chaude. Si les petits pores du filtre sont bouchés, faites tremper le panier dans une solution composée d'eau chaude et de 10 % de jus de citron pour les déboucher, ou lavez-le au lave-vaisselle (panier supérieur). Cela enlèvera l'excès de fibres qui pourrait bloquer le passage du jus.
- Si vous extrayez de grandes quantités d'ingrédients fibreux comme la rhubarbe et l'ananas, il peut être nécessaire de nettoyer le panier-filtre entre deux extractions.

Le jus fuit entre le contenant du filtre et le couvercle de l'extracteur

- Vérifiez que l'appareil est monté correctement.
- Essayez de ralentir le rythme d'extraction (si possible) et enfoncez plus lentement le poussoir dans le goulot.
- Assurez-vous qu'il n'y a aucun dépôt dans le panier-filtre.

Le jus jaillit du bec verseur

- Le jus est extrait à une vitesse trop élevée. Essayez de ralentir le rythme d'extraction (si possible) et enfoncez plus lentement le poussoir dans le goulot.
-

Il reste du jus dans le contenant du filtre après l'arrêt de l'extracteur

- Tournez la molette de vitesse sur la vitesse la plus élevée et laissez fonctionner pendant cinq secondes. Cela peut aider à déplacer le jus restant dans le pichet.

Le moteur semble caler pendant l'extraction

- De la pulpe humide peut s'accumuler sous le couvercle et bloquer l'appareil si celui-ci est utilisé de façon excessive sans nettoyage. Si cela se produit, démontez l'appareil et suivez les instructions de nettoyage pour nettoyer le contenant du filtre, le panier-filtre en acier inoxydable et le couvercle de l'extracteur.
- L'appareil peut également se bloquer si une force excessive est exercée pour pousser le produit dans le goulot d'alimentation. Si cela se produit, veillez à exercer une pression plus douce pour pousser le produit dans le goulot.
- Allumez l'appareil avant de mettre les ingrédients dans le goulot. Presser les ingrédients avant que le moteur n'atteigne la vitesse souhaitée peut entraîner son blocage ou sa surcharge. Exercez une pression légère à modérée sur le poussoir. Une pression réduite garantit un meilleur rendement du jus.
- L'extraction des fruits et des légumes durs fait subir une tension trop forte au moteur si vous choisissez une vitesse faible. Reportez-vous au guide de référence pour connaître la vitesse adéquate pour les fruits et légumes à extraire.

Tous les voyants du panneau de commande clignotent et la protection contre les surcharges s'affiche sur l'écran LCD

- Cela signifie que la protection contre les surcharges du moteur est activée en raison d'une surchauffe d'un calage du moteur.
 - Pour réinitialiser le protecteur, débranchez l'appareil de la prise, puis rebranchez-le et mettez-le sur tension.
 - Si la protection contre les surcharges s'affiche toujours, débranchez l'appareil et laissez refroidir pendant au moins 30 minutes, puis réessayez. L'appareil doit être débranché pendant le refroidissement afin d'être réinitialisé correctement.
 - Si le problème persiste après avoir laissé refroidir, il peut être dû à un problème interne. Veuillez contacter le service client Sage ou votre centre de réparation Sage agréé le plus proche.
 - Notez que le déclenchement de la protection contre les surcharges indique une utilisation anormale de l'appareil, comme une charge trop importante dans le pichet du blender, une force de poussée excessive lors de l'extraction du jus ou une utilisation continue prolongée. Veuillez noter les conditions et vous référer à toutes les informations contenues dans ces instructions pour éviter cet incident et prolonger la durée de vie de l'appareil.
-



Remarques

the 3X Bluicer™

BJB615 / SJB615



NL SNEELSTARTGIDS

Sage®



Inhoud

- 2 Sage® stelt veiligheid voorop
- 7 Onderdelen
- 8 Montage
- 12 Functies
- 14 Onderhoud en reiniging
- 16 Problemen oplossen

SAGE® STELT VEILIGHEID VOOROP

Bij Sage® gaan we zeer veiligheidsbewust te werk. Bij het ontwerpen en produceren van onze consumentenproducten staat de veiligheid van onze gewaardeerde klanten voorop. Daarnaast vragen wij u voorzichtig om te gaan met elektrische apparaten en de volgende voorzorgsmaatregelen in acht te nemen.

BELANGRIJKE VEILIGHEIDSMATREGELEN

LEES ALLE INSTRUCTIES VÓÓR GEBRUIK EN BEWAAR DEZE VOOR TOEKOMSTIGE NASLAG

- Controleer vóór het eerste gebruik of uw elektriciteitsvoorziening dezelfde is als die op het label aan de onderkant van het apparaat. Dit apparaat beschikt over een netsnoer met aardingsdraad en geaarde stekker. Het apparaat moet worden geaard via een goed geaard stopcontact. Dit apparaat heeft alleen om functionele redenen een aardverbinding.
- Knip of verwijder in geen geval de derde (aardings)pin van het netsnoer en gebruik geen adapter.
- Raadpleeg een gekwalificeerde elektricien als u de aardingsinstructies niet volledig begrijpt, of twijfelt of het apparaat correct geaard is.
- Het wordt aanbevolen een aardlekschakelaar te installeren voor extra veiligheid bij het gebruik van alle elektrische apparaten. Veiligheidsschakelaars met een nominale bedrijfsstroom van niet meer dan 30 mA worden aan-

- bevolen. Raadpleeg een elektricien voor professioneel advies.
- Voer verpakkingsmateriaal veilig af vóór het eerste gebruik.
 - Gooi het beschermkapje op de stekker op een veilige manier weg om verstikkingsgevaar bij jonge kinderen te voorkomen.
 - Controleer vóór gebruik altijd of het apparaat op de juiste manier in elkaar is gezet. Als u een apparaat gebruikt dat niet juist in elkaar is gezet, kan dit leiden tot productstoringen, productschade of veiligheidsrisico's, waaronder lichamelijk letsel.
 - Dit apparaat is alleen voor huishoudelijk gebruik. Gebruik het apparaat alleen voor het beoogde gebruik. Gebruik het niet in bewegende voertuigen of boten. Gebruik het niet buitenshuis. Verkeerd gebruik kan tot letsel leiden.
 - Plaats het apparaat op een stabiele, hittebestendige, vlakke, droge ondergrond, uit de buurt van de rand van het aanrecht en werk niet op of in de buurt van een warmtebron zoals een kookplaat, oven of gaskookplaat.
 - Wikkel het netsnoer volledig af voordat u het apparaat gebruikt.
 - Zorg dat het netsnoer niet over de rand van een aanrecht of tafel hangt. Zorg dat het netsnoer niet in aanraking komt met hete oppervlakken of in de knoop raakt.
 - Laat het apparaat niet onbeheerd achter tijdens gebruik.
 - Als het apparaat moet worden achtergelaten, gereinigd, verplaatst, gemonteerd of opgeborgen, schakel het dan altijd uit met de ON/OFF-knop. Schakel het apparaat uit en haal de stekker uit het stopcontact.
 - Schakel het apparaat uit en trek de stekker uit het stopcontact wanneer het apparaat niet in gebruik is. Daarna kunt u het in elkaar zetten, uit elkaar halen of schoonmaken. Houd het netsnoer altijd bij de stekker vast wanneer u het uit het stopcontact haalt. Trek nooit aan het snoer zelf.
 - Controleer het netsnoer, de stekker en het apparaat regelmatig op eventuele schade. Als het apparaat op enige wijze is beschadigd, stop dan onmiddellijk met het gebruik van het apparaat en breng het in zijn geheel naar het dichtstbijzijnde bevoegde Sage-servicecentrum voor onderzoek, vervanging of reparatie.
 - Houd het apparaat en de accessoires schoon. Volg de reinigingsinstructies in dit boekje. Elke handeling die niet in dit instructieboekje staat vermeld, moet worden uitgevoerd door een geautoriseerd Sage-servicecentrum.

- Dit apparaat is niet bedoeld voor gebruik door kinderen of mensen met beperkte fysieke, zintuiglijke of mentale capaciteiten, of gebrek aan ervaring en kennis. Wanneer het apparaat door kinderen of in de buurt van kinderen wordt gebruikt, is nauwlettend toezicht vereist. Laat kinderen niet met het apparaat spelen.
- Laat kinderen niet met het apparaat spelen.
- Laat kinderen het apparaat niet reinigen.
- Het netsnoer, de onderdelen, opzetstukken of accessoires van het apparaat moeten buiten het bereik van kinderen jonger dan 8 jaar worden gehouden.
- Gebruik nooit opzetstukken of accessoires die niet bij dit product zijn geleverd of die niet door Sage zijn goedgekeurd voor gebruik met dit product. Als u deze instructie niet volgt, kan dit leiden tot productstoringen, productschade of zelfs veiligheidsrisico's.
- Probeer het apparaat niet op een andere manier te gebruiken dan beschreven in deze handleiding.
- Verplaats het apparaat niet terwijl het in werking is.
- Gebruik het apparaat niet op een schuin oppervlak.
- Gebruik nooit uw vingers of keukengerei om ingrediënten door de vultrechter te duwen. Gebruik altijd de meegeleverde fruit- en groentedrukker. Steek uw handen of vingers niet in de vultrechter wanneer deze op het apparaat zit.
- Pers geen steenvruchten tenzij de pitten zijn verwijderd.
- Zorg dat het product UIT staat, de filtermand van roestvrij staal is gestopt met draaien en de motor volledig tot stilstand is gekomen voordat u de vergrendelingshendel ontgrendelt en/of het apparaat probeert te verplaatsen wanneer het niet in gebruik is, en voordat u het uit elkaar haalt, schoonmaakt of opbergt.
- Als er aanzienlijk veel op het oppervlak onder of rond het apparaat of op het apparaat zelf is gemorst, moet het worden schoongemaakt en afgedroogd voordat u het weer gebruikt.
- Wees voorzichtig bij het hanteren van de filtermand van roestvrij staal. De kleine mesjes onderaan de filtermand zijn namelijk erg scherp. Verkeerd gebruik kan tot letsel leiden.
- De blendermessen zijn scherp, wees voorzichtig wanneer u de blenderkan hanteert, leegmaakt en reinigt.

- Verwijder de schil van citrusvruchten voordat u ze perst.
- Gebruik het apparaat niet als de roterende zeef (filtermand) of het deksel is beschadigd.
- Zorg dat het deksel van de sapcentrifuge steeds goed vast zit voordat de motor wordt ingeschakeld.
- Gebruik het apparaat niet zonder dat de opvangbak voor pulp op zijn plaats zit.
- Maak de vergrendelingshendel niet los terwijl het apparaat in werking is.
- Pers niet meer dan 3 kilo wortels per keer.
- Plaats de blenderkan niet op de motorbasis terwijl de motor nog draait.
- Gebruik het apparaat niet zonder ingrediënten in de kan.
- Gebruik het apparaat nooit met beschadigde messen of met keukengerei of vreemde voorwerpen in de kan.
- Onderwerp de kan niet aan extreem hoge of lage temperaturen, bijvoorbeeld door een koude kan in heet water of andersom te dompelen.
- Het deksel van de blenderkan moet voor gebruik stevig worden bevestigd om te zorgen dat de inhoud niet kan ontsnappen, wegsputten of overlopen.
- Verwijder de kan niet van de motorbasis terwijl de blender in gebruik is.
- Gebruik de blender niet terwijl **OVERLOAD PROTECTION** (overbelastingsbeveiliging) op het lcd-scherm knippert. In dit geval haalt u de stekker uit het stopcontact en wacht u 30 minuten tot de motor is afgekoeld. Nadat de blender is afgekoeld, kunt u deze weer als normaal gebruiken.
- Gebruik geen hete of kokende vloeistoffen. Laat ze afkoelen voordat u ze in de blenderkan giet.
- Dompel de stekker, het snoer of het apparaat niet onder in water of een andere vloeistof om elektrische schokken te voorkomen.
- Gebruik het apparaat niet als het netsnoer, de stekker of het apparaat op enigerlei wijze beschadigd is. Neem contact op met de klantenservice van Sage of ga naar sageappliances.com als er sprake is van schade en er ander onderhoud dan reiniging is vereist.



Het weergegeven symbool geeft aan dat dit apparaat niet met het normale huishoudelijke afval mag worden weggegooid. Het moet naar een geschikt plaatselijk afvalverwerkingscentrum worden gebracht of naar een dealer die deze service biedt. Neem voor meer informatie contact op met uw gemeente.

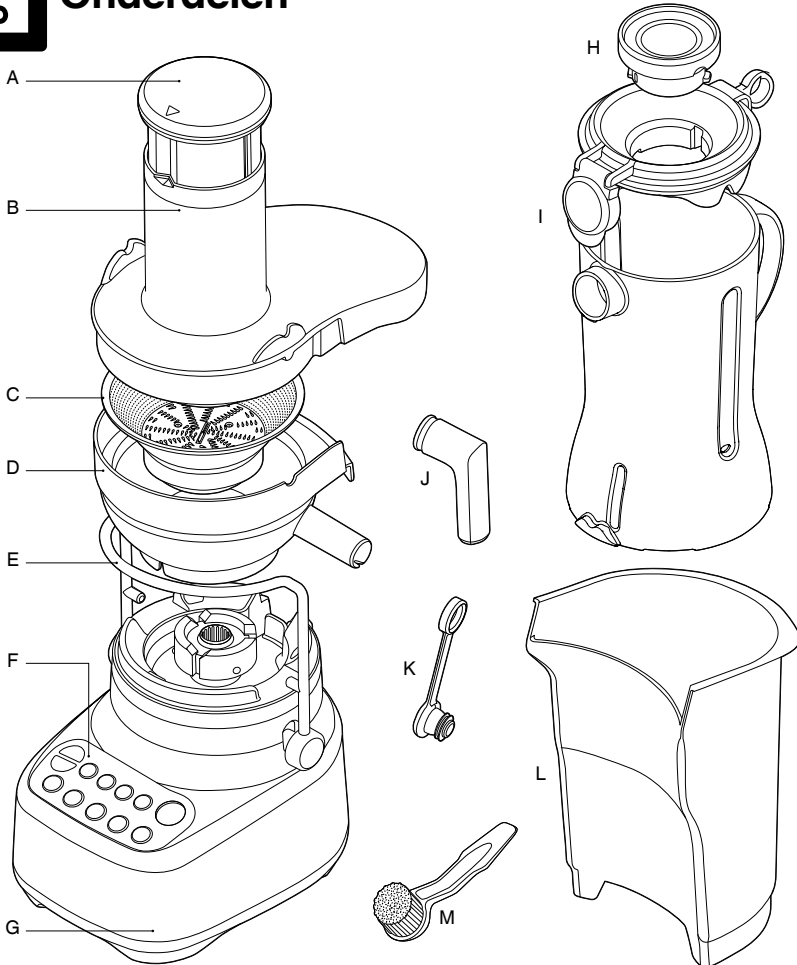


Vermijd elektrische schokken: dompel de motorbasis, het netsnoer of de stekker niet onder in water en zorg dat er geen vocht in contact komt met deze onderdelen. Zorg dat u geen water morst op de connector van de basis. Dompel de basis niet onder tijdens het reinigen.

BEWAAR DEZE INSTRUCTIES



Onderdelen



- A. Fruit- en groentedrukker (niet vaatwasserbestendig)
- B. Deksel van sapcentrifuge (vaatwasserbestendig)
- C. Filtermand van roestvrij staal (vaatwasserbestendig)
- D. Behuizing van filterkom (vaatwasserbestendig)
- E. Vergrendelbare veiligheidshendel
Zorgt dat de motorbasis niet werkt zonder dat het deksel op zijn plaats zit.
- F. Bedieningspaneel
- G. Duurzame motorbasis
- H. Maatbekerdop (vaatwasserbestendig)
- I. Blenderkan van 1,5 liter met deksel (vaatwasserbestendig)
- J. Schenkstuk (vaatwasserbestendig)
Kan over de tuit worden geplaatst om het sap direct in een glas te persen.
- K. Druppelstop (vaatwasserbestendig)
- L. Opvangbak voor pulp (vaatwasserbestendig)
- M. Reinigingsborstel (om de filtermand mee te reinigen)

CE Classificatiegegevens
220 – 240 V ~ 50 Hz 1000 W



Montage

VÓÓR HET EERSTE GEBRUIK

Was het deksel, de maatbekerdop, kan, behuizing van de filterkom, filtermand, het deksel van de sapcentrifuge, de fruit- en groentedrukker en pulpvangbak af in warm zeepsop met een zachte doek. Spoel en droog alles goed af.

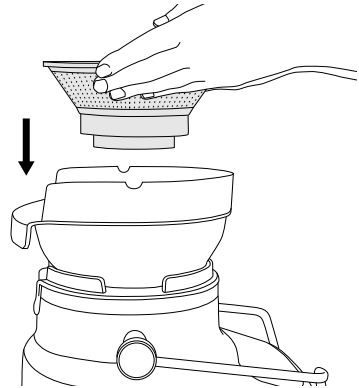
Plaats de motorbasis op een vlak, droog oppervlak, zoals een aanrecht. Zorg dat het apparaat via de OFF-knop op de motorbasis is uitgeschakeld en dat het snoer niet op het stopcontact is aangesloten.

SAP PERSEN

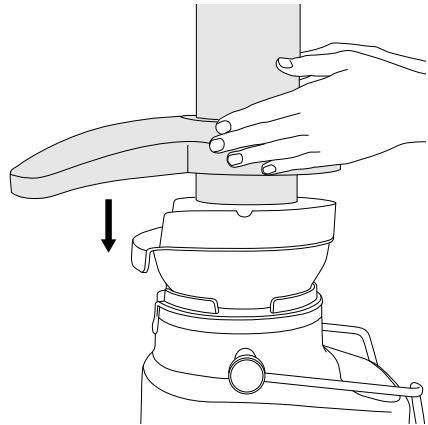
1. Plaats de behuizing van de filterkom op de motorbasis.



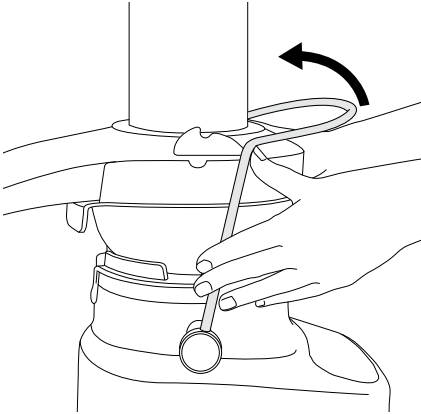
2. Zorg dat de pijltjes op de basis van de filtermand zijn uitgelijnd met de pijltjes op de koppeling van de motoraandrijving, en duw de filtermand omlaag totdat deze vastklikt en stevig op de motorbasis is bevestigd.



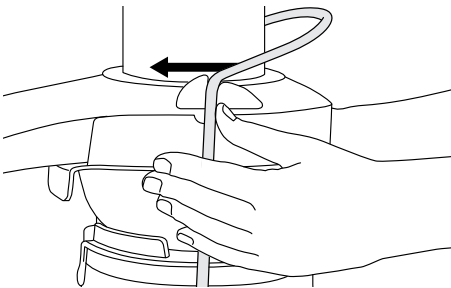
3. Plaats het deksel van de sapcentrifuge over de behuizing van de filterkom. Schuif de onderkant van de vultrechter over de filtermand van roestvrij staal.



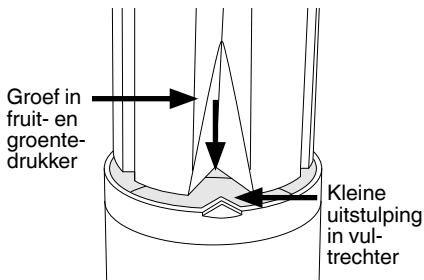
4. Til de vergrendelingshendel omhoog en schuif deze in de twee groeven aan weerszijden van het deksel van de sapcentrifuge.



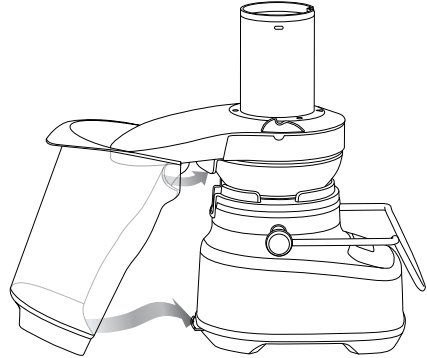
5. De vergrendelingshendel staat nu in de verticale positie en is bovenop het deksel van de sapcentrifuge vergrendeld.



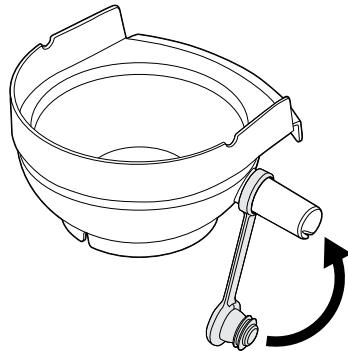
6. Schuif de fruit- en groentedrukker in de vultrechter. Zorg hierbij dat de groef in de drukker is uitgelijnd met de kleine uitstulping aan de binnenkant bovenaan de vultrechter.



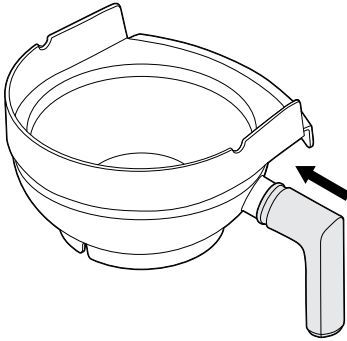
7. Zet de opvangbak voor pulp op zijn plaats door de motorbasis een beetje op te tillen en te kantelen. Zet de opvangbak voor pulp onder het deksel van de sapcentrifuge aan de achterkant. Zorg dat de voorkant onder de achterste rand van de filterkombehuizing zit en dat de onderste rand in de onderkant van de motorbasis is geklikt.



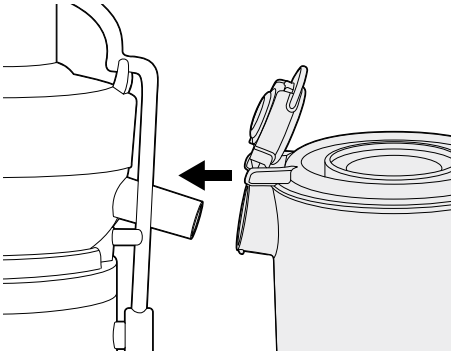
8. De saptuit kan worden afgesloten met de druppelstop. Zo voorkomt u dat er na het persen sap uit de tuit druipt.



9. Optioneel: Het schenkstuk kan op de saptuit worden bevestigd om rechtstreeks in een glas te persen.

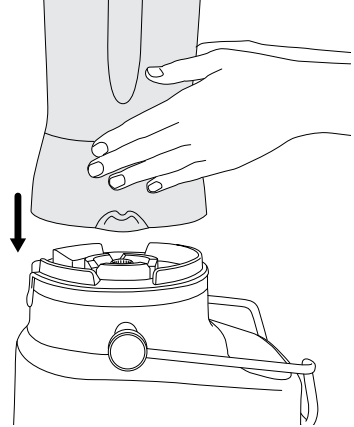


10. Zet het deksel op de blenderkan en plaats de kan onder de saptuit.

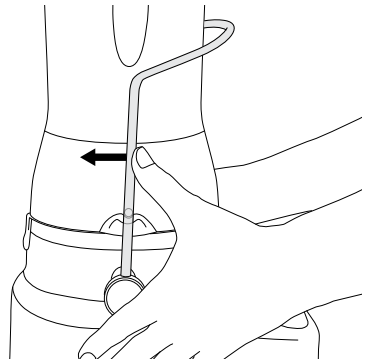


MIXEN

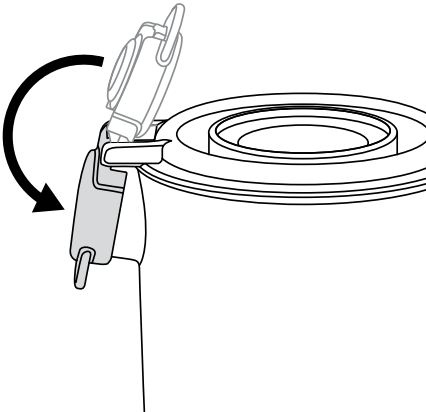
1. Plaats de blenderkan rechtop op de motorbasis. Het handvat van de blender kan zowel aan de linker- als de rechterkant van het apparaat worden geplaatst.



2. Til de vergrendelingshendel omhoog en schuif deze in de twee groeven aan weerszijden van het deksel van de blender.



3. Voeg voedsel of vloeistof toe aan de blenderkan. Vul deze niet verder dan het MAX-streepje. Plaats het blenderdeksel stevig op de blenderkan. Steek de doorzichtige maatbekerdop in het blenderdeksel en draai deze met de klok mee om hem vast te zetten. De kan beschikt over het Sage Assist™-deksel. Hierdoor blijft het deksel stevig op de blenderkan zitten zodat dit tijdens gebruik niet loskomt.
4. Vul de blenderkan niet tot boven het MAX-streepje.
5. Zorg dat het tuitklepje van het blenderdeksel op zijn plaats zit en gesloten is. Dankzij de ring op het deksel kan de gebruiker het met een eenvoudige beweging moeiteloos verwijderen.



Nadat het apparaat in elkaar is gezet in de sap- of blenderconfiguratie, sluit u het netsnoer aan op een stopcontact van 220 – 240 V. Zet het apparaat vervolgens aan.

Druk op de ON/OFF-knop om het apparaat aan te zetten. De ON/OFF-knop licht op. De lcd-timerdisplay licht op en geeft '0:00' weer.



Functies



AAN DE SLAG

Met de knop ON/OFF (AAN/UIT) zet u het apparaat aan voor gebruik.

VOORAF INGESTELDE PROGRAMMA'S

MIXEN

Het apparaat heeft 4 vooraf ingestelde functies: Smoothie, pulseren/ijs vermalen, automatisch reinigen en ijscocktail. Deze voorgeprogrammeerde cycli passen de mengtijd en snelheid automatisch aan voor een optimaal resultaat. Deze programma's worden alleen geactiveerd als uw apparaat in de blenderconfiguratie staat. Ze kunnen niet worden gebruikt in de sapconfiguratie. Selecteer de gewenste functie door op de overeenkomstige functieknop te drukken. Het apparaat begint te mixen en de geselecteerde functieknop licht op. De timer begint af te tellen en het programma wordt automatisch beëindigd wanneer de timer '0:00' bereikt.

Het programma en de timer kunnen worden gepauzeerd door op de pauzeknop te drukken. Hervat het programma door de programmaknop opnieuw in te drukken of annuleer het programma door nog eens op pauze te drukken.

Het programma kan ook op elk moment worden geannuleerd met de ON/OFF-knop. De timer wordt teruggezet naar 0:00.

Smoothie

Voor smoothies op basis van zuivel is een combinatie van snelheden en pulseerstanden ontworpen om ingrediënten te vermengen en beluchten tot een zachte, smeulige textuur.

Pulseren/Ijs vermalen

Een programma van continu pulseren bedoeld om ingrediënten met een gelijkmatige consistentie fijn te hakken of ijsblokjes te vermalen. Gebruik de knop PULSE (pulseren) wanneer het voedsel te dik of te grof is om in de blenderkan rond te bewegen.

De maximale hoeveelheid ijsblokjes die de blender tegelijk kan vermalen zonder toegevoegde vloeistof in de kan, is 1 standaard ijsblokvorm of 250 gram.

Ijscocktail

Voor cocktails en drankjes op basis van ijs zoals margarita's, daiquiri's en slushy's, wordt het programma voor het vermalen van ijs gevolgd door kort mixen.

Automatisch reinigen

Gebruik de functie voor automatisch reinigen om de meeste etensresten van de zijkant van de kan en de messen te verwijderen. Voeg 2 kopjes warm zeepsop toe en druk op de reinigingsknop. Voor moeilijk te reinigen, kleverige of dikke etensresten voegt u een halve theelepel vloeibaar afwasmiddel toe voor extra reinigingskracht. Maak de blenderkan onmiddellijk na gebruik schoon op de beschreven manier voor het beste resultaat. De functie voor automatisch reinigen maakt alleen de blenderkan schoon. Niet de sapcentrifuge zelf.

Selectieknop voor snelheidsregeling

Er zijn 5 knoppen voor snelheidsregeling. Speed 1 mengt delicate ingrediënten in een vouwbeweging en is goed voor het combineren van natte en droge ingrediënten. Speed 5 is de snelste instelling en is ideaal voor het verwerken van ingrediënten om sauzen, dressings en andere fijne mengsels te maken.

SAP PERSEN

De meeste groenten en vruchten zoals appels, wortels en komkommers hoeven niet in stukjes te worden gesneden of bijgesneden omdat ze zo in de vultrechter passen. Maak groenten zoals bieten, wortels enz. altijd grondig schoon, was ze en snijd de bladeren eraf voordat u ze gebruikt.

1. Sluit het netsnoer aan op een stopcontact van 220 - 240 V.



BELANGRIJK

Stop pas ingrediënten in de vultrechter wanneer de sapcentrifuge de geselecteerde snelheid heeft bereikt.

2. De sapcentrifuge inschakelen

Selecteer de gewenste snelheidsinstelling door knoppen 1-5 in te drukken. Gebruik de lagere standen (1-3) voor zachte groenten en fruit en de hogere standen (4 en 5) voor harde groenten en fruit. Raadpleeg de tabel voor snelheidskeuze op de volgende pagina om de juiste snelheid voor een ingrediënt te bepalen en zoveel mogelijk sap te verkrijgen. Hoewel een lage snelheid misschien niet de maximale hoeveelheid sap uit sommige ingrediënten oplevert, is het apparaat wel veel stiller tijdens het persen.

3. Terwijl de motor draait, plaatst u de ingrediënten in de vultrechter en gebruikt u de fruit- en groentedrukker om de ingrediënten voorzichtig naar beneden te duwen. Duw de fruit- en groentedrukker altijd langzaam naar beneden om zoveel mogelijk sap te persen.
4. **Volle blenderkan**
U kunt sap blijven persen totdat de kan tot het MAXIMUMNIVEAU is gevuld.



WAARSCHUWING

Gebruik nooit uw vingers, handen of keukengerei om ingrediënten in de vultrechter te duwen of om de vultrechter leeg te maken. Gebruik altijd de meegeleverde fruit- en groentedrukker.



De filtermand van roestvrij staal heeft kleine, scherpe mesjes om fruit en groenten fijn te snijden. Raak de messen niet aan bij het hanteren van de filtermand.

TABEL VOOR SNELHEIDSKEUZE

INGREDIËNTTYPE	SNELHEID
APPELS	5
SPINAZIE	5
RODE BIETEN	5
PAPRIKA EN PEPERS	5
BOSBESSEN	3
BROCCOLI	4
KOOL	5
WORTELS	5
SELDERIJ	2
CITRUSVRUCHTEN (gepeld)	1
KOMKOMMER	2
GEMBER	4
DRUIVEN (pitloos)	2
HONINGMELOEN (geschild)	3
BOERENKOOL	4
KIWI (geschild)	4
MANGO (geschild, pit verwijderd)	2
MUNT	5
PERZIK (zonder pit)	2
PEREN	4
ANANAS (geschild)	4
RABARBER	4
POMPOEN	5
AARDBEIEN	3
TOMATEN	3
WATERMELOEN (geschild)	2
COURGETTE	4



Onderhoud en reiniging

Zet de motorbasis uit door op de ON/OFF-knop te drukken. Trek vervolgens de stekker uit het stopcontact.

REINIGEN

1. Verwijder de blenderkan.
2. Ontgrendel de vergrendelingshendel, trek het deel met de sapkan omhoog en breng het naar de gootsteen.
3. Verwijder de opvangbak voor pulp.

Doe zoveel mogelijk pulp in de vuilnisbak/compostbak. Spoel alle onderdelen (behalve de motorbasis) na gebruik af onder stromend water om het sap en de pulp grotendeels weg te spoelen. Was ze af in warm zeepsop met een zachte doek.

Spoel en was alles zo snel mogelijk na gebruik af om te voorkomen dat etensresten aankoeken op de messen, zeef of transparante delen.

OPVANGBAK VOOR PULP

Gebruik een biologisch afbreekbare diepvrieszak in de opvangbak om de pulp op te vangen.

MOTORBASIS

Veeg naar beneden schoon met een zachte, vochtige doek. Dompel de motorbasis niet onder in vloeistoffen.

REINIGINGSMIDDELEN

Gebruik geen schuursponsjes of schuurmiddelen op de motorbasis of kan, omdat deze krassen op het oppervlak kunnen veroorzaken. Gebruik alleen warm zeepsop met een zachte doek.

KAN EN DEKSEL

Volg de onderstaande stappen zo snel mogelijk na gebruik om uw kan schoon te houden en te voorkomen dat etensresten hard worden op de messen, kan en het deksel.

Spoel de kan en het deksel zoveel mogelijk schoon.

Vul de kan met 500 ml warm water, zet het deksel erop en druk op de AUTO CLEAN-knop (automatisch reinigen). Als dikke of plakkerige ingrediënten extra reinigingskracht vereisen, voegt u een paar druppels vloeibaar afwasmiddel toe.

Spoel de kan en het deksel opnieuw af en/of maak ze apart schoon in warm zeepsop met een zachte doek of flessenborstel.

De effectiefste manier is om de kan onmiddellijk na gebruik schoon te maken.

FILTERMAND

Maak de filtermand altijd onmiddellijk na gebruik grondig schoon met de meegeleverde borstel voor consistente resultaten.

Als u de pulp laat aankoeken, kunnen de fijne gaatjes in de filterzeef verstopt raken, wat mogelijk van invloed is op de prestaties van het apparaat. U kunt de filtermand zo nodig 10 minuten in warm zeepsop laten weken.

VAATWASSER

Alle onderdelen behalve de motorbasis en de fruit- en groentedrukker zijn vaatwasserbestendig. De blenderkan mag in de onderste lade van de vaatwasser worden geplaatst, maar het deksel en de maatbeker mogen alleen in de bovenste lade worden geplaatst. Als u onderdelen regelmatig in de vaatwasser reinigt, kan dit de levensduur verkorten wegens langdurige blootstelling aan agressieve schoonmaakmiddelen, heet water en druk.

Als u onderdelen in de vaatwasser reinigt, raken ze mogelijk beschadigd. Controleer de onderdelen regelmatig en stop gebruik van het product als u schade opmerkt.

HARDNEKKIGE VOEDSELVLEKKEN

Sterk ruikende ingrediënten zoals knoflook, vis en sommige groenten, zoals wortels, kunnen een geur of vlekken op de blenderkan en het deksel achterlaten. Laat de kan en het deksel 5 minuten in warm zeepsop weken om de geur en vlekken te verwijderen. Was ze dan af met een zacht afwasmiddel en warm water. Vervolgens goed afspoelen en afdrogen. Berg de kan op zonder het deksel erop.

OPBERGEN

Berg uw apparaat rechtop op met de blenderkan op of naast de motorbasis. Plaats er niets bovenop. Laat het deksel eraf zodat lucht kan circuleren.




WAARSCHUWING

Olie in citrusschillen kan het materiaal van uw blenderkan beschadigen als de kan hier langere tijd aan wordt blootgesteld. Was uw blenderkan altijd onmiddellijk af nadat u citrusschillen heeft gebruikt.



Problemen oplossen

Het lcd-scherm gaat aan maar het apparaat reageert niet op de bedieningselementen

- De vergrendelingshendel staat mogelijk niet goed in de verticale positie. In dat geval geeft het lcd-scherm een animatie weer . Controleer of het bovenste deksel goed is uitgelijnd en dat de vergrendelingshendel stevig in de groeven aan weerszijden van het deksel van de sapcentrifuge of de blenderkan vastzit.

Ingrediënten zijn ongelijkmatig gehakt

- Dit kan gebeuren wanneer er te veel ingrediënten tegelijk worden toegevoegd. Mix een kleinere hoeveelheid en mix de ingrediënten indien nodig in gedeeltes.

Voedsel wordt te fijn gehakt of is waterig

- Verkort de mengduur. Gebruik de pulseerfunctie voor meer controle.

Overtollige pulp hoopt zich op in de filtermand van roestvrij staal

- Schakel het apparaat uit. Haal het apparaat uit elkaar om overtollige pulp te verwijderen van het deksel van de sapcentrifuge.
- Zet het weer in elkaar en ga verder met persen. U kunt dit ook voorkomen door zachte en harde ingrediënten af te wisselen.

Pulp is te vochtig en er is weinig sap

- De kracht van de fruit- en groentedrukker kan de hoeveelheid sap verminderen omdat deze de motor afremt. Oefen niet te veel kracht uit op de fruit- en groentedrukker wanneer u ingrediënten in de vultrechter duwt.
- Hoe schoner de filtermand, hoe meer sap wordt geperst en hoe droger de pulp. Maak de sapcentrifuge zo snel mogelijk na elk gebruik schoon. Verwijder de filtermand van roestvrij staal en maak de zeef grondig schoon met een reinigingsborstel. Spoel de filtermand af onder heet water. Als de gaatjes in de zeef verstopt zijn, laat u de mand in een oplossing van heet water met 10% citroensap weken om de gaatjes vrij te maken. U kunt de filtermand ook in de vaatwasser reinigen in de bovenste lade. Zo verwijdert u de ophoping van overtollige vezels die de doorstroming mogelijk afremmen.
- Als u grote hoeveelheden vezelachtige ingrediënten perst, zoals rabarber en ananas, moet u de filtermand mogelijk tussendoor schoonmaken.

Sap lekt tussen de filterkombehuizing en het deksel van de sapcentrifuge

- Zorg dat het apparaat correct in elkaar is gezet.
- Gebruik een lagere snelheid (indien mogelijk) en duw de fruit- en groentedrukker langzamer door de vultrechter.
- Zorg dat er geen ophoping ontstaat in de filtermand.

Het sap sproeit uit de tuit

- Het sap wordt te snel geperst: gebruik (indien mogelijk) een lagere snelheid en duw de fruit- en groentedrukker langzamer in de vultrechter.

Er blijft sap achter in de filterkom nadat de sapcentrifuge is gestopt

- Zet de snelheidsknop op de hoogste snelheid en laat het apparaat vijf seconden draaien. Dat kan ervoor zorgen dat het resterende sap in de kan terecht komt.

De motor lijkt af te slaan tijdens het persen

- Vochtige pulp kan zich onder het deksel van de sapcentrifuge ophopen en ervoor zorgen dat de motor afslaat als het apparaat te veel wordt gebruikt zonder dat het wordt gereinigd. In dit geval haalt u het apparaat uit elkaar en volgt u de reinigingsinstructies om de behuizing van de filterkom, de filtermand van roestvrij staal en het deksel van de sapcentrifuge schoon te maken.
- Het apparaat kan ook afslaan als ingrediënten met overmatige kracht door de vultrechter worden geduwd. Als dit gebeurt, duwt u de ingrediënten met minder druk door de vultrechter.
- Zet de sapcentrifuge aan voordat u ingrediënten in de vultrechter doet. Als u ingrediënten naar beneden duwt voordat de sapcentrifuge op de juiste snelheid is, kan de motor afslaan of overbelast raken. Gebruik de fruit- en groentedrukker met lichte tot matige druk. Een lichte druk zorgt voor meer sap.
- Harde groenten en fruit leiden tot overbelasting van de motor als een lage snelheid is geselecteerd. Raadpleeg de referentieguides om de juiste snelheid te kiezen voor de ingrediënten die u wilt persen.

Alle lampjes op het bedieningspaneel branden en het lcd-scherm geeft Overload Protection (Overbelastingsbeveiliging) weer

- Dit geeft aan dat de beveiliging voor motoroverbelasting is geactiveerd vanwege oververhitting of afslaan van de motor.
 - Om de beveiliging te resetten, haalt u de stekker uit het stopcontact, sluit u het apparaat vervolgens weer aan en schakelt u het in.
 - Als de waarschuwing voor overbelasting nog steeds wordt weergegeven, ontkoppelt u het apparaat en laat u het ten minste 30 minuten afkoelen voordat u het opnieuw probeert. Het apparaat moet tijdens het afkoelen zijn losgekoppeld om naar behoren te resetten.
 - Als het probleem aanhoudt nadat het apparaat is afgekoeld, duidt dit op een intern probleem. Neem contact op met de klantenservice van Sage of uw dichtstbijzijnde geautoriseerd Sage-servicecentrum.
 - De overbelastingsbeveiliging duidt op abnormaal gebruik van het apparaat, zoals een te zware belasting in de blenderkan, overmatige drukkracht tijdens het persen of langdurig continu gebruik. Houd rekening met deze voorwaarden en raadpleeg de informatie in deze instructies om dit probleem te voorkomen en de levensduur van het apparaat te verlengen.
-



Opmerkingen

the 3X Bluicer Pro™

BJB615 / SJB615



IT GUIDA RAPIDA

Sage®



Sommario

- 2 Sage® consiglia: la sicurezza prima di tutto
- 7 Componenti
- 8 Montaggio
- 12 Funzioni
- 14 Manutenzione e pulizia
- 16 Risoluzione dei problemi

SAGE® CONSIGLIA: LA SICUREZZA PRIMA DI TUTTO

In Sage® abbiamo molto a cuore la sicurezza. Creiamo e commercializziamo prodotti di consumo tenendo sempre presente la sicurezza dei nostri clienti. Inoltre, invitiamo i clienti a prestare molta attenzione durante l'utilizzo degli apparecchi elettrici e a osservare le seguenti precauzioni.

NORME DI SICUREZZA IMPORTANTI

LEGGERE TUTTE LE ISTRUZIONI PRIMA DELL'USO E CONSERVARLE PER CONSULTARLE IN FUTURO


- Prima di usare l'apparecchio per la prima volta, verificare che la tensione della rete corrisponda a quella indicata sull'etichetta posta sotto il dispositivo. Questo apparecchio è dotato di un cavo di alimentazione provvisto di filo e spina con messa a terra. L'apparecchio deve essere collegato a terra utilizzando una presa con messa a terra. Questo apparecchio include una presa con messa a terra da utilizzare esclusivamente come previsto per questo elettrodomestico.
- Non tagliare o rimuovere, per nessun motivo, il terzo polo della spina del cavo di alimentazione e non utilizzare un adattatore.
- Consultare un elettricista qualificato se le istruzioni riguardanti la messa a terra non sono completamente chiare o in caso di dubbio rispetto alla corretta messa a terra dell'apparecchio.

- Si consiglia l'installazione di un interruttore salvavita per una maggiore sicurezza durante l'utilizzo di tutti i dispositivi elettrici. Si consiglia l'uso di un salvavita con corrente operativa nominale non superiore a 30 mA. Rivolgersi a un elettricista per un parere professionale.
- Rimuovere e smaltire in sicurezza tutti i materiali di imballaggio prima di utilizzare l'apparecchio per la prima volta.
- Per eliminare il rischio di soffocamento per i bambini, smaltire in sicurezza la copertura protettiva della spina.
- Prima dell'uso verificare sempre che l'elettrodomestico sia montato in base alle istruzioni. Se l'elettrodomestico viene utilizzato senza essere stato montato correttamente possono verificarsi problemi di funzionamento, danni al prodotto o rischi per la sicurezza, tra cui lesioni personali.
- Questo apparecchio è destinato esclusivamente all'uso domestico. Non utilizzare per usi diversi da quello previsto. Non utilizzare su veicoli in movimento o barche. Non utilizzare all'aperto. L'uso non corretto potrebbe provocare lesioni.
- Posizionare l'elettrodomestico su una superficie stabile, resistente al calore, piana e asciutta, lontano dal bordo del piano di lavoro. Utilizzare l'apparecchio lontano da fonti di calore come piastre elettriche, fornelli a gas o forni.
- Svolgere completamente il cavo prima dell'uso.
- Evitare che il cavo di alimentazione rimanga sospeso oltre il bordo di un tavolo o del piano cucina. Evitare che il cavo di alimentazione tocchi superfici calde o forni nodi.
- Non lasciare l'elettrodomestico incustodito durante il funzionamento.
- Se l'apparecchio deve essere lasciato incustodito, pulito, spostato, montato o riposto, spegnerlo sempre premendo il pulsante ON | OFF e impostandolo su OFF. Spegnerlo e scollegare l'apparecchio dalla presa di corrente.
- Spegnerlo l'apparecchio (OFF), quindi scollegarlo sempre dalla presa di alimentazione quando non è in uso, prima di montarlo o smontarlo e prima di pulirlo. Per scollegarlo, impugnare la spina ed estrarla dalla presa. Non tirare mai il cavo di alimentazione.

- Ispezionare regolarmente il cavo di alimentazione e l'apparecchio stesso per verificare la presenza di eventuali danni. Se vengono rilevati danni di qualsiasi tipo, smettere immediatamente di usare l'apparecchio e portarlo con tutti i componenti al centro assistenza Sage autorizzato più vicino affinché venga esaminato, sostituito o riparato.
- Mantenere puliti l'apparecchio e gli accessori. Seguire le istruzioni di pulizia fornite in questo libretto. Qualsiasi operazione non menzionata in questo libretto di istruzioni deve essere eseguita da un centro assistenza Sage autorizzato.
- Questo apparecchio non è destinato all'uso da parte di bambini, di persone con capacità fisiche, sensoriali o mentali ridotte o di persone prive di esperienza e familiarità con questo tipo di apparecchi. È necessaria una stretta supervisione quando qualsiasi elettrodomestico è utilizzato in prossimità dei bambini. I bambini devono essere sorvegliati per assicurarsi che non giochino con l'elettrodomestico.
- Non lasciare che i bambini giochino con l'elettrodomestico.
- La pulizia dell'elettrodomestico non deve essere effettuata da bambini.
- Il cavo e qualsiasi altro componente o accessorio dell'elettrodomestico vanno tenuti fuori dalla portata dei bambini di età pari o inferiore agli 8 anni.
- Non utilizzare mai prolunghe o accessori non forniti con il prodotto o non autorizzati da Sage per l'utilizzo con questo prodotto. La mancata osservazione di questa istruzione può causare problemi di funzionamento, danni al prodotto o persino rischi per la sicurezza.
- Attenersi scrupolosamente alle istruzioni riportate in questo libretto per utilizzare l'elettrodomestico.
- Non spostare l'elettrodomestico quando è in funzione.
- Non utilizzare l'elettrodomestico su una superficie inclinata.
- Non spingere gli ingredienti nell'imbuto con le dita o con altri utensili. Utilizzare sempre l'apposito spingitore fornito in dotazione. Non introdurre la mano o le dita nell'imbuto quando è montato sull'elettrodomestico.
- Non spremere frutta a nocciolo a meno che semi e/o noccioli non siano stati rimossi.
- Verificare sempre che l'apparecchio sia spento (OFF) e che il cestello filtrante in acciaio inossidabile e il motore siano completamente fermi prima di rilasciare la leva del

- blocco di sicurezza e/o prima di spostare l'apparecchio, quando non è in uso, e prima di smontarlo, pulirlo e riporlo.
- Pulire e asciugare eventuali liquidi rovesciati sulla superficie sottostante o circostante l'elettrodomestico o sull'apparecchio stesso prima di continuare a utilizzarlo.
 - Fare attenzione nel manipolare il cestello filtrante in acciaio inossidabile poiché le piccole lame alla base del cestello sono molto affilate. L'uso non corretto potrebbe provocare lesioni.
 - Le lame del frullatore sono affilate. Prestare la dovuta attenzione quando si manipola, si svuota o si pulisce il boccale del frullatore.
 - Rimuovere la buccia da tutti gli agrumi prima della spremitura.
 - Non utilizzare l'elettrodomestico se il setaccio rotante (cestello filtrante) o il coperchio sono danneggiati.
 - Assicurarsi sempre che il coperchio dello spremiagrumi sia ben fissato prima di accendere il motore.
 - Non mettere in funzione l'apparecchio senza aver posizionato correttamente il contenitore raccogli-polpa.
 - Non sbloccare la leva di sicurezza mentre l'apparecchio è in funzione.
 - Non spremere più di 3 kg di carote alla volta.
 - Evitare di porre il boccale del frullatore sopra la base del motore mentre il motore sta ancora girando.
 - Evitare di far funzionare l'elettrodomestico senza ingredienti nel boccale.
 - Non tentare mai di far funzionare l'elettrodomestico con lame danneggiate o con utensili o altri corpi estranei all'interno del boccale.
 - Evitare di sottoporre il boccale a estremi di temperatura, ad esempio evitare di immergere un boccale freddo in acqua bollente e viceversa.
 - Prima di avviare l'elettrodomestico, verificare che il coperchio del boccale sia fissato correttamente per evitare la fuoriuscita del contenuto.
 - Non rimuovere il boccale dalla base motore mentre il frullatore è in uso.
 - Non utilizzare il frullatore quando sul display LCD lampeggia la scritta OVERLOAD PROTECTION (protezione sovraccarico). In questo caso scollegare il frullatore dalla rete e attendere 30 minuti, finché il motore non si è raffreddato. Una volta raffreddato, è possibile tornare a utilizzare il frullatore come di consueto.

- Non sottoporre a lavorazione liquidi molto caldi o bollenti. Lasciarli raffreddare prima di versarli nel boccale del frullatore.
- Per proteggersi dalle scariche elettriche, non immergere la spina, il cavo di alimentazione o l'elettrodomestico in acqua o in qualsiasi altro liquido.
- Non utilizzare l'elettrodomestico se il cavo di alimentazione, la presa o l'elettrodomestico stesso subiscono qualsiasi tipo di danneggiamento. Se l'elettrodomestico è danneggiato o richiede un intervento di manutenzione diverso dalla pulizia, contattare il Servizio clienti Sage o visitare il sito Web sageappliances.com.

 Per proteggersi da scosse elettriche, non immergere la base di alimentazione, il cavo di alimentazione o la spina di alimentazione in acqua ed evitare che l'umidità entri in contatto con queste parti. Evitare di versare acqua sul connettore della base di alimentazione. Durante la pulizia, non immergere la base di alimentazione in acqua.



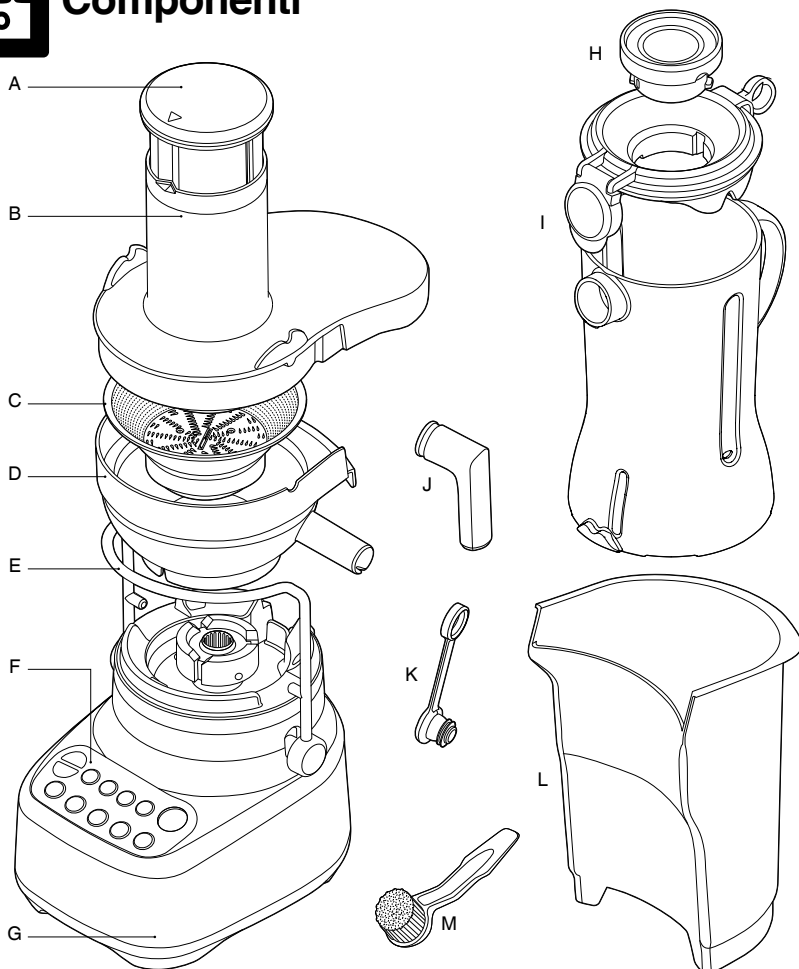
Questo simbolo indica che l'apparecchio non può essere smaltito con i rifiuti domestici comuni.

Deve essere conferito presso un centro di smaltimento locale specializzato o presso un rivenditore che fornisce questo servizio. Per ulteriori informazioni, contattare l'ufficio comunale locale.

CONSERVARE QUESTE ISTRUZIONI



Componenti



- A. Spingitore (non lavabile in lavastoviglie)
- B. Coperchio dello spremitore (lavabile in lavastoviglie)
- C. Cestello filtrante in acciaio inossidabile (lavabile in lavastoviglie)
- D. Copertura del filtro (lavabile in lavastoviglie)
- E. Leva del blocco di sicurezza
Impedisce il funzionamento della base del motore se il coperchio non è bloccato in posizione.
- F. Pannello di controllo
- G. Base del motore resistente
- H. Tappo misuratore interno (lavabile in lavastoviglie)
- I. Boccale da 1,5 litri e coperchio (lavabile in lavastoviglie)
- J. Bocchetta di uscita (lavabile in lavastoviglie)
Può essere posizionata sul beccuccio di uscita per raccogliere il succo direttamente in un bicchiere.
- K. Tappo del sistema antigoccia (lavabile in lavastoviglie)
- L. Contenitore raccogli-polpa (lavabile in lavastoviglie)
- M. Spazzolino per pulizia (per pulire il cestello filtrante)

CE Informazioni sui valori nominali
220-240V~ 50 Hz 1000 W



Montaggio

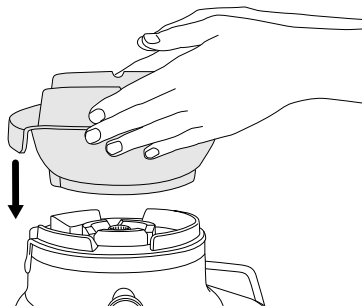
PREPARAZIONE AL PRIMO UTILIZZO

Lavare il coperchio, il tappo misuratore interno, il boccale, la copertura del filtro, il cestello filtrante, il coperchio dello spremitore, lo spingitore e il contenitore raccogli-polpa con acqua tiepida e sapone, usando un panno morbido. Sciacquare e asciugare completamente.

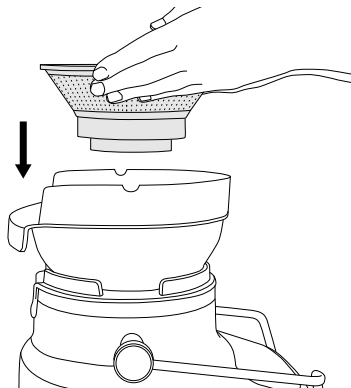
Posizionare la base del motore su una superficie piana e asciutta, ad esempio il piano cucina. Assicurarsi sempre che la manopola sulla base del motore sia impostata su OFF e che il cavo sia scollegato dalla presa.

SPREMITURA

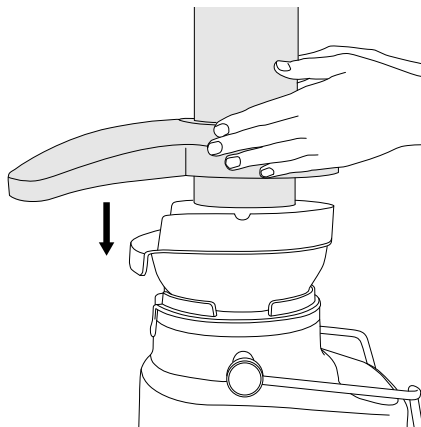
1. Posizionare la copertura del filtro sulla base del motore.



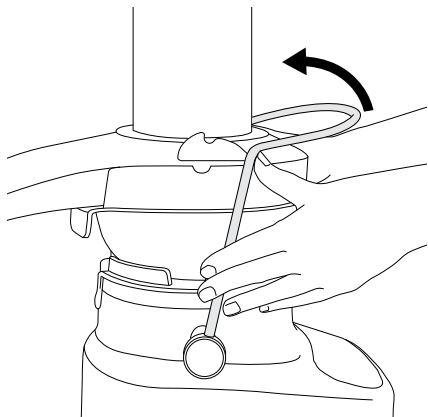
2. Allineare le frecce alla base del cestello filtrante in acciaio inossidabile con le frecce sul raccordo della base del motore e spingere verso il basso fino a udire uno scatto, per garantire l'aderenza alla base del motore.



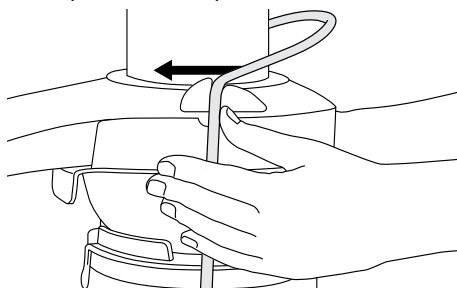
3. Allineare il coperchio dello spremitore con la copertura del filtro, posizionando la parte inferiore dell'imbuto sopra il cestello filtrante in acciaio inossidabile.



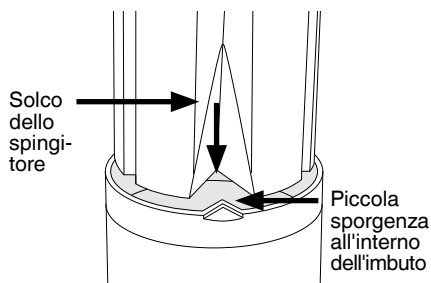
4. Sollevare la leva del blocco di sicurezza e accomodarla nei due solchi sui lati del coperchio dello spremitore.



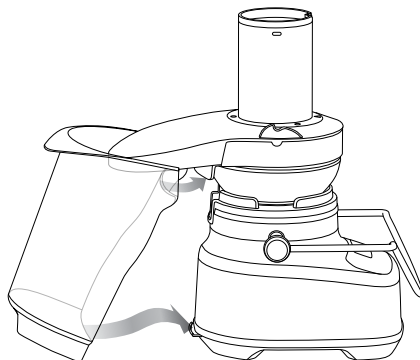
5. La leva del blocco di sicurezza dovrebbe adesso trovarsi in posizione verticale ed essere fissata alla parte superiore del coperchio dello spremitore.



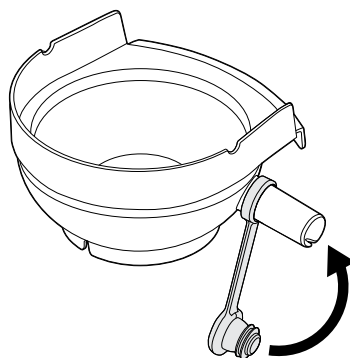
6. Far scorrere lo spingitore verso il basso nell'imbuto allineando il solco dello spingitore con la piccola sporgenza presente nella parte interna dell'imboccatura dell'imbuto.



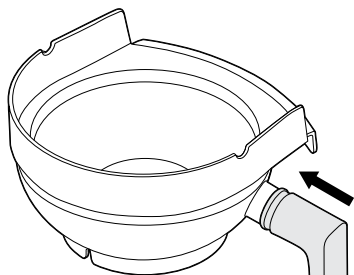
7. Mettere il contenitore raccogli-polpa in posizione inclinando e sollevando leggermente la base del motore. Inserire il contenitore raccogli-polpa sotto il coperchio dello spremitore sul retro, verificando che il bordo anteriore si trovi sotto il bordo posteriore della copertura del filtro e che il bordo inferiore sia innestato sul fondo della base del motore.



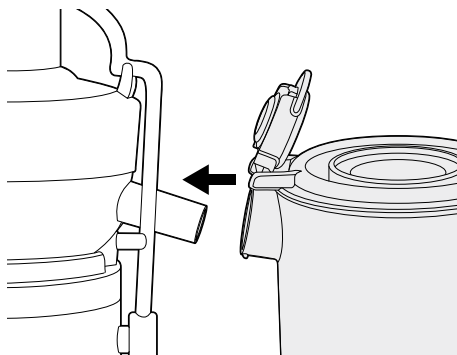
8. Se lo si desidera, montare il tappo antigoccia sopra la bocchetta di uscita del succo. Sarà così possibile evitare gocciolamenti dalla bocchetta di uscita dopo la spremitura.



9. Facoltativo: Per la spremitura in una tazza, è possibile adattare la bocchetta per succo sulla bocchetta di uscita.

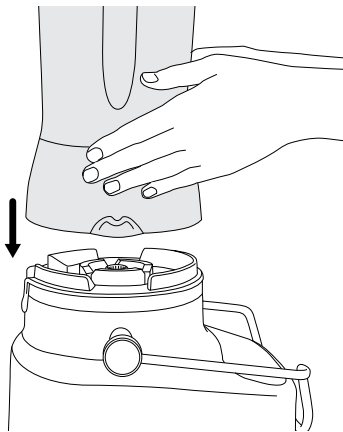


10. Mettere il coperchio sul boccale del frullatore e posizionare il boccale sotto il beccuccio di uscita.

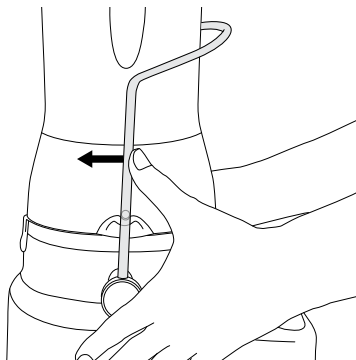


MISCELAZIONE

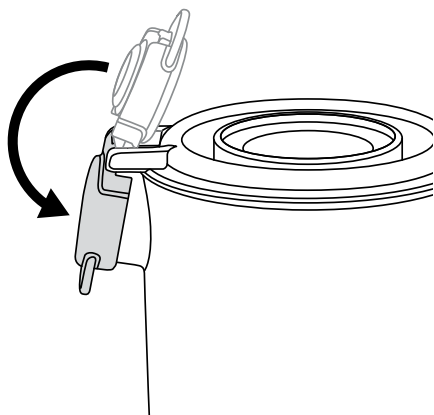
1. Posizionare il frullatore sulla base del motore, con il boccale in posizione verticale. La maniglia del frullatore può essere posizionata sul lato sinistro o destro dell'apparecchio.



2. Sollevare la leva del blocco di sicurezza e posizionarla nei due solchi sui lati del frullatore.



3. Aggiungere alimenti o liquidi nel boccale del frullatore, sempre senza superare il segno del livello "MAX". Chiudere bene il coperchio sopra il boccale del frullatore. Inserire il coperchio di misurazione interno trasparente nel coperchio del frullatore e ruotare in senso orario per bloccarlo in posizione. Il boccale dispone di un coperchio Sage Assist™. Questa caratteristica consente di fissare saldamente il coperchio al boccale del frullatore, evitando che si sposti durante il funzionamento.
4. Non riempire il boccale del frullatore oltre la linea "MAX".
5. Assicurarsi che il tappo del beccuccio di uscita del coperchio del frullatore sia fissato in posizione e chiuso. Grazie al design con anello di estrazione, è possibile rimuovere facilmente il coperchio con una semplice azione di leva.

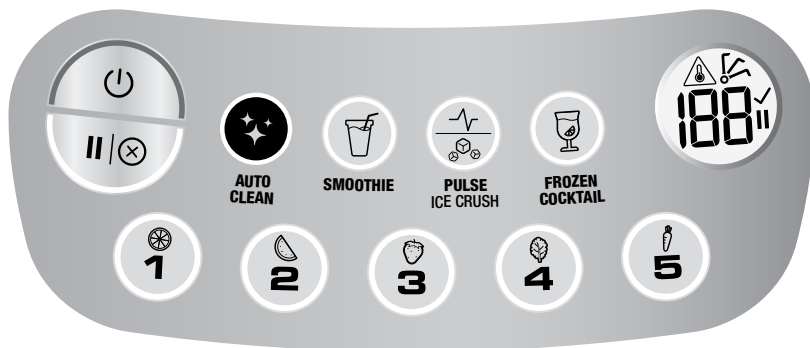


Una volta che l'apparecchio è assemblato con la configurazione frullatore o spremitore, collegare il cavo di alimentazione a una presa di corrente da 220-240 V.

Premere il pulsante ON/OFF per accendere l'apparecchio. Il pulsante ON/OFF si illumina. Il display LCD si illumina e mostra "0:00".



Funzioni



GUIDA INTRODUTTIVA

Il pulsante ON/OFF imposta la modalità READY (PRONTO).

PROGRAMMI PREIMPOSTATI

MISCELAZIONE

L'apparecchio ha 4 funzioni preimpostate: Smoothie (Frullato), Pulse/Ice Crush (Impulsi/Tritaghiaccio), Auto Clean (Pulizia automatica) e Frozen Cocktail (Cocktail ghiacciato). Questi cicli pre-programmati regolano automaticamente il tempo e le velocità per ottimizzare i risultati della miscelazione. Questi programmi vengono attivati solo quando l'apparecchio è in modalità frullatore. Non possono essere utilizzati quando l'apparecchio è in modalità spremitore.

Selezionare la funzione desiderata premendo il pulsante funzione corrispondente. L'unità inizia a funzionare e il pulsante della funzione selezionata si illumina. Il timer inizia il conto alla rovescia e il programma termina automaticamente quando il timer raggiunge "0:00".

È possibile mettere in pausa il programma e il timer premendo il pulsante di pausa.

Per riprendere l'esecuzione, premere di nuovo il pulsante del programma.

Per annullare, premere di nuovo il pulsante di messa in pausa.

È anche possibile annullare il programma in qualsiasi momento premendo il pulsante ON/OFF. Il timer verrà reimpostato su 0:00.

Smoothie (Frullato)

Per frullati con prodotti a base di latte, una combinazione di velocità e impulsi a intermittenza favorisce la miscelazione e l'aerazione degli ingredienti, in modo da ottenere una consistenza cremosa.

Pulse/Ice Crush (Impulsi/Tritaghiaccio)

Programma di funzionamento con impulsi a intermittenza, utile per frullare gli alimenti fino a una consistenza uniforme o per tritare cubetti di ghiaccio. Utilizzare il pulsante PULSE (Impulsi) quando i pezzi da frullare sono troppo duri o grandi e non circolano facilmente nel boccale del frullatore.

La quantità massima di cubetti di ghiaccio che può essere inserita nel boccale del frullatore, senza liquidi, è pari a 250 g (equivalente a una vaschetta da ghiaccio standard).

Frozen Cocktail (Cocktail ghiacciato)

Programma tritaghiaccio seguito da una breve miscelazione, per creare cocktail e drink a base di ghiaccio come Margarita, Daiquiri e Slushie.

Auto Clean (Pulizia automatica)

Utilizzare questa funzione per rimuovere la maggior parte degli ingredienti dalle pareti e dalle lame del frullatore. Versare 2 tazze d'acqua calda con sapone e premere il pulsante Clean (pulizia). In caso di ingredienti appiccicosi, densi o più difficili da rimuovere, aggiungere mezzo cucchiaino di detergente liquido per piatti per pulire a fondo. Per risultati ottimali, pulire il boccale del frullatore con queste modalità subito dopo l'uso. La funzione Auto Clean (Pulizia automatica) pulisce solo il boccale del frullatore. Non pulisce lo spremitore.

Selezione del controllo della velocità

Ci sono 5 pulsanti per la velocità. La velocità 1 mescola gli ingredienti più delicati con un movimento ripiegato ed è ideale per combinare ingredienti umidi e secchi. La velocità 5 corrisponde alla velocità più elevata ed è ideale per tritare ingredienti per creare salse, condimenti per insalate e altre miscele a grana molto fine.

SPREMITURA

Non sarà necessario tagliare in pezzi la maggior parte della frutta e degli ortaggi come mele, carote e cetrioli, in quanto possono essere inseriti interi nell'imbuto. Per ortaggi come barbabietole, carote, ecc., assicurarsi di eliminare tutta la terra, lavare con cura e rimuovere le foglie prima dell'uso.

1. Collegare il cavo di alimentazione a una presa di corrente da 220-240 V.

IMPORTANTE

Non inserire il prodotto nell'imbuto prima che lo spremitore abbia raggiunto la velocità selezionata.

2. Accensione dello spremitore

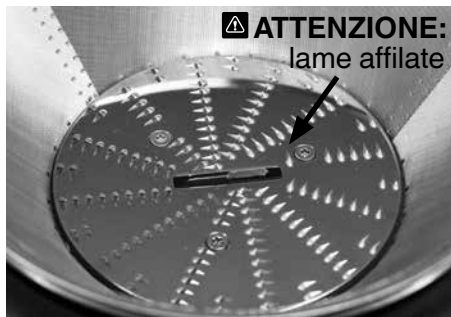
Selezionare la velocità desiderata premendo uno dei pulsanti, da 1 a 5. Scegliere i valori più bassi (1-3) per frutta e verdura di consistenza tenera e valori più alti (4-5) per frutta e verdura di consistenza dura. Consultare la Tabella di selezione della velocità nella pagina successiva per scegliere la velocità adeguata al tipo di prodotto e ottenere la massima resa. L'opzione "Low" (bassa) non garantisce la massima resa per alcuni prodotti, ma consente di estrarre il succo producendo un rumore notevolmente più basso.

3. Mentre l'elettrodomestico è in funzione, introdurre gli ingredienti nell'imbuto e utilizzare lo spingitore per guidarli con delicatezza verso il basso. Per estrarre la massima quantità di succo, esercitare una pressione lenta ma costante sullo spingitore.
4. **Boccale raccogli-succo pieno**
È possibile continuare a spremere fino a raggiungere il livello massimo indicato sul boccale raccogli-succo.



ATTENZIONE

Non utilizzare in nessun caso le dita, le mani o utensili per spingere gli ingredienti dentro l'imbuto o per pulire l'imbuto. Utilizzare sempre l'apposito spingitore fornito in dotazione.



Il cestello filtrante in acciaio inossidabile contiene piccole lame affilate per tagliare e affettare frutta e ortaggi. Evitare di toccare le lame nel maneggiare il cestello filtrante.

TABELLA DI SELEZIONE DELLA VELOCITÀ

TIPO DI ALIMENTI	VELOCITÀ
MELE	5
SPINACINI	5
BARBABIETOLE	5
PEPERONI	5
MIRTILLI	3
BROCCOLI	4
CAVOLO	5
CAROTE	5
SEDANO	2
AGRUMI (senza buccia)	1
CETRIOLO	2
ZENZERO	4
UVA (senza semi)	2
MELONE VERDE (senza buccia)	3
CAVOLO RICCIO	4
KIWI (senza buccia)	4
MANGO (senza buccia, senza nocciolo)	2
MENTA	5
PESCHE (senza buccia, senza nocciolo)	2
PERE	4
ANANAS (senza buccia)	4
RABBARO	4
ZUCCA	5
FRAGOLE	3
POMODORI	3
ANGURIA (senza buccia)	2
ZUCCHINE	4



Manutenzione e pulizia

Verificare sempre che il motore sia spento premendo il pulsante ON/OFF. Quindi scollegare il cavo.

PULIZIA

1. Rimuovere il boccale del frullatore.
2. Sbloccare la leva di sicurezza, sollevare tutto l'apparato di raccolta del succo e posizionarlo nel lavello.
3. Rimuovere il contenitore raccogli-polpa.

Smaltire quanta più polpa possibile nella spazzatura/compost. Sciacquare tutti i componenti dopo l'uso (eccetto la base del motore) sotto l'acqua corrente per rimuovere la maggior parte dei residui di succo e polpa. Lavare con acqua tiepida e sapone, usando un panno morbido.

Per evitare che gli alimenti si secchino sulla superficie delle lame, del filtro o dei componenti trasparenti, sciacquare e lavare subito dopo l'uso.

CONTENITORE RACCOGLI-POLPA

Per facilitare la pulizia, rivestire l'interno del contenitore raccogli-polpa con un sacchetto biodegradabile per raccogliere la polpa.

BASE DEL MOTORE

Pulire con un panno morbido umido. Non immergere la base del motore in sostanze liquide.

PRODOTTI PER LA PULIZIA

Non utilizzare spugnette abrasive o detergenti con particelle abrasive sulla base del motore poiché tali prodotti possono rigare le superfici. Utilizzare solo acqua tiepida con sapone e un panno morbido.

BOCCALE E COPERCHIO

Per mantenere pulito il boccale ed evitare che gli alimenti si seccino sulla superficie delle lame e del boccale, eseguire la procedura seguente subito dopo l'uso.

Sciacquare e rimuovere la massima quantità possibile di alimenti dal boccale e dal coperchio.

Riempire il boccale con 500 ml di acqua calda, montare il coperchio e premere il pulsante AUTO CLEAN (Pulizia automatica). Se ingredienti densi o appiccicosi richiedono una pulizia più a fondo, aggiungere qualche goccia di detergente liquido per piatti.

Sciacquare di nuovo il boccale e il coperchio e/o lavarli separatamente in acqua saponata tiepida, utilizzando un panno morbido o uno scovolino.

La miglior pulizia del boccale si ottiene immediatamente dopo l'uso.

CESTELLO FILTRANTE

Per garantire risultati ottimali, pulire sempre a fondo il cestello filtrante subito dopo l'uso utilizzando la spazzola in dotazione.

Se i residui di polpa si seccano sul filtro, possono causare l'ostruzione delle finissime maglie del filtro e ridurre l'efficienza dello spremitore. Se necessario, è possibile immergere il cestello filtrante in acqua calda saponata per 10 minuti.

LAVASTOVIGLIE

Tutti i componenti eccetto la base del motore e lo spingitore sono lavabili in lavastoviglie. Il boccale può essere posto sul piano inferiore della lavastoviglie, mentre il coperchio e il tappo misuratore interno vanno lavati solo sul piano superiore. Tuttavia il lavaggio ripetuto dei componenti in lavastoviglie può usarli, a causa dell'esposizione a detergenti aggressivi, acqua calda e pressione.

Il lavaggio in lavastoviglie potrebbe inoltre causare il deterioramento dei componenti. Ispezionare regolarmente i componenti e smettere di utilizzare il prodotto se si rilevano tracce di danni.

MACCHIE PERSISTENTI

Gli alimenti con odori forti quali l'aglio, il pesce e alcune verdure quali le carote possono lasciare odori o macchie residue sul boccale e sul coperchio del frullatore. Per rimuoverle, immergere il boccale e il coperchio del frullatore per 5 minuti in acqua calda e sapone. Quindi lavare con un detergente delicato e acqua calda, risciacquare bene e asciugare a fondo. Riporre il boccale senza coprirlo con il coperchio.

CONSERVAZIONE

Riporre l'apparecchio in posizione verticale, con il boccale assemblato sulla base del motore o accanto alla base stessa. Non posizionare alcun oggetto sull'elettrodomestico. Non coprire il boccale con il coperchio, per favorire l'aerazione.




ATTENZIONE

Gli oli contenuti nella scorza degli agrumi possono danneggiare il boccale del frullatore se lasciati a lungo a contatto con la sua superficie. Dopo la lavorazione di scorze di agrumi, pulire sempre immediatamente il boccale del frullatore.



Risoluzione dei problemi

Il display LCD si accende ma l'apparecchio non risponde ai comandi.

- La leva del blocco di sicurezza potrebbe non essere fissata correttamente in posizione verticale. In questo caso il display LCD mostra l'animazione . Controllare che la copertura superiore sia allineata correttamente e che la leva del blocco di sicurezza sia fissata nei due solchi sui lati del coperchio dello spremitore o del boccale del frullatore.

Gli alimenti non vengono tritati in modo uniforme

- Questa situazione può verificarsi quando si aggiunge una quantità eccessiva di ingredienti nello stesso momento. Introdurre una quantità inferiore e, se necessario, lavorare in più fasi.

Il risultato è troppo fine o acquoso

- Provare a frullare per periodi di tempo inferiori. Per controllare meglio la lavorazione, utilizzare la funzione PULSE (Impulsi).

Si accumula una quantità eccessiva di polpa nel cestello filtrante in acciaio inossidabile

- Spegnerne l'apparecchio. Smontarlo e rimuovere la polpa in eccesso dal coperchio dello spremitore.
- Rimontare l'elettrodomestico e continuare a estrarre il succo. Alternare ingredienti dalla consistenza morbida e dura può contribuire a evitare questo problema.

Polpa troppo bagnata e poco succo

- Una pressione eccessiva sullo spingitore può rallentare il motore e ridurre la resa. Evitare di esercitare una pressione eccessiva sullo spingitore quando si inseriscono gli ingredienti nell'imbuto.
- Più il filtro è pulito, maggiore sarà la quantità di succo estratta e la polpa prodotta sarà più asciutta. Assicurarsi di pulire a fondo lo spremitore subito dopo ogni utilizzo. Rimuovere il cestello filtrante in acciaio inossidabile e pulire a fondo le pareti del cestello con uno spazzolino. Sciacquare il filtro in acqua calda. Se le maglie sono ostruite, immergere il cestello in una soluzione di acqua calda con il 10% di succo di limone per ammorbidirle, o lavare in lavastoviglie (ripiano superiore). Questa operazione rimuoverà l'accumulo di fibre in eccesso, che potrebbe essere la causa del problema.
- Se si spremono grandi quantità di ingredienti fibrosi, come rabarbaro o ananas, potrebbe essere necessario pulire il cestello filtrante.

Il succo si infiltra fra il bordo della copertura del filtro e il coperchio dello spremitore

- Assicurarsi che l'apparecchio sia montato correttamente.
- Impostare una velocità più bassa (se possibile) e spingere gli ingredienti più lentamente nell'imbuto.
- Assicurarsi che non si siano accumulati residui nel cestello filtrante.

Il succo schizza fuori dal beccuccio di uscita

- Il succo viene estratto troppo velocemente: impostare una velocità più bassa e far scorrere lo spingitore più lentamente nell'imbuto.

Rimane del succo nella copertura del filtro dopo l'arresto dello spremitore

- Impostare l'apparecchio sulla velocità massima e azionare per cinque secondi. Questa operazione aiuterà a far scendere il succo rimanente nel boccale.

Il motore sembra fermarsi durante il funzionamento

- La polpa bagnata può accumularsi sotto il coperchio dello spremitore e provocare un blocco se lo spremitore viene usato in modo continuativo senza pulirlo. Se ciò si verifica, smontare l'elettrodomestico e seguire le istruzioni per la pulizia della copertura del filtro, del cestello filtrante in acciaio inossidabile e del coperchio dello spremitore.
- L'apparecchio può anche arrestarsi se viene esercitata una pressione eccessiva quando si spingono gli ingredienti nell'imbuto. In questo caso, esercitare meno pressione quando si spingono gli alimenti nell'imbuto.
- Accendere l'apparecchio prima di introdurre gli ingredienti nell'imbuto. Se si spingono gli ingredienti nell'imbuto prima che il motore abbia raggiunto la velocità adeguata può verificarsi l'arresto del motore o un sovraccarico. Esercitare una pressione da lieve a moderata sullo spingitore. Esercitando una pressione minore è possibile estrarre maggiori quantità di succo.
- Se si seleziona la velocità bassa, frutta e ortaggi di consistenza dura sottoporranno il motore a uno sforzo eccessivo. Consultare la guida di riferimento per determinare la velocità corretta per la frutta o gli ortaggi selezionati.

Tutte le spie del pannello di controllo lampeggiano e il display LCD visualizza Overload Protection (Protezione da sovraccarico)

- Questo indica che il dispositivo di protezione da sovraccarico è attivo a causa del riscaldamento o del blocco del motore.
 - Per ripristinare la protezione, scollegare la presa di alimentazione, quindi ricollegarla e accendere l'apparecchio.
 - Se il messaggio di protezione da sovraccarico è ancora visibile sul display, scollegare l'apparecchio e lasciarlo raffreddare per almeno 30 minuti, quindi riprovare. Per essere reimpostato correttamente, l'apparecchio deve essere scollegato dalla presa di alimentazione durante il raffreddamento.
 - Se dopo il raffreddamento il problema persiste, l'apparecchio presenta un problema interno. Contattare il Servizio clienti Sage oppure il centro assistenza Sage autorizzato più vicino.
 - L'attivazione della protezione da sovraccarico indica un uso anomalo dell'apparecchio, ad esempio un carico eccessivo nel boccale, una spinta eccessiva durante la spremitura o un uso continuato eccessivo. Per evitare i sovraccarichi e prolungare la vita dell'apparecchio, leggere con attenzione le istruzioni per l'uso e tutte le informazioni correlate.
-



Nota

the 3X Bluicer™

BJB615 / SJB615



ES GUÍA RÁPIDA

Sage®



Índice

- 2 Sage® recomienda seguridad ante todo
- 7 Componentes
- 8 Ensamblaje
- 11 Funciones
- 13 Cuidado y limpieza
- 15 Resolución de problemas

SAGE® RECOMIENDA SEGURIDAD ANTE TODO

En Sage® nos preocupa mucho la seguridad. Para el diseño y la fabricación de nuestros productos de consumo tenemos en cuenta antes que nada la seguridad de nuestros clientes, como tú. También te rogamos que actúes cuidadosamente al usar cualquier aparato y que tomes las precauciones siguientes.

MEDIDAS DE SEGURIDAD IMPORTANTES

LEE TODAS LAS INSTRUCCIONES ANTES DEL USO Y GUÁRDALAS PARA PODER CONSULTARLAS EN EL FUTURO.

- Antes de usar el producto por primera vez, asegúrate de que la tensión eléctrica de la toma de corriente coincida con la que figura en la etiqueta en la base del aparato. Este aparato está equipado con un cable de alimentación que tiene un conductor de conexión a tierra con su respectiva clavija. El aparato debe conectarse a tierra utilizando una toma de corriente apropiada. El aparato incorpora conexión a tierra para fines funcionales solamente.
- Jamás debes cortar o extraer la tercera clavija (con conexión a tierra) del cable de alimentación ni usar un adaptador.
- Ante cualquier duda con respecto a las instrucciones sobre conexión a tierra o si no sabes si el aparato está correctamente puesto, consulta con un electricista calificado.
- Se recomienda la instalación de un interruptor diferencial para ofrecer seguridad adicional al usar todos los aparatos eléctricos. Se recomienda usar

interruptores de seguridad con una corriente de funcionamiento nominal de no más de 30 mA.

Solicita asesoramiento profesional a un electricista.

- Retira y desecha cualquier material de embalaje de forma segura, antes del primer uso.
- Para evitar riesgos de asfixia de niños pequeños, desecha correctamente la cubierta protectora del enchufe.
- Asegúrate siempre de que el aparato esté correctamente ensamblado según las instrucciones antes de usarlo. El uso del aparato sin haber sido ensamblado correctamente puede causar un mal funcionamiento del producto, daños en el mismo o riesgos para la seguridad, incluidas lesiones personales.
- Este aparato es solo para uso doméstico. No utilices el aparato para propósitos distintos del establecido. No se debe utilizar en vehículos o embarcaciones en movimiento. No se debe utilizar al aire libre. El uso inapropiado podría causar lesiones.
- Coloca el aparato sobre una superficie estable, resistente al calor, nivelada y seca. No lo pongas muy cerca del borde de la encimera ni cerca de una fuente de calor (por ejemplo, una placa de cocina eléctrica, un quemador o un horno).

- Desenrolla completamente el cable de alimentación antes de usar el aparato.
- Evita que el cable de alimentación sobresalga del borde de una encimera o de una mesa. No permitas que el cable de alimentación toque superficies calientes ni que se anude o enrede.
- Supervisa el aparato en todo momento mientras esté en funcionamiento.
- Siempre debes apagar el aparato usando el botón ON | OFF antes de limpiarlo, dejarlo sin supervisión, moverlo, ensamblarlo o guardarlo. Apaga y desenchufa de la toma de corriente.
- Siempre apaga el aparato usando el botón ON | OFF y desenchúfalo cuando no lo estés usando, antes de desmontarlo, para ensamblar piezas y antes de limpiarlo. Para desenchufarlo, sujeta el enchufe y tira de él para extraerlo de la toma de corriente. Nunca tires del cable.
- Inspecciona regularmente el cable de alimentación, el enchufe y el aparato para detectar cualquier daño. Si descubres cualquier daño, deja de usar la máquina inmediatamente y devuélvela al Centro de servicio autorizado de Sage más cercano para que la examinen, reemplacen o reparen.

- Mantén el aparato y los accesorios limpios. Sigue las instrucciones de limpieza indicadas en esta publicación. Cualquier procedimiento que no esté incluido en este manual de instrucciones debe realizarse en un Centro de servicio autorizado de Sage.
- El aparato no está diseñado para ser usado por niños ni personas con discapacidades físicas o mentales, o sin experiencia ni conocimientos de uso. Es necesaria una supervisión minuciosa cuando cualquier aparato se usa cerca de niños. Los niños deben ser supervisados para asegurarse de que no jueguen con el aparato.
- No permitas que los niños jueguen con este aparato.
- La limpieza del aparato no debe ser realizada por niños.
- El aparato, el cable de alimentación y todos los componentes y accesorios deben mantenerse fuera del alcance de los niños menores de 8 años.
- Nunca utilices accesorios que no se suministran con este producto o que no estén autorizados por Sage para su uso con este producto. El incumplimiento de esta instrucción puede causar un mal funcionamiento del producto, daños en el mismo o riesgos para la seguridad.
- No intentes hacer funcionar el aparato con un método que no sea el descrito en esta publicación.
- No muevas el aparato mientras esté en funcionamiento.
- No utilices el aparato sobre una superficie inclinada.
- No introduzcas alimentos en la abertura para alimentos con los dedos u otros utensilios. Utiliza siempre el empujador de alimentos proporcionado. No coloques las manos o los dedos en la abertura para alimentos cuando esté conectado al aparato.
- No exprimas frutas con hueso a menos que hayas quitado antes las pepitas o los huesos.
- Asegúrate de que el producto esté apagado, de que el filtro de acero inoxidable haya dejado de girar y de que el motor se haya detenido completamente antes de liberar el bloqueo de seguridad o mover el aparato, así como cuando no esté en uso, y antes de desmontarlo, limpiarlo y almacenarlo.
- Cualquier derrame significativo sobre la superficie de debajo o alrededor del aparato, o sobre el propio aparato, debe limpiarse y secarse antes de continuar utilizándolo.

- Ten cuidado al manipular el filtro de acero inoxidable, ya que las pequeñas cuchillas de la base del filtro son muy afiladas. El mal manejo puede causar lesiones.
- Las cuchillas son muy afiladas. Ten cuidado al manipular, vaciar y limpiar la jarra para batido.
- Retira la piel de todos los cítricos antes de hacer zumo.
- No uses el aparato si el colador giratorio (filtro) o la tapa están dañados.
- Asegúrate siempre de que la tapa de la licuadora esté bien fijada en su sitio antes de encender el motor.
- No utilices el aparato si el depósito de pulpa no está en su sitio.
- No retires el bloqueo de seguridad mientras el aparato esté en funcionamiento.
- No hagas zumo con más de 3 kg de zanahorias a la vez.
- No coloques la jarra en la base si el motor aún está girando.
- No enciendas el motor sin ingredientes en la jarra.
- Nunca utilices el aparato si las cuchillas están dañadas, o si hay utensilios o cualquier objeto extraño dentro de la jarra.
- No intentes cambiar repentinamente la temperatura de la jarra. Por ejemplo, no coloques la jarra fría en agua caliente, o viceversa.
- La tapa debe estar firmemente asegurada a la jarra antes de su operación para asegurar que el contenido interno no se escape, rocíe o desborde.
- No retires la jarra de la base mientras se esté usando la batidora de vaso.
- No uses la batidora de vaso mientras OVERLOAD PROTECTION esté parpadeando en la pantalla LCD. Si esto ocurre, desenchufa la batidora de vaso y espera 30 minutos hasta que el motor se haya enfriado. Cuando se haya enfriado, podrás volver a utilizar la batidora de vaso como siempre.
- No proceses líquidos calientes o en ebullición. Deja que se enfríen antes de ponerlos en la jarra para batido.
- Para evitar descargas eléctricas, no sumerjas el enchufe, el cable ni el aparato en agua ni otros líquidos.
- No utilices el aparato si el cable de alimentación, el enchufe o el mismo aparato se dañan de alguna manera. Ante cualquier daño y si se requiere algún tipo de mantenimiento (que no sea la limpieza), ponte en contacto con el Servicio de atención al cliente de Sage o visita sageappliances.com



Este símbolo indica que el aparato no debe desecharse con la basura doméstica normal. Debe llevarse a un centro de recogida de residuos designado por las autoridades locales para ese fin, o a una empresa que preste ese servicio. Para obtener más información, ponte en contacto con los servicios municipales.

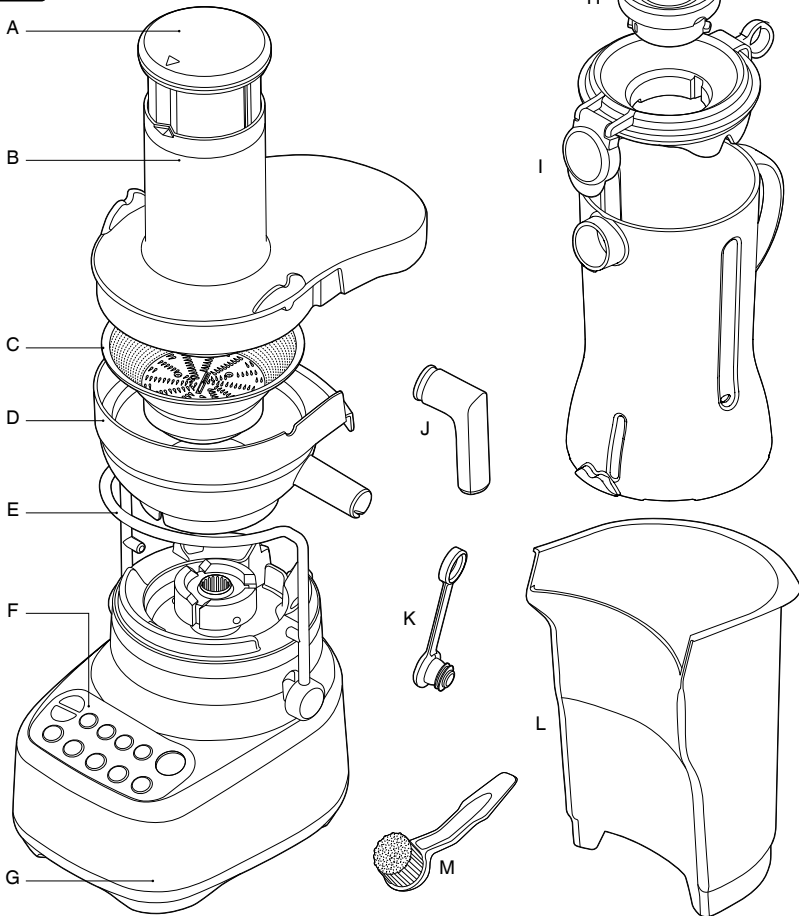


Para evitar descargas eléctricas, no sumerjas en agua la base, el cable de alimentación o el enchufe, ni permitas que estas piezas entren en contacto con humedad. Evita derramar agua sobre el conector de la base de alimentación. No sumerjas la base del aparato para limpiarla.

GUARDA ESTAS INSTRUCCIONES



Componentes



- A. Empujador de alimentos (no apto para lavavajillas)
- B. Tapa de la licuadora (apta para lavavajillas)
- C. Filtro de acero inoxidable (apta para lavavajillas)
- D. Carcasa del filtro (apta para lavavajillas)
- E. Barra de bloqueo de seguridad
Detiene el funcionamiento del motor cuando la tapa no está bien fijada en su sitio.
- F. Panel de control
- G. Base resistente
- H. Tapa medidora interna (apta para lavavajillas)
- I. Jarra para batir de 1,5 l con tapa (apta para lavavajillas)
- J. Pico para zumo (apta para lavavajillas)
Se coloca sobre la boquilla para verter el zumo directamente en un vaso.
- K. Mecanismo antigoteo (apta para lavavajillas)
- L. Depósito de pulpa (apta para lavavajillas)
- M. Cepillo de limpieza (para el filtro)

CE Datos técnicos
220-240 V ~ 50 Hz 1000 W



Ensamblaje

ANTES DEL PRIMER USO

Lava la tapa de la licuadora, la tapa medidora interna, la tapa de la jarra, la jarra, la carcasa del filtro, el filtro, el empujador de alimentos y el depósito de pulpa con agua tibia y jabón usando un paño suave. Enjuaga y seca bien todo.

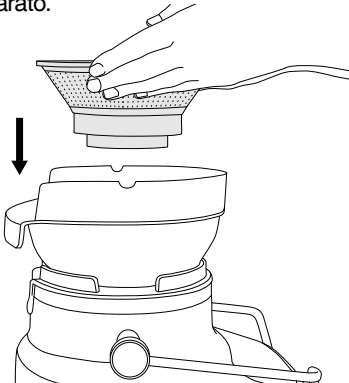
Coloca la base sobre una superficie plana y seca, como una encimera. Asegúrate de que el aparato esté apagado y de que el cable de alimentación esté desenchufado.

LICUADO PARA ZUMOS

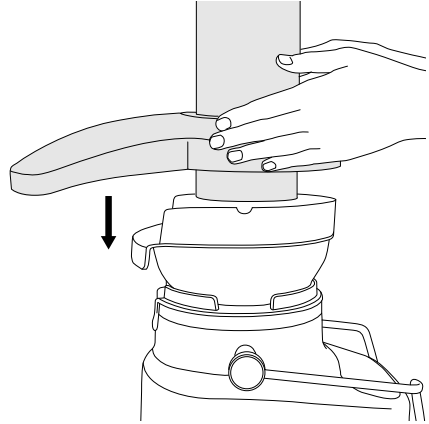
1. Coloca la cubeta del recipiente de filtrado sobre la base del motor.



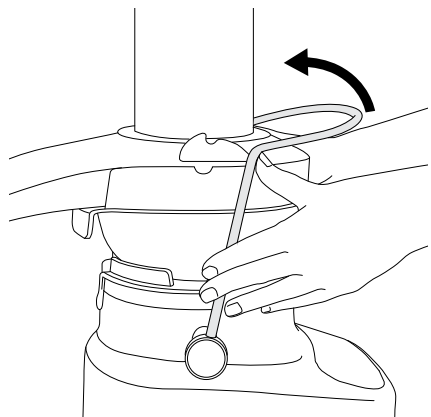
2. Alinea las flechas de la base del filtro de acero inoxidable con las flechas de acoplamiento del motor y empuja hacia abajo hasta que encaje en su sitio para crear un acople seguro con la base del aparato.



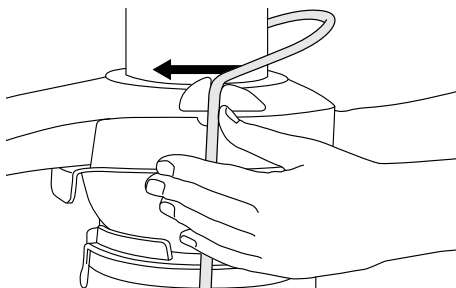
3. Coloca la tapa de la licuadora sobre la carcasa del filtro, poniendo la parte inferior de la abertura para alimentos sobre el filtro de acero inoxidable.



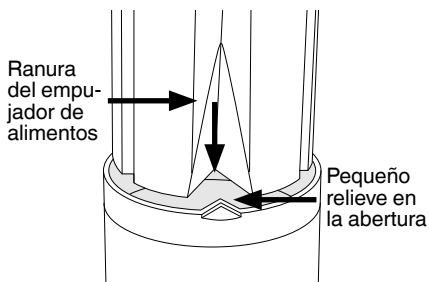
4. Levanta el bloqueo de seguridad y ponlo en las dos ranuras a cada lado de la tapa de la licuadora.



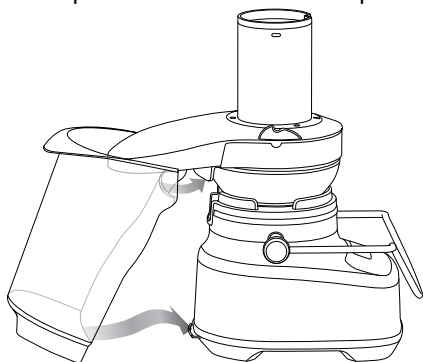
5. El bloqueo de seguridad debe estar ahora en posición vertical y fijo en su sitio en la parte superior de la tapa de la licuadora.



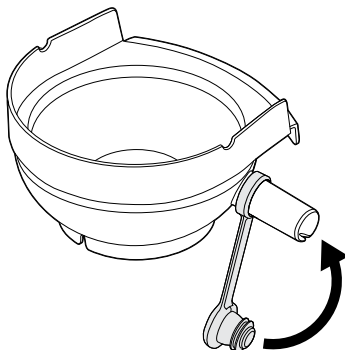
6. Para introducir el empujador de alimentos debes alinear la ranura del empujador con el pequeño relieve en el interior de la abertura para alimentos.



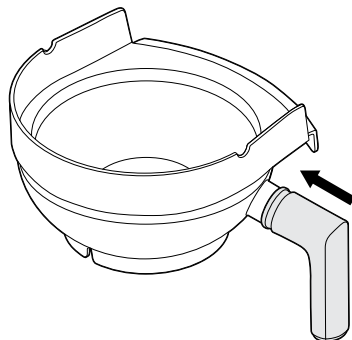
7. Coloca el depósito de pulpa en su sitio inclinando y levantando ligeramente la base del aparato. Introduce el depósito de pulpa en la parte posterior de la licuadora, debajo de la tapa. El borde delantero debe quedar debajo de la pestaña posterior de la carcasa del filtro y el borde inferior debe engancharse a la parte inferior de la base del aparato.



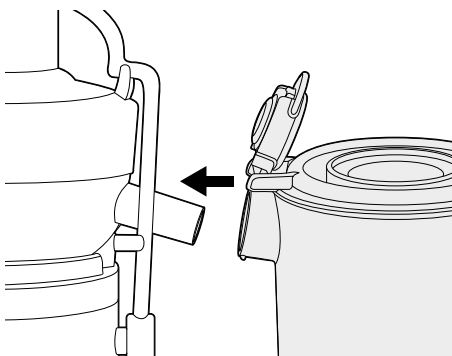
8. La pieza antigoteo se puede colocar en el pico de zumo. Permite tapan la salida para evitar goteos después del licuado.



9. Opcional: Para verter el zumo directamente en un vaso, se puede introducir el pico dentro de la boquilla.

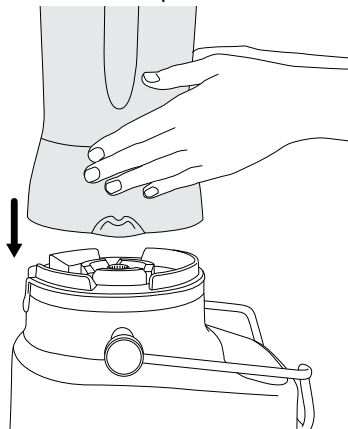


10. Tapa la jarra y colócala debajo de la boquilla de zumo.

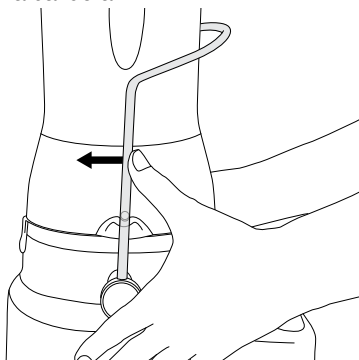


BATIDO

1. Coloca la jarra de batidos sobre la base en posición vertical. El asa de la batidora se puede colocar a la izquierda o a la derecha del aparato.

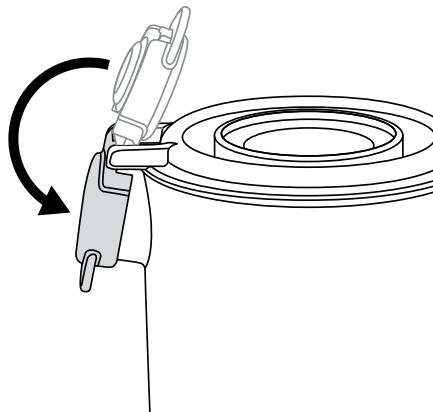


2. Levanta la barra de seguridad y colócala entre las dos ranuras a cada lado de la batidora.



3. Añade alimentos o líquidos en la jarra de batido, asegurándote de no exceder la marca "MAX". Coloca la tapa de la batidora de vaso firmemente en su posición en la parte superior de la jarra de la batidora de vaso. Coloca la tapa medidora interna transparente en la tapa de la batidora y gírala en sentido horario para fijarla en su sitio. La jarra cuenta con una práctica tapa Sage Assist™. Esto permite que la tapa encaje firmemente en la jarra de la batidora de vaso y evita que se desplace durante el funcionamiento.

4. No llenes la jarra de la batidora de vaso por encima de la línea "MAX".
5. La tapa de la boquilla en la tapa de la batidora debe estar enganchada y cerrada. El diseño de anilla permite al usuario retirar fácilmente la tapa con una simple acción de palanca.

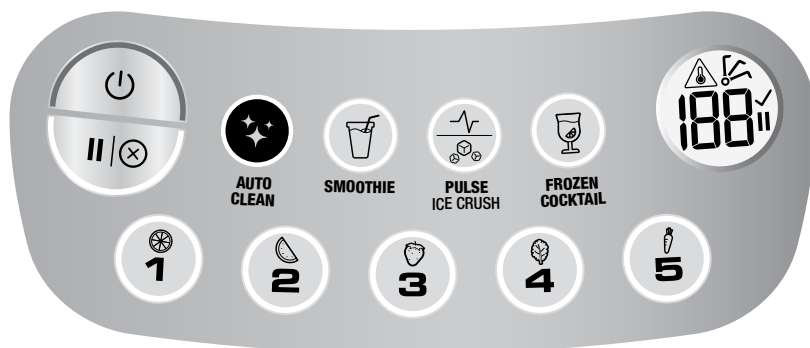


Una vez que el aparato esté ensamblado, ya sea para licuar o para batir, enchufa el cable de alimentación a una toma de corriente de 220-240 V y enciéndelo.

Pulsa el botón ON | OFF para encenderlo. El botón ON | OFF se iluminará. La pantalla LCD se iluminará y mostrará los números "0:00".



Funciones



CÓMO EMPEZAR

Al pulsar el botón ON / OFF, el aparato se enciende y pasa al modo READY una vez listo para el funcionamiento.

PROGRAMAS PREESTABLECIDOS

BATIDO

El aparato tiene 4 programas preconfigurados. Smoothie (smoothie), Pulse/Ice Crush (intermitencia manual/picar hielo), Auto Clean (autolimpieza) y Frozen Cocktail (cóctel helado). Estos ciclos preprogramados ajustan automáticamente el tiempo y la velocidad de batido para optimizar los resultados.

Los programas solo se activan cuando el aparato esté ensamblado como batidora de vaso. No se pueden usar cuando el aparato está ensamblado como licuadora para zumos.

Selecciona la función deseada pulsando el botón correspondiente. El aparato comenzará a funcionar y el botón de velocidad seleccionado se iluminará. El temporizador comenzará la cuenta atrás y el programa finalizará automáticamente cuando el contador muestre "0:00".

El programa y el temporizador se pueden poner en pausa al pulsar el botón PAUSE. Vuelve a pulsar el botón del programa para reanudar o vuelve a pulsar el botón PAUSE | CANCEL para cancelar.

El programa también puede cancelarse en cualquier momento pulsando el botón ON | OFF. El temporizador se reiniciará a 0:00.

Smoothie

Para preparar smoothies a base de leche, el programa combina velocidades y ráfagas de batido intermitentes. Esto mezcla y airea los ingredientes para crear una textura homogénea y cremosa.

Pulse / Ice Crush

Un programa de impulsos intermitentes diseñado para cortar los alimentos en una consistencia uniforme o picar cubitos de hielo. Utiliza el botón PULSE cuando el alimento que está siendo procesado sea demasiado grueso o duro para que circule dentro de la jarra de la batidora de vaso.

La cantidad máxima de cubitos de hielo que la batidora de vaso puede batir simultáneamente sin líquido en la jarra es 1 cubitera estándar o 250 g.

Frozen Cocktail

Este programa para cócteles y bebidas a base de hielo es perfecto para tus margaritas, daiquiris y granizados, ya que combina la función de picado de hielo con un batido breve.

Auto Clean

Este programa de autolimpieza sirve para eliminar la mayoría de los ingredientes del interior de la batidora de vaso y de las cuchillas. Añade 2 tazas de agua jabonosa tibia y pulsa el botón de limpieza. Para ingredientes más difíciles de limpiar, pegajosos o espesos, añade ½ cucharadita de líquido lavavajillas y obtendrás mayor poder de limpieza. Para obtener mejores resultados, limpia la jarra de la batidora de vaso de esta manera inmediatamente después de usarla. La función de autolimpieza solo limpia la jarra de la batidora. No limpia la licuadora para zumos.

Selección de control de velocidad

Hay 5 ajustes de velocidad. La velocidad 1 combina alimentos más delicados mediante un movimiento suave, y es bueno para mezclar ingredientes húmedos y secos. La velocidad 5 la más rápida. Tritura los ingredientes para crear salsas, aderezos para ensalada y otras mezclas batidas finamente.

LICUADO PARA ZUMOS

La mayoría de las frutas y verduras como las manzanas, las zanahorias y los pepinos, no tendrá que cortarse ni trocearse, ya que caben enteras en la abertura para alimentos. Asegúrate de quitar la tierra, lavar bien y quitar las hojas de verduras como la remolacha, la zanahoria, etc. antes de usarlas.

1. Enchufa el cable de alimentación a una toma de corriente de 220-240 V.

IMPORTANTE

No introduzcas alimentos por la abertura superior antes de que la licuadora haya alcanzado la velocidad seleccionada.

2. Encendido de la licuadora

Selecciona la velocidad deseada presionando los botones 1-5. Usa los números más bajos (1-3) para frutas y verduras blandas y los números más altos (4 y 5) para frutas y verduras duras. Consulta la tabla Guía de selección de velocidad en la página siguiente para seleccionar la velocidad en función del alimento y así obtener un rendimiento óptimo. Las velocidades bajas, aunque puede que no maximicen el zumo obtenido de algunos ingredientes, te permiten licuar de forma menos ruidosa.

3. Con el motor en marcha, coloca los alimentos en la abertura superior y usa el empujador de alimentos para guiarlos poco a poco hacia abajo. Para extraer la máxima cantidad de zumo, siempre mueve el empujador de alimentos hacia abajo lentamente.

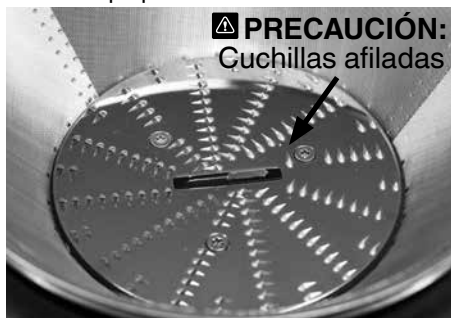
4. Jarra de zumo llena

Puedes seguir licuando hasta que la jarra de zumo se llene hasta la capacidad MÁXIMA.



ADVERTENCIA

No uses nunca los dedos, las manos ni utensilios para empujar los alimentos hacia abajo en la abertura para alimentos ni para limpiarla. Utiliza siempre el empujador de alimentos proporcionado.



El filtro de acero inoxidable contiene pequeñas cuchillas afiladas para cortar y procesar frutas y verduras. Evita tocar las cuchillas cuando manipules el filtro.

GUÍA DE SELECCIÓN DE VELOCIDAD

TIPO DE ALIMENTO	VELOCIDAD
MANZANAS	5
ESPINACAS BABY	5
REMOLACHA	5
PIMIENTOS	5
ARÁNDANOS	3
BRÓCOLI	4
REPOLLO	5
ZANAHORIA	5
APIO	2
FRUTAS CÍTRICAS (peladas)	1
PEPINO	2
JENGIBRE	4
UVAS (sin pepitas)	2
MELÓN VERDE (pelado)	3
BERZA	4
KIWI (pelado)	4
MANGOS (pelados, sin hueso)	2
MENTA	5
MELOCOTÓN (sin hueso)	2
PERAS	4
PIÑA (pelada)	4
RUIBARBO	4
CALABAZA	5
FRESAS	3
TOMATES	3
SANDÍA (pelada)	2
CALABACÍN	4



Cuidado y limpieza

Pulsa el botón ON | OFF en la base del aparato para asegurarte de que el motor esté apagado. Luego desenchufa el cable de alimentación.

LIMPIEZA

1. Retira la jarra para batir.
2. Baja la barra de bloqueo, levanta el conjunto de piezas para recolectar zumo y llévalo al fregadero.
3. Retira el depósito de pulpa.

Vaciado todo lo que puedas en un cubo de compost o de basura. Enjuaga todas las piezas después del uso (excepto la base del aparato) bajo el chorro de agua para eliminar la mayor parte del zumo y la pulpa. Lávalo con agua jabonosa tibia y un paño suave.

Para evitar que los alimentos se sequen en las cuchillas, la malla o las piezas transparentes, enjuaga y lávalo lo antes posible después de cada uso.

DEPÓSITO DE PULPA

Para minimizar la limpieza, puedes cubrir el depósito de pulpa con una bolsa biodegradable para recoger la pulpa.

BASE DEL APARATO

Límpiala con un paño suave y húmedo. No sumerjas en líquidos la base del aparato.

AGENTES LIMPIADORES

No utilices estropajos o limpiadores abrasivos en la base del motor o en la jarra, ya que pueden rayar la superficie. Usa solo agua tibia jabonosa con un paño suave.

JARRA Y TAPA

Para mantener la jarra limpia y evitar que se sequen los alimentos en las cuchillas y la jarra, sigue los siguientes pasos tan pronto como sea posible después del uso.

Enjuaga la jarra y la tapa para eliminar los restos.

Llena la jarra con 500 ml de agua tibia, coloca la tapa y pulsa el botón AUTO CLEAN para realizar una autolimpieza. Si los ingredientes espesos o pegajosos requieren un poder de limpieza adicional, añade unas gotas de detergente líquido para vajilla.

Enjuaga la jarra y la tapa de nuevo o lava por separado en agua tibia jabonosa con un paño suave o un cepillo para botellas.

Es más efectivo limpiar la jarra inmediatamente después de usarla.

FILTRO

Para obtener resultados uniformes en la extracción de zumo, asegúrate siempre de limpiar a fondo el filtro inmediatamente después de su uso con el cepillo suministrado.

Si se deja secar la pulpa, podría obstruir los finos poros del filtro de malla, lo que puede afectar al rendimiento de la licuadora. El filtro se puede poner a remojo en agua jabonosa caliente durante 10 minutos, si es necesario.

LAVAVAJILLAS

Todas las piezas, excepto la base del aparato y el empujador de alimentos, son aptas para lavavajillas. La jarra de zumo se puede colocar en el estante inferior, pero la tapa y la tapa medidora interna se deben lavar solo en el estante superior. Sin embargo, lavar las piezas regularmente en el lavavajillas puede acortar su vida útil debido a la exposición prolongada a detergentes fuertes y agua caliente a presión elevada.

Asimismo, lavar las piezas en el lavavajillas puede provocar que se deterioren; por lo tanto, inspecciónalas regularmente y deja de usar el producto si observas alguna señal de daño.

MANCHAS DE ALIMENTOS PERSISTENTES

Los alimentos con olor fuerte como el ajo, el pescado y algunas verduras como las zanahorias pueden dejar olor o manchas en la jarra y en la tapa de la batidora de vaso. Para quitarlo, deja en remojo la jarra y la tapa de la batidora de vaso durante 5 minutos en agua tibia jabonosa. Luego lava con un lavavajillas suave y agua tibia, enjuaga bien y seca bien. Guarda la jarra con la tapa quitada.

ALMACENAMIENTO

Guarda el aparato en posición vertical con la jarra de batido montada en la base o al lado de ella. No coloques nada encima. Para permitir que el aire circule, no coloques la tapa.



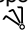
ADVERTENCIA

Los aceites en la piel de los cítricos pueden dañar el material de la jarra de la batidora de vaso si se expone a ellos durante un período más largo. Limpia siempre la jarra de tu batidora de vaso inmediatamente después de procesar la piel de los cítricos.



Resolución de problemas

La pantalla LCD se enciende pero el aparato no responde a los comandos

- Puede que el bloqueo de seguridad no esté correctamente colocado en la posición de operación vertical. En este caso, la pantalla LCD mostrará una animación . Comprueba que la tapa superior esté correctamente alineada y que la barra de seguridad esté firmemente colocada entre las dos ranuras a cada lado de la tapa de la licuadora o la jarra para batidos.

Los alimentos se pican de manera desigual

- Esto puede suceder cuando se añaden demasiados alimentos a la vez. Prueba una cantidad más pequeña y trabaja en lotes si es necesario.

Los alimentos se pican demasiado finos o quedan acuosos

- Intenta batir por un período de tiempo más corto. Utiliza la función PULSE para un mejor control.

Exceso de pulpa acumulada en el filtro de acero inoxidable

- Apaga el aparato. Desmóntalo para sacar el exceso de pulpa de la tapa de la licuadora.
- Vuelve a montarla y sigue preparando el zumo. Alternar ingredientes blandos y duros puede ayudar a evitar esto.

Pulpa demasiado húmeda y menor cantidad de zumo

- Hacer fuerza con el empujador podría afectar el rendimiento ya que reduce la velocidad del motor. Evita hacer fuerza con el empujador de alimentos cuando introduzcas ingredientes por la abertura superior.
- Cuanto más limpio esté el filtro, mayor será la extracción de zumo y más seca estará la pulpa. Asegúrate de limpiar a fondo la licuadora lo antes posible después de cada uso. Retira el filtro de acero inoxidable y limpia bien las paredes de malla con el cepillo. Enjuaga el filtro con agua caliente. Si los agujeros de la malla fina están atascados, pon en remojo el filtro en una solución de agua caliente con un 10 % de zumo de limón para desatascar los agujeros o lávalo en el lavavajillas (bandeja superior). Esto eliminará el exceso de acumulación de fibra que podría estar bloqueando el flujo.
- Si preparas grandes cantidades de zumo de ingredientes fibrosos, como ruibarbo o piña, tal vez necesites interrumpir la extracción para limpiar el filtro.

El zumo se sale entre el borde de la carcasa del filtro y la tapa de la licuadora

- Asegúrate de que el aparato está correctamente ensamblado.
- Prueba una velocidad de licuado más lenta (si es posible) y baja el empujador de alimentos por la abertura para alimentos más lentamente.
- Asegúrate de que no haya restos acumulados en el filtro.

El zumo sale a chorro de la boquilla

- El zumo se está licuando demasiado rápido: prueba una velocidad de licuado más lenta (si es posible) y baja el empujador de alimentos por la abertura para alimentos más lentamente.

Queda zumo en la carcasa del filtro una vez finalizada la extracción

- Sube la velocidad al ajuste más alto y enciende la licuadora durante cinco segundos. Esto podría ayudar a llevar el zumo restante a la jarra.

El motor parece detenerse cuando se extrae zumo

- La pulpa húmeda puede acumularse bajo la tapa del aparato y hacer que este se detenga si se usa en exceso sin realizar una limpieza. Si sucede esto, desensámbalo y sigue las instrucciones de limpieza para limpiar la carcasa del filtro, el filtro de acero inoxidable y la tapa de la licuadora para zumo.
- El aparato también puede detenerse si se usa una fuerza excesiva para empujar los alimentos hacia abajo por la abertura para alimentos. En este caso, empuja los ingredientes ejerciendo menos presión.
- Enciende el aparato antes de introducir ingredientes por la abertura. Si se empujan los ingredientes hacia abajo antes de que el motor alcance la velocidad adecuada, este podría detenerse o sobrecargarse. Ejerce una presión de suave a moderada en el empujador. Una presión suave produce una cantidad mayor de zumo.
- Si se selecciona una velocidad baja, las frutas y verduras duras supondrán un exceso de esfuerzo para el motor. Consulta la guía de referencia para determinar la velocidad correcta para las frutas y verduras que has escogido.

Todas las luces del panel parpadean y se muestra la advertencia “Overload Protection” en la pantalla

- Esto indica que se ha activado la protección de sobrecarga del motor porque este se ha sobrecalentado o detenido.
 - Para restablecer la protección, desenchufa el aparato, vuelve a enchufarlo y enciéndelo.
 - Si la advertencia de protección de sobrecarga “Overload Protection” sigue activa, desenchufa el aparato y deja que se enfríe durante al menos 30 minutos antes de volver a intentarlo. El aparato debe estar desenchufado mientras se enfría para poder restablecerse correctamente.
 - Si el problema continúa después de haber dejado que el aparato se enfríe, significa que hay un problema interno. Llama al servicio de atención al cliente de Sage o al centro de servicio autorizado de Sage más cercano.
 - Ten en cuenta que la protección de sobrecarga se activa para indicar un uso inadecuado del aparato, como una sobrecarga en la jarra de batido, una presión excesiva durante el licuado o un uso ininterrumpido demasiado prolongado. Toma nota de las condiciones en las que se ha activado la protección de sobrecarga y consulta la información en este manual para que esto no suceda y no se acorte la vida útil del aparato.
-



Notas



Notas

the 3X Bluicer™

BJB615 / SJB615



PT MANUAL RÁPIDO

Sage®



Índice

- 2 A Sage® recomenda a segurança como máxima prioridade
- 6 Componentes
- 7 Montagem
- 10 Funções
- 12 Cuidados e limpeza
- 14 Resolução de problemas

A SAGE® RECOMENDA A SEGURANÇA COMO MÁXIMA PRIORIDADE

Na Sage®, temos a máxima preocupação com a segurança. Concebemos e produzimos produtos para o consumidor principalmente com a sua segurança, o nosso prezado cliente, em mente. Além disso, pedimos que tenha cuidado quando utilizar qualquer aparelho elétrico e que cumpra as precauções seguintes.

CUIDADOS IMPORTANTES

LEIA TODAS AS INSTRUÇÕES ANTES DE UTILIZAR E GUARDE-AS PARA CONSULTA FUTURA

- Antes de utilizar pela primeira vez, certifique-se de que a sua fonte de alimentação corresponde à indicada na etiqueta na parte inferior do aparelho. Este aparelho está equipado com um cabo de alimentação que tem um fio de ligação à terra com uma ficha de aterramento. O aparelho deve ser devidamente ligado à terra através do uso de uma tomada elétrica com a devida ligação à terra. Este aparelho incorpora uma ligação à terra apenas para fins funcionais.
- Nunca corte ou retire, em circunstância alguma, o terceiro pino (terra) do cabo de alimentação nem utilize um adaptador.
- Consulte um electricista qualificado se não compreender as instruções de ligação à terra ou se tiver dúvidas se o aparelho está devidamente ligado à terra.
- Recomendamos a instalação de um comutador de segurança da corrente residual para fornecer segurança adicional ao utilizar todos os aparelhos elétricos. Recomendamos o uso de comutadores de segurança com uma corrente operacional nominal não superior a 30 mA.

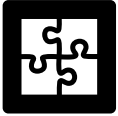
Consulte um eletricista para obter aconselhamento profissional.

- Remova e elimine todos os materiais da embalagem em segurança, antes da primeira utilização.
- Para eliminar o risco de asfixia para as crianças, elimine de forma segura a cobertura de proteção instalada na ficha de alimentação.
- Antes de utilizar, certifique-se sempre de que o aparelho foi montado corretamente de acordo com as instruções. Usar o aparelho sem estar corretamente montado pode provocar avarias do produto, danos no produto ou constituir um risco de segurança, incluindo lesões pessoais.
- Este aparelho destina-se apenas a uso doméstico. Não utilize o aparelho para outra função diferente do objetivo a que se destina. Não utilize em veículos em movimento ou barcos. Não utilize no exterior. A utilização incorreta pode causar ferimentos.
- Coloque o aparelho numa superfície plana, estável, resistente ao calor e seca, afastado da extremidade da bancada, e não utilize próximo de uma fonte de calor, como uma placa térmica, forno ou bico de gás.
- Desenrole completamente o cabo de alimentação antes de utilizar.
- Não deixe o cabo de alimentação pendurado sobre a extremidade de uma bancada ou mesa. Não permita que o cabo de alimentação entre em contacto com superfícies quentes ou se enrosque.
- Não deixe o aparelho sem supervisão durante a utilização.
- Se o aparelho ficar sem supervisão, for limpo, movido, montado ou armazenado, desligue sempre o aparelho premindo o botão ON | OFF (Ligar/desligar) para a posição OFF (Desligar). Desligue e remova a ficha da tomada elétrica.
- Desligue o aparelho e desconecte-o da tomada quando não estiver em utilização, antes de montar ou desmontar as peças e antes de limpar. Para desligar, segure a ficha e retire-a da tomada. Nunca puxe pelo cabo de alimentação.
- Inspeccione regularmente o cabo de alimentação, a ficha e o próprio aparelho para detetar quaisquer sinais de danos. Se verificar que o aparelho está danificado de qualquer maneira, interrompa imediatamente a utilização do mesmo e devolva todo o aparelho ao centro de assistência autorizado da Sage mais próximo para inspeção, substituição ou reparação.
- Mantenha o aparelho e acessórios limpos. Cumpra as instruções de limpeza fornecidas neste livro. Qualquer procedimento que não esteja listado neste manual de instruções deve ser realizado num centro de assistência autorizado pela Sage.

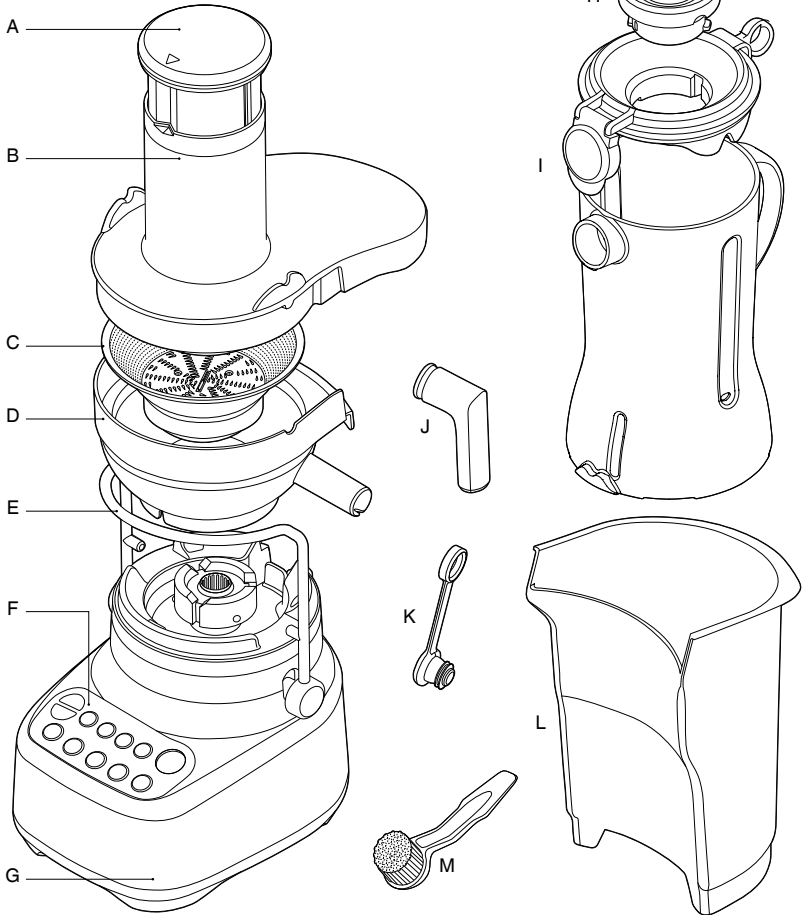
- Este aparelho não se destina a ser utilizado por crianças ou por pessoas com capacidades físicas, sensoriais ou mentais reduzidas ou com falta de experiência e conhecimento. É necessária uma supervisão atenta quando qualquer aparelho é utilizado por crianças ou próximo de crianças. As crianças devem ser supervisionadas para assegurar que não brincam com o aparelho.
- As crianças não devem brincar com o aparelho.
- As tarefas de limpeza do aparelho não devem ser executadas por crianças.
- O cabo de alimentação do aparelho e quaisquer componentes e acessórios devem ser mantidos fora do alcance das crianças com idade inferior a 8 anos.
- Nunca utilize dispositivos suplementares ou acessórios que não sejam fornecidos com este produto ou autorizados pela Sage para utilização neste produto. O não cumprimento desta instrução pode provocar avarias do produto, danos no produto ou constituir até um risco de segurança.
- Não tente utilizar o aparelho por outro método para além do descrito neste manual.
- Não mova o aparelho enquanto estiver em funcionamento.
- Não utilize o aparelho numa superfície inclinada.
- Não use os seus dedos ou outros utensílios para empurrar os alimentos na calha de alimentação. Utilize sempre o empurrador de alimentos fornecido. Não coloque a mão ou os dedos na calha de alimentação quando instalada no aparelho.
- Não faça sumo das frutas de caroço a não ser que as sementes e/ou caroços tenham sido removidos.
- Certifique-se de que o produto está desligado e que o cesto do filtro de aço inoxidável parou de rodar e o motor parou por completo antes de soltar o bloqueio de segurança e/ou tentar mover o aparelho, quando o aparelho não estiver em utilização e antes de desmontar, limpar e guardar.
- Qualquer derrame significativo na superfície, debaixo ou ao redor do aparelho, ou no próprio aparelho, deve ser limpo e seco antes de o continuar a usar.
- Tenha cuidado ao manusear o cesto do filtro de aço inoxidável, pois as pequenas lâminas de corte na base deste são muito afiadas. A utilização incorreta pode causar ferimentos.
- As lâminas do liquidificador são afiadas, tenha cuidado ao manusear, esvaziar e limpar a jarra do liquidificador.
- Remova a casca de todos os citrinos antes de extrair sumo.
- Não utilize o aparelho se o crivo rotativo (cesto do filtro) ou a tampa estiverem danificados.

- Certifique-se sempre de que a tampa do liquidificador está bem fixa antes de ligar o motor.
 - Não opere sem o recipiente de polpa no devido lugar.
 - Não desaperte o braço de interbloqueio enquanto a unidade está em funcionamento.
 - Não processe mais de 3 kg de cenoura de cada vez.
 - Evite colocar a jarra do liquidificador na base do motor enquanto o motor estiver a funcionar.
 - Não opere sem qualquer ingrediente na jarra.
 - Nunca tente operar com lâminas danificadas ou com utensílios ou objetos estranhos dentro da jarra.
 - Não coloque a jarra em calor ou frio extremo, por exemplo, colocando uma jarra fria em água quente, ou vice-versa.
 - A tampa deve estar fixa à jarra antes da operação para garantir que o conteúdo interno não sai, salpica ou transborda.
 - Não remova a jarra da base do motor enquanto o liquidificador está a ser utilizado.
 - Não utilize o liquidificador enquanto a mensagem OVERLOAD PROTECTION (Proteção de sobrecarga) estiver a piscar no LCD. Caso ocorra, desligue o liquidificador e aguarde 30 minutos até que o motor arrefeça. Uma vez arrefecido, será capaz de utilizar o liquidificador novamente como de costume.
 - Não processe líquidos quentes ou a ferver. Deixe arrefecer antes de colocar na jarra do liquidificador.
 - Não submerja a ficha elétrica, o cabo ou o aparelho em água ou qualquer outro líquido para proteger contra choques elétricos.
 - Não use o aparelho se o cabo de alimentação, a ficha ou o próprio aparelho estiverem danificados de qualquer maneira. Contacte o serviço de atendimento ao cliente da Sage ou aceda a sageappliances.com se o aparelho estiver danificado ou se for necessária qualquer tarefa de manutenção que não a de limpeza.
-  O símbolo apresentado indica que este aparelho  não deve ser eliminado juntamente com os resíduos domésticos normais. Deve ser encaminhado para um centro de recolha de resíduos da autoridade local designado para este fim ou um revendedor que forneça este serviço. Contacte a Câmara Municipal local para obter mais informações.
-  Para evitar choques elétricos, não submerja o aparelho, a base elétrica, cabo de alimentação ou ficha em água ou permita que a humidade entre em contacto com estas partes. Evite derramar água no conector da base elétrica. Não submerja a base elétrica para limpar.

GUARDE ESTAS INSTRUÇÕES



Componentes



- A. Empurrador de alimentos (não adequado para máquina de lavar louça)
- B. Cobertura do liquidificador (adequada para máquina de lavar louça)
- C. Cesto de filtro de aço inoxidável (adequado para máquina de lavar louça)
- D. Rebordo da taça do filtro (adequado para máquina de lavar louça)
- E. Braço de interbloqueio de segurança
Impede o funcionamento da base do motor quando a cobertura não está devidamente instalada.
- F. Painel de controlo
- G. Base do motor resistente
- H. Copo de medição interno (adequado para máquina de lavar louça)
- I. Jarro de mistura de 1,5 litros e tampa (adequado para máquina de lavar louça)
- J. Bico de sumo (adequado para máquina de lavar louça)
Pode ser colocado sobre o bocal para servir o sumo diretamente para um copo.
- K. Tampa antigotejamento (adequada para máquina de lavar louça)
- L. Recipiente de polpa (adequado para máquina de lavar louça)
- M. Escova de limpeza (para limpar o cesto do filtro)

CE Informação de classificação
220-240 V ~ 50 Hz 1000 W



Montagem

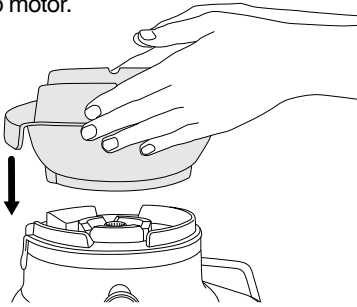
ANTES DA PRIMEIRA UTILIZAÇÃO

Lave a tampa, o copo interno de medição, a jarra, a taça do filtro, o cesto de filtro, a cobertura do liquidificador, o empurrador de alimentos e o recipiente de polpa em água morna e com sabão, com um pano macio. Enxague e deixe secar devidamente.

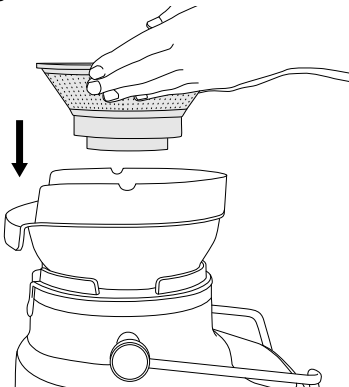
Coloque a base do motor numa superfície plana e seca, tal como uma bancada. Certifique-se de que o aparelho está desligado no botão e de que a base do motor e o cabo de alimentação não estão ligados a uma tomada elétrica.

PREPARAR SUMO

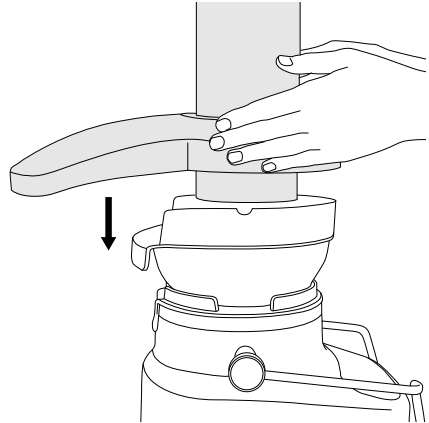
1. Coloque a taça do filtro no topo da base do motor.



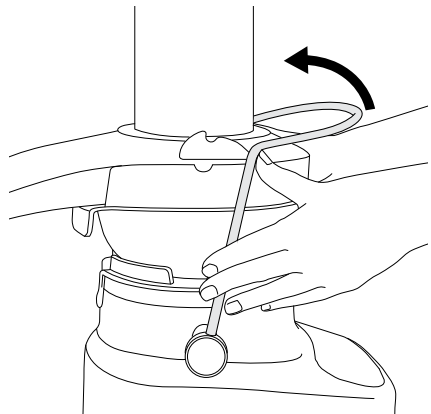
2. Alinhe as setas na base do cesto do filtro de aço inoxidável com as setas no acoplamento da transmissão do motor e empurre para baixo até encaixar no lugar para criar um ajuste seguro com a base do motor.



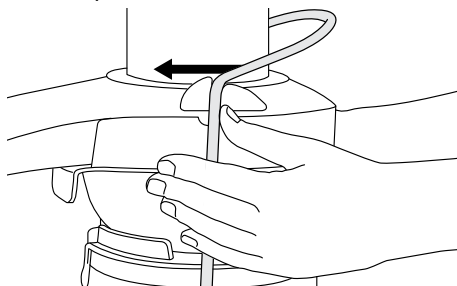
3. Coloque a cobertura do liquidificador sobre a taça do filtro, posicionando a parte inferior da calha de alimentação sobre o cesto do filtro de aço inoxidável.



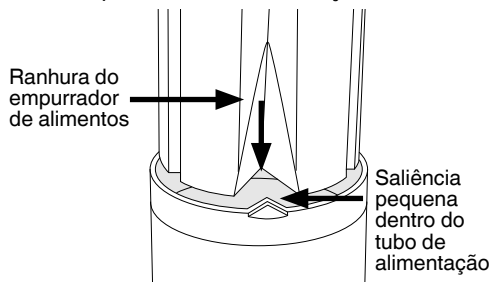
4. Levante o braço de bloqueio de segurança e localize as duas ranhuras em ambos os lados da cobertura do liquidificador.



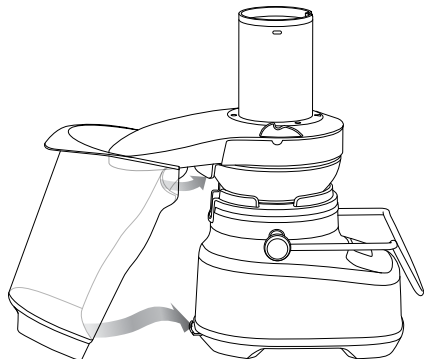
5. O braço de bloqueio de segurança deve estar agora na posição vertical e bloqueado no topo da cobertura do liquidificador.



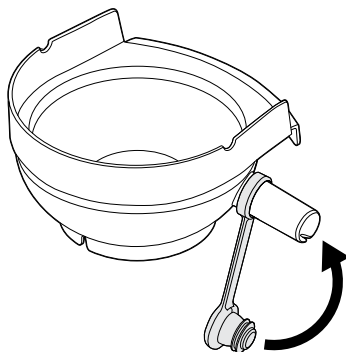
6. Deslize o empurrador de alimentos para baixo pela calha de alimentos, alinhando a ranhura no empurrador de alimentos com a pequena saliência no interior do topo do tubo de alimentação.



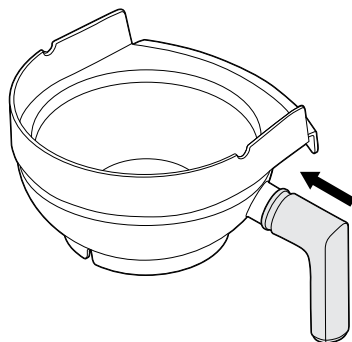
7. Coloque o recipiente de polpa na posição, inclinando e levantando ligeiramente a base do motor. Introduza o recipiente de polpa debaixo da tampa do liquidificador na parte posterior certificando-se de que a extremidade frontal encaixa debaixo da patilha da taça do filtro e a extremidade inferior encaixa na parte inferior da base do motor.



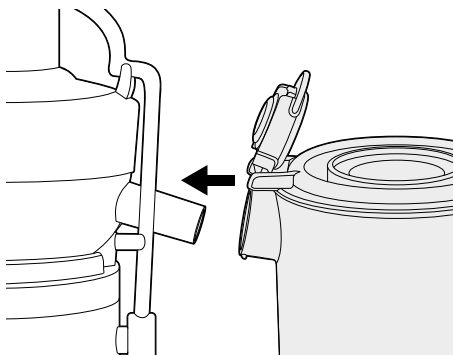
8. Pode colocar a tampa do bocal antigoteamento no bocal de saída do sumo. Em seguida, permite tapar a saída para evitar o gotejamento após servir o sumo.



9. Opcional: Para servir sumo para um copo, pode instalar o bico de sumo no bocal de sumo.

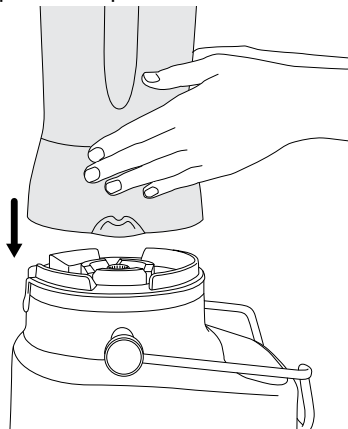


10. Coloque a tampa na jarra do liquidificador e coloque-a sob o bocal de saída de sumo.

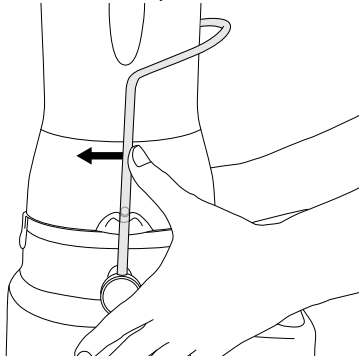


MISTURAR

1. Com o liquidificador na vertical, coloque-o na base do motor. A pega do liquidificador pode ser colocada no lado direito ou esquerdo do aparelho.

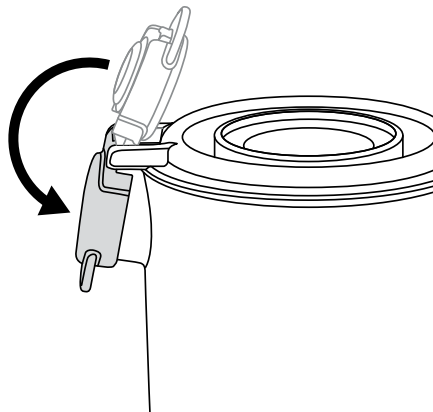


2. Levante o braço de bloqueio de segurança e coloque-o nas duas ranhuras em ambos os lados da cobertura do liquidificador.



3. Adicione alimentos ou líquidos ao liquidificador certificando-se de que não excede a marca "MAX" (Máximo). Coloque firmemente a tampa do liquidificador na boca da jarra do liquidificador. Insira a tampa medidora interior transparente na tampa do liquidificador e rode no sentido dos ponteiros do relógio para a bloquear na devida posição. A jarra inclui uma tampa Sage Assist™. Esta tampa permite o ajuste perfeito na jarra do liquidificador para evitar que se mova durante o funcionamento.

4. Não encha a jarra do liquidificador acima da linha "MAX" (Máximo).
5. Certifique-se de que a tampa do bocal da tampa do liquidificador está instalada e fechada. A conexão de anel para puxar permite que o utilizador retire a tampa com uma simples ação de puxar.

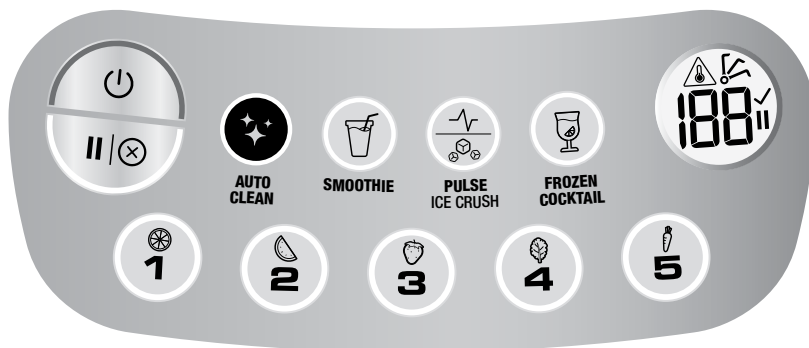


Após montar o aparelho na configuração de liquidificador ou centrifugadora, ligue o cabo de alimentação a uma tomada elétrica de 220–240 V e ligue o aparelho.

Prima o botão ON/OFF (Ligar/Desligar) para ligar a máquina. O botão ON/OFF (Ligar/Desligar) ilumina-se. O ecrã LCD do temporizador ilumina-se e apresenta "0:00".



Funções



INTRODUÇÃO

O botão ON/OFF (Ligar/Desligar) liga a unidade no modo READY (Pronto).

PROGRAMAS PREDEFINIDOS

MISTURAR

O aparelho tem 4 funções predefinidas: Smoothie, Green Smoothie, Pulse/Ice Crush, Auto Clean (Batido, Impulso/Picar gelo, Limpeza Automática) e Frozen Cocktail (Cocktail gelado). Estes ciclos pré-programados ajustam automaticamente o tempo e a velocidade de funcionamento para obter os melhores resultados de mistura. Estes programas apenas são ativados quando o seu aparelho está na configuração de centrífugadora. Não podem ser utilizados quando o seu aparelho estiver definido na configuração de sumo.

Selecione a função pretendida premindo no respetivo botão de função. A unidade começa a funcionar e o botão da função selecionada ilumina-se. O temporizador inicia a contagem decrescente e o programa termina automaticamente quando atingir "0:00".

O programa e o temporizador podem ser colocados em pausa premindo o botão de pausa. Retome premindo o botão do programa novamente ou cancele premindo o botão de pausa novamente.

Também pode cancelar o programa em qualquer momento premindo o botão ON/OFF (Ligar/Desligar). O temporizador será reposto para 0:00

Smoothie (Batido)

Para batidos com produtos lácteos, existe uma combinação de velocidades e impulsos concebidos para combinar e insuflar ar nos ingredientes para uma textura suave e cremosa.

Pulse/Ice Crush (Impulso/Picar gelo)

Um programa de impulso contínuo concebido para cortar alimentos com consistência uniforme ou esmagar cubos de gelo. Utilize o botão PULSE (Impulso) quando os alimentos são muito espessos ou grosseiros para que circulem na jarra do liquidificador. A quantidade máxima de cubos de gelo que o liquidificador pode picar de uma só vez sem líquido na jarra é 1 tabuleiro de gelo padrão ou 250 g.

Frozen Cocktail (Cocktail gelado)

Para criar cocktails e bebidas à base de gelo, como Margaritas, Daiquiris e Slushies, dispõe de um programa para picar gelo seguido de uma breve centrifugação.

Auto clean (LIMPEZA AUTOMÁTICA)

Utilize para remover a maioria dos ingredientes das paredes do liquidificador e das lâminas. Adicione 2 chávenas de água morna com sabão e prima o botão de limpeza. Para ingredientes mais difíceis de limpar, pegajosos ou pesados, adicione ½ colher de chá de detergente lava louça para limpeza extra. Para melhores resultados, limpe a jarra do liquidificador desta maneira imediatamente após a utilização. A função Auto Clean (Lavagem automática) apenas limpa a jarra da centrifugadora. Não limpa o liquidificador.

Seleção de controlo de velocidade

Existem 5 botões de velocidade. A Velocidade 1 combina alimentos mais delicados com um movimento de bater indicado para combinar ingredientes húmidos e secos. A Velocidade 5 é a definição mais rápida e é ideal para triturar ingredientes para fazer molhos, molhos para saladas e outras misturas finas.

PREPARAR SUMO

A maioria das frutas e vegetais, como maçãs, cenouras e pepinos, não necessita de ser cortada ou aparada, pois cabem na calha de alimentação. Certifique-se de que os legumes, como beterrabas, cenouras, etc., estão bem limpos, lavados e aparados antes de usar.

1. Ligue o cabo de alimentação a uma tomada elétrica de 220–240 V.

IMPORTANTE

Não carregue a calha de alimentação com os vegetais antes de que o liquidificador atinja a velocidade selecionada.

2. Ligar o liquidificador

Ligue o botão para a definição de velocidade desejada premindo o botão 1-5. Utilize os números baixos (1-3) para frutas e vegetais moles e os números altos (4 e 5) para frutas e vegetais duros. Consulte a tabela do Guia do seletor de velocidade na próxima página para comparar a velocidade e tipo de produto para obter o máximo rendimento. As velocidades baixas, embora possam não maximizar o tipo de produção de sumo de alguns vegetais, permitem que extraia sumo com um ruído significativamente menor.

3. Com o motor a funcionar, coloque alimentos na calha de alimentação e utilize o empurrador de alimentos para empurrar os alimentos para baixo. Para extrair a quantidade máxima de sumo, empurre sempre o empurrador de alimentos lentamente.

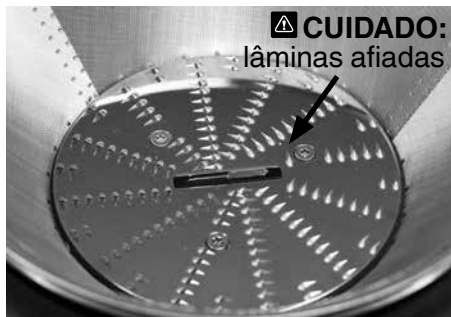
4. Jarra da centrifugadora cheia

Podem manter o funcionamento até que a jarra esteja cheia até ao nível MÁXIMO.



AVISO

Nunca utilize os dedos, mãos ou utensílios para empurrar a comida pela calha de alimentos ou para a limpar. Utilize sempre o empurrador de alimentos fornecido.



O cesto do filtro de aço inoxidável contém pequenas lâminas afiadas para cortar e processar frutas e legumes. Evite tocar nas lâminas quando manusear o cesto de filtro.

GUIA DO SELETOR DE VELOCIDADE

TIPO DE ALIMENTO	VELOCIDADE
MAÇÃS	5
ESPINAFRES	5
BETERRABAS	5
PIMENTOS	5
ARANDOS	3
BRÓCOLOS	4
COUVE	5
CENOURA	5
AIPO	2
FRUTOS CÍTRICOS (descascados)	1
PEPINO	2
GENGIBRE	4
UVAS (sem grainhas)	2
MELÃO (descascado)	3
KALE	4
KIWI (descascado)	4
MANGA (descascada, sem caroço)	2
HORTELÃ	5
PÊSSEGO (descascado, sem caroço)	2
PERAS	4
ANANÁS (descascado)	4
RUIBARBO	4
ABÓBORA	5
MORANGOS	3
TOMATES	3
MELANCIA (descascada)	2
ABOBORINHA	4



Cuidados e limpeza

Certifique-se de que a base do motor está desligada premindo o botão ON/OFF (Ligar/Desligar). Em seguida, desligue o cabo de alimentação.

LIMPEZA

1. Remova a jarra da centrifugadora.
2. Retire a barra de bloqueio, puxe o conjunto do recipiente de sumo e leve para a pia da cozinha.
3. Remova o recipiente de polpa.

Esvazie o máximo de polpa possível para o lixo/compostagem. Enxague todas as peças após a utilização (exceto a base do motor) em água corrente para limpar a maioria do sumo e da polpa. Lave com água morna e detergente com um pano macio.

Para evitar a secagem de alimentos nas lâminas, rede ou peças transparentes, enxague e lave logo que possível após a utilização.

RECIPIENTE DE POLPA

Para minimizar a limpeza, pode colocar o recipiente de polpa com um saco de plástico para a recolher.

BASE DO MOTOR

Limpe com um pano macio humedecido. Não submerja a base do motor em líquidos.

AGENTES DE LIMPEZA

Não utilize esfregões abrasivos ou produtos de limpeza abrasivos na base do motor ou na jarra porque podem riscar a superfície. Utilize apenas água morna e detergente com um pano macio.

JARRA E TAMPA

Para manter a jarra limpa e evitar que os alimentos sequem nas lâminas, jarra e tampa, siga os passos abaixo o mais depressa possível após o uso.

Enxague a jarra e a tampa para remover a maioria dos ingredientes.

Encha a jarra com 500 ml de água morna, coloque a tampa e prima o botão AUTO CLEAN (Limpeza automática). Se for necessária uma limpeza mais profunda devido a ingredientes espessos ou pegajosos, adicione algumas gotas de detergente lava louça.

Lave a jarra e a tampa novamente e/ou lave-os em separado em água morna com sabão utilizando um pano macio ou escova de garrafa.

É mais eficaz limpar a jarra imediatamente após a utilização.

CESTO DE FILTRO

Para garantir que os resultados de sumo são consistentes, limpe sempre o cesto do filtro imediatamente após a utilização com a escova fornecida.

Se deixar secar a polpa no filtro, pode entupir os pequenos orifícios da rede do filtro, diminuindo assim o desempenho do liquidificador. Pode deixar de molho o cesto do filtro em água quente com sabão durante 10 minutos, se necessário.

MÁQUINA DE LAVAR LOUÇA

Todas as peças, exceto a base do motor e o empurrador de alimentos, são adequadas para a máquina de lavar louça. A jarra do liquidificador pode ser colocada na prateleira inferior da máquina de lavar louça, no entanto, a tampa e o copo de medição interno devem ser lavados apenas na prateleira superior. Contudo, não recomendamos a lavagem regular de peças na máquina de lavar louça, visto que a exposição prolongada a detergentes agressivos, água quente e pressão pode danificá-las.

Limpar as peças na máquina de lavar louça pode também causar a sua deterioração, por isso inspecione-as regularmente e pare de utilizar o produto se notar sinais de danos.

RESÍDUOS DE ALIMENTOS PERSISTENTES

Alimentos com um cheiro forte, como alho e peixe e alguns vegetais, como cenouras, podem deixar odores ou manchas na jarra ou tampa do liquidificador. Para remover, deixe de molho a jarra e a tampa durante 5 minutos em água morna com sabão. Lave então com água morna e detergente suave, enxague bem e deixe secar cuidadosamente. Guarde a jarra sem a tampa.

ARMAZENAMENTO

Guarde o aparelho na vertical com a jarra da centrifugadora montada na base do motor, ou ao lado. Não coloque nenhum objeto em cima da máquina. Para permitir a circulação de ar, mantenha-a sem a tampa.



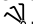
AVISO

Os óleos na casca dos citrinos podem danificar o material da jarra do liquidificador se forem expostos durante muito tempo. Limpe sempre a jarra do liquidificador imediatamente após o processamento da casca do citrino.



Resolução de problemas

O ecrã LCD liga, mas o aparelho não responde aos controlos

- O braço de bloqueio de segurança pode não estar bem encaixado na posição de operação vertical. Neste caso, o ecrã LCD apresenta uma mensagem animada . Verifique se a cobertura superior está bem alinhada e se o braço de bloqueio está localizado firmemente nas duas ranhuras de cada lado da cobertura do liquidificador ou jarra do liquidificador.

Os alimentos são cortados irregularmente

- Isto pode acontecer quando mistura muita comida ao mesmo tempo. Tente menores quantidades e faça por partes, se necessário.

A comida é cortada muito fina ou está aguada

- Tente misturar durante breves períodos de tempo. Utilize a função PULSE (Impulso) para obter um melhor controlo.

O excesso de polpa acumula-se no cesto de filtro de aço inoxidável

- Desligue o aparelho. Desmonte e retire o excesso de polpa da cobertura do liquidificador.
- Volte a montar e continue a operação. Se alternar ingredientes suaves e duros, pode ajudar a evitar esta situação.

Polpa muito molhada e pouco sumo extraído

- A força do empurrador pode reduzir a produção de sumo porque reduz a velocidade do motor. Evite colocar pressão no empurrador de alimentos para baixo na calha de alimentação.
- Quanto mais limpo estiver o filtro, melhor será o rendimento do sumo e mais seca estará a polpa. Certifique-se de que limpa o liquidificador o mais rapidamente possível após cada utilização. Retire o cesto do filtro de aço inoxidável e limpe cuidadosamente as paredes da rede com uma escova de limpeza. Molhe o cesto de filtro em água quente. Se os orifícios da rede estiverem bloqueados, mergulhe o cesto numa solução de água quente com sumo de limão a 10% para desbloquear os orifícios ou lave na máquina de lavar louça (prateleira superior). Irá remover a acumulação em excesso de fibras que pode estar a inibir o fluxo.
- Se fizer sumo de grandes quantidades de ingredientes fibrosos, como ruibarbo e ananás, pode ser necessário limpar o cesto do filtro.

O sumo sai entre o rebordo da cobertura do liquidificador e a tampa do liquidificador

- Certifique-se de que o aparelho está montado corretamente
- Experimente utilizar uma velocidade mais lenta (se possível) e empurre os alimentos na calha de alimentação mais lentamente.
- Certifique-se também de que não há acumulação no cesto do filtro.

O sumo espirra do bocal

- O sumo está a ser extraído muito rapidamente; experimente uma velocidade mais lenta (se possível) e empurre os alimentos na calha de alimentação mais lentamente.

Sumo restante na taça do filtro após a paragem do aparelho

- Rode o botão para a definição de velocidade mais alta e coloque em funcionamento durante cinco segundos. Isso pode ajudar a mover o sumo restante para a jarra.

O motor parece bloquear durante o funcionamento

- A polpa molhada pode acumular-se sob a cobertura do liquidificador e bloquear o motor se o aparelho for usado durante muito tempo sem limpar. Se ocorrer, desmonte e siga as instruções de limpeza e limpe a taça do filtro, o cesto do filtro de aço inoxidável e a cobertura do liquidificador.
- O aparelho também pode bloquear se utilizar força excessiva para empurrar os produtos pela calha de alimentação. Se ocorrer, assegure-se de que é utilizada uma pressão mais suave para empurrar o produto pela calha.
- Ligue o aparelho antes de colocar os ingredientes na calha. Se pressionar os ingredientes antes de que o motor atinja a velocidade indicada, pode provocar a paragem ou sobrecarga do motor. Aplique uma pressão suave a moderada no empurrador. Uma menor pressão produz um sumo melhor.
- Fruta e legumes duros colocam uma pressão excessiva no motor se for selecionada uma velocidade baixa. Consulte o guia de referência para determinar a velocidade correta para a fruta e legumes selecionados.

Todas as luzes do painel de controlo piscam e a proteção contra sobrecarga é apresentada no ecrã LCD

- Indica que a proteção de sobrecarga do motor está ativada porque o motor sobreaqueceu ou parou.
 - Para repor a proteção, desligue da fonte de alimentação, ligue novamente e ligue o aparelho.
 - Se a proteção contra sobrecarga ainda estiver apresentada, desligue o aparelho e deixe arrefecer pelo menos 30 minutos e depois tente novamente. O aparelho deve estar desligado enquanto arrefece para repor corretamente.
 - Se o problema persistir depois de deixar arrefecer, indica que é um problema interno. Contacte o Atendimento ao Cliente da Sage ou o Centro de Assistência Autorizado da Sage mais próximo.
 - Tenha em atenção que a proteção de sobrecarga indica a utilização anómala do aparelho, como a carga excessiva no copo do liquidificador, força de pressão excessiva ao fazer sumo ou uso contínuo prolongado. Tenha em atenção as condições e consulte todas as informações nestas instruções para evitar esta ocorrência e prolongar a vida útil do aparelho.
-



Notas



Notas

CHE

Switzerland

+41 (0)800 009 933

DEU

AUT

Sage Appliances GmbH
Campus Fichtenhain 48, 47807 Krefeld, Deutschland

Deutschland: +49 (0)8005053104

Österreich: +43 (0)800 80 2551

BEL

Belgium

+32 (0)800 54 155

LUX

Luxembourg

+352 (0)800 880 72

ESP

Spain

+34 (0)900 838 534

POR

Portugal

+351 (0)800 180 243

Sage®

www.sageappliances.com

Registered in Germany No. HRB 81309 (AG Düsseldorf).

Registered in England & Wales No. 8223512.

- Due to continued product improvement, the products illustrated or photographed in this document may vary slightly from the actual product.
- Aufgrund kontinuierlicher Produktverbesserungen kann das auf dieser Verpackung dargestellte Produkt leicht vom tatsächlichen Produkt abweichen.
 - En raison de son amélioration continue, le produit représenté sur cet emballage peut différer légèrement du produit réel.
 - Vanwege de voortdurende verbetering van de producten kunnen de producten die in dit document worden geïllustreerd of gefotografeerd enigszins afwijken van het daadwerkelijke product.
 - A causa del continuo miglioramento dei prodotti, il prodotto illustrato su questa confezione può variare leggermente rispetto al prodotto reale.
 - Perfeccionamos nuestros productos continuamente, por lo que el artículo podría diferir ligeramente de la ilustración o imagen en este documento.
 - Devido à melhoria continua dos produtos, os produtos ilustrados ou fotografados neste documento podem variar ligeiramente do produto real.

Copyright BRG Appliances 2019.

BJB615/SJB615 UG5 A19