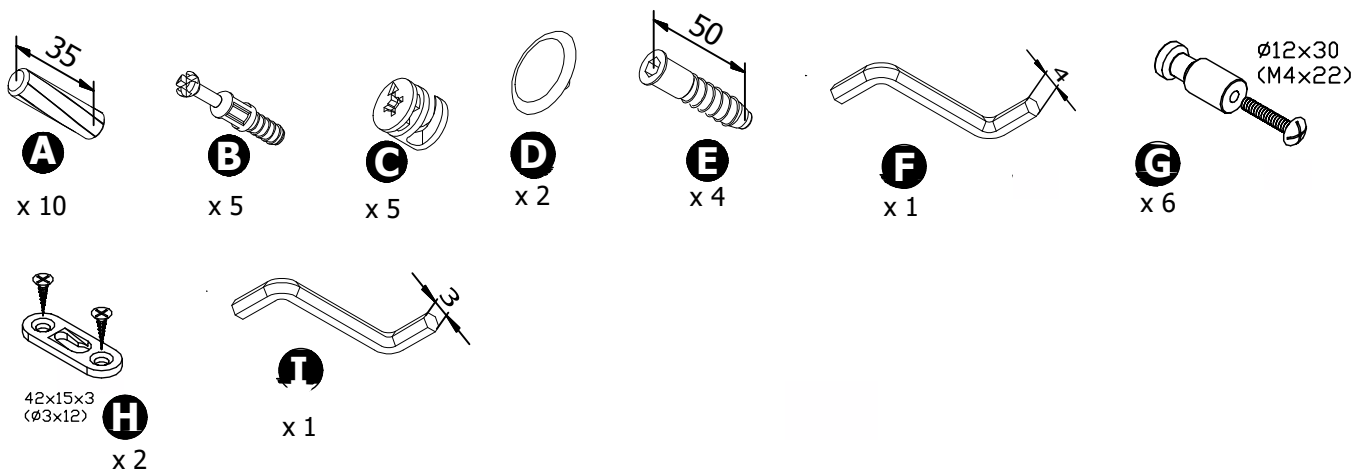
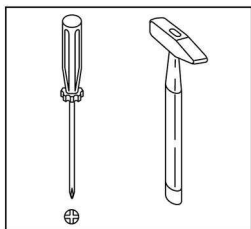
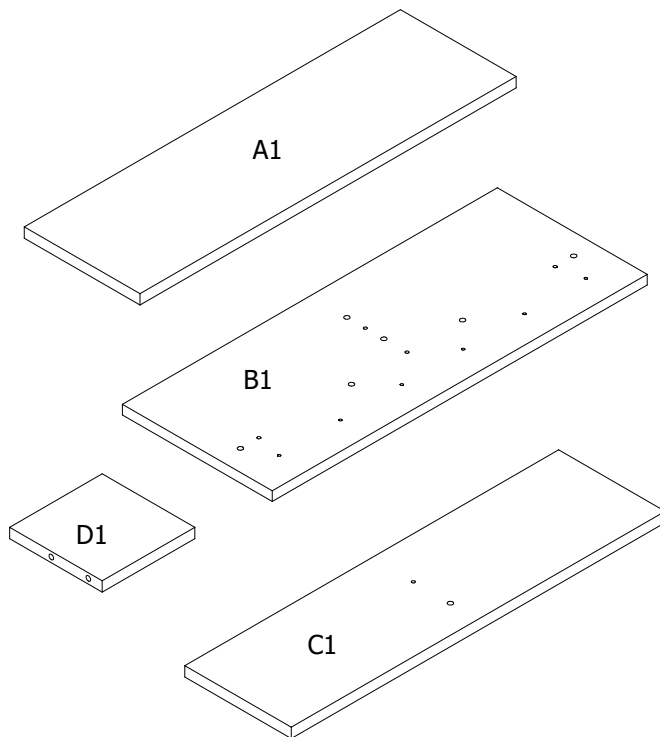
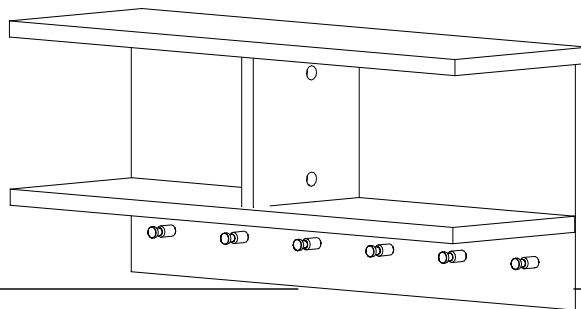


Assembly instructions
 Instructions d'assemblage
 Aufbauanleitung
 Istruzioni di montaggio

Hat Shelf

Art. 119336208012



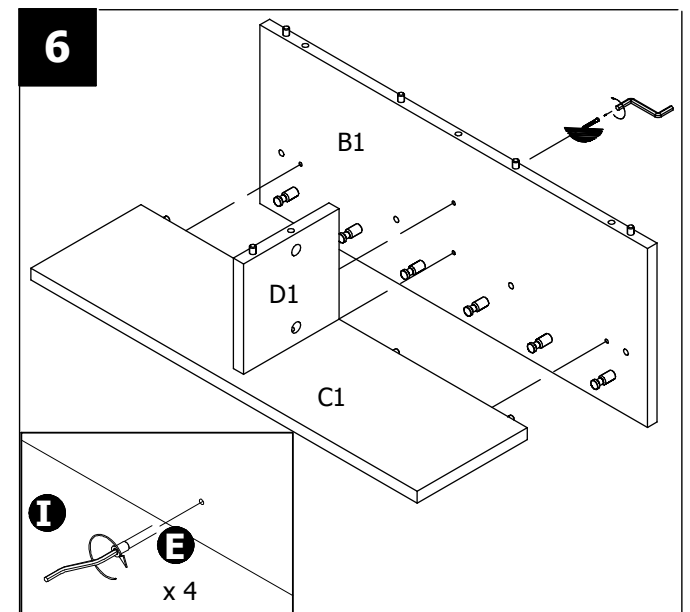
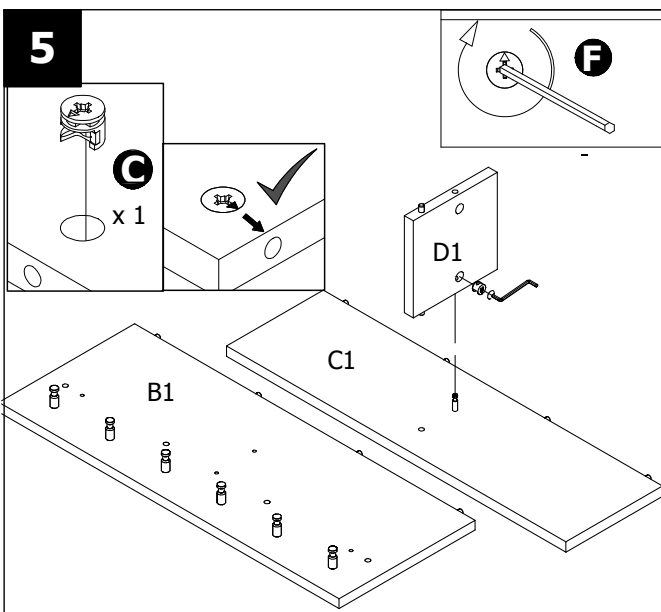
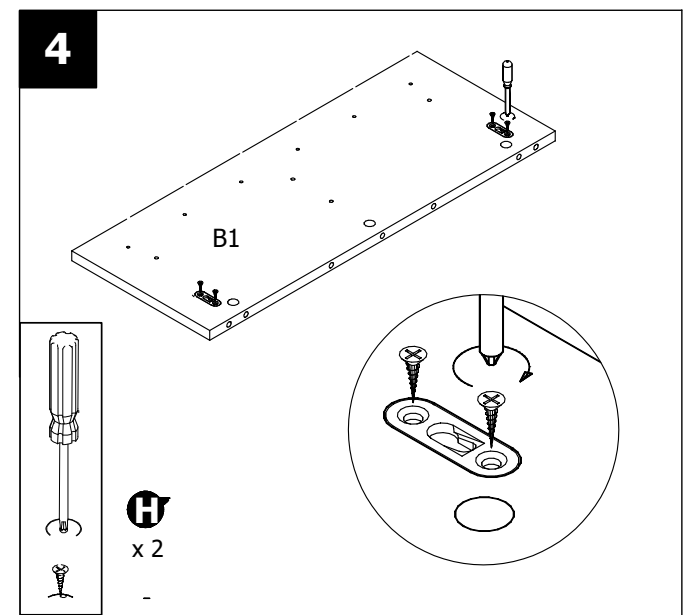
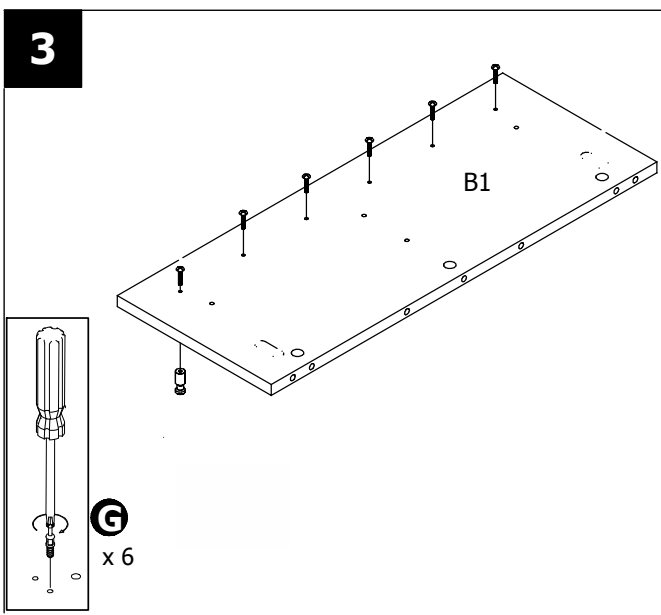
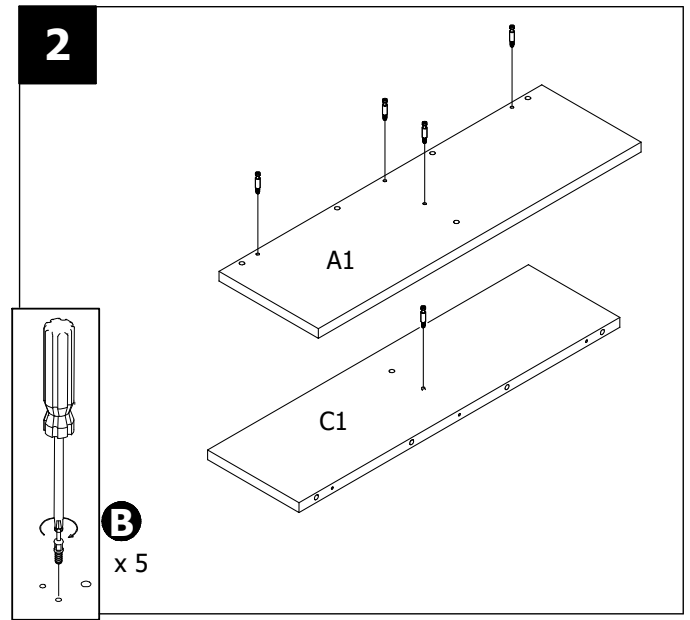
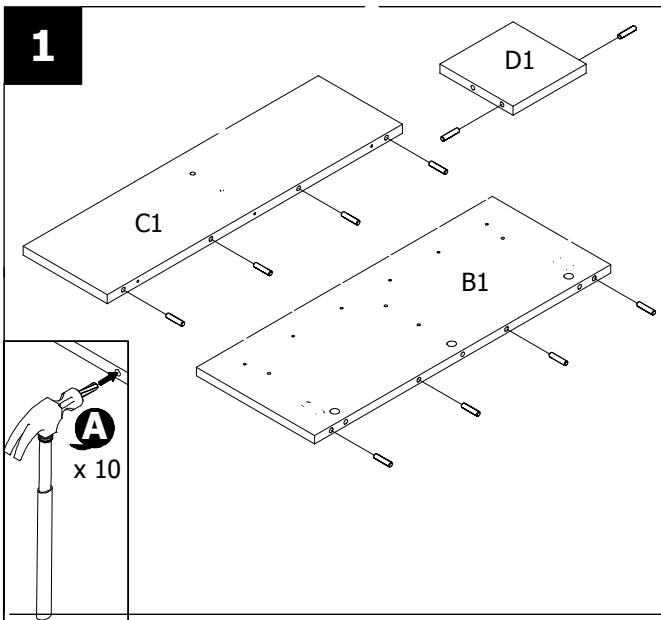
1 people are required for assembly work.
 1 personnes sont nécessaires pour l'assemblage.
 Für den Aufbau werden 1 Personen benötigt.
 Per il montaggio è necessaria la presenza di 1 persone.

Reference no:



Assembly time 0.5 hours.
 Temps d'assemblage, 0.5 heures.
 Arbeitsdauer 0.5 Stunden.
 La durata del montaggio è di 0.5 ore.





ENG - In case of any quality issues, contact your local dealer and always mention item reference No.

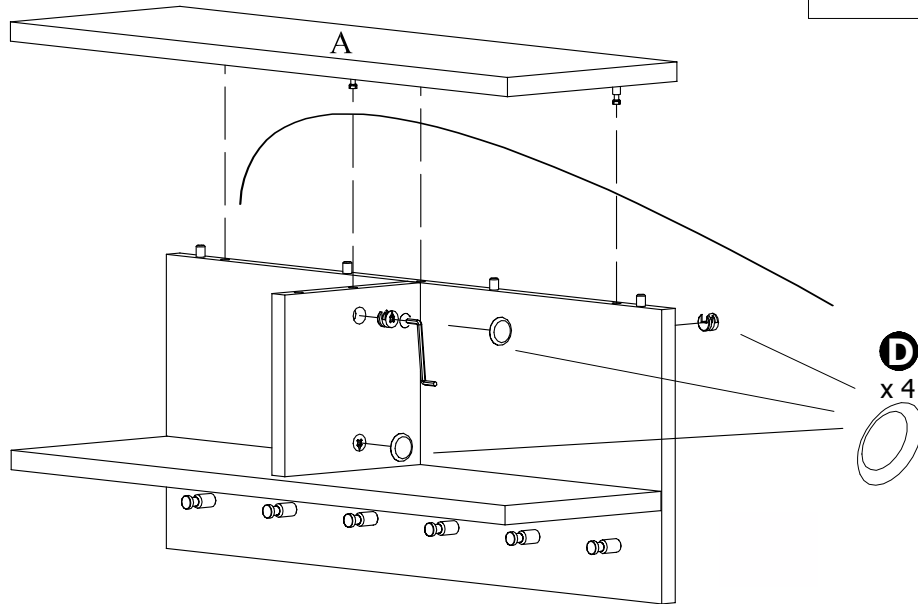
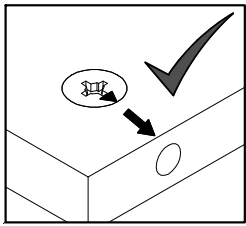
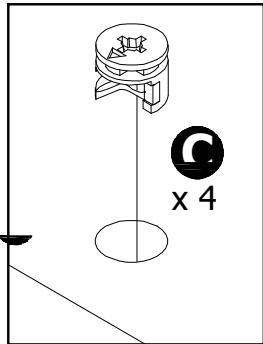
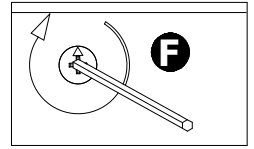
FR - En cas de problèmes de qualité, contactez votre revendeur local et mentionnez toujours la référence de l'article.

IT - In caso di eventuali problemi di qualità, contattare il rivenditore locale e citare sempre punto di riferimento No.

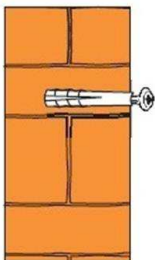
ES - En caso de problemas de calidad, póngase en contacto con su distribuidor local y mencione siempre la referencia del artículo.

DE - Wenn Sie Qualitätsprobleme haben wenden Sie sich bitte an ihren örtlichen Händler und erwähnen Sie immer die Artikelnummer.

7



Wall fixing - if in doubt seek professional advice
 Fixation murale - en cas de doute, consultez un professionnel.
 Wandhalterung - im Zweifelsfall suchen Sie Rat bei einem Fachmann.
 Fissaggio alla parete - in caso di dubbi consultare un professionista

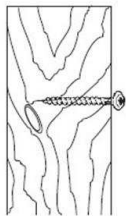


Wood If fixing to wood make sure that it isn't chipboard as screws can easily pull away from the core structure

Bois Si la fixation est dans du bois, assurez-vous que cela ne soit pas de l'aggloméré car les vis peuvent facilement se détacher du cœur de la structure

Holz Bei der Befestigung an Holz achten Sie bitte darauf, dass es sich nicht um eine Spanplatte handelt, da Schrauben sehr leicht aus der Kernstruktur herausgezogen werden können.

Legno In caso di fissaggio su legno assicurarsi che lo stesso non sia truciolato in quanto le viti potrebbero fuoriuscire dalla struttura principale

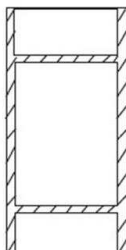


Brick or Masonry Use an appropriate wall plug provided you are sure your wall is sound

Brique ou maçonnerie Utilisez une cheville adéquate à condition que vous soyez sûr que votre mur est solide

Ziegel oder Gemäuer Nehmen Sie einen geeigneten Dübel, sofern Sie sicher sind, dass Ihre Wand intakt ist.

Mattoni o muratura Usare un tassello appropriato dopo aver verificato la solidità della parete.



Cavity well Special toggle wall plugs are needed. Seek expert advice.

Mur creux Des chevilles spéciales à rétraction sont nécessaires. Consultez un expert.

Hohlwand Hierfür werden besondere Kippdübel benötigt. Wenden Sie sich bitte an einen Fachmann.

Intercapedine Sono necessari tasselli speciali. Rivolgersi a un esperto.



Safety and Care Advice

Important - Please read these instructions fully before starting assembly

Check you have all the components and tools.

Remove all fittings from the plastic bags and separate them into their groups.

Keep children and animals away from the work area, small parts could choke if swallowed.

Make sure you have enough space to layout the parts before starting.

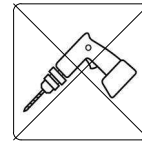
Do not stand or put weight on the product, this could cause damage.

Assemble the item as close to its final position (in the same room) as possible. Do not place furniture directly in front of radiators, fires or any other source of heat.



Parts of the assembly will be easier with 2 people.

Assemble on a soft level surface to avoid damaging the unit or your floor.



We do not recommend the use of power drill/drivers for inserting screws, as this could

damage the unit. Only use hand screwdrivers.

Dispose of all packaging carefully and responsibly.

General care and maintenance

Only clean using a damp cloth and mild detergent, do not use bleach or abrasive cleaners.

From time to time check that there are no loose screws and connectors on this unit.

This product should not be discarded with household waste. Take to your local authority waste disposal centre.

Cleaning and care of lacquered surfaces

Regular dusting with a dry cloth will keep your units clean.

Clean marks with a damp cloth.

Do not allow spillages to stay on the surface for long.

Do not clean with products containing the following: Acetone, (e.g nail varnish remover). Ammonia (e.g.bleach). or Sodium hydroxide (e.g. Caustic soda, drain and oven cleaners).

Do not use abrasive cleaners.

To remove stubborn stains, wipe over with a damp cloth and washing up liquid.

In the event of accidental contact with aggressive cleaners, rinse thoroughly with water.

Use place mats to protect the surface from moisture and heat.

Maximum weight limit

