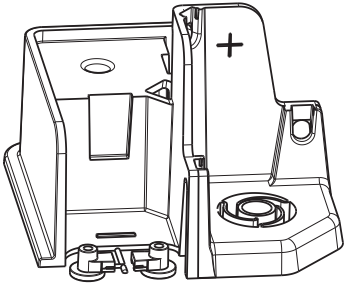
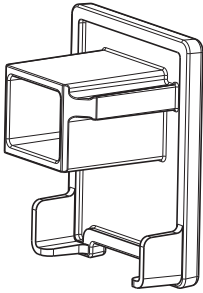
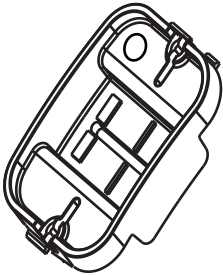
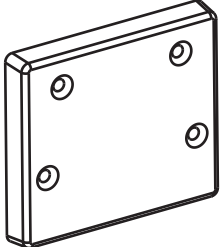


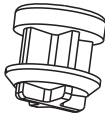
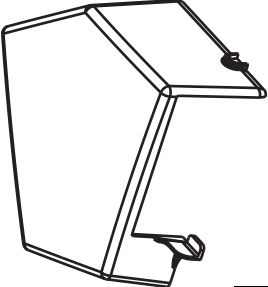
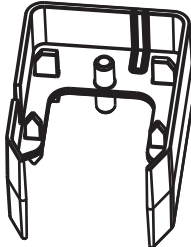
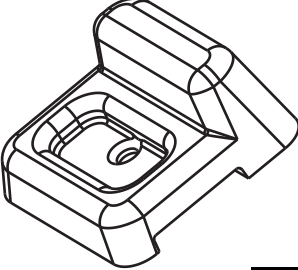
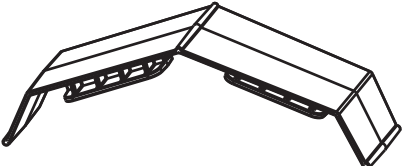
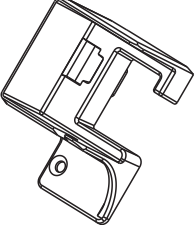
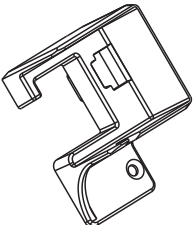
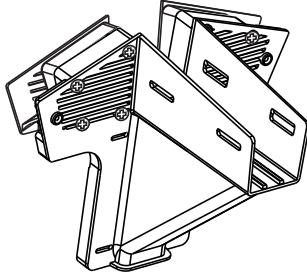
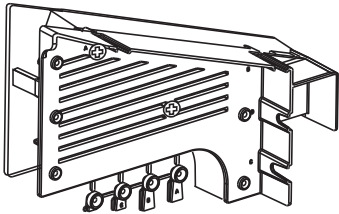
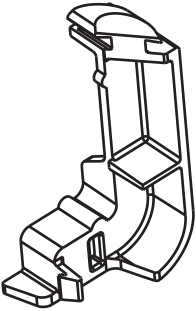
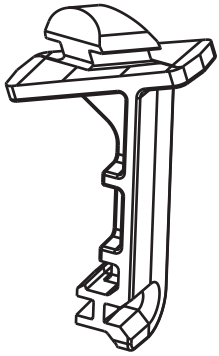
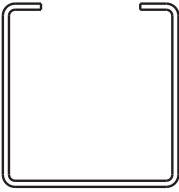
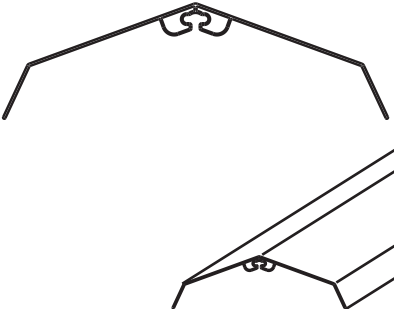
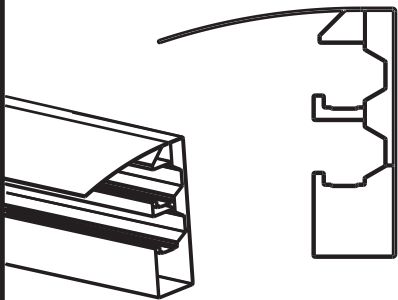
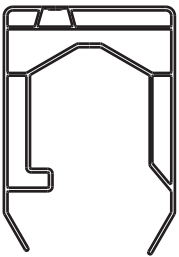
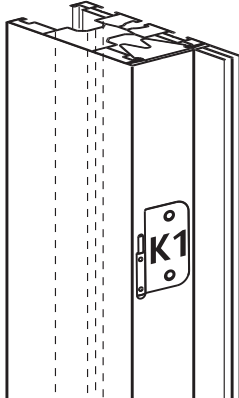
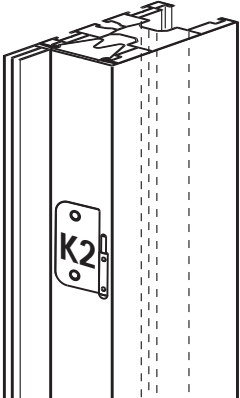
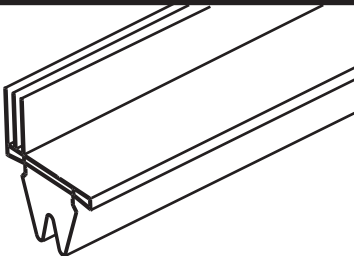
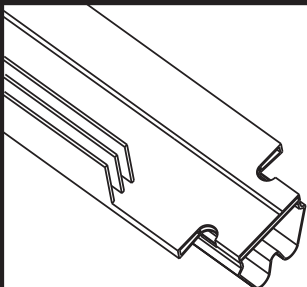
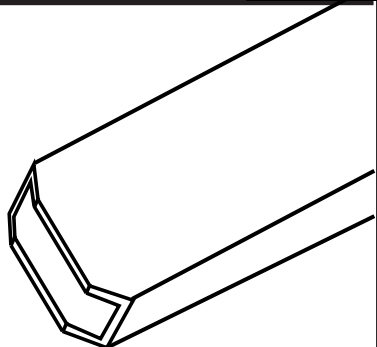
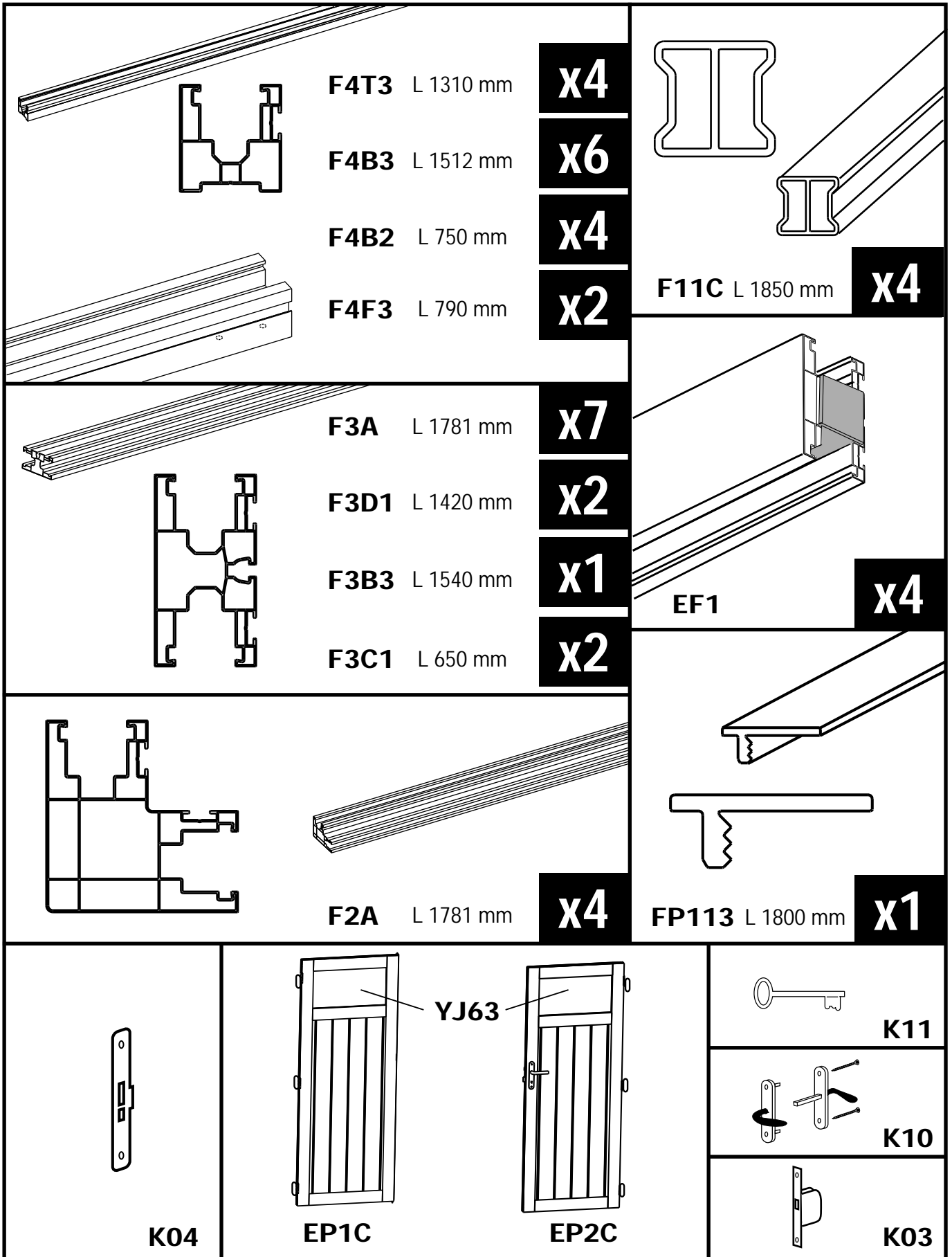
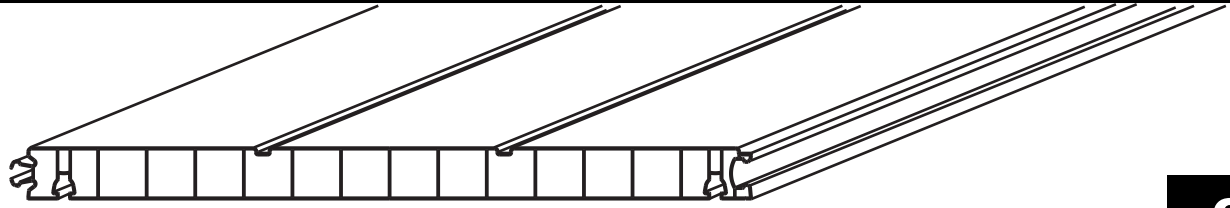


NOMENCLATURE

| | | | |
|---|--|---|--|
|  <p>M02A x4</p> |  <p>M02B x2</p> |  <p>M02C x2</p> | |
|  <p>M03 x26</p> |  <p>M5E1 x2</p> |  <p>M5E2 x2</p> |  <p>M5G x4</p> |
|  <p>M5A x2</p> |  <p>M5B x2</p> |  <p>M5D x1</p> | |
|  <p>M5C x1</p> |  <p>M5F1 x2</p> |  <p>M5F2 x2</p> |  <p>M06A x2</p> |

| | | |
|---|--|--|
|  <p>M1A1</p> <p>x2</p> |  <p>M8A</p> <p>x24</p> |  <p>M8B</p> <p>x8</p> |
|  <p>A9A L 1860 mm</p> <p>x4</p> |  <p>F8B L 1445 mm</p> <p>x2</p> |  <p>F71C L 1875mm</p> <p>x4</p> |
|  <p>F72B L 1425 mm</p> <p>x4</p> |  <p>EM1</p> <p>x1</p> |  <p>EM2</p> <p>x1</p> |
|  <p>F6D1 L 275 mm</p> <p>x4</p> |  <p>F6A2 L 1482 mm</p> <p>x1</p> <p>F6E1 L 712 mm</p> <p>x4</p> |  <p>F10A L 1765 mm</p> <p>x24</p> |



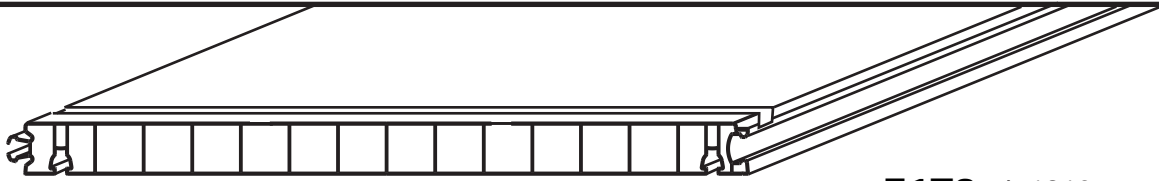


F1V1 L 1825 mm

x20

F1V2 L 1377 mm

x4



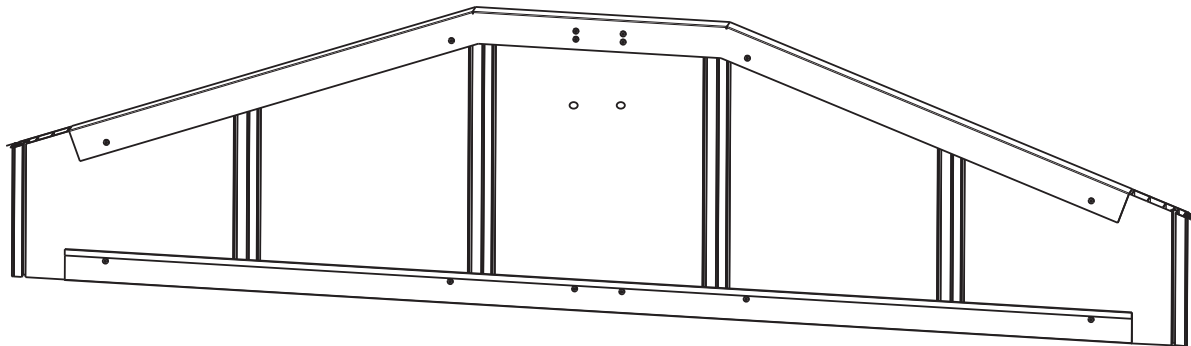
F1T3 L 1910 mm

x16



F1V3 L 45 mm

x4



ET3

x2



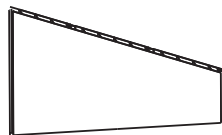
T3-4

x2



T3-3

x2



T3-2

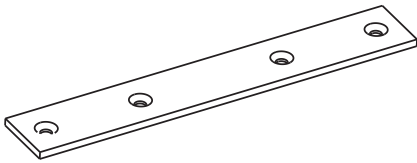
x2



T3-1

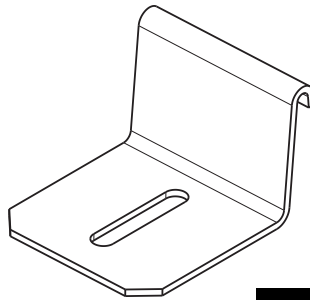
x2

SHA



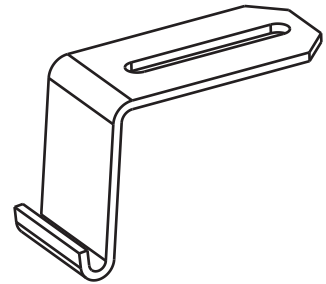
A02

x5



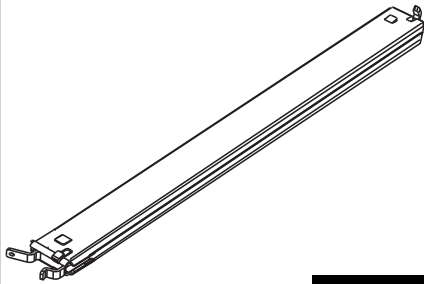
A03

x20



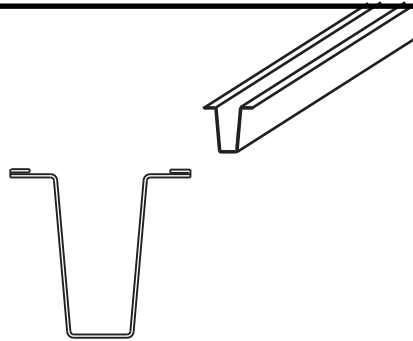
A04

x8



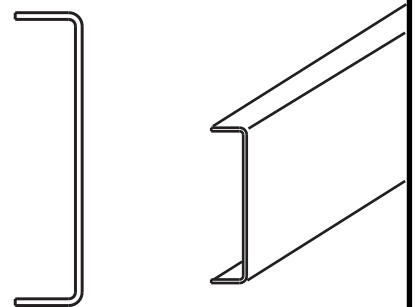
A12C

x6



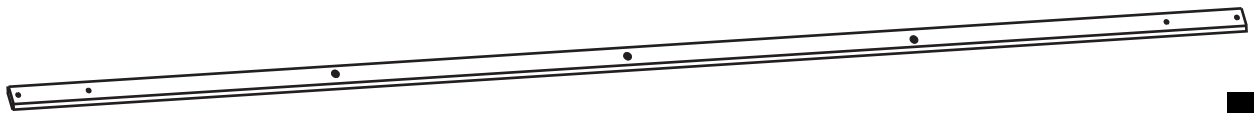
A15A L 1350 mm

x2



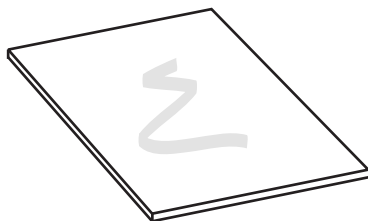
A14 L 1050 mm

x4



A01B

x1

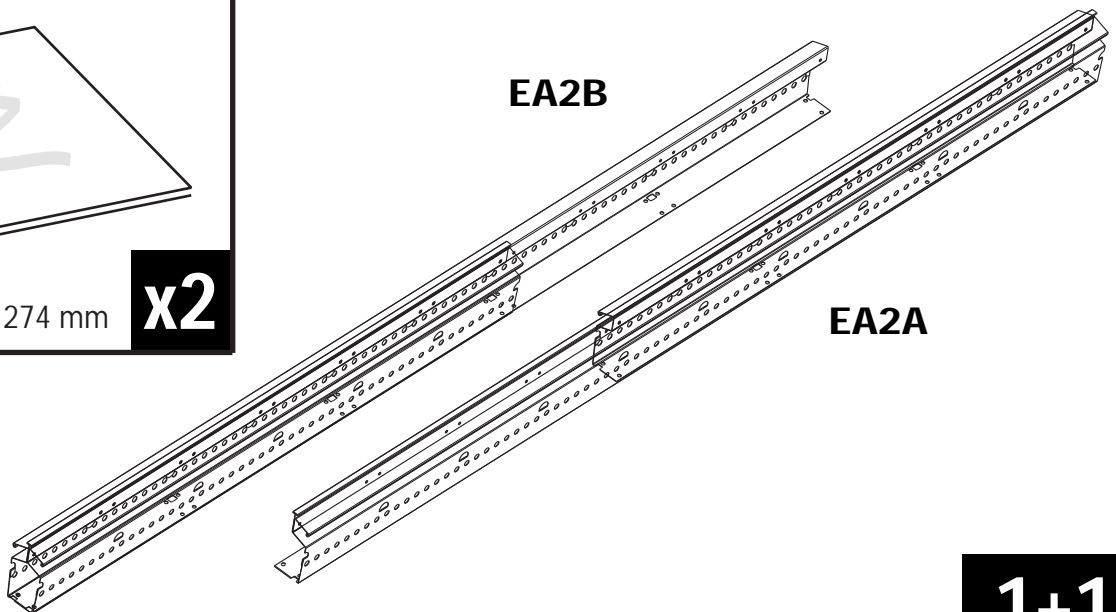


S01F 672 X 274 mm

x2

EA2B

EA2A



1+1

VISSERIE

