

TechniSat



DIGITRADIO 51
DAB/FM digital clock radio

CONTENTS

ENGLISH	6-22
FRANÇAIS	23-42
ITALIANO	43-62
NEDERLANDS	63-82
NORSK	83-102
DANSK	103-122
POLSKE	123-142
ČEŠTINA	143-162
SLOVENSKÉ	163-182

Instruction Manual

DIGITRADIO 51
DAB/FM digital clock radio



EN

FR

IT

NL

NW

DK

PL

CZ

SK

TechniSat

Content

1	Important safety information.....	6
2	Your DAB/FM clock radio	7
3	Packing list.....	9
4	Software update.....	9
5	Steps guide to getting started	9
6	Basic operation.....	10
6.1	Switching between Standby, DAB and FM mode.....	10
6.2	DAB radio mode.....	10
6.3	FM radio mode.....	10
7	Scanning	11
8	Clock.....	11
9	Alarm setting	11
9.1	Snooze function.....	12
9.2	Stop alarm.....	12
9.3	Switch alarm off.....	13
10	Sleep	13
11	Dimmer function	13
12	Info	13
13	DAB radio mode	12

14	FM radio mode	14
15	Radio presets	14
15.1	Store a station to the preset list	15
15.2	Recall a station from the preset list.....	15
16	Advance settings	15
16.1	DAB radio mode.....	15
16.2	FM radio mode.....	19
17	Troubleshooting	20
18	Specifications	21

EN

FR

IT

NL

NW

DK

PL

CZ

SK

1 Important safety information

Thank you for purchasing this DAB/FM radio. Please read the instructions and warnings carefully before use, to ensure safe and satisfactory operation of this product.

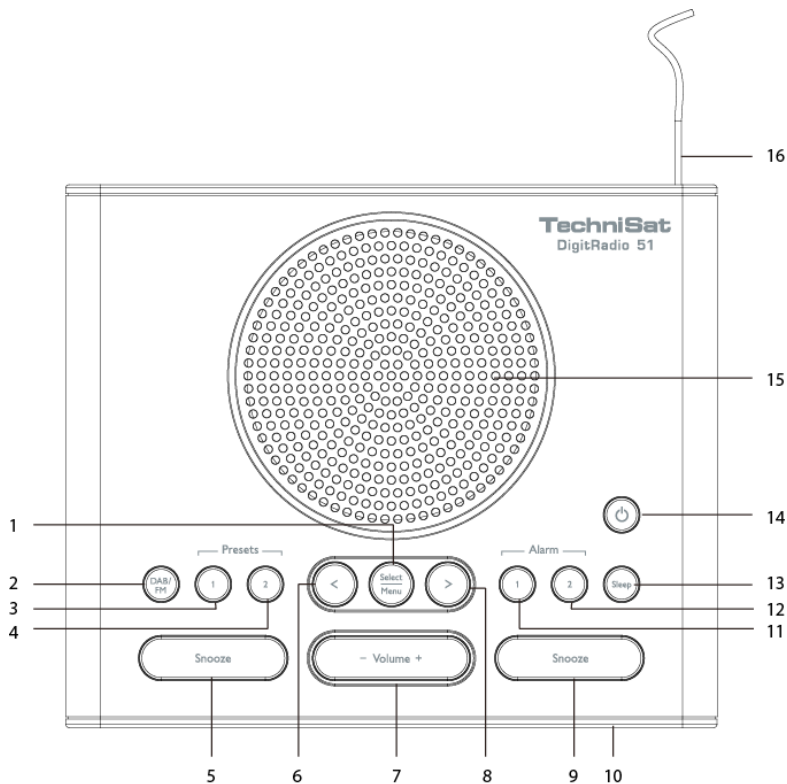
It is most important this instruction leaflet be retained with the product for future reference. These warnings have been provided in the interest of safety. You **MUST** read them carefully before using the appliance. If you are unsure of the meanings of these warnings contact the retailer from which you purchased the appliance.

- This appliance is not intended for use by persons (including children) with reduced physical, sensory or knowledge, unless they have been given supervision or instruction concerning use of the appliance by a person responsible for their safety.
- To protect against fire, electric shock and injury to persons DO NOT IMMERSE CORD, plug or base unit in water or other liquids.
- Unplug from the mains when not in use, before putting on taking off parts and before cleaning.
- Do not operate any appliance with damaged cord or plug, or after the appliance malfunctions or has been damaged in any manner. Return the appliance to the nearest retailer.
- Do not let power cord hang over edge of table or counter, or touch hot surface.
- In the event of a fault, contact your nearest retailer. No repair should be attempted by the consumer.
- Do not use the appliance for anything other than intended use.
- For household use only, do not use outdoors.
- Save these instructions for future reference.

Warning: Polythene bags over the product or packaging may be dangerous. To avoid danger of suffocation, keep away from babies and children.

2 Your DAB/FM clock radio

- 1 Select/Menu button
- 2 DAB/FM button
- 3 Preset 1 button
- 4 Preset 2 button
- 5 Snooze button
- 6 Station down button
- 7 - Volume + buttons
- 8 Station up button
- 9 Snooze button
- 10 LCD display
- 11 Alarm 1 button
- 12 Alarm 2 button
- 13 Sleep button
- 14 Power button
- 15 Speaker
- 16 DAB/FM aerial



EN

FR

IT

NL

NW

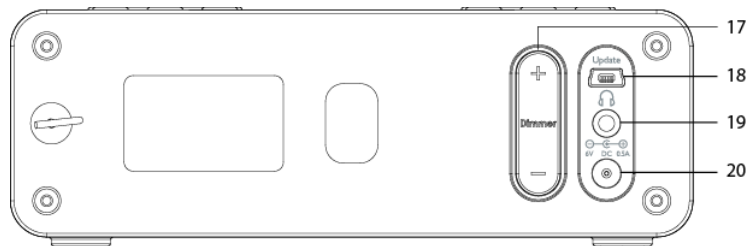
DK

PL

CZ

SK

- 17 - Dimmer + buttons
- 18 UPDATE port
- 19 Headphone socket
- 20 DC IN socket



3 Packing list

DAB/FM digital radio x 1
AC Power adapter x 1
Instruction manual x 1

4 Software update

The 'UPDATE' port on the rear of radio is for service professional only.

5 Steps guide to getting started

Press ' ' button to turn radio on.

For DAB

- 1 Press 'DAB/FM' button to select DAB.
- 2 If this is the first time you use, it will automatically start scanning.
- 3 Press ' < ' or ' > ' button to find desired station and then press 'Select/Menu' button to confirm.
- 4 Your radio will automatically tune.
- 5 Adjust volume using '- Volume +' buttons, press 'Volume -' to decrease volume and press 'Volume +' to increase volume.

For FM

- 1 Press 'DAB/FM' button to select FM.
- 2 To scan for station, press and hold ' < ' or ' > ' button to scan backwards or forwards.

- 3 Manual tune stations by pressing '**<**' or '**>**' button to find desired station.
Note: In FM mode you can also tune the station manually by pressing '**<**' or '**>**' button to adjust the FM frequencies with 0.05MHz up or down respectively.
- 4 Your radio will automatically tune.
- 5 Adjust volume using '- Volume +' buttons, press 'Volume -' to decrease volume and press 'Volume +' to increase volume.
Note: During the scanning, the sound will muted automatically.

6 Basic operation

6.1 Switching between Standby, DAB and FM mode

Connect the power adapter to DC IN socket of the radio, it will then turn on.

Press '**DAB/FM**' button to switch between DAB and FM mode.

Press '**⏻**' button to switch radio go to standby mode.

6.2 DAB radio mode

DAB mode receives DAB digital radio and displays information about the station and program/track as broadcast.

6.3 FM radio mode

FM mode receives analogue radio from the FM wave band and displays RDS (Radio Data System) information about the station and show (where broadcast). While FM is playing, the LCD displays its frequency or, if RDS information is available, station name and any further 'RADIO TEXT' information. If no information is available, just the frequency and a 'NO RADIO TEXT' message are shown.

7 Scanning

Once a scan is complete the radio returns to playing the previously selected station or first station on the station list. You may need to repeat this occasionally for the following reasons:

- New stations may become available from time to time.
- Stations closed or can no longer be received.
- If reception was not good for the original scan (for example the antenna was not up), this may result in an empty or incomplete list of available stations.
- If you have poor reception of some stations causing the audio to break up, you may wish to list only stations with good signal strength.

8 Clock

When you power up the unit (or after factory reset), the clock will set to "00:00".

In general, the radio automatically synchronises the clock from the DAB station after scanning.

To set the clock manually, please refer to 16.1.5.1.

9 Alarm setting

Your radio includes dual alarms. You can set alarm in the DAB mode or FM mode. Set alarm, making sure set clock at first.

To set Alarm1, press and hold '**Alarm 1**' button. To set Alarm 2, press and hold '**Alarm 2**' button. The alarm icon '🔔' or '🔔' will flash.

Press '**<**' or '**>**' button to set alarm state '**On**', and then press '**Select/Menu**' button to confirm.

Press '**<**' or '**>**' button to set hour part of alarm time, and then press '**Select/Menu**' button to confirm.

Press '**<**' or '**>**' button to set minute part of alarm time, and then press '**Select/Menu**' button to confirm.

Press '**<**' or '**>**' button to set alarm duration time, and then press '**Select/Menu**' button to confirm.

Duration options: 15/30/45/60/90Mins

Press '**<**' or '**>**' button to set alarm source, and then press 'Select/Menu' button to confirm.

Source options: Buzzer/DAB/FM.

When choosing DAB and FM for alarm source, **Last listened** and **Preset stations** you have stored are available.

Press '**<**' or '**>**' button to select and press '**Select/Menu**' button to confirm.

Note: If selected DAB for alarm source and the DAB signal strength is low, the buzzer alarm will be triggered instead.

Press '**<**' or '**>**' button to select which days the alarm will be active, and then press '**Select/Menu**' button to confirm.

Alarm active options: Daily/Once/ Weekends/Weekdays

Press '**- Volume +**' buttons to adjust alarm volume, and then press '**Select/Menu**' button to confirm.

The radio will display '**Alarm Saved**'. The alarm icon '🔔' or '🔔' will show on the display.

Note: Alarm info will show on the display. Alarm 1 info and Alarm 2 info shows in turn if both alarms are set.

9.1 Snooze function

When alarm sounds, press '**Snooze**' button to activate snooze. Press '**Snooze**' button repeatedly to set snooze time to 5, 10, 15 or 30 minutes, then the alarm will temporary stop. The radio will go to standby mode and show snooze time.

Note: With the snooze time particular options are relative to the alarm duration time you selected.

Duration	Snooze time
15 minutes	5, 10 minutes
30 minutes	5, 10, 15 minutes
45/60/90 minutes	5, 10, 15, 30 minutes

9.2 Stop alarm

You can stop the alarm by pressing '🔔' button when alarm sounds.

9.3 Switch alarm off

Press '**Alarm 1**' or '**Alarm 2**' button to switch alarm off. The alarm icon '🔔' or '🔔' will disappear from display.

Note: Repeatedly press '**Alarm 1**' or '**Alarm 2**' button will switch alarm between on and off.

10 Sleep

This enables your radio to switch to standby mode by itself after a set sleep time

Press '**Sleep**' button repeatedly to select a sleep time, and then press '**Select/Menu**' button to confirm. The sleep icon '🌙' will show on the display.

Sleep time options: off/15/30/45/60/90 minutes

After set the sleep time, you can view the sleep time countdown by pressing '**Sleep**' button.

Press '**Sleep**' button repeatedly to select '**Sleep off**', and then press '**Select/Menu**' button will turn off sleep timer.

11 Dimmer function

The brightness of the display can be adjusted manually with the '**- Dimmer +**' buttons on the rear panel.

There are a total of 9 levels of light intensity.

Press 'Dimmer -' button once to decrease the level by 1 step.

Press 'Dimmer +' button once to increase the level by 1 step.

12 Info

While a program is playing, you can view further information on the display by pressing '**Select/Menu**' button repeatedly.

EN

FR

IT

NL

NW

DK

PL

CZ

SK

13 DAB radio mode

You can view further information including:

- Alarm info
- DLS (Dynamic Label Segment – short text information broadcast with DAB audio)
- Signal strength
- PTY (Programme Type)
- Ensemble
- Frequency
- Signal quality
- Bitrate and Codec
- Format
- Time
- Date

14 FM radio mode

You can view further information including:

- Alarm info
- Radio text
- PTY (Program Type)
- PS (Program Service)
- Audio info
- Time
- Date

15 Radio presets

The system can store 2 DAB stations and 2 FM stations to the preset list.

15.1 Store a station to the preset list

To store a station, select your desired radio station, then press and hold **'Preset 1'** or **'Preset 2'** button until the LCD displays 'Preset stored'.

15.2 Recall a station from the preset list

To recall a preset station, press **'DAB/FM'** button to select your desired mode, and then press **'Preset 1'** or **'Preset 2'** button to select the preset station.

Note: If you choose a preset that hasn't been allocated a station, then **'No Preset # set'** will be displayed.

16 Advance settings

The advance settings allow you to tailor the DAB/FM radio with a variety of options to suit you. In order to access advance settings, from DAB or FM mode, press and hold **'Select/Menu'** button to enter the menu.

16.1 DAB radio mode

Under the advance settings menu, press '**<**' or '**>**' button to scroll through the menu options. Then stop at your preferred option and press **'Select/Menu'** button to confirm. The advance settings menu options are:

- Full scan
- Manual tune
- DRC
- Prune
- System

16.1.1 Full scan

Under the advance settings menu, press ' < ' or ' > ' button to select '**Full scan**', and then press '**Select/Menu**' button to confirm.

Full scan starts automatically. Once a scan is complete, the radio returns to playing the previously selected station or first station on the list.

Note: If no radio station found, it shows 'NO DAB STATION'. For a better reception, adjust the antenna or do the full scan again in another location.

16.1.2 Manual tune

As well as the normal method of scanning, you can also manually tune to a particular channel/frequency. This can be useful for adjusting your antenna to achieve the best possible reception and scanning a particular channel to update the stations list.

Under advance settings menu, press ' < ' or ' > ' button to select '**Manual tune**', and then press '**Select/Menu**' button to confirm.

Press ' < ' or ' > ' button to select particular channel/frequency and then press '**Select/Menu**' button to confirm.

Note: The display shows a live indication of the received signal strength on the selected frequency.

Adjustments to your antenna will affect the received signal strength displayed. The new stations will be added to station list automatically.

To play the found station, first press and hold '**Select/Menu**' button to exit manual tune

16.1.3 DRC

If you are listening to music with high dynamic range in a noisy environment (for example classical music while cooking), you may wish to compress the audio dynamic range. This makes quiet sounds louder and loud sounds quieter.

Under advance settings menu, press ' < ' or ' > ' button to select '**DRC**', and then press '**Select/Menu**' button to confirm.

Press ' < ' or ' > ' button to select '**DRC off**' (default), '**DRC high**' or '**DRC low**', and then press '**Select/Menu**' button to confirm setting.

16.1.4 Prune

This removes all unavailable stations from the station list.

Under advance settings menu, press ' < ' or ' > ' button to select '**Prune**', and then press '**Select/Menu**' button to confirm.

Press ' > ' button to choose <Yes>, and then press '**Select/Menu**' button to confirm removing all invalid stations.

16.1.5 System

The system menu options are:

- Time
- Backlight
- Language
- Factory Reset
- SW version

16.1.5.1 Time

In the time menu, you can set the time/date, time/date format and source for the time update.

In the system menu, press ' < ' or ' > ' button to select '**Time**', and then press '**Select/Menu**' button to confirm.

16.1.5.1.1 Set Time/Date

In the time menu, press ' < ' or ' > ' button to select '**Set Time/Date**', and then press '**Select/Menu**' button to confirm.

Set time (Hour) by using ' < ' or ' > ' button and then press '**Select/Menu**' button to confirm.

Set time (Minute) by using ' < ' or ' > ' button and then press '**Select/Menu**' button to confirm.

Set date (Date/ Month/ Year) by using ' < ' or ' > ' button and then press '**Select/Menu**' button to confirm.

The LCD displays '**Time Saved**'.

16.1.5.1.2 Auto update

In the time menu, press '**<**' or '**>**' button to select '**Auto update**', and then press '**Select/Menu**' button to confirm.

Press '**<**' or '**>**' button to select the source for time update, and then press '**Select/Menu**' button to confirm.

Source for time update: **Update from Any** (default)/**Update from DAB**/**Update from FM/No update**.

16.1.5.1.3 Set 12/24 hour

In the time menu, press '**<**' or '**>**' button to select '**set 12/24 hour**', and then press '**Select/Menu**' button to confirm.

Press '**<**' or '**>**' button to select the time format '**Set 24 hour**'(default) or '**Set 12 hour**', and then press '**Select/Menu**' button to confirm.

16.1.5.1.4 Set date format

In the time menu, press '**<**' or '**>**' button to select '**Set date format**', and then press '**Select/Menu**' button to confirm.

Press '**<**' or '**>**' button to select the date format '**DD-MM-YYYY**'(default) or '**MM-DD-YYYY**', and then press '**Select/Menu**' button to confirm.

16.1.5.2 Backlight

This radio display has a backlight with adjustable timeout (this is the time delay, in seconds, after which the display switched off).

In the backlight menu, press '**<**' or '**>**' button to select '**Timeout**', and then press '**Select/Menu**' button to confirm.

Press '**<**' or '**>**' button to select a particular option, and then press '**Select/Menu**' button to confirm the setting.

Timeout options: **NO Timeout** (default) / **5 sec/10 sec/30 sec/1 Mins/2 Mins/3 Mins**

You can adjust brightness level by pressing '**- Dimmer +**' buttons (please refer to 11).

16.1.5.3 Language

The default menu language is German. You can change to your desired language.

There are six languages available: German/English/French/Spanish/Italian/Danish

In system menu, press ' < ' or ' > ' button to select '**Language**', and then press '**Select/Menu**' button to confirm.

Press ' < ' or ' > ' button to select your language, and then press '**Select/Menu**' button to confirm.

16.1.5.4 Factory Reset

A factory reset clears all user defined setting, replacing them with the original default values, so time/date, DAB station list and preset stations are all lost.

In system menu, press ' < ' or ' > ' button to select '**Factory Reset**', and then press '**Select/Menu**' button to confirm.

Press ' > ' button to choose **<Yes>**, and then press '**Select/Menu**' button to confirm.

16.1.5.5 SW version

This displays the current software version.

In system menu, press ' < ' or ' > ' button to select '**SW version**', and then press '**Select/Menu**' button to confirm. The LCD will display the software version.

16.2 FM radio mode

Under the advance settings menu, press ' < ' or ' > ' button to scroll through the menu options. Then stop at your preferred option and press '**Select/Menu**' button to confirm. The advance settings menu options are:

- Scan setting
- Audio setting
- System (please refer to 16.1.5)

16.2.1 Scan setting

By default, FM scans stop at any available station (all stations). This may result in a poor quality audio from weak stations.

Under advance settings menu, press ' < ' or ' > ' button to select **'Scan setting'**, and then press **'Select/Menu'** button to confirm.

Press ' < ' or ' > ' button to select **'All stations'** (default) or **'Strong stations only'**, and then press **'Select/Menu'** button to confirm setting.

16.2.2 Audio setting

By default, all stereo stations are reproduced in stereo. For weak stations, this may result in a poor quality audio. The audio quality can be improved using mono.

Under advance settings menu, press ' < ' or ' > ' button to select **'Audio setting'**, and then press **'Select/Menu'** button to confirm.

Press ' < ' or ' > ' button to select **'Stereo allowed'**(default) or **'Forced mono'**, and then press **'Select/Menu'** button to confirm setting.

16.2.3 System

Please refer to 16.1.5.

17 Troubleshooting

Problem: No Power.

Solution: Ensure the power adapter is properly connected.
Make sure that the radio is turned on.

Problem: The unit does not respond when pressing any buttons.

Solution: The unit may become unresponsive during use. Switch the unit off and then on again to reset it.

Problem: Poor radio reception.

Solution: Make sure the antenna is fully extended. Electrical interference in your home can cause poor reception. Move the unit away from them (especially those with motors and transformers).

Problem: Desired station not found.

Solution: Weak signal. Search manually.

18 Specifications

Description:	DAB/FM digital clock radio
Audio output:	1.5W RMS
Power consumption:	Operation: 3 W (Max) Standby: < 1 W
Frequency ranges:	FM: 87.5-108MHz DAB: 174.928-239.200MHz
LCD display:	High resolution display
Power supply:	DC IN socket input: DC 6V/500mA Power adapter input: AC 100-240V, 50-60Hz (please use our provided adapter)
Dimensions:	150mm (W) x 134mm (D) x 53mm (H)

EN

FR

IT

NL

NW

DK

PL

CZ

SK



The symbols on the product or in the instructions mean that your electrical and electronic equipment should be disposed at the end of its life separately from your household waste. For more information, please contact the local authority or your retailer where you purchased the product.

Mode d'emploi

DIGITRADIO 51

Radio-réveil numérique DAB/FM



EN

FR

IT

NL

NW

DK

PL

CZ

SK

TechniSat

Sommaire

1	Informations importantes relatives à la sécurité	26
2	Votre radio-réveil DAB/FM	27
3	Liste de l'emballage.....	29
4	Mise à jour du logiciel.....	29
5	Guide des étapes de démarrage	29
6	Fonctions de base.....	30
6.1	Passage en mode veille, DAB et FM	30
6.2	Mode radio DAB.....	30
6.3	Mode radio FM	30
7	Recherche	31
8	Horloge.....	31
9	Réglage de l'alarme.....	31
9.1	Fonction de répétition.....	32
9.2	Arrêt de l'alarme.....	32
9.3	Désactivation de l'alarme.....	33
10	Veille	33
11	Variateur d'intensité.....	33
12	Infos	33
13	Mode radio DAB.....	34

14	Mode radio FM	34
15	Préréglages de la radio	35
15.1	Enregistrement d'une station dans la liste des stations prédéfinies	35
15.2	Rappel d'une station dans la liste des stations prédéfinies	35
16	Paramètres avancés	35
16.1	Mode radio DAB	35
16.2	Mode radio FM	39
17	Dépannage	40
18	Spécifications	41

EN

FR

IT

NL

NW

DK

PL

CZ

SK

1 Informations importantes relatives à la sécurité

Merci d'avoir acheté cette radio DAB/FM. Veuillez lire attentivement les instructions et les avertissements avant utilisation, afin de garantir le fonctionnement sûr et satisfaisant de ce produit.

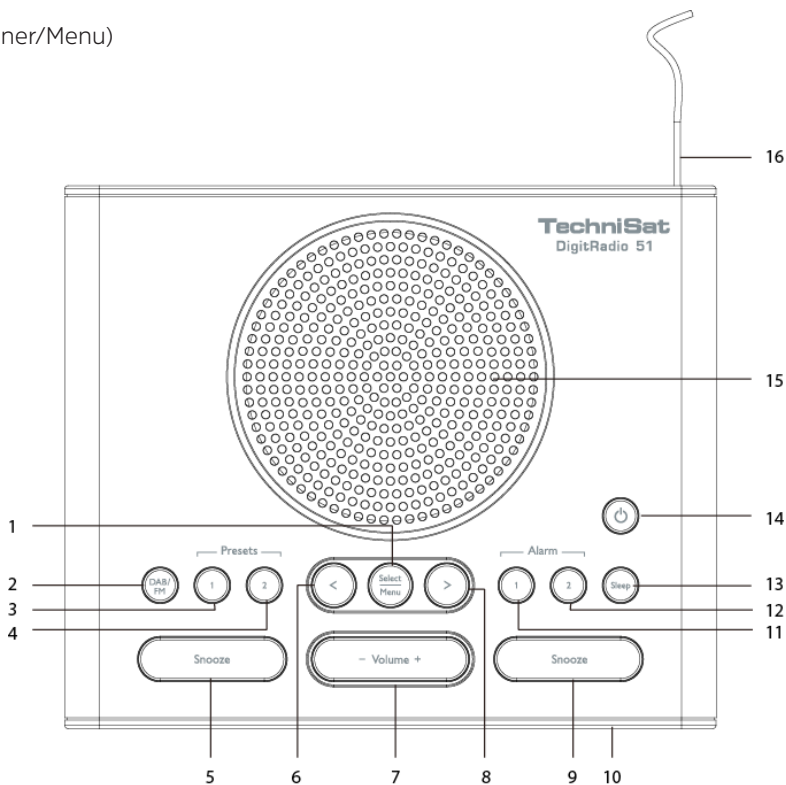
Il est important de conserver la présente notice à proximité du produit afin de pouvoir la consulter ultérieurement. Les avertissements suivants sont fournis pour des raisons de sécurité. Vous DEVEZ les lire attentivement avant d'utiliser l'appareil. Si vous n'êtes pas sûr(e) de la signification de ces avertissements, veuillez contacter le commerçant chez qui vous avez acheté l'appareil.

- Cet appareil n'est pas conçu pour être utilisé par des personnes (y compris des enfants) dont les capacités physiques, sensorielles ou les connaissances sont réduites, à moins d'être surveillés ou conseillés lors de l'utilisation de l'appareil par une personne responsable de leur sécurité.
- Afin d'éviter tout risque d'incendie, de choc électrique et de blessure physique, N'IMMERGEZ PAS LE CORDON D'ALIMENTATION, la fiche ou l'unité dans l'eau ou d'autres liquides.
- Débranchez la prise secteur lorsque vous n'utilisez pas l'appareil, avant d'en démonter des pièces et avant de le nettoyer.
- Ne faites pas fonctionner un appareil dont le cordon d'alimentation ou la fiche est endommagé, ou après un dysfonctionnement de l'appareil ou après un quelconque dommage. Retournez l'appareil au revendeur le plus proche.
- Ne laissez pas le cordon d'alimentation pendre par-dessus le bord d'une table ou d'un comptoir ou en contact avec une surface chaude.
- En cas de défaillance, contactez le revendeur le plus proche. Aucune réparation ne doit être effectuée par l'utilisateur.
- N'utilisez pas l'appareil à d'autres fins que celles prévues.
- Appareil réservé à une utilisation domestique. Ne l'utilisez pas à l'extérieur.
- Veuillez conserver les présentes instructions en vue de les consulter ultérieurement.

Avertissement : Les sachets en polyéthylène entourant le produit ou l'emballage peuvent être dangereux. Afin d'éviter tout risque de suffocation, maintenez-les hors de portée des bébés et des enfants.

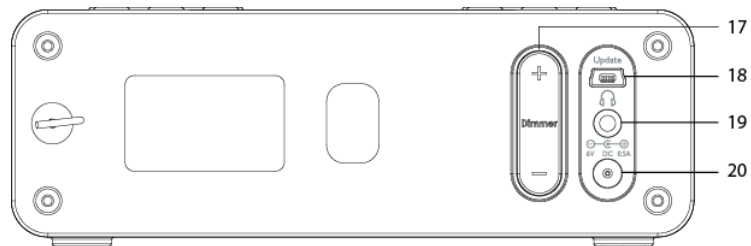
2 Votre radio-réveil DAB/FM

- 1 Touche Select/Menu (Sélectionner/Menu)
- 2 Touche DAB/FM
- 3 Touche Préréglage 1
- 4 Touche Préréglage 2
- 5 Touche Snooze (Répéter)
- 6 Touche Station précédente
- 7 Touches - Volume +
- 8 Touche Station suivante
- 9 Touche Snooze (Répéter)
- 10 Écran LCD
- 11 Touche Alarme 1
- 12 Touche Alarme 2
- 13 Touche Sleep (Veille)
- 14 Bouton d'alimentation
- 15 Haut-parleur
- 16 Antenne aérienne DAB/FM



- EN
- FR
- IT
- NL
- NW
- DK
- PL
- CZ
- SK

- 17 Touches - Dimmer + (Variateur d'intensité)
- 18 Port UPDATE (Mise à jour)
- 19 Prise casque
- 20 Prise Alimentation CC



3 Liste de l'emballage

- 1 radio numérique DAB/FM
- 1 adaptateur électrique CA
- 1 mode d'emploi

4 Mise à jour du logiciel

Le port « UPDATE » (Mise à jour) à l'arrière de la radio est réservé exclusivement à un usage professionnel.

5 Guide des étapes de démarrage

Appuyez sur la touche « » pour mettre la radio sous tension.

En mode DAB

- 1 Appuyez sur la touche « DAB/FM » pour sélectionner le mode DAB.
- 2 S'il s'agit de votre première utilisation, la radio lancera automatiquement une recherche.
- 3 Appuyez sur la touche « < » ou « > » pour trouver la station de votre choix, puis appuyez sur la touche « Select/Menu » (Sélectionner/Menu) pour confirmer.
- 4 Votre radio va se syntoniser automatiquement.
- 5 Ajustez le volume à l'aide des touches « - Volume + » (appuyez sur « Volume - » pour diminuer le volume et sur « Volume + » pour augmenter le volume).

En mode FM

- 1 Appuyez sur la touche « DAB/FM » pour sélectionner le mode FM.
- 2 Pour rechercher des stations, appuyez et maintenez enfoncée la touche « < » ou « > » pour rechercher les stations précédentes ou suivantes.

EN

FR

IT

NL

NW

DK

PL


CZ

SK

- 3 Syntonisez manuellement les stations en appuyant sur la touche « < » ou « > » pour trouver la station de votre choix.
Remarque : en mode FM, vous pouvez également syntoniser manuellement la station en appuyant sur la touche « < » ou « > » pour ajuster les fréquences FM par incréments de 0,05 MHz dans un sens ou dans l'autre.
- 4 Votre radio va se syntoniser automatiquement.
- 5 Ajustez le volume à l'aide des touches « - Volume + » (appuyez sur « Volume - » pour diminuer le volume et sur « Volume + » pour augmenter le volume).
Remarque : pendant la recherche, le son passera automatiquement en mode muet.

6 Fonctions de base

6.1 Passage en mode veille, DAB et FM

Branchez l'adaptateur électrique à la prise d'alimentation CC de la radio et celle-ci va s'allumer. Appuyez sur la touche « **DAB/FM** » pour passer du mode DAB au mode FM et inversement. Appuyez sur la touche «  » pour passer de la marche à l'état de veille.

6.2 Mode radio DAB

Le mode DAB permet de recevoir la radio numérique DAB et affiche les informations relatives à la station et au programme/titre diffusé.

6.3 Mode radio FM

Le mode FM permet de recevoir la radio analogique de la bande FM et affiche les informations RDS (Radio Data System) relatives à la station et à l'émission (là où elles sont diffusées). En mode FM, l'écran LCD affiche la fréquence ou, lorsque les informations RDS sont disponibles, le nom de la station et toute autre information de type radiotexte. Si aucune information n'est disponible, seule la fréquence s'affiche, accompagnée du message « NO RADIO TEXT » (Aucun texte radio).

7 Recherche

Une fois la recherche effectuée, la radio reprend la diffusion de la station précédemment sélectionnée ou de la première station de la liste. Vous pouvez avoir besoin de répéter cette procédure de temps en temps pour les raisons suivantes :



- De nouvelles stations deviennent parfois disponibles.
- Des stations ferment ou ne peuvent plus être reçues.
- Si la réception n'était pas bonne après la première recherche (par exemple si l'antenne n'était pas déployée), la liste des stations disponibles peut être vide ou incomplète.
- Si la réception de certaines stations est mauvaise et que le son saute, vous pouvez demander à ne faire apparaître dans la liste que les stations dont le signal est puissant.

8 Horloge

Lorsque vous mettez l'unité sous tension (ou après une réinitialisation), l'horloge indique « 00:00 ». En général, la radio synchronise automatiquement l'horloge à partir d'une station DAB après une recherche. Pour régler l'heure manuellement, veuillez vous reporter à la section 16.1.5.1.

9 Réglage de l'alarme

Votre radio comprend deux alarmes. Vous pouvez régler l'alarme en mode DAB ou en mode FM. Pour régler l'alarme, assurez-vous d'abord d'avoir réglé l'heure.

Pour régler l'Alarme 1, appuyez et maintenez la touche « **Alarm 1** » (Alarme 1) enfoncée. Pour régler l'Alarme 2, appuyez et maintenez la touche « **Alarm 2** » (Alarme 2) enfoncée. L'icône de l'alarme «  » ou «  » clignote.

Appuyez sur la touche « **<** » ou « **>** » pour régler l'état de l'alarme sur « **On** » (Activée), puis appuyez sur la touche « **Select/Menu** » (Sélectionner/Menu) pour confirmer.

Appuyez sur la touche « **<** » ou « **>** » pour régler l'heure de l'alarme, puis appuyez sur la touche « **Select/Menu** » (Sélectionner/Menu) pour confirmer.

Appuyez sur la touche « **<** » ou « **>** » pour régler les minutes de l'alarme, puis appuyez sur la touche « **Select/Menu** » (Sélectionner/Menu) pour confirmer.

Appuyez sur la touche « **<** » ou « **>** » pour régler la durée de l'alarme, puis appuyez sur la touche « **Select/Menu** » (Sélectionner/Menu) pour confirmer.

Options de durée : 15/30/45/60/90 minutes

Appuyez sur la touche « < » ou « > » pour régler la source de l'alarme, puis appuyez sur la touche « Select/Menu » (Sélectionner/Menu) pour confirmer.

Options de source : Buzzer (Vibreur)/DAB/FM.

Si vous choisissez DAB et FM comme source d'alarme, **la dernière station écoutée** et les **stations préregistrées** enregistrées sont disponibles. Appuyez sur la touche « < » ou « > » pour sélectionner, puis appuyez sur la touche « **Select/Menu** » (Sélectionner/Menu) pour confirmer.

Remarque : Si la source de l'alarme sélectionnée est DAB et que la puissance du signal DAB est faible, le vibreur se déclenche à sa place.

Appuyez sur la touche « < » ou « > » pour sélectionner les jours où l'alarme doit se déclencher, puis appuyez sur la touche « **Select/Menu** » (Sélectionner/Menu) pour confirmer.

Options d'activation de l'alarme : Daily (Tous les jours)/Once (Une seule fois)/ Weekends/Weekdays (Semaine)
Appuyez sur les touches « - **Volume** + » pour régler le volume de l'alarme, puis appuyez sur la touche « **Select/Menu** » (Sélectionner/Menu) pour confirmer.

La radio affiche le message « **Alarm Saved** » (Alarme enregistrée). L'icône de l'alarme «  » ou «  » apparaît à l'écran.

Remarque : Les informations relatives à l'alarme apparaissent à l'écran. Les informations relatives à l'alarme 1 et à l'alarme 2 apparaissent les unes après les autres, si les deux alarmes sont activées.

9.1 Fonction de répétition

Lorsque l'alarme se déclenche, appuyez sur « **Snooze** » (Répéter) pour activer la fonction de répétition. Appuyez plusieurs fois sur la touche « **Snooze** » (Répéter) pour régler l'intervalle de répétition sur 5, 10, 15 ou 30 minutes, et l'alarme s'interrompt alors temporairement. La radio s'arrête et affiche l'intervalle de répétition.

Remarque : les options spécifiques à l'intervalle de répétition sont relatives à la durée de l'alarme sélectionnée.

Durée	Intervalle de répétition
15 minutes	5, 10 minutes
30 minutes	5, 10, 15 minutes
45/60/90 minutes	5, 10, 15, 30 minutes

9.2 Arrêt de l'alarme


Vous pouvez arrêter l'alarme en appuyant sur la touche «  » lorsque l'alarme se déclenche.

9.3 Désactivation de l'alarme

Appuyez sur la touche « **Alarm 1** » (Alarme 1) ou « **Alarm 2** » (Alarme 2) pour désactiver l'alarme. L'icône de l'alarme «  » ou «  » disparaît de l'écran.

Remarque : Des pressions répétées sur la touche « **Alarm 1** » (Alarme 1) ou « **Alarm 2** » (Alarme 2) permettent d'activer et de désactiver l'alarme.

10 Veille

Cette fonctionnalité permet à votre radio de se mettre en veille d'elle-même après une période d'inactivité définie. Appuyez plusieurs fois sur la touche « **Sleep** » (Veille) pour régler la période d'inactivité, puis appuyez sur la touche « **Select/Menu** » (Sélectionner/Menu) pour confirmer. L'icône de veille «  » apparaît à l'écran.

Options de période d'inactivité : off (désactivée)/15/30/45/60/90 minutes

Après avoir réglé la période d'inactivité, vous pouvez afficher le compte à rebours en appuyant sur la touche « **Sleep** » (Veille).

Appuyez plusieurs fois sur la touche « **Sleep** » (Veille) pour sélectionner « **Sleep off** » (Veille désactivée), puis appuyez sur la touche « **Select/Menu** » (Sélectionner/Menu) pour désactiver le compte à rebours avant mise en veille.

11 Variateur d'intensité

La luminosité de l'écran peut être ajustée manuellement à l'aide des touches « **- Dimmer +** » (Variateur d'intensité) à l'arrière de la radio.

9 niveaux d'intensité lumineuse sont disponibles au total.

Appuyez une fois sur la touche « Dimmer - » (Variateur d'intensité -) pour réduire l'intensité d'un niveau.

Appuyez une fois sur la touche « Dimmer + » (Variateur d'intensité +) pour augmenter l'intensité d'un niveau.

12 Infos

Lorsqu'un programme est diffusé, vous pouvez afficher d'autres informations à l'écran en appuyant plusieurs fois sur la touche « **Select/Menu** » (Sélectionner/Menu).

EN

FR

IT

NL

NW

DK

PL

CZ

SK

13 Mode radio DAB

Vous pouvez afficher d'autres informations, telles que :

- Les informations relatives à l'alarme
- Les informations DLS (Dynamic Label Segment ou Radiotexte, de brèves informations diffusées en mode DAB)
- La puissance du signal
- Le PTY (type de programme)
- Ensemble
- La fréquence
- La qualité du signal
- Le débit et le codec
- Le format
- Heure
- La date

14 Mode radio FM

Vous pouvez afficher d'autres informations, telles que :

- Les informations relatives à l'alarme
- Le radiotexte
- Le PTY (type de programme)
- Le PS (service des programmes)
- Les infos audio
- Heure
- La date

15 Préréglages de la radio

Le système peut mémoriser 2 stations DAB et 2 stations FM dans la liste des préréglages.

15.1 Enregistrement d'une station dans la liste des stations prédéfinies

Pour mémoriser une station, sélectionnez la station de radio de votre choix, puis appuyez et maintenez la touche « **Preset 1** » (Préréglage 1) ou « **Preset 2** » (Préréglage 2) jusqu'à ce que l'écran LCD affiche le message « Preset stored » (Préréglage enregistré).

15.2 Rappel d'une station dans la liste des stations prédéfinies

Pour retrouver une station prédéfinie, appuyez sur la touche « **DAB/FM** » pour sélectionner le mode de votre choix, puis appuyez sur la station de radio de votre choix, puis appuyez et maintenez la touche « **Preset 1** » (Préréglage 1) ou « **Preset 2** » (Préréglage 2) pour sélectionner la station prédéfinie.

Remarque : Si vous choisissez un préréglage non attribué à une station, alors le message « **No Preset # set** » (Aucun n° de préréglage défini) s'affiche.

16 Paramètres avancés

Les paramètres avancés vous permettent de personnaliser la radio DAB/FM à l'aide de nombreuses options. Afin d'accéder aux paramètres avancés, depuis le mode DAB ou FM, appuyez et maintenez la touche « **Select/Menu** » (Sélectionner/Menu) enfoncée pour accéder au menu.

16.1 Mode radio DAB

Dans le menu des paramètres avancés, appuyez sur la touche « **<** » ou « **>** » pour naviguer parmi les options du menu. Arrêtez-vous sur l'option de votre choix et appuyez sur la touche « **Select/Menu** » (Sélectionner/Menu) pour confirmer. Les options du menu des paramètres avancées sont les suivantes :

- Recherche complète
- Syntonisation manuelle
- DRC (Contrôle de la gamme dynamique)
- Élaguer
- Système

16.1.1 Recherche complète

Dans le menu des paramètres avancés, appuyez sur la touche « < » ou « > » pour sélectionner « **Full scan** » (Recherche complète), puis sur la touche « **Select/Menu** » (Sélectionner/Menu) pour confirmer.

La recherche complète se lance automatiquement. Une fois la recherche effectuée, la radio reprend la diffusion de la station précédemment sélectionnée ou de la première station de la liste.

Remarque : si aucune station de radio n'est détectée, le message « NO DAB STATION » (Aucune station DAB) s'affiche. Pour une meilleure réception, ajustez l'antenne ou relancez une recherche complète dans un autre endroit.

16.1.2 Syntonisation manuelle

En plus de la méthode de recherche normale, vous pouvez également syntoniser manuellement la radio sur un canal/une fréquence particulière. Cela peut vous être utile pour ajuster votre antenne et avoir la meilleure réception possible, mais aussi pour rechercher un canal particulier pour mettre à jour la liste des stations.

Dans le menu des paramètres avancés, appuyez sur la touche « < » ou « > » pour sélectionner « **Manual tune** » (Syntonisation manuelle), puis sur la touche « **Select/Menu** » (Sélectionner/Menu) pour confirmer.

Appuyez sur la touche « < » ou « > » pour régler un canal/une fréquence spécifique, puis appuyez sur la touche « **Select/Menu** » (Sélectionner/Menu) pour confirmer.

Remarque : l'écran affiche en direct la puissance du signal reçu pour la fréquence sélectionnée. Les ajustements de l'antenne affectent la puissance du signal reçu. Les nouvelles stations seront ajoutées automatiquement à la liste.

Pour diffuser la station détectée, appuyez tout d'abord sur la touche « **Select/Menu** » (Sélectionner/Menu) et maintenez-la enfoncée pour quitter la syntonisation manuelle.

16.1.3 DRC (Contrôle de la gamme dynamique)

Si vous écoutez de la musique à gamme dynamique élevée dans un environnement bruyant (par ex. de la musique classique en cuisinant), vous pouvez compresser la gamme dynamique du son. Ainsi, les sons plus faibles deviendront plus forts et inversement.

Dans le menu des paramètres avancés, appuyez sur la touche « < » ou « > » pour sélectionner « **DRC** » (Contrôle de la gamme dynamique), puis sur la touche « **Select/Menu** » (Sélectionner/Menu) pour confirmer.

Appuyez sur la touche « < » ou « > » pour sélectionner « **DRC off** » (DRC désactivé, par défaut), « **DRC high** » (DRC élevé) ou « **DRC low** » (DRC bas), puis appuyez sur la touche « **Select/Menu** » (Sélectionner/Menu) pour confirmer le réglage.

16.1.4 Élaguer

Cette fonction supprime toutes les stations indisponibles de la liste des stations.

Dans le menu des paramètres avancés, appuyez sur la touche « < » ou « > » pour sélectionner « **Prune** » (Élaguer), puis sur la touche « **Select/Menu** » (Sélectionner/Menu) pour confirmer.

Appuyez sur la touche « > » pour choisir <Yes> (Oui), puis sur la touche « **Select/Menu** » (Sélectionner/Menu) pour confirmer la suppression de toutes les stations non valides.

16.1.5 Système

Les options du menu du système sont les suivantes :

- Heure
- Rétroéclairage
- Langue
- Réinitialisation
- Version logicielle

16.1.5.1 Heure

Dans le menu de l'heure, vous pouvez régler la date/l'heure, le format de date/heure et la source de mise à jour de l'heure.

Dans le menu du système, appuyez sur la touche « < » ou « > » pour sélectionner « **Time** » (Heure), puis sur la touche « **Select/Menu** » (Sélectionner/Menu) pour confirmer.

16.1.5.1.1 Réglage de la date/l'heure

Dans le menu de l'heure, appuyez sur la touche « < » ou « > » pour sélectionner « **Set Time/Date** » (Régler la date/l'heure), puis sur la touche « **Select/Menu** » (Sélectionner/Menu) pour confirmer.

Réglez l'heure à l'aide de la touche « < » ou « > », puis appuyez sur la touche « **Select/Menu** » (Sélectionner/Menu) pour confirmer.

Réglez les minutes à l'aide de la touche « < » ou « > », puis appuyez sur la touche « **Select/Menu** » (Sélectionner/Menu) pour confirmer.

Réglez la date (Date/Mois/Année) à l'aide de la touche « < » ou « > », puis appuyez sur la touche « **Select/Menu** » (Sélectionner/Menu) pour confirmer.

L'écran LCD affiche le message « **Time Saved** » (Heure enregistrée).

16.1.5.1.2 Mise à jour automatique

Dans le menu de l'heure, appuyez sur la touche « < » ou « > » pour sélectionner « **Auto update** » (Mise à jour automatique), puis sur la touche « **Select/Menu** » (Sélectionner/Menu) pour confirmer.

Appuyez sur la touche « < » ou « > » pour sélectionner la source de mise à jour de l'heure, puis appuyez sur la touche « **Select/Menu** » (Sélectionner/Menu) pour confirmer. Source de mise à jour de l'heure : **Update from Any** (Mettre à jour depuis n'importe quelle source, par défaut)/**Update from DAB** (Mettre à jour depuis DAB)/**Update from FM** (Mettre à jour depuis FM)/**No update** (Ne pas mettre à jour).

16.1.5.1.3 Format 12/24 heures

Dans le menu de l'heure, appuyez sur la touche « < » ou « > » pour sélectionner « **Set 12/24 hour** » (Format 12/24 heures), puis sur la touche « **Select/Menu** » (Sélectionner/Menu) pour confirmer.

Appuyez sur la touche « < » ou « > » pour sélectionner le format de l'heure, « **Set 24 hour** » (24 heures, par défaut) ou « **Set 12 hour** » (12 heures), puis appuyez sur la touche « **Select/Menu** » (Sélectionner/Menu) pour confirmer.

16.1.5.1.4 Réglage du format de la date

Dans le menu de l'heure, appuyez sur la touche « < » ou « > » pour sélectionner « **Set date format** » (Régler le format de la date), puis sur la touche « **Select/Menu** » (Sélectionner/Menu) pour confirmer.

Appuyez sur la touche « < » ou « > » pour sélectionner le format de la date, « **DD-MM-YYYY** » (JJ-MM-AAAA, par défaut) ou « **MM-DD-AAAA** » (MM-JJ-AAAA), puis appuyez sur la touche « **Select/Menu** » (Sélectionner/Menu) pour confirmer.

16.1.5.2 Rétroéclairage

L'écran de cette radio dispose d'un rétroéclairage dont le délai d'activité est réglable (il s'agit de la durée, en secondes, après laquelle l'écran s'éteint).

Dans le menu du rétroéclairage, appuyez sur la touche « < » ou « > » pour sélectionner « **Timeout** » (Délai d'activité), puis sur la touche « **Select/Menu** » (Sélectionner/Menu) pour confirmer.

Appuyez sur la touche « < » ou « > » pour sélectionner une option spécifique, puis appuyez sur la touche « **Select/Menu** » (Sélectionner/Menu) pour confirmer le réglage.

Options du délai d'activité : **NO Timeout**(Aucun délai, par défaut) /**5 s** / **10 s** /**30 s** /**1 min**/**2 min**/**3 min**

Vous pouvez ajuster le niveau de luminosité en appuyant sur les touches « **- Dimmer +** » (Variateur d'intensité) (veuillez vous reporter à la section 11).

16.1.5.3 Langue

La langue par défaut des menus est l'allemand. Vous pouvez la modifier pour définir la langue de votre choix. Six langues sont disponibles : allemand/anglais/français/espagnol/italien/danois

Dans le menu du système, appuyez sur la touche « < » ou « > » pour sélectionner « **Language** » (Langue), puis sur la touche « **Select/Menu** » (Sélectionner/Menu) pour confirmer.

Appuyez sur la touche « < » ou « > » pour sélectionner la langue de votre choix, puis appuyez sur la touche « **Select/Menu** » (Sélectionner/Menu) pour confirmer.

16.1.5.4 Réinitialisation

Une réinitialisation efface tous les paramètres définis par l'utilisateur pour les remplacer par les valeurs d'origine par défaut : l'heure, la date, la liste des stations DAB et les stations prédéfinies sont perdues.

Dans le menu du système, appuyez sur la touche « < » ou « > » pour sélectionner « **Factory Reset** » (Réinitialisation), puis sur la touche « **Select/Menu** » (Sélectionner/Menu) pour confirmer.

Appuyez sur la touche « > » pour choisir <Yes> (Oui), puis sur la touche « **Select/Menu** » (Sélectionner/Menu) pour confirmer.

16.1.5.5 Version logicielle

Cette fonction permet d'afficher la version actuelle du logiciel.

Dans le menu du système, appuyez sur la touche « < » ou « > » pour sélectionner « **SW Version** » (Version logicielle), puis sur la touche « **Select/Menu** » (Sélectionner/Menu) pour confirmer. L'écran LCD affiche la version du logiciel.

16.2 Mode radio FM

Dans le menu des paramètres avancés, appuyez sur la touche « < » ou « > » pour naviguer parmi les options du menu. Arrêtez-vous sur l'option de votre choix et appuyez sur la touche « **Select/Menu** » (Sélectionner/Menu) pour confirmer. Les options du menu des paramètres avancées sont les suivantes :

- Paramètres de recherche
- Paramètres audio
- Système (veuillez vous reporter à la section 16.1.5)

16.2.1 Paramètres de recherche

Par défaut, les recherches FM s'interrompent à chaque station disponible (toutes les stations). Cela peut entraîner un son de mauvaise qualité pour les stations dont le signal est faible.

Dans le menu des paramètres avancés, appuyez sur la touche « < » ou « > » pour sélectionner « **Scan setting** » (Paramètres de recherche), puis sur la touche « **Select/Menu** » (Sélectionner/Menu) pour confirmer.

Appuyez sur la touche « < » ou « > » pour sélectionner « **All stations** » (Toutes les stations, par défaut) ou « **Strong stations only** » (Stations puissantes uniquement), puis appuyez sur la touche « **Select/Menu** » (Sélectionner/Menu) pour confirmer le réglage.

16.2.2 Paramètres audio

Par défaut, toutes les stations en stéréo sont reproduites en stéréo. Le son peut être de mauvaise qualité sur les stations dont le signal est faible. La qualité du son peut alors être améliorée en mode mono.

Dans le menu des paramètres avancés, appuyez sur la touche « < » ou « > » pour sélectionner « **Audio setting** » (Paramètre audio), puis sur la touche « **Select/Menu** » (Sélectionner/Menu) pour confirmer.

Appuyez sur la touche « < » ou « > » pour sélectionner « **Stereo allowed** » (Stéréo activé, par défaut) ou « **Forced mono** » (Forcer mono), puis appuyez sur la touche « **Select/Menu** » (Sélectionner/Menu) pour confirmer le réglage.

16.2.3 Système

Veillez vous reporter à la section 16.1.5.

17 Dépannage

Problème : Pas de courant.

Solution : Vérifiez que l'adaptateur électrique est correctement branché.
Vérifiez que la radio est sous tension.

Problème : L'unité ne réagit pas lorsque les touches sont actionnées.

Solution : L'unité peut cesser de répondre pendant l'utilisation. Mettez l'unité hors tension puis de nouveau sous tension pour la réinitialiser.

Problème : Réception mauvaise de la radio.
Solution : Vérifiez que l'antenne est entièrement déployée. Des interférences électriques peuvent dégrader la réception à l'intérieur de votre maison. Déplacez l'unité (en particulier pour les éloigner des dispositifs équipés de moteurs et de transformateurs).

Problème : La station souhaitée est introuvable.
Solution : Le signal est faible. Effectuez une recherche manuelle.

18 Spécifications

Description :	Radio-réveil numérique DAB/FM
Sortie audio :	1,5 W (valeur efficace)
Consommation d'électricité :	Fonctionnement : 3 W (Max) Veille : < 1 W
Plages de fréquence :	FM : 87,5 - 108 MHz DAB : 174,928 - 239,200 MHz
Écran LCD :	Écran haute résolution
Alimentation :	Prise Alimentation CC : 6 V CC/500 mA Prise de l'adaptateur électrique : 100 - 240 V CA, 50 - 60 Hz (veuillez utiliser l'adaptateur fourni)
Dimensions :	150 mm (l) x 134 mm (p) x 53 mm (h)

EN

FR

IT

NL

NW

DK

PL

CZ

SK



Les symboles sur le produit ou dans les instructions signifient que votre équipement électrique et électronique en fin de vie ne doit pas être éliminé avec les déchets domestiques. Pour plus d'informations, veuillez contacter les autorités locales ou le commerçant chez lequel vous avez acheté le produit.

Istruzioni per l'uso

DIGITRADIO 51

Radiosveglia digitale DAB/FM



EN

FR

IT

NL

NW

DK

PL

CZ

SK

TechniSat

Indice

1	Importanti informazioni di sicurezza	46
2	La tua radiosveglia DAB/FM	47
3	Contenuto della confezione	49
4	Aggiornamento software	49
5	Guida passo-passo per iniziare	49
6	Operazioni di base	50
6.1	Commutazione tra le modalità Standby, DAB e FM.....	50
6.2	Modalità radio DAB.....	50
6.3	Modalità radio FM.....	50
7	Scansione	51
8	Orologio	51
9	Impostazione dell'allarme	51
9.1	Funzione Snooze (Posponi).....	52
9.2	Spegnimento dell'allarme.....	52
9.3	Disattivazione dell'allarme.....	53
10	Sospensione	53
11	Funzione Dimmer (Luminosità)	33
12	Info	33
13	Modalità radio DAB	34
44		

14	Modalità radio FM	54
15	Preselezioni radio	55
15.1	Memorizzazione di una stazione nell'elenco delle preselezioni.....	55
15.2	Richiamo di una stazione dall'elenco delle preselezioni	55
16	Impostazioni avanzate	55
16.1	Modalità radio DAB.....	55
16.2	Modalità radio FM.....	59
17	Risoluzione dei problemi	60
18	Dati tecnici	61

EN

FR

IT

NL

NW

DK

PL

CZ

SK

1 Importanti informazioni di sicurezza

Vi ringraziamo per l'acquisto di questa radio DAB/FM. Al fine di assicurare un uso sicuro e soddisfacente di questo prodotto, prima dell'uso leggere attentamente le istruzioni e le avvertenze.

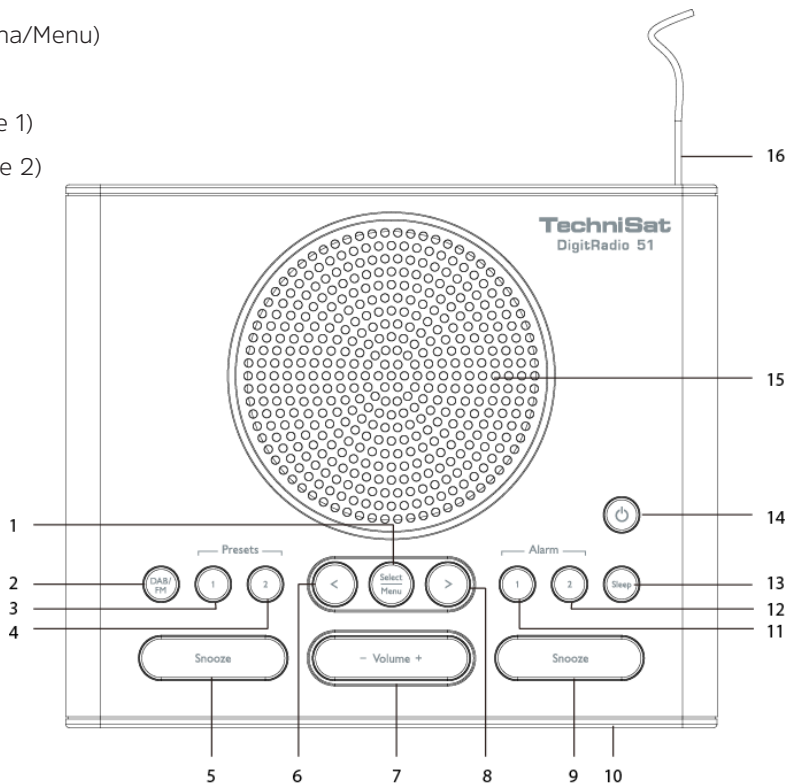
Conservare questo opuscolo di istruzioni per un eventuale uso futuro. Queste avvertenze vengono fornite nell'interesse della sicurezza. È NECESSARIO leggerle attentamente prima di utilizzare l'apparecchio. Se non si è sicuri del significato di queste avvertenze rivolgersi al rivenditore presso il quale è stato acquistato il prodotto.

- Questo apparecchio non è pensato per essere utilizzato da persone (compresi i bambini) con capacità fisiche, sensoriali o intellettuali limitate a meno che siano sotto la supervisione di una persona responsabile della loro sicurezza o abbiano ricevuto istruzioni su come utilizzare l'apparecchio.
- Per evitare il rischio di incendi, scosse elettriche e lesioni personali NON IMMERGERE in acqua o altri liquidi il cavo elettrico, la spina o l'apparecchio.
- Scollegare dalla presa di corrente quando non in uso, prima di smontare e prima della pulizia.
- Non utilizzare se il cavo o la spina sono danneggiati, oppure in caso di avaria o danni all'apparecchio. Restituire l'apparecchio al rivenditore più vicino.
- Non lasciare che il cavo di alimentazione penda dal bordo del tavolo o del bancone o tocchi una superficie calda.
- In caso di guasto, rivolgersi al rivenditore più vicino. Non cercare di riparare personalmente l'apparecchio.
- Utilizzare l'apparecchio soltanto per l'uso previsto.
- Apparecchio da utilizzare solo in ambienti chiusi. Non usare all'aperto.
- Conservare queste istruzioni per un eventuale uso futuro.

Avvertenza: I sacchetti di polietilene a protezione del prodotto o della confezione possono essere pericolosi. Per evitare il rischio di soffocamento, tenerli lontani dalla portata di bambini piccoli e grandi.

2 La tua radiosveglia DAB/FM

- 1 Pulsante Select/Menu (Seleziona/Menu)
- 2 Pulsante DAB/FM
- 3 Pulsante Preset 1 (Preselezione 1)
- 4 Pulsante Preset 2 (Preselezione 2)
- 5 Pulsante Snooze (Posponi)
- 6 Pulsante Stazione giù
- 7 Pulsanti - Volume +
- 8 Pulsante Stazione su
- 9 Pulsante Snooze (Posponi)
- 10 DISPLAY LCD
- 11 Pulsante Alarm 1 (Allarme 1)
- 12 Pulsante Alarm 2 (Allarme 2)
- 13 Pulsante Sleep (Sospensione)
- 14 Pulsante di accensione
- 15 Altoparlante
- 16 Antenna DAB/FM



EN

FR

IT

NL

NW

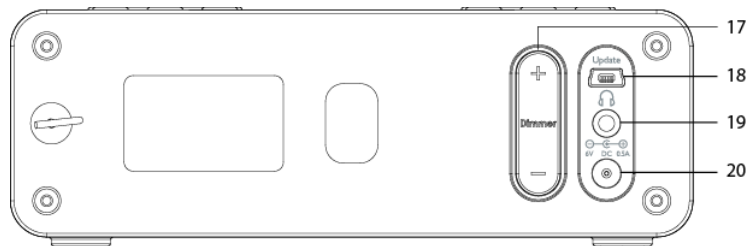
DK

PL

CZ

SK

- 17 Pulsanti - Dimmer + (Luminosità)
- 18 Porta UPDATE (Aggiornamento)
- 19 Presa per cuffie
- 20 Presa DC IN



3 Contenuto della confezione

- 1 radio digitale DAB/FM
- 1 adattatore di corrente CA
- 1 istruzioni per l'uso

4 Aggiornamento software

La porta 'UPDATE' (Aggiornamento) sul retro della radio è ad uso esclusivo dei tecnici dell'assistenza.

5 Guida passo-passo per iniziare

Premere il pulsante ' ' per accendere la radio.

Per DAB

- 1 Premere il pulsante 'DAB/FM' per selezionare DAB.
- 2 Al primo utilizzo eseguirà una scansione automatica.
- 3 Premere il pulsante ' < ' o ' > ' per trovare la stazione desiderata, quindi premere il pulsante 'Select/Menu' (Seleziona/Menu) per confermare.
- 4 La radio si sintonizzerà automaticamente.
- 5 Regolare il volume utilizzando i pulsanti '- Volume +': premere 'Volume -' per diminuire il volume e 'Volume +' per aumentarlo.

Per FM

- 1 Premere il pulsante 'DAB/FM' per selezionare FM.
- 2 Per cercare le stazioni, tenere premuto il pulsante ' < ' o ' > ' per effettuare la scansione indietro o in avanti.

EN

FR

IT

NL

NW

DK

PL

CZ

SK

- 3 Sintonizzare manualmente le stazioni premendo il pulsante ' < ' o ' > ' per trovare la stazione desiderata.
Nota: Nella modalità FM si può anche eseguire una scansione manuale premendo il pulsante ' < ' o ' > ' per regolare le frequenze FM di 0.05 MHz in giù o in su rispettivamente.
- 4 La radio si sintonizzerà automaticamente.
- 5 Regolare il volume utilizzando i pulsanti '- Volume +': premere 'Volume -' per diminuire il volume e 'Volume +' per aumentarlo.
Nota: Durante la scansione l'audio viene automaticamente disattivato.

6 Operazioni di base

6.1 Commutazione tra le modalità Standby, DAB e FM

Collegare l'adattatore di corrente alla presa DC IN della radio, l'apparecchio si accenderà.

Premere il pulsante **'DAB/FM'** per alternare le modalità DAB e FM.

Premere il pulsante **'⏻'** per mettere la radio in standby.

6.2 Modalità radio DAB

La modalità DAB riceve le radio digitali DAB e visualizza le informazioni trasmesse riguardanti la stazione e il programma/traccia.

6.3 Modalità radio FM

La modalità FM riceve le radio analogiche sulla banda FM e visualizza le informazioni RDS (Radio Data System) sulla stazione e sul programma (se trasmesse). Durante la riproduzione in FM il display LCD visualizza la frequenza o, in caso di disponibilità delle informazioni RDS, il nome della stazione e altre informazioni in formato 'RADIO TEXT' (Radiotesto). In assenza di informazioni, vengono visualizzati solo la frequenza e il messaggio 'NO RADIO TEXT' (Nessun radiotesto).

7 Scansione

Al termine della scansione la radio riprende la riproduzione della stazione precedentemente selezionata oppure avvia la riproduzione della prima stazione in elenco. Occasionalmente potrebbe essere necessario ripetere la scansione per i seguenti motivi:

- Di tanto in tanto potrebbero rendersi disponibili nuove stazioni.
- Alcune stazioni potrebbero chiudere o non essere più ricevibili.
- Se durante la scansione originale la ricezione non era buona (ad esempio l'antenna non era sistemata correttamente), l'elenco delle stazioni disponibili potrebbe essere vuoto o incompleto.
- In caso di scarsa ricezione di alcune stazioni con relativa interruzione del segnale audio, si potrebbe desiderare limitare l'elenco delle stazioni a quelle dotate di un segnale potente.

8 Orologio

Quando si accende l'apparecchio (o dopo un ripristino delle impostazioni predefinite), l'orologio mostra "00:00". Di norma la radio sincronizza automaticamente l'orologio da una stazione DAB dopo la scansione. Per regolare manualmente l'orologio consultare 16.1.5.1.

9 Impostazione dell'allarme

La radio è dotata di due allarmi. L'allarme è impostabile in modalità DAB o in modalità FM. Prima di impostare un allarme, regolare l'orologio sull'ora esatta.

Per impostare l'allarme 1, tenere premuto il pulsante '**Alarm 1**' (Allarme 1). Per impostare l'allarme 2, tenere premuto il pulsante '**Alarm 2**' (Allarme 2). L'icona dell'allarme '🔔' o '🔔' lampeggia.

Premere il pulsante '<' o '>' per impostare lo stato dell'allarme su '**On**', quindi premere il pulsante '**Select/Menu**' (Seleziona/Menu) per confermare.

Premere il pulsante '<' o '>' per l'ora dell'allarme, quindi premere il pulsante '**Select/Menu**' (Seleziona/Menu) per confermare.

Premere il pulsante '<' o '>' per impostare i minuti dell'allarme, quindi premere il pulsante '**Select/Menu**' (Seleziona/Menu) per confermare.

Premere il pulsante '<' o '>' per impostare la durata dell'allarme, quindi premere il pulsante '**Select/Menu**' (Seleziona/menu) per confermare.

Opzioni per la durata: 15/30/45/60/90 minuti

Premere il pulsante ' < ' o ' > ' per impostare la fonte dell'allarme, quindi premere il pulsante 'Select/Menu' (Seleziona/Menu) per confermare.

Opzioni fonti: Buzzer (Cicalino)/DAB/FM.

Quando si imposta DAB o FM come fonte dell'allarme, si può scegliere tra **Last listened** (Ultima ascoltata) e le **Preset stations** (Stazioni preselezionate) memorizzate. Premere il pulsante ' < ' o ' > ' per selezionare e premere il pulsante 'Select/Menu' (Seleziona/Menu) per confermare.

Nota: Se si è scelto DAB come fonte per l'allarme e la potenza del segnale DAB è bassa, si attiverà il cicalino.

Premere il pulsante ' < ' o ' > ' per selezionare i giorni in cui l'allarme è attivo, quindi premere il pulsante 'Select/Menu' (Seleziona/Menu) per confermare.

Opzioni allarme attivo: Daily/Once/ Weekends/Weekdays (Ogni giorno/Una volta sola/Fine settimana/Giorni feriali).

Premere i pulsanti ' - Volume + ' per regolare il volume dell'allarme, quindi premere il pulsante 'Select/Menu' (Seleziona/Menu) per confermare.

Sul display della radio verrà visualizzata la scritta 'Alarm Saved' (Allarme salvato). L'icona dell'allarme '🔔' o '🔕' verrà visualizzata sul display.

Nota: Le informazioni sull'allarme vengono visualizzate sul display. Se sono stati impostati entrambi gli allarmi verranno visualizzate in successione le informazioni sull'allarme 1 e sull'allarme 2.

9.1 Funzione Snooze (Posponi)

Quando suona l'allarme, premere il pulsante 'Snooze' (Posponi) per attivare il posticipo. Premere ripetutamente il pulsante 'Snooze' (Posponi) per impostare 5, 10, 15 o 30 minuti di posticipo, quindi l'allarme si spegne temporaneamente. La radio va in standby e mostra il tempo del posticipo.

Nota: Al tempo del posticipo sono associate opzioni particolari che dipendono dalla durata dell'allarme selezionata.

Durata	Tempo posticipo
15 minuti	5, 10 minuti
30 minuti	5, 10, 15 minuti
45/60/90 minuti	5, 10, 15, 30 minuti

9.2 Spegnimento dell'allarme

Per spegnere l'allarme basta premere il pulsante '🔕' quando suona l'allarme.

9.3 Disattivazione dell'allarme

Premere il pulsante **'Alarm 1'** (Allarme 1) o **'Alarm 2'** (Allarme 2) per disattivare l'allarme. L'icona dell'allarme '⚠' o '⚡' scomparirà dal display.

Nota: Premendo ripetutamente il pulsante **'Alarm 1'** (Allarme 1) o **'Alarm 2'** (Allarme 2) si alterna tra attivazione e disattivazione dell'allarme.

10 Sospensione

Questa funzione consente alla radio di andare automaticamente in standby dopo un periodo di tempo impostato.

Premere ripetutamente il pulsante **'Sleep'** (Sospensione) per selezionare un tempo per andare in sospensione, quindi premere il pulsante **'Select/Menu'** (Seleziona/Menu) per confermare. L'icona della sospensione '⏸' verrà visualizzata sul display.

Opzioni per il tempo trascorso il quale si attiva la sospensione: off/15/30/45/60/90 minuti.

Dopo aver impostato il tempo per la sospensione, premendo il pulsante **'Sleep'** (Sospensione) viene visualizzato il conto alla rovescia per l'inizio della sospensione.

Premere ripetutamente il pulsante **'Sleep'** (Sospensione) per selezionare **'Sleep off'** (Sospensione disattivata), quindi premere il pulsante **'Select/Menu'** (Seleziona/Menu) per disattivare il timer della sospensione.

11 Funzione Dimmer (Luminosità)

La luminosità del display è regolabile manualmente con i pulsanti **'- Dimmer +'** (- Luminosità +) posti sul pannello posteriore.

In totale esistono 9 livelli di intensità luminosa.

Premere una volta il pulsante **'Dimmer -'** (Luminosità -) per diminuire il livello di luminosità di 1 grado.

Premere una volta il pulsante **'Dimmer +'** (Luminosità +) per aumentare il livello di luminosità di 1 grado.

12 Info

Durante la riproduzione di un programma si possono visualizzare ulteriori informazioni premendo ripetutamente il pulsante **'Select/Menu'** (Seleziona/Menu).

EN

FR

IT

NL

NW

DK

PL

CZ

SK

13 Modalità radio DAB

Si possono visualizzare le seguenti informazioni:

- Informazioni sull'allarme
- DLS (Dynamic Label Segment – breve testo informativo trasmesso in parallelo all'audio DAB)
- Potenza del segnale
- PTY (tipo di programma)
- Gruppo
- Frequenza
- Qualità del segnale
- Velocità in bit e Codec
- Formato
- Ora
- Data

14 Modalità radio FM

Si possono visualizzare le seguenti informazioni:

- Informazioni sull'allarme
- Radiotesto
- PTY (tipo di programma)
- PS (Servizio del programma)
- Informazioni audio
- Ora
- Data

15 Preselezioni radio

Il sistema può memorizzare 2 stazioni DAB e 2 stazioni FM nell'elenco delle preselezioni.

15.1 Memorizzazione di una stazione nell'elenco delle preselezioni

Per memorizzare una stazione, selezionarla quindi tenere premuto il pulsante **'Preset 1'** (Preselezione 1) o **'Preset 2'** (Preselezione 2) finché il display LCD non visualizza la scritta 'Preset stored' (Preselezione memorizzata).

15.2 Richiamo di una stazione dall'elenco delle preselezioni

Per richiamare una stazione preselezionata, premere il pulsante **'DAB/FM'** per selezionare la modalità desiderata, quindi premere il pulsante **'Preset 1'** (Preselezione 1) o **'Preset 2'** (Preselezione 2) per selezionare la stazione preselezionata.

Nota: Se si sceglie una preselezione a cui non è stata assegnata alcuna stazione, viene visualizzata la scritta **'No Preset # set'** (Preselezione # non impostata).

16 Impostazioni avanzate

Le impostazioni avanzate consentono di personalizzare la radio DAB/FM con una serie di opzioni per adattarla alle proprie preferenze. Per accedere alle impostazioni avanzate, dalla modalità DAB o FM, tenere premuto il pulsante **'Select/Menu'** (Seleziona/Menu) per entrare nel menu.

16.1 Modalità radio DAB

Nel menu delle impostazioni avanzate, premere il pulsante '**<**' o '**>**' per scorrere le varie opzioni disponibili. Fermarsi sull'opzione desiderata e premere il pulsante **'Select/Menu'** (Seleziona/Menu) per confermare. Le opzioni del menu delle impostazioni avanzate sono:

- Full scan (Scansione completa)
- Sintonizzazione manuale
- DRC
- Prune (Elimina)
- System (Sistema)

16.1.1 Full scan (Scansione completa)

Nel menu delle impostazioni avanzate premere il pulsante '**<**' o '**>**' per selezionare '**Full scan**' (Scansione completa), quindi premere il pulsante '**Select/Menu**' (Seleziona/Menu) per confermare.

La scansione completa si avvia automaticamente. Al termine della scansione la radio riprende la riproduzione della stazione precedentemente selezionata oppure avvia la riproduzione della prima stazione in elenco.

Nota: Se non viene trovata alcuna stazione, sul display compare la scritta 'NO DAB STATION' (Nessuna stazione DAB). Per una migliore ricezione sistemare l'antenna o ripetere la scansione completa dopo aver posizionato la radio altrove.

16.1.2 Sintonizzazione manuale

Oltre al metodo di scansione normale è possibile sintonizzare manualmente la radio su un particolare canale/frequenza. Questa operazione può essere utile per sistemare l'antenna in modo da ottenere la migliore ricezione possibile e per ricercare un canale particolare per aggiornare l'elenco delle stazioni.

Nel menu delle impostazioni avanzate premere il pulsante '**<**' o '**>**' per selezionare '**Manual tune**'

(Sintonizzazione manuale), quindi premere il pulsante '**Select/Menu**' (Seleziona/Menu) per confermare.

Premere il pulsante '**<**' o '**>**' per selezionare un particolare canale/frequenza, quindi premere il pulsante '**Select/Menu**' (Seleziona/Menu) per confermare.

Nota: Il display visualizza un'indicazione dal vivo della potenza del segnale ricevuto sulla frequenza selezionata. La corretta sistemazione dell'antenna influirà sulla potenza visualizzata del segnale ricevuto. Le nuove stazioni saranno automaticamente aggiunte all'elenco delle stazioni.

Per riprodurre la stazione trovata, tenere prima premuto il pulsante '**Select/Menu**' (Seleziona/Menu) per uscire dalla sintonizzazione manuale

16.1.3 DRC

Se si sta ascoltando musica caratterizzata da un'alta gamma dinamica in un ambiente rumoroso (ad esempio musica classica mentre si cucina), può essere interessante comprimere la gamma dinamica audio. Questa funzione abbassa le sonorità più forti e alza quelle più deboli.

Nel menu delle impostazioni avanzate premere il pulsante '**<**' o '**>**' per selezionare '**DRC**', quindi premere il pulsante '**Select/Menu**' (Seleziona/Menu) per confermare.

Premere il pulsante '**<**' o '**>**' per selezionare '**DRC off**' (DRC disattivato) (valore predefinito), '**DRC high**' (DRC Alto) '**DRC low**' (DRC basso), quindi premere il pulsante '**Select/Menu**' (Seleziona/Menu) per confermare l'impostazione.

16.1.4 Prune (Elimina)

Questa funzione rimuove tutte le stazioni non disponibili dall'elenco delle stazioni.

Nel menu delle impostazioni avanzate premere il pulsante ' < ' o ' > ' per selezionare '**Prune**' (Elimina), quindi premere il pulsante '**Select/Menu**' (Seleziona/Menu) per confermare.

Premere il pulsante ' > ' per scegliere <Yes> (Sì), quindi premere il pulsante '**Select/Menu**' (Seleziona/Menu) per confermare l'eliminazione delle stazioni non valide.

16.1.5 System (Sistema)

Le opzioni del menu sistema sono:

- Time (Ora)
- Backlight (Retroilluminazione)
- Language (Lingua)
- Factory Reset (Ripristino delle impostazioni predefinite)
- Versione del software

16.1.5.1 Time (Ora)

Nel menu dell'ora si può impostare l'ora e la data, il loro formato e la fonte per l'aggiornamento dell'ora.

Nel menu del sistema premere il pulsante ' < ' o ' > ' per selezionare '**Time**' (Ora), quindi premere il pulsante '**Select/Menu**' (Seleziona/Menu) per confermare.

16.1.5.1.1 Impostazione dell'ora e della data

Nel menu dell'ora premere il pulsante ' < ' o ' > ' per selezionare '**Set Time/Date**' (Imposta ora/data), quindi premere il pulsante '**Select/Menu**' (Seleziona/Menu) per confermare.

Impostare l'ora utilizzando il pulsante ' < ' o ' > ', quindi premere il pulsante '**Select/Menu**' (Seleziona/Menu) per confermare.

Impostare i minuti utilizzando il pulsante ' < ' o ' > ', quindi premere il pulsante '**Select/Menu**' (Seleziona/Menu) per confermare.

Impostare la data (Giorno/Mese/Anno) utilizzando il pulsante ' < ' o ' > ', quindi premere il pulsante '**Select/Menu**' (Seleziona/Menu) per confermare.

Sul display LCD compare la scritta '**Time Saved**' (Ora salvata).

16.1.5.1.2 Aggiornamento automatico

Nel menu dell'ora premere il pulsante '**<**' o '**>**' per selezionare '**Auto update**' (Aggiornamento automatico), quindi premere il pulsante '**Select/Menu**' (Seleziona/Menu) per confermare.

Premere il pulsante '**<**' o '**>**' per selezionare la fonte per l'aggiornamento dell'ora, quindi premere il pulsante '**Select/Menu**' (Seleziona/Menu) per confermare. Fonte per l'aggiornamento dell'ora: **Update from Any** (valore predefinito)/**Update from DAB/Update from FM/No update** (Aggiorna da qualsiasi/Aggiorna da DAB/Aggiorna da FM/Non aggiornare).

16.1.5.1.3 Impostazione del formato a 12/24 ore

Nel menu dell'ora premere il pulsante '**<**' o '**>**' per selezionare '**set 12/24 hour**' (Imposta 12/24 ore), quindi premere il pulsante '**Select/Menu**' (Seleziona/Menu) per confermare.

Premere il pulsante '**<**' o '**>**' per selezionare il formato '**Set 24 hour**' (24 ore) (valore predefinito) o '**Set 12 hour**' (12 ore), quindi premere il pulsante '**Select/Menu**' (Seleziona/Menu) per confermare.

16.1.5.1.4 Impostazione del formato della data

Nel menu dell'ora premere il pulsante '**<**' o '**>**' per selezionare '**Set date format**' (Imposta formato data), quindi premere il pulsante '**Select/Menu**' (Seleziona/Menu) per confermare.

Premere il pulsante '**<**' o '**>**' per selezionare il formato '**DD-MM-YYYY**' (GG-MM-AAAA) (valore predefinito) o '**MM-DD-YYYY**' (MM-GG-AAAA), quindi premere il pulsante '**Select/Menu**' (Seleziona/Menu) per confermare.

16.1.5.2 Backlight (Retroilluminazione)

Il display di questa radio ha una retroilluminazione con timeout regolabile (tempo che trascorre prima che il display si spenga).

Nel menu della retroilluminazione premere il pulsante '**<**' o '**>**' per selezionare '**Timeout**', quindi premere il pulsante '**Select/Menu**' (Seleziona/Menu) per confermare.

Premere il pulsante '**<**' o '**>**' per selezionare un'opzione, quindi premere il pulsante '**Select/Menu**' (Seleziona/Menu) per confermare l'impostazione.

Opzioni per il timeout: **NO Timeout** (valore predefinito)/**5 sec/10 sec/30 sec/1 Mins/2 Mins/3 Mins (Nessun timeout/5 secondi/10 secondi/30 secondi/1 minuto/2 minuti/3 minuti)**

Il livello di luminosità è regolabile premendo i pulsanti '**- Dimmer +**' (- Luminosità +) (vedi 11).

16.1.5.3 Language (Lingua)

La lingua predefinita per i menu è il tedesco. È possibile impostare la lingua che si desidera.

Si può scegliere tra sei lingue: Tedesco/Inglese/Francese/Spagnolo/Italiano/Danese

Nel menu del sistema premere il pulsante ' < ' o ' > ' per selezionare **'Language'** (Lingua), quindi premere il pulsante **'Select/Menu'** (Seleziona/Menu) per confermare.

Premere il pulsante ' < ' o ' > ' per selezionare una lingua, quindi premere il pulsante **'Select/Menu'** (Seleziona/Menu) per confermare.

16.1.5.4 Factory Reset (Ripristino delle impostazioni predefinite)

Il ripristino delle impostazioni predefinite cancella tutte le impostazioni fatte dall'utente sostituendole con i valori predefiniti originali, pertanto si perdono l'ora e la data, l'elenco delle stazioni DAB e le stazioni preselezionate.

Nel menu del sistema premere il pulsante ' < ' o ' > ' per selezionare **'Factory Reset'** (Ripristino delle impostazioni predefinite), quindi premere il pulsante **'Select/Menu'** (Seleziona/Menu) per confermare.

Premere il pulsante ' > ' per scegliere **<Yes>** (Sì), quindi premere il pulsante **'Select/Menu'** (Seleziona/Menu) per confermare.

16.1.5.5 Versione del software

Questa funzione mostra la versione del software attualmente installata.

Nel menu del sistema premere il pulsante ' < ' o ' > ' per selezionare **'SW version'** (Versione SW), quindi premere il pulsante **'Select/Menu'** (Seleziona/Menu) per confermare. Sul display LCD viene visualizzata la versione del software.

16.2 Modalità radio FM

Nel menu delle impostazioni avanzate, premere il pulsante ' < ' o ' > ' per scorrere le varie opzioni disponibili. Fermarsi sull'opzione desiderata e premere il pulsante **'Select/Menu'** (Seleziona/Menu) per confermare. Le opzioni del menu delle impostazioni avanzate sono:

- Scan setting (Impostazioni della scansione)
- Audio setting (Impostazioni audio)
- System (Sistema) (vedi 16.1.5)

16.2.1 Scan setting (Impostazioni della scansione)

A livello predefinito, le scansioni FM si fermano su ogni stazione disponibile (su tutte le stazioni). Le stazioni deboli potrebbero fornire un audio di scarsa qualità.

Nel menu delle impostazioni avanzate premere il pulsante '**< o >**' per selezionare '**Scan setting**' (Impostazioni di scansione), quindi premere il pulsante '**Select/Menu**' (Seleziona/Menu) per confermare.

Premere il pulsante '**< o >**' per selezionare '**All stations**' (Tutte le stazioni) (valore predefinito) o '**Strong stations only**' (Solo stazioni forti), quindi premere il pulsante '**Select/Menu**' (Seleziona/Menu) per confermare.

16.2.2 Audio setting (Impostazioni audio)

A livello predefinito, la riproduzione di tutte le stazioni avviene in stereo. Le stazioni deboli potrebbero offrire un audio di scarsa qualità. La qualità dell'audio è migliorabile utilizzando la funzione mono.

Nel menu delle impostazioni avanzate premere il pulsante '**< o >**' per selezionare '**Audio setting**' (Impostazioni audio), quindi premere il pulsante '**Select/Menu**' (Seleziona/Menu) per confermare.

Premere il pulsante '**< o >**' per selezionare '**Stereo allowed**' (Stereo consentito) (valore predefinito) o '**Forced mono**' (Mono obbligato), quindi premere il pulsante '**Select/Menu**' (Seleziona/Menu) per confermare.

16.2.3 System (Sistema)

Vedi 16.1.5.

17 Risoluzione dei problemi

Problema: Manca alimentazione.

Soluzione: Verificare che l'adattatore di corrente sia collegato correttamente.
Verificare che la radio sia accesa.

Problema: L'apparecchio non risponde alla pressione dei pulsanti.

Soluzione: Può darsi che l'apparecchio si sia bloccato durante l'uso. Spegnerlo e riaccendere l'apparecchio per ripristinarlo.

Problema:	Scarsa ricezione radio.
Soluzione:	Verificare che l'antenna sia completamente estratta. La scarsa ricezione può essere provocata da interferenze elettriche ambientali. Spostare l'apparecchio (allontanandolo in particolare da dispositivi muniti di motori elettrici e trasformatori).
Problema:	Impossibile trovare la stazione desiderata.
Soluzione:	Segnale debole. Effettuare una ricerca manuale.

18 Dati tecnici

Descrizione:	Radiosveglia digitale DAB/FM
Uscita audio:	1.5 W RMS (valore quadratico medio)
Assorbimento di corrente:	Funzionamento: 3 W (Max) Standby: < 1 W
Gamme di frequenza:	FM: 87.5-108 MHz DAB: 174.928-239.200 MHz
Display LCD:	Display ad alta risoluzione
Alimentazione elettrica:	Ingresso presa DC IN: 6 VCC / 500 mA Ingresso adattatore di corrente: 100-240 VCA, 50-60 Hz (utilizzare l'adattatore fornito in dotazione)
Dimensioni:	150 mm (Largh.) x 134 mm (Prof.) x 53 mm (Alt.)

EN

FR

IT

NL

NW

DK

PL

CZ

SK



Questi simboli sul prodotto o nelle istruzioni indicano che le apparecchiature elettriche ed elettroniche al termine della loro vita devono essere smaltite separatamente dai rifiuti domestici. Per ulteriori informazioni, rivolgersi all'autorità locale competente o al rivenditore presso il quale è stato acquistato il prodotto.

Handleiding

DIGITRADIO 51

DAB/FM digitale wekkerradio



EN

FR

IT

NL

NW

DK

PL

CZ

SK

TechniSat

Inhoud

1	Belangrijke veiligheidsinformatie	66
2	Uw DAB/FM-wekkerradio	67
3	Paklijst	69
4	Software-update	69
5	Stappengids om aan de slag te gaan	69
6	Basiswerking	70
6.1	Schakelen tussen Stand-by, DAB en FM-modus	70
6.2	DAB-radiomodus	70
6.3	FM-radiomodus.....	70
7	Scannen	71
8	Klok.....	71
9	Wekkerinstelling.....	71
9.1	Sluimerfunctie.....	72
9.2	Wekker stoppen	72
9.3	Wekker uitschakelen.....	73
10	Slapen.....	73
11	Dimfunctie.....	73
12	Info	73
13	DAB-radiomodus	74
64		

14	FM-radiomodus	74
15	Voorkeursinstellingen radio	75
15.1	Een zender opslaan in de voorkeuzelijst	75
15.2	Een zender oproepen uit de voorkeuzelijst.....	75
16	Geavanceerde instellingen	75
16.1	DAB-radiomodus	75
16.2	FM-radiomodus.....	79
17	Problemen oplossen	80
18	Specificaties	81

EN

FR

IT

NL

NW

DK

PL

CZ

SK

1 Belangrijke veiligheidsinformatie

Hartelijk dank voor de aankoop van deze DAB/FM-radio. Lees voor gebruik de instructies en waarschuwingen zorgvuldig door om een veilige en goede werking van dit product te garanderen.

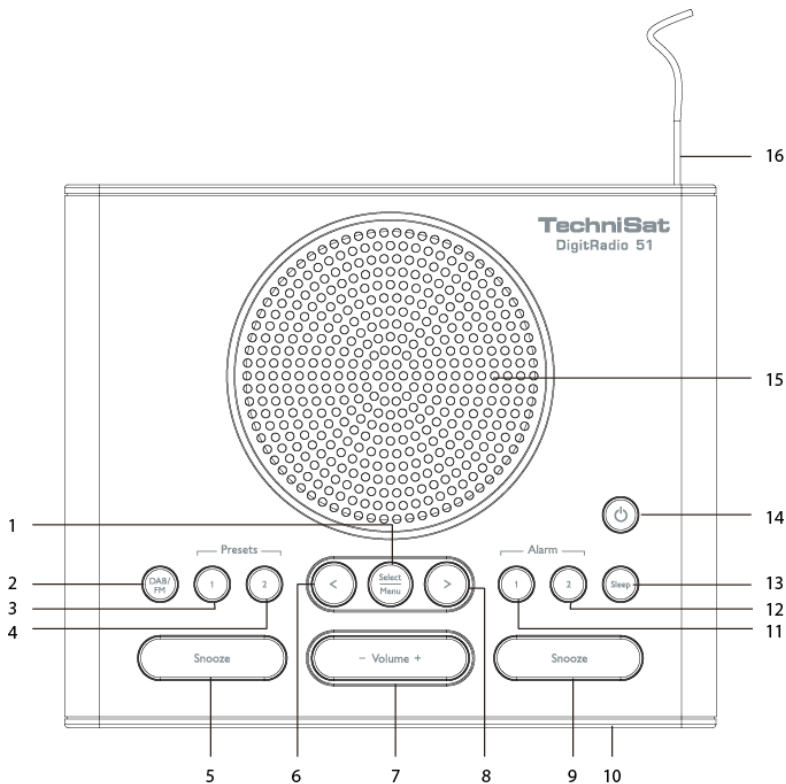
Het is belangrijk dat deze instructies bij het apparaat worden bewaard voor toekomstig gebruik. Deze waarschuwingen zijn vermeld in het belang van de veiligheid. U MOET deze zorgvuldig lezen vóór gebruik van het apparaat. Als u twijfelt over de betekenis van deze waarschuwingen, neem dan contact op met de dealer van wie u het apparaat hebt gekocht.

- Dit apparaat is niet bedoeld voor gebruik door personen (met inbegrip van kinderen) met verminderde lichamelijke of zintuiglijke vermogens of gebrek aan kennis, tenzij zij door een, voor hun veiligheid verantwoordelijke, persoon worden begeleid of geïnstrueerd in het gebruik van het apparaat.
- Ter bescherming tegen brand, elektrische schokken en persoonlijk letsel mag u het SNOER, de stekker of het basistoestel NIET in water of een andere vloeistof ONDERDOMPELEN.
- Haal de stekker uit het stopcontact wanneer het apparaat niet in gebruik is, alvorens er onderdelen uit te halen en voordat u het apparaat gaat schoonmaken.
- Gebruik het apparaat niet als het snoer of de stekker beschadigd is of nadat het apparaat op een of andere manier defect is geraakt of beschadigd is. Breng het apparaat naar de dichtstbijzijnde dealer.
- Laat het snoer niet over de rand van de tafel of toonbank hangen en laat het snoer niet in aanraking komen met hete oppervlakken.
- Neem in het geval van een storing contact op met de dichtstbijzijnde dealer. De consument mag geen enkele reparatie ondernemen.
- Gebruik het apparaat uitsluitend voor het bestemde doel.
- Alleen voor huishoudelijk gebruik; gebruik het apparaat niet buitenshuis.
- Bewaar deze instructies voor toekomstig gebruik.

Waarschuwing: Polytheen zakken over het product of de verpakking kunnen gevaarlijk zijn. Houd deze zakken uit de buurt van baby's en kinderen om verstikkingsgevaar te vermijden.

2 Uw DAB/FM-wekkerradio

- 1 Toets Selecteren/Menu
- 2 Toets DAB/FM
- 3 Toets Preset 1
- 4 Toets Preset 2
- 5 Sluimertoets
- 6 Toets zender omlaag
- 7 Volumetoetsen - +
- 8 Toets zender omhoog
- 9 Sluimertoets
- 10 LCD-display
- 11 Toets Wekker 1
- 12 Toets Wekker 2
- 13 Slaaptoets
- 14 Aan/uit-toets
- 15 Luidspreker
- 16 Antenne DAB/FM



EN

FR

IT

NL

NW

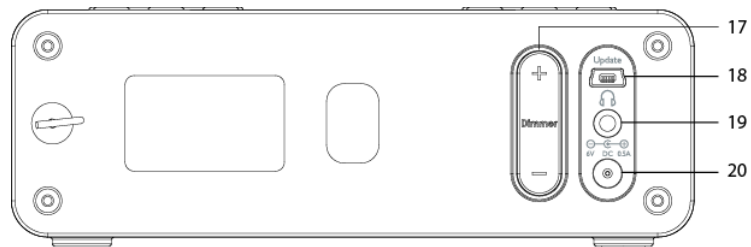
DK

PL

CZ

SK

- 17 Dimmertoetsen - +
- 18 UPDATE-poort
- 19 Hoofdtelefoonaansluiting
- 20 DC IN-aansluiting



3 Paklijst

DAB/FM digitale radio x 1
Wisselstroomadapter x 1
Handleiding x 1

4 Software-update

De 'UPDATE'-poort aan de achterkant van de radio is alleen voor servicemedewerkers.

5 Stappengids om aan de slag te gaan

Druk op de toets ' ' om radio in te schakelen.

Voor DAB

- 1 Druk op de toets 'DAB/FM' om DAB te selecteren.
- 2 Als dit de eerste keer is dat u het apparaat gebruikt, wordt scannen automatisch gestart.
- 3 Druk op de toets ' < ' of ' > ' om de gewenste zender te vinden en druk dan op 'Select/Menu' om te bevestigen.
- 4 De radio stemt automatisch af.
- 5 Pas het volume aan met de toetsen '- Volume +', druk op de toets 'Volume -' om het volume te verlagen en druk op 'Volume +' om het volume te verhogen.

Voor FM

- 1 Druk op de toets 'DAB/FM' om FM te selecteren.
- 2 Om te scannen naar een zender, houdt u ' < ' of ' > ' ingedrukt om naar achteren of naar voren te scannen.

EN

FR

IT

NL

NW

DK

PL

CZ

SK

- 3 Stem zenders handmatig af door op de toets ' < ' of ' > ' te drukken om de gewenste zender te vinden.
Opmerking: In FM-modus kunt u ook handmatig afstemmen op de zender door op ' < ' of ' > ' te drukken om de FM-frequenties met 0,05 MHz omhoog of omlaag bij te stellen.
- 4 De radio stemt automatisch af.
- 5 Pas het volume aan met de toetsen '- Volume +', druk op de toets 'Volume -' om het volume te verlagen en druk op 'Volume +' om het volume te verhogen.
Opmerking: Tijdens het scannen wordt het geluid automatisch gedempt.

6 Basiswerking

6.1 Schakelen tussen Stand-by, DAB en FM-modus

Sluit de netstroomadapter aan op de DC IN-aansluiting van de radio die daarna wordt ingeschakeld.

Druk op de toets **'DAB/FM'** om te schakelen tussen DAB en FM.

Druk op 'Ø' om de radio te schakelen naar de stand-bymodus.

6.2 DAB-radiomodus

DAB-modus ontvangt digitale DAB-radio en geeft informatie over de zender en het programma/nummer dat wordt uitgezonden.

6.3 FM-radiomodus

FM ontvangt analoge radio van de FM-golfband en geeft RDS-gegevens (Radio Data System) weer over de zender en het programma (waar uitgezonden). Terwijl FM wordt afgespeeld, wordt op het LCD-display de frequentie weergegeven of, als RDS-informatie beschikbaar is, de naam van de zender en aanvullende informatie van 'RADIOTEKST'. Als er geen informatie beschikbaar is, worden alleen de frequentie en een bericht 'GEEN RADIOTEKST' weergegeven.

7 Scannen

Zodra een scan is voltooid, keert de radio terug naar het afspelen van de eerder geselecteerde zender of de eerste zender in de zenderlijst. U moet dit mogelijk af en toe herhalen om de volgende redenen:

- Van tijd tot tijd kunnen er nieuwe stations beschikbaar komen.
- Zenders gesloten of kunnen niet meer worden ontvangen.
- Als de ontvangst niet goed was voor de oorspronkelijke scan (bijvoorbeeld de antenne was niet uitgeschoven), kan dit resulteren in een lege of onvolledige lijst met beschikbare zenders.
- Als u van sommige zenders een slechte ontvangst hebt, waardoor het geluid wegvalt, wilt u mogelijk alleen een lijst met zenders met een goede signaalsterkte.

8 Klok

Wanneer u het apparaat inschakelt, (of na het terugzetten op de fabrieksinstellingen), wordt de klok ingesteld op "00:00".

In het algemeen synchroniseert de radio automatisch de klok van de DAB-zender na het scannen.

Raadpleeg 16.1.5.1 om de klok handmatig in te stellen.

9 Wekkerinstelling

Uw radio heeft een dubbele wekkerfunctie. U kunt een wekker instellen in de DAB-modus of FM-modus. Stel de wekker in en zorg ervoor dat eerst de tijd wordt ingesteld.

Om Wekker 1 in te stellen, houd de toets '**Alarm 1**' ingedrukt. Om Wekker 2 in te stellen, houd de toets '**Alarm 2**' ingedrukt. Het wekkerpictogram '🕒' of '🕒' gaat knipperen.

Druk op de toets '<' of '>' om de wekkerstatus '**Aan**' in te stellen en druk dan op de toets '**Select/Menu**' om te bevestigen.

Druk op de toets '<' of '>' om het uur van de wekkertijd in te stellen en druk dan op de toets '**Select/Menu**' om te bevestigen.

Druk op de toets '<' of '>' om de minuut van de wekkertijd in te stellen en druk dan op de toets '**Select/Menu**' om te bevestigen.

Druk op de toets '<' of '>' om de wekkerduur in te stellen en druk dan op de toets '**Select/Menu**' om te bevestigen.

Duuropties: 15/30/45/60/90 min.

Druk op de toets ' < ' of ' > ' om de wekkerbron in te stellen en druk dan op de toets 'Select/Menu' om te bevestigen.

Bronopties: Zoemer/DAB/FM.

Bij het kiezen van DAB en FM als wekkerbron moeten **Laatst beluisterd** en **Voorkeurzenders** die u hebt opgeslagen, beschikbaar zijn. Druk op de toets ' < ' of ' > ' om te selecteren en druk dan op de toets '**Select/Menu**' om te bevestigen.

Opmerking: Als DAB is geselecteerd als wekkerbron en de sterkte van het DAB-signaal zwak is, wordt de zoemer geactiveerd.

Druk op de toets ' < ' of ' > ' om te selecteren op welke dagen de wekker actief moet zijn en druk dan op de toets '**Select/Menu**' om te bevestigen.

Opties wekker actief: Dagelijks/Eenmaal/In het weekend/Weekdagen.

Druk op de toetsen '- **Volume +**' om het wekkervolume in te stellen en druk dan op de toets '**Select/Menu**' om te bevestigen.

De radio geef '**Wekker opgeslagen**' weer. Het wekkerpictogram '🔔' of '🔔' wordt weergegeven op het display.

Opmerking: Wekkerinfo wordt weergegeven op het display. Als beide wekkers zijn ingesteld, worden om beurten info Wekker 1 en info Wekker 2 weergegeven.

9.1 Sluimerfunctie

Wanneer de wekker afgaat, drukt u op de knop '**Snooze**' om sluimeren te activeren. Druk herhaaldelijk op '**Snooze**' om de sluimertijd in te stellen op 5, 10, 15 of 30 minuten, de wekker zal dan tijdelijk stoppen. De radio gaat naar de stand-by-modus en laat de sluimertijd zien.

Opmerking: Met de sluimertijd zijn specifieke opties in verhouding tot de tijdsduur die u hebt geselecteerd.

Duur	Sluimertijd
15 minuten	5, 10 minuten
30 minuten	5, 10, 15 minuten
45/60/90 minuten	5, 10, 15, 30 minuten

9.2 Wekker stoppen

U kunt de wekker stoppen door op '🔔' te drukken wanneer de wekker afgaat.

9.3 Wekker uitschakelen

Druk op '**Alarm 1**' of '**Alarm 2**' om de wekker uit te schakelen. Het wekkerpictogram '☞' of '☞' wordt niet meer weergegeven op het display.

Opmerking: Druk herhaaldelijk op '**Alarm 1**' of '**Alarm 2**' om te schakelen tussen het in- en uitschakelen van de wekker.

10 Slapen

Met deze functie kan uw radio overschakelen naar stand-by na een ingestelde slaaptijd.

Druk herhaaldelijk op de toets '**Sleep**' om een slaaptijd in te stellen en druk dan op de toets '**Select/Menu**' om te bevestigen. Het slaappictogram '☞' wordt op het display weergegeven.

Slaaptijdopties : uit/15/30/45/60/90 minuten

Na het instellen van de slaaptijd kunt u het aftellen van de slaaptijd instellen door op '**Sleep**' te drukken.

Druk herhaaldelijk op de toets '**Sleep**' om een '**Sleep off**' in te stellen en druk dan op de toets '**Select/Menu**' om de slaaptimer uit te schakelen.

11 Dimfunctie

De helderheid van het display kan handmatig worden afgesteld met de toetsen '**- Dimmer +**' op het achterpaneel.

Er zijn in totaal 9 niveaus van lichtintensiteit.

Druk eenmaal op de toets 'Dimmer -' om het niveau met 1 stap te verlagen.

Druk eenmaal op de toets 'Dimmer +' om het niveau met 1 stap te verhogen.

12 Info

Terwijl er een programma wordt afgespeeld, kunt u meer informatie op het display zien door herhaaldelijk op de toets '**Select/Menu**' te drukken.

EN

FR

IT

NL

NW

DK

PL

CZ

SK

13 DAB-radiomodus

U kunt meer informatie bekijken zoals:

- Wekkerinfo
- DLS (Dynamic Label Segment – korte tekstinformatie die wordt uitgezonden met DAB-audio)
- Signaalsterkte
- PTY (Programmatype)
- Ensemble
- Frequentie
- Signaalkwaliteit
- Bitrate en Codec
- Indeling
- Tijd
- Datum

14 FM-radiomodus

U kunt meer informatie bekijken zoals:

- Wekkerinfo
- Radiotekst
- PTY (Programmatype)
- PS (Programmaservice)
- Audio-info
- Tijd
- Datum

15 Voorkeursinstellingen radio

Het systeem kan 2 DAB-zenders en 2 FM-zenders opslaan in de voorkeuzelijst.

15.1 Een zender opslaan in de voorkeuzelijst

Om een zender op te slaan, selecteert u de gewenste radiozender en vervolgens houdt u '**Preset 1**' of '**Preset 2**' ingedrukt totdat de LCD displays 'Preset stored' (Preset opgeslagen) weergeeft.

15.2 Een zender oproepen uit de voorkeuzelijst

Als u een voorkeurzender wilt oproepen, drukt u op '**DAB/FM**' om de gewenste modus te selecteren en daarna op '**Preset 1**' of '**Preset 2**' om de voorkeurzender te selecteren.

Opmerking: Als u een voorkeurzender kiest die nog niet aan een zender is toegewezen, wordt daarna '**No Preset # set**' (geen voorkeurzendernr. ingesteld) weergegeven.

16 Geavanceerde instellingen

Met de geavanceerde instellingen kunt u de DAB/FM-radio indelen met een grote verscheidenheid aan opties die bij u passen. Om toegang te krijgen tot de geavanceerde instellingen, in DAB- of FM-modus, houdt u de toets '**Select/Menu**' ingedrukt om het menu te openen.

16.1 DAB-radiomodus

Onder het menu voor geavanceerde instellingen drukt u op '**<**' of '**>**' om door de menuopties te bladeren. Stop dan bij de gewenste optie en druk op '**Select/Menu**' om te bevestigen. Het menu voor geavanceerde instellingen bevat de volgende opties:

- Volledige scan
- Handmatig afstemmen
- DRC
- Weghalen
- Systeem

EN

FR

IT

NL

NW

DK

PL

CZ

SK

16.1.1 Volledige scan

Druk in het menu voor geavanceerde instellingen op ' < ' of ' > ' om de '**Volledige scan**' te selecteren en druk vervolgens op '**Select/Menu**' om te bevestigen.

De volledige scan wordt automatisch gestart. Zodra een scan is voltooid, keert de radio terug naar het afspelen van de eerder geselecteerde zender of de eerste zender in de lijst.

Opmerking: Als er geen radiozender wordt gevonden, wordt 'NO DAB STATION' (geen DAB-zender) weergegeven. Voor een betere ontvangst past u de antenne aan of u voert de volledige scan opnieuw uit op een andere locatie.

16.1.2 Handmatig afstemmen

Naast de gebruikelijke scanmethode kunt u ook handmatig afstemmen op een bepaald kanaal/frequentie. Dit kan handig zijn voor het bijstellen van uw antenne om de best mogelijke ontvangst te krijgen en om een bepaald kanaal te scannen om de zenderlijst bij te werken.

Druk in het menu voor geavanceerde instellingen op ' < ' of ' > ' om '**Handmatig afstemmen**' te selecteren en druk vervolgens op '**Select/Menu**' om te bevestigen.

Druk op de toets ' < ' of ' > ' om een specifiek kanaal/frequentie in te stellen en druk dan op de toets '**Select/Menu**' om te bevestigen.

Opmerking: Het display toont een live indicatie van de sterkte van het ontvangen signaal op de geselecteerde frequentie. Aanpassingen aan uw antenne zijn van invloed op de sterkte van het ontvangen signaal. De nieuwe zenders worden automatisch toegevoegd aan de zenderlijst.

Om de gevonden zender af te spelen houdt u de toets '**Select/Menu**' ingedrukt om handmatig afstemmen af te sluiten.

16.1.3 DRC

Als u naar muziek luistert met een hoog dynamisch bereik in een lawaaiige omgeving (bijvoorbeeld klassieke muziek tijdens het koken), wilt u wellicht het audio-dynamische bereik comprimeren. Hierdoor worden de zachte tonen luider en de harde geluiden stiller.

Druk in het menu voor geavanceerde instellingen op ' < ' of ' > ' om '**DRC**' te selecteren en druk vervolgens op '**Select/Menu**' om te bevestigen.

Druk op ' < ' of ' > ' om '**DRC uit**' (standaard), '**DRC hoog**' of '**DRC laag**' te selecteren en druk dan op '**Select/Menu**' om te bevestigen.

16.1.4 Weghalen

Hiermee worden alle niet beschikbare zenders uit de zenderlijst verwijderd.

Druk in het menu voor geavanceerde instellingen op ' < ' of ' > ' om '**Prune**' te selecteren en druk vervolgens op '**Select/Menu**' om te bevestigen.

Druk op ' > ' om '**<Ja>**' te selecteren en druk dan op '**Select/Menu**' om het verwijderen van alle ongeldige zenders te bevestigen.

16.1.5 Systeem

De systeemmenuopties zijn:

- Tijd
- Achtergrondverlichting
- Taal
- Fabrieksinstellingen
- SW-versie

16.1.5.1 Tijd

In het tijdmenu kunt u de tijd/datum, tijd/datumnotatie en bron voor de time-update instellen.

Druk in het systeemmenu op ' < ' of ' > ' om '**Time**' (tijd) te selecteren en druk vervolgens op '**Select/Menu**' om te bevestigen.

16.1.5.1.1 Tijd/datum instellen

Druk in het tijdmenu op ' < ' of ' > ' om '**Set Time/Date**' (Tijd/datum instellen) te selecteren en druk vervolgens op '**Select/Menu**' om te bevestigen.

Stel tijd (uur) in met ' < ' of ' > ' en druk op '**Select/Menu**' om te bevestigen.

Stel tijd (minuut) in met ' < ' of ' > ' en druk op '**Select/Menu**' om te bevestigen.

Stel datum (datum/maand/jaar) in met ' < ' of ' > ' en druk op '**Select/Menu**' om te bevestigen.

De LCD geeft '**Time saved**' (tijd opgeslagen) weer.

16.1.5.1.2 Automatisch bijwerken

Druk in het tijdmenu op ' < ' of ' > ' om 'Auto update' (automatisch bijwerken) te selecteren en druk vervolgens op 'Select/Menu' om te bevestigen.

Druk op de toets ' < ' of ' > ' om de bron voor de tijdupdate te selecteren en druk dan op de toets 'Select/Menu' om te bevestigen. Bron voor tijdupdate: **Bijwerken van Any** (Elke) (standaard)/**Update van DAB/Update van FM/Geen update**.

16.1.5.1.3 12/24 uur instellen

Druk in het tijdmenu op ' < ' of ' > ' om 'set 12/24 hour' (12/24 uur instellen) te selecteren en druk vervolgens op 'Select/Menu' om te bevestigen.

Druk op ' < ' of ' > ' om de tijdnotatie te selecteren 'Set 24 hour' (standaard) (24 uur instellen) of 'Set 12 hour' (12 uur instellen) en druk vervolgens op 'Select/Menu' om te bevestigen.

16.1.5.1.4 Datumnotatie instellen

Druk in het tijdmenu op ' < ' of ' > ' om 'Set date format' (Datumnotatie instellen) te selecteren en druk vervolgens op 'Select/Menu' om te bevestigen.

Druk op ' < ' of ' > ' om de datumnotatie te selecteren 'DD-MM-YYYY' (standaard) of 'MM-DD-YYYY' en druk vervolgens op 'Select/Menu' om te bevestigen.

16.1.5.2 Achtergrondverlichting

Dit radiodisplay heeft een achtergrondverlichting met instelbare time-out (dit is de tijdvertraging, in seconden, waarna het display wordt uitgeschakeld).

Druk in het achtergrondverlichtingmenu op ' < ' of ' > ' om 'Timeout' te selecteren en druk vervolgens op 'Select/Menu' om te bevestigen.

Druk op de toets ' < ' of ' > ' om een specifieke optie te selecteren en druk dan op de toets 'Select/Menu' om te bevestigen.

Time-outopties: **GEEN Time-out**(standaard)/**5 sec/10 sec/30 sec/1 min/2 min/3 min**

U kunt de helderheid instellen door op '- Dimmer +' te drukken (zie 11).

16.1.5.3 Taal

De standaardmenutaal is Duits. U kunt de door u gewenste taal kiezen.

Er zijn zes talen beschikbaar: Duits/Engels/Frans/Spaans/Italiaans/Deens.

Druk in het systeemmenu op ' < ' of ' > ' om '**Language**' (taal) te selecteren en druk vervolgens op '**Select/Menu**' om te bevestigen.

Druk op de toets ' < ' of ' > ' om de taal te selecteren en druk dan op de toets '**Select/Menu**' om te bevestigen.

16.1.5.4 Fabrieksinstellingen

Door te herstellen naar de fabrieksinstellingen worden alle door de gebruiker gedefinieerde instellingen gewist en vervangen door de originele standaardwaarden, zodat tijd/datum, DAB-zenderlijst en voorkeuzenders allemaal verloren gaan.

Druk in het systeemmenu op ' < ' of ' > ' om '**Factory Reset**' (Fabrieksinstellingen) te selecteren en druk vervolgens op '**Select/Menu**' om te bevestigen.

Druk op ' > ' om <Ja> te selecteren en druk dan op '**Select/Menu**' om te bevestigen.

16.1.5.5 SW-versie

Dit geeft de huidige softwareversie weer.

Druk in het systeemmenu op ' < ' of ' > ' om '**SW version**' (softwareversie) te selecteren en druk vervolgens op '**Select/Menu**' om te bevestigen. Het LCD-scherm geeft de softwareversie weer.

16.2 FM-radiomodus

Onder het menu voor geavanceerde instellingen drukt u op ' < ' of ' > ' om door de menuopties te bladeren. Stop dan bij de gewenste optie en druk op '**Select/Menu**' om te bevestigen. Het menu voor geavanceerde instellingen bevat de volgende opties:

- Scaninstelling
- Audio-instelling
- Systeem (raadpleeg 16.1.5)

16.2.1 Scaninstelling

Standaard wordt bij FM-scans bij elke beschikbare zender gestopt (alle zenders). Dit kan resulteren in een slechte geluidskwaliteit van zwakke zenders.

EN

FR

IT

NL

NW

DK

PL

CZ

SK

Druk in het menu voor geavanceerde instellingen op ' < ' of ' > ' om **'Scan setting'** (Scaninstelling) te selecteren en druk vervolgens op **'Select/Menu'** om te bevestigen.

Druk op ' < ' of ' > ' om **'All stations'** (standaard) (Alle zenders), of 'Strong stations only' (Alleen sterke zenders) te selecteren en druk dan op **'Select/Menu'** om te bevestigen.

16.2.2 Audio-instelling

Standaard worden alle stereozenders weergegeven in stereo. Voor zwakke zenders kan dit resulteren in een slechte geluidskwaliteit. De geluidskwaliteit kan worden verbeterd door mono te gebruiken.

Druk in het menu voor geavanceerde instellingen op ' < ' of ' > ' om **'Audio setting'** (audio-instelling) te selecteren en druk vervolgens op **'Select/Menu'** om te bevestigen.

Druk op ' < ' of ' > ' om **'Stereo allowed'** (standaard) (Stereo toegestaan) of **'Forced mono'** (afgedwongen mono) te selecteren en druk dan op **'Select/Menu'** om te bevestigen.

16.2.3 System

Raadpleeg 16.1.5.

17 Problemen oplossen

Probleem: Geen vermogen.

Oplossing: Zorg ervoor dat de stroomadapter goed is aangesloten.
Zorg ervoor dat de radio is ingeschakeld.

Probleem: Het apparaat reageert niet wanneer een toets wordt ingedrukt.

Oplossing: Het apparaat kan tijdens gebruik niet meer reageren. Schakel het apparaat uit en zet het daarna weer aan om het opnieuw in te stellen.

Probleem: Slechte radio-ontvangst.

Oplossing: Zorg ervoor dat de antenne volledig is uitgetrokken. Elektrische storing in uw woning kan leiden tot een slechte ontvangst. Zet het apparaat uit de buurt van deze systemen (vooral die met motoren en transformatoren).

Probleem: Gewenste zender niet gevonden.
Oplossing: Zwak signaal. Handmatig zoeken.

18 Specificaties

Omschrijving:	DAB/FM digitale wekkerradio
Audio-uitvoer:	1,5 W RMS
Stroomverbruik:	Bediening: 3 W (Max) Stand-by: < 1 W
Frequentiebereik:	FM: 87.5-108 MHz DAB: 174.928-239.200 MHz
LCD-display:	Display hoge resolutie
Stroomtoevoer:	DC IN-aansluiting: DC 6V/500 mA Input stroomadapter: AC 100-240 V, 50-60 Hz (gebruik de meegeleverde adapter)
Afmetingen:	150 mm (B) x 134 mm (D) x 53 mm (H)

EN

FR

IT

NL

NW

DK

PL

CZ

SK



De symbolen op het product of in de gebruiksaanwijzing betekenen dat uw elektrische en elektronische apparatuur aan het einde van zijn levensduur moet worden afgevoerd gescheiden van het huishoudelijk afval. Neem voor meer informatie contact op met de plaatselijke overheid of het verkooppunt waar u het product hebt gekocht.

Brukerveiledning

DIGITRADIO 51
Digital DAB-/FM-klokke radio



EN

FR

IT

NL

NW

DK

PL

CZ

SK

TechniSat

Innhold

1	Viktig sikkerhetsinformasjon	86
2	DAB-/FM-klokkeradioen	87
3	Innhold i forpakningen	89
4	Programvareoppdatering	89
5	Trinnvis veiledning til å komme i gang	89
6	Grunnleggende bruksoperasjoner	90
6.1	Å bytte mellom standby-, DAB- og FM-modus	90
6.2	DAB-radiomodus	90
6.3	FM-radiomodus.....	90
7	Å søke etter stasjoner	91
8	Klokke	91
9	Innstilling av alarm	91
9.1	Slumrefunksjon	92
9.2	Å stoppe alarmen	92
9.3	Å slå av alarmen.....	93
10	Dvalefunksjon.....	93
11	Dimmefunksjon.....	93
12	Informasjon.....	93
13	DAB-radiomodus	94

14	FM-radiomodus	94
15	Forhåndsinnstillinger for radio	95
15.1	Å lagre en stasjon i den forhåndsdefinerte listen	95
15.2	Få fram en forhåndsinnstilt stasjon fra listen.....	95
16	Avanserte innstillinger	95
16.1	DAB-radiomodus	95
16.2	FM-radiomodus.....	99
17	Feilsøking	100
18	Spesifikasjoner	101

EN

FR

IT

NL

NW

DK

PL

CZ

SK

1 Viktig sikkerhetsinformasjon

Takk for at du kjøpte denne DAB-/FM-radioen. Vennligst les alle instruksjoner og advarsler nøye før bruk, for å sikre at produktet brukes på en sikker og tilfredsstillende måte.

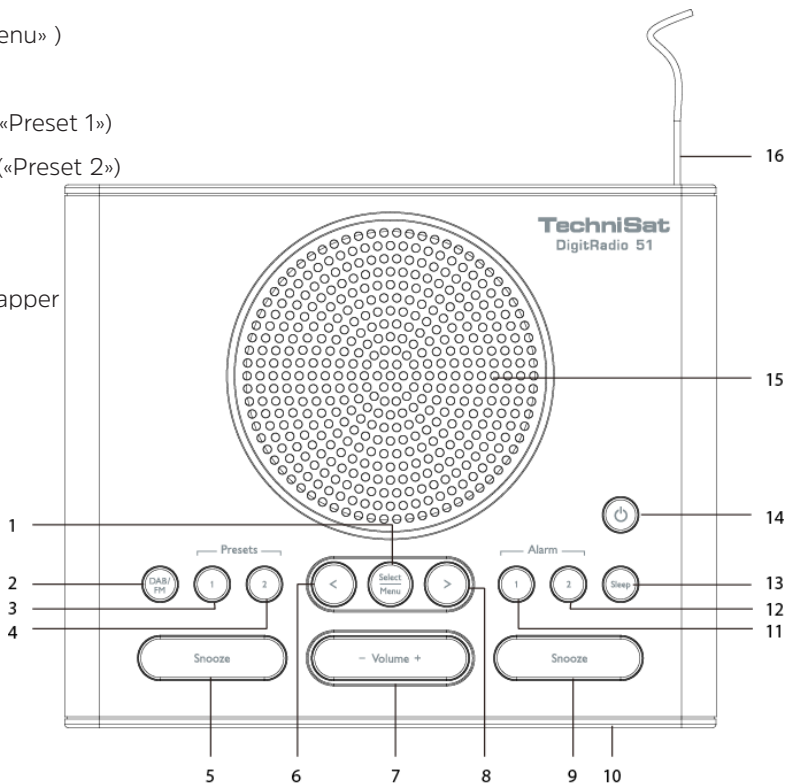
Det er viktig at denne instruksjonsbrosjyren oppbevares sammen med produktet for senere referanse. Disse advarslene gis av sikkerhetsgrunner. Du MÅ lese dem nøye før du bruker apparatet. Hvis du er usikker på hva advarslene betyr, kontakt forhandleren der du kjøpte apparatet.

- Dette apparatet er ikke ment å brukes av personer (inkludert barn) med nedsatte fysiske, sensoriske eller mentale evner, hvis de ikke er under tilsyn av eller har fått instruksjoner fra en person som tar ansvar for sikkerheten deres.
- For å forhindre brann, elektrisk støt og personskader, IKKE SENK LEDNINGEN, støpsel/plugg eller hovedenheten ned i vann eller andre væsker.
- Koble apparatet fra strømmettet når det ikke er i bruk, før du kobler til eller fjerner deler og før rengjøring.
- Ikke bruk et apparat med en skadet ledning eller støpsel/plugg, eller et apparat som har hatt funksjonsfeil eller har blitt skadd på noen måte. Returner apparatet til nærmeste forhandler.
- Ikke la strømledningen henge over kanten av en bordplate eller annen overflate, eller berøre en varm overflate.
- Hvis feilfunksjon skulle oppstå, kontakt din nærmeste forhandler. Sluttbrukeren bør ikke utføre noen slags reparasjoner.
- Ikke bruk apparatet til andre formål enn de det er ment å brukes til.
- Kun for husholdningsbruk. Skal ikke brukes utendørs.
- Ta vare på disse instruksene for senere referanse.

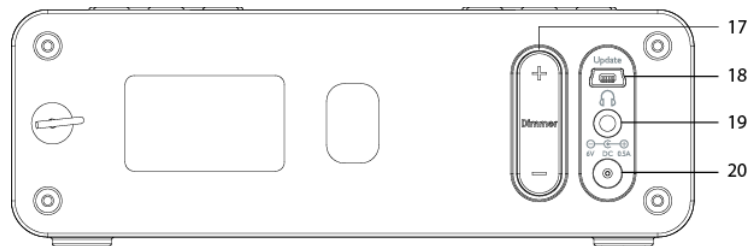
Advarsel: Plastposer produktet eller forpakningen er pakket i, kan være farlige. For å forhindre kvelningsrisiko, hold dem utilgjengelig for babyer og barn.

2 DAB-/FM-klokkeradioen

- 1 «Velg/Meny»-knapp («Select/Menu»)
- 2 DAB-/FM-knapp
- 3 «Forhåndsinnstilling 1»-knapp («Preset 1»)
- 4 «Forhåndsinnstilling 2»-knapp («Preset 2»)
- 5 Slumreknapp («Snooze»)
- 6 Stasjonsknapp, nedover
- 7 «- Volume +» («- Volum +»)-knapper
- 8 Stasjonsknapp, oppover
- 9 Slumreknapp («Snooze»)
- 10 LCD-display
- 11 Alarm 1-knapp
- 12 Alarm 2-knapp
- 13 Dvaleknapp («Sleep»)
- 14 Av-/på-knapp
- 15 Høytaler
- 16 DAB-/FM-antenne



- 17 «- Dimmer +»-knapp («- Dimming +»)
- 18 «UPDATE» («OPPDATERING»)-inngang
- 19 Hodetelefoninngang
- 20 Strøminngang (likestrøm)



3 Innhold i forpakningen

Digital DAB-/FM-radio x 1
Strømadapter, vekselstrøm x 1
Brukerveiledning x 1

4 Programvareoppdatering

«UPDATE» («OPPDATERING»)-inngangen på radioens bakside skal kun brukes av autorisert servicepersonell.

5 Trinnvis veiledning til å komme i gang

Trykk på « »-knappen for å slå radioen på.

For å bruke DAB

- 1 Trykk på «DAB/FM»-knappen for å velge DAB.
- 2 Hvis du bruker radioen for første gang, vil den automatisk begynne å søke etter stasjoner.
- 3 Trykk på « < »- eller « > »-knappen for å finne ønsket stasjon, og trykk så på «Select/Menu» («Velg/Meny»)-knappen for å bekrefte.
- 4 Radioen vil stille inn stasjonene automatisk.
- 5 Juster volumet ved å bruke «- Volume +» («- Volum +»)-knappene, trykk på «Volume -» («Volum -») for å senke volumet og på «Volume +» («Volum +») for å øke volumet.

For å bruke FM

- 1 Trykk på «DAB/FM»-knappen for å velge FM.
- 2 For å søke etter en stasjon, trykk på og hold nede « < »- eller « > »-knappen for å skanne bakover og forover.

EN

FR

IT

NL

NW

DK

PL

CZ

SK

- 3 Still inn stasjonene manuelt ved å trykke « < »- eller « > »-knappen for å finne ønsket stasjon.
Merk: I FM-modus kan du også stille inn stasjonen manuelt ved å trykke på « < »- eller « > »-knappen for å justere FM-frekvensen i trinn på 0,05 MHz enten oppover eller nedover.
- 4 Radioen vil stille inn stasjonene automatisk.
- 5 Juster volumet ved å bruke «- Volume +» («- Volum +»)-knappene, trykk på «Volume -» («Volum -») for å senke volumet og på «Volume +» («Volum +») for å øke volumet.
Merk: Mens skanningen pågår, vil lyden automatisk dempes.

6 Grunnleggende bruksoperasjoner

6.1 Å bytte mellom standby-, DAB- og FM-modus

Koble strømadapteren til strømninggangen på radioen. Den vil da slå seg på.
Trykk på «**DAB/FM**»-knappen for å veksle mellom DAB- og FM-modus.
Trykk på «**⏻**»-knappen for å sette radioen i standbymodus.

6.2 DAB-radiomodus

I DAB-modus mottas digital DAB-radio, og informasjon om stasjonen og program/lydspor som spilles vil vises.

6.3 FM-radiomodus

I FM-modus mottas analoge radiosignaler fra FM-båndet, og RDS-informasjon («Radio Data System») om stasjonen og programmet vil vises (der dette blir kringkastet). Mens FM-radio avspilles, viser LCD-displayet frekvensen dens eller, hvis RDS-informasjon er tilgjengelig, stasjonsnavnet og eventuell ytterligere «RADIO TEXT» («RADIOTEKST»)-informasjon. Hvis ingen informasjon er tilgjengelig, vil kun frekvensen og en «NO RADIO TEXT» («INGEN RADIOTEKST»)-melding vises.

7 Å søke etter stasjoner

Når en skanning for å søke etter stasjoner er fullført går radioen tilbake til å spille stasjonen som var valgt tidligere, eller den første stasjonen i stasjonslisten. Det kan hende at du må gjenta skanningen av og til, av følgende grunner:

- Nye stasjoner kan bli tilgjengelige.
- Stasjoner kan stenges eller ikke lenger kunne mottas.
- Hvis mottaksforholdene ikke var gode da det første søket ble gjort (f.eks. hvis antennen ikke var trukket ut), kan dette føre til at listen over tilgjengelige stasjoner blir tom eller ufullstendig.
- Hvis mottaksforholdene for noen stasjoner er dårlige slik at lyden brytes opp, vil du kanskje ønske å bare ha stasjoner med god signalstyrke på listen.

8 Klokke

Når du slår på enheten for første gang (eller etter en fabrikktilbakestilling) vil klokken stilles inn på «00:00». Som standard synkroniserer radioen klokken automatisk fra DAB-stasjonen etter skanning. For å stille inn klokken manuelt, se 16.1.5.1.

9 Innstilling av alarm

Radioen har to alarmer. Du kan stille inn alarmer i DAB-modus eller i FM-modus. Husk å stille klokken til riktig tid før alarmer innstilles.

For å innstille alarm nr. 1, trykk på og hold inne «**Alarm 1**»-knappen. For å innstille alarm nr. 2, trykk på og hold inne «**Alarm 2**»-knappen. Alarmikonet «🔔» eller «🔔» vil blinke.

Trykk på « < »- eller « > »-knappen for sette alarmstatus til «**On**» («På»), og trykk så på «**Select/Menu**» («Velg/Meny»)-knappen for å bekrefte.

Trykk på « < »- eller « > »-knappen for stille inn timetallet for alarmer, og trykk så på «**Select/Menu**» («Velg/Meny»)-knappen for å bekrefte.

Trykk på « < »- eller « > »-knappen for stille inn minuttallet for alarmer, og trykk så på «**Select/Menu**» («Velg/Meny»)-knappen for å bekrefte.

Trykk på « < »- eller « > »-knappen for stille inn alarmens varighet, og trykk så på «**Select/Menu**» («Velg/Meny»)-knappen for å bekrefte.

Varighetsalternativer: 15/30/45/60/90 min.

Trykk på « < »- eller « > »-knappen for stille inn alarmkilde, og trykk så på «Select/Menu» («Velg/Meny»)-knappen for å bekrefte.

Kildealternativer: «Buzzer» («Lydsignal») / «DAB» / «FM».

Når DAB og FM velges som alarmkilder, vil «**Last listened**» (stasjon som sist er lyttet til) og «**Preset stations**» (forhåndsinnstilte stasjoner) være tilgjengelige. Trykk på « < »- eller « > »-knappen for å velge, og trykk så på «**Select/Menu**» («Velg/Meny»)-knappen for å bekrefte.

Merk: Hvis du har valgt DAB som alarmkilde og DAB-signalstyrken er svak, vil lydsignal-alarmen aktiveres isteden.

Trykk på « < »- eller « > »-knappen for å velge hvilke dager alarmen skal være aktiv, og trykk så på «**Select/Menu**» («Velg/Meny»)-knappen for å bekrefte.

Alternativer for når alarmen kan være aktiv: «Daily» («Daglig») / «Once» («Én gang») / «Weekends» («Helger») / «Weekdays» («Hverdager»)

Trykk på «- **Volume** +» («- Volum +»)-knappene for stille inn alarmvolumet, og trykk så på «**Select/Menu**» («Velg/Meny»)-knappen for å bekrefte.

Radioen vil vise «**Alarm Saved**» («Alarm lagret»). Alarmikonet «🔔» eller «🔕» vil vises i displayet.

Merk: Alarminformasjon vil vises i displayet. Informasjon om Alarm 1 og Alarm 2 vises vekselvis hvis begge alarmene er innstilte.

9.1 Slumrefunksjon

Når alarmen går av, trykk «**Snooze**» («Slumre»)-knappen for å aktivere slumrefunksjonen. Trykk «**Snooze**» («Slumre»)-knappen flere ganger for å innstille slumretiden til 5, 10, 15 eller 30 minutter, og alarmen vil midlertidig slås av i dette tidsrommet. Radioen vil settes i standbymodus og vil vise slumretiden.

Merk: Avhengig av hvilken tid du valgte for alarmens varighet, vil ulike slumretid-alternativer være tilgjengelige.

Varighet	Slumretid
15 minutter	5, 10 minutter
30 minutter	5, 10, 15 minutter
45/60/90 minutter	5, 10, 15, 30 minutter

9.2 Å stoppe alarmen

Du kan stoppe alarmen ved å trykke på «🔕»-knappen når alarmen lyder.

9.3 Å slå av alarmen

Trykk på «**Alarm 1**»- eller «**Alarm 2**»-knappen for å slå alarmen av. Alarmikonet «🔔» eller «🔕» vil bli borte fra displayet.

Merk: Trykk på «**Alarm 1**»- eller «**Alarm 2**»-knappen flere ganger for å veksle mellom å slå alarmen på og av.

10 Dvaletidsfunksjon

Med denne funksjonen kan radioen selv gå i standbymodus etter at en innstilt dvaletid har gått.

Trykk flere ganger på «**Sleep**» («Dvaletid»)-knappen for stille inn dvaletiden, og trykk så på «**Select/Menu**» («Velg/Meny»)-knappen for å bekrefte. Dvaletikonet «🕒» vil vises i displayet.

Alternativer for dvaletid: «Off» («Av»)/15/30/45/60/90 minutter

Etter innstilling av dvaletiden kan du se nedtellingen av dvaletiden ved å trykke på «**Sleep**» («Dvaletid»)-knappen-

Trykk flere ganger på «**Sleep**» («Dvaletid»)-knappen for å velge «**Sleep off**» («Dvaletid av»), og trykk så på «**Select/Menu**» («Velg/Meny»)-knappen for å slå av dvaletidsinnstillingene.

11 Dimmefunksjon

Lysstyrken på displayet kan justeres manuelt med «- **Dimmer +**» («- Dimming +»)-knappene på bakpanelet. Totalt finnes 9 lysstyrkenivåer.

Trykk på «Dimmer -» («Dimming -»)-knappen én gang for å senke lysstyrken med 1 grad.

Trykk på «Dimmer +» («Dimming +»)-knappen én gang for å øke lysstyrken med 1 grad.

12 Informasjon

Mens et program spilles, kan du se ytterligere informasjon i displayet ved å trykke «**Select/Menu**» («Velg/Meny»)-knappen flere ganger.

EN

FR

IT

NL

NW

DK

PL

CZ

SK

13 DAB-radiomodus

Du kan se ytterligere informasjon som inkluderer:

- Alarminformasjon
- DLS («Dynamic Label Segment», dynamisk etikettsegment – kort tekstinformasjon som kringkastes sammen med DAB-lyden)
- Signalstyrke
- «PTY» (Programtype)
- Ensemble
- Frekvens
- Signalkvalitet
- Bithastighet og kodek
- Format
- «Time» («Tid»)
- Dato

14 FM-radiomodus

Du kan se ytterligere informasjon som inkluderer:

- Alarminformasjon
- Radiotekst
- «PTY» (Programtype)
- «PS» (Programservice)
- Lydinformasjon
- «Time» («Tid»)
- Dato

15 Forhåndsinnstillinger for radio

Systemet kan lagre 2 DAB-stasjoner og 2 FM-stasjoner i den forhåndsdefinerte listen.

15.1 Å lagre en stasjon i den forhåndsdefinerte listen

For å lagre en stasjon, velg den ønskede radiostasjonen og trykk på og hold inne «**Preset 1**» («Forhåndsinnstilling 1»)- eller «**Preset 2**» («Forhåndsinnstilling 2»)-knappen til LCD-displayet viser «Preset stored» («Forhåndsinnstilling lagret»).

15.2 Få fram en forhåndsinnstilt stasjon fra listen

For å få fram en forhåndsinnstilt stasjon, trykk «**DAB/FM**»-knappen for å velge ønsket modus, og trykk deretter på «**Preset 1**» («Forhåndsinnstilling 1»)- eller «**Preset 2**» («Forhåndsinnstilling 2»)-knappen for å velge den forhåndsinnstilte stasjonen.

Merk: Hvis du velger en forhåndsinnstilling som ikke har fått tilordnet en stasjon, vil «**No Preset # set**» («Forhåndsinnstillingsnr. ikke innstilt») vises i displayet.

16 Avanserte innstillinger

Med de avanserte innstillingene har du en rekke alternativer for å skreddersy DAB-/FM-radioen slik du ønsker. For å gå inn i menyen for avanserte innstillinger enten fra DAB- eller FM-modus, trykk og hold inne «**Select/Menu**» («Velg/Meny»)-knappen.

16.1 DAB-radiomodus

I menyen for avanserte innstillinger, trykk på «**<**»- eller «**>**»-knappen for å bla gjennom menyvalgene. Stopp når du kommer til alternativet du ønsker, og trykk «**Select/Menu**» («Velg/Meny»)-knappen for å bekrefte. Alternativene i menyen for avanserte innstillinger er:

- «Full scan» («Komplett skanning»)
- Manuell stasjonsinnstilling
- «DRC» («DRC-komprimering»)
- «Prune» («Fjern stasjoner»)
- System

16.1.1 «Full scan» («Komplett skanning»)

I menyen for avanserte innstillinger, trykk på « < »- eller « > »-knappen for å velge «**Full scan**» («Komplett skanning»), og trykk så på «**Select/Menu**» («Velg/Meny»)-knappen for å bekrefte.

En komplett skanning starter automatisk. Når en skanning for å søke etter stasjoner er fullført går radioen tilbake til å spille stasjonen som var valgt tidligere, eller den første stasjonen på listen.

Merk: Hvis ingen radiostasjon blir funnet, viser displayet «NO DAB STATION» («INGEN DAB-STASJON»). For å få bedre mottaksforhold, juster antennen eller utfør søket igjen på et annet sted.

16.1.2 Manuell stasjonsinnstilling

I tillegg til den vanlige måten å søke etter stasjoner på, kan du også manuelt stille inn en bestemt kanal/frekvens. Dette kan være nyttig for å justere antennen til å motta signaler så godt som mulig, og for å skanne en bestemt kanal for å oppdatere stasjonslisten.

I menyen for avanserte innstillinger, trykk på «<»- eller «>»-knappen for å velge «**Manual tune**» («Manuell stasjonsinnstilling»), og trykk så på «**Select/Menu**» («Velg/Meny»)-knappen for å bekrefte.

Trykk på «<»- eller «>»-knappen for å velge en bestemt kanal/frekvens, og trykk så på «**Select/Menu**» («Velg/Meny»)-knappen for å bekrefte.

Merk: Displayet viser en indikasjon av mottatt signalstyrke på den valgte frekvensen i sanntid. Justeringer av antennen vil påvirke den mottatte signalstyrken som er vist. De nye stasjonene vil legges til stasjonslisten automatisk.

For å spille stasjonen som er funnet, først trykk og hold inne «**Select/Menu**» («Velg/Meny»)-knappen for å gå ut av manuell stasjonsinnstillingsmodus

16.1.3 «DRC» («DRC-komprimering»)

Hvis du hører på musikk med en høy dynamisk rekkevidde på et sted med høyt støynivå (f.eks. klassisk musikk under matlaging) ønsker du kanskje å komprimere lydens dynamiske rekkevidde. Dette får lave lyder til å høres høyere ut, og høye lyder høres lavere ut.

I menyen for avanserte innstillinger, trykk på «<»- eller «>»-knappen for å velge «**DRC**» («DRC-komprimering»), og trykk så på «**Select/Menu**» («Velg/Meny»)-knappen for å bekrefte.

Trykk på « < »- eller « > »-knappen for å velge «**DRC off**» («DRC av») (standardinnstilling), «**DRC high**» («Høy DRC») eller «**DRC low**» («Lav DRC») og trykk så på «**Select/Menu**» («Velg/Meny»)-knappen for å bekrefte innstillingen.

16.1.4 «Prune» («Fjern stasjoner»)

Dette fjerner alle stasjoner som ikke er tilgjengelige, fra stasjonslisten.

I menyen for avanserte innstillinger, trykk på «<»- eller «>»-knappen for å velge «**Prune**» («Fjern»), og trykk så på «**Select/Menu**» («Velg/Meny»)-knappen for å bekrefte.

Trykk på «>»-knappen for å velge «<**Yes**>» («Ja»), og trykk så på «**Select/Menu**» («Velg/Meny»)-knappen for å bekrefte at alle ugyldige stasjoner fjernes.

16.1.5 System

Alternativene i systemmenyen er:

- «Time» («Tid»)
- «Backlight» (Bakgrunnslys i displayet)
- Språk («Language»)
- Fabrikktilbakestilling («Factory reset»)
- «SW versjon» («Programvareversjon»)

16.1.5.1 «Time» («Tid»)

I tidsmenyen kan du innstille klokkeslett/dato, klokkeslett-/datoformat og kilden for tidsoppdateringer.

I systemmenyen, trykk på «<»- eller «>»-knappen for å velge «**Time**» («Tid»), og trykk så på «**Select/Menu**» («Velg/Meny»)-knappen for å bekrefte.

16.1.5.1.1 «Set Time/Date» («Innstill klokkeslett/dato»):

I tidsmenyen, trykk på «<»- eller «>»-knappen for å velge «**Set Time/Date**» («Innstill klokkeslett/dato»), og trykk så på «**Select/Menu**» («Velg/Meny»)-knappen for å bekrefte.

Innstill klokkeslett (timer) ved å bruke «<»- eller «>»-knappen, og trykk så på «**Select/Menu**» («Velg/Meny»)-knappen for å bekrefte.

Innstill klokkeslett (minutter) ved å bruke «<»- eller «>»-knappen, og trykk så på «**Select/Menu**» («Velg/Meny»)-knappen for å bekrefte.

Innstill dato (dag/måned/år) ved å bruke «<»- eller «>»-knappen, og trykk så på «**Select/Menu**» («Velg/Meny»)-knappen for å bekrefte.

LCD-displayet viser «**Time Saved**» («Tid lagret»).

16.1.5.1.2 Automatisk oppdatering

I tidsmenyen, trykk på «<»- eller «>»-knappen for å velge «**Auto update**» («Automatisk oppdatering»), og trykk så på «**Select/Menu**» («Velg/Meny»)-knappen for å bekrefte.

Trykk på «<»- eller «>»-knappen for å velge kilden til tidsoppdateringer, og trykk så på «**Select/Menu**» («Velg/Meny»)-knappen for å bekrefte. Kilde for tidsoppdateringer: «**Update from Any**» («Oppdater fra alle kilder») (standardinnstilling) / «**Update from DAB**» («Oppdater fra DAB») / «**Update from FM**» («Oppdater fra FM») / «**No update**» («Ikke oppdater»).

16.1.5.1.3 Innstilling av tidsformat på 12 eller 24 timer

I tidsmenyen, trykk på «<»- eller «>»-knappen for å velge «**Set 12/24 hour**» («Bruk 12/24 timer»), og trykk så på «**Select/Menu**» («Velg/Meny»)-knappen for å bekrefte.

Trykk på «<»- eller «>»-knappen for å velge tidsformat, enten «**Set 24 hour**» («Bruk 24 timer») (standardinnstilling) eller «**Set 12 hour**» («Bruk 12 timer»), og trykk så på «**Select/Menu**» («Velg/Meny»)-knappen for å bekrefte.

16.1.5.1.4 Innstill datoformat

I tidsmenyen, trykk på «<»- eller «>»-knappen for å velge «**Set date format**» («Innstill datoformat»), og trykk så på «**Select/Menu**» («Velg/Meny»)-knappen for å bekrefte.

Trykk på «<»- eller «>»-knappen for å velge datoformat, enten «**DD-MM-YYYY**» («DD-MM-ÅÅÅÅ») eller «**MM-DD-YYYY**» («MM-DD-ÅÅÅÅ»), og trykk så på «**Select/Menu**» («Velg/Meny»)-knappen for å bekrefte.

16.1.5.2 «Backlight» (Bakgrunnslys i displayet)

Displayet på radioen har et bakgrunnslys med justerbart tidsavbrudd (dette er tidsforsinkelsen, i sekunder, før displayet slås av).

I menyen for bakgrunnslys, trykk på «<»- eller «>»-knappen for å velge «**Timeout**» («Tidsavbrudd»), og trykk så på «**Select/Menu**» («Velg/Meny»)-knappen for å bekrefte.

Trykk på «<»- eller «>»-knappen for å velge et av alternativene, og trykk så på «**Select/Menu**» («Velg/Meny»)-knappen for å bekrefte innstillingen.

Alternativer for tidsavbrudd: «**NO Timeout**» «Ikke tidsavbrudd»(standardinnstilling) / **5 sek.** / **10 sek.** / **30 sek.** / **1 min.** / **2 min.** / **3 min.**

Du kan justere lysstyrkenivået ved å trykke «- Dimmer +» («- Dimming +»)-knappene (se 11).

16.1.5.3 Språk («Language»)

Standardspråket for menyene er tysk. Du kan endre dette til ønsket språk.

Det finnes seks tilgjengelige språk: Tysk/Engelsk/Fransk/Spansk/Italiensk/Dansk

I systemmenyen, trykk på « < »- eller « > »-knappen for å velge «**Language**» («Språk»), og trykk så på «**Select/Menu**» («Velg/Meny»)-knappen for å bekrefte.

Trykk på « < »- eller « > »-knappen for å velge språk, og trykk så på «**Select/Menu**» («Velg/Meny»)-knappen for å bekrefte.

16.1.5.4 Fabrikktilbakestilling («Factory reset»)

En fabrikktilbakestilling fjerner alle brukerdefinerte innstillinger og erstatter dem med de opprinnelige standardverdiene, slik at klokkeslett/dato, DAB-stasjonsliste og forhåndsinnstilte verdier alle går tapt.

I systemmenyen, trykk på « < »- eller « > »-knappen for å velge «**Factory Reset**» («Fabrikktilbakestilling»), og trykk så på «**Select/Menu**» («Velg/Meny»)-knappen for å bekrefte.

Trykk på « > »-knappen for å velge «**<Yes>**» («Ja»), og trykk så på «**Select/Menu**» («Velg/Meny»)-knappen for å bekrefte.

16.1.5.5 «SW versjon» («Programvareversjon»)

Dette viser den gjeldende programvareversjonen.

I systemmenyen, trykk på « < »- eller « > »-knappen for å velge «**SW versjon**» («Programvareversjon»), og trykk så på «**Select/Menu**» («Velg/Meny»)-knappen for å bekrefte. LCD-skjermen vil vise programvareversjonen.

16.2 FM-radiomodus

I menyen for avanserte innstillinger, trykk på « < »- eller « > »-knappen for å bla gjennom menyvalgene. Stopp når du kommer til alternativet du ønsker, og trykk «**Select/Menu**» («Velg/Meny»)-knappen for å bekrefte.

Alternativene i menyen for avanserte innstillinger er:

- Søkeinnstillinger
- Lydinnstillinger
- System (se 16.1.5)

16.2.1 Søkeinnstillinger

Som standard stopper FM-skanningen ved alle tilgjengelige stasjoner. Dette kan føre til dårlig lyd kvalitet for stasjoner med svake signaler.

I menyen for avanserte innstillinger, trykk på «<»- eller «>»-knappen for å velge «**Scan setting**» («Søkeinnstillinger»), og trykk så på «**Select/Menu**» («Velg/Meny»)-knappen for å bekrefte.

EN

FR

IT

NL

NW

DK

PL

CZ

SK

Trykk på «<»- eller «>»-knappen for å velge enten «**All stations**» («Alle stasjoner») (standardinnstilling) eller «**Strong stations only**» («Kun sterke stasjoner») og trykk så på «**Select/Menu**» («Velg/Meny»)-knappen for å bekrefte innstillingen.

16.2.2 Lydinnstillinger

Som standard gjengis alle stereostasjoner i stereo. For svake stasjoner kan dette gi dårlig lyd kvalitet. Lyd kvaliteten kan forbedres ved å bruke mono.

I menyen for avanserte innstillinger, trykk på «<»- eller «>»-knappen for å velge «**Audio setting**» («Lydinnstillinger»), og trykk så på «**Select/Menu**» («Velg/Meny»)-knappen for å bekrefte.

Trykk på «<»- eller «>»-knappen for å velge enten «**Stereo allowed**» («Stereo tillatt») (standardinnstilling) eller «**Forced mono**» («Tvungen mono»), og trykk så på «**Select/Menu**» («Velg/Meny»)-knappen for å bekrefte innstillingen.

16.2.3 System

Se 16.1.5.

17 Feilsøking

Problem: Ingen strøm.

Løsning: Sørg for at strømadapteren er riktig tilkoblet.
Sjekk at apparatet er slått på.

Problem: Apparatet reagerer ikke når knappene trykkes.

Løsning: Apparatet kan låse seg under bruk. Slå apparatet av og så på igjen for å tilbakestille det.

Problem: Dårlig radiomottak.

Løsning: Sjekk at antennen er helt trukket ut. Elektrisk interferens hjemme hos deg kan føre til dårlige mottaksforhold. Flytt apparatet vekk fra andre elektriske apparater (særlig de som har motorer eller transformatorer).

Problem: Finner ikke ønsket stasjon.

Løsning: Dårlig signal. Søk manuelt.

18 Spesifikasjoner

Beskrivelse:	Digital DAB-/FM-klokke radio
Utgående lydeffekt:	1,5 W RMS
Strømforbruk:	I bruk: 3 W (maks.) I standbymodus: < 1 W
Frekvensområder:	FM: 87,5 – 108 MHz DAB: 174,928 – 239,200 MHz
LCD-display:	Skjerm med høy oppløsning
Strømforsyning:	Strøminngang (likestrøm): Likestrøm 6 V / 500 mA Strømadapterinngang: AC (vekselstrøm) 100 – 240 V, 50/60 Hz (bruk adapteren som følger med)
Dimensjoner:	150 mm (B) x 134 mm (D) x 53 mm (H)

EN

FR

IT

NL

NW

DK

PL

CZ

SK



Symbolene på produktet eller i instruksene betyr at det elektriske og elektroniske utstyret ditt skal avhendes på en annen måte enn med vanlig husholdningsavfall ved slutten av sin levetid. For mer informasjon, kontakt lokale myndigheter eller forhandleren der du kjøpte produktet.

Betjeningsvejledning

DIGITRADIO 51
DAB/FM digital clockradio



EN
FR
IT
NL
NW
DK
PL
CZ
SK

TechniSat

Indhold

1	Vigtige sikkerhedsoplysninger	106
2	Din DAB-/FM-clockradio.....	107
3	Pakkeliste	109
4	Softwareopdatering	109
5	Trinvis vejledning til igangsætning.....	109
6	Grundlæggende drift	110
6.1	Sådan skiftes mellem tilstandene Standby, DAB og FM.....	110
6.2	Tilstanden DAB-radio.....	110
6.3	Tilstanden FM-radio.....	110
7	Scanning	111
8	Ur	111
9	Indstilling af vækkeur	111
9.1	Udsættelsesfunktion.....	112
9.2	Stop vækkeur	112
9.3	Slå vækkeur fra.....	113
10	Hvile	113
11	Lysdæmperfunktion	113
12	Info	113
13	Tilstanden DAB-radio.....	114

14	Tilstanden FM-radio.....	114
15	Radio forudindstillinger	115
15.1	Gem en kanal i listen over forudindstillinger	115
15.2	Genkald en kanal fra listen over forudindstillinger	115
16	Avancerede indstillinger	115
16.1	Tilstanden DAB-radio.....	115
16.2	Tilstanden FM-radio.....	119
17	Fejlfinding.....	120
18	Specifikationer	121

EN

FR

IT

NL

NW

DK

PL

CZ

SK

1 Vigtige sikkerhedsoplysninger

Tak fordi du købte denne DAB-/FM-radio. Læs venligst disse vejledninger og advarsler grundigt før brug for at sikre sikker og tilfredsstillende drift af dette produkt.

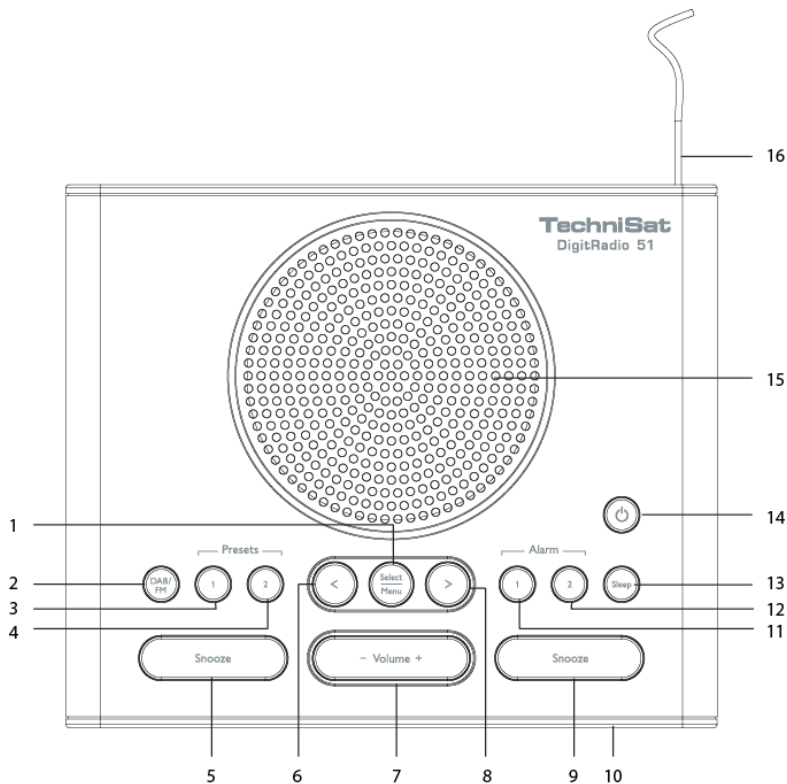
Det er meget vigtigt, at denne vejledende brochure gemmes sammen med produktet til fremtidig reference. Disse advarsler leveres med henblik på sikkerhed. Du SKAL læse dem grundigt, før du bruger apparatet. Hvis du er usikker på betydningen af disse advarsler, skal du kontakte forhandleren, hvor du købte apparatet.

- Apparatet er ikke beregnet til brug af personer (inklusive børn) med nedsatte fysiske eller mentale evner, nedsat følesans eller mangel på erfaring og/eller viden om apparatets brug, medmindre de er under opsyn eller har fået instruktion i, hvordan apparatet fungerer, af en person, der er ansvarlig for deres sikkerhed.
- For at beskytte mod brand, elektrisk stød og skade på personer må kablet, stikket eller selve enheden IKKE SÆNKES ned i vand eller andre væsker.
- Afbryd fra lysnettet, når det ikke er i brug, eller før der tilføjes eller fjernes dele og før rengøring.
- Anvend ikke apparatet med beskadiget ledning eller stik, eller efter apparatet har haft funktionsfejl eller er blevet beskadiget på anden måde. Lever apparatet tilbage til den nærmeste forhandler.
- Lad ikke strømkablet hænge ud over kanten på et bord eller skranke eller røre ved en varm overflade.
- I tilfælde af fejl skal du kontakte din nærmeste forhandler. Ingen reparation må udføres af forbrugeren.
- Brug ikke apparatet til andet end den tilsigtede brug.
- Kun til indendørs brug. Må ikke anvendes udendørs.
- Gem disse vejledninger til fremtidig reference.

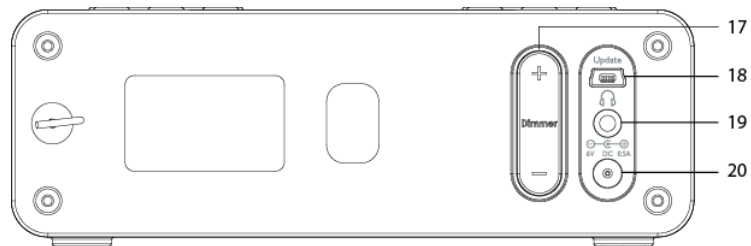
Advarsel: Polyetylenposer over produktet eller emballage kan være farlige. For at undgå kvælningfare skal de opbevares utilgængeligt for spædbørn og børn.

2 Din DAB-/FM-clockradio

- 1 Vælg/Menu-knap
- 2 DAB-/FM-knap
- 3 Forudindstilling 1 knap
- 4 Forudindstilling 2 knap
- 5 Udsæt-knap
- 6 Kanal ned-knap
- 7 - Lydstyrke + knapper
- 8 Kanal op-knap
- 9 Udsæt-knap
- 10 LCD-skærm
- 11 Vækkeur 1 knap
- 12 Vækkeur 2 knap
- 13 Hvile-knap
- 14 Afbryderknap
- 15 Højtaler
- 16 DAB-/FM-antenne



- 17 - Lysdæmper + knapper
- 18 OPDATERINGS-port
- 19 Hovedtelefonindgang
- 20 DC IN-indgang



3 Pakkeliste

DAB/FM digital radio x 1
AC strømadapter x 1
Betjeningsvejledning x 1

4 Softwareopdatering

Porten "OPDATERING" på bagsiden af radioen er kun til professionel service.

5 Trinvis vejledning til igangsætning

Tryk på knappen ' ' for at tænde for radioen.

For DAB

- 1 Tryk på knappen 'DAB/FM' for at vælge DAB.
- 2 Hvis det er første gang du bruger den, vil den automatisk starte en søgning.
- 3 Tryk på knappen ' < ' eller ' > ' for at finde den ønskede kanal, og tryk derefter på knappen 'Vælg/Menu' for at bekræfte.
- 4 Din radio indstiller automatisk.
- 5 Juster lydstyrken ved brug af knapperne ' - Lydstyrke +', tryk på 'Lydstyrke -' for at sænke lydstyrken, og tryk på knappen 'Lydstyrke +' for at hæve lydstyrken.

For FM

- 1 Tryk på knappen 'DAB/FM' for at vælge FM.
- 2 For at søge efter en kanal skal du trykke og holde knappen ' < ' eller ' > ' nede for at søge bagud eller fremad.

EN

FR

IT

NL

NW

DK

PL

CZ

SK

- 3 Indstil kanaler manuelt ved at trykke på knappen ' < ' eller ' > ' for at finde den ønskede kanal.
Bemærk: I FM-tilstand kan du også søge efter kanalen manuelt ved at trykke på knappen ' < ' eller ' > ' for at justere FM-frekvenser med henholdsvis 0,05 MHz op eller ned.
- 4 Din radio indstiller automatisk.
- 5 Juster lydstyrken ved brug af knapperne '- Lydstyrke +', tryk på 'Lydstyrke -' for at sænke lydstyrken, og tryk på knappen 'Lydstyrke +' for at hæve lydstyrken.
Bemærk: Under søgningen slås lyden automatisk fra.

6 Grundlæggende drift

6.1 Sådan skiftes mellem tilstandene Standby, DAB og FM

Tilslut strømadapteren til DC IN-stikket på radioen. Radioen tændes. Tryk på knappen **'DAB/FM'** for at skifte mellem DAB- og FM-tilstand. Tryk på knappen **'⏻'** for at sætte radioen i standby-tilstand.

6.2 Tilstanden DAB-radio

DAB-tilstand modtager DAB digital radio og viser oplysninger om kanalen og programmet/sangen som udsendes.

6.3 Tilstanden FM-radio

FM-tilstand modtager analog radio fra FM-bølgebåndet og viser RDS (Radio datasystem) oplysninger om kanalen og show (hvis det udsendes). Mens FM afspilles, viser LCD-skærmen sin frekvens eller, hvis RDS-information er tilgængelig kanalnavn og andre yderligere 'RADIOTEKST' oplysninger. Hvis ingen oplysninger er tilgængelige, vises kun frekvensen og en 'INGEN RADIOTEKST' meddelelse.

7 Scanning

Når en scanning er udført, vender radioen tilbage til afspilning af den tidligere valgte kanal eller den første kanal på kanallisten. Du skal muligvis gentage dette lejlighedsvis af følgende årsager:

- Nye kanaler kan blive tilgængelige fra tid til anden.
- Kanaler er lukkede eller kan ikke længere modtages.
- Hvis modtagelsen ikke var god i den oprindelige scanning (for eksempel hvis antennen ikke var oppe), kan dette medføre en tom eller ufuldstændig liste over tilgængelige kanaler.
- Hvis du har dårlig modtagelse af visse kanaler, der medfører, at lyden afbrydes, kan du ønske kun at opføre kanaler med god signalstyrke.

8 Ur

Når du starter apparatet (eller efter en fabriksnulstilling), indstilles uret til "00:00". Normalt synkroniserer radioen automatisk uret fra DAB-kanalen efter en scanning. Se venligst 16.1.5.1 for at indstille uret manuelt.

9 Indstilling af vækkeur

Din radio har dobbelt vækkeur. Du kan indstille vækkeur i DAB-tilstand eller FM-tilstand. Ved Indstilling af vækkeuret skal du sørge for først at indstille uret.

For at indstille Vækkeur 1 skal du trykke og hold knappen **'Vækkeur 1'** nede. For at indstille Vækkeur 2 skal du trykke og hold knappen **'Vækkeur 2'** nede. Vækkeursikonet '⌚' eller '⌚' blinker.

Tryk på knappen '**<**' eller '**>**' for at indstille vækkeur-tilstand **'Til'**, og tryk derefter på knappen **'Vælg/Menu'** for at bekræfte.

Tryk på knappen '**<**' eller '**>**' for at indstille timetallet for vække-tidspunkt, og tryk derefter på knappen **'Vælg/Menu'** for at bekræfte.

Tryk på knappen '**<**' eller '**>**' for at indstille minuttallet for vække-tidspunkt, og tryk derefter på knappen **'Vælg/Menu'** for at bekræfte.

Tryk på knappen '**<**' eller '**>**' for at indstille vækningens varighed, og tryk derefter på knappen **'Vælg/Menu'** for at bekræfte.

EN

FR

IT

NL

NW

DK

PL

CZ

SK

Varighedsmuligheder: 15/30/45/60/90 minutter

Tryk på knappen ' < ' eller ' > ' for at indstille vækkeur-kilde, og tryk derefter på knappen 'Vælg/Menu' for at bekræfte.

Kildeindstillinger: Summer/DAB/FM.

Når der vælges DAB og FM som vækkeur-kilde, er **Seneste kanal** og **Forudindstillede kanaler**, du har gemt tilgængelige. Tryk på knappen ' < ' eller ' > ' for at vælge, og tryk på knappen '**Vælg/Menu**' for at bekræfte.

Bemærk: Hvis DAB er valgt som vækningskilde og DAB-signalstyrken er lav, udløses summeren i stedet.

Tryk på knappen ' < ' eller ' > ' for at vælge hvilke dage vækkeuret skal aktiveres, og tryk derefter på knappen '**Vælg/Menu**' for at bekræfte.

Vækkeurets aktive indstillinger: Daglig/Én gang/ Weekender/Ugedage

Tryk på knapperne '**- Lydstyrke +**' for at indstille vækkeurets lydstyrke, og tryk derefter på knappen '**Vælg/Menu**' for at bekræfte.

Radioen viser '**Vækkeur gemt**'. Vækkeursikonet '⏰' eller '⌚' vises på skærmen.

Bemærk: Vækkeurets info vises på skærmen. Vækkeur 1 info og Vækkeur 2 info vises efter tur, hvis begge vækkeure er indstillet.

9.1 Udsættelsesfunktion

Når vækkeuret ringer, skal du trykke på knappen '**Udsæt**' for at aktivere udsættelse. Tryk på knappen '**Udsæt**' gentagne gange for at indstille udsættelsestiden til 5, 10, 15 eller 30 minutter, derefter stoppes vækkeuret midlertidigt. Radioen går i standby-tilstand og viser udsættelsestiden.

Bemærk: Med udsættelsestid er særlige indstillinger i forhold til den varighed, du valgte for vækkeuret.

Varighed	Udsættelsestid
15 minutter	5, 10 minutter
30 minutter	5, 10, 15 minutter
45/60/90 minutter	5, 10, 15, 30 minutter

9.2 Stop vækkeur

Du kan stoppe vækkeuret ved at trykke på knappen '⏰', når vækkeuret ringer.

9.3 Slå vækkeur fra

Tryk på knappen **'Vækkeur 1'** eller **'Vækkeur 2'** for at slukke for vækkeuret. Vækkeursikonet '⌚' eller '⌚' forsvinder fra skærmen.

Bemærk: Gentagne tryk på knappen **'Vækkeur 1'** eller **'Vækkeur 2'** skifter vækkeuret mellem til og fra.

10 Hvile

Dette gør din radio i stand til at skifte til standby-tilstand af sig selv efter en indstilling af hviletilstand.

Tryk på knappen **'Hvile'** gentagne gange for at vælge en hviletid, og tryk derefter på knappen **'Vælg/Menu'** for at bekræfte. Hvileikonet '⌚' vises på skærmen.

Valgmuligheder for hviletid: fra/15/30/45/60/90 minutter

Efter hviletiden er indstillet, kan du se nedtællingen af hviletid ved at trykke på knappen **'Hvile'**.

Tryk på knappen **'Hvile'** gentagne gange for at vælge **'Hvile fra'**, og tryk derefter på knappen **'Vælg/Menu'** for at slukke for hvile-timer.

11 Lysdæmperfunktion

Skærmens lysstyrke kan justeres manuelt med knapperne **'- Lysdæmper +'** på bagpanelet.

Der findes samlet 9 niveauer for lysintensitet.

Tryk på knappen 'Lysdæmper -' én gang for at sænke niveauet med 1 trin.

Tryk på knappen 'Lysdæmper +' én gang for at hæve niveauet med 1 trin.

12 Info

Når et program afspilles, kan du se yderligere oplysninger på skærmen ved at trykke på knappen **'Vælg/Menu'** gentagne gange.

EN

FR

IT

NL

NW

DK

PL

CZ

SK

13 Tilstanden DAB-radio

Du kan se yderligere oplysninger, der omfatter:

- Vækkeur info
- DLS (Dynamisk labelsegment – korte tekstoplysninger udsendt med DAB-lyd)
- Signalstyrke
- PTY (Programtype)
- Ensemble
- Frekvens
- Signalkvalitet
- Bithastighed og Codec
- Format
- Tid
- Dato

14 Tilstanden FM-radio

Du kan se yderligere oplysninger, der omfatter:

- Vækkeur info
- Radiotekst
- PTY (Programtype)
- PS (Programservice)
- Lyd-info
- Tid
- Dato

15 Radio forudindstillinger

Systemet kan gemme 2 DAB-kanaler og 2 FM-kanaler på listen over forudindstillinger.

15.1 Gem en kanal i listen over forudindstillinger

For at gemme en kanal skal du vælge din ønskede radiokanal og derefter trykke og holde knappen **'Forudindstilling 1'** eller **'Forudindstilling 2'** nede, indtil LCD-skærmen viser 'Forudindstilling gemt'.

15.2 Genkald en kanal fra listen over forudindstillinger

For at genkalde en forudindstillet kanal ska du trykke på knappen **'DAB/FM'** for at vælge din ønskede tilstand og derefter trykke på knappen **'Forudindstilling 1'** eller **'Forudindstilling 2'** for at vælge den forudindstillede kanal.

Bemærk: Hvis du vælger en forudindstilling, som ikke har fået tildelt en kanal, vises **'Ingen forudindstilling # indstillet'**.

16 Avancerede indstillinger

Avancerede indstillinger tillader dig at skræddersy DAB-/FM-radio med et udvalg af indstillinger, der passer dig. For at tilgå avancerede indstillinger fra DAB- eller FM-tilstand skal du trykke og holde knappen **'Vælg/Menu'** nede for at tilgå menuen.

16.1 Tilstanden DAB-radio

Under menuen avancerede indstillinger skal du trykke på knappen **'<'** eller **'>'** for at rulle gennem menuindstillingerne. Stop derefter ved din foretrukne valgmulighed, og tryk på knappen **'Vælg/Menu'** for at bekræfte. Menuvalgmulighederne for avancerede indstillinger er:

- Fuld scanning
- Manuel indstilling
- DRC
- Beskær
- System

EN

FR

IT

NL

NW

DK

PL

CZ

SK

16.1.1 Fuld scanning

Under menuen avancerede indstillinger ska du trykke på knappen ' < ' eller ' > ' for at vælge **'Fuld søgning'**, og derefter trykke på knappen **'Vælg/Menu'** for at bekræfte.

Fuld scanning starter automatisk. Når en scanning er udført, vender radioen tilbage til afspilning af den tidligere valgte kanal eller den første kanal på listen.

Bemærk: Hvis der ikke findes en radiokanal, viser den 'INGEN DAB-KANAL'. For at få en bedre modtagelse kan du justere antennen eller udføre en fuld scanning igen et andet sted.

16.1.2 Manuel indstilling

Ligesom med den normale scanningsmetode kan du også søge manuelt efter en specifik kanal/frekvens. Dette kan være nyttigt til justering af din antenne for at opnå den bedste mulige modtagelse og søge efter en specifik kanal for at opdatere kanallisten.

Under menuen avancerede indstillinger skal du trykke på knappen ' < ' eller ' > ' for at vælge **'Manuel søgning'** og derefter trykke på knappen **'Vælg/Menu'** for at bekræfte.

Tryk på knappen ' < ' eller ' > ' for at vælge specifik kanal/frekvens, og tryk derefter på knappen **'Vælg/Menu'** for at bekræfte.

Bemærk: Skærmen viser en live indikation af den modtagne signalstyrke på den valgte frekvens. Justeringer af din antenne vil påvirke den modtagne signalstyrke, der vises. De nye kanaler føjes automatisk til kanallisten.

For at afspille den fundne kanal skal du først trykke og holde knappen **'Vælg/Menu'** nede for at forlade manuel søgning

16.1.3 DRC

Hvis du lytter til musik med et højt dynamisk område i et støjfuldt miljø (for eksempel klassisk musik, når du laver mad), kan du ønske at komprimere det dynamiske område. Dette får lavere lyde til at lyde højere og høje lyde til at lyde lavere.

Under menuen avancerede indstillinger skal du trykke på knappen ' < ' eller ' > ' for at vælge **'DRC'** og derefter trykke på knappen **'Vælg/Menu'** for at bekræfte.

Tryk på knappen ' < ' eller ' > ' for at vælge **'DRC fra'** (standard), **'DRC høj'** eller **'DRC lav'**, og tryk derefter på knappen **'Vælg/Menu'** for at bekræfte indstilling.

16.1.4 Beskær

Dette fjerner alle utilgængelige kanaler fra kanallisten.

Under menuen avancerede indstillinger skal du trykke på knappen '<' eller '>' for at vælge **'Beskær'** og derefter trykke på knappen **'Vælg/Menu'** for at bekræfte.

Tryk på knappen '>' for at vælge **<Ja>**, og tryk derefter på knappen **'Vælg/Menu'** for at bekræfte fjernelse af alle ugyldige kanaler.

16.1.5 System

System-menuvalgmuligheder er:

- Tid
- Baggrundsbelysning
- Sprog
- Fabriksindstilling
- SW-version

16.1.5.1 Tid

I tidsmenuen kan du indstille tid/dato, tid-/datoformat og kilde for tidsopdatering.

I systemmenuen skal du trykke på knappen '<' eller '>' for at vælge **'Tid'** og derefter trykke på knappen **'Vælg/Menu'** for at bekræfte.

16.1.5.1.1 Indstil tid/dato

I tidsmenuen skal du trykke på knappen '<' eller '>' for at vælge **'Indstil tid/dato'** og derefter trykke på knappen **'Vælg/Menu'** for at bekræfte.

Indstil tid (Time) ved brug af knappen '<' eller '>', og tryk derefter på knappen **'Vælg/Menu'** for at bekræfte.

Indstil tid (Minut) ved brug af knappen '<' eller '>', og tryk derefter på knappen **'Vælg/Menu'** for at bekræfte.

Indstil dato (Dato/ Måned/ År) ved brug af knappen '<' eller '>', og tryk derefter på knappen **'Vælg/Menu'** for at bekræfte.

LCD-skærmen viser **'Tid gemt'**.

EN

FR

IT

NL

NW

DK

PL

CZ

SK

16.1.5.1.2 Automatisk opdatering

I tidsmenuen skal du trykke på knappen ' < ' eller ' > ' for at vælge '**Automatisk opdatering**' og derefter trykke på knappen '**Vælg/Menu**' for at bekræfte.

Tryk på knappen ' < ' eller ' > ' for at vælge kilde til tidsopdatering, og tryk derefter på knappen '**Vælg/Menu**' for at bekræfte. Kilde til tidsopdatering: **Opdatering fra enhver**(standard)/**Opdatering fra DAB/Opdatering fra FM/Ingen opdatering**.

16.1.5.1.3 Indstil 12/24 timer

I tidsmenuen skal du trykke på knappen ' < ' eller ' > ' for at vælge '**indstil 12/24 timer**' og derefter trykke på knappen '**Vælg/Menu**' for at bekræfte.

Tryk på knappen ' < ' eller ' > ' for at vælge tidsformat '**Indstil 24 timer**'(standard) eller '**Indstil 12 timer**', og tryk derefter på knappen '**Vælg/Menu**' for at bekræfte.

16.1.5.1.4 Indstil datoformat

I tidsmenuen skal du trykke på knappen ' < ' eller ' > ' for at vælge '**Indstil datoformat**' og derefter trykke på knappen '**Vælg/Menu**' for at bekræfte.

Tryk på knappen ' < ' eller ' > ' for at vælge the datoformat '**DD-MM-ÅÅÅÅ**'(standard) eller '**MM-DD-ÅÅÅÅ**', og tryk derefter på knappen '**Vælg/Menu**' for at bekræfte.

16.1.5.2 Baggrundsbelysning

Skærmen på denne radio har en baggrundsbelysning med en justerbar timeout (dette er tidsforsinkelsen i sekunder, hvorefter skærmen slukkes).

I menuen baggrundsbelysning skal du trykke på knappen ' < ' eller ' > ' for at vælge '**Timeout**' og derefter trykke på knappen '**Vælg/Menu**' for at bekræfte.

Tryk på knappen ' < ' eller ' > ' for at vælge en specifik valgmulighed, og tryk derefter på knappen '**Vælg/Menu**' for at bekræfte indstillingen.

Timeout valgmuligheder: **INGEN Timeout** (standard)/**5 sek./10 sek./30 sek./1 minut/2 minutter/3 minutter**

Du kan justere lysstyrkeniveauet ved at trykke på knapperne '**- Lysdæmper +**' (se venligst 11).

16.1.5.3 Sprog

Standard menusproget er tysk. Du kan skifte til dit ønskede sprog.

Der findes seks tilgængelige sprog: Tysk/Engelsk/Fransk/Spansk/Italiensk/Dansk.

I systemmenuskal du trykke på knappen ' < ' eller ' > ' for at vælge '**Sprog**' og derefter trykke på knappen '**Vælg/Menu**' for at bekræfte.

Tryk på knappen ' < ' eller ' > ' for at vælge dit sprog, og tryk derefter på knappen '**Vælg/Menu**' for at bekræfte.

16.1.5.4 Fabriksindstilling

En fabriksindstilling rydder alle brugerdefinerede indstillinger, og de erstattes med de originale standardværdier, så tid/dato, DAB-kanalliste og forudindstillede kanaler går tabt.

I systemmenu skal du trykke på knappen ' < ' eller ' > ' for at vælge '**Fabriksnulstilling**' og derefter trykke på knappen '**Vælg/Menu**' for at bekræfte.

Tryk på knappen ' > ' for at vælge '**Ja**', og tryk derefter på knappen '**Vælg/Menu**' for at bekræfte.

16.1.5.5 SW-version

Dette viser den nuværende softwareversion.

I systemmenu skal du trykke på knappen ' < ' eller ' > ' for at vælge '**SW-version**' og derefter trykke på knappen '**Vælg/Menu**' for at bekræfte. LCD-skærmen viser softwareversionen.

16.2 Tilstanden FM-radio

Under menuen avancerede indstillinger skal du trykke på knappen ' < ' eller ' > ' for at rulle gennem menuindstillingerne. Stop derefter ved din foretrukne valgmulighed, og tryk på knappen '**Vælg/Menu**' for at bekræfte. Menuvalgmulighederne for avancerede indstillinger er:

- Scanningsindstilling
- Lydindstilling
- System (se venligst 16.1.5)

EN

FR

IT

NL

NW

DK

PL

CZ

SK

16.2.1 Scanningsindstilling

Som standard stopper FM-scanninger ved enhver tilgængelig kanal (alle kanaler). Dette kan medføre lyd af dårlig kvalitet fra svage kanaler.

Under menuen avancerede indstillinger skal du trykke på knappen ' < ' eller ' > ' for at vælge '**Scanningsindstilling**' og derefter trykke på knappen '**Vælg/Menu**' for at bekræfte.

Tryk på knappen ' < ' eller ' > ' for at vælge '**Alle kanaler**'(standard) eller 'Kun stærke kanaler', og tryk derefter på knappen '**Vælg/Menu**' for at bekræfte indstillingen.

16.2.2 Lydindstilling

Som standard gengives alle stereo-kanaler i stereo. Ved svage kanaler kan dette medføre lyd med dårlig kvalitet. Lydkvaliteten kan forbedres ved brug af mono.

Under menuen avancerede indstillinger skal du trykke på knappen ' < ' eller ' > ' for at vælge '**Lydindstilling**' og derefter trykke på knappen '**Vælg/Menu**' for at bekræfte.

Tryk på knappen ' < ' eller ' > ' for at vælge '**Stereo tilladt**'(standard) eller '**Tvungen mono**', og tryk derefter på knappen '**Vælg/Menu**' for at bekræfte indstillingen.

16.2.3 System

Se venligst 16.1.5.

17 Fejlfinding

Problem: Ingen strøm.

Løsning: Kontroller, at strømadapteren er korrekt tilsluttet.

Kontroller, at radioen er tændt.

Problem: Apparatet svarer ikke, når der trykkes på knapperne.

Løsning: Apparatet kan blive utilgængeligt under brug. Sluk for apparatet, og tænd for det igen for at nulstille det.

Problem: Dårlig radiomodtagelse.

Løsning: Kontrollér, at antennen er trukket helt ud. Elektrisk interferens i dit hjem kan forårsage dårlig modtagelse. Flyt apparatet væk fra dem (især dem med motorer og transformatorer).

Problem: Den ønskede kanal blev ikke fundet.

Løsning: Svagt signal. Søg manuelt.

18 Specifikationer

Beskrivelse:	DAB/FM digital clockradio
Lyd-output:	1,5 W RMS
Strømforbrug:	Drift: 3 W (Maks.) Standby: < 1 W
Frekvensområder:	FM: 87,5-108 MHz DAB: 174,928-239,200 MHz
LCD-skærm:	Skærm med høj opløsning
Strømforsyning:	DC IN-indgang: DC 6 V/500 mA Strømadapterindgang: Vekselstrøm 100-240 V, 50-60 Hz (brug vores medfølgende adapter)
Mål:	150 mm (B) x 134 mm (D) x 53 mm (H)

EN

FR

IT

NL

NW

DK

PL

CZ

SK



Symbolerne på produktet eller i vejledningerne betyder, at dit elektriske og elektroniske udstyr skal bortskaffes ved afslutningen af dets levetid, adskilt fra dit husholdningsaffald. For yderligere oplysninger kontakt venligst de lokale myndigheder eller din forhandler, hvor du købte produktet.

Instrukcja obsługi

DIGITRADIO 51

Cyfrowy budzik radiowy DAB/UKF



TechniSat

Treść

1	Ważne wskazówki dotyczące bezpieczeństwa.....	126
2	Twój budzik radiowy DAB/UKF	127
3	Zawartość opakowania	128
4	Aktualizacja oprogramowania	129
5	Skrócona instrukcja obsługi	129
6	Podstawy obsługi.....	130
6.1	Przełączanie pomiędzy trybem czuwania, DAB i UKF	130
6.2	Tryb radia DAB	130
6.3	Tryb radia UKF	130
7	Skanowanie.....	131
8	Zegar.....	131
9	Ustawienie alarmu.....	131
9.1	Funkcja drzemki.....	132
9.2	Zatrzymanie alarmu.....	132
9.3	Wyłączanie alarmu	133
10	Sleep	133
11	Funkcja przyciemniania.....	133
12	Informacje	133
13	Tryb radia DAB	134

14	Tryb radia UKF.....	134
15	Ustawione stacje radiowe	135
15.1	Zapis na liście ustawionych stacji.....	135
15.2	Wywoływanie stacji z listy ustawionych stacji.....	135
16	Ustawienia zaawansowane	135
16.1	Tryb radia DAB	135
16.2	Tryb radia UKF	139
17	Usuwanie usterek.....	140
18	Dane techniczne	141

EN

FR

IT

NL

NW

DK

PL

CZ

SK

1 Ważne wskazówki dotyczące bezpieczeństwa

Dziękujemy za zakup radia DAB/FM. W celu zapewnienia prawidłowego działania produktu, prosimy o dokładne przeczytanie instrukcji i ostrzeżeń przed rozpoczęciem eksploatacji.

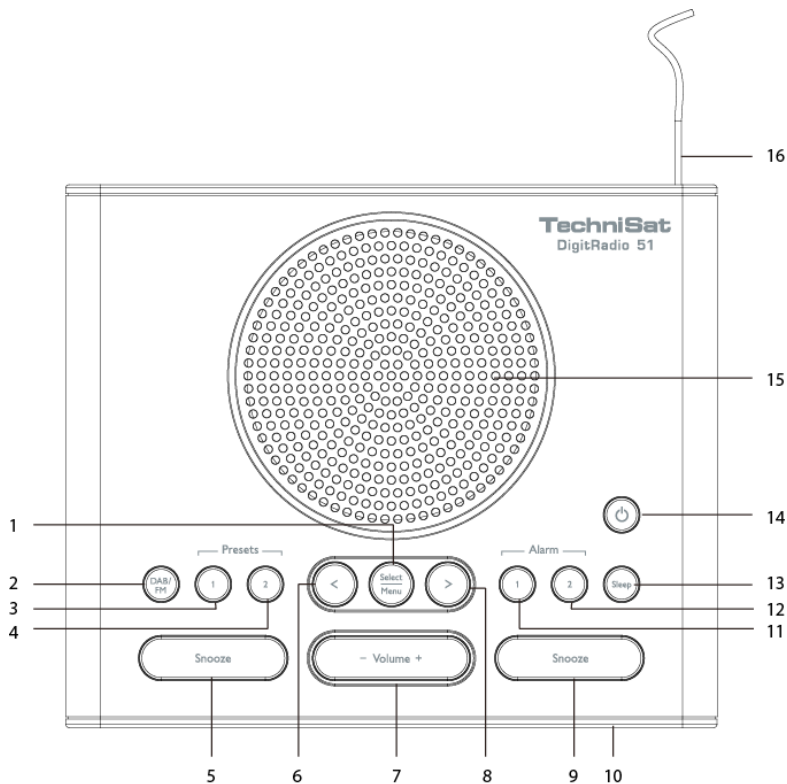
Zachowaj instrukcję wraz z urządzeniem w celu jej wykorzystania w przyszłości. Wszelkie ostrzeżenia są mają na celu zapewnienie bezpieczeństwa. Przed rozpoczęciem eksploatacji urządzenia użytkownik MUSI zapoznać się z ich treścią. W przypadku wątpliwości związanych z treścią ostrzeżeń, prosimy o kontakt ze sprzedawcą urządzenia.

- Urządzenie nie jest przeznaczone do wykorzystania przez osoby o ograniczonych możliwościach fizycznych, fizjologicznych lub o niskim poziomie wiedzy ogólnej (włącznie z dziećmi), chyba, że osoby te pozostają pod nadzorem osoby odpowiedzialnej za ich bezpieczeństwo lub uzyskały od takiej osoby odpowiednie wskazówki.
- W celu zabezpieczenia przed pożarem, porażeniem elektrycznym lub obrażeniami ciała, NIE ZANURZAJ przewodu elektrycznego, wtyczki lub jednostki bazowej w wodzie lub w innych cieczach.
- Gdy urządzenie nie jest eksploatowane odłącz je od zasilania, także podczas demontażu jego elementów lub czyszczenia.
- Nie eksploatuj urządzenia w przypadku stwierdzenia uszkodzenia przewodu lub wtyczki zasilania lub po wystąpieniu nieprawidłowości albo jakichkolwiek innych uszkodzeń. Zwróć urządzenie do najbliższego sprzedawcy.
- Nie dopuszczaj do zwisania przewodu zasilania z krawędzi stołu lub biurka ani do jego stykania się z gorącymi powierzchniami.
- W razie stwierdzenia usterki skontaktuj się z najbliższym sprzedawcą. Użytkownik nie powinien dokonywać żadnych napraw urządzenia.
- Należy używać urządzenia zgodnie z jego przeznaczeniem.
- Urządzenie jest przeznaczone do użytku domowego wewnątrz pomieszczeń.
- Zachowaj instrukcję w celu jej wykorzystania w przyszłości.

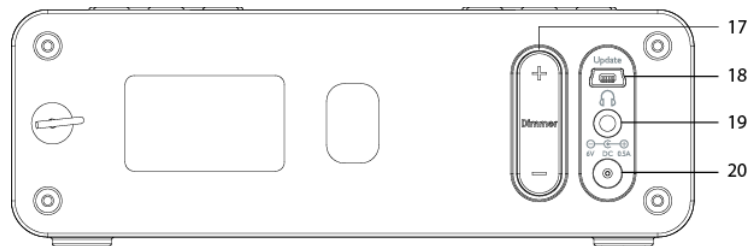
Ostrzeżenie: Opakowania polietylenowe lub inne opakowania produktu mogą być niebezpieczne. W celu uniknięcia zagrożenia uduszeniem, utrzymuj je z dala od dzieci.

2 Twój budzik radiowy DAB/UKF

- 1 Przycisk Wybierz/Menu
- 2 Przycisk DAB/FM
- 3 Przycisk Ustaw 1
- 4 Przycisk Ustaw 2
- 5 Przycisk Drzemka
- 6 Przycisk stacja w dół
- 7 Przyciski głośności - Volume +
- 8 Przycisk stacja w górę
- 9 Przycisk Drzemka
- 10 Wyświetlacz LCD
- 11 Przycisk Alarm 1
- 12 Przycisk Alarm 2
- 13 Przycisk Sleep
- 14 Przycisk zasilania Power
- 15 Głośnik
- 16 Antena DAB/FM



- 17 Przyciski przyciemniania - Dimmer +
- 18 Gniazdo aktualizacji UPDATE
- 19 Wejście na słuchawki
- 20 Gniazdo DC IN



3 Zawartość opakowania

Cyfrowe radio DAB/FM x 1
Zasilacz AC x 1
Instrukcja obsługi x 1

4 Aktualizacja oprogramowania

Znajdujące się na tylnej ścianie gniazdo aktualizacji „UPDATE” jest przeznaczone do wykorzystania wyłącznie przez serwisantów.

5 Skrócona instrukcja obsługi

Naciśnij przycisk „ ” w celu włączenia radia.

Dotyczy DAB

- 1 Naciśnij przycisk „DAB/FM” w celu uruchomienia trybu DAB.
- 2 W przypadku pierwszego uruchomienia, urządzenie rozpocznie automatyczne skanowanie.
- 3 Naciśnij przycisk „ < ” lub „ > ” w celu wyszukania odpowiednich stacji, następnie naciśnij przycisk „Wybierz/Menu” w celu potwierdzenia.
- 4 Radio automatycznie dostroi się.
- 5 Wyreguluj głośność za pomocą przycisków „- Volume +”, naciśnij przycisk „Volume -” w celu zmniejszenia głośności i odpowiednio przycisk „Volume +” w celu jej zwiększenia.

Dotyczy UKF

- 1 Naciśnij przycisk „DAB/FM” w celu uruchomienia trybu UKF.
- 2 W celu rozpoczęcia poszukiwania stacji, naciśnij i przytrzymaj przycisk „<” lub „>” w celu rozpoczęcia poszukiwania do przodu lub do tyłu.

EN

FR

IT

NL

NW

DK

PL

CZ

SK

- 3 Ręczne strojenie możliwe jest poprzez naciśnięcie przycisku „<” lub „>” w celu wyszukania odpowiedniej stacji.
Uwaga: W trybie UKF możliwe jest także ręczne wyszukiwanie stacji poprzez naciśnięcie przycisku „<” lub „>” i zmianę częstotliwości w górę lub w dół każdorazowo o 0,05 MHz.
- 4 Radio automatycznie dostroi się.
- 5 Wyreguluj głośność za pomocą przycisków „- Volume +”, naciśnij przycisk „Volume -” w celu zmniejszenia głośności i odpowiednio przycisk „Volume +” w celu jej zwiększenia.
Uwaga: W trakcie skanowania dźwięk zostaje automatycznie ściszony.

6 Podstawy obsługi

6.1 Przelącznie pomiędzy trybem czuwania, DAB i UKF

Podłącz zasilacz do gniazda DC IN radia. Spowoduje to jego włączenie.
Naciśnij przycisk „**DAB/FM**” w celu przełączenia pomiędzy trybami DAB oraz FM.
Naciśnij przycisk „**⏻**” w celu przełączenia radia do trybu czuwania.

6.2 Tryb radia DAB

W trybie DAB, cyfrowe radio DAB odbiera i wyświetla informacje dotyczące stacji oraz programu/utworu w trakcie odtwarzania.

6.3 Tryb radia UKF

W trybie UKF, radio odbiera analogowy sygnał w paśmie UKF i wyświetla informacje RDS (Radio Data System) dotyczące stacji oraz audycji (jeżeli informacje takie są nadawane). W trakcie odtwarzania stacji UKF, na wyświetlaczu LCD widoczna jest jej częstotliwość lub, w przypadku odbierania danych RDS, nazwa stacji oraz inne informacje typu „RADIO TEXT”. Jeżeli informacje te nie są dostępne, na wyświetlaczu widoczna będzie częstotliwość oraz komunikat „NO RADIO TEXT”.

7 Skanowanie

Po zakończeniu skanowania, radio powraca do odtwarzania poprzedniej stacji radiowej lub pierwszej stacji z listy. Powtarzanie tej operacji może okazać się konieczne, ponieważ:

- Co jakiś czas pojawiają się nowe stacje radiowe.
- Niektóre stacje radiowe mogą zaprzestać nadawania.
- Jeżeli jakość odbioru podczas pierwszego skanowania była niska (na przykład antena była złożona), lista stacji może być pusta lub niekompletna.
- W przypadku niskiej jakości odbioru niektórych stacji lub zanikania ich sygnału, zaleca się dodawanie do listy tylko stacji o wysokiej sile sygnału.

8 Zegar

Po włączeniu jednostki (lub przywróceniu ustawień fabrycznych), zegar wskaże „00:00”.

Domyślnie radio automatycznie synchronizuje czas na podstawie sygnału stacji DAB po zakończeniu skanowania. W celu ręcznego ustawienia zegara wykonaj procedurę opisaną w 16.1.5.1.

9 Ustawienie alarmu

Radio jest wyposażone w podwójny alarm. Alarm może uruchomić radio DAB lub radio FM. Przed ustawieniem alarmu sprawdź, czy godzina wskazywana przez urządzenie jest prawidłowa.

W celu ustawienia alarmu 1, naciśnij i przytrzymaj przycisk „**Alarm 1**”. W celu ustawienia alarmu 2, naciśnij i przytrzymaj przycisk „**Alarm 2**”. Ikona alarmu „🔔” lub „🔔” będzie błyskać.

Naciśnij przycisk „<” lub „>” aby włączyć alarm „**On**”, następnie naciśnij przycisk „**Wybierz/Menu**” w celu potwierdzenia.

Naciśnij przycisk „<” lub „>” aby ustawić godzinę alarmu, następnie naciśnij przycisk „**Wybierz/Menu**” w celu potwierdzenia.

Naciśnij przycisk „<” lub „>” aby ustawić minuty godziny alarmu, następnie naciśnij przycisk „**Wybierz/Menu**” w celu potwierdzenia.

Naciśnij przycisk „<” lub „>” aby włączyć czas trwania alarmu, następnie naciśnij przycisk „**Wybierz/Menu**” w celu potwierdzenia.

Opcje czasu trwania alarmu: 15/30/45/60/90 minut

Naciśnij przycisk „ < ” lub „ > ” aby wskazać źródło alarmu, następnie naciśnij przycisk „Wybierz/Menu” w celu potwierdzenia.

Opcje źródła: Budzik/DAB/UKF.

W przypadku wybrania źródła DAB oraz UKF, dostępne będą opcje **Ostatnio odtwarzana** oraz **Stacja ustawiona w pamięci**. Naciśnij przycisk „ < ” lub „ > ” aby dokonać odpowiedniego wyboru i naciśnij przycisk „**Wybierz/Menu**” w celu potwierdzenia.

Uwaga: Jeżeli tryb budzika ma spowodować uruchomienie radia oraz siła sygnału DAB jest niska, zamiast radia uruchomiony zostanie alarm dźwiękowy.

Naciśnij przycisk „ < ” lub „ > ” w celu wskazania dnia uruchomienia alarmu, następnie naciśnij przycisk „**Wybierz/Menu**” w celu potwierdzenia.

Opcje uruchamiania alarmu: Codziennie/jeden raz/w weekendy/w dni powszednie

Naciśnij przycisk „- **Volume +** ” aby ustawić głośność alarmu, następnie naciśnij przycisk „**Wybierz/Menu**” w celu potwierdzenia.

Na wyświetlaczu pojawi się komunikat „**Alarm zapisany**”. Na wyświetlaczu pojawi się ikona „🔔” lub „🔔”.

Uwaga: Na wyświetlaczu pojawi się informacja dotycząca alarmu. Informacje Alarm 1 oraz Alarm 2 będą widoczne jeżeli oba alarmy zostaną ustawione.

9.1 Funkcja drzemki

W trakcie trwania alarmu, naciśnij przycisk „**Drzemka**” w celu uruchomienia drzemki. Naciskaj przycisk „**Drzemka**” w celu ustawienia czasu drzemki na 5, 10, 15 lub 30 minut. Spowoduje to chwilowe wstrzymanie alarmu. Radio przejdzie do trybu czuwania i będzie wskazywało czas drzemki.

Uwaga: Czas drzemki jest powiązany z wybranym czasem alarmu.

Czas trwania	Czas drzemki
15 minut	5, 10 minut
30 minut	5, 10, 15 minut
45/60/90 minut	5, 10, 15, 30 minut

9.2 Zatrzymanie alarmu

Wyłączenie alarmu możliwe jest poprzez naciśnięcie przycisku "🔔" w trakcie działania alarmu.

9.3 Wyłączenie alarmu

Naciśnij przycisk „**Alarm 1**” lub „**Alarm 2**” w celu wyłączenia alarmu. Ikona alarmu „☹” lub „☹” zniknie z wyświetlacza.

Uwaga: Kolejno naciskaj przyciski „**Alarm 1**” lub „**Alarm 2**” w celu włączenia lub wyłączenia alarmu.

10 Sleep

Ta funkcja umożliwia automatyczne przejście radia do trybu czuwania po upływie ustawionego czasu. Kilukrotnie naciśnij przycisk „**Sleep**” w celu ustawienia czasu wyłączenia z opóźnieniem, następnie naciśnij przycisk „**Wybierz/Menu**” w celu potwierdzenia. Na wyświetlaczu pojawi się ikona funkcji wyłączenia z opóźnieniem „☹”.

Opcje czasu wyłączenia z opóźnieniem: wyl./15/30/45/60/90 minut

Po ustawieniu czasu wyłączenia, naciśnięcie przycisku „**Sleep**” pozwala na wyświetlenie czasu do wyłączenia. Kilukrotnie naciśnij przycisk „**Sleep**” w celu wybrania opcji „**Sleep off**”, następnie naciśnij przycisk „**Wybierz/Menu**” w celu wyłączenia zegara wyłączenia z opóźnieniem.

11 Funkcja przyciemniania

Jasność podświetlenia wyświetlacza może zostać ręcznie zmieniona za pomocą przycisków „**- Dimmer +**” znajdujących się na tylnym panelu.

Intensywność podświetlenia może zostać ustawiona w jednym z 9 poziomów.

Naciśnij przycisk „Dimmer -” jeden raz w celu zmniejszenia intensywności podświetlenia o 1 poziom.

Naciśnij przycisk „Dimmer +” jeden raz w celu zwiększenia intensywności podświetlenia o 1 poziom.

12 Informacje

W trakcie odtwarzania programu możliwe jest wyświetlenie dodatkowych informacji poprzez kilkakrotne naciśnięcie przycisku „**Wybierz/Menu**”.

EN

FR

IT

NL

NW

DK

PL

CZ

SK

13 Tryb radia DAB

Dodatkowe informacje obejmują:

- Informacje o alarmie
- DLS (Dynamic Label Segment – krótkie informacje tekstowe nadawane wraz z sygnałem dźwiękowym DAB)
- Siła sygnału
- PTY (typ programu)
- Grupa
- Częstotliwość
- Jakość sygnału
- Prędkość przesyłu danych oraz kodek
- Format
- Godzina
- Data

14 Tryb radia UKF

Dodatkowe informacje obejmują:

- Informacje o alarmie
- Tekst radiowy
- PTY (typ programu)
- PS (usługa programu)
- Informacje audio
- Godzina
- Data

15 Ustawione stacje radiowe

System może zapisać na liście 2 stacje DAB oraz 2 stacje UKF.

15.1 Zapis na liście ustawionych stacji

W celu zapisania stacji, wybierz ją, następnie naciśnij i przytrzymaj przycisk „**Pamięć 1**” lub „**Pamięć 2**” aż do pojawienia się na wyświetlaczu LCD komunikatu „Stacja zapisana”.

15.2 Wywoływanie stacji z listy ustawionych stacji

W celu wywołania zapisanej w pamięci stacji, naciśnij przycisk „**DAB/UKF**” w celu wybrania odpowiedniego trybu radia i następnie naciśnij przycisk „**Pamięć 1**” lub „**Pamięć 2**” w celu uruchomienia odtwarzania odpowiedniej stacji radiowej.

Uwaga: Jeżeli we wskazanym miejscu pamięci nie została zapisana stacja radiowa, na wyświetlaczu pojawi się komunikat „**Brak stacji w pamięci #**”.

16 Ustawienia zaawansowane

Ustawienia zaawansowane pozwalają na wykorzystanie wielu opcji obsługi radia DAB/UKF. W celu przejścia do ustawień zaawansowanych, uruchom tryb DAB lub UKF, następnie naciśnij i przytrzymaj przycisk „**Wybierz/Menu**” w celu przejścia do menu.

16.1 Tryb radia DAB

W menu ustawień zaawansowanych naciśnij przycisk „ < ” lub „ > ” aby przewinąć opcje menu. Zatrzymaj się na wybranej opcji i naciśnij przycisk „**Wybierz/Menu**” w celu potwierdzenia. Menu ustawień zaawansowanych obejmuje następujące pozycje:

- Pełne skanowanie
- Ręczne strojenie
- DRC
- Usuwanie nieaktywnych
- System

EN

FR

IT

NL

NW

DK

PL

CZ

SK

16.1.1 Pełne skanowanie

W menu ustawień zaawansowanych naciśnij przyciski „ < ” lub „ > ” w celu wybrania opcji „**Pełne skanowanie**”, następnie naciśnij przycisk „**Wybierz/Menu**” w celu potwierdzenia.

Pełne skanowanie rozpocznie się automatycznie. Po zakończeniu skanowania, radio powraca do odtwarzania poprzedniej stacji radiowej lub pierwszej stacji z listy.

Uwaga: Jeżeli żadna stacja radiowa nie została znaleziona, na wyświetlaczu pojawi się komunikat „BRAK STACJI DAB”. W celu uzyskania lepszej jakości odbioru, odpowiednio ustaw antenę lub wykonaj pełne skanowanie po zmianie miejsca ustawienia odbiornika.

16.1.2 Ręczne strojenie

Podobnie jak w przypadku normalnego skanowania, istnieje także możliwość ręcznego wskazania kanału/częstotliwości odbioru. Może być to przydatne w celu optymalnego ustawienia anteny i uzyskania najwyższej jakości odbioru a także w celu przeskanowania określonego kanału i aktualizacji listy stacji.

W menu ustawień zaawansowanych naciśnij przyciski „ < ” lub „ > ” w celu wybrania opcji „**Ręczne strojenie**”, następnie naciśnij przycisk „**Wybierz/Menu**” w celu potwierdzenia.

Naciśnij przycisk „ < ” lub „ > ” aby wskazać określony kanał/częstotliwość, następnie naciśnij przycisk „**Wybierz/Menu**” w celu potwierdzenia.

Uwaga: Na wyświetlaczu pojawi się ruchomy wskaźnik siły sygnału dla wybranej częstotliwości. Zmiana ustawienia anteny będzie wpływać na wskazaną siłę odbieranego sygnału. Nowe stacje zostaną automatycznie dodane do listy stacji.

W celu rozpoczęcia odtwarzania wyszukanej stacji, naciśnij i przytrzymaj przycisk „**Wybierz/Menu**”, co spowoduje wyjście z trybu ręcznego strojenia.

16.1.3 DRC

W przypadku odtwarzania muzyki o wysokiej dynamice w warunkach dużego hałasu tła (np. muzyka klasyczna przy gotowaniu), zaleca się zastosowanie kompresji zakresu dynamiki dźwięku. Operacja ta powoduje zwiększenie głośności cichych dźwięków oraz zmniejszenie głośności dźwięków głośniejszych.

W menu ustawień zaawansowanych naciśnij przyciski „ < ” lub „ > ” w celu wybrania opcji „**DRC**”, następnie naciśnij przycisk „**Wybierz/Menu**” w celu potwierdzenia.

Naciśnij przycisk „ < ” lub „ > ” w celu wybrania opcji **‘DRC wył.’**(domyślnie), **‘DRC wysoki’** lub **‘DRC niski’**, następnie naciśnij przycisk **‘Select/Menu’** w celu potwierdzenia wyboru.

16.1.4 Usuwanie nieaktywnych

Ta funkcja umożliwia usunięcie wszystkich niedostępnych stacji znajdujących się na liście.

W menu ustawień zaawansowanych naciśnij przyciski „ < ” lub „ > ” w celu wybrania opcji **„Usuń nieaktywne”**, następnie naciśnij przycisk **„Wybierz/Menu”** w celu potwierdzenia.

Naciśnij przycisk „ > ” w celu wskazania opcji **<Tak>**, następnie naciśnij przycisk **„Wybierz/Menu”** aby potwierdzić usunięcie wszystkich niedostępnych stacji.

16.1.5 System

Menu systemowe zawiera następujące pozycje:

- Godzina
- Podświetlenie
- Wersja językowa
- Przywrócenie ustawień fabrycznych
- Wersja oprogramowania

16.1.5.1 Godzina

Menu godziny pozwala na ustawienie godziny/daty, formatu godziny/daty oraz źródła aktualizacji.

W menu systemu naciśnij przyciski „ < ” lub „ > ” w celu wybrania opcji **„Godzina”**, następnie naciśnij przycisk **„Wybierz/Menu”** w celu potwierdzenia.

16.1.5.1.1 Ustawienia godziny/daty

W menu czasu naciśnij przyciski „ < ” lub „ > ” w celu wybrania opcji **„Ustawienie godziny/daty”**, następnie naciśnij przycisk **„Wybierz/Menu”** w celu potwierdzenia.

Ustaw czas (godzina) naciskając przyciski „ < ” lub „ > ” i następnie naciśnij przycisk **„Wybierz/Menu”** w celu potwierdzenia.

Ustaw czas (minuty) naciskając przyciski „ < ” lub „ > ” i następnie naciśnij przycisk **„Wybierz/Menu”** w celu potwierdzenia.

EN

FR

IT

NL

NW

DK

PL

CZ

SK

Ustaw datę (dzień/miesiąc/rok) naciskając przyciski „ < ” lub „ > ” i następnie naciśnij przycisk **'Wybierz/Menu'** w celu potwierdzenia.

Na wyświetlaczu LCD pojawi się komunikat **'Godzina została zapisany'**.

16.1.5.1.2 Automatyczne aktualizacje

W menu czasu naciśnij przyciski „ < ” lub „ > ” w celu wybrania opcji **'Automatyczna aktualizacja'**, następnie naciśnij przycisk **'Wybierz/Menu'** w celu potwierdzenia.

Naciśnij przycisk „ < ” lub „ > ” aby wskazać źródło aktualizacji czasu, następnie naciśnij przycisk **'Wybierz/Menu'** w celu potwierdzenia. Źródła aktualizacji godziny: **Aktualizacja z dowolnego źródła** (domyślnie)/**Aktualizacja przez DAB/Aktualizacja przez UKF/Brak aktualizacji**.

16.1.5.1.3 Ustawienie formatu 12/24 godzinnego

W menu czasu naciśnij przyciski „ < ” lub „ > ” w celu wybrania opcji **'Ustawienie formatu czasu 12/24 godzinnego'**, następnie naciśnij przycisk **'Wybierz/Menu'** w celu potwierdzenia.

Naciśnij przycisk „ < ” lub „ > ” w celu wybrania formatu czasu **'Forma 24 godzinny'**(domyślnie) lub **'Format 12 godzinny'**, następnie naciśnij przycisk **'Wybierz/Menu'** w celu potwierdzenia.

16.1.5.1.4 Ustawianie formatu daty

W menu czasu naciśnij przyciski „ < ” lub „ > ” w celu wybrania opcji **'Ustawienie formatu daty'**, następnie naciśnij przycisk **'Wybierz/Menu'** w celu potwierdzenia.

Naciśnij przycisk „ < ” lub „ > ” w celu wybrania formatu daty **'DD-MM-RRRR'**(domyślnie) lub **'MM-DD-RRRR'**, następnie naciśnij przycisk **'Wybierz/Menu'** w celu potwierdzenia.

16.1.5.2 Podświetlenie

To radio jest wyposażone w wyświetlacz o regulowanym czasie wyłączenia (to czas opóźnienia w sekundach, po którym włączone zostaje podświetlenie ustawione dla trybu czuwania).

W menu podświetlenia naciśnij przycisk „ < ” lub „ > ” w celu wybrania opcji **'Czas podświetlenia'**, następnie naciśnij przycisk **'Wybierz/Menu'** w celu potwierdzenia.

Naciśnij przycisk „ < ” lub „ > ” aby wskazać określoną opcję, następnie naciśnij przycisk **'Wybierz/Menu'** w celu potwierdzenia ustawienia.

Opcje czasu podświetlenia: **BRAK podświetlenia**(domyślnie)/**5 s/10 s/30 s/1 min/2 min/3 min**

Regulacja jawności podświetlenia możliwa jest za pomocą przycisków „- Dimmer +” (patrz 11).

16.1.5.3 Wersja językowa

Domyślnie stosowana jest niemiecka wersja językowa. System umożliwia zmianę wersji językowej. System umożliwia wybór jednej z sześciu wersji językowych: Niemiecka/angielska/francuska/hiszpańska/włoska/duńska

W menu systemu naciśnij przyciski „ < ” lub „ > ” w celu wybrania opcji „**Wersja językowa**”, następnie naciśnij przycisk „**Wybierz/Menu**” w celu potwierdzenia.

Naciśnij przycisk „ < ” lub „ > ” aby wskazać odpowiednią wersję językową, następnie naciśnij przycisk „**Wybierz/Menu**” w celu potwierdzenia.

16.1.5.4 Przywrócenie ustawień fabrycznych

Przywrócenie ustawień fabrycznych spowoduje usunięcie wszystkich ustawień użytkownika i ich zastąpienie przez ustawienia fabryczne. Utracone zostaną takie ustawienia jak data/godzina, lista stacji DAB oraz zaprogramowane stacje.

W menu systemu naciśnij przyciski „ < ” lub „ > ” w celu wybrania opcji „**Przywrócenie ustawień fabrycznych**”, następnie naciśnij przycisk „**Wybierz/Menu**” w celu potwierdzenia.

Naciśnij przycisk „ > ” w celu wskazania opcji **<Tak>**, następnie naciśnij przycisk „**Wybierz/Menu**” w celu potwierdzenia.

16.1.5.5 Wersja oprogramowania

Polecenie umożliwia wyświetlenie aktualnej wersji oprogramowania.

W menu systemu naciśnij przyciski „ < ” lub „ > ” w celu wybrania opcji „**Wersja oprogramowania**”, następnie naciśnij przycisk „**Wybierz/Menu**” w celu potwierdzenia. Na wyświetlaczu LCD pojawi się wersja oprogramowania.

16.2 Tryb radia UKF

W menu ustawień zaawansowanych naciśnij przycisk „ < ” lub „ > ” aby przewinąć opcje menu. Zatrzymaj się na wybranej opcji i naciśnij przycisk „**Wybierz/Menu**” w celu potwierdzenia. Menu ustawień zaawansowanych obejmuje następujące pozycje:

- Ustawienia skanowania
- Ustawienia dźwięku
- System (patrz 16.1.5)

EN

FR

IT

NL

NW

DK

PL

CZ

SK

16.2.1 Ustawienia skanowania

Domyślnie funkcja skanowania UKF zatrzymuje się w momencie wyszukania stacji (wszystkich stacji radiowych). Wynikiem poszukiwania może być czasami odtwarzanie stacji radiowej o niskiej jakości.

W menu ustawień zaawansowanych naciśnij przyciski „ < ” lub „ > ” w celu wybrania opcji „**Ustawienia skanowania**”, następnie naciśnij przycisk „**Wybierz/Menu**” w celu potwierdzenia.

Naciśnij przycisk „ < ” lub „ > ” w celu wybrania opcji „**Wszystkie stacje**” (domyślnie) lub „**Tylko silne stacje**”, następnie naciśnij przycisk „**Wybierz/Menu**” w celu potwierdzenia ustawienia.

16.2.2 Ustawienia dźwięku

Domyślnie wszystkie stacje radiowe są odtwarzane w trybie stereo. Skutkuje to czasami odtwarzaniem stacji radiowej o niskiej jakości. Jakość odtwarzania może zostać polepszona przez włączenie trybu mono.

W menu ustawień zaawansowanych naciśnij przyciski „ < ” lub „ > ” w celu wybrania opcji „**Ustawienia audio**”, następnie naciśnij przycisk „**Wybierz/Menu**” w celu potwierdzenia.

Naciśnij przycisk „ < ” lub „ > ” w celu wybrania opcji „**Stereo**” (domyślnie) lub „**Tylko mono**”, następnie naciśnij przycisk „**Wybierz/Menu**” w celu potwierdzenia ustawienia.

16.2.3 System

Patrz 16.1.5.

17 Usuwanie usterek

Problem: Brak zasilania.

Rozwiązanie: Sprawdź, czy zasilacz jest prawidłowo podłączony.
Sprawdź, czy radio jest włączone.

Problem: Jednostka nie reaguje na naciskanie przycisków.

Rozwiązanie: Jednostka może zawiesić się w czasie pracy. Wyłącz i włącz jednostkę w celu jej zresetowania.

Problem: Słaba jakość odbioru radia.

Rozwiązanie: Sprawdź, czy antena jest całkowicie wysunięta. Zakłócenia elektryczne w domu mogą być przyczyną niskiej jakości odbioru. Odsuń jednostkę od źródeł zakłóceń (w szczególności od silników i transformatorów).

Problem: Poszukiwana stacja nie została odnaleziona.

Rozwiązanie: Słaby sygnał. Wykonaj ręczne poszukiwanie.

18 Dane techniczne

Opis:	Cyfrowy budzik radiowy DAB/UKF
Wyjście audio:	1,5W RMS
Zużycie energii elektrycznej:	Działanie: 3 W (Maks.) Tryb czuwania: < 1 W
Zakresy częstotliwości:	FM: 87.5-108MHz DAB: 174.928-239,200MHz
Wyświetlacz LCD:	Wyświetlacz wysokiej rozdzielczości
Zasilanie:	Gniazdo DC IN: DC 6V/500mA Wejście zasilacza: AC 100-240V, 50-60Hz (zastosuj zasilacz dołączony do zestawu)
Wymiary:	150mm (szer.) x 134mm (gł.) x 53mm (wys.)

EN

FR

IT

NL

NW

DK

PL

CZ

SK



Symbole umieszczone na produkcie i na instrukcji oznaczają, że wyposażenie elektryczne i elektroniczne jest, po zakończeniu eksploatacji, przeznaczone do utylizacji oddzielnie od odpadów gospodarstwa domowego. W celu uzyskania dalszych informacji prosimy o kontakt z odpowiednim lokalnym urzędem lub sprzedawcą produktu.

Návod k obsluze

DIGITRADIO 51
Digitální radiobudík DAB/FM



EN
FR
IT
NL
NW
DK
PL
CZ
SK

TechniSat

Obsah	
1	Důležité bezpečnostní informace..... 146
2	Váš radiobudík DAB/FM..... 147
3	Obsah balení..... 149
4	Aktualizace softwaru..... 149
5	Průvodce prvním spuštěním..... 149
6	Základní ovládání..... 150
6.1	Přepínání mezi režimem Standby, DAB a FM 150
6.2	Režim DAB rádio 150
6.3	Režim FM rádio 150
7	Skenování 151
8	Hodiny 151
9	Nastavení budíku..... 151
9.1	Funkce snooze (odložení buzení) 152
9.2	Zastavení buzení 152
9.3	Vypnutí buzení 153
10	Sleep (Spánek)..... 153
11	Funkce stmívání..... 153
12	Info 153
13	Režim DAB rádio..... 154

14	Režim FM rádio	154
15	Předvolené rozhlasové stanice	154
15.1	Uložení stanice do seznamu předvoleb	155
15.2	Vyvolání stanice ze seznamu předvoleb	155
16	Pokročilá nastavení	155
16.1	Režim DAB rádio	155
16.2	Režim FM rádio	159
17	Odstraňování poruch.....	160
18	Technické údaje.....	161

EN

FR

IT

NL

NW

DK

PL

CZ

SK

1 Důležité bezpečnostní informace

Děkujeme za zakoupení tohoto DAB/FM rádia. Před používáním si prosím důkladně přečtete pokyny a upozornění, aby bylo zajištěno bezpečné a uspokojivé používání tohoto výrobku.

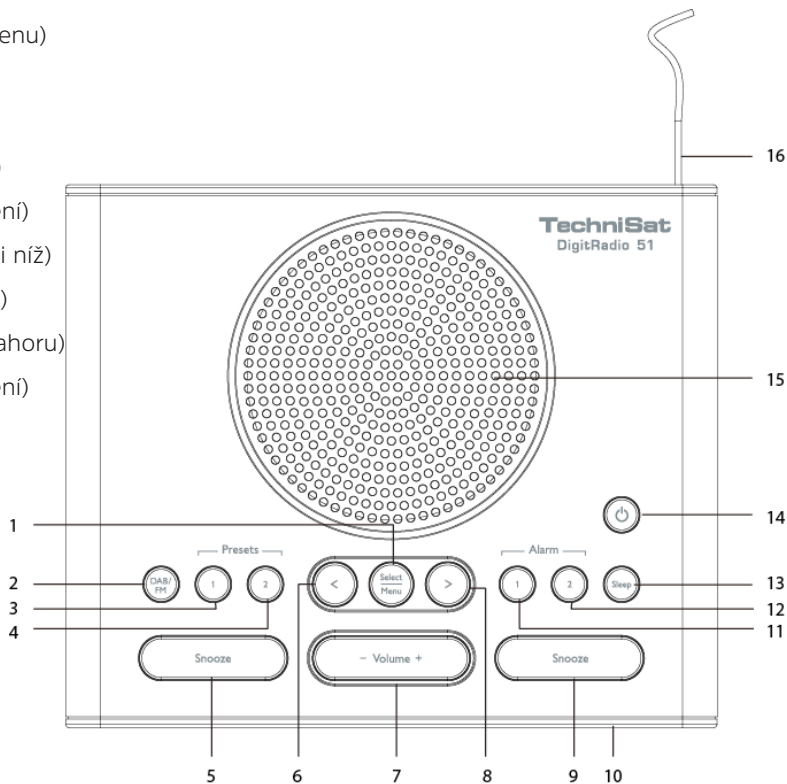
Nejdůležitější je, aby tato brožura s pokyny byla uchována s výrobkem pro pozdější nahlédnutí. Tato upozornění jsou poskytována v zájmu bezpečnosti. Před používáním přístroje si je **MUSÍTE** důkladně přečíst. Pokud si nejste jisti významem těchto upozornění, obraťte se na maloobchodního prodejce, od kterého jste přístroj zakoupili.

- Tento přístroj není určen k používání osobami (včetně dětí) se sníženými tělesnými, smyslovými schopnostmi nebo znalostmi, pokud nejsou pod dozorem osoby odpovědné za jejich bezpečnost nebo pokud nebyly touto osobou poučeny o používání přístroje.
- Aby nedošlo ke vzniku požáru, úrazu osob elektrickým proudem nebo k poranění, **NEPONOŘUJTE KABEL, zástrčku nebo vlastní přístroj do vody nebo jiných kapalin.**
- Přístroj odpojte od napájení, pokud jej používáte, před vyjmutím jeho součástí nebo před čištěním.
- Nepoužívejte přístroj s poškozeným kabelem nebo zástrčkou a rovněž, pokud se objevily závady přístroje při používání nebo došlo nějakým způsobem k jeho poškození. Přístroj odevzdejte nejbližšímu maloobchodnímu prodejci.
- Nenechávejte kabel viset přes okraj stolu nebo pultu, nedovolte, aby se dotýkal horkého povrchu.
- V případě závady se obraťte na nejbližšího maloobchodního prodejce. Spotřebitel by se neměl pokoušet provádět jakékoliv opravy.
- Přístroj nepoužívejte k žádnému jinému účelu, než pro který byl navržen.
- Určeno pouze pro použití v domácnosti, nepoužívat venku.
- Tyto pokyny uchovejte pro pozdější použití.

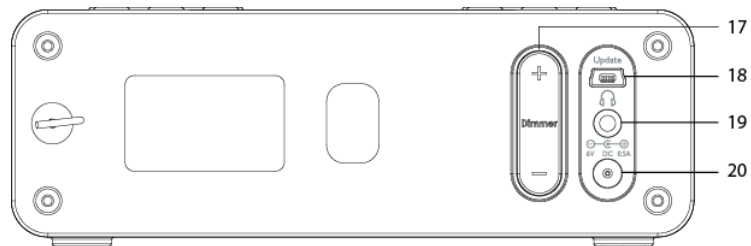
Upozornění: Plastové sáčky přes výrobek nebo obaly mohou být nebezpečné. Abyste zabránili nebezpečí udušení, uchovávejte je mimo dosah dětí a batolat.

2 Váš radiobudík DAB/FM

- 1 Tlačítko Select/Menu (Výběr/Menu)
- 2 Tlačítko DAB/FM
- 3 Tlačítko Preset 1 (Předvolba 1)
- 4 Tlačítko Preset 2 (Předvolba 2)
- 5 Tlačítko Snooze (odložení buzení)
- 6 Tlačítko Station down (o stanici níž)
- 7 Tlačítka „- Volume +“ (Hlasitost)
- 8 Tlačítko Station up (o stanici nahoru)
- 9 Tlačítko Snooze (odložení buzení)
- 10 LCD displej
- 11 Tlačítko Alarm 1 (Buzení 1)
- 12 Tlačítko Alarm 2 (Buzení 2)
- 13 Tlačítko Sleep (Spánek)
- 14 Tlačítko zapnutí
- 15 Reproduktor
- 16 Anténa DAB/FM



- 17 Tlačítka „- Dimmer +“ (stmívání)
- 18 Port UPDATE (port pro aktualizaci)
- 19 Zdířka pro sluchátka
- 20 Zdířka DC IN



3 Obsah balení

- 1x Digitální rádio DAB/FM
- 1x AC napájecí adaptér
- 1x návod k obsluze

4 Aktualizace softwaru

Port UPDATE (port pro aktualizaci) na zadní straně rádia je určen pouze pro servisního specialistu.

5 Průvodce prvním spuštěním

Stiskněte tlačítko „**o**“ pro zapnutí rádia.

Pro DAB

- 1 Stiskněte tlačítko „DAB/FM“ pro výběr režimu DAB.
- 2 Pokud rádio používáte poprvé, spustí se automatické vyhledávání stanic.
- 3 Stiskněte tlačítko „<“ nebo „>“ pro nalezení požadované stanice a pak stiskněte tlačítko „Select/Menu“ (Výběr/Menu) pro potvrzení.
- 4 Vaše rádio spustí automatické ladění.
- 5 Upravte hlasitost pomocí tlačítek „- Volume +“ (- Hlasitost +) – tlačítkem „-“ hlasitost snížíte, stisknutím tlačítka „+“ hlasitost zvýšíte.

Pro režim FM

- 1 Stiskněte tlačítko „DAB/FM“ pro výběr režimu FM.
- 2 Pro vyhledávání stanic stiskněte a přidržte tlačítko „<“ nebo „>“ pro skenování vzad nebo vpřed (dolů a nahoru).

EN

FR

IT

NL

NW

DK

PL


CZ

SK

- 3 Při manuálním ladění stanic stiskněte tlačítko „<“ nebo „>“ pro nalezení požadované stanice.
Poznámka: V režimu FM můžete také naladit stanici tak, že stisknete tlačítko „<“ nebo „>“ a po 0,05 MHz budete upravovat FM frekvence směrem nahoru nebo dolů.
- 4 Vaše rádio spustí automatické ladění.
- 5 Upravte hlasitost pomocí tlačítek „- Volume +“ (- Hlasitost +) – tlačítkem „-“ hlasitost snížíte, stisknutím tlačítka „+“ hlasitost zvýšíte.
Poznámka: Během vyhledávání se automaticky ztlumí zvuk.

6 Základní ovládání

6.1 Přepínání mezi režimem Standby, DAB a FM

Napájecí adaptér zapojte do zdířky DC IN na rádiu, rádio se zapne.
Stisknutím tlačítka „**DAB/FM**“ přepínáte mezi režimem DAB a FM.
Stisknutím tlačítka „“ rádio přepnete do pohotovostními režimu.

6.2 Režim DAB rádio

Režim DAB přijímá digitální DAB rozhlasové stanice a zobrazuje informace o stanici a programu/skladbě během vysílání.

6.3 Režim FM rádio

Režim FM přijímá analogové rozhlasové stanice z frekvenčního pásma FM a zobrazuje RDS informace (Radio Data System) o stanici a pořadu (pokud jsou vysílány). Během přehrávání FM se na displeji zobrazuje frekvence stanice, nebo název stanice a další informace „RADIO TEXT“, je-li k dispozici RDS. Pokud nejsou k dispozici žádné informace, zobrazí se pouze frekvence a zpráva „NO RADIO TEXT“.

7 Skenování

Když je skenování dokončeno, rádio se vrátí k přehrávání dříve zvolené stanice, nebo první stanice v seznamu stanic. Toto může být někdy nutné opakovat z následujících důvodů:

- Občas jsou dostupné nové stanice.
- Stanice přestanou vysílat nebo je již není možné přijímat.
- Pokud při původním skenování nebyl dobrý signál (například nebyla vysunutá anténa), může být výsledkem prázdný nebo nekompletní seznam dostupných stanic.
- Pokud máte slabý signál některých stanic a v důsledku toho se poslech rádia přerušuje, můžete chtít, aby v seznamu stanic byly zobrazeny pouze stanice s dobrou silou signálu.

8 Hodiny

Po zapnutí přístroje (nebo po obnovení výrobních nastavení) jsou hodiny nastaveny na „00:00“.

Všeobecně rádio po skenování automaticky synchronizuje hodiny z DAB stanice.

Informace k manuálnímu nastavení hodin viz 16.1.5.1.

9 Nastavení budíku

Vaše rádio obsahuje duální buzení. Buzení můžete nastavit v režimu DAB nebo FM. Pokud chcete nastavit buzení, přesvědčte se nejprve, že je nastaven čas.

Pokud chcete nastavit Alarm 1, stiskněte a přidržte stisknuté tlačítko „**Alarm 1**“. Pokud chcete nastavit Alarm 2, stiskněte a přidržte stisknuté tlačítko „**Alarm 2**“. Bude blikat ikona budíku „🕒“ nebo „🕒“.

Stiskněte tlačítko „<“ nebo „>“ pro nastavení buzení na stav „**On**“ (zap) a pak stiskněte tlačítko „**Select/Menu**“ (Výběr/Menu) pro potvrzení.

Stiskněte tlačítko „<“ nebo „>“ pro nastavení hodiny času buzení a pak stiskněte tlačítko „**Select/Menu**“ (Výběr/Menu) pro potvrzení.

Stiskněte tlačítko „<“ nebo „>“ pro nastavení minuty buzení a pak stiskněte tlačítko „**Select/Menu**“ (Výběr/Menu) pro potvrzení.

Stiskněte tlačítko „<“ nebo „>“ pro délku buzení a pak stiskněte tlačítko „**Select/Menu**“ (Výběr/Menu) pro potvrzení.

Možnosti trvání: 15/30/45/60/90 minut

Stiskněte tlačítko „<“ nebo „>“ pro nastavení zdroje buzení a pak stiskněte tlačítko „Select/Menu“ (Výběr/Menu) pro potvrzení.

Možné zdroje: bzučák/DAB/FM.

Pokud jako zdroj buzení zvolíte DAB a FM, jsou k dispozici možnosti **Last listened** (Naposledy poslouchané stanice) a **Preset stations** (Předvolené stanice). Stiskněte tlačítko „<“ nebo „>“ pro výběr možnosti a pak stiskněte tlačítko „Select/Menu“ (Výběr/Menu) pro potvrzení.

Poznámka: Pokud je zvolen zdroj buzení DAB a signál DAB je slabý, aktivuje se buzení bzučákem.

Stiskněte tlačítko „<“ nebo „>“ pro výběr, ve kterých dnech bude alarm aktivní, a pak stiskněte tlačítko „Select/Menu“ (Výběr/Menu) pro potvrzení.

Možnosti pro volbu Alarm active (Alarm aktivní): Daily/Once/ Weekends/Weekdays (každý den/jednou/ víkendy/všední dny).

Stiskněte tlačítka „- Volume +“ pro nastavení hlasitosti buzení a pak stiskněte tlačítko „Select/Menu“ (Výběr/Menu) pro potvrzení.

Na rádiu se zobrazí „Alarm Saved“ (Buzení uloženo). Na displeji se zobrazí ikona budíku „🕒“ nebo „🔔“.

Poznámka: Na displeji se zobrazí informace o buzení. Pokud jsou nastaveny oba alarmy, zobrazí se informace Alarm 1 a Alarm 2.

9.1 Funkce snooze (odložení buzení)

Když zazní budík, stiskněte tlačítko „Snooze“ (Odložení buzení) pro aktivaci funkce odložení buzení. Stiskněte tlačítko „Snooze“ opakovaně pro nastavení doby pro odložení buzení na 5, 10, 15 nebo 30 minut, buzení se pak dočasně přerušuje. Rádio přejde do pohotovostního režimu a zobrazí se doba odložení buzení.

Poznámka: S dobou odložení buzení jsou konkrétní možnosti relativní vůči době buzení, kterou jste zvolili.

Doba trvání	Odložení buzení
15 minut	5, 10 minut
30 minut	5, 10, 15 minut
45/60/90 minut	5, 10, 15, 30 minut

9.2 Zastavení buzení

Buzení můžete zastavit stisknutím tlačítka „🔕“, když se ozve zvuk budíku.

9.3 Vypnutí buzení

Stiskněte tlačítko „**Alarm 1**“ nebo „**Alarm 2**“ pro vypnutí buzení. Ikona budíku „☹“ nebo „☹“ z displeje zmizí.

Poznámka: Opakované stisknutí tlačítka „**Alarm 1**“ nebo „**Alarm 2**“ přepíná mezi zapnutím a vypnutím budíku.

10 Sleep (Spánek)

Tato funkce nabízí možnost automatického přepnutí rádia do pohotovostního režimu po nastaveném čase spánku.

Stiskněte tlačítko „**Sleep**“ (Spánek) pro nastavení času spánku a pak stiskněte tlačítko „**Select/Menu**“ (Výběr/Menu) pro potvrzení. Na displeji se zobrazí ikona spánku „☾“.

Možnosti času spánku: off (vyp)/15/30/45/60/90 minut

Po nastavení času spánku můžete po stisknutí tlačítka „**Sleep**“ (Spánek) vidět odpočítávání času pro funkci spánku.

Opakovaně stiskněte tlačítko „**Sleep**“ (Spánek) pro výběr možnosti „**Sleep off**“ (Spánek vyp) a pak stiskněte tlačítko „**Select/Menu**“ (Výběr/Menu) pro vypnutí časovače spánku.

11 Funkce stmívání

Jas displeje je možné manuálně nastavit pomocí tlačítek „- **Dimmer +**“ (Stmívání) na zadním panelu.

K dispozici je celkem 9 úrovní intenzity podsvícení.

Stiskněte tlačítko „Dimmer -“ (Stmívání -) jednou pro snížení úrovně o jeden stupeň.

Stiskněte tlačítko „Dimmer +“ (Stmívání +) jednou pro zvýšení úrovně o jeden stupeň.

12 Info

Pokud opakovaně stiskněte tlačítko „**Select/Menu**“ během přehrávání programu, můžete vidět na displeji další informace.

EN

FR

IT

NL

NW

DK

PL

CZ

SK

13 Režim DAB rádio

Můžete vidět další informace, včetně:

- Informace o buzení
- DLS (Dynamic Label Segment – krátká textová informace vysílaná s DAB audio)
- Síla signálu
- PTY (Programme Type, typ programu)
- Ensemble
- Frekvence
- Kvalita signálu
- Přenosová rychlost a kodek
- Formát
- Time (Čas)
- Datum

14 Režim FM rádio

Můžete vidět další informace, včetně:

- Informace o buzení
- Text rádia
- PTY (Programme Type, typ programu)
- PS (Program Service, programová služba)
- Audio info
- Time (Čas)
- Datum

15 Předvolené rozhlasové stanice

Systém může do seznamu předvoleb uložit 2 stanice DAB a 2 stanice FM.

15.1 Uložení stanice do seznamu předvoleb

Pokud chcete uložit stanici, vyberte požadovanou rozhlasovou stanici, pak stiskněte a přidržte tlačítko „**Preset 1**“ (Předvolba 1) nebo „**Preset 2**“ (Předvolba 2), dokud se na LCD displeji nezobrazí „Preset stored“ (Předvolba uložena).

15.2 Vyvolání stanice ze seznamu předvoleb

Pokud chcete vyvolat předvolenou stanici, stiskněte tlačítko „**DAB/FM**“ pro výběr požadovaného režimu a pak stiskněte tlačítko „**Preset 1**“ (Předvolba 1) „**Preset 2**“ (Předvolba 2) pro výběr předvolené stanice.

Poznámka: Pokud si zvolíte předvolbu, ke které nebyla přiřazena stanice, pak se na displeji zobrazí „**No Preset # set**“ (Žádná předvolba nenastavena).

16 Pokročilá nastavení

Pokročilá nastavení vám umožňují upravit rádio DAB/FM podle vašich potřeb pomocí řady různých možností. Pokud chcete přejít do pokročilých nastavení, v režimu DAB nebo FM stiskněte a přidržte tlačítko „**Select/Menu**“ (Výběr/Menu) pro otevření nabídky.

16.1 Režim DAB rádio

V pokročilých nastaveních stiskněte tlačítko „**<**“ nebo „**>**“ pro procházení možnostmi nabídky. Pak zastavte na vámi vybrané stanici a stiskněte tlačítko „**Select/Menu**“ (Výběr/Menu) pro potvrzení. Možnosti pokročilého nastavení jsou:

- Full scan (Kompletní vyhledávání stanic)
- Manuální ladění
- DRC
- Prune (Odstranění)
- Systém

EN

FR

IT

NL

NW

DK

PL

CZ

SK

16.1.1 Full scan (Kompletní vyhledávání stanic)

V nabídce pokročilých nastavení stiskněte tlačítko „<“ nebo „>“ pro výběr položky **„Full scan“** (Kompletní vyhledávání) a stiskněte tlačítko **„Select/Menu“** (Výběr/Menu) pro potvrzení.

Úplné vyhledávání stanic se spustí automaticky. Když je skenování dokončeno, rádio se vrátí k přehrávání dříve zvolené stanice nebo první stanice v seznamu.

Poznámka: Pokud nebude nalezena žádná stanice, zobrazí se „NO DAB STATION“ (žádná DAB stanice). Pro lepší příjem nastavte anténu nebo spusťte kompletní vyhledávání znovu na jiném místě.

16.1.2 Manuální ladění

Stejně jako běžné vyhledávání můžete také manuálně naladit konkrétní kanál/frekvenci. To může být užitečné při nastavování antény pro dosažení co nejlepšího příjmu a vyhledávání konkrétního kanálu pro přidání do seznamu stanic.

V nabídce pokročilých nastavení stiskněte tlačítko „<“ nebo „>“ pro výběr položky **„Manual tune“** (Manuální ladění) a stiskněte tlačítko **„Select/Menu“** (Výběr/Menu) pro potvrzení.

Stiskněte tlačítko „<“ nebo „>“ pro výběr konkrétního kanálu/frekvence a pak stiskněte tlačítko **„Select/Menu“** (Výběr/Menu) pro potvrzení.

Poznámka: Na displeji se zobrazuje aktuální ukazatel síly přijímaného signálu na zvolené frekvenci. Úpravy vaší antény budou mít dopad na zobrazovanou sílu přijímaného signálu. Nové stanice budou do seznamu stanic přidány automaticky.

Pokud chcete přehrávat nalezenou stanici, nejprve stiskněte a přidržte tlačítko **„Select/Menu“** (Výběr/Menu) pro ukončení manuálního ladění.

16.1.3 DRC

Pokud posloucháte hudbu s vysokým dynamickým rozsahem v hlučném prostředí (například klasickou hudbu při vaření), budete možná chtít zvukový dynamický rozsah snížit. Tiché zvuky budou hlasitější a hlasité zvuky budou tišší. V nabídce pokročilých nastavení stiskněte tlačítko „<“ nebo „>“ pro výběr položky **„DRC“** a stiskněte tlačítko **„Select/Menu“** (Výběr/Menu) pro potvrzení.

Stiskněte tlačítko „<“ nebo „>“ pro výběr možnosti **„DRC off“** (DRC vyp) (výchozí), **„DRC high“** (Vysoké DRC) nebo **„DRC low“** (Nízké DRC) a pak stiskněte tlačítko **„Select/Menu“** (Výběr/Menu) pro potvrzení nastavení.

16.1.4 Prune (Odstranění)

Tato funkce odstraní všechny nedostupné stanice ze seznamu stanic.

V nabídce pokročilých nastavení stiskněte tlačítko „<“ nebo „>“ pro výběr položky „**Prune**“ (Odstranit) a stiskněte tlačítko „**Select/Menu**“ (Výběr/Menu) pro potvrzení.

Stiskněte tlačítko „>“ pro výběr volby „<Yes>“ (Ano) a pak stiskněte tlačítko „**Select/Menu**“ (Výběr/Menu) pro potvrzení odstranění všech neplatných stanic.

16.1.5 Systém

Možnosti systémové nabídky jsou:

- Time (Čas)
- Backlight (Podsvícení)
- Language (Jazyk)
- Factory Reset (Obnovení výrobních nastavení)
- SW version (Verze SW)

16.1.5.1 Time (Čas)

V nabídce Time (Čas) můžete nastavit čas/datum, formát času/data a zdroj pro aktualizaci času.

V nabídce System (Systém) stiskněte tlačítko „<“ nebo „>“ pro výběr položky „**Time**“ (Čas) a stiskněte tlačítko „**Select/Menu**“ (Výběr/Menu) pro potvrzení.

16.1.5.1.1 Set Time/Date (Nastavení času/data)

V nabídce Time (Čas) stiskněte tlačítko „<“ nebo „>“ pro výběr položky „**Set Time/Date**“ (Nastavit čas/datum) a pak stiskněte tlačítko „**Select/Menu**“ (Výběr/Menu) pro potvrzení.

Nastavte čas (hodinu) pomocí tlačítka „<“ nebo „>“ a pak stiskněte tlačítko „**Select/Menu**“ (Výběr/Menu) pro potvrzení.

Nastavte čas (minuty) pomocí tlačítka „<“ nebo „>“ a pak stiskněte tlačítko „**Select/Menu**“ pro potvrzení.

Nastavte datum (den/měsíc/rok) pomocí tlačítka „<“ nebo „>“ a pak stiskněte tlačítko „**Select/Menu**“ (Výběr/Menu) pro potvrzení.

Na LCD displeji se zobrazí „**Time Saved**“ (Čas uložen).

16.1.5.1.2 Automatická aktualizace

V nabídce Time (Čas) stiskněte tlačítko „<“ nebo „>“ pro výběr položky **„Auto update“** (Automatická aktualizace) a pak stiskněte tlačítko **„Select/Menu“** (Výběr/Menu) pro potvrzení.

Stiskněte tlačítko „<“ nebo „>“ pro výběr zdroje pro aktualizaci času a pak stiskněte tlačítko **„Select/Menu“** (Výběr/Menu) pro potvrzení. Source for time update (Zdroj pro aktualizaci času): **Update from Any** (Aktualizace odkudkoliv) (výchozí)/**Update from DAB** (Aktualizace z DAB)/**Update from FM** (Aktualizace z FM)/**No update** (Žádná aktualizace).

16.1.5.1.3 Set 12/24 hour (Nastavení formátu 12/24 hodin)

V nabídce Time (Čas) stiskněte tlačítko „<“ nebo „>“ pro výběr položky **„Set 12/24 hour“** (Nastavit 12/24 hodin) a pak stiskněte tlačítko **„Select/Menu“** (Výběr/Menu) pro potvrzení.

Stiskněte tlačítko „<“ nebo „>“ pro výběr formátu času **„Set 24 hour“** (Nastavit 24 hodin) (výchozí), nebo **„Set 12 hour“** (Nastavit 12 hodin) a pak stiskněte tlačítko **„Select/Menu“** (Výběr/Menu) pro potvrzení.

16.1.5.1.4 Set date format (Nastavení formátu data)

V nabídce Time (Čas) stiskněte tlačítko „<“ nebo „>“ pro výběr položky **„Set date format“** (Nastavit formát data) a pak stiskněte tlačítko **„Select/Menu“** (Výběr/Menu) pro potvrzení.

Stiskněte tlačítko „<“ nebo „>“ pro výběr formátu data **„DD-MM-YYYY“** (DD-MM-RRRR) (výchozí), nebo **„MM-DD-YYYY“** (MM-DD-RRRR) a pak stiskněte tlačítko **„Select/Menu“** (Výběr/Menu) pro potvrzení.

16.1.5.2 Backlight (Podsvícení)

Displej rádia má podsvícení s nastavitelným časovým limitem (toto je časové zpoždění v sekundách, po kterém se displej vypne).

V nabídce Backlight (Podsvícení) stiskněte tlačítko „<“ nebo „>“ pro výběr položky **„Timeout“** (Časový limit) a stiskněte tlačítko **„Select/Menu“** (Výběr/Menu) pro potvrzení.

Stiskněte tlačítko „<“ nebo „>“ pro výběr konkrétní možnosti a pak stiskněte tlačítko **„Select/Menu“** (Výběr/Menu) pro potvrzení.

Možnosti časového limitu: **NO Timeout** (BEZ časového omezení) (výchozí)/**5 s/10 s/30 s/1 min/2 min/3 min**

Úroveň jasu můžete upravit stisknutím tlačítek **„- Dimmer +“** (- Stmívání +) (nahlédněte prosím do 11).

16.1.5.3 Language (Jazyk)

Výchozím jazykem menu je němčina. Můžete přepnout na vámi požadovaný jazyk.

K dispozici je šest jazyků: němčina/angličtina/francouzština/španělština/italština/dánština.

V nabídce System (Systém) stisknete tlačítko „<“ nebo „>“ pro výběr položky „**Language**“ (Jazyk) a pak stisknete tlačítko „**Select/Menu**“ (Výběr/Menu) pro potvrzení.

Stisknete tlačítko „<“ nebo „>“ pro výběr vašeho jazyka a pak stisknete tlačítko „**Select/Menu**“ (Výběr/Menu) pro potvrzení.

16.1.5.4 Factory Reset (Obnovení výrobních nastavení)

Obnovení výrobních nastavení smaže veškerá uživatelem provedená nastavení a nahradí je původními výchozími hodnotami, dojde tedy ke ztrátě nastavení času/data, seznamu stanic DAB a předvolených stanic.

V nabídce System (Systém) stisknete tlačítko „<“ nebo „>“ pro výběr položky „**Factory Reset**“ (Obnovení výrobních nastavení) a pak stisknete tlačítko „**Select/Menu**“ (Výběr/Menu) pro potvrzení.

Stisknete tlačítko „>“ pro výběr volby „<Yes>“ (Ano) a pak stisknete tlačítko „**Select/Menu**“ (Výběr/Menu) pro potvrzení.

16.1.5.5 SW version (Verze SW)

Toto zobrazí aktuální verzi softwaru.

V nabídce System (Systém) stisknete tlačítko „<“ nebo „>“ pro výběr položky „**SW version**“ (Verze SW) a pak stisknete tlačítko „**Select/Menu**“ (Výběr/Menu) pro potvrzení. Na displeji se zobrazí verze softwaru.

16.2 Režim FM rádio

V pokročilých nastaveních stisknete tlačítko „<“ nebo „>“ pro procházení možnostmi nabídky. Pak zastavte na vámi vybrané stanici a stisknete tlačítko „**Select/Menu**“ (Výběr/Menu) pro potvrzení. Možnosti pokročilého nastavení jsou:

- Scan setting (Nastavení vyhledávání)
- Audio setting (Nastavení zvuku)
- System (Systém) (viz 16.1.5)

16.2.1 Scan setting (Nastavení vyhledávání)

Ve výchozím nastavení se FM skenování zastaví na jakékoliv dostupné stanici (všechny stanice). Výsledkem může být nízká kvalita zvuku ze slabých stanic.

EN

FR

IT

NL

NW

DK

PL

CZ

SK

V nabídce pokročilých nastavení stiskněte tlačítko „<“ nebo „>“ pro výběr položky „**Scan setting**“ (Nastavení skenování) a stiskněte tlačítko „**Select/Menu**“ (Výběr/Menu) pro potvrzení. Stiskněte tlačítko „<“ nebo „>“ pro výběr možnosti „**All stations**“ (Všechny stanice) (výchozí), nebo „**Strong stations only**“ (Pouze silné stanice) a pak stiskněte tlačítko „**Select/Menu**“ (Výběr/Menu) pro potvrzení nastavení.

16.2.2 Audio setting (Nastavení zvuku)

Ve výchozím nastavení jsou všechny stereo stanice přehrávány stereo. U slabých stanic může být výsledkem nízká kvalita zvuku. Kvalitu zvuku je možné zlepšit používáním mono.

V nabídce pokročilých nastavení stiskněte tlačítko „<“ nebo „>“ pro výběr položky „**Audio setting**“ (Nastavení zvuku) a stiskněte tlačítko „**Select/Menu**“ (Výběr/Menu) pro potvrzení.

Stiskněte tlačítko „<“ nebo „>“ pro výběr možnosti „**Stereo allowed**“ (Stereo povoleno) (výchozí), nebo „**Forced mono**“ (Vynucené mono) a pak stiskněte tlačítko „**Select/Menu**“ (Výběr/Menu) pro potvrzení nastavení.

16.2.3 Systém

Viz 16.1.5.

17 Odstraňování poruch

Problém: Není napájení.

Řešení: Ujistěte se, že je správně připojen napájecí adaptér.
Ujistěte se, že je rádio zapnuté.

Problém: Přístroj nereaguje na stisk žádného tlačítka.

Řešení: Přístroj možná během používání přestal reagovat. Přístroj vypněte a znovu jej zapněte, aby došlo k jeho obnovení.

Problém: Nedostatečný příjem rozhlasu.

Řešení: Ujistěte se, že je anténa zcela vytažená. Elektrické rušení ve vaší domácnosti může způsobovat nedostatečný příjem. Odstraňte přístroj z jeho dosahu (především z dosahu zařízení s motory a transformátory).

Problém: Požadovaná stanice nebyla nalezena.

Řešení: Slabý signál. Vyhledávejte manuálně.

18 Technické údaje

Popis:	Digitální radiobudík DAB/FM
Audio výstup:	1,5 W RMS
Spotřeba energie:	Provoz: 3 W (max.) Pohotovostní režim: < 1 W
Frekvenční pásma:	FM: 87,5-108 MHz DAB: 174,928-239,200 MHz
LCD displej:	Displej s vysokým rozlišením
Napájení:	Vstupní zdířka DC IN: DC 6V/500 mA Příkon napájecího adaptéru: AC 100-240 V, 50-60 Hz (použijte prosím dodávaný adaptér)
Rozměry:	150 mm (š) x 134 mm (h) x 53 mm (v)

EN

FR

IT

NL

NW

DK

PL

CZ

SK



Tyto symboly na výrobku nebo v návodu k obsluze znamenají, že elektrické a elektronické zařízení se na konci svého životního cyklu musí zlikvidovat odděleně od odpadu z vaší domácnosti. Pro více informací prosím kontaktujte místní úřad nebo obchodníka, kde jste výrobek zakoupili.

Návod na obsluhu

DIGITRADIO 51

Digitálne DAB/FM rádio s budíkom



EN

FR

IT

NL

NW

DK

PL

CZ

SK

TechniSat

Obsah	
1	Dôležité bezpečnostné informácie 166
2	Vaše DAB/FM rádio s budíkom 167
3	Obsah balenia 169
4	Aktualizácia softvéru 169
5	Podrobné pokyny na spustenie 169
6	Základná prevádzka 170
6.1	Prepínanie medzi pohotovostným režimom, DAB a FM..... 170
6.2	Režim DAB rádia 170
6.3	Režim FM rádia 170
7	Ladenie.....171
8	Hodiny171
9	Nastavenie budíka 172
9.1	Funkcia odloženia 172
9.2	Zastavenie budíka..... 172
9.3	Vypnutie budíka.....173
10	Spánok..... 173
11	Funkcia stlmenia..... 173
12	Info 173
13	Režim DAB rádia..... 174

14	Režim FM rádia	174
15	Predvol'by rádia.....	175
15.1	Uloženie stanice do zoznamu predvolených	175
15.2	Vyvolanie stanice zo zoznamu predvolených	175
16	Pokročilé nastavenia.....	175
16.1	Režim DAB rádia	175
16.2	Režim FM rádia	179
17	Riešenie chýb	180
18	Špecifikácie.....	181

EN

FR

IT

NL

NW

DK

PL

CZ

SK

1 Dôležité bezpečnostné informácie

Ďakujeme, že ste si zakúpili toto DAB/FM rádio. Pred použitím si pozorne prečítajte pokyny a upozornenia, aby ste zaistili bezpečnú a uspokojivú prevádzku tohto výrobku.

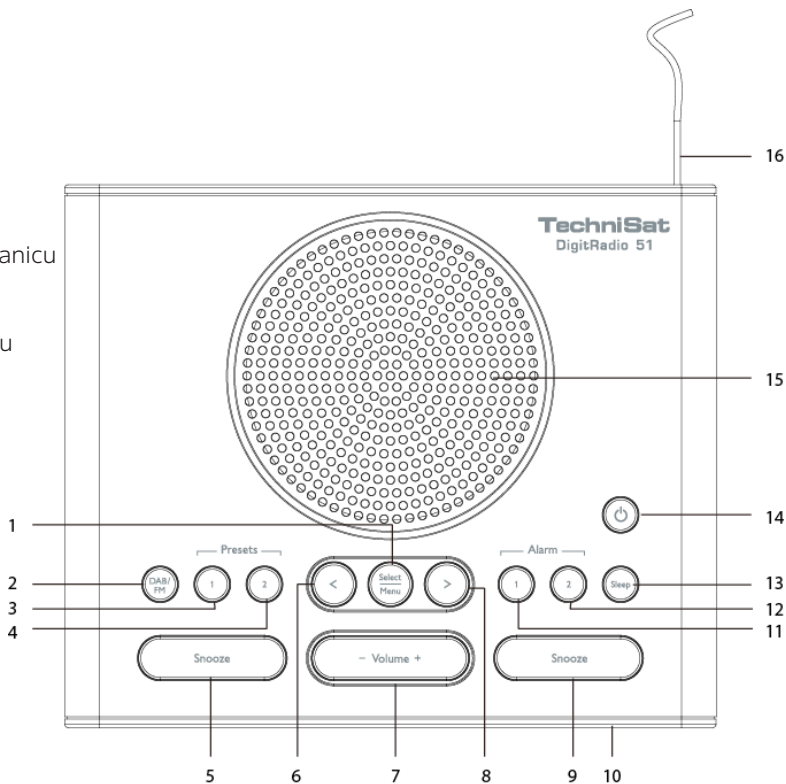
Je dôležité, aby ste si túto inštrukčnú príručku odložili pre budúcu referenciu. Tieto upozornenia poskytujeme v záujme vašej bezpečnosti. Pred používaním spotrebiča si ich **MUSÍTE** starostlivo prečítať. Ak máte v súvislosti s týmito upozorneniami nejaké pochybnosti, obráťte sa na predajcu, u ktorého ste zariadenie zakúpili.

- Tento spotrebič nie je určený na použitie osobami (vrátane detí) so zníženými fyzickými alebo vnemovými schopnosťami alebo znalosťami, pokiaľ takéto osoby nie sú pod dozorom alebo nedostali inštrukcií o používaní spotrebiča osobou zodpovednou za ich bezpečnosť.
- V záujme ochrany pred požiarom, zásahom elektrickým prúdom a zranením osôb **NEPONÁRAJTE KÁBEL, zástrčku alebo jednotku základne do vody alebo iných kvapalín.**
- Pred inštaláciou dielov alebo demontážou dielov, pred čistením prístroja a keď prístroj nepoužívate, odpojte elektrický kábel.
- Nepoužívajte spotrebič s poškodeným káblom alebo zástrčkou, ani pokazené či akýmkoľvek spôsobom poškodené zariadenie. Spotrebič vráťte najbližšiemu predajcovi.
- Nedovoľte, aby napájací kábel visel cez okraj stola alebo pultu alebo sa dotýkal horúceho povrchu.
- V prípade chyby sa obráťte na najbližšieho predajcu. Spotrebiteľ by nemal vykonávať žiadne opravy.
- Zariadenie nepoužívajte na žiadne iné účely, než na aké je určené.
- Len na použitie v domácnosti, zariadenie nepoužívajte vonku.
- Uložte si tieto pokyny pre budúcu referenciu.

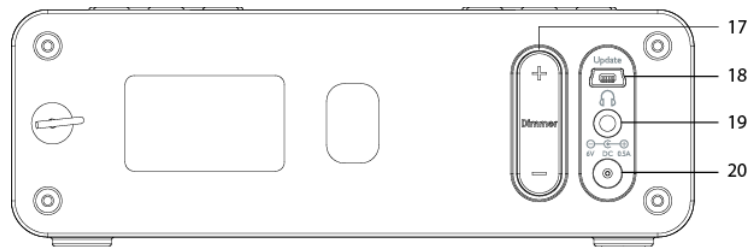
Varovanie: Polyetylénové vrecká na výrobku alebo obal môžu byť nebezpečné. Aby ste zabránili nebezpečenstvu udusenía, balenie uchovávajte mimo dosahu detí.

2 Vaše DAB/FM rádio s budíkom

- 1 Tlačidlo Zvoliť/Menu
- 2 Tlačidlo DAB/FM
- 3 Tlačidlo predvoľby 1
- 4 Tlačidlo predvoľby 2
- 5 Tlačidlo odloženia
- 6 Tlačidlo pre predchádzajúcu stanicu
- 7 Tlačidlá hlasitosti - a +
- 8 Tlačidlo pre nasledujúcu stanicu
- 9 Tlačidlo odloženia
- 10 LCD displej
- 11 Tlačidlo budíka 1
- 12 Tlačidlo budíka 2
- 13 Tlačidlo spánku
- 14 Hlavný vypínač
- 15 Reproduktor
- 16 Anténa DAB/FM



- 17 Tlačidlo stlmenia - a +
- 18 Zásuvka pre aktualizácie
- 19 Zásuvka pre slúchadlá
- 20 Zásuvka DC IN



3 Obsah balenia

Digitálne rádio DAB/FM x 1
AC napájací adaptér x 1
Návod na obsluhu x 1

4 Aktualizácia softvéru

Zásuvka „UPDATE“ (AKTUALIZÁCIA) na zadnej strane rádia je určená iba pre profesionálnych servisných pracovníkov.

5 Podrobné pokyny na spustenie

Stlačením tlačidla ' ' zapnite rádio.

Režim DAB

- 1 Stlačením tlačidla DAB/FM zvolíte režim DAB.
- 2 Ak tento režim používate prvýkrát, automaticky začne vyhľadávať stanice.
- 3 Pomocou tlačidiel < alebo > nájdite požadovanú stanicu a potom stlačte tlačidlo Select/Menu (Vybrať/Menu) na potvrdenie.
- 4 Vaše rádio sa automaticky naladí.
- 5 Nastavte hlasitosť pomocou tlačidla - Volume + (- Hlasitosť +): pre zníženie hlasitosti stlačte - a pre zvýšenie hlasitosti stlačte tlačidlo +.

Režim FM

- 1 Stlačením tlačidla DAB/FM zvolíte režim FM.
- 2 Ak chcete vyhľadať stanicu, stlačte a podržte tlačidlo < alebo > pre posun na najbližšiu dostupnú stanicu dozadu alebo dopredu.

EN

FR

IT

NL

NW

DK

PL

CZ

SK

- 3 Ak chcete ladiť manuálne, stlačením tlačidla < alebo > nájdite požadovanú stanicu.
Poznámka: V režime FM môžete stanice naladiť manuálne stlačením tlačidla < alebo >, čím sa FM frekvencia posunie v 0,05 MHz-krokoch nahor alebo nadol.
- 4 Vaše rádio sa automaticky naladí.
- 5 Nastavte hlasitosť pomocou tlačidla - Volume + (- Hlasitosť +): pre zníženie hlasitosti stlačte - a pre zvýšenie hlasitosti stlačte tlačidlo +.
Poznámka: Počas ladenia sa zvuk automaticky stlmí.

6 Základná prevádzka

6.1 Prepínanie medzi pohotovostným režimom, DAB a FM

Pripojte napájací adaptér do zásuvky DC IN na rádia, následne sa rádio zapne.

Stlačením tlačidla **DAB/FM** prepínate medzi režimom DAB a FM.

Stlačením tlačidla  prepnete rádio do pohotovostného režimu.

6.2 Režim DAB rádia

Režim DAB prijíma digitálne rádio DAB a zobrazuje informácie o stanici a programe/skladbe v rámci vysielania.

6.3 Režim FM rádia

Režim FM prijíma analógové rádio z vlnového pásma FM a zobrazuje informácie RDS (Radio Data System) o stanici a programe (ak sa vysielajú). Počas prehrávania stanice FM sa na displeji zobrazuje jej frekvencia alebo, ak sú k dispozícii, informácie RDS, ako sú názov stanice a ďalšie RÁDIOTEXTOVÉ informácie. Ak nie sú k dispozícii žiadne informácie, zobrazí sa iba frekvencia a správa „NO RADIO TEXT“ (ŽIADNE INFORMÁCIE O RÁDIU).

7 Ladenie

Po dokončení ladenia sa rádio vráti k prehrávaniu predtým zvolenej stanice alebo prvej stanice na zozname staníc. Pravdepodobne budete musieť tento postup z času na čas zopakovať z nasledujúcich dôvodov:

- Z času na čas môžu byť k dispozícii nové stanice.
- Stanice môžu byť ukončené alebo už nemusia byť v dosahu.
- Ak pri prvom ladení nebol dobrý príjem (napríklad anténa nebola vyťahnutá), môže to mať za následok prázdny alebo neúplný zoznam dostupných staníc.
- Ak máte slabý príjem niektorých staníc spôsobujúci prerušovanie zvuku, je vhodné, ak vyhľadáte len stanice s dobrým signálom.

8 Hodiny

Pri zapnutí jednotky (alebo po obnovení nastavení z výroby) sa hodiny nastavujú na „00:00“. Všeobecne rádio automaticky zosynchronizuje čas z DAB stanice po vykonaní ladenia. Ručné nastavenie hodín nájdete v časti 16.1.5.1.

9 Nastavenie budíka

Vaše rádio poskytuje dva budíky. Budík môžete nastaviť v režimoch DAB alebo FM. Pre nastavenie budíka najprv nastavte hodiny.

Ak chcete nastaviť budík 1, stlačte a podržte tlačidlo **Alarm 1**. Ak chcete nastaviť budík 2, stlačte a podržte tlačidlo **Alarm 2**. Bude blikať ikona budíka  alebo .

Pomocou tlačidla < alebo > nastavte budík na možnosť **On** (Zapnutý) a potom stlačte tlačidlo **Select/Menu** na potvrdenie.

Pomocou tlačidla < alebo > nastavte hodinu času budenia a potom stlačte tlačidlo **Select/Menu** na potvrdenie.

Pomocou tlačidla < alebo > nastavte minúty času budenia a potom stlačte tlačidlo **Select/Menu** na potvrdenie.

Pomocou tlačidla < alebo > nastavte trvanie budíka a potom stlačte tlačidlo **Select/Menu** na potvrdenie.

Možnosti trvania: 15/30/45/60/90 minút

Pomocou tlačidla < alebo > nastavte zdroj budenia a potom stlačte tlačidlo Select/Menu na potvrdenie.

Možnosti zdroja budenia: Buzzer (bzučiak)/DAB/FM

Pri výbere zdroja budenia DAB a FM sú k dispozícii možnosti **Last listened** (Naposledy počúvaná) a **Preset stations** (Predvolené stanice). Pomocou tlačidiel < alebo > vyberte požadovanú možnosť a potom stlačte tlačidlo **Select/Menu** na potvrdenie.

Poznámka: Ak je ako zdroj budíka zvolený režim DAB a intenzita signálu DAB je nízka, namiesto toho sa spustí bzučiak.

Pomocou tlačidla < alebo > zvolte dni, počas ktorých má byť budík aktívny, a potom stlačte tlačidlo **Select/Menu** na potvrdenie.

Nastavte, kedy má byť budík aktívny: Daily (Každý deň)/Once (Raz)/Weekends (Víkendy)/Weekdays (Pracovné dni)

Pomocou tlačidla - **Volume +** prispôsobte hlasitosť budíka a potom stlačte tlačidlo **Select/Menu** na potvrdenie. Na rádiu sa zobrazí **Alarm saved** (Budík uložený). Na displeji sa bude zobrazovať ikona budíka  alebo .

Poznámka: Na displeji sa zobrazí informácia o budíku. Ak sú nastavené oba budíky, striedavo sa budú zobrazovať informácie o budíku 1 a budíku 2.

9.1 Funkcia odloženia

Pri rozoznení budíka stlačte tlačidlo **Snooze** na odloženie budíka. Opakovaným stláčaním tlačidla **Snooze** nastavte čas odloženia na 5, 10, 15 alebo 30 minút, potom sa budík dočasne zastaví. Rádio sa prepne do pohotovostného režimu a bude zobrazovať čas odloženia.

Poznámka: Možnosti odloženia, ktoré sú k dispozícii, závisia od zvoleného času trvania budíka.

Trvanie	Čas odloženia
15 minút	5, 10 minút
30 minút	5, 10, 15 minút
45, 60, 90 minút	5, 10, 15, 30 minút

9.2 Zastavenie budíka

Budík môžete zastaviť stlačením tlačidla , keď začne zvonieť.

9.3 Vypnutie budíka

Stlačením tlačidla **Alarm 1** alebo **Alarm 2** vypnete budík. Ikona budíka ☹ alebo ☹ zmizne z displeja.

Poznámka: Opakované stláčanie tlačidla **Alarm 1** alebo **Alarm 2** bude prepínať medzi zapnutým a vypnutým budíkom.

10 Spánok

Táto funkcia umožňuje, aby sa vaše rádio po uplynutí nastaveného času spánku samo preplo do pohotovostného režimu.

Opakovaným stláčaním tlačidla **Sleep** zvolíte čas spánku a potom stlačte tlačidlo **Select/Menu** na potvrdenie. Na displeji sa zobrazí ikona spánku ☹.

Možnosti času spánku: off (vypnuté)/15/30/45/60/90 minút.

Po nastavení času spánku môžete zobrazit' odpočítavanie času spánku stlačením tlačidla **Sleep**.

Opakovaným stlačením tlačidla **Sleep** zvolíte možnosť **Sleep off** (Spánok vypnutý) a potom stlačte tlačidlo **Select/Menu** na vypnutie časovača spánku.

11 Funkcia stlmenia

Jas displeja môžete nastaviť manuálne tlačidlami - **Dimmer +** na zadnom paneli.

K dispozícii je celkom 9 úrovní intenzity svetla.

Stlačte raz tlačidlo „Dimmer –“ na zníženie úrovne o 1 krok.

Stlačte raz tlačidlo „Dimmer +“ na zvýšenie úrovne o 1 krok.

12 Info

Počas prehrávania programu môžete zobrazit' ďalšie informácie na displeji opakovaným stlačením tlačidla **Select/Menu**.

EN

FR

IT

NL

NW

DK

PL

CZ

SK

13 Režim DAB rádia

Môžete zobraziť ďalšie informácie vrátane nasledujúcich:

- Informácia o budíku
- DLS (Dynamic Label Segment – krátke textové informácie vysielané s DAB)
- Intenzita signálu
- PTY (typ programu)
- Súbor
- Frekvencia
- Kvalita signálu
- Bitová rýchlosť a kodek
- Formát
- Time (Čas):
- Dátum

14 Režim FM rádia

Môžete zobraziť ďalšie informácie vrátane nasledujúcich:

- Informácia o budíku
- Radiotext
- PTY (typ programu)
- PS (programová služba)
- Zvukové informácie
- Time (Čas):
- Dátum

15 Predvoľby rádia

Systém môže uložiť 2 DAB stanice a 2 FM stanice na zoznam predvoľieb.

15.1 Uloženie stanice do zoznamu predvoľených

Ak chcete uložiť stanicu, vyberte požadovanú rádiostanicu a stlačte a podržte tlačidlo **Preset 1** (Predvoľba 1) alebo **Preset 2** (Predvoľba 2), kým sa na LCD displeji nezobrazí správa „Preset stored“ (Predvoľba uložená).

15.2 Vyvolanie stanice zo zoznamu predvoľených

Ak chcete vyvolať predvoľbu stanicu, stlačením tlačidla **DAB/FM** vyberte požadovaný režim a stlačením tlačidla **Preset 1** alebo **Preset 2** vyberte predvoľenú stanicu.

Poznámka: Ak zvolíte predvoľbu, ku ktorej nebola priradená žiadna stanica, zobrazí sa **No Preset # set** (Nie je nastavená predvoľba č. #).

16 Pokročilé nastavenia

Pokročilé nastavenia vám umožňujú prispôsobiť rádio DAB/FM pomocou možností, ktoré vám vyhovujú. Ak chcete získať prístup k pokročilým nastaveniam, v režime DAB alebo FM stlačte a podržte tlačidlo **Select/Menu** pre vstup do ponuky.

16.1 Režim DAB rádia

V ponuke rozšírených nastavení sa stlačením tlačidla **<** alebo **>** presúvajte medzi možnosťami ponuky. Potom sa zastavte na vami požadovanej možnosti a stlačte tlačidlo **Select/Menu** na potvrdenie. Možnosti ponuky pokročilých nastavení:

- Full scan (Kompletné ladenie)
- Manuálne ladenie
- DRC
- Prune (Odstrániť)
- Systémové nastavenia

EN

FR

IT

NL

NW

DK

PL

CZ

SK

16.1.1 Full scan (Kompletné ladenie)

V ponuke pokročilých nastavení stlačením tlačidla < alebo > zvolte možnosť **Full scan** (Kompletné ladenie), a potom stlačte tlačidlo **Select/Menu** na potvrdenie.

Kompletné ladenie sa spustí automaticky. Po dokončení ladenia sa rádio vráti k prehrávaniu predtým zvolenej stanice alebo prvej stanice na zozname.

Poznámka: Ak sa nenájde žiadna stanica, zobrazuje sa text „NO DAB STATION“ (ŽIADNA DAB STANICA). Ak chcete dosiahnuť lepší príjem, prispôsobte anténu alebo znova zopakujte kompletné ladenie na inom mieste.

16.1.2 Manuálne ladenie

Okrem bežnej metódy ladenia môžete aj manuálne naladiť určitý kanál/frekvenciu. To môže byť užitočné na nastavenie antény tak, aby ste dosiahli čo najlepší príjem, a na vyhľadanie konkrétneho kanála na pridanie do zoznamu staníc.

V ponuke pokročilých nastavení stlačením tlačidla < alebo > zvolte možnosť **Manual tune** (Manuálne ladenie), a potom stlačte tlačidlo **Select/Menu** na potvrdenie.

Stlačením tlačidla < alebo > vyberte konkrétny kanál/frekvenciu a potom stlačte tlačidlo **Select/Menu** na potvrdenie.

Poznámka: Na displeji sa zobrazuje indikátor intenzity prijímaného signálu na zvolenej frekvencii. Zmena polohy vašej antény ovplyvní zobrazenú silu prijímaného signálu. Nové stanice sa automaticky pridajú do zoznamu staníc.

Ak chcete prehrávať nájdenú stanicu, najprv stlačte a podržte tlačidlo **Select/Menu**, aby ste ukončili manuálne ladenie.

16.1.3 DRC

Ak počúvate hudbu s vysokým dynamickým rozsahom v hlučnom prostredí (napríklad klasická hudba počas varenia), možno budete chcieť komprimovať zvukový dynamický rozsah. To spôsobí, že tichšie zvuky budú hlasnejšie a hlasnejšie zvuky zase tichšie.

V ponuke pokročilých nastavení stlačením tlačidla < alebo > zvolte možnosť **DRC**, a potom stlačte tlačidlo **Select/Menu** na potvrdenie.

Stlačením tlačidla < alebo > zvolte možnosť **DRC off** (DRC vypnuté) (predvolené), **DRC high** (DRC vysoké) alebo **DRC low** (DRC nízke), potom stlačte tlačidlo **Select/Menu** na potvrdenie nastavenia.

16.1.4 Prune (Odstrániť)

Týmto odstránite nedostupné stanice zo zoznamu staníc.

V ponuke pokročilých nastavení stlačením tlačidla < alebo > zvolte možnosť **Prune** (Odstrániť), a potom stlačte tlačidlo **Select/Menu** na potvrdenie.

Pomocou tlačidla < prejdite na možnosť <Yes> (Áno) a potom stlačte tlačidlo **Select/Menu** na potvrdenie odstránenia všetkých neplatných staníc.

16.1.5 Systémové nastavenia

Možnosti ponuky systému sú nasledujúce:

- Time (Čas):
- Backlight (Podsvietenie)
- Language (Jazyk)
- Factory Reset (Reset na nastavenia z výroby)
- SW version (Verzia softvéru)

16.1.5.1 Time (Čas):

V menu času môžete nastaviť čas a dátum, formát času a dátumu a zdroj pre aktualizáciu času.

V ponuke systému prejdite stlačením tlačidla < alebo > na možnosť **Time** (Čas) a potom stlačte tlačidlo **Select/Menu** na potvrdenie.

16.1.5.1.1 Nastavenie času a dátumu

V ponuke času prejdite stlačením tlačidla < alebo > na možnosť **Set Time/Date** (Nastaviť čas/dátum) a potom stlačte tlačidlo **Select/Menu** na potvrdenie.

Nastavte čas (hodiny) stlačením tlačidla < alebo > a potom stlačte tlačidlo **Select/Menu** na potvrdenie.

Nastavte čas (minúty) stlačením tlačidla < alebo > a potom stlačte tlačidlo **Select/Menu** na potvrdenie.

Nastavte dátum (deň/mesiac/rok) pomocou < alebo > a potom stlačte tlačidlo **Select/Menu** na potvrdenie.

Na LCD sa zobrazí **Time Saved** (Čas uložený).

EN

FR

IT

NL

NW

DK

PL

CZ

SK

16.1.5.1.2 Automatická aktualizácia

V ponuke času prejdite stlačením tlačidla < alebo > na možnosť **Auto update** (Automatická aktualizácia) a potom stlačte tlačidlo **Select/Menu** na potvrdenie.

Pomocou tlačidla < alebo > vyberte zdroj pre aktualizáciu času a potom stlačte tlačidlo **Select/Menu** na potvrdenie. Zdroj pre aktualizáciu času: **Update from any (Aktualizácia z akéhokoľvek zdroja)** (predvolene)/**Update from DAB (Aktualizácia z DAB)/Update from FM (Aktualizácia z FM)/No update (Žiadna aktualizácia)**.

16.1.5.1.3 Nastavenie 12-/24-hodinového formátu času

V ponuke času prejdite stlačením tlačidla < alebo > na možnosť **Set 12/24 hour** (Nastaviť 12-/24-hodinový formát) a potom stlačte tlačidlo **Select/Menu** na potvrdenie.

Pomocou tlačidla < alebo > zvolte možnosť **Set 24 hour** (Nastaviť 24-hodinový formát) alebo **Set 12 hour** (Nastaviť 12-hodinový formát) a potom stlačte tlačidlo **Select/Menu** na potvrdenie.

16.1.5.1.4 Nastavenie formátu dátumu

V ponuke času prejdite stlačením tlačidla < alebo > na možnosť **Set date format** (Nastaviť formát dátumu) a potom stlačte tlačidlo **Select/Menu** na potvrdenie.

Pomocou tlačidla < alebo > vyberte formát dátumu **DD-MM-YYYY** (predvolené) alebo **MM-DD-YYYY** a potom stlačte tlačidlo **Select/Menu** na potvrdenie.

16.1.5.2 Backlight (Podsvietenie)

Displej tohto rádia má podsvietenie s nastaviteľným časovým limitom (to je oneskorenie v sekundách, po ktorom sa displej vypne).

V ponuke podsvietenia prejdite stlačením tlačidla < alebo > na možnosť **Timeout** (Časový limit) a potom stlačte tlačidlo **Select/Menu** na potvrdenie.

Pomocou tlačidla < alebo > vyberte konkrétnu možnosť a potom stlačte tlačidlo **Select/Menu** na potvrdenie nastavenia.

Možnosti časového limitu: **NO Timeout (Žiaden časový limit)**(predvolené)/**5 sec/10 sec/30 sec/1 min/2 min/3 min**

Úroveň jasnosti môžete nastaviť stlačením tlačidiel - **Dimmer +** (pozri časť 11).

16.1.5.3 Language (Jazyk)

Predvolený jazyk je nemecký jazyk. Môžete ho zmeniť na svoj požadovaný jazyk.

K dispozícii je šesť jazykov: nemčina/angličtina/francúzština/španielčina/taliančina/dánčina.

V ponuke systému prejdite stlačením tlačidla < alebo > na možnosť **Language** (Jazyk) a potom stlačte tlačidlo **Select/Menu** na potvrdenie.

Pomocou tlačidla < alebo > vyberte požadovaný jazyk a potom stlačte tlačidlo **Select/Menu** na potvrdenie.

16.1.5.4 Factory Reset (Reset na nastavenia z výroby)

Vykonanie resetu na nastavenia z výroby vymaže všetky nastavenia definované používateľom a nahradí ich pôvodnými predvolenými hodnotami, takže sa stratí čas/dátum, zoznam staníc DAB aj predvolené stanice.

V ponuke systému prejdite stlačením tlačidla < alebo > na možnosť **Factory reset** (Reset na nastavenia z výroby) a potom stlačte tlačidlo **Select/Menu** na potvrdenie.

Pomocou tlačidla > prejdite na možnosť **Yes** (Áno) a potom stlačte tlačidlo **Select/Menu** na potvrdenie.

16.1.5.5 SW version (Verzia softvéru)

Tu sa zobrazuje aktuálna verziu softvéru.

V ponuke systému prejdite stlačením tlačidla < alebo > na možnosť **SW version** (Verzia softvéru) a potom stlačte tlačidlo **Select/Menu** na potvrdenie. Na LCD displeji sa zobrazí verzia softvéru.

16.2 Režim FM rádia

V ponuke rozšírených nastavení sa stlačením tlačidla < alebo > presúvajte medzi možnosťami ponuky. Potom sa zastavte na vami požadovanej možnosti a stlačte tlačidlo **Select/Menu** na potvrdenie. Možnosti ponuky pokročilých nastavení:

- Scan setting (Nastavenie ladenia)
- Audio setting (Nastavenie zvuku)
- System (Systém) (pozrite si 16.1.5)

16.2.1 Scan setting (Nastavenie ladenia)

Predvolene sa ladenie FM zastaví na ľubovoľnej dostupnej stanici (všetky stanice). Môže to mať za následok slabú kvalitu zvuku zo staníc so slabým signálom.

EN

FR

IT

NL

NW

DK

PL

CZ

SK

V ponuke pokročilých nastavení stlačením tlačidla < alebo > zvolte možnosť **Scan setting** (Nastavenie ladenia), a potom stlačte tlačidlo **Select/Menu** na potvrdenie.

Stlačením tlačidla < alebo > zvolte možnosť **All stations** (Všetky stanice) (predvolené) alebo **Strong stations only** (Iba silné stanice) a potom stlačte tlačidlo **Select/Menu** na potvrdenie nastavenia.

16.2.2 Audio setting (Nastavenie zvuku)

Štandardne sú všetky stereo stanice reprodukované v režime stereo. Pre slabé stanice to môže mať za následok slabú kvalitu zvuku. Kvalitu zvuku možno zlepšiť pomocou režimu mono.

V ponuke pokročilých nastavení stlačením tlačidla < alebo > zvolte možnosť **Audio setting** (Nastavenie zvuku), a potom stlačte tlačidlo **Select/Menu** na potvrdenie.

Stlačením tlačidla < alebo > zvolte možnosť **Stereo allowed** (Povoliť stereo) (predvolené) alebo **Forced mono** (Iba mono) a potom stlačte tlačidlo **Select/Menu** na potvrdenie nastavenia.

16.2.3 Systémové nastavenia

Pozrite si časť 16.1.5.

17 Riešenie chýb

Problém: Nezapne sa.

Riešenie: Skontrolujte, či je sieťový adaptér správne pripojený.
Uistite sa, že rádio je zapnuté.

Problém: Prístroj neodpovedá na stlačenie tlačidiel.

Riešenie: Prístroj môže počas používania prestať reagovať. Prístroj vypnite a potom ho znova zapnite, aby sa resetoval.

Problém: Slabý príjem rádia.

Riešenie: Uistite sa, že anténa je úplne vytažená. Elektrická interferencia vo vašom dome môže spôsobiť slabý príjem. Presuňte prístroj preč od takýchto zariadení (najmä motorov a transformátorov).

Problém: Požadovaná stanica nebola nájdená.
Riešenie: Slabý signál. Vyhľadávajte manuálne.

18 Špecifikácie

Popis:	Digitálne DAB/FM rádio s budíkom
Výstup zvuku:	1,5 W RMS
Spotreba elektrickej energie:	Prevádzka: 3 W (max) Pohotovostný režim: < 1 W
Rozsahy frekvencií:	FM: 87,5 – 108 MHz DAB: 174,928 – 239,200 MHz
LCD displej:	Displej s vysokým rozlíšením
Napájanie:	Vstupná zásuvka DC IN: DC 6 V/500 mA Vstup napájacieho adaptéru: AC 100 – 240 V, 50 – 60Hz (používajte poskytnutý adaptér)
Rozmery:	150 mm (Š) x 134 mm (H) x 53 mm (V)

EN

FR

IT

NL

NW

DK

PL

CZ

SK



Tento symbol na výrobku alebo v návode na použitie znamená, že vaše elektrické a elektronické zariadenia by sa mali likvidovať na konci životnosti oddelene od domáceho odpadu. Ďalšie informácie získate od miestneho úradu alebo od predajcu, kde ste výrobok zakúpili.

