

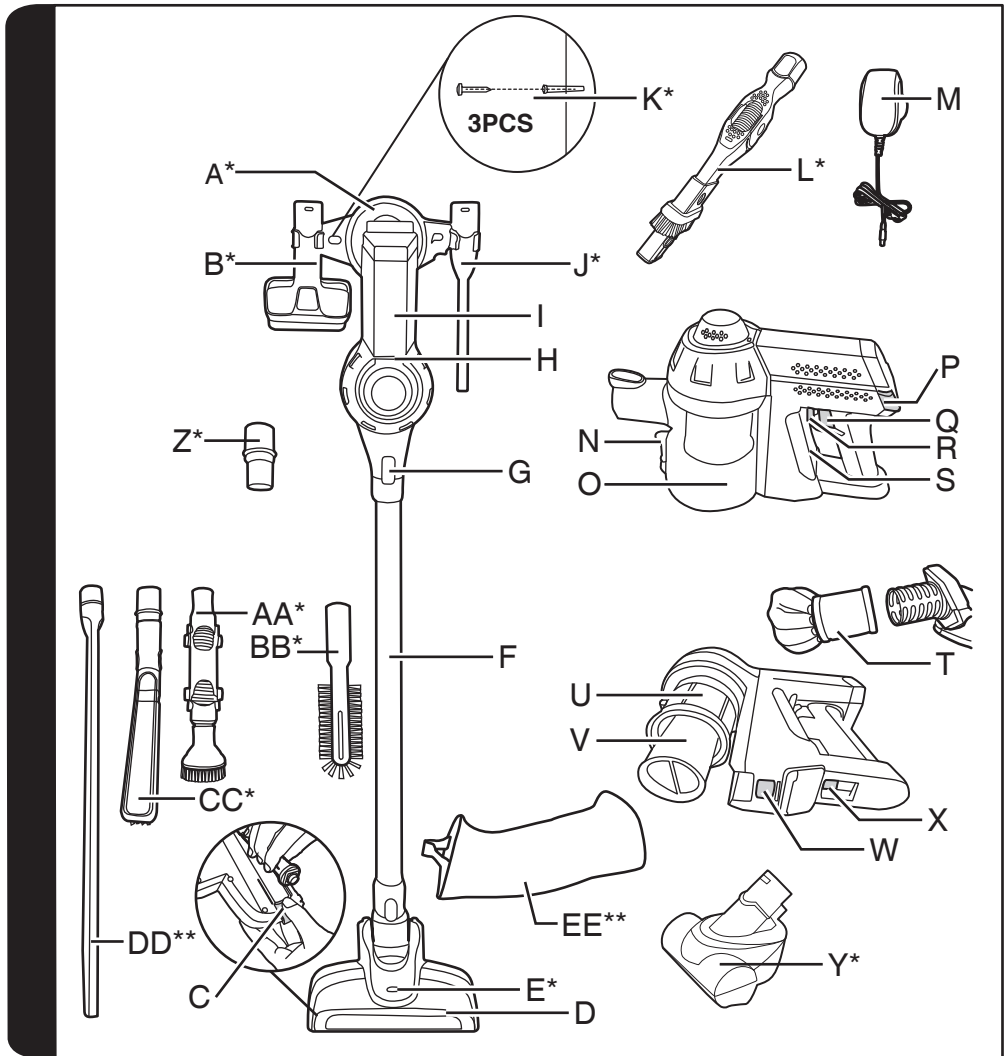
HOOVER



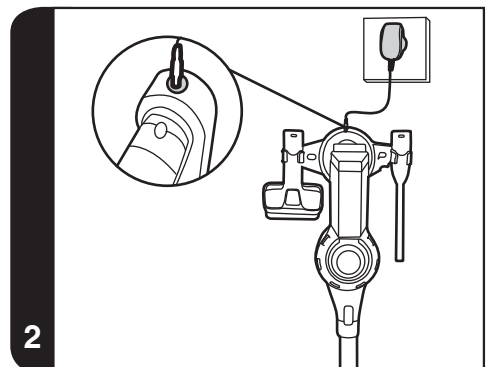
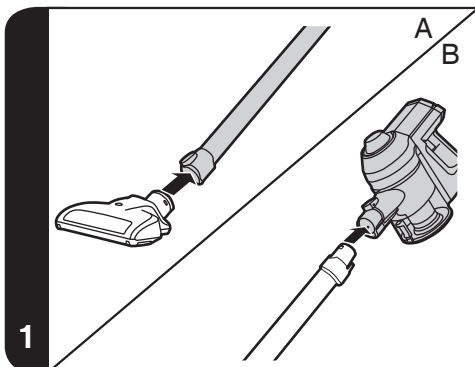
USER MANUAL (GB)	P 01
MANUEL D'UTILISATION (FR)	P 08
BEDIENUNGSANLEITUNG (DE)	P 13
MANUALE ISTRUZIONI (IT)	P 18
GEBRUIKERSHANDLEIDING(NL).....	P 23
MANUAL DE INSTRUÇÕES(PT).....	P 28
MANUAL DE INSTRUCCIONES(ES).....	P 33
BRUGERVEJLEDNING(DK).....	P 38
BRUKSANVISNING(NO).....	P 43
INSTRUKTIONSMANUAL(SE).....	P 48
ΚΑΥΤΤΟΟΗJE(FI).....	P 53
ΟΔΗΓΙΕΣ ΧΡΗΣΕΩΣ(GR).....	P 58
РУКОВОДСТВО ПОЛЬЗОВАТЕЛЯ(RU)..	P 63
INSTRUKCJA OBSŁUGI(PL).....	P 68
NÁVOD K OBSLUZE(CZ).....	P 73
NAVODILA ZA UPORABO(SI).....	P 78
KULLANIM KILAVUZU(TR).....	P 83

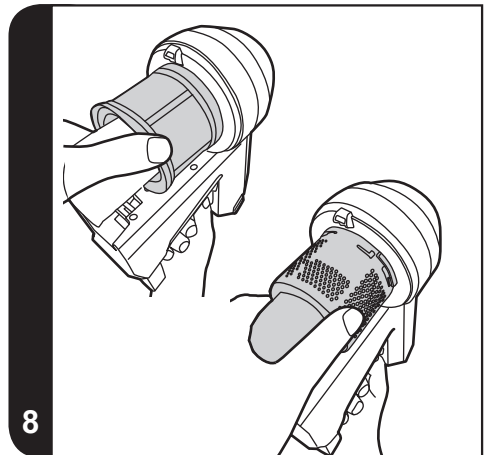
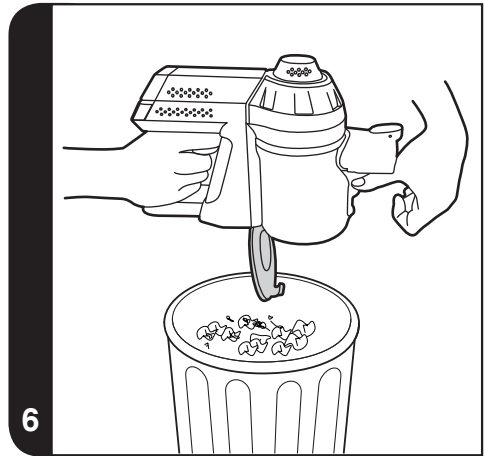
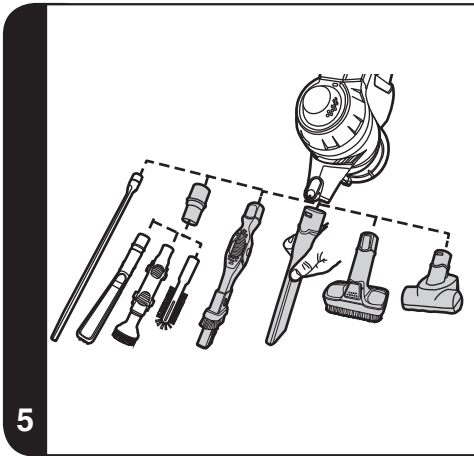
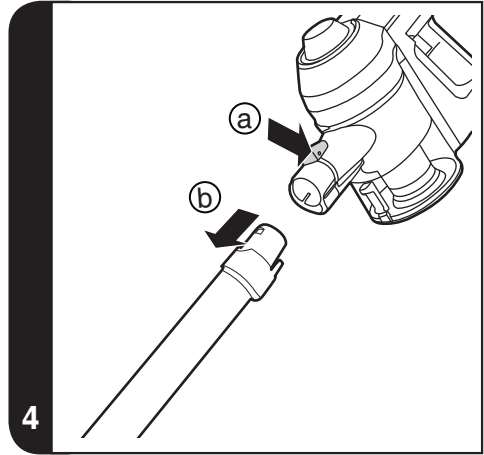
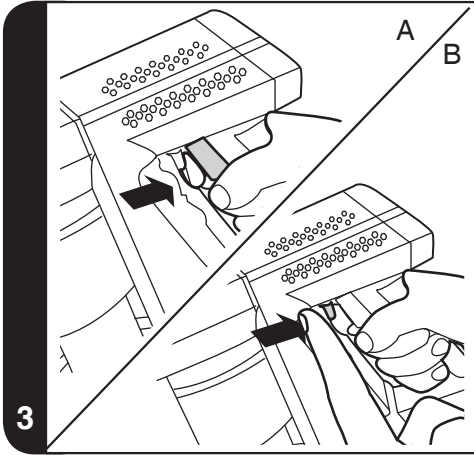


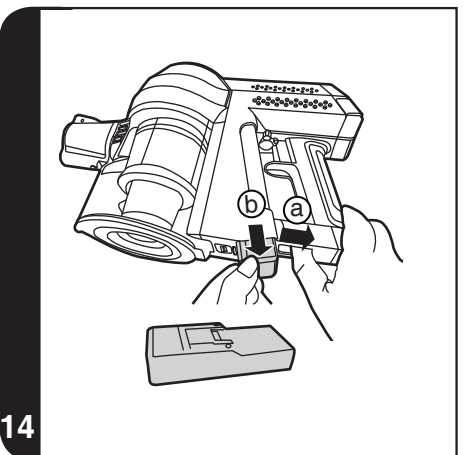
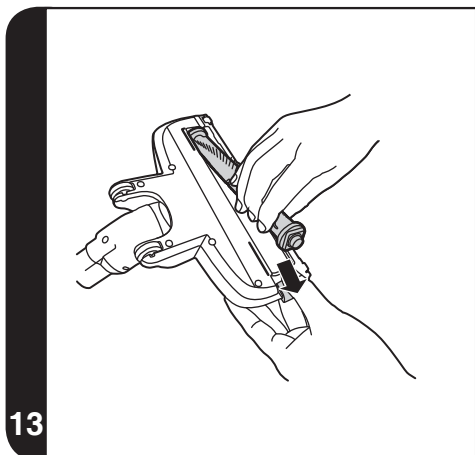
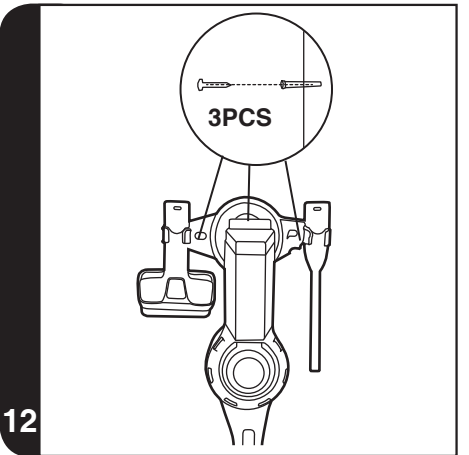
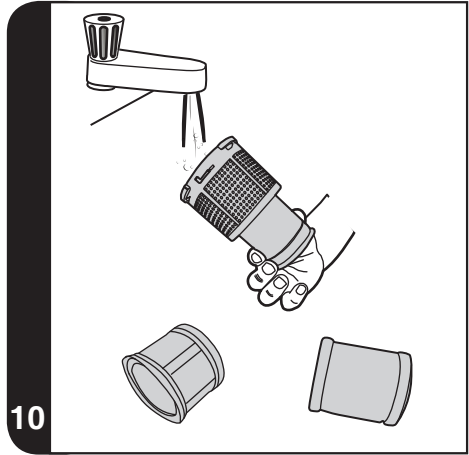
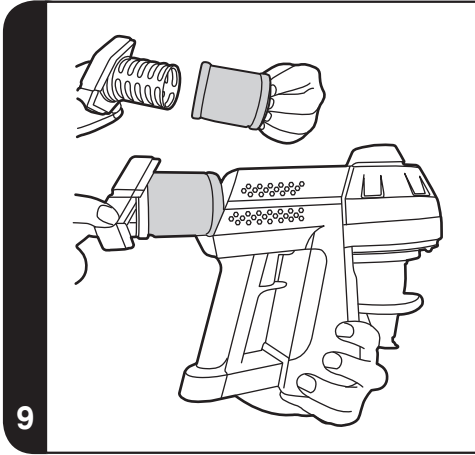
BORN INNOVATIVE



* Certain models only







INSTRUCTIONS FOR SAFE USE

This appliance should only be used for domestic cleaning, as described in this user guide. Please ensure that this guide is fully understood before operating the appliance.

Always switch off and remove the charger from the socket before cleaning the appliance or any maintenance task.

This appliance can be used by children aged from 8 years and above and persons with reduced physical, sensory or mental capabilities or lack of experience and knowledge if they have been given supervision or instruction concerning use of the appliance in a safe way and understand the hazards involved. Children shall not play with the appliance. Cleaning and user maintenance shall not be made by children without supervision.

If the power cord is damaged stop using the appliance immediately. To avoid a safety hazard, an authorised Hoover service engineer must replace the power cord.

Keep hands, feet, loose clothing and hair away from rotating brushes.

Use only the original charger supplied with the appliance.

Check that your supply voltage is the same as that stated on the charger.

This appliance is supplied with a double insulated battery charger which is only suitable for insertion in a 230V (UK 240V) socket outlet.

Plug the charger in to suitable socket outlet and connect the charger jack plug to the appliance. **[2]**

When charging the appliance, the power switch lever must be in the off position.

Before first use, charge your appliance for at least 6 hours. The charging LED indicator **[H]** will illuminate red when charging and will illuminate blue when fully charged.

Re-connect the appliance to the charger after use to recharge the battery.

Never charge the batteries in temperatures above 37°C or below 0°C.

It is normal for the charger to become warm to the touch when charging.

Do not unplug the charger by pulling on the power cord.

Unplug the charger in the event of prolonged absence (holidays, etc.). Recharge appliance again before use as batteries may self discharge over increased periods of storage.

If the appliance is to be disposed of the batteries must first be removed. The appliance must be disconnected from the supply mains when removing the battery. Dispose of the batteries safely. Run the appliance until it stops because the batteries are fully discharged. Used batteries should be taken to a recycling station and not disposed of with household waste. To remove the batteries, please contact the Hoover Customer Centre or proceed according to the following instructions.

IMPORTANT: Always fully discharge the batteries before removal.

Run the cleaner until the batteries are completely empty.

Remove the charger jack plug from the appliance.

Pull back the battery pack release button and the battery pack will be pushed out a short distance automatically. **[14a]**

Drag the battery pack slowly from the slot. **[14b]**

Note: Should you experience any difficulty in dismantling the unit or for more detailed information on treatment, recovery and recycling of this appliance, please contact your local city office or your household waste disposal service.

Use only attachments, consumables or spares recommended or supplied by Hoover.

Static electricity: Some carpets can cause a small build up of static electricity. Any static discharge is not hazardous to health.

Do not use your appliance out of doors or on any wet surface or for wet pick up.

Do not pick up hard or sharp objects, matches, hot ashes, cigarette ends or other similar items. Do not spray with or pick up flammable liquids, cleaning fluids, aerosols or their vapours.

Do not run over the power cord when using your appliance or remove the plug by pulling on the power cord. Do not continue to use your appliance or charger if it appears faulty.

Hoover service: To ensure the continued safe and efficient

operation of this appliance we recommend that any servicing or repairs are only carried out by an authorised Hoover service engineer.

Do not use the appliance to clean animals or people.

Do not replace the batteries with non-rechargeable batteries.

The Environment:

This appliance is marked according to the European directive 2011/65/EC on Waste Electrical and Electronic Equipment (WEEE). By ensuring this product is disposed of correctly, you will help prevent potential negative consequences for the environment and human health, which could otherwise be caused by inappropriate waste handling of this product. The symbol on the product indicates that this product may not be treated as household waste. Instead it shall be handed over to the applicable collection point for the recycling of electrical and electronic equipment. Disposal must be carried out in accordance with local environmental regulations for waste disposal. For more detailed information about treatment, recovery and recycling of this product, please contact your local city office, your household waste disposal service or the shop where you purchased the product.



This product complies with the European Directives 2014/35/EU, 2014/30/EU and 2011/65/EU.

CANDY HOOVER GROUP S.r.l. Via Privata Eden Fumagalli, 20861 Brugherio (MB) Italy

PRODUCT COMPONENTS

- | | |
|----------------------------------|---------------------------------|
| A. Docking Station * | Q. Switch On/Off |
| B. 2In1 Dusting Brush * | R. Switch Lever |
| C. Agitator Release Button | S. Battery Pack |
| D. Power Nozzle | T. Exhaust Filter |
| E. Nozzle Led Light * | U. Mesh Filter |
| F. Tube | V. Cyclone Separator |
| G. Accessory Release Button | W. Dust Cup Release Button |
| H. Handheld Led Light | X. Battery Pack Release Button |
| I. Handheld Unit | Y. Mini-turbo Nozzle * |
| J. Crevice Tool * | Z. Accessory Adaptor * |
| K. Screws Plugs * | AA. Up To Top Tool * |
| L. Long Rotation 2 In 1 Brush * | BB. Radiator Tool * |
| M. Charger | CC. Deep Cleaning Brush* |
| N. Dust Cup Empty Button | DD. Long Flexible Crevice Tool* |
| O. Dust Cup | EE. Accessory bag* |
| P. Exhaust Filter Release Button | |

PREPARING YOUR CLEANER

1. Fix the docking station to your wall using the screws and screw plugs provided.
2. Insert the nozzle head into one side of tube until you hear a "click" sound. **[1A]**
3. Insert another side of tube into handheld unit until you hear a "click" sound. **[1B]**
4. To fully charge the appliance, connect the charger jack plug to the appliance. It will take around 6Hrs. **[2]**

NOTE: To remove the nozzle press the nozzle release button and pull away from the main body.

NOTE: Use only the charger supplied with your cleaner to recharge.

IMPORTANT: When charging the cleaner the switch lever must be in the OFF position.

It is normal for the charger to become warm to the touch when charging.

USING YOUR CLEANER

Safety protection system

To ensure the reliability of product is not affected if used under arduous conditions, the product features an integrated Safety protection system.

* Certain Models Only

NOTE: The Safety protection system will action if the agitator has a blockage or is locked, once actioned the product will stop after 5 seconds and the blue Led light on the handheld will turn red and start to flash. If this happens then you should clear the obstruction and ensure the continuous mode lever is off. Once this is done simply press the on/off button, the product will restart after a few seconds.

There are two working modes:

- **TEMPORARY MODE:** The product will start working when you press the on/off switch and stop when released. [3A]
- **CONTINUOUS MODE:** To enable continuous mode you can pull switch lever back and it will click into place. To disable continuous mode you can push the switch lever forward. [3B]

Charging Indication: The handheld LED light keep red light during charging and turns into blue light when fully charged.

Discharging Indication: When the batteries are discharging, both handheld LED light and nozzle LED light are blue. Handheld LED light will blink when the battery capacity is lower than 5%.

Crevice Tool / 2 in 1 Dusting Brush* / Long Rotation 2 in 1 Brush* / Mini-turbo Nozzle* / Long Flexible Crevice Tool*

You can insert the accessory directly into the air inlet of handheld unit or one side of the tube and heard a “click” sound. [5]
Only Crevice Tool and 2in1 Dusting brush can be stored on the docking station.

Accessory bag*:

Additional accessories can be stored in the accessory bag.

NOTE:The mini-turbo nozzle is ideal for deep cleaning textile surfaces (i.e. sofas) and pet hair removal. Move it steadily backwards and forwards. After using, please remove hair / threads collected on the brush with scissors if necessary.

NOTE: The long flexible crevice tool is ideal for cleaning in hard to reach areas and underneath furniture.

Up to Top Tool*/Radiator Tool* /Deep Cleaning brush*

These accessory must be assembled with accessory adaptor for using.

You can insert the accessory adaptor directly into the air inlet of handheld unit or one side of tube and heard a “click” sound.

NOTE: The up to top tool can easily clean high and hard to reach places and delicate surfaces without scratching.

NOTE: The radiator tool is ideal for cleaning inside and around cabinets, radiators, couches, blinds and more.

NOTE: The deep cleaning brush is useful to clean in tight spaces without scratching surfaces.

IMPORTANT: After each use of your product, please ensure to push the switch lever forward to the unlocked position. Failure to do so may result in a reduction in battery life or failure.

CLEANER MAINTENANCE

Emptying the Dust Container

1. Press the accessory release button and remove the tube. [4]
2. Push down the dust cup empty button to release the bin flap and empty the contains. [6]
3. Close the dust cup flap up, you will hear a click when fully locked.

NOTE: It is recommended to empty the dust cup after each use or when dust is up to the max fill line.

Cleaning the Dust Container and Filter

1. Press the accessory release button and remove the tube. [4]
2. Press the dust cup empty button to open the bin flap and empty it. [6]
3. Press the dust cup release button and also pulling the dust cup away in an downwards and outward direction. [7]
4. Turn the mesh filter to the anticlockwise direction to align the arrow mark and then it can be pulled out from the cleaner. [8]
5. Turn the cyclone separator to the anticlockwise direction, align the arrow mark and then it can be pulled out from the cleaner. [8]
6. Press the two exhaust filter release buttons simultaneously and then remove the exhaust filter. [9]
7. Wash the exhaust filter in lukewarm water and leave to dry for 24 hours. Reassemble once completely dry and refit to the product. [10] [11]
8. Wash the dust cup/mesh filter/cyclone separator in lukewarm water. Ensure it is fully dry before returning to the main body. [10]
9. Reassemble the handheld unit and then attach it to the docking station. [12]

NOTE: Do not use hot water or detergents when cleaning the exhaust filters. In the unlikely event of the exhaust filters becoming damaged, fit a genuine Hoover replacement. Do not try use the product without a filter fitted.

IMPORTANT: For optimum performance, always keep your mesh filter clean. We recommend that the filter should be washed at least once a month.

* Certain Models Only

Changing and Cleaning the Agitator

IMPORTANT: Always switch off the cleaner before changing and cleaning the agitator.

1. Remove the power nozzle from the tube and slide the agitator release button outward to remove the agitator. [13]
2. Remove all the debris from the agitator or if this is not satisfactory you can replace it.
3. When you are refitting the agitator please note it can only be fitted in the one direction. To refit slide the agitator release button outwards and locate agitator in correct position then release button, it will lock automatically.

Replacing the Batteries

This cleaner is fitted with a rechargeable Lithium ion battery pack which is replaceable.

WARNING: Only use approved replacement parts for your cleaner. Using parts not validated by Hoover are dangerous and will invalidate your guarantee.

WARNING: Do not try to open the battery pack and repair it by yourself.

1. Pull back the battery pack release button and the battery pack will be pushed out short distance automatically. [14a]
2. Pull the battery pack slowly from the slot. [14b]
3. Remove the old battery pack and replace with the new battery pack.
4. Dispose of the batteries safely. Used batteries should be taken to a recycling station and not disposed off with household waste.

TROUBLE SHOOTING

Should you have any problem with your cleaner, follow this simple check list before calling the Hoover Customer Service Centre:

- A. Cleaner does not switch on.**
Check if the cleaner is charged.
- B. Cleaner stop working or the agitator does not rotate.**
Check if there is an obstruction in the agitator, clear it and ensure the continuous mode lever is off. Once this is done simply press the on/off button, the product will restart after a few seconds.
- C. Loss of suction or no suction**
Empty the dust cup and wash the mesh filter and cyclone separator.
Remove nozzle and check for any blockages in the duct.
- D. Batteries cannot be charged.**
This may be a result of very long storage periods (over half year).
Contact Hoover customer service to arrange battery replacement.
If the problem persists contact the Hoover customer service centre.

HOOVER SPARES AND CONSUMABLES

Always replace parts with genuine Hoover spares. These are available from your local Hoover dealer or direct from Hoover. When ordering parts always quote your model number.

YOUR GUARANTEE

The guarantee conditions for this appliance are as defined by our representative in the country in which it is sold. Details regarding these conditions can be obtained from the dealer from whom the appliance was purchased. The bill of sale or receipt must be produced when making any claim under the terms of this guarantee.

Subject to change without notice.

INSTRUCTIONS DE SÉCURITÉ D'UTILISATION

Cet appareil ne doit être utilisé que pour un nettoyage domestique, conformément à ce guide d'utilisation. Veuillez vous assurer que ces instructions sont parfaitement comprises avant d'utiliser l'appareil.

Il convient de toujours éteindre et mettre le chargeur hors tension avant d'entreprendre des opérations de nettoyage ou d'entretien de l'appareil.

Cet appareil peut être utilisé par des enfants âgés d'au moins 8 ans et par des personnes ayant des capacités physiques, sensorielles ou mentales réduites, ou n'ayant pas d'expérience ou de connaissances en la matière. Ces dernières doivent recevoir des instructions sur l'utilisation de l'appareil en toute sécurité et comprendre les risques impliqués. Les enfants ne doivent pas jouer avec l'appareil. Le nettoyage et l'entretien ne devraient pas être effectués par des enfants sans supervision.

Si le cordon d'alimentation est endommagé, arrêtez immédiatement d'utiliser l'appareil. Pour éviter les risques d'accident, un réparateur Hoover agréé doit remplacer le cordon d'alimentation.

Maintenez les mains, pieds, vêtements et cheveux à distance des brosses rotatives.

Utilisez uniquement le chargeur d'origine qui vous a été fourni avec l'appareil.

Vérifiez que la tension de l'alimentation est la même que celle indiquée sur le chargeur.

Cet appareil Hoover est fourni avec un chargeur de batterie doublement isolé qui n'est adapté qu'à une prise de 230 V (240 V Grande-Bretagne).

Branchez le chargeur dans une prise adaptée et connectez la prise jack du chargeur dans l'appareil. **[2]**

Lors du chargement de l'appareil, le commutateur d'arrêt/de démarrage doit être sur arrêt.

Avant la première utilisation, rechargez votre aspirateur pendant au moins 6 heures. L'indicateur de chargement LED **[H]** tournera au rouge lorsque le produit est en train de charger et au bleu lorsqu'il est complètement chargé.

Rebranchez l'appareil au chargeur après l'utilisation pour recharger les batteries.

Ne rechargez jamais les batteries dans des températures de plus de 37°C ou en-dessous de 0°C.

Il est normal pour le chargeur de devenir chaud au toucher lorsqu'il est en train de charger.

Ne pas débrancher en tirant sur le cordon d'alimentation.

Débranchez le chargeur en cas d'absence prolongée (vacances, etc.). Rechargez l'appareil de nouveau avant de l'utiliser car les batteries peuvent se décharger toutes seules si elles sont stockées pendant longtemps.

Si vous mettez l'appareil à la poubelle, il convient de retirer les batteries d'abord. L'appareil ne doit pas être branché à la prise, lorsque vous retirez les batteries. Mettez les batteries à la poubelle, dans un endroit sûr. Laissez fonctionner l'appareil jusqu'à l'arrêt total de l'appareil dû au fait que les batteries sont entièrement déchargées. Des batteries usées doivent être amenées à un point de recyclage et non pas être éliminées avec les ordures ménagères. Pour retirer les batteries, veuillez contacter le centre d'assistance Hoover ou suivez les instructions suivantes.

IMPORTANT : Déchargez toujours complètement les piles avant de les retirer.

Faites fonctionner le nettoyeur jusqu'à ce que les batteries soient complètement vides.

Retirez la prise jack du chargeur de l'appareil.

Tirez sur le bouton de déverrouillage du bloc batterie ; le bloc batterie ressortira sur une petite distance de manière automatique. **[14a]**

Tirez lentement le bloc batterie de la fente. **[14b]**

Note : Si vous rencontrez des difficultés en démontant l'unité ou si vous souhaitez obtenir de plus amples informations concernant le traitement, la récupération et le recyclage de cet appareil, veuillez contacter les services de votre ville locale ou un service de traitement des ordures ménagères.

N'utilisez que les accessoires, les consommables et les pièces de rechange recommandés ou fournis par Hoover.

Electricité statique : Certains tapis peuvent entraîner une petite accumulation d'électricité statique. Les décharges d'électricité statique ne sont pas dangereuses pour la santé.

N'utilisez pas votre appareil à l'extérieur, sur une surface humide ou pour un ramassage humide.

N'aspirez pas d'objets durs ou tranchants, d'allumettes, de cendres chaudes, de mégots de cigarettes ou d'autres objets similaires. Ne pulvérisez ou n'aspirez pas des liquides inflammables, des produits d'entretien liquides, des aérosols ou leurs vapeurs.

Ne marchez pas sur le cordon d'alimentation lorsque vous utilisez votre appareil et ne le débranchez pas de la prise en tirant sur le cordon d'alimentation. Ne continuez pas à utiliser votre appareil ou

votre chargeur s'il semble défectueux.

Service Hoover : Pour assurer l'utilisation sûre et efficace de cet appareil, nous recommandons de n'en confier l'entretien et les réparations qu'à un réparateur Hoover agréé.

N'utilisez pas l'appareil sur des personnes ou des animaux.

Ne remplacez pas les batteries avec des batteries non rechargeables.

Environnement :

Cet appareil porte des marques conformes à la directive européenne 2011/65/EC relative aux déchets d'équipements électriques et électroniques (DEEE). Si vous jetez ce produit convenablement, vous contribuerez à éviter des conséquences potentiellement nuisibles pour l'environnement et pour la santé. Le symbole figurant sur le produit indique qu'il ne peut pas être mis à la poubelle avec les ordures ménagères. Vous devez le déposer dans un centre de recyclage des déchets électriques et électroniques. La déposition doit être effectuée conformément à la réglementation locale en matière de déchets. Pour obtenir des compléments d'information sur le traitement, la récupération et le recyclage de ce produit, merci de contacter votre municipalité, le service local des ordures ménagères ou le lieu d'achat du produit.



Cet appareil est conforme aux Directives européennes 2014/35/UE, 2014/30/EUE et 2011/65/UE.

CANDY HOOVER GROUP S.r.l. Via Privata Eden Fumagalli, 20861 Brugherio (MB) Italy

COMPOSANTS DU PRODUIT

- | | |
|--|---|
| A. Station de rangement * | Q. Interrupteur Marche/Arrêt |
| B. Brosse meuble 2en1 * | R. Commutateur d'arrêt/de démarrage |
| C. Bouton de déverrouillage de la brosse rotative | S. Bloc batterie |
| D. Brosse électrique | T. Filtre d'évacuation |
| E. Voyant de la brosse * | U. Filtre à mailles |
| F. Tube | V. Séparateur de cyclone |
| G. Bouton de déverrouillage de l'accessoire | W. Bouton d'éjection du récipient à poussière |
| H. Voyant de la poignée | X. Bouton de déverrouillage du bloc batterie |
| I. Aspirette | Y. Mini turbobrosse * |
| J. Suceur plat * | Z. Adaptateur d'accessoire * |
| K. Bouchons à vis * | AA. Outil Sommet * |
| L. Longue brosse de rotation 2 en 1 * | BB. Outil de radiateur * |
| M. Chargeur | CC. Brosse de nettoyage soigné* |
| N. Bouton de vidage du bac à poussière | DD. Suceur flexible coins profonds* |
| O. Récipient à poussière | EE. Sac accessoire* |
| P. Bouton de déverrouillage du filtre d'évacuation | |

PREPARATION DE L'APPAREIL

- Fixez la station d'ancrage au mur à l'aide des vis et des bouchons à vis fournis.
- Insérez la tête de buse dans un côté du tube jusqu'à ce que vous entendiez un déclic. **[1A]**
- Insérez l'autre côté du tube dans l'aspirette jusqu'à ce que vous entendiez un déclic. **[1B]**
- Pour entièrement charger l'appareil, connectez la prise jack du chargeur dans l'appareil. Cela prendra environ 6 heures. **[2]**

REMARQUE : Pour enlever la brosse, appuyez sur le bouton pour détacher la brosse et enlever-la du corps principal.

REMARQUE : N'utilisez que le chargeur fourni avec votre nettoyeur pour recharger.

IMPORTANT : Lors du chargement de l'appareil, le commutateur d'arrêt/de démarrage doit être sur arrêt.

Il est normal pour le chargeur de devenir chaud au toucher lorsqu'il est en train de charger.

UTILISATION DE L'APPAREIL

Système de protection de sécurité

Pour s'assurer que la fiabilité du produit n'est pas affectée en cas d'utilisation dans des conditions difficiles, le produit comporte un système de protection de sécurité intégré.

REMARQUE : Le système de protection de sécurité s'activera si l'agitateur a un blocage ou est bloqué. Une

* Sur certains modèles uniquement

fois actionné, le produit s'arrêtera après 5 secondes et le voyant bleu du dispositif portable deviendra rouge et commencera à clignoter. Si cela se produit, vous devez dégager l'obstruction et vous assurer que le levier du mode continu est arrêté. Une fois que cela est fait, appuyez simplement sur le bouton de marche/d'arrêt et le produit redémarrera après quelques secondes.

Il existe deux modes de fonctionnement :

• **MODE TEMPORAIRE** : Le produit commence à fonctionner lorsque vous appuyez sur le bouton de marche/arrêt et s'arrête quand vous le relâchez. **[3A]**

• **MODE CONTINU** : Pour activer le mode continu, vous pouvez retirer le commutateur d'arrêt/de démarrage et il s'enclenche. Pour désactiver le mode continu, vous pouvez pousser le commutateur d'arrêt/de démarrage en avant. **[3B]**

Indication de charge : Le voyant de la poignée garde la couleur rouge lorsque le produit est en train de charger et devient bleu lorsqu'il est complètement chargé.

Indication de décharge : Lorsque les batteries se déchargent, le voyant de la poignée et le voyant de la brosse sont bleus. Le voyant de la poignée clignote lorsque la capacité de charge de la batterie est inférieure à 5 %.

Suceur plat / Brosse meuble 2en1* / Longue brosse de rotation 2 en 1* / Mini turbobrosse* / Suceur flexible coins profonds*

Vous pouvez insérer l'accessoire directement dans l'entrée d'air de l'aspirette ou dans un côté du tube et entendre un déclic. **[5]**

Seul le suceur plat et la brosse à dépeussier 2 en 1 peuvent être rangés sur la station d'ancrage.

Sac accessoire* :

Des accessoires supplémentaires peuvent être rangés dans le sac accessoire.

NOTE: La mini turbobrosse est idéale pour le nettoyage en profondeur des surfaces textiles (c.-à-d. les canapés) et pour le retrait de poils d'animaux domestiques. Faites-le avancer et reculer de façon régulière. Après l'utilisation, veuillez retirer les cheveux/fils rassemblés sur la brosse à l'aide de ciseaux, si nécessaire.

REMARQUE : Le suceur flexible coins profonds est idéal pour le nettoyage des endroits difficilement accessibles et sous les meubles.

Outil Sommet* / Outil de radiateur* / Brosse de nettoyage soigné*

Ces accessoires doivent être assemblés avec l'adaptateur d'accessoire pour être utilisés.

Vous pouvez insérer l'accessoire directement dans l'entrée d'air de l'aspirette ou dans un côté du tube et entendre un déclic.

REMARQUE : L'outil Sommet peut facilement nettoyer les endroits élevés et difficilement accessibles et les surfaces délicates sans les égratigner.

REMARQUE : L'outil de radiateur est idéal pour nettoyer à l'intérieur et autour des meubles, radiateurs, canapés, stores et plus.

REMARQUE : La brosse de nettoyage soigné est utile pour nettoyer les espaces étroits sans égratigner les surfaces.

IMPORTANT : Après chaque utilisation du produit, veuillez vous assurer de faire avancer le commutateur d'arrêt/de démarrage à la position déverrouillée. Ne pas respecter cette instruction peut entraîner la réduction de la durée de vie ou la défaillance de la batterie.

ENTRETIEN DE L'APPAREIL

Vidage du bac à poussière

1. Appuyez sur le bouton de déverrouillage de l'accessoire et retirez le tube. **[4]**
2. Enfoncez le bouton de vidage du bac à poussière pour relâcher le volet du bac et videz son contenu. **[6]**
3. Fermez le volet du bac à poussière ; vous entendrez un déclic une fois complètement verrouillé.

REMARQUE : Il est recommandé de vider le bac à poussière après chaque usage ou lorsque la poussière atteint la ligne de remplissage maximale.

Nettoyez le bac à poussière et le filtre.

1. Appuyez sur le bouton de déverrouillage de l'accessoire et retirez le tube. **[4]**
2. Appuyez sur le bouton de vidage du bac à poussière pour ouvrir le volet du bac et videz-le. **[6]**
3. Appuyez sur le bouton de vidage du bac à poussière et tirez également le bac à poussière vers le bas et vers l'extérieur. **[7]**
4. Tournez le filtre à mailles dans le sens antihoraire pour aligner la flèche de repère, puis il peut être retiré de l'aspirateur. **[8]**
5. Tournez le séparateur de cyclone dans le sens antihoraire, alignez la flèche de repère, puis il peut être retiré de l'aspirateur. **[8]**
6. Appuyez sur les deux boutons de déverrouillage du filtre d'évacuation en même temps, puis retirez le filtre d'évacuation. **[9]**
7. Lavez le filtre d'évacuation dans de l'eau tiède et laissez-le sécher pendant 24 heures. Remontez-le quand il est complètement sec et remplacez-le sur le produit. **[10] [11]**
8. Lavez le bac à poussière/filtre à mailles/séparateur de cyclone à l'eau tiède. Assurez-vous qu'il est complètement sec avant de le remettre dans le corps principal. **[10]**
9. Remontez l'aspirette, puis fixez-la à la station d'ancrage. **[12]**

REMARQUE : N'utilisez pas d'eau chaude ou de détergents pour laver les filtres d'évacuation. Dans le cas peu probable où les filtres d'évacuation seraient endommagés, remplacez-les par des filtres de la marque Hoover. Ne tentez pas d'utiliser le produit sans avoir monté le filtre.

IMPORTANT : Pour des performances optimales, conservez toujours le filtre à mailles propre. Nous recommandons que le filtre

* Sur certains modèles uniquement

soit lavé au moins une fois par mois.

Changement et nettoyage de la brosse rotative

IMPORTANT : Arrêtez toujours l'appareil avant de changer ou de nettoyer la brosse rotative.

1. Retirez la brosse électrique du tube et coulissez le bouton de la brosse rotative vers l'avant pour retirer la brosse rotative. **[13]**
2. Retirez les débris de la brosse rotative ou si cela n'est pas satisfaisant, vous pouvez la remplacer.
3. Lorsque vous remettez la brosse rotative, veuillez remarquer qu'elle ne peut être fixée que dans un sens. Pour la remettre, coulissez le bouton de déverrouillage de la brosse rotative vers l'extérieur et placez la brosse rotative à la bonne position, puis relâchez le bouton ; il se verrouillera automatiquement.

Remplacement des batteries

Cet aspirateur est équipé d'un bloc batterie Lithium ion rechargeable qui est remplaçable.

MISE EN GARDE : Utilisez uniquement les pièces de rechange approuvées pour votre aspirateur. L'utilisation de pièces non approuvées par Hoover est dangereuse et invalidera votre garantie.

MISE EN GARDE : N'essayez pas d'ouvrir le bloc batterie pour le réparer vous-même.

1. Tirez sur le bouton de déverrouillage du bloc batterie ; le bloc batterie ressortira sur une petite distance de manière automatique. **[14a]**
2. Tirez lentement le bloc batterie de la fente. **[14b]**
3. Enlevez l'ancien bloc batterie et remplacez-le par un nouveau.
4. Mettez les batteries à la poubelle, dans un endroit sûr. Des batteries usées doivent être amenées à un point de recyclage et non pas être éliminées avec les ordures ménagères.

DEPANNAGE

Si vous avez des problèmes avec votre nettoyeur, suivez cette simple liste de vérification avant d'appeler le service clientèle Hoover :

- A. Le nettoyeur ne s'allume pas.**
Vérifiez que le nettoyeur est chargé.
- B. L'aspirateur arrête de fonctionner ou l'agitateur ne tourne pas.**
Vérifiez s'il y a une obstruction dans l'agitateur, dégagez-la et assurez-vous que le levier du mode continu est arrêté. Une fois que cela est fait, appuyez simplement sur le bouton de marche/d'arrêt et le produit redémarrera après quelques secondes.
- C. Aspiration insuffisante ou pas d'aspiration du tout**
Videz le bac à poussière et nettoyez le filtre à mailles et le séparateur de cyclone.
Enlevez la brosse et vérifiez qu'il n'y a pas de blocages dans les conduites.
- D. Les batteries ne peuvent pas se charger.**
Cela peut être dû à de très longues périodes de stockage (plus de 6 mois).
Contactez le service clientèle Hoover pour effectuer le changement de batterie.
Si le problème persiste, contactez le service clientèle Hoover.

PIÈCES DÉTACHÉES ET CONSOMMABLES HOOVER

Toujours remplacer les pièces par des pièces détachées de la marque Hoover. Celles-ci sont disponibles auprès de votre revendeur Hoover. Lors de la commande de pièces, veuillez toujours préciser le numéro de votre modèle.

VOTRE GARANTIE

Les conditions de garantie de cet appareil sont définies par notre représentant dans le pays où il est vendu et peuvent être obtenues auprès de votre revendeur. Les détails concernant ces conditions peuvent être obtenues auprès du revendeur auprès duquel l'appareil a été acheté. La facture d'achat ou le reçu doivent être présentés pour toutes réclamations relevant des conditions de cette garantie.

Ces conditions peuvent être modifiées sans préavis.

HINWEISE FÜR DIE SICHERE BENUTZUNG

Dieses Gerät ist nur zum Gebrauch im Haushalt und nicht für gewerbliche Zwecke bestimmt. Sie sollten das Gerät ausschließlich gemäß den Angaben in dieser Bedienungsanleitung verwenden. Vor dem Gebrauch des Gerätes muss die vorliegende Bedienungsanleitung vollständig gelesen und verstanden worden sein.

Schalten Sie das Gerät immer aus und ziehen den Stecker des Ladegerätes, bevor Sie das Gerät reinigen oder irgendwelche Wartungsarbeiten durchführen.

Dieses Gerät darf von Kindern ab 8 Jahren, sowie körperlich, geistig oder sensorisch behinderten Personen bzw. Personen ohne Erfahrung und Kenntnisse im Gebrauch nur unter Aufsicht oder unter Anleitung für die sichere Benutzung und den damit verbundenen Gefahren benutzt werden. Kinder sollten nicht unbeaufsichtigt mit dem Gerät spielen. Reinigungs- und Wartungsarbeiten dürfen von Kindern nur unter Aufsicht ausgeführt werden.

Ist das Netzkabel beschädigt, darf das Gerät NICHT mehr benutzt werden. Im Falle eines Defektes, darf das Netzkabel nur durch einen autorisierten Hoover-Kundendiensttechniker ausgetauscht werden. Hände, Füße, lose Kleidung und Haare von den rotierenden Bürsten fernhalten.

Verwenden Sie nur das Originalladegerät, das mit dem Gerät geliefert wurde.

Stellen Sie sicher, dass die Versorgungsspannung mit der auf dem Ladegerät angegebenen Spannung übereinstimmt.

Dieses Haushaltsgerät von Hoover wird mit einem schutzisolierten Batterieladegerät geliefert, welches ausschließlich für 220-230 V (GB 240 V) Steckdosen geeignet ist.

Stecken Sie das Netzteil in eine geeignete Steckdose und schließen Sie den Stecker am Gerät an. **[2]**

Zum Aufladen muss der Ein-/Aus-Schalter des Gerätes auf AUS geschaltet werden.

Laden Sie die Akkus des Gerätes vor der ersten Benutzung mindestens 6 Stunden lang auf. Die LED-Ladeanzeige **[H]** leuchtet während des Ladevorgangs rot und bei voller Aufladung blau.

Schließen Sie das Gerät nach der Benutzung wieder an das Netzteil an um die Akkus wieder aufzuladen.

Akkus niemals bei Temperaturen über 37°C oder unter 0°C aufladen! Es ist normal, dass sich das Ladegerät während des Ladevorgangs erwärmt.

Ziehen Sie den Netzstecker des Ladegerätes NIEMALS durch

Ziehen am Kabel heraus.

Ziehen Sie im Fall einer längeren Abwesenheit, z.B. Urlaub usw. den Stecker des Ladegerätes aus der Steckdose. Laden Sie nach einer längeren Zeit der Lagerung/Nichtbenutzung das Gerät vor der erneuten Benutzung wieder komplett auf, da sich die Akkus von selber entladen können.

Wenn das Gerät entsorgt wird, müssen zuvor die Akkus entfernt werden. Das Gerät muss von der Stromnetz getrennt sein, wenn die Akkus entnommen werden. Entsorgen Sie die Akkus ordnungsgemäß. Lassen Sie das Gerät laufen, bis die Akkus leer sind und es von selber stoppt. Gebrauchte Akkus sollten zum Recycling zurückgegeben und nicht mit dem Hausmüll entsorgt werden. Um die Akkus herauszunehmen, wenden Sie sich bitte an das Hoover-Kundendienst oder führen Sie folgende Schritte aus.

WICHTIG: Entladen Sie die Akkus zunächst vollständig, bevor Sie diese herausnehmen und vergewissern sich, dass das Ladegerät nicht angeschlossen ist.

Lassen Sie dafür das Gerät laufen, bis die Akkus vollständig entladen sind.

Ziehen Sie den Stecker des Ladegerätes aus dem Gerät.

Ziehen Sie die Akku-Freigabetaste zurück. Dadurch wird der Akku automatisch etwas herausgedrückt. **[14a]**

Ziehen Sie den Akku langsam aus dem Steckplatz. **[14b]**

Hinweis: Sollten Sie irgendwelche Schwierigkeiten beim Auseinandernehmen des Gerätes haben oder detailliertere Informationen zur Behandlung, Reparatur oder zum Recycling des Geräts benötigen, kontaktieren Sie bitte Ihre Stadtverwaltung oder den lokalen Entsorgungsdienst für Haushaltsabfälle.

Verwenden Sie nur Zubehör, Verbrauchsmaterial oder Ersatzteile, die von Hoover empfohlen oder geliefert werden.

Statische Aufladung: Manche Teppiche können die Bildung statischer Elektrizität verursachen. Diese ist jedoch sehr gering und bei Entladung nicht gesundheitsschädlich.

Benutzen Sie das Gerät nicht im Freien, auf nassen Oberflächen oder zur Aufnahme von feuchtem Schmutz.

Vermeiden Sie es, harte oder scharfe Gegenstände, Streichhölzer, heiße Asche, Zigarettenkippen oder Ähnliches aufzusaugen. Niemals entzündliche Flüssigkeiten, Reinigungsmittel, Aerosole oder deren Dämpfe auf das Gerät sprühen oder damit aufsaugen.

Während des Betriebs nicht über das Netzkabel fahren. Nicht am Kabel ziehen, um den Gerätestecker aus der Steckdose zu ziehen. Stellen Sie die Verwendung des Gerätes oder des Ladegerätes

ein, wenn ein Defekt vermutet wird.

Hoover-Kundendienst: Um auf Dauer den sicheren und effizienten Betrieb dieses Gerätes zu gewährleisten, empfehlen wir, Wartungs- und Reparaturarbeiten ausschließlich von einem zugelassenen Hoover-Kundendiensttechniker durchführen zu lassen.

Benutzen Sie das Gerät nicht zur Reinigung von Menschen oder Tieren.
Ersetzen Sie die Akkus nicht durch Einwegbatterien.

Umweltschutz:

Dieses Elektrohaushaltsgerät ist entsprechend der EU-Richtlinie 2011/65/EC über Elektro- und Elektronik-Altgeräte (WEEE) gekennzeichnet. Durch die sichere und umweltgerechte Entsorgung dieses Produkts tragen Sie dazu bei, mögliche negative Auswirkungen auf die Umwelt und die Gesundheit des Menschen zu verhindern. Das am Produkt angebrachte Symbol gibt an, dass dieses Produkt nicht als Hausmüll behandelt werden darf, sondern an einer entsprechenden Sammelstelle für das Recycling von elektrischen und elektronischen Geräten zu entsorgen ist. Die Entsorgung ist in Übereinstimmung mit allen geltenden Vorschriften für die umweltgerechte Abfallentsorgung vorzunehmen. Ausführlichere Informationen über die Müllbehandlung und das Recycling dieses Produktes erhalten Sie von der zuständigen Umweltbehörde, der Müllentsorgungsstelle Ihrer Kommune oder dem Händler, bei dem Sie das Produkt erworben haben.



Dieses Gerät erfüllt die Europäischen Richtlinien 2014/35/EG, 2014/30/EG und 2011/65/EG.

CANDY HOOVER GROUP S.r.l. Via Privata Eden Fumagalli, 20861 Brugherio (MB) Italy

PRODUKTBESTANDTEILE

- | | |
|-------------------------------------|--------------------------------|
| A. Wandhalterung * | Q. Hauptschalter |
| B. 2in1-Möbelpinsel * | R. Schalthebel |
| C. Bürstwalzen-Freigabetaste | S. Akku |
| D. Angetriebene Bodendüse | T. Abluftfilter |
| E. Düsen-LED-Leuchte * | U. Schaumstofffilter |
| F. Rohr | V. Zyklonabscheider |
| G. Zubehör-Freigabetaste | W. Löseknopf für Staubbehälter |
| H. Handgerät-LED-Leuchte | X. Akku-Freigabetaste |
| I. Akkuhandstaubsaugereinheit | Y. Miniturbodüse * |
| J. Fugendüse * | Z. Zubehöradapter * |
| K. Schraubstecker * | AA. Höhenreinigungsbürste * |
| L. Lange 2in1-Rotationsbürste * | BB. Heizkörperbürste * |
| M. Ladegerät | CC. Tiefenreinigungsbürste* |
| N. Staubfangteller-Entleerungstaste | DD. Lange, flexible Fugendüse* |
| O. Staubbehälter | EE. Zubehörtasche* |
| P. Abluftfilter-Freigabetaste | |

VORBEREITUNG DES STAUBSAUGERS

1. Befestigen Sie die Dockingstation mit den mitgelieferten Schrauben und Dübeln an der Wand.
2. Schieben Sie den Düsenkopf auf ein Ende des Rohres bis Sie ein „Klicken“ hören. **[1A]**
3. Schieben Sie das andere Ende des Rohres in die Handeinheit bis Sie ein „Klicken“ hören. **[1B]**
4. Um das Gerät vollständig aufzuladen, stecken Sie den Stecker des Ladegeräts in das Gerät. Das dauert etwa 6 Stunden. **[2]**

HINWEIS: Zum Abnehmen der Bodendüse drücken Sie auf die Düsenfreigabetaste und ziehen diese ab.

HINWEIS: Verwenden Sie zum Aufladen nur das mit dem Gerät mitgelieferte Ladegerät.

WICHTIG: Zum Aufladen muss der Ein/Aus-Schalter des Staubsaugers auf die Position AUS geschaltet werden.

Es ist normal, dass sich das Ladegerät während des Ladevorgangs erwärmt.

GEBRAUCH DES GERÄTES

Sicherheitsschutzsystem

Um zu gewährleisten, dass die Zuverlässigkeit des Geräts bei Gebrauch unter schwierigen Bedingungen nicht beeinträchtigt wird, wurde das Gerät mit einem integrierten Sicherheitsschutzsystem ausgestattet.

HINWEIS: Das Sicherheitsschutzsystem wird aktiv, wenn die Bürstwalze verstopft oder blockiert ist. Das Gerät stoppt

* Geräteausstattung ist modellabhängig

innerhalb von 5 Sekunden und die blaue LED am Handgerät leuchtet rot und beginnt zu blinken. In diesem Fall sollten Sie das Hindernis beseitigen und sicherstellen, dass der Schalthebel für Dauerbetrieb ausgeschaltet ist. Drücken Sie danach einfach die Ein/Aus-Taste, damit das Gerät nach einigen Sekunden neu gestartet wird.

Es gibt zwei Arbeitsweisen:

• **VORÜBERGEHENDER GEBRAUCH:** Das Gerät startet, wenn Sie den Ein/Aus-Schalter drücken und stoppt, wenn Sie ihn wieder losgelassen. **[3A]**

• **FORTGESETZTER GEBRAUCH:** Um den Dauerbetrieb zu aktivieren, können Sie den Schalthebel nach hinten ziehen und einrasten lassen. Um den Dauerbetrieb zu deaktivieren, drücken Sie den Schalthebel nach vorne. **[3B]**

Ladeanzeige: Die LED-Leuchte der Handeinheit leuchtet während des Aufladens ununterbrochen rot und leuchtet blau, wenn der Akku vollständig geladen ist.

Entladeanzeige: Wenn die Batterien entladen werden, leuchten die LED-Leuchte auf der Handeinheit und auf der Düse blau. Die LED-Leuchte der Handeinheit blinkt, wenn die Batteriekapazität weniger als 5 % beträgt.

Fugendüse / 2in1-Möbelpinsel* / Lange rotierende 2in1-Bürste* / Miniturbodüse* / Lange, flexible Fugendüse*

Sie können das Zubehör direkt in den Lufteinlass der Handeinheit oder auf eine Seite des Rohres stecken. Wenn es einrastet werden Sie ein „Klicken“ hören. **[5]**

Auf der Wandhalterung können nur die Fugendüse und der 2-in-1-Möbelpinsel aufbewahrt werden.

Zubehörtasche*:

Alles weitere Zubehör kann in der Zubehörtasche aufbewahrt werden.

NOTE:Die Mini Turbo-Düse ist ideal für die tiefe Reinigung von Textiloberflächen (z. B. Sofas) und zum Entfernen von Tierhaaren. Bewegen Sie ihn kontinuierlich rückwärts und vorwärts. Entfernen Sie nach dem Gebrauch auf der Bürste angesammelte Haare/Fäden nach Bedarf mit einer Schere.

HINWEIS: Die lange, flexible Fugendüse ist ideal für die Reinigung von schwer erreichbaren Bereichen und unter Möbeln.

Höhenreinigungsbürste* / Heizkörperbürste* / Tiefenreinigungsbürste*

Diese Zubehörbürsten müssen für den Gebrauch am Zubehöradapter befestigt werden.

Sie können den Zubehöradapter direkt in den Lufteinlass der Handeinheit oder auf ein Ende des Rohres stecken. Wenn er einrastet, werden Sie ein „Klicken“ hören.

HINWEIS: Mit der Höhenreinigungsbürste können Sie einfach in der Höhe und schwer erreichbare Bereiche, sowie empfindliche Oberflächen reinigen, ohne Kratzer zu hinterlassen.

HINWEIS: Die Heizkörperbürste ist ideal für die Reinigung von Heizkörpern, Sofas, Jalousien, das Schrankinnere, um den Schrank herum und vieles mehr.

HINWEIS: Die Tiefenreinigungsbürste ist hilfreich bei der Reinigung von engen Räumen, ohne dabei die Oberflächen zu zerkratzen.

WICHTIG: Achten Sie nach jedem Gebrauch des Geräts darauf, dass der Schalthebel nach vorne in die entriegelte Position gedrückt wird. Andernfalls kann es zu einer Verringerung der Batterielebensdauer oder zu einem Ausfall kommen.

WARTUNG DES GERÄTES

Leeren des Staubbehälters

1. Drücken Sie die Zubehör-Freigabetaste und nehmen Sie das Rohr ab. **[4]**
2. Drücken Sie die Staubfangteller-Entleerungstaste nach unten, um die Behälterklappe zu entriegeln und den Behälter zu entleeren. **[6]**
3. Schließen Sie die Staubfangtellerklappe. Sie werden ein Klicken hören, wenn diese vollständig verschlossen ist.

HINWEIS: Es wird empfohlen den Staubfangteller nach jedem Gebrauch, oder wenn der Staub bis zur maximalen Fülllinie reicht, zu entleeren.

Reinigen Sie den Staubbehälter und den Filter.

1. Drücken Sie die Zubehör-Freigabetaste und nehmen Sie das Rohr ab. **[4]**
2. Drücken Sie auf die Staubfangteller-Entleerungstaste, um die Behälterklappe zu öffnen und den Behälter zu entleeren. **[6]**
3. Drücken Sie die Staubfangteller-Freigabetaste und ziehen Sie den Staubfangteller nach unten und außen. **[7]**
4. Drehen Sie den Schaumstofffilter entgegen dem Uhrzeigersinn, um die Pfeilmarkierung auszurichten. Danach dann kann er aus dem Staubsauger gezogen werden. **[8]**
5. Drehen Sie den Zyklonabscheider entgegen dem Uhrzeigersinn, um die Pfeilmarkierung auszurichten. Danach dann kann er aus dem Staubsauger gezogen werden. **[8]**
6. Drücken Sie die beiden Abluftfilter-Freigabetasten gleichzeitig und entfernen Sie danach den Abluftfilter. **[9]**
7. Waschen Sie den Abluftfilter mit lauwarmem Wasser und lassen Sie ihn 24 Stunden lang trocknen. Setzen Sie den Filter, nachdem er vollständig getrocknet ist, wieder in das Gerät ein. **[10] [11]**
8. Waschen Sie den Staubfangteller/Netzfilter/Zyklonabscheider mit lauwarmem Wasser. Vergewissern Sie sich, dass die Teile vollständig getrocknet sind, bevor Sie sie wieder in den Gerätekorpus einsetzen. **[10]**
9. Bauen Sie die Handeinheit wieder zusammen und befestigen Sie diese an der Wandhalterung. **[12]**

HINWEIS: Verwenden Sie kein heißes Wasser oder Reinigungsmittel zum Reinigen des Abluftfilters. Sollte einer der Abluftfilter * Geräteausstattung ist modellabhängig

beschädigt sein, tauschen Sie ihn nur gegen einen Hoover-Originalfilter aus. Versuchen Sie nicht, das Gerät ohne eingesetzten Filter zu benutzen.

WICHTIG: Halten Sie den Filter für optimale Leistung immer sauber. Wir empfehlen, den Filter je nach Nutzungshäufigkeit min. einmal pro Monat zu reinigen.

Bürstwalze austauschen und reinigen

WICHTIG: Schalten Sie vor einem Austausch oder Reinigen der Bürstwalze den Staubsauger immer aus.

1. Nehmen Sie die Turbobodendüse vom Rohr ab und schieben Sie die Bürstwalzen-Freigabetaste nach außen, um die Bürstwalze herauszunehmen. [13]
2. Entfernen Sie alle Verschmutzungen von der Bürstwalze oder, falls dies nicht zufriedenstellend ist, können Sie diese ersetzen.
3. Achten Sie beim Wiedereinbau der Bürstwalze darauf, dass sie nur in einer Richtung eingesetzt werden kann. Zum Einbau der Bürstwalze schieben Sie die Freigabetaste nach außen. Setzen Sie die Bürstwalze in der richtigen Position ein und lassen Sie die Freigabetaste los. Sie wird automatisch einrasten.

Batterien auswechseln

Dieser Staubsauger ist mit einem wiederaufladbaren, austauschbaren Lithium-Ionen-Akku ausgestattet.

WARNUNG: Verwenden Sie nur Hoover Originalersatzteile für Ihren Staubsauger. Das Verwenden von Teilen, die nicht von Hoover zugelassen wurden, ist gefährlich und führt eventuell dazu, dass Ihre Garantie erlischt.

WARNUNG: Versuchen Sie nicht den Akku zu öffnen und selbst zu reparieren.

1. Ziehen Sie die Akku-Freigabetaste zurück. Dadurch wird der Akku automatisch etwas herausgedrückt. [14a]
2. Ziehen Sie den Akku langsam aus dem Steckplatz. [14b]
3. Entfernen Sie die alten Batterien und ersetzen sie durch neue Batterien.
4. Entsorgen Sie die Akkus ordnungsgemäß. Gebrauchte Akkus sollten zum Recycling zurückgegeben und nicht mit dem Hausmüll entsorgt werden.

FEHLERBEHEBUNG

Falls Sie ein Problem mit Ihrem Gerät haben, gehen Sie die folgende Checkliste bitte kurz durch, bevor Sie den Hoover-Kundendienst kontaktieren:

A. Das Gerät lässt sich nicht einschalten.

Überprüfen Sie, ob die Akkus aufgeladen sind.

B. Der Staubsauger funktioniert nicht mehr oder die Bürstwalze dreht sich nicht.

Überprüfen Sie, ob sich in der Bürstwalze ein Hindernis befindet, reinigen Sie diese und stellen Sie sicher, dass der Hebel für Dauerbetrieb ausgeschaltet ist. Drücken Sie danach einfach die Ein/Aus-Taste, damit das Gerät wird nach einigen Sekunden neu gestartet wird.

C. Niedrige Saugleistung oder das Gerät saugt überhaupt nichts an.

Entleeren Sie den Staubfangteller und waschen Sie den Schaumstofffilter und den Zyklonabscheider. Entfernen Sie die Düse und überprüfen Sie diese auf Verstopfungen.

D. Die Akkus können nicht aufgeladen werden.

Dies ist nach einem langen Zeitraum (über ein halbes Jahr) der Nichtbenutzung/Lagerung möglich.

Wenden Sie sich bitte an den Hoover-Kundendienst, um einen Austausch der Akkus zu veranlassen.

Wenn das Problem weiterhin besteht, wenden Sie sich bitte an den Hoover-Kundendienst.

HOOVER ORIGINAL-ERSATZTEILE UND VERBRAUCHSARTIKEL

Verwenden Sie stets Originalersatzteile von Hoover. Diese sind über den Hoover-Kundendienst erhältlich. Geben Sie bei der Bestellung von Ersatzteilen bitte stets die komplette 16stellige Artikelnummer (Typenplakette auf der Rückseite des Gerätes) Ihres Gerätemodells an.

GARANTIEERKLÄRUNG

Die Garantiebestimmungen für dieses Gerät entsprechen den Richtlinien des Landes, in dem Sie das Gerät erworben haben. Weitere Einzelheiten dazu erhalten Sie vom Händler, bei dem Sie das Gerät erworben haben oder aus dem roten Garantieheft, das der Verpackung beiliegt. Bitte bewahren Sie den Kaufbeleg sorgfältig auf, denn er wird für eventuell auftretende Garantieansprüche benötigt.

Änderungen vorbehalten.

ISTRUZIONI PER UN USO SICURO

Questo apparecchio deve essere utilizzato esclusivamente in ambito domestico per interventi di pulizia, secondo le istruzioni riportate nel presente documento. Accertarsi di aver compreso le istruzioni prima di mettere in funzione l'apparecchio.

Prima di procedere alla pulizia dell'apparecchio o effettuare qualsiasi operazione di manutenzione, spegnerlo sempre e rimuovere il caricatore dalla presa.

Questo elettrodomestico non è destinato a essere utilizzato da persone dalle ridotte capacità fisiche, sensoriali o mentali (bambini inclusi), senza una adeguata assistenza o controllo da parte di una persona adulta responsabile della loro sicurezza. Controllare che i bambini non giochino con l'apparecchio. Pulizia e manutenzione non possono essere eseguite da bambini senza sorveglianza da parte di una persona responsabile.

Se il cavo di alimentazione è danneggiato, interrompere immediatamente l'utilizzo dell'apparecchio. Per evitare pericoli, il cavo di alimentazione dovrà essere sostituito da un tecnico del servizio assistenza autorizzato Hoover.

Tenere le mani, i piedi, i capi di abbigliamento non atillati e i capelli lontani dalle spazzole rotanti.

Per ricaricare l'apparecchio, usare solo il caricatore in dotazione.

Controllare che i dati indicati sul caricatore corrispondano alla vostra tensione di alimentazione.

Questo prodotto Hoover è dotato di un caricabatteria doppio isolato che può essere collegato unicamente a una presa 230V (UK 240V).

Inserire la spina del caricatore in una presa adatta e collegare il connettore jack del caricatore all'apparecchio. **[2]**

Durante la carica, la leva dell'interruttore di accensione/spegnimento (On/Off) dell'apparecchio deve trovarsi in posizione Off.

Al primo utilizzo caricare l'apparecchio per almeno 6 ore. Durante la ricarica, l'indicatore LED **[H]** si illumina di colore rosso, mentre, una volta terminata, sarà illuminato di colore blu.

Dopo l'uso, ricollegare l'apparecchio al caricatore per ricaricare le batterie.

Mai caricare le batterie a temperature superiori ai 37 °C o inferiori a 0 °C.

È normale che il caricatore si scaldi mentre lavora.

Non scollegare il caricatore tirando il cavo.

Scollegare il caricatore in caso di assenza prolungata (ferie, ecc.). Dopo lunghi periodi di inutilizzo ricaricare l'apparecchio perchè le batterie potrebbero essersi scaricate automaticamente.

Se l'apparecchio è da smaltire, le batterie devono prima essere rimosse. Rimuovere la batteria solo quando l'apparecchio è scollegato dalla rete di alimentazione. Smaltire le batterie in sicurezza. Far funzionare l'apparecchio fino al suo arresto ed assicurarsi che le batterie siano completamente scariche. Le batterie usate devono essere riposte in un centro di riciclaggio e non smaltite con i rifiuti domestici. Per rimuovere le batterie, si prega di contattare il Centro Servizi per Assistenza Clienti Hoover o procedere in base alle seguenti istruzioni.

IMPORTANTE: Scaricare sempre completamente le batterie prima della rimozione ed assicurarsi che il caricatore sia scollegato.

Procedere con la pulizia fino a quando le batterie sono completamente scariche.

Rimuovere il connettore jack per la ricarica dall'apparecchio.

Premere il pulsante di rilascio batteria che permetterà il rilascio della batteria. **[14a]**

Estrarre lentamente la batteria dal suo alloggiamento. **[14b]**

Nota: Se si riscontrano difficoltà a smantellare l'unità o per informazioni più dettagliate sul trattamento, recupero e riciclaggio di questo apparecchio, si prega di contattare l'ufficio comunale per il servizio smaltimento rifiuti.

Utilizzare solo accessori o parti di consumo e di ricambio consigliati o forniti da HOOVER.

Elettricità statica: Alcuni tappeti possono produrre un piccolo accumulo di elettricità statica. Le cariche di elettricità statica non sono pericolose per la salute.

Non utilizzare l'apparecchio all'aperto, su superfici bagnate o per aspirare liquidi.

Non aspirare oggetti solidi o appuntiti, fiammiferi, ceneri calde, mozziconi di sigaretta o simili. Non vaporizzare o aspirare liquidi infiammabili, detersivi, aerosol o i loro vapori.

Non calpestare il cavo di alimentazione durante l'utilizzo dell'apparecchio o scollegare la spina dalla presa tirando il cavo di alimentazione. Non continuare a utilizzare l'apparecchio o il caricatore in caso di presunto guasto.

Assistenza Hoover: per garantire un funzionamento sempre sicuro ed efficiente dell'apparecchiatura, si consiglia di fare eseguire eventuali interventi di assistenza o di riparazione dai tecnici del servizio assistenza autorizzato Hoover.

Non utilizzare l'apparecchio per l'igiene della persona o degli animali.

Non sostituire le batterie con batterie non ricaricabili

Ambiente:

L'apparecchio è contrassegnato in conformità alla Direttiva Europea 2011/65/EC sulla gestione dei rifiuti da apparecchiature elettriche ed elettroniche. Garantendo il corretto smaltimento del prodotto, il cliente contribuisce alla salvaguardia della salute delle persone e alla protezione dell'ambiente che potrebbero altrimenti essere compromessi da uno smaltimento eseguito in maniera non idonea. Il simbolo apposto sul prodotto indica che lo stesso non può essere smaltito come i normali rifiuti domestici, bensì deve essere portato al punto di raccolta o al centro di riciclaggio delle apparecchiature elettriche ed elettroniche più vicino. Lo smaltimento deve essere eseguito in conformità alle normative locali vigenti per la salvaguardia dell'ambiente e lo smaltimento dei rifiuti. Per ulteriori informazioni sul trattamento, il recupero e il riciclaggio di questo prodotto, contattare l'unità territoriale competente per il servizio di smaltimento o il negozio in cui il prodotto è stato acquistato.



Questo prodotto è conforme alle Direttive Europee 2014/35/EU, 2014/30/EU e 2011/65/EU.

CANDY HOOVER GROUP S.r.l. Via Privata Eden Fumagalli, 20861 Brugherio (MB) Italy

COMPONENTI DELL'APPARECCHIO

- | | |
|--|---|
| A. Base di aggancio* | Q. Interruttore On/Off |
| B. Spazzola a pennello 2in1* | R. Leva interruttore |
| C. Pulsante di rilascio spazzola rotante | S. Batteria |
| D. Spazzola Elettrica | T. Filtro in uscita |
| E. Spia a LED Della spazzola* | U. Filtro a rete |
| F. Tubo | V. Unità ciclonica |
| G. Pulsante di rilascio accessori | W. Pulsante di sgancio della |
| H. Spia a LED della pistola portatile | vaschetta raccogli-polvere |
| I. Unità portatile | X. Pulsante di rilascio batteria |
| J. Bocchetta per fessure* | Y. Mini Turbospazzola* |
| K. Viti con tasselli* | Z. Adattatore accessori* |
| L. Spazzola a pennello rotante lunga 2in1* | AA. Bocchetta per la pulizia di superfici alte* |
| M. Caricatore | BB. Bocchetta per radiatore* |
| N. Pulsante per svuotamento | CC. Spazzola per una pulizia profonda* |
| vaschetta raccogli-polvere | DD. Bocchetta flessibile lunga per fessure* |
| O. Vaschetta raccogli-polvere | EE. Borsa accessori* |
| P. Pulsante di rilascio filtro in uscita | |

PREPARAZIONE DELL'APPARECCHIO

1. Fissare la base di aggancio al muro utilizzando le viti e i tasselli forniti.
2. Inserire la spazzola principale all'estremità del tubo fino a sentire un "click". **[1A]**
3. Inserire l'altra parte del tubo nella pistola portatile fino a sentire un "click". **[1B]**
4. Inserire il connettore jack del caricatore all'apparecchio per caricarlo completamente. Questo richiederà circa 6 ore. **[2]**

NOTA: Premere il pulsante di rilascio spazzola per rimuovere la spazzola e staccarla dal corpo principale dall'apparecchio.

NOTA: Per ricaricare l'apparecchio, usare solo il caricatore in dotazione.

IMPORTANTE: Durante la carica, la leva dell'interruttore di accensione/spengimento dell'apparecchio deve trovarsi in posizione OFF.

È normale che il caricatore si scaldi mentre lavora.

UTILIZZO DELL'APPARECCHIO

Sistema di protezione

Al fine di salvaguardare l'affidabilità del prodotto quando utilizzato in condizioni non corrette, il prodotto ha un Sistema di protezione integrato.

NOTA: Il Sistema di protezione si attiva quando c'è un'ostruzione nell'agitatore che lo blocca.

* Solo su alcuni modelli

Quando è attivato, il prodotto si ferma dopo 5 secondi e la luce blu sull'unità portatile inizia a lampeggiare in rosso. Se ciò dovesse accadere, eliminare l'ostruzione assicurandosi che la leva dell'interruttore sia Off; quindi premere semplicemente l'interruttore On/Off e il prodotto riprenderà a funzionare dopo pochi secondi.

È possibile utilizzare l'apparecchio in due modalità di funzionamento:

- **MODALITÀ TEMPORANEA:** L'apparecchio sarà in funzione quando viene premuto l'interruttore on/off e si fermerà al rilascio. [3A]
- **MODALITÀ CONTINUA:** Per attivare la modalità continua basta tirare indietro la leva dell'interruttore che scatterà in posizione. Per disabilitare la modalità continua premere la leva dell'interruttore per riportarla avanti. [3B]

Indicatore apparecchio carico: Durante la ricarica, l'indicatore LED si illumina di colore rosso, mentre, una volta terminata, sarà illuminato di colore blu.

Indicatore apparecchio scarico: Quando le batterie sono scariche, entrambe le spie LED della pistola portatile e della spazzola sono blu. Quando la carica della batteria è inferiore al 5% la spia LED della pistola portatile lampeggia.

Bocchetta per fessure / Spazzola a pennello 2in1* / Spazzola a pennello rotante lunga 2in1* / Mini Turbospazzola* / Bocchetta flessibile lunga per fessure*

È possibile inserire direttamente gli accessori nella bocchetta dell'aria dell'unità portatile o in un lato del tubo fino a sentire un "click". [5]

Solo la bocchetta per fessure e la spazzola a pennello 2 in 1 possono essere riposte sulla base di aggancio.

Borsa accessori*:

Tutti gli altri accessori possono essere riposti nella apposita borsa.

NOTA: La Mini Turbospazzola è ideale per la pulizia profonda di tessuti (come ad esempio divani) e per rimuovere i peli degli animali domestici. Passarla avanti e indietro regolarmente. Dopo l'uso, prestare attenzione e se necessario, rimuovere con delle forbici eventuali capelli o fili aggrovigliati nella spazzola.

NOTA: La bocchetta flessibile lunga per fessure è ideale per la pulizia di aree di difficile accesso e sotto i mobili.

Bocchetta per la pulizia di superfici alte* / Bocchetta per radiatore* / Spazzola per una pulizia profonda*

Per utilizzare questi accessori è necessario assemblarli con l'adattatore accessori.

È possibile inserire direttamente gli accessori nella bocchetta dell'aria dell'unità portatile o in un lato del tubo fino a sentire un "click".

NOTA: La bocchetta per la pulizia di aree in alto di difficile accesso è ideale per una facile pulizia di aree alte e difficoltose da raggiungere e di superfici delicate senza graffiare.

NOTA: La bocchetta per radiatore è ideale per la pulizia intorno e nell'interno degli armadi, dei radiatori, dei divani, delle tende e molto altro ancora.

NOTA: La spazzola per pulizia profonda è utile per pulire in spazi ristretti senza graffiare le superfici.

IMPORTANTE: Dopo ogni utilizzo dell'apparecchio, assicurarsi che venga premuta in avanti la leva dell'interruttore per portarla nella posizione di sblocco. Se non lo si facesse si potrebbe danneggiare o compromettere la durata della batteria.

MANUTENZIONE DELL'APPARECCHIO

Svuotamento del contenitore raccogli polvere

1. Premere il pulsante di rilascio accessori e rimuovere il tubo. [4]
2. Premere il pulsante per lo svuotamento della vaschetta raccogli polvere per aprire lo sportello contenitore e svuotarne il contenuto. [6]
3. Chiudere lo sportello della vaschetta raccogli polvere, si udirà un "click" quando completamente bloccato.

NOTA: Si consiglia di svuotare la vaschetta raccogli polvere dopo ogni utilizzo o quando la polvere supera il livello di riempimento massimo.

Pulizia del contenitore raccogli polvere e del filtro

1. Premere il pulsante di rilascio accessori e rimuovere il tubo. [4]
2. Premere il pulsante per lo svuotamento della vaschetta raccogli polvere per aprire lo sportello contenitore e svuotarne il contenuto. [6]
3. Premere il pulsante di rilascio dello sportello contenitore raccogli polvere e rimuovere lo sportello tirandolo in basso e all'esterno. [7]
4. Ruotare il filtro a rete in senso antiorario ed allinearli alla freccia disegnata, quindi estrarlo dall'apparecchio. [8]
5. Ruotare il separatore ciclonico in senso antiorario ed allinearli alla freccia disegnata ed estrarlo dall'apparecchio. [8]
6. Premere simultaneamente i due pulsanti di rilascio filtro in uscita e poi rimuoverlo. [9]
7. Lavare il filtro in uscita in acqua tiepida e lasciare asciugare per 24 ore. Una volta completamente asciutto, rimontarlo e riposizionarlo nell'apparecchio. [10] [11]
8. Lavare in acqua tiepida vaschetta raccogli polvere/ filtro a rete/ separatore ciclonico. Assicurarsi che siano

* Solo su alcuni modelli

completamente asciutti prima di riporli nel corpo principale dell'apparecchio. [10]

9. Riassemblare l'unità portatile e quindi appenderla alla base di aggancio. [12]

NOTA: Non utilizzare acqua bollente o detersivi durante la pulizia dei filtri in uscita. Se accidentalmente i filtri in uscita vengono danneggiati, sostituirli con ricambi originali Hoover. Non utilizzare l'apparecchio senza aver montato il filtro.

IMPORTANTE: Per mantenere prestazioni ottimali, tenere sempre il filtro a rete pulito. Si raccomanda di lavare il filtro almeno una volta al mese.

Sostituzione e pulizia spazzola rotante

IMPORTANTE: Spegnerne sempre l'apparecchio prima di assemblare o pulire la spazzola rotante.

1. Rimuovere la spazzola elettrica dal tubo e far scorrere verso l'esterno il pulsante di rilascio della spazzola rotante per estrarla. [13]
2. Rimuovere tutto lo sporco dalla spazzola rotante o sostituirla se necessario.
3. Durante il rimontaggio della spazzola rotante ricordare che può essere assemblata in un solo verso. Per il rimontaggio, far scorrere verso l'esterno il pulsante di rilascio della spazzola rotante e riposizionarla correttamente, il pulsante di rilascio si bloccherà automaticamente.

Sostituzione delle batterie

L'apparecchio è dotato di un set di batterie ricaricabili agli ioni di litio che possono essere sostituite.

ATTENZIONE: Utilizzare solo parti di ricambio originali per il vostro apparecchio. L'uso di parti non originali Hoover può risultare pericoloso e invalida la garanzia.

ATTENZIONE: Non tentare di aprire o riparare la batteria.

1. Tirare all'indietro il pulsante di rilascio batteria che farà spingere automaticamente fuori la batteria stessa. [14a]
2. Estrarre lentamente la batteria dal suo alloggiamento. [14b]
3. Estrarre la vecchia batteria e sostituirla con una nuova.
4. Smaltire le batterie in sicurezza. Le batterie usate devono essere riposte in un centro di riciclaggio e non smaltite con i rifiuti domestici.

RISOLUZIONE DEI PROBLEMI

In caso di problemi con l'apparecchio, completare questa semplice checklist utente prima di chiamare il Centro per l'Assistenza Clienti Hoover:

A. L'apparecchio non si accende.

Controllare che l'apparecchio sia carico.

B. L'apparecchio smette di funzionare o l'agitatore non ruota.

Verificare se c'è un'ostruzione nell'agitatore, eliminarla e assicurarsi che la leva dell'interruttore sia Off. Dopodiché premere semplicemente l'interruttore On/Off e l'apparecchio riprenderà a funzionare dopo pochi secondi.

C. Forza aspirante bassa o nulla

Svuotare la vaschetta raccogli-polvere, lavare il filtro a rete e l'unità ciclonica.

Rimuovere la spazzola e controllare eventuali ostruzioni nel condotto.

D. Le batterie non possono essere caricate.

Potrebbe essere a causa di lunghi periodi di conservazione (oltre un semestre).

Contattare un Centro per l'Assistenza Clienti Hoover per la sostituzione delle batterie.

Se il problema persiste, contattare il Centro per l'Assistenza Clienti Hoover più vicino.

PARTI DI RICAMBIO E DI CONSUMO HOOVER

Utilizzare sempre parti di ricambio originali Hoover, che è possibile acquistare dal distributore locale Hoover o direttamente sul sito internet Hoover. Quando si ordinano delle parti di ricambio, ricordarsi sempre di fornire il numero di modello dell'apparecchio utilizzato.

ASSISTENZA E GARANZIA HOOVER

Il prodotto è garantito, oltre che ai sensi di legge, alle condizioni e nei termini riportati sul certificato di garanzia convenzionale inserito nel prodotto. Il certificato dovrà essere conservato e mostrato al nostro Centro di Assistenza Tecnica Autorizzato, in caso di necessità, insieme allo scontrino comprovante l'acquisto dell'elettrodomestico. Puoi consultare le condizioni di garanzia anche sul nostro sito internet.

Per ottenere assistenza compila l'apposito form on-line oppure contattaci al numero che trovi indicato nella pagina di assistenza del nostro sito internet.

Queste condizioni potrebbero venire modificate senza obbligo di preavviso.

INSTRUCTIES VOOR VEILIG GEBRUIK

Dit toestel mag enkel gebruikt worden voor reiniging in het huis, zoals beschreven in deze gebruikersgids. Zorg ervoor dat u de instructies volledig begrijpt voordat u het apparaat in gebruik neemt.

Oplader altijd afzetten en stekker uit het stopcontact halen alvorens het schoonmaken van het toestel of enige andere onderhoudstaak te verrichten.

Dit toestel kan gebruikt worden door kinderen vanaf 8 jaar en ouder en personen met verminderde lichamelijke, zintuiglijke of mentale capaciteiten of een gebrek aan ervaring of kennis indien ze toezicht of onderricht gehad hebben betreffende het veilig gebruik van het toestel en het begrip van de gevaren in kwestie. Kinderen mogen niet met het toestel spelen. Reinigings- en gebruiksonderhoud mag niet uitgevoerd worden door kinderen zonder toezicht.

Indien het stroomsnoer beschadigd is, stop dan onmiddellijk met het toestel te gebruiken. Om veiligheidsrisico's te voorkomen, moet het netsnoer worden vervangen door een erkend monteur van Hoover.

Houd handen, voeten, losse kleding en haar uit de buurt van roterende borstels.

Gebruik alleen de oplader die oorspronkelijk bij het toestel geleverd is.

Controleer of uw netspanning dezelfde is als die vermeld op de lader.

Dit Hoover-apparaat is voorzien van een dubbel geïsoleerde batterijoplader, die alleen geschikt is om in een 230V (UK 240V) stopcontact te steken.

Steek de oplader in een geschikt stopcontact en steek de aansluitingstekker van de oplader in het apparaat. **[2]**

Tijdens het laden van het toestel dient de stroomschakelaar in de uit stand te staan.

Laad het toestel voor het eerste gebruik minstens 6 uur op. Het LED-lampje **(H)** dat aangeeft of het opgeladen is, licht rood op tijdens het opladen en blauw bij volledig opgeladen.

Sluit het toestel na gebruik aan de oplader aan om de batterij weer op te laden.

Laad de batterijen niet op bij temperaturen boven 37°C of onder 0°C.

Het is normaal dat de lader warm wordt bij het opladen.

Trek de oplader niet aan de kabel uit het stopcontact.

Haal bij langere afwezigheid (vakanties, etc.) de oplader uit het stopcontact. Laad het product opnieuw op voor gebruik, aangezien batterijen uit zichzelf kunnen ontladen tijdens langere opslagperiodes.

In het geval dat u het apparaat weg doet, dienen de batterijen eerst verwijderd te worden. Bij het verwijderen van de batterij moet het apparaat ontkoppeld zijn van het net. Gooi de batterijen veilig weg. Laat het apparaat doorwerken totdat het stopt en de batterijen volledig ontladen zijn. Gebruikte batterijen moeten naar een recyclagecentrum gebracht worden en niet bij het huishoudafval geworpen worden. Om de batterijen te verwijderen neem contact op met de Hoover klantendienst, of ga verder volgens deze instructies.

BELANGRIJK: Ontlaad de batterijen volledig alvorens deze te verwijderen en ontkoppel de lader.

Laat de reiniger draaien totdat de batterijen helemaal leeg zijn.

Verwijder de jack plug van de oplader uit het toestel.

Haal de batterijpak ontgrendelknop naar achteren en het batterijpak zal automatisch een klein stukje naar buiten geduwd worden. **[14a]**

Trek de accu langzaam uit de sleuf. **[14b]**

Opmerking: Mocht u enige problemen ondervinden met het uit elkaar halen van het voorwerp, of voor meer gedetailleerde informatie over behandeling, herstel en recyclage van dit apparaat, neem contact op met uw lokale gemeente of de afvalreinigingsdienst.

Gebruik enkel toevoegingen, gebruiksartikelen of reserveonderdelen die door Hoover aanbevolen of geleverd zijn.

Statische elektriciteit: Sommige tapijten kunnen een kleine opbouw van statische elektriciteit veroorzaken. Ontladingen van statische elektriciteit zijn onschadelijk voor uw gezondheid.

Gebruik je toestel nooit buiten of op natte oppervlaktes of om vocht op te nemen.

Raap geen harde of scherpe objecten op zoals lucifers, hete assen, sigaretten of andere gelijkaardige items. Spuit niet met ontvlambare vloeistoffen, reinigingsvloeistoffen, aerosols of hun dampen en zuig ze ook niet op.

Loop niet over het stroomsnoer wanneer je het toestel gebruikt of verwijder de stekker niet door aan het stroomsnoer te trekken. Gebruik uw apparaat of oplader niet als deze defect blijkt te zijn.

Hoover service: Om de veilige en doeltreffende werking van het apparaat te verzekeren, adviseren wij om onderhoud of reparaties

alleen door een erkende onderhoudsmonteur van Hoover uit te laten voeren.

Gebruik het toestel niet om dieren of mensen te reinigen.

Vervang de batterijen niet met onoplaadbare batterijen.

Het milieu:

Dit toestel is gemerkt volgens de Europese richtlijn 2011/65/EC op afgedankte elektrische en elektronische apparaten (AEEA). Door dit product aan het einde van de levensduur op verantwoorde wijze weg te gooien, voorkomt u mogelijk negatieve gevolgen voor het milieu en de gezondheid, die zouden kunnen ontstaan door een onverantwoorde afvalverwerking van dit product. Het symbool op dit product geeft aan dat het niet mag worden beschouwd als huishoudelijk afval. In plaats daarvan moet u het inleveren bij een inzamelpunt voor het recyclen van elektrische en elektronische apparatuur. U moet het toestel weggooien in overeenstemming met de lokale voorschriften voor afvalverwerking. Voor meer informatie over verwerking, hergebruik en recyclen van dit product, kunt u contact opnemen met uw lokale overheid, uw afvalverwerkingsbedrijf of de winkel waar u het product heeft gekocht.



Dit toestel voldoet aan de Europese Richtlijnen 2014/35/EU, 2014/30/EU en 2011/65/EU.

CANDY HOOVER GROUP S.r.l. Via Privata Eden Fumagalli, 20861 Brugherio (MB) Italy

PRODUCTONDERDELEN

- | | |
|----------------------------------|-----------------------------------|
| A. Docking station * | Q. Aan/uit knop |
| B. 2 in 1 Stofborstel * | R. Schakelaar |
| C. Ontgrendelknop borstel | S. Batterijpak |
| D. Power zuigmond | T. Uitlaat Filter |
| E. Led lampje mondstuk * | U. Gaasfilter |
| F. Buis | V. Cycloonscheider |
| G. Accessoire ontgrendelknop | W. Ontgrendelknop stofreservoir |
| H. Draagbaar Led lampje | X. Ontgrendelknop batterijpak |
| I. Kruiemelzuiger | Y. Mini-turbo mondstuk * |
| J. Kierenmondstuk * | Z. Assecoire adapter * |
| K. Schroefpluggen * | AA. Up to top tool * |
| L. Lange 2 in 1 rotatieborstel * | BB. Radiatorborstel * |
| M. Oplader | CC. Grondige reinigingsborstel* |
| N. Stofreservoir leegmaken knop | DD. Lange flexibele kierenzuiger* |
| O. Stofreservoir | EE. Accessoire zak* |
| P. Ontgrendelknop uitlaatfilter | |

UW STOFZUIGER IN ELKAAR ZETTEN

1. Bevestig het docking station aan de muur met behulp van de bijgeleverde schroeven en sluitschroeven.
2. Breng het mondstuk in een kant van de buis naar binnen totdat je een 'klik' geluid hoort. **[1A]**
3. Breng de andere kant van de buis in de kruiemelzuiger totdat je een 'klik' geluid hoort. **[1B]**
4. Om het toestel helemaal op te laden, verbind de jack plug van de oplader aan het toestel. Het duurt ongeveer 6 uur. **[2]**

OPMERKING: Om het mondstuk af te nemen, druk op de ontgrendelingsknop van het mondstuk en haal deze los van de romp.

OPMERKING: Om te heropladen, gebruik alleen de oplader die bij uw reiniger is bijgeleverd.

BELANGRIJK: Tijdens het laden van het toestel dient de schakelaar in de OFF stand te staan. Het is normaal dat de lader warm wordt bij het opladen.

UW STOFZUIGER GEBRUIKEN

Veiligheidssysteem

Uw stofzuiger is voorzien van een ingebouwd veiligheidssysteem, om de betrouwbaarheid van het product ook onder moeilijke omstandigheden te garanderen.

* Alleen bepaalde modellen

OPMERKING: Het veiligheidssysteem treedt in werking als de draaiborstel verstopt of geblokkeerd is. De stofzuiger stopt 5 seconden na inschakeling en het blauwe ledlampje op de handgreep wordt rood en begint te knipperen. Als dat gebeurt, dient u de obstructie te verwijderen en te zorgen dat de continue modus is uitgeschakeld. Hierna kunt u gewoon op de aan-uitknop drukken, zodat de stofzuiger na enkele seconden weer wordt ingeschakeld.

Er zijn twee werkwijzen:

- **TIJDELIJKE MODUS:** Het product begint te functioneren als je de aan/uitknop indrukt en stopt als deze losgelaten wordt. [3A]
- **CONTINUE MODUS:** Om de continue modus in te schakelen kan je de schakelaar naar achter halen welke dan op zijn plaats klikt. Om de continue modus uit te schakelen kan je de schakelaar naar voor duwen. [3B]

Oploadindicatie: De LED lamp op het handmodel blijft rood tijdens het opladen en wordt blauw licht als volledig opgeladen.

Ontlaadindicatie: Als de batterijen aan het ontladen zijn, zijn zowel de LED lamp op het handmodel en de LED lamp op de borstel blauw. Het LED lampje op het handmodel zal knipperen als de batterij capaciteit lager is dan 5%.

Kierenmondstuk / 2 in 1 Stofborstel* / Lange 2 in 1 rotatieborstel* / Mini-turbo mondstuk* / Lange flexibele kierenzuiger*

U kunt het accessoire direct in de luchtinlaat van het handmodel of aan een kant van de buis invoegen en een 'klik' geluid horen. [5]

Alleen de kierenzuiger en de 2 in 1 stofborstel kunnen bewaard worden op het docking station.

Accessoire zak:

Overige accessoires kunnen in de accessoire zak bewaard worden.

NOTE: Het mini-turbo mondstuk is ideaal voor het grondig reinigen van textiele oppervlakken (zoals banken) en het verwijderen van haar van huisdieren. Beweeg de reiniger gelijkmatig heen en weer. Na gebruik kan u best haar en/of draden die aan de borstel zijn gaan zitten, waar nodig met een schaar verwijderen.

OPMERKING: De lange flexibele kierenzuiger is ideaal voor het reinigen van moeilijk te bereiken ruimtes en onder meubilair.

Up to Top Tool* / Radiatorborstel* / Grondige reinigingsborstel*

Deze accessoires dienen gemonteerd te worden met de accessoire adapter om te gebruiken.

U kunt het accessoire direct in de luchtinlaat van het handmodel of aan een kant van de buis invoegen en een 'klik' geluid horen.

OPMERKING: De up to top tool kan makkelijk hoge en moeilijk bereikbare plaatsen en delicate oppervlakken reinigen zonder te krassen.

OPMERKING: De radiator tool is ideaal voor het van binnen en van buiten reinigen van kasten, banken, lamellen en meer.

OPMERKING: De grondige reinigingsborstel komt van pas bij het reinigen in krappe ruimtes zonder oppervlakken te krassen.

BELANGRIJK: Gelieve steeds de schakelaar naar voren te duwen in de ontgrendelde positie na elk gebruik van uw product. Als dit niet gebeurt kan dit leiden tot een kortere batterijduur of falen.

ONDERHOUD STOFZUIGER

De stofcontainer leegmaken

1. Druk op de accessoire ontgrendelknop en verwijder de buis. [4]
2. Druk de stofreservoir leegknop in om de klep van de bak te ontgrendelen en de inhoud te legen. [6]
3. Sluit de stofreservoir klep, je hoort een klink als deze volledig vergrendeld is.

OPMERKING: Het is aangeraden om het stofreservoir te legen na elk gebruik of als het stof tot de maximale vullijn komt.

Maak het stofreservoir en filter schoon

1. Druk op de accessoire ontgrendelknop en verwijder de buis. [4]
2. Druk de stofreservoir ledigknop in om de klep van de bak te openen en deze te ledigen. [6]
3. Druk op de ontgrendelknop van het stofreservoir en trek ook het stofreservoir naar beneden en naar buiten weg. [7]
4. Draai de gaasfilter tegen de klok in om het pijltje in lijn te brengen en dan kan het uit de reiniger getrokken worden. [8]
5. Draai de cycloonscheider tegen de klok in, breng het pijltje in lijn en dan kan het uit de reiniger gehaald worden. [8]
6. Druk op de twee uitlaafilter ontgrendelknoppen tegelijkertijd en verwijder dan de uitlaafilter. [9]
7. Was de uitlaafilter in lauw water en laat deze 24 uur drogen. Zet opnieuw in elkaar wanneer deze helemaal droog is en bevestig deze weer aan het product. [10] [11]
8. Was het stofreservoir/ gaasfilter/ cycloonscheider in lauw water. Zorg er voor dat het helemaal droog is voordat het teruggeplaatst wordt in de romp. [10]
9. Zet handmodel weer in elkaar en bevestig deze aan het docking station. [12]

* Alleen bepaalde modellen

OPMERKING: Gebruik geen heet water of schoonmaakmiddelen bij het schoonmaken van de uitlaatfilters. Het is zeer onwaarschijnlijk, maar indien de uitlaatfilters beschadigd raken, vervang de door originele Hoover uitlaatfilters. Gebruik het product niet zonder de filter.

BELANGRIJK: Houd de gasfilter altijd schoon voor optimale prestatie. Wij raden aan de filter eenmaal per maand te wassen.

De draaiborstel veranderen en reinigen.

BELANGRIJK: De reiniger altijd uitschakelen alvorens de agitator te veranderen en schoon te maken.

1. Haal de elektrische zuigmond van de buis af en schuif de agitator ontgrendelknop naar buiten om de agitator te verwijderen. [13]
2. Verwijder al het vuil van de agitator of als dit niet voldoende is, kan je hem vervangen.
3. Als je de agitator terugplaatst let er op dat deze alleen in een richting teruggeplaatst kan worden. Om terug te plaatsen duw de ontgrendelknop van de agitator naar buiten en plaats de agitator in de correcte positie, laat dan de knop weer los, het vergrendeld vanzelf.

Batterijen vervangen

Het toestel is voorzien van een oplaadbare lithium ion batterijpak die vervangbaar is.

WAARSCHUWING: Gebruik alleen erkende vervangingsonderdelen voor uw toestel. Het gebruik van onderdelen die niet door Hoover werden gevalideerd zal uw garantie ongeldig maken.

WAARSCHUWING: Het batterijpak niet openen om het zelf proberen te repareren.

1. Haal de batterijpak ontgrendelknop naar achteren en het batterijpak zal automatisch een klein beetje naar buiten geduwd worden. [14a]
2. Haal het batterijpak langzaam uit de sleuf. [14b]
3. Verwijder het oude batterijpak en vervang deze met het nieuwe batterijpak.
4. Gooi de batterijen veilig weg. Gebruikte batterijen moeten naar een recyclagecentrum gebracht worden en niet in het afval van het huishouden geworpen worden.

WAT TE DOEN BIJ PROBLEMEN

Mocht u problemen hebben met uw reiniger, volg dan eerst deze eenvoudige checklist voordat u het Hoover-klantenservicecentrum belt:

- A. De reiniger wil niet aan.**
Controleer of de reiniger is opgeladen.
- B. De stofzuiger werkt niet meer of de draaiborstel draait niet.**
Controleer of de draaiborstel is geblokkeerd, verwijder de obstructie en zorg dat de continue modus is uitgeschakeld. Hierna kunt u gewoon op de aan-uitknop drukken, zodat de stofzuiger na enkele seconden weer wordt ingeschakeld.
- C. Verminderde of helemaal geen zuigkracht.**
Leeg het stofreservoir en was de gasfilter en de cycloonscheider.
Verwijder het mondstuk en kijk of er iets de buis blokkeert.
- D. Batterijen kunnen niet worden opgeladen.**
Dit zou het resultaat kunnen zijn van een zeer lange opberg periode (meer dan 6 maanden).
Neem contact op met de Hoover-klantenservice om vervanging van de accu te regelen.
Indien het probleem aanhoudt, neem contact op met het Hoover-klantenservicecentrum.

HOOVER RESERVEONDERDELEN EN VERBRUIKSARTIKELEN

Gebruik uitsluitend originele reserveonderdelen van Hoover. Deze zijn verkrijgbaar bij uw Hoover dealer. Als u onderdelen bestelt, vermeld dan altijd het modelnummer.

JOUW GARANTIE

De garantievoorwaarden voor dit toestel worden bepaald door onze vertegenwoordiger in het land waar het toestel wordt verkocht. Details omtrent deze voorwaarden zijn verkrijgbaar bij de dealer waar u het toestel hebt gekocht. Wanneer u aanspraak wilt maken op deze garantie, dan moet u het verkoop- of ontvangstbewijs voorleggen.

Wijzigingen zijn zonder voorafgaande kennisgeving mogelijk.

INSTRUÇÕES PARA UMA UTILIZAÇÃO SEGURA

Este aparelho só deve ser utilizado para limpeza doméstica, conforme descrito neste guia do utilizador. Certifique-se de que este manual é totalmente compreendido antes de utilizar o aparelho.

Desligue sempre o aparelho e retire o carregador da tomada antes de limpar o aparelho ou efectuar qualquer tarefa de manutenção.

Este aparelho pode ser utilizado por crianças com idade igual ou superior a 8 anos e por pessoas com capacidades mentais, sensoriais e físicas reduzidas ou sem experiência e conhecimento caso lhes sejam fornecidas instruções e supervisão relativas à utilização do aparelho de modo seguro e caso compreendam os perigos envolvidos. As crianças não devem brincar com o aparelho. A limpeza e a manutenção não devem ser efectuada por crianças sem supervisão.

Se o cabo de alimentação estiver danificado deixe de utilizar o aparelho imediatamente. Para evitar um risco de segurança, o cabo de alimentação deve ser substituído por um técnico de assistência autorizado da Hoover.

Mantenha as mãos, os pés, as roupas largas e o cabelo longe das escovas rotativas.

Utilize apenas o carregador original fornecido com o aparelho.

Verifique que a tensão de alimentação corresponde à indicada no carregador.

Este electrodoméstico da Hoover vem com um carregador de baterias duplamente isolado que é apenas adequado para alimentação eléctrica de 230 V (240 V no Reino Unido).

Ligue o carregador a uma tomada eléctrica adequada e ligue a ficha do carregador ao eletrodoméstico. **[2]**

Ao carregar o aparelho, o interruptor de alimentação tem de estar na posição Off.

Antes da primeira utilização, carregue o aparelho durante, pelo menos, 6 horas. O indicador LED de carregamento **[H]** acende a vermelho ao carregar e a azul quando está totalmente carregado.

Volte a ligar o aparelho ao carregador depois da utilização para recarregar a bateria.

Nunca troque as baterias em temperaturas acima de 37°C ou abaixo de 0°C.

É normal que o carregador aqueça enquanto estiver a carregar.

Não desligue o carregador puxando o cabo.

Desligue o carregador em caso de ausência prolongada (férias,

etc.). Recarregue novamente o produto antes de utilizar, pois a bateria pode descarregar durante longos períodos de armazenamento.

Se for necessário eliminar o aparelho, primeiro retire as baterias. O aparelho deve ser desligado da fonte de alimentação ao remover a bateria. Elimine as baterias em segurança. Deixe o aparelho em funcionamento até parar devido ao facto de as baterias estarem completamente descarregadas. As pilhas usadas devem ser levadas para uma estação de reciclagem e não devem ser colocadas no lixo doméstico. Para remover as baterias, contacte o centro de apoio ao cliente da Hoover ou prossiga de acordo com as instruções seguintes.

IMPORTANTE: Descarregue, sempre, na totalidade as baterias antes de as remover.

Coloque o aspirador em funcionamento até a bateria estar totalmente descarregada.

Remova a ficha de tomada do carregador do aparelho.

Puxe o botão de libertação do conjunto de baterias e o conjunto de baterias será afastado uma pequena distância automaticamente.

[14a]

Afaste o conjunto de baterias lentamente da ranhura. **[14b]**

Nota: Caso experiencie qualquer dificuldade na desmontagem da unidade ou necessite de informações mais detalhadas sobre o trabalho, recuperação e reciclagem deste aparelho, contacte o departamento da sua cidade ou o serviço de eliminação de lixo doméstico.

Utilize apenas acessórios, consumíveis ou peças sobressalentes recomendadas ou fornecidas pela Hoover.

Electricidade estática: Algumas alcatifas podem provocar uma pequena acumulação de electricidade estática. A descarga de electricidade estática não constitui qualquer perigo para a saúde. Não utilize o aparelho no exterior, em superfícies húmidas ou para aspirar líquidos.

Não aspire objectos duros ou afiados, fósforos, cinzas quentes, pontas de cigarro ou outros itens semelhantes. Não pulverize nem aspire líquidos inflamáveis, líquidos de limpeza, aerossóis ou respectivos vapores.

Não passe por cima do cabo de alimentação ao utilizar o aspirador nem retire a ficha puxando pelo cabo de alimentação. Não continue a utilizar o aparelho ou o carregador caso aparente estar defeituoso.

Assistência da Hoover: Para assegurar o funcionamento seguro e

eficiente deste aparelho, recomendamos que todas as intervenções de assistência ou reparação sejam efectuadas apenas por um técnico de assistência autorizado da Hoover.

Não utilize o aparelho para limpar pessoas ou animais.

Não substitua as baterias por baterias não recarregáveis.

Ambiente:

Este electrodoméstico está marcado de acordo com o disposto na directiva europeia 2011/65/EC relativa aos resíduos de equipamentos eléctricos e electrónicos (REEE). Ao garantir que este produto é eliminado de forma correcta, estará a contribuir para evitar potenciais consequências negativas para o ambiente e a saúde humana, o que pode ocorrer devido a um tratamento inadequado dos resíduos deste produto. O símbolo no produto indica que este não pode ser tratado como resíduo doméstico. Pelo contrário, deve ser encaminhado para o ponto de recolha aplicável para reciclagem de equipamento eléctrico e electrónico. A eliminação deve ser realizada em conformidade com as leis ambientais locais relativas à eliminação de resíduos. Para obter informações mais detalhadas sobre o tratamento, recuperação e reciclagem deste produto, contacte as autoridades locais, o serviço de eliminação de resíduos domésticos ou a loja onde adquiriu o produto.



Este aparelho encontra-se em conformidade com as Directivas Europeias 2014/35/UE, 2014/30/UE e 2011/65/UE.

CANDY HOOVER GROUP S.r.l. Via Privata Eden Fumagalli, 20861 Brugherio (MB) Italy

COMPONENTES DO PRODUTO

- | | |
|--|--|
| A. Estação de ancoragem * | Q. Interruptor Ligar/Desligar |
| B. Escova para pó 2 em 1 * | R. Alavanca do interruptor |
| C. Botão de libertação do agitador | S. Conjunto de baterias |
| D. Escova eléctrica | T. Filtro do escape |
| E. Luz LED da escova * | U. Filtro de rede |
| F. Tubo | V. Separador ciclone |
| G. Botão de libertação de acessórios | W. Fecho para libertar o compartimento para o pó |
| H. Luz LED portátil | X. Botão de libertação do conjunto de baterias |
| I. Unidade portátil | Y. Mini escova turbo * |
| J. Acessório para fendas * | Z. Adaptador de acessórios * |
| K. Tampões com porca * | AA. Ferramenta para as partes superiores * |
| L. Escova 2 em 1 rotativa longa * | BB. Ferramenta para radiadores * |
| M. Carregador | CC. Escova de limpeza profunda* |
| N. Botão de esvaziamento do depósito de pó | DD. Ferramenta longa para fendas flexível* |
| O. Compartimento para o pó | EE. Saco de acessórios* |
| P. Botão de libertação do filtro de escape | |

PREPARAR O SEU ASPIRADOR

1. Fixe a estação de ancoragem à parede utilizando os parafusos e tampões com porca fornecidos.
2. Insira a cabeça da escova num lado do tubo até ouvir um clique. **[1A]**
3. Insira outro lado do tubo na unidade portátil até ouvir um clique. **[1B]**
4. Para carregar totalmente o aparelho, ligue a ficha de tomada do carregador ao aparelho. Demora cerca de 6 horas. **[2]**

NOTA: Para remover a escova, pressione o botão de libertação da escova e retire do corpo principal.

NOTA: Utilize apenas o carregador fornecido com o aspirador para recarregar.

IMPORTANTE: Ao carregar o aspirador, a alavanca do interruptor tem de estar na posição OFF.

É normal que o carregador aqueça enquanto estiver a carregar.

UTILIZAR O SEU ASPIRADOR

Sistema de protecção de segurança

Para garantir que a fiabilidade do produto não é afetada devido a utilização em condições exigentes, o produto possui um sistema de protecção de segurança integrado.

* Apenas em alguns modelos

NOTA: O sistema de proteção de segurança irá acionar se o agitador possuir um bloqueio ou estiver trancado, o produto irá parar após 5 segundos e a luz Led azul portátil irá ficar vermelho e começará a piscar. Se tal acontecer, deve remover a obstrução e garantir que a alavanca do modo contínuo está desligada. Assim que concluir, prima o botão ligar/desligar, o produto irá reiniciar após alguns segundos.

Há dois modos de funcionamento:

- **MODO TEMPORÁRIO:** O produto começa a trabalhar quando prime o botão ligar/desligar e pára quando solto. [3A]
- **MODO CONTÍNUO:** Para activar o modo contínuo, pode puxar a alavanca do interruptor para trás e irá encaixar. Para desactivar o modo contínuo, pode empurrar a alavanca do interruptor para a frente. [3B]

Indicação de carregamento: A luz LED portátil continua acesa a vermelho durante o carregamento e fica azul quando totalmente carregado.

Indicação de descarga: Quando as baterias estão a descarregar, a luz LED portátil e a luz LED da escova estão azuis. A luz LED portátil pisca quando a capacidade da bateria está abaixo dos 5%.

Acessório para fendas / Escova para pó 2 em 1* / Escova 2 em 1 rotativa longa* / Mini escova turbo* / Ferramenta longa para fendas flexível*

Podem inserir o acessório directamente na entrada de ar da unidade portátil ou um lado do tubo até ouvir um clique. [5]
Só a ferramenta para fendas e a escova 2 em 1 podem ser armazenadas na estação de ancoragem.

Saco de acessórios*:

Podem ser armazenados acessórios adicionais no saco de acessórios.

NOTE: A mini escova turbo é ideal para a limpeza profunda de superfícies têxteis (ou seja, sofás) e remoção de pêlos de animais. Desloque firmemente para trás e para a frente. Depois da utilização, retire os pêlos/fios recolhidos da escova com uma tesoura, se necessário.

NOTA: A ferramenta longa para fendas flexível é ideal para limpeza em áreas de difícil alcance e sob mobílias.

Ferramenta para as partes superiores* / Ferramenta para radiadores* / Escova de limpeza profunda*

Este acessório deve ser montado com um adaptador de acessórios para utilização.

Podem inserir o adaptador de acessórios directamente na entrada de ar da unidade portátil ou num lado do tubo até ouvir um clique.

NOTA: A ferramenta para as partes superiores pode limpar facilmente locais altos e difíceis de alcançar e superfícies delicadas sem riscar.

NOTA: A ferramenta para radiadores é ideal para limpar dentro e ao redor de armários, radiadores, sofás, persianas, etc.

NOTA: A escova de limpeza profunda é útil para limpar em espaços apertados sem arranhar as superfícies.

IMPORTANTE: Depois de cada utilização do produto, certifique-se de que empurra a alavanca do interruptor para a frente para a posição desbloqueada. O incumprimento desta recomendação pode resultar numa redução da vida da bateria ou na sua falha.

MANUTENÇÃO DO ASPIRADOR

Esvaziar o depósito de pó

1. Prima o botão de libertação de acessórios e retire o tubo. [4]
2. Empurre o botão de esvaziamento do compartimento para pó para soltar a aba do recipiente e esvazie o conteúdo. [6]
3. Feche a aba do compartimento para pó, ouvirá um clique quando estiver encaixado.

NOTA: É recomendado esvaziar o compartimento para pó depois de cada utilização ou quando o pó estiver até à linha máxima de enchimento.

Limpe o depósito de pó e o filtro

1. Prima o botão de libertação de acessórios e retire o tubo. [4]
2. Prima o botão de esvaziamento do compartimento para pó para abrir a tampa do recipiente e esvaziá-lo. [6]
3. Prima o botão de libertação do compartimento para pó e puxe o compartimento para pó num sentido descendente e para fora. [7]
4. Rode o filtro de rede para a esquerda para alinhar a seta e, em seguida, pode retirá-lo do aspirador. [8]
5. Rode o separador ciclone para a esquerda, alinhe a seta e, em seguida, pode retirá-lo do aspirador. [8]
6. Prima os dois botões de libertação do filtro de escape em simultâneo e retire o filtro de escape. [9]
7. Lave o filtro de escape em água morna e deixe a secar durante 24 horas. Volte a montar assim que estiver completamente seco e volte a colocar no produto. [10] [11]
8. Lave o compartimento para pó/filtro em rede/separador ciclone em água morna. Certifique-se de que está totalmente

* Apenas em alguns modelos

9. seca antes de voltar a aplicar no corpo principal. [10]
10. Volte a montar a unidade portátil e fixe-a na estação de ancoragem. [12]

NOTA: Não utilize água quente ou detergentes ao limpar os filtros de escape. No caso improvável dos filtros de escape ficarem danificados, instale uma peça de substituição Hoover genuína. Não tente utilizar o aspirador sem o filtro montado.

IMPORTANTE: Para um desempenho ideal, mantenha sempre o filtro de rede limpo. Recomendamos lavar o filtro mensalmente.

Substituir e limpar o agitador

IMPORTANTE: Desligue sempre o aspirador antes de mudar e limpar o agitador.

1. Retire a escova do tubo e deslize o botão de libertação do agitador para fora para remover o agitador. [13]
2. Retire todos os resíduos do agitador ou, se não for suficiente, pode substituí-lo.
3. Quando estiver a instalar o agitador, tenha em atenção que só pode ser instalado num sentido. Para reinstalar, deslize o botão de libertação do agitador para fora e coloque o agitador na posição correta e solte o botão. Encaixa automaticamente.

Substituição das baterias

Este aspirador está instalado com um conjunto de baterias de iões de lítio recarregáveis que são substituíveis.

ATENÇÃO: Utilize apenas peças de substituição aprovadas para o aspirador. A utilização de peças não aprovadas pela Hoover é perigosa e irá tornar a sua garantia inválida.

ATENÇÃO: Não tente abrir o conjunto de baterias e repará-lo.

1. Puxe o botão de libertação do conjunto de baterias e o conjunto de baterias será afastado uma pequena distância automaticamente. [14a]
2. Afaste o conjunto de baterias lentamente da ranhura. [14b]
3. Retire a bateria antiga e substitua-a por uma bateria nova.
4. Elimine as baterias em segurança. As pilhas usadas devem ser levadas para uma estação de reciclagem e não devem ser colocadas no lixo doméstico.

RESOLUÇÃO DE PROBLEMAS

Se tiver qualquer problema com o aspirador, siga esta lista de verificação simples antes de contactar o Centro de Assistência ao Cliente da Hoover:

- A. **O aspirador não liga.**
Verifique se o aspirador está carregado.
- B. **O aspirador parou de funcionar ou o agitador não roda.**
Verifique se existe uma obstrução no agitador, limpe-o e certifique-se de que a alavanca do modo contínuo está desligada. Assim que concluir, prima o botão ligar/desligar, o produto irá reiniciar após alguns segundos.
- C. **Perda de sucção ou sem sucção.**
Esvazie o compartimento para pó e lave o filtro de rede e o separador ciclone.
Retire a escova e verifique se existe qualquer obstrução na conduta.
- D. **Não é possível carregar a bateria.**
Isto pode dever-se a um período de armazenamento muito longo (mais de meio ano).
Contacte o serviço de apoio ao cliente da Hoover para que a bateria seja substituída.
Se o problema persistir, contacte o centro de assistência ao cliente da Hoover.

PEÇAS SOBRESSALENTES E CONSUMÍVEIS HOOVER

Substitua sempre as peças por peças sobressalentes Hoover genuínas. Pode obtê-las junto do seu representante local ou directamente da Hoover. Quando encomendar peças, mencione sempre o número do seu modelo.

A SUA GARANTIA

As condições de garantia para este aparelho são as definidas pelo nosso representante no país onde foi vendido. Pode obter detalhes sobre estas condições junto do agente a quem adquiriu o aparelho. A factura de venda ou o recibo deverão ser entregues quando apresentar uma reclamação ao abrigo dos termos da garantia.

Sujeito a alteração sem aviso prévio.

INSTRUCCIONES PARA UN USO SEGURO

Este aparato solo debe utilizarse para la limpieza doméstica habitual, como se describe en este manual de usuario. Asegúrese de haber comprendido todo el contenido de este manual antes de poner en funcionamiento el aparato.

Apague y quite el cargador de la toma de corriente antes de limpiar el aparato o de efectuar cualquier operación de mantenimiento.

Este aparato puede ser usado por niños de 8 años en adelante y personas con capacidades físicas, sensoriales o mentales reducidas o falta de experiencia y conocimiento bajo supervisión y con una explicación de las instrucciones con respecto al uso del aparato de manera segura y que comprendan los riesgos implicados. Los niños no deben jugar con el aparato. Los niños no deben limpiar ni dar mantenimiento sin supervisión.

Si el cable de alimentación está dañado, deje de utilizar el aparato inmediatamente. Para evitar riesgos de seguridad, el cable de alimentación sólo puede ser cambiado por un especialista del servicio técnico de Hoover.

Mantener lejos de los cepillos rotatorios pies, manos, ropa suelta y cabellos.

Utilice únicamente el cargador original suministrado con el aparato. Controle que el voltaje de la corriente eléctrica sea el mismo que el indicado en el cargador.

Este aparato Hoover se proporciona con un cargador de baterías con doble aislamiento que sólo se puede conectar en una toma de corriente de 230V (240V en Reino Unido).

Enchufe el cargador en una toma de corriente adecuada y conecte la clavija del cargador al electrodoméstico. **[2]**

Durante la carga del electrodoméstico, el interruptor de alimentación debe estar en posición de apagado.

Antes del primer uso, cargue el aspirador durante al menos 6 horas. El indicador LED de carga **[H]** se iluminará de color rojo cuando se esté cargando y se iluminará de color azul cuando la carga esté completa.

Vuelva a conectar el cargador al electrodoméstico después del uso para recargar la batería.

No cargue nunca la batería a temperaturas superiores a los 37°C o inferiores a 0°C.

Es normal que el cargador esté caliente al tacto mientras se está cargando.

No tire del cable para desenchufar el cargador.

Desenchufe el cargador en caso de ausencias prolongadas (vacaciones, etc.). Vuelva a cargar el aparato nuevamente antes de usarlo, ya que la batería se podría descargar durante períodos de almacenamiento prolongados.

Si se debe desechar el aparato, primero es necesario extraer la batería. Cuando extraiga la batería, el electrodoméstico debe estar desconectado de la red eléctrica. Elimine la batería de manera segura. Haga funcionar el electrodoméstico hasta que se detenga debido a que la batería está totalmente descargada. Las baterías usadas deben llevarse a un punto de reciclaje y no deben desecharse con los residuos domésticos. Para quitar la batería, contacte con el Servicio Técnico de Hoover o siga las presentes instrucciones.

IMPORTANTE: Descargue siempre las baterías completamente antes de desecharlas y asegúrese de que el cargador está desenchufado.

Haga funcionar el aspirador hasta que las baterías estén completamente descargadas.

Quite el conector jack del cargador del electrodoméstico.

Tire hacia atrás el botón de desenganche del paquete de baterías y dicho paquete de baterías será empujado automáticamente un poco hacia afuera. **[14a]**

Saque lentamente el paquete de baterías de la ranura. **[14b]**

Nota: Si llega a experimentar problemas al desmontar el aspirador o para obtener información más detallada sobre el tratamiento, la recuperación y el reciclaje de este electrodoméstico, contacte con su Ayuntamiento o con el servicio de recogida de residuos domésticos de su zona.

Utiliza únicamente accesorios, consumibles o repuestos recomendados o distribuidos por Hoover.

Electricidad estática: Algunas alfombras pueden provocar una pequeña acumulación de electricidad estática. Las descargas estáticas no son peligrosas para la salud.

No utilice el aparato al aire libre, en superficies húmedas o para recoger líquidos.

No aspire objetos duros o afilados, cerillas, cenizas calientes, colillas de cigarrillo u objetos similares. No rocíe, ni aspire líquidos inflamables, aerosoles para limpiar o sus vapores.

No pase por encima del cable de alimentación cuando utilice el aparato ni lo desenchufe tirando del cable. No siga utilizando el electrodoméstico o el cargador si parece estar defectuoso.

Servicio Técnico de Hoover: Para garantizar el funcionamiento seguro, eficaz y duradero del aspirador, recomendamos que las tareas de mantenimiento sean realizadas exclusivamente por técnicos autorizados del servicio Técnico de Hoover.

No utilice el aparato en personas ni animales.

No sustituya las baterías por baterías no recargables.

El Medio Ambiente:

Este aparato está marcado de acuerdo con la Directiva Europea 2011/65/EC sobre residuos de aparatos eléctricos y electrónicos (RAEE). Al cerciorarse de que este producto se elimine correctamente, usted ayudará a prevenir las posibles consecuencias perjudiciales para el medio ambiente y la salud humana que, de otro modo, podrían producirse en caso de manejo inadecuado de los residuos de este producto. El símbolo que puede verse en el producto indica que éste no puede tratarse como residuo doméstico. En vez de esto debe entregarse en un punto de recogida de electrodomésticos para el reciclaje de equipos eléctricos y electrónicos. La eliminación debe llevarse a cabo según los reglamentos medioambientales locales sobre eliminación de residuos. Para información más detallada sobre el tratamiento, la recuperación y el reciclaje de este producto, póngase en contacto con su Ayuntamiento, su servicio de recogida de residuos domésticos o con el establecimiento donde haya comprado el producto.



Esta aparato cumple con las Directivas europeas 2014/35/EU, 2014/30/EU y 2011/65/EU.

CANDY HOOVER GROUP S.r.l. Via Privata Eden Fumagalli, 20861 Brughiero (MB) Italy

COMPONENTES DEL PRODUCTO

- | | |
|---|--|
| A. Base de conexión * | Q. Interruptor Encendido/Apagado |
| B. Cepillo 2 en 1 para limpiar el polvo * | R. Palanca del interruptor |
| C. Botón de liberación del agitador | S. Batería |
| D. Tobera Turbo | T. Filtro de Descarga |
| E. Tobera con luces Led * | U. Filtro de malla |
| F. Tubo | V. Separador ciclónico |
| G. Botón de liberación de los accesorios | W. Pulsador para desbloqueo del depósito de suciedad |
| H. Aspirador portátil con luz Led | X. Botón de desenganche del paquete de baterías |
| I. Aspirador portátil | Y. Tobera Mini Turbo * |
| J. Accesorio rincones * | Z. Adaptador de accesorios * |
| K. Tapones de tornillos * | AA. Accesorio para lugares elevados * |
| L. Cepillo 2 en 1 de rotación larga * | BB. Accesorio para el radiador * |
| M. Cargador | CC. Cepillo para limpieza profunda* |
| N. Botón de vaciado del depósito de suciedad | DD. Accesorio largo y flexible para rincones* |
| O. Depósito de suciedad | EE. Bolsa para accesorios* |
| P. Botón de liberación del filtro de salida de aire | |

PREPARACIÓN DEL ASPIRADOR

1. Fije la estación de acoplamiento a la pared utilizando los tornillos y los tapones roscados suministrados.
2. Introduzca el cabezal de la tobera en un lado del tubo hasta que se oiga un "clic". [1A]
3. Introduzca el otro lado del tubo en el aspirador portátil hasta que se oiga un "clic". [1B]
4. Para cargar completamente el electrodoméstico, conecte el conector jack del cargador al electrodoméstico. Esto durará aproximadamente 6 horas. [2]

NOTA: Para retirar la tobera, presione el botón de desbloqueo de la tobera y retirela del cuerpo principal.

NOTA: Sólo utilice el cargador proporcionado con su aspirador para recargar.

IMPORTANTE: Cuando el aspirador se esté cargando la palanca del interruptor debe estar en posición de APAGADO.

Es normal que el cargador esté caliente al tacto mientras se está cargando.

USO DEL ASPIRADOR

Sistema de protección de seguridad

Para asegurar que el electrodoméstico mantenga su fiabilidad si se usa en condiciones difíciles, el aparato está dotado de un sistema de protección de seguridad.

NOTA: El sistema de protección de seguridad se accionará si el agitador tiene una obstrucción o está bloqueado;

* Sólo para algunos modelos

una vez que se haya accionado el aparato se detendrá después de 5 segundos, la luz Led azul de la unidad portátil se pondrá roja y comenzará a parpadear. Si esto ocurre, es necesario eliminar la obstrucción y asegurarse de que la palanca de modo continuo este en apagado. Una vez hecho esto, pulse el botón de encendido/apagado, el electrodoméstico se volverá a poner en marcha después de pocos segundos.

Hay dos modos de funcionamiento:

• **MODO TEMPORAL:** El electrodoméstico comenzará a funcionar al presionar el interruptor encendido/apagado y se detendrá al soltarlo. **[3A]**

• **MODO CONTINUO:** Para activar el modo continuo es necesario tirar hacia atrás la palanca del interruptor que se encajará en su lugar al oírse un clic. Para desactivar el modo continuo es necesario empujar la palanca del interruptor hacia adelante. **[3B]**

Indicación de carga: La luz LED del aspirador portátil permanecerá iluminada de color rojo durante la carga y se pondrá de color azul cuando esté totalmente cargada.

Indicación de descarga: Cuando las baterías se están descargando, tanto la luz LED del aspirador portátil como la luz LED de la tobera son azules. La luz LED del aspirador portátil parpadeará cuando la capacidad de la batería sea inferior al 5%.

Accesorio rincones / Tobera 2 en 1 para polvo* / Cepillo 2 en 1 de rotación larga* / Tobera Mini Turbo* / Accesorio largo y flexible para rincones*

El accesorio se puede introducir directamente en la entrada de aire del aspirador portátil o en uno de los lados del tubo y se oírán un "clic". **[5]**

Sólo el accesorio para rincones y el cepillo 2 en 1 para limpiar el polvo se puede guardar en la base de conexión.

Bolsa para accesorios*:

Los accesorios adicionales se pueden guardar en la bolsa para accesorios.

NOTE: La tobera Mini Turbo es ideal para una limpieza profunda de los tejidos del hogar (p. ej. sofás) y para eliminar el pelo de las mascotas. Mueva constantemente hacia adelante y hacia atrás. Después del uso, elimine cabello/hilos recogidos en el cepillo, usando las tijeras si es necesario.

NOTA: El accesorio largo y flexible para rincones es ideal para limpiar las zonas difíciles de alcanzar y debajo de los muebles.

Accesorio para lugares elevados* / Accesorio para el radiador* / Cepillo para limpieza profunda*

Estos accesorios, para ser utilizados, deben montarse con el adaptador de accesorios.

Puede introducir el adaptador de accesorios directamente en la entrada de aire del aspirador portátil o en un lado del tubo y se oírán un "clic".

NOTA: Con el accesorio para lugares elevados se puede limpiar fácilmente los sitios elevados y difíciles de alcanzar como también las superficies delicadas sin rayarlas.

NOTA: El accesorio para el radiador es ideal para limpiar alrededor y en el interior de armarios, radiadores, sofás, persianas etc.

NOTA: El cepillo para limpieza profunda es útil para limpiar espacios estrechos sin rayar las superficies.

IMPORTANTE: Después de cada uso del electrodoméstico, asegúrese de empujar la palanca del interruptor hacia adelante en posición de desbloqueo. De lo contrario, puede reducirse la vida útil de la batería u ocurrir una avería.

MANTENIMIENTO DEL ASPIRADOR

Vaciado del depósito de suciedad

1. Presione el botón de desenganche de accesorios y extraiga el tubo. **[4]**
2. Presione el botón de vaciado del depósito de suciedad para desenganchar la tapa del contenedor y vaciar el contenido. **[6]**
3. Cierre la tapa del depósito de suciedad, cuando esté totalmente bloqueada se escuchará un clic.

NOTA: Se recomienda vaciar el depósito de suciedad después de cada uso o cuando la suciedad llegue a la línea de llenado máximo.

Limpiar el contenedor de polvo y el filtro

1. Presione el botón de desenganche de accesorios y extraiga el tubo. **[4]**
2. Presione el botón de vaciado del depósito de suciedad para abrir la tapa del contenedor y vaciarlo. **[6]**
3. Presione el botón de desenganche del depósito de suciedad tirando dicho depósito de suciedad hacia abajo y hacia afuera. **[7]**
4. Gire el filtro de malla en sentido contrario a las agujas del reloj para alinear la marca de flecha y luego podrá sacarlo del aspirador. **[8]**
5. Gire el separador ciclónico en sentido contrario a las agujas del reloj, alinee la marca de flecha y luego podrá sacarlo del aspirador. **[8]**
6. Presione simultáneamente los dos botones de desenganche del filtro de salida y luego extraiga dicho filtro de salida. **[9]**
7. Lave el filtro de salida con agua tibia y déjelo secar durante 24 horas. Volver a montarlo una vez esté completamente seco y reinstalarlo en el aspirador. **[10] [11]**
8. Lave el depósito de suciedad/filtro de malla/separador ciclónico con agua tibia. Asegúrese de que esté completamente

* Sólo para algunos modelos

seco antes de volver a colocarlo en el cuerpo principal. [10]

9. Vuelva a montar el aspirador portátil y luego conéctelo al cargador. [12]

NOTA: No utilice agua caliente o detergentes para limpiar el filtro de salida. En el caso poco probable de que los filtros de salida se dañen, utilice un repuesto auténtico Hoover. No trate de utilizar el aparato sin montar el filtro.

IMPORTANTE: Para obtener un rendimiento óptimo, mantenga siempre limpio el filtro de malla. Le recomendamos que lave el filtro una vez al mes.

Cambio y limpieza del agitador

IMPORTANTE: Apague siempre el aspirador antes de cambiar o limpiar el agitador.

1. Extraiga la tobera eléctrica del tubo y deslice el botón de desenganche del agitador hacia afuera para extraer el agitador. [13]
2. Elimine todos los residuos del agitador o si esto no es satisfactorio puede sustituirlo.
3. Cuando vuelva a encajar el agitador tenga en cuenta que se puede encajar sólo en un sentido. Para volver a encajar deslice el botón de desenganche del agitador hacia afuera y coloque dicho agitador en la posición correcta luego suelte el botón, éste se bloqueará automáticamente.

Reemplazar las baterías

Este aspirador está dotado de un paquete de baterías recargables de ion-litio, el cual es reemplazable.

ADVERTENCIA: Utilice únicamente piezas de repuesto aprobadas para su aspirador. La utilización de piezas no homologadas por Hoover es peligrosa e invalidará su garantía.

ADVERTENCIA: No trates de abrir la batería ni de repararla por sí mismo.

1. Tire hacia atrás el botón de desenganche del paquete de baterías y dicho paquete de baterías será empujado automáticamente un poco hacia afuera. [14a]
2. Saca lentamente el paquete de baterías de la ranura. [14b]
3. Extraiga el viejo paquete de baterías y sustitúyalo con el nuevo.
4. Elimine la batería de manera segura. Las baterías agotadas deben llevarse a una estación de reciclaje y no se deben eliminar con los residuos domésticos.

RESOLUCIÓN DE PROBLEMAS

Si tiene algún problema con su aspirador, siga esta simple lista de verificación antes de llamar al servicio técnico de Hoover:

- A. El aspirador no se enciende.**
Verifique si el aspirador está cargado.
- B. El aspirador deja de funcionar o el agitador no gira.**
Controle si hay una obstrucción en el agitador, elimínela y asegúrese de que la palanca de modo continuo esté en apagado. Una vez hecho esto, pulse el botón de encendido/apagado, el electrodoméstico se volverá a poner en marcha después de pocos segundos.
- C. Pérdida de aspiración o sin aspiración.**
Vacíe el depósito de suciedad y lave el filtro de malla y el separador ciclónico.
Extraiga la tobera y controle si hay obstrucciones en el tubo
- D. Las baterías no se pueden cargar.**
Este puede ser el resultado de periodos de almacenamiento muy prolongados (más de 6 meses).
Contacte con el servicio técnico de Hoover para acordar un reemplazo de baterías.
Si el problema continúa, contacte con el servicio técnico de Hoover.

PIEZAS DE REPUESTO Y CONSUMIBLES HOOVER

Utilice siempre piezas de repuesto originales de Hoover. Puede adquirirlas a través de su Servicio Técnico de Hoover. Cuando realice pedidos de piezas, indique siempre el número de modelo que posee.

SU GARANTÍA

Las condiciones de garantía para este aparato vienen definidas por nuestro representante en el país de venta. Puede obtener los detalles acerca de estas condiciones en el establecimiento donde haya comprado este aparato. Debe mostrarse la factura de compra o el recibo al hacer alguna reclamación en virtud de las condiciones de garantía.

Sujeto a cambios sin previo aviso.

INSTRUKTIONER FOR SIKKER ANVENDELSE

Denne støvsuger må kun anvendes til almindelig husholdningsrengøring, som beskrevet i brugsanvisningen. Du bør sikre dig, at du har forstået indholdet af denne brugervejledning fuldt ud, inden apparatet tages i brug.

Inden du rengør eller foretager nogen som helst vedligeholdelse af apparatet, skal du altid slukke for det og tage stikket ud af stikkontakten.

Dette udstyr kan anvendes af børn, der er 8 år gamle og derover, og af personer med nedsatte fysiske, sensoriske eller mentale evner eller manglende erfaring og viden, hvis de er under opsyn eller vejledning i at bruge udstyret på en sikker måde og forstår de risici, der er involveret. Børn må ikke lege med udstyret. Rengøring og vedligeholdelse må ikke udføres af børn uden en voksen tilstede.

Hvis netledningen er ødelagt, skal du stoppe med at bruge støvsugeren øjeblikkeligt. For at undgå en sikkerhedsrisiko skal en autoriseret Hoover-servicetekniker udskifte strømledningen.

Hold hænder, fødder, løstsiddende tøj og hår væk fra roterende børster.

Brug kun den originale oplader, der blev leveret sammen med apparatet.

Sørg for at stømmen i dit forsyningsnet er den samme som anført på opladeren.

Denne støvsuger er forsynet med en dobbelt isoleret batterioplader, der kun er beregnet til tilslutning til en 220 V stikdåse.

Sæt opladeren i en passende stikkontakt og tilslut opladeren til apparatet. **[2]**

Strømknappen skal stå på off-positionen ved opladning af apparatet.

Støvsugeren skal oplades i mindst 6 timer, før den tages i brug første gang. Indikatorlampen for opladning **[H]** lyser rødt under opladning og lyser blå, når den er fuldt opladet.

Støvsugeren skal tilsluttes opladeren igen efter brug, så batterierne kan blive genopladet.

Oplad aldrig batterierne ved over 37°C eller under 0°C.

Det er normalt for opladeren at blive varm at røre ved under opladning.

Opladeren må ikke trækkes ud af stikdåsen ved at trække i kablet.

Træk opladeren ud af stikket ved længere tids fravær (ferie o.lign.). Genoplad støvsugeren igen før brug, da batterierne kan selvaflade ved længere tids stilstand.

Hvis dit apparat skal kasseres, skal batterierne fjernes inden. Apparatet skal abrydes fra lysnettet når batteriet fjernes. Bortskaf batterierne på en sikker måde. Tænd apparatet, indtil det stopper, fordi batterierne er helt afladet. Brugte batterier skal afleveres på en genbrugsstation og ikke smides ud sammen med husholdningsaffald. Hvis batterierne skal fjernes, bedes du kontakte Hoover-kundeservice eller handle i henhold til følgende anvisninger.

VIGTIGT: Aflad altid batterierne helt, før de fjernes.

Kør med støvsugeren, indtil batterierne er helt tomme.

Fjern opladeren fra apparatet.

Træk knappen til afmontering af batteripakke tilbage, hvorefter batteripakken automatisk skubbes et lille stykke ud. **[14a]**

Træk langsomt batteripakken ud fra åbningen. **[14b]**

Bemærk: Hvis du får problemer med at afmontere enheden eller ønsker mere detaljerede oplysninger om behandling, genanvendelse og genbrug af dette produkt, bedes du kontakte kommunen eller skraldeselskabet.

Anvend kun tilbehør, udstyr og reservedele leveret af Hoover.

Statisk elektricitet: Visse tæpper kan forårsage en mindre akkumulering af statisk elektricitet. Udledning af statisk elektricitet er ikke sundhedsfarligt.

Brug ikke støvsugeren udendørs eller på våde overflader eller til opsugning af væsker.

Undlad at opsuge hårde eller skarpe genstande, tændstikker, varm aske, cigaretstumper eller andre lignende genstande. Undlad at sprøjte med eller opsuge brændbare væsker, rensesvæsker, spraydåser eller spray fra disse.

Undlad at køre over strømkablet når du bruger din støvsuger og undlad at trække stikket ud ved at trække i strømkablet, men hold fast i stikket. Hvis apparatet eller opladeren ser ud til at være beskadigede, skal det tages ud af brug.

Hoover service: For at sikre løbende sikker og effektiv drift af denne

støvsuger anbefaler vi, at eftersyn eller reparationer udelukkende udføres af en autoriseret Hoover-servicetekniker.

Undlad at bruge apparatet på at rengøre mennesker eller dyr.

Batterierne må ikke udskiftes med ikke-genopladelige batterier.

Miljøet:

Denne håndstøvsuger er mærket i overensstemmelse med det europæiskdirektiv 2011/65/EC om affald af elektrisk og elektronisk udstyr (WEEE). Ved at sikre at dette produkt bortskaffes korrekt er du med til at forhindre eventuelle negative konsekvenser for miljø og sundhed, som ellers kunne forårsages på grund af forkert bortskaffelse af dette produkt. Symbolet på produktet angiver, at produktet ikke må behandles som husholdningsaffald. Det skal i stedet afleveres til en affaldsstation for genbrug af elektrisk og elektronisk udstyr. Bortskaffelse skal ske i overensstemmelse med de lokale miljøregler vedrørende bortskaffelse af affald. Du kan få flere detaljerede oplysninger om behandling, genvinding og genbrug af dette produkt ved at kontakte din lokale kommune, renovationsfirmaet eller den butik, hvor du købte produktet.



Dette apparat overholder bestemmelserne i EU Direktiverne 2014/35/EU, 2014/30/EU og 2011/65/EU.

CANDY HOOVER GROUP S.r.l. Via Privata Eden Fumagalli, 20861 Brugherio (MB) Italy

PRODUKTKOMPONENTER

- | | |
|---|---|
| A. Dockingstation * | Q. On/off-knap |
| B. 2-i-1 Støvbørste * | R. Omskifterkontakt |
| C. Knap til afmontering af tromle | S. Batteripakke |
| D. Power-Mundstykke | T. Udsugningsfilter |
| E. Mundstykkelysdiode * | U. Maskefilter |
| F. Rør | V. Cyklonseparator |
| G. Knap til afmontering af tilbehør | W. Løsneknap til støvbeholder |
| H. Håndholdslysdiode | X. Knap til afmontering af batteripakke |
| I. Håndstøvsuger | Y. Mini-turbo mundstykke * |
| J. Fugemundstykke * | Z. Tilbehørsadapter * |
| K. Rawplugs * | AA. Op til toppen-redskab * |
| L. Lang 2 i 1 rotationsbørste * | BB. Radiatorredskab * |
| M. Oplader | CC. Lang rengøringsbørste* |
| N. Knap til tømning af støvbeholder | DD. Langt fleksibelt fugemundstykke* |
| O. Støvbeholder | EE. Tilbehørstaske* |
| P. Knap til afmontering af udsugningsfilter | |

SÅDAN KLARGØRES STØVSUGEREN

1. Fastgør dockingstationen til din væg ved hjælp af medfølgende skruer og rawplugs.
2. Isæt mundstykket på den ene side af røret, indtil du hører en "kliklyd". [1A]
3. Isæt den anden side af røret på den håndholdte enhed, indtil du hører en "kliklyd". [1B]
4. For at oplade apparatet, skal du tilslutte opladeren til apparatet. Det vil tage omkring 6 t. [2]

BEMÆRK: Mundstykket tages af, ved at trykke på udløserknappen, hvorefter mundstykket trækkes af hoveddelen.

BEMÆRK: Brug kun den oplader, der er leveret sammen med støvsugeren, til opladning.

VIGTIGT: Omskifterkontakten skal stå på OFF-positionen ved opladning af støvsugeren.

Det er normalt for opladeren at blive varm at røre ved under opladning.

BRUG AF STØVSUGEREN

Sikkerhedsbeskyttelsessystem

Produktet har et integreret sikkerhedsbeskyttelsessystem for at sikre pålideligheden af produktet, som ikke påvirkes under vanskelige forhold.

* Kun til visse modeller

BEMÆRK: Når agitatoren er blokeret eller låst, aktiveres sikkerhedsbeskyttelsessystemet, som standser produktet efter 5 sekunder, og den blå lysdiode på håndsettet bliver rød og begynder at blinke. Hvis dette sker, skal du fjerne tilstopningerne, og sørge for, at håndtaget til kontinuerlig tilstand er slået fra. Derefter trykkes der på on/off-knappen, og produktet genstarter efter få sekunder.

Der er to arbejdstilstande:

- **MIDLERTIDIG TILSTAND:** Produktet starter, når du trykker på on/off-knappen og slukker, når du slipper. [3A]
- **KONTINUERLIG TILSTAND:** For at aktivere kontinuerlig tilstand kan du trække omskifterkontakten tilbage, hvorefter det vil klikke på plads. For at deaktivere kontinuerlig tilstand skal du skubbe omskifterkontakten frem, [3B]

Indikator for opladning Håndholdslysdioden lyser rødt under opladning og skifter til blå, når den er fuldt opladet.

Indikator for afladning Når batterierne aflades, lyser både håndholdslysdioden og mundstykkeledsdiode blå. Håndholdslysdioden blinker, når batterikapaciteten er lavere end 5 %.

Fugemundstykke / 2-i-1 Støvbørste* / Lang 2 i 1 rotationsbørste* / Mini-turbo mundstykke* / Langt fleksibelt fugemundstykke*

Du kan indsætte tilbehøret direkte på den håndholdte enheds luftindtag eller på den ene side af røret, hvorefter du vil høre en "kliklyd". [5]

Det er kun fugemundstykket og 2-i-1 støvbørsten, der kan agres på dockingstationen.

Tilbehørstaske*:

Ekstra tilbehørsudstyr kan gemmes i tilbehørstasken.

NOTE: Mini-turbo mundstykket er ideelt til dybdegående rengøring af tekstiloverflader (dvs. sofaer) og fjernelse af dyrehår. Flyt den frem og tilbage i en støt bevægelse. Hvis det er nødvendigt skal du med en saks fjerne hår/tråde, der har samlet sig på børsten efter brug.

BEMÆRK: Det lange fleksible fugemundstykke er ideelt til rengøring af steder, der er svære at nå og under møbler.

Op til toppen-redskab* / Radiatorredskab* / Lang rengøringsbørste*

Dette tilbehør skal samles med tilbehørsadapteren ved brug.

Du kan indsætte tilbehørsadapteren direkte på den håndholdte enheds luftindtag eller på en side af røret, hvorefter du vil høre en "kliklyd".

BEMÆRK: Op til toppen-redskabet kan nemt rengøre høje og svært tilgængelige steder samt sarte overflader uden at ridse.

BEMÆRK: Radiatorredskabet er ideelt til rengøring i og omkring skabe, radiatorer, sofaer, persiener og mere.

BEMÆRK: Den lange rengøringsbørste er nyttig til rengøring af smalle steder uden at ridse overflader.

VIGTIGT: Efter du har brugt produktet, skal du sørge for at skubbe omskifterkontakten frem til den ulåste position. I modsat fald kan det resultere i en reduktion i batteriets levetid eller fejl.

VEDLIGEHOLDELSE AF STØVSUGEREN

Tømning af støvbeholderen

1. Tryk på knappen til afmontering af tilbehør og fjern røret. [4]
2. Tryk på knappen til tømning af støvbeholderen for at udløse beholderklappen og tømme indholdet. [6]
3. Luk klappen på støvbeholderen, hvorefter du vil høre en kliklyd, når den er helt lukket i.

BEMÆRK: Det anbefales at tømme støvbeholderen efter hvert brug, eller når støvet når til den maksimale fyldlinje.

Rengør støvbeholderen og filteret

1. Tryk på knappen til afmontering af tilbehør og fjern røret. [4]
2. Tryk på knappen til tømning af støvbeholderen for at åbne beholderklappen og tømme den. [6]
3. Tryk på knappen for afmontering af støvbeholderen og træk også støvbeholderen væk i en nedadgående og udadgående retning. [7]
4. Drej maskefiltret mod uret for at justere pilen, dernæst kan den trækkes ud fra støvsugeren. [8]
5. Drej cyklonseparatoren mod uret og justér pilen, dernæst kan den trækkes ud fra støvsugeren. [8]
6. Tryk på de to knapper til afmontering af udsugningsfilteret på samme tid og dernæst fjern udsugningsfilteret [9]
7. Vask udsugningsfilteret i lunkek vand og lad det tørre i 24 timer. Saml filterpakkerne, når de er helt tørre, og monter dem i produktet igen. [10] [11]
8. Vask støvbeholderen/maskefiltret/cyklonseparatoren i lunkek vand. Kontroller at den er helt tør, før den sættes fast på hoveddelen igen. [10]
9. Saml den håndholdte enhed og dernæst isæt den til dockingstationen. [12]

* Kun til visse modeller

BEMÆRK: Der må ikke bruges varmt vand eller vaskemiddel til at rengøre udsugningsfilteret. Skulle det ske at udsugningsfiltre bliver beskadiget, isættes en original Hoover udskiftning. Produktet må ikke anvendes, hvis filteret ikke er monteret.

VIGTIGT: For at opnå optimal effekt skal maskefiltret altid holdes rent. Vi anbefaler, at filtret vaskes en gang om måneden.

Sådan skiftes og rengøres rotoren

VIGTIGT: Støvsugeren skal altid slukkes ved udskiftning og rengøring af børsten.

1. Fjern power-mundstykket fra røret og skub knappen til afmontering af tromlen udad for at fjerne tromlen. **[13]**
2. Fjern al snavs fra tromlen eller hvis dette ikke er tilfredsstillende, kan du udskifte den.
3. Når du genmonterer tromlen, skal du være opmærksom på, at den kun kan monteres i en retning. For genmontering skal du skubbe knappen til afmontering af tromlen udad og anbringe tromlen i den korrekte position, dernæst slippe knappen hvorefter den fastlåses automatisk.

Udskiftning af batterierne

Denne støvsuger er udstyret med en genopladelig Lithium-ion batteripakke, som kan udskiftes.

ADVARSEL: Brug kun godkendte udskiftningsdele for din støvsuger. Dele, som ikke er godkendt af Hoover, er farlige og gør din garanti ugyldig.

ADVARSEL: Forsøg ikke at åbne batteripakken og reparere den selv.

1. Træk knappen til afmontering af batteripakke tilbage, hvorefter batteripakken automatisk skubbes et lille stykke ud. **[14a]**
2. Træk langsomt batteripakken ud fra åbningen. **[14b]**
3. Fjern den gamle batteripakke og udskift med en ny batteripakke.
4. Bortskaf batterierne på en sikker måde. Brugte batterier skal afleveres på en genbrugsstation og ikke smides ud sammen med husholdningsaffald.

FEJLFINDING

Hvis du har problemer med støvsugeren, bedes du følge følgende enkle tjekliste, før du kontakter Hoovers kundeservicecenter:

A. Støvsugeren starter ikke.

Kontroller om støvsugeren er opladet.

B. Støvsugeren stopper med at fungere eller agitatorens roterer ikke.

Kontroller for og fjern tilstopninger i agitatorens. Sørg for, at håndtaget til kontinuerlig tilstand er slået fra. Derefter trykkes der på on/off-knappen, og produktet genstarter efter få sekunder.

C. Tab af sugesevne eller ingen sugning

Tøm støvbeholderen og vask maskefiltret og cyklonseparatoren.

Fjern mundstykket og kontrollér for eventuel tilstopning af kanalen.

D. Batterier kan ikke oplades.

Dette kan opstå som følge af lange opbevaringsperioder (over et halvt år).

Kontakt Hoover kundeservice for at bestille udskiftning af batteriet.

Kontakt Hoover kundeservice, hvis problemet bliver ved.

HOOVER RESERVEDELE OG FORBRUGSSTOFFER

Udskift altid dele med ægte Hoover reservedele. Disse fås fra Hoovers reservedelsforhandler, check www.hoover.dk Når du bestiller dele, skal du altid opgive modelnummer.

DIN GARANTI

Garantibetingelserne for dette apparat er som defineret af vores repræsentant i det land, hvor det er solgt. Oplysninger vedrørende disse betingelser kan indhentes hos den forhandler, apparatet er købt hos. Kvitteringen skal fremvises i forbindelse med ethvert krav under disse garantibetingelser.

Ret til ændringer uden varsel forbeholdes

INSTRUKSJONER FOR SIKKER BRUK

Dette apparatet må kun brukes til husrengjøring, og slik denne bruksanvisningen beskriver. Sørg for at denne veiledningene er forstått fullstendig før du bruker apparatet.

Slå alltid av og koble laderen fra støpselet før enheten rengjøres eller vedlikeholdes.

Apparatet kan brukes av barn fra 8 år, og av personer med nedsatte fysiske, sanselige eller mentale evner, eller manglende erfaring og kunnskap, dersom de er under oppsyn eller har fått opplæring i sikker bruk av apparatet og forstår farene bruk av apparatet kan medføre. Barn skal ikke leke med apparatet. Rengjøring og vedlikehold skal ikke utføres av barn uten oppsyn.

Bruken av apparatet må opphøre umiddelbart dersom strømledningen er skadet. Av sikkerhetshensyn må en autorisert Hoover-tekniker erstatte strømledningen.

Hold hender, føtter, løse klær og hår unna roterende børster.

Bruk den opprinnelige laderen som fulgte med apparatet.

Kontroller at forsyningsspenningen er den samme som er angitt på laderen.

Dette Hoover-apparatet leveres med dobbeltisolert batterilater, som kun kan settes i et 230V (britisk 240V) strømuttak.

Koble laderen til et egnet strømuttak, og koble laderens kontakt til apparatet. **[2]**

Når du lader apparatet, må av/på-spaken være i av-posisjon.

La rengjøringsapparatet stå på lading i minst 24 timer før første gangs bruk. LED-ladeindikaoren **[H]** lyser rødt mens den lader og blått når den er ladet helt opp.

Koble apparatet tilbake i laderen etter bruk, slik at batteriet lades opp.

Lad aldri batteriene i temperaturer over 37 °C eller under 0 °C.

Det er vanlig at laderen er varm ved berøring under lading.

Ikke koble fra laderen ved å trekke i ledningen.

Koble fra laderen dersom du er borte over langre tid (f.eks. ferie). Produktet bør lades opp igjen før bruk, da batteriene kan

selvutløses ved lengre tids lagring.

Hvis apparatet skal avhendes, bør batteriene fjernes først. Apparatet må være frakoblet strømmettet når du fjerner batteriet. Kast batteriene på en trygg måte. La apparatet gå til den stopper fordi batteriene er helt tømt. Brukte batterier bør leveres til en gjenbruksstasjon, og ikke kastes sammen med husholdningsavfall. For å fjerne batteriene, bør du kontakte Hoovers kundesenter, eller fortsette som anvist nedenfor:

VIKTIG: Tøm alltid batteriene helt før fjerning, og kontroller at laderen er koblet fra.

La rengjøringsapparatet gå til batteriene er helt tømt.

Ta laderkontakten ut av apparatet.

Trekk i batteripakkens utløserknapp, slik at batteripakken skyves litt ut automatisk. [14a]

Trekk batteripakken sakte ut av hakket. [14b]

Merk: Hvis du har vanskeligheter med å demontere enheten eller ønsker mer detaljert informasjon om behandling, gjenvinning og resirkulering av apparatet, ta kontakt med kommunen eller renovasjonsselskapet.

Bruk kun tilbehør, forbruksvarer eller reservedeler som anbefales eller leveres av Hoover.

Statisk elektrisitet: Enkelte tepper kan bygge opp små mengder statisk elektrisitet. Utladning av statisk elektrisitet er ikke helseskadelig.

Du må ikke bruke apparatet utendørs, på våte overflater eller til å støvsuge væske.

Du må ikke støvsuge harde eller skarpe objekter, varm aske, sigarettneiper eller andre liknende gjenstander. Apparatet må ikke utsettes for eller støvsuge opp brennbare væsker, rengjøringsmidler, aerosoler eller damp fra slike væsker.

Unngå å kjøre over ledningen eller trekke ut støpselet under bruk. Ikke fortsett å bruke rengjøringsapparatet eller laderen hvis det virker som om det er noe feil med dem.

Hoover-service: For å sikre at apparatet fortsatt virker som det skal, og er trygt å bruke, anbefaler vi at all service og alle reparasjoner blir utført av en autorisert Hoover-tekniker.

Du må ikke bruke apparatet til å rengjøre dyr eller mennesker. Ikke erstatt batteriene med ikke-oppladbare batterier.

Miljøet:

Dette apparatet er merket i henhold til EU-direktiv 2011/65/EC om elektrisk avfall og elektronisk utstyr (WEEE). Ved å sørge for at dette produktet avhendes på riktig måte, bidrar du til å forhindre eventuelle negative konsekvenser for miljø og menneskelig helse, som ellers kunne ha blitt forårsaket av uriktig avfallshåndtering av dette produktet. Symbolet på produktet angir at dette produktet ikke kan behandles som husholdingsavfall. Det må istedet leveres til passende oppsamlingspunkt for resirkulering av elektrisk og elektronisk utstyr. Avhendingen må gjennomføres i samsvar med lokale miljøforskrifter for avfallshåndtering. For mer informasjon om behandling, gjenvinning og resirkulering av dette produktet, ta kontakt med den kommunale etaten for avfallshåndtering eller butikken der du kjøpte produktet.



Dette produktet overholder EU-direktiv 2014/35/EU, 2014/30/EU og 2011/65/EU.

CANDY HOOVER GROUP S.r.l. Via Privata Eden Fumagalli, 20861 Brugherio (MB) Italy

PRODUKTKOMPONENTER

- | | |
|--|---|
| A. Dokkingstasjon * | Q. Slå av/på |
| B. 2 i 1 støvbørste * | R. Bryterspåk |
| C. Utløserknapp for agitator | S. Batteripakke |
| D. Kraftdyse | T. Avgassfilter |
| E. Dysens LED-lampe * | U. Nettingfilter |
| F. Rør | V. Syklonseparator |
| G. Utløserknapp for tilbehør | W. Utløserknapp for støvsamler |
| H. LED-lampe for håndholdt enhet | X. Utløserknapp for batteripakke |
| I. Håndtak | Y. Mini-turbo-dyse * |
| J. flatt munnstykke, * | Z. Tilbehørsadapter * |
| K. Skrueplugger * | AA. Opp-til-toppen-verktøy * |
| L. Lang roterende 2-i-1-børste * | BB. Radiatorverktøy * |
| M. Lader | CC. Dyprengjørende børste* |
| N. Knapp for tømning av støvbeholderen | DD. Langt bøyeleg verktøy for sprekker* |
| O. Støvbeholder | EE. Tilbehørpose* |
| P. Utløserknapp for avtrekksfilter | |

FORBEREDING AV STØVSUGEREN

1. Fest dokkingstasjonen til veggen ved hjelp av de medfølgende skruene og skruepluggene.
2. Før dysehodet inn på en side av røret, til du hører en klikkelyd. **[1A]**
3. Sett den andre siden av røret inn i den håndholdte enheten, til du hører en klikkelyd. **[1B]**
4. For å lade apparatet helt opp, må du koble ladekontakten til apparatet. Det tar omtrent 6 timer. **[2]**

MERK: Du fjerner munnstykket ved å trykke på munnstykkets utløserknapp og trekke den unna hoveddelen.

MERK: Bruk kun laderen som ble levert med rengjøringsapparatet.

VIKTIG: Når du lader rengjøringsapparatet, må bryterspaken være i AV-posisjon.

Det er vanlig at laderen er varm ved berøring under lading.

BRUK AV APPARATET

Beskyttelsessystem for sikkerhet

For å sørge for at produktets pålitelighet ikke påvirkes hvis det brukes under krevende forhold, har produktet et integrert Beskyttelsessystem for sikkerhet.

MERK: Beskyttelsessystemet for sikkerhet vil gripe inn dersom agitatoren blokkes eller låses, og etter inngripen vil produktet stoppe etter 5 sekunder og den blå LED-lampen på den håndholdte vil bli rød og begynne å blinke.

* Bare enkelte modeller

Dersom dette inntreffer, bør du fjerne hindringen og sørge for at spaken for kontinuerlig modus er slått av. Når dette er gjort, må du trykke på on/off-knappen, og produktet vil restarte etter få sekunder.

Apparaet har to funksjonsmodi:

- **MIDLERTIDIG MODUS:** Produktet begynner å virke når du holder inne på på/av-bryteren og stopper når bryteren slippes. **[3A]**
- **KONTINUERLIG MODUS:** For aktivere kontinuerlig modus kan du trekke bryterspaken tilbake, til du hører en klikkelyd. Du kan aktivere kontinuerlig modus ved å skyve bryterspaken forover. **[3B]**

Ladeindikering: LED-lampen på den håndholdte delen lyser kontinuerlig rødt mens apparatet lades og skifter til blått når det er ladet helt opp.

Utladningsindikering: Mens batteriene lades, lyser LED-lampene på den håndholdte enheten og dysen blått. LED-lampen på den håndholdte enheten blinker når batterikapasiteten er under 5 %.

flatt munnstykke, / 2-i-1-støvbørste* / Lang roterende 2-i-1-børste* / Mini-turbo-dyse* / Langt bøyeleg verktøy for sprekker*

Du kan sette tilbehøret rett inn i luftinngangen til den håndholdte enheten, eller på en side av røret, til den klikker på plass. **[5]**

Bare verktøyet for sprekker og 2-i-1-støvbørsten kan lagres i dokkingstasjonen.

Tilbehørpose*:

Annet tilbehør kan lagres i tilbehørposen.

NOTE: Mini-turbodysen passer perfekt for rengjøring av tekstiloverflater (f.eks. sofaer) og fjerning av dyrehår. Skyv apparatet jevnt forover og bakover. Etter bruk må du fjerne hår/tråder som har samlet seg i børsten, om nødvendig ved hjelp av saks.

MERK: Det lange og bøyelege sprekkeverktøyet passer perfekt til rengjøring på steder der det er vanskelig å komme til og under møbler.

Opp-til-toppen-verktøy* / Radiatorverktøy* / Dyprengjørende børste*

Dette tilbehøret må settes sammen med tilbehørsadapteren før bruk.

Du kan sette adapteren rett inn i luftinngangen til den håndholdte enheten, eller på en side av røret, til den klikker på plass.

MERK: Opp-til-toppen-verktøyet rengjør enkelt steder som er høyt oppe eller vanskelig å komme til og skjøre overflater uten å ripe.

MERK: Radiatorverktøyet passer perfekt for rengjøring inni og rundt skap, radiatorer, sofaer, persienner osv.

MERK: Den dyprengjørende børsten rengjør smale områder, uten å ripe overflaten.

VIKTIG: Etter at du har brukt produktet må du alltid skyve bryterspaken frem i ulåst posisjon. Dersom du ikke gjør det, kan det føre til at batteriet svikter eller får kortere levetid.

VEDLIKEHOLD AV STØVSUGEREN

Tømme støvbeholderen

1. Trykk ned utløserknappen for tilbehøret og trekk røret ut. **[4]**
2. Skyv ned tømmeknappen for støvsamleren for å løse støvbeholderklaffen og tømme ut innholdet. **[6]**
3. Lås støvsamleren fast med klaffen opp. En klikkelyd høres når den er låst fast.

MERK: Det anbefales at du tømmer støvbeholderen etter hver bruk, eller når støvet når opp til makslinjen.

Rengjør støvbeholderen og filteret

1. Trykk ned utløserknappen for tilbehøret og trekk røret ut. **[4]**
2. Trykk på tømmeknappen for støvsamleren for å åpne støvbeholderklaffen og tømme den. **[6]**
3. Trykk på støvsamlerens utløserknapp samtidig som du trekker støvsamleren nedover og ut. **[7]**
4. Drei nettingfilteret mot klokken til pilmerkene står rett innstilt, slik at det kan trekkes ut av rengjøringsapparatet. **[8]**
5. Drei syklonseparatoren mot klokken til pilmerkene står rett innstilt, slik at den kan trekkes ut av rengjøringsapparatet. **[8]**
6. Trykk de to utløpsfilternes utløserknapper samtidig og trekk ut utløpsfilteret. **[9]**
7. Vask utløpsfilteret i lunke vann og la det tørke i 24 timer. Sett sammen igjen etter at det har tørket helt, og sett det tilbake på produktet. **[10] [11]**
8. Vask støvkoppen/nettingfilteret/syklonseparatoren i lunke vann. Sørg for at det er tørket helt før du setter det tilbake på hoveddelen. **[10]**
9. Sett sammen den håndholdte enheten og fest den til dokkingstasjonen. **[12]**

* Bare enkelte modeller

MERK: Ikke bruk varmt vann eller rengjøringsmidler til rengjøring av utløpsfiltrene. I det usannsynlige tilfellet at utløpsfiltrene blir ødelagt, tilpass en erstatning fra Genuine Hoover. Ikke prøv å bruk produktet uten at filteret er satt inn.

VIKTIG: For å sikre optimal ytelse, bør nettingfilteret alltid holdes rent. Vi anbefaler at filteret vaskes én gang i måneden.

Bytte og rengjøre agitatoren.

VIKTIG: Slå alltid rengjøringsapparatet av før du skifter ut og rengjør agitatoren.

1. Ta kraftdysen ut av røret og skyv agitatorens utløserknapp utover for å fjerne agitatoren. **[13]**
2. Fjern alle rester fra agitatoren. Hvis det ikke er tilstrekkelig, kan du skifte den ut.
3. Når du setter agitatoren på plass bør du merke deg at den bare kan settes på i én retning. For å sette den tilbake på plass må du skyve agitatorens utløserknapp utover og plassere agitatoren i rett posisjon og deretter slippe knappen. Den låses på plass automatisk.

Bytte batteriene

Dette rengjøringsapparatet er utstyrt med en oppladbar litium-ion-batteripakke, som kan skiftes ut.

ADVARSEL: Bruk bare godkjente reservedeler til rengjøringsapparatet. Å bruke deler som ikke er godkjent av Hoover er farlig og vil ugyldiggjøre garantien.

ADVARSEL: Ikke prøv å åpne batteripakken og reparere den selv.

1. Trekk i batteripakkens utløserknapp, slik at batteripakken skyves litt ut automatisk. **[14a]**
2. Dra batteripakken sakte ut av hakket. **[14b]**
3. Fjern den gamle batteripakken og erstatt den med den nye batteripakken.
4. Kast batteriene på en trygg måte. Brukte batterier bør leveres til en gjenbruksstasjon, og ikke kastes sammen med husholdningsavfall.

FEILSØKING

Dersom du får problemer med rengjøringsapparatet, kan du følge denne enkle kontrollisten før du tar kontakt med Hoover kundeservice:

- A. Rengjøringsapparatet kan ikke slås på.**
Kontroller at rengjøringsapparatet er ladet opp.
- B. Rengjøringsenheten har sluttet å virke eller agitatoren roterer ikke.**
Sjekk om det finnes en hindring i agitatoren, fjern den og sørg for at spaken for kontinuerlig modus er slått av. Når dette er gjort, må du trykke på on/off-knappen, og produktet vil restarte etter få sekunder.
- C. Tap av sugeseffekt eller ingen sugeseffekt.**
Tom støvsamleren og vask nettingfilteret og syklonseparatoren.
Ta av dysen og se etter blokkasje i røret.
- D. Batteriene kan ikke lades.**
Dette kan skyldes lagring over lenger tid (mer enn et halvt år).
Ta kontakt med Hoover kundeservice for å avtale utskifting av batteri.
Ta kontakt med Hoover kundeservice dersom problemet vedvarer.

ORIGINALDELER FRA HOOVER

Bruk alltid originale deler fra Hoover. Disse er tilgjengelige fra din lokale Hoover-forhandler eller direkte fra Hoover. Når du bestiller deler, må du alltid oppgi modellnummeret ditt.

DIN GARANTI

Garantibetingelsene for dette apparatet er som definert av vår representant i det landet der det ble solgt. Detaljer vedrørende disse betingelsene fås fra forhandleren der apparatet ble kjøpt. Salgskvitteringen må fremvises ved fremsetting av krav under betingelsene i denne garantien..

Kan endres uten forvarsel.

INSTRUKTIONER FÖR SÄKER ANVÄNDNING

Som beskrivs i denna bruksanvisning, får denna apparat endast användas vid städning av hemmet. Se till att du förstår anvisningarna helt innan du börjar använda maskinen.

Stäng alltid av och ta bort laddaren från uttaget innan du rengör apparaten eller utför något underhåll.

Den här apparaten kan användas av barn från 8 års ålder och personer med en nedsatt fysisk, sensorisk eller mental förmåga och som inte har den erfarenhet och kunskaper som behövs, förutsatt att de övervakas eller har fått instruktioner om hur apparaten används på ett säkert vis och förstår riskerna som är involverade. Barn får inte leka med apparaten. Rengöring och underhåll som användaren ska utföra, får inte göras av barn utan överinseende.

Om nätsladden är skadad, sluta då omedelbart att använda produkten. För att undvika säkerhetsrisker så måste en behörig Hoover-servicetekniker byta nätsladden.

Håll händer, fötter, lösa klädesplagg och hår borta från roterande borstar.

Använd endast den ursprungliga laddaren som följer med apparaten.

Kontrollera att din nätspänning är samma som är angivet på laddaren.

Denna Hoover ångrengörare levereras med en dubbelisolerad batteriladdare som endast är lämplig i ett 230V (Storbritannien 240V) uttag.

Koppla in laddaren i lämpligt eluttag och anslut laddaren till apparaten. **[2]**

När du laddar apparaten måste strömbrytaren vara i avslaget läge.

Ladda apparaten i minst 6 timmar innan du använder den för första gången. Laddningsindikatorn **[H]** lyser rött när apparaten laddas och blått när den är fulladdad.

Anslut apparaten till laddaren igen efter användning för att ladda batteriet.

Ladda aldrig batterier i temperaturer över 37°C eller under 0°C.

Det är normalt att laddaren blir varm när laddning pågår.

Dra inte ut kontakten till laddaren genom att dra i kabeln.

Koppla ur laddaren vid långvarig frånvaro (semester, etc.). Ladda produkten igen innan användning då batterierna kan själv laddad ur under förlängda förvaring.

Om maskinen ska kasseras måste batterierna först tas bort. Maskinen måste kopplas bort från elnätet vid borttagning av batterierna. Kassera batterierna på ett säkert sätt. Kör apparaten tills den stannar på grund av att batterierna är helt urladdade. Användna batterier bör tas till en återvinningsstation och inte disponeras med hushållssoporna. För att ta bort batterierna, kontakta kundtjänsten på Hoover eller fortsätt enligt följande instruktioner.

VIKTIGT: Ladda alltid ur batterier helt innan de tas ut.

Kör ångrengöraren till det att batterierna är helt tomma.

Dra ur laddarens stickpropp ur apparaten.

Dra frigöringsknappen till batteripaketet bakåt så trycks batteripaketet ut en liten bit automatiskt. **[14a]**

Dra långsamt ur batteripaketet ur facket. **[14b]**

OBS! Om du upplever några svårigheter med att montera ner enheten eller för mer information om hantering eller återvinning av den här maskinen, var god och kontakta dina lokala myndigheter eller din återvinningsstation.

Använd endast tillbehör, förbrukningsvaror och reservdelar som rekommenderas eller levereras av Hoover.

Statisk elektricitet: Vissa mattor kan orsaka en liten uppbyggnad av statisk elektricitet. Elektrostatiske urladdningar är inte hälsofarliga.

Använd inte apparaten ut ur dörrar eller på något vått underlag eller för våtupptagning.

Plocka inte upp hårda eller vassa föremål, tändstickor, het aska, fimpar eller andra liknande föremål. Plocka inte upp eller spraya med brandfarliga vätskor, rengöringsmedel, aerosoler eller ångor.

Kör inte över sladden när du använder apparaten eller dra ut kontakten genom att dra i sladden. Fortsätt inte att använda apparaten eller laddaren om den verkar vara defekt.

Hoover service: För att se till att maskinen fortsätter att vara effektiv fungerar som den ska rekommenderar vi att service och reparationer endast utförs av behöriga servicetekniker från Hoover.

Använd inte apparaten för att rengöra djur eller människor.

Ersätt inte batterierna med icke-uppladdningsbara batterier.

Miljön:

Denna produkt är märkt enligt det europeiska direktivet 2011/65/EC gällande elektroniskt avfall och elektronisk utrustning (WEEE). Genom att se till att produkten avfallshandteras på rätt sätt kan du hjälpa till att hindra möjliga negativa konsekvenser för miljö och hälsa. Symbolen på produkten visar att den inte får hanteras som hushållsavfall. Den ska i stället lämnas in på en insamlingsplats för återvinning av elektrisk och elektronisk utrustning. Avfallshanderingen ska utföras enligt de lokala miljöbestämmelserna. Mer utförlig information om hantering och återvinning av produkten kan du få från kommunen, återvinningsanläggningen eller den butik där du köpte produkten.



Denna apparat uppfyller de europeiska direktiven 2014/35/EU, 2014/30/EU och 2011/65/EU.

CANDY HOOVER GROUP S.r.l. Via Privata Eden Fumagalli, 20861 Brugherio (MB) Italy

PRODUKTKOMPONENTER

- | | |
|--|---|
| A. Dockningsstation * | Q. På/av-knapp |
| B. 2-i-1-Dammborste * | R. Spak |
| C. Frigöringsknapp för rullborste | S. Batteripaket |
| D. Drivmunstycke | T. Utblåsningsfilter |
| E. LED-lampa, munstycke * | U. Nätfiler |
| F. Slang | V. Cyklonavskiljare |
| G. Frigöringsknapp för tillbehör | W. Lossningsknapp för dammbehållare |
| H. Handhållen LED-lampa | X. Frigöringsknapp för batteripaket |
| I. Handhållen enhet | Y. Litet turbomunstycke * |
| J. Verktyg för springor * | Z. Tillbehörsadapter * |
| K. Skruvpluggar * | AA. Munstycke för rengöring på toppen * |
| L. Lång, roterande 2-i-1-borste * | BB. Elementmunstycke * |
| M. Laddare | CC. Borste för djuprengöring* |
| N. Knapp för tömning av dammkopp | DD. Långt, flexibelt fogmunstycke* |
| O. Dammbehållare | EE. Tillbehörsväska* |
| P. Frigöringsknapp för utblåsningsfilter | |

FÖRBEREDA DIN DAMMSUGARE

1. Montera dockningsstationen på väggen med hjälp av de medföljande skruvarna och skruvpluggarna.
2. För in munstyckets huvud i ena sidan av slangen tills du hör ett klickljud. **[1A]**
3. För in den andra sidan av slangen i den handhållna enheten tills du hör ett klickljud. **[1B]**
4. Anslut laddarens stickpropp till apparaten för att ladda apparaten. Det tar cirka 6 tim. **[2]**

OBS! För att ta bort munstycket, tryck på utlösningssknappen till munstycket och dra bort från dammsugaren.

OBS! Använd endast laddare som medföljde ångrengöraren.

VIKTIGT: När du laddar dammsugaren måste strömbrytaren vara i avslaget läge.

Det är normalt att laddaren blir varm när laddning pågår.

ANVÄNDA PRODUKTEN

Säkerhetsskyddssystem

För att säkerställa att produktens tillförlitlighet inte påverkas om den används under svåra förhållanden har produkten ett integrerat säkerhetsskyddssystem.

* Endast vissa modeller

OBS! Säkerhetsskyddssystemet aktiveras om omröraren är blockerad eller låst. När det har aktiverats kommer produkten att stoppas efter 5 sekunder och den blå LED-indikatorlampan på handenhetsen kommer att bli röd och börja blinka. Om detta händer måste du ta bort hindret och säkerställa att spaken för kontinuerligt läge är av. När detta är gjort trycker du på på-/avknappen och produkten kommer att starta om efter några sekunder.

Det finns två arbetslägen:

- **TILLFÄLLIGT LÄGE:** Produkten börjar arbeta när du trycker på på-/avknappen och slutar arbeta när knappen släpps upp. **[3A]**
- **KONTINUERLIGT LÄGE:** Om du vill aktivera det kontinuerliga läget drar du spaken bakåt tills den klickar på plats. Om du vill inaktivera det kontinuerliga läget för du spaken framåt. **[3B]**

Laddningsindikation: Den handhållna LED-lampan fortsätter att lysa rött under laddningen och blir blå när apparaten är fulladdad.

Indikation på urladdat batteri: När batterierna är urladdade lyser både den handhållna LED-lampan och LED-lampan på munstycket blått. Den handhållna LED-lampan blinkar när batterikapaciteten är under 5 %.

Verktyg för springor / 2-i-1-dammborste* / Lång, roterande 2-i-1-borste* / Litet turbomunestycke* / Långt, flexibelt fogmunestycke*

Du kan föra in tillbehöret direkt i luftinloppet på den handhållna enheten eller på ena sidan av slangen tills du hör ett klickljud. **[5]**

Endast fogmunestycket och 2-i-1-dammborsten kan förvaras på dockningsstationen.

Tillbehörsväska*:

Ytterligare tillbehör kan förvaras i tillbehörsväska.

NOTE: Det lilla turbomunestycket är perfekt för djuprengöring av ytor i textil (dvs. soffor) och för borttagning av päls. Rör det stadigt bakåt och framåt. Efter användning bör du använda en sax för att avlägsna hår/trådar som samlats på borsten om så krävs.

OBS! Det långa, flexibla fogmunestycket är perfekt för att göra rent i områden som är svåra att komma åt samt under möbler.

Munestycke för rengöring på toppen* / Elementmunestycke* / Borste för djuprengöring*

Dessa tillbehör måste monteras med tillbehörsadaptorn för att kunna användas.

Du kan föra in tillbehörsadaptorn direkt i luftinloppet på den handhållna enheten eller på ena sidan av slangen tills du hör ett klickljud.

OBS! Munstycket för rengöring på toppen når enkelt höga och svåråtkomliga platser och känsliga ytor utan att repa någonting.

OBS! Elementmunestycket är perfekt för rengöring inne i och runt skåp, element, soffor, persienner osv.

OBS! Borsten för djuprengöring är användbar för rengöring i trånga utrymmen utan att repa några ytor.

VIKTIGT: Efter varje användning av produkten ska du se till att föra spaken framåt till den olåsta positionen. Underlåtelse att göra detta kan leda till minskad livlängd hos batteriet eller andra fel.

UNDERHÅLL AV DAMMSUGAREN

Tömma dammbehållaren

1. Tryck på frigöringsknappen för tillbehör och avlägsna slangen. **[4]**
2. Tryck ner knappen för tömning av dammupsamlaren för att frigöra klaffen och tömma innehåll. **[6]**
3. Stäng klaffen till dammupsamlaren. Du hör ett klickljud när den är låst.

OBS! Du rekommenderas att tömma dammupsamlaren efter varje användning eller när dammet når upp till max-linjen.

Rengör dammbehållare och filter

1. Tryck på frigöringsknappen för tillbehör och avlägsna slangen. **[4]**
2. Tryck på knappen för tömning av dammupsamlaren för att öppna klaffen och tömma den. **[6]**
3. Tryck på frigöringsknappen för dammupsamlaren och dra ut dammupsamlaren nedåt och utåt. **[7]**
4. Vrid nätfiltret moturs tills pilmarkeringen är i linje. Sedan kan filtret dras ut ur dammsugaren. **[8]**
5. Vrid cyclonavskiljaren moturs tills pilmarkeringen är i linje. Sedan kan den dras ut ur dammsugaren. **[8]**
6. Tryck på de två frigöringsknapparna för utblåsningsfiltret samtidigt och avlägsna därefter utblåsningsfiltret. **[9]**
7. Tvätta utblåsningsfiltret i ljummet vatten och låt det torka i 24 timmar. Montera ihop när det är helt torrt och sätt tillbaka det i produkten. **[10] [11]**
8. Tvätta dammupsamlaren/nätfiltret/cyclonavskiljaren i ljummet vatten. Se till att allt är helt torrt innan du sätter tillbaka delarna i huvuddelen. **[10]**
9. Montera ihop den handhållna enheten och fäst den därefter till dockningsstationen. **[12]**

* Endast vissa modeller

OBS! Använd inte hett vatten eller rengöringsmedel vid rengöring av utblåsningsfiltren. Om utblåsningsfiltren mot förmodan skulle skadas ska de ersättas med en äkta Hoover-reservdel. Använd inte produkten om något filter inte sitter på plats.

VIKTIGT: För optimal prestanda bör du alltid hålla nätfiltret rent. Vi rekommenderar att filtret tvättas en gång i månaden.

Byta ut och rengöra omröraren

VIKTIGT: Stäng alltid av dammsugaren innan du byter ut och rengör rullborsten.

1. Avlägsna drivmunstycket från slangen och dra frigröringsknappen för rullborsten utåt för att avlägsna rullborsten. **[13]**
2. Avlägsna allt skräp från rullborsten, eller byt ut den om detta inte räcker.
3. När du sätter tillbaka rullborsten bör du tänka på att den bara passar i en riktning. Dra frigröringsknappen för rullborsten utåt och placera rullborsten i rätt läge. Släpp sedan knappen, så låser den automatiskt.

Byta batterier

Denna dammsugare är utrustad med ett laddningsbart litiumjonbatteripaket, som kan bytas ut.

VARNING: Använd endast godkända reservdelar för din dammsugare. Användning av delar som inte är godkända av Hoover är farligt och kan ogiltigförklara din garanti.

VARNING: Försök inte att öppna batteripaketet och reparera det själv.

1. Dra frigröringsknappen till batteripaketet bakåt så trycks batteripaketet ut en liten bit automatiskt. **[14a]**
2. Dra långsamt ur batteripaketet ur facket. **[14b]**
3. Ta bort det gamla batteripaketet och byt ut det med det nya batteripaketet.
4. Kassera batterierna på ett säkert sätt. Användna batterier bör tas till en återvinningsstation och inte disponeras med hushållsoporna.

FELSÖKNING

Om du har något problem med din ångrengörare, följ denna enkla checklista innan du ringer Hoover kundtjänstcenter:

- A. Ångrengöraren slår inte på.**
Kontrollera om ångrengöraren är laddad.
- B. Rengöraren slutar arbeta och omröraren roterar inte.**
Kontrollera om det finns ett hinder i omröraren, ta bort det och säkerställ att spaken för kontinuerligt läge är av. När detta är gjort trycker du på på-/avknappen och produkten kommer att starta om efter några sekunder.
- C. Förlust av insugningstryck eller inget sug alls**
Töm dammkoppen och tvätta nätfiltret och cyklonavskiljaren.
Ta bort munstycket och kontrollera om det kanalen är igentäppt.
- D. Batterierna kan inte laddas.**
Det kan bero på att den har förvarats under en väldigt lång period (mer än ett halvår).
Kontakta Hoovers kundtjänst för att ordna batteribyte.
Om problemet kvarstår kontakta Hoovers kundtjänstcenter.

HOOVER RESERVDLAR OCH FÖRBRUKNINGSVAROR

Använd alltid originaldelar från Hoover vid byte. Du kan beställa delar från närmaste Hoover-återförsäljare eller direkt från Hoover. Uppge alltid modellnummer när du beställer delar.

DIN GARANTI

Garantivillkoren för produkten definieras av vår representant i det land där produkten säljs. Du kan få uppgifter om aktuella villkor från återförsäljaren. Kvittot måste visas upp när man kräver ersättning enligt garantin.

Specifikationerna kan ändras utan föregående meddelande.

OHJEET TURVALLISTA KÄYTTÖÄ VARTEN

Tämä laite on tarkoitettu ainoastaan kotikäyttöön tämän käyttöoppaan kuvaamalla tavalla. Tutustu tähän käyttöoppaaseen huolellisesti ennen laitteen käyttöä.

Kytke laturista virta ja irrota laturi virtalähteestä aina käytön jälkeen ja ennen kuin puhdistat laitteen tai teet huoltotoimenpiteitä.

Tätä laitetta voivat käyttää yli 8-vuotiaat lapset ja henkilöt joilla on vähentynyt fyysinen, aistillinen tai henkinen kyky tai joilla ei kokemusta tai tietoja, mikäli heille on annettu ohjausta ja valvontaa koskien laitteen turvallista käyttöä ja ymmärtävät käyttöön liittyvät vaaratekijät. Lapset eivät saa leikkiä laitteella. Käyttäjän suorittamaa puhdistusta ja huoltoa ei tule suorittaa lasten toimesta ilman valvontaa.

Lopeta laitteen käyttö välittömästi, jos virtajohto on vahingoittunut. Virtajohdon saa turvallisuussyistä vaihtaa vain valtuutettu Hoover-huoltoliike.

Pidä kädet, jalat, löysät vaatteet ja hiukset loitolla pyörivistä harjoista.

Käytä vain laitteen mukana toimitettua laturia.

Varmista, että laturiin merkityt arvot vastaavat syöttöjännitettä.

Tämä Hoover-laite on varustettu kaksois-eristetyllä akkulaturilla joka sopii liitettäväksi vain 230V:n (Iso-Britannia 240V) pistorasiaan.

Kytke laturi sopivaan pistorasiaan ja yhdistä laturin jakkiliitinlaitteeseen. **[2]**

Virtakytkimen on oltava OFF-asennossa laitteen lataamisen aikana.

Lataa laitetta ennen ensimmäistä käyttöä vähintään 6 tuntia. Latauksen merkkivalo **[H]** palaa latauksen aikana punaisena ja se jää palamaan sinisenä, kun akku on ladattu.

Laita laite käytön jälkeen takaisin laturiin akun lataamiseksi.

Älä koskaan lataa akkuja yli 37 °C:n tai alle 0 °C:n lämpötiloissa.

Laturi lämpeneminen latauksen aikana on aivan normaalia.

Älä irrota laturia virtalähteestä johdosta vetämällä.

Irrota laturi mikäli laitetta ei käytetä pitkään aikaan (loma-ajat

jne.). Lataa laite uudelleen ennen käyttöä koska akut voivat purkaa varausta pitkien säilytysjaksojen aikana.

Jos laite hävitetään, akut on ensin poistettava. Laitteen täytyy olla irti verkkovirrasta akkua vaihdettaessa. Hävitä akut turvallisesti. Käytä laitetta kunnes se pysähtyy, jotta akut tyhjentyvät kokonaan. Vie käytetyt akut kierrätyskeskukseen. Älä hävitä niitä kotitalousjätteen mukana. Irrottaaksesi akut ota yhteyttä valtuutettuun Hoover huoltoliikkeeseen tai noudata seuraavia ohjeita.

TÄRKEÄÄ: Tyhjennä paristot aina kokonaan ennen niiden poistamista.

Käytä imuria kunnes akut ovat täysin tyhjä.

Irrota laturin liitin laitteesta.

Vedä akkupaketin vapautuspainike taakse, jolloin akkupaketti työntyy automaattisesti hieman ulospäin. **[14a]**

Vedä akkupaketti hitaasti pois paikaltaan. **[14b]**

Huomaa: Jos sinulla on vaikeuksia purkaa laitetta tai tarvitset yksityiskohtaisempaa tietoa laitteen jälkikäsitteystä, talteenotosta ja kierrätyksestä, ota yhteyttä paikallisiin kierrätysviranomaisiin tai kotitalouksien jätehuoltoon.

Käytä ainoastaan Hooverin toimittamia tai suosittelemia kiinnityskappaleita, lisävarusteita tai varaosia.

Staattinen sähkö: Jotkin matot voivat aiheuttaa vähäisen määrän staattista sähköä. Staattisen sähköön purkaus ei ole vaarallista terveydelle.

Älä käytä laitettasi ulkona tai märällä alustalla. Älä imuroi nesteitä.

Älä imuroi kovia tai teräviä esineitä, tulitikkuja, kuumaa tuhkaa, tupakantumpeja tai muita vastaavia esineitä. Älä ruiskuta laitteelle tai imuroi laitteella syttyviä nesteitä, puhdistusnesteitä, aerosoleja tai näiden höyryjä.

Älä aja laitteella verkkojohdon yli tai irrota pistoketta virtalähteestä johdosta vetämällä. Älä käytä laitetta tai laturia, jos se vaikuttaa vialliselta.

Hoover-huolto: Laitteen käyttöturvallisuuden ja tehokkaan toiminnan varmistamiseksi huolto ja korjaukset kannattaa teettää valtuutetussa Hoover-huollossa.

Älä käytä laitetta ihmisten tai eläinten puhdistamiseen. Älä vaihda akkuja ei-ladattaviin akkuihin.

Ympäristö:

Tämä laite on merkitty sähkö- ja elektroniikkalaiteromusta annetun direktiivin 2011/65/EY (WEEE) mukaisesti. Hävittämällä tämän laitteen oikein estät mahdollisia ympäristölle ja ihmisterveydelle aiheutuvia haittavaikutuksia, joita saattaa syntyä laitteen vääränlaisen hävittämisen seurauksena. Laitteessa oleva symboli osoittaa, että laitetta ei saa hävittää kotitalousjätteenä. Se täytyy luovuttaa kodinkoneiden keräyspisteeseen sähkölaitteiden kierrätystä varten. Hävittäminen on suoritettava paikallisten jätteiden hävittämistä koskevien ympäristösäännösten mukaisesti. Saat lisätietoja tämän tuotteen käsittelemisestä, hyötykäytöstä ja kierrätyksestä paikallisilta viranomaisilta, kotitalouksien jätehuollosta tai liikkeestä, josta ostit tuotteen.



Tämä tuote on yhdenmukainen Euroopan direktiivien 2014/35/EU, 2014/30/EU ja 2011/65/EU kanssa.

CANDY HOOVER GROUP S.r.l. Via Privata Eden Fumagalli, 20861 Brugherio (MB) Italy

TUOTTEEN OSAT

- | | |
|---|--------------------------------|
| A. Latausasema * | Q. Päälle / Pois päältä |
| B. 2 in 1 -Pölyharja * | R. Kytkinvipu |
| C. Mattoharjan vapautuspainike | S. Akkupaketti |
| D. Tehosuulake | T. Poistoilmansuodatin |
| E. Suulakkeen ledvalo * | U. Verkkosuodatin |
| F. Putki | V. Pyörre-erotin |
| G. Lisävarusteen vapautuspainike | W. Pölysäiliön irrotuspainike |
| H. Rikkaimurin ledvalo | X. Akkupaketin vapautuspainike |
| I. Rikkaimuri | Y. Miniturbosuutin * |
| J. Rakosuulake * | Z. Lisävarustesovitin * |
| K. Ruuvitulpat * | AA. Up To Top -suutin * |
| L. Pitkä 2 In 1 harja * | BB. Lämpöpatterisuutin * |
| M. Laturi | CC. Syväpuhdistusharja* |
| N. Pölysäiliön tyhjennuspainike | DD. Pitkä joustava rakosuutin* |
| O. Pölysäiliö | EE. Lisävarustelaukku* |
| P. Poistoilmansuodattimen vapautuspainike | |

LAITTEEN KOKOAMINEN

- Kiinnitä latausasema seinään toimitetuilla ruuveilla ja ruuvitulpilla.
- Asenna suutinpää putken toiseen päähän niin, että kuulet napsahduksen. **[1A]**
- Kiinnitä putken toinen pää kannettavaan yksikköön niin, että kuulet napsahduksen. **[1B]**
- Lataa laite täyteen kiinnittämällä latausliitin laitteeseen. Tähän kuluu noin 6 tuntia. **[2]**

HUOMAA: Irrottaaksesi suulakkeen, paina suulakkeen vapautus-painiketta ja vedä suulaketa runko-osasta ulospäin.

HUOMAA: Käytä vain imuri kanssa toimitettua laturia imurin lataukseen.

TÄRKEÄÄ: Imurin latauksen aikana kytkinvivun on oltava OFF-asennossa.

Laturi lämpeneminen latauksen aikana on aivan normaalia.

LAITTEEN KÄYTTÖ

Turvajärjestelmä

Jotta tuotteen suorituskyky säilyisi myös raskaissa käyttöolosuhteissa, tuotteessa on sisäänrakennettu turvajärjestelmä.

HUOMAA: Turvajärjestelmä aktivoituu, jos sekoitin on jumissa tai jos se lukittuu. Kun järjestelmä on aktivoitunut, laite sammuu 5 sekunnin kuluttua ja kannettavan osan sininen merkkivalo muuttuu punaiseksi ja alkaa vilkkua. Jos näin tapahtuu, tukos pitää poistaa ja on varmistettava, että jatkuvan käyttötilan vipu on off-tilassa. Kun tämä on tehty, paina on/off-painiketta, jolloin laite käynnistyy uudelleen muutaman sekunnin kuluttua.

* Vain joissakin malleissa

Toimintoja on kaksi:

- **LYHYTTOIMINTO:** Imuri alkaa toimia painettaessa on/off-kytkintä ja se pysähtyy, kun kytkin vapautetaan. **[3A]**
- **JATKUVA TOIMINTO:** Jatkuvan toiminnon saa käyttöön vetämällä kytkinvivun taakse niin, että se napsahtaa paikalleen. Jatkuva toiminto kytketään pois päältä työntämällä kytkinvipu eteen. **[3B]**

Latauksen merkkivalo: Rikkaimurin ledvalo pysyy punaisena latauksen aikana ja muuttuu siniseksi kun akku on ladattu.

Akun tyhjenemisen merkkivalo: Rikkaimurin ja suulakkeen ledvalot muuttuvat siniseksi kun akku tyhjenee. Rikkaimurin ledvalo vilkkuu, kun akkukapasiteetti on alle 5 %.

Rakosuulake / 2 in 1 pölyharja* / Pitkä 2 in 1 harja* / Miniturbosuutin* / Pitkä joustava rakosuutin*

Lisävarusteen voi asentaa suoraan rikkaimurin ilman sisääntuloaukkoon tai putken toiseen päähän; osan kiinnityessä kuuluu napsahdus. **[5]**

Vain rakosuulaketta ja 2in1 pölyharjaa voi säilyttää latausasemassa.

Lisävarustelaukku*:

Lisävarusteita voi säilyttää lisävarustelaukussa.

NOTE:Miniturbosuutin sopii ihanteellisesti tekstiilipintojen (esim. sohvien) puhdistukseen ja kotieläinten karvojen poistoon. Liikuta tasaisesti taakse- ja eteenpäin. Poista tarvittaessa käytön jälkeen harjaan kertyneet karvat/langat saksilla.

HUOMAA: Pitkä ja joustava rakosuutin sopii ihanteellisesti vaikeasti saavutettavien paikkojen ja huonekalujen alusten puhdistamiseen.

Up to Top -suutin* / Lämpöpatterisuutin* / Syväpuhdistusharja*

Lisävaruste pitää kiinnittää lisävarustesovittimella käyttöä varten.

Lisävarustesovittimen voi kiinnittää suoraan kannettavan yksikön ilman sisääntuloaukkoon tai putken toiseen päähän; tämän kiinnityessä kuuluu napsahdus.

HUOMAA: Up to top -suuttimella on helppo puhdistaa korkeat ja vaikeasti saavutettavat paikat. Se puhdistaa myös herkäät pinnat ilman naarmuja.

HUOMAA: Patterisuutin sopii ihanteellisesti kaappien, pattereiden, sohvien, kaihdinten jne. sisäosien ja ympäryksen puhdistamiseen

HUOMAA: Syväpuhdistusharjalla puhdistuvat kätevästi ahtaat paikat, pintoja naarmuttamatta.

TÄRKEÄÄ: Kytkinvipu on muistettava työntää aina imurin käytön jälkeen eteen lukitsemattomaan asentoon. Muussa tapauksessa akun käyttöikä voi lyhentyä tai akku voi vahingoittua.

LAITTEEN KUNNOSSAPITO

Pölysäiliön tyhjennys

1. Paina lisävarusteen vapautuspainiketta ja irrota putki. **[4]**
2. Paina pölysäiliön tyhjennyspainiketta säiliön kannen avaamiseksi ja tyhjennä se. **[6]**
3. Sulje pölysäiliön kansi; sen lukituksessa kuuluu napsahdus.

HUOMAA: Pölysäiliö kannattaa tyhjentää aina käytön jälkeen tai kun se on täynnä maksimirajaan asti.

Puhdista pölysäiliö ja suodatin

1. Paina lisävarusteen vapautuspainiketta ja irrota putki. **[4]**
2. Paina pölysäiliön tyhjennyspainiketta säiliön kannen avaamiseksi ja sen tyhjentämiseksi. **[6]**
3. Paina pölysäiliön vapautuspainiketta ja vedä pölysäiliö irti, alas- ja ulospäin. **[7]**
4. Käännä verkkosuodattinta vastapäivään, kohdista nuolimerkki ja vedä se irti imurista. **[8]**
5. Käännä pyörre-erotinta vastapäivään, kohdista nuolimerkki ja vedä se irti imurista. **[8]**
6. Paina molempia poistosuodattimien vapautuspainikkeita samanaikaisesti ja irrota poistosuodatin. **[9]**
7. Pese poistosuodatin haalealla vedellä ja anna sen kuivua 24 tuntia. Asenna suodatin takaisin laitteeseen sen olessa täysin kuiva. **[10] [11]**
8. Pese pölysäiliö/verkkosuodatin/pyörre-erotin haalealla vedellä. Varmista, että osa on täysin kuiva ennen sen asentamista takaisin laitteeseen. **[10]**
9. Kokoa uudelleen kannettava yksikkö ja kiinnitä se latausasemaan. **[12]**

HUOMAA: Älä käytä poistosuodattimien pesussa kuumaa vettä tai pesuainetta. Jos poistosuodattimet jostain syystä vahingoittuvat, asenna tilalle Hooverin alkuperäinen varaosa. Älä yritä käyttää laitetta ilman suodatinta.

TÄRKEÄÄ: Hyvän suorituskyvyn ylläpitämiseksi verkkosuodatin tulee aina pitää puhtaana. Suosittelemme että suodatin pestään kerran kuukaudessa.

Mattoharjan vaihto ja puhdistus

TÄRKEÄÄ: Imurista on aina katkaistava virta ennen mattoharjan vaihtoa ja puhdistusta.

* Vain joissakin malleissa

1. Irrota suulake putkesta ja irrota mattoharja liu'uttamalla sen vapautuspainiketta ulospäin. [13]
2. Poista kaikki roskat mattoharjasta. Jos se ei ole tarpeeksi puhdas, sen voi vaihtaa.
3. Kun asennat mattoharjaa takaisin, huomaa, että sen voi asentaa vain yhdensuuntaisesti. Asenna mattoharja takaisin liu'uttamalla vapautuspainiketta ulospäin, asettamalla mattoharja oikeaan asentoon ja vapauttamalla sitten painike, jolloin se lukittuu automaattisesti.

Akkujen vaihtaminen

Imurissa on ladattava litiumioniakkupaketti, jonka voi vaihtaa.

VAROITUS: Asenna imuriin vain hyväksytyjä varaosia. Varaosien, jotka eivät ole Hooverin hyväksymiä, käyttäminen on vaarallista ja mitätöi takuun.

VAROITUS: Älä yritä avata ja korjata akkupakettia itse.

1. Vedä akkupaketin vapautuspainiketta taakse, jolloin akkupaketti työntyy automaattisesti hieman ulos. [14a]
2. Vedä akkupaketti hitaasti ulos paikaltaan. [14b]
3. Poista vanha akkupaketti ja laita tilalle uusi.
4. Hävitä akut turvallisesti. Vie käytetyt akut kierrätyskeskukseen. Älä hävitä niitä kotitalousjätteen mukana.

VIANMÄÄRITYS

Mikäli sinulla on ongelmia imurisi kanssa, noudata seuraavaa yksinkertaista tarkistuslistaa ennen kuin soitat valtuutettuun Hoover huoltoliikkeeseen:

- A. Imuri ei käynnisty.**
Tarkista imurin lataus.
- B. Imuri lakkaa toimimasta tai sekoitin ei pyöri.**
Tarkista, onko sekoittimessa tukos; poista tukos ja varmista, että jatkuvan käyttötilan vipu on off-asennossa. Kun tämä on tehty, paina on/off-painiketta, jolloin laite käynnistyy uudelleen muutaman sekunnin kuluttua.
- C. Imun vähäisyys tai ei imua.**
Tyhjennä pölysäiliö ja pese verkkosuodatin ja pyörre-erotin.
Irrota suulake ja tarkista, ettei putkessa ole tukoksia.
- D. Akkuja ei voida ladata.**
Voi johtua pitkästä (yli puolen vuoden) varastointijaksosta.
Ota yhteyttä valtuutettuun Hoover huoltoliikkeeseen, mistä voit ostaa uudet akut.
Mikäli ongelma ei ratkea, ota yhteyttä valtuutettuun Hoover huoltoliikkeeseen.

HOOVER-VARAOSAT JA -TARVIKKEET

Käytä vain alkuperäisiä Hoover-varaosia. Niitä on saatavana paikalliselta Hoover- jälleenmyyjältä tai valtuutetusta huoltoliikkeestä. Mainitse varaosatilauksen yhteydessä laitteen tyyppinumero.

TAKUU

Tämän laitteen takuuehdot määrittelee ostamaan Hoover-edustaja. Yksityiskohtaiset tiedot näistä ehdoista saa laitteen myyneeltä jälleenmyyjältä. Tämän takuun mukaisia vaateita esitettäessä on esitettävä myyntitodistus tai ostokuitti. Oikeus muutoksiin pidätetään.

ΟΔΗΓΙΕΣ ΑΣΦΑΛΟΥΣ ΧΡΗΣΗΣ

Η συσκευή πρέπει να χρησιμοποιείται αποκλειστικά για οικιακή χρήση, σύμφωνα με τις οδηγίες χρήσης. Πριν δοκιμάσετε να χρησιμοποιήσετε τη συσκευή, βεβαιωθείτε ότι έχετε κατανοήσει τις οδηγίες που περιέχει το βιβλίο που κρατάτε στα χέρια σας.

Πριν από τον καθαρισμό της συσκευής ή οποιαδήποτε εργασία συντήρησης να απενεργοποιείτε πάντα τη συσκευή και να βγάζετε το φορτιστή από την πρίζα.

Η χρήση της συσκευής από παιδιά άνω των 8 ετών, ηλικιωμένους και ΑΜΕΑ προϋποθέτει την παρουσία ενήλικα που θα φέρει την ευθύνη για την ασφαλεία τους. Η χρήση της συσκευής από άτομα που δεν έχουν εξοικειωθεί στη χρήση παρόμοιων συσκευών μπορεί να γίνει μόνο αφού γίνει κατανοητός ο κίνδυνος που ενέχει η χρήση της συσκευής. Μην αφήνετε τα παιδιά να παίζουν με τη συσκευή. Οι εργασίες καθαρισμού και συντήρησης της συσκευής δεν πρέπει να γίνονται από τα παιδιά χωρίς την επίβλεψη ενήλικα που θα φέρει την ευθύνη για την ασφαλεία τους.

Εάν το καλώδιο σύνδεσης με το δίκτυο παροχής εμφανίσει φθορές διακόψτε την λειτουργία της συσκευής αμέσως. Για λόγους ασφαλείας η αντικατάσταση του φθαρμένου καλωδίου της συσκευής πρέπει να γίνεται αποκλειστικά στα σημεία τεχνικής υποστήριξης Hoover.

Μην πλησιάζετε τις περιστρεφόμενες βούρτσες με τα χέρια, τα πόδια, τα μαλιά ή τα ρούχα σας.

Χρησιμοποιείτε μόνο τον αυθεντικό φορτιστή που παρέχεται με τη συσκευή.

Ελέγξτε ότι η τάση τροφοδοσίας είναι η ίδια με αυτή που αναγράφεται στο φορτιστή.

Η συσκευή Hoover διατίθεται με φορτιστή μπαταρίας με διπλή μόνωση, ο οποίος είναι κατάλληλος μόνον για πρίζες με τάση 230 V (240 V - Ηνωμένο Βασίλειο).

Βάλτε τον φορτιστή σε κατάλληλη πρίζα και συνδέστε το βύσμα του φορτιστή στην συσκευή. **[2]**

Κατά τη φόρτιση της συσκευής ο διακόπτης τροφοδοσίας πρέπει να βρίσκεται στη θέση OFF.

Πριν από την πρώτη χρήση, φορτίστε τη συσκευή για 6 ώρες τουλάχιστον. Η ενδεικτική λυχνία LED φόρτισης **[H]** θα ανάβει με κόκκινο χρώμα κατά τη φόρτιση και με μπλε χρώμα όταν η φόρτιση ολοκληρωθεί.

Μετά τη χρήση, βάλτε τη συσκευή στον φορτιστή για την επαναφόρτιση της μπαταρίας.

Μη φορτίζετε ποτέ τις μπαταρίες σε θερμοκρασία μεγαλύτερη από 37°C ή μικρότερη από 0°C.

Κατά την διάρκεια της φόρτισης ο φορτιστής θερμαίνεται .

Μην αποσυνδέετε τον φορτιστή τραβώντας το καλώδιο.

Σε περίπτωση μακράς απουσίας (διακοπές, κλπ) αποσυνδέστε τον φορτιστή από την παροχή. Σε μακρές περιόδους αποθήκευσης της συσκευής, επαναφορτίστε την συσκευή πριν την χρησιμοποιήσετε, καθώς οι μπαταρίες μπορεί να έχουν αδειάσει.

Εάν η συσκευή πρόκειται να απορριφθεί, πρώτα πρέπει να αφαιρεθούν οι μπαταρίες. Η συσκευή πρέπει να αποσυνδεθεί από το ηλεκτρικό δίκτυο κατά την αφαίρεση των μπαταριών. Απορρίψτε τις μπαταρίες με ασφαλή τρόπο. Αφήστε τη συσκευή να λειτουργεί μέχρι να σταματήσει λόγω πλήρους εκφόρτισης των μπαταριών. Οι χρησιμοποιημένες μπαταρίες πρέπει να προσκομίζονται σε ένα σταθμό ανακύκλωσης και δεν πρέπει να απορρίπτονται με τα οικιακά απορρίμματα. Για να αφαιρέσετε τις μπαταρίες, επικοινωνήστε με το κέντρο εξυπηρέτησης πελατών της Hoover ή ακολουθήστε τις παρακάτω οδηγίες.

ΕΠΙΣΗΜΑΝΣΗ : Αδειάστε πλήρως τις μπαταρίες πριν τις αφαιρέσετε.

Λειτουργίστε τη σκούπα μέχρι να αδειάσουν πλήρως οι μπαταρίες.

Βγάλτε το βύσμα του φορτιστή από τη συσκευή.

Τραβήξτε το κουμπί απελευθέρωσης της συστοιχίας μπαταριών και η συστοιχία θα βγει λίγο αυτόματα. **[14a]**

Τραβήξτε τη συστοιχία μπαταριών αργά από την υποδοχή. **[14b]**

Σημείωση: Εάν συναντήσετε δυσκολίες κατά την αποσυναρμολόγηση της μονάδας ή για περισσότερες πληροφορίες σχετικά με την επεξεργασία, την ανάκτηση ή την ανακύκλωση αυτής της συσκευής, επικοινωνήστε με την αρμόδια δημοτική αρχή ή την υπηρεσία απόρριψης οικιακών απορριμμάτων της περιοχής σας.

Χρησιμοποιείτε μόνο αξεσουάρ, αναλώσιμα ή ανταλλακτικά που συνιστώνται ή παρέχονται από τη Hoover.

Στατικός ηλεκτρισμός: Ορισμένα χαλιά μπορεί να προκαλέσουν συσσώρευση στατικού ηλεκτρισμού. Τυχόν στατικές εκκενώσεις δεν είναι επικίνδυνες για την υγεία.

Μην χρησιμοποιείτε τη συσκευή σας σε εξωτερικούς χώρους, σε υγρή επιφάνεια ή για τη συλλογή υγρών.

Μην συλλέγετε με τη συσκευή σκληρά ή αιχμηρά αντικείμενα, καυτή στάχτη, αποτσίγαρα ή άλλα παρόμοια αντικείμενα. Μην ψεκάζετε ή συλλέγετε εύφλεκτα υγρά, υγρά καθαρισμού, αερολύματα ή τους ατμούς τους.

Ενόσω χρησιμοποιείτε τη συσκευή δεν πρέπει να πατάτε επάνω στο καλώδιο ,μην τραβάτε το καλώδιο για να αποσυνδέσετε τη συσκευή από την παροχή. Μην συνεχίσετε να χρησιμοποιείτε τη συσκευή ή το φορτιστή αν παρουσιάζουν βλάβη.

Service Hoover: Για τις εργασίες συντήρησης ή αποκατάστασης κακής

λειτουργίας ή βλάβης πρέπει να απευθύνεστε αποκλειστικά στα κέντρα τεχνικής υποστήριξης Hoover, έτσι εξασφαλίζετε την ασφαλή και αποτελεσματική λειτουργία της συσκευής

Μην χρησιμοποιείτε τη συσκευή για να καθαρίζετε ζώα ή άτομα.

Μην αντικαθιστάτε τις μπαταρίες με μη επαναφορτιζόμενες μπαταρίες.

Περιβάλλον:

Αυτή η συσκευή φέρει σήμανση σύμφωνα με την υπ' αριθμ. 2011/65/EK, οδηγία για Απόβλητα Ηλεκτρικού και Ηλεκτρονικού Εξοπλισμού (WEEE). Η σωστή απόσυρση της συσκευής συμβάλει στην αποφυγή αρνητικών επιπτώσεων για το περιβάλλον και τον άνθρωπο που μπορεί να προκληθούν από την λανθασμένη διαχείριση στην διαδικασία απόσυρσης της συσκευής. Η σήμανση του προϊόντος επισημαίνει ότι το συγκεκριμένο προϊόν δεν πρέπει να απορρίπτεται μαζί με τα οικιακά απορρίμματα. Η συσκευή αυτή πρέπει να αποσύρεται στα ειδικά σημεία συγκέντρωσης για ανακύκλωση ηλεκτρικού και ηλεκτρονικού εξοπλισμού. Η απόρριψη της συσκευής πρέπει να γίνει σύμφωνα με την ισχύουσα κατά τόπο νομοθεσία για την απόρριψη ηλεκτρονικών και ηλεκτρικών αποβλήτων. Για περισσότερες πληροφορίες σχετικά με τη διαχείριση, την ανάκτηση και την ανακύκλωση του προϊόντος, επικοινωνήστε με την αρμόδια τοπική υπηρεσία, την υπηρεσία αποκομιδής οικιακών απορριμμάτων ή το κατάστημα που το αγοράσατε.



Αυτή η συσκευή πληροί τις υπ' αριθμ. 2014/35/EU, 2014/30/EU και 2011/65/EU Ευρωπαϊκές Οδηγίες.

CANDY HOOVER GROUP S.r.l. Via Privata Eden Fumagalli, 20861 Brugherio (MB) Italy

ΕΞΑΡΤΗΜΑΤΑ ΤΟΥ ΠΡΟΪΟΝΤΟΣ

- | | |
|---|--|
| A. Σταθμός φόρτισης * | Q. Διακόπτης On/Off |
| B. Βούρτσα ξεσκονίσματος 2 σε 1 * | R. Μοχλός διακόπτη |
| C. Κουμπί απασφάλισης αναδευτήρα | S. Συστοιχία μπαταριών |
| D. Ακροφύσιο | T. Φίλτρο απαγωγής |
| E. Φως Led ακροφυσίου * | U. Φίλτρο πλέγματος |
| F. Σωλήνας | V. Διαχωριστής κυκλών |
| G. Κουμπί αποδέσμευσης αξεσουάρ | W. Πλήκτρο απασφάλισης δοχείου σκόνης |
| H. Φως Led μονάδας χειρός | X. Κουμπί απελευθέρωσης συστοιχίας μπαταριών |
| I. Μονάδα χειρός | Y. Ακροφύσιο Μίνι turbo * |
| J. Ρύγχος καθαρισμού * | Z. Προσαρμογέας αξεσουάρ * |
| K. Πώματα βιδών * | AA. Εργαλείο επάνω μέρους * |
| L. Μακριά περιστροφική βούρτσα 2 σε 1 * | BB. Εργαλείο καλοριφέρ * |
| M. Φορτιστής | CC. Βούρτσα για βαθύ καθαρισμό* |
| N. Κουμπί αδειάσματος δοχείου σκόνης | DD. Μακρύ εύκαμπτο εργαλείο σχισμών* |
| O. Δοχείο σκόνης | EE. Στάντα αξεσουάρ* |
| P. Κουμπί απελευθέρωσης φίλτρου εξόδου | |

ΠΡΟΕΤΟΙΜΑΣΙΑ ΤΗΣ ΣΚΟΥΠΑΣ

1. Στερεώστε τον σταθμό φόρτισης στον τοίχο με τις βίδες και τα ούπα που παρέχονται.
2. Βάλτε την κεφαλή του ακροφυσίου στη μια πλευρά του σωλήνα μέχρι να ακούσετε ένα "κλικ" κουμπιού. **[1A]**
3. Βάλτε την άλλη πλευρά του σωλήνα στη μονάδα χειρός μέχρι να ακούσετε ένα "κλικ". **[1B]**
4. Για να φορτίσετε τέρμα τη συσκευή, συνδέστε το βύσμα του φορτιστή στην συσκευή. Θα χρειαστούν περίπου 6 ώρες. **[2]**

ΣΗΜΕΙΩΣΗ: Για να αφαιρέσετε το ακροφύσιο, πιέστε το πλήκτρο απασφάλισης του ακροφυσίου και τραβήξτε το από το κυρίως σώμα της σκούπας.

ΣΗΜΕΙΩΣΗ: Για να φορτίσετε τη συσκευή χρησιμοποιείτε αποκλειστικά το φορτιστή που διατίθεται με τη σκούπα σας.

ΕΠΙΣΗΜΑΝΣΗ : Όταν φορτίζετε την σκούπα ο μοχλός διακόπτη πρέπει να είναι στη θέση OFF.

Κατά την διάρκεια της φόρτισης ο φορτιστής θερμαίνεται.

ΟΔΗΓΙΕΣ ΧΡΗΣΕΩΣ

Σύστημα ασφαλείας για προστασία

Για να διασφαλιστεί ότι η αξιοπιστία του προϊόντος δεν επηρεάζεται αν χρησιμοποιηθεί σε αντίξοες συνθήκες, το προϊόν διαθέτει ένα ολοκληρωμένο σύστημα ασφαλείας για προστασία.

ΣΗΜΕΙΩΣΗ: Το σύστημα προστασίας της ασφάλειας θα ενεργοποιηθεί αν ο αναδευτήρας παρουσιάσει εμπλοκή ή

* Μόνο ορισμένα μοντέλα

κλειδώσει, αφού ενεργοποιηθεί το προϊόν θα σταματήσει μετά από 5 δευτερόλεπτα και η μπλε φωτεινή ένδειξη Led στη λαβή θα γίνει κόκκινη και θα αρχίσει να αναβοσβήνει. Αν συμβεί αυτό θα πρέπει να αφαιρέσετε το εμπόδιο και να βεβαιωθείτε ότι ο μοχλός συνεχούς λειτουργίας είναι στη θέση off. Αφού το κάνετε απλά πατήστε το κουμπί on/off, το προϊόν θα επανεκκινήσει μετά από λίγα δευτερόλεπτα.

Υπάρχουν δύο τρόποι λειτουργίας:

• **ΠΡΟΣΩΡΙΝΗ ΛΕΙΤΟΥΡΓΙΑ:** Το προϊόν θα αρχίσει να λειτουργεί όταν πατάτε τον διακόπτη on/off και θα σταματήσει όταν τον αφήσετε. [3A]

• **ΣΥΝΕΧΗΣ ΛΕΙΤΟΥΡΓΙΑ** Για να ενεργοποιήσετε την συνεχή λειτουργία μπορείτε να τραβήξετε πίσω τον μοχλό διακόπτη και θα κουμπώσει στη θέση του. Για να απενεργοποιήσετε την συνεχή λειτουργία μπορείτε να σπρώξετε μπροστά τον μοχλό διακόπτη. [3B]

Ένδειξη φόρτισης Η λυχνία LED της μονάδας χειρός διατηρεί το κόκκινο χρώμα κατά τη φόρτιση και γίνεται μπλε όταν η φόρτιση ολοκληρωθεί.

Ένδειξη αποφόρτισης: Όταν οι μπαταρίες αποφορτίζονται, τόσο η ένδειξη LED της μονάδας χειρός όσο και η ένδειξη LED του ακροφυσίου είναι μπλε. Η ένδειξη LED της μονάδας χειρός θα αναβοσβήνει όταν το φορτίο της μπαταρίας είναι κάτω από το 5%.

Ρύγχος καθαρισμού / Βούρτσα ξεσκονίσματος 2 σε 1* / Μακριά περιστροφική βούρτσα 2 σε 1* / Ακροφύσιο Μίνι turbo* / Μακρύ εύκαμπτο εργαλείο σχισμών*

Μπορείτε να βάλτε το αξεσουάρ απευθείας στο στόμιο εισαγωγής αέρα της μονάδας χειρός ή σε μια άκρη του σωλήνα και να ακούσετε ένα “κλικ”. [5]

Μόνο το εργαλείο για σχισμές και η βούρτσα ξεσκονίσματος 2 σε 1 μπορούν να αποθηκευτούν στον σταθμό φόρτισης.

Τσάντα αξεσουάρ*:

Πρόσθετα αξεσουάρ μπορείτε να τα αποθηκεύσετε στη τσάντα αξεσουάρ.

NOTE: Το ακροφύσιο μίνι turbo είναι ιδανικό για βαθύ καθαρισμό υφασμάτων επιφανειών (π.χ. καναπέδες) και απομάκρυνση τριχών κατοικίδιων. Μετακινήστε το σταθερά εμπρός και πίσω. Μετά τη χρήση, αφαιρέστε τρίχες/κλωστές που μαζεύονται στη βούρτσα με ψαλίδι αν χρειαστεί.

ΣΗΜΕΙΩΣΗ: Το μακρύ εύκαμπτο εργαλείο για σχισμές είναι ιδανικό για καθαρισμό δύσκολων σημείων και κάτω από έπιπλα.

Εργαλείο επάνω μέρος* / Εργαλείο καλοριφέρ* / Βούρτσα για βαθύ καθαρισμό*

Αυτά τα αξεσουάρ πρέπει να τοποθετηθούν με προσαρμογέα αξεσουάρ για να χρησιμοποιηθούν.

Μπορείτε να βάλτε τον προσαρμογέα αξεσουάρ απευθείας στο στόμιο εισαγωγής αέρα της μονάδας χειρός ή στην μια πλευρά του σωλήνα και να ακούσετε ένα “κλικ”.

ΣΗΜΕΙΩΣΗ: Το εργαλείο για το επάνω μέρος μπορεί να καθαρίσει εύκολα ψηλά και δύσκολης πρόσβασης σημεία και ευαίσθητες επιφάνειες χωρίς να χαράζει.

ΣΗΜΕΙΩΣΗ: Το εργαλείο για καλοριφέρ είναι ιδανικό για να καθαρίζετε μέσα και γύρω από ντουλάπια, καλοριφέρ, καναπέδες, στόρια και άλλα.

ΣΗΜΕΙΩΣΗ: Η βούρτσα για βαθύ καθαρισμό είναι χρήσιμη για να καθαρίζετε στενούς χώρους χωρίς να χαράξετε τις επιφάνειες.

ΕΠΙΣΗΜΑΝΣΗ: Μετά από κάθε χρήση του προϊόντος, βεβαιωθείτε ότι γυρίσατε τον μοχλό διακόπτη προς την ξεκλειδωτή θέση. Αν παραλείψετε να το κάνετε μπορεί να έχει ως αποτέλεσμα μειωμένη διάρκεια ζωής ή αστοχία της μπαταρίας.

ΣΥΝΤΗΡΙΣΗ ΚΑΙ ΚΑΘΑΡΙΣΜΟΣ

Άδειασμα του δοχείου σκόνης

1. Πατήστε το κουμπί απελευθέρωσης αξεσουάρ και βγάλτε τον σωλήνα. [4]
2. Πατήστε το κουμπί για το άδειασμα δοχείου σκόνης για να απελευθερώσετε το πτερύγιο κάδου και να αδειάσετε τα περιεχόμενα. [6]
3. Κλείστε το πτερύγιο δοχείου σκόνης, θα ακούσετε ένα κλικ όταν κλειδώσει καλά.

ΣΗΜΕΙΩΣΗ: Συνιστάται να αδειάζετε το δοχείο σκόνης μετά από κάθε χρήση ή όταν η σκόνη είναι μέχρι τη γραμμή μέγιστης πλήρωσης.

Καθαρίστε το δοχείο σκόνης και το φίλτρο

1. Πατήστε το κουμπί απελευθέρωσης αξεσουάρ και βγάλτε τον σωλήνα. [4]
2. Πατήστε το κουμπί για το άδειασμα δοχείου σκόνης για να ανοίξετε το πτερύγιο κάδου και να τον αδειάσετε. [6]
3. Πατήστε το κουμπί απελευθέρωσης του δοχείου σκόνης και τραβώντας επίσης το δοχείο σκόνης με κατεύθυνση προς τα κάτω και έξω. [7]
4. Γυρίστε το φίλτρο πλέγματος αριστερόστροφα για να ευθυγραμμίσετε την ένδειξη βέλους και μετά μπορείτε να το βγάλετε από τη σκούπα. [8]
5. Γυρίστε τον διαχωριστή κυκλώνα αριστερόστροφα, ευθυγραμμίστε την ένδειξη βέλους και μετά μπορείτε να τον βγάλετε από τη σκούπα. [8]
6. Πατήστε τα δύο κουμπιά απελευθέρωσης φίλτρου εξαγωγής ταυτόχρονα και μετά βγάλτε το φίλτρο εξαγωγής. [9]
7. Πλύνετε το φίλτρο εξαγωγής με χλιαρό νερό και αφήστε το να στεγνώσει για 24 ώρες. Συναρμολογήστε και πάλι όταν στεγνώσει εντελώς και βάλτε το ξανά στο προϊόν. [10] [11]
8. Πλύνετε το δοχείο σκόνης/φίλτρο πλέγματος/ διαχωριστή κυκλώνα με χλιαρό νερό. Βεβαιωθείτε ότι είναι εντελώς στεγνό πριν

* Μόνο ορισμένα μοντέλα

το τοποθετήσετε και πάλι στο κύριο σώμα. [10]

9. Συναρμολογήστε ξανά τη μονάδα χειρός και συνδέστε την στον σταθμό φόρτισης. [12]

ΣΗΜΕΙΩΣΗ: Μην χρησιμοποιείτε ζεστό νερό ή απορρυπαντικά όταν καθαρίζετε τα φίλτρα εξαγωγής. Στην απίθανη περίπτωση βλάβης των φίλτρων εξαγωγής, τοποθετήστε αυθεντικό ανταλλακτικό Hoover. Μην δοκιμάζετε και μη χρησιμοποιείτε το προϊόν χωρίς φίλτρο.

ΕΠΙΣΗΜΑΝΣΗ: Για βέλτιστη απόδοση, διατηρείτε καθαρό το φίλτρο πλέγματος. Συνιστούμε να καθαρίζετε το φίλτρο μια φορά το μήνα.

Αντικατάσταση και Καθαρισμός Αναδευτήρα

ΕΠΙΣΗΜΑΝΣΗ: Να κλείνετε πάντα τη σκούπα πριν από τη φόρτιση και τον καθαρισμό του αναδευτήρα.

1. Αφαιρέστε το ακροφύσιο από τον σωλήνα και σύρετε το κουμπί απελευθέρωσης του αναδευτήρα προς τα έξω για να αφαιρέσετε τον αναδευτήρα. [13]
2. Αφαιρέστε όλα τα υπολείμματα από τον αναδευτήρα ή αν δεν είναι σε ικανοποιητική κατάσταση μπορείτε να τον αντικαταστήσετε.
3. Όταν αντικαθιστάτε τον αναδευτήρα σημειώστε ότι μπορεί να μπει μόνο σε μια κατεύθυνση. Για να το βάλετε ξανά σύρετε το κουμπί απελευθέρωσης αναδευτήρα προς τα έξω και βάλτε τον αναδευτήρα στη σωστή θέση και αφήστε το κουμπί, θα κρουμπώσει αυτόματα.

Αντικατάσταση μπαταριών

Αυτή η σκούπα είναι εφοδιασμένη με επαναφορτιζόμενη συστοιχία μπαταριών ιόντων λιθίου που μπορεί να αντικατασταθεί.

ΠΡΟΣΟΧΗ: Χρησιμοποιείτε μόνο εγκεκριμένα ανταλλακτικά για τη σκούπα σας. Η χρήση μη γνήσιων αμαλλακτικών Hoover είναι επικίνδυνη και θα ακυρώσει την εγγύησή της συσκευής

ΠΡΟΣΟΧΗ: Μην ανοίξετε τη συστοιχία μπαταριών για να την επισκευάσετε μόνοι σας.

1. Τραβήξτε προς τα πίσω το κουμπί απελευθέρωσης της συστοιχίας μπαταριών και η συστοιχία θα βγει λίγο αυτόματα. [14a]
2. Τραβήξτε τη συστοιχία μπαταριών αργά από την υποδοχή. [14b]
3. Αφαιρέστε την παλιά συστοιχία μπαταριών και αντικαταστήστε την με καινούρια.
4. Απορρίψτε τις μπαταρίες με ασφαλή τρόπο. Οι χρησιμοποιημένες μπαταρίες πρέπει να προσκομίζονται σε σημείο ανακύκλωσης και δεν πρέπει να απορρίπτονται με τα οικιακά απορρίμματα.

ΑΝΤΙΜΕΤΩΠΙΣΗ ΠΡΟΒΛΗΜΑΤΩΝ

Εάν αντιμετωπίσετε οποιοδήποτε πρόβλημα με τη σκούπα σας, πριν καλέσετε το Κέντρο Τεχνικής Υποστήριξης Hoover ακολουθείστε τις οδηγίες που αναγράφονται στο πίνακα :

A. η σκούπα δεν τίθεται σε λειτουργία.

Ελέγξτε αν η σκούπα είναι φορτισμένη.

B. Η σκούπα σταματά να λειτουργεί ή ο αναδευτήρας δεν περιστρέφεται.

Ελέγξτε αν υπάρχει κάποιο εμπόδιο στον αναδευτήρα, αφαιρέστε το και βεβαιωθείτε ότι ο μοχλός συνεχούς λειτουργίας είναι στη θέση off. Αφού το κάνετε απλά πατήστε το κουμπί on/off, το προϊόν θα επανεκκινήσει μετά από λίγα δευτερόλεπτα.

C. Αβλίαση απορρόφησης ή καθόλου απορρόφησης.

Αδειάστε το δοχείο σκόνης και πλύνετε το φίλτρο πλέγματος και τον διαχωριστή κυκλώνα.

Αφαιρέστε το ακροφύσιο και ελέγξτε για τυχόν εμπόδια στον αγωγό.

D. Οι μπαταρίες δεν φορτίζουν

Αυτό μπορεί να συμβεί εάν η συσκευή έχει παραμείνει για μεγάλο διάστημα (πάνω εξάμηνο) σε αχρησία.

Επικοινωνήστε με το Κέντρο Τεχνικής Υποστήριξης Hoover για να φροντίσετε για την αντικατάσταση των μπαταριών.

Εάν το πρόβλημα παραμένει επικοινωνήστε με το Κέντρο Τεχνικής Υποστήριξης Hoover.

ΑΝΤΑΛΛΑΚΤΙΚΑ ΚΑΙ ΑΝΑΛΩΣΙΜΑ HOOVER

Όταν παρσστεί η ανάγκη χρησιμοποιείτε αποκλειστικά γνήσια ανταλλακτικά Hoover. Τα ανταλλακτικά Hoover διατίθενται από τον τοπικό αντιπρόσωπο Hoover ή απευθείας από τη Hoover. Κατά την παραγγελία εξαρτημάτων να αναφέρετε πάντα τον αριθμό μοντέλου.

Η ΕΓΓΥΗΣΗ ΣΑΣ

Οι όροι ισχύος της εγγύησης της συσκευής καθορίζονται από τον αντιπρόσωπο της χώρας στην οποία έχει πραγματοποιηθεί η πώληση. Περισσότερες πληροφορίες σχετικά με τους όρους εγγύησης μπορείτε να ζητήσετε από τον αντιπρόσωπο που αγοράσατε τη συσκευή. Η προσκόμιση του τιμολογίου ή της απόδειξης αγοράς είναι βασική προϋπόθεση για την ισχύ της εγγύησης.

Ο κατασκευαστής διατηρεί το δικαίωμα να επιφέρει αλλαγές χωρίς προγενέστερη ενημέρωση.

ИНСТРУКЦИИ ПО БЕЗОПАСНОМУ ИСПОЛЬЗОВАНИЮ

Данный прибор предназначен только для домашнего использования в соответствии с описанием, приведенным в настоящем Руководстве пользователя. Прежде чем приступить к эксплуатации данного бытового электроприбора, убедитесь в том, что вы понимаете настоящее руководство.

Перед очисткой или обслуживанием всегда вынимайте вилку из розетки.

Дети старше восьми лет, а также лица со сниженным физическим, сенсорным или умственным развитием или отсутствием опыта или знаний об устройстве могут использовать устройство под присмотром или если они должным образом проинструктированы о безопасном использовании устройства и понимают риски, которые может повлечь собой его использование. С устройством не должны играть дети. Не следует допускать детей к очистке и обслуживанию прибора без присмотра взрослых.

Если провод питания поврежден, немедленно отключите прибор. Во избежание несчастных случаев замену провода должен осуществлять только специалист авторизованного сервисного центра Hoover.

Не приближайте вращающиеся щетки к рукам, ногам, болтающейся одежде и волосам.

Пользуйтесь только оригинальным зарядным устройством, входящим в комплект поставки прибора.

Убедитесь, что напряжение источника питания соответствует параметрам зарядного устройства.

Это пылесос Hoover снабжено зарядным устройством с двойной изоляцией, которое подходит только для вставки в розетку с 230V (240 в Великобритании).

Вставьте зарядное устройство в соответствующую розетку и подсоедините разъем зарядного устройства к пылесосу. **[2]**

При зарядке прибора рычаг выключателя питания должен находиться в положении "выключено".

Перед первым использованием зарядите пылесос в течении минимум 6 часов. Во время зарядки индикатор **[H]** горит красным и меняет цвет на синий, как только аккумулятор полностью зарядится.

После использования всегда устанавливайте прибор на зарядное устройство с целью подзарядки аккумуляторов.

Запрещается зарядка аккумуляторных батарей при температуре выше 37 C или ниже 0 C.

Совершенно нормально, если во время зарядки коснуться зарядного устройства, то оно будет теплым.

Никогда не отключайте зарядное устройство, потянув за кабель.

Отключите зарядное устройство в случае длительного отсутствия (каникулы и т.д.) Перезарядите пылесос снова перед использованием, так как аккумулятор может саморазрядиться за период хранения.

При необходимости утилизации прибора, выньте из него аккумуляторы. Вынимая аккумуляторы, отключите прибор от электросети. Соблюдайте правила техники безопасности при утилизации аккумуляторов. Запустить в работу прибор и дожидаться полной разрядки аккумуляторов. Использованные аккумуляторы необходимо сдавать в специальный пункт приема и не смешивать с обычными бытовыми отходами. Чтобы извлечь аккумуляторы, свяжитесь с Клиентской Службой Hoover или следуйте приведенным далее инструкциям.

ВНИМАНИЕ! Перед тем как извлечь батареи из пылесоса, они должны быть полностью разряжены.

Используйте пылесос до полной разрядки аккумуляторов.

Выньте вилку зарядного устройства из прибора.

Оттяните защелку аккумулятора назад, и аккумулятор автоматически “выскочит” из отсека. **[14a]**

Медленно и аккуратно вытяните аккумулятор из отсека. **[14b]**

Примечание: В случае возникновения каких-либо сложностей с разборкой блока или при необходимости получения более подробной информации об обслуживании, утилизации и переработке данного прибора, обратитесь в местные органы власти или в местную службу по утилизации бытовых отходов.

Используйте только рекомендуемые Hoover насадки, расходные материалы или запасные части.

Статическое электричество: Некоторые типы ковровых покрытий способны накапливать небольшой заряд статического электричества. Разряд статического электричества не представляет опасности для здоровья.

Не применяйте прибор вне помещений, на влажных поверхностях или для сбора жидкостей.

Не используйте прибор для сбора острых предметов, спичек, горячего пепла, окурков или аналогичных объектов. Не распыляйте или не собирайте горючие жидкости, чистящие средства, аэрозоли или прочие пары.

Не перевозите свой прибор через провод питания и не тяните за провод, вынимая вилку из розетки. Не используйте прибор или зарядное устройство, если они неисправны.

Сервисная служба Hoover: Для обеспечения продолжительной, безопасной и эффективной работы данного бытового электроприбора любой вид ремонта рекомендуется производить только специалистом авторизованного сервисного центра Hoover.

Не пользуйтесь прибором для очистки животных или людей.

Замену можно производить только на аккумуляторные батареи.

Окружающая среда:

Прибор маркируется согласно Европейской директиве 2011/65/ЕС по отходам электрического и электронного оборудования (WEEE). Соблюдая правила утилизации данного электроприбора, вы помогаете предотвратить возможные отрицательные последствия для окружающей среды и здоровья человека, которые могли бы иметь место при неправильной утилизации данного устройства. Клеймо на данном устройстве означает, что его нельзя утилизировать как бытовые отходы. Его необходимо доставить в соответствующий пункт утилизации электрического и электронного оборудования. Утилизация должна проводиться в соответствии с местными природоохранительными правилами по утилизации отходов. Для получения более подробной информации по уходу, восстановлению и переработке данного устройства обратитесь к городским властям, в службу утилизации бытовых отходов или в магазин, в котором было куплено изделие.



Данный прибор отвечает требованиям Европейских Директив 2014/35/EU, 2014/30/EU и 2011/65/EU.

CALL CENTER HOOPER GROUP S.r.l. Via Privata Eden Fumagalli, 20861 Brugherio (MB) Italy

КОМПОНЕНТЫ ПЫЛЕСОСА

- | | |
|--|--|
| A. Парковочная станция * | Q. Выключатель питания |
| B. Щетка для пыли "2 в 1" * | R. Рычаг переключателя |
| C. Защелка вращающейся щетки | S. Аккумулятор |
| D. Мини турбощетка | T. Выпускной фильтр |
| E. Диодный индикатор насадки * | U. Сетчатый фильтр |
| F. Трубка | V. Циклонный сепаратор |
| G. Защелка насадки | W. Кнопка отсоединения контейнера |
| H. Индикатор ручной блокировки | X. Защелка аккумулятора |
| I. Ручная блакировка | Y. Насадка минитурбо * |
| J. Щелевая насадка * | Z. Адаптер насадок * |
| K. Заглушка для винта * | AA. Насадка для очистки высоких поверхностей * |
| L. Длинная вращающаяся щетка "2 в 1" * | BB. Насадка для очистки радиаторов * |
| M. Зарядное устройство | CC. Щетка для глубокой очистки * |
| N. Кнопка извлечения контейнера для пыли | DD. Длинная гибкая щелевая насадка * |
| O. Контейнер для сбора пыли | EE. Сумка для насадок * |
| P. Защелка выхлопного фильтра | |

ПОДГОТОВЬТЕ ПЫЛЕСОС

1. Закрепите парковочную станцию на стене с помощью винтов и заглушек из комплекта.
2. Вставьте головку насадки с одной стороны трубы до защелкивания. **[1A]**
3. Вставьте другую сторону трубы в блок с рукояткой до защелкивания. **[1B]**
4. Для полной зарядки прибора вставьте вилку зарядного устройства в прибор. Процесс зарядки может занять около 6 часов. **[2]**

ПРИМЕЧАНИЕ: Чтобы удалить насадку нажмите на кнопку выпуска насадок и вытяните ее из корпуса.

ПРИМЕЧАНИЕ: Для зарядки используйте только зарядное устройство поставляемое с пылесосом.

ВНИМАНИЕ! При зарядке пылесоса рычаг выключателя питания должен находиться в положении "выключено".

Совершенно нормально, если во время зарядки коснуться зарядного устройства, то оно будет теплым.

ЭКСПЛУАТАЦИЯ ПЫЛЕСОСА

Система защиты

Для обеспечения надежной работы прибора в сложных условиях эксплуатации он оснащается встроенной системой защиты.

ПРИМЕЧАНИЕ: Система защиты включается в случае застревания или закупорки вращающейся щетки. После включения системы прибор через 5 секунд останавливается, и синий индикатор на рукоятке становится красным

* Только у конкретных моделей

и начинает мигать. В этом случае нужно устранить закупорку и убедиться, что рычаг постоянного режима находится в отключенном положении. После этого просто нажмите кнопку включения/отключения и прибор возобновит работу через несколько секунд.

Пылесос может работать в двух режимах:

- **ВРЕМЕННЫЙ РЕЖИМ:** Пылесос начинает работать при нажатии кнопки питания и останавливается при отпускании кнопки. [3А]
- **ПОСТОЯННЫЙ РЕЖИМ:** Для включения непрерывной работы нужно оттянуть рычаг питания назад до защелкивания. Для выхода из непрерывного режима нужно передвинуть рычаг вперед. [3В]

Индикация зарядки: В процессе зарядки светодиодный индикатор на блоке с ручкой горит красным и переключается на синий, как только аккумулятор полностью зарядится.

Индикация разрядки: В процессе работы аккумуляторов индикаторы на блоке с ручкой и на сопле горят синим. Светодиод на блоке с ручкой начинает мигать, когда заряд аккумулятора падает ниже 5%.

Щелевая насадка / Щетка для пыли "2 в 1" / Длинная вращающаяся щетка "2 в 1" / Насадка минитурбо* / Длинная гибкая щелевая насадка*

Вставить насадку можно непосредственно в отверстие для входа воздуха на блоке с ручкой или с одной стороны трубы до защелкивания. [5]

На парковочной станции можно хранить только щелевую насадку и щетку для пыли "2 в 1".

Сумка для насадок*:

Дополнительные насадки можно хранить в специальной сумке.

NOTE:Насадка минитурбо идеально подходит для очистки текстильных поверхностей (например, диванов) и удаления шерсти животных. Плавно перемещайте вперед и назад. После использования ножницами срежьте намотавшиеся на щетку волосы или нитки.

ПРИМЕЧАНИЕ: Длинной гибкой насадкой для щелей удобно чистить труднодоступные участки, а также под мебелью.

Насадка для очистки высоких поверхностей* / Насадка для очистки радиаторов* / Щетка для глубокой очистки*

Эту насадку необходимо надевать на адаптер.

Вставить насадку можно непосредственно в отверстие для входа воздуха через адаптер или с одной стороны трубы до защелкивания.

ПРИМЕЧАНИЕ: Насадкой для очистки высоких поверхностей легко чистить труднодоступные места и деликатные поверхности, не царапая их.

ПРИМЕЧАНИЕ: Насадка для батарей и радиаторов идеально подходит для очистки внутри и вокруг шкафов, радиаторных батарей, диванов, жалюзи и пр.

ПРИМЕЧАНИЕ: Щетка для глубокой очистки полезна для уборки в узких пространствах, не царапая поверхность.

ВНИМАНИЕ! После каждого использования пылесоса переместите рычаг выключателя вперед в положение блокировки. В противном случае сокращается срок службы аккумулятора вплоть до его выхода из строя.

ТЕХНИЧЕСКОЕ ОБСЛУЖИВАНИЕ ПЫЛЕСОСА

Очистка пылесборника

1. Нажмите на кнопку отсоединения насадки, чтобы снять трубу. [4]
2. Прижмите рычаг опорожнения контейнера для пыли, чтобы открыть откидную крышку и выгрузить мусор из контейнера. [6]
3. Закройте откидную крышку, при закрывании замка вы услышите щелчок.

ПРИМЕЧАНИЕ: Рекомендуется опорожнять контейнер после каждого использования или при его заполнении.

Очистите пылесборник и фильтр

1. Нажмите на кнопку отсоединения насадки, чтобы снять трубу. [4]
2. Прижмите рычаг опорожнения контейнера для пыли, чтобы открыть откидную крышку и выгрузить мусор. [6]
3. Прижмите рычаг опорожнения контейнера для пыли, одновременно стягивая контейнер в направлении вниз и наружу. [7]
4. Поверните сетчатый фильтр против часовой стрелки до совмещения стрелок, после чего его можно вытянуть из пылесоса. [8]
5. Поверните циклонный сепаратор против часовой стрелки до совмещения стрелок, после чего его можно вытянуть из пылесоса. [8]
6. Прижмите одновременно оба рычага высвобождения выпускного фильтра, а затем снимите выпускной фильтр. [9]
7. Промойте выпускной фильтр слегка теплой водой и оставьте на 24 часа сушиться. Полностью просушив, соберите фильтр и установите его на место в пылесос. [10] [11]
8. Промойте контейнер для пыли, сетчатый фильтр и циклонный сепаратор в слегка теплой воде. Хорошо просушите прежде чем снова устанавливать в главный корпус. [10]

* Только у конкретных моделей

9. Установите блок с рукояткой на пылесос, а затем поставьте его в парковочную станцию. [12]

ПРИМЕЧАНИЕ: Не пользуйтесь горячей водой или моющими средствами при очистке выпускного фильтра. В маловероятном случае повреждения выпускного фильтра используйте для замены только оригинальный фильтр Hoover. Запрещается использование пылесоса без установленного фильтра.

ВНИМАНИЕ! Для эффективной работы пылесоса следите, чтобы сетчатый фильтр всегда был чистым. Мы рекомендуем, проводить промывку фильтра раз в месяц.

Замена и очистка вращающейся щетки

ВНИМАНИЕ! Перед заменой или очисткой вращающейся щетки всегда отключайте прибор от сети.

1. Снимите насадку повышения мощности с трубы и переместите защелку вращающейся щетки наружу, чтобы снять щетку. [13]
2. Удалите весь мусор из вращающейся щетки. Если этого оказывается недостаточно, замените щетку.
3. При установке вращающейся щетки на место обратите внимание, что ее можно насаживать только в одном направлении. Чтобы установить щетку на место переместите защелку наружу и насадите ее в правильном положении, затем отпустите защелку – она закроется автоматически.

Замена батарей

Этот пылесос работает от перезаряжаемых литий-ионных аккумуляторов, которые можно заменить.

ВНИМАНИЕ: Пользуйтесь только утвержденными запасными частями для вашего пылесоса. Использование запасных частей, которые не одобрены компанией Hoover, является опасным и приведет к аннулированию вашей гарантии.

ВНИМАНИЕ: Не пытайтесь вскрывать аккумулятор и ремонтировать его самостоятельно.

1. Оттяните защелку аккумулятора назад, и аккумулятор автоматически “выскочит” из отсека. [14a]
2. Медленно и аккуратно вытяните аккумулятор из отсека. [14b]
3. Замените старый аккумулятор на новый.
4. Соблюдайте правила техники безопасности при утилизации аккумуляторов. Использованные аккумуляторы необходимо сдавать в специальный пункт приема и не смешивать с обычными бытовыми отходами.

ПОИСК И УСТРАНЕНИЕ НЕИСПРАВНОСТЕЙ

Если у вас есть какие-либо проблемы с пылесосом, пожалуйста, выполните простую проверку перед звонком в центр обслуживания клиентов компании Hoover.

- A. Пылесос не включается.**
Проверьте зарядку пылесоса.
- B. Пылесос не работает, или щетка не вращается.**
Проверить, не засорена ли вращающаяся щетка, очистить ее и перевести рычаг непрерывного режима в отключенное положение. После этого просто нажмите кнопку включения/отключения и прибор возобновит работу через несколько секунд.
- C. Потеря всасывания или не всасывание**
Очитите контейнер для сбора пыли и промойте сетчатый фильтр и циклонный сепаратор. Снимите насадку и проверьте шланг на закупорки.
- D. Аккумулятор не заряжается**
Такое может случиться в результате длительного простоя (более полугода). Свяжитесь с центром обслуживания клиентов Hoover для организации замены аккумулятора. Если проблема не устранена, обратитесь в центр обслуживания клиентов компании Hoover.

ЗАПАСНЫЕ ЧАСТИ И РАСХОДНЫЕ МАТЕРИАЛЫ К ПЫЛЕСОСАМ HOOVER

При замене частей используйте только оригинальные запасные части и расходные материалы компании Hoover. Их можно приобрести у вашего местного дилера компании Hoover или непосредственно в компании Hoover. При оформлении заказа на запасные части обязательно указывайте номер модели пылесоса.

ВАША ГАРАНТИЯ

Условия гарантии для данного бытового электрического прибора определяются нашим представительством в той стране, в которой этот электроприбор был куплен. Более подробную информацию об этих условиях вы можете получить от нашего дилера. При предъявлении претензий по условиям данных гарантийных обязательств необходимо предъявить чек или квитанцию на проданный товар.

Изменения могут быть внесены без предварительного уведомления.

INSTRUKCJE BEZPIECZNEGO UŻYTKOWANIA

Urządzenie to jest przeznaczone wyłącznie do użytku domowego w sposób opisany w niniejszej instrukcji użytkownika. Prosimy o dokładne zapoznanie się z instrukcją przed rozpoczęciem używania odkurzacza.

Należy zawsze wyłączyć i wyjąć ładowarkę z gniazdka przed przystąpieniem do czyszczenia urządzenia lub wykonaniem jakichkolwiek czynności konserwacyjnych.

Urządzenie mogą obsługiwać dzieci w wieku co najmniej 8 lat, osoby o ograniczonych zdolnościach fizycznych, sensorycznych lub mentalnych, a także osoby nieposiadające odpowiedniego doświadczenia oraz wiedzy, jedynie pod warunkiem że odbywać się będzie to pod nadzorem lub po przeszkoleniu na temat bezpiecznego użycia urządzenia oraz związanych z nim zagrożeń. Dzieci nie mogą bawić się urządzeniem. Urządzenia nie powinny czyścić ani konserwować dzieci bez nadzoru.

Jeśli przewód zasilający uległ uszkodzeniu, należy natychmiast zaprzestać korzystania z urządzenia. Ze względów bezpieczeństwa, przewód zasilający powinien zostać wymieniony przez serwisanta autoryzowanego punktu serwisowego firmy Hoover.

Nie zbliżać rąk, stóp, luźnej odzieży ani włosów do obracających się szczotek.

Należy stosować wyłącznie ładowarkę dostarczoną wraz z urządzeniem.

Należy sprawdzić, czy napięcie zasilania w gniazdku jest zgodne z podanym na tabliczce znamionowej ładowarki.

Niniejsze urządzenie Hoover zasilane jest podwójnie izolowaną ładowarką akumulatorów, która może być podłączana do gniazd 230V (UK 240V).

Podłączyć ładowarkę od odpowiedniego gniazdka, a przewód ładowarki do urządzenia. **[2]**

Podczas ładowania urządzenia dźwignia wyłącznika zasilania musi być w pozycji wyłączonej.

Przed pierwszym użyciem urządzenie należy ładować przez co najmniej 24 godziny. Podczas ładowania ledowy wskaźnik ładowania **[H]** będzie podświetlony na czerwono i zmieni kolor na niebieski, kiedy urządzenie będzie w pełni naładowane.

Po użyciu ponownie podłączyć urządzenie do ładowarki, aby doładować akumulator.

Nigdy nie ładować akumulatorów w temperaturze powyżej 37°C lub poniżej 0°C.

Nieznaczne nagrzewanie się ładowarki podczas ładowania jest normalnym zjawiskiem.

NIE wyjmować wtyczki ładowarki z gniazdka, ciągnąc za przewód zasilający.

W razie dłuższej nieobecności (urlop itp.) odłączyć ładowarkę od zasilania. Po dłuższej przerwie w eksploatacji urządzenie należy doładować przed użyciem, ponieważ bezczynność powoduje rozładowanie akumulatorów.

Jeżeli urządzenie ma być złomowane, należy z niego najpierw usunąć akumulatory. Podczas wyjmowania akumulatora urządzenie musi być odłączone od zasilania. Akumulatory należy utylizować w sposób bezpieczny dla środowiska. Włączyć urządzenie i pozwolić, aby pracowało aż do całkowitego wyczerpania akumulatorów. Zużyte akumulatory należy przekazać do recyklingu. Nie należy ich wyrzucać ze śmieciami domowymi. W celu wyjęcia akumulatorów należy skontaktować się z Centrum Serwisowym Hoover lub postępować zgodnie z następującymi instrukcjami.

WAZNE: Przed usunięciem należy całkowicie rozładować akumulatory.

Włączyć odkurzacz i pozwolić, aby pracował aż do pełnego wyczerpania akumulatorów.

Wyjąć wtyczkę przewodu ładowarki z urządzenia.

Przesunąć do tyłu przycisk zwalniający zestaw akumulatorów, a zestaw automatycznie nieco się wysunie. [14a]

Powoli wysunąć zestaw akumulatorów ze szczeliny. [14b]

Uwaga: W razie napotkania jakichkolwiek problemów z demontażem jednostki lub w razie konieczności uzyskania dodatkowych informacji na temat sposobu utylizacji, złomowania i recyklingu urządzenia należy skontaktować się z lokalnym urzędem gminy lub komunalnym zakładem utylizacji odpadów.

Należy korzystać wyłącznie z końcówek, materiałów eksploatacyjnych oraz części zamiennych zalecanych lub dostarczonych przez firmę Hoover.

Ładunki elektrostatyczne: Odkurzanie niektórych dywanów może powodować niewielkie naelektryzowanie się urządzenia. Tego rodzaju ładunki elektrostatyczne nie stanowią zagrożenia dla zdrowia.

Nie używać urządzenia na zewnątrz domu, do odkurzania mokrych powierzchni ani do zbierania wody.

Nie wolno wciągać twardych lub ostrych przedmiotów, zapalek, gorącego popiołu, niedopałków papierosów ani innych podobnych przedmiotów. Nie spryskiwać łatwopalnymi cieczami, środkami czyszczącymi w aerozolu ani parą.

Nie stąpać po przewodzie zasilającym podczas korzystania z urządzenia i nie wyjmować wtyczki, ciągnąc za przewód zasilający. Nie wolno kontynuować eksploatacji uszkodzonego urządzenia lub

ładowarki.

Serwis firmy Hoover: Aby zapewnić bezpieczne i sprawne działanie tego urządzenia, zalecamy zlecenie prac serwisowych lub napraw wyłącznie serwisantom autoryzowanego punktu serwisowego firmy Hoover.

Nie używać urządzenia do odkurzania ludzi lub zwierząt.

Nie wolno stosować jednorazowych baterii zamiast akumulatorów.

Ochrona środowiska:

Niniejsze urządzenie posiada oznaczenia zgodnie z Dyrektywą Europejską nr 2011/65/WE w sprawie zużytego sprzętu elektrycznego i elektrotechnicznego (WEEE). Zapewniając prawidłowe złomowanie niniejszego urządzenia, przyczyniają się Państwo do ograniczenia ryzyka wystąpienia negatywnego wpływu produktu na środowisko i zdrowie ludzi, które mogłoby zaistnieć w przypadku niewłaściwej utylizacji urządzenia. Symbol umieszczony na produkcie lub na dołączonych do niego dokumentach oznacza, że niniejszy produkt nie jest klasyfikowany jako odpad z gospodarstwa domowego. Urządzenie należy zdać w odpowiednim punkcie utylizacji w celu recyklingu komponentów elektrycznych i elektronicznych. Urządzenie należy złomować zgodnie z lokalnymi przepisami w sprawie utylizacji odpadów. Dodatkowe informacje na temat sposobu utylizacji, złomowania i recyklingu urządzenia można uzyskać w lokalnym urzędzie miejskim, w komunalnym zakładzie utylizacji odpadów lub w sklepie, w którym produkt został zakupiony.



Urządzenie spełnia wymogi dyrektyw europejskich 2014/35/WE, 2014/30/WE oraz 2011/65/WE.

CANDY HOOVER GROUP S.r.l. Via Privata Eden Fumagalli, 20861 Brugherio (MB) Italy

KOMPONENTY URZĄDZENIA

- | | |
|--|--|
| A. Stacja dokująca * | Q. Wyłącznik |
| B. Szczotka do kurzu 2 w 1 * | R. Dźwignia wyłącznika |
| C. Przycisk zwolnienia szczotki obrotowej | S. Zestaw akumulatorów |
| D. Szczotka elektryczna | T. Filtr wylotowy |
| E. Kontrolka ledowa szczotki * | U. Filtr siatkowy |
| F. Rura | V. Separator cyklonowy |
| G. Przycisk zwalniania akcesoriów | W. Przycisk zwalnający pojemnik na kurz |
| H. Kontrolka ledowa zespołu przenośnego | X. Przycisk zwalnający zestaw akumulatorów |
| I. Zespół przenośny | Y. Dysza miniturbo * |
| J. Ssawka szczelinowa * | Z. Przełącznik do akcesoriów * |
| K. Kołki * | AA. Szczotka do czyszczenia u góry * |
| L. Długa szczotka obrotowa 2 w 1. * | BB. Szczotka do kaloryferów * |
| M. Ładowarka | CC. Szczotka do głębokiego czyszczenia * |
| N. Przycisk opróżniania pojemnika na kurz. | DD. Długa elastyczna ssawka szczelinowa * |
| O. Pojemnik na kurz | EE. Worek na akcesoria * |
| P. Przycisk zwalnający filtr wylotowy | |

PRZYGOTOWYWANIE ODKURZACZA

1. Zamocować stację dokującą na ścianie za pomocą śrub i kołków dostarczonych w komplecie.
2. Włożyć końcówkę ssawki na rurę w taki sposób, aby zaskoczyła. [1A]
3. Włożyć drugi koniec rury do zestawu przenośnego w taki sposób, aby zaskoczył. [1B]
4. Aby naładować urządzenie do pełna, podłączyć wtyczkę przewodu ładowarki do urządzenia. Potrzeba to ok. 6 godzin. [2]

UWAGA: Aby wyjąć końcówkę, nacisnąć przycisk zwalnający końcówkę i wyciągnąć ją z obudowy odkurzacza.

UWAGA: Do ładowania należy stosować wyłącznie ładowarkę dostarczoną wraz z urządzeniem.

WAŻNE: Podczas ładowania odkurzacza dźwignia wyłącznika musi być w pozycji wyłączzonej.

Nieznaczne nagrzewanie się ładowarki podczas ładowania jest normalnym zjawiskiem.

KORZYSTANIE Z ODKURZACZA

System bezpieczeństwa

Produkt wyposażony jest zintegrowany system bezpieczeństwa, który gwarantuje niezawodność jego działania i chroni go przed użytkowaniem w zbyt trudnych warunkach.

UWAGA: System bezpieczeństwa zadziała, jeśli szczotka obrotowa jest zablokowana lub jest zamknięta; produkt

* Tylko w niektórych modelach

wyłączy się po 5 sekundach, a niebieski wskaźnik LED na zespole przenośnym zmieni kolor na czerwony i zacznie pulsować. W takim przypadku należy usunąć zator i upewnić się, że dźwignia trybu ciągłego jest wyłączona. Następnie należy po prostu nacisnąć przycisk ON/OFF: produkt uruchomi się ponownie po kilku sekundach.

Dostępne są dwa tryby pracy:

- **TRYB TYMCZASOWY:** Urządzenie zacznie pracę po naciśnięciu wyłącznika i zakończy po jego zwolnieniu. **[3A]**
- **TRYB CIĄGŁY:** Aby włączyć tryb ciągły, należy przesunąć dźwignię wyłącznika do tyłu w taki sposób, aby zaskoczyła na miejsce. Aby wyłączyć tryb ciągły, należy przesunąć dźwignię wyłącznika do przodu. **[3B]**

Informacja o ładowaniu: Podczas ładowania ledowa kontrolka zestawu przenośnego będzie świecić na czerwono, a po całkowitym naładowaniu zmieni kolor na niebieski.

Informacja o rozładowaniu: Kiedy akumulatory są rozładowane, zarówno ledowa kontrolka zestawu przenośnego, jak i ledowa kontrolka szczotki świecą się na niebiesko. Ledowa kontrolka zestawu przenośnego będzie migać, kiedy poziom naładowania akumulatora spadnie poniżej 5%.

Ssawka szczelinowa / Szczotka do kurzu 2 w 1* / Długa szczotka obrotowa 2 w 1* / Dysza miniturbo* / Długa elastyczna ssawka szczelinowa*

Aksesoria można włożyć bezpośrednio do wlotu powietrza zestawu przenośnego lub do jednego końca rury w taki sposób, aby zaskoczyły. **[5]**

W stacji dokującej można przechowywać jedynie ssawkę szczelinową oraz szczotkę do kurzu 2 w 1.

Worek na akcesoria*:

Dodatkowe akcesoria można przechowywać w worku na akcesoria.

NOTE: Szczotka miniturbo idealnie nadaje się do czyszczenia powierzchni tapicerowanych (np. sof) oraz do usuwania sierści zwierząt domowych. Miarowo przesuwaj do przodu i do tyłu. Po użyciu należy usunąć sierść/kłaczki ze szczotki. W razie potrzeby użyć do tego nożyczek.

UWAGA: Długa elastyczna ssawka szczelinowa idealnie nadaje się do czyszczenia trudnodostępnych powierzchni oraz pod meblami.

Szczotka do czyszczenia u góry* / Szczotka do kaloryferów* / Szczotka do głębokiego czyszczenia*

Aby założyć te akcesoria, należy skorzystać z przejściówki dla akcesoriów.

Przejściówkę dla akcesoriów można włożyć bezpośrednio we wlot powietrza w zestawie przenośnym lub w końcówkę rury w taki sposób, aby zaskoczyła.

UWAGA: Szczotka do czyszczenia u góry doskonale nadaje się do czyszczenia wysokich i trudnodostępnych miejsc, a także delikatnych powierzchni. Nie rysuje.

UWAGA: Szczotka do kaloryferów jest idealna do czyszczenia wnętrza oraz okolic szaf, kaloryferów, sof, żaluzji itp.

UWAGA: Szczotka do głębokiego czyszczenia służy do czyszczenia wąskich przestrzeni. Nie rysuje.

WAŻNE: Po każdym użyciu urządzenia należy zawsze przesunąć dźwignię wyłącznika do przodu do pozycji odblokowanej. Niewykonanie tego zalecenia może skutkować skróceniem żywotności akumulatora lub awarią.

KONSERWACJA URZĄDZENIA

Opróżnianie pojemnika na kurz

1. Nacisnąć przycisk zwalniający akcesoria i wyjąć rurę. **[4]**
2. Nacisnąć przycisk opróżniania pojemnika na kurz, aby zwolnić kłapę pokrywy, aby opróżnić pojemniki. **[6]**
3. Zamknąć kłapę pojemnika na kurz. Kiedy zaskoczy, oznacza to, że jest prawidłowo zablokowana.

UWAGA: Zaleca się opróżnianie pojemnika na kurz po każdym użyciu oraz zawsze wtedy, kiedy kurz sięga linii poziomu maksymalnego napełnienia.

Czyszczenie pojemnika na kurz i filtra

1. Nacisnąć przycisk zwalniający akcesoria i wyjąć rurę. **[4]**
2. Nacisnąć przycisk opróżniania pojemnika na kurz, aby zwolnić kłapę pokrywy i opróżnić pojemnik. **[6]**
3. Nacisnąć przycisk zwolnienia pojemnika na kurz i wyjąć pojemnik. W tym celu pociągnąć go w dół i na zewnątrz. **[7]**
4. Obrócić filtr siatkowy w kierunku przeciwnym do ruchu wskazówek zegara, aby dopasować się do znacznika w kształcie strzałki. Następnie wyjąć go z odkurzacza. **[8]**
5. Obrócić separator cyklonowy w kierunku przeciwnym do ruchu wskazówek zegara, aby dopasować się do znacznika w kształcie strzałki. Następnie wyjąć go z odkurzacza. **[8]**
6. Nacisnąć jednocześnie dwa przyciski zwalniania filtra wylotowego, a następnie wyjąć filtr wylotowy. **[9]**
7. Przemyc filtr wylotowy w ciepłej wodzie i pozostawić do wyschnięcia na 24 godziny. Po całkowitym wyschnięciu zmontować ponownie filtr. **[10] [11]**
8. Przemyc pojemnik na kurz/filtr siatkowy/separatory cyklonowy w ciepłej wodzie. Przed ponownym zamontowaniem w obudowie upewnić się, że jest suchy. **[10]**

* Tylko w niektórych modelach

9. Ponownie zamontować zespół przenośny i umieścić w stacji dokującej [12]

UWAGA: Do czyszczenia filtrów nie stosować gorącej wody ani detergentów. W mało prawdopodobnym przypadku uszkodzenia filtrów wylotowych należy zastąpić je oryginalnymi filtrami Hoover. Nie używaj urządzenia bez zamontowanego filtra.

WAŻNE: Aby uzyskać optymalną wydajność, filtry siatkowe powinny być zawsze czyste. Zalecamy mycie filtra co najmniej raz na miesiąc.

Wymiana i czyszczenie zagarniacza

WAŻNE: Zawsze wyłączać odkurzacz przed wymianą oraz czyszczeniem szczotki obrotowej.

- Wyjąć szczotkę elektryczną z rury i przesunąć przycisk zwalniający szczotkę obrotową na zewnątrz, aby wyjąć szczotkę. [13]
- Usunąć wszystkie zabrudzenia ze szczotki obrotowej. Jeśli to nie wystarczy, wymienić szczotkę na nową.
- Podczas ponownego montowania szczotki obrotowej należy pamiętać, że można ją zamontować tylko w jednym kierunku. Aby ponownie ją założyć, przesunąć przycisk zwalniający szczotkę obrotową na zewnątrz i umieścić szczotkę w prawidłowej pozycji, a następnie zwolnić przycisk. Szczotka zablokuje się automatycznie.

Wymiana akumulatorów

Odkurzacz jest wyposażony w wymienny zestaw akumulatorów litowo-jonowych (Li-Ion), który można ładować.

Ostrzeżenie: W odkurzaczu stosować wyłącznie zatwierdzone części zamienne. Używanie innych części niż te zatwierdzone przez firmę Hoover, jest niebezpieczne i powoduje utratę gwarancji urządzenia.

Ostrzeżenie: Nie próbować otwierać lub samodzielnie naprawiać zestawu akumulatorów.

- Przesunąć do tyłu przycisk zwalniający zestaw akumulatorów, a zestaw automatycznie nieco się wysunie. [14a]
- Powoli wysunąć zestaw akumulatorów ze szczeliny. [14b]
- Wyjąć stary zestaw akumulatorów i wymienić na nowy.
- Akumulatory należy utylizować w sposób bezpieczny dla środowiska. Zużyte akumulatory należy przekazać do recyklingu. Nie należy ich wyrzucać ze śmieciami domowymi.

ROZWIĄZYWANIE PROBLEMÓW

W razie wystąpienia jakiegokolwiek problemu z urządzeniem przed skontaktowaniem się z lokalnym serwisem firmy Hoover należy przeprowadzić proste kontrole zgodnie z poniższą listą.

- Odkurzacz się nie włącza.**
Sprawdzić, czy odkurzacz jest naładowany.
- Odkurzacz zatrzymuje się lub szczotka obrotowa przestaje się obracać.**
Sprawdź, czy szczotka obrotowa nie jest zablokowana, usuń zator i upewnij się, że dźwignia trybu ciągłego jest wyłączona. Następnie należy po prostu nacisnąć przycisk ON/OFF: produkt uruchomi się ponownie po kilku sekundach.
- Utrata mocy ssania lub brak ssania**
Opróżnić pojemnik na kurz i przemyć filtr siatkowy oraz separator cyklonowy.
Zdjąć końcówkę i sprawdzić, czy wąż lub rura nie są zatkane.
- Nie można naładować akumulatorów.**
Może to wynikać z bardzo długiego okresu bezczynności (ponad pół roku).
Skontaktować się z centrum serwisowym firmy Hoover, aby zlecić wymianę akumulatorów.
Jeżeli problem nie znika, skontaktować się z centrum serwisowym firmy Hoover.

CZĘŚCI ZAPASOWE I MATERIAŁY EKSPLOATACYJNE MARKI HOOVER

Należy zawsze wymieniać części na oryginalne części zapasowe firmy Hoover. Można je nabyć w lokalnym serwisie firmy Hoover lub bezpośrednio w firmie Hoover. Przy zamawianiu części zawsze należy podać numer danego modelu.

GWARANCJA

Warunki gwarancji na niniejsze urządzenie są określone przez naszego przedstawiciela w kraju, w którym urządzenie jest sprzedawane. Szczegółowe informacje na temat warunków gwarancji można uzyskać w punkcie, w którym urządzenie zostało nabyte. Przy zgłaszaniu wszelkich roszczeń w ramach gwarancji należy przedstawić dowód sprzedaży lub pokwitowanie.

Zastrzegamy sobie możliwość wprowadzania zmian bez wcześniejszego powiadomienia.

NÁVOD K BEZPEČNÉMU POUŽITÍ

Tento vysavač by měl být používán pouze pro úklid domácnosti a v souladu s touto uživatelskou příručkou. Než začnete spotřebič používat, ujistěte se, že rozumíte tomuto návodu.

Před čištěním nebo jakoukoli údržbou zařízení vždy vypněte a síťovou šňůru vytáhněte ze zásuvky.

Tento přístroj smí používat děti od 8 let výše a osoby se sníženými fyzickými, smyslovými nebo mentálními schopnostmi nebo s nedostatkem zkušeností a znalostí, pokud jsou pod dohledem nebo jim byly dány pokyny týkající se bezpečného používání tohoto přístroje a byly seznámeny s možnými riziky jeho používání. S přístrojem se nesmí hrát děti. Čištění a údržbu nesmí provádět děti bez dohledu.

Jestliže je poškozena síťová šňůra, okamžitě přestaňte zařízení používat. Síťovou šňůru musí vyměnit autorizovaný servisní technik společnosti Hoover, aby se předešlo ohrožení bezpečnosti.

Udržujte dostatečnou vzdálenost rukou, nohou, volného oděvu a vlasů z dosahu otočných kartáčů.

Pro dobíjení používejte pouze nabíječku dodanou se zařízením.

Zkontrolujte, zda údaje na štítku nabíječky odpovídají hodnotám síťového napětí.

Tento vysavač společnosti Hoover je vybaven dvojitě odizolovanou nabíjecí baterií, která je vhodná k zapojení pouze do zástrčky 230V (UK 240V).

Zapojte nabíječku do vhodné zásuvky a konektor nabíječky připojte k vhodnému výstupu na vysavači. **[2]**

Při nabíjení musí být spínač vysavače v poloze vypnuto.

Před prvním použitím přístroj nabíjejte nejméně 6 hodin. Při nabíjení se dioda LED **[H]** rozsvítí červeně a při plném nabití se rozsvítí modře.

Po použití znovu připojte přístroj k nabíječce k dobití baterie.

Důležité: Nikdy nenabíjejte akumulátor při teplotě vyšší než 37°C nebo nižší než 0°C.

Je běžné, že při nabíjení se nabíječka zahřívá.

Nevytahujte nabíječku ze zásuvky taháním za síťový kabel.

V případě delší nepřítomnosti (dovolená apod.) nabíječku odpojte. Přístroj před použitím znovu dobijte, protože baterie by se při delší době skladování mohly vybit samy.

Před likvidací vysavače z něj nejprve vyjměte baterie. Před odstraněním baterie se ujistěte, že výrobek je odpojen od elektrické sítě. Zlikvidujte baterie bezpečně a ekologicky. Používejte zařízení dokud baterie nejsou naprosto vybité. Použité baterie by měly být přijaté do recyklační stanice a nesmějí být vyhazované dohromady s domovním odpadem. Pro vyjmutí baterií prosím kontaktujte Zákaznické servisní středisko Hoover, které najdete na internetových stránkách www.candy-hoover.cz nebo postupujte podle následujících pokynů:

DŮLEŽITÉ UPOZORNĚNÍ: Před vyjmutím je nutno baterii zcela vybit.

Nechte vysavač zapnutý, dokud nebudou baterie zcela vybité.

Odpojte nabíječku od spotřebiče.

Stiskněte tlačítko uvolnění baterie a baterie automaticky vyskočí ven. **[14a]**

Opatrně baterii vytáhněte. **[14b]**

Poznámka: Budete-li mít při demontáži jednotky jakékoli problémy nebo budete-li požadovat podrobnější informace o manipulaci, využití a recyklaci tohoto výrobku, kontaktujte prosím místní úřad nebo středisko sběrných surovin.

Používejte výhradně příslušenství, spotřební materiály a náhradní díly doporučené nebo dodávané firmou Hoover.

Statická elektřina: Při čištění některých koberců vzniká malé množství statické elektřiny. Výboje statické elektřiny neohrožují zdraví.

Nepoužívejte Vaše zařízení venku, nebo na mokré povrchy a na mokrá vysávání.

Nevysávejte tvrdé nebo ostré předměty, zápalky, žhavý popel, cigaretové nedopalky a podobné předměty. Nestříkejte nebo nevysávejte hořlavé kapaliny, čisticí tekutiny, aerosoly nebo jejich výpary.

Během použití zařízení nepřejíždějte přes síťovou šňůru a nevytahujte síťový kabel ze zásuvky taháním za šňůru. Nepoužívejte zařízení nebo nabíjení, pokud vám připadá vadné.

Servis Hoover najdete na internetových stránkách

www.candy-hoover.cz Spolehlivý provoz a vysoká účinnost tohoto spotřebiče jsou zajištěny pouze v případě, že bude prováděn pravidelný servis a opravy, které musí zajišťovat autorizovaný servisní technik společnosti Hoover.

Nepoužívejte zařízení pro čištění zvířat a osob.

Nenahrazujte baterie jinými, které nelze dobíjet.

Životní prostředí:

Tento spotřebič je označen v souladu s Evropskou Směrnicí 2011/65/ES o omezení používání nebezpečných látek v elektrických a elektronických zařízeních (WEEE). Zajištěním správné likvidace tohoto výrobku pomůžete předcházet případným negativním důsledkům pro životní prostředí a lidské zdraví, které mohou být v opačném případě způsobeny nesprávnou likvidací tohoto výrobku. Symbol na výrobku označuje, že tento výrobek nesmí být likvidován jako domovní odpad. Měl by být předán na příslušné místo sběru pro recyklaci elektrických a elektronických zařízení. Likvidace musí proběhnout v souladu s místními ekologickými předpisy pro likvidaci odpadu. Další informace o manipulaci, novém využití a recyklaci tohoto výrobku získáte na místním obecním úřadě, u služby pro sběr domovního odpadu nebo v prodejně, kde jste výrobek zakoupili.



Tento výrobek je v souladu s Evropskými směrnicemi 2014/35/ES, 2014/30/ES a 2011/65/ES.

CANDY HOOVER GROUP S.r.l. Via Privata Eden Fumagalli, 20861 Brugherio (MB) Italy

KOMPONENTY PRODUKTU

- | | |
|---|--|
| A. Nabíjecí stanice * | Q. Spínač |
| B. Prachový kartáč 2 v 1 * | R. Přepínací páčka |
| C. Tlačítko pro uvolnění otočného kartáče | S. Baterie |
| D. Turbo kartáček | T. Výstupní filtr |
| E. LED osvětlení hubice * | U. Sítko filtru |
| F. Trubky | V. Cyklónový separátor |
| G. Tlačítko pro uvolnění příslušenství | W. Tlačítko uvolnění schránky na nečistoty |
| H. Příruční LED osvětlení | X. Tlačítko uvolnění baterie |
| I. Ruční jednotka | Y. Miniturbo hubice * |
| J. Štěrbinový nástavec * | Z. Nástavec příslušenství * |
| K. Šroubové zátky * | AA. Stropní nástavec * |
| L. Dlouhý otočný kartáč 2 v 1 * | BB. Radiátorový nástavec * |
| M. Nabíjecí základna | CC. Hlubkový kartáč* |
| N. Tlačítko uvolnění nádoby na prach | DD. Dlouhý ohebný štěrbinový nástavec* |
| O. Zásobník na nečistoty | EE. Pytlík na příslušenství* |
| P. Tlačítko uvolnění výstupního filtru | |

PŘÍPRAVA VYSAVAČE

1. Připevněte dobíjecí stanici na zeď pomocí dodaných šroubů a zátek.
2. Zasuňte hubici do jedné strany trubice, dokud neuslyšíte cvaknutí. **[1A]**
3. Druhou stranu trubice nasuňte do ruční jednotky, dokud neuslyšíte cvaknutí. **[1B]**
4. Pro úplné nabití připojte ke spotřebiči konektor nabíječky. Nabíjení bude trvat asi 6 hodin. **[2]**

POZNÁMKA: Abyste sundali nástavec, stiskněte tlačítko pro uvolnění nástavce a tahem ji sejměte z hlavního těla.

POZNÁMKA: Pro dobíjení používejte pouze nabíjecí stanici dodanou k vysavači.

DŮLEŽITÉ UPOZORNĚNÍ: Při nabíjení musí být spínač přístroje v poloze vypnuto.

Je běžné, že při nabíjení se nabíječka zahřívá.

JAK POUŽÍVAT VYSAVAČ

Ochranný bezpečnostní systém

Aby spolehlivost výrobku, při použití v náročných podmínkách, nebyla ovlivněna, je integrován Ochranný bezpečnostní systém.

* Pouze u některých modelů

POZNÁMKA: Bezpečnostní ochranný systém bude působit, pokud je agitátor zablokovaný nebo je zajištěný. Po aktivaci se přístroj po 5 sekundách zastaví a modré kontrolky na ručním ovladači začnou blikat. V tomto případě je nutné odstranit překážku a zajistit, aby páčka nepřetržitého režimu byla vypnutá. Po dokončení jednoduše stisknete tlačítko zapnutí/vypnutí, produkt se po několika sekundách restartuje.

K dispozici jsou dva pracovní režimy:

- **DOČASNÝ REŽIM:** Přístroj začne pracovat po stisknutí spínače a přestane při jeho uvolnění. **[3A]**
- **NEPŘETRŽITÝ REŽIM:** Nepřetržitý režim zapnete tak, že posunete páčku směrem zpět, až do zajištění. Nepřetržitý režim ukončíte posunutím páčky zpět do původní polohy. **[3B]**

Kontrolka nabíjení: LED dioda na ruční jednotce bude během nabíjení svítit červeně a po dosažení plného nabití se rozsvítí modře.

Kontrolka vybíjení: Při vybíjení baterií svítí kontrolka LED na ruční jednotce i na hubici modře. Když nabití baterie klesne pod 5 %, začne kontrolka LED ruční jednotky blikat.

Štěrbínový nástavec / Prachový kartáč 2 v 1* / Dlouhý otočný kartáč 2 v 1* / Miniturbo hubice* / Dlouhý ohebný štěrbinový nástavec*

Příslušenství můžete nasunout přímo do přívodu vzduchu ruční jednotky nebo do jedné strany trubice, dokud neuslyšíte cvaknutí. **[5]**

Do nabíjecí stanice lze uložit pouze štěrbinový nástavec a prachový kartáč 2 v 1.

Pytlík na příslušenství*:

V pytlíku na příslušenství lze uskladnit dodatečné příslušenství.

NOTE: Hubice mini-turbo ideální pro hloubkové čištění textilních povrchů (například pohovky) a odstranění zvířecích chloupků. Pohybujte jím neustále dopředu a dozadu. Po použití nůžkami odstraňte vlasy/vláknata shromážděná na kartáči.

POZNÁMKA: Dlouhý ohebný štěrbinový nástavec je vhodný pro čištění v obtížně přístupných místech a pod nábytkem.

Stropní nástavec* / Radiátorový nástavec* / Hlubkový kartáč*

Pro toto příslušenství je třeba použít adaptér.

Příslušenství můžete nasunout přímo do přívodu vzduchu ruční jednotky nebo do jedné strany trubice, dokud neuslyšíte cvaknutí.

POZNÁMKA: Se stropním nástavcem snadno vyčistíte vysoká a obtížně dostupná místa a jemné povrchy bez poškrábání.

POZNÁMKA: Radiátorový nástavec je vhodný pro čištění uvnitř a v okolí skříněk, radiátorů, gaučů, žaluzií a podobně.

POZNÁMKA: Pomocí hlubkového kartáče lze čistit úzká místa bez rizika poškrábání povrchu.

DŮLEŽITÉ UPOZORNĚNÍ: Po každém použití přepněte páčku vpřed do odjistěné polohy. Pokud tak neučiníte, může dojít ke zkrácení životnosti baterie nebo k jejímu poruše.

ÚDRŽBA VYSAVAČE

Vyprázdnění zásobníku na prach

1. Stiskněte tlačítko uvolnění trubice a trubici sundejte. **[4]**
2. Stiskněte tlačítko vyprázdnění nádoby na prach, aby se uvolnila klapka, a vysypte obsah. **[6]**
3. Uzavřete klapku nádoby na prach, při zajištění uslyšíte cvaknutí.

POZNÁMKA: Doporučujeme vyprazdňovat nádobu na prach po každém použití, nebo při naplnění po maximální úroveň.

Zkontrolujte prachový zásobník a filtr

1. Stiskněte tlačítko uvolnění trubice a trubici sundejte. **[4]**
2. Stiskněte tlačítko vyprázdnění nádoby na prach, aby se uvolnila klapka, a vysypte obsah. **[6]**
3. Stiskněte tlačítko uvolnění nádoby na prach a zároveň nádobu vytáhněte směrem dolů a ven. **[7]**
4. Otočte sítkem filtru doleva, aby byly šipky u sebe, a vytáhněte jej z látkového filtru. **[8]**
5. Otočte separátorem cyklonu doleva, zarovnejte šipku a pak jej vytáhněte z vysavače. **[8]**
6. Stiskněte obě tlačítka uvolnění výstupního filtru zároveň a poté filtr vyndejte. **[9]**
7. Omyjte výstupní filtr vlažnou vodou a nechte jej 24 hodin schnout. Jakmile je filtr úplně suchý, umístěte jej zpět do vysavače. **[10] [11]**
8. Omyjte nádobu na prach / síťový filtr / separátor cyklonu ve vlažné vodě. Než filtr vrátíte do hlavního těla vysavače, musí být zcela suchý. **[10]**
9. Sestavte znovu ruční jednotku a vložte ji zpět do dobíjecí stanice. **[12]**

POZNÁMKA: Na čištění filtrů nepoužívejte horkou vodu ani čisticí prostředky. V nepravděpodobném případě, že se filtry poškodí, je vyměňte za originální náhradní část firmy Hoover. Nesnažte se vysavač používat bez filtru.

* Pouze u některých modelů

DŮLEŽITÉ UPOZORNĚNÍ: Pro optimální výkon udržujte filtr vždy čistý. Doporučujeme, abyste filtr umývali alespoň jednou za měsíc.

Výměna a čištění rotačního kartáče

DŮLEŽITÉ UPOZORNĚNÍ: Před výměnou otočného kartáče vysavač vždy vypněte.

1. Sundejte elektrickou hubici z trubice a vysuňte tlačítko uvolnění otočného kartáče směrem ven, aby jej bylo možné sundat. **[13]**
2. Odstraňte z rotačního kartáče veškeré usazeniny a pokud to nestačí, vyměňte jej.
3. Pamatujte, že rotační kartáč lze nasadit zpět pouze jedním směrem. Chcete-li nasadit rotační kartáč zpět, posuňte tlačítko uvolnění kartáče směrem ven a nasadte kartáč, který se ve správné poloze automaticky zajistí.

Výměna baterií

Součástí vysavače je vyměnitelná dobíjecí Lithium-iontová baterie.

VAROVÁNÍ: Pro svůj vysavač používejte pouze schválené náhradní díly. Používání dílů neschválených firmou Hoover je nebezpečné a přicházíte tím o záruku.

VAROVÁNÍ: Nepokoušejte se sami rozmontovat nebo opravit baterii.

1. Stiskněte tlačítko uvolnění baterie a baterie automaticky povyskočí ven. **[14a]**
2. Opatrně baterii vytáhněte. **[14b]**
3. Vyměňte starou baterii a nahraďte ji novou baterií.
4. Zlikvidujte baterie bezpečně a ekologicky. Použité baterie by měly být přijaté do recyklační stanice a nesmějí být vyhazované dohromady s domovním odpadem.

ŘEŠENÍ POTÍŽÍ

Budete-li mít s vysavačem nějaký problém, postupujte podle tohoto jednoduchého kontrolního seznamu, než zavoláte do Zákaznického servisního střediska Hoover:

- A. Vysavač se nezapíná.**
Zkontrolujte, zda je nabitý.
- B. Čistič přestane fungovat nebo agitátor se nebude otáčet.**
Zkontrolujte, zda se v agitátoru nachází nějaká překážka, odstraňte ji a zajistěte, aby páčka nepřetržitěho režimu byla vypnutá. Po dokončení jednoduše stiskněte tlačítko zapnutí/vypnutí, produkt se po několika sekundách restartuje.
- C. Ztráta sacího výkonu nebo žádné sací**
Vyprázdněte nádobu na prach a omyjte síťový filtr a separátor cyklonu.
Sundejte hubici a zkontrolujte, zda nejsou průchody trubice zablokované.
- D. Baterie nelze nabíjet.**
To může být následkem velmi dlouhé doby nenabíjení akumulátorů (více než půl rok).
Kontaktujte Zákaznické servisní středisko Hoover a dojednejte si výměnu baterií.
Pokud problém přetrvává, kontaktujte Zákaznické servisní středisko Hoover.

NÁHRADNÍ DÍLY A SPOTŘEBNÍ MATERIÁLY HOOVER

Vždy používejte originální náhradní díly společnosti Hoover. Získáte je u místního prodejce výrobků Hoover nebo u servisních partnerů. V objednávce dílů laskavě vždy uvádějte číslo modelu.

VAŠE ZÁRUKA

Záruční podmínky pro tento spotřebič stanovuje náš zástupce v zemi, v níž je spotřebič prodáván. Přesné znění podmínek vám poskytne prodejce, u něhož jste si zařízení zakoupili. Při reklamaci podle těchto záručních podmínek je nutno předložit doklad o koupi nebo převzetí.

Právo změny bez předchozího upozornění vyhrazeno.

NAVODILA ZA VARNO UPORABO

Sesalnik lahko uporabljate le za čiščenje stanovanjskih prostorov, kot je opisano v tem priročniku. Prosimo, da se pred uporabo sesalnika temeljito seznanite s temi navodili.

Pred čiščenjem naprave ali kakršimi koli vzdrževalnimi deli vedno izklopite in odstranite polnilnik iz vtičnice.

Ta aparat lahko uporabljajo otroci, starejši od 8 let, ter osebe z zmanjšanimi telesnimi, zaznavnimi in mentalnimi sposobnostmi ali osebe s pomanjkljivimi izkušnjami in znanjem, če so pod nadzorom ali so bile ustrezno poučene o varni uporabi aparata ter se zavedajo nevarnosti, ki so povezane z njegovo uporabo. Otroci se ne smejo igrati z aparatom. Otroci ne smejo čistiti ali vzdrževati aparata brez nadzora.

Če je napajalni kabel poškodovan, nemudoma prenehajte z uporabo sesalnika. Da bi se izognili nevarnosti, mora napajalni kabel zamenjati pooblaščen Hooverjev serviser.

Imejte roke, noge, ohlapna oblačila in lasje proč od vrtljivih krtač.

Uporabljajte le originalni polnilnik, ki je priložen napravi.

Preverite, ali je napajalna napetost enaka tisti, ki je navedena na polnilniku.

Ta Hooverjev aparat je dobavljen z dvojno izoliranim polnilcem baterij, ki je primeren samo za priključitev na 230-V (UK 240V) vtičnico.

Polnilnik priključite v ustrezno vtičnico in nato drugi del priključite še na napravo. **[2]**

Med polnjenjem naprave mora biti gumb za vklop in izklop naprave v legi OFF.

Pred prvo uporabo baterijo naprave polnite vsaj 6 ur. Lučka LED **[H]**, ki prikazuje polnjenje baterije, se obarva rdeče, ko polnite napravo, in modro, ko je naprava povsem napolnjena.

Po uporabi naprave spet priključite polnilnik in tako vnovič napolnite baterijo.

Nikoli ne polnite baterij pri temperaturah višjih od 37°C ali nižjih od 0°C.

Normalno je, da se polnilnik med polnjenjem segreva.

Ne izklopite polnilca tako, da povlečete kabel.

Polnilec izklopite v primeru podaljšane odsotnosti (počitnice, itd.). Pred ponovno uporabo spet napolnite baterije, ker se lahko te izpraznijo samodejno, če sesalnika dlje časa ne uporabljate.

Če boste napravo odvrgli, morate najprej odstraniti baterije. Ko želite odstraniti baterije, mora biti naprava izključena iz električnega toka. Baterije odvrzite na varen način. Pustite delovati napravo do konca, da bodo baterije popolnoma prazne. Uporabljene baterije je treba odnesti v enoto za recikliranje in se ne smejo odvreči v gospodinjske smeti. Za odstranitev baterij vas prosimo, da se obrnete na Hooverjev center za kupce ali nadaljujete po sledečih navodilih.

POMEMBNO: Pred odstranjevanjem baterije vedno popolnoma izpraznite.

Sesalnik naj deluje toliko časa, da se baterije do konca izpraznijo.

Vtikač polnilca odstranite iz naprave.

Gumb za sprostitvev baterije povlecite nazaj in baterija bo samodejno deloma izstopila iz reže. **[14a]**

Baterijo počasi odstranite iz reže. **[14b]**

Opomba: V primeru težav z razstavljanjem naprave ali za podrobnejše informacije o ravnanju z izdelkom, obnovi ali ricikliranju izdelka se obrnite na krajevni urad ali komunalno podjetje za odvoz gospodinjskih odpadkov.

Uporabljajte le dodatke, potrošni material ali nadomestne dele, ki jih priporoča ali dobavi Hoover.

Statična elektrika: Določene vrste preprog lahko ustvarijo manjšo količino statične elektrike. Kakršnen koli statični električni naboj ne ogroža zdravja.

Sesalnika ne smete uporabljati na prostem, na kakršni koli mokri površini ali za sesanje tekočin.

Ne smete sesati trdih ali ostrih predmetov, vžigalic, vročega pepela, cigaretnih ogorkov ali drugih podobnih snovi. Ne smete pršiti ali sesati vnetljivih tekočin, čistil, osvežilcev zraka ali njihovih hlapov

Ne smete zapeljati prek napajalnega kabla med uporabo sesalnika ali izvleči vtikača tako, da bi vlekli za kabel. Ne smete uporabljati naprave ali polnilnika, če ne delujeta pravilno.

Hooverjev servis: Za zagotovitev nenehnega varnega in učinkovitega delovanja naprave priporočamo, da servis ali popravila izvrši le pooblaščen Hooverjev serviser.

Ne smete uporabljati sesalnika za čiščenje živali ali ljudi.

Ne smete zamenjati polnljivih baterij z navadnimi baterijami.

Okolje:

Ta naprava je označena v skladu z evropsko direktivo 2011/65/ES o odpadni električni in elektronski opremi (OEEO). S pravnim odstranjevanjem izdelka boste pripomogli k preprečevanju morebitnih negativnih vplivov na okolje in človeško zdravje, do česar bi utegnili priti ob neprimerni odstranitvi tega izdelka. Simbol na izdelku pomeni, da izdelka ne smete odstraniti kot gospodinjski odpadek. Oddati ga morate na zbirmem mestu za recikliranje električne in elektronske opreme. Odstranitev morate izvesti v skladu s krajavnimi okoljskimi predpisi glede odstranjevanja odpadkov. Za podrobnejše informacije o ravnanju z izdelkom, obnovi in recikliranju izdelka se obrnite na krajevni urad, komunalno podjetje za odvoz gospodinjskih odpadkov ali trgovino, kjer ste izdelek kupili.



Ta naprava je v skladu z evropskimi direktivami 2014/35/EU, 2014/30/EU in 2011/65/EU.

CANDY HOOVER GROUP S.r.l. Via Privata Eden Fumagalli, 20861 Brugherio (MB) Italy

SESTAVNI DELI IZDELKA

- | | |
|---|--|
| A. Vhodi za priključke * | Q. Stikalo On/Off |
| B. Krtača za prah 2 v 1 * | R. Stikalna ročica |
| C. Gumb za sprostitve vrtljive krtače | S. Baterija |
| D. Sesalni nastavek | T. Izhodni filter |
| E. LED lučka krtače * | U. Mrežni filter |
| F. Cev | V. Ciklonski separator |
| G. Gumb za sprostitvev pripomočkov | W. Gumb za odpenjanje posode za prah |
| H. LED lučka ročaja | X. Gumb za sprostitvev baterije |
| I. Ročna enota | Y. Mini-turbo krtača * |
| J. Nastavek za čiščenje rež * | Z. Pomožni adapter * |
| K. Vhodi za vijake * | AA. Krtača za čiščenje visokih površin * |
| L. Dolga vrtljiva krtača 2 v 1 * | BB. Krtača za čiščenje radiatorjev * |
| M. Polnilec | CC. Krtača za globinsko čiščenje* |
| N. Gumb za izpraznitev posode za prah | DD. Dolg in ozek upogljivi nastavek* |
| O. Posoda za prah | EE. Torba za pripomočke* |
| P. Gumb za sprostitvev izpušnega filtra | |

PRIPRAVA VAŠEGA SESALNIKA

1. Pripomoček z vhodi za priključke pritrdite na svojo steno, za to pa uporabite priložene vijake in vhode za vijake.
2. Glavo krtače vstavite v eno od dveh skrajnih točk cevi in jo namestite tako, da zaslišite "klik". **[1A]**
3. Drugo skrajno točko cevi vstavite v ročaj in cev namestite tako, da zaslišite "klik". **[1B]**
4. Ko želite povsem napolniti napravo, vтикаč polnilnika priključite na napravo. Naprava se bo polnila približno 6 ur. **[2]**

OPOMBA: Nastavek snamete tako, da pritisnete gumb za sproščanje nastavka in ga izvlečete iz osnovnega dela.

OPOMBA: Pri ponovnem polnjenju uporabite samo polnilec, ki je dobavljen z vašim sesalcem.

POMEMBNO: Med polnjenjem naprave mora biti stikalna ročica v legi OFF.

Normalno je, da se polnilnik med polnjenjem segreva.

UPORABA SESALNIKA

Varnostni sistem

Da se zanesljivost izdelka ne bi zmanjšala v primeru uporabe v zahtevnih pogojih, je na samem izdelku nameščen varnostni sistem.

* Le pri določenih modelih

OPOMBA: Zaščitni sistem se vključi, če je agitator blokiran ali zaklenjen. Pet sekund po tem, ko se sistem aktivira, se izdelek izklopi, modra lučka LED na ročaju pa se obarva rdeče in utripa. Če se to zgodi, morate odpraviti vzrok blokade in preverite, ali je vzvod neprekinjenega način izključen. Ko to storite, pritisnite tipko on/off. Izdelek se bo po nekaj sekundah spet vključil.

Obstajata dva delovna načina:

- **ZAČASNI NAČIN:** Sesalnik začne delovati, ko pritisnete stikalo on/off, in neha delovati, ko stikalo sprostite. [3A]
- **NEPREKINJENI NAČIN:** Če želite vključiti neprekinjeni način, stikalno ročico povlecite nazaj in ta bo spet prešla v svojo lego. Če želite izključiti neprekinjeni način, stikalno ročico potisnite naprej. [3B]

Opozorila o polnjenju baterije: Na ročaju se nahaja LED lučka, ki je med polnjenjem rdeče barve. Ko je naprava povsem napolnjena, začne svetiti modra barva.

Opozorilo o prazni bateriji: Ko je baterija skoraj prazna, se LED lučki na ročaju in na krtači obarvata v modro. LED lučka na ročaju začne utripati, ko je raven napolnjenosti baterije nižja od 5 %.

Nastavek za čiščenje rež / Krtača za prah 2 v 1* / Dolga vrtljiva krtača 2 v 1* / Mini-turbo krtača* / Dolg in ozek upogljivi nastavek*

Pripomoček lahko namestite neposredno v dovod zraka, ki se nahaja na ročaju, ali v eno od skrajnih točk cevi, pri tem pa morate zaslišati "klik". [5]

Samo ozek nastavek in krtača za brisanje prahu 2 v 1 se lahko shranita v element z vhodi za priključke.

Torba za pripomočke*:

Dodatne pripomočke lahko shranite v torbo za pripomočke.

NOTE: Mini-turbo krtača je idealna za čiščenje platnenih površin (npr. naslanjačev) in za odstranjevanje živalske dlake. Enakomerno jo potiskajte naprej in nazaj. Po uporabi odstranite dlake / delce, ki so se nabrali na krtači, po potrebi pa za to uporabite škarje.

OPOMBA: Dolg ozek in upogibljiv pripomoček je idealen za čiščenje težko dostopnih predelov in površin pod pohištenimi elementi.

Krtača za čiščenje visokih površin* / Krtača za čiščenje radiatorjev* / Krtača za globinsko čiščenje*

Ti pripomočki se namestijo s pomočjo adapterja.

Adapter za pripomočke lahko namestite neposredno v dovod zraka, ki se nahaja na ročaju, ali v eno od skrajnih točk cevi, pri tem pa morate zaslišati "klik".

OPOMBA: S krtačo za čiščenje visokih površin lahko očistite visoke in težko dostopne predele ter občutljive površine, ne da bi jih pri tem opraskali.

OPOMBA: Krtača za radiatorje je idealna za čiščenje notranjoti omar, radiatorjev, naslanjačev, žaluzij idr.

OPOMBA: Krtača za globinsko čiščenje je izdelana za čiščenje ozkih predelov in pri tem ne opraska površin.

POMEMBNO: Po vsaki uporabi sesalnika potisnite stikalno ročico naprej in jo tako namestite v zaklenjeno lego. Če tega ne storite, se lahko življenjska doba baterije skrajša ali se pojavi napaka.

VZDRŽEVANJE SESALNIKA

Praznjenje posode za prah

1. Pritisnite gumb za sprostitev pripomočka in odstranite cev. [4]
2. Gumb za izpraznitev posode za prah potisnite navzdol ter tako sprostite pokrov posode in zatem izpraznite vsebino. [6]
3. Zaprite pokrov posode za prah. Ko se pokrov povsem zapre, zaslišite "klik".

OPOMBA: Posodo za prah izpraznite po vsaki uporabi sesalnika ali ko prah doseže zgornjo oznako največje dovoljene količine prahu.

Očistite posodo za prah in filter.

1. Pritisnite gumb za sprostitev pripomočka in odstranite cev. [4]
2. Pritisnite gumb za izpraznitev posode za prah ter tako odprite pokrov posode in zatem izpraznite vsebino. [6]
3. Pritisnite gumb za sprostitev posode za prah in hkrati posodo za prah vlecite navzdol in navzven. [7]
4. Mrežni filter zavrtite v nasprotni smeri urinega kazalca in ga namestite vzporedno s prikazano puščico, zatem pa ga lahko odstranite iz sesalnika. [8]
5. Ciklonski separator zavrtite v nasprotni smeri urinega kazalca in ga namestite vzporedno s prikazano puščico, zatem pa ga lahko odstranite iz sesalnika. [8]
6. Hkrati pritisnite oba gumba za sprostitev izpušnega filtra in zatem odstranite izpušni filter. [9]
7. Izpušni filter operite z mlačno vodo. Po pranju se mora filter sušiti 24 ur. Ko je filter povsem suh, ga spet sestavite in vnovič namestite na sesalnik. [10] [11]

* Le pri določenih modelih

8. Posodo za prah / mrežni filter / ciklonski separator opertie z mlačno vodo. Vsak element se mora najprej povsem posušiti, šele zatem pa ga lahko spet namestite na glavno ogrodje. [10]
9. Spet sestavite ročaj in ga nato priključite na element z vhodi za priključke. [12]

OPOMBA: Izpušnega filtra nikoli ne čistite z vročo vodo ali detergenti. Če se izpušni filter poškoduje, ga nadomestite samo z drugim Hooverjevim filtrom. Sesalnika ne uporabljajte brez nameščenega filtra.

POMEMBNO: Da bi zagotovili optimalno delovanje sesalnika, morate vedno ustrezno čistiti mrežni filter. Priporočamo, da filter operete enkrat na mesec.

Menjava in čiščenje vrtljive krtače

POMEMBNO: Pred zamenjavo in čiščenjem vrtljive krtače vedno ugasnite sesalnik.

1. Krtačo za preproge odstranite iz cevi in gumb za sprostitve vrtljive krtače pomaknite navzven ter odstranite vrtljivo krtačo. [13]
2. Z vrtljive krtače odstranite vse delce, če pa tudi to ne zadostuje, lahko krtačo nadomestite.
3. Pri vnovičnem nameščanju vrtljive krtače upoštevajte, da se lahko ta namesti samo v eni smeri. Ko želite spet namestiti vrtljivo krtačo, gumb za sprostitve potisnite proti zunanji strani in vrtljivo krtačo namestite v ustrezno lego. Gumb za sprostitve se bo zatem samodejno vrnil v svojo zaprto lego.

Menjava baterij

Sesalnik vsebuje litij-ionsko baterijo, ki jo je mogoče napolniti in tudi nadomestiti.

OPOZORILO: Za svoj sesalnik uporabite samo odobrene nadomestne dele. Uporaba delov, ki jih Hoover ne priporoča, je nevarna in bo razveljavila garancijo.

OPOZORILO: Ne poskušajte sami odpreti in popraviti baterije.

1. Gumb za sprostitve baterije povlecite nazaj in baterija bo samodejno deloma izstopila iz reže. [14a]
2. Baterijo počasi odstranite iz reže. [14b]
3. Odstranite staro baterijo in jo nadomestite z novo.
4. Baterije odvrzite na varen način. Uporabljene baterije je treba odnesti v enoto za recikliranje in se ne smejo odvreči v gospodinjske smeti.

ODPRAVLJANJE TEŽAV

Če boste imeli kakršne koli težave z vašim sesalnikom, preden pokličete Hooverjev servisni center za stranke s pomočjo enostavnega seznama v nadaljevanju preverite naslednje:

A. Sesalnik se ne izklopi.

Preverite, če je sesalnik napolnjen.

B. Sesalnik je nehal delovati ali se agitator ne vrti.

Preverite, ali je v agitatorju prisotna ovira, odstranite jo in preverite, ali je neprekinjen način izključen. Ko to storite, pritisnite tipko on/off. Izdelek se bo po nekaj sekundah spet vključil.

C. Sesalna moč je manjša ali pa sesalnik sploh ne vsesava

Izpraznite posodo za prah ter operite mrežni filter in ciklonski separator.

Odstranite krtačo in preverite, ali se v cevi nahaja kakršenkoli predmet, ki onemogoča prehod.

D. Baterij ne morete napolniti.

To je morebitna posledica zelo dolgega obdobja shranjevanja (več kot pol leta).

Kontaktirajte Hooverjev servis za stranke, da se dogovorite za zamenjavo baterij.

Če težava traja dlje, kontaktirajte Hooverjev servisni center za stranke.

NADOMESTNI DELI IN POTROŠNI MATERIJAL HOOVER

Vedno uporabljajte originalne nadomestne dele Hoover. Dobite jih pri krajevem prodajalcu Hooverjevih izdelkov. Pri naročanju delov vedno navedite številko modela.

GARANCIJA

Garancijski pogoji za to napravo so taki, kot jih določijo zastopnik v državi, kjer je naprava prodana. Podrobnosti glede garancijskih pogojev lahko dobite od prodajalca, pri katerem ste napravo kupili. Če želite uveljavljati kakršno koli garancijo, potrebujete potrdilo o nakupu ali račun.

Garancija se lahko spreminja brez predhodnega obvestila.

GÜVENLİ KULLANIM TALİMATLARI

Bu ürün kullanım kılavuzunda belirtildiği gibi yalnızca ev temizliği için kullanılmalıdır. Lütfen ürünü kullanmadan önce bu kılavuzun tam olarak anlaşıldığından emin olun.

Cihazı temizlemeden ya da herhangi bir bakım işlemi uygulamadan önce daima cihazı kapatın ve şarj aletini prizden çıkarın.

Bu cihaz 8 yaş ve üzeri çocuklar ve yetersiz fiziksel, duyuşal veya zihinsel kabiliyete sahip kişiler ya da deneyim ve bilgi yoksunu kişiler tarafından bir yetişkinin gözetiminde veya cihazın güvenli bir şekilde kullanımı ile ilgili talimatı ve bulunan tehlikelerin açıkça anlatılması ile kullanılabilir. Çocuklar cihaz ile oynamamalıdır. Temizleme ve bakım işlemi denetimsiz şekilde çocuklar tarafından yapılmamalıdır.

Güç kablosu hasar görürse cihazı kullanmayı derhal bırakın. Herhangi bir yaralanmaya engel olmak için güç kablosunun mutlaka yetkili bir Hoover servisi tarafından değiştirilmesi gereklidir.

Ellerinizi, ayaklarınızı, bol giysileri ve saçlarınızı dönen fırçalardan uzak tutun.

Yalnızca cihazla birlikte verilen şarj aletini kullanın.

Besleme voltajının şarj aleti üzerinde belirtilen değerle aynı olup olmadığını kontrol edin.

Bu Hoover ev aleti sadece 230V (İngiltere: 240V) prize takılması uygun olan çift izolasyonlu bir batarya şarj cihazıyla verilmektedir.

Şarj cihazını uygun bir prize takın ve şarj aleti jakının prizini cihaza takın. **[2]**

Aygıtı şarj ederken güç anahtarı kolu kapalı konumda olmalıdır.

İlk kullanımdan önce elektrikli süpürgenizi en az 6 saat şarj edin. Şarj ederken şarj LED göstergesi **[H]** kırmızı yanar ve tam şarj olduğunda mavi yanar.

Pilleri yeniden şarj etmek için kullanım sonrasında cihazı yeniden şarj cihazına bağlayın.

Pilleri kesinlikle 37°C'nin üzerindeki veya 0°C'nin altındaki sıcaklıklarda şarj etmeyin.

Şarj aletinin şarj olurken ısınması doğaldır.

Şarj aletinin fişini kablosundan çekerek çıkarmayın.

Uzun süre evde bulunmayacaksanız (tatil vs. gibi nedenlerle) şarj aletini prizden çekin. Uzun süre kullanılmayan elektrikli süpürge'nin şarjı kendi kendine bitebileceğinden, yeniden kullanmadan önce süpürgeyi iyice şarj edin.

Cihaz atılacağı zaman, öncelikle piller çıkartılmalıdır. Pil çıkartılırken, cihaz şebeke beslemesinden çıkartılmalıdır. Pilleri güvenli bir şekilde imha edin. Pillerin tamamen boşalması için cihazı durana kadar çalıştırın. Kullanılmış piller bir geri dönüştürme istasyonuna götürülmeli ve evsel atıklarla birlikte atılmamalıdır. Pilleri çıkarmak için, lütfen Hoover Müşteri Merkezi ile temasa geçin veya aşağıdaki talimatlara göre devam edin.

ÖNEMLİ: Pilleri çıkarmadan önce daima tamamen boşaltın ve şarj ünitesinin fişten çıkarıldığından emin olun.

Süpürgeyi piller tamamen boşalana kadar çalıştırın.

Şarj cihazı jak fişini cihazdan çıkarın.

Batarya grubu açma düğmesini geri çekin ve batarya grubu otomatik olarak kısa bir mesafe dışarı itilir. **[14a]**

Batarya grubunu yavaşça yuvadan çekin. **[14b]**

Not: Birimin parçalarına ayrılması ile ilgili zorluk yaşarsanız ya da cihazın tamiri, onarımı ya da geri dönüşümü ile ilgili daha ayrıntılı bilgiye ihtiyaç duyarsanız lütfen belediyeniz ya da ev atıkları imha hizmetleri ile görüşün.

Yalnızca Hoover tarafından önerilen veya sağlanan aparatları, malzemeleri ve yedek parçaları kullanın.

Statik elektrik: Bazı halılar statik elektrik oluşuma neden olabilir. Statik elektrik deşarjı sağlığa zararlı değildir.

Cihazınızı dış mekanlarda veya ıslak yüzeylerde ya da ıslak toplama için kullanmayın.

Sert veya keskin nesnelere, kibritleri, sıcak külleri, sigara izmaritleri veya diğer benzeri öğeleri toplamayın. Yanıcı sıvıları, temizleme sıvılarını, aerosollerini veya spreyleri püskürtmeyin ya da toplamayın.

Cihazı kullanırken güç kablosu üzerine basmayın veya güç kablosundan çekerek prizden çıkarmayın. Arıza görünürse cihazı veya şarj aletini kullanmayı bırakın.

Hoover teknik servisi: Cihazın uzun süre güvenli ve verimli kullanımını sağlamak için, servis ve bakımlarının yetkili Hoover servisinde yapılmasını tavsiye ederiz.

Cihazı hayvanları veya insanları temizlemek için kullanmayın.

Pilleri şarj edilemeyen pillerle değiştirmeyin.

Çevre:

Bu cihaz Atık Elektrikli ve Elektronik Teçhizat (WEEE) hakkında Avrupa direktifi 2011/65/EC'ye uygunluk işaretine sahiptir. Bu ürünün doğru bir şekilde atılmasını sağlayarak, yanlış atılmasından dolayı çevre ve insan sağlığında oluşabilecek olumsuz etkilerin önlenmesine katkıda bulunacaksınız. Ürünün üzerindeki sembol, bu ürünün ev atığı olarak değerlendirilmeyeceğini gösterir. Bunun yerine ürün, elektrikli ve elektronik cihazların geri dönüştürülmesi için oluşturulan geçerli bir toplama noktasına bırakılmalıdır. İmha, atık imhası için düzenlenen yerel çevre yönetmeliklerine uygun olarak yapılmalıdır. Ürünün nasıl elden çıkarılacağı konusunda daha detaylı bilgi için bağlı bulunduğunuz muhtarlığa, çöp toplama şirketine veya ürünü satın almış olduğunuz mağazaya müracaat edin.



Bu ürün 2014/35/EU, 2014/30/EU ve 2011/65/EU' Avrupa Direktiflerine göre uygundur.

CANDY HOOVER GROUP S.r.l. Via Privata Eden Fumagalli, 20861 Brugherio (MB) Italy

ÜRÜN BİLEŞENLERİ

- | | |
|--------------------------------------|------------------------------------|
| A. Yerleştirme İstasyonu * | Q. Açma/Kapama Düğmesi |
| B. 2'si 1 Toz Alma Fırçası * | R. Anahtar Kolu |
| C. Karıştırıcı Açma Düğmesi | S. Batarya Grubu |
| D. Elektrikli Başlık | T. Çıkış Filtresi |
| E. Başlık Led Işığı * | U. Ağ filtre |
| F. Boru | V. Siklon Ayırıcı |
| G. Aksesuar Açma Düğmesi | W. Toz haznesi açma düğmesi |
| H. El Süpürgesi Led Işığı | X. Batarya Grubu Açma Düğmesi |
| I. El süpürgesi ünitesi | Y. Miniturbo Başlık * |
| J. Kenar Köşe Aparatı * | Z. Aksesuar Uyarlayıcı * |
| K. Vida Tapaları * | AA. Yüksek Yüzey Aparatı * |
| L. Uzun Dönüşlü 2'si 1 Arada Fırça * | BB. Radyatör Aparatı * |
| M. Şarj Aleti | CC. Derin Temizleme Fırçası* |
| N. Toz Haznesi Boşaltma Düğmesi | DD. Uzun Esnek Kenar-Köşe Aparatı* |
| O. Toz haznesi | EE. Aksesuar çantası* |
| P. Egzoz Filtresi Açma Düğmesi | |

SÜPÜRGENİZİN HAZIRLANMASI

1. Yerleştirme istasyonunu verilen vidalar ve vida tapalarıyla duvarınıza sabitleyin.
2. Süpürge başlığını bir "tık" sesi duyuncaya kadar borunun bir ucunun içine takın. **[1A]**
3. Borunun diğer tarafını bir "tık" sesi duyuncaya kadar elde taşınır ünite içine takın. **[1B]**
4. Aygıtı tam şarj etmek için şarj cihazı jak fişini aygıtı bağlayın. Yaklaşık 6 saat sürecektir. **[2]**

NOT: Başlığı çıkarmak için başlık çıkarma düğmesine basın ve başlığı çekerek ana gövdeden çıkarın.

NOT: Sadece elektrikli süpürgenizle birlikte verilen şarj aletini kullanın.

ÖNEMLİ: Elektrik süpürgesini temizlerken anahtar kolu KAPALI konumda olmalıdır.

Şarj aletinin şarj olurken ısınması doğaldır.

SÜPÜRGENİZİN KULLANIMI

Emniyetli koruma sistemi

Ürün, ağır koşullar altında kullanıldığında ürün güvenilirliğinin olumsuz etki görmemesi için bir Emniyetli koruma sistemi ile donatılmıştır.

* Sadece bazı modeller için

NOT: Emniyetli koruma sistemi, karıştırıcıda bir tıkanıklık ya da takılma olduğunda devreye girer; bu sistem etkinleştirildiğinde ürün 5 saniye içinde durdurulur ve el ünitesi üzerindeki mavi LED ışık kırmızıya dönerek yanıp sönmeye başlar. Bu durumun oluşması halinde, engeli ortadan kaldırmamız ve sürekli mod kolunun kapalı konumda olduğundan emin olmanız gerekmektedir. Bu işlem tamamlandıktan sonra açma/kapama düğmesine basmanız halinde ürün birkaç saniye içinde yeniden başlatılacaktır.

İki çalışma modu vardır:

- **GEÇİCİ MOD:** Açma/kapama anahtarına bastığınızda ürün çalışmaya başlar ve bırakıldığında durur. **[3A]**
- **SÜREKLİ MOD:** Sürekli modu etkinleştirmek için anahtar kolunu geri çekip ve yerine oturtun. Sürekli modu devre dışı bırakmak için anahtar kolunu ileriye doğru itebilirsiniz. **[3B]**

Şarj Gösterimi: Şarj esnasında el süpürgesi LED ışığı kırmızı kalır ve tam şarj olduğunda ışık maviye döner.

Deşarj Gösterimi: Bataryalar deşarj olurken hem el süpürgesi LED ışığı hem de başlık ışığı mavidir. Batarya kapasitesi %5'ten az olduğunda el süpürgesi LED ışığı yanıp söner.

Kenar Köşe Aparatı / 2'si 1 Arada Toz Fırçası* / Uzun Dönüşlü 2'si 1 Arada Fırça* / Miniturbo Başlık* / Uzun Esnek Kenar-Köşe Aparatı*

Aksesuarı doğrudan ünitenin hava girişine veya borunun bir ucuna takıp "tık" sesini duyabilirsiniz. **[5]**

Yalnızca Destek Parçası ve 2'si 1 arada Toz fırçası yerleştirme istasyonunda saklanabilir.

Aksesuar çantası*:

İlave aksesuarlar aksesuar çantasında saklanabilir.

NOTE:Kumaş yüzeyleri (örneğin kanepeler) derinlemesine temizlemek ve evcil hayvan tüyleri temizlemek için mini turbo başlık idealdir. Düzgün bir şekilde ileri ve geri hareket ettirin. Kullandıktan sonra gerekirse bir makasla fırçada toplanan tüyleri/iplikleri lütfen temizleyin.

NOT: Uzun esnek destek parçası, erişmesi zor alanlar ile mobilya altlarının temizlenmesi için idealdir.

Yüksek Yüzey Aparatı* / Radyatör Aparatı* / Derin Temizleme fırçası*

Bu aksesuar, kullanım için aksesuar uyarlayıcı ile birlikte takılmalıdır.

Aksesuar uyarlayıcıyı doğrudan ünitenin hava girişine veya borunun bir ucuna takıp "tık" sesini duyabilirsiniz.

NOT: Yüksek yüzey aparatı, yüksek ve erişilmesi zor yerleri ve hassas yüzeyleri çizmeden, kolaylıkla temizleyebilir.

NOT: Radyatör parçası, dolap, radyatör, koltuk, perde ve daha fazlasının iç ve çevresinin temizlenmesi için idealdir.

NOT: Derin temizleme fırçası, dar alanlarda yüzeyleri çizmeden temizlik yapılması için kullanışlıdır.

ÖNEMLİ: Ürününüzün her kullanımından sonra lütfen anahtar kolunu ileriye kilitle konuma ittiğinizden emin olun. Aksi takdirde batarya ömründe azalma veya arızaya neden olabilir.

SÜPÜRGENİZİN BAKIMI

Toz Haznesinin Boşaltılması

1. Aksesuar açma düğmesine basın ve boruyu çıkarın. **[4]**
2. Toz haznesini kapağını açıp içindekileri boşaltmak için toz haznesi boşaltma düğmesine basın. **[6]**
3. Toz haznesi kapağını kapatın, tam olarak kilitlendiğinde bir tık sesi duyacaksınız.

NOT: Toz haznesinin her kullanım sonrasında veya toz maksimum dolma çizgisine geldiğinde boşaltılması önerilir.

Toz haznesini ve filtreyi temizleyiniz

1. Aksesuar açma düğmesine basın ve boruyu çıkarın. **[4]**
2. Toz haznesi kapağını açmak için toz haznesi boşaltma düğmesine basın ve boşaltın. **[6]**
3. Toz haznesi açma düğmesine basın ve ayrıca toz haznesini aşağı ve dışarı yönde çekin. **[7]**
4. Ok işaretini hizalamak için örgü filtreyi saat yönünün tersi yönünde çevirin. Artık elektrik süpürgesinden artık dışarı çekebilirsiniz. **[8]**
5. Siklon ayırıcıyı saat yönü tersi yönünde çevirin, ok işaretini hizalayın ve artık elektrik süpürgesinden dışarı çekebilirsiniz. **[8]**
6. İki adet egzoz filtresi düğmesine aynı anda basın ve ardından egzoz filtresini çıkarın. **[9]**
7. Egzoz filtresini ılık suda yıkayın ve 24 saat kurumaya bırakın. Tamamen kurduğunda süpürgeye yerine yeniden takınız. **[10] [11]**
8. Toz haznesini/örgü filtreyi/siklon ayırıcıyı ılık suda yıkayın. Yeniden elektrikli süpürge ana gövdesine takmadan önce tamamen kurummasını bekleyin. **[10]**
9. El süpürgesi ünitesini tekrar monte edin ve ardından yerleştirme istasyonuna takın. **[12]**

NOT: Egzoz filtresini temizlerken sıcak su veya deterjan kullanmayın. Egzoz filtresinin hasar görmesi durumunda orijinal bir Hoover yedek parçası takın. Ürünü filtre takılı değilken kullanmaya çalışmayın.

* Sadece bazı modeller için

ÖNEMLİ: Optimum performans için her zaman örgü filtrenizi temiz tutun. Filtrenin en az ayda bir kez yıkanmasını öneririz.

Döner Fırçanın Değiştirilmesi ve Temizlenmesi

ÖNEMLİ: Döner fırçayı değiştirmeden veya temizlemeden önce daima cihazı kapatın.

1. Elektrikli başlığı borudan çıkarın ve döner fırça açma düğmesini ileriye doğru kaydırarak döner fırçayı çıkarın. **[13]**
2. Tüm çöpü döner fırçadan çıkarın veya bu yeterli gelmezse değiştirebilirsiniz.
3. Döner fırçayı tekrar takarken lütfen sadece tek yönde takılabileceğini unutmayın. Takmak için döner fırça açma düğmesini dışarıya doğru kaydırın ve döner fırçayı doğru konuma yerleştirin, ardından düğmeyi açın, otomatik olarak kilitletir.

Pillerin Değiştirilmesi

Bu elektrik süpürgesine değiştirilebilir, yeniden şarj edilebilir Lityum İyon batarya grubu takılmıştır.

UYARI: Yalnızca elektrik süpürge için onaylanmış yedek parçaları kullanın. Hoover tarafından onaylanmamış parçaların kullanılması tehlikelidir ve garantinizi geçersiz kılar.

UYARI: Batarya grubunu açmaya ve kendiniz onarmaya çalışmayın.

1. Batarya grubu açma düğmesini geri çekin ve batarya otomatik olarak kısa bir mesafe dışarı itilir. **[14a]**
2. Batarya grubunu yuvadan yavaşça çekin. **[14b]**
3. Eski batarya grubunu çıkarın ve yeni batarya grubuyla değiştirin.
4. Pilleri güvenli bir şekilde imha edin. Kullanılmış bataryaların geri dönüştürme istasyonuna götürülmeleri ve evsel atıkla atılmamaları gerekir.

SORUN GİDERME

Elektrikli süpürgeyle ilgili bir sorun yaşarsanız, Hoover Müşteri Hizmetleri Merkezi'ni aramadan önce aşağıdaki kontrol listesini inceleyin:

- A. Elektrikli süpürge açılmıyor.**
Süpürge'nin şarj olduğundan emin olun.
- B. Süpürge çalışmayı kesti veya karıştırıcı dönmüyor.**
Karıştırıcıda bir engel olup olmadığına bakın, engeli ortadan kaldırın ve sürekli mod kolunun kapalı konumunda olduğundan emin olun. Bu işlem tamamlandıktan sonra açma/kapama düğmesine basmanız halinde ürün birkaç saniye içinde yeniden başlatılacaktır.
- C. Emme zayıf veya emme yapılmıyor.**
Toz haznesini boşaltın ve örgü filtresi ve siklon ayırıcıyı yıkayın.
Başlığı çıkarın ve kanalda tıkanma olup olmadığını kontrol edin.
- D. Bataryalar şarj edilemiyor.**
Bu, çok uzun süre saklamadan dolayı olabilir (altı aydan fazla).
Batarya değişimi için Hoover müşteri hizmetlerine başvurun.
Sorun devam ederse Hoover Müşteri Hizmetleri Merkezi'ne başvurun.

HOOVER YEDEK PARÇA VE SARF MALZEMELERİ

Parçaları daima orijinal Hoover parçaları ile değiştirin. Bu parçaları Hoover servislerinden tedarik edebilirsiniz. Parça siparişi verirken mutlaka cihazın model numarasını belirtin.

GARANTİNİZ

Bu cihaz için garanti koşulları, cihazın satıldığı ülkedeki temsilcimiz tarafından tanımlanmaktadır. Bu koşullara ilişkin ayrıntılar cihazın satın alındığı bayiden edinilebilmektedir. Bu garanti koşulları altında yapılan talepte satış fişi(faturası) ve makbuzu ibraz edilmiş olmalıdır.

Haber verilmeksizin değişiklikler yapılabilir.



®

BORN INNOVATIVE

PRINTED IN P.R.C.
48020806/04