



*Thinking of you*  
**Electrolux**



SG215N  
SG256N

.....  
**EN** FREEZER  
**DE** GEFRIERGERÄT

.....  
USER MANUAL 2  
BENUTZERINFORMATION 21



## CONTENTS

1. SAFETY INFORMATION.....	3
2. SAFETY INSTRUCTIONS.....	4
3. OPERATION.....	5
4. DAILY USE.....	7
5. HINTS AND TIPS.....	9
6. CARE AND CLEANING.....	10
7. TROUBLESHOOTING.....	11
8. INSTALLATION.....	14
9. NOISES.....	17
10. TECHNICAL INFORMATION.....	19
11. GUARANTEE .....	19

## WE'RE THINKING OF YOU

Thank you for purchasing an Electrolux appliance. You've chosen a product that brings with it decades of professional experience and innovation. Ingenious and stylish, it has been designed with you in mind. So whenever you use it, you can be safe in the knowledge that you'll get great results every time.

Welcome to Electrolux.

Visit our website for:



Get usage advice, brochures, trouble shooter, service information:

**[www.electrolux.com](http://www.electrolux.com)**



Register your product for better service:

**[www.registerelectrolux.com](http://www.registerelectrolux.com)**



Buy Accessories, Consumables and Original spare parts for your appliance:

**[www.electrolux.com/shop](http://www.electrolux.com/shop)**

## CUSTOMER CARE AND SERVICE

Always use original spare parts.

When contacting our Authorised Service Centre, ensure that you have the following data available: Model, PNC, Serial Number.

The information can be found on the rating plate.



Warning / Caution-Safety information



General information and tips



Environmental information

Subject to change without notice.

## 1. ⚠ SAFETY INFORMATION

Before the installation and use of the appliance, carefully read the supplied instructions. The manufacturer is not responsible if an incorrect installation and use causes injuries and damages. Always keep the instructions with the appliance for future reference.

### 1.1 Children and vulnerable people safety

- This appliance can be used by children aged from 8 years and above and persons with reduced physical, sensory or mental capabilities or lack of experience and knowledge if they have been given supervision or instruction concerning use of the appliance in a safe way and understand the hazards involved.
- Do not let children play with the appliance.
- Cleaning and user maintenance shall not be made by children without supervision.
- Keep all packaging away from children.

### 1.2 General Safety

- This appliance is intended to be used in household and similar applications such as:
  - Farm houses; staff kitchen areas in shops, offices and other working environments
  - By clients in hotels, motels, bed and breakfast and other residential type environments
- Keep ventilation openings, in the appliance enclosure or in the built-in structure, clear of obstruction.
- Do not use mechanical devices or other means to accelerate the defrosting process, other than those recommended by the manufacturer.
- Do not damage the refrigerant circuit.
- Do not use electrical appliances inside the food storage compartments of the appliance, unless they are of the type recommended by the manufacturer.
- Do not use water spray and steam to clean the appliance.

- Clean the appliance with a moist soft cloth. Only use neutral detergents. Do not use abrasive products, abrasive cleaning pads, solvents or metal objects.
- Do not store explosive substances such as aerosol cans with a flammable propellant in this appliance.
- If the supply cord is damaged, it must be replaced by the manufacturer, its service agent or similarly qualified persons in order to avoid a hazard.

## 2. SAFETY INSTRUCTIONS

### 2.1 Installation



#### **WARNING!**

Only a qualified person must install this appliance.

- Remove all the packaging.
- Do not install or use a damaged appliance.
- Obey the installation instruction supplied with the appliance.
- Always be careful when you move the appliance because it is heavy. Always wear safety gloves.
- Make sure the air can circulate around the appliance.
- Wait at least 4 hours before connecting the appliance to the power supply. This is to allow the oil to flow back in the compressor.
- Do not install the appliance close to radiators or cookers, oven or hobs.
- The rear of the appliance must stand against the wall.
- Do not install the appliance where there is direct sunlight.
- Do not install this appliance in areas that are too humid or too colds, such as the construction appendices, garages or wine cellars.
- When you move the appliance, lift it by the front edge to avoid scratching the floor.

### 2.2 Electrical connection



#### **WARNING!**

Risk of fire and electrical shock.

- The appliance must be earthed.

- Make sure that the electrical information on the rating plate agrees with the power supply. If not, contact an electrician.
- Always use a correctly installed shockproof socket.
- Do not use multi-plug adapters and extension cables.
- Make sure not to cause damage to the electrical components (e.g. mains plug, mains cable, compressor). Contact the Service or an electrician to change the electrical components.
- The mains cable must stay below the level of the mains plug.
- Connect the mains plug to the mains socket only at the end of the installation. Make sure that there is access to the mains plug after the installation.
- Do not pull the mains cable to disconnect the appliance. Always pull the mains plug.

### 2.3 Use



#### **WARNING!**

Risk of injury, burns, electrical shock or fire.

- Do not change the specification of this appliance.
- Do not put electrical appliances (e.g. ice cream makers) in the appliance unless they are stated applicable by the manufacturer.
- Be careful not to cause damage to the refrigerant circuit. It contains isobutane (R600a), a natural gas with a high level of environmental compatibility. This gas is flammable.

- If damage occurs to the refrigerant circuit, make sure that there are no flames and sources of ignition in the room. Ventilate the room.
- Do not let hot items touch the plastic parts of the appliance.
- Do not put soft drinks in the freezer compartment. This will create pressure on the drink container.
- Do not store flammable gas and liquid in the appliance.
- Do not put flammable products or items that are wet with flammable products in, near or on the appliance.
- Do not touch the compressor or the condenser. They are hot.
- Do not remove or touch items from the freezer compartment if your hands are wet or damp.
- Do not freeze again food that has been thawed.
- Obey the storage instructions on the packaging of frozen food.

## 2.4 Care and cleaning



### **WARNING!**

Risk of injury or damage to the appliance.

- Before maintenance, deactivate the appliance and disconnect the mains plug from the mains socket.

- This appliance contains hydrocarbons in the cooling unit. Only a qualified person must do the maintenance and the recharging of the unit.
- Regularly examine the drain of the appliance and if necessary, clean it. If the drain is blocked, defrosted water collects in the bottom of the appliance.

## 2.5 Disposal



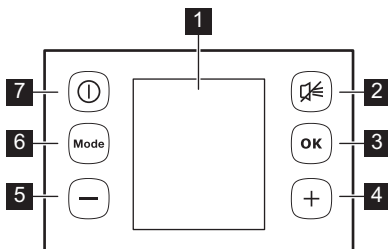
### **WARNING!**

Risk of injury or suffocation.

- Disconnect the appliance from the mains supply.
- Cut off the mains cable and discard it.
- Remove the door to prevent children and pets to be closed inside of the appliance.
- The refrigerant circuit and the insulation materials of this appliance are ozone-friendly.
- The insulation foam contains flammable gas. Contact your municipal authority for information on how to discard the appliance correctly.
- Do not cause damage to the part of the cooling unit that is near the heat exchanger.

# 3. OPERATION

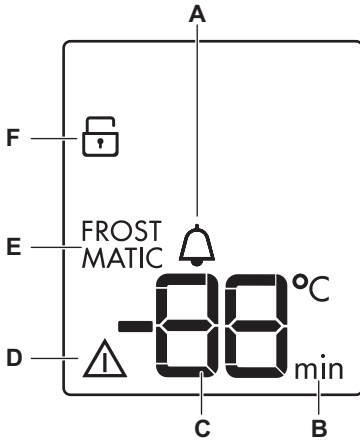
## 3.1 Control panel



- 1 Display
- 2 Alarm reset button
- 3 OK button
- 4 Temperature warmer button
- 5 Temperature colder button
- 6 Mode button
- 7 ON/OFF button

It is possible to change the button sound volume by pressing Mode and the temperature colder buttons together for a few seconds. Change is reversible.

### 3.2 Display



- A) MinuteMinder function
- B) Timer
- C) Temperature indicator
- D) Alarm indicator
- E) FROSTMATIC function
- F) ChildLock function

### 3.3 Switching on

1. Connect the mains plug to the power socket.
2. If the display is off, press ON/OFF. If DEMO appears on the display, the appliance is in demonstration mode. Refer to "What to do if...".

The temperature indicators show the set default temperature.

**i** To select a different set temperature refer to "Temperature regulation".

**!** **CAUTION!** If the door remains open for some minutes, the light will turn off automatically. The light is reset by closing and opening the door itself.

### 3.4 Switching off

1. Press ON/OFF for a few seconds. The display switches off.
2. Disconnect the mains plug from the power socket.

### 3.5 Temperature regulation

The set temperature of the freezer may be adjusted by pressing the temperature button.

Default temperature:

- -18°C for the freezer

The temperature indicator shows the set temperature.

**i** The set temperature will be reached within 24 hours. After a power failure the set temperature remains stored.

### 3.6 MinuteMinder function

The MinuteMinder function is to be used to set an acoustic alarm at the preferred time, useful for example when a recipe requires to cool down food products for a certain length of time.

It is also useful when a reminder is needed in order not to forget the bottles placed in the freezer for fast cooling.

1. Press Mode until the corresponding icon appears. The MinuteMinder indicator flashes. The Timer shows the set value (30 minutes) for a few seconds.
2. Press the Temperature colder or Temperature warmer button to change the Timer set value from 1 to 90 minutes.
3. Press OK to confirm. The MinuteMinder indicator is shown. The Timer starts to flash (min).

It is possible to change the time at any time during the countdown and at the end by pressing the Temperature colder button and the Temperature warmer button.

At the end of the countdown, the MinuteMinder indicator flashes and an audible alarm sounds. Press OK to switch off the sound and terminate the function.

It is possible to deactivate the function at any time during the countdown by repeating the function steps, until the indicator turns off.

### 3.7 ChildLock function

Activate the ChildLock function to lock the buttons from unintentional operation.

1. Press Mode until the corresponding icon appears.

The ChildLock indicator flashes.

2. Press OK to confirm.

The ChildLock indicator is shown.

To deactivate the ChildLock function, repeat the procedure until the ChildLock indicator goes off.

### 3.8 FROSTMATIC function

The FROSTMATIC function accelerates the freezing of fresh food and, at the same time, protects foodstuffs already stored from undesirable warming.

1. Press Mode until the corresponding icon appears.

The FROSTMATIC indicator flashes.

2. Press OK to confirm.

The FROSTMATIC indicator is shown.



The FROSTMATIC function shuts off automatically after 52 hours.

To switch off the function before its automatic end, repeat the steps until the FROSTMATIC indicator goes off.



The function switches off by selecting a different freezer set temperature.

### 3.9 High temperature alarm

Temperature increase in the freezer compartment (for example due to an earlier power failure or door is open) is indicated by:

- flashing the alarm and freezer temperature indicators;
- sounding of buzzer.

Press any button.

The buzzer switches off.

The freezer temperature indicator shows the highest temperature reached for a few seconds. Then show again the set temperature.

The alarm indicator continue to flash until the normal conditions are restored.

### 3.10 Door open alarm

An acoustic alarm will sound if the door is left open for a few minutes. The door open alarm conditions are indicated by:

- a flashing Alarm indicator;
- an acoustic buzzer.

When normal conditions are restored (door closed), the alarm will stop. The buzzer can also be switched off by pressing any button.

## 4. DAILY USE



### WARNING!

Refer to Safety chapters.

### 4.1 Storage of frozen food

When first starting-up or after a period out of use, let the appliance run at least 2

hours before putting products in the freezer compartment.

The freezer baskets ensure that it is quick and easy to find the food packages you want. If large quantities of food are to be stored, remove all drawers except for the bottom basket which secures good air circulation.

The two plastic frames supporting the large drawers also need to be removed. To optimise storage area, move glass shelf from the fourth position to the one just above the bottom basket.

It is possible to place food that protrudes 15 mm from the door on all shelves except the top one.



In the event of accidental defrosting, for example due to a power failure, if the power has been off for longer than the value shown in the technical characteristics chart under "rising time", the defrosted food must be consumed quickly or cooked immediately and then re-frozen (after cooling).

## 4.2 Cold accumulators

The freezer contains at least one cold accumulator which increases storage time in the event of a power cut or breakdown.

## 4.3 Freezing fresh food

The freezer compartment is suitable for freezing fresh food and storing frozen and deep-frozen food for a long time.

To freeze small amount of fresh foods it is not necessary to change the present setting.

To freeze fresh food activate the FROSTMATIC function at least 24 hours before placing the food to be frozen in the freezer compartment.

Place the fresh food to be frozen in all compartments except the lowest one.

The maximum amount of food that can be frozen in 24 hours is specified on the rating plate, a label located on the inside of the appliance.

The freezing process lasts 24 hours: during this period do not add other food to be frozen.

When the freezing process is completed, return to the required temperature (see "FROSTMATIC Function").

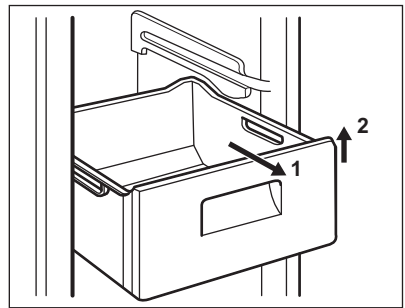
## 4.4 Thawing

Deep-frozen or frozen food, prior to being used, can be thawed in the refrigerator compartment or at room temperature, depending on the time available for this operation.

Small pieces may even be cooked still frozen, directly from the freezer: in this case, cooking will take longer.

## 4.5 Removal of freezing baskets and glass shelves from the freezer

The freezing baskets have a limit stop to prevent their accidental removal or falling out. At the time of its removal from the freezer, pull the basket towards yourself and, upon reaching the end point, remove the basket by tilting its front upwards.

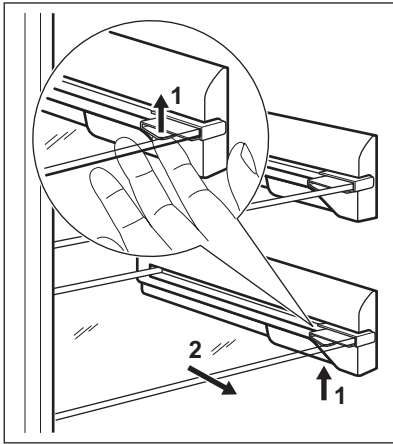


At the time of putting it back, slightly lift the front of the basket to insert it into the freezer. Once you are over the end points, push the baskets back in their position.

The appliance is equipped with shelf stops to secure the shelves.

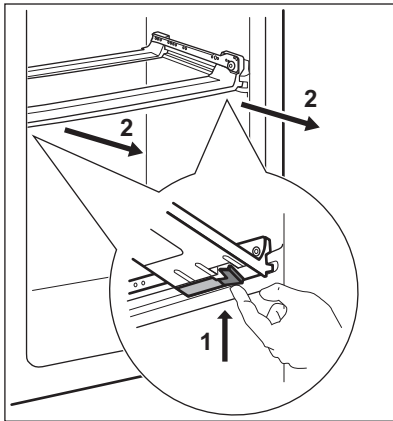
The shelves must be lifted up (1) on each side and then pulled outwards (2).





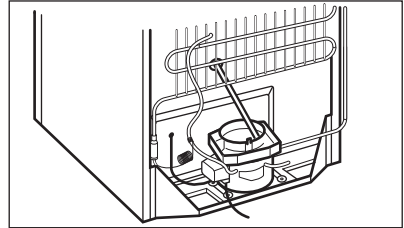
Some freezing baskets are equipped with expander rollers placed within a plastic frame.

To remove the plastic frame press the shelf stops placed underneath the frame and pull the frame gently out of the cabinet.



## 4.6 Cleaning the interior

1. Before using the appliance for the first time, wash the interior and all internal accessories with lukewarm water and neutral soap so as to remove the typical smell of a brand-new product, then dry thoroughly.
2. Check that the drain hose at the rear of the cabinet discharges into the drip tray.



### CAUTION!

Do not use detergents or abrasive powders, as these will damage the finish.

## 5. HINTS AND TIPS

### 5.1 Normal operating sounds

The following sounds are normal during operation:

- A faint gurgling and bubbling sound from coils sound when refrigerant is pumped.
- A whirring and pulsating sound from the compressor when refrigerant is pumped.
- A sudden cracking noise from inside appliance caused by thermic dilatation (a natural and not dangerous physical phenomenon).

- A faint click noise from the temperature regulator when the compressor switches on or off.

### 5.2 Hints for energy saving

- Do not open the door frequently or leave it open longer than absolutely necessary.
- If foreseen, do not remove the cold accumulators from the freezer basket.

### 5.3 Hints for freezing

To help you make the most of the freezing process, here are some important hints:

- the maximum quantity of food which can be frozen in 24 hrs. is shown on the rating plate;
- the freezing process takes 24 hours. No further food to be frozen should be added during this period;
- freeze only top quality, fresh and thoroughly cleaned, foodstuffs;
- prepare food in small portions to enable it to be rapidly and completely frozen and to make it possible subsequently to thaw only the quantity required;
- wrap up the food in aluminium foil or polythene and make sure that the packages are airtight;
- do not allow fresh, unfrozen food to touch food which is already frozen,

thus avoiding a rise in temperature of the latter;

- lean foods store better and longer than fatty ones; salt reduces the storage life of food;
- water ices, if consumed immediately after removal from the freezer compartment, can possibly cause the skin to be freeze burnt;
- it is advisable to show the freezing in date on each individual pack to enable you to keep tab of the storage time.

### 5.4 Hints for storage of frozen food

To obtain the best performance from this appliance, you should:

- make sure that the commercially frozen foodstuffs were adequately stored by the retailer;
- be sure that frozen foodstuffs are transferred from the foodstore to the freezer in the shortest possible time;
- not open the door frequently or leave it open longer than absolutely necessary;
- once defrosted, food deteriorates rapidly and cannot be refrozen;
- do not exceed the storage period indicated by the food manufacturer.

## 6. CARE AND CLEANING



### **WARNING!**

Refer to Safety chapters.

### 6.1 General warnings



### **CAUTION!**

Unplug the appliance before carrying out any maintenance operation.



This appliance contains hydrocarbons in its cooling unit; maintenance and recharging must therefore only be carried out by authorized technicians.



The accessories and parts of the appliance are not suitable for washing in a dishwasher.

### 6.2 Periodic cleaning



### **CAUTION!**

Do not pull, move or damage any pipes and/or cables inside the cabinet.



### **CAUTION!**

Take care of not to damage the cooling system.

**CAUTION!**

When moving the cabinet, lift it by the front edge to avoid scratching the floor.

The equipment has to be cleaned regularly:

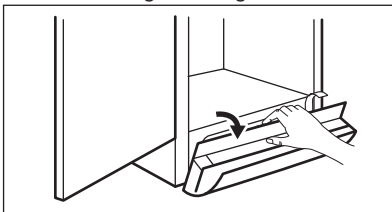
1. Clean the inside and accessories with lukewarm water and some neutral soap.
2. Regularly check the door seals and wipe clean to ensure they are clean and free from debris.
3. Rinse and dry thoroughly.
4. If accessible, clean the condenser and the compressor at the back of the appliance with a brush.  
This operation will improve the performance of the appliance and save electricity consumption.

**6.3** Cleaning the ventilation grille

Make sure the door is open.

The ventilation grille can be removed for washing.

1. Loosen the edge of the grille by pulling it according to the figure.



2. Pull the grille straight out to completely remove it.
3. Vacuum clean under the cabinet.

**6.4** Defrosting the freezer

The freezer compartment is frost free. This means that there is no build up of frost when it is in operation, neither on the internal walls nor on the foods.

The absence of frost is due to the continuous circulation of cold air inside the compartment, driven by an automatically controlled fan.

**6.5** Periods of non-operation

When the appliance is not in use for long periods, take the following precautions:

1. Disconnect the appliance from electricity supply.
2. Remove all food.
3. Clean the appliance and all accessories.
4. Leave the door/doors open to prevent unpleasant smells.

**WARNING!**

If the cabinet will be kept on, ask somebody to check it once in a while to prevent the food inside from spoiling in case of a power failure.

**7. TROUBLESHOOTING****WARNING!**

Refer to Safety chapters.

**7.1** What to do if...

Problem	Possible cause	Solution
The appliance does not operate.	The appliance is switched off.	Switch on the appliance.

<b>Problem</b>	<b>Possible cause</b>	<b>Solution</b>
	The mains plug is not connected to the mains socket correctly.	Connect the mains plug to the mains socket correctly.
	There is no voltage in the mains socket.	Connect a different electrical appliance to the mains socket. Contact a qualified electrician.
The appliance is noisy.	The appliance is not supported properly.	Check if the appliance stands stable.
Audible or visual alarm is on.	The cabinet has been recently switched on or the temperature is still too high.	Refer to "Door Open Alarm" or "High Temperature Alarm".
	The temperature in the appliance is too high.	Refer to "Door Open Alarm" or "High Temperature Alarm".
	The door is left open.	Close the door.
	The temperature in the appliance is too high.	Contact a qualified electrician or contact the nearest Authorized Service Centre.
A rectangular symbol is shown instead of numbers on the Temperature Display.	Temperature sensor problem.	Contact the nearest Authorized Service Centre (the cooling system will continue to keep food products cold, but temperature adjustment will not be possible).
The lamp does not work.	The lamp is in stand-by.	Close and open the door.
The lamp does not work.	The lamp is defective.	Contact the nearest Authorized Service Centre.
The compressor operates continually.	Temperature is set incorrectly.	Refer to "Operation" chapter.
	Many food products were put in at the same time.	Wait some hours and then check the temperature again.
	The room temperature is too high.	Refer to climate class chart on the rating plate.
	Food products placed in the appliance were too warm.	Allow food products to cool to room temperature before storing.
	The door is not closed correctly.	Refer to "Closing the door".
	The FROSTMATIC function is switched on.	Refer to "FROSTMATIC function".

Problem	Possible cause	Solution
There is too much frost and ice.	The door is not closed correctly or the gasket is deformed/dirty.	Refer to "Closing the door".
The compressor does not start immediately after pressing the FROSTMATIC, or after changing the temperature.	This is normal, no error has occurred.	The compressor starts after a period of time.
Water flows on the floor.	The melting water outlet is not connected to the evaporative tray above the compressor.	Attach the melting water outlet to the evaporative tray.
Temperature cannot be set.	The FROSTMATIC function is switched on.	Switch off FROSTMATIC manually, or wait until the function resets automatically to set the temperature. Refer to "FROSTMATIC function".
DEMO appears on the display.	The appliance is in demonstration mode.	Keep the Mode pressed for approximately 10 seconds until a long sound is heard and display shuts off for a short time.
Door is misaligned or interferes with ventilation grill.	The appliance is not levelled.	Refer to "Levelling".
The temperature in the appliance is too low/too high.	The temperature regulator is not set correctly.	Set a higher/lower temperature.
	Food products placed in the appliance were too warm.	Allow food products to cool to room temperature before storing.
	The door has been opened often.	Open the door only if necessary.
	The FROSTMATIC function is switched on.	Refer to "FROSTMATIC function".
	There is no cold air circulation in the appliance.	Make sure that there is cold air circulation in the appliance.



If the advice does not lead to the desired result, call the nearest Authorized Service Centre.

2. If necessary, adjust the door. Refer to "Installation".
3. If necessary, replace the defective door gaskets. Contact the Authorized Service Centre.

## 7.2 Closing the door

1. Clean the door gaskets.

## 7.3 Replacing the lamp

The appliance is equipped with a longlife LED interior light.

Only service is allowed to replace the lighting device. Contact your Authorised Service Centre.

# 8. INSTALLATION



### WARNING!

Refer to Safety chapters.

## 8.1 Positioning

This appliance can be installed in a dry, well ventilated indoor where the ambient temperature corresponds to the climate class indicated on the rating plate of the appliance:

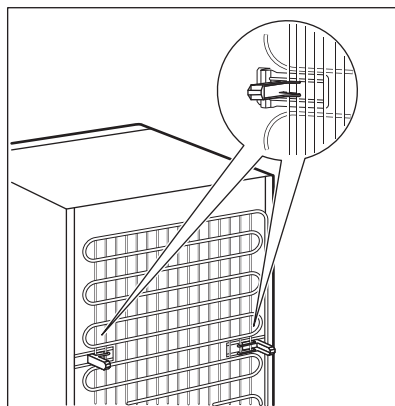
Climate class	Ambient temperature
SN	+10°C to + 32°C
N	+16°C to + 32°C
ST	+16°C to + 38°C
T	+16°C to + 43°C



Some functional problems might occur for some types of models when operating outside of that range. The correct operation can only be guaranteed within the specified temperature range. If you have any doubts regarding where to install the appliance, please turn to the vendor, to our customer service or to the nearest Service Centre

## 8.2 Rear spacers

Install the spacers, provided within the accessory bag, on the brackets of the condenser (black grill) at the back of the appliance, as shown in the figure.

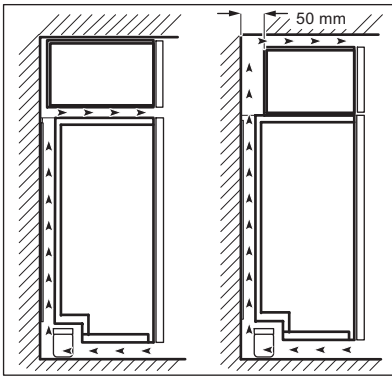


## 8.3 Location

To ensure best performance, if the appliance is positioned below an overhanging wall unit, the minimum distance between the top of the cabinet and the wall unit must be at least 40 mm. Ideally, however, the appliance should not be positioned below overhanging wall units.

The ventilation space can be:

- directly above the appliance
- behind and above the top cupboard. In this case, the space behind the top cupboard must be at least 50 mm deep.



### 8.4 Electrical connection

- Before plugging in, ensure that the voltage and frequency shown on the rating plate correspond to your domestic power supply.
- The appliance must be earthed. The power supply cable plug is provided with a contact for this purpose. If the domestic power supply socket is not earthed, connect the appliance to a separate earth in compliance with current regulations, consulting a qualified electrician.
- The manufacturer declines all responsibility if the above safety precautions are not observed.
- This appliance complies with the E.E.C. Directives.

### 8.5 Removing the transport support

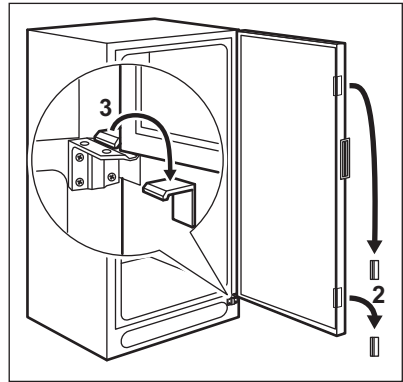
Your appliance is equipped with transport support to secure the door during transportation.

1. Open the door.
2. Remove the transport support from the door sides.
3. Remove the transport support from the lower hinge (some models).



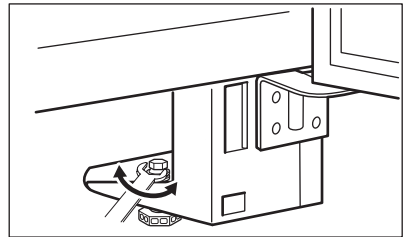
#### **CAUTION!**

Some models are fitted with a silencing pad under the cabinet. Do not remove this pad.



### 8.6 Levelling

When placing the appliance ensure that it stands level. If necessary adjust the feet using the adjustment spanner supplied. Door alignment is dependent on proper levelling.



### 8.7 Door reversibility



#### **WARNING!**

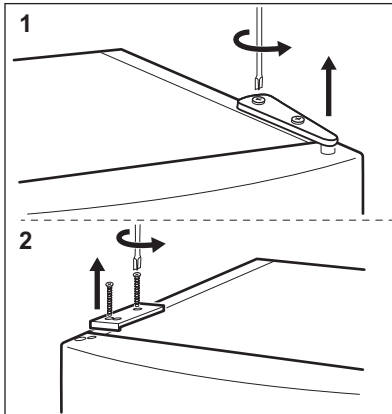
Before carrying out any operations, remove the plug from the power socket.



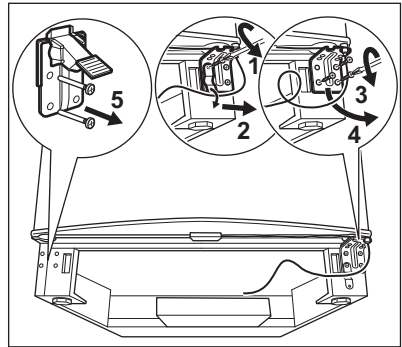
**CAUTION!**

To carry out the following operations, we suggest that this be made with another person that will keep a firm hold on the doors of the appliance during the operations.

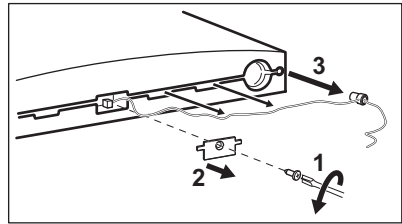
1. Remove the ventilation grille. Remove the upper filling and install it on the opposite side of the grille.
2. Remove the pedal hole cover and install the cover provided in the accessory bag on the opposite side.
3. Lay down the appliance back side down on a wooden support.
4. Unscrew the hinge (1).
5. Remove the cover (2) and install the hinge on the opposite side. Install the cover on the opposite side.



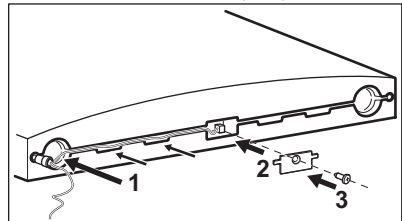
6. Unscrew the cable holder (1). Remove the cable from its position (2).
7. Unscrew the lower hinge (3) and pull the cable out from the door (4). Unscrew and move the pedal (5) to the opposite side.



8. Unscrew the cover (1, 2), remove the cable from its position (3).

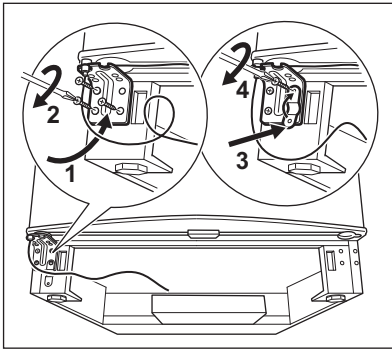


9. Push the cable with bushing into position on the other side (1) and screw on the cover (2, 3).

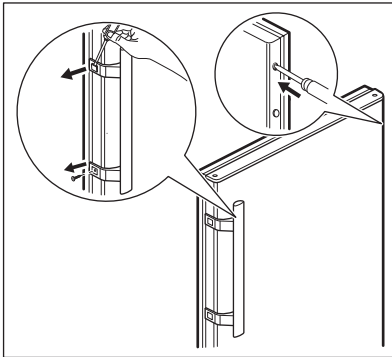


10. Screw on the lower hinge (1, 2), screw on the cable holder (3, 4).





11. Remove the covers on the handles carefully with a small screwdriver.
12. Unscrew the handle.
13. On the opposite side remove the hole covers by driving a 3-4 mm drift or drill into them.
14. Install the handle.
15. Install the covers on the handle.
16. Install the hole covers provided within the accessory bag.



## 9. NOISES

There are some sounds during normal running (compressor, refrigerant circulation).

17. Raise the appliance and install the ventilation grill.
18. Put the cabinet in position.



### CAUTION!

Reposition, level the appliance, wait for at least four hours and then connect it to the power socket.

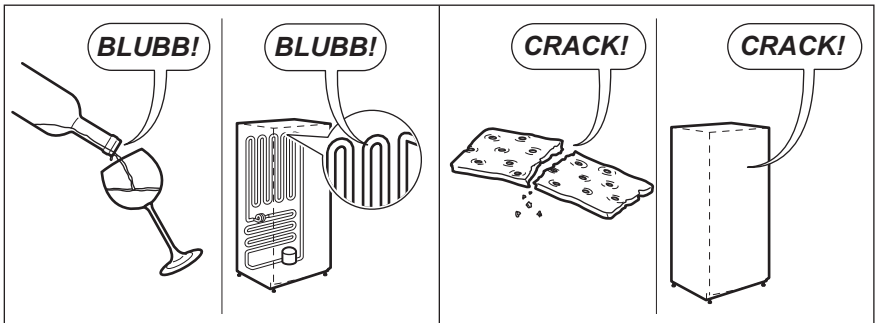
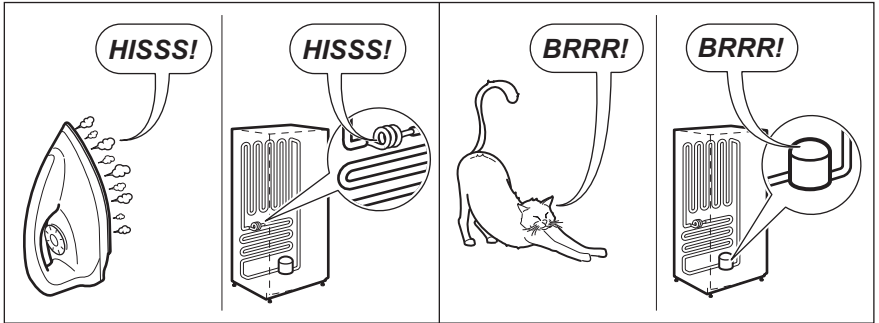
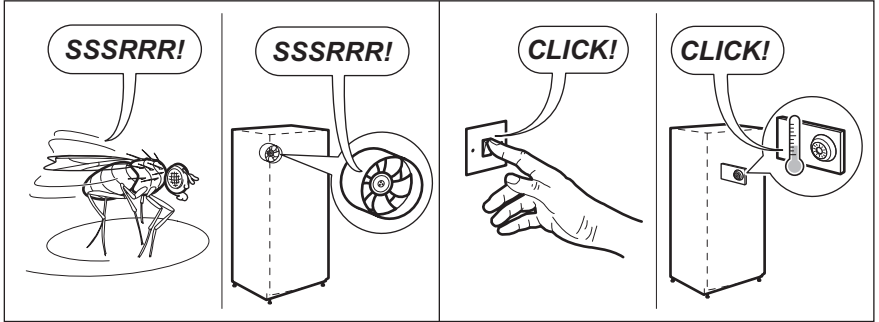
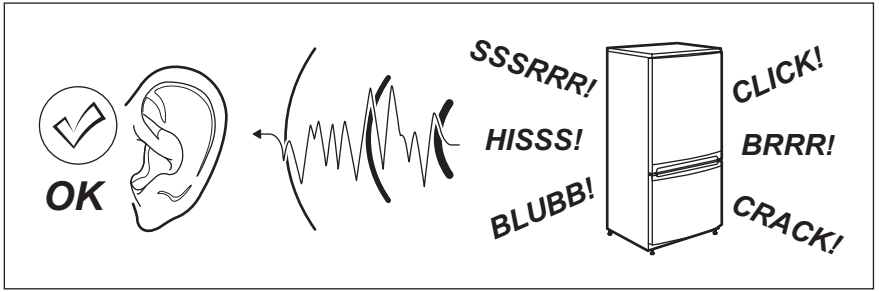


Do a final check to make sure that:

- All screws are tightened.
- The magnetic seal adheres to the cabinet.
- The door opens and closes correctly.

If the ambient temperature is cold (i.e. in Winter), the gasket may not fit perfectly to the cabinet. In that case, wait for the natural fitting of the gasket.

In case you do not want to carry out the above mentioned operations, contact the nearest Authorised Service Centre. The Authorised Service specialist will carry out the reversibility of the doors at your cost.



## 10. TECHNICAL INFORMATION

### 10.1 Technical data

Height	mm	1600/1800
Width	mm	660
Depth	mm	705
Rising time	Hours	16
Voltage	Volts	230 - 240
Frequency	Hz	50

The technical information are situated in the rating plate, on the external or internal

side of the appliance and in the energy label.

## 11. GUARANTEE

Customer Service Centres

Point of Service		
Industriestrasse 10 5506 Mägenwil	Le Trési 6 1028 Préverenges	Via Violino 11 6928 Manno
Morgenstrasse 131 3018 Bern		
Zürcherstrasse 204E 9000 St. Gallen		
Seetalstrasse 11 6020 Emmenbrücke		
St. Jakob-Turm Birsstrasse 320B 4052 Basel		
Comercialstrasse 19 7000 Chur		





**Spare parts service** Industriestrasse 10, 5506 Mägenwil, Tel. 0848 848 111

**Specialist advice/Sale** Badenerstrasse 587, 8048 Zürich, Tel. 044 405 81 11

**Warranty** For each product we provide a two-year guarantee from the date of purchase or delivery to the consumer (with a guarantee certificate, invoice or sales receipt serving as proof). The guarantee

covers the costs of materials, labour and travel. The guarantee will lapse if the operating instructions and conditions of use are not adhered to, if the product is incorrectly installed, or in the event of damage caused by external influences, force majeure, intervention by third parties or the use of non-genuine components.

## 12. ENVIRONMENT CONCERNS

Recycle the materials with the symbol . Put the packaging in applicable containers to recycle it. Help protect the environment and human health and to recycle waste of electrical and electronic appliances. Do not dispose appliances marked with the symbol  with the household waste. Return the product to your local recycling facility or contact your municipal office.



### **For Switzerland:**

Where should you take your old equipment?

Anywhere that sells new equipment or hand it in to official SENS collection points or official SENS recycling firms.

The list of official SENS collection points can be found at [www.erecycling.ch](http://www.erecycling.ch)

# INHALTSVERZEICHNIS

1. SICHERHEITSINFORMATIONEN.....	22
2. SICHERHEITSANWEISUNGEN.....	23
3. BETRIEB.....	25
4. TÄGLICHER GEBRAUCH.....	27
5. TIPPS UND HINWEISE.....	29
6. REINIGUNG UND PFLEGE.....	30
7. FEHLERSUCHE.....	32
8. MONTAGE.....	34
9. GERÄUSCHE.....	38
10. TECHNISCHE DATEN.....	39
11. GARANTIE.....	40

## WIR DENKEN AN SIE

Vielen Dank, dass Sie sich für ein Gerät von Electrolux entschieden haben. Sie haben ein Produkt gewählt, hinter dem jahrzehntelange professionelle Erfahrung und Innovation stehen. Bei der Entwicklung dieses großartigen und eleganten Geräts haben wir an Sie gedacht. So haben Sie bei jedem Gebrauch die Gewissheit, dass Sie stets großartige Ergebnisse erzielen werden.

Willkommen bei Electrolux.

Besuchen Sie uns auf unserer Website, um:



Anwendungshinweise, Prospekte, Fehlerbehebungs- und Service-Informationen zu erhalten:

**[www.electrolux.com](http://www.electrolux.com)**



Ihr erworbenes Produkt zu registrieren, um den besten Service dafür zu gewährleisten:

**[www.registerelectrolux.com](http://www.registerelectrolux.com)**



Zubehör, Verbrauchsmaterial und Original-Ersatzteile für Ihr Gerät zu erwerben:

**[www.electrolux.com/shop](http://www.electrolux.com/shop)**

## REPARATUR- UND KUNDENDIENST

Bitte verwenden Sie ausschließlich Original-Ersatzteile für Ihre Produkte.

Halten Sie folgende Angaben bereit, wenn Sie sich an den Kundendienst wenden  
Modell, Produktnummer (PNC), Seriennummer.

Diese Informationen finden Sie auf dem Typenschild.



Warnungs-/ Sicherheitshinweise



Allgemeine Informationen und Empfehlungen



Informationen zum Umweltschutz

Änderungen vorbehalten.

## 1. ⚠ SICHERHEITSINFORMATIONEN

Lesen Sie vor der Montage und dem Gebrauch des Geräts zuerst die Gebrauchsanleitung. Der Hersteller übernimmt keine Verantwortung für Verletzungen und Beschädigungen durch unsachgemäße Montage. Bewahren Sie die Gebrauchsanleitung griffbereit auf.

### 1.1 Sicherheit von Kindern und schutzbedürftigen Personen

- Das Gerät kann von Kindern ab 8 Jahren und Personen mit eingeschränkten physischen, sensorischen oder geistigen Fähigkeiten oder mit mangelnder Erfahrung und/oder mangelndem Wissen nur dann verwendet werden, wenn sie durch eine für ihre Sicherheit zuständige Person beaufsichtigt werden oder in die sichere Verwendung des Geräts eingewiesen wurden und die mit dem Gerät verbundenen Gefahren verstanden haben.
- Kinder dürfen nicht mit dem Gerät spielen.
- Wartung oder Reinigung des Geräts dürfen nicht von Kindern ohne Aufsicht erfolgen.
- Alle Verpackungsmaterialien von Kindern fernhalten.

### 1.2 Allgemeine Sicherheit

- Dieses Gerät ist für die Verwendung im Haushalt und ähnliche Zwecke vorgesehen, wie z. B.:
  - Bauernhöfe, Personalküchenbereiche in Geschäften, Büros und anderen Arbeitsumfeldern
  - Für Gäste in Hotels, Motels, Pensionen und anderen wohnungsähnlichen Räumlichkeiten
- Achten Sie darauf, dass die Belüftungsöffnungen im Gehäuse um das Gerät und in der Einbaunische nicht blockiert sind.
- Versuchen Sie nicht, den Abtauvorgang durch andere als vom Hersteller empfohlene mechanische oder sonstige Hilfsmittel zu beschleunigen.
- Beschädigen Sie nicht den Kältekreislauf.

- Betreiben Sie in den Lebensmittelfächern des Geräts keine anderen als die vom Hersteller empfohlenen Elektrogeräte.
- Reinigen Sie das Gerät nicht mit einem Wasser- oder Dampfstrahl.
- Reinigen Sie das Gerät mit einem weichen, feuchten Tuch. Verwenden Sie ausschließlich Neutralreiniger. Benutzen Sie keine Scheuermittel, scheuernde Reinigungsschwämmchen, Lösungsmittel oder Metallgegenstände.
- Bewahren Sie in dem Gerät keine explosiven Substanzen, wie Spraydosen mit entzündlichen Treibgasen auf.
- Wenn das Netzkabel beschädigt ist, muss es vom Hersteller, einem autorisierten Kundendienst oder einer gleichermaßen qualifizierten Person ersetzt werden, um Gefahren zu vermeiden.

## 2. SICHERHEITSANWEISUNGEN

### 2.1 Montage



#### **WARNUNG!**

Nur eine qualifizierte Fachkraft darf den elektrischen Anschluss des Geräts vornehmen.

- Entfernen Sie das Verpackungsmaterial.
- Stellen Sie ein beschädigtes Gerät nicht auf und benutzen Sie es nicht.
- Halten Sie sich an die mitgelieferte Montageanleitung.
- Seien Sie beim Umsetzen des Geräts vorsichtig, denn es ist schwer. Tragen Sie stets Sicherheitshandschuhe.
- Stellen Sie sicher, dass die Luft um das Gerät zirkulieren kann.
- Warten Sie mindestens 4 Stunden, bevor Sie das Gerät an das Stromnetz anschließen. Dies ist erforderlich, damit das Öl in den Kompressor zurückfließen kann.
- Stellen Sie das Gerät nicht in der Nähe von Heizkörpern, Herden, Backöfen oder Kochfeldern auf.

- Die Geräterückseite muss gegen die Wand gestellt werden.
- Stellen Sie das Gerät nicht dort auf, wo es direktem Sonnenlicht ausgesetzt sein könnte.
- Stellen Sie das Gerät nicht an zu feuchten oder kalten Orten auf, wie z. B. in Nebengebäuden, Garagen oder Weinkellern.
- Wenn Sie das Gerät verschieben möchten, heben Sie es bitte an der Vorderkante an, um den Fußboden nicht zu verkratzen.

### 2.2 Elektrischer Anschluss



#### **WARNUNG!**

Brand- und Stromschlaggefahr.

- Das Gerät muss geerdet sein.
- Stellen Sie sicher, dass die elektrischen Daten auf dem Typenschild den Daten Ihrer Stromversorgung entsprechen. Wenden Sie sich andernfalls an eine Elektrofachkraft.

- Schließen Sie das Gerät nur an eine ordnungsgemäß installierte Schutzkontaktsteckdose an.
- Verwenden Sie keine Mehrfachsteckdosen oder Verlängerungskabel.
- Achten Sie darauf, elektrische Bauteile (wie Netzstecker, Netzkabel und Kompressor) nicht zu beschädigen. Wenden Sie sich an den technischen Kundendienst oder eine Elektrofachkraft, um die elektrischen Bauteile auszutauschen.
- Das Netzkabel muss unterhalb des Netzsteckers verlegt werden.
- Stecken Sie den Netzstecker erst nach Abschluss der Montage in die Steckdose. Stellen Sie sicher, dass der Netzstecker nach der Montage noch zugänglich ist.
- Ziehen Sie nicht am Netzkabel, wenn Sie das Gerät von der Stromversorgung trennen möchten. Ziehen Sie stets am Netzstecker.

## 2.3 Verwendung



### WARNUNG!

Es besteht Verletzungs-, Verbrennungs-, Stromschlag- und Brandgefahr.

- Nehmen Sie keine technischen Änderungen am Gerät vor.
- Stellen Sie keine elektrischen Geräte (z. B. Eisbereiter) in das Gerät, wenn solche Geräte nicht ausdrücklich vom Hersteller für diesen Zweck zugelassen sind.
- Achten Sie darauf, den Kältekreislauf nicht zu beschädigen. Er enthält Isobutan (R600a), ein Erdgas mit einem hohen Grad an Umweltverträglichkeit. Dieses Gas ist brennbar.
- Wird der Kältekreislauf beschädigt, stellen Sie bitte sicher, dass es keine Flammen und Zündquellen im Raum gibt. Belüften Sie den Raum.
- Stellen Sie keine heißen Gegenstände auf die Kunststoffteile des Geräts.
- Legen Sie Erfrischungsgetränke nicht in das Gefrierfach. Dadurch entsteht Druck auf den Getränkebehälter.
- Bewahren Sie keine entzündbaren Gase und Flüssigkeiten im Gerät auf.

- Platzieren Sie keine entflammaren Produkte oder Gegenstände, die mit entflammaren Produkten benetzt sind, im Gerät, auf dem Gerät oder in der Nähe des Geräts.
- Berühren Sie nicht den Kompressor oder den Kondensator. Sie sind heiß.
- Nehmen Sie keine Gegenstände aus dem Gefrierfach bzw. berühren Sie diese nicht, falls Ihre Hände nass oder feucht sind.
- Frieren Sie aufgetaute Lebensmittel nicht wieder ein.
- Befolgen Sie die Hinweise auf der Verpackung zur Aufbewahrung tiefgekühlter Lebensmittel.

## 2.4 Reinigung und Pflege



### WARNUNG!

Verletzungsgefahr sowie Risiko von Schäden am Gerät.

- Schalten Sie das Gerät immer aus und ziehen Sie den Netzstecker aus der Steckdose, bevor Reinigungsarbeiten durchgeführt werden.
- Der Kältekreis des Gerätes enthält Kohlenwasserstoffe. Das Gerät muss von einer qualifizierten Fachkraft gewartet und nachgefüllt werden.
- Prüfen Sie regelmäßig den Wasserabfluss des Geräts und reinigen Sie ihn gegebenenfalls. Bei verstopftem Wasserabfluss sammelt sich das Abtauwasser am Boden des Geräts an.

## 2.5 Entsorgung



### WARNUNG!

Verletzungs- und Erstickungsgefahr.

- Trennen Sie das Gerät von der Stromversorgung.
- Schneiden Sie das Netzkabel ab, und entsorgen Sie es.
- Entfernen Sie die Tür, um zu verhindern, dass sich Kinder oder Haustiere in dem Gerät einschließen.
- Der Kältekreislauf und die Isolierungsmaterialien dieses Gerätes sind ozonfreundlich.

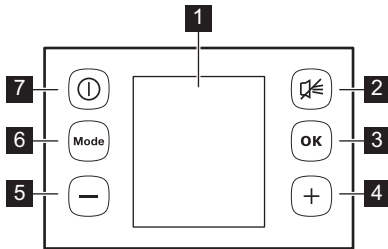


- Die Isolierung enthält entzündliches Gas. Für Informationen zur korrekten Entsorgung des Gerätes wenden Sie sich an Ihre kommunale Behörde.

- Achten Sie darauf, dass die Kühleinheit in der Nähe des Wärmetauschers nicht beschädigt wird.

## 3. BETRIEB

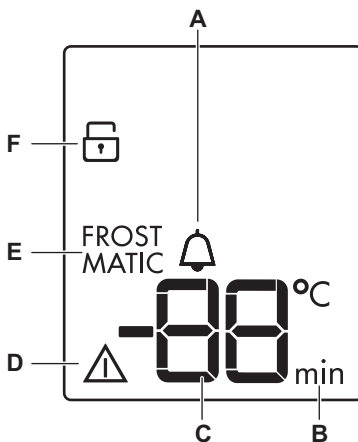
### 3.1 Bedienfeld



- 1 Display
- 2 Taste zum Ausschalten des Alarms
- 3 Taste OK
- 4 Taste zum Erhöhen der Temperatur
- 5 Taste zum Senken der Temperatur
- 6 Taste Mode
- 7 Taste ON/OFF

Wenn Sie die Taste Mode und die Taste zum Senken der Temperatur einige Sekunden lang gleichzeitig drücken, können Sie die Lautstärke des Tastentons ändern. Die Änderung lässt sich rückgängig machen.

### 3.2 Display



- A) Funktion MinuteMinder
- B) Timer
- C) Temperaturanzeige
- D) Alarmanzeige
- E) Funktion FROSTMATIC
- F) Funktion ChildLock

### 3.3 Einschalten des Geräts

- Stecken Sie den Netzstecker in die Netzsteckdose.
- Ist das Display ausgeschaltet, drücken Sie ON/OFF.

Wenn auf dem Display DEMO angezeigt wird, befindet sich das Gerät im Demo-Modus. Schlagen Sie dazu bitte unter „Was tun, wenn...“ nach.

Die Temperaturanzeigen zeigen die jeweils eingestellte Standardtemperatur an.



Informationen zur Auswahl einer anderen Temperatur finden Sie unter „Temperaturregelung“.



### **ACHTUNG!**

Bleibt die Tür einige Minuten lang geöffnet, schaltet sich die Beleuchtung automatisch aus. Die Beleuchtung wird durch das Schließen und Öffnen der Tür automatisch aus- bzw. eingeschaltet.

## **3.4 Ausschalten des Geräts**

1. Drücken Sie ON/OFF einige Sekunden.

Das Display wird ausgeschaltet.

2. Ziehen Sie den Netzstecker aus der Netzsteckdose.

## **3.5 Temperaturregelung**

Die Temperatur des Gefriergeräts wird mit der Temperaturtaste eingestellt. Standardtemperatur:

- -18 °C für den Gefrierschrank

Die Temperaturanzeige zeigt die eingestellte Temperatur an.



Die eingestellte Temperatur wird innerhalb von 24 Stunden erreicht. Nach einem Stromausfall bleibt die eingestellte Temperatur gespeichert.

## **3.6 Funktion MinuteMinder**

Mit der Funktion MinuteMinder wird ein akustischer Alarm auf eine gewünschte Zeit eingestellt. Dies ist zum Beispiel nützlich, wenn ein Rezept erfordert, dass eine Speise für eine bestimmte Zeit abkühlen muss.

Sie ist ebenfalls nützlich, wenn Sie die Flaschen, die Sie für eine schnellere Kühlung in den Gefrierraum gelegt haben, nicht vergessen möchten.

1. Drücken Sie Mode, bis das entsprechende Symbol angezeigt wird.

Die Anzeige MinuteMinder blinkt. Der Timer zeigt den eingestellten Wert (30 Minuten) einige Sekunden lang an.

2. Drücken Sie die Taste zur Erhöhung oder Verringerung der Temperatur, um die Ureinstellung von 1 bis 90 Minuten zu ändern.

3. Mit OK bestätigen.

Die MinuteMinder-Anzeige erscheint.

Im Timer blinkt (min)..

Die Zeit kann während des Countdowns und am Ende geändert werden, indem Sie die Tasten zur Erhöhung und Verringerung der Temperatur drücken.

Nach Ablauf des Countdowns blinkt die Anzeige MinuteMinder und es ertönt ein Alarmsignal. Schalten Sie den Alarmton und die Funktion mit OK aus.

Diese Funktion kann während des Countdowns jederzeit ausgeschaltet werden. Wiederholen Sie hierzu die obigen Schritte, bis die Anzeige erlischt.

## **3.7 Funktion ChildLock**

Schalten Sie die Funktion ChildLock ein, um die Tasten gegen eine unbeabsichtigte Betätigung zu verriegeln.

1. Drücken Sie die Taste Mode, bis das entsprechende Symbol angezeigt wird.

Die ChildLock Anzeige blinkt.

2. Mit OK bestätigen.

Die Anzeige ChildLock leuchtet.

Um die Funktion ChildLock auszuschalten, wiederholen Sie den Vorgang, bis die Anzeige ChildLock erlischt.

## **3.8 Funktion FROSTMATIC**

Die FROSTMATIC-Funktion ist eine Schnellgefrierfunktion, die die Tiefkühlung neu hinzukommender Lebensmittel beschleunigt und gleichzeitig die bereits tiefgekühlten Lebensmittel vor unerwünschter Erwärmung schützt.

1. Drücken Sie Mode, bis das entsprechende Symbol angezeigt wird.

Die FROSTMATIC-Anzeige blinkt.

2. Mit OK bestätigen.

Die FROSTMATIC-Anzeige erscheint.



Die Funktion FROSTMATIC wird nach etwa 52 Stunden automatisch abgeschaltet. Zum Ausschalten der Funktion vor ihrer automatischen Abschaltung, wiederholen Sie die obigen Schritte, bis die Anzeige FROSTMATIC erlischt.



Die Funktion wird durch die Auswahl einer anderen Gefriertemperatur ausgeschaltet.

### 3.9 Temperaturwarnung

Ein Anstieg der Temperatur im Gefrierraum (zum Beispiel aufgrund eines vorausgegangenen Stromausfalls oder einer geöffneten Gerätetür) wird wie folgt angezeigt:

- Blinkende Alarm- und Temperaturanzeige des Gefriergeräts.

- Ertönen eines Summers.

Drücken Sie eine beliebige Taste. Der Summer wird abgeschaltet.

Die Temperaturanzeige des Gefriergeräts zeigt die höchste erreichte Temperatur ein paar Sekunden lang an. Danach zeigt sie wieder die eingestellte Temperatur an. Die Alarmanzeige blinkt so lange, bis die normalen Bedingungen wieder hergestellt sind.

### 3.10 Alarm „Tür offen“

Es ertönt ein Alarmsignal, wenn die Tür einige Minuten lang offen steht. Der Alarm „Tür offen“ wird wie folgt angezeigt:

- Blinkende Alarmanzeige
- Akustisches Signal.

Sobald der Normalzustand wiederhergestellt ist (Tür geschlossen), wird der Alarm ausgeschaltet. Der Summer kann auch durch Drücken einer beliebigen Taste ausgeschaltet werden.

## 4. TÄGLICHER GEBRAUCH



### WARNUNG!

Siehe Kapitel Sicherheitshinweise.

### 4.1 Lagern von gefrorenen Lebensmitteln

Lassen Sie das Gerät bei der ersten Inbetriebnahme oder wenn das Gerät einige Zeit nicht benutzt wurde, mindestens 2 Stunden lang eingeschaltet, bevor Sie Lebensmittel in den Gefrierraum hineingeben.

Die Gefrierkörbe ermöglichen eine übersichtliche Lagerung und schnelles Auffinden Ihrer Lebensmittel. Wenn große Mengen an Lebensmitteln gelagert werden sollen, können die Schubladen herausgenommen werden. Nur der unterste Korb, der eine ausreichende Luftzirkulation gewährleistet, sollte an seinem Platz verbleiben.

Die beiden Kunststoffrahmen, die die großen Schubladen stützen, müssen

ebenfalls herausgenommen werden.

Setzen Sie die Glasablage aus der vierten Ebene in die Ebene über dem untersten Korb ein, um den Lagerraum zu optimieren.

Es ist auf allen Ablagen - mit Ausnahme der obersten Ablage - möglich, Lebensmittel bis zu einem Abstand von 15 mm zur Tür einzulagern.



Kam es zum Beispiel durch einen Stromausfall, der länger dauerte als der in der Tabelle mit den technischen Daten angegebene Wert (siehe „Lagerzeit bei Störung“) zu einem ungewollten Abtauen, dann müssen die aufgetauten Lebensmittel sehr rasch verbraucht oder sofort gekocht und nach dem Abkühlen erneut eingefroren werden.

## 4.2 Kälteakkus

Das Gefriergerät enthält mindestens einen Kälteakku, der die Lagerzeit im Falle eines Stromausfalls oder einer Störung verlängert.

## 4.3 Einfrieren frischer Lebensmittel

Der Gefrierraum eignet sich zum Einfrieren von frischen Lebensmitteln und zum längerfristigen Lagern von bereits gefrorenen und tiefgefrorenen Lebensmitteln.

Für das Einfrieren einer kleinen Menge frischer Lebensmittel ist keine Änderung der Einstellung erforderlich.

Um frische Lebensmittel einzufrieren, schalten Sie die Funktion FROSTMATIC mindestens 24 Stunden, bevor Sie die einzufrierenden Lebensmittel in das Gefrierfach legen, ein.

Legen Sie die frischen Lebensmittel, die eingefroren werden sollen, in ein beliebiges Fach, außer in das unterste Fach.

Die maximale Menge an Lebensmitteln, die in 24 Stunden eingefroren werden kann, ist auf dem Typenschild angegeben, das sich im Innern des Gerätes befindet.

Der Gefriervorgang dauert 24 Stunden: Legen Sie während dieses Zeitraums keine weiteren einzufrierenden Lebensmittel in das Gerät.

Stellen Sie nach Abschluss des Gefriervorgangs wieder die gewünschte Temperatur ein (siehe „Funktion FROSTMATIC“).

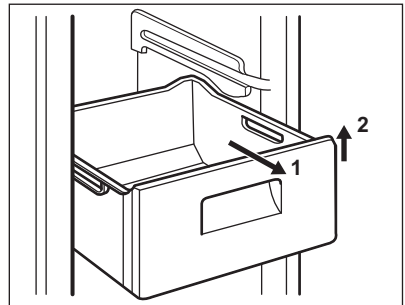
## 4.4 Abtauen

Tiefgefrorene oder gefrorene Lebensmittel können vor der Verwendung je nach der zur Verfügung stehenden Zeit im Kühlschrank oder bei Raumtemperatur aufgetaut werden.

Kleinere Gefriergutteile können sogar direkt aus dem Gefriergerät entnommen und anschließend sofort gekocht werden. In diesem Fall dauert der Garvorgang allerdings etwas länger.

## 4.5 Entnehmen der Gefrierkörbe und Glasablagen aus dem Gefriergerät

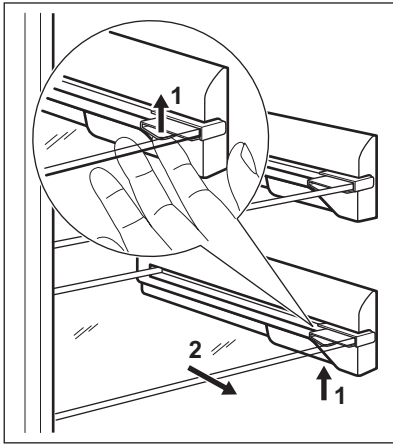
Die Gefrierkörbe sind mit einem Anschlag ausgestattet, der ein versehentliches Herausziehen oder ein Herausfallen verhindert. Um einen Gefrierkorb aus dem Gefriergerät zu nehmen, ziehen Sie den Korb zu sich, bis er den Anschlag erreicht. Dann kippen Sie den Korb mit der Vorderseite nach oben, bis er sich herausnehmen lässt.



Wenn Sie den Gefrierkorb wieder in das Gerät einschieben möchten, heben Sie die Vorderseite des Korbs leicht an und setzen Sie ihn in das Gefriergerät ein. Sobald der Gefrierkorb über den Anschlag hinweg ist, schieben Sie ihn wieder in seine ursprüngliche Position.

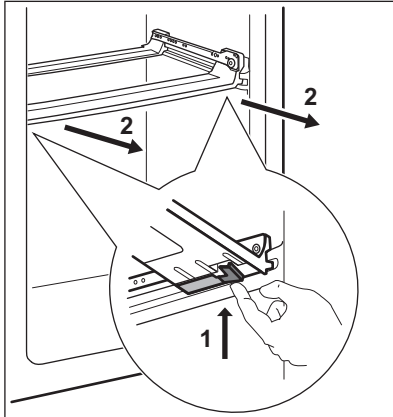
Die Ablagen des Geräts sind mit Anschlägen ausgestattet, die zu Ihrer Sicherheit dienen.

Heben Sie die Ablagen auf jeder Seite an (1) und ziehen Sie sie heraus (2).



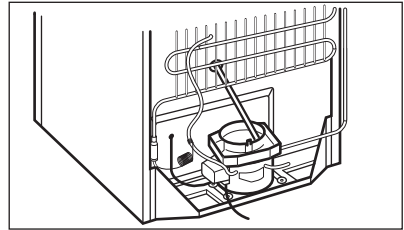
Einige der Gefrierkörbe sind mit Expanderrollen ausgestattet, die sich in einem Kunststoffrahmen befinden.

Um den Kunststoffrahmen heraus zu nehmen, drücken Sie auf die Anschläge, die sich unter dem Rahmen befinden und ziehen Sie den Rahmen vorsichtig aus dem Gerät heraus.



## 4.6 Reinigen des Innenraums

1. Bevor Sie das Gerät in Betrieb nehmen, beseitigen Sie den typischen „Neugeruch“ am besten durch Auswaschen der Innenteile mit lauwarmem Wasser und einer neutralen Seife. Sorgfältig nachtrocknen.
2. Vergewissern Sie sich, dass der Ablaufschlauch auf der Rückseite des Geräts in die Tropfwanne führt.



### ACHTUNG!

Verwenden Sie keine Reinigungsmittel oder Scheuerpulver, da diese die Oberfläche beschädigen.

## 5. TIPPS UND HINWEISE

### 5.1 Normale Betriebsgeräusche

Folgende Geräusche sind während des normalen Gerätebetriebs normal:

- Ein leichtes Gurgeln und Blubbern, wenn das Kältemittel durch die Leitungen gepumpt wird.
- Ein Surren und ein pulsierendes Geräusch vom Kompressor, wenn das Kältemittel durch die Leitungen gepumpt wird.
- Ein plötzliches Knackgeräusch aus dem Geräteinneren, verursacht durch thermische Ausdehnung (eine

natürliche und nicht gefährliche physikalische Erscheinung).

- Leises Klicken des Temperaturreglers, wenn sich der Kompressor ein- oder ausschaltet.

## 5.2 Energiespartipps

- Öffnen Sie die Tür nicht zu häufig, und lassen Sie diese nicht länger offen als notwendig.
- Nehmen Sie die Kälteakkus (falls vorhanden) nicht aus dem Gefrierkorb.

## 5.3 Hinweise zum Einfrieren

Im Folgenden finden Sie einige wertvolle Tipps für einen optimalen Gefriervorgang:

- Die maximale Menge an Lebensmitteln, die in 24 Stunden eingefroren werden kann, ist auf dem Typenschild angegeben.
- Der Gefriervorgang dauert 24 Stunden. Legen Sie während dieses Zeitraums keine weiteren einzufrierenden Lebensmittel in das Gefrierfach.
- Frieren Sie ausschließlich frische und gründlich gewaschene Lebensmittel von sehr guter Qualität ein.
- Teilen Sie die Lebensmittel in kleinere Portionen ein, damit diese schnell und vollständig gefrieren und Sie später nur die Menge auftauen müssen, die Sie benötigen.
- Verpacken Sie die einzufrierenden Lebensmittelportionen stets luftdicht in Alufolie oder in Gefrierbeuteln und achten Sie darauf, dass die Verpackung so wenig Luft wie möglich enthält.

- Achten Sie beim Hineinlegen von frischen, noch ungefrorenen Lebensmitteln darauf, dass sie keinen Kontakt mit Gefriergut bekommen, da dieses sonst antauen könnte.
- Magere Lebensmittel lassen sich besser und länger als fetthaltige lagern; durch Salz wird die maximale Lagerungsdauer verkürzt.
- Wird Wassereis direkt nach der Entnahme aus dem Gefrierfach verzehrt, kann dies zu Frostbrand auf der Haut führen.
- Es empfiehlt sich, das Einfrierdatum auf jeder einzelnen Packung zu notieren, um einen genauen Überblick über die Lagerzeit zu haben.

## 5.4 Hinweise zur Lagerung gefrorener Lebensmittel

So erzielen Sie die besten Ergebnisse mit Ihrem Gerät:

- Vergewissern Sie sich, dass die gefrorenen Lebensmittel vom Händler angemessen gelagert wurden.
- Achten Sie unbedingt darauf, die eingekauften gefrorenen Lebensmittel in der kürzest möglichen Zeit zum Gefriergerät zu bringen.
- Öffnen Sie die Tür nicht zu häufig, und lassen Sie die Tür nicht länger offen als notwendig.
- Aufgetaute Lebensmittel verderben sehr schnell und eignen sich nicht für ein erneutes Einfrieren.
- Das Haltbarkeitsdatum auf der Tiefkühlkostverpackung darf nicht überschritten werden.

# 6. REINIGUNG UND PFLEGE



### **WARNUNG!**

Siehe Kapitel Sicherheitshinweise.

## 6.1 Allgemeine Warnhinweise



### **ACHTUNG!**

Ziehen Sie vor jeder Wartungsmaßnahme immer den Netzstecker aus der Steckdose.



Dieses Gerät enthält Kohlenwasserstoffe in seinem Kältekreislauf. Aus diesem Grund dürfen die Wartung und das Nachfüllen ausschließlich durch autorisiertes Fachpersonal erfolgen.

- i** Das Zubehör des Geräts und die Innenteile eignen sich nicht für die Reinigung im Geschirrspüler.

## 6.2 Regelmäßige Reinigung

- !** **ACHTUNG!**  
Ziehen Sie nicht an Leitungen und/oder Kabeln im Innern des Geräts und achten Sie darauf, diese nicht zu verschieben oder zu beschädigen.

- !** **ACHTUNG!**  
Bitte achten Sie darauf, das Kühlsystem nicht zu beschädigen.

- !** **ACHTUNG!**  
Wenn Sie das Gerät verschieben möchten, heben Sie es bitte an der Vorderkante an, um den Fußboden nicht zu verkratzen.

Das gesamte Gerät muss regelmäßig gereinigt werden:

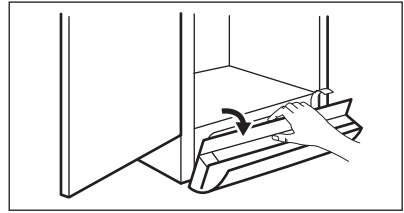
1. Reinigen Sie die Innenseiten und die Zubehörteile mit lauwarmem Wasser und etwas Neutralseife.
2. Prüfen und säubern Sie die Türdichtungen in regelmäßigen Abständen, um zu gewährleisten, dass diese sauber und frei von Fremdkörpern sind.
3. Spülen und trocknen Sie diese sorgfältig ab.
4. Reinigen Sie den Kondensator und den Kompressor auf der Geräterückseite, falls diese zugänglich sind, mit einer Bürste.  
Dadurch verbessert sich die Leistung des Geräts und es verbraucht weniger Strom.

## 6.3 Reinigen des Belüftungsgitters

Vergewissern Sie sich, dass die Tür geöffnet ist.

Das Belüftungsgitter kann zur Reinigung herausgenommen werden.

1. Lösen Sie den Rand des Gitters, indem Sie es wie abgebildet ziehen.



2. Ziehen Sie das Gitter gerade heraus, um es ganz herausnehmen zu können.
3. Reinigen Sie den Bereich unter dem Gerät mit dem Staubsauger.

## 6.4 Abtauen des Gefriergeräts

Das Gefrierfach ist ein NoFrost-Fach. Das bedeutet, dass sich während des Betriebs weder an den Innenwänden noch an Lebensmitteln Reif bilden kann.

Die Reifbildung wird durch die kontinuierliche, von einem automatisch geregelten Ventilator gesteuerte Luftzirkulation im Inneren des Gefrierraums verhindert.

## 6.5 Stillstandszeiten

Bei längerem Stillstand des Geräts müssen Sie folgende Vorkehrungen treffen:

1. Trennen Sie das Gerät von der Netzstromversorgung.
2. Entnehmen Sie alle Lebensmittel.
3. Reinigen Sie das Gerät und alle Zubehörteile.
4. Lassen Sie die Tür(en) offen, um das Entstehen unangenehmer Gerüche zu vermeiden.



### **WARNUNG!**

Möchten Sie bei einer längeren Abwesenheit das Gerät weiterlaufen lassen, bitten Sie jemanden, gelegentlich die Temperatur zu prüfen, damit das Kühlgut bei einem möglichen Stromausfall nicht im Inneren des Geräts verdirbt.

## 7. FEHLERSUCHE



### WARNUNG!

Siehe Kapitel  
Sicherheitshinweise.

### 7.1 Was tun, wenn ...

Problem	Mögliche Ursache	Abhilfe
Das Gerät funktioniert nicht.	Das Gerät ist ausgeschaltet.	Schalten Sie das Gerät ein.
	Der Netzstecker wurde nicht richtig in die Steckdose gesteckt.	Stecken Sie den Stecker korrekt in die Steckdose.
	Es liegt keine Spannung an der Steckdose an.	Testen Sie, ob ein anderes Gerät an dieser Steckdose funktioniert. Wenden Sie sich an eine Elektrofachkraft.
Das Gerät erzeugt Geräusche.	Das Gerät ist nicht ordnungsgemäß aufgestellt.	Kontrollieren Sie, ob das Gerät stabil steht.
Es wird ein akustisches oder optisches Alarmsignal ausgelöst.	Das Gerät wurde erst kürzlich eingeschaltet oder die Temperatur ist noch zu hoch.	Siehe „Alarm Tür offen“ oder „Temperaturwarnung“.
	Die Temperatur im Gerät ist zu hoch.	Siehe „Alarm Tür offen“ oder „Temperaturwarnung“.
	Die Tür ist geöffnet.	Schließen Sie die Tür.
	Die Temperatur im Gerät ist zu hoch.	Wenden Sie sich an einen qualifizierten Elektriker oder die nächste autorisierte Kundendienststelle.
In der Temperaturanzeige ist ein rechteckiges Symbol anstatt der Zahlen zu sehen.	Problem mit dem Temperaturfühler.	Bitte wenden Sie sich an die nächste autorisierte Kundendienststelle (das Kühlsystem hält zwar die eingelagerten Lebensmittel weiterhin kühl, doch eine Temperatureinstellung ist nicht mehr möglich).
Die Lampe funktioniert nicht.	Die Lampe befindet sich im Standby-Modus.	Schließen und öffnen Sie die Tür.
Die Lampe funktioniert nicht.	Die Lampe ist defekt.	Wenden Sie sich an die nächste autorisierte Kundendienststelle.
Der Kompressor arbeitet ständig.	Die Temperatur ist nicht richtig eingestellt.	Siehe Kapitel „Betrieb“.



<b>Problem</b>	<b>Mögliche Ursache</b>	<b>Abhilfe</b>
	Es wurden zu viele Lebensmittel gleichzeitig eingelegt.	Warten sie einige Stunden und prüfen Sie dann die Temperatur erneut.
	Die Raumtemperatur ist zu hoch.	Siehe Klimaklasse auf dem Typenschild.
	In das Gerät eingelegte Lebensmittel waren noch zu warm.	Lassen Sie die Lebensmittel vor dem Einlagern auf Raumtemperatur abkühlen.
	Die Tür ist nicht richtig geschlossen.	Siehe „Schließen der Tür“.
	Die Funktion FROSTMATIC ist eingeschaltet.	Siehe „Funktion FROSTMATIC“.
Zu starke Reif- und Eisbildung.	Die Tür ist nicht richtig geschlossen oder die Dichtung hat sich verformt/ist verschmutzt.	Siehe „Schließen der Tür“.
Der Kompressor schaltet sich nicht sofort ein, nachdem Sie FROSTMATIC gedrückt oder die Soll-Temperatur auf einen anderen Wert eingestellt haben.	Dies ist normal, keine Störung.	Der Kompressor schaltet sich erst nach einer Weile ein.
Wasser läuft auf den Boden.	Der Tauwasserablauf ist nicht mit der Verdampferschale über dem Kompressor verbunden.	Verbinden Sie den Schmelzwasserablauf mit der Tauwasserschale.
Eine Temperaturregelung ist nicht möglich.	Die Funktion FROSTMATIC ist eingeschaltet.	Schalten Sie die Funktion FROSTMATIC manuell aus, oder warten Sie mit dem Einstellen der Temperatur, bis die Funktion automatisch ausgeschaltet wird. Siehe „Funktion FROSTMATIC“.
Das Display zeigt DEMO an.	Das Gerät befindet sich im Demo-Betrieb.	Halten Sie Mode etwa 10 Sekunden gedrückt, bis ein langer Signalton ertönt und das Display für kurze Zeit ausgeschaltet wird.
Die Tür ist nicht richtig ausgerichtet oder berührt das Belüftungsgitter.	Das Gerät ist nicht ausgerichtet.	Siehe hierzu „Ausrichten“.
Die Temperatur im Gerät ist zu hoch/niedrig.	Der Temperaturregler ist nicht richtig eingestellt.	Stellen sie eine höhere/niedrigere Temperatur ein.

Problem	Mögliche Ursache	Abhilfe
	In das Gerät eingelegte Lebensmittel waren noch zu warm.	Lassen Sie die Lebensmittel vor dem Einlagern auf Raumtemperatur abkühlen.
	Die Tür wurde zu häufig geöffnet.	Öffnen Sie die Tür nur, wenn es notwendig ist.
	Die Funktion FROSTMATIC ist eingeschaltet.	Siehe „Funktion FROSTMATIC“.
	Die Kaltluft kann im Gerät nicht zirkulieren.	Kaltluftzirkulation im Gerät sicherstellen.



Bitte wenden Sie sich an den nächsten autorisierten Kundendienst, wenn alle genannten Abhilfemaßnahmen nicht zum gewünschten Erfolg führen.

Wenden Sie sich an den autorisierten Kundendienst.

## 7.2 Schließen der Tür

1. Reinigen Sie die Türdichtungen.
2. Stellen Sie die Tür nach Bedarf ein. Siehe hierzu „Montage“.
3. Ersetzen Sie die defekten Türdichtungen, falls erforderlich.

## 7.3 Austauschen der Lampe

Das Gerät ist mit einer langlebigen LED-Innenbeleuchtung ausgestattet.

Die Beleuchtung darf nur von einer Fachkraft ausgetauscht werden. Wenden Sie sich an Ihren autorisierten Kundendienst.

# 8. MONTAGE



**WARNUNG!**  
Siehe Kapitel Sicherheitshinweise.



Bei einigen Modellen können Funktionsstörungen auftreten, wenn sie außerhalb dieses Temperaturbereichs betrieben werden. Der ordnungsgemäße Betrieb wird nur innerhalb des angegebenen Temperaturbereichs gewährleistet. Bei Fragen zum Aufstellungsort des Geräts wenden Sie sich an den Verkäufer, unseren Kundendienst oder nächstgelegenen Service-Partner.

## 8.1 Standort

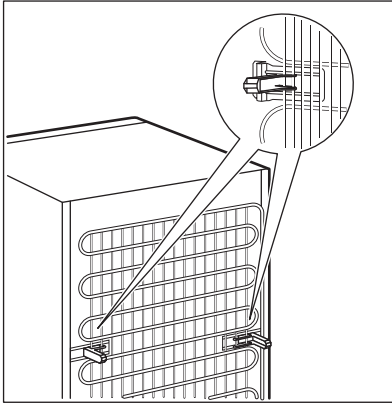
Installieren Sie dieses Gerät in einem trockenen, gut belüfteten Raum, in dem die Umgebungstemperatur mit der Klimaklasse übereinstimmt, die auf dem Typenschild des Geräts angegeben ist:

Klimaklasse	Umgebungstemperatur
SN	+10 °C bis +32 °C
N	+16 °C bis +32 °C
ST	+16 °C bis +38 °C
T	+16 °C bis +43 °C

## 8.2 Hintere Distanzstücke

Setzen Sie die im Zubehörbeutel mitgelieferten Abstandshalter auf die Halterungen des Kondensators

(schwarzes Gitter) an der Geräterückseite, siehe Abbildung.

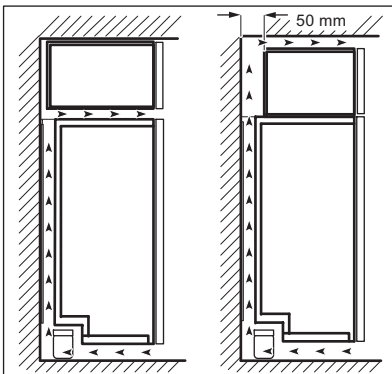


### 8.3 Standort

Wenn das Gerät unter einem Hängeschrank installiert wird, muss der Abstand zwischen der Geräteoberseite und dem Hängeschrank mindestens 40 mm betragen, um die bestmögliche Leistung zu garantieren. Es wird jedoch empfohlen, das Gerät nicht unter einem Hängeschrank aufzustellen.

Der Belüftungsraum kann sein:

- direkt über dem Gerät,
- hinter und über dem Oberschrank. In diesem Fall muss der Platz hinter dem Oberschrank mindestens 50 mm tief sein.



### 8.4 Elektrischer Anschluss

- Kontrollieren Sie vor der ersten Benutzung des Geräts, ob die

Netzspannung und -frequenz Ihres Hausanschlusses mit den auf dem Typenschild angegebenen Anschlusswerten übereinstimmen.

- Das Gerät muss geerdet sein. Zu diesem Zweck ist der Netzstecker mit einem Schutzkontakt ausgestattet. Falls die Steckdose Ihres Hausanschlusses nicht geerdet sein sollte, lassen Sie das Gerät gemäß den geltenden Vorschriften von einem qualifizierten Elektriker erden.
- Der Hersteller übernimmt keinerlei Haftung bei Missachtung der vorstehenden Sicherheitshinweise.
- Das Gerät entspricht den EWG-Richtlinien.

### 8.5 Entfernen der Transportsicherungen

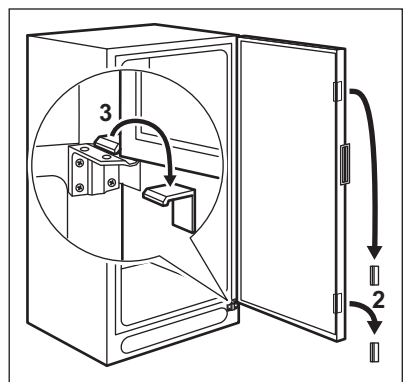
Das Gerät ist mit Transportsicherungen ausgestattet, die zum Sichern der Tür während des Transports dienen.

1. Öffnen Sie die Tür.
2. Entfernen Sie die Transportsicherungen von den Türseiten.
3. Entfernen Sie die Transportsicherungen vom unteren Scharnier (damit sind einige Modelle ausgestattet).



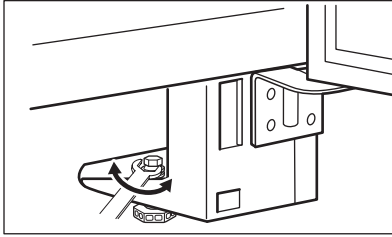
#### ACHTUNG!

Einige Modelle sind mit einem Geräuschkümmerelement unter dem Gerät ausgestattet. Bitte entfernen Sie dieses Element nicht.



## 8.6 Ausrichten

Bei der Aufstellung des Geräts ist dieses waagrecht auszurichten. Stellen Sie nach Bedarf die Stellfüße mit dem mitgelieferten Einstellschlüssel ein. Zum Ausrichten der Tür muss das Gerät richtig ausgerichtet sein.



## 8.7 Wechseln des Türanschlags



### WARNUNG!

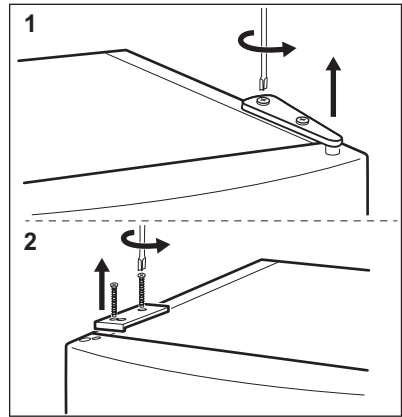
Vor der Durchführung von Arbeiten am Gerät ist stets der Netzstecker aus der Steckdose zu ziehen.



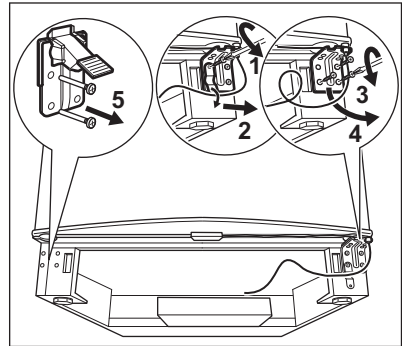
### ACHTUNG!

Die nachfolgend beschriebenen Schritte sollten von mindestens zwei Personen durchgeführt werden, um ein Herunterfallen der Türen zu vermeiden.

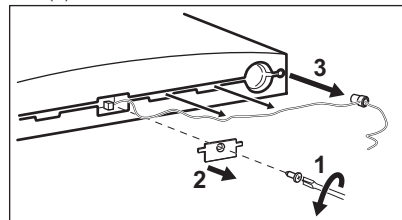
1. Entfernen Sie das Belüftungsgitter. Entfernen Sie die obere Füllung und installieren Sie diese auf der gegenüberliegenden Seite des Gitters.
2. Entfernen Sie die Abdeckung der Beschlagöffnung und setzen Sie die im Beipack enthaltene Abdeckung auf der gegenüberliegenden Seite ein.
3. Legen Sie das Gerät mit der Rückseite nach unten auf einen Träger aus Holz.
4. Schrauben Sie das Scharnier ab (1).
5. Entfernen Sie die Abdeckung (2) und bringen Sie das Scharnier an der gegenüberliegenden Seite an. Montieren Sie die Abdeckung an der gegenüberliegenden Seite.



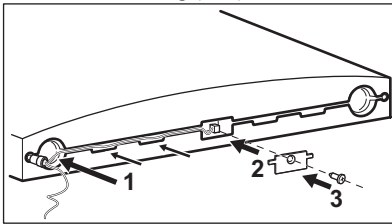
6. Schrauben Sie den Kabelhalter (1) ab. Nehmen Sie das Kabel heraus (2).
7. Schrauben Sie das untere Scharnier (3) ab und ziehen Sie das Kabel aus der Tür (4). Schrauben Sie den Beschlag (5) ab und schrauben Sie ihn an der gegenüberliegenden Seite wieder an.



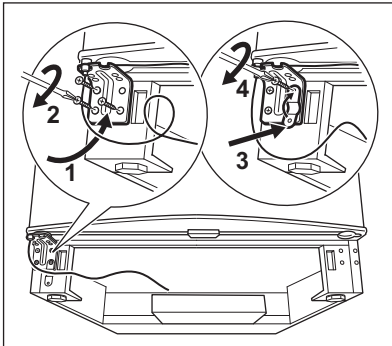
8. Schrauben Sie die Abdeckung (1, 2) los und nehmen Sie das Kabel heraus (3).



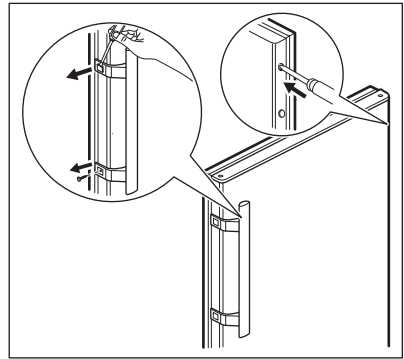
9. Drücken Sie das Kabel mit der Buchse in die vorgesehene Position auf der anderen Seite (1) und schrauben Sie die Abdeckung (2, 3) fest.



10. Schrauben Sie das untere Scharnier (1, 2) und den Kabelhalter (3, 4) an.



11. Entfernen Sie die Abdeckungen der Griffe vorsichtig mit einem kleinen Schraubendreher.  
 12. Schrauben Sie den Griff los.  
 13. Entfernen Sie auf der gegenüberliegenden Seite die Abdeckungen der Bohrungen, indem Sie einen 3-4 mm Durchschlag oder Bohrer in die Abdeckungen hineintreiben.  
 14. Bringen Sie den Griff an.  
 15. Bringen Sie die Abdeckungen am Griff an.  
 16. Setzen Sie die im Zubehörbeutel mitgelieferten Bohrungsabdeckungen ein.



17. Stellen Sie das Gerät auf und bringen Sie das Belüftungsgitter an.  
 18. Stellen Sie das Gerät in die richtige Position.



### ACHTUNG!

Rücken Sie das Gerät wieder an die richtige Stelle, und richten Sie es waagrecht aus. Warten Sie mindestens vier Stunden, bevor Sie es wieder an die Stromversorgung anschließen.



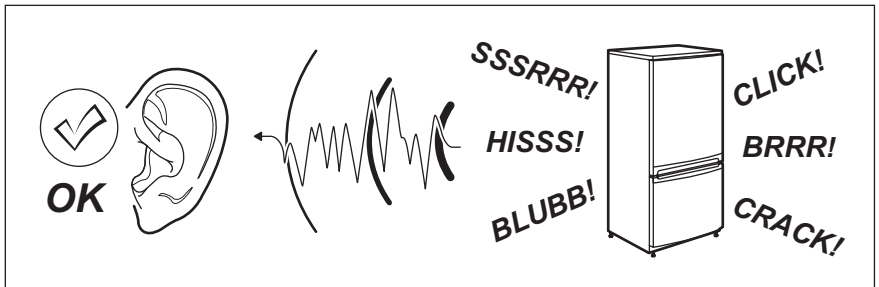
Führen Sie eine Endkontrolle durch, um sicherzustellen, dass:

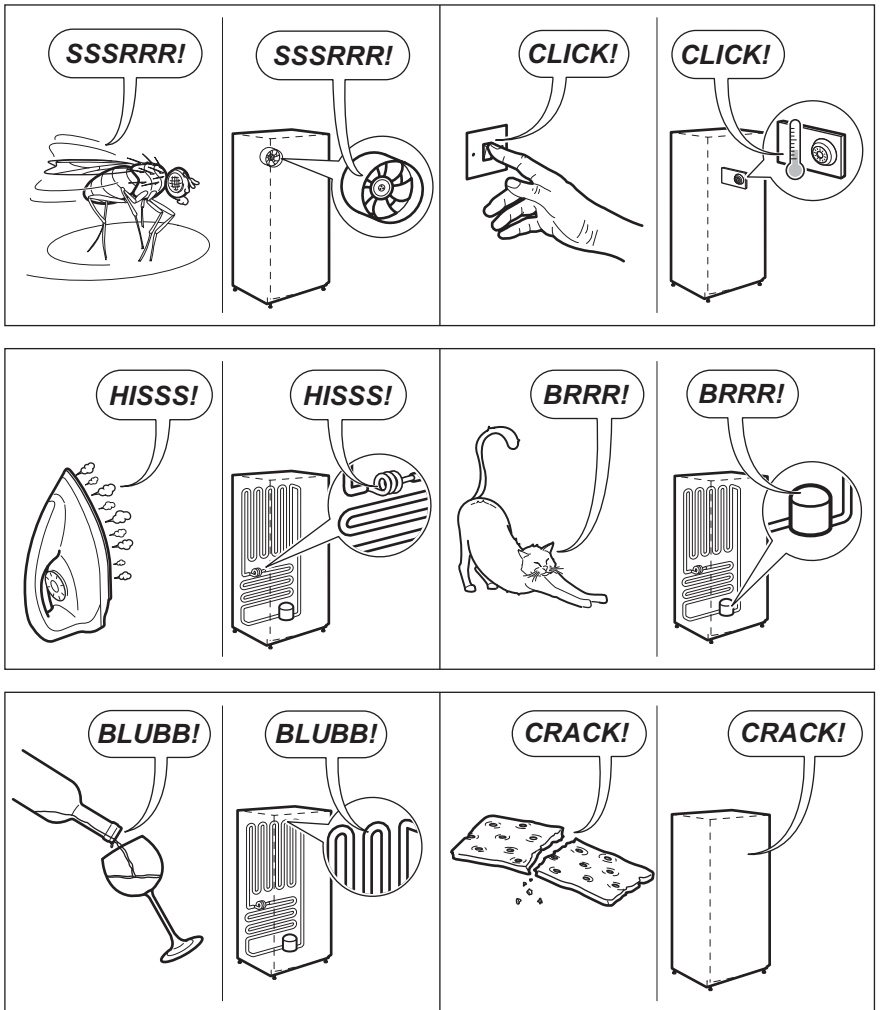
- Alle Schrauben fest angezogen sind;
- Die Magnetdichtung am Gerät anliegt.
- Die Tür ordnungsgemäß öffnet und schließt.

Bei niedrigen Umgebungstemperaturen (z. B. im Winter) kann es vorkommen, dass die Türdichtung nicht richtig am Gerät anliegt. Warten Sie in diesem Fall ab, bis sich die Dichtung allmählich anpasst. Wenden Sie sich bitte an den nächsten autorisierten Kundendienst, falls Sie die oben beschriebenen Tätigkeiten nicht selber durchführen möchten. Ein autorisierter Kundendiensttechniker wird die Türen dann auf Ihre Kosten umbauen.

## 9. GERÄUSCHE

Während das Gerät in Betrieb ist, entstehen bestimmte Geräusche (Kompressor und Kühlkreislauf).





## 10. TECHNISCHE DATEN

### 10.1 Technische Daten

Höhe	mm	1600/1800
Breite	mm	660
Tiefe	mm	705
Lagerzeit bei Störung	Stunden	16

Spannung	Volt	230 - 240
Frequenz	Hz	50

Die technischen Daten befinden sich auf dem Typenschild auf der Außen- oder

Innenseite des Geräts sowie auf der Energieplakette.

## 11. GARANTIE

Kundendienst

Servicestellen		
Industriestrasse 10 5506 Mägenwil	Le Trési 6 1028 Prévèrenge	Via Violino 11 6928 Manno
Morgenstrasse 131 3018 Bern		
Zürcherstrasse 204E 9000 St. Gallen		
Seetalstrasse 11 6020 Emmenbrücke		
St. Jakob-Turm Birsstrasse 320B 4052 Basel		
Comercialstrasse 19 7000 Chur		





**Ersatzteilverkauf** Industriestrasse 10, 5506 Mägenwil, Tel. 0848 848 111

**Fachberatung/Verkauf** Badenerstrasse 587, 8048 Zürich, Tel. 044 405 81 11

**Garantie** Für jedes Produkt gewähren wir ab Verkauf bzw. Lieferdatum an den Endverbraucher eine Garantie von 2 Jahren. (Ausweis durch Garantieschein, Faktura oder Verkaufsbeleg). Die

Garantieleistung umfasst die Kosten für Material, Arbeits- und Reisezeit. Die Garantieleistung entfällt bei Nichtbeachtung der Gebrauchsanweisung und Betriebsvorschriften, unsachgerechter Installation, sowie bei Beschädigung durch äussere Einflüsse, höhere Gewalt, Eingriffe Dritter und Verwendung von Nicht-Original Teilen.

## 12. UMWELTTIPPS

Recyceln Sie Materialien mit dem Symbol . Entsorgen Sie die Verpackung in den entsprechenden Recyclingbehältern. Recyceln Sie zum Umwelt- und Gesundheitsschutz elektrische und elektronische Geräte. Entsorgen Sie Geräte mit diesem Symbol  nicht mit dem Hausmüll. Bringen Sie das Gerät zu Ihrer örtlichen Sammelstelle oder wenden Sie sich an Ihr Gemeindeamt.



### Für die Schweiz:

Wohin mit den Altgeräten? Überall dort wo neue Geräte verkauft werden oder Abgabe bei den offiziellen SENS-Sammelstellen oder offiziellen SENS-Recyclern. Die Liste der offiziellen SENS-Sammelstellen findet sich unter [www.erecycling.ch](http://www.erecycling.ch)









[www.electrolux.com/shop](http://www.electrolux.com/shop)



855839801-A-502014