

Ascona 570G

Spare Parts

Ersatzteil-Liste

Pos.	Art. Nr.	Description	Beschreibung
1	18.350.69	Lid blue 570 LH	Deckel blau 570 LH
1	18.350.70	Lid black 570 LH	Deckel schwarz 570 LH
1	18.350.71	Lid ruby 570 LH	Deckel ruby 570 LH
2	18.322.73	Lid handle titan-silver	Deckelgriff titan-silber
3	18.323.00	Heat shield	Hitzeschild
4	18.822.49	Logo	Logo
5	18.322.21	Lid hinge titan-silver complete	Deckelscharnier titan-silber Komplett
6	18.360.31	Upper lid hinge cover	Deckelscharnier-Abdeckung oben
7	18.360.32	Lower lid hinge cover	Deckelscharnier-Abdeckung unten
8	18.850.21	Heat indicator °C/°F	Temperatur Anzeige °C/°F
9	18.850.14	Frame for heat indicator	Rahmen zu Temperaturanzeiger
10	18.850.12	Heat indicator-Nut	Temperaturanzeiger-Befestigungsmutter
11	18.320.00	Cooking grid	Grillrost
12	18.320.02	Large Funnel	Grosser Trichter
13	18.320.03	Small Funnel	Kleiner Trichter
14	18.350.82	Bowl blue LH DB Ph	Kugel blau LH DB Ph
14	18.350.83	Bowl black LH DB Ph	Kugel schwarz LH DB Ph
14	18.350.84	Bowl ruby LH DB Ph	Kugel ruby LH DB Ph
15	18.360.20	Control knob	Gasregulier-Knopf
16	18.323.18	Control panel DB Ascona	Bedienkonsole DB Ascona
17	18.340.71	Valve assembly DB with bundy 30mbar	Ventilsatz DB mit bundy 30mbar
17	18.340.72	Valve assembly DB with bundy 50mbar	Ventilsatz DB mit bundy 50mbar
18	18.340.58	Venturiprotection DB small	Venturischutz DB klein
19	18.340.57	Venturiprotection DB & SB	Venturischutz DB & SB
20	18.340.08	Pulse ignitor DB complete	Elektro- Zündung DB
21	18.360.21	Push button ignitor	Druckknopf Zündung
22	18.340.02	Burner small 30mbar	Brenner klein 30mbar
22	18.340.45	Burner small 50mbar	Brenner klein 50mbar
23	18.340.00	Burner large 30mbar	Grosser Brenner 30mbar
23	18.340.44	Burner large 50mbar	Grosser Brenner 50mbar
24	18.340.12	Ignition wire small burner	Zündungskabel kleiner Brenner
25	18.612.22	Ignition wire big burner	Zündungskabel grosser Brenner
26	18.340.11	Piezo electrode large burner	Piezo- Elektrode grosser Brenner
27	18.340.10	Piezo electrode small burner	Piezo- Elektrode kleiner Brenner
28	18.323.04	Drip pan	Fettauffangschale
29	18.323.05	Drip pan carrier	Fettauffangschale Halterung
30	18.322.05	X-Module titan-silver	X-Modul titan-silber
31	18.322.99	Stand-Modul titan-silver	Stand-Modul titan-silber
32	18.322.14	Table-Modul titan-silver	Tablar-Modul titan-silber
33	18.322.08	Wheel-Modul left titan-silver	Rad-Module links titan-silber
34	18.322.09	Wheel-Modul right titan-silver	Rad-Modul rechts titan-silber
35	18.322.10	Connection-Modul titan-silver	Verbindungs-Modul titan-silber
36	18.323.11	Axle titan-silver	Radachse, Titan-Silber
37	18.322.12	Bottle fixation bar titan-silver	Flaschenhalterungsstrobe titan-silber
38	18.360.11	Bottle fixation strap	Flaschenhalterungs-Gurt
39	18.310.01	Bottom shelf nature	Bodenrost natur
39	18.310.20	Bottom shelf black	Bodenrost schwarz
40	18.310.07	Front table nature	Fronttablar natur
40	18.310.21	Front table black	Fronttablar schwarz
41	18.360.05	Wheel	Rad
42	18.360.48	Wheel cover	Radabdeckung
43	18.360.45	Liner wheel	Laufbuchse
44	18.360.37	Height adjustment	Höhenverstellung
45	18.360.43	Thread insert	Gewindeinsatz
46	18.320.21	Tool holder	Besteck-Halter
47	18.321.10	Gas hose Hook	Gasschlauch-Haken
	18.378.93	Hardware Set	Schrauben Set
48	individual	Gas hose	Gasschlauch
49	individual	Gas regulator	Gasdruckregler

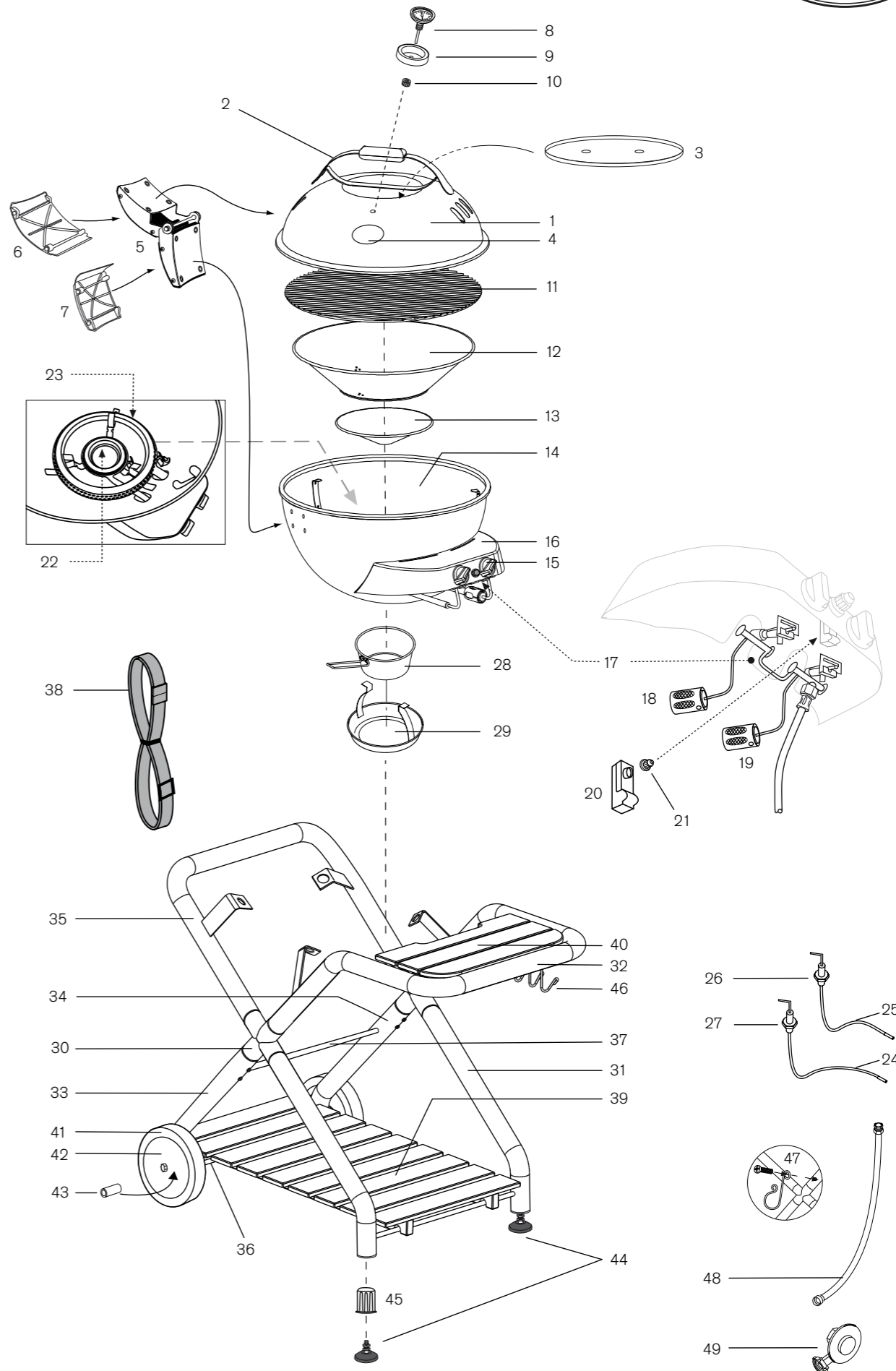
Attention

Please write your serial number on the backside of the manual for future reference. You will find the number on the data plate attached to the trolley or the bottom plate depending on the grill model. OUTDOORCHEF can only supply spare parts and honour warranty returns when the serial number is available.

Achtung

Bitte notieren Sie auf der Rückseite Ihrer Gebrauchsanweisung die Serien-Nummer. Je nach Grillmodell finden Sie die Nummer auf dem Datensticker, welcher sich entweder am Grillgestell oder auf der Bodenplatte befindet. OUTDOORCHEF kann Garantie und Ersatzteillieferungen nur mit der Serien-Nummer bearbeiten.

Ascona 570G



Ascona 570G

B			
Pos.	Art. Nr.	Description	Deckel
B1	18.370.90	Protection washer lid handle	Deckel
B2	18.370.76	Teflonwasher	Schutz-Unterlagscheibe Deckelgriff
B3	18.370.62	Washer	U-Scheibe
B4	18.370.43	Nut	Mutter
B5	18.371.03	Teflonwasher	U-Scheibe Teflon
B6	18.371.02	Washer	U-Scheibe
B7	18.370.48	Nut	Mutter

C			
Pos.	Art. Nr.	Description	Deckelscharnier
C1	18.332.27	Lid hinge axle	Deckelscharnierachse
C2	18.370.40	Dome Nut	Hutmutter
C3	18.370.63	Washer	U-Scheibe
C4	18.370.76	Teflonwasher	U-Scheibe Teflon
C5	18.370.28	Lid hinge cover screw	Deckelscharnier-Abdeckungsschrauben

D			
Pos.	Art. Nr.	Description	Ventilsatz & Konsole
D1	18.370.05	Screw	Schraube
D2	18.371.01	Screw	Schraube
D3	18.371.02	Washer	U-Scheibe
D4	18.371.03	Teflonwasher	U-Scheibe Teflon
D5	18.370.86	Teflonwasher	U-Scheibe Teflon
D6	18.371.00	Screw	Schraube

E			
Pos.	Art. Nr.	Description	Bowl
E1	18.370.10	Screw	Kugel
E2	18.370.62	Washer	Schraube
E3	18.370.76	Teflonwasher	U-Scheibe
E4	18.370.91	Washer Alu.	U-Scheibe Teflon
E5	18.370.68	Washer	U-Scheibe Alu.
E6	18.370.44	Wing nut	U-Scheibe

F			
Pos.	Art. Nr.	Description	Piezo electrode
F1	18.371.01	Screw	Piezo-Elektrode
F2	18.371.02	Washer	Beschreibung
F3	18.371.03	Teflonwasher	Schraube
F4	18.371.04	Spring washer	U-Scheibe
F5	18.370.48	Nut	U-Scheibe Teflon
F6	18.371.11	Holder piezo electrode	Federring

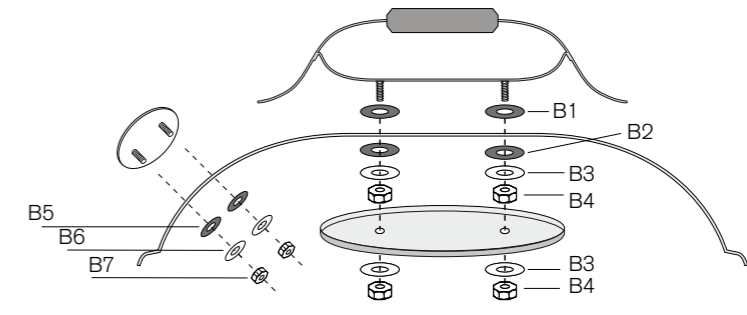
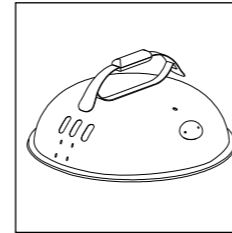
G			
Pos.	Art. Nr.	Description	Side Tablar & Bottom shelf
G1	18.371.05	Woodscrew	Seitentablar & Bodenrost

DKB Household Switzerland AG operates a policy of continuous product development and improvement. As such we reserve the right to alter product design and or technical specification without giving any prior notice.

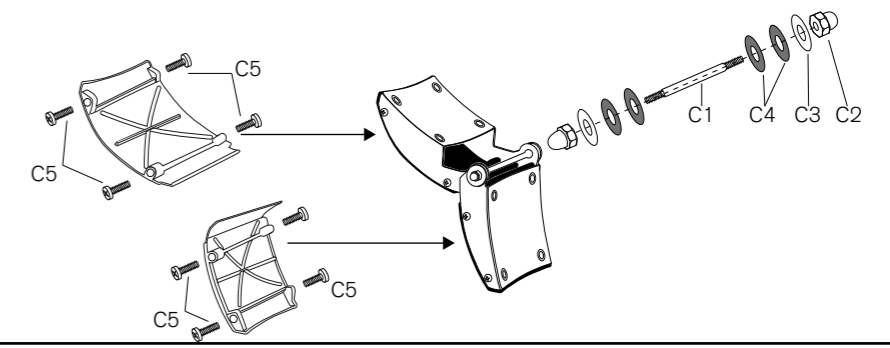
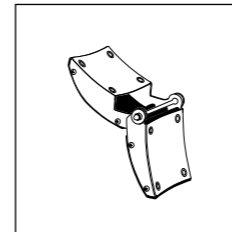
Ascona 570G



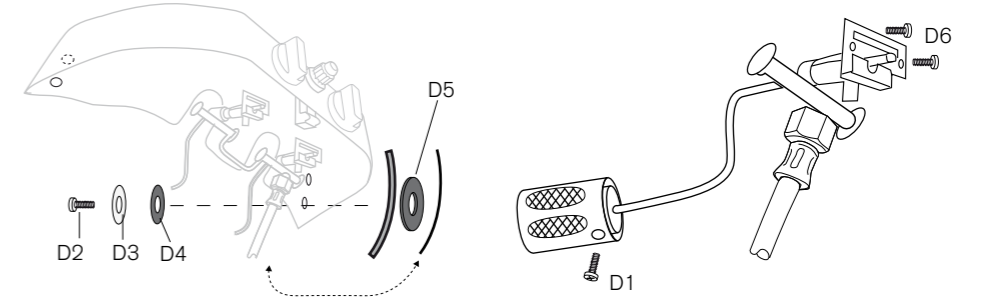
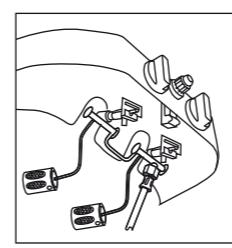
B



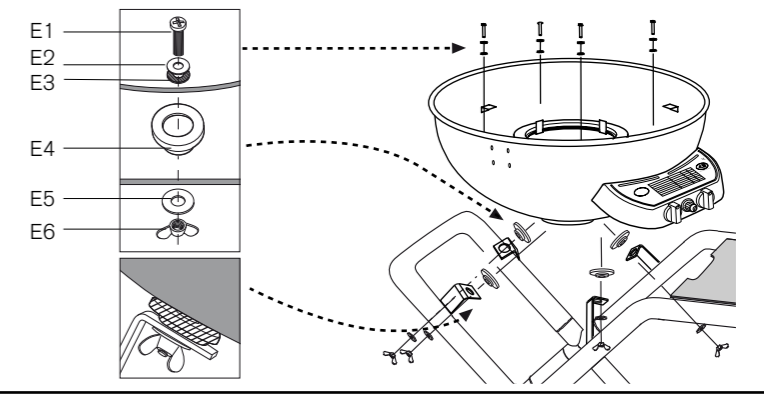
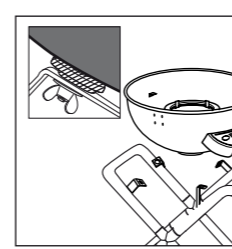
C



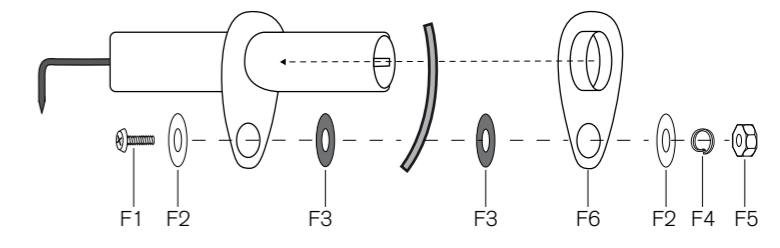
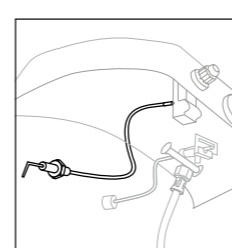
D



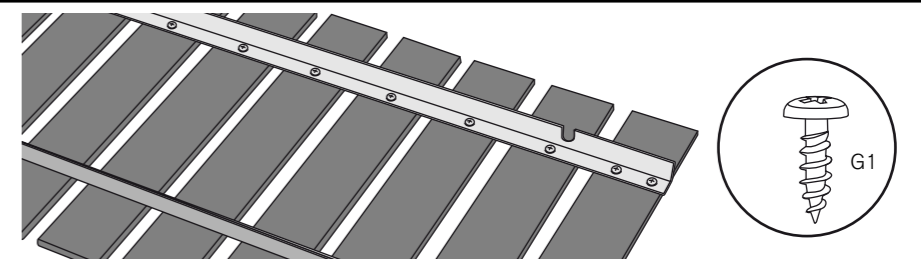
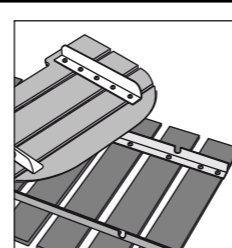
E

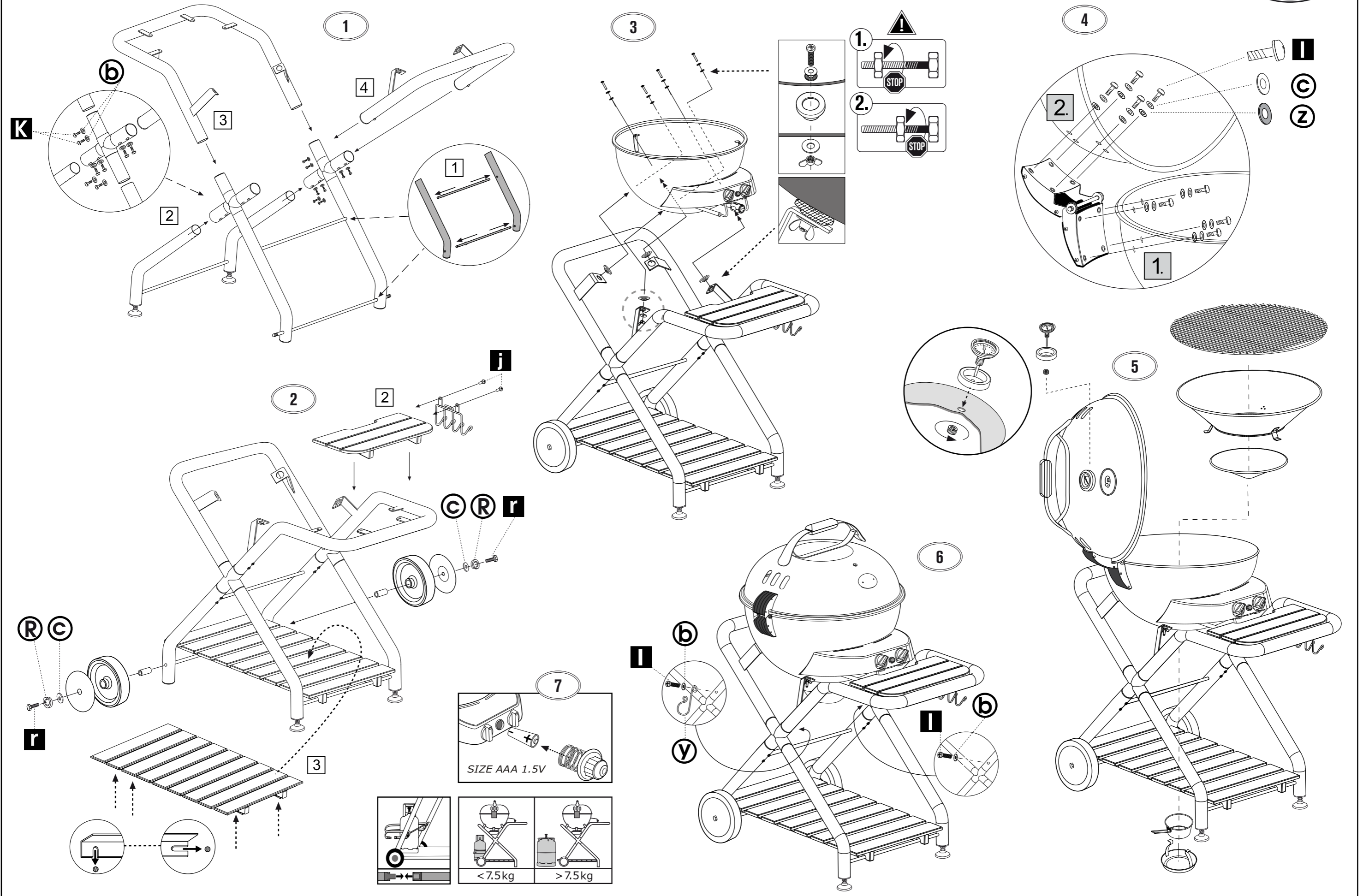


F



G





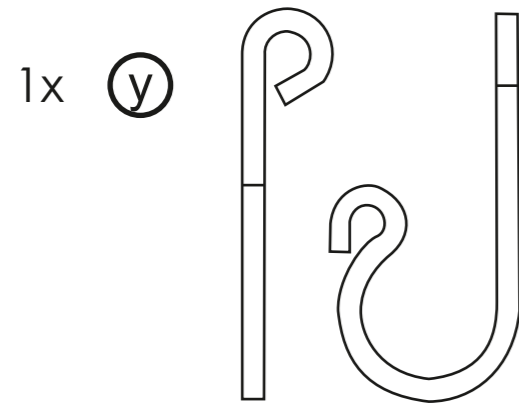
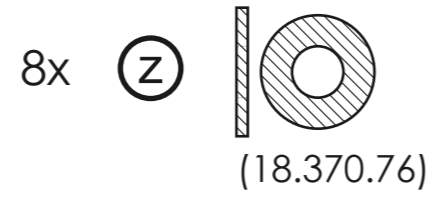
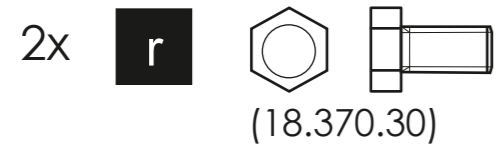
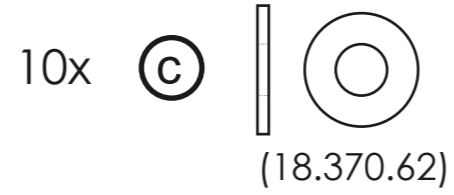
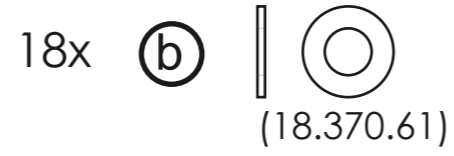
7

SIZE AAA 1.5V

	< 7.5kg	> 7.5kg



18.378.93



to take notes

Lined area for taking notes.