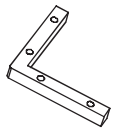


DE-MONTAGEANWEISUNG  
FR-INSTRUCTIONS DE MONTAGE  
IT-ISTRUZIONI DI MONTAGGIO



① \*4



(115 \* 115 \* 20)

② \*16



( $\Phi$  22 \*  $\Phi$  6 \* 8)

③ \*16



(M6 \* 40)

④ \*1



(4 \* 60)

Ⓐ

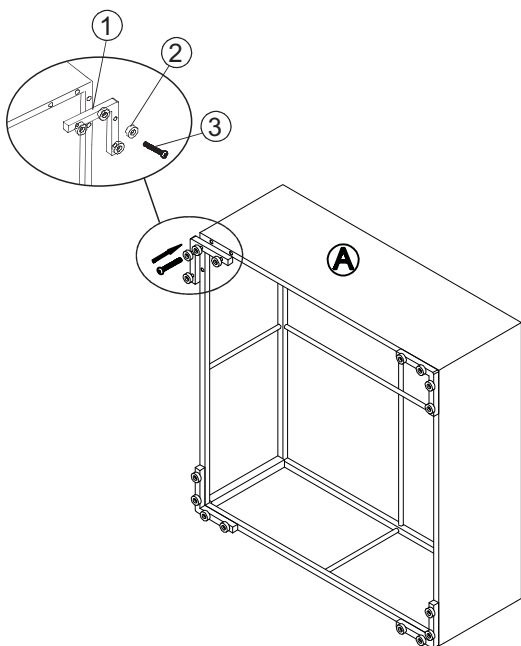
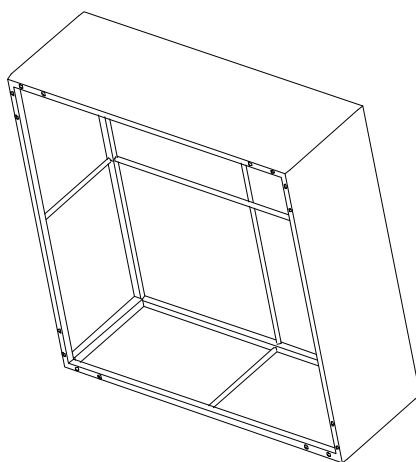


Fig 1.

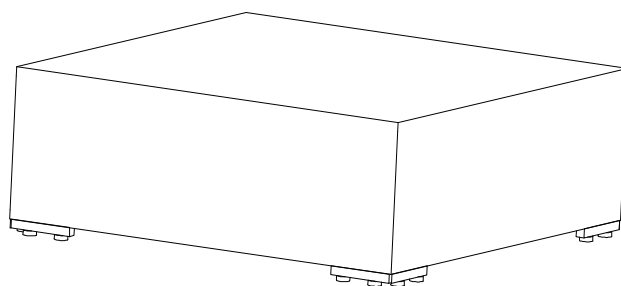


Fig 2.

753140600000