



Inflate Your Fun™



FAST SET™ POOL

OWNER'S MANUAL

www.bestway-service.com



No Jumping
Shallow Water

Não pular
Água rasa

No saltar
Água poco profunda

Nicht springen!
Seichtes Wasser.

Älä hyppää
Matala vesi

Niet Springen
Ondiep Water

Vietato saltare
Acqua bassa
Interdit de sauter
Niveau d'eau bas

**МНН ПИНАТЕ
ПНХА НЕРА**

Не прыгать
Мелкая вода

**Nie skakać
Płytko woda**

**Tilos ugrani
Sekély víz**

Hoppa inte i.
Vattnet är grunt



No Diving
Shallow Water

Não mergulhar
Água rasa

No Diving
Água poco profunda

Nicht tauchen!
Seichtes Wasser.

Älä sukella
Matala vesi

Niet Duiken
Ondiep Water

Vietato tuffarsi
Acqua bassa

Interdit de plonger
Niveau d'eau bas

**МНН КАНЕТЕ БОЙТИЕ
ПНХА НЕРА**

Не нырять
Мелкая вода

**Nie nurkować
Płytko woda**

**Tilos Fejest Ugrani
Sekély Víz**

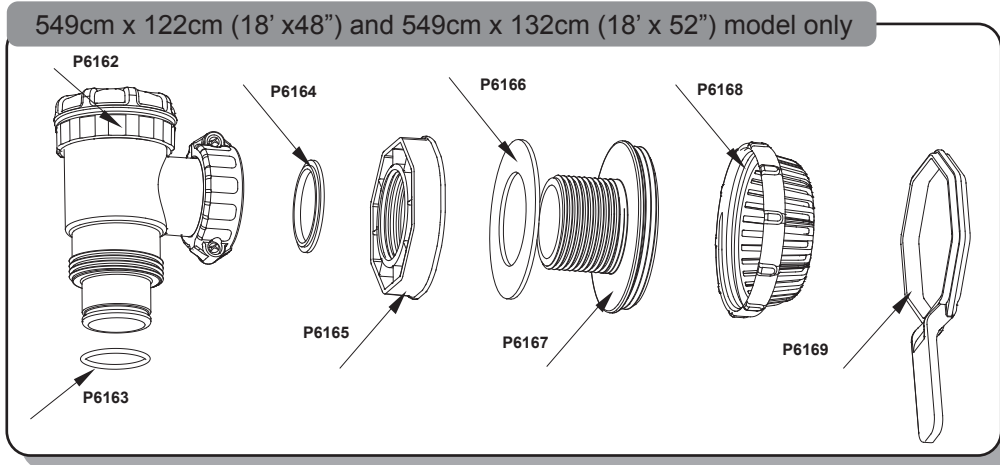
Dyk inte.
Vattnet är grunt

Thank you for buying a Bestway pool. In order to ensure that you gain maximum enjoyment and safe use of your pool please follow the installation instructions in the DVD enclosed in your retail box along with the important safety guidelines in your owner's manual.

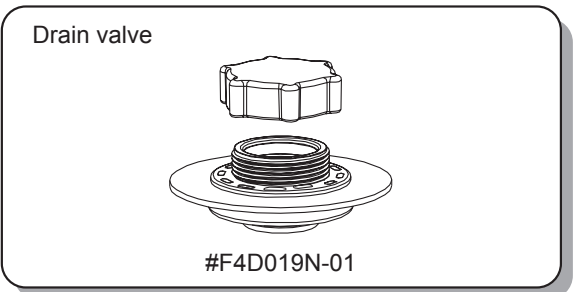
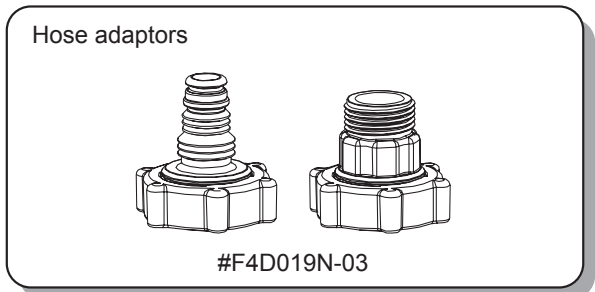
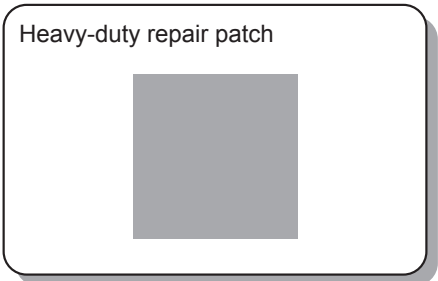
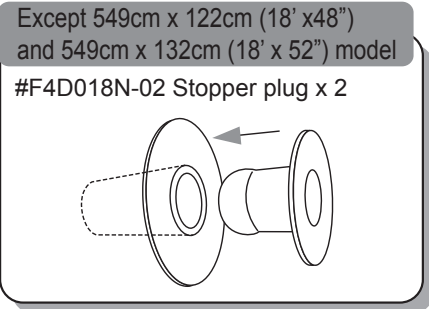
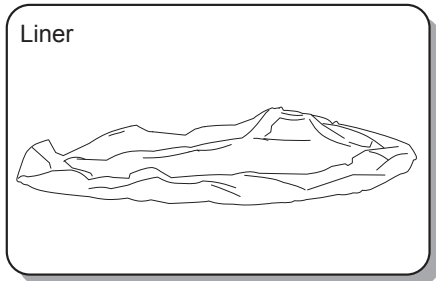
Assembly usually takes approximately 10 minutes.

See below for part descriptions.

Parts:



No.	P6162	P6163	P6164	P6165	P6166	P6167	P6168	P6169
Name	Control Valve	O-ring	Control Valve Gasket	Connector Nut	Gasket	Connector	Debris Screen	Wrench



Please see FAQ'S for additional information. Drawings not scaled to size.

WARNING

The safety of your children depends entirely on you! Children under 5 years old are at greatest risk. Please take care to avoid accidents. Assign at least one person in charge of safety. Increase supervision if there are several people in the swimming pool. Teach your children to swim if possible.

For safety, please do not set up your pool on a terrace / balcony.

Remember to place our pool where it's possible to drain it easily avoiding flooding.

Never let children enter or remain in the pool or pool area without adult supervision or if they are not wearing life saving devices.

Test the water temperature before entering the pool by splashing water on your neck, arms and legs.

Under no circumstances should any user jump or dive into the pool, serious injury or death could result.

Prohibit running and playing games near the swimming pool.

Pool and accessories should only be assembled by competent adults.

Your pool should be filled by low pressure water flow in order to prevent undue stress to the liner. Bestway will not be responsible for damage to the pool due to filling via water-truck. (See FAQ's)

Do not straddle, sit, lean over or put pressure onto the inflatable top ring, doing so could result in collapse of the pool and flooding, causing serious personal injury and/or damage to personal property.

Do not leave toys near or in an unsupervised swimming pool.

Do not swim alone.

Do not use your pool under the use of alcohol, drugs or medicaments.

Store chemicals and accessories out of the reach of children.

Never add chemicals to pool while it is occupied. Consult a specialist pool supply retailer to ensure correct chemical usage.

Always keep the pool water clean.

Pool water should be tested regularly to ensure that the PH and chlorine concentration in the water is optimal for safe and enjoyable use throughout the season.

Household pets should be kept clear of pool area to avoid structural damage to pool.

Surround your pool with a fence and ensure the gate is kept closed at all times.

Cover pool when not in use. Neither children nor adults can be seen inside the pool if the cover is in use. Remove cover completely when in use.

A working electronic detector should be installed to alert you if someone has entered the pool area.

Under no circumstances should this equipment replace an adult's nearby supervision.

Do not leave ladder in pool when pool is unattended. Remember to empty and store the pool during the winter times and if the pool is not used.

Only use Bestway accessories with Bestway pools.

Properly maintain your pool in order to increase life span and safe use. (See Pool Maintenance Section)

Do not operate pump while pool is in use.

All equipment should be inspected frequently for signs of deterioration, corrosion, broken parts or other hazards which may cause injury.

Remember to reapply sunscreen protection regularly and always after swimming.

Failure to follow these instructions can result in property damage, injury or death.

SAFETY

Learn the necessary rescue operations, especially those relating to rescuing children.

Rescue equipment should be located near the pool and the supervising adult should be fully trained to use it.

Rescue equipment should include but not limited to items such as coastguard approved ring buoy with attached rope and strong, rigid Rescue Pole of at least 366cm (12').

Post emergency numbers including:

- Fire
- Police
- Ambulance
- Poison Control Hotline
- Full home address

Keep a cordless water-resistant phone nearby pool during use.

In case of an accident:

- Take all the children out of the water immediately.
- Call for emergency support and follow their instruction/advice.
- Replace wet clothing with dry clothing.



Children will be in danger without adequate supervision.

No Jumping
Shallow Water



No Diving
Shallow Water



RETAIN THESE DIRECTIONS FOR REFERENCE

Preparation

NOTE: The pool must be set up on a completely flat and level surface. Please do not install the pool if the surface is inclined or slope.

- Check with your local city council for by-laws relating to fencing, barriers, lighting and safety requirements and ensure you comply with all laws.
- Take the pool and accessories out of the carton with care. If the pool set comes with a ladder, the ladder requires a crosshead screwdriver or an adjustable wrench (not included) to assemble.
- Locate your pool with a minimum of 122cm (4 feet) space on all sides so that a child can not use an object to climb into the pool. Do not set up directly under overhead power lines or trees and be sure the location does not contain underground utility pipes, lines or cables of any kind.
- It is essential the pool is set up on solid, level ground. If the pool is set up on uneven ground it can cause collapse of the pool and flooding, causing serious personal injury and/or damage to personal property. Setting up on uneven ground will void the warranty and service claims.
- Sand should not be used to create a level base, the ground should be dug out if necessary.
- Do not set pool up on driveways, decks, platforms, gravel or asphalt. Ground should be firm enough to withstand the pressure of the water; mud, sand, soft / loose soil or tar are not suitable.
- The ground must be cleared of all objects and debris including stones and twigs.

NOTE: lawn or other vegetation under the pool will die and may cause odors and slime, therefore we recommend removing all grass from where the pool will be located. Avoid locating your pool over or beside areas prone to aggressive plant and weed species as they may grow through the ground cloth or liner.

- We highly recommend that once the pool is unfolded on the ground cloth to let it sit exposed to direct sunlight for 1 hour or more so that the pool is more flexible during set up.
- If purchased with a pump, the pump should be installed after pool is fully assembled. Remember to locate the intake and return outlets towards the outside power source.

NOTE: If you bought a filter pump, this element has a separate manual instructions. Please open its relative box for details.

- If you bought a separate ladder for your pool, make sure it matches the pool size.
- Regularly check to make sure the ladder is properly assembled.

NOTE: The ladder is only to be used for entering and exiting the pool.

Installation

Assembly usually takes approximately 10 minutes.

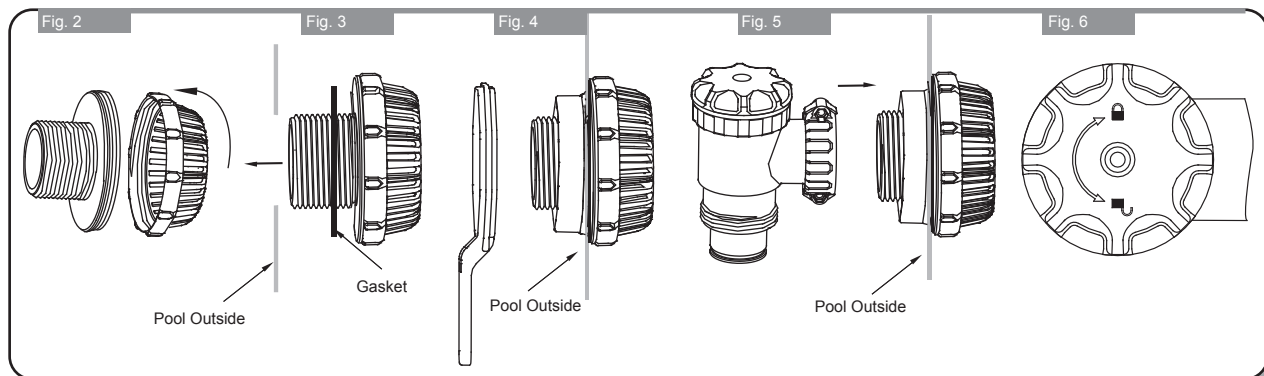
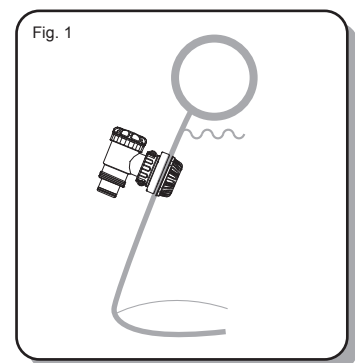
Note: It is important to assemble pool in the order shown below.

1. If pool was purchased with a ground cloth, spread carefully at the desired location. Ensure the pool is located within distance of a 220-240volt AC outlet protected by a RCD (Residual Current Device).
2. Spread out the pool and make sure the pool is right side up, let it sit exposed to direct sunlight for 1 hour or more so that the pool is more flexible during set up.
3. Turn the pool so the drain valve is near the area where your plan to drain the water and pump valves are facing the RCD outlet.
ATTENTION: Do not drag the pool on the ground in order to avoid puncturing from sharp objects. Bestway Inflatables will not be responsible for damage caused to the pool due to mishandling or failure to follow these instructions.
NOTE: The base or bottom of the pool should be laid out properly (flat without wrinkles).
For 549cm x 122cm (18' x 48"), 549cm x 132cm (18' x 52") pools, please refer to the connection valve installation on following page.
4. Insert the blue stopper plug into the inlet and outlet on the wall of the pool from the inside of the pool.
5. Inflate the top ring of the pool with an air pump (not included). Ensure the safety valve is closed securely after inflation.
ATTENTION: Do not use high pressure air hose or over inflate the top ring, it should be slightly stiff to the touch.
NOTE: Hot temperatures cause air to expand the ring and may cause damage. Leave some room for expansion. Please see FAQ's for additional information.
6. Ensure drain valve is firmly closed.
7. Put 1" to 2" water in the pool to cover the floor. Once pool floor is slightly covered, gently smooth out all wrinkles. Start in the center of the pool and work your way clockwise to the outside.

Connection Valve Assembly

For 549cm x 122cm (18' x 48"), 549cm x 132cm (18' x 52") pool model

1. Screw the Debris Screen (P6168) onto the Connector (P6167). (See Fig.2)
2. From inside the pool, insert this assembled Unit to the pool's inlet A and outlet B. (See Fig.3)
NOTE: Ensure the Gasket (P6166) is properly in place on the assembled Unit inside of the pool liner.
3. From outside of the pool, tighten the Connector Nut (P6165) onto the assembled Unit by the Wrench (P6169). (See Fig.4).
4. Hand-tighten the Control Valve (P6162) to the assembled Unit. (See Fig.5)
NOTE: Check that both the Control Valve Gasket (P6164) and O-ring (P6163) are correctly positioned on the Control Valve.
5. Refer to the pool manual for the rest of the pool installation.
OPERATION NOTE: Use the control screw on top of the Control Valve to open and close the Valve. (See Fig.6)
6. Make sure the valve is closed.



FILLING POOL WITH WATER

ATTENTION: Do not leave pool unattended while filling with water.

Pool walls will rise as you fill with water. (See Fig. 7)

The pool liner must extend evenly around the outside of the inflatable ring when filling the pool with water.

1. Fill pool to drain valve.

STOP

2. Turn water off. Check that the water is not collecting on any side to ensure the pool is level. If pool is not level, drain water and re-level ground by digging out. Never attempt to move the pool with water in it, serious personal injury or damage to the pool may result. (See Fig. 9)

NOTE: Your pool may contain up to xxxxx liters / xxxx gallons which equals xxxxx pounds of pressure.

If your pool has any bulge or uneven side then the pool is not level, the sides may burst and the water may discharge suddenly causing serious personal injury and/or damage to property.

3. Fill pool to lowest pump valve.

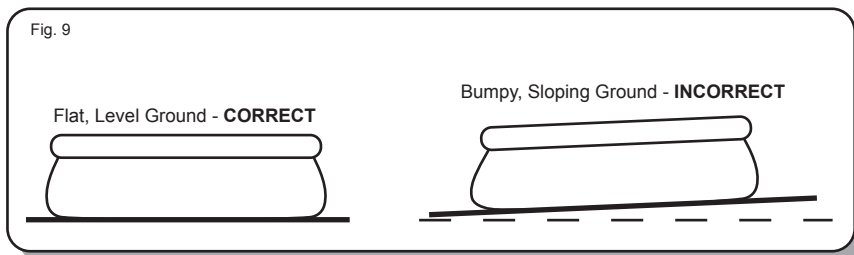
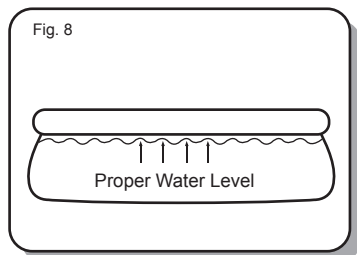
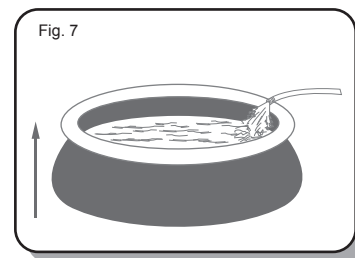
STOP

4. Turn water off. Check valves for secure fit.

5. Fill pool until water capacity is 80%, up to the bottom of the inflated ring of the pool so that the sides are smooth and firm. **DO NOT OVERFILL** as this could cause the pool to collapse. In times of heavy rainfall you may need to empty some of the water to ensure the level is correct. (See Fig. 8)

6. Check pool for any leaks at valves or seams, check ground cloth for any evident water loss. Do not add chemicals until this has been done.

7. In the event of a leak, patch your pool using the patch kit provided. Refer to the FAQ's for further information.



Pool Maintenance

If you do not adhere to the maintenance guidelines below, your health might be at risk, especially that of your children.

NOTE: The filter pump is used to circulate the water and to filter small particles to keep your water free of suspended dirt particles. In order to keep your pool water clean and hygienic you must add chemicals.

To keep your pool clean:

1. Contact your local pool supply shop for advice and purchase of chemicals and PH kits. One of the most important factors to increase the life of the liner is to keep continuously clean and healthy water. Please follow strictly the instructions from professional technicians for the water treatment through the use of chemicals.
2. Locate a bucket of water next to pool to clean users' feet before entering pool.
3. Cover the pool when not in use.
4. Skim pool regularly to avoid settled dirt.
5. Change filter cartridge in filter pump every 2 weeks.
6. Gently clean any scum from below the top ring with a clean cloth.
7. To improve the water quality we suggest to use Bestway accessories like skimmer, maintenance kits. Please visit our website www.bestway-service.com or contact your pool supplier. Please be careful in case of rain water, kindly check that the water level is not higher than the expected one. If so, please act consequently.

Proper maintenance can maximize the life of your pool.

ATTENTION: Do not use pump when pool is in use.

Repair

If your pool is damaged, use a repair patch. -see FAQ's for instructions.

Dismantling

1. Unscrew the drain valve cap on the outside of the pool counter clockwise and remove.
2. There are 2 garden hose adaptors, choose the appropriate size to fit your hose.
3. Connect the adaptor to the hose and put the other end of the hose in the area where you are going to drain your pool. (Check local regulations for drainage by-laws).
4. Screw control ring of the hose adaptor onto the drain valve clockwise. The drain valve will be open and water will start to drain automatically.
ATTENTION: Water flow can be controlled with the control ring.
5. When draining is finished, unscrew the control ring to close the valve.
6. Disconnect the hose.
7. Screw the cap back onto the drain valve.
8. Deflate the top ring.
9. Air dry pool.

ATTENTION: Do not leave the drained pool outside.

Storage

1. Please remove all the accessories and spare parts of the pool and store them clean and dry.
2. Once pool is completely dry, sprinkle with talcum powder to prevent pool from sticking together, fold pool carefully. If pool is not completely dry, mould may result and will damage the pool liner.
3. Store liner and accessories in a dry place with a moderate temperature between 5°C / 41°F and 38°C / 100°F.

Frequently Asked Questions

1. What is a suitable base for the Fast Set pool?

Almost any completely flat, solid, level surface can be used. Do not use sand as a leveling material as it is prone to shifting under the pool. The ground should be dug out until it is perfectly level. Do not set up on driveways, decks, platforms, gravel or asphalt. The ground should be firm enough to withstand the weight and pressure of the water: mud, sand, soft / loose solid or tar are not suitable. A concrete base can be used but care should be taken not to drag the pool across the surface as abrasions could tear the liner. If the pool is to be set up on a lawn, it is recommended that the grass is removed from where the pool will sit as it will die and may cause odors / slime. Certain types of hardy grass can grow through the liner as can aggressive bushes / plants by the side of the pool. Ensure adjacent vegetation is cut back where necessary. Use of a ground cloth assists in protecting the base of the pool.

2. How will I know if my pool is set up on unlevelled ground?

If your pool appears to be bulging on one side it is not set up on level ground. It is important that you empty your pool and move the pool to a level site. If the pool is not on level ground it will place undue stress on the seams and could result in the seams bursting which will cause flooding, property damage and potentially personal injury or death.

Fill your pool following the instructions in the owner's manual carefully. This will ensure that you do not waste water and the pool can be moved easily so that the ground can be leveled at an appropriate time and not after you have completely filled it with water.

3. How much pressure is recommended to use during inflation of the ring of my Fast Set pool?

We recommend the use of a Bestway inflation Pump (not included) or other low-pressure pump when attempting to inflate the top ring. The top ring is filled to capacity when it becomes round in shape and is firm to the touch. Pay attention to major air temperature variation. An over inflated ring heated by the sun may burst or could lead to leaks in the seam; if the ring feels too firm let some of the air out. In cold ambient temperature the top ring will lose some pressure, it may appear as though the ring is deflating due to a leak, DO NOT add air since the air inside will expand again once the temperature rises. **Note:** Every use of air compressor or high pressure pump for the inflation of the ring is forbidden. Bestway inflatables will not be responsible for bursting of the ring due to the use of air compressor.

4. Can I have my pool filled by a water service?

We recommend using a garden hose under low pressure for filling your pool. If it is necessary to use a water delivery service, it is best to fill the pool with one inch of water by hose and smooth wrinkles first. Use a water service that is able to regulate the flow of water to prevent damage. Ensure you stop at each step as noted in the instruction manual to ensure your pool is level. Bestway will not be held responsible for pools damaged or weakened by water delivery services.

5. What is the maximum fill height of the pool?

Fill pool until water capacity is 80% up to the bottom of the inflated ring of the pool. Never attempt to fill your pool beyond the base of the ring. We recommend leaving extra room to account for water displacement when occupants are inside the pool. You may have to top up the water during the season which has been lost through evaporation or normal use.

6. My pool is leaking, what do I do to fix it?

The pool does not need to be emptied to fix any holes. Self-adhesive underwater repair patches can be purchased at your local pool / hardware store. For external use, use the repair patch provided. For internal holes, clean the hole on the inside of the pool to wipe off any oils and algae. Cut a circle large enough to cover the hole and apply the patch securely onto the side in the water. Cut a second patch and apply to the outside of the pool for extra strength. If the hole is in the base of the pool use one patch only and weigh it down with a heavy object while it bonds. For a hole in the top ring, inflate the ring to locate the hole, mark the hole so you can see it easily and apply the patch pressing down firmly. Once it is applied deflate the ring slightly to take some of the pressure off the patch. If the ring is completely deflated and the pool is empty put a heavy weight onto the patch to assist in bonding. If you have patched the pool when it is empty we recommend you leave it at least 12 hours before filling.

7. Where can I buy filter cartridges and how often should I change them?

Filter cartridges to fit your filter pump should be available from the store where you purchased your pool. If not, most mass retailers sell filter cartridges as an accessory. If you are unable to obtain replacements please call our toll-free number and we will assist you in finding a source local to you. The cartridges should be changed every 2 weeks dependent upon use of the pool. Check the filter on a weekly basis and clean by hosing down any debris and particles. **Note:** Ensure your pump is disconnected from the electrical supply before checking the filter cartridge. You can also visit our website www.bestway-service.com for cartridge purchase.

8. How many times a year should I change the water?

This is dependant on the amount of use the pool receives, and the attention paid to covering the pool and keeping chemicals properly balanced. If maintained correctly the water should last a full summer season. Please contact your local pool chemical supplier for detailed information regarding chemicals, they will be able to advise you how to best maintain the cleanliness of your water.

9. Do I need to take my pool down for the winter?

Yes, Above-ground pools may collapse under the weight of ice and snow and the PVC walls will be damaged. We recommend taking the pool down when temperatures fall below 8 ° C / 45 ° F. The pool should be stored indoors in a moderate temperature between 5 ° C / 41 ° F and 38 ° C / 100 ° F. Please store away from chemicals and rodents and out of the reach of children.

10. My pool is fading – why is that?

Excessive use of chemicals can cause the color of the inside of the liner to fade; this is similar to a swimsuit fading over time from repeated contact with chlorinated water.

11. How many years will the pool last?

There is no set time limit for the pool to last; following the instructions in the owner's manual and with proper care, maintenance and storage you can considerably increase the life of your pool. Improper set-up, use or care can result in failure of the pool.

12. Do you recommend the use of a filter pump with a Bestway Fast Set pool?

Absolutely! We strongly recommend you the use of a filter pump which could maintain the water of the pool clean.

13. Which are the most important functions of my filter pump?

The most important function of a filter pump is the elimination of every sort of impurity from the water by the aid of a filter cartridge and chemical products for its sterilization.

Limited BESTWAY® Manufacturers Warranty

The product you have purchased comes accompanied a limited warranty. Bestway stands behind our quality guarantee and assures, through a replacement warranty, your product will be free from manufacturer's defects that result in leaks.

To enact a claim, this warranty card must be filled out completely and returned along with: (1) Your purchase receipt (2) Cut the drain valve placed on the wall of pool together with the nearby production batch number and copy them to your purchase receipt.

Bestway is not responsible for economic loss due to water or chemical costs. With the exception of replacement product, the results of leak are not Bestway responsibility. Bestway will not place any products deemed to have been neglected or having been used outside of the owner's manual guidelines.

TO: BESTWAY SERVICE DEPARTMENT **DATE** _____
Customer Code Number _____

FAX/E-MAIL/TEL: please refer to your country according to the information you find on the back cover

Information required

Name: _____

Address: _____

Zipcode: _____

City: _____

Country: _____

Telephone: _____

Mobile: _____

E-MAIL: _____

Fax: _____

Please fill clearly your item code: _____

Please cross clearly the size correspond with your pool.

FAST SET™ POOLS	OVAL FAST SET™ POOLS	STEEL PRO™ FRAME POOLS	RECTANGULAR FRAME POOLS	SPLASH FRAME POOLS	FILTER PUMP
244cm x 66cm.	549cm x 366cm x 122cm.	244cm x 61cm.	549cm x 274cm x 122cm.	229cm x 160cm x 43cm.	330 gallons
305cm x 76cm.	610cm x 366cm x 122cm.	305cm x 76cm.	671cm x 396cm x 132cm.	239cm x 160cm x 61cm.	530 gallons
366cm x 76cm.	732cm x 366cm x 122cm.	366cm x 81cm.		259cm x 180cm x 66cm.	800 gallons
366cm x 91cm.	853cm x 366cm x 122cm.	366cm x 122cm.		300cm x 201cm x 71cm.	1500 gallons
457cm x 91cm.		457cm x 91cm.		414cm x 216cm x 79cm.	800 gallons sand filter
457cm x 107cm.		457cm x 122cm.			1500 gallons sand filter
457cm x 122cm.		549cm x 107cm.			
549cm x 107cm.		549cm x 122cm.			
549cm x 122cm.		549cm x 132cm.			
549cm x 132cm.					

Description of problem

- Item tears / leaking faulty welding faulty upper ring faulty drain valve
- Item is incomplete, Which part is missing - Please put the code you find on the instruction manual

Others, please describe _____

All the information given need to be complete in order to receive our assistance.
You have to send also a copy of your purchase receipt together with this fax.
The free-toll number can not be reachable by the mobile phones.
YOU CAN ALSO VISIT OUR WEB SITE: www.bestway-service.com

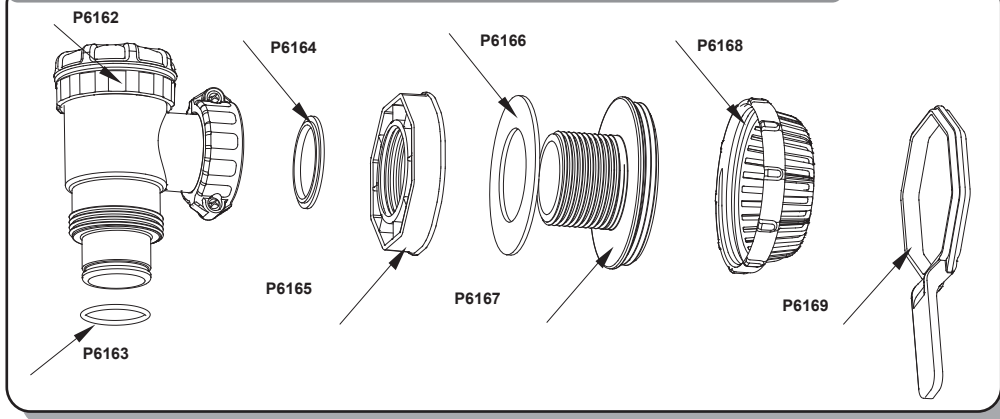
Gracias por comprar una piscina Bestway. Para asegurar el máximo disfrute y un uso seguro de su piscina, respete las instrucciones de instalación que se incluyen en el DVD que se adjunta con la caja, así como las instrucciones de seguridad incluidas en el manual de uso.

El montaje dura aproximadamente 10 minutos.

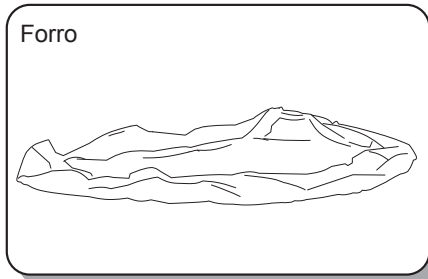
Vea a continuación la descripción de las piezas.

Piezas:

solo modelo 549cm x 122cm (18' x 48"), 549cm x 132cm (18' x 52")

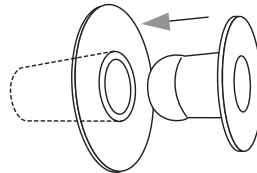


Nº	P6162	P6163	P6164	P6165	P6166	P6167	P6168	P6169
Nombre	Válvula de control	Anillo	Brida de la válvula de control	Tuerca del conector	Brida	Conector	Pantalla para los desechos	Llave



Excepto modelo 549cm x 122cm (18' x 48"),
549cm x 132cm (18' x 52")

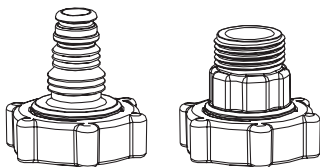
#F4D018N-02 Tapón de paro x 2



Parche de reparación de gran dureza

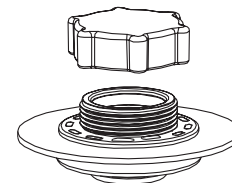


Adaptadores de la manguera



#F4D019N-03

Válvula de drenaje



#F4D019N-01

Para más información, consulte las PMF. Los diseños no están realizados a escala.

ATENCIÓN

¡La seguridad de los niños depende totalmente de usted! Los niños menores de 5 años están expuestos a un mayor riesgo. Por favor, tenga cuidado en evitar los accidentes.

Asegúrese de que hay al menos una persona a cargo de la seguridad. Aumente la supervisión si hay varias personas en la piscina. Enseñe a sus niños a nadar, si es posible.

Por su seguridad, no monte la piscina en una terraza / balcón.

Recuerde que debe situar la piscina en un lugar donde sea fácil efectuar el drenaje evitando las inundaciones.

No deje que los niños entren o permanezcan en la piscina sin la vigilancia de un adulto o si no usan dispositivos salvavidas.

Pruebe la temperatura del agua antes de entrar a la piscina echándose un poco de agua en el cuello, brazos y piernas.

Bajo ninguna circunstancia debe saltar o tirarse de cabeza en la piscina, pueden producirse heridas graves o incluso la muerte.

Se prohíbe correr y jugar cerca de la piscina.

La piscina y sus accesorios deben ser montados únicamente por adultos competentes.

Es necesario llenar la piscina con un flujo de agua a baja presión para evitar tensiones innecesarias en el forro. Bestway no se considera responsable de daños en la piscina debidos al llenado de la misma con cisternas de agua. (Véase PMF)

No se monte, se siente, se apoye ni oprima el anillo superior hinchable ya que podría hundirse la piscina y provocar una inundación, causando graves heridas a las personas y/o daños a la propiedad privada.

No deje ningún juguete cerca de la piscina o en ésta si no está vigilada.

No nade solo.

No use la piscina si ha tomado alcohol, drogas o medicinas.

Guarde los productos químicos y los accesorios fuera del alcance de los niños.

No añada nunca productos químicos a la piscina mientras está ocupada. Consulte a un vendedor especializado para cerciorarse de que los productos químicos se usan correctamente.

Mantenga el agua de la piscina limpia.

El agua de la piscina debe probarse con regularidad para asegurarse de que el pH y las concentraciones de cloro en el agua son adecuados para un uso seguro y agradable durante toda la estación.

Los animales domésticos deben mantenerse lejos del área de la piscina para evitar daños a la misma.

Rodee su piscina con una valla y asegúrese de que la puerta está siempre cerrada.

Cubra la piscina cuando no la use. No pueden entrar en la piscina niños ni adultos si se está usando la cubierta. Quite la cubierta completamente cuando se esté usando la piscina.

Debe instalarse un detector electrónico para avisarle de que alguien ha entrado en el área de la piscina.

Bajo ninguna circunstancia este equipo debe sustituir a la supervisión por parte de un adulto.

No deje la escalera en la piscina si ésta no está vigilada. Recuerde que es necesario vaciar la piscina durante el invierno y si ésta no se usa.

Use únicamente accesorios Bestway en las piscinas Bestway.

Mantenga adecuadamente la piscina para asegurar una mayor duración y un uso más seguro. (Vea la sección de mantenimiento).

No haga funcionar la bomba mientras se está usando la piscina.

Debe revisarse todo el equipo a menudo para detectar posibles signos de deterioro, corrosión, piezas rotas y otros riesgos que podrían causar daños.

Recuerde que es necesario usar protección solar a menudo, y siempre después del baño.

Si no se respetan estas instrucciones se pueden provocar daños, heridas o incluso la muerte.

SEGURIDAD

Aprenda las operaciones de primeros auxilios necesarias, especialmente las relativas a los niños.

El equipo de rescate debe estar situado cerca de la piscina y es necesario que el adulto que vigila la misma sepa cómo usarlo.

El equipo de rescate debe incluir, sin que ésta sea una lista completa, elementos como un chaleco salvavidas, un flotador con cuerda incluida y un mango de rescate rígido de al menos 366cm (12').

Los números de emergencia disponibles deben incluir:

- Bomberos
- Policía
- Ambulancia
- Servicio de información de productos tóxicos
- Dirección completa de la casa

Sitúe un teléfono inalámbrico resistente al agua cerca de la piscina mientras ésta se está usando.

En caso de accidente:

- Saque a todos los niños fuera del agua inmediatamente.
- Llame al servicio de emergencias y siga sus instrucciones/consejos.
- Sustituya la ropa mojada con ropa seca.

GUARDE ESTAS INSTRUCCIONES PARA CONSULTARLAS EN EL FUTURO



Los niños están en peligro sin una supervisión adecuada

No salte en agua poco profunda



No se tire de cabeza en agua poco profunda



Preparación

NOTA: La piscina debe montarse en una superficie completamente plana y nivelada. No instale la piscina si la superficie está inclinada o en pendiente.

- Consulte en el ayuntamiento la legislación vigente en material de puertas, barreras, iluminación y requisitos de seguridad y asegúrese de que se cumplen estas leyes.
- Saque la piscina y los accesorios de la caja con cuidado. Si la piscina incluye una escalera, es necesario un destornillador de cruz o una llave ajustable (no incluidos) para efectuar el montaje de la misma.
- Sitúe la piscina con un espacio mínimo de 1 metro aproximadamente alrededor de todos los lados de manera que los niños no puedan utilizar ningún objeto para subir a la piscina. No efectúe el montaje en lugares donde haya línea de tensión o árboles y asegúrese de que en esta ubicación no hay tuberías, líneas o cables de servicios de ningún tipo situados debajo.
- Es fundamental instalar la piscina en un suelo sólido y nivelado. Si la piscina se monta en un suelo inestable puede hundirse, provocando inundaciones, graves heridas personales y daños a la propiedad privada. El montaje en un lugar inestable anula la garantía y cualquier otra posible reclamación.
- No debe usarse arena para crear una base nivelada; si es necesario debe cavarse el suelo.
- No monte la piscina en carreteras, cubiertas, plataformas, grava o asfalto. El suelo debe ser suficientemente firme para aguantar la presión del agua; el barro, arena, tierra blanda o suelta o el alquitrán no son adecuados.
- Debe limpiarse el suelo de todos los objetos y desechos, incluyendo piedras y palos.
NOTA: el césped o cualquier otro tipo de vegetación morirán y pueden provocar olores y limo, por lo tanto le recomendamos que quite todo el césped del lugar donde se situará la piscina. Evite situar la piscina en áreas encima de las cuales o cerca de las cuales crecen plantas agresivas y malas hierbas, ya que pueden crecer por encima de la tela del suelo o del forro.
- Le recomendamos encarecidamente que una vez que la piscina se desenrolla, deje reposar la tela del suelo a la luz directa del sol durante una 1 hora o más, para que la piscina sea más flexible durante el montaje.
- Si se compra con una bomba, ésta debe instalarse cuando la piscina esté completamente montada. Recuerde que es necesario situar las tomas de entrada y retorno hacia la fuente de alimentación exterior.
NOTA: Si ha comprado una bomba de filtrado, este producto incluye un manual de instrucciones separado. Abra la caja para conocer todos los detalles.
- Si compró una escalera por separado para su piscina, asegúrese de que coincide con el tamaño de la piscina.
- Controle regularmente que la escalera está bien montada.
NOTA: La escalera debe usarse sólo para entrar y salir de la piscina.

Instalación

El montaje dura aproximadamente 10 minutos.

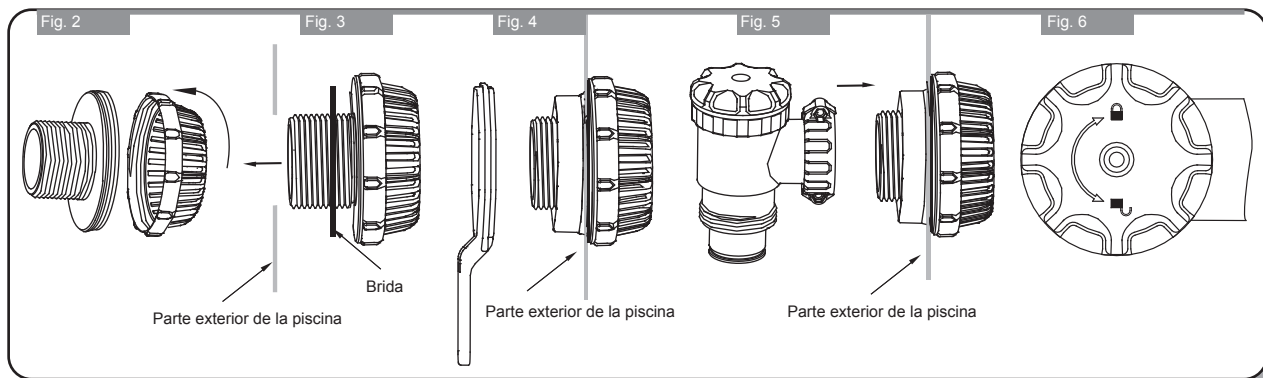
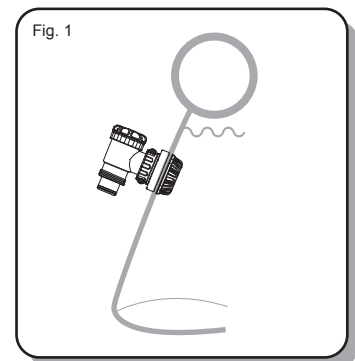
NOTA: Es importante que monte la piscina en el siguiente orden.

1. Si se ha adquirido una tela para el suelo con la piscina, extiéndala cuidadosamente en la ubicación deseada. Asegúrese de que la piscina está situada a una determinada distancia de una toma de CA de 220-240 voltios protegida con un RCD (Dispositivo de corriente residual).
2. Extienda la piscina y asegúrese de que está cara arriba, déjela extendida a la luz del sol directa durante una hora o más para que sea más flexible durante el montaje.
3. Gire la piscina de manera que la válvula de drenaje esté cerca del área donde desea drenar el agua y de manera que las válvulas de la bomba estén mirando a la salida de RCD.
ATENCIÓN: No arrastre la piscina en el suelo para evitar que se pinche con objetos puntiagudos. Bestway Inflatables no es responsable por daños provocados en la piscina debidos a un mal manejo o a la falta de respeto de estas instrucciones.
NOTA: La base o parte inferior de la piscina debe estirarse adecuadamente (lisa sin arrugas).
Para piscinas de 549cm x 122cm (18' x 48"), 549cm x 132cm (18' x 52"), consulte la instalación de la válvula de conexión en la siguiente página.
4. Introduzca los tapones de paro azules en la entrada y la salida de la pared de la piscina desde dentro de la piscina
5. Hinche el anillo superior de la piscina con una bomba de aire (no incluida). Asegúrese de que la válvula de seguridad está firmemente cerrada después del hinchado.
ATENCIÓN: No use mangueras de aire a alta presión ni hinche demasiado el anillo superior, debe estar un poco duro al tacto.
NOTA: Las altas temperaturas pueden hacer que el aire expanda el anillo, provocando daños. Deje un poco de espacio para que se expanda. Para más información, consulte las PMF.
6. Asegúrese de que la válvula de drenaje está firmemente cerrada.
7. Ponga de 1" a 2" de agua en la piscina para cubrir el suelo. Cuando la piscina esté un poco cubierta, alise suavemente las arrugas. Comience desde el centro de la piscina y trabaje en sentido horario hacia el exterior.

Montaje de la válvula de conexión

Para el modelo de piscina de 549cm x 122cm (18' x 48"), 549cm x 132cm (18' x 52")

1. Enrosque la pantalla para los desechos (P6168) en el conector (P6167). (Vea Fig. 2)
2. Desde el interior de la piscina, introduzca la unidad montada en la entrada A de la piscina y la salida B (Vea Fig. 3)
NOTA: Asegúrese de que la brida (P6166) está en su lugar en la unidad montada dentro del forro de la piscina.
3. Desde fuera de la piscina, ajuste la tuerca del conector (P6165) en la unidad montada con la llave (P6169). (Vea Fig. 4).
4. Ajuste a mano la válvula de control (P6162) en la unidad montada. (Vea Fig. 5)
NOTA: Compruebe que tanto la brida de la válvula de control (P6164) como el anillo (P6163) están correctamente colocados en la válvula de control
5. Consulte el manual de la piscina para el resto de la instalación de la piscina.
NOTA SOBRE LA OPERACIÓN: Use el tornillo de control en la parte superior de la válvula de control para abrir y cerrar la válvula. (Vea Fig. 6)
6. Asegúrese de que la válvula está cerrada.



LLENADO DE LA PISCINA CON AGUA

ATENCIÓN: No deje la piscina sin vigilancia mientras la está llenando de agua.

Las paredes de la piscina subirán a medida que se llena con agua. (Vea Fig. 7)

El forro de la piscina deben extenderse de manera uniforme alrededor de la parte exterior del anillo hinchable cuando se llena la piscina con agua.

1. Llene la piscina hasta la válvula de drenaje.

ALTO

2. Apague el agua. Compruebe que el agua no se acumula en ningún lado para que la piscina esté equilibrada.

Si la piscina no está equilibrada, drene el agua y vuelva a equilibrar el suelo cavando. No intente nunca mover la piscina con agua dentro de la misma, pueden provocarse graves daños personales o daños en la piscina. (Vea Fig. 9)

NOTA: Su piscina puede contener XXXX litros / XXXX galones lo que equivale a XXXX libras de presión.

Si su piscina presenta bultos o lados que no están equilibrados la piscina no está equilibrada, los lados pueden explotar y el agua se descargaría provocando graves heridas personales y daños a las propiedades.

3. Llene la piscina hasta la válvula de la bomba inferior.

ALTO

4. Apague el agua. Compruebe que las válvulas están bien ajustadas.

5. Llene la piscina con agua hasta el 80% de su capacidad, hasta la parte inferior del anillo hinchable de la piscina de manera que los lados queden lisos y firmes. **NO LLENE DEMASIADO** ya que esto puede hacer que la piscina se hunda. Si llueve bastante, podría ser necesario quitar un poco de agua de la piscina para asegurarse de que el nivel es correcto. (Vea Fig. 8)

6. Compruebe si la piscina presenta pérdidas en las válvulas o las juntas, compruebe la tela de suelo para ver si hay alguna pérdida evidente de agua. No añada productos químicos hasta haber realizado esta comprobación.

7. En caso de pérdidas, ponga un parche a su piscina usando el kit de parche incluido. Consulte las PMF para más información.

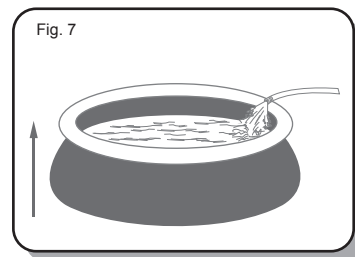


Fig. 8

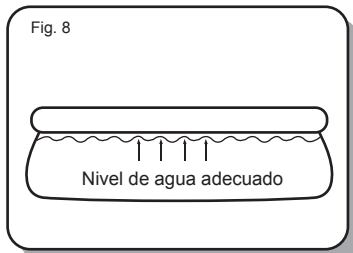
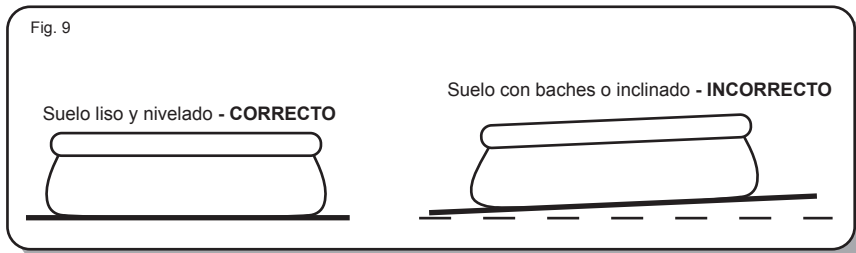


Fig. 9



Mantenimiento de la piscina

Si no respeta las instrucciones de mantenimiento que se incluyen a continuación, su salud puede estar en peligro, y especialmente también la de los niños.

NOTA: La bomba de filtrado se usa para hacer que circule el agua y para filtrar pequeñas partículas, ayudando a mantener su agua libre de partículas de suciedad en suspensión. Para mantener el agua de su piscina limpia y en condiciones de higiene adecuadas, debe añadir productos químicos.

Para mantener la piscina limpia:

1. Póngase en contacto con su vendedor local para que le asesore sobre el uso de productos químicos y para el control de pH. Uno de los factores que más influyen en el aumento de la duración del forro es mantener el agua con unos niveles de limpieza e higiene adecuados. Siga estrictamente las instrucciones de los técnicos profesionales para el tratamiento del agua usando productos químicos.
2. Ponga un cubo de agua cerca de la piscina para limpiar los pies de los usuarios antes de entrar a la piscina.
3. Cubra la piscina cuando no la use.
4. Limpie a menudo la piscina por encima para evitar que la suciedad se deposite.
5. Cambie el cartucho del filtro en la bomba de filtrado cada 2 semanas.
6. Limpie cuidadosamente cualquier espuma de la parte inferior del anillo superior con un paño limpio.
7. Para mejorar la calidad del agua, use accesorios Bestway como skimmer o kits de mantenimiento. Visite nuestro sitio web www.bestway-service.com o póngase en contacto con su vendedor. Tenga cuidado con el agua de lluvia, compruebe que el nivel de agua no supera el necesario. Si es así, tome las medidas necesarias.

Un mantenimiento adecuado puede alargar la vida de su piscina.

ATENCIÓN: No use la bomba mientras se está usando la piscina.

Reparación

Si su piscina se ha dañado, use el parche de reparación. - veas las PMF para las instrucciones.

Desmontaje

1. Desenrosque el tapón de la válvula de drenaje en la parte exterior de la piscina en sentido anti-horario y sáquelo.
2. Hay 2 adaptadores para las mangueras de jardín, elija el tamaño adecuado para su manguera.
3. Conecte el adaptador a la manguera y ponga el otro extremo de la manguera en el área donde desee drenar su piscina. (Compruebe la legislación local para saber si existen ordenanzas municipales acerca del drenaje).
4. Enrosque el anillo de control del adaptador de la manguera en la válvula de drenaje en sentido horario. La válvula de drenaje estará abierta y el agua comenzará a salir automáticamente.

ATENCIÓN: El flujo del agua puede controlarse con el anillo de control.

5. Cuando el drenaje haya acabado, destornille el anillo de control para cerrar la válvula.

6. Desconecte la manguera.

7. Enrosque el tapón otra vez en la válvula de drenaje.

8. Deshinche el anillo superior.

9. Airee la piscina para secarla.

ATENCIÓN: No deje la piscina ya vacía en el exterior.

Almacenamiento

1. Quite todos los accesorios y piezas de recambio de la piscina y guárdelos en un lugar limpio y seco.
2. Cuando la piscina esté completamente seca, espolvoree polvos de talco en la misma para evitar que se pegue, doble la piscina cuidadosamente. Si la piscina no está completamente seca, se creará moho y se dañará el forro de la piscina.
3. Guarde el forro y los accesorios en un lugar seco con una temperatura moderada entre 5°C / 41°F y 38°C / 100°F.

Preguntas más frecuentes

1. ¿Qué base es adecuada para una piscina Fast Set?

Puede usarse casi cualquier superficie lisa, sólida y equilibrada. No use arena como material de nivelado ya que puede desplazarse debajo de la piscina. El suelo debe cavarse hasta que esté perfectamente nivelado. No monte la piscina en carreteras, cubiertas, plataformas, grava o asfalto. El suelo debe ser lo suficientemente firme para aguantar el peso y la presión del agua: el barro, la arena, los sólidos blandos o sueltos o el alquitrán no son lugares adecuados. Puede usarse una base de hormigón, pero no se puede arrastrar la piscina por la superficie ya que se podrían provocar abrasiones que rasgarían el forro. Si es necesario montar la piscina en césped, se recomienda quitar el mismo de debajo del lugar donde se situará la piscina, ya que morirá y podría causar olores o limo. Algunos tipos de césped muy duro pueden crecer a través del forro así como algunas plantas o arbustos especialmente agresivos. Asegúrese de que la vegetación situada al lado se corta cuando es necesario. Usar una tela para el suelo ayuda a proteger la base de la piscina.

2. ¿Cómo sé si mi piscina está montada en un lugar poco equilibrado?

Si parece que hay bultos en un lado de la piscina, no está montada encima de un lugar equilibrado. Es importante vaciar la piscina y desplazarla a un lugar equilibrado. Si la piscina no está situada en un lugar equilibrado, se provocará una tensión innecesaria en las juntas, lo que podría hacer que saltasen, provocando inundaciones, daños a las propiedades y posibles daños personales o incluso la muerte.

Llene su piscina siguiendo las instrucciones incluidas en el manual de uso cuidadosamente. Esto asegurará que no pierda agua y que la piscina se puede mover fácilmente dado que el suelo se puede equilibrar en el momento adecuado y no después de haberla llenado completamente con agua.

3. ¿Qué presión se debe usar durante el hinchado del anillo de la piscina Fast Set?

Recomendamos que use una bomba de hinchado Bestway (no incluida) u otra bomba de baja presión cuando intente hinchar el anillo superior. El anillo superior se debe llenar hasta que presente una forma redonda y sea firme al tacto. Preste atención si se producen importantes variaciones de temperatura. Un anillo demasiado hinchado por el sol puede explotar o puede provocar pérdidas en la junta; si el anillo parece demasiado firme, deje salir un poco de aire. Si la temperatura ambiente es baja, el anillo superior perderá un poco de presión y puede parecer que el anillo se está deshinchando debido a una pérdida, NO añada aire ya que el aire del interior se expandirá cuando suba la temperatura. **Nota:** Se prohíbe el uso de un compresor de aire o una bomba de alta presión para el hinchado del anillo. Bestway inflables no es responsable por la explosión del anillo debida al uso del compresor de aire.

4. ¿Puedo hacer que un servicio de aguas llene mi piscina?

Recomendamos que use una manguera de jardín a poca presión para llenar su piscina. Si es necesario usar un servicio de entrega de agua, es mejor llenar la piscina con solo una pulgada de agua con la manguera y alisar primero las arrugas. Use un servicio de agua que pueda regular el flujo de agua para evitar daños. Asegúrese de que para en cada uno de los pasos indicados en el manual de instrucciones para asegurarse de que la piscina está nivelada. Bestway no se hace responsable de piscinas dañadas o en malas condiciones debido al uso de servicios de entrega de agua.

5. ¿Cuál es la máxima altura de llenado de la piscina?

Llena la piscina hasta el 80% de su capacidad desde la parte inferior del anillo hinchado de la piscina. No intente nunca llenar la piscina más allá de la base del anillo. Recomendamos que deje un poco de espacio para los desplazamientos de agua que se producen cuando hay personas dentro de la piscina. Puede ser necesario llenarla durante la estación para compensar el agua evaporada o las pérdidas que se producen durante el uso.

6. Mi piscina presenta pérdida, ¿qué puedo hacer para arreglarla?

No es necesario vaciar la piscina para tapar los agujeros. Puede comprar parches de reparación auto-adhesivos que se pueden utilizar debajo del agua en su tienda local. Para un uso en el exterior, use el parche de reparación incluido. Para los agujeros interiores, limpie el agujero en la parte interior de la piscina quitando cualquier resto de aceite o algas. Corte un círculo lo suficientemente amplio para cubrir el agujero y aplique un parche de manera segura en el lado del agua. Corte un segundo parche y aplíquelo en la parte exterior de la piscina para asegurar una mayor dureza. Si el agujero está en la base de la piscina, use solo un parche y apriételo con un objeto pesado mientras se pega. Para los agujeros del anillo superior, hinche el anillo para ubicar el agujero, marque el agujero de manera que se vea fácilmente y aplique el parche apretándolo firmemente. Cuando se haya aplicado, deshinche un poco el anillo para quitar un poco de presión del parche. Si el anillo se deshincha completamente y se vacía la piscina, ponga un peso encima del parche para ayudar a que se pegue. Si ha puesto un parche en la piscina cuando está vacía, le recomendamos que espere al menos 12 horas antes de llenarla.

7. ¿Dónde puedo comprar cartuchos para el filtro y cada cuánto tiempo tengo que cambiarlos?

Los cartuchos de filtro adecuados para su bomba de filtrado tienen que estar disponibles en la tienda donde compró la piscina. Si no es así, la mayoría de los vendedores venden cartuchos para el filtro como accesorio. Si no puede encontrar las piezas de sustitución necesarias, llame a nuestro número gratuito y le ayudaremos a encontrar la tienda más cercana. Los cartuchos deben cambiarse cada 2 semanas dependiendo del uso de la piscina. Compruebe el filtro semanalmente y limpie las mangueras quitando los desechos y partículas. **Nota:** Asegúrese de que la bomba está desconectada del suministro eléctrico antes de comprobar el cartucho del filtro. También puede visitar nuestro sitio web www.bestway-service.com para comprar los cartuchos.

8. ¿Cuántas veces al año debo cambiar el agua?

Depende del uso que se haga de la piscina, y de la atención que se preste a cubrir la piscina y mantener los productos químicos con la dosis adecuada. Si se efectúa un mantenimiento correcto, el agua debe durar todo el verano. Póngase en contacto con su proveedor de productos químicos local para obtener más información acerca de los productos químicos, le podrán aconsejar cómo mantener limpia el agua.

9. ¿Es necesario desmontar la piscina durante el invierno?

Sí, las piscinas situadas encima del suelo pueden hundirse con el peso del hielo y la nieve y las paredes de PVC podrían dañarse. Le recomendamos que desmonte la piscina cuando la temperatura sea inferior a 8°C / 45°F. La piscina debe guardarse en el interior a una temperatura moderada, entre 5°C / 41°F y 38°C / 100°F. Guárdela lejos de productos químicos y roedores, y fuera del alcance de los niños.

10. Mi piscina está perdiendo color - ¿a qué se debe?

Un uso excesivo de productos químicos puede hacer que se pierda el color del forro; es parecido a lo que pasa con el traje de baño, que pierde color debido al uso prolongado con el agua con cloro.

11. ¿Cuántos años durará la piscina?

No hay un límite temporal para la piscina; si se respetan las instrucciones incluidas en el manual de uso con cuidado, se efectúa el mantenimiento y se guarda cuidadosamente se puede aumentar considerablemente la vida de la piscina. Un montaje, uso o cuidado no adecuados pueden dañar gravemente la piscina.

12. ¿Se recomienda el uso de una bomba de filtrado con una piscina Bestway?

¡Por supuesto! Recomendamos encarecidamente que use una bomba de filtrado para mantener el agua de la piscina limpia.

13. ¿Cuáles son las funciones más importantes de la bomba de filtrado?

La función más importante de la bomba de filtrado es la eliminación de todas las impurezas del agua gracias al cartucho de filtrado y a los productos químicos para su esterilización.

Garantía limitada BESTWAY®

El producto que ha comprado incluye una garantía limitada. Bestway garantiza la calidad de sus productos y asegura, a través de una garantía de sustitución, que su producto está libre de defectos debidos al fabricante que puedan causar pérdidas.

Para presentar una reclamación, es necesario rellenar esta tarjeta de garantía en cada una de sus partes y enviarla junto con: (1) Su recibo de compra. (2) Corte la válvula de drenaje situada en la pared de la piscina con el número de lote de producción situado cerca y cópielos en su recibo de compra.

Bestway no es responsable por las pérdidas económicas debidas a los costes del agua o de productos químicos. Con la excepción de la sustitución del producto, Bestway no es responsable de las consecuencias causadas por la pérdida. Bestway no sustituirá ningún producto que no se haya cuidado o que se haya usado sin seguir las instrucciones del fabricante indicadas en el manual.

A : SERVICIO DE ATENCIÓN BESTWAY **FECHA** _____

Número de código del cliente _____

FAX/E-MAIL/TEL: por favor, haga referencia a su país de acuerdo con la información que encuentra en la tapa posterior

Información necesaria

Nombre: _____

Dirección: _____

Código postal: _____

Ciudad: _____

País: _____

Teléfono: _____

Móvil: _____

E-MAIL: _____

Fax: _____

Por favor, marque el código de su artículo: _____

Por favor, marque claramente el tamaño que corresponde a su piscina.

PISCINA FAST SET™	PISCINA FAST SET™ OVAL	PISCINA DESMONTABLE TUBULAR STEEL PRO™	PISCINA DESMONTABLE TUBULAR RECTANGULAR	PISCINA CON ARMAZÓN	BOMBA DE FILTRADO
244cm x 66cm.	549cm x 366cm x 122cm.	244cm x 61cm.	549cm x 274cm x 122cm.	229cm x 160cm x 43cm.	1.250 litros (330 galones)
305cm x 76cm.	610cm x 366cm x 122cm.	305cm x 76cm.	671cm x 396cm x 132cm.	239cm x 160cm x 61cm.	2.005 litros (530 galones)
366cm x 76cm.	732cm x 366cm x 122cm.	366cm x 81cm.		259cm x 180cm x 66cm.	3.025 litros (800 galones)
366cm x 91cm.	853cm x 366cm x 122cm.	366cm x 122cm.		300cm x 201cm x 71cm.	5.678 litros (1500 galones)
457cm x 91cm.		457cm x 91cm.		414cm x 216cm x 79cm.	filtro de arena de 3.025 litros (800 galones)
457cm x 107cm.		457cm x 122cm.			filtro de arena de 5.678 litros (1500 galones)
457cm x 122cm.		549cm x 107cm.			
549cm x 107cm.		549cm x 122cm.			
549cm x 122cm.		549cm x 132cm.			
549cm x 132cm.					

Descripción del problema

- El artículo se ha roto / presenta pérdidas soldadura defectuosa anillo superior defectuoso válvula de drenaje averiada
- El artículo no está completo, Qué parte falta - Indique el código que se encuentra en el manual de instrucciones

Otros, por favor describa _____

Es necesario dar toda la información solicitada para poder recibir nuestra asistencia.

Tiene que mandar una copia del recibo con este fax.

No es posible llamar al número gratuito desde un teléfono móvil.

TAMBIÉN PUEDE ESCRIBIR A NUESTRO SITIO WEB: www.bestway-service.com

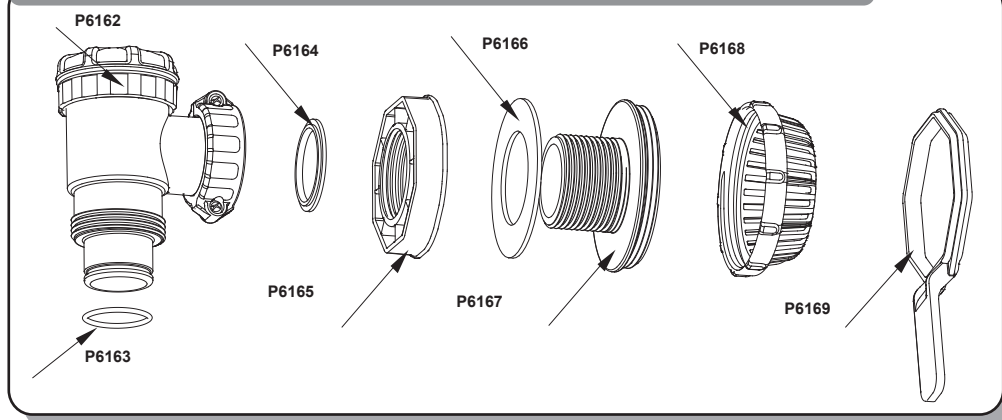
Wir danken Ihnen für den Kauf eines Bestway-Pools. Um zu gewährleisten, dass Sie viel Freude und Sicherheit mit Ihrem Pool haben, beachten Sie bitte die Installationsanweisungen auf der der Verpackung beiliegenden DVD, einschließlich die wichtigen Sicherheitshinweise in Ihrem Handbuch.

Der Zusammenbau erfordert etwa 10 min.

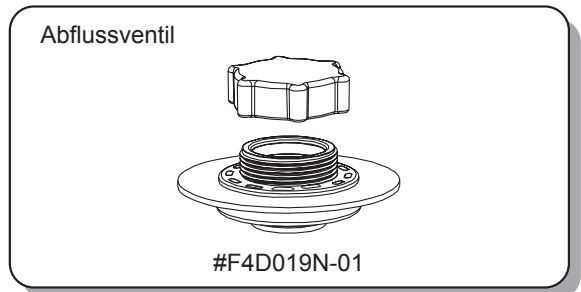
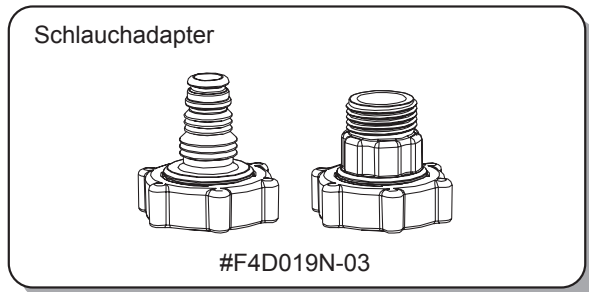
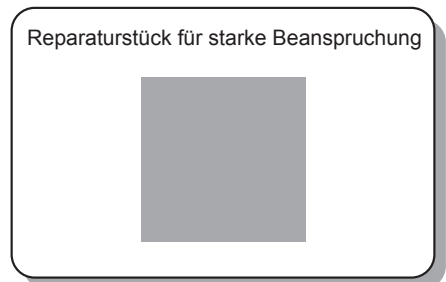
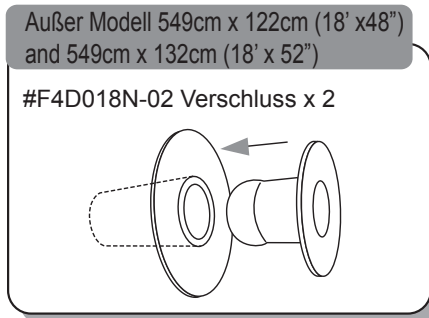
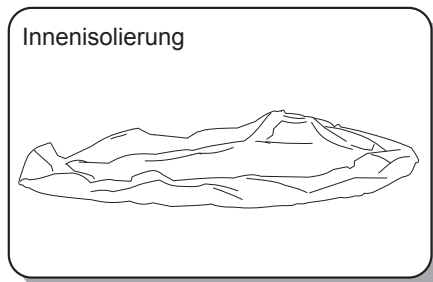
Siehe unten zur Beschreibung der Bauteile.

Bauteile:

Nur Modell 549cm x 122cm (18' x 48") and 549cm x 132cm (18' x 52")



Nr.	P6162	P6163	P6164	P6165	P6166	P6167	P6168	P6169
Bezeichnung	Steuerventil	O-Ring	Dichtung Steuerventil	Verbindungs Mutter	Dichtung	Verbinder	Rückstandsfilter	Schlüssel



Siehe in den FAQ für weitere Informationen. Die Zeichnungen sind nicht maßstabsgerecht.

WARNUNG

Die Sicherheit Ihrer Kinder ist allein von Ihnen abhängig! Kinder unter 5 Jahren sind der größten Gefahr ausgesetzt. Bitte gehen Sie achtsam vor, um Unfälle zu vermeiden.

Bestimmen Sie mindestens eine Person zur Aufrechterhaltung der Sicherheit. Erhöhen Sie die Aufsicht, wenn sich mehrere Personen im Swimming-Pool befinden. Lernen Sie Ihren Kindern nach Möglichkeit das Schwimmen.

Errichten Sie Ihren Pool aus Sicherheitsgründen nicht auf einer Terrasse / einem Balkon.

Positionieren Sie Ihren Pool dort, wo er leicht entleert werden kann, ohne dass es zu einer Überschwemmung kommt.

Lassen Sie Ihre Kinder nicht den Pool oder den Bereich des Pools betreten oder darin verbleiben, ohne dass sie auch einen Erwachsenen beaufsichtigt werden bzw. wenn sie nicht die Rettungsmittel tragen.

Prüfen Sie die Wassertemperatur vor dem Betreten des Pools, indem Sie Wasser auf Ihren Hals, Ihre Arme und Beine spritzen.

Unter keinen Umständen darf ein Anwender in den Pool springen oder tauchen. Dabei kann es zu schweren Verletzungen bzw. zum Tod kommen.

Verbieten Sie das Rennen und Spielen in der Nähe des Swimming-Pools.

Der Pool und das Zubehör dürfen nur durch kompetente Erwachsene zusammengebaut werden.

Ihr Pool muss mit Wasser bei niedrigem Druck gefüllt werden, um eine unnötige Belastung der Innenisolierung zu vermeiden. Die Firma Bestway kann nicht für Schäden am Pool durch das Füllen mittels Tankzug haftbar gemacht werden. (Siehe FAQ)

Spreizen, biegen, überspannen oder drücken Sie nicht auf den auflässbaren oberen Ring, da dies zu einem Reißen des Pools führen kann. Das Auslaufen kann schwere Personen- und / oder Besitzschäden bewirken.

Lassen Sie kein Spielzeug in der Nähe oder in einem nicht beaufsichtigten Swimming-Pool.

Schwimmen Sie nicht allein.

Benutzen Sie Ihren Pool nicht unter Einfluss von Alkohol, Drogen oder Arzneimitteln.

Bewahren Sie Chemikalien und Zubehör außerhalb der Reichweite von Kindern auf.

Setzen Sie dem Pool keine Chemikalien hinzu, wenn sich Personen darin befinden. Befragen Sie einen Facheinzelhändler für Pools, um die richtige Verwendung der Chemikalien zu gewährleisten.

Halten Sie das Wasser im Pool immer sauber.

Das Wasser im Pool muss regelmäßig getestet werden, um zu gewährleisten, dass der

PH-Wert und der Chlorgehalt im Wasser für die sichere und angenehme Benutzung während der gesamten Saison optimal sind.

Haustiere müssen vom Poolbereich fern gehalten werden, um Beschädigungen zu vermeiden.

Umgeben Sie Ihren Pool mit einer Einzäunung und gewährleisten Sie, dass das Tor stets geschlossen ist.

Decken Sie den Pool ab, wenn er nicht benutzt wird. Weder Kinder noch Erwachsene dürfen sich im Pool befinden, wenn die Abdeckung benutzt wird. Entfernen Sie die Abdeckung vollständig, wenn der Pool benutzt wird.

Ein elektronischer Bewegungsmelder muss installiert werden, um Sie zu warnen, wenn jemand den Poolbereich betreten hat.

Diese Ausrüstung darf aber keinesfalls die Überwachung durch einen in der Nähe befindlichen Erwachsenen ersetzen.

Lassen Sie die Leiter nicht im Pool, wenn dieser unbeaufsichtigt ist. Entleeren und lagern Sie den Pool während des Winters und bei Nichtbenutzung ein.

Verwenden Sie nur Zubehör von Bestway für die Pools von Bestway.

Warten Sie Ihren Pool richtig, um seine Lebensdauer und den sicheren Gebrauch zu erhöhen. (Siehe im Abschnitt Wartung des Pools)

Betreiben Sie die Pumpe nicht, wenn der Pool benutzt wird.

Die gesamte Ausrüstung muss häufig auf Anzeichen für Abnutzung, Korrosion, defekte Teile oder andere Gefahren geprüft werden, die Verletzungen hervorrufen können.

Tragen Sie regelmäßig und immer nach dem Schwimmen ein Sonnenschutzmittel auf.

Die Nichteinhaltung dieser Hinweise kann zu Besitzschäden, Verletzungen oder Tod führen.

SICHERHEIT

Erlernen Sie die erforderlichen Rettungsarbeiten, d.h. insbesondere die zur Rettung von Kindern.

Die Rettungsausrüstung muss sich in der Nähe des Pools befinden und der Aufsicht führende Erwachsene muss in ihren Gebrauch vollständig eingewiesen sein.

Die Rettungsausrüstung muss mindestens, aber nicht ausschließlich Elemente umfassen, wie eine durch den Küstenschutz zugelassene Ringboje mit Seil, sowie einen festen und starren Rettungspfahl von mindestens 366cm (12') Länge.

Bringen Sie Schilder mit folgenden Notrufnummern an:

- Feuerwehr
- Polizei
- Krankenwagen
- Giftschutz-Hotline
- Vollständige Heimanschrift

Halten Sie ein kabelloses, wasserdichtes Telefon zum Gebrauch in der Nähe des Pools bereit.

Im Falle eines Unfalls:

- Entfernen Sie alle Kinder sofort aus dem Wasser.
- Verständigen Sie den Notdienst und beachten Sie dessen Anweisungen / Empfehlungen.
- Ersetzen Sie nasse Kleidung durch trockene.

BEWAHREN SIE DIESE HINWEISE ZUM NACHSCHLAGEN AUF



**Kinder sind ohne ausreichende
Aufsicht gefährdet**

Nicht springen
– flaches Wasser



Nicht tauchen
– flaches Wasser



Vorbereitung

HINWEIS: Der Pool muss auf einer vollkommen flachen und ebenen Oberfläche aufgestellt werden. Installieren Sie den Pool nicht, wenn die Oberfläche geneigt oder abschüssig ist.

- Prüfen Sie mit den lokalen Behörden die Gesetze in Bezug auf die Abgrenzung, Sperrungen, Beleuchtungs- und Sicherheitsanforderungen und Gewährleisten Sie die Einhaltung aller Gesetze.
 - Entnehmen Sie den Pool und das Zubehör vorsichtig aus dem Karton. Wird der Pool mit einer Leiter geliefert, ist zu deren Zusammenbau ein Kreuzschraubendreher oder ein einstellbarer Schlüssel erforderlich (nicht beiliegend).
 - Stellen Sie Ihren Pool mit mindestens 122cm (4') Abstand auf allen Seiten auf, so dass ein Kind keinen Gegenstand benutzen kann, um in den Pool zu steigen. Stellen Sie den Pool nicht direkt unter Freileitungen auf und gewährleisten Sie, dass am Aufstellort keine unterirdischen Versorgungsleitungen, Rohrleitungen oder Kabel jeglicher Art vorhanden sind.
 - Es ist wichtig, dass der Pool auf einem festen, ebenen Untergrund errichtet wird. Wenn der Pool auf unebenem Untergrund errichtet wird, kann dies zu einem Reißen des Pools und Auslaufen führen, was schwere Personen- und / oder Besitzschäden bewirkt. Die Errichtung auf unebenem Untergrund lässt die Garantie- und Leistungsansprüche verfallen.
 - Zur Herstellung eines ebenen Untergrunds sollte kein Sand verwendet werden. Bei Bedarf muss der Boden ausgehoben werden.
 - Stellen Sie den Pool nicht auf Fahrwege, Verandas, Plattformen, Kies oder Asphalt. Der Boden muss ausreichend fest sein, um den Wasserdruck auszuhalten. Schlamm, Sand, weicher / lockerer Boden oder Teer sind nicht geeignet.
 - Der Boden muss von allen Gegenständen und Rückständen einschließlich Steinen und Zweigen gereinigt werden.
- HINWEIS:** Rasen oder andere Vegetation unter dem Pool stirbt ab und kann zu schlechtem Geruch und Schamm führen. Deshalb empfehlen wir, von der Aufstellfläche des Pools das Gras zu entfernen. Vermeiden Sie das Aufstellen des Pools über und neben Bereichen, in deren Nähe sich aggressive Pflanzen- und Unkrautarten befinden, da diese durch das Bodengewebe oder Innenisolierung wachsen können.
- Wir raten dringend dazu, beim Auseinanderfalten des Pools auf dem Bodengewebe diesen für mindestens 1 Stunde dem direkten Sonnenlicht auszusetzen, so dass der Pool während des Aufbaus flexibler ist.
 - Beim Kauf mit einer Pumpe muss die Pumpe nach dem vollständigen Zusammenbau des Pools installiert werden. Richten Sie die Zu- und Abläufe zur äußeren Stromquelle aus.
- HINWEIS:** Wenn Sie eine Filterpumpe gekauft haben, verfügt dieses Element über eine separate Bedienungsanleitung. Öffnen Sie den entsprechenden Karton für Details.
- Wenn Sie eine separate Leiter für Ihren Pool gekauft haben, müssen Sie gewährleisten, dass diese der Poolgröße entspricht.
 - Kontrollieren Sie regelmäßig, um zu gewährleisten, dass die Leiter richtig zusammengebaut ist.
- HINWEIS:** Die Leiter darf nur zum Betreten und Verlassen des Pools verwendet werden.

Installation

Der Zusammenbau erfordert etwa 10 min.

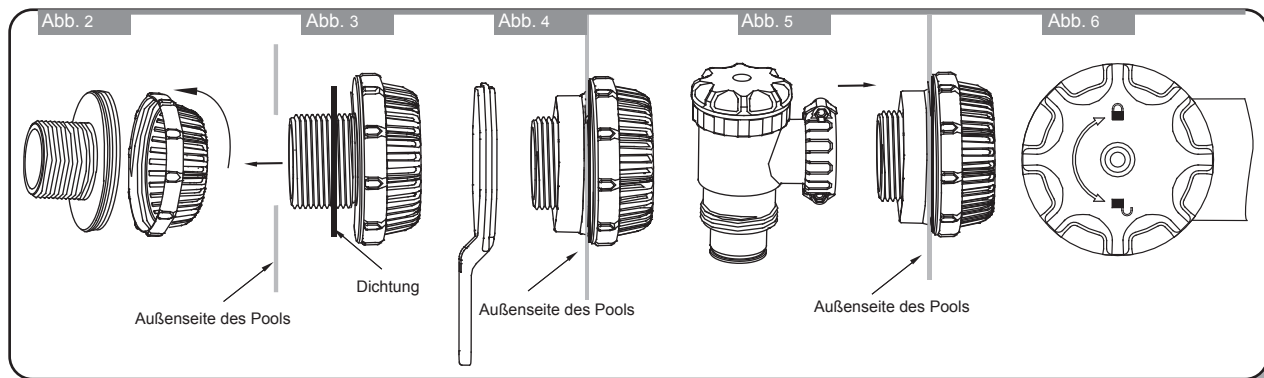
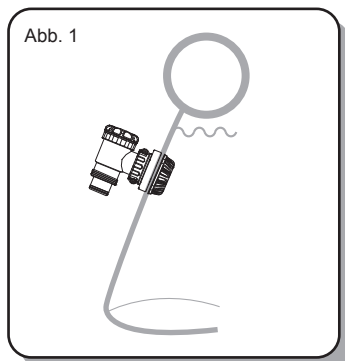
HINWEIS: Es ist wichtig, den Pool in der nachfolgend beschriebenen Reihenfolge zusammenzubauen.

1. Wurde der Pool mit einem Bodengewebe gekauft, ist dieses sorgfältig am gewünschten Ort auszulegen. Gewährleisten Sie, dass sich der Pool in der Nähe zu einer 220-240 Volt AC-Steckdose befindet, die durch ein RCD (Reststromvorrichtung) geschützt ist.
2. Falten Sie den Pool auseinander und prüfen Sie, dass die richtige Seite nach oben zeigt. Lassen Sie ihn für mindestens 1 Stunde dem direkten Sonnenlicht ausgesetzt, so dass der Pool während des Aufbaus flexibler ist.
3. Drehen Sie den Pool so, dass sich das Abflussventil in der Nähe des Bereichs befindet, in den Sie das Wasser ablassen wollen, sowie die Pumpenventile gegenüber dem RCD-Ausgang angeordnet sind.
ACHTUNG: Ziehen Sie den Pool nicht auf den Boden, um eine Beschädigung durch scharfe Gegenstände zu vermeiden. Die Firma Bestway Inflatables kann nicht für Schäden am Pool durch die falsche Behandlung oder Nichtbeachtung dieser Anweisungen haftbar gemacht werden.
HINWEIS: Der Fuß oder Boden des Pools muss richtig ausgelegt werden (flach ohne Falten).
Für pools zu 549cm x 122cm (18' x 48"), 549cm x 132cm (18' x 52") siehe zur Installation des Verbindungsventils auf der folgenden Seite.
4. Setzen Sie den blauen Verschluss in den Ein- und Ausgang der Poolwand von der Innenseite des Pools ein.
5. Lassen Sie den oberen Ring des Pools mit einer Luftpumpe auf (nicht mitgeliefert). Gewährleisten Sie, dass das Sicherheitsventil nach dem Aufblasen richtig geschlossen wird.
ACHTUNG: Verwenden Sie keinen Hochdruckluftschlauch oder lassen Sie den oberen Ring nicht zu stark auf. Er muss sich bei Berührung geringfügig hart anfühlen.
HINWEIS: Hohe Temperaturen bewirken, dass sich die Luft im Ring ausdehnt, und können Schäden hervorrufen. Lassen Sie etwas Raum für die Ausdehnung. Siehe in den FAQ für weitere Informationen.
6. Prüfen Sie, ob das Abflussventil gut geschlossen ist.
7. Füllen Sie 1" bis 2" Wasser in den Pool, so dass der Boden bedeckt ist. Glätten Sie vorsichtig alle Falten sobald der Poolboden leicht bedeckt ist. Beginnen Sie in der Mitte des Pools und arbeiten Sie im Uhrzeigersinn zur Außenseite.

Montage des Verbindungsventils

Für das Poolmodell 549cm x 122cm (18' x 48"), 549cm x 132cm (18' x 52")

1. Schrauben Sie den Rückstandsfilter (P6168) auf den Verbinder (P6167). (Siehe Abb. 2)
2. Fügen Sie diese zusammengebaute Einheit vom Inneren des Pools in den Einlauf A und Auslauf B ein. (Siehe Abb. 3).
HINWEIS: Gewährleisten Sie, dass die Dichtung (P6166) richtig auf der zusammengebauten Einheit innerhalb der Innenisolierung des Pools positioniert ist.
3. Ziehen Sie von der Außenseite des Pools die Verbindungsmutter (P6165) auf der zusammengebauten Einheit mit dem Schlüssel (P6169) fest. (Siehe Abb. 4)
4. Ziehen Sie mit der Hand das Steuerventil (P6162) an der zusammengebauten Einheit fest. (Siehe Abb. 5)
HINWEIS: Prüfen Sie, dass sowohl die Dichtung des Steuerventils (P6164) als der O-Ring (P6163) richtig am Steuerventil positioniert sind.
5. Schlagen Sie im Handbuch zum Pool für die übrige Installation des Pools nach.
ARBEITSANWEISUNG: Verwenden Sie die Regelschraube oben am Steuerventil zum Öffnen und Schließen des Ventils. (Siehe Abb. 6)
6. Prüfen Sie, ob das Ventil geschlossen ist.



FÜLLEN DES POOLS MIT WASSER

ACHTUNG: Lassen Sie den Pool während des Einfüllens des Wassers nicht unbeaufsichtigt.

Die Wände des Pools heben sich beim Einfüllen des Wassers. (Siehe Abb. 7)

Die Innenisolierung des Pools muss sich gleichmäßig über die Außenseite des auflässbaren Rings erstrecken, wenn der Pool mit Wasser gefüllt wird.

1. Füllen Sie den Pool bis zum Abflussventil.

STOP

2. Schalten Sie die Wasserzufuhr ab. Prüfen Sie, dass sich das Wasser nicht auf einer Seite sammelt, um zu gewährleisten, dass der Pool eben ist. Lassen Sie, wenn der Pool nicht eben ist, das Wasser ab und nivellieren Sie den Boden durch Aushub. Versuchen Sie nicht, den Pool mit darin befindlichem Wasser zu bewegen. Dabei kann es zu schweren Verletzungen oder Schäden am Pool kommen. (Siehe Abb. 9)

HINWEIS: Ihr Pool kann bis zu xxxxx Liter / xxxx Gallonen fassen, was einem Druck von xxxxx Pfund entspricht.

Weist Ihr Pool eine Beule oder unebene Seite auf, dann ist er nicht eben. Die Seiten können dann reißen und das Wasser läuft plötzlich aus, was zu schweren Verletzungen und / oder Besitzschäden führen kann.

3. Füllen Sie den Pool bis zum niedrigsten Pumpenventil.

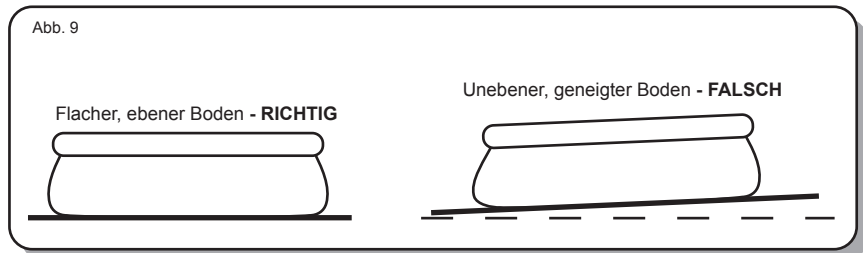
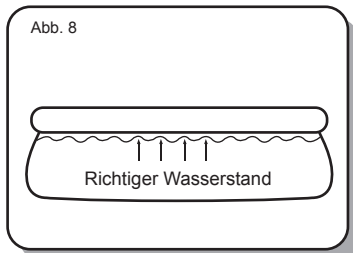
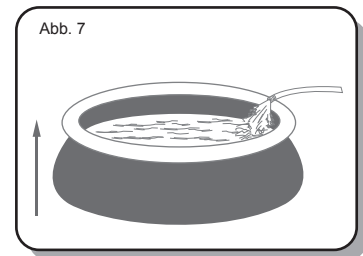
STOP

4. Schalten Sie die Wasserzufuhr ab. Prüfen Sie die Ventile auf Dichtheit.

5. Füllen Sie den Pool bis zu 80% mit Wasser, d.h. bis zur Unterkante des aufgelassenen Rings des Pools, so dass die Seiten glatt und fest sind. **ÜBERFÜLLEN** Sie den Pool nicht, das dies zu einem Reißen führen kann. Bei starken Regenfällen müssen Sie unter Umständen etwas Wasser entleeren, um den richtigen Füllstand zu gewährleisten. (Siehe Abb. 8)

6. Prüfen Sie den Pool auf Leckstellen an den Ventilen oder Nähten. Kontrollieren Sie das Bodengewebe auf sichtbare Wasserleckstellen. Fügen Sie erst dann Chemikalien hinzu.

7. Bessern Sie Ihren Pool bei einer Leckstelle mit dem beiliegenden Flecken-Kit aus. Siehe in den FAQ für weitere Informationen.



Wartung des Pools

Wenn Sie die Richtlinien zur Wartung nicht einhalten, kann Ihre Gesundheit gefährdet sein, d.h. im Besonderen die Ihrer Kinder.

HINWEIS: Die Filterpumpe wird benutzt, um das Wasser umzuwälzen sowie kleine Partikel auszufiltern, so dass das Wasser von schwebenden Schmutzpartikeln frei gehalten wird. Damit das Wasser Ihres Pools sauber und hygienisch ist, müssen Sie Chemikalien hinzufügen.

Um Ihren Pool sauber zu halten:

1. Setzen Sie sich mit Ihrer örtlichen Verkaufsstelle zur Beratung und zum Kauf von Chemikalien sowie PH-Kits in Verbindung. Einer der wichtigsten Faktoren zur Erhöhung der Lebensdauer der Innenisolierung besteht darin, das Wasser ständig sauber und hygienisch zu halten. Bitte beachten Sie bei der Verwendung von Chemikalien genau die Anweisungen von Fachtechnikern für die Wasseraufbereitung.
2. Stellen Sie einen Wassereimer in der Nähe des Pools auf, damit sich die Benutzer vor dem Betreten des Pools die Füße reinigen können.
3. Decken Sie den Pool ab, wenn er nicht benutzt wird.
4. Säubern Sie den Pool regelmäßig, um die Ablagerung von Schmutz zu vermeiden.
5. Wechseln Sie den Filtereinsatz in der Filterpumpe aller 2 Wochen.
6. Entfernen Sie vorsichtig allen Schwimmschaum unter dem oberen Ring mit einem sauberen Tuch.
7. Zur Verbesserung der Wasserqualität empfehlen wir, Zubehör von Bestway zu verwenden, wie Entschäumer und Wartungs-Kits. Bitte besuchen Sie unsere Internetseite www.bestway-service.com oder setzen Sie sich mit Ihrem Pool-Lieferanten in Verbindung. Bei Regenwasser ist Vorsicht geboten. Prüfen Sie bitte, dass der Wasserstand nicht höher als erwartet ist. Gehen Sie in diesem Fall entsprechend vor.

Eine richtige Wartung kann die Lebensdauer Ihres Pools maximieren.

ACHTUNG: Wenn der Pool benutzt wird.

Reparatur

Verwenden Sie das Reparaturstück, wenn Ihr Pool beschädigt ist. - Siehe in den FAQ für Hinweise.

Zerlegung

1. Schrauben Sie die Kappe des Abflussventils an der Außenseite des Pools entgegen dem Uhrzeigersinn ab und entfernen Sie sie.
2. Es sind zwei Adapter für Gartenschläuche vorhanden. Wählen Sie die für Ihren Schlauch passende Größe.
3. Schließen Sie den Adapter an den Schlauch an und legen Sie das andere Ende des Schlauchs in den Bereich, in dem Sie Ihren Pool ablassen wollen. (Prüfen Sie die lokalen Bestimmungen zum Ablassen gemäß Gesetz).
4. Schrauben Sie den Kontrollring des Schlauchadapters im Uhrzeigersinn auf das Abflussventil. Das Abflussventil öffnet sich und das Wasser beginnt automatisch abzufließen.

ACHTUNG: Der Wasserfluss kann mit dem Kontrollring gesteuert werden.

5. Schrauben Sie nach dem Ablassen den Kontrollring auf, um das Ventil zu schließen.
6. Lösen Sie den Schlauch.
7. Schrauben Sie die Kappe wieder auf das Abflussventil.
8. Lassen Sie den oberen Ring ab.
9. Trocknen Sie den Pool an der Luft.

ACHTUNG: Lassen Sie den abgelassenen Pool nicht im Freien.

Lagerung

1. Entfernen Sie alles Zubehör und alle Ersatzteile des Pools und bewahren Sie sie sauber und trocken auf.
2. Tragen Sie, sobald der Pool vollständig trocken ist, Talkum-Puder auf, damit die Gewebe nicht aneinander haften und falten Sie den Pool sorgfältig zusammen. Ist der Pool nicht vollständig trocken kann es zu Schimmelbildung und Schäden an der Innenisolierung des Pools kommen.
3. Bewahren Sie die Innenisolierung und das Zubehör an einem trockenen Ort mit gemäßigter Temperatur zwischen 5°C / 41°F und 38°C / 100°F auf.

Häufig gestellte Fragen (FAQ)

1. Was ist ein geeigneter Untergrund für den Schnellbau-Pool?

Nur eine vollkommen flache, feste und ebene Oberfläche kann verwendet werden. Verwenden Sie keinen Sand als Material zum Nivellieren, da er zu einer Verschiebung unter dem Pool neigt. Der Boden muss ausgehoben werden, bis er vollständig eben ist. Stellen Sie den Pool nicht auf Fahrwege, Verandas, Plattformen, Kies oder Asphalt. Der Boden muss ausreichend fest sein, um das Gewicht und den Druck des Wassers auszuhalten: Schlamm, Sand, weicher / loser Boden oder Teer sind ungeeignet. Ein Betonuntergrund kann benutzt werden, jedoch ist Vorsicht geboten, damit der Pool nicht über die Oberfläche gezogen wird, da die Innenisolierung durch Abrieb beschädigt werden kann. Soll der Pool auf Rasen aufgestellt werden, wird empfohlen, das Gras unter dem Pool zu entfernen, da es abstirbt und schlechte Gerüche / Schlamm hervorruft. Bestimmte Arten von zähligem Gras können durch die Innenisolierung wachsen, wie auch aggressive Büsche / Pflanzen durch die Poolseite. Gewährleisten Sie, dass Vegetation in der Nähe bei Bedarf zurückgeschnitten wird. Die Verwendung eines Bodengewebes trägt zum Schutz des Poolbodens bei.

2. Wie weiß ich, ob mein Pool auf unebenem Untergrund aufgestellt wurde?

Wenn sich Ihr Pool auf einer Seite ausbeult wurde er nicht auf ebenem Untergrund errichtet. Es ist wichtig, dass Sie Ihren Pool entleeren und zu einem ebenen Ort umsetzen. Sollte sich der Pool nicht auf ebenem Untergrund befinden, wird eine ungewöhnliche Belastung auf die Nähte ausgeübt, was zu ihrem Reißen und einer Überschwemmung führen kann. Dies kann wiederum Schäden und mögliche Verletzungen sowie Tod zur Folge haben.

Füllen Sie Ihren Pool sorgfältig gemäß den Hinweisen im Handbuch. Dies gewährleistet, dass Sie kein Wasser vergeuden und sich der Pool mühelos bewegen lässt, um den Untergrund zum angebrachten Zeitpunkt zu ebenen und nicht nach seinem vollständigen Füllen mit Wasser.

3. Wie viel Druck wird empfohlen, beim Auflassen des Rings meines Schnellbau-Pools zu verwenden?

Wir raten zur Verwendung einer Auflasspumpe von Bestway (nicht beiliegend) oder einer anderen Niederdruckpumpe zum Auflassen des oberen Rings. Der obere Ring ist vollständig gefüllt, wenn er rund wird und sich fest anfühlt. Achten Sie auf stärkere Veränderungen der Lufttemperatur. Ein zu stark aufgelassener Ring, der durch die Sonne erhitzt wird, kann platzen oder Leckstellen an der Naht aufweisen. Lassen Sie, wenn sich der Ring zu fest anfühlt, etwas Luft ab. Bei kalter Umgebungstemperatur verliert der obere Ring etwas an Druck, was einem Ablassen auf Grund einer Leckstelle ähnelt. Fügen Sie KEINE Luft hinzu, da sich die Luft im Inneren wieder ausdehnt, sobald die Temperatur steigt. **Hinweis:** Die Verwendung von Kompressoren oder Hochdruckpumpen zum Auflassen des Rings ist verboten. Die Firma Bestway Inflatables kann für das Platzen des Rings auf Grund der Verwendung eines Kompressors nicht haftbar gemacht werden.

4. Kann ich meinen Pool über die Wasserversorgung füllen?

Wir raten zur Verwendung eines Gartenschlauchs mit niedrigem Druck zum Füllen Ihres Pools. Wenn es notwendig ist, die Wasserversorgung zu verwenden, ist es günstig, den Pool mit einem Zoll Wasser über einen Schlauch zu füllen und zuerst die Falten zu glätten. Verwenden Sie eine Wasserversorgung, die in der Lage ist den Wasserfluss zu regeln, um Schäden zu verhüten. Gewährleisten Sie eine Pause bei jedem Schritt gemäß der Bedienungsanleitung, damit Ihr Pool eben ist. Die Firma Bestway kann nicht für Pools haftbar gemacht werden, die durch die Wasserversorgung beschädigt oder geschwächt wurden.

5. Welches ist der maximale Füllstand des Pools?

Füllen Sie den Pool bis zu 80% mit Wasser, d.h. bis zur Unterkante des aufgelassenen Rings des Pools. Versuchen Sie nicht, den Pool über die Unterkante des Rings zu füllen. Wir empfehlen, für die Wasserverdrängung Platz zu lassen, wenn sich Personen im Pool befinden. Während des Sommers müssen Sie unter Umständen Wasser nachfüllen, das durch Verdampfung oder normalen Gebrauch verloren gegangen ist.

6. Mein Pool hat eine Leckstelle, was kann ich tun, um sie zu beseitigen?

Der Pool muss nicht entleert werden, um Löcher zu verschließen. Selbstklebende, Unterwasser-Reparaturstücken sind bei Ihrem örtlichen Pool- / Hardware-Geschäft erhältlich. Verwenden Sie zum externen Gebrauch das mitgelieferte Reparaturstück. Reinigen Sie bei Löchern im Inneren diese auf der Innenseite des Pools, um Öl und Algen zu entfernen. Schneiden Sie einen ausreichend großen Kreis aus, um das Loch abzudecken, und bringen Sie den Flicker fest auf der Wasserseite an. Schneiden Sie einen zweiten Flicker und bringen Sie ihn auf der Außenseite des Pools für bessere Festigkeit an. Verwenden Sie, wenn sich das Loch im Boden des Pools befindet, nur einen Flicker und beschweren Sie ihn mit einem schweren Gegenstand, während er abbündet. Lassen Sie den Ring bei einem Loch im oberen Ring auf, um das Loch zu suchen. Markieren Sie es, so dass Sie es mühelos erkennen und bringen Sie den Flicker durch gutes Andrücken an. Lassen Sie den Ring nach dem Anbringen leicht ab, so dass der Flicker weniger unter Druck steht. Legen Sie, wenn der Ring vollständig abgelassen und der Pool leer ist, ein großes Gewicht auf den Flicker, um das Abbünden zu unterstützen. Wenn Sie den Pool ausgebessert haben, während er leer war, empfehlen wir, ihn mindestens 12 Stunden vor dem erneuten Füllen ruhen zu lassen.

7. Wo kann ich Filtereinsätze kaufen und wie oft muss ich sie wechseln?

Filtereinsätze für Ihre Filterpumpe sind in dem Geschäft erhältlich, in dem Sie Ihren Pool gekauft haben. Anderenfalls verkaufen Großhändler Filtereinsätze als Zubehör. Sollten Sie keine Ersatzteile erhalten können, wenden Sie sich an unsere gebührenfreie Telefonnummer und wir werden Sie bei der Suche nach der nächstgelegenen Beschaffungsquelle unterstützen. Die Einsätze müssen alle 2 Wochen je nach dem Gebrauch des Pools gewechselt werden. Prüfen Sie den Filter auf wöchentlicher Grundlage und reinigen Sie ihn durch Absaugen von Rückständen und Partikeln. **Hinweis:** Gewährleisten Sie, dass Ihre Pumpe von der Stromversorgung getrennt wird, bevor Sie den Filtereinsatz prüfen. Sie können auch unsere Internetseite www.bestway-service.com zum Kauf von Einsätzen besuchen.

8. Wie oft pro Jahr muss ich das Wasser wechseln?

Dies ist vom Gebrauch des Pools und von der Aufmerksamkeit hinsichtlich des Abdeckens des Pools und der richtigen Ausgewogenheit der Chemikalien abhängig. Bei richtiger Wartung sollte das Wasser eine ganze Sommersaison dauern. Setzen Sie sich mit Ihrem lokalen Lieferanten für Pool-Chemikalien für detaillierte Informationen in Bezug auf die Chemikalien in Verbindung, der in der Lage ist, Sie hinsichtlich der Aufrechterhaltung der Sauberkeit des Wassers zu beraten.

9. Muss ich meinen Pool für den Winter entleeren?

Ja. Überirdische Pools können unter dem Gewicht von Eis und Schnee reißen und die PVC-Wände werden beschädigt. Wir empfehlen, den Pool abzulassen, wenn die Temperaturen unter 8°C / 45°F sinkt. Der Pool muss im Inneren bei gemäßigter Temperatur zwischen 5°C / 41°F und 38°C / 100°F aufbewahrt werden. Lagern Sie ihn von Chemikalien und Nagetieren geschützt, sowie außerhalb der Reichweite von Kindern.

10. Mein Pool verblasst – warum?

Der übermäßige Gebrauch von Chemikalien kann zu einem Verblasen der Farbe auf der Innenseite der Innenisolierung führen. Dies ähnelt dem Badeanzug, der im Laufe der Zeit durch den wiederholten Kontakt mit chlorhaltigem Wasser ausbleicht.

11. Wie viele Jahre dauert der Pool?

Es gibt keine Zeitgrenze für die Dauerhaftigkeit des Pools. Bei Beachtung der Anweisungen im Handbuch und bei richtiger Sorgfalt, Wartung und Lagerung können Sie die Lebensdauer Ihres Pools deutlich erhöhen. Ein falscher Aufbau, Gebrauch oder ungenügende Sorgfalt können zu einer Beschädigung des Pools führen.

12. Raten Sie zur Verwendung einer Filterpumpe mit einem Bestway-Pool?

Unbedingt! Wir raten dringend zur Verwendung einer Filterpumpe, die das Wasser des Pools sauber halten kann.

13. Was sind die wichtigsten Funktionen meiner Filterpumpe?

Die wichtigste Funktion einer Filterpumpe ist die Beseitigung jeglicher Art von Schmutz aus dem Wasser mit Hilfe eines Filtereinsatzes und chemischen Produkten für ihre Sterilisierung.

Eingeschränkte BESTWAY®-Herstellergarantie

Für das von Ihnen erworbene Produkt wird eine eingeschränkte Garantie gewährt. Bestway deckt unsere Qualitätsgarantie und gewährleistet durch die Ersetzungsgarantie, dass Ihr Produkt frei von Herstellungsfehlern ist, die zu Undichtigkeit führen.

Um einen Anspruch geltend zu machen, müssen Sie diese vollständig ausgefüllte Garantiekarte einschicken mit: (1) Ihr Kaufbeleg (2) Schneiden Sie das Auslassventil an der Wand des Pools mit der in der Nähe aufgedruckten Produktionslosnummer aus und legen Sie es dem Kaufbeleg bei.

Bestway haftet nicht für wirtschaftliche Schäden aufgrund der Kosten für Wasser oder Chemikalien. Mit Ausnahme der Ersetzung des Produkts haftet Bestway nicht für die Folgen der Undichtigkeit. Bestway ersetzt keine beschädigten Produkte, bei denen der Verdacht besteht, dass diese Schäden durch Nachlässigkeit oder Nichtbeachtung der Anweisungen für die Benutzung verursacht wurden.

AN : BESTWAY KUNDENDIENSTABTEILUNG Datum _____

Code Kundennummer _____

FAX/EMAIL/TEL: Bitte nehmen Sie auf die Informationen für Ihr Land auf der Rückseite Bezug

Erforderliche Informationen

Name: _____

Anschrift: _____

PLZ: _____

Stadt: _____

Land: _____

Telefon: _____

Handy: _____

E-MAIL: _____

Fax: _____

Bitte kreuzen Sie die Bestellnummer des Artikels deutlich an: _____

Bitte geben Sie die Größe Ihres Pools deutlich an.

FAST SET™ POOL	OVALER FAST SET™ POOL	STEEL PRO™ FRAME POOL	RECHTECKIGER FRAME POOL	RAHMENPOOL SPLASH	FILTERPUMPE
244cm x 66cm.	549cm x 366cm x 122cm.	244cm x 61cm.	549cm x 274cm x 122cm.	229cm x 160cm x 43cm.	1250 Liter (1,25 m³)
305cm x 76cm.	610cm x 366cm x 122cm.	305cm x 76cm.	671cm x 396cm x 132cm.	239cm x 160cm x 61cm.	2005 Liter (2 m³)
366cm x 76cm.	732cm x 366cm x 122cm.	366cm x 81cm.		259cm x 180cm x 66cm.	3025 Liter (3 m³)
366cm x 91cm.	853cm x 366cm x 122cm.	366cm x 122cm.		300cm x 201cm x 71cm.	5678 Liter (5,7 m³)
457cm x 91cm.		457cm x 91cm.		414cm x 216cm x 79cm.	3025 Liter (3 m³) Sandfilter
457cm x 107cm.		457cm x 122cm.			5678 Liter (5,7 m³) Sandfilter
457cm x 122cm.		549cm x 107cm.			
549cm x 107cm.		549cm x 122cm.			
549cm x 122cm.		549cm x 132cm.			
549cm x 132cm.					

Beschreibung des Problems

- Riss / Undichtigkeit
 Fehlerhafte Schweißung
 Fehlerhafter oberer Ring
 Beschädigtes Ablassventil
 Unvollständigkeit, Welches Teil fehlt – Bitte geben Sie die Bestellnummer an, die Sie im Handbuch finden

Otros, por favor describa _____

Für die Abwicklung der Kundendienstanfrage müssen die angegebenen Informationen vollständig sein. Zusammen mit diesem Fax müssen Sie eine Kopie des Kassenbelegs senden.

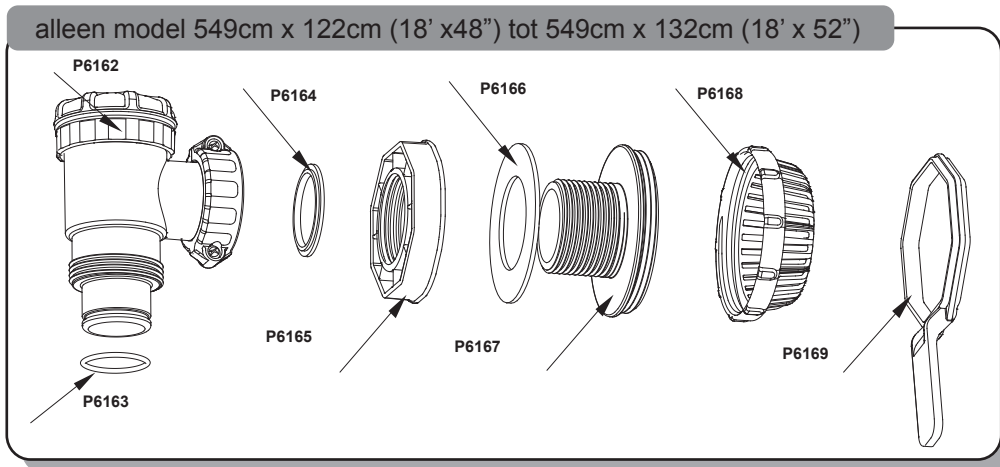
Die Free-Call-Nummer ist nur aus dem Festnetz erreichbar.

SIE KÖNNEN AUCH UNSER WEBSEITE BESUCHEN: www.bestway-service.com

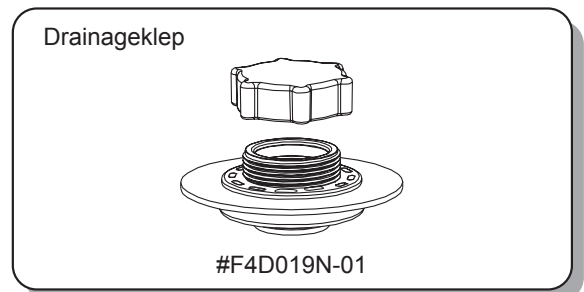
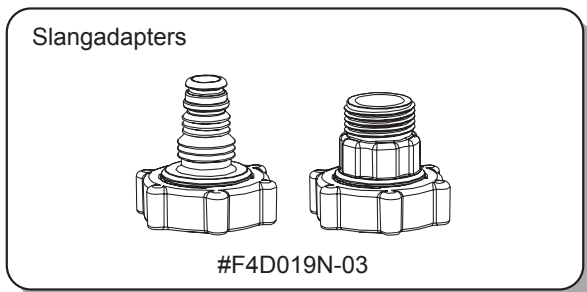
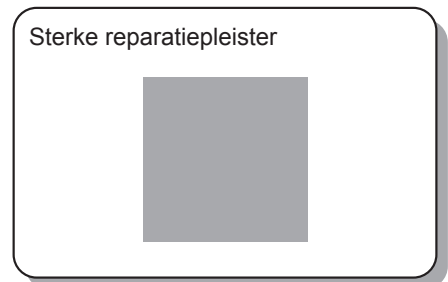
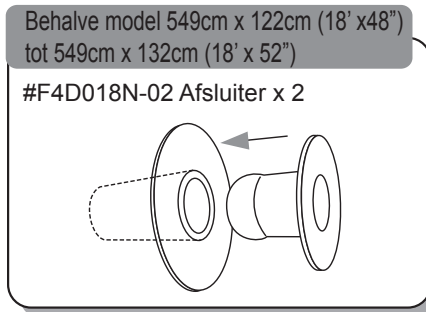
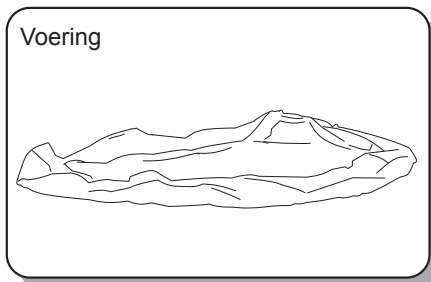
Wij danken u voor de aankoop van een zwembad Bestway. Om zo veel mogelijk plezier te beleven aan uw zwembad en het op veilige manier te gebruiken, volg de aanwijzingen voor de installatie op de DVD die u in de verpakking vindt. Lees ook de belangrijke veiligheidsvoorschriften in de handleiding.
De assemblage duurt ongeveer 10 minuten.

Zie hieronder voor de beschrijving van de onderdelen.

Onderdelen:



Nr.	P6162	P6163	P6164	P6165	P6166	P6167	P6168	P6169
Benaming	Regelklep	O-ring	Regelklep Pakking	Contactmoer	Pakking	Connector	Puinscherm	Moersleutel



Raadpleeg het deel Vaak Gestelde Vragen voor meer informatie. Tekeningen niet op schaal.

WAARSCHUWING

De veiligheid van uw kinderen ligt volledig in uw handen! Kinderen jonger dan 5 jaar lopen het grootste risico. Wees voorzichtig, om ongelukken te voorkomen.

Stel minstens een persoon aan die instaat voor de veiligheid. Drijf het toezicht op als er zich meerdere personen in het zwembad bevinden. Leer uw kinderen indien mogelijk zwemmen.

Uit veiligheidsoverwegingen, wordt het zwembad niet opgesteld op een terras/balkon.

Plaats het zwembad op een ondergrond dat het water makkelijk opneemt, om overstromingen te voorkomen.

Laat kinderen het zwembad niet betreden of laat ze niet achter in het zwembad zonder het toezicht van een volwassene of wanneer ze de levensreddende uitrustingen niet dragen.

Test de temperatuur van het water alvorens in het zwembad te stappen, door nek, armen en benen te besprenkelen.

In geen geval mag in het zwembad gesprongen of gedoken worden. Dit kan leiden tot ernstige letsels of zelfs de dood.

Hollen en spelen rond en in de buurt van het zwembad is verboden.

Het zwembad en de accessoires worden uitsluitend door bekwame volwassenen geassembleerd.

Uw zwembad moet gevuld worden met water onder lage druk, om de voering niet te overbelasten. Bestway kan niet aansprakelijk gesteld worden voor schade aan het zwembad indien het gevuld werd met een hogedrukstraal. (Zie Vaak Gestelde Vragen)

Ga niet schrijlings over de opblaasbare bovenste ring zitten of hangen. Het zwembad zou zo kunnen ineenzakken en overlopen, met als gevolg ernstige lichamelijke letsels en/of schade aan persoonlijke bezittingen.

Laat geen speelgoed achter in de buurt of in een zwembad zonder toezicht.

Zwem niet alleen.

Gebruik uw zwembad niet wanneer u gedronken hebt, drugs of geneesmiddelen genomen hebt.

Chemische producten en accessoires worden buiten het bereik van kinderen bewaard.

Voeg nooit chemische producten toe aan het water in het zwembad wanneer er personen in zitten. Raadpleeg een gespecialiseerd verkoper van zwembaden voor informatie over het correct gebruik van deze producten.

Het water in het zwembad moet altijd schoon gehouden worden.

Het water in het zwembad moet regelmatig getest worden, om ervoor te zorgen dat

de pH-waarde en chloorconcentratie optimaal zijn om het zwembad gedurende het hele seizoen met plezier en op een veilige manier te gebruiken.

Huisdieren moeten uit de buurt van het zwembad gehouden worden, om structurele schade aan het zwembad te voorkomen.

Baken de zone van het zwembad af met een omheining en zorg ervoor dat het hek altijd dicht is.

Dek het zwembad af wanneer het niet gebruikt wordt. Wanneer het zwembad afgedekt wordt mogen er zich geen volwassenen of kinderen in het zwembad bevinden. Verwijder de afdekking volledig wanneer het zwembad gebruikt wordt.

Een functionerende elektronische detector moet geïnstalleerd worden, om u te waarschuwen wanneer iemand de zone van het zwembad betreden heeft.

In geen geval mag deze uitrusting in de plaats komen van het nabije toezicht van een volwassene.

Laat het trapje niet achter in het zwembad wanneer er niemand aanwezig is. Vergeet niet het zwembad te ledigen en op te slagen in de winter en wanneer het zwembad niet gebruikt wordt.

Gebruik alleen accessoires van Bestway.

Onderhoud uw zwembad correct om de levensduur ervan te verlengen en zo borg te staan voor een veilig gebruik. (Zie Deel Onderhoud Zwembad)

Zet de pomp niet in werking wanneer het zwembad gebruikt wordt.

Alle uitrustingen moeten vaak gecontroleerd worden op schade, corrosie, gebroken onderdelen of andere gevaarlijke tekens die letsels kunnen veroorzaken.

Breng vaak een zonnescherm aan op de huid, vooral na het zwemmen.

Het niet naleven van deze aanwijzingen kan aanleiding geven tot schade, letsels of zelfs de dood.

VEILIGHEID

Leer de noodzakelijke levensreddende handelingen, vooral met betrekking tot kinderen.

De reddingsuitrusting moet zich in de buurt van het zwembad bevinden en de toezichthebbende volwassene moet volledig vertrouwd zijn met het gebruik ervan.

De reddingsuitrusting moet, zonder zich hiertoe te beperken, voorwerpen bevatten zoals een door de kustwacht geautoriseerde ronde boei met touw en een sterke, harde reddingsstok van minstens 366cm (12') lang.

Noodnummers:

- Brandweer
- Politie
- Ambulance
- Antigifcentrum
- Volledig adres

Wanneer het zwembad gebruikt wordt, moet een draadloze en waterbestendige telefoon binnen handbereik gehouden worden.

In geval van een ongeluk:

- Haal alle kinderen onmiddellijk uit het water.
- Bel de nooddiensten en volg hun aanwijzingen/advies op.
- Trek natte kleding uit en droge kleding aan.

BEWAAR DEZE AANWIJZINGEN VOOR LATERE RAADPLEGINGEN



Kinderen lopen gevaar in afwezigheid van gepast toezicht

Niet Springen
Ondiep Water



Niet Duiken
Ondiep Water



Vorbereiding

OPMERKING: Het zwembad moet op een volledig vlak en effen oppervlak opgesteld worden. Stel het zwembad niet op als de ondergrond heft of oneffen is.

- Raadpleeg uw gemeente om meer te weten over de wetgeving inzake omheiningen, barrières, verlichting en veiligheid. Respecteer alle wetten.
- Neem het zwembad en alle accessoires voorzichtig uit de kartonnen doos. Als het zwembad geleverd wordt met een trapje, dan hebt u een kruiskopschroevendraaier of verstelbare moersleutel nodig voor de assemblage (niet meegeleverd).
- Zorg ervoor dat er rond het zwembad een ruimte van 4 voet vrijgelaten wordt, zodat een kind geen voorwerp kan nemen om in het zwembad te klauteren. Stel het zwembad niet op direct onder overhangende elektriciteitslijnen of bomen en zorg ervoor dat de plaats geen ondergrondse leidingen, lijnen of kabels allerhande bevat.
- Het is heel belangrijk dat het zwembad op een stevige en effen ondergrond staat. Als het zwembad opgesteld wordt op een oneffen ondergrond, kan het zwembad zelf ineenzakken en overlopen, met als gevolg ernstige lichamelijke letsels en/of schade aan persoonlijke bezittingen. Als het zwembad op een oneffen ondergrond geplaatst wordt, zal de garantie en elk recht op assistentie vervallen.
- Gebruik geen zand om de ondergrond effen te maken. Indien nodig moet uitgegraven worden.
- Plaats het zwembad niet op een oprit, dek, platform, kiezel of asfalt. De ondergrond moet voldoende stevig zijn om de druk van het water te weerstaan; modder, zachte / losse grond of teer zijn niet geschikt.
- De ondergrond moet vrij zijn van voorwerpen en puin, inclusief stenen en takken.
- **OPMERKING:** gras of andere plantengroei onder het zwembad zal afsterven en kan vieze geuren en slijm veroorzaken. We raden daarom aan het gras te verwijderen op de plaats waar het zwembad opgesteld zal worden. Plaats het zwembad niet op of naast een zone waar agressieve planten of onkruid groeien, omdat die door het bodemzeil of de voering heen kunnen groeien.
- We raden sterk aan om, eens het zwembad opgevouwen is op het bodemzeil, het minstens 1 uur bloot te stellen aan direct zonlicht, zodat het materiaal soepeler wordt tijdens de opstelling.
- Als het zwembad geleverd wordt met een pomp, wordt deze pomp geïnstalleerd na de volledige assemblage van het zwembad. De inlaat- en uitlaatopeningen moeten naar de externe stroombron gericht zijn.
- **OPMERKING:** Als u een filterpomp gekocht hebt, dan is die vergezeld van een afzonderlijke handleiding. Open de doos voor meer details.
- Als u een afzonderlijk trapje gekocht hebt voor uw zwembad, zorg er dan voor dat die gepast is voor de afmetingen van het zwembad.
- Controleer regelmatig om er zeker van te zijn dat het trapje correct geassembleerd is.
- **OPMERKING:** Het trapje mag alleen gebruikt worden om in en uit het zwembad te stappen.

Installatie

De assemblage duurt ongeveer 10 minuten.

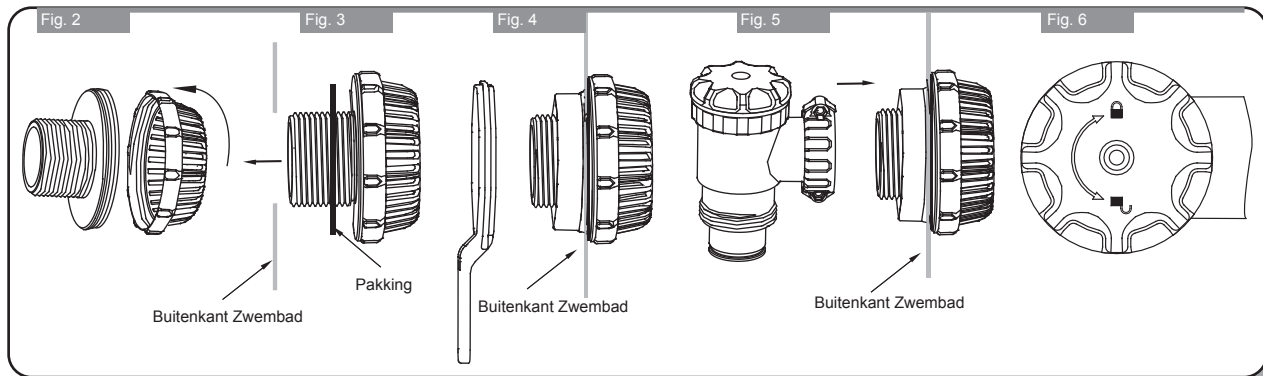
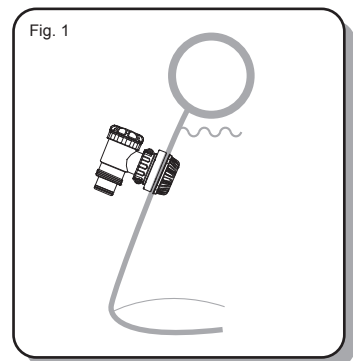
OPMERKING: Het is belangrijk het zwembad te assembleren door de onderstaande volgorde van handelingen te volgen.

1. Als het zwembad geleverd werd met een bodemzeil, spreid dit dan zorgvuldig open op de gewenste plaats. Zorg ervoor dat het zwembad zich in de buurt van een stopcontact van 220-240volt AC bevindt, voorzien van een beveiliging tegen restspanning (RCD).
2. Vouw het zwembad open en zorg ervoor dat de juiste zijde naar boven gericht is en laat het minstens 1 uur rusten onder direct zonlicht. Zo wordt het materiaal soepeler en kan het zwembad makkelijker opgesteld worden.
3. Draai het zwembad zodat de drainageklep zich vlakbij de plaats bevindt waar u het water wilt laten weglopen. De pompkleppen moeten gericht zijn naar de RCD-uitgang.
OPGELET: Sleep het zwembad niet over de ondergrond, om doorboring door scherpe voorwerpen te voorkomen. Bestway Inflatables kan niet aansprakelijk gesteld worden voor schade aan het zwembad die toe te schrijven is aan een verkeerde hantering of het niet naleven van deze aanwijzingen.
OPMERKING: De onderkant of bodem van het zwembad moet zorgvuldig opgevouwen worden (plat en zonder rimpels).
Voor de zwembaden 549cm x 122cm (18' x 48"), 549cm x 132cm (18' x 52"), raadpleeg de aanwijzingen voor de installatie van de aansluitklep op de volgende pagina.
4. Steek de blauwe afsluiter in de inlaat en uitlaat op de wand van het zwembad, van de binnenzijde.
5. Blaas de bovenste ring van het zwembad op met een luchtpomp (niet meegeleverd). Waak erover dat de veiligheidsklep na het opblazen goed gesloten wordt.
OPGELET: Gebruik geen hogedrukslangen en blaas de bovenste ring niet te veel op. Die moet iets stijf aanvoelen.
OPMERKING: Hoge temperaturen zorgen ervoor dat de lucht in de ring gaat uitzetten. Dit kan schade veroorzaken. Laat wat ruimte over zodat de lucht kan uitzetten. Raadpleeg de Vaak Gestelde Vragen voor meer informatie.
6. Controleer of de drainageklep goed dicht is.
7. Doe 1" tot 2" water in het zwembad, net voldoende om de bodem onder water te zetten. Wanneer dit gebeurd is worden alle rimpels voorzichtig gladgestreken. Begin in het midden van het zwembad en ga zo rechtsom naar de rand toe.

Assemblage Aansluitklep

Voor zwembad model 549cm x 122cm (18' x 48"), 549cm x 132cm (18' x 52")

1. Schroef het puinscherm (P6168) op de Connector (P6167). (Zie Fig.2)
2. Voer deze geassembleerde Eenheid van de binnenkant van het zwembad op de inlaat A en uitlaat B van het zwembad. (Zie Fig.3)
OPMERKING: Zorg ervoor dat de pakking (P6166) goed op zijn plaats zit op de geassembleerde Eenheid in de voering van het zwembad.
3. Schroef van de buitenkant van de zwembad de Connectormoer (P6165) op de geassembleerde Eenheid met de moersleutel (P6169). (Zie Fig. 4).
4. Draai de Regelklep (P6162) met de hand vast op de geassembleerde Eenheid. (Zie Fig.5)
OPMERKING: Controleer of zowel de Pakking van de Regelklep (P6164) als de O-ring (P6163) correct gepositioneerd zijn op de Regelklep.
5. Raadpleeg de handleiding van het zwembad voor de rest van de installatie van het zwembad.
OPMERKING VOOR DE HANDELING: Gebruik de regelschroef boven op de Regelklep om de Klep te openen en te sluiten. (Zie Fig.6)
6. Zorg ervoor dat de klep gesloten is.



HET ZWEMBAD VULLEN MET WATER

OPGELET: Laat het zwembad niet zonder toezicht wanneer het gevuld wordt met water.

De wanden van het zwembad zullen omhoog komen naarmate het zwembad gevuld wordt met water. (Zie Fig. 7)

De voering van het zwembad moet gelijkmatig vlak komen aan de buitenzijde van de opblaasbare ring wanneer het zwembad gevuld wordt met water.

1. Vul het zwembad tot aan de drainageklep.

STOP

2. Zet het water af. Controleer of het water niet hoger staat aan een zijde van het zwembad. Als het zwembad niet genivelleerd is, het water afvoeren en de ondergrond uitgraven. Probeer nooit het zwembad te verplaatsen wanneer het vol water is. Dit kan persoonlijke letsels veroorzaken of het zwembad beschadigen. (Zie Fig. 9)

OPMERKING: Uw zwembad kan tot xxxxx liter water bevatten, wat overeenkomt met xxxxx kilo druk.

Als uw zwembad een bult vertoont of als het water aan een zijde hoger staat, dan staat het zwembad niet gelijk. De wanden kunnen barsten en het water kan zo plots naar buiten lopen, met ernstige persoonlijke letsels en/of schade aan eigendom tot gevolg.

3. Vul het zwembad tot aan de laagste pompklep.

STOP

4. Zet het water af. Controleer de kleppen.

5. Vul het zwembad tot 80% van de inhoud, tot aan de onderkant van de opblaasbare ring, zodat de wanden glad en stevig zijn. **VUL NIET TE VEEL**, omdat het zwembad in elkaar kan zakken. Bij hevige regenval kan het nodig zijn om wat water af te voeren, om het correct niveau te herstellen. (Zie Fig. 8)

6. Controleer de aanwezigheid van lekken ter hoogte van de kleppen en naden. Controleer of het grondzeil geen water verliest. Voeg geen chemische producten toe zolang deze controle niet verricht werd.

7. In geval van een lek, wordt het zwembad hersteld met de bijgeleverde kit van stickers. Raadpleeg de Vaak Gestelde Vragen voor meer informatie.

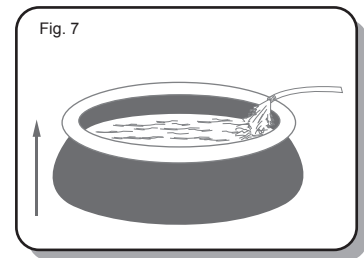


Fig. 8

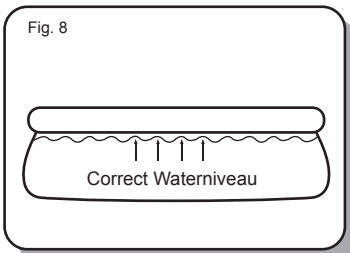
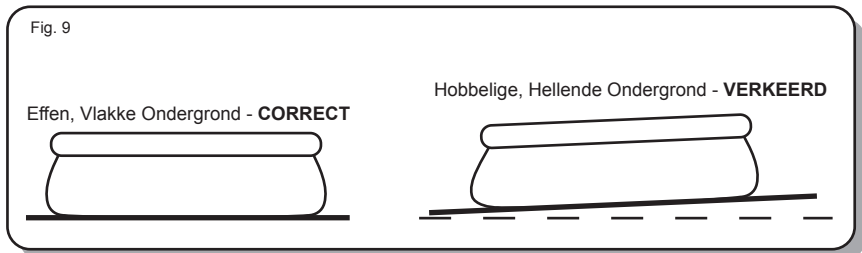


Fig. 9



Onderhoud Zwembad

Als de onderstaande richtlijnen voor het onderhoud niet nageleefd worden, brengt u niet alleen uw eigen gezondheid, maar ook en vooral die van uw kinderen in gevaar.

OPMERKING: De filterpomp wordt gebruikt om het water te laten circuleren en kleine deeltjes te filteren. Zo blijft het water vrij van drijvende en zwevende vuildeeltjes. Om het zwembadwater schoon en hygiënisch te houden, moeten chemische producten toegevoegd worden.

Om het zwembad schoon te houden:

1. Contacteer uw plaatselijke winkel voor advies en de aankoop van chemische producten en pH-kits. Een van de belangrijkste factoren om de voering langer te doen meegaan is het water altijd schoon en hygiënisch te houden. Volg de instructies van professionele technici voor de behandeling van het water aan de hand van chemische producten.
2. Plaats een emmer water naast het zwembad, waarin men de voeten kan reinigen vooraleer het zwembad te betreden.
3. Dek het zwembad af wanneer het niet gebruikt wordt.
4. Schep het water regelmatig af om vuil weg te nemen.
5. Vervang het filterpatroon van de filterpomp om de 2 weken.
6. Veeg eventueel schuim onder de bovenste ring voorzichtig weg met een schone doek.
7. Om de kwaliteit van het water te verbeteren, raden we aan de accessoires van Bestway te gebruiken zoals de schep en onderhoudkits. Raadpleeg onze website www.bestway-service.com of contact uw leverancier van zwembaden. Wees voorzichtig in geval van regelval en controleer of het waterniveau niet te veel gestegen is. Als dit het geval is, ga dan navenant te werk.

Een correct onderhoud zal uw zwembad langer doen meegaan.

OPGELET: Zet de pomp niet in werking wanneer het zwembad gebruikt wordt.

Repareren

Als het zwembad beschadigd is, gebruik dan een reparatiesticker. -zie Vaak Gestelde Vragen voor instructies.

Demonteren

1. Draai de dop van de drainageklep aan de buitenzijde van het zwembad rechtsom open en verwijder de dop.
2. U ziet nu 2 adapters voor de tuinslang. Kies de adapter die past op uw tuinslang.
3. Sluit de adapter aan op de tuinslang en schik het ander uiteinde in de zone waar u het water wilt laten afvloeien. (Controleer de lokale regelgeving voor een wettelijke drainage).

4. Draai de regelring van de slangadapter op de drainageklep rechtsom. De drainageklep is nu open en het water zal automatisch afvloeien.

OPGELET: De waterstroom kan geregeld worden met de regelring.

5. Na de drainage, wordt de regelring losgedraaid om e klep te sluiten.
6. Koppel de slang los.
7. Draai de dop weer op de drainageklep.

8. Blaas de bovenste ring af.

9. Laat het zwembad drogen aan de lucht.

OPGELET: Laat het leeg zwembad niet buiten staan.

Opbergen

1. Verwijder alle accessoires en onderdelen uit het zwembad en bewaar ze op een schone en droge plaats.
2. Wanneer het zwembad volledig droog is, wordt er talkpoeder op aangebracht om te voorkomen dat de wanden gaan samenkleven. Het zwembad vervolgens zorgvuldig opvouwen. Als het zwembad niet volledig droog is, kan schimmel ontstaan dat de voering van het zwembad beschadigt.
3. Bewaar de voering en accessoires op een droge plaats op een gematigde temperatuur tussen 5°C / 41°F tot 38°C / 100°F.

Vaak Gestelde Vragen

1. Wat is de meest geschikte ondergrond om het zwembad Fast Set op te plaatsen?

Nagenoeg elk volledig effen, sterke en vlakke ondergrond is geschikt. Gebruik geen zand om de ondergrond te nivelleren, omdat dit kan verschuiven onder het zwembad. De ondergrond moet uitgegraven worden tot het perfect genivelleerd is. Plaats het zwembad niet op een oprit, dek, platform, kiezel of asfalt. De ondergrond moet voldoende sterk zijn om het gewicht en druk van het water te weerstaan: modder, zand, zachte / losse grond of teer zijn niet geschikt. Een betonnen ondergrond kan gebruikt worden, maar let er dan op het zwembad niet te verslepen over de grond om de voering niet te scheuren. Als het zwembad op een grasveld geplaatst wordt, wordt aangeraden het gras op de plaats waar het zwembad zal komen te verwijderen. Het zal toch afsterven en gras kan vieze geuren / slijm veroorzaken. Sommige plantengroei kan doorheen de voering groeien, zoals agressieve struiken / planten in de buurt van het zwembad. Zorg ervoor dat de omringende plantengroei waar nodig gesnoeid wordt. Gebruik een grondzeil om de onderkant van het zwembad te beschermen.

2. Hoe weet ik of mijn zwembad op een niet-genivelleerde ondergrond staat?

Als het zwembad aan een zijde een bult vertoont. Het is belangrijk het zwembad te ledigen en op een genivelleerde ondergrond te plaatsen. Als het zwembad niet op een genivelleerde ondergrond staat zal dit de naden onnodig belasten. De naden kunnen barsten met overstroming, schade aan bezittingen en mogelijk persoonlijke letsels of zelfs de dood tot gevolg.

Vul het zwembad volgens de instructies in de handleiding. Zo verspilt u geen water en kan het zwembad makkelijk verplaatst worden zodat de ondergrond genivelleerd kan worden op het juiste moment, niet als het zwembad al volledig gevuld is met water.

3. Hoeveel druk is aanbevolen voor het opblazen van de ring van mijn zwembad Fast Set?

We raden aan om voor het opblazen van de bovenste ring een pomp van Bestway te gebruiken (niet meegeleverd) of een andere lagedruk pomp. De bovenste ring is volledig opgeblazen wanneer de vorm rond wordt en de ring stevig aanvoelt. Let op grote temperatuurschommelingen. Een te veel opgeblazen ring die opwarmt onder de zon kan barsten of lekken aan de naden; als de ring te hard aanvoelt, moet wat lucht afgeblazen worden. Bij een lage omgevingstemperatuur zal de bovenste ring wat druk verliezen. Het kan overkomen alsof de ring afblaast omwille van een lek. **VOEG GEEN** lucht toe omdat de lucht die reeds aanwezig is zal uitzetten zodra de temperatuur weer stijgt. **Opmerking:** Het is verboden een luchtcompressor of hogedruk pomp te gebruiken om de ring op te blazen. Bestway Inflatables kan niet aansprakelijk gesteld worden voor het scheuren van de ring te wijten aan het gebruik van een luchtcompressor.

4. Kan ik mijn zwembad laten vullen door een waterdienst?

Wij raden aan een tuinslang te gebruiken om het zwembad bij lage druk te vullen. Als het noodzakelijk is een beroep te doen op een waterdienst, wordt het zwembad het best eerst wat gevuld met de tuinslang om rimpels glad te strijken. Gebruik een waterdienst die in staat is om de waterstroom te regelen, om schade te voorkomen. Zorg ervoor dat bij elke 'trede' gestopt wordt, zoals aangegeven in de handleiding, om te controleren of het waterniveau genivelleerd is. Bestway kan niet aansprakelijk gesteld worden voor zwembaden die beschadigd of verzwakt werden door het feit dat ze gevuld werden door een waterdienst.

5. Tot waar kan het zwembad gevuld worden?

Vul het zwembad tot 80% van de inhoud, tot aan de onderkant van de opblaasbare ring. Probeer het zwembad nooit verder te vullen. We raden aan een marge te laten omdat het water altijd hoger komt te staan wanneer er personen in het zwembad zitten. Het kan nodig zijn om gedurende het seizoen water bij te vullen dat verloren gegaan is door verdamping of een normaal gebruik.

6. Mijn zwembad lekt, wat kan ik doen?

Het zwembad hoeft niet geleidigd te worden om gaten te dichten. In uw plaatselijke winkel kunt u reparatiestickers voor gebruik onder water gebruiken. Voor de buitenkant van het zwembad kunt u de meegeleverde stickers gebruiken. Voor interne gaten, reinig het gat aan de binnenkant van het zwembad om eventuele olie en algen te verwijderen. Snij een voldoende grote cirkel weg om het gat te dichten en breng de stickers stevig aan op de wand in het water. Snij een tweede sticker uit om aan te brengen aan de buitenzijde van het zwembad, voor meer sterkte. Als het gat in de bodem van het zwembad zit, gebruik maar een sticker en leg er een zwaar voorwerp op om de bodem tegen de grond te drukken. Als er een gat zit in de bovenste ring, de ring opblazen om het gat op te sporen en het gat aanduiden om het makkelijk te zien. Breng de sticker aan en druk stevig aan. Zodra de sticker aangebracht is, wordt de ring wat afgeblazen om minder druk te hebben op de sticker. Als de ring volledig afgeblazen is en het zwembad leeg is, wordt een zwaar gewicht op de sticker geplaatst. Als de sticker aangebracht werd wanneer het zwembad leeg was, wordt het best 12 uur gewacht vooraleer het zwembad te vullen.

7. Waar kan ik filterpatronen kopen en hoe vaak moeten ze vervangen worden?

De filterpatronen voor uw filterpomp zijn beschikbaar in de winkel waar u uw zwembad gekocht hebt. Als dit niet zo is, kunt u terecht bij de meeste handelaars die filterpatronen verkopen. Als u er niet in slaagt patronen te vinden, bel dan naar ons gratis nummer. Wij geven u graag de gegevens van een winkel in uw buurt. De patronen moeten om de 2 weken vervangen worden, afhankelijk van het gebruik dat van het zwembad gemaakt wordt. Controleer de filter wekelijks en reinig door eventueel puin of vuildeeltjes op te zuigen. **Opmerking:** Zorg ervoor dat de pomp losgekoppeld is van het elektriciteitsnet vooraleer het filterpatroon te controleren. U kunt ook terecht op onze website www.bestway-service.com voor de aankoop van patronen.

8. Hoeveel keer op een jaar moet het water vervangen worden?

Dit hangt af van de gebruiksfrequentie van het zwembad, van hoe vaak het zwembad afgedekt wordt en hoe goed gebruik gemaakt werd van de chemische producten. Als het water in goede staat bewaard wordt, kan het het hele zomerseizoen duren. Contacteer uw plaatselijke leverancier van chemische producten voor zwembaden, voor meer informatie over de chemische producten. U zult er advies krijgen over de manier waarop u het water van uw zwembad zo goed mogelijk in stand kunt houden.

9. Moet ik mijn zwembad vóór het winterseizoen demonteren?

Ja. Bovengrondse zwembaden kunnen ineenzakken onder het gewicht van ijs of sneeuw en de wanden van PVC kunnen beschadigd worden. Het is raadzaam het zwembad te demonteren wanneer het kouder wordt dan 8°C / 45°F. Het zwembad moet op een afgedekte plaats opgeborgen worden bij een temperatuur van 5°C / 41°F tot 38°C / 100°F. Uit de buurt van chemische producten, knaagdieren en kinderen bewaren.

10. Mijn zwembad verkleurt – hoe komt dit?

Een overmatig gebruik van chemische producten kan ertoe leiden dat de voering verkleurt; dit is te vergelijken met een zwempak dat met verloop van tijd lichter van kleur wordt door het herhaaldelijk contact met chloorwater.

11. Hoe lang gaat mijn zwembad mee?

Er kan geen vaste tijd bepaald worden; als de instructies in de handleiding correct opgevolgd worden en het zwembad goed onderhouden en opgeslagen wordt, kan deze levensduur evenwel beduidend verlengd worden. Een verkeerde opstelling, gebruik of onderhoud zijn schadelijk voor het zwembad.

12. Is het gebruik van een filterpomp aangewezen voor een zwembad van Bestway?

Beslist! Het gebruik van een filterpomp is sterk aangeraden om het water van het zwembad schoon te houden.

13. Welke zijn de belangrijkste functies van mijn filterpomp?

De belangrijkste functie van een filterpomp is het verwijderen van onzuiverheden uit het water, met behulp van een filterpatroon en chemische producten voor de sterilisatie.

Gelimiteerde BESTWAY® fabrieksgarantie

Bij het product dat u hebt aangeschaft, hoort een gelimiteerde garantie. Bestway staat achter onze kwaliteitsgarantie en verzekert door middel van een vervangingsgarantie dat uw product vrij is van fabrieksfouten die lekken veroorzaken.

Om een claim in te dienen, moet deze garantietaal worden ingevuld en ingeleverd, samen met: (1) Uw aankoopbewijs (2) Snijd het afvoerventiel van de wand van het zwembad samen met het productiepartijnummer dat daarnaast staat en voeg ze bij uw aankoopbewijs.

Bestway is niet aansprakelijk voor economische verliezen door kosten van water of chemicaliën. Bestway vervangt alleen het product en is verder niet aansprakelijk voor de gevolgen van lekkage. Bestway vervangt geen producten die verwaarloosd zijn of die niet volgens de gebruiksaanwijzing zijn gebruikt.

AAN : BESTWAY SERVICE DEPARTMENT **DATUM** _____

Code klantnummer _____

FAX/E-MAIL/TEL: op de achterzijde vindt u de contactinformatie voor uw land

Benodigde informatie

Naam: _____

Adres: _____

Postcode: _____

Woonplaats: _____

Land: _____

Telefoon: _____

Mobiel: _____

E-MAIL: _____

Fax: _____

Kruis de code van uw artikel duidelijk aan: _____

Kruis duidelijk de maat van uw zwembad aan.

FAST SET™ -ZWEMBAD	OVAAL FAST SET™ -ZWEMBAD	STEEL PRO™ OPZETZWEMBAD	RECHTHOEKIG OPZETZWEMBAD	SPLASH OPZETZWEMBAD	FILTERPOMP
244cm x 66cm.	549cm x 366cm x 122cm.	244cm x 61cm.	549cm x 274cm x 122cm.	229cm x 160cm x 43cm.	1250 liter
305cm x 76cm.	610cm x 366cm x 122cm.	305cm x 76cm.	671cm x 396cm x 132cm.	239cm x 160cm x 61cm.	2005 liter
366cm x 76cm.	732cm x 366cm x 122cm.	366cm x 81cm.		259cm x 180cm x 66cm.	3025 liter
366cm x 91cm.	853cm x 366cm x 122cm.	366cm x 122cm.		300cm x 201cm x 71cm.	5678 liter
457cm x 91cm.		457cm x 91cm.		414cm x 216cm x 79cm.	zandfilter van 3025 liter
457cm x 107cm.		457cm x 122cm.			zandfilter van 5678 liter
457cm x 122cm.		549cm x 107cm.			
549cm x 107cm.		549cm x 122cm.			
549cm x 122cm.		549cm x 132cm.			
549cm x 132cm.					

Probleembeschrijving

- Het artikel heeft scheuren / lekken defecte naden defecte bovenring Gebrekkige drainageklep
- Het artikel is incompleet, Welk deel mist er – Vermeld de code die op de gebruiksaanwijzing staat

Anders. Beschrijven a.u.b.: _____

Alle verstrekte informatie moet compleet zijn; anders kunnen we u geen assistentie verlenen.

U moet ook een kopie van het aankoopbewijs met deze fax meesturen.

Het gratis nummer is niet bereikbaar met mobiele telefoons.

U KUNT OOK ONZE WEBSITE BEZOEKEN: www.bestway-service.com

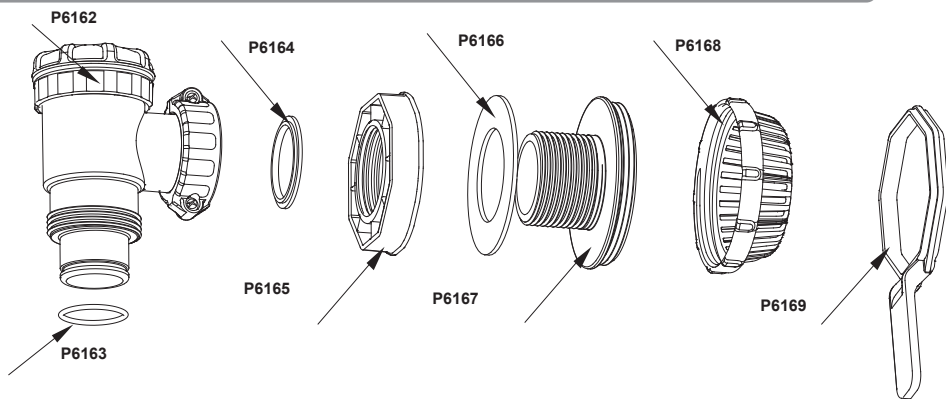
Grazie per aver acquistato una piscina Bestway. Al fine di utilizzare correttamente questo prodotto, seguire le istruzioni relative all'installazione contenute nel DVD incluso nella confezione e le linee guida sulla sicurezza riportate nel manuale d'uso.

Il montaggio richiede circa 10 minuti.

Per la descrizione dei componenti, vedere sotto.

Componenti:

Solo modello da 549cm x 122cm (18' x 48") e 549cm x 132cm (18' x 52")



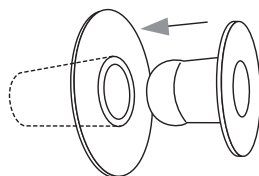
N.	P6162	P6163	P6164	P6165	P6166	P6167	P6168	P6169
Nome	Valvola di controllo	O-ring	Guarnizione valvola di controllo	Bullone connettore	Guarnizione	Connettore	Schermo protettivo impurità	Chiave poligonale

Rivestimento interno



Eccetto modello da 549cm x 122cm (18' x 48") e 549cm x 132cm (18' x 52")

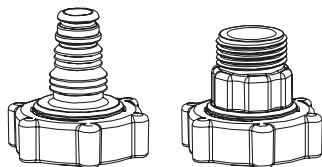
#F4D018N-02 Tappo x 2



Adesivo di riparazione "heavy duty"

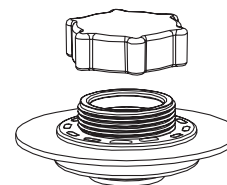


Adattatori per canna



#F4D019N-03

Valvola di scolo



#F4D019N-01

Per maggiori informazioni fare riferimento alle domande frequentil. disegni non sono in scala.

AVVERTENZE

La sicurezza dei bambini dipende unicamente da te! I bambini di età inferiore ai 5 anni sono maggiormente esposti ai rischi. Prestare loro particolare attenzione per evitare incidenti.

Scegliere almeno una persona responsabile per la sicurezza e assicurare una maggiore supervisione nel caso in cui la piscina venga utilizzata da molte persone. Se possibile, insegnare ai bambini a nuotare.

Per precauzione, non installare la piscina su una terrazza o un balcone.

Posizionare la piscina Bestway in un luogo dove è possibile scolare l'acqua evitando allagamenti.

Evitare che i bambini entrino o rimangano in piscina senza la supervisione di una persona adulta o senza prima aver indossato un salvagente.

Prima di immergersi completamente nella piscina, bagnarsi collo, braccia e gambe per controllare la temperatura dell'acqua.

Non saltare o tuffarsi nella piscina – rischio di lesioni o morte!

Evitare di correre o giocare attorno alla piscina.

Il montaggio della piscina e dei suoi accessori deve essere eseguita esclusivamente da persone adulte.

Per evitare di danneggiare il rivestimento interno, riempire la piscina con un getto d'acqua a bassa pressione. Bestway declina qualsiasi responsabilità in merito a danni causati dal riempimento della piscina con un'autobotte (vedere le domande frequenti).

Non appoggiarsi, fare pressione o sedersi a cavallo dell'anello gonfiabile superiore, in quanto la piscina potrebbe smontarsi, causando gravi lesioni e/o danni agli oggetti personali.

Non lasciare giocattoli all'interno o nelle vicinanze di una piscina non controllata.

Non rimanere da soli nella piscina.

Non utilizzare la piscina sotto l'effetto di alcol, sostanze stupefacenti o farmaci.

Conservare gli accessori e i prodotti chimici fuori dalla portata dei bambini.

Non aggiungere mai prodotti chimici quando la piscina è in uso. Contattare il rivenditore locale di piscine per informazioni sul trattamento dell'acqua con questo tipo di prodotti.

Tenere l'acqua della piscina sempre pulita.

Verificare regolarmente che i livelli di cloro e pH siano corretti in modo da poter utilizzare l'acqua della piscina per tutta la stagione.

Assicurarsi che non ci siano animali domestici nell'area intorno alla piscina per evitare danni strutturali al prodotto.

Sistemare un recinto attorno alla piscina, assicurandosi che il cancelletto di chiusura sia sempre chiuso.

Coprire la piscina quando non viene utilizzata. Il telo va utilizzato solo quando non ci sono persone all'interno della piscina e va rimosso completamente prima dell'uso.

È consigliabile installare un dispositivo elettronico per segnalare l'ingresso di persone nella zona della piscina.

Tale apparecchiatura non sostituisce in ogni caso la supervisione da parte di un adulto.

Non lasciare la scaletta appoggiata quando non c'è nessuno a sorvegliare la piscina. Svuotare e riporre nella sua scatola la piscina durante i mesi invernali oppure nei periodi in cui non viene utilizzata.

Utilizzare solo accessori Bestway.

Eseguire la corretta manutenzione della piscina per aumentarne la durata e garantire un utilizzo sicuro (vedere la sezione seguente relativa alla manutenzione).

Non azionare la pompa quando la piscina è in uso.

Ispezionare frequentemente la piscina, al fine di evitare lesioni causate da deterioramento, corrosione e rottura dei componenti.

Riapplicare regolarmente la crema solare protettiva, e comunque dopo ogni ingresso in acqua.

Il mancato rispetto di queste istruzioni può causare danni agli oggetti e lesioni, anche mortali, alle persone.

SICUREZZA

È necessario imparare le operazioni di soccorso base, specialmente quelle relative al salvataggio di bambini.

Le attrezzature di soccorso, che devono sempre essere tenute a portata di mano e utilizzate da persone che ne hanno familiarità, includono, tra l'altro, salvagenti anulari con sagola galleggiante e aste di soccorso lunghe almeno 366cm (12').

Tenere sempre a portata di mano anche i principali numeri di emergenza, tra cui:

- Pompieri
- Polizia
- Ambulanza
- Centro antiveneni
- Indirizzo completo dell'abitazione

Durante l'utilizzo, tenere nelle vicinanze della piscina un telefono cordless resistente all'acqua.

In caso di incidente:

- Fare immediatamente uscire i bambini dall'acqua.
- Chiamare le autorità e seguire le loro istruzioni/raccomandazioni.
- Togliere i vestiti bagnati e indossare indumenti asciutti.

CONSERVARE QUESTE ISTRUZIONI PER RIFERIMENTO FUTURO



Senza un'adeguata supervisione, i bambini potrebbero essere in pericolo

Vietato saltare
in acque basse



Vietato tuffarsi
in acque basse



Preparazione

NOTA: montare la piscina su una superficie piana e uniforme. Non installare la piscina su superfici in pendenza.

- Verificare con l'amministrazione locale le norme relative all'installazione di recinti, barriere e segnalazioni luminose, nonché i requisiti di sicurezza.
- Estrarre con cura la piscina e i relativi accessori dalla scatola. Se la piscina è dotata di una scaletta, quest'ultima deve essere montata utilizzando un cacciavite a stella o una chiave regolabile (non inclusa).
- Posizionare la piscina ad almeno un metro e mezzo di distanza da qualsiasi oggetto utilizzabile dai bambini per arrampicarsi sulla piscina. Inoltre, non montare la piscina nelle vicinanze di linee di alimentazione o sotto degli alberi e verificare che nel terreno sottostante non siano interrate condutture, tubi o cavi di qualsiasi tipo.
- Se montata su terreni non solidi e uniformi, la piscina potrebbe smontarsi e allagare la zona circostante, causando lesioni e/o danni agli oggetti personali. Questo comporta l'annullamento della garanzia e del servizio di assistenza clienti.
- Non utilizzare sabbia per creare una base uniforme e, se necessario, livellare il terreno.
- Non installare la piscina su vialetti, pedane d'ingresso, piattaforme e zone in ghiaia o asfaltate. La superficie di montaggio deve essere abbastanza solida da resistere alla pressione dell'acqua (terreni fangosi e sabbiosi o superfici poco solide non sono quindi ideali).
- Ripulire la superficie da tutti gli eventuali oggetti e rifiuti presenti, incluse pietre e ramoscelli.
NOTA: poiché l'erba o la vegetazione che cresce al di sotto della piscina appassirà, causando odori sgradevoli e fanghiglia, è consigliabile estirparla in corrispondenza del punto in cui verrà collocata la piscina. Evitare inoltre di posizionare la piscina in aree dove crescono piante rampicanti o erbacce in quanto potrebbero crescere attorno al tappeto o al rivestimento interno.
- Una volta stesa sul tappeto, lasciare esposta la piscina alla luce diretta del sole per almeno un'ora in modo da agevolare il montaggio.
- Se nella confezione è inclusa anche una pompa, quest'ultima deve essere installata solo dopo aver terminato il montaggio della piscina. Posizionare le prese di aspirazione e ritorno rivolte verso l'alimentatore esterno.
NOTA: se si è acquistata una pompa a filtro, seguire le istruzioni riportate nel relativo manuale (separato da quello della piscina). Aprire la sua confezione per maggiori dettagli.
- Prima di acquistare una scaletta, verificare che possa essere installata sulla piscina.
- Verificare regolarmente lo stato di montaggio della piscina.
NOTA: la scaletta deve essere utilizzata esclusivamente per entrare e uscire dalla piscina.

Installazione

Il montaggio richiede circa 10 minuti.

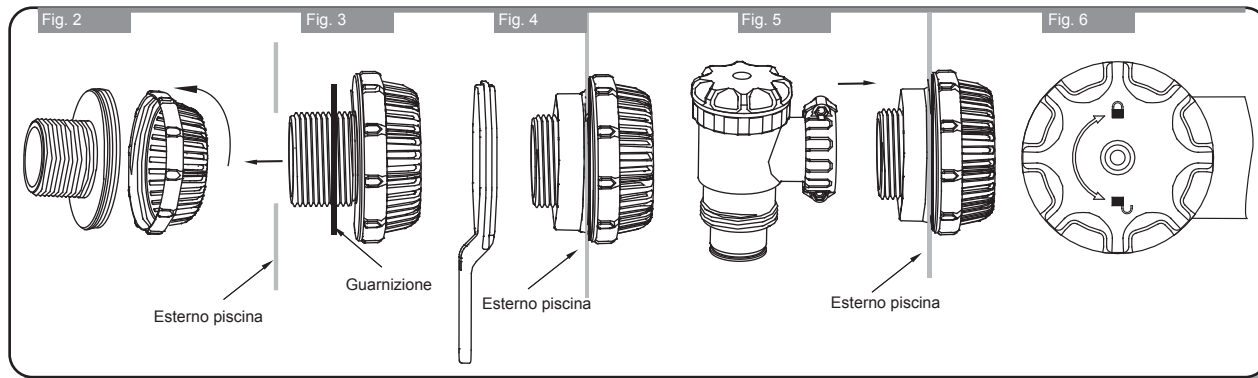
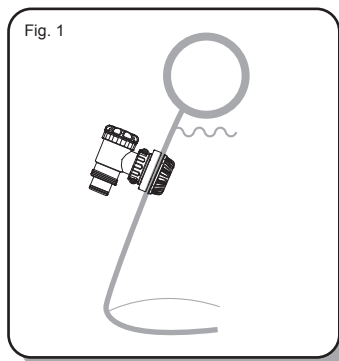
NOTA: montare la piscina seguendo le istruzioni nell'ordine in cui sono riportate.

1. Se oltre alla piscina è stato acquistato un tappeto, stendere quest'ultimo in corrispondenza della zona scelta per il montaggio. Assicurarsi che la piscina sia installata nelle vicinanze di una presa CA da 220-240 V dotata di un interruttore differenziale (RCD).
2. Stendere la piscina assicurandosi che sia rivolta verso l'alto e lasciarla esposta alla luce diretta del sole per almeno un'ora, in modo da agevolare il montaggio.
3. Posizionare la piscina in modo che la valvola di scolo si trovi in corrispondenza dell'area di drenaggio dell'acqua e che le valvole della pompa siano rivolte verso la presa RCD.
ATTENZIONE: non trascinare la piscina sul terreno per evitare che oggetti appuntiti forino il prodotto. Bestway Inflatables declina qualsiasi responsabilità in merito a danni causati dall'uso improprio della piscina o dal mancato rispetto di queste istruzioni.
NOTA: la base o il fondo della piscina non devono presentare pieghe.
Per le piscine da 549cm x 122cm (18' x 48") e 549cm x 132cm (18' x 52"), fare riferimento alle istruzioni relative all'installazione della valvola di connessione riportate alla pagina seguente.
4. Inserire dall'interno il tappo blu nelle valvole di entrata e uscita sulla parete della piscina.
5. Gonfiare l'anello superiore della piscina con una pompa ad aria (non inclusa). Una volta terminato il gonfiaggio, assicurarsi che le valvole di sicurezza siano ben chiuse.
ATTENZIONE: non utilizzare tubi dell'aria ad alta pressione e gonfiare l'anello superiore finché non è abbastanza duro.
NOTA: con temperature elevate, l'aria aumenta di volume espandendo l'anello e danneggiando così il prodotto. Si consiglia quindi di non gonfiare eccessivamente l'anello. Per maggiori informazioni fare riferimento alle domande frequenti.
6. Assicurarsi che la valvola di scolo sia ben chiusa.
7. Riempire la piscina con una quantità d'acqua sufficiente a coprire la superficie (da 2,5 a 5 cm) Una volta eseguita questa operazione, eliminare tutte le pieghe presenti sulla superficie partendo dal centro della piscina verso l'esterno muovendosi in senso orario.

Montaggio della valvola di connessione

Per piscine da 549cm x 122cm (18' x 48") e 549cm x 132cm (18' x 52")

1. Avvitare lo schermo protettivo per le impurità (P6168) sul connettore (P6167) (vedere Fig. 2).
2. Dall'interno della piscina, inserire l'unità assemblata nelle aperture di entrata A e di uscita B della piscina (vedere Fig. 3).
NOTA: assicurarsi che la guarnizione di tenuta (P6166) sia posizionata correttamente sull'unità assemblata all'interno della piscina.
3. Dall'esterno della piscina, stringere il bullone del connettore (P6165) sull'unità assemblata con una chiave poligonale (P6169) (vedere Fig. 4).
4. Stringere a mano la valvola di controllo (P6162) sull'unità assemblata (vedere Fig. 5).
NOTA: verificare che la guarnizione della valvola di controllo (P6164) e l'O-ring (P6163) siano posizionati correttamente sulla valvola di controllo stessa.
5. Consultare il manuale della piscina per continuare l'installazione.
NOTA OPERATIVA: utilizzare la vite di regolazione nella parte superiore della valvola per aprirla e chiuderla (vedere Fig. 6).
6. Assicurarsi che la valvola sia chiusa.



RIEMPIMENTO DELLA PISCINA CON ACQUA

ATTENZIONE: sorvegliare la piscina durante la fase di riempimento.

Le pareti della piscina si alzano man mano che si riempie con acqua (vedere Fig. 7).

Il rivestimento interno deve stendersi uniformemente fino alla parte esterna dell'anello gonfiabile durante il riempimento con acqua della piscina.

1. Riempire la piscina fino alla valvola di scolo.

STOP

2. Chiudere l'acqua. Verificare che l'acqua non si accumuli su un lato della piscina; in tal caso significa la piscina non è in piano. Se così fosse, far defluire l'acqua e livellare il terreno. Non cercare di spostare la piscina piena d'acqua - rischio di lesioni o danni alla piscina! (vedere Fig. 9).

NOTA: la capacità della piscina è di max. xxxxx litri, corrispondente a una pressione di xxxxx kg. Eventuali rigonfiamenti o pareti irregolari indicano il mancato livellamento della piscina, nonché il probabile sfondamento delle pareti o la possibile fuoriuscita dell'acqua, con conseguente rischio di lesioni e/o danni agli oggetti personali.

3. Riempire la piscina fino alla valvola della pompa più in basso.

STOP

4. Chiudere l'acqua. Verificare che le valvole siano ben chiuse.

5. Riempire la piscina fino all'80% della sua capacità (vale a dire fino a sotto l'anello gonfiabile) in modo che le pareti siano lisce e stabili. **NON RIEMPIRE ECCESSIVAMENTE** la piscina in quanto potrebbe crollare. In caso di forte pioggia, è necessario lasciare defluire un po' d'acqua per garantire sempre il livello ottimale (vedere Fig. 8).

6. Verificare la presenza di eventuali fuoriuscite d'aria in corrispondenza di valvole o giunture e controllare il tappeto per individuare evidenti perdite d'acqua. Aggiungere i prodotti chimici solo dopo aver eseguito questa operazione.

7. In caso di perdita, applicare l'adesivo fornito con il kit di riparazione. Per maggiori informazioni, fare riferimento alle domande frequenti.

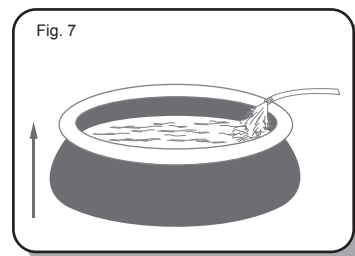


Fig. 8

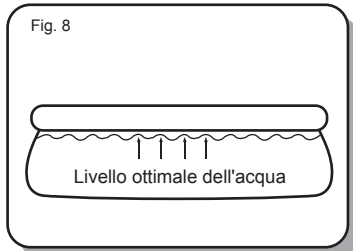
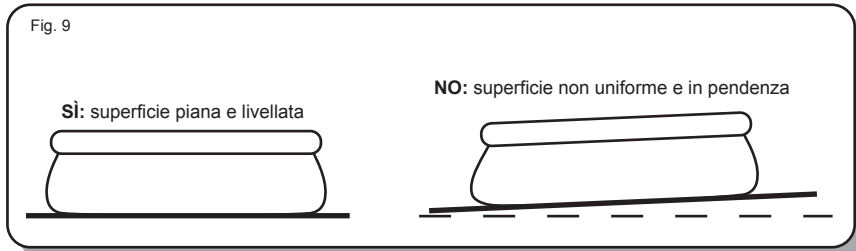


Fig. 9



Manutenzione della piscina

La vostra salute, specialmente quella dei bambini, potrebbe essere compromessa se non verranno seguite le istruzioni relative alla manutenzione riportate di seguito.

NOTA: la pompa a filtro deve essere utilizzata per far circolare l'acqua e filtrare eventuali particelle di sporco. Inoltre, per tenere pulita l'acqua è necessario aggiungere prodotti chimici.

Per tenere pulita la piscina:

1. Contattare il rivenditore locale di piscine per suggerimenti in merito all'acquisto dei prodotti chimici e dei kit per la misurazione del pH. La pulizia costante dell'acqua è uno dei principali fattori che contribuiscono a garantire la durata del rivestimento interno della piscina. Seguire quindi le indicazioni fornite degli esperti per il trattamento dell'acqua utilizzando prodotti chimici.
2. Posizionare un secchio pieno d'acqua accanto alla piscina per sciacquarsi i piedi prima di immergersi.
3. Coprire la piscina quando non la si utilizza.
4. Pulire regolarmente la piscina per evitare che lo sporco si accumuli.
5. Cambiare la cartuccia della pompa a filtro ogni 2 settimane.
6. Pulire delicatamente la parte sotto l'anello superiore utilizzando un panno umido.
7. Per migliorare la qualità dell'acqua, è consigliabile utilizzare esclusivamente gli accessori Bestway (skimmer, kit di manutenzione, ecc.). Per maggiori informazioni, visitare il sito web www.bestway-service.com o contattare il rivenditore locale di piscine. In caso di pioggia, verificare che l'acqua non superi il livello ottimale. In tal caso, lasciare defluire un po' d'acqua.

Una corretta manutenzione garantirà la lunga durata della piscina.

ATTENZIONE: Non utilizzare la pompa quando nella piscina ci sono delle persone.

Riparazione

Se la piscina è danneggiata, utilizzare il materiale fornito con l'apposito kit per la riparazione. Per maggiori dettagli, fare riferimento alle domande frequenti.

Smontaggio

1. Svitare il tappo della valvola sulla parte esterna della piscina girando in senso antiorario e rimuoverlo.
2. Esistono due tipi di adattatori per la canna da giardino: scegliere quello dalle dimensioni più adatte.
3. Collegare l'adattatore a un'estremità della canna, posizionando l'altra estremità nell'area di scolo dell'acqua contenuta nella piscina (verificare le normative locali che regolamentano il deflusso dell'acqua).
4. Avvitare il serratubo dell'adattatore sulla valvola di scolo. La valvola di scolo si aprirà e l'acqua inizierà a defluire.

ATTENZIONE: è possibile controllare il flusso dell'acqua regolando il serratubo.

5. Una volta terminato il deflusso dell'acqua, svitare il serratubo per chiudere la valvola.
6. Staccare la canna.
7. Riavvitare il tappo sulla valvola di scolo.
8. Sgonfiare l'anello superiore.
9. Lasciare fuoriuscire l'aria dalla piscina.

ATTENZIONE: non lasciare all'aperto la piscina ormai vuota.

Conservazione

1. Rimuovere tutti gli accessori e le parti di ricambio della piscina; pulirla e lasciarla asciugare prima di riporla nella confezione.
2. Una volta asciutta, cospargere la piscina di polvere di talco per evitare che si incolli e ripiegarla con cura. Se la piscina non è completamente asciutta, il rivestimento interno potrebbe danneggiarsi a causa della formazione di muffa.
3. Conservare il rivestimento interno e gli accessori in un luogo asciutto con temperatura compresa tra 5°C / 41°F e 38°C / 100°F.

Domande frequenti

1. Dove è possibile installare la piscina Fast Set?

La piscina può essere installata su quasi tutte le superfici piane, solide e uniformi. Non utilizzare sabbia per livellare il terreno in quanto non garantisce la necessaria stabilità. Il terreno deve essere perfettamente livellato. Non installare la piscina su vialetti, pedane d'ingresso, piattaforme e zone in ghiaia o asfaltate. Il terreno sottostante deve essere sufficientemente solido per resistere al peso e alla pressione dell'acqua (terreni fangosi e sabbiosi o superfici poco solide non sono quindi idonee). È anche possibile utilizzare una base in cemento, facendo però attenzione a non trascinare la piscina sulla superficie per evitare abrasioni e strappi del rivestimento. Se la piscina viene montata su un prato, è consigliabile estirpare l'erba in corrispondenza del punto di installazione per evitare che marcisca, causando odori sgradevoli e fanghiglia. Alcuni tipi di erbacce che crescono sotto il rivestimento possono danneggiarlo, così come i cespugli e le piante rampicanti sui lati della piscina. Se necessario, tagliare la vegetazione intorno alla piscina. Inoltre, utilizzare un tappeto per proteggere la base della piscina.

2. Come ci si accorge che la piscina è stata montata su un terreno non livellato?

Se la piscina presenta un rigonfiamento su un lato, significa che il montaggio non è stato eseguito su un terreno livellato. Svuotare quindi la piscina e spostarla su una superficie adatta, evitando così che l'eccessiva pressione esercitata dall'acqua in corrispondenza delle giunture determini il crollo della struttura e causi lesioni, anche letali, e/o danni agli oggetti personali.

Riempire la piscina seguendo attentamente le istruzioni riportate nel manuale d'uso, in modo da non sprecare acqua e spostare con facilità il prodotto per livellare il terreno sottostante quando la piscina non è ancora piena.

3. Qual è la pressione di gonfiaggio ideale per l'anello della piscina Fast Set?

Per il gonfiaggio dell'anello superiore è consigliabile utilizzare una pompa Bestway (non inclusa) oppure un'altra pompa a bassa pressione. L'anello superiore è gonfio quando assume una forma arrotondata ed è duro al tatto. In questa fase è fondamentale tenere conto dell'espansione dell'aria a seconda della temperatura esterna. Infatti, un anello troppo gonfio esposto alla luce diretta del sole potrebbe scoppiare o perdere in corrispondenza delle giunzioni; se l'anello è troppo duro, lasciare fuoriuscire un po' d'aria. Alle basse temperature, la pressione diminuisce e può sembrare che l'anello si stia sgonfiando come se ci fosse una perdita. In questo caso, NON AGGIUNGERE aria in quanto il volume dell'aria si espande man mano che aumenta la temperatura. **Nota:** non utilizzare compressori o pompe ad alta pressione per il gonfiaggio dell'anello. Bestway declina qualsiasi responsabilità in merito a danni relativi allo scoppio dell'anello a causa dell'utilizzo di compressori ad aria.

4. È possibile riempire la piscina con un'autobotte?

Bestway consiglia di utilizzare una canna da giardino a bassa pressione per il riempimento della piscina. Se è necessario ricorrere a un'autobotte, è meglio utilizzare prima la canna da giardino per riempire la piscina con un paio di centimetri d'acqua ed eliminare così le pieghe che si sono formate sul fondo. Per evitare danni, utilizzare un'autobotte con regolazione del flusso d'acqua. Per assicurarsi che la piscina sia livellata, fermarsi ad ogni passaggio secondo quanto riportato nel manuale d'istruzioni. Bestway declina qualsiasi responsabilità in merito a danni causati dal riempimento della piscina tramite autobotti.

5. Fino a che punto deve essere riempita la piscina?

La piscina deve essere riempita per l'80% della sua capacità, vale a dire fino a sotto l'anello gonfiabile. Non riempire mai la piscina oltre questo livello e considerare lo spostamento d'acqua causato dall'entrata di persone nella piscina. A causa dell'evaporazione o del normale uso della piscina, nel corso della stagione potrebbe essere necessario aggiungere dell'acqua.

6. La piscina perde. Come si ripara?

Non è necessario svuotare la piscina per riparare eventuali forature. Per riparare le pareti interne della piscina, presso i rivenditori locali di piscine e accessori sono disponibili pezzi di riparazione autoadesive resistenti all'acqua. Utilizzare invece gli adesivi forniti per la riparazione delle pareti esterne. Per le forature interne, pulire la parte danneggiata eliminando ogni traccia di olio ed eventuali alghe. Tagliare una pezza circolare delle dimensioni sufficienti a coprire il buco ed applicarla sulla parte immersa nell'acqua. Per una maggiore resistenza, applicare la pezza adesiva anche sulla parete esterna della piscina. Se il taglio è alla base della piscina, utilizzare solo una pezza adesiva e posizionarci sopra un peso per fare in modo che aderisca perfettamente. Per riparare l'anello superiore, gonfiarlo in modo da individuare il foro. Una volta individuata, contrassegnare la foratura in modo che sia chiaramente visibile e applicare la pezza adesiva facendo pressione. A questo punto, sgonfiare leggermente l'anello per ridurre la pressione sulla pezza. Se l'anello è completamente sgonfio e la piscina è vuota, posizionare sopra la pezza un peso per facilitarne l'adesione e aspettare almeno 12 ore prima di riempire con acqua.

7. Dove si acquistano le cartucce del filtro e con che frequenza vanno sostituite?

Le cartucce del filtro da utilizzare con la pompa a filtro sono disponibili presso il negozio in cui è stata acquistata la piscina. In alternativa, è possibile rivolgersi a numerosi rivenditori di accessori per piscine. Se non si riesce a trovare le cartucce, chiamare il numero verde Bestway per conoscere il punto vendita più vicino che le tiene a magazzino. Le cartucce devono essere sostituite ogni due settimane, a seconda dell'uso della piscina. Controllare il filtro su base settimanale e rimuovere l'eventuale sporco utilizzando una canna da giardino. **Nota:** scollegare la pompa dalla rete elettrica prima di controllare la cartuccia del filtro. Per maggiori informazioni sull'acquisto delle cartucce, visitare il sito web www.bestway-service.com.

8. Quante volte all'anno è necessario cambiare l'acqua nella piscina?

Dipende dalla frequenza di utilizzo, dall'aggiunta di prodotti chimici e dal fatto che la piscina sia stata coperta correttamente o meno. Seguendo le indicazioni fornite, è possibile utilizzare la stessa acqua per l'intera stagione estiva. Per maggiori informazioni e per suggerimenti su come mantenere pulita l'acqua, contattare il rivenditore locale di prodotti chimici per piscine.

9. È necessario smontare la piscina durante l'inverno?

Sì, in quanto il terreno sul quale poggia potrebbe cedere a causa del peso del ghiaccio e della neve. Inoltre, le pareti in PVC potrebbero danneggiarsi. Bestway consiglia di smontare la piscina con temperature inferiori a 8°C / 45°F e di conservarla in un locale chiuso a una temperatura compresa tra 5°C / 41°F e 38°C / 100°F, lontano dalla portata dei bambini, da sostanze chimiche e dall'attacco dei roditori.

10. Cosa fare se la piscina si scolora?

Lo scolorimento del rivestimento interno della piscina può essere causato dall'uso eccessivo di prodotti chimici, proprio come avviene per un costume ripetutamente a contatto con acqua al cloro.

11. Quanti anni dura la piscina?

Non c'è alcun limite di durata della piscina. Naturalmente, seguendo le istruzioni relative alla cura, la manutenzione e la conservazione riportate nel manuale d'uso è possibile prolungarne la vita. Il montaggio, l'uso e la manutenzione non corretta potrebbero danneggiare il prodotto.

12. È necessario usare una pompa a filtro con una piscina Bestway?

Absolutamente sì. Bestway consiglia fortemente l'uso di una pompa a filtro in quanto contribuisce a mantenere pulita l'acqua della piscina.

13. A cosa serve principalmente la pompa a filtro?

La pompa a filtro è utile per l'eliminazione di qualsiasi tipo di impurità presente nell'acqua grazie alla cartuccia inclusa e all'aggiunta di prodotti chimici per la sterilizzazione.

Garanzia limitata BESTWAY®

Il prodotto acquistato è provvisto di una garanzia limitata. Bestway garantisce la qualità dei propri prodotti e assicura, mediante una garanzia di sostituzione, l'assenza di qualsiasi difetto di fabbricazione che possa causare perdite.

Per presentare un reclamo è necessario compilare in tutte le sue parti la scheda di garanzia e restituirla insieme a: (1) La ricevuta d'acquisto (2) Tagliare la valvola di scolo presente sulla parete della piscina e il numero del lotto di produzione posizionato accanto, quindi applicarli alla ricevuta d'acquisto.

Bestway non è responsabile per perdite economiche relative ai costi di prodotti chimici o acqua. Ad eccezione della sostituzione del prodotto, Bestway non è responsabile per le conseguenze causate da perdite. Bestway non sostituirà alcun prodotto ritenuto mal conservato o utilizzato senza osservare le istruzioni riportate nel manuale d'uso.

A : REPARTO ASSISTENZA BESTWAY

DATA _____

Numero di codice cliente _____

FAX/E-MAIL/TEL: fare riferimento al proprio paese in base alle informazioni riportate sul retro

Informazioni necessarie

Nome e Cognome: _____

Indirizzo: _____

CAP: _____

Città: _____

Nazione: _____

Telefono: _____

Cellulare: _____

E-MAIL: _____

Fax: _____

Fare una crocetta sul codice del prodotto: _____

Fare una crocetta sulla dimensione corrispondente a quella della piscina acquistata.

PISCINA FAST SET™	PISCINA FAST SET™ OVALE	PISCINA A STRUTTURA METALLICA STEEL PRO™	PISCINA RETTANGOLARE A STRUTTURA METALLICA	PISCINA CONTELAIO SPLASH	POMPA A FILTRO
244cm x 66cm.	549cm x 366cm x 122cm.	244cm x 61cm.	549cm x 274cm x 122cm.	229cm x 160cm x 43cm.	1.250 litri
305cm x 76cm.	610cm x 366cm x 122cm.	305cm x 76cm.	671cm x 396cm x 132cm.	239cm x 160cm x 61cm.	2.005 litri
366cm x 76cm.	732cm x 366cm x 122cm.	366cm x 81cm.		259cm x 180cm x 66cm.	3.025 litri
366cm x 91cm.	853cm x 366cm x 122cm.	366cm x 122cm.		300cm x 201cm x 71cm.	5.678 litri
457cm x 91cm.		457cm x 91cm.		414cm x 216cm x 79cm.	Filtro a sabbia da 3.025 litri
457cm x 107cm.		457cm x 122cm.			Filtro a sabbia da 5.678 litri
457cm x 122cm.		549cm x 107cm.			
549cm x 107cm.		549cm x 122cm.			
549cm x 122cm.		549cm x 132cm.			
549cm x 132cm.					

Descrizione del problema

- prodotto è lacerato o perde saldatura difettosa anello superiore difettoso Valvola di scolo guasta
- prodotto è incompleto, Indicare il componente mancante inserendo il codice riportato sul manuale d'istruzioni

Altro, descrivere _____

Per ricevere assistenza, è necessario fornire informazioni complete.

Allegare a questo fax anche la ricevuta d'acquisto del prodotto.

È impossibile effettuare la chiamata al numero verde da un telefono cellulare.

Vi preghiamo di comporre il numero 00 800 111 0 2003 (includendo tutti gli zeri).

È POSSIBILE VISITARE IL NOSTRO SITO INTERNET ALL'INDIRIZZO www.bestway-service.com/europe

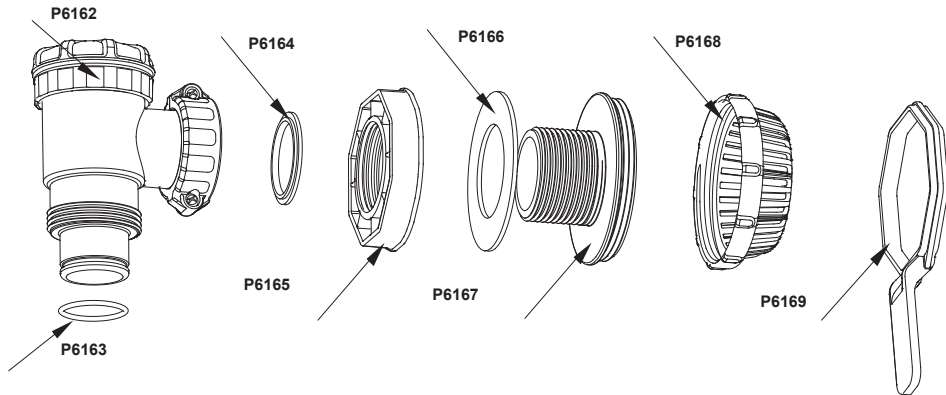
Merci d'avoir acheté une piscine Bestway. Afin de vous assurer le divertissement maximal et le maximum de sécurité dans l'usage de votre piscine, veuillez suivre les instructions d'installation contenues dans le DVD inclus dans l'emballage ainsi que les instructions de sécurité de votre manuel.

Il faut environ 10 minutes pour le montage.

Voir ci-dessous les descriptions des pièces.

Pièces:

uniquement modèle 549cm x 122cm (18pi x48po) et 549cm x 132cm (18pi x 52po)



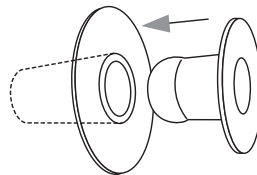
N°	P6162	P6163	P6164	P6165	P6166	P6167	P6168	P6169
Nom	Soupape de réglage	joint torique	Joint de la soupape de réglage	écrou du raccord	Joint	Raccord	Grille de protection	Clé

Cuve interne



sauf modèle 549cm x 122cm (18pi x48po) et 549cm x 132cm (18pi x 52po)

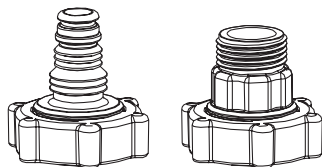
#F4D018N-02 Bouchon d'arrêt x 2



Rustines pour grosses réparations

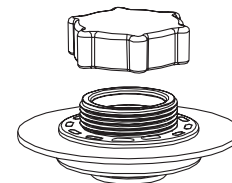


Adaptateurs de tuyau



#F4D019N-03

Soupape de vidange



#F4D019N-01

Voir SVP les FAQ pour plus d'informations. Les dessins ne sont pas à l'échelle.

AVERTISSEMENT

La sécurité de vos enfants dépend entièrement de vous ! Les enfants de moins de 5 ans sont ceux qui courent le plus de risques. Faites attention SVP pour éviter les incidents.

Désignez au moins une personne responsable de la sécurité. Augmentez la surveillance s'il y a plusieurs personnes dans la piscine.

Enseignez à vos enfants à nager si possible.

Pour votre sécurité, ne montez pas votre piscine sur une terrasse/un balcon.

Rappelez-vous de place votre piscine là où il est possible de la vider facilement tout en évitant une inondation.

Ne laissez jamais des enfants rentrer ou rester dans la piscine ou dans la zone de la piscine sans la surveillance d'un adulte ou s'ils ne portent pas de dispositifs de sauvetage.

Contrôlez la température de l'eau avant d'entrer dans la piscine en vous aspergeant d'eau sur le cou, les bras et les jambes.

En aucun cas, les usagers de la piscine ne doivent sauter ou plonger, cela pourrait provoquer de graves blessures ou la mort.

Interdisez de courir et de jouer à proximité de la piscine.

La piscine et les accessoires doivent être montés uniquement par des adultes compétents.

Votre piscine doit être remplie par un flux d'eau à basse pression afin d'éviter un stress excessif à la cuve interne. Bestway ne sera pas responsable des dommages provoqués à la piscine par un remplissage au moyen d'un camion-citerne. (Voir les FAQ)

Ne vous mettez pas à califourchon, ne vous asseyez pas, ne vous appuyez pas et ne comprimez pas sur l'anneau gonflable supérieur car cela pourrait provoquer un effondrement de la piscine et une inondation, causant de graves blessures et/ou des dommages aux biens personnels.

Ne laissez pas de jouets près de ou dans une piscine sans surveillance.

Ne nagez pas seul.

N'utilisez pas votre piscine en cas d'utilisation d'alcool, de drogues ou de médicaments.

Conservez les produits chimiques et les accessoires hors de portée des enfants.

N'ajoutez jamais de produits chimiques dans la piscine quand elle est occupée. Consultez un revendeur spécialisé dans les fournitures pour piscine pour vous assurer d'un usage correct des produits chimiques.

Gardez toujours l'eau de la piscine propre.

L'eau de la piscine doit être régulièrement contrôlée pour vérifier que le pH et la concentration en chlore de l'eau est optimale pour la sécurité et pour l'usage pendant toute la saison.

Les animaux domestiques doivent être éloignés de la zone de la piscine pour éviter des dommages à la structure.

Entourez votre piscine d'une clôture et assurez-vous que la porte soit toujours fermée.

Couvrez la piscine quand elle n'est pas utilisée. Les enfants et les adultes ne doivent pas rester dans la piscine quand la bâche est utilisée.

Enlevez complètement la bâche quand vous utilisez la piscine.

Un détecteur électronique fonctionnant devrait être installé pour vous alerter si quelqu'un est entré dans la zone de la piscine.

Cet appareil ne peut remplacer en aucun cas la surveillance d'un adulte.

Ne laissez pas l'échelle dans la piscine quand la piscine n'est pas surveillée. Rappelez-vous de vider et de ranger la piscine pendant l'hiver et si elle n'est pas utilisée.

Utilisez uniquement des accessoires Bestway avec les piscines Bestway.

Le fait d'entretenir correctement votre piscine augmente sa durée de vie et la sécurité de son utilisation. (Voir Section d'entretien de la piscine)

Ne faites pas fonctionner la pompe quand la piscine est utilisée.

Tous les équipements doivent être fréquemment contrôlés pour vérifier s'il y a des signes de détérioration, de corrosion, des pièces cassées ou d'autres points dangereux qui pourraient provoquer des blessures.

Rappelez-vous d'appliquer régulièrement une lotion solaire et toujours après un bain.

Le non respect de ces instructions pourraient provoquer des dommages, des blessures ou la mort.

SÉCURITÉ

Apprenez les gestes de secours nécessaires, surtout ceux servant au sauvetage des enfants.

Les équipements de sauvetage doivent être placés à proximité de la piscine et l'adulte de surveillance doit être formé pour les utiliser.

Les équipements de sauvetage devraient inclure des éléments comme une bouée de sauvetage agréée par les garde-côtes avec une corde attachée et une perche rigide et solide d'au moins 366cm (12pi).

Numéros d'urgence comprenant:

- Pompiers
- Police
- Ambulance
- Assistance antipoison
- Adresse complète du domicile

Placez un téléphone sans fil et étanche à proximité de la piscine pendant l'utilisation.

En cas d'accident:

- Sortez immédiatement tous les enfants de l'eau.
- Appelez les services d'urgence et suivez leurs instructions/conseils.
- Remplacez les vêtements mouillés par des vêtements secs.



Les enfants sont en danger sans une surveillance adéquate

Ne sautez pas dans l'eau basse



Ne plongez pas dans l'eau basse



CONSERVEZ CES INSTRUCTIONS POUR DE FUTURES RÉFÉRENCES

Préparation

REMARQUE: La piscine doit être montée sur une surface complètement plate et nivelée. N'installez pas SVP la piscine si la surface est inclinée ou en pente.

- Contrôlez auprès de votre municipalité les arrêtés municipaux concernant le clôturage, les barrières, l'éclairage et la sécurité et assurez-vous qu'ils soient conformes à la législation.
- Retirez avec soin de l'emballage la piscine et les accessoires. Si le set de piscine contient une échelle, vous aurez besoin d'un tournevis à tête d'équerre ou d'une clé réglable (non compris) pour le montage.
- Placez votre piscine avec un espace minimum de 122cm (4pi) tout autour pour qu'un enfant ne puisse rien utiliser pour grimper dans la piscine. Ne la montez pas juste en dessous d'une ligne électrique aérienne ou d'arbres et contrôlez que l'emplacement ne contienne pas de canalisations, lignes ou câbles de service public de tout genre.
- Il est essentiel que la piscine soit montée sur un sol compact et nivelé. Si la piscine est montée sur un sol non uniforme, cela pourrait provoquer l'effondrement de la piscine et une inondation, provoquant de graves blessures personnelles et/ou des dommages aux biens personnels. Le montage sur un sol non uniforme annule la garantie et les conditions d'assistance.
- Le sable ne devrait pas être utilisé pour créer une base nivelée, si nécessaire libérez le sol du sable.
- Ne montez pas la piscine sur une voie d'accès, une terrasse, une plateforme, du gravier ou du goudron. Le sol doit être suffisamment solide pour supporter la pression de l'eau ; la boue, le sable, la terre molle/lâche ou le goudron ne conviennent pas.
- Le sol doit être dégagé de tout objet ou débris, y compris les pierres et les brindilles.

REMARQUE: le gazon ou tout autre végétation sous la piscine mourront et pourraient provoquer de mauvaises odeurs et de la vase, nous recommandons d'enlever toute l'herbe de l'endroit où la piscine sera placée. Évitez de placer votre piscine au-dessus ou à proximité de zones sujettes à des plantes agressives et de mauvaises herbes car elles pourraient pousser à travers le tapis de sol ou la cuve interne.

- Nous recommandons fortement, dès que la piscine a été déployée sur le tapis de sol, de la laisser exposée aux rayons de soleil pendant 1 heure ou plus pour qu'elle soit plus flexible pendant le montage.
- Si la piscine a été achetée avec une pompe, la pompe doit être installée après le montage complet de la piscine. Rappelez-vous de placer les prises d'entrée et de sortie vers la source de l'alimentation.

REMARQUE: Si vous avez acheté une pompe de filtration, celle-ci a un manuel d'instructions séparé. Ouvrez SVP sa boîte relative pour plus de détails.

- Si vous avez acheté une échelle pour votre piscine, vérifiez qu'elle soit adaptée à la taille de la piscine.

• Vérifiez fréquemment que l'échelle soit montée correctement.

REMARQUE: Utilisez l'échelle seulement pour entrer et sortir de la piscine.

Installation

Il faut environ 10 minutes pour le montage.

REMARQUE: Il est important d'assembler la piscine dans l'ordre indiqué ci-dessous.

1. Si la piscine a été achetée avec un tapis de sol, déployez-le soigneusement sur l'emplacement choisi. Assurez-vous que la piscine soit placée à une distance suffisante d'une prise 220-240 volts CA protégée par un RCD (dispositif de courant résiduel).
2. Déployez la piscine et contrôlez qu'elle soit tournée dans le bon sens, laissez-la au soleil pendant 1 heure ou plus pour qu'elle soit plus flexible pendant le montage.
3. Tournez la piscine pour que la soupape d'évacuation soit proche de la zone où vous avez envisagé de vider l'eau et les soupapes de la pompe soient tournées vers la prise RCD.

ATTENTION: Ne traînez pas la piscine sur le sol afin d'éviter qu'elle ne soit perforée par des objets pointus. Bestway Inflatables n'est pas responsable pour les dommages causés à la piscine par une mauvaise manipulation ou par le non respect de ces instructions.

REMARQUE: La base ou le fond de la piscine doit être déployé correctement (plat sans plis).

Pour les piscines 549cm x 122cm (18pi x 48po), 549cm x 132cm (18pi x 52po), voir SVP l'installation de la soupape de connexion à la page suivante.

4. Insérez le bouchon d'arrêt bleu dans les soupapes d'entrée et de sortie sur la paroi de la piscine, depuis l'intérieur.
5. Gonflez l'anneau supérieur de la piscine avec une pompe à air (non comprise). Assurez-vous que la soupape de sécurité soit bien fermée après le gonflage.

ATTENTION: N'utilisez pas de tuyau d'air à haute pression et ne gonflez pas trop l'anneau supérieur, il doit être légèrement rigide au toucher.

REMARQUE: Les températures élevées provoquent une expansion de l'air dans l'anneau et cela peut provoquer des dommages. Laissez assez de place pour cette expansion. Voir SVP les FAQ pour plus d'informations.

6. Assurez-vous que la soupape d'évacuation soit bien fermée.
7. Mettre quelques centimètres d'eau dans la piscine pour couvrir le sol. Une fois que le sol de la piscine est légèrement recouvert, lissez tous les plis. Commencez par le centre de la piscine et continuez dans le sens des aiguilles d'une montre vers l'extérieur.

Montage de la soupape de connexion

Pour les piscines modèles 549cm x 122cm (18pi x 48po), 549cm x 132cm (18pi x 52po)

1. Vissez la grille de protection (P6168) sur le raccord (P6167). (Voir fig. 2)
2. Insérez, depuis la partie interne de la piscine, cette unité assemblée sur l'orifice d'entrée A et de sortie B de la piscine. (Voir Fig.3)

REMARQUE: Assurez-vous que le joint (P6166) soit en position sur l'unité assemblée à l'intérieur du revêtement de la piscine.

3. Depuis l'extérieur de la piscine, serrez l'écrou du raccord (P6165) sur l'unité assemblée à l'aide de la clé (P6169). (voir fig. 4)

4. Serrez à la main la soupape de réglage (P6162) sur l'unité assemblée. (Voir fig. 5)

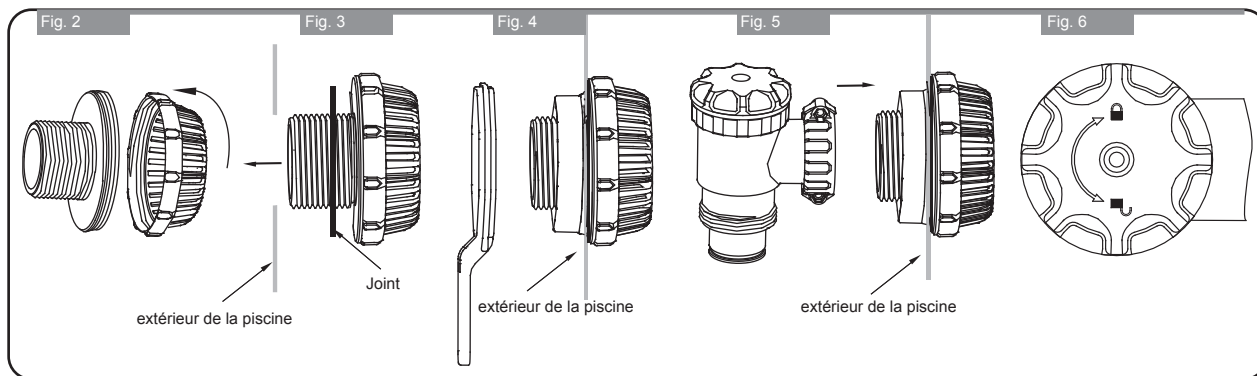
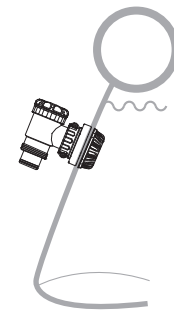
REMARQUE: Contrôlez que le joint de la soupape de réglage (P6164) et le joint torique (P6163) soient en position sur la soupape de réglage.

5. Voir le manuel de la piscine pour le reste de l'installation de la piscine.

REMARQUE SUR LE FONCTIONNEMENT: Utilisez la vis de réglage au sommet de la soupape de réglage pour ouvrir et fermer la soupape. (Voir fig. 6)

6. Vérifiez que la soupape soit bien fermée.

Fig. 1



REEMPLIR D'EAU LA PISCINE

ATTENTION: Ne laissez pas la piscine sans surveillance quand vous la remplissez d'eau.

Les parois de la piscine se soulèvent quand vous la remplissez d'eau. (voir fig. 7)

Le revêtement de la piscine doit s'étendre de manière uniforme autour de l'extérieur de l'anneau gonflable quand on remplit d'eau la piscine.

1. Remplissez la piscine jusqu'à la soupape d'évacuation.

STOP

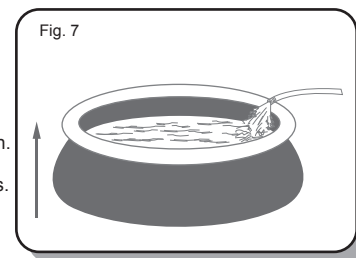
2. Arrêtez l'eau. Contrôlez que l'eau ne se rassemble pas d'un côté pour s'assurer que la piscine est bien nivelée.

Si la piscine n'est pas nivelée, enlevez l'eau et nivelez de nouveau le sol en le creusant. N'essayez jamais de déplacer la piscine avec de l'eau à l'intérieur, cela pourrait provoquer de graves blessures ou endommager la piscine. (voir fig. 9)

REMARQUE: Votre piscine peut contenir jusqu'à xxxxx litres / xxxx gallons, ce qui équivaut à xxxxx kg de pression.

Si votre piscine présente des renflements ou un côté non uniforme, alors elle n'est pas nivelée ; les côtés pourraient éclater et l'eau se déverser brusquement en provoquant des blessures et/ou des dommages aux biens.

3. Remplissez la piscine jusqu'à la soupape la plus basse de la pompe.



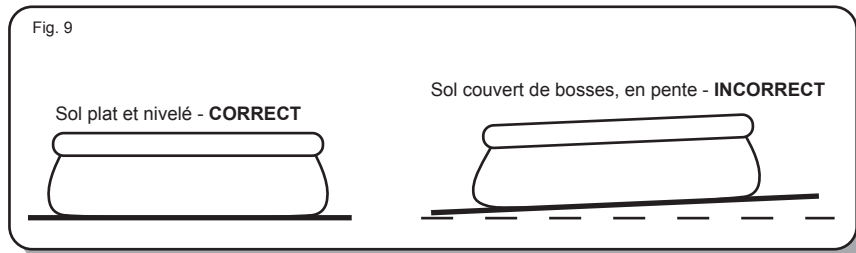
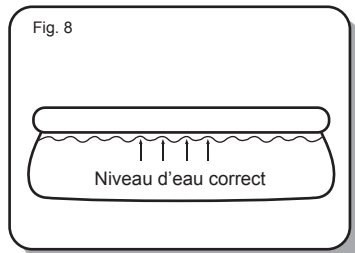
STOP

4. Arrêtez l'eau. Contrôlez les soupapes.

5. Remplissez la piscine à 80% de sa capacité, jusqu'au bas de l'anneau gonflé pour que les côtés soient lisses et rigides. **NE REMPLISSEZ PAS TROP** car cela pourrait provoquer un effondrement de la piscine. En cas de fortes pluies, vous devez vider suffisamment la piscine pour que le niveau reste correct. (voir fig. 8)

6. Contrôlez s'il y a des fuites au niveau des soupapes ou des coutures, contrôlez le tapis de sol pour vérifier s'il y a d'évidentes pertes d'eau. N'ajoutez pas de produits chimiques avant ce contrôle.

7. En cas de fuite, posez une rustine fournie dans le kit. Voir les FAQ pour plus d'informations.



Entretien de la piscine

En ne respectant pas les consignes d'entretien ci-dessous, vous risquez de mettre en danger votre santé et celle de vos enfants.

REMARQUE: La pompe de filtration est utilisée pour faire circuler l'eau et pour filtrer les petites particules, ce qui conserve votre eau libre de particules en suspension. Pour conserver l'eau de votre piscine propre et hygiénique, vous devez ajouter des produits chimiques.

Pour conserver votre piscine propre:

1. Contactez votre revendeur pour des conseils et pour l'achat de kits de produits chimiques et pH. Un des facteurs les plus importants pour augmenter la durée de vie du revêtement est de le conserver l'eau continuellement propre et saine. Suivez attentivement les instructions des techniciens professionnels du traitement de l'eau à l'aide de produits chimiques.
2. Placez un baquet d'eau près de la piscine pour se nettoyer les pieds avant d'entrer dans la piscine.
3. Couvrez la piscine quand elle n'est pas utilisée.
4. Dépolluez régulièrement la piscine pour éliminer la saleté.
5. Changez la cartouche du filtre de la pompe toutes les 2 semaines.
6. Éliminez délicatement la crasse en partant de l'anneau supérieur avec un chiffon propre.
7. Pour améliorer la qualité de l'eau, nous vous suggérons d'utiliser les accessoires Bestway comme le dépollueur et les kits d'entretien. Visitez notre site web www.bestway-service.com ou contactez votre revendeur. Faites attention en cas de pluie, contrôlez que le niveau de l'eau ne soit pas plus élevée que le niveau prévu. Dans ce cas, agissez en conséquence.

Un bon entretien peu maximiser la durée de vie de votre piscine.

ATTENTION: Ne faites pas fonctionner la pompe quand la piscine est utilisée.

Réparation

Si votre piscine est endommagée, utilisez une rustine de réparation. - voir les FAQ pour les instructions.

Démantelage

1. Dévissez dans le sens des aiguilles d'une montre le bouchon de la soupape d'évacuation à l'extérieur de la piscine et enlevez-le.
2. Il y a 2 adaptateurs pour tuyaux d'arrosage, choisissez la taille appropriée pour votre tuyau.
3. Branchez l'adaptateur au tuyau et placez l'autre extrémité du tuyau dans la zone où vous allez vider votre piscine. (Contrôlez les arrêtés municipaux pour le drainage).
4. Vissez le collier serre-tube de l'adaptateur sur la soupape d'évacuation en tournant dans le sens des aiguilles d'une montre. La soupape d'évacuation s'ouvrira et l'eau commencera à s'écouler automatiquement.
ATTENTION: Le collier serre-tube permet de contrôler le flux d'eau.
5. Après l'évacuation, dévissez le collier serre-tube pour fermer la soupape.
6. Débranchez le tuyau.
7. Revissez le bouchon sur la soupape d'évacuation.
8. Dégonflez l'anneau supérieur.
9. Séchez la piscine.

ATTENTION: Ne laissez pas la piscine vide dehors.

Rangement

1. Enlevez tous les accessoires et les pièces détachées de la piscine et rangez-les quand ils sont propres et secs.
2. Quand la piscine est complètement sèche, répandez de la poudre de talc pour éviter qu'elle ne se colle et repliez soigneusement la piscine. Si la piscine n'est pas complètement sèche, de la moisissure pourrait se former et endommager le revêtement de la piscine.
3. Rangez la cuve interne et les accessoires dans un endroit sec, à une température moyenne comprise entre 5°C / 41°F et 38°C / 100°F.

Foire Aux Questions

1. Quelle est une base appropriée pour la piscine Fast Set?

Presque toutes les surfaces complètement plates, compactes et nivelées peuvent être utilisées. N'utilisez pas le sable comme matériau de nivellement car il est sujet à bouger sous la piscine. Le sol doit être dégagé jusqu'à ce qu'il soit parfaitement nivelé. Ne montez pas la piscine sur une voie d'accès, une terrasse, une plateforme, du gravier ou du goudron. Le sol doit être suffisamment ferme pour supporter le poids et la pression de l'eau : la boue, le sable, la terre molle/lâche ou le goudron ne sont pas appropriés. Une base en béton peut être utilisée, mais faites attention de ne pas traîner la piscine sur cette surface car des abrasions pourraient déchirer le revêtement. Si la piscine est montée sur une pelouse, nous vous recommandons d'enlever l'herbe là où la piscine sera posée car elle mourra et cela provoquera de mauvaises odeurs / de la vase. Certains types d'herbe résistante peuvent pousser à travers le revêtement tout comme des buissons/plantes agressives à côté de la piscine. Assurez-vous de tailler la végétation proche quand c'est nécessaire. Utilisez un tapis de sol pour mieux protéger la base de la piscine.

2. Comment saurai-je si ma piscine est montée sur un sol non nivelé?

Si un renflement apparaît d'un côté de votre piscine, cela signifie qu'elle n'est pas montée sur un sol nivelé. Il est important que vous vidiez votre piscine et que vous la déplaçiez sur un site nivelé. Si la piscine n'est pas sur un sol nivelé, cela provoque un stress excessif aux coutures et peut les déchirer, provoquant une inondation, des dommages aux biens et potentiellement des blessures ou la mort.

Remplissez votre piscine en suivant attentivement les instructions du manuel. Cela vous permettra de ne pas gaspiller de l'eau et de pouvoir déplacer facilement la piscine si le sol a été nivelé au moment approprié et non pas après avoir complètement rempli la piscine.

3. Quelle pression est-il recommandé d'utiliser pendant le gonflage de l'anneau de ma piscine Fast Set?

Nous recommandons d'utiliser une pompe de gonflage Bestway (non comprise) ou une autre pompe à basse pression quand vous devez gonfler l'anneau supérieur. L'anneau supérieur est suffisamment gonflé quand il devient rond et solide au toucher. Faites attention aux variations importantes de température de l'air. Un anneau surgonflé, réchauffé par le soleil, pourrait éclater ou laisser passer des fuites au niveau des coutures ; si l'anneau est trop rigide, laissez sortir un peu d'air. Quand la température ambiante est basse, l'anneau supérieur perd un peu de pression, il pourrait apparaître comme s'il se dégonflait à cause d'une fuite, N'AJOUTEZ PAS d'air jusqu'à ce que l'air se dilate de nouveau quand la température augmente. **Remarque:** L'usage d'un compresseur d'air ou d'une pompe à haute pression pour le gonflage de l'anneau est interdit. Bestway inflatables ne sera pas responsable pour l'éclatement de l'anneau à cause de l'usage d'un compresseur d'air.

4. Puis-je remplir ma piscine à l'aide d'un branchement d'eau?

Nous recommandons d'utiliser un tuyau d'arrosage sous basse pression pour remplir votre piscine. S'il est nécessaire d'utiliser un branchement d'eau, il vaut mieux d'abord remplir la piscine avec quelques centimètres d'eau avec le tuyau et éliminer les plis. Utilisez un branchement d'eau qui vous permet de réguler le flux d'eau pour éviter tout dommage. Arrêtez-vous à chaque étape comme indiqué dans le manuel d'instructions pour vous assurer que la piscine est nivelée. Bestway ne sera pas responsable pour des piscines endommagées ou affaiblies par un branchement d'eau.

5. Quelle est la hauteur maximale de remplissage de la piscine?

Remplissez la piscine jusqu'à 80% de sa capacité, jusqu'à la base de l'anneau gonflé. N'essayez jamais de remplir votre piscine au-delà de la base de l'anneau. Nous recommandons de laisser un peu de place pour le déplacement d'eau quand les occupants sont dans la piscine. Vous devriez ajouter de l'eau pendant la saison pour remplacer celle qui a été perdue par évaporation ou par l'usage normal.

6. Ma piscine a des fuites, que dois-je faire pour la réparer?

La piscine n'a pas besoin d'être vidée pour réparer tout orifice. Vous pouvez acheter des rustines de réparation auto-adhésives fonctionnant sous l'eau dans votre magasin d'articles pour piscine. Pour l'usage externe, utilisez les rustines de réparation fournies. Pour les trous internes, nettoyez le trou à l'intérieur de la piscine pour éliminer le gras et les algues. Découpez un cercle suffisamment large pour recouvrir le trou et appliquez la rustine du côté de l'eau. Découpez une seconde rustine et appliquez-la à l'extérieur de la piscine pour renforcer la réparation. Si le trou se trouve dans la base de la piscine, utilisez une seule rustine et surchargez-la avec un objet lourd jusqu'à ce qu'elle colle bien. Pour un trou dans l'anneau supérieur, gonflez l'anneau pour repérer le trou, marquez-le pour le voir facilement et appliquez la rustine en appuyant bien fort. Dès qu'elle a été appliquée, dégonflez légèrement l'anneau pour éliminer un peu de pression sur la rustine. Si l'anneau est complètement dégonflé et la piscine est vide, placez un objet lourd sur la rustine pour l'aider à se coller. Si vous avez mis la rustine quand la piscine est vide, nous vous recommandons de la laisser ainsi au moins 12 heures avant de la remplir.

7. Où puis-je acheter les cartouches de filtre et combien de fois dois-je les changer?

Les cartouches de filtre pour votre pompe de filtration devraient être disponibles dans le magasin où vous avez acheté votre piscine. Dans le cas contraire, de nombreux revendeurs vendent des cartouches comme accessoires. Si vous n'arrivez pas à les trouver, appelez notre numéro sans frais et nous vous aiderons à trouver un revendeur pour vous. Il faudrait changer les cartouches toutes les 2 semaines selon l'usage de la piscine. Contrôlez le filtre une fois par semaine et lavez-le au jet pour éliminer tout débris et particules. **Remarque:** Assurez-vous que votre pompe est débranchée de l'alimentation électrique avant de contrôler la cartouche du filtre. Vous pouvez aussi visiter notre site web www.bestway-service.com pour acheter les cartouches.

8. Combien de fois par an devrais-je changer l'eau?

Cela dépend de l'utilisation de la piscine et de l'attention avec laquelle vous avez couvert la piscine et maintenu en équilibre les produits chimiques. Si elle est correctement entretenue, l'eau peut durer toute la saison d'été. Contactez votre revendeur de produits chimiques pour piscine pour plus d'informations sur ces produits, ils vous indiqueront comment maintenir au mieux la propreté de votre eau.

9. Dois-je démonter ma piscine pour l'hiver?

Oui. Les piscines hors sol pourraient s'effondrer sous le poids de la glace et de la neige, et les parois en PVC pourraient s'endommager. Nous recommandons de démonter la piscine quand la température descend au-dessous de 8°C / 45°F. La piscine doit être rangée à l'intérieur à une température ambiante modérée comprise entre 5°C / 41°F et 38°C / 100°F. Rangez-la loin de produits chimiques et de rongeurs et hors de portée des enfants.

10. Ma piscine s'est décolorée – pourquoi?

Une utilisation excessive de produits chimiques peut provoquer une décoloration de l'intérieur de la cuve interne ; c'est ce qui arrive aux maillots de bain après un contact répété avec l'eau chlorée.

11. Combien d'années durera ma piscine?

Il n'y a pas de limite de durée d'une piscine ; suivez les instructions de votre manuel et avec un bon entretien, un bon rangement et un peu d'attention, vous augmenterez considérablement la durée de vie de votre piscine. Un mauvais montage, usage ou soin peuvent provoquer la défaillance de votre piscine.

12. Recommandez-vous l'utilisation d'une pompe de filtration avec une piscine Bestway?

Oui, absolument ! Nous vous recommandons fortement d'utiliser une pompe de filtration qui maintiendra propre l'eau de la piscine.

13. Quelles sont les fonctions les plus importantes de ma pompe de filtration?

La fonction la plus importante d'une pompe de filtration est l'élimination de toutes sortes d'impuretés de l'eau à l'aide d'une cartouche de filtre et de produits chimiques pour sa stérilisation.

Garantie Limited BESTWAY®

Le produit que vous avez acquis comprend une garantie limitée. Bestway est derrière notre garantie qualité et s'assure, à travers une garantie de remplacement, que votre produit ne comportera aucun défaut de fabrication donnant lieu à des fuites.

Pour faire une réclamation, cette carte de garantie doit être remplie entièrement et renvoyée avec: 1) Votre reçu d'achat 2) Enlever la soupape d'évacuation placée sur la paroi de la piscine avec l'étiquette avec le numéro du lot de production et les appliquer sur votre coupon de caisse.

Bestway n'est pas responsable des pertes économiques dues au coût de l'eau et des produits chimiques. À l'exception du remplacement du produit, les conséquences de fuites ne sont pas la responsabilité de Bestway. Bestway ne remplacera aucun produit réputé avoir fait l'objet de négligence ou avoir été utilisés sans observer les instructions du manuel d'utilisateur.

**À L'ATTENTION DE : BESTWAY
SERVICE DEPARTMENT**

DATE _____

Numéro de code client _____

FAX/E-MAIL/TÉL: Se reporter au numéro correspondant à votre pays au dos de l'emballage.

Informations requises

Nom: _____

Adresse: _____

Code postal: _____

Ville: _____

Pays: _____

Téléphone: _____

Portable: _____

E-MAIL: _____

Fax: _____

Faire une croix nette sur le code article: _____

Cocher clairement la mesure qui correspond à votre piscine.

PISCINE FAST SET™	PISCINE FAST SET™ OVALE	PISCINE TUBULAIRE STEEL PRO™	PISCINE TUBULAIRE RECTANGULAIRE	PISCINE RIGIDE	POMPE DE FILTRATION
244cm x 66cm.	549cm x 366cm x 122cm.	244cm x 61cm.	549cm x 274cm x 122cm.	229cm x 160cm x 43cm.	1.250 litres
305cm x 76cm.	610cm x 366cm x 122cm.	305cm x 76cm.	671cm x 396cm x 132cm.	239cm x 160cm x 61cm.	2.005 litres
366cm x 76cm.	732cm x 366cm x 122cm.	366cm x 81cm.		259cm x 180cm x 66cm.	3.025 litres
366cm x 91cm.	853cm x 366cm x 122cm.	366cm x 122cm.		300cm x 201cm x 71cm.	5.678 litres
457cm x 91cm.		457cm x 91cm.		414cm x 216cm x 79cm.	filtre à sable de 3.025 litres
457cm x 107cm.		457cm x 122cm.			filtre à sable de 5.678 litres
457cm x 122cm.		549cm x 107cm.			
549cm x 107cm.		549cm x 122cm.			
549cm x 122cm.		549cm x 132cm.			
549cm x 132cm.					

Description du problème

- L'article Fuit / n'est pas étanche soudure défectueuse anneau supérieur défectueux soupape d'évacuation endommagée
- L'article est incomplet, Quelle est la pièce manquante – indiquez le code présent dans le manuel d'instructions

- Autres, décrire _____

Toutes les informations doivent être complètes pour bénéficier de notre assistance.

Joindre une copie du reçu à ce fax.

Le numéro gratuit n'est pas disponible aux téléphones portables.

VOUS POUVEZ AUSSI VOUS RENDRE SUR NOTRE SITE : www.bestway-service.com



Inflate Your Fun™

Bestway (Europe) s.r.l.

V Resistenza 5,
20098 San Giuliano M.se (Mi) - Italy
Tel: 00 800 111 02 003
Fax: +39 02 9139 0361

E-mail: aftersales@bestway-europe.com
www.bestway-service.com

Austria

Alois Grabner K.G.
Bahnhofstr. 32
A-8714 Kraubath
Österreich, Austria
Tel: 00 800 660 041 00
E-mail: bestway@grabner-pools.com

Belgium

Tel: 0 800 20 132
Fax: +32 28080882
E-mail: belgiumservice@bestway-europe.com

Denmark

Scanditoy A/S
Hørkær 18, 1.sal
2730 Herlev, Denmark
Tel: +45 47 31 48 00
Fax: +45 47 31 66 08
E-mail: denmark@bestway-service.com

Finland

Scanditoy Oy
Kalevantie 35, 20520 Turku
Box 130
FI-20101 Turku, FINLAND
Tel: +35 8 2 436 36 00
Fax: +35 8 2 4380 550
E-mail: finland@bestway-service.com

Bestway France

Tel: 08 92 707 709 (0.34 € TTC / Minute)
Fax: 04 89 069 991
E-mail: sav@bestway-france.com

Bestway Germany

Tel: +49 (0) 7531 45 49 180
Fax: +49 (0) 7531 45 49 181
E-mail: kundendienst@bestway-europe.com

Greece

Tel: 00 800 391 275 300
Fax: +39 02 9139 0361
E-mail: aftersales@bestway-europe.com

Hungary

Figyelem!
Amennyiben a termékkel kapcsolatban minőségi kifogása van, kérjük tárcsázza a helyi tarifával hívható 06-40-204-624-es telefonszámot, ahol a meghibásodott részegység cseréjét intézheti, vagy jelezze e-mail-en a bestway@aqualing.hu címen. Kérjük ne vigye vissza a terméket a vásárlás helyszínére! A vásárlást igazoló bizonylatot szíveskedjen megőrizni!

Bestway Italy

Tel: 00 800 111 02 003
Fax: +39 02 9139 0361
E-mail: assistenza@bestway-europe.com

The Netherlands

Tel: 8002378929
Fax: +31 842290295
E-mail: dutchservice@bestway-europe.com

Norway

Scanditoy AS
P.O. Box 13
Hageveijen 20
NO-3107 Sem, Norway
Tel: +47 33 37 88 00
Fax: +47 33 37 88 80
E-mail: norway@bestway-service.com

Poland

HH Poland S.A.
Ul. Toszecka 101,
44100, Gliwice, Poland
Tel: 0322 790 750
Fax: 0322 790 744
E-mail: reklamacje@hhpoland.com.pl

Bestway Spain & Portugal

Edificio Metrovialia
C/ Cronos 24-26, Bloque 2, Escalera 4, Piso 2,
Oficina E-26
(28037) Madrid, Spain
Tel.: 0034 (0) 917425568
Fax: 0034 (0) 902602705
E-Mail: postventa@bestway-europe.com

Sweden

Scanditoy AB
Box 305
Nordenskiöldsgatan 6
SE-20123 Malmö, Sweden
Tel: +46 479 190 00
Fax: +46 479 193 22
E-mail: sweden@bestway-service.com

Switzerland

Tel: (+41) 719290000
Fax: (+41) 719290090
E-mail address: switzerland@bestway-service.com

United Kingdom

Wilton Bradley Ltd, TQ12 6TL.
Tel: 0800 612 0457
Fax: 01626 836654
E-mail: aftersales@bestway-uk.com

Bestway Central & South America Ltda

Av. El Salto 4243, Local 10,
Huechuraba, Santiago, Chile
Tel: 56 2 443 4100
Fax: 56 2 443 4101
E-mail: postventa@bestway-southamerica.com

Bestway Inflatables & Material Corp.

No.3065 Cao An Road, Shanghai, 201812, China.
Tel: 86 21 6913 5588
Fax: 86 21 5913 8383
E-mail: info@bestway-shanghai.com