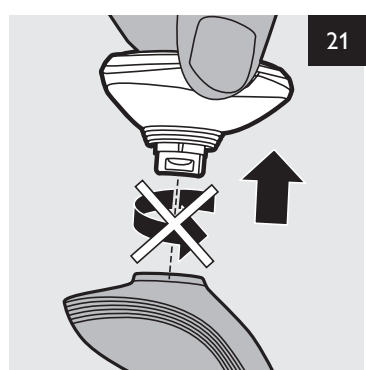
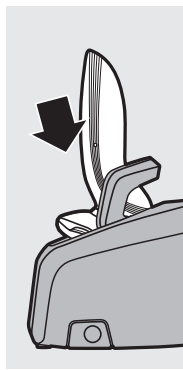
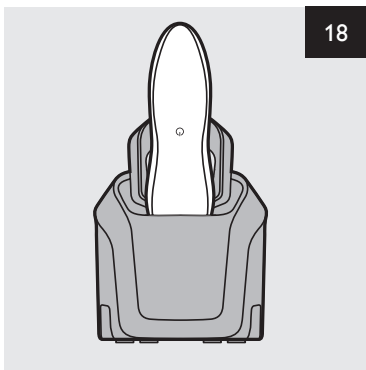
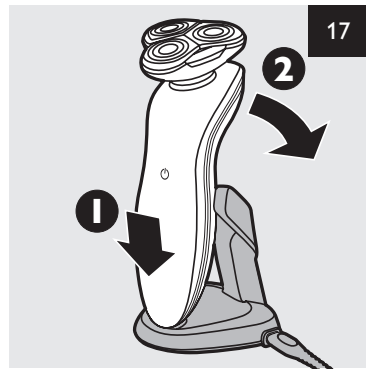
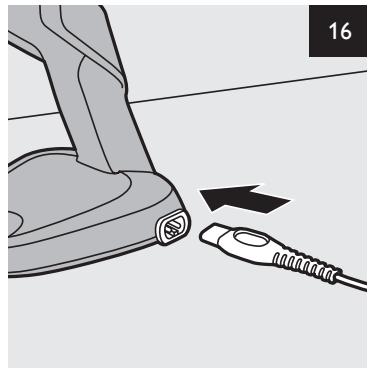
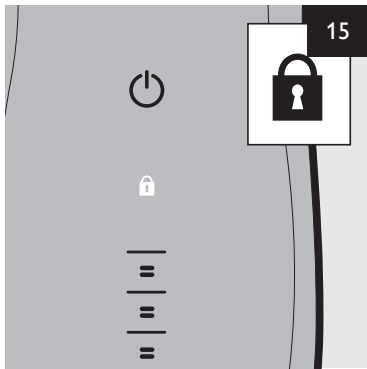
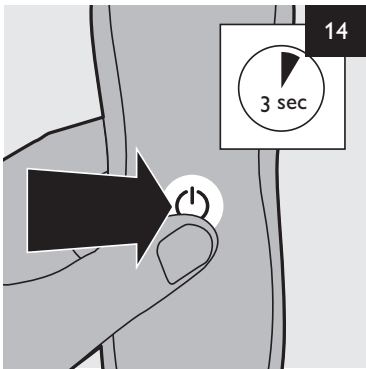
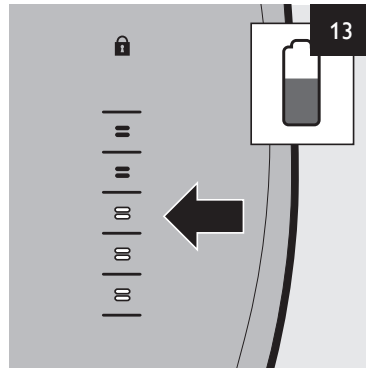
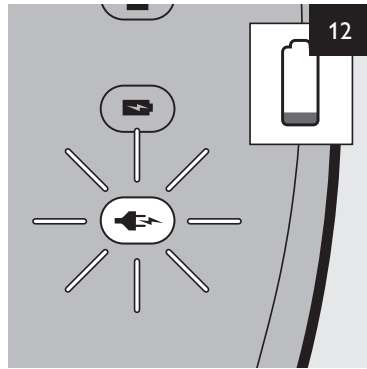
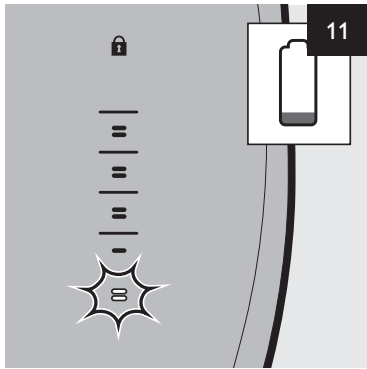
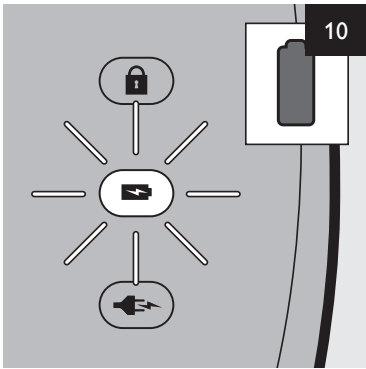
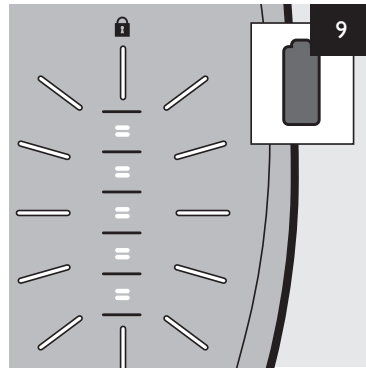
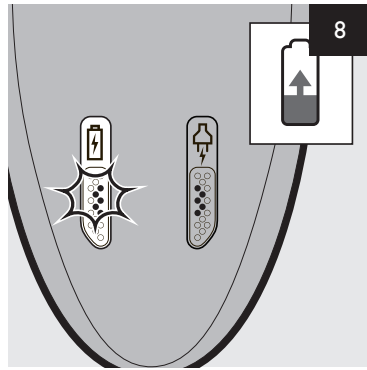
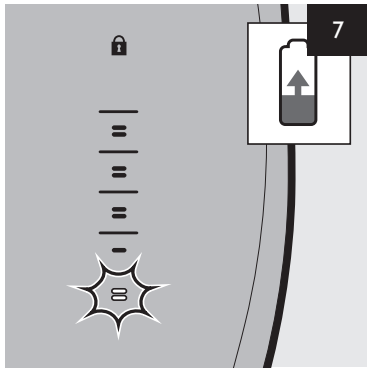
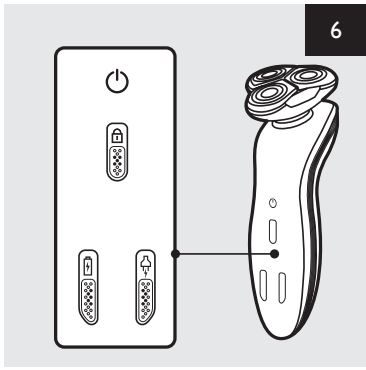
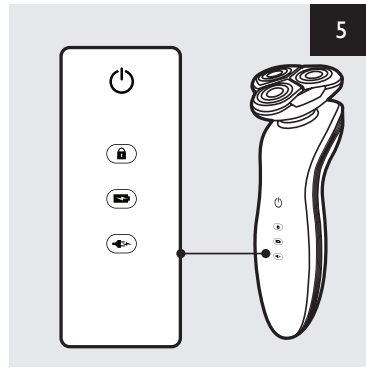
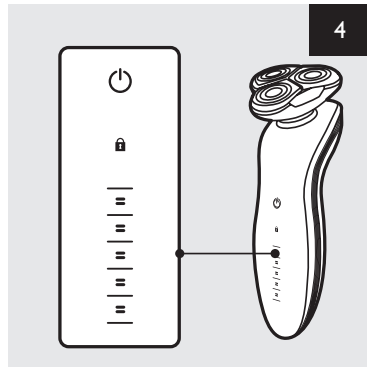
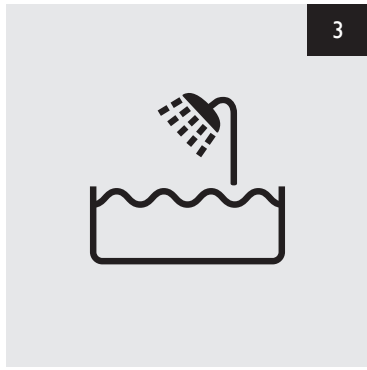
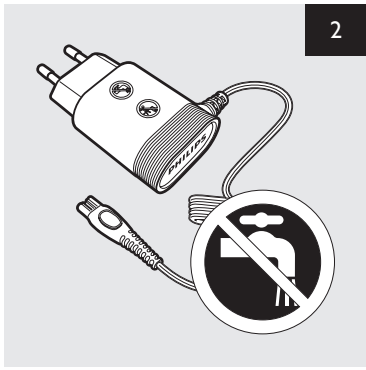


Register your product and get support at
www.philips.com/welcome

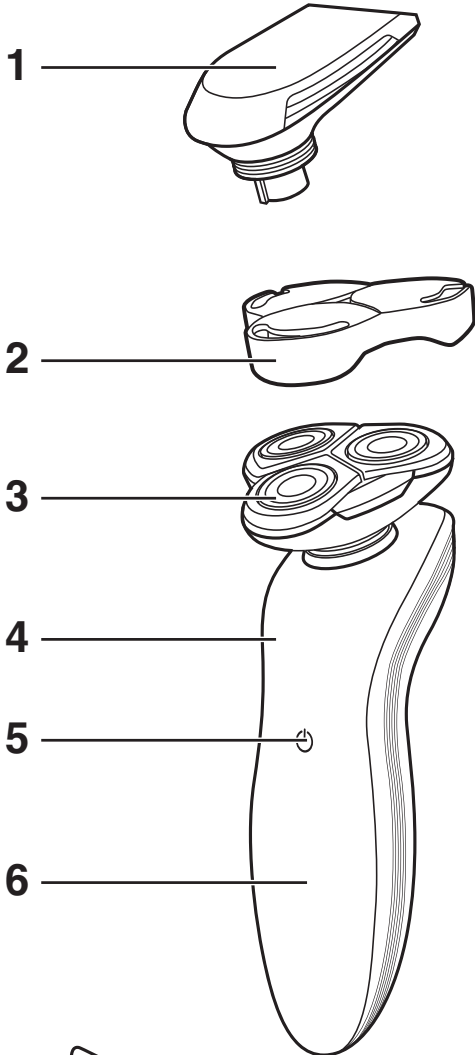
RQ1180, RQ1160, RQ1150



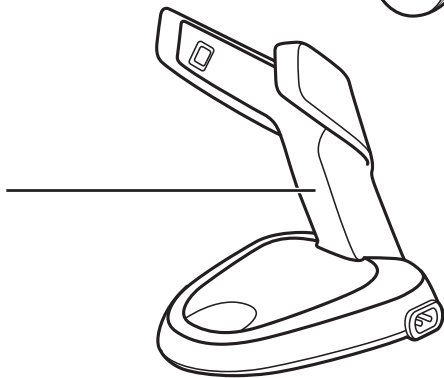
PHILIPS



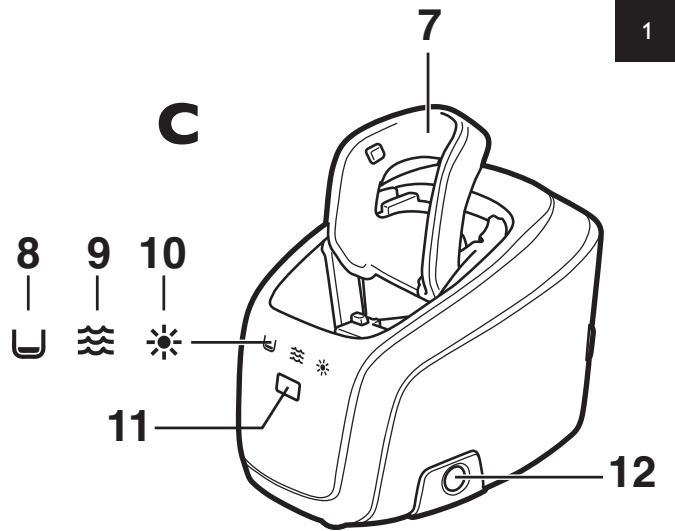
A



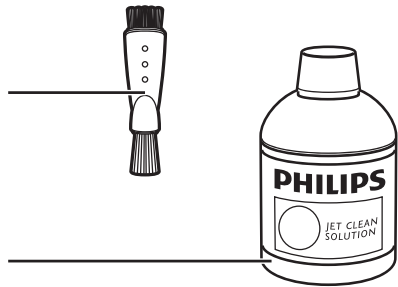
B



C



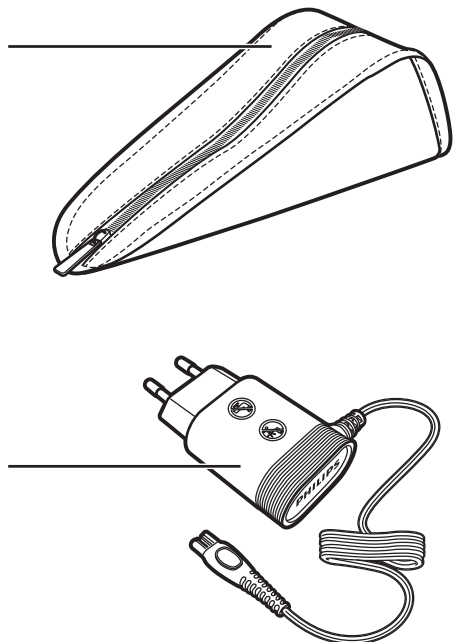
D



E

F

G



ENGLISH	6
БЪЛГАРСКИ	12
ČEŠTINA	18
DANSK	24
DEUTSCH	30
ΕΛΛΗΝΙΚΑ	36
ESPAÑOL	43
EESTI	49
SUOMI	55
FRANÇAIS	61
FRANÇAIS (CANADA)	67
HRVATSKI	73
MAGYAR	79
INDONESIA	85
ITALIANO	91
ҚАЗАҚША	97
한국어	103
LIETUVIŠKAI	109
LATVIEŠU	115
BAHASA MELAYU	121
NEDERLANDS	127
NORSK	133
POLSKI	139
PORTUGUÊS	145
PORTUGUÊS DO BRASIL	151
ROMÂNĂ	157
РУССКИЙ	163
SLOVENSKY	169
SLOVENŠČINA	175
SRPSKI	181
SVENSKA	187
ภาษาไทย	193
TÜRKÇE	199
УКРАЇНСЬКА	205
TIẾNG VIỆT	211
繁體中文	217
简体中文	223

Introduction

Congratulations on your purchase and welcome to Philips! To fully benefit from the support that Philips offers, register your product at www.philips.com/welcome.

Please read this user manual, as it contains information about the features of this shaver as well as some tips to make shaving easier and more enjoyable.

General description (Fig. 1)

A Shaver (RQ1180/RQ1160/RQ1150)

- 1 Trimmer
- 2 Protection cap
- 3 Shaving unit
- 4 Shaver
- 5 Shaver on/off button
- 6 Display

B Charger

C Jet Clean System (specific types only)

- 1 Shaver holder
- 2 'Cleaning chamber empty' symbol
- 3 Cleaning symbol
- 4 Drying symbol
- 5 Jet Clean System on/off button
- 6 Cleaning chamber release button

D Cleaning brush

E Cleaning fluid

F Pouch (specific types only)

G Adapter

Important

Read this user manual carefully before you use the appliance and save it for future reference.

Note: In this user manual the term 'appliances' refers to the shaver and the Jet Clean System. If your shaver does not come with a Jet Clean System, it refers to the shaver only.

General

Danger

- Make sure the adapter does not get wet (Fig. 2).

Warning

- The adapter contains a transformer. Do not cut off the adapter to replace it with another plug, as this causes a hazardous situation.
- These appliances are not intended for use by persons (including children) with reduced physical, sensory or mental capabilities, or lack of experience and knowledge, unless they have been given supervision or instruction concerning use of the appliances by a person responsible for their safety.
- Children should be supervised to ensure that they do not play with the appliances.
- Be careful with hot water when you clean the appliances. Always check if the water is not too hot, to prevent your hands from getting burnt.

Caution

- Never immerse the Jet Clean System and the charger in water nor rinse them under the tap.
- The appliances and accessories are not dishwasher-proof.
- Always place and use the appliances on a surface that is fluid-resistant.
- Use, charge and store the appliances at a temperature between 5°C and 35°C.
- Only use the accessories supplied.
- The adapter transforms 100-240 volts to a safe low voltage of less than 24 volts.
- Do not use the appliances if they are damaged.
- If the adapter or any of the other accessories is damaged, always have it replaced with one of the original type in order to avoid a hazard.
- Water may leak from the socket at the bottom of the shaver when you rinse it. This is normal and not dangerous because all electronics are enclosed in a sealed power unit inside the shaver.

Jet Clean system (specific types only)

Caution

- Only use the Jet Clean System with the original HQ200 cleaning fluid.
- Always place the Jet Clean System on a stable, level and horizontal surface to prevent leakage.
- Never immerse the Jet Clean System in water.
- Empty the cleaning chamber and clean it thoroughly by rinsing it with hot tap water every 15 days.
- The Jet Clean System thoroughly cleans but does not disinfect your shaver; therefore do not share the shaver with others.
- The cleaning chamber of the Jet Clean System is not dishwasher-proof.
- When the Jet Clean System is ready for use, do not move it to prevent leakage of cleaning fluid.

Compliance with standards

- This shaver complies with the internationally approved safety regulations and can be safely used in the bath or shower and cleaned under the tap (Fig. 3).
- These Philips appliances comply with all standards regarding electromagnetic fields (EMF). If handled properly and according to the instructions in this important information booklet and in the usage information booklet packed with the shaver, the appliances are safe to use based on scientific evidence available today.

The display

Note: Before you use the shaver for the first time, remove the protective foil from the display.

The three shaver types (RQ1180, RQ1160 and RQ1150) have different displays, which are shown in the figures below.

- RQ1180 (Fig. 4)
- RQ1160 (Fig. 5)
- RQ1150 (Fig. 6)

Charging

- Charging takes approx. 1 hour.

RQ1180

- When the shaver is charging, first the bottom charging light flashes, then the second charging light, and so on until the shaver is fully charged (Fig. 7).
- Quick charge: When the shaver contains enough energy for one shave, the bottom charging light alternately flashes orange and white.

RQ1160/RQ1150

- When the shaver is charging, the battery symbol flashes until the shaver is fully charged. (Fig. 8)
- Quick charge: When the shaver contains enough energy for one shave, the plug symbol and battery symbol flash alternately.

Note: The displays of types RQ1160 and RQ1150 look different, but work in the same way.

Battery fully charged

RQ1180

- When the battery is fully charged, all charging lights light up continuously. After approx. 30 minutes the display automatically switches off again. (Fig. 9)

RQ1160/RQ1150

- When the battery is fully charged, the battery symbol lights up continuously. After approx. 30 minutes the display automatically switches off again. (Fig. 10)

Note: The displays of types RQ1160 and RQ1150 look different, but work in the same way.

Battery low

RQ1180

- When the battery is almost empty (when there are only 5 or fewer shaving minutes left), the bottom charging light flashes orange. (Fig. 11)
- When you switch off the shaver, the bottom charging light continues to flash for a few seconds.

RQ1160/RQ1150

- When the battery is almost empty (when there are only 5 or fewer shaving minutes left), the plug symbol flashes (Fig. 12).
- When you switch off the shaver, the plug symbol continues to flash for a few seconds.

Note: The displays of types RQ1160 and RQ1150 look different, but work in the same way.

Remaining battery capacity

RQ1180

- The remaining battery capacity is indicated by the number of charging lights that are on. (Fig. 13)

Travel lock

You can lock the shaver when you are going to travel. The travel lock prevents the shaver from being switched on by accident.

Activating the travel lock

- 1 Press the on/off button for 3 seconds to enter the travel lock mode (Fig. 14).
- ▶ The lock symbol lights up on the display. -tekening- (Fig. 15)

Note: The displays of types RQ1180, RQ1160 and RQ1150 look different, but show the same symbol.

Deactivating the travel lock

- 1 Press the on/off button for 3 seconds.
- ▶ The motor starts running to indicate that the travel lock has been deactivated.

The shaver is now ready for use again.

Note: When you place the shaver in the plugged-in charger or Jet Clean System, the travel lock is automatically deactivated.

Charging

Charging takes approx. 1 hour.

RQ1180/RQ1160: A fully charged shaver has a shaving time of up to 50 minutes/15 days.

RQ1150: A fully charged shaver has a shaving time of up to 40 minutes/12 days.

Charge the shaver before you use it for the first time and when the display indicates that the battery is almost empty (see section 'Battery low' in chapter 'The display').

Quick charge

After the shaver has charged for 5 minutes, it contains enough energy for one shave.

Charging in the charger

- 1 Put the small plug in the charger (Fig. 16).
- 2 Put the adapter in the wall socket.
- 3 Put the shaver in the charger (1) and push it backwards (2) ('click'). (Fig. 17)
- ▶ The display shows that the shaver is charging (see chapter 'The display').

Charging in the Jet Clean System (specific types only)

- 1 Put the small plug in the Jet Clean System.

2 Put the adapter in the wall socket.

3 Place the shaver upside down in the holder with the display pointing towards the front of the Jet Clean System (Fig. 18).

Note: RQ1180 only: when you turn the shaver upside down, the battery indication on the display is also turned upside down so you can still see to what level the battery is charged.

4 Press the shaver tightly into the holder to lock it into place (Fig. 19).

Note: The shaver cannot be placed in the Jet Clean System when the protection cap is on the shaving unit or when the trimmer is placed on the shaver.

▶ The display shows that the shaver is charging (see chapter 'The display').

Using the shaver

Shaving

1 Press the on/off button once to switch on the shaver.

▶ RQ1180: The display lights up for a few seconds.

2 Move the shaving heads over your skin. Make circular movements (Fig. 20).

- Do not make straight movements.
- Your skin may need 2 or 3 weeks to get accustomed to the Philips shaving system.

3 Press the on/off button once to switch off the shaver.

▶ RQ1180: The display lights up for a few seconds and then shows the remaining battery capacity.

Wet shaving

You can also use this shaver on a wet face with shaving foam or shaving gel.

To shave with shaving foam or shaving gel, follow the steps below:

1 Apply some water to your skin.

2 Apply shaving foam or shaving gel to your skin.

3 Rinse the shaving unit under the tap to ensure that the shaving unit glides smoothly over your skin.

4 Press the on/off button once to switch on the shaver.

5 Move the shaving heads in circular movements over your skin.

Note: Rinse the shaver under the tap regularly to ensure that it continues to glide smoothly over your skin.

6 Dry your face and thoroughly clean the shaver after use (see chapter 'Cleaning and maintenance').

Note: Make sure you rinse all foam or shaving gel off the shaver.

Trimming

You can use the trimmer to groom your sideburns and moustache.

1 Pull the shaving unit straight off the shaver (Fig. 21).

Note: Do not turn the shaving unit while you pull it off the shaver.

2 Insert the lug of the trimmer into the slot in the top of the shaver (1). Then press the trimmer downwards (2) to attach it to the shaver ('click') (Fig. 22).

3 Press the on/off button once to switch on the trimmer.

▶ RQ1180: The display lights up for a few seconds.

4 You can now start trimming.

5 Press the on/off button once to switch off the trimmer.

▶ RQ1180: The display lights up for a few seconds to show the remaining battery capacity.

6 Pull the trimmer straight off the shaver (Fig. 23).

Note: Do not turn the trimming unit while you pull it off the shaver.

7 Insert the lug of the shaving unit into the slot in the top of the shaver (1). Then press the shaving unit downwards (2) to attach it to the shaver ('click') (Fig. 24).

Cleaning and maintenance

Never use scouring pads, abrasive cleaning agents or aggressive liquids such as petrol or acetone to clean the appliance and the Jet Clean System.

- The best and most hygienic way to clean the shaver is in the Jet Clean System (specific types only). You can also rinse the shaver under the tap or clean it with the brush supplied.
- Be careful with hot water. Always check if the water is not too hot, to prevent your hands from getting burnt.
- Clean the shaver after every shave for optimal shaving performance.
- You can clean the outside of the shaver with a damp cloth.
- Regular cleaning guarantees better shaving performance.

Cleaning the shaving unit

Be careful with hot water. Always check if the water is not too hot, to prevent your hands from getting burnt.

1 Rinse the shaving unit under a hot tap for some time (Fig. 25).

Note: You can also brush the shaving unit with the cleaning brush supplied.

2 Pull the shaving head holder off the bottom part of the shaving unit and rinse it under a hot tap for 30 seconds (Fig. 26).

Note: You can also brush the shaving head holder with the cleaning brush supplied.

3 Carefully shake off excess water and let the shaving unit dry.

Never dry the shaving unit with a towel or tissue, as this may damage the shaving heads.

4 Reattach the shaving head holder to the bottom of the shaving unit ('click') (Fig. 27).

Cleaning the shaving unit in the Jet Clean System (specific types only)

The Jet Clean System has an automatic cleaning program. When you press the on/off button, the Jet Clean System starts cleaning in the automatic cleaning program.

Preparing the Jet Clean System for use

Fill the cleaning chamber before first use.

1 Put the small plug in the Jet Clean System.

2 Put the adapter in the wall socket.

▶ The holder automatically moves to the highest position.

3 Simultaneously press the release buttons on both sides of the cleaning chamber (1). Then lift the Jet Clean System off the cleaning chamber (2). (Fig. 28)

▶ The cleaning chamber remains behind.

4 Unscrew the cap from the bottle with cleaning fluid.

5 Fill the cleaning chamber with HQ200 cleaning fluid to a level between the two lines (Fig. 29).

6 Place the Jet Clean System back onto the cleaning chamber (Fig. 30).

Make sure the release buttons click back into place.

Using the Jet Clean System

Note: If you use the shaver with shaving foam or shaving gel, we advise you to rinse it under the hot tap before you clean it in the Jet Clean System. This guarantees an optimal lifetime for the cleaning fluid.

1 Place the shaver upside down in the holder with the display pointing towards the front of the Jet Clean System (Fig. 18).

2 Press the shaver tightly into the holder to lock it into place (Fig. 19).

▶ The display shows that the shaver is charging (see chapter 'The display').

3 Press the on/off button on the Jet Clean System to start the cleaning program. (Fig. 31)

▶ The shaver display stops showing the charging indication.

▶ The cleaning light starts to flash and the shaver is automatically lowered into the cleaning fluid (Fig. 32).

▶ The cleaning light flashes throughout the cleaning program, which takes a few minutes.

▶ During the first phase of the cleaning program, the shaver automatically switches on and off several times and moves up and down.

▶ During the second phase of the cleaning program, the shaver is placed in the drying position, indicated by the flashing drying symbol. This phase takes approx. 2 hours. The shaver stays in this position until the end of the program. (Fig. 33)

▶ After the cleaning program, the charging indication appears on the shaver display (see chapter 'The display').

Note: If you press the on/off button of the Jet Clean System during the cleaning program, the program aborts. In this case, the cleaning or drying light stops flashing and the holder moves to the highest position.

Note: If you remove the adapter from the wall socket during the cleaning program, the program aborts. The holder remains in its current position. When you put the adapter back into the wall socket, the holder moves to the highest position.

- When the cleaning fluid drops below the minimum level, the 'cleaning chamber empty' symbol starts to flash and the holder returns to its starting position (Fig. 34).

- If you use the washing machine to clean your shaver every day, you need to refill the cleaning chamber approx. every 15 days.

Cleaning the Jet Clean System

Clean the cleaning chamber every 15 days.

You can wipe the outside of the Jet Clean System with a damp cloth.

1 Simultaneously press the release buttons on both sides of the Jet Clean System (1). Then lift the Jet Clean System off the cleaning chamber (2). (Fig. 28)

▶ The cleaning chamber remains behind.

2 Pour any remaining cleaning fluid out of the cleaning chamber. (Fig. 35)

You can simply pour the cleaning fluid down the sink.

3 Rinse the cleaning chamber under the tap (Fig. 36).

The cleaning chamber is not dishwasher-proof.

4 Fill the cleaning chamber with HQ200 cleaning fluid to a level between the two lines (Fig. 29).

5 Place the Jet Clean System back onto the cleaning chamber. (Fig. 30)

Make sure the release buttons click back into place.

Extra-thorough cleaning method

Make sure the appliance is switched off.

1 Pull the shaving head holder off the bottom part of the shaving unit (Fig. 26).

2 Slide the green retaining frame in the direction of the arrows indicated of the retaining frame (Fig. 37).

3 Lift the retaining frame out of the shaving head holder. (Fig. 38)

4 Remove the cutter from the shaving guard (Fig. 39).

Note: Do not clean more than one cutter and shaving guard at a time, since they are all matching sets. If you accidentally put a cutter in the wrong shaving guard, it may take several weeks before optimal shaving performance is restored.

- 5** Clean the cutter with the cleaning brush supplied (Fig. 40).
- 6** Clean the inside of the shaving guard. (Fig. 41)
- 7** After cleaning, place the cutter back into the shaving guard with the cutter legs pointing downwards. (Fig. 42)
- 8** Place the retaining frame back onto the shaving head holder. (Fig. 43)
- 9** Slide the guard back into place ('click'). (Fig. 44)
- 10** Reattach the shaving head holder to the bottom part of the shaving unit. (Fig. 27)

Cleaning the trimmer

Clean the trimmer every time you have used it.

- 1** Switch on the shaver with the trimmer attached.
- 2** Rinse the trimmer under a hot tap for some time. (Fig. 45)
- 3** After cleaning, switch off the shaver.

Tip: For optimal trimmer performance, lubricate the trimmer teeth with a drop of sewing machine oil every six months.

Storage

- 1** Slide the protection cap onto the shaving unit to prevent damage to the shaving heads (Fig. 46).
- 2** Specific types only: Store the shaver in the pouch supplied.

Replacement

For maximum shaving performance, we advise you to replace the top part of the shaving unit every year. Only replace the top part of the shaving unit with an original RQ11 Philips Shaving Head Holder.

- 1** Pull the shaving head holder off the bottom part of the shaving unit (Fig. 26).
- 2** Attach the new shaving head holder to the bottom part of the shaving unit ('click') (Fig. 27).

Ordering parts

The following parts are available:

- HQ8505 adapter
- RQ11 Philips Shaving Head Holder
- HQ110 Philips Shaving Head Cleaning Spray
- HQ200 Philips Cleaning Fluid

Environment

- Do not throw away the appliances with the normal household waste at the end of their life, but hand them in at an official collection point for recycling. By doing this, you help to preserve the environment (Fig. 47).
- The built-in rechargeable shaver battery contains substances that may pollute the environment. Always remove the battery before you discard or hand in the shaver at an official collection point. Dispose of the battery at an official collection point for batteries. If you have trouble removing the battery, you can also take the appliance to a Philips service centre. The staff of this centre will remove the battery for you and will dispose of it in an environmentally safe way (Fig. 48).

Removing the rechargeable shaver battery

Only remove the rechargeable battery when you discard the shaver. Make sure the battery is completely empty when you remove it.

Be careful, the battery strips are sharp.

- 1** Remove the back panel of the shaver with a screwdriver.
- 2** Remove the rechargeable battery.

Guarantee and service

If you need service or information or if you have a problem, please visit the Philips website at www.philips.com or contact the Philips Consumer Care Centre in your country (you find its phone number in the worldwide guarantee leaflet). If there is no Consumer Care Centre in your country, go to your local Philips dealer.

Guarantee restrictions

The shaving heads (cutters and shaving guards) are not covered by the terms of the international guarantee because they are subject to wear.

Troubleshooting

This chapter summarises the most common problems you could encounter with the appliance. If you are unable to solve the problem with the information below, contact the Consumer Care Centre in your country.

Problem	Possible cause	Solution
The shaver does not shave as well as it used to.	The shaving heads are damaged or worn.	Replace the shaving head holder (see chapter 'Replacement').

Problem	Possible cause	Solution
	Long hairs obstruct the shaving heads.	Clean the shaving heads by following the steps of the extra-thorough cleaning method (see chapter 'Cleaning and maintenance').
	The Jet Clean System has not cleaned the shaver properly, because the cleaning fluid in the cleaning chamber is soiled or the cleaning fluid level is too low.	Clean the shaver thoroughly before you continue shaving. If necessary, clean and refill the cleaning chamber (see chapter 'Cleaning and maintenance').
The shaver does not work when I press the on/off button.	The rechargeable battery is empty.	Recharge the battery (see chapter 'Charging').
	The travel lock is activated.	Press the on/off button for 3 seconds to deactivate the travel lock.
	The shaving head holder is soiled or damaged to such an extent that the motor cannot run.	Clean the shaving head holder or replace it (see chapters 'Cleaning and maintenance' and 'Replacement').
	The temperature of the shaver is too high. In this case, the shaver does not work.	Let the shaver cool down. As soon as the temperature of the shaver has dropped sufficiently, you can switch on the shaver again.
The shaver is not entirely clean after I clean it in the Jet Clean System.	The cleaning fluid in the cleaning chamber is soiled.	Empty and rinse the cleaning chamber.
	The cleaning fluid level is too low. If the fluid volume in the cleaning chamber drops below the minimum level during the cleaning program, the program aborts. The cleaning light and the 'cleaning chamber empty' symbol flash at intervals and the holder returns to its starting position.	Refill the cleaning chamber with cleaning fluid to a level between the two lines (see chapter 'Cleaning and maintenance').
	You have used another cleaning fluid than the original Philips cleaning fluid.	Only use HQ200 Philips Cleaning Fluid.
The Jet Clean System does not work when I press the on/off button.	The Jet Clean System is not connected to the mains.	Put the small plug in the Jet Clean System and put the adapter in the wall socket.
	There is no electrical connection between the Jet Clean System and the shaver.	Press the shaver tightly into the holder to lock it into place.
The shaver is not fully charged after I charge it in the charger/Jet Clean System.	You have not placed the shaver in the charger/Jet Clean System properly.	Make sure you press the shaver until it locks into place.

Въведение

Поздравления за вашата покупка и добре дошли във Philips! За да се възползвате изцяло от предлаганата от Philips поддръжка, регистрирайте продукта си на адрес www.philips.com/welcome.

Прочетете внимателно това ръководство за експлоатация, тъй като то съдържа информация за функциите на тази самобръсначка, а също и някои съвети, които ще направят бръсненето ви по-бързо и по-приятно.

Общо описание (фиг. 1)

- A** Самобръсначка (RQ1180/RQ1160/RQ1150)
 - 1 Машинка за подстригване
 - 2 Предпазна капачка
 - 3 Бръснеш блок
 - 4 Самобръсначка
 - 5 Бутон за вкл./изкл. на самобръсначката
 - 6 Дисплей
- B** Зарядно устройство
- C** Система Jet Clean (само за определени модели)
 - 1 Поставка на самобръсначката
 - 2 Символ "празна почистваща камера"
 - 3 Символ на почистване
 - 4 Символ на сушене
 - 5 Бутон за вкл./изкл. на системата Jet Clean
 - 6 Бутон за освобождаване на почистващата камера
- D** Четка за почистване
- E** Течност за почистване
- F** Калъф (само за определени модели)
- G** Адаптер

Важно

Преди да използвате уредите, прочетете внимателно това ръководство за експлоатация и го запазете за справка в бъдеще.

Бележка: В това ръководство за потребителя терминът "уреди" се отнася до самобръсначката и системата Jet Clean. Ако в комплекта на вашата самобръсначка не влиза система Jet Clean, терминът се отнася само до самобръсначката.

Общи положения**Опасност**

- Внимавайте щепселът да не се мокри (фиг. 2).

Предупреждение

- В адаптера има трансформатор. Не отрязвайте адаптера, за да го замените с друг щепсел, тъй като това носи опасност.
- Тези уреди не са предназначени за ползване от хора (включително деца) с намалени физически възприятия или умствени недъзи или без опит и познания, ако са оставени без наблюдение и не са инструктирани от страна на отговарящо за тяхната безопасност лице относно начина на използване на уредите.
- Наглеждайте децата, за да не си играят с уредите.
- Внимавайте с горещата вода, когато почиствате уредите. Винаги проверявайте дали водата не е прекалено гореща, за да предпазите ръцете си от изгаряне.

Внимание

- Не потапяйте системата Jet Clean и зарядното устройство във вода и не ги мийте с течаща вода.
- Уредите и принадлежностите не могат да се почистват в съдомиялна машина.
- Винаги поставяйте и използвайте устройствата върху устойчива на течности повърхност.
- Използвайте, зареждайте и съхранявайте уредите при температура между 5°C и 35°C.
- Използвайте само включените в комплекта принадлежности.
- Адаптерът преобразува 100-240 волта в безопасно ниско напрежение под 24 волта.
- Не използвайте устройствата, ако са повредени.
- Ако адаптерът или някоя от другите принадлежности се повреди, винаги трябва да осигурявате замената им с такива от същия вид, за да се избегне опасност.
- От захранващия куплунг отдолу на самобръсначката може да протече вода, когато я изплаквате. Това е нормално и не е опасно, тъй като цялата електроника е затворена в капсулован силов блок вътре в самобръсначката.

Система Jet Clean (само за определени модели)**Внимание**

- Използвайте системата Jet Clean само с оригиналната почистваща течност HQ200.
- Поставяйте системата Jet Clean винаги върху стабилна, равна и хоризонтална повърхност, за да предотвратите разливане.
- Не потапяйте системата Jet Clean във вода.
- През 15 дни изпразвайте почистващата камера и я изплаквайте обилно с гореща течаща вода.
- Системата Jet Clean измива щателно, но не дезинфектира самобръсначката, така че не давайте самобръсначката ви да се ползва от други хора.
- Почтистващата камера на системата Jet Clean не може да се почиства в съдомиялна машина.
- Когато системата Jet Clean е готова за употреба, не я местете, за да предотвратите разливане на почистващата течност.

Съответствие със стандартите

- Тази самобръсначка съответства на международно одобрените норми за безопасност и може да се използва безопасно в банята или под душа, както и да се мие с течаща вода (фиг. 3).
- Тези уреди Philips са в съответствие с всички стандарти по отношение на електромагнитните излъчвания (EMF). Ако се употребяват правилно и съобразно напътствията в тази брошура с важна информация и в брошурата с информация за

използването, включени в комплекта на самобърсначката, уредите са безопасни за използване според наличните досега научни факти.

Дисплеят

Бележка: Преди да използвате самобърсначката за пръв път, махнете предпазното фолио от дисплея.

Трите модела самобърсначки (RQ1180, RQ1160 и RQ1150) имат различни дисплеи, които са показани на фигурите по-долу.

- RQ1180 (фиг. 4)
- RQ1160 (фиг. 5)
- RQ1150 (фиг. 6)

Зареждане

- Зареждането отнема около 1 час.

RQ1180

- Когато самобърсначката се зарежда, първо започва да мига долният индикатор за зареждане, след това вторият индикатор за зареждане и т. н., докато самобърсначката не се зареди напълно (фиг. 7).
- Бързо зареждане: Когато самобърсначката има достатъчно заряд за едно бърснене, долният индикатор за зареждане мига последователно в оранжево и бяло.

RQ1160/RQ1150

- Когато самобърсначката се зарежда, символът на батерия мига, докато самобърсначката се зареди напълно. (фиг. 8)
- Бързо зареждане: Когато самобърсначката има достатъчно заряд за едно бърснене, символът на щепсел и символът на батерия мигат последователно.

Бележка: Дисплеите на моделите RQ1160 и RQ1150 изглеждат различно, но работят по един и същи начин.

Напълно заредена батерия

RQ1180

- Когато батерията е напълно заредена, всички индикатори за зареждане светят непрекъснато. След около 30 минути дисплеят се изключва автоматично. (фиг. 9)

RQ1160/RQ1150

- Когато батерията е напълно заредена, символът на батерия свети непрекъснато. След около 30 минути дисплеят се изключва автоматично. (фиг. 10)

Бележка: Дисплеите на моделите RQ1160 и RQ1150 изглеждат различно, но работят по един и същи начин.

Изтощена батерия

RQ1180

- Когато батерията е почти изтощена (когато остават само 5 или по-малко минути за бърснене), долният индикатор за зареждане мига в оранжево. (фиг. 11)
- Когато изключвате самобърсначката, долният индикатор за зареждане продължава да мига още няколко секунди.

RQ1160/RQ1150

- Когато батерията е почти изтощена (когато остават само 5 или по-малко минути за бърснене), символът на щепсел мига (фиг. 12).
- Когато изключите самобърсначката, символът на щепсел продължава да мига още няколко секунди.

Бележка: Дисплеите на моделите RQ1160 и RQ1150 изглеждат различно, но работят по един и същи начин.

Оставащ заряд на батерията

RQ1180

- Оставащият в батерията заряд се определя от броя светещи индикатори за зареждане. (фиг. 13)

Заклучване при пътуване

Можете да заключите самобърсначката, когато ви предстои да пътувате. Заклучването при пътуване предпазва самобърсначката от случайно включване.

Задействане на заключването при пътуване

- 1 Задръжте бутона вкл./изкл. натиснат за 3 секунди, за да влезете в режим на заключване при пътуване (фиг. 14).
- ▶ Символът на катинар светва на дисплея (фиг. 15).

Бележка: Дисплеите на моделите RQ1180, RQ1160 и RQ1150 изглеждат различно, но индикацията им е една и съща.

Освобождаване на заключването при пътуване

- 1 Задръжте бутона вкл./изкл. натиснат за 3 секунди.
 - ▶ Електромоторът се завърта, за да покаже, че заключването при пътуване е деактивирано.
- Сега самобърсначката е отново готова за използване.

Бележка: Когато поставите самобърсначката във включено в мрежата зарядно устройство или система Jet Clean, заключването при пътуване автоматично се деактивира.

Зареждане

Зареждането отнема около 1 час.

RQ1180/RQ1160: Напълно заредената самобърсначка може да се използва за бърснене в продължение на до 50 минути/15 дни.

RQ1150: Напълно заредената самобърсначка може да се използва за бърснене в продължение на до 40 минути/12 дни.

Заредете самобърсначката, преди да я използвате за първи път и когато дисплеят покаже, че батерията е почти изтощена (вж. раздел "Изтощена батерия" в глава "Дисплеят").

Бързо зареждане

След като самобърсначката се е зареждала в продължение на 5 минути, тя разполага с достатъчно заряд за едно бърснене.

Зареждане в зарядното устройство

- 1 Включете малкия жак в зарядното устройство (фиг. 16).
 - 2 Включете адаптера в контакта.
 - 3 Поставете самобръсначката в зарядното устройство (1) и я натиснете назад (2) (до щракване). (фиг. 17)
- Дисплеят показва, че самобръсначката се зарежда (вж. главата “Дисплеят”).

Зареждане в системата Jet Clean (само за определени модели)

- 1 Включете малкия жак в системата Jet Clean.
- 2 Включете адаптера в контакта.
- 3 Поставете обърната обратно самобръсначката в държача, като дисплеят да е насочен към предната част на системата Jet Clean (фиг. 18).

Бележка: Само за RQ1180: когато обърнете самобръсначката обратно, индикаторът за батерия на дисплея също се обръща обратно, за да виждате оставащия в батерията заряд.

- 4 Натиснете силно самобръсначката в държача, докато щракне на мястото си (фиг. 19).

Бележка: Не поставяйте самобръсначката в системата Jet Clean с поставена предпазна капачка на бръснещия блок или със сглобена към самобръсначката машинка за подстригване.

- Дисплеят показва, че самобръсначката се зарежда (вж. главата “Дисплеят”).

Използване на самобръсначката

Бръснене

- 1 Натиснете еднократно бутона вкл./изкл., за да включите самобръсначката.
 - RQ1180: Дисплеят светва за няколко секунди.
- 2 Движете бръснещите глави по кожата си. Правете кръгови движения (фиг. 20).
 - Не правете праволинейни движения.
 - Може да са необходими 2 или 3 седмици, докато кожата ви свикне със системата за бръснене Philips.
- 3 Натиснете еднократно бутона вкл./изкл., за да изключите самобръсначката.
 - RQ1180: Дисплеят светва за няколко секунди и след това показва оставащия заряд на батерията.

Мокро бръснене

Можете да използвате тази самобръсначка и върху мокро лице с пяна или гел за бръснене.

Ако искате да използвате пяна или гел за бръснене, изпълнете следните стъпки:

- 1 Намокрете кожата с малко вода.
- 2 Нанесете пяна или гел за бръснене.
- 3 Изплакнете бръснещия блок с течаша вода, за да сте сигурни, че ще се плъзга гладко по кожата ви.
- 4 Натиснете еднократно бутона вкл./изкл., за да включите самобръсначката.
- 5 Движете бръснещите глави по кожата си с кръгови движения.

Бележка: Редовно изплаквайте бръснещия блок с течаша вода, за да сте сигурни, че ще продължи да се плъзга гладко по кожата ви.

- 6 Подсушете лицето си и почистете основно самобръсначката след употреба (вж. главата “Почистване и поддръжка”).

Бележка: Уверете се, че сте изплакнали от самобръсначката всичката пяна или гел за бръснене.

Подстригване

Можете да ползвате машинката за подстригване, за да оформите бакенбардите и мустаците.

- 1 Свалете бръснещия блок от самобръсначката, като го издърпате по права линия (фиг. 21).

Бележка: Не завъртайте бръснещия блок, когато го сваляте от самобръсначката.

- 2 Вмъкнете издатината на машинката за подстригване в жлеба отгоре на самобръсначката (1). След това натиснете машинката за подстригване надолу (2), за да я закрепите към самобръсначката (до щракване) (фиг. 22).
- 3 Натиснете еднократно бутона вкл./изкл., за да включите машинката за подстригване.
 - RQ1180: Дисплеят светва за няколко секунди.
- 4 Сега можете да започнете подстригването.
- 5 Натиснете еднократно бутона вкл./изкл., за да изключите машинката за подстригване.
 - RQ1180: Дисплеят светва за няколко секунди, показвайки оставащия заряд на батерията.

- 6 Свалете машинката за подстригване от самобръсначката, като я издърпате по права линия (фиг. 23).

Бележка: Не завъртайте подстригващия блок, когато го сваляте от самобръсначката.

- 7 Вмъкнете издатината на бръснещия блок в жлеба отгоре на самобръсначката (1). След това натиснете бръснещия блок надолу (2), за да го закрепите към самобръсначката (с щракване) (фиг. 24).

Почистване и поддръжка

Никога не използвайте за почистване на уреда и системата Jet Clean фибро гъби, абразивни почистващи препарати или агресивни течности, като бензин или ацетон.

- Най-добрият и хигиеничен начин за почистване на самобръсначката е със системата Jet Clean (само за определени модели). Можете също да изплакнете самобръсначката с течаша вода или да я почистите с приложената четка.

- Внимавайте с горещата вода. Винаги проверявайте дали водата не е прекалено гореща, за да предпазите ръцете си от изгаряне.
- За постигане на най-добри резултати почиствайте самобръсначката след всяко бръснене.
- Външната страна на самобръсначката можете да почистите с влажна кърпа.
- Редовното почистване гарантира по-ефикасно бръснене.

Почистване на бръснещия блок

Внимавайте с горещата вода. Винаги проверявайте дали водата не е прекалено гореща, за да предпазите ръцете си от изгаряне.

1 Изплакнете бръснещия блок с гореща течаща вода (фиг. 25).

Бележка: Можете да почистите бръснещия блок и с предоставената четка за почистване.

2 Издърпайте държача на бръснещата глава от долната част на бръснещия блок и го изплакнете с гореща течаща вода за 30 секунди. (фиг. 26)

Бележка: Можете да почистите държача на бръснещата глава и с предоставената четка за почистване.

3 Внимателно изтръскайте водата и оставете бръснещия блок да изсъхне.

Никога не подсушавайте бръснещия блок с кърпа за баня или хартиени салфетки, защото това може да повреди бръснещите глави.

4 Сглобете отново държача на бръснещата глава към долната част на бръснещия блок (до щракване) (фиг. 27).

Почистване на бръснещия блок в системата Jet Clean (само за определени модели)

Системата Jet Clean има автоматична програма за почистване. Когато натиснете бутона за вкл./изкл., системата Jet Clean започва да почиства, използвайки автоматичната програма за почистване.

Подготовка на системата Jet Clean за употреба

Преди първото използване напълнете почистващата камера.

1 Включете малкия жак в системата Jet Clean.

2 Включете адаптера в контакта.

▶ Поставката автоматично се придвижва в най-горно положение.

3 Натиснете едновременно бутоните за освобождаване от двете страни на почистващата камера (1). След това повдигнете системата Jet Clean от почистващата камера (2). (фиг. 28)

▶ Почистващата камера остава назад.

4 Развинтете капачката от бутилката с почистваща течност.

5 Напълнете почистващата камера с почистваща течност HQ200 до ниво между двете линии (фиг. 29).

6 Поставете системата Jet Clean обратно върху почистващата камера (фиг. 30).

Внимавайте бутоните за освобождаване да щракнат на местата си.

Използване на системата Jet Clean

Бележка: Ако сте използвали самобръсначката с пяна или гел за бръснене, съветваме ви да я изплакнете с гореща течаща вода, преди да я почистите в системата Jet Clean. Това гарантира оптимален живот на почистващата течност.

1 Поставете обърната обратно самобръсначката в държача, като дисплеят да е насочен към предната част на системата Jet Clean (фиг. 18).

2 Натиснете силно самобръсначката в държача, докато щракне на мястото си (фиг. 19).

▶ Дисплеят показва, че самобръсначката се зарежда (вж. главата "Дисплеят").

3 Натиснете бутона за вкл./изкл. на системата Jet Clean, за да започне действието на програмата за почистване. (фиг. 31)

▶ Дисплеят на самобръсначката преустановява показването на индикатора за зареждане.

▶ Индикаторът за почистване започва да мига и самобръсначката автоматично се потапя в почистващата течност (фиг. 32).

▶ Индикаторът за почистване мига през цялото време, докато се изпълнява програмата за почистване, което отнема няколко минути.

▶ През първата фаза на програмата за почистване самобръсначката на няколко пъти автоматично се включва и изключва и се движи нагоре-надолу.

▶ През втората фаза на програмата за почистване самобръсначката се поставя в положение за изсушаване, което се показва с мигащия символ на изсушаване. Втората фаза отнема около 2 часа. Самобръсначката остава в това положение до края на програмата. (фиг. 33)

▶ След изпълнението на програмата за почистване на дисплея на самобръсначката се появява индикаторът за зареждане (вж. главата "Дисплеят").

Бележка: Ако натиснете бутона за вкл./изкл. на системата Jet Clean докато се изпълнява програмата за почистване, програмата прекъсва. В такъв случай индикаторът за почистване или изсушаване спира да мига и държачът се придвижва в най-горно положение.

Бележка: Ако по време на изпълнение на програмата за почистване извадите адаптера от контакта, програмата спира. Поставката остава в текущото си положение. Когато адаптерът отново се включи в контакта, поставката се придвижва в най-горно положение.

- Когато нивото на почистващата течност спадне под минималното, символът "празна почистваща камера" започва да мига и държачът се връща в начално си положение (фиг. 34).

- Ако използвате машинката за почистване ежедневно, ще е нужно да напълвате почистващата камера припл. на всеки 15 дни.

Почистване на системата Jet Clean

Почиствайте почистващата камера на всеки 15 дни.

Външната страна на системата Jet Clean можете да почистите с влажна кърпа.

1 Натиснете едновременно бутоните за освобождаване от двете страни на системата Jet Clean (1). След това повдигнете системата Jet Clean от почистващата камера (2). (фиг. 28)

▶ Почистващата камера остава назад.

2 Излейте останалата почистваща течност от почистващата камера. (фиг. 35)

Можете просто да излеете почистващата течност в мивката.

3 Изплакнете почистващата камера с течаща вода (фиг. 36).

Почистващата камера не е предназначена за миене в съдомиялна машина.

4 Напълнете почистващата камера с почистваща течност HQ200 до ниво между двете линии (фиг. 29).

5 Поставете системата Jet Clean обратно върху почистващата камера. (фиг. 30)

Внимавайте бутоните за освобождаване да щракнат на местата си.

Метод на цялостно почистване

Уверете се, че уредът е изключен.

1 Издърпайте държача на бръснешката глава от долната част на бръснешния блок (фиг. 26).

2 Плъзнете зелената задържаща рамка по посока на означените върху нея стрелки (фиг. 37).

3 Повдигнете задържащата рамка от държача на бръснешката глава. (фиг. 38)

4 Свалете ножчето от предпазителя (фиг. 39).

Бележка: Почиствайте ножчетата и предпазителите само един по един, тъй като те са в комплекти по двойки. Ако случайно объркате ножчетата и предпазителите, може да са необходими няколко седмици за възстановяване на оптималната работа при бръснене.

5 Почистете ножчето с приложената четка за почистване (фиг. 40).

6 Почистете вътрешността на предпазителя. (фиг. 41)

7 След почистване, поставете отново ножчето в предпазителя, като крачетата на ножчето сочат надолу. (фиг. 42)

8 Поставете задържащата рамка отново върху държача на бръснешката глава. (фиг. 43)

9 Плъзнете предпазителя обратно на мястото му (до щракване). (фиг. 44)

10 Сглобете отново държача на бръснешката глава към долната част на бръснешния блок. (фиг. 27)

Почистване на машинката за подстригване

Почиствайте машинката за подстригване след всяка употреба.

1 Включете самобръсначката със сглобената към нея машинка за подстригване.

2 Изплакнете машинката за подстригване с гореща течаща вода. (фиг. 45)

3 След почистването изключете самобръсначката.

Съвет: С оглед на оптимален режим на работа смазвайте зъбците на приставката за подстригване с капка фино машинно масло (за шевни машини) на всеки шест месеца.

Съхранение

1 Плъзнете предпазната капачка върху бръснешния блок, за да избегнете повреди на бръснешните глави (фиг. 46).

2 Само за определени модели: Съхранявайте самобръсначката в предоставения калъф.

Резервна част

За да постигнете оптимална работа на уреда при бръснене, ви съветваме да сменяте горната част на бръснешния блок всяка година. Подменяйте горната част на бръснешния блок само с оригинален държач на бръснешна глава RQ11 Philips.

1 Издърпайте държача на бръснешката глава от долната част на бръснешния блок (фиг. 26).

2 Сглобете новия държач на бръснешката глава към долната част на бръснешния блок (до щракване) (фиг. 27).

Поръчване на части

Предлагат се следните части:

- Адаптер HQ8505
- Държач на бръснешна глава RQ11 Philips
- Спрей за почистване HQ110 Philips Shaving Head Cleaning Spray.
- Течност за почистване HQ200 Philips

Околна среда

- След края на срока на експлоатация на уреда не го изхвърляйте заедно с нормалните битови отпадъци, а го предайте в официален пункт за събиране, където да бъде рециклиран. По този начин вие помагате за опазването на околната среда (фиг. 47).
- Вградената акумулаторна батерия съдържа вещества, които замърсяват околната среда. Винаги изваждайте батерията, преди да изхвърлите уреда и да го предадете в официален пункт за събиране. Изхвърляйте батерията в официален пункт за събиране на батерии. Ако имате проблеми при изваждане на батерията, можете също да занесете самобръсначката в сервизен център на Philips. Там служителите ще извадят батерията и ще я изхвърлят по начин, опазващ околната среда (фиг. 48).

Изваждане на акумулаторната батерия на самобръсначката

Изваждайте акумулаторната батерия само когато ще изхвърляте самобръсначката. Трябва да сте сигурни, че батерията е напълно изтощена, когато я изваждате.

Внимавайте, планките на батерията са остри.

1 Свалете задния панел на самобръсначката с отвертка.

2 Извадете акумулаторната батерия.**Гаранция и сервиз**

Ако се нуждаете от сервизно обслужване или информация или имате проблем, посетете уеб сайта на Philips на адрес www.philips.com или се обърнете към Центъра за обслужване на потребители на Philips във вашата държава (телефонния му номер ще намерите в международната гаранционна карта). Ако във вашата държава няма Център за обслужване на потребители, обърнете се към местния търговец на уреди на Philips.

Гаранционни ограничения

Условията на международната гаранция не важат за бръснещите глави (ножчета и предпазители), тъй като те подлежат на изхабяване.

Отстраняване на неизправности

В този раздел са обобщени най-често срещаните проблеми, на които можете да се натъкнете при ползване на този уред. Ако не можете да разрешите проблема с помощта на долните указания, свържете се с Центъра за обслужване на потребители във вашата страна.

Проблем	Вероятна причина	Решение
Самобръсначката не бръсне толкова добре, колкото преди.	Бръснещите глави са повредени или износени.	Сменете държача на бръснещата глава (вж. главата "Замяна").
	Дълги косми са блокирали бръснещите глави.	Почистете бръснещите глави, като следвате стъпките на метода за цялостно почистване (вж. главата "Почистване и поддръжка").
Самобръсначката не работи, когато натисна бутона за вкл./изкл.	Системата Jet Clean не е почистила добре самобръсначката, понеже почистващата течност в камерата е замърсена или нивото ѝ е твърде ниско.	Почистете добре самобръсначката, преди да продължите с бръсенето. При необходимост почистете и напълнете почистващата камера (вж. главата "Почистване и поддръжка").
	Акумулаторната батерия е изтощена.	Заредете батерията (вж. главата "Зареждане").
Самобръсначката не е напълно почистена след почистване в системата Jet Clean.	Заклучването при пътуване е включено.	Натиснете и задръжте бутона за вкл./изкл. за 3 секунди, за да изключите заключването при пътуване.
	Държачът на бръснещата глава е замърсен или повреден до такава степен, че моторът не може да работи.	Почистете държача на бръснещата глава или го сменете (вж. главите "Почистване и поддръжка" и "Замяна").
Самобръсначката е загряла и в такъв случай не работи.	Самобръсначката е загряла и в такъв случай не работи.	Оставете самобръсначката да се охлади. Когато се охлади достатъчно, можете да я включите отново.
	Почистващата течност в камерата е замърсена.	Изпразнете и изплакнете почистващата камера.
Самобръсначката не е напълно заредена след зареждане в зарядната поставка / системата Jet Clean.	Нивото на почистващата течност е твърде ниско. Ако по време на програмата за почистване то спадне под минималното ниво, програмата се прекратява. Индикаторът за почистване и символът "празна почистваща камера" мигат на интервали, а държачът се връща в началното си положение.	Допълнете почистващата камера с почистваща течност до ниво между двете линии (вж. главата "Почистване и поддръжка").
	Използвали сте друга почистваща течност вместо оригиналната на Philips.	Използвайте само почистващата течност HQ200 на Philips.
Системата Jet Clean не се включва, когато натисна бутона за вкл./изкл.	Системата Jet Clean не е включена към захранването.	Включете малкия щепсел в системата Jet Clean и включете адаптера в електрически контакт.
	Няма електрическа връзка между системата Jet Clean и самобръсначката.	Натиснете силно самобръсначката в държача, докато щракне на мястото си.
Самобръсначката не е напълно заредена след зареждане в зарядната поставка / системата Jet Clean.	Не сте поставили правилно самобръсначката в зарядната поставка / системата Jet Clean.	Уверете се, че сте натиснали самобръсначката, докато застане на мястото си.

Úvod

Blahopřejeme vám k nákupu a vítáme vás ve společnosti Philips. Abyste mohli plně využít podpory, kterou Philips poskytuje, zaregistrujte svůj výrobek na adrese www.philips.com/welcome.

Přečtěte si tuto uživatelskou příručku. Naleznete zde informace o funkcích tohoto holicího strojků i několik tipů, díky nimž bude holení snazší a radostnější.

Všeobecný popis (Obr. 1)

- A** Holicí strojek (RQ1180/RQ1160/RQ1150)
 - 1 Zastříhovač
 - 2 Ochranný kryt
 - 3 Holicí jednotka
 - 4 Holicí strojek
 - 5 Tlačítko pro zapnutí/vypnutí
 - 6 Displej
- B** Nabíječka
- C** Systém Jet Clean (pouze některé typy)
 - 1 Držák holicího strojků
 - 2 Symbol „Čisticí komora prázdná“
 - 3 Symbol čištění
 - 4 Symbol sušení
 - 5 Tlačítko pro zapnutí/vypnutí systému Jet Clean
 - 6 Uvolňovací tlačítko čisticí komory
- D** Čisticí kartáček
- E** Čisticí kapalina
- F** Pouzdro (pouze některé typy)
- G** Adaptér

Důležité informace

Před použitím přístroje si pečlivě přečtěte tuto uživatelskou příručku a uschovejte ji pro budoucí použití.

Poznámka: Termín „přístroje“ se v této příručce vztahuje na holicí strojek a systém Jet Clean. Není-li váš holicí strojek vybaven systémem Jet Clean, vztahuje se termín pouze na holicí strojek.

Všeobecné údaje

Nebezpečí

- Dbejte na to, aby adaptér nenavlnul (Obr. 2).

Upozornění

- Adaptér obsahuje transformátor. Proto tento adaptér nikdy nenahrazujte jinou zástrčkou. Mohlo by tak dojít k nebezpečné situaci.
- Osoby (včetně dětí) s omezenými fyzickými a duševními schopnostmi nebo nedostatkem zkušeností a znalostí by neměly s přístroji manipulovat, pokud nebyly o používání přístrojů předem instruovány nebo nejsou pod dohledem osoby zodpovědné za jejich bezpečnost.
- Dohlédněte na to, aby si s přístroji nehrály děti.
- Při použití horké vody během čištění přístrojů buďte opatrní. Vždy předem zkontrolujte, zda není voda příliš horká, abyste si neopažili ruce.

Pozor

- Systém Jet Clean ani nabíječku neponořujte do vody, ani je neoplachujte pod tekoucí vodou.
- Přístroje a příslušenství nelze mýt v myčce na nádobí.
- Přístroje umístěte a používejte jen na povrchu, který je odolný proti tekutinám.
- Přístroj používejte, nabíjejte a uchovávejte při teplotě mezi 5 °C a 35 °C.
- Používejte výhradně dodané příslušenství.
- Adaptér transformuje 100 V až 240 V na bezpečné nízké napětí nižší než 24 V.
- Nepoužívejte přístroje, pokud jsou poškozené.
- Pokud je adaptér nebo některé z příslušenství poškozené, je nutno nechat jej vyměnit za originální typ, aby bylo používání přístroje bezpečné.
- Ze zásuvky ve spodní části holicího strojků může po opláchnutí vytékat voda. To je normální a nehrozí žádné nebezpečí, protože veškeré elektronické díly holicího strojků jsou uzavřeny ve vodotěsné napájecí jednotce uvnitř strojků.

Systém Jet Clean (pouze některé typy)

Pozor

- Systém Jet Clean lze používat pouze s originální čisticí kapalinou HQ200.
- Systém Jet Clean vždy pokládejte na stabilní a vodorovný povrch, aby nedocházelo k úniku kapaliny.
- Systém Jet Clean nikdy neponořujte do vody.
- Vždy po 15 dnech vyprázdněte čisticí komoru a důkladně ji vypláchněte horkou vodou z vodovodu.
- Systém Jet Clean důkladně čistí strojek, ale nedezinfikuje jej, proto holicí strojek nepůjčujte.
- Čisticí komoru systému Jet Clean nelze mýt v myčce na nádobí.
- Pokud je systém Jet Clean připraven k použití, nepohybuje s ním, aby nedošlo k úniku čisticí kapaliny.

Soulad s normami

- Tento holicí strojek odpovídá mezinárodním bezpečnostním předpisům a lze jej bez obav používat ve vaně nebo ve sprše a čistit pod tekoucí vodou (Obr. 3).
- Tyto přístroje společnosti Philips odpovídají všem normám týkajícím se elektromagnetických polí (EMP). Pokud jsou správně používány v souladu s pokyny uvedenými v této příručce s důležitými informacemi, která byla přibalena k holicímu strojků, je jeho použití podle dosud dostupných vědeckých poznatků bezpečné.

Displej

Poznámka: Před prvním použitím holicího strojků sejměte z displeje ochrannou fólii.

Tři rozdílné typy holicích strojků (RQ1180, RQ1160 a RQ1150) mají různé displeje (viz následující obrázky).

- RQ1180 (Obr. 4)
- RQ1160 (Obr. 5)
- RQ1150 (Obr. 6)

Nabíjení

- Nabíjení trvá přibližně 1 hodinu.

RQ1180

- Když se holicí strojek nabíjí, bliká nejprve kontrolka na nejnižší úrovni nabití, potom kontrolka na druhé úrovni a tak dále, dokud není holicí strojek plně nabitý (Obr. 7).
- Rychlé nabíjení: Když je holicí strojek dostatečně nabitý na jedno holení, bliká spodní kontrolka nabití střídavě oranžově a bíle.

RQ1160/RQ1150

- Při nabíjení holicího strojku bliká symbol akumulátoru, dokud se holicí strojek úplně nenabije. (Obr. 8)
- Rychlé nabíjení: Když je holicí strojek dostatečně nabitý na jedno holení, bliká střídavě symbol zástrčky a symbol akumulátoru.

Poznámka: Přestože displeje typů RQ1160 a RQ1150 vypadají rozdílně, mají stejné funkce.

Akumulátor je plně nabitý

RQ1180

- Jakmile je akumulátor plně nabitý, všechny kontrolky stavu akumulátoru se trvale rozsvítí. Po 30 minutách se displej automaticky znovu vypne. (Obr. 9)

RQ1160/RQ1150

- Jakmile je akumulátor plně nabitý, symbol akumulátoru se trvale rozsvítí. Po 30 minutách se displej automaticky znovu vypne. (Obr. 10)

Poznámka: Přestože displeje typů RQ1160 a RQ1150 vypadají rozdílně, mají stejné funkce.

Baterie dochází

RQ1180

- Jakmile je akumulátor téměř vybitý (pokud zbývá jen 5 minut holení nebo méně), spodní kontrolka nabíjení oranžově bliká. (Obr. 11)
- Po vypnutí holicího strojku bude spodní indikátor nabíjení několik sekund blikat.

RQ1160/RQ1150

- Když je akumulátor téměř vybitý (pokud zbývá jen pět minut holení nebo méně), bliká symbol zástrčky (Obr. 12).
- Po vypnutí holicího strojku bude symbol zástrčky několik sekund blikat.

Poznámka: Přestože displeje typů RQ1160 a RQ1150 vypadají rozdílně, mají stejné funkce.

Zbývající kapacita akumulátoru

RQ1180

- Zbývající kapacitu akumulátoru udává počet svítících kontrolky nabíjení. (Obr. 13)

Cestovní zámek

Před cestováním lze holicí strojek uzamknout. Cestovní zámek zabraňuje náhodnému zapnutí holicího strojku.

Aktivace cestovního zámku

- 1 Režim cestovního zámku aktivujete podržením tlačítka pro zapnutí/vypnutí po dobu tří sekund (Obr. 14).
- ▶ Na displeji se rozsvítí symbol zámku. -tekening- (Obr. 15)

Poznámka: Přestože displeje typů RQ1180, RQ1160 a RQ1150 vypadají rozdílně, zobrazují stejný symbol.

Deaktivace cestovního zámku

- 1 Podržte tlačítko pro zapnutí/vypnutí po dobu 3 sekund.
 - ▶ Je spuštěn motor, což označuje, že byl cestovní zámek deaktivován.
- Nyní je holicí strojek opět připraven k použití.

Poznámka: Cestovní zámek je po umístění holicího strojku do připojené nabíječky nebo systému Jet Clean automaticky deaktivován.

Nabíjení

Nabíjení trvá přibližně 1 hodinu.

RQ1180/RQ1160: Plně nabitý holicí strojek vystačí až na 50 minut (15 dnů) holení.

RQ1150: Plně nabitý holicí strojek vystačí až na 40 minut holení (12 dnů).

Před prvním použitím holicího strojku nebo když displej označuje, že akumulátor je vybitý (viz část „Vybitý akumulátor“ v kapitole „Displej“), je nutné holicí strojek nabít.

Rychlé nabíjení

Po pěti minutách nabíjení je kapacita akumulátoru holicího strojku dostatečná pro jedno holení.

Nabíjení v nabíječce

- 1 Zasuňte do nabíječky malou zástrčku (Obr. 16).
- 2 Zasuňte adaptér do zásuvky.
- 3 Vložte holicí strojek do nabíječky (1) a zatlačte jej směrem dozadu (2) (ozve se „klapnutí“). (Obr. 17)
- ▶ Na displeji se zobrazí informace, že se holicí strojek nabíjí (viz kapitola „Displej“).

Nabíjení v systému Jet Clean (pouze některé typy)

- 1 Zasuňte malou zástrčku do systému Jet Clean.
- 2 Zasuňte adaptér do zásuvky.
- 3 Umístěte holicí strojek do držáku dolní stranou vzhůru s displejem směřujícím k přední straně systému Jet Clean (Obr. 18).

Poznámka: Pouze model RQ1180: Při otočení holicího strojku dolní stranou vzhůru se přepne i kontrolka akumulátoru na displeji, takže pořád dokážete přečíst úroveň nabití akumulátoru.

4 Zatlačte holicí strojek pevně do držáku, aby v něm byl bezpečně zajištěn (Obr. 19).

Poznámka: Holicí strojek nelze umístit do systému Jet Clean v případě, že je na holicí jednotce nasazena ochranná krytka nebo když je na strojek nasazen zastříhovač.

▶ Na displeji se zobrazí informace, že se holicí strojek nabíjí (viz kapitola „Displej“).

Používání holicího strojku

Holení

1 Stisknutím tlačítka pro zapnutí/vypnutí holicí strojek zapněte.

▶ RQ1180: Displej se na několik sekund rozsvítí.

2 Pohybuje holicími hlavami po pokožce a provádějte při tom krouživé pohyby (Obr. 20).

- Nedělejte přímé pohyby.
- Vaší pokožce může trvat 2 až 3 týdny, než si na systém holení Philips zvykne.

3 Stisknutím tlačítka pro zapnutí/vypnutí holicí strojek vypněte.

▶ RQ1180: Displej se na několik sekund rozsvítí a pak zobrazí zbývající kapacitu akumulátoru.

Mokrě holení

Tento holicí strojek lze také použít na mokrou tvář s pěnou nebo gelem na holení.

Při holení pěnou nebo gelem na holení postupujte takto:

1 Naneste na pokožku trochu vody.

2 Naneste na pokožku pěnu nebo gel na holení.

3 Propláchněte holicí jednotku pod tekoucí vodou. Zajistíte, že bude hladce klouzat po kůži.

4 Stisknutím tlačítka pro zapnutí/vypnutí holicí strojek zapněte.

5 Provádějte holicími hlavami na pokožce krouživé pohyby.

Poznámka: Holicí jednotku pravidelně proplachujte pod tekoucí vodou. Zajistíte, že bude stále hladce klouzat po kůži.

6 Po každém použití holicí strojek důkladně vyčistěte a osušte si tvář (viz kapitola „Čištění a údržba“).

Poznámka: Nezapomeňte z holicího strojku opláchnout veškerou pěnu nebo gel.

Zastříhování

Zastříhovač lze použít k úpravě kotlet a kníru.

1 Sejměte holicí jednotku přímo z holicího strojku (Obr. 21).

Poznámka: Při snímání z holicího strojku holicí jednotku nezapínejte.

2 Vložte výstupek zastříhovače do zářezu v horní části holicího strojku (1). Potom zatlačením směrem dolů (2) připojte zastříhovač k holicímu strojku (ozve se „klapnutí“) (Obr. 22).

3 Stisknutím vypínače zastříhovač zapněte.

▶ RQ1180: Displej se na několik sekund rozsvítí.

4 Nyní můžete začít se zastříhováním.

5 Stisknutím tlačítka pro zapnutí/vypnutí zastříhovač vypněte.

▶ RQ1180: Displej se na několik sekund rozsvítí a zobrazí zbývající kapacitu akumulátoru.

6 Sejměte zastříhovač přímo z holicího strojku (Obr. 23).

Poznámka: Při snímání z holicího strojku zastříhovací jednotku nezapínejte.

7 Vložte výstupek holicí jednotky do zářezu v horní části holicího strojku (1). Potom zatlačením směrem dolů (2) připojte holicí jednotku k holicímu strojku (ozve se „klapnutí“) (Obr. 24).

Čištění a údržba

K čištění přístroje a systému Jet Clean nikdy nepoužívejte kovové žínky, abrazivní čisticí prostředky ani agresivní tekuté přípravky, jako je například benzín nebo aceton.

- Nejlepší a nejhygieničtější způsob čištění holicího strojku zajišťuje systém Jet Clean (pouze u některých typech). Holicí strojek lze čistit i pod tekoucí vodou nebo pomocí dodaného kartáčku.
- Při použití horké vody buďte opatrní. Vždy zkontrolujte, zda není voda příliš horká, abyste si neoparili ruce.
- Čistěte holicí strojek po každém holení, aby byl zajištěn optimální výkon holení.
- Vnější povrch holicího strojku čistěte pouze navlhčeným hadříkem.
- Pravidelným čištěním si zajistíte lepší holení.

Čištění holicí jednotky

Při použití horké vody buďte opatrní. Vždy zkontrolujte, zda není voda příliš horká, abyste si neoparili ruce.

1 Holicí jednotku propláchněte po přiměřenou dobu tekoucí horkou vodou (Obr. 25).

Poznámka: Holicí jednotku lze také vyčistit kartáčkem, který je v příslušenství.

2 Vyjměte držák holicí hlavice ze spodní části holicí jednotky a po dobu 30 sekund jej propláchněte horkou tekoucí vodou (Obr. 26).

Poznámka: Držák holicí hlavice lze také vyčistit kartáčkem, který je v příslušenství.

3 Zbylou vodu důkladně vytřepajte a nechte holicí jednotku vyschnout.

Holicí jednotku nikdy nesušte ručníkem nebo jinou tkaninou, vyvarujete se tak poškození holicích hlav.

4 Držák holicí hlavice znovu připojte do spodní části holicí jednotky (ozve se „klapnutí“) (Obr. 27).

Čištění holicí jednotky v systému Jet Clean (pouze některé typy)

Systém Jet Clean obsahuje automatický čisticí program. Když stisknete tlačítko pro zapnutí/vypnutí, systém Jet Clean spustí čištění v automatickém čisticím programu.

Příprava systému Jet Clean před použitím

Před prvním použitím naplňte čisticí komoru.

1 Zasuňte malou zástrčku do systému Jet Clean.

2 Zasuňte adaptér do zásuvky.

▶ Držák se automaticky přesune do nejvyšší polohy.

3 Stiskněte současně obě uvolňovací tlačítka na stranách čisticí komory (1). Poté vyjměte systém Jet Clean z čisticí komory (2). (Obr. 28)

▶ Čisticí komora zůstane, tak jak je.

4 Odšroubujte víčko z lahvičky s čisticí kapalinou.

5 Čisticí komoru naplňte čisticí kapalinou HQ200 až po úroveň určenou dvěma čárkami (Obr. 29).

6 Systém Jet Clean nasaďte zpět na čisticí komoru (Obr. 30).

Ujistěte se, že uvolňovací tlačítka zaklapla zpět.

Použití systému Jet Clean

Poznámka: Pokud s holicím strojkem používáte pěnu nebo gel na holení, doporučujeme holicí strojek před čištěním v systému Jet Clean propláchnout pod horkou tekoucí vodou. Tímto postupem zaručíte optimální životnost čisticí kapaliny.

1 Umístěte holicí strojek do držáku dolní stranou vzhůru s displejem směřujícím k přední straně systému Jet Clean (Obr. 18).

2 Zatlačte holicí strojek pevně do držáku, aby v něm byl bezpečně zajištěn (Obr. 19).

▶ Na displeji se zobrazí informace, že se holicí strojek nabíjí (viz kapitola „Displej“).

3 Stisknutím tlačítka pro zapnutí/vypnutí na systému Jet Clean spustíte program čištění. (Obr. 31)

▶ Na displeji holicího stroju se přestane zobrazovat kontrolka nabíjení.

▶ Začne blikat kontrolka čištění a holicí strojek se automaticky ponoří do čisticí kapaliny (Obr. 32).

▶ V průběhu čisticího programu, který trvá několik minut, bliká kontrolka čištění.

▶ Během první fáze programu čištění se holicí strojek několikrát automaticky zapne a vypne a přesune nahoru a dolů.

▶ Během druhé fáze programu čištění se holicí strojek umístí do polohy pro sušení, která je označena blikajícím symbolem sušení. Tato fáze trvá přibližně dvě hodiny. Holicí strojek zůstane v této pozici až do konce programu. (Obr. 33)

▶ Po dokončení programu čištění se na displeji holicího stroju zobrazí kontrolka nabíjení (viz kapitola „Displej“).

Poznámka: Pokud v průběhu čisticího programu stisknete tlačítko pro zapnutí/vypnutí systému Jet Clean, je program přerušen. V takovém případě přestane kontrolka čištění nebo sušení blikat a držák se vrátí do nejvyšší polohy.

Poznámka: Pokud během čištění dojde k vytažení zástrčky adaptéru ze zásuvky, program čištění se přeruší. Držák zůstává v aktuální poloze. Po opětovném připojení zástrčky adaptéru do zásuvky se držák přesune do nejvyšší polohy.

- Pokud hladina čisticí kapaliny klesne pod minimální úroveň, začne blikat symbol „Čisticí komora prázdná“ a držák se vrátí do počáteční polohy (Obr. 34).

- Při každodenním používání čističky je třeba čisticí komoru vždy přibližně po 15 dnech doplnit.

Čištění systému Jet Clean

Čisticí komoru čistěte vždy po 15 dnech.

Vnější povrch systému Jet Clean otřete navlhčeným hadříkem.

1 Stiskněte současně obě uvolňovací tlačítka na stranách systému Jet Clean (1). Poté vyjměte systém Jet Clean z čisticí komory (2). (Obr. 28)

▶ Čisticí komora zůstane, tak jak je.

2 Vylijte z čisticí komory zbytky čisticí kapaliny. (Obr. 35)

Čisticí kapalinu lze jednoduše vylít do výlevky.

3 Opláchněte čisticí komoru pod tekoucí vodou (Obr. 36).

Čisticí komoru nelze mýt v myčce na nádobí.

4 Čisticí komoru naplňte čisticí kapalinou HQ200 až po úroveň určenou dvěma čárkami (Obr. 29).

5 Systém Jet Clean nasaďte zpět na čisticí komoru. (Obr. 30)

Ujistěte se, že uvolňovací tlačítka zaklapla zpět.

Postup pro velmi důkladné čištění

Přesvědčte se, že je přístroj vypnutý.

1 Držák holicí hlavice vysuňte ze spodní části holicí jednotky (Obr. 26).

2 Posuňte zelený zajišťovací rámeček ve směru šipek na zajišťovacím rámečku (Obr. 37).

3 Vysuňte zajišťovací rámeček z držáku holicí hlavice. (Obr. 38)

4 Vyjměte stříhací jednotku z krytu pro holení (Obr. 39).

Poznámka: Nečistěte současně více než jednu stříhací jednotku a kryt pro holení, protože všechny tvoří kompatibilní sady. Pokud stříhací jednotku omylým vložíte do špatného krytu pro holení, může trvat několik týdnů, než se obnoví optimální výkon holení.

- 5 Strihací jednotku čistěte přiloženým čisticím kartáčkem (Obr. 40).
- 6 Vyčistěte vnitřní části krytu pro holení. (Obr. 41)
- 7 Po vyčištění vložte strihací jednotku zpět do krytu pro holení tak, aby výstupky strihací jednotky směřovaly dolů. (Obr. 42)
- 8 Umístěte zajišťovací rámeček do držáku holicí hlavy. (Obr. 43)
- 9 Zasuňte kryt zpět na správné místo (ozve se „klapnutí“). (Obr. 44)
- 10 Držák holicí hlavy znovu připojte do spodní části holicí jednotky. (Obr. 27)

Čištění zastřihovače

Zastřihovač po každém použití vyčistěte.

- 1 Zapněte holicí stroje s připojeným zastřihovačem.
- 2 Zastřihovač po přiměřenou dobu propláchněte tekoucí horkou vodou. (Obr. 45)
- 3 Po čištění holicí strojek vypněte.

Tip: Aby byl zajištěn optimální výkon při zastřihování, kápněte na zuby zastřihovače jednou za šest měsíců kapku oleje na šicí stroje.

Skladování

- 1 Na holicí jednotku nasuňte ochrannou krytku, aby nedošlo k poškození holicích hlav (Obr. 46).
- 2 Pouze některé typy: Holicí strojek uchovávejte v pouzdru, které je součástí dodávky.

Výměna

Aby byl zajištěn maximální holicí výkon, doporučujeme horní část holicí jednotky každý rok vyměnit. Horní část holicí jednotky nahraďte pouze originálním držákem holicí hlavy RQ11 Philips.

- 1 Vysuňte ze spodní části holicí jednotky držák holicí hlavy (Obr. 26).
- 2 Nový držák holicí hlavy připojte do spodní části holicí jednotky (ozve se „klapnutí“) (Obr. 27).

Objednávání dílů

Lze objednat následující díly:

- Adaptér HQ8505
- Držák holicí hlavy RQ11 Philips
- Čisticí sprej na holicí hlavy Philips HQ110
- Čisticí tekutina HQ200 Philips

Životní prostředí

- Až přístroje doslouží, nevyhazujte je do běžného komunálního odpadu, ale odevzdejte je do sběrný k recyklaci. Pomůžete tím chránit životní prostředí (Obr. 47).
- Vestavěný akumulátor holicího strojek obsahuje látky, které mohou škodit životnímu prostředí. Před likvidací holicího strojek nebo jeho odevzdáním na určeném sběrném místě z něj vždy vyjměte akumulátor. Akumulátor odevzdejte na určeném sběrném místě pro akumulátory. Nedaří-li se vám akumulátor vyjmout, můžete zařízení zanechat do servisního střediska společnosti Philips. Zaměstnanci střediska akumulátor vyjmou a zajistí jeho bezpečnou likvidaci (Obr. 48).

Vyjmutí nabíjecího akumulátoru holicího strojek

Akumulátor z přístroje vyjměte pouze tehdy, až budete holicí strojek likvidovat. Budete-li akumulátor vyjímat, ujistěte se, že je zcela vybitý.

Pozor, pásky od akumulátoru jsou ostré.

- 1 Pomocí šroubováku odstraňte zadní panel holicího strojek.
- 2 Vyjměte akumulátor.

Záruka a servis

Pokud budete potřebovat servis, informace nebo pokud dojde k potížím, navštivte webové stránky společnosti Philips www.philips.com nebo se obraťte na středisko péče o zákazníky společnosti Philips ve své zemi (telefonní číslo na střediska najdete v letáčku s celosvětovou zárukou). Pokud se ve vaší zemi středisko péče o zákazníky nenachází, obraťte se na místního dodavatele výrobků Philips.

Omezení záruky

Na holicí hlavy (střihací jednotky a kryty) se nevztahují podmínky mezinárodní záruky, protože podléhají opotřebení.

Řešení problémů

V této kapitole jsou shrnuty nejběžnější problémy, se kterými se můžete u přístroje setkat. Pokud se vám nepodaří problém vyřešit podle následujících informací, kontaktujte Středisko péče o zákazníky ve své zemi.

Problém	Možná příčina	Řešení
Holicí strojek neholí tak dobře jako dříve.	Jsou poškozené nebo opotřebované holicí hlavy.	Vyměňte držák holicí hlavy (viz kapitola „Výměna“).
	Dlouhé vousy blokují holicí hlavy.	Holicí hlavy vyčistěte podle kroků popsaných v postupu pro velmi důkladné čištění (viz kapitola „Čištění a údržba“).

Problém	Možná příčina	Řešení
	Systém Jet Clean správně nevyčistil holicí strojek, protože čisticí kapalina v čisticí komoře je znečištěná nebo hladina čisticí kapaliny je příliš nízká.	Než budete pokračovat v holení, holicí strojek důkladně vyčistěte. Pokud je třeba, vyčistěte a znovu naplňte čisticí komoru (viz kapitola „Čištění a údržba“).
Holicí strojek po stisknutí tlačítka pro zapnutí/vypnutí nepracuje.	Nabíjecí baterie je prázdná.	Baterii znovu nabijte (viz kapitola „Nabíjení“).
	Je aktivovaný cestovní zámek.	Cestovní zámek deaktivujete podržením tlačítka pro zapnutí/vypnutí po dobu tří sekund.
	Držák holicí hlavice je v takovém rozsahu znečištěný nebo poškozený, že se motor nespustí.	Vyčistěte nebo vyměňte držák holicí hlavice (viz kapitoly „Čištění a údržba“ a „Výměna“).
	Teplota holicího strojku je příliš vysoká. V takovém případě holicí strojek nefunguje.	Nechte holicí strojek zchladnout. Jakmile teplota holicího strojku dostatečně klesne, je možné strojek opět zapnout.
Holicí strojek není po vyčištění v systému Jet Clean dokonale čistý.	Čisticí kapalina v čisticí komoře je znečištěná.	Vyprázdňte a vypláchněte čisticí komoru.
	Hladina čisticí kapaliny je příliš nízká. Pokud objem kapaliny v čisticí komoře klesne během programu čištění pod minimální úroveň, program se přeruší. Začnou v pravidelných intervalech blikat kontrolka čištění a symbol „Čisticí komora prázdná“ a držák se vrátí do počáteční polohy.	Čisticí komoru znovu naplňte čisticí kapalinou až po úroveň určenou dvěma čárkami (viz kapitola „Čištění a údržba“).
	Použili jste jinou čisticí kapalinu než originální čisticí kapalinu Philips.	Používejte pouze čisticí kapalinu HQ200 Philips.
Systém Jet Clean se po stisknutí tlačítka pro zapnutí/vypnutí nezapne.	Systém Jet Clean není zapojený do elektrické sítě.	Zasuňte malou zástrčku do systému Jet Clean a zapojte adaptér do zásuvky ve zdi.
	Neexistuje elektrické propojení mezi systémem Jet Clean a holicím strojkem.	Zatlačte holicí strojek pevně do držáku, aby v něm byl bezpečně zajištěn.
Holicí strojek není po nabíjení v nabíječce nebo v systému Jet Clean plně nabitý.	Holicí strojek jste do nabíječky nebo systému Jet Clean neumístili správně.	Ujistěte se, že se holicí strojek správně zaklapne.

Indledning

Tillykke med dit køb og velkommen til Philips! For at få fuldt udbytte af den support, Philips tilbyder, skal du registrere dit produkt på www.philips.com/welcome.

Vi beder dig læse brugervejledningen igennem, da den indeholder oplysninger om shaverens unikke funktioner og tips til at gøre barbering nemmere og mere behagelig.

Generel beskrivelse (fig. 1)

- A** Shaver (RQ1180/RQ1160/RQ1150)
- 1 Trimmer
 - 2 Beskyttelseskappe
 - 3 Skær
 - 4 Shaver
 - 5 Shaver tænd/sluk-knap
 - 6 Skærm
- B** Oplader
- C** Jet Clean System (kun udvalgte typer)
- 1 Holder til shaver
 - 2 Symbol for "tomt renseskammer"
 - 3 Rengøringsymbol
 - 4 Tørresymbol
 - 5 Tænd/sluk-knap til Jet Clean-systemet
 - 6 Udløserknap til renseskammer
- D** Rensebørste
- E** Rensevæske
- F** Etui (kun udvalgte typer)
- G** Adapter

Vigtigt

Læs denne brugsvejledning omhyggeligt igennem, inden apparatet tages i brug, og gem den til eventuelt senere brug.

Bemærk: I denne brugervejledning henviser "apparater" til shaveren samt Jet Clean-systemet. Hvis din shaver ikke leveres med Jet Clean-systemet, henviser det udelukkende til shaveren.

Generelt

Fare

- Sørg for, at adapteren ikke bliver våd (fig. 2).

Advarsel

- Adapteren indeholder en transformer. Adapteren må ikke klippes af og udskiftes med et andet stik, da dette kan være meget risikabelt.
- Disse apparater er ikke beregnet til at blive brugt af personer (herunder børn) med nedsatte fysiske og mentale evner, nedsat følesans eller manglende erfaring og viden, medmindre de er blevet vejledt eller instrueret i apparaternes anvendelse af en person, der er ansvarlig for deres sikkerhed.
- Hold apparaterne uden for børns rækkevidde for at sikre, at de ikke kan komme til at lege med dem.
- Vær forsigtig med varmt vand, når du rengør apparaterne. Kontroller altid, at vandet ikke er for varmt, så du ikke skolder dine hænder.

NB!

- Nedsenk aldrig Jet Clean-systemet eller opladeren i vand, og undgå at skylle dem under hanen.
- Apparaterne og tilbehøret må ikke maskinopvaskes.
- Anbring og anvend altid apparaterne på et underlag, der er modstandsdygtigt over for væske.
- Brug, oplad og opbevar altid apparatet ved en temperatur på mellem 5°C og 35°C.
- Brug kun det medfølgende tilbehør.
- Adapteren omformer 100 - 240 Volt til en sikker lavspænding under 24 Volt.
- Benyt ikke apparaterne, hvis de er beskadigede.
- Hvis adapteren eller tilbehøret beskadiges, skal de altid udskiftes med en original af samme type for at undgå enhver risiko.
- Når shaveren rengøres, kan der dryppe lidt vand ud af stikket i bunden. Dette er helt normalt og ganske ufarligt, da al elektronikken er indkapslet i en forsejlet motorenhed inde i shaveren.

Jet Clean-systemet (kun udvalgte typer)

NB!

- Anvend kun Jet Clean-systemet med den originale HQ200-renevæske.
- Placer altid Jet Clean-systemet på et stabilt, plant og vandret underlag for at undgå lækage.
- Nedsenk aldrig Jet Clean-systemet i vand.
- Tøm renseskammeret hver 15. dag, og rengør det omhyggeligt ved at skylle det under den varme hane.
- Jet Clean-systemet renser din shaver meget grundigt, men desinficerer den ikke. Derfor bør du ikke dele shaveren med andre.
- Renseskammeret i Jet Clean-systemet må ikke kommes i opvaskemaskinen.
- Med henblik på at undgå udsivende renevæske må Jet Clean-systemet ikke flyttes, når det er klar til brug.

Overholdelse af standarder

- Denne shaver overholder de internationalt godkendte sikkerhedsregler og kan bruges i badet eller bruseren og rengøres under vandhanen uden sikkerhedsrisiko (fig. 3).
- Disse Philips-apparater overholder alle standarder for elektromagnetiske felter (EMF). Ved korrekt håndtering og anvendelse i overensstemmelse med instruktionerne i denne brochure med vigtige oplysninger og den brugervejledning, der medfølger til shaveren, er apparaterne sikre at anvende ifølge den videnskabelige viden, der er tilgængelig i dag.

Displayet

Bemærk: Inden du bruger shaveren første gang, skal du fjerne beskyttelsesfolien fra displayet.

De tre shavertyper (RQ1180, RQ1160 og RQ1150) har forskellige displays, som vises i figurene nedenfor:

- RQ1180 (fig. 4)
- RQ1160 (fig. 5)
- RQ1150 (fig. 6)

Opladning

- En fuld opladning tager ca. 1 time.

RQ1180

- Når shaveren oplades, blinker den første nederste opladningsindikator, hvorefter den næste opladningsindikator følger, indtil shaveren er fuldt opladet (fig. 7).
- Lynopladning: Når shaveren har nok strøm til en enkelt barbering, blinker nederste opladningsindikator skiftevis orange og hvidt.

RQ1160/RQ1150

- Når shaveren oplades, blinker batterisymbolet, indtil shaveren er fuldt opladet. (fig. 8)
- Lynopladning: Når shaveren har nok strøm til en enkelt barbering, skifter stiksymbotet og batterisymbolet skiftevis.

Bemærk: Displayet på type RQ1160 og RQ1150 ser anderledes ud, men fungerer på samme måde.

Batteri fuldt opladet

RQ1180

- Når batteriet er fuldt opladet, lyser alle opladningsindikatorer konstant. Efter ca. 30 minutter slukkes displayet automatisk igen. (fig. 9)

RQ1160/RQ1150

- Når batteriet er fuldt opladet, lyser batteriindikatoren konstant. Efter ca. 30 minutter slukkes displayet automatisk igen. (fig. 10)

Bemærk: Displayet på type RQ1160 og RQ1150 ser anderledes ud, men fungerer på samme måde.

Lavt batteriniveau

RQ1180

- Når batteriet næsten er afladet (når der kun er 5 eller færre barberingsminutter tilbage), blinker den nederste opladningsindikator orange. (fig. 11)
- Når du slukker for shaveren, forsætter den nederste opladningsindikator med at blinke orange i nogle sekunder.

RQ1160/RQ1150

- Når batteriet er næsten tomt (når der er 5 minutter eller færre tilbage til barbering), lyser stiksymbotet (fig. 12).
- Når du slukker for shaveren, blinker stiksymbotet i et par sekunder.

Bemærk: Displayet på type RQ1160 og RQ1150 ser anderledes ud, men fungerer på samme måde.

Resterende batterikapacitet

RQ1180

- Den resterende batterikapacitet vises ved antallet af tændte opladeindikatorer. (fig. 13)

Rejselås

Du kan låse shaveren, når du skal ud at rejse. Rejselåsen forhindrer, at shaveren tændes utilsigtet.

Aktivering af rejselåsen

- 1 Tryk på tænd/sluk-knappen i 3 sekunder for at aktivere rejselås-funktionen (fig. 14).
- Låsesymbolet tændes på displayet. -tekening- (fig. 15)

Bemærk: Displaytyperne på RQ1180, RQ1160 og RQ1150 ser anderledes ud, men viser det samme symbol.

Deaktivering af rejselåsen

- 1 Tryk på tænd/sluk-knappen i 3 sekunder.
 - Motoren starter for at indikere, at rejselåsen er blevet deaktiveret.
- Shaveren er nu klar til brug igen.

Bemærk: Når du placerer shaveren i den tilsluttede oplader eller Jet Clean-systemet, deaktiveres rejselåsen automatisk.

Opladning

En fuld opladning tager ca. 1 time.

RQ1180/RQ1160: En fuldt opladet shaver har tilstrækkelig barberingstid til op til 50 minutter/15 dage.

RQ1150: En fuldt opladet shaver har tilstrækkelig barberingstid til op til 40 minutter/12 dage.

Oplad shaveren, før du bruger den første gang, og når displayet viser, at batteriet næsten er afladet (se afsnittet "Lavt batteriniveau" i kapitlet "Displayet").

Hurtig opladning

Når shaveren har ladet op i 5 minutter, har den tilstrækkelig batterikapacitet til én barbering.

Opladning i opladeren

- 1 Slut det lille stik til opladeren (fig. 16).
- 2 Slut adapteren til stikkontakten.
- 3 Placer shaveren i opladeren (1), og skub den tilbage (2) ("klik"). (fig. 17)
- Displayet viser, at shaveren oplades (se afsnittet "Display").

Opladning i Jet Clean-systemet (kun udvalgte typer)

- 1 Sæt det lille stik i Jet Clean-systemet.
- 2 Slut adapteren til stikkontakten.

3 Placer shaveren på hovedet i holderen med displayet vendende ud mod Jet Clean-systemets front (fig. 18).

Bemærk: Kun RQ1180: Når shaveren vendes på hovedet, vendes batteriindikatoren i displayet også på hovedet, så du stadig kan se den resterende batterikapacitet.

4 Tryk shaveren fast ind i holderen, så den låses på plads (fig. 19).

Bemærk: Shaveren kan ikke placeres i Jet Clean-systemet, når beskyttelseshætten er monteret på skærenheden, eller når trimmeren er placeret på shaveren.

► Displayet viser, at shaveren oplader (se afsnittet "Display").

Brug af shaveren

Barbering

1 Tryk én gang på tænd/sluk-knappen for at tænde for shaveren.

► RQ1180: Displayet lyser et par sekunder.

2 Bevæg skærhovederne hen over huden i cirkulære bevægelser (fig. 20).

- Brug ikke lige bevægelser.

- Vær opmærksom på, at der kan gå 2-3 uger, før din hud helt har vænnet sig til Philips' barberingssystem.

3 Tryk én gang på tænd/sluk-knappen for at slukke for shaveren.

► RQ1180: Displayet lyser i et par sekunder og viser derefter den resterende batterikapacitet.

Vådbarbering

Du kan også bruge denne shaver på et vådt ansigt med barberskum eller barbergel.

Hvis du vil barbere dig med barberskum eller barbergel, skal du følge disse trin

1 Påfør lidt vand på din hud

2 Påfør barberskum eller barbergel på din hud.

3 Skyl skærenheden under vandhanen for at sikre, at skærenheden glider jævnt henover huden.

4 Tryk én gang på tænd/sluk-knappen for at tænde for shaveren.

5 Bevæg skærhovederne i cirkulære bevægelser på huden.

Bemærk: Skyl jævnligt shaveren under vandhanen for at sikre, at den fortsat glider jævnt henover huden.

6 Tør ansigtet, og rengør omhyggeligt shaveren efter hver brug (se kapitlet "Rengøring og vedligeholdelse").

Bemærk: Sørg for at rense shaveren for al skum eller gel.

Trimning

Trimmeren kan bruges til pleje af bakkenbarter og moustache.

1 Træk skærenheden ud af shaveren (fig. 21).

Bemærk: Drej ikke skærenheden, mens du trækker den ud af shaveren.

2 Indsæt trimmerens arm i recessen oven på shaveren (1). Tryk derefter trimmeren nedad (2) for at fastgøre den på shaveren ("klik") (fig. 22).

3 Tryk én gang på tænd/sluk-knappen for at tænde for trimmeren.

► RQ1180: Displayet lyser et par sekunder.

4 Trimningen kan nu påbegyndes.

5 Tryk én gang på tænd/sluk-knappen for at slukke for trimmeren.

► RQ1180: Displayet lyser i et par sekunder og viser derefter den resterende batterikapacitet.

6 Træk trimmeren lige ud af shaveren (fig. 23).

Bemærk: Drej ikke trimmeenheden, mens du trækker den ud af shaveren.

7 Indsæt skærenhedens "arm" i recessen oven på shaveren (1). Tryk derefter skærenheden ned (2) for at sætte den fast på shaveren ("klik") (fig. 24).

Rengøring og vedligeholdelse

Brug aldrig skuresvampe eller skrappe rengøringsmidler såsom benzin eller acetone til rengøring af shaveren og Jet Clean-systemet.

- Den bedste og mest hygiejniske måde at rengøre shaveren på er ved hjælp af Jet Clean-systemet. Men shaveren kan også skylles under vandhanen eller rengøres med den medfølgende børste.
- Vær forsigtig med varmt vand. Kontroller altid, at vandet ikke er for varmt, så du ikke skolder dine hænder.
- Rengør shaveren efter hver barbering for at bevare den optimale barberingsevne.
- Du kan rengøre ydersiden af shaveren med en fugtig klud.
- Regelmæssig rengøring sikrer det bedste barberingsresultat.

Rengøring af skærenheden

Vær forsigtig med varmt vand. Kontroller altid, at vandet ikke er for varmt, så du ikke skolder dine hænder.

1 Skyl skærenheden under den varme hane i et stykke tid (fig. 25).

Bemærk: Du kan også børste skærenheden med den medfølgende rensbørste.

2 Træk skærholderen af den nederste del af skærenheden, og skyl den under den varme hane i 30 sekunder (fig. 26).

Bemærk: Du kan også børste skærholderen med den medfølgende rensbørste.

3 Ryst forsigtigt overskydende vand af, og lad skærenheden tørre.

Skærenheden må ikke tørres med et håndklæde eller køkkenrulle, da dette kan beskadige skærhovederne.

4 Monter igen skærholderen på bunden af skærenheden ("klik") (fig. 27).

Rengøring af skærenheden i Jet Clean-systemet (kun udvalgte typer)

Jet Clean-systemet har et automatisk rensprogram. Når du trykker på tænd/sluk-knappen, starter Jet Clean-systemet rengøringen i det automatiske rensprogram.

Klargøring af Jet Clean-systemet

Fyld renseskammeret, før det tages i brug første gang.

1 Sæt det lille stik i Jet Clean-systemet.

2 Slut adapteren til stikkontakten.

► Holderen flyttes automatisk til højeste indstilling.

3 Tryk samtidigt på udløserknapperne på begge sider af renseskammeret (1). Løft derefter Jet Clean-systemet af renseskammeret (2). (fig. 28)

► Renseskammeret bliver tilbage.

4 Skru hættten af flasken med rensesæske.

5 Påfyld renseskammeret med HQ200-rensæske til et niveau mellem de to linjer (fig. 29).

6 Sæt Jet Clean-systemet tilbage på renseskammeret (fig. 30).

Kontroller, at udløserknapperne klikker tilbage på plads.

Brug af Jet Clean-systemet

Bemærk: Hvis du bruger shaveren sammen med barberskum eller barbergel, anbefaler vi, at du renser den under den varme hane, før du rengør den med Jet Clean-systemet. Dette garanterer optimal levetid for rensesæskan.

1 Placer shaveren på hovedet i holderen med displayet vendende ud mod Jet Clean-systemets front (fig. 18).

2 Tryk shaveren fast ind i holderen, så den låses på plads (fig. 19).

► Displayet viser, at shaveren oplader (se afsnittet "Display").

3 Tryk på Jet Clean-systemets tænd/sluk-knap for at starte rensprogrammet. (fig. 31)

► Shaverens display viser ikke længere opladeindikatoren.

► Rengøringsindikatoren begynder at blinke, og shaveren sænkes automatisk ned i rensesæskan (fig. 32).

► Rengøringsindikatoren blinker i løbet af hele rensprogrammet, der tager nogle minutter.

► I løbet af rensprogrammets første fase tænder og slukker shaveren automatisk flere gange og bevæger sig op og ned.

► I rensprogrammets anden fase går shaveren automatisk til tørreindstilling, der indikeres med et blinkende tørresymbol. Denne fase varer ca. 2 timer. Shaveren forbliver i denne stilling, indtil programmet er slut. (fig. 33)

► Efter rensprogrammet vises opladeindikatoren i displayet (se kapitlet "Display").

Bemærk: Hvis du trykker på tænd/sluk-knappen på Jet Clean-systemet under rensprogrammet, afbrydes og nulstilles programmet. I dette tilfælde holder rengørings- eller tørreindikatoren op med at blinke, og holderen flyttes tilbage til den højeste position.

Bemærk: Tager adapteren ud af stikkontakten under rensprogrammet, afbrydes programmet. Holderen forbliver i den aktuelle stilling. Når adapteren sættes tilbage i stikkontakten, flytter holderen til den højeste position.

- Når rensesæskan falder til under minimumsniveauet, begynder symbolet for "tomt renseskammer" at blinke, og holderen vender tilbage til startposition (fig. 34).

- Hvis du renser din shaver i rensmoduliet dagligt, skal renseskammeret fyldes ca. hver 15. dag.

Rengøring af Jet Clean-systemet

Rengør renseskammeret hver 15. dag.

Du kan aftørre ydersiden af Jet Clean-systemet med en fugtig klud.

1 Tryk samtidigt på udløserknapperne på begge sider af Jet Clean-systemet (1). Løft derefter Jet Clean-systemet op af renseskammeret (2). (fig. 28)

► Renseskammeret bliver tilbage.

2 Hæld eventuel resterende rensesæske ud af renseskammeret. (fig. 35)

Rensesæskan hældes blot ud i vasken.

3 Skyl renseskammeret under vandhanen (fig. 36).

Renseskammeret kan ikke gå i opvaskemaskinen.

4 Påfyld renseskammeret med HQ200-rensæske til et niveau mellem de to linjer (fig. 29).

5 Sæt Jet Clean-systemet tilbage på renseskammeret. (fig. 30)

Kontroller, at udløserknapperne klikker tilbage på plads.

Ekstra grundig rengøringsmetode

Kontroller, at apparatet er slukket.

1 Træk skærholderen af den nederste del af skærenheden (fig. 26).

2 Skub den grønne samleramme i pilenes retning som vist på samlerammen (fig. 37).

3 Løft samlerammen ud af skærholderen. (fig. 38)

4 Fjern skæret fra skærkappen (fig. 39).

Bemærk: Rens kun ét skær og én skærkappe ad gangen, da enhederne er justeret sætvis. Hvis du ved et uheld placerer et skær i den forkerte skærkappe, kan det tage flere uger, før shaveren igen barberer optimalt.

- 5** Rens skærenheden med den medfølgende rengøringsbørste (fig. 40).
- 6** Rens indersiden af skærkappen. (fig. 41)
- 7** Efter rengøring skal du sætte skæret tilbage i skærkappen med skærbenene vendende nedad. (fig. 42)
- 8** Sæt samlerammen tilbage på skærholderen. (fig. 43)
- 9** Skub kappen tilbage på plads ("klik"). (fig. 44)
- 10** Monter igen skærholderen på den nederste del af skærenheden. (fig. 27)

Rengøring af trimmeren

Rens trimmeren, hver gang den har været brugt.

- 1** Tænd for shaveren med trimmeren monteret.
- 2** Skyl trimmeren under den varme hane i et stykke tid. (fig. 45)
- 3** Efter rengøring skal shaveren slukkes.

Tip: Smør trimmerens tænder med en dråbe symaskineolie hver 6. måned for at bevare optimal trimmer-funktion.

Opbevaring

- 1** Sæt beskyttelseskappen på skærenheden for at undgå beskadigelse af skærhovederne (fig. 46).
- 2** Kun udvalgte typer: Opbevar shaveren i den medfølgende pose.

Udskiftning

Med henblik på at fastholde optimal barberingsevne anbefales det at udskifte den øverste del af skærenheden hvert år. Udskift kun den øverste del af skærenheden med en original RQ11 Philips Shaving Head Holder (skærholder).

- 1** Træk skærholderen af den nederste del af skærenheden (fig. 26).
- 2** Monter den nye skærholder på den nederste del af skærenheden ("klik") (fig. 27).

Genbestilling

Der findes følgende dele:

- HQ8505 adapter
- RQ11 Philips Shaving Head Cleaner (rensesystem til skær)
- HQ110 Philips Shaving Head Cleaning Spray (rengøringspray til skærhoveder).
- HQ200 Philips-renevæske.

Miljø

- Apparatet må ikke smides ud sammen med det almindelige husholdningsaffald, når det til sin tid kasseres. Aflever det i stedet på en kommunal genbrugsstation. På den måde er du med til at beskytte miljøet (fig. 47).
- Det indbyggede genopladelige batteri indeholder stoffer, der kan forurene miljøet. Fjern altid batteriet, før du kasserer apparatet eller afleverer det på en genbrugsstation. Aflever batteriet på et officielt indsamlingssted for brugte batterier. Kan du ikke få batteriet ud, kan du aflevere apparatet til Philips, som vil sørge for at tage batteriet ud og bortskaffe det på en miljømæssigt forsvarlig måde (fig. 48).

Udtagning af det genopladelige shaverbatteri

Tag ikke batteriet ud, før apparatet skal kasseres. Sørg for, at batteriet er fuldstændigt afladet, inden det tages ud.

Pas på: Strimlerne på batteriet er skarpe.

- 1** Fjern shaverens bagbeklædning med en skruetrækker.
- 2** Fjern det genopladelige batteri.

Garanti og service

For alle yderligere oplysninger eller ved eventuelle problemer med apparatet henvises til Philips' hjemmeside på adressen www.philips.com eller det lokale Philips Kundecenter (telefonnumre findes i vedlagte "Worldwide Guarantee"-folder). Hvis der ikke findes et kundecenter i dit land, bedes du kontakte din lokale Philips-forhandler.

Gældende forbehold i reklamerationsretten

Skærhoveder (skær og skærkapper) er ikke omfattet af den internationale garanti, da de udsættes for slitage.

Fejlfinding

Dette kapitel opsummerer de mest almindelige problemer; du kan støde på ved brug af apparatet. Hvis du ikke kan løse problemet ved hjælp af nedenstående oplysninger, bedes du kontakte Philips Kundecenter.

Problem	Mulig årsag	Løsning
Shaveren barberer ikke så godt, som den gjorde til at begynde med.	Skærhovederne er beskadigede eller slidte.	Sæt skærholderen tilbage på plads (se kapitlet "Udskiftning").
	Der sidder lange hår i vejen for skærhovederne.	Rengør skærhovederne ved at følge trinnene under den ekstra grundige rengøringsmetode (se kapitlet "Rengøring og vedligeholdelse").

Problem	Mulig årsag	Løsning
	Jet Clean-systemet har muligvis ikke rengjort shaveren ordentligt, fordi rensvæsken i renskammeret er snavset, eller rensvæskestanden er for lav.	Rens shaveren omhyggeligt, før du fortsætter med barberingen. Rens og genopfyld om nødvendigt renskammeret (se kapitlet "Rengøring og vedligeholdelse").
Shaveren virker ikke, når jeg trykker på tænd/sluk-knappen.	Det genopladelige batteri er afladet.	Genoplad batteriet (se kapitlet "Opladning").
	Rejselåsen er aktiveret.	Tryk på tænd/sluk-knappen, og hold den inde i 3 sekunder for at deaktivere rejselåsen.
	Skærholderen er snavset eller beskadiget i et omfang, der forhindrer motoren i at arbejde.	Rens skærholderen, eller udskift den (se kapitlerne "Rengøring og vedligeholdelse" og "Udskiftning").
	Temperaturen i shaveren er for høj. I dette tilfælde vil shaveren ikke fungere.	Lad shaveren køle af. Så snart shaverens temperatur er faldet tilstrækkeligt, kan shaveren tændes igen.
Shaveren er ikke helt ren, når jeg har rensset den i Jet Clean-systemet.	Rensvæsken i renskammeret er snavset.	Tøm og rengør renskammeret.
	Rensvæskenniveauet er for lavt. Hvis væskevolumenet i renskammeret falder til under minimumsniveauet i forbindelse med kørsel af rensprogrammet, afbrydes programmet. Rengøringsindikatoren og symbolet for "tomt renskammer" blinker i intervaller, og holderen flyttes tilbage til udgangspositionen.	Genopfyld renskammeret med rensvæske til et niveau mellem de to linjer (se kapitlet "Rengøring og vedligeholdelse").
	Du har brugt en anden rensvæske end den originale rensvæske fra Philips.	Brug kun HQ200 Philips rensvæske.
Jet Clean-systemet virker ikke, når jeg trykker på tænd/sluk-knappen.	Jet Clean-systemet er ikke sluttet til en stikkontakt.	Sæt det lille stik i Jet Clean-systemet, og sæt adapteren i en stikkontakt.
	Der er ingen elektrisk forbindelse mellem Jet Clean-systemet og shaveren.	Tryk shaveren fast ind i holderen, så den låses på plads.
Shaveren er ikke fuldt opladet, når jeg oplader den i opladeren/Jet Clean-systemet.	Du har ikke placeret shaveren korrekt i opladeren/Jet Clean-systemet.	Tryk shaveren omhyggeligt ned, så den klikker på plads.

Einführung

Herzlichen Glückwunsch zu Ihrem Kauf und willkommen bei Philips! Um die Unterstützung von Philips optimal nutzen zu können, registrieren Sie Ihr Produkt bitte unter www.philips.com/welcome.

Lesen Sie diese Bedienungsanleitung sorgfältig durch, da sie nützliche Informationen zu den Funktionen dieses Rasierers sowie Tipps für eine einfache und angenehme Rasur enthält.

Allgemeine Beschreibung (Abb. 1)

- A** Rasierer (RQ1180/RQ1160/RQ1150)
 - 1 Langhaarschneider
 - 2 Schutzkappe
 - 3 Schereinheit
 - 4 Rasierer
 - 5 Ein-/Ausschalter Rasierer
 - 6 Display
- B** Ladestation
- C** Jet Clean System (nur bestimmte Gerätetypen)
 - 1 Halterung für den Rasierer
 - 2 Symbol "Reinigungskammer leer"
 - 3 Reinigungssymbol
 - 4 Trocknungssymbol
 - 5 Ein-/Ausschalter des Jet Clean Systems
 - 6 Entriegelungstaste der Reinigungskammer
- D** Reinigungsbürste
- E** Reinigungsflüssigkeit
- F** Tasche (nur bestimmte Gerätetypen)
- G** Adapter

Wichtig

Lesen Sie diese Bedienungsanleitung vor dem Gebrauch des Geräts aufmerksam durch, und bewahren Sie sie für eine spätere Verwendung auf.

Hinweis: In dieser Bedienungsanleitung bezieht sich der Begriff "Geräte" auf den Rasierer und das Jet Clean System. Wenn Ihr Rasierer nicht mit einem Jet Clean System ausgestattet ist, bezieht sich der Begriff nur auf den Rasierer.

Allgemein

Gefahr

- Achten Sie darauf, dass der Adapter nicht nass wird (Abb. 2).

Warnhinweis

- Der Adapter enthält einen Transformator. Ersetzen Sie den Adapter keinesfalls durch einen anderen Stecker, da dies möglicherweise den Benutzer gefährden kann.
- Diese Geräte sind für Benutzer (einschl. Kinder) mit eingeschränkten physischen, sensorischen oder psychischen Fähigkeiten bzw. ohne jegliche Erfahrung oder Vorwissen nur dann geeignet, wenn eine angemessene Aufsicht oder ausführliche Anleitung zur Benutzung der Geräte durch eine verantwortliche Person sichergestellt ist.
- Achten Sie darauf, dass Kinder nicht mit den Geräten spielen.
- Gehen Sie bei der Reinigung des Geräts vorsichtig mit heißem Wasser um. Achten Sie darauf, dass das Wasser nicht zu heiß ist und Sie sich nicht die Hände verbrühen.

Vorsicht

- Tauchen Sie das Jet Clean System und die Ladestation niemals in Wasser. Spülen Sie sie auch nicht unter fließendem Wasser ab.
- Die Geräte und Zubehörteile sind nicht spülmaschinenfest.
- Stellen Sie die Geräte immer auf eine wasserundurchlässige Oberfläche.
- Benutzen und laden Sie die Geräte bei Temperaturen zwischen 5 °C und 35 °C. Bewahren Sie sie auch in diesem Temperaturbereich auf.
- Verwenden Sie ausschließlich das mitgelieferte Zubehör.
- Der Adapter wandelt Netzspannungen von 100 bis 240 Volt in eine sichere Betriebsspannung von unter 24 Volt um.
- Verwenden Sie die Geräte nicht, wenn sie beschädigt sind.
- Wenn der Adapter oder andere Zubehörteile beschädigt sind, dürfen sie nur durch Original-Ersatzteile ausgetauscht werden, um Gefährdungen zu vermeiden.
- Möglicherweise tritt beim Abspülen des Geräts Wasser aus der Buchse unten am Rasierer aus. Das ist normal und völlig ungefährlich, da die gesamte Elektronik im Inneren des Rasierers versiegelt ist.

Jet Clean System (nur bestimmte Gerätetypen)

Vorsicht

- Verwenden Sie das Jet Clean System nur mit der HQ200 Original-Reinigungsflüssigkeit.
- Stellen Sie das Jet Clean System stets auf eine stabile, ebene und waagerechte Unterlage, um Auslaufen von Flüssigkeit zu vermeiden.
- Tauchen Sie das Jet Clean System niemals in Wasser.
- Entleeren Sie die Reinigungskammer alle 15 Tage, und spülen Sie sie gründlich unter fließendem heißem Wasser aus.
- Das Jet Clean System reinigt Ihren Rasierer gründlich, desinfiziert ihn jedoch nicht. Deshalb sollten Sie Ihren Rasierer nicht gemeinsam mit anderen Personen verwenden.
- Die Reinigungskammer des Jet Clean Systems ist nicht spülmaschinenfest.
- Wenn das Jet Clean System betriebsbereit ist, darf es nicht bewegt werden, damit keine Reinigungsflüssigkeit ausläuft.

Normerfüllung

- Dieser Rasierer erfüllt die internationalen Sicherheitsvorschriften und kann ohne Bedenken unter der Dusche oder in der Badewanne benutzt sowie unter fließendem Wasser gereinigt werden (Abb. 3).

- Diese Geräte von Philips erfüllen sämtliche Normen bezüglich elektromagnetischer Felder (EMF). Nach aktuellen wissenschaftlichen Erkenntnissen sind die Geräte sicher im Gebrauch, sofern sie ordnungsgemäß und entsprechend den Anweisungen in dieser Broschüre mit wichtigen Informationen und der im Lieferumfang des Rasierers enthaltenen Bedienungsanleitung gehandhabt werden.

Das Display

Hinweis: Entfernen Sie vor dem ersten Gebrauch des Rasierers die Schutzfolie vom Display.

Die drei Rasierermodelle (RQ1180, RQ1160 und RQ1150) verfügen über unterschiedliche Displays, wie auf den nachstehenden Abbildungen dargestellt.

- RQ1180 (Abb. 4)
- RQ1160 (Abb. 5)
- RQ1150 (Abb. 6)

Aufladen

- Der Ladevorgang dauert ca. 1 Stunde.

RQ1180

- Wenn der Rasierer auflädt, blinkt zuerst die untere Ladeanzeige, dann die zweite Ladeanzeige usw., bis der Rasierer vollständig aufgeladen ist (Abb. 7).
- Schnellladung: Wenn der Rasierer über ausreichende Akkukapazität für eine Rasur verfügt, blinkt die untere Ladeanzeige abwechselnd orange und weiß.

RQ1160/RQ1150

- Wenn der Rasierer aufgeladen wird, blinkt das Akkusymbol, bis der Rasierer vollständig aufgeladen ist. (Abb. 8)
- Schnellladung: Wenn der Rasierer über genug Energie für eine Rasur verfügt, blinken das Steckersymbol und das Akkusymbol abwechselnd.

Hinweis: Die Displays der Modelle RQ1160 und RQ1150 sehen zwar etwas anders aus, funktionieren jedoch auf dieselbe Weise.

Akku voll aufgeladen

RQ1180

- Wenn der Akku vollständig aufgeladen ist, leuchten alle Ladeanzeigen dauerhaft. Nach ca. 30 Minuten schaltet sich das Display automatisch wieder aus. (Abb. 9)

RQ1160/RQ1150

- Wenn der Akku vollständig aufgeladen ist, leuchtet das Akkusymbol dauerhaft. Nach ca. 30 Minuten schaltet sich das Display automatisch wieder aus. (Abb. 10)

Hinweis: Die Displays der Modelle RQ1160 und RQ1150 sehen zwar etwas anders aus, funktionieren jedoch auf dieselbe Weise.

Akku fast leer

RQ1180

- Ist der Akku fast leer (es verbleiben nur noch maximal 5 Minuten Rasierzeit), blinkt die untere Ladeanzeige orange. (Abb. 11)
- Wenn Sie den Rasierer ausschalten, blinkt die untere Ladeanzeige einige Sekunden lang weiter.

RQ1160/RQ1150

- Ist der Akku fast leer (es verbleiben nur noch maximal 5 Minuten Rasierzeit), blinkt das Steckersymbol (Abb. 12).
- Wenn Sie den Rasierer ausschalten, blinkt das Steckersymbol einige Sekunden lang weiter.

Hinweis: Die Displays der Modelle RQ1160 und RQ1150 sehen zwar etwas anders aus, funktionieren jedoch auf dieselbe Weise.

Verbleibende Akkukapazität

RQ1180

- Die verbleibende Akkuladekapazität wird durch die Anzahl der aufleuchtenden Ladeanzeigen angegeben. (Abb. 13)

Reisesicherung

Sie können den Rasierer für die Reise sichern. Dadurch verhindern Sie ein versehentliches Einschalten des Geräts.

Die Reisesicherung aktivieren

- 1 Halten Sie den Ein-/Ausschalter 3 Sekunden lang gedrückt, um die Reisesicherung zu aktivieren (Abb. 14).
- ▶ Das Sicherungssymbol leuchtet auf dem Display auf (Abb. 15).

Hinweis: Die Displays der Modelle RQ1180, RQ1160 und RQ1150 sehen zwar etwas anders aus, haben aber die gleichen Symbole.

Die Reisesicherung deaktivieren

- 1 Halten Sie den Ein-/Ausschalter 3 Sekunden lang gedrückt.
 - ▶ Der Motor beginnt zu laufen, um anzuzeigen, dass die Reisesicherung deaktiviert wurde.
- Der Rasierer ist jetzt wieder einsatzbereit.

Hinweis: Wenn Sie den Rasierer in die an den Netzstrom angeschlossene Ladestation oder das Jet Clean-System setzen, wird die Reisesicherung automatisch deaktiviert.

Aufladen

Der Ladevorgang dauert ca. 1 Stunde.

RQ1180/RQ1160: Mit einem vollständig geladenen Rasierer können Sie sich bis zu 50 Minuten/15 Tage lang rasieren.

RQ1150: Mit einem vollständig geladenen Rasierer können Sie sich bis zu 40 Minuten/12 Tage lang rasieren.

Laden Sie den Rasierer vor dem ersten Gebrauch auf und wenn das Display anzeigt, dass der Akku fast leer ist (siehe Abschnitt "Akku fast leer" im Kapitel "Das Display").

Schnellladung

Nachdem das Gerät 5 Minuten lang aufgeladen wurde, reicht die Akkukapazität für eine Rasur.

In der Ladestation aufladen

- 1 Stecken Sie den kleinen Stecker in die Ladestation (Abb. 16).
- 2 Stecken Sie den Adapter in die Steckdose.
- 3 Setzen Sie den Rasierer in die Ladestation (1), und drücken Sie ihn nach hinten (2), bis er hörbar einrastet. (Abb. 17)
- ▶ Das Display zeigt an, dass der Rasierer geladen wird (siehe Kapitel "Das Display").

Im Jet Clean System aufladen (nur bestimmte Gerätetypen)

- 1 Stecken Sie den kleinen Stecker in das Jet Clean System.
- 2 Stecken Sie den Adapter in die Steckdose.
- 3 Stellen Sie den Rasierer kopfüber in die Halterung, sodass das Display in Richtung der Vorderseite des Jet Clean Systems zeigt (Abb. 18).

Hinweis: Nur RQ1180: Wenn Sie den Rasierer auf den Kopf stellen, wird die Akkuanzeige auf dem Display auch umgedreht, sodass Sie weiterhin die verbleibende Akkukapazität sehen können.

- 4 Drücken Sie den Rasierer fest in die Halterung, bis er einrastet (Abb. 19).

Hinweis: Der Rasierer passt nicht mit aufgesetzter Schutzkappe oder aufgesetztem Langhaarschneider in das Jet Clean System.

- ▶ Das Display zeigt an, dass der Rasierer geladen wird (siehe Kapitel "Das Display").

Den Rasierer benutzen

Rasierer

- 1 Drücken Sie den Ein-/Ausschalter einmal, um den Rasierer einzuschalten.
 - ▶ RQ1180: Das Display leuchtet für einige Sekunden auf.
- 2 Führen Sie den Rasierer mit kreisenden Bewegungen über die Haut (Abb. 20).
 - Führen Sie das Gerät nicht in geraden Bewegungen über die Haut.
 - Es kann 2 bis 3 Wochen dauern, bis sich Ihre Haut an das Philips Schersystem gewöhnt hat.
- 3 Drücken Sie den Ein-/Ausschalter einmal, um den Rasierer auszuschalten.
 - ▶ RQ1180: Das Display leuchtet einige Sekunden lang auf und zeigt dann die verbleibende Akkukapazität an.

Nassrasur

Sie können diesen Rasierer auch auf einem angefeuchteten Gesicht mit Rasierschaum oder -gel verwenden. So rasieren Sie sich mit Rasierschaum oder -gel:

- 1 Feuchten Sie Ihre Haut an.
- 2 Tragen Sie Rasierschaum oder -gel auf die Haut auf.
- 3 Spülen Sie die Schereinheit unter fließendem Wasser ab, damit sie besonders sanft über die Haut gleitet.
- 4 Drücken Sie den Ein-/Ausschalter einmal, um den Rasierer einzuschalten.
- 5 Bewegen Sie die Scherköpfe in kreisförmigen Bewegungen über Ihre Haut.

Hinweis: Spülen Sie den Rasierapparat regelmäßig mit fließendem Wasser ab, um sicherzustellen, dass er weiterhin sanft über die Haut gleitet.

- 6 Trocknen Sie Ihr Gesicht, und reinigen Sie den Rasierer nach Gebrauch gründlich (siehe Kapitel "Reinigung und Pflege").

Hinweis: Spülen Sie alle Schaum- oder Gelreste vom Rasierer ab.

Schneiden

Der Langhaarschneider eignet sich zum Trimmen von Koteletten und Schnurrbart.

- 1 Ziehen Sie die Schereinheit gerade vom Rasierer ab (Abb. 21).

Hinweis: Drehen Sie die Schereinheit nicht, während Sie sie vom Rasierer abnehmen.

- 2 Stecken Sie die Führung des Langhaarschneiders in den Schlitz oben am Rasierer (1). Drücken Sie den Langhaarschneider dann nach unten (2), sodass er mit einem "Klick" auf dem Rasierer einrastet (Abb. 22).
- 3 Drücken Sie den Ein-/Ausschalter einmal, um den Langhaarschneider einzuschalten.
 - ▶ RQ1180: Das Display leuchtet für einige Sekunden auf.
- 4 Nun können Sie mit dem Schneiden beginnen.
- 5 Drücken Sie den Ein-/Ausschalter einmal, um den Langhaarschneider auszuschalten.
 - ▶ RQ1180: Das Display leuchtet einige Sekunden lang auf, um die verbleibende Akkukapazität anzuzeigen.
- 6 Ziehen Sie den Langhaarschneider gerade vom Rasierer ab (Abb. 23).

Hinweis: Drehen Sie die Schneideeinheit nicht, während Sie sie vom Rasierer abnehmen.

- 7 Stecken Sie die Führung der Schereinheit in den Schlitz oben am Rasierer (1). Drücken Sie die Schereinheit dann nach unten (2), sodass sie mit einem "Klick" auf dem Rasierer einrastet (Abb. 24).

Reinigung und Pflege

Verwenden Sie keine Scheuerschwämme, Scheuermittel oder aggressiven Flüssigkeiten wie Benzin oder Azeton, um das Gerät oder das Jet Clean System zu reinigen.

- Der Rasierer lässt sich am einfachsten und hygienischsten im Jet Clean System reinigen (nur bestimmte Gerätetypen). Sie können ihn jedoch auch unter fließendem Wasser oder mit der im Lieferumfang enthaltenen Reinigungsbürste reinigen.
- Gehen Sie vorsichtig mit heißem Wasser um. Achten Sie darauf, dass das Wasser nicht zu heiß ist und Sie sich nicht die Hände verbrühen.
- Für eine optimale Rasierleistung empfehlen wir, den Rasierer nach jedem Gebrauch zu reinigen.

- Sie können den Rasierer von außen mit einem feuchten Tuch reinigen.
- Regelmäßiges Reinigen des Geräts sorgt für bessere Rasiererergebnisse.

Die Schereinheit reinigen

Gehen Sie vorsichtig mit heißem Wasser um. Achten Sie darauf, dass das Wasser nicht zu heiß ist und Sie sich nicht die Hände verbrühen.

1 Spülen Sie die Schereinheit von außen einige Zeit mit heißem Leitungswasser ab (Abb. 25).

Hinweis: Sie können die Schereinheit auch mit der im Lieferumfang enthaltenen Reinigungsbürste reinigen.

2 Ziehen Sie den Scherkopfhalter vom unteren Teil der Schereinheit ab, und spülen Sie ihn 30 Sekunden lang unter heißem fließendem Wasser ab (Abb. 26).

Hinweis: Sie können den Scherkopfhalter auch mit der im Lieferumfang enthaltenen Reinigungsbürste reinigen.

3 Schütteln Sie überschüssiges Wasser sorgfältig ab, und lassen Sie die Schereinheit trocknen.

Trocknen Sie die Schereinheit niemals mit einem Tuch ab, um Beschädigungen der Scherköpfe zu vermeiden.

4 Befestigen Sie den Scherkopfhalter am unteren Teil der Schereinheit. Er muss hörbar einrasten (Abb. 27).

Die Schereinheit im Jet Clean System reinigen (nur bestimmte Gerätetypen)

Das Jet Clean System verfügt über ein automatisches Reinigungsprogramm. Wenn Sie den Ein-/Ausschalter drücken, startet das Jet Clean System die Reinigung im automatischen Reinigungsprogramm.

Das Jet Clean System für den Gebrauch vorbereiten

Füllen Sie die Reinigungskammer vor dem ersten Gebrauch auf.

1 Stecken Sie den kleinen Stecker in das Jet Clean System.

2 Stecken Sie den Adapter in die Steckdose.

▶ Die Halterung bewegt sich automatisch in die oberste Position.

3 Drücken Sie die Entriegelungstasten auf beiden Seiten der Reinigungskammer (1) gleichzeitig, und heben Sie dann das Jet Clean System von der Reinigungskammer (2). (Abb. 28)

▶ Die Reinigungskammer bleibt stehen.

4 Schrauben Sie die Kappe von der Flasche mit Reinigungsflüssigkeit ab.

5 Füllen Sie die Reinigungskammer mit der Reinigungsflüssigkeit HQ200 bis zu einer Höhe zwischen den beiden Markierungen (Abb. 29).

6 Setzen Sie das Jet Clean System wieder auf die Reinigungskammer (Abb. 30).

Achten Sie darauf, dass die Entriegelungstasten wieder einrasten.

Das Jet Clean System verwenden

Hinweis: Wenn Sie den Rasierer mit Rasierschaum oder -gel verwenden, sollten Sie ihn vor der Reinigung im Jet Clean System unter heißem Leitungswasser abspülen. Dies garantiert eine optimale Lebensdauer der Reinigungsflüssigkeit.

1 Stellen Sie den Rasierer kopfüber in die Halterung, sodass das Display in Richtung der Vorderseite des Jet Clean Systems zeigt (Abb. 18).

2 Drücken Sie den Rasierer fest in die Halterung, bis er einrastet (Abb. 19).

▶ Das Display zeigt an, dass der Rasierer geladen wird (siehe Kapitel "Das Display").

3 Drücken Sie den Ein-/Ausschalter am Jet Clean System, um das Reinigungsprogramm zu starten. (Abb. 31)

▶ Die Ladeanzeige auf dem Display des Rasierers wird ausgeblendet.

▶ Die Reinigungsanzeige blinkt, und der Rasierer wird automatisch in die Reinigungsflüssigkeit getaucht (Abb. 32).

▶ Die Reinigungsanzeige blinkt während des gesamten Reinigungsprogramms, das einige Minuten dauert.

▶ Während der ersten Phase des Reinigungsprogramms schaltet sich der Rasierer mehrmals ein und wieder aus und bewegt sich auf und ab.

▶ Während der zweiten Phase des Reinigungsprogramms befindet sich der Rasierer in der Trockenposition, was durch das blinkende Trocknungssymbol angezeigt wird. Die Phase dauert ca. 2 Stunden. Der Rasierer verbleibt bis zum Ende des Programms in dieser Position. (Abb. 33)

▶ Nach dem Reinigungsprogramm leuchtet die Ladeanzeige auf dem Display des Rasierers (siehe Kapitel "Das Display").

Hinweis: Sollten Sie während des Reinigungsvorgangs den Ein-/Ausschalter am Jet Clean System drücken, wird das Reinigungsprogramm abgebrochen. In diesem Fall hört die Reinigungs- oder Trocknungsanzeige auf zu blinken und die Halterung bewegt sich in die oberste Position.

Hinweis: Wenn Sie während des Reinigungsprogramms den Adapter aus der Steckdose ziehen, wird das Programm abgebrochen. Die Halterung bleibt in der aktuellen Position. Sobald Sie den Adapter wieder in die Steckdose stecken, bewegt sich die Halterung in die oberste Position.

- Sinkt der Füllstand der Reinigungsflüssigkeit unter das vorgegebene Minimum, beginnt das Symbol "Reinigungskammer leer" zu blinken, und die Halterung kehrt in ihre Ausgangsposition zurück (Abb. 34).

- Wenn Sie das Reinigungsgerät zur täglichen Pflege Ihres Rasierers benutzen, sollten Sie die Reinigungskammer etwa alle 15 Tage auffüllen.

Das Jet Clean System reinigen

Reinigen Sie die Reinigungskammer alle 15 Tage.

Sie können die Außenseite des Jet Clean Systems mit einem feuchten Tuch abwischen.

1 Drücken Sie die Entriegelungstasten auf beiden Seiten des Jet Clean Systems (1) gleichzeitig, und heben Sie dann das Jet Clean System von der Reinigungskammer (2). (Abb. 28)

▶ Die Reinigungskammer bleibt stehen.

2 Gießen Sie die restliche Reinigungsflüssigkeit aus der Reinigungskammer. (Abb. 35)

Sie können die Reinigungsflüssigkeit einfach über dem Spülbecken ausgießen.

3 Spülen Sie die Reinigungskammer unter fließendem Wasser aus (Abb. 36).

Die Reinigungskammer ist nicht spülmaschinenfest.

4 Füllen Sie die Reinigungskammer mit der Reinigungsflüssigkeit HQ200 bis zu einer Höhe zwischen den beiden Markierungen (Abb. 29).

5 Setzen Sie das Jet Clean System wieder auf die Reinigungskammer. (Abb. 30)

Achten Sie darauf, dass die Entriegelungstasten wieder einrasten.

Besonders gründliche Reinigungsmethode

Vergewissern Sie sich, dass das Gerät ausgeschaltet ist.

1 Ziehen Sie den Scherkopfhalter vom unteren Teil der Schereinheit ab (Abb. 26).

2 Schieben Sie die grüne Halterung in Richtung der darauf abgebildeten Pfeile (Abb. 37).

3 Nehmen Sie die Halterung aus der Schereinheit. (Abb. 38)

4 Entfernen Sie das Schermesser aus dem Scherkorb (Abb. 39).

Hinweis: Reinigen Sie immer nur ein Schermesser mit dem dazugehörigen Scherkorb, da die Paare jeweils aufeinander eingeschliffen sind. Wenn Sie ein Schermesser versehentlich in den falschen Scherkorb einsetzen, kann es mehrere Wochen dauern, bis wieder die optimale Rasierleistung erreicht wird.

5 Reinigen Sie das Schermesser mit der beiliegenden Reinigungsbürste (Abb. 40).

6 Reinigen Sie die Innenseite des Scherkorbs. (Abb. 41)

7 Setzen Sie nach dem Reinigen das Schermesser mit den Vorsprüngen nach unten wieder in den Scherkorb. (Abb. 42)

8 Setzen Sie die Halterung wieder auf den Scherkopfhalter. (Abb. 43)

9 Er muss hörbar einrasten. (Abb. 44)

10 Befestigen Sie den Scherkopfhalter am unteren Teil der Schereinheit. (Abb. 27)

Den Langhaarschneider reinigen

Reinigen Sie den Langhaarschneider nach jedem Gebrauch.

1 Schalten Sie den Rasierer mit dem befestigten Langhaarschneider ein.

2 Spülen Sie den Langhaarschneider einige Zeit unter heißem fließendem Wasser ab. (Abb. 45)

3 Schalten Sie den Rasierer nach der Reinigung aus.

Tipp: Ölen Sie die Zähne des Langhaarschneiders alle sechs Monate mit einem Tropfen Nähmaschinenöl.

Aufbewahrung

1 Setzen Sie die Schutzkappe auf die Schereinheit, um eine Beschädigung der Scherköpfe zu vermeiden (Abb. 46).

2 Nur bestimmte Gerätetypen: Bewahren Sie den Rasierer in der Tasche auf.

Ersatz

Um eine optimale Rasierleistung zu gewährleisten, empfehlen wir Ihnen, den oberen Teil der Schereinheit alle 12 Monate zu ersetzen. Ersetzen Sie den oberen Teil der Schereinheit nur mit einem Philips Original-Scherkopfhalter RQ11.

1 Ziehen Sie den Scherkopfhalter vom unteren Teil der Schereinheit ab (Abb. 26).

2 Befestigen Sie den neuen Scherkopfhalter am unteren Teil der Schereinheit. Er muss hörbar einrasten (Abb. 27).

Teile bestellen

Die folgenden Teile sind erhältlich:

- Adapter HQ8505
- Philips Scherkopfhalter RQ11
- Philips Reinigungsspray für Scherköpfe HQ110
- Philips Reinigungsflüssigkeit HQ200

Umwelt

- Werfen Sie die Geräte am Ende der Lebensdauer nicht in den normalen Hausmüll. Bringen Sie sie zum Recycling zu einer offiziellen Sammelstelle. Auf diese Weise helfen Sie, die Umwelt zu schonen (Abb. 47).
- Der integrierte Rasierer-Akku enthält Substanzen, die die Umwelt verschmutzen können. Entfernen Sie den Akku, bevor Sie den Rasierer an einer offiziellen Recyclingstelle abgeben. Geben Sie den gebrauchten Akku bei einer offiziellen Batteriesammelstelle ab. Falls Sie beim Entfernen des Akkus Probleme haben, können Sie den Rasierer auch an ein Philips Service-Center geben. Dort wird der Akku herausgenommen und umweltgerecht entsorgt (Abb. 48).

Den Akku aus dem Rasierer entfernen

Nehmen Sie den Akku nur zur Entsorgung des Rasierers heraus. Vergewissern Sie sich, dass der Akku beim Herausnehmen vollständig entladen ist.

Vorsicht: Die Schienen am Akku sind scharf!

1 Entfernen Sie die Rückwand des Rasierers mit einem Schraubendreher.

2 Entfernen Sie den Akku.

Garantie und Kundendienst

Benötigen Sie weitere Informationen oder treten Probleme auf, besuchen Sie bitte die Philips Website (www.philips.com), oder setzen Sie sich mit einem Philips Service-Center in Ihrem Land in Verbindung (Telefonnummer siehe Garantiebeleg). Sollte es in Ihrem Land kein Service-Center geben, wenden Sie sich bitte an Ihren Philips Händler.

Garantieeinschränkungen

Die Scherköpfe (Schermesser und Scherkörbe) unterliegen nicht den Bedingungen der internationalen Garantie, da sie einem normalen Verschleiß ausgesetzt sind.

Fehlerbehebung

In diesem Kapitel sind die häufigsten Probleme aufgeführt, die beim Gebrauch Ihres Geräts auftreten können. Sollten Sie ein Problem mithilfe der nachstehenden Informationen nicht beheben können, wenden Sie sich bitte an das Philips Service-Center in Ihrem Land.

Problem	Mögliche Ursache	Lösung
Der Rasierer rasiert nicht mehr so gut wie bisher.	Die Scherköpfe sind beschädigt oder abgenutzt.	Tauschen Sie den Scherkopfhalter aus (Siehe Kapitel "Ersatz").
	Lange Haare blockieren die Scherköpfe.	Reinigen Sie die Scherköpfe, indem Sie die besonders gründliche Reinigungsmethode anwenden (siehe Kapitel "Reinigung und Pflege").
	Das Jet Clean System hat den Rasierer nicht vollständig gereinigt, weil die Reinigungsflüssigkeit in der Reinigungskammer verunreinigt ist oder der Füllstand zu niedrig ist.	Reinigen Sie den Rasierer gründlich, bevor Sie die Rasur fortsetzen. Falls nötig, reinigen Sie die Reinigungskammer und füllen Sie Flüssigkeit nach (siehe Kapitel "Reinigung und Pflege").
Der Rasierer funktioniert nicht, wenn ich den Ein-/Ausschalter drücke.	Der Akku ist leer.	Laden Sie den Akku auf (siehe Kapitel "Aufladen").
	Die Reisesicherung ist aktiviert.	Halten Sie den Ein-/Ausschalter drei Sekunden lang gedrückt, um die Reisesicherung zu deaktivieren.
	Der Scherkopfhalter ist so stark verschmutzt oder beschädigt, dass der Motor nicht mehr laufen kann.	Reinigen Sie den Scherkopfhalter, oder wechseln Sie ihn aus (siehe Kapitel "Reinigung und Pflege" und "Ersatz").
Der Rasierer ist nach der Reinigung im Jet Clean System nicht richtig sauber.	Möglicherweise ist der Rasierer heiß gelaufen und funktioniert daher nicht.	Lassen Sie den Rasierer abkühlen. Nach entsprechender Abkühlung können Sie den Rasierer wieder einschalten.
	Die Flüssigkeit in der Reinigungskammer ist verunreinigt.	Leeren Sie die Reinigungskammer, und spülen Sie sie aus.
	Der Füllstand der Reinigungsflüssigkeit ist zu niedrig. Sinkt der Flüssigkeitsstand in der Reinigungskammer während des Reinigens unter das Minimum, wird das Reinigungsprogramm abgebrochen. Die Reinigungsanzeige und das Symbol "Reinigungskammer leer" blinken in Abständen, und die Halterung kehrt in ihre Ausgangsstellung zurück.	Füllen Sie Reinigungsflüssigkeit bis zu einer Höhe zwischen den beiden Markierungen nach (siehe Kapitel "Reinigung und Pflege").
	Sie haben eine andere Reinigungsflüssigkeit als die Philips Original-Reinigungsflüssigkeit verwendet.	Verwenden Sie ausschließlich die HQ200 Philips Reinigungsflüssigkeit.
Das Jet Clean System funktioniert nicht, wenn ich den Ein-/Ausschalter drücke.	Das Jet Clean System ist nicht an die Stromversorgung angeschlossen.	Stecken Sie den kleinen Stecker in das Jet Clean System und den Adapter in die Steckdose.
	Es besteht keine elektrische Verbindung zwischen dem Jet Clean System und dem Rasierer.	Drücken Sie den Rasierer fest in die Halterung, bis er einrastet.
Der Rasierer ist nicht vollständig aufgeladen, nachdem ich ihn in der Ladestation/dem Jet Clean System geladen habe.	Sie haben den Rasierer nicht richtig in die Ladestation/ das Jet Clean System eingesetzt.	Drücken Sie den Rasierer hinein, bis er einrastet.

Εισαγωγή

Συγχαρητήρια για την αγορά σας και καλώς ήρθατε στη Philips! Για να επωφεληθείτε πλήρως από την υποστήριξη που παρέχει η Philips, δηλώστε το προϊόν σας στην ιστοσελίδα www.philips.com/welcome. Διαβάστε το παρόν εγχειρίδιο χρήσης που περιέχει πληροφορίες για τα εκπληκτικά χαρακτηριστικά αυτής της ξυριστικής μηχανής, καθώς και συμβουλές για ευκολότερο και πιο ευχάριστο ξύρισμα.

Γενική περιγραφή (Εικ. 1)

- A** Ξυριστική μηχανή (RQ1180/RQ1160/RQ1150)
- 1 Φαβοριτοκόπτης
 - 2 Καπάκι προστασίας
 - 3 Μονάδα ξυρίσματος
 - 4 Ξυριστική μηχανή
 - 5 Κουμπί on/off ξυριστικής μηχανής
 - 6 Οθόνη
- B** Βάση φόρτισης
- C** Μονάδα καθαρισμού και φόρτισης Jet Clean (μόνο σε συγκεκριμένους τύπους)
- 1 Υποδοχή ξυριστικής μηχανής
 - 2 Σύμβολο "άδειου θαλάμου καθαρισμού"
 - 3 Σύμβολο καθαρισμού
 - 4 Σύμβολο στεγνώματος
 - 5 Κουμπί on/off μονάδας καθαρισμού και φόρτισης Jet Clean
 - 6 Κουμπί απασφάλισης θαλάμου καθαρισμού
- D** Βούρτσα καθαρισμού
- E** Καθαριστικό υγρό
- F** Θήκη (μόνο για συγκεκριμένους τύπους)
- G** Τροφοδοτικό

Σημαντικό

Διαβάστε προσεκτικά το παρόν εγχειρίδιο χρήσης προτού χρησιμοποιήσετε τη συσκευή και κρατήστε το για μελλοντική αναφορά.

Σημείωση: Στο παρόν εγχειρίδιο, ο όρος "συσκευές" αναφέρεται στην ξυριστική μηχανή και τη μονάδα καθαρισμού και φόρτισης Jet Clean. Εάν η ξυριστική σας μηχανή δεν διαθέτει μονάδα καθαρισμού και φόρτισης Jet Clean, τότε αναφέρεται μόνο στην ξυριστική μηχανή.

Γενικά**Κίνδυνος**

- Φροντίζετε να μην βραχεί ο μετασχηματιστής (Εικ. 2).

Προειδοποίηση

- Ο μετασχηματιστής περιέχει μετατροπέα. Μην κόψετε το βύσμα του μετασχηματιστή για να το αντικαταστήσετε με άλλο, καθώς αυτό ενέχει κινδύνους.
- Αυτές οι συσκευές δεν προορίζονται για χρήση από άτομα (συμπεριλαμβανομένων των μικρών παιδιών) με περιορισμένες σωματικές, αισθητήριες ή διανοητικές ικανότητες ή από άτομα χωρίς εμπειρία και γνώση, εκτός και εάν τη χρησιμοποιούν υπό επιτήρηση ή έχουν λάβει οδηγίες σχετικά με τη χρήση της συσκευής από άτομο υπεύθυνο για την ασφάλειά τους.
- Τα παιδιά θα πρέπει να επιβλέπονται προκειμένου να διασφαλιστεί ότι δεν θα παίζουν με τη συσκευή.
- Προσέχετε όταν καθαρίζετε τις συσκευές με ζεστό νερό. Ελέγχετε πάντα τη θερμοκρασία του νερού ώστε να μην προκαλέσετε εγκαύματα στα χέρια σας σε περίπτωση που το νερό είναι καυτό.

Προσοχή

- Μην βυθίζετε ποτέ τη μονάδα καθαρισμού και φόρτισης Jet Clean και το φορτιστή σε νερό και μην τα ξεπλένετε στη βρύση.
- Οι συσκευές και τα εξαρτήματα δεν πλένονται στο πλυντήριο πιάτων.
- Τοποθετείτε και χρησιμοποιείτε τις συσκευές πάντα σε αδιάβροχες επιφάνειες.
- Χρησιμοποιείτε, φορτίζετε και αποθηκεύετε τις συσκευές σε θερμοκρασία μεταξύ 5°C και 35°C.
- Χρησιμοποιείτε μόνο τα παρεχόμενα εξαρτήματα.
- Ο μετασχηματιστής μετατρέπει τα 100-240 V σε ασφαλή χαμηλή τάση, μικρότερη των 24 V.
- Μην χρησιμοποιείτε τις συσκευές σε περίπτωση που έχουν υποστεί βλάβη.
- Εάν ο μετασχηματιστής ή οποιοδήποτε άλλο εξάρτημα έχει υποστεί βλάβη, θα πρέπει να αντικατασταθεί μόνο με γνήσιο ανταλλακτικό προς αποφυγή κινδύνου.
- Ενδέχεται να τρέξει νερό από την υποδοχή στο κάτω μέρος της συσκευής όταν την ξεπλένετε. Αυτό είναι φυσιολογικό και ακίνδυνο, καθώς όλα τα ηλεκτρονικά κυκλώματα περικλείονται σε σφραγισμένη μονάδα τροφοδοσίας μέσα στην ξυριστική μηχανή.

Μονάδα καθαρισμού και φόρτισης Jet Clean (μόνο σε συγκεκριμένους τύπους)**Προσοχή**

- Χρησιμοποιείτε τη μονάδα καθαρισμού και φόρτισης Jet Clean μόνο με το γνήσιο υγρό καθαρισμού HQ200.
- Τοποθετείτε πάντα τη μονάδα καθαρισμού και φόρτισης Jet Clean σε σταθερή, επίπεδη και οριζόντια επιφάνεια για να αποφύγετε τις διαρροές.
- Μην βυθίζετε ποτέ τη μονάδα καθαρισμού και φόρτισης Jet Clean σε νερό.
- Κάθε 15 ημέρες να αδειάζετε το θάλαμο καθαρισμού και να τον καθαρίζετε σχολαστικά ξεπλένοντας τον με ζεστό νερό βρύσης.
- Η μονάδα καθαρισμού και φόρτισης Jet Clean καθαρίζει σχολαστικά αλλά δεν απολυμαίνει την ξυριστική μηχανή σας, επομένως, μην χρησιμοποιείτε την ξυριστική μηχανή από κοινού με τρίτους.
- Ο θάλαμος καθαρισμού της μονάδας καθαρισμού και φόρτισης Jet Clean δεν πλένεται στο πλυντήριο πιάτων.
- Όταν η μονάδα καθαρισμού και φόρτισης Jet Clean είναι έτοιμη για χρήση, δεν θα πρέπει να μετακινείται για να αποτραπεί η διαρροή του υγρού καθαρισμού.

Συμμόρφωση με πρότυπα

- Η συγκεκριμένη ξυριστική μηχανή συμμορφώνεται με τους διεθνώς εγκεκριμένους κανονισμούς ασφαλείας και μπορεί να χρησιμοποιηθεί με ασφάλεια στο μπάνιο ή το ντους, καθώς και να καθαριστεί με νερό βρύσης (Εικ. 3).

- Οι συγκεκριμένες συσκευές της Philips συμμορφώνονται με όλα τα πρότυπα που αφορούν τα ηλεκτρομαγνητικά πεδία (EMF). Εφόσον γίνεται σωστός χειρισμός και σύμφωνα με τις οδηγίες του παρόντος εγχειριδίου σημαντικών πληροφοριών και του φυλλαδίου πληροφοριών χρήσης που περιλαμβάνονται στη συσκευασία της ξυριστικής μηχανής, οι συσκευές είναι ασφαλείς στη χρήση βάσει των επιστημονικών αποδείξεων που είναι διαθέσιμες μέχρι σήμερα.

Η οθόνη

Σημείωση: Πριν χρησιμοποιήσετε την ξυριστική μηχανή για πρώτη φορά, αφαιρέστε την προστατευτική μεμβράνη από την οθόνη.

Οι τρεις τύποι ξυριστικών μηχανών (RQ1180, RQ1160 και RQ1150) έχουν διαφορετικές οθόνες, οι οποίες εμφανίζονται στις παρακάτω εικόνες:

- RQ1180 (Εικ. 4)
- RQ1160 (Εικ. 5)
- RQ1150 (Εικ. 6)

Φόρτιση

- Η φόρτιση διαρκεί περίπου 1 ώρα.

RQ1180

- Όταν η ξυριστική μηχανή φορτίζεται, στην αρχή αναβοσβήνει η κάτω λυχνία φόρτισης, στη συνέχεια η δεύτερη λυχνία φόρτισης κ.ο.κ. μέχρι να φορτιστεί πλήρως η ξυριστική μηχανή (Εικ. 7).
- Γρήγορη φόρτιση: Όταν η ξυριστική μηχανή διαθέτει αρκετή ενέργεια για ένα ξύρισμα, η κάτω λυχνία φόρτισης αναβοσβήνει εναλλάξ με πορτοκαλί και λευκό χρώμα.

RQ1160/RQ1150

- Όταν η ξυριστική μηχανή φορτίζεται, αναβοσβήνει το σύμβολο μπαταρίας μέχρι να φορτιστεί πλήρως η μηχανή. (Εικ. 8)
- Γρήγορη φόρτιση: Όταν η ξυριστική μηχανή διαθέτει αρκετή ενέργεια για ένα ξύρισμα, αναβοσβήνουν εναλλάξ το σύμβολο φισ και το σύμβολο μπαταρίας.

Σημείωση: Οι οθόνες των τύπων RQ1160 και RQ1150 έχουν διαφορετική εμφάνιση, αλλά λειτουργούν με ακριβώς τον ίδιο τρόπο.

Μπαταρία πλήρως φορτισμένη

RQ1180

- Όταν η μπαταρία φορτιστεί πλήρως, ανάβουν συνεχόμενα όλες οι λυχνίες φόρτισης. Μετά από περίπου 30 λεπτά, η οθόνη σβήνει ξανά αυτόματα. (Εικ. 9)

RQ1160/RQ1150

- Όταν η μπαταρία φορτιστεί πλήρως, ανάβει συνεχόμενα το σύμβολο μπαταρίας. Μετά από περίπου 30 λεπτά, η οθόνη σβήνει ξανά αυτόματα. (Εικ. 10)

Σημείωση: Οι οθόνες των τύπων RQ1160 και RQ1150 έχουν διαφορετική εμφάνιση, αλλά λειτουργούν με ακριβώς τον ίδιο τρόπο.

Χαμηλό επίπεδο μπαταρίας

RQ1180

- Όταν η μπαταρία είναι σχεδόν άδεια (όταν έχουν απομείνει μόνο 5 ή λιγότερα λεπτά ξυρίσματος), αναβοσβήνει με πορτοκαλί χρώμα η κάτω λυχνία φόρτισης. (Εικ. 11)
- Όταν απενεργοποιείτε την ξυριστική μηχανή, η κάτω λυχνία φόρτισης συνεχίζει να αναβοσβήνει για λίγα δευτερόλεπτα.

RQ1160/RQ1150

- Όταν η μπαταρία είναι σχεδόν άδεια (όταν έχουν απομείνει μόνο 5 ή λιγότερα λεπτά ξυρίσματος), αναβοσβήνει το σύμβολο φισ (Εικ. 12).
- Όταν απενεργοποιείτε την ξυριστική μηχανή, το σύμβολο φισ συνεχίζει να αναβοσβήνει για λίγα δευτερόλεπτα.

Σημείωση: Οι οθόνες των τύπων RQ1160 και RQ1150 έχουν διαφορετική εμφάνιση, αλλά λειτουργούν με ακριβώς τον ίδιο τρόπο.

Υπολειπόμενη ισχύς μπαταρίας

RQ1180

- Η υπολειπόμενη ισχύς της μπαταρίας υποδεικνύεται από τον αριθμό των λυχνιών φόρτισης που είναι αναμμένες. (Εικ. 13)

Κλειδώμα ταξιδιού

Όταν πρόκειται να ταξιδέψετε μπορείτε να κλειδώσετε τη συσκευή. Το κλειδώμα ταξιδιού αποτρέπει την ακούσια ενεργοποίηση της ξυριστικής μηχανής.

Ενεργοποίηση του κλειδώματος ταξιδιού

- 1 Πιέστε το κουμπί on/off για 3 δευτερόλεπτα για μετάβαση στη λειτουργία κλειδώματος ταξιδιού (Εικ. 14).
- ▶ Το σύμβολο κλειδώματος ανάβει στην οθόνη. -tekening- (Εικ. 15)

Σημείωση: Οι οθόνες των τύπων RQ1180, RQ1160 και RQ1150 έχουν διαφορετική εμφάνιση, αλλά λειτουργούν με ακριβώς τον ίδιο τρόπο.

Απενεργοποίηση του κλειδώματος ταξιδιού

- 1 Πιέστε το κουμπί on/off για 3 δευτερόλεπτα.
- ▶ Το μοτέρ αρχίζει να λειτουργεί υποδεικνύοντας ότι το κλειδώμα ταξιδιού έχει απενεργοποιηθεί.

Η ξυριστική μηχανή είναι και πάλι έτοιμη για χρήση.

Σημείωση: Όταν τοποθετείτε την ξυριστική μηχανή στη βάση φόρτισης ή τη μονάδα καθαρισμού και φόρτισης Jet Clean, εφόσον τροφοδοτούνται με ρεύμα, το κλειδώμα ταξιδιού απενεργοποιείται αυτόματα.

Φόρτιση

Η φόρτιση διαρκεί περίπου 1 ώρα.

RQ1180/RQ1160: Μια πλήρως φορτισμένη ξυριστική μηχανή διαθέτει έως και 50 λεπτά/15 ημέρες αυτονομίας.

RQ1150: Μια πλήρως φορτισμένη ξυριστική μηχανή διαθέτει έως και 40 λεπτά/12 ημέρες αυτονομίας.

Φορτίστε την ξυριστική μηχανή πριν από την πρώτη χρήση και όταν εμφανίζεται στην οθόνη η ένδειξη που υποδεικνύει ότι η μπαταρία έχει σχεδόν εξαντληθεί (ανατρέξτε στην ενότητα “Χαμηλή ισχύς μπαταρίας” στο κεφάλαιο “Η οθόνη”).

Γρήγορη φόρτιση

Η ξυριστική μηχανή διαθέτει αρκετή ενέργεια για ένα ξύρισμα, μετά από φόρτιση 5 λεπτών.

Φόρτιση στη βάση φόρτισης

- 1 Συνδέστε το μικρό βύσμα στη βάση φόρτισης (Εικ. 16).
- 2 Συνδέστε το μετασχηματιστή στην πρίζα.
- 3 Τοποθετήστε την ξυριστική μηχανή στη βάση φόρτισης(1) και σπρώξτε την προς τα πίσω (2) (μέχρι να “κουμπώσει” στη θέση της). (Εικ. 17)
- ▶ Η οθόνη δείχνει ότι η ξυριστική μηχανή φορτίζεται (ανατρέξτε στο κεφάλαιο “Η οθόνη”).

Φόρτιση στη μονάδα καθαρισμού και φόρτισης Jet Clean (μόνο σε συγκεκριμένους τύπους)

- 1 Συνδέστε το μικρό βύσμα στη μονάδα καθαρισμού και φόρτισης Jet Clean.
- 2 Συνδέστε το μετασχηματιστή στην πρίζα.
- 3 Τοποθετήστε την ξυριστική μηχανή ανάποδα μέσα στην υποδοχή με την οθόνη στραμμένη προς το μπροστινό μέρος της μονάδας καθαρισμού και φόρτισης (Εικ. 18).

Σημείωση: Μόνο στον τύπο RQ1180: όταν αναποδογυρίζετε την ξυριστική μηχανή, γυρίζει και η ένδειξη μπαταρίας στην οθόνη, ώστε να μπορείτε και πάλι να βλέπετε το επίπεδο φόρτισης της μπαταρίας.

- 4 Πιέστε καλά την ξυριστική μηχανή μέσα στην υποδοχή για να “κουμπώσει” στη θέση της (Εικ. 19).

Σημείωση: Δεν είναι δυνατή η τοποθέτηση της ξυριστικής μηχανής στη μονάδα καθαρισμού και φόρτισης Jet Clean όταν το καπάκι προστασίας βρίσκεται πάνω στη μονάδα ξυρίσματος ή όταν το τρίμερ είναι τοποθετημένο στην ξυριστική μηχανή.

- ▶ Η οθόνη δείχνει ότι η ξυριστική μηχανή φορτίζεται (ανατρέξτε στο κεφάλαιο “Η οθόνη”).

Χρήση της ξυριστικής μηχανής

Ξύρισμα

- 1 Πιέστε μία φορά το κουμπί on/off για να ενεργοποιήσετε την ξυριστική μηχανή.
 - ▶ RQ1180: Η οθόνη φωτίζεται για λίγα δευτερόλεπτα.
- 2 Μετακινήστε τις ξυριστικές κεφαλές επάνω στο δέρμα σας. Κάντε κυκλικές κινήσεις (Εικ. 20).
 - Μην κάνετε ευθείες κινήσεις.
 - Το δέρμα σας ενδέχεται να χρειαστεί διάστημα 2 ή 3 εβδομάδων μέχρι να συνηθίσει το σύστημα ξυρίσματος της Philips.
- 3 Πιέστε μία φορά το κουμπί on/off για να απενεργοποιήσετε την ξυριστική μηχανή.
 - ▶ RQ1180: Η οθόνη φωτίζεται για λίγα δευτερόλεπτα και, στη συνέχεια, εμφανίζει την υπολειπόμενη ισχύ της μπαταρίας.

Ξύρισμα σε βρεγμένο δέρμα

Μπορείτε να χρησιμοποιήσετε αυτήν την ξυριστική μηχανή σε βρεγμένο δέρμα με αφρό ή τζελ ξυρίσματος. Για ξύρισμα με αφρό ή τζελ ξυρίσματος, ακολουθήστε τα παρακάτω βήματα:

- 1 Βρέξτε με λίγο νερό το πρόσωπό σας.
 - 2 Απλώστε αφρό ή τζελ ξυρίσματος στην επιδερμίδα σας.
 - 3 Ξεπλύνετε τη μονάδα ξυρίσματος με νερό βρύσης για να εξασφαλιστεί ότι η ξυριστική μηχανή θα γλιστράει ομαλά πάνω στο δέρμα σας.
 - 4 Πιέστε μία φορά το κουμπί on/off για να ενεργοποιήσετε την ξυριστική μηχανή.
 - 5 Μετακινήστε πάνω στο δέρμα σας τις κεφαλές ξυρίσματος με κυκλικές κινήσεις.
- Σημείωση: Ξεπλύνετε τακτικά την ξυριστική μηχανή με νερό βρύσης για να εξασφαλιστεί η συνεχής ομαλή κύλιση της πάνω στο δέρμα σας.
- 6 Σκουπίστε με μια πετσέτα το πρόσωπό σας και καθαρίζετε σχολαστικά την ξυριστική μηχανή μετά από κάθε χρήση (ανατρέξτε στο κεφάλαιο “Καθαρισμός και συντήρηση”).

Σημείωση: Φροντίστε να απομακρύνετε εντελώς με άφθονο νερό τα υπολείμματα αφρού ή τζελ ξυρίσματος από την ξυριστική μηχανή.

Κοπή

Μπορείτε να χρησιμοποιήσετε το τρίμερ για να περιποιηθείτε τις φαβορίτες και το μουστάκι σας.

- 1 Τραβήξτε τη μονάδα ξυρίσματος από την ξυριστική μηχανή (Εικ. 21).
- Σημείωση: Μην περιστρέψετε τη μονάδα ξυρίσματος ενώ την τραβάτε από την ξυριστική μηχανή.
- 2 Εισαγάγετε την προεξοχή του τρίμερ μέσα στην υποδοχή στο επάνω μέρος της ξυριστικής μηχανής (1). Στη συνέχεια, πιέστε το τρίμερ προς τα κάτω (2) για να το συνδέσετε στην ξυριστική μηχανή (μέχρι να “κουμπώσει” στη θέση του) (Εικ. 22).
 - 3 Πιέστε μία φορά το κουμπί on/off για να ενεργοποιήσετε το τρίμερ.
 - ▶ RQ1180: Η οθόνη φωτίζεται για λίγα δευτερόλεπτα.
 - 4 Τώρα μπορείτε να ξεκινήσετε το τρίμαρισμα.
 - 5 Πιέστε μία φορά το κουμπί on/off για να απενεργοποιήσετε το τρίμερ.
 - ▶ RQ1180: Η οθόνη φωτίζεται για λίγα δευτερόλεπτα για να δείξει την υπολειπόμενη ισχύ της μπαταρίας.
 - 6 Τραβήξτε με μία κίνηση το τρίμερ από την ξυριστική μηχανή (Εικ. 23).

Σημείωση: Μην περιστρέψετε τη μονάδα κοπής ενώ την τραβάτε από την ξυριστική μηχανή.

- 7** Εισαγάγετε την προεξοχή της μονάδας ξυρίσματος μέσα στην υποδοχή στο επάνω μέρος της ξυριστικής μηχανής (1). Στη συνέχεια, πιέστε τη μονάδα ξυρίσματος προς τα κάτω (2) για να τη συνδέσετε στην ξυριστική μηχανή (μέχρι να “κουμπώσει” στη θέση της) (Εικ. 24).

Καθαρισμός και συντήρηση

Μην χρησιμοποιείτε ποτέ συρμάτινα σφουγγαράκια, σπλιβωτικά καθαριστικά ή σκληρά υγρά όπως πετρέλαιο ή ασετόν, για να καθαρίσετε τη συσκευή και τη μονάδα καθαρισμού και φόρτισης Jet Clean.

- Ο καλύτερος και πιο υγιεινός τρόπος καθαρισμού της ξυριστικής μηχανής είναι στη μονάδα καθαρισμού και φόρτισης Jet Clean (μόνο σε συγκεκριμένους τύπους). Μπορείτε επίσης να ξεπλύνετε την ξυριστική μηχανή με νερό βρύσης ή να την καθαρίσετε με το παρεχόμενο βουρτσάκι καθαρισμού.
- Προσέχετε όταν καθαρίζετε τις συσκευές με ζεστό νερό. Ελέγχετε πάντα τη θερμοκρασία του νερού ώστε να μην προκαλέσετε εγκαύματα στα χέρια σας σε περίπτωση που το νερό είναι καυτό.
- Καθαρίζετε την ξυριστική μηχανή μετά από κάθε ξύρισμα για άριστη απόδοση στο ξύρισμα.
- Μπορείτε να καθαρίσετε το εξωτερικό μέρος της ξυριστικής μηχανής με ένα υγρό πανί.
- Ο τακτικός καθαρισμός εγγυάται καλύτερη απόδοση στο ξύρισμα.

Καθαρισμός της μονάδας ξυρίσματος

Προσέχετε όταν καθαρίζετε τις συσκευές με ζεστό νερό. Ελέγχετε πάντα τη θερμοκρασία του νερού ώστε να μην προκαλέσετε εγκαύματα στα χέρια σας σε περίπτωση που το νερό είναι καυτό.

- 1** Ξεπλύνετε τη μονάδα ξυρίσματος με ζεστό νερό βρύσης για λίγη ώρα (Εικ. 25).

Σημείωση: Μπορείτε επίσης να καθαρίσετε τη μονάδα ξυρίσματος με το παρεχόμενο βουρτσάκι καθαρισμού.

- 2** Τραβήξτε την υποδοχή των ξυριστικών κεφαλών από το κάτω μέρος της μονάδας ξυρίσματος και ξεπλύνετε τη με νερό βρύσης για 30 δευτερόλεπτα (Εικ. 26).

Σημείωση: Μπορείτε επίσης να καθαρίσετε την υποδοχή των ξυριστικών κεφαλών με το παρεχόμενο βουρτσάκι καθαρισμού.

- 3** Τινάζτε προσεκτικά για να απομακρύνετε το περιττό νερό και αφήστε τη μονάδα ξυρίσματος να στεγνώσει.

Μην στεγνώνετε ποτέ τη μονάδα ξυρίσματος με πετσέτα ή χαρτομάντιλο, καθώς αυτό μπορεί να προκαλέσει βλάβη στις ξυριστικές κεφαλές.

- 4** Επανασυνδέστε την υποδοχή των ξυριστικών κεφαλών στο κάτω μέρος της μονάδας ξυρίσματος (μέχρι να “κουμπώσει” στη θέση της) (Εικ. 27).

Καθαρισμός της μονάδας ξυρίσματος στη μονάδα καθαρισμού και φόρτισης Jet Clean (μόνο σε συγκεκριμένους τύπους)

Η μονάδα καθαρισμού και φόρτισης Jet Clean διαθέτει ένα αυτόματο πρόγραμμα καθαρισμού. Όταν πιέζετε το κουμπί on/off, η μονάδα καθαρισμού και φόρτισης Jet Clean ξεκινά τον καθαρισμό με ενεργοποιημένο το αυτόματο πρόγραμμα καθαρισμού.

Προετοιμασία της μονάδας καθαρισμού και φόρτισης Jet Clean για χρήση

Γεμίστε το θάλαμο καθαρισμού πριν από την πρώτη χρήση.

- 1** Συνδέστε το μικρό βύσμα στη μονάδα καθαρισμού και φόρτισης Jet Clean.

- 2** Συνδέστε το μετασχηματιστή στην πρίζα.

► Η υποδοχή μετακινείται αυτόματα στην υψηλότερη θέση.

- 3** Πιέστε ταυτόχρονα τα κουμπιά απασφάλισης και στις δύο πλευρές του θαλάμου καθαρισμού (1). Στη συνέχεια, αφαιρέστε τη μονάδα καθαρισμού και φόρτισης Jet Clean από το θάλαμο καθαρισμού (2). (Εικ. 28)

► Ο θάλαμος καθαρισμού χωρίζεται από το υπόλοιπο.

- 4** Ξεβιδώστε το καπάκι από τη φιάλη με το υγρό καθαρισμού.

- 5** Γεμίστε το θάλαμο καθαρισμού με το υγρό καθαρισμού HQ200 μεταξύ των δύο σημείων ένδειξης στάθμης (Εικ. 29).

- 6** Τοποθετήστε ξανά τη μονάδα καθαρισμού και φόρτισης Jet Clean στο θάλαμο καθαρισμού (Εικ. 30).

Βεβαιωθείτε ότι τα κουμπιά απασφάλισης επανέρχονται στη θέση τους.

Χρήση της μονάδας καθαρισμού και φόρτισης Jet Clean

Σημείωση: Σε περίπτωση που χρησιμοποιείτε την ξυριστική μηχανή με αφρό ή τζελ ξυρίσματος, σας συνιστούμε να την ξεπλύνετε με ζεστό νερό βρύσης πριν να την καθαρίσετε με τη μονάδα καθαρισμού και φόρτισης Jet Clean. Αυτή η διαδικασία εξασφαλίζει την παρατεταμένη διάρκεια ζωής του υγρού καθαρισμού.

- 1** Τοποθετήστε την ξυριστική μηχανή ανάποδα μέσα στην υποδοχή με την οθόνη στραμμένη προς το μπροστινό μέρος της μονάδας καθαρισμού και φόρτισης (Εικ. 18).

- 2** Πιέστε καλά την ξυριστική μηχανή μέσα στην υποδοχή για να “κουμπώσει” στη θέση της (Εικ. 19).

► Η οθόνη δείχνει ότι η ξυριστική μηχανή φορτίζεται (ανατρέξτε στο κεφάλαιο “Η οθόνη”).

- 3** Πιέστε το κουμπί on/off στη μονάδα καθαρισμού και φόρτισης Jet Clean για να ξεκινήσει το πρόγραμμα καθαρισμού. (Εικ. 31)

► Στην οθόνη της ξυριστικής μηχανής δεν εμφανίζεται πλέον η ένδειξη της φόρτισης.

► Η λυχνία καθαρισμού αρχίζει να αναβοσβήνει και η ξυριστική μηχανή βυθίζεται αυτόματα στο υγρό καθαρισμού (Εικ. 32).

► Η λυχνία καθαρισμού αναβοσβήνει καθ' όλη τη διάρκεια του προγράμματος καθαρισμού, το οποίο διαρκεί μερικά λεπτά.

► Κατά τη διάρκεια της πρώτης φάσης του προγράμματος καθαρισμού, η ξυριστική μηχανή ενεργοποιείται και απενεργοποιείται αυτόματα αρκετές φορές και τίθεται σε διαφορετικές θέσεις.

► Κατά τη διάρκεια της δεύτερης φάσης του προγράμματος καθαρισμού, η ξυριστική μηχανή τίθεται στη θέση στεγνώματος, που υποδεικνύεται από το σύμβολο στεγνώματος που αναβοσβήνει. Αυτή η φάση διαρκεί περίπου 2 ώρες. Η ξυριστική μηχανή παραμένει σε αυτήν τη θέση μέχρι το τέλος του προγράμματος. (Εικ. 33)

► Μετά το πρόγραμμα καθαρισμού, η ένδειξη φόρτισης εμφανίζεται στην οθόνη της ξυριστικής μηχανής (δείτε το κεφάλαιο “Η οθόνη”).

Σημείωση: Εάν πιέσετε το κουμπί on/off της μονάδας καθαρισμού και φόρτισης Jet Clean κατά τη διάρκεια του προγράμματος καθαρισμού, το πρόγραμμα διακόπτεται. Σε αυτήν την περίπτωση, η λυχνία καθαρισμού ή στεγνώματος σταματά να αναβοσβήνει και η υποδοχή μετακινείται στην υψηλότερη θέση.

Σημείωση: Εάν αποσυνδέσετε το μετασχηματιστή από την πρίζα κατά τη διάρκεια του προγράμματος καθαρισμού, το πρόγραμμα διακόπτεται. Η υποδοχή θα παραμείνει στην τρέχουσα θέση της. Μετά την επανασύνδεση του μετασχηματιστή στην πρίζα, η υποδοχή μετακινείται στην υψηλότερη θέση.

- Όταν το υγρό καθαρισμού πέφτει κάτω από την ελάχιστη στάθμη, αρχίζει να αναβοσβήνει το σύμβολο "άδειου θαλάμου καθαρισμού" και η υποδοχή μετακινείται στην αρχική της θέση (Εικ. 34).
- Εάν χρησιμοποιείτε τη μονάδα καθαρισμού και φόρτισης καθημερινά για τον καθαρισμό της ζυριστικής σας μηχανής, πρέπει να ξαναγεμίζετε το θάλαμο καθαρισμού κάθε 15 ημέρες περίπου.

Χρήση της μονάδας καθαρισμού και φόρτισης Jet Clean

Καθαρίζετε το θάλαμο καθαρισμού κάθε 15 ημέρες.

Μπορείτε να καθαρίσετε την εξωτερική επιφάνεια της μονάδας καθαρισμού και φόρτισης Jet Clean με ένα υγρό πανί.

- 1** Πιέστε ταυτόχρονα τα κουμπιά απασφάλισης και στις δύο πλευρές της μονάδας καθαρισμού και φόρτισης Jet Clean (1). Στη συνέχεια, αφαιρέστε τη μονάδα καθαρισμού και φόρτισης Jet Clean από το θάλαμο καθαρισμού (2). (Εικ. 28)
- ▶ Ο θάλαμος καθαρισμού χωρίζεται από το υπόλοιπο.

- 2** Αδειάστε το υγρό καθαρισμού που έχει απομείνει στο θάλαμο καθαρισμού. (Εικ. 35)

Μπορείτε απλώς να αδειάσετε το υγρό καθαρισμού στο νεροχύτη.

- 3** Ξεπλύνετε το θάλαμο καθαρισμού με νερό βρύσης (Εικ. 36).

Ο θάλαμος καθαρισμού δεν πλένεται στο πλυντήριο πιάτων.

- 4** Γεμίστε το θάλαμο καθαρισμού με το υγρό καθαρισμού HQ200 μεταξύ των δύο σημείων ένδειξης στάθμης (Εικ. 29).

- 5** Τοποθετήστε ξανά τη μονάδα καθαρισμού και φόρτισης Jet Clean στο θάλαμο καθαρισμού. (Εικ. 30)

Βεβαιωθείτε ότι τα κουμπιά απασφάλισης επανέρχονται στη θέση τους.

Μέθοδος εξαιρετικά σχολαστικού καθαρισμού

Βεβαιωθείτε ότι η συσκευή είναι απενεργοποιημένη.

- 1** Τραβήξτε την υποδοχή των ζυριστικών κεφαλών από το κάτω μέρος της μονάδας ζυρίσματος (Εικ. 26).
- 2** Σύρετε το πράσινο πλαίσιο συγκράτησης προς την κατεύθυνση που υποδεικνύουν τα βέλη του πλαισίου (Εικ. 37).
- 3** Σηκώστε το πλαίσιο συγκράτησης και αφαιρέστε το από την υποδοχή των ζυριστικών κεφαλών. (Εικ. 38)
- 4** Αφαιρέστε τον κόπτη από τον οδηγό ζυρίσματος (Εικ. 39).

Σημείωση: Μην καθαρίζετε πάνω από έναν κόπτη και οδηγό τη φορά, αφού αποτελούν σετ μεταξύ τους. Σε περίπτωση που τοποθετήσετε έναν κόπτη σε λάθος οδηγό ζυρίσματος, ενδέχεται να μεσολαβήσει διάστημα αρκετών εβδομάδων μέχρι να αποκατασταθεί η άριστη απόδοση στο ζύρισμα.

- 5** Καθαρίστε τον κόπτη με το παρεχόμενο βουρτσάκι καθαρισμού (Εικ. 40).

- 6** Καθαρίστε το εσωτερικό του οδηγού ζυρίσματος. (Εικ. 41)

- 7** Μετά τον καθαρισμό, τοποθετήστε ξανά τον κόπτη στον οδηγό ζυρίσματος με τις προεξοχές του κόπτη στραμμένες προς τα κάτω. (Εικ. 42)

- 8** Επανατοποθετήστε το πλαίσιο συγκράτησης στην υποδοχή των ζυριστικών κεφαλών. (Εικ. 43)

- 9** Σύρετε ξανά τον οδηγό στη θέση του (μέχρι να "κουμπώσει"). (Εικ. 44)

- 10** Επανασυνδέστε την υποδοχή των ζυριστικών κεφαλών στο κάτω μέρος της μονάδας ζυρίσματος. (Εικ. 27)

Καθαρισμός του τρίμερ

Καθαρίζετε το τρίμερ μετά από κάθε χρήση του.

- 1** Ενεργοποιήστε την ζυριστική μηχανή ενώ έχετε συνδεδεμένο πάνω σε αυτήν το τρίμερ.
- 2** Ξεπλύνετε τη μονάδα ζυρίσματος με ζεστό νερό βρύσης για λίγη ώρα. (Εικ. 45)
- 3** Μετά από τον καθαρισμό, απενεργοποιήστε την ζυριστική μηχανή.

Συμβουλή: Για βέλτιστη απόδοση του τρίμερ, λιπαίνετε τα δοντάκια του με μια σταγόνα από λάδι ραπτομηχανής κάθε έξι μήνες.

Συστήματα αποθήκευσης

- 1** Τοποθετήστε το προστατευτικό κάλυμμα στη μονάδα ζυρίσματος προς αποφυγή πρόκλησης ζημιάς στις ζυριστικές κεφαλές (Εικ. 46).
- 2** Μόνο για συγκεκριμένους τύπους: Φυλάσσετε την ζυριστική μηχανή στην παρεχόμενη θήκη.

Αντικατάσταση

Για μέγιστη απόδοση στο ζύρισμα, σας συμβουλεύουμε να αντικαθιστάτε το πάνω μέρος της μονάδας ζυρίσματος κάθε χρόνο. Αντικαθιστάτε το πάνω μέρος της μονάδας ζυρίσματος μόνο με γνήσια υποδοχή ζυριστικών κεφαλών RQ11 της Philips.

- 1** Τραβήξτε την υποδοχή των ζυριστικών κεφαλών από το κάτω μέρος της μονάδας ζυρίσματος (Εικ. 26).
- 2** Συνδέστε τη νέα υποδοχή ζυριστικών κεφαλών στο κάτω μέρος της μονάδας ζυρίσματος (μέχρι να "κουμπώσει" στη θέση της) (Εικ. 27).

Παραγγελία εξαρτημάτων

Διατίθενται τα εξής εξαρτήματα:

- Μετασχηματιστής HQ8505
- Υποδοχή ξυριστικών κεφαλών RQ11 της Philips
- Σπρέι καθαρισμού ξυριστικών κεφαλών HQ110 της Philips
- Υγρό καθαρισμού HQ200 της Philips

Περιβάλλον

- Στο τέλος της ζωής της συσκευής, μην την πετάξετε μαζί με τα συνηθισμένα απορρίμματα του σπιτιού σας, αλλά παραδώστε την σε ένα επίσημο σημείο συλλογής για ανακύκλωση. Με αυτόν τον τρόπο, θα βοηθήσετε στην προστασία του περιβάλλοντος (Εικ. 47).
- Η ενσωματωμένη επαναφορτιζόμενη μπαταρία της ξυριστικής μηχανής περιέχει ουσίες που ενδέχεται να μολύνουν το περιβάλλον. Αφαιρείτε πάντα την μπαταρία προτού απορρίψετε ή παραδώσετε την ξυριστική μηχανή σε ένα επίσημο σημείο συλλογής. Απορρίψτε την μπαταρία σε ένα επίσημο σημείο συλλογής για μπαταρίες. Εάν αντιμετωπίσετε δυσκολία στην αφαίρεση της μπαταρίας, μπορείτε να απευθυνθείτε σε ένα εξουσιοδοτημένο κέντρο σέρβις της Philips, όπου θα αφαιρέσουν την μπαταρία για εσάς και θα την απορρίψουν με τρόπο ασφαλή για το περιβάλλον (Εικ. 48).

Αφαίρεση της επαναφορτιζόμενης μπαταρίας της ξυριστικής μηχανής

Αφαιρέστε την επαναφορτιζόμενη μπαταρία μόνο όταν πρόκειται να απορρίψετε τη συσκευή. Βεβαιωθείτε ότι η μπαταρία είναι εντελώς άδεια όταν πρόκειται να την αφαιρέσετε.

Να είστε προσεκτικοί καθώς οι επαφές της μπαταρίας είναι κοφτερές.

- 1** Αφαιρέστε το οπίσθιο τμήμα της ξυριστικής μηχανής με ένα κατσαβίδι.
- 2** Αφαιρέστε την επαναφορτιζόμενη μπαταρία.

Εγγύηση και σέρβις

Εάν χρειάζεστε σέρβις ή πληροφορίες ή εάν αντιμετωπίζετε κάποιο πρόβλημα, επισκεφτείτε την ιστοσελίδα της Philips στη διεύθυνση www.philips.com ή επικοινωνήστε με το Κέντρο Εξυπηρέτησης Καταναλωτών της Philips στη χώρα σας (θα βρείτε το τηλέφωνο στο φυλλάδιο διεθνούς εγγύησης). Εάν δεν υπάρχει Κέντρο Εξυπηρέτησης Καταναλωτών στη χώρα σας, απευθυνθείτε στον τοπικό σας αντιπρόσωπο της Philips.

Περιορισμοί εγγύησης

Οι ξυριστικές κεφαλές (κόπτες και οδηγοί ξυρίσματος) δεν καλύπτονται από τους όρους της διεθνούς εγγύησης καθώς υπόκεινται σε φθορά.

Αντιμετώπιση προβλημάτων

Αυτό το κεφάλαιο συνοψίζει τα πιο συνηθισμένα προβλήματα που μπορεί να αντιμετωπίσετε με τη συσκευή σας. Εάν δεν μπορείτε να επιλύσετε το πρόβλημα βάσει των παρακάτω πληροφοριών, επικοινωνήστε με το Κέντρο Εξυπηρέτησης Καταναλωτών στη χώρα σας.

Πρόβλημα	Πιθανή αιτία	Λύση
Η ξυριστική μηχανή δεν ξυρίζει τόσο καλά όσο παλαιότερα.	Οι ξυριστικές κεφαλές έχουν υποστεί βλάβη ή έχουν φθαρεί.	Αντικαταστήστε την υποδοχή ξυριστικών κεφαλών (ανατρέξτε στο κεφάλαιο "Αντικατάσταση").
	Μακρινές τρίχες εμποδίζουν τις ξυριστικές κεφαλές.	Καθαρίστε τις ξυριστικές κεφαλές ακολουθώντας τα βήματα της μεθόδου εξαιρετικά σχολαστικού καθαρισμού (ανατρέξτε στο κεφάλαιο "Καθαρισμός και συντήρηση").
	Η μονάδα καθαρισμού και φόρτισης Jet Clean δεν καθάρισε καλά την ξυριστική μηχανή, επειδή το υγρό καθαρισμού στο θάλαμο καθαρισμού είναι βρόμικο ή η στάθμη του υγρού καθαρισμού είναι πολύ χαμηλή.	Καθαρίστε σχολαστικά την ξυριστική μηχανή προτού συνεχίσετε το ξύρισμα. Εάν είναι απαραίτητο, καθαρίστε και γεμίστε ξανά το θάλαμο καθαρισμού (ανατρέξτε στο κεφάλαιο "Καθαρισμός και συντήρηση").
Η ξυριστική μηχανή δεν λειτουργεί όταν πιέζω το κουμπί on/off.	Η επαναφορτιζόμενη μπαταρία είναι άδεια.	Επαναφορτίστε την μπαταρία (ανατρέξτε στο κεφάλαιο "Φόρτιση").
	Το κλειδίωμα ταξιδιού είναι ενεργοποιημένο.	Πιέστε το κουμπί on/off για 3 δευτερόλεπτα για μετάβαση στη λειτουργία κλειδώματος ταξιδιού.
	Η υποδοχή των ξυριστικών κεφαλών είναι βρόμικη ή έχει υποστεί βλάβη σε τέτοιο βαθμό που δεν είναι δυνατή η λειτουργία του μοτέρ.	Καθαρίστε ή αντικαταστήστε την υποδοχή ξυριστικών κεφαλών (ανατρέξτε στα κεφάλαια "Καθαρισμός και συντήρηση" και "Αντικατάσταση").
	Η θερμοκρασία της ξυριστικής μηχανής είναι υπερβολικά υψηλή. Σε αυτήν την περίπτωση, η ξυριστική μηχανή δεν λειτουργεί.	Αφήστε την ξυριστική μηχανή να κρυώσει. Όταν έχει πέσει αισθητά η θερμοκρασία της μηχανής, μπορείτε να την ενεργοποιήσετε ξανά.
Η ξυριστική μηχανή δεν είναι τελείως καθαρή αφού την καθαρίσω στη μονάδα καθαρισμού και φόρτισης Jet Clean.	Το υγρό καθαρισμού στο θάλαμο καθαρισμού δεν είναι καθαρό.	Αδειάστε και ξεπλύντε το θάλαμο καθαρισμού.

Πρόβλημα	Πιθανή αιτία	Λύση
	Η στάθμη του υγρού καθαρισμού είναι υπερβολικά χαμηλή. Εάν ο όγκος του υγρού στον θάλαμο καθαρισμού πέσει κάτω από την ελάχιστη στάθμη κατά τη διάρκεια του προγράμματος καθαρισμού, το πρόγραμμα διακόπτεται. Η λυχνία καθαρισμού και το σύμβολο "άδειου θαλάμου καθαρισμού" αναβοσβήνουν με διακοπές, ενώ η υποδοχή επιστρέφει στην αρχική της θέση.	Γεμίστε ξανά το θάλαμο καθαρισμού με υγρό καθαρισμού μεταξύ των δύο σημείων ένδειξης στάθμης (ανατρέξτε στο κεφάλαιο "Καθαρισμός και συντήρηση").
	Έχετε χρησιμοποιήσει άλλο υγρό καθαρισμού και όχι το γνήσιο υγρό καθαρισμού της Philips.	Χρησιμοποιείτε μόνο το υγρό καθαρισμού HQ200 της Philips.
Η μονάδα καθαρισμού και φόρτισης Jet Clean δεν λειτουργεί όταν πιέζω το κουμπί on/off.	Η μονάδα καθαρισμού και φόρτισης Jet Clean δεν είναι συνδεδεμένη στην πρίζα.	Συνδέστε το μικρό βύσμα στη μονάδα καθαρισμού και φόρτισης Jet Clean και το μετασχηματιστή στην πρίζα.
	Δεν υπάρχει ηλεκτρική σύνδεση μεταξύ της μονάδας καθαρισμού και της ξυριστικής μηχανής.	Πιέστε καλά την ξυριστική μηχανή μέσα στην υποδοχή για να "κουμπώσει" στη θέση της.
Η ξυριστική μηχανή δεν είναι πλήρως φορτισμένη μετά τη φόρτισή της στη βάση φόρτισης/μονάδα καθαρισμού και φόρτισης Jet Clean.	Δεν έχετε τοποθετήσει σωστά την ξυριστική μηχανή στη βάση φόρτισης/μονάδα καθαρισμού και φόρτισης Jet Clean.	Βεβαιωθείτε ότι πιέζετε την ξυριστική μηχανή μέχρι να "κουμπώσει" στη θέση της.

Introducción

Enhorabuena por la compra de este producto y bienvenido a Philips. Para sacar el mayor partido de la asistencia que Philips le ofrece, registre su producto en www.philips.com/welcome.

Lea atentamente este manual de usuario, en el cual encontrará información sobre las características de esta afeitadora, así como algunos consejos para que el afeitado le resulte más fácil y agradable.

Descripción general (fig. 1)

- A** Afeitadora (RQ1180/RQ1160/RQ1150)
 - 1 Recortador
 - 2 Tapa protectora
 - 3 Unidad de afeitado
 - 4 Afeitadora
 - 5 Botón de encendido/apagado de la afeitadora
 - 6 Pantalla
- B** Cargador
- C** Sistema Jet Clean (sólo en modelos específicos)
 - 1 Soporte para la afeitadora
 - 2 Símbolo de "cámara de limpieza vacía"
 - 3 Símbolo de limpieza
 - 4 Símbolo de secado
 - 5 Botón de encendido/apagado del sistema Jet Clean
 - 6 Botón de liberación de la cámara de limpieza
- D** Cepillo de limpieza
- E** Líquido de limpieza
- F** Funda (sólo en modelos específicos)
- G** Adaptador

Importante

Antes de usar el aparato, lea atentamente este manual de usuario y consérvelo por si necesitara consultarlo en el futuro.

Nota: En este manual de usuario, el término "aparatos" se refiere a la afeitadora y al sistema Jet Clean. Si la afeitadora no dispone de sistema Jet Clean, se referirá únicamente a la afeitadora.

Información general

Peligro

- Asegúrese de que el adaptador no se moje (fig. 2).

Advertencia

- El adaptador incorpora un transformador. No corte el adaptador para sustituirlo por otra clavija, ya que podría provocar situaciones de peligro.
- Estos aparatos no deben ser usados por personas (adultos o niños) con su capacidad física, psíquica o sensorial reducida, ni por quienes no tengan los conocimientos y la experiencia necesarios, a menos que sean supervisados o instruidos acerca del uso de los aparatos por una persona responsable de su seguridad.
- Asegúrese de que los niños no jueguen con estos aparatos.
- Cuando limpie los aparatos, tenga cuidado con el agua caliente. Compruebe siempre que el agua no esté demasiado caliente para evitar quemarse las manos.

Precaución

- No sumerja nunca el sistema Jet Clean ni el cargador en agua ni los enjuague bajo el grifo.
- Los aparatos y sus accesorios no son aptos para el lavavajillas.
- Coloque y utilice siempre los aparatos sobre una superficie resistente a los líquidos.
- Utilice, cargue y guarde los aparatos a una temperatura entre 5 °C y 35 °C.
- Utilice únicamente los accesorios que se suministran.
- El adaptador transforma la corriente de 100 - 240 voltios en un bajo voltaje de seguridad inferior a 24 voltios.
- No utilice los aparatos si están dañados.
- Si el adaptador o cualquiera de los accesorios están dañados, sustitúyalo siempre por otro del modelo original para evitar situaciones de peligro.
- Cuando enjuague la afeitadora es posible que salga agua por el orificio de su parte inferior. Esto es normal y no es peligroso, ya que todos los sistemas electrónicos están dentro de una unidad motora hermética en el interior de la afeitadora.

Sistema Jet Clean (sólo en modelos específicos)

Precaución

- Utilice únicamente el líquido limpiador original HQ200 con el sistema Jet Clean.
- Coloque siempre el sistema Jet Clean sobre una superficie horizontal, plana y estable para evitar que el líquido se derrame.
- No sumerja nunca el sistema Jet Clean en agua.
- Vacíe la cámara de limpieza y enjuáguela bien con agua caliente del grifo cada 15 días.
- El sistema Jet Clean limpia a fondo pero no desinfecta la afeitadora, por lo que no debe compartirla con otras personas.
- La cámara de limpieza del sistema Jet Clean no puede lavarse en el lavavajillas.
- Cuando el sistema Jet Clean esté listo para usar, no lo mueva para evitar que el líquido limpiador se derrame.

Cumplimiento de normas

- Esta afeitadora cumple las normas de seguridad aprobadas internacionalmente, se puede utilizar de manera segura en el baño o en la ducha y se puede lavar bajo el grifo (fig. 3).
- Estos aparatos Philips cumplen todos los estándares sobre campos electromagnéticos (CEM). Si se utilizan correctamente y de acuerdo con las instrucciones de este folleto de información importante y con el folleto de instrucciones de uso incluido con la afeitadora, los aparatos se pueden usar de forma segura según los conocimientos científicos disponibles hoy en día.

La pantalla

Nota: Antes de utilizar la afeitadora por primera vez, quite la lámina protectora de la pantalla.

La pantalla de los tres modelos de afeitadora (RQ1180, RQ1160 y RQ1150) es diferente, tal y como muestran los siguientes dibujos.

- RQ1180 (fig. 4)
- RQ1160 (fig. 5)
- RQ1150 (fig. 6)

Carga

- La afeitadora tarda aproximadamente 1 hora en cargarse.

RQ1180

- Cuando la afeitadora se está cargando, primero parpadea el piloto de carga inferior; luego el segundo piloto de carga, y así sucesivamente hasta que la afeitadora se carga por completo (fig. 7).
- Carga rápida: cuando la afeitadora tiene energía para un afeitado, el piloto de carga inferior parpadea alternativamente de color naranja y blanco.

RQ1160/RQ1150

- Cuando la afeitadora se está cargando, el símbolo de la batería parpadea hasta que se carga por completo. (fig. 8)
- Carga rápida: cuando la afeitadora tiene energía para un afeitado, el símbolo de la clavija y el de la batería parpadean alternativamente.

Nota: Las pantallas de los modelos RQ1160 y RQ1150 son diferentes, pero muestran la misma indicación.

Batería completamente cargada

RQ1180

- Cuando la batería está completamente cargada, todos los pilotos de nivel de la batería se iluminan de forma continua. Después de unos 30 minutos, la pantalla se apaga automáticamente de nuevo. (fig. 9)

RQ1160/RQ1150

- Cuando la batería está completamente cargada, el símbolo de la batería se ilumina de forma continua. Después de unos 30 minutos, la pantalla se apaga automáticamente de nuevo. (fig. 10)

Nota: Las pantallas de los modelos RQ1160 y RQ1150 son diferentes, pero muestran la misma indicación.

Batería baja

RQ1180

- Cuando la batería está casi descargada (cuando quedan 5 minutos o menos de afeitado), el piloto de carga inferior parpadea en color naranja. (fig. 11)
- Al apagar la afeitadora, el piloto de carga inferior sigue parpadeando durante unos segundos.

RQ1160/RQ1150

- Cuando la batería está casi descargada (cuando quedan 5 minutos o menos de afeitado), el símbolo de la clavija se ilumina (fig. 12).
- Al apagar la afeitadora, el símbolo de la clavija sigue parpadeando durante unos segundos.

Nota: Las pantallas de los modelos RQ1160 y RQ1150 son diferentes, pero muestran la misma indicación.

Carga disponible en la batería

RQ1180

- El número de pilotos de carga que están encendidos indica la carga disponible en la batería. (fig. 13)

Bloqueo para viajes

Puede bloquear la afeitadora cuando vaya de viaje. Con ello evitará que la afeitadora se encienda accidentalmente.

Activación del bloqueo para viajes

- 1 Para activar el modo de bloqueo para viajes, mantenga pulsado el botón de encendido/apagado durante 3 segundos (fig. 14).
- El símbolo de bloqueo se ilumina en la pantalla. -tekening- (fig. 15)

Nota: Las pantallas de los modelos RQ1180, RQ1160 y RQ1150 son diferentes, pero muestran el mismo símbolo.

Desactivación del bloqueo para viajes

- 1 Pulse el botón de encendido/apagado durante 3 segundos.
 - El motor comienza a funcionar para indicar que se ha desactivado el bloqueo para viajes.
- La afeitadora está lista para usar de nuevo.

Nota: El bloqueo para viajes se desactiva automáticamente al colocar la afeitadora en el cargador o en el sistema Jet Clean si éstos están enchufados.

Carga

La afeitadora tarda aproximadamente 1 hora en cargarse.

RQ1180/RQ1160: Una afeitadora completamente cargada proporciona un tiempo de afeitado de hasta 50 minutos/15 días.

RQ1150: Una afeitadora completamente cargada proporciona un tiempo de afeitado de hasta 40 minutos/12 días.

Cargue la afeitadora antes de utilizarla por primera vez y cuando la pantalla indique que la batería está casi vacía (consulte la sección "Batería baja" en el capítulo "La pantalla").

Carga rápida

Tras un tiempo de carga de 5 minutos, la afeitadora dispone de energía suficiente para un afeitado.

Carga mediante el cargador

- 1 Enchufe la clavija pequeña al cargador (fig. 16).
- 2 Enchufe el adaptador a la toma de corriente.
- 3 Coloque la afeitadora en el cargador (1) y empújela hacia atrás (2) ("clic"). (fig. 17)

- ▶ La pantalla indica que la afeitadora se está cargando (consulte el capítulo “La pantalla”).

Carga mediante el sistema Jet Clean (sólo en modelos específicos)

- 1 Enchufe la clavija pequeña al sistema Jet Clean.
- 2 Enchufe el adaptador a la toma de corriente.
- 3 Coloque la afeitadora boca abajo en el soporte con la pantalla orientada hacia la parte frontal del sistema Jet Clean (fig. 18).

Nota: Sólo modelo RQ1180: cuando coloque la afeitadora boca abajo, la indicación de la batería en la pantalla también se invierte para que pueda seguir viendo la carga disponible en la batería.

- 4 Presione la afeitadora con firmeza en el soporte para fijarla correctamente (fig. 19).

Nota: La afeitadora no puede colocarse en el sistema Jet Clean con la tapa protectora puesta en la unidad de afeitado o cuando el cortapatillas está colocado en la afeitadora.

- ▶ La pantalla indica que la afeitadora se está cargando (consulte el capítulo “La pantalla”).

Utilización de la afeitadora

Afeitado

- 1 Pulse el botón de encendido/apagado una vez para encender la afeitadora.
 - ▶ RQ1180: La pantalla se ilumina durante unos segundos.
- 2 Desplace los cabezales de afeitado sobre la piel, haciendo movimientos circulares (fig. 20).
 - No haga movimientos rectos.
 - Puede que su piel necesite de 2 a 3 semanas para acostumbrarse al sistema de afeitado Philips.
- 3 Pulse el botón de encendido/apagado una vez para apagar la afeitadora.
 - ▶ RQ1180: La pantalla se ilumina durante unos segundos y a continuación muestra la carga disponible en la batería.

Afeitado húmedo

También puede usar esta afeitadora con la cara húmeda si incorpora espuma o gel de afeitar. Para afeitarse con espuma o gel de afeitar, siga los siguientes pasos:

- 1 Humedézcase la piel.
- 2 Aplique espuma o gel de afeitar sobre la piel.
- 3 Enjuague la unidad de afeitado bajo el grifo para asegurarse de que se desliza suavemente sobre la piel.
- 4 Pulse el botón de encendido/apagado una vez para encender la afeitadora.
- 5 Desplace los cabezales de afeitado en movimientos circulares sobre la piel.

Nota: Enjuague la afeitadora bajo el grifo regularmente para asegurarse de que sigue deslizándose suavemente sobre la piel.

- 6 Séquese la cara y limpie concienzudamente la afeitadora después de usarla (consulte el capítulo “Limpieza y mantenimiento”).

Nota: Asegúrese de que enjuaga toda la espuma y gel de afeitar de la afeitadora.

Cómo recortar

Puede utilizar el cortapatillas para recortar las patillas y el bigote.

- 1 Tire de la unidad de afeitado desde la afeitadora para extraerla (fig. 21).

Nota: No gire la unidad de afeitado mientras la extraiga de la afeitadora.
- 2 Inserte el saliente del cortapatillas en la ranura de la parte superior de la afeitadora (1). Luego presiónelo hacia abajo (2) para fijarlo a la afeitadora (“clic”) (fig. 22).
- 3 Pulse el botón de encendido/apagado una vez para encender el cortapatillas.
 - ▶ RQ1180: La pantalla se ilumina durante unos segundos.
- 4 Ya puede comenzar a utilizar el cortapatillas.
- 5 Pulse el botón de encendido/apagado una vez para apagar el cortapatillas.
 - ▶ RQ1180: la pantalla se ilumina durante unos segundos para mostrar la carga disponible en la batería.
- 6 Tire del cortapatillas desde la afeitadora para extraerlo (fig. 23).

Nota: No gire el cortapatillas mientras lo extraiga de la afeitadora.

- 7 Inserte el saliente de la unidad de afeitado en la ranura de la parte superior de la afeitadora (1). Luego presione la unidad de afeitado hacia abajo (2) para fijarla a la afeitadora (“clic”) (fig. 24).

Limpieza y mantenimiento

No utilice estropajos, agentes abrasivos ni líquidos agresivos, como gasolina o acetona, para limpiar el aparato y el sistema Jet Clean.

- La mejor manera de limpiar la afeitadora, y la más higiénica, es en el sistema Jet Clean (sólo modelos específicos). No obstante, también puede enjuagarla bajo el grifo o limpiarla con el cepillo que se suministra.
- Tenga cuidado con el agua caliente. Compruebe siempre que el agua no esté demasiado caliente para evitar quemarse las manos.
- Para conseguir un rendimiento de afeitado óptimo, limpie la afeitadora después de cada uso.
- Puede limpiar el exterior de la afeitadora con un paño húmedo.
- Una limpieza frecuente garantiza mejores resultados en el afeitado.

Limpieza de la unidad de afeitado

Tenga cuidado con el agua caliente. Compruebe siempre que el agua no esté demasiado caliente para evitar quemarse las manos.

1 Enjuague la unidad de afeitado durante un rato con agua caliente del grifo (fig. 25).

Nota: También puede cepillar la unidad de afeitado con el cepillo suministrado.

2 Tire del soporte del cabezal de afeitado desde la parte inferior de la unidad de afeitado y enjuáguelo con agua caliente del grifo durante 30 segundos (fig. 26).

Nota: También puede cepillar el soporte del cabezal de afeitado con el cepillo suministrado.

3 Sacuda el exceso de agua y deje que la unidad de afeitado se seque.

No seque nunca la unidad de afeitado con una toalla o un paño, ya que esto podría dañar los cabezales de afeitado.

4 Vuelva a colocar el soporte del cabezal de afeitado en la parte inferior de la unidad de afeitado ("clic") (fig. 27).

Limpieza de la unidad de afeitado mediante el sistema Jet Clean (sólo en modelos específicos)

El sistema Jet Clean dispone de un programa de limpieza automático. Cuando pulsa el botón de encendido/apagado, el sistema Jet Clean comienza a limpiar en el programa automático de limpieza.

Preparación del sistema Jet Clean para su uso

Llene la cámara de limpieza antes de utilizarla por primera vez.

1 Enchufe la clavija pequeña al sistema Jet Clean.

2 Enchufe el adaptador a la toma de corriente.

► El soporte se desplazará automáticamente a su posición más alta.

3 Pulse simultáneamente los botones de liberación situados a ambos lados de la cámara de limpieza (1). Luego levante y separe el sistema Jet Clean de la cámara (2). (fig. 28)

► La cámara de limpieza se queda en su sitio.

4 Desenrosque la tapa de la botella del líquido limpiador.

5 Llene la cámara de limpieza con líquido limpiador HQ200 hasta que el nivel llegue entre las dos líneas (fig. 29).

6 Vuelva a colocar el sistema Jet Clean sobre la cámara de limpieza (fig. 30).

Asegúrese de que los botones de liberación vuelven a encajarse.

Uso del sistema Jet Clean

Nota: Si utiliza la afeitadora con espuma o gel de afeitar, le aconsejamos que la enjuague con agua caliente del grifo antes de limpiarla con el sistema Jet Clean para maximizar la duración del líquido limpiador.

1 Coloque la afeitadora boca abajo en el soporte con la pantalla orientada hacia la parte frontal del sistema Jet Clean (fig. 18).

2 Presione la afeitadora con firmeza en el soporte para fijarla correctamente (fig. 19).

► La pantalla indica que la afeitadora se está cargando (consulte el capítulo "La pantalla").

3 Pulse el botón de encendido/apagado del sistema Jet Clean para iniciar el programa de limpieza. (fig. 31)

► La indicación de carga desaparece de la pantalla de la afeitadora.

► El piloto de limpieza empieza a parpadear y la afeitadora se sumerge automáticamente en el líquido limpiador (fig. 32).

► El piloto de limpieza parpadea durante todo el programa de limpieza, que dura unos minutos.

► Durante la primera fase del programa de limpieza, la afeitadora se enciende y apaga varias veces de forma automática, y se mueve hacia arriba y hacia abajo.

► Durante la segunda fase del programa de limpieza, la afeitadora se coloca en la posición de secado, que se indica mediante el parpadeo del símbolo de secado. Esta fase dura unas 2 horas y la afeitadora permanece en esta posición hasta el final del programa. (fig. 33)

► Tras el programa de limpieza, la pantalla de la afeitadora mostrará la indicación de carga (consulte el capítulo "La pantalla").

Nota: Si pulsa el botón de encendido/apagado del sistema Jet Clean durante el programa de limpieza, éste se interrumpirá. En ese caso, el piloto de limpieza o secado dejará de parpadear y el soporte se desplaza a la posición superior.

Nota: Si desenchufa el adaptador de la toma de corriente durante el programa de limpieza, éste se interrumpirá. El soporte no cambiará de posición hasta que vuelva a enchufar el adaptador a la toma de corriente. Entonces se desplazará a su posición más alta.

- Cuando el líquido limpiador está por debajo del nivel mínimo, el símbolo de "cámara de limpieza vacía" comienza a parpadear y el soporte vuelve a su posición inicial (fig. 34).

- Si utiliza el dispositivo de limpieza para limpiar la afeitadora todos los días, deberá rellenar la cámara de limpieza aproximadamente cada 15 días.

Limpieza del sistema Jet Clean

Limpie la cámara de limpieza cada 15 días.

Puede limpiar el exterior del sistema Jet Clean con un paño húmedo.

1 Pulse simultáneamente los botones situados a ambos lados del sistema Jet Clean (1). Luego levante y separe el sistema Jet Clean de la cámara (2). (fig. 28)

► La cámara de limpieza se queda en su sitio.

2 Vacíe los restos de líquido limpiador de la cámara de limpieza. (fig. 35)

Puede vaciar el líquido limpiador en el fregadero.

3 Enjuague la cámara de limpieza bajo el grifo (fig. 36).

La cámara de limpieza no puede lavarse en el lavavajillas.

4 Llene la cámara de limpieza con líquido limpiador HQ200 hasta que el nivel llegue entre las dos líneas (fig. 29).

5 Vuelva a colocar el sistema Jet Clean sobre la cámara de limpieza. (fig. 30)

Asegúrese de que los botones de liberación vuelven a encajarse.

Método de limpieza a fondo

Asegúrese de que el aparato está apagado.

- 1 Tire del soporte del cabezal de afeitado desde la parte inferior de la afeitadora para extraerlo (fig. 26).
- 2 Deslice el marco de retención verde en la dirección de las flechas que tiene en la superficie (fig. 37).
- 3 Extraiga el marco de retención del soporte del cabezal de afeitado. (fig. 38)
- 4 Extraiga la cuchilla del protector (fig. 39).

Nota: No limpie más de una cuchilla y su protector al mismo tiempo, ya que forman conjuntos entre sí. Si coloca accidentalmente una cuchilla y en el protector incorrecto, puede que tarde varias semanas en volver a obtener el óptimo rendimiento en el afeitado.

- 5 Limpie la cuchilla con el cepillo de limpieza que se suministra (fig. 40).
- 6 Limpie el interior del protector. (fig. 41)
- 7 Una vez limpia, vuelva a colocar la cuchilla en el protector con las hojas hacia arriba. (fig. 42)
- 8 Vuelva a colocar el marco de retención en el soporte del cabezal de afeitado. (fig. 43)
- 9 Deslice el protector hasta encajarlo en su lugar ("clic"). (fig. 44)
- 10 Vuelva a colocar el soporte del cabezal de afeitado en la parte inferior de la unidad de afeitado. (fig. 27)

Limpieza del cortapatillas

Limpie el cortapatillas cada vez que lo utilice.

- 1 Encienda la afeitadora con el cortapatillas colocado.
- 2 Enjuague el cortapatillas durante un rato con agua caliente del grifo. (fig. 45)
- 3 Después de limpiarlo, apague la afeitadora.

Consejo: Para conseguir unos resultados óptimos, lubrique los dientes del cortapatillas con una gota de aceite de máquina de coser cada seis meses.

Almacenamiento

- 1 Coloque la tapa protectora en la unidad de afeitado para evitar que se deterioren los cabezales de afeitado (fig. 46).
- 2 Sólo modelos específicos: Guarde la afeitadora en la funda que se suministra.

Sustitución

Para un rendimiento de afeitado óptimo, le aconsejamos que sustituya la parte superior de la unidad de afeitado cada año. Sustituya la parte superior de la unidad de afeitado sólo con un soporte del cabezal de afeitado original RQ11 de Philips.

- 1 Tire del soporte del cabezal de afeitado desde la parte inferior de la afeitadora para extraerlo (fig. 26).
- 2 Coloque el nuevo soporte del cabezal de afeitado en la parte inferior de la unidad de afeitado ("clic") (fig. 27).

Solicitud de repuestos

Las siguientes piezas de repuesto están disponibles:

- Adaptador HQ8505
- Soporte del cabezal de afeitado RQ11 de Philips
- Spray limpiador para cabezales de afeitado Philips HQ110
- Líquido limpiador Philips HQ200

Medioambiental

- Al final de su vida útil, no tire los aparatos junto con la basura normal del hogar. Llévelos a un punto de recogida oficial para su reciclado. De esta manera ayudará a conservar el medio ambiente (fig. 47).
- La batería recargable de la afeitadora contiene sustancias que pueden contaminar el medio ambiente. Quite siempre la batería antes de deshacerse de la afeitadora o de llevarla a un punto de recogida oficial. Deposite la batería en un lugar de recogida oficial. Si no puede quitar la batería, puede llevar la afeitadora a un centro de servicio de Philips. El personal del mismo extraerá la batería y se deshará de ella de forma no perjudicial para el medio ambiente (fig. 48).

Cómo quitar la batería recargable de la afeitadora

Extraiga la batería únicamente cuando deseche la afeitadora. Asegúrese de que la batería esté completamente descargada cuando la extraiga del aparato.

Tenga cuidado con las tiras de la batería ya que están afiladas.

- 1 Quite el panel posterior de la afeitadora con un destornillador.
- 2 Extraiga la batería recargable.

Garantía y servicio

Si necesita información o si tiene algún problema, visite la página Web de Philips en www.philips.com o póngase en contacto con el Servicio de Atención al Cliente de Philips en su país (hallará el número de teléfono en el folleto de la garantía mundial). Si no hay Servicio de Atención al Cliente de Philips en su país, diríjase a su distribuidor local Philips.

Restricciones de la garantía

Los cabezales de afeitado (cuchillas y protectores) no están cubiertos por las condiciones de la garantía internacional debido a que están sujetos a desgaste.

Solución de problemas

En este capítulo se resumen los problemas más frecuentes que pueden surgir. Si no puede resolver el problema con la siguiente información, póngase en contacto con el Servicio de Atención al Cliente de su país.

Problema	Posible causa	Solución
La afeitadora no afeita tan bien como antes.	Los cabezales de afeitado están gastados o deteriorados.	Sustituya el soporte del cabezal de afeitado (consulte el capítulo "Sustitución").
	Hay pelos largos obstruyendo los cabezales de afeitado.	Limpie los cabezales de afeitado siguiendo los pasos del método de limpieza más exhaustivo (consulte el capítulo "Limpieza y mantenimiento").
	Puede que el sistema Jet Clean no limpie la afeitadora correctamente porque el líquido de la cámara de limpieza esté sucio o el nivel de líquido limpiador esté demasiado bajo.	Limpie a fondo la afeitadora antes de seguir utilizándola. Si es necesario, limpie y vuelva a llenar la cámara de limpieza (consulte el capítulo "Limpieza y mantenimiento").
La afeitadora no funciona cuando pulso el botón de encendido/apagado.	La batería recargable está descargada.	Recargue la batería (consulte el capítulo "Carga").
	El bloqueo para viajes está activado.	Para desactivar el bloqueo para viajes, mantenga pulsado el botón de encendido/apagado durante 3 segundos.
	El soporte del cabezal de afeitado está tan sucio o dañado que el motor no funciona.	Limpie o sustituya el soporte del cabezal de afeitado (consulte los capítulos "Limpieza y mantenimiento" y "sustitución").
La afeitadora no funciona cuando pulso el botón de encendido/apagado.	La temperatura de la afeitadora es demasiado alta. En ese caso, la afeitadora no funciona.	Deje que la afeitadora se enfríe. En cuanto la temperatura de la afeitadora descienda lo suficiente, puede volver a encenderla.
	El líquido limpiador de la cámara de limpieza está sucio.	Vacíe y enjuague la cámara de limpieza.
	El nivel de líquido limpiador está demasiado bajo. Si el volumen de líquido de la cámara de limpieza está por debajo del nivel mínimo durante el programa de limpieza, éste se interrumpe. El piloto de limpieza y el símbolo de "cámara de limpieza vacía" comienzan a parpadear a intervalos y el soporte vuelve a su posición inicial.	Rellene la cámara de limpieza con líquido limpiador hasta que el nivel llegue entre las dos líneas (consulte el capítulo "Limpieza y mantenimiento").
El sistema Jet Clean no funciona cuando pulso el botón de encendido/apagado.	Ha usado un líquido limpiador distinto al original de Philips.	Utilice únicamente líquido limpiador Philips HQ200.
El sistema Jet Clean no funciona cuando pulso el botón de encendido/apagado.	El sistema Jet Clean no está enchufado a la red.	Enchufe la clavija pequeña al sistema Jet Clean y conecte el adaptador a la toma de corriente.
	No hay conexión en eléctrica entre el sistema Jet Clean y la afeitadora.	Presione la afeitadora con firmeza en el soporte para fijarla correctamente.
La afeitadora no está completamente cargada tras cargarla en el cargador o el sistema Jet Clean.	No ha colocado correctamente la afeitadora en el cargador o el sistema Jet Clean.	Asegúrese de presionar bien la afeitadora hasta que encaje en su sitio.

Tutvustus

Õnnitleme teid ostu puhul ning tere tulemast kasutama Philipsi tooteid! Philipsi klienditoe tõhusamaks kasutamiseks registreerige toode veebilehel www.philips.com/welcome.

Palun lugege see pardli omadusi tutvustav kasutusjuhend läbi. Sellest leiata ka nõuandeid raseerimise kergemaks ja nauditavamaks muutmise kohta.

Üldine kirjeldus (Jn 1)

- A** Pardel (RQ1180/RQ1160/RQ1150)
 - 1 Piirel
 - 2 Kaitsev kate
 - 3 Raseerimispea
 - 4 Pardel
 - 5 Pardli sisse/välja lülitamise nupp
 - 6 Ekraan
- B** Laadija
- C** Jet Clean süsteem (ainult teatud mudelitel)
 - 1 Pardlihooldja
 - 2 Sümbol „Puhastuskamber tühi”
 - 3 Puhastamissümbol
 - 4 Kuivatamissümbol
 - 5 Jet Clean süsteemi sisse/välja lülitamise nupp
 - 6 Puhastuskambri vabastusnupp
- D** Puhastusharjake
- E** Puhastusvedelik
- F** Kott (ainult teatud mudelitel)
- G** Adapter

Tähtis

Enne seadme kasutamist lugege seda kasutusjuhendit hoolikalt ja hoidke see edaspidiseks alles.

Märkus Selles kasutusjuhendis kasutatakse väljendit „seadmed” pardli ja Jet Clean süsteemi kohta. Kui pardel ei ole varustatud Jet Clean süsteemiga, viidatakse ainult pardlile.

Üldteave

Oht

- Veenduge, et adapter ei saaks märjaks (Jn 2).

Hoiatus

- Adapteris on muundur. Ärge lõigake adapterit ära, et asendada seda mõne teise pistikuga. See võib põhjustada ohtlikke olukordi.
- Neid seadmeid ei tohi kasutada füüsilise, meele- või vaimse häirega isikud ega ka ebapiisavate kogemuste või teadmistega isikud (kaasa arvatud lapsed), välja arvatud juhul, kui nende ohutuse eest vastutav isik neid seadme kasutamise juures valvab või on neid selleks juhendanud.
- Lapsi tuleb valvata, et nad seadmetega ei mängiks.
- Seadme puhastamisel olge tulise veega ettevaatlik. Kontrollige alati, et vesi ei oleks liiga tuline, vastasel korral võite kätele põletushaavu saada.

Ettevaatust

- Ärge kunagi kastke Jet Clean süsteemi ega laadijat vette ega loputage neid voolava vee all.
- Seadmeid ja selle tarvikuid ei tohi pesta nõudepesumasinas.
- Hoidke ja kasutage seadmeid alati veekindlal pinnal.
- Kasutage, laadige ja hoiustage seadmeid temperatuurivahemikus 5—35 °C.
- Kasutage ainult komplektisolevaid tarvikuid.
- Adapter muundab 100—240-voldise pinget ohutuks, vähem kui 24-voldiseks pingeks.
- Ärge kasutage seadmeid, kui need on kahjustatud.
- Adapteri või muude tarvikute kahjustumisel vahetage need ohtlike olukordade vältimiseks alati mõne originaalmudeli vastu.
- Loputamise ajal võib pardli põhjas olevast pistikupesast vett välja tilkuda. See on normaalne ega ole ohtlik, sest kogu elektroonika on pardli sees olevas hermeetiliselt suletud toiteallikas.

Jet Clean süsteem (ainult teatud mudelitel)

Ettevaatust

- Kasutage Jet Clean süsteemis ainult originaalset puhastusvedelikku HQ200.
- Pange Jet Clean süsteem lekkimise ärahoidmiseks alati kindlale, tasasele ja horisontaalsele pinnale.
- Ärge kunagi kastke Jet Clean süsteemi vette.
- Tühjendage puhastuskamber ja puhastage seda hoolikalt, loputades seadet iga 15 päeva tagant kuuma kraanivee all.
- Jet Clean süsteem küll peseb pardli hoolikalt puhtaks, kuid ei desinfitseeri seda, seepärast ärge andke pardlit teistele kasutada.
- Jet Clean süsteemi puhastuskamber pole nõudepesumasinas pestav.
- Kui Jet Clean süsteem on kasutusvalmis, ärge seda puhastamisvedeliku lekkimise ärahoidmiseks teise kohta nihutage.

Vastavus standarditele

- Seade vastab rahvusvaheliselt tunnustatud ohutuseeskirjadele ning seda võib turvaliselt kasutada nii vannis kui ka duši all, aga ka kraani all puhastada (Jn 3).
- Need Philipsi seadmed vastavad kõikidele elektromagnetvälju (EMF) käsitlevatele standarditele. Kui seadmeid käsitletakse õigesti ja käesolevale kasutusbrošüürile vastavalt, on neid tänapäeval käibelolevate teaduslike teooriate järgi ohutu kasutada.

Ekraan

Märkus. Enne pardli esmakasutamist eemaldage ekraanilt kaitsekile.

Kolmel pardlitüübil (RQ1180, RQ1160 ja RQ1150) on erinevad ekraanid, mis on näidatud allpool toodud joonistel.

- RQ1180 (Jn 4)
- RQ1160 (Jn 5)
- RQ1150 (Jn 6)

Laadimine

- Laadimine kestab umbes üks tund.

RQ1180

- Pardli laadimise ajal hakkab esmalt vilkuma alumine laadimistuli, seejärel teine laadimistuli jne, kuni pardel on täis laetud (Jn 7).
- Kiirlaadimine: kui pardlil on piisavalt laengut üheks raseerimiseks, hakkab alumine laadimistuli vaheldumisi oranžilt ja valgelt vilkuma.

RQ1160/RQ1150

- Pardli laadimise ajal vilgub aku sümbol seni, kuni pardel on täis laetud. (Jn 8)
- Kiirlaadimine: kui pardlil on piisavalt laengut üheks raseerimiseks, hakkavad pistiku sümbol ja aku sümbol vaheldumisi vilkuma.

Märkus. Mudelite RQ1160 ja RQ1150 ekraanid näevad välja erinevad, kuid toimivad sarnaselt.

Aku on täis laetud

RQ1180

- Kui aku on täiesti täis laetud, hakkavad kõik laadimistuled pidevalt põlema. Umbes 30 minuti pärast lülitub ekraan uuesti automaatselt välja. (Jn 9)

RQ1160/RQ1150

- Kui aku on täiesti täis laetud, hakkab aku sümbol pidevalt põlema. Umbes 30 minuti pärast lülitub ekraan uuesti automaatselt välja. (Jn 10)

Märkus. Mudelite RQ1160 ja RQ1150 ekraanid näevad välja erinevad, kuid toimivad sarnaselt.

Aku on tühi

RQ1180

- Kui aku on peaaegu tühi (jäänud on viis või vähem raseerimisminutit), hakkab alumine laadimistuli oranžilt vilkuma. (Jn 11)
- Pärast pardli väljalülitamist jätkab alumine laadimistuli mõne sekundi jooksul vilkumist.

RQ1160/RQ1150

- Kui aku on peaaegu tühi (jäänud on viis või vähem raseerimisminutit), hakkab pistiku sümbol vilkuma (Jn 12).
- Pärast pardli väljalülitamist jätkab alumine laadimistuli mõne sekundi jooksul vilkumist.

Märkus. Mudelite RQ1160 ja RQ1150 ekraanid näevad välja erinevad, kuid toimivad sarnaselt.

Aku jääkmahtuvus

RQ1180

- Aku jääkmahtuvus on vastavuses põlevate laadimistulede arvuga. (Jn 13)

Reisilukk

Reisile minnes võite pardli lukustada. Reisilukk hoiab ära pardli juhusliku sisselülitumise.

Reisiluku aktiveerimine

- 1 Reisilukurežiimi sisenemiseks vajutage kolme sekundi jooksul sisse/välja lülitamise nuppu (Jn 14).
- 2 Luku sümbol hakkab ekraanil põlema (Jn 15).

Märkus. Mudelite RQ1180, RQ1160 ja RQ1150 ekraanid näevad välja erinevad, kuid näitavad samu sümboleid.

Reisiluku väljalülitamine

- 1 Vajutage kolme sekundi jooksul sisse/välja lülitamise nuppu.
- 2 Reisiluku deaktiveerimise tähistamiseks hakkab mootor tööle. Pardel on nüüd uuesti kasutusvalmis.

Märkus. Kui asetate pardli elektrivõrku ühendatud laadijasse või Jet Clean süsteemi, deaktiveerub reisilukk automaatselt.

Laadimine

Laadimine kestab umbes üks tund.

RQ1180/RQ1160: täislaetud pardli raseerimisaeg on kuni 50 minutit / 15 päeva.

RQ1150: täislaetud pardli raseerimisaeg on kuni 40 minutit / 12 päeva.

Laadige pardlit enne esmakasutust ja siis, kui ekraan näitab, et aku on peaaegu täiesti tühi (vt peatüki „Ekraan” jaotist „Aku on tühi”).

Kiirlaadimine

Pärast 5-minutist laadimist on pardlis üheks raseerimiskorraks piisavalt energiat.

Laadijaga laadimine

- 1 Sisestage väike pistik laadijasse (Jn 16).
- 2 Sisestage adapter seinakontakti.
- 3 Pange pardel laadijasse (1) ja tömmake seda tahapoole (2) (klõpsatus!). (Jn 17)
- 4 Ekraanikuvaga näitab, et pardlit laetakse (vt ptk „Ekraan”).

Laadimine Jet Clean süsteemis (ainult teatud mudelitel)

- 1 Sisestage väike pistik Jet Clean süsteemi.
- 2 Sisestage adapter seinakontakti.
- 3 Pange pardel hoidjasse ülemise otsaga allapoole, nii et ekraan oleks suunatud Jet Clean süsteemi esiosa poole (Jn 18).

Märkus. Ainult RQ1180: pöörates pardli ülemise otsaga allapoole, pöördub ka aku näidiku ülemine osa allapoole, nii et saate ikkagi näha, millise tasemeni aku on laetud.

4 Vajutage pardel tihedalt hoidjasse, nii et see oma kohale lukustuks (Jn 19).

Märkus. Pardlit ei saa Jet Clean süsteemi asetada, kui kaitsekate on raseerimispeal või piirel on pardli küljes.

▷ Ekraanikuva näitab, et pardlit laetakse (vt ptk „Ekraan”).

Pardli kasutamine

Raseerimine

1 Pardli sisselülitamiseks vajutage sisse/välja lülitamise nuppu.

▷ RQ1180: ekraan läheb mõneks sekundiks heledaks.

2 Liigutage lõikepäid mööda nahka. Tehke ringikujulisi liigutusi (Jn 20).

- Ärge tehke sirgjoonelisi liigutusi.

- Teie nahal võib Philipsi raseerimisüsteemiga harjumiseks kuluda 2—3 nädalat.

3 Pardli väljalülitamiseks vajutage üks kord sisse/välja lülitamise nuppu.

▷ RQ1180: ekraan läheb mõneks sekundiks heledaks ja seejärel näitab aku jääkmahtuvust.

Märjalt raseerimine

Seda pardlit saate kasutada ka märjal näol, raseerides raseerimisvahu või -geeliga.

Raseerimisvahu või -geeliga raseerimisel järgige alltoodud samme.

1 Tehke nahk märjaks.

2 Määrige näonahale raseerimisvahu või -geeliga.

3 Loputage raseerimispead kraani all, et kindlustada raseerimispea sujuv libisemine nahal.

4 Pardli sisselülitamiseks vajutage sisse/välja lülitamise nuppu.

5 Liigutage lõikepäid oma nahal ringikujuliste liigutustega.

Märkus. Loputage pardlit korrapäraselt kraanivee all, et see libiseks sujuvalt üle te naha.

6 Kuivatage nägu ja puhastage pardel pärast kasutamist hoolikalt (vt ptk „Puhastamine ja hooldus”).

Märkus. Veenduge, et olete kogu vahu või geeli pardlit ära loputanud.

Piiramine

Piirliit võite kasutada põskhabeme ja vuntside hooldamiseks.

1 Tõmmake raseerimispea pardli küljest ära (Jn 21).

Märkus. Ärge pardli küljest tõmbamise ajal raseerimispead keerake.

2 Lükake piirli end pardli (1) ülemises osas olevasse süvendisse. Piirli kinnitamiseks pardli külge suruge seda allapoole (2), kuni kuulete klõpsatust (Jn 22).

3 Piirli sisselülitamiseks vajutage üks kord sisse/välja lülitamise nuppu.

▷ RQ1180: ekraan läheb mõneks sekundiks heledaks.

4 Nüüd võite piiramisega alustada.

5 Piirli väljalülitamiseks vajutage üks kord sisse/välja lülitamise nuppu.

▷ RQ1180: ekraan läheb mõneks sekundiks heledaks, et näidata aku jääkmahtuvust.

6 Tõmmake piirel pardli küljest ära (Jn 23).

Märkus. Ärge pardli küljest tõmbamise ajal piirliit keerake.

7 Lükake raseerimispea end pardli (1) ülemises osas olevasse süvendisse. Raseerimispea kinnitamiseks pardli külge suruge seda allapoole (2), kuni kuulete klõpsatust (Jn 24).

Puhastamine ja korrashoid

Ärge kunagi kasutage seadme ja Jet Clean süsteemi puhastamiseks küürimiskäsnu, abrasiivseid puhastusvahendeid ega selliseid agressiivseid vedelikke nagu bensiin või atsetoon.

- Parim ja hügieenilisem viis on puhastada pardlit Jet Clean süsteemis (ainult teatud mudelitel). Ka võite pardlit loputada kraani all või puhastada seda komplektisoleva harjakesega.

- Olge tulise veega ettevaatlik. Kontrollige alati, et vesi ei oleks liiga tuline, vastasel korral võite kätele põletushaavu saada.

- Optimaalse raseerimisjõudluse tagamiseks puhastage pardlit pärast igat raseerimist.

- Pardli välispinda võite puhastada niiske lapiga.

- Seadme regulaarne puhastamine tagab parema raseerimisjõudluse.

Raseerimispea puhastamine

Olge tulise veega ettevaatlik. Kontrollige alati, et vesi ei oleks liiga tuline, vastasel korral võite käsi põletada.

1 Loputage raseerimispead lühikest aega kuuma kraanivee all (Jn 25).

Märkus. Raseerimispead võite harjata ka komplektisoleva harjakesega.

2 Tõmmake lõikepea hoidja raseerimispea alumise osa küljest ära ja loputage seda 30 sekundit kuuma kraanivee all (Jn 26).

Märkus. Lõikepea hoidjat võite harjata ka komplektisoleva harjakesega.

3 Raputage liigne vesi hoolikalt ära ja laske raseerimispeal kuivada.

Ärge kunagi kuivatage raseerimispead käteräti või salvrätikuga, sest nii võite lõikepäid rikkuda.

4 Pange raseerimispea hoidja tagasi raseerimispea alumise osa külge (klõpsatus!) (Jn 27).

Raseerimispea puhastamine Jet Clean süsteemis (ainult teatud mudelitel)

Jet Clean süsteem töötab automaatse puhastusprogrammi alusel. Sisse/välja lülitamise nupu vajutamisel hakkab Jet Clean süsteem puhastama automaatses puhastusprogrammis.

Jet Clean süsteemi kasutamiseks ettevalmistamine

Enne esmakasutamist täitke puhastuskamber.

1 Sisestage väike pistik Jet Clean süsteemi.

2 Sisestage adapter seinakontakti.

▶ Hoidja liigub automaatselt kõige kõrgemasse asendisse.

3 Vajutage samaaegselt puhastuskambri mõlemal küljel asuvatele vabastusnuppudele (1). Seejärel tõstke Jet Clean süsteem puhastuskambrit välja (2). (Jn 28)

▶ Puhastuskamber jääb tahapoole.

4 Keerake puhastusvedeliku pudeli kork lahti.

5 Täitke puhastuskamber puhastusvedelikuga HQ200 kahe joone vahele jääva tasemeni (Jn 29).

6 Lükake Jet Clean süsteem uuesti puhastuskambri tagasi (Jn 30).

Veenduge, et vabastusnupud on oma kohale klõpsanud.

Jet Clean süsteemi kasutamine

Märkus. Kui kasutate pardlit raseerimisvahu või -geeliga, siis soovime seda enne Jet Clean süsteemis puhastamist loputada kuuma kraanivee all. Sellisel tagate puhastusvedeliku optimaalse tööea.

1 Pange pardel hoidjasse ülemise otsaga allapoole, nii et ekraan oleks suunatud Jet Clean süsteemi esiosa poole (Jn 18).

2 Vajutage pardel tihedalt hoidjasse, nii et see oma kohale lukustuks (Jn 19).

▶ Ekraanikuva näitab, et pardlit laetakse (vt ptk „Ekraan“).

3 Puhastusprogrammi käivitamiseks vajutage Jet Clean süsteemi sisse/välja lülitamise nuppu. (Jn 31)

▶ Laadimise tähis kustub pardli ekraanilt.

▶ Puhastamise märgutuli hakkab vilkuma ja pardel kastetakse automaatselt puhastusvedelikku (Jn 32).

▶ Puhastamise märgutuli vilgub puhastusprogrammi toimimise ajal, mis kestab paar minutit.

▶ Puhastusprogrammi esimese etapi ajal lülitub pardel mõned korrad automaatselt sisse-välja ja liigub üles-alla.

▶ Puhastusprogrammi teise etapi lähed pardel kuivatuseasendisse, mida tähistatakse vilkuva kuivamise sümboliga. Selle etapi kestus on umbes kaks tundi. Pardel jääb sellesse asendisse programmi lõpuni. (Jn 33)

▶ Pärast puhastusprogrammi lõppemist kuvatakse ekraanile laadimise näidik (vt ptk „Ekraan“).

Märkus. Puhastusprogrammi toimimise ajal Jet Clean süsteemi sisse/välja lülitamise nupu vajutamisel programm katkeb. Sellisel juhul lõpetab puhastamise või kuivatamise märgutuli vilkumise ja hoidja liigub kõige kõrgemasse asendisse.

Märkus. Puhastamisprogrammi ajal adapteri seinakontaktist välja tõmbamisel programm katkeb. Hoidja jääb asendisse, kus ta oli. Kui te lükkate adapteri seinakontakti tagasi, liigub hoidja kõige kõrgemasse asendisse.

- Kui puhastusvedeliku tase langeb miinimumtasemest allapoole, hakkab vilkuma sümbol „Puhastuskamber tühi“ ja hoidja naaseb lähteasendisse (Jn 34).

- Kui kasutate oma pardli puhastamiseks iga päev pesumasinat, peaksite puhastuskambri umbes iga 15 päeva järel uuesti täitma.

Jet Clean süsteemi puhastamine

Puhastage puhastuskambrit iga 15 päeva tagant.

Jet Clean süsteemi võite väljastpoolt niiske lapiga puhastada.

1 Vajutage samaaegselt Jet Clean süsteemi (1) mõlemal küljel asuvaid vabastusnuppe. Seejärel tõstke Jet Clean süsteem puhastuskambrit (2) välja. (Jn 28)

▶ Puhastuskamber jääb oma kohale.

2 Kallake allesjäänud puhastusvedelik puhastuskambrit välja. (Jn 35)

Puhastusvedeliku võite lihtsalt valamust alla valada.

3 Loputage puhastuskamber kraani all puhtaks (Jn 36).

Puhastamiskambrit ei tohi nõudepesumasinas pesta.

4 Täitke puhastuskamber puhastusvedelikuga HQ200 kahe joone vahele jääva tasemeni (Jn 29).

5 Lükake Jet Clean süsteem uuesti puhastuskambri tagasi. (Jn 30)

Veenduge, et vabastusnupud on oma kohale klõpsanud.

Eriti põhjalik puhastamismeetod

Veenduge, et seade on välja lülitatud.

1 Tõmmake lõikepea hoidja raseerimispea alumise osa küljest ära (Jn 26).

2 Lükake rohelist tugiraami raamil näidatud noolte suunas (Jn 37).

3 Tõstke tugiraam lõikepea hoidjast välja. (Jn 38)

4 Eemaldage lõiketera raseerimisvõrest (Jn 39).

Märkus. Ärge puhastage samaaegselt rohkem kui ühte lõiketera ja raseerimisvõret korraga, sest need moodustavad ühtiva komplekti. Kui peaksite juhuslikult panema lõiketera valesse raseerimisvõresse, siis võib optimaalne raseerimisjõudlus taastuda alles mõne nädala pärast.

5 Puhastage lõiketera kaasasoleva harjaga (Jn 40).

- 6 Puhastage raseerimisvõre sisemus. (Jn 41)
- 7 Pärast puhastamist asetage lõiketera raseerimisvõresse nii, et lõiketera haarad oleksid allapoole suunatud. (Jn 42)
- 8 Pange tugiraam lõikepea hoidjasse tagasi. (Jn 43)
- 9 Lükake tugiraam tagasi oma kohale (klõpsatus!). (Jn 44)
- 10 Pange lõikepea hoidja tagasi raseerimispea alumise osa külge. (Jn 27)

Piirli puhastamine

Puhastage piirli pärast igat kasutamist.

- 1 Lülitage külgepandud piirliga pardel sisse.
- 2 Loputage piirli veidi aega kuuma kraanivee all. (Jn 45)
- 3 Lülitage pardel pärast puhastamist välja.

Nõuanne. Piirli optimaalse jõudluse tagamiseks määrige piirli hambaid iga kuue kuu tagant tilga õmblusmasinaõliga.

Hoiustamine

- 1 Lõikepeade kahjustamise ärahoidmiseks asetage raseerimispeale kaitsekate (Jn 46).
- 2 Ainult teatud mudelitel: hoiustage pardel komplektisolevasse kotti.

Asendamine

Maksimaalse raseerimisjõudluse tagamiseks soovime kord aastas asendada raseerimispea ülemine osa. Asendage raseerimispea ülemine osa ainult Philipsi originaalse RQ11 lõikepea hoidjaga.

- 1 Tõmmake lõikepea hoidja raseerimispea alumise osa küljest ära (Jn 26).
- 2 Kinnitage uus lõikepea hoidja raseerimispea alumise osa külge (klõpsatus!) (Jn 27).

Osade tellimine

Saadaval on järgmised osad:

- adapter HQ8505,
- Philipsi RQ11 lõikepea hoidja,
- Philipsi HQ110 lõikepeade puhastamise piserdusvedelik,
- Philipsi HQ200 puhastusvedelik.

Keskkond

- Tööea lõpus ei tohi seadmeid tavaliste olmejäätmete hulka visata. Viige need ringlussevõtmiseks ametlikku kogumispunkti. Seda tehes aitate keskkonda säästa (Jn 47).
- Sisseehitatud laetav pardli aku sisaldab keskkonda saastavaid aineid. Enne pardli kasutusest kõrvaldamist või ametlikku kogumispunkti kätlemist peate alati aku seadmest eemaldama. Aku tuleb utiliseerimiseks ametlikku akude kogumispunkti viia. Kui teil ei õnnestu akut ise eemaldada, võite seadme Philipsi hoolduskeskusesse viia, kus aku eemaldatakse ja keskkonda kahjustamata utiliseeritakse (Jn 48).

Pardli laetava aku eemaldamine

Võtke laetav aku seadmest välja ainult siis, kui kõrvaldate pardli kasutusest. Veenduge selles, et aku oleks eemaldamisel täiesti tühi.

Ettevaatust, aku klemmiribade ääred on teravad.

- 1 Eemaldage pardli tagumine paneel kruvikeerajaga.
- 2 Eemaldage laetav aku.

Garantii ja hooldus

Probleemide korral ning kui vajate hooldust või teavet, külastage Philipsi veebisaiti www.philips.com või pöörduge oma riigi Philipsi klienditeeninduskeskusesse (telefoninumbri leiате ülemaailmselt garantiilehelt). Kui teie riigis ei ole klienditeeninduskeskust, pöörduge Philipsi kohaliku müügiesindaja poole.

Garantiipiirangud

Lõikepeade (nii lõiketerade kui ka raseerimisvõrede) asendamine pole rahvusvahelise garantiitingimustega reguleeritud, sest need on kuluvad osad.

Veaotsing

Käesolev peatükk esitab kokkuvõtte seadmel esinevatest enamlevinud probleemidest. Kui teil ei õnnestu probleemi alloleva teabe abil lahendada, võtke ühendust oma riigi klienditeeninduskeskusega.

Probleem	Võimalik põhjus	Lahendus
Miks pardel ei aja habet nii hästi nagu varem?	Lõikepead on kahjustatud või kulunud.	Asendage lõikepea hoidja (vt ptk „Asendamine”).
	Pikad karvad on lõikepead ummistanud.	Puhastage lõikepead, järgides eriti põhjaliku puhastusmeetodi samme (vt ptk „Puhastamine ja hooldus”).

Probleem	Võimalik põhjus	Lahendus
	Jet Clean süsteem pole pardlit korralikult puhastanud, sest puhastuskambri puhastusvedelik on must või puhastusvedeliku tase liiga madal.	Enne raseerimise jätkamist puhastage pardel hoolikalt. Vajadusel puhastage ja täitke puhastuskamber uuesti (vt ptk „Puhastamine ja hooldus“).
Pardel ei tööta, kui ma vajutan sisse/välja lülitamise nuppu.	Laetav aku on tühi.	Laadige aku (vt ptk „Laadimine“).
	Reisilukk on aktiveeritud.	Reisiluku deaktiveerimiseks vajutage 3 sekundi jooksul sisse/välja lülitamise nuppu.
	Lõikepea hoidja on sellisel määral määrdunud või kahjustunud, et mootor ei hakka tööle.	Puhastage lõikepea hoidja või asendage see (vt ptk „Puhastamine ja hooldus“ ning „Asendamine“).
	Pardli temperatuur on liiga kõrge. Sellisel juhul pardel ei toimi.	Laske pardil jahtuda. Niipea kui pardli temperatuur on piisavalt langenud, võite pardli uuesti sisse lülitada.
Pardel pole pärast Jet Clean süsteemis puhastamist täiesti puhtas.	Puhastuskambri puhastusvedelik on must.	Tühjendage ja loputage puhastuskambrit.
	Puhastusvedeliku tase on liiga madal. Kui puhastuskambri oleva puhastusvedeliku tase langeb puhastusprogrammi toimimise ajal miinimumtasemest allapoole, katkestatakse programm. Puhastamise märgutuli ja sümbol „Puhastuskamber tühi“ hakkavad vilkuma ning hoidja naaseb lähteasendisse.	Täitke puhastuskamber uuesti puhastusvedelikuga kahe joone vahel oleva tasemeni (vt ptk „Puhastamine ja hooldus“).
	Te ei kasuta originaalset Philipsi puhastusvedelikku.	Kasutage ainult Philipsi puhastusvedelikku HQ200.
Kui ma vajutan sisse/välja lülitamise nuppu, ei hakka Jet Clean süsteem tööle.	Jet Clean süsteem pole elektrivõrku ühendatud.	Sisestage väike pistik Jet Clean süsteemi ja adapter seinakontakti.
	Jet Clean süsteemi ja pardli vahel puudub elektriline ühendus.	Vajutage pardel tihedalt hoidjasse, nii et see oma kohale lukustuks.
Pärast laadimist laadijas või Jet Clean süsteemis pole pardel täielikult laetud.	Te ei asetanud pardlit korralikult laadijasse või Jet Clean süsteemi.	Kontrollige, kas olete pardlit vajutanud nii, et see oma kohale lukustuks.

Johdanto

Onnittelut ostoksestasi ja tervetuloa Philips-tuotteiden käyttäjäksi! Hyödynnä Philipsin tuki ja rekisteröi tuotteesi osoitteessa www.philips.com/welcome.

Lue tämä käyttöopas, sillä siinä on tietoa parranajokoneen ominaisuuksista sekä vinkkejä, joiden avulla ajat partasi helpommin ja mukavammin.

Yleiskuvaus (Kuva 1)

- A** Parranajokone (RQ1180/RQ1160/RQ1150)
- 1 Trimmeri
 - 2 Ajopään suojus
 - 3 Ajopää
 - 4 Parranajokone
 - 5 Parranajokoneen virtapainike
 - 6 Näyttö
- B** Laturi
- C** Jet Clean -järjestelmä (vain tietyissä malleissa)
- 1 Parranajokoneen pidike
 - 2 Tyhjän puhdistuskammion kuvake
 - 3 Puhdistuskuvake
 - 4 Kuivauskuvake
 - 5 Jet Clean -järjestelmän virtapainike
 - 6 Puhdistuskammion vapautuspainike
- D** Puhdistusharja
- E** Puhdistusneste
- F** Säilytyspussi (vain tietyissä malleissa)
- G** Sovitin

Tärkeää

Lue tämä käyttöopas huolellisesti ennen käyttöä ja säilytä se myöhempää tarvetta varten.

Huomautus: Tässä oppaassa sanalla laite tarkoitetaan parranajokonetta ja Jet Clean -järjestelmää. Jos parranajokoneen mukana ei ole toimitettu Jet Clean -järjestelmää, sanalla laite tarkoitetaan ainoastaan parranajokonetta.

Yleistä

Vaara

- Suojaa sovitin kosteudelta (Kuva 2).

Tärkeää

- Sovitin sisältää jännitemuuntajan. Älä vaihda sovitin tilalle toisenlaista pistoketta, jotta et aiheuta vaaratilannetta.
- Laitteita ei ole tarkoitettu lasten tai sellaisten henkilöiden käyttöön, joiden fyysinen tai henkinen toimintakyky on rajoittunut tai joilla ei ole kokemusta tai tietoa laitteiden käytöstä, muuten kuin heidän turvallisuudestaan vastaavan henkilön valvonnassa ja ohjauksessa.
- Pienten lasten ei saa antaa leikkiä laitteilla.
- Ole varovainen kuuman veden kanssa, kun puhdistat laitteita. Varmista aina, ettei vesi ole liian kuumaa, ettei polta käsiäsi.

Varoitus

- Älä upota Jet Clean -järjestelmää ja laturia veteen äläkä huuhtelee niitä vesihanalla.
- Laitteet ja lisätarvikkeet eivät kestä pesua astianpesukoneessa.
- Aseta laitteet käyttöä varten aina puhdistusaineen kestäväälle alustalle.
- Käytä, lataa ja säilytä laitetta 5–35 °C:n lämpötilassa.
- Käytä vain laitteen mukana toimitettuja lisätarvikkeita.
- Sovitin muuttaa 100–240 voltin jännitteen turvalliseksi alle 24 voltin jännitteeksi.
- Älä käytä laitteita, jos ne ovat vahingoittuneet.
- Jos sovitin tai jokin muu lisätarvike on vaurioitunut, vaihda vaaratilanteiden välttämiseksi tilalle aina alkuperäisen mukainen laite.
- Parranajokoneen alaosaan olevasta liittimestä saattaa vuotaa vettä huuhtelun yhteydessä. Tämä on normaalia eikä siitä aiheudu vaaraa, koska kaikki elektroniset osat ovat tiiviissä virtayksikössä parranajokoneen sisällä.

Jet Clean -järjestelmä (vain tietyissä malleissa)

Varoitus

- Käytä Jet Clean -järjestelmässä vain alkuperäistä HQ200-puhdistusnestettä.
- Aseta Jet Clean -järjestelmä aina tukevalle, tasaiselle ja vaakasuoralle pinnalle vuotojen ehkäisemiseksi.
- Älä upota Jet Clean -järjestelmää veteen.
- Tyhjennä puhdistuskammio ja puhdista se huolellisesti juoksevalla kuumalla vedellä kahden viikon välein.
- Jet Clean -järjestelmä puhdistaa parranajokoneen tehokkaasti, mutta ei desinfioi sitä. Älä siis käytä yhteistä parranajokonetta muiden kanssa.
- Jet Clean -järjestelmän puhdistuskammioita ei voi pestä astianpesukoneessa.
- Kun Jet Clean -järjestelmä on käyttövalmis, sitä ei saa siirtää, sillä laitteesta saattaa tällöin vuotaa puhdistusnestettä.

Vastaavuus standardien kanssa

- Parranajokone täyttää kansainvälisesti hyväksytyt turvamääräykset ja sitä voidaan käyttää turvallisesti kylvyssä tai suihkussa (Kuva 3).
- Nämä Philips-laitteet vastaavat kaikkia sähkömagneettisia kenttiä (EMF) koskevia standardeja. Jos laitteita käytetään oikein ja tämän oppaan sekä parranajokoneen mukana toimitetun käyttöoppaan ohjeiden mukaisesti, niiden käyttäminen on turvallista tämänhetkisen tutkimustiedon perusteella.

Näyttö

Huomautus: Poista suojakalvo näytöstä ennen parranajokoneen ensimmäistä käyttökertaa.

Parranajokoneissa (mallit RQ1180, RQ1160 ja RQ1150) on erilaiset näytöt (katso alla olevat kuvat).

- RQ1180 (Kuva 4)
- RQ1160 (Kuva 5)

- RQ1150 (Kuva 6)

Lataaminen

- Lataus kestää noin tunnin.

RQ1180

- Kun parranajokone latautuu, ensin vilkkuu alin latausvalo, seuraavaksi toinen latausvalo ja niin edelleen, kunnes parranajokone on latautunut täyteen (Kuva 7).
- Pikalataus: kun parranajokoneen virta riittää yhteen ajokertaan, alimmainen latausvalo vilkkuu vuorotellen oranssina ja valkoisena.

RQ1160/RQ1150

- Kun parranajokone latautuu, akkukuvake vilkkuu, kunnes parranajokone on latautunut täyteen. (Kuva 8)
- Pikalataus: kun parranajokoneen virta riittää yhteen ajokertaan, pistokekuvake ja akkukuvake vilkkuvat vuorotellen.

Huomautus: Mallien RQ1160 ja RQ1150 näytöt näyttävät erilaisilta, mutta ne toimivat samalla tavalla.

Akku täynnä

RQ1180

- Kun akku on ladattu täyteen, kaikki latausvalot palavat jatkuvasti. Noin 30 minuutin kuluttua näyttö sammuu automaattisesti. (Kuva 9)

RQ1160/RQ1150

- Kun akku on ladattu täyteen, akkukuvake palaa jatkuvasti. Noin 30 minuutin kuluttua näyttö sammuu automaattisesti. (Kuva 10)

Huomautus: Mallien RQ1160 ja RQ1150 näytöt näyttävät erilaisilta, mutta ne toimivat samalla tavalla.

Akku lopussa

RQ1180

- Kun akku on lähes tyhjä (jäljellä on enintään 5 minuuttia käyttöaikaa), alin latausvalo vilkkuu oranssina. (Kuva 11)
- Kun katkaiset parranajokoneesta virran, alin latausvalo vilkkuu muutaman sekunnin.

RQ1160/RQ1150

- Kun akku on lähes tyhjä (jäljellä on enintään 5 minuuttia käyttöaikaa), pistokekuvake vilkkuu (Kuva 12).
- Kun katkaiset parranajokoneesta virran, pistokekuvake vilkkuu muutaman sekunnin.

Huomautus: Mallien RQ1160 ja RQ1150 näytöt näyttävät erilaisilta, mutta ne toimivat samalla tavalla.

Akun jäljellä oleva varaus

RQ1180

- Palavien latausvalojen määrä osoittaa akun jäljellä olevan varauksen. (Kuva 13)

Matkalukko

Voit lukita parranajokoneen matkojen ajaksi. Matkalukko estää laitteen virran kytkemisen vahingossa.

Matkalukituksen käyttöönotto

- 1 Voit siirtyä matkalukkotilaan painamalla virtapainiketta 3 sekuntia (Kuva 14).
- 2 Näyttöön tulee lukkokuvake. -tekening- (Kuva 15)

Huomautus: Mallien RQ1180, RQ1160 ja RQ1150 näytöt näyttävät erilaisilta, mutta niissä on sama kuvake.

Matkalukituksen poisto

- 1 Paina virtapainiketta 3 sekuntia.
 - 2 Käynnistyvä moottori osoittaa, että matkalukitus on poistettu.
- Parranajokonetta voi nyt taas käyttää.

Huomautus: Kun asetat parranajokoneen laturiin tai Jet Clean -järjestelmään, joka on kytketty virtalähteeseen, matkalukitus poistetaan automaattisesti.

Lataaminen

Lataus kestää noin tunnin.

RQ1180/RQ1160: Täyteen ladatulla parranajokoneella voi ajaa jopa 50 minuuttia/15 päivää.

RQ1150: Täyteen ladatulla parranajokoneella voi ajaa jopa 40 minuuttia/12 päivää.

Lataa parranajokone ennen ensimmäistä käyttökertaa tai kun näyttö ilmoittaa akun tyhjenemisestä (katso kohta Lataus vähissä luvussa Näyttö).

Pikalataus

Kun parranajokonetta on ladattu 5 minuuttia, sitä voi käyttää yhteen parranajokertaan.

Lataaminen laturissa

- 1 Työnnä pienempi liitin laturiin (Kuva 16).
- 2 Yhdistä sovitin pistorasiaan.
- 3 Aseta parranajokone laturiin (1) ja työnnä sitä taaksepäin (2), kunnes kuulet napsahduksen. (Kuva 17)
- 4 Näyttö osoittaa, että parranajokone latautuu (katso luku Näyttö).

Lataaminen Jet Clean -järjestelmässä (vain tietyissä malleissa)

- 1 Aseta pieni pistoke Jet Clean -järjestelmään.
- 2 Yhdistä sovitin pistorasiaan.
- 3 Aseta parranajokone ylösalaisin pidikkeeseen siten, että näyttö osoittaa Jet Clean -järjestelmän etuosaa kohden (Kuva 18).

Huomautus: Vain RQ1180: kun käännät parranajokoneen ylösalaisin, myös näytössä oleva virran ilmaisain kääntyy, joten näet edelleen akun jäljellä olevan varauksen.

- 4 Lukitse parranajokone paikalleen painamalla se tiukasti pidikkeeseen (Kuva 19).

Huomautus: Jos ajopään päällä on suojus tai jos trimmeri on paikallaan parranajokoneessa, parranajokonetta ei voi asettaa Jet Clean -järjestelmään.

▶ Näyttö osoittaa, että parranajokone latautuu (katso luku Näyttö).

Parranajokoneen käyttö

Parran ajaminen

- 1 Kytke parranajokoneeseen virta painamalla virtapainiketta kerran.
▶ RQ1180: näytön valot syttyvät muutamaksi sekunniksi.
- 2 Liikuta ajopäitä iholla pyörivin liikkein (Kuva 20).
- Älä tee suoria liikkeitä.
- Iho tottuu Philips-parranajojärjestelmään 2–3 viikossa.
- 3 Katkaise parranajokoneesta virta painamalla virtapainiketta kerran.
▶ RQ1180: näytön valot syttyvät muutamaksi sekunniksi, ja näytössä näkyy akun jäljellä olevan varauksen määrä.

Märkäajo

Voit käyttää parranajokonetta myös märällä iholla, jolla on partavaahtoa tai parranajogeeliä.

Jos käytät partavaahtoa tai parranajogeeliä, toimi seuraavasti:

- 1 Kostuta iho vedellä.
- 2 Levitä iholle partavaahtoa tai parranajogeeliä.
- 3 Huuhtelee ajopää juoksevalla vedellä, jotta se liukuu tasaisesti iholla.
- 4 Kytke parranajokoneeseen virta painamalla virtapainiketta kerran.
- 5 Liikuta ajopäitä iholla pyörivin liikkein.

Huomautus: Huuhtelee parranajokone säännöllisesti juoksevalla vedellä, jotta se liukuu edelleen tasaisesti iholla.

- 6 Kuivaa kasvot ja puhdistaa parranajokone huolellisesti jokaisen käytön jälkeen (katso kohta Puhdistus ja huolto).

Huomautus: Huuhtelee kaikki vahto tai parranajogeeli parranajokoneesta.

Ihokarvojen trimmaaminen

Voit käyttää trimmeriä pulisonkien ja viiksien siistimiseen.

- 1 Vedä ajopää suoraan irti parranajokoneesta (Kuva 21).

Huomautus: Älä käännä ajopäätä vetäessäsi sen pois parranajokoneesta.

- 2 Aseta trimmerin kieleke parranajokoneen päällä olevaan aukkoon (1). Kiinnitä sitten trimmeri parranajokoneeseen painamalla sitä alaspäin (2), jolloin kuuluu napsahdus (Kuva 22).
- 3 Kytke trimmeriin virta painamalla laitteen virtapainiketta kerran.
▶ RQ1180: näytön valot syttyvät muutamaksi sekunniksi.
- 4 Voit nyt aloittaa trimmaamisen.
- 5 Katkaise trimmerin virta painamalla laitteen virtapainiketta kerran.
▶ RQ1180: näytön valot syttyvät muutamaksi sekunniksi näyttämään akun jäljellä olevan varauksen määrän.
- 6 Vedä trimmeri suoraan irti parranajokoneesta (Kuva 23).

Huomautus: Älä käännä trimmausosaa vetäessäsi sen pois parranajokoneesta.

- 7 Aseta ajopään kieleke parranajokoneen päällä olevaan aukkoon (1). Kiinnitä sitten ajopää parranajokoneeseen painamalla sitä alaspäin (2), jolloin kuuluu napsahdus (Kuva 24).

Puhdistus ja huolto

Älä koskaan käytä laitteen ja Jet Clean -järjestelmän puhdistamiseen hankaussieniä, hankaavia puhdistusaineita tai reaktiivisia nesteitä, kuten bensiiniä tai asetonia.

- Tehokkain ja hygieenisin tapa puhdistaa parranajokone on asettaa se Jet Clean -järjestelmään (vain tietyissä malleissa), mutta laitteen voi myös huuhdella vesihanalla tai puhdistaa mukana tulevalla harjalla.
- Ole varovainen kuuman veden kanssa. Varmista aina, ettei vesi ole liian kuumaa, ettet polta käsiäsi.
- Saat parhaan ajotuloksen, kun puhdistat parranajokoneen jokaisen ajokerran jälkeen.
- Parranajokoneen ulkokuoren voi puhdistaa kostealla kankaalla.
- Säännöllinen puhdistus takaa hyvän ajotuloksen.

Ajopään puhdistaminen

Ole varovainen kuuman veden kanssa. Varmista aina, ettei vesi ole liian kuumaa, ettet polta käsiäsi.

- 1 Huuhtelee ajopäätä kuumalla juoksevalla vedellä jonkin aikaa (Kuva 25).
Huomautus: Voit myös puhdistaa ajopään mukana toimitetulla puhdistusharjalla.
- 2 Vedä ajopään pidike pois ajopään alaosasta ja huuhtelee sitä kuumalla juoksevalla vedellä 30 sekunnin ajan (Kuva 26).
Huomautus: Voit myös puhdistaa ajopään pidikkeen mukana toimitetulla puhdistusharjalla.
- 3 Poista ylimääräinen vesi ravistamalla ajopäätä ja anna sen kuivua.
Älä kuivaa ajopäätä pyyheliinalla tai paperipyyhkeellä, ettet vahingoita teräyksiköitä.
- 4 Napsauta ajopään pidike takaisin ajopään alaosaan (Kuva 27).

Ajopään puhdistaminen Jet Clean -järjestelmässä (vain tietyissä malleissa)

Jet Clean -järjestelmässä on automaattinen puhdistusohjelma. Kun painat virtapainiketta, Jet Clean -järjestelmä aloittaa puhdistuksen automaattisessa puhdistusohjelmassa.

Jet Clean -järjestelmän valmisteleminen käyttöä varten

Täytä puhdistuskammio ennen ensimmäistä käyttökertaa.

- 1** Aseta pieni pistoke Jet Clean -järjestelmään.
- 2** Yhdistä sovitin pistorasiaan.
 - ▶ Pidike siirtyy automaattisesti yläasentoon.
- 3** Paina puhdistuskammion (1) kummallakin puolella olevia vapautuspainikkeita samanaikaisesti ja nosta Jet Clean -järjestelmä pois puhdistuskammioista (2). (Kuva 28)
 - ▶ Puhdistuskammio jää paikalleen.
- 4** Kierrä puhdistusnestepullon korkki auki.
- 5** Täytä puhdistuskammio HQ200-puhdistusnesteellä kahden viivan väliin asti (Kuva 29).
- 6** Aseta Jet Clean -järjestelmä takaisin puhdistuskammioon (Kuva 30).
Varmista, että vapautuspainikkeet napsahtavat takaisin paikalleen.

Jet Clean -järjestelmän käyttäminen

Huomautus: Jos käytät parranajokonetta partavaahdon tai parranajogeelin kanssa, se kannattaa huuhdella kuumalla vedellä ennen puhdistamista Jet Clean -järjestelmässä. Näin taataan puhdistusnesteeseen optimaalinen käyttöikä.

- 1** Aseta parranajokone ylösalaisin pidikkeeseen siten, että näyttö osoittaa Jet Clean -järjestelmän etuosaa kohden (Kuva 18).
- 2** Lukitse parranajokone paikalleen painamalla se tiukasti pidikkeeseen (Kuva 19).
 - ▶ Näyttö osoittaa, että parranajokone latautuu (katso luku Näyttö).
- 3** Käynnistä puhdistusohjelma painamalla Jet Clean -järjestelmän virtapainiketta. (Kuva 31)
 - ▶ Latausilmaisim ei enää näy parranajokoneen näytössä.
 - ▶ Puhdistuksen merkkivalo alkaa vilkkua, ja laite laskee parranajokoneen automaattisesti puhdistusnesteeseen (Kuva 32).
 - ▶ Puhdistusohjelma kestää muutaman minuutin, ja puhdistuksen merkkivalo vilkkuu koko sen ajan.
 - ▶ Puhdistusohjelman ensimmäisen vaiheen aikana parranajokoneen virta kytkeytyy ja katkeaa automaattisesti useita kertoja ja parranajokone asettuu eri asentoihin.
 - ▶ Puhdistusohjelman toisen vaiheen aikana parranajokone asettuu kuivausasentoon, jonka osoituksena on vilkkuva kuivauskuvake. Tämä vaihe kestää noin 2 tuntia. Parranajokone on tässä asennossa ohjelman loppuun saakka. (Kuva 33)
 - ▶ Puhdistusohjelman jälkeen parranajokoneen näyttöön tulee latausilmaisim (katso luku Näyttö).

Huomautus: Jos painat puhdistusohjelman aikana Jet Clean -järjestelmän virtapainiketta, ohjelma keskeytyy. Tällöin puhdistuksen tai kuivauksen merkkivalo lakkaa vilkkumasta ja pidike siirtyy yläasentoon.

Huomautus: Jos irrotat sovittimen pistorasiasta puhdistusohjelman aikana, ohjelma keskeytyy, mutta pidike jää sen hetkiseen asentoon. Kun liität sovittimen takaisin pistorasiaan, pidike siirtyy yläasentoon.

- Kun puhdistusnestetaso laskee minimitason alapuolelle, tyhjän puhdistuskammion kuvake alkaa vilkkua ja pidike palaa aloitusasentoon (Kuva 34).
- Jos laitetta käytetään parranajokoneen puhdistukseen päivittäin, nestesäiliö on täytettävä noin kahden viikon välein.

Jet Clean -järjestelmän puhdistaminen

Puhdista puhdistuskammio 15 päivän välein.

Voit pyyhkiä Jet Clean -järjestelmän ulkopinnat kostealla liinalla.

- 1** Paina samanaikaisesti Jet Clean -järjestelmän (1) kummallakin puolella olevia vapautuspainikkeita. Nosta sitten Jet Clean -järjestelmä pois puhdistuskammioista (2). (Kuva 28)
 - ▶ Puhdistuskammio jää paikalleen.
- 2** Kaada jäljellä oleva puhdistusneste pois puhdistuskammioista. (Kuva 35)
Voit kaataa puhdistusnesteeseen pesualtaaseen.
- 3** Huuhtele puhdistuskammio juoksevalla vedellä (Kuva 36).

Puhdistuskammiota ei voi pestä astianpesukoneessa.

- 4** Täytä puhdistuskammio HQ200-puhdistusnesteellä kahden viivan väliin asti (Kuva 29).
- 5** Aseta Jet Clean -järjestelmä takaisin puhdistuskammioon. (Kuva 30)
Varmista, että vapautuspainikkeet napsahtavat takaisin paikalleen.

Erittäin huolellinen puhdistustapa

Varmista, että laitteesta on katkaistu virta.

- 1** Vedä ajopään pidike irti ajopään alaosasta (Kuva 26).
- 2** Työnnä vihreää kiinnityskehikkoa siihen merkittyjen nuolten suuntaan (Kuva 37).
- 3** Vedä kiinnityskehikko irti ajopään pidikkeestä. (Kuva 38)
- 4** Irrota terä teräsäleiköstä (Kuva 39).

Huomautus: Puhdista kerralla vain yksi terä ja teräsäleikkö, sillä ne on hiottu pareittain. Jos asetat terän vahingossa väärään teräsäleikköön, saattaa kestää useita viikkoja ennen kuin ajotulos on palautunut ennalleen.

- 5** Puhdista terä laitteen mukana tulevilla harjalla (Kuva 40).
- 6** Puhdista teräsäleikön sisäpuoli. (Kuva 41)

- 7** Aseta terä puhdistuksen jälkeen takaisin teräsäleikköön siten, että terävä pää osoittaa alaspäin. (Kuva 42)
- 8** Aseta kiinnityskehikko takaisin ajopään pidikkeeseen. (Kuva 43)
- 9** Napsauta säleikkö takaisin paikalleen. (Kuva 44)
- 10** Kiinnitä ajopään pidike takaisin ajopään alaosaan. (Kuva 27)

Trimmerin puhdistaminen

Puhdista trimmeri jokaisen käyttökerran jälkeen.

- 1** Käynnistä parranajokone, kun trimmeri on kiinnitettyinä.
- 2** Huuhtelee trimmeriä kuumalla juoksevalla vedellä jonkin aikaa. (Kuva 45)
- 3** Katkaise parranajokoneen virta puhdistuksen jälkeen.

Vihje: Saat trimmerillä parhaan tuloksen, kun levität trimmerin terään pisaran ompelukoneöljyä kerran puolessa vuodessa.

Säilytys

- 1** Aseta suojus ajopäähän, jotta teräyksiköt eivät vahingoitu (Kuva 46).
- 2** Vain tietyt mallit: säilytä parranajokoneita laitteen mukana toimitetussa säilytuspussissa.

Varaosat

Saat parhaan ajotuloksen, kun vaihdat ajopään yläosan vuoden välein. Korvaa ajopään yläosa vain alkuperäisellä RQ11 Philips -ajopään pidikkeellä.

- 1** Vedä ajopään pidike irti ajopään alaosasta (Kuva 26).
- 2** Napsauta uusi ajopään pidike ajopään alaosaan (Kuva 27).

Varaosien tilaaminen

Saatavissa on seuraavia varaosia:

- HQ8505-sovitin
- RQ11 Philips -ajopään pidike
- HQ110 Philips -ajopään puhdistussuihke
- HQ200 Philips -puhdistusneste

Ympäristö

- Älä hävitä vanhoja laitteita tavallisen talousjätteen mukana, vaan toimita ne valtuutettuun kierrätyspisteeseen. Näin autat vähentämään ympäristölle aiheutuvia haittavaikutuksia (Kuva 47).
- Laitteen kiinteät ladattavat akut sisältävät ympäristölle haitallisia aineita. Poista akku aina ennen parranajokoneen toimittamista valtuutettuun keräyspisteeseen ja toimita se valtuutettuun akkujen keräyspisteeseen. Jos et pysty irrottamaan akkua laitteesta, voit toimittaa laitteen Philipsin huoltopalveluun, jossa akku poistetaan ja laite hävitetään ympäristöystävällisellä tavalla (Kuva 48).

Parranajokoneen akun poistaminen

Poista ladattavat akut ennen parranajokoneen hävittämistä. Varmista, että akut ovat täysin tyhjä, kun poistat ne.

Ole varovainen, sillä akun metalliliuskat ovat teräviä.

- 1** Irrota parranajokoneen takapaneeli ruuvitaltalla.
- 2** Poista ladattava akku.

Takuu ja huolto

Jos haluat lisätietoja tai laitteen kanssa tulee ongelmia, tutustu Philipsin verkkosivustoon osoitteessa www.philips.com tai kysy neuvoa Philipsin Asiakaspalvelusta (puhelinnumero on kansainvälisessä takuulehtisessä). Jos maassasi ei ole Asiakaspalvelua, ota yhteyttä Philipsin jälleenmyyjään.

Takuun rajoitukset

Kansainvälinen takuu ei koske teräyksikköjä (terät ja teräsäleiköt), koska ne kuluvat käytössä.

Vianmääritys

Tässä luvussa kuvataan tavallisimmat laitteen käyttöön liittyvät ongelmat. Ellet onnistu ratkaisemaan ongelmaa alla olevien ohjeiden avulla, ota yhteys Philipsin maakohtaiseen asiakaspalveluun.

Ongelma	Mahdollinen syy	Ratkaisu
Parranajokone ei toimi enää niin hyvin kuin aluksi.	Teräyksiköt ovat vahingoittuneet tai kuluneet.	Vaihda ajopään pidike (katso luku Varaosat).
	Pitkät karvat haittaavat teräyksiköiden toimintaa.	Puhdista teräyksiköt erittäin huolellisen puhdistuksen ohjeiden mukaisesti (katso luku Puhdistus ja huolto).
	Jet Clean -järjestelmä ei ole puhdistanut parranajokoneita kunnolla, koska puhdistuskammion puhdistusneste on likaantunut tai puhdistusneste on liian vähän.	Puhdista parranajokone huolellisesti, ennen kuin jatkat parranajoa. Puhdista puhdistuskammio tarvittaessa ja täytä se uudelleen (katso luku Puhdistus ja huolto).

Ongelma	Mahdollinen syy	Ratkaisu
Parranajokone ei käynnisty, kun virtakytkintä painetaan.	Ladattava akku on tyhjä.	Lataa akku (katso luku Lataaminen).
	Matkalukitus on käytössä.	Poista se käytöstä painamalla virtapainiketta 3 sekuntia.
	Ajopään pidike on likaantunut tai niin vaurioitunut, että moottori ei käynnisty.	Puhdista ajopään pidike tai vaihda se (katso kohdat Puhdistus ja huolto ja Varaosat).
	Parranajokone on lämmennyt liikaa. Siinä tapauksessa parranajokone ei toimi.	Anna parranajokoneen jäähtyä. Kun parranajokoneen lämpötila on laskenut riittävästi, voit käynnistää sen uudelleen.
Parranajokone ei ole täysin puhdas, vaikka puhdistin sen Jet Clean -järjestelmällä.	Puhdistuskammion puhdistusneste on likaantunut.	Tyhjennä ja huuhtelee puhdistuskammio.
	Puhdistusnestettä on liian vähän. Jos puhdistuskammion nesteen määrä laskee alle minimitason puhdistusohjelman aikana, ohjelma keskeytyy. Puhdistuksen merkkivalo ja tyhjän puhdistuskammion kuvake alkavat vilkkua ja pidike palautuu aloitusasentoon.	Täytä puhdistuskammio uudelleen puhdistusnesteellä kahden viivan väliin asti (katso luku Puhdistus ja huolto).
	Olet ehkä käyttänyt jotain muuta kuin Philipsin alkuperäistä puhdistusnestettä.	Käytä vain HQ200 Philips -puhdistusnestettä.
Jet Clean -järjestelmä ei käynnisty, kun virtapainiketta painetaan.	Jet Clean-järjestelmää ei ole liitetty sähköverkkoon.	Työnnä pienempi liitin Jet Clean -järjestelmään ja liitä sovitin pistorasiaan.
	Jet Clean-järjestelmän ja parranajokoneen välillä ei ole sähköliitosta.	Lukitse parranajokone paikalleen painamalla se tiukasti pidikkeeseen.
Parranajokone ei ole täyteen ladattu, kun lasin sen laturissa/ Jet Clean -järjestelmässä.	Et ole asettanut parranajokonetta oikein laturiin/ Jet Clean -järjestelmään.	Varmista, että painat parranajokonetta, kunnes se lukkiutuu paikalleen.

Introduction

Félicitations pour votre achat et bienvenue dans l'univers Philips ! Pour profiter pleinement de l'assistance Philips, enregistrez votre produit sur le site à l'adresse suivante : www.philips.com/welcome.

Veillez lire ce mode d'emploi, qui contient des informations sur les fonctionnalités de ce rasoir, ainsi que des conseils pour un rasage plus facile et plus agréable.

Description générale (fig. 1)

- A** Rasoir (RQ1180/RQ1160/RQ1150)
 - 1 Tondeuse
 - 2 Coque de protection
 - 3 Unité de rasage
 - 4 Rasoir
 - 5 Bouton marche/arrêt du rasoir
 - 6 Écran
- B** Chargeur
- C** Système de nettoyage Jet Clean (certains modèles uniquement)
 - 1 Support du rasoir
 - 2 Symbole « cuve vide »
 - 3 Symbole de nettoyage
 - 4 Symbole de séchage
 - 5 Bouton marche/arrêt du système de nettoyage Jet Clean
 - 6 Bouton de déverrouillage de la cuve
- D** Brosse de nettoyage
- E** Liquide de nettoyage
- F** Housse (certains modèles uniquement)
- G** Adaptateur

Important

Lisez attentivement ce mode d'emploi avant d'utiliser l'appareil et conservez-le pour un usage ultérieur.

Remarque : Dans ce mode d'emploi le terme « appareil » désigne le rasoir et le système de nettoyage Jet Clean. Si votre rasoir n'est pas fourni avec un système de nettoyage Jet Clean, il désigne le rasoir uniquement.

Généralités

Danger

- Veillez à ce que l'adaptateur ne soit pas en contact avec de l'eau (fig. 2).

Avertissement

- L'adaptateur contient un transformateur. N'essayez pas de remplacer la fiche de l'adaptateur pour éviter tout accident.
- Ces appareils ne sont pas destinés à être utilisés par des personnes (notamment des enfants) dont les capacités physiques, sensorielles ou intellectuelles sont réduites, ou par des personnes manquant d'expérience ou de connaissances, à moins qu'elles ne soient sous surveillance ou aient reçu des instructions quant à l'utilisation des appareils par une personne responsable de leur sécurité.
- Veillez à ce que les enfants ne puissent pas jouer avec les appareils.
- Lorsque vous nettoyez l'appareil, veillez à ce que l'eau ne soit pas trop chaude pour ne pas vous brûler.

Attention

- Ne plongez jamais le système de nettoyage Jet Clean ni le chargeur dans l'eau et ne les rincez pas sous le robinet.
- L'appareil et les accessoires ne sont pas conçus pour passer au lave-vaisselle.
- Placez toujours l'appareil sur une surface imperméable.
- Utilisez, rechargez et conservez l'appareil à une température comprise entre 5 °C et 35 °C.
- Utilisez exclusivement les accessoires fournis.
- L'adaptateur transforme la tension de 100-240V en une tension de sécurité de moins de 24V.
- N'utilisez jamais l'appareil s'il est endommagé.
- Si l'adaptateur ou l'un des autres accessoires est endommagé, remplacez-le exclusivement par un adaptateur d'origine afin d'éviter tout accident.
- Lorsque vous rincez l'appareil, de l'eau peut s'écouler par la prise inférieure. Ce phénomène est normal et ne présente pas de danger car toutes les pièces électroniques à l'intérieur du rasoir sont protégées.

Système de nettoyage Jet Clean (certains modèles uniquement)

Attention

- Utilisez le système de nettoyage Jet Clean uniquement avec le liquide de nettoyage HQ200.
- Placez toujours le système de nettoyage Jet Clean sur une surface stable et horizontale pour éviter toute fuite de liquide.
- Ne plongez jamais le système de nettoyage Jet Clean dans l'eau.
- Videz la cuve et nettoyez-la soigneusement à l'eau chaude tous les 15 jours.
- Le système de nettoyage Jet Clean nettoie le rasoir en profondeur mais ne le désinfecte pas. Il est donc préférable que le rasoir ne soit utilisé que par une seule personne.
- La cuve du système Jet Clean ne peut pas être nettoyée au lave-vaisselle.
- Lorsque le système Jet Clean est prêt à l'emploi, ne le déplacez pas pour éviter toute fuite.

Conformité aux normes

- Ce rasoir est conforme aux normes internationales de sécurité. Il peut être utilisé dans le bain ou sous la douche et nettoyé à l'eau courante en toute sécurité (fig. 3).
- Ces appareils Philips sont conformes à toutes les normes relatives aux champs électromagnétiques (CEM). Ils répondent aux règles de sécurité établies sur la base des connaissances scientifiques actuelles s'ils sont manipulés correctement et conformément aux instructions fournies dans ce livret d'informations et dans la brochure fournie avec le rasoir.

Afficheur

Remarque : Avant d'utiliser le rasoir pour la première fois, retirez le film de protection de l'afficheur.

Les trois types de rasoir (RQ1180, RQ1160 et RQ1150) possèdent des afficheurs différents, illustrés sur les figures ci-dessous.

- RQ1180 (fig. 4)
- RQ1160 (fig. 5)
- RQ1150 (fig. 6)

Chargement

- La charge dure environ 1 heure.

RQ1180

- Lorsque le rasoir est en charge, le voyant de charge inférieur clignote, puis le deuxième voyant de charge se met à clignoter et ainsi de suite jusqu'à ce que le rasoir soit entièrement chargé (fig. 7).
- Charge rapide : lorsque le rasoir est suffisamment chargé pour une séance de rasage, le voyant de charge inférieur clignote alternativement en orange et en blanc.

RQ1160/RQ1150

- Lorsque le rasoir est en charge, le symbole de la batterie clignote jusqu'à ce que le rasoir soit complètement chargé. (fig. 8)
- Charge rapide : lorsque le rasoir est suffisamment chargé pour une séance de rasage, le symbole de la fiche et le symbole de la batterie clignotent alternativement.

Remarque : Les afficheurs des rasoirs de types RQ1160 et RQ1150 se présentent différemment, mais fonctionnent de la même façon.

Batterie entièrement chargée

RQ1180

- Une fois les batteries entièrement chargées, tous les voyants de charge s'allument de manière continue. Après environ 30 minutes l'afficheur s'éteint automatiquement de nouveau. (fig. 9)

RQ1160/RQ1150

- Une fois les batteries entièrement chargées, le symbole de la batterie s'allume de manière continue. Après environ 30 minutes l'afficheur s'éteint automatiquement de nouveau. (fig. 10)

Remarque : Les afficheurs des rasoirs de types RQ1160 et RQ1150 se présentent différemment, mais fonctionnent de la même façon.

Batterie faible

RQ1180

- Lorsque la batterie est presque vide (5 minutes ou moins de rasage restantes), le voyant de charge inférieur clignote en orange. (fig. 11)
- Lorsque vous éteignez le rasoir, le voyant de charge inférieur continue à clignoter pendant quelques secondes.

RQ1160/RQ1150

- Lorsque la batterie est presque vide (5 minutes ou moins de rasage restantes), le symbole de la fiche clignote (fig. 12).
- Lorsque vous éteignez le rasoir, le symbole de la fiche continue à clignoter pendant quelques secondes.

Remarque : Les afficheurs des rasoirs de types RQ1160 et RQ1150 se présentent différemment, mais fonctionnent de la même façon.

Niveau de charge de la batterie

RQ1180

- Le niveau de charge de la batterie est indiqué par le nombre de voyants de charge allumés. (fig. 13)

Système de verrouillage pour voyage

Vous pouvez verrouiller le rasoir si vous partez en voyage. Le verrouillage empêche le rasoir de se mettre en marche accidentellement.

Activation du verrouillage

- 1 Appuyez sur le bouton marche/arrêt pendant 3 secondes pour activer le verrouillage (fig. 14).
- ▶ Le symbole du cadenas s'allume sur l'afficheur (fig. 15).

Remarque : Les afficheurs des rasoirs de types RQ1180, RQ1160 et RQ1150 se présentent différemment, mais affichent le même symbole.

Désactivation du verrouillage

- 1 Maintenez enfoncé le bouton marche/arrêt pendant 3 secondes.
 - ▶ Le moteur commence à fonctionner pour indiquer que le verrouillage a été désactivé.
- Le rasoir est de nouveau prêt à l'emploi.

Remarque : Lorsque vous placez le rasoir sur le chargeur branché ou dans le système Jet Clean, le verrouillage est automatiquement désactivé.

Chargement

La charge dure environ 1 heure.

RQ1180/RQ1160 : un rasoir complètement chargé offre une autonomie de rasage de 50 minutes/15 jours environ.

RQ1150 : un rasoir complètement chargé offre une autonomie de rasage de 40 minutes/12 jours environ.

Chargez le rasoir avant la première utilisation et lorsque l'afficheur indique que la batterie est presque vide (voir la section « Batterie faible » dans le chapitre « Afficheur »).

Charge rapide

Après 5 minutes de charge, le rasoir est suffisamment chargé pour une séance de rasage.

Charge à l'aide du chargeur

- 1 Insérez la petite fiche dans le chargeur (fig. 16).
- 2 Branchez l'adaptateur sur la prise secteur.
- 3 Mettez le rasoir dans le chargeur (1) et poussez-le vers l'arrière (2) (clic). (fig. 17)

- ▶ L'afficheur indique que le rasoir est en cours de charge (voir la section « Afficheur »).

Charge dans le système de nettoyage Jet Clean (certains modèles uniquement)

- 1 Insérez la petite fiche dans le système de nettoyage Jet Clean.
- 2 Branchez l'adaptateur sur la prise secteur.
- 3 Placez le rasoir à l'envers sur le support avec l'afficheur dirigé vers l'avant du système Jet Clean (fig. 18).

Remarque : RQ1180 uniquement : lorsque vous retournez le rasoir, l'indication de charge sur l'afficheur s'affiche dans l'autre sens, de sorte que vous puissiez toujours consulter le niveau de charge de la batterie.

- 4 Appuyez fermement sur le rasoir pour le positionner sur le support (fig. 19).

Remarque : Le rasoir ne doit pas être placé dans le système de nettoyage Jet Clean lorsque le capot de protection est installé sur l'unité de rasage ou que la tondeuse est placée sur le rasoir.

- ▶ L'afficheur indique que le rasoir est en cours de charge (voir la section « Afficheur »).

Utilisation du rasoir

Rasage

- 1 Mettez le rasoir en marche en appuyant sur le bouton marche/arrêt.
 - ▶ RQ1180 : l'afficheur s'allume pendant quelques secondes.
- 2 Déplacez les têtes de rasage sur la peau en effectuant des mouvements circulaires (fig. 20).
 - Ne faites pas de mouvements rectilignes.
 - Votre peau pourrait avoir besoin de 2 ou 3 semaines pour s'habituer au système de rasage Philips.
- 3 Arrêtez le rasoir en appuyant sur le bouton marche/arrêt.
 - ▶ RQ1180 : l'afficheur s'allume pendant quelques secondes, puis affiche le niveau de charge de la batterie.

Rasage sur peau humide

Vous pouvez également utiliser ce rasoir sur un visage humide avec de la mousse à raser ou du gel de rasage. Pour vous raser avec de la mousse à raser ou du gel de rasage suivez les étapes ci-dessous :

- 1 Mouillez votre peau.
- 2 Appliquez de la mousse à raser ou du gel de rasage sur votre peau.
- 3 Rincez l'unité de rasage sous le robinet afin que le rasoir puisse continuer à glisser en douceur sur votre peau.
- 4 Mettez le rasoir en marche en appuyant sur le bouton marche/arrêt.
- 5 Faites glisser les têtes de rasage sur votre peau en effectuant des mouvements circulaires.

Remarque : Rincez le rasoir sous le robinet régulièrement afin que le rasoir puisse continuer à glisser en douceur sur votre peau.

- 6 Séchez votre visage et nettoyez soigneusement le rasoir après utilisation (voir le chapitre « Nettoyage et entretien »).

Remarque : Rincez le rasoir pour éliminer complètement la mousse.

Tondeuse

Vous pouvez utiliser la tondeuse pour tailler les favoris et la moustache.

- 1 Détachez l'unité de rasage du rasoir (fig. 21).

Remarque : Ne tournez pas l'unité de rasage pendant que vous la retirez du rasoir.
- 2 Insérez la languette de la tondeuse dans la fente située sur la partie supérieure du rasoir (1). Fixez ensuite la tondeuse sur le rasoir en la poussant vers le bas (2) (clic) (fig. 22).
- 3 Appuyez sur le bouton marche/arrêt de la tondeuse pour la mettre en marche.
 - ▶ RQ1180 : l'afficheur s'allume pendant quelques secondes.
- 4 Vous pouvez commencer à vous tailler les favoris et la moustache.
- 5 Appuyez sur le bouton marche/arrêt de la tondeuse pour l'arrêter.
 - ▶ RQ1180 : l'afficheur s'allume pendant quelques secondes, puis affiche le niveau de charge de la batterie.
- 6 Détachez la tondeuse du rasoir (fig. 23).

Remarque : Ne tournez pas la tondeuse pendant que vous la retirez du rasoir.

- 7 Insérez la languette de l'unité de rasage dans la fente située sur la partie supérieure du rasoir (1). Fixez ensuite l'unité de rasage sur le rasoir en la faisant glisser vers le bas (2) (clic) (fig. 24).

Nettoyage et entretien

N'utilisez jamais de tampons à récurer, de produits abrasifs ou de détergents agressifs tels que de l'essence ou de l'acétone pour nettoyer l'appareil et le système de nettoyage Jet Clean.

- La meilleure manière et la manière la plus hygiénique de nettoyer le rasoir est d'utiliser le système de nettoyage Jet Clean (certains modèles uniquement). Toutefois, vous pouvez également le rincer sous le robinet ou le nettoyer à l'aide de la brosse fournie.
- Veillez à ce que l'eau ne soit pas trop chaude pour ne pas vous brûler.
- Pour garantir des performances de rasage optimales, nettoyez le rasoir après chaque utilisation.
- Vous pouvez utiliser un chiffon humide pour nettoyer l'extérieur du rasoir.
- Nettoyez régulièrement l'appareil pour obtenir des résultats de rasage optimaux.

Nettoyage de l'unité de rasage

Veillez à ce que l'eau ne soit pas trop chaude pour ne pas vous brûler.

1 Rincez l'unité de rasage à l'eau chaude (fig. 25).

Remarque : Vous pouvez également nettoyer l'unité de rasage avec la brosse de nettoyage fournie.

2 Détachez le support de la tête de rasoir de la partie inférieure de l'unité de rasage et rincez-le à l'eau chaude pendant 30 secondes (fig. 26).

Remarque : Vous pouvez également nettoyer la tête de rasoir avec la brosse de nettoyage fournie.

3 Secouez l'unité de rasage pour éliminer l'excès d'eau et laissez-la sécher.

Ne séchez jamais l'unité de rasage à l'aide d'une serviette au risque d'endommager les têtes de rasoir.

4 Remettez le support de la tête de rasoir dans la partie inférieure de l'unité de rasage (clic) (fig. 27).

Nettoyage de l'unité de rasage à l'aide du système de nettoyage Jet Clean (certains modèles uniquement)

Le système de nettoyage Jet Clean propose un programme de nettoyage automatique. Lorsque vous appuyez sur le bouton marche/arrêt, le système commence le nettoyage dans le programme de nettoyage automatique.

Avant la première utilisation du système de nettoyage Jet Clean

Avant d'utiliser le système pour la première fois, remplissez la cuve.

1 Insérez la petite fiche dans le système de nettoyage Jet Clean.

2 Branchez l'adaptateur sur la prise secteur.

► Le support se place automatiquement sur la position la plus élevée.

3 Appuyez simultanément sur les deux boutons situés sur les côtés de la cuve (1). Retirez ensuite le système de nettoyage Jet Clean de la cuve (2). (fig. 28)

► La cuve se détache.

4 Dévissez le bouchon du flacon de liquide de nettoyage.

5 Remplissez la cuve de liquide de nettoyage HQ200 jusqu'à un niveau situé entre les deux lignes (fig. 29).

6 Remplacez le système de nettoyage Jet Clean sur la cuve (fig. 30).

Assurez-vous que les boutons de déverrouillage se remettent en place.

Utilisation du système de nettoyage Jet Clean

Remarque : Si vous utilisez le rasoir avec de la mousse à raser ou du gel de rasage, nous vous conseillons de le rincer à l'eau chaude avant de le nettoyer dans le système de nettoyage Jet Clean. Cela optimise la durée de vie du liquide de nettoyage.

1 Placez le rasoir à l'envers sur le support avec l'afficheur dirigé vers l'avant du système Jet Clean (fig. 18).

2 Appuyez fermement sur le rasoir pour le positionner sur le support (fig. 19).

► L'afficheur indique que le rasoir est en cours de charge (voir la section « Afficheur »).

3 Appuyez sur le bouton marche/arrêt du système de nettoyage Jet Clean pour lancer le programme de nettoyage. (fig. 31)

► L'afficheur du rasoir cesse d'afficher le témoin de charge.

► Le voyant de nettoyage clignote et le rasoir est automatiquement plongé dans le liquide de nettoyage (fig. 32).

► Le voyant de nettoyage clignote pendant le programme de nettoyage, qui dure quelques minutes.

► Au cours de la première phase du programme de nettoyage, le rasoir s'allume et s'éteint automatiquement à plusieurs reprises, et se déplace de haut en bas.

► Au cours de la deuxième phase du programme de nettoyage, le rasoir est en position de séchage : le symbole de séchage clignote. Cette phase dure environ 2 heures. Le rasoir reste dans cette position jusqu'à la fin du programme. (fig. 33)

► Une fois le programme de nettoyage terminé, le témoin de charge apparaît sur l'afficheur (voir la section « Afficheur »).

Remarque : Si vous appuyez sur le bouton marche/arrêt du système Jet Clean pendant le programme de nettoyage, le programme est arrêté. Le cas échéant, le voyant de nettoyage ou de séchage s'arrête de clignoter et le support se place sur la position la plus élevée.

Remarque : Si vous retirez l'adaptateur de la prise secteur pendant le programme de nettoyage, le programme s'interrompt. Lorsque vous remettez l'adaptateur dans la prise secteur, le support adopte la position la plus élevée.

- Lorsque le niveau du liquide est inférieur au niveau minimal, le symbole « cuve vide » clignote et le support reprend sa position initiale (fig. 34).

- Si vous utilisez le kit de nettoyage tous les jours, remplissez la cuve tous les 15 jours environ.

Nettoyage du système de nettoyage Jet Clean

Nettoyez la cuve tous les 15 jours.

Vous pouvez utiliser un chiffon humide pour nettoyer l'extérieur du système de nettoyage Jet Clean.

1 Appuyez simultanément sur les boutons de déverrouillage situés de chaque côté du système de nettoyage Jet Clean (1). Détachez ensuite le système de nettoyage Jet Clean de la cuve (2). (fig. 28)

► La cuve se détache.

2 Videz le liquide de nettoyage qui reste dans la cuve. (fig. 35)

Vous pouvez simplement verser le liquide de nettoyage dans le lavabo.

3 Rincez la cuve sous le robinet (fig. 36).

La cuve ne peut pas être nettoyée au lave-vaisselle.

4 Remplissez la cuve de liquide de nettoyage HQ200 jusqu'à un niveau situé entre les deux lignes (fig. 29).

5 Remplacez le système de nettoyage Jet Clean sur la cuve. (fig. 30)

Assurez-vous que les boutons de déverrouillage se remettent en place.

Méthode de nettoyage en profondeur

Assurez-vous que l'appareil est éteint.

- 1 Retirez le support de la tête de rasage de la partie inférieure de l'unité de rasage (fig. 26).
- 2 Faites glisser le système de fixation vert dans le sens des flèches situées sur le système de fixation (fig. 37).
- 3 Retirez le système de fixation du support de la tête de rasage. (fig. 38)
- 4 Retirez la lame de la grille (fig. 39).

Remarque : Ne nettoyez qu'une lame et une grille à la fois car elles sont assemblées par paires. Si par erreur vous ne placez pas une lame dans la bonne grille, il pourrait falloir plusieurs semaines avant d'obtenir de nouveau un rasage optimal.

- 5 Nettoyez la lame avec la brosse de nettoyage fournie (fig. 40).
- 6 Nettoyez l'intérieur de la grille. (fig. 41)
- 7 Après le nettoyage, remplacez la lame dans la grille en orientant le bloc tondeuse vers le bas. (fig. 42)
- 8 Remplacez le système de fixation sur le support de la tête de rasage. (fig. 43)
- 9 Faites glisser la grille pour la remettre en place (clic). (fig. 44)
- 10 Remettez le support de la tête de rasoir dans la partie inférieure de l'unité de rasage. (fig. 27)

Nettoyage de la tondeuse

Nettoyez la tondeuse après chaque utilisation.

- 1 Allumez le rasoir équipé de la tondeuse.
- 2 Rincez la tondeuse à l'eau chaude. (fig. 45)
- 3 Après le nettoyage, éteignez le rasoir.

Conseil : Pour garantir des performances de rasage optimales, appliquez une goutte d'huile pour machine à coudre sur la tondeuse sous les six mois.

Rangement

- 1 Faites glisser le capot de protection sur l'unité de rasage pour éviter d'endommager les têtes de rasage (fig. 46).
- 2 Certains modèles uniquement : rangez le rasoir dans la housse fournie.

Remplacement

Pour garantir des performances de rasage optimales, nous vous recommandons de remplacer la partie supérieure de l'unité de rasage tous les ans.

Remplacez la partie supérieure de l'unité de rasage uniquement par un support de tête de rasage RQ11 Philips.

- 1 Retirez le support de la tête de rasage de la partie inférieure de l'unité de rasage (fig. 26).
- 2 Placez le support de la tête de rasage dans la partie inférieure de l'unité de rasage (clic) (fig. 27).

Commande de pièces

Les pièces suivantes sont disponibles :

- Adaptateur HQ8505
- Support de tête de rasage RQ11 Philips
- Spray Philips Shaving Head Cleaner HQ110
- Liquide de nettoyage Philips HQ200

Environnement

- Lorsqu'il ne fonctionnera plus, ne jetez pas l'appareil avec les ordures ménagères, mais déposez-le à un endroit assigné à cet effet, où il pourra être recyclé. Vous contribuerez ainsi à la protection de l'environnement (fig. 47).
- La batterie intégrée contient des substances qui peuvent nuire à l'environnement. Veillez à toujours retirer la batterie avant de mettre le rasoir au rebut ou de le déposer à un endroit assigné à cet effet. Déposez la batterie usagée à un endroit assigné à cet effet. Si vous n'arrivez pas à retirer la batterie, vous pouvez apporter l'appareil dans un Centre Service Agréé Philips qui se chargera de l'opération en veillant à le faire dans le respect de l'environnement (fig. 48).

Retrait de la batterie rechargeable du rasoir

Retirez la batterie rechargeable uniquement lorsque vous mettez le rasoir au rebut. Assurez-vous que la batterie est complètement déchargée lorsque vous la retirez.

Soyez prudent car les languettes de la batterie sont coupantes.

- 1 Retirez le panneau arrière du rasoir à l'aide d'un tournevis.
- 2 Retirez la batterie rechargeable.

Garantie et service

Si vous souhaitez obtenir des informations supplémentaires ou faire réparer l'appareil, ou si vous rencontrez un problème, rendez-vous sur le site Web de Philips à l'adresse www.philips.com ou contactez le Service Consommateurs Philips de votre pays (vous trouverez le numéro de téléphone correspondant sur le dépliant de garantie internationale). S'il n'existe pas de Service Consommateurs Philips dans votre pays, renseignez-vous auprès de votre revendeur Philips local.

Limites de la garantie

Étant susceptibles de s'user, les têtes de rasoir (lames et grilles) ne sont pas couvertes par la garantie internationale.

Dépannage

Ce chapitre présente les problèmes les plus courants que vous pouvez rencontrer avec votre appareil. Si vous ne parvenez pas à résoudre le problème à l'aide des informations ci-dessous, contactez le Service Consommateurs Philips de votre pays.

Problème	Cause possible	Solution
Les résultats de rasage ne sont pas aussi satisfaisants que d'habitude.	Les têtes de rasoir sont endommagées ou usées.	Remplacez le support de la tête de rasoir (voir le chapitre « Remplacement »).
	Les têtes de rasoir sont bloquées par de longs poils.	Pour nettoyer les têtes de rasoir, suivez les étapes de la méthode de nettoyage en profondeur (voir le chapitre « Nettoyage et entretien »).
	Peut-être le rasoir a-t-il été mal nettoyé dans le système Jet Clean parce que le liquide de nettoyage dans la cuve est sale ou le niveau du liquide de nettoyage trop bas.	Nettoyez complètement le rasoir avant de continuer à vous raser. Si nécessaire, nettoyez et remplissez la cuve (voir le chapitre « Nettoyage et entretien »).
Le rasoir ne fonctionne pas lorsque j'appuie sur le bouton marche/arrêt.	La batterie rechargeable est vide.	Rechargez la batterie (voir le chapitre « Charge »).
	Le verrouillage est activé.	Appuyez sur le bouton marche/arrêt pendant 3 secondes pour désactiver le verrouillage.
	Le support de la tête de rasage est sale ou endommagé de sorte que le moteur ne peut pas fonctionner.	Nettoyez le support de la tête de rasage ou remplacez-le (voir les chapitres « Nettoyage et entretien » et « Remplacement »).
	La température du rasoir est trop élevée. Dans ce cas, le rasoir ne fonctionne pas.	Laissez le rasoir refroidir. Dès que la température du rasoir est suffisamment basse, vous pouvez le rallumer.
Le rasoir n'est pas tout à fait propre après avoir été nettoyé à l'aide du système de nettoyage Jet Clean.	Le liquide de nettoyage dans la cuve est sale.	Videz et rincez la cuve.
	Le niveau de liquide de nettoyage est trop bas. Si la quantité de liquide de nettoyage descend sous le niveau minimum au cours du programme de nettoyage, celui-ci s'interrompt. Le voyant de nettoyage et le symbole « cuve vide » clignotent et le support revient à sa position initiale.	Remplissez la cuve de liquide de nettoyage jusqu'à un niveau situé entre les deux lignes (voir le chapitre « Nettoyage et entretien »).
	Vous avez utilisé un liquide de nettoyage autre que le liquide de nettoyage Philips.	Utilisez uniquement le liquide de nettoyage Philips HQ200.
Le système de nettoyage Jet Clean ne fonctionne pas lorsque j'appuie sur le bouton marche/arrêt.	Le système de nettoyage Jet Clean n'est pas connecté au secteur.	Enfoncez la petite fiche dans le système de nettoyage Jet Clean et l'adaptateur dans la prise secteur.
	Il n'y a pas de connexion électrique entre le système de nettoyage Jet Clean et le rasoir.	Appuyez fermement sur le rasoir pour le positionner sur le support.
Le rasoir n'est pas entièrement chargé lorsqu'il vient d'être chargé à l'aide du chargeur/du système Jet Clean.	Vous n'avez pas placé le rasoir correctement dans le chargeur/système de nettoyage Jet Clean.	Veillez à appuyer sur le rasoir jusqu'à ce qu'il s'enclenche.

Introduction

Félicitations pour votre achat et bienvenue dans l'univers Philips! Pour profiter pleinement du soutien de Philips, enregistrez votre produit à l'adresse : www.philips.com/welcome.
Veuillez lire ce manuel contenant des renseignements sur les caractéristiques de ce rasoir ainsi que des conseils pour simplifier le rasage et le rendre plus agréable.

Description générale (fig. 1)

- A** Rasoir (RQ1180/RQ1160/RQ1150)
 - 1 Tondeuse
 - 2 Capuchon de protection
 - 3 Unité de rasage
 - 4 Rasoir
 - 5 Bouton marche/arrêt du rasoir
 - 6 Afficher
- B** Chargeur
- C** Système Jet Clean (certains modèles uniquement)
 - 1 Support pour rasoir
 - 2 Symbole «Cuve vide»
 - 3 Symbole de nettoyage
 - 4 Symbole de séchage
 - 5 Bouton marche/arrêt du système Jet Clean
 - 6 Bouton de dégagement de la cuve
- D** Brosse de nettoyage
- E** Liquide de nettoyage
- F** Étui (certains modèles uniquement)
- G** Adaptateur

Important

Lisez attentivement ce mode d'emploi avant d'utiliser l'appareil et conservez-le pour un usage ultérieur.

Remarque : Dans ce manuel, le terme «appareils» correspond au rasoir et au système Jet Clean. Si votre rasoir n'est pas doté du système Jet Clean, le terme appareil correspond au rasoir seulement.

Généralités

Danger

- Gardez l'adaptateur au sec (fig. 2).

Avertissement

- L'adaptateur contient un transformateur. Pour éviter tout accident, n'essayez pas de remplacer la fiche de l'adaptateur en la coupant.
- Ces appareils ne doivent pas être utilisés par des personnes (incluant des enfants) avec des capacités physiques, sensorielles ou mentales réduites, ou qui n'ont pas l'expérience et les connaissances nécessaires, à moins qu'elles ne soient sous la surveillance d'une personne responsable de leur sécurité ou qu'elles aient reçu de cette personne des directives concernant l'utilisation de l'appareil.
- Les enfants doivent être surveillés pour s'assurer qu'ils ne s'amuse pas avec ces appareils.
- Attention avec l'eau chaude lorsque vous nettoyez les appareils. Il est important de toujours vérifier que l'eau n'est pas trop chaude pour ne pas vous brûler les mains.

Attention :

- Ne plongez jamais le système Jet Clean et le chargeur dans l'eau, et ne les rincez pas sous le robinet.
- Les appareils et les accessoires ne vont pas au lave-vaisselle.
- Placez et utilisez toujours les appareils sur une surface imperméable.
- Utilisez, rechargez et conservez les appareils à une température comprise entre 5 °C et 35 °C.
- Utilisez uniquement les accessoires fournis.
- L'adaptateur transforme la tension de 100-240V en une tension de sécurité de moins de 24V.
- N'utilisez pas ces appareils s'ils sont endommagés.
- Si l'adaptateur ou tout autre accessoire est endommagé, remplacez-le toujours par un adaptateur ou un accessoire de même type pour éviter tout accident.
- Il est possible que de l'eau s'écoule de la prise au bas du rasoir au cours du rinçage. C'est normal et sans danger car tous les composants électroniques sont regroupés dans un boîtier hermétique à l'intérieur du rasoir.

Système Jet Clean (certains modèles uniquement)

Attention :

- Utilisez seulement le système Jet Clean avec le liquide de nettoyage HQ200 d'origine.
- Rangez toujours le système Jet Clean sur une surface stable, plane et horizontale pour éviter les fuites.
- N'immergez jamais le système Jet Clean dans l'eau.
- Videz la cuve et rincez-la complètement à l'eau chaude du robinet tous les 15 jours.
- Le système Jet Clean permet de laver complètement votre rasoir, mais ne le désinfecte pas; c'est pourquoi vous ne devez pas prêter votre rasoir à d'autres personnes.
- La cuve du système Jet Clean ne va pas au lave-vaisselle.
- Lorsque le système Jet Clean est prêt à être utilisé, ne le déplacez pas pour éviter les fuites de liquide de nettoyage.

Conformité aux normes

- Ce rasoir est conforme aux normes internationales de sécurité. Il peut être utilisé dans le bain ou sous la douche et nettoyé à l'eau courante en toute sécurité (fig. 3).
- Ces appareils Philips sont conformes à toutes les normes relatives aux champs électromagnétiques. Il a été démontré scientifiquement que s'ils sont utilisés adéquatement et conformément aux instructions contenues dans ce livret d'information important et dans le manuel d'utilisation fourni avec le rasoir, ces appareils sont sécuritaires.

Affichage

Remarque : Avant d'utiliser votre rasoir pour la première fois, retirez la pellicule protectrice de l'affichage.

Les trois types de rasoir (RQ1180, RQ1160 et RQ1150) sont dotés d'un affichage distinct, comme l'indiquent les figures ci-dessous.

- RQ1180 (fig. 4)
- RQ1160 (fig. 5)
- RQ1150 (fig. 6)

Recharge

- Le temps de recharge est d'environ une heure.

RQ1180

- Lorsque le rasoir est en charge, le voyant de charge inférieur clignote d'abord, puis le deuxième voyant, et ainsi de suite jusqu'à ce que le rasoir soit complètement chargé (fig. 7).
- Charge rapide : Lorsque le rasoir affiche une charge suffisante pour un rasage, le voyant de charge inférieur clignote en alternant entre l'orange et le blanc.

RQ1160/RQ1150

- Lorsque le rasoir est en charge, le symbole de la pile clignote jusqu'à ce que le rasoir soit complètement chargé. (fig. 8)
- Charge rapide : Lorsque le rasoir affiche une charge suffisante pour un rasage, les symboles de la fiche et de la pile clignotent en alternance.

Remarque : Les affichages des rasoirs RQ1160 et RQ1150 semblent différents, mais ils fonctionnent de façon similaire.

Pile complètement chargée

RQ1180

- Une fois la pile entièrement rechargée, tous les voyants de charge restent allumés de façon continue, puis l'écran s'éteint automatiquement après environ 30 minutes. (fig. 9)

RQ1160/RQ1150

- Une fois la pile entièrement rechargée, le symbole de pile reste allumé de façon continue, puis l'écran s'éteint automatiquement après environ 30 minutes. (fig. 10)

Remarque : Les affichages des rasoirs RQ1160 et RQ1150 semblent différents, mais ils fonctionnent de façon similaire.

Pile faible

RQ1180

- Lorsque la pile est presque à plat (c'est-à-dire lorsque la charge offre un fonctionnement inférieur à 5 minutes), le voyant de charge inférieur orange clignote. (fig. 11)
- Lorsque vous éteignez le rasoir, le voyant de charge inférieur continue de clignoter pendant quelques secondes.

RQ1160/RQ1150

- Lorsque la pile est presque à plat (c'est-à-dire lorsque la charge offre un fonctionnement inférieur à 5 minutes), le symbole de la fiche clignote (fig. 12).
- Lorsque vous éteignez le rasoir, le symbole de la fiche continue de clignoter pendant quelques secondes.

Remarque : Les affichages des rasoirs RQ1160 et RQ1150 semblent différents, mais ils fonctionnent de façon similaire.

Niveau de charge de la pile

RQ1180

- La charge résiduelle de la pile est indiquée par le nombre de voyants de charge allumés. (fig. 13)

Système de verrouillage pour voyage

Vous pouvez verrouiller le rasoir, par exemple si vous partez en voyage. Le verrouillage permet d'éviter que le rasoir s'allume par mégarde.

Activation du verrouillage

- 1 Appuyez sur le bouton marche/arrêt pendant trois secondes pour activer le mode verrouillage (fig. 14).
- Le voyant de verrouillage apparaît à l'affichage. -tekening- (fig. 15)

Remarque : Les affichages des rasoirs RQ1180, RQ1160 et RQ1150 semblent différents, mais affichent le même symbole.

Désactivation du verrouillage

- 1 Appuyez sur le bouton marche/arrêt pendant trois secondes.
 - Le moteur se met en marche pour indiquer que le mode de verrouillage a été désactivé.
- Le rasoir peut être utilisé de nouveau.

Remarque : Lorsque vous placez le rasoir sur le chargeur ou le système Jet Clean préalablement branché, le verrouillage est automatiquement désactivé.

Recharge

Le temps de recharge est d'environ une heure.

RQ1180/RQ1160 : Un rasoir chargé complètement permet un temps de rasage de 50 minutes/15 jours.

RQ1150 : Un rasoir chargé complètement permet un temps de rasage de 40 minutes/12 jours.

Chargez le rasoir si vous l'utilisez pour la première fois et si l'affichage indique que la pile est presque à plat (reportez-vous à la section «Pile faible» du chapitre «Affichage»).

Charge rapide

Après une recharge de 5 minutes, le rasoir fournit suffisamment d'énergie pour un rasage.

Chargement dans le chargeur

- 1 Branchez la petite fiche dans le chargeur (fig. 16).
- 2 Branchez l'adaptateur dans une prise murale.

- 3 Déposez le rasoir dans le chargeur (1) et enfoncez-le fermement (2) («clic»). (fig. 17)
- L'affichage indique que le rasoir est en charge (reportez-vous au chapitre «Affichage»).

Chargement dans le système Jet Clean (certains modèles uniquement)

- 1 Branchez la petite fiche dans le système Jet Clean.
- 2 Branchez l'adaptateur dans une prise murale.
- 3 Placez le rasoir à l'envers dans le support en orientant l'affichage vers la partie avant du système Jet Clean (fig. 18).

Remarque : RQ1180 seulement : Lorsque vous retournez le rasoir à l'envers, le voyant de la pile de l'affichage est également inversé, de sorte que vous pouvez toujours connaître l'état de charge de votre rasoir.

- 4 Enfoncez fermement le rasoir dans le support pour le bloquer en position (fig. 19).

Remarque : Le rasoir ne peut être déposé dans le système Jet Clean avec son capuchon de protection, ni lorsque le taille-favoris est installé.

- L'affichage indique que le rasoir est en charge (reportez-vous au chapitre «Affichage»).

Utilisation du rasoir

Rasage

- 1 Mettez l'appareil en marche en appuyant une fois sur le bouton marche/arrêt.
 - RQ1180 : L'affichage s'allume pendant quelques secondes.
- 2 Faites glisser les têtes de rasage sur votre visage en effectuant des mouvements circulaires (fig. 20).
 - N'effectuez pas de mouvement rectiligne.
 - Votre peau pourrait avoir besoin de 2 ou 3 semaines pour s'habituer au système de rasage Philips.
- 3 Mettez l'appareil en marche en appuyant une fois sur le bouton marche/arrêt.
 - RQ1180 : L'affichage s'allume pendant quelques secondes, puis indique la charge résiduelle de la pile.

Rasage humide

Vous pouvez également utiliser votre rasoir avec de la mousse ou du gel à raser sur votre visage.

Pour un rasage avec de la mousse ou du gel à raser, suivez les étapes ci-dessous :

- 1 Mouillez votre visage avec de l'eau.
- 2 Appliquez ensuite la mousse ou le gel à raser.
- 3 Rincez l'unité de rasage sous l'eau du robinet pour vous assurer qu'il glisse facilement sur votre visage.
- 4 Mettez l'appareil en marche en appuyant une fois sur le bouton marche/arrêt.
- 5 Faites glisser les têtes de rasage sur votre visage en effectuant des mouvements circulaires.

Remarque : Rincez fréquemment l'unité de rasage sous l'eau du robinet pour vous assurer qu'il glisse facilement sur votre visage.

- 6 Asséchez votre visage et nettoyez soigneusement votre rasoir après usage (reportez-vous au chapitre «Nettoyage et entretien»).

Remarque : Assurez-vous d'enlever toute trace de mousse ou de gel à raser du rasoir.

Taille

Vous pouvez utiliser le taille-favoris pour tailler vos favoris et votre moustache.

- 1 Détachez l'unité de rasage du rasoir (fig. 21).

Remarque : Ne tournez pas l'unité de rasage lorsque vous la retirez du rasoir.

- 2 Insérez la patte du taille-favoris dans la fente située sur la partie supérieure du rasoir (1). Ensuite, enfoncez le taille-favoris (2) pour le fixer d'un clic au rasoir (fig. 22).
- 3 Mettez le taille-favoris en marche en appuyant une fois sur le bouton marche/arrêt.
 - RQ1180 : L'affichage s'allume pendant quelques secondes.
- 4 Vous pouvez commencer la taille.
- 5 Éteignez le taille-favoris en appuyant une fois sur le bouton marche/arrêt.
 - RQ1180 : L'affichage s'allume pendant quelques secondes, puis indique la charge résiduelle de la pile.
- 6 Détachez le taille-favoris du rasoir (fig. 23).

Remarque : Ne faites pas pivoter le taille-favoris lorsque vous le détachez du rasoir.

- 7 Insérez la patte du taille-favoris dans la fente située sur la partie supérieure du rasoir (1). Ensuite, enfoncez le taille-favoris (2) pour le fixer d'un clic au rasoir (fig. 24).

Nettoyage et entretien

N'utilisez jamais de tampons à récurer, de nettoyeurs abrasifs ou de produits puissants tels que de l'essence ou de l'acétone pour nettoyer le rasoir et le système Jet Clean.

- La meilleure façon de nettoyer votre rasoir, et la plus hygiénique également, consiste à le déposer dans le système Jet Clean (certains modèles seulement). Vous pouvez également rincer votre rasoir sous l'eau du robinet ou le nettoyer au moyen de la brosse fournie.
- Attention avec l'eau chaude. Il est important de toujours vérifier que l'eau n'est pas trop chaude pour ne pas vous brûler les mains.
- Nettoyez votre rasoir après chaque rasage pour un rasage optimal.
- Vous pouvez nettoyer l'extérieur du rasoir avec un chiffon humide.
- Nettoyer le rasoir régulièrement assure un rasage optimal.

Nettoyage de l'unité de rasage

Attention avec l'eau chaude. Il est important de toujours vérifier que l'eau n'est pas trop chaude pour ne pas vous brûler les mains.

1 Rincez l'unité de rasage quelques minutes sous l'eau chaude du robinet (fig. 25).

Remarque : Vous pouvez également utiliser la brosse fournie pour nettoyer l'unité de rasage.

2 Tirez sur le support de la tête de rasage de la partie inférieure de l'unité de rasage et rincez-le sous l'eau chaude du robinet pendant 30 secondes (fig. 26).

Remarque : Vous pouvez également utiliser la brosse fournie pour nettoyer le support de la tête de rasage.

3 Enlevez soigneusement l'excédent d'eau et laissez l'unité de rasage sécher.

Ne jamais sécher la tête du rasoir avec une serviette ou un mouchoir en papier car cela pourrait endommager les têtes de rasage.

4 Remettez le support de la tête de rasage en place sur la partie inférieure de l'unité de rasage (« clic ») (fig. 27).

Nettoyage de l'unité de rasage dans le système Jet Clean (certains modèles uniquement)

Le système Jet Clean est doté d'un programme de nettoyage automatique qui se lance lorsque vous appuyez sur le bouton marche/arrêt.

Préparation du système Jet Clean

Remplissez la cuve dès la première utilisation.

1 Branchez la petite fiche dans le système Jet Clean.

2 Branchez l'adaptateur dans une prise murale.

▶ Le support se place automatiquement en position haute.

3 Appuyez simultanément sur les boutons de dégagement des deux côtés de la cuve (1). Ensuite, soulevez le système Jet Clean et dégagez-le de la cuve (2). (fig. 28)

▶ La cuve est ainsi séparée du dispositif de nettoyage.

4 Dévissez le capuchon du contenant de liquide de nettoyage.

5 Remplissez la cuve de liquide de nettoyage HQ200 jusqu'à ce que le niveau soit entre les deux lignes (fig. 29).

6 Remettez le système Jet Clean en place dans la cuve (fig. 30).

Veillez à ce que les boutons de dégagement reprennent leur position.

Utilisation du système Jet Clean

Remarque : Si vous utilisez le rasoir avec de la mousse ou du gel à raser, nous vous recommandons de le rincer sous l'eau chaude du robinet avant de le nettoyer au moyen du système Jet Clean pour prolonger le plus possible la durée utile du liquide de nettoyage.

1 Placez le rasoir à l'envers dans le support en orientant l'affichage vers la partie avant du système Jet Clean (fig. 18).

2 Enfoncez fermement le rasoir dans le support pour le bloquer en position (fig. 19).

▶ L'affichage indique que le rasoir est en charge (reportez-vous au chapitre « Affichage »).

3 Appuyez sur le bouton marche/arrêt du système Jet Clean pour lancer le programme de nettoyage. (fig. 31)

▶ L'affichage du rasoir n'indique plus l'état de charge de la pile.

▶ Le voyant de nettoyage commence à clignoter et le rasoir est abaissé automatiquement dans le liquide nettoyant (fig. 32).

▶ Le voyant de nettoyage clignote pendant la durée du programme de nettoyage qui dure quelques minutes.

▶ Au cours de la première phase du programme de nettoyage, le rasoir s'allume et s'éteint automatiquement à plusieurs reprises, et se déplace de haut en bas, et vice-versa.

▶ Au cours de la deuxième phase du programme de nettoyage, le rasoir est placé en position de séchage, position indiquée par le symbole de séchage clignotant. Cette phase dure environ 2 heures. Le rasoir demeure dans cette position jusqu'à la fin du programme. (fig. 33)

▶ Après le programme de nettoyage, l'indicateur de charge s'affiche (reportez-vous au chapitre « Affichage »).

Remarque : Si vous appuyez sur le bouton marche/arrêt du système Jet Clean pendant le programme de nettoyage, le programme est annulé. Dans ce cas, le voyant de nettoyage ou de séchage arrête de clignoter, et le support se déplace à sa position la plus haute.

Remarque : Si vous retirez l'adaptateur de la prise murale pendant le programme de nettoyage, le programme est annulé. Le support demeure en position. Lorsque vous rebranchez l'adaptateur dans la prise murale, le support se déplace à sa position la plus haute.

- Lorsque le niveau de liquide de nettoyage est sous le niveau minimal, le symbole « Cuve vide » commence à clignoter, et le support retourne à sa position de repos (fig. 34).

- Si vous utilisez quotidiennement le dispositif de nettoyage pour nettoyer votre rasoir, vous devez remplir la cuve tous les 15 jours environ.

Nettoyage du système Jet Clean

Nettoyez le système Jet Clean tous les 15 jours.

Vous pouvez nettoyer l'extérieur du système Jet Clean avec un chiffon humide.

1 Appuyez simultanément sur les boutons de dégagement des deux côtés du système Jet Clean (1). Ensuite, soulevez et dégagez le système Jet Clean de la cuve (2). (fig. 28)

▶ La cuve est ainsi séparée du dispositif de nettoyage.

2 Vider la cuve du liquide nettoyant restant. (fig. 35)

Il vous suffit de déverser le liquide de nettoyage dans l'évier.

3 Rincez la cuve sous l'eau du robinet (fig. 36).

La cuve ne va pas au lave-vaisselle.

4 Remplissez la cuve de liquide de nettoyage HQ200 jusqu'à ce que le niveau soit entre les deux lignes (fig. 29).

5 Remettez le système Jet Clean en place dans la cuve. (fig. 30)

Veillez à ce que les boutons de dégagement reprennent leur position.

Méthode de nettoyage en profondeur

Assurez-vous que l'appareil est bien éteint.

1 Retirez le support de la tête de rasage de la partie inférieure de l'unité de rasage (fig. 26).

- 2 Faites glisser le cadre de retenue vert dans la direction indiquée par les flèches sur le cadre (fig. 37).
- 3 Soulevez le cadre de retenue et dégagez-le du support de la tête de rasage. (fig. 38)
- 4 Retirez la lame du dresse-pois (fig. 39).

Remarque : Ne nettoyez pas plus d'une lame et d'un dresse-pois à la fois, car ils sont groupés par jeux. Si vous mélangez accidentellement les lames et les dresse-pois, il pourra vous falloir plusieurs semaines avant d'obtenir de nouveau un rasage optimal.

- 5 Nettoyez la lame avec la brosse de nettoyage fournie (fig. 40).
- 6 Nettoyez l'intérieur du dresse-pois. (fig. 41)
- 7 Après le nettoyage, remplacez la lame dans le dresse-pois en orientant le bloc tondeuse vers le bas. (fig. 42)
- 8 Remettez le cadre de retenue en place sur le support de la tête de rasage. (fig. 43)
- 9 Glissez le dresse-pois en position («clac»). (fig. 44)
- 10 Remettez le support de la tête de rasage en place sur la partie inférieure de l'unité de rasage. (fig. 27)

Nettoyage du taille-favoris

Nettoyer le taille-favoris après chaque utilisation

- 1 Branchez le rasoir avec taille-favoris.
- 2 Rincez le taille-favoris quelques minutes sous l'eau chaude du robinet. (fig. 45)
- 3 Après le nettoyage, éteignez votre rasoir.

Conseil : Pour une coupe optimale, lubrifiez les lames du taille-favoris avec une goutte d'huile pour machine à coudre tous les six mois.

Rangement

- 1 Glissez le capuchon de protection sur l'unité de rasage pour prévenir les dommages (fig. 46).
- 2 Certains modèles seulement : Rangez le rasoir dans l'étui fourni.

Remplacement

Pour un rendement optimal, nous vous recommandons de remplacer la partie supérieure de l'unité de rasage une fois par année. Ne remplacez que la partie supérieure de l'unité de rasage par un support de la tête de rasage Philips RQ11 d'origine.

- 1 Retirez le support de la tête de rasage de la partie inférieure de l'unité de rasage (fig. 26).
- 2 Remettez le nouveau support de la tête de rasage en place sur la partie inférieure de l'unité de rasage («clac») (fig. 27).

Commande de pièces

Les pièces suivantes sont disponibles :

- Adaptateur HQ8505
- Support de tête de rasage Philips RQ11
- Nettoyant en vaporisateur pour de tête de rasage Phillips HQ110
- Liquide de nettoyage Philips HQ200

Environnement

- Si vous n'avez plus besoin des appareils et désirez les mettre au rebut, ne les jetez pas avec les ordures ménagères, mais déposez-les dans un point de collecte de recyclage. Vous contribuerez ainsi à la protection de l'environnement (fig. 47).
- La pile rechargeable intégrée contient des substances qui peuvent nuire à l'environnement. Veillez à toujours retirer la pile avant de mettre le rasoir au rebut ou de le déposer à un endroit assigné à cet effet. Déposez la pile usagée à un endroit assigné à cet effet. Si vous n'arrivez pas à retirer la pile, vous pouvez apporter les appareils dans un Centre de service agréé Philips, qui prendra toute l'opération en charge pour préserver l'environnement (fig. 48).

Pour retirer la pile rechargeable du rasoir

Retirez la pile rechargeable uniquement lorsque vous mettez le rasoir au rebut. Assurez-vous que la pile est complètement déchargée lorsque vous la retirez.

Soyez prudent, car les languettes de la pile sont coupantes.

- 1 Retirez la plaque arrière du logement de pile à l'aide d'un tournevis.
- 2 Retirez la pile rechargeable du rasoir.

Garantie et services

Pour obtenir plus de services ou de renseignements ou pour signaler un problème, consultez le site Web de Philips au www.philips.com ou communiquez avec le service à la clientèle de votre pays (vous trouverez le numéro de téléphone correspondant sur le dépliant de garantie internationale). S'il n'existe pas de service à la clientèle Philips dans votre pays, rendez-vous chez votre revendeur local.

Restrictions de garantie

Étant susceptibles de s'user, les têtes de rasage (lames et dresse-pois) ne sont pas couvertes par la garantie internationale.

Résolution de problèmes

Ce chapitre présente les problèmes les plus courants que vous pouvez éprouver avec votre appareil. Si vous ne parvenez pas à résoudre le problème à l'aide des informations ci-dessous, communiquez avec le Service à la clientèle Philips de votre pays.

Problème	Cause éventuelle	Solution
Les résultats de rasage ne sont pas aussi satisfaisants que d'habitude.	Les têtes de rasage sont endommagées ou usées.	Remplacez le support de la tête de rasage (reportez-vous au chapitre «Remplacement»).
	Les têtes de rasage sont bloquées par de longs poils.	Nettoyez les têtes de rasage en observant les étapes de la méthode de nettoyage en profondeur (reportez-vous au chapitre «Nettoyage et entretien»).
Le rasoir ne fonctionne pas lorsque j'appuie sur le bouton marche/arrêt.	Le système Jet Clean n'a pas nettoyé adéquatement le rasoir parce que le liquide de nettoyage dans la cuve est souillé, ou le niveau de liquide de nettoyage est trop bas.	Nettoyez le rasoir à fond avant de continuer le rasage. Au besoin, nettoyez et remplissez la cuve (reportez-vous au chapitre «Nettoyage et entretien»).
	La pile rechargeable est vide.	Rechargez la pile (voir le chapitre «Charge»).
Le rasoir ne fonctionne pas lorsque j'appuie sur le bouton marche/arrêt.	Le verrouillage est activé.	Appuyez sur le bouton marche/arrêt pendant trois secondes pour désactiver le mode verrouillage.
	Le support de la tête de rasage est souillé ou endommagé, à tel point que le moteur ne peut plus tourner.	Nettoyez le support de la tête de rasage ou remplacez-le (reportez-vous aux chapitres «Nettoyage et entretien» et «Remplacement»).
Le rasoir n'est pas tout à fait propre après l'avoir nettoyé dans le système Jet Clean.	La température du rasoir est trop élevée. Dans ce cas, le rasoir ne fonctionne pas.	Laissez le rasoir refroidir. Lorsque la température du rasoir a chuté considérablement, vous pouvez utiliser de nouveau le rasoir.
	Le liquide de nettoyage dans la cuve est souillé.	Vider et rincer la cuve.
Le système Jet Clean ne fonctionne pas lorsque j'appuie sur le bouton marche/arrêt.	Le niveau du liquide de nettoyage est trop bas. Si le niveau de liquide dans la cuve chute sous un niveau minimal pendant le programme de nettoyage, le programme est annulé. Le symbole «Cuve vide» commence à clignoter à intervalle, et le support retourne à sa position de repos.	Remplissez la cuve de liquide de nettoyage jusqu'à ce que le niveau soit entre les deux lignes (reportez-vous au chapitre «Nettoyage et entretien»).
	Vous avez utilisé un liquide de nettoyage d'une autre marque que Phillips.	Utilisez seulement le liquide de nettoyage Philips HQ200.
Le système Jet Clean ne fonctionne pas lorsque j'appuie sur le bouton marche/arrêt.	Le système Jet Clean System n'est pas branché à une prise de courant.	Branchez la petite fiche au système Jet Clean et branchez l'adaptateur à une prise murale.
	Il n'y a aucun contact électrique entre le système Jet Clean et le rasoir.	Enfoncez fermement le rasoir dans le support pour le bloquer en position.
Le rasoir n'est pas entièrement chargé après l'avoir chargé dans le chargeur ou le système Jet Clean.	Vous n'avez pas déposé le rasoir dans le chargeur/ système Jet Clean.	Assurez-vous d'enfoncer le rasoir jusqu'à ce qu'il se verrouille en position.

Uvod

Čestitamo na kupnji i dobro došli u Philips! Kako biste u potpunosti iskoristili podršku koju nudi tvrtka Philips, registrirajte svoj proizvod na: www.philips.com/welcome.

Pročitajte ove upute za korištenje jer sadrže informacije o značajkama aparata za brijanje te savjete za jednostavnije i ugodnije brijanje.

Opći opis (Sl. 1)

- A** Aparat za brijanje (RQ1180/RQ1160/RQ1150)
- 1 Trimer
 - 2 Zaštitni poklopac
 - 3 Jedinica za brijanje
 - 4 Aparat za brijanje
 - 5 Gumb za uključivanje/isključivanje aparata za brijanje
 - 6 Zaslona
- B** Punjač
- C** Sustav Jet Clean (samo određeni modeli)
- 1 Držak aparata za brijanje
 - 2 Simbol za praznu komoru za čišćenje
 - 3 Simbol za čišćenje
 - 4 Simbol za sušenje
 - 5 Gumb za uključivanje/isključivanje sustava Jet Clean
 - 6 Gumb za otpuštanje komore za čišćenje
- D** Četka za čišćenje
- E** Tekućina za čišćenje
- F** Torbica (samo određeni modeli)
- G** Adapter

Važno

Prije korištenja aparata pažljivo pročitajte ovaj korisnički priručnik i spremite ga za buduće potrebe.

Napomena: U ovim uputama pojam "aparati" odnosi se na aparat za brijanje i sustav Jet Clean. Ako vaš aparat za brijanje nema sustav Jet Clean, pojam se odnosi samo na aparat za brijanje.

Općenito

Opasnost

- Pazite da se adapter ne smoči (Sl. 2).

Upozorenje

- Adapter sadrži transformator. Nikada ne zamjenjujte adapter nekim drugim jer je to opasno.
- Ovi aparati nisu namijenjeni osobama (uključujući djecu) sa smanjenim fizičkim ili mentalnim sposobnostima niti osobama koje nemaju dovoljno iskustva i znanja, osim ako im je osoba odgovorna za njihovu sigurnost dala dopuštenje ili ih uputila u korištenje aparata.
- Djecu je potrebno nadzirati kako se ne bi igrala s aparatom.
- Prilikom čišćenja aparata budite oprezni s vrućom vodom. Uvijek pazite da voda ne bude prevruća kako ne biste opekli ruke.

Pažnja

- Sustav Jet Clean i punjač nikad nemojte uranjati u vodu niti ih nemojte ispirati pod mlazom vode.
- Aparati i dodatni pribor ne mogu se prati u stroju za pranje posuđa.
- Aparate uvijek stavljajte i koristite na površini otpornoj na tekućine.
- Aparate koristite, punite i odlažite pri temperaturi između 5°C i 35°C.
- Koristite samo dodatnu opremu isporučenu s aparatom.
- Adapter za napajanje pretvara napon od 100-240V u siguran niski napon manji od 24V.
- Aparat nemojte koristiti ako su oštećeni.
- Ako je adapter ili bilo koji drugi dio dodatnog pribora oštećen, zamijenite ga isključivo originalnim kako biste izbjegli potencijalno opasne situacije.
- Voda može curiti iz utičnice na dnu aparata prilikom pranja. To je normalno i potpuno bezopasno jer je sva elektronika aparata zaštićena u zatvorenoj jedinici za napajanje unutar aparata za brijanje.

Sustav Jet Clean (samo određeni modeli)

Pažnja

- Sustav Jet Clean koristite samo s originalnom tekućinom za čišćenje HQ200.
- Sustav Jet Clean uvijek stavljajte na stabilnu, ravnu i vodoravnu površinu kako biste spriječili curenje tekućine.
- Sustav Jet Clean nikad nemojte uranjati u vodu.
- Komoru za čišćenje ispraznite i temeljito očistite ispiranjem pod mlazom vruće vode svakih 15 dana.
- Sustav Jet Clean vaš aparat za brijanje čisti temeljito, no ne dezinficira ga, stoga aparat nemojte dijeliti s drugim osobama.
- Komora za čišćenje u sustavu Jet Clean nije pogodna za pranje u stroju za pranje posuđa.
- Kad je sustav Jet Clean spreman za uporabu, nemojte ga pomicati kako ne bi došlo do curenja tekućine za čišćenje.

Sukladnost sa standardima

- Ovaj aparat za brijanje zadovoljava međunarodno prihvaćene sigurnosne norme i može se sigurno koristiti u kadi ili pod tušem i prati pod mlazom vode iz slavine (Sl. 3).
- Ovi proizvodi tvrtke Philips sukladni su svim standardima o elektromagnetskim poljima (EMF). Ako aparatom rukujete ispravno i u skladu s uputama iz ove knjižice s važnim informacijama te uputama iz knjižice s informacijama o upotrebi koja se isporučuje uz aparat za brijanje, aparat će biti siguran za korištenje.

Zaslona

Napomena: Prije prve uporabe aparata za brijanje sa zaslona skinite zaštitnu foliju.

Svaka od tri vrste aparata za brijanje (RQ1180, RQ1160 i RQ1150) ima različiti zaslon, a sva tri zaslona prikazana su u nastavku.

- RQ1180 (Sl. 4)
- RQ1160 (Sl. 5)
- RQ1150 (Sl. 6)

Punjenje

- Punjenje traje približno 1 sat.

RQ1180

- Dok se aparat za brijanje puni, najprije počinje treperiti posljednji indikator; zatim onaj ispred njega itd. dok se aparat potpuno ne napuni (Sl. 7).
- Brzo punjenje: Kada aparat za brijanje ima dovoljno energije za jedno brijanje, posljednji indikator punjenja naizmjenice treperi narančasto i bijelo.

RQ1160/RQ1150

- Prilikom punjenja aparata za brijanje simbol za bateriju treperi dok se aparat potpuno ne napuni. (Sl. 8)
- Brzo punjenje: Kada aparat za brijanje ima dovoljno energije za jedno brijanje, simbol utikača i simbol baterije naizmjenično trepere.

Napomena: Zasloni modela RQ1160 i RQ1150 izgledaju drukčije, ali funkcioniraju na isti način.

Baterija je potpuno napunjena

RQ1180

- Kada se baterija potpuno napuni, svi indikatori punjenja počinju stalno svijetliti. Nakon približno 30 minuta zaslon će se automatski ponovo isključiti. (Sl. 9)

RQ1160/RQ1150

- Kada se baterija potpuno napuni, simbol baterije počinje stalno svijetliti. Nakon približno 30 minuta zaslon će se automatski ponovo isključiti. (Sl. 10)

Napomena: Zasloni modela RQ1160 i RQ1150 izgledaju drukčije, ali funkcioniraju na isti način.

Baterija je gotovo prazna

RQ1180

- Kada je baterija gotovo prazna (kada preostane samo 5 minuta ili manje vremena za brijanje), donji indikator punjenja treperi narančastom bojom. (Sl. 11)
- Kada isključite aparat za brijanje, donji indikator punjenja treperi još nekoliko sekundi.

RQ1160/RQ1150

- Kada je baterija gotovo prazna (kada trajanje brijanja iznosi samo 5 minuta ili manje), simbol za utikač treperi (Sl. 12).
- Kada aparat za brijanje isključite, simbol za utikač treperit će nekoliko sekundi.

Napomena: Zasloni modela RQ1160 i RQ1150 izgledaju drukčije, ali funkcioniraju na isti način.

Preostali kapacitet baterija

RQ1180

- Preostali kapacitet baterije naznačen je brojem indikatora punjenja koji svijetle. (Sl. 13)

Putno zaključavanje

Aparat za brijanje možete zaključati kada putujete. Takvo zaključavanje sprečava slučajno uključivanje aparata.

Aktivacija putnog zaključavanja

- 1 Za uključivanje putnog zaključavanja gumb za uključivanje/isključivanje držite pritisnutim 3 sekunde (Sl. 14).
- ▶ Na zaslonu počinje svijetliti simbol lokota (Sl. 15).

Napomena: Zasloni modela RQ1180, RQ1160 i RQ1150 izgledaju drugačije, no i na njima se prikazuje isti simbol.

Deaktivacija putnog zaključavanja

- 1 Gumb za uključivanje/isključivanje držite pritisnutim 3 sekunde.
- ▶ Motor se pokreće kako bi ukazao na deaktivaciju putnog zaključavanja.

Aparat za brijanje sada se ponovo može koristiti.

Napomena: Putno zaključavanje automatski se deaktivira kada aparat za brijanje postavite na priključni punjač ili sustav Jet Clean.

Punjenje

Punjenje traje približno 1 sat.

RQ1180/RQ1160: Potpuno napunjen aparat za brijanje može se koristiti do 50 minuta/15 dana.

RQ1150: Potpuno napunjen aparat za brijanje može se koristiti do 40 minuta/12 dana.

Aparat za brijanje napunite prije prvog korištenja i kada zaslon naznači da je baterija gotovo prazna (pogledajte odjeljak "Baterija je gotovo prazna" u poglavlju "Zaslon").

Brzo punjenje

Energija koju aparat dobije nakon 5 minuta punjenja dovoljna je za jedno brijanje.

Punjenje u punjaču

- 1 Mali utikač umetnite u punjač (Sl. 16).
- 2 Adapter ukopčajte u zidnu utičnicu.
- 3 Aparat za brijanje stavite u punjač (1) i gurnite ga da sjedne (2) ("klik"). (Sl. 17)
- ▶ Na zaslonu je naznačeno da se aparat puni (pogledajte poglavlje "Zaslon").

Punjenje u sustavu Jet Clean (samo određeni modeli)

- 1 Mali utikač ukopčajte u sustav Jet Clean.

2 Adapter ukopčajte u zidnu utičnicu.

3 Aparat za brijanje naopako postavite u držač, tako da zaslon bude okrenut prema prednjoj strani sustava Jet Clean (Sl. 18).

Napomena: Samo RQ1180: kada aparat za brijanje okrenete naopako, okrenut će se i indikator baterije na zaslonu, tako da i dalje možete vidjeti do koje se razine baterija napunila.

4 Aparat za brijanje čvrsto utisnite u držač kako bi sjeo na mjesto (Sl. 19).

Napomena: Aparat se ne može staviti u sustav Jet Clean dok je na jedinici za brijanje zaštitna kapica ili kada je trimmer na aparatu za brijanje.

▶ Na zaslonu je naznačeno da se aparat puni (pogledajte poglavlje "Zaslon").

Korištenje aparata za brijanje

Brijanje

1 Jednom pritisnite gumb za uključivanje/isključivanje kako biste uključili aparat za brijanje.

▶ RQ1180: Zaslon će svijetliti nekoliko sekundi.

2 Pomičite glave za brijanje po koži. Oblikujte kružne pokrete (Sl. 20).

- Nemojte oblikovati pravocrtne pokrete.
- Koži će možda trebati 2 ili 3 tjedna da se privikne na Philips sustav za brijanje.

3 Jednom pritisnite gumb za uključivanje/isključivanje kako biste isključili aparat za brijanje.

▶ RQ1180: Zaslon će se uključiti na nekoliko sekundi i zatim prikazati preostali kapacitet baterije.

Vlažno brijanje

Ovaj aparat za brijanje možete koristiti i na mokrom licu uz pjenu ili gel za brijanje. Za brijanje s pjenom ili gelom za brijanje slijedite korake u nastavku:

1 Nanesite malo vode na kožu.

2 Nanesite pjenu ili gel za brijanje na kožu.

3 Jedinicu za brijanje isperite pod mlazom vode kako bi mogla glatko kliziti po koži.

4 Jednom pritisnite gumb za uključivanje/isključivanje kako biste uključili aparat za brijanje.

5 Glave za brijanje kružnim pokretima pomičite po koži.

Napomena: Aparat za brijanje redovito ispirite pod mlazom vode kako bi i dalje glatko klizio po koži.

6 Osušite lice i temeljito očistite aparat za brijanje nakon korištenja (pogledajte poglavlje "Čišćenje i održavanje").

Napomena: Pazite da s aparata za brijanje odstranite svu pjenu ili gel za brijanje.

Podrezivanje

Trimer možete koristiti za podrezivanje zalizaka i brkova.

1 Jedinicu za brijanje povucite s aparata (Sl. 21).

Napomena: Dok jedinicu za brijanje povlačite s aparata, nemojte je okretati.

2 Jezičac trimera umetnite u utor na gornjem dijelu aparata za brijanje (1). Zatim trimer pritisnite prema dolje (2) kako bi se pričvrstio na aparat ("klik") (Sl. 22).

3 Jednom pritisnite gumb za uključivanje/isključivanje kako biste uključili trimmer.

▶ RQ1180: Zaslon će svijetliti nekoliko sekundi.

4 Sada možete početi s podrezivanjem.

5 Jednom pritisnite gumb za uključivanje/isključivanje kako biste isključili trimmer.

▶ RQ1180: Zaslon će se uključiti na nekoliko sekundi i zatim prikazati preostali kapacitet baterije.

6 Povucite trimmer s aparata za brijanje (Sl. 23).

Napomena: Dok jedinicu za podrezivanje povlačite s aparata, nemojte je okretati.

7 Jezičac jedinice za brijanje umetnite u utor na aparatu za brijanje (1). Zatim jedinicu za brijanje pritisnite prema dolje (2) kako bi se pričvrstila na aparat ("klik") (Sl. 24).

Čišćenje i održavanje

Za čišćenje aparata i sustava Jet Clean nikada nemojte koristiti spužvice za ribanje, abrazivna sredstva za čišćenje ili agresivne tekućine poput benzina ili acetona.

- Najbolji način čišćenja aparata za brijanje, koji ujedno osigurava i najviši stupanj higijene, je čišćenje u sustavu Jet Clean (samo određeni modeli). Aparat za brijanje možete i isprati pod mlazom vode ili ga očistiti isporučenom četkom.
- Budite oprezni s vrućom vodom. Uvijek pazite da voda ne bude prevruća kako biste izbjegli zadobivanje opekline na rukama.
- Za najbolje rezultate brijanja aparat očistite nakon svakog brijanja.
- Vanjske dijelove aparata za brijanje obrišite vlažnom krpom.
- Redovito čišćenje jamči bolje rezultate prilikom brijanja.

Čišćenje jedinice za brijanje

Budite oprezni s vrućom vodom. Uvijek pazite da voda ne bude prevruća kako biste izbjegli zadobivanje opekline na rukama.

1 Jedinicu za brijanje neko vrijeme ispirite pod mlazom vruće vode (Sl. 25).

Napomena: Jedinicu za brijanje možete očistiti i isporučenom četkom.

2 Povucite držač glave za brijanje s donjeg dijela jedinice za brijanje i 30 sekundi ispirite pod mlazom vruće vode (Sl. 26).

Napomena: Držač glave za brijanje možete očistiti i isporučenom četkicom.

3 Pažljivo otresite višak vode i ostavite jedinicu za brijanje da se osuši.

Nikada nemojte sušiti jedinicu za brijanje frotirskim ili papirnatim ručnikom jer to može oštetiti glave za brijanje.

4 Vratite držač glave za brijanje na donji dio jedinice za brijanje ("klik") (Sl. 27).

Čišćenje jedinice za brijanje i sustava Jet Clean (samo određeni modeli)

Sustav Jet Clean ima program automatskog čišćenja. Kada pritisnete gumb za uključivanje/isključivanje, sustav Jet Clean započinje čišćenje u programu za automatsko čišćenje.

Priprema sustava Jet Clean za uporabu

Prije prve upotrebe napunite komoru za čišćenje.

1 Mali utikač ukopčajte u sustav Jet Clean.

2 Adapter ukopčajte u zidnu utičnicu.

▶ Držač se automatski pomiče u najviši položaj.

3 Istovremeno pritisnite gumb za otpuštanje s obje strane komore za čišćenje (1) i zatim sustav Jet Clean podignite s komore za čišćenje (2). (Sl. 28)

▶ Komora za čišćenje ostaje.

4 Odvijte poklopac s bočice tekućine za čišćenje.

5 Komoru za čišćenje napunite HQ200 tekućinom za čišćenje do razine između dvije crte (Sl. 29).

6 Sustav Jet Clean vratite na komoru za čišćenje (Sl. 30).

Pazite da gumbi za otpuštanje sjednu na mjesto.

Korištenje sustava Jet Clean

Napomena: Ako aparat za brijanje koristite s pjenom ili gelom za brijanje, savjetujemo vam da ga prije čišćenja u sustav Jet Clean isperete pod mlazom vruće vode. To jamči optimalan vijek trajanja tekućine za čišćenje.

1 Aparat za brijanje naopako postavite u držač, tako da zaslon bude okrenut prema prednjoj strani sustava Jet Clean (Sl. 18).

2 Aparat za brijanje čvrsto utisnite u držač kako bi sjeo na mjesto (Sl. 19).

▶ Na zaslonu je naznačeno da se aparat puni (pogledajte poglavlje "Zaslon").

3 Program za čišćenje pokrenite pritiskom gumba za uključivanje/isključivanje na sustavu Jet Clean. (Sl. 31)

▶ Na zaslonu aparata za brijanje više se ne prikazuje indikator punjenja.

▶ Indikator čišćenja počinje treperiti, a aparat za brijanje automatski se spušta u tekućinu za čišćenje (Sl. 32).

▶ Indikator čišćenja treperi tijekom cijelog programa čišćenja koji traje nekoliko minuta.

▶ Tijekom prve faze programa za čišćenje aparat za brijanje automatski se nekoliko puta uključuje i isključuje te se pomiče prema gore i prema dolje.

▶ Tijekom druge faze programa za čišćenje aparat za brijanje postavlja se u položaj za sušenje, na što ukazuje simbol sušenja koji treperi. Ova faza traje približno 2 sata. Aparat za brijanje u ovom će položaju ostati do završetka programa. (Sl. 33)

▶ Nakon programa čišćenja, na zaslonu aparata za brijanje prikazuje se indikator punjenja (pogledajte poglavlje "Zaslon").

Napomena: Ako gumb za uključivanje/isključivanje sustava Jet Clean pritisnete tijekom programa čišćenja, program će se prekinuti. Indikator čišćenja ili sušenja u tom će slučaju prestati treperiti, a držač će se pomaknuti na najviši položaj.

Napomena: Ako tijekom programa za čišćenje adapter iskopčate iz zidne utičnice, program će se prekinuti. Držač će ostati u svom trenutnom položaju. Kada adapter ponovo ukopčate u zidnu utičnicu, držač će se pomaknuti na najviši položaj.

- Kada se razina tekućine za čišćenje spusti ispod minimalne razine, početak će treperiti simbol prazne komore za čišćenje, a držač će se vratiti u početni položaj (Sl. 34).

- Ako sustav za čišćenje svakodnevno koristite za čišćenje aparata za brijanje, komoru za čišćenje trebate puniti otprilike svakih 15 dana.

Čišćenje sustava Jet Clean

Komoru za čišćenje čistite svakih 15 dana.

Vanjske dijelove sustava Jet Clean možete obrisati vlažnom krpom.

1 Istovremeno pritisnite gumb za otpuštanje s obje strane sustava Jet Clean (1). Zatim sustav Jet Clean podignite s komore za čišćenje (2). (Sl. 28)

▶ Komora za čišćenje ostaje.

2 Preostalu tekućinu za čišćenje izlijte iz komore za čišćenje. (Sl. 35)

Tekućinu za čišćenje možete jednostavno izliti u odvod.

3 Komoru za čišćenje isperite pod mlazom vode (Sl. 36).

Komora za čišćenje ne može se prati u stroju za pranje posuđa.

4 Komoru za čišćenje napunite HQ200 tekućinom za čišćenje do razine između dvije crte (Sl. 29).

5 Sustav Jet Clean vratite na komoru za čišćenje. (Sl. 30)

Pazite da gumbi za otpuštanje sjednu na mjesto.

Vrlo temeljito čišćenje

Provjerite je li aparat isključen.

1 Povucite držač glave za brijanje s donjeg dijela jedinice za brijanje (Sl. 26).

2 Gurnite zeleni okvir za pričvršćivanje u smjeru strelica naznačenih na njemu (Sl. 37).

3 Podignite okvir za pričvršćivanje iz držača glave za brijanje. (Sl. 38)

4 Izvadite rezač iz štitnika (Sl. 39).

Napomena: Nemojte istovremeno čistiti više od jednog rezača i štitnika jer su međusobno usklađeni. Ako rezač slučajno stavite u pogrešan štitnik, možda će trebati nekoliko tjedana prije uspostavljanja ponovnog optimalnog rada aparata.

- 5 Rezač čistite isporučenom četkicom za čišćenje (Sl. 40).
- 6 Očistite unutrašnjost štitnika za brijanje. (Sl. 41)
- 7 Nakon čišćenja rezač vratite u štitnik za brijanje tako da izbočine na rezaču budu okrenute prema dolje. (Sl. 42)
- 8 Vratite okvir za pričvršćivanje na držač glave za brijanje. (Sl. 43)
- 9 Gurnite štitnik na mjesto ("klik"). (Sl. 44)
- 10 Vratite držač glave za brijanje na donji dio jedinice za brijanje. (Sl. 27)

Čišćenje trimera

Očistite trimer nakon svake uporabe.

- 1 Uključite aparat za brijanje dok je trimer pričvršćen.
- 2 Trimer neko vrijeme ispirite pod mlazom vruće vode. (Sl. 45)
- 3 Nakon čišćenja isključite aparat za brijanje.

Savjet: Za najbolje rezultate zupce trimera svakih šest mjeseci podmažite jednom kapi strojnog ulja.

Spremanje

- 1 Zaštitni poklopac postavite na jedinicu za brijanje kako se glave za brijanje ne bi oštetile (Sl. 46).
- 2 Samo određeni modeli: Spremite aparat za brijanje u isporučenu torbicu.

Zamjena dijelova

Za održavanje najboljih radnih značajki savjetujemo vam da gornji dio jedinice za brijanje mijenjate svake godine. Gornji dio jedinice za brijanje mijenjajte isključivo originalnim držačem glave za brijanje Philips RQ11.

- 1 Povucite držač glave za brijanje s donjeg dijela jedinice za brijanje (Sl. 26).
- 2 Pričvrstite novi držač glave za brijanje na donji dio jedinice za brijanje ("klik") (Sl. 27).

Naručivanje dijelova

Dostupni su sljedeći dijelovi:

- HQ8505 adapter
- Držač glave za brijanje Philips RQ11.
- Sprej za čišćenje glava za brijanje Philips HQ110.
- Tekućina za čišćenje Philips HQ200

Okoliš

- Aparate koji se više ne mogu koristiti nemojte odlagati s uobičajenim otpadom iz kućanstva nego ih odnesite u predviđeno odlagalište na recikliranje. Time ćete pridonijeti očuvanju okoliša (Sl. 47).
- Ugrađena baterija koja se može puniti sadrži tvari štetne za okoliš. Obavezno izvadite bateriju prije odlaganja aparata u otpad i predajte na službenom mjestu za sakupljanje otpada. Bateriju predajte na službenom mjestu za odlaganje baterija. Ako imate problema prilikom vađenja baterije, možete odnijeti aparat u ovlaštenu Philips servisni centar, gdje će izvaditi bateriju umjesto vas i odložiti je na ekološki prihvatljivom odlagalištu (Sl. 48).

Vađenje punjive baterije iz aparata

Bateriju koja se može puniti vadite samo prilikom bacanja aparata. Prije no što je izvadite, povjerite je li potpuno prazna.

Budite oprezni, stranice baterija su vrlo oštre.

- 1 Stražnju ploču aparata skinite pomoću odvijača.
- 2 Izvadite bateriju koja se može puniti.

Jamstvo i servis

U slučaju da vam je potreban servis ili informacija ili imate neki problem, posjetite web-stranicu tvrtke Philips, www.philips.com, ili se obratite centru za potrošače tvrtke Philips u svojoj državi (broj telefona nalazi se u priloženom međunarodnom jamstvu). Ako u vašoj državi ne postoji centar za potrošače, obratite se lokalnom prodavaču proizvoda tvrtke Philips.

Ograničenja jamstva

Uvjeti međunarodnog jamstva ne pokrivaju glave za brijanje (rezače i štitnike) jer su one podložne trošenju.

Rješavanje problema

U ovom poglavlju opisani su najčešći problemi s kojima biste se mogli susresti prilikom korištenja aparata. Ako ne možete riješiti problem uz informacije u nastavku, obratite se centru za korisničku podršku u svojoj državi.

Problem	Mogući uzrok	Rješenje
Aparat za brijanje više ne radi učinkovito kao prije.	Glave za brijanje su oštećene ili istrošene.	Zamijenite držač glave za brijanje (pogledajte poglavlje "Zamjena").
	Duge dlake ometaju rad glava za brijanje.	Glave za brijanje očistite slijedeći korake za vrlo temeljito čišćenje (pogledajte poglavlje "Čišćenje i održavanje").

Problem	Mogući uzrok	Rješenje
	Sustav Jet Clean nije pravilno očistio aparat za brijanje jer je tekućina za čišćenje u komori za čišćenje prljava ili je razina tekućine za čišćenje previše niska.	Temeljito očistite aparat za brijanje prije no što nastavite brijanje. Ako je potrebno, očistite i nadopunite komoru za čišćenje (pogledajte poglavlje "Čišćenje i održavanje").
Aparat za brijanje se ne uključuje kad pritisnem gumb za uključivanje/isključivanje.	Baterija koja se može puniti je prazna.	Napunite bateriju (pogledajte poglavlje "Punjenje").
	Putno zaključavanje je aktivirano.	Za deaktivaciju putnog zaključavanja gumb za uključivanje/isključivanje držite pritisnutim 3 sekunde.
	Držač glave za brijanje je prljav ili oštećen do te mjere da motor ne može raditi.	Očistite držač glave za brijanje ili ga zamijenite (pogledajte poglavlja "Čišćenje i održavanje" i "Zamjena").
	Temperatura aparata za brijanje je previše visoka. U tom slučaju aparat za brijanje ne radi.	Ostavite aparat za brijanje da se ohladi. Čim se temperatura aparata za brijanje znatno spusti, moći ćete ponovo uključiti aparat za brijanje.
Aparat za brijanje nakon čišćenja u sustavu Jet Clean nije potpuno čist.	Tekućina za čišćenje u komori za čišćenje je prljava.	Ispraznite i isperite komoru za čišćenje.
	Razina tekućine za čišćenje je previše niska. Ako se razina tekućine za čišćenje u komori za čišćenje tijekom programa čišćenja spusti ispod minimalne razine, program će se prekinuti. Indikator čišćenja i simbol prazne komore za čišćenje treperit će u intervalima, a držač će se vratiti u početni položaj.	Komoru za čišćenje nadopunite tekućinom za čišćenje do razine između dvije crte (pogledajte poglavlje "Čišćenje i održavanje").
	Koristili ste tekućinu za čišćenje koja nije originalna Philips tekućina za čišćenje.	Koristite isključivo Philips HQ200 tekućinu za čišćenje.
Sustav Jet Clean ne radi kada pritisnem gumb za uključivanje/isključivanje.	Sustav Jet Clean nije priključen na napajanje.	Mali utikač umetnite u sustav Jet Clean, a adapter u zidnu utičnicu.
	Nema električnog kontakta između sustava Jet Clean i aparata za brijanje.	Aparat za brijanje čvrsto utisnite u držač kako bi sjeo na mjesto.
Aparat za brijanje nije se potpuno napunio nakon punjenja u punjaču/sustavu Jet Clean.	Aparat za brijanje niste pravilno stavili u punjač/sustav Jet Clean.	Pazite da aparat za brijanje pritišćete dok ne sjedne na mjesto.

Bevezetés

Köszönjük, hogy Philips terméket vásárolt! A Philips által biztosított teljes körű támogatáshoz regisztrálja termékét a www.philips.com/welcome oldalon.

Kérjük, tanulmányozza át ezt az útmutatót, mivel ebben találja meg a borotva jellemzőire vonatkozó információkat, illetve a borotválkozást egyszerűbbé és élvezetesebbé tevő ötleteket is.

Általános leírás (ábra 1)

- A** Borotva (RQ1180/RQ1160/RQ1150)
- 1 Vágókészülék
 - 2 Védősapka
 - 3 Borotvaegység
 - 4 Borotva
 - 5 A borotva be- és kikapcsológombja
 - 6 Kijelző
- B** Töltő
- C** Jet Clean rendszer (csak bizonyos típusoknál)
- 1 Borotvatartó
 - 2 „Tisztítókamra üres” jel
 - 3 Tisztítás jele
 - 4 Szárítás jele
 - 5 Jet Clean rendszer be- és kikapcsológombja
 - 6 A tisztítókamra kioldógombja
- D** Tisztító kefe
- E** Tisztítófolyadék
- F** Hordtáska (csak bizonyos típusoknál)
- G** adapter

Fontos!

A készülék első használata előtt figyelmesen olvassa el a használati útmutatót, és őrizze meg későbbi használatra.

Megjegyzés: A felhasználói útmutatóban használt „készülék” kifejezés a borotvára és a Jet Clean rendszerre vonatkozik, illetve amennyiben borotvája nem rendelkezik Jet Clean rendszerrel, abban az esetben csak a borotvára.

Általános

Vigyázat!

- Vigyázzon, hogy a hálózati adaptert ne érje víz (ábra 2).

Figyelmeztetés

- A hálózati adapterben transzformátor van. Ne vágja le az adaptert a vezetékéről és ne kössön másik dugót a vezetékre, mert ez veszélyes lehet.
- A készülék működtetésében járatlan személyek, gyermekek, illetve csökkent fizikai, érzékelési vagy szellemi képességekkel rendelkező személyek ne használják a készülékeket felügyelet vagy a biztonságukért felelős személy által adott, a készülékek működtetésére vonatkozó utasítás nélkül.
- Vigyázzon, hogy gyermekek ne játsszanak a készülékekkel.
- A készülék(ek) tisztításakor óvatosan bánjon a meleg vízzel. Mindig ellenőrizze, hogy a víz ne legyen túl forró, nehogy leforrassa a kezét.

Figyelem

- Ügyeljen rá, hogy ne merítse a Jet Clean rendszert és a töltőt vízbe, és ne öblítse le vízcsap alatt.
- A készülékek és tartozékaik nem tisztíthatók mosogatógépben.
- A készüléket mindig vízálló felületre helyezze és ott használja.
- A készülékeket 5 és 35 °C közötti hőmérsékleten használja, töltsé és tárolja.
- Csak a mellékelt tartozékokat használja.
- A hálózati adapter a 100–240V hálózati feszültséget biztonságos 24V feszültségre alakítja át.
- Ne használja a készüléket, ha az sérült.
- Ha az adapter vagy bármelyik másik tartozék meghibásodik, a kockázatok elkerülése érdekében mindig eredeti típusúra cserélje ki.
- A készülék leöblítésekor a borotva alján lévő hálózati csatlakozónál víz csöpöghet. Ez természetes jelenség, nem jelent veszélyt, mert minden elektromos alkatrész a borotva belsejében lévő tömített motoregységben található.

Jet Clean rendszer (csak bizonyos típusoknál)

Figyelem

- Kizárólag eredeti HQ200 tisztítófolyadékot használjon a Jet Clean rendszerhez.
- A szivárgás megakadályozása érdekében a Jet Clean rendszert helyezze mindig stabil és vízszintes felületre.
- Ne merítse a Jet Clean rendszert vízbe.
- 15 naponként ürítse ki a tisztítókamrát, és alaposan öblítse le forró csapvíz alatt.
- A Jet Clean rendszer alaposan tisztít, de nem fertőtleníti, ezért ne használja a borotvát másokkal közösen.
- A Jet Clean rendszer tisztítókamrája nem tisztítható mosogatógépben.
- A tisztítószivárgásának elkerülése érdekében ne mozdítsa el a használatra kész Jet Clean rendszert.

Szabványoknak való megfelelés

- Ez a borotva megfelel a nemzetközileg jóváhagyott biztonsági előírásoknak, és biztonságosan használható fürdőkádban vagy zuhany alatt, továbbá folyó víz alatt tisztítható (ábra 3).
- Ezek a Philips készülékek megfelelnek az elektromágneses mezőkre (EMF) vonatkozó összes szabványnak. Amennyiben a borotvához mellékelt információs füzetben foglaltaknak megfelelően üzemeltetik, a tudomány mai állása szerint a készülékek használata biztonságos.

A kijelző

Megjegyzés: A borotva első használata előtt távolítsa el a védőfóliát a kijelzőről.

A három borotvatípus (RQ1180, RQ1160 és RQ1150) eltérő kijelzővel rendelkezik, amelyek az alábbi ábrákon láthatók.

- RQ1180 (ábra 4)
- RQ1160 (ábra 5)
- RQ1150 (ábra 6)

Töltés

- A töltés körülbelül 1 órát vesz igénybe.

RQ1180

- A borotva töltése közben először a töltést jelző alsó fény villog, majd a második, és így tovább, egészen a borotva teljes feltöltéséig (ábra 7).
- Gyorstöltés: amikor a borotva töltöttsége eléri az egy borotválkozáshoz szükséges mértéket, az alsó töltésjelző fény felváltva narancs és fehér fénnel villog.

RQ1160/RQ1150

- A borotva töltése közben az akkumulátor jelzése a borotva teljes feltöltéséig villog. (ábra 8)
- Gyorstöltés: amikor a borotva töltöttsége eléri az egy borotválkozáshoz szükséges mértéket, a csatlakozás és az akkumulátor jele felváltva villog.

Megjegyzés: Az RQ1160 és RQ1150 típus kijelzője eltérő, de működésük megegyezik.

Akkumulátor feltöltve

RQ1180

- Amikor az akkumulátor teljesen feltöltődött, az összes töltésjelző fény folyamatosan világít. Körülbelül 30 perc elteltével a kijelző ismét automatikusan kikapcsol. (ábra 9)

RQ1160/RQ1150

- Amikor az akkumulátor teljesen feltöltődött, az akkumulátor jele folyamatosan világít. Körülbelül 30 perc elteltével a kijelző ismét kikapcsol. (ábra 10)

Megjegyzés: Az RQ1160 és RQ1150 típus kijelzője eltérő, de működésük megegyezik.

Alacsony akkusint

RQ1180

- Amikor az akkumulátor majdnem teljesen lemerült (a borotva legfeljebb 5 percig működik még), az alsó narancsszínű töltésjelző fény narancs színben villog. (ábra 11)
- Amikor kikapcsolja a borotvát, az alsó töltésjelző fény néhány másodpercig még villog.

RQ1160/RQ1150

- Amikor az akkumulátor majdnem teljesen lemerült (a borotva legfeljebb 5 percig működik még), a hálózati csatlakozó jele világít (ábra 12).
- Amikor kikapcsolja a borotvát, a hálózati csatlakozó jelzése néhány másodpercig még villog.

Megjegyzés: Az RQ1160 és RQ1150 típus kijelzője eltérő, de működésük megegyezik.

Az akkumulátor töltöttségi szintje

RQ1180

- A hátralévő borotválkozási időt a világító töltéskijelző fények száma jelzi. (ábra 13)

Utazó zár

Utazáshoz lezárhatja a borotvát. A utazózár segítségével megakadályozhatja a készülék véletlenszerű bekapcsolását.

Az utazózár bekapcsolása

- 1 Az utazózár menüjébe való belépéshez tartsa 3 másodpercig lenyomva a be- és kikapcsológombot (ábra 14).
- ▶ A kijelzőn világítani kezd a zár jel (ábra 15).

Megjegyzés: Az RQ1180, RQ1160 és RQ1150 típusú készülék kijelzője eltérő, de ugyanazt a jelzést mutatja.

Az utazózár kikapcsolása

- 1 Tartsa lenyomva 3 másodpercig a be- és kikapcsológombot.
- ▶ A motor beindulása jelzi az utazózár kikapcsolását.

A borotva most ismét használatra kész.

Megjegyzés: Amikor a borotvát a csatlakoztatott töltőbe vagy Jet Clean rendszerbe helyezi, az utazózár automatikusan kikapcsol.

Töltés

A töltés körülbelül 1 órát vesz igénybe.

RQ1180/RQ1160: A teljesen feltöltött borotva 50 perc/15 napi borotválkozást tesz lehetővé.

RQ1150: A teljesen feltöltött borotva 40 perc/12 napi borotválkozást tesz lehetővé.

Töltse a borotvát az első használat előtt, valamint akkor, ha a kijelző az akkumulátor alacsony feszültségintjét jelzi (lásd a „Kijelző” fejezetben az „Alacsony akkumulátorfeszültség” című részt).

Gyorstöltés

A borotva 5 perces töltése egy borotválkozáshoz elegendő.

A töltő használata

- 1 Csatlakoztassa a kisméretű dugaszt a töltőhöz (ábra 16).
- 2 Csatlakoztassa a hálózati adaptert a fali konnektorba.
- 3 Tegye a borotvát a töltőbe (1) és nyomja visszafelé (2) („kattanásig”). (ábra 17)
- ▶ A kijelző mutatja, hogy a borotva tölt (lásd „A kijelző” című fejezetet).

Töltés a Jet Clean rendszerben (csak egyes típusoknál)

- 1 Csatlakoztassa a kisméretű dugót a Jet Clean rendszerhez.
- 2 Csatlakoztassa a hálózati adaptert a fali konnektorba.
- 3 Fordítsa lefelé a borotvát a tartóban, hogy a kijelző a Jet Clean rendszer elejével szemben legyen (ábra 18).

Megjegyzés: Csak az RQ1180 típusnál: amikor a borotvát fejjel lefelé fordítja, a kijelzőn a töltöttségjelző iránya is megfordul, hogy továbbra is látható legyen az akkumulátor töltöttségének szintje.

- 4 Határozottan nyomja a borotvát a tartóba (ábra 19).

Megjegyzés: A borotva a borotvaegységen levő védőkupakkal vagy a borotvára szerelt vágókészülékkel nem helyezhető be a Jet Clean rendszerbe.

- ▶ A kijelző mutatja, hogy a borotva tölt (lásd „A kijelző” című fejezetet).

A borotva használata

Borotválkozás

- 1 A be- és kikapcsológombbal kapcsolja be a borotvát.
 - ▶ RQ1180: A kijelző néhány másodpercig világít.
- 2 Körkörös mozdulatokat végezve mozgassa a borotvafejeket a bőrén (ábra 20).
 - Ne végezzen egyenes mozdulatokat.
 - Bőrének 2-3 hétre is szüksége lehet ahhoz, hogy a Philips borotválkozó rendszeréhez hozzászokjon.
- 3 A be- és kikapcsológombbal kapcsolja ki a borotvát.
 - ▶ RQ1180: A kijelző néhány másodpercig világít, majd megjeleníti az akkumulátor töltöttségi szintjét.

Vizes borotválkozás

A borotvát nedves arcbőrön is használhatja, borotvahabbal vagy borotvazselével együtt. Borotvahab vagy borotvazselé használatához kövesse az alábbi lépéseket:

- 1 Nedvesítse be arcbőrét.
- 2 Vigye fel arcára a borotvahabot vagy borotvazselét.
- 3 Öblítse le a borotvaegységet a csap alatt annak érdekében, hogy az bőrén akadálytalanul haladhasson.
- 4 A be- és kikapcsológombbal kapcsolja be a borotvát.
- 5 Körkörös mozdulatokkal mozgassa a borotvafejeket a bőrén.

Megjegyzés: A borotvafejeket rendszeren öblítse le a csap alatt annak érdekében, hogy bőrén folyamatosan akadálytalanul haladhasson.

- 6 Törölje meg az arcát és használat után tisztítsa meg a borotvát (lásd a „Tisztítás és karbantartás” című fejezetet).

Megjegyzés: A borotváról feltétlenül távolítsa el a borotvahabot vagy borotvazselét.

Szörzetvágás

A vágókészülékkel borotválhatja oldalszakállát és bajuszát.

- 1 A borotvaegységet egyenesen húzza le a borotváról (ábra 21).

Megjegyzés: A borotvaegységet a borotváról való lehúzás közben ne fordítsa el.

- 2 Illessze a vágókészülék nyelvét a borotva tetején lévő részbe (1). Ezután nyomja a vágókészüléket lefelé (2) kattanásig a borotvára helyezéshez (ábra 22).
- 3 A be- és kikapcsológombbal kapcsolja be a vágókészüléket.
 - ▶ RQ1180: A kijelző néhány másodpercig világít.
- 4 Most már használhatja a vágókészüléket.
- 5 A be- és kikapcsológombbal kapcsolja ki a vágókészüléket.
 - ▶ RQ1180: A kijelző néhány másodpercig világít és megjeleníti az akkumulátor töltöttségi szintjét.
- 6 A vágókészüléket egyenesen húzza le a borotváról (ábra 23).

Megjegyzés: A vágóegységet a borotváról való lehúzás közben ne fordítsa el.

- 7 Illessze a borotvaegység nyelvét a borotva tetején lévő részbe (1). Ezután nyomja a borotvaegységet lefelé (2) kattanásig a borotvára helyezéshez (ábra 24).

Tisztítás és karbantartás

A készülék és a Jet Clean rendszer tisztításához ne használjon dörzsszivacsot és súrolószert vagy erős vegyszert (pl. benzint vagy acetont), kizárólag nedves ruhát.

- A borotva tisztításának legjobb és leghatékonyabb módja a Jet Clean rendszer (csak egyes típusoknál) használata, de leöblítheti a csap alatt vagy tisztíthatja a mellékelt kefével is.
- Óvatosan bánjon a meleg vízzel. Mindig ellenőrizze, hogy a víz ne legyen túl forró, nehogy leforrassa a kezeit.
- Az optimális teljesítmény érdekében minden használat után tisztítsa meg a borotvát.
- A borotva külsejét nedves ruhával tisztíthatja.
- A rendszeres tisztítás jobb borotválkozási eredményt biztosít.

A borotvaegység tisztítása

Óvatosan bánjon a meleg vízzel. Mindig ellenőrizze, hogy a víz ne legyen túl forró, nehogy leforrassa a kezeit.

- 1 A borotvaegységet öblítse le néhányszor meleg víz alatt (ábra 25).

Megjegyzés: A borotvaegységet a mellékelt tisztítókefével is megtisztíthatja.

2 Húzza le a borotvafejtartót a borotvaegység alsó részéről és fél percig öblítse forró vízzel (ábra 26).

Megjegyzés: A borotvafejet a mellékelt tisztítókefével is megtisztíthatja.

3 Óvatosan rázza ki a felesleges vizet, és hagyja a borotvaegységet megszáradni.

Soha ne szárítsa a borotvaegységet törülközővel vagy papírzsebkendővel, mivel ezek megsérthetik a borotvafejeket.

4 Illessze vissza a borotvafejtartót kattanásig a borotvaegység alsó részére (ábra 27).

A borotvaegység tisztítása a Jet Clean rendszerrel (csak egyes típusok)

A Jet Clean rendszer automata tisztítórendszerrel rendelkezik. A be- és kikapcsológomb megnyomásakor a Jet Clean rendszer elkezd a tisztítást az automata tisztítóprogrammal.

A Jet Clean rendszer előkészítése a használathoz

Az első használat előtt töltsse fel a tisztítókamrát.

1 Csatlakoztassa a kisméretű dugót a Jet Clean rendszerhez.

2 Csatlakoztassa a hálózati adaptert a fali konnektorba.

▶ A tartó automatikusan a legmagasabb pozícióba áll.

3 Nyomja meg egyszerre a tisztítókamra két oldalán található kioldógombokat (1), majd emelje ki a Jet Clean rendszert a tisztítókamrából (2). (ábra 28)

▶ A tisztítókamra maradjon egy helyben.

4 Csavarja le a kupakot a tisztítófolyadék üvegéről.

5 Töltsse fel a tisztítókamrát a HQ200 tisztítófolyadékkal a két vonal közötti szintig (ábra 29).

6 Tegye vissza a Jet Clean rendszert a tisztítókamrára (ábra 30).

Ügyeljen rá, hogy a kioldógombok visszapattanjanak a helyükre.

A Jet Clean rendszer használata

Megjegyzés: Ha a borotvát borotvahabbal vagy borotvazselével használja, javasoljuk, hogy azt a Jet Clean rendszerrel való tisztítás előtt öblítse le meleg vízzel. Ez garantálja, hogy a tisztítófolyadék optimális időn át használható legyen.

1 Fordítsa lefelé a borotvát a tartóban, hogy a kijelző a Jet Clean rendszer elejével szemben legyen (ábra 18).

2 Határozottan nyomja a borotvát a tartóba (ábra 19).

▶ A kijelző mutatja, hogy a borotva tölt (lásd „A kijelző” című fejezetet).

3 Indítsa el a tisztítóprogramot a Jet Clean rendszer bekapcsológombjának megnyomásával. (ábra 31)

▶ A borotva kijelzője már nem mutatja a töltésjelzést.

▶ A tisztítást jelző fény villogni kezd, és a borotva automatikusan beleereszkedik a tisztítófolyadékba (ábra 32).

▶ A tisztítást jelző fény a néhány perces tisztítóprogram alatt mindvégig világít.

▶ A tisztítóprogram első fázisa során a borotva néhányszor automatikusan be- és kikapcsol, és fel-le mozog.

▶ A tisztítóprogram második fázisában a borotva szárítási pozícióba áll, ezt a szárítási jelzés villogása mutatja. Ez körülbelül 2 óráig tart. A borotva a program végéig ebben a pozícióban marad. (ábra 33)

▶ A tisztítóprogram végén a töltésjelzés megjelenik a borotva kijelzőjén (lásd „A kijelző” című fejezetet).

Megjegyzés: Ha a tisztítóprogram közben megnyomja a Jet Clean rendszer be- és kikapcsológombját, a program félbeszakad. Ilyen esetben a tisztítás vagy a szárítást jelző fény villogása megszűnik és a tartó a legmagasabb pozícióba áll.

Megjegyzés: Ha a tisztítóprogram közben az adaptert kihúzza a fali aljzatból, a program megszakad. A tartó pozíciója nem változik. Amikor az adaptert visszahelyezi a fali aljzatba, a tartó a legmagasabb pozícióba kerül.

- Ha a tisztítófolyadék szintje a minimumszint alá esik, villogni kezd a „tisztítókamra üres” jel és a tartó visszaáll normál helyzetébe (ábra 34).

- Ha mindennap a tisztítókészülékkel tisztítja a borotvát, akkor kb. 15 naponta újra kell töltenie a tisztítókamrát.

A Jet Clean rendszer tisztítása

A tisztítókamrát 15 naponta tisztítsa.

A Jet Clean rendszert kívülről nedves ruhával törölheti le.

1 Nyomja meg egyszerre a Jet Clean rendszer két oldalán található kioldógombokat (1), majd emelje ki a Jet Clean rendszert a tisztítókamrából (2). (ábra 28)

▶ A tisztítókamra maradjon egy helyben.

2 Öntse ki a maradék tisztítófolyadékot a tisztítókamrából. (ábra 35)

A tisztítófolyadék a mosdókagylóba önthető.

3 Öblítse le a tisztítókamrát a csap alatt (ábra 36).

A tisztítókamra mosogatógépben nem tisztítható.

4 Öltse fel a tisztítókamrát a HQ200 tisztítófolyadékkal a két vonal közötti szintig (ábra 29).

5 Tegye vissza a Jet Clean rendszert a tisztítókamrára. (ábra 30)

Ügyeljen rá, hogy a kioldógombok visszapattanjanak a helyükre.

Különösen alapos tisztítási módszer

Kapcsolja ki a készüléket.

1 Húzza le a borotvafejtartót a borotvaegység alsó részéről (ábra 26).

2 Húzza a zöld rögzítőkeretet az azon lévő nyílak irányába (ábra 37).

3 Emelje ki a rögzítőkeretet a borotvafej tartójából. (ábra 38)

4 Vegye ki a körkést a borotvafésűből (ábra 39).

Megjegyzés: Egyszerre csak egy körkést és borotvafésűt tisztítson, mivel mindegyik meghatározott helyre kerül. Ha véletlenül nem a megfelelő borotvafésűbe tenné vissza kést, hetekbe telhet, mire az optimális borotválási teljesítmény visszaáll.

5 Tisztítsa meg a körkést a mellékelt tisztítókefével (ábra 40).**6** Tisztítsa meg a borotvafésű belső oldalát. (ábra 41)**7** Tisztítás után tegye vissza a körkést a borotvafésűbe a körkés lábaival lefelé. (ábra 42)**8** Tegye vissza a rögzítőkeretet a borotvafejtartóra. (ábra 43)**9** Húzza vissza a fésűt a helyére, kattanásig. (ábra 44)**10** Illessze vissza a borotvafejtartót a borotvaegység alsó részére. (ábra 27)**A vágókészülék tisztítása**

Minden használat után tisztítsa meg a vágókészüléket.

1 Kapcsolja be a borotvát felszerelt vágókészülék mellett.**2** A vágókészüléket öblítse le néhányszor meleg víz alatt. (ábra 45)**3** Tisztítás után kapcsolja ki a borotvát.

Tipp: A vágókészülék optimális teljesítménye érdekében félévente olajozza meg a vágókészülék fogait egy csepp műszerolajjal.

Tárolás**1** Csúsztassa vissza a borotvaegységre a védősapkát, hogy a borotvafejeket óvja a sérüléstől (ábra 46).**2** Csak egyes típusoknál: A borotvát tárolja a mellékelt hordtáskában.**Csere**

Azt javasoljuk, hogy a maximális borotválási teljesítmény érdekében évente cserélje a borotvaegység felső részét. A borotvaegység felső részét csak eredeti RQ11 Philips borotvafejtartóra cserélje le..

1 Húzza le a borotvafejtartót a borotvaegység alsó részéről (ábra 26).**2** Illessze fel az új borotvafejtartót kattanásig a borotvaegység alsó részére (ábra 27).**Alkatrészek rendelése**

A következő alkatrészek vásárolhatók a készülékhez:

- HQ8505 adapter
- RQ11 Philips borotvafejtartó
- HQ110 Philips borotvafej-tisztító spray
- HQ200 Philips tisztítófolyadék

Környezetvédelem

- A leselejtezett készülékek szelektív lakossági hulladékként kezelendők. Kérjük, hivatalos újrahasznosító gyűjtőhelyen adja le őket, így hozzájárul a környezet védelméhez (ábra 47).
- A beépített borotvaakkumulátor olyan anyagokat tartalmaz, amelyek szennyezhetik a környezetet. A borotva leselejtezése és hivatalos gyűjtőhelyen való leadása előtt mindig távolítsa el az akkumulátort. Az akkumulátort hivatalos akkumulátorgyűjtő helyen adja le. Ha az akkumulátor eltávolítása gondot okozna, elviheti készülékét valamelyik Philips szervizbe is, ahol eltávolítják és környezetkímélő módon kiselejtezik az akkumulátort (ábra 48).

A borotvaakkumulátor eltávolítása

Kizárólag a borotva leselejtezésekor vegye ki a készülékből az akkumulátort. Előtte győződjön meg róla, hogy az akkumulátor teljesen lemerült-e.

Legyen óvatos, mert az akkumulátor szélei élesek.

1 Csavarhúzó segítségével távolítsa el a borotva hátlapját.**2** Vegye ki az akkumulátort.**Jótállás és szervíz**

Ha javításra vagy információra van szüksége, vagy ha valamilyen probléma merült fel, látogasson el a Philips honlapjára (www.philips.com), vagy forduljon az adott ország Philips vevőszolgálatához (a telefonszámot megtalálja a világszerte érvényes garancialevélen). Ha országában nem működik ilyen vevőszolgálat, forduljon a Philips helyi szaküzletéhez.

A garancia feltételei

A nemzetközi garanciafeltételek nem vonatkoznak a borotvafejekre (körkések és sziták), mivel azok elhasználódó eszközök.

Hibakeresés

Ez a fejezet összefoglalja a készülékkel kapcsolatban leggyakrabban felmerülő problémákat. Ha nem sikerül megoldania a problémát az alábbi információk alapján, forduljon a helyi Philips vevőszolgálatához.

Probléma	Lehetséges ok	Megoldás
A borotva nem a megszokott módon működik.	A borotvafejek sérültek vagy elhasználódtak.	Cserélje ki a borotvafejtartót (olvassa el a „Csere” fejezetet).

Probléma	Lehetséges ok	Megoldás
	A hosszú szőrszálak eltömítik a borotvafejeket.	Tisztítsa meg a borotvafejeket a különösen alapos tisztítási módszernél leírt lépésekkel (olvassa el a „Tisztítás és karbantartás” című fejezetet).
	A Jet Clean rendszer nem megfelelően tisztította ki a borotvát, mert a tisztítókamrában a tisztítófolyadék szennyezett vagy szintje alacsony.	A borotválkozás folytatása előtt alaposan tisztítsa meg a borotvát. Ha szükséges, tisztítsa meg és töltsé fel újra a tisztítókamrát (olvassa el a „Tisztítás és karbantartás” fejezetet).
A be-és kikapcsológomb megnyomásakor a borotva nem működik	Lemerült az akkumulátor.	Töltsé fel az akkumulátort (lásd a „Töltés” című fejezetet).
	Az utazózár be van kapcsolva.	Az utazózár kikapcsolásához tartsa 3 másodpercig lenyomva a be- és kikapcsológombot.
	A borotvafejtartó annyira szennyezett vagy elkopott, hogy a motor nem működik.	Tisztítsa meg vagy cserélje ki a borotvafejtartót (olvassa el a „Tisztítás és karbantartás” és a „Csere” című fejezetet)..
	A borotva túlmelegszik. Ilyenkor a borotva nem működik.	Hagyja a borotvát lehűlni. A borotva lehűlését követően azt újra be lehet kapcsolni..
A borotva nem teljesen tiszta a Jet Clean rendszerből való kivétel után.	A tisztítófolyadék a tisztítókamrában szennyezett.	Ürítse ki és öblítse el a tisztítókamrát.
	A tisztítófolyadék szintje túl alacsony. Ha a tisztítókamrában a tisztítófolyadék szintje a tisztítóprogram közben a minimum alá esik, a program megszakad. A tisztítás jele és a „tisztítókamra üres” jel szakaszosan villog és a tartó visszaáll kiinduló helyzetébe.	Töltsé fel a tisztítókamrát tisztítófolyadékkal a két vonal közötti szintig (olvassa el a „Tisztítás és karbantartás” című fejezetet).
	Nem az eredeti Philips tisztítófolyadékot használta.	Csak HQ200 Philips tisztítófolyadékot használjon.
A be-és kikapcsológomb megnyomásakor a Jet Clean rendszer nem működik.	A Jet Clean rendszer nincs a hálózathoz csatlakoztatva.	Dugja a kis méretű dugaszt a Jet Clean rendszerbe, és csatlakoztassa az adaptert a fali aljzatba.
	Nincs elektromos csatlakozás a Jet Clean rendszer és a borotva között.	Határozottan nyomja a borotvát a tartóba.
A borotva nem tölt fel teljesen a töltőben/a Jet Clean rendszerben.	Nem megfelelően helyezte a borotvát a töltőbe/a Jet Clean rendszerbe.	Győződjön meg arról, hogy a borotva a helyére kattan.

Pendahuluan

Selamat atas pembelian Anda dan selamat datang di Philips! Untuk memanfaatkan sepenuhnya dukungan yang ditawarkan Philips, daftarkan produk Anda di www.philips.com/welcome.

Baca petunjuk pengguna ini yang berisi informasi mengenai berbagai fitur serta sejumlah saran agar lebih mudah dan menyenangkan dalam menggunakan alat cukur ini.

Gambaran umum (Gbr. 1)

- A** Alat cukur (RQ1180/RQ1160/RQ1150)
 - 1 Pemangkas
 - 2 Tutup pelindung
 - 3 Unit pencukur
 - 4 Alat cukur
 - 5 Tombol on/off alat cukur
 - 6 Tampilan
- B** Pengisi daya
- C** Sistem Jet Clean (hanya tipe tertentu)
 - 1 Pemegang alat cukur
 - 2 Simbol 'Ruang pembersihan kosong'
 - 3 Simbol pembersihan
 - 4 Simbol pengeringan
 - 5 Tombol on/off Sistem Jet Clean
 - 6 Tombol pelepas ruang pembersihan
- D** Sikat pembersih
- E** Cairan pembersih
- F** Kantung (hanya tipe tertentu)
- G** Adaptor

Penting

Bacalah petunjuk pengguna ini dengan saksama sebelum Anda menggunakan alat dan simpanlah sebagai referensi nanti.

Catatan: Dalam petunjuk pengguna ini, istilah 'alat' merujuk pada alat cukur dan Sistem Jet Clean. Jika alat cukur Anda tidak disertai dengan Sistem Jet Clean, berarti ini merujuk pada alat cukur saja.

Umum

Bahaya

- Pastikan adaptor tidak basah (Gbr. 2).

Peringatan

- Adaptor berisi trafo. Jangan memotong adaptor untuk menggantinya dengan steker lain, karena ini dapat membahayakan.
- Alat ini tidak dimaksudkan untuk digunakan oleh orang (termasuk anak-anak) dengan cacat fisik, indera atau kecakapan mental yang kurang atau kurang pengalaman dan pengetahuan, kecuali jika mereka diberikan pengawasan atau petunjuk mengenai penggunaan alat oleh orang yang bertanggungjawab bagi keselamatan mereka.
- Anak kecil harus diawasi untuk memastikan mereka tidak bermain-main dengan alat ini.
- Hati-hati dengan air panas saat membersihkan alat. Selalu periksa apakah air tidak terlalu panas agar tangan Anda tidak melepuh.

Perhatian

- Jangan sekali-kali merendam Sistem Jet Clean dan pengisi daya di dalam air ataupun membilasnya di bawah keran.
- Alat dan aksesoris tidak tahan terhadap mesin cuci piring.
- Selalu letakkan dan gunakan alat pada permukaan yang tahan terhadap cairan.
- Gunakan, isi baterai dan simpan alat pada suhu antara 5°C dan 35°C.
- Hanya gunakan aksesoris yang disertakan.
- Adaptor mengubah voltase 100-240 volt menjadi voltase rendah yang aman di bawah 24 volt.
- Jangan gunakan alat jika sudah rusak.
- Jika adaptor atau aksesoris lainnya rusak, gantilah selalu dengan tipe yang asli agar terhindar dari bahaya.
- Air mungkin merembes keluar dari soket di bagian bawah alat cukur saat Anda membilasnya. Hal ini normal dan tidak berbahaya karena semua komponen elektronik yang tersimpan dalam unit daya yang tertutup rapat dalam alat cukur.

Sistem Jet Clean (hanya tipe tertentu)

Perhatian

- Hanya gunakan Sistem Jet Clean dengan cairan pembersih HQ200 yang asli.
- Selalu letakkan Sistem Jet Clean pada permukaan horizontal yang stabil dan rata untuk mencegah kebocoran.
- Jangan sekali-kali merendam Sistem Jet Clean di dalam air.
- Kosongkan ruang pembersihan dan bersihkan seluruhnya dengan membilasnya dengan air keran panas setiap 15 hari.
- Sistem Jet Clean membersihkan secara tuntas tetapi tidak dapat menyuci-hamakan alat cukur Anda, oleh sebab itu jangan memakai bersama alat cukur ini dengan orang lain.
- Ruang pembersihan pada Sistem Jet Clean tidak tahan terhadap mesin cuci piring.
- Saat Sistem Jet Clean siap digunakan, jangan memindahkannya untuk mencegah kebocoran cairan pembersih.

Kepatuhan pada standar

- Alat cukur ini mematuhi peraturan keselamatan yang disetujui secara internasional dan dapat digunakan dengan aman saat mandi atau bersiram dan dibersihkan di bawah keran (Gbr. 3).
- Alat Philips ini mematuhi semua standar yang berkenaan dengan medan elektromagnet (EMF). Jika ditangani dengan benar dan sesuai dengan petunjuk dalam buklet informasi penting ini dan dalam buklet informasi penggunaan yang dikemas bersama alat cukur, alat ini aman digunakan berdasarkan bukti ilmiah yang kini tersedia.

Layar

Catatan: Sebelum Anda menggunakan alat cukur untuk pertama kali, lepaskan kertas timah pelindung dari layar.

Ketiga jenis alat cukur (RQ1180, RQ1160 dan RQ1150) mempunyai layar berbeda sebagaimana yang ditunjukkan pada gambar di bawah ini.

- RQ1180 (Gbr: 4)
- RQ1160 (Gbr: 5)
- RQ1150 (Gbr: 6)

Pengisian daya

- Pengisian daya berlangsung kurang-lebih 1 jam.

RQ1180

- Saat pengisian daya alat cukur, lampu pengisian daya pertama bagian bawah akan berkedip, kemudian lampu pengisian daya kedua, dan seterusnya hingga alat cukur terisi penuh (Gbr: 7).
- Pengisian cepat: Bila alat cukur berisi cukup energi untuk sekali bercukur, lampu pengisian daya bagian bawah akan berkedip jingga dan putih silih berganti.

RQ1160/RQ1150

- Saat pengisian daya alat cukur, simbol baterai akan berkedip hingga alat cukur terisi penuh. (Gbr: 8)
- Pengisian cepat: Bila alat cukur berisi cukup energi untuk sekali bercukur, simbol steker dan simbol baterai akan berkedip silih berganti.

Catatan: Layar untuk tipe RQ1160 dan RQ1150 tampak berbeda, namun sama cara kerjanya.

Baterai terisi penuh

RQ1180

- Bila baterai terisi penuh, semua lampu pengisian daya akan menyala terus. Setelah kurang-lebih 30 menit layar secara otomatis mati lagi. (Gbr: 9)

RQ1160/RQ1150

- Bila baterai terisi penuh, simbol baterai akan menyala terus. Setelah kurang-lebih 30 menit layar secara otomatis mati lagi. (Gbr: 10)

Catatan: Layar untuk tipe RQ1160 dan RQ1150 tampak berbeda, namun sama cara kerjanya.

Baterai tinggal sedikit

RQ1180

- Bila baterai hampir habis (hanya bisa digunakan untuk pencukuran selama 5 menit atau kurang), lampu pengisian daya bagian bawah akan berkedip jingga. (Gbr: 11)
- Bila Anda mematikan alat cukur, lampu pengisian daya bagian bawah akan terus berkedip selama beberapa detik.

RQ1160/RQ1150

- Bila baterai hampir habis (hanya bisa digunakan untuk pencukuran selama 5 menit atau kurang), simbol steker akan berkedip (Gbr: 12).
- Bila Anda mematikan alat cukur, simbol steker akan terus berkedip selama beberapa detik.

Catatan: Layar untuk tipe RQ1160 dan RQ1150 tampak berbeda, namun sama cara kerjanya.

Sisa kapasitas baterai

RQ1180

- Sisa kapasitas baterai ditunjukkan oleh jumlah lampu pengisian daya yang menyala. (Gbr: 13)

Indikator travel lock

Anda dapat mengunci alat cukur bila akan bepergian. Travel lock mencegah alat cukur dihidupkan secara tidak sengaja.

Mengaktifkan travel lock

- 1 Tekan tombol on/off selama 3 detik untuk masuk ke mode travel lock (Gbr: 14).
- ▶ Simbol kunci akan menyala terus pada layar. -tekening- (Gbr: 15)

Catatan: Layar untuk tipe RQ1180, RQ1160 dan RQ1150 tampak berbeda, namun menampilkan simbol yang sama.

Menonaktifkan travel lock

- 1 Tekan tombol on/off selama 3 detik.
 - ▶ Motor mulai bekerja untuk menandakan bahwa travel lock sudah dinonaktifkan.
- Sekarang, alat cukur siap digunakan lagi.

Catatan: Bila Anda menempatkan alat cukur dalam pengisi daya yang telah ditancapkan atau Sistem Jet Clean, travel lock secara otomatis akan dinonaktifkan.

Pengisian daya

Pengisian daya berlangsung kurang-lebih 1 jam.

RQ1180/RQ1160: Alat cukur yang terisi penuh mempunyai waktu pencukuran hingga selama 50 menit/15 hari.

RQ1150: Alat cukur yang terisi penuh mempunyai waktu pencukuran hingga selama 40 menit/12 hari.

Isilah daya alat cukur sebelum menggunakannya untuk pertama kali atau bila layarnya menunjukkan bahwa baterainya habis (lihat bagian 'Baterai tinggal sedikit' dalam bab 'Layar').

Pengisian cepat

Setelah alat cukur diisi daya selama 5 menit, ia punya cukup energi untuk sekali bercukur.

Mengisi daya di pengisi daya

- 1 Pasang steker kecil di pengisi daya (Gbr: 16).
- 2 Pasang adaptor ke stopkontak dinding.
- 3 Pasang alat cukur di pengisi daya (1) dan tekan ke belakang (2) (hingga berbunyi 'klik'). (Gbr: 17)

- ▶ Layarnya akan menampilkan bahwa alat cukur sedang diisi (lihat bab 'Layar').

Mengisi daya di Sistem Jet Clean (hanya tipe tertentu)

- 1 Pasang steker kecil di Sistem Jet Clean.
- 2 Pasang adaptor ke stopkontak dinding.
- 3 Letakkan alat cukur secara terbalik di pemegangnya dengan layar mengarah ke bagian depan Sistem Jet Clean (Gbr. 18).

Catatan: RQ1180 saja: bila Anda membalik alat cukur, indikator baterai pada layar juga menjadi terbalik sehingga Anda tetap dapat melihat berapa tingkat baterai yang telah diisi.

- 4 Tekan alat cukur pada pemegangnya agar terkunci pada tempatnya (Gbr. 19).

Catatan: Alat cukur tidak dapat diletakkan di Sistem Jet Clean bila tutup pelindung terpasang pada unit pencukur atau bila pemangkas terpasang pada alat cukur.

- ▶ Layarnya akan menampilkan bahwa alat cukur sedang diisi (lihat bab 'Layar').

Menggunakan alat cukur

Mencukur

- 1 Tekan tombol on/off satu kali untuk menghidupkan alat cukur.
 - ▶ RQ1180: Layar akan menyala selama beberapa detik.
- 2 Gerakkan kepala cukur pada kulit Anda. Lakukan gerakan memutar (Gbr. 20).
 - Jangan lakukan gerakan lurus.
 - Kulit Anda mungkin butuh 2 atau 3 minggu untuk terbiasa dengan sistem cukur Philips.
- 3 Tekan tombol on/off sekali untuk mematikan alat cukur.
 - ▶ RQ1180: Layar akan menyala selama beberapa detik kemudian menampilkan sisa kapasitas baterai.

Pencukuran basah

Anda juga dapat menggunakan alat cukur ini pada muka yang basah oleh busa atau gel cukur. Untuk bercukur dengan busa atau gel cukur, ikuti langkah-langkah di bawah:

- 1 Basahi kulit Anda dengan sedikit air.
- 2 Kenakan busa atau gel cukur pada kulit Anda.
- 3 Bilas unit pencukur di bawah keran untuk memastikan unit pencukur meluncur mulus di atas kulit Anda.
- 4 Tekan tombol on/off satu kali untuk menghidupkan alat cukur.
- 5 Gerakkan kepala cukur pada kulit Anda dalam gerak melingkar.

Catatan: Bilas alat cukur di bawah keran secara teratur untuk memastikannya tetap meluncur mulus di atas kulit Anda.

- 6 Keringkan wajah Anda dan bersihkan alat cukur dengan saksama setelah digunakan (lihat bab 'Membersihkan dan pemeliharaan').

Catatan: Pastikan Anda membilas semua busa atau gel cukur dari alat cukur.

Pemangkasan

Anda dapat menggunakan pemangkas untuk merapikan cambang dan kumis.

- 1 Tarik lurus unit pencukur dari alat cukur (Gbr. 21).

Catatan: Jangan putar unit pencukur saat Anda menariknya dari alat cukur.
- 2 Masukkan tonjolan pada pemangkas ke dalam selot di bagian atas alat cukur (1). Kemudian tekan pemangkas ke bawah (2) untuk memasangnya ke alat cukur (hingga berbunyi 'klik') (Gbr. 22).
- 3 Tekan tombol on/off sekali untuk menghidupkan pemangkas.
 - ▶ RQ1180: Layar akan menyala selama beberapa detik.
- 4 Sekarang Anda dapat mulai memangkas.
- 5 Tekan tombol on/off sekali untuk mematikan pemangkas.
 - ▶ RQ1180: Layar menyala selama beberapa detik untuk menampilkan sisa kapasitas baterai.
- 6 Tarik lurus pemangkas lurus dari alat cukur (Gbr. 23).

Catatan: Jangan putar unit pemangkas saat Anda menariknya dari alat cukur.

- 7 Masukkan tonjolan pada unit pencukur ke dalam selot di bagian atas alat cukur (1). Kemudian tekan unit pencukur ke bawah (2) untuk memasangnya ke alat cukur (hingga berbunyi 'klik') (Gbr. 24).

Membersihkan dan pemeliharaan

Jangan sekali-kali menggunakan sabut gosok, bahan pembersih abrasif atau cairan agresif seperti minyak tanah atau aseton untuk membersihkan alat dan Sistem Jet Clean.

- Cara terbaik dan paling higienis untuk membersihkan alat cukur yaitu dengan menaruhnya di dalam Sistem Jet Clean (hanya tipe tertentu). Anda juga dapat membilas alat cukur di bawah keran air atau membersihkannya dengan sikat yang disertakan.
- Hati-hati dengan air panas. Selalu periksa apakah air tidak terlalu panas agar tangan Anda tidak melepuh.
- Bersihkan alat cukur setiap kali selesai mencukur agar kinerja pencukuran optimum.
- Anda dapat membersihkan bagian luar alat cukur dengan kain lembap.
- Membersihkan secara teratur akan menjamin kinerja pencukuran yang lebih baik.

Membersihkan unit pencukur

Hati-hati dengan air panas. Selalu periksa apakah air tidak terlalu panas agar tangan Anda tidak melepuh.

1 Bilas unit pencukur di bawah keran air panas selama beberapa saat (Gbr. 25).

Catatan: Anda juga dapat menyikat unit pencukur dengan sikat pembersih yang disertakan.

2 Lepaskan pemegang kepala cukur dari bagian bawah unit pencukur dan bilas di bawah keran air panas selama 30 detik (Gbr. 26).

Catatan: Anda juga dapat menyikat pemegang kepala cukur dengan sikat pembersih yang disertakan.

3 Dengan hati-hati kibaskan kelebihan air dan biarkan unit pencukur kering.

Jangan sekali-kali mengeringkan unit pencukur dengan handuk atau kertas tisu, karena hal ini dapat merusak kepala cukur.

4 Pasang kembali pemegang kepala cukur ke bagian bawah unit pencukur (hingga berbunyi 'klik') (Gbr. 27).

Bersihkan unit pencukur dalam Sistem Jet Clean (hanya tipe tertentu)

Sistem Jet Clean mempunyai program pembersihan otomatis. Bila Anda menekan tombol on/off, Sistem Jet Clean akan mulai membersihkan dengan program pembersihan otomatis.

Menyiapkan Sistem Jet Clean untuk digunakan

Isilah ruang pembersihan sebelum digunakan pertama kali.

1 Pasang steker kecil di Sistem Jet Clean.

2 Pasang adaptor ke stopkontak dinding.

► Pemegang secara otomatis bergerak ke posisi yang tertinggi.

3 Secara bersamaan, tekan tombol pelepas pada kedua samping ruang pembersihan (1). Kemudian angkat Sistem Jet Clean hingga keluar dari ruang pembersihan (2). (Gbr. 28)

► Ruang pembersihan tetap di belakang.

4 Buka tutup botol berisi cairan pembersih.

5 Isilah ruang pembersihan dengan cairan pembersih HQ200 hingga batas di antara dua garis (Gbr. 29).

6 Kembalikan Sistem Jet Clean ke ruang pembersihan (Gbr. 30).

Pastikan tombol pelepas terpasang kembali di tempatnya.

Menggunakan Sistem Jet Clean

Catatan: Jika Anda menggunakan alat cukur dengan busa atau gel cukur, kami sarankan Anda untuk membilas alat cukur di bawah keran air panas sebelum di Sistem Jet Clean. Hal ini menjamin masa pakai optimum untuk cairan pembersih.

1 Letakkan alat cukur secara terbalik di pemegangnya dengan layar mengarah ke bagian depan Sistem Jet Clean (Gbr. 18).

2 Tekan alat cukur pada pemegangnya agar terkunci pada tempatnya (Gbr. 19).

► Layarnya akan menampilkan bahwa alat cukur sedang diisi (lihat bab 'Layar').

3 Tekan tombol on/off pada Sistem Jet Clean untuk memulai program pembersihan. (Gbr. 31)

► Layar alat cukur berhenti menampilkan indikator pengisian daya.

► Lampu pembersihan mulai berkedip dan alat cukur secara otomatis diturunkan ke dalam cairan pembersih (Gbr. 32).

► Lampu pembersihan akan berkedip selama program pembersihan, yang berlangsung beberapa menit.

► Selama tahap pertama program pembersihan, alat cukur secara otomatis menyala dan padam beberapa kali dan bergerak naik dan turun.

► Selama fase kedua program pembersihan, alat cukur diletakkan dalam posisi pengeringan, dan ditunjukkan oleh simbol pengeringan yang berkedip. Fase ini berlangsung kurang-lebih 2 jam. Alat cukur tetap dalam posisi ini sampai akhir program. (Gbr. 33)

► Setelah program pembersihan, indikator pengisian daya akan muncul di layar alat cukur (lihat bab 'Layar').

Catatan: Jika Anda menekan tombol on/off Sistem Jet Clean selama program pembersihan, program akan dibatalkan. Dalam hal ini, lampu pembersihan atau pengeringan akan berhenti berkedip dan pemegang kembali ke posisi tertinggi.

Catatan: Jika Anda melepas adaptor dari stopkontak dinding selama program pembersihan, program akan dibatalkan. Pemegang tetap pada posisinya sekarang. Apabila Anda mengembalikan adaptor ke stopkontak dinding, pemegangnya bergerak ke posisi tertinggi.

- Bila cairan pembersih turun di bawah tingkat minimum, simbol 'ruang pembersihan kosong' mulai berkedip dan pemegang kembali ke posisi awalnya (Gbr. 34).

- Jika Anda menggunakan mesin pencuci untuk membersihkan alat cukur setiap hari, Anda perlu mengisi ulang ruang pembersihan kurang-lebih setiap 15 hari sekali.

Membersihkan Sistem Jet Clean

Bersihkan ruang pembersihan setiap 15 hari sekali.

Anda dapat membersihkan bagian luar Sistem Jet Clean dengan kain lembap.

1 Secara bersamaan, tekan tombol pelepas pada kedua samping Sistem Jet Clean (1). Kemudian angkat keluar Sistem Jet Clean dari ruang pembersihan (2). (Gbr. 28)

► Ruang pembersihan tetap di belakang.

2 Keluarkan sisa cairan pembersih dari ruang pembersihan. (Gbr. 35)

Anda tinggal menuangkan cairan pembersih ke dalam keran.

3 Bilas ruang pembersihan di bawah keran (Gbr. 36).

Ruang pembersihan tidak dapat dicuci dalam mesin cuci piring.

4 Isilah ruang pembersihan dengan cairan pembersih HQ200 hingga batas di antara dua garis (Gbr. 29).

5 Kembalikan Sistem Jet Clean ke ruang pembersihan. (Gbr. 30)

Pastikan tombol pelepas terpasang kembali di tempatnya.

Metode pembersihan ekstra-saksama

Pastikan alat telah dimatikan.

1 Lepaskan pemegang kepala cukur dari bagian bawah unit pencukur (Gbr. 26).

- 2 Geser bingkai penahan warna hijau searah panah yang ditunjukkan pada bingkai penahan (Gbr. 37).
- 3 Angkat bingkai penahan dari pemegang kepala cukur. (Gbr. 38)
- 4 Lepaskan pemotong dari pelindung cukur (Gbr. 39).

Catatan: Jangan membersihkan lebih dari satu pemotong dan pelindung sekaligus, karena keduanya merupakan pasangan. Jika secara tidak sengaja Anda menempatkan pemotong pada pelindung cukur yang salah, mungkin dibutuhkan beberapa minggu sebelum kinerja pencukuran kembali optimum.

- 5 Bersihkan pemotong dengan sikat pembersih yang disertakan (Gbr. 40).
- 6 Bersihkan bagian dalam pelindung cukur. (Gbr. 41)
- 7 Setelah membersihkan, pasang pemotongnya kembali ke pelindung cukur dengan kaki pemotong mengarah ke bawah. (Gbr. 42)
- 8 Pasang kembali bingkai penahan pada pemegang kepala cukur. (Gbr. 43)
- 9 Geser kembali pelindung ke tempatnya (hingga berbunyi 'klik'). (Gbr. 44)
- 10 Pasang kembali pemegang kepala cukur ke bagian bawah unit pencukur. (Gbr. 27)

Membersihkan pemangkas

Bersihkan pemangkas setiap kali Anda selesai menggunakannya.

- 1 Hidupkan alat cukur dengan pemangkas terpasang.
- 2 Bilas pemangkas di bawah keran air panas selama beberapa saat. (Gbr. 45)
- 3 Setelah membersihkan, matikan alat cukur.

Tip: Agar kinerja pemangkas optimum, lumasi gigi-gigi pemangkas dengan setetes minyak mesin jahit setiap enam bulan.

Penyimpanan

- 1 Geser tutup pelindung pada unit pencukur untuk mencegah kerusakan pada kepala cukur (Gbr. 46).
- 2 Hanya tipe tertentu: Simpan alat cukur di dalam kantung yang disertakan.

Pengganti

Agar kinerja pencukuran maksimum, kami sarankan Anda mengganti bagian atas unit pencukur setiap tahun. Gantilah bagian atas unit pencukur hanya dengan RQ11 Philips Shaving Head Holder asli.

- 1 Lepaskan pemegang kepala cukur dari bagian bawah unit pencukur (Gbr. 26).
- 2 Pasang wadah pemegang kepala cukur yang baru ke bagian bawah unit pencukur (hingga berbunyi 'klik') (Gbr. 27).

Memesan komponen

Tersedia komponen berikut:

- Adaptor HQ8505
- RQ11 Philips Shaving Head Holder
- HQ110 Philips Shaving Head Cleaning Spray
- HQ200 Philips Cleaning Fluid

Lingkungan

- Jangan membuang alat bersama limbah rumah tangga biasa jika alat sudah tidak bisa dipakai lagi, tetapi serahkan ke tempat pengumpulan barang bekas yang resmi untuk didaur ulang. Dengan melakukan hal ini, Anda ikut membantu melestarikan lingkungan (Gbr. 47).
- Baterai isi-ulang alat cukur yang terpasang mengandung bahan yang dapat mencemari lingkungan. Selalu keluarkan baterai sebelum membuang pencukur atau membawanya ke tempat pengumpulan resmi. Buang baterai bekas di tempat pengumpulan resmi untuk baterai. Jika Anda sulit mengeluarkan baterai, Anda pun dapat membawa alat tersebut ke pusat layanan Philips yang akan membantu Anda mengeluarkan baterai dan membuangnya dengan cara yang ramah lingkungan (Gbr. 48).

Melepas baterai isi ulang alat cukur

Hanya keluarkan baterai isi-ulang bila Anda akan membuang alat cukur. Pastikan baterai benar-benar habis sewaktu Anda mengeluarkannya.

Berhati-hatilah, strip baterai tajam.

- 1 Lepas panel belakang pada alat cukur dengan obeng.
- 2 Lepas baterai isi-ulang.

Garansi dan layanan

Jika Anda butuh servis atau informasi atau mengalami masalah, harap kunjungi situs web Philips di **www.philips.com** atau hubungi Pusat Layanan Konsumen Philips di negara Anda (Anda dapat menemukan nomor teleponnya dalam pamflet garansi internasional). Jika tidak ada Pusat Layanan Konsumen di negara Anda, kunjungi dealer Philips setempat.

Batasan garansi

Kepala cukur (pemotong dan pelindung cukur) tidak tercakup oleh ketentuan garansi internasional karena tergantung pada pemakaian.

Mengatasi masalah

Bab ini merangkum masalah-masalah paling umum yang mungkin Anda temui pada alat. Jika Anda tidak mampu mengatasi masalah dengan informasi di bawah, hubungi Pusat Layanan Konsumen di negara Anda.

Masalah	Kemungkinan penyebab	Solusi
Alat cukur tidak mencukur sebaik biasanya.	Kepala cukur rusak atau aus.	Gantilah pemegang kepala cukur. (lihat bab 'Penggantian').
	Rambut yang panjang menghalangi mencukur kepala cukur.	Bersihkan kepala cukur dengan mengikuti langkah-langkah metode pembersihan ekstra saksama (lihat bab 'Membersihkan dan pemeliharaan').
Alat cukur tidak mau hidup sewaktu saya menekan tombol on/off.	Sistem Jet Clean tidak membersihkan alat cukur dengan benar karena cairan pembersih dalam ruang pembersihan kotor atau tingkat permukaan cairan pembersih terlalu rendah.	Bersihkan alat cukur dengan saksama sebelum Anda melanjutkan pencukuran. Jika perlu, bersihkan dan isi ulang ruang pembersihan (lihat bab 'Membersihkan dan pemeliharaan').
	Baterai isi-ulangnya habis.	Isi ulang baterai (lihat bab 'Pengisian daya').
Alat cukur tidak mau hidup sewaktu saya menekan tombol on/off.	Travel lock diaktifkan.	Tekan tombol on/off selama 3 detik untuk menonaktifkan travel lock.
	Pemegang kepala cukur kotor atau rusak sedemikian rupa sehingga motor tidak dapat berfungsi.	Bersihkan atau ganti pemegang kepala cukur (lihat bab 'Membersihkan dan pemeliharaan' dan 'Penggantian').
Alat cukur tidak mau hidup sewaktu saya menekan tombol on/off.	Suhu alat cukur terlalu tinggi. Dalam hal ini, alat cukur tidak berfungsi.	Biarkan alat cukur dingin. Begitu suhu alat cukur sudah cukup dingin, Anda dapat menyalakan kembali alat cukur.
	Cairan pembersih dalam ruang pembersihan sudah kotor.	Kosongkan dan bilas ruang pembersihan.
Alat cukur tidak benar-benar bersih setelah saya membersihkannya dalam Sistem Jet Clean.	Tingkat permukaan cairan pembersih terlalu rendah. Jika isi cairan dalam ruang pembersihan menyusut hingga di bawah tingkat permukaan minimum selama program pembersihan, program akan dibatalkan. Lampu pembersihan dan simbol 'ruang pembersihan kosong' akan berkedip dengan selang waktu dan pemegang alat cukur kembali ke posisi awalnya.	Isi ulang ruang pembersihan dengan cairan pembersih hingga batas di antara dua garis (lihat bab 'Membersihkan dan pemeliharaan').
	Anda telah menggunakan cairan pembersih selain cairan pembersih Philips asli.	Hanya gunakan HQ200 Philips Cleaning Fluid.
Sistem Jet Clean tidak mau bekerja sewaktu saya menekan tombol on/off.	Sistem Jet Clean tidak terhubung ke listrik.	Pasang steker kecil di Sistem Jet Clean dan masukkan adaptor ke stopkontak dinding.
	Tidak ada aliran listrik antara Sistem Jet Clean dan alat cukur.	Tekan alat cukur pada pemegangnya agar terkunci pada tempatnya.
Alat cukur tidak terisi penuh setelah saya mengisinya di pengisi daya/Sistem Jet Clean.	Anda tidak meletakkan alat cukur dengan benar di pengisi daya/Sistem Jet Clean.	Pastikan Anda menekan alat cukur hingga terkunci pada tempatnya.

Introduzione

Congratulazioni per l'acquisto e benvenuti in Philips! Per trarre il massimo vantaggio dall'assistenza Philips, registrate il vostro prodotto su www.philips.com/welcome.

Il presente manuale dell'utente contiene informazioni sulle funzioni di questo rasoio e utili suggerimenti per rendere la rasatura più semplice e confortevole.

Descrizione generale (fig. 1)

- A** Rasoio (RQ1180/RQ1160/RQ1150)
 - 1 Tagliabasette
 - 2 Cappuccio di protezione
 - 3 Unità di rasatura
 - 4 Rasoio
 - 5 Pulsante on/off rasoio
 - 6 Display
- B** Caricabatterie
- C** Sistema Jet Clean (solo per modelli specifici)
 - 1 Supporto per rasoio
 - 2 Simbolo di vaschetta del detergente vuota
 - 3 Simbolo di lavaggio
 - 4 Simbolo di asciugatura
 - 5 Pulsante on/off sistema Jet Clean
 - 6 Pulsante di sgancio della vaschetta del detergente
- D** Spazzolina per pulizia
- E** Liquido per la pulizia
- F** Custodia (solo per modelli specifici)
- G** Adattatore

Importante

Prima di utilizzare l'apparecchio, leggere attentamente il presente manuale e conservarlo per eventuali riferimenti futuri.

Nota: In questo manuale dell'utente il termine "apparecchi" si riferisce al rasoio e al sistema Jet Clean. Se il vostro rasoio non è dotato di sistema Jet Clean, si riferisce solo al rasoio.

Informazioni generali

Pericolo

- Evitate assolutamente il contatto dell'adattatore con l'acqua (fig. 2).

Avviso

- L'adattatore contiene un trasformatore. Non tagliate l'adattatore per sostituirlo con un'altra spina onde evitare situazioni pericolose.
- Questi apparecchi non sono destinati a persone (inclusi bambini) con capacità mentali, fisiche o sensoriali ridotte, fatti salvi i casi in cui tali persone abbiano ricevuto assistenza o formazione per l'uso degli apparecchi da una persona responsabile della loro sicurezza.
- Adottate le dovute precauzioni per evitare che i bambini giochino con questi apparecchi.
- Prestate particolare attenzione quando utilizzate l'acqua calda per pulire gli apparecchi: verificate sempre che non sia troppo calda per evitare di scottarvi.

Attenzione

- Non immergete mai il sistema Jet Clean e il caricatore in acqua e non risciacquateli.
- Gli apparecchi e gli accessori non possono essere lavati in lavastoviglie.
- Posizionate sempre gli apparecchi su una superficie impermeabile.
- Utilizzate, ricaricate e riponete l'apparecchio a una temperatura compresa tra 5 °C e 35 °C.
- Utilizzate esclusivamente gli accessori in dotazione.
- L'adattatore trasforma la tensione a 100-240 volt in una tensione più bassa e sicura inferiore ai 24 volt.
- Non utilizzate gli apparecchi qualora siano danneggiati.
- Nel caso in cui l'adattatore o qualsiasi altro accessorio siano danneggiati, sostituirli esclusivamente con un ricambio originale onde evitare situazioni pericolose.
- Quando sciacquate l'apparecchio, potreste riscontrare una fuoriuscita di acqua dalla presa che si trova nella parte inferiore del rasoio. Si tratta di un fenomeno del tutto normale e sicuro, in quanto tutte le parti elettroniche sono racchiuse nel gruppo di alimentazione sigillato, all'interno del rasoio.

Sistema Jet Clean (solo per modelli specifici)

Attenzione

- Utilizzate il sistema Jet Clean esclusivamente con il liquido detergente originale HQ200.
- Posizionate sempre il sistema Jet Clean su una superficie stabile e orizzontale per evitare la fuoriuscita di liquido.
- Non immergete mai il sistema Jet Clean in acqua.
- Svuotate la vaschetta del detergente e lavatela accuratamente sotto l'acqua calda ogni 2 settimane.
- Il sistema Jet Clean consente di lavare accuratamente il rasoio, ma non esegue la disinfezione. È pertanto opportuno non condividere il rasoio con altre persone.
- Non lavate in lavastoviglie la vaschetta del detergente del sistema Jet Clean.
- Quando il sistema Jet Clean è pronto per l'uso, non muovetelo, per evitare la fuoriuscita del liquido detergente.

Conformità agli standard

- L'apparecchio è conforme alle norme di sicurezza approvate a livello internazionale e può essere utilizzato tranquillamente nel bagno o sotto la doccia (fig. 3).
- Questi apparecchi Philips sono conformi a tutti gli standard relativi ai campi elettromagnetici (EMF). Se utilizzati in modo appropriato, attenendosi alle istruzioni contenute in questa brochure e nella brochure allegata al rasoio, consentono un utilizzo sicuro come confermato dai risultati scientifici attualmente disponibili.

Il display

Nota: Prima di utilizzare il rasoio la prima volta, rimuovete la pellicola protettiva dal display.

I tre tipi di rasoio (RQ1180, RQ1160 e RQ1150) hanno display diversi, illustrati nelle immagini di seguito.

- RQ1180 (fig. 4)
- RQ1160 (fig. 5)
- RQ1150 (fig. 6)

Carica

- La ricarica richiede circa 1 ora.

RQ1180

- Quando il rasoio si sta caricando, per prima cosa lampeggia l'ultima spia di ricarica, poi la seconda e così via fino a che il rasoio non è completamente carico (fig. 7).
- Ricarica veloce: quando il rasoio dispone di una carica sufficiente per una sola rasatura, la spia di ricarica inferiore lampeggia in arancione e in bianco in maniera alternata.

RQ1160/RQ1150

- Quando il rasoio si sta caricando, il simbolo della batteria lampeggia finché il rasoio non è completamente carico. (fig. 8)
- Ricarica veloce: quando il rasoio dispone di una carica sufficiente per una sola rasatura, il simbolo della spina di alimentazione e della batteria lampeggiano in maniera alternata.

Nota: I display dei modelli RQ1160 e RQ1150 sono diversi, ma funzionano allo stesso modo.

Ricarica completa della batteria

RQ1180

- Quando la batteria è completamente carica, tutte le spie di ricarica sono accese in maniera continua. Dopo circa 30 minuti il display si spegne di nuovo automaticamente. (fig. 9)

RQ1160/RQ1150

- Quando la batteria è completamente carica, il simbolo della batteria si accende in maniera continua. Dopo circa 30 minuti il display si spegne di nuovo automaticamente. (fig. 10)

Nota: I display dei modelli RQ1160 e RQ1150 sono diversi, ma funzionano allo stesso modo.

Batteria in esaurimento

RQ1180

- Quando la batteria è quasi scarica (ossia quando il rasoio ha un'autonomia massima di 5 minuti), la spia di ricarica inferiore lampeggia in arancione. (fig. 11)
- Quando spegnete il rasoio, la spia di ricarica inferiore continua a lampeggiare per alcuni secondi.

RQ1160/RQ1150

- Quando la batteria è quasi scarica (ossia quando il rasoio ha un'autonomia massima di 5 minuti), il simbolo della spina inizia a lampeggiare (fig. 12).
- Quando il rasoio viene spento, il simbolo della spina inizia a lampeggiare per alcuni secondi.

Nota: I display dei modelli RQ1160 e RQ1150 sono diversi, ma funzionano allo stesso modo.

Batteria residua

RQ1180

- La carica residua della batteria è indicata dal numero di spie di ricarica che risultano accese. (fig. 13)

Chiusura di sicurezza da viaggio

Per portare l'apparecchio in viaggio, è possibile bloccare il rasoio. Il blocco da viaggio impedisce che il rasoio venga acceso accidentalmente.

Come attivare il blocco da viaggio

- 1 Per attivare il blocco da viaggio, tenete premuto il pulsante on/off per circa 3 secondi (fig. 14).
- Il simbolo di blocco si illumina sul display (fig. 15).

Nota: I display dei modelli RQ1180, RQ1160 e RQ1150 sono diversi ma mostrano lo stesso simbolo.

Disattivazione della funzione di blocco da viaggio

- 1 Tenete premuto il pulsante on/off per 3 secondi.
 - Il motore viene avviato per indicare che il blocco da viaggio è stato disattivato.
- Il rasoio è di nuovo pronto per l'uso.

Nota: Quando inserite il rasoio nel caricabatterie alimentato o nel sistema Jet Clean, la funzione di blocco da viaggio viene automaticamente disattivata.

Carica

La ricarica richiede circa 1 ora.

RQ1180/RQ1160: un rasoio completamente carico ha un'autonomia di rasatura di 50 minuti/15 giorni.

RQ1150: un rasoio completamente carico ha un'autonomia di rasatura di 40 minuti/12 giorni.

Caricate il rasoio prima di utilizzarlo per la prima volta e quando il display indica che la batteria è quasi scarica (vedere la sezione "Batteria scarica" nel capitolo "Display").

Ricarica rapida

Dopo una ricarica di 5 minuti, il rasoio dispone di una autonomia per una rasatura.

Ricarica mediante il caricabatterie

- 1 Inserite lo spinotto nel caricabatterie (fig. 16).
- 2 Inserite la spina dell'adattatore nella presa di corrente a muro.

- 3 Mettete il rasoio nel caricabatterie (1) e spingetelo indietro fino a che non scatta in posizione (2). (fig. 17)
- Sul display viene visualizzata l'indicazione del rasoio in fase di carica (consultate il capitolo "Il display").

Ricarica tramite sistema Jet Clean (solo per modelli specifici)

- 1 Collegate lo spinotto al sistema Jet Clean.
- 2 Inserite la spina dell'adattatore nella presa di corrente a muro.
- 3 Posizionate il rasoio capovolto sul supporto con il display rivolto verso il lato anteriore del sistema Jet Clean (fig. 18).

Nota: Solo RQ1180: quando si capovolge il rasoio, l'indicazione della batteria sul display risulta anch'essa capovolta così da consentire la visualizzazione del livello di carica della batteria.

- 4 Spingete il rasoio sul supporto per bloccarlo in posizione (fig. 19).

Nota: Non è possibile inserire il rasoio nel sistema Jet Clean con il cappuccio di protezione montato sull'unità di rasatura o quando il tagliasette è posizionato sul rasoio.

- Sul display viene visualizzata l'indicazione del rasoio in fase di carica (consultate il capitolo "Il display").

Modalità d'uso del rasoio

Rasatura

- 1 Premete il pulsante on/off per accendere il rasoio.
 - RQ1180: il display si illumina per alcuni secondi.
- 2 Fate scorrere le testine di rasatura sulla pelle, compiendo movimenti circolari (fig. 20).
 - Non fate movimenti lineari.
 - Può essere necessario un periodo di adattamento di 2 o 3 settimane per consentire alla pelle di abituarsi al sistema di rasatura Philips.
- 3 Premete il pulsante on/off per spegnere il rasoio.
 - RQ1180: il display si illumina per alcuni secondi, quindi viene visualizzata l'autonomia residua della batteria.

Rasatura su pelle bagnata

Potete usare questo rasoio anche sulla pelle del volto ricoperta di schiuma da barba o gel per la rasatura. Per radersi con la schiuma da barba o il gel per la rasatura, seguite i passaggi riportati sotto:

- 1 Bagnate la pelle.
- 2 Applicare quindi la schiuma da barba o il gel per la rasatura.
- 3 Bagnate l'unità di rasatura sotto il rubinetto per fare in modo che l'unità di rasatura scorra facilmente sulla vostra pelle.
- 4 Premete il pulsante on/off per accendere il rasoio.
- 5 Fate scorrere le testine di rasatura con movimenti circolari sulla pelle.

Nota: Risciacquate il rasoio sotto il rubinetto regolarmente per mantenere una perfetta scorrevolezza sulla pelle.

- 6 Asciugate il viso e pulite a fondo il rasoio dopo l'uso (vedere il capitolo "Pulizia e manutenzione").

Nota: Rimuovete con cura tutta la schiuma o il gel dal rasoio.

Rifinitura

Potete utilizzare il tagliasette per regolare basette e baffi.

- 1 Estraete l'unità di rasatura dal rasoio (fig. 21).

Nota: Non girate l'unità di rasatura mentre la estraete dal rasoio.

- 2 Inserite la linguetta del tagliasette nella fessura posta nella parte superiore del rasoio (1). A questo punto, premete il tagliasette verso il basso (2) finché il rasoio non scatta in posizione (fig. 22).
- 3 Premete il pulsante on/off per accendere il tagliasette.
 - RQ1180: il display si illumina per alcuni secondi.
- 4 A questo punto, potete iniziare a rifinire la barba.
- 5 Premete il pulsante on/off per spegnere il tagliasette.
 - RQ1180: il display si illumina per alcuni secondi, quindi viene visualizzata l'autonomia residua della batteria.
- 6 Estraete il tagliasette dal rasoio (fig. 23).

Nota: Non girate il gruppo tagliasette mentre lo estraete dal rasoio.

- 7 Inserite la linguetta nell'unità di rasatura nella fessura posta nella parte superiore del rasoio (1). A questo punto, premete l'unità di rasatura verso il basso (2) finché il rasoio non scatta in posizione (fig. 24).

Pulizia e manutenzione

Non utilizzate mai spugnette o detergenti abrasivi oppure sostanze detergenti aggressive come benzina o acetone per la pulizia del rasoio e del sistema Jet Clean.

- Il sistema Jet Clean (solo per modelli specifici) assicura la massima igiene e una pulizia accurata del rasoio. È comunque possibile pulire il rasoio anche sotto l'acqua corrente o servendosi della spazzolina in dotazione.
- Prestate particolare attenzione quando utilizzate l'acqua calda: verificate sempre che non sia troppo calda per evitare di scottarvi.
- Pulite il rasoio dopo ogni sessione di rasatura per ottenere prestazioni ottimali.
- Usate un panno umido per pulire la parte esterna del rasoio.
- Una pulizia regolare assicura risultati di rasatura ottimali.

Pulizia dell'unità di rasatura

Prestate particolare attenzione quando utilizzate l'acqua calda: verificate sempre che non sia troppo calda per evitare di scottarvi.

1 Sciacquate per un po' l'unità di rasatura sotto acqua corrente calda (fig. 25).

Nota: Potete pulire l'unità di rasatura anche con la spazzolina per la pulizia in dotazione.

2 Estraete il supporto della testina di rasatura dalla parte inferiore dell'unità di rasatura e risciacquatelo sotto un getto di acqua calda corrente per 30 secondi (fig. 26).

Nota: Potete pulire il supporto della testina di rasatura anche con la spazzolina per la pulizia in dotazione.

3 Eliminate con cura l'acqua in eccesso e attendete che l'unità di rasatura si asciughi.

Non asciugate l'unità di rasatura con un panno o asciugamano per evitare di danneggiare le testine di rasatura.

4 Reinserite il supporto della testina di rasatura sulla parte inferiore dell'unità di rasatura fino a che non scatta in posizione (fig. 27).

Pulizia dell'unità di rasatura nel sistema Jet Clean (solo per modelli specifici)

Il sistema Jet Clean dispone di un programma di pulizia automatico. Quando premete il pulsante on/off, il sistema Jet Clean comincia la pulizia tramite il programma di pulizia automatico.

Preparazione all'uso del sistema Jet Clean

Prima del primo utilizzo, riempite la vaschetta del detergente.

1 Collegate lo spinotto al sistema Jet Clean.

2 Inserite la spina dell'adattatore nella presa di corrente a muro.

► Il supporto si sposta automaticamente nella posizione più alta.

3 Premete contemporaneamente i pulsanti di sgancio ai lati della vaschetta del detergente (1) ed estraete il sistema Jet Clean dalla vaschetta (2). (fig. 28)

► La vaschetta del detergente rimane in posizione arretrata.

4 Svitare il cappuccio dalla bottiglia del liquido detergente.

5 Riempite la vaschetta del detergente con il liquido HQ200 fino al livello compreso tra le due linee (fig. 29).

6 Rimontate il sistema Jet Clean sulla vaschetta del detergente (fig. 30).

Verificate che i pulsanti di sgancio scattino in posizione.

Utilizzo del sistema Jet Clean

Nota: Se usate il rasoio con la schiuma da barba o il gel per la rasatura, vi consigliamo di risciacquarlo sotto un getto di acqua corrente calda prima di pulirlo utilizzando il sistema Jet Clean. Questo garantisce un utilizzo ottimale del liquido detergente.

1 Posizionate il rasoio capovolto sul supporto con il display rivolto verso il lato anteriore del sistema Jet Clean (fig. 18).

2 Spingete il rasoio sul supporto per bloccarlo in posizione (fig. 19).

► Sul display viene visualizzata l'indicazione del rasoio in fase di carica (consultate il capitolo "Il display").

3 Premete il pulsante on/off del sistema Jet Clean per avviare il programma di lavaggio. (fig. 31)

► L'indicazione di ricarica scompare dal display del rasoio.

► La spia di lavaggio inizia a lampeggiare e il rasoio viene automaticamente abbassato nel liquido detergente (fig. 32).

► La spia di pulizia lampeggia durante tutto il programma che dura alcuni minuti.

► Durante la prima fase del programma di lavaggio, il rasoio si accende e si spegne automaticamente varie volte e viene sollevato e abbassato.

► Durante la seconda fase del programma di pulizia, il rasoio viene portato nella posizione di asciugatura (il simbolo di asciugatura lampeggia) e rimane in tale posizione per circa 2 ore fino al completamento del programma. (fig. 33)

► Al termine del programma di lavaggio, l'indicazione di ricarica riappare sul display del rasoio (vedere il capitolo "Il display").

Nota: Se premete il pulsante on/off del sistema Jet Clean durante il programma di pulizia, il programma viene interrotto. In questo caso, la spia di pulizia o asciugatura cessa di lampeggiare e il supporto si riporta nella posizione più alta.

Nota: Se scollegate l'adattatore dalla presa di corrente mentre il programma di pulizia è in corso, il programma viene interrotto. Il supporto rimane nella posizione corrente e quando ricollegate l'adattatore alla presa, si porta nella posizione più alta.

- Quando il liquido detergente scende sotto il livello minimo, il simbolo di vaschetta del detergente vuota inizia a lampeggiare e il supporto torna in posizione iniziale (fig. 34).

- Se utilizzate il sistema Jet Clean tutti i giorni, è necessario riempire la vaschetta del detergente circa due volte al mese.

Pulizia del sistema Jet Clean

Pulite la vaschetta del detergente ogni 15 giorni.

Potete pulire l'esterno del sistema Jet Clean con un panno umido.

1 Premete contemporaneamente i pulsanti di sgancio ai lati del sistema Jet Clean (1) ed estraete il sistema Jet Clean dalla vaschetta del detergente (2). (fig. 28)

► La vaschetta del detergente rimane in posizione arretrata.

2 Versate il liquido detergente residuo nella vaschetta del detergente. (fig. 35)

Potete versare il liquido detergente direttamente nel lavandino.

3 Sciacquate la vaschetta del detergente sotto l'acqua corrente (fig. 36).

Non lavate la vaschetta del detergente in lavastoviglie.

4 Riempite la vaschetta del detergente con il liquido HQ200 fino al livello compreso tra le due linee (fig. 29).

5 Rimontate il sistema Jet Clean sulla vaschetta del detergente. (fig. 30)

Verificate che i pulsanti di sgancio scattino in posizione.

Metodo di pulizia a fondo

Controllate che l'apparecchio sia spento.

- 1 Estraiete il supporto della testina di rasatura dalla parte inferiore dell'unità di rasatura (fig. 26).
- 2 Fate scorrere la struttura di supporto verde in direzione delle frecce indicate sulla struttura stessa (fig. 37).
- 3 Estraiete la struttura di supporto dal supporto della testina di rasatura. (fig. 38)
- 4 Rimuovete la lama dal paralama (fig. 39).

Nota: Non pulite più di una lama e di un paralama alla volta, per evitare di scambiarli. In caso venissero accidentalmente scambiati, potrebbero trascorrere alcune settimane prima di ottenere nuovamente risultati di rasatura ottimali.

- 5 Pulite la lama con la spazzolina per la pulizia in dotazione (fig. 40).
- 6 Pulite l'interno del paralama. (fig. 41)
- 7 Dopo la pulizia, posizionate la lama di nuovo nel paralama con i piedini rivolti verso il basso. (fig. 42)
- 8 Riposizionate la struttura di supporto sul supporto della testina di rasatura. (fig. 43)
- 9 Fate scorrere il paralama di nuovo in posizione fino a che non si blocca. (fig. 44)
- 10 Reinserite il supporto della testina di rasatura sulla parte inferiore dell'unità di rasatura. (fig. 27)

Pulizia del tagliasette

Pulite il tagliasette dopo ogni utilizzo.

- 1 Accendete il rasoio con il tagliasette inserito.
- 2 Sciacquate il tagliasette tenendolo per un po' sotto acqua corrente calda. (fig. 45)
- 3 Dopo la pulizia, spegnete il rasoio.

Suggerimento Per ottenere prestazioni ottimali, lubrificate i dentini del tagliasette ogni sei mesi, utilizzando una goccia di olio per macchina da cucire.

Conservazione

- 1 Inserite il cappuccio di protezione sull'unità di rasatura per evitare di danneggiare le testine di rasatura (fig. 46).
- 2 Solo per modelli specifici: riposizionate il rasoio nella custodia in dotazione.

Ricambio

Per ottenere prestazioni di rasatura ottimali, si consiglia di sostituire la parte superiore dell'unità di rasatura ogni anno. Sostituite solo la parte superiore dell'unità di rasatura con un supporto della testina di rasatura RQ11 Philips originale.

- 1 Estraiete il supporto della testina di rasatura dalla parte inferiore dell'unità di rasatura (fig. 26).
- 2 Inserite il nuovo supporto della testina di rasatura sulla parte inferiore dell'unità di rasatura fino a che non scatta in posizione (fig. 27).

Come ordinare le parti di ricambio

Parti di ricambio disponibili:

- Adattatore HQ8505
- Supporto della testina di rasatura RQ11 Philips
- Spray detergente per testine HQ110 Philips
- Liquido detergente HQ200 Philips.

Ambiente

- Per contribuire alla tutela dell'ambiente, non smaltite l'apparecchio tra i rifiuti domestici ma consegnatelo a un centro di raccolta ufficiale (fig. 47).
- La batteria ricaricabile integrata contiene sostanze potenzialmente nocive per l'ambiente. Rimuovete sempre la batteria prima di smaltire il rasoio e consegnarlo a un centro di raccolta ufficiale. Smaltite la batteria in un apposito centro di raccolta. In caso di difficoltà durante la rimozione della batteria, consegnate l'apparecchio a un centro di assistenza Philips, che si occuperà della rimozione della batteria e dello smaltimento dell'apparecchio (fig. 48).

Rimozione della batteria ricaricabile del rasoio

rimuovete la batteria ricaricabile solo quando avete deciso di gettare il rasoio. Prima di rimuoverla, assicuratevi che sia completamente scarica.

Attenzione: le estremità delle batterie sono molto affilate!

- 1 Rimuovete il pannello posteriore del rasoio usando un cacciavite.
- 2 Rimuovete la batteria ricaricabile.

Garanzia e assistenza

Per assistenza o informazioni e in caso di problemi, visitate il sito Web Philips all'indirizzo www.philips.it oppure contattate il Centro Assistenza Clienti Philips del vostro paese (per conoscere il numero di telefono consultate l'opuscolo della garanzia). Se nel vostro paese non esiste un Centro Assistenza Clienti, rivolgetevi al vostro rivenditore Philips.

Limitazioni della garanzia

Le testine di rasatura (lame e portalame) non sono coperte dalla garanzia internazionale perché sono componenti soggetti a usura.

Risoluzione dei problemi

In questo capitolo vengono riportati i problemi più ricorrenti legati all'uso dell'apparecchio. Se non riuscite a risolvere i problemi con le informazioni seguenti, vi preghiamo di contattare il Centro Assistenza Clienti Philips del vostro paese.

Problema	Possibile causa	Soluzione
Perché il rasoio non funziona come al solito?	Le testine di rasatura sono danneggiate o usurate.	Sostituite il supporto della testina di rasatura (vedere il capitolo "Sostituzione").
	I peli/capelli lunghi possono ostruire le testine di rasatura.	Pulite le testine di rasatura seguendo i passaggi del metodo di pulizia a fondo (vedere il capitolo "Pulizia e manutenzione").
	Il sistema Jet Clean potrebbe non aver pulito correttamente il rasoio poiché il liquido detergente è sporco o è insufficiente.	Pulite il rasoio elettrico a fondo prima di continuare la rasatura. Se necessario, pulite e ricaricate la vaschetta del detergente (vedere il capitolo "Pulizia e manutenzione").
Il rasoio non funziona premendo il pulsante on/off.	La batteria ricaricabile è scarica.	Ricaricate la batteria (vedere il capitolo "Carica").
	Il blocco da viaggio è attivo.	Per disattivare il blocco da viaggio, tenete premuto il pulsante on/off per circa 3 secondi.
	Il supporto della testina di rasatura è talmente sporco o danneggiato che il motore non è in grado di funzionare.	Pulite il supporto della testina di rasatura oppure sostituitelo (vedere i capitoli "Pulizia e manutenzione" e "Sostituzione").
Dopo la pulizia all'interno del sistema Jet Clean il rasoio non è totalmente pulito.	La temperatura del rasoio è troppo alta. In questo caso, il rasoio non funziona.	Lasciate raffreddare il rasoio. Una volta che la temperatura del rasoio è scesa sufficientemente, è possibile riaccenderlo.
	Il liquido detergente nella vaschetta è sporco.	Svuotate e sciacquate il vano di pulizia.
Perché il sistema Jet Clean non funziona premendo il pulsante on/off?	Il livello del liquido detergente è troppo basso. Se il liquido raggiunge il livello minimo nella vaschetta del detergente, il programma viene interrotto. La spia di pulizia e il simbolo della vaschetta del detergente vuota lampeggiano e il supporto si riporta nella posizione iniziale.	Riempite la vaschetta del detergente con il liquido fino al livello compreso tra le due linee (vedere il capitolo "Pulizia e manutenzione").
	Avete usato un altro liquido detergente un liquido detergente diverso da quello originale Philips.	Usate solo liquido detergente Philips HQ200.
	Il sistema Jet Clean non è collegato all'alimentazione.	Inserite lo spinotto nel sistema Jet Clean e collegate l'adattatore a una presa di corrente.
Il rasoio non è caricato completamente dopo la ricarica nel caricabatterie/ sistema Jet Clean.	Non c'è alcun collegamento elettrico tra il sistema Jet Clean e il rasoio.	Spingete il rasoio sul supporto per bloccarlo in posizione.
	Non avete posizionato il rasoio nel caricabatterie/ sistema Jet Clean correttamente.	Accertatevi di premere il rasoio finché non si blocca in posizione.

Кіріспе

Өнімді сатып алуыңызбен құттықтаймыз және Philips компаниясына қош келдіңіз! Philips компаниясы ұсынатын қолдауды толығымен пайдалану үшін өніміңізді www.philips.com/welcome веб-бетіне тіркеңіз.

Осы пайдаланушы нұсқаулығын оқуыңызды өтінеміз. Мұнда осы электр ұстараның мүмкіндіктері туралы ақпарат, сондай-ақ, қырынуды жеңіл әрі жағымды ететін кеңестер берілген.

Жалпы сипаттама (Сурет 1)

- A** Электр ұстара (RQ1180/RQ1160/RQ1150)
- 1 Триммер
 - 2 Қорғау қақпағы
 - 3 Қыру бөлігі
 - 4 Электр ұстара
 - 5 Электр ұстараны қосу/өшіру түймесі
 - 6 Бейне
- B** Зарядтаушы
- C** Jet Clean жүйесі (тек кейбір үлгілерде болады)
- 1 Электр ұстараның ұстағышы
 - 2 «Тазалау орны бос» белгісі
 - 3 Тазалау белгісі
 - 4 Кептіру белгісі
 - 5 Jet Clean жүйесін қосу/өшіру түймесі
 - 6 Тазалау орнын босату түймесі
- D** Тазалау щеткасы бар
- E** Тазалау сұйықтығы
- F** Қалта (тек кейбір үлгілерде болады)
- G** Адаптер

Маңызды

Құралды қолданбастан бұрын осы пайдаланушы нұсқаулығын мұқият оқып шығыңыз да, оны келешекте қарау үшін сақтап қойыңыз.

Ескертпе: Осы пайдаланушы нұсқаулығындағы «құралдар» сөзі электр ұстара мен Jet Clean жүйесін білдіреді. Электр ұстараның Jet Clean жүйесі болмаса, бұл сөз тек ұстараның өзін білдіреді.

Жалпы ақпарат**Қауіпті**

- Адаптерге судың тимеуін қадағалаңыз (Сурет 2).

Ескерту

- Адаптерде трансформатор бар. Адаптерді кесіп тастап, басқа штепсельдік ұшпен ауыстыруға болмайды, себебі бұл өте қауіпті жағдай туғызады.
- Бұл құралдар физикалық, есту-көру немесе ойлау қабілеті шектеулі немесе тәжірибесі мен білімі жеткіліксіз адамдардың (соның ішінде балалардың) қауіпсіздігіне жауапты адамның қадағалауынсыз немесе құралдарды пайдалану туралы нұсқауынсыз қолдануына арналмаған.
- Балалардың құралдармен ойнамауын қадағалаңыз.
- Құралдарды тазалағанда, сақ болыңыз. Қолыңызды күйдіріп алмас үшін, әрдайым судың өте ыстық еместігін тексеріп тұрыңыз.

Ескерту

- Jet Clean жүйесін және зарядтағышты суға батырмаңыз және ағынды сумен шаймаңыз.
- Құралдар мен қосалқы құралдарды ыдыс жуғышта жууға болмайды.
- Құралдарды тек су өткізбейтін бетке қойып қолданыңыз.
- Құралдарды тек 5-35 °C температурада зарядтауға, қолдануға және сақтауға болады.
- Тек берілген қосалқы құралдарды пайдаланыңыз.
- Адаптер 100-240 вольтты 24 вольттан төмен қауіпсіз кернеуге түрлендіреді.
- Зақымданған құралдарды пайдаланбаңыз.
- Егер адаптер немесе қосымша құралдардың біреуі зақымданған болса, қауіпті жағдай туғызбас үшін, оны түпнұсқа түрімен ғана алмастыру керек.
- Сумен шайған кезде электр ұстараның төменгі жағындағы тесіктен су ағуы мүмкін. Бұл қалыпты жағдай және қауіпті емес, себебі бүкіл электрондық бөлшектер электр ұстараның ішіндегі су өткізбейтін қуат бөлігінде орналасқан.

Jet Clean жүйесі (тек кейбір үлгілерде болады)**Ескерту**

- Jet Clean жүйесін тек түпнұсқалы HQ200 тазалау сұйықтығымен қолданыңыз.
- Сұйықтықтың ағып кетуін болдырмау үшін, Jet Clean жүйесін тек тұрақты, тегіс және көлденең бетке қойыңыз.
- Jet Clean жүйесін суға батырмаңыз.
- 15 күн сайын тазалау орнының ішін босатып, ағынды сумен шаю арқылы жақсылап тазалап тұрыңыз.
- Jet Clean жүйесі электр ұстараны жақсылап тазалайды, алайда дезинфекцияламайды, сондықтан оны басқа адамдармен бірігіп қолданбаңыз.
- Jet Clean жүйесінің тазалау орнын ыдыс жуғышта жууға болмайды.
- Jet Clean жүйесі қолдануға дайын болғанда, тазалау сұйықтығы ағып кетпеуі үшін, жүйені қозғалтуға болмайды.

Стандарттарға сәйкестігі

- Осы электр ұстара халықаралық, мақұлданған қауіпсіздік ережелеріне сәйкес келеді, сондықтан оны жуыну бөлмесінде немесе душта қолдану және ағынды сумен шаю қауіпсіз болып есептеледі (Сурет 3).
- Осы Philips құралдары электромагниттік өріске (ЭМӨ) байланысты барлық стандарттарға сәйкес келеді. Егер құралдар маңызды ақпарат кітапшасындағы және электр ұстарамен бірге берілетін пайдалану жөніндегі ақпарат кітапшасындағы ережелерге сай қолданылса, бүгінгі таңдағы белгілі ғылыми зерттеулер бойынша, оларды қолдану қауіпсіз болып табылады.

Дисплей

Ескертпе: Электр ұстараны бірінші рет қолданар алдында, дисплейдің бетіндегі қорғау пленкасын алып тастаңыз.

Үш түрлі электр ұстараның (RQ1180, RQ1160 және RQ1150) төмендегі суретте көрсетілгендей үш түрлі дисплейі бар.

- RQ1180 (Сурет 4)
- RQ1160 (Сурет 5)
- RQ1150 (Сурет 6)

Зарядтау

- Зарядтау шамамен 1 сағат алады.

RQ1180

- Электр ұстара зарядталып жатқанда, алдымен төменгі зарядтау шамы жыпылықтайды, содан кейін екінші зарядтау шамы, осылайша электр ұстара толық зарядталғанша, барлық шамдар бір-бірден жанады (Сурет 7).
- Жылдам зарядтау: электр ұстарада бір рет қырынуға жететін заряд жиналғанда, төменгі зарядтау шамының түсі сарғыш пен ақ түс арасында ауысады.

RQ1160/RQ1150

- Электр ұстара зарядталып жатқанда, батарея белгісі ұстара толық зарядталып болғанша жыпылықтайды. (Сурет 8)
- Жылдам зарядтау: электр ұстарада бір рет қырынуға жететін заряд жиналғанда, штепсельдік ұш және батарея белгілері кезек-кезек жыпылықтайды.

Ескертпе: RQ1160 және RQ1150 үлгілері дисплейлерінің сыртқы көрінісі басқаша болғанымен, жұмыс істеу әдістері бірдей.

Батарея толығымен зарядталған**RQ1180**

- Батарея толығымен зарядталғанда, барлық зарядтау шамдары тұрақты жанып тұрады. Шамамен 30 минуттан кейін, дисплей автоматты түрде қайта өшеді. (Сурет 9)

RQ1160/RQ1150

- Батарея толығымен зарядталғанда, батарея белгісі тұрақты жанып тұрады. Шамамен 30 минуттан кейін, дисплей автоматты түрде қайта өшеді. (Сурет 10)

Ескертпе: RQ1160 және RQ1150 үлгілері дисплейлерінің сыртқы көрінісі басқаша болғанымен, жұмыс істеу әдістері бірдей.

Батарея заряды төмен**RQ1180**

- Батарея заряды толығымен дерлік таусылғанда (батареяда тек 5 минут немесе одан да аз қырыну уақыты қалғанда), төменгі зарядтау шамы сарғыш болып жыпылықтайды. (Сурет 11)
- Электр ұстараны өшіргенде, төменгі зарядтау шамы бірнеше секунд жыпылықтап тұрады.

RQ1160/RQ1150

- Батарея заряды толығымен дерлік таусылғанда (батареяда тек 5 минут немесе одан да аз қырыну уақыты қалғанда), штепсельдік ұш белгісі жыпылықтайды (Сурет 12).
- Электр ұстараны өшіргенде, штепсельдік ұш белгісі бірнеше секунд жыпылықтап тұрады.

Ескертпе: RQ1160 және RQ1150 үлгілері дисплейлерінің сыртқы көрінісі басқаша болғанымен, жұмыс істеу әдістері бірдей.

Батареяда қалған заряд деңгейі**RQ1180**

- Батареяда қалған заряд деңгейі жанып тұрған зарядтау шамдарының санымен көрсетіледі. (Сурет 13)

Сапар құлпы

Жолға шықпас бұрын, электр ұстараны құлыптап қоюға болады. Сапар құлпы электр ұстараның байқаусызда қосылып кетуін болдырмайды.

Сапар құлпын іске қосу

- 1 Сапар құлпы режиміне өту үшін, қосу/өшіру түймесін 3 секунд басып тұрыңыз (Сурет 14).
- ▶ Дисплейде құлып белгісі жанады. -tekening- (Сурет 15)

Ескертпе: RQ1180, RQ1160 және RQ1150 түрлерінің дисплейлері әртүрлі болып көрінгенмен, олардың белгілері бірдей.

Сапар құлпын өшіру

- 1 Қосу/өшіру түймесін 3 секунд басып тұрыңыз.
- ▶ Сапар құлпының өшірілгенін білдіріп, мотор жұмыс істей бастайды.

Электр ұстара енді қолдануға дайын.

Ескертпе: Электр ұстараны тоққа қосылған зарядтағышқа немесе Jet Clean жүйесіне қойғанда, сапар құлпы автоматты түрде өшіріледі.

Зарядтау

Зарядтау шамамен 1 сағат алады.

RQ1180/RQ1160: заряды толы электр ұстараның жұмыс уақыты шамамен 50 минут/15күн.

RQ1150: заряды толы электр ұстараның жұмыс уақыты шамамен 40 минут/12күн.

Электр ұстараны бірінші рет қолданар алдында және дисплейде батарея заряды толығымен дерлік таусылғаны көрсетілгенде зарядтаңыз («Дисплей» тарауының «Батарея заряды төмен» бөлімін қараңыз).

Жылдам зарядталады

Электр ұстара 5 минут бойы зарядталған болса, онда бір қырынуға жететін қуат жиналады.

Зарядтағышта зарядтау

- 1 Кішкентай штепсельдік ұшты зарядтағышқа жалғаңыз (Сурет 16).

- 2 Адаптерді қабырғадағы розеткаға жалғаңыз.
- 3 Электр ұстараны зарядтағышқа салып (1), артқа қарай итеріңіз (2) (сырт еткен дыбыс естіледі). (Сурет 17)
- ▶ Дисплейде электр ұстараның зарядталып жатқаны көрсетіледі («Дисплей» тарауын қараңыз).

Jet Clean жүйесінде зарядтау (тек кейбір үлгілерде болады)

- 1 Кішкентай штепсельдік ұшты Jet Clean жүйесіне жалғаңыз.
- 2 Адаптерді қабырғадағы розеткаға жалғаңыз.
- 3 Электр ұстараның дисплейін Jet Clean жүйесінің алдыңғы жағына қаратып, ұстағышқа төңкеріп салыңыз (Сурет 18).

Ескертпе: Тек RQ1180 үлгісінде: ұстараны төңкергенде, дисплейдегі батарея көрсеткіші де төңкеріледі. Бұл батареядағы заряд деңгейін көруге мүмкіндік береді.

- 4 Орнына түсіру үшін, электр ұстараны ұстағышқа мықтап салыңыз (Сурет 19).

Ескертпе: Қыру бөлігіне қорғау қақпағы, сондай-ақ, ұстараға триммер тағылған болса, ұстараны Jet Clean жүйесіне салу мүмкін емес.

- ▶ Дисплейде электр ұстараның зарядталып жатқаны көрсетіледі («Дисплей» тарауын қараңыз).

Электр ұстараны қолдану

Қырыну

- 1 Электр ұстараны қосу үшін, қосу/өшіру түймесін басыңыз.
 - ▶ RQ1180: дисплей бірнеше секундқа жанады.
- 2 Қыратын ұштарды терінің бетімен жүргізіңіз. Айналырып жүргізіңіз (Сурет 20).
 - Тура жүргізбеңіз.
 - Терінің Philips қырыну жүйесіне үйренуі үшін 2 немесе 3 апта кетуі мүмкін.
- 3 Электр ұстараны өшіру үшін, қосу/өшіру түймесін бір рет басыңыз.
 - ▶ RQ1180: дисплей бірнеше секундқа жанады, одан кейін қалған батарея қуаты көрсетіледі.

Ылғалды қырыну

Осы электр ұстара арқылы қырыну көбігінің немесе қырыну гелінің көмегімен ылғалды бетті қыруға болады. Қырыну көбігі немесе қырыну гелімен қырыну үшін, төмендегі әрекеттерді орындаңыз:

- 1 теріні біраз сулаңыз,
- 2 теріге қырыну көбігі немесе қырыну гелін жағыңыз,
- 3 құралдың тері бетімен тегіс сырғуы үшін, қыру бөлігін ағынды сумен шайыңыз,
- 4 электр ұстараны қосу үшін, қосу/өшіру түймесін басыңыз,
- 5 қыратын ұштарды терінің бетімен айналырып жүргізіңіз.

Ескертпе: терінің бетімен тегіс сырғуы үшін, электр ұстараны ағынды сумен қайта-қайта шайып тұрыңыз.

- 6 Пайдаланғаннан кейін, бетіңізді құрғатып, электр ұстараны жақсылап тазалаңыз («Тазалау және техникалық қызмет көрсету» тарауын қараңыз).

Ескертпе: Электр ұстарадан қырыну көбігін немесе қырыну гелін толық жуып кетіру керек.

Тегістеу

Мұрт пен жақ сақалды тегістеу үшін, триммерді қолдануға болады.

- 1 Қыру бөлігін тура тартып, электр ұстарадан шығарыңыз (Сурет 21).

Ескертпе: электр ұстарадан шешкенде, қыру бөлігін бұрмаңыз.
- 2 Триммердің тілін электр ұстараның жоғарғы жағындағы тесікке кіргізіңіз (1). Одан кейін, ұстараға бекіту үшін, триммерді төмен қарай басыңыз (2) (сырт еткен дыбыс естіледі) (Сурет 22).
- 3 Триммерді қосу үшін, қосу/өшіру түймесін бір рет басыңыз.
 - ▶ RQ1180: дисплей бірнеше секундқа жанады.
- 4 Енді тегістеуді бастауға болады.
- 5 Триммерді өшіру үшін, қосу/өшіру түймесін бір рет басыңыз.
 - ▶ RQ1180: дисплей бірнеше секундқа жанып, қалған батарея қуатын көрсетеді.
- 6 Триммерді тартып, электр ұстарадан шешіңіз (Сурет 23).

Ескертпе: электр ұстарадан шешкенде, тегістеу бөлігін бұрмаңыз.
- 7 Триммердің тілін электр ұстараның жоғарғы жағындағы тесікке кіргізіңіз (1). Одан кейін, ұстараға бекіту үшін, қыру бөлігін төмен қарай итеріңіз (2) (сырт еткен дыбыс естіледі) (Сурет 24).

Тазалау және күту

Құралды немесе Jet Clean жүйесін тазалау үшін, қырғыш шүберектерді, абразивті тазалау агенттерін, сондай-ақ, бензин немесе ацетон тәрізді сұйықтықтарды қолдануға болмайды.

- Электр ұстараны тазалаудың ең жақсы және гигиеналық жолы — Jet Clean жүйесін пайдалану (тек кейбір үлгілерде болады). Сондай-ақ, ұстараны ағынды сумен шаюға немесе берілген щеткамен тазалауға болады.
- Ыстық суды абайлап пайдаланыңыз. Қолыңызды күйдіріп алмас үшін, әрдайым судың өте ыстық еместігін тексеріп тұрыңыз.
- Жақсылап қыруы үшін, қолданған сайын ұстараны тазалап отырыңыз.
- Электр ұстараның сыртын дымқыл шүберекпен тазалауға болады.
- Электр ұстараны әрдайым тазалап тұру оның жақсы қыруына себепкер болады.

Қыру бөлігін тазалау

Ыстық суды абайлап пайдаланыңыз. Қолыңызды күйдіріп алмас үшін, әрдайым судың өте ыстық еместігін тексеріп тұрыңыз.

1 Қыру бөлігін ыстық ағынды сумен біраз уақыт шайыңыз (Сурет 25).

Ескертпе: сондай-ақ, қыру бөлігін берілген щеткамен тазалауға болады.

2 Қыру ұшының ұстағышын тартып, қыру бөлігінің төменгі жағынан шығарыңыз да, ыстық ағынды сумен 30 секунд шайыңыз (Сурет 26).

Ескертпе: қыру ұшының ұстағышын берілген щеткамен тазалауға болады.

3 Артық суды сілкіп тастап, қыру бөлігін кептіріңіз.

Қыру бөлігін орамалмен немесе шүберекпен сүртпеңіз. Қыру ұштары зақымдануы мүмкін.

4 Қыру ұшының ұстағышын қыру бөлігінің төменгі жағына қайта тағыңыз (сырт еткен дыбыс естіледі) (Сурет 27).

Қыру бөлігін Jet Clean жүйесімен тазалау (тек кейбір үлгілерде болады)

Jet Clean жүйесінің автоматты түрде тазалау бағдарламасы бар. Қосу/өшіру түймесі басылғанда, Jet Clean жүйесі автоматты түрде тазалау бағдарламасымен тазалауды бастайды.

Jet Clean жүйесін пайдалану үшін дайындау

Алғаш қолданар алдында, тазалау орнын толтырып алыңыз.

1 Кішкентай штепсельдік ұшты Jet Clean жүйесіне жалғаңыз.

2 Адаптерді қабырғадағы розеткаға жалғаңыз.

▶ Ұстағыш автоматты түрде ең жоғарғы позициясына жылжиды.

3 Тазалау орнының екі бүйіріндегі босату түймелерін бір уақытта басыңыз (1). Одан кейін, Jet Clean жүйесін тартып, тазалау орнынан шығарыңыз (2). (Сурет 28)

▶ Тазалау орны астында қалады.

4 Тазалау сұйықтығы бар шишаның қақпағын бұрап ашыңыз.

5 Тазалау орнының екі сызығының ортасына дейін HQ200 тазалау сұйықтығын құйыңыз (Сурет 29).

6 Jet Clean жүйесін тазалау орнына қайтадан салыңыз (Сурет 30).

Босату түймелері орындарына түсіп, сырт еткен дыбыстың шыққанын тексеріңіз.

Jet Clean жүйесін пайдалану

Ескертпе: қырыну көбігімен немесе гелімен пайдаланған жағдайда, электр ұстараны Jet Clean жүйесімен тазаламас бұрын, ыстық ағынды сумен шайып алған жөн. Бұл тазалау сұйықтығының біраз уақытқа жетуін қамтамасыз етеді.

1 Электр ұстараның дисплейін Jet Clean жүйесінің алдыңғы жағына қаратып, ұстағышқа төңкеріп салыңыз (Сурет 18).

2 Орнына түсіру үшін, электр ұстараны ұстағышқа мықтап салыңыз (Сурет 19).

▶ Дисплейде электр ұстараның зарядталып жатқаны көрсетіледі («Дисплей» тарауын қараңыз).

3 Тазалау бағдарламасын іске қосу үшін, Jet Clean жүйесіндегі қосу/өшіру түймесін басыңыз. (Сурет 31)

▶ Электр ұстараның дисплейі зарядтау барысын көрсетуді тоқтатады.

▶ Тазалау шамы жыпылықтап, электр ұстара автоматты түрде тазалау сұйықтығына батырылады (Сурет 32).

▶ Тазалау шамы бірнеше минутқа созылатын тазалау бағдарламасы барысында жыпылықтап тұрады.

▶ Тазалау бағдарламасының бірінші кезеңінде, электр ұстара бірнеше рет автоматты түрде қосылып, өшеді және жоғары, төмен жылжиды.

▶ Тазалау бағдарламасының екінші кезеңінде, электр ұстара кептіру позициясына қойылады. Бұл кептіру белгісінің жыпылықтауы арқылы көрсетіледі. Бұл кезең шамамен 2 сағатқа созылады. Электр ұстара бұл позицияда бағдарлама аяқталғанша тұрады. (Сурет 33)

▶ Тазалау бағдарламасы аяқталғаннан кейін, ұстараның дисплейінде зарядтау көрсеткіші пайда болады («Дисплей» тарауын қараңыз).

Ескертпе: Jet Clean жүйесіндегі қосу/өшіру түймесі тазалау бағдарламасы барысында басылса, бағдарлама тоқтайды. Бұл жағдайда, тазалау немесе кептіру шамы жыпылықтауын қойып, ұстағыш ең жоғарғы позициясына жылжиды.

Ескертпе: тазалау барысында адаптер қабырға розеткасынан ажыратылса, бағдарлама тоқтайды. Ұстағыш ағымдағы позициясында қалады. Адаптер қабырға розеткасына қайтадан жалғанғанда, ұстағыш ең жоғарғы позициясына жылжиды.

- Тазалау сұйықтығының деңгейі ең төменгі көрсеткіштен төмен түскенде, «тазалау орны бос» белгісі жыпылықтап, ұстағыш бастапқы позициясына оралады (Сурет 34).

- Электр ұстараны күнделікті тазалау үшін жуғыш машина қолданылатын болса, тазалау орнын шамамен 15 күн сайын толтырып тұру керек болады.

Jet Clean жүйесін тазалау

Тазалау орнын 15 күн сайын тазалап тұрыңыз.

Jet Clean жүйесінің сыртын дымқыл шүберекпен тазалауға болады.

1 Jet Clean жүйесінің екі бүйіріндегі босату түймелерін бір уақытта басыңыз (1). Одан кейін, Jet Clean жүйесін тартып, тазалау орнынан шешіңіз (2). (Сурет 28)

▶ Тазалау орны астында қалады.

2 Қалған тазалау сұйықтығын тазалау орнынан төгіп тастаңыз. (Сурет 35)

Тазалау сұйықтығын шұңғылшаға ағызып жіберуге болады.

3 Тазалау орнын ағынды сумен шайыңыз (Сурет 36).

тазалау орнын ыдыс жуғышта жууға болмайды.

4 Тазалау орнының екі сызығының ортасына дейін HQ200 тазалау сұйықтығын құйыңыз (Сурет 29).

5 Jet Clean жүйесін тазалау орнына қайтадан салыңыз. (Сурет 30)
Босату түймелері орындарына түсіп, сырт еткен дыбыстың шыққанын тексеріңіз.

Мұқият тазалау әдісі

Құралдың өшіп тұрғанын тексеріңіз.

1 Қыру ұшының ұстағышын тартып, қыру бөлігінің төменгі жағынан шешіңіз (Сурет 26).

2 Жасыл жүз ұстағышын үстіндегі көрсеткі бағытында сырғытыңыз (Сурет 37).

3 Жүз ұстағышын қыру ұшының ұстағышынан шешіңіз. (Сурет 38)

4 Қырыну қорғаушынан кескішті шығарыңыз (Сурет 39).

Ескертпе: бір уақытта бірнеше қырыну қорғаушы мен кескішті тазаламаңыз, себебі олардың бір жинақтың бөлшектері болып табылады. Егер байқаусызда кескіш басқа қырыну қорғаушына салынса, тиімгі қыру жұмысының қалпына келуіне бірнеше апта кетуі мүмкін.

5 Кескішті берілген тазалау щеткасымен тазалаңыз (Сурет 40).

6 Қырыну қорғаушының ішін тазалаңыз. (Сурет 41)

7 Тазалап болған соң, тілдерін төмен қаратып, кескішті қайтадан қырыну қорғаушына орнатыңыз. (Сурет 42)

8 Жүз ұстағышын қыру ұшының ұстағышына қайта бекітіңіз. (Сурет 43)

9 Қорғаушты орнына сырғытып салыңыз (сырт еткен дыбыс естіледі). (Сурет 44)

10 Қыру ұштарының ұстағышын қыру бөлігінің төменгі жағына қайта бекітіңіз. (Сурет 27)

Триммерді тазалау

Триммерді әр қолданған сайын тазалап тұрыңыз.

1 Триммер орнатылған электр ұстараны қосыңыз.

2 Триммерді ыстық ағынды сумен біраз шайыңыз. (Сурет 45)

3 Тазалап болған соң, электр ұстараны өшіріңіз.

Кеңес: триммер жақсы жұмыс істеуі үшін, алты ай сайын, триммер тістерін бір тамшы тігін машинасының майымен майлап отырыңыз.

Сақтау

1 Қыру ұштарына зақым келмеуі үшін, қыру бөлігіне қорғау қақпағын сырғытып кигізіңіз (Сурет 46).

2 Тек кейбір үлгілерде: электр ұстараны берілген қалтада сақтаңыз.

Алмастыру

Жақсылап қырыну үшін, қыру бөлігінің ұшын жыл сайын ауыстырып тұрған жөн.

Қыру бөлігінің ұшын тек түпнұсқа RQ11 Philips қыру ұшының ұстағышымен алмастырыңыз.

1 Қыру ұшының ұстағышын тартып, қыру бөлігінің төменгі жағынан шешіңіз (Сурет 26).

2 Жаңа қыру ұшының ұстағышын қыру бөлігінің төменгі жағына қайта бекітіңіз (сырт еткен дыбыс естіледі) (Сурет 27).

Бөлшектерге тапсырыс беру

Төмендегі бөлшектерге тапсырыс беруге болады:

- HQ8505 адаптері
- RQ11 Philips қыру ұшының ұстағышы
- HQ110 Philips қыру ұшын тазалау спрейі
- HQ200 Philips тазалау сұйықтығы

Қоршаған орта

- Тозғаннан кейін, құралды күнделікті үй қоқысымен бірге тастауға болмайды. Оның орнына, құралды қайта өңдейтін арнайы жерге өткізіңіз. Осылайша қоршаған ортаны сақтауға көмектесесіз (Сурет 47).
- Ішіне орнатылған қайта зарядталатын ұстара батареясының құрамында қоршаған ортаға зиянды заттар бар. Құралды тастамас немесе арнайы жинап алатын орынға бермес бұрын, батареяны шығарыңыз. Батареяны арнайы батареялар жинайтын орынға өткізіңіз. Батареяны шағыра алмаған жағдайда, құралды Philips қызмет көрсету орталығына апаруға болады. Орталық қызметкерлері батареяны шығарып, қоршаған ортаға қауіпсіз жолмен жояды (Сурет 48).

Қайта зарядталатын ұстара батареяларын шығару

батареяны тек ұстара тасталатын кезде шығарыңыз. Шығармас бұрын, батарея зарядының толық таусылғанын тексеріңіз.

абайлаңыз, батарея ленталары өте өткір болады.

1 Электр ұстараның артқы панелін бұрауыштың көмегімен алып тастаңыз.

2 Қайта зарядталатын батареяны шығарыңыз.

Кепілдік және қызмет.

Қызмет көрсету немесе ақпарат қажет болса, не болмаса қиын мәселе болса, Philips компаниясының www.philips.com веб-торабын қараңыз немесе елдегі Philips тұтынушыларды қолдау орталығына хабарласыңыз (телефон нөмірін дүниежүзілік кепілдік кітапшасынан табуға болады). Елде тұтынушыларды қолдау орталығы болмаған жағдайда, жергілікті Philips дилеріне хабарласыңыз.

Кепілдік шектеулері

Қыру ұштары (кескіштер және қырыну қорғауыштары) тез тозатындықтан, халықаралық кепілдік шарттарына кірмейді.

Ақаулықтарды жою

Бұл тарауда құрылғыда пайда болуы мүмкін ең көп кездесетін ақаулықтар жинақталған. Егер төменде берілген ақпараттың көмегімен ақаулықты шеше алмасаңыз, еліңіздегі Тұтынушы орталығына хабарласыңыз.

Ақаулық	Ықтимал себебі	Шешімі
Электр ұстара бұрынғыдай жақсы қырмайды.	Қыру ұштары зақымданған немесе тозған.	Қыру ұштарының ұстағышын ауыстырыңыз («Ауыстыру» тарауын қараңыз).
	Қыру ұштарына ұзын шаш тұрып қалған.	Мұқият тазалау әдістерінің қадамдарын орындап, қыру ұштарын тазалаңыз («Тазалау және техникалық қызмет көрсету» тарауын қараңыз).
Қосу/өшіру түймесі басылғанда, электр ұстара қосылмайды.	Jet Clean жүйесі электр ұстараны дұрыстап тазаламаған, себебі, тазалау орнындағы тазалау сұйықтығы ластанып қалған немесе тазалау сұйықтығының деңгейі өте төмен.	Қырынуды жалғастырмас бұрын, электр ұстараны жақсылап тазалаңыз. Керек болса, тазалау орнын тазалап, сұйықтық құйыңыз («Тазалау және техникалық қызмет көрсету» тарауын қараңыз).
	Қайта зарядталатын батарея қуаты таусылған.	Батареяны зарядтаңыз («Зарядтау» тарауын қараңыз).
	Сапар құлпы іске қосылған.	Сапар құлпын өшіру үшін, қосу/өшіру түймесін 3 секунд басып тұрыңыз.
	Қыру ұшының ұстағышы мотор қосылмайтын деңгейде ластанған немесе зақымданған.	Қыру ұшының ұстағышын тазалаңыз немесе ауыстырыңыз («Тазалау және техникалық қызмет көрсету» және «Ауыстыру» тарауларын қараңыз).
Jet Clean жүйесімен тазалағаннан кейін де электр ұстара дұрыс тазаланбайды.	Электр ұстараның температурасы тым жоғары. Бұндай жағдайда, ұстара жұмыс істемейді.	Электр ұстараның суытып алыңыз. Электр ұстараның температурасы төмендегеннен кейін, оны қайта қосуға болады.
	Тазалау орнындағы тазалау сұйықтығы ластанған.	Тазалау орнын босатып, шайыңыз.
	Тазалау сұйықтығының деңгейі өте төмен. Тазалау кезінде, тазалау орнындағы сұйықтық мөлшері ең төменгі деңгейінен аз болса, тазалау бағдарламасы тоқтайды. Тазалау шамы және «тазалау орны бос» белгілері кезек-кезек жыпылықтап, ұстағыш бастапқы қалпына жылжиды.	Тазалау орнының екі сызығының ортасына дейін тазалау сұйықтығын қайта құйыңыз («Тазалау және техникалық қызмет көрсету» тарауын қараңыз).
	Түпнұсқа Philips тазалау сұйықтығынан басқа сұйықтық қолданылған.	Тек HQ200 Philips тазалау сұйықтығын пайдаланыңыз.
Қосу/өшіру түймесі басылғанда, Jet Clean жүйесі қосылмайды.	Jet Clean жүйесі розеткаға жалғанбаған.	Кішкентай штепсельдік ұшты Jet Clean жүйесіне жалғап, адаптерді қабырға розеткасына жалғаңыз.
	Jet Clean жүйесі мен ұстара арасында электр байланысы жоқ.	Орнына түсіру үшін, электр ұстараны ұстағышқа мықтап салыңыз.
Зарядтағышпен/Jet Clean жүйесімен зарядтаған кезде, электр ұстара толық зарядталмайды.	Электр ұстара зарядтағышқа/Jet Clean жүйесіне дұрыс салынбаған.	Электр ұстараның орнына түскенін басып тексеріңіз.

소개

필립스 제품을 구입해 주셔서 감사합니다! 필립스가 드리는 지원 혜택을 받으실 수 있도록 www.philips.co.kr에서 제품을 등록하십시오.
이 사용 설명서에는 이 면도기의 기능에 대한 정보뿐 아니라 면도를 보다 쉽고 즐겁게 할 수 있는 방법이 나와 있으므로 참고하시기 바랍니다.

각 부의 명칭 (그림 1)

A 면도기(RQ1180/RQ1160/RQ1150)

- 1 트리머
- 2 보호 캡
- 3 셰이빙 유닛
- 4 면도기
- 5 면도기 전원 버튼
- 6 디스플레이

B 충전기

C 젯 클린 시스템(특정 모델만 해당)

- 1 면도기 거치대
- 2 '세척 용기 비었음' 표시등
- 3 세척 표시등
- 4 건조 표시등
- 5 젯 클린 시스템 전원 버튼
- 6 세척 용기 열림 버튼

D 청소용 브러시

E 세척액

F 파우치(특정 모델만 해당)

G 어댑터

주의 사항

본 제품을 사용하기 전에 이 사용 설명서를 주의 깊게 읽고 나중에 참조할 수 있도록 잘 보관하십시오.

참고: 이 사용 설명서에서 '제품'이란 면도기 및 젯 클린 시스템을 말합니다. 젯 클린 시스템이 함께 제공되지 않는 면도기의 경우 면도기만을 지칭합니다.

일반

위험

- 어댑터가 물에 젖지 않도록 주의하십시오 (그림 2).

경고

- 어댑터에는 변압기가 내장되어 있습니다. 위험할 수 있으므로, 어댑터를 잘라내고 다른 플러그로 교체하지 마십시오.
- 신체적인 감각 및 정신적인 능력이 떨어지거나 경험과 지식이 풍부하지 않은 성인 및 어린이는 혼자 제품을 사용하지 말고 제품 사용과 관련하여 안전에 책임질 수 있도록 지시사항을 충실히 숙지한 사람의 도움을 받으십시오.
- 어린이가 제품을 가지고 놀지 못하도록 지도해 주십시오.
- 뜨거운 물을 사용하여 제품을 청소하는 경우 주의하십시오. 화상을 입지 않도록 물이 너무 뜨겁지 않은지 항상 확인하십시오.

주의

- 젯 클린 시스템 및 충전기를 절대로 물에 담그거나 흐르는 물에 행구지 마십시오.
- 제품 및 액세서리는 식기세척기에 세척할 수 없습니다.
- 제품은 반드시 액체가 없는 표면에 놓고 사용하십시오.
- 제품은 5° C - 35° C 사이의 온도에서 사용, 충전 및 보관하는 것이 적합합니다.
- 제품과 함께 제공된 액세서리만 사용하십시오.
- 어댑터는 100-240V의 전압을 24V 이하의 안전한 저전압으로 변환해 줍니다.
- 제품이 손상된 경우 사용하지 마십시오.
- 어댑터 또는 기타 모든 액세서리에 손상 부분이 있으면 위험할 수 있으므로 반드시 정품으로 교체하여 사용하십시오.
- 행구는 동안 면도기 하단의 전원 소켓에서 물이 흘러나올 수 있습니다. 이러한 현상은 정상이며, 모든 전자부품은 면도기 내부의 밀봉된 동력 장치에 들어있으므로 위험하지 않습니다.

젯 클린 시스템(특정 모델만 해당)

주의

- 젯 클린 시스템에는 정품 HQ200 세척액만 사용하십시오.
- 액체가 새지 않도록 안정적이고 평평한 수평면에 젯 클린 시스템을 두십시오.
- 젯 클린 시스템을 절대로 물에 담그지 마십시오.
- 15일에 한 번씩 세척 용기를 비우고 뜨거운 수돗물에 행귀 깨끗하게 청소하십시오.
- 젯 클린 시스템을 사용하면 깨끗하게 청소할 수 있지만 면도기가 소독되는 것은 아니므로 다른 사람과 면도기를 함께 사용하지 마십시오.
- 젯 클린 시스템의 세척 용기는 식기세척기에서 사용할 수 없습니다.
- 젯 클린 시스템을 사용할 준비가 된 후에는 세척액이 누수되지 않도록 이동하지 마십시오.

기준 준수

- 본 제품은 국제적으로 공인 받은 안전 기준을 따르고 있으며, 목욕이나 샤워 중에도 안전하게 사용할 수 있고 수돗물로 물 세척이 가능합니다 (그림 3).
- 이 필립스 제품은 EMF(전자기장)와 관련된 모든 기준을 준수합니다. 이 중요 정보 책자 및 면도기와 함께 제공되는 사용 정보 책자의 지침에 따라 적절하게 취급할 경우 이 제품은 안전하게 사용할 수 있으며 이는 현재까지의 과학적 증거에 근거하고 있습니다.

디스플레이

참고: 면도기를 처음 사용하기 전에 디스플레이에 부착된 보호용 호일을 제거하십시오.

세 가지 면도기 모델(RQ1180, RQ1160 및 RQ1150)의 디스플레이는 각각 다르며 각 디스플레이는 아래 그림에 나와 있습니다.

- RQ1180 (그림 4)
- RQ1160 (그림 5)
- RQ1150 (그림 6)

충전

- 충전 시간은 약 1시간 정도 소요됩니다.

RQ1180

- 면도기 충전 시 우선 맨 아래쪽 충전 표시등이 깜박이고, 두 번째 충전 표시등이 깜박이는 방식으로 완전히 충전될 때까지 충전이 진행됩니다 (그림 7).
- 고속 충전: 면도기가 1회 면도에 충분할 정도로 충전되면 맨 아래쪽 충전 표시등이 주황색과 흰색으로 번갈아 깜박입니다.

RQ1160/RQ1150

- 면도기가 충전 중이면 완전히 충전될 때까지 배터리 모양 표시등이 깜박입니다. (그림 8)
- 고속 충전: 면도기가 1회 면도에 충분할 정도로 충전되면 플러그 모양 표시등과 배터리 모양 표시등이 번갈아 깜박입니다.

참고: RQ1160 및 RQ1150 모델의 디스플레이는 모양이 다르지만 동일한 방식으로 작동합니다.

배터리 완전 충전

RQ1180

- 배터리가 완전히 충전되면 모든 충전 표시등이 계속 켜져 있습니다. 그 후 30분 정도 지나면 디스플레이가 자동으로 다시 꺼집니다. (그림 9)

RQ1160/RQ1150

- 배터리가 완전히 충전되면 배터리 모양 표시등이 계속 켜져 있습니다. 그 후 30분 정도 지나면 디스플레이가 자동으로 다시 꺼집니다. (그림 10)

참고: RQ1160 및 RQ1150 모델의 디스플레이는 모양이 다르지만 동일한 방식으로 작동합니다.

배터리 부족

RQ1180

- 배터리가 거의 방전되면(면도 시간(분)이 5분 이하로 남은 경우) 아래쪽 충전 표시등이 주황색으로 깜박입니다. (그림 11)
- 면도기의 전원을 끄면 아래쪽 충전 표시등이 몇 초 동안 깜박입니다.

RQ1160/RQ1150

- 배터리가 거의 방전되면(면도 시간(분)이 5분 이하로 남은 경우) 플러그 모양 표시등이 깜박입니다 (그림 12).
- 면도기의 전원을 끄면 플러그 모양 표시등이 몇 초 동안 깜박입니다.

참고: RQ1160 및 RQ1150 모델의 디스플레이는 모양이 다르지만 동일한 방식으로 작동합니다.

남은 배터리 용량

RQ1180

- 남은 배터리 용량은 켜져 있는 충전 표시등의 숫자로 표시됩니다. (그림 13)

여행용 잠금 기능

여행 시 휴대할 경우에 면도기를 잠글 수 있습니다. 잠금 기능은 면도기가 실수로 켜지는 것을 방지해 줍니다.

잠금 기능 작동

- 1 잠금 기능으로 들어가려면 전원 버튼을 3초 동안 누르십시오 (그림 14).
- ▶ 자물쇠 표시가 디스플레이에 켜집니다 (그림 15).

참고: RQ1180, RQ1160 및 RQ1150 모델의 디스플레이는 모양이 다르지만 동일한 표시등이 나타납니다.

잠금 기능 해제

- 1 전원 버튼을 3초 동안 누르십시오.
- ▶ 모터가 작동하면서 잠금 기능이 해제되었음을 알려줍니다.

이제 면도기를 다시 사용할 수 있습니다.

참고: 전원이 연결된 충전기나 젯 클린 시스템에 면도기를 놓으면 잠금 기능이 자동으로 해제됩니다.

충전

충전 시간은 약 1시간 정도 소요됩니다.

RQ1180/RQ1160: 완전히 충전된 면도기는 최대 50분/15일까지 사용 가능합니다.

RQ1150: 완전히 충전된 면도기는 최대 40분/12일까지 사용 가능합니다.

처음 사용하기 전이나 디스플레이에 배터리가 거의 방전되었다는 표시가 나타나면 면도기를 충전하십시오('디스플레이' 란의 '배터리 부족' 섹션 참조).

고속 충전

면도기를 5분 정도 충전하면 1회 면도에 충분합니다.

충전기에서 충전

- 1 충전기에 소형 플러그를 꽂으십시오 (그림 16).
- 2 어댑터를 벽면 콘센트에 꽂으십시오.
- 3 면도기를 충전기에 끼우고(1) '딸깍' 소리가 날 때까지 뒤쪽으로 밀어 넣으십시오(2). (그림 17)
- ▶ 디스플레이에 면도기가 충전 중임이 표시됩니다('디스플레이' 란 참조).

젯 클린 시스템에서 충전(특정 모델만 해당)

- 1 젯 클린 시스템에 소형 플러그를 꽂으십시오.
- 2 어댑터를 벽면 콘센트에 꽂으십시오.
- 3 디스플레이가 젯 클린 시스템의 앞면을 향하도록 거치대에 면도기를 거꾸로 놓으십시오 (그림 18).

참고: RQ1180만 해당: 면도기를 거꾸로 돌리면 디스플레이의 배터리 표시등도 거꾸로 표시되므로 계속 배터리 충전 수준을 확인할 수 있습니다.

- 4 면도기를 거치대에 단단히 눌러 올바르게 고정하십시오 (그림 19).

참고: 셰이빙 유닛에 보호 캡이 있는 경우 또는 면도기에 트리머가 결합된 경우 면도기를 젯 클린 시스템에 놓을 수 없습니다.
 ▶ 디스플레이에 면도기가 충전 중임이 표시됩니다('디스플레이' 란 참조).

면도기 사용법

면도

- 1 전원 버튼을 한 번 눌러 면도기를 켜십시오.
 ▶ RQ1180: 디스플레이에 몇 초 동안 조명이 들어옵니다.
- 2 셰이빙 헤드를 피부에 대고 원을 그리듯이 고루 문지르십시오 (그림 20).
 - 직선으로 움직이지 마십시오.
 - 필립스 면도 시스템에 피부가 익숙해지려면 약 2-3주 정도 걸립니다.
- 3 전원 버튼을 한 번 눌러 면도기를 끄십시오.
 ▶ RQ1180: 디스플레이에 몇 초 동안 조명이 들어온 다음 남은 배터리 용량이 표시됩니다.

습식 면도

셰이빙 폼 또는 셰이빙 젤을 이용하여 피부에 물기가 있는 상태에서도 이 면도기를 사용할 수 있습니다. 셰이빙 폼 또는 셰이빙 젤을 이용해 면도를 하려면 다음 단계를 따르십시오.

- 1 피부를 물로 적십니다.
- 2 셰이빙 폼이나 셰이빙 젤을 피부에 바르십시오.
- 3 셰이빙 유닛이 피부 위에서 부드럽게 미끄러지도록 셰이빙 유닛을 수돗물에 헹구십시오.
- 4 전원 버튼을 한 번 눌러 면도기를 켜십시오.
- 5 셰이빙 헤드를 피부에 대고 원을 그리며 움직입니다.

참고: 셰이빙 유닛이 피부 위에서 계속 부드럽게 미끄러지도록 셰이빙 유닛을 반복해서 수돗물에 헹구십시오.

- 6 사용 후 얼굴을 말리고 면도기를 철저히 청소하십시오('청소 및 유지관리' 란 참조).

참고: 모든 폼과 셰이빙 젤이 면도기에서 씻겨 나갔는지 확인하십시오.

트리머 사용법

트리머를 사용하여 구레나룻 및 콧수염을 다듬을 수 있습니다.

- 1 셰이빙 유닛을 앞으로 밀어 면도기에서 분리하십시오 (그림 21).

참고: 면도기에서 분리하는 도중에 셰이빙 유닛을 켜지 마십시오.

- 2 트리머를 면도기 상단의 홈에 넣고(1) 트리머를 아래쪽으로 눌러(2) 면도기에 연결하십시오('딸깍' 소리가 남) (그림 22).

- 3 전원 버튼을 한 번 눌러서 트리머를 켜십시오.
 ▶ RQ1180: 디스플레이에 몇 초 동안 조명이 들어옵니다.

- 4 이제 수염 다듬기를 시작할 수 있습니다.

- 5 전원 버튼을 한 번 눌러서 트리머를 켜십시오.
 ▶ RQ1180: 디스플레이에 몇 초 동안 조명이 들어오고 남은 배터리 용량이 표시됩니다.

- 6 트리머를 앞으로 밀어 면도기에서 분리하십시오 (그림 23).

참고: 면도기에서 분리하는 도중에 트리밍 유닛을 켜지 마십시오.

- 7 셰이빙 유닛을 면도기 상단의 홈에 넣고(1) 셰이빙 유닛을 아래쪽으로 눌러(2) 면도기에 연결하십시오('딸깍' 소리가 남) (그림 24).

세척 및 유지관리

제품 및 젯 클린 시스템을 청소할 때는 절대로 수세미, 연마성 세제 또는 휘발유, 아세톤과 같은 강력 세제를 사용하지 마십시오.

- 젯 클린 시스템(특정 모델만 해당)을 사용하는 것이 면도기를 청소하는 가장 효과적이고 위생적인 방법이지만 흐르는 물에 헹구거나 면도기와 함께 제공된 브러시로 청소할 수도 있습니다.
- 뜨거운 물을 사용하는 경우 주의하십시오. 화상을 입지 않도록 물이 너무 뜨겁지 않은지 항상 확인하십시오.
- 최적의 면도 성능을 유지하려면 매번 면도 후 면도기를 청소하십시오.
- 면도기의 외부는 젖은 천으로 닦으십시오.
- 면도기를 정기적으로 청소하면 더 좋은 면도 효과를 얻을 수 있습니다.

셰이빙 유닛 청소

뜨거운 물을 사용하는 경우 주의하십시오. 화상을 입지 않도록 물이 너무 뜨겁지 않은지 항상 확인하십시오.

- 1 셰이빙 유닛을 뜨거운 수돗물로 한동안 세척하십시오 (그림 25).

참고: 함께 제공된 청소용 브러시로 웨이빙 유닛을 청소할 수도 있습니다.

2 웨이빙 헤드 홀더를 웨이빙 유닛의 하단 부분에서 분리하여 뜨거운 물로 30초 동안 헹구십시오 (그림 26).

참고: 함께 제공된 청소용 브러시로 웨이빙 유닛 헤드 홀더를 청소할 수도 있습니다.

3 물기가 남아 있지 않도록 흔들어 털고 웨이빙 유닛이 건조될 때까지 두십시오.

절대로 수건이나 휴지로 웨이빙 유닛의 물기를 닦아내지 마십시오. 웨이빙 헤드가 손상될 수 있습니다.

4 웨이빙 헤드 홀더를 웨이빙 유닛의 하단 부분에 다시 끼우십시오(‘딸깍’ 소리가 남) (그림 27).

젯 클린 시스템을 사용하여 웨이빙 유닛 청소(특정 모델만 해당)

젯 클린 시스템은 자동 세척 프로그램을 지원합니다. 전원 버튼을 누르면 젯 클린 시스템이 자동 세척 프로그램 모드로 세척을 시작합니다.

젯 클린 시스템 사용 준비

처음 사용하기 전에 세척 용기를 채우십시오.

1 젯 클린 시스템에 소형 플러그를 꽂으십시오.

2 어댑터를 벽면 콘센트에 꽂으십시오.
 ▶ 거치대가 자동으로 가장 높은 위치로 이동합니다.

3 세척 용기 양쪽의 열림 버튼을 동시에 누르고(1) 젯 클린 시스템을 세척 용기에서 들어 올리십시오(2). (그림 28)
 ▶ 세척 용기만 남겨집니다.

4 세척액이 들어있는 병의 뚜껑을 돌려서 여십시오.

5 세척 용기에 HQ200 세척액을 두 선 사이 정도까지 채우십시오 (그림 29).

6 젯 클린 시스템을 세척 용기 위에 다시 올려 놓으십시오 (그림 30).
 열림 버튼이 다시 제자리에 고정되었는지 확인하십시오.

젯 클린 시스템 사용

참고: 웨이빙 폼 또는 웨이빙 젤을 이용하는 면도기를 사용하는 경우, 면도기를 젯 클린 시스템에서 세척하기 전에 뜨거운 수돗물로 헹구는 것이 좋습니다. 이렇게 하면 세척액의 최적 수명이 보장됩니다.

1 디스플레이가 젯 클린 시스템의 앞면을 향하도록 거치대에 면도기를 거꾸로 놓으십시오 (그림 18).

2 면도기를 거치대에 단단히 눌러 올바르게 고정하십시오 (그림 19).
 ▶ 디스플레이에 면도기가 충전 중임이 표시됩니다(‘디스플레이’ 란 참조).

3 젯 클린 시스템의 전원 버튼을 눌러 세척 프로그램을 시작하십시오. (그림 31)
 ▶ 면도기 디스플레이에서 충전 표시등이 사라집니다.
 ▶ 세척 표시등이 깜박이기 시작하고 면도기가 자동으로 세척액에 잠깁니다 (그림 32).
 ▶ 세척 프로그램이 진행되는 내내 세척 표시등이 깜박이며, 이 과정은 몇 분 정도 소요됩니다.
 ▶ 세척 프로그램 1단계에서는 면도기의 전원이 여러 번 켜졌다 꺼지고 위 아래로 움직입니다.
 ▶ 세척 프로그램 2단계에서는 면도기 위치가 건조로 바뀌고 건조를 나타내는 표시등이 깜박입니다. 이 단계는 약 2시간 정도 소요되며 프로그램이 종료될 때까지 이 위치를 유지합니다. (그림 33)
 ▶ 세척 프로그램이 끝나면 면도기 디스플레이에 충전 표시등이 나타납니다(‘디스플레이’ 란 참조).

참고: 세척이 진행되는 도중 젯 클린 시스템의 전원 버튼을 누르면 프로그램이 중지됩니다. 이런 경우 세척 또는 건조 표시등의 깜박임이 멈추고 거치대가 가장 높은 곳으로 이동합니다.

참고: 세척이 진행되는 도중 벽면 콘센트에서 어댑터를 빼면 세척 프로그램이 중지됩니다. 거치대는 현재 위치에서 이동하지 않습니다. 어댑터를 다시 벽면 콘센트에 꽂으면 거치대가 가장 높은 곳으로 이동합니다.

- 세척액이 최소 수준 이하로 떨어지면 세척 표시등과 ‘세척 용기 비었음’ 표시등이 깜박이기 시작하고 거치대가 시작 위치로 되돌아옵니다 (그림 34).
- 매일 세척기를 이용하여 면도기를 청소할 경우 15일에 한 번 정도 세척 용기를 채우면 됩니다.

젯 클린 시스템 청소

세척 용기는 15일마다 청소하십시오.
 젯 클린 시스템의 외부는 젖은 천으로 닦을 수 있습니다.

1 젯 클린 시스템 양쪽의 열림 버튼을 동시에 누르고(1) 젯 클린 시스템을 세척 용기에서 들어 올리십시오(2). (그림 28)
 ▶ 세척 용기만 남겨집니다.

2 세척 용기에 남아 있는 세척액을 따라내십시오. (그림 35)
 세척액은 싱크대 하수구에 버릴 수 있습니다.

3 세척 용기는 수도물로 헹구십시오 (그림 36).

세척 용기는 식기 세척기에 사용할 수 없습니다.

4 세척 용기에 HQ200 세척액을 두 선 사이 정도까지 채우십시오 (그림 29).

5 젯 클린 시스템을 세척 용기 위에 다시 올려 놓으십시오. (그림 30)
 열림 버튼이 다시 제자리에 고정되었는지 확인하십시오.

부품별 청소 방법

제품의 전원이 꺼져 있는지 확인하십시오.

- 1** 웨이빙 헤드 홀더를 웨이빙 유닛의 하단 부분에서 분리하십시오 (그림 26).
- 2** 녹색 지지대를 지지대에 표시된 화살표 방향으로 미십시오 (그림 37).
- 3** 지지대를 웨이빙 헤드 홀더에서 들어내면서 지지대를 분리하십시오. (그림 38)
- 4** 웨이빙 보호대에서 제품을 꺼내십시오 (그림 39).

참고: 셰이빙 헤드는 커터와 셰이빙 보호대가 한 조로 이루어져 있으므로 섞이지 않도록 한 조씩 청소하십시오. 커터를 잘못된 셰이빙 보호대에 끼우면, 면도 성능이 정상으로 돌아오기까지 몇 주가 걸릴 수도 있습니다.

- 5 면도기와 함께 제공된 청소용 브러시로 커터를 청소하십시오 (그림 40).
- 6 셰이빙 보호대 내부를 청소하십시오. (그림 41)
- 7 청소한 후에는 칼날 끝이 아래를 향하도록 칼날을 셰이빙 보호대에 다시 끼우십시오. (그림 42)
- 8 지지대를 셰이빙 헤드 홀더에 다시 끼우십시오. (그림 43)
- 9 보호대를 밀어 제자리에 고정하십시오('딸깍' 소리가 남). (그림 44)
- 10 셰이빙 헤드 홀더를 셰이빙 유닛의 하단 부분에 다시 장착하십시오. (그림 27)

트리머 청소

트리머는 사용할 때마다 청소하십시오.

- 1 트리머가 장착된 상태에서 면도기를 켜십시오.
- 2 트리머를 뜨거운 수돗물로 한동안 세척하십시오. (그림 45)
- 3 청소 후에는 면도기를 끄십시오.

도움말: 최적의 트리머 성능을 위해 6개월마다 트리머의 날 부분에 재봉틀용 기름을 한 방울씩 떨어 뜨려 바르십시오.

보관

- 1 셰이빙 헤드가 손상되지 않도록 셰이빙 유닛에 보호 캡을 씌우십시오 (그림 46).
- 2 특정 모델만 해당: 면도기를 제공된 파우치에 보관하십시오.

교체용

최고의 면도 성능을 위해서는 1년마다 셰이빙 유닛의 상단 부분을 교체하는 것이 좋습니다. 정품 RQ11 필립스 셰이빙 헤드 홀더로만 셰이빙 유닛의 상단 부분을 교체하십시오.

- 1 셰이빙 헤드 홀더를 셰이빙 유닛의 하단 부분에서 분리하십시오 (그림 26).
- 2 새 셰이빙 헤드 홀더를 셰이빙 유닛의 하단 부분에 장착하십시오('딸깍' 소리가 남) (그림 27).

부품 구매

다음과 같은 부품을 별도로 판매하고 있습니다만 국가별로 다를 수 있으니 고객센터나 서비스 센터에 문의하시기 바랍니다.

- HQ8505 어댑터
- RQ11 필립스 셰이빙 헤드 홀더
- HQ110 필립스 셰이빙 헤드 세척 스프레이
- HQ200 필립스 세척액

환경

- 수명이 다 된 제품은 일반 가정용 쓰레기와 함께 버리지 마시고 지정된 재활용 수거 장소에 버리십시오. 이런 방법으로 환경 보호에 동참하실 수 있습니다 (그림 47).
- 내장형 충전식 면도기의 배터리에는 환경을 오염시키는 물질이 들어 있습니다. 면도기를 버리기 전에 항상 면도기에서 배터리를 분리하여 지정된 수거함에 버려 주십시오. 배터리는 지정된 배터리 수거함에 버리십시오. 배터리를 분리하기 어려울 경우 필립스 서비스 센터에 면도기를 가져오시면 배터리를 분리하여 안전한 방법으로 폐기해 드립니다 (그림 48).

면도기의 충전식 배터리 분리

면도기를 폐기할 때에만 충전식 배터리를 분리하십시오. 분리 시 배터리가 완전히 방전되었는지 확인하십시오.

배터리의 면이 날카로우니 조심하십시오.

- 1 드라이버로 면도기의 뒤쪽 패널을 분리하십시오.
- 2 충전식 배터리를 분리하십시오.

품질 보증 및 서비스

보다 자세한 정보가 필요하시거나, 사용상의 문제가 있을 경우에는 필립스전자 홈페이지(www.philips.co.kr)를 방문하거나 필립스 고객 상담실로 문의하십시오. 전국 서비스센터 안내는 제품 보증서를 참조하십시오. *(주)필립스전자: (02)709-1200 *고객 상담실: (080)600-6600(수신자부담)

보증 제한

셰이빙 헤드(커터 및 셰이빙 보호대)는 소모품이므로 보증 대상이 아닙니다.

문제 해결

이 란은 제품을 사용하면서 가장 일반적으로 경험하게 되는 문제와 그 해결 방법을 제시합니다. 발생한 문제를 아래 정보로 해결할 수 없는 경우에는 필립스 고객 상담실로 문의하십시오.

문제점	가능한 원인	해결책
면도기가 예전처럼 잘 작동하지 않습니다.	셰이빙 헤드가 손상 또는 마모되었습니다.	셰이빙 헤드 홀더를 교체하십시오('교체' 란 참조).

문제점	가능한 원인	해결책
	긴 체모가 셰이빙 헤드에 걸렸을 수 있습니다.	면도기 부품별 청소 방법을 참조하여 셰이빙 헤드를 청소하십시오('청소 및 유지 관리' 란 참조).
	세척 용기에 있는 세척액이 더럽거나 조금 밖에 없어 젯 클린 시스템이 면도기를 제대로 세척하지 못합니다.	면도를 계속하기 전에 면도기를 깨끗하게 청소하십시오. 필요한 경우 세척 용기를 청소하고 세척액을 다시 채우십시오('청소 및 유지 관리' 란 참조).
전원 버튼을 눌러도 면도기가 작동하지 않습니다.	충전식 배터리가 방전되었습니다.	배터리를 재충전 하십시오('충전' 란 참조).
	여행용 잠금 기능이 작동하고 있습니다.	여행용 잠금 기능을 해제하려면 전원 버튼을 3초 동안 누르십시오.
	모터가 작동할 수 없을 만큼 셰이빙 헤드 홀더가 더럽거나 손상되었습니다.	셰이빙 헤드 홀더를 청소하거나 교체하십시오('필터 청소 및 유지 관리' 및 '교체' 란 참조).
	면도기의 온도가 너무 높습니다. 이런 경우 면도기가 작동하지 않습니다.	면도기가 식을 때까지 기다립니다. 면도기의 온도가 충분히 낮아지면 즉시 면도기의 전원을 다시 켤 수 있습니다.
면도기를 젯 클린 시스템에서 세척해도 깨끗하지 않습니다.	세척 용기에 있는 세척액이 더럽습니다.	세척 용기를 비우고 헹구십시오.
	세척액이 조금 밖에 없습니다. 세척 용기의 세척액이 최저 수준 이하로 떨어지면 청소 프로그램이 중지됩니다. 세척 표시등과 '세척 용기 비었음' 표시등이 일정 간격으로 깜박이고 거치대가 시작 위치로 되 돌아옵니다.	세척 용기에 세척액을 두 선 사이 정도까지 다시 채우십시오('청소 및 유지 관리' 란 참조).
	정품 필립스 세척액이 아닌 다른 세척액을 사용했습니다.	HQ200 필립스 세척액만을 사용하십시오.
전원 버튼을 눌러도 젯 클린 시스템이 작동하지 않습니다.	젯 클린 시스템이 주 전원 에 연결되어 있지 않습니다.	젯 클린 시스템에 소형 플러그를 꽂은 다음 어댑터를 벽면 콘센트에 꽂으십시오.
	젯 클린 시스템과 면도기가 연결되지 않았습니다.	면도기를 거치대에 단단히 눌러 올바르게 고정하십시오.
면도기를 충전기/젯 클린 시스템에서 충전했지만 완전히 충전되지 않습니다.	충전기/젯 클린 시스템에 면도기가 제대로 놓이지 않았습니다.	면도기를 고정될 때까지 누르도록 하십시오.

Išvadas

Sveikiname įsigijus pirkinį ir sveiki atvykę į „Philips“! Norėdami naudotis visu „Philips“ palaikymu, savo gaminį registruokite adresu www.philips.com/welcome.

Perskaitykite šį vartotojo vadovą, nes jame yra informacijos apie šios barzdaskutės funkcijas, taip pat keletas patarimų, kurie skatins padaryti lengvesnį ir malonesnį.

Bendrasis aprašymas (Pav. 1)

- A** Barzdaskutė (RQ1180/RQ1160/RQ1150)
 - 1 Kirptuvas
 - 2 Apsauginis dangtelis
 - 3 Skutimo įtaisas
 - 4 Barzdaskutė
 - 5 Barzdaskutės įjungimo / išjungimo mygtukas
 - 6 Ekranas
- B** Kroviklis
- C** „Jet Clean“ sistema (tik tam tikruose modeliuose)
 - 1 Barzdaskutės laikiklis
 - 2 Simbolis „Tuščia valymo kamera“
 - 3 Valymo simbolis
 - 4 Džiovinimo simbolis
 - 5 „Jet Clean“ sistemos įjungimo / išjungimo mygtukas
 - 6 Valymo kameros atlaisvinimo mygtukas
- D** Valymo šepetėlis
- E** Valymo skystis
- F** Krepšelis (tik tam tikruose modeliuose)
- G** Adapteris

Svarbu

Prieš pradėdami naudoti prietaisą atidžiai perskaitykite šį vartotojo vadovą ir saugokite jį, nes jo gali prireikti ateityje.

Pastaba: Šiame vartotojo vadove „prietaisai“ yra barzdaskutė ir „Jet Clean“ sistema. Jei prie jūsų barzdaskutės nėra „Jet Clean“ sistemos, „prietaisais“ vadinama tik barzdaskutė.

Bendrasis aprašymas

Pavojus

- Patikrinkite, ar adapteris nesudrėkęs (Pav. 2).

Išpėjimas

- Adapteryje yra transformatorius. Norėdami išvengti pavojingų situacijų, nenujunkite adapterio, norėdami jį pakeisti kitu kištuku.
- Šie prietaisai neskirti naudoti asmenims (įskaitant vaikus), kuriems būdingi sumažėję fiziniai, jutimo arba protiniai gebėjimai, arba tiems, kuriems trūksta patirties ir žinių, nebent už jų saugą atsakingas asmuo juos prižiūri arba parodo, kaip naudoti prietaisą.
- Prižiūrėkite, kad su prietaisais nežaistų vaikai.
- Valydami prietaisus būkite atsargūs su karštu vandeniu. Visada patikrinkite, ar vanduo nėra per karštas, kad nenusiplieskumėte rankų.

Išpėjimas

- „Jet Clean“ sistemos ir kroviklio niekada nemerkite į vandenį ir neplaukite jų po tekančiu vandeniu.
- Prietaisų ir priedų negalima plauti indaplovėje.
- Prietaisus statykite ir visada naudokite ant sklyčiui atsparaus paviršiaus.
- Naudokite, kraukite ir laikykite prietaisą nuo 5 °C iki 35 °C temperatūroje.
- Naudokite tik rinkinyje esančius priedus.
- Adapteris transformuoja 100 – 240 V įtampą į saugią, žemesnę nei 24 V, įtampą.
- Nenaudokite prietaisų, jei jie yra pažeisti.
- Jei adapteris ar koks kitas priedas pažeistas, norėdami išvengti pavojaus, visada pakeiskite jį originaliu adapteriu.
- Skalaujant barzdaskutę, iš lizdo, esančio prietaiso apačioje, gali tekėti vanduo. Tai normalu ir nepavojinga, nes visos elektroninės dalys yra sandariame apvalkale barzdaskutės viduje.

„Jet Clean“ sistema (tik specifiniuose modeliuose)

Išpėjimas

- „Jet Clean“ sistemą naudokite tik su originaliu HQ200 valymo skysčiu.
- „Jet Clean“ sistemą dėkite tik ant stabilaus, lygaus ir horizontalaus paviršiaus ir apsaugokite nuo pratekėjimo.
- „Jet Clean“ sistemos niekada nemerkite į vandenį.
- Ištuštinkite valymo kamerą ir kas 15 dienų kruopščiai išskalaukite karštu vandeniu iš čiaupo.
- „Jet Clean“ sistema gerai išplauna barzdaskutę, bet jos nedezinfekuoja, todėl nesidalinkite barzdaskute su kitais asmenimis.
- „Jet Clean“ sistemos valymo kameros negalima plauti indų plovimo mašinoje.
- Parengę „Jet Clean“ sistemos naudojimui, jos nejudinkite, kitaip gali ištekti plovimo skystis.

Atitiktis standartams

- Ši barzdaskutė atitinka patvirtintus tarptautinius saugumo reikalavimus ir ją galima saugiai naudoti vonioje arba duše ir plauti po tekančiu vandeniu (Pav. 3).
- Šie „Philips“ prietaisai atitinka visus elektromagnetinių laukų (EML) standartus. Remiantis dabartine moksline informacija, pagal šioje informacijos knygelėje ir gaminio pakuotėje esančiose naudojimo instrukcijose pateiktus nurodymus eksploatuojami prietaisai yra saugūs naudoti.

Ekranas

Pastaba: Prieš naudodami barzdaskutę pirmą kartą, nuo ekrano nuimkite apsauginę foliją.

Trys barzdaskučių tipai (RQ1180, RQ1160 ir RQ1150) turi skirtingus ekranus, kurie parodyti toliau pateiktuose paveikslėliuose.

- RQ1180 (Pav. 4)
- RQ1160 (Pav. 5)
- RQ1150 (Pav. 6)

Įkrovimas

- Krovimas trunka maždaug 1 valandą.

RQ1180

- Įkraunant barzdaskutę, visų pirma įsižiebia apatinė įkrovimo lemputė, tuomet antroji įkrovimo lemputė ir taip toliau, kol barzdaskutė iki galo įkraunama (Pav. 7).
- Greitas įkrovimas: kai barzdaskutėje yra pakankamai energijos vienam skutimui, apatinė įkrovimo lemputė pakaitomis mirksi oranžine ir balta spalva.

RQ1160/RQ1150

- Baterijos simbolis mirksi tol, kol barzdaskutė kraunama ir ji visiškai neįkrauta. (Pav. 8)
- Greitas įkrovimas: kai barzdaskutėje yra pakankamai energijos vienam skutimui, pakaitomis mirksi kištuko ir maitinimo elementų simbolis.

Pastaba: RQ1160 ir RQ1150 tipų ekranai atrodo skirtingai, bet veikia taip pat.

Visiškai įkrautas maitinimo elementas

RQ1180

- Visiškai įkrovus maitinimo elementą, visos įkrovimo lemputės pradeda ištaisai šviesti. Po maždaug 30 minučių ekranas savaime vėl išsijungs. (Pav. 9)

RQ1160/RQ1150

- Visiškai įkrovus maitinimo elementą, maitinimo elementų simbolis pradeda ištaisai šviesti. Po maždaug 30 minučių ekranas savaime vėl išsijungs. (Pav. 10)

Pastaba: RQ1160 ir RQ1150 tipų ekranai atrodo skirtingai, bet veikia taip pat.

Senka maitinimo elementas

RQ1180

- Kai maitinimo elementas yra beveik išseikvotas (kai lieka tik 5 arba mažiau skutimosi minučių), apatinė įkrovimo lemputė pradeda mirksėti oranžine spalva. (Pav. 11)
- Išjungus barzdaskutę, apatinė įkrovimo lemputė mirksi dar kelias sekundes.

RQ1160/RQ1150

- Kai maitinimo elementas yra beveik išseikvotas (kai lieka tik 5 arba mažiau skutimosi minučių), mirksi kištuko simbolis (Pav. 12).
- Išjungus barzdaskutę, kištuko simbolis mirksi keletą sekundžių.

Pastaba: RQ1160 ir RQ1150 tipų ekranai atrodo skirtingai, bet veikia taip pat.

Likusi maitinimo elemento įkrova

RQ1180

- Likusią maitinimo elementų įkrovą rodo degančių maitinimo elemento įkrovos lempučių skaičius. (Pav. 13)

Transportavimo fiksatorius

Kai rengiatės keliauti, barzdaskutę galite užrakinti. Kelioninis užraktas apsaugo barzdaskutę nuo atsitiktinio įjungimo.

Užrakinimo transportuojant suaktyvinimas

- 1 Paspauskite įjungimo / išjungimo mygtuką 3 sekundėms, kad įjungtumėte kelioninio užrakto režimą (Pav. 14).
- 2 Ekrane įsižiebia užrakto simbolis (Pav. 15).

Pastaba: RQ1180, RQ1160 ir RQ1150 tipų ekranai atrodo skirtingai, bet juose rodomas toks pat simbolis.

Kelioninio užrakto išjungimas

- 1 3 sekundes palaikykite nuspaudę įjungimo / išjungimo mygtuką.
- 2 Pradeda veikti varikliukas, rodantis, kad kelioninis užraktas yra išjungtas. Barzdaskutė yra vėl paruošta naudoti.

Pastaba: Įdėjus barzdaskutę į įjungtą įkroviklį arba „Jet Clean“ sistemą, kelioninis užraktas automatiškai išjungiamas.

Įkrovimas

Krovimas trunka maždaug 1 valandą.

RQ1180/RQ1160: visiškai įkrautas barzdaskutės skutimo trukmė yra iki 50 minučių / 15 dienų.

RQ1150: visiškai įkrautas barzdaskutės skutimo trukmė yra iki 40 minučių / 12 dienų.

Įkraukite barzdaskutę prieš naudodami ją pirmą kartą ir tuomet, kai ekrane bus rodoma, kad maitinimo elementas beveik išseikvotas (žr. skyrių „Ekranas“, dalį „Senka maitinimo elementas“).

Greitas įkrovimas

Įkrovus barzdaskutę 5 minutes, energijos užteks vienam skutimuisi.

Krovimas įkrovikliu

- 1 Įkiškite mažą kištuką į įkroviklį (Pav. 16).
- 2 Adapterį įjunkite į elektros tinklą.
- 3 Įstatykite barzdaskutę į kroviklį (1) ir pastumkite žemyn (2) (pasigirs spragtelėjimas). (Pav. 17)
- 4 Ekrane rodoma, kad barzdaskutė yra kraunama (žr. skyrių „Ekranas“).

Įkrovimas „Jet Clean“ sistemoje (tik tam tikruose modeliuose)

- 1 Mažą kištuką įkiškite į „Jet Clean“ sistemą.

2 Adapterį įjunkite į elektros tinklą.

3 Apversta barzdaskutę pastatykite į laikiklį su „Jet Clean“ sistemos priekį nukreiptu ekranu (Pav. 18).

Pastaba: Tik RQ1180: apvertus barzdaskutę, maitinimo elementų indikatorius ekrane taip pat apsisvers, kad galėtumėte matyti akumulatoriaus įkrovos lygį.

4 Barzdaskutę laikiklyje tvirtai įstatykite į vietą (Pav. 19).

Pastaba: Kai ant barzdaskutės yra apsauginis dangtelis ar į barzdaskutę įstatytas kirptuvas, barzdaskutės negalima dėti į „Jet Clean“ sistemą.

► Ekrane rodoma, kad barzdaskutė yra kraunama (žr. skyrių „Ekranas“).

Barzdaskutės naudojimas

Skutimas

1 Barzdaskutę įjunkite vieną kartą paspausdami įjungimo / išjungimo mygtuką.

► RQ1180: Kelioms sekundėms įsižiebia ekranas.

2 Sukamaisiais judesiais judinkite skutimosi galvutes sau virš odos (Pav. 20).

- Nedarykite tiesių judesių.
- Jūsų odai priprasti prie „Philips“ skutimosi sistemos gali prireikti 2–3 savaitių.

3 Barzdaskutę išjunkite vieną kartą paspausdami įjungimo / išjungimo mygtuką.

► RQ1180: Ekranas užsidega keletui sekundžių ir parodomas likęs baterijos įkrovos lygis.

Šlapias skutimasis

Šią barzdaskutę galite naudoti ir ant šlapio veido su skutimosi putomis arba skutimosi geliu.

Norėdami skustis su skutimosi putomis arba geliu, vadovaukitės toliau išvardintais veiksmais:

1 Sušlapinkite odą.

2 Užtepkite ant odos skutimosi putų arba skutimosi gelio.

3 Praskalaukite skutimo įtaisą po čiaupu, kad užtikrintumėte sklandų jo slydimą per jūsų odą.

4 Barzdaskutę įjunkite vieną kartą paspausdami įjungimo / išjungimo mygtuką.

5 Sukamaisiais judesiais braukite skutimo galvutes per savo odą.

Pastaba: Reguliariai skalaukite barzdaskutę po čiaupu, kad ji ir toliau sklandžiai slystų per jūsų odą.

6 Nusišluostykite veidą ir kruopščiai išdžiovinkite barzdaskutę po naudojimo (žr. skyrių „Valymas ir priežiūra“).

Pastaba: Pasirūpinkite nuplauti visą putų ir skutimosi gelį nuo barzdaskutės.

Kirpimas

Kirptuvą galite naudoti norėdami padailinti žandeną ir ūsus.

1 Tiesiai nutraukite skutimo įtaisą nuo barzdaskutės (Pav. 21).

Pastaba: Nesukite skutimo įtaiso traukdami jį nuo barzdaskutės.

2 Įkiškite kirptuvo ašelę į barzdaskutės viršuje esančią angą (1). Tada paspauskite kirptuvą žemyn (2), kad pritaistytumėte jį prie barzdaskutės (pasigirs spragtelėjimas) (Pav. 22).

3 Norėdami įjungti kirptuvą, vieną kartą paspauskite įjungimo / išjungimo mygtuką.

► RQ1180: Kelioms sekundėms įsižiebia ekranas.

4 Dabar galite pradėti kirpti.

5 Norėdami išjungti kirptuvą, vieną kartą paspauskite įjungimo / išjungimo mygtuką.

► RQ1180: Ekranas užsidega keletui sekundžių ir parodomas likęs baterijos įkrovos lygis.

6 Nuo barzdaskutės nuimkite kirptuvą (Pav. 23).

Pastaba: Nesukite kirpimo įtaiso traukdami jį nuo barzdaskutės.

7 Įkiškite skutimo įtaiso ašelę į barzdaskutės viršuje esančią angą (1). Tada paspauskite skutimo įtaisą žemyn (2), kad pritaistytumėte jį prie barzdaskutės (pasigirs spragtelėjimas) (Pav. 24).

Valymas ir priežiūra

Prietaiso ir „Jet Clean“ sistemos niekada nevalykite su šiurkščiomis kempinėlėmis, šveičiančiais valikliais ar esdinančiais skysčiais, pvz., benzinu arba acetonu.

- Barzdaskutę išvalysite geriausiai ir higieniškai „Jet Clean“ sistemoje (tik specifiniams modeliams). Barzdaskutę taip pat galima skalauti po tekančiu vandeniu arba valyti su rinkinyje esančiu šepetėliu.
- Būkite atsargūs su karštu vandeniu. Visada patikrinkite, ar vanduo nėra per karštas, kad nenusiplikytumėte rankų.
- Kad skutimasis būtų efektyvus, po kiekvieno skutimosi išvalykite barzdaskutę.
- Barzdaskutės išorę galite nuvalyti drėgnu audiniu.
- Nuolatinis valymas užtikrina geresnį skutimąsi.

Skutimo įtaiso valymas

Būkite atsargūs su karštu vandeniu. Visada patikrinkite, ar vanduo nėra per karštas, kad nenusiplikytumėte rankų.

1 Skutimo įtaisą praskalaukite po karštu vandeniu iš čiaupo (Pav. 25).

Pastaba: Taip pat galite išvalyti skutimo įtaisą pridėdamu valymo šepetėliu.

- 2** Nuimkite skutimo galvutės laikiklį nuo skutimo įtaiso apatinės dalies ir plaukite jį karštu tekančiu vandeniu mažiausiai 30 sekundžių (Pav. 26).

Pastaba: Taip pat galite išvalyti skutimo galvutės laikiklį pridėdamu valymo šepetėliu.

- 3** Kruopščiai nukratykite vandenį ir leiskite skutimo įtaisui išdžiūti.

Niekada nevalykite skutimo įtaiso rankšluosčiu arba audiniu, nes tai gali pakenkti skutimo galvutei.

- 4** Iš naujo pritvirtinkite skutimo galvutės laikiklį prie skutimo įtaiso apatinės dalies (pasigirs spragtelėjimas) (Pav. 27).

Skutimo įtaiso valymas „Jet Clean“ sistemoje (tik tam tikruose modeliuose)

„Jet Clean“ sistema turi automatinę valymo programą. Paspaudus įjungimo / išjungimo mygtuką „Jet Clean“ sistema pradeda valyti automatinę valymo programą.

„Jet Clean“ sistemos paruošimas naudoti

Prieš naudodami pripildykite valymo kamerą.

- 1** Mažą kištuką įkiškite į „Jet Clean“ sistemą.
- 2** Adapterį įjunkite į elektros tinklą.
 - ▶ Laikiklis automatiškai pasislenka į viršutinę padėtį.
- 3** Kartu paspauskite atleidimo mygtukus abiejose plovimo kameros pusėse (1). Tada nukelkite „Jet Clean“ sistemą nuo plovimo kameros (2). (Pav. 28)
 - ▶ Plovimo kamera lieka galinėje pusėje.
- 4** Atsukite valymo skysčio buteliuko dangtelį.
- 5** Pripildykite valymo kamerą HQ200 valymo skysčio iki lygio tarp dviejų linijų (Pav. 29).
- 6** Uždėkite „Jet Clean“ sistemą atgal ant plovimo kameros (Pav. 30). Patikrinkite, ar atleidimo mygtukai užsifiksavo savo vietose.

„Jet Clean“ sistemos naudojimas

Pastaba: Jei barzdaskutę naudojate su skutimosi putomis arba geliu, rekomenduojame ją praskalauti po karštu vandeniu iš čiaupo prieš valant „Jet Clean“ sistemoje. Tai užtikrins optimalų valymo skysčio naudojimo laiką.

- 1** Apverstą barzdaskutę pastatykite į laikiklį su į „Jet Clean“ sistemos priekį nukreiptu ekranu (Pav. 18).
- 2** Barzdaskutę laikiklyje tvirtai įstatykite į vietą (Pav. 19).
 - ▶ Ekране rodoma, kad barzdaskutė yra kraunama (žr. skyrių „Ekranas“).
- 3** Norėdami pradėti valymo programą, „Jet Clean“ sistemoje paspauskite įjungimo / išjungimo mygtuką. (Pav. 31)
 - ▶ Barzdaskutės ekrane neberodoma įkrova.
 - ▶ Plovimo lemputė ima blyksėti, o barzdaskutė automatiškai nuleidžiama į plovimo skystį (Pav. 32).
 - ▶ Valymo programos metu (kelias minutes) mirksi valymo lemputė.
 - ▶ Pirmuoju plovimo programos etapu barzdaskutė kelis kartus automatiškai įsijungia ir išsijungia ir yra pastatoma į skirtingas padėtis.
 - ▶ Valymo programos antro etapo metu barzdaskutė nuleidžiama į džiovinimo padėtį, kurią nurodo mirksintis džiovinimo simbolis. Tai užima maždaug 2 valandas. Barzdaskutė lieka šioje padėtyje tol, kol užbaigiama programa. (Pav. 33)
 - ▶ Baigus valyti, įkrovos indikatorius pasirodo barzdaskutės ekrane (žr. skyrių „Ekranas“).

Pastaba: Jei valymo programos metu nuspaudžiate „Jet Clean“ sistemos įjungimo / išjungimo mygtuką, programa išsijungia. Tokiu atveju valymo arba džiovinimo lemputė nustoja blyksėti ir laikiklis grįžta į aukščiausią padėtį.

Pastaba: Jei valymo programos metu iš sieninio el. lizdo ištrauksite adapterį, programa išsijungs. Laikiklis lieka savo esamoje padėtyje. Kai adapterį atgal prijungiate prie sieninio el. lizdo, laikiklis nusistato į aukščiausią padėtį.

- Kai valymo skysčio lygis nukrenta žemiau minimalaus, pradeda mirksėti simbolis „Tuščia valymo kamera“, o laikiklis sugrįžta į savo pradinę padėtį (Pav. 34).
- Jei barzdaskutę plovimo mašinoje valote kiekvieną dieną, plovimo kamerą papildyti reikia maždaug kas 15 dienų.

„Jet Clean“ sistemos valymas

Valymo kamerą valykite kas 15 dienų.

„Jet Clean“ sistemos išorę galite nušluostyti drėgnu audiniu.

- 1** Vienu metu nuspauskite atleidimo mygtukus abiejose „Jet Clean“ sistemos pusėse (1). Tada nuo valymo kameros nukelkite „Jet Clean“ sistemą (2). (Pav. 28)
 - ▶ Plovimo kamera lieka galinėje pusėje.
- 2** Išpilkite likusį plovimo skystį iš plovimo kameros. (Pav. 35)
Plovimo skystį galima tiesiog išpilti į kriauklę.
- 3** Išskalaukite plovimo kamerą po čiaupu (Pav. 36).

Plovimo kameros negalima plauti indaplovėje.

- 4** Pripildykite valymo kamerą HQ200 valymo skysčio iki lygio tarp dviejų linijų (Pav. 29).
- 5** Uždėkite „Jet Clean“ sistemą atgal ant plovimo kameros. (Pav. 30)
Patikrinkite, ar atleidimo mygtukai užsifiksavo savo vietose.

Itin kruopštus valymo būdas

Patikrinkite, ar prietaisas išjungtas.

- 1** Nuimkite skutimo galvutės laikiklį nuo skutimo įtaiso apatinės dalies (Pav. 26).
- 2** Paslinkite žalią laikantį rėmelį rodykliu, nurodytą ant jo, kryptimi (Pav. 37).
- 3** Nuimkite laikantį rėmelį nuo skutimo galvutės laikiklio. (Pav. 38)

4 Išimkite skutiklį iš skutimo apsaugos (Pav. 39).

Pastaba: Vienu metu plaukite ne daugiau nei vieną skutiklį ir skutimo apsaugą, nes jie visi yra suderintų rinkinių. Jei netyčia įdėsite skutiklį į neteisingą skutimo apsaugą, gali užtrukti kelias savaites, kol bus atkurtas optimalus skutimas.

5 Skutiklį išvalykite pateiktu šepetėliu (Pav. 40).

6 Išvalykite apsaugos vidų. (Pav. 41)

7 Po valymo įstatykite skutiklį atgal į skutimo apsaugą taip, kad jo kojelės būtų nukreiptos į žemyn. (Pav. 42)

8 Įstatykite laikantį rėmelį atgal į skutimo galvutės laikiklį. (Pav. 43)

9 Pasilinkite apsaugą atgal į vietą (pasigirs spragtelėjimas). (Pav. 44)

10 Iš naujo pritvirtinkite skutimo galvutės laikiklį prie skutimo įtaiso apatinės dalies. (Pav. 27)

Kirptuvo valymas

Kirptuvą reikia valyti po kiekvieno naudojimo.

1 Įjunkite skustuvą su pritvirtintu kirptuvu.

2 Kirptuvą praskalaukite po karštu vandeniu iš čiaupo. (Pav. 45)

3 Išvalę kirptuvą, išjunkite jį.

Patarimas: Kad kirptuvus gerai veiktų, kas šešis mėnesius sutepkite jo dantelius lašu siuvimo mašinų alyvos.

Laikymas

1 Užstumkite apsauginį dangtelį ant skutimo įtaiso, kad nebūtų padaryta žalos skutimo galvutėms (Pav. 46).

2 Tik tam tikruose modeliuose: barzdaskutę laikykite pridėtame krepšelyje.

Pakeitimas

Kad skutimasis būtų efektyvus, patariame viršutinę skutimo įtaiso dalį keisti kasmet. Pakeiskite tik viršutinę skutimo įtaiso dalį originaliu RQ11 „Philips“ skutimo galvutės laikikliu.

1 Ištraukite skutimo galvutės laikiklį iš apatinės skutimo įtaiso dalies (Pav. 26).

2 Pritvirtinkite skutimo galvutės laikiklį prie apatinės skutimo įtaiso dalies (pasigirs spragtelėjimas) (Pav. 27).

Dalių užsakymas

Galima įsigyti tokias dalis:

- HQ8505 adapteris.
- RQ11 „Philips“ skutimo galvutės laikiklis
- Purškiamas HQ110 „Philips“ skutimo galvučių valiklis.
- HQ200 „Philips“ plovimo skystis

Aplinka

- Susidėvėjusių prietaisų neišmeskite su įprastomis buitinėmis atliekomis, o nuneškite juos į oficialų surinkimo punktą perdirbti. Taip prisidėsite prie aplinkosaugos (Pav. 47).
- Integruotame įkraunamajame barzdaskutės maitinimo elemente yra medžiagų, galinčių teršti aplinką. Prieš išmesdami prietaisą arba atiduodami jį į oficialų surinkimo punktą, būtinai išimkite maitinimo elementą. Atiduokite jį į maitinimo elementų surinkimo punktą. Jei maitinimo elemento išimti nepavyksta, barzdaskutę galite nunešti į „Philips“ techninės priežiūros centrą. Centro darbuotojai išims maitinimo elementą ir išmes neteršdami aplinkos (Pav. 48).

Pakartotinai įkraunamą barzdaskutės maitinimo elementų išėmimas

Maitinimo elementą išimkite tik išmesdami barzdaskutę. Išimdami maitinimo elementą įsitikinkite, kad jis yra visiškai išsikrovęs.

Būkite atsargūs – maitinimo elemento juostelės yra aštrios.

1 Naudodami atsuktuvą, nuimkite galinį barzdaskutės korpuso skydelį.

2 Išimkite įkraunamą maitinimo elementą.

Garantija ir techninis aptarnavimas

Prireikus techninio aptarnavimo paslaugų, informacijos arba jei iškilo problema, apsilankykite „Philips“ tinklapyje adresu www.philips.com arba susisiekite su jūsų šalyje esančiu „Philips“ pagalbos vartotojams centru (jo telefono numerį rasite pasauliniame garantiniame lapelyje). Jei jūsų šalyje nėra pagalbos vartotojams centro, kreipkitės į vietinį „Philips“ platintoją.

Garantijos apribojimai

Skutimo galvutėms (skutikliams ir skutimo apsaugoms) netaikomos tarptautinės garantijos sąlygos, nes šios dalys dėvisi.

Trikčių diagnostika ir šalinimas

Šiame skyriuje apibendrinamos problemos, dažniausiai pasitaikančios naudojantis šiuo prietaisu. Jei žemiau pateikiama informacija nepadės išspręsti problemos, kreipkitės į jūsų šalyje esantį klientų aptarnavimo centrą.

Problema	Galima priežastis	Sprendimas
Barzdaskutė skuta prasčiau negu anksčiau.	Skutimo galvutės yra sugadintos arba nusidėvėjusios.	Pakeiskite skutimo galvutės laikiklį (.žr. skyrių „Pakeitimas“).

Problema	Galima priežastis	Sprendimas
	Ilgai plaukai apsivelia aplink skutimo galvutes.	Išvalykite skutimo galvutes vadovaudamiesi itin kruopštaus valymo būdu (žr. skyrių „Valymas ir priežiūra“).
	„Jet Clean“ sistema tinkamai neišvalė barzdaskutės, nes valymo kameroje esantis valymo skystis yra užsiteršęs arba jo yra per mažai.	Prieš toliau skusdamiesi kruopščiai išplaukite barzdaskutę. Jei reikia, išvalykite plovimo kamerą ir pripildykite ją plovimo skysčiu (žr. skyrių „Valymas ir priežiūra“).
Barzdaskutė neįsijungia, kai paspaudžiu įjungimo / išjungimo mygtuką.	Įkraunamas maitinimo elementas yra išsikrovęs.	Įkraukite maitinimo elementą. (žr. skyrių „Įkrovimas“).
	Suaktyvintas kelioninis užraktas.	Paspauskite įjungimo/išjungimo mygtuką 3 sekundėms, kad išjungtumėte kelioninį užraktą.
	Skutimo galvutės laikiklis yra suteptas arba pažeistas tiek, kad variklis negali veikti.	Išvalykite skutimo galvutės laikiklį arba pakeiskite jį (žr. skyrius „Valymas ir priežiūra“ ir „Pakeitimas“).
	Per aukšta barzdaskutės temperatūra. Tokiu atveju barzdaskutė neveikia.	Leiskite barzdaskutei atvėsti. Kai tik barzdaskutės temperatūra pakankamai nukris, galėsite įjungti barzdaskutę vėl.
Po valymo „Jet Clean“ sistemoje barzdaskutė nėra visiškai švari.	Užterštas skystis plovimo kameroje.	Išpilkite ir išskalaukite valymo kamerą.
	Per mažai valymo skysčio. Jei valymo programos metu valymo skysčio lygis plovimo kameroje nukrenta žemiau minimalaus, programa nutraukiama. Tam tikrais intervalais ima mirksėti valymo lemputė ir „tuščia valymo kamera“, o laikiklis grįžta į pradinę padėtį.	Užpildykite plovimo kamerą plovimo skysčiu iki lygio tarp dviejų linijų (žr. skyrių „Valymas ir priežiūra“).
	Panaudojote ne originalų „Philips“ valymo skystį.	Naudokite tik HQ200 „Philips“ valymo skystį.
Nuspaudus įjungimo / išjungimo mygtuką „Jet Clean“ sistema neveikia.	„Jet Clean“ sistema neįjungta į elektros lizdą.	Įkiškite mažą kištuką į „Jet Clean“ sistemą, o adapterį – į sieninį el. lizdą.
	Tarp „Jet Clean“ sistemos ir barzdaskutės nėra elektros jungties.	Barzdaskutę laikiklyje tvirtai įstatykite į vietą.
Barzdaskutė nėra iki galo įkrauta ją įkrovus kroviklyje / „Jet Clean“ sistemoje.	Netinkamai įdėjote barzdaskutę į įkroviklį / „Jet Clean“ sistemą.	Būtinai paspauskite barzdaskutę, kad ji užsifikuotų savo vietoje.

Ievads

Apsveicam ar pirkumu un laipni lūdzam Philips! Lai pilnībā izmantotu Philips piedāvātā atbalsta iespējas, reģistrējiet izstrādājumu vietnē www.philips.com/welcome.

Lūdzu, izlasiet šo lietotāja rokasgrāmatu, jo tajā ir ietverta informācija par šī skuvekļa iespējām, kā arī dažādi padomi, kā padarīt skūšanos daudz patīkamāku.

Vispārējs apraksts (Zīm. 1)

- A** Skuveklis (modeļi RQ1180/RQ1160/RQ1150)
 - 1 Trimmeris
 - 2 Aizsarguzgalis
 - 3 Skūšanas bloks
 - 4 Skuveklis
 - 5 Skuvekļa ieslēgšanas/izslēgšanas poga
 - 6 Displejs
- B** Lādētājs
- C** Jet Clean sistēma (tikai atsevišķiem modeļiem)
 - 1 Skuvekļa turētājs
 - 2 Simbols „Tīrīšanas nodalījums ir tukšs”
 - 3 Tīrīšanas simbols
 - 4 Žāvēšanas simbols
 - 5 Jet Clean sistēmas ieslēgšanas/izslēgšanas poga
 - 6 Tīrīšanas nodalījuma atbrīvošanas poga
- D** Tīrīšanas suka
- E** Tīrīšanas šķidrums
- F** Somiņa (tikai atsevišķiem modeļiem)
- G** Adapteris

Svarīgi!

Pirms ierīces lietošanas uzmanīgi izlasiet šo lietošanas pamācību un saglabājiet to, lai vajadzības gadījumā varētu ieskatīties tajā arī turpmāk.

Piezīme. Šajā rokasgrāmatā jēdziens „ierīces” ir attiecināts uz skuvekli un Jet Clean sistēmu. Ja skuveklis nav aprīkots ar Jet Clean sistēmu, tad šis jēdziens ir attiecināts tikai uz skuvekli.

Vispārīgi

Briesmas

- Gādājiet, lai adapteris nekļūst slapjš (Zīm. 2).

Brīdinājums!

- Adapteri ir iekļauts strāvas pārveidotājs. Nenogrieziet adapteri, lai to nomainītu ar citu kontaktdakšu, jo tādējādi tiks izraisīta bīstama situācija.
- Šīs ierīces nevar izmantot personas (tai skaitā bērni) ar fiziskiem, maņu vai garīgiem traucējumiem vai ar nepietiekamu pieredzi un zināšanām, kamēr par viņu drošību atbildīgā persona nav īpaši viņus apmācījusi izmantot šīs ierīces.
- Jānodrošina, lai ar ierīcēm nevarētu rotāļties mazi bērni.
- Esiet piesardzīgi, kad tīrāt ierīces ar karstu ūdeni. Lai neapplaucētu rokas, vienmēr pārbaudiet, vai ūdens nav pārāk karsts.

Ievērībai

- Nekādā gadījumā neiegremdējiet Jet Clean sistēmu un lādētāju ūdenī, kā arī neskalojiet tos tekošā krāna ūdenī.
- Ierīces un piederumi nav piemēroti mazgāšanai trauku mazgājamajā mašīnā.
- Novietojiet un lietojiet ierīces uz mitrumizturīgas virsmas.
- Lietojiet, uzlādējiet un glabājiet ierīci 5–35 °C temperatūrā.
- Izmantojiet tikai komplektā iekļautos piederumus.
- Adapteris pārveido 100–240 voltu spriegumu drošā spriegumā, kas ir mazāks par 24 voltiem.
- Nelietojiet ierīces, ja tās ir bojātas.
- Ja ierīces adapteris vai kāds cits piederums ir bojāts, vienmēr nomainiet to pret oriģinālu detaļu, lai izvairītos no bīstamām situācijām.
- Kad skalojat ierīci, no kontaktligzdas tās apakšpusē var tecēt ūdens. Tas ir normāli un nav bīstami, jo visas elektroniskās daļas atrodas slēgtā strāvas blokā skuvekļa iekšpusē.

Jet Clean sistēma (tikai atsevišķiem modeļiem)

Ievērībai

- Lietojiet Jet Clean sistēmu tikai ar oriģinālo HQ200 tīrīšanas šķīdumu.
- Lai izvairītos no noplūdes, vienmēr novietojiet Jet Clean sistēmu uz stabilas, līdzenas un horizontālas virsmas.
- Nekādā gadījumā neiegremdējiet Jet Clean sistēmu ūdenī.
- Ik pēc 15 dienām iztukšojiet tīrīšanas nodalījumu un rūpīgi iztīriet to, skalojot tekošā krāna ūdenī.
- Jet Clean sistēma pilnībā iztīra skuvekli, bet nedezinficē to, tāpēc nepielietojiet savu skuvekli ar citiem.
- Jet Clean sistēmas tīrīšanas nodalījums nav paredzēta mazgāšanai trauku mazgājamā mašīnā.
- Kad Jet Clean sistēma ir sagatavota lietošanai, lai nenotiktu tīrīšanas šķidrums noplūde, to nedrīkst pārvietot.

Atbilstība standartiem

- Šis skuveklis atbilst starptautiski atzītiem drošības noteikumiem, un to var droši lietot dušā vai vannā un mazgāt tekošā krāna ūdenī (Zīm. 3).
- Šis Philips ierīces atbilst visiem standartiem saistībā ar elektromagnētiskiem laukiem (EMF). Ja rīkojaties atbilstoši un saskaņā ar šajā skuveklim pievienotajā informatīvajā bukletā sniegtajām instrukcijām, ierīces ir droši izmantojamas saskaņā ar mūsdienās pieejamajiem zinātniskiem datiem.

Displejs

Piezīme. Pirms skuvekļa pirmreizējās lietošanas, noņemiet aizsargplēvi no displeja.

Trim skuvekļu veidiem (modeļiem RQ1180, RQ1160 un RQ1150) ir atšķirīgi displeji, kas ir parādīti attēlos zemāk.

- RQ1180 (Zīm. 4)

- RQ1160 (Zīm. 5)
- RQ1150 (Zīm. 6)

Lādēšana

- Lādēšana ilgst apmēram vienu stundu.

RQ1180

- Kad skuveklis tiek lādēts, vispirms mirgo apakšējais lādēšanas indikators, pēc tam — otrs, un tā tālāk, līdz skuveklis ir pilnībā uzlādēts (Zīm. 7).
- Ātra uzlāde: ja skuveklim pietiek enerģijas vienai skūšanās reizei, apakšējais uzlādes indikators pārmaiņus mirgo oranžā un baltā krāsā.

RQ1160/RQ1150

- Kad skuveklis tiek lādēts, akumulatora simbols mirgo, līdz skuveklis ir pilnībā uzlādēts. (Zīm. 8)
- Ātra uzlāde: ja skuveklim pietiek enerģijas vienai skūšanās reizei, pārmaiņus mirgo kontaktdakšas un akumulatora simbols.

Piezīme. Modeļiem RQ1160 un RQ1150 ir atšķirīgi displeji, taču tie darbojas vienādi.

Akumulators ir pilnībā uzlādēts

RQ1180

- Kad akumulators ir pilnībā uzlādēts, visi uzlādes indikatori deg nepārtraukti. Pēc aptuveni 30 minūtēm displejs atkal tiek automātiski izslēgts. (Zīm. 9)

RQ1160/RQ1150

- Kad akumulators ir pilnībā uzlādēts, akumulatora simbols deg nepārtraukti. Pēc aptuveni 30 minūtēm displejs atkal tiek automātiski izslēgts. (Zīm. 10)

Piezīme. Modeļiem RQ1160 un RQ1150 ir atšķirīgi displeji, taču tie darbojas vienādi.

Tukšs akumulators

RQ1180

- Kad akumulators ir gandrīz tukšs (ja ir atlikušas tikai piecas vai mazāk skūšanās minūtes), apakšējais uzlādes indikators mirgo oranžā krāsā. (Zīm. 11)
- Izslēdzot skuvekli, apakšējais uzlādes indikators dažas sekundes turpina mirgot.

RQ1160/RQ1150

- Kad akumulators ir gandrīz tukšs (ja ir atlikušas tikai piecas vai mazāk skūšanās minūtes), mirgo kontaktdakšas simbols (Zīm. 12).
- Izslēdzot skuvekli, kontaktdakšas simbols dažas sekundes turpina mirgot.

Piezīme. Modeļiem RQ1160 un RQ1150 ir atšķirīgi displeji, taču tie darbojas vienādi.

Atlikusī akumulatora jauda

RQ1180

- Atlikusī akumulatora jauda tiek norādīta ar iedegto uzlādes indikatoru skaitu. (Zīm. 13)

Ceļojuma bloķētājs

Jūs varat bloķēt skuvekli, kad dodaties ceļojumā. Ceļojuma bloķētājs aizsargā skuvekli pret nejaušu ieslēgšanu.

Ceļojuma bloķētāja aktivizēšana

- 3 sekundes turiet nospiestu ieslēgšanas/izslēgšanas pogu, lai ieiētu ceļojuma bloķētāja režīmā (Zīm. 14).
- Displejā iedegas slēdzenes simbols (Zīm. 15).

Piezīme. Modeļiem RQ1180, RQ1160 un RQ1150 ir atšķirīgi displeji, bet uz tiem ir redzams vienāds simbols.

Ceļojuma bloķētāja deaktivizēšana

- 3 sekundes turiet nospiestu ieslēgšanas/izslēgšanas pogu.
 - Motors sāk darboties, norādot, ka ceļojuma bloķētājs ir atslēgts.
- Skuveklis tagad atkal ir gatavs lietošanai.

Piezīme. Ievietojot skuvekli elektrotīklam pievienotā Power Pod vai Jet Clean sistēmā, ceļojuma bloķētājs tiek automātiski atslēgts.

Lādēšana

Lādēšana ilgst apmēram vienu stundu.

Modeļiem RQ1180/RQ1160: pilnībā uzlādētam skuveklim skūšanas laiks ir līdz 50 minūtēm / 15 dienām.

Modelim RQ1150: pilnībā uzlādētam skuveklim skūšanas laiks ir līdz 40 minūtēm / 12 dienām.

Uzlādējiet skuvekli pirms pirmās lietošanas reizes, kā arī, kad displejā ir norādīts, ka akumulators ir gandrīz tukšs (skat. nodaļas „Displejs” sadaļu „Tukšs akumulators”).

Ātra lādēšana

Pēc tam, kad skuveklis ir ticis lādēts 5 minūtes, tam ir pietiekoši daudz enerģijas vienai skūšanās reizei.

Lādēšana lādētājā

- 1 Iespraudiet mazo kontaktdakšu lādētājā (Zīm. 16).
- 2 Iespraudiet adaptera kontaktdakšu elektrotīkla sienas kontaktligzdā.
- 3 Ievietojiet skuvekli lādētājā (1) un nospiediet to uz aizmuguri (2) (atskan klikšķis). (Zīm. 17)
- Displejā ir redzams, ka skuveklis tiek lādēts (skatiet nodaļu „Displejs”).

Lādēšana Jet Clean sistēmā (tikai noteiktiem modeļiem)

- 1 Ievietojiet mazo kontaktdakšu Jet Clean sistēmā.
- 2 Iespraudiet adaptera kontaktdakšu elektrotīkla sienas kontaktligzdā.
- 3 Ievietojiet skuvekli turētājā ar apakšpusi uz augšu un ar displeju pavērstu pret Jet Clean sistēmas priekšpusi (Zīm. 18).

Piezīme. Tikai modelim RQ1180: pagriežot skuvekli ar apakšpusi uz augšu, displejā redzamais akumulatora rādījums arī tiek apgriezts otrādi, tādēļ vēl jāprojām varat redzēt akumulatora uzlādes līmeni.

- 4 Stingri iespiediet skuvekli turētājā, lai noslēgtu to paredzētajā vietā (Zīm. 19).

Piezīme. Skuvekli nevar ievietot Jet Clean sistēmā, ja uz skūšanas bloka ir uzlikts aizsargvāciņš vai ja trimmeris ir novietots uz skuvekļa.

- ▶ Displejā ir redzams, ka skuveklis tiek lādēts (skatiet nodaļu „Displejs”).

Skuvekļa lietošana

Skūšanās

- 1 Lai ieslēgtu ierīci, nospiediet ieslēgšanas/izslēgšanas pogu vienu reizi.
 - ▶ Modelim RQ1180: displejs uz dažām sekundēm tiek izgaismots.
- 2 Virziet skuvekļa galvas pa ādu. Veiciet apļveida kustības (Zīm. 20).
 - Neveiciet taisnas kustības.
 - Var pāriet 2 vai 3 nedēļas, līdz āda pierod pie Philips skūšanas sistēmas.
- 3 Lai izslēgtu ierīci, nospiediet ieslēgšanas/izslēgšanas pogu vienu reizi.
 - ▶ Modelim RQ1180: displejs uz dažām sekundēm tiek izgaismots un tiek parādīta atlikušā akumulatora jauda.

Slapjā skūšanas metode

Skuvekli var izmantot arī uz mitras sejas, uz kuras ir uzklātas skūšanās putas vai želeja. Lai skūtos ar skūšanās putām vai želeju, veiciet tālāk aprakstītās darbības.

- 1 Samitriniet seju.
- 2 Uzklājiet uz sejas skūšanās putas vai želeju.
- 3 Noskalojiet skūšanās bloku tekošā krāna ūdenī, lai tas vienmērīgi slīdētu pa ādu.
- 4 Lai ieslēgtu ierīci, nospiediet ieslēgšanas/izslēgšanas pogu vienu reizi.
- 5 Virziet skuvekļa galvas pa ādu, veicot apļveida kustības.

Piezīme. Regulāri skalojiet skūšanās bloku tekošā krāna ūdenī, lai tas aizvien vienmērīgi slīdētu pa ādu.

- 6 Noslaukiet seju un pēc lietošanas rūpīgi iztīriet skuvekli (skat. nodaļu „Tīrīšana un apkope”).

Piezīme. Noteikti noskalojiet no skuvekļa visas skūšanās putas vai želejas paliekas.

Trimmeris

Varat lietot trimmeri, lai koptu vaigubārdu un ūsas.

- 1 Izvelciet skūšanas bloku no skuvekļa (Zīm. 21).

Piezīme. Negrieziet skūšanās bloku, kad noņemat to no skuvekļa.

- 2 Ievietojiet trimmera izcilni spraugā skuvekļa augšgalā (1). Tad nospiediet trimmeri leju (2), lai piestiprinātu to pie skuvekļa (atskan klikšķis) (Zīm. 22).
- 3 Lai ieslēgtu trimmeri, nospiediet ieslēgšanas/izslēgšanas pogu vienu reizi.
 - ▶ Modelim RQ1180: displejs uz dažām sekundēm tiek izgaismots.
- 4 Tagad varat sākt aplīdzināšanu.
- 5 Lai izslēgtu trimmeri, nospiediet ieslēgšanas/izslēgšanas pogu vienu reizi.
 - ▶ Modelim RQ1180: displejs uz dažām sekundēm tiek izgaismots un tiek parādīta atlikušā akumulatora jauda.
- 6 Izvelciet trimmeri no skuvekļa (Zīm. 23).

Piezīme. Negrieziet griešanas bloku, kad noņemat to no skuvekļa.

- 7 Ievietojiet skūšanas bloka izcilni spraugā skuvekļa augšgalā (1). Tad nospiediet skūšanas bloku leju (2), lai piestiprinātu to pie skuvekļa (atskan klikšķis) (Zīm. 24).

Tīrīšana un apkope

Ierīces un Jet Clean sistēmas tīrīšanai nekad nelietojiet beržamās sukas, abrazīvus tīrīšanas līdzekļus vai agresīvus šķidrums, piemēram, benzīnu vai acetonu.

- Labākais un higiēniskākais skuvekļa tīrīšanas veids ir Jet Clean sistēma (tikai noteiktiem modeļiem). Varat arī skalot skuvekli tekošā krāna ūdenī vai tīrīt to ar komplektā iekļauto suku.
- Esiet piesardzīgi, kad rīkojaties ar karstu ūdeni. Lai neapplaucētu rokas, vienmēr pārbaudiet, vai ūdens nav pārāk karsts.
- Optimālai skūšanas veiktspējai tīriet skuvekli pēc katras skūšanās reizes.
- Ierīces korpusu varat tīrīt ar mitru drānu.
- Regulāra tīrīšana nodrošina ierīces labāku darbību skūšanās laikā.

Skūšanas bloka tīrīšana

Esiet piesardzīgi, kad rīkojaties ar karstu ūdeni. Lai neapplaucētu rokas, vienmēr pārbaudiet, vai ūdens nav pārāk karsts.

- 1 Skalojiet skūšanas bloku karstā tekošā krāna ūdenī (Zīm. 25).

Piezīme. Ar komplektā iekļauto tīrīšanas suku varat tīrīt arī skūšanas bloku.

- 2 Noņemiet skūšanas galvas turētāju no skūšanas bloka apakšējās daļas un skalojiet to karstā, tekošā krāna ūdenī 30 sekundes (Zīm. 26).

Piezīme. Ar komplektā iekļauto tīrīšanas suku varat tīrīt arī skūšanas galvas turētāju.

- 3 Uzmaniģi nokratiet lieko ūdeni un ļaujiet skūšanas blokam nožūt.

Nekad neslaukiet skūšanas bloku ar divieli vai papīra salveti, jo tā varat sabojāt skūšanas galvas.

4 Uzlieciet skūšanas galvas turētāju atpakaļ uz skūšanas bloka apakšējās daļas (atskan klikšķis) (Zīm. 27).

Skūšanas bloka tīrīšana Jet Clean sistēmā (tikai noteiktiem modeļiem)

Jet Clean sistēmai ir automātiska tīrīšanas programma. Nospiežot ieslēgšanas/izslēgšanas pogu, Jet Clean sistēma sāk tīrīšanu automātiskās tīrīšanas programmā.

Jet Clean sistēmas sagatavošana lietošanai

Pirms pirmās lietošanas piepildiet tīrīšanas nodaļījumu.

1 Ievietojiet mazo kontaktdakšu Jet Clean sistēmā.

2 Iespraudiet adaptera kontaktdakšu elektrotīkla sienas kontaktligzdā.

► Turētājs automātiski aizvirsās uz augstāko pozīciju.

3 Vienlaicīgi nospiediet atbrīvošanas pogas abās tīrīšanas nodaļījuma (1) pusēs, pēc tam izceliet Jet Clean sistēmu no tīrīšanas nodaļījuma (2). (Zīm. 28)

► Tīrīšanas nodaļījums paliek aizmugurē.

4 Atskrūvējiet tīrīšanas šķidrums pudelītes vāku.

5 Piepildiet tīrīšanas nodaļījumu ar HQ200 tīrīšanas šķidrumu līdz līmenim starp divām atzīmēm (Zīm. 29).

6 Ievietojiet Jet Clean sistēmu atpakaļ tīrīšanas kamerā (Zīm. 30).

Pārliedzinieties, ka atbrīvošanas pogas, atskatot klikšķim, nofiksējas savās vietās.

Jet Clean sistēmas lietošana

Piezīme. Ja skuvekli lietojat ar skūšanās putām vai želeju, pirms tīrīšanas Jet Clean sistēmā to ieteicams noskalot karstā, tekošā krāna ūdenī. Tādējādi tiks nodrošināta tīrīšanas šķidrums optimāla iedarbība.

1 Ievietojiet skuvekli turētājā ar apakšpusi uz augšu un ar displeju pavērstu pret Jet Clean sistēmas priekšpusi (Zīm. 18).

2 Stingri iespieties skuvekli turētājā, lai noslēgtu to paredzētajā vietā (Zīm. 19).

► Displejā ir redzams, ka skuveklis tiek lādēts (skatiet nodaļu „Displejs”).

3 Nospiediet Jet Clean sistēmas ieslēgšanas/izslēgšanas pogu, lai sāktu tīrīšanas programmu. (Zīm. 31)

► Skuvekļa displejā vairs nav redzams lādēšanas indikators.

► Tīrīšanas indikators sāk mirgot, un skuveklis automātiski tiek iegremdēts tīrīšanas šķidrums (Zīm. 32).

► Tīrīšanas indikators mirgos, līdz tīrīšanas programma tiks pabeigta, kas parasti ilgst dažas minūtes.

► Pirmajā tīrīšanas programmas fāzē skuveklis automātiski ieslēdzas un izslēdzas, kā arī kustas augšup un lejup.

► Otrajā tīrīšanas programmas fāzē skuveklis tiek novietots žāvēšanas pozīcijā, par ko liecina mirgojošs žāvēšanas simbols. Šī fāze ilgst aptuveni 2 stundas. Skuveklis šajā pozīcijā atrodas līdz programmas beigām. (Zīm. 33)

► Pēc tīrīšanas programmas pabeigšanas skuvekļa displejā ir redzams lādēšanas indikators (skatiet nodaļu „Displejs”).

Piezīme. Tīrīšanas programmas laikā nospiežot Jet Clean sistēmas ieslēgšanas/izslēgšanas pogu, programma tiek priekšlaicīgi pārtraukta. Šajā gadījumā, tīrīšanas un žāvēšanas indikatori pārtrauc mirgot, un turētājs tiek novietots augstākajā pozīcijā.

Piezīme. Ja izņemat adapteri no sienas kontaktligzdas tīrīšanas programmas laikā, tad programma tiek pārtraukta. Turētājs paliek tābrīža pozīcijā. Kad ievietojat adapteri atpakaļ sienas kontaktligzdā, turētājs tiek novietots augstākajā pozīcijā.

- Ja tīrīšanas šķidrums līmenis nokrīt zem minimālā līmeņa atzīmes, sāk mirgot tukša tīrīšanas nodaļījuma simbols, un turētājs tiek novietots sākuma pozīcijā (Zīm. 34).

- Ja skuvekļa tīrīšanai katru dienu izmantojat tīrīšanas ierīci, tīrīšanas nodaļījums ir no jauna jāuzpilda aptuveni ik pēc 15 dienām.

Jet Clean sistēmas tīrīšana

Tīriet tīrīšanas nodaļījumu ik pēc 15 dienām.

Jet Clean sistēmas ārpusi var tīrīt ar mitru drāniņu.

1 Vienlaicīgi nospiediet atbrīvošanas pogas abās tīrīšanas nodaļījuma (1) pusēs, pēc tam izceliet Jet Clean sistēmu no tīrīšanas nodaļījuma (2). (Zīm. 28)

► Tīrīšanas nodaļījums paliek aizmugurē.

2 Izlejiet atlikušo šķidrumu no tīrīšanas nodaļījuma. (Zīm. 35)

Tīrīšanas šķidrumu var vienkārši izliet izlietnē.

3 Skalojiet tīrīšanas nodaļījumu tekošā krāna ūdenī (Zīm. 36).

Tīrīšanas nodaļījumu nedrīkst mazgāt trauku mazgājamā mašīnā.

4 Piepildiet tīrīšanas nodaļījumu ar HQ200 tīrīšanas šķidrumu līdz līmenim starp divām atzīmēm (Zīm. 29).

5 Ievietojiet Jet Clean sistēmu atpakaļ tīrīšanas nodaļījumā. (Zīm. 30)

Pārliedzinieties, ka atbrīvošanas pogas, atskatot klikšķim, nofiksējas savās vietās.

Rūpīgās tīrīšanas metode

Raugieties, lai ierīce būtu izslēgta.

1 Noņemiet skūšanas galvas turētāju no skūšanas bloka apakšējās daļas (Zīm. 26).

2 Bīdīet zaļo turētājraimi uz tā redzamo bultiņu norādītajā virzienā (Zīm. 37).

3 Izceliet turētājraimi no skūšanas galvas turētāja. (Zīm. 38)

4 Noņemiet griezēju no aizsargsieta (Zīm. 39).

Piezīme. Vienlaikus tīriet tikai vienu griezēju un aizsargsietu, jo katrs to pāris ir savstarpēji salāgots komplekts. Ja griezēju nejausi ieliekat nepareizajā aizsargsieta, var paiet pat vairākas nedēļas, līdz ierīce atkal darbosies ar optimālu skūšanas veikspēju.

5 Notīriet griezēju ar komplektā iekļauto tīrīšanas suku (Zīm. 40).

- 6 Iztīriet aizsargsieta iekšpusi. (Zīm. 41)
- 7 Pēc tīrīšanas ielieciet griezēju atpakaļ aizsargsietā, griezēja kājiņas vēršot leļup. (Zīm. 42)
- 8 Novietojiet turētājrāmi atpakaļ uz skūšanas galvas turētāja. (Zīm. 43)
- 9 Iebīdīet aizsargsietu atpakaļ skūšanas galvas turētājā (atskan klikšķis). (Zīm. 44)
- 10 Uzlieciet skūšanas galvas turētāju atpakaļ uz skūšanas bloka apakšējās daļas. (Zīm. 27)

Trimmera tīrīšana

Tīriet trimmeri pēc katras lietošanas reizes.

- 1 Trimmerim esot pievienotam, ieslēdziet skuvekli.
- 2 Kādu brīdi skalojiet trimmeri karstā tekošā krāna ūdenī. (Zīm. 45)
- 3 Pēc tīrīšanas izslēdziet skuvekli.

Padoms. Optimālai veiktspējai reizi sešos mēnešos ieeļļojiet trimmera zobņņus ar pļienu šujmašīnu eļļas.

Uzglabāšana

- 1 Uzlieciet skūšanas blokam aizsarguzgali, lai skūšanas galvas netiktu bojātas (Zīm. 46).
- 2 Tikai atsevišķiem modeļiem: glabājiet skuvekli komplektā iekļautajā somiņā.

Rezerves daļas

Lai nodrošinātu vislabāko skūšanās sniegumu, ieteicams mainīt skūšanas bloka augšējo daļu katru gadu. Nomainiet skūšanas bloka augšējo daļu tikai ar oriģinālu RQ11 Philips skūšanas galvas turētāju.

- 1 Noņemiet skūšanas galvas turētāju no skūšanas bloka apakšējās daļas (Zīm. 26).
- 2 Uzlieciet jaunu skūšanas galvas turētāju uz skūšanas bloka apakšējās daļas (atskan klikšķis) (Zīm. 27).

Piederumu pasūtīšana

Ir pieejami šādas detaļas:

- HQ8505 adapteris
- RQ11 Philips skūšanas galvas turētājs
- HQ110 Philips skuveķļa galviņas tīrīšanas aerosols.
- HQ200 Philips tīrīšanas šķidrums

Apkārtējā vide

- Pēc ierīču kalpošanas laika beigām, neizmetiet tās kopā ar sadzīves atkritumiem, bet nododiet tās oficiālā savākšanas punktā pārstrādei. Tādā veidā jūs palīdzēsīt saudzēt apkārtējo vidi (Zīm. 47).
- Skuveķļa iebūvētā akumulatora baterija satur vielas, kas var piesārņot vidi. Pirms akumulatora izmešanas vai nodošanas oficiālā savākšanas punktā vienmēr izņemiet to. Akumulatoru nododiet oficiālā bateriju savākšanas punktā. Ja akumulatora izņemšana sagādā grūtības, dodieties ar šo ierīci uz Philips Servisa centru, kur akumulatoru izņems un atbrīvosies no tā videi drošā veidā (Zīm. 48).

Skuveķļa atkārtojumi uzlādējamā akumulatora izņemšana

Akumulatora bateriju izņemiet tikai tad, kad izmetat ierīci. Izņemot akumulatora bateriju, pārliecinieties, ka tā ir pilnīgi tukša.

Uzmanieties! Akumulatora baterijas malās ir asas!

- 1 Noņemiet skuveķļa aizmugurējo paneli, izmantojot skrūvgriezi.
- 2 Izņemiet akumulatora bateriju.

Garantija un tehniskā apkope

Ja nepieciešama apkope, informācija vai palīdzība, apmekļējiet Philips tīmekļa vietni www.philips.com vai sazinieties ar Philips klientu apkalpošanas centru savā valstī (tā tālruna numurs atrodams pasaules garantijas brošūrā). Ja jūsu valstī nav klientu apkalpošanas centra, vērsieties pie vietējā Philips preču izplatītāja.

Garantijas ierobežojumi

Uz skūšanas galvām (griezējiem un aizsargsietiem) neattiecas starptautiskās garantijas nosacījumi, jo tās nolietojas.

Kļūmju novēršana

Šajā nodaļā ir apkopotas vizizplatītākās problēmas, ar kurām varat sastapties, izmantojot ierīci. Ja nevarat tās atrisināt, izmantojot zemāk redzamo informāciju, sazinieties ar klientu apkalpošanas centru savā valstī.

Problēma	Iespējamais iemesls	Risinājums
Skuveķlis vairs nefunkcionē tik labi kā iepriekš.	Skuveķļa galviņas ir bojātas vai nolietotas.	Nomainiet skūšanas galvas turētāju (skatiet nodaļu „Nomaiņa”).
	Gari mati nosprosto skuveķļa galviņas.	Tīriet skūšanas galvas, izmantojot rūpīgās tīrīšanas metodi (skat. nodaļu „Tīrīšana un apkope”).
	Jet Clean sistēma neiztīrja skuvekli rūpīgi, jo tīrīšanas šķidrums tīrīšanas nodaļījumā ir netīrs vai tā līmenis ir pārāk zems.	Pirms turpināt skūšanas, rūpīgi iztīriet skuvekli. Ja nepieciešams, iztīriet tīrīšanas nodaļījumu, un pēc tam no jauna piepildiet to (skatiet nodaļu „Tīrīšana un apkope”).

Problēma	Iespējamais iemesls	Risinājums
Nospiežot ieslēgšanas/ izslēgšanas pogu, skuveklis nedarbojas.	Akumulatora baterija ir tukša.	Uzlādējiet akumulatoru (skatiet nodaļu „Lādēšana”).
	Ceļojuma bloķētājs ir aktivizēts.	3 sekundes turiet nospiestu ieslēgšanas/izslēgšanas pogu, lai atslēgtu ceļojuma bloķētāju.
Pēc skuvekļa tīrīšanas Jet Clean sistēmā tas nav pilnīgi tīrs.	Skūšanas galvas turētājs ir aizsērējis vai arī bojāts tik nopietni, ka motors nedarbojas.	Iztīriet skūšanas galvas turētāju vai nomainiet to (skatiet nodaļas „Tīrīšana un apkope” un „Rezerves daļas”).
	Skuvekļa temperatūra ir pārāk augsta. Tādā gadījumā skuveklis nedarbojas.	Ļaujiet skuveklim atdzist. Tiklīdz skuvekļa temperatūra ir atbilstoša, varat to atkal ieslēgt.
Pēc skuvekļa tīrīšanas Jet Clean sistēmā tas nav pilnīgi tīrs.	Tīrīšanas šķidrums tīrīšanas nodaļījumā ir netīrs.	Iztukšojiet un izskalojiet tīrīšanas nodaļījumu.
	Tīrīšanas šķidruma līmenis ir pārāk zems. Ja tīrīšanas programmas laikā šķidruma daudzums tīrīšanas nodaļījumā nokrītas zem minimālā līmeņa, programma tiek priekšlaicīgi pārtraukta. Mīrigo tīrīšanas indikators un tukša tīrīšanas nodaļījuma simbols, un turētājs tiek novietots sākuma pozīcijā.	Iepildiet tīrīšanas nodaļījumā tīrīšanas šķidrumu līdz līmenim starp divām atzīmēm (skatiet nodaļu „Tīrīšana un apkope”).
Skuveklis neieslēdzas, kad es nospiežu ieslēgšanas/ izslēgšanas pogu.	Esat lietojis citu tīrīšanas šķidrumu, nevis oriģinālo Philips tīrīšanas šķidrumu.	Lietojiet tikai HQ200 Philips tīrīšanas šķidrumu.
	Jet Clean sistēma nav pieslēgta elektrotīklam.	Ievietojiet mazo kontaktdakšu Jet Clean sistēmā un adapteri sienas kontaktligzdā.
Pēc skuvekļa uzlādes lādētājā / Jet Clean sistēmā, tas nav pilnībā uzlādēts.	Jet Clean sistēmai un skuveklim nav izveidots elektriskais savienojums.	Stingri iespiediet skuvekli turētājā, lai noslēgtu to paredzētajā vietā.
	Skuveklis nebija pareizi ievietots lādētājā / Jet Clean sistēmā.	Pārlicinieties, ka spiežat skuvekli, līdz tas nofiksējas tam paredzētajā vietā.

Pengenalan

Tahniah atas pembelian anda, dan selamat datang ke Philips! Untuk mendapat manfaat sepenuhnya daripada sokongan yang ditawarkan oleh Philips, daftarkan produk anda di www.philips.com/welcome. Sila baca manual pengguna ini, kerana ia mengandungi maklumat berkenaan ciri-ciri pencukur ini serta beberapa petua untuk membuatkan pencukuran lebih mudah dan lebih menyeronokkan.

Perihal umum (Gamb. 1)

- A** Pencukur (RQ1180/RQ1160/RQ1150)
 - 1 Perapi
 - 2 Tukup perlindungan
 - 3 Unit pencukuran
 - 4 Pencukur
 - 5 Butang hidup/mati pencukur
 - 6 Paparan
- B** Pengecas
- C** Sistem Pembersih Jet (jenis tertentu sahaja)
 - 1 Pemegang pencukur
 - 2 Simbol 'Ruang pembersihan kosong'
 - 3 Simbol pembersihan
 - 4 Simbol pengeringan
 - 5 Butang hidup/mati Sistem Pembersih Jet
 - 6 Butang pelepas ruang pembersihan
- D** Berus pembersih
- E** Cecair pembersih
- F** Pau (untuk jenis tertentu sahaja)
- G** Penyesuai

Penting

Baca manual pengguna ini dengan teliti sebelum anda menggunakan perkakas dan simpan ia untuk rujukan masa depan.

Nota: Dalam manual pengguna ini, istilah 'perkakas' merujuk kepada pencukur dan Sistem Pembersih Jet. Jika pencukur anda tidak dibekalkan bersama Sistem Pembersih Jet, ia merujuk kepada pencukur sahaja.

Am

Bahaya

- Pastikan penyesuai tidak menjadi basah (Gamb. 2).

Amaran

- Penyesuai mengandungi pengubah. Jangan potong penyesuai untuk menggantinya dengan plag yang lain, kerana ini akan mengakibatkan keadaan berbahaya.
- Perkakas ini tidak dimaksudkan untuk digunakan oleh orang (termasuk kanak-kanak) yang kurang upaya dari segi fizikal, deria atau mental, atau kurang berpengalaman dan pengetahuan, kecuali mereka telah diberi pengawasan atau arahan berkenaan penggunaan perkakas ini oleh orang yang bertanggungjawab atas keselamatan mereka.
- Kanak-kanak hendaklah diawasi untuk memastikan bahawa mereka tidak bermain dengan perkakas ini.
- Berhati-hati apabila menggunakan air panas untuk membersihkan perkakas. Anda hendaklah memastikan bahawa air tidak terlalu panas, untuk mengelakkan tangan anda daripada melecur.

Awas

- Jangan sekali-kali merendam Sistem Pembersih Jet dan pengecasnya di dalam air ataupun membilasnya di bawah paip.
- Perkakas dan aksesori tidak kalis mesin basuh pinggan.
- Anda hendaklah memastikan bahawa perkakas diletakkan di atas permukaan yang tahan cecair.
- Guna, cas dan simpan perkakas pada suhu antara 5°C dan 35°C.
- Hanya gunakan aksesori yang dibekalkan.
- Penyesuai mengubah 100-240 volt kepada voltan rendah dan selamat yang tidak melebihi 24 volt.
- Jangan gunakan perkakas jika ia rosak.
- Jika penyesuai atau sebarang aksesori lain rosak, pastikan bahawa anda menggantinya dengan jenis yang asli bagi mengelakkan bahaya.
- Air mungkin bocor keluar daripada soket di bahagian bawah pencukur ketika anda membilasnya. Ini adalah normal dan tidak berbahaya kerana semua bahagian elektronik dilindungi di dalam unit kuasa yang kedap di dalam pencukur.

Sistem Pembersih Jet (jenis tertentu sahaja)

Awas

- Hanya gunakan Sistem Pembersih Jet dengan cecair pembersih HQ200 yang asli.
- Anda hendaklah setiap kali meletakkan Sistem Pembersih Jet di atas permukaan yang stabil, rata dan datar untuk mengelakkan kebocoran.
- Jangan sekali-kali merendam Sistem Pembersih Jet di dalam air.
- Kosongkan dan bersihkan ruang pembersihan dengan menyeluruh dengan membilasnya dengan air paip yang panas setiap 15 hari.
- Sistem Pembersih Jet membersihkan dengan menyeluruh tetapi tidak akan menyahkuman pencukur anda, oleh itu jangan kongsi pencukur anda dengan orang lain.
- Ruang pembersihan Sistem Pembersih Jet tidak kalis mesin basuh pinggan.
- Apabila Sistem Pembersih Jet telah sedia untuk digunakan, jangan alihkannya untuk mengelakkan kebocoran cecair pembersih.

Pematuhan standard

- Pencukur ini mematuhi kelulusan antarabangsa dengan keselamatan pengawalan dan boleh digunakan dengan selamat semasa mandi atau mandi hujan dan membersihkan bawah pili air (Gamb. 3).
- Perkakas Philips ini mematuhi semua standard berkenaan medan elektromagnet (EMF). Jika perkakas ini dikendalikan dengan betul dan mengikut arahan dalam buku kecil maklumat penting ini dan dalam buku kecil maklumat penggunaan yang dibekalkan bersama pencukur, perkakas ini selamat untuk digunakan berdasarkan bukti saintifik yang terdapat pada hari ini.

Paparan

Nota: Sebelum anda menggunakan perkakas pada kali pertama, tanggalkan kerajang pelindung daripada paparan.

Ketiga-tiga jenis pencukur (RQ1180, RQ1160 dan RQ1150) ini mempunyai paparan yang berbeza, yang ditunjukkan dalam rajah di bawah.

- RQ1180 (Gamb. 4)
- RQ1160 (Gamb. 5)
- RQ1150 (Gamb. 6)

Pengecasan

- Pengecasan mengambil masa lebih kurang 1 jam.

RQ1180

- Apabila pencukur sedang dicas, pertama sekali lampu pengecasan bawah akan berkelip, kemudian lampu pengecasan kedua, dan seterusnya sehingga pencukur bercas penuh (Gamb. 7).
- Pengecasan pantas: Setelah pencukur mengandungi cukup tenaga untuk satu cukuran, lampu pengecasan bawah akan berkelip warna jingga dan putih berganti-ganti.

RQ1160/RQ1150

- Semasa pencukur sedang dicas, simbol bateri akan berkelip sehingga pencukur bercas penuh. (Gamb. 8)
- Pengecasan pantas: Setelah pencukur mengandungi cukup tenaga untuk satu cukuran, simbol plag dan simbol bateri akan berkelip berganti-ganti.

Nota: Paparan jenis RQ1160 dan RQ1150 kelihatan berbeza, tetapi ia berfungsi dengan cara yang sama.

Bateri telah dicas sepenuhnya

RQ1180

- Apabila bateri bercas penuh, semua lampu pengecasan akan menyala berterusan. Selepas lebih kurang 30 minit, paparan akan mati secara automatik. (Gamb. 9)

RQ1160/RQ1150

- Apabila bateri bercas penuh, simbol bateri akan menyala berterusan. Selepas lebih kurang 30 minit, paparan akan mati semula secara automatik. (Gamb. 10)

Nota: Paparan jenis RQ1160 dan RQ1150 kelihatan berbeza, tetapi ia berfungsi dengan cara yang sama.

Bateri lemah

RQ1180

- Apabila bateri hampir habis (ketika hanya terdapat baki 5 minit cukuran atau kurang), lampu pengecasan bawah berkelip warna jingga. (Gamb. 11)
- Apabila anda mematikan pencukur, lampu pengecasan bawah akan terus berkelip selama beberapa saat.

RQ1160/RQ1150

- Apabila bateri hampir habis (ketika hanya terdapat baki 5 minit cukuran atau kurang), simbol plag akan berkelip (Gamb. 12).
- Apabila anda mematikan pencukur, simbol plag akan terus berkelip selama beberapa saat.

Nota: Paparan jenis RQ1160 dan RQ1150 kelihatan berbeza, tetapi ia berfungsi dengan cara yang sama.

Baki kapasiti bateri

RQ1180

- Kapasiti bateri yang tinggal ditunjukkan oleh bilangan lampu pengecasan yang menyala. (Gamb. 13)

Kunci kembara

Anda boleh mengunci pencukur apabila anda hendak mengembara. Kunci kembara mengelakkan pencukur daripada dihidupkan tanpa sengaja.

Mengaktifkan kunci kembara

- 1 Tekan butang hidup/mati selama 3 saat untuk memasuki mod kunci kembara (Gamb. 14).
- 2 Simbol kunci akan menyala pada paparan. -tekening- (Gamb. 15)

Nota: Paparan jenis RQ1180, RQ1160 dan RQ1150 kelihatan berbeza, tetapi menunjukkan simbol yang sama.

Menyahaktifkan kunci kembara

- 1 Tekan butang hidup/mati selama 3 saat.
 - 2 Motor mula berjalan untuk menunjukkan bahawa kunci kembara telah dinyahaktifkan.
- Pencukur kini telah sedia untuk digunakan sekali lagi.

Nota: Apabila anda meletakkan pencukur di dalam pengecas yang telah di plag masuk atau Sistem Pembersih Jet, kunci kembara secara automatik akan dinyahaktifkan.

Pengecasan

Pengecasan mengambil masa lebih kurang 1 jam.

RQ1180/RQ1160: Pencukur bercas penuh mempunyai masa mencukur sehingga 50 minit/15 hari.

RQ1150: Pencukur bercas penuh mempunyai masa mencukur sehingga 40 minit/12 hari.

Caskan pencukur sebelum anda menggunakannya pada kali pertama dan apabila paparan menunjukkan bahawa bateri hampir habis (lihat bahagian 'Bateri lemah' dalam bab 'Paparan').

Cas cepat

Setelah pencukur dicas selama 5 minit, ia mengandungi cukup tenaga bagi sekali cukuran.

Mengecas pengecas

- 1 Letakkan plag kecil di dalam pengecas (Gamb. 16).
- 2 Letakkan penyesuai di dalam soket dinding.

- 3 Letakkan pencukur di dalam pengecas (1) dan tolak ia ke belakang (2) ('klik'). (Gamb. 17)
- ▶ Paparan menunjukkan bahawa pencukur sedang dicas (lihat bab 'Paparannya').

Mengecas di dalam Sistem Pembersih Jet (jenis tertentu sahaja)

- 1 Letakkan plag kecil di dalam Sistem Pembersih Jet.
- 2 Letakkan penyesuai di dalam soket dinding.
- 3 Letakkan pencukur dalam keadaan terbalik di dalam pemegang dengan keadaan paparan menunjuk ke arah bahagian hadapan Sistem Pembersih Jet (Gamb. 18).

Nota: RQ1180 sahaja: apabila anda menterbalikkan pencukur, penunjuk bateri pada paparan juga akan diterbalikkan sehingga anda masih dapat melihat sehingga ke paras mana bateri telah dicas.

- 4 Tekan pencukur dengan ketat ke dalam pemegang untuk menguncinya di tempatnya (Gamb. 19).

Nota: Pencukur tidak dapat diletakkan di dalam Sistem Pembersih Jet jika tutup pelindung terpasang pada unit pencukur atau jika perapi terpasang pada pencukur.

- ▶ Paparan menunjukkan bahawa pencukur sedang dicas (lihat bab 'Paparannya').

Menggunakan pencukur

Mencukur

- 1 Tekan butang hidup/mati sekali untuk menghidupkan pencukur.
 - ▶ RQ1180: Paparan menyala selama beberapa saat.
- 2 Gerakkan kepala pencukur melalui kulit anda. Buat gerakan membulat (Gamb. 20).
 - Jangan buat gerakan lurus.
 - Kulit anda mungkin memerlukan 2 atau 3 minggu sebelum biasa dengan sistem pencukuran Philips.
- 3 Tekan butang hidup/mati sekali untuk mematikan pencukur.
 - ▶ RQ1180: Paparan akan menyala selama beberapa saat dan kemudian menunjukkan baki kapasiti bateri.

Pencukuran basah

Anda juga boleh menggunakan pencukur ini pada muka yang basah dengan busa cukur atau gel cukur. Untuk mencukur dengan busa cukur atau gel cukur, ikuti langkah di bawah:

- 1 Bubuh sedikit air pada kulit anda.
- 2 Bubuh busa cukur atau gel cukur pada kulit anda.
- 3 Bilas unit pencukur di bawah paip untuk memastikan unit pencukur meluncur dengan licin melalui kulit anda.
- 4 Tekan butang hidup/mati sekali untuk menghidupkan pencukur.
- 5 Gerakkan kepala pencukur dalam gerakan membulat melalui kulit anda.

Nota: Bilas pencukur di bawah paip dengan berkala untuk memastikan ia meluncur dengan licin melalui kulit anda.

- 6 Keringkan muka anda dan dengan menyeluruh bersihkan pencukur selepas digunakan (lihat bab 'Pembersihan dan penyelenggaraan').

Nota: Pastikan anda membilas semua busa atau gel cukur keluar daripada pencukur.

Merapi

Anda boleh menggunakan perapi untuk merapikan jambang dan misai anda.

- 1 Tarik lurus unit pencukur keluar daripada pencukur (Gamb. 21).

Nota: Jangan putar unit pencukur ketika anda sedang menariknya keluar daripada pencukur.

- 2 Masukkan cuping perapi ke dalam slot di bahagian atas pencukur (1). Kemudian tekan perapi ke bawah (2) untuk memasangnya pada pencukur ('klik') (Gamb. 22).
- 3 Tekan butang hidup/mati sekali untuk menghidupkan perapi.
 - ▶ RQ1180: Paparan menyala selama beberapa saat.
- 4 Anda kini boleh memulakan perapian.
- 5 Tekan butang hidup/mati sekali untuk mematikan perapi.
 - ▶ RQ1180: Paparan akan menyala selama beberapa saat untuk menunjukkan baki kapasiti bateri.
- 6 Tarik lurus perapi keluar daripada pencukur (Gamb. 23).

Nota: Jangan putar unit perapi ketika anda sedang menariknya keluar daripada pencukur.

- 7 Masukkan cuping unit pencukur ke dalam slot di bahagian atas pencukur (1). Kemudian tekan unit pencukur ke bawah (2) untuk memasangnya pada pencukur ('klik') (Gamb. 24).

Pembersihan dan penyelenggaraan

Jangan sekali-kali menggunakan pad penyental, agen pembersih yang melelas atau cecair yang agresif seperti alkohol atau aseton untuk membersihkan perkakas dan Sistem Pembersih Jet.

- Cara terbaik dan paling bersih untuk membersihkan pencukur adalah di dalam Sistem Pembersih Jet (jenis tertentu sahaja). Anda juga boleh membilas pencukur di bawah paip air atau membersihkannya dengan berus yang dibekalkan.
- Berhati-hati apabila menggunakan air panas. Anda hendaklah setiap kali memeriksa bahawa air tidak terlalu panas, untuk mengelakkan tangan anda daripada melecur.
- Bersihkan pencukur selepas setiap cukuran untuk prestasi yang optimum.
- Anda boleh membersihkan bahagian luar pencukur dengan kain lembap.
- Pembersihan yang tetap menjamin prestasi pencukuran yang lebih baik.

Membersihkan unit pencukur.

Berhati-hati apabila menggunakan air panas. Anda hendaklah setiap kali memeriksa bahawa air tidak terlalu panas, untuk mengelakkan tangan anda daripada melecur.

1 Bilas unit pencukur di bawah air paip yang panas buat beberapa lama (Gamb. 25).

Nota: Anda juga boleh memberus unit pencukur dengan brus pembersih yang dibekalkan.

2 Tarik pemegang kepala pencukur keluar daripada bahagian bawah unit pencukur dan bilas ia di bawah air paip yang panas selama 30 saat (Gamb. 26).

Nota: Anda juga boleh memberus pemegang kepala pencukur dengan brus pembersih yang dibekalkan.

3 Dengan berhati-hati, kibas lebih air dan biarkan unit pencukur mengering.

Jangan keringkan unit pencukur dengan tuala atau tisu, kerana ini akan merosakkan kepala alat pencukur.

4 Pasangkan semula pemegang kepala pencukur kepada bahagian bawah unit pencukur ('klik') (Gamb. 27).

Membersihkan unit pencukur di dalam Sistem Pembersih Jet (jenis tertentu sahaja)

Sistem Pembersih Jet mempunyai satu program pembersihan automatik. Apabila anda menekan butang hidup/mati, Sistem Pembersih Jet akan memulakan pembersihan dalam program pembersihan automatik.

Menyediakan Sistem Pembersih Jet untuk penggunaan

Isi ruang pembersihan sebelum penggunaan pertama.

1 Letakkan plag kecil di dalam Sistem Pembersih Jet.

2 Letakkan penyesuai di dalam soket dinding.

► Pemegang secara automatik akan bergerak ke kedudukan tertinggi.

3 Tekan butang pelepas pada kedua-dua belah Sistem Pembersih Jet serentak (1). Kemudian angkat Sistem Pembersih Jet keluar daripada ruang pembersihan (2). (Gamb. 28)

► Ruang pembersihan kekal di situ.

4 Buka skru tutup daripada botol cecair pembersih.

5 Isi ruang pembersihan dengan cecair pembersih HQ200 hingga ke paras di antara dua garisan itu (Gamb. 29).

6 Tempatkan Sistem Pembersih Jet kembali pada ruang pembersihan (Gamb. 30).

Pastikan butang pelepas klik kembali di tempatnya.

Menggunakan Sistem Pembersih Jet

Nota: Jika anda menggunakan pencukur dengan busa cukur atau gel cukur, kami menasihatkan anda agar membilasnya di bawah air paip panas sebelum anda membersihkannya di dalam Sistem Pembersih Jet. Ini akan menjamin jangka hayat optimum cecair pembersih tersebut.

1 Letakkan pencukur dalam keadaan terbalik di dalam pemegang dengan keadaan paparan menunjuk ke arah bahagian hadapan Sistem Pembersih Jet (Gamb. 18).

2 Tekan pencukur dengan ketat ke dalam pemegang untuk menguncinya di tempatnya (Gamb. 19).

► Paparan menunjukkan bahawa pencukur sedang dicas (lihat bab 'Paparannya').

3 Tekan butang hidup/mati pada Sistem Pembersih Jet untuk memulakan program pembersihan. (Gamb. 31)

► Paparan pencukur berhenti menunjukkan penunjuk pengecasan.

► Lampu pembersihan mula berkelip dan pencukur secara automatik diturunkan ke dalam cecair pembersihan (Gamb. 32).

► Lampu pembersihan akan berkelip sepanjang program pembersihan, yang mengambil masa beberapa minit.

► Semasa fasa pertama program pembersihan, pencukur secara automatik akan hidup dan mati beberapa kali dan bergerak naik dan turun.

► Semasa fasa kedua program pembersihan, pencukur diletakkan pada kedudukan pengeringan, seperti yang ditunjukkan oleh simbol pengeringan yang berkelip. Fasa ini mengambil masa lebih kurang 2 jam. Pencukur tetap berada pada kedudukan ini sehingga akhir program. (Gamb. 33)

► Selepas program pembersihan, penunjuk pengecasan akan muncul pada paparan pencukur (lihat bab 'Paparannya').

Nota: Jika anda menekan butang hidup/mati Sistem Pembersih Jet ketika program pembersihan sedang berjalan, program akan terbantut. Dalam keadaan ini, lampu pembersihan atau pengeringan akan berhenti berkelip dan pemegang akan bergerak ke kedudukan tertinggi.

Nota: Jika anda menanggalkan penyesuai daripada soket dinding semasa program pembersihan sedang berjalan, program akan terbantut.

Pemegang akan tetap kekal pada kedudukan semasa. Apabila anda memasukkan penyesuai kembali ke dalam soket dinding, pemegang akan bergerak ke kedudukan tertinggi.

- Apabila cecair pembersihan turun lebih rendah daripada paras minimum, simbol 'ruang pembersihan kosong' mula berkelip dan pemegang akan kembali pada kedudukan permulaan (Gamb. 34).

- Jika anda menggunakan mesin cuci untuk membersihkan pencukur anda setiap hari, anda hendaklah mengisi semula ruang pembersihan anggaran setiap 15 hari.

Membersihkan Sistem Pembersih Jet

Bersihkan ruang pembersihan setiap 15 hari.

Anda boleh mengelap bahagian luar Sistem Pembersih Jet dengan kain lembap.

1 Tekan butang pelepas pada kedua-dua belah Sistem Pembersih Jet serentak (1). Kemudian angkat Sistem Pembersih Jet keluar daripada ruang pembersihan (2). (Gamb. 28)

► Ruang pembersihan kekal di situ.

2 Tuang sebarang baki cecair pembersihan keluar daripada ruang pembersihan. (Gamb. 35)

Anda juga boleh menuangkan cecair pembersihan ke dalam sink.

3 Bilas ruang pembersihan di bawah paip (Gamb. 36).

Ruang pembersihan tidak kalis mesin basuh pinggan.

4 Isi ruang pembersihan dengan cecair pembersihan HQ200 ke paras di antara dua garisan (Gamb. 29).

5 Tempatkan Sistem Pembersih Jet kembali pada ruang pembersihan. (Gamb. 30)

Pastikan butang pelepas klik kembali di tempatnya.

Kaedah pembersihan lebih menyeluruh

Pastikan perkakas dimatikan.

1 Tarik pemegang kepala pencukur keluar daripada bahagian bawah unit pencukur (Gamb. 26).

2 Luncurkan bingkai penahan berwarna hijau ke arah anak panah yang ditunjukkan oleh bingkai penahan (Gamb. 37).

3 Angkat bingkai penahan keluar daripada pemegang kepala pencukur. (Gamb. 38)

4 Keluarkan pemotong daripada pelindung pencukur (Gamb. 39).

Nota: Jangan bersihkan lebih daripada satu pemotong dan pelindung pencukur sekali gus, kerana kesemuanya merupakan set sepadan. Jika tanpa sengaja anda memasukkan pemotong ke dalam pelindung pencukur yang salah, prestasi pencukuran yang optimum mungkin hanya dapat dikembalikan dalam masa beberapa minggu.

5 Bersihkan pemotong dengan berus pembersih yang dibekalkan (Gamb. 40).

6 Bersihkan bahagian dalam pelindung pencukur. (Gamb. 41)

7 Selepas membersihkannya, tempatkan pemotong kembali ke dalam pelindung pencukur dengan kaki pemotong menunjuk ke bawah. (Gamb. 42)

8 Letakkan bingkai penahan kembali ke atas pemegang kepala pencukur. (Gamb. 43)

9 Luncurkan pelindung kembali di tempatnya ('klik'). (Gamb. 44)

10 Pasangkan semula pemegang kepala pemegang kepala pencukur kepada bahagian bawah unit pencukur. (Gamb. 27)

Membersihkan perapi

Bersihkan perapi setiap kali selepas menggunakannya.

1 Hidupkan pencukur dengan perapi terpasang padanya.

2 Bilas perapi di bawah air paip yang panas buat beberapa lama. (Gamb. 45)

3 Selepas pembersihan, matikan pencukur.

Petua: Untuk prestasi perapi yang optimum, lincirkan gigi perapi sekali setiap enam bulan dengan setitik minyak mesin jahit.

Penyimpanan

1 Luncurkan tukup pelindung ke dalam unit pencukur untuk mengelakkan kerosakan pada kepala pencukur (Gamb. 46).

2 Jenis tertentu sahaja: Simpan pencukur di dalam pau yang dibekalkan.

Penggantian

Untuk prestasi pencukuran yang maksimum, kami menasihatkan agar anda mengganti bahagian atas unit pencukur setiap tahun. Ganti bahagian atas unit pencukur hanya dengan pemegang kepala pencukur RQ11 Philips yang tulen sahaja.

1 Tarik pemegang kepala pencukur keluar daripada bahagian bawah unit pencukur (Gamb. 26).

2 Pasang pemegang kepala pencukur baru kepada bahagian bawah unit pencukur ('klik') (Gamb. 27).

Membuat pesanan alat ganti

Alat ganti yang berikut boleh didapati:

- HQ8505 penyesuai
- RQ11 Philips Pemegang Kepala Pencukur
- HQ110 Philips Semburan Pembersih Kepala Pencukur
- HQ200 Philips Cecair Pembersih

Alam sekitar

- Jangan buang perkakas dengan sampah rumah yang biasa pada akhir hayatnya, sebaliknya serahkan ke pusat pungutan rasmi untuk dikitar semula. Dengan berbuat demikian, anda membantu memelihara alam sekitar (Gamb. 47).
- Bateri pencukur boleh cas semula terbina dalam mengandungi bahan yang boleh mencemarkan alam sekitar. Pastikan anda mengeluarkan bateri sebelum membuang atau menyerahkan pencukur di pusat pungutan rasmi. Buang bateri ini di pusat pungutan rasmi bagi bateri. Jika anda menghadapi masalah untuk mengeluarkan bateri, anda juga boleh membawa perkakas ini ke pusat servis Philips. Kakitangan pusat ini akan mengeluarkan bateri ini untuk anda dan akan membuangnya dengan cara yang selamat bagi alam sekitar (Gamb. 48).

Mengeluarkan bateri pencukur boleh cas semula

Hanya keluarkan bateri boleh cas apabila anda membuang pencukur. Pastikan baterinya benar-benar telah habis semasa anda mengeluarkannya.

Berhati-hati, jalur bateri sangat tajam.

1 Tanggalkan panel belakang pencukur dengan pemutar skru.

2 Keluarkan bateri boleh cas semula.

Jaminan dan perkhidmatan

Jika anda memerlukan servis atau maklumat atau jika anda menghadapi masalah, sila lawati laman web Philips di **www.philips.com** atau hubungi Pusat Layanan Pelanggan Philips di negara anda (anda boleh mendapatkan nombor telefonnya dalam risalah jaminan sedunia). Jika Pusat Layanan Pelanggan tidak terdapat di negara anda, hubungi wakil pengedar Philips di tempat anda.

Sekatan jaminan

Kepala pencukur (pemotong dan pelindung pencukur) tidak diliputi oleh terma jaminan antarabangsa kerana ia terdedah kepada kelusuhan.

Menyelesaikan masalah

Bab ini meringkaskan masalah paling lazim yang mungkin anda hadapi dengan perkakas ini. Jika anda tidak dapat menyelesaikan masalah dengan maklumat di bawah, sila hubungi Pusat Layanan Pelanggan Philips di negara anda.

Masalah	Penyebab yang mungkin	Penyelesaian
Alat pencukur tidak mencukur sebaik sebelum ini.	Kepala pencukur rosak atau lusuh.	Ganti pemegang kepala pencukur (lihat bab 'Penggantian').
	Rambut yang panjang menghalang kepala pencukur.	Bersihkan kepala pencukur dengan mengikuti langkah kaedah pembersihan ekstra menyeluruh (lihat bab 'Pembersihan dan penyelenggaraan').
Pencukur tidak berfungsi apabila saya menekan butang hidup/mati.	Sistem Pembersih Jet telah tidak membersihkan pencukur dengan betul, kerana cecair pembersih di ruang pembersihan adalah kotor atau paras cecair pembersih terlalu rendah.	Bersihkan pencukur dengan menyeluruh sebelum anda meneruskan cukuran. Jika perlu, bersihkan dan isi semula ruang pembersihan (lihat bab 'Pembersihan dan penyelenggaraan').
	Bateri boleh cas semula telah habis.	Caskan bateri semula (lihat bab 'Pengecasan').
Pencukur tidak berfungsi apabila saya menekan butang hidup/mati.	Kunci kembara telah diaktifkan.	Tekan butang hidup/mati selama 3 saat untuk menyahaktifkan kunci kembara.
	Unit pencukur kotor atau rosak begitu sekali sehingga motor tidak dapat berjalan.	Bersihkan atau ganti pemegang kepala pencukur (lihat bab 'Pembersihan dan penyelenggaraan' dan 'Penggantian').
Pencukur tidak benar-benar bersih selepas saya membersihkannya di dalam Sistem Pembersih Jet.	Suhu pencukur terlalu tinggi. Dalam kes ini, pencukur tidak berfungsi.	Biarkan pencukur menyejuk. Sebaik sahaja suhu pencukur telah turun secukupnya, anda boleh menghidupkan pencukur kembali.
	Cecair pembersih di dalam ruang pembersihan adalah kotor.	Kosongkan dan bilas ruang pembersihan.
Sistem Pembersih Jet tidak berfungsi apabila saya menekan butang hidup/mati.	Paras cecair pembersih terlalu rendah. Jika jumlah cecair di dalam ruang pembersihan turun lebih rendah daripada paras minimum semasa program pembersihan, program akan terbantut. Lampu pembersihan dan simbol 'ruang pembersihan kosong' mula berkelip pada selang masa tertentu dan pemegang akan kembali pada kedudukan permulaan.	Isi semula ruang pembersihan dengan cecair pembersih sehingga paras di antara dua garisan (lihat bab 'Pembersihan dan penyelenggaraan').
	Anda telah menggunakan cecair pembersih yang lain daripada cecair pembersih Philips tulen.	Hanya gunakan Cecair Pembersih HQ200 Philips.
Pencukur tidak bercas penuh selepas saya mengecasnya di dalam pengecas/Sistem Pembersih Jet.	Sistem Pembersih Jet tidak bersambung dengan sesalur kuasa.	Masukkan plag kecil ke dalam Sistem Pembersih Jet dan masukkan plag penyesuai ke dalam soket dinding.
	Tidak terdapat sambungan elektrik antara Sistem Pembersih Jet dan pencukur.	Tekan pencukur dengan ketat ke dalam pemegang untuk menguncinya di tempatnya.
Pencukur tidak bercas penuh selepas saya mengecasnya di dalam pengecas/Sistem Pembersih Jet.	Anda telah tidak menempatkan pencukur di dalam pengecas/Sistem Pembersih Jet dengan betul.	Pastikan anda menekan pencukur sehingga ia terkunci pada tempatnya.

Inleiding

Gefeliciteerd met uw aankoop en welkom bij Philips! Als u volledig wilt profiteren van de ondersteuning die Philips biedt, registreer uw product dan op www.philips.com/welcome.

Lees deze gebruiksaanwijzing door, want deze bevat informatie over de kenmerken van dit scheerapparaat en een aantal tips om het scheren gemakkelijker en prettiger te maken.

Algemene beschrijving (fig. 1)

- A** Scheerapparaat (RQ1180/RQ1160/RQ1150)
 - 1 Trimmer
 - 2 Beschermkap
 - 3 Scheerunit
 - 4 Scheerapparaat
 - 5 Aan/uitknop scheerapparaat
 - 6 Display
- B** Oplader
- C** Jet Clean-systeem (alleen bepaalde typen)
 - 1 Houder voor scheerapparaat
 - 2 'Reinigingskamer leeg'-symbool
 - 3 Reinigingsymbool
 - 4 Droogsymbool
 - 5 Aan/uitknop Jet Clean-systeem
 - 6 Ontgrendelknop van reinigingskamer
- D** Reinigingsborsteltje
- E** Reinigingsvloeistof
- F** Etui (alleen bepaalde typen)
- G** Adapter

Belangrijk

Lees deze gebruiksaanwijzing zorgvuldig door voordat u het apparaat gaat gebruiken. Bewaar de gebruiksaanwijzing om deze indien nodig later te kunnen raadplegen.

Opmerking: De term 'apparaten' verwijst in deze gebruiksaanwijzing naar het scheerapparaat en het Jet Clean-systeem. Indien uw scheerapparaat niet is voorzien van een Jet Clean-systeem, verwijst de term alleen naar het scheerapparaat.

Algemeen

Gevaar

- Zorg ervoor dat de adapter niet nat wordt (fig. 2).

Waarschuwing

- De adapter bevat een transformator. Knip de adapter niet af om deze te vervangen door een andere stekker; aangezien dit een gevaarlijke situatie oplevert.
- Deze apparaten zijn niet bedoeld voor gebruik door personen (waaronder kinderen) met verminderde lichamelijke, zintuiglijke of geestelijke vermogens, of die gebrek aan ervaring of kennis hebben, tenzij iemand die verantwoordelijk is voor hun veiligheid toezicht op hen houdt of hen heeft uitgelegd hoe de apparaten dienen te worden gebruikt.
- Houd toezicht op kinderen om te voorkomen dat ze met de apparaten gaan spelen.
- Wees voorzichtig met heet water wanneer u de apparaten schoonmaakt. Controleer altijd of het water niet te heet is, om te voorkomen dat u uw handen brandt.

Waarschuwing

- Dompel het Jet Clean-systeem en de oplader nooit onder in water en spoel ze ook niet af onder de kraan.
- De apparaten en accessoires zijn niet vaatwasmachinebestendig.
- Plaats en gebruik de apparaten altijd op een oppervlak dat vloeistofbestendig is.
- Laad de apparaten op en gebruik en bewaar deze bij een temperatuur tussen 5°C en 35°C.
- Gebruik uitsluitend de bijgeleverde accessoires.
- De adapter zet 100-240 volt om in een veilige laagspanning van minder dan 24 volt.
- Gebruik de apparaten niet als deze beschadigd zijn.
- Indien de adapter of een van de andere accessoires beschadigd is, laat deze dan altijd vervangen door een adapter of accessoire van het oorspronkelijke type om gevaar te voorkomen.
- Wanneer u het scheerapparaat schoonspoelt, kan er water lekken uit het aansluitpunt aan de onderzijde. Dit is normaal en ongevaarlijk omdat alle elektronica zich in een waterdichte voedingsunit binnen in het scheerapparaat bevindt.

Jet Clean-systeem (alleen bepaalde typen)

Waarschuwing

- Gebruik alleen de originele HQ200-reinigingsvloeistof voor het Jet Clean-systeem.
- Plaats het Jet Clean-systeem altijd op een stabiele, vlakke en horizontale ondergrond om lekken te voorkomen.
- Dompel het Jet Clean-systeem nooit onder in water.
- Leeg de reinigingskamer om de 15 dagen en spoel deze grondig schoon met heet water.
- Het Jet Clean-systeem reinigt grondig maar desinfecteert uw scheerapparaat niet. Daarom moet u uw scheerapparaat niet door anderen laten gebruiken.
- De reinigingskamer van het Jet Clean-systeem is niet vaatwasmachinebestendig.
- Verplaats het Jet Clean-systeem niet wanneer het systeem klaar is voor gebruik, om lekken van reinigingsvloeistof te voorkomen.

Naleving van richtlijnen

- Het scheerapparaat voldoet aan de internationaal erkende veiligheidsvoorschriften en kan veilig onder de douche en in bad worden gebruikt en onder de kraan worden schoongemaakt (fig. 3).

- Deze Philips-apparaten voldoen aan alle richtlijnen met betrekking tot elektromagnetische velden (EMV). Mits de apparaten op de juiste wijze en volgens de instructies in dit boekje en het gebruiksinformatieboekje dat bij het scheerapparaat wordt geleverd worden gebruikt, zijn deze veilig te gebruiken volgens het nu beschikbare wetenschappelijke bewijs.

Het display

Opmerking: Als u het scheerapparaat voor de eerste keer gebruikt, verwijder dan eerst de beschermfolie van het display.

De drie apparaattypen (RQ1180, RQ1160 en RQ1150) hebben elk een ander display. U ziet de displays op de volgende plaatjes.

- RQ1180 (fig. 4)
- RQ1160 (fig. 5)
- RQ1150 (fig. 6)

Opladen

- Opladen duurt ongeveer 1 uur:

RQ1180

- Tijdens het opladen van het scheerapparaat, knippert eerst het onderste oplaadlampje, daarna het tweede oplaadlampje, enzovoort, totdat het scheerapparaat volledig is opgeladen (fig. 7).
- Snel opladen: wanneer het scheerapparaat voldoende vermogen bevat voor één scheerbeurt, knippert het onderste oplaadlampje afwisselend oranje en wit.

RQ1160/RQ1150

- Tijdens het opladen van het scheerapparaat knippert het accusymbool totdat het scheerapparaat volledig is opgeladen. (fig. 8)
- Snel opladen: wanneer het scheerapparaat voldoende vermogen bevat voor één scheerbeurt, knipperen het stekkersymbool en accusymbool afwisselend.

Opmerking: De displays van de typen RQ1160 en RQ1150 zien er anders uit, maar werken op dezelfde manier.

Accu vol

RQ1180

- Wanneer de accu volledig is opgeladen, blijven alle oplaadlampjes branden. Na circa 30 minuten schakelt het display automatisch uit. (fig. 9)

RQ1160/RQ1150

- Wanneer de accu volledig is opgeladen, blijft het accusymbool branden. Na circa 30 minuten schakelt het display automatisch uit. (fig. 10)

Opmerking: De displays van de typen RQ1160 en RQ1150 zien er anders uit, maar werken op dezelfde manier.

Batterij bijna leeg

RQ1180

- Wanneer de accu bijna leeg is (zodra er 5 of minder scheerminuten over zijn), knippert het onderste oplaadlampje oranje. (fig. 11)
- Wanneer u het scheerapparaat uitschakelt, blijft het onderste oplaadlampje nog enkele seconden knipperen.

RQ1160/RQ1150

- Wanneer de accu bijna leeg is (zodra er 5 of minder scheerminuten over zijn), knippert het stekkersymbool (fig. 12).
- Wanneer u het scheerapparaat uitschakelt, blijft het stekkersymbool nog enkele seconden knipperen.

Opmerking: De displays van de typen RQ1160 en RQ1150 zien er anders uit, maar werken op dezelfde manier.

Resterende accucapaciteit

RQ1180

- De resterende accucapaciteit wordt aangegeven door het aantal brandende oplaadlampjes. (fig. 13)

Reisslot

U kunt het scheerapparaat vergrendelen als u het meeneemt op reis. Deze reisvergrendeling voorkomt dat het scheerapparaat per ongeluk wordt ingeschakeld.

De reisvergrendeling activeren

- 1 Houd de aan/uitknop 3 seconden ingedrukt om de reisvergrendelingsmodus in te schakelen (fig. 14).
- ▶ Het vergrendelingsymbool op het display gaat branden. -tekening- (fig. 15)

Opmerking: De displays van de typen RQ1180, RQ1160 en RQ1150 zien er anders uit, maar tonen hetzelfde symbool.

De reisvergrendeling deactiveren

- 1 Druk 3 seconden op de aan/uitknop.
- ▶ De motor begint te draaien. Dit geeft aan dat de reisvergrendeling is gedeactiveerd. Het scheerapparaat kan nu weer worden gebruikt.

Opmerking: Als u het scheerapparaat in de oplader of het Jet Clean-systeem plaatst en deze zijn aangesloten op netspanning, dan wordt de reisvergrendeling automatisch gedeactiveerd.

Opladen

Opladen duurt ongeveer 1 uur:

RQ1180/RQ1160: een volledig opgeladen scheerapparaat biedt een scheertijd tot 50 minuten/15 dagen.

RQ1150: een volledig opgeladen scheerapparaat biedt een scheertijd tot 40 minuten/12 dagen.

Laad het scheerapparaat op voordat u het voor het eerst gebruikt en wanneer het display aangeeft dat de accu bijna leeg is (zie 'Accu bijna leeg' in hoofdstuk 'Het display').

Snel opladen

Als u het scheerapparaat 5 minuten hebt opgeladen, bevat de accu voldoende energie voor één scheerbeurt.

Opladen in de oplader

- 1 Steek de kleine stekker in de oplader (fig. 16).
 - 2 Steek de adapter in het stopcontact.
 - 3 Plaats het scheerapparaat in de oplader (1) en duw het naar achteren (2) ('klik'). (fig. 17)
- Het display geeft aan dat het scheerapparaat wordt opgeladen (zie hoofdstuk 'Het display').

Opladen in het Jet Clean-systeem (alleen bepaalde typen)

- 1 Steek de kleine stekker in het Jet Clean-systeem.
- 2 Steek de adapter in het stopcontact.
- 3 Plaats het scheerapparaat ondersteboven in de houder met het display wijzend naar de voorkant van het Jet Clean-systeem (fig. 18).

Opmerking: Alleen RQ1180: als u het scheerapparaat ondersteboven houdt, wordt ook de accu-indicatie op het display omgedraaid, zodat u nog steeds kunt zien in hoeverre de accu is opgeladen.

- 4 Duw het scheerapparaat goed vast in de houder (fig. 19).

Opmerking: U kunt het scheerapparaat niet in het Jet Clean-systeem plaatsen als de beschermkap op de scheerunit zit of de trimmer op het scheerapparaat is geplaatst.

- Het display geeft aan dat het scheerapparaat wordt opgeladen (zie hoofdstuk 'Het display').

Het scheerapparaat gebruiken

Scheren

- 1 Druk één keer op de aan/uitknop om het scheerapparaat in te schakelen.

► RQ1180: het display licht op gedurende enkele seconden.
- 2 Beweeg de scheerhoofden over uw huid. Maak cirkelvormige bewegingen (fig. 20).
 - Maak geen rechte bewegingen.
 - Uw huid kan 2 tot 3 weken nodig hebben om aan dit Philips-scheersysteem te wennen.
- 3 Druk één keer op de aan/uitknop om het scheerapparaat uit te schakelen.

► RQ1180: het display licht op gedurende enkele seconden en toont vervolgens de resterende accucapaciteit.

Nat scheren

U kunt dit scheerapparaat ook op een nat gezicht gebruiken met scheerschuim of scheergel. Om met scheerschuim of scheergel te scheren, volgt u de onderstaande stappen:

- 1 Maak uw huid nat met wat water.
- 2 Smeer scheerschuim of scheergel op uw huid.
- 3 Spoel de scheerunit af onder de kraan om ervoor te zorgen dat de scheerunit soepel over uw huid glijdt.
- 4 Druk één keer op de aan/uitknop om het scheerapparaat in te schakelen.
- 5 Beweeg de scheerhoofden in cirkelvormige bewegingen over uw huid.

Opmerking: Spoel het scheerapparaat regelmatig af onder de kraan om ervoor te zorgen dat het soepel over uw huid blijft glijden.

- 6 Droog uw gezicht af en maak het scheerapparaat na gebruik grondig schoon (zie hoofdstuk 'Schoonmaken en onderhoud').

Opmerking: Zorg ervoor dat u alle schuim of scheergel van het scheerapparaat spoelt.

Trimmen

U kunt de trimmer gebruiken voor het bijwerken van uw bakkebaarden en snor.

- 1 Trek de scheerunit van het scheerapparaat af (fig. 21).

Opmerking: Draai de scheerunit niet terwijl u deze van het scheerapparaat trekt.

- 2 Plaats het nokje van de trimmer in de sleuf aan de bovenkant van het scheerapparaat (1). Druk de trimmer vervolgens omlaag (2) om deze weer op het scheerapparaat te bevestigen ('klik') (fig. 22).
- 3 Druk één keer op de aan/uitknop om de trimmer in te schakelen.

► RQ1180: het display licht op gedurende enkele seconden.
- 4 Nu kunt u de trimmer gebruiken.
- 5 Druk één keer op de aan/uitknop om de trimmer uit te schakelen.

► RQ1180: het display licht op gedurende enkele seconden en toont de resterende accucapaciteit.
- 6 Trek de trimmer van het scheerapparaat af (fig. 23).

Opmerking: Draai de trimunit niet terwijl u deze van het scheerapparaat trekt.

- 7 Plaats het nokje van de scheerunit in de sleuf aan de bovenkant van het scheerapparaat (1). Druk de scheerunit vervolgens omlaag (2) om deze weer op het scheerapparaat te bevestigen ('klik') (fig. 24).

Reiniging en onderhoud

Gebruik nooit schuursponzen, schurende schoonmaakmiddelen of agressieve vloeistoffen zoals benzine of aceton om het apparaat en het Jet Clean-systeem schoon te maken.

- De beste en meest hygiënische manier om het scheerapparaat schoon te maken is in het Jet Clean-systeem (alleen bepaalde typen). U kunt het scheerapparaat ook schoonmaken door het onder de kraan af te spoelen of met het bijgeleverde borsteltje.
- Wees voorzichtig met heet water. Controleer altijd of het water niet te heet is om te voorkomen dat u uw handen verbrandt.

- Voor een optimaal scheerresultaat dient u het scheerapparaat na elke scheerbeurt te schoon maken.
- Maak de buitenkant van het scheerapparaat schoon met een vochtige doek.
- Regelmatig schoonmaken geeft een beter scheerresultaat.

De scheerunit schoonmaken

Wees voorzichtig met heet water. Controleer altijd of het water niet te heet is om te voorkomen dat u uw handen verbrandt.

1 Spoel de scheerunit enige tijd schoon onder een warme kraan (fig. 25).

Opmerking: U kunt ook de scheerunit met het bijgeleverde schoonmaakborsteltje borstelen.

2 Trek de scheerhoofdhouder van het onderste deel van de scheerunit en spoel deze gedurende 30 seconden af onder een warme kraan (fig. 26).

Opmerking: U kunt ook de scheerhoofdhouder met het bijgeleverde schoonmaakborsteltje borstelen.

3 Schud er voorzichtig het water vanaf en laat de scheerunit opdrogen.

Droog de scheerunit nooit met een handdoek of een papieren doekje omdat de scheerhoofden hierdoor beschadigd kunnen raken.

4 Plaats de scheerhoofdhouder weer op het onderste deel van de scheerunit ('klik') (fig. 27).

De scheerunit schoonmaken in het Jet Clean-systeem (alleen bepaalde typen)

Het Jet Clean-systeem heeft een automatisch reinigingsprogramma. Wanneer u op de aan/uitknop drukt, begint het Jet Clean-systeem in het automatische reinigingsprogramma schoon te maken.

Het Jet Clean-systeem klaarmaken voor gebruik

Vul de reinigingskamer voordat u het systeem voor de eerste keer gaat gebruiken.

1 Steek de kleine stekker in het Jet Clean-systeem.

2 Steek de adapter in het stopcontact.

► De houder beweegt automatisch naar de hoogste stand.

3 Druk de ontgrendelknoppen aan beide zijden van de reinigingskamer gelijktijdig in (1). Til het Jet Clean-systeem vervolgens van de reinigingskamer (2). (fig. 28)

► De reinigingskamer blijft achter.

4 Verwijder de dop van de fles met reinigingsvloeistof.

5 Vul de reinigingskamer tot een niveau dat ligt tussen de twee lijnen met HQ200-reinigingsvloeistof (fig. 29).

6 Plaats het Jet Clean-systeem terug op de reinigingskamer (fig. 30).

Zorg ervoor dat de ontgrendelknoppen op hun plaats terugklikken.

Het Jet Clean-systeem gebruiken

Opmerking: Als u het scheerapparaat met scheerschuim of scheergel gebruikt, raden wij aan dat u het afspoelt onder de warme kraan voordat u het in het Jet Clean-systeem schoonmaakt. Dit garandeert een lange levensduur van de reinigingsvloeistof.

1 Plaats het scheerapparaat ondersteboven in de houder met het display wijzend naar de voorkant van het Jet Clean-systeem (fig. 18).

2 Duw het scheerapparaat goed vast in de houder (fig. 19).

► Het display geeft aan dat het scheerapparaat wordt opgeladen (zie hoofdstuk 'Het display').

3 Druk op de aan/uitknop van het Jet Clean-systeem om het reinigingsprogramma te starten. (fig. 31)

► De oplaadindicatie verdwijnt van het display van het scheerapparaat.

► Het schoonmaaklampje begint te knipperen en het scheerapparaat zakt automatisch in de reinigingsvloeistof (fig. 32).

► Het schoonmaaklampje knippert gedurende het reinigingsprogramma. Dit duurt enkele minuten.

► Tijdens de eerste fase van het reinigingsprogramma schakelt het scheerapparaat enkele keren automatisch in en uit en wordt het omhoog en omlaag bewogen.

► Tijdens de tweede fase van het reinigingsprogramma wordt het scheerapparaat in de droogstand geplaatst. Dit wordt aangegeven door het knipperend droogsymbool. Dit duurt ongeveer 2 uur. Het scheerapparaat blijft in deze stand tot het eind van het programma. (fig. 33)

► Na het voltooien van het reinigingsprogramma verschijnt de oplaadindicatie op het display van het scheerapparaat (zie hoofdstuk 'Het display').

Opmerking: Als u tijdens het reinigingsprogramma op de aan/uitknop van het Jet Clean-systeem drukt, wordt het programma afgebroken. Het schoonmaak- of drooglampje stopt met knipperen en de houder beweegt naar de hoogste stand.

Opmerking: Als u tijdens het reinigingsprogramma de stekker van de adapter uit het stopcontact haalt, wordt het programma afgebroken. De houder blijft in de huidige stand. Zodra u de stekker van de adapter weer in het stopcontact steekt, beweegt de houder naar de hoogste stand.

- Wanneer de reinigingsvloeistof zakt tot onder het minimumniveau, begint het 'Reinigingskamer leeg'-symbool te knipperen en keert de houder terug naar de beginstand (fig. 34).

- Als u het Jet Clean-systeem dagelijks gebruikt om uw scheerapparaat schoon te maken, dan moet u de reinigingskamer ongeveer één keer in de 15 dagen bijvullen.

Het Jet Clean-systeem schoonmaken

Maak de reinigingskamer om de 15 dagen schoon.

U kunt de buitenkant van het Jet Clean-systeem met een vochtige doek schoonvegen.

1 Druk de ontgrendelknoppen aan beide zijden van het Jet Clean-systeem gelijktijdig in (1). Til het Jet Clean-systeem vervolgens van de reinigingskamer (2). (fig. 28)

► De reinigingskamer blijft achter.

2 Giet overgebleven reinigingsvloeistof uit de reinigingskamer. (fig. 35)

U kunt de reinigingsvloeistof gewoon door de gootsteen gieten.

3 Spoel de reinigingskamer onder de kraan (fig. 36).

De reinigingskamer is niet vaatwasmachinebestendig.

4 Vul de reinigingskamer tot een niveau dat ligt tussen de twee lijnen met HQ200-reinigingsvloeistof (fig. 29).

5 Plaats het Jet Clean-systeem terug op de reinigingskamer. (fig. 30)

Zorg ervoor dat de ontgrendelknoppen op hun plaats terugklikken.

Extra grondige reinigingsmethode

Zorg ervoor dat het apparaat is uitgeschakeld.

1 Trek de scheerhoofdhouder van het onderste deel van de scheerunit (fig. 26).

2 Schuif de groene opsluitplaat in de richting van de pijlen op de opsluitplaat (fig. 37).

3 Til de opsluitplaat uit de scheerhoofdhouder. (fig. 38)

4 Verwijder het mesje uit het scheerkapje (fig. 39).

Opmerking: Maak niet meer dan één mesje en scheerkapje tegelijk schoon, omdat deze op elkaar zijn ingeslepen. Wanneer u per ongeluk een mesje in het verkeerde scheerkapje plaatst, kan het een aantal weken duren voordat het apparaat weer optimaal scheert.

5 Maak het mesje schoon met het bijgeleverde schoonmaakborsteltje (fig. 40).

6 Maak de binnenkant van het scheerkapje schoon. (fig. 41)

7 Plaats het mesje na het schoonmaken terug in het scheerkapje met de mespootjes naar beneden gericht. (fig. 42)

8 Plaats de opsluitplaat terug op de scheerhoofdhouder. (fig. 43)

9 Schuif het kapje terug op zijn plaats ('klik'). (fig. 44)

10 Plaats de scheerhoofdhouder weer op het onderste deel van de scheerunit. (fig. 27)

De trimmer schoonmaken

Maak de trimmer altijd na gebruik schoon.

1 Schakel het scheerapparaat met de trimmer in.

2 Spoel de trimmer enige tijd schoon onder een warme kraan. (fig. 45)

3 Schakel het scheerapparaat uit, nadat u het hebt schoongemaakt.

Tip: Voor een optimaal resultaat, smeert u de tanden van de trimmer om de zes maanden met een druppeltje naaimachineolie.

Opbergen

1 Schuif de beschermkap op de scheerunit om beschadiging van de scheerhoofden te voorkomen (fig. 46).

2 Alleen bepaalde typen: berg het scheerapparaat op in het bijgeleverde etui.

Vervangen

Voor een maximaal scheerresultaat raden wij u aan om het bovenste deel van de scheerunit elk jaar te vervangen.

Vervang alleen het bovenste deel van de scheerunit door een originele RQ11 Philips-scheerhoofdhouder.

1 Trek de scheerhoofdhouder van het onderste deel van de scheerunit (fig. 26).

2 Plaats de nieuwe scheerhoofdhouder op het onderste deel van de scheerunit ('klik') (fig. 27).

Onderdelen bestellen

De volgende onderdelen zijn verkrijgbaar:

- HQ8505-adapter
- RQ11 Philips-scheerhoofdhouder
- HQ110 Philips-scheerhoofdreinigingsspray
- HQ200 Philips-reinigingsvloeistof

Milieu

- Gooi de apparaten aan het einde van hun levensduur niet weg met het normale huisvuil, maar lever deze in op een door de overheid aangewezen inzamelpunt om ze te laten recyclen. Op die manier levert u een bijdrage aan een schonere leefomgeving (fig. 47).
- De ingebouwde accu van het scheerapparaat bevat stoffen die schadelijk kunnen zijn voor het milieu. Verwijder altijd de accu voordat u het scheerapparaat afdankt en inlevert op een door de overheid aangewezen inzamelpunt. Lever de accu in op een officieel inzamelpunt voor batterijen. Als u problemen ondervindt bij het verwijderen van de accu, kunt u met het scheerapparaat ook naar een Philips-servicecentrum gaan. Medewerkers van dit centrum verwijderen dan de accu voor u en zorgen ervoor dat deze op milieuvriendelijke wijze wordt verwerkt (fig. 48).

De accu van het scheerapparaat verwijderen

Verwijder de accu alleen wanneer u het scheerapparaat afdankt. Zorg ervoor dat de accu helemaal leeg is wanneer u deze verwijdert.

Pas op, de accustrips zijn scherp.

1 Verwijder het achterpaneel van het scheerapparaat met een schroevendraaier.

2 Verwijder de accu.

Garantie en service

Als u service of informatie nodig hebt of als u een probleem hebt, bezoek dan de Philips-website (www.philips.nl) of neem contact op met het Philips Consumer Care Centre in uw land (u vindt het telefoonnummer in het 'worldwide garantie'-vouwblad). Als er geen Consumer Care Centre in uw land is, ga dan naar uw Philips-dealer.

Garantiebeperkingen

De scheerhoofden (mesjes en scheerkapjes) vallen niet onder de voorwaarden van de internationale garantie omdat deze onderhevig zijn aan slijtage.

Problemen oplossen

Dit hoofdstuk behandelt in het kort de problemen die u kunt tegenkomen tijdens het gebruik van het apparaat. Als u er niet in slaagt het probleem op te lossen met behulp van de onderstaande informatie, neem dan contact op met het Consumer Care Centre in uw land.

Probleem	Mogelijke oorzaak	Oplossing
Het scheerapparaat scheert minder goed dan eerst.	De scheerhoofden zijn beschadigd of versleten.	Vervang de scheerhoofdhouder (zie hoofdstuk 'Vervangen').
	Er zitten lange haren in de scheerhoofden.	Maak de scheerhoofden schoon door de stappen van de extra grondige schoonmaakmethode te volgen (zie hoofdstuk 'Schoonmaken en onderhoud').
	Het Jet Clean-systeem heeft het scheerapparaat niet goed schoongemaakt, omdat de reinigingsvloeistof in de reinigingskamer vervuild is of het vloeistofniveau te laag is.	Maak het scheerapparaat grondig schoon voordat u verder gaat met scheren. Indien nodig maakt u de reinigingskamer schoon en vult u deze opnieuw (zie hoofdstuk 'Schoonmaken en onderhoud').
Het scheerapparaat werkt niet als ik op de aan/uitknop druk.	De accu is leeg.	Laad de accu op (zie hoofdstuk 'Opladen').
	De reisvergrendeling is geactiveerd.	Houd de aan/uitknop 3 seconden ingedrukt om de reisvergrendeling te deactiveren.
	De scheerhoofdhouder is zodanig vervuild of beschadigd dat de motor niet meer kan draaien.	Maak de scheerhoofdhouder schoon of vervang deze (zie hoofdstukken 'Schoonmaken en onderhoud' en 'Vervangen').
Het scheerapparaat is niet helemaal schoon nadat ik het heb schoongemaakt in het Jet Clean-systeem.	De temperatuur van het scheerapparaat is te hoog opgelopen. Het scheerapparaat werkt dan niet.	Laat het scheerapparaat afkoelen. Zodra de temperatuur van het scheerapparaat voldoende is afgenomen, kunt u het scheerapparaat weer inschakelen.
	De reinigingsvloeistof in de reinigingskamer is vervuild.	Leeg de reinigingskamer en spoel deze schoon.
	Het vloeistofniveau is te laag. Als tijdens het reinigingsprogramma het vloeistofniveau in de reinigingskamer beneden het minimumniveau zakt, dan wordt het programma afgebroken. Het schoonmaaklampje en het 'Reinigingskamer leeg'-symbool knipperen met tussenpozen en de houder keert terug naar zijn beginpositie.	Vul de reinigingskamer opnieuw met reinigingsvloeistof tot een niveau dat ligt tussen de twee lijnen (zie hoofdstuk 'Schoonmaken en onderhoud').
Het Jet Clean-systeem werkt niet als ik op de aan/uitknop druk.	U hebt een andere reinigingsvloeistof gebruikt dan de originele reinigingsvloeistof van Philips.	Gebruik uitsluitend HQ200 Philips-reinigingsvloeistof.
	Het Jet Clean-systeem is niet op netspanning aangesloten.	Steek de kleine stekker in het Jet Clean-systeem en steek de adapter in het stopcontact.
Het scheerapparaat is niet volledig opgeladen nadat ik het in de oplader/het Jet Clean-systeem heb opgeladen.	Er is geen elektrische verbinding tussen het Jet Clean-systeem en het scheerapparaat.	Duw het scheerapparaat goed vast in de houder.
	U hebt het scheerapparaat niet goed in de oplader/het Jet Clean-systeem geplaatst.	Duw het scheerapparaat altijd goed aan zodat het vastklikt.

Innledning

Gratulerer med kjøpet og velkommen til Philips! Du får best mulig nytte av støtten som Philips tilbyr, hvis du registrerer produktet ditt på www.philips.com/welcome.

Les denne brukerhåndboken nøye. Den inneholder informasjon om funksjonene denne barbermaskinen har. I tillegg får du tips som kan gjøre barberingen enklere og bedre.

Generell beskrivelse (fig. 1)

A Barbermaskin (RQ1180/RQ1160/RQ1150)

- 1 Trimmer
- 2 Beskyttelsesdeksel
- 3 Skjæreenhet
- 4 Barbermaskin
- 5 Av/på-knapp for barbermaskinen
- 6 Display

B Lader

C Jet Clean-system (kun bestemte modeller)

- 1 Barbermaskinholder
- 2 Rengjøringskammeret er tomt-symbol
- 3 Rengjøringsymbol
- 4 Tørkesymbol
- 5 Av/på-knapp for Jet Clean-systemet
- 6 Utløserknapp for rengjøringskammer

D Rengjøringsbørste

E Rengjøringsvæske

F Etui (kun bestemte modeller)

G Adapter

Viktig

Les denne brukerveiledningen nøye før du bruker apparatet, og ta vare på den for senere referanse.

Merk: I denne brukerhåndboken henviser termen "apparater" til barbermaskinen og Jet Clean-systemet. Hvis barbermaskinen ikke leveres med et Jet Clean-system, henviser termen kun til barbermaskinen.

Generelt

Fare

- Pass på at adapteren ikke blir våt (fig. 2).

Advarsel

- Adapteren inneholder en omformer. Ikke klipp av adapteren for å erstatte den med et annet støpsel. Dette kan føre til farlige situasjoner.
- Disse apparatene må ikke brukes av personer (inkludert barn) som har nedsatt sanseevne eller fysisk eller psykisk funksjonsevne, eller personer som ikke har erfaring eller kunnskap, unntatt hvis de får tilsyn eller instruksjoner om bruk av apparatene av en person som er ansvarlig for sikkerheten.
- Pass på at barn er under tilsyn, slik at de ikke leker med apparatene.
- Vær forsiktig med varmt vann når du rengjør apparatene. Pass på at vannet ikke er så varmt at du brenner deg.

Forsiktig:

- Ikke legg Jet Clean-systemet og laderen i vann, og ikke skyll dem under springen.
- Apparaterne og tilbehøret kan ikke vaskes i oppvaskmaskinen.
- Plasser og bruk alltid apparatene på et underlag som tåler væske.
- Apparaterne skal brukes, lades og oppbevares ved en temperatur mellom 5 og 35 °C.
- Bruk bare tilbehøret som følger med.
- Adapteren omformer 100–240 V til en sikker lavspenning på under 24 V.
- Ikke bruk apparatene hvis de er ødelagte.
- Hvis adapteren eller noe av det andre tilbehøret blir ødelagt, må du alltid sørge for å bytte ut adapteren eller tilbehøret med den originale typen for å unngå at farlige situasjoner oppstår.
- Det kan lekke vann fra kontakten i bunnen av barbermaskinen når du skyller den. Dette er normalt og ikke farlig fordi all elektronikk er plassert i et forseglet skall inni barbermaskinen.

Jet Clean-system (kun bestemte modeller)

Forsiktig:

- Bruk bare Jet Clean-systemet med original HQ200-rengjøringsvæske.
- Sett alltid Jet Clean-systemet på en stødig, jevn og horisontal overflate, slik at du hindrer lekkasje.
- Ikke legg Jet Clean-systemet i vann.
- Tøm rengjøringskammeret og skyll det grundig med varmt, rennende vann annenhver uke.
- Jet Clean-systemet rengjør nøye, men det desinfiserer ikke barbermaskinen. Du bør derfor ikke dele barbermaskinen med andre.
- Rengjøringskammeret i Jet Clean-systemet kan ikke vaskes i oppvaskmaskin.
- Når Jet Clean-systemet er klart til bruk, må det ikke flyttes. På den måten unngår du lekkasje av rengjøringsvæske.

Overholdelse av standarder

- Denne barbermaskinen overholder de internasjonalt godkjente sikkerhetskravene, og den kan trygt brukes i badekaret eller dusjen og rengjøres under springen (fig. 3).
- Disse Philips-apparatene overholder alle standarder for elektromagnetiske felt (EMF). Hvis apparatene håndteres riktig og i henhold til instruksjonene i dette viktige informasjonsheftet og i heftet om bruk som følger med barbermaskinen, er apparatene trygge å bruke ut fra den kunnskapen vi har per dags dato.

Displayet

Merk: Fjern beskyttelsesfolien fra displayet før du bruker barbermaskinen for første gang.

De tre barbermaskintypene (RQ1180, RQ1160 og RQ1150) har ulike displayer, som vist på figurene nedenfor.

- RQ1180 (fig. 4)
- RQ1160 (fig. 5)
- RQ1150 (fig. 6)

Lading

- Ladingen tar cirka én time.

RQ1180

- Når barbermaskinen lades, blinker den nederste ladelampen. Deretter lyser den andre ladelampen, og så videre inntil barbermaskinen er fulladet (fig. 7).
- Hurtiglading: Når barbermaskinen har nok strøm for én barbering, blinker den nederste ladelampen vekselvis oransje og hvitt.

RQ1160/RQ1150

- Når barbermaskinen lades, blinker batterisymbolet til barbermaskinen er fulladet. (fig. 8)
- Hurtiglading: Når barbermaskinen har nok strøm for én barbering, blinker støpselsymbolet og batterisymbolet vekselvis.

Merk: Displayene på RQ1160 og RQ1150 ser ulike ut, men fungerer på samme måte.

Fulladet batteri

RQ1180

- Når batteriet er fulladet, lyser alle ladelampene kontinuerlig. Etter cirka 30 minutter slås displayet automatisk av igjen. (fig. 9)

RQ1160/RQ1150

- Når batteriet er fulladet, lyser batterisymbolet kontinuerlig. Etter cirka 30 minutter slås displayet automatisk av igjen. (fig. 10)

Merk: Displayene på RQ1160 og RQ1150 ser ulike ut, men fungerer på samme måte.

Lav batterikapasitet

RQ1180

- Når batteriet nesten er tomt (når det bare er fem eller færre minutter igjen), blinker den nederste ladelampe oransje. (fig. 11)
- Når du slår av barbermaskinen, blinker den nederste ladelampen i noen sekunder.

RQ1160/RQ1150

- Når batteriet nesten er tomt (når det bare er fem eller færre minutter igjen), blinker støpselsymbolet (fig. 12).
- Når du slår av barbermaskinen, blinker støpselsymbolet i noen få sekunder.

Merk: Displayene på RQ1160 og RQ1150 ser ulike ut, men fungerer på samme måte.

Gjenværende batterikapasitet.

RQ1180

- Den gjenværende batterikapasiteten vises med antall ladelamper som lyser. (fig. 13)

Transportlås

Du kan låse barbermaskinen når du skal ut å reise. Transportlåsen forhindrer at barbermaskinen slås på ved et uhell.

Aktivere transportlåsen

- 1 Hold av/på-knappen inne i tre sekunder for å aktivere transportlås-modusen (fig. 14).
- 2 Låsesymbolet begynner å lyse i displayet (fig. 15).

Merk: Displayene på RQ1180, RQ1160 og RQ1150 ser ulike ut, men viser det samme symbolet.

Deaktivere transportlåsen

- 1 Hold av/på-knappen inne i ca. tre sekunder.
- 2 Motoren begynner å gå for å indikere at transportlås-modusen er deaktivert. Barbermaskinen er nå klar til bruk igjen.

Merk: Transportlåsen deaktiveres automatisk når du plasserer barbermaskinen i laderen eller Jet Clean-systemet, og disse er koblet til strømmen.

Lading

Ladingen tar cirka én time.

RQ1180/1160: En fulladet barbermaskin har en barberingstid på opptil 50 minutter / 15 dager.

RQ1150: En fulladet barbermaskin har en barberingstid på opptil 40 minutter / 12 dager.

Lad opp barbermaskinen før du bruker den for første gang, og når det vises i displayet at batteriet nesten er tomt for strøm (se under Lav batterikapasitet i avsnittet Displayet).

Rask lading

Når barbermaskinen er ladet i fem minutter, har den nok strøm til én barbering.

Lade i laderen

- 1 Koble den lille kontakten til laderen (fig. 16).
- 2 Sett adapteren i stikkkontakten.
- 3 Sett barbermaskinen i laderen (1), og trykk den bakover (2) (du hører et klikk). (fig. 17)
- 4 Displayet viser at barbermaskinen lades (se avsnittet Displayet).

Lade i Jet Clean-systemet (kun bestemte modeller)

- 1 Koble den lille kontakten til Jet Clean-systemet.

2 Sett adapteren i stikkontakten.

3 Sett barbermaskinen opp-ned i holderen med displayet vendt mot forsiden av Jet Clean-systemet (fig. 18).

Merk: Kun RQ1180: Når du snur barbermaskinen opp-ned, snus også batterimåleren i displayet opp-ned, slik at du fremdeles kan se til hvilket nivå batteriet er ladet til.

4 Trykk barbermaskinen ordentlig ned i holderen, slik at den låses (fig. 19).

Merk: Barbermaskinen kan ikke plasseres i Jet Clean-systemet hvis beskyttelsesdekelet sitter på skjæreenheten, eller når trimmeren er plassert på barbermaskinen.

► Displayet viser at barbermaskinen lades (se avsnittet Displayet).

Bruke barbermaskinen

Barbering

1 Trykk på av/på-knappen én gang for å slå på barbermaskinen.

► RQ1180: Displayet lyser i noen sekunder.

2 Beveg skjærehodene over huden din med sirkelbevegelser (fig. 20).

- Ikke bruk rette bevegelser.
- Det kan ta to til tre uker før huden blir vant til Philips' barberingssystem.

3 Trykk på av/på-knappen én gang for å slå av barbermaskinen.

► RQ1180: Displayet lyser i noen sekunder, og viser deretter gjenværende batterikapasitet.

Våtbarbering

Du kan også bruke barbermaskinen på våt hud med barberskum eller barbergel.

Følg trinnene nedenfor for å barbere med barberskum eller barbergel:

1 Fukt huden med litt vann.

2 Smør huden med barberskum eller barbergel.

3 Skyll skjæreenheten under springen for å sikre at skjæreenheten glir mykt over huden.

4 Trykk på av/på-knappen én gang for å slå på barbermaskinen.

5 Beveg skjærehodene over huden din med sirkelbevegelser.

Merk: Skyll barbermaskinen under springen regelmessig for å sikre at den fortsetter å gli mykt over huden.

6 Tørk ansiktet, og rengjør barbermaskinen godt etter bruk (se avsnittet Rengjøring og vedlikehold).

Merk: Sørg for at du skyller all skum og barbergel av barbermaskinen.

Trimming

Du kan bruke trimmeren for å stelle kinnskjegg og barter:

1 Trekk skjæreenheten av barbermaskinen (fig. 21).

Merk: Du må ikke vri på skjæreenheten når du trekker den av barbermaskinen.

2 Plasser tappen på trimmeren i sporet på toppen av barbermaskinen (1). Trykk deretter trimmeren nedover (2) for å feste den til barbermaskinen (du hører et klikk) (fig. 22).

3 Trykk på av/på-knappen én gang for å slå på trimmeren.

► RQ1180: Displayet lyser i noen sekunder.

4 Du kan nå begynne med trimmingen.

5 Trykk på av/på-knappen én gang for å slå av trimmeren.

► RQ1180: Displayet lyser i noen sekunder for å vise gjenværende batterikapasitet.

6 Trekk trimmeren av barbermaskinen (fig. 23).

Merk: Du må ikke vri på trimmeenheten når du trekker den av barbermaskinen.

7 Plasser tappen på skjæreenheten i sporet på toppen av barbermaskinen (1). Trykk deretter skjæreenheten nedover (2) for å feste den til barbermaskinen (du hører et klikk) (fig. 24).

Rengjøring og vedlikehold

Ikke bruk skuremidler, slipende rengjøringsmidler eller væsker som bensin eller aceton, til å rengjøre apparatet og Jet Clean-systemet.

- Den beste og mest hygieniske måten å rengjøre barbermaskinen på er i Jet Clean-systemet (kun bestemte modeller). Du kan også skylle barbermaskinen under springen eller rengjøre den med børsten som følger med.
- Vær forsiktig med varmt vann. Pass på at vannet ikke er så varmt at du brenner deg.
- Rengjør barbermaskinen etter hver bruk for optimal barberingsytelse.
- Du kan rengjøre yttersiden av barbermaskinen med en fuktig klut.
- Regelmessig rengjøring sikrer et bedre barberingsresultat.

Rengjøre skjæreenheten

Vær forsiktig med varmt vann. Pass på at vannet ikke er så varmt at du brenner deg.

1 Skyll skjæreenheten under varmt vann (fig. 25).

Merk: Du kan også børste skjæreenheten med rengjøringsbørsten som følger med.

2 Trekk skjærehodeholderen av den nedre delen av skjæreenheten, og skyll den i varmt vann i 30 sekunder (fig. 26).

Merk: Du kan også børste skjærehodeholderen med rengjøringsbørsten som følger med.

3 Rist forsiktig av overflødig vann, og la skjæreenheten tørke.

Tørk aldri skjæreenheten med et håndkle eller tørkepapir. Det kan skade skjærehodene.

4 Fest skjærehodeholderen igjen til den nedre delen av skjæreenheten (du hører et klikk) (fig. 27).

Rengjøre skjæreenheten i Jet Clean-systemet (kun bestemte modeller)

Jet Clean-systemet har et automatisk rengjøringsprogram. Når du trykker på av/på-knappen, starter Jet Clean-systemet det automatiske rengjøringsprogrammet.

Klargjøre Jet Clean-systemet for bruk

Fyll rengjøringskammeret før du bruker enheten for første gang.

1 Koble den lille kontakten til Jet Clean-systemet.

2 Sett adapteren i stikkontakten.

► Holderen flytter seg automatisk til høyeste posisjon.

3 Trykk på utløserknappene på begge sider av rengjøringskammeret (1) samtidig. Løft deretter Jet Clean-systemet av rengjøringskammeret (2). (fig. 28)

► Rengjøringskammeret står igjen.

4 Skru av korken på flasken med rengjøringsvæske.

5 Fyll rengjøringskammeret med HQ200-rengjøringsvæske til et nivå mellom de to linjene (fig. 29).

6 Sett Jet Clean-systemet tilbake på rengjøringskammeret (fig. 30).

Kontroller at utløserknappene klikker på plass.

Bruke Jet Clean-systemet

Merk: Hvis du bruker barberskum eller barbergel, anbefaler vi at du skyller den under varmt vann før du rengjør den i Jet Clean-systemet. Da er du garantert optimal levetid på rengjøringsvæsken.

1 Sett barbermaskinen opp-ned i holderen med displayet vendt mot forsiden av Jet Clean-systemet (fig. 18).

2 Trykk barbermaskinen ordentlig ned i holderen, slik at den låses (fig. 19).

► Displayet viser at barbermaskinen lades (se avsnittet Displayet).

3 Trykk på av/på-knappen på Jet Clean-systemet for å starte rengjøringsprogrammet. (fig. 31)

► Displayet på barbermaskinen slutter å vise lading.

► Rengjøringslampen begynner å blinke, og barbermaskinen senkes automatisk ned i rengjøringsvæsken (fig. 32).

► Rengjøringslampen blinker under hele rengjøringsprogrammet, som tar noen få minutter.

► I den første fasen av rengjøringsprogrammet slås barbermaskinen automatisk av og på flere ganger, og den beveges oppover og nedover.

► I den andre fasen av rengjøringsprogrammet plasseres barbermaskinen i tørkeposisjonen, som indikeres av at tørkesymbolet blinker.

Denne fasen tar cirka to timer. Barbermaskinen står slik til programmet er ferdig. (fig. 33)

► Når rengjøringsprogrammet er ferdig, vises ladeindikatoren i displayet på barbermaskinen (se avsnittet Displayet).

Merk: Hvis du trykker på av/på-knappen på Jet Clean-systemet under rengjøringsprogrammet, avbrytes programmet. I så fall slutter rengjørings- eller tørkesymbolet å blinke, og holderen går til den høyeste posisjonen.

Merk: Hvis du fjerner adapteren fra stikkontakten under rengjøringsprogrammet, avbrytes programmet. Holderen blir værende i gjeldende posisjon. Når du setter adapteren inn i stikkontakten igjen, flyttes holderen til høyeste posisjon.

- Når rengjøringsvæsken faller under minimumsnivået, begynner symbolet for tomt rengjøringskammer å blinke, og holderen går tilbake til utgangsposisjonen (fig. 34).

- Hvis du bruker rengjøringsenheten til å rengjøre barbermaskinen hver dag, må du etterfylle rengjøringskammeret cirka annenhver uke.

Rengjøre Jet Clean-systemet

Rengjør kammeret annenhver uke.

Du kan rengjøre yttersiden av Jet Clean-systemet med en fuktig klut.

1 Trykk på utløserknappene på begge sider av Jet Clean-systemet (1) samtidig. Løft deretter Jet Clean-systemet av rengjøringskammeret (2). (fig. 28)

► Rengjøringskammeret står igjen.

2 Hell eventuelt gjenværende rengjøringsvæske ut av rengjøringskammeret. (fig. 35)

Du kan bare helle rengjøringsvæsken i utslagsvasken.

3 Skyll rengjøringskammeret under springen (fig. 36).

Rengjøringskammeret kan ikke vaskes i oppvaskmaskinen.

4 Fyll rengjøringskammeret med HQ200-rengjøringsvæsken til et nivå mellom de to linjene (fig. 29).

5 Sett Jet Clean-systemet tilbake på rengjøringskammeret. (fig. 30)

Kontroller at utløserknappene klikker på plass.

Ekstra grundig rengjøringsmetode

Pass på at apparatet er slått av.

1 Trekk skjærehodeholderen av den nedre delen av skjæreenheten (fig. 26).

2 Skyv den grønne holderrammen i pilens retning, som står på holderrammen (fig. 37).

3 Løft holderrammen ut av skjærehodeholderen. (fig. 38)

4 Fjern kniven fra barberlamelltoppen (fig. 39).

Merk: Ikke rengjør mer enn én kniv og én barberlamelltopp om gangen, siden de sitter parvis. Hvis du ved et uhell setter en kniv i feil barberlamelltopp, kan det ta flere uker før du får optimal barbering igjen.

- 5** Rengjør kniven med rengjøringsbørsten (fig. 40).
- 6** Rengjør innsiden av barberlamelltoppen. (fig. 41)
- 7** Etter rengjøring setter du kniven tilbake i barberlamelltoppen med knivene pekende nedover. (fig. 42)
- 8** Plasser holderammen tilbake på skjærehodeholderen. (fig. 43)
- 9** Skyv lamelltoppen tilbake på plass (du hører et klikk). (fig. 44)
- 10** Feste skjærehodeholderen igjen til den nedre delen av skjæreenheten. (fig. 27)

Rengjøre trimmeren

Rengjør trimmeren hver gang du har brukt den.

- 1** Slå på barbermaskinen med trimmeren festet til den.
- 2** Skyll trimmeren under varmt vann. (fig. 45)
- 3** Slå av barbermaskinen etter rengjøring.

Tips: Smør tennene på trimmeren med en dråpe symaskinolje hver sjetten måned for optimal trimmerytelse.

Oppbevaring

- 1** Sett beskyttelsesdekelet på skjæreenheten for å unngå at skjærehodene skades (fig. 46).
- 2** Kun bestemte modeller: oppbevar barbermaskinen i etuiet som følger med.

Utskifting

Vi anbefaler deg å bytte den øvre delen av skjæreenheten hvert år for å få maksimal ytelse. Bytt ut den øvre delen av skjæreenheten med en original RQ11 Philips-skjærehodeholder.

- 1** Trekk skjærehodeholderen av den nedre delen av skjæreenheten (fig. 26).
- 2** Fest den nye skjærehodeholderen til den nedre delen av skjæreenheten (du hører et klikk) (fig. 27).

Bestille deler

Følgende deler er tilgjengelige:

- HQ8505-adapter
- RQ11 Philips skjærehodeholder
- HQ110 Philips Shaving Head Cleaning Spray (rensespray for skjærehoder)
- HQ200 Philips rengjøringsvæske

Miljø

- Ikke kast apparatene som restavfall når de ikke kan brukes lenger. Lever dem inn til en gjenvinningsstasjon. Ved å gjøre dette bidrar du til å ta vare på miljøet (fig. 47).
- Det integrerte oppladbare barbermaskinbatteriet inneholder stoffer som kan forurense miljøet. Ta alltid ut batteriet før du kaster barbermaskinen eller leverer den på en offentlig gjenvinningsstasjon. Lever batteriet på en offentlig gjenvinningsstasjon for batterier. Hvis du har problemer med å ta ut batteriet, kan du også ta apparatet med til et Philips-servicesenter. Der vil de ta ut batteriet for deg og behandle det på en miljøvennlig måte (fig. 48).

Fjerne det oppladbare barbermaskinbatteriet

Ta bare ut det oppladbare batteriet når du avhender barbermaskinen. Kontroller at batteriet er helt tomt når du tar det ut.

Vær forsiktig! Batteristriplene er skarpe.

- 1** Ta av bakpanelet på barbermaskinen med en skrutrekker.
- 2** Ta ut det oppladbare batteriet.

Garanti og service

Hvis du trenger service eller informasjon, eller hvis du har et problem med produktet, kan du gå til nettsidene til Philips på www.philips.com. Du kan også ta kontakt med Philips' forbrukertjeneste der du bor (du finner telefonnummeret i garantiheftet). Hvis det ikke finnes noen forbrukertjeneste i nærheten, kan du kontakte din lokale Philips-forhandler.

Begrensninger i garantien

Skjærehodene (kniver og barberlamelltopper) dekkes ikke av vilkårene i den internasjonale garantien fordi de er slitedeler.

Feilsøking

Dette avsnittet oppsummerer de vanligste problemene som kan oppstå med apparatet. Hvis du ikke klarer å løse problemet med informasjonen nedenfor, kan du ta kontakt med Philips' forbrukertjeneste der du bor.

Problem	Mulig årsak	Løsning
Barbermaskinen barberer ikke så godt som den gjorde tidligere.	Skjærehodene er ødelagte eller utslitte.	Bytt skjærehodeholder (se avsnittet Utskifting).

Problem	Mulig årsak	Løsning
	Lange hår dekker skjærehodene.	Rengjør skjærehodene ved å følge trinnene i den ekstra grundige rengjøringsmetoden (se avsnittet Rengjøring og vedlikehold).
	Jet Clean-systemet har ikke rengjort barbermaskinen ordentlig fordi rengjøringsvæsken i rengjøringskammeret er skittent eller væsknivået er for lavt.	Rengjør barbermaskinen ordentlig før du fortsetter å barbere deg. Hvis det er nødvendig, gjør du rent og fyller rengjøringskammeret på nytt (se avsnittet Rengjøring og vedlikehold).
Barbermaskinen virker ikke når jeg trykker på av/på-knappen.	Batteriet er utladet.	Lad opp batteriet (se avsnittet Lading).
	Transportlåsen er aktivert.	Hold av/på-knappen inne i tre sekunder for å deaktivere transportlåsen.
	Skjærehodeholderen er skitten eller ødelagt i en slik grad at motoren ikke kan gå.	Rengjør skjærehodeholderen eller bytt den (se avsnittene Rengjøring og vedlikehold og Utskifting).
	Temperaturen på barbermaskinen er for høy. I dette tilfellet fungerer ikke barbermaskinen.	La barbermaskinen avkjøles. Så snart temperaturen på barbermaskinen er tilstrekkelig redusert, kan du slå på barbermaskinen igjen.
Barbermaskinen er ikke ren nok etter at den er rengjort i Jet Clean-systemet.	Rengjøringsvæsken i rengjøringskammeret er skitten.	Tøm og rengjør rengjøringskammeret.
	Nivået for rengjøringsvæske er for lavt. Hvis væsknivået i rengjøringskammeret kommer under minimumsnivået under rengjøringen, avbrytes rengjøringsprogrammet. Rengjøringslampen symbolet for tomt rengjøringskammer begynner å blinke i intervaller, og holderen går tilbake til utgangsposisjonen.	Etterfyll rengjøringskammeret med rengjøringsvæske til et nivå mellom de to linjene (se avsnittet Rengjøring og vedlikehold).
	Du har brukt en annen rengjøringsvæske enn den originale Philips-rengjøringsvæsken.	Bruk bare HQ200 Philips-rengjøringsvæske.
Jet Clean-systemet virker ikke når jeg trykker på av/på-knappen.	Jet Clean-systemet er ikke koblet til strømmettet.	Koble den lille kontakten til Jet Clean-systemet, og sett adapteren i stikkkontakten.
	Det er ingen elektrisk forbindelse mellom Jet Clean-systemet og barbermaskinen.	Trykk barbermaskinen ordentlig ned i holderen, slik at den låses.
Barbermaskinen er ikke fulladet etter at jeg ladet den i laderen/Jet Clean-systemet.	Du har ikke satt barbermaskinen skikkelig inn i laderen/Jet Clean-systemet.	Pass på at du trykker barbermaskinen ned til du hører et klikk.

Wstęp

Gratulujemy zakupu i witamy wśród użytkowników produktów Philips! Aby w pełni skorzystać z oferowanej przez firmę Philips pomocy, zarejestruj swój produkt na stronie www.philips.com/welcome.

Prosimy o zapoznanie się z tą instrukcją obsługi, gdyż zawiera ona informacje na temat funkcji golarki oraz wskazówki, jak golić się szybciej i przyjemniej.

Opis ogólny (rys. 1)

- A** Golarka (RQ1180/RQ1160/RQ1150)
 - 1 Trymer
 - 2 Nasadka zabezpieczająca
 - 3 Element gołący
 - 4 Golarka
 - 5 Włącznik/wyłącznik golarki
 - 6 Wyświetlacz
- B** Ładowarka
- C** System Jet Clean (tylko niektóre modele)
 - 1 Uchwyt golarki
 - 2 Symbol pustej komory czyszczącej
 - 3 Symbol czyszczenia
 - 4 Symbol suszenia
 - 5 Włącznik/wyłącznik systemu Jet Clean
 - 6 Przycisk zwalniający komory czyszczącej
- D** Szczotka do czyszczenia
- E** Płyn czyszczący
- F** Etui (tylko wybrane modele)
- G** Zasilacz sieciowy

Ważne

Przed rozpoczęciem korzystania z urządzenia zapoznaj się dokładnie z jego instrukcją obsługi. Instrukcję warto też zachować na przyszłość.

Uwaga: W tej instrukcji obsługi termin „urządzenia” odnosi się do golarki i systemu Jet Clean. Jeśli zestaw nie zawiera systemu Jet Clean, termin ten odnosi się tylko do golarki.

Informacje ogólne

Niebezpieczeństwo

- Zabezpiecz zasilacz przed możliwością zamknięcia (rys. 2).

Ostrzeżenie

- Zasilacz sieciowy zawiera transformator. Ze względów bezpieczeństwa nie wymieniaj wtyczki zasilacza na inną.
- Urządzenia nie są przeznaczone do użytku przez osoby (w tym dzieci) o ograniczonych zdolnościach fizycznych, sensorycznych lub umysłowych, a także nieposiadające wiedzy lub doświadczenia w użytkowaniu tego typu urządzeń, chyba że będą one nadzorowane lub zostaną poinstruowane na temat korzystania z tych urządzeń przez opiekuna.
- Nie pozwalaj dzieciom bawić się urządzeniami.
- Podczas czyszczenia urządzeń uważaj na gorącą wodę. Zawsze należy sprawdzić jej temperaturę, aby nie poparzyć rąk.

Ostrzeżenie

- Nigdy nie zanurzaj systemu Jet Clean ani ładowarki w wodzie ani nie opłukuj ich pod bieżącą wodą.
- Urządzeń ani akcesoriów nie można myć w zmywarce.
- Przed korzystaniem z urządzeń ustaw je na wodoodpornej powierzchni.
- Używaj, ładuj i przechowuj urządzenia w temperaturze od 5°C do 35°C.
- Korzystaj wyłącznie z akcesoriów dołączonych do urządzenia.
- Zasilacz przekształca napięcie 100–240 V na bezpieczne napięcie poniżej 24 V.
- Nie używaj urządzeń, jeśli są uszkodzone.
- W przypadku uszkodzenia zasilacza lub innego akcesorium wymień je na nowe tego samego typu, aby uniknąć niebezpieczeństwa.
- Podczas płukania z gniazda u dołu golarki może wyciekać woda. Jest to zjawisko normalne i nie jest niebezpieczne dla użytkownika, gdyż wszystkie elementy elektroniczne zostały zamknięte w szczelnym module zasilającym wewnątrz golarki.

System Jet Clean (tylko niektóre modele)

Ostrzeżenie

- Korzystaj z systemu Jet Clean wyłącznie z oryginalnym płynem do czyszczenia HQ200.
- Zawsze ustawiaj system Jet Clean na stabilnej, równej i poziomej powierzchni, aby zapobiec wyciekaniu płynu.
- Nigdy nie zanurzaj systemu Jet Clean w wodzie.
- Co 15 dni opróżnij komorę czyszczącą i wyczyść ją dokładnie, płuczając ją gorącą, bieżącą wodą.
- System Jet Clean pozwala dokładnie wyczyścić golarkę, ale nie dezynfekuje jej i z tego względu nie należy jej używać wspólnie z innymi osobami.
- Komory czyszczącej systemu Jet Clean nie można myć w zmywarce.
- Gdy system Jet Clean jest gotowy do użycia, nie przesuwaj go, ponieważ mogłoby to spowodować wyciek płynu do czyszczenia.

Zgodność z normami

- Golarka spełnia międzynarodowe normy bezpieczeństwa i może być używana w kąpielni i pod prysznicem oraz może być myta pod bieżącą wodą (rys. 3).
- Te urządzenia firmy Philips spełniają wszystkie normy dotyczące pól elektromagnetycznych (EMF). Właściwa obsługa i korzystanie z urządzeń zgodnie z zaleceniami zawartymi w broszurze informacyjnej dołączonej do golarki zapewniają bezpieczne użytkowanie urządzeń (według obecnego stanu wiedzy naukowej).

Wyświetlacz

Uwaga: Przed pierwszym użyciem golarki zdejmij folię ochronną z wyświetlacza.

Trzy modele golarek (RQ1180, RQ1160 i RQ1150) są wyposażone w różne rodzaje wyświetlaczy, które zostały przedstawione na poniższych rysunkach.

- RQ1180 (rys. 4)
- RQ1160 (rys. 5)
- RQ1150 (rys. 6)

Ładowanie

- Ładowanie trwa około 1 godziny.

RQ1180

- Podczas ładowania golarki miga najpierw dolny wskaźnik ładowania, następnie kolejny, i tak dalej, aż do pełnego naładowania golarki (rys. 7).
- Szybkie ładowanie: gdy golarka ma zapas energii wystarczający na jedno golenie, dolny wskaźnik ładowania podświetla się naprzemiennie na biało i pomarańczowo.

RQ1160/RQ1150

- Podczas ładowania golarki symbol akumulatora miga aż do pełnego naładowania. (rys. 8)
- Szybkie ładowanie: gdy golarka ma zapas energii wystarczający na jedno golenie, na wyświetlaczu migają naprzemiennie symbole wtyczki i akumulatora.

Uwaga: Wyświetlacze modeli RQ1160 i RQ1150 różnią się wyglądem, ale działają w ten sam sposób.

Pełne naładowanie akumulatora

RQ1180

- Gdy akumulator jest w pełni naładowany, wszystkie wskaźniki ładowania świecą w sposób ciągły. Po ok. 30 minutach wyświetlacz wyłączy się samoczynnie. (rys. 9)

RQ1160/RQ1150

- Gdy akumulator jest w pełni naładowany, symbol akumulatora świeci w sposób ciągły. Po ok. 30 minutach wyświetlacz wyłączy się samoczynnie. (rys. 10)

Uwaga: Wyświetlacze modeli RQ1160 i RQ1150 różnią się wyglądem, ale działają w ten sam sposób.

Niski poziom naładowania akumulatora

RQ1180

- Gdy akumulator jest już niemal całkowicie rozładowany (zostało nie więcej niż 5 minut golenia), dolny wskaźnik ładowania miga na pomarańczowo. (rys. 11)
- Po wyłączeniu golarki dolny wskaźnik ładowania miga jeszcze przez kilka sekund.

RQ1160/RQ1150

- Gdy akumulator jest już niemal całkowicie rozładowany (zostało nie więcej niż 5 minut golenia), miga symbol wtyczki (rys. 12).
- Po wyłączeniu golarki symbol wtyczki miga przez kilka sekund.

Uwaga: Wyświetlacze modeli RQ1160 i RQ1150 różnią się wyglądem, ale działają w ten sam sposób.

Poziom naładowania akumulatora

RQ1180

- Liczba świejących wskaźników wskazuje poziom naładowania akumulatora. (rys. 13)

Blokada podróżna

Na czas podróży golarkę można zablokować. Blokada golarki zapobiega przypadkowemu włączeniu urządzenia.

Włączanie blokady na czas podróży

- 1 Naciśnij i przytrzymaj wyłącznik przez 3 sekundy, aby przejść do trybu blokady podróżnej (rys. 14).
- ▶ Na wyświetlaczu pojawi się symbol kłódki (rys. 15).

Uwaga: Wyświetlacze modeli RQ1180, RQ1160 i RQ1150 różnią się wyglądem, ale wyświetlają ten sam symbol.

Wyłączanie blokady podróżnej

- 1 Naciśnij i przytrzymaj wyłącznik przez około 3 sekundy.
- ▶ Uruchomienie się silniczka oznacza, że blokada podróżna została wyłączona. Golarka jest ponownie gotowa do użycia.

Uwaga: Po podłączeniu golarki do ładowarki lub systemu Jet Clean blokada podróżna zostanie automatycznie wyłączona.

Ładowanie

Ładowanie trwa około 1 godziny.

Modele RQ1180/RQ1160: W pełni naładowana golarka zapewnia do 50 minut działania i do 15 dni użytkowania.

Model RQ1150: W pełni naładowana golarka zapewnia do 40 minut działania i do 12 dni użytkowania.

Golarkę należy naładować przed pierwszym użyciem oraz wtedy, gdy wyświetlacz informuje o rozładowaniu akumulatora (patrz część „Niski poziom naładowania akumulatora” w rozdziale „Wyświetlacz”).

Szybkie ładowanie

Golarka ładowana przez 5 minut starcza na jedno golenie.

Ładowanie w ładowarce

- 1 Podłącz małą wtyczkę do ładowarki (rys. 16).
- 2 Podłącz zasilacz sieciowy do gniazdka elektrycznego.

- 3 Umieść golarzkę w ładowarce (1) i popchnij ją do tyłu (2) (usłyszysz „kliknięcie”). (rys. 17)

▶ Na wyświetlaczu pojawi się informacja o ładowaniu golarzki (patrz rozdział „Wyświetlacz”).

Ładowanie za pomocą systemu Jet Clean (tylko wybrane modele)

- 1 Włóż małą wtyczkę do systemu Jet Clean.
- 2 Podłącz zasilacz sieciowy do gniazdka elektrycznego.
- 3 Umieść golarzkę w uchwycie, głowicą golącą do dołu, w taki sposób, aby wyświetlacz był ustawiony w kierunku przedniej części systemu Jet Clean (rys. 18).

Uwaga: Tylko model RQ1180: po obróceniu golarzki głowicą do dołu wskaźnik akumulatora również zmienia swoją orientację na wyświetlaczu, dzięki czemu nadal możliwe jest odczytanie poziomu naładowania akumulatora.

- 4 Mocno wciśnij golarzkę do uchwytu, aby ją zablokować (rys. 19).

Uwaga: Golarzki nie można wkładać do systemu Jet Clean, gdy nasadka zabezpieczająca jest założona na element golący lub gdy na golarce założony jest trymer.

- ▶ Na wyświetlaczu pojawi się informacja o ładowaniu golarzki (patrz rozdział „Wyświetlacz”).

Korzystanie z golarzki

Golenie

- 1 Naciśnij wyłącznik, aby włączyć golarzkę.
 - ▶ Model RQ1180: Wyświetlacz zostanie podświetlony na kilka sekund.
- 2 Przesuwaj głowicę golącą po skórze, wykonując okrężne ruchy (rys. 20).
 - Nie wykonuj ruchów prostych.
 - Skóra twarzy może potrzebować 2–3 tygodni, aby przyzwycząć się do nowego sposobu golenia.
- 3 Naciśnij wyłącznik, aby wyłączyć golarzkę.
 - ▶ Model RQ1180: Wyświetlacz zostanie podświetlony na kilka sekund, a następnie wyświetli pozostały poziom naładowania akumulatora.

Golenie na mokro

Golarzki można używać na mokrej skórze z pianką lub żelem do golenia.

Aby ogolić się z użyciem pianki lub żelu do golenia, postępuj zgodnie z poniższymi instrukcjami:

- 1 Zwilż skórę wodą.
- 2 Nanieś na skórę piankę lub żel do golenia.
- 3 Opłucz element golący pod bieżącą wodą, aby zapewnić jego swobodne przesuwanie się po skórze.
- 4 Naciśnij wyłącznik, aby włączyć golarzkę.
- 5 Przesuwaj głowicę golącą po skórze, wykonując okrężne ruchy.

Uwaga: Golarzkę należy regularnie płukać, aby zapewnić jej swobodne przesuwanie się po skórze.

- 6 Po użyciu osusz twarz i dokładnie wyczyść golarzkę (patrz rozdział „Czyszczenie i konserwacja”).

Uwaga: Dokładnie opłucz golarzkę z pozostałości pianki lub żelu do golenia.

Przycinanie

Za pomocą trymera można przycinać bokobrody i wąsy.

- 1 Zdejmij element golący z golarzki (rys. 21).

Uwaga: Nie wolno obracać elementu golącego podczas zdejmowania go z golarzki.

- 2 Umieść występ trymera w szczelinie w górnej części golarzki (1). Następnie dociśnij trymer w dół (2), aby go przymocować do golarzki (usłyszysz „kliknięcie”) (rys. 22).
- 3 Naciśnij wyłącznik, aby włączyć trymer.
 - ▶ Model RQ1180: Wyświetlacz zostanie podświetlony na kilka sekund.
- 4 Teraz można rozpocząć przycinanie.
- 5 Naciśnij wyłącznik, aby wyłączyć trymer.
 - ▶ RQ1180: Wyświetlacz zostanie podświetlony na kilka sekund i wyświetli poziom naładowania akumulatora.
- 6 Zdejmij trymer z golarzki (rys. 23).

Uwaga: Nie wolno obracać trymera podczas zdejmowania go z golarzki.

- 7 Umieść występ elementu golącego w szczelinie w górnej części golarzki (1). Następnie dociśnij element golący w dół (2), aby go przymocować do golarzki (usłyszysz „kliknięcie”) (rys. 24).

Czyszczenie i konserwacja

Do czyszczenia urządzenia i systemu Jet Clean nigdy nie używaj szorstkich czyszczyków, płynnych środków ściernych ani żrących płynów, takich jak benzyna lub aceton.

- Najlepszym i najbardziej higienicznym sposobem wyczyszczenia golarzki jest skorzystanie z systemu Jet Clean (tylko wybrane modele), ale można ją także opłukać pod bieżącą wodą lub wyczyścić dołączoną szczoteczką.
- Uważaj na gorącą wodę. Zawsze należy sprawdzić jej temperaturę, aby nie poparzyć rąk.
- Aby zapewnić optymalne golenie, należy czyścić golarzkę po każdym goleniu.
- Obudowę golarzki można czyścić wilgotną szmatką.
- Regularne czyszczenie golarzki gwarantuje lepsze rezultaty golenia.

Czyszczenie elementu golącego

Uważaj na gorącą wodę. Zawsze należy sprawdzić jej temperaturę, aby nie poparzyć rąk.

1 Oplucz element golący pod gorącą, bieżącą wodą (rys. 25).

Uwaga: Element golący możesz również wyczyścić szczoteczką dołączoną do zestawu.

2 Zdejmij uchwyt głowicy golącej z dolnej części elementu golącego i płucz go pod gorącą, bieżącą wodą przez 30 sekund (rys. 26).

Uwaga: Uchwyt głowicy golącej możesz również wyczyścić szczoteczką dołączoną do zestawu.

3 Delikatnie strząśnij nadmiar wody i pozostaw element golący do wyschnięcia.

Nidy nie wycieraj elementu golącego ręcznikiem ani chusteczką higieniczną, gdyż może to spowodować uszkodzenie głowic golących.

4 Umieść ponownie uchwyt głowicy golącej w dolnej części elementu golącego (usłyszysz „kliknięcie”) (rys. 27).

Czyszczenie elementu golącego w systemie Jet Clean (tylko wybrane modele)

System Jet Clean jest wyposażony w automatyczny program czyszczenia, który jest uruchamiany po naciśnięciu wyłącznika.

Przygotowanie systemu Jet Clean do użycia

Przed pierwszym użyciem napełnij komorę czyszczącą.

1 Włóż małą wtyczkę do systemu Jet Clean.

2 Podłącz zasilacz sieciowy do gniazdka elektrycznego.

▶ Uchwyt automatycznie przesunie się do najwyższej pozycji.

3 Równocześnie naciśnij przyciski zwalniające po obu stronach komory czyszczącej (1) i zdejmij system Jet Clean z komory czyszczącej (2). (rys. 28)

▶ Komora czyszcząca zostanie odsłonięta.

4 Odkręć nasadkę butelki z płynem do czyszczenia.

5 Napełnij komorę czyszczącą płynem HQ200 do poziomu wyznaczonego przez dwie linie (rys. 29).

6 Umieść system Jet Clean z powrotem na komorze czyszczącej (rys. 30).

Dopilnuj, aby przyciski zwalniające się zatrzasnęły.

Korzystanie z systemu Jet Clean

Uwaga: Jeśli używasz golarki razem z pianką lub żelom do golenia, zalecamy oplukanie golarki gorącą, bieżącą wodą przed uruchomieniem czyszczenia w systemie Jet Clean. Zapewni to dłuższą przydatność płynu czyszczącego.

1 Umieść golarkę w uchwycie, głowicą golącą do dołu, w taki sposób, aby wyświetlacz był ustawiony w kierunku przedniej części systemu Jet Clean (rys. 18).

2 Mocno wciśnij golarkę do uchwytu, aby ją zablokować (rys. 19).

▶ Na wyświetlaczu pojawi się informacja o ładowaniu golarki (patrz rozdział „Wyświetlacz”).

3 Naciśnij wyłącznik na systemie Jet Clean, aby włączyć program czyszczący. (rys. 31)

▶ Wskaźnik ładowania golarki zniknie z wyświetlacza.

▶ Wskaźnik czyszczenia zaczyna migać, a golarka jest automatycznie zanurzana w płynie do czyszczenia (rys. 32).

▶ Wskaźnik czyszczenia miga przez cały program czyszczenia, który trwa kilka minut.

▶ Podczas pierwszej fazy programu czyszczenia golarka automatycznie włącza się i wyłącza kilka razy oraz przesuwają się w górę i w dół.

▶ Podczas drugiej fazy programu czyszczenia golarka jest umieszczana w pozycji do suszenia, co jest wskazywane przez migający symbol suszenia. Ta faza trwa ok. 2 godzin. Golarka pozostaje w tej pozycji do momentu zakończenia programu. (rys. 33)

▶ Po zakończeniu programu czyszczenia na wyświetlaczu pojawi się wskaźnik ładowania (patrz rozdział „Wyświetlacz”).

Uwaga: Jeśli podczas programu czyszczenia zostanie naciśnięty wyłącznik systemu Jet Clean, program zostanie przerwany. W takim przypadku wskaźnik czyszczenia lub suszenia przestanie migać, a uchwyt powróci do najwyższej pozycji.

Uwaga: Jeśli podczas programu czyszczenia zasilacz zostanie wyjęty z gniazdka elektrycznego, program zostanie przerwany. Uchwyt pozostanie w bieżącej pozycji. Po ponownym podłączeniu zasilacza do gniazdka elektrycznego uchwyt zostanie przesunięty do najwyższej pozycji.

- Gdy poziom płynu czyszczącego spadnie poniżej poziomu minimalnego, symbol pustej komory czyszczącej zacznie migać, a uchwyt powróci do swojej pozycji początkowej (rys. 34).

- W przypadku codziennego czyszczenia golarki za pomocą stacji myjącej napełniaj komorę czyszczącą mniej więcej co 15 dni.

Czyszczenie systemu Jet Clean

Czyść komorę czyszczącą co 15 dni.

Do czyszczenia zewnętrznych elementów systemu Jet Clean można użyć wilgotnej szmatki.

1 Równocześnie naciśnij przyciski zwalniające po obu stronach systemu Jet Clean (1) i zdejmij go z komory czyszczącej (2). (rys. 28)

▶ Komora czyszcząca zostanie odsłonięta.

2 Wylej z komory czyszczącej pozostały płyn do czyszczenia. (rys. 35)

Płyn do czyszczenia można po prostu wylać do zlewu.

3 Wypłucz komorę czyszczącą pod bieżącą wodą (rys. 36).

Komory czyszczącej nie można myć w zmywarce.

4 Napełnij komorę czyszczącą płynem HQ200 do poziomu wyznaczonego przez dwie linie (rys. 29).

5 Umieść system Jet Clean z powrotem na komorze czyszczącej. (rys. 30)

Dopilnuj, aby przyciski zwalniające się zatrzasnęły.

Bardzo dokładne czyszczenie

Upewnij się, że urządzenie jest wyłączone.

- 1 Wyciągnij uchwyt głowicy golącej z dolnej części elementu golącego (rys. 26).
- 2 Przesuń zielony element zabezpieczający w kierunku wskazywanym przez strzałki (rys. 37).
- 3 Wyciągnij element zabezpieczający z uchwytu głowicy golącej. (rys. 38)
- 4 Wyjmij nożyk z osłonki (rys. 39).

Uwaga: Czyść najwyżej jeden nożyk i jedną osłonkę jednocześnie, ponieważ tworzą one dopasowane zestawy. Przypadkowe pomieszczenie nożyków i osłonek może spowodować, że urządzenie odzyska optymalną skuteczność dopiero po kilku tygodniach.

- 5 Wyczyść nożyk za pomocą szczoteczki dołączonej do zestawu (rys. 40).
- 6 Wyczyść wnętrze osłonki. (rys. 41)
- 7 Po oczyszczeniu ponownie umieść nożyk w osłonce z ostrzami skierowanymi do dołu. (rys. 42)
- 8 Umieść element zabezpieczający ponownie w uchwycie głowicy golącej. (rys. 43)
- 9 Wsuń osłonkę z powrotem na miejsce (usłyszysz „kliknięcie”). (rys. 44)
- 10 Umieść ponownie uchwyt głowicy golącej w dolnej części elementu golącego. (rys. 27)

Czyszczenie trymera

Trymer należy czyścić po każdym użyciu.

- 1 Włącz golarkę z założonym trymerem.
- 2 Oplucz element golący pod gorącą, bieżącą wodą. (rys. 45)
- 3 Po czyszczeniu wyłącz golarkę.

Wskazówka: Aby zapewnić optymalne działanie trymera, raz na pół roku nasmaruj ząbki trymera jedną kroplą oleju do konserwacji maszyn do szycia.

Przechowywanie

- 1 Załóż nasadkę zabezpieczającą na element golący, aby zapobiec uszkodzeniu głowic golących (rys. 46).
- 2 Tylko wybrane modele: przechowuj golarkę w etui dołączonym do zestawu.

Wymiana

Aby zapewnić jak najlepsze efekty golenia, górną część elementu golącego należy wymieniać raz do roku. Górną część elementu golącego należy wymieniać jedynie na oryginalne uchwyty głowic golących RQ11 Philips.

- 1 Zdejmij uchwyt głowicy golącej z dolnej części elementu golącego (rys. 26).
- 2 Umieść nowy uchwyt głowicy golącej w dolnej części elementu golącego (usłyszysz „kliknięcie”) (rys. 27).

Zamawianie części

Dostępne są następujące części:

- Zasilacz HQ8505
- Uchwyt głowicy golącej firmy Philips RQ11
- Spray do czyszczenia głowic golących HQ110 Philips
- Płyn do czyszczenia firmy Philips HQ200

Środowisko

- Zużytego urządzenia nie należy wyrzucać wraz z normalnymi odpadami gospodarstwa domowego — należy oddać je do punktu zbiórki surowców wtórnych w celu utylizacji. Stosowanie się do tego zalecenia pomaga w ochronie środowiska (rys. 47).
- Wbudowany w golarkę akumulator zawiera substancje szkodliwe dla środowiska naturalnego. Przed wyrzuceniem lub oddaniem golarce do punktu zbiórki surowców wtórnych należy pamiętać o wyjęciu akumulatora. Akumulator należy wyrzucić w wyznaczonym punkcie zbiórki surowców wtórnych. W przypadku problemów z wyjęciem akumulatora urządzenie można dostarczyć do centrum serwisowego firmy Philips, którego pracownicy wyjmą i usuną akumulator w sposób bezpieczny dla środowiska naturalnego (rys. 48).

Wyjmowanie akumulatora golarce

Akumulator należy wyjąć tylko wtedy, gdy chcesz wyrzucić golarce. Przed wyjęciem akumulatora należy upewnić się, że jest on całkowicie rozładowany.

Należy zachować ostrożność, gdyż styki akumulatora są ostre.

- 1 Zdejmij panel tylny golarce za pomocą śrubokrętu.
- 2 Wyjmij akumulator.

Gwarancja i serwis

W razie konieczności naprawy oraz w przypadku jakichkolwiek pytań lub problemów prosimy odwiedzić naszą stronę internetową www.philips.com lub skontaktować się z Centrum Obsługi Klienta firmy Philips w danym kraju (numer telefonu znajduje się na ulotce gwarancyjnej). Jeśli w kraju Państwa zamieszkania nie ma takiego Centrum, o pomoc należy zwrócić się do sprzedawcy produktów firmy Philips.

Ograniczenia gwarancji

Głowice golące (nożyki i osłonki) nie są objęte warunkami gwarancji międzynarodowej, ponieważ ulegają zużyciu.

Rozwiązywanie problemów

W tym rozdziale opisano najczęstsze problemy, z którymi można się zetknąć, korzystając z urządzenia. Jeśli poniższe wskazówki okażą się niewystarczające do rozwiązania problemu, należy skontaktować się z lokalnym Centrum Obsługi Klienta.

Problem	Prawdopodobna przyczyna	Rozwiązanie
Golarka goli gorzej niż na początku.	Głowice golące są uszkodzone lub zużyte.	Wymień uchwyt głowicy golącej (patrz rozdział „Wymiana”).
	Długie włoski blokują głowice golące.	Wyczyść głowice golące, postępując zgodnie z instrukcjami dotyczącymi bardzo dokładnego czyszczenia (patrz rozdział „Czyszczenie i konserwacja”).
	System Jet Clean nie przeprowadził prawidłowo czyszczenia golarki, ponieważ płyn czyszczący w komorze czyszczenia jest zabrudzony lub jego poziom jest zbyt niski.	Zanim znów przystąpisz do golenia, wyczyść dokładnie golarkę. W razie potrzeby wyczyść i napełnij ponownie komorę czyszczącą (patrz rozdział „Czyszczenie i konserwacja”).
Golarka nie działa po naciśnięciu wyłącznika.	Akumulator jest rozładowany.	Naładuj akumulator (patrz rozdział „Ładowanie”).
	Blokada podróżna jest włączona.	Naciśnij i przytrzymaj wyłącznik przez 3 sekundy, aby wyłączyć tryb blokady podróżnej.
Golarka nie działa po naciśnięciu wyłącznika.	Uchwyt głowicy golącej jest zabrudzony lub uszkodzony w stopniu uniemożliwiającym działanie silniczka.	Wyczyść lub wymień uchwyt głowicy golącej (patrz rozdziały „Czyszczenie i konserwacja” oraz „Wymiana”).
	Golarka zbyt mocno się nagrzała. W takim przypadku golarka nie działa.	Poczekaj, aż golarka ostygnie. Gdy tylko jej temperatura wystarczająco opadnie, można ją włączyć ponownie.
Golarka nie jest zupełnie czysta po czyszczeniu w systemie Jet Clean.	Płyn do czyszczenia w komorze czyszczącej jest zabrudzony.	Opróżnij i wypłucz komorę czyszczącą.
	Poziom płynu do czyszczenia jest zbyt niski. Jeśli poziom płynu w komorze czyszczącej spadnie podczas wykonywania programu czyszczenia poniżej poziomu minimalnego, program zostanie przerwany. Wskaźnik czyszczenia i symbol pustej komory czyszczącej zaczną migać, a uchwyt powróci do pozycji początkowej.	Napełnij komorę czyszczącą płynem do czyszczenia do poziomu pomiędzy dwiema liniami (patrz rozdział „Czyszczenie i konserwacja”).
System Jet Clean nie działa po naciśnięciu wyłącznika.	Możliwe, że został użyty inny płyn do czyszczenia niż oryginalny płyn firmy Philips.	Należy stosować wyłącznie płyn do czyszczenia HQ200 firmy Philips.
	System Jet Clean nie jest podłączony do sieci elektrycznej.	Włóż małą wtyczkę do gniazda systemu Jet Clean i podłącz zasilacz do gniazda elektrycznego.
Golarka nie jest w pełni naładowana po ładowaniu w ładowarce/systemie Jet Clean.	Nie ma połączenia elektrycznego pomiędzy systemem Jet Clean a golarką.	Mocno wciśnij golarkę do uchwytu, aby ją zablokować.
	Golarka mogła zostać nieprawidłowo umieszczona w ładowarce/systemie Jet Clean.	Dociśnij golarkę, aż zablokuje się na swoim miejscu.

Introdução

Parabéns pela sua compra e bem-vindo à Philips! Para tirar todo o partido da assistência fornecida pela Philips, registre o seu produto em www.philips.com/welcome.

Leia este manual do utilizador, visto que contém informações sobre as funcionalidades desta máquina de barbear, bem como algumas sugestões para se barbear de forma mais fácil e agradável.

Descrição geral (fig. 1)

- A** Máquina de barbear (RQ1180/RQ1160/RQ1150)
 - 1 Aparador
 - 2 Tampa de protecção
 - 3 Unidade de corte
 - 4 Máquina de barbear
 - 5 Botão ligar/desligar da máquina de barbear
 - 6 Ecrã
- B** Carregador
- C** Sistema Jet Clean (apenas em modelos específicos)
 - 1 Suporte para a máquina de barbear
 - 2 Símbolo de indicação de "Câmara de limpeza vazia"
 - 3 Símbolo de limpeza
 - 4 Símbolo de secagem
 - 5 Botão de ligar/desligar do sistema Jet Clean
 - 6 Botão de libertação da câmara de limpeza
- D** Escova de limpeza
- E** Líquido de limpeza
- F** Bolsa (apenas modelos específicos)
- G** Adaptador

Importante

Leia cuidadosamente este manual do utilizador antes de utilizar o aparelho e guarde-o para consultas futuras.

Nota: Neste manual do utilizador o termo "aparelhos" refere-se à máquina de barbear e ao sistema Jet Clean. Se a sua máquina de barbear não estiver equipada com um sistema Jet Clean, o termo refere-se apenas à máquina de barbear.

Geral

Perigo

- Certifique-se de que o adaptador não entra em contacto com água (fig. 2).

Aviso

- O adaptador contém um transformador. Não corte o adaptador para o substituir por outro, pois isso poderá dar origem a situações de perigo.
- Estes aparelhos não devem ser utilizados por pessoas (incluindo crianças) com capacidades físicas, sensoriais ou mentais reduzidas, ou com falta de experiência e conhecimento, a não ser que lhes tenha sido dada supervisão ou instruções relativas à utilização dos aparelhos por uma pessoa responsável pela sua segurança.
- As crianças devem ser supervisionadas para garantir que não brincam com os aparelhos.
- Tenha cuidado com a água quente quando limpa os aparelhos. Verifique sempre se não está demasiado quente para evitar queimar as mãos.

Atenção

- Nunca mergulhe o sistema Jet Clean e o carregador na água, nem os enxagúe com água corrente.
- Os aparelhos e os acessórios não são laváveis na máquina de lavar loiça.
- Coloque e utilize sempre os aparelhos numa superfície impermeável.
- Utilize, carregue e guarde os aparelhos a uma temperatura entre os 5 °C e os 35 °C.
- Utilize apenas os acessórios fornecidos.
- O adaptador transforma 100-240 volts numa tensão segura e baixa inferior a 24 volts.
- Não utilize os aparelhos caso estes estejam danificados.
- Se o adaptador ou qualquer um dos acessórios estiver danificado, deverá ser sempre substituído por uma peça original para evitar situações de perigo.
- Pode pingar água da tomada na base da máquina de barbear ao enxaguar-la em água corrente. É normal e não é perigoso porque todos os componentes eléctricos estão protegidos numa unidade de alimentação selada no interior da máquina de barbear.

Sistema Jet Clean (apenas em modelos específicos)

Atenção

- Utilize o sistema Jet Clean apenas com o líquido de limpeza HQ200 original.
- Coloque sempre o sistema Jet Clean sobre uma superfície estável, plana e horizontal para evitar fugas.
- Nunca mergulhe o sistema Jet Clean em água.
- Esvazie a câmara de limpeza e lave-a muito bem enxaguando-a com água quente corrente a cada duas semanas.
- O sistema Jet Clean limpa em profundidade mas não desinfecta a máquina de barbear, pelo que não deve partilhá-la com outros utilizadores.
- A câmara de limpeza do sistema Jet Clean não é lavável na máquina de lavar loiça.
- Quando o sistema Jet Clean estiver pronto a utilizar, este não deve ser deslocado para não haver fugas do líquido de limpeza.

Conformidade com as normas

- Esta máquina de barbear está em conformidade com as normas de segurança aprovadas internacionalmente, podendo ser utilizada no banho ou no duche e lavada em água corrente com total segurança (fig. 3).
- Estes aparelhos Philips estão em conformidade com todas as normas relativas aos campos electromagnéticos (CEM). Se manuseados correctamente e de acordo com as instruções neste importante folheto informativo e no folheto informativo de utilização fornecido com a máquina de barbear, a utilização dos aparelhos é segura com base nas provas científicas disponíveis actualmente.

Visor

Nota: Antes de utilizar a máquina de barbear pela primeira vez, retire a película de protecção do visor.

Os três modelos de máquinas de barbear (RQ1180, RQ1160 e RQ1150) possuem visores diferentes, apresentados nas figuras em baixo.

- RQ1180 (fig. 4)
- RQ1160 (fig. 5)
- RQ1150 (fig. 6)

Carregamento

- O carregamento demora aprox. 1 hora.

RQ1180

- Quando a máquina de barbear está a carregar; primeiro fica intermitente a luz inferior de carregamento, em seguida, a segunda luz de carregamento e assim consecutivamente até a máquina de barbear estar totalmente carregada (fig. 7).
- Carga rápida: Quando a máquina de barbear contém suficiente energia para um barbear completo, a luz inferior de carregamento fica intermitente alternadamente a laranja e branco.

RQ1160/RQ1150

- Quando a máquina de barbear está a carregar; o símbolo da bateria fica intermitente até a máquina de barbear estar completamente carregada. (fig. 8)
- Carga rápida: Quando a máquina de barbear contém energia suficiente para um barbear completo, os símbolos da ficha e da bateria ficam intermitentes alternadamente.

Nota: Os visores dos modelos RQ1160 e RQ1150 têm um aspecto diferente, mas funcionam de forma semelhante.

Bateria completamente carregada

RQ1180

- Quando a bateria está completamente carregada, todas as luzes de carregamento acendem continuamente. Depois de aprox. 30 minutos o visor volta a desligar-se automaticamente. (fig. 9)

RQ1160/RQ1150

- Quando a bateria está completamente carregada, o símbolo da bateria acende continuamente. Depois de aprox. 30 minutos o visor volta a desligar-se automaticamente. (fig. 10)

Nota: Os visores de modelos RQ1160 e RQ1150 têm um aspecto diferente, mas funcionam de forma semelhante.

Bateria fraca

RQ1180

- Quando a bateria está quase vazia (quando restam apenas 5 ou menos minutos de barbear), a luz inferior de carregamento fica intermitente a cor de laranja. (fig. 11)
- Quando desligar a máquina de barbear; a luz inferior de carregamento continua intermitente durante alguns segundos.

RQ1160/RQ1150

- Quando a bateria está quase vazia (quando restam apenas 5 ou menos minutos de barbear), o símbolo da ficha fica intermitente (fig. 12).
- Quando desligar a máquina de barbear; o símbolo da ficha continua intermitente durante alguns segundos.

Nota: Os visores de modelos RQ1160 e RQ1150 têm um aspecto diferente, mas funcionam de forma semelhante.

Capacidade restante da bateria

RQ1180

- A capacidade restante da bateria é indicada pelo número de luzes de carregamento que estão acesas. (fig. 13)

Fecho de viagem

Pode bloquear a máquina de barbear quando viaja. O bloqueio de viagem evita que a máquina de barbear se ligue acidentalmente.

Activar o bloqueio de viagem

- 1 Prima o botão ligar/desligar durante 3 segundos para aceder ao modo de bloqueio de viagem (fig. 14).
- ▶ O símbolo de bloqueio acende no visor (fig. 15).

Nota: Os visores dos modelos RQ1180, RQ1160 e RQ1150 têm um aspecto diferente, mas apresentam o mesmo símbolo.

Desactivar o bloqueio de viagem

- 1 Prima o botão ligar/desligar durante três segundos.
 - ▶ O motor começa a funcionar para indicar que o bloqueio de viagem foi desactivado.
- A máquina de barbear está pronta para ser novamente utilizada.

Nota: Quando coloca a máquina de barbear no carregador ligado à corrente ou no sistema Jet Clean, o bloqueio de viagem é automaticamente desactivado.

Carregamento

O carregamento demora aprox. 1 hora.

RQ1180/RQ1160: Uma máquina de barbear completamente carregada tem uma autonomia de até 50 minutos/15 dias.

RQ1150: Uma máquina de barbear completamente carregada tem uma autonomia de até 40 minutos/12 dias.

Carregue a máquina de barbear antes de a utilizar pela primeira vez e quando o visor indicar que a bateria está quase vazia (consulte a secção "Bateria fraca" no capítulo "Visor").

Carga rápida

Depois da máquina de barbear ter sido carregada durante 5 minutos, esta contém energia suficiente para se barbear uma vez.

Carregamento no carregador

- 1 Introduza a ficha pequena no carregador (fig. 16).

- 2 Ligue o adaptador à tomada eléctrica.
- 3 Coloque a máquina de barbear no carregador (1) e empurre-o para trás (2) (ouve-se um estalido). (fig. 17)
- ▶ O visor indica que a máquina de barbear está a carregar (consulte o capítulo “Visor”).

Carregamento no sistema Jet Clean (apenas modelos específicos)

- 1 Introduza a ficha pequena no sistema Jet Clean.
- 2 Ligue o adaptador à tomada eléctrica.
- 3 Coloque a máquina de barbear voltada para baixo no suporte com o visor voltado para a parte frontal do sistema Jet Clean (fig. 18).

Nota: Apenas RQ1180: quando volta a máquina de barbear ao contrário, a indicação da bateria no visor também é voltada ao contrário, para que possa ver o nível de carregamento da bateria.

- 4 Pressione a máquina de barbear no suporte para a fixar na posição correcta (fig. 19).

Nota: Não é possível colocar a máquina de barbear no Sistema Jet Clean quando a tampa de protecção se encontra na unidade de barbear nem quando o aparador está aplicado na máquina de barbear.

- ▶ O visor indica que a máquina de barbear está a carregar (consulte o capítulo “Visor”).

Utilização da máquina de barbear

Depilação de corte

- 1 Prima uma vez o botão ligar/desligar para ligar a máquina de barbear.
 - ▶ RQ1180: O visor acende-se por alguns segundos.
- 2 Passe as cabeças de corte sobre a pele. Efectuando movimentos circulares (fig. 20).
 - Não efectue movimentos rectilíneos.
 - A sua pele poderá precisar de 2 a 3 semanas para se adaptar ao sistema de barbear Philips.
- 3 Prima uma vez o botão de ligar/desligar para desligar a máquina de barbear.
 - ▶ RQ1180: O visor acende-se durante alguns segundos e, em seguida, apresenta a capacidade restante da bateria.

Barbear a pele húmida

Também pode utilizar esta máquina de barbear com o rosto húmido com espuma ou gel de barbear. Para se barbear com espuma ou gel de barbear, siga os passos abaixo:

- 1 Aplique alguma água na sua pele.
- 2 Aplique espuma ou gel de barbear na pele.
- 3 Enxagúe a unidade de corte em água corrente para garantir que a unidade de corte desliza suavemente sobre a sua pele.
- 4 Prima uma vez o botão ligar/desligar para ligar a máquina de barbear.
- 5 Mova as cabeças de corte em movimentos circulares sobre a sua pele.

Nota: Enxagúe regularmente a máquina de barbear em água corrente para se assegurar de que esta continua a deslizar suavemente sobre a sua pele.

- 6 Seque o rosto e limpe a máquina de barbear cuidadosamente depois da utilização (consulte o capítulo “Limpeza e manutenção”).

Nota: Assegure-se de que enxagua toda a espuma ou gel de barbear da máquina de barbear.

Aparar

Pode utilizar o aparador para aparar as patilhas e o bigode.

- 1 Puxe a unidade de corte para fora da máquina de barbear (fig. 21).
 - Nota: Não rode a unidade de corte enquanto a puxa para fora da máquina de barbear.*
- 2 Introduza a saliência do aparador na ranhura na parte superior da máquina de barbear (1). Em seguida, pressione o aparador para baixo (2) para o encaixar na máquina de barbear (ouve-se um estalido) (fig. 22).
- 3 Prima uma vez o botão ligar/desligar para ligar o aparador.
 - ▶ RQ1180: O visor acende-se por alguns segundos.
- 4 Pode agora utilizar o aparador.
- 5 Prima uma vez o botão ligar/desligar para desligar o aparador.
 - ▶ RQ1180: O visor acende-se durante alguns segundos para indicar a capacidade restante da bateria.
- 6 Puxe o aparador para fora da máquina de barbear (fig. 23).

Nota: Não rode a unidade aparadora enquanto a puxa para fora da máquina de barbear.

- 7 Introduza a saliência da unidade de corte na ranhura na parte superior da máquina de barbear (1). Em seguida, pressione a unidade de corte para baixo (2) para a encaixar na máquina de barbear (ouve-se um estalido) (fig. 24).

Limpeza e manutenção

Nunca utilize esfregões, agentes de limpeza abrasivos ou líquidos agressivos, tais como petróleo ou acetona, para limpar o aparelho e o sistema Jet Clean.

- A melhor forma e a mais higiénica para limpar a máquina de barbear é com o sistema Jet Clean (apenas modelos específicos). Também pode enxaguar a máquina de barbear em água corrente ou limpá-la com a escova fornecida.
- Tenha cuidado com a água quente. Verifique sempre se não está demasiado quente para evitar queimar as mãos.
- Limpe a máquina de barbear após cada utilização para obter o melhor desempenho da máquina de barbear.
- Pode limpar o exterior da máquina de barbear com um pano húmido.
- Uma limpeza regular garante melhores resultados de barbear.

Limpar a unidade de corte

Tenha cuidado com a água quente. Verifique sempre se não está demasiado quente para evitar queimar as mãos.

1 Enxagúe a unidade de corte em água quente corrente durante algum tempo (fig. 25).

Nota: Também pode escovar a unidade de corte com a escova de limpeza fornecida.

2 Puxe o suporte da cabeça de corte para fora da parte inferior da unidade de corte e enxagúe-a em água quente corrente durante 30 segundos (fig. 26).

Nota: Também pode escovar a cabeça de corte com a escova de limpeza fornecida.

3 Sacuda cuidadosamente o excesso de água e deixe a unidade de corte secar.

Nunca seque a unidade de corte com uma toalha ou lenço de papel, pois pode danificar as cabeças de corte.

4 Volte a encaixar o suporte da cabeça de corte na parte inferior da unidade de corte (ouve-se um estalido) (fig. 27).

Limpeza da unidade de corte no sistema Jet Clean (apenas modelos específicos)

O sistema Jet Clean tem um programa de limpeza automático. Quando prime o botão ligar/desligar, o sistema Jet Clean inicia a limpeza no programa de limpeza automático.

Preparação do sistema Jet Clean

Encha a câmara de limpeza antes da primeira utilização.

1 Introduza a ficha pequena no sistema Jet Clean.

2 Ligue o adaptador à tomada eléctrica.

▶ O suporte movimenta-se automaticamente para a posição mais elevada.

3 Prima, em simultâneo, os botões de libertação de ambos os lados da câmara de limpeza (1) e retire o sistema Jet Clean da câmara de limpeza (2). (fig. 28)

▶ A câmara de limpeza permanece no sítio.

4 Desparafuse a tampa do frasco com o líquido de limpeza.

5 Encha a câmara de limpeza com o líquido de limpeza HQ200 até um nível entre as duas linhas (fig. 29).

6 Volte a colocar o sistema Jet Clean na câmara de limpeza (fig. 30).

Certifique-se de que os botões de libertação regressam à sua posição inicial.

Utilizar o sistema Jet Clean

Nota: Se utilizar a máquina de barbear com espuma ou gel de barbear, aconselhamos que a enxagúe em água quente corrente antes de a limpar com o sistema Jet Clean. Isto garante um tempo de vida ideal para o líquido de limpeza.

1 Coloque a máquina de barbear voltada para baixo no suporte com o visor voltado para a parte frontal do sistema Jet Clean (fig. 18).

2 Pressione a máquina de barbear no suporte para a fixar na posição correcta (fig. 19).

▶ O visor indica que a máquina de barbear está a carregar (consulte o capítulo "Visor").

3 Prima o botão ligar/desligar no sistema Jet Clean para iniciar o programa de limpeza. (fig. 31)

▶ O visor da máquina de barbear deixa de apresentar a indicação de carga.

▶ A luz de limpeza fica intermitente e a máquina de barbear desce automaticamente para o líquido de limpeza (fig. 32).

▶ A luz de limpeza mantém-se intermitente durante todo o programa de limpeza, que demora alguns minutos.

▶ Durante a primeira fase do programa de limpeza, a máquina de barbear liga-se e desliga-se automaticamente várias vezes e movimenta-se para cima e para baixo.

▶ Durante a segunda fase do programa de limpeza, a máquina de barbear é colocada na posição de secagem, indicada pelo símbolo de secagem intermitente. Esta fase demora aprox. 2 horas. A máquina de barbear permanece nesta posição até ao final do programa. (fig. 33)

▶ Depois do programa de limpeza, a indicação de carga é apresentada no visor da máquina de barbear (consulte o capítulo "Visor").

Nota: Se premir o botão ligar/desligar do sistema Jet Clean durante o programa de limpeza, o programa é interrompido. Neste caso, a luz de limpeza ou de secagem deixa de estar intermitente e o suporte regressa à posição mais elevada.

Nota: Se remover o adaptador da tomada eléctrica durante o programa de limpeza, o programa é interrompido. O suporte permanece na posição actual. Quando voltar a ligar o adaptador à tomada eléctrica, o suporte move-se para a posição mais elevada.

- Quando o líquido de limpeza excede o nível mínimo, o símbolo de indicação de "Câmara de limpeza vazia" fica intermitente e o suporte regressa à sua posição inicial (fig. 34).

- Se utilizar a máquina de limpeza para limpar a máquina de barbear todos os dias, deve encher a câmara de limpeza aprox. a cada duas semanas.

Limpeza do sistema Jet Clean

Limpe a câmara de limpeza a cada duas semanas.

Pode limpar o exterior do sistema Jet Clean com um pano húmido.

1 Prima, em simultâneo, os botões de libertação de ambos os lados do sistema Jet Clean (1) e retire o sistema Jet Clean da câmara de limpeza (2). (fig. 28)

▶ A câmara de limpeza permanece no sítio.

2 Esvazie algum líquido de limpeza que tenha ficado na câmara de limpeza. (fig. 35)

Pode simplesmente verter o líquido de limpeza no lavatório.

3 Enxagúe a câmara de limpeza em água corrente (fig. 36).

A câmara de limpeza não é lavável na máquina de lavar loiça.

4 Encha a câmara de limpeza com o líquido de limpeza HQ200 até um nível entre as duas linhas (fig. 29).

- 5** Volte a colocar o sistema Jet Clean na câmara de limpeza. (fig. 30)
Certifique-se de que os botões de libertação regressam à sua posição inicial.

Método de limpeza extra-cuidado

Certifique-se de que o aparelho está desligado.

- 1** Puxe o suporte da cabeça de corte para fora da parte inferior da unidade de corte (fig. 26).
- 2** Deslize a estrutura de fixação verde na direcção das setas indicadas da estrutura de fixação (fig. 37).
- 3** Levante e retire a estrutura de fixação do suporte da cabeça de corte. (fig. 38)
- 4** Retire a lâmina da protecção de corte (fig. 39).

Nota: Não limpe mais do que uma lâmina e uma protecção de cada vez, visto que estas formam conjuntos. Se combinar acidentalmente uma lâmina com a protecção incorrecta, poderá demorar várias semanas até que a eficácia de barbear seja restaurada.

- 5** Limpe a lâmina com a escova de limpeza fornecida (fig. 40).
- 6** Limpe o interior da protecção de corte. (fig. 41)
- 7** Depois da limpeza, volte a colocar a lâmina na protecção de corte com os pernos da lâmina voltados para baixo. (fig. 42)
- 8** Coloque novamente a estrutura de fixação sobre o suporte da cabeça de corte. (fig. 43)
- 9** Volte a colocar a protecção na posição correcta (ouve-se um estalido). (fig. 44)
- 10** Volte a encaixar o suporte da cabeça de corte na parte inferior da unidade de corte. (fig. 27)

Limpeza do aparador

Limpe o aparador sempre que o utilizar.

- 1** Ligue a máquina de barbear com o aparador encaixado.
- 2** Enxagúe o aparador em água quente corrente durante algum tempo. (fig. 45)
- 3** Depois da limpeza, desligue a máquina de barbear.

Sugestão: A cada seis meses, lubrifique os dentes do aparador com uma gota de óleo para máquinas de costura para obter o melhor desempenho.

Armazenamento

- 1** Deslize a tampa de protecção sobre a unidade de corte para evitar danos nas cabeças de corte (fig. 46).
- 2** Apenas modelos específicos: Armazene a máquina de barbear na bolsa fornecida.

Substituição

Para obter o desempenho máximo da máquina de barbear, é aconselhável substituir a parte superior da unidade de corte anualmente. Substitua apenas a parte superior da unidade de corte por um suporte da cabeça de corte Philips RQ11 original.

- 1** Puxe o suporte da cabeça de corte para fora da parte inferior da unidade de corte (fig. 26).
- 2** Volte a encaixar o suporte da cabeça de corte na parte inferior da unidade de corte (ouve-se um estalido) (fig. 27).

Encomendar peças

Estão disponíveis as seguintes peças:

- Adaptador HQ8505
- Suporte de cabeça de corte RQ11 Philips
- Spray para limpeza das cabeças de corte Philips HQ110
- Líquido de limpeza da Philips HQ200

Ambiente

- Não deite fora os aparelhos junto com o lixo doméstico normal no final da sua vida útil; entregue-os num ponto de recolha oficial para reciclagem. Ao fazê-lo ajuda a preservar o ambiente (fig. 47).
- A bateria recarregável incorporada da máquina de barbear contém substâncias que podem poluir o ambiente. Retire sempre a bateria antes de eliminar ou entregar a máquina de barbear num ponto de recolha oficial. Elimine a bateria num ponto de recolha oficial para baterias. Se tiver problemas na remoção da bateria, pode também levar o aparelho a um centro de assistência da Philips. Os assistentes do centro poderão remover a bateria e eliminá-la de forma segura para o ambiente (fig. 48).

Remoção da bateria recarregável da máquina de barbear

Retire a bateria recarregável apenas quando se desfizer da máquina de barbear. Certifique-se de que a bateria está completamente vazia quando a retirar.

Tenha cuidado porque as bandas da pilha são aguçadas.

- 1** Retire o painel posterior da máquina de barbear com uma chave de parafusos.
- 2** Retire a bateria recarregável.

Garantia e assistência

Se precisar de assistência ou informações, ou se tiver algum problema, visite o Web site da Philips em www.philips.pt ou contacte o Centro de Apoio ao Cliente Philips no seu país (poderá encontrar o número de telefone no folheto de garantia mundial). Se não houver um Centro de Apoio ao Cliente no seu país, dirija-se ao representante local da Philips.

Restrições à garantia

As cabeças de corte (lâminas e protecções de corte) não estão abrangidas pelos termos da garantia internacional, uma vez que estão sujeitas a desgaste.

Resolução de problemas

Este capítulo resume os problemas mais comuns que pode ter com o aparelho. Se não conseguir resolver o problema com as informações fornecidas a seguir, contacte o Centro de Apoio ao Cliente do seu país.

Problema	Possível causa	Solução
O desempenho da máquina de barbear deteriorou-se.	As cabeças de corte estão danificadas ou gastas.	Substitua o suporte da cabeça de corte (consulte o capítulo "Substituição").
	Pêlos mais longos obstruem as cabeças de corte.	Limpe as cabeças de corte conforme os passos do método de limpeza extra-cuidado (consulte o capítulo "Limpeza e manutenção").
A máquina de barbear não funciona quando primo o botão ligar/desligar.	O sistema Jet Clean não limpou a máquina de barbear devidamente, porque o líquido de limpeza da câmara de limpeza contém sujidade ou o nível do líquido de limpeza está demasiado baixo.	Limpe a máquina de barbear cuidadosamente antes de prosseguir com o barbear. Se for necessário, limpe e encha novamente a câmara de limpeza (consulte o capítulo "Limpeza e manutenção").
	A bateria recarregável está vazia.	Recarregue a bateria (consulte o capítulo "Carregamento").
A máquina de barbear não está totalmente limpa depois de a limpar com o sistema Jet Clean.	O bloqueio de viagem está activado.	Prima o botão ligar/desligar durante 3 segundos para desactivar o bloqueio de viagem.
	O suporte da cabeça de corte contém sujidade ou está danificado de tal forma que o motor não funciona.	Limpe o suporte da cabeça de corte ou substitua-a (consulte os capítulos "Limpeza e manutenção" e "Substituição").
A máquina de barbear não está totalmente limpa depois de a limpar com o sistema Jet Clean.	A temperatura da máquina de barbear é demasiado elevada. Neste caso, a máquina de barbear não funciona.	Deixa a máquina de barbear arrefecer. Logo que a temperatura da máquina tenha baixado o suficiente, pode ligar novamente a máquina.
	O líquido de limpeza na câmara de limpeza contém sujidade.	Esvazie e enxágüe a câmara de limpeza.
O sistema Jet Clean não funciona quando primo o botão ligar/desligar.	O nível do líquido de limpeza está demasiado baixo. Se o volume de líquido na câmara de limpeza exceder o nível mínimo durante o programa de limpeza, o programa é interrompido. A luz de limpeza e o símbolo de indicação de "Câmara de limpeza vazia" ficam intermitentes em intervalos regulares e o suporte regressa à posição inicial.	Encha novamente a câmara de limpeza com líquido de limpeza até um nível entre as duas linhas (consulte o capítulo "Limpeza e manutenção").
	Utilizou outro líquido de limpeza em vez do líquido de limpeza Philips original.	Utilize apenas o líquido de limpeza Philips HQ200.
O sistema Jet Clean não funciona quando primo o botão ligar/desligar.	O sistema Jet Clean não está ligado à alimentação.	Ligue a ficha pequena ao sistema Jet Clean e ligue o adaptador a uma tomada eléctrica.
	Não há nenhuma ligação eléctrica entre o sistema Jet Clean e a máquina de barbear.	Pressione a máquina de barbear no suporte para a fixar na posição correcta.
A máquina de barbear não está completamente carregada depois de eu a carregar no carregador/sistema Jet Clean.	Não colocou a máquina de barbear correctamente no carregador/sistema Jet Clean.	Assegure-se de que pressiona a máquina de barbear até esta encaixar na posição correcta.

Introdução

Parabéns pela sua compra e bem-vindo à Philips! Para aproveitar ao máximo o suporte oferecido pela Philips, registre o produto em www.philips.com/welcome.

Leia este manual do usuário, pois ele contém informações sobre os recursos deste barbeador e algumas dicas para facilitar o barbear e torná-lo mais agradável.

Descrição geral (fig. 1)

- A** Barbeador (RQ1180/RQ1160/RQ1150)
 - 1 Aparador
 - 2 Tampa de proteção
 - 3 Unidade de corte
 - 4 Barbeador
 - 5 Botão liga/desliga do barbeador
 - 6 Display
- B** Carregador
- C** Sistema de limpeza a jato (somente em alguns modelos)
 - 1 Suporte do barbeador
 - 2 Símbolo indicador de 'Câmara de limpeza vazia'
 - 3 Símbolo de limpeza
 - 4 Símbolo de secagem
 - 5 Botão liga/desliga do sistema de limpeza a jato
 - 6 Botão de liberação da câmara de limpeza
- D** Escova de limpeza
- E** Fluido de limpeza
- F** Estojo (somente em alguns modelos)
- G** Adaptador

Importante

Leia este manual do usuário atentamente antes de usar o aparelho e guarde-o para consultas futuras.

Nota: neste manual do usuário o termo "aparelho" se refere ao barbeador e ao sistema de limpeza a jato. Se o barbeador não tiver um sistema de limpeza a jato, o termo se refere somente ao barbeador.

Geral

Perigo

- Não molhe o adaptador (fig. 2).

Aviso

- O adaptador contém um transformador. Não retire o adaptador para substituí-lo por outro plugue, pois isso pode causar uma situação de risco.
- Este aparelho não deve ser usado por pessoas (inclusive crianças) com capacidades físicas, mentais ou sensoriais reduzidas ou pouca experiência e conhecimento, a menos que sejam supervisionadas ou instruídas sobre o uso do aparelho por uma pessoa responsável por sua segurança.
- Crianças pequenas devem ser supervisionadas para que não brinquem com o aparelho.
- Tome cuidado com água quente quando limpar o aparelho. Sempre verifique se a água não está muito quente para evitar queimaduras nas mãos.

Cuidado

- Nunca mergulhe o sistema de limpeza a jato e o carregador na água nem lave-os em água corrente.
- O aparelho e os acessórios não são próprios para lava-louças.
- Sempre apóie e use o aparelho em uma superfície resistente a fluidos.
- Use, carregue e guarde o aparelho a uma temperatura entre 5°C e 35°C.
- Use somente os acessórios fornecidos.
- O adaptador transforma a tensão de 100-240 volts em uma tensão segura, inferior a 24 volts.
- Não use o aparelho se estiver danificado.
- Se o adaptador ou um dos outros acessórios estiver danificado, substitua-o sempre por um original para evitar situações de risco.
- É possível que vaze água pela tomada na parte inferior do barbeador quando você lavá-lo. Isso é normal e não representa perigo, pois todos os componentes eletrônicos estão em uma unidade vedada, no interior do barbeador.

Sistema de limpeza a jato (somente em alguns modelos)

Cuidado

- Use o sistema de limpeza a jato somente com o fluido de limpeza original HQ200.
- Sempre apóie o sistema de limpeza a jato em uma superfície estável, nivelada e horizontal para evitar vazamento.
- Nunca mergulhe o sistema de limpeza a jato na água.
- Esvazie a câmara de limpeza e limpe-a por completo, lavando-a em água corrente quente a cada 15 dias.
- O sistema de limpeza a jato limpa completamente o barbeador, mas não o desinfeta; portanto, não compartilhe o aparelho com outras pessoas.
- A câmara de limpeza do sistema de limpeza a jato não é própria para lava-louças.
- Quando o sistema de limpeza a jato estiver pronto para uso, não mova-o para evitar vazamento do fluido de limpeza.

Conformidade com padrões

- Este barbeador está em conformidade com regulamentações de segurança aprovadas internacionalmente e pode ser usado com segurança na banheira ou no chuveiro e lavado em água corrente (fig. 3).
- Este aparelho Philips atende a todos os padrões relacionados a campos eletromagnéticos. Se manuseado adequadamente e de acordo com as instruções deste importante livreto de informações e do livreto de informações de uso fornecidos com o barbeador, a utilização do aparelho é segura baseando-se em evidências científicas atualmente disponíveis.

O display

Nota: antes de usar o barbeador pela primeira vez, retire a proteção do display.

Os três modelos de barbeador (RQ1180, RQ1160 e RQ1150) têm diferentes tipos de display, mostrados nas figuras abaixo.

- RQ1180 (fig. 4)
- RQ1160 (fig. 5)
- RQ1150 (fig. 6)

Recarga

- A recarga leva cerca de 1 hora.

RQ1180

- Durante a recarga do barbeador, a luz piloto inferior de recarga é a primeira a piscar. Em seguida, a segunda luz piloto de recarga pisca e assim por diante, até que o barbeador esteja totalmente carregado (fig. 7).
- Carga rápida: quando o barbeador contém energia suficiente para um barbear, a luz piloto inferior de recarga pisca alternadamente nas cores laranja e branca.

RQ1160/RQ1150

- Durante a recarga, o símbolo de pilha pisca até que o barbeador esteja totalmente carregado. (fig. 8)
- Carga rápida: quando o barbeador contém energia suficiente para um barbear, os símbolos de tomada e pilha piscam alternadamente.

Nota: os displays dos modelos RQ1160 e RQ1150 são diferentes, mas funcionam da mesma maneira.

Bateria totalmente carregada**RQ1180**

- Quando a bateria está totalmente carregada, todas as luzes de recarga ficam acesas. Após cerca de 30 minutos, o display desliga automaticamente. (fig. 9)

RQ1160/RQ1150

- Quando a bateria está totalmente carregada, o símbolo de pilha fica aceso. Após cerca de 30 minutos, o display desliga novamente. (fig. 10)

Nota: os displays dos modelos RQ1160 e RQ1150 são diferentes, mas funcionam da mesma maneira.

Bateria com pouca carga**RQ1180**

- Quando a bateria está quase descarregada (quando só restam 5 minutos ou menos de utilização), a luz piloto inferior de recarga pisca na cor laranja. (fig. 11)
- Quando você desliga o barbeador, a luz piloto inferior de recarga continua piscando por alguns segundos.

RQ1160/RQ1150

- Quando a bateria está quase descarregada (quando só restam 5 minutos ou menos de utilização), o símbolo de tomada pisca (fig. 12).
- Quando você desliga o barbeador, o símbolo de tomada continua piscando por alguns segundos.

Nota: os displays dos modelos RQ1160 e RQ1150 são diferentes, mas funcionam da mesma maneira.

Capacidade de carga restante**RQ1180**

- A capacidade de carga restante é indicada pelo número de luzes de recarga acesas. (fig. 13)

Trava para viagem

Você pode travar o barbeador quando viajar. A trava para viagem evita que o aparelho ligue acidentalmente.

Ativação da trava para viagem

- 1 Pressione o botão liga/desliga por 3 segundos para entrar no modo de trava para viagem (fig. 14).
- ▶ O símbolo de cadeado acende no display (fig. 15).

Nota: os displays dos modelos RQ1180, RQ1160 e RQ1150 são diferentes, mas exibem o mesmo símbolo.

Desativação da trava para viagem

- 1 Pressione o botão liga/desliga por 3 segundos.
 - ▶ O motor começa a funcionar para indicar que a trava para viagem foi desativada.
- O barbeador está pronto para ser usado novamente.

Nota: se você colocar o barbeador no carregador conectado à rede elétrica ou no sistema de limpeza a jato, a trava para viagem será automaticamente desativada.

Recarga

A recarga leva cerca de 1 hora.

RQ1180/RQ1160: um barbeador totalmente carregado funciona por até 50 minutos/15 dias.

RQ1150: um barbeador totalmente carregado funciona por até 40 minutos/12 dias.

Carregue o barbeador antes de usá-lo pela primeira vez e quando o display indicar que a bateria está quase descarregada (consulte a seção "Bateria fraca" no capítulo "O display").

Carga rápida

Depois de 5 minutos de recarga, o barbeador terá energia suficiente para um barbear.

Uso do carregador

- 1 Conecte o plugue pequeno ao carregador (fig. 16).
- 2 Conecte o adaptador a uma tomada na parede.
- 3 Coloque o barbeador no carregador (1) e pressione-o para trás (2) (você ouvirá um "clique"). (fig. 17)

- ▶ O display indica que o barbeador está carregando (consulte o capítulo “O display”).

Carregando o sistema de limpeza a jato (somente em alguns modelos)

- 1 Conecte o plugue pequeno ao sistema de limpeza a jato.
- 2 Conecte o adaptador a uma tomada na parede.
- 3 Coloque o barbeador ao contrário no suporte, com o display voltado para a parte frontal do sistema de limpeza a jato (fig. 18).

Nota: RQ1180 somente: quando o barbeador é colocado ao contrário, a indicação de carga da bateria no display é invertida para que você possa ver o nível de carga.

- 4 Pressione firmemente o barbeador no suporte para travá-lo (fig. 19).

Nota: o barbeador não pode ser colocado no sistema de limpeza a jato com a tampa de proteção na unidade de corte ou quando o aparador estiver encaixado no barbeador.

- ▶ O display indica que o barbeador está carregando (consulte o capítulo “O display”).

Uso do barbeador

Barbear

- 1 Pressione o botão liga/desliga para ligar o barbeador.
 - ▶ RQ1180: o display acende por alguns segundos.
- 2 Mova as cabeças de corte sobre a pele. Faça movimentos circulares (fig. 20).
 - Não faça movimentos retos.
 - Talvez sua pele precise de duas a três semanas para se acostumar ao sistema de barbear da Philips.
- 3 Pressione o botão liga/desliga para desligar o barbeador.
 - ▶ RQ1180: o display acende por alguns segundos e, em seguida, exibe a capacidade de carga restante.

Barbear com a pele úmida

Você também pode usar este barbeador com a pele úmida usando espuma ou gel de barbear.

Para se barbear com espuma ou gel, siga as etapas abaixo:

- 1 Aplique um pouco de água sobre a pele.
- 2 Aplique a espuma ou o gel de barbear sobre a pele.
- 3 Use água corrente para lavar a unidade de corte e garantir que ela deslize suavemente pela pele.
- 4 Pressione o botão liga/desliga para ligar o barbeador.
- 5 Mova as cabeças de corte em movimentos circulares sobre a pele.

Nota: use água corrente para lavar a unidade de corte e garantir que ela continue deslizando suavemente pela pele

- 6 Seque o rosto e limpe completamente o barbeador depois de cada uso (consulte o capítulo “Limpeza e manutenção”).

Nota: verifique se você retirou toda a espuma e gel de barbear do aparelho.

Aparagem

Você poderá usar o aparador nas costeletas e no bigode.

- 1 Retire a unidade de corte do barbeador (fig. 21).

Nota: não vire a unidade de corte quando puxá-la do barbeador.
- 2 Encaixe a base do aparador no slot na parte superior do barbeador (1). Em seguida, pressione o aparador para baixo (2) para encaixá-lo no barbeador (você ouvirá um “clique”) (fig. 22).
- 3 Pressione o botão liga/desliga para ligar o aparador.
 - ▶ RQ1180: o display acende por alguns segundos.
- 4 Agora você pode começar a aparar.
- 5 Pressione o botão liga/desliga para desligar o aparador.
 - ▶ RQ1180: o display acende por alguns segundos para exibir a capacidade de carga restante.
- 6 Retire o aparador do barbeador (fig. 23).

Nota: não vire a unidade aparadora ao retirá-la do barbeador.

- 7 Encaixe a base da unidade de corte no slot na parte superior do barbeador (1). Em seguida, pressione a unidade de corte para baixo (2) para encaixá-la no barbeador (você ouvirá um “clique”) (fig. 24).

Limpeza e manutenção

nunca use palhas de aço, agentes de limpeza abrasivos ou líquidos agressivos, como gasolina ou acetona, para limpar o aparelho e o sistema de limpeza a jato.

- O modo ideal e mais higiênico de limpar o barbeador é usando o sistema de limpeza a jato (somente em alguns modelos). Você também pode lavar o barbeador em água corrente ou limpá-lo com a escova fornecida.
- Tome cuidado com água quente. Sempre verifique se a água não está muito quente para evitar queimaduras nas mãos.
- Limpe o barbeador após cada uso para obter o melhor desempenho.
- Você pode limpar a parte externa do barbeador com um pano úmido.
- Limpezas regulares garantem o melhor desempenho do barbeador.

Limpeza da unidade de corte

Tome cuidado com água quente. Sempre verifique se a água não está muito quente para evitar queimaduras nas mãos.

1 Lave a unidade de corte em água corrente por alguns instantes (fig. 25).

Nota: você também pode escovar a unidade de corte usando a escova de limpeza fornecida.

2 Retire o suporte das cabeças de corte da parte inferior da unidade de corte e lave-a com água quente da torneira por 30 segundos (fig. 26).

Nota: você também pode escovar o suporte das cabeças de corte usando a escova de limpeza fornecida.

3 Tire com cuidado o excesso de água e deixe a unidade de corte secar.

para não danificar as cabeças de corte, nunca seque a unidade de corte com toalha ou pano.

4 Encaixe novamente o suporte das cabeças de corte na parte inferior da unidade de corte (você ouvirá um “clique”) (fig. 27).

Limpeza da unidade de corte no sistema de limpeza a jato (somente em alguns modelos)

O sistema de limpeza a jato tem um programa de limpeza automático. Quando você pressiona o botão liga/desliga, o sistema de limpeza a jato inicia a limpeza no programa automático.

Preparação para o uso do sistema de limpeza a jato

Encha a câmara de limpeza antes da primeira utilização.

1 Conecte o plugue pequeno ao sistema de limpeza a jato.

2 Conecte o adaptador a uma tomada na parede.

▶ O suporte se desloca automaticamente para a posição mais alta.

3 Pressione simultaneamente os botões de liberação nas laterais da câmara de limpeza (1). Em seguida, puxe o sistema de limpeza a jato para cima, retirando-o da câmara de limpeza (2). (fig. 28)

▶ A câmara de limpeza permanece na parte posterior.

4 Desenrosque a tampa do frasco com fluido de limpeza.

5 Encha a câmara de limpeza com fluido de limpeza HQ200 até atingir um nível entre as duas linhas (fig. 29).

6 Coloque novamente o sistema de limpeza a jato na câmara de limpeza (fig. 30).

Certifique-se de que os botões de liberação foram devidamente reencaixados.

Uso do sistema de limpeza a jato

Nota: caso você use o barbeador com espuma ou gel de barbear, recomendamos lavar o aparelho usando água quente da torneira antes de limpá-lo com o sistema de limpeza a jato. Isso economizará fluido de limpeza.

1 Coloque o barbeador ao contrário no suporte, com o display voltado para a parte frontal do sistema de limpeza a jato (fig. 18).

2 Pressione firmemente o barbeador no suporte para travá-lo (fig. 19).

▶ O display indica que o barbeador está carregando (consulte o capítulo “O display”).

3 Pressione o botão liga/desliga no sistema de limpeza a jato para iniciar o programa de limpeza. (fig. 31)

▶ O display do barbeador pára de exibir a indicação de carregamento.

▶ A luz de limpeza começa a piscar e o barbeador é automaticamente imerso no fluido de limpeza (fig. 32).

▶ A luz de limpeza pisca durante todo o programa de limpeza, que leva alguns minutos.

▶ Durante a primeira fase do programa de limpeza, o barbeador liga e desliga automaticamente várias vezes e movimenta-se para cima e para baixo.

▶ Durante a segunda fase do programa de limpeza, o barbeador é colocado na posição de secagem. O símbolo de secagem pisca no display. O barbeador permanece nessa posição até o fim do programa. (fig. 33)

▶ Após o programa de limpeza, o indicador de carga aparecerá no display do barbeador (consulte o capítulo “O display”).

Nota: se você pressionar o botão liga/desliga do sistema de limpeza a jato durante o programa de limpeza, o programa será interrompido. Nesse caso, a luz de limpeza ou a de secagem pára de piscar e o suporte se desloca para a posição mais alta.

Nota: se você retirar o adaptador da tomada da parede durante o programa de limpeza, o programa será interrompido. O suporte permanece na posição atual. Quando você coloca o adaptador na tomada da parede, o suporte se desloca automaticamente para a posição mais alta.

- Quando o fluido de limpeza ficar abaixo do nível mínimo, o símbolo indicador de “câmara de limpeza vazia” começa a piscar e o suporte volta à posição inicial (fig. 34).

- Caso use o aparelho de limpeza para limpar o barbeador todos os dias, você precisará reabastecer a câmara de limpeza a cada 15 dias aproximadamente.

Limpeza do sistema de limpeza a jato

Limpe a câmara de limpeza a cada 15 dias.

Você pode limpar a parte externa do sistema de limpeza a jato com um pano úmido.

1 Pressione simultaneamente os botões de liberação nas laterais do sistema de limpeza a jato (1). Em seguida, puxe o sistema de limpeza a jato para cima, retirando-o da câmara de limpeza (2). (fig. 28)

▶ A câmara de limpeza permanece na parte posterior.

2 Esvazie a câmara de limpeza caso exista resíduo do fluido. (fig. 35)

Você pode despejar o fluido de limpeza na pia.

3 Lave a câmara de limpeza em água corrente (fig. 36).

a câmara de limpeza não é própria para lava-louças.

4 Encha a câmara de limpeza com fluido de limpeza HQ200 até atingir um nível entre as duas linhas (fig. 29).

5 Coloque novamente o sistema de limpeza a jato na câmara de limpeza. (fig. 30)

Certifique-se de que os botões de liberação foram devidamente reencaixados.

Método de limpeza completa

verifique se o aparelho está desligado.

- 1 Retire o suporte das cabeças de corte da parte inferior da unidade de corte (fig. 26).
- 2 Deslize a moldura de retenção verde na direção das setas indicadas na própria moldura (fig. 37).
- 3 Levante a moldura de retenção, retirando-a do suporte das cabeças de corte. (fig. 38)
- 4 Retire o cortador do protetor (fig. 39).

Nota: Não lave mais de um cortador e um protetor ao mesmo tempo, já que eles todos são conjuntos correspondentes. Se você acidentalmente colocar um cortador no protetor errado, talvez sejam necessárias algumas semanas para que desempenho ideal do barbeador seja restabelecido.

- 5 Limpe o cortador com a escova de limpeza fornecida (fig. 40).
- 6 Lave a parte interna do protetor. (fig. 41)
- 7 Após a limpeza, recoloque o cortador no protetor com as pernas do cortador voltadas para baixo. (fig. 42)
- 8 Coloque novamente a moldura de retenção no suporte das cabeças de corte. (fig. 43)
- 9 Deslize a proteção até sua posição original (você ouvirá um “clique”). (fig. 44)
- 10 Encaixe novamente o suporte das cabeças de corte na parte inferior da unidade de corte. (fig. 27)

Limpeza do aparador

Lave o aparador toda vez que usá-lo.

- 1 Ligue o barbeador com o aparador encaixado.
- 2 Lave o aparador em água quente da torneira por alguns instantes. (fig. 45)
- 3 Após a limpeza, desligue o barbeador.

Dica: Para um desempenho excelente, lubrifique os dentes do aparador pingando uma gota de óleo lubrificante a cada seis meses.

Armazenamento

- 1 Deslize a tampa de proteção pela unidade de corte para evitar que as cabeças de corte sejam danificadas (fig. 46).
- 2 Somente em alguns modelos: guarde o barbeador no estojo fornecido.

Troca

Para obter o melhor desempenho do barbeador; recomendamos substituir a parte superior da unidade de corte a cada ano. Substitua a parte superior da unidade de corte somente pelo suporte Philips RQ11 original.

- 1 Retire o suporte das cabeças de corte da parte inferior da unidade de corte (fig. 26).
- 2 Encaixe o novo suporte das cabeças de corte na parte inferior da unidade de corte (você ouvirá um “clique”) (fig. 27).

Solicitação de peças

As seguintes peças estão disponíveis:

- Adaptador HQ8505
- Suporte de cabeças de corte Philips RQ11
- HQ110 Philips Shaving Head Cleaning Spray (spray para limpeza de cabeça de corte HQ110)
- Líquido de limpeza HQ200 Philips

Meio ambiente

- Não descarte o aparelho com o lixo doméstico no final de sua vida útil. Leve-o a um posto de coleta oficial para que possa ser reciclado. Com esse ato, você ajuda a preservar o meio ambiente (fig. 47).
- A bateria interna recarregável contém substâncias que podem poluir o meio ambiente. Sempre remova a bateria do barbeador antes de descartá-la ou levá-la a um posto oficial de coleta. Descarte as baterias em um posto oficial de coleta de baterias. Se tiver dificuldade em removê-la, você também poderá levar o aparelho a uma assistência técnica Philips, que fará esse procedimento e descartará a bateria em um local seguro ao meio ambiente (fig. 48).

Remoção da bateria recarregável do barbeador

só remova a bateria recarregável quando descartar o aparelho. Ao remover a bateria, certifique-se de que ela esteja completamente descarregada.

tenha cuidado, pois os fios de metal da bateria são afiados.

- 1 Remova a parte posterior do barbeador com uma chave de fenda.
- 2 Remova a bateria recarregável.

Garantia e assistência técnica

Se precisar de serviços ou informações ou tiver algum problema, visite o site da Philips em www.philips.com ou entre em contato com o Centro de Atendimento ao Cliente Philips do seu país (o número de telefone encontra-se no folheto da garantia mundial). Se não existir um Centro de Atendimento ao Cliente no seu país, dirija-se ao representante local da Philips.

Restrições da garantia

As cabeças de corte (cortadores e protetores) não estão cobertas pelos termos da garantia internacional por estarem sujeitas a desgaste.

Solução de problemas

Este capítulo resume os problemas mais comuns que você pode encontrar ao usar o aparelho. Se não conseguir resolver o problema com as informações abaixo, entre em contato com a Assistência Técnica Autorizada Philips mais próxima.

Problema	Possível causa	Solução
O barbeador não está funcionando como antes.	As cabeças de corte estão danificadas ou gastas.	Substitua o suporte das cabeças de corte (consulte o capítulo "Substituição").
	Pêlos longos obstruem as cabeças de corte.	Limpe as cabeças de corte seguindo as etapas do método limpeza completa (consulte o capítulo "Limpeza e manutenção").
	O sistema de limpeza a jato não limpou o barbeador corretamente, pois o fluido na câmara de limpeza está sujo ou o nível de fluido de limpeza está muito baixo.	Lave completamente o barbeador antes de continuar a se barbear. Se necessário, limpe e reabasteça a câmara de limpeza (consulte o capítulo "Limpeza e manutenção").
O barbeador não funciona quando pressiono o botão liga/desliga.	A bateria recarregável está descarregada.	Recarregue a bateria (consulte o capítulo "Carregamento").
	A trava para viagem está ativada.	Pressione o botão liga/desliga por 3 segundos para desativar a trava para viagem.
O barbeador não fica totalmente limpo após o uso do sistema de limpeza a jato.	O suporte das cabeças de corte está sujo ou danificado a ponto de impedir o funcionamento do motor.	Limpe o suporte das cabeças de corte ou substitua-o (consulte os capítulos 'Limpeza e manutenção' e "Substituição").
	A temperatura do barbeador está muito alta. Nesse caso, o barbeador não funciona.	Deixe o barbeador esfriar. Assim que a temperatura do barbeador diminuir o suficiente, ligue-o novamente.
	O fluido na câmara de limpeza está sujo.	Esvazie e lave a câmara de limpeza.
O sistema de limpeza a jato não funciona quando pressiono o botão liga/desliga.	O nível do fluido de limpeza está muito baixo. Se o volume do fluido na câmara de limpeza ficar abaixo do nível mínimo durante o programa de limpeza, o programa será interrompido. A luz de limpeza e o símbolo indicador de "câmara de limpeza vazia" piscam e o suporte volta à posição inicial.	Reabasteça a câmara de limpeza com fluido de limpeza até atingir um nível entre as duas linhas (consulte o capítulo "Limpeza e manutenção").
	Você usou outro fluido de limpeza, diferente do original Philips.	Use somente o fluido de limpeza HQ200 Philips.
O sistema de limpeza a jato não funciona quando pressiono o botão liga/desliga.	O sistema de limpeza a jato não está conectado à corrente elétrica.	Conecte o plugue pequeno ao sistema de limpeza a jato e encaixe o adaptador na tomada da parede.
	Não há conexão elétrica entre o sistema de limpeza a jato e o barbeador.	Pressione firmemente o barbeador no suporte para travá-lo.
O barbeador não fica totalmente carregado após o carregamento no carregador/sistema de limpeza a jato.	Você não encaixou o barbeador no carregador/sistema de limpeza a jato corretamente.	Verifique se você pressionou o barbeador até encaixá-lo.

Introducere

Felicitări pentru achiziție și bun venit la Philips! Pentru a beneficia pe deplin de asistența oferită de Philips, înregistrați-vă produsul la www.philips.com/welcome.

Citiți acest manual al utilizatorului, deoarece conține informații despre caracteristicile acestui aparat de bărbierit, precum și câteva sfaturi pentru a ușura bărbieritul și a-l face mai confortabil.

Descriere generală (fig. 1)

A Aparat de bărbierit (RQ1180/RQ1160/RQ1150)

- 1 Mașină de tuns
- 2 Capac de protecție
- 3 Unitatea de bărbierit
- 4 Aparat de bărbierit
- 5 Buton de pornire/oprire aparat de ras
- 6 Ecran

B Încărcător

C Sistem Jet Clean (numai la anumite modele)

- 1 Suport aparat de bărbierit
- 2 Simbol pentru cameră de curățare goală
- 3 Simbol de curățare
- 4 Simbol de uscare
- 5 Buton Pornit/Oprit al sistemului Jet Clean
- 6 Buton decuplare cameră de curățare

D Perie de curățat

E Lichid de curățare

F Husă (numai la anumite modele)

G Adaptor

Important

Citiți cu atenție acest manual de utilizare și păstrați-l pentru consultare ulterioară.

Notă: În acest manual de utilizare termenul 'aparate' se referă la aparatul de bărbierit și la sistemul Jet Clean. Dacă aparatul dvs. de bărbierit nu este livrat cu un sistem Jet Clean, se referă numai la aparat.

General

Pericol

- Evitați contactul adaptorului cu apa (fig. 2).

Avertisment

- Adaptorul conține un transformator. Nu încercați să înlocuiți ștecherul adaptorului, întrucât acest lucru conduce la situații periculoase.
- Aceste aparate nu trebuie utilizate de către persoane (inclusiv copii) care au capacități fizice, mentale sau senzoriale reduse sau sunt lipsite de experiență și cunoștințe, cu excepția cazului în care sunt supravegheate sau instruite cu privire la utilizarea aparatelor de către o persoană responsabilă pentru siguranța lor.
- Copiii trebuie supravegheați pentru a nu se juca cu aparatul.
- Aveți grijă la apa fierbinte când curățați aparatele. Verificați întotdeauna ca apa să nu fie foarte fierbinte, pentru a nu vă frige mâinile.

Precauție

- Nu scufundați niciodată sistemul Jet Clean și încărcătorul în apă și nu le clătiți la robinet.
- Aparatele și accesoriile nu sunt lavabile în mașină.
- Așezați și utilizați întotdeauna aparatele pe o suprafață rezistentă la substanțe lichide.
- Utilizați, încărcați și păstrați aparatele la o temperatură cuprinsă între 5°C și 35°C.
- Folosiți doar adaptorul furnizat.
- Adaptorul transformă tensiunea de 100-240 volți într-o tensiune joasă mai mică de 24 volți.
- Nu utilizați aparatele dacă sunt deteriorate.
- În cazul în care adaptorul sau oricare dintre accesorii este deteriorat, înlocuiți-l întotdeauna cu un model original pentru a evita un accident.
- Atunci când clătiți aparatul, este posibil ca apa să curgă prin partea inferioară. Acest lucru este normal și nu este periculos, deoarece toate componentele electronice sunt închise într-o unitate etanșă din interiorul aparatului.

Sistemul Jet Clean (numai la anumite modele)

Precauție

- Utilizați sistemul Jet Clean doar cu lichidul de curățare original HQ200.
- Puneți întotdeauna sistemul Jet Clean pe o suprafață stabilă, netedă și orizontală, pentru a evita scurgerile.
- Nu scufundați niciodată sistemul Jet Clean în apă.
- Goliți compartimentul de curățare și clătiți-l bine cu apă fierbinte de la robinet, la fiecare 15 zile.
- Sistemul Jet Clean curăță, dar nu dezinfectează aparatul de bărbierit. În consecință, nu împrumutați aparatul de bărbierit altor persoane.
- Camera de curățare a sistemului Jet Clean nu poate fi spălată în mașina de spălat vase.
- Când sistemul Jet Clean este gata de utilizare, nu trebuie mutat, pentru a evita scurgerile de lichid de curățare.

Conformitatea cu standardele

- Acest aparat de bărbierit corespunde normelor de securitate aprobate pe plan internațional și poate fi folosit în siguranță în cadă sau în duș și poate fi curățat sub jet de apă (fig. 3).
- Aceste aparate Philips corespund cu toate standardele referitoare la câmpurile electromagnetice (EMF). Dacă sunt manevrate corespunzător și în conformitate cu instrucțiunile din această broșură cu informații importante și din broșura cu informații de utilizare ambalată cu aparatul de bărbierit, aparatele sunt sigure în utilizare pe baza dovezilor științifice disponibile în prezent.

Afișajul

Notă: Înainte de a utiliza pentru prima dată aparatul de bărbierit, scoateți folia protectoare de pe afișaj.

Cele trei tipuri de aparate de bărbierit (RQ1180, RQ1160 și RQ1150) au tipuri de afișaje diferite și acestea sunt prezentate în imaginile de mai jos.

- RQ1180 (fig. 4)
- RQ1160 (fig. 5)
- RQ1150 (fig. 6)

Încărcare

- Încărcarea durează cca. 1 oră.

RQ1180

- Când aparatul de bărbierit se încarcă, mai întâi clipește ledul de încărcare de jos, apoi al doilea led de încărcare și așa mai departe până când aparatul de bărbierit este încărcat complet (fig. 7).
- Încărcare rapidă: Când aparatul de bărbierit conține suficientă energie pentru un bărbierit, ledul de încărcare de jos clipește alternativ portocaliu și alb.

RQ1160/RQ1150

- Când aparatul de bărbierit se încarcă, simbolul bateriei clipește până când acesta este încărcat complet. (fig. 8)
- Încărcare rapidă: Când aparatul de bărbierit conține suficientă energie pentru un bărbierit, simbolul de conectare la sursa de alimentare și simbolul bateriei clipește alternativ.

Notă: Afișajele aparatelor RQ1160 și RQ1150 au un aspect diferit, dar funcționează în același mod.

Baterie încărcată complet

RQ1180

- Când bateria este complet încărcată, toate ledurile de încărcare luminează continuu. După aprox. 30 de minute, afișajul se oprește din nou automat. (fig. 9)

RQ1160/RQ1150

- Când bateria este complet încărcată, simbolul bateriei luminează continuu. După aprox. 30 de minute, afișajul se oprește din nou automat. (fig. 10)

Notă: Afișajele aparatelor RQ1160 și RQ1150 au un aspect diferit, dar funcționează în același mod.

Baterie descărcată

RQ1180

- Când bateria este aproape descărcată (când au mai rămas numai 5 minute de utilizare sau mai puțin), ledul de încărcare de jos clipește portocaliu. (fig. 11)
- Când opriți aparatul de bărbierit, ledul de încărcare de jos clipește în continuare timp de câteva secunde.

RQ1160/RQ1150

- Când bateria este aproape descărcată (când au mai rămas numai 5 minute de utilizare sau mai puțin), simbolul de conectare la o sursă de alimentare clipește (fig. 12).
- Când opriți aparatul de bărbierit, simbolul de conectare la sursa de alimentare clipește în continuare timp de câteva secunde.

Notă: Afișajele aparatelor RQ1160 și RQ1150 au un aspect diferit, dar funcționează în același mod.

Capacitate rămasă baterie

RQ1180

- Capacitatea rămasă a bateriei este indicată de către numărul de indicatoare de încărcare care sunt aprinse. (fig. 13)

Dispozitiv de blocare pentru transport

Când călătoriți puteți să blocați aparatul de bărbierit. Blocarea pentru călătorie împiedică pornirea accidentală a aparatului.

Activarea mecanismului de blocare

- 1 Mențineți apăsat butonul de pornire/oprire timp de 3 secunde, pentru a activa modul de blocare pentru călătorie (fig. 14).
- ▶ Simbolul de blocare se aprinde pe afișaj. -tekening- (fig. 15)

Notă: Afișajele aparatelor RQ1180, RQ1160 și RQ1150 arată diferit, dar afișează același simbol.

Dezactivarea blocării pentru călătorie

- 1 Țineți apăsat butonul Pornit/Oprit timp de 3 secunde.
 - ▶ Motorul pornește pentru a indica faptul că blocarea pentru călătorie a fost dezactivată.
- În acest moment, aparatul de bărbierit poate fi utilizat din nou.

Notă: Când puneți aparatul de bărbierit în sistemul Jet Clean sau în încărcătorul conectat la sursa de alimentare, blocarea pentru călătorie este dezactivată automat.

Încărcare

Încărcarea durează cca. 1 oră.

RQ1180/RQ1160: Un aparat de bărbierit complet încărcat are un timp de bărbierire de până la 50 de minute/15 zile.

RQ1150: Un aparat de bărbierit complet încărcat are un timp de bărbierire de până la 40 de minute/12 zile.

Încărcați aparatul de bărbierit înainte de a-l utiliza pentru prima dată sau atunci când afișajul indică faptul că bateria este aproape goală (consultați secțiunea "Baterie descărcată" din capitoul "Afișajul").

Încărcare rapidă

După de aparatul de bărbierit s-a încărcat 5 minute, dispune de energie suficientă pentru un bărbierit.

Încărcarea în încărcător

- 1 Introduceți conectorul mic în încărcător (fig. 16).

- 2 Introduceți adaptorul în priză.

- 3** Așezați aparatul de bărbierit (1) în încărcător și împingeți-l înapoi (2) (se fixează cu un "clic"). (fig. 17)
 ► Afișajul indică faptul că aparatul de bărbierit se încarcă (consultați capitolul 'Afișajul').

Încărcarea în sistemul Jet Clean (numai pentru tipuri specifice)

- 1** Cuplați conectorul mic la sistemul Jet Clean.
2 Introduceți adaptorul în priză.
3 Puneți aparatul de bărbierit cu capul în jos în suport, cu afișajul către partea frontală a sistemului Jet Clean (fig. 18).

Notă: Numai pentru RQ1180: când întoarceți aparatul de bărbierit cu capul în jos, indicatorul baterie de pe afișaj este de asemenea întors pentru a vă permite să vedeți la ce nivel este încărcată bateria.

- 4** Apăsăți ferm aparatul de bărbierit în suport pentru a-l fixa (fig. 19).

Notă: Aparatul de bărbierit nu poate fi pus în sistemul Jet Clean când capacul de protecție este montat pe unitatea de bărbierit sau când dispozitivul de tundere este poziționat pe aparatul de bărbierit.

- Afișajul indică faptul că aparatul de bărbierit se încarcă (consultați capitolul 'Afișajul').

Utilizarea aparatului de bărbierit

Radere

- 1** Apăsăți butonul Pornit/Oprit pentru a porni aparatul.
 ► RQ1180: Afișajul se va aprinde timp de câteva secunde.
2 Faceți rapid mișcări circulare cu capetele de bărbierire pe suprafața pielii (fig. 20).
 - Nu faceți mișcări drepte.
 - Pielea dvs. ar putea necesita 2-3 săptămâni până să se obișnuiască cu sistemul de bărbierit Philips.
3 Apăsăți butonul Pornit/Oprit pentru a porni aparatul.
 ► RQ1180: Afișajul se va aprinde timp de câteva secunde și va arăta capacitatea rămasă a bateriei.

Bărbierit umed

Puteți utiliza de asemenea acest aparat de bărbierit pe față umedă cu spumă de bărbierit sau cu gel de bărbierit. Pentru a vă bărbieri cu spumă de bărbierit sau cu gel de bărbierit, urmați pașii de mai jos:

- 1** Umeziți-vă pielea cu apă.
2 Aplicați spumă de bărbierit sau gel de bărbierit pe piele.
3 Clătiți unitatea de bărbierit la robinet pentru a vă asigura că aceasta alunecă cu ușurință pe pielea dvs.
4 Apăsăți butonul Pornit/Oprit pentru a porni aparatul.
5 Deplasați capetele de bărbierit cu mișcări circulare pe suprafața pielii.

Notă: Clătiți în mod regulat aparatul de bărbierit la robinet pentru a vă asigura că aceasta alunecă în continuare cu ușurință pe pielea dvs.

- 6** Uscați-vă fața și curățați riguros aparatul de bărbierit după utilizare (consultați capitolul "Curățare și întreținere").

Notă: Asigurați-vă că îndepărtați prin clătire toată spuma sau gelul de bărbierit de pe aparatul de bărbierit.

Tunderea

Puteți utiliza dispozitivul de tundere pentru a vă ajusta perciuinii și mustața.

- 1** Scoateți unitatea de bărbierit direct de pe aparat (fig. 21).
Notă: Nu răsuciți unitatea de bărbierit în timp ce o trageți de pe aparatul de bărbierit.
2 Poziționați toarta dispozitivului de tundere în slotul din partea superioară a aparatului de bărbierit (1). Apoi, apăsați dispozitivul de tundere în jos (2) pentru a-l atașa la aparat (se fixează cu un 'clic') (fig. 22).
3 Apăsăți o dată butonul pornit/oprit pentru a porni dispozitivul de tundere.
 ► RQ1180: Afișajul se va aprinde timp de câteva secunde.
4 Acum puteți începe tunsul.
5 Apăsăți o dată butonul pornit/oprit pentru a opri dispozitivul de tundere.
 ► RQ1180: Afișajul se va aprinde timp de câteva secunde pentru a arăta capacitatea rămasă a bateriei.
6 Scoateți dispozitivul de tundere direct de pe aparatul de bărbierit (fig. 23).

Notă: Nu răsuciți unitatea de tundere în timp ce o trageți de pe aparatul de bărbierit.

- 7** Poziționați toarta unității de bărbierit în slotul din partea superioară a aparatului (1). Apoi, apăsați unitatea de bărbierit în jos (2) pentru a o atașa aparatului (se fixează cu un 'clic') (fig. 24).

Curățare și întreținere

Nu utilizați niciodată lavete de curățare, agenți de curățare abrazivi sau lichide agresive cum ar fi benzina sau acetona pentru a curăța aparatul și sistemul Jet Clean.

- Cel mai eficient și mai igienic mod de curățare a aparatului de bărbierit este cu ajutorul sistemului Jet Clean. Totuși, puteți curăța aparatul de bărbierit și sub jet de apă sau cu ajutorul periuței furnizate.
- Aveți grijă ca apa să nu fie foarte fierbinte, pentru a nu vă frige.
- Pentru a garanta performanțe optime, curățați aparatul de bărbierit după fiecare bărbierit.
- Curățați exteriorul aparatului de bărbierit cu o cârpă umedă.
- O curățare regulată asigură cele mai bune rezultate de bărbierire.

Curățarea unității de radere

Aveți grijă ca apa să nu fie foarte fierbinte, pentru a nu vă frige.

1 Clătiți unitatea de bărbierire sub jet de apă caldă (fig. 25).

Notă: Puteți peria de asemenea unitatea de bărbierit cu periuța de curățare furnizată.

2 Trageți suportul capului de bărbierit de la partea inferioară a unității de bărbierire și clătiți-o cu jet de apă fierbinte timp de 30 de secunde (fig. 26).

Notă: Puteți peria de asemenea suportul capului de bărbierit cu periuța de curățare furnizată.

3 Scuturați cu grijă apa în exces și lăsați unitatea de bărbierit să se usuce.

Nu ștergeți niciodată unitatea cu un prosop sau un șervețel, deoarece ați putea deteriora capetele.

4 Reatașați suportul capului de bărbierit la partea inferioară a unității de bărbierit (se fixează cu un 'clic') (fig. 27).

Curățarea unității de bărbierit în sistemul Jet Clean (numai pentru tipuri specifice)

Sistemul Jet Clean are un program de curățare automat. Când apăsați butonul pornit/oprit, sistemul Jet Clean începe să curețe în programul de curățare automat.

Pregătirea sistemului Jet Clean pentru utilizare

Umpleți camera de curățare înainte de prima utilizare.

1 Cuplați conectorul mic la sistemul Jet Clean.

2 Introduceți adaptorul în priză.

► Suportul se va muta automat în poziția superioară.

3 Apăsați și eliberați simultan butoanele din ambele părți ale camerei de curățare (1). Apoi, ridicați sistemul Jet Clean de pe camera de curățare (2). (fig. 28)

► Camera de curățare rămâne pe loc.

4 Deșurubați căpăcelul de la sticla cu lichid de curățare.

5 Umpleți camera de curățare cu lichid de curățare HQ200 până la un nivel între cele două linii (fig. 29).

6 Puneți sistemul Jet Clean înapoi în camera de curățare (fig. 30).

Asigurați-vă că butoanele de decuplare se fixează la loc.

Utilizarea sistemului Jet Clean

Notă: Dacă folosiți aparatul de bărbierit cu spumă de bărbierit sau cu gel de bărbierit, vă recomandăm să-l clătiți cu jet de apă fierbinte înainte să-l curățați în sistemul Jet Clean. Aceasta garantează o durată de viață optimă pentru lichidul de curățare.

1 Puneți aparatul de bărbierit cu capul în jos în suport, cu afișajul către partea frontală a sistemului Jet Clean (fig. 18).

2 Apăsați ferm aparatul de bărbierit în suport pentru a-l fixa (fig. 19).

► Afișajul indică faptul că aparatul de bărbierit se încarcă (consultați capitolul 'Afișajul').

3 Apăsați butonul Pornit/Oprit al sistemului Jet Clean pentru a lansa programul de curățare. (fig. 31)

► Afișajul aparatului de bărbierit încetează să mai prezinte starea de încărcare.

► Indicatorul de curățare va începe să clipească, iar aparatul de bărbierit va fi coborât automat în lichidul de curățare (fig. 32).

► Indicatorul de curățare clipește de-a lungul întregului program de curățare, care durează câteva minute.

► În timpul primei faze a programului de curățare, aparatul de bărbierit va porni și se va opri automat de câteva ori și se va deplasa în sus și în jos.

► În a doua fază a programului de curățare, aparatul de bărbierit va fi așezat în poziția pentru uscare, indicată de simbolul de uscare.

Această fază durează aproximativ 2 ore. Aparatul rămâne în această poziție până la terminarea programului. (fig. 33)

► După terminarea programului de curățare, pe afișajul aparatului apare simbolul de încărcare (consultați capitolul 'Afișajul').

Notă: Dacă apăsați butonul pornit/oprit al sistemului Jet Clean în timpul programului de curățare, programul este abandonat. În acest caz, indicatorul de curățare sau uscare se stinge și suportul se va muta în poziția superioară.

Notă: Dacă scoateți adaptorul din priză în timpul programului de curățare, programul este abandonat. Suportul rămâne în poziția în care se afla. Când introduceți din nou adaptorul în priză, suportul se deplasează în poziția superioară maximă.

- Când lichidul de curățare scade sub nivelul minim, simbolul "cameră de curățare goală" începe să clipească, iar suportul revine în poziția inițială (fig. 34).

- Dacă utilizați sistemul de spălat pentru a curăța aparatul de bărbierit în fiecare zi, va trebui să umpleți camera de curățare la fiecare 15 zile.

Curățarea sistemului Jet Clean

Spălați camera de curățare la fiecare 15 zile.

Puteți șterge exteriorul sistemului Jet Clean cu o cârpă umedă.

1 Apăsați și eliberați simultan butoanele de decuplare din ambele părți ale sistemului Jet Clean (1). Ridicați apoi sistemul Jet Clean din camera de curățare (2). (fig. 28)

► Camera de curățare rămâne pe loc.

2 Îndepărtați lichidul de curățare rămas din camera de curățare. (fig. 35)

Puteți turna lichidul de curățare direct în scurgerea chiuvetei.

3 Clătiți camera de curățare sub jet de apă (fig. 36).

Camera de curățare nu poate fi spălată în mașina de spălat vase.

4 Umpleți camera de curățare cu lichid de curățare HQ200 până la un nivel între cele două linii (fig. 29).

5 Puneți sistemul Jet Clean înapoi în camera de curățare. (fig. 30)

Asigurați-vă că butoanele de decuplare se fixează la loc.

Metoda de curățare minuțioasă

Aparatul trebuie să fie oprit.

- 1 Trageți suportul capului de bărbierit de la partea inferioară a unității de ras (fig. 26).
- 2 Glisați cadrul verde de susținere în direcția săgeților indicate ale cardului de susținere (fig. 37).
- 3 Ridicați cadrul de susținere din suportul capului de bărbierit. (fig. 38)
- 4 Scoateți cuțitul din sita de protecție de bărbierit (fig. 39).

Notă: Cuțitele și sitele de protecție de bărbierit sunt pereche, de aceea curățați pe rând câte un set. Dacă din greșeală puneți un cuțit în sita de protecție de bărbierit necorespunzătoare, s-ar putea să dureze câteva săptămâni până ce aparatul va tăia din nou la performanța optimă anterioară.

- 5 Curățați cuțitul cu ajutorul periuței de curățare furnizate (fig. 40).
- 6 Curățați interiorul sitei de protecție de bărbierit. (fig. 41)
- 7 După curățare, așezați cuțitul înapoi în sita de protecție de bărbierit cu piciorușele cuțitului îndreptate în jos. (fig. 42)
- 8 Puneți cadrul de susținere înapoi pe suportul capului de bărbierit. (fig. 43)
- 9 Glisați înapoi sita de protecție (se fixează cu un 'click'). (fig. 44)
- 10 Reașezați suportul capului de bărbierit la partea inferioară a unității de bărbierit. (fig. 27)

Curățarea dispozitivului de tundere

Curățați dispozitivul de tundere de fiecare dată când îl folosiți.

- 1 Porniți aparatul de bărbierit cu dispozitivul de tundere atașat.
- 2 Clătiți dispozitivul de tundere sub jet de apă caldă. (fig. 45)
- 3 După curățare, opriți aparatul de bărbierit.

Sugestie: Pentru a garanta performanțe optime, ungeți dinții dispozitivului de tundere cu puțin ulei pentru mașina de cusut o dată la șase luni.

Depozitarea

- 1 Glisați capacul protector pe unitatea de bărbierit pentru a preveni avarierea capetelor de ras (fig. 46).
- 2 Numai la anumite modele: Depozitați aparatul de bărbierit în husa de depozitare furnizată.

Înlocuire

Pentru a garanta performanțe maxime, recomandăm schimbarea părții superioare a unității de bărbierit în fiecare an. Schimbați partea superioară a unității de bărbierit numai cu un suport cap de bărbierit original RQ11 Philips.

- 1 Trageți suportul capului de bărbierit de la partea inferioară a unității de bărbierit (fig. 26).
- 2 Atașați noul suport al capului de bărbierit la partea inferioară a unității de bărbierit (se fixează cu un 'click') (fig. 27).

Comandarea accesoriilor

Sunt disponibile următoarele accesorii:

- Adaptor HQ8505
- Suport cap de bărbierit RQ11 Philips
- Spray de curățare Philips HQ110 pentru capete de bărbierire
- Lichid de curățare Philips HQ200.

Mediu

- Nu aruncați aparatul împreună cu gunoierul menajer la sfârșitul duratei de funcționare, ci duceți-l la un punct de colectare autorizat pentru reciclare. În acest fel, veți ajuta la protejarea mediului înconjurător (fig. 47).
- Bateria reîncărcabilă încorporată conține substanțe care pot polua mediul înconjurător. Scoateți întotdeauna bateria înainte de a casa aparatul sau înainte de a-l preda la un punct de colectare. Predați bateria la un punct de colectare autorizat pentru reciclare. Dacă întâmpinați dificultăți la scoaterea bateriei, puteți duce aparatul la un centru de service Philips. Personalul din acest centru va scoate bateria și îl va casa în mod ecologic (fig. 48).

Îndepărtarea bateriei reîncărcabile a aparatului de bărbierit

Scoateți bateria numai atunci când scoateți aparatul de bărbierit din uz. Asigurați-vă că bateria este descărcată complet atunci când o scoateți.

Atenție: benzile de contact ale bateriei sunt foarte ascuțite.

- 1 Înlăturați panoul posterior al aparatului cu o șurubelniță.
- 2 Scoateți bateria reîncărcabilă.

Garanție și service

Dacă aveți nevoie de service sau de informații sau dacă aveți o problemă, vizitați site-ul Web Philips la adresa www.philips.com sau contactați centrul Philips de asistență pentru clienți din țara dvs. (găsiți numărul de telefon în garanția internațională). Dacă în țara dvs. nu există un astfel de centru, deplasați-vă la furnizorul dvs. Philips local.

Restricții de garanție

Capetele de bărbierire (cuțitele și sitele de bărbierit) nu sunt acoperite de garanția internațională, deoarece sunt considerate consumabile.

Depanare

Acest capitol descrie cele mai frecvente problemele care pot apărea în utilizarea aparatului. Dacă nu reușiți să rezolvați problema folosind informațiile de mai jos, contactați centrul de asistență pentru clienți din țara dvs.

Problemă	Cauză posibilă	Soluție
Aparatul de bărbierit nu mai bărbierește la fel de bine.	Capetele de bărbierire sunt deteriorate sau uzate.	Înlocuiți suportul capului de bărbierit (consultați capitolul "Înlocuire").
	Firele lungi de păr blochează capetele de bărbierire.	Curățați capetele de bărbierit urmând pașii metodei de curățare minuțioasă (consultați capitolul "Curățare și întreținere").
	Sistemul Jet Clean nu a curățat aparatul de bărbierit în mod adecvat deoarece lichidul de curățare din camera de curățare este murdar sau nivelul lichidului de curățare este prea scăzut.	Curățați minuțios aparatul de bărbierit înainte de a continua bărbierirea. Dacă este cazul, curățați și reumpleți camera de curățare (consultați capitolul "Curățare și întreținere").
Aparatul de bărbierit nu pornește când apăși pe butonul Pornit/Oprit.	Bateria reîncărcabilă este goală.	Reîncărcați bateria (consultați capitolul "Încărcare").
	Mecanismul de blocare este activat.	Mențineți apăsat butonul de pornire/oprire timp de 3 secunde, pentru a dezactiva mecanismul de blocare pentru călătorie.
	Suportul capului de bărbierit este murdar sau deteriorat și nu permite funcționarea motorului.	Curățați suportul capului de bărbierit sau înlocuiți-l (consultați capitolele "Curățare și întreținere" și "Înlocuire").
Aparatul de bărbierit nu este perfect curat după ce a fost spălat în sistemul Jet Clean.	Temperatura aparatului de bărbierit este prea ridicată. În acest caz, aparatul de bărbierit nu funcționează.	Lăsați aparatul de bărbierit să se răcească. Imediat ce temperatura aparatului de bărbierit a scăzut suficient, puteți porni din nou aparatul de bărbierit.
	Lichidul de curățare din camera de curățare este murdar.	Goliți și clătiți camera de curățare.
	Nivelul lichidului de curățare este prea scăzut. Dacă volumul lichidului din camera de curățare scade sub nivelul minim în timpul programului de curățare, programul este abandonat. Indicatorul de curățare și simbolul "cameră de curățare goală" vor începe să lumineze intermitent, iar suportul va reveni în poziția inițială.	Reumpleți camera de curățare cu lichid de curățare până la un nivel între cele două linii (consultați capitolul "Curățare și întreținere").
	Ați utilizat alt lichid de curățare decât lichidul de curățare original Philips.	Utilizați numai lichid de curățare Philips HQ200.
Sistemul Jet Clean nu funcționează atunci când apăși pe butonul Pornit/Oprit.	Sistemul Jet Clean nu este conectat la priză.	Racordați fișa mică la sistemul Jet Clean și conectați adaptorul la priză.
	Nu există conexiune electrică între sistemul Jet Clean și aparatul de bărbierit.	Apăsați ferm aparatul de bărbierit în suport pentru a-l fixa.
Aparatul de bărbierit nu este încărcat complet după ce l-am încărcat în încărcător/sistemul Jet Clean.	Nu ați fixat corect aparatul de bărbierit în încărcător/sistemul Jet Clean.	Asigurați-vă că apăsați aparatul de bărbierit până când se fixează în poziția corectă.

Введение

Поздравляем с покупкой продукции Philips! Для получения полной поддержки, оказываемой компанией Philips, зарегистрируйте прибор на веб-сайте www.philips.com/welcome.

Прочтите данное руководство, содержащее сведения о возможностях бритвы, а также некоторые советы, которые сделают использование бритвы более приятным.

Общее описание (Рис. 1)

- A** Бритва (RQ1180/RQ1160/RQ1150)
 - 1** Триммер
 - 2** Защитный колпачок
 - 3** Бритвенный блок
 - 4** Бритва
 - 5** Кнопка включения/выключения бритвы
 - 6** Дисплей
- B** Зарядное устройство
- C** Система очистки Jet Clean (только для некоторых моделей)
 - 1** Держатель бритвы
 - 2** Символ пустого отсека для очистки
 - 3** Символ очистки
 - 4** Символ осушки
 - 5** Кнопка включения/выключения системы очистки Jet Clean
 - 6** Кнопка отсоединения отсека для очистки
- D** Щеточка для очистки
- E** Чистящая жидкость
- F** Футляр (только для некоторых моделей)
- G** Адаптер

Важно!

Перед использованием прибора внимательно ознакомьтесь с руководством пользователя и сохраните его для дальнейшего использования в качестве справочного материала.

Примечание. В настоящем руководстве пользователя понятие “приборы” означает бритву и систему очистки Jet Clean. Если система очистки Jet Clean не входит в комплект бритвы, данное понятие подразумевает только бритву.

Общие сведения

Опасно!

- Убедитесь, что адаптер питания сухой (Рис. 2).

Предупреждение.

- В конструкцию адаптера входит трансформатор. Запрещается заменять адаптер или присоединять к нему другие штекеры: это опасно.
- Данные приборы не предназначены для использования лицами (включая детей) с ограниченными возможностями сенсорной системы или ограниченными интеллектуальными возможностями, а также лицами с недостаточным опытом и знаниями, кроме случаев, когда приборы используются под контролем и при инструктировании со стороны лиц, ответственных за безопасность таких людей.
- Не позволяйте детям играть с приборами.
- Соблюдайте осторожность при очистке приборов горячей водой. Проверяйте температуру воды, чтобы избежать ожогов.

Внимание!

- Запрещается погружать систему очистки Jet Clean и зарядное устройство в воду и промывать под струей воды.
- Приборы и аксессуары запрещается мыть в посудомоечной машине.
- Помещайте и используйте приборы на водостойчивой поверхности.
- Использование приборов, их зарядка и хранение должны производиться при температуре от 5 °C до 35 °C.
- Пользуйтесь только аксессуарами, входящими в комплект.
- Адаптер вилки электропитания преобразует напряжение 100-240 вольт до безопасного напряжения ниже 24 вольт.
- Запрещается использовать поврежденные приборы.
- Если адаптер или любой другой аксессуар повреждены, заменяйте их только оригинальными аксессуарами, чтобы обеспечить безопасную эксплуатацию.
- При промывании бритвы из гнезда штекера может вытекать вода. Это нормально и не представляет опасности при использовании бритвы, так как электроэлементы внутри бритвы находятся в герметичном блоке питания.

Система очистки Jet Clean (только для некоторых моделей)

Внимание!

- Для системы очистки Jet Clean используйте только оригинальную чистящую жидкость HQ200.
- Чтобы чистящая жидкость не пролилась, обязательно устанавливайте систему очистки Jet Clean на горизонтальной, ровной и устойчивой поверхности.
- Запрещается погружать систему Jet Clean в воду.
- Жидкость из отсека для очистки необходимо сливать и тщательно промывать отсек горячей водопроводной водой каждые 15 дней.
- Система очистки Jet Clean тщательно очищает, но не дезинфицирует бритву, поэтому бритва должна оставаться предметом индивидуального использования.
- Отсек для очистки системы очистки Jet Clean нельзя мыть в посудомоечной машине.
- Когда система очистки Jet Clean готова к работе, ее нельзя перемещать, чтобы не разлить чистящую жидкость.

Соответствие стандартам

- Бритва соответствует принятому международному стандарту по технике безопасности, и ей можно пользоваться в ванной или под душем и чистить ее под струей воды (Рис. 3).
- Данные приборы Philips соответствуют стандартам по электромагнитным полям (ЭМП). При правильном обращении согласно инструкциям, приведенным в настоящем буклете, входящем в комплект бритвы, применение приборов безопасно в соответствии с современными научными данными.

Дисплей

Примечание. Перед началом эксплуатации прибора снимите защитную пленку с дисплея.

Три типа бритв (RQ1180, RQ1160 и RQ1150) оснащены разными дисплеями, которые показаны на рисунках ниже.

- RQ1180 (Рис. 4)
- RQ1160 (Рис. 5)
- RQ1150 (Рис. 6)

Зарядка

- Зарядка аккумулятора занимает около 1 часа.

RQ1180

- Во время зарядки бритвы сначала мигает нижний индикатор зарядки, затем начинает мигать следующий за ним индикатор и так далее, пока бритва не зарядится полностью (Рис. 7).
- Быстрая зарядка: при уровне заряда, достаточном для одного сеанса бритья, нижний индикатор зарядки попеременно мигает оранжевым/белым светом.

RQ1160/RQ1150

- Во время зарядки бритвы символ батареи мигает до тех пор, пока аккумулятор не будет полностью заряжен. (Рис. 8)
- Быстрая зарядка: при уровне заряда, достаточном для одного сеанса бритья, символы электровилки и батареи попеременно мигают.

Примечание. Внешний вид дисплеев моделей RQ1160 и RQ1150 отличается, но имеет ту же индикацию.

Аккумулятор полностью заряжен

RQ1180

- При полной зарядке аккумулятора все индикаторы зарядки начинают гореть ровным светом. Приблизительно через 30 минут дисплей снова автоматически выключается. (Рис. 9)

RQ1160/RQ1150

- При полной зарядке аккумулятора символ батареи начинает гореть ровным светом. Приблизительно через 30 минут дисплей снова автоматически выключается. (Рис. 10)

Примечание. Внешний вид дисплеев моделей RQ1160 и RQ1150 отличается, но имеет ту же индикацию.

Низкий уровень заряда аккумулятора

RQ1180

- При почти полной разрядке аккумулятора (остается не более 5 минут автономной работы прибора) нижний индикатор зарядки мигает оранжевым светом. (Рис. 11)
- При отключении бритвы нижний индикатор зарядки продолжает мигать еще несколько секунд.

RQ1160/RQ1150

- При почти полной разрядке аккумулятора (остается не более 5 минут автономной работы прибора) символ электровилки начинает мигать (Рис. 12).
- После выключения бритвы символ электровилки мигает еще в течение нескольких секунд.

Примечание. Внешний вид дисплеев моделей RQ1160 и RQ1150 отличается, но имеет ту же индикацию.

Текущее состояние зарядки аккумулятора

RQ1180

- На оставшийся заряд аккумулятора указывает количество горящих индикаторов заряда аккумулятора. (Рис. 13)

Дорожная блокировка

Во время поездок можно установить блокировку бритвы. Блокировка исключает случайное включение электробритвы.

Установка блокировки

- 1 Для входа в режим установки блокировки нажмите и удерживайте в течение 3 секунд кнопку включения/выключения (Рис. 14).
- ▶ На дисплее загорится значок блокировки (Рис. 15).

Примечание. Внешний вид дисплеев моделей RQ1180, RQ1160 и RQ1150 отличается, однако символ отображается схожим образом.

Выключение блокировки

- 1 Нажмите и удерживайте в течение 3 секунд кнопку включения/выключения.
- ▶ Начнет работать мотор, показывая, что блокировка снята. Теперь бритва снова готова к эксплуатации.

Примечание. При установке бритвы в зарядное устройство, подключенное к электросети, или систему очистки Jet Clean, блокировка автоматически снимается.

Зарядка

Зарядка аккумулятора занимает около 1 часа.

RQ1180/RQ1160: полностью заряженная бритва может работать до 50 минут/15 дней.

RQ1150: полностью заряженная бритва может работать до 40 минут/12 дней.

Зарядите бритву перед первым использованием, а затем выполняйте зарядку, когда на дисплее будет загораться индикатор, обозначающий низкий уровень заряда аккумулятора (см. раздел “Низкий уровень заряда аккумулятора” главы “Дисплей”).

Быстрая зарядка

После зарядки аккумулятора бритвы в течение 5 минут энергии достаточно для одного сеанса бритья.

Зарядка при помощи зарядного устройства

- 1 Вставьте маленький штекер в бритву (Рис. 16).
- 2 Подключите адаптер к розетке электросети.
- 3 Поместите бритву в зарядное устройство (1) и нажмите на нее (2) (должен прозвучать щелчок). (Рис. 17)
- ▶ Индикация дисплея показывает, что идет зарядка аккумулятора бритвы (см. главу “Дисплей”).

Зарядка в системе очистки Jet Clean (только для некоторых моделей)

- 1 Вставьте маленький штекер в систему очистки Jet Clean.
- 2 Подключите адаптер к розетке электросети.
- 3 Установите перевернутую бритву в держатель так, чтобы дисплей был направлен в сторону передней панели системы очистки Jet Clean (Рис. 18).

Примечание. Только для модели RQ1180: при переворачивании бритвы индикация заряда аккумулятора, отображаемая на дисплее, переворачивается соответственно для удобства определения уровня заряда.

- 4 Бритва должна плотно закреплена на своем месте в держателе (Рис. 19).

Примечание. Если защитный колпачок или триммер установлен на бритвенный блок, бритву невозможно установить в систему очистки Jet Clean.

- ▶ Индикация дисплея показывает, что идет зарядка аккумулятора бритвы (см. главу “Дисплей”).

Использование бритвы

Бритье

- 1 Нажмите кнопку включения/выключения для включения прибора.
- ▶ RQ1180: дисплей подсвечивается в течение нескольких секунд.
- 2 Перемещайте бритвенные головки по коже, совершая круговые движения (Рис. 20).
 - Не перемещайте бритву по коже прямыми движениями.
 - Для адаптации к бритвенной системе Philips вашей коже может потребоваться 2-3 недели.
- 3 Нажмите кнопку включения/выключения для выключения прибора.
- ▶ RQ1180: на несколько секунд включается подсветка дисплея, затем отображается оставшийся заряд аккумулятора.

Влажное бритье

Эту бритву также можно использовать на смоченной коже вместе с пеной или гелем для бритья. Чтобы использовать бритву с пеной или гелем для бритья, выполните следующие действия.

- 1 Смочите кожу водой.
- 2 Нанесите на кожу пену или гель для бритья.
- 3 Ополосните бритвенный блок под струей воды, чтобы обеспечить легкое скольжение по коже.
- 4 Нажмите кнопку включения/выключения для включения прибора.
- 5 Перемещайте бритвенные головки по коже, совершая круговые движения.

Примечание. Чтобы обеспечить гладкое скольжение по коже, регулярно промывайте бритву под струей воды.

- 6 Высушите лицо и тщательно очистите бритву после использования (см. главу “Очистка и уход”).

Примечание. Убедитесь, что после очистки на бритве не осталось пены или геля для бритья.

Подравнивание

Триммер можно использовать для подравнивания усов и висков.

- 1 Снимите бритвенный блок с бритвы, потянув за него (Рис. 21).

Примечание. Не вращайте бритвенный блок, снимая его с бритвы.

- 2 Вставьте выступ триммера в паз на верхней части бритвы (1). Затем надавите на триммер (2), чтобы присоединить его к бритве (должен прозвучать щелчок) (Рис. 22).
- 3 Нажмите кнопку включения/выключения один раз для включения триммера.
- ▶ RQ1180: дисплей подсвечивается в течение нескольких секунд.
- 4 Теперь можно начать подравнивание.
- 5 Нажмите кнопку включения/выключения один раз для выключения триммера.
- ▶ RQ1180: на несколько секунд включается подсветка дисплея, затем отображается оставшийся заряд аккумулятора.
- 6 Снимите триммер с бритвы, потянув за него (Рис. 23).

Примечание. Не вращайте триммер, снимая его с бритвы.

- 7 Вставьте выступ бритвенного блока в паз на верхней части бритвы (1). Затем надавите на бритвенный блок (2), чтобы присоединить его к бритве (должен прозвучать щелчок) (Рис. 24).

Очистка и уход

Для очистки бритвы и системы очистки Jet Clean запрещается использовать губки с абразивным покрытием, абразивные чистящие средства и растворители типа бензина или ацетона.

- Очистка бритвы в системе очистки Jet Clean (только для некоторых моделей) — это наиболее гигиеничный и эффективный способ очистки, однако бритву также можно очищать под струей воды или при помощи прилагаемой щеточки.
- Соблюдайте осторожность при обращении с горячей водой. Проверяйте температуру воды, чтобы избежать ожогов.
- Для достижения оптимальных результатов бритья очищайте бритву после каждого сеанса бритья.
- Наружную поверхность бритвы можно очищать с помощью влажной ткани.
- Регулярная очистка обеспечивает лучшие результаты бритья.

Очистка бритвенного блока

Соблюдайте осторожность при обращении с горячей водой. Проверяйте температуру воды, чтобы избежать ожогов.

1 Промойте бритвенный блок под струей горячей воды (Рис. 25).

Примечание. Бритвенный блок также можно очистить с помощью прилагаемой щеточки для чистки.

2 Снимите держатель бритвенной головки с основания бритвенного блока и промойте его под струей горячей воды в течение 30 секунд (Рис. 26).

Примечание. Держатель бритвенной головки также можно очистить с помощью прилагаемой щеточки для чистки.

3 Тщательно стряхните оставшуюся воду и просушите бритвенный блок.

Запрещается вытирать бритвенный блок полотенцем или салфеткой. Это может повредить бритвенные головки.

4 Поместите держатель бритвенной головки обратно на основание бритвенного блока (должен прозвучать щелчок) (Рис. 27).

Очистка бритвенного блока в системе очистки Jet Clean (только для некоторых моделей)

Система Jet Clean имеет автоматическую программу очистки. Система очистки Jet Clean запускает автоматическую программу очистки при нажатии кнопки включения/выключения.

Подготовка системы очистки Jet Clean к использованию

Заполните отсек для очистки перед первым использованием.

1 Вставьте маленький штекер в систему очистки Jet Clean.

2 Подключите адаптер к розетке электросети.

▷ Ручка автоматически переместится в верхнее положение.

3 Одновременно нажмите кнопки отсоединения по обеим сторонам отсека для очистки (1) и, приподняв, снимите систему очистки Jet Clean с отсека для очистки (2). (Рис. 28)

▷ Отсек для очистки будет отсоединен.

4 Отвинтите колпачок-дозатор с емкости для чистящей жидкости.

5 Залейте в отсек для очистки чистящую жидкость HQ200 до уровня между двумя линиями (Рис. 29).

6 Установите систему очистки Jet Clean обратно в отсек для очистки (Рис. 30).

Убедитесь, что кнопки отсоединения со щелчком встали на место.

Порядок использования системы очистки Jet Clean

Примечание. При использовании бритвы с пеной или гелем для бритья рекомендуется промывать ее под струей горячей воды перед очисткой в системе Jet Clean. Это позволит продлить срок использования чистящей жидкости.

1 Установите перевернутую бритву в держатель так, чтобы дисплей был направлен в сторону передней панели системы очистки Jet Clean (Рис. 18).

2 Бритва должна плотно закреплена на своем месте в держателе (Рис. 19).

▷ Индикация дисплея показывает, что идет зарядка аккумулятора бритвы (см. главу “Дисплей”).

3 Нажмите кнопку включения/выключения системы очистки Jet Clean для запуска программы очистки. (Рис. 31)

▷ С дисплея исчезнет индикация зарядки.

▷ Индикатор очистки начнет мигать, и бритва автоматически погрузится в чистящую жидкость (Рис. 32).

▷ Во время программы очистки, которая занимает несколько минут, индикатор очистки непрерывно мигает.

▷ В ходе первого этапа программы очистки бритва несколько раз автоматически включается и выключается и меняет положение.

▷ Во время второго этапа программы очистки бритва помещается в положение для просушки, при этом начинает мигать символ просушки. Этот этап занимает около 2 часов. В этом положении бритва остается до конца программы. (Рис. 33)

▷ По окончании программы очистки на дисплее бритвы появляется индикация зарядки (см. главу “Дисплей”).

Примечание. Если во время выполнения программы очистки нажать кнопку включения/выключения системы очистки Jet Clean, программа будет прервана. В этом случае индикатор очистки или осушки перестанет мигать, а держатель переместится в самое высокое положение.

Примечание. Если во время выполнения программы очистки отсоединить адаптер от розетки электросети, программа будет прервана. Держатель останется в текущем положении. При повторном подключении адаптера к розетке электросети, держатель переместится в верхнее положение.

- Если объем чистящей жидкости ниже минимального, индикатор очистки и символ пустого отсека для очистки начнут мигать, а держатель вернется в исходное положение (Рис. 34).

- Если устройство очистки используется для очистки бритвы ежедневно, следует заполнять отсек для очистки приблизительно каждые 15 дней.

Очистка системы очистки Jet Clean

Отсек для очистки следует очищать раз в 15 дней.

Наружную поверхность системы очистки Jet Clean можно очищать с помощью влажной ткани.

1 Одновременно нажмите кнопки отсоединения по обеим сторонам системы очистки Jet Clean (1). Затем, приподняв, снимите систему очистки Jet Clean с отсека для очистки (2). (Рис. 28)

Отсек для очистки будет отсоединен.

2 Слейте оставшуюся чистящую жидкость из отсека для очистки. (Рис. 35)

Чистящую жидкость можно вылить в раковину.

3 Промойте отсек для очистки под струей воды (Рис. 36).

Отсек для очистки нельзя мыть в посудомоечной машине.

4 Залейте в отсек для очистки чистящую жидкость HQ200 до уровня между двумя линиями (Рис. 29).

5 Установите систему очистки Jet Clean обратно в отсек для очистки. (Рис. 30)

Убедитесь, что кнопки отсоединения со щелчком встали на место.

Экстра тщательный способ очистки

Прибор должен быть выключен.

1 Снимите держатель бритвенной головки с основания бритвенного блока (Рис. 26).

2 Освободите зеленую крепежную рамку скользящим движением в направлении, указанном стрелками на поверхности рамки (Рис. 37).

3 Снимите крепежную рамку с держателя бритвенной головки. (Рис. 38)

4 Разъедините пару вращающегося и неподвижного ножей (Рис. 39).

Примечание. Не очищайте одновременно более одной пары ножей, поскольку вращающийся и неподвижный ножи каждой пары пригнаны друг к другу. Если вы случайно перепутаете ножи, то может потребоваться несколько недель, чтобы восстановить оптимальные характеристики бритвы.

5 Очищайте вращающийся нож, пользуясь входящей в комплект щеточкой (Рис. 40).

6 Очистите внутреннюю поверхность неподвижного ножа. (Рис. 41)

7 После очистки установите вращающийся нож на место так, чтобы опоры вращающегося ножа были направлены вверх. (Рис. 42)

8 Установите крепежную рамку обратно на держатель бритвенной головки. (Рис. 43)

9 Закрепите неподвижный нож (должен прозвучать щелчок). (Рис. 44)

10 Поместите держатель бритвенной головки обратно на основание бритвенного блока. (Рис. 27)

Очистка триммера

Очищайте триммер после каждого использования.

1 Включите бритву с установленным триммером.

2 Промойте триммер под струей горячей воды. (Рис. 45)

3 По окончании очистки выключите бритву.

Совет. Для оптимальной работы прибора смазывайте зубцы триммера каплей швейного масла каждые шесть месяцев.

Хранение

1 Наденьте защитный колпачок на бритвенный блок для предотвращения повреждения бритвенных головок (Рис. 46).

2 Только для некоторых моделей: храните бритву в прилагаемом футляре.

Замена деталей

Для оптимального качества работы бритвы рекомендуется выполнять замену верхней части бритвенного блока раз в год. Заменяйте верхнюю часть бритвенного блока только оригинальным держателем бритвенной головки Philips RQ11 Philips .

1 Снимите держатель бритвенной головки с основания бритвенного блока (Рис. 26).

2 Поместите новый держатель бритвенной головки на основание бритвенного блока (должен прозвучать щелчок) (Рис. 27).

Заказ деталей

В продаже имеются следующие детали:

- Адаптер HQ8505
- Держатель бритвенной головки Philips RQ11
- Чистящий спрей для бритвенных головок HQ110
- Чистящая жидкость Philips HQ200

Защита окружающей среды

- После окончания срока службы не выбрасывайте прибор вместе с бытовыми отходами. Передайте его в специализированный пункт для дальнейшей утилизации. Этим вы поможете защитить окружающую среду (Рис. 47).
- Встроенный аккумулятор содержит вещества, загрязняющие окружающую среду. После окончания срока службы бритвы и передачи ее для утилизации, аккумулятор необходимо извлечь. Аккумулятор следует утилизировать в специализированных пунктах. Если при извлечении аккумулятора возникли затруднения, можно передать бритву в сервисный центр Philips, где аккумулятор извлекут и утилизируют безопасным для окружающей среды способом (Рис. 48).

Извлечение аккумулятора бритвы

Перед утилизацией бритвы извлеките из нее аккумулятор. Убедитесь в полной разрядке аккумулятора перед извлечением.

Будьте осторожны: контактные полосы аккумулятора острые.

1 Снимите заднюю панель корпуса бритвы с помощью отвертки.

2 Извлеките аккумулятор.

Гарантия и обслуживание

Для получения дополнительной информации или обслуживания, а также в случае возникновения проблем посетите веб-сайт Philips www.philips.com или обратитесь в центр поддержки потребителей Philips в вашей стране (номер телефона центра указан на гарантийном талоне). Если подобный центр в вашей стране отсутствует, обратитесь в торговую организацию Philips.

Ограничения гарантии

Действие международной гарантии не распространяется на бритвенные головки (вращающиеся и неподвижные ножи), так как они подвержены износу.

Поиск и устранение неисправностей

Данная глава посвящена наиболее распространенным проблемам, возникающим при использовании прибора. Если самостоятельно справиться с возникшими проблемами не удастся, обратитесь в центр поддержки потребителей в вашей стране.

Проблема	Возможная причина	Способы решения
Бритва стала работать хуже, чем раньше.	Бритвенные головки повреждены или изношены.	Замените держатель бритвенной головки (см. главу "Замена деталей").
	Бритвенные головки могут быть забиты длинными волосами.	Очистите головки, следуя инструкциям по улучшенному методу очистки (см. главу "Очистка и уход").
	Очистка бритвы в системе Jet Clean неэффективна, так как чистящая жидкость в отсеке для очистки загрязнена или ее объем недостаточен.	Тщательно очистите электробритву, прежде чем продолжить бритье (см. главу "Очистка и уход").
При нажатии кнопки включения/выключения бритва не включается.	Аккумулятор разряжен.	Зарядите аккумулятор (см. главу "Зарядка").
	Включена блокировка.	Для выхода из режима блокировки нажмите и удерживайте в течение 3 секунд кнопку включения/выключения.
	Держатель бритвенной головки поврежден или изношен настолько, что мотор не может работать.	Необходимо очистить держатель бритвенной головки или заменить его (см. главы "Очистка и уход" и "Замена").
После очистки в системе Jet Clean на бритве по-прежнему остаются загрязнения.	Бритва слишком сильно нагрелась. В этом случае бритва не будет работать.	Дайте бритве остыть. Как только температура бритвы понизится до необходимого уровня, ее снова можно включить.
	Чистящая жидкость в отсеке для очистки загрязнена, или ее объем недостаточен.	Слейте жидкость и промойте отсек для очистки.
	Объем чистящей жидкости недостаточен. Если объем жидкости в отсеке для очистки ниже минимального, программа очистки будет прервана. Индикатор очистки и символ пустого отсека для очистки начнут мигать через равные интервалы времени, а держатель вернется в исходное положение.	Залейте в отсек для очистки чистящую жидкость до уровня между двумя линиями (см. главу "Очистка и уход").
При нажатии кнопки включения/выключения система очистки Jet Clean не включается.	Вы воспользовались другой чистящей жидкостью.	Пользуйтесь только чистящей жидкостью Philips HQ200.
	Система очистки Jet Clean не подключена к электросети.	Вставьте маленький штекер в систему очистки Jet Clean и подключите адаптер к розетке электросети.
Аккумулятор бритвы не полностью заряжен после зарядки в зарядном устройстве/системе очистки Jet Clean.	Между системой очистки Jet Clean и бритвой нет электроконтакта.	Бритва должна плотно закреплена на своем месте в держателе.
	Бритва установлена в систему очистки Jet Clean неправильно.	Убедитесь, что вы надавили на бритву и она правильно встала на место.

Úvod

Gratulujeme Vám ku kúpe a vitajte medzi zákazníkmi spoločnosti Philips! Ak chcete využiť všetky výhody zákazníckej podpory spoločnosti Philips, zaregistrujte svoj výrobok na adrese www.philips.com/welcome.

Prečítajte si tento návod na použitie, pretože obsahuje informácie o vlastnostiach tohto holiaceho strojčeka, ako aj niekoľko tipov, ktoré Vám umožnia urýchliť a spríjemniť holenie.

Opis zariadenia (Obr. 1)

A Holiaci strojček (RQ1180/RQ1160/RQ1150)

- 1 Zastrihávač
- 2 Ochranný kryt
- 3 Holiaca jednotka
- 4 Holiaci strojček
- 5 Vypínač holiaceho strojčeka
- 6 Displej

B Nabíjačka

C Systém Jet Clean (len určité modely)

- 1 Nosič holiaceho strojčeka
- 2 Symbol „Čistiaca komora prázdna“
- 3 Symbol čistenia
- 4 Symbol sušenia
- 5 Vypínač systému Jet Clean
- 6 Tlačidlo uvoľnenia čistiacej komory

D Čistiaca kefka

E Čistiaca kvapalina

F Puzdro (len určité modely)

G Adaptér

Dôležité

Pred použitím zariadenia si pozorne prečítajte tento návod na použitie a uschovajte si ho na použitie v budúcnosti.

Poznámka: V tomto návode na použitie sa výraz „zariadenia“ používa na označenie holiaceho strojčeka a systému Jet Clean. Ak sa Váš model holiaceho strojčeka dodáva bez systému Jet Clean, označuje tento výraz len holiaci strojček.

Všeobecné

Nebezpečenstvo

- Dbajte, aby sa adaptér nedostal do styku s vodou (Obr. 2).

Varovanie

- Súčasťou adaptéra je transformátor. Adaptér nesmiete oddeliť a vymeniť za iný typ zástrčky, lebo by ste mohli spôsobiť nebezpečnú situáciu.
- Tieto zariadenia nesmú používať osoby (vrátane detí), ktoré majú obmedzené telesné, zmyslové alebo mentálne schopnosti alebo ktoré nemajú dostatok skúseností a znalostí, pokiaľ nie sú pod dozorom alebo im nebolo vysvetlené používanie týchto zariadení osobou zodpovednou za ich bezpečnosť.
- Deti musia byť pod dozorom, aby sa nehrali so zariadeniami.
- Pri čistení zariadení dajte pozor na horúcu vodu. Najskôr vždy skontrolujte, či nie je príliš horúca, aby ste si nepopálili ruky.

Upozornenie

- Systém Jet Clean ani nabíjačku nikdy neponárajte do vody, ani ich neoplachujte tečúcou vodou.
- Zariadenia ani ostatné príslušenstvo nesmiete čistiť v umývačke na riad.
- Zariadenia vždy umiestnite a používajte na povrchoch, ktoré sú odolné voči kvapalinám.
- Zariadenia používajte, nabíjajte a skladujte pri teplotách 5°C až 35°C.
- Používajte len dodané príslušenstvo.
- Adaptér transformuje napätie 100 – 240 V na bezpečné napätie nižšie ako 24 V.
- Ak sú zariadenia poškodené, nepoužívajte ich.
- Ak je poškodený adaptér alebo akékoľvek iné príslušenstvo, vždy ho nechajte vymeniť za niektorý z originálnych typov, aby ste predišli nebezpečným situáciám.
- Po opláchnutí môže z otvoru v spodnej časti strojčeka vytekať voda. Je to bežný jav, ktorý nie je nebezpečný, pretože všetky elektronické súčasti sú uložené v uzavretej napájacej jednotke vo vnútri holiaceho strojčeka.

Systém Jet Clean (len určité modely)

Upozornenie

- Systém Jet Clean používajte len s originálnou čistiacou kvapalinou HQ200.
- Systém Jet Clean vždy umiestnite na stabilný, hladký a vodorovný povrch, aby nedošlo k úniku kvapaliny.
- Systém Jet Clean nikdy neponárajte do vody.
- Raz za 15 dní vyprázdňte čistiacu komoru a dôkladne ju očistite prúdom horúcej vody.
- Systém Jet Clean dôkladne očistí holiaci strojček, ale nevydezinfikuje ho. Preto holiaci strojček nepožičiavajte iným osobám.
- Čistiaca komora systému Jet Clean nie je vhodná na čistenie v umývačke na riad.
- Keď je systém Jet Clean pripravený na použitie, nepresúvajte ho, aby nedošlo k úniku čistiacej kvapaliny.

Súlad zariadenia s normami

- Tento holiaci strojček vyhovuje medzinárodným bezpečnostným predpisom a môžete ho bezpečne používať vo vani alebo v sprche a čistiť ho pod tečúcou vodou (Obr. 3).
- Tieto zariadenia značky Philips vyhovujú všetkým normám týkajúcim sa elektromagnetických polí (EMF). Ak budete tieto zariadenia používať správne a v súlade s pokynmi v tejto brožúre obsahujúcej dôležité informácie a v brožúre s návodom na obsluhu pribalenej k holiacemu strojčeku, bude ich použitie bezpečné podľa všetkých v súčasnosti známych vedeckých poznatkov.

Displej

Poznámka: Pred prvým použitím holiaceho strojčeka odstráňte z displeja ochrannú fóliu.

Tri modely holiacich strojčekov (RQ1180, RQ1160 a RQ1150) majú rozdielne displeje, ktoré sú zobrazené na nižšie uvedených obrázkoch.

- RQ1180 (Obr. 4)
- RQ1160 (Obr. 5)
- RQ1150 (Obr. 6)

Nabíjanie

- Nabíjanie trvá približne 1 hodinu.

RQ1180

- Keď sa nabíja batéria holiaceho strojčeka, najskôr bliká spodný indikátor nabíjania, potom druhý indikátor nabíjania atď., až kým batéria nie je úplne nabitá (Obr. 7).
- Rýchle nabíjanie: keď je batéria holiaceho strojčeka dostatočne nabitá na jedno oholenie, spodný indikátor nabíjania striedavo bliká oranžovým a bielym svetlom.

RQ1160/RQ1150

- Keď sa nabíja batéria holiaceho strojčeka, symbol batérie bliká, až kým nie je úplne nabitá. (Obr. 8)
- Rýchle nabíjanie: keď je batéria holiaceho strojčeka dostatočne nabitá na jedno oholenie, striedavo bliká symbol pripojenia do siete a symbol batérie.

Poznámka: Displeje modelov RQ1160 a RQ1150 vyzerajú rozdielne, ale fungujú rovnako.

Plne nabitá batéria

RQ1180

- Keď je batéria úplne nabitá, všetky indikátory nabíjania začnú nepretržite svietiť. Po približne 30 minútach sa displej znovu automaticky vypne. (Obr. 9)

RQ1160/RQ1150

- Keď je batéria úplne nabitá, symbol batérie začne nepretržite svietiť. Po približne 30 minútach sa displej znovu automaticky vypne. (Obr. 10)

Poznámka: Displeje modelov RQ1160 a RQ1150 vyzerajú rozdielne, ale fungujú rovnako.

Nabitie batérie je nízke

RQ1180

- Keď je batéria takmer vybitá (keď zostáva 5 alebo menej minút holenia), spodný indikátor nabíjania začne blikat' na oranžovo. (Obr. 11)
- Keď holiaci strojček vypnete, spodný indikátor nabíjania bude ešte niekoľko sekúnd blikat'.

RQ1160/RQ1150

- Keď je batéria takmer vybitá (keď zostáva 5 alebo menej minút holenia), bliká symbol pripojenia do siete (Obr. 12).
- Keď holiaci strojček vypnete, symbol pripojenia do siete bude ešte niekoľko sekúnd blikat'.

Poznámka: Displeje modelov RQ1160 a RQ1150 vyzerajú rozdielne, ale fungujú rovnako.

Zostávajúca kapacita batérie

RQ1180

- Zostávajúca kapacita batérie je signalizovaná počtom svietiacich indikátorov nabíjania. (Obr. 13)

Cestový zámok

Keď sa chystáte cestovať, môžete holiaci strojček uzamknúť. Uzamknutie pri cestovaní chráni holiaci strojček pred náhodným zapnutím.

Aktivovanie uzamknutia pri cestovaní

- 1 Približne na 3 sekundy stlačte vypínač a aktivujete režim uzamknutia pri cestovaní (Obr. 14).
- ▶ Na displeji sa zobrazí symbol zámku. -tekening- (Obr. 15)

Poznámka: Displeje modelov RQ1180, RQ1160 a RQ1150 vyzerajú rozdielne, ale zobrazuje sa na nich rovnaký symbol.

Vypnutie uzamknutia pri cestovaní

- 1 Na 3 sekundy stlačte vypínač.
- ▶ Ako potvrdenie toho, že ste vypli uzamknutie pri cestovaní, sa zapne motorček strojčeka. Holiaci strojček je teraz pripravený na ďalšie použitie.

Poznámka: Keď vložíte holiaci strojček do pripojenej nabíjačky alebo do systému Jet Clean, uzamknutie pri cestovaní sa automaticky vypne.

Nabíjanie

Nabíjanie trvá približne 1 hodinu.

RQ1180/RQ1160: holiaci strojček s úplne nabitou batériou umožňuje až 50 minút/15 dní holenia.

RQ1150: holiaci strojček s úplne nabitou batériou umožňuje až 40 minút/12 dní holenia.

Batériu holiaceho strojčeka nabite pred jeho prvým použitím a vtedy, keď sa na displeji zobrazí upozornenie, že batéria je takmer vybitá (pozrite si časť „Takmer vybitá batéria“ v kapitole „Displej“).

Rýchle nabíjanie

Po 5 minútach nabíjania batéria holiaceho strojčeka obsahuje dostatok energie na jedno oholenie.

Nabíjanie v nabíjačke

- 1 Malú koncovku zasunite do nabíjačky (Obr. 16).
- 2 Adaptér pripojte do siet'ovej zásuvky.
- 3 Holiaci strojček položte do nabíjačky (1) a zatlačte ho dozadu (2) („cvaknutie“). (Obr. 17)
- ▶ Na displeji sa zobrazí, že batéria holiaceho strojčeka sa nabíja (pozrite si kapitolu „Displej“).

Nabíjanie v systéme Jet Clean (len určité modely)

- 1 Malú koncovku zasuňte do systému Jet Clean.
- 2 Adaptér pripojte do sieťovej zásuvky.
- 3 Holiaci strojček vložte do nosiča hore nohami s displejom otočeným smerom k prednej časti systému Jet Clean (Obr. 18).

Poznámka: Len model RQ1180: keď otočíte holiaci strojček hore nohami, indikátor kapacity batérie na displeji sa tiež otočí, aby ste aj naďalej mohli sledovať úroveň nabitia batérie.

- 4 Holiaci strojček zatlačte pevne do nosiča, aby ste ho zaistili v správnej polohe (Obr. 19).

Poznámka: Holiaci strojček nie je možné vložiť do systému Jet Clean, keď je na holiacej jednotke nasadený ochranný kryt alebo keď je na holiacom strojčeku nasadený zastrihávač.

- ▶ Na displeji sa zobrazí, že holiaci strojček sa nabíja (pozrite si kapitolu „Displej“).

Používanie holiaceho strojčka

Holenie

- 1 Jedným stlačením vypínača zapnete holiaci strojček.
 - ▶ RQ1180: displej sa na niekoľko sekúnd rozsvieti.
- 2 Holiacimi hlavami pohybujte po povrchu pokožky. Robte pri tom krúživé pohyby (Obr. 20).
 - Nerobte priame pohyby.
 - Môže trvať 2 až 3 týždne, kým si Vaša pokožka zvykne na holiaci systém Philips.
- 3 Jedným stlačením vypínača vypnete holiaci strojček.
 - ▶ RQ1180: displej sa na niekoľko sekúnd rozsvieti a potom sa zobrazí zostávajúca kapacita batérie.

Holenie na mokro

Holiaci strojček môžete použiť aj na holenie mokrej tváre s holiacou penou alebo gélom. Ak sa chcete oholiť s holiacou penou alebo gélom, postupujte nasledovne:

- 1 Navlhčíte si tvár.
- 2 Na pokožku naneste holiacu penu alebo gél.
- 3 Opláchnite holiacu jednotku tečúcou vodou, aby sa ľahko kĺzala po pokožke.
- 4 Jedným stlačením vypínača zapnete holiaci strojček.
- 5 Holiacimi hlavami pohybujte krúživými pohybmi po pokožke.

Poznámka: Pravidelne oplachujte holiaci strojček tečúcou vodou, aby sa neustále hladko kĺzal po Vašej pokožke.

- 6 Osušte si tvár a po použití dôkladne vyčistite holiaci strojček (pozrite si kapitolu „Čistenie a údržba“).

Poznámka: Dbajte na to, aby ste z holiaceho strojčka opláchnli všetku holiacu penu alebo gél.

Zastrihávanie

Na strihanie bokombrád a fúzov môžete použiť zastrihávač.

- 1 Vytiahnite holiacu jednotku z holiaceho strojčka (Obr. 21).

Poznámka: Holiacu jednotku neatáčajte, kým ju nevyberiete z holiaceho strojčka.

- 2 Výstupok zastrihávača zasuňte do drážky v hornej časti holiaceho strojčka (1). Potom zastrihávač zatlačte nadol (2), aby zapadol do holiaceho strojčka („cvaknutie“) (Obr. 22).
- 3 Zastrihávač zapnete jedným stlačením vypínača.
 - ▶ RQ1180: displej sa na niekoľko sekúnd rozsvieti.
- 4 Teraz môžete začať zastrihávať.
- 5 Zastrihávač vypnete jedným stlačením vypínača.
 - ▶ RQ1180: displej sa na niekoľko sekúnd rozsvieti, aby zobrazil zostávajúcu kapacitu batérie.
- 6 Vytiahnite zastrihávač z holiaceho strojčka (Obr. 23).

Poznámka: Zastrihávaciu jednotku neatáčajte, kým ju nevyberiete z holiaceho strojčka.

- 7 Výstupok holiacej jednotky zasuňte do drážky v hornej časti holiaceho strojčka (1). Potom holiacu jednotku zatlačte nadol (2), aby zapadla do holiaceho strojčka („cvaknutie“) (Obr. 24).

Čistenie a údržba

Na čistenie holiaceho strojčka a systému Jet Clean nikdy nepoužívajte drôtenky, agresívne čistiace prostriedky ani agresívne kvapaliny ako benzín alebo acetón.

- Najlepší a hygienicky najvhodnejší spôsob čistenia strojčka je použiť systém Jet Clean (len určité modely). Holiaci strojček však takisto môžete opláchnuť tečúcou vodou alebo ho vyčistiť pomocou dodanej kefy.
- Dajte pozor na horúcu vodu. Najskôr vždy skontrolujte, či nie je príliš horúca, aby ste si nepopálili ruku.
- Holiaci strojček vždy po holení vyčistíte, aby ste dosiahli optimálne výsledky holenia.
- Vonkajšok holiaceho strojčka môžete očistiť navlhčenou tkaninou.
- Pravidelné čistenie zabezpečuje lepšie výsledky holenia.

Čistenie holiacej jednotky

Dajte pozor na horúcu vodu. Najskôr vždy skontrolujte, či nie je príliš horúca, aby ste si nepopálili ruku.

1 Holiacu jednotku chvíľu oplachujte teplou vodou z vodovodu (Obr. 25).

Poznámka: Holiacu jednotku môžete tiež očistiť dodanou čistiacou kefkou.

2 Vytiahnite nosič holiacej hlavy zo spodnej časti holiacej jednotky a opláchnite ho horúcou tečúcou vodou po dobu 30 sekúnd (Obr. 26).

Poznámka: Nosič holiacej hlavy môžete tiež očistiť dodanou čistiacou kefkou.

3 Opatrne otraste prebytočnú vodu a nechajte holiacu jednotku vyschnúť.

Holiacu jednotku nesmiete sušiť pomocou uteráka ani inej tkaniny, pretože by ste mohli poškodiť holiace hlavy.

4 Nosič holiacej hlavy nasadte späť na spodnú časť holiacej jednotky („cvaknutie“) (Obr. 27).

Čistenie holiacej jednotky v systéme Jet Clean (len určité modely)

Systém Jet Clean má automatický čistiaci program. Keď stlačíte vypínač, systém Jet Clean začne čistiť v automatickom čistiacom programe.

Príprava systému Jet Clean na použitie

Pred prvým použitím naplňte čistiacu komoru.

1 Malú koncovku zasuňte do systému Jet Clean.

2 Adaptér pripojte do sieťovej zásuvky.

▶ Nosič sa automaticky premiestni do najvyššej polohy.

3 Súčasne stlačte uvoľňovacie tlačidlá na oboch stranách čistiacej komory (1). Potom systém Jet Clean zodvihnite z čistiacej komory (2). (Obr. 28)

▶ Čistiaca komora zostane na mieste.

4 Odskrutkujte uzáver z fľaše s čistiacou kvapalinou.

5 Čistiacu komoru naplňte čistiacou kvapalinou HQ200 po úroveň medzi dvomi čiarkami (Obr. 29).

6 Systém Jet Clean nasadte späť na čistiacu komoru (Obr. 30).

Uistite sa, že uvoľňovacie tlačidlá zapadli späť na svoje miesto.

Používanie systému Jet Clean

Poznámka: Ak holiaci strojek používate spolu s holiacou penou alebo gélom, odporúčame Vám strojek pred čistením pomocou systému Jet Clean opláchnuť horúcou tečúcou vodou. Zabezpečíte tak optimálnu životnosť čistiacej kvapaliny.

1 Holiaci strojek vložte do nosiča hore nohami s displejom otočeným smerom k prednej časti systému Jet Clean (Obr. 18).

2 Holiaci strojek zatlačte pevne do nosiča, aby ste ho zaistili v správnej polohe (Obr. 19).

▶ Na displeji sa zobrazí, že batéria holiaceho strojčka sa nabíja (pozrite si kapitolu „Displej“).

3 Stlačením vypínača na systéme Jet Clean spustíte čistiaci program. (Obr. 31)

▶ Displej holiaceho strojčka prestane zobrazovať symbol nabíjania.

▶ Kontrolné svetlo čistenia začne blikať a holiaci strojek sa automaticky ponorí do čistiacej kvapaliny (Obr. 32).

▶ Kontrolné svetlo čistenia počas čistiaceho programu bliká. Tento proces trvá niekoľko minút.

▶ Počas prvej fázy programu čistenia sa holiaci strojek niekoľkokrát automaticky zapne a vypne a posunie nahor a nadol.

▶ Počas druhej fázy čistiaceho programu sa holiaci strojek premiestni do polohy na sušenie, čo signalizuje blikajúci symbol sušenia. Táto fáza trvá približne 2 hodiny. Holiaci strojek zostane v tejto polohe až do konca programu. (Obr. 33)

▶ Po čistiacom programe sa na displeji holiaceho strojčka zobrazí symbol nabíjania (pozrite si kapitolu „Displej“).

Poznámka: Ak počas čistiaceho programu stlačíte vypínač systému Jet Clean, program sa preruší. V takom prípade kontrolné svetlo čistenia alebo sušenia prestane blikať a nosič sa vráti do najvyššej polohy.

Poznámka: Ak počas čistiaceho programu vyberiete adaptér zo sieťovej zásuvky, program sa preruší. Nosič zostane vo svojej aktuálnej polohe. Keď znova pripojíte adaptér do sieťovej zásuvky, nosič sa presunie do najvyššej polohy.

- Keď hladina čistiacej kvapaliny klesne pod minimálnu úroveň, symbol „čistiaca komora prázdna“ začne blikať a nosič sa vráti do východiskovej polohy (Obr. 34).

- Ak pomocou čistiaceho zariadenia čistíte holiaci strojek každý deň, kvapalinu v čistiacej komore je potrebné dopĺňať približne raz za 15 dní.

Čistenie systému Jet Clean

Čistiacu komoru čistíte každých 15 dní.

Vonkajšie časti systému Jet Clean môžete očistiť navlhčenou tkaninou.

1 Súčasne stlačte uvoľňovacie tlačidlá na oboch stranách systému Jet Clean (1). Potom systém Jet Clean zodvihnite z čistiacej komory (2). (Obr. 28)

▶ Čistiaca komora zostane na mieste.

2 Vyprázdnite čistiacu komoru. (Obr. 35)

Čistiacu kvapalinu môžete vyliať do výlevky.

3 Čistiacu komoru opláchnite tečúcou vodou (Obr. 36).

Čistiacu komoru nie je možné čistiť v umývačke na riad.

4 Čistiacu komoru naplňte čistiacou kvapalinou HQ200 po úroveň medzi dvomi čiarkami (Obr. 29).

5 Systém Jet Clean nasadte späť na čistiacu komoru. (Obr. 30)

Uistite sa, že uvoľňovacie tlačidlá zapadli späť na svoje miesto.

Dôkladný spôsob čistenia

Uistite sa, že je zariadenie vypnuté.

1 Nosič holiacej hlavy vytiahnite zo spodnej časti holiacej jednotky (Obr. 26).

2 Vysuňte zelený zachytávací rám v smere šípok vyznačených na ráme (Obr. 37).

3 Zdvihnite zachytávací rám z nosiča holiacej hlavy. (Obr. 38)

4 Vyberte strihaciu jednotku z holiaceho krytu (Obr. 39).

Poznámka: Nečistite viac ako jednu strihaciu jednotku a holiaci kryt súčasne, nakoľko tvoria súpravu. Ak omylom vložíte strihaciu jednotku do nesprávneho holiaceho krytu, môže trvať niekoľko týždňov, kým opäť dosiahne optimálny výkon.

5 Strihaciu jednotku očistite pomocou priloženej čistiacej kefy (Obr. 40).

6 Vyčistite vnútro holiaceho krytu. (Obr. 41)

7 Po vyčistení umiestnite strihaciu jednotku späť do holiaceho krytu s nožičkami smerujúcimi nadol. (Obr. 42)

8 Zachytávací rám umiestnite späť na nosič holiacej hlavy. (Obr. 43)

9 Kryt posuňte späť na jeho miesto („cvaknutie“). (Obr. 44)

10 Nosič holiacej hlavy nasadíte späť na spodnú časť holiacej jednotky. (Obr. 27)

Čistenie zastrihávača

Zastrihávač očistite po každom použití.

1 Zapnite holiaci strojček s nasadeným zastrihávačom.

2 Zastrihávač chvíľu oplachujte tečúcou horúcou vodou. (Obr. 45)

3 Po vyčistení holiaci strojček vypnite.

Tip: Pre optimálny výkon zastrihávača namažte každých šesť mesiacov jeho zúbky kvapkou oleja na šijacie stroje.

Odkladanie

1 Na holiacu jednotku nasadíte ochranný kryt, aby sa nepoškodili holiace hlavy (Obr. 46).

2 Len určité modely: holiaci strojček odložte do dodaného puzdra.

Výmena

Aby ste pri holení dosiahli najlepšie výsledky, odporúčame Vám meniť vrchnú časť holiacej jednotky každý rok. Hornú časť holiacej jednotky vymeňte len za originálny nosič holiacej hlavy Philips RQ11.

1 Nosič holiacej hlavy vytiahnite zo spodnej časti holiacej jednotky (Obr. 26).

2 Nový nosič holiacej hlavy nasadíte na spodnú časť holiacej jednotky („cvaknutie“) (Obr. 27).

Objednávania súčiastok

K dispozícii sú nasledujúce súčiastky:

- Adaptér HQ8505
- Nosič holiacej hlavy Philips RQ11
- Sprej na čistenie holiacich hláv Philips HQ110.
- Čistiaca kvapalina Philips HQ200

Životné prostredie

- Zariadenia na konci životnosti neodhadzujte spolu s bežným komunálnym odpadom, ale kvôli recyklácii ich odovzdajte na mieste oficiálneho zberu. Pomôžete tak chrániť životné prostredie (Obr. 47).
- Zabudovaná nabíjateľná batéria obsahuje látky, ktoré môžu znečistiť životné prostredie. Pred likvidáciou holiaceho strojčka alebo jeho odovzdaním na mieste oficiálneho zberu batériu vyberte. Batériu odovzdajte na mieste oficiálneho zberu batérií. Ak máte problémy s vybratím batérie, holiaci strojček môžete zaniest' do servisného centra spoločnosti Philips, kde batériu vyberú a odstránia spôsobom, ktorý je bezpečný pre životné prostredie (Obr. 48).

Vyberanie nabíjateľnej batérie holiaceho strojčka

Nabíjateľnú batériu smiete vybrať, len keď likvidujete holiaci strojček. Pri vyberaní batérie sa uistite, že je úplne vybitá.

Dajte pozor, pretože pásiky batérie sú ostré.

1 Pomocou skrutkovača odpojte zadný panel strojčka.

2 Vyberte nabíjateľnú batériu.

Záruka a servis

Ak potrebujete servis, informácie alebo ak máte problém, navštívte webovú stránku spoločnosti Philips, **www.philips.com** alebo sa obráťte na stredisko starostlivosti o zákazníkov spoločnosti Philips vo Vašej krajine (telefónne číslo strediska nájdete v priloženom celosvetovo platnom záručnom liste). Ak sa vo Vašej krajine toto stredisko nenachádza, obráťte sa na miestneho predajcu výrobkov Philips.

Obmedzenia záruky

Na holiace hlavy (strihacie jednotky a holiace kryty) sa nevzťahujú podmienky medzinárodnej záruky, lebo podliehajú opotrebovaniu.

Riešenie problémov

Táto kapitola obsahuje zhrnutie najbežnejších problémov, ktoré sa môžu vyskytnúť pri používaní zariadenia. Ak neviete problém vyriešiť pomocou nižšie uvedených informácií, obráťte sa na Stredisko starostlivosti o zákazníkov vo Vašej krajine.

Problém	Možná príčina	Riešenie
Holiaci strojček už neholí tak dobre ako kedysi.	Holiace hlavy sú poškodené alebo opotrebované.	Vymeňte nosič holiacej hlavy (pozrite si kapitolu „Výmena“).
	Dlhé chĺpky zablokovali holiace hlavy.	Holiace hlavy vyčistíte podľa jednotlivých krokov pri dôkladnom čistení strojčka (pozrite si kapitolu „Čistenie a údržba“).
	Systém Jet Clean nevyčistil holiaci strojček dôkladne, pretože čistiaca kvapalina v čistiacej komore je znečistená alebo je jej hladina príliš nízka.	Skôr ako budete pokračovať v holení, dôkladne vyčistíte holiaci strojček. V prípade potreby vyčistíte a naplníte čistiacu komoru (pozrite si kapitolu „Čistenie a údržba“).
Keď stlačím vypínač, holiaci strojček nefunguje.	Nabíjateľná batéria je vybitá.	Nabite batériu (pozrite si kapitolu „Nabíjanie“).
	Je aktivovaný cestovný zámok.	Približne na 3 sekundy stlačte vypínač, čím deaktivujete režim uzamknutia pri cestovaní.
	Nosič holiacej hlavy je znečistený alebo poškodený v takom rozsahu, že motorček sa nedokáže spustiť.	Vyčistíte alebo vymeníte nosič holiacej hlavy (pozrite si kapitolu „Čistenie a údržba“ a „Výmena“).
	Teplota holiaceho strojčka je príliš vysoká. V tom prípade nebude strojček fungovať.	Nechajte holiaci strojček vychladnúť. Len čo teplota holiaceho strojčka dostatočne klesne, môžete ho znova zapnúť.
Holiaci strojček nie je ani po vyčistení v systéme Jet Clean úplne čistý.	Čistiaca kvapalina v čistiacej komore je znečistená.	Vyprázdnite a opláchnite čistiacu komoru.
	Hladina čistiacej kvapaliny je príliš nízka. Ak počas čistiaceho programu klesne hladina čistiacej kvapaliny pod minimálnu úroveň, program sa preruší. Kontrolné svetlo čistenia a symbol „čistiaca komora prázdna“ začnú v intervaloch blikať a nosič sa vráti do počiatočnej polohy.	Čistiacu komoru naplníte čisticou kvapalinou po úroveň medzi dvomi čiarkami (pozrite si kapitolu „Čistenie a údržba“).
	Namiesto originálnej čistiacej kvapaliny Philips ste použili inú čistiacu kvapalinu.	Používajte len čistiacu kvapalinu HQ200 značky Philips.
Keď zapnem vypínač, systém Jet Clean nefunguje.	Systém Jet Clean nie je pripojený do elektrickej siete.	Malú koncovku pripojte k systému Jet Clean a adaptér zapojte do elektrickej zásuvky.
	Medzi systémom Jet Clean a holiacim strojčekom nie je elektrický kontakt.	Holiaci strojček zatlačte pevne do nosiča, aby ste ho zaistili v správnej polohe.
Batéria holiaceho strojčka nie je po nabíjaní v nabíjačke/ systéme Jet Clean úplne nabitá.	Holiaci strojček ste nevložíli do nabíjačky/systému Jet Clean správne.	Holiaci strojček vždy zatlačte do nosiča tak, aby sa zaistil v správnej polohe.

Uvod

Čestitamo vam za nakup in dobrodošli pri Philipsu! Če želite popolnoma izkoristiti podporo, ki jo nudi Philips, registrirajte izdelek na www.philips.com/welcome.

Preberite ta uporabniški priročnik, saj vsebuje informacije o funkcijah brivnika in nasvete za hitrejše ter prijetnejše britje.

Splošni opis (Sl. 1)

- A** Brivnik (RQ1180/RQ1160/RQ1150)
 - 1 Prirezovalnik
 - 2 Zaščitni pokrovček
 - 3 Brivna enota
 - 4 Brivnik
 - 5 Gumb za vklop/izklop brivnika
 - 6 Zaslona
- B** Polnilnik
- C** Sistem Jet Clean (samo pri določenih modelih)
 - 1 Nosilec brivnika
 - 2 Simbol prazne čistilne komore
 - 3 Simbol za čiščenje
 - 4 Simbol za sušenje
 - 5 Gumb za vklop/izklop sistema Jet Clean
 - 6 Gumb za sprostitve čistilne komore
- D** Ščetka za čiščenje
- E** Čistilna tekočina
- F** Torbica (samo pri določenih modelih)
- G** Adapter

Pomembno

Pred uporabo aparata natančno preberite ta uporabniški priročnik in ga shranite za poznejšo uporabo.

Opomba: V tem uporabniškemu priročniku izraz "aparat" pomeni brivnik in sistem Jet Clean. Če brivnik ni opremljen s sistemom Jet Clean, pomeni ta izraz samo brivnik.

Splošno

Nevarnost

- Pazite, da ne zmočite adapterja (Sl. 2).

Opozorilo

- V adapter je vgrajen transformator. Odstranitev in zamenjava adapterja z drugim nista dovoljeni, saj to lahko povzroči nevarnost.
- Aparati niso namenjeni uporabi s strani otrok in oseb z zmanjšanimi telesnimi, čutnimi ali duševnimi sposobnostmi ali oseb s pomanjkljivimi izkušnjami in znanjem, razen če jih pri uporabi nadzoruje ali jim svetuje oseba, ki je odgovorna za njihovo varnost.
- Pazite, da se otroci ne bodo igrali z aparati.
- Bodite previdni pri čiščenju aparatov z vročo vodo. Najprej preverite, ali voda morda ni prevroča, da si ne poparite rok.

Pozor

- Sistema Jet Clean in polnilnika ne potaplajte v vodo in ne spirajte pod tekočo vodo.
- Aparati in dodatna oprema niso primerni za pranje v pomivalnem stroju.
- Aparate vedno postavite in uporabljajte na vodoodporni površini.
- Aparate uporabljajte, polnite in hranite pri temperaturi med 5 °C in 35 °C.
- Uporabljajte samo priloženi pribor.
- Adapter pretvori napetost 100–240 V v varno nizko napetost, nižjo od 24 V.
- Aparatov ne uporabljajte, če so poškodovani.
- Če je adapter dodatne opreme poškodovan, ga obvezno zamenjajte z originalnim adapterjem, da se izognete nevarnosti.
- Med izpiranjem lahko iz vtičnice na dnu brivnika teče voda. To je povsem običajno in ni nevarno, saj so vsi elektronski deli v hermetično zaprti napajalni enoti v notranjosti brivnika.

Sistem Jet Clean (samo pri določenih modelih)

Pozor

- Sistem Jet Clean uporabljajte samo z originalno čistilno tekočino HQ200.
- Sistem Jet Clean postavite na stabilno, ravno in vodoravno podlago, da preprečite puščanje.
- Sistema Jet Clean ne potaplajte v vodo.
- Čistilno komoro izpraznite in jo temeljito očistite s spiranjem pod vročo vodo vsakih 15 dni.
- Sistem Jet Clean brivnik sicer dobro očisti, vendar ga ne razkuži; zato brivnika ne delite z drugimi.
- Čistilna komora sistema Jet Clean ni primerna za pranje v pomivalnem stroju.
- Ko je sistem Jet Clean pripravljen na uporabo, ga ne premikajte, da ne povzročite puščanja čistilne tekočine.

Skladnost s standardi

- Ta brivnik ustreza mednarodno sprejetim varnostnim predpisom in ga lahko varno uporabljate v kadi ali pod prho ter čistite pod tekočo vodo (Sl. 3).
- Ti Philipsovi aparati ustrezajo vsem standardom glede elektromagnetnih polj (EMF). Če z njimi ravnate pravilno in v skladu z navodili v tej knjižici s pomembnimi informacijami in knjižici z navodili za uporabo, ki je priložena brivniku, je uporaba aparatov glede na danes veljavne znanstvene dokaze varna.

Zaslona

Opomba: Pred prvo uporabo brivnika z zaslona odstranite zaščitno folijo.

Trije modeli brivnikov (RQ1180, RQ1160 in RQ1150) imajo različne zaslone, ki so prikazani na spodnjih slikah.

- RQ1180 (Sl. 4)

- RQ1160 (Sl. 5)
- RQ1150 (Sl. 6)

Polnjenje

- Polnjenje traja približno eno uro.

RQ1180

- Ko se brivnik polni, najprej začne utripati spodnji indikator polnjenja, nato drugi indikator polnjenja in tako naprej, dokler ni brivnik popolnoma napolnjen (Sl. 7).
- Hitro polnjenje: Ko je v brivniku dovolj energije za eno britje, spodnji indikator polnjenja izmenično utripa oranžno in belo.

RQ1160/RQ1150

- Ko se brivnik polni, simbol baterije utripa, dokler ni brivnik popolnoma napolnjen. (Sl. 8)
- Hitro polnjenje: Ko je v brivniku dovolj energije za eno britje, simbol vtikača in simbol baterije izmenično utripata.

Opomba: Zaslona modelov RQ1160 in RQ1150 se razlikujeta, vendar delujeta enako.

Baterija napolnjena

RQ1180

- Ko je baterija popolnoma napolnjena, vsi indikatorji polnjenja neprekinjeno svetijo. Po približno 30 minutah se zaslon samodejno izklopi. (Sl. 9)

RQ1160/RQ1150

- Ko je baterija popolnoma napolnjena, simbol baterije neprekinjeno sveti. Po približno 30 minutah se zaslon samodejno izklopi. (Sl. 10)

Opomba: Zaslona modelov RQ1160 in RQ1150 se razlikujeta, vendar delujeta enako.

Prazna baterija

RQ1180

- Ko je baterija skoraj prazna (brijete se lahko samo še pet minut ali manj), spodnji indikator polnjenja utripa oranžno. (Sl. 11)
- Ko izklopite brivnik, spodnji indikator polnjenja utripa še nekaj sekund.

RQ1160/RQ1150

- Ko je baterija skoraj prazna (brijete se lahko samo še pet minut ali manj), simbol vtikača utripa (Sl. 12).
- Ko izklopite brivnik, simbol vtikača utripa še nekaj sekund.

Opomba: Zaslona modelov RQ1160 in RQ1150 se razlikujeta, vendar delujeta enako.

Preostala zmogljivost baterije

RQ1180

- Število vklopljenih indikatorjev polnjenja na zaslonu prikazuje preostalo kapaciteto baterije. (Sl. 13)

Potovalni zaklep

Preden se odpravite na pot, lahko brivnik zaklenete. Potovalni zaklep preprečuje, da bi brivnik pomotoma vklopili.

Aktiviranje potovalnega zaklepa

- 1 Za tri sekunde pritisnite gumb za vklop/izklop, da aktivirate način potovalnega zaklepa (Sl. 14).
- ▶ Na zaslonu zasveti simbol ključavnice. -vzorec- (Sl. 15)

Opomba: Zaslona modelov RQ1180, RQ1160 in RQ1150 se sicer razlikujejo, vendar imajo enak simbol.

Deaktiviranje potovalnega zaklepa

- 1 Za tri sekunde pritisnite gumb za vklop/izklop.
 - ▶ Motor začne delovati, kar je znak, da je potovalni zaklep deaktiviran.
- Brivnik je ponovno pripravljen na uporabo.

Opomba: Ko brivnik postavite v priključen polnilnik ali sistem Jet Clean, se potovalni zaklep samodejno deaktivira.

Polnjenje

Polnjenje traja približno eno uro.

RQ1180/RQ1160: Povsem napolnjen brivnik zagotavlja do 50 minut/15 dni britja.

RQ1150: Povsem napolnjen brivnik zagotavlja do 40 minut/12 dni britja.

Brivnik napolnite pred prvo uporabo in ko zaslon opozori, da je baterija skoraj prazna (oglejte si razdelek "Prazna baterija" v poglavju "Zaslon").

Hitro polnjenje

Brivnik ima po petih minutah polnjenja dovolj energije za eno britje.

Polnjenje v polnilniku

- 1 Vstavite manjši vtikač v polnilnik (Sl. 16).
- 2 Vstavite adapter v stensko vtičnico.
- 3 Postavite brivnik v polnilnik (1) in ga potisnite nazaj (2) ("klik"). (Sl. 17)
- ▶ Zaslon prikaže, da se brivnik polni (oglejte si poglavje "Zaslon").

Polnjenje v sistemu Jet Clean (samo pri določenih modelih)

- 1 Manjši vtikač vstavite v sistem Jet Clean.
- 2 Vstavite adapter v stensko vtičnico.
- 3 Brivnik obrnite in ga z glavo postavite v nosilec tako, da je zaslon obrnjen proti sprednjemu delu sistema Jet Clean (Sl. 18).

Opomba: Samo RQ1180: Ko brivnik obrnete na glavo, se na zaslonu obrne tudi indikator baterije, da lahko še naprej odčitavate raven napoljenosti baterije.

4 Brivnik trdno pritisnite v nosilec, da se zatakne na svoje mesto (Sl. 19).

Opomba: Brivnika ni mogoče postaviti v sistem Jet Clean, če je na brivni enoti zaščitni pokrovček ali na brivniku prirezovalnik.

► Zaslon prikaže, da se brivnik polni (oglejte si poglavje "Zaslon").

Uporaba brivnika

Britje

1 Za vklop brivnika pritisnite gumb za vklop/izklop.

► RQ1180: Zaslon zasveti za nekaj sekund.

2 Brivne glave premikajte po koži s krožnimi gibi (Sl. 20).

- Ne delajte ravnih gibov.
- Vaša koža bo morda potrebovala 2–3 tedne, da se bo privadila na Philipsov sistem britja.

3 Za izklop brivnika enkrat pritisnite gumb za vklop/izklop.

► RQ1180: Zaslon zasveti za nekaj sekund in nato prikaže preostalo zmogljivost baterije.

Mokro britje

Ta brivnik lahko uporabite za mokro britje z brivskim gelom ali peno.

Pri britju z brivskim gelom ali peno sledite spodnjim korakom:

1 Navlažite kožo.

2 Na kožo nanesite brivski gel ali peno.

3 Brivno enoto spirajte pod tekočo vodo, da bo gladko drsela po koži.

4 Za vklop brivnika pritisnite gumb za vklop/izklop.

5 Brivne glave premikajte po koži s krožnimi gibi.

Opomba: Brivnik redno spirajte pod tekočo vodo, da bo gladko drsela po koži.

6 Po končanem britju si osušite obraz in temeljito očistite brivnik (oglejte si poglavje "Čiščenje in vzdrževanje").

Opomba: Z brivnika obvezno sperite ves brivski gel ali peno.

Prirezovanje

Prirezovalnik lahko uporabljate za oblikovanje zalizcev in brkov.

1 Brivno enoto snemite neposredno z brivnika (Sl. 21).

Opomba: Brivne enote med snemanjem z brivnika ne obračajte.

2 Zatič prirezovalnika vstavite v režo na zgornjem delu brivnika (1). Nato prirezovalnik pritisnite navzdol (2), da ga pritrdite na brivnik ("klik") (Sl. 22).

3 Za vklop prirezovalnika pritisnite gumb za vklop/izklop.

► RQ1180: Zaslon zasveti za nekaj sekund.

4 Zdaj lahko začnete s striženjem.

5 Za izklop prirezovalnika enkrat pritisnite gumb za vklop/izklop.

► RQ1180: Zaslon zasveti za nekaj sekund, da prikaže preostalo zmogljivost baterije.

6 Prirezovalnik snemite neposredno z brivnika (Sl. 23).

Opomba: Prirezovalne enote med snemanjem z brivnika ne obračajte.

7 Zatič brivne enote vstavite v režo na zgornjem delu brivnika (1). Nato brivno enoto pritisnite navzdol (2), da jo pritrdite na brivnik ("klik") (Sl. 24).

Čiščenje in vzdrževanje

Aparata in sistema Jet Clean ne čistite s čistilnimi gobicami, jedkimi čistili ali agresivnimi tekočinami, kot je bencin ali aceton.

- Najprimernejši in najbolj higienski način čiščenja brivnika je čiščenje v sistemu Jet Clean (samo pri določenih modelih). Lahko ga tudi sperete s tekočo vodo ali očistite s priloženo ščetko.
- Pri uporabi vroče vode bodite previdni. Najprej preverite, ali ni morda prevroča, da si ne poparite rok.
- Za optimalno delovanje očistite brivnik po vsaki uporabi.
- Zunanost brivnika lahko očistite z vlažno krpo.
- Redno čiščenje zagotavlja boljšo kakovost britja.

Čiščenje brivne enote

Pri uporabi vroče vode bodite previdni. Najprej preverite, ali ni morda prevroča, da si ne poparite rok.

1 Brivno enoto nekaj časa spirajte pod vročo tekočo vodo (Sl. 25).

Opomba: Brivno enoto lahko očistite tudi s priloženo ščetko za čiščenje.

2 Nosilec brivnih glav snemite s spodnjega dela brivne enote in ga spirajte pod vročo tekočo vodo vsaj 30 sekund (Sl. 26).

Opomba: Nosilec brivnih glav lahko očistite tudi s priloženo ščetko za čiščenje.

3 Previdno otresite vso odvečno vodo in pustite, da se brivna enota posuši.

Brivne enote nikoli ne brišite z brisačo ali papirnatim robčkom, saj s tem lahko poškodujete brivne glave.

- 4** Nosilec brivnih glav namestite na spodnji del brivne enote ("klik") (Sl. 27).

Čiščenje brivne enote v sistemu Jet Clean (samo pri določenih modelih)

Sistem Jet Clean ima samodejni program čiščenja. Ob pritisku gumba za vklop/izklop sistem Jet Clean začne s programom čiščenja.

Priprava sistema Jet Clean na uporabo

Pred prvo uporabo napolnite čistilno komoro.

- 1** Manjši vtikač vstavite v sistem Jet Clean.
- 2** Vstavite adapter v stensko vtičnico.
 - ▶ Nosilec se samodejno pomakne v najvišji položaj.
- 3** Hkrati pritisnite gumba za sprostitev na stranskih delih čistilne komore (1). Nato sistem Jet Clean dvignite iz čistilne komore (2). (Sl. 28)
 - ▶ Čistilna komora ostane zadaj.
- 4** Odvijte pokrovček s steklenice s čistilno tekočino.
- 5** Čistilno komoro napolnite s čistilno tekočino HQ200 do nivoja med oznakama (Sl. 29).
- 6** Sistem Jet Clean postavite nazaj v čistilno komoro (Sl. 30).
Gumba za sprostitev se morata zaskočiti nazaj na svoje mesto.

Uporaba sistema Jet Clean

Opomba: Če brivnik uporabite za britje z brivskim gelom ali peno, vam svetujemo, da ga pred čiščenjem v sistemu Jet Clean sperete pod vročo tekočo vodo. S tem boste zagotovili dolgo življenjsko dobo čistilne tekočine.

- 1** Brivnik obrnite in ga z glavo postavite v nosilec tako, da je zaslon obrnjen proti sprednjemu delu sistema Jet Clean (Sl. 18).
- 2** Brivnik trdno pritisnite v nosilec, da se zatakne na svoje mesto (Sl. 19).
 - ▶ Zaslon prikaže, da se brivnik polni (oglejte si poglavje "Zaslon").
- 3** Za začetek programa čiščenja pritisnite gumb za vklop/izklop sistema Jet Clean. (Sl. 31)
 - ▶ Zaslon brivnika preneha prikazovati indikator polnjenja.
 - ▶ Indikator čiščenja začne utripati in brivnik se samodejno spusti v čistilno tekočino (Sl. 32).
 - ▶ Indikator čiščenja utripa med programom čiščenja, ki traja nekaj minut.
 - ▶ Med prvo fazo programa čiščenja se brivnik večkrat samodejno vklopi in izklopi ter premakne gor in dol.
 - ▶ Med drugo fazo programa čiščenja je brivnik v položaju za sušenje, kar prikazuje utripajoči simbol za sušenje. Ta faza traja približno dve uri. Brivnik ostane v tem položaju do konca programa. (Sl. 33)
 - ▶ Po programu čiščenja se na zaslonu brivnika prikaže indikator polnjenja (oglejte si poglavje "Zaslon").

Opomba: Če med programom čiščenja pritisnete gumb za vklop/izklop sistema Jet Clean, se program prekine. V tem primeru indikator čiščenja ali sušenja preneha utripati, nosilec pa se pomakne v najvišji položaj.

Opomba: Če med programom čiščenja odstranite adapter iz stenske vtičnice, se program prekine. Nosilec ostane v trenutnem položaju. Ko adapter ponovno vstavite v stensko vtičnico, se nosilec pomakne v najvišji položaj.

- Ko nivo tekočine pade pod najnižjo raven, simbol prazne čistilne komore začne utripati, nosilec pa se vrne v začetni položaj (Sl. 34).
- Če brivnik čistite v pomivalnem stroju vsak dan, morate čistilno komoro ponovno napolniti približno vsakih 15 dni.

Čiščenje sistema Jet Clean

Čistilno komoro očistite vsakih 15 dni.

Zunanost sistema Jet Clean lahko očistite z vlažno krpo.

- 1** Hkrati pritisnite gumba za sprostitev na stranskih delih sistema Jet Clean (1). Nato sistem Jet Clean dvignite iz čistilne komore (2). (Sl. 28)
 - ▶ Čistilna komora ostane zadaj.

- 2** Iz čistilne komore izlijte preostalo čistilno tekočino. (Sl. 35)

Čistilno tekočino lahko zlijete preprosto v odtok.

- 3** Čistilno komoro sperite pod tekočo vodo (Sl. 36).

Čistilna komora ni primerna za pranje v pomivalnem stroju.

- 4** Čistilno komoro napolnite s čistilno tekočino HQ200 do nivoja med oznakama (Sl. 29).

- 5** Sistem Jet Clean postavite nazaj v čistilno komoro. (Sl. 30)

Gumba za sprostitev se morata zaskočiti nazaj na svoje mesto.

Posebej temeljito čiščenje

Aparat mora biti izklopljen.

- 1** Nosilec brivnih glav snemite s spodnjega dela brivne enote (Sl. 26).
- 2** Zeleni nosilni okvir potisnite v smeri puščic na nosilnem okvirju (Sl. 37).
- 3** Dvignite nosilni okvir iz nosilca brivnih glav. (Sl. 38)
- 4** Odstranite rezilo iz ležišča (Sl. 39).

Opomba: Hkrati čistite le eno rezilo in ležišče brivne glave, ki sodita skupaj. Če rezilo po pomoti vstavite v napačno ležišče, lahko traja več tednov, preden bo znova vzpostavljeno optimalno britje.

- 5** Očistite rezilo s priloženo ščetko za čiščenje (Sl. 40).
- 6** Očistite notranjost ležišča. (Sl. 41)
- 7** Po čiščenju rezilo vstavite nazaj v brivno enoto tako, da so vstavki rezila obrnjeni navzgor. (Sl. 42)
- 8** Vstavite nosilni okvir nazaj v nosilec brivnih glav. (Sl. 43)

- 9** Namestite ležišče nazaj na svoje mesto ("klik"). (Sl. 44)
- 10** Nosilec brivnih glav namestite na spodnji del brivne enote. (Sl. 27)

Čiščenje prirezovalnika

Prirezovalnik očistite po vsaki uporabi.

- 1** Vklonite brivnik z nameščenim prirezovalnikom.
- 2** Prirezovalnik nekaj časa spirajte pod vročo tekočo vodo. (Sl. 45)
- 3** Po čiščenju brivnik izklopite.

Namig: Za optimalno delovanje namažite zobce prirezovalnika vsakih šest mesecev s kapljico olja za šivalne stroje.

Shranjevanje

- 1** Na brivno enoto namestite zaščitni pokrovček, da preprečite poškodbe brivnih glav (Sl. 46).
- 2** Samo pri določenih modelih: Brivnik hranite v priloženi torbici.

Zamenjava

Da bi zagotovili optimalno delovanje brivnika, vsako leto zamenjajte zgornji del brivne enote. Zgornji del brivne enote obvezno zamenjajte z originalnim nosilcem brivnih glav Philips RQ11.

- 1** Nosilec brivnih glav snemite s spodnjega dela brivne enote (Sl. 26).
- 2** Novi nosilec brivnih glav namestite na spodnji del brivne enote ("klik") (Sl. 27).

Naročanje delov

Na voljo so vam naslednji deli:

- Adapter HQ8505
- Nosilec brivnih glav Philips RQ11
- Čistilno pršilo za brivne glave Philips HQ110
- Čistilna tekočina Philips HQ200

Okolje

- Aparatov po poteku življenjske dobe ne zavržite skupaj z običajnimi gospodinjstskimi odpadki, temveč jih oddajte na uradnem zbirnem mestu za recikliranje. Tako boste pripomogli k ohranitvi okolja (Sl. 47).
- Vgrajena akumulatorska baterija brivnika vsebuje okolju škodljive snovi. Preden brivnik zavržete in oddate na uradnem zbirnem mestu, odstranite baterijo. Oddajte jo na uradnem zbirnem mestu za baterije. Če imate z odstranitvijo baterije težave, lahko odnesete brivnik na Philipsov pooblaščen servis. Osebe servisa bo baterijo odstranilo in zavrglo na okolju prijazen način (Sl. 48).

Odstranjevanje akumulatorske baterije brivnika

Akumulatorsko baterijo odstranite samo, če boste brivnik zavrgli. Ko baterijo odstranite, mora biti popolnoma prazna.

Previdno, baterijski kontakti so ostri.

- 1** Z izvijačem odstranite hrbtno ploščo brivnika.
- 2** Odstranite akumulatorsko baterijo.

Garancija in servis

Za servis, informacije ali v primeru težav obiščite Philipsovo spletno stran na naslovu **www.philips.com** ali pa se obrnite na Philipsov center za pomoč uporabnikom v svoji državi (telefonsko številko najdete na mednarodnem garancijskem listu). Če v vaši državi ni takšnega centra, se obrnite na lokalnega Philipsovega prodajalca.

Garancijske omejitve

Mednarodna garancija ne velja za brivne glave (rezila in ležišča brivnih glav), ker se ti deli obrabijo.

Odpravljanje težav

To poglavje vsebuje povzetek najpogostejših težav, ki se lahko pojavijo pri uporabi aparatov. Če s temi nasveti ne morete odpraviti težav, se obrnite na center za pomoč uporabnikom v svoji državi.

Težava	Možni vzrok	Rešitev
Brivnik ne brije več tako dobro, kot je včasih.	Brivne glave so poškodovane ali obrabljene.	Zamenjajte nosilec brivnih glav (oglejte si poglavje "Zamenjava").
	Daljše dlačice ovirajo brivne glave.	Očistite brivne glave po postopku za posebej temeljito čiščenje (oglejte si poglavje "Čiščenje in vzdrževanje").
	Sistem Jet Clean morda ni dobro očistil brivnika, ker je čistilna tekočina v čistilni komori umazana ali je nivo tekočine prenizek.	Pred nadaljevanjem britja temeljito očistite brivnik. Po potrebi očistite in ponovno napolnite čistilno komoro (oglejte si poglavje "Čiščenje in vzdrževanje").
Ko pritisnem gumb za vklop/izklop, se brivnik ne vklopi.	Akumulatorska baterija je prazna.	Napolnite baterijo (oglejte si poglavje "Polnjenje").
	Aktiviran je potovalni zaklep.	Za tri sekunde pritisnite gumb za vklop/izklop, da deaktivirate potovalni zaklep.

Težava	Možni vzrok	Rešitev
	Nosilec brivnih glav je tako zelo umazan ali poškodovan, da motor ne more delovati.	Očistite ali zamenjajte nosilec brivnih glav (oglejte si poglavji "Čiščenje in vzdrževanje" in "Zamenjava").
	Temperatura brivnika je previsoka. V tem primeru brivnik ne deluje.	Počakajte, da se brivnik ohladi. Ko se temperatura brivnika zadosti zniža, ga lahko ponovno vklopite.
Ko brivnik očistim v sistemu Jet Clean, ni popolnoma čist.	Čistilna tekočina v čistilni komori je umazana.	Čistilno komoro izpraznite in sperite.
	Nivo čistilne tekočine je prenizek. Če med programom čiščenja količina tekočine v čistilni komori pade pod najnižji nivo, se program prekine. Indikator čiščenja in simbol prazne čistilne komore začneta utripati v intervalih, nosilec pa se vrne v začetni položaj.	Čistilno komoro napolnite s čistilno tekočino do nivoja med oznakama (oglejte si poglavje "Čiščenje in vzdrževanje").
	Uporabili ste čistilno tekočino, ki ni originalna Philipsova čistilna tekočina.	Obvezno uporabljajte čistilno tekočino HQ200.
Ko pritisnem gumb za vklop/izklop, se sistem Jet Clean ne vklopi.	Sistem Jet Clean ni priključen na omrežno napajanje.	Manjši vtičač vstavite v sistem Jet Clean, adapter pa v omrežno vtičnico.
	Med sistemom Jet Clean in brivnikom ni električne povezave.	Brivnik trdno pritisnite v nosilec, da se zatakne na svoje mesto.
Ko brivnik napolnim v polnilniku/sistemu Jet Clean, ni popolnoma napolnjen.	Brivnika niste pravilno vstavili v polnilnik/sistem Jet Clean.	Brivnik trdno pritisnite, da se zatakne na svoje mesto.

Uvod

Čestitamo vam na kupovini i dobrodošli u Philips! Da biste imali sve pogodnosti podrške koju pruža Philips, registrujte svoj proizvod na www.philips.com/welcome.

Pročitajte ovo uputstvo za upotrebu jer sadrži informacije o karakteristikama ovog aparata za brijanje, kao i savete kako da učinite brijanje lakšim i prijatnijim.

Opšti opis (Sl. 1)

- A** Aparat za brijanje (RQ1180/RQ1160/RQ1150)
 - 1 Trimer
 - 2 Zaštitni poklopac
 - 3 Jedinica za brijanje
 - 4 Aparat za brijanje
 - 5 Dugme za uključivanje/isključivanje aparata za brijanje
 - 6 Ekran
- B** Punjač
- C** Jet Clean sistem (samo određeni modeli)
 - 1 Držać aparata za brijanje
 - 2 Simbol za praznu komoru za čišćenje
 - 3 Simbol za čišćenje
 - 4 Simbol za sušenje
 - 5 Dugme za uključivanje/isključivanje Jet Clean sistema
 - 6 Dugme za oslobađanje komore za čišćenje
- D** Četkica za čišćenje
- E** Tečnost za čišćenje
- F** Torbica (samo određeni modeli)
- G** Adapter

Važno

Pre upotrebe aparata pažljivo pročitajte ovo uputstvo i sačuvajte ga za buduće potrebe.

Napomena: U ovom korisničkom priručniku termin „*aparata*“ se odnosi na *aparata za brijanje i Jet Clean sistem*. Ako posedujete *aparata za brijanje bez Jet Clean sistema*, odnosi se samo na *aparata za brijanje*.

Opšte

Opasnost

- Pazite da se adapter ne pokvasi (Sl. 2).

Upozorenje

- Adapter ima ugrađen transformator. Ne uklanjajte adapter da biste ga zamenili drugim priključkom, jer se na taj način izlažete opasnosti.
- Ovi aparati nisu namenjeni za upotrebu od strane osoba (što podrazumeva i decu) sa smanjenim fizičkim, senzornim ili mentalnim sposobnostima, ili nedostatkom iskustva i znanja, osim pod nadzorom ili na osnovu uputstava za upotrebu aparata datih od strane osobe odgovorne za njihovu bezbednost.
- Deca moraju da budu pod nadzorom da se ne bi igrala aparatima.
- Pazite sa vrućom vodom prilikom čišćenja aparata. Uvek proverite da voda ne bude prevruća da biste izbegli opekotine na rukama.

Oprez

- Nikada ne uranjajte Jet Clean sistem i punjač u vodu i ne ispirajte ga pod mlazom vode.
- Aparat i dodaci ne smeju da se peru u mašini za pranje posuđa.
- Uvek stavite i koristite aparate na podlozi koja je otporna na vodu.
- Koristite, puniti i odlazite aparate na temperaturi od 5°C do 35°C.
- Koristite samo dodatke koji se nalaze u kompletu.
- Adapter za napajanje pretvara 100 - 240 V u bezbedan niski napon manji od 24 V.
- Ne koristite aparate ako su oštećeni.
- Ako se adapter ili bilo koji dodatak ošteti, obavezno ga zamenite originalnim da biste izbegli opasnost.
- Prilikom ispiranja može da procuri voda iz utičnice na dnu aparata za brijanje. To je normalno i nije opasno, jer je sva elektronika zatvorena u zapečaćenoj jedinici za napajanje unutar aparata.

Jet Clean sistem (samo određeni modeli)

Oprez

- Jet Clean sistem koristite samo sa originalnom HQ200 tečnošću za čišćenje.
- Jet Clean sistem uvek postavite na stabilnu, ravnu i horizontalnu površinu kako bi se sprečilo curenje.
- Nikada ne uranjajte Jet Clean sistem u vodu.
- Ispraznite komoru za čišćenje i temeljno je isperite pod mlazom tople vode svakih 15 dana.
- Jet Clean sistem detaljno čisti, ali ne dezinfikuje aparat za brijanje, pa se iz tog razloga preporučuje da ni sa kim ne delite aparat.
- Komora za čišćenje Jet Clean sistema ne može da se pere u mašini za pranje posuđa.
- Kada je Jet Clean sistem spreman za upotrebu, nemojte ga pomerati da ne bi došlo da izlivanja tečnosti za čišćenje.

Usklađenost sa standardima

- Ovaj aparat za brijanje je u skladu sa međunarodno priznatim propisima o bezbednosti i može se bezbedno koristiti u kadi i pod tušem i prati pod mlazom vode (Sl. 3).
- Ovi Philips aparati usklađeni su sa svim standardima koji se odnose na elektromagnetna polja (EMF). Ako se aparatima rukuje na odgovarajući način i u skladu sa uputstvima iz ovog vodiča sa važnim informacijama i iz vodiča sa informacijama o korišćenju koji se isporučuju uz aparat, bezbedni su za upotrebu prema naučnim dokazima koji su danas dostupni.

Ekran

Napomena: Pre prve upotrebe aparata za brijanje skinite zaštitnu foliju sa ekrana.

Tri tipa aparata za brijanje (RQ1180, RQ1160 i RQ1150) imaju različite ekrane koji su prikazani na slikama ispod.

- RQ1180 (Sl. 4)
- RQ1160 (Sl. 5)
- RQ1150 (Sl. 6)

Punjenje

- Punjenje traje oko 1 sat.

RQ1180

- Kada se aparat za brijanje puni, prvo će se uključiti donji indikator punjenja, zatim drugi indikator punjenja itd. dok se aparat potpuno ne napuni (Sl. 7).
- Brzo punjenje: Kada se baterija aparata za brijanje dovoljno napuni za jedno brijanje, donji indikator punjenja će naizmenično treperiti narandžasto i belo.

RQ1160/RQ1150

- Kada se aparat za brijanje puni, simbol baterije treperi dok se aparat potpuno ne napuni. (Sl. 8)
- Brzo punjenje: Kada se baterija aparata za brijanje dovoljno napuni za jedno brijanje, naizmenično će treperiti simbol utikača i simbol baterije.

Napomena: Ekran na tipovima RQ1160 i RQ1150 izgledaju različito, ali rade na isti način.

Baterija je potpuno napunjena

RQ1180

- Kada se baterija potpuno napuni, svi indikatori punjenja će početi stalno da svetle. Nakon približno 30 minuta ekran će se ponovo automatski isključiti. (Sl. 9)

RQ1160/RQ1150

- Kada se baterija potpuno napuni, simbol baterije će početi stalno da svetli. Nakon približno 30 minuta ekran će se ponovo automatski isključiti. (Sl. 10)

Napomena: Ekran na tipovima RQ1160 i RQ1150 izgledaju različito, ali rade na isti način.

Skoro prazna baterija

RQ1180

- Kada je baterija skoro prazna (kada je ostalo samo 5 ili manje minuta za brijanje), donji indikator punjenja počće da treperi narandžasto. (Sl. 11)
- Kada isključite aparat za brijanje, donji indikator punjenja će nastaviti da treperi nekoliko sekundi.

RQ1160/RQ1150

- Kada je baterija skoro prazna (kada je ostalo samo 5 ili manje minuta za brijanje), simbol utikača počće da treperi (Sl. 12).
- Kada isključite aparat za brijanje, simbol utikača nastavlja da treperi nekoliko sekundi.

Napomena: Ekran na tipovima RQ1160 i RQ1150 izgledaju različito, ali rade na isti način.

Preostali kapacitet baterije

RQ1180

- Preostali kapacitet baterije se označava brojem uključenih lampica za nivo baterije. (Sl. 13)

Zaključavanje za vreme putovanja

Možete zaključati aparat za brijanje kada putujete. Zaključavanje za vreme putovanja sprečava mogućnost slučajnog uključivanja aparata.

Aktiviranje zaključavanja za vreme putovanja

- 1 Pritisnite dugme za uključivanje/isključivanje i zadržite ga 3 sekunde da biste aktivirali režim zaključavanja za vreme putovanja (Sl. 14).
- ▶ Simbol zaključavanja će se uključiti na ekranu (Sl. 15).

Napomena: Ekran na tipovima RQ1180, RQ1160 i RQ1150 izgledaju različito, ali prikazuju isti simbol.

Deaktiviranje zaključavanja za vreme putovanja

- 1 Dugme za uključivanje/isključivanje držite pritisnuto 3 sekunde.
 - ▶ Motor počinje da radi i pokazuje da je zaključavanje za vreme putovanja deaktivirano.
- Aparat za brijanje je ponovo spreman za upotrebu.

Napomena: Kada stavite aparat za brijanje u punjač koji je priključen u struju ili u Jet Clean sistem, režim za zaključavanje za vreme putovanja se automatski isključuje.

Punjenje

Punjenje traje oko 1 sat.

RQ1180/RQ1160: Potpuno napunjen aparat za brijanje pruža vreme brijanja do 50 minuta/15 dana.

RQ1150: Potpuno napunjen aparat za brijanje pruža vreme brijanja do 40 minuta/12 dana.

Aparat za brijanje napunite pre prve upotrebe ili kada indikator punjenja na ekranu pokazuje da je baterija skoro prazna (pogledajte odeljak „Skoro prazna baterija“ u poglavlju „Ekran“).

Brzo punjenje

Nakon 5 minuta punjenja, aparat za brijanje ima dovoljno energije za jedno brijanje.

Punjenje u punjaču

- 1 Priključite mali utikač u punjač (Sl. 16).
- 2 Uključite adapter u utičnicu.
- 3 Postavite aparat za brijanje u punjač (1) i gurnite ga unazad (2) („klik“). (Sl. 17)
- ▶ Na ekranu se prikazuje da se aparat puni (pogledajte poglavlje „Ekran“).

Punjenje pomoću Jet Clean sistema (samo određeni modeli)

- 1 Priključite mali utikač u Jet Clean sistem.
- 2 Uključite adapter u utičnicu.
- 3 Stavite aparat naopako u držač, sa ekranom okrenutim ka prednjoj strani Jet Clean sistema (Sl. 18).

Napomena: Samo RQ1180: kada okrenete aparat za brijanje naopako, indikator baterije na ekranu takođe će se okrenuti tako da možete da vidite preostali kapacitet napunjenosti baterije.

- 4 Pritisnite aparat za brijanje čvrsto u držač da bi legao na mesto (Sl. 19).

Napomena: Aparat za brijanje ne može da se postavi u Jet Clean sistem kada se na jedinici za brijanje nalazi zaštitna kapica niti kada se na aparatu nalazi trimmer.

- ▶ Na ekranu se prikazuje da se aparat puni (pogledajte poglavlje „Ekran“).

Upotreba aparata za brijanje

Brijanje

- 1 Jednom pritisnite dugme za uključivanje/isključivanje da biste uključili aparat za brijanje.
 - ▶ RQ1180: Ekran će se uključiti na nekoliko sekundi.
- 2 Kružnim pokretima prelazite glavama za brijanje preko kože (Sl. 20).
 - Nemojte da pravite pravolinijske pokrete.
 - Vašoj koži će možda trebati 2 do 3 sedmice da se navikne na Philips sistem brijanja.
- 3 Jednom pritisnite dugme za uključivanje/isključivanje da biste isključili aparat za brijanje.
 - ▶ RQ1180: Ekran će se uključiti na nekoliko sekundi i prikazaće preostali kapacitet baterije.

Vlažno brijanje

Aparat za brijanje možete da koristite i na vlažnom licu uz penu/gel za brijanje. Pratite sledeće korake da biste se obrinjali uz korišćenje pene/gela za brijanje:

- 1 Navlažite kožu.
- 2 Nanesite penu/gel za brijanje na kožu.
- 3 Isperite jedinicu za brijanje pod mlazom vode kako biste osigurali glatko pomeranje preko kože.
- 4 Jednom pritisnite dugme za uključivanje/isključivanje da biste uključili aparat za brijanje.
- 5 Kružnim pokretima prelazite glavama za brijanje preko kože.

Napomena: Redovno ispirajte aparat za brijanje pod mlazom vode kako biste osigurali neprekidno glatko pomeranje preko kože.

- 6 Nakon upotrebe osušite lice i temeljno očistite aparat za brijanje (pogledajte poglavlje „Čišćenje i održavanje“).

Napomena: Obavezno isperite svu penu/gel za brijanje sa aparata za brijanje.

Podrezivanje

Trimer možete da koristite za podrezivanje zulufa i brkova.

- 1 Skinite jedinicu za brijanje sa aparata (Sl. 21).

Napomena: Nemojte da okrećete jedinicu za brijanje dok je budete skidali sa aparata.

- 2 Ubacite ušicu trimera u prorez na vrhu aparata za brijanje (1). Zatim pritisnite trimer ka dole (2) da biste ga pričvrstili za aparat („klik“) (Sl. 22).
- 3 Jednom pritisnite dugme za uključivanje/isključivanje da biste uključili trimer.
 - ▶ RQ1180: Ekran će se uključiti na nekoliko sekundi.
- 4 Sada možete početi sa podrezivanjem.
- 5 Jednom pritisnite dugme za uključivanje/isključivanje da biste isključili trimer.
 - ▶ RQ1180: Ekran će se uključiti na nekoliko sekundi i prikazaće preostali kapacitet baterije.
- 6 Skinite trimer sa aparata za brijanje (Sl. 23).

Napomena: Nemojte da okrećete trimer dok ga budete skidali sa aparata.

- 7 Ubacite ušicu jedinice za brijanje u prorez na vrhu aparata za brijanje (1). Zatim pritisnite jedinicu za brijanje ka dole (2) da biste je pričvrstili za aparat („klik“) (Sl. 24).

Čišćenje i održavanje

Za čišćenje aparata i Jet Clean sistema nemojte koristiti jastučice za ribanje i abrazivna sredstva za čišćenje niti agresivne tečnosti kao što su benzin ili aceton.

- Najbolji i higijenski najispravniji način čišćenja aparata za brijanje je u Jet Clean sistemu (samo određeni modeli). Možete ga takođe oprati pod mlazom vode ili ga očistiti četkicom koja se nalazi u kompletu.
- Pazite sa vrućom vodom. Uvek proverite da voda ne bude prevruća da biste izbegli opekotine na rukama.
- Za najbolje rezultate brijanja, očistite aparat nakon svakog brijanja.
- Spoljašnji deo aparata za brijanje možete očistiti vlažnom krpom.
- Redovno čišćenje garantuje bolje rezultate brijanja.

Čišćenje jedinice za brijanje

Pazite sa vrućom vodom. Uvek proverite da voda ne bude prevruća da biste izbegli opekotine na rukama.

1 Izvesno vreme ispirajte jedinicu za brijanje pod mlazom vruće vode (Sl. 25).

Napomena: Jedinicu za brijanje možete i da očistite četkicom koja se nalazi u kompletu.

2 Skinite držač glave za brijanje sa donjeg dela jedinice za brijanje i 30 sekundi ga ispirajte pod mlazom vruće vode (Sl. 26).

Napomena: Držač glave za brijanje možete i da očistite četkicom koja se nalazi u kompletu.

3 Pažljivo otresite višak vode i ostavite jedinicu za brijanje da se osuši.

Nikad nemojte da brišete jedinicu za brijanje peškirom ili papirnim ubrusom, jer to može da ošteti glave za brijanje.

4 Ponovo postavite držač glave za brijanje sa donje strane jedinice za brijanje („klik“) (Sl. 27).

Čišćenje jedinice za brijanje u Jet Clean sistemu (samo određeni modeli)

Jet Clean sistem ima automatski program čišćenja. Kada pritisnete dugme za uključivanje/isključivanje, Jet Clean sistem će započeti čišćenje pomoću automatskog programa.

Priprema Jet Clean sistema za upotrebu

Napunite komoru za čišćenje pre prve upotrebe.

1 Priključite mali utikač u Jet Clean sistem.

2 Uključite adapter u utičnicu.

▷ Držač se automatski pomera na najviši položaj.

3 Istovremeno pritisnite dugmad za oslobađanje sa obe strane komore za čišćenje (1). Zatim podignite Jet Clean sistem sa komore za čišćenje (2). (Sl. 28)

▷ Komora za čišćenje ostaje ispod.

4 Skinite zatvarač sa boce sa tečnošću za čišćenje.

5 Sipajte tečnost za čišćenje HQ200 u komoru za čišćenje do nivoa između dve linije (Sl. 29).

6 Vratite Jet Clean sistem na komoru za čišćenje (Sl. 30).

Pazite da dugmad za oslobađanje dobro legnu na svoja mesta.

Upotreba Jet Clean sistema

Napomena: Ako aparat za brijanje koristite sa penom/gelom za brijanje, preporučuje se da ga pre čišćenja u Jet Clean sistemu isperete pod mlazom vruće vode. Na taj način obezbeđujete optimalni vek trajanja tečnosti za čišćenje.

1 Stavite aparat naopako u držač, sa ekranom okrenutim ka prednjoj strani Jet Clean sistema (Sl. 18).

2 Pritisnite aparat za brijanje čvrsto u držač da bi legao na mesto (Sl. 19).

▷ Na ekranu se prikazuje da se aparat puni (pogledajte poglavlje „Ekran“).

3 Pritisnite dugme za uključivanje/isključivanje na Jet Clean sistemu da biste započeli program čišćenja. (Sl. 31)

▷ Na ekranu aparata za brijanje nema indikatora punjenja.

▷ Lampica za čišćenje počinje da treperi i aparat za brijanje se automatski spušta u tečnost za čišćenje (Sl. 32).

▷ Lampica za čišćenje treperi sve vreme tokom programa čišćenja, što je nekoliko minuta.

▷ Tokom prve faze programa čišćenja aparat za brijanje se automatski uključuje/isključuje nekoliko puta i pomera se gore-dole.

▷ Za vreme druge faze programa čišćenja brijač se postavlja u položaj za sušenje, što pokazuje treperenje lampice za sušenje. Ova faza traje približno 2 sata. Brijač ostaje u ovom položaju do kraja programa. (Sl. 33)

▷ Nakon programa čišćenja indikator punjenja pojavljuje se na ekranu aparata za brijanje (pogledajte odeljak „Ekran“).

Napomena: Ukoliko tokom programa čišćenja pritisnete dugme za uključivanje/isključivanje Jet Clean sistema, program čišćenja će se prekinuti. U tom slučaju, lampica za čišćenje ili sušenje prestaje da treperi i držač se vraća u najviši položaj.

Napomena: Ukoliko tokom programa čišćenja uklonite adapter iz zidne utičnice, program se prekida. Držač ostaje u trenutnom položaju. Kada adapter ponovo priključite u zidnu utičnicu, držač se podiže u najviši položaj.

- Kada nivo tečnosti za čišćenje padne ispod minimalnog, simbol za praznu komoru za čišćenje počinje da treperi, a držač se vraća u početni položaj (Sl. 34).

- Ako svakodnevno koristite mašinu za pranje aparata za brijanje, trebalo bi da dopunite tečnost u komori za čišćenje približno na svakih 15 dana.

Čišćenje Jet Clean sistema

Očistite komoru za čišćenje na svakih 15 dana.

Spoljašnji deo Jet Clean sistema možete da obrišete vlažnom krpom.

1 Istovremeno pritisnite dugmad za oslobađanje sa obe strane Jet Clean sistema (1). Zatim skinite Jet Clean System sa komore za čišćenje (2). (Sl. 28)

▷ Komora za čišćenje ostaje ispod.

2 Prospite preostalu tečnost za čišćenje iz komore. (Sl. 35)

Možete jednostavno da prospete tečnost za čišćenje u lavabo.

3 Isperite komoru za čišćenje pod mlazom vode (Sl. 36).

Komora za čišćenje ne može da se pere u mašini za pranje posuđa.

4 Sipajte tečnost za čišćenje HQ200 u komoru za čišćenje do nivoa između dve linije (Sl. 29).

5 Vratite Jet Clean sistem na komoru za čišćenje. (Sl. 30)

Pazite da dugmad za oslobađanje dobro legnu na svoja mesta.

Metod izuzetno temeljnog čišćenja

Proverite da li ste isključili aparat.

1 Skinite držač glave za brijanje sa donjeg dela jedinice za brijanje (Sl. 26).

2 Pomerite zeleni granični okvir u pravcu strelica na njemu (Sl. 37).

3 Izvadite granični okvir iz držača glave za brijanje. (Sl. 38)

4 Izvadite rezač iz štitnika (Sl. 39).

Napomena: Nemojte odjednom čistiti više od jednog rezača i štitnika, jer su oni posebno upareni. Ako slučajno stavite rezač u pogrešan štitnik, vraćanje optimalnog efekta brijanja može da potraje nekoliko sedmica.

5 Rezač očistite četkom koja se nalazi u kompletu (Sl. 40).

6 Očistite unutrašnjost štitnika. (Sl. 41)

7 Nakon čišćenja vratite rezač u štitnik tako da nožice rezača budu okrenuti nadole. (Sl. 42)

8 Vratite granični okvir na držač glave za brijanje. (Sl. 43)

9 Vratite štitnik na mesto („klik“). (Sl. 44)

10 Ponovo postavite držač glave za brijanje sa donje strane jedinice za brijanje. (Sl. 27)

Čišćenje trimera

Trimer očistite nakon svake upotrebe.

1 Uključite aparat za brijanje sa postavljenim trimerom.

2 Izvesno vreme ispirajte trimer pod mlazom vruće vode. (Sl. 45)

3 Isključite aparat za brijanje nakon čišćenja.

Savet: Za najbolje rezultate, podmažite supce trimera jednom kapi ulja za šivaću mašinu na svakih šest meseci.

Odlaganje

1 Stavite zaštitni poklopac na jedinicu za brijanje da biste sprečili oštećenja na glavama za brijanje (Sl. 46).

2 Samo određeni modeli: Aparat za brijanje odložite u torbicu koju ste dobili u kompletu.

Zamena

Za najbolje rezultate brijanja, preporučuje se da gornji deo jedinice za brijanje zamenite svake godine. Gornji deo jedinice za brijanje zamenite isključivo originalnim RQ11 Philips držačem glave za brijanje.

1 Skinite držač glave za brijanje sa donjeg dela jedinice za brijanje (Sl. 26).

2 Postavite novi držač glave za brijanje sa donje strane jedinice za brijanje („klik“) (Sl. 27).

Naručivanje delova

Na raspolaganju su sledeći rezervni delovi:

- HQ8505 adapter
- RQ11 Philips držač glave za brijanje
- HQ110 Philips sprej za čišćenje glave za brijanje
- HQ200 Philips tečnost za čišćenje

Zaštita okoline

- Aparate koji se više ne mogu upotrebljavati nemojte da odlažete u kućni otpad, već ih predajte na zvaničnom mestu za prikupljanje za reciklažu. Tako ćete doprineti zaštiti okoline (Sl. 47).
- Ugrađena punjiva baterija sadrži supstance koje mogu da zagađuju okolinu. Uvek uklonite bateriju pre nego što bacite aparat ili ga predate na službenom odlagalištu. Baterije odlažite na službenom mestu za odlaganje baterija. Ako imate problema sa uklanjanjem baterije, aparat možete da odnesete u Philips servisni centar. Osoblje centra će ukloniti bateriju i odložiti je tako da ne zagađuje okolinu (Sl. 48).

Uklanjanje punjive baterije aparata za brijanje

Bateriju uklanjajte samo pre odlaganja aparata na otpad. Pazite da baterija bude potpuno prazna pri uklanjanju.

Budite oprezni, trake koje drže bateriju su vrlo oštre.

1 Odvijačem uklonite zadnju ploču aparata za brijanje.

2 Uklonite punjivu bateriju.

Garancija i servis

Ukoliko vam je potreban servis, informacije ili ako imate neki problem, posetite Web lokaciju kompanije Philips na adresi www.philips.com ili se obratite centru za korisničku podršku kompanije Philips u svojoj zemlji (broj telefona ćete pronaći u međunarodnom garantnom listu). Ako u vašoj zemlji ne postoji centar za korisničku podršku, obratite se lokalnim distributeru Philips proizvoda.

Ograničenja garancije

Glave za brijanje (rezači i štitnici) nisu obuhvaćene uslovima međunarodne garancije jer su podložne habanju.

Rešavanje problema

Ovo poglavlje sumira najčešće probleme sa kojima se možete sresti prilikom upotrebe aparata. Ukoliko niste u mogućnosti da rešite određeni problem pomoću sledećih informacija, kontaktirajte Centar za brigu o potrošačima u vašoj zemlji.

Problem	Mogući uzrok	Rešenje
Aparat ne brije dobro kao ranije.	Glave za brijanje su oštećene ili pohabane.	Zamenite držač glave za brijanje (pogledajte poglavlje „Zamena“).
	Duge dlake smetaju glavama za brijanje.	Očistite glave za brijanje prateći korake metode za izuzetno temeljno čišćenje (pogledajte poglavlje „Čišćenje i održavanje“).
	Jet Clean sistem nije dobro očistio aparat za brijanje zato što je tečnost za čišćenje u komori zaprljana ili je nivo tečnosti za čišćenje prenizak.	Temeljno očistite aparat pre nego što nastavite sa brijanjem. Ako je potrebno, očistite i napunite komoru za čišćenje (pogledajte poglavlje „Čišćenje i održavanje“).
Aparat za brijanje se ne uključuje kada pritisnem dugme za uključivanje/isključivanje.	Punjiva baterija je prazna.	Napunite bateriju (pogledajte poglavlje „Punjenje“).
	Aktivirano je zaključavanje za vreme putovanja.	Pritisnite dugme za uključivanje/isključivanje i zadržite ga 3 sekunde da biste deaktivirali režim zaključavanja za vreme putovanja.
	Držač glave za brijanje je zaprljan ili oštećen do te mere da motor ne može da radi.	Očistite držač glave za brijanje ili ga zamenite (pogledajte poglavlja „Čišćenje i održavanje“ i „Zamena“).
	Temperatura aparata za brijanje je možda previsoka. U tom slučaju, aparat ne radi.	Ostavite aparat za brijanje da se ohladi. Čim temperatura aparata dovoljno spadne, ponovo možete uključiti aparat.
Aparat za brijanje nije potpuno čist nakon čišćenja u Jet Clean sistemu.	Tečnost za čišćenje u komori je zaprljana.	Ispraznite komoru za čišćenje i isperite je.
	Možda je nivo tečnosti za čišćenje suviše nizak. Ukoliko količina tečnosti tokom programa čišćenja padne ispod minimalnog nivoa, program će se prekinuti. Svetlo za čišćenje i simbol za prazna komora za čišćenje trepere u intervalima, a držač se vraća u početni položaj.	Dopunite komoru za čišćenje tečnošću za čišćenje do nivoa između dve linije (pogledajte poglavlje „Čišćenje i održavanje“).
	Možda ste koristili neko drugu tečnost za čišćenje, a ne originalnu Philips tečnost za čišćenje.	Koristite isključivo HQ200 Philips tečnost za čišćenje.
Jet Clean System ne radi kada pritisnem dugme za uključivanje/isključivanje.	Jet Clean sistem nije povezan na električnu mrežu.	Uključite mali utikač u Jet Clean sistem, a adapter uključite u zidnu utičnicu.
	Ne postoji električna veza između Jet Clean sistema i aparata za brijanje.	Pritisnite aparat za brijanje čvrsto u držač da bi legao na mesto.
Aparat za brijanje nije potpuno napunjen nakon punjenja u punjaču/Jet Clean sistemu.	Niste ispravno postavili aparat za brijanje u punjač/Jet Clean sistem.	Obavezno pritisnite aparat za brijanje čvrsto da bi legao na mesto.

Introduktion

Grattis till inköpet och välkommen till Philips! För att dra maximal nytta av den support som Philips erbjuder kan du registrera din produkt på www.philips.com/welcome.

Läs den här användarhandboken, som innehåller information om rakapparaten samt några tips som gör det enklare och behagligare att raka sig.

Allmän beskrivning (Bild 1)

- A** Rakapparat (RQ1180/RQ1160/RQ1150)
- 1 Trimmer
 - 2 Skyddshylsa
 - 3 Skärhuvud
 - 4 Rakapparat
 - 5 Av/på-knapp för rakapparat
 - 6 Display
- B** Laddare
- C** Jet Clean-system (endast vissa modeller)
- 1 Rakapparatshållare
 - 2 Symbol för tom rengöringsbehållare
 - 3 Symbol för rengöring
 - 4 Symbol för torkning
 - 5 Jet Clean-systemets på/av-knapp
 - 6 Öppningsknapp för rengöringsbehållare
- D** Rengöringsborste
- E** Rengöringsvätska
- F** Fodral (endast vissa modeller)
- G** Adapter

Viktigt

Läs användarhandboken noggrant innan du använder apparaten och spara den för framtida bruk.

Obs! I den här användarhandboken avses med termen "apparaterna" rakapparaten och Jet Clean-systemet. Om inget Jet Clean-system medföljer avses endast rakapparaten.

Allmänt

Fara

- Se till att adaptern aldrig blir blöt (Bild 2).

Varning

- Adaptren innehåller en transformator. Byt inte ut adaptern mot någon annan typ av kontakt, eftersom fara då kan uppstå.
- Apparaten är inte avsedd för användning av personer (inklusive barn) med olika funktionshinder, eller av personer som inte har kunskap om hur den används, om de inte övervakas eller får instruktioner angående användning av apparaten av en person som är ansvarig för deras säkerhet.
- Barn ska övervakas så att de inte kan leka med apparaten.
- Var försiktig med varmt vatten när du rengör apparaterna. Kontrollera alltid att vattnet inte är för varmt så att du inte bränner dig.

Varning

- Sänk aldrig ned Jet Clean-systemet och laddaren i vatten och skölj dem inte under kranen.
- Apparaterna och tillbehören kan inte diskas i diskmaskin.
- Placera och använd alltid apparaterna på en vätsketålig yta.
- Använd, ladda och förvara enheterna vid en temperatur på mellan 5 °C och 35 °C.
- Använd endast medföljande tillbehör.
- Adaptren omvandlar 100-240 volt till en säker låg spänning på under 24 volt.
- Använd inte apparaterna om de är skadade.
- Om adaptern eller något av de andra tillbehören skadas ska det alltid ersättas med ett tillbehör av samma typ för att undvika fara.
- Det kan rinna vatten från uttaget nedtill på rakapparaten när du sköljer den. Det är normalt och inte farligt, eftersom all elektronik är inpackad i en försluten strömenhet inuti rakapparaten.

Jet Clean-system (endast vissa modeller)

Varning

- Använd endast Jet Clean-systemet med originalrengöringsvätskan HQ200.
- Ställ alltid Jet Clean-systemet på en stabil, plan och horisontell yta, så förhindrar du läckage.
- Sänk aldrig ned Jet Clean-systemet i vatten.
- Töm rengöringsbehållaren och rengör den noggrant genom att skölja den med varmt vatten var 15:e dag.
- Jet Clean-systemet rengör rakapparaten grundligt, men den desinficeras inte. Dela den därför inte med andra.
- Jet Clean-systemets rengöringsbehållare ska inte diskas i diskmaskin.
- Flytta inte Jet Clean-systemet när det är klart för användning. Då kan rengöringsvätska läcka ut.

Överensstämmelse med standarder

- Den här rakapparaten uppfyller internationellt godkända säkerhetsföreskrifter och kan användas säkert i badet eller duschen och rengöras under vattenkranen (Bild 3).
- De här enheterna från Philips uppfyller alla standarder för elektromagnetiska fält (EMF). Om apparaterna hanteras på rätt sätt och enligt instruktionerna i det här viktiga informationshäftet och i användningsinformationshäftet som medföljer rakapparaten, är de säkra att använda enligt de vetenskapliga belägg som finns i dagsläget.

Teckenfönstret

Obs! Innan du använder rakapparaten första gången ska du ta bort skyddsfilmerna från teckenfönstret.

De tre rakapparatstyperna (RQ1180, RQ1160 och RQ1150) har olika teckenfönster, vilket visas på bilderna nedan.

- RQ1180 (Bild 4)
- RQ1160 (Bild 5)
- RQ1150 (Bild 6)

Laddning

- Laddningen tar ungefär 1 timme.

RQ1180

- När rakapparaten laddas blinkar först den nedre laddningslampan, sedan den andra laddningslampan och så vidare tills rakapparaten är fullständigt laddad (Bild 7).
- Snabbladdning: När rakapparaten innehåller tillräckligt mycket energi för en rakning blinkar den nedre laddningslampan växelvis med orange och vitt sken.

RQ1160/RQ1150

- När rakapparaten laddas blinkar batterisymbolen tills rakapparaten är fulladdad. (Bild 8)
- Snabbladdning: När rakapparaten innehåller tillräckligt mycket energi för en rakning blinkar stickproppssymbolen och batterisymbolen växelvis.

Obs! Teckenfönstren för modellerna RQ1160 och RQ1150 skiljer sig åt utseendemässigt, men fungerar på samma sätt.

Batteriet fulladdat

RQ1180

- När batteriet är fulladdat lyser alla laddningslampor med fast sken. Efter cirka 30 minuter stängs teckenfönstret automatiskt av igen. (Bild 9)

RQ1160/RQ1150

- När batteriet är fulladdat lyser batterisymbolen med fast sken. Efter cirka 30 minuter stängs teckenfönstret automatiskt av igen. (Bild 10)

Obs! Teckenfönstren för typerna RQ1160 och RQ1150 skiljer sig åt utseendemässigt, men fungerar på samma sätt.

Batteriet svagt

RQ1180

- När batteriet är nästan tomt (när det är 5 minuter eller mindre kvar) blinkar den nedre laddningslampan med orange sken. (Bild 11)
- När du stänger av rakapparaten fortsätter den nedre laddningslampan att blinka i några sekunder.

RQ1160/RQ1150

- När batteriet är nästan tomt (när det är 5 minuter eller mindre kvar) blinkar stickproppssymbolen (Bild 12).
- När du stänger av rakapparaten blinkar stickproppssymbolen i några sekunder.

Obs! Teckenfönstren för typerna RQ1160 och RQ1150 skiljer sig åt utseendemässigt, men fungerar på samma sätt.

Återstående batterikapacitet

RQ1180

- Den återstående batterikapaciteten indikeras av antalet laddningslampor som lyser. (Bild 13)

Reslås

Du kan låsa rakapparaten när du ska ut på resa. Reselåset förhindrar att rakapparaten slås på av misstag.

Aktivera reselåset

- 1 Tryck ned på/av-knappen i 3 sekunder, så aktiveras reselåset (Bild 14).
- 2 Låssymbolen lyser i teckenfönstret (Bild 15).

Obs! Teckenfönstren för modellerna RQ1180, RQ1160 och RQ1150 skiljer sig åt utseendemässigt, men fungerar på samma sätt.

Avaktivera reselåset

- 1 Tryck in på/av-knappen i 3 sekunder.
- 2 Motorn börjar gå för att visa att reselåset har avaktiverats.

Rakapparaten kan nu användas igen.

Obs! När du placerar rakapparaten i en ansluten laddare eller ett Jet Clean-system som anslutits avaktiveras reselåset automatiskt.

Laddning

Laddningen tar ungefär 1 timme.

RQ1180/RQ1160: En fulladdad rakapparat har en rakningstid på upp till 50 minuter/15 dagar.

RQ1150: En fulladdad rakapparat har en rakningstid på upp till 40 minuter/12 dagar.

Ladda rakapparaten innan du använder det för första gången och när teckenfönstret anger att batteriet nästan är tomt (se avsnittet Låg batterinivå i kapitlet Teckenfönstret).

Snabbladdning

När rakapparaten har laddats i fem minuter har batteriet tillräckligt med ström för en rakning.

Ladda i laddaren

- 1 Sätt i den lilla kontakten i laddaren (Bild 16).
- 2 Sätt i adaptern i vägguttaget.
- 3 Sätt rakapparaten i laddaren (1) och skjut den bakåt (2) (ett klickljud hörs). (Bild 17)
- 4 I teckenfönstret visas att rakapparaten laddas (se kapitlet Teckenfönstret).

Ladda i Jet Clean-systemet (endast vissa modeller)

- 1 Sätt in den lilla kontakten i Jet Clean-systemet.

2 Sätt i adaptern i vägguttaget.

3 Placera rakapparaten upp och ned i hållaren med teckenfönstret mot Jet Clean-systemets framsida (Bild 18).

Obs! Endast RQ1180: när du vänder rakapparaten upp och ned vänds även batteriindikatorn upp och ned, så att du fortfarande kan se till vilken nivå som batteriet har laddats.

4 Tryck ned rakapparaten i hållaren så att den låses på plats (Bild 19).

Obs! Rakapparaten kan inte ställas i Jet Clean-systemet när skyddskåpan sitter på skärhuvudet eller när trimmern är placerad på rakapparaten.

▶ I teckenfönstret visas att rakapparaten laddas (se kapitlet Teckenfönstret).

Använda rakapparaten

Rakning

1 Slå på rakapparaten genom att trycka på på/av-knappen en gång.

▶ RQ1180: Teckenfönstret tänds i några sekunder.

2 För rakhuvudena över huden med cirkelformade rörelser (Bild 20).

- Gör inte raka rörelser.
- Huden kan behöva två till tre veckor för att vänja sig vid rakapparaten.

3 Stäng av rakapparaten genom att trycka på på/av-knappen en gång.

▶ RQ1180: Teckenfönstret tänds i ett par sekunder. Därefter visas den återstående batterikapaciteten.

Våtrakning

Du kan också använda den här rakapparaten på ett vått ansikte med raklödder eller rakgel.

Om du vill raka dig med raklödder eller rakgel följer du stegen nedan:

1 Fukta huden med lite vatten.

2 Stryk raklödder eller rakgel på huden.

3 Skölj skärhuvudet under kranen för att se till att skärhuvudet glider jämnt över huden.

4 Slå på rakapparaten genom att trycka på på/av-knappen en gång.

5 För rakhuvudena i runda rörelser över huden.

Obs! Skölj rakapparaten under kranen regelbundet för att se till att den fortsätter att glida jämnt över huden.

6 Torka ansiktet och rengör rakapparaten noggrant efter användningen (se kapitlet Rengöring och underhåll).

Obs! Se till att du sköljer bort allt skum eller rakgel från rakapparaten.

Trimning

Du kan ansa polisonger och mustasch med trimmern.

1 Dra loss skärhuvudet rakt ut från rakapparaten (Bild 21).

Obs! Vänd inte på skärhuvudet när du drar av det från rakapparaten.

2 Sätt trimmerns kant i spåret överst på rakapparaten (1). Tryck sedan trimmern nedåt (2) så att det fästs i rakapparaten (ett klick hörs) (Bild 22).

3 Slå på trimmern genom att trycka på på/av-knappen en gång.

▶ RQ1180: Teckenfönstret tänds i några sekunder.

4 Du kan nu börja trimma.

5 Stäng av trimmern genom att trycka på på/av-knappen en gång.

▶ RQ1180: Teckenfönstret tänds i ett par sekunder. Därefter visas den återstående batterikapaciteten.

6 Dra loss trimmern rakt ut från rakapparaten (Bild 23).

Obs! Vänd inte på trimmern när du drar av den från rakapparaten.

7 Sätt skärhuvudets kant i spåret överst på rakapparaten (1). Tryck sedan skärhuvudet nedåt (2) så att det fästs i rakapparaten (ett klick hörs) (Bild 24).

Rengöring och underhåll

Använd aldrig skursvampar, slipande rengöringsmedel eller starka vätskor som bensin eller aceton när du rengör apparaten och Jet Clean-systemet.

- Det bästa och mest hygieniska sättet att rengöra rakapparaten är i Jet Clean-systemet (endast vissa modeller). Du kan även skölja rakapparaten under kranen eller rengöra den med den medföljande borsten.
- Var försiktig med varmt vatten. Kontrollera alltid att vattnet inte är för varmt så att du inte bränner dig.
- Rengör rakapparaten efter varje rakning för bästa resultat.
- Du kan rengöra rakapparatens utsida med en fuktig trasa.
- Regelbunden rengöring ger det bästa rakresultatet.

Rengöra skärhuvudet

Var försiktig med varmt vatten. Kontrollera alltid att vattnet inte är för varmt så att du inte bränner dig.

1 Skölj skärhuvudet under rinnande varmt vatten en liten stund (Bild 25).

Obs! Du kan också borsta skärhuvudet med den medföljande rengöringsborsten.

2 Dra loss rakhuvudshållaren från den nedre delen av skärhuvudet och skölj den under rinnande varmt vatten i 30 sekunder (Bild 26).

Obs! Du kan också borsta rakhuvudshållaren med den medföljande rengöringsborsten.

3 Skaka noga bort överflödigt vatten och låt skärhuvudet torka.

Torka aldrig skärhuvudet med handduk eller papper, eftersom det kan skada rakhuvudena.

4 Sätt tillbaka rakhuvudshållaren på skärhuvudets nedre del (ett klickljud hörs) (Bild 27).

Rengöra skärhuvudet i Jet Clean-systemet (endast vissa modeller)

Jet Clean-systemet har ett automatiskt rengöringsprogram. När du trycker på på/av-knappen börjar Jet Clean-systemet rengöra i det automatiska rengöringsprogrammet.

Förbereda Jet Clean-systemet för användning

Fyll rengöringsbehållaren före första användningen.

1 Sätt in den lilla kontakten i Jet Clean-systemet.

2 Sätt i adaptern i vägguttaget.

► Hållaren flyttas automatiskt till det högsta läget.

3 Tryck samtidigt på öppningsknapparna på båda sidor av rengöringsbehållaren (1) och lyft av Jet Clean-systemet från rengöringsbehållaren (2). (Bild 28)

► Rengöringsbehållaren är nu separerad från stationen.

4 Skruva av locket från flaskan med rengöringsvätska.

5 Fyll rengöringsbehållaren med rengöringsvätskan HQ200 till en nivå mellan de två linjerna (Bild 29).

6 Sätt tillbaka Jet Clean-systemet i rengöringsbehållaren (Bild 30).

Se till att öppningsknapparna knäpps tillbaka på plats.

Använda Jet Clean-systemet

Obs! Om du använder rakapparaten med raklödder eller rakgel rekommenderar vi att du sköljer den under varmt rinnande vatten innan du rengör den i Jet Clean-systemet. På så sätt får rengöringsvätskan en maximal livslängd.

1 Placera rakapparaten upp och ned i hållaren med teckenfönstret mot Jet Clean-systemets framsida (Bild 18).

2 Tryck ned rakapparaten i hållaren så att den låses på plats (Bild 19).

► I teckenfönstret visas att rakapparaten laddas (se kapitlet Teckenfönstret).

3 Tryck på på/av-knappen på Jet Clean-systemet så att rengöringsprogrammet startas. (Bild 31)

► Laddningsindikatorn visas inte längre i rakapparatsens teckenfönster.

► Rengöringslampan börjar blinka och rakapparaten sänks automatiskt ned i rengöringsvätskan (Bild 32).

► Rengöringslampan blinkar under hela rengöringsprogrammet, som tar några minuter.

► Under den första delen av rengöringsprogrammet slås rakapparaten automatiskt på och av flera gånger och flyttas upp och ned.

► Under rengöringsprogrammets andra fas placeras rakapparaten i torkningsposition, vilket indikeras av en blinkande symbol för torkning. Den här fasen tar ca 2 timmar. Rakapparaten blir kvar i den här positionen till slutet av programmet. (Bild 33)

► Efter rengöringsprogrammet visas laddningsindikatorn i rakapparatsens teckenfönster (se kapitlet Teckenfönstret).

Obs! Om du trycker på på/av-knappen på Jet Clean-systemet under rengöringsprogrammet avbryts programmet. Då slutar rengörings- eller torkningslampan blinka och hållaren flyttas till den högsta positionen.

Obs! Om du tar bort adaptern från vägguttaget under rengöringsprogrammet, avbryts programmet. Hållaren blir kvar i sin aktuella position. När du sätter tillbaka adaptern i vägguttaget flyttas hållaren till den högsta positionen.

- När rengöringsvätskan hamnar under minimumnivån börjar symbolen för tom rengöringsbehållare blinka och hållaren återgår till startpositionen (Bild 34).

- Om du använder rengöringsstationen när du rengör rakapparaten varje dag bör du fylla på rengöringsbehållaren ungefär var 15:e dag.

Rengöra Jet Clean-systemet

Rengör rengöringsbehållaren var 15:e dag.

Du kan torka av utsidan av Jet Clean-systemet med en fuktig trasa.

1 Tryck samtidigt på öppningsknapparna på båda sidor av Jet Clean-systemet (1). Lyft sedan bort Jet Clean-systemet från rengöringsbehållaren (2). (Bild 28)

► Rengöringsbehållaren är nu separerad från stationen.

2 Häll ut all återstående rengöringsvätska ur rengöringsbehållaren. (Bild 35)

Du kan hälla ut rengöringsvätskan i vasken.

3 Skölj rengöringsbehållaren under kranen (Bild 36).

Rengöringsbehållaren kan inte diskas i diskmaskin.

4 Fyll rengöringsbehållaren med rengöringsvätskan HQ200 till en nivå mellan de två linjerna (Bild 29).

5 Sätt tillbaka Jet Clean-systemet i rengöringsbehållaren. (Bild 30)

Se till att öppningsknapparna knäpps tillbaka på plats.

Extra grundlig rengöring

Kontrollera att apparaten är avstängd.

1 Dra loss rakhuvudshållaren från skärhuvudets nedre del (Bild 26).

2 Dra den gröna hållaren i pilarnas riktning som indikeras på hållaren (Bild 37).

3 Avlägsna sedan hållaren från rakhuvudshållaren. (Bild 38)

4 Ta bort kniven från rakningskyddet (Bild 39).

Obs! Rengör inte mer än en kniv och ett rakningsskydd åt gången, eftersom kniv och skydd hör ihop parvis. Om du av misstag lägger en kniv i fel rakningskydd kan det ta flera veckor innan apparaten fungerar optimalt igen.

- 5 Rengör kniven med den medföljande rengöringsborsten (Bild 40).
- 6 Rengör insidan av rakningskyddet. (Bild 41)
- 7 Efter rengöringen sätter du tillbaka kniven i rakningskyddet med skärdelen riktad nedåt. (Bild 42)
- 8 Ställ tillbaka hållaren på rakhuvudshållaren. (Bild 43)
- 9 Sätt tillbaka skyddet (ett klickljud hörs). (Bild 44)
- 10 Sätt tillbaka rakhuvudshållaren på skärhuvudets nedre del. (Bild 27)

Rengöra trimmern

Gör ren trimsaxen efter varje användning.

- 1 Slå på rakapparaten med trimmern ansluten.
- 2 Skölj trimmern under rinnande varmt vatten en liten stund. (Bild 45)
- 3 Efter rengöringen stänger du av rakapparaten.

Tips: För bästa resultat, smörj trimsaxens tänder med en droppe symaskinsolja var sjätte månad.

Förvaring

- 1 Sätt skyddskåpan på skärhuvudet så undviker du att rakhuvudena skadas (Bild 46).
- 2 Endast vissa modeller: Förvara rakapparaten i det medföljande fodralet.

Byten

För maximalt rakningsresultat rekommenderar vi att du byter ut den övre delen av skärhuvudet varje år. Byt bara ut den översta delen av skärhuvudet med en ursprunglig RQ11 Philips rakhuvudhållare.

- 1 Dra loss rakhuvudshållaren från skärhuvudets nedre del (Bild 26).
- 2 Fäst den nya rakhuvudshållaren på skärhuvudets nedre del (ett klickljud hörs) (Bild 27).

Beställa delar

Följande delar är tillgängliga:

- HQ8505-adapter
- RQ11 Philips rakhuvudhållare
- HQ110 Philips rengöringsspray till rakhuvudet
- Philips rengöringsvätska HQ200

Miljö

- Kasta inte apparaten i hushållssoporna när den är förbrukad. Lämna in den för återvinning vid en officiell återvinningsstation, så hjälper du till att skydda miljön (Bild 47).
- Det inbyggda laddningsbara batteriet innehåller ämnen som kan vara skadliga för miljön. Ta alltid ur batteriet innan du kasserar rakapparaten eller lämnar in den vid en officiell återvinningsstation. Lämna batteriet vid en officiell återvinningsstation för batterier. Om du har problem med att få ur batteriet kan du också ta med rakapparaten till ett Philips-serviceombud. Personalen där kan hjälpa dig att ta ur batteriet och kassera det på ett miljövänligt sätt (Bild 48).

Ta ut rakapparatus laddningsbara batteri

Ta endast ur det laddningsbara batteriet när du ska slänga rakapparaten. Se till att batteriet är helt urladdat när du tar ur det.

Var försiktig, batteriskenorna är vassa.

- 1 Ta bort rakapparatus baksida med hjälp av en skruvmejsel.
- 2 Ta ut det laddningsbara batteriet.

Garanti och service

Om du behöver service eller information eller har problem med apparaten kan du besöka Philips webbplats på www.philips.com eller kontakta Philips kundtjänst i ditt land (du hittar telefonnumret i garantibroschyren). Om det inte finns någon kundtjänst i ditt land vänder du dig till din lokala Philips-återförsäljare.

Garantibegränsningar

Rakhuvudena (knivar och rakningskydd) omfattas inte av de internationella garantivillkoren eftersom de utsätts för slitage.

Felsökning

I det här kapitlet finns en översikt över de vanligaste problemen som kan uppstå med apparaten. Om du inte kan lösa problemet med hjälp av nedanstående information kan du kontakta kundtjänst i ditt land.

Problem	Möjlig orsak	Lösning
Rakapparaten fungerar inte lika bra som den gjorde tidigare.	Rakhuvudena är skadade eller slitna.	Byt ut rakhuvudshållaren (se kapitlet Byten).

Problem	Möjlig orsak	Lösning
	Långa hårstrån sitter fast i rakhuvudena.	Rengör rakhuvudena genom att följa stegen i det extra grundliga rengöringsprogrammet som beskrivs nedan (se kapitlet Rengöring och underhåll).
	Jet Clean-systemet har inte rengjort rakapparaten ordentligt på grund av att rengöringsvätskan är smutsig eller att rengöringsvätskenivån är för låg.	Rengör rakapparaten ordentligt innan du fortsätter rakningen. Rengör och fyll på rengöringsbehållaren om det behövs (se kapitlet Rengöring och underhåll).
Rakapparaten slås inte på när jag trycker på på/av-knappen.	Det laddningsbara batteriet är urladdat.	Ladda batteriet (se kapitlet Laddning).
	Reselåset är aktiverat.	Tryck ned på/av-knappen i 3 sekunder; så avaktiveras reselåset.
	Rakhuvudshållaren är smutsigt eller skadat i en sådan omfattning att motorn inte kan fungera.	Rengör rakhuvudshållaren eller byt ut den (se kapitlet Rengöring och underhåll och Byten).
	Rakapparaten temperatur är för hög. Då fungerar inte rakapparaten.	Låt rakapparaten svalna. Så snart rakapparaten temperatur har sjunkit tillräckligt kan du slå på den igen.
Rakapparaten är inte helt ren efter att jag har rengjort den i Jet Clean-systemet.	Rengöringsvätskan i rengöringsbehållaren är smutsig.	Töm och skölj rengöringskammaren.
	Rengöringsvätskenivån är för låg. Om vätskevolymen i rengöringsbehållaren sjunker under miniminivån under rengöringsprogrammet avbryts programmet. Rengöringslampan och symbolen för tom rengöringsbehållare börjar blinka i intervall och hållaren återgår till utgångsläget.	Fyll på rengöringsbehållaren med rengöringsvätska till en nivå mellan de två linjerna (se kapitlet Rengöring och underhåll).
	Du har använt en annan rengöringsvätska än Philips originalrengöringsvätska.	Använd endast HQ200.
Jet Clean-systemet fungerar inte när jag trycker på på/av-knappen.	Jet Clean-systemet är inte anslutet till elnätet.	Sätt in den lilla kontakten i Jet Clean-systemet och anslut adaptern till ett vägguttag.
	Det finns ingen elanslutning mellan Jet Clean-systemet och rakapparaten.	Tryck ned rakapparaten i hållaren så att den låses på plats.
Rakapparaten är inte fulladdad när jag har laddat den i laddaren/ Jet Clean-systemet.	Du har inte ställt rakapparaten i laddaren/ Jet Clean-systemet på rätt sätt.	Tryck ned rakapparaten tills den låses på plats.

ข้อมูลเบื้องต้น

ขอแสดงความยินดีที่คุณสั่งซื้อและยินดีต้อนรับสู่ผลิตภัณฑ์ของ Philips! เพื่อให้คุณได้รับประโยชน์อย่างเต็มที่จากบริการที่ Philips มอบให้ โปรดลงทะเบียนผลิตภัณฑ์ของคุณที่ www.philips.com/welcome โปรดอ่านคู่มือการใช้งานเล่มนี้เนื่องจากมีเนื้อหาเกี่ยวกับคุณสมบัติของเครื่องโกนหนวดนี้ รวมทั้งคำแนะนำที่จะช่วยให้การโกนหนวดของคุณเป็นไปอย่างง่ายดายและเพลิดเพลินมากยิ่งขึ้น

ส่วนประกอบ (รูปที่ 1)

- A** เครื่องโกนหนวด (RQ1180/RQ1160/RQ1150)
- ที่กันจอน
 - ฝาครอบป้องกัน
 - ชุดหัวโกน
 - เครื่องโกนหนวด
 - ปุ่มเปิด/ปิดเครื่องโกนหนวด
 - การแสดงผล
- B** สายชาร์จ
- C** Jet Clean System (เฉพาะบางรุ่นเท่านั้น)
- ที่วางเครื่องโกนหนวด
 - สัญลักษณ์ 'ช่องทำความสะอาดกว้าง'
 - สัญลักษณ์การทำความสะอาด
 - สัญลักษณ์การทำแห้ง
 - ปุ่มเปิด/ปิด Jet Clean System
 - ปุ่มปลดช่องทำความสะอาด
- D** แปรงทำความสะอาด
- E** น้ำยาทำความสะอาด
- F** กระเป๋ากันน้ำ (เฉพาะบางรุ่นเท่านั้น)
- G** อะแดปเตอร์

ข้อสำคัญ

ควรอ่านคู่มืออย่างละเอียดก่อนใช้งานและเก็บไว้เพื่อใช้อ้างอิงในครั้งต่อไป

หมายเหตุ: ในคู่มือผู้ใช้เล่มนี้ คำว่า 'เครื่อง' หมายถึงเครื่องโกนหนวดและ Jet Clean System หากเครื่องโกนหนวดของคุณไม่มี Jet Clean System คำว่าเครื่องจะหมายถึงเครื่องโกนหนวดเท่านั้น

ทั่วไป

อันตราย

- ไม่ควรให้อะแดปเตอร์เปียกน้ำ (รูปที่ 2)

คำเตือน

- ภายในอะแดปเตอร์ประกอบด้วยตัวแปลงไฟ ดังนั้น ไม่ควรทาบหลายหรือนำไปใช้แทนปลั๊กอื่นๆ เพราะอาจก่อให้เกิดอันตรายได้
- ไม่ควรให้บุคคล (รวมทั้งเด็กเล็ก) ที่มีสภาพร่างกายไม่แข็งแรงหรือสภาพจิตใจไม่ปกติ หรือขาดประสบการณ์และความรู้ความเข้าใจ นำอุปกรณ์เหล่านี้ไปใช้งาน เว้นแต่จะอยู่ในการควบคุมดูแลหรือได้รับคำแนะนำในการใช้งานโดยผู้รับมอบหมาย
- เด็กเล็กควรได้รับการดูแลเพื่อป้องกันไม่ให้เด็กนำอุปกรณ์นี้ไปเล่น
- ไม่ควรใช้น้ำที่ร้อนเกินไปในทำความสะอาดเครื่อง ให้ตรวจสอบเสมอว่าใช้น้ำที่ร้อนเกินไปหรือไม่ เพื่อป้องกันไม่ให้มือพุพอง

ข้อควรระวัง

- ห้ามจุ่ม Jet Clean System และเครื่องชาร์จในน้ำและห้ามล้างได้ก็อกน้ำ
- เครื่องและอุปกรณ์เสริมไม่สามารถใช้กับเครื่องล้างจานได้
- วางและใช้เครื่องบนพื้นผิวที่กันน้ำเสมอ
- การใช้งาน ชาร์จไฟ และจัดเก็บเครื่องโกนหนวดที่อุณหภูมิระหว่าง 5°C และ 35°C
- โปรดใช้อุปกรณ์เสริมที่หามาเท่านั้น
- อะแดปเตอร์สามารถแปลงแรงดันไฟฟ้าขนาด 100-240 โวลต์เป็นแรงดันไฟต่ำกว่า 24 โวลต์ได้
- อย่าใช้เครื่องหากเครื่องชำรุดเสียหาย
- ในกรณีที่อยู่อะแดปเตอร์หรืออุปกรณ์เสริมอื่นๆ เกิดความชำรุดเสียหาย จะต้องทำการเปลี่ยนอะแดปเตอร์หรืออุปกรณ์เสริมด้วยอะไหล่แบบเดิมเสมอ เพื่อป้องกันการเกิดอันตราย
- เมื่อล้างทำความสะอาดเครื่องโกนหนวด อาจมีน้ำซึมออกมาจากด้านล่างของตัวเครื่อง เป็นเรื่องปกติและไม่ก่อให้เกิดอันตรายใดๆทั้งสิ้น เนื่องจากวงจรไฟฟ้าภายในเครื่องโกนหนวดถูกปิดผนึกด้วยยางกันรั่วซึมเรียบร้อยแล้ว

Jet Clean system (เฉพาะบางรุ่นเท่านั้น)

ข้อควรระวัง

- ใช้ Jet Clean System กับน้ำยาทำความสะอาด HQ200 ของแท้เท่านั้น
- วาง Jet Clean System บนพื้นผิวที่ราบเรียบ มั่นคง เพื่อป้องกันการรั่วไหล
- ห้ามจุ่ม Jet Clean System ในน้ำ
- นำเศษหนวดออกจากช่องทำความสะอาดและทำความสะอาดให้ทั่วถึงโดยการล้างด้วยน้ำร้อนทุกๆ 15 วัน
- Jet Clean System จะทำความสะอาดได้หมดจดแต่ไม่มีการฆ่าเชื้อเครื่องโกนหนวด ดังนั้น คุณไม่ควรใช้เครื่องโกนหนวดร่วมกับผู้อื่น
- ช่องทำความสะอาดของ Jet Clean System ไม่สามารถทำความสะอาดด้วยเครื่องล้างจานได้
- เมื่อ Jet Clean System พร้อมใช้งาน ห้ามเคลื่อนย้ายเครื่องไปที่อื่นเพื่อป้องกันน้ำยาทำความสะอาดรั่วซึม

ความปลอดภัยกับมาตรฐาน

- เครื่องโกนหนวดนี้ ได้มาตรฐานตามข้อกำหนดความปลอดภัยที่ได้รับการรับรองในระดับสากล และสามารถใช้งานในอ่างอาบน้ำหรือฝักบัว และล้างทำความสะอาดได้ก็อกน้ำได้อย่างปลอดภัย (รูปที่ 3)
- ผลิตภัณฑ์ Philips นี้ ได้มาตรฐานด้านคลื่นแม่เหล็กไฟฟ้า (EMF) หากมีการใช้งานอย่างเหมาะสมและสอดคล้องกับคำแนะนำสำคัญในคู่มือที่มามีพร้อมกับเครื่องโกนหนวดนี้ คุณสามารถใช้ผลิตภัณฑ์ได้อย่างปลอดภัยตามข้อพิสูจน์ทางวิทยาศาสตร์ในปัจจุบัน

หน้าจ้อ

หมายเหตุ: ก่อนใช้งานเครื่องโกนหนวดเป็นครั้งแรก ให้ลอกแผ่นฟอยล์กันรอยขีดข่วนออกจากหน้าจ้อ

เครื่องโกนหนวดทั้งสามรุ่น (RQ1180, RQ1160 และ RQ1150) มีหน้าจ้อแตกต่างกันตามที่แสดงในภาพด้านล่างนี้

- RQ1180 (รูปที่ 4)
- RQ1160 (รูปที่ 5)
- RQ1150 (รูปที่ 6)

การชาร์จ

- การชาร์จไฟใช้เวลาประมาณ 1 ชั่วโมง

194 ภาษาไทย

RQ1180

- ขณะกำลังชาร์จไฟเครื่องโกนหนวด สัญญาณไฟแสดงการชาร์จด้านล่างจะกะพริบ จากนั้นสัญญาณไฟแสดงการชาร์จจะส่องกะพริบ จนกระทั่งเครื่องโกนหนวดชาร์จไฟเต็ม (รูปที่ 7)
- การชาร์จตัว: เมื่อเครื่องโกนหนวดมีไฟเพียงเพื่อสำหรับการโกนหนวดหนึ่งครั้ง สัญญาณไฟแสดงการชาร์จด้านล่างจะกะพริบสลับกับสีขาว

RQ1160/RQ1150

- เมื่อเครื่องโกนหนวดกำลังชาร์จไฟ สัญญาณแบตเตอรี่จะกะพริบจนกว่าเครื่องจะชาร์จไฟเต็ม (รูปที่ 8)
- การชาร์จตัว: เมื่อเครื่องโกนหนวดมีไฟเพียงเพื่อที่จะโกนหนวดหนึ่งครั้ง สัญญาณรูปปลั๊กไฟและสัญญาณแบตเตอรี่จะกะพริบสลับกัน

หมายเหตุ: หน้าจอของรุ่น RQ1160 และ RQ1150 มีลักษณะแตกต่างกันแต่ใช้งานในลักษณะเดียวกัน

แบตเตอรี่ชาร์จไฟเต็มแล้ว

RQ1180

- เมื่อแบตเตอรี่ชาร์จเต็มแล้ว สัญญาณไฟแสดงการชาร์จทั้งหมดสว่างต่อเนื่อง หลังจากผ่านไปประมาณ 30 นาที หน้าจอจะปิดสวิตช์โดยอัตโนมัติอีกครั้ง (รูปที่ 9)

RQ1160/RQ1150

- เมื่อแบตเตอรี่ชาร์จเต็มแล้ว สัญญาณรูปแบตเตอรี่สว่างต่อเนื่อง หลังจากผ่านไปประมาณ 30 นาที หน้าจอจะปิดสวิตช์โดยอัตโนมัติอีกครั้ง (รูปที่ 10)

หมายเหตุ: หน้าจอของรุ่น RQ1160 และ RQ1150 มีลักษณะแตกต่างกันแต่ใช้งานในลักษณะเดียวกัน

แบตเตอรี่เหลือน้อย

RQ1180

- เมื่อแบตเตอรี่ใกล้หมด (เมื่อใช้งานได้อีกเพียง 5 นาทีหรือน้อยกว่านั้น) สัญญาณไฟแสดงการชาร์จด้านล่างจะกะพริบเป็นสีส้ม (รูปที่ 11)
- เมื่อปิดเครื่องโกนหนวด ไฟการชาร์จด้านล่างจะกะพริบต่อเนื่องประมาณสองสามวินาที

RQ1160/RQ1150

- เมื่อแบตเตอรี่ใกล้หมด (เมื่อใช้งานได้อีกเพียง 5 นาทีหรือน้อยกว่านั้น) สัญญาณรูปปลั๊กจะกะพริบ (รูปที่ 12)
- เมื่อคุณเปิดเครื่องโกนหนวด สัญญาณรูปปลั๊กจะเริ่มกะพริบเป็นเวลาสองสามวินาที

หมายเหตุ: หน้าจอของรุ่น RQ1160 และ RQ1150 มีลักษณะแตกต่างกันแต่ใช้งานในลักษณะเดียวกัน

ระดับพลังงานที่เหลือในแบตเตอรี่

RQ1180

- ระดับพลังงานที่เหลืออยู่ของแบตเตอรี่จะแสดงโดยจำนวนไฟแสดงการชาร์จที่สว่างขึ้น (รูปที่ 13)

ระบบล็อคสำหรับพกพา

คุณสามารถล็อคเครื่องโกนหนวดได้เมื่อคุณเดินทาง การล็อคขณะพกพาจะช่วยป้องกันไม่ให้เปิดเครื่องโดยไม่ตั้งใจ

การเปิดใช้งานระบบล็อคเครื่องโกนหนวดขณะพกพา

- 1 กดปุ่มเปิดปิดค้างไว้ 3 วินาทีเพื่อเข้าสู่โหมดล็อคเครื่อง (รูปที่ 14)
- ▶ สัญญาณการล็อคสว่างขึ้นบนหน้าจอ -tekening- (รูปที่ 15)

หมายเหตุ: หน้าจอของ RQ1180, RQ1160 และ RQ1150 มีลักษณะไม่เหมือนกันแต่สัญญาณที่แสดงนั้นเหมือนกัน

การปิดโหมดล็อคเครื่องโกนหนวดขณะพกพา

- 1 กดปุ่มเปิดปิดค้างไว้ 3 วินาที
- ▶ มอเตอร์จะทำงานเพื่อบ่งชี้ว่าปิดโหมดล็อคเครื่องแล้ว

เครื่องโกนหนวดพร้อมสำหรับการใช้งานอีกครั้ง

หมายเหตุ: หากคุณวางเครื่องโกนหนวดลงในเครื่องชาร์จหรือ Jet Clean System ที่เสียบปลั๊กไฟไว้แล้ว ระบบล็อคเครื่องโกนหนวดจะปิดเองโดยอัตโนมัติ

การชาร์จ

การชาร์จไฟใช้เวลาประมาณ 1 ชั่วโมง

RQ1180/RQ1160: เครื่องโกนหนวดที่ชาร์จไฟเต็มแล้วสามารถโกนหนวดได้นานถึง 50 นาที/15 วัน

RQ1150: เครื่องโกนหนวดที่ชาร์จไฟเต็มแล้วสามารถโกนหนวดได้นานถึง 40 นาที/12 วัน

ให้ชาร์จเครื่องโกนหนวดก่อนที่คุณจะใช้งานครั้งแรกและเมื่อหน้าจอแสดงว่าแบตเตอรี่ใกล้หมดแล้ว (ดูส่วน 'แบตเตอรี่เหลือน้อย' ในบท 'หน้าจอ')

การชาร์จคว้น

เมื่อชาร์จแบตเตอรี่เครื่องโกนหนวดครบ 5 นาที เครื่องจะมีพลังงานเพียงพอต่อการโกนหนวด 1 ครั้ง

การชาร์จด้วยที่ชาร์จ

- 1 เสียบปลั๊กเล็กเข้ากับที่ชาร์จ (รูปที่ 16)
- 2 เสียบอะแดปเตอร์เข้ากับเต้ารับบนผนัง
- 3 วางเครื่องโกนหนวดลงในแท่นชาร์จ (1) และดันไปข้างหลัง (2) (เสียงดัง 'คลิก') (รูปที่ 17)
- ▶ หน้าจอจะแสดงให้ทราบว่าเครื่องโกนหนวดกำลังชาร์จไฟอยู่ (ดูที่บท 'หน้าจอ')

การชาร์จ Jet Clean System (เฉพาะบางรุ่นเท่านั้น)

- 1 เสียบปลั๊กเล็กเข้าไปใน Jet Clean System
- 2 เสียบอะแดปเตอร์เข้ากับเต้ารับบนผนัง
- 3 วางเครื่องโกนหนวดลงในแท่นวางโดยคว่ำด้านบนลงและให้หน้าจอหันไปทางด้านหน้าของ Jet Clean System (รูปที่ 18)

หมายเหตุ: เฉพาะรุ่น RQ1180: เมื่อคว่ำเครื่องโกนหนวด ตัวเลขแสดงนาฬิกาบนหน้าจอจะคว่ำลงด้วยเพื่อให้คุณมองเห็นระดับพลังงานแบตเตอรี่ที่ถูกชาร์จ

- 4 ดันเครื่องโกนหนวดลงในแท่นวางให้แน่นเพื่อให้เข้าที่ (รูปที่ 19)

หมายเหตุ: หากฝาครอบยังคงอยู่บนชุดหัวโกนหรือเมื่อที่กันจอนถูกวางบนเครื่องโกนหนวด จะไม่สามารถวางเครื่องโกนหนวดใน Jet Clean System ได้

- ▶ หน้าจอจะแสดงให้ทราบว่าเครื่องโกนหนวดกำลังชาร์จไฟอยู่ (ดูที่บท 'หน้าจอ')

การใช้เครื่องโกนหนวด

การโกน

- กดปุ่มเปิด/ปิดหนึ่งครั้งเพื่อเปิดเครื่องโกนหนวด
 - ▶ RQ1180: หน้าจอจะสว่างประมาณสองสามวินาที
- เคลื่อนหัวโกนไปตามผิวหนึ่ง โดยเคลื่อนวนไปมา (รูปที่ 20)
 - อย่าเคลื่อนเครื่องโกนหนวดเป็นแนวเส้นตรง
 - อาจต้องใช้เวลาประมาณ 2 หรือ 3 สัปดาห์เพื่อให้ผิวของคุณปรับสภาพให้เหมาะสมกับเครื่องโกนหนวด Philips
- กดปุ่มเปิด/ปิดหนึ่งครั้งเพื่อเปิดเครื่องโกนหนวด
 - ▶ RQ1180: หน้าจอจะสว่างขึ้นประมาณสองสามวินาที จากนั้นความจุแบตเตอรี่ที่เหลือจะแสดงขึ้นมา

การโกนแบบเปียก

คุณสามารถใช้เครื่องโกนหนวดที่ขนเปียกที่ชะโลมโฟมหรือเจลสำหรับโกนหนวดในการโกนหนวดด้วยโฟมหรือเจลสำหรับโกนหนวด ให้ทำตามขั้นตอนด้านล่าง:

- ชะโลมน้ำบนผิวให้ชุ่ม
- ชะโลมโฟมหรือเจลสำหรับโกนหนวดลงบนผิว
- ล้างชุดหัวโกนในดื่อก่อนน้ำให้สะอาดเพื่อให้มั่นใจว่าชุดหัวโกนจะเคลื่อนไปบนผิวของคุณได้อย่างราบรื่น
- กดปุ่มเปิด/ปิดหนึ่งครั้งเพื่อเปิดเครื่องโกนหนวด
- เคลื่อนหัวโกนวนไปมาบนผิว

หมายเหตุ: ล้างเครื่องโกนหนวดให้ถี่กว่าเป็นประจำ เพื่อให้มั่นใจว่าชุดหัวโกนจะแนบไปบนผิวหนังได้ราบรื่นเสมอ

- เช็ดผิวให้แห้งและทำความสะอาดเครื่องโกนหนวดภายหลังการใช้งาน (ดูที่ 'การทำความสะอาดและบำรุงรักษา')

หมายเหตุ: ตรวจสอบให้แน่ใจว่าคุณได้ล้างโฟมและเจลสำหรับโกนหนวดออกจากเครื่องโกนหนวดอย่างสะอาดหมดจด

การกั้นจอน

คุณสามารถใช้ที่กั้นจอนเพื่อตกแต่งจอนและหนวดของคุณ

- ดึงชุดหัวโกนออกจากเครื่องโกนหนวดเป็นแนวตรง (รูปที่ 21)

หมายเหตุ: อย่าหมุนชุดหัวโกนในขณะที่ดึงออกจากเครื่องโกนหนวด
- เสียบส่วนที่ยื่นออกมาของที่กั้นจอนเข้ากับช่องด้านบนของเครื่องโกนหนวด (1) แล้วดันที่กั้นจอนลงด้านล่าง (2) เพื่อประกอบหัวโกนเข้ากับเครื่องโกนหนวด (เสียงดัง 'คลิก') (รูปที่ 22)
- กดปุ่มเปิด/ปิดหนึ่งครั้งเพื่อเปิดที่กั้นจอน
 - ▶ RQ1180: หน้าจอจะสว่างประมาณสองสามวินาที
- จากนั้นคุณสามารถกั้นจอนได้ที่
- กดปุ่มเปิด/ปิดหนึ่งครั้งเพื่อปิดที่กั้นจอน
 - ▶ RQ1180: หน้าจอจะสว่างขึ้นประมาณสองสามวินาทีเพื่อแสดงความจุแบตเตอรี่ที่เหลือ
- ดึงที่กั้นจอนออกจากเครื่องโกนหนวดเป็นแนวตรง (รูปที่ 23)

หมายเหตุ: อย่าหมุนที่กั้นจอนในขณะที่ดึงออกจากเครื่องโกนหนวด
- เสียบส่วนที่ยื่นออกมาของชุดหัวโกนเข้ากับช่องด้านบนของเครื่องโกนหนวด (1) แล้วดันชุดหัวโกนลงด้านล่าง (2) เพื่อประกอบหัวโกนเข้ากับเครื่องโกนหนวด (เสียงดัง 'คลิก') (รูปที่ 24)

การทำความสะอาดและบำรุงรักษา

ห้ามใช้แผ่นใยของเหลวหรือยาที่มีฤทธิ์รุนแรง เช่น น้ำมัน หรืออะซิโตนในการทำทำความสะอาดเครื่องโกนหนวด และระบบ Jet Clean System

- วิธีทำความสะอาดเครื่องโกนหนวดที่ดีที่สุดและสะอาดที่สุดคือการทำทำความสะอาดด้วย Jet Clean System (เฉพาะบางรุ่นเท่านั้น) และคุณสามารถล้างเครื่องโกนหนวดผ่านน้ำก๊อกหรือใช้แปรงที่ใหม่ได้อีกด้วย
- ไม่ควรใช้น้ำร้อนเกินไปในการทำความสะอาดเครื่อง เพื่อป้องกันไม่ให้มือพุพอง
- ทำความสะอาดเครื่องโกนหนวดทุกครั้งหลังใช้งานเพื่อประสิทธิภาพการโกนหนวดที่ดีที่สุด
- คุณสามารถทำความสะอาดภายนอกของเครื่องโกนหนวดด้วยผ้าชุบน้ำพอหมาด
- ควรทำความสะอาดเป็นประจำ เพื่อให้การใช้งานเป็นไปอย่างมีประสิทธิภาพ

การทำความสะอาดชุดหัวโกน

ไม่ควรใช้น้ำร้อนเกินไปในการทำความสะอาดเครื่อง เพื่อป้องกันไม่ให้มือพุพอง

- ล้างชุดหัวโกนโดยให้น้ำร้อนไหลผ่านสักครู่ (รูปที่ 25)

หมายเหตุ: คุณสามารถแปรชุดหัวโกนด้วยแปรงทำความสะอาดที่มีให้
- ดึงที่ยึดหัวโกนออกจากด้านล่างของชุดหัวโกน และล้างโดยให้น้ำร้อนไหลผ่านเป็นเวลา 30 วินาที (รูปที่ 26)

หมายเหตุ: คุณสามารถแปรที่ยึดหัวโกนด้วยแปรงทำความสะอาดที่มีให้
- สะบัดน้ำออกและปล่อยให้ชุดหัวโกนแห้ง

อย่าเช็ดชุดหัวโกนให้แห้งด้วยผ้าเช็ดมือหรือที่ชุบน้ำ เนื่องจากอาจทำให้หัวโกนเกิดความเสียหายได้
- ประกอบที่ยึดหัวโกนเข้ากับด้านล่างของชุดหัวโกน (เสียงดัง 'คลิก') (รูปที่ 27)

การทำความสะอาดชุดหัวโกน ใน Jet Clean System (เฉพาะบางรุ่นเท่านั้น)

Jet Clean System มีโปรแกรมการทำสะอาดอัตโนมัติ เมื่อกดปุ่มเปิด/ปิด ระบบ Jet Clean System จะเริ่มการทำความสะอาดด้วยโปรแกรมการทำสะอาดอัตโนมัติ

การเตรียมใช้งาน Jet Clean System

เติมน้ำยาในช่องทำความสะอาดก่อนใช้งานครั้งแรก

- เสียบปลั๊กเล็กเข้าไปใน Jet Clean System
- เสียบอะแดปเตอร์เข้ากับตัวรับบนผนัง

196 ภาษาไทย

- ▶ แทนวางจะเลื่อนไปยังตำแหน่งสูงสุดโดยอัตโนมัติ
- 3 กดปุ่มคลายลือกที่ด้านข้างทั้งสองด้านของช่องล้างทำความสะอาด (1) พร้อมๆ กัน และยก Jet Clean System ออกจากช่องทำความสะอาด (2) (รูปที่ 28)
- ▶ ช่องทำความสะอาดจะยังคงอยู่ด้านหลัง
- 4 คลายสกรูฝาปิดออกจากขวดที่มีน้ำยาทำความสะอาด
- 5 เติมน้ำยาทำความสะอาด HQ200 ลงในช่องทำความสะอาดให้ได้ระดับที่อยู่ระหว่างเส้นสองเส้น (รูปที่ 29)
- 6 วาง Jet Clean System กลับเข้าไปในช่องทำความสะอาด (รูปที่ 30)

ตรวจสอบให้แน่ใจว่าปุ่มปลดล็อคเข้าที่เรียบร้อยแล้ว

การใช้ Jet Clean System

หมายเหตุ: หากผู้ใช้เครื่องโกนหนวดพร้อมด้วยโฟมหรือเจลสำหรับโกนหนวด เราขอแนะนำให้คุณล้างเครื่องโกนหนวดโดยเปิดให้น้ำร้อนไหลผ่านก่อนที่จะนำไปล้างในระบบ Jet Clean System ซึ่งทำให้น้ำยาทำความสะอาดมีอายุการใช้งานยาวนานที่สุด

- 1 วางเครื่องโกนหนวดลงในแท่นวางโดยคว่ำด้านบนลงและให้หน้าจอหันไปทางด้านหน้าของ Jet Clean System (รูปที่ 18)
- 2 ดันเครื่องโกนหนวดลงในแท่นวางให้แน่นเพื่อให้เข้าที่ (รูปที่ 19)
 - ▶ หน้าจอจะแสดงให้ทราบว่าเครื่องโกนหนวดกำลังชาร์จไฟอยู่ (ดูที่บท หน้าจอ)
- 3 กดปุ่มเปิด/ปิดบน Jet Clean System เพื่อเริ่มโปรแกรมทำความสะอาด (รูปที่ 31)
 - ▶ เครื่องหมายแสดงการชาร์จที่หน้าจอเครื่องโกนหนวดจะดับ
 - ▶ สัญลักษณ์ไฟแสดงการทำความสะอาดจะเริ่มกะพริบ และเครื่องโกนหนวดจะเลื่อนลงไปในน้ำยาทำความสะอาดโดยอัตโนมัติ (รูปที่ 32)
 - ▶ ไฟการทำความสะอาดกะพริบตลอดขั้นตอนในโปรแกรมการทำความสะอาด ซึ่งใช้เวลาสองสามนาที
 - ▶ ในระหว่างการทำความสะอาดช่วงแรก เครื่องโกนหนวดจะเปิดและปิดโดยอัตโนมัติหลายครั้ง และจะเคลื่อนขึ้นลง
 - ▶ ในขั้นตอนที่สองของโปรแกรมทำความสะอาด เครื่องโกนหนวดจะอยู่ที่ตำแหน่งทำให้แห้งและสัญลักษณ์แสดงการทำให้แห้งจะกะพริบ ขั้นตอนนี้ใช้เวลาประมาณ 2 ชั่วโมง เครื่องโกนหนวดจะอยู่ในตำแหน่งนี้จนสิ้นสุดโปรแกรม (รูปที่ 33)
 - ▶ เมื่อโปรแกรมทำความสะอาดเสร็จสิ้นแล้ว เครื่องหมายแสดงการชาร์จจะปรากฏขึ้นที่หน้าจอเครื่องโกนหนวด (ดูที่บท หน้าจอ)

หมายเหตุ: หากคุณกดปุ่มเปิด/ปิดของ Jet Clean System ระหว่างที่โปรแกรมทำความสะอาดทำงานอยู่ โปรแกรมจะหยุดทำงาน ในกรณีนี้ ไฟแสดงการทำความสะอาดและการทำให้แห้งจะหยุดกะพริบและแท่นวางจะเลื่อนไปยังตำแหน่งที่สูงที่สุด

หมายเหตุ: หากคุณถอดอะแดปเตอร์ออกจากเต้าเสียบที่ผนังขณะที่โปรแกรมทำความสะอาดทำงานอยู่ โปรแกรมจะหยุดทำงานและแท่นวางจะค้างอยู่ที่ตำแหน่งเดิม หากคุณเสียบอะแดปเตอร์กลับเข้าไปในเต้ารับ แท่นวางจะเลื่อนไปที่ตำแหน่งสูงสุด

- เมื่อน้ำยาทำความสะอาดลดลงเหลือต่ำกว่าระดับที่ต่ำที่สุด สัญลักษณ์ "ช่องทำความสะอาดว่าง" จะกะพริบและแท่นวางจะเลื่อนกลับไปยังตำแหน่งเริ่มต้น (รูปที่ 34)
- หากผู้ใช้เครื่องล้างทำความสะอาดเพื่อทำความสะอาดเครื่องโกนหนวดทุกวัน คุณควรเติมน้ำยาในช่องทำความสะอาดใหม่ทุกๆ 15 วัน

การทำความสะอาด Jet Clean System

ทำความสะอาดช่องทำความสะอาดทุก 15 วัน

คุณสามารถเช็ดด้านนอกของระบบ Jet Clean System ด้วยผ้าชุบน้ำพอหมาด

- 1 กดปุ่มปลดลือกทั้งสองด้านของ Jet Clean System พร้อมกัน (1) จากนั้นหยิบ Jet Clean System ออกจากช่องทำความสะอาด (2) (รูปที่ 28)
- ▶ ช่องทำความสะอาดจะยังคงอยู่ด้านหลัง

- 2 เทน้ำยาทำความสะอาดที่เหลือออกจากช่องทำความสะอาด (รูปที่ 35)

คุณสามารถเทน้ำยาทำความสะอาดลงในอ่างล้างหน้าได้

- 3 ล้างทำความสะอาดช่องทำความสะอาดผ่านน้ำก๊อก (รูปที่ 36)

ช่องทำความสะอาดไม่สามารถใช้กับเครื่องล้างจานได้

- 4 เติมน้ำยาทำความสะอาด HQ200 ลงในช่องทำความสะอาดให้ได้ระดับอยู่ระหว่างเส้นสองเส้น (รูปที่ 29)

- 5 วาง Jet Clean System กลับเข้าไปในช่องทำความสะอาด (รูปที่ 30)

ตรวจสอบให้แน่ใจว่าปุ่มปลดล็อคเข้าที่เรียบร้อยแล้ว

วิธีการทำความสะอาดโดยทั่วถึงเป็นพิเศษ

ตรวจสอบให้แน่ใจว่าปิดสวิชต์เครื่องแล้ว

- 1 ดึงที่ยึดหัวโกนออกจากด้านล่างของชุดหัวโกน (รูปที่ 26)
- 2 เลื่อนโครงยึดสี่เหลี่ยมออกตามทิศทางที่ลูกศรบนโครงยึดชี้บอก (รูปที่ 37)
- 3 ยกโครงยึดออกจากที่ยึดหัวโกน (รูปที่ 38)
- 4 ถอดใบมีดออกจากฝาครอบ (รูปที่ 39)

หมายเหตุ: ห้ามทำความสะอาดใบมีดและฝาครอบมากกว่าหนึ่งชุดในเวลาเดียวกัน เพราะแต่ละชุดจัดเตรียมมาให้เข้าชุดกันทั้งหมด ในกรณีที่เกิดการสลับเปลี่ยนใบมีดลงในฝาครอบที่ไม่เข้าชุดโดยบังเอิญ อาจต้องใช้เวลาหลายสัปดาห์ เพื่อให้เครื่องโกนหนวดปรับสภาพการทำงานให้เข้ากับชุดใบมีดนั้นๆ ได้ดีดังเดิม

- 5 ทำความสะอาดใบมีดด้วยแปรงทำความสะอาดที่จัดมาให้ (รูปที่ 40)
- 6 ทำความสะอาดด้านในของฝาครอบ (รูปที่ 41)
- 7 หลังการทำทำความสะอาด ให้วางใบมีดกลับไปในฝาครอบโดยให้ขาใบมีดชี้ลง (รูปที่ 42)
- 8 วางโครงยึดกลับไปบนที่ยึดหัวโกน (รูปที่ 43)
- 9 เลื่อนที่ครอบให้เข้าที่ (เสียงดัง 'คลิก') (รูปที่ 44)
- 10 ประกอบที่ยึดหัวโกนเข้ากับด้านล่างของชุดหัวโกน (รูปที่ 27)

การทำความสะอาดที่กั้นจอน

ทำความสะอาดที่กั้นจอนทุกครั้งหลังใช้งาน

- 1 เปิดเครื่องโกนหนวดที่เสียบติดกับที่กั้นจอน
- 2 ล้างที่กั้นจอนโดยให้น้ำร้อนไหลผ่านสักครู่ (รูปที่ 45)
- 3 เมื่อเสร็จสิ้นการล้าง ให้ปิดสวิชต์เครื่องโกนหนวด

เคล็ดลับ: ทุกๆ หกเดือน ควรหยดน้ำมันจักรเพื่อหล่อลื่นซี่ฟันของที่กันจอน เพื่อให้เครื่องทำงานได้อย่างมีประสิทธิภาพ

การจัดเก็บ

- 1 เลื่อนฝาครอบให้ปิดชุดหัวโกนเพื่อป้องกันชุดหัวโกนเสียหาย (รูปที่ 46)
- 2 เฉพาะบางรุ่นเท่านั้น: ให้จัดเก็บเครื่องโกนหนวดไว้ในกระเป๋าที่มีให้

ชิ้นส่วนทดแทน

เพื่อให้การโกนเป็นไปอย่างมีประสิทธิภาพสูงสุด เราขอแนะนำให้คุณเปลี่ยนส่วนบนสุดของชุดหัวโกนทุกปี โปรดเปลี่ยนส่วนบนสุดของชุดหัวโกนด้วยที่ยึดหัวโกน RQ11 Philips แทนที่นั้น

- 1 ดึงที่ยึดหัวโกนออกจากด้านล่างของชุดหัวโกน (รูปที่ 26)
- 2 ประกอบที่ยึดหัวโกนเข้ากับด้านล่างของชุดหัวโกน (เสียงดัง 'คลิก') (รูปที่ 27)

การสั่งซื้ออุปกรณ์

อุปกรณ์ที่วางจำหน่ายมีดังต่อไปนี้:

- อะแดปเตอร์ HQ8505
- ที่ยึดหัวโกน RQ11 Philips
- สเปรย์น้ำยาทำความสะอาดหัวโกน Philips รุ่น HQ110
- น้ำยาทำความสะอาด Philips HQ200

สิ่งแวลล้อม

- ห้ามทิ้งเครื่องโกนหนวดรวมกับขยะในครัวเรือนทั่วไป เมื่อเครื่องหมดอายุการใช้งานแล้ว ควรทิ้งลงในถังขยะสำหรับนำกลับไปใช้ใหม่ได้ (รีไซเคิล) เพื่อช่วยรักษาภาวะสิ่งแวดล้อมที่ดี (รูปที่ 47)
- แบตเตอรี่เครื่องโกนหนวดที่ชาร์จใหม่ได้ที่อยู่ภายในเครื่องอาจมีสารที่ก่อให้เกิดมลพิษต่อสิ่งแวดล้อม ให้ถอดแบตเตอรี่ออกก่อนทิ้งเครื่องโกนหนวดหรือก่อนนำไปที่จุดรวบรวมการทิ้งอย่างเป็นทางการ ทั้งแบตเตอรี่รีไฟที่จุดรวบรวมการทิ้งแบบแบตเตอรี่ หากคุณพบปัญหาในการถอดแบตเตอรี่ คุณสามารถนำเครื่องไปที่ศูนย์บริการของฟิลิปส์ ซึ่งจะช่วยให้คุณถอดแบตเตอรี่ออก และทิ้งในสถานที่ที่ปลอดภัยต่อสิ่งแวดล้อม (รูปที่ 48)

การถอดแบตเตอรี่ที่ชาร์จใหม่ได้ของเครื่องโกนหนวด

ถอดแบตเตอรี่ที่ชาร์จใหม่ได้ออกเมื่อต้องการทิ้งเครื่องโกนหนวดเท่านั้น ต้องแน่ใจว่าไม่มีประจุเหลืออยู่เลยในแบตเตอรี่เมื่อถอดออก

ควรระมัดระวัง เนื่องจากด้านข้างของแบตเตอรี่มีความคมมาก

- 1 ใช้ไขควงถอดแฉกด้านหลังของเครื่องโกนหนวด
- 2 ถอดแบตเตอรี่ที่ชาร์จใหม่ได้ออก

การรับประกันและบริการ

หากคุณต้องการขอรับบริการหรือต้องการทราบข้อมูลหรือหากมีปัญหา โปรดเข้าชมเว็บไซต์ของ Philips ได้ที่ www.philips.com หรือติดต่อศูนย์บริการลูกค้าของบริษัท Philips ในประเทศของคุณ (หมายเลขโทรศัพท์ของศูนย์บริการฯ อยู่ในการแสดงแผ่นพับเกี่ยวกับบริการรับประกันทั่วโลก) หากในประเทศของคุณไม่มีศูนย์บริการ โปรดติดต่อตัวแทนจำหน่ายผลิตภัณฑ์ของบริษัท Philips ในประเทศ

ข้อจำกัดในการรับประกัน

หัวโกน (ไม่มีและฝาครอบ) ไม่อยู่ในเงื่อนไขการรับประกันทั่วโลก เนื่องจากสามารถสึกหรอจากการใช้งานตามปกติได้

วิธีแก้ไขปัญหา

ในหัวข้อนี้ ได้รวบรวมปัญหาทั่วไปที่เกี่ยวข้องกับเครื่องซึ่งคุณอาจพบได้ หากยังไม่สามารถแก้ไขปัญหาตามข้อมูลด้านล่างที่ให้มาได้ กรุณาติดต่อศูนย์บริการลูกค้าในประเทศของคุณ

ปัญหา	สาเหตุที่เป็นไปได้	การแก้ปัญหา
เครื่องโกนหนวดทำงานไม่ได้ดีเท่าเดิม	หัวโกนชำรุดหรือสึก มีเศษหนวดที่มีความยาวอุดตันหัวโกน	ให้เปลี่ยนที่ยึดหัวโกน (ดูบท การเปลี่ยนอะไหล่) ทำความสะอาดหัวโกนตามขั้นตอนวิธีการทำความสะอาดอย่างทั่วถึงเป็นพิเศษ (ดูบท 'การทำความสะอาดและบำรุงรักษา')
เครื่องโกนหนวดไม่ทำงาน เมื่อกดปุ่มเปิด/ปิด	Jet Clean System ทำความสะอาดเครื่องโกนหนวดได้ไม่ทั่วถึง เนื่องจากน้ำยาทำความสะอาดในช่องทำความสะอาดสปรกหรือมีน้ำยาทำความสะอาดน้อยเกินไป	ทำความสะอาดเครื่องโกนหนวดก่อนที่จะโกนหนวดต่อ หากจำเป็น ให้ทำความสะอาดและเติมน้ำยาในช่องทำความสะอาด (ดูบท 'การทำความสะอาดและบำรุงรักษา')
เครื่องโกนหนวดไม่ทำงาน เมื่อกดปุ่มเปิด/ปิด	แบตเตอรี่ที่ชาร์จใหม่ได้ไม่มีไฟ ขณะนี้ระบบล็อคเครื่องโกนหนวดขณะพกพาทำงานแล้ว	ให้ชาร์จไฟเครื่องโกนหนวดใหม่ (ดูบท 'การชาร์จ') กดปุ่มเปิด/ปิดค้างไว้ 3 วินาทีเพื่อปิดโหมดล็อคเครื่องขณะพกพา
เครื่องโกนหนวดได้รับการทำความสะอาดไม่ทั่วถึง หลังจากฉันทำความสะอาดโดยใช้ Jet Clean System	ที่ยึดหัวโกนสปรกหรือชำรุดเสียหายทำให้น้ำยาทำความสะอาดไม่ทำงาน ลวดหนุมิของเครื่องโกนหนวดสูงเกินไป ในกรณีนี้ เครื่องโกนหนวดจะไม่ทำงาน	ให้ทำความสะอาดที่ยึดหัวโกนหรือเปลี่ยนที่ยึด (ดูบท 'การทำความสะอาดและบำรุงรักษา' และ 'การเปลี่ยนอะไหล่') ปล่อยให้เครื่องโกนหนวดเย็นลง เมื่อลวดหนุมิของเครื่องลดลงจนถึงระดับปกติแล้ว คุณสามารถเปิดใช้งานอีกครั้งได้ทันที
เครื่องโกนหนวดได้รับการทำความสะอาดไม่ทั่วถึง หลังจากฉันทำความสะอาดโดยใช้ Jet Clean System	มีน้ำยาทำความสะอาดน้อยเกินไป หากระดับน้ำยาทำความสะอาดลดลงต่ำกว่าระดับต่ำสุดในขณะดำเนินการตามโปรแกรมการทำความสะอาด โปรแกรมจะหยุดทำงาน ไฟแสดงการทำความสะอาดและสัญลักษณ์ 'ช่องทำความสะอาดว่าง' จะกะพริบเป็นช่วงๆ และแทนที่วงกลับไปยังตำแหน่งเริ่มต้น	เติมน้ำยาทำความสะอาดลงในช่องทำความสะอาดให้ได้ระดับระหว่างเส้นสองเส้น (ดูบท 'การทำความสะอาดและบำรุงรักษา')
Jet Clean System ไม่ทำงาน เมื่อกดปุ่มเปิด/ปิด	คุณใช้น้ำยาทำความสะอาดชนิดอื่นที่ไม่ใช่น้ำยาทำความสะอาดของ Philips	โปรดใช้น้ำยาทำความสะอาด HQ200 จาก Philips เท่านั้น
Jet Clean System ไม่ทำงาน เมื่อกดปุ่มเปิด/ปิด	Jet Clean System ไม่ได้สลับปลั๊ก	สลับปลั๊กขนาดเล็กเข้ากับระบบ Jet Clean System และเสียบอะแดปเตอร์เข้ากับตัวรับบนหนึ่ง
เครื่องโกนหนวดชาร์จไฟไม่เต็มหลังจากนั้นชาร์จในเครื่องชาร์จ /Jet Clean System	ไม่มีกระแสไฟฟ้าเชื่อมต่อระหว่าง Jet Clean System และเครื่องโกนหนวด	ดันเครื่องโกนหนวดลงในถาดวางให้แน่นเพื่อให้เข้าที่
เครื่องโกนหนวดชาร์จไฟไม่เต็มหลังจากนั้นชาร์จในเครื่องชาร์จ /Jet Clean System	คุณยังไม่ไดวางเครื่องโกนหนวดลงในที่ชาร์จ/Jet Clean System ให้เข้าที่	ตรวจสอบให้แน่ใจว่า ได้กดเครื่องโกนหนวดลงจนกระทั่งเครื่องล็อกเข้าที่

Giriş

Ürünümüzü satın aldığınız için teşekkür ederiz; Philips'e hoş geldiniz! Philips'in sunduğu destekten faydalanabilmek için lütfen ürününüzü şu adresten kaydedin: www.philips.com/welcome.

Bu tıraş makinesinin özellikleri hakkındaki bilgilerin yanı sıra, tıraşı kolaylaştıran ve daha eğlenceli bir hale getiren bazı ipuçları içerdiğinden, bu kullanıcı kılavuzunu lütfen okuyun.

Genel açıklamalar (Şek. 1)

- A** Tıraş makinesi (RQ1180/RQ1160/RQ1150)
- 1 Düzeltici
 - 2 Koruma kapağı
 - 3 Tıraş ünitesi
 - 4 Tıraş makinesi
 - 5 Tıraş makinesi açma/kapama düğmesi
 - 6 Görüntü
- B** Şarj Cihazı
- C** Jet Clean Sistemi (sadece belirli modellerde)
- 1 Tıraş makinesi tutucu
 - 2 Temizleme bölmesi boş' simgesi
 - 3 Temizleme simgesi
 - 4 Kurutma simgesi
 - 5 Jet Clean Sistemi açma/kapama düğmesi
 - 6 Temizleme bölmesi çıkarma düğmesi
- D** Temizleme fırçası
- E** Temizleme Sıvısı
- F** Kılıf (sadece belirli modellerde)
- G** Adaptör

Önemli

Cihazı kullanmadan önce bu kullanım kılavuzunu okuyun ve gelecekte de başvurmak üzere saklayın.

Dikkat: Bu kullanım kılavuzunda yer alan 'cihazlar' terimi, tıraş makinesi ve Jet Clean Sistemi için kullanılmıştır. Tıraş makinanızda Jet Clean Sistemi yoksa, sadece tıraş makinesi için kullanılır.

Genel**Tehlike**

- Adaptörün ıslanmasına özen gösterin (Şek. 2).

Uyarı

- Adaptörde bir transformatör bulunmaktadır. Tehlikeli bir duruma sebep olabileceğinden, adaptörü başka bir fişle değiştirmek için kesmeyin.
- Bu cihazlar, güvenliklerinden sorumlu kişi tarafından cihazların kullanımı ile ilgili talimat verilmediği veya bu kişinin nezareti olmadığı süreç, fiziksel, motor ya da zihinsel becerileri gelişmemiş veya tecrübe ve bilgi eksikliği olan kişiler tarafından kullanılmamalıdır.
- Çocukların cihazlarla oynamaları engellenmelidir.
- Cihazları temizlerken sıcak suya dikkat edin. Ellerinizi yanmaması için daima suyun çok sıcak olmadığını kontrol edin.

Dikkat

- Jet Clean Sistemini ve şarj cihazını kesinlikle suya batırmayın ve musluk altında yıkamayın.
- Cihazlar ve aksesuarlar bulaşık makinesinde yıkanmaz.
- Cihazları mutlaka sıvı geçirmez bir zemin üzerinde kullanın.
- Cihazlar, 5°C - 35°C arasında kullanılmalı, şarj edilmeli ve saklanmalıdır.
- Sadece birlikte verilen aksesuarları kullanın.
- Adaptör 100-240 volt'u güvenli seviye olan 24 volttan daha düşük değerlere çevirmektedir.
- Hasarlıysa, cihazları kullanmayın.
- Adaptör veya başka bir aksesuar hasarlıysa, tehlikeye yol açmamak için mutlaka orijinal parçası ile değiştirilmelidir.
- Tıraş makinesini yıkadığınızda, alt kısımda bulunan fiş soketinden içeri su sızabilir. Bu durum normaldir ve cihazın tüm elektronik parçaları su geçirmez bir güç ünitesi ile kaplı olduğu için tehlikeli değildir.

Jet Clean sistemi (sadece belirli modellerde)**Dikkat**

- Jet Clean Sistemini sadece orijinal HQ200 temizleme sıvısıyla birlikte kullanın.
- Sızıntıyı önlemek için Jet Clean Sistemini daima sabit, düzgün ve yatay bir zemine yerleştirin.
- Jet Clean Sistemini kesinlikle suya batırmayın.
- Her 15 günde bir temizleme bölmesini boşaltarak, sıcak su ile yıkayıp temizleyin.
- Jet Clean Sistemi, tıraş makinanızı tamamen temizler fakat dezenfekte etmez, bu nedenle tıraş makinesini başkalarıyla paylaşmayın.
- Jet Clean Sisteminin temizleme bölmesi bulaşık makinesinde yıkanamaz.
- Jet Clean Sistemi kullanıma hazır olduğunda, içindeki temizlik sıvısının sızmasını önlemek için hareket ettirmeyin.

Standartlara uyum

- Bu tıraş makinesi uluslararası onaylanmış güvenlik kurallarına uygun olup, banyo veya duşta güvenle kullanılabilir; musluk altında yıkanabilir (Şek. 3).
- Bu Philips cihazları, elektromanyetik alanlarla (EMF) ilgili tüm standartlara uygundur. Cihazlar, gereği gibi ve bu önemli bilgiler kitapçığında ve tıraş makinesiyle birlikte verilen kullanım bilgileri kitapçığında yer alan talimatlara uygun şekilde kullanıldığında, bugünün bilimsel verilerine göre kullanımı güvenlidir.

Ekran

Dikkat: Tıraş makinesini ilk kez kullanmadan önce ekrandaki koruyucu folyoyu çıkarın.

Üç tıraş makinesi modelinin (RQ1180, RQ1160 ve RQ1150), aşağıdaki şekillerde gösterilen farklı ekranları vardır:

- RQ1180 (Şek. 4)
- RQ1160 (Şek. 5)
- RQ1150 (Şek. 6)

Şarj etme

- Şarj olma süresi yaklaşık 1 saattir.

RQ1180

- Tıraş makinesi şarj olurken önce en alttaki şarj ışığı, ardından ikincisi yanıp sönmeye başlar ve tıraş makinesi tamamen şarj olana kadar bu şekilde yanıp sönmeye devam ederler (Şek. 7).
- Hızlı şarj: Tıraş makinesinde bir tıraş için yeterli güç varken, en alttaki şarj ışığı sırayla turuncu ve beyaz renkte yanıp söner.

RQ1160/RQ1150

- Tıraş makinesi şarj olurken, pil simgesi tıraş makinesi tamamen şarj olana kadar yanıp söner. (Şek. 8)
- Hızlı şarj: Tıraş makinesinde bir tıraş için yeterli güç varken, fiş simgesi ve pil simgesi sırayla yanıp söner.

Dikkat: RQ1160 ve RQ1150 modellerinin ekranları farklı görünür fakat aynı şekilde çalışır.

Pil tamamen dolu iken

RQ1180

- Pil tamamen şarj olduğunda, tüm şarj ışıkları sabit olarak yanar. Yaklaşık 30 dakika sonra ekran otomatik olarak kapanır. (Şek. 9)

RQ1160/RQ1150

- Pil tamamen şarj olduğunda, pil simgesi sabit olarak yanar. Yaklaşık 30 dakika sonra ekran otomatik olarak kapanır. (Şek. 10)

Dikkat: RQ1160 ve RQ1150 modellerinin ekranları farklı görünür fakat aynı şekilde çalışır.

Pil az

RQ1180

- Pil bitmek üzereyken (tıraş için sadece 5 dakika veya daha kısa bir süre kaldığında), en alttaki şarj ışığı turuncu renkte yanıp söner. (Şek. 11)
- Tıraş makinesini kapattığınızda, en alttaki şarj ışığı birkaç saniye daha yanıp sönmeye devam eder.

RQ1160/RQ1150

- Pil bitmek üzereyken (tıraş için sadece 5 dakika veya daha kısa bir süre kaldığında), fiş simgesi yanıp söner (Şek. 12).
- Tıraş makinesini kapattığınızda, fiş simgesi birkaç saniye daha yanıp sönmeye devam eder.

Dikkat: RQ1160 ve RQ1150 modellerinin ekranları farklı görünür fakat aynı şekilde çalışır.

Kalan pil kapasitesi

RQ1180

- Kalan pil kapasitesi, yanan şarj ışıklarının sayısı ile gösterilir. (Şek. 13)

Seyahat kilidi

Seyahate çıkacağınızda tıraş makinesini kilitleyebilirsiniz. Seyahat kilidi tıraş makinesinin yanlışlıkla açılmasını önler.

Seyahat kilidini çalıştırma

- 1 Seyahat kilidi moduna girmek için açma/kapama düğmesini 3 saniye basılı tutun (Şek. 14).
- 2 Ekranda kilit simgesi gösterilir (Şek. 15).

Dikkat: RQ1180, RQ1160 ve RQ1150 modellerinin ekranları farklıdır ancak aynı simgeyi gösterirler.

Seyahat kilidini devre dışı bırakma

- 1 Açma/kapama düğmesini 3 saniye basılı tutun.
 - 2 Seyahat kilidinin devre dışı kaldığını göstermek için motor çalışmaya başlar.
- Tıraş makinesi tekrar kullanıma hazırdır.

Dikkat: Tıraş makinesini prize takılı şarj cihazına veya Jet Clean Sistemine koyduğunuzda, seyahat kilidi otomatik olarak devre dışı bırakılır.

Şarj etme

Şarj olma süresi yaklaşık 1 saattir.

RQ1180/RQ1160: Tamamen şarj olmuş tıraş makinesi 50 dakikaya/15 güne kadar tıraş süresi sağlar.

RQ1150: Tamamen şarj olmuş tıraş makinesi 40 dakikaya/12 güne kadar tıraş süresi sağlar.

Tıraş makinesini ilk kez kullanmadan önce ve ekranda pilin bitmek üzere olduğu gösterildiğinde şarj edin (bkz. 'Ekran' bölümü, 'Düşük pil seviyesi' konusu).

Hızlı şarj

Tıraş makinesi 5 dakika şarj olduğunda, bir tıraşlık güce sahip olur.

Şarj cihazında şarj etme

- 1 Küçük fişi şarj cihazına takın (Şek. 16).
- 2 Adaptörü prize takın.
- 3 Tıraş makinesini şarj cihazına (1) yerleştirin ve arkaya bastırın (2) ('klik' sesi duyulur). (Şek. 17)
- 4 Ekran, tıraş makinesinin şarj edilmekte olduğunu gösterir (bkz. 'Ekran' bölümü).

Jet Clean Sisteminde şarj etme (sadece belirli modellerde)

- 1 Küçük fişi Jet Clean Sistemine takın.
- 2 Adaptörü prize takın.
- 3 Tıraş makinesini baş aşağı, ekranı Jet Clean Sisteminin önüne bakacak şekilde tutucuya yerleştirin (Şek. 18).

Dikkat: Sadece RQ1180: tıraş makinesini baş aşağı çevirdiğinizde, ekrandaki pil göstergesi de baş aşağı döner, böylelikle kalan pil kapasitesini görebilirsiniz.

4 Yerine kilitlemek için tıraş makinesini sıkıca tutucuya bastırın (Şek. 19).

Dikkat: Koruma kapağı tıraş ünitesinin ya da düzeltici tıraş makinesinin üzerindeyken tıraş makinesi Jet Clean Sistemine yerleştirilemez.

D Ekran, tıraş makinesinin şarj edilmekte olduğunu gösterir (bkz. 'Ekran' bölümü).

Tıraş makinesinin kullanılması

Tıraş olma

1 Tıraş makinesini çalıştırmak için açma/kapama düğmesine bir kez basın.

D RQ1180: Ekran birkaç saniye aydınlanır.

2 Tıraş başlıklarını dairesel hareketler yaparak cildinizin üzerinde dolaştırın (Şek. 20).

- Düz hareket ettirmeyin.
- Cildinizin Philips tıraş sistemine alışması 2 ile 3 hafta sürebilir.

3 Tıraş makinesini kapatmak için açma/kapama düğmesine bir kere basın.

D RQ1180: Ekran birkaç saniye aydınlanır ve kalan pil kapasitesini gösterir.

Islak tıraş

İsterseniz bu tıraş makinesini tıraş köpüğü veya tıraş jeliyle ıslak cilt üzerinde de kullanabilirsiniz.

Tıraş köpüğü veya tıraş jeliyle kullanarak tıraş olmak için aşağıdaki adımları izleyin:

1 Cildinizi bir miktar suyla ıslatın.

2 Tıraş köpüğünü veya jelini cildinize sürün.

3 Tıraş ünitesinin cildinizde kolayca kaymasını sağlamak için tıraş ünitesini musluk altında ıslatın.

4 Tıraş makinesini çalıştırmak için açma/kapama düğmesine bir kez basın.

5 Tıraş makinesini cildiniz üzerinde daireler çizerek hareket ettirin.

Dikkat: Cildinizde kolayca kaymasını sağlamak için tıraş ünitesini sık sık musluk altında ıslatın.

6 Kullanım sonrasında yüzünüzü kurutun ve tıraş makinesini iyice temizleyin (bkz. 'Temizlik ve bakım' bölümü).

Dikkat: Tıraş makinesindeki köpük veya jeli tamamen temizleyin.

Düzeltilme

Favorilerinizi ve bıyığınızı düzeltmek için düzelticiyi kullanabilirsiniz.

1 Tıraş ünitesini tıraş makinesinden çekip çıkarın (Şek. 21).

Dikkat: Tıraş ünitesini tıraş makinesinden çıkarırken döndürmeyin.

2 Düzelticinin sapını tıraş makinesinin üzerindeki yuvaya yerleştirin (1). Daha sonra tıraş makinesine takmak için düzelticiyi aşağı doğru (2) bastırın ('klik' sesi duyulur) (Şek. 22).

3 Düzelticiyi çalıştırmak için açma/kapama düğmesine bir kere basın.

D RQ1180: Ekran birkaç saniye aydınlanır.

4 Artık düzeltmeye başlayabilirsiniz.

5 Düzelticiyi kapatmak için açma/kapama düğmesine bir kere basın.

D RQ1180: Ekran birkaç saniye aydınlanır ve kalan pil kapasitesini gösterir.

6 Düzelticiyi tıraş makinesinden çekip çıkarın (Şek. 23).

Dikkat: Düzelticiyi tıraş makinesinden çıkarırken döndürmeyin.

7 Tıraş ünitesinin sapını tıraş makinesinin üzerindeki yuvaya yerleştirin (1). Daha sonra tıraş makinesine takmak için tıraş ünitesini aşağı doğru (2) bastırın ('klik' sesi duyulur) (Şek. 24).

Temizlik ve bakım

Cihazı ve Jet Clean Sistemini temizlemek için ovalama bezleri, benzin veya aseton gibi aşındırıcı temizlik ürünleri veya zarar verici sıvılar kullanmayın.

- Tıraş makinesini temizlemenin en iyi ve en hijyenik yolu Jet Clean Sistemidir (sadece belirli modellerde). Cihazı ayrıca musluk altında yıkayarak veya birlikte verilen fırçayı kullanarak temizleyebilirsiniz.
- Sıcak suya dikkat edin. Ellerinizi yanmaması için daima suyun çok sıcak olmadığını kontrol edin.
- Optimum tıraş performansı için her tıraştan sonra tıraş makinesini temizleyin.
- Tıraş makinesinin dışını nemli bir bezle temizleyebilirsiniz.
- Cihazı düzenli olarak temizlemek daha iyi tıraş performansı sağlar.

Tıraş ünitesinin temizlenmesi

Sıcak suya dikkat edin. Ellerinizi yanmaması için daima suyun çok sıcak olmadığını kontrol edin.

1 Tıraş ünitesini bir süre sıcak suyun altına tutun (Şek. 25).

Dikkat: Tıraş ünitesini birlikte verilen fırçayla da temizleyebilirsiniz.

2 Tıraş başlığı tutucuyu tıraş ünitesinin en alt kısmından çekip çıkarın ve 30 saniye sıcak su altında yıkayın (Şek. 26).

Dikkat: Tıraş başlığı tutucuyu birlikte verilen fırçayla da temizleyebilirsiniz.

3 Kalan suları dikkatlice sallayarak giderin ve tıraş ünitesinin kurummasını bekleyin.

Tıraş ünitesini kuruturken kesinlikle havlu veya peçete kullanmayın. Tıraş başlıklarına zarar verebilirsiniz.

4 Tıraş başlığı tutucuyu tekrar tıraş ünitesinin alt kısmına takın ('klik' sesi duyulur) (Şek. 27).

Tıraş ünitesinin Jet Clean Sisteminde (sadece belirli modellerde) temizlenmesi

Jet Clean Sisteminde bir otomatik temizleme programı bulunur. Açma/kapama düğmesine bastığınızda, Jet Clean Sistemi otomatik temizleme modunda temizlemeye başlar.

Jet Clean Sisteminin kullanım için hazırlanması

İlk kullanımdan önce temizleme bölgesini doldurun.

1 Küçük fişi Jet Clean Sistemine takın.

2 Adaptörü prize takın.

► Yuva otomatik olarak en üst konumuna gelecektir.

3 Temizleme bölgesinin iki tarafındaki ayırma düğmelerine aynı anda basın (1). Sonra Jet Clean Sistemini temizleme bölgesinden kaldırarak çıkarın (2). (Şek. 28)

► Temizleme bölgesi arkada kalır.

4 Temizleme sıvısını içeren şişenin kapağını açın.

5 Temizleme bölgesine, iki çizginin arasındaki seviyeye kadar HQ200 temizleme sıvısı doldurun (Şek. 29).

6 Jet Clean Sistemini tekrar temizleme bölgesine yerleştirin (Şek. 30).

Ayırma düğmelerinin yerlerine geçtiğinden emin olun.

Jet Clean Sisteminin kullanımı

Dikkat: Tıraş makinesini tıraş köpüğü veya jeliyle birlikte kullanıyorsanız, Jet Clean Sisteminde temizlemeden önce sıcak suyla yıkamanızı öneririz. Böylece temizleme sıvısı için en uzun kullanım ömrü sağlanmış olur.

1 Tıraş makinesini baş aşağı, ekranı Jet Clean Sisteminin önüne bakacak şekilde tutucuya yerleştirin (Şek. 18).

2 Yerine kilitlemek için tıraş makinesini sıkıca tutucuya bastırın (Şek. 19).

► Ekran, tıraş makinesinin şarj edilmekte olduğunu gösterir (bkz. 'Ekran' bölümü).

3 Temizleme programını başlatmak için Jet Clean Sisteminin açma/kapama düğmesine basın. (Şek. 31)

► Tıraş makinesinin ekranı şarj işaretini göstermeyi keser.

► Temizleme ışığı yanıp sönmeye başlar ve tıraş makinesi otomatik olarak temizleme sıvısı içine indirilir (Şek. 32).

► Temizleme simgesi, birkaç dakika süren temizleme programı boyunca yanıp söner.

► Temizlik programının ilk aşamasında, tıraş makinesi birkaç kez açılır, kapatılır ve aşağı yukarı hareket eder.

► Temizlik programının ikinci aşamasında, tıraş makinesi yanıp sönen kurutma simgesiyle gösterilen kurutma konumuna getirilir. Bu aşama yaklaşık 2 saat sürer. Tıraş makinesi program sonuna kadar bu konumda kalır. (Şek. 33)

► Temizlik programından sonra tıraş makinesinin ekranında şarj işareti görüntülenir (bkz. 'Ekran' bölümü).

Dikkat: Temizlik programı sırasında Jet Clean Sisteminin açma/kapama düğmesine basarsanız, program durur. Bu durumda, temizleme veya kurutma ışığının yanıp sönmeye durur ve tutucu, en üst konuma gider.

Dikkat: Temizlik programı sırasında adaptörü prizden çekerseniz, program durur. Tutucu o anki konumunda kalır. Adaptörü prize geri taktığınızda, tutucu en yüksek konuma doğru hareket eder.

- Temizleme sıvısının seviyesi minimum seviyenin altına düştüğünde, 'temizleme bölgesi boş' simgesi yanıp sönmeye başlar ve tutucu, başlangıç konumuna geri döner (Şek. 34).

- Tıraş makinesini temizlemek için yıkama makinesini her gün kullanıyorsanız, temizleme bölgesini yaklaşık 15 günde bir doldurmanız gereklidir.

Jet Clean Sisteminin temizlenmesi

Temizleme bölgesini 15 günde bir temizleyin.

Jet Clean Sisteminin dış yüzeyini nemli bir bezle temizleyin.

1 Jet Clean Sisteminin iki yanındaki ayırma düğmelerine aynı anda basın (1). Sonra Jet Clean Sistemini temizleme bölgesinden kaldırarak çıkarın (2). (Şek. 28)

► Temizleme bölgesi arkada kalır.

2 Kalan temizleme sıvısını temizleme bölgesinden boşaltın. (Şek. 35)

Temizleme sıvısını lavaboya dökebilirsiniz.

3 Temizleme bölgesini musluk altında durulayın (Şek. 36).

Temizleme bölgesi bulaşık makinesinde yıkanamaz.

4 Temizleme bölgesine, iki çizginin arasındaki seviyeye kadar HQ200 temizleme sıvısı doldurun (Şek. 29).

5 Jet Clean Sistemini tekrar temizleme bölgesine yerleştirin. (Şek. 30)

Ayırma düğmelerinin yerlerine geçtiğinden emin olun.

Ekstra derinlemesine temizlik yöntemi

Cihazın kapalı olduğundan emin olun.

1 Tıraş başlığı tutucuyu tıraş ünitesinin en alt kısmından çekip çıkarın (Şek. 26).

2 Yeşil tutucu çerçeveyi, tutucu çerçeve üzerindeki okların gösterdiği yönde kaydırın (Şek. 37).

3 Tutucu çerçeveyi tıraş başlığı tutucudan kaldırıp çıkarın. (Şek. 38)

4 Bıçağı koruyucudan çıkarın (Şek. 39).

Dikkat: Birbirleriyle eşleşen takımlar olduklarından, her seferinde sadece bir bıçak ve koruyucu temizleyin. Bıçakları yanlış koruyucuya takarsanız, en iyi tıraş performansına ulaşmanız haftalarca sürebilir.

5 Bıçağı, birlikte gelen temizleme fırçasıyla temizleyin (Şek. 40).

- 6 Koruyucunun içini temizleyin. (Şek. 41)
- 7 Temizledikten sonra, ayakları aşağı bakacak şekilde bıçağı koruyucuya takın. (Şek. 42)
- 8 Tutucu çerçeveyi tekrar tıraş başlığı tutucuya yerleştirin. (Şek. 43)
- 9 Koruyucuyu tekrar yerine kaydırın ('klik' sesi duyulur). (Şek. 44)
- 10 Tıraş başlığı tutucuyu tekrar tıraş ünitesinin alt kısmına takın. (Şek. 27)

Düzeltilicinin temizlenmesi

Her kullanımdan sonra düzelticiyi temizleyin.

- 1 Tıraş makinesini düzeltici takılı haldeyken açın.
- 2 Düzeltiliciyi bir süre sıcak suyun altına tutun. (Şek. 45)
- 3 Temizledikten sonra tıraş makinesini kapatın.

İpucu: Optimum düzeltici performansı için düzeltilicinin dışlarını altı ayda bir, bir damla dikiş makinesi yağıyla yağlayın.

Saklama

- 1 Tıraş başlıklarının zarar görmesini önlemek için koruma kapağını tıraş ünitesinin üzerine kaydırın (Şek. 46).
- 2 Sadece belirli modellerde: Tıraş makinesini birlikte verilen kılıfında saklayın.

Değiştirme

Maksimum tıraş performansı için tıraş ünitesinin üst parçasını yılda bir değiştirmenizi öneririz. Tıraş ünitesinin üst parçasını sadece orijinal RQ11 Philips Tıraş Başlığı Tutucu ile değiştirin.

- 1 Tıraş başlığı tutucuyu tıraş ünitesinin en alt kısmından çekip çıkarın (Şek. 26).
- 2 Yeni tıraş başlığı tutucuyu tıraş ünitesinin alt kısmına takın ('klik' sesi duyulur) (Şek. 27).

Parça siparişi

Aşağıdaki parçalar bulunmaktadır:

- HQ8505 adaptör
- RQ11 Philips Tıraş Başlığı Tutucu
- HQ110 Philips Tıraş Başlığı Temizleme Spreyi
- HQ200 Philips Temizleme Sıvısı

Çevre

- Kullanım ömrü sonunda, cihazı normal ev atıklarınızla birlikte atmayın; bunun yerine, geri dönüşüm için resmi toplama noktalarına teslim edin. Böylece, çevrenin korunmasına yardımcı olursunuz (Şek. 47).
- Dahili şarj edilebilir tıraş makinesi pili, çevreyi kirletebilecek maddeler içermektedir. Tıraş makinesini atmadan ya da resmi toplama noktasına teslim etmeden önce mutlaka pili çıkartın. Pili, piller için resmi toplama noktasına teslim edin. Pili çıkartmakta güçlük çekiyorsanız, cihazı bir Philips servis merkezine verebilirsiniz. Merkezin personeli pili sizin için çıkartacak ve atık işlemlerini çevreye zarar vermeyecek şekilde gerçekleştirecektir (Şek. 48).

Şarj edilebilir tıraş makinesi pilinin çıkarılması

Şarj edilebilir pilleri, sadece tıraş makinesini atacağınız zaman çıkarın. Pilleri çıkarırken tamamen boş olduklarından emin olun.

Pil şeritleri keskindir, dikkatli olun.

- 1 Bir tornavida kullanarak tıraş makinesinin arka panelini çıkarın.
- 2 Şarj edilebilir pili çıkarın.

Garanti ve servis

Servise ya da daha fazla bilgiye ihtiyaç duyarsanız veya bir sorunla karşılaşırsanız, www.philips.com.tr adresindeki Philips İnternet sitesini ziyaret edin veya ülkenizde bulunan Philips Müşteri Merkeziyle iletişim kurun (telefon numarasını dünya çapında geçerli garanti belgesinde bulabilirsiniz). Ülkenizde bir Müşteri Merkezi yoksa, yerel Philips bayisine başvurun.

Garanti sınırlamaları

Tıraş başlıklar (bıçaklar ve koruyucular) aşınmaya maruz kaldığından uluslararası garanti kapsamında değildir.

Sorun giderme

Bu bölümde, cihazda en sık karşılaşılabileceğiniz sorunlar özetlenmektedir. Sorunu aşağıdaki bilgilerle çözemiyorsanız, bulunduğunuz ülkedeki Müşteri Hizmetleri Merkezi ile iletişim kurun.

Sorun	Nedeni	Çözüm
Tıraş makinesi eskisi gibi iyi tıraş etmiyor.	Tıraş başlıklar hasarlı veya yıpranmıştır.	Tıraş başlığı tutucuyu değiştirin (bkz. 'Değiştirme' bölümü).
	Uzun kıllar tıraş başlıklarını engellemektedir.	Aşağıda açıklanan ekstra derinlemesine temizlik yöntemlerini kullanarak tıraş başlıklarını temizleyin (bkz. 'Temizlik ve bakım' bölümü).

Sorun	Nedeni	Çözüm
	Jet Clean Sisteminin tıraş makinesini düzgün şekilde temizlememesinin nedeni, temizleme bölgesinde kalan temizlik sıvısının kirlenmiş olması ya da çok az miktarda kalmış olmasıdır.	Tıraş makinesini kullanmaya devam etmeden önce iyice temizleyin. Gerekirse temizleme bölgesini temizleyin ve yeniden doldurun (bkz. 'Temizlik ve bakım' bölümü).
Açma/kapama düğmesine bastığımda tıraş makinesi çalışmıyor.	Şarj edilebilir pil bitmiştir.	Pili tekrar şarj edin. (bkz. 'Şarj etme' bölümü).
	Seyahat kilidi devrededir.	Seyahat kilidini devre dışı bırakmak için açma/kapama düğmesini 3 saniye basılı tutun.
	Tıraş başlığı tutucu, motor çalışmayacak kadar çok kirlenmiş veya hasar görmüştür.	Tıraş başlığı tutucuyu temizleyin veya değiştirin (bkz. 'Temizlik ve bakım' bölümü ve 'Değiştirme' bölümü).
	Tıraş makinesinin sıcaklığı çok yüksektir. Bu durumda, tıraş makinesi çalışmaz.	Tıraş makinesinin soğumasını bekleyin. Tıraş makinesinin sıcaklığı yeteri kadar düştüğünde tıraş makinesini tekrar açabilirsiniz.
Jet Clean Sisteminde temizledikten sonra tıraş makinesi tamamen temiz olmuyor.	Temizleme bölgesindeki temizleme sıvısı kirlenmiştir.	Temizleme bölgesini boşaltarak yıkayın.
	Temizleme sıvısı seviyesi çok düşük olabilir. Temizleme programı sırasında temizleme bölgesindeki sıvının hacmi minimum seviyenin altına düşerse, program durur. Temizleme ışığı ve 'temizleme bölgesi boş' simgesi aralıklı olarak yanıp söner ve tutucu başlangıç konumuna geri döner.	Temizleme bölgesine, iki çizginin arasındaki seviyeye kadar temizleme sıvısı doldurun (bkz. 'Temizlik ve bakım' bölümü).
	Orijinal Philips temizleme sıvısı yerine başka bir temizleme sıvısı kullanmış olabilirsiniz.	Sadece orijinal HQ200 Philips Temizleme Sıvısı kullanın.
Açma/kapama düğmesine bastığımda Jet Clean Sistemi çalışmıyor.	Jet Clean Sistemi şebeke elektriğine bağlanmamıştır.	Küçük fişi Jet Clean Sistemine ve adaptörü de prize takın.
	Jet Clean Sistemi ile tıraş makinesi arasında elektrik bağlantısı yoktur.	Yerine kilitlemek için tıraş makinesini sıkıca tutucuya bastırın.
Şarj cihazında/Jet Clean Sisteminde şarj ettikten sonra tıraş makinesi tamamen dolmuyor.	Tıraş makinesini şarj cihazına/Jet Clean Sistemine düzgün yerleştirmemiş olabilirsiniz.	Tıraş makinesi yerine oturana kadar bastırın.

Вступ

Вітаємо Вас із покупкою та ласкаво просимо до клубу Philips! Щоб у повній мірі скористатися підтримкою, яку пропонує компанія Philips, зареєструйте свій виріб на веб-сайті www.philips.com/welcome.
Прочитайте цей посібник користувача з інформацією про функції цієї бритви, а також порадами щодо простішого та приємнішого гоління.

Загальний опис (Мал. 1)

- A** Бритва (RQ1180/RQ1160/RQ1150)
- 1 Тример
 - 2 Захисний ковпачок
 - 3 Бритвений блок
 - 4 Бритва
 - 5 Кнопка "увімк./вимк." бритви
 - 6 Дисплей
- B** Зарядний пристрій
- C** Система Jet Clean (лише окремі моделі)
- 1 Тримач бритви
 - 2 Символ "порожнє відділення для засобу для чищення"
 - 3 Символ "чищення"
 - 4 Символ "сушіння"
 - 5 Кнопка "увімк./вимк." системи Jet Clean
 - 6 Кнопка розблокування відділення для засобу для чищення
- D** Щітка для чищення
- E** Засіб для чищення
- F** Футляр (лише окремі моделі)
- G** Адаптер

Важлива інформація

Перед тим як використовувати пристрій, уважно прочитайте цей посібник користувача і зберігайте його для майбутньої довідки.

Примітка. Терміном "пристрої" у цьому посібнику користувача позначаються бритва та система Jet Clean. Якщо модель Вашої бритви не оснащено системою Jet Clean, тоді цей термін стосується лише бритви.

Загальна інформація**Небезпечно**

- До адаптера не повинна потрапляти волога (Мал. 2).

Увага!

- Адаптер містить трансформатор. Щоб уникнути небезпеки, не від'єднуйте адаптер для заміни його іншим.
- Ці пристрої не призначено для користування особами (включаючи дітей) з послабленими фізичними відчуттями чи розумовими здібностями, або без належного досвіду та знань, крім випадків користування під наглядом чи за вказівками особи, яка відповідає за безпеку їх життя.
- Дорослі повинні стежити, щоб діти не бавилися пристроями.
- Миючі пристрої, будьте обережні з гарячою водою. Завжди перевіряйте, чи вода не надто гаряча, щоб не обпекти руки.

Увага

- У жодному разі не занурюйте систему Jet Clean та зарядний пристрій у воду, а також не мийте їх під краном.
- Пристрої та аксесуари не призначені для миття в посудомийній машині.
- Завжди ставте і використовуйте пристрої на поверхні, яка не вбирає воду.
- Використовуйте, заряджайте і зберігайте пристрої за температури від 5°C до 35°C.
- Використовуйте лише аксесуари, що додаються.
- Адаптер перетворює напругу 100-240 В у безпечну низьку напругу менше 24 В.
- Не користуйтеся пошкодженими пристроями.
- Якщо адаптер або будь-який інший аксесуар пошкоджений, обов'язково замініть його оригінальним, щоб уникнути небезпеки.
- Під час промивання вода може витікати із гнізда на дні бритви. Це є нормально і цілком безпечно, оскільки вся електроніка знаходиться у герметичному блоці живлення всередині бритви.

Система Jet Clean (лише окремі моделі)**Увага**

- Використовуйте систему Jet Clean лише з оригінальним засобом для чищення HQ200.
- Завжди ставте систему Jet Clean на стійку, рівну горизонтальну поверхню для запобігання протіканню.
- У жодному разі не занурюйте систему Jet Clean у воду.
- Спорожніть відділення для засобу для чищення і ретельно промивайте гарячою водою з-під крана кожні 15 днів.
- Система Jet Clean ретельно чистить, проте не дезінфікує бритву, тому не давайте користуватися бритвою іншим людям.
- Відділення для засобу для чищення системи Jet Clean не можна мити в посудомийній машині.
- Коли система Jet Clean готова до використання, не переносьте її, аби запобігти витіканню засобу для чищення.

Відповідність стандартам

- Бритва відповідає міжнародним нормативним актам із безпеки, і її можна безпечно використовувати у ванній кімнаті або душі та мити під краном (Мал. 3).
- Ці пристрої Philips відповідають усім стандартам, які стосуються електромагнітних полів (ЕМП). Згідно з останніми науковими дослідженнями пристрої є безпечними у використанні за умов правильної експлуатації відповідно до інструкцій, поданих у цьому буклеті з важливою додатковою інформацією та в брошурі про використання бритви, яка входить у комплект поставки пристрою.

Дисплей

Примітка. Перед першим використанням бритви зніміть з дисплея захисну плівку.

Три моделі бритви (RQ1180, RQ1160 та RQ1150) мають різні дисплеї, які зображено на малюнках нижче.

- RQ1180 (Мал. 4)
- RQ1160 (Мал. 5)
- RQ1150 (Мал. 6)

Зарядження

- Пристрій заряджається приблизно 1 годину.

RQ1180

- Під час зарядження бритви спочатку блимає нижній індикатор зарядження, потім другий індикатор зарядження і так далі, доки бритва не зарядиться повністю (Мал. 7).
- Швидке зарядження: Якщо бритва достатньо заряджена для одного сеансу гоління, нижній індикатор зарядження по чергово блимає оранжевим і білим світлом.

RQ1160/RQ1150

- Коли бритва заряджається, символ батареї блимає, поки бритва не буде заряджена повністю. (Мал. 8)
- Швидке зарядження: Якщо бритва достатньо заряджена для одного сеансу гоління, по чергово блимає символ штекера та батареї.

Примітка. Дисплеї моделей RQ1160 та RQ1150 відрізняються, але працюють однаково.

Повністю заряджена батарея

RQ1180

- Коли батарея повністю зарядиться, усі індикатори зарядження світлитимуться без блимання. Приблизно через 30 хвилин дисплей знову автоматично вимкнеться. (Мал. 9)

RQ1160/RQ1150

- Коли батарея повністю зарядиться, символ батареї світлитиметься без блимання. Приблизно через 30 хвилин дисплей знову автоматично вимкнеться. (Мал. 10)

Примітка. Дисплеї моделей RQ1160 та RQ1150 відрізняються, але працюють однаково.

Розряджена батарея

RQ1180

- Коли батарея майже повністю розрядилася (коли залишилося не більше 5 хвилин роботи), нижній індикатор зарядження блимає оранжевим світлом. (Мал. 11)
- Якщо вимкнути бритву, нижній індикатор зарядження продовжує блимати ще кілька секунд.

RQ1160/RQ1150

- Коли батарея майже повністю розрядилася (коли залишилося не більше 5 хвилин роботи), символ штекера блимає (Мал. 12).
- Якщо вимкнути бритву, символ штекера продовжує блимати протягом кількох секунд.

Примітка. Дисплеї моделей RQ1160 та RQ1150 відрізняються, але працюють однаково.

Залишок заряду батареї

RQ1180

- Залишок заряду батареї позначається кількістю увімкнених індикаторів зарядження. (Мал. 13)

Блокування для транспортування

Під час подорожей бритву можна заблокувати. Блокування для транспортування запобігає випадковому вмиканню бритви.

Увімкнення блокування для транспортування

- 1 Щоб увійти в режим блокування для транспортування, натисніть і утримуйте кнопку “увімк./вимк.” протягом 3 секунд (Мал. 14).
- ▶ На дисплеї з’явиться символ блокування (Мал. 15).

Примітка. Дисплеї моделей RQ1180, RQ1160 та RQ1150 відрізняються, але працюють однаково.

Вимкнення блокування для транспортування

- 1 Натисніть та утримуйте кнопку “увімк./вимк.” протягом 3 секунд.
- ▶ Двигун починає працювати, що означає, що блокування для транспортування вимкнено. Тепер бритвою можна знову користуватися.

Примітка. Якщо поставити бритву на під’єднаний до електромережі зарядний блок або систему Jet Clean, блокування для транспортування автоматично вимикається.

Зарядження

Пристрій заряджається приблизно 1 годину.

RQ1180/RQ1160: Повністю заряджена бритва забезпечує до 50 хвилин/15 днів гоління.

RQ1150: Повністю заряджена бритва забезпечує до 40 хвилин/12 днів гоління.

Заряджайте бритву перед першим використанням та коли пристрій повідомляє про розрядження батареї (див. підрозділ “Розряджена батарея” у розділі “Дисплей”).

Швидка зарядка

Після зарядження протягом 5 хвилин бритва містить достатньо заряду для одного сеансу гоління.

Зарядження на зарядному блоці

- 1 Вставте малу вилку в зарядний блок (Мал. 16).
- 2 Вставте адаптер у розетку.
- 3 Поставте бритву на зарядний блок (1) і посуньте її назад (2) до фіксації. (Мал. 17)
- ▶ Дисплей показує, що бритва заряджається (див. розділ “Дисплей”).

Зарядження на системі Jet Clean (лише окремі моделі)

- 1 Вставте малу вилку в систему Jet Clean.
- 2 Вставте адаптер у розетку.
- 3 Встановіть бритву в тримач догори дном, щоб дисплей був спрямований до системи Jet Clean (Мал. 18).

Примітка. Лише RQ1180: Коли Ви перевертаєте бритву догори дном, індикація батареї на дисплеї також перевертається, щоб можна було бачити рівень заряду батареї.

- 4 Проштовхніть бритву в тримач до кінця, щоб зафіксувати її (Мал. 19).

Примітка. Бритву неможливо встановити на систему Jet Clean, якщо на бритвеному блоці знаходиться захисний ковпачок або на бритву встановлено тример.

- ▶ Дисплей показує, що бритва заряджається (див. розділ “Дисплей”).

Використання бритви

Гоління

- 1 Натисніть кнопку “увімк./вимк.”, щоб увімкнути бритву.
 - ▶ RQ1180: Дисплей засвітиться на кілька секунд.
- 2 Рухами по колу ведіть бритвеними головками по шкірі (Мал. 20).
 - Не ведіть рухами по прямій.
 - Щоб шкіра звикла до бритвеної системи Philips, може знадобитися 2-3 тижні.
- 3 Натисніть кнопку “увімк./вимк.”, щоб вимкнути бритву.
 - ▶ RQ1180: Дисплей засвітиться на кілька секунд, а потім на ньому з’явиться інформація про залишок заряду батареї.

Вологе гоління

За допомогою цієї бритви можна також голити вологе обличчя із пінкою або гелем для гоління. Для гоління з використанням пінки або гелю для гоління виконайте подані нижче кроки.

- 1 Змочіть обличчя водою.
- 2 Нанесіть на обличчя трохи пінки або гелю для гоління.
- 3 Сполосніть бритвенний блок під краном, щоб він гладко ковзав по шкірі.
- 4 Натисніть кнопку “увімк./вимк.”, щоб увімкнути бритву.
- 5 Ведіть бритвеними головками по шкірі, виконуючи рухи по колу.

Примітка. Регулярно полощіть бритву під краном, щоб вона гладко ковзала по шкірі.

- 6 Після гоління витріть обличчя і ретельно почистіть бритву після використання (див. розділ “Чищення та догляд”).

Примітка. Слідкуйте, щоб на бритві не було залишків пінки або гелю для гоління.

Підстригання

Для підстригання бакенбардів та вусів можна використовувати тример.

- 1 Вийміть бритвенний блок із бритви (Мал. 21).

Примітка. Не повертайте бритвенний блок, виймаючи його з бритви.

- 2 Вставте виступ тримера у виїмку на верхній частині бритви (1). Потім потисніть тример донизу (2), щоб зафіксувати його на бритві (Мал. 22).
- 3 Натисніть кнопку “увімк./вимк.”, щоб увімкнути тример.
 - ▶ RQ1180: Дисплей засвітиться на кілька секунд.
- 4 Тепер можна почати підстригати волосся.
- 5 Натисніть кнопку “увімк./вимк.”, щоб вимкнути тример.
 - ▶ RQ1180: Дисплей засвітиться на кілька секунд, щоб відобразити інформацію про залишок заряду батареї.
- 6 Вийміть тример із бритви (Мал. 23).

Примітка. Не повертайте тример, виймаючи його з бритви.

- 7 Вставте виступ бритвеного блока у виїмку на верхній частині бритви (1). Потім потисніть бритвенний блок донизу (2), щоб зафіксувати його на бритві (Мал. 24).

Чищення та догляд

Не використовуйте для чищення пристрою і системи Jet Clean жорстких губок, абразивних засобів чи рідин для чищення, таких як бензин чи ацетон.

- Найкращий і найгігієнічніший спосіб чищення бритви – це використання системи Jet Clean (лише окремі моделі). Бритву можна також мити водою з-під крана або чистити шіткою для чищення із комплекту.
- Будьте обережні з гарячою водою. Завжди перевіряйте, чи вода не надто гаряча, щоб не обпекти руки.
- Для оптимальної ефективності гоління чистіть бритву після кожного гоління.
- Ззовні бритву можна витирати вологою ганчіркою.
- Регулярне чищення гарантує кращу роботу бритви.

Чищення бритвеного блока

Будьте обережні з гарячою водою. Завжди перевіряйте, чи вода не надто гаряча, щоб не обпекти руки.

1 Сполосніть бритвенний блок гарячою водою з-під крана (Мал. 25).

Примітка. Бритвенний блок можна також очистити щіткою для чищення із комплекту.

2 Вийміть тримач бритвенної головки з нижньої частини бритвенного блока та полощіть його гарячою водою з-під крана протягом 30 секунд (Мал. 26).

Примітка. Тримач бритвенної головки можна також очистити щіткою для чищення із комплекту.

3 Обережно витрусіть надлишок води і залишіть бритвенний блок, щоб висох.

Не витирайте бритвенний блок рушником чи тканиною, адже так можна пошкодити бритвені головки.

4 Під'єднайте тримач бритвенної головки до нижньої частини бритвенного блока до фіксації (Мал. 27).

Чищення бритвенного блока за допомогою системи Jet Clean (лише окремі моделі)

Система Jet Clean пропонує програму автоматичного чищення. Коли натиснути кнопку "увімк./вимк.", система Jet Clean починає чищення у режимі програми автоматичного чищення.

Підготовка системи Jet Clean до використання

Перед першим використанням заповніть відділення для засобу для чищення.

1 Вставте малу вилку в систему Jet Clean.

2 Вставте адаптер у розетку.

▶ Тримач автоматично переходить у найвище положення.

3 Одночасно натисніть кнопки розблокування з двох сторін відділення для засобу для чищення (1). Потім вийміть систему Jet Clean з відділення для засобу для чищення (2). (Мал. 28)

▶ Відділення для чищення залишається.

4 Відкрутіть ковпак пляшки із засобом для чищення.

5 Наповніть відповідне відділення засобом для чищення HQ200 до рівня між двома позначками (Мал. 29).

6 Вставте систему Jet Clean назад у відділення для засобу для чищення (Мал. 30).

Слідкуйте, щоб кнопки розблокування зафіксувалися на місці.

Використання системи Jet Clean

Примітка. У разі використання бритви разом із пінкою або гелем для гоління рекомендується спочатку сполоснути її гарячою водою з-під крана, а потім почистити за допомогою системи Jet Clean. Це гарантує оптимальний строк придатності засобу для чищення.

1 Встановіть бритву в тримач догори дном, щоб дисплей був спрямований до системи Jet Clean (Мал. 18).

2 Проштовхніть бритву в тримач до кінця, щоб зафіксувати її (Мал. 19).

▶ Дисплей показує, що бритва заряджається (див. розділ "Дисплей").

3 Натисніть кнопку "увімк./вимк." на системі Jet Clean, щоб запустити програму чищення. (Мал. 31)

▶ З дисплея бритви зникне індикація заряджання.

▶ Почне блимати індикатор чищення, а бритва автоматично опуститься в засіб для чищення (Мал. 32).

▶ Індикатор чищення блимає протягом усього циклу чищення, який триває кілька хвилин.

▶ Під час першої фази програми чищення бритва автоматично кілька разів вмикається і вимикається, а також піднімається та опускається.

▶ Під час другої фази програми чищення бритва встановлюється в положення висушування, на що вказує символ висушування, що блимає. Ця фаза триває прибіл. 2 години. Бритва залишається у такому положенні до кінця програми. (Мал. 33)

▶ Після програми чищення на дисплеї бритви з'являється індикація заряджання (див. розділ "Дисплей").

Примітка. Якщо під час програми чищення натиснути кнопку "увімк./вимк." на системі Jet Clean, виконання програми переривається. У такому випадку індикатор чищення чи висушування перестає блимати, а тримач повертається у найвище положення.

Примітка. Якщо під час програми чищення вийняти адаптер із розетки, програма перерветься. Тримач залишиться у поточному положенні. Коли вставити адаптер назад у розетку, тримач перейде у найвище положення.

- Коли засобу для чищення стане менше мінімального рівня, індикатор порожнього відділення для засобу для чищення почне блимати, а тримач повернеться у початкове положення (Мал. 34).

- Якщо використовувати пристрій для чищення бритви щодня, відділення для чищення необхідно наповнювати приблизно кожні 15 днів.

Чищення системи Jet Clean

Чистіть відділення для засобу для чищення кожні 15 днів.

Ззовні систему Jet Clean можна витирати вологою ганчіркою.

1 Одночасно натисніть кнопки розблокування з двох сторін системи Jet Clean (1). Потім вийміть систему Jet Clean з відділення для засобу для чищення (2). (Мал. 28)

▶ Відділення для чищення залишається.

2 Вилийте залишки засобу з відділення для засобу для чищення. (Мал. 35)

Засіб для чищення можна просто вилити у раковину.

3 Промийте відділення для засобу для чищення під краном (Мал. 36).

Відділення для засобу для чищення не можна мити у посудомийній машині.

4 Наповніть відповідне відділення засобом для чищення HQ200 до рівня між двома позначками (Мал. 29).

5 Вставте систему Jet Clean назад у відділення для засобу для чищення. (Мал. 30)

Слідкуйте, щоб кнопки розблокування зафіксувалися на місці.

Метод надретельного чищення

Пристрій має бути вимкнено.

- 1** Вийміть тримач бритвеної головки з нижньої частини бритвеного блока (Мал. 26).
- 2** Посуньте зелену фіксуючу рамку в напрямку стрілок на ній (Мал. 37).
- 3** Вийміть фіксуючу рамку із тримача бритвеної головки. (Мал. 38)
- 4** Зніміть лезо зі сітки (Мал. 39).

Примітка. Одночасно чистіть лише одне лезо та одну сітку, щоб не переплутати пари. Якщо випадково вставити лезо не в ту сітку, може знадобитися декілька тижнів, щоб відновити оптимальну ефективність гоління.

- 5** Почистіть лезо щіткою для чищення із комплекту (Мал. 40).
- 6** Почистіть сітку зсередини. (Мал. 41)
- 7** Після чищення встановіть лезо назад у сітку ріжучою стороною донизу. (Мал. 42)
- 8** Встановіть фіксуючу рамку назад на тримач бритвеної головки. (Мал. 43)
- 9** Встановіть сітку на місце до фіксації. (Мал. 44)
- 10** Під'єднайте тримач бритвеної головки до нижньої частини бритвеного блока. (Мал. 27)

Чищення тримера

Чистіть тример після кожного використання.

- 1** Увімкніть бритву з під'єднанням тримером.
- 2** Сполосніть тример гарячою водою з-під крана. (Мал. 45)
- 3** Вимкніть бритву після чищення.

Підказка. Для оптимальної ефективності зрізання один раз на шість місяців змащуйте зубці тримера краплею машинного мастила.

Зберігання

- 1** Для запобігання пошкодженню бритвених головок одягайте на бритвенний блок захисний ковпачок (Мал. 46).
- 2** Лише окремі моделі: Зберігайте бритву у футлярі з комплекту.

Заміна

Для максимальної ефективності гоління рекомендується замінити верхню частину бритвеного блока щороку. Заміняйте верхню частину бритвеного блока лише оригінальним тримачем бритвеної головки Philips RQ11.

- 1** Вийміть тримач бритвеної головки з нижньої частини бритвеного блока (Мал. 26).
- 2** Під'єднайте новий тримач бритвеної головки до нижньої частини бритвеного блока до фіксації (Мал. 27).

Замовлення частин

Доступні такі частини:

- Адаптер HQ8505
- Тримач бритвеної головки Philips RQ11
- Розпилювач для чищення бритвених головок Philips HQ110
- Засіб для чищення Philips HQ200

Навколишнє середовище

- Не викидайте пристрої разом зі звичайними побутовими відходами, а здавайте їх в офіційний пункт прийому для повторної переробки. Таким чином Ви допоможете захистити довкілля (Мал. 47).
- Вбудована акумуляторна батарея бритви містить речовини, які можуть забруднювати навколишнє середовище. Перед утилізацією бритви або передачею її в офіційний пункт прийому, завжди виймайте батарею. Батарею віддайте в офіційний пункт прийому батарей. Якщо Ви не можете вийняти батареї, візьміть пристрій зі собою до сервісного центру Philips, де батарею виймуть і утилізують в безпечний для навколишнього середовища спосіб (Мал. 48).

Виймання акумуляторної батареї з бритви

Виймайте акумуляторну батарею лише тоді, коли викидаєте бритву. Перед тим як вийняти батарею, перевірте, чи вона повністю розряджена.

Будьте обережні, оскільки вузькі сторони батареї гострі.

- 1** За допомогою викрутки зніміть задню панель корпусу бритви.
- 2** Вийміть акумуляторну батарею.

Гарантія та обслуговування

Якщо Вам необхідна інформація чи обслуговування або ж виникла проблема, відвідайте веб-сайт компанії Philips www.philips.com або зверніться до Центру обслуговування клієнтів компанії Philips у своїй країні (номер телефону можна знайти у гарантійному талоні). Якщо у Вашій країні немає Центру обслуговування клієнтів, зверніться до місцевого дилера Philips.

Обмеження гарантії

Умови міжнародної гарантії не поширюються на бритвені головки (леза та захисні сітки), оскільки вони зношуються.

Усунення несправностей

У цьому розділі зведено основні проблеми, які можуть виникнути під час використання пристрою. Якщо Ви не в змозі вирішити проблему за допомогою інформації, поданої нижче, зверніться до Центру обслуговування клієнтів у Вашій країні.

Проблема	Можлива причина	Вирішення
Бритва не голить так, як раніше.	Бритвені головки пошкоджені або зношені.	Замініть тримач бритвеної головки (див. розділ "Заміна").
	Довгі волоски заважають бритвеним головкам.	Почистіть бритвені головки, виконавши вказівки для надретельного чищення (див. розділ "Чищення та догляд").
	Система Jet Clean не почистила бритву належним чином, оскільки засіб для чищення у відділенні для засобу забруднився (затвердів) або його там надто мало.	Добре почистіть бритву перед тим, як продовжувати гоління. За необхідності почистіть і знову наповніть відділення для засобу для чищення засобом (див. розділ "Чищення та догляд").
Бритва не працює після натиснення кнопки "увімк./вимк.".	Акумуляторна батарея розрядилася.	Зарядіть батарею (див. розділ "Зарядження").
	Увімкнено блокування для транспортування.	Щоб вимкнути блокування для транспортування, натисніть і утримуйте кнопку "увімк./вимк." протягом 3 секунд.
	Тримач бритвеної головки забруднений або пошкоджений так, що двигун не може працювати.	Почистіть тримач бритвеної головки або замініть його (див. розділи "Чищення та догляд" і "Заміна").
Після чищення за допомогою системи Jet Clean бритва не цілком чиста.	Надто висока температура бритви. У такому разі бритва не працює.	Дайте бритві охолонути. Як тільки температура бритви достатньо знизиться, її можна знову вмикати.
	Засіб для чищення у відділенні для засобу забруднився (затвердів).	Спорожніть і сполосніть відділення для засобу для чищення.
	У пристрої надто мало засобу для чищення. Якщо під час виконання програми чищення кількість засобу для чищення опускається нижче мінімального рівня, програма переривається. Індикатор чищення та символ порожнього відділення для засобу для чищення починають блимати з перервами, а тримач повертається у початкове положення.	Наповніть відповідне відділення засобом для чищення до рівня між двома позначками (див. розділ "Чищення та догляд").
Система Jet Clean не працює після натиснення кнопки "увімк./вимк.".	Ви використовували інший засіб для чищення, а не оригінальний засіб Philips.	Використовуйте лише засіб для чищення Philips HQ200.
	Систему Jet Clean не під'єднано до електромережі.	Вставте малу вилку в систему Jet Clean, а адаптер - у розетку.
	Немає електричного з'єднання між системою Jet Clean і бритвою.	Протисніть бритву в тримач до кінця, щоб зафіксувати її.
Бритва не повністю заряджається на зарядному блоці/системі Jet Clean.	Бритву погано встановлено на зарядний блок/систему Jet Clean.	Тисніть на бритву до фіксації.

Giới thiệu

Chúc mừng bạn đã mua được sản phẩm Philips mới và chào mừng bạn đến với Philips! Để có được lợi ích đầy đủ từ sự hỗ trợ do Philips cung cấp, hãy đăng ký sản phẩm tại www.philips.com/welcome.

Vui lòng đọc hướng dẫn sử dụng này, bao gồm thông tin về các tính năng của chiếc máy cạo râu cũng như một số lời khuyên giúp cạo râu dễ dàng và thoải mái hơn.

Mô tả chung (Hình 1)

- A** Máy cạo râu (RQ1180/RQ1160/RQ1150)
- 1 Tông đơ
 - 2 Nắp bảo vệ
 - 3 Bộ phận cạo
 - 4 Máy cạo râu
 - 5 Nút bật/tắt máy cạo râu
 - 6 Màn hình
- B** Bộ sạc
- C** Hệ Thống Làm Sạch Jet (chỉ có ở một số kiểu nhất định)
- 1 Bộ phận giữ máy cạo râu
 - 2 Biểu tượng 'khoang làm sạch trông'
 - 3 Biểu tượng làm sạch
 - 4 Biểu tượng làm khô
 - 5 Nút bật/tắt Hệ Thống Làm Sạch Jet
 - 6 Nút tháo khoang làm sạch
- D** Bàn chải làm sạch
- E** Dung dịch làm sạch
- F** Bao da (chỉ có ở một số kiểu nhất định)
- G** Bộ nối tiếp

Quan trọng

Hãy đọc kỹ hướng dẫn sử dụng này trước khi sử dụng thiết bị và cất giữ để tiện tham khảo sau này.

Lưu ý: Trong hướng dẫn sử dụng này, thuật ngữ 'thiết bị' nhắc đến máy cạo râu và Hệ Thống Làm Sạch Jet. Nếu máy cạo râu của bạn không có Hệ Thống Làm Sạch Jet đi kèm, thuật ngữ này chỉ nhắc đến máy cạo râu.

Tổng quát

Nguy hiểm

- Không để bộ nối tiếp bị ướt (Hình 2).

Cảnh báo

- Trong bộ biến thể có một biến áp. Không cất bỏ bộ biến thể này để thay bằng bộ biến thể khác, vì làm như vậy sẽ gây ra tình huống nguy hiểm.
- Các thiết bị này không dành cho người dùng (bao gồm cả trẻ em) có sức khỏe cơ thể, giác quan hoặc tâm thần suy giảm, hoặc thiếu kinh nghiệm và kiến thức, trừ khi họ được giám sát hoặc hướng dẫn sử dụng thiết bị bởi người có trách nhiệm đảm bảo an toàn cho họ.
- Trẻ em phải được giám sát để đảm bảo rằng chúng không chơi đùa với các thiết bị này.
- Nên thận trọng với nước nóng khi bạn lau rửa thiết bị. Luôn kiểm tra xem nước có quá nóng không để tránh làm bỏng tay bạn.

Chú ý

- Không nhúng Hệ Thống Làm Sạch Jet và bộ sạc vào nước hoặc rửa dưới vòi nước.
- Thiết bị và các phụ kiện không thể dùng với máy rửa chén.
- Luôn đặt và sử dụng thiết bị trên bề mặt chịu nước.
- Sử dụng, sạc và bảo quản thiết bị ở nhiệt độ từ 5°C đến 35°C.
- Chỉ sử dụng phụ kiện đi kèm với máy.
- Bộ nối tiếp biến thể từ 100-240 vôn xuống mức điện áp thấp an toàn dưới 24 vôn.
- Không sử dụng thiết bị nếu chúng đã bị hư hỏng.
- Luôn thay bộ nối tiếp hay bất kỳ phụ kiện nào khác cùng loại và đúng tiêu chuẩn như loại của máy nếu chúng bị hỏng để tránh nguy hiểm.
- Nước có thể rò rỉ từ đầu cắm ở phần dưới của máy cạo râu khi bạn rửa máy. Điều này là bình thường và không nguy hiểm bởi vì tất cả các bộ phận điện tử đều được đóng kín trong lớp vỏ bảo vệ bên trong máy.

Hệ Thống Làm Sạch Jet (chỉ có ở một số kiểu nhất định)

Chú ý

- Chỉ sử dụng Hệ Thống Làm Sạch Jet cùng với dung dịch làm sạch HQ200 chính hãng.
- Luôn đặt Hệ Thống Làm Sạch Jet trên mặt phẳng cân bằng, chắc chắn và nằm ngang để tránh rò rỉ.
- Không nhúng Hệ Thống Làm Sạch Jet vào nước.
- Trút bỏ hết các chất trong khoang làm sạch và vệ sinh thật kỹ bằng cách rửa dưới vòi nước nóng 15 ngày một lần.
- Hệ Thống Làm Sạch Jet sẽ làm sạch hoàn toàn nhưng không khử trùng máy cạo râu của bạn, do đó không dùng chung máy cạo râu với người khác.
- Khoang làm sạch của Hệ Thống Làm Sạch Jet không dùng được trong máy rửa chén.
- Khi Hệ Thống Làm Sạch Jet đã sẵn sàng cho việc làm sạch, không di chuyển máy để tránh rò rỉ dung dịch làm sạch.

Tuân thủ các tiêu chuẩn

- Máy cạo râu này tuân thủ các qui định về an toàn của quốc tế và có thể sử dụng an toàn trong bồn tắm hoặc dưới vòi tắm và có thể được làm sạch dưới vòi nước (Hình 3).
- Các thiết bị này của Philips tuân thủ tất cả các tiêu chuẩn liên quan đến điện từ trường (EMF). Nếu được sử dụng đúng cách và tuân theo các hướng dẫn trong cuốn sách thông tin quan trọng này và trong cuốn sách thông tin sử dụng đi kèm với máy cạo râu, theo các bằng chứng khoa học hiện nay, việc sử dụng thiết bị này là an toàn.

Màn hình hiển thị

Lưu ý: Trước khi sử dụng máy cạo râu lần đầu, hãy gỡ màng bảo vệ ra khỏi màn hình.

Ba loại máy cạo râu (RQ1180, RQ1160 và RQ1150) có các màn hình khác nhau, như được hiển thị trong các hình dưới đây.

- RQ1180 (Hình 4)
- RQ1160 (Hình 5)
- RQ1150 (Hình 6)

Sạc điện

- Thời gian sạc pin mất khoảng 1 giờ.

RQ1180

- Khi đang sạc máy cạo râu, trước tiên đèn báo sạc ở dưới cùng nhấp nháy, sau đó đèn báo sạc thứ hai, và tiếp tục cho đến khi máy cạo râu được sạc đầy (Hình 7).
- Sạc nhanh: Khi máy cạo râu chứa đủ điện cho một lần cạo râu, đèn báo sạc ở dưới cùng nhấp nháy chuyển giữa hai màu da cam và trắng.

RQ1160/RQ1150

- Khi máy cạo râu đang sạc, biểu tượng pin nhấp nháy cho đến khi máy được sạc đầy. (Hình 8)
- Sạc nhanh: Khi máy cạo râu chứa đủ điện cho một lần cạo râu, biểu tượng phích cắm và biểu tượng pin thay nhau nhấp nháy.

Lưu ý: Màn hình của RQ1160 và RQ1150 có hình dáng khác, nhưng hoạt động theo cùng cách.

Pin đã được sạc đầy**RQ1180**

- Khi pin đã được sạc đầy, tất cả các đèn báo sạc sáng liên tục. Sau khoảng 30 phút màn hình tự động tắt. (Hình 9)

RQ1160/RQ1150

- Khi pin đã được sạc đầy, biểu tượng pin sáng liên tục. Sau khoảng 30 phút màn hình tự động tắt. (Hình 10)

Lưu ý: Màn hình của RQ1160 và RQ1150 có hình dáng khác, nhưng hoạt động theo cùng cách.

Pin yếu**RQ1180**

- Khi pin gần hết (khi chỉ còn không quá 5 phút cạo râu), đèn báo sạc dưới cùng sẽ nhấp nháy màu da cam. (Hình 11)
- Khi tắt máy cạo râu, đèn báo sạc dưới cùng tiếp tục nhấp nháy trong vài giây.

RQ1160/RQ1150

- Khi pin gần hết (khi chỉ còn không quá 5 phút cạo râu), biểu tượng phích cắm sẽ nhấp nháy (Hình 12).
- Khi tắt máy cạo râu, biểu tượng phích cắm tiếp tục nhấp nháy trong vài giây.

Lưu ý: Màn hình của RQ1160 và RQ1150 có hình dáng khác, nhưng hoạt động theo cùng cách.

Dung lượng pin còn lại**RQ1180**

- Dung lượng pin còn lại được chỉ báo bằng số đèn báo sạc đang sáng. (Hình 13)

Khóa du lịch

Bạn có thể khóa máy cạo râu khi di chuyển. Khóa du lịch ngăn không cho bật máy cạo râu một cách vô tình.

Bật khóa du lịch

- 1 Nhấn nút on/off (bật/tắt) trong 3 giây để bật chế độ khóa du lịch (Hình 14).
- 2 Biểu tượng khóa bật sáng trên màn hình. -tekening- (Hình 15)

Lưu ý: Màn hình của RQ1180, RQ1160 và RQ1150 có hình dáng khác, nhưng hiển thị cùng biểu tượng.

Tắt khóa du lịch

- 1 Nhấn nút on/off (bật/tắt) trong 3 giây.
 - 2 Mô-tơ bắt đầu chạy để cho biết đã tắt khóa du lịch.
- Bây giờ máy cạo râu đã sẵn sàng để sử dụng trở lại.

Lưu ý: Khi đặt máy cạo râu vào bộ sạc đã được cắm vào ổ điện hoặc Hệ Thống Làm Sạch Jet, khóa du lịch được tắt tự động.

Sạc điện

Thời gian sạc pin mất khoảng 1 giờ.

RQ1180/RQ1160: Máy cạo râu được sạc đầy có thời gian cạo râu lên đến 50 phút/15 ngày.

RQ1150: Máy cạo râu được sạc đầy có thời gian cạo râu lên đến 40 phút/12 ngày.

Sạc máy cạo râu trước khi sử dụng lần đầu và khi màn hình cho biết pin đã gần hết (xem mục 'Pin yếu' tại chương 'Màn hình hiển thị').

Sạc nhanh

Sau khi máy cạo râu đã được sạc trong 5 phút, máy cạo râu chứa đủ điện cho một lần cạo râu.

Sạc bằng bộ sạc

- 1 Cắm phích cắm nhỏ vào bộ sạc (Hình 16).
- 2 Cắm bộ biên thể nối tiếp vào ổ cắm.
- 3 Đặt máy cạo râu vào bộ sạc (1) và ấn máy xuống (2) (nghe tiếng 'click'). (Hình 17)
- 2 Màn hình cho biết máy cạo râu đang sạc (xem chương 'Màn hình hiển thị').

Sạc bằng Hệ Thống Làm Sạch Jet (chỉ có ở một số kiểu nhất định)

- 1 Cắm phích cắm nhỏ vào Hệ Thống Làm Sạch Jet.
- 2 Cắm bộ biên thể nối tiếp vào ổ cắm.

3 Đặt máy cạo râu ở tư thế ngược với màn hình hướng về phía trước Hệ Thống Làm Sạch Jet (Hình 18).

Lưu ý: Chỉ có ở kiểu RQ1180: khi xoay ngược máy cạo râu, chỉ báo pin trên màn hình cũng xoay ngược để bạn vẫn có thể nhìn thấy pin được sạc đến mức nào.

4 Ấn chặt máy cạo râu vào bộ phận giữ để khóa máy vào vị trí (Hình 19).

Lưu ý: Không thể đặt máy cạo râu vào Hệ Thống Làm Sạch Jet khi bộ phận cạo vẫn còn nắp bảo vệ hoặc khi tông đơ được đặt vào máy cạo râu.

▶ Màn hình cho biết máy cạo râu đang sạc (xem chương 'Màn hình hiển thị').

Sử dụng máy cạo râu

Cạo râu

1 Bấm nút on/off (bật/tắt) một lần để bật máy cạo râu.

▶ RQ1180: Màn hình bật sáng trong vài giây.

2 Di chuyển đầu cạo trên da. Di chuyển xoay vòng (Hình 20).

- Không di chuyển theo chiều thẳng.
- Da của bạn có thể cần 2 hoặc 3 tuần để làm quen với máy cạo râu Philips.

3 Bấm nút on/off (bật/tắt) một lần để tắt máy cạo râu.

▶ RQ1180: Màn hình bật sáng trong vài giây và sau đó hiển thị dung lượng pin còn lại.

Cạo râu ướt

Bạn cũng có thể sử dụng chiếc máy cạo râu này trên mặt ướt với bọt cạo râu hoặc kem cạo râu.

Để cạo râu với bọt cạo râu hoặc kem cạo râu, hãy thực hiện theo các bước dưới đây:

1 Cho một chút nước lên da.

2 Bôi bọt cạo râu hoặc kem cạo râu lên da.

3 Rửa bộ phận cạo dưới vòi nước để đảm bảo rằng bộ phận cạo trượt trơn tru trên da.

4 Bấm nút on/off (bật/tắt) một lần để bật máy cạo râu.

5 Di chuyển đầu cạo xoay vòng trên da.

Lưu ý: Rửa bộ phận cạo dưới vòi nước thường xuyên để đảm bảo rằng bộ phận cạo tiếp tục trượt trơn tru trên da.

6 Lau khô mặt và làm sạch máy cạo râu sau khi sử dụng (xem chương 'Vệ sinh và bảo dưỡng máy').

Lưu ý: Bảo đảm rằng bạn rửa sạch bọt hoặc kem cạo râu trên máy cạo râu.

Tông đơ

Bạn có thể sử dụng tông đơ để cắt tỉa tóc mai và ria.

1 Kéo thẳng bộ phận cạo ra khỏi máy cạo râu (Hình 21).

Lưu ý: Không xoay bộ phận cạo khi bạn kéo bộ phận cạo ra khỏi máy cạo râu.

2 Cắm vấu của tông đơ vào khe trên phần trên cùng của máy cạo râu (1). Sau đó ấn tông đơ xuống (2) để gắn tông đơ vào máy cạo râu (nghe tiếng 'click') (Hình 22).

3 Bấm nút on/off (bật/tắt) một lần để bật tông đơ.

▶ RQ1180: Màn hình bật sáng trong vài giây.

4 Bây giờ bạn có thể bắt đầu tỉa.

5 Bấm nút on/off (bật/tắt) một lần để tắt tông đơ.

▶ RQ1180: Màn hình bật sáng trong vài giây để hiển thị dung lượng pin còn lại.

6 Kéo thẳng tông đơ ra khỏi máy cạo râu (Hình 23).

Lưu ý: Không xoay tông đơ khi kéo tông đơ ra khỏi máy cạo râu.

7 Cắm vấu của bộ phận cạo vào khe trên phần trên cùng của máy cạo râu (1). Sau đó ấn bộ phận cạo xuống (2) để gắn bộ phận cạo vào máy cạo râu (nghe tiếng 'click') (Hình 24).

Vệ sinh và bảo dưỡng máy

Không sử dụng miếng tẩy rửa, chất tẩy rửa có tính ăn mòn hoặc những chất lỏng mạnh như xăng hoặc axeton để làm sạch thiết bị và Hệ Thống Làm Sạch Jet.

- Cách vệ sinh nhất và tốt nhất để làm sạch máy cạo râu là ở Hệ Thống Làm Sạch Jet (chỉ có ở một số kiểu nhất định). Bạn cũng có thể rửa máy cạo râu dưới vòi nước hoặc làm sạch máy cạo râu bằng bàn chải đi kèm.
- Nên thận trọng với nước nóng. Luôn kiểm tra xem nước có quá nóng không để tránh làm bỏng tay bạn.
- Làm sạch máy cạo râu sau mỗi lần cạo râu để có hiệu suất tối ưu.
- Bạn có thể lau sạch phần bên ngoài máy cạo râu bằng khăn ẩm.
- Làm sạch máy thường xuyên sẽ đảm bảo máy hoạt động tốt hơn.

Làm sạch bộ phận cạo

Nên thận trọng với nước nóng. Luôn kiểm tra xem nước có quá nóng không để tránh làm bỏng tay bạn.

1 Rửa bộ phận cạo dưới vòi nước nóng trong một lúc (Hình 25).

Lưu ý: Bạn cũng có thể làm sạch bộ phận cạo bằng bàn chải làm sạch đi kèm.

2 Kéo bộ phận giữ đầu cạo ra khỏi phần phía dưới của bộ phận cạo và rửa dưới vòi nước nóng trong 30 giây (Hình 26).

Lưu ý: Bạn cũng có thể làm sạch bộ phận giữ đầu cạo bằng bàn chải làm sạch đi kèm.

3 Cần thận lặc hết nước còn thừa và để cho bộ phận cạo khô.

Không dùng khăn bông hay khăn giấy để lau khô bộ phận cạo vì chúng có thể làm hư các đầu cạo.

4 Gắn lại bộ phận giữ đầu cạo vào phần phía dưới của bộ phận cạo (nghe tiếng 'click') (Hình 27).

Làm sạch bộ phận cạo trong Hệ Thống Làm Sạch Jet (chỉ có ở một số kiểu nhất định)

Hệ Thống Làm Sạch Jet có chương trình làm sạch tự động. Khi bạn nhấn nút on/off (bật/tắt), Hệ Thống Làm Sạch Jet bắt đầu làm sạch theo chương trình làm sạch tự động.

Chuẩn bị để sử dụng Hệ Thống Làm Sạch Jet

Đổ dung dịch vào khoang làm sạch trước khi sử dụng lần đầu.

1 Cắm phích cắm nhỏ vào Hệ Thống Làm Sạch Jet.

2 Cắm bộ biên thể nối tiếp vào ổ cắm.

▶ Bộ phận giữ tự động di chuyển đến vị trí cao nhất.

3 Nhấn đồng thời các nút mở ở cả hai bên của khoang làm sạch (1). Sau đó nhắc Hệ Thống Làm Sạch Jet ra khỏi khoang làm sạch (2). (Hình 28)

▶ Khoang làm sạch vẫn ở lại phía sau.

4 Tháo nắp chai chứa dung dịch làm sạch.

5 Đổ dung dịch làm sạch HQ200 vào khoang làm sạch tới mức giữa hai vạch (Hình 29).

6 Đặt Hệ Thống Làm Sạch Jet trở lại khoang làm sạch (Hình 30).

Cần chắc chắn rằng các nút tháo đã về lại đúng vị trí.

Sử Dụng Hệ Thống Làm Sạch Jet

Lưu ý: Nếu bạn sử dụng máy cạo râu với bọt cạo râu hoặc kem cạo râu, chúng tôi khuyên bạn rửa sạch máy cạo râu dưới vòi nước nóng trước khi làm sạch máy trong Hệ Thống Làm Sạch Jet. Điều này đảm bảo thời gian hoạt động tối ưu cho dung dịch làm sạch.

1 Đặt máy cạo râu ở tư thế ngược với màn hình hướng về phía trước Hệ Thống Làm Sạch Jet (Hình 18).

2 Ấn chặt máy cạo râu vào bộ phận giữ để khóa máy vào vị trí (Hình 19).

▶ Màn hình cho biết máy cạo râu đang sạc (xem chương 'Màn hình hiển thị').

3 Nhấn nút on/off (bật/tắt) trên Hệ Thống Làm Sạch Jet để bắt đầu chương trình làm sạch. (Hình 31)

▶ Màn hình máy cạo râu sẽ ngừng hiển thị chỉ báo sạc.

▶ Đèn báo làm sạch bắt đầu nhấp nháy và máy cạo râu được tự động hạ xuống dung dịch làm sạch (Hình 32).

▶ Đèn báo làm sạch nhấp nháy trong suốt chương trình làm sạch, kéo dài khoảng vài phút.

▶ Trong giai đoạn đầu tiên của chương trình làm sạch, máy cạo râu tự động bật và tắt vài lần và di chuyển lên xuống.

▶ Trong giai đoạn thứ hai của chương trình làm sạch, máy cạo râu được đặt ở vị trí làm khô, được chỉ báo bằng biểu tượng làm khô nhấp nháy. Giai đoạn này kéo dài khoảng 2 giờ. Máy cạo râu duy trì ở vị trí này cho đến khi kết thúc chương trình. (Hình 33)

▶ Sau chương trình làm sạch, chỉ báo sạc sẽ hiển thị trên màn hình máy cạo râu (xem chương 'Màn hình hiển thị').

Lưu ý: Nếu bạn nhấn nút on/off (bật/tắt) của Hệ Thống Làm Sạch Jet trong khi thực hiện chương trình làm sạch, chương trình sẽ ngừng lại. Trong trường hợp này, đèn báo làm sạch hoặc làm khô ngừng nhấp nháy và bộ phận giữ di chuyển đến vị trí cao nhất.

Lưu ý: Nếu bạn tháo bộ nối tiếp ra khỏi ổ cắm điện trong khi thực hiện chương trình làm sạch, chương trình sẽ ngừng lại. Bộ phận giữ vẫn duy trì ở vị trí hiện tại. Khi bạn cắm lại bộ nối tiếp vào ổ cắm điện, bộ phận giữ sẽ di chuyển đến vị trí cao nhất.

- Khi dung dịch làm sạch xuống dưới mức tối thiểu, biểu tượng 'khoang làm sạch rỗng' bắt đầu nhấp nháy và bộ phận giữ quay lại vị trí bắt đầu (Hình 34).

- Nếu bạn sử dụng máy cạo râu để làm sạch máy cạo râu hàng ngày, bạn cần đổ lại dung dịch làm sạch vào khoang làm sạch khoảng 15 ngày một lần.

Làm sạch Hệ Thống Làm Sạch Jet

Làm sạch khoang làm sạch 15 ngày một lần.

Bạn có thể lau chùi phần bên ngoài của Hệ Thống Làm Sạch Jet bằng khăn ẩm.

1 Nhấn đồng thời các nút mở trên cả hai bên của Hệ Thống Làm Sạch Jet (1). Sau đó nhắc Hệ Thống Làm Sạch Jet ra khỏi khoang làm sạch (2). (Hình 28)

▶ Khoang làm sạch vẫn ở lại phía sau.

2 Đổ phần dung dịch làm sạch còn lại ra khỏi khoang làm sạch. (Hình 35)

Bạn có thể đổ dung dịch làm sạch vào bồn rửa.

3 Rửa khoang làm sạch dưới vòi nước (Hình 36).

Khoang làm sạch không thể dùng với máy rửa chén.

4 Đổ dung dịch làm sạch HQ200 vào khoang làm sạch tới mức giữa hai vạch (Hình 29).

5 Đặt Hệ Thống Làm Sạch Jet trở lại khoang làm sạch. (Hình 30)

Cần chắc chắn rằng các nút tháo đã về lại đúng vị trí.

Phương pháp làm sạch kỹ hơn

Đảm bảo thiết bị đã được tắt.

1 Kéo bộ phận giữ đầu cạo ra khỏi phần phía dưới của bộ phận cạo (Hình 26).

2 Trượt khung giữ màu xanh theo hướng mũi tên được chỉ báo trên khung giữ (Hình 37).

3 Nhấc khung giữ ra khỏi bộ phận giữ đầu cạo. (Hình 38)

4 Tháo lưới cắt ra khỏi bộ phận bảo vệ (Hình 39).

Lưu ý: Không làm sạch nhiều lưới cắt và bộ phận bảo vệ cùng một lúc, vì chúng hợp thành từng bộ. Nếu vô tình lắp nhầm lưới cắt và bộ phận bảo vệ với nhau, phải mất vài tuần sau máy mới hoạt động tốt trở lại.

- 5 Làm sạch lưới cắt bằng bàn chải làm sạch đi kèm (Hình 40).
- 6 Làm sạch phần bên trong của bộ phận bảo vệ. (Hình 41)
- 7 Sau khi làm sạch, đặt lưới cắt trở lại bộ phận bảo vệ với chân lưới cắt hướng xuống dưới. (Hình 42)
- 8 Đặt khung giữ trở lại bộ phận giữ đầu cạo. (Hình 43)
- 9 Trượt bộ phận bảo vệ vào đúng vị trí (nghe tiếng 'click'). (Hình 44)
- 10 Gắn lại bộ phận giữ đầu cạo vào phần phía dưới của bộ phận cạo. (Hình 27)

Làm sạch tông đơ

Làm sạch tông đơ sau mỗi lần sử dụng.

- 1 Bật máy cạo râu có gắn tông đơ.
- 2 Rửa tông đơ dưới vòi nước nóng trong một lúc. (Hình 45)
- 3 Sau khi làm sạch, tắt máy cạo râu.

Mẹo: Để có hiệu suất tông đơ tối ưu, hãy bôi trơn răng tông đơ bằng một giọt dầu máy may cứ sáu tháng một lần.

Cắt giữ

- 1 Trượt nắp bảo vệ vào bộ phận cạo để tránh làm hư các đầu cạo (Hình 46).
- 2 Chỉ có ở một số kiểu nhất định: Bảo quản máy cạo râu trong bao da đi kèm.

Thay thế phụ kiện

Để có hiệu suất cạo râu tối đa, chúng tôi khuyên bạn thay phần phía trên của bộ phận cạo hàng năm. Chỉ thay phần phía trên của bộ phận cạo bằng Bộ Phận Giữ Đầu Cạo RQ11 Philips.

- 1 Kéo bộ phận giữ đầu cạo ra khỏi phần phía dưới của bộ phận cạo (Hình 26).
- 2 Gắn bộ phận giữ đầu cạo mới vào phần phía dưới của bộ phận cạo (nghe tiếng 'click') (Hình 27).

Đặt mua các bộ phận

Các bộ phận sau đây hiện đang có sẵn:

- Bộ nối tiếp HQ8505
- Bộ Phận Giữ Đầu Cạo RQ11 Philips
- Bình Xịt Rửa Đầu Cạo Philips HQ110
- Dung Dịch Làm Sạch Philips HQ200

Môi trường

- Không vứt bỏ thiết bị cùng với rác thải sinh hoạt thông thường khi ngừng sử dụng. Hãy đem thiết bị đến điểm thu gom chính thức để tái chế. Làm như vậy, bạn sẽ giúp bảo vệ môi trường (Hình 47).
- Pin sạc trong máy cạo râu có chứa những chất có thể gây ô nhiễm môi trường. Luôn tháo pin trước khi vứt bỏ thiết bị hoặc mang thiết bị tới một điểm thu gom chính thức. Vứt bỏ pin tại một điểm thu gom chính thức dành cho pin. Nếu bạn gặp vấn đề với việc tháo pin, bạn cũng có thể mang máy cạo râu tới một trung tâm dịch vụ của Philips, trung tâm này sẽ giúp bạn tháo pin và vứt bỏ pin theo cách an toàn cho môi trường (Hình 48).

Tháo pin sạc của máy cạo râu

Chỉ tháo pin sạc khi vứt bỏ máy cạo râu. Đảm bảo pin hoàn toàn hết điện khi tháo pin.

Hãy cẩn thận, các dải pin rất sắc bén.

- 1 Sử dụng tô vít để tháo mặt sau của máy cạo râu.
- 2 Tháo pin sạc ra.

Bảo hành và dịch vụ

Nếu bạn cần dịch vụ hoặc thông tin hay gặp trục trặc, vui lòng vào trang web của Philips tại www.philips.com hoặc liên hệ với Trung Tâm Chăm Sóc Khách Hàng của Philips ở nước bạn (bạn sẽ tìm thấy số điện thoại của Trung tâm trong tờ bảo hành toàn cầu). Nếu không có Trung Tâm Chăm Sóc Khách Hàng tại quốc gia của bạn, vui lòng liên hệ với đại lý Philips tại địa phương bạn.

Hạn chế bảo hành

Các đầu cạo (lưới cắt và bộ phận bảo vệ) không được bảo hành theo các điều khoản bảo hành quốc tế vì chúng bị mài mòn.

Xử lý sự cố

Chương này tóm tắt các sự cố thường gặp với thiết bị này. Nếu bạn không thể giải quyết được vấn đề sau khi tham khảo thông tin dưới đây, hãy liên hệ với Trung Tâm Chăm Sóc Khách Hàng của Philips tại nước bạn.

Vấn đề	Nguyên nhân có thể	Giải pháp
Máy cạo râu không hoạt động tốt như trước đây.	Các đầu cạo đã bị hư hỏng hay bị mòn.	Thay thế bộ phận giữ đầu cạo (xem chương 'Thay thế phụ kiện').

Vấn đề	Nguyên nhân có thể	Giải pháp
	Râu dài làm tắc các đầu cạo.	Làm sạch các đầu cạo bằng cách thực hiện theo các bước của phương pháp làm sạch kỹ hơn (xem chương 'Vệ sinh và bảo dưỡng máy').
	Hệ Thống Làm Sạch Jet chưa làm sạch hoàn toàn máy cạo râu, vì dung dịch làm sạch trong khoang làm sạch bị bắn hoặc mức dung dịch làm sạch quá thấp.	Làm sạch kỹ máy cạo râu trước khi tiếp tục cạo râu. Nếu cần, làm sạch và đổ lại dung dịch làm sạch vào khoang làm sạch (xem chương 'Vệ sinh và bảo dưỡng máy').
Máy cạo râu không hoạt động khi nhấn nút on/off (bật/tắt).	Pin sạc hết điện.	Sạc lại pin (xem chương 'Sạc điện').
	Khóa du lịch đang bật.	Nhấn nút on/off (bật/tắt) trong 3 giây để tắt chế độ khóa du lịch.
	Bộ phận giữ đầu cạo bị bắn hoặc bị hư hỏng tới mức mô-tơ không thể chạy.	Làm sạch hoặc thay thế bộ phận giữ đầu cạo (xem các chương 'Vệ sinh và bảo dưỡng máy' và 'Thay thế phụ kiện').
	Nhiệt độ của máy cạo râu quá cao. Trong trường hợp này, máy cạo râu không hoạt động.	Để máy cạo râu nguội xuống. Ngay sau khi nhiệt độ của máy cạo râu hạ xuống ở mức đủ thấp, bạn có thể bật lại máy cạo râu.
Máy cạo râu không sạch hoàn toàn sau khi được làm sạch trong Hệ Thống Làm Sạch Jet.	Dung dịch làm sạch trong khoang làm sạch bị bắn.	Trút bỏ và rửa sạch ngăn làm sạch.
	Mức dung dịch làm sạch quá thấp. Nếu lượng dung dịch trong khoang làm sạch xuống dưới mức tối thiểu trong khi thực hiện chương trình làm sạch, chương trình sẽ ngừng lại. Đèn báo làm sạch và biểu tượng 'khoang làm sạch rỗng' nhấp nháy theo định kỳ và bộ phận giữ trở lại vị trí bắt đầu.	Đổ lại dung dịch làm sạch vào khoang làm sạch đến mức giữa hai vạch (xem chương 'Vệ sinh và bảo dưỡng máy').
	Bạn đã sử dụng một dung dịch làm sạch không phải dung dịch làm sạch Philips chính hãng.	Chỉ sử dụng Dung Dịch Làm Sạch HQ200 Philips.
Hệ Thống Làm Sạch Jet không hoạt động khi nhấn nút on/off (bật/tắt).	Hệ Thống Làm Sạch Jet không được nối với nguồn điện.	Cắm phích cắm nhỏ vào Hệ Thống Làm Sạch Jet và cắm bộ nối tiếp vào ổ điện.
	Không có kết nối điện giữa Hệ Thống Làm Sạch Jet và máy cạo râu.	Ấn chặt máy cạo râu vào bộ phận giữ để khóa máy vào vị trí.
Máy cạo râu không được sạc đầy sau khi sạc trong bộ sạc/Hệ Thống Làm Sạch Jet.	Bạn đặt máy cạo râu vào bộ sạc/Hệ Thống Làm Sạch Jet không đúng cách.	Đảm bảo rằng bạn ấn máy cạo râu cho đến khi máy được khóa vào đúng vị trí.

簡介

恭喜您購買本產品並歡迎加入飛利浦！請於 www.philips.com/welcome 註冊您的產品，以善用飛利浦提供的支援。請閱讀本使用手冊，其中內容不僅說明本電鬚刀的功能，也提供一些秘訣，幫助您享受更加輕鬆、愉快的刮鬚過程。

一般說明 (圖 1)

- A** 電鬚刀 (RQ1180/RQ1160/RQ1150)
 - 1 鬚角刀
 - 2 保護蓋
 - 3 電鬚刀組
 - 4 電鬚刀
 - 5 電鬚刀開/關 (On/Off) 按鈕
 - 6 顯示
- B** 充電器
- C** 噴射清潔系統 (限特定機型)
 - 1 電鬚刀固定座
 - 2 「清潔室已空」符號
 - 3 清潔符號
 - 4 乾燥符號
 - 5 噴射清潔系統開/關 (On/Off) 按鈕
 - 6 清潔室釋放按鈕
- D** 清潔刷
- E** 清潔液
- F** 收納袋 (限特定機型)
- G** 轉換器

重要事項

在使用本產品前，請先仔細閱讀本使用手冊，並保留說明以供日後參考。

備註：本使用手冊中的「產品」一詞意指電鬚刀以及噴射清潔系統。如果您的電鬚刀並未配備噴射清潔系統，則該詞僅指電鬚刀。

一般

危險

- 請確定轉換器沒有弄濕。(圖 2)

警告

- 轉換器內含一個變壓器。不可切斷轉換器而以其他的插頭取代，否則會造成危險。
- 本批產品不適合供下列人士 (包括孩童) 使用：身體官能或心智能力退化者，或是經驗與使用知識缺乏者。他們需要有負責其安全的人員在旁監督，或指示產品的使用方法，方可使用。
- 請勿讓孩童將這些產品當成玩具。
- 清潔產品時，請小心使用熱水。請隨時檢查熱水是否太燙，以避免手部燙傷。

注意

- 切勿將噴射清潔系統以及充電器浸入水中，或直接在水龍頭下沖洗。
- 本產品及配件不可放入洗碗機清洗。
- 請務必將產品放置於防水表面。
- 請在 5°C 到 35°C 間使用、充電、存放本產品。
- 限使用產品所附的配件。
- 轉換器可將 100-240 伏特的電壓轉換為低於 24 伏特的安全低電壓。
- 若配件損壞時，請勿使用。
- 如果轉換器或其他任何配件損壞，請務必以同型號的變壓器或配件進行更換，以免發生危險。
- 在您沖洗時，水可能會從電鬚刀底部的插孔流出。此為正常現象，不會造成危險，因為所有的電子零件都密封於電鬚刀內的電源裝置中。

噴射清潔系統 (限特定機型)

注意

- 本噴射清潔系統只能搭配原廠的 HQ200 清潔液使用。
- 請將噴射清潔系統放置在穩固、平坦的平面上，以防滲漏。
- 請勿將噴射清潔系統浸入水中。
- 請每 15 天將清潔室倒空，然後放在熱水下，徹底沖洗乾淨。
- 噴射清潔系統雖然能夠徹底清潔電鬚刀，但無法加以消毒，因此請勿與他人共用電鬚刀。
- 噴射清潔系統的清潔室不可放入洗碗機清洗。
- 噴射清潔系統使用就緒之後，應避免移動它，以避免清潔液漏出。

符合標準

- 本電鬚刀符合國際公認安全標準，可以在沐浴或淋浴時安全使用，亦可放心以水龍頭沖洗。(圖 3)
- 本飛利浦配件符合電磁波 (Electromagnetic field, EMF) 所有相關標準。若正確處理並依照本電鬚刀隨附之重要資訊手冊，以及使用手冊中的指示進行操作，根據現有之科學文獻，使用本產品及配件並無安全疑慮。

顯示畫面

備註：第一次使用本電鬚刀前，請先撕除螢幕的保護膜。

三款電鬚刀 (RQ1180、RQ1160 和 RQ1150) 的螢幕各不相同，如下圖所示。

- RQ1180 (圖 4)
- RQ1160 (圖 5)
- RQ1150 (圖 6)

充電

- 充電時間約需 1 小時。

RQ1180

- 電鬚刀充電時，最下方的充電指示燈會先開始閃爍，然後是第二充電指示燈，直到電鬚刀完全充電完畢。(圖 7)
- 快速充電：電力足夠刮鬚一次時，最下方的充電指示燈會輪流閃爍橘光和白光。

RQ1160/RQ1150

- 電鬚刀充電時，電池符號會一直閃爍，直到電鬚刀充電完畢。(圖 8)
- 快速充電：電力足夠刮鬚一次時，插頭符號和電池符號會輪流閃爍。

備註：型號 RQ1160 與 RQ1150 的螢幕外觀雖然不同，但運作的方式相同。

電池充滿電

RQ1180

- 當電池充滿電力後，所有充電指示燈都會持續亮著。約 30 分鐘後螢幕會再度自動關閉。(圖 9)

RQ1160/RQ1150

- 當電池充滿電力後，電池符號會持續亮著。約 30 分鐘後螢幕會再度自動關閉。(圖 10)

備註：型號 RQ1160 與 RQ1150 的螢幕外觀雖然不同，但運作的方式相同。

電量不足

RQ1180

- 電池電力即將用盡(可使用時間只剩或不足 5 分鐘)時，最下方的充電指示燈會閃爍橘光。(圖 11)
- 當您關閉電鬚刀電源時，最下方的充電指示燈會持續閃爍數秒。

RQ1160/RQ1150

- 電池電力即將用盡(可使用時間只剩 5 分鐘以內)時，插頭符號會開始閃爍。(圖 12)
- 當您關閉電鬚刀的電源時，插頭符號會持續閃爍數秒。

備註：型號 RQ1160 與 RQ1150 的螢幕外觀雖然不同，但運作的方式相同。

剩餘電池電量

RQ1180

- 電池剩餘的電量是以亮起的充電指示燈格數來表示。(圖 13)

旅行鎖

在您外出旅行之前，可以設定鎖住電鬚刀。使用旅行鎖可防止電鬚刀意外開啟電源。

啟動旅行鎖定

- 1 按下開/關 (On/Off) 按鈕 3 秒鐘，即可進入旅行鎖定模式。(圖 14)
- ▶ 螢幕會顯示鎖定符號。-tekening- (圖 15)

備註：型號 RQ1180、RQ1160 與 RQ1150 的螢幕外觀雖然不同，但顯示的符號相同。

解除旅行鎖定

- 1 按住開/關 (On/Off) 按鈕約 3 秒鐘。
- ▶ 馬達會開始運轉，表示旅行鎖定已經解除。
電鬚刀現在已可再度使用。

備註：若將電鬚刀放入已經插接電源的充電器或噴射清潔系統，旅行鎖定就會自動解除。

充電

充電時間約需 1 小時。

RQ1180/RQ1160：完全充電的電鬚刀可持續刮鬚約 50 分鐘/15 天。

RQ1150：完全充電的電鬚刀可持續刮鬚約 40 分鐘/12 天。

請在初次使用之前，和螢幕指出電池電量即將用盡時為電鬚刀充電(參閱「顯示畫面」單元中的「電量不足」章節)。

快速充電

電鬚刀充電 5 分鐘後，即有足夠電力可供刮鬚一次。

置入充電器中充電

- 1 將小插頭插入充電器中。(圖 16)
- 2 將轉換器插入插座。
- 3 將電鬚刀放在充電器中 (1) 向後推 (2) (會聽見「喀噠」一聲)。(圖 17)
- ▶ 螢幕會顯示電鬚刀正充電中(請參閱「顯示畫面」單元)。

置入噴射清潔系統中充電(限特定機型)

- 1 將小插頭插入噴射清潔系統中。
- 2 將轉換器插入插座。
- 3 將電鬚刀倒置在固定座中，螢幕朝向噴射清潔系統的正面。(圖 18)

備註：僅限 RQ1180：當您將電鬚刀倒放時，螢幕中的電量指示畫面也會跟著上下顛倒，因此您依舊能夠看出電池充電程度。

- 4 將電鬚刀緊密壓入固定座中，以鎖在定位。(圖 19)

備註：若電鬚刀組上還留有保護蓋，或鬚角刀仍裝在電鬚刀上，即無法將電鬚刀放入噴射清潔系統。

- ▶ 螢幕會顯示電鬚刀正充電中(請參閱「顯示畫面」單元)。

使用本電鬚刀

刮鬚

- 1** 按一下開/關 (On/Off) 按鈕，開啟電鬚刀電源。
▶ RQ1180：螢幕會亮起幾秒鐘。
- 2** 將電鬚刀頭在皮膚上移動，請以畫圓的方式來移動。(圖 20)
 - 請勿以直線方式移動。
 - 您的皮膚可能需要 2 到 3 週的時間才能完全適應飛利浦電鬚刀系統。
- 3** 按一下開/關 (On/Off) 按鈕，關閉電鬚刀電源。
▶ RQ1180：螢幕會亮起幾秒鐘，接著顯示剩餘的電力。

濕潤刮鬚

您也可以沾有刮鬚膏或刮鬚凝露的濕潤臉部上使用本電鬚刀。
若要在刮鬚時配合使用刮鬚膏或刮鬚凝露，請依照下列步驟：

- 1** 在皮膚上抹一點水。
- 2** 將刮鬚膏或刮鬚凝露抹到皮膚上。
- 3** 將電鬚刀組放在水龍頭下沖洗，以確保電鬚刀組能在皮膚上平順移動。
- 4** 按一下開/關 (On/Off) 按鈕，開啟電鬚刀電源。
- 5** 請以畫圓的方式在皮膚上移動電鬚刀刀頭。

備註：定期將電鬚刀放在水龍頭下沖洗，以確保電鬚刀持續在皮膚上平順移動。

- 6** 把臉擦乾，並在使用後徹底清潔電鬚刀 (請參閱「清潔與維護」單元)。

備註：請確實從電鬚刀上洗去所有刮鬚膏或刮鬚凝露。

修剪

您可以使用鬚角刀修整鬚角與鬚髭。

- 1** 從電鬚刀中垂直抽出電鬚刀組。(圖 21)

備註：當您從電鬚刀中抽出電鬚刀組時，請勿旋轉。

- 2** 將鬚角刀的突耳插入電鬚刀頂端的凹槽 (1)，再將鬚角刀往下壓 (2) 即可安裝到電鬚刀上 (會聽見「喀嗒」一聲)。(圖 22)

- 3** 按一下開/關 (On/Off) 按鈕，開啟鬚角刀電源。

▶ RQ1180：螢幕會亮起幾秒鐘。

- 4** 這時即可開始修整。

- 5** 按一下開/關 (On/Off) 按鈕，關閉鬚角刀電源。

▶ RQ1180：螢幕會亮起幾秒鐘，接著顯示剩餘的電力。

- 6** 從電鬚刀中垂直抽出鬚角刀。(圖 23)

備註：當您從電鬚刀中抽出鬚角刀時，請勿旋轉。

- 7** 將電鬚刀組的突耳插入電鬚刀頂端的凹槽 (1)，再將電鬚刀組往下壓 (2) 即可安裝到電鬚刀上 (會聽見「喀嗒」一聲)。(圖 24)

清潔與維護

切勿使用鋼絲絨、磨蝕性的清潔劑或侵蝕性的液體 (例如汽油或丙酮) 清潔本產品和噴射清潔系統。

- 清潔電鬚刀時，最好、也最衛生的方式是使用噴射清潔系統 (限特定機型)；不過也可以在水龍頭下沖洗，或以隨附的刷子來清潔電鬚刀。
- 請小心使用熱水。隨時檢查熱水是否太燙，以避免手部燙傷。
- 為得到最佳的刮鬚性能，請於每回刮鬚之後清潔電鬚刀。
- 可使用濕布清潔電鬚刀外側。
- 定期清潔以維持較佳的刮鬚效果。

清洗除毛刀頭組

請小心使用熱水。隨時檢查熱水是否太燙，以避免手部燙傷。

- 1** 將電鬚刀組以熱水沖洗一段時間。(圖 25)

備註：您也可以用產品所附的清潔刷清潔電鬚刀組。

- 2** 將電鬚刀刀頭固定座從電鬚刀組底部抽出，在熱水下沖洗 30 秒。(圖 26)

備註：您也可以用產品所附的清潔刷清潔電鬚刀刀頭固定座。

- 3** 仔細甩乾多餘的水份之後，讓電鬚刀組乾燥。

切勿使用毛巾或紙巾擦乾電鬚刀組，因為此舉可能會造成電鬚刀刀頭損害。

- 4** 將電鬚刀刀頭固定座重新接上電鬚刀組的底部 (會聽見「喀嗒」一聲)。(圖 27)

清洗在噴射清潔系統中的電鬚刀組 (限特定機型)

噴射清潔系統附有自動清洗程序。當您按下開/關 (On/Off) 按鈕時，噴射清潔系統的自動清洗程序就會開始進行清潔。

噴射清潔系統的使用前準備

第一次使用清潔室之前請先加滿清潔液。

- 1** 將小插頭插入噴射清潔系統中。

- 2 將轉換器插入插座。
▶ 固定座會自動調到最高位置。
- 3 將清潔室兩側的釋放鈕同時按下 (1)，接著將噴射清潔系統往上提起，脫離清潔室 (2)。(圖 28)
▶ 清潔室就會留在原處。
- 4 將裝有清潔液的瓶子轉開瓶蓋。
- 5 將 HQ200 清潔液倒入清潔室，到達兩處標示之間的高度。(圖 29)
- 6 將噴射清潔系統放回清潔室中。(圖 30)
確定釋放鈕卡回定位。

使用噴射清潔系統

備註：如果您配合刮鬍膏或刮鬍凝露使用電鬍刀，我們建議您在使用噴射清潔系統清潔電鬍刀之前，先在熱水下沖洗電鬍刀。如此將可確保清潔液的最佳使用壽命。

- 1 將電鬍刀倒置在固定座中，螢幕朝向噴射清潔系統的正面。(圖 18)
- 2 將電鬍刀緊密壓入固定座中，以鎖在定位。(圖 19)
▶ 螢幕會顯示電鬍刀正充電中(請參閱「顯示畫面」單元)。
- 3 按下噴射清潔系統的開/關 (On/Off) 按鈕，啟動清洗程序。(圖 31)
▶ 電鬍刀的螢幕會停止顯示充電指示燈。
▶ 清潔指示燈會開始閃爍，電鬍刀也自動下降，浸入清潔液當中。(圖 32)
▶ 清洗程序全程序中清潔指示燈都會閃爍，共需數分鐘。
▶ 清洗程序的第一階段期間，電鬍刀會自動開啟、關閉數次，並且上下移動。
▶ 清洗程序的第二階段期間，電鬍刀會就乾燥位置，並以閃爍的乾燥符號表示。這個階段需要約 2 小時。電鬍刀會留在這個位置，直到程序結束。(圖 33)
▶ 清洗程序過後，電鬍刀的螢幕會顯示充電指示燈(請參閱「顯示畫面」單元)。

備註：清洗過程中若按下噴射清潔系統的開/關 (On/Off) 按鈕，程序就會中止。這時清潔或乾燥指示燈會停止閃爍，固定座則移動到最高的位置。

備註：清洗過程中，若將轉換器從牆壁的電源插座拔除，程序便會中斷。固定座會停留在當時的位置。待您將轉換器插回牆上插座時，固定座就會移到最高的位置。

- 當清潔液降至最低液位下方時，「清潔室已空」符號會開始閃爍，固定座則回到最初的位置。(圖 34)
- 如果您每天使用清洗機來清潔電鬍刀，大約每 15 天需要為清潔室補充一次清潔液。

清潔噴射清潔系統

請每 15 天清洗一次清潔室。

噴射清潔系統的外部可以用濕布擦拭。

- 1 將噴射清潔系統兩側的釋放鈕同時按下 (1)，接著將噴射清潔系統往上提起，脫離清潔室 (2)。(圖 28)
▶ 清潔室就會留在原處。
- 2 將清潔室中剩餘的清潔液倒空。(圖 35)
您可直接將清潔液倒入水槽中。
- 3 請將清潔室拿到水龍頭下沖洗。(圖 36)

清潔室不可放入洗碗機清洗。

- 4 將 HQ200 清潔液倒入清潔室，到達兩處標示之間的高度。(圖 29)
- 5 將噴射清潔系統放回清潔室中。(圖 30)
確定釋放鈕卡回定位。

超徹底清潔方法

確定關閉本產品的電源。

- 1 將電鬍刀刀頭固定座從電鬍刀組底部抽出。(圖 26)
- 2 將綠色固定架朝固定架上指示的箭頭方向推出。(圖 37)
- 3 從電鬍刀刀頭固定座上取出固定架。(圖 38)
- 4 從電鬍刀刀網上取下刀片。(圖 39)

備註：因為刀片及刀網是成對的一組，請勿一次清潔一組以上。如果您不小心將刀片放進錯誤的電鬍刀刀網中，可能要花幾週的時間才能恢復最理想的刮鬍效果。

- 5 使用隨附於電鬍刀的清潔刷來清潔刀片。(圖 40)
- 6 清潔電鬍刀刀網內部。(圖 41)
- 7 清潔後，請將刀片放回電鬍刀刀網，使刀片腳朝下。(圖 42)
- 8 將固定架裝回電鬍刀刀頭固定座。(圖 43)
- 9 將刀網推回定位(會聽見「喀噠」一聲)。(圖 44)
- 10 將電鬍刀刀頭固定座重新接上電鬍刀組的底部。(圖 27)

清潔鬚角刀

每次使用鬚角刀後，請進行清潔。

- 1 裝上鬚角刀後，開啟電鬍刀電源。
- 2 將鬚角刀以熱水沖洗一段時間。(圖 45)

3 清潔之後，關閉電鬚刀電源。

秘訣：為使鬚角刀發揮最佳性能，請每 6 個月以一滴縫紉機油來潤滑鬚角刀的刀齒。

收納

1 以滑動方式蓋上電鬚刀組的保護蓋，以避免刀頭損壞。(圖 46)

2 限特定機型：將電鬚刀收存在隨附的收藏袋。

替代品

為得到最佳的刮鬚性能，我們建議您每年更換一次電鬚刀組的刀頭。請以原廠 RQ11 飛利浦電鬚刀刀頭固定座來更換電鬚刀組的刀頭。

1 將電鬚刀刀頭固定座從電鬚刀組底部抽出。(圖 26)

2 將新的電鬚刀刀頭固定座接上電鬚刀組的底部(會聽見「喀嗒」一聲)。(圖 27)

訂購零件

備有下列零件可供另外選購：

- HQ8505 轉換器
- RQ11 飛利浦電鬚刀刀頭固定座
- HQ110 飛利浦電鬚刀刀頭噴霧清潔劑
- HQ200 飛利浦清潔液

環境保護

- 產品使用壽命結束時，請勿與一般家庭廢棄物一併丟棄。請將產品放置於政府指定的回收站，此舉能為環保盡一份心力。(圖 47)
- 本電鬚刀使用的充電電池可能含有會污染環境的物質。將本電鬚刀丟棄或是送到政府指定回收站前，請務必先取出電池，並將電池送到政府指定的電池回收站。若您無法取出電池，也可將本用品帶到飛利浦授權服務中心。服務中心會為您卸下電池，並以對環境無害的方式處理電池。(圖 48)

取出電鬚刀的充電電池

棄置本電鬚刀前，請先取出充電電池。當您要取出電池時，請確認其電力已完全耗盡。

電池固定帶非常銳利，請小心。

1 用螺絲起子拆下電鬚刀的背板。

2 取出充電電池。

保固與服務

如需相關服務或資訊，或是有任何問題，請瀏覽飛利浦網站，網址為 www.philips.com，或聯絡當地的飛利浦客戶服務中心(電話號碼可參閱全球保證書)。若您當地沒有客戶服務中心，請洽詢當地的飛利浦經銷商。

保固限制

電鬚刀頭(刀具和電鬚刀刀網)由於其磨損性，因此不在全球保固範圍內。

疑難排解

本單元概述您使用本產品時最常遇到的問題。如果您無法利用以下資訊解決您遇到的問題，請聯絡您所在國家/地區的客戶服務中心。

問題	可能原因	解決方案
電鬚刀不像平常一樣運作。	電鬚刀頭毀壞或磨損。	更換電鬚刀刀頭固定座(請參閱「更換」單元)。
	長鬚鬚卡住電鬚刀頭。	請依照超徹底清潔方法清潔刀頭(請參閱「清潔與維護」單元)。
我按下開/關(On/Off)按鈕時，電鬚刀沒有反應。	可能是由於清潔室中的清潔液髒污，或清潔液位過低，導致噴射清潔系統無法妥善清潔電鬚刀。	在您繼續刮鬚之前，請徹底清潔電鬚刀。如有需要，先清潔清潔室，再補充清潔液(請參閱「清潔與維護」單元)。
	充電式電池沒電。	將電池重新充電(請參閱「充電」單元)。
電鬚刀刀頭固定座已經髒污或損壞到馬達無法轉動的程度。	旅行鎖已啟動。	按下開/關(On/Off)按鈕 3 秒鐘，即可解除旅行鎖定。
	電鬚刀過熱。在此情況下，電鬚刀將無法使用。	清潔電鬚刀刀頭固定座，或加以更換(請參閱「清潔與維護」和「更換」單元)。 讓電鬚刀冷卻。等到電鬚刀充分降溫，您就能再度啟動電鬚刀的電源。
電鬚刀已用噴射清潔系統洗過，卻未徹底洗乾淨。	清潔室中的清潔液已經髒污。	請將清潔室倒空，並且沖洗乾淨。

問題	可能原因	解決方案
	清潔液位過低。若清潔過程中，清潔室液位降至最低液位的下方時，程序就會中止。清潔指示燈與「清潔室已空」符號每隔一段時間就會閃爍，固定座則會回到最初的位置。	將清潔液重新注入清潔室中，到達兩處標示之間的高度 (請參閱「清潔與維護」單元)。
	您使用了其他廠牌的清潔液，而非飛利浦原廠清潔液。	請使用 HQ200 飛利浦清潔液。
我按下開/關 (On/Off) 按鈕時，噴射清潔系統沒有啟動。	噴射清潔系統未接上電源。	將小插頭插上噴射清潔系統中，再將轉換器接到牆壁的插座。
	噴射清潔系統和電鬚刀之間沒有電力連接。	將電鬚刀緊密壓入固定座中，以鎖在定位。
雖然已將電鬚刀放入充電器或噴射清潔系統中充電，仍然無法充電。	電鬚刀未妥善放入充電器或噴射清潔系統中。	請確定將電鬚刀壓入固定位置。

产品简介

感谢您的惠顾，欢迎光临飞利浦！为了您能充分享受飞利浦提供的支持，请在 www.philips.com/welcome 上注册您的产品。请阅读本用户手册，手册包含有关此剃须刀各种功能的信息以及一些使用技巧，让您的剃须体验更轻松更舒适。

一般说明 (图 1)

- A** 剃须刀 (RQ1180/RQ1160/RQ1150)
 - 1 修剪器
 - 2 保护盖
 - 3 剃须刀头部件
 - 4 剃须刀
 - 5 剃须刀开/关按钮
 - 6 显示
- B** 充电器
- C** Jet Clean 高效能清洁系统 (仅限于特定型号)
 - 1 剃须刀支架
 - 2 “清洗仓已空”符号
 - 3 清洁符号
 - 4 干燥符号
 - 5 Jet Clean 高效能清洁系统开/关按钮
 - 6 清洗仓释放按钮
- D** 清洁刷
- E** 清洁液
- F** 精美软袋 (仅限于特定型号)
- G** 适配器

重要信息

使用本产品之前，请仔细阅读本使用说明书，并妥善保管以备日后参考。

注意： 在本使用说明书中，术语“产品”指剃须刀和 Jet Clean 高效能清洁系统。如果您的剃须刀不随附 Jet Clean 高效能清洁系统，则它专指剃须刀。

概述

危险

- 确保电源适配器干燥。(图 2)

警告

- 电源适配器内含有一个变压器。切勿将其剪断，而用另一个插头代替，否则将导致严重后果。
- 本产品不打算由肢体不健全、感觉或精神上有障碍或缺乏相关经验和知识的人（包括儿童）使用，除非有负责他们安全的人员对他们使用这些产品进行监督或指导。
- 应照看好儿童，确保他们不会玩耍这些产品。
- 清洁产品时要小心使用热水。切记先检查水温是否太高，以防手被烫伤。

警告

- 切勿将 Jet Clean 高效能清洁系统和充电器浸入水中，也不要放在水龙头下冲洗。
- 产品和附件不可用洗碗机清洗。
- 一定要在抗有机溶剂腐蚀的表面上放置和使用本产品。
- 必须在 5 摄氏度至 35 摄氏度之间的温度下使用、存放和为本产品充电。
- 只能使用随附的附件。
- 电源适配器可将 100-240 伏的电压转换为 24 伏以下的安全低电压。
- 如果产品损坏，请勿使用本产品。
- 如果适配器或任何其他附件损坏，必须用原装型号更换，以免发生危险。
- 冲洗产品时，水可能从剃须刀底部的插口漏出。这是正常的，而且没有危险，因为所有的电子线路都密封在剃须刀内的一个密封壳内。

Jet Clean 高效能清洁系统 (仅限于特定型号)

警告

- Jet Clean 高效能清洁系统只能使用原装 HQ200 清洁剂。
- Jet Clean 高效能清洁系统必须放在稳定、平坦的水平表面上，以防漏液。
- 切勿将 Jet Clean 高效能清洁系统浸入水中。
- 每 15 天倒空清洗仓一次，并用热水彻底冲洗。
- Jet Clean 高效能清洁系统能彻底清洗您的剃须刀，但不能消毒；因此切勿与他人共用剃须刀。
- Jet Clean 高效能清洁系统的清洗仓不可在洗碗机中清洗。
- 当 Jet Clean 高效能清洁系统准备就绪时，切勿移动本产品，以免清洁剂漏出。

符合标准

- 此剃须刀符合国际认可的安全标准，可在洗澡或淋浴时安全地使用，并可在水龙头下清洗。(图 3)
- 这款飞利浦产品符合关于电磁场 (EMF) 的相关标准。据目前的科学证明，如果正确使用并按照随此剃须刀提供的注意事项册页和使用信息册页中的说明进行操作，本产品是安全的。

显示屏

注意： 初次使用剃须刀前，请从显示屏上取下保护膜。

三种型号的剃须刀 (RQ1180、RQ1160 和 RQ1150) 具有不同的显示屏，具体如下图所示。

- RQ1180 (图 4)
- RQ1160 (图 5)
- RQ1150 (图 6)

充电

- 充电约需 1 小时。

RQ1180

- 剃须刀充电时，底部的第一个充电指示灯会先闪烁，接着第二个充电指示灯闪烁，以此类推，直到剃须刀完全充满电。(图 7)
- 快速充电：当剃须刀包含的电量仍够剃须一次时，底部的充电指示灯会交替闪烁橙色和白色。

RQ1160/RQ1150

- 剃须刀充电时，电池符号将会闪烁，直到剃须刀完全充满电。(图 8)
- 快速充电：当剃须刀包含的电量仍够剃须一次时，插头符号和电池符号将会交替闪烁。

注意：RQ1160 和 RQ1150 型号的显示屏外观不同，但工作原理是一样的。

电池已完全充满

RQ1180

- 当电池完全充满电时，所有充电指示灯均会持续亮起。大约 30 分钟后，显示屏会再次自动关闭。(图 9)

RQ1160/RQ1150

- 当电池完全充满电时，电池符号会持续亮起。大约 30 分钟后，显示屏会再次自动关闭。(图 10)

注意：RQ1160 和 RQ1150 型号的显示屏外观不同，但工作原理是一样的。

电池电量不足

RQ1180

- 当电池电量快要耗尽时（仅剩 5 分钟或更少的剃须时间），底部的充电指示灯将闪烁橙色。(图 11)
- 关闭剃须刀时，底部的充电指示灯将持续闪烁几秒钟。

RQ1160/RQ1150

- 当电池电量快要耗尽时（仅剩 5 分钟或更少的剃须时间），插头符号将会闪烁。(图 12)
- 关闭剃须刀时，插头符号将持续闪烁几秒钟。

注意：RQ1160 和 RQ1150 型号的显示屏外观不同，但工作原理是一样的。

电池剩余电量

RQ1180

- 剩余的电池电量由亮起的充电指示灯数来表示。(图 13)

旅行锁

您可以在携带剃须刀旅行之前将其锁住。旅行锁可防止剃须刀被意外打开。

启用旅行锁

- 1 按住开/关按钮 3 秒钟以进入旅行锁模式。(图 14)
- ▶ 锁符号将在显示屏上亮起。-tekening- (图 15)

注意：RQ1180、RQ1160 和 RQ1150 型号的显示屏外观不同，但显示相同的符号。

解除旅行锁

- 1 按开/关按钮 3 秒钟。
 - ▶ 马达开始运行即表示旅行锁已解除。
- 现在可以重新开始使用剃须刀。

注意：当您剃须刀插接到充电器或放到 Jet Clean 高效能清洁系统中时，旅行锁将自动解除。

充电

充电约需 1 小时。

RQ1180/RQ1160：完全充电的剃须刀剃须时间可长达 50 分钟/15 天。

RQ1150：完全充电的剃须刀剃须时间可长达 40 分钟/12 天。

第一次使用剃须刀之前，或当显示屏指示电池电量快要耗尽时，请先为剃须刀充电（参见“显示屏”一章中的“电池电量不足”部分的内容）。

快速充电

剃须刀在充电 5 分钟后，其含有的电量便足以完成一次剃须。

在充电器中充电

- 1 将小插头插入充电器。(图 16)
- 2 将电源适配器插入电源插座。
- 3 将剃须刀插接到充电器 (1) 中，然后将其向后推动 (2)（可听到“咔哒”一声）。(图 17)
- ▶ 显示屏将显示剃须刀正在充电（见“显示屏”一章）。

在 Jet Clean 高效能清洁系统中充电（仅限于特定型号）

- 1 将小插头插入 Jet Clean 高效能清洁系统。
- 2 将电源适配器插入电源插座。
- 3 将剃须刀倒置放入支架中，让显示屏朝向 Jet Clean 高效能清洁系统的正面。(图 18)

注意：仅限于 RQ1180：将剃须刀倒置时，显示屏上的电池指示也会倒置，因此您仍然能够看清电池充电的情况。

- 4 将剃须刀牢固地按入支架，使其锁定到位。(图 19)

注意：当剃须刀头部件上套了保护盖，或剃须刀上装了修发器时，不可将剃须刀放到 Jet Clean 高效能清洁系统中。

- ▶ 显示屏将显示剃须刀正在充电（见“显示屏”一章）。

使用剃须刀

剃须

- 1 按一下开/关按钮以启动剃须刀。
▶ RQ1180: 显示屏将亮起几秒钟的时间。
- 2 将剃须刀头在皮肤上移动。作迂回运动。(图 20)
- 请勿作直线运动。
- 您的皮肤可能需要 2 到 3 周才能适应飞利浦剃须系统。
- 3 按一下开/关按钮关闭剃须刀电源。
▶ RQ1180: 显示屏将亮起几秒钟时间, 然后显示电池剩余电量。

湿剃

您也可以先用剃须泡沫或剃须口喱将脸弄湿, 然后再用此剃须刀进行剃须。要用剃须泡沫或剃须口喱剃须, 请按照下面的步骤执行操作:

- 1 用水润湿一下皮肤。
- 2 在皮肤上涂上剃须泡沫或剃须 喱。
- 3 在水龙头上冲洗一下剃须刀头部件, 确保剃须刀头部件可以在您的皮肤上顺畅滑动。
- 4 按一下开/关按钮以启动剃须刀。
- 5 将剃须刀头在您的皮肤上作迂回运动。

注意: 在水龙头下定期冲洗剃须刀, 确保其能够继续在您的皮肤上顺畅滑动。

- 6 使用后, 擦干您的脸并彻底清洁剃须刀(见“清洁和保养”一章)。

注意: 确保冲洗干净剃须刀上的泡沫或剃须 喱。

修发

您可使用修发器修剪鬓脚和小胡子。

- 1 将剃须刀头部件竖直抽离剃须刀。(图 21)
注意: 将其抽离剃须刀时, 不要转动剃须刀头部件。
- 2 将修发器的凸缘插入剃须刀顶部的槽内 (1)。然后向下按修发器 (2) 以将其安装在剃须刀上 (可听到“咔哒”一声)。(图 22)
- 3 按一下开/关按钮打开修发器。
▶ RQ1180: 显示屏将亮起几秒钟的时间。
- 4 现在可以开始修剪了。
- 5 按一下开/关按钮关闭修发器。
▶ RQ1180: 显示屏将亮起几秒钟时间, 以显示电池剩余电量。
- 6 将修发器竖直抽离剃须刀。(图 23)

注意: 将其抽离剃须刀时, 不要转动修剪部件。

- 7 将剃须刀头部件的凸缘插入剃须刀顶部的槽内 (1)。然后向下按剃须刀头部件 (2) 以将其安装在剃须刀上 (可听到“咔哒”一声)。(图 24)

清洁和保养

切勿使用钢丝绒、研磨性清洁剂或腐蚀性液体 (例如汽油或丙酮) 来清洁本产品和 Jet Clean 高效能清洁系统。

- 在 Jet Clean 高效能清洁系统 (仅限于特定型号) 中清洁剃须刀是最有效、最卫生的方法。您还可以在水龙头下冲洗剃须刀或用随附的毛刷进行清洁。
- 使用热水时一定要小心。切记先检查水温是否太高, 以防烫手。
- 每次剃须后清洁剃须刀, 以获得最佳的剃须性能。
- 可以用湿布清洁剃须刀的外侧。
- 为保证更好的剃须效果, 剃须刀必须定期清洗。

清洁剃须刀头部件

使用热水时一定要小心。切记先检查水温是否太高, 以防烫手。

- 1 在热水龙头下冲洗一会儿剃须刀头部件。(图 25)
注意: 您也可以使用随附的清洁刷清洁剃须刀头部件。
- 2 将剃须刀头支架抽离剃须刀头部件的底部, 然后在热水龙头下冲洗 30 秒。(图 26)
注意: 您也可以使用附带的清洁刷清洁剃须刀头支架。
- 3 小心甩干多余的水, 然后使剃须刀头部件干燥。
不要毛巾或纸巾擦拭剃须刀头部件, 因为这样可能会损坏剃须刀头。
- 4 将剃须刀头支架重新装回剃须刀头部件的底部 (可听到“咔哒”一声)。(图 27)

在 Jet Clean 高效能清洁系统中清洁剃须刀头部件 (仅限于特定型号)

Jet Clean 高效能清洁系统具有一个自动清洗程序。按下开/关按钮时, Jet Clean 高效能清洁系统将开始以自动清洗程序清洁。

Jet Clean 高效能清洁系统使用准备

首次使用之前请将清洁剂注满清洗仓。

- 1 将小插头插入 Jet Clean 高效能清洁系统。
- 2 将电源适配器插入电源插座。
D 支架将自动移到最高位置。
- 3 同时按下清洗仓两侧的释放钮 (1)。然后将 Jet Clean 高效能清洁系统从清洗仓上提起 (2)。(图 28)
D 留下清洗仓。
- 4 拧开装清洁剂的瓶子的瓶盖。
- 5 给清洗仓注入 HQ200 清洁剂，水量在两线之间为宜。(图 29)
- 6 将 Jet Clean 高效能清洁系统重新放在清洗仓上。(图 30)
确保释放键卡回到位。

使用 Jet Clean 高效能清洁系统

注意：如果您在剃须时使用了剃须泡沫或剃须 喱，建议您在将剃须刀放入 Jet Clean 高效能清洁系统清洁之前，先在热水龙头下冲洗干净。这样可以保证清洁剂拥有最佳的使用寿命。

- 1 将剃须刀倒置放入支架中，让显示屏朝向 Jet Clean 高效能清洁系统的正面。(图 18)
- 2 将剃须刀牢固地按入支架，使其锁定到位。(图 19)
D 显示屏将显示剃须刀正在充电(见“显示屏”一章)。
- 3 按 Jet Clean 高效能清洁系统上的开/关按钮以启动清洁程序。(图 31)
D 剃须刀显示屏停止显示充电指示。
D 清洗指示灯开始闪烁，剃须刀将自动降到清洁剂中。(图 32)
D 清洗指示灯在整个清洗程序中不断闪烁，这需要几分钟时间。
D 在清洗程序的第一个阶段，剃须刀将开关数次，并会向上和向下移动。
D 在清洗程序的第二个阶段，剃须刀处在干燥档位，这由一个闪烁的干燥符号表示。此阶段大约需要 2 小时。在此程序结束之前剃须刀一直都会处在此档位。(图 33)
D 清洗程序结束后，充电指示将出现在剃须刀显示屏上(见“显示屏”一章)。

注意：如果在清洗程序运行期间按 Jet Clean 高效能清洁系统的开/关按钮，则程序将中断。此时，清洗或干燥指示灯将停止闪烁，支架将回到最高位置。

注意：如果在清洗程序运行期间将适配器从插座上拔除，则程序将中断。支架将保持在当前位置不变。当您将适配器重新插入插座时，支架将继续移动到最高的位置。

- 当清洁剂水位下降至最低水位以下时，“清洗仓已空”符号将开始闪烁，支架将返回到起始位置。(图 34)
- 如果每天都使用清洁剂清洗您的剃须刀，则需要大约每 15 天向清洗仓内补充清洁剂一次。

清洁 Jet Clean 高效能清洁系统

每隔 15 天清洁一次清洗仓。

您可以用湿布擦拭 Jet Clean 高效能清洁系统的外表面。

- 1 同时按下 Jet Clean 高效能清洁系统两侧的释放钮 (1)。然后将 Jet Clean 高效能清洁系统从清洗仓上提起 (2)。(图 28)
D 留下清洗仓。
- 2 将清洗仓中残余的清洁剂倒出。(图 35)
您只需将清洁剂倒入水槽。
- 3 在水龙头下冲洗清洗仓。(图 36)

清洗仓不可在洗碗机中清洗。

- 4 给清洗仓注入 HQ200 清洁剂，注入量在两线之间为宜。(图 29)
- 5 将 Jet Clean 高效能清洁系统重新放在清洗仓上。(图 30)
确保释放键卡回到位。

超彻底清洁方法

确保产品电源已关闭。

- 1 将剃须刀头支架从剃须刀头部件的底部抽离。(图 26)
- 2 按固定架所示的箭头方向滑动绿色固定架。(图 37)
- 3 将固定架从剃须刀头支架中提起并取出。(图 38)
- 4 将刀片从网罩上取下。(图 39)

注意：不要同时清洁多组刀片和网罩，因为它们都是相互匹配的。如果不小心将刀片装到了错误的网罩上，则需要数周时间才能恢复产品的最佳剃须性能。

- 5 用随附的清洁刷清洁刀片。(图 40)
- 6 清洁网罩的内侧。(图 41)
- 7 清洁后，将刀片重新装回至网罩，刀片底部朝下。(图 42)
- 8 装固定架装回到剃须刀头支架上。(图 43)
- 9 将网罩滑回到位(可听到“咔哒”一声)。(图 44)
- 10 将剃须刀头支架重新装回剃须刀头部件的底部。(图 27)

清洁修发器

每次使用后都要清洁修发器。

- 1 打开装有修发器的剃须刀。

2 在热水龙头下冲洗一会儿修发器。(图 45)

3 清洁完成后, 关闭剃须刀。

提示: 为获得最佳修剪性能, 每六个月用一滴缝纫机油润滑修发器齿。

存储

1 将保护盖滑动到剃须刀头部件上, 以防损坏剃须刀头。(图 46)

2 仅限于特定型号: 用随附的精美软袋存放剃须刀。

更换

为了获得最佳的剃须性能, 建议您每年更换剃须刀头部件的顶部。
仅可使用原装 RQ11 飞利浦剃须刀头支架来更换剃须刀头部件的顶部。

1 将剃须刀头支架从剃须刀头部件的底部抽离。(图 26)

2 将新的剃须刀头支架装回剃须刀头部件的底部 (可听到“咔哒”一声)。(图 27)

订购附件

可选配以下附件:

- HQ8505 适配器
- RQ11 飞利浦剃须刀头支架
- HQ110 飞利浦剃须刀头清洁喷雾剂
- HQ200 飞利浦高效能清洁剂

环境

- 弃置产品时, 请不要将其与一般生活垃圾堆放在一起; 应将其交给官方指定的回收中心。这样做有利于环保。(图 47)
- 内置充电电池含有可能会污染环境的物质。丢弃剃须刀时, 一定要将电池取出, 或将剃须刀送到官方指定的回收站。到官方指定的电池回收站处理电池。如果您在取出电池时遇到问题, 您也可以将剃须刀送至飞利浦维修中心。维修中心的员工会帮您取出电池, 并以环保的方式处理它。(图 48)

卸下剃须刀的充电电池

只有在丢弃剃须刀时才可取下充电电池。请确保在取下电池时电量已完全耗尽。

注意, 电池带非常锋利。

1 使用螺丝刀卸下剃须刀的背部面板。

2 卸下充电电池。

保修和服务

如果您需要服务或信息, 或者有任何疑问, 请访问飞利浦网站: www.philips.com。您也可与您所在地的飞利浦客户服务中心联系 (可从全球保修卡中找到其电话号码)。如果您的所在地没有飞利浦客户服务中心, 则可以当地的飞利浦经销商联系。

保修条款

由于剃须刀头 (刀片和网罩) 属于易磨损物品, 因此不在国际保修条款的涵盖范围之列。

故障种类和处理方法

本章归纳了使用本产品时最可能遇到的问题。如果您无法根据下面的信息解决问题, 请与贵国 (地区) 的飞利浦客户服务中心联系。

问题	可能的原因	解决方法
剃须刀的剃须效果没有以前好。	剃须刀头已损坏或磨损。	更换剃须刀头支架 (见“更换”一章)。
	过长的胡须堵塞了剃须刀头。	通过执行下列彻底清洁方法中的步骤来清洁剃须刀头 (见“清洁和保养”一章)。
按下开/关按钮时, 剃须刀不工作。	由于清洗仓内的清洁剂可能受到污染或清洁剂水位太低, Jet Clean 高效能清洁系统可能无法正常清洗剃须刀。	在继续剃须之前, 请先彻底清洁剃须刀。如有必要, 请清洁清洗仓并为其重新注入清洁剂 (见“清洁和保养”一章)。
	充电电池的电量已耗尽。	给电池充电 (见“充电”一章)。
剃须刀放在 Jet Clean 高效能清洁系统中清洁之后依然没有完全干净。	旅行锁已被激活。	按住开/关按钮 3 秒钟以禁用旅行锁。
	剃须刀头支架被污染或损坏, 导致马达无法运行。	清洁剃须刀头支架或进行更换 (见“清洁和保养”及“更换”章节)。
	剃须刀的温度过高。此时, 剃须刀无法工作。	让剃须刀冷却。一旦剃须刀降到足够低的温度, 便可重新打开剃须刀。
剃须刀放在 Jet Clean 高效能清洁系统中清洁之后依然没有完全干净。	清洗仓内的清洁剂可能被污染。	将清洗仓倒空, 并用水冲洗。

问题	可能的原因	解决方法
	清洁剂水位过低。如果在清洗程序运行期间清洗仓中的液体容量降到了最低水位以下，程序将中断。清洗指示灯和“清洗仓已空”符号将开始间歇性闪烁，支架将恢复至最初的位置。	给清洗仓重新注入清洁剂，水位在两线之间为宜（见“清洁和保养”一章）。
	您使用了其他清洁剂，而不是原装飞利浦清洁剂。	仅可使用 HQ200 飞利浦清洁剂。
按下开/关按钮时，Jet Clean 高效能清洁系统不工作。	Jet Clean 高效能清洁系统未通电。	将小插头插入 Jet Clean 高效能清洁系统，然后将电源适配器插入电源插座。
	Jet Clean 高效能清洁系统和剃须刀之间未通电。	将剃须刀牢固地按入支架，使其锁定到位。
剃须刀在充电器/Jet Clean 高效能清洁系统中无法充满电。	剃须刀在充电器/Jet Clean 高效能清洁系统中插接不正确。	确保您按下剃须刀，直到其锁定到位。

