

Broil King®



Broil King.
SIGNET 320
9464-52
9464-53



Broil King.
SIGNET 320
9468-52
9468-53



Broil King.
SIGNET 340
9468-62
9468-63

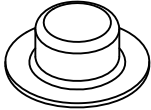
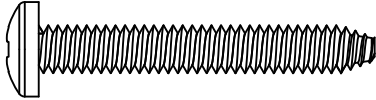
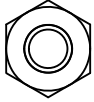
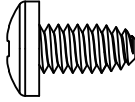

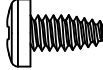
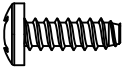
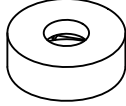
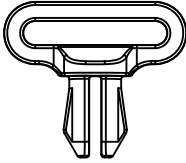
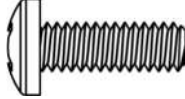
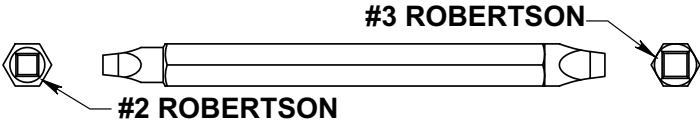


Broil King.
SIGNET 390
9464-82
9464-83

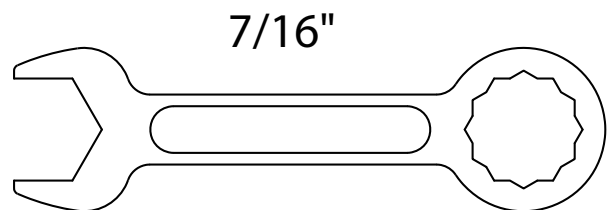
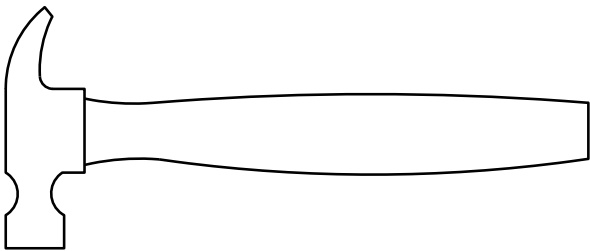


Broil King.
SIGNET 390
9468-82
9468-83

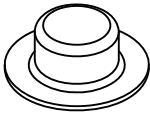
HARDWARE INCLUDED

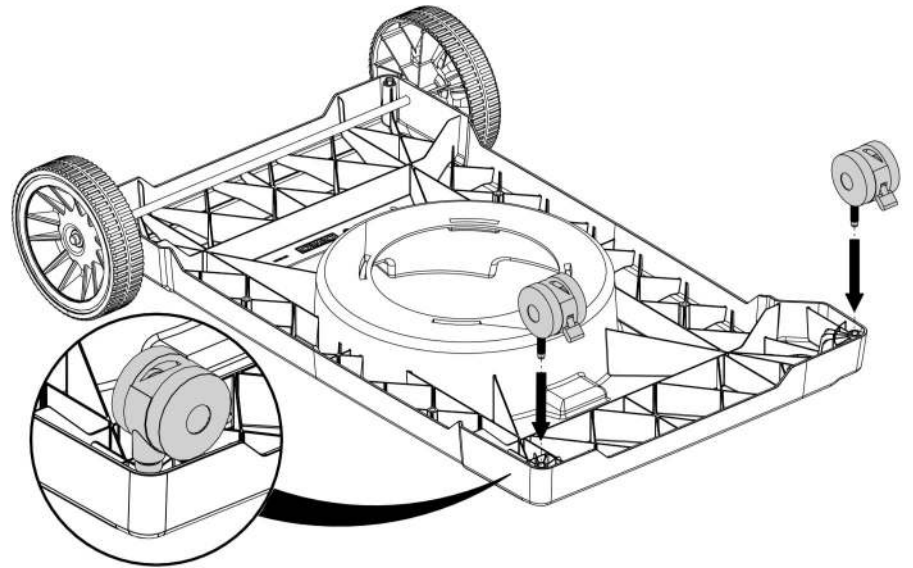
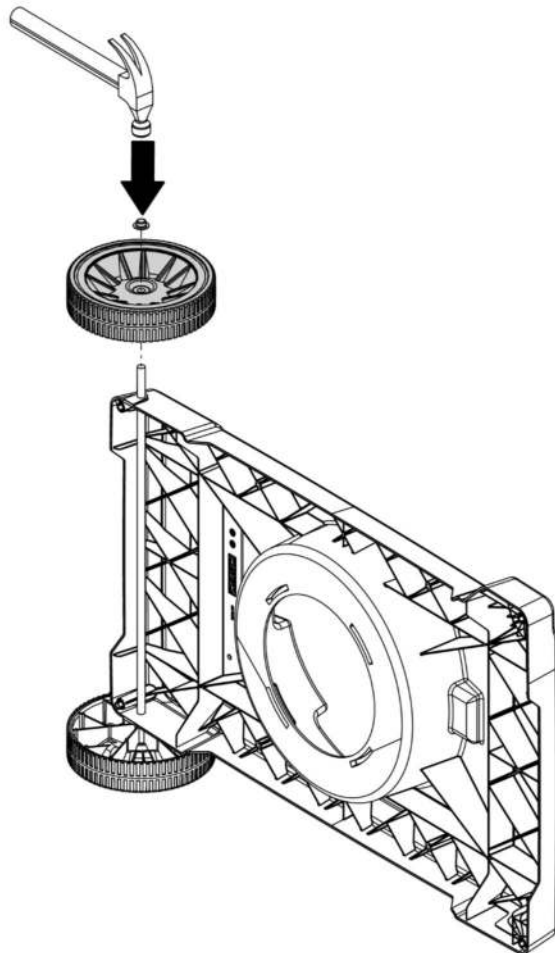
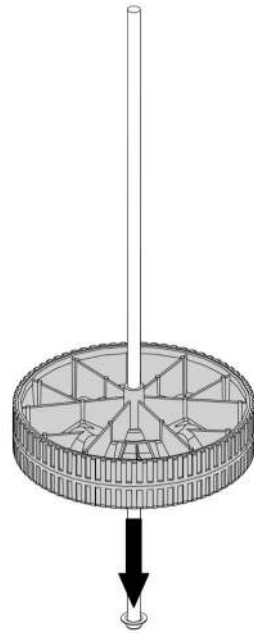
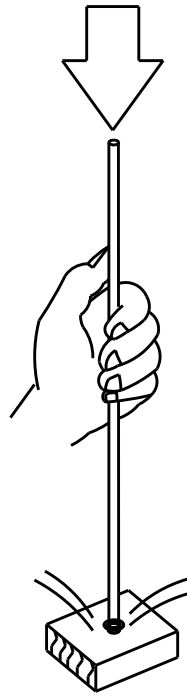
S21420		X2	Y-11561		X 4
Y-11793		X2	Y-12865		X8
AAA		X1	Y-29340		X2
S21124		X2	Y-12124		X2
Y-12673		X2	Y-12310		X2
 <p style="text-align: center;">#3 ROBERTSON</p> <p style="text-align: center;">#2 ROBERTSON</p>					

TOOLS REQUIRED

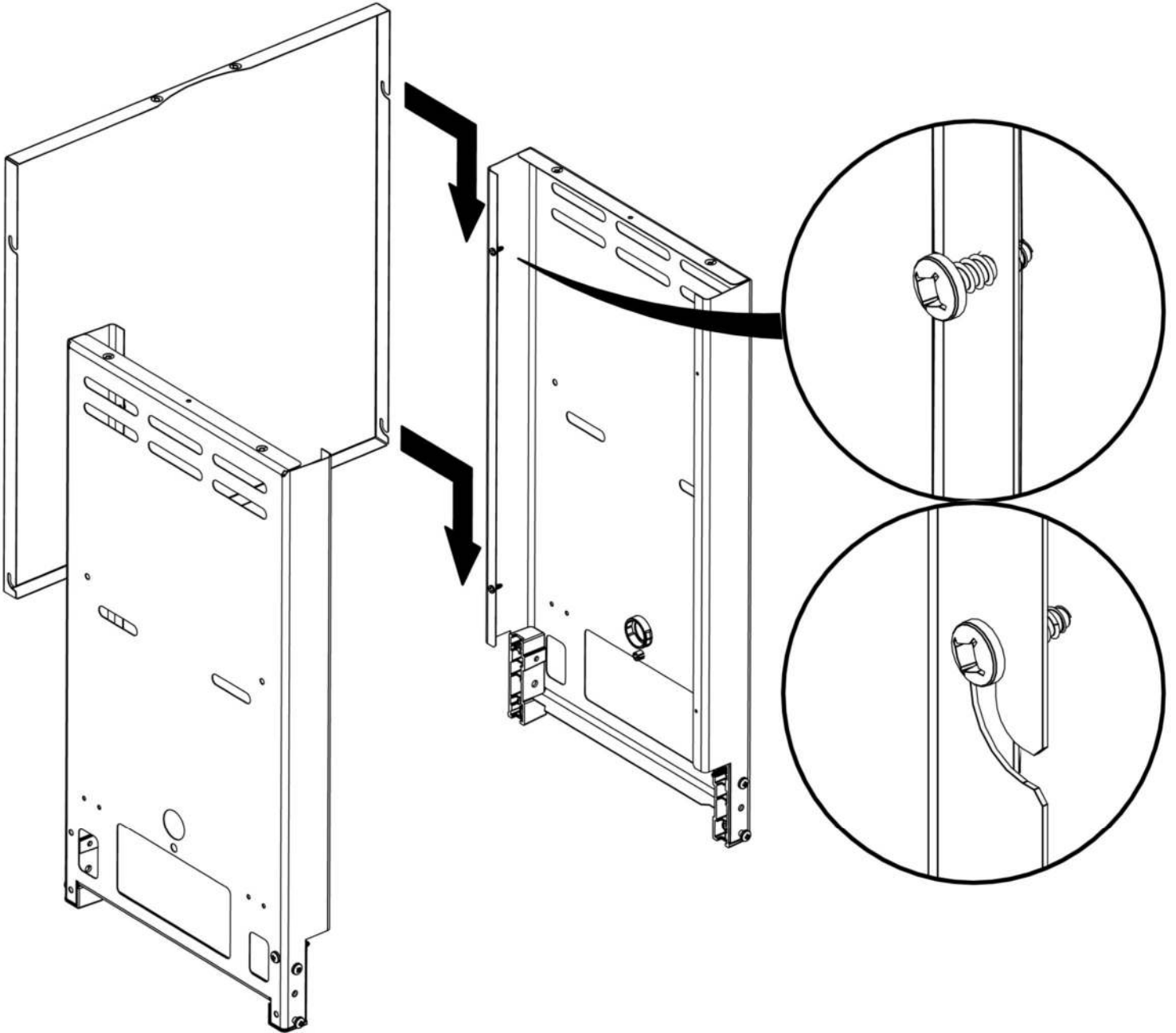


1

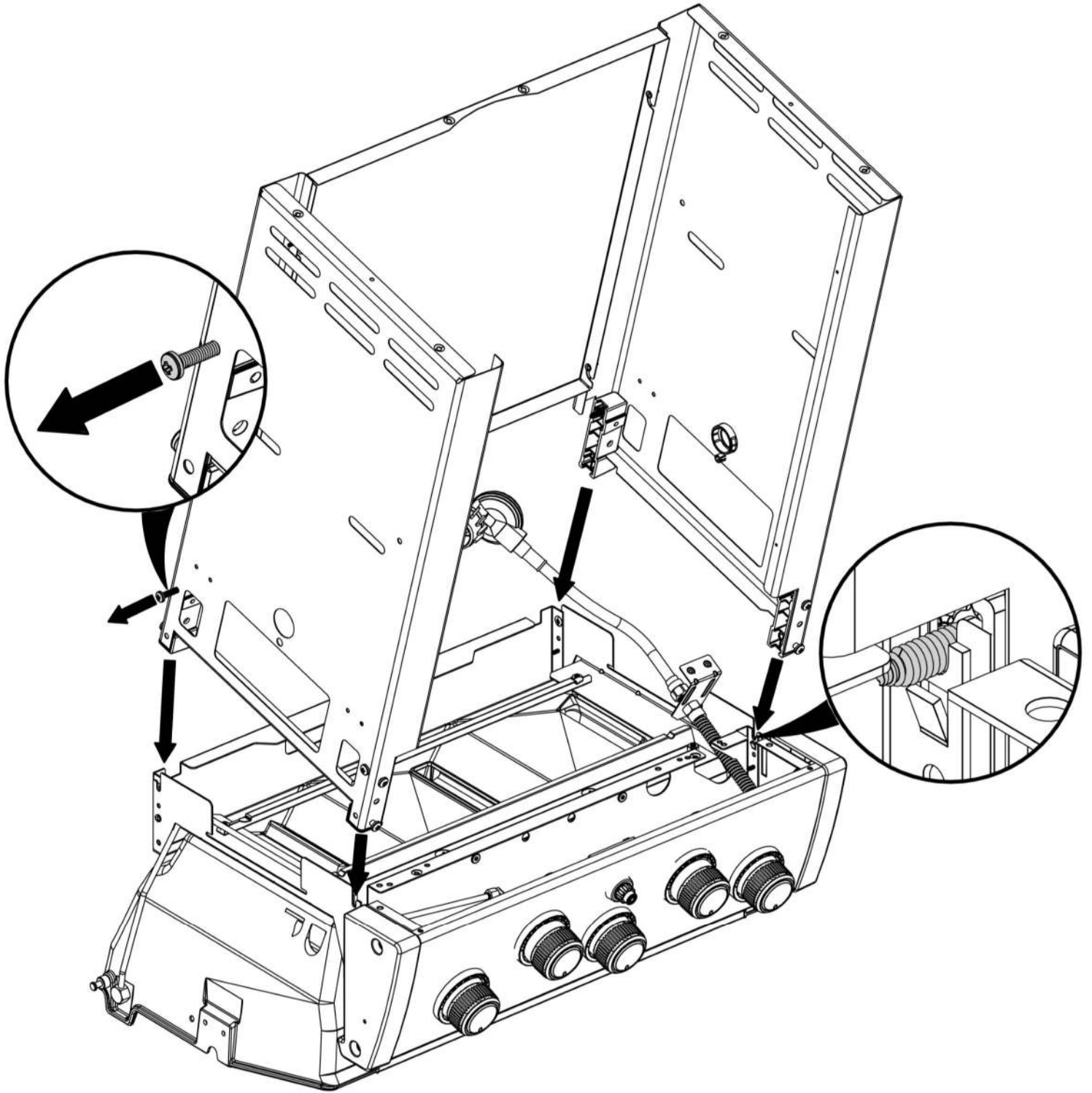
(2) 



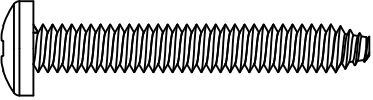
2

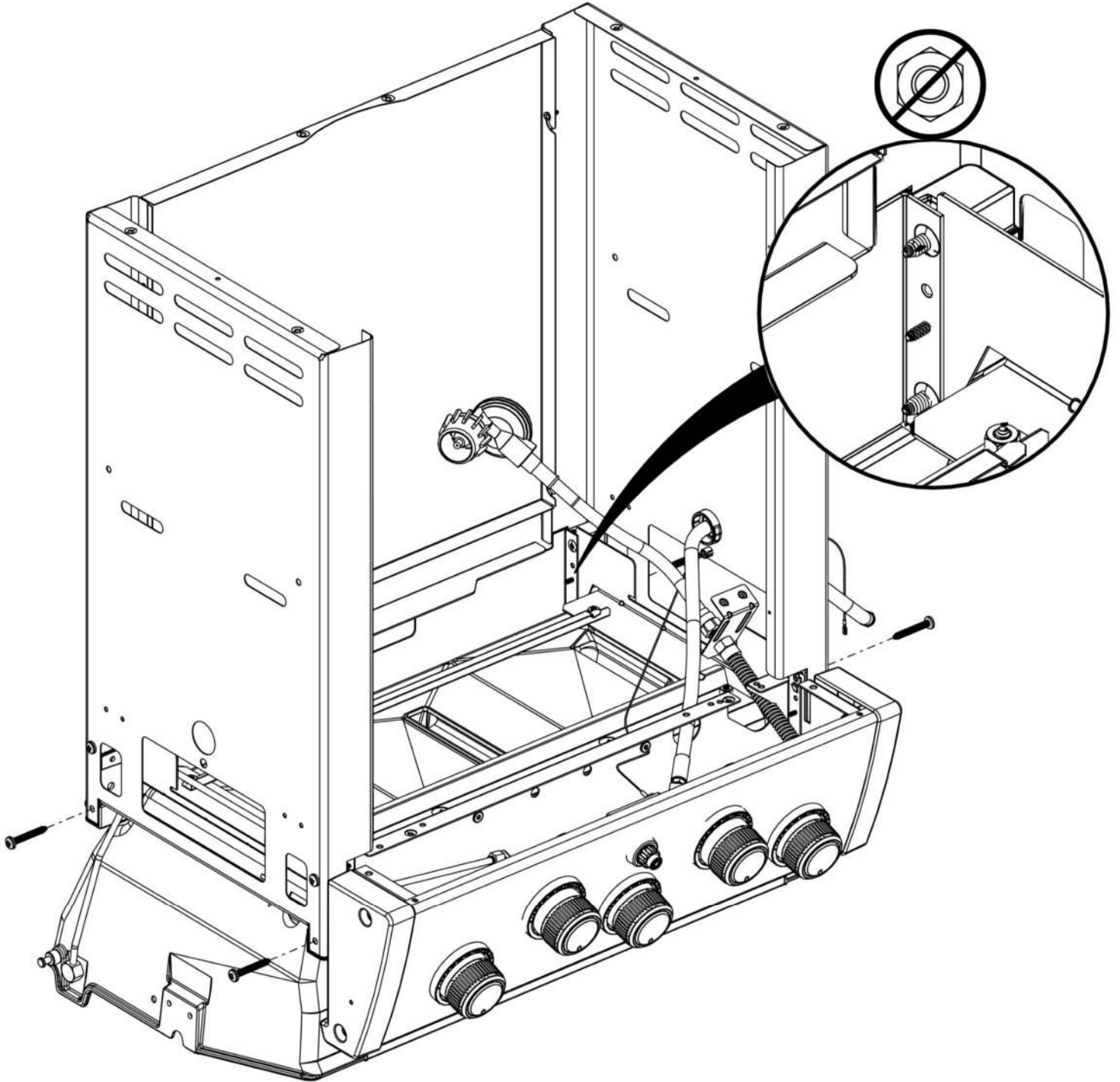


3



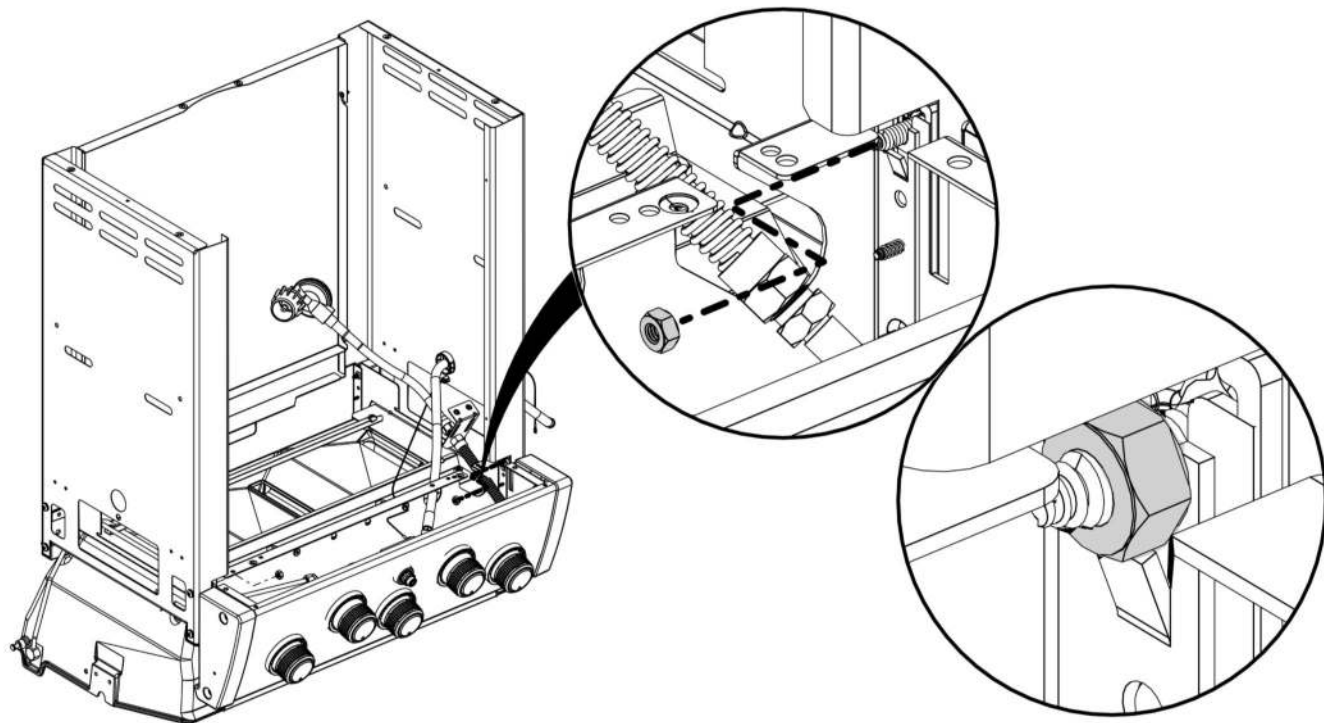
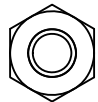
4

(4) 



5

(2)

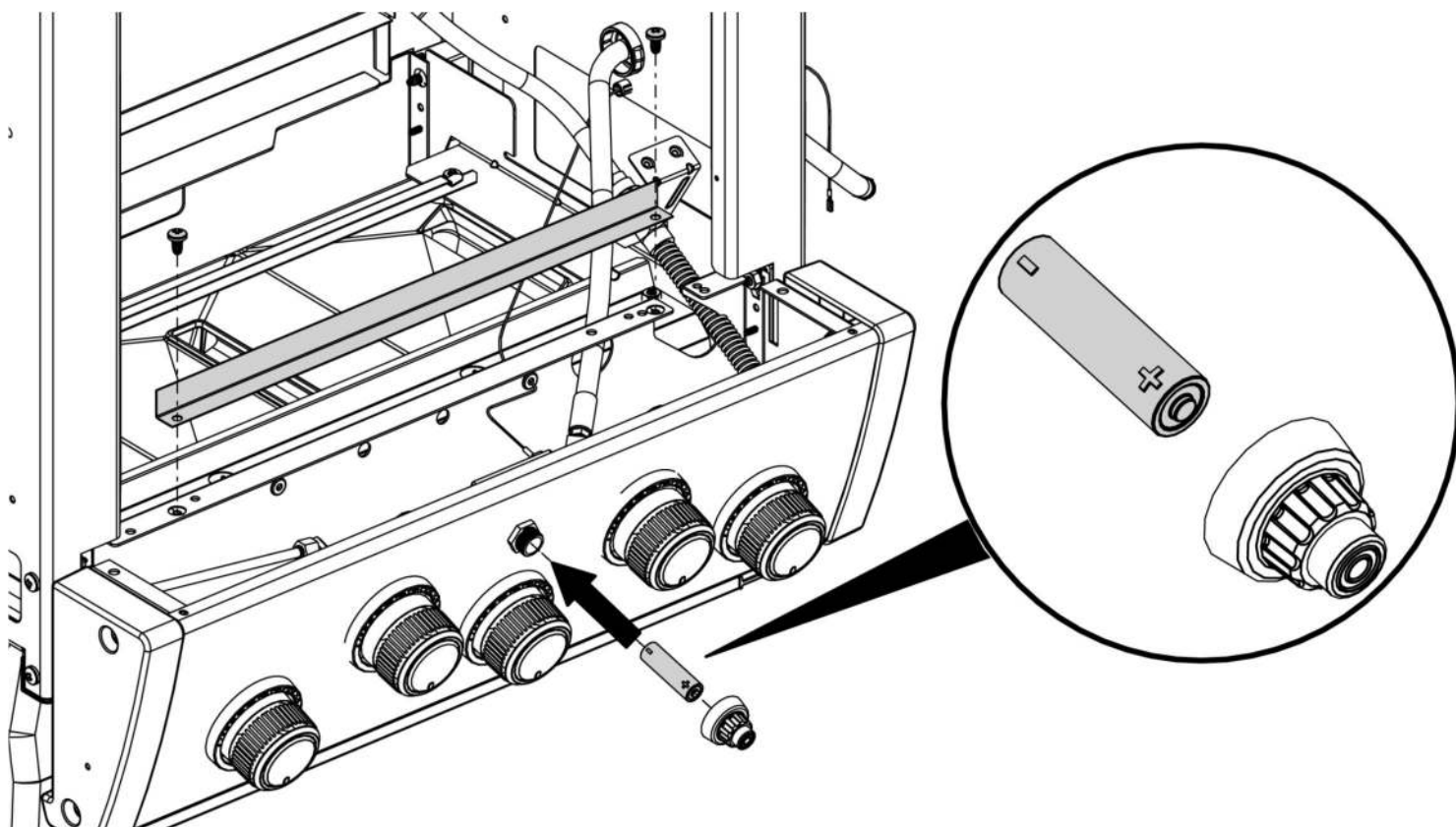
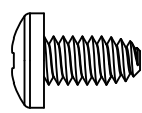


6

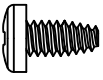
(1)

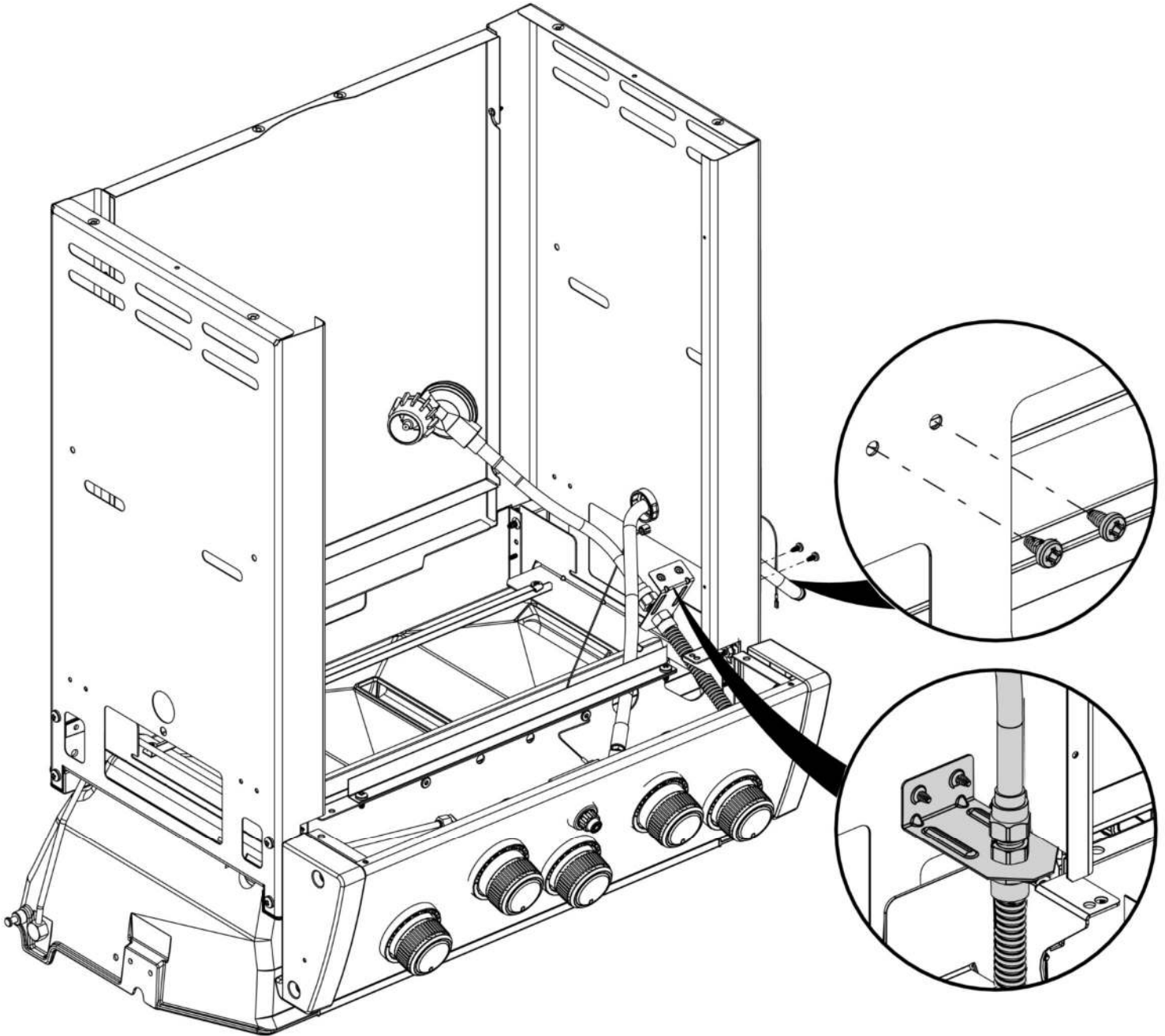


(2)

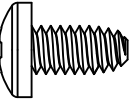


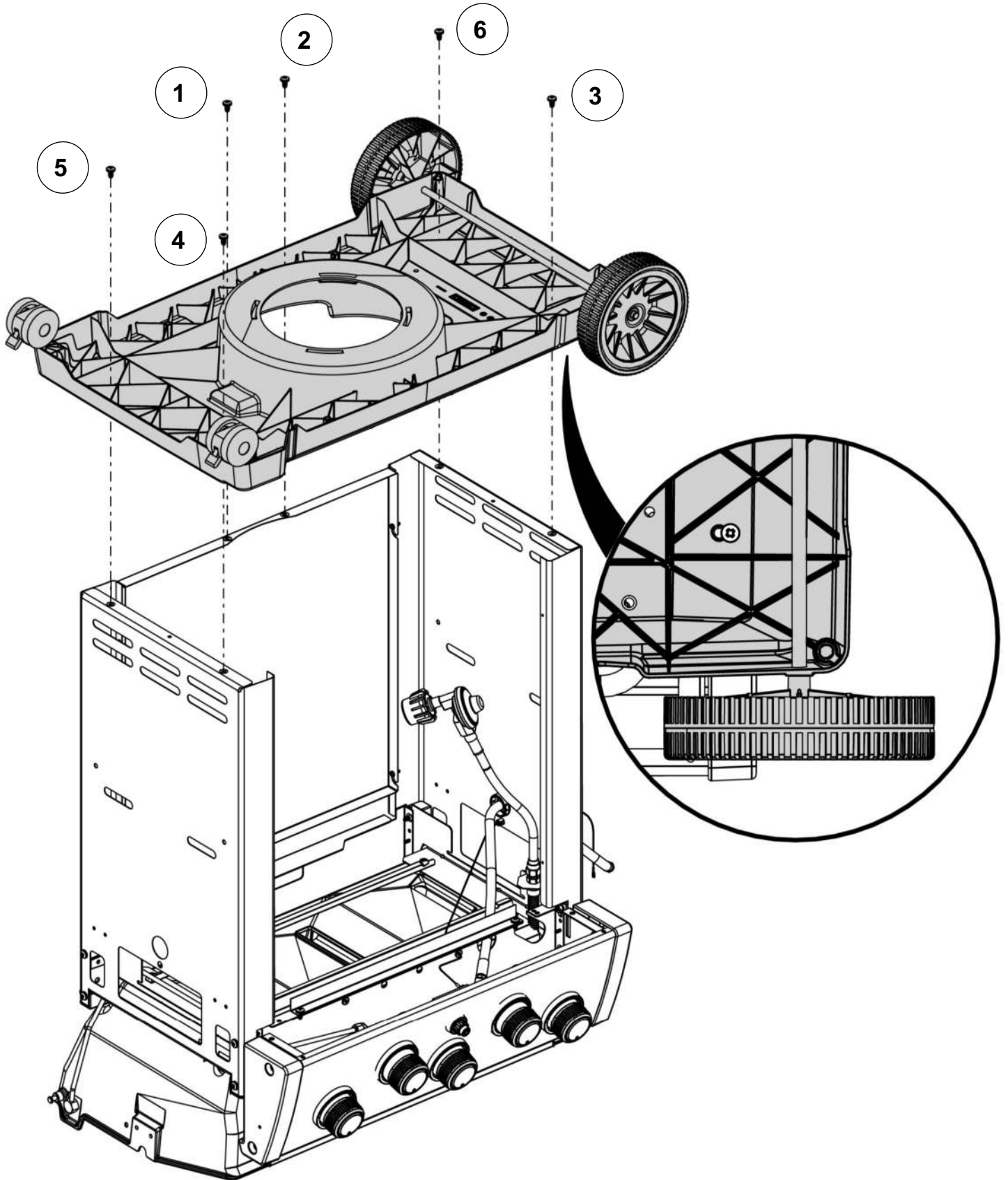
7

(2) 




8

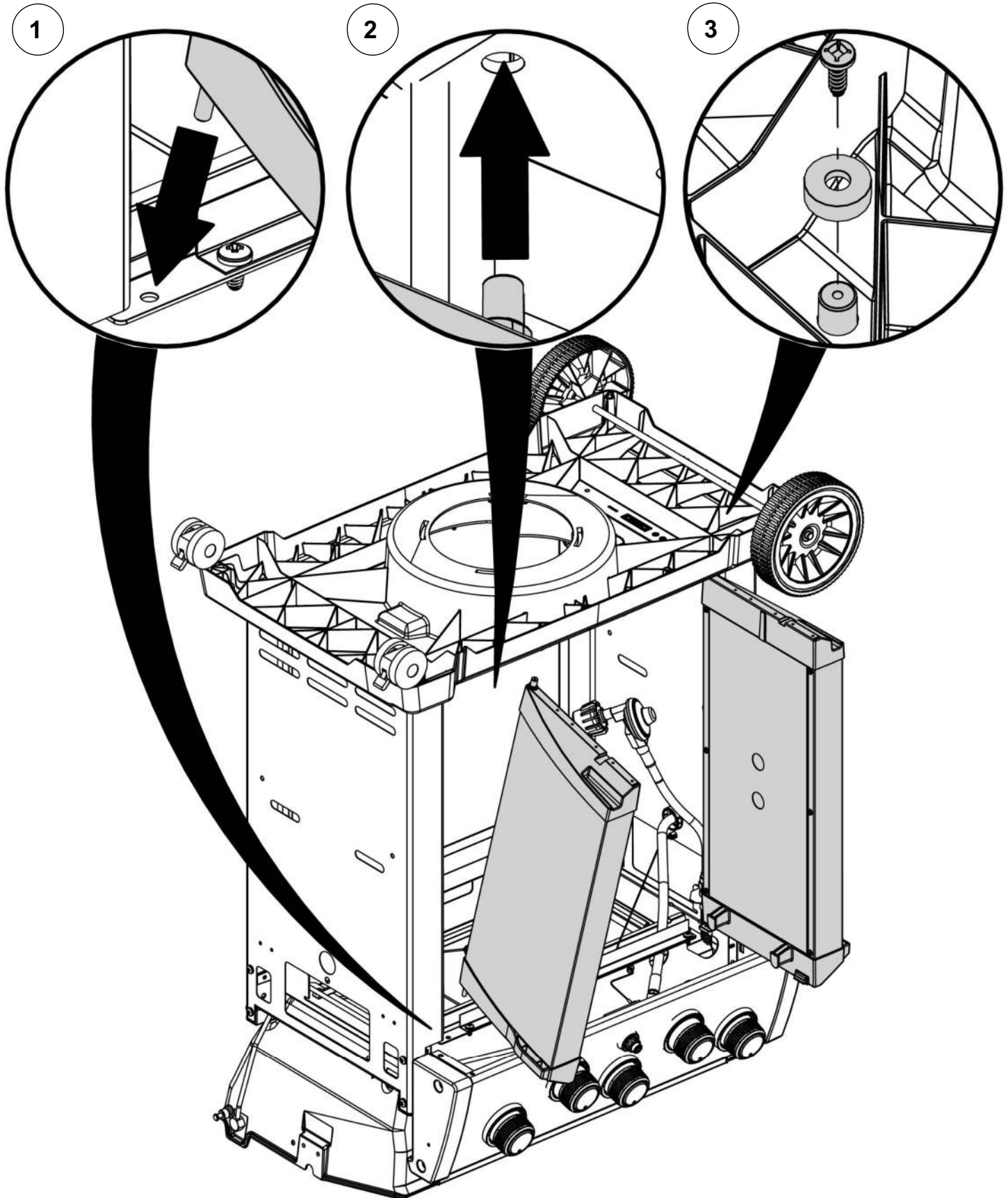
(6) 

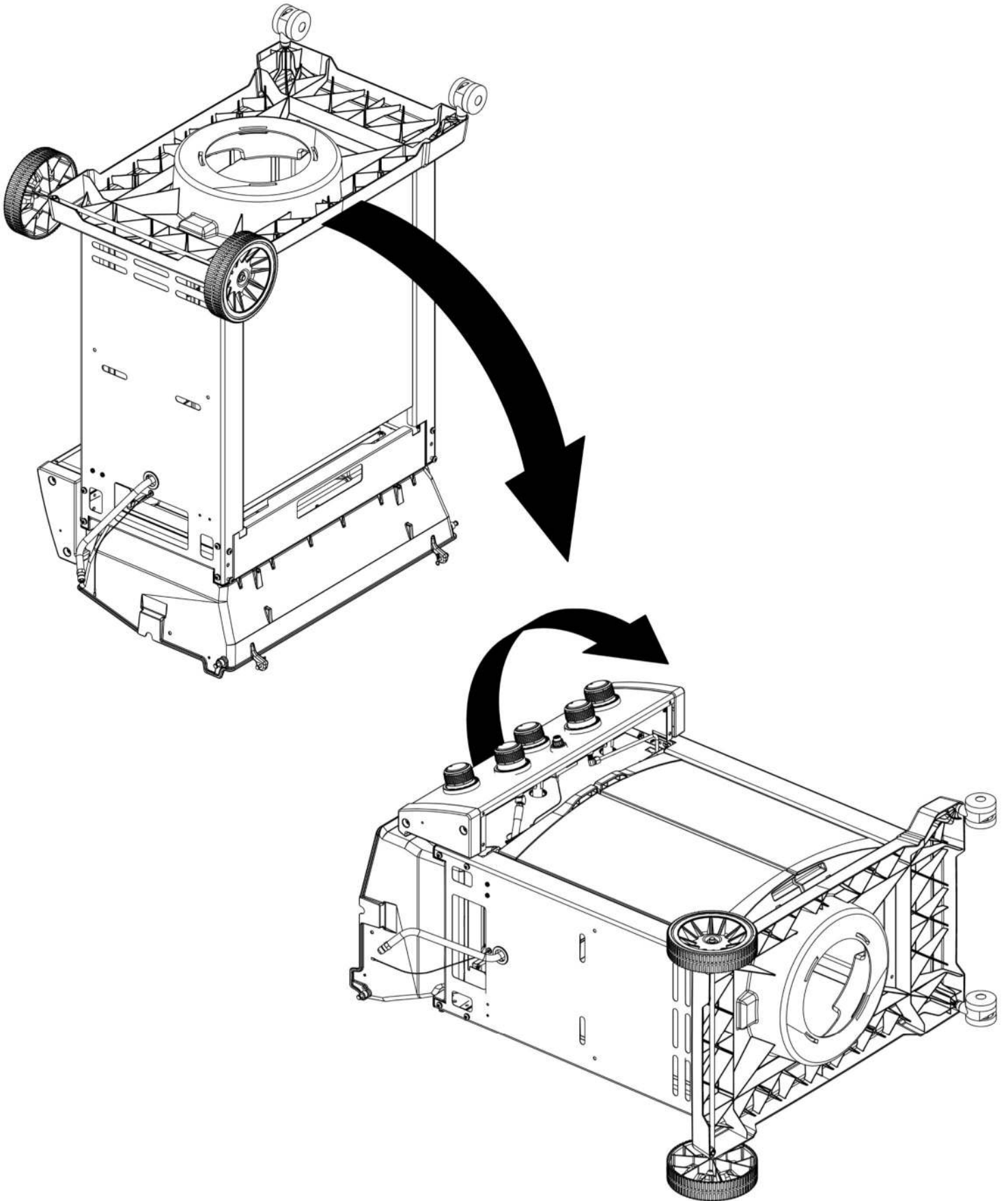


9

(2) 

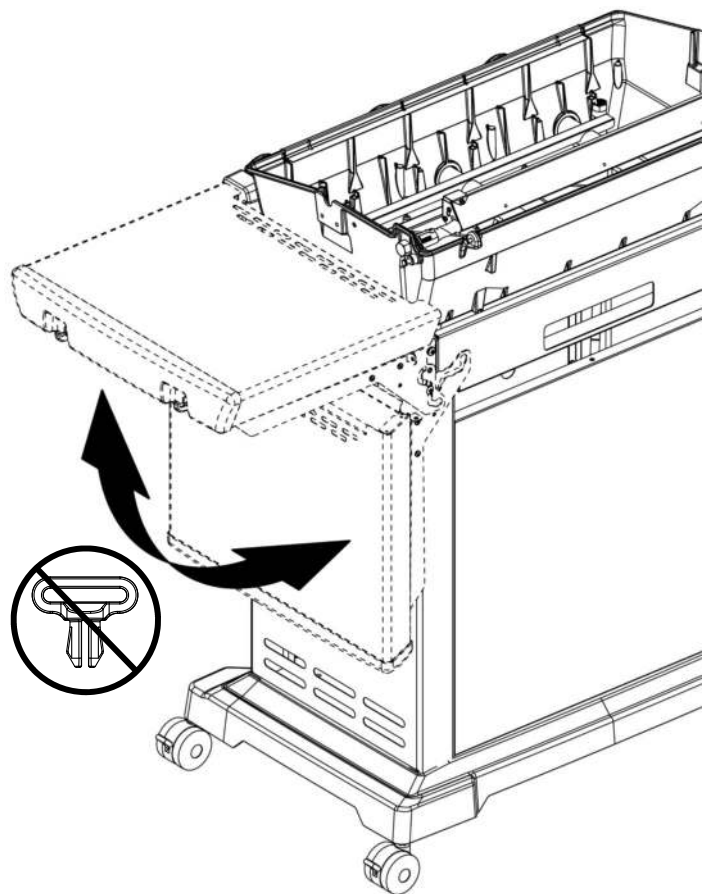
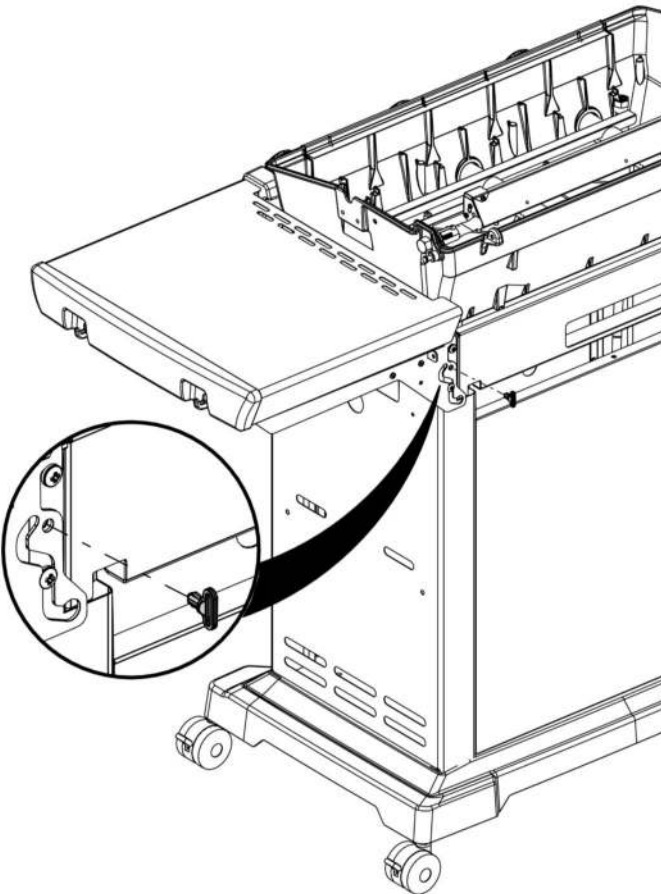
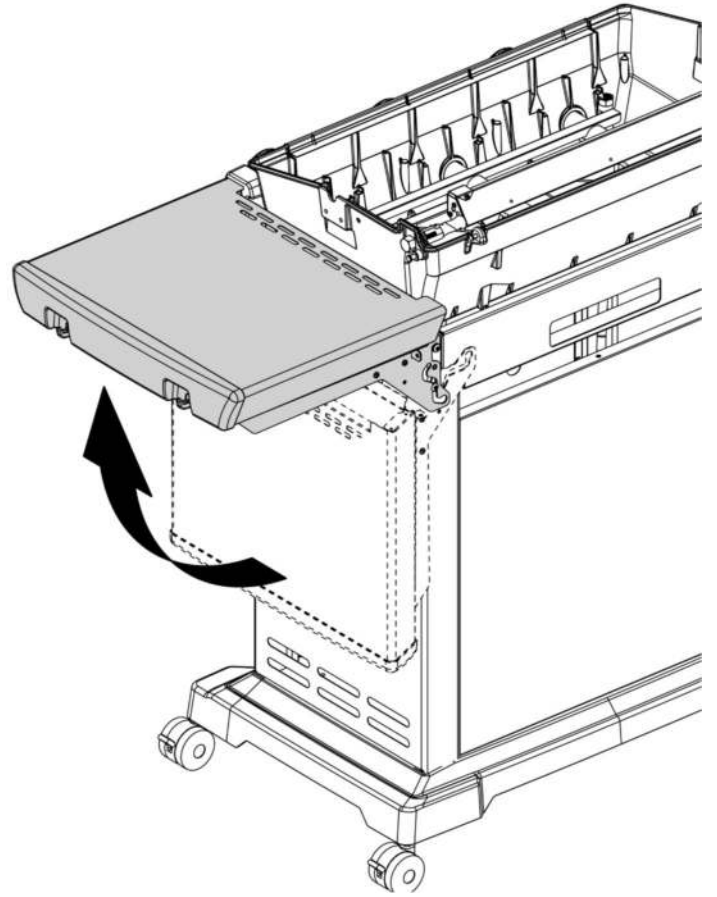
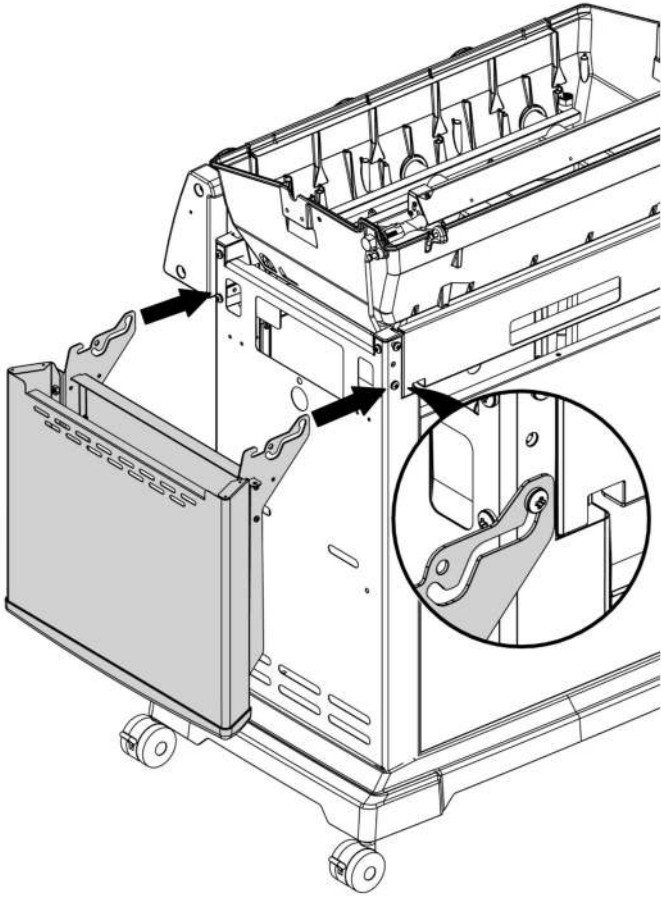
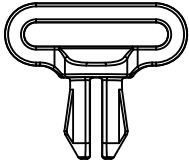
(2) 





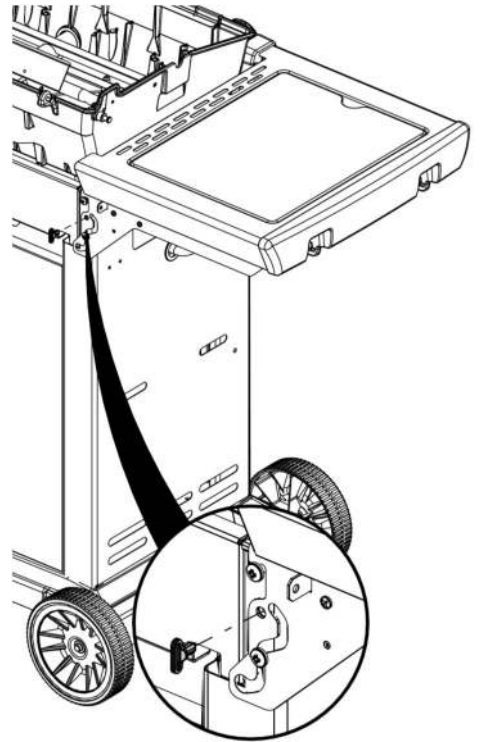
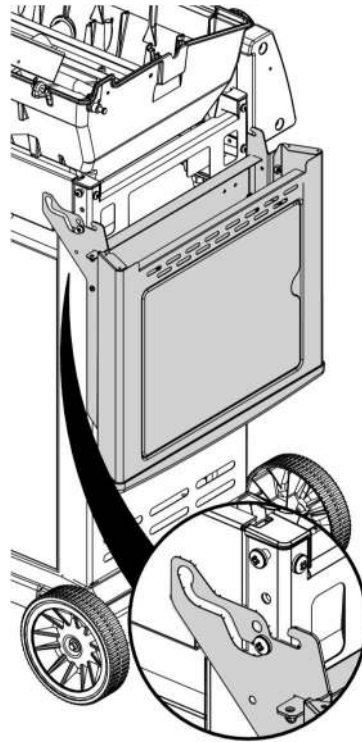
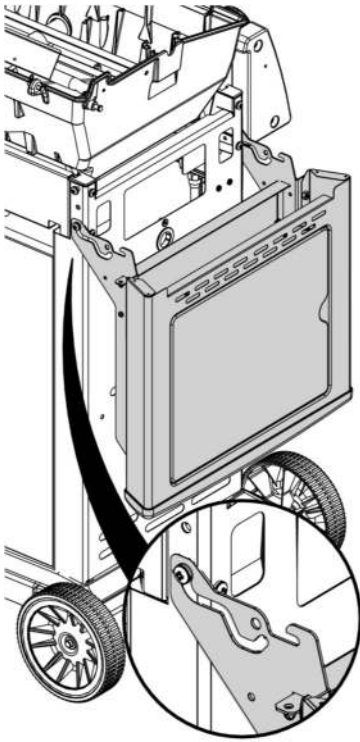
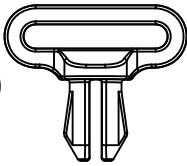
11

(1)

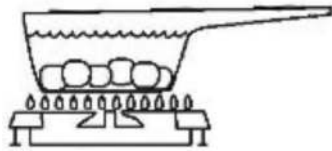


12

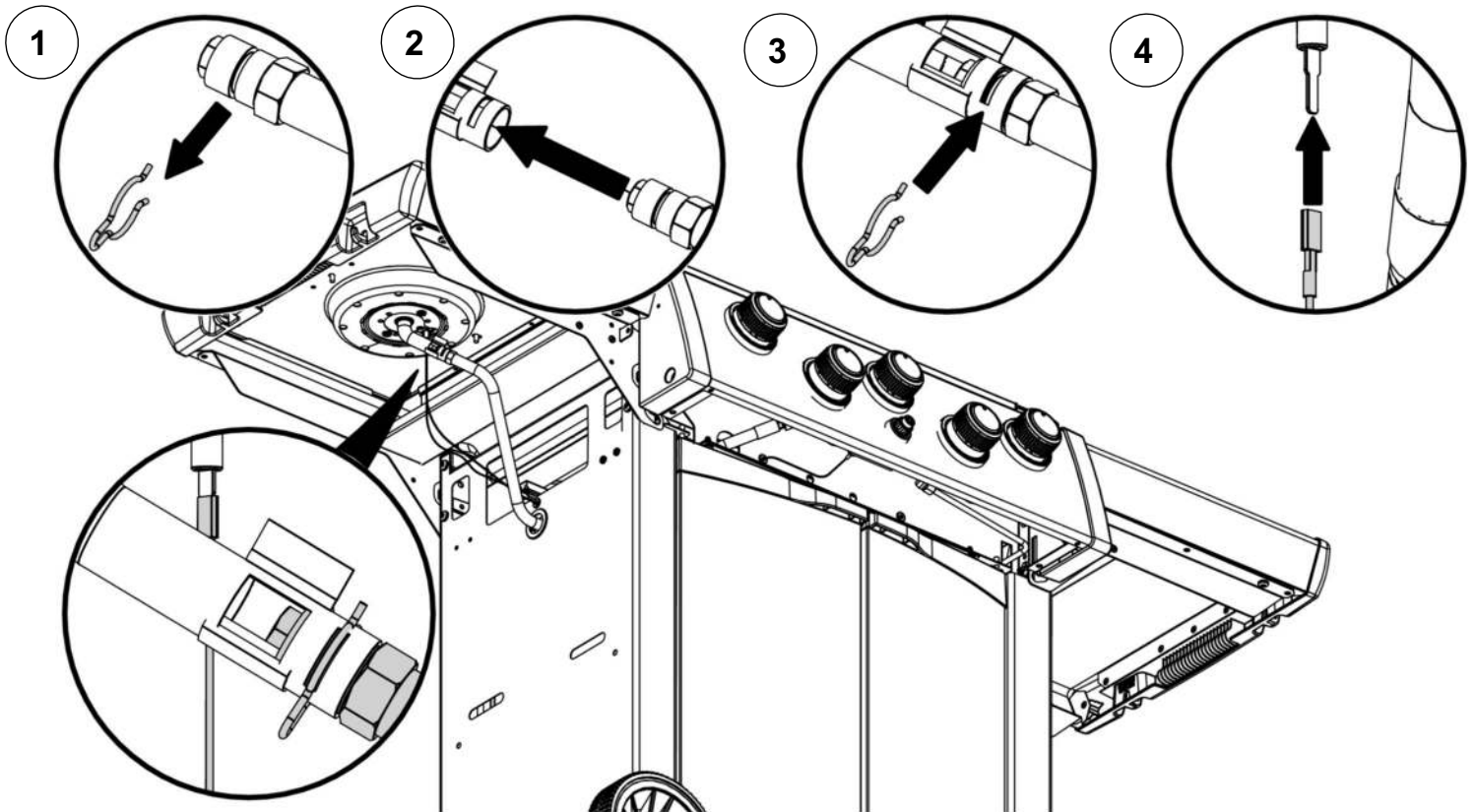
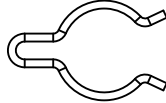
(1)



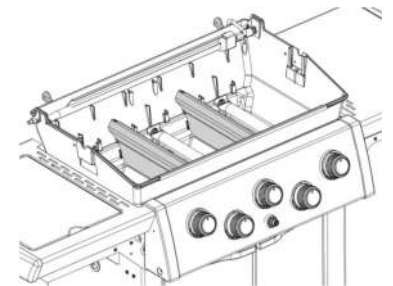
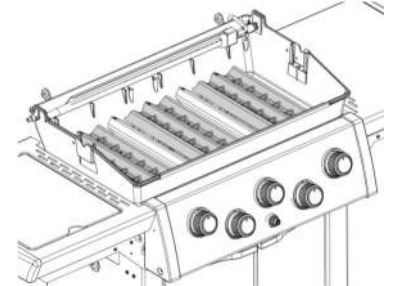
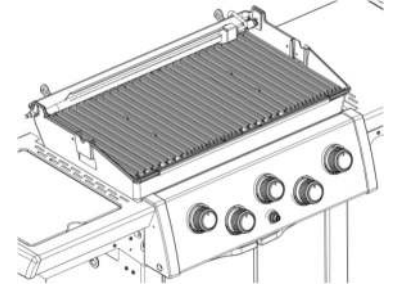
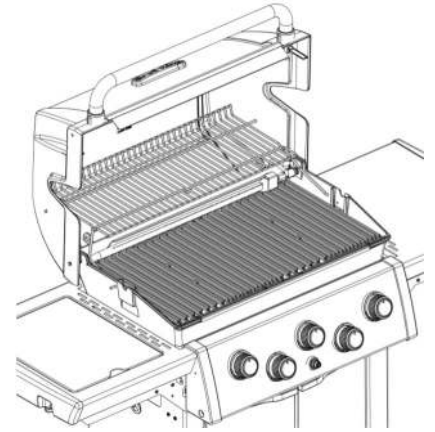
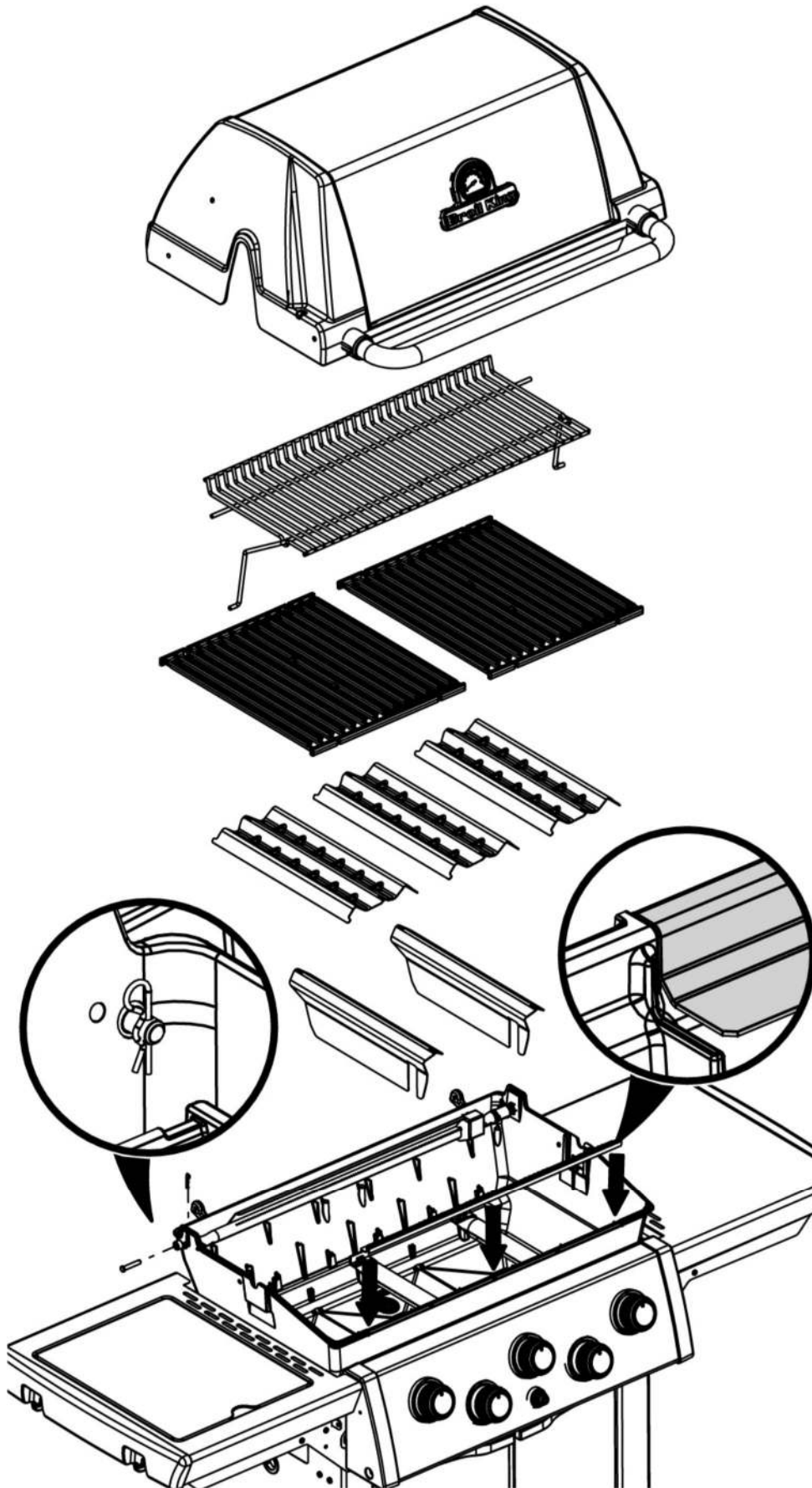
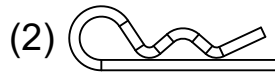
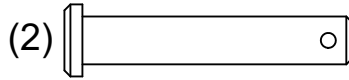
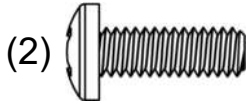
13

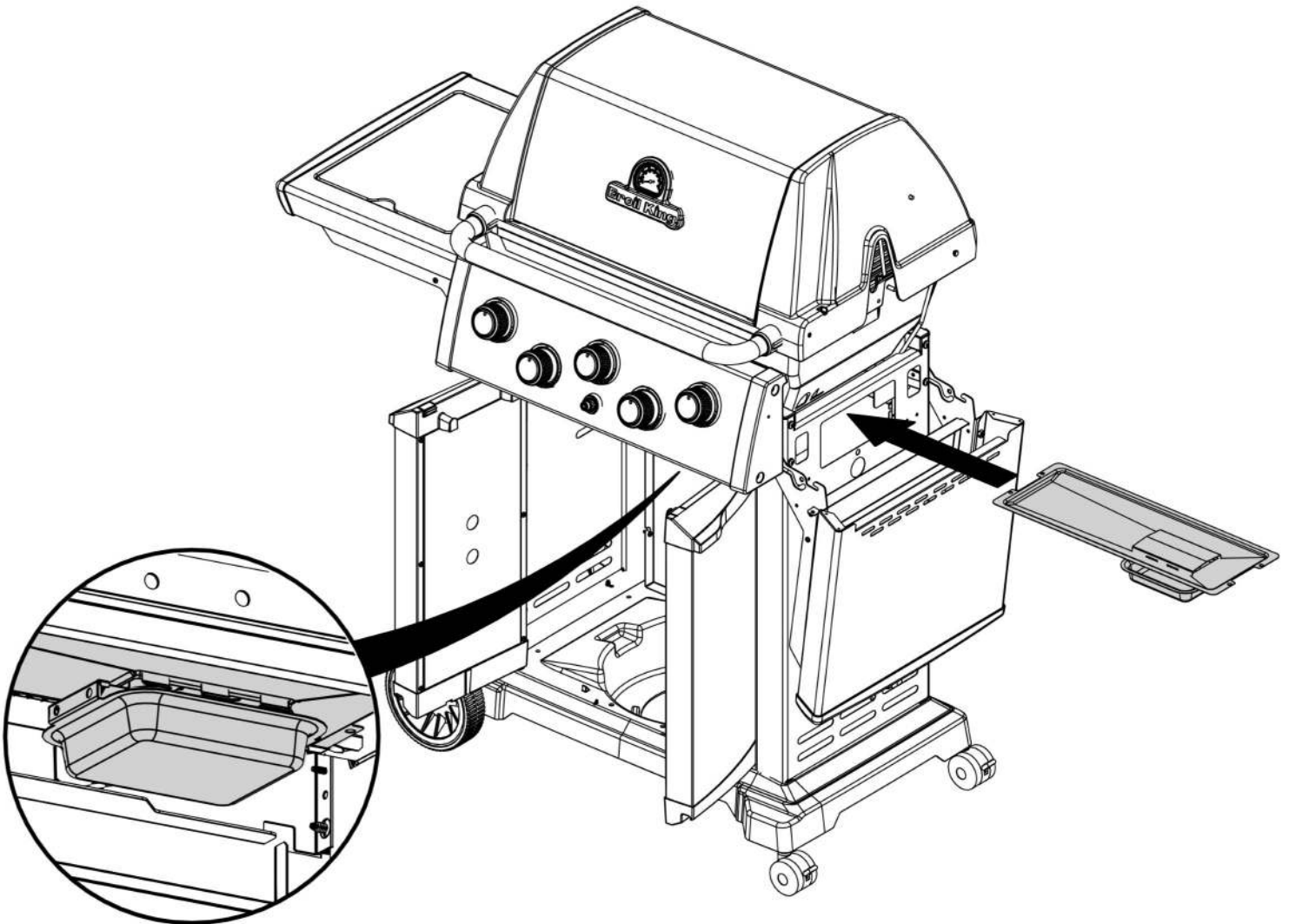
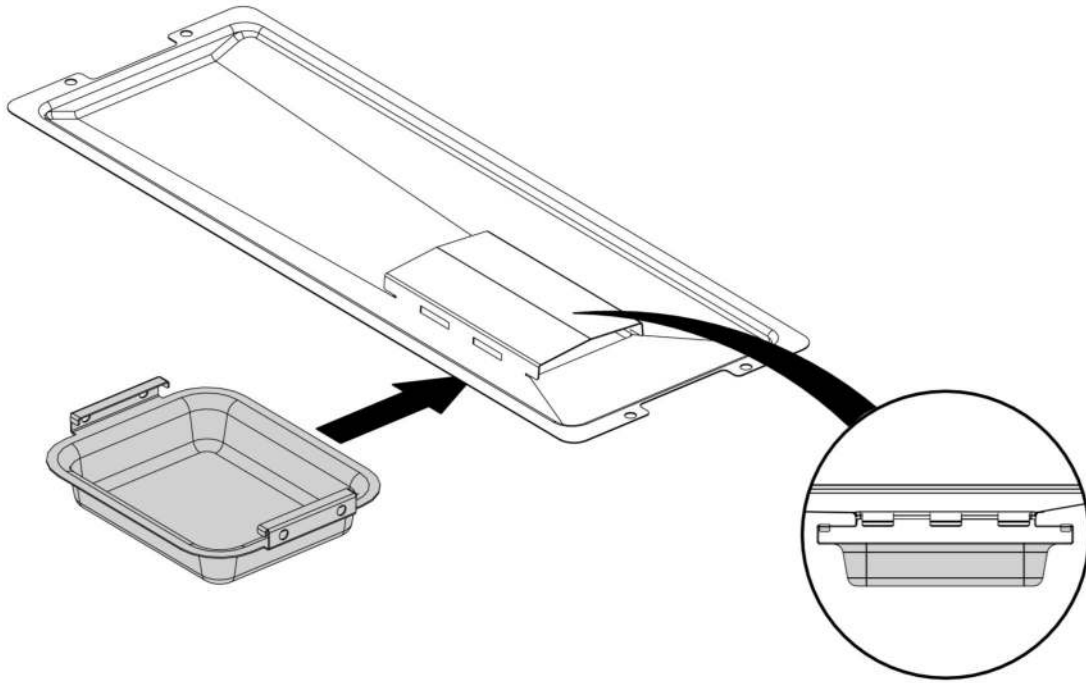


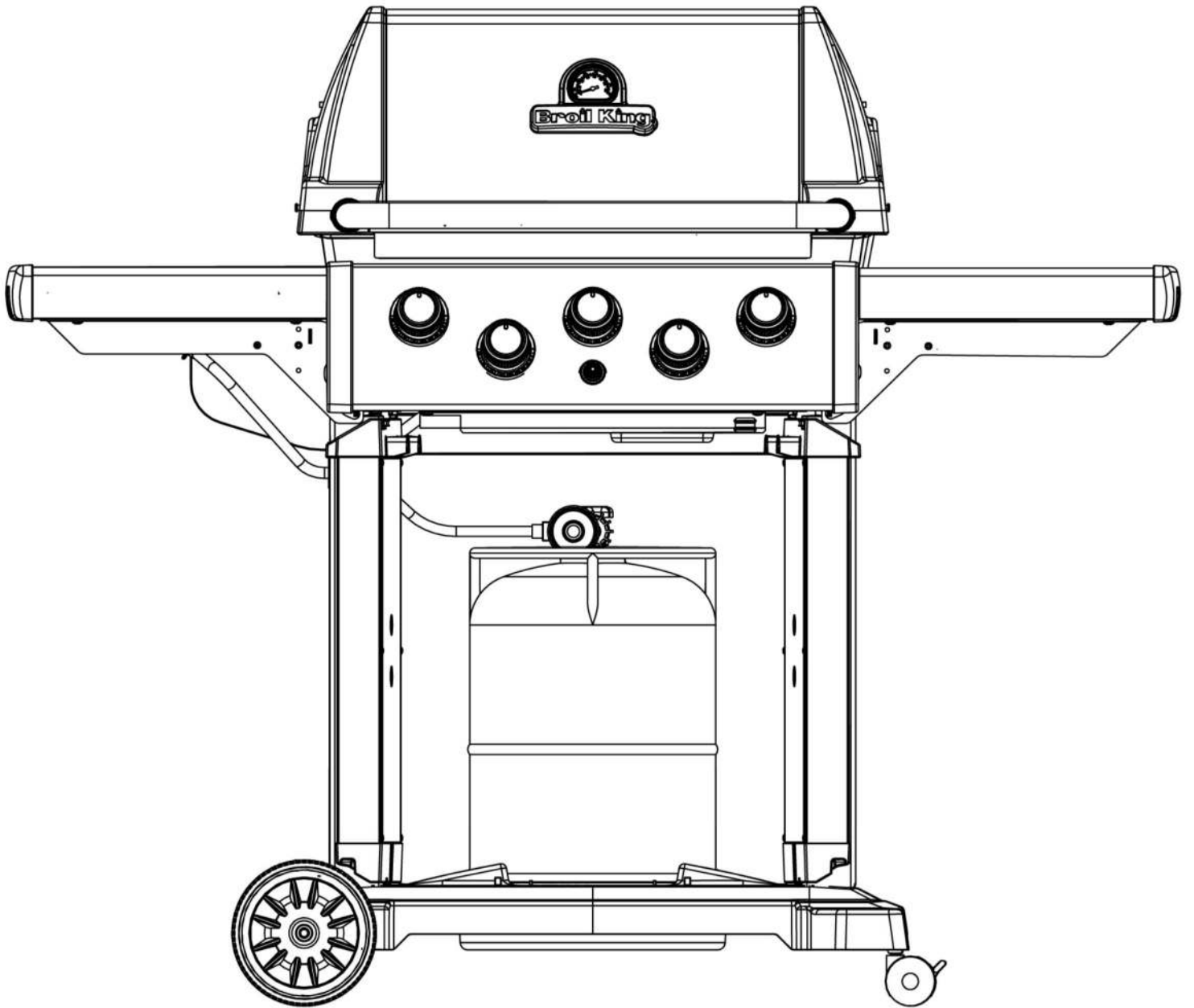
(1)



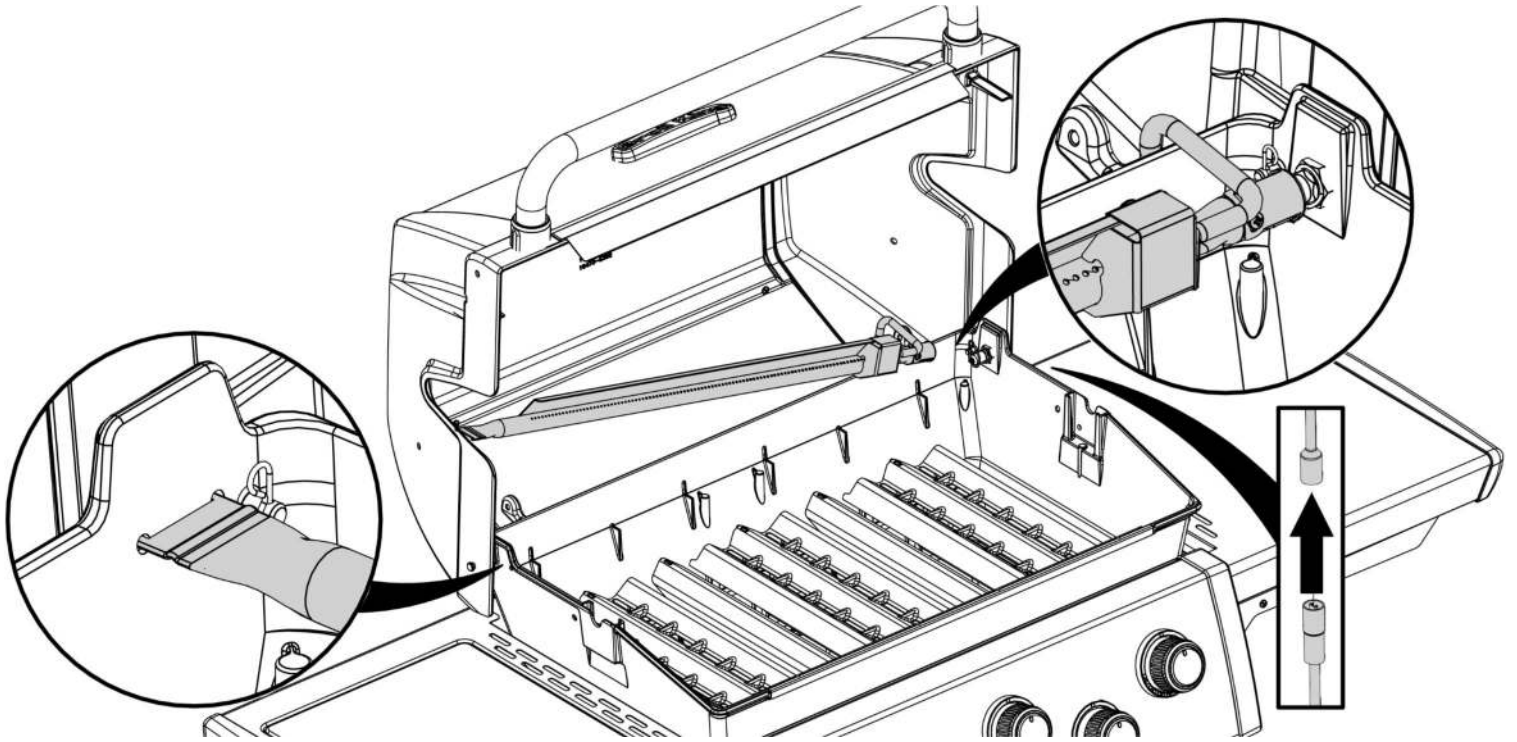
14



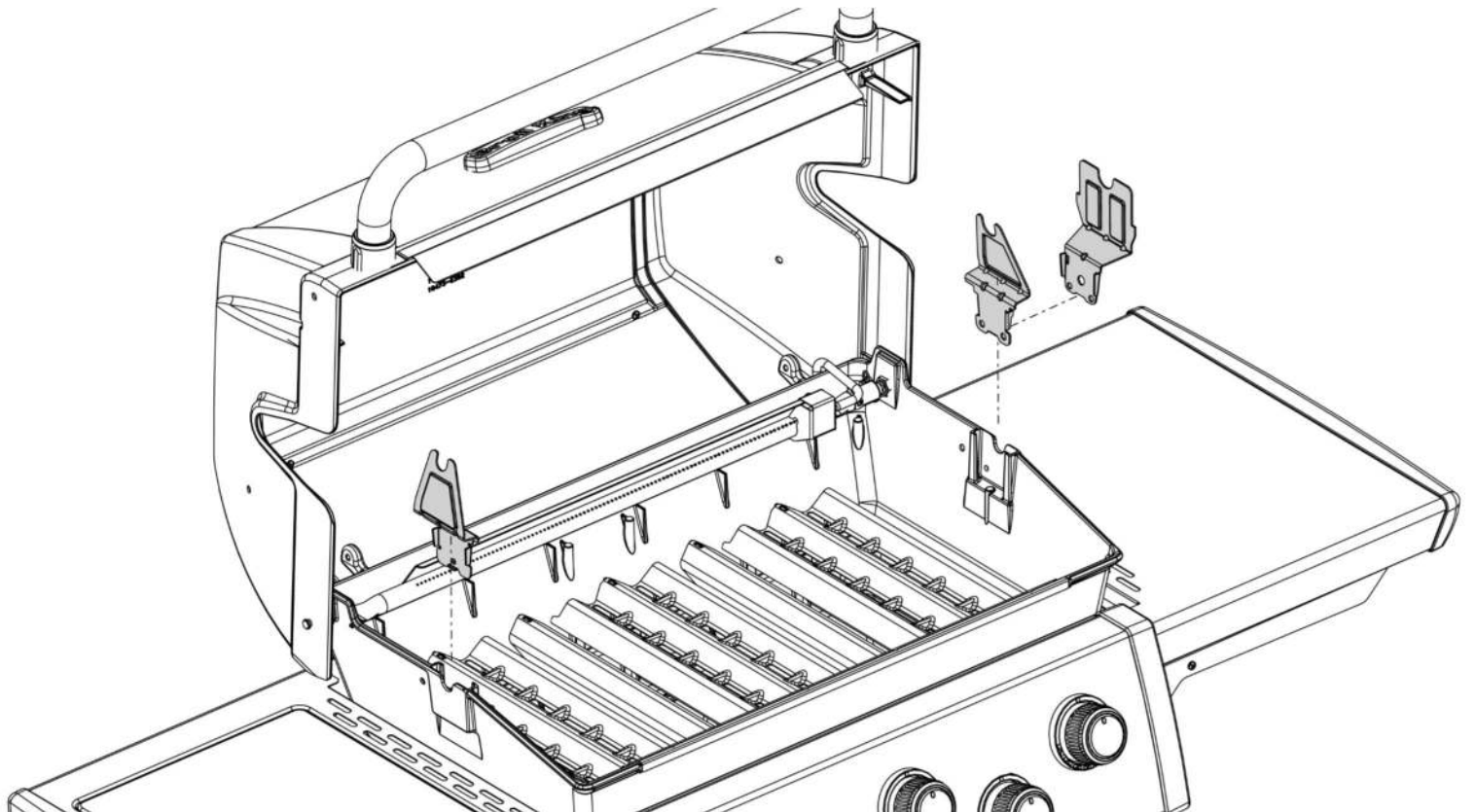




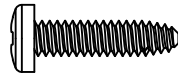
17



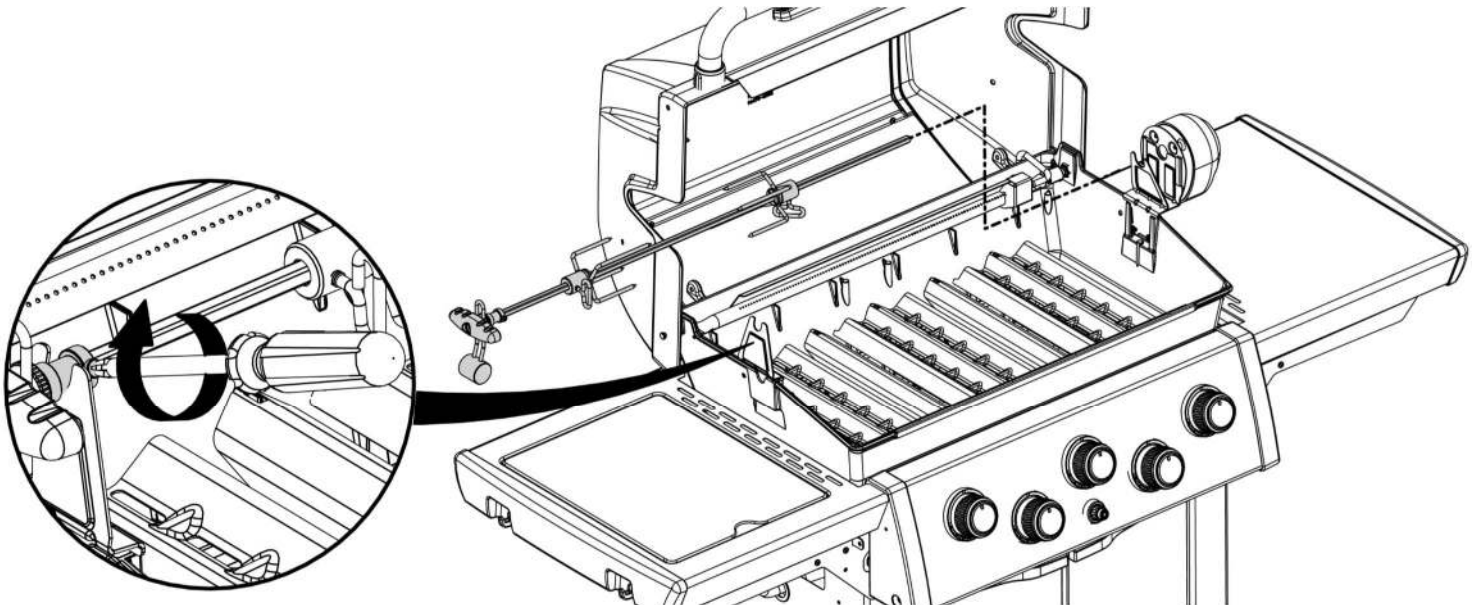
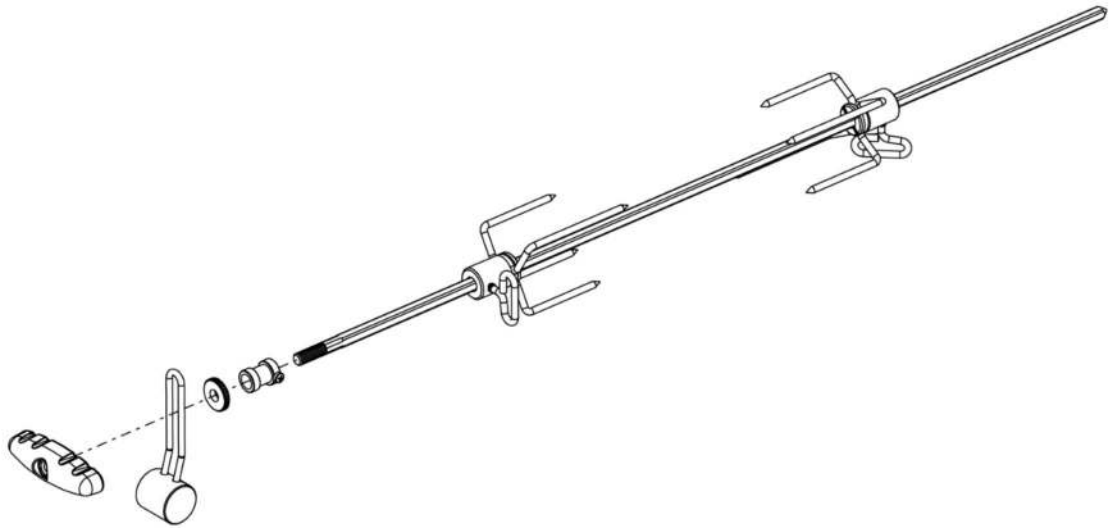
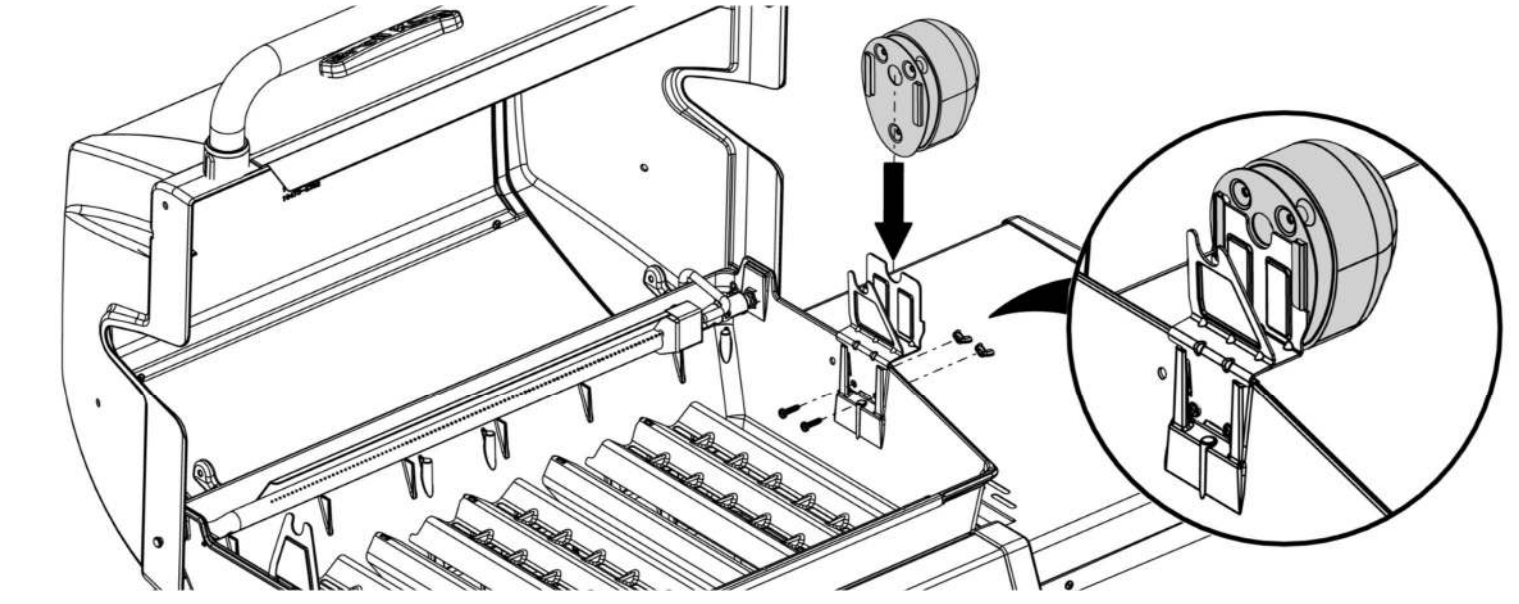
18



19



(2)



PARTS LIST / LISTE DES PIECES

KEY #	ITEM #	DESCRIPTION	9464-52	9464-53	9464-82	9464-83	9468-52	9468-53	9468-62	9468-63	9468-82	9468-83
82	Y-12673	SHELF - LOCK PIN	2	2	2	2	2	2	2	2	2	2
83	Y-12855	SCREW 1/4-20 X 3/8	8	8	8	8	8	8	8	8	8	8
84	S15170	AXLE	1	1	1	1	1	1	1	1	1	1
85	Y-12865	SCREW- 1/4-20 X 1/2	8	8	8	8	8	8	8	8	8	8
86	Y-11545	SCREW 1/4-20 X 1 3/8	4	4	4	4	4	4	4	4	4	4
87	Y-11793	NUT- 1/4-20	14	14	16	16	14	14	16	16	16	16
88	10184-E124	HEAT SHIELD	1	1	1	1	1	1	1	1	1	1
96	S21125	SCREW – 8 X 1/2	16	16	16	16	16	16	16	16	16	16
98	S21124	SCREW – 8 X 1/2	35	35	37	37	35	35	36	36	37	37
98A	Y-12643	SCREW – 8 X 1/2	12	12	12	12	12	12	12	12	12	12
99	Y-12646	SCREW – 8 X 1/2	•	•	2	2	•	•	2	2	2	2
104	Y-12835	SCREW – 6-32 X 1/4	•	•	4	4	•	•	2	2	4	4
105	Y-12853	WASHER	•	•	2	2	•	•	2	2	2	2
106	Y-12861	CAP SCREW - 1/4-20 X 3/8	•	•	2	2	•	•	2	2	2	2
107	Y-12863	WASHER	•	•	4	4	•	•	4	4	4	4
110	53140-981	GRID	•	•	1	1	•	•	1	1	1	1
111	10390-E10D	SIDE BURNER	•	•	1	•	•	•	1	•	1	
	10390-E10E	SIDE BURNER	•	•	•	1	•	•	•	1	•	1
113	10342-T16	ELECTRODE – SB	•	•	1	1	•	•	1	1	1	1
114	23000-251	COVER-SIDE BURNER - BLACK	•	•	1	1	•	•	•	•	•	•
	23000-255	COVER-SIDE BURNER - SS	•	•	•	•	•	•	1	1	1	1
115	Y-29304	SCREW 10-24 X 3/8	2	2	2	2	2	2	2	2	2	2
117	23000-271	SHELF-SIDE BURNER	•	•	1	1	•	•	1	1	1	1
122	57054-901	GREASE TRAY	1	1	1	1	1	1	1	1	1	1
123	52009-901	GREASE PAN	1	1	1	1	1	1	1	1	1	1
124	52049-91	SHIELD - GREASE TRAY	1	1	1	1	1	1	1	1	1	1
135	Y-12119	3/8 HEYCO BUSHING	2	2	3	3	2	2	3	3	3	3
136	10184-E43	ROTISSERIE SHIELD	1	1	1	1	1	1	1	1	1	1
137	10184-E42	ROTISSERIE BRACKET	1	1	1	1	1	1	1	1	1	1
138	10184-E44	ROTISSERIE SHIELD	1	1	1	1	1	1	1	1	1	1
139	S21061	WING NUT	2	2	2	2	2	2	2	2	2	2
140	Y-29306	BOLT - 10-24 x 3/4	2	2	2	2	2	2	2	2	2	2
141	S15271	HANDLE	•	•	1	1	•	•	•	•	1	1
142	S15270	BALANCER	•	•	1	1	•	•	•	•	1	1
143	S15263	BUSHING	•	•	1	1	•	•	•	•	1	1
144	Y-12220	BUSHING	•	•	1	1	•	•	1	1	1	1
145	S15257	SPIT ROD	•	•	1	1	•	•	•	•	1	1
147	S15299	WASHER	•	•	1	1	•	•	•	•	1	1
148	S15287	4 PRONG FORKS	•	•	2	2	•	•	•	•	2	2
155	Y-12124	DOOR PIN CAP	2	2	2	2	2	2	2	2	2	2
156	Y-12310	SCREW 1/4-20 X 3/4	2	2	2	2	2	2	2	2	2	2
166	Y-12117	BUSHING	•	•	2	2	•	•	2	2	2	2

