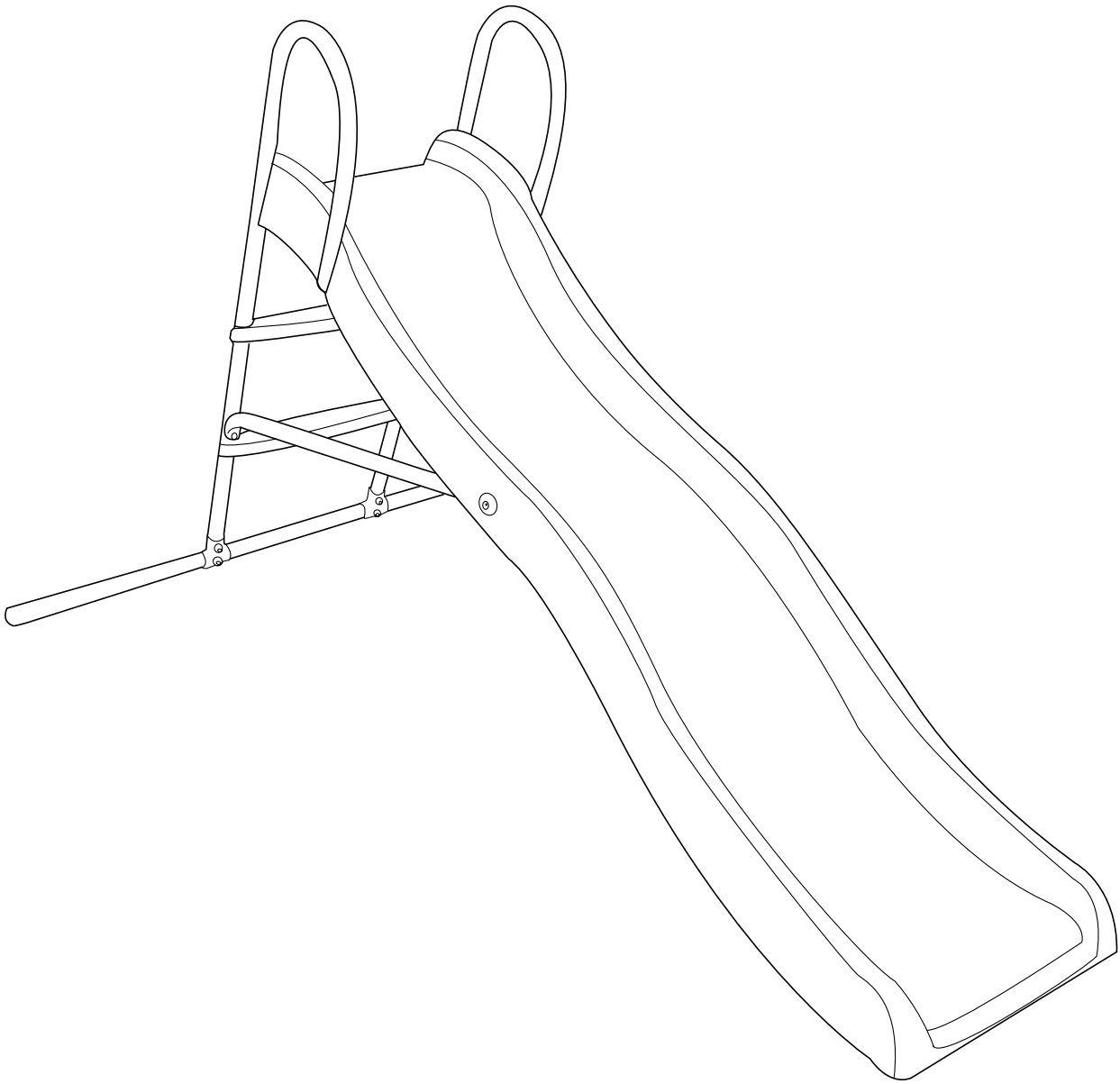
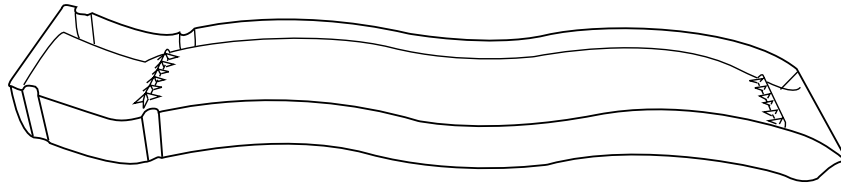


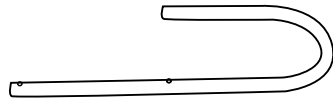
Wavy Slide



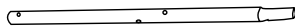
Aw X1



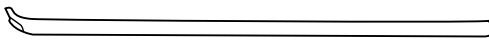
Bw X2



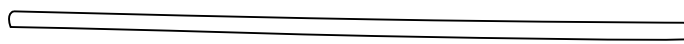
Cw X2



D X2



E X1



F X2



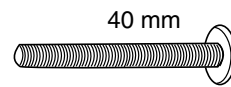
G X2



J X2



M X8



H X2



K X2



N X8



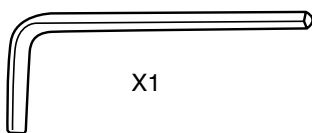
I X2



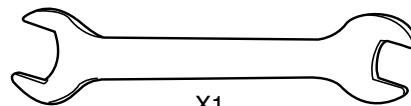
L X14



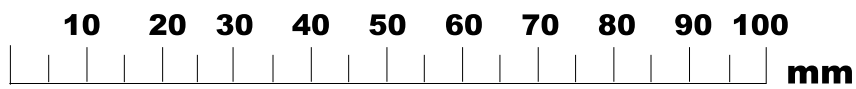
During assembly leave all bolts loose and then go back and fully tighten



X1



X1

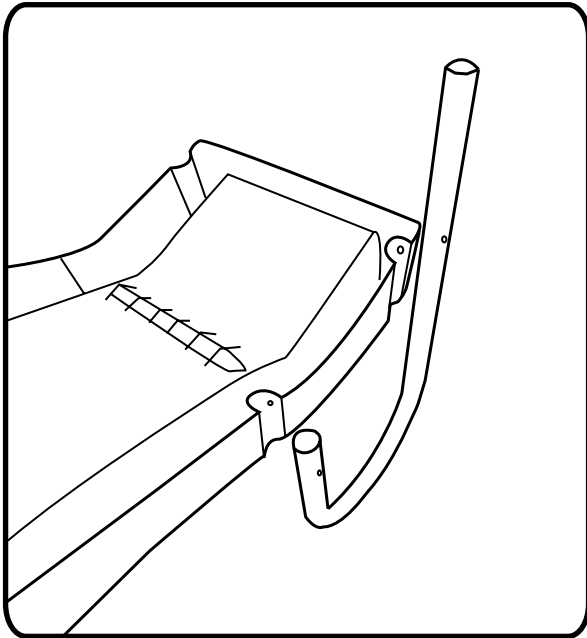
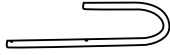


1

Aw X1



Bw X1

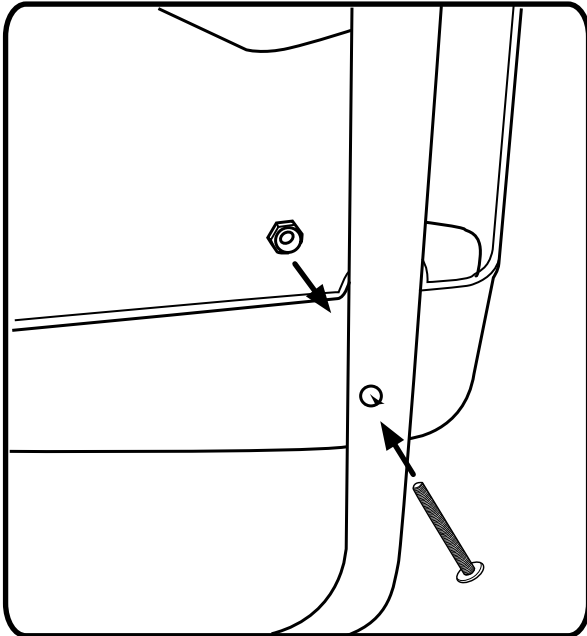


2

M X1



L X1

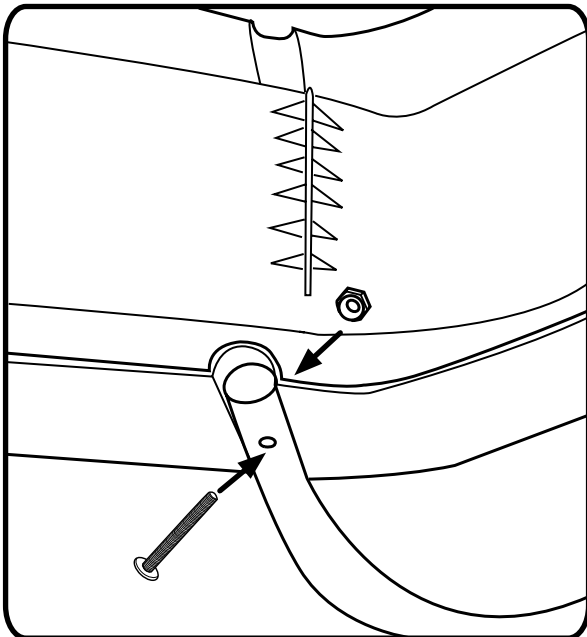


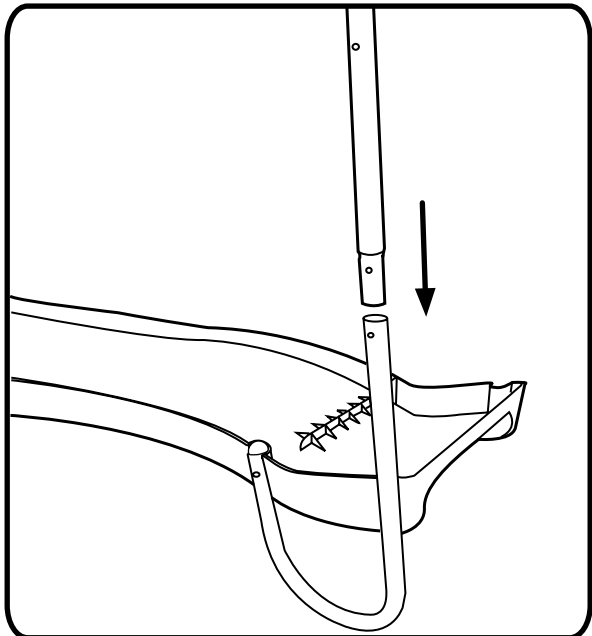
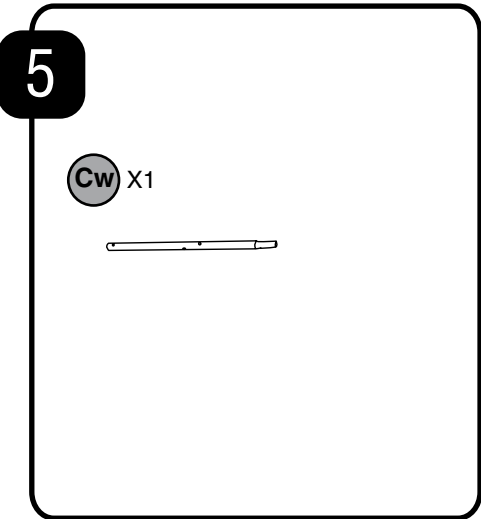
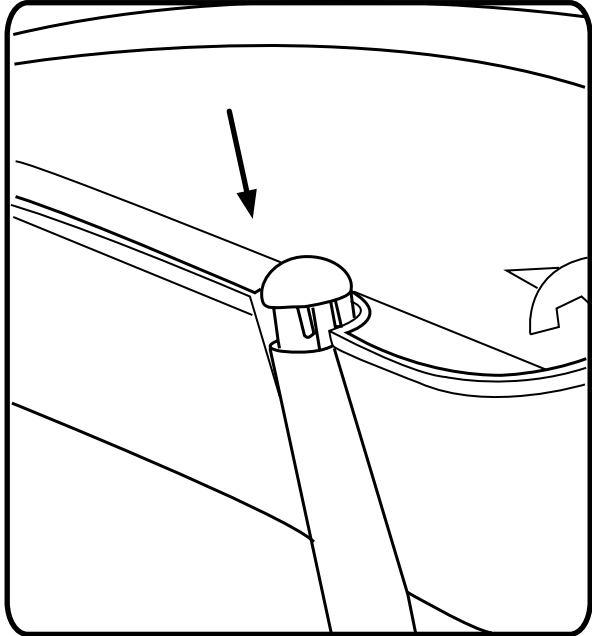
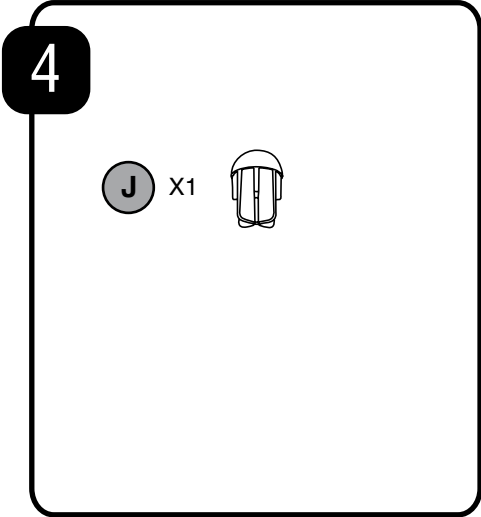
3

M X1

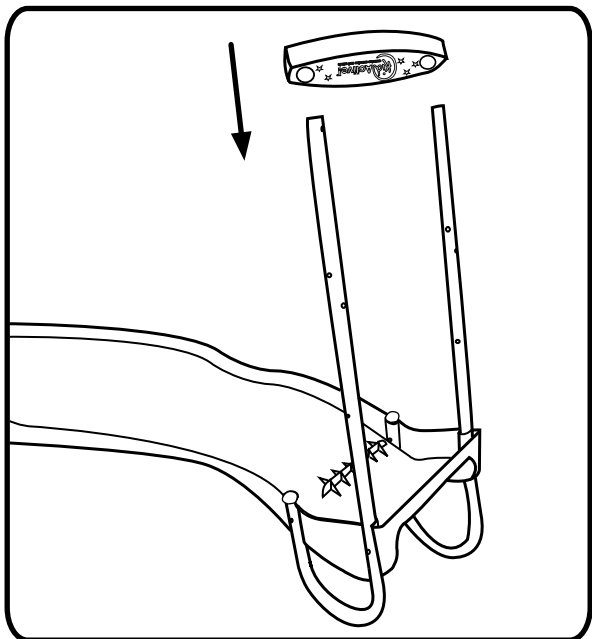
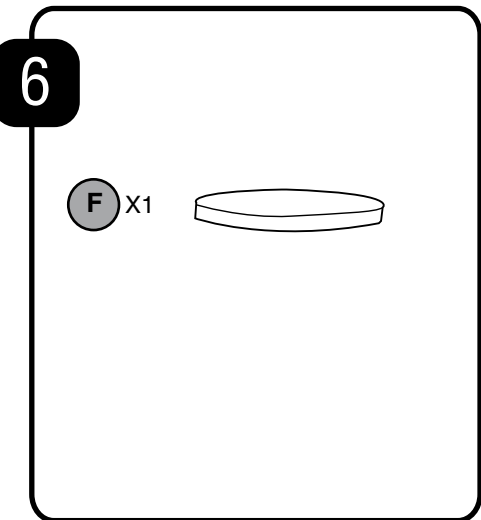


L X1

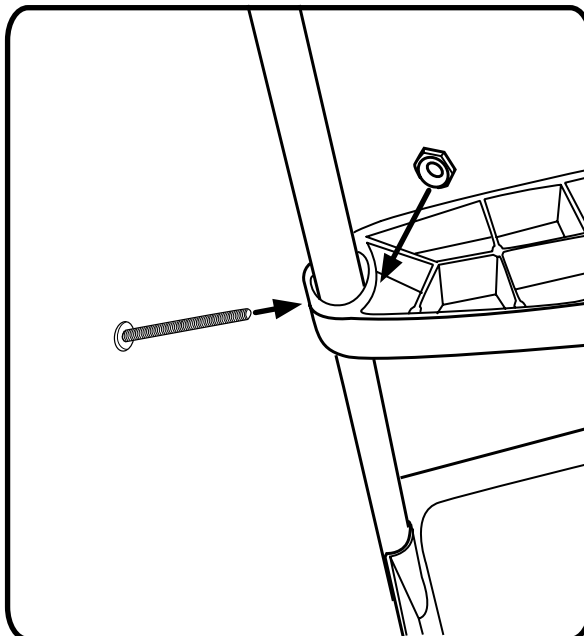
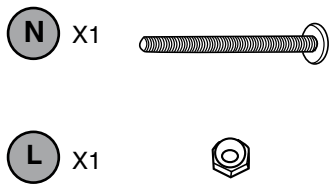




Repeat steps 1-5 on other side

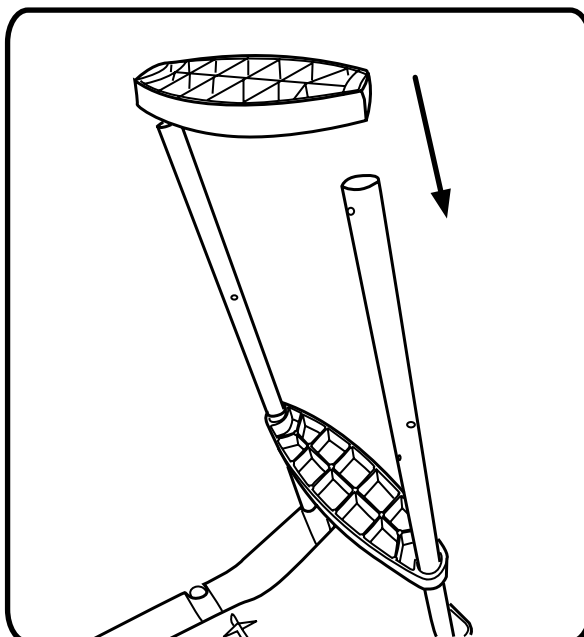


7

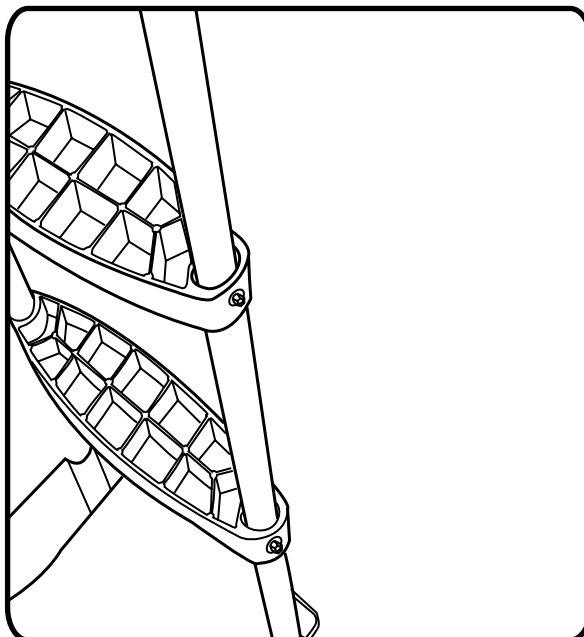
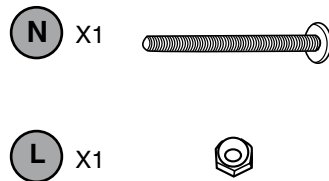


Repeat step 7 on other side

8



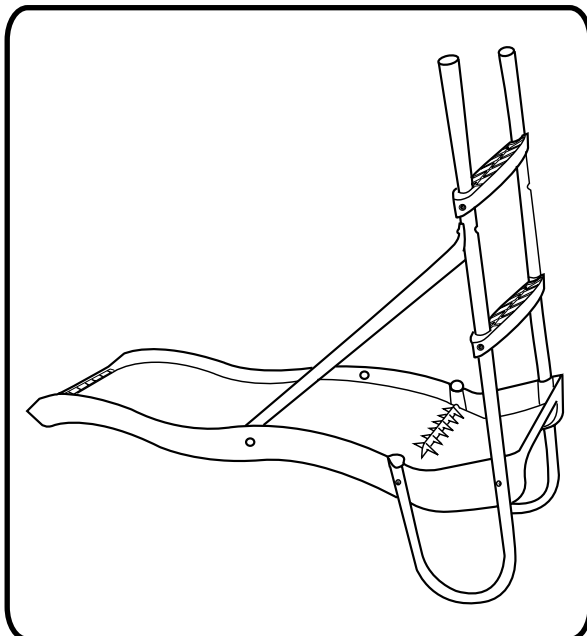
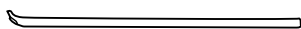
9



Repeat step 7 on both sides

10

D X1

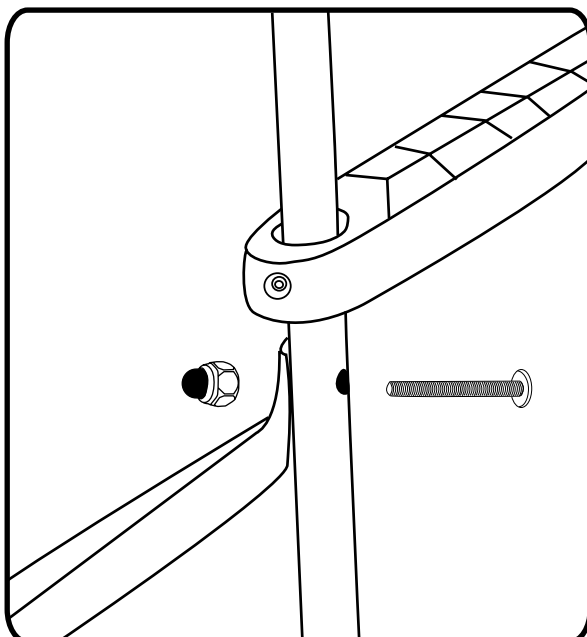


11

K X1



M X1



12

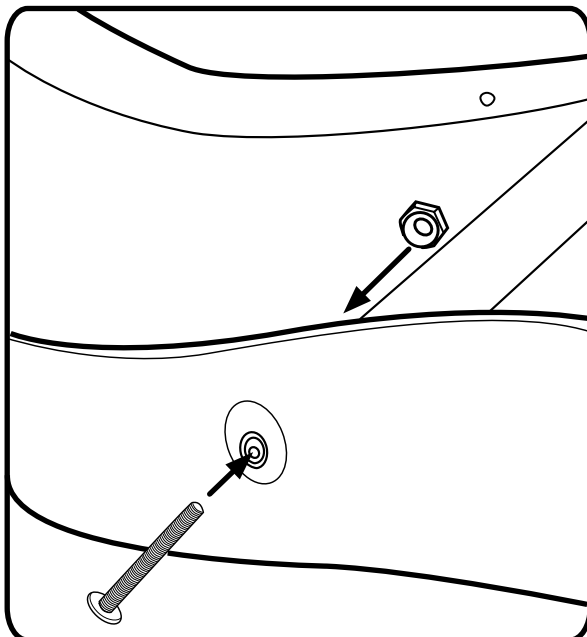
I X1



L X1



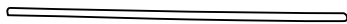
M X1



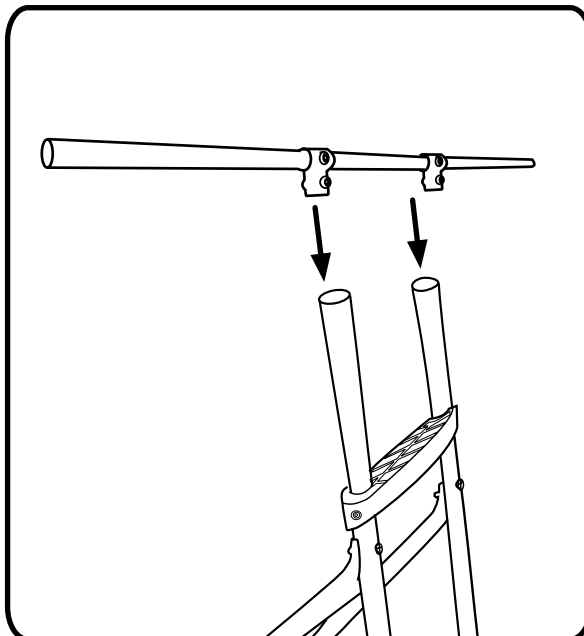
Repeat steps 10-12 on other side

13

E X1



H X2

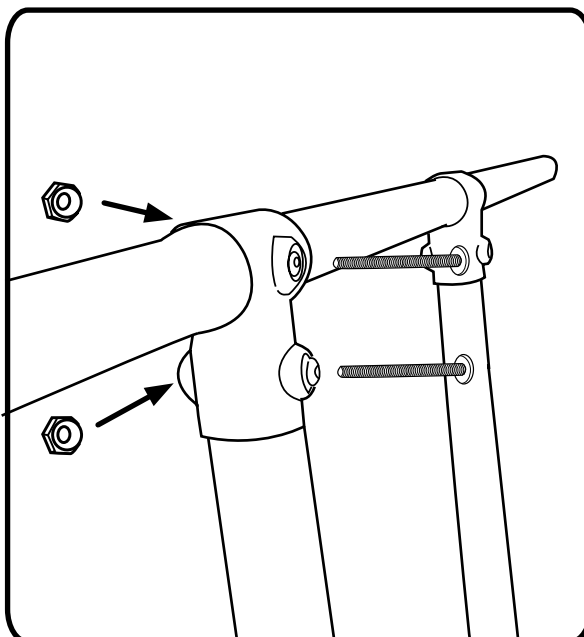


14

L X2

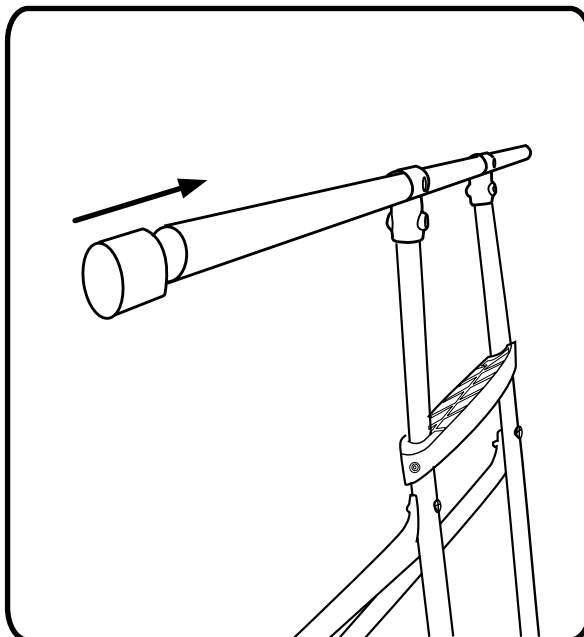


N X2

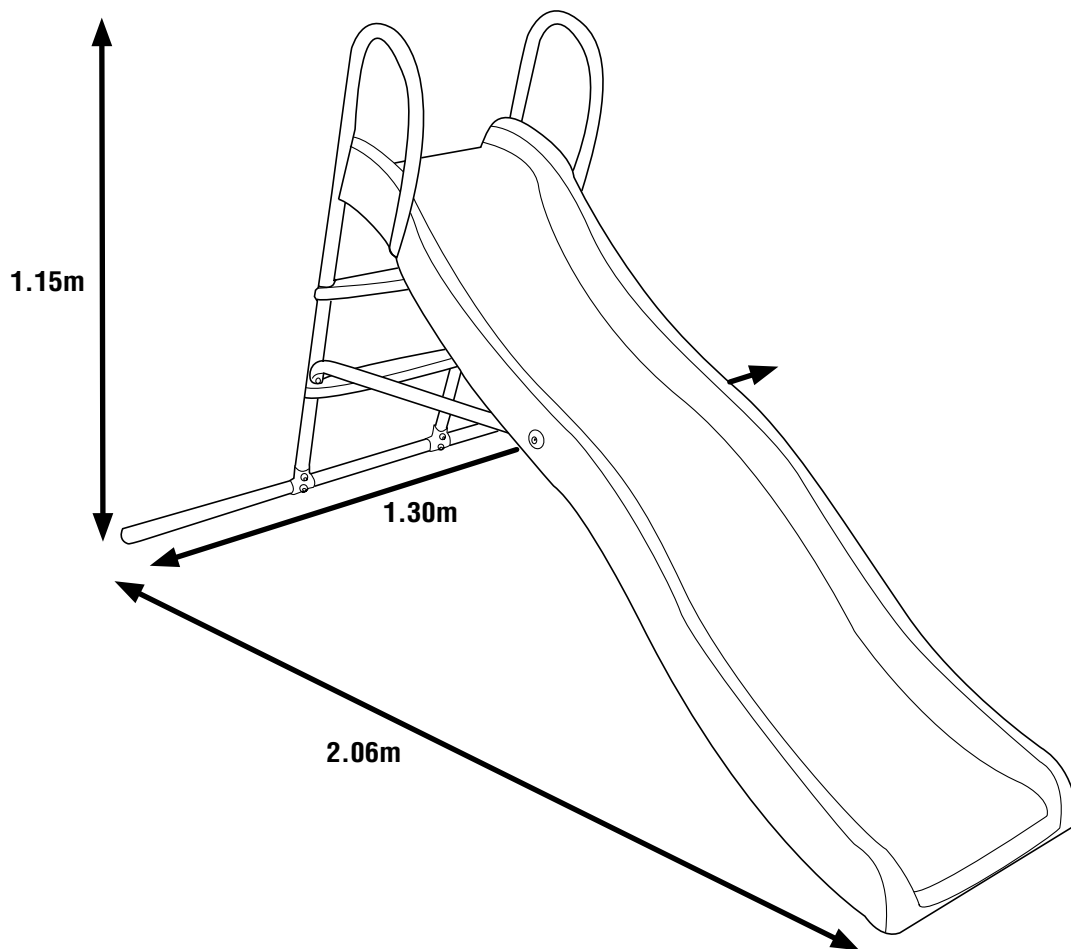


15

G X1



Repeat steps 14-15 on other side



- Remove all packaging materials such as: bags, bands & cartons.
- For family domestic indoor / outdoor use.
- Max load 50 kg.
- Recommended age of use: 3 years and above.
- Side bars are not for standing or climbing on.
- Place the toy on a level surface at least 2 m from any structure or obstruction, such as fence, garage, house, overhanging branches, laundry lines or electrical wires.
- The toy shall not be installed over concrete, asphalt or any other hard surface.
- Do not face slide-shute directly towards the sun when in use.
- Check the toy regularly before use.
- Check connections regularly for continued security and for any evidence of deterioration or hazards. Replace, if required, with suitable & new parts. Failure to do so may result in an injury or fall.
- Adult assembly required.
- Adult supervision is required at all times
- Please keep this instruction sheet for future reference.
- **Starplast c/o T.B.A. NP16 6NW • Tel.01291 650581**