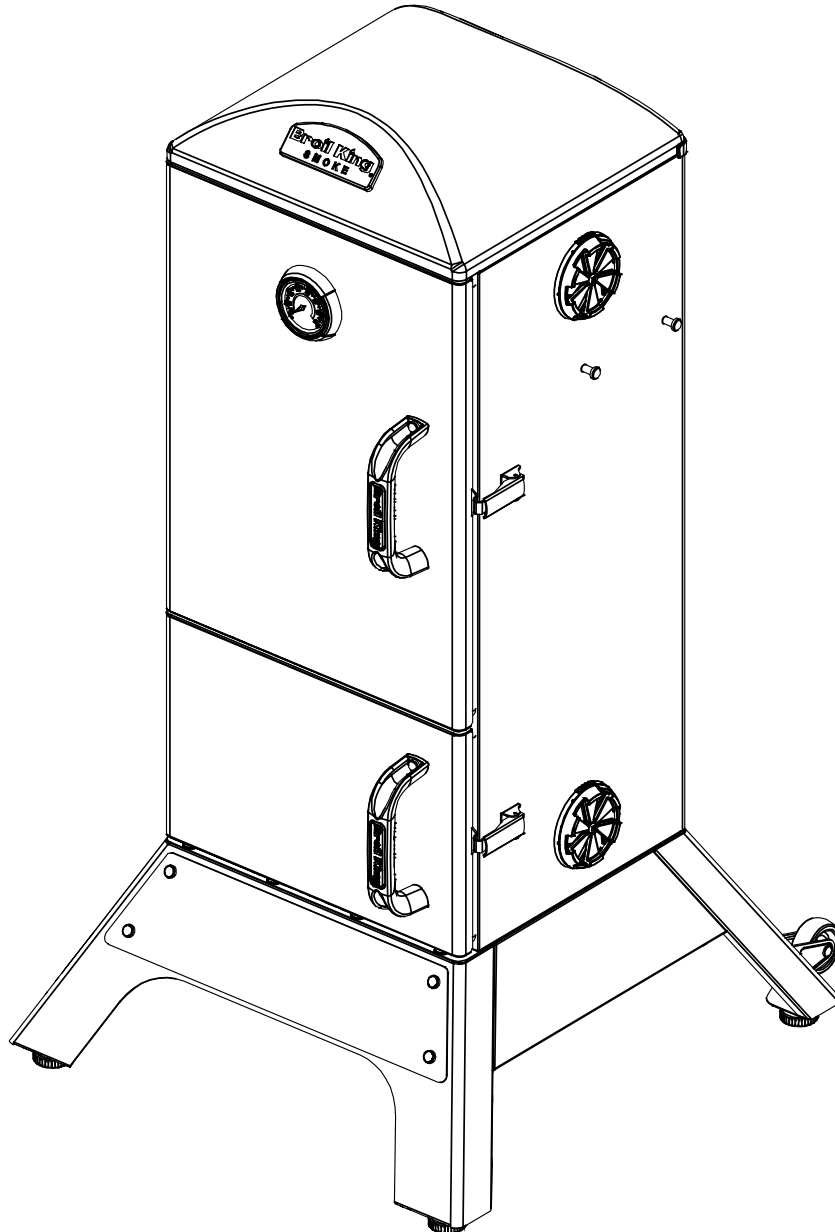


# Broil King®

---

---



**Broil King**

9236-10

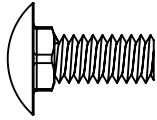

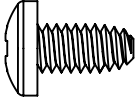

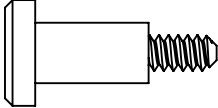
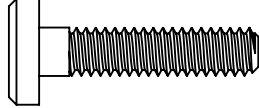
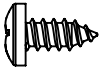
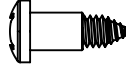
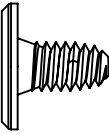
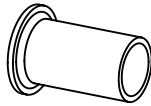
---

---

*Onward*  
MANUFACTURING COMPANY LIMITED  
SINCE 1906  
585 KUMPF DRIVE  
WATERLOO, ONTARIO, CANADA  
N2V 1K3

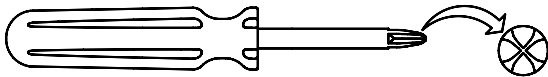
11412284-EU REV B 04/16

## HARDWARE INCLUDED

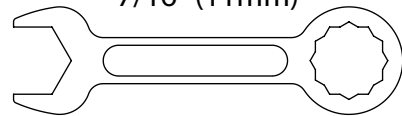
S21141		(4)	Y-11598		(6)
Y-12865		(18)	Y-11793		(8)
63599-73		(4)	63599-72		(6)
S21125		(4)	42259-10		(6)
535091		(6)	63599-75		(6)

## TOOLS REQUIRED

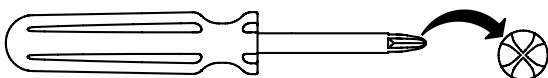
#2 PHILLIPS




7/16" (11mm)

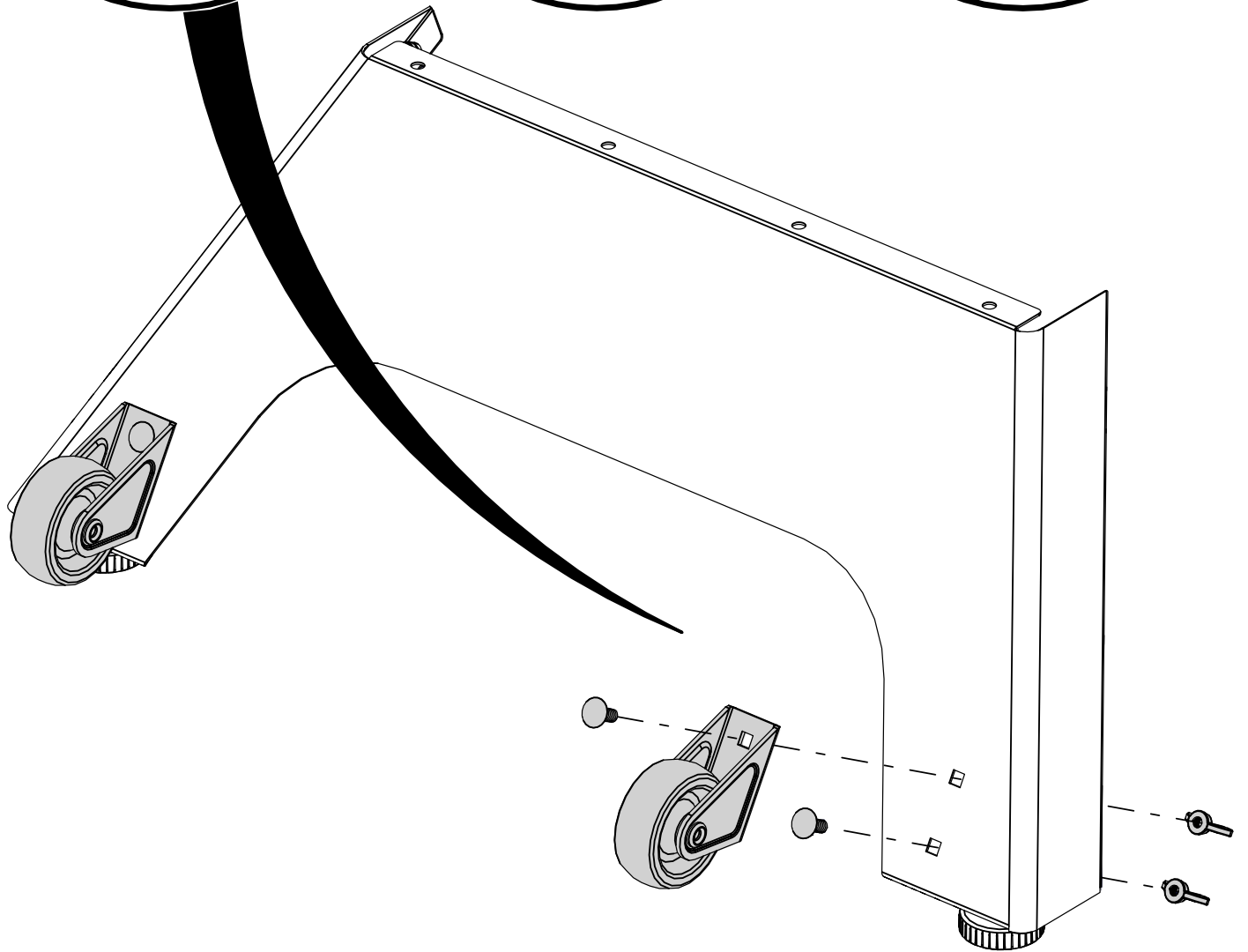
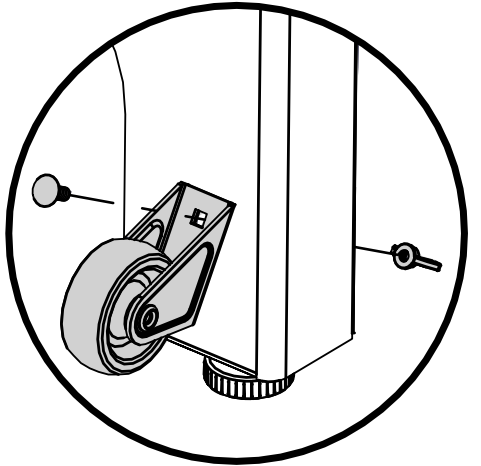
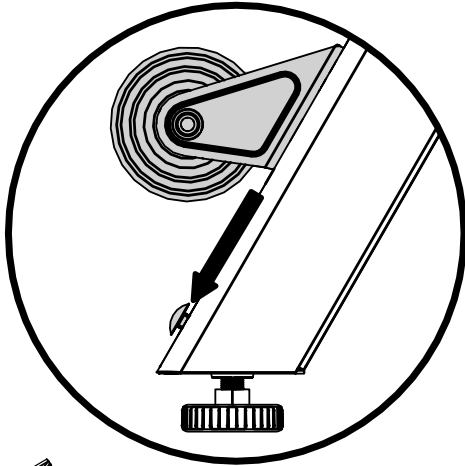
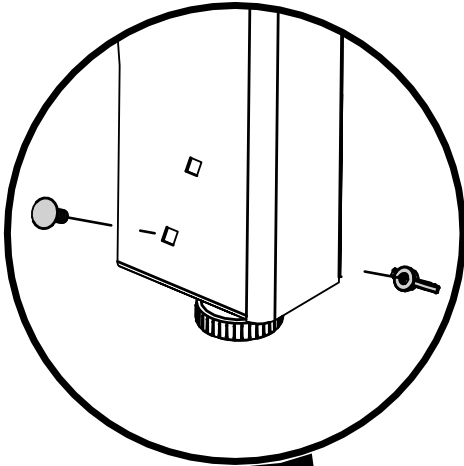


#3 PHILLIPS



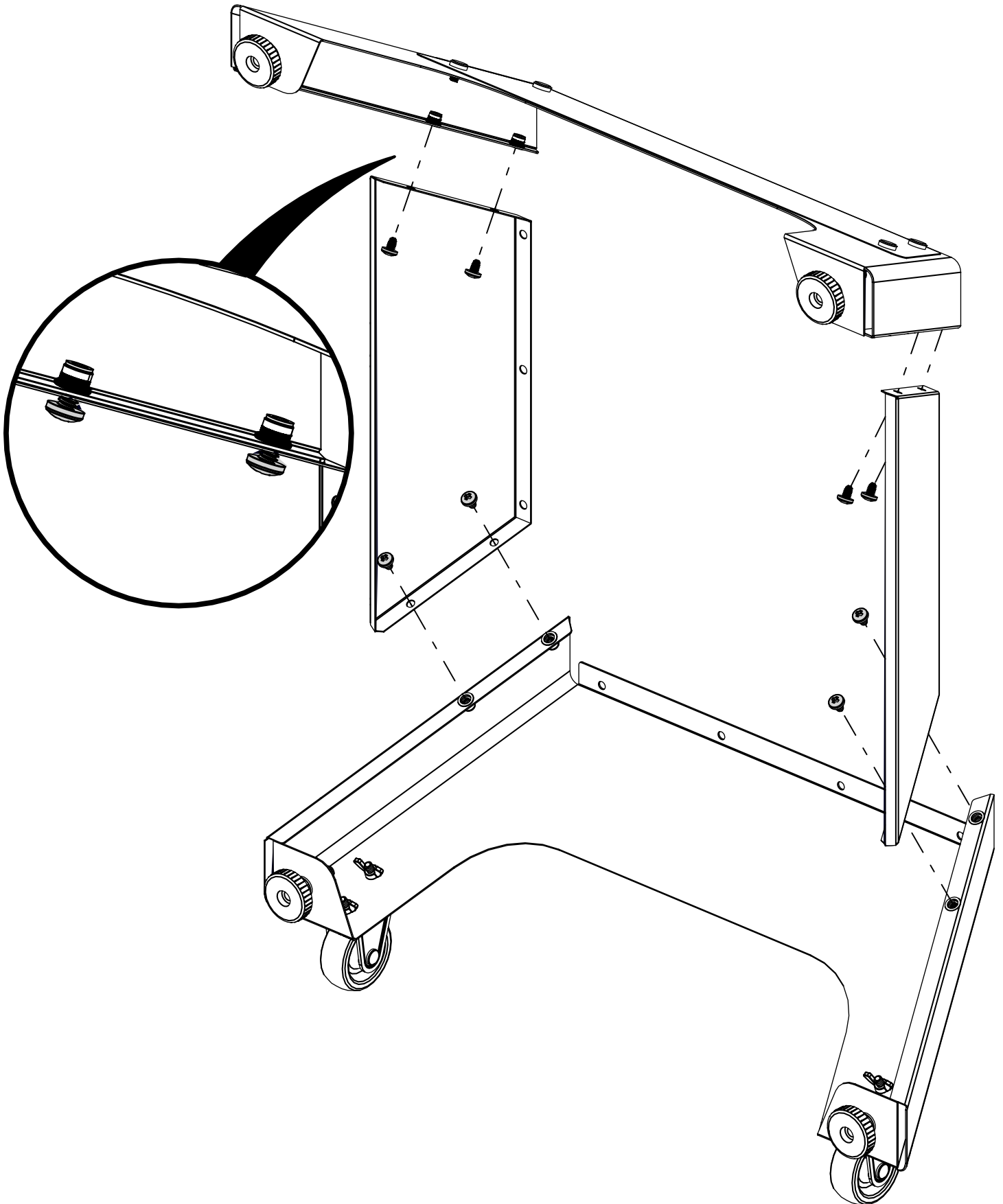
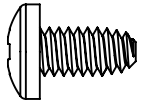
1

(4)  (4) 

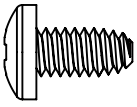


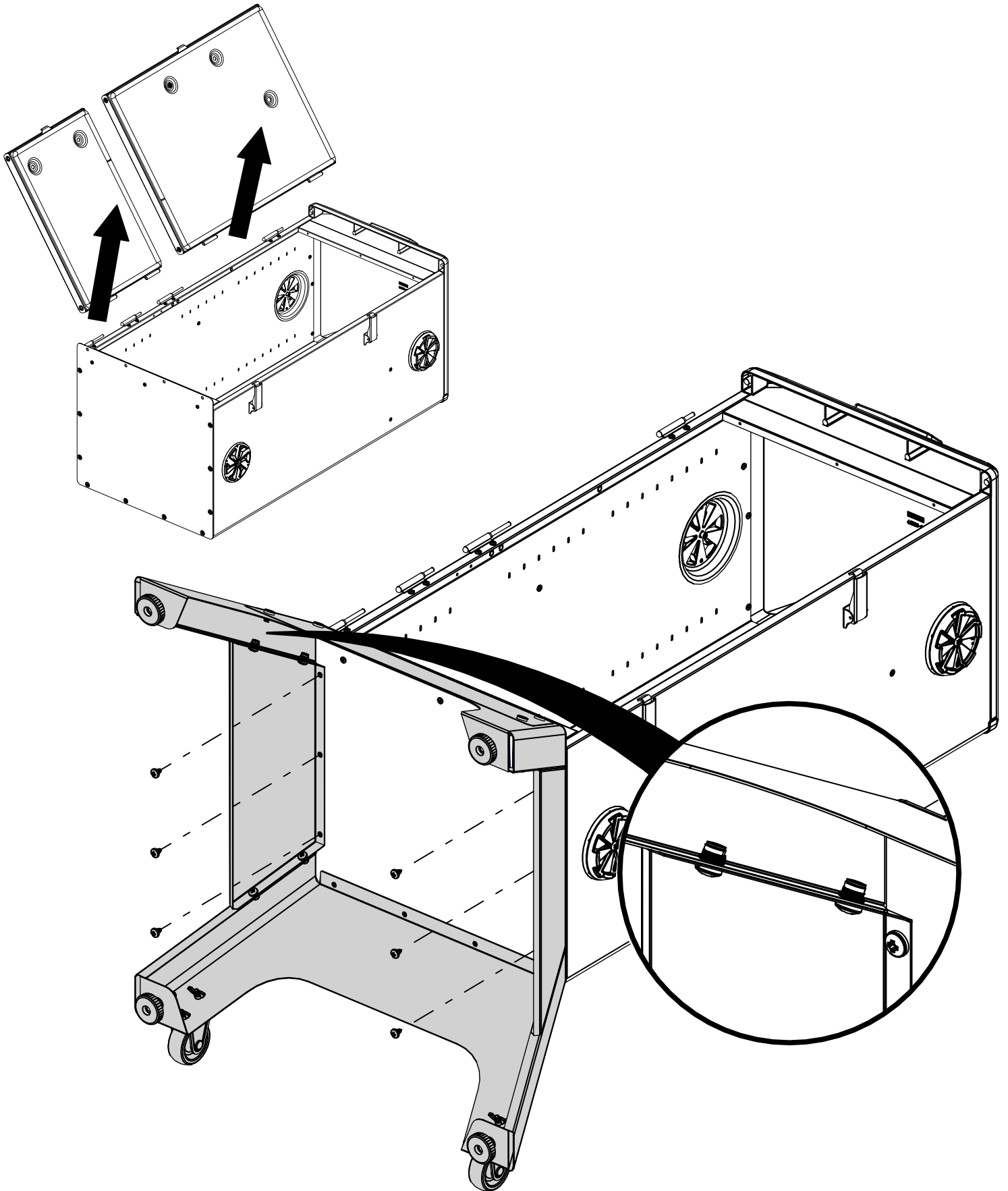
2

(8)

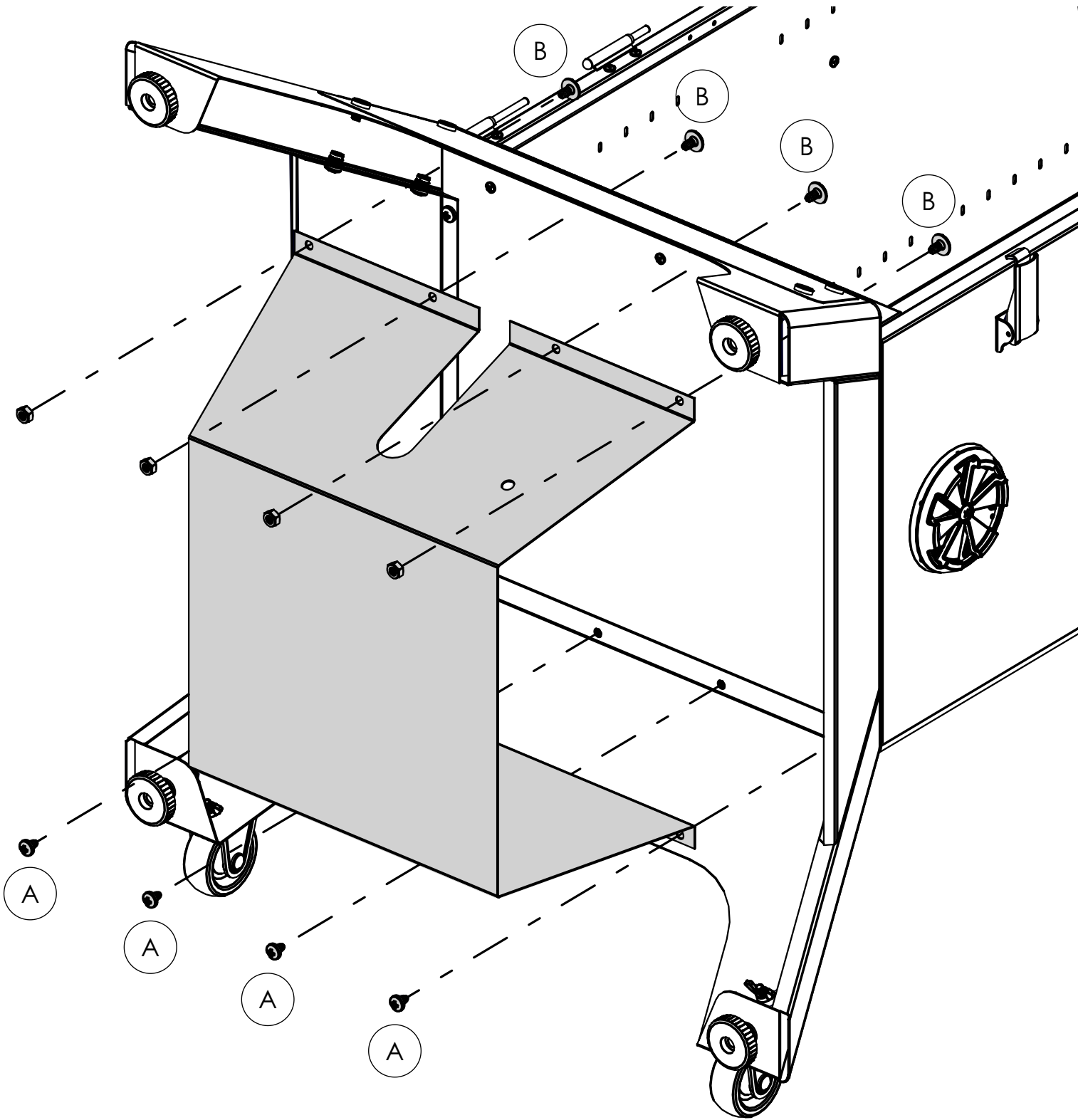
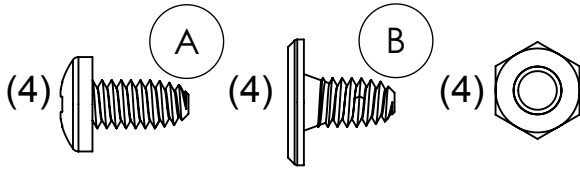


3

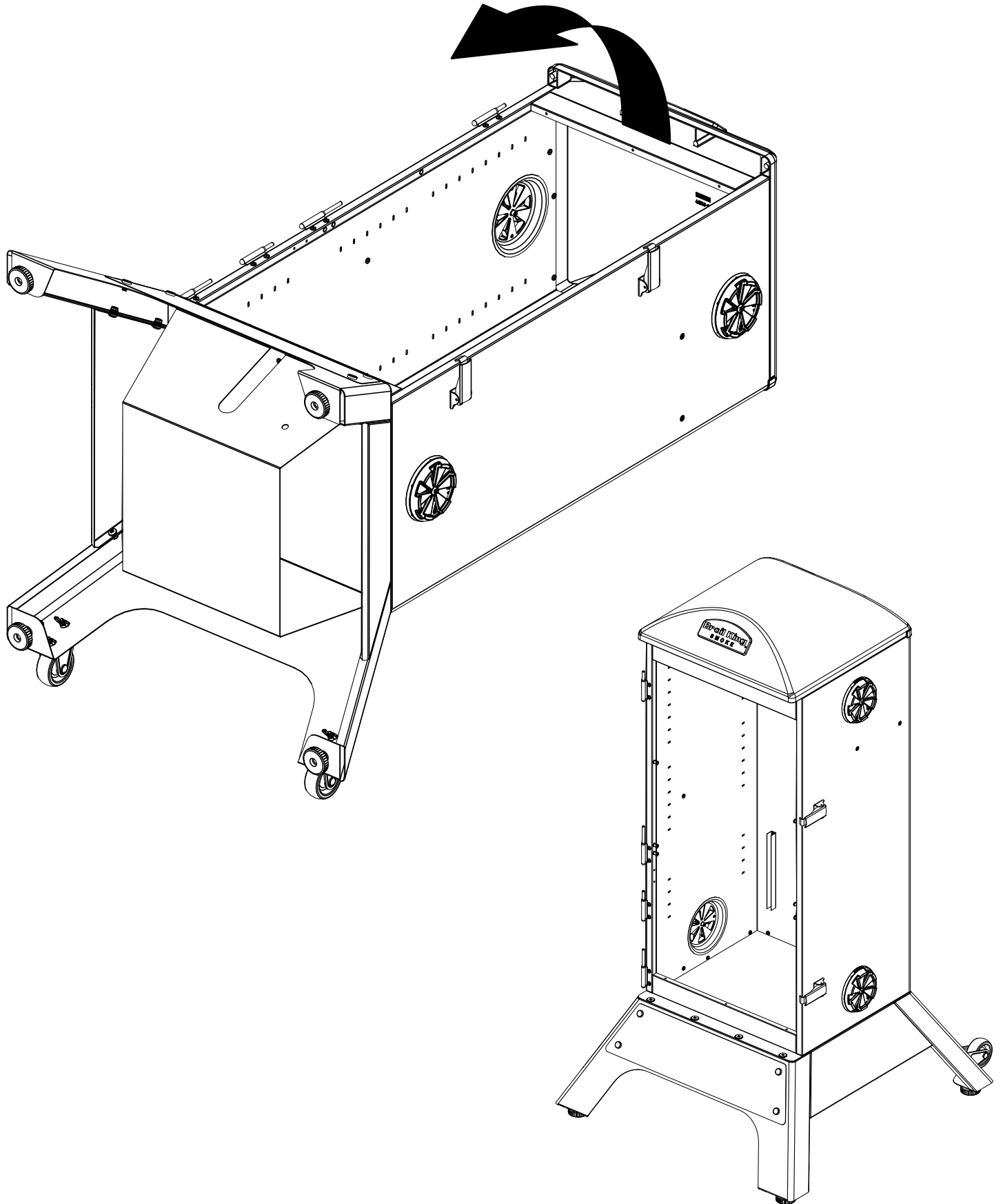
(6) 



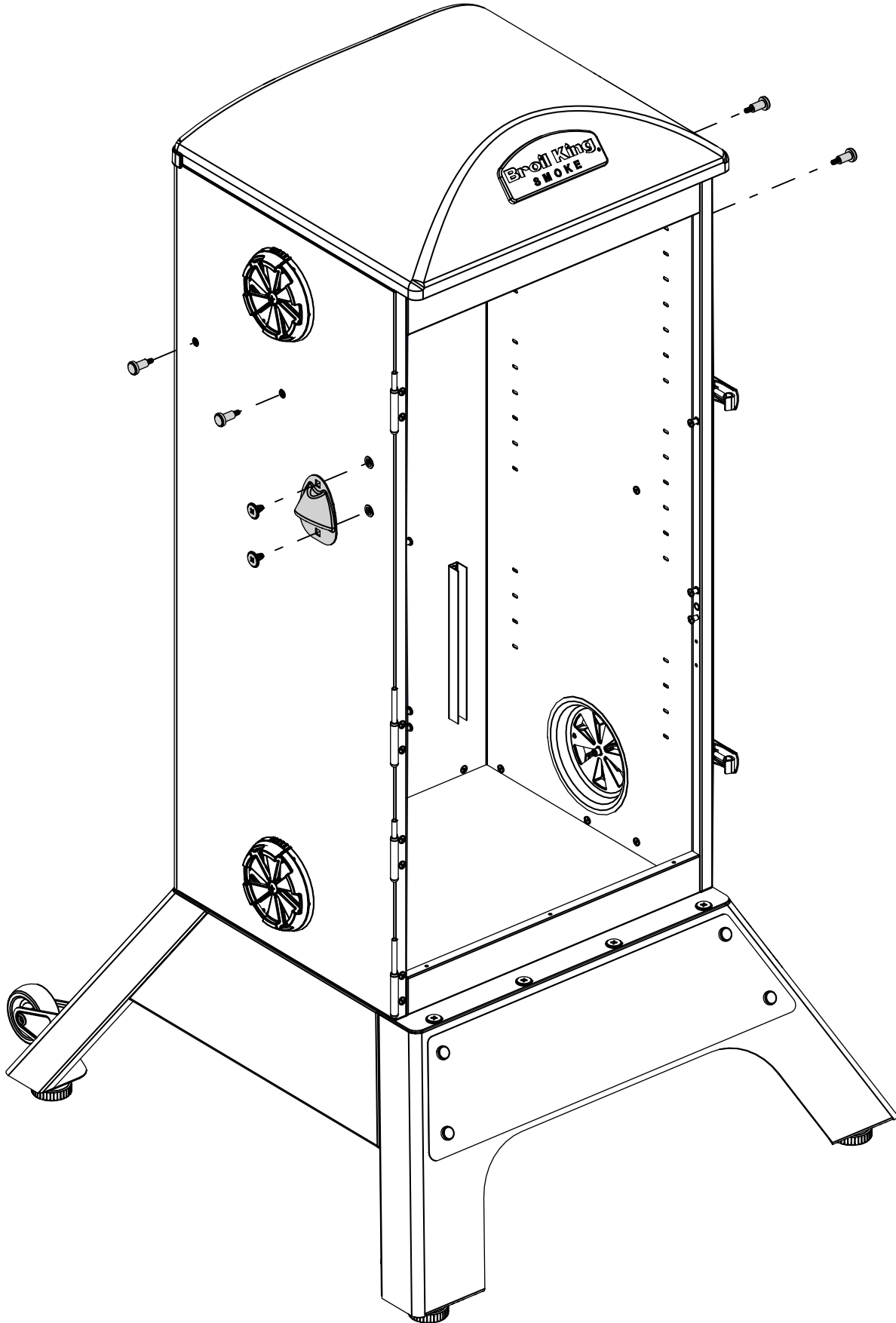
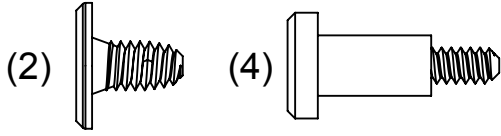
4



5

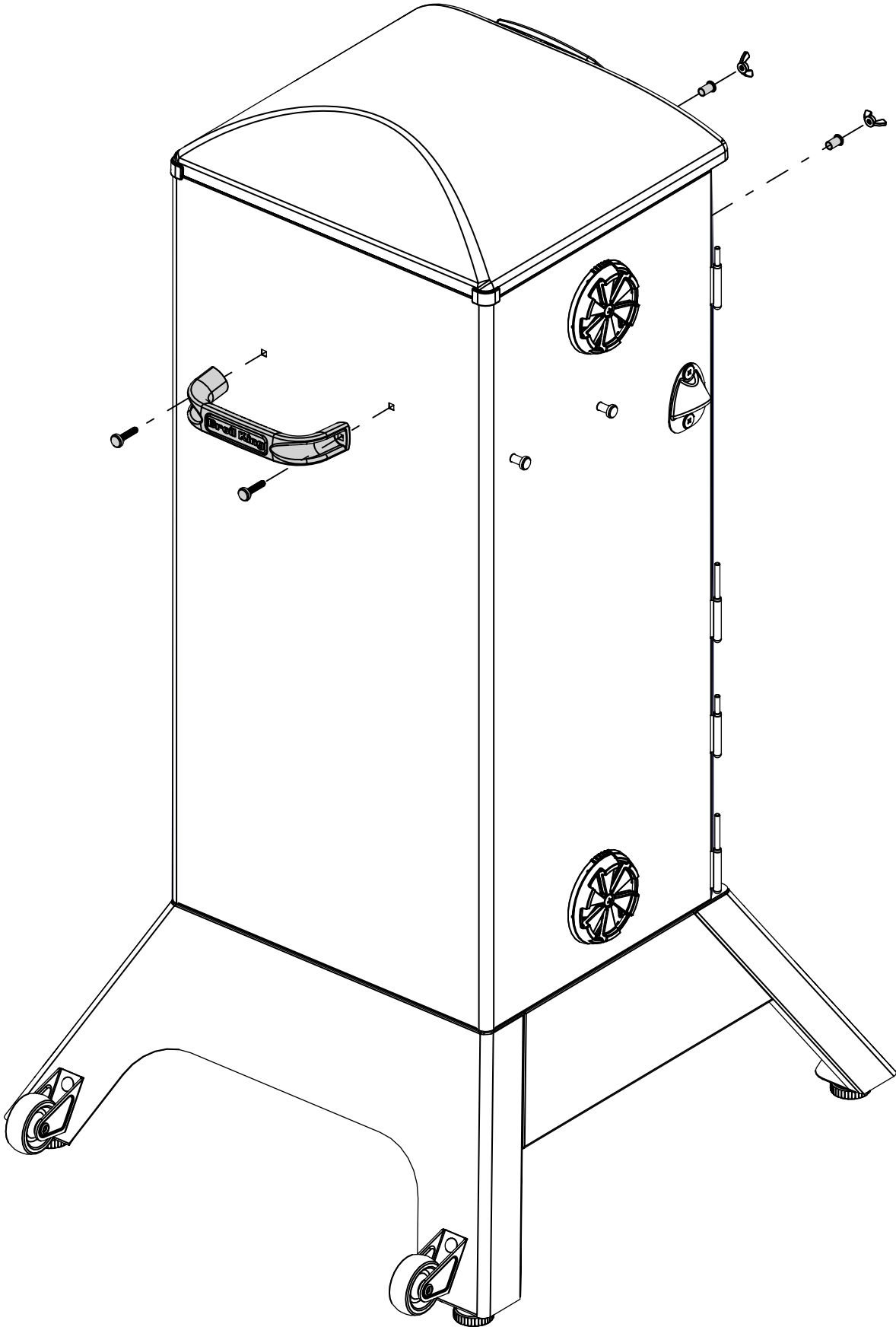
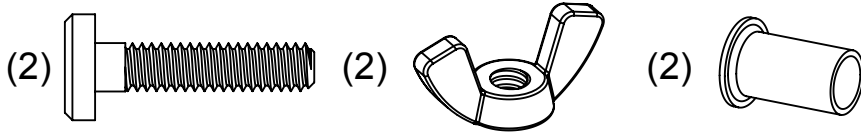


6

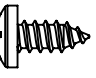


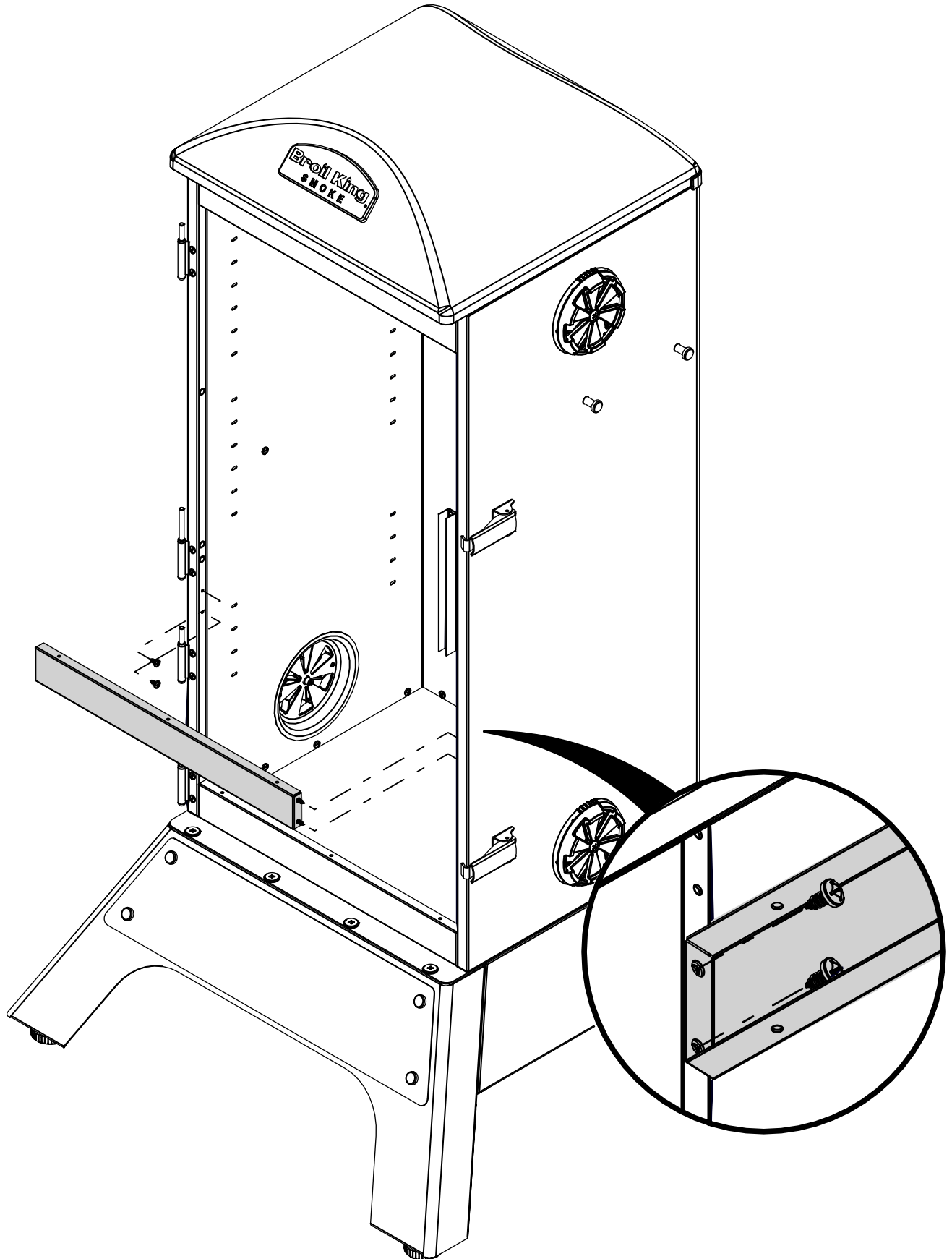


7

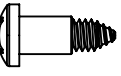


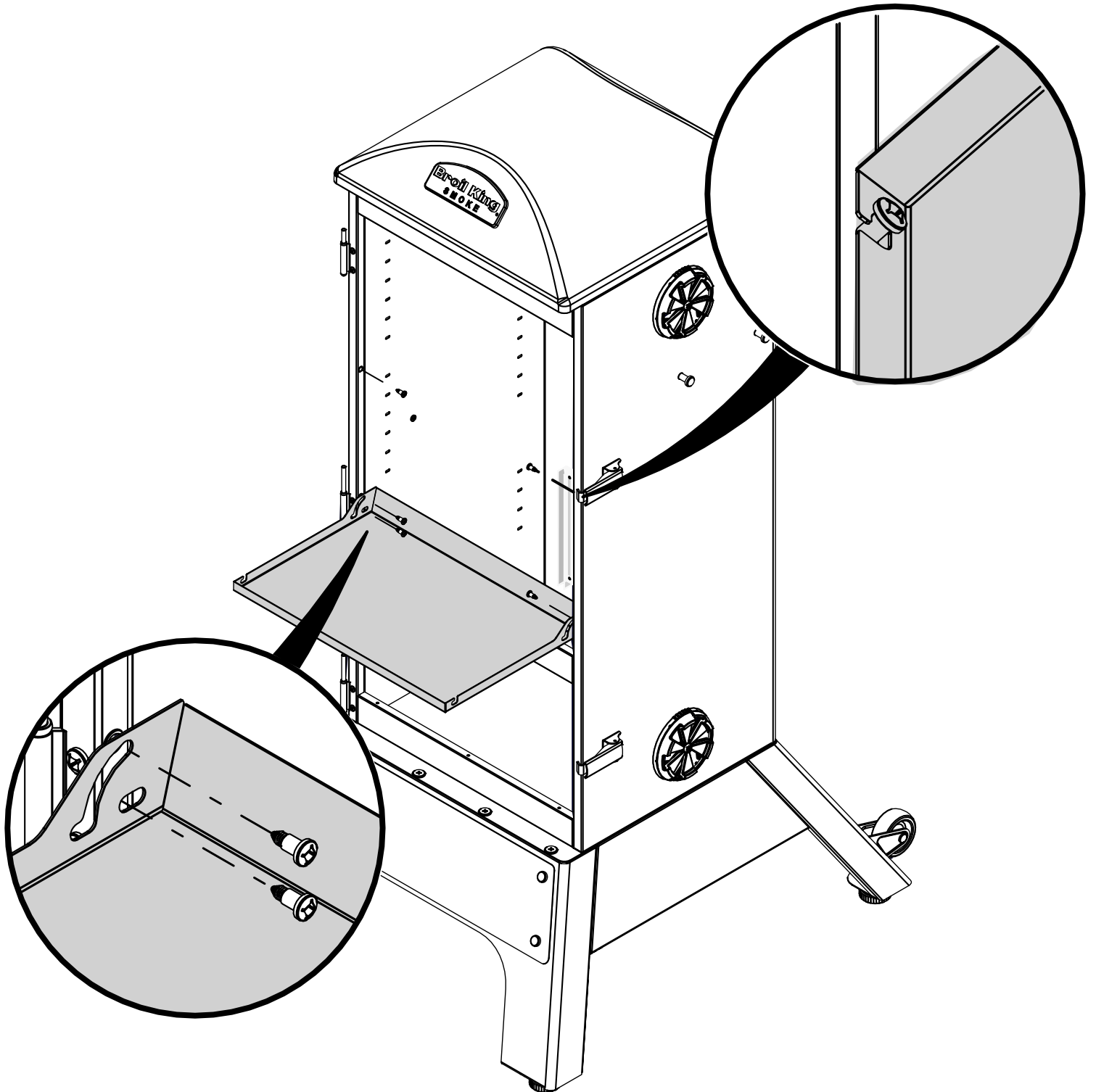
8

(4) 

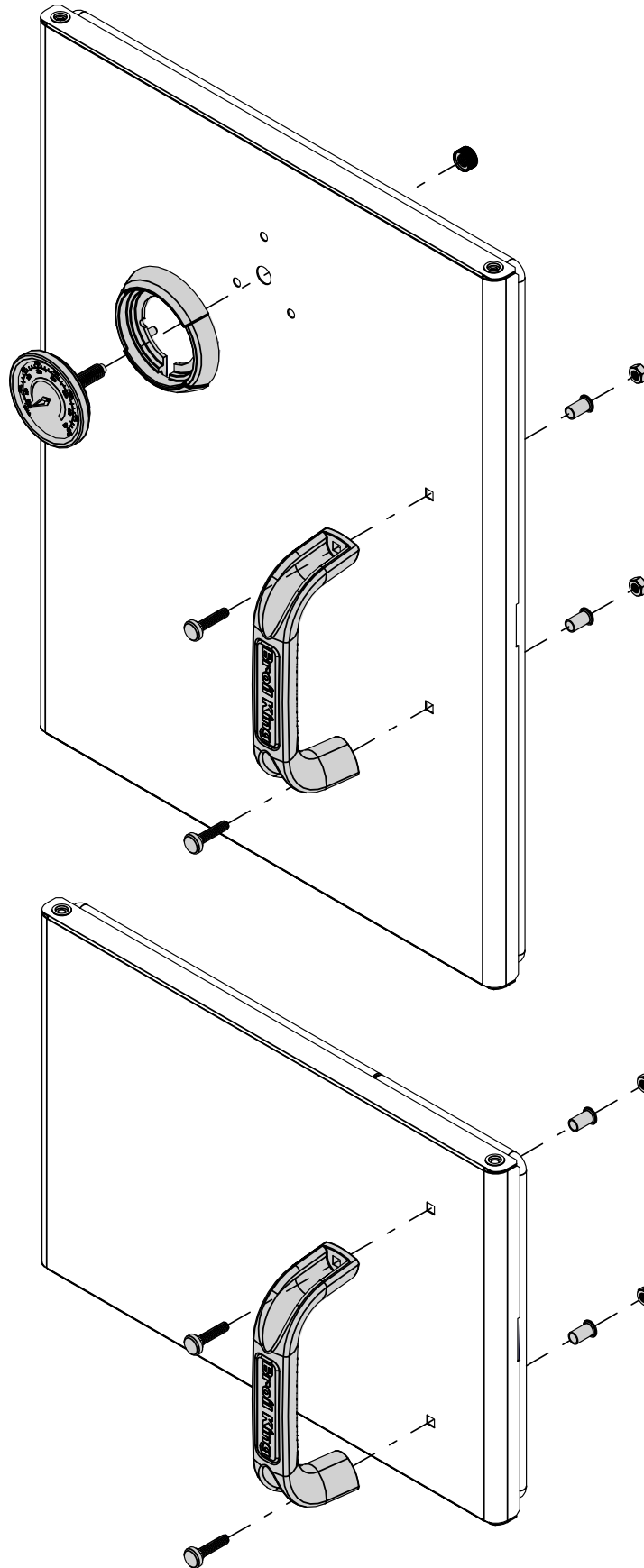
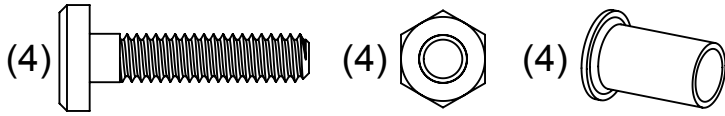


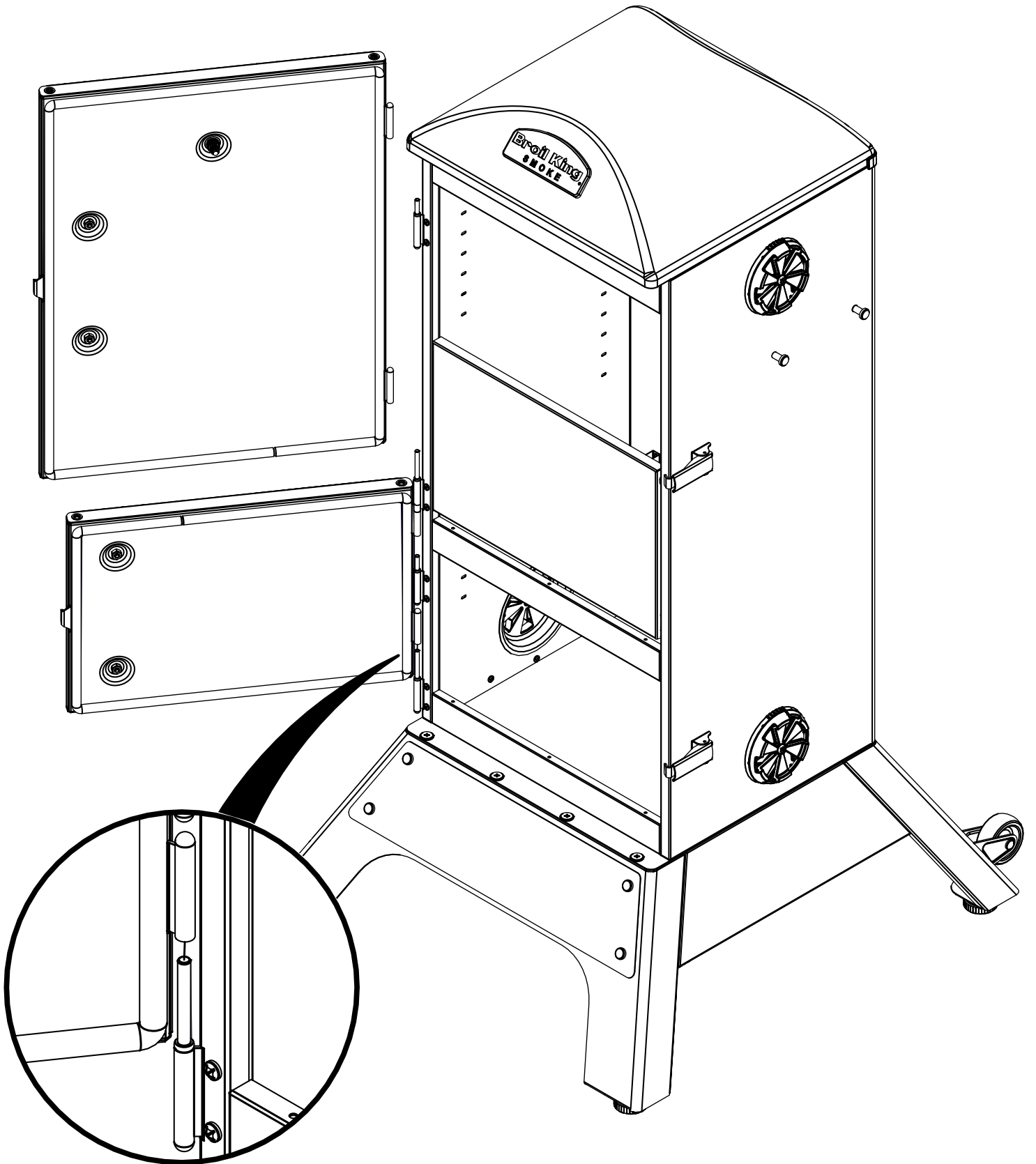
9

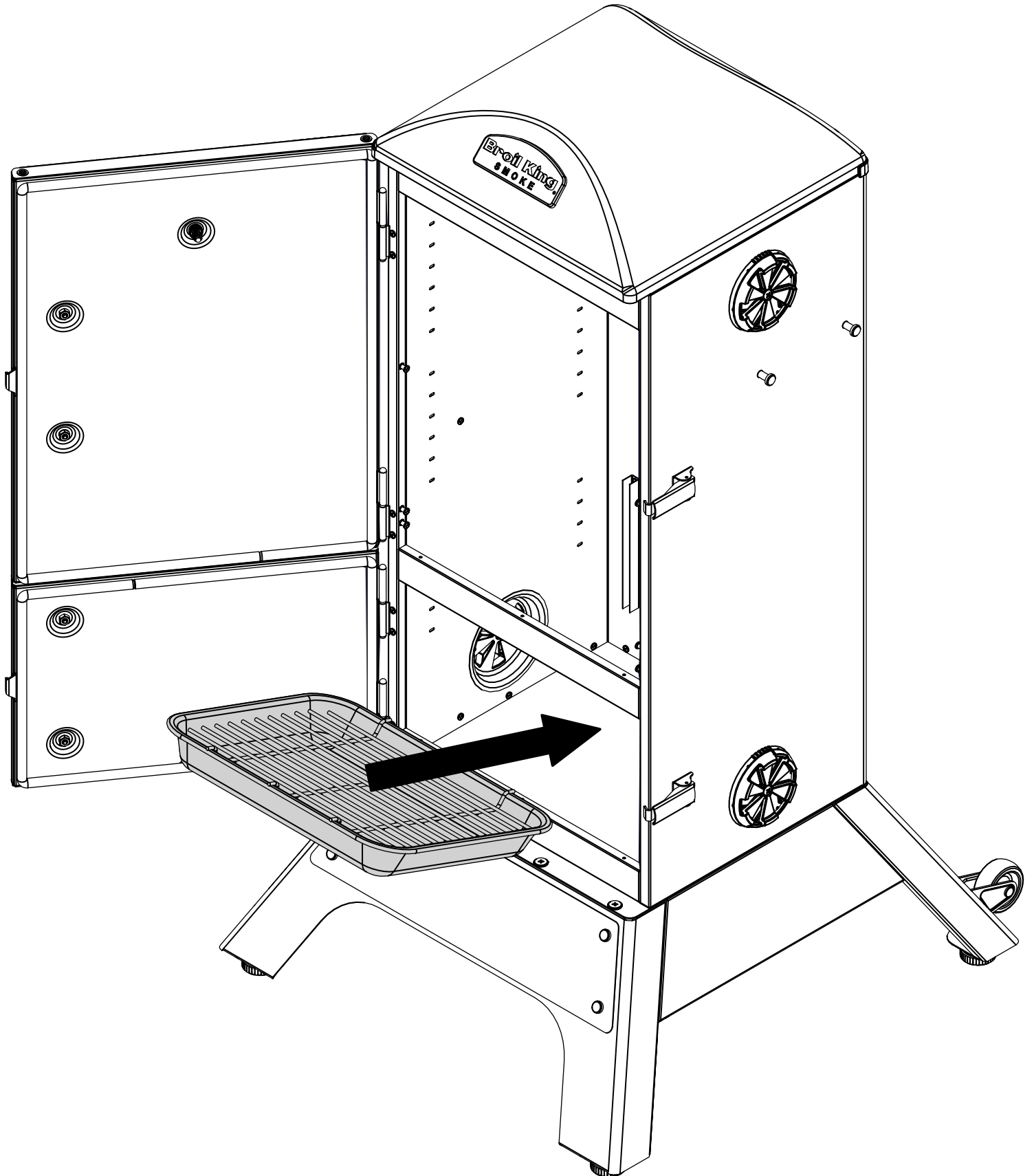
(6) 

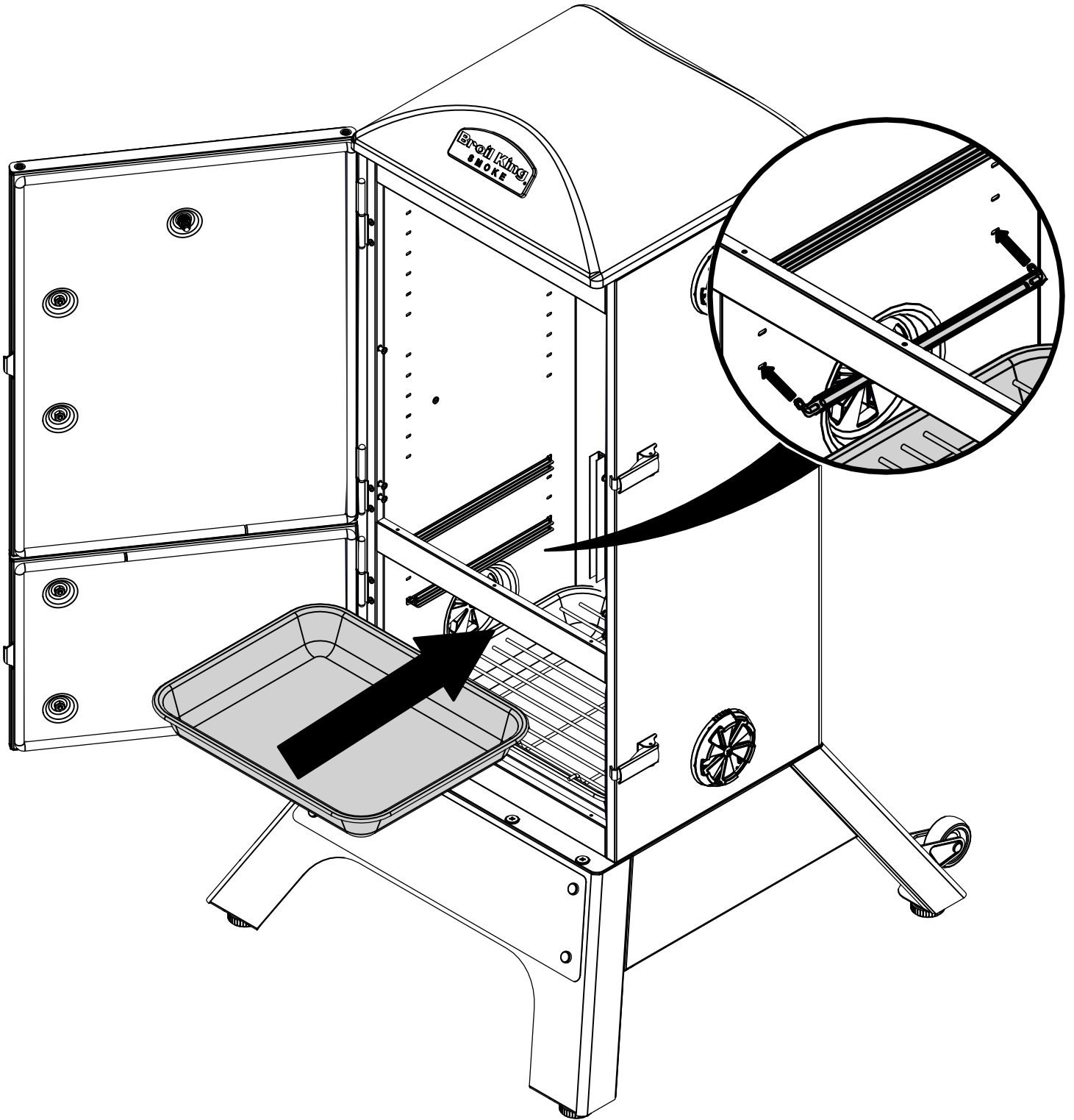


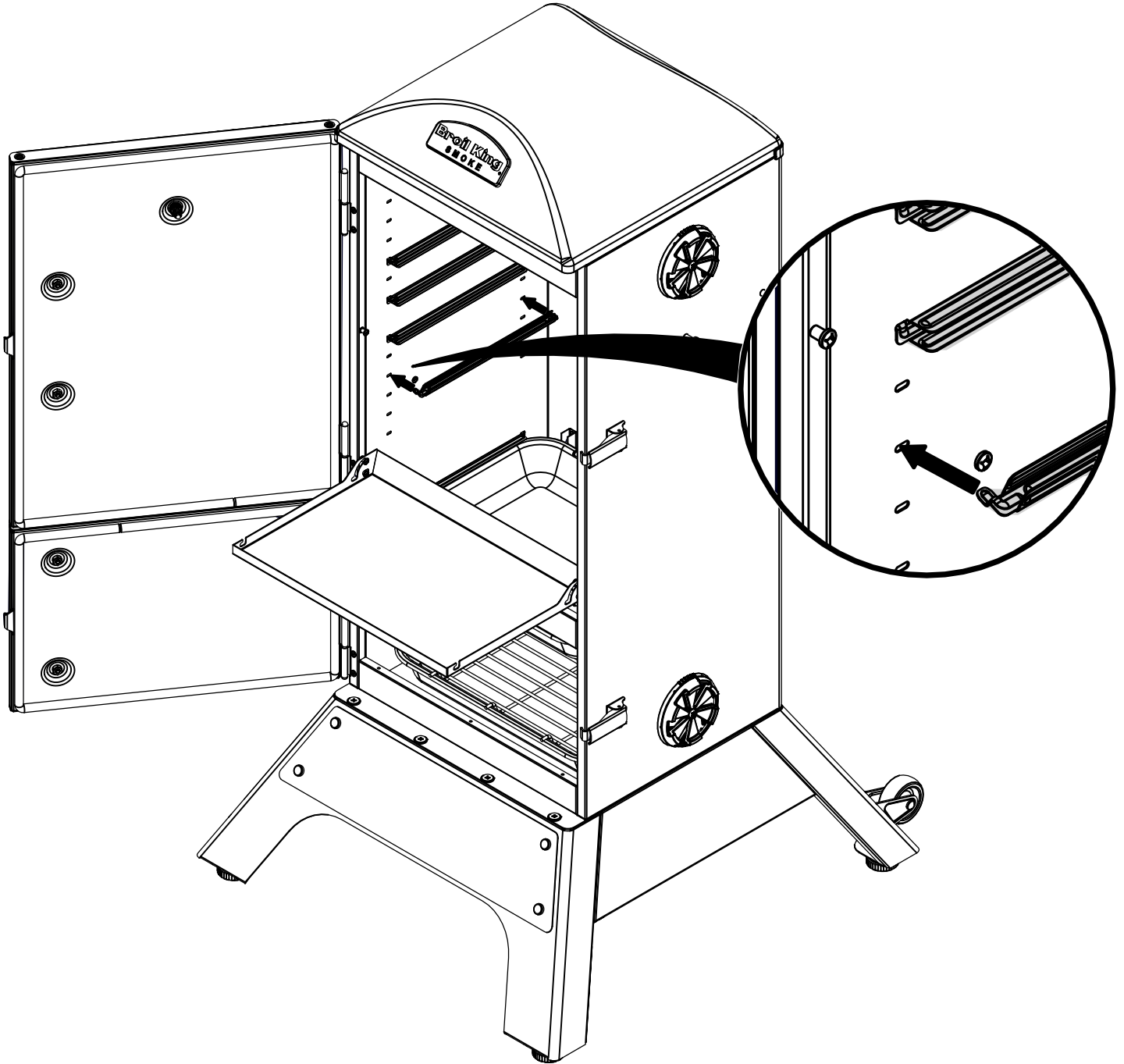
# 10



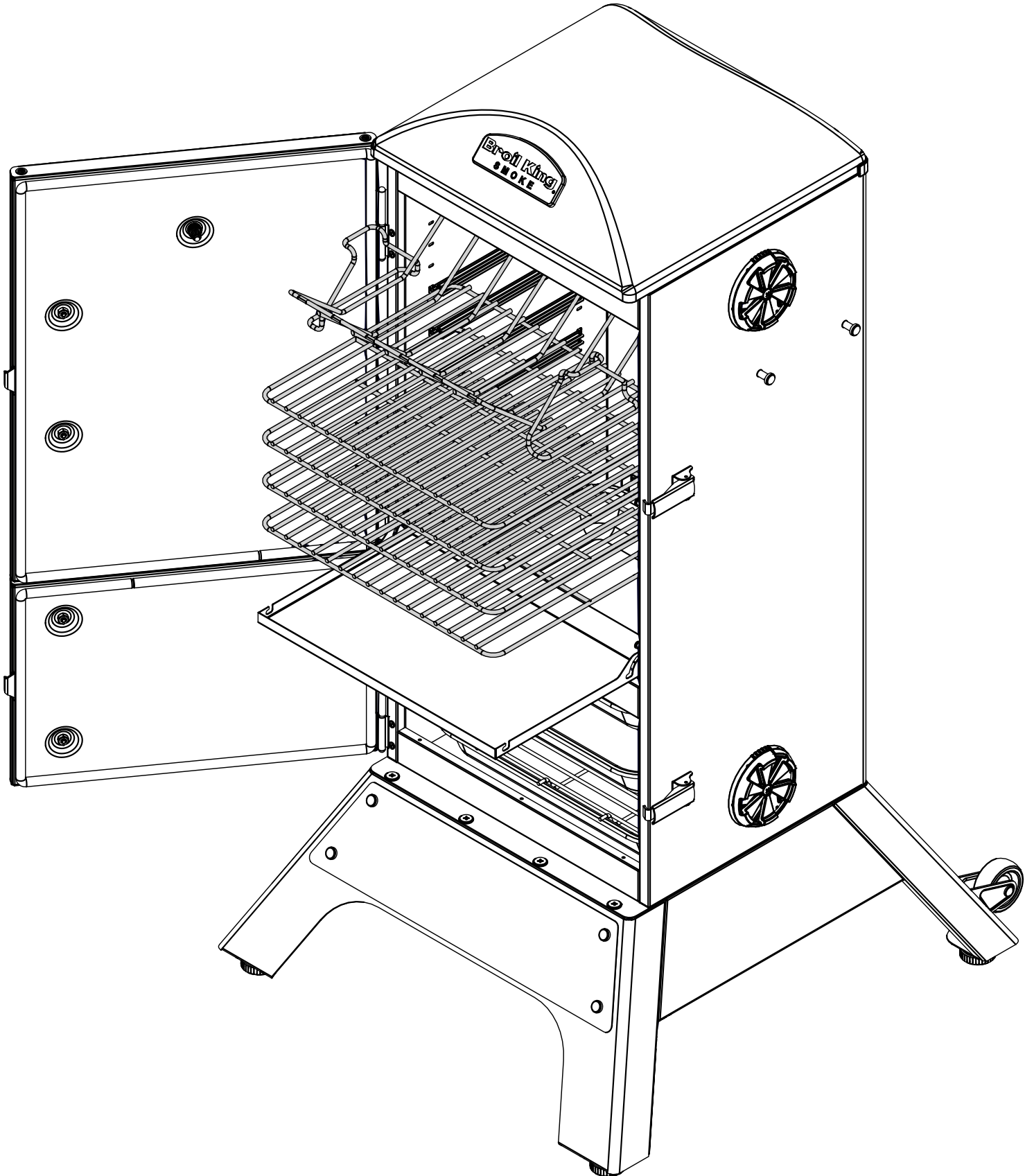


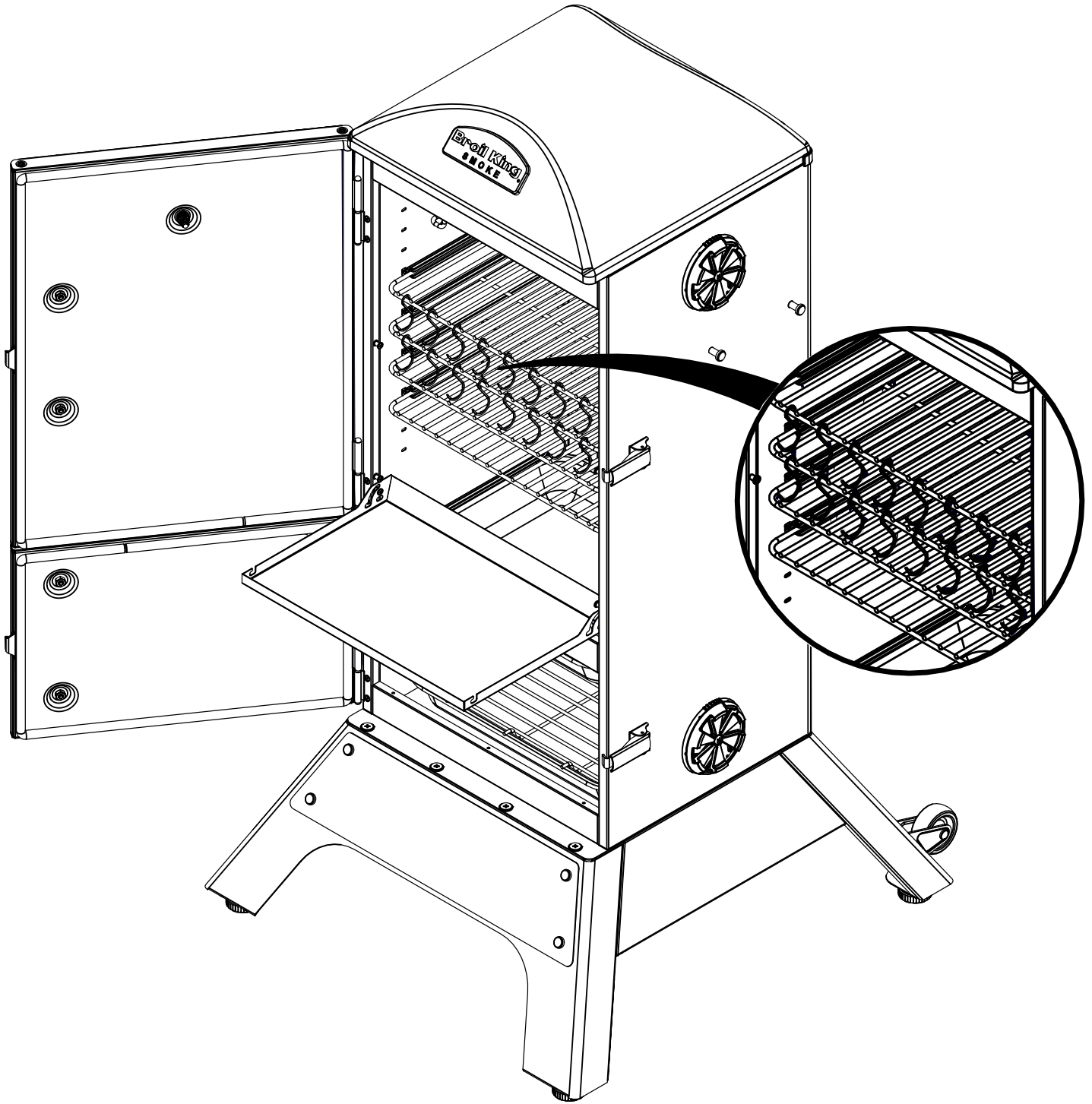












## PARTS LIST / LISTE DES PIECES

<u>KEY #</u>	<u>ITEM #</u>	<u>DESCRIPTION</u>	<u>9236-10</u>
1	44599-10BK	SMOKER NAMEPLATE	1
2	42000-004A	FIREBOX ASSEMBLY	1
3	44310-251	DAMPER BOTTOM	4
4	44310-261	DAMPER TOP	4
5	42222-294	COOKING GRID -BROIL KING	4
6	42222-194	MULTI FUNCTION V-RACK	1
7	42252-204	WATER PAN / GREASE TRAY	2
9	41522-194	GRATE	1
10	SP235-6	BOTTLE OPENER	1
11	42251-114	GREASE TRAY-FOLD DOWN	1
12	41730-101	LEG BRACKET	2
14	41730-121R	FRONT LEG	1
18	41730-131R	REAR LEG	1
19	41730-20A	WHEEL ASSEMBLY	2
20	43140-40A	DOOR LOCK ASSEMBLY	2
21	Y-12865	SCREW 1/4-20 X 1/2	18
23	42370-002A	DOOR ASSEMBLY-TOP	1
24	44479-20	HEAT INDICATOR LARGE	1
25	44499-101	CAST BEZEL-THERMOMETER	1
26	42371-002A	DOOR ASSEMBLY-BOTTOM	1
27	44219-13A	HANDLE ASSEMBLY	3
28	2280018	MEAT HOOK	16
30	2220152-1	RACK BRACKET	14
31	63599-74	CARRIAGE BOLT	4
32	Y-11598	WING NUT 1/4-20	6
33	63599-72	CARRIAGE BOLT-DOOR HANDLE	6
35	42259-10	SHOULDER SCREW	6
36	63599-70	VENT BOLT	4
37	63599-73	CARRIAGE BOLT-TOOL HOOK	4
38	S21125	SCREW #8-32 X 3/8	8
39	Y-12252	LEG LEVELER	4
40	40040-00	HEAT SHIELD	1
42	S21141	CARRIAGE BOLT 1/4-20 X 5/8	4
43	42230-211	BRACE	1
44	Y-11793	NUT 1/4-20	12
45	41320-EU	WARNING PANEL	1
46	63599-75	SPACER	6
50	42211-40A	DOOR SEAL - TOP	1
51	42211-50A	DOOR SEAL - BOTTOM	1
52	S21251	WASHER	4
53	535091	SCREW 1/4-20 X 12mm	6

