

CAPRI 400/500



EN - This tent should be erected by at least 2 people

CZ - Tento stan by měl být postaven nejméně 2 osoby

DE - Dieses Zelt sollte von mindestens zwei Personen aufgestellt werden

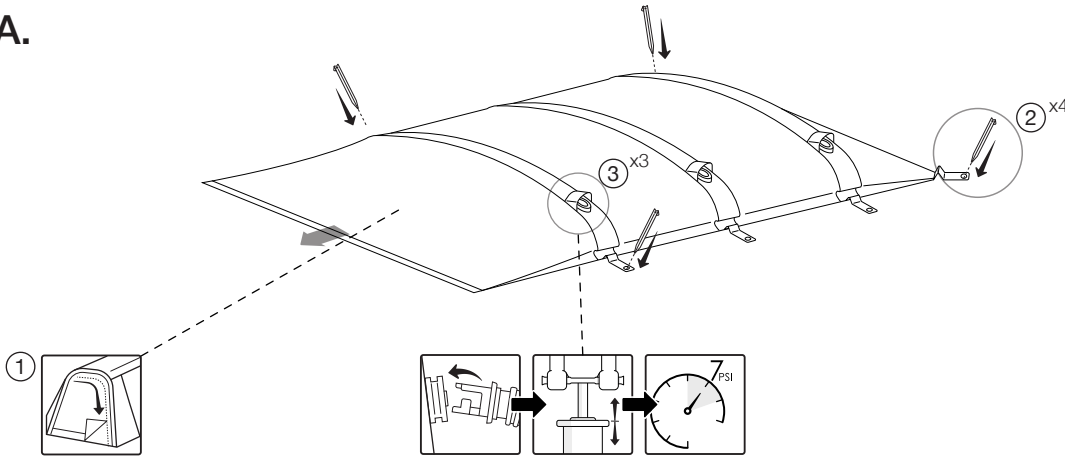
FR - Cette tente doit être érigée par au moins 2 personnes

IT - Questa tenda deve essere eretta da almeno 2 persone

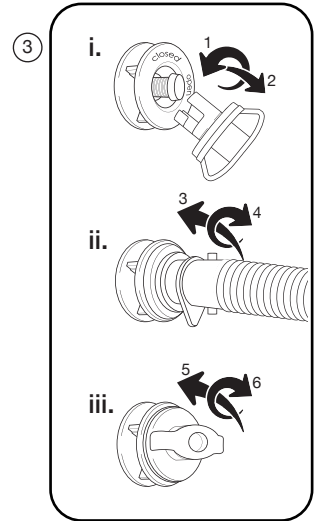
NL - Deze tent moet worden omgeven door minstens 2 personen

PITCHING

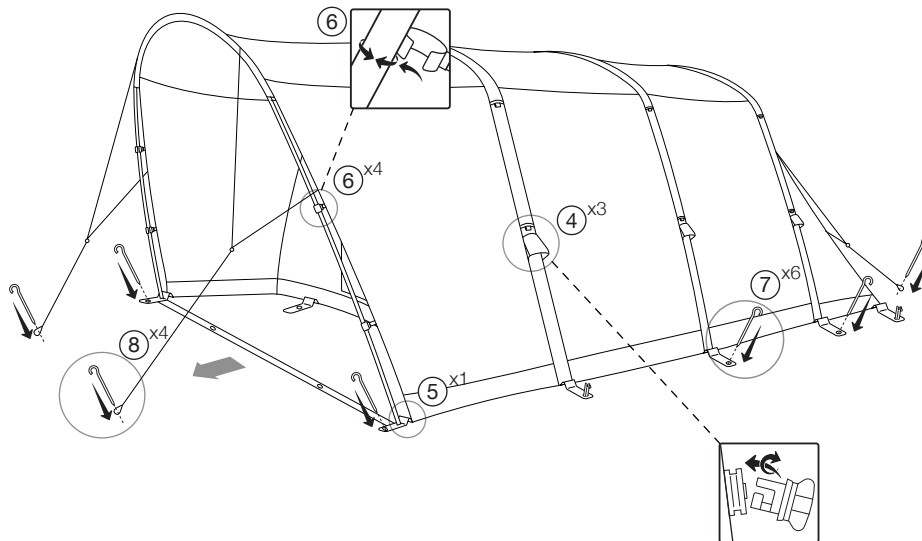
A.



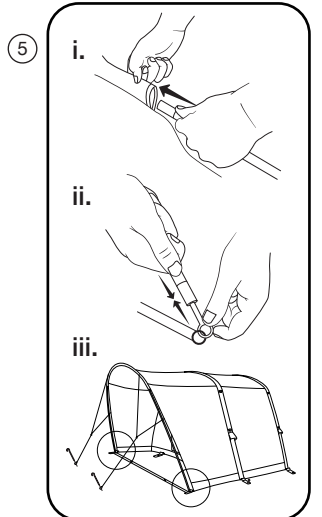
Airspeed®



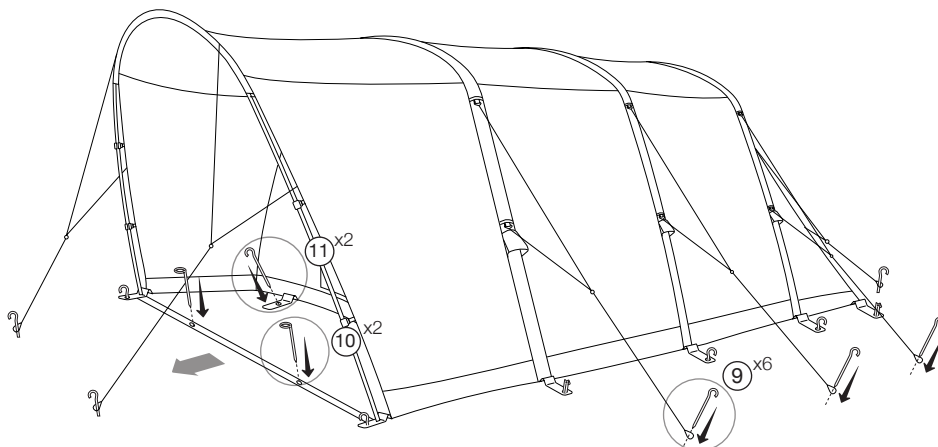
B.



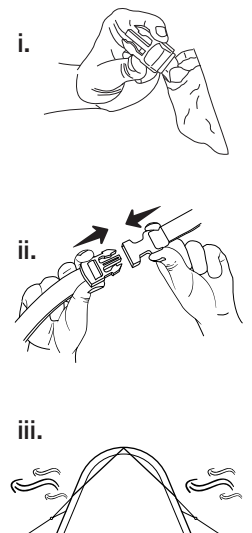
Poles



C.



TBS®II



CAPRI 400/500



EN - This tent should be taken down by at least 2 people

CZ - Tento stan by měl být sundán nejméně 2 osoby

DE - Dieses Zelt sollte von mindestens zwei Personen heruntergenommen werden

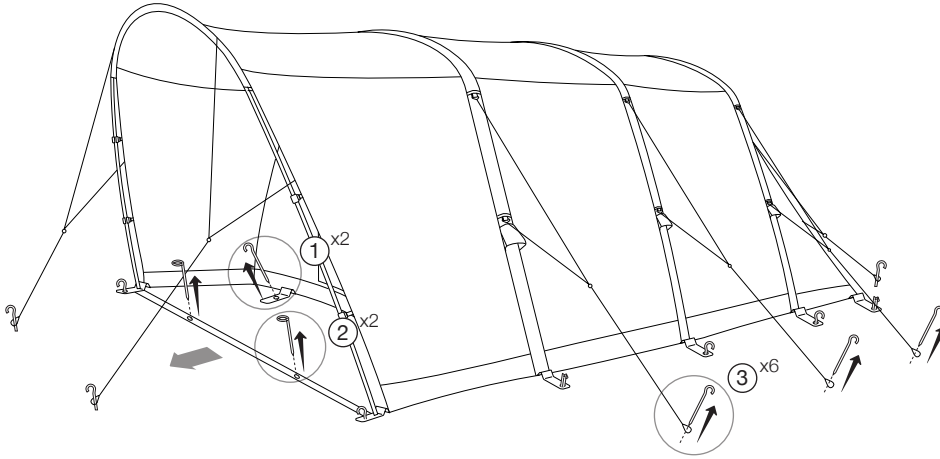
FR - Cette tente doit être prise par au moins 2 personnes

IT - Questa tenda deve essere assunta verso il basso da almeno 2 persone

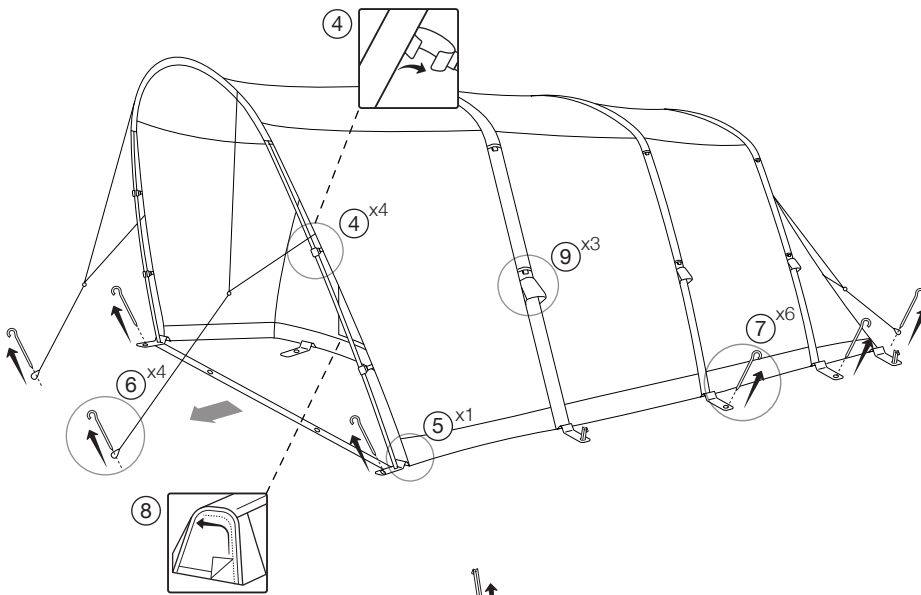
NL - Deze tent moet door minstens 2 personen worden genomen

TAKING DOWN & PACKING

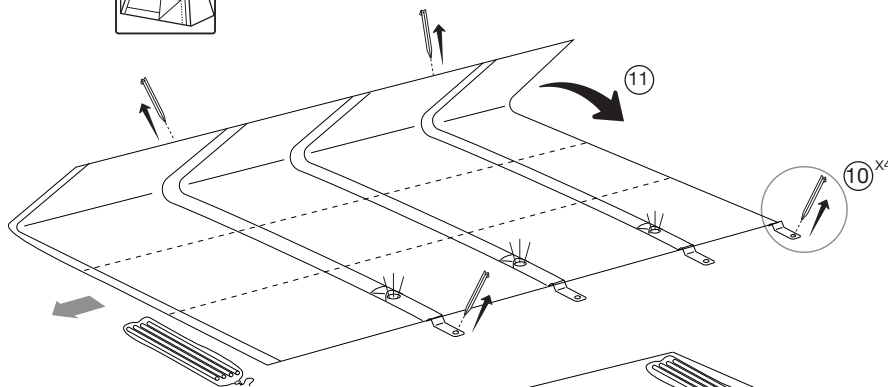
A.



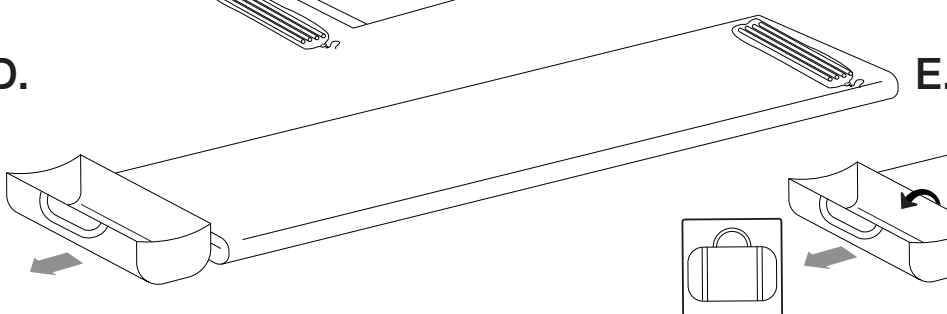
B.



C.

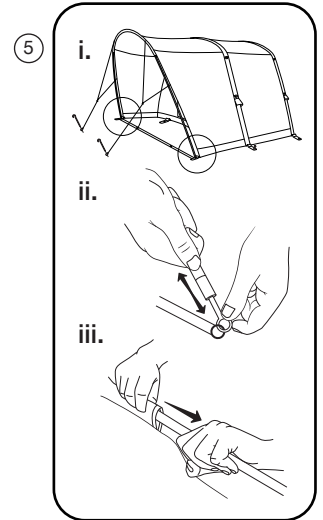


D.

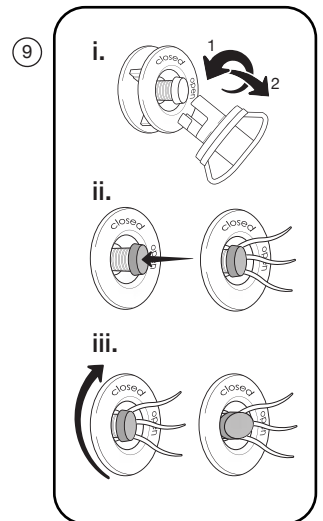


E.

Poles



Airspeed®



DON'T FORGET!

VISIT VANGO.CO.UK TO VIEW OUR FULL RANGE



LIGHTING

Everything you need to keep going late into the night, the Vango range of lights and lanterns ensures that no matter the space there is a lighting solution that will suit you and brighten up your camping experience.



CHAIRS

Camping chairs need to be compact for transportation and sturdy for everyday use on the campsite. With varied styles to suit every camper each chair has clever unique design features, which deliver a touch of home comfort to the great outdoors.



TABLEWARE

Enjoy a hearty meal at the end of an adventurous day with the use of Vango's new Bamboo tableware collection. Not only is this range highly sustainable, it is also eco-friendly and dish-washer safe, perfect for any occasion.



TABLES

Stay stylish on the campsite with the diverse range of Vango tables, which are lightweight, durable and easy to clean. Ideal for enjoying meals at the campsite or in the garden.



STORAGE

Get that home from home feel with Vango's incredible collection of storage and kitchen units. Perfect for storing equipment, preparing meals and inviting a little luxury onto the campsite.



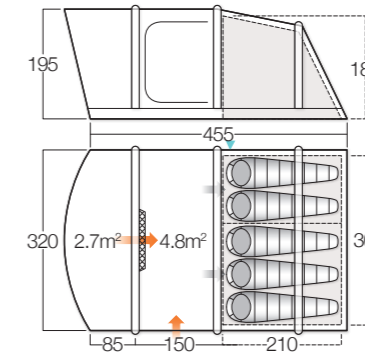
PUMPS

The Vango range of pumps will simply inflate and deflate AirBeam® Tents, airbeds and any other inflatables with ease, allowing you to sit back and relax in or out of your tent.

CAPRI 500



A firm favourite with campers, the award-winning Capri is a great value weekend tent, perfect for smaller families and couples. This tent offers the perfect balance between light and space thanks to its generous bedrooms, stand-up height and airy living room. The tent also features large windows, a side entrance and a built-in front extension to create a multifunctional outside area which is ideal for relaxing - exactly what a holiday is for!



Vango makes every effort to ensure the accuracy of our information. We do however have a policy of continuous improvement and we therefore reserve the right to change or amend colours and specifications without prior notice. ©AMG Group Ltd.

To register your Vango product, visit us at www.vango.co.uk/register

VAN-TE-8SA5-INFOC-CAPR500-HER-01

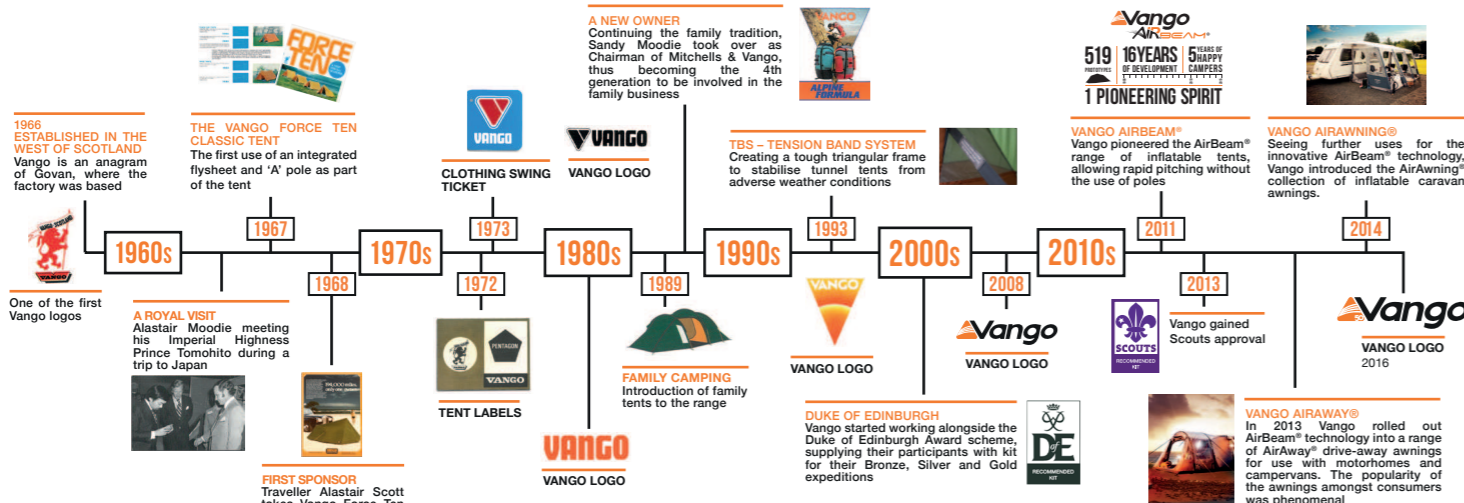
UNFOLD THIS LEAFLET FOR MORE INFORMATION!

HISTORY OF VANGO

2016 was a landmark year for the team here at Vango, as we celebrated our 50th anniversary. Established in the West of Scotland in 1966, at the gateway to the spectacular Scottish Highlands, our surroundings continue to encourage us to push ourselves, and our kit, to the

limits. Vango has a long and memorable history in designing and manufacturing outdoor equipment. We endeavour to be at the forefront of cutting edge design and innovation within the outdoor and camping world, an ambition which we have continued to strive for since the beginning of our

adventure. We take great pride in our research and development which has led to many groundbreaking products which continue to perform and exceed expectations long after others have fallen by the wayside. We have, and continue to achieve true innovation.



OPTIONAL ADDITIONS

VISIT VANGO.CO.UK TO VIEW OUR FULL RANGE



UNIVERSAL CARPET 130 X 300CM

Make your tent a home with a universal Vango carpet, featuring a fresh print inspired by nature. Relax, and sit down in the soft and luxurious comfort of your outdoor home.



CAPRI 500 FOOTPRINT

Protect your tent groundsheet by adding a Vango Footprint to your camping essentials. They are easy to remove and clean and will provide protection from small tears and holes from stones.



AIRBEAM® EXCEL SIDE AWNING STD

The AirBeam® Excel Side Awning Std provides additional living space to make any camping trip more relaxing and comfortable. These awnings are designed to fit neatly to the tent and are easy to pitch and attach.



WINDBREAK

Featuring robust PowerPlus Steel poles, the Family Windbreak is the perfect addition to your camping essentials and is ideal for using at the beach or beside your tent. With a highly waterproof, durable and reliable fabric, the windbreak can be used for shielding you from the wind, rain or sunshine!



CAPRI 500 PORCH DOOR

The Porch Door for the Capri 500 easily attaches to the extension pole of your tent, and instantly protects your outdoor living area from the elements. Not only this, it acts like an extra front door, ultimately enhancing privacy with the help of toggled curtains.



AIR SPEED® REPLACEMENT TUBE 600 X 10CM & 550 X 10CM

The AirSpeed® replacement tube can be used to replace an old or damaged AirSpeed® tube.