

# Broil King®

---

---



**Broil King®**

**BK 320  
9323-53**

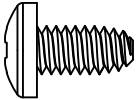

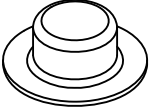
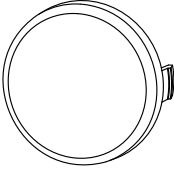
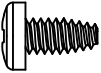
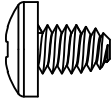
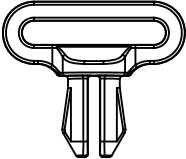
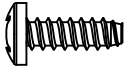


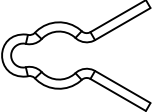

---

---

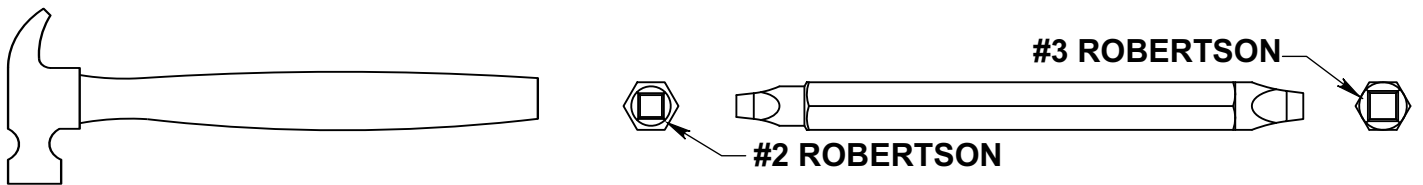
*Onward*  
**MANUFACTURING COMPANY LIMITED**  
SINCE 1906  
585 KUMPF DRIVE  
WATERLOO, ONTARIO, CANADA  
N2V 1K3

10084-E55EU REV A 11/18

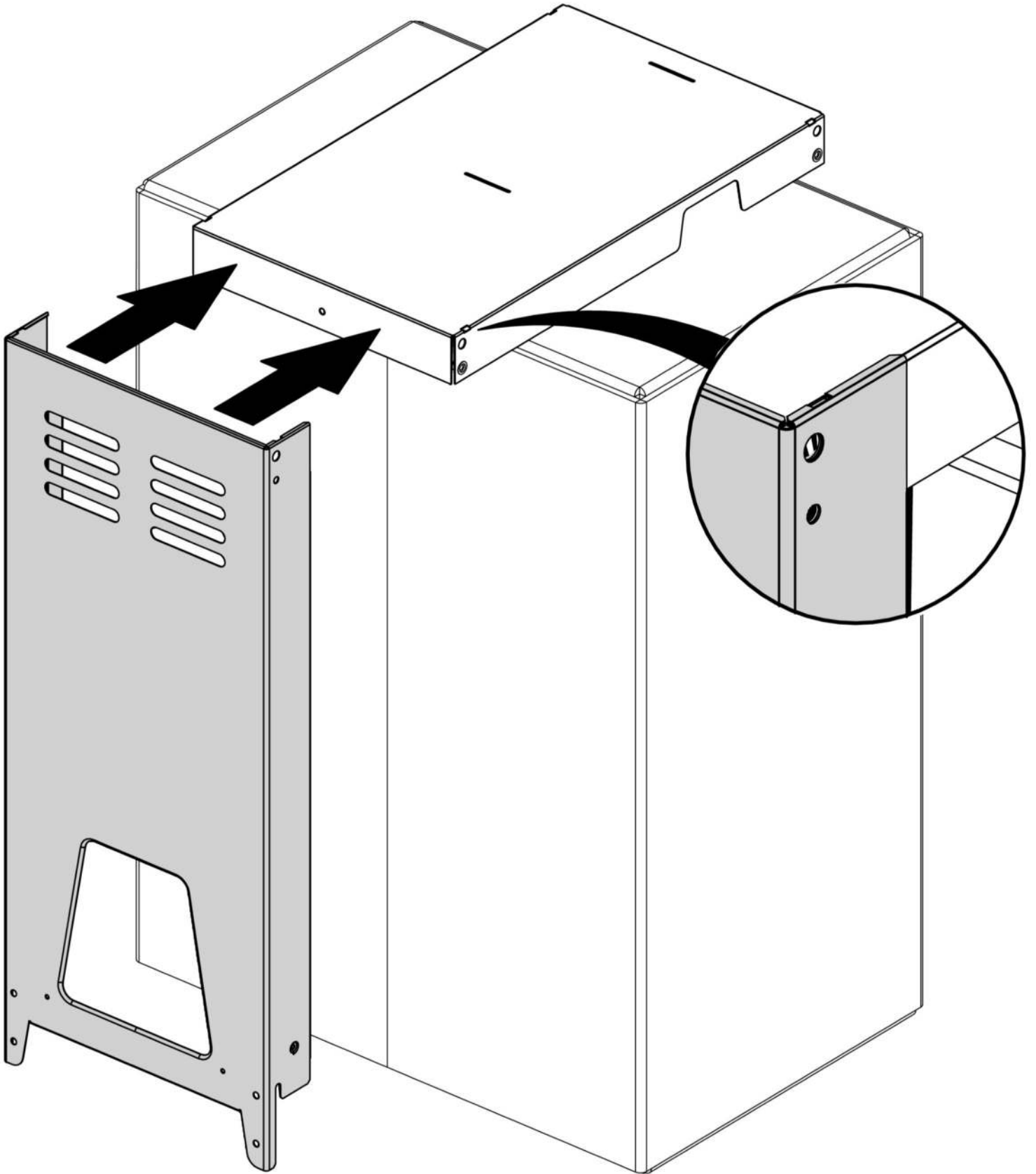
## HARDWARE INCLUDED

Y-12865		X4	AAA		X1
S21420		X2	32001-152		X2
Y-29304		X4	Y-12855		X10
Y-12673		X2	S21124		X2
SP5001-40		X2	S21061		X2
SP5004-15		X2	Y-29307		X2

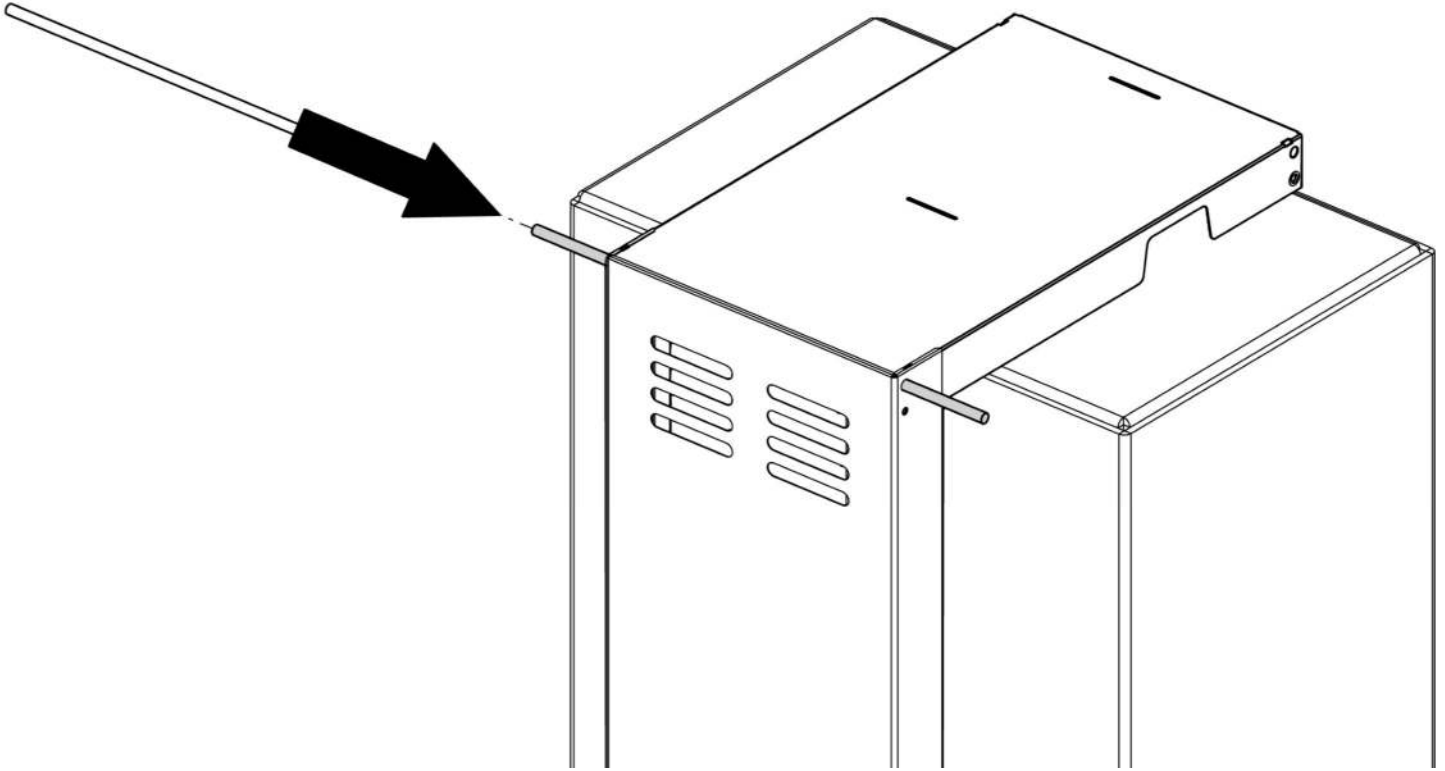
## TOOLS REQUIRED



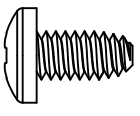
1

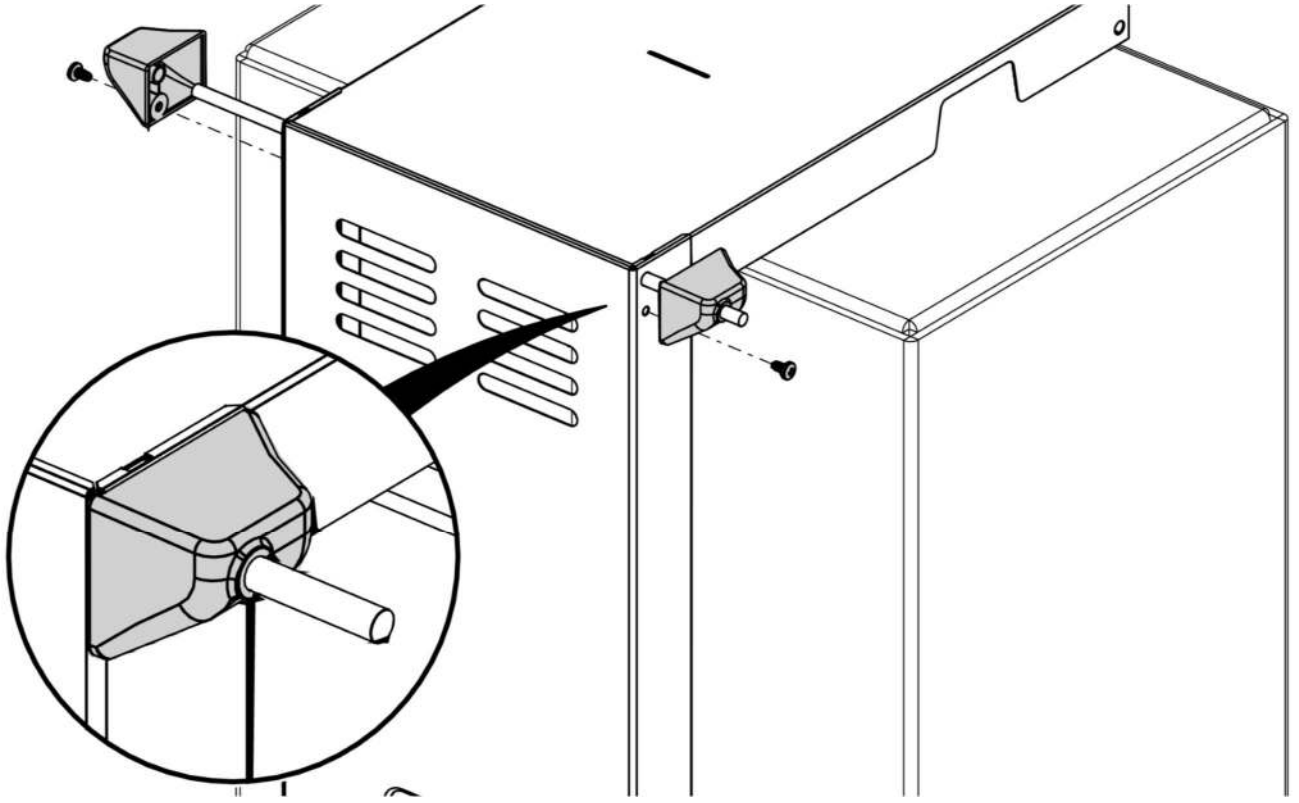


2

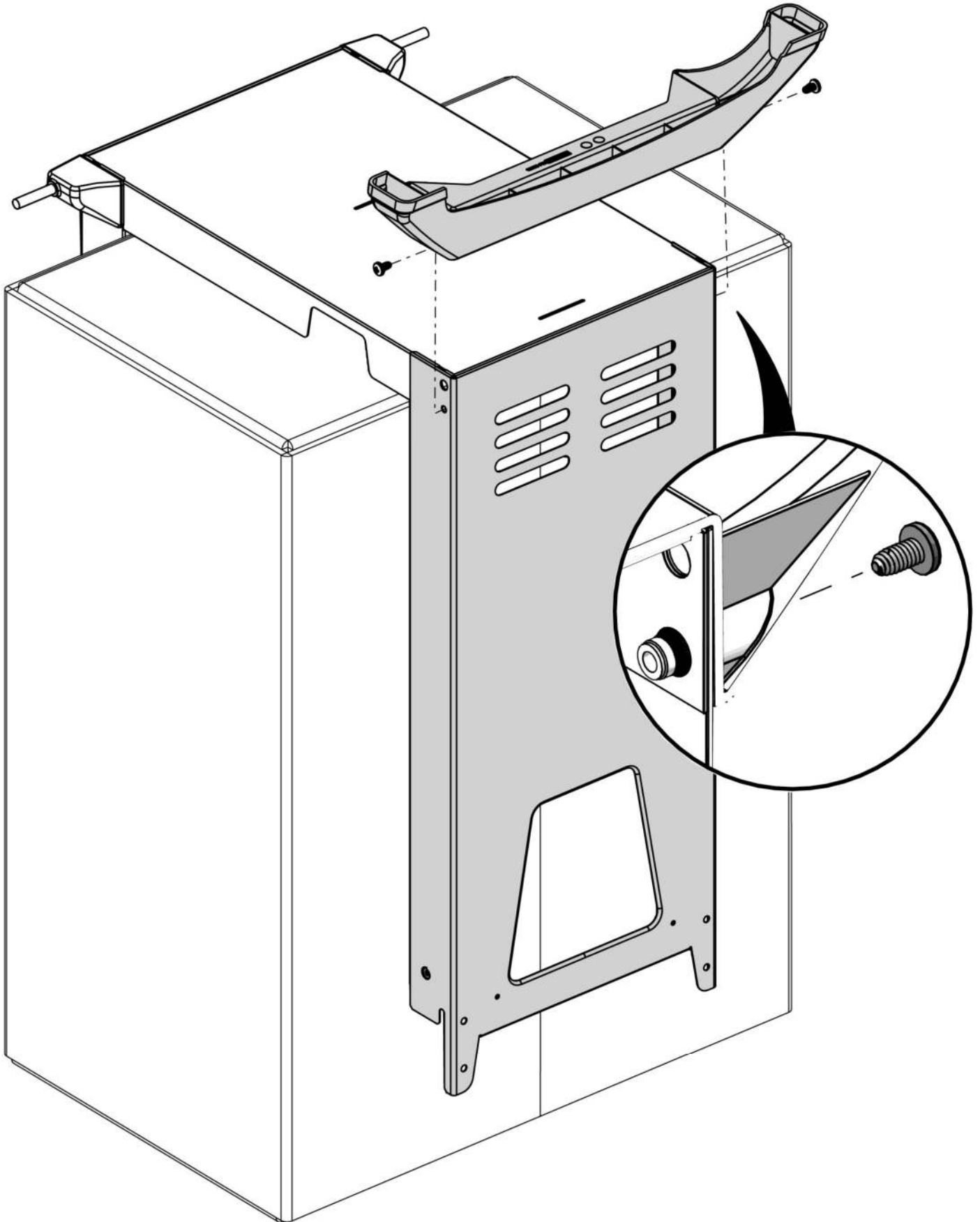
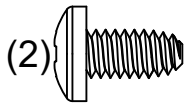


3

(2) 

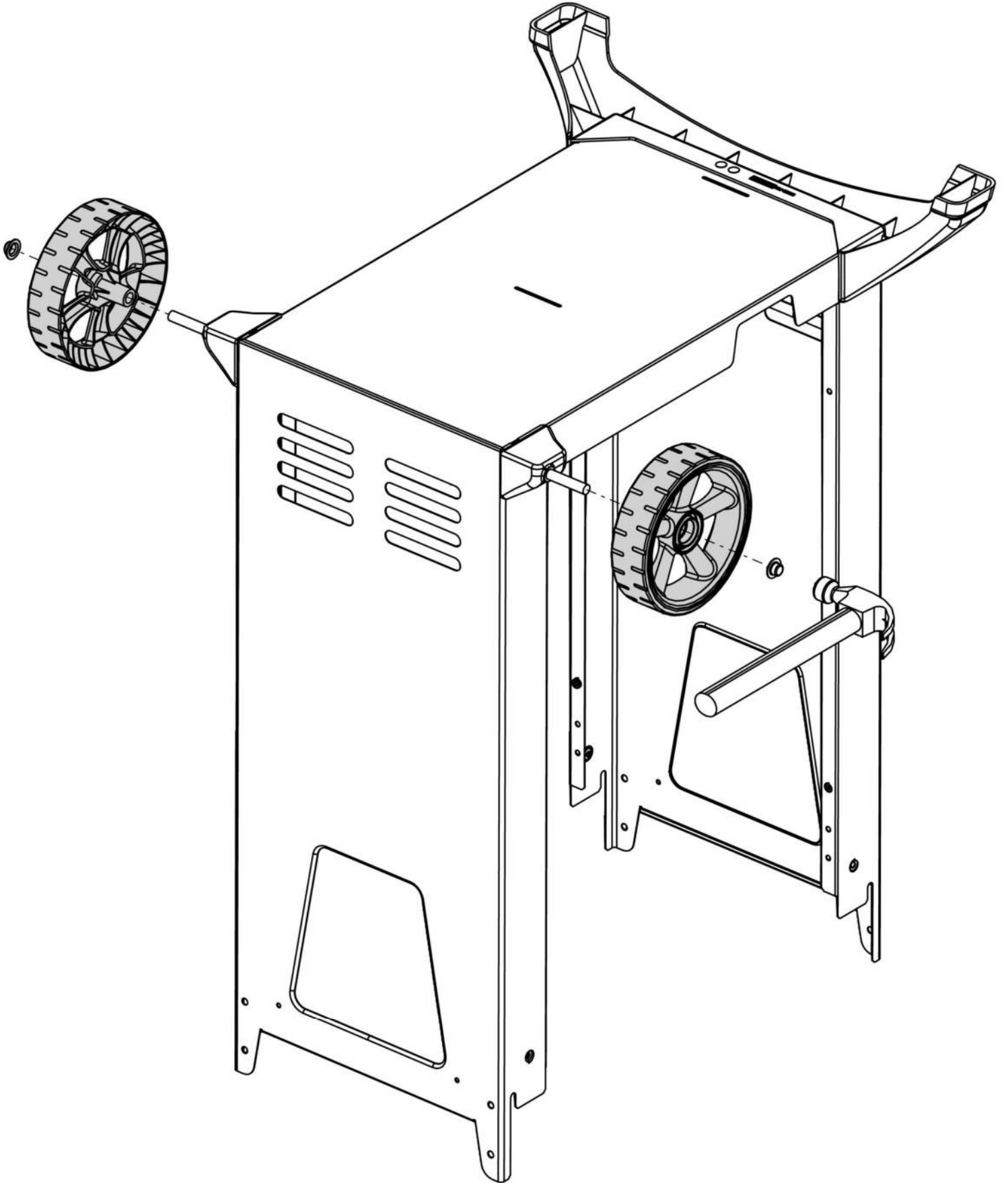
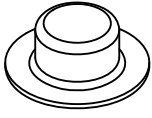


4



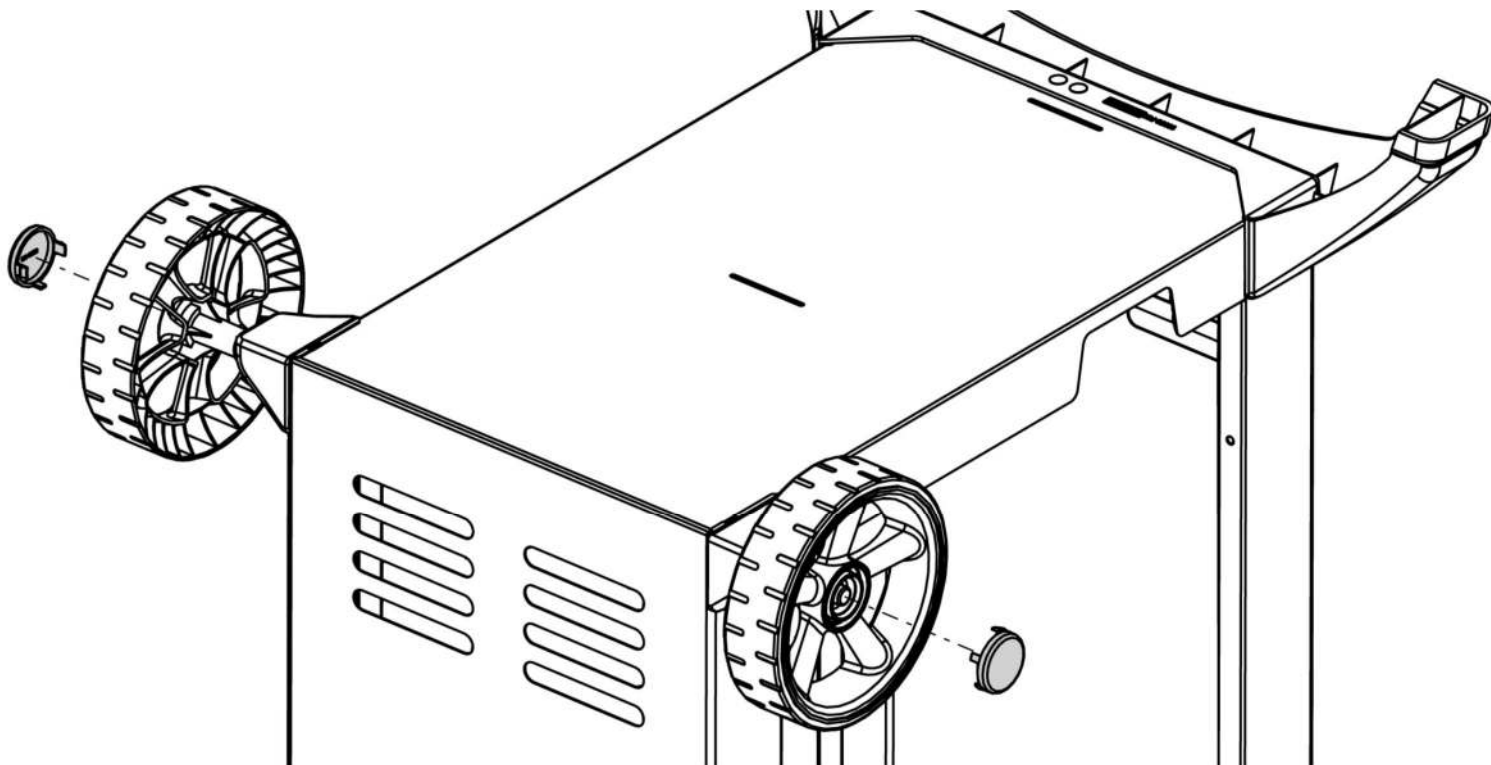
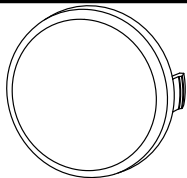
5

(2)

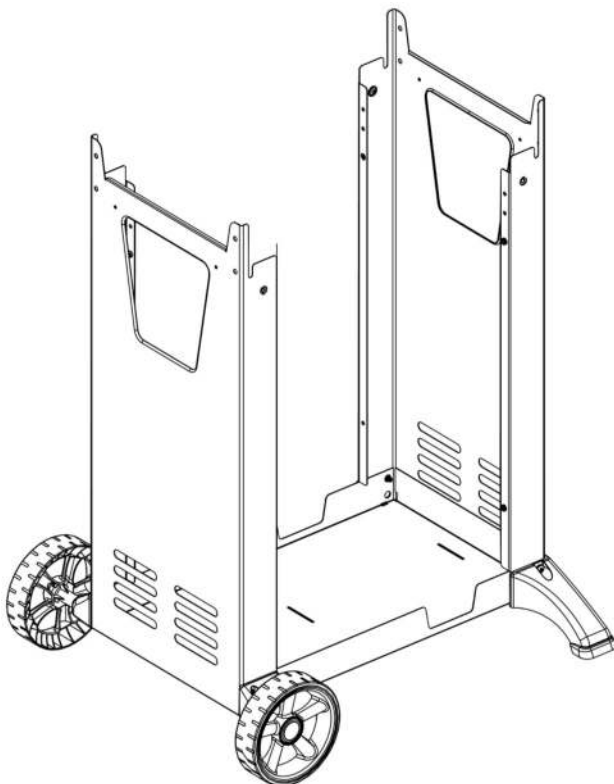
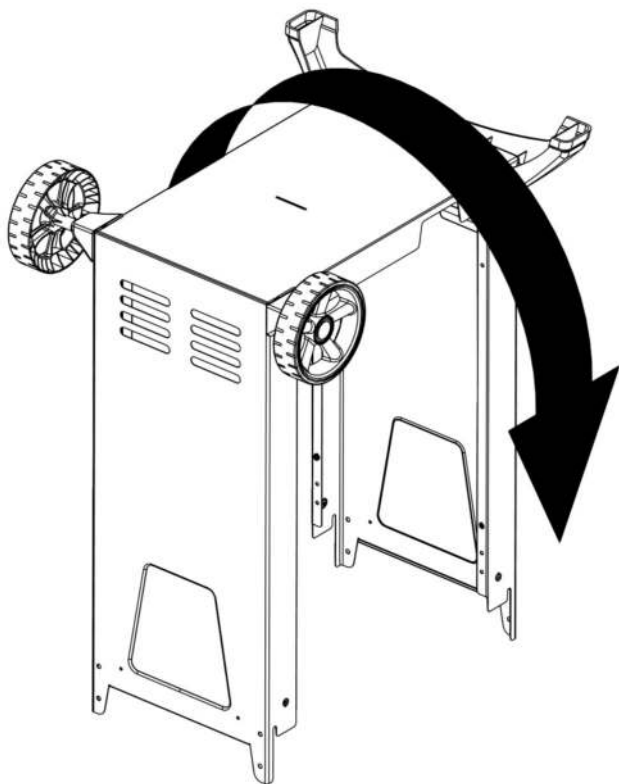


6

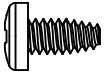
(2)

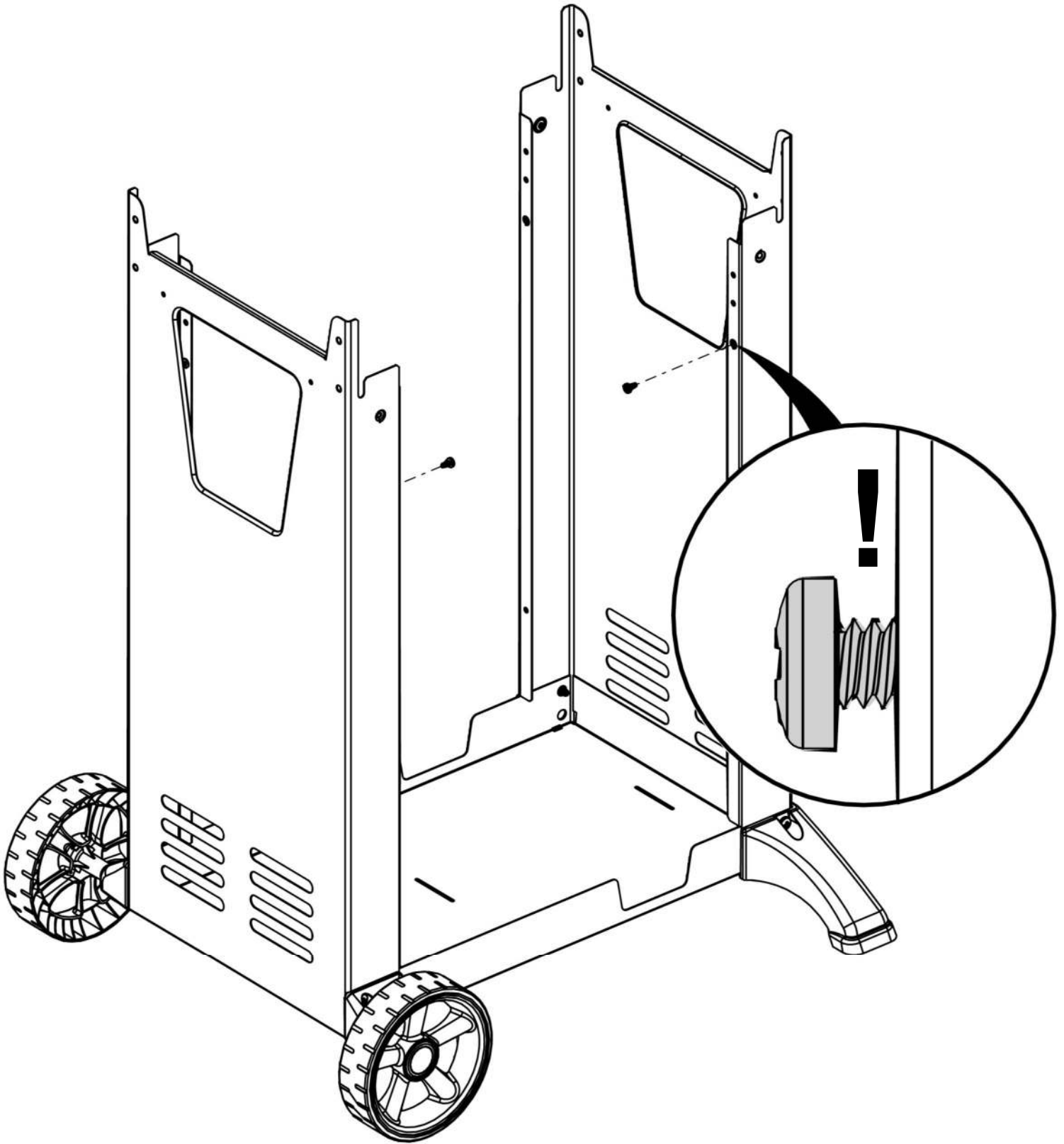


7



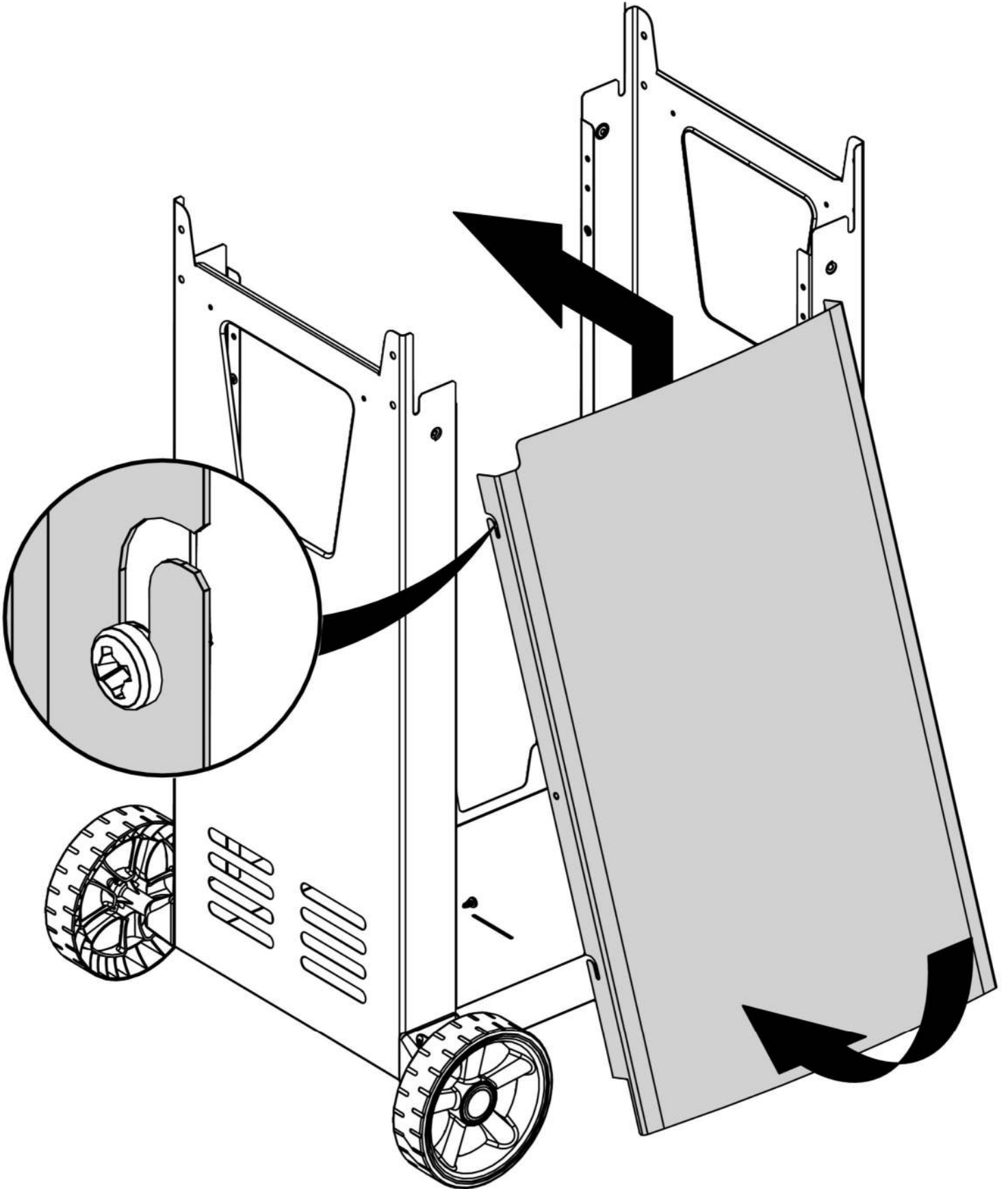
8

(2) 

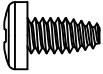



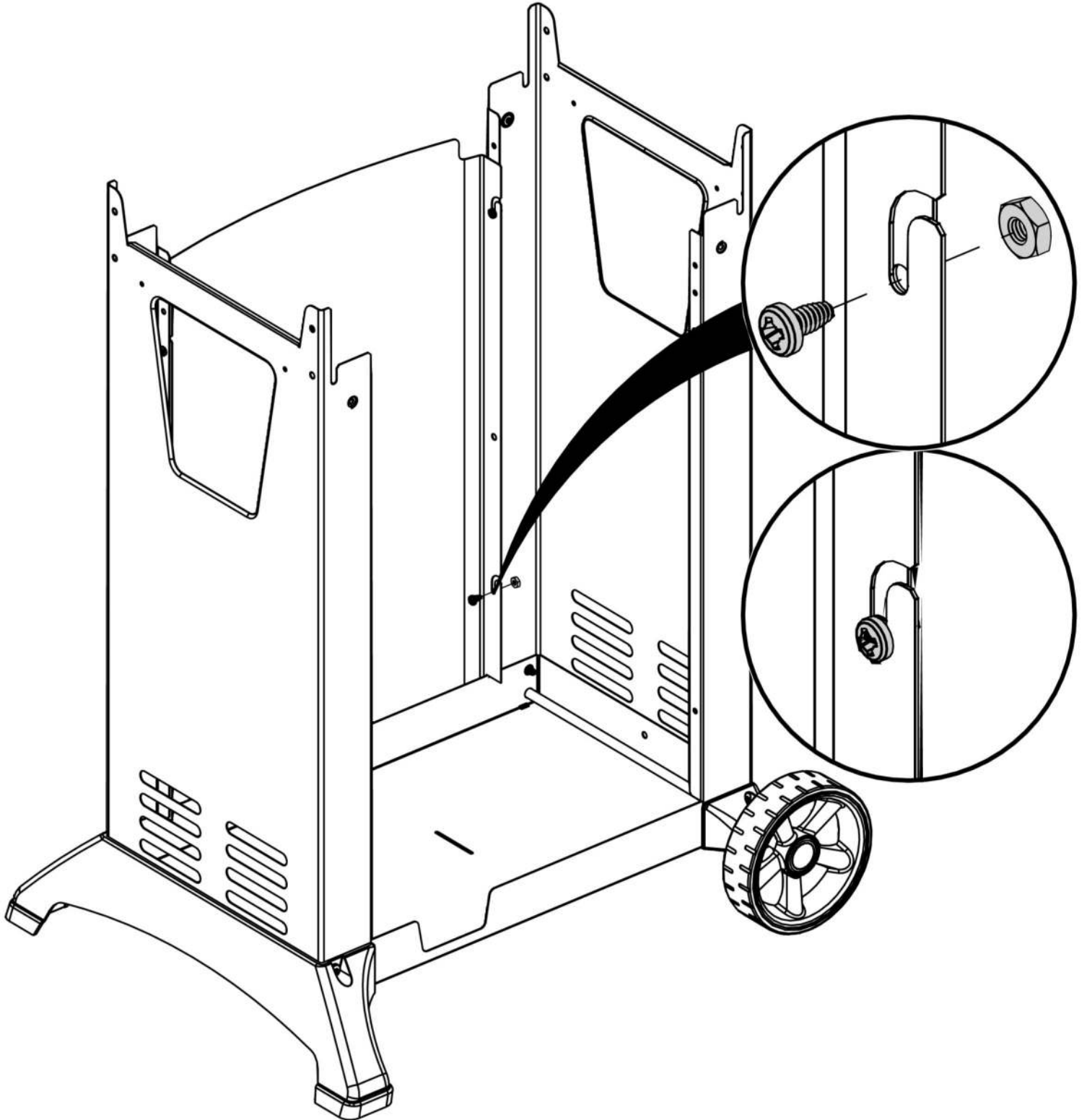


9

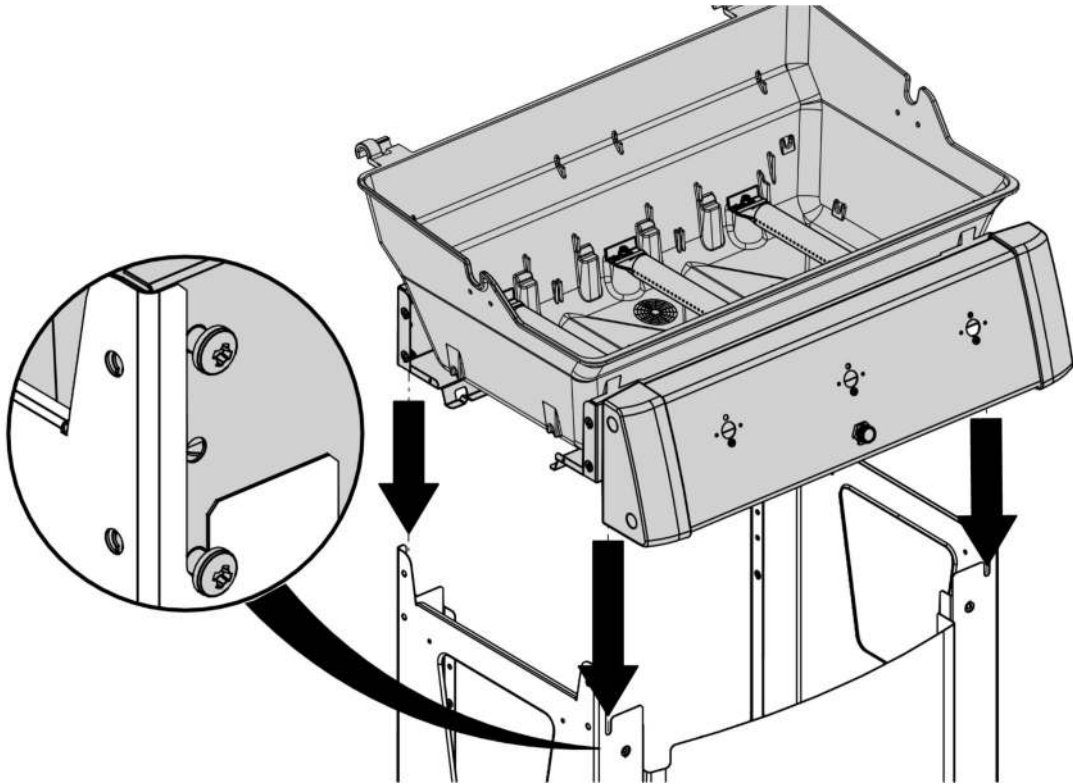


# 10

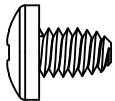
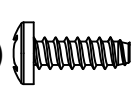
(2)  (2) 

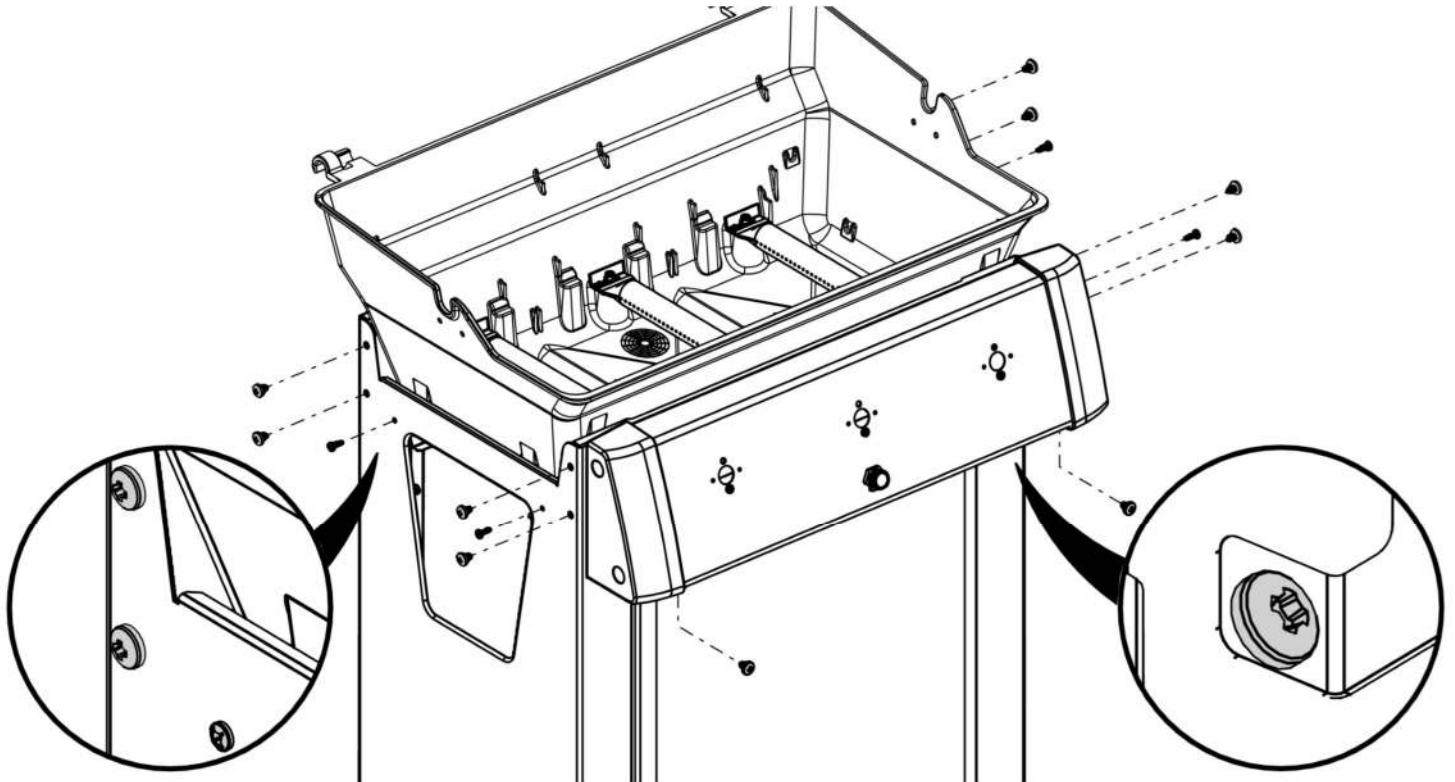


# 11

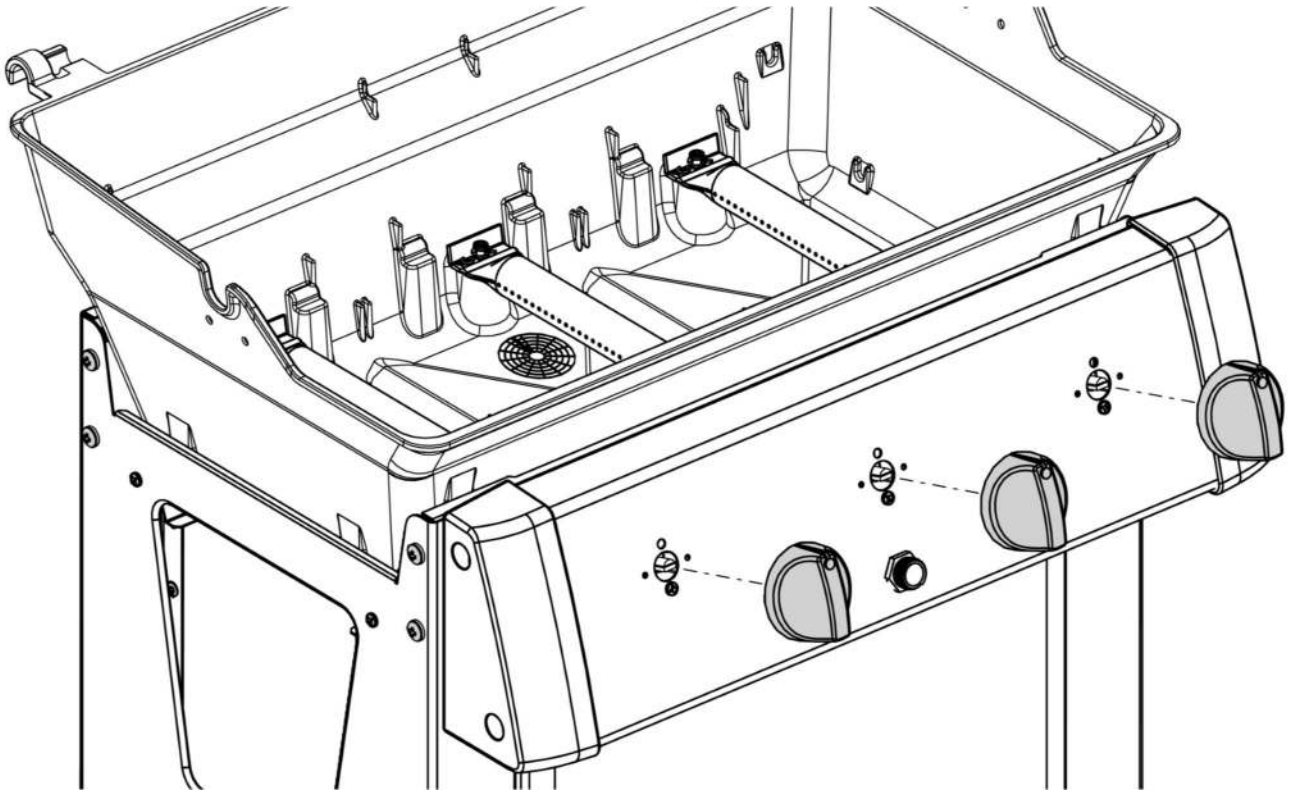


# 12

(10)  (4) 

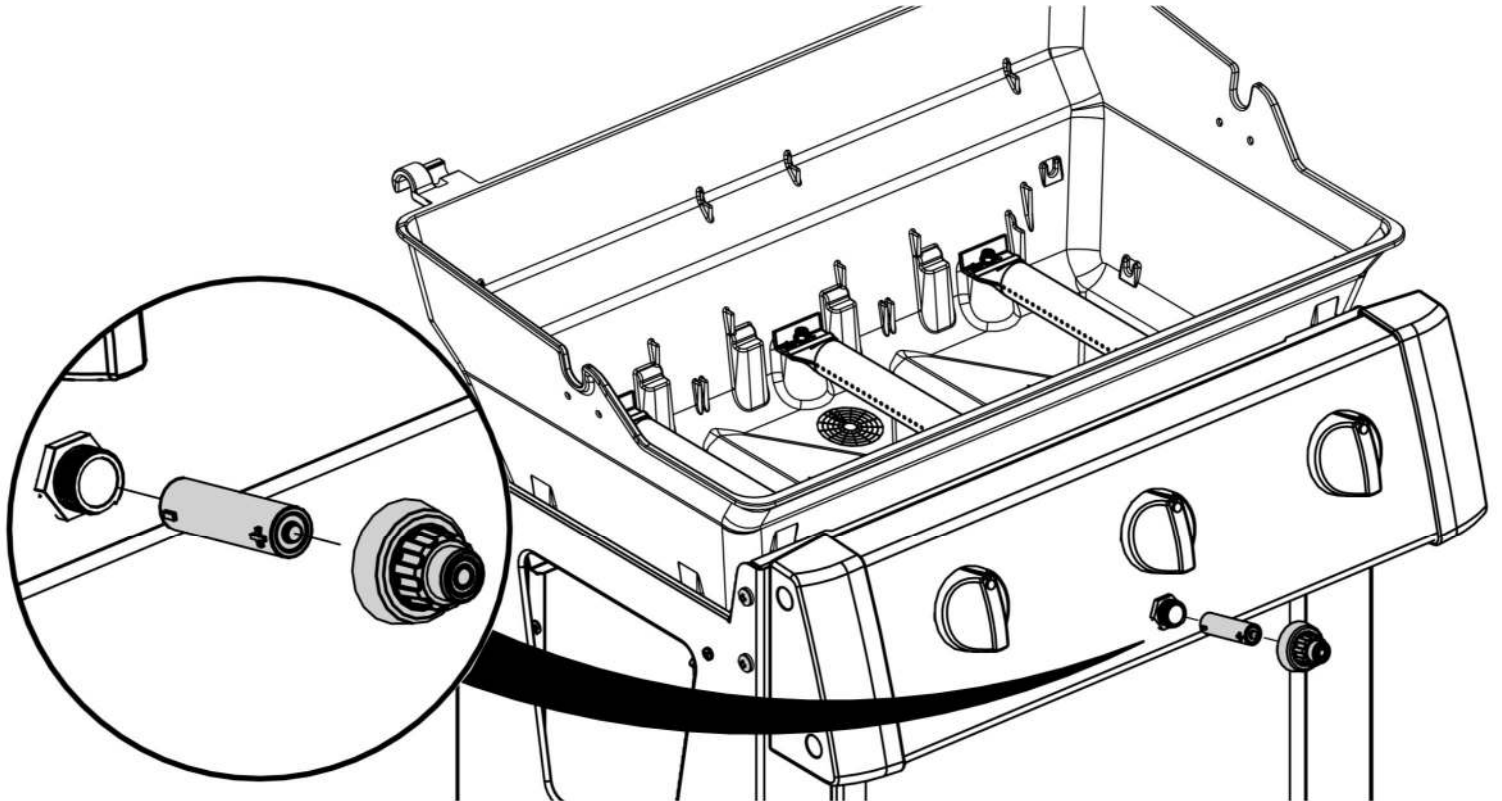


# 13

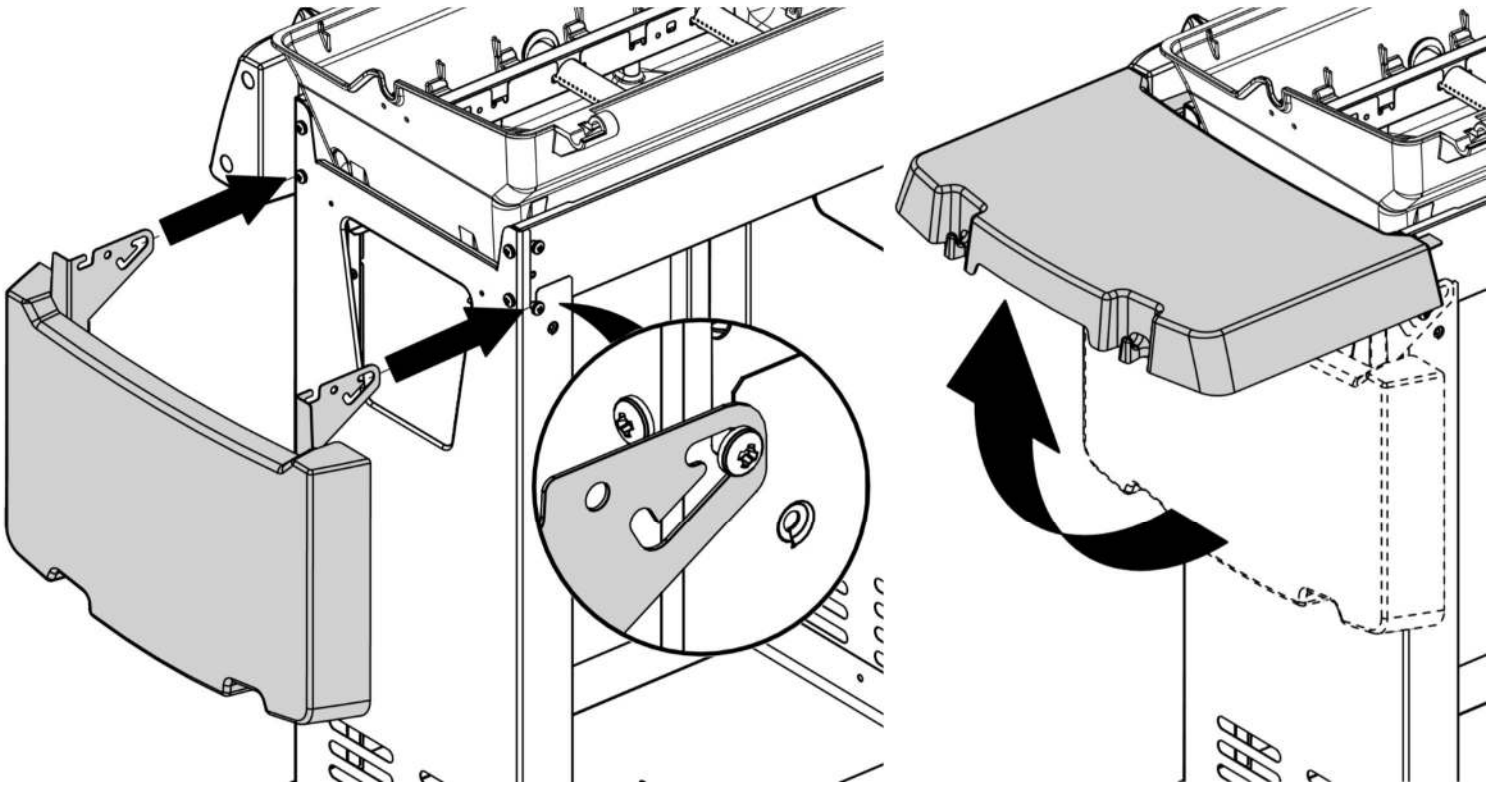


# 14

(1)  AAA -

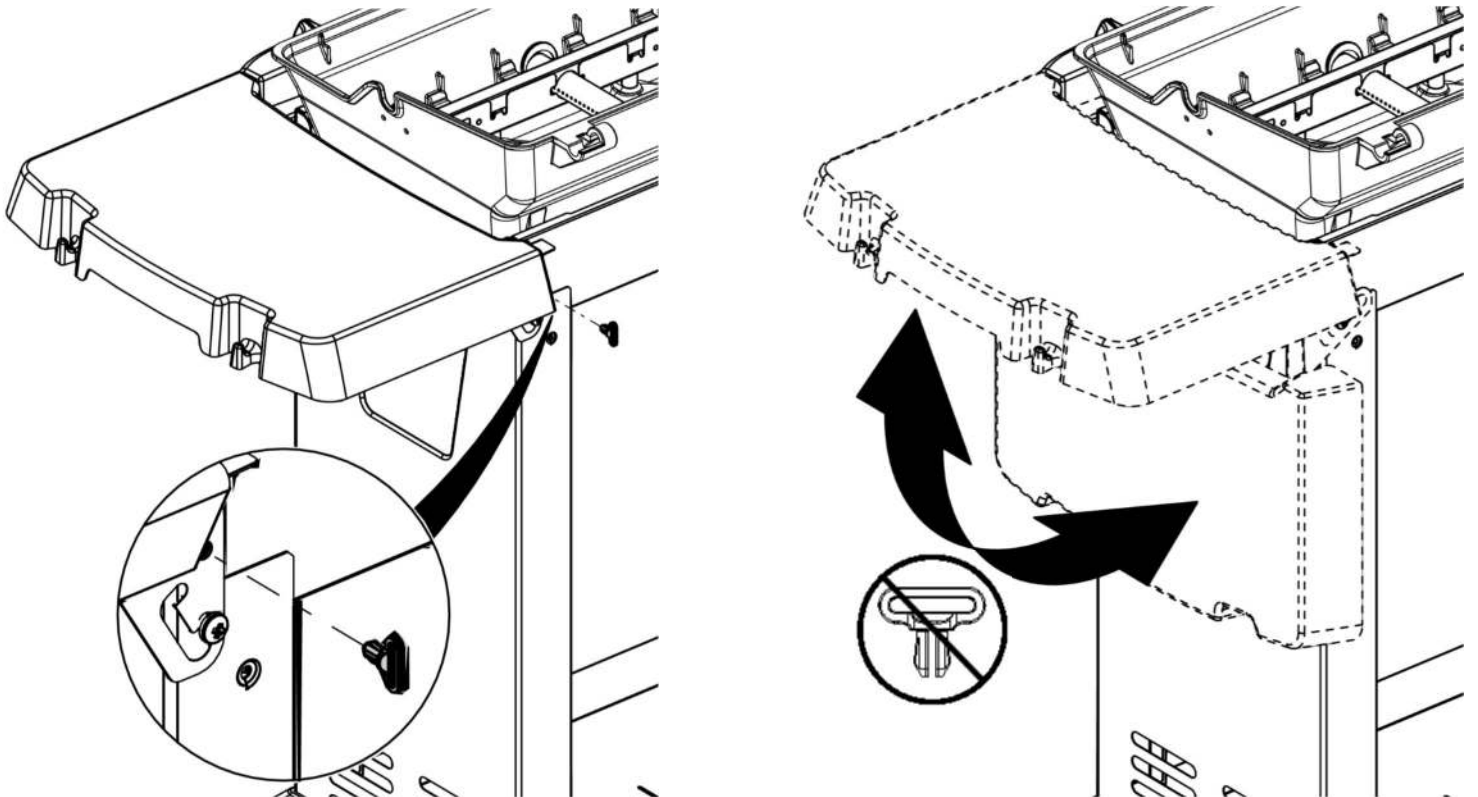
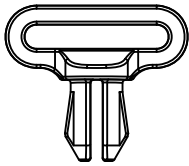


# 15

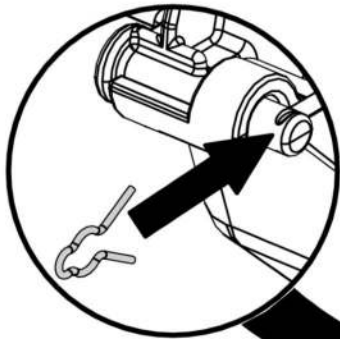
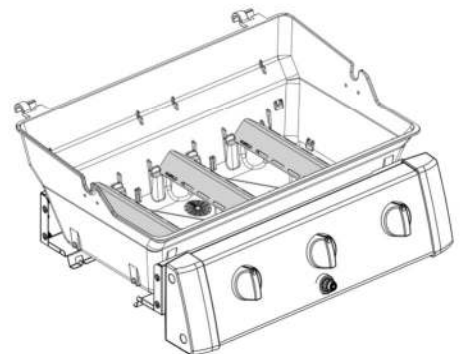
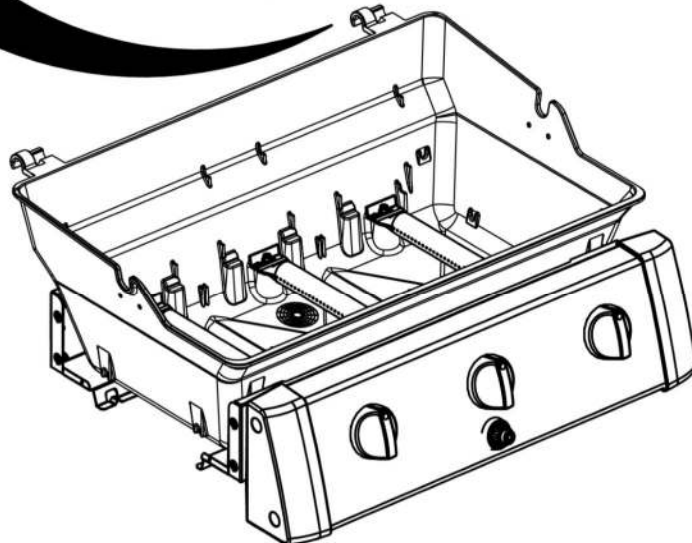
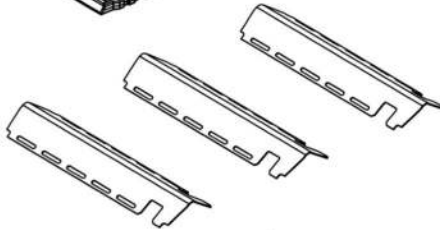
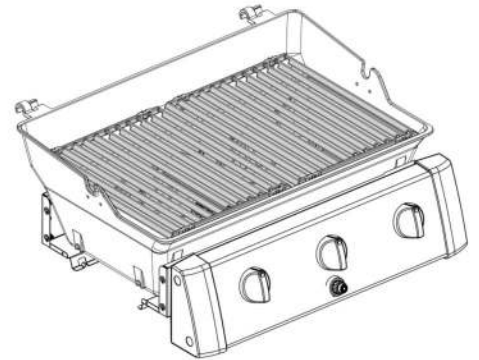
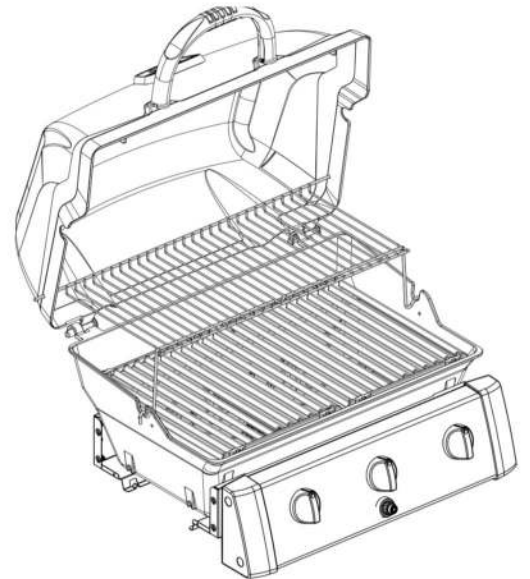
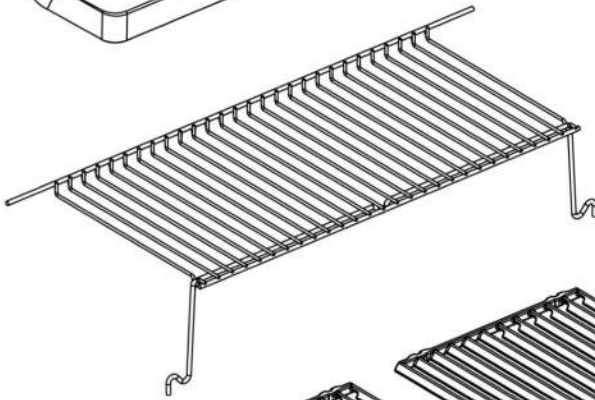
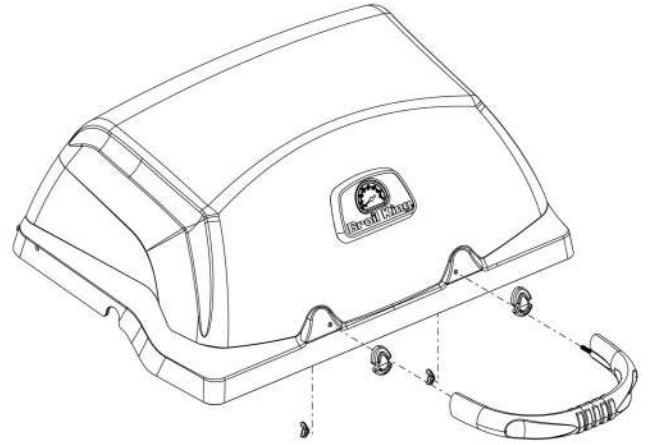
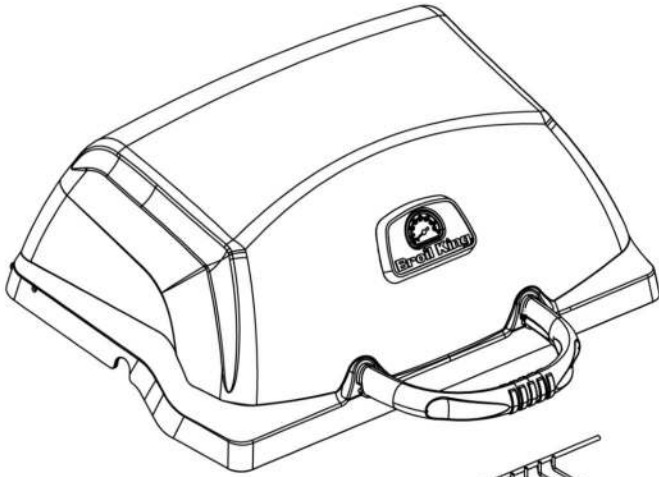
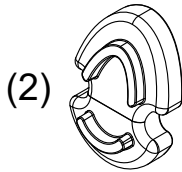
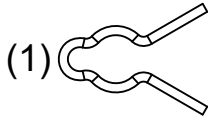


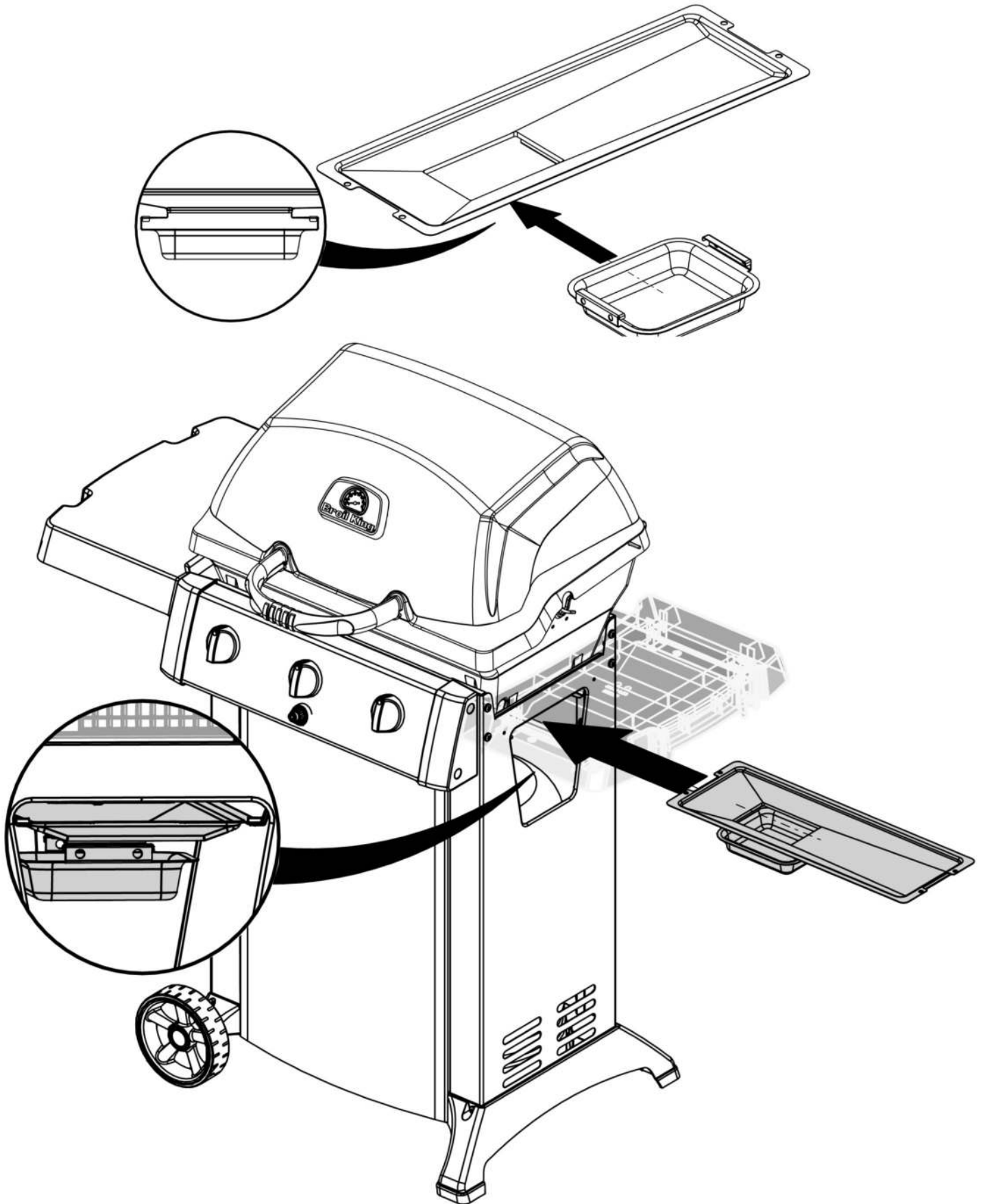
# 16

(2)

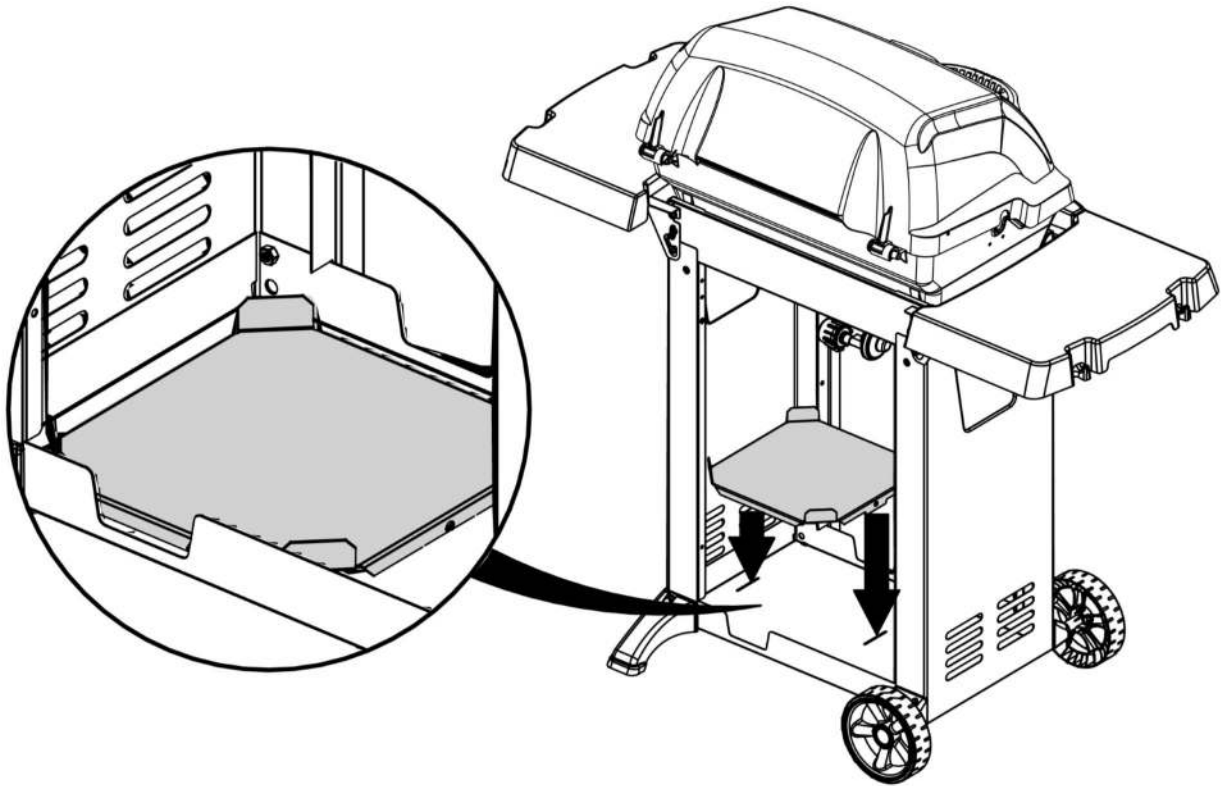


# 17

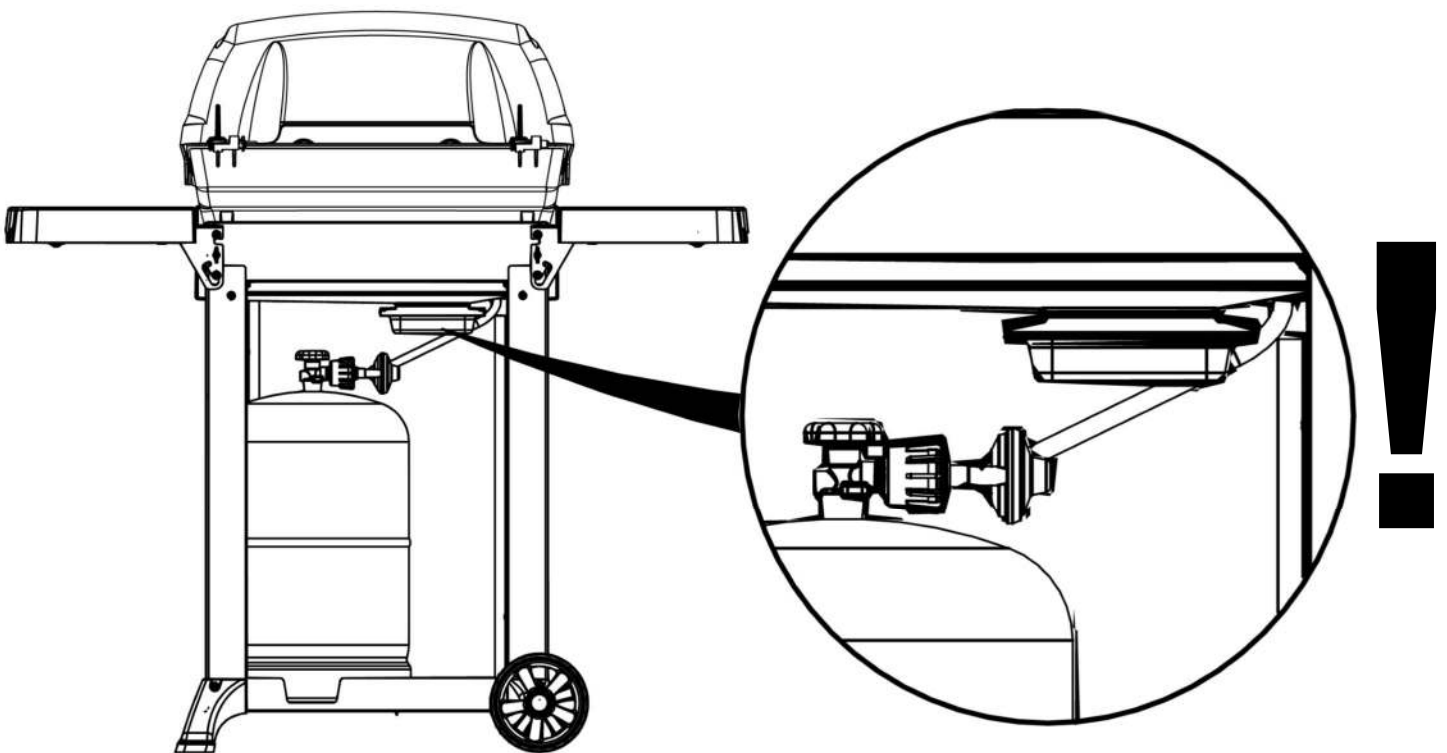




19



20





## PARTS LIST / LISTE DES PIECES

<u>KEY #</u>	<u>ITEM #</u>	<u>DESCRIPTION</u>	<u>9323-53</u>
1	10909-F303	CASTING BOTTOM	1
2	10473-E300	CASTING TOP	1
3	10081-BK51	NAMEPLATE	1
4	S21061	WING NUT 10-24	1
5	10571-5	HEAT INDICATOR	1
7	SP5004-15	HINGE PIN CLIP	2
8	Y-11544	SCREW - BURNER	3
9	10225-T205	GRID	1
10	10222-E33	HEAT TENT	3
11	SP5022-3	GRID - WARMING RACK	1
12	S21242	BURNER CLIP	3
15	10390-E30	BURNER	3
17	10342-245	ELECTRONIC IGNITOR	1
18	10342-E12	ELECTRODE	2
19	52224-024A	COLLECTOR BOX	1
21	39004-013	CONTROL ASSEMBLY	1
22	10111-24CH2	HOSE AND REGULATOR	1
23	10472-K37	CONTROL KNOB	3
30	30194-EU1	CONTROL COVER	1
31	10711-E19	EDGE CAP - LEFT	1
32	10711-E18	EDGE CAP - RIGHT	1
33	10184-F37	HEAT SHIELD	1
35	10184-F321	BRACKET - LEFT	1
36	10184-F331	BRACKET - RIGHT	1
37	10184-E361	SHELF BRACKET - LEFT	2
38	10184-E371	SHELF BRACKET - RIGHT	2
39	10956-F321	BRACE-REAR	1
40	10711-E361R	BASE	1
40A	10184-E291	TANK BRACKET	1
41	10956-F311	BRACE-FRONT	1
42	10958-F332	FRONT PANEL	1
43	10958-F301	SIDE PANEL	2
50	10711-F30	SHELF	2
56	10892-608	WHEEL	2
58	SP5001-40	HANDLE SPACER	2
70	10958-F28	WHEEL SPACER - LEFT	1
71	10958-F29	WHEEL SPACER - RIGHT	1
72	S21420	PUSH NUT	2
75	SP5039-192	HANDLE	1
78	10958-F26	FOOT	1
80	Y-11546	SCREW 1/4-20 X 5/8	8
81	Y-12310	SCREW 1/4-20 X 3/4	4
82	Y-12673	SHELF - LOCK PIN	2
83	Y-12865	SCREW 1/4-20 X 1/2	8
84	S15174	AXLE	1
85	Y-12855	SCREW 1/4-20 X 3/8	18
98	S21124	SCREW 8 X 1/2	4
115	Y-29307	NUT 10-24	2
116	Y-29304	SCREW 10-24 X 3/8	4
122	57054-901	GREASE TRAY	1
123	52009-901	GREASE PAN	1
159	S21136	SCREW 8-32 X 3/8	3



