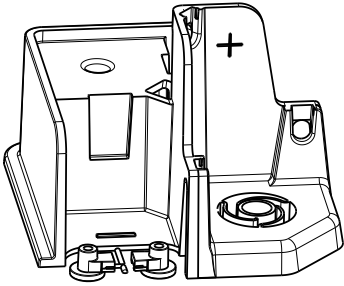
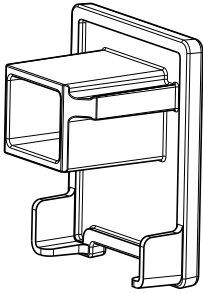
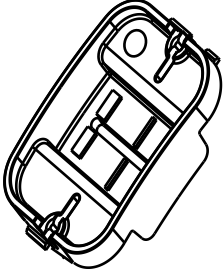
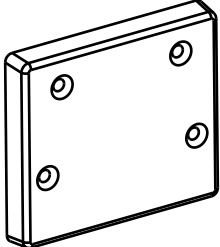
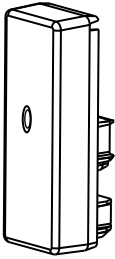
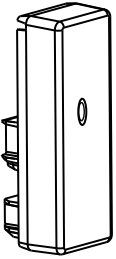

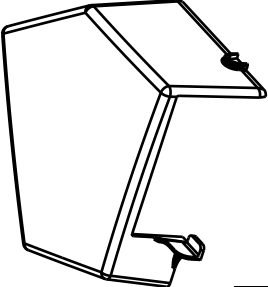
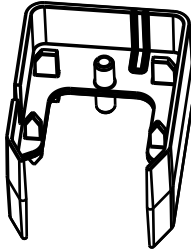
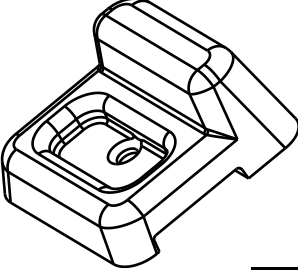
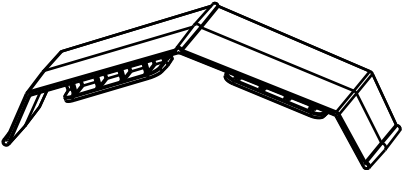
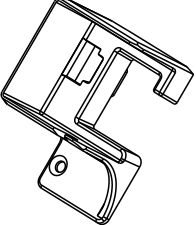
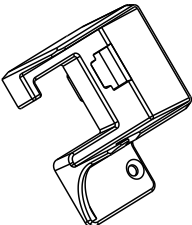
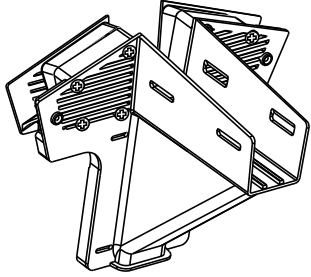
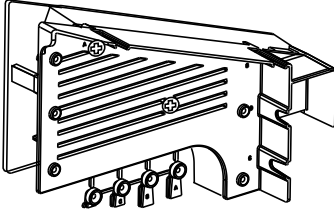
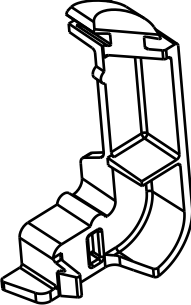
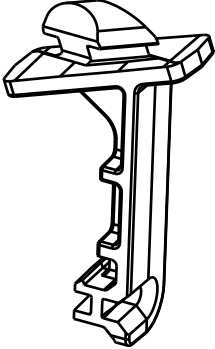
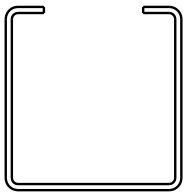
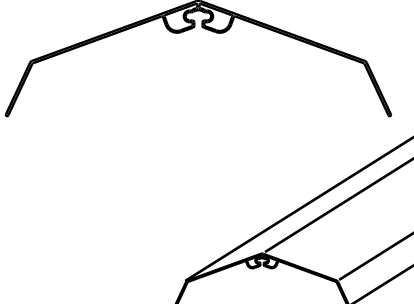
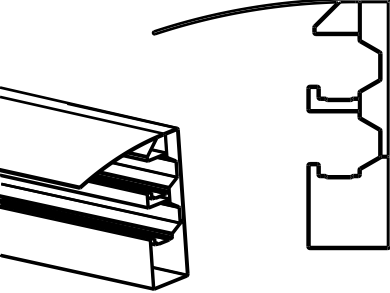
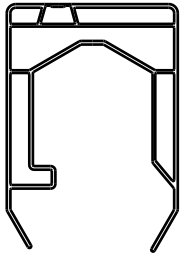
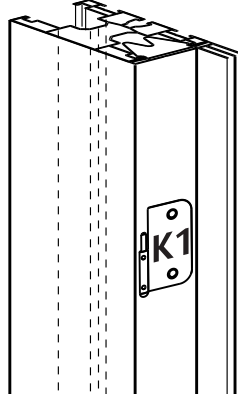
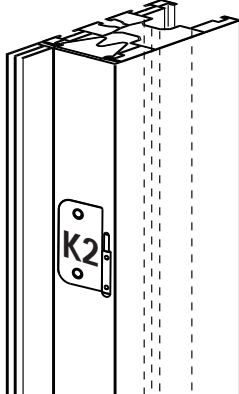
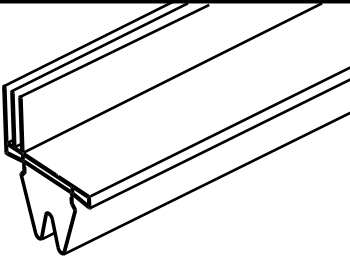
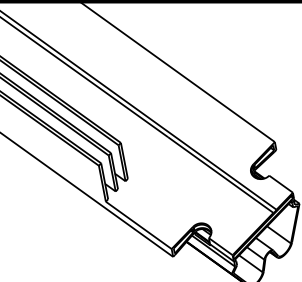
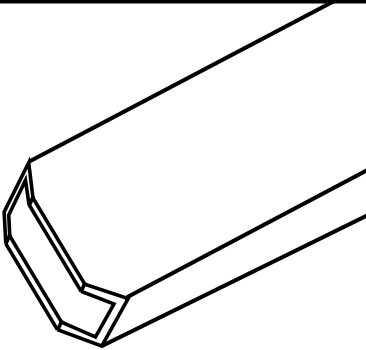
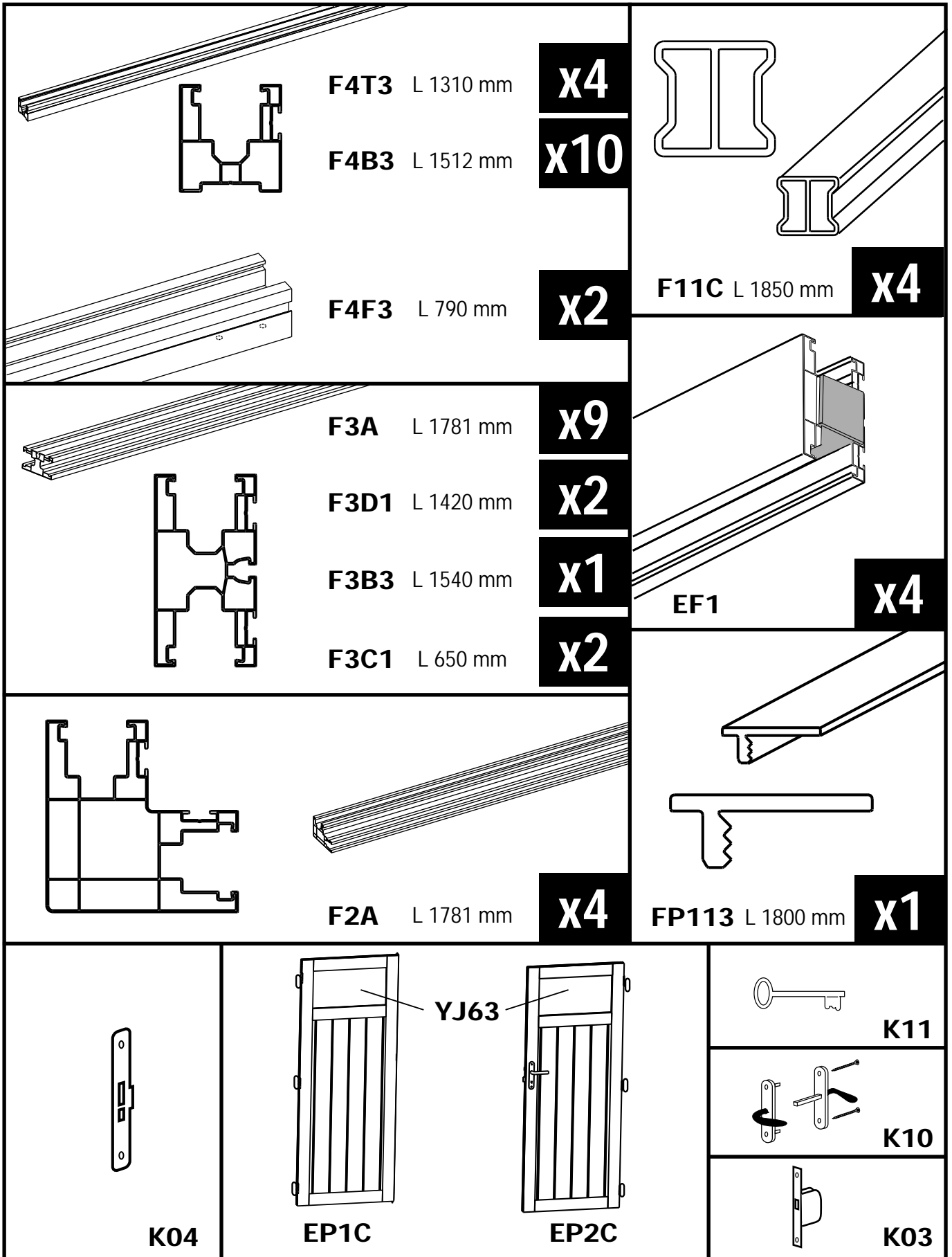
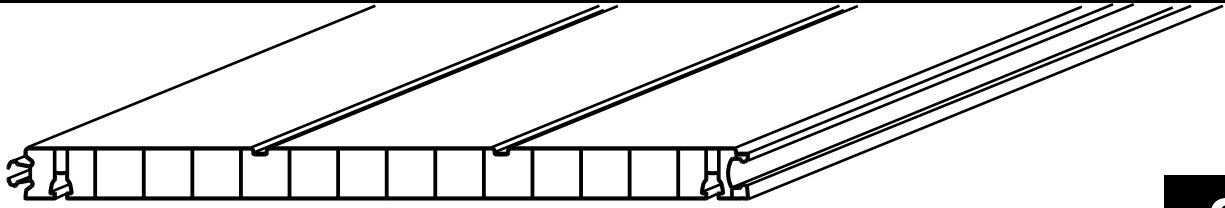


# NOMENCLATURE

 <p><b>M02A</b> <b>x4</b></p>	 <p><b>M02B</b> <b>x2</b></p>	 <p><b>M02C</b> <b>x2</b></p>	
 <p><b>M03</b> <b>x22</b></p>	 <p><b>M5E1</b> <b>x2</b></p>	 <p><b>M5E2</b> <b>x2</b></p>	 <p><b>M5G</b> <b>x4</b></p>
 <p><b>M5A</b> <b>x2</b></p>	 <p><b>M5B</b> <b>x2</b></p>	 <p><b>M5D</b> <b>x1</b></p>	
 <p><b>M5C</b> <b>x1</b></p>	 <p><b>M5F1</b> <b>x2</b></p>	 <p><b>M5F2</b> <b>x2</b></p>	 <p><b>M06A</b> <b>x2</b></p>

 <p><b>M1A1</b> <b>x2</b></p>	 <p><b>M8A</b> <b>x32</b></p>	 <p><b>M8B</b> <b>x10</b></p>
 <p><b>A9A</b> L 1860 mm <b>x4</b></p>	 <p><b>F8E</b> L 1805 mm <b>x2</b></p>	 <p><b>F71C</b> L 1875mm <b>x4</b></p>
 <p><b>F72E</b> L 1795 mm <b>x4</b></p>	 <p><b>EM1</b> <b>x1</b></p>	 <p><b>EM2</b> <b>x1</b></p>
 <p><b>F6D1</b> L 275 mm <b>x4</b></p>	 <p><b>F6A2</b> L 1482 mm <b>x1</b></p> <p><b>F6E1</b> L 712 mm <b>x4</b></p>	 <p><b>F10A</b> L 1765 mm <b>x28</b></p>



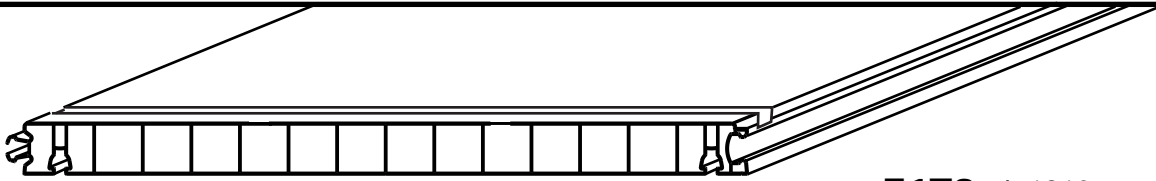


**F1V1** L 1825 mm

**x24**

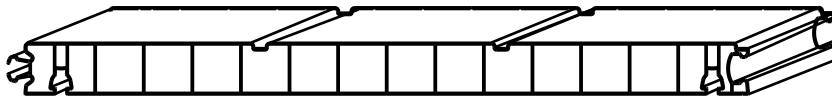
**F1V2** L 1377 mm

**x4**



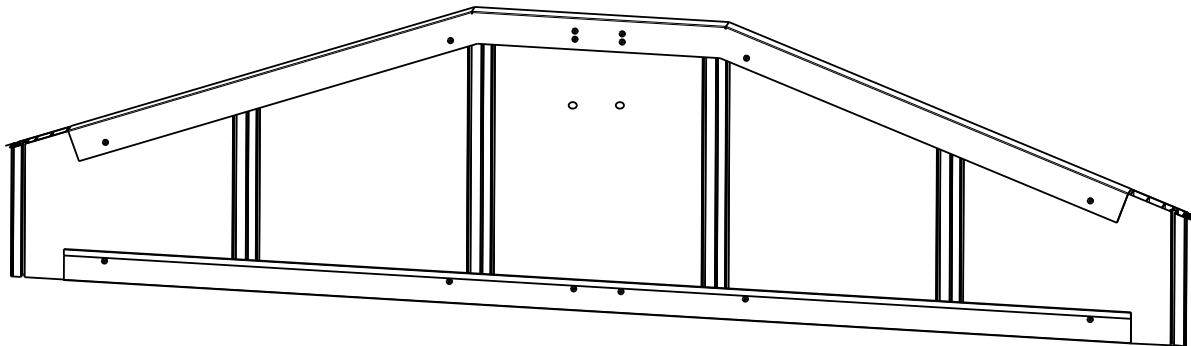
**F1T3** L 1910 mm

**x20**



**F1V3** L 45 mm

**x4**



**ET3**

**x2**



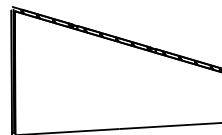
**T3-4**

**x2**



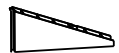
**T3-3**

**x2**



**T3-2**

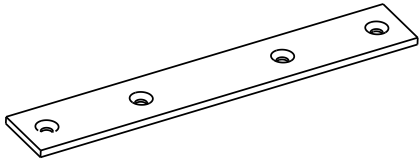
**x2**



**T3-1**

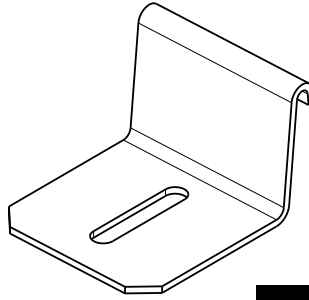
**x2**

**SHA**



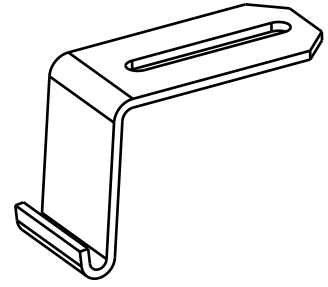
**A02**

**x5**



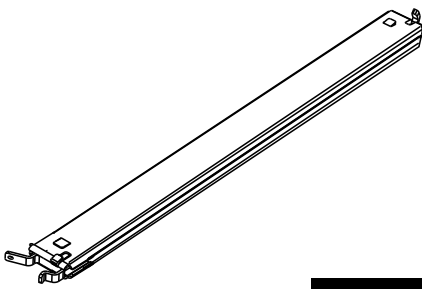
**A03**

**x22**



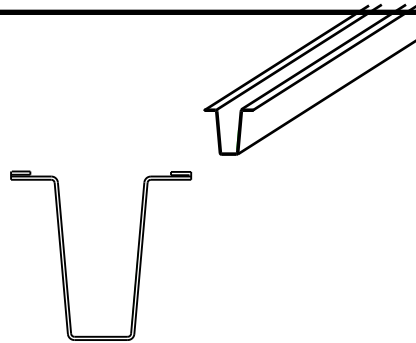
**A04**

**x8**



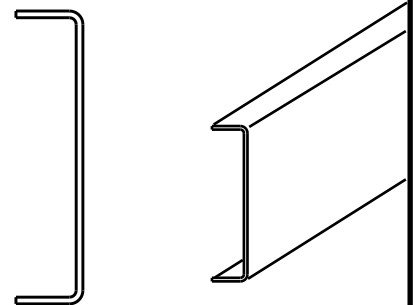
**A12C**

**x8**



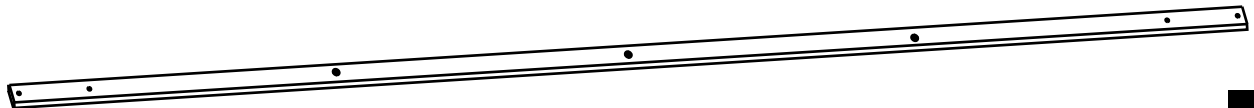
**A15A** L 1350 mm

**x2**



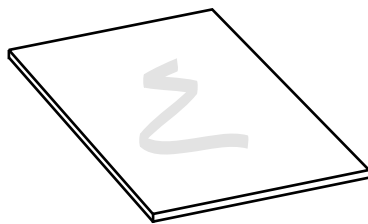
**A14** L 1050 mm

**x4**



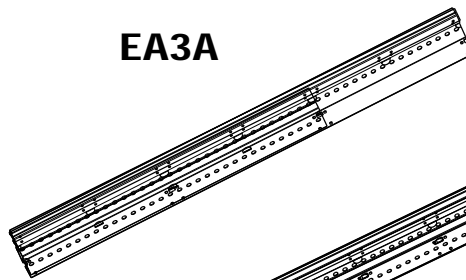
**A01B**

**x1**



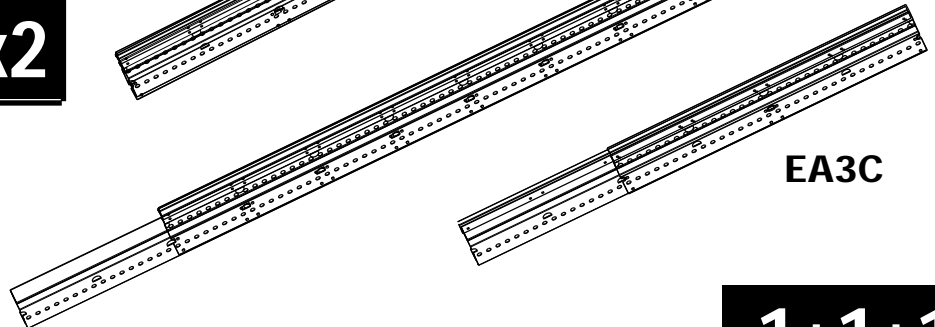
**S01F** 672 X 274 mm

**x2**



**EA3A**

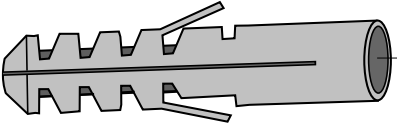
**EA3B**



**EA3C**

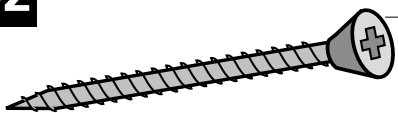
**1+1+1**

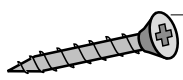
# VISSERIE

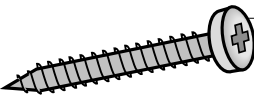
**SH01**  **V04**  
Ø10mm **x4**

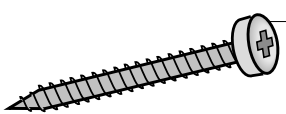
**V08**  
Ø8 x 50mm **x4**

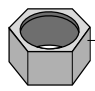
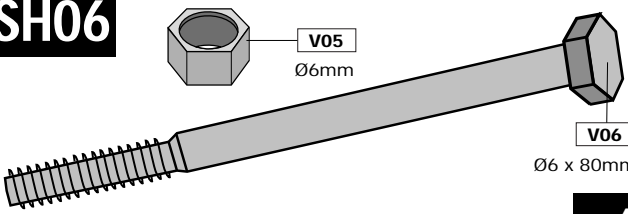
**V23**  
Ø36mm **x4**

**SH02**  **V11**  
Ø4 x 45mm **x155**

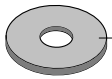
**SH03**  **V13**  
Ø4,2 x 25mm **x73**

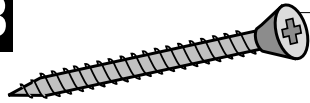
**SH04**  **V01**  
Ø4 x 32mm **x10**

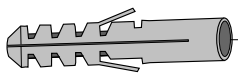
**SH05**  **V16**  
Ø4,2 x 35mm **x35**

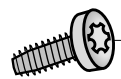
**SH06**  **V05**  
Ø6mm  **V06**  
Ø6 x 80mm **x4**

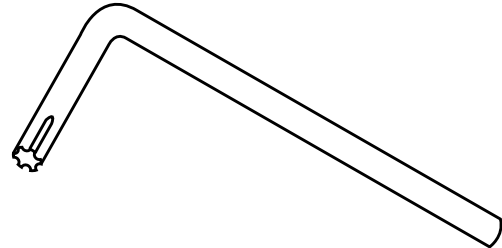
**V21**  
Ø18mm **x8**

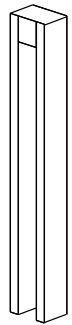
**SH07**  **V22**  
Ø14mm **x44**

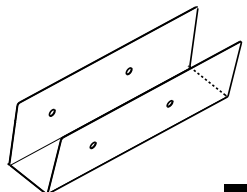
**SH08**  **V20**  
Ø4 x 40mm **x13**

**SH09**  **V03**  
Ø6mm **x30**

**SH10**  **V07**  
Ø4 x 8mm **x6**

 **x1**

**YM09**  **x2**

**YP02**  **x2**