



WORX



LANDROID® **UNMANNED MOWING VEHICLE**

Lawn Mowing Robot	EN	P02
Roboter-Rasenmäher	D	P18
Robot de fauchage à pelouse	F	P34
Robot tosaerba	I	P50
Robot cortacesped	ES	P66
Græsslående robot	DK	P82
Nurmikon leikkausrobotti	FIN	P98
Robot-gressklipper	NOR	P114
Gräsklipparrobot	SV	P130

WG795E

ORIGINAL INSTRUCTIONS

TABLE OF CONTENTS

1. Safety Instruction	3
1.1 General & additional safety instruction	3
1.2 Information on the Landroid®L	5
2. Technical Data and Packaging Content	6
2.1 Technical data	6
2.2 Packaging content	7
3. Understanding Your Landroid®L	9
3.1 How does my Landroid®L know what to mow?	9
3.2 How does my Landroid®L know where to go?	10
A. Finding the charging base	10
B. Rain sensors	10
C. Sensing the boundary wire	10
D. Starting and stopping while mowing	10
3.3 How big of an area can my Landroid®L mow?	11
3.4 How efficiently will my Landroid®L mow the grass?	11
4. Boundary Wire Basics	12
4.1 Pegging the Boundary Wire	12
4.2 Burying the Boundary Wire	12
4.3 Joining the Boundary Wire	13
4.4 Turn on and test installation	13
5. Maintenance	13
5.1 Keep it sharp	13
A. Rotate and flip the blades	13
B. Replace the blades	14
5.2 Keep it clean	14
A. Cleaning the body	14
B. Cleaning the Underside	14
C. Clean the contact pins and the charging strips	15
5.3 Battery life	15
5.4 Winter hibernation	15
5.5 Replacing the battery	16
6. Declaration of Conformity	17

1. Safety Instruction

1.1 General & additional safety instruction

 **WARNING: Read all safety warnings and all instructions. Failure to follow the warnings and instructions may result in electric shock, fire and/or serious injury.**

Carefully read the instructions for the safe operation of the machine.

Save all warnings and instructions for future reference.

- This appliance is not intended for use by persons (including children) with limited physical, sensory or mental capabilities, or lack of experience and knowledge, unless they have been given supervision or instruction concerning use of the appliance by a person responsible for their safety.
- Children should be supervised to ensure that they do not play with the appliance.

IMPORTANT

READ CAREFULLY BEFORE USE

KEEP FOR FUTURE REFERENCE

SAFE OPERATION PRACTICES

Training

- a) Read the instructions carefully. Make sure you understand the instructions and are familiar with the controls and the proper use of the appliance;
- b) Never allow people unfamiliar with these instructions or children to use the appliance. Local regulations can restrict the age of the operator;
- c) The operator or user is responsible for accidents or hazards occurring to other people or their property

Preparation

- a) Ensure the correct installation of the automatic perimeter delineation system as instructed.
- b) Periodically inspect the area where the appliance is to be used and remove all stones, sticks, wires, bones, and other foreign objects.
- c) Periodically visually inspect to see that the blades, blade bolts and cutter assembly are not worn or damaged. Replace worn or damaged blades and bolts in sets to preserve balance.
- d) On multi-spindle appliances, take care as rotating one blade can cause other blades to rotate.

OPERATION

1. GENERAL

- a) Never operate the appliance with defective guards, or without safety devices, for example deflectors, in place;
- b) Do not put hands or feet near or under rotating parts. Keep clear of the discharge opening at all times;
- c) Never pick up or carry an appliance while the motor is running;
- d) Turn off the machine.
 - Before clearing a blockage;
 - Before checking, cleaning or working on the appliance;
- e) It is not permitted to modify the original design of robotic lawnmower. All modifications are made at your own risk.
- f) Start robotic lawnmower according to the instructions. When the main switch is in the ON position, make sure you keep your hands and feet away from the rotating blades. Never put your hands and feet under the mower.
- g) Never lift up robotic lawnmower or carry it around when the main switch is in the ON position.
- h) Do not let persons who do not know how robotic lawnmower works and behaves use the mower.
- i) Do not put anything on top of robotic lawnmower or its charging station.
- j) Do not allow robotic lawnmower to be used with a defective blade disc or body. Neither should it be used with defective blades, screws, nuts or cables.
- k) Do not use robotic lawnmower if the main switch does not work.
- l) Always switch off robotic lawnmower using the main switch when you do not intend to use the mower. Robotic lawnmower can only start when the main switch is moved to the ON position and the correct PIN code has been entered.

2. ADDITIONALLY WHEN THE APPLIANCE IS OPERATING AUTOMATICALLY

- a) Do not leave the machine to operate unattended if you know that there are pets, children or people in the vicinity.

3. ADDITIONALLY WHEN USING THE MANUAL CONTROLLER

- a) Mow only in daylight or in good artificial light;
- b) Avoid operating the equipment in wet grass;
- c) Do not operate the appliance when barefoot or wearing open sandals. Always wear substantial footwear and long trousers;
- d) Always be sure of your footing on slopes;

- e) Use extreme caution when reversing the appliance towards you;
- f) Always switch on the motor according to instructions with feet well away from the blades(s);

MAINTENANCE AND STORAGE



WARNING! When the mower is turned upside down the main switch must always be set to the OFF position.

The main switch should be set to the OFF position during all work on the mowers under frame, such as cleaning or replacing the blades.

- a) Keep all nuts, bolts and screws tight to be sure the appliance is in safe working condition;
- b) Inspect the robotic lawnmower each week and replace worn or damaged parts for safety;
- c) Check that the blades and blade disc are not damaged. Replace all blades and screws at the same time if necessary so that the rotating parts are balanced.
- d) Ensure that only replacement cutting means of the right type are used;
- e) Ensure that batteries are charged using the correct charger recommended by the manufacturer. Incorrect use may result in electric shock, overheating or leakage of corrosive liquid from the battery;
- f) In the event of leakage of electrolyte flush with water/neutralizing agent, seek medical help if it comes into contact with the eyes etc;
- g) Servicing of the appliance should be according to manufacturers instructions.

Transport

The original packaging should be used when transporting robotic lawn mower over long distances.

To safely move from or within the working area:

- a) Press the Access Button to stop the mower. If the anti-theft alarm is activated, enter the first digit of the PIN code.
You select the four digit PIN code when you start the mower for the first time.
- b) Move the main switch to the OFF position if you intend to carry the mower.
- c) Carry the mower by the handle at the rear under the mower. Carry the mower with the blade disc away from the body.



WARNING! The appliance is only to be used with the unit provided.

Additional safety rules for lead acid battery

1. Working in the vicinity of a lead-acid battery is dangerous. Battery pack generates explosive gases during normal battery operation.
For this reason it is of the utmost importance that each time before using your charger, you read and follow the instructions provided exactly.
2. Never smoke or allow an open spark or flame in the vicinity of the battery.
3. Use charger for charging a lead-acid battery pack only.

1.2 Information on the Landroid®L



WARNING - Robotic lawnmower can be dangerous if incorrectly used.

Read through the Operator's manual carefully and understand the content before using your robotic lawnmower.



WARNING - Keep a safe distance from the machine when operating.



WARNING – Operate the disabling device before working on or lifting the machine.

Keep your hands and feet away from the rotating blades. Never place your hands or feet close to or under the body when lawn mowing robot is in operation.

Robotic lawnmower can only start when the ON/OFF button press ON and the correct PIN code has been entered. Inspection and /or maintenance must be carried out with the ON/OFF button press OFF.



WARNING - Do not ride on the machine.



Do not wash the machine with a high pressure washer



Don't litter to fire



Don't throw into water



Do not dispose of the batteries. Return exhausted batteries to your local collection or recycling point.



Contains Pb battery, battery must be recycled or disposed of properly.

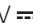



This product has been marked with a symbol relating to removing electric and electronic waste. This means that this product shall not be discarded with household waste but that it shall be returned to a collection system which conforms to the European Directive 2002/96/CE. It will then be recycled or dismantled in order to reduce the impact on the environment. Electric and electronic equipment can be hazardous for the environment and for human health since they contain hazardous substances.


2. Technical Data and Packaging Content

2.1 Technical data

Type: **WG795E (790-799-Designation of machinery, representative of lawn mowing robot)**

Rated voltage	24V 
No load speed	2000/min
Cutting diameter	220mm
Cutting height	20-60mm
Cutting height positions	9
Battery type	Lead acid
Battery model	WA3222
Charging time	2.5h approx.
Charger model	WA3716
Charger rating	Input: 100-240V~50/60Hz, 50W
	Output: 24V  , 1.5A
Machinery weight	14.5kg
Protection degree	IPX1

Noise and technical data

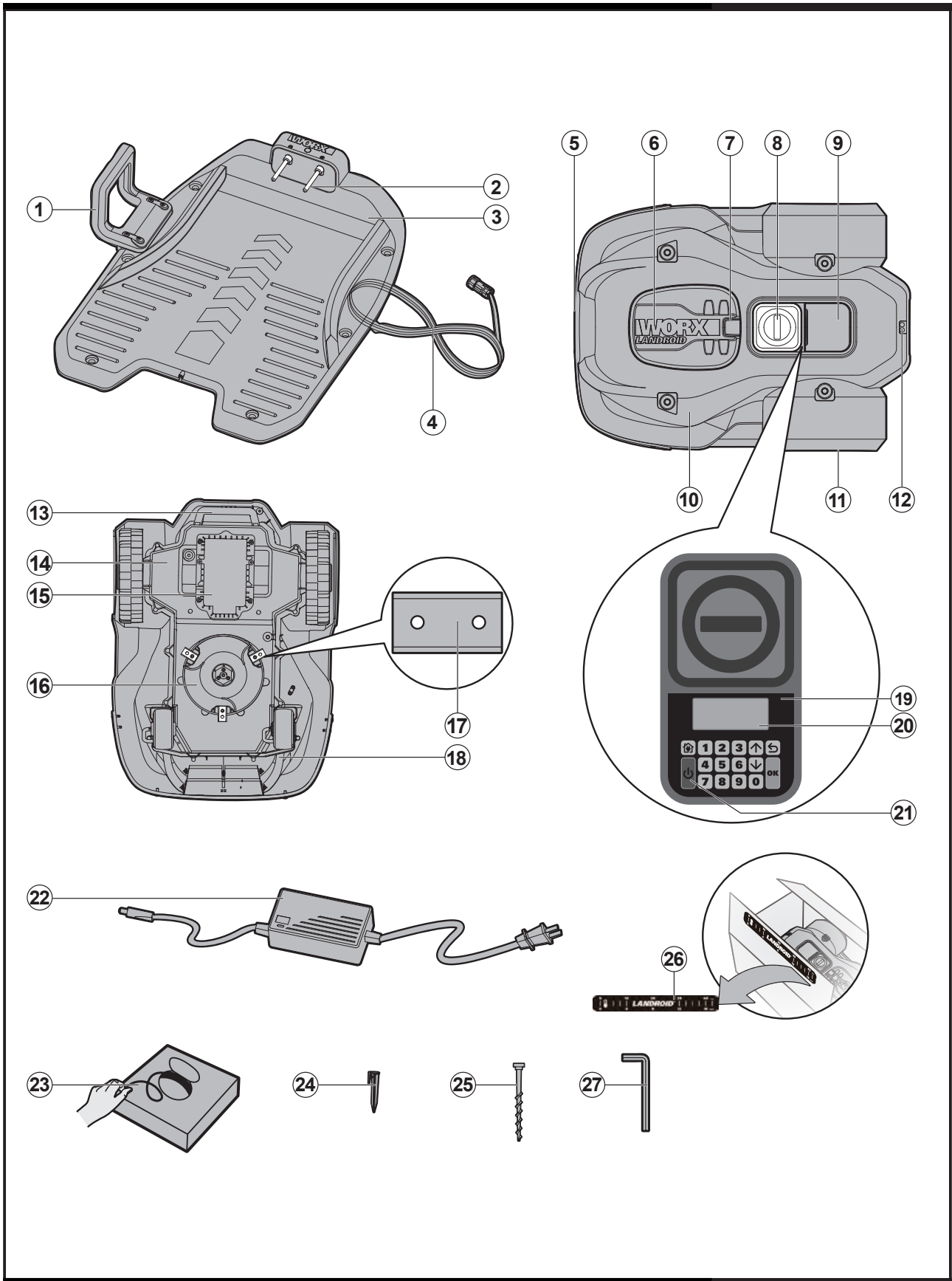
A weighted sound pressure	36dB(A), K_{PA} : 3dB(A)
A weighted sound power	57dB(A)
Wear ear protection when sound pressure is over	80dB(A) 

Accessories

Charging Base with 15m Extension Cable	1pc
Blades (WA0176)	9pc
Screws	9pc
Wire Pegs (WA0179)	250pc
200m Boundary Wire (WA0177)	1pc
Charging Base Fixing Nails	6pc
Power Adaptor (WA3716)	1pc
Boundary Wire Distance Gauge	2pc
Hex Key	1pc

We recommend that you purchase genuine accessories listed in the above list from the same store that sold you the tool. Use good quality accessories marked with a well-known brand name. Refer to the accessory packaging for further details. Store personnel can assist you and offer advice.

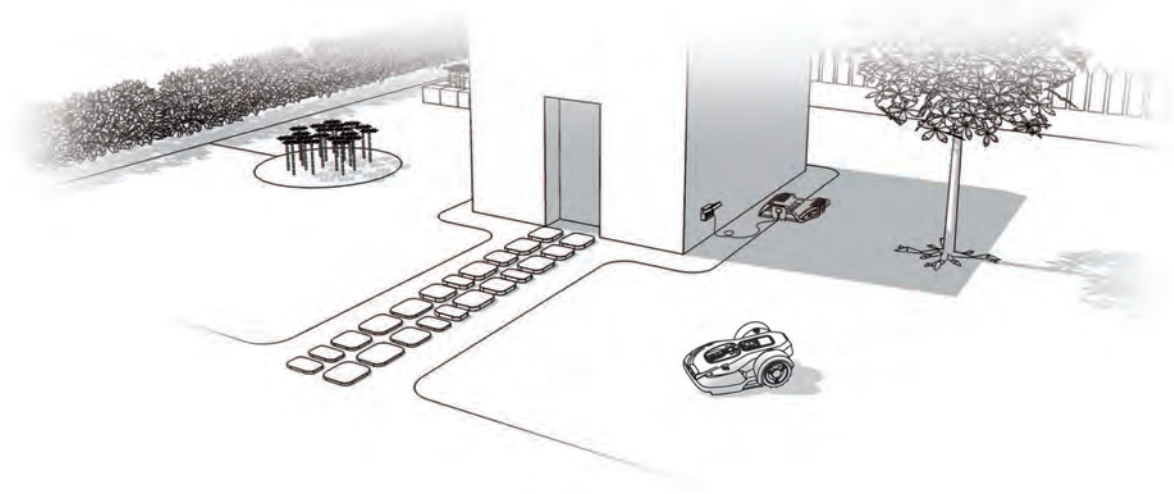
2.2 Packaging content



-
- 1. HANDLE BAR**
 - 2. CONTACT PINS**
 - 3. CHARGING BASE**
 - 4. LOW VOLTAGE CABLE**
 - 5. CHARGING STRIP**
 - 6. GRASS CUTTING HEIGHT ADJUSTMENT COVER**
 - 7. CATCH BUTTON (TO OPEN GRASS CUTTING HEIGHT AJUSTMENT COVER)**
 - 8. ACCESS BUTTON**
 - 9. KEYPAD WINDOW**
 - 10. MOULD PLASTIC HOUSING**
 - 11. REAR DRIVING WHEEL**
 - 12. RAIN SENSOR**
 - 13. HANDLE**
 - 14. MOTOR FRAME BOX (CONTAINING ELECTRONICS AND BATTERY)**
 - 15. BATTERY PACK**
 - 16. BLADE TURNING DISC**
 - 17. CUTTING BLADES**
 - 18. FRONT WHEEL**
 - 19. KEYPAD**
 - 20. DISPLAY**
 - 21. ON/OFF KEY**
 - 22. POWER ADAPTOR**
 - 23. BOUNDARY WIRE**
 - 24. WIRE PEGS**
 - 25. CHARGING BASE FIXING NAILS**
 - 26. BOUNDRY WIRE DISTANCE GAUGE**
 - 27. HEX KEY**
-

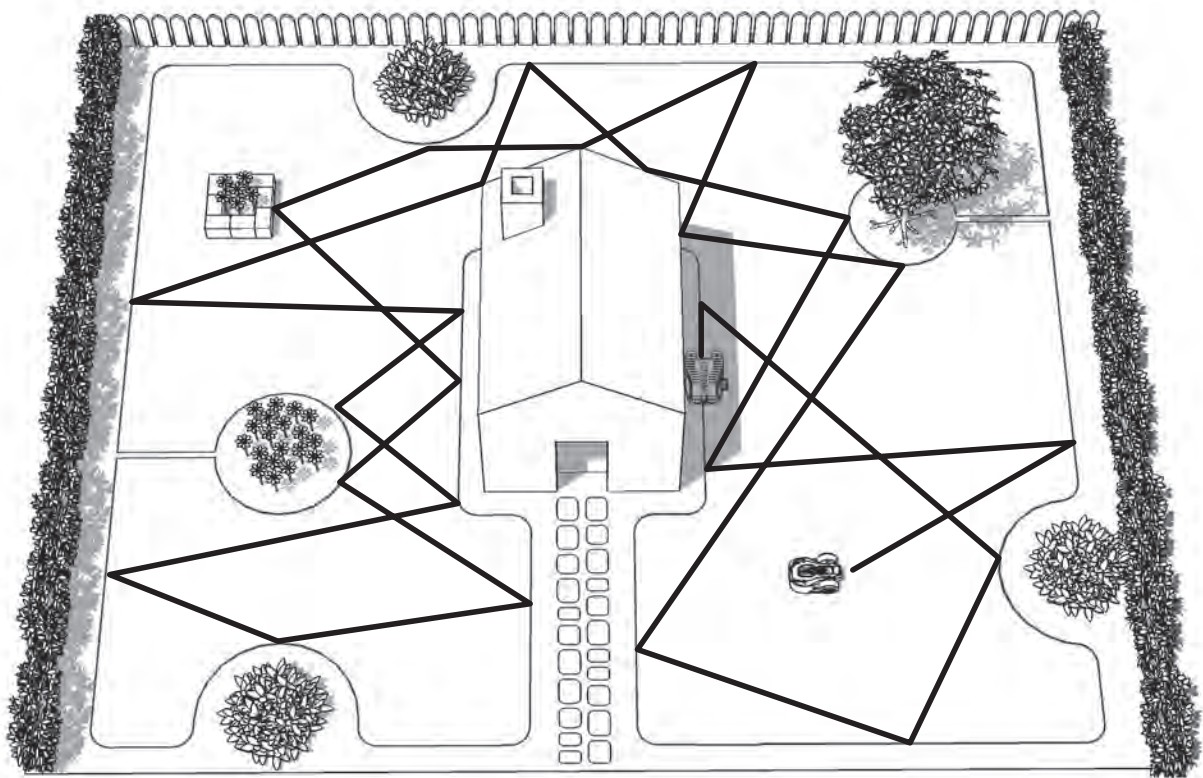
3. Understanding Your Landroid®L

We would like to congratulate you on your new purchase of the Landroid®L and entering into the care-free life of automatic mowing. In the following, We would like to help you better understand how your Landroid®L thinks.



3.1 How does my Landroid®L know what to mow?

The Landroid®L chooses its direction at random. It will make sure your entire lawn is evenly mowed without leaving behind any unattractive mowing paths (See Fig. A).



A

3.2 How does my Landroid®L know where to go?

Your Landroid®L is capable of doing things on its own. The Landroid®L knows when it needs to go to its Charging Base (3) to charge, can sense when it is raining, can stop itself if it senses a problem, and knows to stop, draw back, and then turn around when it bumps into something blocking its path, such as a person, pet, or other object. The Landroid®L will also automatically stop its Blade Turning Disc (16) from rotating if it is lifted off the ground to prevent an accident.

A. Finding the charging base

When your Landroid®L needs to recharge, it will stop mowing and follow the Boundary Wire (23) in an anti-clockwise motion back to its Charging Base. Landroid®L will automatically stop rotating its Blade Turning Disc when returning to its Charging Base. However, if it is required to go back the Charge Base manually (when you press the home button), the Blade Turning Disc will rotate and cut the grass near the boundary wire. **So if you want to mow the grass near the boundary wire, just press the home button. We suggest you use this function when the battery power is more than 75%. You can check the battery power in the display.**

B. Rain sensors

The Landroid®L is fitted with a Rain Sensor (12) at its rear that will detect rain drops and tell the Landroid®L to stop mowing and follow the Boundary Wire back to its Charging Base (See Fig. B). The Landroid®L is programmable to have a delay start function (0 – 180 mins) when it rains. When the rain sensors are wet, the Landroid®L returns to its docking station. Only when the rain sensors become dry will the Landroid®L begin the delay start countdown or return to mowing immediately. If you want to command your Landroid®L to go ahead and start mowing again before the time you have set under the “Rain start delay” function, then press the Access Button (8), dry the Landroid®L off, and close the Keypad Window (9) to tell it to mow again (See Fig. D, E). See the Programming and Troubleshooting Guide for more details.

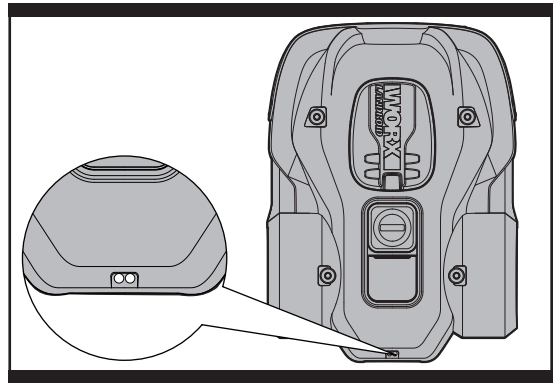
C. Sensing the boundary wire

The Landroid®L always obeys the border set by the Boundary Wire and uses two sensors at its front to sense when it is getting close. (See Fig. C) Before changing direction, the Landroid®L will overrun the Boundary Wire around 25cm*.

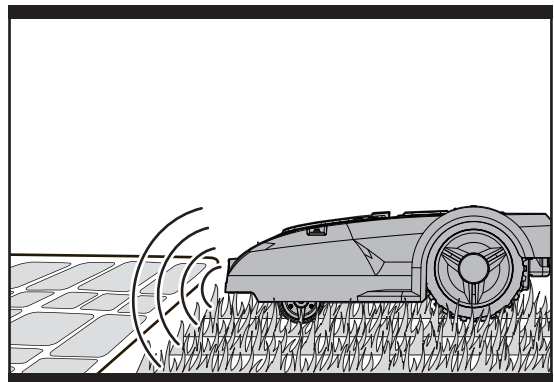
*This is the recommended distance, because the Landroid®L cannot calculate the distance itself. Use the provided distance gauge to ensure proper installation.

D. Starting and stopping while mowing

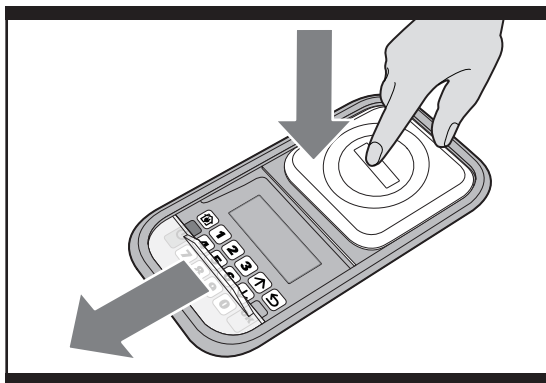
If you would like to command the Landroid®L to stop mowing, then simply press the Access Button (8) on top of the mower. When pressed, the Landroid®L will open its Keypad Window and await your further commands. It will not begin mowing again until you have closed its Keypad Window (See Fig. D, E).



B



C



D



E

If the Landroid®L senses that something is wrong, it will display a fault message on the Display (20), and will turn itself off if it does not receive help within 20min to save energy (for information on fault messages refer to the Programming and Troubleshooting Guide).

To resume:

- Press its Access Button.
- Open the Keypad Window.
- Press its ON/OFF Key (21) to ON.
- Press 0 button.
- Close the Keypad Window.
- Now the Landroid®L will begin to mow!

3.3 How big an area can my Landroid®L mow?

Your Landroid®L is capable of mowing areas of up to around 1500m², although this depends on various factors, such as:

- Species of grass in your lawn and its growth rate.
- Sharpness of the Blades (17).
- Humidity.
- Surrounding temperature.
- Amount of obstacles in your Lawn.

If the surrounding temperature is very cold where you live then your Landroid®L may charge at a slightly slower rate. The Landroid®L uses less energy in open areas that have fewer obstacles, such as flower beds, fountains, walkways, etc... You could find more details about default work time of Landroid®L in following table:

Landroid®L WG795E - AUTO MOWING TIME SCHEDULE.

Area m ²	Auto mowing runtime - hours	Monday mowing hours	Tuesday mowing hours	Wednesday mowing hours	Thursday mowing hours	Friday mowing hours	Saturday mowing hours	Sunday mowing hours
100	1.5	7:00-8:30	/	/	7:00-8:30	/	/	/
200	5	7:00-8:00	7:00-8:00	7:00-8:00	7:00-8:00	7:00-8:00	/	/
300	6	7:00-8:12	7:00-8:12	7:00-8:12	7:00-8:12	7:00-8:12	/	/
400	7.5	7:00-8:30	7:00-8:30	7:00-8:30	7:00-8:30	7:00-8:30	/	/
500	10	7:00-9:00	7:00-9:00	7:00-9:00	7:00-9:00	7:00-9:00	/	/
600	11	7:00-9:12	7:00-9:12	7:00-9:12	7:00-9:12	7:00-9:12	/	/
700	13	7:00-9:36	7:00-9:36	7:00-9:36	7:00-9:36	7:00-9:36	/	/
800	15	7:00-10:00	7:00-10:00	7:00-10:00	7:00-10:00	7:00-10:00	/	/
900	16.5	7:00-10:18	7:00-10:18	7:00-10:18	7:00-10:18	7:00-10:18	/	/
1000	18	7:00-10:36	7:00-10:36	7:00-10:36	7:00-10:36	7:00-10:36	/	/
1100	20	7:00-11:00	7:00-11:00	7:00-11:00	7:00-11:00	7:00-11:00	/	/
1200	22.5	7:00-11:30	7:00-11:30	7:00-11:30	7:00-11:30	7:00-11:30	/	/
1300	25	7:00-12:00	7:00-12:00	7:00-12:00	7:00-12:00	7:00-12:00	/	/
1400	26.5	7:00-12:18	7:00-12:18	7:00-12:18	7:00-12:18	7:00-12:18	/	/
1500	28	7:00-12:48	7:00-12:48	7:00-12:48	7:00-12:48	7:00-12:48	/	/

Mowing times are different for every lawn depending on the factors mentioned previously. Gradually adjust the time you allow your Landroid®L to mow each day until you find the most suitable setting.

You can also program Landroid®L working time to suit your schedule – refer to Programming Guide.

3.4 How efficiently will my Landroid®L mow the grass?

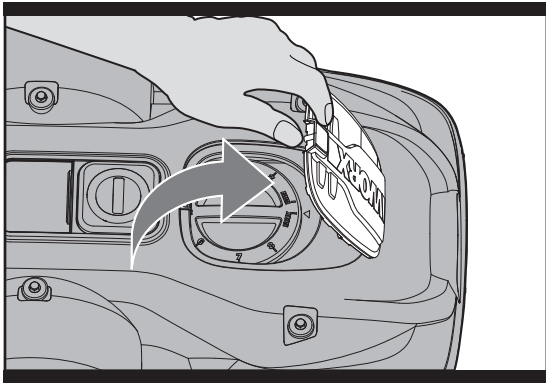
The Landroid®L's cutting height can be adjusted between 2cm - 6cm. Before starting your Landroid®L for the first time, you should cut the grass to the height not more than 9cm. Then make sure you open the Control Panel Cover (7) and set the cutting height to its maximum cutting height of 6cm (See Fig. F,G).

Your Landroid®L will cut its best in dry weather. It does not like wet grass, which can build up on the Blade Turning Disc (16) and within the motor, and can also cause loose traction and slippage while working.

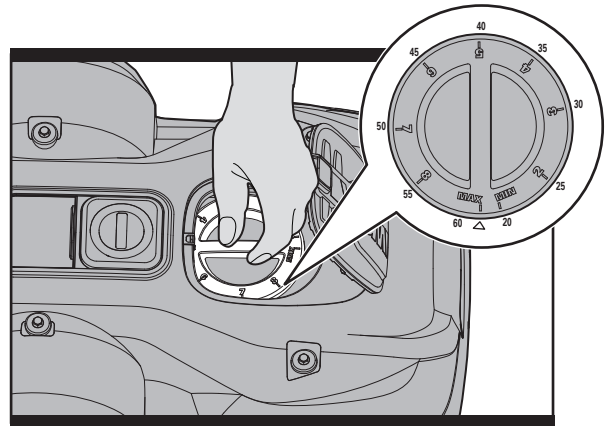
Your Landroid®L is afraid of Lightning Storms. In case of a Lightning Storm, protect the Landroid®L by unplugging the Charging Base (3), disconnecting the Boundary Wire (23), and making sure the Landroid®L is not allowed to charge.

Your Landroid®L loves mowing grass and requires its Cutting Blades (17) to be kept in good condition to cut its best. The Landroid®L can do most things by itself, but will need your help sometimes to prevent damage to itself.

- Never let the Landroid®L travel over gravel.
- Remove or block off obstacles that the Landroid®L could accidentally climb and damage its Blade Disc on .
- Remove all debris and foreign objects from your lawn.



F



G

4. Boundary Wire Basics

4.1 Pegging the Boundary Wire

Use the Boundary Wire Distance Gauge (26) to set the correct distance from the border of your lawn (More than 35cm*).

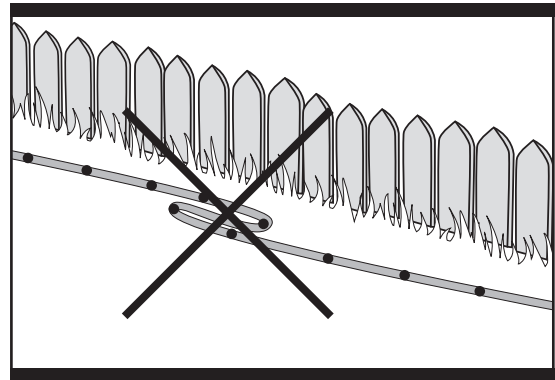
* This is the recommended distance. Use the provided distance gauge to ensure proper installation.

If your neighbor also uses a Landroid®L, then you must keep a spacing of at least 2 metres between your Boundary Wire and your neighbors.

Please be aware that your Landroid®L will not be able to receive a signal from the Boundary Wire beyond the distance of 25m.

The boundary wire must outline the intended mowing area exactly. Your Landroid®L will become confused by extra bends or coils of Boundary Wire that are not part of its mowing area (See Fig. H).

If there is excess Boundary Wire after the mowing area has been outlined, then cut it off and store this additional wire in a separate location. However, it is important to leave the necessary length where it connects to the Charging Base so it can be connected and still remain buried.



H

4.2 Burying the Boundary Wire

We recommend that you bury your boundary wire a few centimeters underground. This will ensure trouble-free operation year after year, season after season. For burying the Boundary Wire you may purchase the optional WORX Territorial Marker Tool accessory at the same store that sold you your Landroid®L.

If you are planning to bury the Boundary Wire then it should be noted that when entering its Charging Base for the first time, your Landroid®L may find problems with the way you have laid the wire. It is recommended to first peg down the Boundary Wire to the lawn so it is easy to make adjustments if necessary. This will allow the Landroid®L to become adjusted to its new environment and ensures it will successfully work with the charging base before the Boundary Wire is buried.

When you have completed installing the boundary wire, it is recommended that you ask Landroid®L to follow the boundary wire by pressing the home button.

Whilst observing Landroid®L locating the charging station you can then make alterations to the boundary wire route to ensure trouble free tracking of the boundary wire by Landroid®L when locating the charging station.

4.3 Joining the Boundary Wire

The Boundary Wire (23) can be extended simply by splicing the ends and connecting it to the ends of another piece of wire. You can use insulating tape to secure the joined part of the wire. (See Fig. I)

4.4 Turn on and Test Installation

If the charger light does not come on, then check the power connections.

If the charger base LED is flashing green, check if the boundary wire is connected correctly.

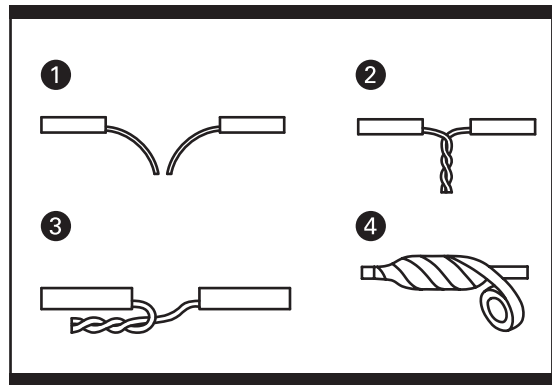
Red light on: charging.

Red light flashing: error message, refer to Trouble Shooting and correct the problems.

Green light flashing: check if the boundary wire is connected correctly.

When the green light on the charging base is on, place your Landroid®L over the boundary wire, if Landroid®L follows the boundary it is connected correctly.

If your Landroid®L is inside its territory but the display says "out of cutting area" and the LED is on, it means you clamped the boundary wire ends incorrectly. Just reverse them.



5. Maintenance

Your Landroid®L needs to be checked from time to time. The Landroid®L works hard and after time needs a good cleaning as well as to have its parts replaced, as they can become worn. In the following we want to let you know how to let your new Landroid®L adapt to its new home by giving it the best care possible.

5.1 Keep it Sharp



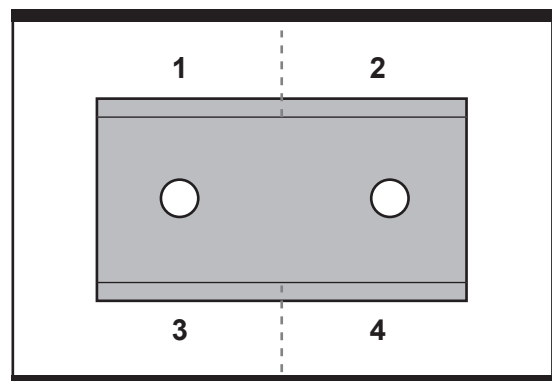
WARNING: Before cleaning, adjusting, or replacing the Blades, turn your Landroid®L OFF by pressing the ON/OFF Button to OFF and put on protective gloves.



WARNING! For blade replacement, Make sure you replace ALL blades and when making any replacement. If the blade is new but the screw has been reused, then the screw can wear off while mowing causing the blade to fly off the mower violently. This could cause serious injury.

The Landroid®L does not cut grass like other mowers. Its Blades (17) are razor sharp on all 4 edges and spin in both directions for maximum cutting capacity (See Fig. J).

Each blade of your Landroid®L has 4 cutting edges. Depending on the frequency the Landroid®L mows your lawn, the cutting blades will need to be flipped/rotated periodically for a new cutting edge. If your Landroid®L is programmed to mow the lawn every day then the cutting blades will need to be rotated monthly for the best mowing results. Each cutting blade will last up to 4 months when it is programmed to mow every day. When the cutting blades are dull and worn out, they should be replaced with the spare blades provided with your Landroid®L. Spare blades are also available at your nearest WORX retailer.



A. Rotate and Flip the Blades

Your Landroid®L carries 3 Blades that are all screwed onto your its Blade Disc (16). The Blades are what let the Landroid®L do its job and need care and attention. Every once in awhile, you should simultaneously rotate and flip all 3 blades for a perfect cut. When rotating and flipping the Blades, make sure all the Blades are adjusted at the same time or else it could make the Blade Disc off balance. If your Landroid®L mows on a normal schedule (daily) then the Blades should last one season if they are rotated and flipped every month. Always check to see if the Blades are chipped or damaged and replace them if they are.

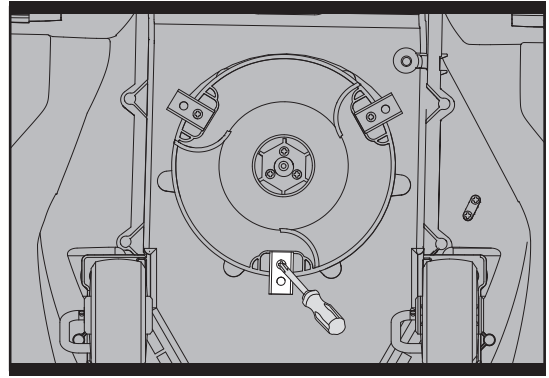
B. Replace the Blades

After some time, usually every season, your Landroid®'s Blades will need to be replaced. Your Landroid®L does not like mowing while using Blades of different age and quality. So when replacing the Blades, make sure to replace all of them at the same time. You can replace them with one of the three spare Blade kits and extra Blade screws supplied with your Landroid®L.

Before attempting to replace your Landroid®'s Blades, turn the power off and put on protective gloves. Then follow these steps:

1. Gently flip the Landroid®L over.
2. Take the screws off the Blades with a straight or Phillips screwdriver.
3. Firmly screw on the new Blades. (See Fig. K)

IMPORTANT: After screwing the Blade to the Blade Disc, make sure the Blade is able to spin freely.



K

5.2 Keep it Clean

WARNING! Before cleaning turn your Landroid®L OFF by pressing the ON/OFF Button to OFF. Put on protective gloves before cleaning the Blade Disc (16) and do not use running water. (See Fig. L,M,N)

A. Cleaning the Body

Your Landroid®L will live a much happier and longer life if it is cleaned regularly. Although, as your Landroid®L is an electric machine, you will need to take care when cleaning, so **DO NOT** use a hose, high pressure washers or otherwise pour running water on your Landroid®L, it is best to use a spray bottle filled with water. When cleaning the machine body use a soft brush or clean cloth and avoid using solvents or polishes. (See Fig.O) Lastly, make sure that you remove all build up of grass clippings and debris.

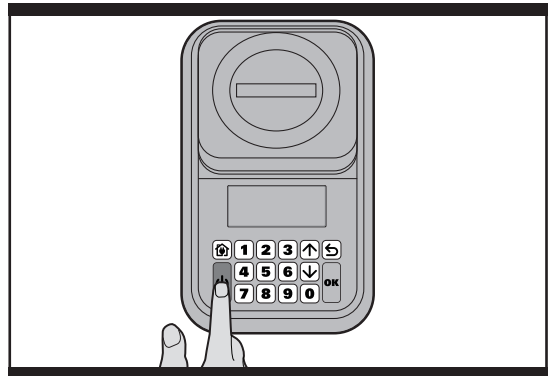
B. Cleaning the Underside

Again, it is important that you power the Landroid®L OFF using the ON/Off Button and wear protective gloves before touching the Blade Disc (16).

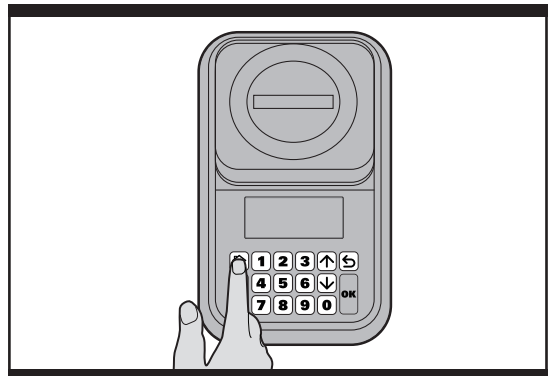
First, flip your Landroid®L upside down to expose its underside. Here you will see the Blade Disc (a), the surrounding Motor Frame Box (b) (14), and the Front (18) and Drive (11) Wheels. Clean everything thoroughly with a soft brush or moist rag. (See Fig.P)

Rotate the Blade Disc to make sure it moves freely and that there is not anything lodged between it and the surrounding Motor Frame Box. Also, make sure the Blades are able to spin freely and that there's no grass obstructing them.

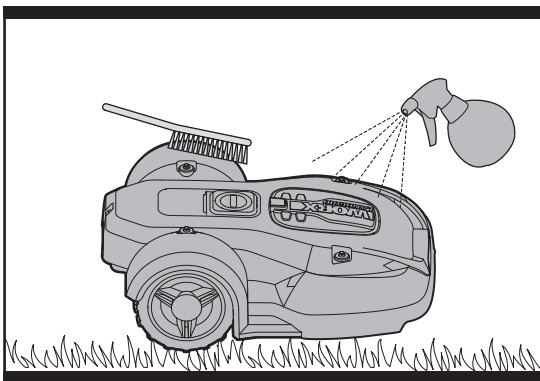
IMPORTANT: Remove any lodged debris so that it does not cause a crack in the Blade Disc. Even the tiniest crack can decrease your Landroid®L's mowing output.



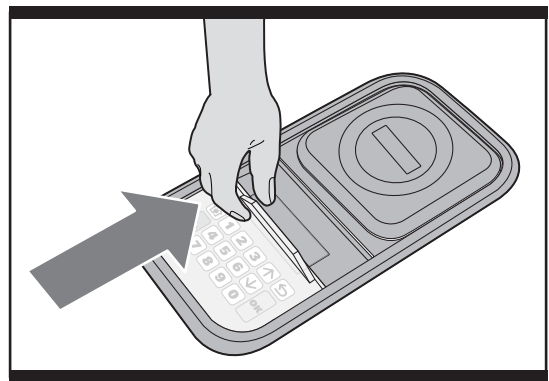
L



M



O



N

C. Clean the contact pins and the charging strips

Clean the Contact Pins (2) located on the Charging Base (3) and the Charging Strip (5) located on the Landroid®L using a cloth. Remove any build up of grass clippings and debris around the contact pins and charge strips periodically to ensure the Landroid®L successfully charges each time.

5.3 Battery Life

The heart of the Landroid®L is its 24-volt lead acid battery. It needs no maintenance on your part. Although, when storing the battery it should be kept in a cool dry place (down to 14°F [-10°C]) and fully charged every 3 months to keep it working at its best. Before storing the battery for Winter make sure to give it a full charge. Upon purchase, the battery may need to go through 2 to 3 charging cycles to achieve maximum run time capacity.

The life-span of the Landroid®Ls battery depends on various factors, such as:

- How long the mowing season last in your region.
- Amount of hours the Landroid®L mows per day.
- How you treat your battery while in storage.

Error message reads "Battery very low": the Landroid®L needs to be manually charged.

The Landroid®L needs to be manually charged if the display screen cannot turn on. (See Fig.Q)

To manually charge the battery without connecting the boundary wire to the charging base;

- 1. Connect the Charging Base to a suitable power supply.**
- 2. Manually dock the Landroid®L into the Charging Base while the Landroid®L is powered off.**
- 3. The charging base red light will turn on.**
- 4. Within 3 seconds and before the charging base light turns green, press the Landroid®L power ON/OFF button.**
- 5. Close the Keypad Window and Landroid®L will begin to charge.**

5.4 Winter Hibernation

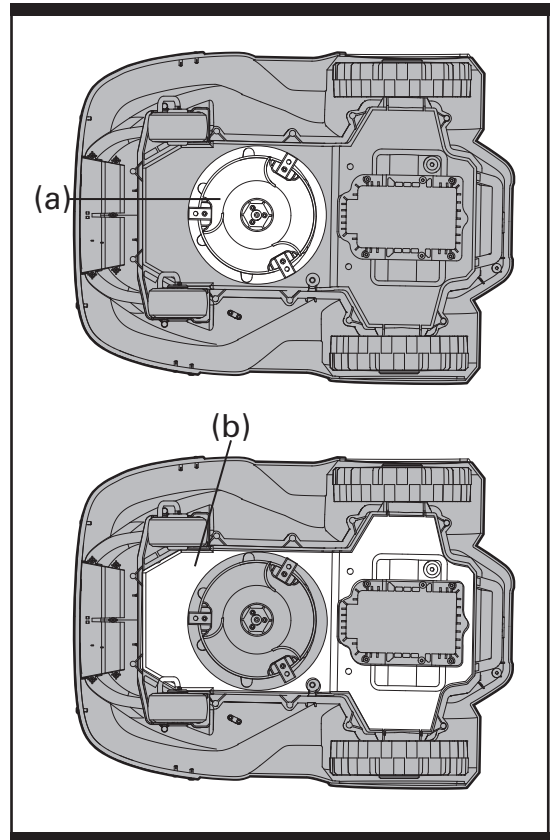
Your Landroid®L will live longer and healthier if it is allowed to hibernate. So even though it is tough, we would recommend that you store your Landroid®L in your shed or garage during the winter. Before you prepare your Landroid®L for winter hibernation, we recommend you:

- Thoroughly clean your Landroid®L.
- Fully charge the battery.
- Turn the mower off.

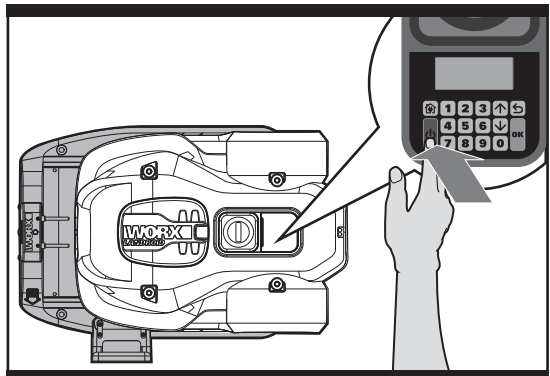
The battery should be fully charged one time during winter to keep it in the best possible health for next season.

When storing, lay the Landroid®L flat on all four wheels in a dry place out of icy weather. It is suggested to store your Landroid®L in its original box. It is best to put the Charging Base, Low Voltage Cable (4), and Transformer (22) indoors over the winter season as well. (See Fig. R)

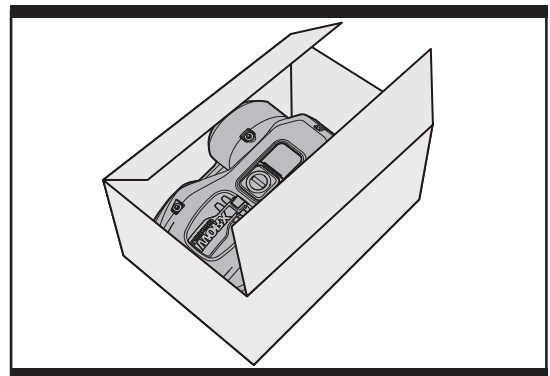
The Boundary Wire can be left in the ground although its ends should be protected, such as placed in a tin can with grease. If the Charging Base is left outside for winter, leave the Boundary Wire connected.



P



Q



R

NOTE: When bringing the Landroid®L back to life after winter hibernation, make sure the Charging Strips (5) and Contact Pins (2) are clean, it is best to use a fine grade emery cloth. Then make sure the date and time are correct and send the Landroid®L back to what it loves doing: mowing.

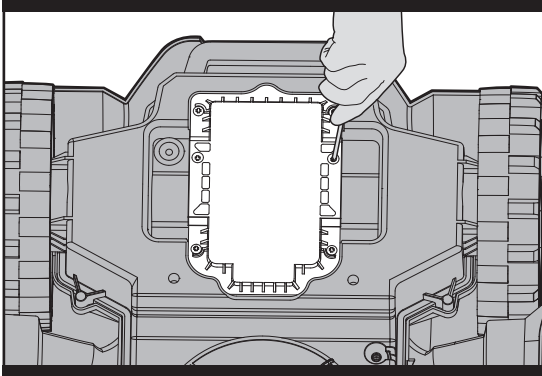
5.5 Replacing the Battery



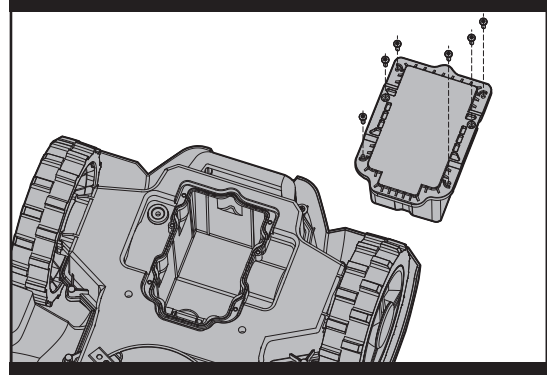
WARNING! Press the ON/OFF Key to OFF before attempting any adjustment, replacement or repair.

If you need to replace the Battery, follow these steps:

1. Gently Turn your Landroid®L upside down.
2. Remove the six screws on the battery cover (See Fig. S)
3. Take out the old battery (See Fig. T)
4. Put in the new battery.
5. Firmly replace the 6 screws.



S



T

Environmental Protection



Waste electrical products should not be disposed of with household waste. Please recycle where facilities exist.



Check with your Local Authority or retailer for recycling advice.

Plug Replacement (UK & Ireland Only)

If you need to replace the fitted plug then follow the instructions below.

IMPORTANT

The wires in the mains lead are colored in accordance with the following code:

Blue - Neutral

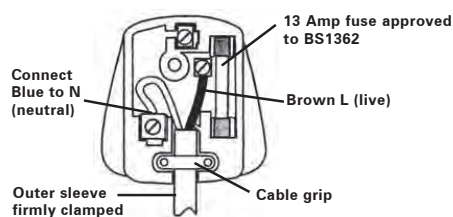
Brown - Live

As the colors of the wires in the mains lead of this appliance may not correspond with the coloured markings identifying the terminals in your plug, proceed as follows. The wire which is coloured blue must be connected to the terminal which is marked with N. The wire which is coloured brown must be connected to the terminal which is marked with L.



WARNING: Never connect live or neutral wires to the earth terminal of the plug. Only fit an approved BS1363/A plug and the correct rated fuse.

NOTE: If a moulded plug is fitted and has to be removed take great care in disposing of the plug and severed cable, it must be destroyed to prevent engaging into a socket.



Declaration of Conformity

We,
POSITEC Germany GmbH Konrad-Adenauer-Ufer 37 50668 Köln

Declare that the product

Description **WORX Lawn Mowing Robot**

Type **WG795E (790-799-Designation of machinery, representative of lawn mowing robot)**

Function **Cutting grass**

Complies with the following Directives,

2006/42/EC, 2004/108/EC, 2011/65/EU, 2000/14/EC amended by 2005/88/EC

2000/14/EC amended by 2005/88/EC:

Conformity Assessment Procedure as per **Annex V.**

Measured Sound Power Level: **56dB(A)**

Declared Guaranteed Sound Power Level: **57dB(A)**

Standards conform to,

EN ISO 12100-1

EN ISO 12100-2

EN ISO 14121-1

EN ISO 3744

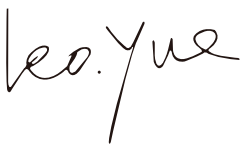
EN 55014-1

EN 55014-2

The person authorized to compile the technical file,

Name Russell Nicholson

Address Positec Power Tools (Europe) Ltd, PO Box 152, Leeds, LS10 9DS, UK



2013/12/05

Leo Yue

POSITEC Quality Manager

PIN Code Area:

BEDIENUNGSANLEITUNG

INHALT

1. Sicherheitsvorschriften	19
1.1 Allgemeine Sicherheitshinweise für Elektrowerkzeuge	19
1.2 Informationen zum Landroid®L	21
2. Technische Daten und Lieferumfang	22
2.1 Technische Daten	22
2.2 Lieferumfang	23
3. Wissenswertes zu Ihrem Landroid®L	25
3.1 Wie weiß mein Landroid®L, wo er mähen soll?	25
3.2 Wie weiß mein Landroid®L, wohin er fahren soll?	26
A. Ladebasis finden	26
B. Regensensor	26
C. Begrenzungskabel erkennen	26
D. Beim Mähen stoppen und wieder starten	26
3.3 Welche Fläche kann mein Landroid®L mähen?	27
3.4 Wie gut mäht der Landroid®L das Gras?	27
4. Grundlegendes zum Begrenzungskabel	28
4.1 Begrenzungskabel abstecken	28
4.2 Begrenzungskabel eingraben	28
4.3 Begrenzungskabel verbinden	29
4.4 Einschalten und Installation testen	29
5. Wartung	29
5.1 Immer schön scharf	29
A. Messer drehen und umdrehen	29
B. Messer austauschen	30
5.2 Sauber halten	30
A. Gehäuse reinigen	30
B. Reinigen der Unterseite	30
C. Kontakte und Ladestreifen reinigen	31
5.3 Akkulaufzeit und -haltbarkeit	31
5.4 Überwintern	31
5.5 Akku austauschen	32
6. Konformitätserklärung	33

1. Sicherheitsvorschriften

1.1 Allgemeine Sicherheitshinweise für Elektrowerkzeuge



WARNUNG: Lesen Sie alle Sicherheitshinweise und Anweisungen. Versäumnisse bei der Einhaltung der Sicherheitshinweise und Anweisungen können elektrischen Schlag, Brand und/oder schwere Verletzungen verursachen.

Lesen Sie die Bedienungsanleitung zum sicheren Betrieb des Gerätes aufmerksam durch.

Bewahren Sie alle Sicherheitshinweise und Anweisungen für die Zukunft auf.

- Dieses Gerät ist nicht zur Verwendung durch Personen (einschließlich Kindern) vorgesehen, die über reduzierte körperliche Eignung, Wahrnehmung oder geistige Fähigkeiten, Mangel an Erfahrung und Wissen verfügen, sofern diese Personen nicht von einer verantwortlichen Person beaufsichtigt oder in der Verwendung des Gerätes unterwiesen wurden.
- Kinder sollten grundsätzlich beaufsichtigt werden, damit sie nicht mit dem Gerät spielen.

VOR GEBRAUCH BITTE GENAU DURCHLESEN UND FÜR WEITERE FRAGEN AUFBEWAHREN

SICHERER BETRIEB TRAINING

- a) Die Anweisungen aufmerksam durchlesen. Machen Sie sich mit den Bedienelementen und dem vorschriftsmäßigen Gebrauch des Rasenmähers vertraut.
- b) Niemals Kindern oder mit diesen Anweisungen nicht vertrauten Personen erlauben, den Rasenmäher zu benutzen. Nationale Vorschriften können das Alter der Bedienperson möglicherweise beschränken.
- c) Bedenken Sie, dass der Bediener oder Benutzer bei Unfällen oder Gefährdungen anderer Personen oder deren Eigentum die Verantwortung trägt!

VORBEREITUNG

- a) Prüfen Sie, ob der Draht für die automatische Begrenzung des Fahrwegs korrekt installiert ist.
- b) Inspizieren Sie die Gegend, in der die Ausrüstung eingesetzt werden soll, gründlich und entfernen Sie alle Objekte, die durch die Maschine aufgeschleudert werden könnten.
- c) Vor der Benutzung immer durch Augenschein prüfen, ob Messer, Messerschrauben und Schneidbalken abgenutzt oder beschädigt sind. Abgenutzte Messer und Schrauben nur im ganzen Satz auswechseln, um Unwuchten zu vermeiden.
- d) Achten Sie darauf, dass bei Geräten mit mehreren Klingen ein Klingensatz durch den anderen in Rotation versetzt werden kann.

BETRIEB

1. ALLGEMEINE SICHERHEITSHINWEISE

- a) Den Rasenmäher auf keinen Fall mit defekten Schutzvorrichtungen oder Schutzblechen, oder ohne ordnungsgemäß montierte Sicherheitseinrichtungen wie z. B. Prallbleche in Einsatz bringen.
- b) Hände und Füße nicht in die Nähe oder unter rotierende Teile bringen.
- c) Niemals den Rasenmäher bei laufendem Motor anheben oder tragen.
- d) Schalten Sie die Maschine aus wenn
 - Sie ein Hindernis wegräumen,
 - Sie die Maschine überprüfen, säubern oder an der Maschine arbeiten,
- e) Der ursprüngliche Zustand des WORX Landroid®L darf nicht modifiziert werden. Alle Änderungen erfolgen auf eigene Verantwortung.
- f) Starten Sie den WORX Landroid®L vorschriftsgemäß. Mit dem Hauptschalter in Position ON darauf achten, dass Hände und Füße nicht in die Nähe der rotierenden Messer gelangen. Hände oder Füße nie unter den Mäher halten.
- g) Wenn sich der Hauptschalter in der Position ON befindet, darf der WORX Landroid®L niemals angehoben oder herumgetragen werden.
- h) Erlauben Sie niemandem, der sich mit den Funktionen und Verhaltensmustern von WORX Landroid®L nicht auskennt, den Mäher zu benutzen.
- i) Keine Gegenstände auf den WORX Landroid®L oder seine Ladestation legen.
- j) Wenn der Messerteller oder das Gehäuse defekt ist, darf der WORX Landroid®L nicht in Betrieb genommen werden. Das gleiche gilt für defekte Messer, Schrauben, Muttern oder Kabel.
- k) Den WORX Landroid®L nicht benutzen, wenn der Hauptschalter defekt ist.
- l) Den WORX Landroid®L stets mit dem Hauptschalter ausschalten, sobald der Mäher nicht benutzt wird. Der WORX Landroid®L kann nur gestartet werden, wenn sich der Hauptschalter in der Stellung ON befindet und der korrekte PIN-Code eingegeben wurde.

2. HINWEIS ZUM AUTOMATIKBETRIEB DES ROBOTERS

- a) Den WORX Landroid®L niemals verwenden, wenn sich Personen – besonders Kinder – oder Haustiere in der Nähe aufhalten.

3. GENERELLE HINWEISE ZUM UMGANG MIT RASENMÄHERN

- a) Nur bei Tageslicht oder gutem künstlichen Licht mähen.
- b) Nach Möglichkeit nicht in nassem Gras arbeiten.
- c) Tragen Sie beim Mähen stets festes Schuhwerk und eine lange Hose. Den Rasenmäher nicht barfuß oder mit offenen Sandalen benutzen.
- d) Auf schrägen Flächen stets auf sicheren Tritt achten.
- e) Beim Rückwärtsgehen oder Ziehen des Rasenmähers äußerst vorsichtig sein.
- f) Den Motor wie in den Anweisungen beschrieben starten und dabei darauf achten, dass die Füße ausreichend weit von den Messern entfernt sind.

WARTUNG UND AUFBEWAHRUNG



WARNUNG! Wenn der Mäher auf dem Kopf steht, muss sich der Hauptschalter stets in der Position OFF befinden.

Bei allen Arbeiten am Untergestell des Mähers sowie beim Reinigen oder Austauschen der Messer muss sich der Hauptschalter stets in der Position OFF befinden.

- a) Den festen Sitz aller Schrauben, Muttern und Bolzen sicherstellen um zu gewährleisten, dass sich der Rasenmäher in einem betriebssicheren Zustand befindet;
- b) Den WORX Landroid®L einmal pro Woche kontrollieren und eventuell beschädigte oder verschlissene Teile austauschen.
- c) Prüfen Sie vor allem, ob die Messer und der Messerteller nicht beschädigt sind. Bei Bedarf alle Messer und Schrauben gleichzeitig austauschen, um eine Unwucht der rotierenden Teile zu vermeiden.
- d) Verwenden Sie beim Austausch nur Original WORX Messer.
- e) Verwenden Sie zum Laden des Akkus nur das vom Hersteller empfohlene Ladegerät. Eine nicht den Hinweisen entsprechende Verwendung kann zu einem Stromschlag, zur Überhitzung oder zum Auslaufen der Batterieflüssigkeit führen.
- f) Tritt Batterieflüssigkeit aus, beseitigen Sie sie mit Wasser und einem neutralen Reinigungsmittel. Kommt sie mit Augen etc. in Kontakt, suchen Sie sofort einen Arzt auf.
- g) Warten Sie den Roboter nach den Anweisungen des Herstellers.

Transport

Für längere Transporte legen Sie den WORX Landroid®L am besten in die Originalverpackung.

Für einen sicheren Transport vom oder innerhalb des Arbeitsbereichs:

- a) Drücken Sie die STOP-Taste, um den Mäher zu stoppen. Wenn der Anti-Diebstahl-Alarm aktiviert ist, geben Sie die erste Ziffer Ihres PIN-Codes ein. Sie wählen den vierstelligen PIN aus, wenn Sie den Mäher das erste Mal benutzen.
- b) Bringen Sie den Hauptschalter in die Stellung OFF, wenn der Mäher getragen werden soll.
- c) Den Mäher an seinem Griff ganz hinten unten tragen. Halten Sie den Messerteller beim Tragen des Mähers vom Körper weg.



WARNUNG! Das Produkt darf nur mit dem mitgelieferten Gerät verwendet werden.

Zusätzliche Sicherheitshinweise für Bleisäureakku:

1. Es ist gefährlich, in der Nähe eines Bleisäureakkus zu arbeiten. Das Akkupack erzeugt explosive Gase während des normalen Akkubetriebs. Aus diesem Grund ist es sehr wichtig, dass Sie jedes Mal, bevor Sie Ihr Ladegerät benutzen, die beigelegten Anweisungen durchlesen und genau befolgen.
2. Rauchen Sie niemals bzw. lassen Sie nie zu, dass ein offener Funke oder eine offene Flamme in die Nähe des Akkus kommt.
3. Verwenden Sie das Ladegerät nur zum Aufladen des Bleisäure-Akkupacks.

1.2 Informationen zum Landroid®L



WARNUNG - Bei unsachgemäßer Handhabung kann Rasenmäroboter gefährlich sein.

Rasenmäroboter kann bei falscher Verwendung gefährlich sein.
Lesen Sie die Bedienungsanleitung sorgfältig durch und begreifen Sie deren Inhalt, bevor Sie Ihren Rasenmäroboter verwenden.



WARNUNG - Halten Sie einen Sicherheitsabstand zu Unbeteiligten ein.



WARNUNG - Betätigen Sie die Deaktivierungsvorrichtung, bevor Sie am Gerät arbeiten oder die Maschine anheben.

Von den rotierenden Messern stets einen Sicherheitsabstand einhalten. Bei laufendem Rasenmäroboter niemals Hände oder Füße in die Nähe des Gehäuses oder gar darunter halten.

Der Rasenmäroboter kann nur dann starten, wenn die EIN/AUS-Taste auf die Position EIN geschaltet ist und der korrekte PIN-Code eingegeben wurde. Bei Inspektions- und Wartungsarbeiten muss der EIN/AUS-Schalter auf AUS geschaltet werden.



WARNUNG - Rasenmäroboter darf nicht als Transportmittel missbraucht werden.



Waschen Sie das Gerät nicht mit einem Hochdruckreiniger.



Nicht verbrennen



Vor Regen und Feuchtigkeit schützen



Akku nicht in den Hausmüll geben. Bringen Sie den leeren Akku zu Ihrer lokalen Sammel- oder Recyclingstelle.



Beinhaltet eine Pb Batterie. Die Batterie muss recycled oder sachgemäß entsorgt werden.



Innerhalb der EU weist dieses Symbol darauf hin, dass dieses Produkt nicht über den Hausmüll entsorgt werden darf. Altgeräte enthalten wertvolle recyclingfähige Materialien, die einer Wiederverwertung zugeführt werden sollten und um der Umwelt bzw. der menschlichen Gesundheit nicht durch unkontrollierte Müllbeseitigung zu schaden. Bitte entsorgen Sie Altgeräte deshalb über geeignete Sammelsysteme oder senden Sie das Gerät zur Entsorgung an die Stelle, bei der Sie es gekauft haben. Diese wird dann das Gerät der stofflichen Verwertung zuführen.


2. Technische Daten und Lieferumfang

2.1 Technische Daten

Typ: **WG795E (790-799-Bezeichnung der Maschine, Repräsentant der Roboter-Rasenmäher)**

Nennleistung	24V \equiv
Nenndrehzahl	2000/min
Schneidradius	220mm
Schnitthöhe	20-60mm
Schneidehöhen-Positionen	9
Batterietyp	Säure-Blei
Akkumodell	WA3222
Aufladezeit	Ca. 2.5 Stunden.
Ladegerätmodell	WA3716
Leistung des Ladegeräts	Eingang: 100-240V~50/60Hz, 50W
	Ausgang: 24V \equiv , 1.5A
Gewicht	14.5kg
Schutzklasse	IPX1

Informationen über lärm

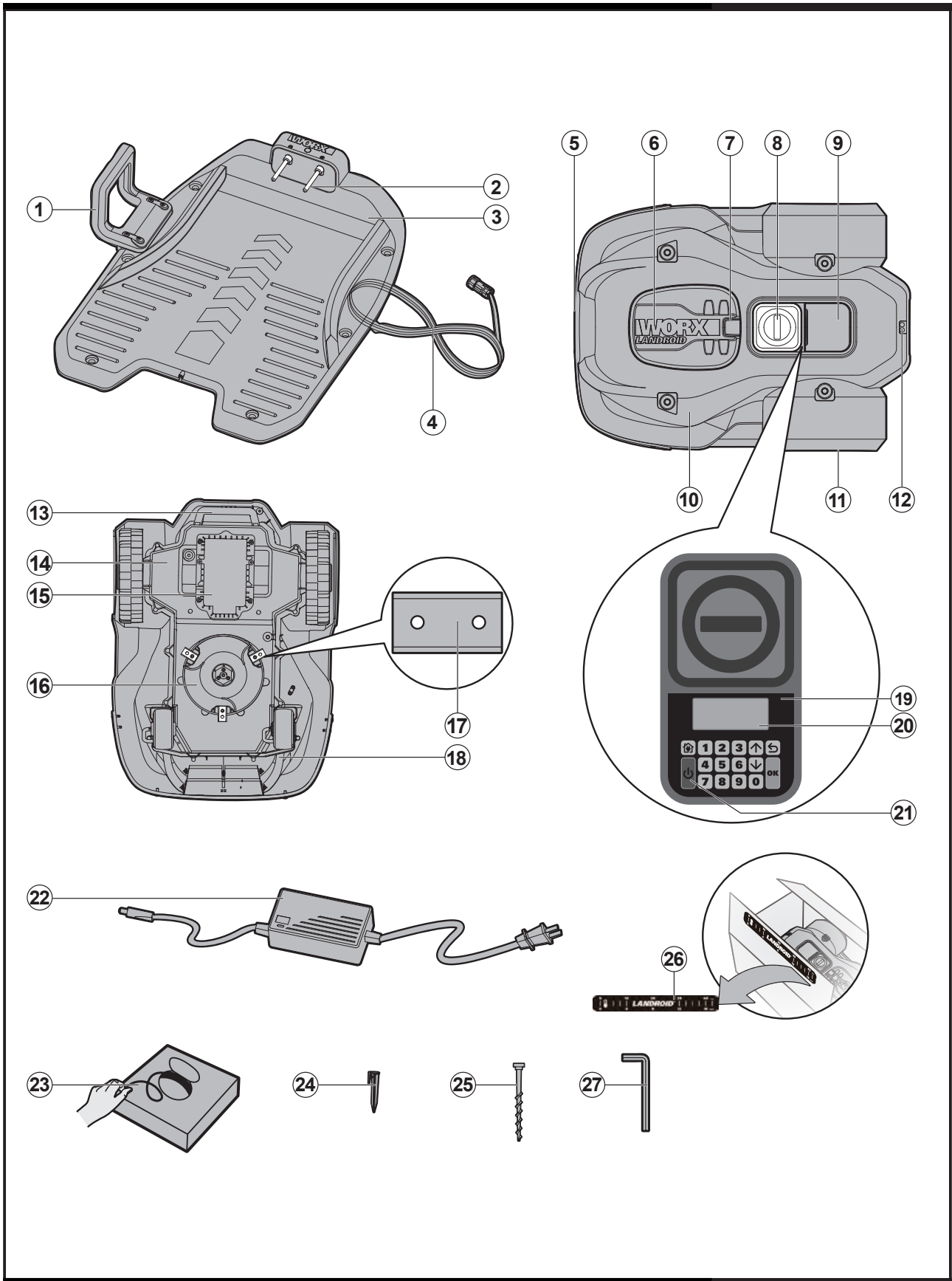
Gewichteter Schalldruck	36dB(A), K_{PA} : 3dB(A)
Gewichtete Schalleistung	57dB(A)
Tragen Sie bei einem Schalldruck über einen Gehörschutz	80dB(A) 

Zubehörteile

Ladebasis mit 15m langem verlängerungskabel	1
Messer (WA0176)	9
Schrauben	9
Drahtstifte(WA0179)	250
200m Begrenzungskabel(WA0177)	1
Heringe für ladestation	6
Netzteil(WA3716)	1
Begrenzungskabel-abstandlehre	2
Sechskantschlüssel	1

Wir empfehlen Ihnen, sämtliche Zubehörteile beim selben Fachhändler zu beziehen, bei dem Sie auch Ihr Elektrowerkzeug gekauft haben. Verwenden Sie nur hochwertige Zubehörteile von namhaften Herstellern. Weitere Informationen finden Sie auf der Verpackung der Zubehörteile. Auch Ihr Fachhändler berät Sie gerne.

2.2 Lieferumfang



-
- 1. GRIFFSTANGE**

 - 2. KONTAKTSTREIFEN**

 - 3. LADEBASIS**

 - 4. NIEDERSPANNUNGSKABEL**

 - 5. LADESTREIFEN**

 - 6. SCHNITTHÖHEEINSTELLUNGS-DECKEL**

 - 7. FREIGABETASTE (ZUM ÖFFNEN DES SCHNITTHÖHEEINSTELLUNGS-DECKELS)**

 - 8. ZUGANGSTASTE**

 - 9. TASTATURFENSTER**

 - 10. KUNSTSTOFFGEHÄUSE**

 - 11. HINTERES ANTRIEBSRAD**

 - 12. REGENSENSOR**

 - 13. GRIFF**

 - 14. MOTORGEHÄUSERAHMEN (ENTHÄLT ELEKTRONIK UND AKKU)**

 - 15. AKKU**

 - 16. MESSERDREHSCHEIBE**

 - 17. SCHNEIDMESSER**

 - 18. VORDERRAD**

 - 19. TASTATUR**

 - 20. DISPLAY**

 - 21. EIN-/AUSTASTE**

 - 22. NETZTEIL**

 - 23. BEGRENZUNGSKABEL**

 - 24. DRAHTSTIFTE**

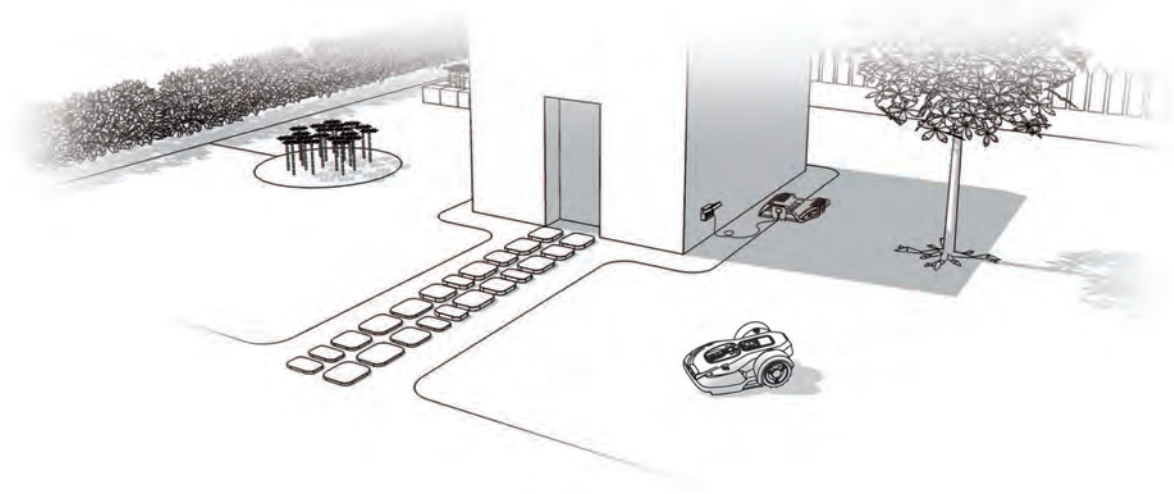
 - 25. HERINGE FÜR LADESTATION**

 - 26. BEGRENZUNGSKABEL-ABSTANDLEHRE**

 - 27. INBUSSCHLÜSSEL**
-

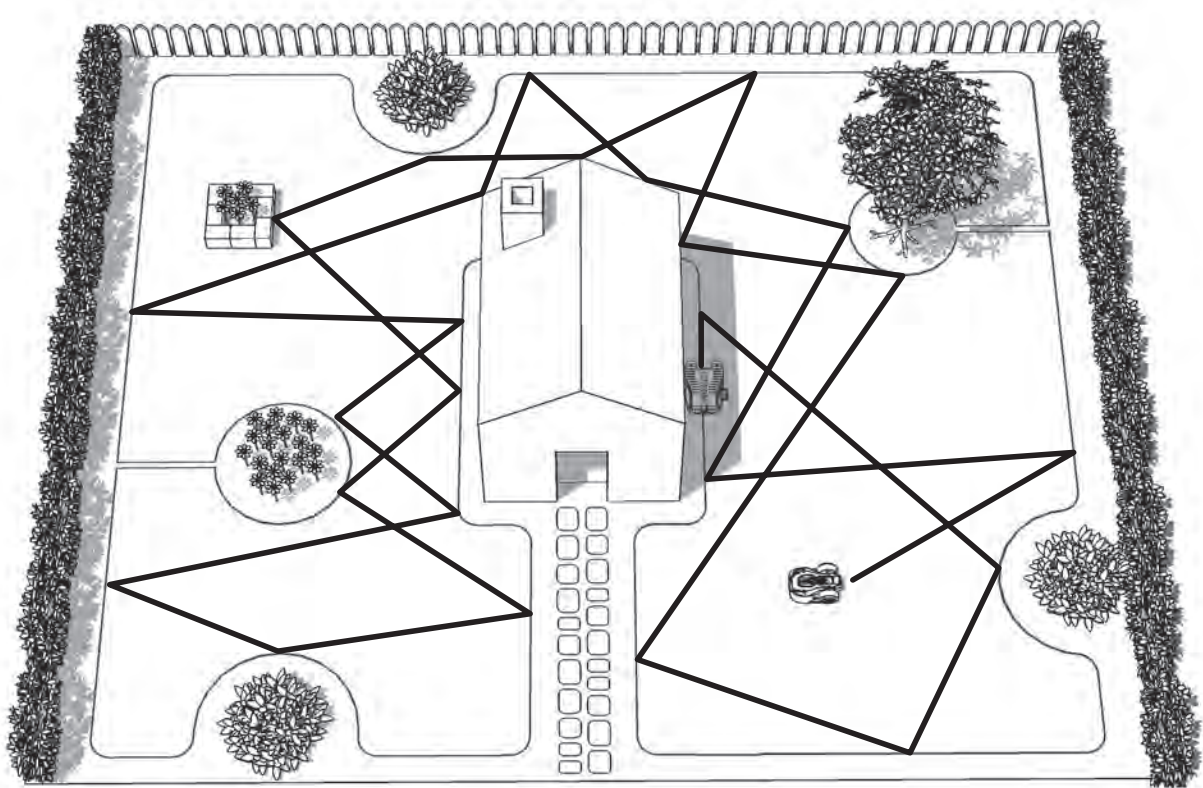
3. Wissenswertes zu Ihrem Landroid® L

Herzlichen Glückwunsch zum Kauf Ihres neuen Landroid® L und willkommen in der komfortablen Welt des automatischen Mähens. Nun möchten wir Ihnen zeigen, wie Ihr Landroid® L funktioniert und „denkt“.



3.1 Wie weiß mein Landroid® L, wo er mähen soll?

Der Landroid® L wählt seine Richtung nach dem Zufallsprinzip. Dadurch sorgt das Gerät dafür, dass der Rasen gleichmäßig gemäht wird und keine auffälligen Mähwege entstehen (siehe Abbildung A).



A

3.2 Wie weiß mein Landroid®L, wohin er fahren soll?

Ihr Landroid®L kann völlig selbstständig arbeiten. Der Landroid®L weiß, wann es Zeit ist, seine Ladestation (3) zum Aufladen anzusteuern, bemerkt Regen, stoppt selbsttätig, wenn ein Problem auftritt, und kann anhalten, zurückweichen und dann selbsttätig umdrehen, falls er auf seiner Bahn an Hindernisse wie Menschen, Tiere und andere Gegenstände stößt. Der Landroid®L hört automatisch auf, sich zu drehen, wenn das Gerät zu seiner Ladestation zurückkehrt. Sollte es aber manuell zur Ladestation zurückkehren müssen, (wenn Sie die Home-Taste drücken,) dreht sich die Messerdrehscheibe und schneidet das Gras beim Begrenzungsdraht.

A. Ladebasis finden

Wenn Ihr Landroid®L aufgeladen werden muss, stellt er das Mähen ein und folgt dem Begrenzungskabel (23) gegen den Uhrzeigersinn zurück zu seiner Ladestation. Die Messerdrehscheibe des Landroid®L hört automatisch auf, sich zu drehen, wenn das Gerät zu seiner Ladestation zurückkehrt. Sollte es aber manuell zur Ladestation zurückkehren müssen, (wenn Sie die Home-Taste drücken,) dreht sich die Messerdrehscheibe und schneidet das Gras beim Begrenzungsdraht.

Wenn Sie also das Gras beim Begrenzungsdraht mähen wollen, müssen Sie einfach die Home-Taste drücken. Wir empfehlen, dass Sie diese Funktion verwenden, wenn die Akkuleistung mehr als 75% beträgt. Sie können die Akkuleistung im Display überprüfen.

B. Regensensor

Am Heck befindet sich ein Regensensor (12), mit dem der Landroid®L Regentropfen erkennt. In diesem Fall stellt er das Mähen ein und folgt dem Begrenzungskabel zurück zu seiner Ladestation (Siehe Abbildung B).

Der Landroid®L ist bei Regen über eine verzögerte Startfunktion (0 - 180 Min.) programmierbar. Sollten die Regensensoren nass werden, so kehrt der Landroid®L zurück in seine Docking-Station. Erst wenn die Regensensoren trocken sind, beginnt der Landroid®L mit dem verzögerten Start-Countdown oder fährt umgehend mit dem Mähvorgang fort. Allerdings können Sie Ihren Landroid®L auch zum Fortsetzen des Mähens auffordern, bevor die unter „Regen-Startverzögerung“ eingestellte Zeit verstrichen ist: Dazu drücken Sie die Zugangstaste (8), trocknen den Landroid®L ab und schließen das Tastaturfenster (9) anschließend wieder (Siehe Abbildungen D, E). In der Programmierungs- und Problemlösungsanleitung finden Sie weitere Details.

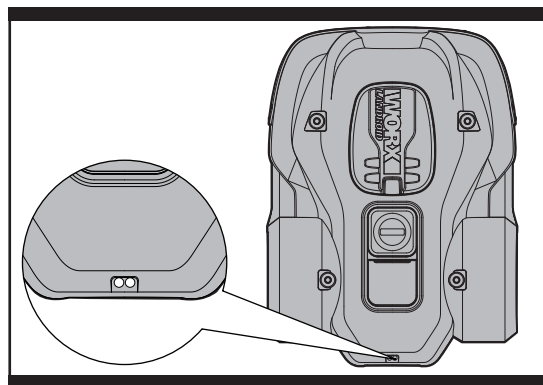
C. Begrenzungskabel erkennen

Der Landroid®L hält sich grundsätzlich an die vom Begrenzungskabel vorgegebenen Grenzen; dazu setzt er zwei spezielle Sensoren an seiner Vorderseite ein. (Siehe Abbildung C) Zum Wenden überfährt der Landroid®L das Begrenzungskabel um bis zu 25cm*.

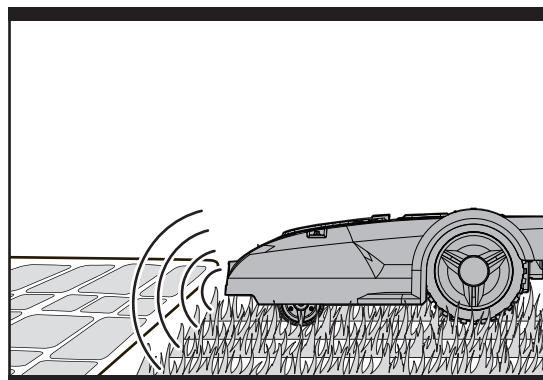
*Dies ist ein empfohlener Abstand, da dieser nicht vom Landroid®L selbst berechnet werden kann. Sorgen Sie mit der mitgelieferten Abstandlehre für die richtigen Entfernungen.

D. Beim Mähen stoppen und wieder starten

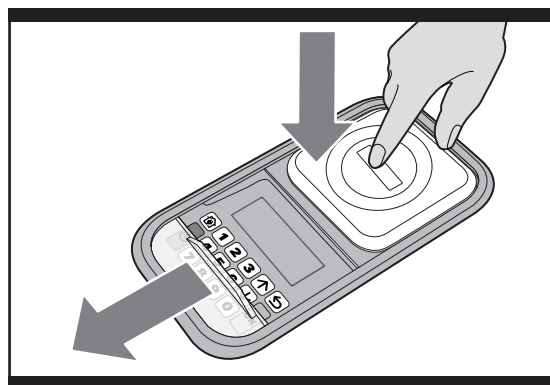
Wenn Sie den Landroid®L beim Mähen stoppen möchten, drücken Sie einfach die Zugangstaste (8) am Oberteil. Nach der Betätigung öffnet der Landroid®L sein Tastaturfenster und wartet auf weitere Befehle. Das Mähen wird erst dann fortgesetzt, wenn das Tastaturfenster wieder geschlossen wurde (Siehe Abbildung D, E)



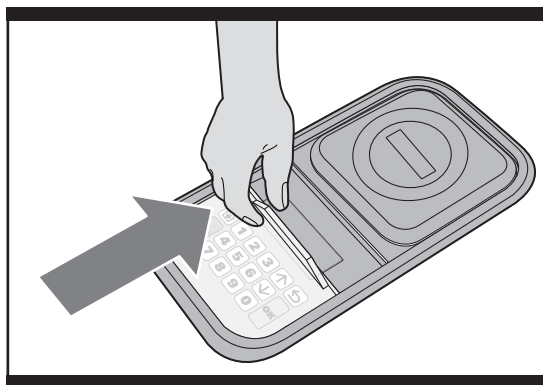
B



C



D



E

Falls der Landroid®L erkennt, dass etwas nicht stimmt, zeigt er eine Fehlermeldung im Display (20) an und schaltet sich zum Energiesparen selbst ab, falls ihm innerhalb 20 Minuten nicht geholfen wird. (Hinweise zu Fehlermeldungen finden Sie in der Programmierungs- und Problemlösungsanleitung.)

Betrieb wiederaufnehmen:

- Drücken Sie die Zugangstaste.
- Öffnen Sie das Tastaturfenster.
- Schalten Sie das Gerät mit der Ein-/Austaste (21) ein.
- Drücken Sie die 0-Taste.
- Schließen Sie das Tastaturfenster.
- Der Landroid®L beginnt zu mähen!

3.3 Welche Fläche kann mein Landroid®L mähen?

Ihr Landroid®L kann Flächen bis etwa 1500m² mähen; die exakte Fläche hängt natürlich von verschiedenen Faktoren ab-beispielsweise:

- Art und Wachstumsgeschwindigkeit des Grases.
- Schärfe der Messer (17).
- Feuchtigkeit.
- Umgebungstemperatur.
- Art und Anzahl der Hindernisse im oder auf dem Rasen.

Nähere Einzelheiten zur normalen Arbeitszeit des Landroid®L finden Sie in der folgenden Tabelle:

Landroid®L WG795E – ZEITPLAN FÜR AUTOMATISCHE MÄHZEIT								
Bereich m ²	Automat. Mäh-Laufzeit - Stunden	Montag Mäh-Stunden	Dienstag Mäh-Stunden	Mittwoch Mäh-Stunden	Donnerstag Mäh-Stunden	Freitag Mäh-Stunden	Samstag Mäh-Stunden	Sonntag Mäh-Stunden
100	1.5	7:00-8:30	/	/	7:00-8:30	/	/	/
200	5	7:00-8:00	7:00-8:00	7:00-8:00	7:00-8:00	7:00-8:00	/	/
300	6	7:00-8:12	7:00-8:12	7:00-8:12	7:00-8:12	7:00-8:12	/	/
400	7.5	7:00-8:30	7:00-8:30	7:00-8:30	7:00-8:30	7:00-8:30	/	/
500	10	7:00-9:00	7:00-9:00	7:00-9:00	7:00-9:00	7:00-9:00	/	/
600	11	7:00-9:12	7:00-9:12	7:00-9:12	7:00-9:12	7:00-9:12	/	/
700	13	7:00-9:36	7:00-9:36	7:00-9:36	7:00-9:36	7:00-9:36	/	/
800	15	7:00-10:00	7:00-10:00	7:00-10:00	7:00-10:00	7:00-10:00	/	/
900	16.5	7:00-10:18	7:00-10:18	7:00-10:18	7:00-10:18	7:00-10:18	/	/
1000	18	7:00-10:36	7:00-10:36	7:00-10:36	7:00-10:36	7:00-10:36	/	/
1100	20	7:00-11:00	7:00-11:00	7:00-11:00	7:00-11:00	7:00-11:00	/	/
1200	22.5	7:00-11:30	7:00-11:30	7:00-11:30	7:00-11:30	7:00-11:30	/	/
1300	25	7:00-12:00	7:00-12:00	7:00-12:00	7:00-12:00	7:00-12:00	/	/
1400	26.5	7:00-12:18	7:00-12:18	7:00-12:18	7:00-12:18	7:00-12:18	/	/
1500	28	7:00-12:48	7:00-12:48	7:00-12:48	7:00-12:48	7:00-12:48	/	/

Die Mähdauer fällt wegen der oben erwähnten Faktoren je nach Rasen unterschiedlich aus. Experimentieren Sie ein wenig mit der Zeit, die Sie Ihrem Landroid®L täglich zum Mähen zugestehen, bis Sie die perfekte Vorgabe gefunden haben.

Sie können die Arbeitszeit Ihres Landroid®L nach Ihrem individuellen Zeitplan einstellen – schlagen Sie bitte im Programmierleitfaden nach.

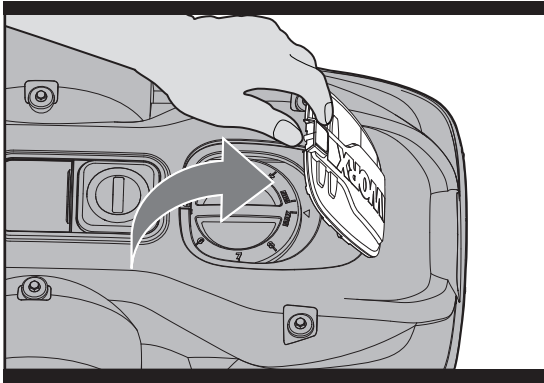
3.4 Wie gut mäht der Landroid®L das Gras?

Die Schnitthöhe des Landroid®L lässt sich zwischen 2 und 6 cm einstellen. Bevor Sie Ihren Landroid®L zum ersten Mal starten, sollten Sie das Gras auf eine Höhe von nicht mehr als 9 cm schneiden. Achten Sie dann darauf, die Abdeckung der Bedientafel (7) zu öffnen und die Schnitthöhe auf die Maximalhöhe von 6 cm einzustellen. (Siehe Abbildungen F, G).

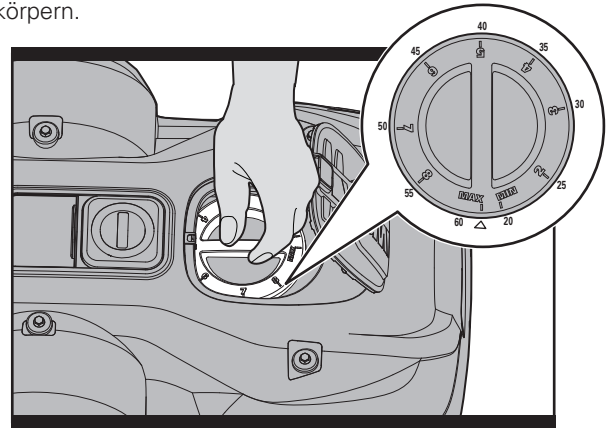
Ihr Landroid®L mäht am Besten bei trockenem Wetter. Er mag kein nasses Gras, das sich in der Messerdrehscheibe (16) und im Motor ansammeln kann und beim Arbeiten außerdem Beschleunigungskräfte und Schlupfrigkeit verursachen kann. Ihr Landroid®L fürchtet Gewitter. Schützen Sie den Landroid®L bei Gewittern, indem Sie den Stecker der Ladebasis (3) ziehen, das Begrenzungskabel (23) trennen und dafür sorgen, dass sich der Landroid®L nicht aufladen kann.

Ihr Landroid®L mäht gerne Gras und benötigt zum optimalen Schneiden Schneidmesser (17), die sich in einwandfreiem Zustand befinden. Der Landroid®L kann eine Menge Dinge ganz allein erledigen – allerdings benötigt er manchmal Ihre Hilfe, damit er sich nicht selbst verletzt.

- Lassen Sie den Landroid®L niemals über Kies fahren.
- Entfernen oder blockieren Sie Hindernisse, an denen der Landroid®L aus Versehen hochklettern und seine Messerscheibe beschädigen könnte.
- Befreien Sie Ihren Rasen von sämtlichen Abfällen und Fremdkörpern.



F



G

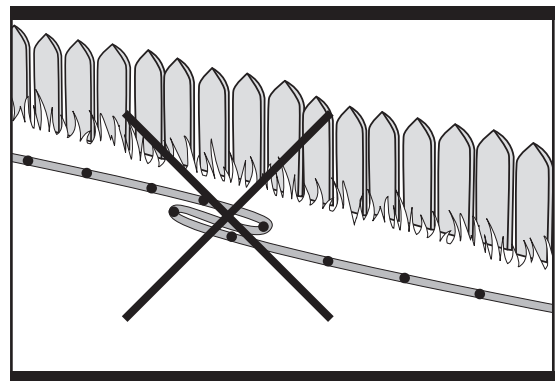
4. Grundlegendes zum Begrenzungskabel

4.1 Begrenzungskabel abstecken

Verwenden Sie den Messer des Begrenzungsdrahtabstandes (26), um den richtigen Abstand von Ihrem Rasenrand (mehr als 35cm*) einzustellen.

* Das ist der empfohlene Abstand. Verwenden Sie das mitgelieferte Messgerät, um eine ordentliche Installation zu garantieren.

Falls Ihr Nachbar auch einen Landroid®L benutzt, müssen Sie zwischen Ihrem Begrenzungsdraht und dem des Nachbarn einen Abstand von mindestens 2 Metern halten. Bitte achten Sie darauf, dass Ihr Landroid®L kein Signal vom Begrenzungsdraht jenseits eines Abstands von 25m erhält.



H

Das Begrenzungskabel muss die Fläche, die gemäht werden soll, exakt umschließen. Ihr Landroid®L kommt durcheinander, wenn er auf zusätzliche Biegungen oder Windungen des Grenzkabels stößt, die nicht zur Mähfläche gehören (Siehe Abbildung H). Wenn nach dem Umschließen der Mähfläche noch Begrenzungskabel übrig sein sollte, schneiden Sie das überschüssige Stück ab und lagern es separat. Vergessen Sie aber nicht, beim Abschneiden ein kleines Stück zum Anschluss an die Ladebasis zu verschonen, damit der Anschluss möglich ist, ohne wieder einen Teil des Kabels ausgraben zu müssen.

4.2 Begrenzungskabel eingraben

Wir empfehlen, dass Sie Ihren Begrenzungsdraht ein paar Zentimeter unter dem Erdboden eingraben. Das stellt den störungsfreien Betrieb jede Saison über Jahre hinweg sicher. Zum Eingraben des Begrenzungskabels können Sie das separat erhältliche Territorium-Markierungswerkzeug von WORX erwerben; dies erhalten Sie dort, wo Sie auch Ihren Landroid®L gekauft haben.

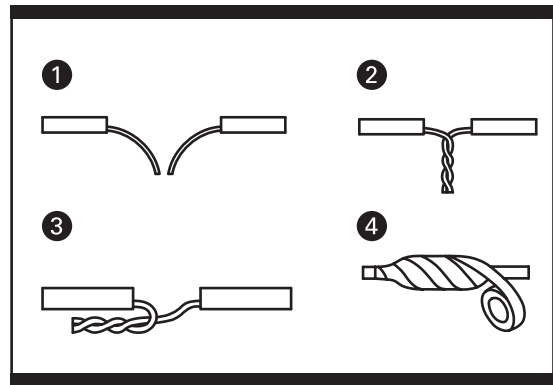
Wenn Sie das Begrenzungskabel eingraben möchten, sollten Sie bedenken: Es kann vorkommen, dass der Landroid®L bei seinem ersten Ausflug in seinem neuen Umfeld auf Schwierigkeiten stößt, die Sie beim Verlegen des Begrenzungskabels nicht bedacht haben. Es wird empfohlen, dass Sie zuerst den Begrenzungsdraht im Rasen festpflocken, damit Sie gegebenenfalls leicht Einstellungen vornehmen können. Dadurch kann sich der Landroid®L an seine neue Umgebung gewöhnen und es wird sichergestellt, dass er erfolgreich mit der Ladestation arbeitet, bevor der Begrenzungsdraht eingegraben wird.

Wenn Sie den Begrenzungsdraht fertig installiert haben, wird empfohlen, dass Sie dem Landroid®L befehlen, dem Begrenzungsdraht zu folgen, indem Sie die Home-Taste drücken.

Wenn Sie zusehen, wie der Landroid®L die Ladestation ansteuert, können Sie Änderungen an der Route des Begrenzungsdrahts vornehmen, um für ein störungsfreies Verfolgen des Begrenzungsdrahts durch den Landroid®L zu sorgen, wenn dieser die Ladestation ansteuert.

4.3 Begrenzungskabel verbinden

Des Begrenzungskabel (23) lässt sich problemlos verlängern, indem Sie die Enden aufspießen (also „auseinanderdröseln“) und mit den Enden eines weiteren Kabels verbinden. Die Verbindungsstelle können Sie mit wasserfestem Klebeband sichern. (Siehe Abbildung I)



4.4 Einschalten und Installation testen

Wenn die Ladeanzeige nicht aufleuchtet, sind die Stromverbindungen zu überprüfen.

Wenn die LED auf Ihrer Landroid®L Ladestation grün blinkt, prüfen Sie, ob der Begrenzungsdraht gut angeschlossen oder durchgeschnitten ist. Rot an :Akku wird geladen.

Rotes Licht blinkt: Fehleranzeige, bitte unter Störungsbehebung nachsehen und Problem beheben.

Grünes Licht blinkt: Überprüfen Sie, ob der Begrenzungsdraht richtig angeschlossen ist.

Wenn das grüne Licht auf der Ladestation aufleuchtet, platzieren Sie Ihren Landroid®L über den Begrenzungsdraht; falls der Landroid®L dem Begrenzungsdraht folgt, ist er richtig angeschlossen.

Wenn Ihr Landroid®L innerhalb seines Bereichs ist, aber im Display wird „außerhalb des Schneidbereichs“ angezeigt und die LED ist eingeschaltet, bedeutet dies, dass Sie die Enden des Begrenzungsdrahtes falsch geklemmt haben. Einfach umdrehen.

5. Wartung

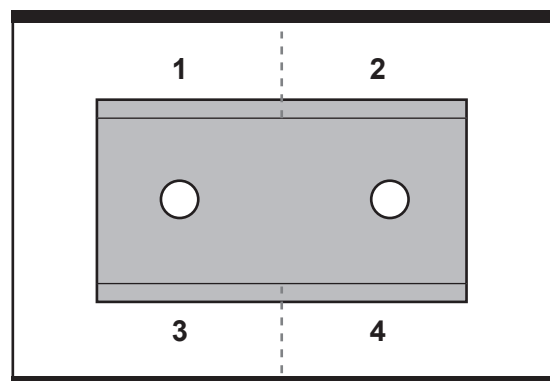
Ihr Landroid®L muss hin und wieder überprüft werden. Der Landroid®L arbeitet hart und verdient daher von Zeit zu Zeit eine ordentliche Reinigung oder einen Austausch von Verschleißteilen. In Folgenden möchten wir Ihnen erklären, wie Sie Ihren neuen Landroid®L am Besten an sein neues Umfeld gewöhnen und ihm die Pflege zukommen lassen, die er verdient.

5.1 Immer schön scharf

! WARNUNG! Schalten Sie Ihren Landroid®L mit der Ein-/Austaste ab, ziehen Sie Schutzhandschuhe über, bevor Sie den Landroid®L reinigen, einstellen oder die Messer austauschen!

! WARNUNG! Beim Austauschen der Messer ist darauf zu achten, dass beim Austausch ALLE Messer auf einmal ersetzt werden. Falls neue Messer mit gebrauchten Schrauben fixiert werden, können Schrauben beim Mähen verschleißen und bewirken, dass sich die Messer lösen und mit Wucht vom Mäher geschleudert werden. Dies kann zu schweren Verletzungen führen.

Der Landroid®L schneidet Gras nicht wie andere Rasenmäher. Seine Messer (17) sind an allen vier Kanten rasiermesserscharf und wirbeln zum perfekten Schnitt in beide Richtungen. (Siehe Abbildung J) Jedes Messer Ihres Landroid®L ist mit vier Schneiden ausgestattet. Je nachdem, wie häufig der Landroid®L Ihren Rasen mäht, müssen die Messer früher oder später gedreht/umgedreht werden, damit eine neue Schneide ihre Arbeit aufnehmen kann. Falls Ihr Landroid®L den Rasen täglich mäht, sollten Sie die Messer monatlich drehen, damit die Leistung nicht nachlässt. Die einzelnen Messer halten bis zu vier Monate, wenn täglich gemäht wird. Wenn die Messer stumpf und verschlissen sind, sollten sie durch die Ersatzmesser ersetzt werden, die mit Ihrem Landroid®L geliefert wurden. Ersatzmesser erhalten Sie auch beim Worx-Händler in Ihrer Nähe.



J

A. Messer drehen und umdrehen

Ihr Landroid®L arbeitet mit drei Messern, die allesamt mit der Messerscheibe (16) verschraubt sind. Die Messer braucht der Landroid®L mehr als alles andere, um seinen Job gut zu erledigen – daher brauchen diese auch etwas Pflege und Aufmerksamkeit. Hin und wieder sollten Sie alle drei Messer drehen und umdrehen, damit die Schnittleistung möglichst lange erhalten bleibt. Beim Drehen und Umdrehen der Messer beachten Sie unbedingt, dass Sie sämtliche Messer gleichzeitig drehen und umdrehen müssen, damit die Messerscheibe nicht ihre Balance verliert. Falls Sie Ihren Landroid®L täglich einsetzen, sollten die Messer eine ganze Saison lang halten, wenn sie

monatlich gedreht und umgedreht werden. Schauen Sie immer nach, ob die Messer angeschlagen oder anderweitig beschädigt sind; falls ja, wechseln Sie die Messer aus.

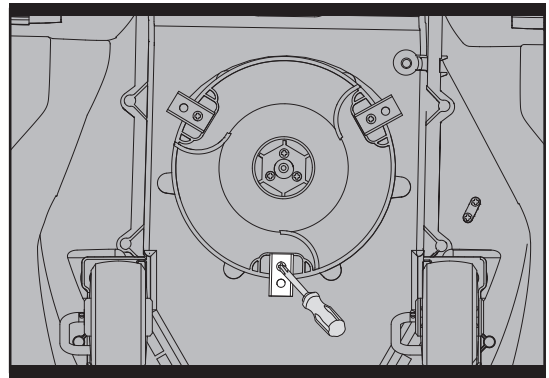
B. Messer austauschen

Nach einer Weile (normalerweise einmal pro Saison) müssen die Messer Ihres Landroid®L komplett ausgewechselt werden. Ihr Landroid®L mäht nicht gerne mit Messern unterschiedlichen Alters und unterschiedlicher Qualität. Tauschen Sie also unbedingt immer alle Messer auf einmal aus. Zum Austausch können Sie einen der drei Ersatzmessersätze und die zusätzlichen Messerschrauben verwenden, die mit Ihrem Landroid®L geliefert wurden.

Bevor Sie versuchen, die Messer Ihres Landroid®L's auszutauschen, müssen Sie das Gerät ausschalten und Schutzhandschuhe anziehen.! Dann führen Sie diese Schritte aus:

1. Drehen Sie den Landroid®L sanft auf den Rücken.
2. Entfernen Sie mit einem Schlitz- oder Kreuzschlitzschraubendreher die Schrauben von den Messern.
3. Schrauben Sie die neuen Messer gut fest. (Siehe Abbildung K)

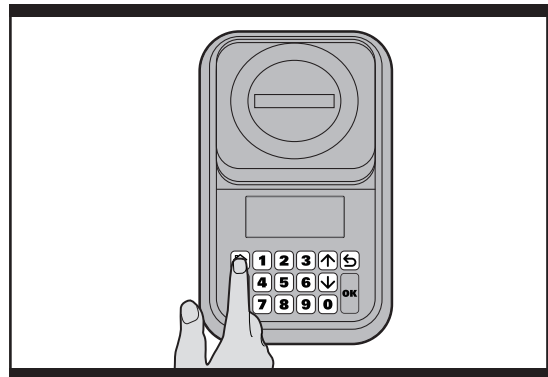
WICHTIG: Überzeugen Sie sich nach dem Verschrauben der Messer, dass sich diese frei drehen lassen.



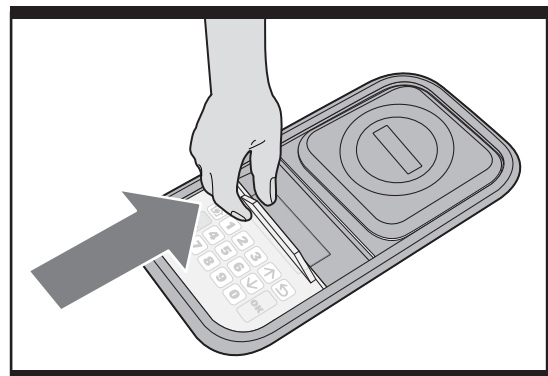
K



L



M



N

5.2 Sauber halten

! WARNUNG! Vor dem Reinigen schalten Sie Ihren Landroid®L unbedingt mit der Ein-/Austaste aus! Ziehen Sie Schutzhandschuhe über, bevor Sie die Messerscheibe (16) reinigen; nutzen Sie dazu kein fließendes Wasser. (Siehe Abbildung L,M,N)

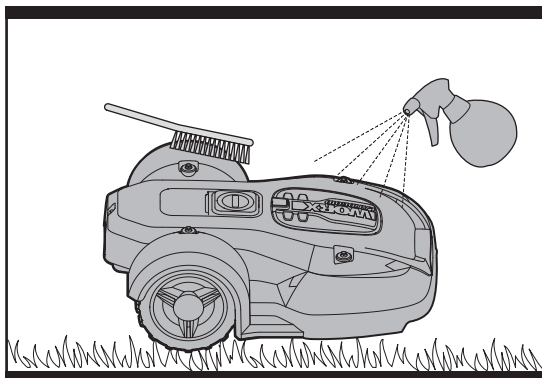
A. Gehäuse reinigen

Ihr Landroid®L fühlt sich deutlich wohler und lebt länger, wenn Sie ihn regelmäßig reinigen. Da Ihr Landroid®L im Grunde ein Elektrogerät ist, müssen Sie beim Reinigen mit einer gewissen Sorgfalt vorgehen - verwenden Sie deshalb **KEINEN** Schlauch oder Hochdruckreiniger bzw. ertränken Sie Ihren Landroid®L nicht mit fließendem Wasser; greifen Sie am besten zu einer mit Wasser gefüllten Sprühflasche. Verwenden Sie beim Reinigen des Maschinengehäuses eine weiche Bürste und vermeiden Sie den Gebrauch von Lösungsmitteln oder Polituren (Siehe Abbildung O). Stellen Sie schließlich sicher, dass Sie alle Ansammlungen von Grasabfällen und -resten entfernt haben.

B. Reinigen der Unterseite

Nicht vergessen, ganz wichtig: Schalten Sie den Landroid®L mit der Ein-/Austaste aus, ziehen Sie Schutzhandschuhe über, bevor Sie die Messerscheibe (16) berühren!

Drehen Sie zuerst Ihren Landroid®L um, so dass die Unterseite exponiert wird.



O

Nun sehen Sie die Messerscheibe (a) (14), den umgebenden Motorgehäuserahmen (b) (14) sowie die Vorderräder (18) und Antriebsräder (11). Reinigen Sie alles gründlich mit einer weichen Bürste oder mit einem feuchten Lappen. (Siehe Abbildung P) Drehen Sie die Messerscheibe, überzeugen Sie sich davon, dass sich diese frei bewegen lässt und nichts zwischen der Scheibe und dem Motorgehäuserahmen darum herum eingeklemmt ist. Vergewissern Sie sich auch, dass sich die Messer frei drehen lassen und nicht von Grasresten behindert werden.

WICHTIG: Entfernen Sie sämtliche (auch die kleinsten) Rückstände, damit es nicht zu Rissen in der Messerscheibe kommt. Auch der winzigste Riss kann die Mähleistung Ihres Landroid®L beeinträchtigen.

C. Kontakte und Ladestreifen reinigen

Reinigen Sie die Kontakte (2) an der Ladebasis (3) und den Ladestreifen (5) am Landroid®L mit einem Tuch. Entfernen Sie sämtliche Grasreste und sonstige Rückstände rund um die Kontakte und Ladestreifen regelmäßig, damit sich der Landroid®L stets problemlos aufladen kann.

5.3 Akkulaufzeit und -haltbarkeit

Das Herzstück des Landroid®L ist sein 24 V-Bleiakku. Dieser muss von Ihnen nicht gewartet werden. Allerdings sollten Sie den Akku an einem kühlen, trockenen Ort (bis -10 °C) lagern und alle drei Monate komplett aufladen, damit seine Leistung möglichst lange erhalten bleibt. Laden Sie den Akku vor dem Überwintern unbedingt komplett auf. Nach dem Kauf muss der Akku zunächst zwei- bis dreimal komplett geladen und entladen werden, bis er seine volle Kapazität erreicht.

Die Lebenserwartung des Landroid®L -Akkus hängt von unterschiedlichen Faktoren ab; beispielsweise:

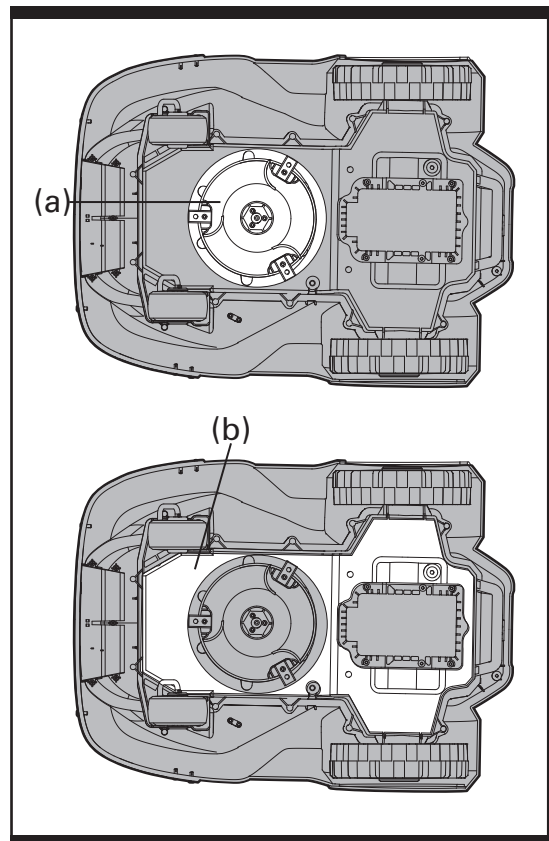
- Dauer der Schönwettersaison (der „Mähseason“) an Ihrem Wohnort.
- Landroid®L -Arbeitsstunden pro Tag.
- Art und Weise der Akkulagerung.

Fehlermeldung zeigt „Akku fast leer“ an: der Landroid®L muss manuell aufgeladen werden.

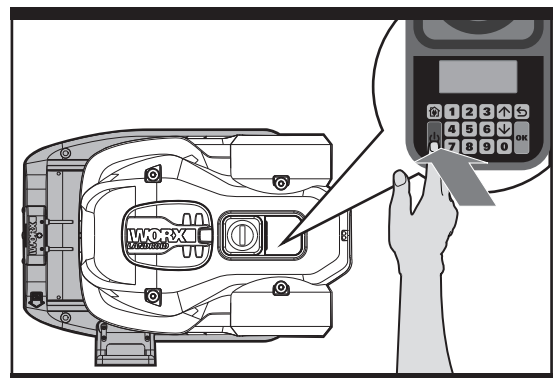
Der Landroid®L muss manuell aufgeladen werden, wenn das Display nicht eingeschaltet werden kann. (Siehe Abbildung Q)

So laden Sie den Akku manuell auf, ohne den Begrenzungsdraht mit der Ladestation zu verbinden:

- 1. Schließen Sie die Ladestation an eine geeignete Stromversorgung an.**
- 2. Docken Sie den Landroid®L manuell an die Ladestation an, während der Landroid®L ausgeschaltet ist.**
- 3. Die rote LED auf der Ladestation leuchtet auf.**
- 4. Drücken Sie die EIN/AUS-Taste des Landroid®L innerhalb von 3 Sekunden und bevor die LED auf der Ladestation auf Grün wechselt.**
- 5. Schließen Sie das Tastaturfenster, und der Landroid®L beginnt mit dem Ladevorgang.**



P



Q

5.4 Überwintern

Ihr Landroid®L lebt länger und gesünder, wenn Sie ihm einen wohlverdienten Winterschlaf gönnen. Obwohl der Landroid®L ein zäher Bursche ist, sollten Sie ihm im Winter einen Platz im Schuppen oder in der Garage zugestehen.

Bevor Sie Ihren Landroid®L in den Winterschlaf entlassen, sollten Sie noch Folgendes erledigen:

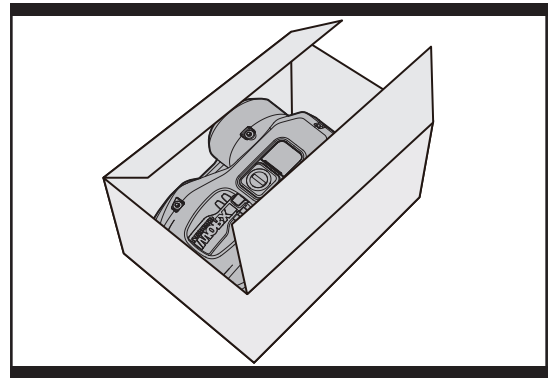
- Reinigen Sie Ihren Landroid®L gründlich.
- Laden Sie den Akku komplett auf.
- Schalten Sie das Gerät ab.

Der Akku sollte im Winter zusätzlich einmal voll geladen werden, damit er zu Beginn der nächsten Saison wieder mit vollen Kräften zur Verfügung steht.

Lagern Sie den Landroid®L an einem vor Witterungseinflüssen geschützten Ort flach auf seinen vier Rädern stehend. Wir empfehlen, den Landroid®L in seinem Originalkarton zu lagern. Am besten bringen Sie Ladebasis, Niederspannungskabel (4) und Netzteil (22) im Winter ebenfalls an einer vor Witterungseinflüssen geschützten Stelle unter. (Siehe Abbildung R)

Das Begrenzungskabel kann im Boden verbleiben; seine Enden sollten Sie jedoch vor der Witterung schützen – zum Beispiel, indem Sie ein mit Fett gefülltes Döschen darüber stülpen. Falls die Ladebasis im Winter draußen verbleibt, lassen Sie das Begrenzungskabel angeschlossen.

HINWEIS: Wenn Sie den Landroid®L wieder aus seinem Winterschlaf erwecken, sorgen Sie dafür, dass die Ladestreifen (5) und die Kontaktstreifen (2) gründlich sauber sind; dies können Sie mit feinem Schleifpapier erledigen. Überzeugen Sie sich dann davon, dass Datum und Uhrzeit stimmen; anschließend lassen Sie den Landroid®L wieder das tun, was er am liebsten mag: Mähen!



R

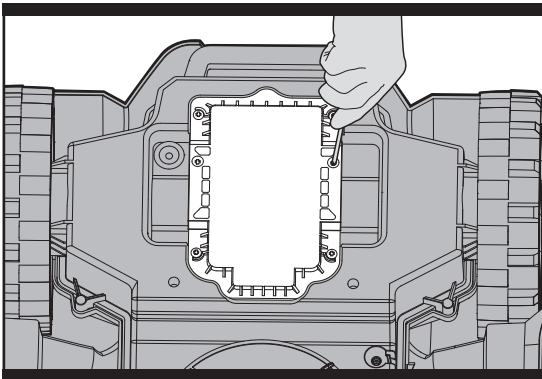
5.5 Akku austauschen



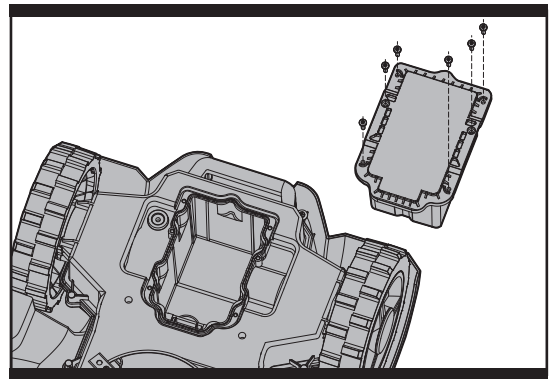
WARNUNG! Schalten Sie das Gerät unbedingt mit der Ein-/Austaste aus, bevor Sie sich Einstellungen, Austausch oder Reparatur zuwenden!

Wenn der Akku ausgetauscht werden muss, erledigen Sie dies mit den folgenden Schritten:

1. Drehen Sie Ihren Landroid®L sanft auf den Rücken.
2. Lösen Sie die sechs Schrauben am Akku. (Siehe Abbildung S)
3. Nehmen Sie den alten Akku heraus. (Siehe Abbildung T)
4. Legen Sie den neuen Akku ein.
5. Ziehen Sie die sechs Schrauben wieder fest an.



S



T

Umweltschutz



Schadhafte und/ oder entsorgte elektrische oder elektronische Geräte müssen an den dafür vorgesehenen Recycling-Stellen abgegeben werden. Wir möchten Sie daher bitten, uns mit Ihrem aktiven Beitrag beim Umweltschutz zu unterstützen und dieses Gerät bei den Wertstoff-/ Recycling-Sammelstellen abzugeben. Bitte erkundigen Sie sich bei der örtlichen Behörde oder beim Vertragshändler über Müllsammlung und -Entsorgung.

Konformitätserklärung

Wir,
POSITEC Germany GmbH Konrad-Adenauer-Ufer 37 50668 Köln

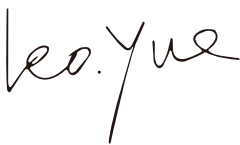
Erklären hiermit, dass unser Produkt
Beschreibung **WORX Roboter-Rasenmäher**
Type **WG795E (790-799-Bezeichnung der Maschine, Repräsentant der Roboter-Rasenmäher)**
Function **Grasschnitt**

Den Bestimmungen der folgenden Richtlinien entspricht:
2006/42/EC, 2004/108/EC, 2011/65/EU, 2000/14/EC geändert durch 2005/88/EC

2000/14/EC geändert durch 2005/88/EC
Konformitätsbewertungsverfahren nach **Annex V**.
Gemessene Schallleistung: **56dB(A)**
Garantierte Schallleistung: **57dB(A)**

Normen:
EN ISO 12100-1
EN ISO 12100-2
EN ISO 14121-1
EN ISO 3744
EN 55014-1
EN 55014-2

Zur Kompilierung der technischen Datei ermächtigte Person,
Name Russell Nicholson
Anschrift Positec Power Tools (Europe) Ltd, PO Box 152, Leeds, LS10 9DS, UK



2013/12/05
Leo Yue
POSITEC Qualitätsleiter

PIN-Code-Bereich:

NOTICE ORIGINALE

TABLE DES MATIÈRES

1. Instructions de Sécurité	35
1.1 Mises en garde générales et complémentaires	35
1.2 Informations sur le Landroid®L	37
2. Contenu et données techniques	38
2.1 Caractéristiques techniques	38
2.2 Contenu	39
3. Principe de fonctionnement du Landroid®L	41
3.1 Comment mon Landroid®L peut-il savoir quels endroits il est censé tondre?	41
3.2 Comment mon Landroid®L peut-il savoir où il est censé aller?	42
A. Recherche du socle de recharge	42
B. Capteurs pluviométriques	42
C. Détection du fil-barrière	42
D. Démarrage et arrêt au cours du travail	42
3.3 Quelle superficie maximale mon Landroid®L est-il capable de tondre?	43
3.4 Quel sera le degré d'efficacité du travail de mon Landroid®L?	43
4. Principe de fonctionnement du fil-barrière	44
4.1 Pose du fil-barrière	44
4.2 Enterrement du fil-barrière	44
4.3 Liaison du fil-barrière	45
4.4 Mise en marche et test d'installation	45
5. Entretien	45
5.1 Affûtage	45
A. Rotation et retournement des lames	45
B. Changement des lames	46
5.2 Nettoyage	46
A. Nettoyage du boîtier	46
B. Nettoyage du dessous de la machine	47
C. Nettoyez les broches de contact et les bandes de chargement	47
5.3 Durée de vie de la batterie	47
5.4 Hibernation	48
5.5 Changement de la batterie	48
6. Déclaration de conformité	49

1. Instructions de Sécurité

1.1 Mises en garde générales et complémentaires



ATTENTION: Lisez toutes les mises en garde et toutes les instructions. Le non-respect des mises en garde et des instructions peut être à l'origine d'électrocutions, d'incendies et/ou de blessures graves.

Lisez attentivement le manuel d'utilisation afin d'utiliser l'appareil d'une manière sécurisée.

Gardez le mode d'emploi et les mises en garde pour pouvoir vous y référer ultérieurement.

- Cet appareil n'est pas conçu pour être utilisé par des personnes aux capacités physiques, mentales, sensorielles réduites, ou manquant d'expérience et de connaissances (y compris les enfants), sauf si une personne responsable de leur sécurité leur a donné les indications nécessaires ou les surveille pendant l'utilisation.
- Il convient de surveiller les enfants pour s'assurer qu'ils ne jouent pas avec l'appareil.

IMPORTANT

LISEZ ATTENTIVEMENT LE MODE D'EMPLOI AVANT D'UTILISER L'APPAREIL

CONSERVEZ-LE POUR RÉFÉRENCE ULTÉRIEURE

PRATIQUES DE TRAVAIL SÛRES

Apprentissage

- a) Lisez attentivement le mode d'emploi. Vous devez impérativement comprendre les instructions et vous familiariser avec les contrôles et le mode d'utilisation de l'appareil.
- b) Ne laissez en aucun cas l'appareil à un enfant ou à une personne n'ayant pas pris connaissance du mode d'emploi. Les réglementations locales définissent parfois des limites d'âge pour l'utilisateur.
- c) L'utilisateur est responsable des accidents et des dommages causés à d'autres personnes ou à leurs biens.

Préparation

- a) Le système de délimitation automatique du périmètre doit être correctement installé au préalable.
- b) Inspectez régulièrement la zone où l'appareil doit être utilisé et enlevez toutes les pierres, tous les bâtons, câbles, os et autres objets étrangers.
- c) Procédez régulièrement à un examen visuel des lames, des boulons de lame et de l'unité de coupe pour vous assurer qu'ils ne sont ni usés, ni endommagés. Afin de préserver l'équilibre de la machine, changez toujours les lames et leurs boulons en même temps.
- d) Sur les appareils comportant plusieurs arbres, veuillez noter que la rotation d'une lame peut entraîner la rotation des autres lames.

UTILISATION

1. GÉNÉRALITÉS

- a) Ne faites jamais fonctionner l'appareil si l'une de ses protections est défectueuse ou si l'un de ses dispositifs de sécurité n'est pas en place (ex: les déflecteurs).
- b) N'approchez jamais les mains ou les pieds des parties rotatives, et ne les mettez jamais sous l'appareil. Ne vous mettez jamais en travers de l'ouverture d'évacuation.
- c) Ne soulevez jamais et ne portez jamais une tondeuse dont le moteur est en marche.
- d) Éteignez l'appareil
 - Avant de le débloquer;
 - Avant d'inspecter, de nettoyer ou de travailler sur l'appareil.
- e) Il n'est pas permis de modifier le design d'origine du robot tondeuse. Toute modification effectuée est à vos risques et périls.
- f) Démarrez le robot tondeuse de la manière décrite dans le mode d'emploi. Lorsque le bouton marche/arrêt est en position marche, n'approchez pas vos mains ou vos pieds des lames en rotation. Ne mettez jamais vos mains ou vos pieds sous la tondeuse.
- g) Le robot ne doit en aucun cas être soulevé ou transporté avec le bouton marche/arrêt en position marche.
- h) Ne laissez en aucun cas la tondeuse à une personne non familiarisée avec l'appareil et son mode d'utilisation.
- i) Ne posez jamais des objets sur le robot ou sur le socle de recharge.
- j) Ne faites jamais fonctionner le robot si le boîtier ou l'une des lames sont endommagés. L'appareil ne doit pas être utilisé si les lames, les vis, les écrous ou les câbles sont endommagés.
- k) N'utilisez pas le robot si le bouton marche/arrêt est défectueux.
- l) Éteignez toujours le robot avec le bouton marche/arrêt lorsque vous ne souhaitez plus l'utiliser. Le robot ne peut fonctionner que si le bouton marche/arrêt est en position marche et si le code PIN a été composé.

2. MISE EN GARDE COMPLÉMENTAIRE EN CAS DE FONCTIONNEMENT AUTOMATIQUE

- a) Ne laissez pas la machine fonctionner sans surveillance si vous savez que des personnes (notamment des enfants) ou des animaux domestiques se trouvent à proximité.

3. MISE EN GARDE COMPLÉMENTAIRE EN CAS DE FONCTIONNEMENT MANUEL

- a) Tondez uniquement à la lumière du jour ou dans des conditions d'éclairage suffisantes.
- b) Évitez d'utiliser l'appareil sur de l'herbe humide.
- c) Ne faites pas fonctionner l'appareil pieds nus ou en portant des sandales ouvertes. portez toujours un pantalon long et des chaussures solides.
- d) Sur les pentes, soyez toujours sûr de vos appuis.
- e) Faites extrêmement attention quand vous tirez l'appareil vers vous.
- f) Démarrez toujours le moteur prudemment, de la manière indiquée dans le mode d'emploi, en veillant à éloigner vos pieds des lames.

ENTRETIEN ET RANGEMENT



ATTENTION ! Mettez toujours le bouton marche/arrêt en position arrêt avant de retourner la tondeuse.

Mettez le bouton marche/arrêt en position arrêt avant d'effectuer toute manipulation sur l'appareil (ex: nettoyage, changement des lames).

- a) Veillez à ce que tous les écrous, vis et boulons soient bien serrés, afin de vous assurer que l'appareil reste en bon état de marche.
- b) Inspectez le robot tondeuse régulièrement et, par sécurité, remplacez toute pièce usée ou endommagée.
- c) Vérifiez notamment que les lames et le disque de coupe ne sont pas endommagés.. Afin d'assurer l'équilibre des pièces rotatives, changez toujours les lames et les vis en même temps.
- d) Les accessoires de coupe de rechange doivent impérativement être du même type que ceux d'origine.
- e) Rechargez toujours la batterie avec le chargeur fourni par le fabricant. Toute utilisation incorrecte peut être à l'origine d'un choc électrique, d'une surchauffe ou d'une fuite du liquide corrosif de la batterie.
- f) En cas de fuite d'électrolyte et de contact avec les yeux, rincez abondamment avec de l'eau ou un agent neutralisant et appelez les urgences.
- g) Toute réparation sur l'appareil doit s'effectuer d'une manière conforme aux instructions du fabricant.

Déplacer l'appareil

Utilisez l'emballage d'origine pour transporter le robot sur de longues distances.

Pour déplacer l'appareil de ou vers la zone de travail en toute sécurité:

- a) Appuyez sur le bouton STOP pour arrêter la tondeuse. Si l'alarme antivol est activé, entrez le premier chiffre du code PIN. Vous choisissez un code PIN à quatre chiffres lorsque vous démarrez la tondeuse pour la première fois.
- b) Mettez le bouton marche/arrêt en position arrêt avant de soulever la tondeuse.
- c) Portez la tondeuse en la tenant par la poignée située à l'arrière, en dessous. Tenez la tondeuse avec le disque de coupe du côté opposé à vous.



MISE EN GARDE ! L'appareil doit seulement être utilisé avec l'unité fournie

Règles de sécurité supplémentaires pour la batterie au plomb-acide:

1. Travailler à proximité d'une batterie de plomb-acide est dangereux. Une batterie génère des gaz explosifs pendant le fonctionnement normal de la batterie. Pour cette raison, il est de la plus haute importance que chaque fois, avant d'utiliser votre chargeur, vous lisiez et suiviez attentivement les instructions fournies.
2. Ne fumez jamais et ne permettez jamais la présence d'une étincelle ou d'une flamme vive à proximité de la batterie.
3. Utilisez le chargeur pour charger une batterie au plomb-acide uniquement.

1.2 Informations sur le Landroid® L



ATTENTION - La tondeuse à gazon robotique peut être dangereuse si elle est utilisée de façon incorrecte.

Lisez attentivement le manuel d'utilisation et assimilez tout le contenu avant d'utiliser votre tondeuse à gazon robotique.



ATTENTION- Restez à distance de la machine pendant qu'elle fonctionne.



ATTENTION - Actionnez le dispositif de désactivation avant de faire fonctionner ou de soulever la machine.

Veillez à maintenir vos mains et vos pieds éloignés des lames en rotation! Ne mettez jamais vos mains ou vos pieds sous le boîtier ou à proximité lorsque le robot tondeuse fonctionne.

La tondeuse à gazon robotique ne peut démarrer que lorsque le bouton ON / OFF est placé sur ON et que le code PIN correct a été entré. Le bouton marche/arrêt doit être mis en position arrêt avant toute manipulation de contrôle et/ou d'entretien.



ATTENTION - Ne pas s'asseoir sur la machine.



Ne lavez pas la machine avec un nettoyeur à haute pression



Ne pas brûler



Ne pas exposer à la pluie ou à l'eau



Les batteries usagées ne doivent pas être jetées. Apportez-les au centre de récupération ou de recyclage le plus près de chez vous.



Contient une batterie au plomb qui doit être recyclée ou mise au rebut de manière adéquate.



Ce produit est marqué du symbole du tri sélectif relatif aux déchets d'équipements électriques et électroniques. Cela signifie que ce produit doit être pris en charge par un système de collecte sélectif conformément à la directive Européenne 2002/96/CE afin de pouvoir soit être recyclé soit démantelé afin de réduire tout impact sur l'environnement. Les produits électroniques n'ayant pas fait l'objet d'un tri sélectif sont potentiellement dangereux pour l'environnement et la santé humaine en raison de la présence de substances dangereuses.


2. Contenu et données techniques

2.1 Caractéristiques techniques

Modèle: **WG795E (790-799-Désignations des pièces, illustration de la Robot de fauchage à pelouse)**

Tension nominale	24V \equiv
Vitesse à vide nominale	2000/min
Diamètre de coupe	220mm
Hauteur de coupe	20-60mm
Positions de hauteur de coupe	9
Type de batterie	Acide de plomb
Modèle de batterie	WA3222
Durée de charge	Environ 2.5h
Modèle de chargeur	WA3716
Valeurs nominales du chargeur	Entrée: 100-240V~50/60Hz, 50W
	Sortie: 24V \equiv , 1.5A
Poids de la machine	14.5kg
Classe de protection	IPX1

Informations relatives au bruit

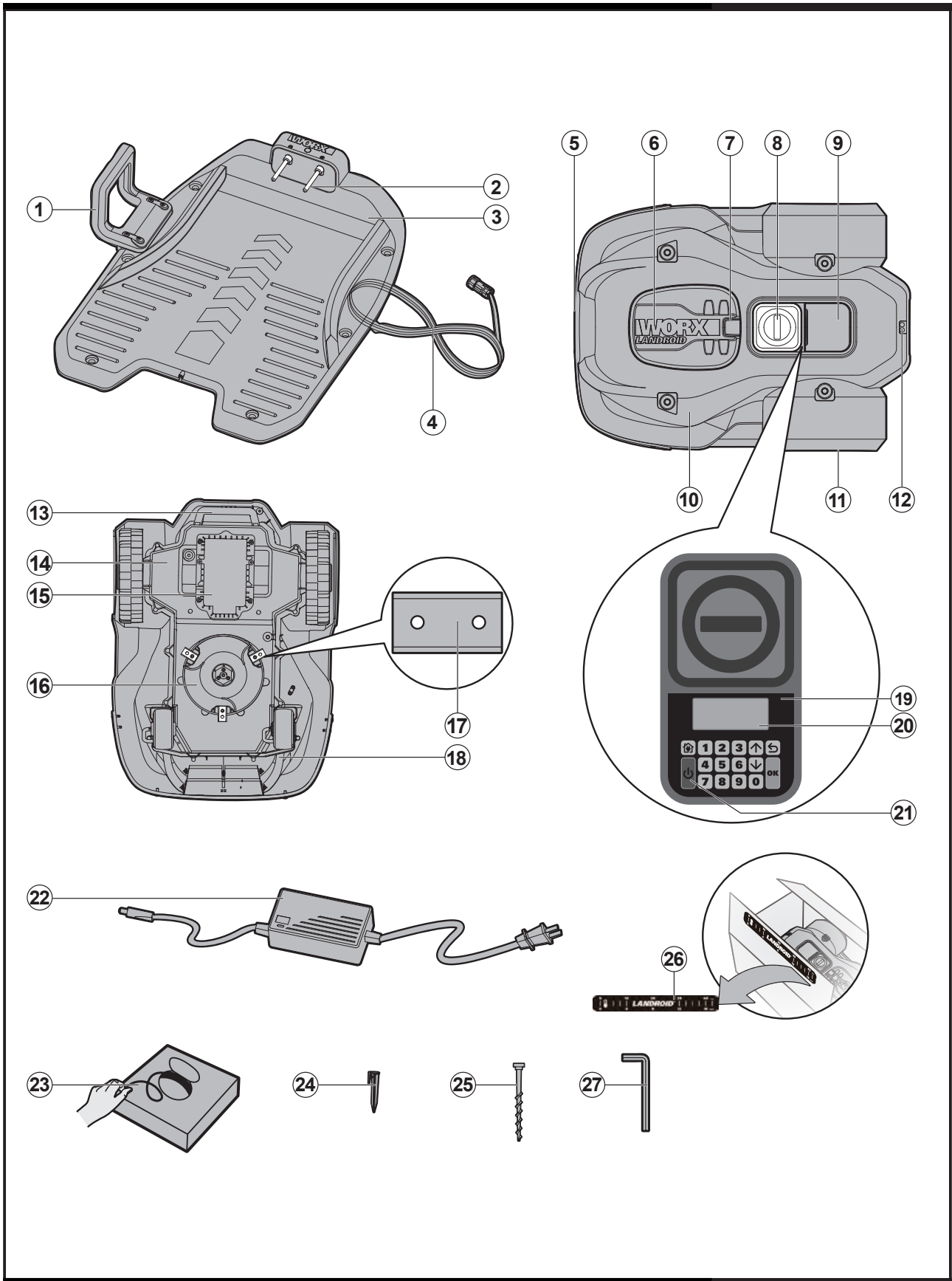
Niveau de pression acoustique	36dB(A), K_{PA} : 3dB(A)
Niveau de puissance acoustique	57dB(A)
Porter des protections auditives lorsque la pression sonore est supérieure à	80dB(A) 

Accessories

Socle de recharge avec rallonge de 15m	1
Lames (WA0176)	9
Vis	9
Cheilles métalliques(WA0179)	250
200m fil-barrière(WA0177)	1
Clous de fixation pour la base de charge	6
Adaptateur d'alimentation(WA3716)	1
Jauge de distance du fil-barrière	2
Clé hexagonale	1

Nous recommandons d'acheter tous les accessoires dans le magasin d'acquisition de la machine. Il est impératif d'utiliser des accessoires de bonne qualité et de marque connue et de choisir l'accessoire correct recommandé dans ce manuel. Pour plus d'informations, se référer à l'emballage des accessoires. Le personnel du magasin est également là pour vous conseiller.

2.2 Contenu



-
- 1. POIGNÉE**

 - 2. BROCHES DE CONTACT**

 - 3. SOCLE DE RECHARGE**

 - 4. CÂBLE BASSE TENSION**

 - 5. BORNES DE RECHARGE**

 - 6. COUVERCLE DU SYSTÈME DE RÉGLAGE DE HAUTEUR DE COUPE**

 - 7. BOUTON D'OUVERTURE DU COUVERCLE DU SYSTÈME DE RÉGLAGE**

 - 8. TOUCHE D'ACCÈS**

 - 9. COUVERCLE DU CLAVIER**

 - 10. BOÎTIER EN PLASTIQUE MOULÉ**

 - 11. ROUE MOTRICE ARRIÈRE**

 - 12. CAPTEUR PLUVIOMÉTRIQUE**

 - 13. POIGNÉE**

 - 14. BOÎTIER DU MOTEUR (AVEC LA BATTERIE ET LES COMPOSANTS ÉLECTRONIQUES À L'INTÉRIEUR)**

 - 15. BATTERIE**

 - 16. DISQUE DE COUPE ROTATIF**

 - 17. LAMES DE COUPE**

 - 18. ROUE AVANT**

 - 19. CLAVIER**

 - 20. ÉCRAN**

 - 21. BOUTON MARCHE/ARRÊT**

 - 22. ADAPTATEUR D'ALIMENTATION**

 - 23. FIL-BARRIÈRE**

 - 24. CHEVILLES MÉTALLIQUES**

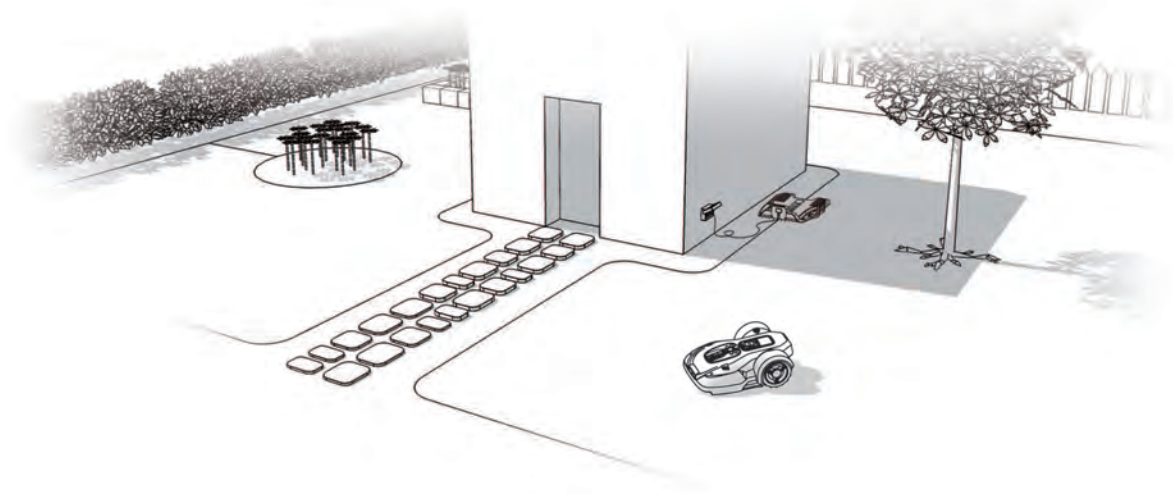
 - 25. CLOUS DE FIXATION DE LA BASE DE CHARGE**

 - 26. JAUGE DE DISTANCE DU FIL-BARRIÈRE**

 - 27. CLEF ALLEN**
-

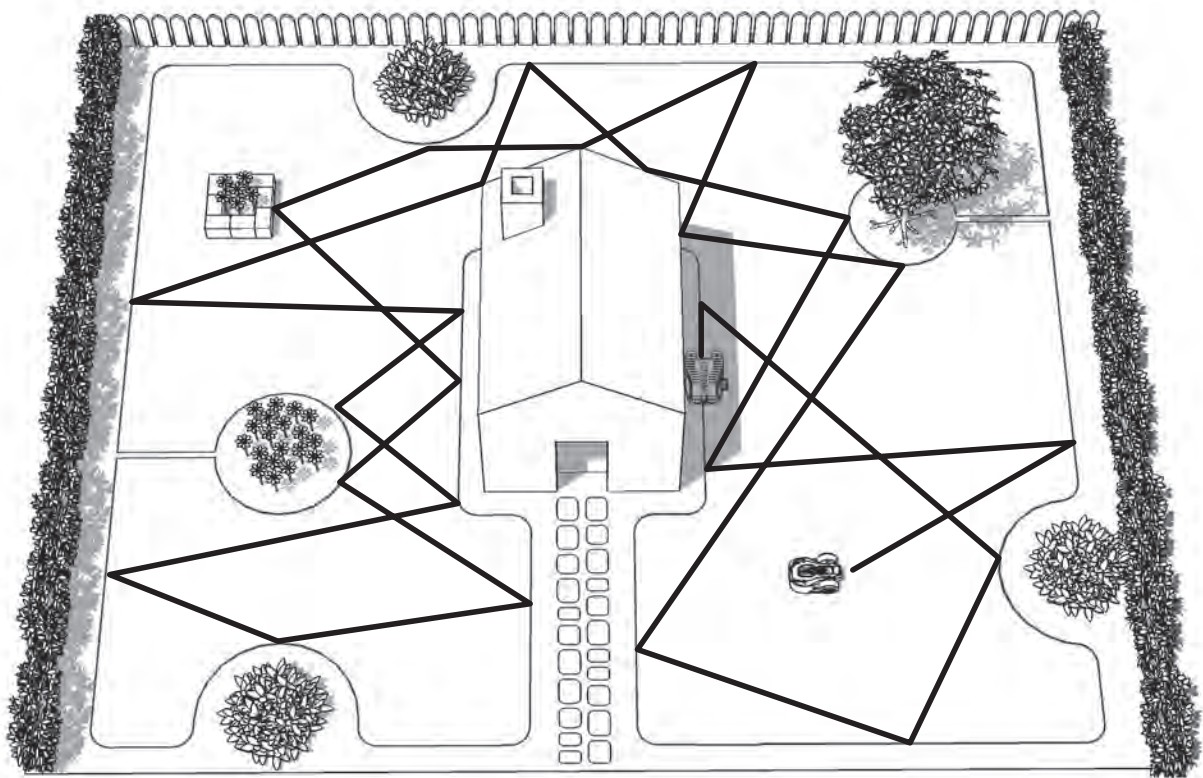
3. Principe de fonctionnement du Landroid® L

Félicitations pour votre achat de ce Landroid® L; avec cet appareil commence pour vous une nouvelle vie dans laquelle votre pelouse se tondra toute seule! Dans cette section, nous vous aiderons à mieux comprendre le mode de fonctionnement du Landroid® L.



3.1 Comment mon Landroid® L peut-il savoir quels endroits il est censé tondre?

Le Landroid® L choisit sa direction au hasard. Grâce à lui, toute votre pelouse sera tondu de manière parfaitement uniforme et sans couloirs disgracieux. (Voir Fig. A)



A

3.2 Comment mon Landroid®L peut-il savoir où il est censé aller?

Le Landroid®L peut fonctionner de manière autonome. Landroid®L sait quand il doit aller à sa Base de recharge (3) afin d'être rechargé, il peut détecter la pluie, s'arrêter s'il détecte un problème et sait qu'il doit s'arrêter, reculer et tourner quand il heurte quelque chose qui bloque son chemin, par exemple une personne, un animal, ou autre objet. Le Landroid®L arrêtera également automatiquement le disque de coupe rotatif (16) de tourner s'il est soulevé du sol, pour éviter un accident.

A. Recherche du socle de recharge

Lorsque le Landroid®L a besoin de se recharger, il arrête de travailler et suit le fil-barrière (23) dans le sens contraire des aiguilles d'une montre jusqu'au socle de recharge. Landroid®L arrête automatiquement la rotation de son disque de lame rotatif lors du retour à la Base de recharge. Cependant, s'il est nécessaire de repartir manuellement à la Base de recharge (lorsque vous appuyez sur le bouton «home»), le disque rotatif de la lame tournera et coupera l'herbe près du câble périphérique. Donc si vous souhaitez tondre l'herbe près du câble périphérique, appuyez simplement sur le bouton «home». **Nous vous suggérons d'utiliser cette fonctionnalité lorsque la charge de la batterie est supérieure à 75%. Vous pouvez vérifier la puissance de la batterie sur l'écran.**

B. Capteurs pluviométriques

Le Landroid®L est équipé d'un capteur pluviométrique (12) situé à l'arrière; ce capteur détecte les gouttes de pluie et ordonne au Landroid®L d'arrêter de tondre et de revenir sur le socle en suivant le fil-barrière. (Voir Fig. B).

Le Landroid®L peut être programmé pour un démarrage différé (0 -180 minutes) quand il pleut. Lorsque les capteurs de pluie sont humides, le Landroid®L retourne à sa station d'accueil. Ce n'est que lorsque les capteurs de pluie deviennent secs que le Landroid®L commence le compte à rebours avant le démarrage différé ou retourne immédiatement à la tonte. Si vous souhaitez que le Landroid®L recommence à tondre avant le délai réglé avec la fonction "départ après pluie", appuyez sur la touche d'accès (8), séchez le Landroid®L et refermez le couvercle du clavier (9) pour qu'il redémarre (Voir Fig. D, E). Pour plus de détails, veuillez vous référer au Guide de programmation et de dépannage.

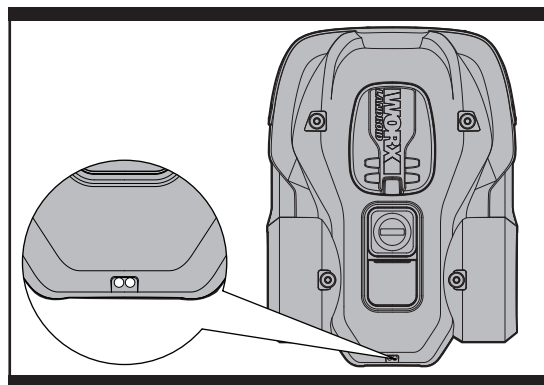
C. Détection du fil-barrière

Grâce à ses deux capteurs situés à l'avant, le Landroid®L sait lorsqu'il s'approche du fil-barrière et ne dépasse jamais cette limite (Voir Fig. C). Avant de changer de direction, le Landroid®L franchit le fil-barrière sur une distance d'environ 25cm*.

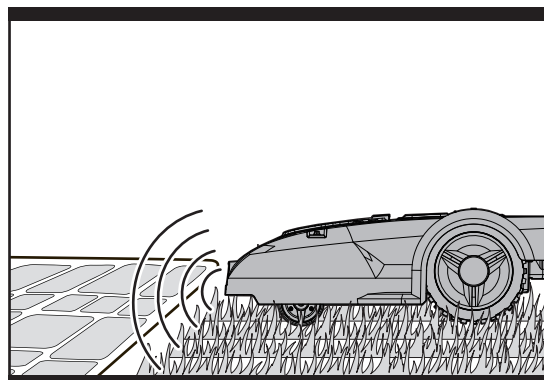
* C'est la distance recommandée, car le Landroid®L ne peut pas calculer la distance lui-même. Utilisez la jauge de distance fournie pour assurer une bonne installation.

D. Démarrage et arrêt au cours du travail

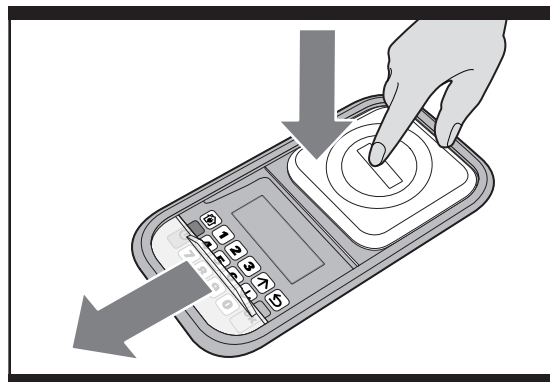
Si vous souhaitez que le Landroid®L arrête de travailler, il vous suffit d'appuyer la touche d'accès (8) située au-dessus. Une fois cette touche appuyée, le couvercle du clavier s'ouvre et le Landroid®L attend la suite des instructions. Il ne reprendra pas son travail tant que vous n'aurez pas refermé le couvercle du clavier. (Voir Fig. D,E)



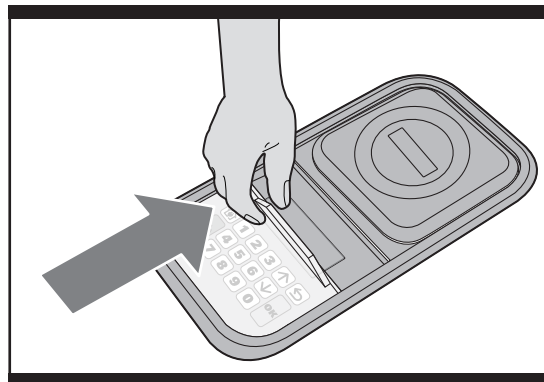
B



C



D



E

Chaque fois que le Landroid®L détecte un problème, un message d'erreur apparaît à l'écran (20) et le robot s'éteint automatiquement s'il ne reçoit pas d'instruction adéquate au bout de 20min afin d'économiser de l'énergie (Pour plus d'informations sur les messages d'erreur, veuillez vous référer au Guide de programmation et de dépannage).

Pour Continuer:

- Appuyez sur la touche d'accès.
- Ouvrez le couvercle du clavier.
- Mettez le bouton marche/arrêt (21) en position marche.
- Appuyez sur 0.
- Refermez le couvercle du clavier.
- Le Landroid®L est prêt à reprendre son travail!

3.3 Quelle superficie maximale mon Landroid®L est-il capable de tondre?

Le Landroid®L est capable de tondre une surface d'une superficie allant jusqu'à 1500m² environ; cette superficie dépend cependant de plusieurs facteurs:

- L'espèce d'herbe dont est constituée votre pelouse, ainsi que sa vitesse de croissance.
- L'affûtage des lames (17).
- L'humidité.
- La température ambiante.
- Le nombre d'obstacles dans votre jardin.

Si la température ambiante de votre région est très froide, le Landroid®L devrait mettre un peu plus de temps à se recharger. Le Landroid®L consomme moins d'énergie quand il travaille dans un espace ouvert comportant peu d'obstacles (ex: parterres de fleurs, fontaines, allées etc.).

Vous trouverez plus d'informations sur le temps de travail par défaut de Landroid®L dans le tableau suivant:

Landroid®L WG795E - EMPLOI DU TEMPS DE TONTE AUTOMATIQUE.								
Surface m ²	Durée de tonte auto - heures	Heures de tonte lundi	Heures de tonte mardi	Heures de tonte mercredi	Heures de tonte jeudi	Heures de tonte vendredi	Heures de tonte samedi	Heures de tonte dimanche
100	1.5	7:00-8:30	/	/	7:00-8:30	/	/	/
200	5	7:00-8:00	7:00-8:00	7:00-8:00	7:00-8:00	7:00-8:00	/	/
300	6	7:00-8:12	7:00-8:12	7:00-8:12	7:00-8:12	7:00-8:12	/	/
400	7.5	7:00-8:30	7:00-8:30	7:00-8:30	7:00-8:30	7:00-8:30	/	/
500	10	7:00-9:00	7:00-9:00	7:00-9:00	7:00-9:00	7:00-9:00	/	/
600	11	7:00-9:12	7:00-9:12	7:00-9:12	7:00-9:12	7:00-9:12	/	/
700	13	7:00-9:36	7:00-9:36	7:00-9:36	7:00-9:36	7:00-9:36	/	/
800	15	7:00-10:00	7:00-10:00	7:00-10:00	7:00-10:00	7:00-10:00	/	/
900	16.5	7:00-10:18	7:00-10:18	7:00-10:18	7:00-10:18	7:00-10:18	/	/
1000	18	7:00-10:36	7:00-10:36	7:00-10:36	7:00-10:36	7:00-10:36	/	/
1100	20	7:00-11:00	7:00-11:00	7:00-11:00	7:00-11:00	7:00-11:00	/	/
1200	22.5	7:00-11:30	7:00-11:30	7:00-11:30	7:00-11:30	7:00-11:30	/	/
1300	25	7:00-12:00	7:00-12:00	7:00-12:00	7:00-12:00	7:00-12:00	/	/
1400	26.5	7:00-12:18	7:00-12:18	7:00-12:18	7:00-12:18	7:00-12:18	/	/
1500	28	7:00-12:48	7:00-12:48	7:00-12:48	7:00-12:48	7:00-12:48	/	/

Les durées indiquées peuvent varier selon les facteurs susmentionnés. Ajustez progressivement la durée de travail quotidienne du Landroid®L jusqu'à trouver le réglage qui convient.

Vous pouvez également programmer le temps de travail du Landroid®L de façon à ce qu'il s'adapte à votre emploi du temps – se reporter au Guide de programmation.

3.4 Quel sera le degré d'efficacité du travail de mon Landroid®L?

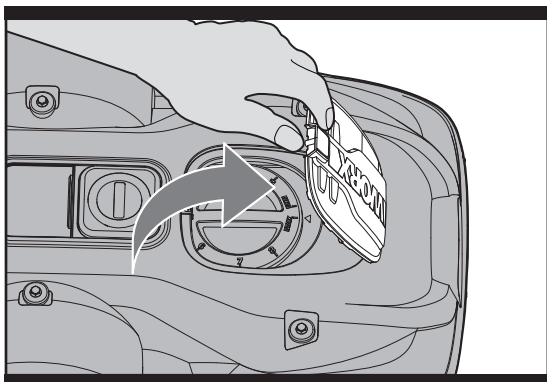
La hauteur de coupe du Landroid®L se règle entre 2cm et 6cm, Avant de démarrer votre Landroid®L pour la première fois, vous devez couper l'herbe à une hauteur de 9cm au minimum. Puis, assurez-vous d'ouvrir le couvercle du panneau de contrôle (7) et réglez la hauteur de coupe à la hauteur de coupe maximale de 6cm. (Voir Fig. F,G).

Le Landroid®L produit un meilleur travail par temps sec. Il n'aime pas l'herbe mouillée, qui peut s'accumuler sur le disque de coupe rotatif (16) et à l'intérieur du moteur, ce qui peut également causer une traction et un glissement lors du fonctionnement.

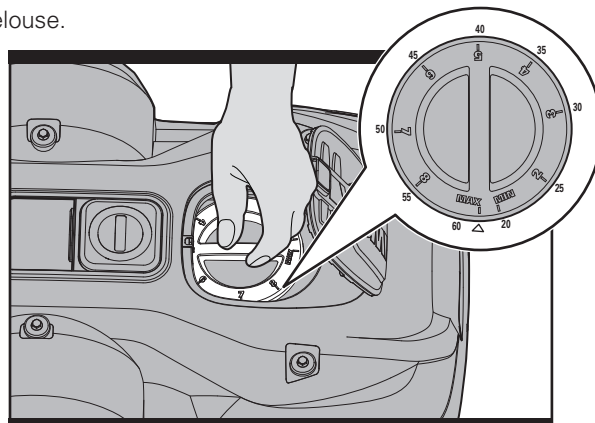
Le Landroid®L a peur de la foudre! En cas d'orage, protégez-le en débranchant le socle de recharge (3), en déconnectant le fil-barrière (23) et en vous assurant que le robot n'est pas sur son socle.

Votre Landroid®L aime tondre l'herbe et il est nécessaire que ses lames de coupe (17) soient maintenues en bon état pour obtenir un résultat optimal. Le Landroid®L peut faire la plus grande partie du travail tout seul, mais il aura de temps en temps besoin de votre aide pour éviter de se blesser.

- Ne laissez jamais le Landroid®L rouler sur du gravier.
- Enlevez tous les obstacles sur lesquels le Landroid®L risquerait de monter ou qui seraient susceptibles d'abîmer le disque de coupe; ou isolez de tels obstacles.
- Enlevez tous les débris et autres objets étrangers de votre pelouse.



F



G

4. Principe de fonctionnement du fil-barrière

4.1 Pose du fil-barrière

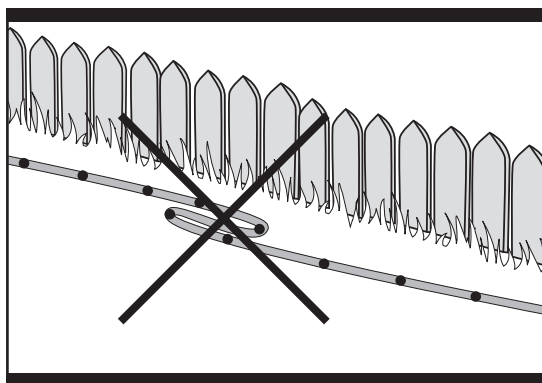
Utilisez la jauge de distance du fil (26) pour régler la bonne distance à partir de la bordure de votre pelouse (Plus de 35cm*).

* Il s'agit de la distance recommandée. Utilisez la jauge de distance fournie pour assurer une installation correcte.

Si votre voisin utilise également un Landroid®L, vous devez garder un espace d'au moins 2 mètres entre votre fil périphérique et celui de vos voisins.

Veillez garder à l'esprit que votre Landroid®L ne sera pas en mesure de recevoir un signal provenant du fil périphérique au-delà d'une distance de 25m.

Le fil-barrière est censé délimiter précisément la surface devant être tondue. Les plis et les tas de fil ne faisant pas partie de la zone de travail sont susceptibles de perturber le fonctionnement du Landroid®L (Voir Fig. H). Si vous disposez d'un excédent de fil après avoir délimité le périmètre de coupe, coupez-le et rangez-le dans un endroit à part. Il est cependant important de prévoir une longueur suffisante pour que le fil puisse être correctement relié au socle de recharge tout en étant enterré.



H

4.2 Enterrement du fil-barrière

Nous vous recommandons d'enterrer votre câble périphérique à quelques centimètres sous terre. Cela permettra d'assurer des années d'exploitation sans problème, saison après saison. Pour enterrer le fil-barrière, vous pouvez vous procurer l'outil de marquage territorial de WORX en option, disponible au magasin où vous avez acheté votre Landroid®L.

Si vous avez l'intention d'enterrer le fil, veuillez noter que la disposition du fil pourra poser des difficultés au Landroid®L lorsqu'il retournera sur son socle de recharge pour la première fois. Il est recommandé tout d'abord d'ancrer le fil périphérique dans la pelouse afin qu'il soit facile de faire des ajustements si nécessaire. Cela permettra au Landroid®L de s'habituer à son nouvel environnement et garantira son fonctionnement avec la base de charge avant que le fil périphérique soit enterré.

Lorsque vous avez terminé l'installation du câble périphérique, il est recommandé de demander au Landroid®L de suivre le câble périphérique en appuyant sur le bouton «home».

Tout en observant le Landroid®L localiser la station de charge, vous pouvez apporter des modifications à l'itinéraire du câble périphérique, afin d'assurer un bon dépistage du câble périphérique par le Landroid®L quand il localise la station de charge.

4.3 Liaison du fil-barrière

Le fil-barrière (23) peut être rallongé simplement en épissant le bout et en le reliant au bout d'un autre fil. Vous pouvez utiliser de l'adhésif pour fixer la jointure entre les fils. (Voir Fig. I)

4.4 Mise en marche et test d'installation

Si le voyant du chargeur ne s'allume pas, vérifiez les branchements. Si le voyant lumineux du socle de votre Landroid®L clignote en vert, vérifiez si le câble délimitant est connecté ou s'il est coupé.

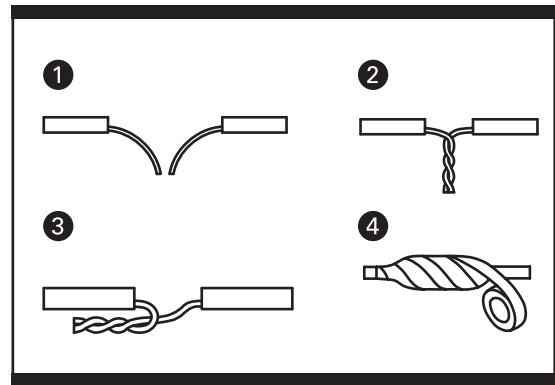
Rouge allumée: La batterie charge.

Lumière rouge clignotant: Message d'erreur, reportez-vous à la section dépannage et corrigez les problèmes.

Lumière verte clignotante: Vérifiez que le câble périphérique est correctement branché.

Lorsque la lumière verte sur le socle de chargement est activée, placez votre Landroid®L sur le câble périphérique, si le Landroid®L suit la limite, alors il est correctement branché.

Si votre Landroid®L se trouve dans la zone cible mais que l'affichage indique "hors de la zone de coupe" et que l'indicateur DEL est allumé, cela signifie que vous avez installé les extrémités du fil périphérique de manière incorrecte. Inversez-les simplement.



5. Entretien

Le Landroid®L doit faire l'objet d'un examen périodique. Le Landroid®L travaille dur, c'est pourquoi vous devez régulièrement le nettoyer en profondeur et changer les pièces usées. Dans cette section, nous vous expliquerons comment prendre soin de votre nouveau Landroid®L de manière à ce qu'il s'adapte parfaitement à sa nouvelle demeure.

5.1 Affûtage



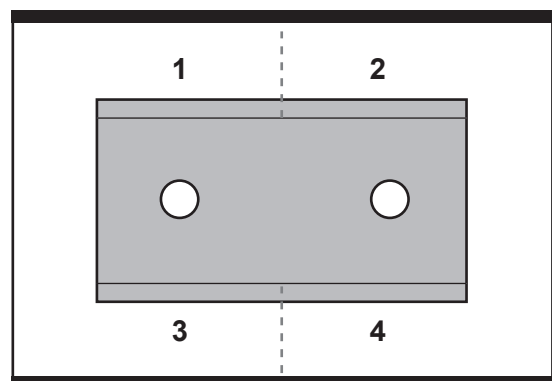
ATTENTION: Avant d'effectuer toute manipulation de nettoyage, de réglage ou de changement des lames, éteignez le Landroid®L en mettant le bouton marche/arrêt en position arrêt, et mettez des gants de protection.



ATTENTION: S'il est nécessaire de remplacer une lame, assurez-vous de remplacer TOUTES les lames. Si vous utilisez une lame neuve avec une vis usagée, il existe un risque que la vis se détache au cours du travail. La lame risquerait alors de se décrocher brutalement et de causer de graves blessures.

Le Landroid®L ne coupe pas l'herbe de la même manière que les autres tondeuses. Ses lames (17) sont tranchantes comme des rasoirs sur leurs 4 bords et tournent dans les deux sens pour une efficacité de coupe maximale (Voir Fig. J).

Chaque lame de votre Landroid®L a 4 bords coupants. Selon la fréquence que le Landroid®L tond votre pelouse, les lames devront être tournées/retournées périodiquement pour utiliser un nouveau bord coupant. Si votre Landroid®L est programmé pour tondre la pelouse tous les jours, alors les lames devront être tournées tous les mois pour des meilleurs résultats. Chaque lame va durer jusqu'à 4 mois quand il est programmé pour tondre la pelouse tous les jours. Lorsque les lames sont usées et ne coupent plus bien, elles doivent être remplacées par les lames de rechange fourni avec votre Landroid®L. Des lames de rechange sont également disponibles chez votre détaillant Worx le plus proche.



J

A. Rotation et retournement des lames

Le Landroid®L est équipé de 3 lames, qui sont vissées sur le disque de coupe (16). Les lames sont l'outil dont le Landroid®L a besoin pour faire son travail; elles doivent donc faire l'objet d'un soin particulier. De temps en temps, les 3 lames doivent être retournées en même temps; cela permet d'assurer une coupe parfaite. Lorsque vous retournez les lames, n'oubliez pas d'ajuster toutes les lames en même temps, faute de quoi le disque de coupe risquerait d'être déséquilibré. Si votre

Landroid®L travaille en suivant un planning normal (quotidien), les lames doivent durer une saison entière si elles sont retournées tous les mois. Vérifiez chaque fois si les lames sont ébréchées ou endommagées et changez-les le cas échéant.

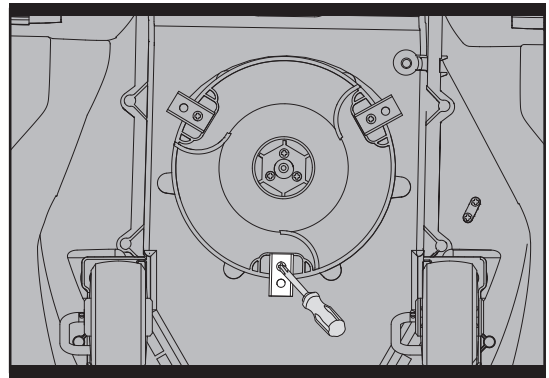
B. Changement des lames

Au bout d'une certaine durée d'utilisation (normalement en fin de saison), les lames du Landroid®Lauront besoin d'être changées. Le Landroid®L n'aime pas travailler avec des lames de différents âges et de différents niveaux de qualité, c'est pourquoi il est indispensable de toujours changer toutes les lames en même temps. Vous pouvez utiliser l'un des trois kits de rechange fournis avec le Landroid®L, avec les vis de montage correspondantes.

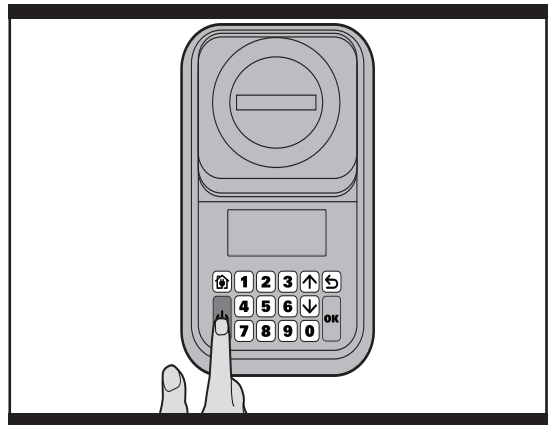
Avant d'essayer de remplacer les lames de votre Landroid®L, éteignez la machine et mettez des gants de protection. Puis procédez de la manière suivante:

1. Retournez délicatement le Landroid®L.
2. Retirez les vis hors des lames avec un tournevis Phillips droit ou cruciforme.
3. Puis fixez solidement les lames neuves. (Voir Fig. K)

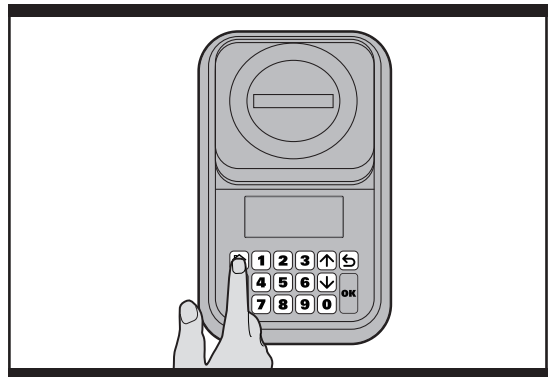
IMPORTANT: Après avoir vissé les lames sur le disque, assurez-vous qu'elles peuvent tourner librement.



K



L



M

5.2 Nettoyage

! ATTENTION: Avant de nettoyer le Landroid®L, mettez le bouton marche/arrêt en position arrêt. Mettez des gants de protection avant de nettoyer le disque de coupe (16), et ne le lavez pas sous le robinet. (Voir Fig. L,M,N)

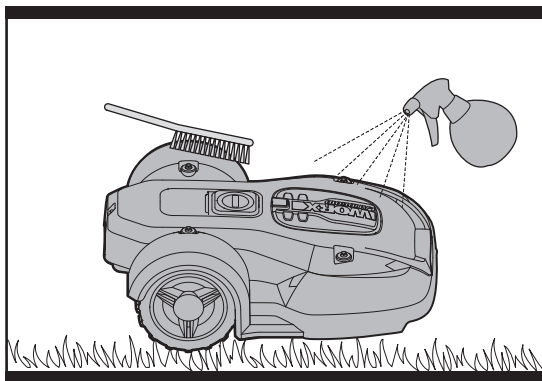
A. Nettoyage du boîtier

Votre Landroid®L fonctionnera mieux et plus longtemps s'il est nettoyé régulièrement. Toutefois, comme votre Landroid®L est une machine électrique, vous devez faire attention lors du nettoyage, de NE PAS UTILISER un tuyau, des nettoyeurs à haute pression ou autre pour faire couler de l'eau sur votre Landroid®L ; il est préférable d'utiliser un vaporisateur rempli d'eau. Pour nettoyer le boîtier de la machine, utilisez une brosse souple ou un chiffon propre et évitez l'utilisation de solvants ou de produits de polissage (Voir Fig.O). Enfin, assurez-vous d'enlever toute accumulation d'herbes et de débris.

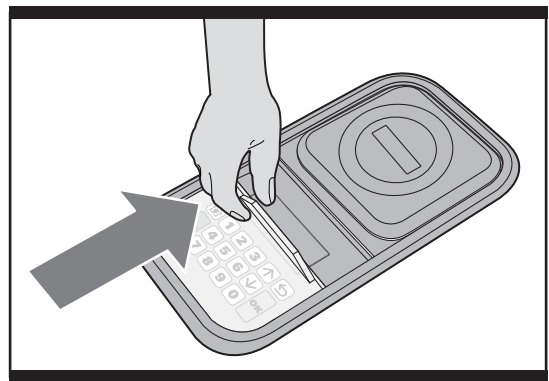
B. Nettoyage du dessous de la machine

Une fois encore, vous devez impérativement éteindre le Landroid®L avec le bouton marche/arrêt et mettre des gants de protection avant de toucher le disque de coupe (16).

Tout d'abord, retournez votre Landroid®L à l'envers pour exposer sa face inférieure. Repérez le disque de coupe (a), le boîtier du moteur (b) (14) ainsi que les roues avant (18) et les roues motrices (11).



O



N

Nettoyez soigneusement toutes ces pièces avec un chiffon mouillé ou une brosse à poils mous (Voir Fig. P).

Faites tourner le disque de coupe afin de vous assurer qu'il peut tourner librement et qu'aucun objet n'est bloqué entre le disque et le boîtier du moteur. D'autre part, assurez-vous que les lames peuvent tourner librement et que leur mouvement n'est pas entravé par des dépôts d'herbe.

IMPORTANT: Enlevez tous les débris accumulés susceptibles de fissurer le disque de coupe. Même la fissure la plus microscopique peut influencer le fonctionnement du Landroid®L de manière importante.

C. Nettoyez les broches de contact et les bandes de chargement

Nettoyer la broche de contact (2) située sur la base de chargement (3) et la bande de chargement (5) situé sur le Landroid®L à l'aide d'un chiffon. Enlevez toute accumulation de débris d'herbe et de débris autour des broches de contact et des bandes de chargement de temps en temps pour vous assurer que le Landroid®L se charge correctement à chaque fois.

5.3 Durée de vie de la batterie

Le cœur du Landroid®L est une batterie d'acide de plomb de 24 V. Celle-ci ne nécessite aucun entretien de votre part. Néanmoins, il est préférable de la ranger dans un endroit sec et frais (-10°C minimum) et de la recharger entièrement une fois tous les 3 mois pour la maintenir en bon état de marche. N'oubliez pas de recharger complètement la batterie avant de la ranger pour l'hiver. Au début, la batterie aura

peut-être besoin d'être chargée 2 ou 3 fois avant d'atteindre sa capacité d'autonomie maximale.

La durée de vie de la batterie du Landroid®L dépend de plusieurs facteurs:

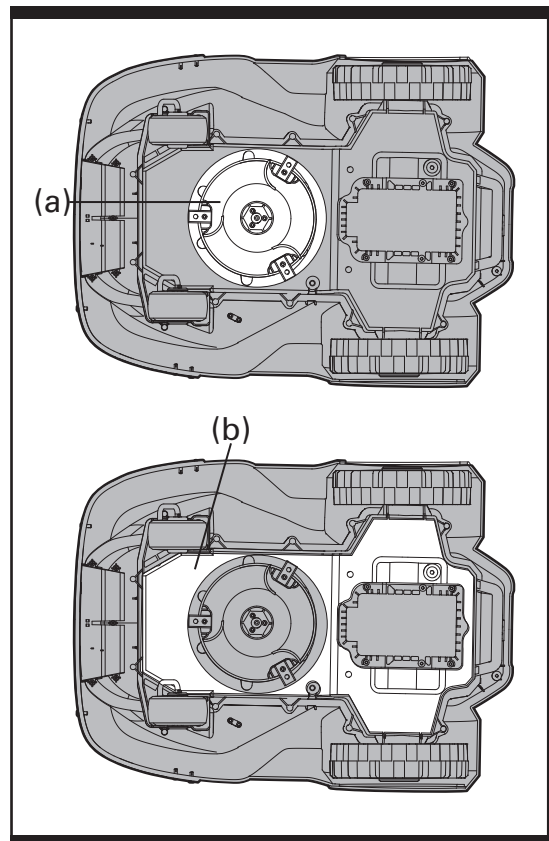
- La durée de la saison de tonte dans votre région.
- Le nombre d'heures que le Landroid®L travaille chaque jour.
- L'entretien de la batterie pendant le rangement.

Message d'erreur indiquant "Batterie très faible": La Landroid®L doit être rechargée manuellement.

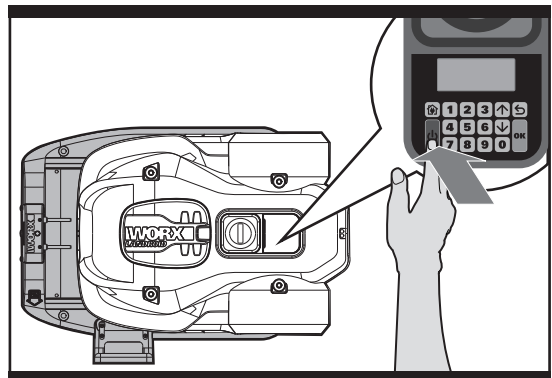
La Landroid®L doit être rechargée manuellement si l'écran d'affichage ne peut pas s'allumer. (Voir Fig. Q)

Pour charger manuellement la batterie sans brancher le câble périphérique à la base de recharge;

- 1. Connectez la base de charge à une source d'alimentation appropriée.**
- 2. Placez manuellement la Landroid®L dans la base de charge alors que la Landroid®L est éteinte.**
- 3. L'indicateur lumineux rouge de charge s'allumera.**
- 4. Dans les 3 secondes avant que l'indicateur lumineux de la base de charge devient vert, appuyez sur le bouton MARCHÉ / ARRÊT du Landroid®L.**
- 5. Fermez la fenêtre du clavier, et Landroid®L commencera à se charger.**



P



Q

5.4 Hibernation

Votre Landroid®L fonctionnera mieux et plus longtemps si vous le laissez reposer pendant l'hiver. Bien que le Landroid®L soit un appareil très solide, nous vous recommandons néanmoins de le ranger dans une remise ou dans un garage pendant l'hiver.

Avant de ranger le Landroid®L pour l'hiver, n'oubliez pas:

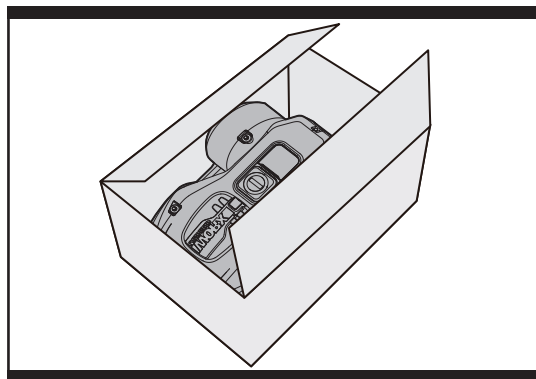
- De le nettoyer soigneusement.
- De recharger complètement la batterie.
- De l'éteindre.

Afin que la batterie soit en parfait état de marche à la saison suivante, n'oubliez pas de la recharger entièrement au moins une fois au cours de l'hiver.

Le Landroid®L doit être rangé posé sur ses quatre roues, dans un endroit à l'abri du gel. Il est conseillé de ranger le Landroid®L dans sa boîte d'origine. Le socle de charge, le câble basse tension (4) et le transformateur (22) doivent également être rangés en intérieur pendant l'hiver, de préférence. (Voir Fig. R)

Le fil-barrière peut être laissé par terre, mais il est préférable de protéger les extrémités, par exemple en les mettant dans une boîte de conserve remplie de graisse. Si vous choisissez de laisser le socle de recharge à l'extérieur pendant l'hiver, laissez le fil-barrière relié au socle.

REMARQUE: Lorsque vous redémarrez le Landroid®L après le repos hivernal, nettoyez soigneusement les bornes de recharge (5) et les broches de contact (2) en utilisant de préférence une toile émeri fine. Ensuite, vérifiez l'heure et la date, puis renvoyez le Landroid®L à son travail préféré: tondre la pelouse!



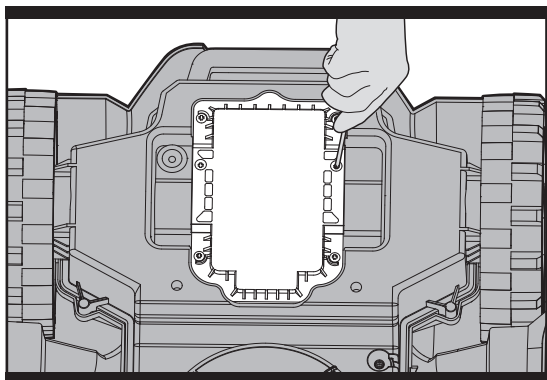
R

5.5 Changement de la batterie

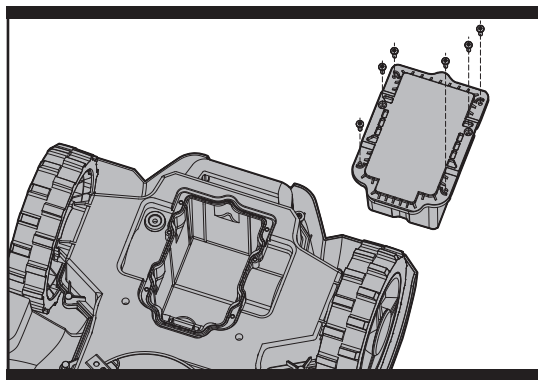
ATTENTION: Mettez le bouton marche/arrêt sur la position arrêt avant d'effectuer toute manipulation de réglage, de changement ou de réparation.

Si vous devez changer la batterie, procédez de la manière suivante.

1. Retournez délicatement le Landroid®L.
2. Enlevez les six vis de fixation de la batterie. (Voir Fig. S)
3. Sortez la batterie usagée. (Voir Fig. T)
4. Insérez la batterie neuve.
5. Remettez les 6 vis en place et serrez-les bien.




S



T

Protection de l'environnement

 Les déchets d'équipements électriques et électroniques ne doivent pas être déposés avec les ordures ménagères. Ils sont collectés pour être recyclés dans des centres spécialisés. Consultez les autorités locales ou votre revendeur pour obtenir des renseignements sur l'organisation de la collecte.

Déclaration de conformité

Nous,
POSITEC Germany GmbH Konrad-Adenauer-Ufer 37 50668 Köln

Déclarons ce produit

Description **WORX Robot de fauchage à pelouse**

Modèle **WG795E (790-799-Désignations des pièces, illustration de la Robot de fauchage à pelouse)**

Fonction **Tondeuse à gazon**

Est conforme aux directives suivantes :

2006/42/CE, 2004/108/CE, 2011/65/EU, 2000/14/CE ändrad av 2005/88/CE

2000/14/CE modifiée par 2005/88/CE:

Procédure d'évaluation de la conformité conformément à **Annex V.**

Niveau de pression acoustique I: **56dB(A)**

Niveau d'intensité acoustique: **57dB(A)**

Et conforme aux normes

EN ISO 12100-1

EN ISO 12100-2

EN ISO 14121-1

EN ISO 3744

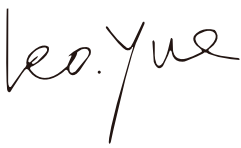
EN 55014-1

EN 55014-2

La personne autorisée à compiler le dossier technique,

Nom Russell Nicholson

Adresse Positec Power Tools (Europe) Ltd, PO Box 152, Leeds, LS10 9DS, UK



2013/12/05

Leo Yue

Responsable qualité POSITEC

Zone code PIN:

ISTRUZIONI ORIGINALI

IDICE

1. Istruzioni generali di sicurezza	51
1.1 Avvisi generali per la sicurezza degli utensili a motore	51
1.2 Informazioni su Landroid®L	53
2. Dati tecnici e contenuto della confezione	54
2.1 Dati tecnici	54
2.2 Contenuto della confezione	55
3. Per comprendere Landroid®L	57
3.1 Come fa Landroid®L a riconoscere ciò che deve tagliare?	57
3.2 Come fa Landroid®L a sapere dove deve andare?	58
A. Per trovare la base di ricarica	58
B. Sensori pioggia	58
C. Rilevazione del filo perimetrale	58
D. Avvio e arresto durante la tosatura	58
3.3 Quanto può essere grande l'area di tosatura di Landroid®L?	59
3.4 Con che efficienza Landroid®L taglia l'erba?	59
4. Nozioni di base relative al filo perimetrale	60
4.1 Per fissare il filo perimetrale	60
4.2 Per interrare il filo perimetrale	60
4.3 Per interrare il filo perimetrale	61
4.4 Accensione e controllo dell'installazione	61
5. Manutenzione	61
5.1 Mantenere affilate le lame	61
A. Ruotare e capovolgere le lame	61
B. Sostituire le lame	62
5.2 Pulizia	62
A. Pulizia del corpo	62
B. Pulire la parte inferiore	62
C. Pulizia dei pin di contatto e delle strisce di ricarica	63
5.3 Durata della batteria	63
5.4 Rimessaggio invernale	63
5.5 Sostituzione della batteria	64
6. Dichiarazione di conformità	65

1. Istruzioni generali di sicurezza

1.1 Avvisi generali per la sicurezza degli utensili a motore

 **ATTENZIONE! È assolutamente necessario leggere attentamente tutte le istruzioni. Eventuali errori nell'adempimento delle istruzioni qui di seguito riportate potranno causare scosse elettriche, incendi e/o lesioni gravi.**

Leggere accuratamente queste istruzioni per usare la macchina in sicurezza.

Conservare tutti gli avvisi e le istruzioni per poterle consultare quando necessario.

- Questo dispositivo non è inteso per l'uso da parte di persone (inclusi i bambini) con capacità fisiche, sensorie o mentali ridotte o con scarsa esperienza e conoscenza del prodotto, a meno che non sia utilizzato sotto la supervisione da parte di persone responsabili per la loro sicurezza.
- I bambini devono essere controllati per garantire che non giochino con il dispositivo.

IMPORTANTE

LEGGERE ATTENTAMENTE PRIMA DELL'USO

CONSERVARE PER RIFERIMENTO FUTURO

PROCEDURE PER UN USO SICURO

Addestramento

- a) Leggere con attenzione le istruzioni. Acquisire familiarità con i comandi e il corretto funzionamento dell'apparecchio.
- b) Non permettere mai ai bambini o alle persone sprovviste delle necessarie competenze di utilizzare l'attrezzo. L'età minima di utilizzo dello stesso può variare a seconda delle diverse normative locali.
- c) Ricordare che l'operatore o l'utente sono responsabili di incidenti o rischi che dovessero verificarsi ai danni di terzi o delle proprietà.

Operazioni preliminari

- a) Assicurarsi che l'installazione del sistema di delimitazione automatica del perimetro sia eseguita correttamente.
- b) Ispezionare con attenzione l'area in cui si deve utilizzare l'apparecchiatura e togliere tutti gli oggetti che potrebbero essere lanciati dall'apparecchiatura.
- c) Prima dell'uso, verificare visivamente che le lame, i rispettivi bulloni e il gruppo di taglio non siano usurati o danneggiati. In tal caso, sostituire le lame o i bulloni in blocco per mantenere l'equilibrio.
- d) Su macchine con più lame, prestare attenzione perché ruotando una lama si provoca la rotazione dell'altra lama.

FUNZIONAMENTO

1. GENERALI

- a) Non utilizzare mai il tosaerba se le protezioni o i ripari sono danneggiati o senza i gli appositi apparati di sicurezza, come i deflettori e di raccolta erba.
- b) Non avvicinare mani o piedi accanto o sotto le parti rotanti. Nel caso di falciatrici rotative, mantenere costantemente libere le aperture di scarico.
- c) Non raccogliere, né trasportare il tosaerba a motore in funzione.
- d) Premere il tasto STOP per fermare il rasaerba.
 - Prima di eliminare un'ostruzione,
 - Prima di controllare, pulire o effettuare lavori sulla apparecchiatura,
- e) Non è consentito modificare la versione originale di robot tosaerba. Il produttore declina ogni responsabilità per eventuali modifiche non autorizzate.
- f) Avviare robot tosaerba come indicato nelle istruzioni. Se l'interruttore principale è in posizione ON : tenere mani e piedi lontani dalle lame rotanti. Non infilare mai le mani o i piedi sotto il rasaerba.
- g) Non sollevare mai robot tosaerba, né trasportarlo, quando l'interruttore principale è in posizione ON.
- h) Non consentire a persone che non conoscono il funzionamento e il comportamento di robot tosaerba, di utilizzarlo.
- i) Non sistemare oggetti sopra robot tosaerba o la stazione di ricarica.
- j) Non utilizzare robot tosaerba se il disco a lame o la scocca presentano difetti. Non utilizzarlo nemmeno se presenta lame, viti, dadi o cavi difettosi.
- k) Non utilizzare robot tosaerba se l'interruttore principale non funziona.
- l) Spegner sempre robot tosaerba con l'interruttore principale quando non viene utilizzato. Robot tosaerba può essere avviato solo con l'interruttore principale in posizione ON e dopo aver inserito il codice PIN corretto.

2. ULTERIORI INFORMAZIONI QUANDO L'APPARECCHIATURA FUNZIONA IN MODALITÀ AUTOMATICA

- a) Non usare il tosaerba in presenza di altre persone, in particolar modo di bambini o di animali domestici.

3. ULTERIORI INFORMAZIONI QUANDO VIENE UTILIZZATO IL CONTROLLER MANUALE

- a) Usare il tosaerba solo nelle ore diurne o in buone condizioni di luce artificiale.
- b) Se possibile, evitare di utilizzare l'apparecchio su erba bagnata.

- c) Durante il lavoro, indossare sempre calzature robuste e pantaloni lunghi. Non utilizzare l'apparecchio scalzi o indossando sandali aperti.
- d) Sui terreni in pendenza, è necessario mantenere sempre la stabilità.
- e) Prestare la massima attenzione tirando a sé l'apparecchio o invertendo la direzione dello stesso.
- f) Azionare il motore attenendosi alle istruzioni e mantenendo i piedi a distanza di sicurezza dagli attrezzi da taglio.

MANUTENZIONE E CONSERVAZIONE



AVVERTENZA! Quando si capovolge il rasaerba, l'interruttore principale deve sempre essere in posizione OFF.

L'interruttore principale deve essere in posizione OFF durante tutti i lavori al sottoscocca del rasaerba, ad esempio pulizia o sostituzione delle lame.

- a) Ai fini della sicurezza delle operazioni, accertarsi che tutti i dadi, i bulloni e le viti dell'apparecchio siano saldamente avvitati;
- b) Controllare robot tosaerba ogni settimana e sostituire le eventuali parti danneggiate o usurate.
- c) Controllare soprattutto che le lame e il disco rotante non siano danneggiati. All'occorrenza, sostituire tutte le lame e le viti contemporaneamente in modo che le parti rotanti siano bilanciate,
- d) Assicurarsi di utilizzare solo accessori di taglio di ricambio del tipo corretto;
- e) Assicurarsi che le batterie siano caricate utilizzando il caricabatteria corretto consigliato dal costruttore. L'uso non corretto potrebbe causare folgorazioni, surriscaldamento o perdite di liquidi corrosive dalla batteria;
- f) Nel caso di perdite di elettroliti insieme a acqua/agente neutralizzante, chiedere l'aiuto di un medico nel caso vengano a contatto con gli occhi, ecc;
- g) La manutenzione dell'apparecchiatura deve essere eseguita seguendo le istruzioni del costruttore.

Trasferimento

Per i trasporti più lunghi, si raccomanda di riporre robot tosaerba nell'imballaggio originale.

Per un trasferimento sicuro dall'area di lavoro e al suo interno:

- a) Per fermare il tagliaerba premere il tasto STOP. Se si attiva l'allarme antifurto inserire la prima cifra del codice PIN. Si sceglie il PIN a quattro cifre quando si avvia il tagliaerba per la prima volta.
- b) Prima di trasportare il rasaerba, portare l'interruttore principale in posizione OFF.
- c) Afferrare il rasaerba per l'impugnatura presente sul fondo, nella parte posteriore. Trasportare il rasaerba con il disco a lame lontano dal corpo.



AVVERTENZA! Quest'apparecchio va usato solo con l'unità in dotazione.

Norme di sicurezza supplementari per batterie al piombo-acido:

1. Lavorare in prossimità di una batteria al piombo-acido è pericoloso. Il pacco batteria genera dei gas esplosivi durante il normale funzionamento di una batteria. Per questo motivo è estremamente importante ogni volta leggere e seguire con esattezza le istruzioni fornite, prima dell'utilizzo del caricabatteria.
2. Non fumare o mantenere scintille o fiamme vicino ad una batteria.
3. Utilizzare il caricabatterie solo per caricare pacchi batteria al piombo-acido.

1.2 Informazioni su Landroid®L



AVVERTENZA - Il tagliaerba robot può essere pericoloso se non viene usato correttamente.

Leggere con attenzione il manuale utente e impadronirsi del contenuto prima di usare il tagliaerba robot.



AVVERTENZA - Tenere gli astanti a distanza di sicurezza.



AVVERTENZA - Attivare il congegno disabilitatore prima di eseguire lavori sull'apparecchio o di sollevarlo.

Tenere mani e piedi lontani dalle lame rotanti. Non infilare mai le mani o i piedi sotto la scocca né avvicinarle ad robot tosaerba in funzione.

Il tagliaerba robot si avvia solo premendo il tasto On sull'interruttore ON/OFF dopo aver inserito il PIN corretto. Controlli e/o manutenzione devono essere eseguiti quando il pulsante ON/OFF è in posizione OFF.



AVVERTENZA - Non salire su robot tosaerba.



Non lavare l'apparecchio con apparecchi ad alta pressione



Non bruciare



Non esporre alla pioggia o all'acqua



Non smaltire le batterie. Portare le batterie scariche punto locale di riciclaggio o di raccolta.



Contiene batteria Pb. Bisogna riciclare o smaltire correttamente la batteria.



Questo prodotto è stato contrassegnato con un simbolo in materia di rimozione di rifiuti elettrici ed elettronici. Ciò significa che questo prodotto non deve essere smaltito insieme ai rifiuti domestici, ma che deve essere restituito ad un sistema di raccolta conforme alla Direttiva Europea 2002/96/CE dove sarà riciclato o smontato per ridurre l'impatto sull'ambiente. Le apparecchiature elettriche ed elettroniche possono essere pericolose per l'ambiente e per la salute umana poiché contengono sostanze pericolose.


2. Dati tecnici e contenuto della confezione

2.1 Dati tecnici

Codice: **WG795E (790-799-Designazione del macchinario, rappresentativo della Robot tosaerba)**

Potenza nominale	24V \equiv
Velocità a vuoto nominale	2000/min
Diametro di taglio	220mm
Altezza di taglio	20-60mm
Posizioni altezza di taglio	9
Tipo di batteria	Acido-piombo
Modello batteria	WA3222
Tempo di ricarica	2.5 ore circa.
Modello caricatore	WA3716
Potenza caricabatteria	Ingresso: 100-240V~50/60Hz, 50W
	Uscita: 24V \equiv , 1.5A
Peso macchina	14.5kg
Classe protezione	IPX1

Dati relativi al rumore e alla vibrazione

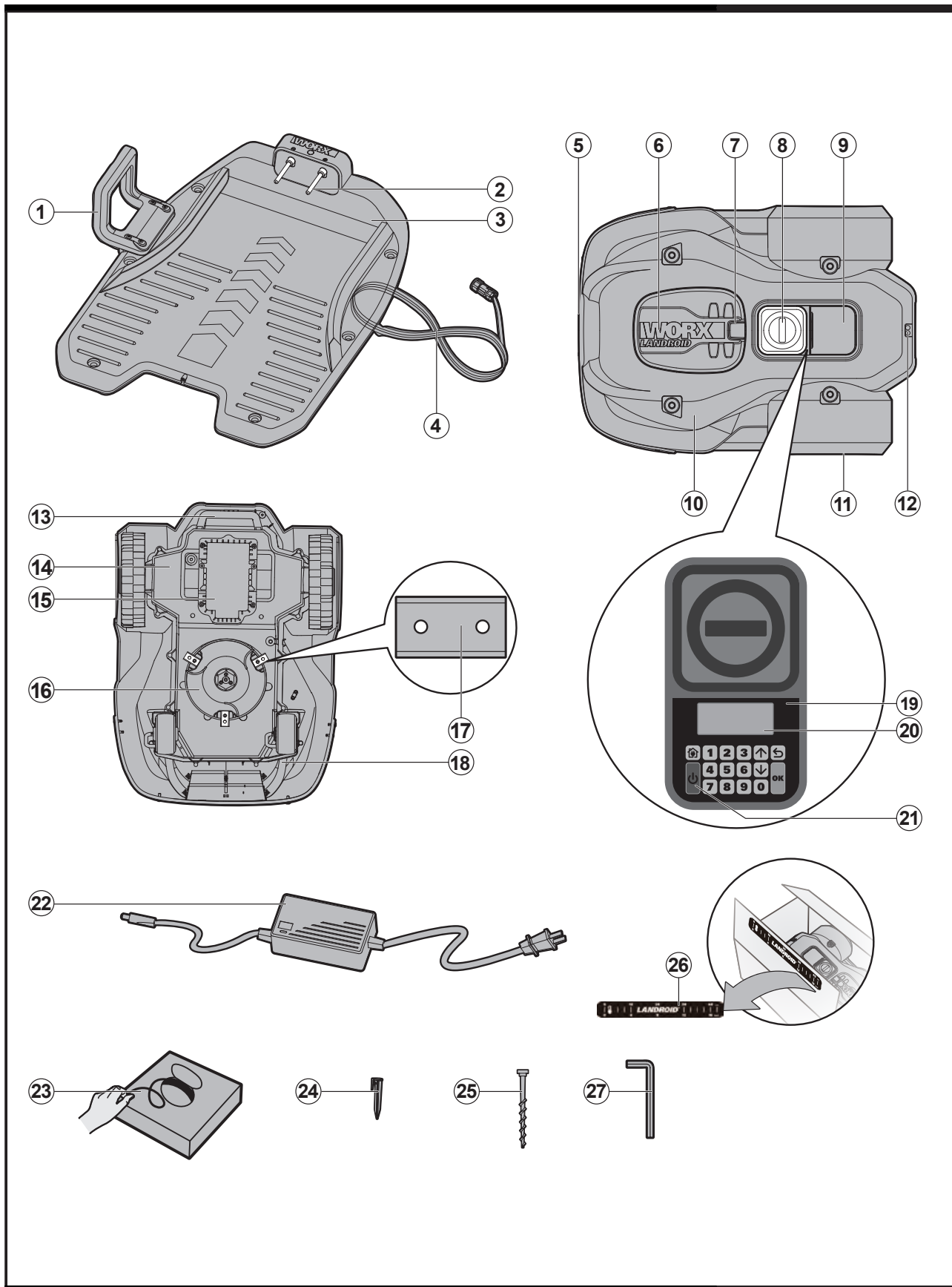
Pressione acustica ponderata	36dB(A), K_{PA} : 3dB(A)
Potenza acustica ponderata	57dB(A)
Indossare protezione per le orecchie quando la pressione acustica è superiore a	80dB(A) 

Accessori

Base di ricarica con prolunga di 15m	1
Lame (WA0176)	9
Viti	9
Ganci per il cavo(WA0179)	250
200m di filo perimetrale(WA0177)	1
Chiodi di fissaggio per la base di ricarica	6
Trasformatore(WA3716)	1
Distanziatore del filo perimetrale	2
Chiave a brugola	1

Si raccomanda di acquistare tutti gli accessori nello stesso negozio in cui è stato acquistato l'attrezzo. Usare accessori di buona qualità e di marca sconosciuta. Fare riferimento alla confezione dell'accessorio per altri dettagli. Il personale del negozio può aiutarvi e consigliarvi.

2.2 Contenuto della confezione



-
- 1. MANUBRIO**

 - 2. PIN DI CONTATTO**

 - 3. BASE DI RICARICA**

 - 4. CAVO DI BASSA TENSIONE**

 - 5. STRISCIA DI RICARICA**

 - 6. COPERTURA DI REGOLAZIONE ALTEZZA DI TAGLIO ERBA**

 - 7. PULSANTE DI FERMO (PER APRIRE LA COPERTURA DI REGOLAZIONE ALTEZZA DI TAGLIO ERBA)**

 - 8. PULSANTE DI ACCESSO**

 - 9. FINESTRA TASTIERA**

 - 10. ALLOGGIAMENTO IN PLASTICA STAMPO**

 - 11. RUOTA DI GUIDA POSTERIORE**

 - 12. SENSORE PIOGGIA**

 - 13. MANIGLIA**

 - 14. TELAIO SCATOLATO MOTORE (CONTENENTE PARTI ELETTRONICHE E BATTERIA)**

 - 15. PACCO BATTERIA**

 - 16. LAME ROTANTI**

 - 17. LAME DA TAGLIO**

 - 18. RUOTA ANTERIORE**

 - 19. TASTIERA**

 - 20. DISPLAY**

 - 21. TASTO ON/OFF**

 - 22. TRASFORMATORE**

 - 23. DI FILO PERIMETRALE**

 - 24. GANCI PER IL CAVO**

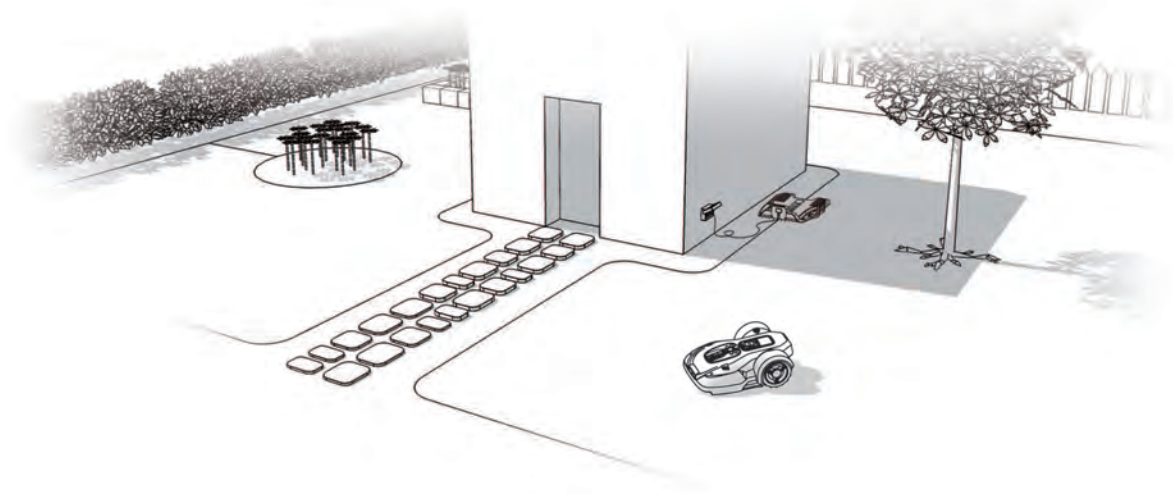
 - 25. CHIODI DI FISSAGGIO PER LA BASE DI RICARICA**

 - 26. DISTANZIATORE DEL FILO PERIMETRALE**

 - 27. CHIAVE ALLEN**
-

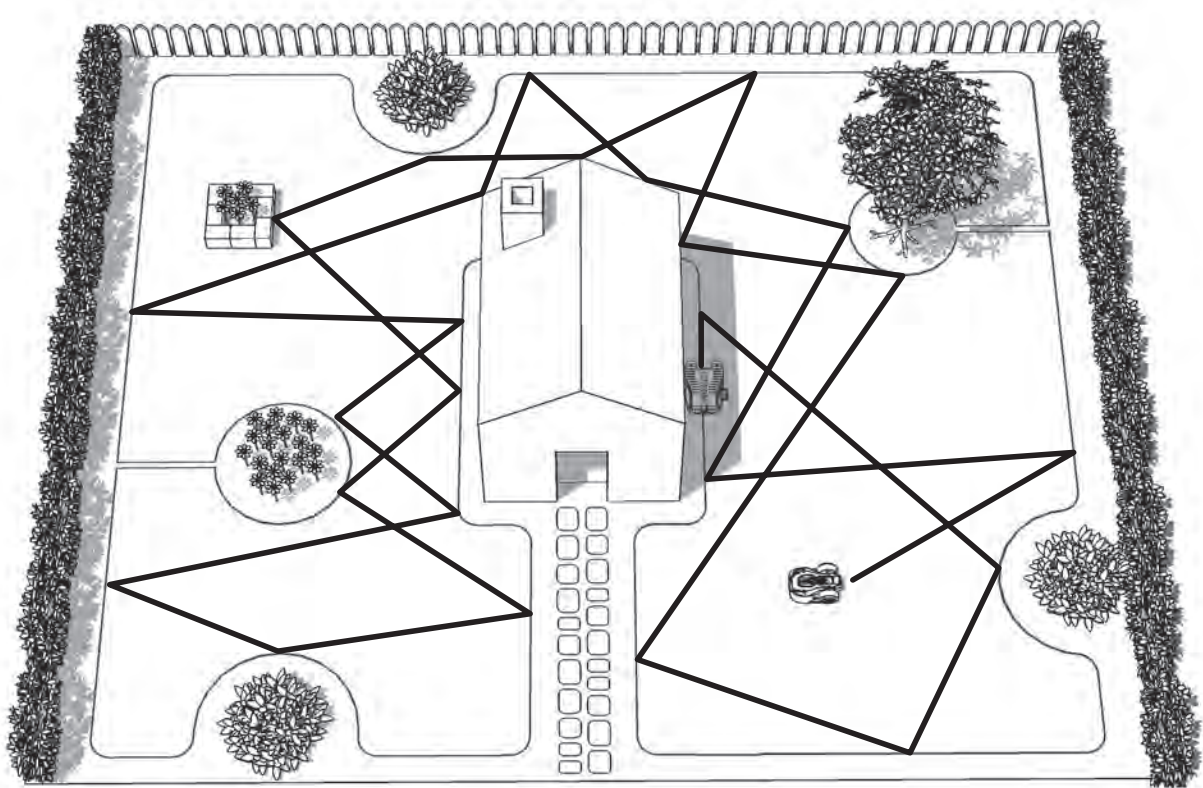
3. Per comprendere Landroid® L

Complimenti per l'acquisto del nuovo Landroid® L e per essere entrati nella spensierata vita della tosatura automatica. Di seguito, vogliamo aiutarvi a capire meglio come pensa Landroid® L.



3.1 Come fa Landroid® L a riconoscere ciò che deve tagliare?

Landroid® L sceglie la sua direzione a caso. Si assicura che tutto il prato venga tagliato uniformemente senza lasciare alcuna striscia di erba poco attraente (Vedere La Fig. A).



A

3.2 Come fa Landroid®L a sapere dove deve andare?

Landroid®L è in grado di agire per conto proprio. Il Landroid®L sa quando deve portarsi sulla base di ricarica (3) per caricarsi, sente la pioggia, si ferma se intuisce un problema e si ferma, torna indietro o si gira se inciampa in qualcosa che ne blocca il passaggio, come una persona, un animale o altri oggetti. Per evitare incidenti il Landroid®L bloccherà automaticamente la lama rotante (16) se lo si solleva dal suolo.

A. Per trovare la base di ricarica

Quando Landroid®L deve essere ricaricato, cessa di tagliare e segue il filo perimetrale (23) con un movimento in senso antiorario fino alla base di ricarica. Il Landroid®L interrompe automaticamente la rotazione della lama disco rotante quando torna sulla sua base di ricarica. Tuttavia se deve tornare manualmente alla base di ricarica (quando si preme il tasto home) la lama disco rotante continuerà a ruotare e a tagliare l'erba vicino al cavo di confine. Quindi se si desidera tagliare l'erba vicino al cavo di confine premere il tasto Home. **Si suggerisce di usare questa funzione quando la batteria ha una potenza superiore al 75%. È possibile controllarla sul display.**

B. Sensori pioggia

Landroid®L dispone di un sensore pioggia (12) nella parte posteriore, che rilevano le gocce di pioggia e indicano a Landroid®L di arrestare il taglio e seguire il filo perimetrale fino alla base di ricarica (Vedere Le Fig. B).

La funzione di partenza ritardata di Landroid®L (0 – 180 min) può essere programmata quando piove. Quando i sensori pioggia sono bagnati, Landroid®L ritorna alla sua docking station. Solo quando i sensori pioggia si asciugano Landroid®L inizierà il conto alla rovescia impostato per la partenza ritardata, oppure tornerà a falciare immediatamente. Se si desidera comandare a Landroid®L di procedere e riprendere a tagliare prima del tempo impostato per la funzione "Ritardo avvio pioggia", premere il pulsante di ACCESSO (8), asciugare Landroid®L e chiudere la finestra tastiera (9) per indicargli di riprendere a tagliare (Vedere Le Fig. D, E). Per ulteriori dettagli, consultare la Guida alla programmazione e alla risoluzione dei problemi.

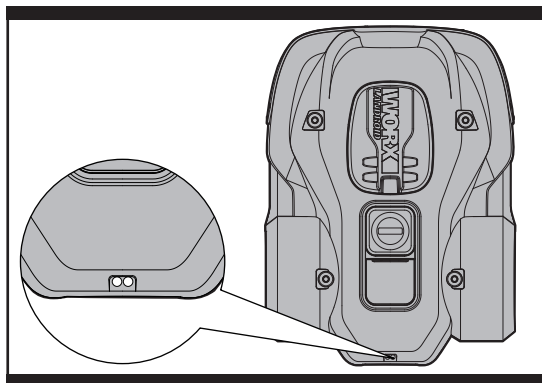
C. Rilevazione del filo perimetrale

Landroid®L segue sempre il limite impostato dal filo perimetrale e utilizza due sensori nella parte anteriore per rilevare quando si avvicina (Vedere Le Fig. C). Prima di cambiare direzione, Landroid®L supera il filo perimetrale fino a 25cm*.

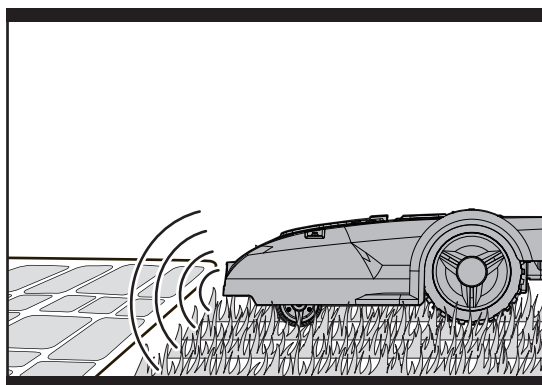
* Questa è la distanza raccomandata perché Landroid®L non può calcolare automaticamente la distanza. Utilizzare il distanziatore per un'installazione adeguata.

D. Avvio e arresto durante la tosatura

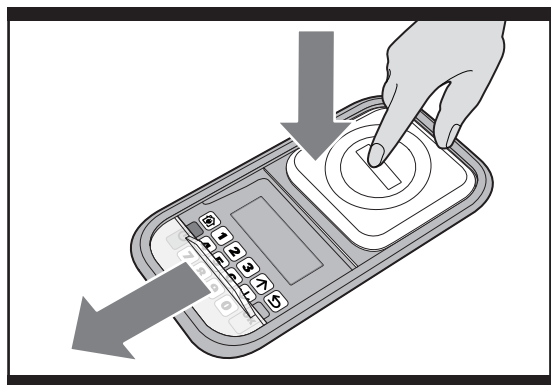
Per comandare a Landroid®L di arrestare la tosatura, basta premere il pulsante di ACCESSO (8) nella parte superiore del tosaerba. Quando lo si preme, Landroid®L apre la finestra tastiera e attende ulteriori comandi. La tosatura non riprende finché non si chiude la finestra tastiera (Vedere Le Fig. D,E).



B



C



E

Se Landroid®L rileva qualche problema, sul display (20) viene visualizzato un messaggio di errore e si spegne se non riceve aiuto entro 20min per risparmiare energia (per informazioni sui messaggi di errore, fare riferimento alla Guida alla programmazione e alla risoluzione dei problemi).

Per riavviarlo:

- Premere il pulsante di ACCESSO.
- Aprire la finestra tastiera.
- Premere il tasto ON/OFF (21) su ON.
- Premere il pulsante 0.
- Chiudere la finestra tastiera.
- Landroid®L è quindi pronto per iniziare la tosatura!

3.3 Quanto può essere grande l'area di tosatura di Landroid®L?

Landroid®L è in grado di eseguire la tosatura in aree fino a circa 1500m², sebbene ciò dipenda da vari fattori, tra cui:

- Tipo di erba nel prato e relativo tasso di crescita.
- Acutezza delle lame (17).
- Umidità.
- Temperatura circostante.
- Quantità di ostacoli presenti nel prato.

Se la temperatura circostante è molto fredda nel luogo di residenza, Landroid®L potrebbe caricarsi più lentamente.

Landroid®L utilizza meno energia in aree aperte con una quantità di ostacoli inferiore, come aiuole, fontane, sentieri, ecc...

È possibile trovare ulteriori particolari sui tempi di lavoro di default del Landroid®L nella tabella che segue:

Landroid®L WG795E - DURATA RASATURA AUTOMATICA.								
Are m ²	Durata rasatura auto Ore	Lunedì Ore di rasatura	Martedì ore di rasatura	Mercoledì Ore di rasatura	Giovedì ore di rasatura	Venerdì ore di rasatura	Sabato ore di rasatura	Domenica ore di rasatura
100	1.5	7:00-8:30	/	/	7:00-8:30	/	/	/
200	5	7:00-8:00	7:00-8:00	7:00-8:00	7:00-8:00	7:00-8:00	/	/
300	6	7:00-8:12	7:00-8:12	7:00-8:12	7:00-8:12	7:00-8:12	/	/
400	7.5	7:00-8:30	7:00-8:30	7:00-8:30	7:00-8:30	7:00-8:30	/	/
500	10	7:00-9:00	7:00-9:00	7:00-9:00	7:00-9:00	7:00-9:00	/	/
600	11	7:00-9:12	7:00-9:12	7:00-9:12	7:00-9:12	7:00-9:12	/	/
700	13	7:00-9:36	7:00-9:36	7:00-9:36	7:00-9:36	7:00-9:36	/	/
800	15	7:00-10:00	7:00-10:00	7:00-10:00	7:00-10:00	7:00-10:00	/	/
900	16.5	7:00-10:18	7:00-10:18	7:00-10:18	7:00-10:18	7:00-10:18	/	/
1000	18	7:00-10:36	7:00-10:36	7:00-10:36	7:00-10:36	7:00-10:36	/	/
1100	20	7:00-11:00	7:00-11:00	7:00-11:00	7:00-11:00	7:00-11:00	/	/
1200	22.5	7:00-11:30	7:00-11:30	7:00-11:30	7:00-11:30	7:00-11:30	/	/
1300	25	7:00-12:00	7:00-12:00	7:00-12:00	7:00-12:00	7:00-12:00	/	/
1400	26.5	7:00-12:18	7:00-12:18	7:00-12:18	7:00-12:18	7:00-12:18	/	/
1500	28	7:00-12:48	7:00-12:48	7:00-12:48	7:00-12:48	7:00-12:48	/	/

I tempi di tosatura sono diversi per ogni prato in base ai fattori citati in precedenza. Regolare gradualmente i tempi di tosatura di Landroid®L al giorno fino a trovare l'impostazione più adeguata.

Si può anche programmare la durata del funzionamento del Landroid®L in modo che si adatti alle vostre esigenze – fare riferimento alla guida di programmazione.

3.4 Con che efficienza Landroid®L taglia l'erba?

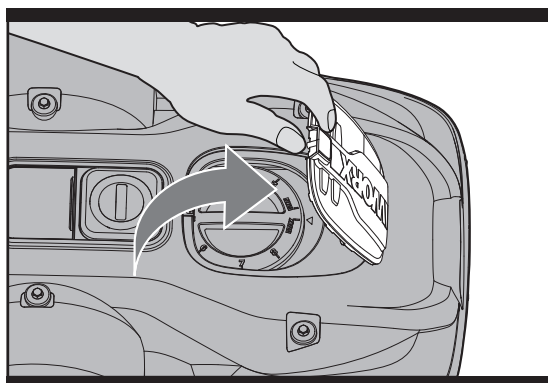
L'altezza di taglio di Landroid®L può essere regolata tra 2cm e 6cm. Prima di avviare il vostro Landroid®L per la prima volta tagliare l'erba non oltre 9 cm. Poi aprire il coperchio del pannello dei comandi (7) e impostare l'altezza di taglio all'altezza massima di 6cm (Vedere Le Fig. F,G).

Landroid®L offre prestazioni di taglio ottimali in condizioni climatiche asciutte. L'erba bagnata che si può attaccare alla lama rotante (16) e all'interno del motore non gli è congeniale e può anche far perdere trazione provocando scivolamenti durante il funzionamento.

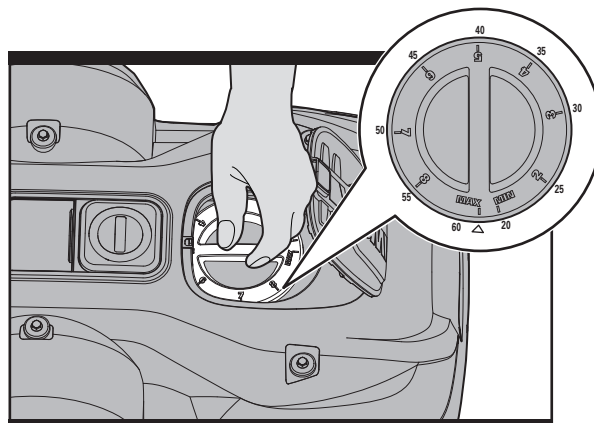
Landroid®L teme i temporali. In caso di temporale, proteggere Landroid®L scollegando la base di ricarica (3), scollegando il filo perimetrale (23) e assicurandosi che Landroid®L non possa caricarsi.

Il vostro Landroid®L ama tagliare l'erba e per farlo al meglio ha bisogno che le lame da taglio (17) siano sempre in buone condizioni. Landroid®L è in grado di compiere varie operazioni da solo, ma a volte necessita di aiuto per evitare che si danneggi.

- Evitare che Landroid®L si muova sulla ghiaia.
- Rimuovere o sbloccare gli ostacoli sui quali Landroid®L potrebbe accidentalmente salire e con i quali potrebbe danneggiare il disco lama.
- Rimuovere tutti i detriti e i corpi estranei dal prato.



F



G

4. Nozioni di base relative al filo perimetrale

4.1 Per fissare il filo perimetrale

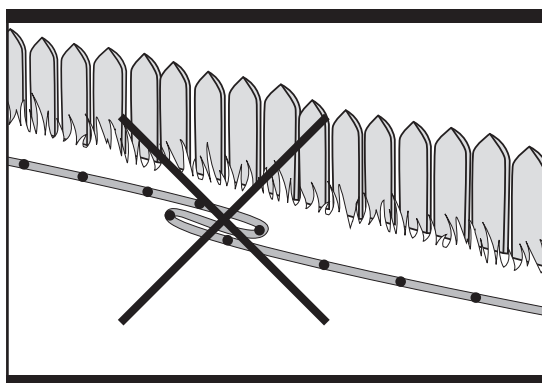
Usare il misuratore di distanza del Cavo di confine (26) per stabilire la distanza corretta dal confine del vostro patio (Oltre 35cm *).

* Questa è la distanza consigliata. Usare il misuratore di distanza in dotazione per assicurare un'installazione corretta.

Se anche i vostri vicini usano un Landroid®L, occorre mantenere una distanza di almeno 2 metri tra il cavo di confine e loro.

Tenere presente che il vostro Landroid®L, non riuscirà a ricevere un segnale dal cavo di confine se la distanza supera i 25mt.

Il filo perimetrale deve delimitare esattamente l'area di taglio prevista. Landroid®L potrebbe confondersi in presenza di altre curve o bobine di filo perimetrale che non fanno parte della sua area di taglio (vedere la Fig. H). In caso di eccesso di filo perimetrale una volta delimitata l'area di taglio, tagliare e conservare il filo in un altro luogo. Tuttavia, è importante lasciare la lunghezza necessaria nel punto in cui si collega alla base di ricarica in modo che possa collegarsi e rimanere interrato.



H

4.2 Per interrare il filo perimetrale

Si raccomanda di seppellire il cavo di confine sotto terra di alcuni centimetri. Questo vi garantirà un uso senza problemi anno dopo anno, stagione dopo stagione.

Per interrare il filo perimetrale, è possibile acquistare l'utensile accessorio WORX Territorial Marker presso lo stesso negozio in cui si è acquistato Landroid®L.

Se si pianifica di seppellire il cavo perimetrale, si noti che, quando entra nella base di ricarica per la prima volta, Landroid®L potrebbe avere problemi a rilevare il filo interrato. Si raccomanda prima di fissare il cavo di confine con le apposite pinze al prato per facilitare eventuali aggiustamenti che dovessero essere necessari. Ciò consentirà di verificare il funzionamento del Landroid®L nel nuovo ambiente garantendone il funzionamento in relazione alla base di ricarica prima di seppellire il cavo di confine.

Al termine dell'installazione del cavo di confine si raccomanda di chiedere al Landroid®L di seguirlo premendo il tasto Home.

Mentre si osserva il Landroid®L che individua la stazione di ricarica si possono fare modifiche alla strada del cavo di confine per assicurarsi che il Landroid®L sia in grado di seguirlo quando torna alla stazione di ricarica.

4.3 Per interrare il filo perimetrale

Il filo perimetrale (23) può essere esteso per renderlo più lungo semplicemente congiungendo le estremità e collegandolo alle estremità di un altro pezzo di filo. È possibile utilizzare nastro adesivo per fissare la parte unita del filo. (Vedere le Fig. I)

4.4 Accensione e controllo dell'installazione

Se non si accende la luce del caricatore, controllare i collegamenti elettrici.

Se il LED della base di ricarica vostro Landroid®L lampeggia in verde, controllare se il cavo di confine è collegato bene o se è tagliato.

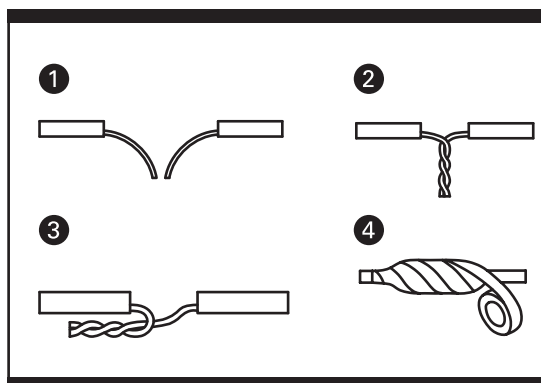
Rossa accesa: in carica.

Luce rossa lampeggiante: messaggio di errore: fare riferimento alla risoluzione dei problemi e correggere il problema.

Luce verde lampeggiante: controllare che il cavo di confine sia collegato correttamente.

Quando è illuminata la luce verde sulla base di ricarica, sistemare il Landroid®L sul cavo di confine, se il Landroid®L segue il cavo di confine è collegato correttamente.

Se il vostro Landroid®L si trova all'interno della sua area designata ma sul display compare "fuori dall'area di taglio" e il LED è acceso, significa che avete bloccato le estremità del cavo di confine in modo scorretto. Invertirle.



5. Manutenzione

Controllare periodicamente Landroid®L. Landroid®L lavora sodo e dopo un certo periodo di tempo ha bisogno di una buona pulizia e di sostituire le sue parti, le quali potrebbero usurarsi. Nella seguente documentazione desideriamo mostrare come lasciar adattare il nuovo Landroid®L alla sua nuova casa offrendogli la migliore assistenza possibile.

5.1 Mantenere affilate le lame

AVVISO: Prima di pulire, regolare o sostituire le lame, spegnere Landroid®L premendo il pulsante ON/OFF su OFF e indossare guanti protettivi.

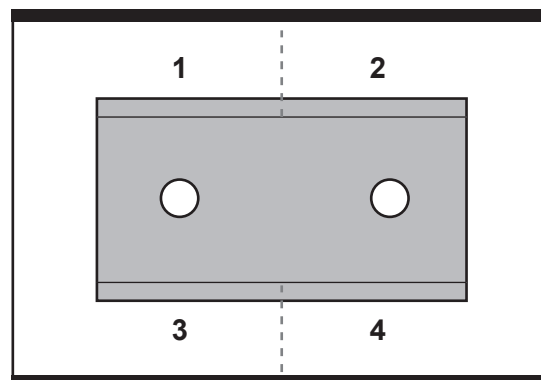
AVVISO: Per sostituire le lame, Sostituire **TUTTE** le lame contemporaneamente. Se la lama è nuova, ma la vite è stata riutilizzata, la vite potrebbe usurarsi durante la tosatura causando la fuoriuscita violenta della lama dal tosaerba. Ciò potrebbe causare serie lesioni.

Landroid®L non taglia l'erba come altri tosaerba. Le sue lame (17) sono affilatissime su tutti i 4 lati e ruotano in entrambe le direzioni raggiungendo la massima capacità di taglio (Vedere le Fig. J).

Ogni lama del Landroid®L ha 4 estremità taglienti. A seconda della frequenza con cui Landroid®L tosa l'erba del giardino e per ottenere un taglio perfetto, le lame devono essere periodicamente capovolte/ruotate. Ad esempio se Landroid®L è programmato per rasare l'erba ogni giorno, le lame devono essere ruotate ogni mese per garantire una tosatura ottimale. Ogni lama durerà 4 mesi se il dispositivo è programmato per tagliare l'erba ogni giorno. Quando le lame sono smussate e usurate devono essere sostituite dalle lame di ricambio fornite con Landroid®L. Le lame di ricambio sono anche disponibili dal rivenditore Worx più vicino.

A. Ruotare e capovolgere le lame

Landroid®L dispone di 3 lame, tutte avvitate sul disco lama (16). Le lame sono ciò che consentono a Landroid®L di svolgere il suo lavoro e necessitano di cura e attenzione. Ogni tanto è necessario ruotare e capovolgere contemporaneamente tutte le 3 lame per ottenere un taglio perfetto. Quando si ruotano e capovolgono le lame, assicurarsi che tutte le lame siano regolate contemporaneamente. In caso contrario, potrebbero sbilanciare il disco lama. Qualora Landroid®L tagli con normale frequenza (quotidiana), le lame devono durare una stagione se ruotate e capovolte ogni mese. Verificare sempre se le lame sono scheggiate o danneggiate e sostituirle, se necessario.



J

B. Sostituire le lame

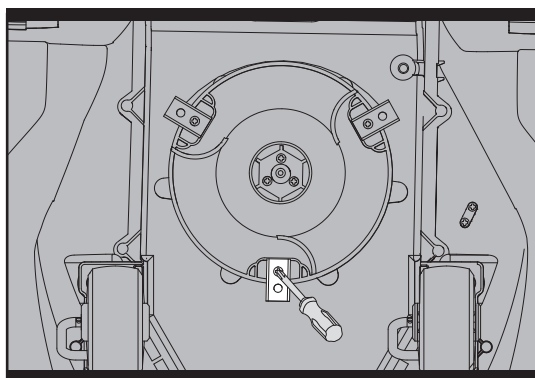
Dopo un certo periodo di tempo, di solito dopo ogni stagione, le lame di Landroid®L devono essere sostituite. Landroid®L non gradisce eseguire la tosatura con lame di anni e qualità diversi. Pertanto, quando si sostituiscono le lame, assicurarsi di sostituirle tutte contemporaneamente. È possibile sostituirle con uno dei tre kit di lame di ricambio e le viti della lama supplementare in dotazione con Landroid®L.

Prima di sostituire le lame del vostro Landroid®L spegnerlo e indossare guanti di protezione.

Quindi attenersi alle seguenti procedure:

1. Capovolgere delicatamente Landroid®L.
2. Rimuovere le viti dalle lame con un cacciavite piatto o a stella.
3. Avvitare saldamente le nuove lame. (Vedere le Fig. K)

IMPORTANTE: Una volta avvitata la lama sul disco lama, assicurarsi che la lama ruoti liberamente.



K

5.2 Pulizia

⚠ AVVISO: Prima di eseguire la pulizia, spegnere Landroid®L premendo il pulsante ON/OFF su OFF. Indossare guanti protettivi prima di pulire il disco lama (16) e non utilizzare acqua corrente. (Vedere le Fig. L,M,N)

A. Pulizia del corpo

Landroid®L dura più a lungo e meglio se pulito periodicamente. Dal momento che il vostro Landroid®L è un apparecchio elettrico dovete fare attenzione quando lo pulite, quindi NON usare una canna, apparecchi ad alta pressione o versare acqua corrente sul Landroid®L, è meglio usare una bottiglia spray piena d'acqua. Per pulire il corpo dell'apparecchio usare un pennello morbido o un panno pulito ed evitare solventi o vernici (Vedere Fig. O). Infine rimuovere tutti gli accumuli d'erba e di sporco.

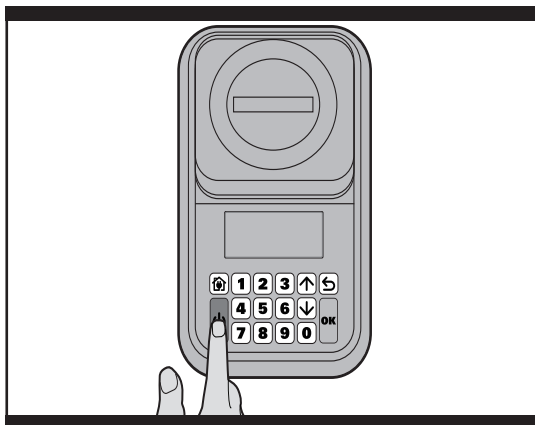
B. Pulire la parte inferiore

Anche in questo caso, è importante spegnere Landroid®L utilizzando il pulsante On/Off e indossare guanti protettivi prima di toccare il disco lama (16).

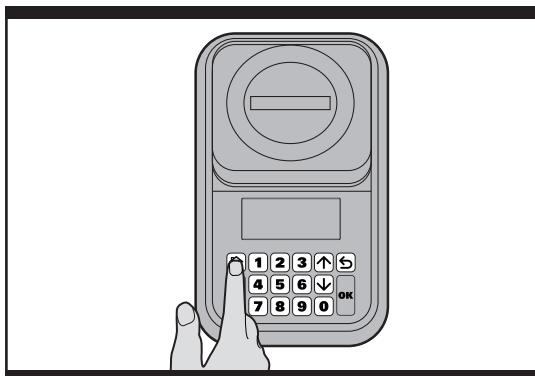
Prima capovolgere il Landroid®L per esporre la parte inferiore.

Qui si può notare il disco lama (a), il telaio scatolato motore circostante (b) (14) e le ruote anteriori (18) e motrici (11). Pulire tutto accuratamente con una spazzola morbida o un panno umido (Vedere Le Fig. P).

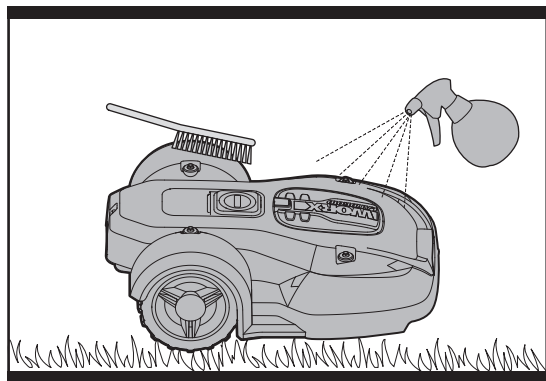
Ruotare il disco lama per assicurarsi che si muova liberamente e che non vi sia alcun deposito tra esso e il telaio scatolato motore circostante. Assicurarsi inoltre che le lame possano ruotare liberamente e che l'erba non le ostruisca.



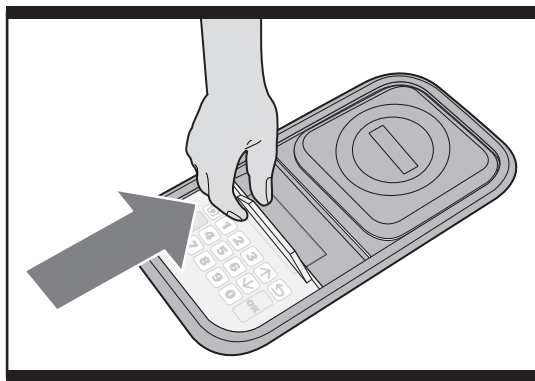
L



M



O



N

IMPORTANTE: Rimuovere i detriti depositatisi in modo che non causino crepe nel disco lama. Anche la più piccola crepa può ridurre la potenza di taglio di Landroid®L.

C. Pulizia dei pin di contatto e delle strisce di ricarica

Pulire con un panno i pin di contatto (2) situati sulla base di ricarica (3) e le strisce di ricarica (5) situate su Landroid®L. Rimuovere periodicamente tutto l'accumulo di erba tagliata e di detriti intorno ai pin di contatto e alle strisce di ricarica per garantire ogni volta il corretto caricamento di Landroid®L.

5.3 Durata della batteria

Il cuore di Landroid®L è costituito da una batteria piombo-acido a 24 V. Non necessita di alcuna manutenzione da parte dell'utente. Tuttavia, quando viene riposta, la batteria deve essere conservata in un luogo fresco e asciutto (inferiore a 14°F [-10°C]) e completamente carica ogni 3 mesi per far sì che continui a funzionare al meglio. Prima di riporre la batteria per l'inverno, assicurarsi di caricarla completamente. Al momento dell'acquisto, la batteria deve essere sottoposta a 2-3 cicli di carica per ottenere la massima capacità di esercizio.

La vita utile della batteria di Landroid®L dipende da vari fattori, tra cui:

- La durata della stagione di tosatura nella propria regione.
- La quantità di ore in cui Landroid®L esegue la tosatura al giorno.
- La cura della batteria quando viene conservata.

Con messaggio di errore "Batteria quasi scarica" il Landroid®L va ricaricato manualmente.

Il Landroid®L va ricaricato manualmente se non si riesce ad accendere il display. (Vedere Le Fig. Q)

Per caricare la batteria manualmente senza collegare il cavo di confine alla base di ricarica;

- 1. Connettere la Base di Ricarica ad una fonte di alimentazione adatta.**
- 2. Mentre Landroid®L è spento, agganciarlo manualmente alla Base di Ricarica.**
- 3. L'indicatore luminoso rosso della base di ricarica si illumina.**
- 4. Entro 3 secondi e prima che l'indicatore luminoso della base di ricarica diventi verde premere il tasto di alimentazione ON/OFF del Landroid®L.**
- 5. Chiudere La Finestra della tastiera e il Landroid®L inizierà la ricarica.**

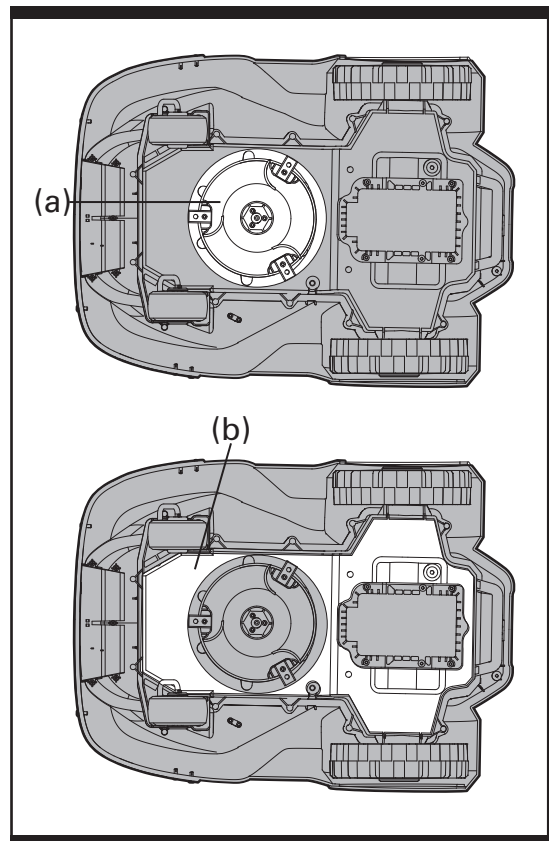
5.4 Rimessaggio invernale

Landroid®L dura più a lungo e conserva le prestazioni ottimali se viene riposto al coperto. Perciò, sebbene sia resistente, si consiglia di riporre Landroid®L nella rimessa o nel garage durante l'inverno. Prima di riporre al coperto Landroid®L, assicurarsi di:

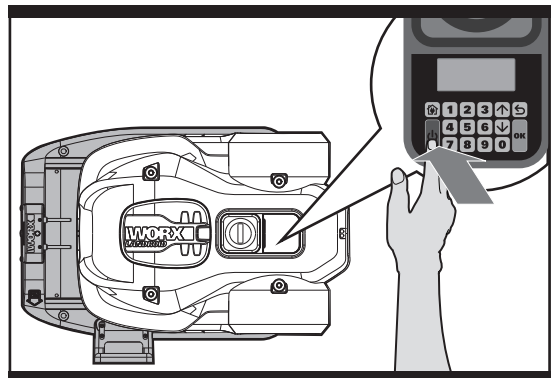
- Pulire accuratamente Landroid®L.
- Caricare completamente la batteria.
- Spegnerne il tosaerba.

La batteria deve essere completamente carica una volta durante l'inverno al fine preservare le condizioni ottimali per la stagione successiva.

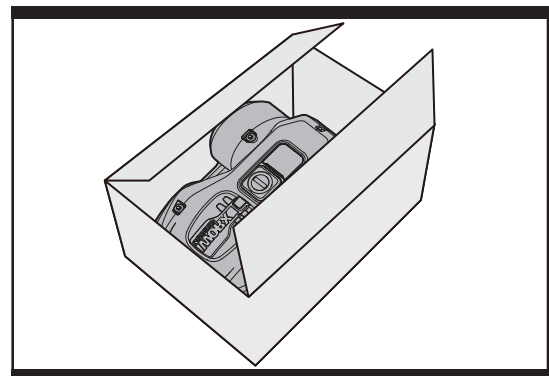
Quando si conserva Landroid®L, poggiarlo in piano su tutte le quattro ruote in un luogo asciutto, lontano da condizioni climatiche ghiacciate. Si consiglia di conservare Landroid®L nella confezione originale. È preferibile conservare la base di ricarica, il cavo di bassa tensione (4) e il trasformatore (22) all'interno durante la stagione invernale. (Vedere Le Fig. R)



P



Q



R

Il filo perimetrale può essere lasciato nel terreno, anche se le sue estremità devono essere protette, ad esempio collocandole in una lattina di grasso. Se la base di ricarica viene lasciata fuori durante l'inverno, lasciare il filo perimetrale collegato.

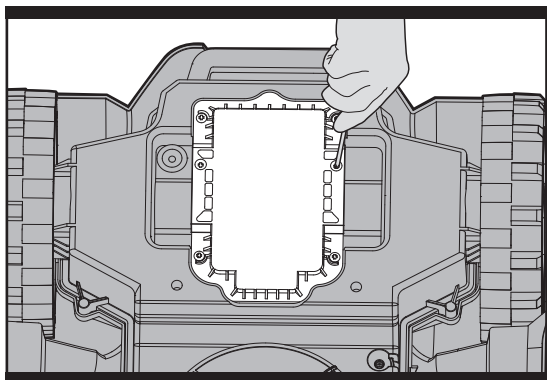
NOTA: Quando si riattiva Landroid®L dal rimessaggio invernale, assicurarsi che le strisce di ricarica (5) e le pin di contatto (2) siano pulite. È meglio utilizzare carta vetrata fine. Assicurarsi quindi che data e ora siano corretti e riportare Landroid®L al suo tanto adorato lavoro: la tosatura.

5.5 Sostituzione della batteria

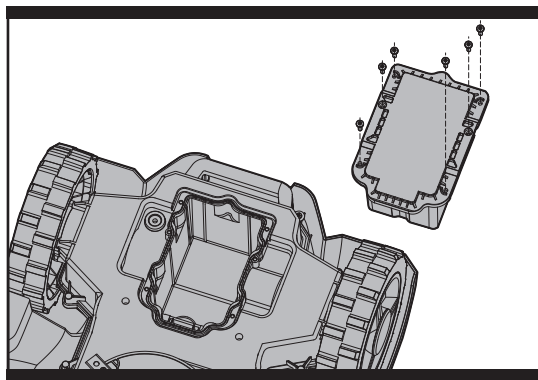
⚠ AVVISIO: Premere il tasto ON/OFF su OFF prima di effettuare qualsiasi regolazione, sostituzione o riparazione.

Per sostituire la batteria, attenersi alle seguenti procedure:

1. Capovolgere delicatamente Landroid®L.
2. Rimuovere le sei viti sulla batteria. (Vedere Le Fig. S)
3. Estrarre la vecchia batteria. (Vedere Le Fig. T)
4. Inserire la nuova batteria.
5. Reinserire saldamente le 6 viti.





S



T

Tutela ambientale

 I prodotti elettrici non possono essere gettati tra i rifiuti domestici. L'apparecchio da rottamare deve essere portato al centro di riciclaggio per un corretto trattamento. Controllare con le autorità locali o con il rivenditore per localizzare il  centro di riciclaggio più vicino.

Dichiarazione di conformità

Noi,
POSITEC Germany GmbH Konrad-Adenauer-Ufer 37 50668 Köln

Dichiara che l'apparecchio,
Descrizione **WORX Robot tosaerba**
Codice **WG795E (790-799-Designazione del macchinario, rappresentativo della Robot tosaerba)**
Funzione **Falciatura prati**

È conforme alle seguenti direttive,
2006/42/EC, 2004/108/EC, 2011/65/EU, 2000/14/EC modificato da 2005/88/EC

2000/14/EC modificata dalla 2005/88/EC

Procedura di conformità come da **Annex V.**

Potenza acustica pesata: **56dB(A)**

Massima potenza di rumore garantita: **57dB(A)**

Conforme a,

EN ISO 12100-1

EN ISO 12100-2

EN ISO 14121-1

EN ISO 3744

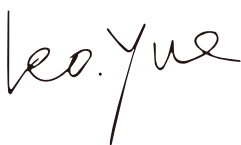
EN 55014-1

EN 55014-2

Il responsabile autorizzato alla compilazione della documentazione tecnica,

Nome Russell Nicholson

Indirizzo Positec Power Tools (Europe) Ltd, PO Box 152, Leeds, LS10 9DS, UK



65

2013/12/05

Leo Yue

POSITEC Direttore Qualità

Area codice PI: