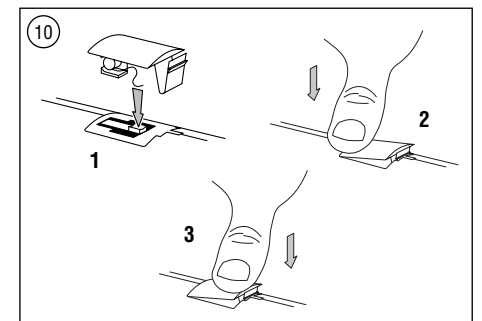
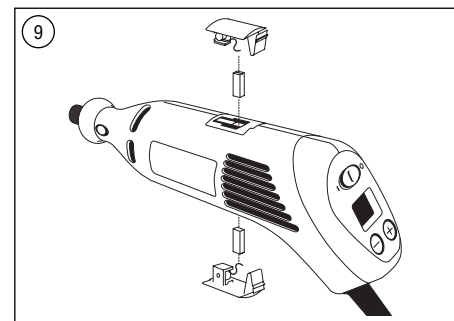
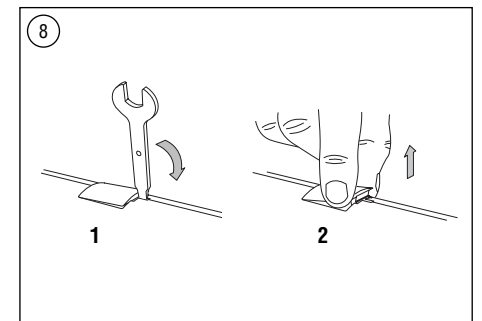
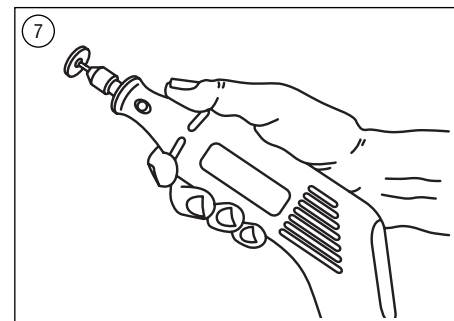
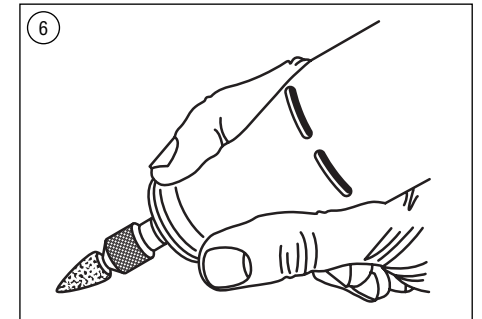
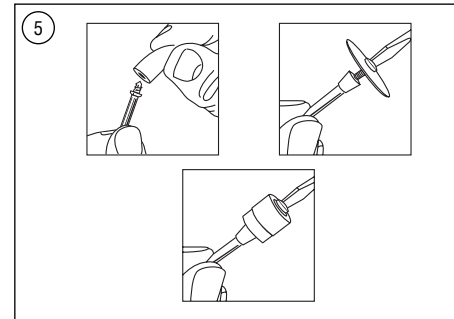
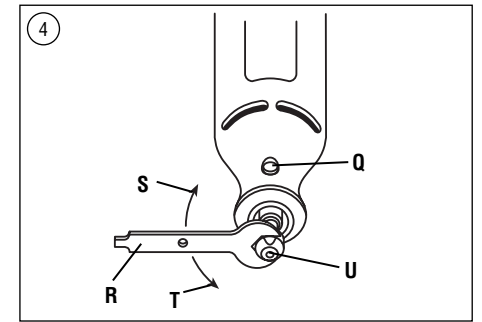
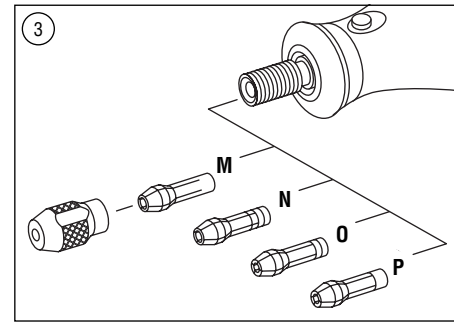
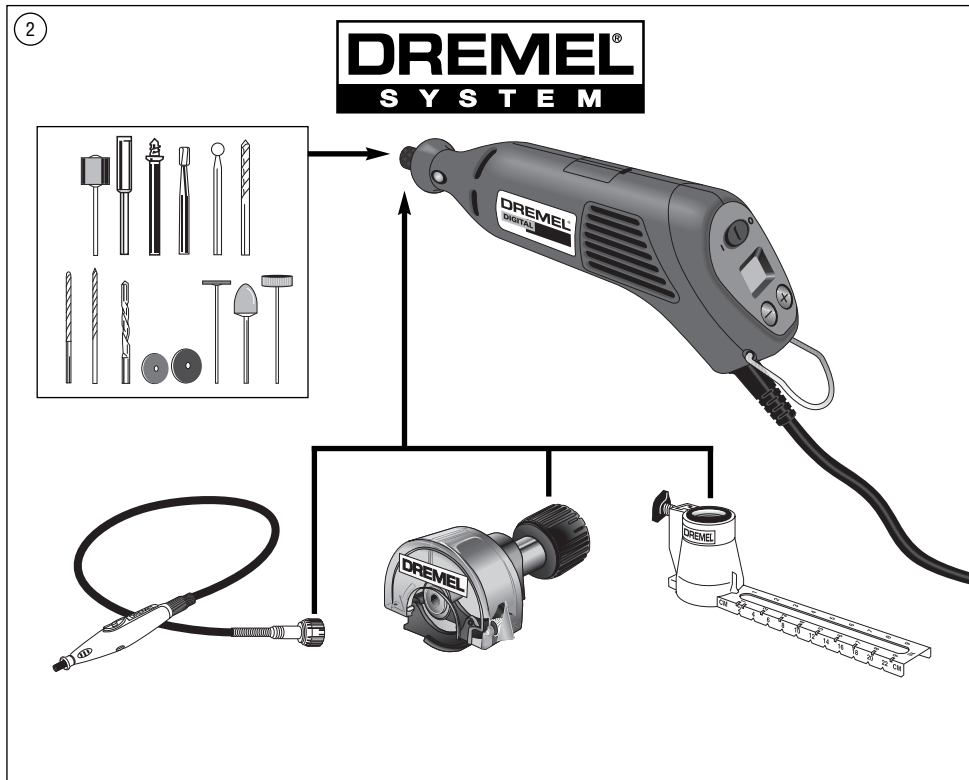
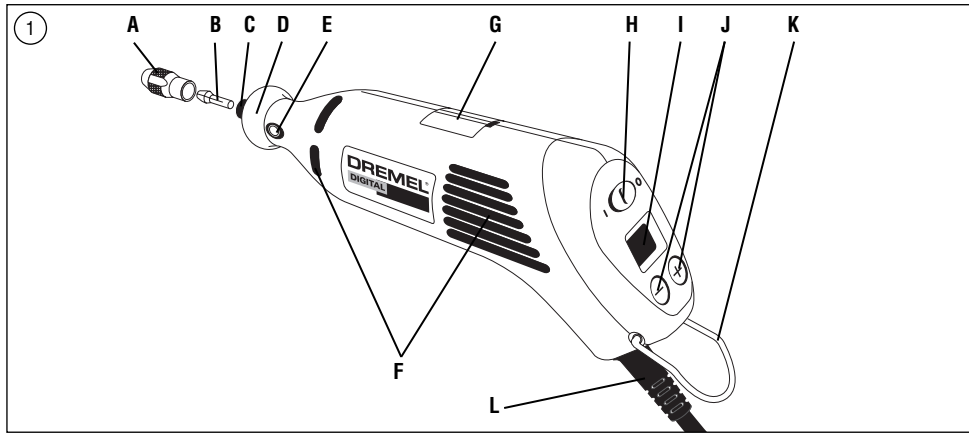








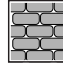

DREMEL® 400 SERIES DIGITAL







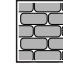



GB	Operating/Safety Instructions	Page	8
D	Bedienungs-/Sicherheitsanweisungen	Seite	15
F	Notice d'utilisation/consignes de sécurité	Page	22
I	Istruzioni di funzionamento/sicurezza	Pagina	29
NL	Bedienings-/veiligheidsvoorschriften	Pagina	37
DK	Betjenings-/sikkerhedsvejledning	Side	45
S	Anvisningar för användning/säkerhet	Sida	51
N	Bruksanvisning og sikkerhetsinstruksjoner	Side	57
FIN	Käyttö- ja turvallisuusohjeet	Sivu	64

**Dremel European Sales Office
The Netherlands**



									
105		27	33	21	15	21	-	-	-
106		27	33	18	15	21	-	-	-
107		27	33	18	15	21	-	-	-
108		27	33	21	15	21	-	-	-
110		27	33	18	15	21	-	-	-
111		27*	33*	21*	15	21	-	-	-
113		27*	33*	18*	15	21	-	-	-
114		27	21	15	18	21	-	-	-
115		27	33	15	18	21	-	-	-
117		27	21	15	18	21	-	-	-
118		27	33	15	18	27	-	-	-
125		27	21	15	18	21	-	-	-
134		27	21	15	18	21	-	-	-
144		27	21	15	18	21	-	-	-
150		33	27-33	9-15	-	21	-	-	-
191		27	33	15	18	27	-	-	-
192		27	33	15	18	27	-	-	-
193		27	33	15	18	27	-	-	-
194		27	33	15	18	27	-	-	-
196		27	21	15	18	21	-	-	-
199		27	27	15	18	21	-	-	-
403		15	15	9-15	21	21	-	-	-
404		15	15	9-15	21	21	-	-	-
405		15	15	9-15	21	21	-	-	-
407		9-33	9-33	9-21	33	33	9-33	9-33	-
408		9-33	9-33	9-21	33	33	9-33	9-33	-
409		-	-	9-15	33	33	33	33	-
411		27	27	9-15	-	9-15	-	-	-
412		27	27	9-15	-	9-15	-	-	-
413		27	27	9-15	-	9-15	-	-	-
414		-	-	-	21	21	21	21	21
420		-	-	9-15	33	33	33	33	-
422		-	-	-	21	21	21	21	21
423		-	-	-	21-27	21-27	21-27	21-27	21-27
425		-	-	-	27	27	-	-	-
426		-	-	9-15	33	33	33	33	-
428		15	15	9	15	-	-	-	-
429		-	-	-	21	21	21	21	21
430		9-33	9-33	9-21	33	33	9-33	9-33	-
431		9-33	9-33	9-21	33	33	9-33	9-33	-
432		9-33	9-33	9-21	33	33	9-33	9-33	-
438		9-33	9-33	9-21	33	33	9-33	9-33	-
439		9-33	9-33	9-21	33	33	9-33	9-33	-
440		9-33	9-33	9-21	33	33	9-33	9-33	-
442		15	15	9	15	-	-	-	-
443		15	15	9	15	-	-	-	-
444		9-33	9-33	9-21	33	33	9-33	9-33	-
453		-	-	-	27	-	-	-	-
454		-	-	-	27	-	-	-	-
455		-	-	-	27	-	-	-	-

								
456								
457		-	-	-	27	-	-	-
461		-	-	-	27	27	27	27
462		-	-	-	27	27	27	27
463		-	-	-	27	27	27	27
502		21-27	27	9	33	27-33	-	-
504		21-27	27	9	33	27-33	-	-
511		21	21	15	21	21	-	-
516		15-21	15-21	-	27	21	-	-
518		15-21	15-21	-	27	21	-	-
520		-	-	-	-	-	-	-
530		-	15	-	15	-	-	-
531		-	15	-	15	-	-	-
532		-	15	-	15	-	-	-
535		15	15	-	15	15	15	-
536		15	15	-	15	15	15	-
537		15	15	-	15	15	15	-
538								
540		-	-	9-15	33	33	33	33
541		33	33	-	27	15	21	33
542		33	27-33	9-15	33	33	33	33
545		27-33	27	-	-	-	-	-
546								
560		A)						
561		21-33	21-33	9-15	-	33	-	-
562		-	-	-	-	-	33	-
569		B)						
570		B)						
612		33*	27■	-	-	-	-	-
615		33*	27■	-	-	-	-	-
640		33*	27■	-	-	-	-	-
650		33*	27■	-	-	-	-	-
652		33*	27■	-	-	-	-	-
654		33*	27■	-	-	-	-	-
655		33*	27■	-	-	-	-	-
911		33	33	-	27	15	21	33
932		33	33	-	27	15	21	33
952		33	33	-	27	15	21	33
953		33	33	-	27	15	21	33
997		33	33	-	27	15	21	33
7103		33	27	-	-	-	33	33
7105		33	27	-	-	-	33	33
7120		33	27	-	-	-	33	33
7122		33	27	-	-	-	33	33
7123		33	27	-	-	-	33	33
7134		33	27	-	-	-	33	33
7144		33	27	-	-	-	33	33
8153		33	33	-	27	15	21	33
8175		33	33	-	27	15	21	33
8193		33	33	-	27	15	21	33



8215	33	33	-	27	15	21	33	-
9901	27	27	15	27-33	21	27	27-33	27-33
9902	27	27	15	27-33	21	27	27-33	27-33
9903	27	27	15	27-33	21	27	27-33	27-33
9904	27	27	15	27-33	21	27	27-33	27-33
9905	27	27	15	27-33	21	27	27-33	27-33
9909	27	27	15	27-33	21	27	27-33	27-33
9910	27	27	15	27-33	21	27	27-33	27-33
9911	27	27	15	27-33	21	27	27-33	27-33
9931	27	27	15	-	21	-	-	-
9933	27	27	15	-	21	-	-	-
9934	27	27	15	-	21	-	-	-
9936	27	27	15	-	21	-	-	-
83142	-	-	21	33	15	21	33	33
83322	-	-	21	33	15	21	33	33
83702	-	-	21	33	15	21	33	33
84922	-	-	21	33	15	21	33	33
85422	-	-	21	33	15	21	33	33
85602	-	-	21	33	15	21	33	33

(GB)

CE DECLARATION OF CONFORMITY We declare under our sole responsibility that this product is in conformity with the following standards or standardized documents: EN 60 745, EN 55 014, in accordance with the provisions of the directives 73/23/EEC, 89/336/EEC, 98/37/EEC, 2002/96/EC.

NOISE/VIBRATION The noise level when working can exceed 85 dB(A); **wear ear protection.** Measured in accordance with EN 60 745 the sound pressure level of this tool is 77 dB(A) (standard deviation: 3dB), and the vibration < 3.3 m/s² (hand-arm method).

(D)

CE KONFORMITÄTSSERKLÄRUNG Wir erklären in alleiniger Verantwortung, daß dieses Produkt mit den folgenden Normen oder normativen Dokumenten übereinstimmt: EN 60 745, EN 55 014, gemäß den Bestimmungen der Richtlinien 73/23/EG, 89/336/EG, 98/37/EG, 2002/96/EG.
GERÄUSCH/VIBRATION Der Geräuschpegel beim Arbeiten kann 85 dB(A) überschreiten; **Gehörschutz tragen.** Gemessen gemäß EN 60 745 beträgt der Schalldruckpegel dieses Gerätes 77 dB(A) (Standard-abweichung: 3dB), und die Vibration < 3,3 m/s² (Hand-Arm Methode).

(F)

CE DÉCLARATION DE CONFORMITÉ Nous déclarons sous notre propre responsabilité que ce produit est en conformité avec les normes ou documents normalisés suivants: EN 60 745, EN 55 014, conforme aux réglementations 73/23/EEC, 89/336/EEC, 98/37/EEC, 2002/96/EC.

BRUIT/VIBRATION Le niveau sonore en fonctionnement peut dépasser 85 dB(A); **munissez-vous de casques anti-bruit.** Mesuré selon EN 60 745 le niveau de la pression sonore de cet outil est 77 dB(A) (déviations standard: 3dB), et la vibration < 3,3 m/s² (méthode main-bras).

(I)

CE DICHIARAZIONE DI CONFORMITÀ Dichiaro, assumendo la piena responsabilità di tale dichiarazione, che il prodotto è conforme alle seguenti normative e ai relativi documenti: EN 60 745, EN 55 014 in base alle prescrizioni delle direttive CE 73/23, CE 89/336, CE 98/37, CE 2002/96.

RUMOROSITÀ/VIBRAZIONE Durante le operazioni di lavoro il livello di rumorosità può superare 85 dB(A); **utilizzate le cuffie di protezione.** Misurato in conformità al EN 60 745 il livello di pressione acustica di questo utensile è 77 dB(A) (deviazione standard: 3dB), e la vibrazione < 3,3 m/s² (metodo mano-braccio).

(NL)

CE CONFORMITEITSVERKLARING Wij verklaren, dat dit product voldoet aan de volgende normen of normatieve documenten: EN 60 745, EN 55 014, overeenkomstig de bepalingen van de richtlijnen 73/23/EG, 89/336/EG, 98/37/EG, 2002/96/EG.

GELUID/VIBRATIE Tijdens het werken kan het geluidsniveau 85 dB(A) overschrijden; **draag oorbeschermers.** Gemeten volgens EN 60 745 bedraagt het geluidsdrukkniveau van deze machine 77 dB(A) (standaard deviatie: 3dB), en de vibratie < 3,3 m/s² (hand-arm methode).

(DK)

CE KONFORMITETSERKLÆRING Vi erklærer under almindeligt ansvar, at dette produkt er i overensstemmelse med følgende normer eller normative dokumenter: EN 60 745, EN 55 014, i henhold til bestemmelserne i direktiverne 73/23/EF, 89/336/EF, 98/37/EF, 2002/96/EF.

STØJ/VIBRATION Under arbejde med værktøjet kan lydniveauet overstige 85 dB(A); **brug høreværn.** Måles efter EN 60 745 er lydtrykniveau af dette værktøj 77 dB(A) (standard deviation: 3dB), og vibrationsniveauet < 3,3 m/s² (hånd-arm metoden).

(S)

CE KONFORMITETS FÖRKLARING Vi intygar och ansvarar för, att denna produkt överensstämmer med följande norm och dokument: EN 60 745, EN 55 014, enl. bestämmelser och riktlinjerna 73/23/EG, 89/336/EG, 98/37/EG, 2002/96/EG.
LJUD/VIBRATION Ljudnivån vid arbete kan överskrida 85 dB(A); **använd hörselskydd.** Ljudtrycksnivån som uppmätts enligt EN 60 745 är på denna maskin 77 dB(A) (standard deviation: 3dB), och vibration < 3,3 m/s² (hånd-arm metod).

(N)

CE SAMSVARERKLÆRING Vi erklærer at det er under vårt ansvar at dette produkt er i samsvar med følgende standarder eller standard- dokumenter: EN 60 745, EN 55 014, i samsvar med reguleringer 73/23/EF, 89/336/EF, 98/37/EF, 2002/96/EF.

STØY/VIBRASJON Støynivået under arbeid kan overskride 85 dB(A); **bruk hørselsvern.** Målt ifølge EN 60 745 er lydtryknivået av dette verktøyet 77 dB(A) (standard deviasjon: 3dB), og vibrasjonsnivået < 3,3 m/s² (hånd-arm metode).

(FIN)

CE TODISTUS STANDARDINMUKAISUDESTA Todistamme täten ja vastaamme yksin siitä, että tämä tuote on allalueteltujen standardien ja standardoimisasiakirjojen vaatimusten mukainen EN 60 745, EN 55 014, seuraavien sääntöjen mukaisesti 73/23/ETY, 89/336/ETY, 98/37/ETY, 2002/96/ETY.

MELU/TÄRINÄ Työskenneltäessä melutaso saattaa ylittää 85 dB(A); **jolloin suositellaan kuulussuojaimien käyttöä.** Mitattuna EN 60 745 mukaan työkalun melutaso on 77 dB(A) (keskihajonta: 3dB), ja värinän voimakkuus < 3,3 m/s² (käsi-käsivarsi metodi).



Skil Europe B.V. A. v.d. Kloot

GENERAL SAFETY INSTRUCTIONS



WARNING READ ALL INSTRUCTIONS. Failure to follow all instructions listed below may result in electric shock, fire and/or serious injury. The term "power tool" in all of the warnings listed below refers to your mains-operated (corded) power tool.

SAVE THESE INSTRUCTIONS

1. WORK AREA

- Keep work area clean and well lit. *Cluttered and dark areas invite accidents.*
- Do not operate power tools in explosive atmospheres, such as in the presence of flammable liquids, gases or dust. *Power tools create sparks which may ignite the dust or fumes.*
- Keep children and bystanders away while operating a power tool. *Distractions can cause you to lose control.*

2. ELECTRICAL SAFETY

- Power tool plugs must match the outlet. Never modify the plug in any way. Do not use any adapter plugs with earthed (grounded) power tools. *Unmodified plugs and matching outlets will reduce risk of electric shock.*
- Avoid body contact with earthed or grounded surfaces such as pipes, radiators, ranges and refrigerators. *There is an increased risk of electric shock if your body is earthed or grounded.*
- Do not expose power tools to rain or wet conditions. *Water entering a power tool will increase the risk of electric shock.*
- Do not abuse the cord. Never use the cord for carrying, pulling or unplugging the power tool. Keep cord away from heat, oil, sharp edges or moving parts. *Damaged or entangled cords increase the risk of electric shock.*
- When operating a power tool outdoors, use an extension cord suitable for outdoor use. *Use of a cord suitable for outdoor use reduces the risk of electric shock.*

3. PERSONAL SAFETY

- Stay alert, watch what you are doing and use common sense when operating a power tool. Do not use a power tool while you are tired or under the influence of drugs, alcohol or medication. *A moment of inattention while operating power tools may result in serious personal injury.*
- Use safety equipment. Always wear eye protection. *Safety equipment such as dust mask, non-skid safety shoes, hard hat, or hearing protection used for appropriate conditions will reduce personal injuries.*
- Avoid accidental starting. Ensure the switch is in the off position before plugging in. *Carrying power tools with*



- your finger on the switch or plugging in power tools that have the switch on invites accidents.*
- Remove any adjusting key or wrench before turning the power tool on. *A wrench or a key left attached to a rotating part of the power tool may result in personal injury.*
 - Do not overreach. *Keep proper footing and balance at all times. This enables better control of the power tool in unexpected situations.*
 - Dress properly. *Do not wear loose clothing or jewellery. Keep your hair, clothing and gloves away from moving parts. Loose clothes, jewellery or long hair can be caught in moving parts.*
 - If devices are provided for the connection of dust extraction and collection facilities, ensure these are connected and properly used. *Use of these devices can reduce dust related hazards.*

4. POWER TOOL USE AND CARE

- Do not force the power tool. Use the correct power tool for your application. *The correct power tool will do the job better and safer at the rate for which it was designed.*
- Do not use the power tool if the switch does not turn it on and off. *Any power tool that cannot be controlled with the switch is dangerous and must be repaired.*
- Disconnect the plug from the power source before making any adjustments, changing accessories, or storing power tools. *Such preventive safety measures reduce the risk of starting the power tool accidentally.*
- Store idle power tools out of the reach of children and do not allow persons unfamiliar with the power tool or these instructions to operate the power tool. *Power tools are dangerous in the hands of untrained users.*
- Maintain power tools. Check for misalignment or binding of moving parts, breakage of parts and any other condition that may affect the power tools operation. If damaged, have the power tool repaired before use. *Many accidents are caused by poorly maintained power tools.*
- Keep cutting tools sharp and clean. *Properly maintained cutting tools with sharp cutting edges are less likely to bind and are easier to control.*
- Use the power tool, accessories and tool bits etc., in accordance with these instructions and in the manner intended for the particular type of power tool, taking into account the working conditions and the work to be performed. *Use of the power tool for operations different from those intended could result in a hazardous situation.*

5. SERVICE

- Have your power tool serviced by a qualified repair person using only identical replacement parts. *This will ensure that the safety of the power tool is maintained.*

SAFETY INSTRUCTIONS FOR ALL OPERATIONS

SAFETY WARNINGS THAT ARE COMMON FOR GRINDING, SANDING, WIRE BRUSHING, POLISHING AND ABRASIVE CUTTING OFF OPERATIONS

- This power tool is intended to function as a grinder, sander, wire brush, polisher or cut-off tool. Read all safety warnings, instructions, illustrations and specifications provided with this power tool. *Failure to follow all instructions listed below may result in electric shock, fire and/or serious injury.*
- Do not use accessories which are not specifically designed and recommended by the tool manufacturer. *Just because the accessory can be attached to your power tool, it does not assure safe operation.*
- The rated speed of the accessory must be at least equal to the maximum speed marked on the power tool. *Accessories running faster than their rated speed can fly apart.*
- The outside diameter and the thickness of your accessory must be within the capacity rating of your power tool. *Incorrectly sized accessories cannot be adequately guarded or controlled.*
- The arbour size of wheels, flanges, backing pads or any other accessory must properly fit the spindle of the power tool. *Accessories with arbour holes that do not match the mounting hardware of the power tool will run out of balance, vibrate excessively and may cause loss of control.*
- Do not use a damaged accessory. Before each use inspect the accessory such as abrasive wheels for chips and cracks, backing pad for cracks, tear or excess wear, wire brush for loose or cracked wires. If power tool or accessory is dropped, inspect for damage or install an undamaged accessory. After inspecting and installing an accessory, position yourself and bystanders away from the plane of the rotating accessory and run the power tool at maximum no load speed for one minute. *Damaged accessories will normally break apart during this test time.*
- Wear personal protective equipment. Depending on application, use face shield, safety goggles or safety glasses. As appropriate, wear dust mask, hearing protectors, gloves and shop apron capable of stopping small abrasive or workpiece fragments. *The eye protection must be capable of stopping flying debris generated by various operations. The dust mask or respirator must be capable of filtering particles generated by your operation. Prolonged exposure to high intensity noise may cause hearing loss.*

- Keep bystanders a safe distance away from work area. Anyone entering the work area must wear personal protective equipment. *Fragments of workpiece or of a broken accessory may fly away and cause injury beyond immediate area of operation.*
- Hold power tool by insulated gripping surfaces only, when performing an operation where the cutting accessory may contact hidden wiring or its own cord. *Cutting accessory contacting a "live" wire may make exposed metal parts of the power tool "live" and shock the operator.*
- Position the cord clear of the spinning accessory. *If you lose control, the cord may be cut or snagged and your hand or arm may be pulled into the spinning accessory.*
- Never lay the power tool down until the accessory has come to a complete stop. *The spinning accessory may grab the surface and pull the power tool out of your control.*
- Do not run the power tool while carrying it at your side. *Accidental contact with the spinning accessory could snag your clothing, pulling the accessory into your body.*
- Regularly clean the power tool's air vents. *The motor's fan will draw the dust inside the housing and excessive accumulation of powdered metal may cause electrical hazards.*
- Do not operate the power tool near flammable materials. *Sparks could ignite these materials.*
- Do not use accessories that require liquid coolants. *Using water or other liquid coolants may result in electrocution or shock.*

KICKBACK AND RELATED WARNINGS

Kickback is a sudden reaction to a pinched or snagged rotating wheel, backing pad, brush or any other accessory. Pinching or snagging causes rapid stalling of the rotating accessory which in turn causes the uncontrolled power tool to be forced in the direction opposite of the accessory's rotation at the point of the binding. For example, if an abrasive wheel is snagged or pinched by the workpiece, the edge of the wheel that is entering into the pinch point can dig into the surface of the material causing the wheel to climb out or kick out. The wheel may either jump toward or away from the operator, depending on direction of the wheel's movement at the point of pinching. Abrasive wheels may also break under these conditions. Kickback is the result of power tool misuse and/or incorrect operating procedures or conditions and can be avoided by taking proper precautions as given below.

- a. Maintain a firm grip on the power tool and position your body and arm to allow you to resist kickback forces. Always use auxiliary handle, if provided, for maximum control over kickback or torque reaction during start-up. *The operator can control torque reactions or kickback forces, if proper precautions are taken.*
- b. Never place your hand near the rotating accessory. *Accessory may kickback over your hand.*
- c. Do not position your body in the area where power tool will move if kickback occurs. *Kickback will propel the tool in direction opposite to the wheel's movement at the point of snagging.*
- d. Use special care when working corners, sharp edges etc. Avoid bouncing and snagging the accessory. *Corners, sharp edges or bouncing have a tendency to snag the rotating accessory and cause loss of control or kickback.*
- e. Do not attach a saw chain woodcarving blade or toothed saw blade. *Such blades create frequent kickback and loss of control.*

SAFETY WARNINGS SPECIFIC FOR GRINDING AND ABRASIVE CUTTING OFF OPERATIONS

- a. Use only wheel types that are recommended for your power tool and the specific guard designed for the selected wheel. *Wheels for which the power tool was not designed cannot be adequately guarded and are unsafe.*
- b. Wheels must be used only for recommended applications. For example: do not grind with the side of cut-off wheel. *Abrasive cut-off wheels are intended for peripheral grinding, side forces applied to these wheels may cause them to shatter.*
- c. Always use undamaged wheel flanges that are of correct size and shape for your selected wheel. *Proper wheel flanges support the wheel thus reducing the possibility of wheel breakage. Flanges for cut-off wheels may be different from grinding wheel flanges.*
- d. Do not use worn down wheels from larger power tools. *Wheel intended for larger power tool is not suitable for the higher speed of a smaller tool and may burst.*

ADDITIONAL SAFETY WARNINGS SPECIFIC FOR ABRASIVE CUTTING OFF OPERATIONS

- a. Do not "jam" the cut-off wheel or apply excessive pressure. Do not attempt to make an excessive depth of cut. *Overstressing the wheel increases the loading and susceptibility to twisting or binding of the wheel in the cut and the possibility of kickback or wheel breakage.*
- b. Do not position your body in line with and behind the rotating wheel. *When the wheel, at the point of operation, is moving away from your body, the possible kickback may propel the spinning wheel and the power tool directly at you.*

- c. When wheel is binding or when interrupting a cut for any reason, switch off the power tool and hold the power tool motionless until the wheel comes to a complete stop. Never attempt to remove the cut-off wheel from the cut while the wheel is in motion otherwise kickback may occur. *Investigate and take corrective action to eliminate the cause of wheel binding.*
- d. Do not restart the cutting operation in the workpiece. Let the wheel reach full speed and carefully reenter the cut. *The wheel may bind, walk up or kickback if the power tool is restarted in the workpiece.*
- e. Support panels or any oversized workpiece to minimize the risk of wheel pinching and kickback. *Large workpieces tend to sag under their own weight. Supports must be placed under the workpiece near the line of cut and near the edge of the workpiece on both sides of the wheel.*
- f. Use extra caution when making a "pocket cut" into existing walls or other blind areas. *The protruding wheel may cut gas or water pipes, electrical wiring or objects that can cause kickback.*

SAFETY WARNINGS SPECIFIC FOR SANDING OPERATIONS

- a. When sanding, do not use excessively oversized sanding disc paper. Follow manufacturers recommendations, when selecting sanding paper. *Larger sanding paper extending beyond the sanding pad presents a laceration hazard and may cause snagging, tearing of the disc, or kickback.*

SAFETY WARNINGS SPECIFIC FOR POLISHING OPERATIONS

- a. Do not allow any loose portion of the polishing bonnet or its attachment strings to spin freely. Tuck away or trim any loose attachment strings. *Loose and spinning attachment strings can entangle your fingers or snag on the workpiece.*

SAFETY WARNINGS SPECIFIC FOR WIRE BRUSHING OPERATIONS

- a. Be aware that wire bristles are thrown by the brush even during ordinary operation. Do not overstress the wires by applying excessive load to the brush. *The wire bristles can easily penetrate light clothing and/or skin.*
- b. If the use of a guard is recommended for wire brushing, do not allow any interference of the wire wheel or brush with the guard. *Wire wheel or brush may expand in diameter due to work load and centrifugal forces.*

ENVIRONMENT

DISPOSAL

The machine, accessories and packaging should be sorted for environmental-friendly recycling.

ONLY FOR EC COUNTRIES



Do not dispose of power tools into household waste! According to the European Guideline 2002/96/EC for Waste Electrical and Electronic Equipment and its implementation into national right, power tools that are no longer usable must be collected separately and disposed of in an environmentally correct manner.

SPECIFICATIONS

GENERAL SPECIFICATIONS

Voltage Rating 230-240 V, 50-60 Hz
 Amperage Rating 0.6A
 No Load Speed n, 33,000/min
 Collet Capacity 0.8mm, 1.6mm, 2.4mm, 3.2mm

EXTENSION CORDS

Use completely unrolled and safe extension cords with a capacity of 5 Amps.

MOTOR SPECIFICATIONS

This multitool utilizes a variable high speed motor. It is wired for operation on 230-240 volts, 50-60 Hz. Always check that the supply voltage is the same as the voltage indicated on the nameplate of the tool (tools with a rating of 230V or 240V can also be connected to a 220V supply).

ASSEMBLY

ALWAYS UNPLUG MULTITOOL BEFORE CHANGING ACCESSORIES, CHANGING COLLETS, OR SERVICING THE TOOL.

GENERAL

The Dremel multitool is a high quality precision tool that can be used to perform detailed and intricate tasks. The wide range of Dremel accessories and attachments allow you to perform a large variety of tasks. These include tasks such as sanding, carving and engraving and routing, cutting, cleaning and polishing. PICTURE 2

PICTURE 1

- A. Collet nut
- B. Collet
- C. Attachment interface
- D. Housing cap
- E. Shaft Lock Button
- F. Ventilation openings
- G. Brush cover (one each side)
- H. On/Off Switch
- I. LCD-Display
- J. Speed Up/Down Buttons
- K. Hanger
- L. Power cord

COLLETS

The Dremel accessories available for the multitool come with various shank sizes. Four size collets are available to accommodate the different shank sizes. Collet sizes are identified by the rings on the back of the collet.

PICTURE 3

- M. 3.2 mm Collet without ring (480)
- N. 2.4 mm Collet with three rings (481)
- O. 1.6 mm Collet with two rings (482)
- P. 0.8 mm Collet with one ring (483)

NOTE: Some multitool kits may not include all four collet sizes. Collets are available separately.

Always use the collet which matches the shank size of the accessory you plan to use. Do not force a larger diameter shank into a smaller collet.

CHANGING COLLETS

PICTURE 4

- Q. Shaft Lock Button
- R. Collet Wrench
- S. To tighten
- T. To loosen
- U. Collet Nut

1. Press the shaft lock button, hold down and rotate the shaft by hand until it engages the shaft. Do not engage the shaft lock button while multitool is running.
2. With the shaft lock button engaged, loosen and remove the collet nut. Use the collet wrench if necessary.
3. Remove the collet by pulling it free from the shaft.
4. Install the appropriate size collet fully into the shaft and reinstall the collet nut finger tight. Do not fully tighten the nut when there is no bit or accessory installed.

GETTING STARTED

USE

The first step in using the multitool is to get the "feel" of it. Hold it in your hand and feel its weight and balance. Feel the taper of the housing. This taper permits the tool to be grasped much like a pen or pencil.

Always hold the tool away from your face. Accessories can be damaged during handling and can fly apart as they come up to speed.

When holding tool, do not cover the ventilation openings with your hand. Blocking the ventilation openings could cause the motor to overheat.

IMPORTANT! Practice on scrap material first to see how the tool's high-speed action performs. Keep in mind that your multitool will perform best by allowing the speed, along with the correct Dremel accessory and attachment, to do the work for you. Do not put pressure on the tool during use, if possible. Instead, lower the spinning accessory lightly to the work surface and allow it to touch the point at which you want to begin. Concentrate on guiding the tool over the work using very little pressure from your hand. Allow the accessory to do the work. Usually it is better to make a series of passes with the tool rather than to do the entire job with one pass. A gentle touch gives the best control and reduces the chance of error.

HOLDING THE TOOL

For best control in close work, grip the multitool like a pencil between your thumb and forefinger. PICTURE 6
The "golf" grip method is used for heavier operations such as grinding or cutting. PICTURE 7

CHANGING ACCESSORIES

PICTURE 4/5

- Q. Shaft Lock Button

1. Press the shaft lock button and rotate the shaft by hand until it engages the shaft lock. *Do not engage the shaft lock button while multitool is running.*
2. With the shaft lock button engaged, loosen (do not remove) the collet nut. Use the collet wrench if necessary.
3. Insert the bit or accessory shank fully into the collet.
4. With the shaft lock button engaged, finger tighten the collet nut until the bit or accessory shank is gripped by the collet.
NOTE: Be sure to read the instructions supplied with your Dremel accessory for further information on its use.

Use only Dremel tested, high performance accessories.

OPERATING SPEEDS

This tool is a high speed multitool. The digital display of the 400 Series DIGITAL tool shows the exact number of RPM (x 1.000) at which the tool is running. To increase / decrease the speed push the speed up / down buttons. The speed of your multitool can be increased and decreased in 1.000 RPM increments. This allows you to control the speed of your multitool very accurately. Adjusting the no. of RPM to your project will give a better end result. To achieve the best results when working with different materials, set the variable speed control to suit the job. To select the right speed for the accessory in use, practice with scrap material first.

NOTE: Speed is affected by voltage changes. A reduced incoming voltage will slow the RPM of the tool, especially at the lowest setting. If your tool appears to be running slowly, increase the speed setting accordingly. The tool may not start at the lowest switch setting in areas where outlet voltage is less than 220 volts. Simply move the speed setting to a higher position to begin operation.

Refer to the Speed Settings chart on pages 4-6 to help determine the proper speed for the material being worked on and the accessory to use.

- A) For use on drywall. For best results use at 33.000 RPM.
- B) For use on wall and floor grout. Use setting 20.000-28.000 RPM.
- *) Speed for light cuts. Caution, burning on deep grooves possible.

■) Depending on cutting direction relative to grain.
Most jobs can be accomplished using the tool at the highest setting. However, certain materials (some plastics and metals) can be damaged by high-speed generated heat and should be worked on at relatively low speeds. Low speed operation (15,000 RPM or less) is usually best for polishing operations employing the felt polishing accessories. All brushing applications require lower speeds to avoid wire discharge from the holder. Let the performance of the tool do the work

for you when using lower speed settings. Higher speeds are better for hardwoods, metals and glass and for drilling, carving, cutting, routing, shaping and cutting dadoes or rabbets in wood.

Some guidelines regarding tool speed:

- Plastic and other materials that melt at low temperatures should be cut at low speeds.
- Polishing, buffing and cleaning with a wire brush must be done at speeds not greater than 15,000 RPM to prevent damage to the brush and your material.
- Wood should be cut at high speed.
- Iron or steel should be cut at high speed.
- If a high speed steel cutter starts to vibrate, it usually indicates that it is running too slow.

MAINTENANCE

Preventative maintenance performed by unauthorized personnel may result in misplacing of internal wires and components which could cause serious hazard. We recommend that all tool service be performed by a Dremel Service Facility. To avoid injury from unexpected starting or electrical shock, always remove plug from wall outlet before performing service or cleaning.

CARBON BRUSHES

The brushes in your tool have been engineered for many hours of dependable service. To prepare the brushes for use, run the tool at full speed for 5 minutes under no load. This will properly "seat" the brushes, and extend the life of the tool. To maintain peak efficiency of the motor, examine the brushes for wear every 40-50 hours.

Using the tool with worn brushes will permanently damage the motor. Use only original Dremel replacement brushes. Inspect the multitool brushes after 40-50 hours of use. If the multitool runs erratically, loses power, or makes unusual noises check the brushes for wear and possible replacement. Follow these steps to check/change the multitool brushes:

1. With the power cord unplugged, place the tool on a clean surface. Use the tool wrench to remove the brush caps. PICTURE 8.
2. Turn the tool so that the brush falls out of the holder and check each brush. If the brush is less than 3mm long and the surface of the brush that touches the commutator is rough or pitted, the carbon brushes should be replaced. Be sure to check both brushes. PICTURE 9
3. If one brush is worn, you should replace both brushes for better performance of your multitool. Remove the spring from the brush, throw away the old brush and place the spring on a new brush.

- Aluminium, copper alloys, lead alloys, zinc alloys and tin may be cut at various speeds, depending on the type of cutting being done. Use a paraffin (not water) or other suitable lubricant on the cutter to prevent the cut material from adhering to the cutter teeth.

NOTE: Increasing pressure on the tool is not the answer when it is not performing properly. Try a different accessory or speed setting to achieve the desired result.

4. Place the carbon brush and spring back into the tool, there is only one way the brush will fit back into the tool. Make sure the brushes are installed as illustrated. PICTURE 9
The curved surface of the brush must match the curvature of the commutator.
5. Rest squared underside of the brush door on the squared cavity openings. Check to be sure the spring rests on the V groove of the brush. Push the front of the door down. The push down and snap the rear latch into its slot. After replacing the brushes the tool should be run at no load; place it on a clean surface and run it freely at full speed for 5 minutes before loading (or using) the tool. This will allow the brushes to "seat" properly and will give you more hours of life from each set of brushes. This will also extend the life of your tool since the commutator surface will also wear better and longer. PICTURE 10

CLEANING THE TOOL

DISCONNECT THE PLUG BEFORE CLEANING

Ventilation openings and switch levers must be kept clean and free of foreign matter. Do not attempt to clean by inserting pointed objects through openings.

The tool may be cleaned with compressed air. Always wear safety goggles when cleaning tool with compressed air.

There is no need to lubricate the Dremel multitool.
Certain cleaning agents and solvents will damage plastic parts. Some of these are: gasoline, carbon tetrachloride, chlorinated cleaning solvents, ammonia and household detergents that contain ammonia.

Clean the "soft grip" areas of the tool using a damp cloth. Tougher soiled areas may require more than one wipe application to get clean.

SERVICE AND WARRANTY

This DREMEL product is guaranteed in accordance with statutory/country-specific regulations; damage due to normal wear and tear, overload or improper handling will be excluded from the guarantee.

In case of a complaint, send the tool *undismantled* together with proof of purchase to your dealer.

CONTACT DREMEL

For more information on the Dremel assortment, support and hotline, go to www.dremel.com

Dremel Europe, P.O. Box 3267, 4800 DG Breda

ALLGEMEINE SICHERHEITSANLEITUNGEN



⚠️ WARNUNG

SÄMTLICHE ANWEISUNGEN SIND ZU LESEN. Fehler bei der Einhaltung der nachstehend aufgeführten Anweisungen können elektrischen Schlag, Brand und/ oder schwere Verletzungen verursachen. Der nachfolgend verwendete Begriff "Elektrowerkzeug" bezieht sich auf netzbetriebene Elektrowerkzeuge (mit Netzkabel).

BEWAHREN SIE DIESE ANWEISUNGEN GUT AUF

1. ARBEITSPLATZ

- Halten Sie Ihren Arbeitsbereich sauber und aufgeräumt. Unordnung und unbeleuchtete Arbeitsbereiche können zu Unfällen führen.
- Arbeiten Sie mit dem Gerät nicht in explosionsgefährdeter Umgebung, in der sich brennbare Flüssigkeiten, Gase oder Stäube befinden. *Elektrowerkzeuge erzeugen Funken, die den Staub oder die Dämpfe entzünden können.*
- Halten Sie Kinder und andere Personen während der Benutzung des Elektrowerkzeugs fern. *Bei Ablenkung können Sie die Kontrolle über das Gerät verlieren.*

2. ELEKTRISCHE SICHERHEIT

- Der Anschlussstecker des Gerätes muss in die Steckdose passen. Der Stecker darf in keiner Weise verändert werden. Verwenden Sie keine Adapterstecker gemeinsam mit Schutzgeerdeten Geräten. *Unveränderte Stecker und passende Steckdosen verringern das Risiko eines elektrischen Schlages.*
- Vermeiden Sie Körperkontakt mit geerdeten Oberflächen wie Rohren, Heizungen, Herden und Kühlschränken. *Es besteht ein erhöhtes Risiko durch elektrischen Schlag, wenn Ihr Körper geerdet ist.*
- Halten Sie das Gerät von Regen oder Nässe fern. *Das Eindringen von Wasser in ein Elektrogerät erhöht das Risiko eines elektrischen Schlages.*
- Zweckentfremden Sie das Kabel nicht, um das Gerät zu tragen, aufzuhängen oder um den Stecker aus der Steckdose zu ziehen. Halten Sie das Kabel fern von Hitze, Öl, scharfen Kanten oder sich bewegenden Geräteteilen. *Beschädigte oder verwickelte Kabel erhöhen das Risiko eines elektrischen Schlages.*
- Wenn Sie mit einem Elektrowerkzeug im Freien arbeiten, verwenden Sie nur Verlängerungskabel, die auch für den Außenbereich geeigneten Verlängerungskabels verringert das Risiko eines elektrischen Schlages.

3. SICHERHEIT VON PERSONEN

- Seien Sie aufmerksam, achten Sie darauf, was Sie tun und gehen Sie mit Vernunft an die Arbeit mit einem Elektrowerkzeug. Benutzen Sie das Gerät nicht, wenn Sie müde sind oder unter dem Einfluss von Drogen, Alkohol oder Medikamenten stehen. *Ein Moment der Unachtsamkeit bei dem Gebrauch des Gerätes kann zu ernsthaften Verletzungen führen.*



- Tragen Sie persönliche Schutzausrüstung und immer eine Schutzbrille. *Das Tragen persönlicher Schutzausrüstung, wie Staubmaske, rutschfeste Sicherheitsschuhe, Schutzhelm oder Gehörschutz, je nach Art und Einsatz des Elektrowerkzeuges, verringert das Risiko von Verletzungen.*
- Vermeiden Sie eine unbeabsichtigte Inbetriebnahme. Vergewissern Sie sich, dass das Elektrowerkzeug ausgeschaltet ist, bevor Sie den Stecker in die Steckdose stecken. *Wenn Sie beim Tragen des Gerätes den Finger am Schalter haben oder das Gerät eingeschaltet an die Stromversorgung anschließen, kann dies zu Unfällen führen.*
- Entfernen Sie Einstellwerkzeuge oder Schraubenschlüssel, bevor Sie das Gerät einschalten. *Ein Werkzeug oder Schlüssel, der sich in einem drehenden Geräteteil befindet, kann zu Verletzungen führen.*
- Überschätzen Sie sich nicht. *Sorgen Sie für einen sicheren Stand und halten Sie jederzeit das Gleichgewicht. Dadurch können Sie das Gerät in unerwarteten Situationen besser kontrollieren.*
- Tragen Sie geeignete Kleidung. *Tragen Sie keine weite Kleidung oder Schmuck. Halten Sie Haare, Kleidung und Handschuhe fern von sich bewegenden Teilen. Lockere Kleidung, Schmuck oder lange Haare können von sich bewegenden Teilen erfasst werden.*
- Wenn Staubabsaug- und -auffangeinrichtungen montiert werden können, vergewissern Sie sich, dass diese angeschlossen sind und richtig verwendet werden. *Das Verwenden dieser Einrichtungen verringert die Gefährdungen durch Staub.*

4. SORGFÄLTIGER UMGANG MIT UND GEBRAUCH VON ELEKTROWERKZEUGEN

- Überlasten Sie das Gerät nicht. Verwenden Sie für Ihre Arbeit das dafür bestimmte Elektrowerkzeug. *Mit dem passenden Elektrowerkzeug arbeiten Sie besser und sicherer im angegebenen Leistungsbereich.*
- Benutzen Sie kein Elektrowerkzeug, dessen Schalter defekt ist. *Ein Elektrowerkzeug, das sich nicht mehr ein- oder ausschalten lässt, ist gefährlich und muss repariert werden.*
- Ziehen Sie den Stecker aus der Steckdose, bevor Sie Geräteeinstellungen vornehmen, Zubehörteile wechseln oder das Gerät weglegen. *Diese Vorsichtsmaßnahme verhindert den unbeabsichtigten Start des Gerätes.*
- Bewahren Sie unbenutzte Elektrowerkzeuge außerhalb der Reichweite von Kindern auf. Lassen Sie Personen das Gerät nicht benutzen, die mit diesem nicht vertraut sind oder diese Anweisungen nicht gelesen haben. *Elektrowerkzeuge sind gefährlich, wenn sie von unerfahrenen Personen benutzt werden.*

- e. Pflegen Sie das Gerät mit Sorgfalt. Kontrollieren Sie, ob bewegliche Geräteteile einwandfrei funktionieren und nicht klemmen, ob Teile gebrochen oder so beschädigt sind, dass die Funktion des Gerätes beeinträchtigt ist. Lassen Sie beschädigte Teile vor dem Einsatz des Gerätes reparieren. *Viele Unfälle haben ihre Ursache in schlecht gewarteten Elektrowerkzeugen.*
- f. Halten Sie Schneidwerkzeuge scharf und sauber. *Sorgfältig gepflegte Schneidwerkzeuge mit scharfen Schneidkanten verklemmen sich weniger und sind leichter zu führen.*
- g. Verwenden Sie Elektrowerkzeug, Zubehör, Einsatzwerkzeuge usw. entsprechend diesen Anweisungen und so, wie es für diesen speziellen Gerätetyp vorgeschrieben ist.

Berücksichtigen Sie dabei die Arbeitsbedingungen und die auszuführende Tätigkeit. *Der Gebrauch von Elektrowerkzeugen für andere als die vorgesehenen Anwendungen kann zu gefährlichen Situationen führen.*

5. SERVICE

- a. Lassen Sie Ihr Gerät nur von qualifiziertem Fachpersonal und nur mit Original-Ersatzteilen reparieren. *Damit wird sichergestellt, dass die Sicherheit des Gerätes erhalten bleibt.*

SICHERHEITSANWEISUNGEN ZU ALLEN BETRIEBSARTEN

GEMEINSAME WARNHINWEISE ZUM SCHLEIFEN, SANDPAPIERSCHLEIFEN, ARBEITEN MIT DRAHTBÜRSTEN, POLIEREN UND TRENNSCHLEIFEN

- a. Dieses Elektrowerkzeug ist zu verwenden als Schleifer, Sandpapierschleifer, Drahtbürste, Polierer und Trennschleifmaschine. Beachten Sie alle Warnhinweise, Anweisungen, Darstellungen und Daten, die Sie mit dem Elektrowerkzeug erhalten. *Wenn Sie die folgenden Anweisungen nicht beachten, kann es zu elektrischem Schlag, Feuer und/oder schweren Verletzungen kommen.*
- b. Verwenden Sie kein Zubehör, das vom Hersteller nicht speziell für dieses Elektrowerkzeug vorgesehen und empfohlen wurde. *Nur weil Sie das Zubehör an Ihrem Elektrowerkzeug befestigen können, garantiert das keine sichere Verwendung.*
- c. Die zulässige Drehzahl des Einsatzwerkzeugs muss mindestens so hoch sein wie die auf dem Elektrowerkzeug angegebene Höchstzahl. *Zubehör, das sich schneller als zulässig dreht, kann zerstört werden.*
- d. Außendurchmesser und Dicke des Einsatzwerkzeugs müssen den Maßangaben Ihres Elektrowerkzeugs entsprechen. *Falsch bemessene Einsatzwerkzeuge können nicht ausreichend abgeschirmt oder kontrolliert werden.*
- e. Schleifscheiben, Flansche, Schleifteller oder anderes Zubehör müssen genau auf die Schleifspindel Ihres Elektrowerkzeugs passen. *Einsatzwerkzeuge, die nicht genau auf die Schleifspindel des Elektrowerkzeugs passen, drehen sich ungleichmäßig, vibrieren sehr stark und können zum Verlust der Kontrolle führen.*
- f. Verwenden Sie keine beschädigten Einsatzwerkzeuge. Kontrollieren Sie vor jeder Verwendung Einsatzwerkzeuge wie Schleifscheiben auf Absplitterungen und Risse, Schleifteller auf Risse, Verschleiß oder starke Abnutzung, Drahtbürsten auf lose oder gebrochene Drähte. Wenn das Elektrowerkzeug oder das Einsatzwerkzeug herunterfällt, überprüfen Sie, ob es beschädigt ist, oder verwenden Sie ein unbeschädigtes Einsatzwerkzeug. Wenn Sie das Einsatzwerkzeug kontrolliert und eingesetzt haben, halten Sie und in der Nähe befindliche Personen sich außerhalb

- der Ebene des rotierenden Einsatzwerkzeugs auf und lassen Sie das Elektrowerkzeug eine Minute lang mit Höchstzahl laufen. *Beschädigte Einsatzwerkzeuge brechen meist in dieser Testzeit.*
- g. Tragen Sie persönliche Schutzausrüstung. Verwenden Sie je nach Anwendung Vollgesichtsschutz, Augenschutz oder Schutzbrille. Soweit angemessen, tragen Sie Staubmaske, Gehörschutz, Schutzhandschuhe oder Spezialschürze, die kleine Schleif- und Materialpartikel von Ihnen fernhält. *Die Augen sollen vor herumfliegenden Fremdkörpern geschützt werden, die bei verschiedenen Anwendungen entstehen. Staub- oder Atemschutzmaske müssen den bei der Anwendung entstehenden Staub filtern. Wenn Sie lange lautem Lärm ausgesetzt sind, können Sie einen Hörverlust erleiden.*
- h. Achten Sie bei anderen Personen auf sicheren Abstand zu Ihrem Arbeitsbereich. Jeder, der den Arbeitsbereich betritt, muss persönliche Schutzausrüstung tragen. *Bruchstücke des Werkstücks oder gebrochener Einsatzwerkzeuge können wegfiegen und Verletzungen auch außerhalb des direkten Arbeitsbereichs verursachen.*
- i. Fassen Sie das Elektrowerkzeug nur an isolierten Griffflächen an, wenn Sie Arbeiten ausführen, bei denen das Einsatzwerkzeug verborgene Stromleitungen oder das eigene Netzkabel treffen kann. *Kontakt mit einer spannungsführenden Leitung setzt auch Metallteile des Elektrowerkzeuges unter Spannung und führt zu einem elektrischen Schlag.*
- j. Halten Sie das Netzkabel von sich drehenden Einsatzwerkzeugen fern. *Wenn Sie die Kontrolle über das Elektrowerkzeug verlieren, kann das Netzkabel durchtrennt oder erfasst werden und Ihre Hand oder Ihr Arm in das sich drehende Einsatzwerkzeug geraten.*
- k. Legen Sie das Elektrowerkzeug niemals ab, bevor das Einsatzwerkzeug völlig zum Stillstand gekommen ist. *Das sich drehende Einsatzwerkzeug kann in Kontakt mit der Ablagefläche geraten, wodurch Sie die Kontrolle über das Elektrowerkzeug verlieren können.*
- l. Lassen Sie das Elektrowerkzeug nicht laufen, während Sie es tragen. *Ihre Kleidung kann durch zufälligen Kontakt mit dem sich drehenden Einsatzwerkzeug erfasst werden, und das Einsatzwerkzeug sich in Ihren Körper bohren.*

- m. Reinigen Sie regelmäßig die Lüftungsschlitze Ihres Elektrowerkzeugs. *Das Motorgebläse zieht Staub in das Gehäuse, und eine starke Ansammlung von Metallstaub kann elektrische Gefahren verursachen.*
- n. Verwenden Sie das Elektrowerkzeug nicht in der Nähe brennbarer Materialien. *Funken können diese Materialien entzünden.*
- o. Verwenden Sie keine Einsatzwerkzeuge, die flüssige Kühlmittel erfordern. *Die Verwendung von Wasser oder anderen flüssigen Kühlmitteln kann zu einem elektrischen Schlag führen.*

RÜCKSCHLAG UND ENTSPRECHENDE WARNHINWEISE

Rückschlag ist die plötzliche Reaktion infolge eines hakenden oder blockierten drehenden Einsatzwerkzeugs, wie Schleifscheibe, Schleifteller, Drahtbürste usw. Verhaken oder Blockieren führt zu einem abrupten Stopp des rotierenden Einsatzwerkzeugs. Dadurch wird ein unkontrolliertes Elektrowerkzeug gegen die Drehrichtung des Einsatzwerkzeugs an der Blockierstelle beschleunigt. Wenn z. B. eine Schleifscheibe im Werkstück hakt oder blockiert, kann sich die Kante der Schleifscheibe, die in das Werkstück eintaucht, verfangen und dadurch die Schleifscheibe ausbrechen oder einen Rückschlag verursachen. Die Schleifscheibe bewegt sich dann auf die Bedienperson zu oder von ihr weg, je nach Drehrichtung der Scheibe an der Blockierstelle. Hierbei können Schleifscheiben auch brechen. Ein Rückschlag ist die Folge eines falschen oder fehlerhaften Gebrauchs des Elektrowerkzeugs. Er kann durch geeignete Vorsichtsmaßnahmen, wie nachfolgend beschrieben, verhindert werden.

- a. Halten Sie das Elektrowerkzeug gut fest und bringen Sie Ihren Körper und Ihre Arme in eine Position, in der Sie die Rückschlagkräfte abfangen können. Verwenden Sie immer den Zusatzgriff, falls vorhanden, um die größtmögliche Kontrolle über Rückschlagkräfte oder Reaktionsmomente beim Hochlauf zu haben. *Die Bedienperson kann durch geeignete Vorsichtsmaßnahmen die Rückschlag- und Reaktionskräfte beherrschen.*
- b. Bringen Sie Ihre Hand nie in die Nähe sich drehender Einsatzwerkzeuge. *Das Einsatzwerkzeug kann sich beim Rückschlag über Ihre Hand bewegen.*
- c. Meiden Sie mit Ihrem Körper den Bereich, in den das Elektrowerkzeug bei einem Rückschlag bewegt wird. *Der Rückschlag treibt das Elektrowerkzeug in die Richtung entgegengesetzt zur Bewegung der Schleifscheibe an der Blockierstelle.*
- d. Arbeiten Sie besonders vorsichtig im Bereich von Ecken, scharfen Kanten usw. Verhindern Sie, dass Einsatzwerkzeuge vom Werkstück zurückprallen und verklemmen. *Das rotierende Einsatzwerkzeug neigt bei Ecken, scharfen Kanten oder wenn es abprallt dazu, sich zu verklemmen. Dies verursacht einen Kontrollverlust oder Rückschlag.*
- e. Verwenden Sie kein Ketten- oder gezähntes Sägeblatt. *Solche Einsatzwerkzeuge verursachen häufig einen Rückschlag oder den Verlust der Kontrolle über das Elektrowerkzeug.*

BESONDERE WARNHINWEISE ZUM SCHLEIFEN UND TRENNSCHLEIFEN

- a. Verwenden Sie ausschließlich die für Ihr Elektrowerkzeug zugelassenen Schleifkörper und die für diese Schleifkörper vorgesehene Schutzhaube. *Schleifkörper, die nicht für das Elektrowerkzeug vorgesehen sind, können nicht ausreichend abgeschirmt werden und sind unsicher.*
- b. Schleifkörper dürfen nur für die empfohlenen Einsatzmöglichkeiten verwendet werden. Z. B.: Schleifen Sie nie mit der Seitenfläche einer Trennscheibe. *Trennscheiben sind zum Materialabtrag mit der Kante der Scheibe bestimmt. Seitliche Kräfteinwirkung auf diese Schleifkörper kann sie zerbrechen.*
- c. Verwenden Sie immer unbeschädigte Spannflansche in der richtigen Größe und Form für die von Ihnen gewählte Schleifscheibe. *Geeignete Flansche stützen die Schleifscheibe und verringern so die Gefahr eines Schleifscheibenbruchs. Flansche für Trennscheiben können sich von den Flanschen für andere Schleifscheiben unterscheiden.*
- d. Verwenden Sie keine abgenutzten Schleifscheiben von größeren Elektrowerkzeugen. *Schleifscheiben für größere Elektrowerkzeuge sind nicht für die höheren Drehzahlen von kleineren Elektrowerkzeugen ausgelegt und können brechen.*

WEITERE BESONDERE WARNHINWEISE ZUM TRENNSCHLEIFEN

- a. Vermeiden Sie ein Blockieren der Trennscheibe oder zu hohen Anpressdruck. Führen Sie keine übermäßig tiefen Schnitte aus. *Eine Überlastung der Trennscheibe erhöht deren Beanspruchung und die Anfälligkeit zum Verkanten oder Blockieren und damit die Möglichkeit eines Rückschlags oder Schleifkörperbruchs.*
- b. Meiden Sie den Bereich vor und hinter der rotierenden Trennscheibe. *Wenn Sie die Trennscheibe im Werkstück von sich weg bewegen, kann im Falle eines Rückschlags das Elektrowerkzeug mit der sich drehenden Scheibe direkt auf Sie zugeschleudert werden.*
- c. Falls die Trennscheibe verklemmt oder Sie die Arbeit unterbrechen, schalten Sie das Elektrowerkzeug aus und halten Sie es ruhig, bis die Scheibe zum Stillstand gekommen ist. Versuchen Sie nie, die noch laufende Trennscheibe aus dem Schnitt zu ziehen, sonst kann ein Rückschlag erfolgen. *Ermitteln und beheben Sie die Ursache für das Verklemmen.*
- d. Schalten Sie das Elektrowerkzeug nicht wieder ein, solange es sich im Werkstück befindet. Lassen Sie die Trennscheibe erst ihre volle Drehzahl erreichen, bevor Sie den Schnitt vorsichtig fortsetzen. *Anderenfalls kann die Scheibe verhaken, aus dem Werkstück springen oder einen Rückschlag verursachen.*
- e. Stützen Sie Platten oder große Werkstücke ab, um das Risiko eines Rückschlags durch eine eingeklemmte Trennscheibe zu vermindern. *Große Werkstücke können sich unter ihrem eigenen Gewicht durchbiegen. Das Werkstück muss auf beiden Seiten abgestützt werden, und zwar sowohl in der Nähe des Trennschnitts als auch an der Kante.*

- f. Seien Sie besonders vorsichtig bei „Taschenschnitten“ in bestehende Wände oder andere nicht einsehbare Bereiche. *Die eintauchende Trennscheibe kann beim Schneiden in Gas- oder Wasserleitungen, elektrische Leitungen oder andere Objekte einen Rückschlag verursachen.*

BESONDERE WARNHINWEISE ZUM SANDPAPIERSCHLEIFEN

- a. Benutzen Sie keine überdimensionierten Schleifblätter, sondern befolgen Sie die Herstellerangaben zur Schleifblattgröße. *Schleifblätter, die über den Schleifteller hinausragen, können Verletzungen verursachen sowie zum Blockieren, Zerreißen der Schleifblätter oder zum Rückschlag führen.*

UMGEBUNG

ENTSORGUNG

Elektrowerkzeuge, Zubehör und Verpackungen sollen einer umweltgerechten Wiederverwertung zugeführt werden.

SPEZIFIKATIONEN

ALLGEMEINE SPEZIFIKATIONEN

Spannung 230-240 V, 50-60 Hz
 Stromstärke 0,6 A
 Leerlaufdrehzahl n₀ 33.000 U/min
 Spannzangen für 0,8 mm, 1,6 mm, 2,4 mm, 3,2 mm

VERLÄNGERUNGSKABEL

Verwenden Sie nur vollständig abgewickelte und unbeschädigte Verlängerungskabel mit einer Kapazität von mindestens 5 A.

BESONDERE WARNHINWEISE ZUM POLIEREN

- a. Lassen Sie keine losen Teile der Polierhaube, insbesondere Befestigungsschnüre, zu. Verstauen oder kürzen Sie die Befestigungsschnüre. *Lose, sich mitdrehende Befestigungsschnüre können Ihre Finger erfassen oder sich im Werkstück verfangen.*

BESONDERE WARNHINWEISE ZUM ARBEITEN MIT DRAHTBÜRSTEN

- a. Beachten Sie, dass die Drahtbürste auch während des üblichen Gebrauchs Drahtstücke verliert. Überlasten Sie die Drähte nicht durch zu hohen Anpressdruck. *Wegfliegende Drahtstücke können sehr leicht durch dünne Kleidung und/oder die Haut dringen.*
- b. Wird eine Schutzhaube empfohlen, verhindern Sie, dass sich Schutzhaube und Drahtbürste berühren können. *Teller- und Topfbürsten können durch Anpressdruck und Zentrifugalkräfte ihren Durchmesser vergrößern.*

NUR FÜR EU-LÄNDER



Werfen Sie Elektrowerkzeuge nicht in den Hausmüll! Gemäß der Europäischen Richtlinie 2002/96/EG über Elektro- und Elektronik-Altgeräte und ihrer Umsetzung in nationales Recht müssen nicht mehr gebrauchsfähige Elektrowerkzeuge getrennt gesammelt und einer umweltgerechten Wiederverwertung zugeführt werden.

MOTORSPEZIFIKATIONEN

Dieses Multitool arbeitet mit einem Hochgeschwindigkeitsmotor mit variabler Drehzahl. Es wurde für den Betrieb mit 230-240 Volt bei 50-60 Hz konzipiert. Vergewissern Sie sich stets, dass die Eingangsspannung mit der auf dem Typenschild des Werkzeugs angegebenen Spannung übereinstimmt (Werkzeug mit einer Angabe 230 V oder 240 V können auch an eine Spannungsquelle von 220 V angeschlossen werden).

MONTAGE

WECHSELN VON SPANNZANGEN

ABBILDUNG 4

- Q. Spindelarretierung
 R. Spannzangenschlüssel
 S. Anziehen
 T. Lösen
 U. Spannmutter

- Drücken Sie den Spindelarretierungsknopf, halten Sie ihn gedrückt und drehen Sie den Schaft von Hand, bis er blockiert. Betätigen Sie die Spindelarretierung nie bei laufendem Werkzeug.
- Lösen Sie bei gedrücktem Spindelarretierungsknopf die Spannmutter und nehmen Sie sie ab. Verwenden Sie ggf. den Spannzangenschlüssel.
- Ziehen Sie die Spannzange von der Spindel ab.
- Setzen Sie die Spannzange der gewünschten Größe vollständig in die Spindel ein und ziehen Sie die Spannmutter leicht an. Ziehen Sie die Mutter nie vollständig fest, wenn kein Zubehörteil eingesetzt ist.

WECHSELN VON ZUBEHÖRTEILEN

ABBILDUNG 4/5

- Q. Spindelarretierungsknopf

- Drücken Sie den Spindelarretierungsknopf und drehen Sie den Schaft von Hand, bis er blockiert. *Betätigen Sie die Spindelarretierung nie bei laufendem Werkzeug.*
- Lösen Sie bei gedrücktem Spindelarretierungsknopf die Spannmutter ohne sie abzunehmen. Verwenden Sie ggf. den Spannzangenschlüssel.
- Schieben Sie den Schaft des Zubehörteils vollständig in die Spannzange.
- Ziehen Sie die Spannmutter bei betätigter Spindelarretierung mit der Hand an, bis die Spannzange den Schaft des Zubehörteils greift.
HINWEIS: Beachten Sie unbedingt auch die Bedienungs- und Sicherheitshinweise des jeweiligen Zubehörteils!

Verwenden Sie nur Dremel-geprüfte Hochleistungs-Zubehörkomponenten.

ZIEHEN SIE DEN STECKER DES MULTITOOL IMMER AB, BEVOR SIE DIE ZUBEHÖRTEILE ODER SPANNZANGEN WECHSELN ODER SERVICEARBEITEN AM WERKZEUG DURCHFÜHREN.

ALLGEMEIN

Dremel Multitool ist ein hochpräzises Werkzeug für besonders feine und detaillierte Arbeiten. Das breite Spektrum der Dremel Zubehörteile und Vorsatzgeräte bietet Ihnen eine große Vielzahl von Anwendungen. Hierzu gehört beispielsweise Schleifen, Schnitzen, Gravieren, Fräsen, Schneiden/Trennen, Reinigen/Säubern und Polieren. ABBILDUNG 2

ABBILDUNG 1

- A. Spannmutter
 B. Spannzange
 C. Vorsatzgerät-Anschluss
 D. Gehäusekappe
 E. Spindelarretierung
 F. Lüftungsschlitze
 G. Bürstenabdeckung (beidseitig)
 H. Ein/Aus-Schalter
 I. LCD-Display
 J. +/- Tasten zum Erhöhen bzw. Verringern der Geschwindigkeit
 K. Aufhängevorrichtung
 L. Netzanschlussleitung

SPANNZANGEN

Dremel Multitool Zubehörteile haben unterschiedliche Schaftdurchmesser. Für diese unterschiedlichen Durchmesser stehen vier Spannzangen zur Verfügung. Die Größe der Spannzange ist jeweils an den Ringen auf der Rückseite der Spannzange erkennbar.

ABBILDUNG 3

- M. 3,2 mm Spannzange ohne Ring (480)
 N. 2,4 mm Spannzange mit drei Ringen (481)
 O. 1,6 mm Spannzange mit zwei Ringen (482)
 P. 0,8 mm Spannzange mit einem Ring (483)

HINWEIS: Manche Multitool Kits enthalten nicht alle vier Spannzangen. Spannzangen sind separat als Zubehör erhältlich.

Verwenden Sie stets die für den Schaftdurchmesser des Zubehörteils passende Spannzange. Drücken Sie einen Schaft mit einem größeren Durchmesser niemals gewaltsam in eine kleinere Spannzange.

ERSTE SCHRITTE

VERWENDUNG

Als ersten Schritt für die Verwendung des Multitool sollten Sie ein Gefühl für das Werkzeug bekommen. Nehmen Sie das Werkzeug in die Hand und machen Sie sich mit seinem Gewicht und Schwerpunkt vertraut. Beachten Sie die Verjüngung des Gehäuses, durch die sich das Werkzeug wie ein Füllfederhalter oder Bleistift halten lässt.

Halten Sie das Werkzeug stets von Ihrem Gesicht abgewandt und tragen Sie immer eine Schutzbrille. Teile von beschädigtem Zubehör könnten sich beim Erreichen hoher Drehzahlen unter Umständen lösen.

Halten Sie das Werkzeug so, dass Sie die Lüftungsschlitze nicht mit der Hand abdecken. Durch Blockieren der Lüftungsschlitze könnte der Motor überhitzen.

WICHTIG! Üben Sie zunächst mit etwas Abfallmaterial, um ein Gefühl dafür zu bekommen, wie sich das Werkzeug bei hoher Drehzahl verhält. Denken Sie daran, dass Ihr Multitool die besten Ergebnisse liefert, wenn Sie die richtige Drehzahl sowie geeignete Zubehörteile und Vorsatzgeräte verwenden. Arbeiten Sie ohne Druck. Durch die hohe Rotationsgeschwindigkeit ist es ausreichend, das Multitool nur leicht über die Oberfläche des Werkstücks zu führen.

Normalerweise erzielen Sie bessere Ergebnisse, wenn Sie mit dem Werkzeug mehrmals über die Oberfläche fahren, als mit einem einzigen Arbeitsgang. Außerdem haben Sie bei drucklosem Arbeiten eine bessere Kontrolle und verringern das Fehlerrisiko.

HALTEN DES WERKZEUGS

Detailarbeiten können Sie am besten verrichten, wenn Sie das Multitool wie einen Stift zwischen Daumen und Zeigefinger halten. **ABBILDUNG 6**

Die "Golfgriff"-Methode wird für schwerere Arbeiten wie Schleifen oder Schneiden/Trennen angewendet. **ABBILDUNG 7**

BETRIEBSGESCHWINDIGKEIT

Dieses Werkzeug arbeitet mit hoher Geschwindigkeit. Das Digital-Display des 400 Series DIGITAL Werkzeugs zeigt die genaue Drehzahl (U/Min. x 1.000), mit der das Werkzeug läuft. Zum Erhöhen/Verringern der Drehzahl drücken Sie die Tasten + bzw. -. Die Drehzahl des Multitool kann in Schritten zu 1.000 U/Min. erhöht bzw. verringert werden. So können Sie die Drehzahl Ihres Multitool sehr genau steuern. Mit der jeweils richtigen Drehzahleinstellung für Zubehör und Material erzielen Sie die besten Endergebnisse. Üben Sie zunächst an etwas Abfallmaterial, um die optimale Drehzahl zu ermitteln.

HINWEIS: Die Drehzahl wird durch Spannungsschwankungen beeinflusst. Eine geringere Eingangsspannung führt zu einer niedrigeren Drehzahl, insbesondere bei der niedrigsten Einstellung. Wenn Sie der Meinung sind, dass Ihr Werkzeug zu

langsam läuft, erhöhen Sie die Geschwindigkeit entsprechend. Sollte die Eingangsspannung unter 220 Volt liegen, läuft das Werkzeug bei der niedrigsten Einstellung eventuell nicht an. Erhöhen Sie in diesem Fall die Drehzahl.

Die den einzelnen Stufen entsprechende Drehzahl finden Sie im Diagramm auf den Seiten 4-6. So können Sie die jeweils optimale Drehzahl für Zubehör und Material ermitteln.

A) Verwendung mit Gipskarton. Optimale Ergebnisse bei 33.000 U/Min.

B) Für Fugenmörtel bei Wand- und Bodenfliesen. Verwenden Sie die Einstellung 20.000-28.000 U/Min.

*) Drehzahl für leichte Schnitte. Vorsicht, bei tiefen Fugen können Brandspuren auftreten und/oder der Fräser ausglühen.

■ Je nach Schnittrichtung in Relation zur Maserung.

Die meisten Aufgaben können mit der höchsten Drehzahleinstellung des Werkzeugs erledigt werden. Einige Materialien (bestimmte Kunststoffe und Metalle) können jedoch durch die bei hoher Drehzahl erzeugte Hitze beschädigt werden und sollten daher mit niedrigerer Drehzahl bearbeitet werden. Niedrige Drehzahlen (15.000 U/Min. oder weniger) eignen sich normalerweise am Besten zum Polieren mit Filz-Polierzubehör. Bei allen Anwendungen mit Bürsten sind niedrigere Drehzahlen erforderlich, um ein Lösen der Drähte und Borsten aus der Halterung zu vermeiden. Auch bei niedrigen Drehzahlen sollten Sie ohne Druck arbeiten. Höhere Drehzahlen eignen sich für Hartholz, Metall und Glas sowie zum Bohren, Schnitzen, Schneiden, Fräsen, Formen, Kehlen und Nuten in Holz.

Einige die Drehzahl betreffende Hinweise:

- Kunststoffe und andere Werkstoffe mit niedrigem Schmelzpunkt sind mit niedrigen Drehzahlen zu bearbeiten.
- Das Polieren, Glanzschleifen und Reinigen mit einer Drahtbürste muss bei Drehzahlen von maximal 15.000 U/Min erfolgen, um einer Beschädigung der Bürste und des Materials vorzubeugen.
- Schneidarbeiten in Holz müssen mit hoher Drehzahl erfolgen.
- Schneidarbeiten in Eisen oder Stahl müssen mit hoher Drehzahl erfolgen.
- Wenn ein Hochgeschwindigkeits-Stahlfräser zu vibrieren beginnt, so ist das meist ein Hinweis darauf, dass er zu langsam läuft.
- Aluminium, Kupfer-, Blei-, Zinklegierungen und Zinn können je nach Art der Arbeit mit unterschiedlichen Drehzahlen bearbeitet werden. Fetten Sie das Schneidwerkzeug mit Paraffin oder einem anderen geeigneten Schmiermittel (nicht Wasser) ein, um zu verhindern, dass sich Späne an den Schneidkanten des Werkzeugs festsetzen.

HINWEIS: Ein höherer Druck auf das Werkzeug wird das Ergebnis nicht verbessern. Verwenden Sie ein anderes Zubehörteil oder eine andere Drehzahleinstellung, um das gewünschte Ergebnis zu erzielen.

WARTUNG

Um Beschädigungen und/oder Risiken vorzubeugen, sollten Wartungs- und Reparaturarbeiten ausschließlich durch autorisierte Personen erfolgen. Wir empfehlen, Wartung und Reparatur von Dremel-Serviceniederlassungen durchführen zu lassen. Auf jeden Fall ist aus Sicherheitsgründen vor Wartungs- und Reinigungsarbeiten immer der Netzstecker zu ziehen.

KOHLEBÜRSTEN

Die Bürsten in Ihrem Werkzeug wurden für hohe Standzeiten und lange Haltbarkeit entwickelt. Um die Lebensdauer weiter zu erhöhen, sollten Sie das Werkzeug vor Erstgebrauch ca. fünf Minuten im Leerlauf in Betrieb nehmen. Dadurch werden die Bürsten richtig eingeschliffen. Für eine anhaltend hohe Effizienz des Motors sollten Sie die Bürsten alle 40-50 Betriebsstunden überprüfen.

Bei Verwendung des Werkzeugs mit abgenutzten Bürsten wird der Motor auf Dauer beschädigt. Verwenden Sie nur Original Dremel Ersatzbürsten. Überprüfen Sie die Multitool-Bürsten alle 40-50 Betriebsstunden. Wenn das Multitool fehlerhaft arbeitet, Leistung verliert oder ungewöhnliche Geräusche von sich gibt, überprüfen Sie die Bürsten auf Abnutzung und tauschen Sie sie ggf. aus. Gehen Sie zur Prüfung bzw. zum Austausch der Bürsten wie folgt vor:

1. Ziehen Sie den Netzstecker und legen Sie das Werkzeug auf einer sauberen Arbeitsfläche ab. Nehmen Sie die Bürstenkappen mit Hilfe des Werkzeugschlüssels ab. **ABBILDUNG 8**
2. Drehen Sie das Werkzeug, damit die Bürste aus der Halterung fällt. Überprüfen Sie auf jeden Fall beide Bürsten. Ist die Bürste weniger als 3 mm lang oder an der Kontaktstelle rau oder uneben, so muss sie ausgetauscht werden. Bürsten immer paarweise austauschen. **ABBILDUNG 9**
3. Bürsten müssen immer paarweise getauscht werden. Nehmen Sie die abgenutzte Bürste aus der Feder heraus und ersetzen sie durch eine neue.

SERVICE UND GEWÄHRLEISTUNG

Die Garantie für dieses DREMEL Produkt entspricht den länderspezifischen Vorschriften. Schäden durch normale Abnutzung und Verschleiß sowie Überlastung oder unsachgemäße Behandlung sind von der Garantie ausgeschlossen.

Im Fall einer Reklamation schicken Sie das Werkzeug *komplett* mit einem entsprechenden Kaufnachweis an Ihren Händler.

4. Platzieren Sie die Kohlebürste und Feder wieder im Werkzeug. Die Bürste passt nur in einer einzigen Ausrichtung in das Werkzeug. Vergewissern Sie sich, dass die Bürsten wie dargestellt eingesetzt sind. **ABBILDUNG 9** Die gekrümmte Oberfläche der Bürste muss der Krümmung des Motors entsprechen.
5. Setzen Sie die quadratische Unterseite der Bürstenklappe auf die quadratischen Hohlraumöffnungen auf. Überprüfen Sie die Feder in der V-Nut der Bürste sitzt. Drücken Sie die Vorderseite der Klappe nach unten. Drücken Sie sie soweit nach unten, bis die hintere Lasche einrastet. Nach jedem Bürstenwechsel sollten Sie das Gerät fünf Minuten im Leerlauf in Betrieb nehmen, bevor Sie damit arbeiten. Dadurch können sich die Bürsten richtig einschleifen; Dies wirkt sich positiv auf die Lebensdauer der Bürsten sowie des gesamten Multitools aus. **ABBILDUNG 10**

REINIGEN DES WERKZEUGS

ZIEHEN SIE VOR DEM REINIGEN STETS DEN NETZSTECKER

Lüftungsschlitze und Schalter müssen stets sauber gehalten werden. Führen Sie jedoch keine Gegenstände in Öffnungen ein. Dies kann Beschädigungen des Werkzeugs verursachen. *Das Werkzeug kann mit Druckluft gereinigt werden. Tragen Sie beim Reinigen von Werkzeugen mit Druckluft stets eine Schutzbrille.*

Das Dremel Multitool braucht nicht geschmiert zu werden. *Verwenden Sie keine Reiniger, die beispielsweise Benzin, Kohlenstoff-Tetrachlorid, Chlor oder Ammoniak enthalten. Dies kann zu Beschädigungen an Kunststoffteilen führen.* Wir empfehlen die Reinigung mit einem feuchten Tuch und milden Reinigungsmitteln. Nachhaltig verschmutzte Bereiche müssen eventuell mehrmals abgewischt werden.

DREMEL KONTAKTINFORMATIONEN

Weitere Informationen über Dremel finden Sie unter www.dremel.com

Dremel Europe, P.O. Box 3267, 4800 DG Breda

CONSIGNES GENERALES DE SECURITE



ATTENTION

LISEZ TOUTES LES CONSIGNES. *Le non-respect des consignes ci-après peut entraîner un choc électrique, un incendie et/ou des blessures corporelles graves. Le terme "outil électroportatif" mentionné dans tous les avertissements ci-après fait référence à votre outil électroportatif raccordé au secteur.*

CONSERVEZ CES CONSIGNES

1. ZONE DE TRAVAIL

- Faites en sorte que la zone de travail soit propre et bien éclairée. *Un espace encombré et sombre est propice aux accidents.*
- Ne faites pas fonctionner des outils électroportatifs dans les atmosphères explosives, notamment en présence de liquides, gaz ou poussières inflammables. *Les outils électroportatifs produisent des étincelles susceptibles d'enflammer les poussières ou fumées.*
- Tenez les enfants et spectateurs à distance pendant le fonctionnement d'un outil électroportatif. *Toute distraction peut entraîner une perte de contrôle de l'outil.*

2. SECURITE ELECTRIQUE

- La fiche de l'outil électroportatif doit être appropriée à la prise de courant. Ne modifiez en aucune circonstance la fiche. N'employez pas d'adaptateur avec les outils électroportatifs mis à la terre. *L'utilisation de fiches non modifiées et de prises appropriées réduira le risque de choc électrique.*
- Évitez tout contact corporel avec des éléments reliés à la terre, tels que tuyauterie, radiateurs, cuisinières, réfrigérateurs. *La mise à la terre du corps accroît le risque de choc électrique.*
- Conservez les outils électroportatifs à l'abri de la pluie et de l'humidité. *La pénétration d'eau dans un outil électroportatif accroît le risque de choc électrique.*
- N'exercez aucune action dommageable sur le cordon d'alimentation. N'utilisez jamais le cordon d'alimentation pour transporter l'outil électroportatif, tirer sur celui-ci ou le débrancher. Éloignez le cordon d'alimentation de la chaleur, des huiles, des arêtes vives ou des pièces en mouvement. *Les cordons endommagés ou emmêlés accroissent le risque de choc électrique.*
- Lors de l'utilisation d'un outil électroportatif à l'extérieur, employez une rallonge appropriée. *L'utilisation d'un cordon conçu pour l'extérieur réduit le risque de choc électrique.*

3. SECURITE PERSONNELLE

- Restez vigilant, soyez attentif à ce que vous faites et faites preuve de bon sens lorsque vous utilisez un outil électroportatif. Ne vous servez pas de ce type d'outil lorsque vous êtes fatigué ou sous l'emprise d'une drogue quelconque, de l'alcool ou d'un médicament. *Un instant d'inattention risque, dans ce cas, d'entraîner des blessures corporelles graves.*



- Utilisez des équipements de protection. Portez toujours un équipement de protection oculaire. *Les équipements de protection tels que masque anti-poussière, chaussures de sécurité antidérapantes, casque ou protection auditive employés dans les cas appropriés réduiront les blessures corporelles.*
- Évitez tout démarrage accidentel. Assurez-vous que l'interrupteur est en position Arrêt avant de brancher la fiche. *Le fait de transporter les outils électroportatifs en ayant le doigt sur l'interrupteur ou de brancher des outils avec l'interrupteur sur la position Marche constitue une situation propice aux accidents.*
- Retirez toute clé de réglage avant de mettre l'outil sous tension. *Une clé laissée au contact d'un élément en rotation de l'outil électroportatif peut entraîner des blessures corporelles.*
- Ne travaillez pas dans une position instable. *Conservez à tout moment un bon appui et un bon équilibre du corps. Vous serez ainsi plus en mesure de garder le contrôle de l'outil électroportatif dans les situations imprévues.*
- Ayez une tenue appropriée. *Ne portez pas de vêtements amples ni de bijoux. N'approchez jamais les cheveux, vêtements et gants de pièces en mouvement. Des vêtements amples, bijoux ou cheveux longs peuvent être happés par des pièces en mouvement.*
- En présence de dispositifs pour l'aspiration et la collecte des poussières, vérifiez que ceux-ci sont branchés et correctement employés. *L'utilisation de ces appareils peut réduire les risques liés à la poussière.*

4. PRECAUTIONS D'UTILISATION DE L'OUTIL ELECTROPORTATIF

- Ne forcez pas sur l'outil électroportatif. Employez l'outil correspondant à votre application. *L'outil électroportatif approprié accomplira sa tâche plus efficacement et plus sûrement s'il est utilisé à la vitesse pour laquelle il a été conçu.*
- N'utilisez pas l'outil électroportatif si l'interrupteur ne fonctionne pas correctement. *Un outil dont l'interrupteur est défectueux est dangereux et doit être réparé.*
- Débranchez l'outil de la prise électrique murale avant d'effectuer un réglage, de changer d'accessoire ou de ranger l'outil. *Ces précautions réduisent le risque d'un démarrage accidentel de l'outil.*
- Les outils électroportatifs doivent être rangés hors de portée des enfants et ne pas être utilisés par des personnes ne connaissant pas leur fonctionnement ou les présentes instructions. *Entre les mains d'utilisateurs inexpérimentés, les outils électroportatifs sont dangereux.*

- Entretenez les outils électroportatifs. Vérifiez la présence d'un défaut d'alignement ou grippage des pièces mobiles, de pièces cassées ou de toute autre condition pouvant altérer le fonctionnement des outils électroportatifs. Faites réparer un outil électroportatif endommagé avant de l'utiliser. *Nombre d'accidents sont provoqués par des outils électroportatifs mal entretenus.*
- Les outils de coupe doivent être affûtés et propres. *S'ils sont bien entretenus, les outils avec des arêtes de coupe affûtées sont moins susceptibles d'accrocher et sont plus faciles à contrôler.*

- Utilisez l'outil électroportatif, ses accessoires et embouts, etc. conformément aux présentes instructions et de la manière prévue, en particulier en tenant compte des conditions de travail et de la nature du travail à réaliser. *L'utilisation de l'outil électroportatif pour d'autres applications que celles prévues présente un risque.*

5. REPARATION

- Confiez la réparation de votre outil électroportatif à un réparateur qualifié qui utilise exclusivement des pièces de rechange identiques. *Vous garantirez ainsi la fiabilité de l'outil électroportatif.*

CONSIGNES DE SECURITE POUR TOUTES LES OPERATIONS

AVERTISSEMENTS DE SECURITE COMMUNS POUR LE MEULAGE, LE PONÇAGE, LE BROSSAGE METALLIQUE, LE POLISSAGE ET LA DECOUPE A L'ABRASIF

- Cet outil électroportatif est conçu pour une utilisation en tant que meuleuse, ponceuse, brosse métallique, polisseuse ou outil de découpe. Lisez tous les avertissements, instructions, illustrations et spécifications fournis avec cet outil électroportatif. *Le non-respect des consignes ci-après peut entraîner un choc électrique, un incendie et/ou des blessures corporelles graves.*
- N'utilisez pas d'accessoires non spécialement conçus et recommandés par le fabricant de l'outil. *Le fait de pouvoir monter des accessoires sur votre outil électroportatif ne garantit pas une utilisation en toute sécurité.*
- La vitesse de rotation nominale de l'accessoire doit être au moins égale à la vitesse de rotation maximale indiquée sur l'outil électroportatif. *Les accessoires utilisés à une vitesse supérieure à leur vitesse de rotation nominale risquent de se détacher.*
- Le diamètre extérieur et la largeur de votre accessoire doivent correspondre aux cotes de votre outil électroportatif. *Des accessoires aux dimensions inadaptées ne peuvent pas être protégés ou contrôlés correctement.*
- Les meules, brides, plateaux de ponçage ou tout autre accessoire doivent correspondre exactement à la broche de l'outil électroportatif. *Les accessoires dont le perçage ne correspond pas exactement à la broche de l'outil électroportatif tournent de manière irrégulière, présentent des vibrations excessives et peuvent entraîner une perte de contrôle.*
- N'utilisez pas d'accessoires endommagés. Avant chaque utilisation, contrôlez les accessoires tels que les meules pour détecter des éclats et fissures, le plateau de ponçage pour identifier des fissures, une usure moyenne ou excessive, les brosses métalliques pour détecter des fils lâches ou cassés. En cas de chute de l'outil électroportatif ou de l'accessoire, contrôlez la présence de dommages ou remplacez l'accessoire. Après le contrôle et le remplacement de l'accessoire, vous et d'éventuelles personnes présentes devez vous placer à distance de la zone de l'accessoire en

rotation et laisser tourner l'outil électroportatif à sa vitesse à vide maximale pendant une minute. *En règle générale, les accessoires endommagés cassent pendant ce temps d'essai.*

- Portez des équipements de protection personnels. Selon l'application, portez un masque intégral, des lunettes masque ou des lunettes de protection. Si nécessaire, portez un masque anti-poussière, des protections auditives, des gants et un tablier spécial qui vous protège des petits fragments d'abrasif ou de pièce à travailler. *La protection oculaire doit être capable d'arrêter les projections de débris provoquées par les différentes opérations. Le masque anti-poussière ou le masque respiratoire doit filtrer les particules générées lors de l'utilisation. Une exposition prolongée à un bruit de forte intensité peut entraîner une perte d'audition.*
- Gardez une distance de sécurité suffisante entre votre zone de travail et les personnes à proximité. Toute personne pénétrant dans la zone de travail doit porter un équipement de protection individuel. *Des fragments de la pièce à travailler ou un accessoire cassé peuvent être projetés et provoquer des blessures en dehors de la zone directe de travail.*
- Tenez l'outil par les parties isolées prévues à cet effet lorsque vous effectuez une opération, où l'accessoire de coupe risque d'entrer en contact avec un câble caché ou le câble d'alimentation de l'outil lui-même. *Le contact de l'accessoire de coupe avec un fil sous tension mettra également sous tension les parties métalliques de l'outil et soumettra l'utilisateur à un choc électrique.*
- Positionnez le cordon d'alimentation à distance de l'accessoire en rotation. *Si vous perdez le contrôle de l'appareil, le cordon peut être sectionné ou accroché et votre main ou votre bras risquent d'être happés par l'accessoire en rotation.*
- Reposez l'outil électrostatique seulement après l'arrêt complet de l'accessoire. *L'accessoire en rotation peut accrocher une surface et vous faire perdre le contrôle de l'outil.*
- Veillez ne pas démarrer l'outil électroportatif lorsque vous le transportez le long du corps. *En cas de contact accidentel, l'accessoire en rotation peut happer vos vêtements et vous blesser grièvement.*

- m. Nettoyez régulièrement les orifices de ventilation de l'outil électroportatif. *Le ventilateur du moteur risque d'aspirer la poussière dans le carter et une accumulation excessive de particules métalliques peut être source de risque électrique.*
- n. N'utilisez pas l'outil électroportatif à proximité de matériaux inflammables. *Des étincelles risquent d'enflammer ces matériaux.*
- o. N'utilisez pas d'accessoires nécessitant un liquide de refroidissement. *L'utilisation d'eau ou d'autres liquides de refroidissement peut entraîner un choc électrique.*

CONTRECOUP ET AVERTISSEMENTS ASSOCIES

Un contrecoup est une réaction soudaine provoquée par une meule, un plateau de ponçage, une brosse ou tout autre accessoire en rotation qui se bloque ou se coince. Un blocage entraîne l'arrêt rapide de l'accessoire en rotation et la projection de l'outil électroportatif dans la direction opposée à la rotation de l'accessoire au point de blocage. Par exemple, si une meule se coince ou se bloque dans la pièce à travailler, le bord de la meule pénétrant au point de blocage peut entamer la surface du matériau et la meule peut ressortir ou être éjectée. En fonction du sens de rotation de la meule au point de blocage, celle-ci peut être projetée vers l'utilisateur ou à l'opposé de celui-ci. Dans ces conditions, les meules peuvent également casser. Le contrecoup résulte d'une utilisation incorrecte de l'outil électroportatif et/ou de mauvaises conditions ou procédures d'utilisation. Ce phénomène peut être évité en prenant les précautions suivantes.

- Maintenez fermement l'outil et campez votre corps et vos bras de manière à résister aux forces de contrecoup. Utilisez systématiquement la poignée supplémentaire, s'il y en a une, pour contrôler au maximum les forces de contrecoup ou le couple de réaction au démarrage. *Les forces de contrecoup ou le couple de réaction peuvent être amortis par l'utilisateur si les précautions correctes sont observées.*
- Ne placez jamais votre main à proximité de l'accessoire en rotation. *Lors d'un contrecoup, l'accessoire risque de rebondir sur celle-ci.*
- Ne restez pas dans la zone de contrecoup possible de l'outil électroportatif. *Le contrecoup entraînera l'outil dans la direction opposée au mouvement de la meule au point de blocage.*
- Soyez extrêmement vigilant lors du travail des coins, arêtes coupantes, etc. Evitez que l'accessoire rebondisse contre la pièce à travailler et qu'il se coince. *L'accessoire en rotation a tendance à accrocher au niveau des coins, des arêtes coupantes ou lorsqu'il rebondit, avec une possibilité de perte de contrôle ou de contrecoup.*
- N'utilisez pas de lames de scie à chaîne ou dentées. *Ce type de lame provoque fréquemment des contrecoups et une perte de contrôle.*

CONSIGNES DE SECURITE SPECIFIQUES AU PONÇAGE ET A LA DECOUPE A L'ABRASIF

- N'utilisez que des meules recommandées pour votre outil électroportatif et le capot de protection conçu pour la

meule sélectionnée. *Les meules non conçues pour l'outil électroportatif ne peuvent pas être suffisamment protégées et présentent alors un danger.*

- Employez les meules exclusivement pour les applications recommandées. Par exemple: ne meulez pas avec la surface latérale d'un disque à tronçonner. *Les meules à tronçonner sont conçues pour enlever de la matière avec le bord et les forces latérales appliquées à ces meules peuvent provoquer leur destruction.*
- Utilisez systématiquement des brides de serrage en parfait état, dont la taille et la forme sont appropriées à la meule sélectionnée. *Les brides appropriées servent de support à la meule et réduisent ainsi le risque de rupture de celle-ci. Les brides pour les disques à tronçonner peuvent différer de celles pour d'autres meules.*
- N'utilisez pas de meules usées d'outils électroportatifs de plus grande taille. *Les meules prévues pour un outil électroportatif plus grand ne sont pas conçues pour les vitesses de rotation accrues des outils électroportatifs plus petits et risquent de casser.*

CONSIGNES DE SECURITE SUPPLEMENTAIRES POUR LA DECOUPE A L'ABRASIF

- Evitez de coincer le disque à tronçonner ou d'appliquer une pression excessive. *N'essayez pas de réaliser des coupes trop profondes. Une surcharge du disque en augmente la sollicitation et donc les risques de torsion ou de blocage, ce qui entraînerait un contrecoup ou la destruction de la meule.*
- Ne vous placez pas dans l'axe de la meule en rotation ni derrière celle-ci. *Si la meule au contact de la zone travaillée s'éloigne de vous, un contrecoup risque de ramener le disque et l'outil électroportatif directement sur vous.*
- Lorsque le disque se bloque ou que vous interrompez une passe pour une raison ou une autre, éteignez puis immobilisez l'outil jusqu'à ce que le disque s'arrête complètement. N'essayez en aucun cas de sortir le disque à tronçonner en rotation du matériau, sinon il existe un risque de contrecoup. *Recherchez la cause du blocage et prenez les mesures nécessaires pour y remédier.*
- Ne redémarrez pas l'opération de découpe dans la pièce à travailler. Attendez que la meule ait atteint sa vitesse de rotation maximale et introduisez-la précautionneusement dans le matériau. *En cas de redémarrage de l'outil électroportatif dans la pièce à travailler, le disque risque de se coincer, de ressortir ou de provoquer un contrecoup.*
- Utilisez des supports pour les panneaux ou toute pièce de grandes dimensions, afin de réduire le risque de blocage de la meule et de contrecoup. *Les pièces de grandes dimensions ont tendance à s'arquer sous leur propre poids. Les supports doivent être placés sous la pièce à travailler, près de la ligne de coupe et près du bord de la pièce, des deux côtés de la meule.*
- Redoublez de prudence lorsque vous effectuez une "coupe traversante" dans des murs existants ou autres parois aveugles. *Le disque à tronçonner peut sectionner des canalisations de gaz ou d'eau, des câbles électriques ou des objets pouvant causer un contrecoup.*

CONSIGNES DE SECURITE SPECIFIQUES POUR LE PONÇAGE

- Lors du ponçage, n'utilisez pas un disque abrasif surdimensionné. Respectez les indications du fabricant concernant la feuille abrasive. *Les feuilles abrasives trop grandes par rapport au plateau de ponçage présentent un risque de lacération et peuvent provoquer le blocage ou la déchirure du disque abrasif, ou un contrecoup.*

CONSIGNES DE SECURITE SPECIFIQUES POUR LE POLISSAGE

- Evitez qu'une partie mal fixée du disque de polissage ou que des cordes de fixation ne tournent librement. Rangez ou raccourcissez les cordes de fixation. *Des cordes de fixation lâches ou en rotation peuvent happer vos doigts ou se coincer sur la pièce à travailler.*

ENVIRONNEMENT

MISE AU REBUT

Les outils électroportatifs, ainsi que leurs accessoires et emballages doivent être triés en vue de leur recyclage approprié.

SEULEMENT POUR LES PAYS DE L'UNION EUROPEENNE



Ne jetez pas votre appareil électroportatif avec les ordures ménagères!
Conformément à la directive européenne 2002/96/CE relative à la mise au rebut des équipements électriques et électroniques, et à sa transposition dans le droit national, les outils électroportatifs inutilisables doivent faire l'objet d'une collecte distincte et être mis au rebut d'une manière respectueuse pour l'environnement.

SPECIFICATIONS

SPECIFICATIONS GENERALES

Tension nominale 230-240 V, 50-60 Hz
 Intensité nominale 0,6 A
 Vitesse à vide : n_s 33 000 tr/min
 Pince 0,8 mm, 1,6 mm, 2,4 mm, 3,2 mm

RALLONGES

Utilisez des rallonges entièrement déroulées et fiables d'une intensité de 5 A.

MONTAGE

DEBRANCHEZ SYSTEMATIQUEMENT L'OUTIL MULTIFONCTIONS AVANT DE CHANGER D'ACCESSOIRE OU DE PINCE, OU POUR REPARER L'OUTIL.

GENERALITES

L'outil multifonctions Dremel est un outil de précision de très grande qualité, capable d'accomplir des tâches minutieuses et complexes. La palette étendue d'accessoires et de fixations Dremel permet d'effectuer une grande diversité de travaux, notamment le ponçage, la sculpture et la gravure, ainsi que le défonçage, la découpe, le nettoyage et le polissage. ILLUSTRATION 2

ILLUSTRATION 1

- A. Ecou de blocage
- B. Pince
- C. Accouplement de fixation
- D. Capuchon
- E. Bouton de verrouillage de l'arbre
- F. Orifices de ventilation
- G. Capuchon de balais (un de chaque côté)
- H. Interrupteur de marche/arrêt
- I. Ecran à cristaux liquides
- J. Boutons de réglage de la vitesse
- K. Support
- L. Cordon d'alimentation

PINCES PORTE-EMBOUT

Les accessoires Dremel disponibles pour l'outil multifonctions sont fournis avec différentes tailles de queues. Quatre tailles de pince sont disponibles pour les différentes queues. Ces tailles sont identifiées par les bagues au dos de la pince.

ILLUSTRATION 3

- M. Pince 3,2 mm sans bague (480)
- N. Pince 2,4 mm avec trois bagues (481)
- O. Pince 1,6 mm avec deux bagues (482)
- P. Pince 0,8 mm avec une bague (483)

NOTA: Certains kits d'outil multifonctions peuvent ne pas inclure les quatre tailles de pince. Les pinces sont disponibles séparément.

Utilisez systématiquement la pince correspondant au diamètre de queue de l'accessoire que vous projetez d'employer. N'engagez pas de queue de grand diamètre dans une pince de diamètre plus petit.

CHANGEMENT DE PINCE

ILLUSTRATION 4

- Q. Bouton de verrouillage de l'arbre
- R. Clé de pince
- S. Sens de serrage
- T. Sens de desserrage
- U. Ecou de blocage

1. Appuyez sur le bouton de blocage d'arbre, maintenez et tournez l'arbre à la main jusqu'à ce qu'il s'enclenche. N'actionnez pas le bouton de blocage tant que l'outil multifonctions n'est pas complètement arrêté.
2. Lorsque le bouton de blocage d'arbre est enfoncé, desserrez et déposez l'écrou de blocage. Utilisez la clé de pince si nécessaire.
3. Déposez la pince en la dégagant de l'arbre.
4. Engagez à fond la nouvelle pince appropriée dans l'arbre, puis repositionnez et resserrez à la main l'écrou de blocage. Ne serrez pas complètement l'écrou en l'absence d'embout ou d'accessoire.

CHANGEMENT D'ACCESSOIRE

ILLUSTRATIONS 4/5

- Q. Bouton de verrouillage de l'arbre

1. Appuyez sur le bouton de blocage d'arbre, maintenez et tournez l'arbre à la main jusqu'à ce qu'il s'enclenche. *N'actionnez pas le bouton de blocage tant que l'outil multifonctions n'est pas complètement arrêté.*
2. Lorsque le bouton de blocage d'arbre est enfoncé, desserrez l'écrou de blocage (sans le déposer). Utilisez la clé de pince si nécessaire.
3. Engagez à fond l'embout ou la queue d'accessoire dans la pince.
4. Le bouton de blocage d'arbre étant toujours enfoncé, serrez à la main l'écrou de blocage jusqu'à ce que l'embout ou la queue de l'accessoire soit bien serré dans la pince.

NOTA: Lisez impérativement les instructions d'utilisation fournies avec votre accessoire Dremel.

Utilisez uniquement des accessoires testés par Dremel.

COMMENT DEMARRER

UTILISATION

La première étape consiste à faire connaissance avec l'outil. Prenez-le, soupesez-le et cherchez son équilibre dans votre main. Sentez sous vos doigts la partie conique du corps. Celle-ci permet de tenir l'outil comme un crayon. *Ne tournez jamais l'outil vers votre visage, orientez-le vers l'extérieur. Des accessoires qui ont pu être endommagés lors de la manipulation peuvent être violemment projetés sous l'effet de la vitesse.*

Lorsque vous tenez l'outil, évitez d'obstruer les orifices de ventilation avec vos mains. Cette obstruction peut provoquer une surchauffe du moteur.

IMPORTANT ! Exercez-vous d'abord sur des matériaux de récupération pour apprécier le fonctionnement de l'outil à vitesse élevée. Ayez à l'esprit que votre outil multifonctions sera le plus performant à sa vitesse de travail, avec l'accessoire et la fixation Dremel appropriés. Si possible, évitez toute pression sur l'outil pendant son utilisation. Au contraire, appliquez légèrement l'accessoire en rotation à l'endroit voulu sur la surface à travailler. Concentrez-vous sur le guidage de l'outil sur la pièce en n'appliquant qu'une très légère pression de la main. Laissez l'accessoire faire le travail.

En règle générale, plusieurs passes avec l'outil sont préférables à une seule pour accomplir le travail. Un contact léger permet un contrôle optimal et évite les risques d'erreur.

TENUE DE L'OUTIL

Pour maîtriser l'outil multifonctions dans les travaux de précision, tenez-le comme un crayon, entre le pouce et l'index.

ILLUSTRATION 6

La méthode de maintien de type "golf" est appliquée pour les opérations plus difficiles telles que le ponçage ou la découpe. ILLUSTRATION 7

VITESSES DE FONCTIONNEMENT

Cet outil multifonctions fonctionne à une vitesse élevée. L'écran numérique de l'outil 400 Series DIGITAL indique la vitesse de rotation (x 1 000) exacte de fonctionnement de l'outil. Pour accroître / diminuer la vitesse, appuyez sur les boutons de réglage de celle-ci. La vitesse de votre outil multifonctions peut être augmentée et réduite par incréments de 1 000 tr/min. Cette fonction permet un contrôle précis de la vitesse de l'outil. L'ajustement de la vitesse de rotation à votre projet donnera un meilleur résultat final. Pour une qualité optimum lorsque vous travaillez sur différents matériaux, réglez le variateur de vitesse en conséquence. Pour sélectionner la vitesse appropriée à l'accessoire employé, exercez-vous d'abord sur des matériaux de récupération.

NOTA: Les variations de tension influent sur la vitesse. Une tension réduite en entrée diminuera la vitesse de rotation de

l'outil, en particulier lors d'un réglage sur la vitesse la plus faible. Si la vitesse de l'outil semble insuffisante, augmentez-la en conséquence. Lorsque l'interrupteur est placé sur le réglage le plus faible, l'outil risque de ne pas fonctionner pour une tension d'alimentation inférieure à 220 volts. Il suffit alors de régler l'interrupteur sur une vitesse plus élevée pour utiliser l'outil.

Reportez-vous au tableau des réglages de vitesses aux pages 4 à 6, afin de déterminer la vitesse appropriée en fonction du matériau employé et de l'accessoire.

A) A utiliser sur parois en placo-plâtre. On obtient les meilleurs résultats à 33.000 tr/m.

B) A utiliser sur les joints de mortier sur les murs et les sols. Employez le réglage 20.000-28.000 tr/m.

*) Vitesse pour les coupes peu profondes. Attention, risque de brûlure sur les rainures profondes.

■ Selon la direction de coupe par rapport au grain.

La majorité des tâches peuvent être accomplies en utilisant l'outil à sa vitesse maximale. Néanmoins, certains matériaux (plastiques et métaux spécifiques) peuvent être endommagés par la chaleur résultant du fonctionnement à vitesse élevée et doivent donc être travaillés à des vitesses relativement faibles. Le fonctionnement à faible vitesse (inférieure ou égale à 15.000 tr/min) convient en général aux travaux de polissage avec les accessoires de polissage en feutre. Toutes les applications de brossage nécessitent des vitesses réduites afin d'éviter l'arrachement de fils métalliques. A faible vitesse, laissez l'outil performant faire le travail pour vous. Les vitesses plus élevées conviennent mieux pour travailler les bois durs, les métaux et le verre, ainsi que pour percer, sculpter, découper, défoncer, profiler et réaliser des feuillures ou des embrèvements dans le bois.

Quelques conseils concernant la vitesse d'utilisation de l'outil:

- Le plastique et les autres matériaux qui fondent à basse température doivent être coupés à des vitesses réduites.
- Le polissage, le lustrage et le nettoyage à la brosse métallique doivent être effectués à des vitesses inférieures à 15.000 tr/min, afin de ne pas endommager la brosse et le matériau.
- Le bois doit être coupé à vitesse élevée.
- Le fer ou l'acier doivent être coupés à vitesse élevée.
- Si une fraise en acier haute vitesse commence à vibrer, c'est généralement que sa vitesse de rotation est trop faible.
- L'aluminium, ainsi que les alliages de cuivre, de plomb, de zinc et d'étain peuvent être coupés à diverses vitesses selon le type de découpe effectuée. Appliquez de la paraffine (pas d'eau) ou un lubrifiant approprié sur la fraise afin d'éviter l'adhérence de déchets de coupe sur les tranchants de la fraise.

NOTA: Une pression accrue sur l'outil ne constitue pas la solution pour de meilleures performances. Essayez un autre accessoire ou une autre vitesse pour obtenir le résultat souhaité.

ENTRETIEN

Toute opération d'entretien préventif effectuée par du personnel non autorisé peut entraîner le positionnement incorrect de composants internes et présenter des risques graves. Nous recommandons de confier les opérations d'entretien de l'outil à un Centre Technique Dremel. Pour éviter les blessures résultant d'un démarrage accidentel ou d'un choc électrique, débranchez systématiquement l'outil de la prise murale avant les opérations de réparation ou de nettoyage.

BALAIS DE CHARBON

Les balais employés sur votre outil sont conçus pour de longues heures de bon fonctionnement. Afin de préparer les balais en vue de l'utilisation de l'outil, faites fonctionner ce dernier à vide, à sa vitesse maximale pendant 5 minutes. Les balais seront ainsi positionnés correctement et vous prolongerez la durée de vie de l'outil. Pour préserver des performances optimales du moteur, examinez l'usure des balais toutes les 40 à 50 heures.

L'utilisation de l'outil avec des balais usés peut entraîner une détérioration irréversible du moteur. Employez exclusivement des balais de rechange Dremel d'origine. Examinez les balais de l'outil multifonctions au bout de 40 à 50 heures d'utilisation. En cas de fonctionnement irrégulier, de baisse de puissance ou de bruit inhabituel de l'outil multifonctions, contrôlez le degré d'usure des balais et, le cas échéant, remplacez-les. Respectez la procédure suivante pour l'examen/le remplacement des balais:

- Après avoir débranché le cordon d'alimentation, placez l'outil sur une surface propre. Utilisez la clé de l'outil pour déposer les capuchons de balais. ILLUSTRATION 8
- Tournez l'outil de telle sorte que le balai tombe de son logement et contrôlez chaque balai. Si la longueur du balai est inférieure à 3 mm et si sa surface au contact du commutateur est rugueuse ou piquée, les balais de charbon doivent être remplacés. Prenez soin de vérifier les deux balais. ILLUSTRATION 9
- Si un balai est usé, remplacez les deux afin de garantir de meilleures performances de votre outil multifonctions. Déposez le ressort du balai, mettez le balai usé au rebut et remplacez le ressort sur un nouveau balai.

REPARATION ET GARANTIE

Ce produit DREMEL fait l'objet d'une garantie conforme aux réglementations légales en vigueur dans votre pays; les dommages résultant de l'usure normale, d'une surcharge ou d'une utilisation inappropriée sont exclus de la garantie.

En cas de réclamation, envoyez l'outil *non démonté* avec le justificatif d'achat à votre revendeur.

- Repositionnez le balai et le ressort dans l'outil, en sachant qu'il existe un seul sens de repose. Assurez-vous que les balais sont positionnés comme illustré. ILLUSTRATION 9
La surface incurvée du balai doit correspondre à la courbure du commutateur.
- Placez la partie inférieure carrée de la porte de balai sur les ouvertures de logement carré. Assurez-vous que le ressort est placé dans la rainure en V du balai. Engagez l'avant de la porte vers le bas. Appuyez ensuite vers le bas et clipsez le couvercle arrière dans son logement. Après le remplacement des balais, faites fonctionner l'outil à vide; pour cela, placez-le sur une surface propre et faites-le fonctionner à pleine vitesse pendant 5 minutes avant de l'utiliser. Les balais seront ainsi positionnés correctement et vous prolongerez leur durée de vie. Vous allongez également la durée de vie de votre outil car la surface du commutateur s'usera moins. ILLUSTRATION 10

NETTOYAGE DE L'OUTIL

DEBRANCHEZ LA FICHE D'ALIMENTATION AVANT TOUT NETTOYAGE

Les orifices de ventilation et les curseurs des interrupteurs doivent être tenus propres et exempts de corps étrangers. Ne tentez pas de nettoyer l'outil en insérant des objets pointus à travers les orifices de ventilation.

L'outil peut être nettoyé à l'air comprimé. Dans ce cas, portez systématiquement des lunettes de protection.

L'outil multifonctions de Dremel ne requiert aucune lubrification.

Certains détergents et solvants endommageront les pièces en plastique. C'est notamment le cas de l'essence, du tétrachlorure de carbone, des solvants chlorés, de l'ammoniaque et des détergents domestiques qui contiennent de l'ammoniaque. Nettoyez les zones de "poignée souple" de l'outil au moyen d'un chiffon humide. Il peut être nécessaire de renouveler plusieurs fois l'opération pour le nettoyage des surfaces rigides encrassées.

CONTACTER DREMEL

Pour plus d'informations sur la gamme de produits, le support technique et l'assistance téléphonique de la société Dremel, visitez le site www.dremel.com

Dremel Europe, P.O. Box 3267, 4800 DG Breda

ISTRUZIONI GENERALI DI SICUREZZA



ATTENZIONE

E' ASSOLUTAMENTE NECESSARIO LEGGERE ATTENTAMENTE TUTTE LE ISTRUZIONI. Eventuali errori nell'adempimento delle istruzioni qui di seguito riportate potranno causare scosse elettriche, incendi e/o lesioni gravi. Il termine qui di seguito utilizzato "elettroutensile" si riferisce ad utensili elettrici alimentati dalla rete (con linea di allacciamento).

CONSERVARE QUESTE ISTRUZIONI

1. STAZIONE DI LAVORO

- Tenere la zona di operazione sempre pulita ed ordinata. Il disordine e le zone di lavoro non illuminate possono essere fonte di incidenti.
- Evitare d'impiegare l'elettroutensile in ambienti soggetti al rischio di esplosioni e nei quali si trovino liquidi, gas o polveri infiammabili. Gli elettroutensili producono scintille che possono far infiammarsi la polvere o i gas.
- Tenere lontani i bambini ed altre persone durante l'impiego dell'elettroutensile. Eventuali distrazioni potranno comportare la perdita del controllo sull'elettroutensile.

2. SICUREZZA ELETTRICA

- La spina per la presa di corrente dovrà essere adatta alla presa. Evitare assolutamente di apportare modifiche alla spina. Non impiegare spine adattatrici assieme ad elettroutensili con collegamento a terra. Le spine non modificate e le prese adatte allo scopo riducono il rischio di scosse elettriche.
- Evitare il contatto fisico con superfici collegate a terra, come tubi, riscaldamenti, cucine elettriche e frigoriferi. Sussiste un maggior rischio di scosse elettriche nel momento in cui il corpo è messo a massa.
- Custodire l'elettroutensile al riparo dalla pioggia o dall'umidità. L'eventuale infiltrazione di acqua in un elettroutensile va ad aumentare il rischio d'insorgenza di scosse elettriche.
- Non usare il cavo per scopi diversi da quelli previsti e quindi non usarlo per trasportare o appendere l'elettroutensile oppure per togliere la spina dalla presa di corrente. Non avvicinare il cavo a fonti di calore, olio, spigoli taglienti e neppure a parti della macchina che siano in movimento. I cavi danneggiati o aggrovigliati aumentano il rischio d'insorgenza di scosse elettriche.
- Qualora si voglia usare l'elettroutensile all'aperto, impiegare solo ed esclusivamente cavi di prolunga omologati per l'impiego all'esterno. L'uso di un cavo di prolunga omologato per l'impiego all'esterno riduce il rischio d'insorgenza di scosse elettriche.

3. SICUREZZA DI PERSONE

- È importante concentrarsi su ciò che si sta facendo e maneggiare con giudizio l'elettroutensile durante le operazioni di lavoro. Non utilizzare l'utensile in caso di stanchezza o sotto l'effetto di droghe, bevande alcoliche e medicina-



nali. Un attimo di distrazione durante l'uso dell'elettroutensile potrà causare lesioni gravi.

- Indossare sempre equipaggiamento protettivo individuale, nonché guanti protettivi. Indossare sempre gli occhiali di protezione. Indossare abbigliamento di protezione personale come la maschera per polveri, scarpe di sicurezza che non scivolino, elmetto di protezione oppure protezione acustica a seconda del tipo e dell'applicazione dell'elettroutensile, si riduce il rischio di incidenti.
- Evitare l'accensione involontaria dell'utensile. Prima d'inserire la spina nella presa di corrente, assicurarsi che l'elettroutensile sia spento. Il fatto di tenere il dito sopra all'interruttore o di collegare l'elettroutensile acceso all'alimentazione di corrente potrà essere causa di incidenti.
- Togliere gli attrezzi di regolazione o la chiave inglese prima di accendere l'utensile. Un utensile oppure una chiave che si trovi in una parte rotante della macchina può provocare seri incidenti.
- Mai sopravvalutare le proprie possibilità di reazione. Avere cura di mettersi in posizione sicura e di mantenere l'equilibrio. In tale maniera sarà possibile controllare meglio l'elettroutensile in situazioni inaspettate.
- Indossare vestiti adeguati. Non indossare vestiti larghi, né portare bracciali e catenine. Tenere i capelli, i vestiti ed i guanti lontani da pezzi in movimento. Vestiti lenti, gioielli o capelli lunghi potranno impigliarsi in pezzi in movimento.
- In caso fosse previsto il montaggio di dispositivi di aspirazione della polvere e di raccolta, assicurarsi che gli stessi siano collegati e che vengano utilizzati correttamente. L'utilizzo di tali dispositivi contribuisce a ridurre lo svilupparsi di situazioni pericolose provocate dalla presenza di polvere.

4. TRATTAMENTO ACCURATO E USO CORRETTO DEGLI ELETTROUTENSILI

- Non sottoporre la macchina a sovraccarico. Per il proprio lavoro, utilizzare esclusivamente l'elettroutensile esplicitamente previsto per il caso. Con un elettroutensile adatto si lavora in modo migliore e più sicuro nell'ambito della sua potenza di prestazione.
- Non utilizzare mai elettroutensili con interruttori difettosi. Un elettroutensile con l'interruttore rotto è pericoloso e deve essere aggiustato.
- Togliere la spina dalla presa di corrente prima di iniziare a regolare l'elettroutensile, di sostituire pezzi di ricambio o di mettere da parte l'elettroutensile. Tale precauzione eviterà che l'elettroutensile possa essere messo in funzione involontariamente.

- d. Quando gli elettrotensili non vengono utilizzati, conservarli al di fuori del raggio di accesso di bambini. Non fare usare l'elettrotensile a persone che non siano abituate ad usarlo o che non abbiano letto le presenti istruzioni. Gli elettrotensili sono macchine pericolose quando vengono utilizzati da persone non dotate di sufficiente esperienza.
- e. Effettuare accuratamente la manutenzione dell'elettrotensile. Verificare che le parti mobili dell'elettrotensile funzionino perfettamente e non s'inceppino, che non ci siano pezzi rotti o danneggiati al punto tale da limitare la funzione dell'elettrotensile stesso. Prima di iniziare l'impiego, far riparare le parti danneggiate. *Numerosi incidenti vengono causati da elettrotensili la cui manutenzione è stata effettuata poco accuratamente.*
- f. Mantenere gli utensili da taglio sempre affilati e puliti. *Gli utensili da taglio curati con particolare attenzione e con taglienti affilati s'inceppano meno frequentemente e sono più facili da condurre.*

ISTRUZIONI GENERALI DI SICUREZZA

ISTRUZIONI DI SICUREZZA GENERALI PER LAVORI DI LEVIGATURA, LEVIGATURA CON CARTA VETRATA, LAVORI CON SPAZZOLE METALLICHE, LUCIDATURA E TRONCATURA

- a. Questo elettrotensile è previsto per essere utilizzato come levigatrice, levigatrice per carta a vetro, spazzola metallica, lucidatrice e troncatrice. Inoltre è necessario attenersi alle istruzioni generali di sicurezza contenute nel manuale fornito a corredo o che si trova inserito nel presente libretto delle istruzioni per l'uso. *Eventuali errori nell'adempimento delle istruzioni qui di seguito riportate potranno causare scosse elettriche, incendi e/o incidenti gravi.*
- b. Non utilizzare nessun accessorio che la casa costruttrice non abbia esplicitamente previsto e raccomandato per questo elettrotensile. *Il semplice fatto che un accessorio possa essere fissato al Vostro elettrotensile non è una garanzia per un impiego sicuro.*
- c. Il numero di giri ammesso dell'accessorio impiegato deve essere almeno tanto alto quanto il numero massimo di giri riportato sull'elettrotensile. *Un accessorio che giri più rapidamente di quanto consentito può essere danneggiato.*
- d. Il diametro esterno e lo spessore dell'accessorio montato devono corrispondere ai dati delle dimensioni dell'elettrotensile in dotazione. *In caso di utilizzo di portautensili e di accessori di dimensioni sbagliate non sarà possibile schermarli oppure controllarli a sufficienza.*
- e. Dischi abrasivi, flange, platorelli oppure altri portautensili ed accessori devono adattarsi perfettamente al mandrino portamolà dell'elettrotensile in dotazione. *Portautensili ed accessori che non si adattano perfettamente al mandrino portamolà dell'elettrotensile non ruotano in modo uniforme, vibrano molto forte e possono provocare la perdita del controllo.*
- f. Non utilizzare mai portautensili od accessori danneggiati. Prima di ogni utilizzo controllare i portautensili e gli acces-

- g. Utilizzare utensili elettrici, accessori, attrezzi, ecc. in conformità con le presenti istruzioni e secondo quanto previsto per questo tipo specifico di elettrotensile. Così facendo, tenere sempre presente le condizioni di lavoro e le operazioni da eseguire. *L'impiego di elettrotensili per usi diversi da quelli consentiti potrà dar luogo a situazioni di pericolo.*

5. ASSISTENZA

- a. Fare riparare l'elettrotensile solo ed esclusivamente da personale specializzato e solo impiegando pezzi di ricambio originali. *In tale maniera potrà essere salvaguardata la sicurezza dell'elettrotensile.*
- sori ed accertarsi che sui dischi abrasivi non vi siano scheggiature o crepature, che il platorello non sia soggetto ad incrinature, crepature o forte usura e che le spazzole metalliche non abbiano fili metallici allentati oppure rotti. Se l'elettrotensile oppure l'accessorio impiegato dovesse sfuggire dalla mano e cadere, accertarsi che questo non abbia subito nessun danno oppure utilizzare un accessorio intatto. Una volta controllato e montato il portautensile o accessorio, far funzionare l'elettrotensile per la durata di un minuto con il numero massimo di giri avendo cura di tenersi lontani e di impedire anche ad altre persone presenti di avvicinarsi al portautensile o accessorio in rotazione. *Nella maggior parte dei casi i portautensili o accessori danneggiati si rompono nel corso di questo periodo di prova.*
- g. Indossare abbigliamento di protezione. A seconda dell'applicazione in corso utilizzare una visiera completa, maschera di protezione per gli occhi oppure occhiali di sicurezza. Per quanto necessario, portare maschere per polveri, protezione acustica, guanti di protezione oppure un grembiule speciale in grado di proteggervi da piccole particelle di levigatura o di materiale. *Gli occhi dovrebbero essere protetti da corpi estranei scaraventati per l'aria nel corso di diverse applicazioni. La maschera antipolvere e la maschera respiratoria devono essere in grado di filtrare la polvere provocata durante l'applicazione. Esponendosi per lungo tempo ad un rumore troppo forte vi è il pericolo di perdere l'udito.*
 - h. Avere cura di evitare che altre persone possano avvicinarsi alla zona in cui si sta lavorando. Ogni persona che entra nella zona di operazione deve indossare un abbigliamento protettivo personale. *Frammenti del pezzo in lavorazione oppure utensili rotti possono volar via oppure provocare incidenti anche al di fuori della zona diretta di lavoro.*
 - i. Quando si eseguono lavori in cui vi è pericolo che l'accessorio impiegato possa arrivare a toccare cavi elettrici nascosti oppure anche il cavo elettrico dell'elettrotensile

- stesso, operare con l'elettrotensile afferrandolo sempre alle superfici di impugnatura isolate. *Un contatto con un cavo elettrico mette sotto tensione anche parti in metallo dell'elettrotensile provocando quindi una scossa elettrica.*
- j. Tenere il cavo di collegamento elettrico sempre lontano da portautensili o accessori in rotazione. *Se si perde il controllo sull'elettrotensile vi è il pericolo di troncatura o di colpire il cavo di collegamento elettrico e la Vostra mano o braccio può arrivare a toccare il portautensile o accessorio in rotazione.*
- k. Mai poggiare l'elettrotensile prima che il portautensile o l'accessorio impiegato non si sia fermato completamente. *L'utensile in rotazione può entrare in contatto con la superficie di appoggio facendoVi perdere il controllo sulla macchina pneumatica.*
- l. Mai trasportare l'elettrotensile mentre questo dovesse essere ancora in funzione. *Attraverso un contatto casuale l'utensile in rotazione potrebbe fare presa sugli indumenti oppure sui capelli dell'operatore e potrebbe arrivare a ferire seriamente il corpo dell'operatore.*
- m. Pulire regolarmente le feritoie di ventilazione dell'elettrotensile in dotazione. *Il ventilatore del motore attira polvere nella carcassa ed una forte raccolta di polvere di metallo può provocare pericoli di origine elettrica.*
- n. Non utilizzare mai l'elettrotensile nelle vicinanze di materiali infiammabili. *Le scintille possono far prendere fuoco questi materiali.*
- o. Non utilizzare mai accessori che richiedano refrigeranti liquidi. *L'utilizzo di acqua o di altri liquidi refrigeranti può provocare una scossa di corrente elettrica.*

CONTRACCOLPO E RELATIVE AVVERTENZE DI PERICOLO

Un contraccolpo è l'improvvisa reazione in seguito ad aggancio oppure blocco di accessorio in rotazione come può essere un disco abrasivo, platorello, spazzola metallica ecc. Agganciandosi oppure bloccandosi il portautensile o accessorio provoca un arresto improvviso della rotazione dello stesso. In questo caso l'operatore non è più in grado di controllare l'elettrotensile ed al punto di blocco si provoca un rimbalzo dello stesso che avviene nella direzione opposta a quella della rotazione del portautensile o dell'accessorio. Se p. es. un disco abrasivo resta agganciato o bloccato nel pezzo in lavorazione, il bordo del disco abrasivo che si abbassa nel pezzo in lavorazione può rimanere impigliato provocando in questo modo una rottura oppure un contraccolpo del disco abrasivo. Il disco abrasivo si avvicina o si allontana dall'operatore a seconda della direzione di rotazione che ha nel momento in cui si blocca. In tali situazioni è possibile che le mole abrasive possano anche rompersi. Un contraccolpo è la conseguenza di un utilizzo non appropriato oppure non corretto dell'elettrotensile. Esso può essere evitato soltanto prendendo misure adatte di sicurezza come dalla descrizione che segue.

- a. Tenere sempre ben saldo l'elettrotensile e portare il proprio corpo e le proprie braccia in una posizione che Vi permetta di compensare le forze di contraccolpo. Se disponibile, utilizzare sempre l'impugnatura supplementare in modo da poter avere sempre il maggior controllo possibile su forze di

- contraccolpi oppure momenti di reazione che si sviluppano durante la fase in cui la macchina raggiunge il regime di pieno carico. *Prendendo appropriate misure di precauzione l'operatore può essere in grado di tenere sotto controllo le forze di contraccolpo e quelle di reazione a scatti.*
- b. Mai avvicinare la propria mano alla zona degli utensili in rotazione. *Nel corso dell'azione di contraccolpo il portautensile o accessorio potrebbe passare sulla Vostra mano.*
- c. Evitare di avvicinarsi con il proprio corpo alla zona in cui l'elettrotensile viene mosso in caso di un contraccolpo. *Un contraccolpo provoca uno spostamento improvviso dell'elettrotensile che si sviluppa nella direzione opposta a quella della rotazione della mola abrasiva al punto di blocco.*
- d. Operare con particolare attenzione in prossimità di spigoli, spigoli taglienti ecc. Avere cura di impedire che portautensili o accessori possano rimanervi bloccati. *L'utensile in rotazione ha la tendenza a rimanere bloccato in angoli, spigoli taglienti oppure in caso di rimbalzo. Ciò provoca una perdita del controllo oppure un contraccolpo.*
- e. Non utilizzare seghe a catena e neppure lame dentellate. *Questo tipo di accessori provocano spesso un contraccolpo oppure la perdita del controllo sull'elettrotensile.*

PARTICOLARI AVVERTENZE DI PERICOLO PER OPERAZIONI DI LEVIGATURA E DI TRONCATURA

- a. Utilizzare sempre la calotta di protezione prevista per il tipo di utensile abrasivo utilizzato. *Utensili abrasivi che non sono previsti per l'elettrotensile non possono essere sufficientemente schermati e sono insicuri.*
- b. Utensili abrasivi possono essere utilizzati esclusivamente per le possibilità applicative esplicitamente raccomandate. P. es.: mai eseguire lavori di levigatura con la superficie laterale di un disco abrasivo da taglio diritto. *Mole abrasive da taglio diritto sono previste per l'asportazione di materiale con il bordo del disco. Esercitando dei carichi laterali su questi utensili abrasivi vi è il pericolo di romperli.*
- c. Per la mola abrasiva selezionata, utilizzare sempre flange di serraggio che siano in perfetto stato e che siano della corretta dimensione e forma. *Flange adatte hanno una funzione di corretto supporto della mola abrasiva riducendo il più possibile il pericolo di una rottura della mola abrasiva. È possibile che vi sia una differenza tra flange per mole abrasive da taglio diritto e flange per mole abrasive di altro tipo.*
- d. Non utilizzare mai mole abrasive usurate previste per elettrotensili più grandi. *Mole abrasive previste per elettrotensili più grandi non sono concepite per le maggiori velocità di elettrotensili più piccoli e possono rompersi.*

ULTERIORI AVVERTENZE DI PERICOLO SPECIFICHE PER LAVORI DI TRONCATURA

- a. Evitare di far bloccare il disco abrasivo da taglio diritto oppure di esercitare una pressione troppo alta. Non eseguire tagli eccessivamente profondi. *Sottoponendo la mola da taglio diritto a carico eccessivo se ne aumenta la sollecitazione e la si rende maggiormente soggetta ad angolature improprie o a blocchi venendo così a creare il pericolo di contraccolpo oppure di rottura dell'utensile abrasivo.*

- b. Evitare di avvicinarsi alla zona anteriore o posteriore al disco abrasivo da taglio in rotazione. *Quando l'operatore manovra la mola da taglio diritto nel pezzo in lavorazione in direzione opposta a quella della propria persona, può capitare che in caso di un contraccolpo il disco in rotazione faccia rimbalzare con violenza l'elettrotensile verso l'operatore.*
- c. Qualora il disco abrasivo da taglio diritto dovesse incepparsi oppure si dovesse interrompere il lavoro, spegnere l'elettrotensile e tenerlo fermo fino a quando il disco si sarà fermato completamente. Non tentare mai di estrarre il disco abrasivo dal taglio in esecuzione perché si potrebbe provocare un contraccolpo. *Rilevare ed eliminare la causa per il blocco.*
- d. Mai rimettere l'elettrotensile in funzione fintanto che esso si trovi ancora nel pezzo in lavorazione. Prima di continuare ad eseguire il taglio procedendo con la dovuta attenzione, attendere che il disco abrasivo da taglio diritto abbia raggiunto la massima velocità. *In caso contrario è possibile che il disco resti agganciato, sbalzi dal pezzo in lavorazione oppure provochi un contraccolpo.*
- e. Dotare di un supporto adatto pannelli oppure pezzi in lavorazione di dimensioni maggiori in modo da ridurre il rischio di un contraccolpo dovuto ad un disco abrasivo da taglio diritto che rimane bloccato. *Pezzi in lavorazione di dimensioni maggiori possono piegarsi sotto l'effetto del proprio peso. Provvedere a munire il pezzo in lavorazione di supporti adatti al caso specifico sia nelle vicinanze del taglio di troncatura che in quelle del bordo.*
- f. Operare con particolare attenzione in caso di "tagli dal centro" da eseguire in pareti già esistenti oppure in altre parti non visibili. *Il disco abrasivo da taglio diritto che inizia il taglio sul materiale può provocare un contraccolpo se dovesse arrivare a troncature condutture del gas o dell'acqua, linee elettriche oppure oggetti di altro tipo.*

AMBIENTE

SMALTIMENTO

Avviare ad un riciclaggio rispettoso dell'ambiente gli imballaggi, gli elettrotensili e gli accessori dismessi.



Non gettare elettrotensili dismessi tra i rifiuti domestici! Conformemente alla norma della direttiva CE 2002/96 sui rifiuti di apparecchiature elettriche ed elettroniche (RAEE) ed all'attuazione del recepimento nel diritto nazionale, gli elettrotensili diventati inservibili devono essere raccolti separatamente ed essere inviati ad una riutilizzo ecologica.

AVVERTENZE DI PERICOLO SPECIFICHE PER LAVORI DI LEVIGATURA CON CARTA VETRO

- a. Non utilizzare mai fogli abrasivi troppo grandi ma attenersi alle indicazioni del rispettivo produttore relative alle dimensioni dei fogli abrasivi. *Fogli abrasivi che dovessero sporgere oltre il platorello possono provocare incidenti oppure blocchi, strappi dei fogli abrasivi oppure contraccolpi.*

AVVERTENZE DI PERICOLO SPECIFICHE PER OPERAZIONI DI LUCIDATURA

- a. Evitare assolutamente che parti della cappa lucidatura restino staccate e prestare in modo particolare attenzione alle cordicelle di fissaggio. Raccogliere per bene oppure tagliare le cordicelle di fissaggio ad una lunghezza adatta. *Cordicelle di fissaggio che girino con la cappa possono far presa sulle dita dell'operatore oppure rimanere impigliate nel pezzo in lavorazione.*

AVVERTENZE DI PERICOLO SPECIFICHE PER LAVORI CON SPAZZOLE METALLICHE

- a. Tenere presente che la spazzola metallica perde pezzi di fil di ferro anche durante il comune impiego. Non sottoporre i fili metallici a carico troppo elevato esercitando una pressione troppo alta. *Pezzi di fil di ferro scaraventati per l'aria possono penetrare molto facilmente attraverso indumenti sottili e/o la pelle.*
- b. Impiegando una calotta di protezione si impedisce che la calotta di protezione e la spazzola metallica possano toccarsi. *I diametri delle spazzole a disco e delle spazzole a tazza possono essere aumentati attraverso forze di pressione e tramite l'azione di forze centrifugali.*

SOLO PER I PAESI DELLA CE

DATI TECNICI

DATI TECNICI GENERALI

Tensione di funzionamento . 230-240 V, 50-60 Hz
 Intensità di funzionamento . 0,6 A
 Velocità a vuoto n, 33.000 giri/min
 Dimensioni pinze 0,8 mm, 1,6 mm, 2,4 mm, 3,2 mm

CAVI DI PROLUNGA

Utilizzare esclusivamente cavi di prolunga completamente svolti con portata minima di 5 amp.

MONTAGGIO

SCOLLEGARE SEMPRE IL MULTIUTENSILE PRIMA DI SOSTITUIRE GLI ACCESSORI, I MANDRINI O DI PROCEDERE A OPERAZIONI DI MANUTENZIONE.

GENERALE

Il multiutensile Dremel è uno strumento di precisione di alta qualità, adatto per lavori dettagliati e complessi. La vasta gamma di accessori e complementi Dremel permette di svolgere i più svariati lavori. Tra questi, levigatura, intaglio, incisione e fresatura, taglio, pulitura e lucidatura. FIGURA 2

FIGURA 1

- Ghiera di serraggio
- Pinza
- Interfaccia di collegamento
- Cappuccio
- Pulsante di blocco albero
- Aperture di aerazione
- Coperchio spazzola (su entrambi i lati)
- Comando di accensione/spegnimento
- Display LCD
- Pulsanti Velocità + / -
- Gancio
- Cavo di alimentazione

PINZE

Gli accessori Dremel previsti per il multiutensile hanno gambi di diverse dimensioni. Sono disponibili quattro pinze di dimensioni diverse per le varie dimensioni dei gambi. Le dimensioni delle pinze sono identificate dagli anelli presenti alla base delle pinze stesse.

DATI TECNICI MOTORE

Questo multiutensile utilizza un motore a velocità variabile. Si collega a una tensione di funzionamento pari a 230-240 V, 50-60 Hz. Verificare sempre che la tensione di alimentazione corrisponda alla tensione indicata sulla targhetta utensile (utensili operativi a 230V o 240V possono anche essere collegati ad alimentazioni di 220V).

FIGURA 3

- Pinza da 3,2 mm senza anello (480)
- Pinza da 2,4 mm con tre anelli (481)
- Pinza da 1,6 mm con due anelli (482)
- Pinza da 0,8 mm con un anello (483)

N.B.: Alcuni kit multiutensile possono non includere le pinze nelle quattro dimensioni. Le pinze sono comunque disponibili separatamente.

Usare sempre la pinza che si adatta alle dimensioni del gambo e dell'accessorio che si intende usare. Non forzare un accessorio con gambo di diametro superiore della pinza.

SOSTITUZIONE PINZE

FIGURA 4

- Pulsante di blocco albero
- Chiave di serraggio
- Serrare
- Allentare
- Ghiera di serraggio

- Premere il pulsante di blocco dell'albero e, tenendolo premuto, ruotare l'albero a mano fino a che non si blocca. Non azionare il pulsante di blocco dell'albero mentre il multiutensile sta girando.
- A pulsante di blocco dell'albero azionato, svitare e smontare la ghiera della pinza. Se necessario utilizzare la chiave di serraggio.
- Estrarre la pinza dall'albero.
- Inserire la pinza della dimensione desiderata nell'albero e serrare la ghiera di serraggio. Non serrare completamente la ghiera in assenza di punta o accessorio.

SOSTITUZIONE ACCESSORI

FIGURA 4/5

Q. Pulsante di blocco albero

1. Premere il pulsante di blocco dell'albero e ruotare l'albero a mano fino a che non si blocca. *Non azionare il pulsante di blocco dell'albero mentre il multiutensile sta girando.*
2. A pulsante di blocco dell'albero azionato, allentare (ma non rimuovere) la ghiera di serraggio. Se necessario utilizzare la chiave di serraggio.

3. Inserire il gambo della punta o dell'accessorio nella pinza.
4. A pulsante di blocco dell'albero azionato, serrare la ghiera di serraggio fino a che il gambo della punta/accessorio non è bloccato.
N.B.: Leggere le istruzioni fornite con gli accessori Dremel per ulteriori informazioni sull'utilizzo.

Utilizzare esclusivamente accessori Dremel testati e ad elevate prestazioni.

PER INZIARE

USO

Prima di utilizzare il multiutensile è necessario "conoscerlo". Impugnarlo e valutarne il peso e il bilanciamento. Si prenda confidenza con l'estremità affusolata dell'utensile. E' questa parte che permette di impugnarlo come una penna o una matita.

Tenere sempre l'utensile lontano dal volto. Gli accessori potrebbero essere stati danneggiati durante la spedizione e potrebbero volar via ruotando ad alta velocità.

Nel maneggiare l'utensile evitare di coprire con le mani le aperture di aerazione. Se si bloccano le aperture di aerazione, il motore potrebbe surriscaldarsi.

IMPORTANTE! Provare ad utilizzare l'utensile su materiale di scarto per testarlo alle alte velocità. Ricordare che le prestazioni del multiutensile sono migliori se si permette alla velocità, insieme agli accessori e ai complementi Dremel più adatti, di svolgere completamente il lavoro. Se possibile non fare pressione sull'utensile in fase di utilizzo. Al contrario, appoggiare con cautela l'accessorio in rotazione sulla superficie di lavoro portandolo in contatto con il punto in corrispondenza del quale si vuole iniziare. Concentrarsi sulla guida dell'utensile lungo il pezzo applicando una leggerissima pressione con la mano. Deve essere l'accessorio a eseguire il lavoro.

Solitamente si consiglia di eseguire una serie di passate con l'utensile piuttosto che una sola passata per completare il lavoro. Un tocco leggero garantisce un migliore controllo e riduce le possibilità di errore.

COME USARE L'UTENSILE

Per un migliore controllo in lavori di precisione, impugnare il multiutensile come una penna tra pollice e indice. FIGURA 6 La presa "a mazza da golf" viene solitamente utilizzata per lavori più pesanti, quali levigatura o taglio. FIGURA 7

VELOCITÀ SELEZIONABILI

Questo utensile è un multiutensile ad alta velocità. Il display digitale dell'utensile 400 Series DIGITAL indica il numero esatto di giri/min (x 1.000) dell'utensile. Per aumentare/diminuire

la velocità, premere i pulsanti Velocità + / -. E' possibile aumentare o diminuire la velocità dell'utensile con variazioni di 1.000 giri/min. In questo modo è possibile controllare con precisione la velocità. Regolare il numero di giri al minuto in base al progetto per ottenere risultati finali migliori. Per ottenere i risultati migliori lavorando con materiali diversi, regolare il comando di regolazione della velocità in modo ottimale in base al progetto. Per selezionare la giusta velocità in base all'accessorio in uso, fare pratica su materiali di scarto.

N.B.: La velocità dipende dalle variazioni di tensione. Una tensione di alimentazione ridotta rallenta il numero di giri al minuto dell'utensile, in particolare alle basse regolazioni. Se l'utensile sembra lavorare a bassa velocità, aumentare di conseguenza la velocità. L'utensile può non funzionare alle basse velocità in ambienti in cui la tensione di alimentazione è inferiore a 220 V. Impostare il comando di regolazione della velocità in modo adeguato per iniziare a lavorare.

Vedere la tabella Impostazioni di velocità a pagina 4-6 per individuare la velocità più adatta in base al materiale di lavoro e all'accessorio utilizzato.

A) Per utilizzo su muratura. Per risultati ottimali, impostare su 33.000 giri/min.

B) Per piastrelle da parete e pavimento. Impostare su 20.000-28.000 giri/min.

*) Velocità per tagli minimi. Attenzione, possibile bruciatura in caso di scanalature profonde.

■) In base alla direzione di taglio rispetto alla grana.

E' possibile svolgere molti lavori con l'utensile regolato alla massima velocità. Tuttavia, alcuni materiali (alcuni tipi di plastica e metallo) possono danneggiarsi per il calore generato dall'alta velocità e dovrebbero pertanto essere lavorati a basse velocità. Le basse velocità (15.000 giri/min o meno) sono generalmente adatte per interventi di lucidatura con accessori di lucidatura in feltro. In caso di utilizzo di spazzole, le velocità devono essere basse per evitare scariche dal manico. Lasciare che l'utensile lavori per voi alle basse velocità. Le velocità più alte sono ideali per legni duri, metalli e vetro, oltre che per interventi di foratura, intaglio, taglio, fresatura, formatura e taglio di dadi e battute in legno.

Alcune indicazioni sulla velocità dell'utensile:

- La plastica e i materiali che fondono a basse temperature devono essere lavorati a bassa velocità.
- Lucidatura e pulitura con spazzola metallica devono essere eseguite a velocità inferiore a 15.000 giri/min per non danneggiare la spazzola e il materiale.
- Il legno deve essere lavorato a velocità elevata.
- Il ferro e l'acciaio devono essere lavorati a velocità elevata.
- Se un utensile da taglio in acciaio ad alta velocità inizia a vibrare, solitamente ciò significa che è stata selezionata una velocità troppo bassa.

- L'alluminio, il rame, le leghe di piombo, le leghe di zinco e lo stagno possono essere lavorati a velocità diverse, a seconda del tipo di lavorazione che si deve eseguire. Usare paraffina (non acqua) o altro lubrificante adatto sull'utensile di taglio per evitare che il materiale asportato aderisca al tagliente.

N.B.: Aumentare la pressione sull'utensile se non taglia come si vorrebbe, non risolve il problema. Provare ad utilizzare un accessorio o una regolazione della velocità diversi per ottenere i risultati desiderati.

MANUTENZIONE

La manutenzione preventiva eseguita da personale non autorizzato può causare l'errato posizionamento di componenti e dei cavi interni con possibili gravi rischi per le persone. Raccomandiamo che l'assistenza sugli utensili sia eseguita presso i centri di assistenza autorizzati Dremel. Per evitare incidenti dovuti ad avvio non previsto o scariche elettriche, scollegare sempre la spina dalla presa di corrente prima di qualsiasi intervento manutentivo o di pulitura.

SPAZZOLE AL CARBONIO

Le spazzole dell'utensile sono state progettate per durare a lungo. Per preparare le spazzole all'uso, azionare l'utensile a velocità massima per 5 minuti senza carico. Questo permetterà alle spazzole di "inserirsi" in modo corretto aumentando di conseguenza la vita dell'utensile. Per conservare il motore al massimo grado di efficienza, controllare le spazzole ogni 40-50 ore per verificarne il grado di usura.

L'utilizzo dell'utensile con spazzole usurate danneggia in modo permanente il motore. Utilizzare esclusivamente spazzole originali Dremel. Controllare le spazzole del multiutensile dopo 40-50 ore di utilizzo. Se il multiutensile funziona in modo discontinuo, perde potenza e produce rumori insoliti, controllare lo stato di usura delle spazzole ed eventualmente sostituirle. Seguire quanto indicato di seguito per controllare/sostituire le spazzole del multiutensile:

1. A cavo di alimentazione scollegato, posizionare l'utensile su una superficie pulita. Utilizzare la chiave di serraggio per rimuovere i cappucci delle spazzole. FIGURA 8
2. Ruotare l'utensile in modo da far uscire la spazzola dal supporto e controllare ognuna di esse. Se la lunghezza della spazzola è inferiore a 3 mm e la superficie della spazzola a contatto con il commutatore è ruvida o vaiolata, sostituire le spazzole in carbonio. Controllare entrambe le spazzole. FIGURA 9
3. Se una spazzola è usurata, sostituire entrambe le spazzole per una migliore prestazione dell'utensile. Estrarre la molla dalla spazzola, eliminare la vecchia spazzola e inserire la molla su una nuova.

4. Reinserrire la spazzola in carbonio e la molla nell'utensile: la spazzola si inserisce correttamente solo in una posizione. Verificare che le spazzole vengano installate come indicato. FIGURA 9. La superficie curva della spazzola deve corrispondere alla curvatura del commutatore.
5. Appoggiare il lato inferiore squadrato del portellino spazzola sulle aperture della cavità squadrata. Verificare che la molla poggia sulla scanalatura a V della spazzola. Premere il lato anteriore del portellino verso il basso. Quindi premere e fare scattare il dispositivo di arresto in posizione. Dopo aver sostituito le spazzole, posizionare l'utensile su una superficie pulita e azionarlo a massima velocità per 5 minuti in assenza di carico o prima di utilizzarlo. In questo modo le spazzole si "inseriranno in sede" in modo adeguato aumentando la vita delle spazzole, ma anche dell'utensile in quanto la superficie del commutatore si usurerà in modo più omogeneo e su lunghi periodi. FIGURA 10

COME PULIRE L'UTENSILE

SCOLLEGARE LA SPINA PRIMA DI PROCEDERE ALLA PULIZIA

Le aperture di aerazione e le leve degli interruttori devono essere tenute pulite e libere da corpi estranei. Non cercare di pulire inserendo oggetti appuntiti attraverso le aperture. *L'utensile può essere pulito a fondo usando aria compressa. Quando si puliscono gli utensili con aria compressa indossare sempre occhiali di sicurezza.*

Non occorre lubrificare il multiutensile Dremel.

Alcuni prodotti e solventi per la pulizia danneggiano i componenti in plastica. Tra questi ci sono la benzina, il tetracloruro di carbonio, i solventi clorinati, l'ammoniaca e i detergenti per uso domestico a base di ammoniaca.

Pulire l'area di "presa morbida" dell'utensile con un panno umido. Le aree più dure possono richiedere più di una passata per diventare pulite.

ASSISTENZA E GARANZIA

Questo prodotto DREMEL è garantito come da disposizioni normative/nazionali; eventuali danni dovuti a normale usura, sovraccarico o utilizzo improprio non sono coperti da garanzia.

CONTATTO DREMEL

Per ulteriori informazioni sulla gamma di prodotti Dremel, supporto e numero verde, visitare il sito www.dremel.com

Dremel Europe, P.O. Box 3267, 4800 DG Breda

ALGEMENE VEILIGHEIDSVOORSCHRIFTEN



LEES ALLE VOORSCHRIFTEN. Wanneer de volgende voorschriften niet in acht worden genomen, kan dit een elektrische schok, brand of ernstig letsel tot gevolg hebben. Het hierna gebruikte begrip "elektrisch gereedschap" heeft betrekking op elektrische gereedschappen voor gebruik op het stroomnet (met netsnoer).

BEWAAR DEZE VOORSCHRIFTEN GOED

1. WERKOMGEVING

- Houd uw werkomgeving schoon en opgeruimd. *Een rommelige of onverlichte werkomgeving kan tot ongevallen leiden.*
- Werk met het gereedschap niet in een omgeving met explosiegevaar waarin zich brandbare vloeistoffen, brandbare gassen of brandbaar stof bevinden. *Elektrische gereedschappen veroorzaken vonken die het stof of de dampen tot ontsteking kunnen brengen.*
- Houd kinderen en andere personen tijdens het gebruik van het elektrische gereedschap uit de buurt. *Wanneer u wordt afgeleid, kunt u de controle over het gereedschap verliezen.*

2. ELEKTRISCHE VEILIGHEID

- De aansluitstekker van het gereedschap moet in het stopcontact passen. De stekker mag in geen geval worden veranderd. Gebruik geen adapterstekkers in combinatie met gearde gereedschappen. *Onveranderde stekkers en passende stopcontacten beperken het risico van een elektrische schok.*
- Voorkom aanraking van het lichaam met gearde oppervlakken, bijvoorbeeld van buizen, verwarmingen, fornuizen en koelkasten. *Er bestaat een verhoogd risico op een elektrische schok wanneer uw lichaam geaard is.*
- Houd het gereedschap uit de buurt van regen en vocht. *Het binnendringen van water in het elektrische gereedschap vergroot het risico van een elektrische schok.*
- Gebruik de kabel niet voor een verkeerd doel, om het gereedschap te dragen of op te hangen of om de stekker uit het stopcontact te trekken. Houd de kabel uit de buurt van hitte, olie, scherpe randen en bewegende gereedschapsdelen. *Beschadigde of in de war geraakte kabels vergroten het risico van een elektrische schok.*
- Wanneer u buitenshuis met elektrisch gereedschap werkt, dient u alleen verlengkabels te gebruiken die voor gebruik buitenshuis zijn goedgekeurd. *Het gebruik van een voor gebruik buitenshuis geschikte verlengkabel beperkt het risico van een elektrische schok.*

3. VEILIGHEID VAN PERSONEN

- Wees alert, let goed op wat u doet en ga met verstand te werk bij het gebruik van het elektrische gereedschap. Gebruik het gereedschap niet wanneer u moe bent of onder invloed staat van drugs, alcohol of medicijnen. *Een*



- moment van onoplettendheid bij het gebruik van het gereedschap kan tot ernstige verwondingen leiden.*
- Draag persoonlijke beschermende uitrusting en altijd een veiligheidsbril. *Het dragen van persoonlijke beschermende uitrusting zoals een stofmasker, slipvaste werkschoenen, een veiligheidshelm of gehoorbescherming, afhankelijk van de aard en het gebruik van het elektrische gereedschap, vermindert het risico van verwondingen.*
 - Voorkom per ongeluk inschakelen. Controleer dat het elektrische gereedschap uitgeschakeld is, voordat u de stekker in het stopcontact steekt. *Wanneer u bij het dragen van het gereedschap uw vinger aan de schakelaar hebt of wanneer u het gereedschap ingeschakeld op de stroomvoorziening aansluit, kan dit tot ongevallen leiden.*
 - Verwijder instelgereedschappen of schroefslutels voordat u het gereedschap inschakelt. *Een instelgereedschap of sleutel in een draaiend deel van het gereedschap kan tot verwondingen leiden.*
 - Overschat u zelf niet. *Zorg ervoor dat u stevig staat en steeds in evenwicht blijft. Daardoor kunt u het gereedschap in onverwachte situaties beter onder controle houden.*
 - Draag geschikte kleding. *Draag geen loshangende kleding of sieraden. Houd haren, kleding en handschoenen uit de buurt van bewegende delen. Loshangende kleding, lange haren en sieraden kunnen door bewegende delen worden meegenomen.*
 - Wanneer stofafzuigings- of stofopvangvoorzieningen kunnen worden gemonteerd, dient u zich ervan te verzekeren dat deze zijn aangesloten en juist worden gebruikt. *Het gebruik van deze voorzieningen beperkt het gevaar door stof.*

4. ZORGVULDIGE ONGANG MET EN ZORGVULDIG GEBRUIK VAN ELEKTRISCHE GEREEDSCHAPPEN

- Overbelast het gereedschap niet. Gebruik voor uw werkzaamheden het daarvoor bestemde elektrische gereedschap. *Met het passende elektrische gereedschap werkt u beter en veiliger binnen het aangegeven capaciteitsbereik.*
- Gebruik geen elektrisch gereedschap waarvan de schakelaar defect is. *Elektrisch gereedschap dat niet meer kan worden in- of uitgeschakeld, is gevaarlijk en moet worden gerepareerd.*
- Trek de stekker uit het stopcontact voordat u het gereedschap instelt, toebehoren wisselt of het gereedschap weg legt. *Deze voorzorgsmaatregel voorkomt onbedoeld starten van het gereedschap.*

- d. Bewaar niet-gebruikte elektrische gereedschappen buiten bereik van kinderen. Laat het gereedschap niet gebruiken door personen die er niet mee vertrouwd zijn en deze aanwijzingen niet hebben gelezen. *Elektrische gereedschappen zijn gevaarlijk wanneer deze door onervaren personen worden gebruikt.*
- e. Verzorg het gereedschap zorgvuldig. Controleer of bewegende delen van het gereedschap correct functioneren en niet vastklemmen en of onderdelen zodanig gebroken of beschadigd zijn dat de werking van het gereedschap nadelig wordt beïnvloed. Laat deze beschadigde onderdelen voor het gebruik repareren. *Veel ongevallen hebben hun oorzaak in slecht onderhouden van elektrische gereedschappen.*
- f. Houd snijdende inzetgereedschappen scherp en schoon. *Zorgvuldig onderhouden snijdende inzetgereedschappen met scherpe snijkanten klemmen minder snel vast en zijn gemakkelijker te geleiden.*

- g. Gebruik elektrisch gereedschap, toebehoren, inzetgereedschappen en dergelijke volgens deze aanwijzingen en zoals voor dit speciale gereedschapstype voorgeschreven. Let daarbij op de arbeidsomstandigheden en de uit te voeren werkzaamheden. *Het gebruik van elektrische gereedschappen voor andere dan de voorziene toepassingen kan tot gevaarlijke situaties leiden.*

5. SERVICE

- a. Laat het gereedschap alleen repareren door gekwalificeerd en vakkundig personeel en alleen met originele vervangingsonderdelen. *Daarmee wordt gewaarborgd dat de veiligheid van het gereedschap in stand blijft.*

schijven op scheuren of sterke slijtage en draadborstels op losse of gebroken draden. Als het elektrische gereedschap of het inzetgereedschap valt, dient u te controleren of het beschadigd is, of gebruik een onbeschadigd inzetgereedschap. Als u het inzetgereedschap hebt gecontroleerd en ingezet, laat u het elektrische gereedschap een minuut lang met het maximale toerental lopen. Daarbij dient u en die andere personen uit de buurt van het ronddraaiende inzetgereedschap te blijven. *Beschadigde inzetgereedschappen breken meestal gedurende deze testtijd.*

- g. Draag persoonlijke beschermende uitrusting. Gebruik afhankelijk van de toepassing een volledige gezichtsbescherming, oogbescherming of veiligheidsbril. Draag voor zover van toepassing een stofmasker, een gehoorbescherming, werkhandschoenen of een speciaal schort dat kleine slijp- en metaaldeeltjes tegenhoudt. *Uw ogen moeten worden beschermd tegen wegvliegende deeltjes die bij verschillende toepassingen ontstaan. Een stof- of adembeschermingsmasker moet het bij de toepassing ontstaande stof filteren. Als u lang wordt blootgesteld aan luid lawaai, kan uw gehoor worden beschadigd.*
- h. Let erop dat andere personen zich op een veilige afstand bevinden van de plaats waar u werkt. Iedereen die de werkomgeving betreedt, moet persoonlijke beschermende uitrusting dragen. *Brokstukken van het werkstuk of gebroken inzetgereedschappen kunnen wegvliegen en verwondingen veroorzaken, ook buiten de directe werkomgeving.*
- i. Houd het elektrische gereedschap alleen vast aan de geïsoleerde greepvlakken als u werkzaamheden uitvoert waarbij het inzetgereedschap verborgen stroomleidingen of de eigen netkabel kan raken. *Contact met een onder spanning staande leiding zet ook de metalen delen van het elektrische gereedschap onder spanning en leidt tot een elektrische schok.*
- j. Houd de stroomkabel uit de buurt van draaiende inzetgereedschappen. *Als u de controle over het elektrische*

gereedschap verliest, kan de stroomkabel worden doorsneden of meegenomen en uw hand of arm kan in het ronddraaiende inzetgereedschap terecht komen.

- k. Leg het elektrische gereedschap nooit neer voordat het inzetgereedschap volledig tot stilstand is gekomen. *Het draaiende inzetgereedschap kan in contact komen met het oppervlak, waardoor u de controle over het elektrische gereedschap kunt verliezen.*
- l. Laat het elektrische gereedschap niet lopen terwijl u het draagt. *Uw kleding kan door toevallig contact met het draaiende inzetgereedschap worden meegenomen en het inzetgereedschap kan zich in uw lichaam boren.*
- m. Reinig regelmatig de ventilatieopeningen van het elektrische gereedschap. *De motorventilator trekt stof in het huis en een sterke ophoping van metaalstof kan elektrische gevaaren veroorzaken.*
- n. Gebruik het elektrische gereedschap niet in de buurt van brandbare materialen. *Vonken kunnen deze materialen ontsteken.*
- o. Gebruik geen inzetgereedschappen waarvoor vloeibare koelmiddelen vereist zijn. *Het gebruik van water of andere vloeibare koelmiddelen kan tot een elektrische schok leiden.*

TERUGSLAG EN BIJBEHORENDE WAARSCHUWINGEN

Terugslag is de plotselinge reactie als gevolg van een vasthoudend of geblokkeerd draaiend inzetgereedschap, zoals een slijpschijf, steunschijf, draadborstel, enz. Vasthouden of blokkeren leidt tot abrupte stilstand van het ronddraaiende inzetgereedschap. Daardoor wordt een ongecontroleerd elektrisch gereedschap tegen de draairichting van het inzetgereedschap versneld op de plaats van de blokkering. Als bijvoorbeeld een slijpschijf in het werkstuk vasthaakt of blokkeert, kan de rand van de slijpschijf die in het werkstuk invalt, zich vastgrijpen. Daardoor kan de slijpschijf uitbreken of een terugslag veroorzaken. De slijpschijf beweegt zich vervolgens naar de bediener toe of van de bediener weg, afhankelijk van de draairichting van de schijf op de plaats van de blokkering. Hierbij kunnen slijpschijven ook breken. Een terugslag is het gevolg van het verkeerd gebruik of onjuiste gebruiksomstandigheden van het elektrische gereedschap. Terugslag kan worden voorkomen door geschikte voorzorgsmaatregelen, zoals hieronder beschreven.

- a. Houd het elektrische gereedschap goed vast en breng uw lichaam en uw armen in een positie waarin u de terugslagkrachten kunt opvangen. Gebruik altijd de extra handgreep, indien aanwezig, om de grootste mogelijke controle te hebben over terugslagkrachten of reactiemomenten bij het op toeren komen. *De bediener kan door geschikte voorzorgsmaatregelen de terugslag- en reactiekrachten beheersen.*
- b. Breng uw hand nooit in de buurt van draaiende inzetgereedschappen. *Het inzetgereedschap kan bij de terugslag over uw hand bewegen.*
- c. Mijd met uw lichaam het gebied waarheen het elektrische gereedschap bij een terugslag wordt bewogen. *De terugslag drijft het elektrische gereedschap in de richting die tegengesteld is aan de beweging van de slijpschijf op de plaats van de blokkering.*

- d. Werk bijzonder voorzichtig in de buurt van hoeken, scherpe randen, enz. Voorkom dat inzetgereedschappen van het werkstuk terugspringen en vastklemmen. *Het ronddraaiende inzetgereedschap neigt er bij hoeken, scherpe randen of wanneer het terugspringt toe om zich vast te klemmen. Dit veroorzaakt een controleverlies of terugslag.*
- e. Gebruik geen kettingblad of getand zaagblad. *Zulke inzetgereedschappen veroorzaken vaak een terugslag of het verlies van de controle over het elektrische gereedschap.*

BIJZONDERE WAARSCHUWINGEN VOOR SLIJP- EN DOORSLIJPWERKZAAMHEDEN

- a. Gebruik uitsluitend het voor het elektrische gereedschap toegestane slijp- en doorslijp- toebehoren en de voor dit slijp- toebehoren voorziene beschermkap. *Slijp- toebehoren dat niet voor het elektrische gereedschap is voorzien, kan niet voldoende worden afgeschermd en is niet veilig.*
- b. Slijp- toebehoren mag alleen worden gebruikt voor de geadviseerde toepassingsmogelijkheden. Bijvoorbeeld: slijp nooit met het zijvlak van een doorslijpschijf. *Doorslijpschijven zijn bestemd voor materiaalafname met de rand van de schijf. Een zijwaartse krachtwerking op dit slijp- toebehoren kan het toebehoren breken.*
- c. Gebruik altijd onbeschadigde spanflenzen in de juiste maat en vorm voor de door u gekozen slijpschijf. *Geschikte flenzen steunen de slijpschijf en verminderen zo het gevaar van een slijpschijfbreuk. Flenzen voor doorslijpschijven kunnen verschillen van de flenzen voor andere slijpschijven.*
- d. Gebruik geen versleten slijpschijven van grotere elektrische gereedschappen. *Slijpschijven voor grotere elektrische gereedschappen zijn niet geconstrueerd voor de hogere toerentallen van kleinere elektrische gereedschappen en kunnen breken.*

OVERIGE BIJZONDERE WAARSCHUWINGEN VOOR DOORSLIJPWERKZAAMHEDEN

- a. Voorkom blokkeren van de doorslijpschijf en te hoge aandrukkracht. Slijp niet overmatig diep. *Een overbelasting van de doorslijpschijf vergroot de slijtage en de gevoeligheid voor kantelen of blokkeren en daardoor de mogelijkheid van een terugslag of breuk van het slijp- toebehoren.*
- b. Mijd de omgeving voor en achter de ronddraaiende doorslijpschijf. *Als u de doorslijpschijf in het werkstuk van u weg beweegt, kan in het geval van een terugslag het elektrische gereedschap met de draaiende schijf rechtstreeks naar u toe worden geslingerd.*
- c. Als de doorslijpschijf vastklemt of als u de werkzaamheden onderbreekt, schakelt u het elektrische gereedschap uit en houdt u het rustig tot de schijf tot stilstand is gekomen. Probeer nooit om de nog draaiende doorslijpschijf uit de groef te trekken. Anders kan een terugslag het gevolg zijn. *Stel de oorzaak van het vastklemmen vast en maak deze ongedaan.*
- d. Schakel het elektrische gereedschap niet opnieuw in zolang het zich in het werkstuk bevindt. Laat de doorslijpschijf eerst het volledige toerental bereiken voordat u het doorslijpen voorzichtig voortzet. *Anders kan de schijf vasthaken, uit het werkstuk springen of een terugslag veroorzaken.*

- e. Ondersteun platen of grote werkstukken om het risico van een terugslag door een ingeklemde doorslijpschijf te verminderen. *Grote werkstukken kunnen onder hun eigen gewicht doorbuigen. Het werkstuk moet aan beide zijden worden ondersteund, vlakbij de slijpgroef en aan de rand.*
- f. Wees bijzonder voorzichtig bij invallend frezen in bestaande muren of andere plaatsen zonder voldoende zicht. *De invallende doorslijpschijf kan bij het doorslijpen van gas- of waterleidingen, elektrische leidingen of andere objecten een terugslag veroorzaken.*

BIJZONDERE WAARSCHUWINGEN VOOR SCHUURWERKZAAMHEDEN

- a. Gebruik geen schuurbladen met te grote afmetingen, maar houd u aan de voorschriften van de fabrikant voor de maten van schuurbladen. *Schuurbladen die over de rand van de steunschijf uitsteken, kunnen verwondingen veroorzaken en kunnen tot blokkeren, scheuren van de schuurbladen of terugslag leiden.*

MILIEU

AFVALVERWIJDERING

Elektrische gereedschappen, toebehoren en verpakkingen moeten op een voor het milieu verantwoorde wijze worden hergebruikt.

SPECIFICATIES

ALGEMENE SPECIFICATIES

Nominale spanning 230-240 V, 50-60 Hz
 Nominale stroomsterkte 0,6A
 Onbelaste snelheid n, 33.000/min
 Spancapaciteit 0,8 mm, 1,6 mm, 2,4 mm, 3,2 mm

VERLENGKABELS

Gebruik helemaal uitgerolde en veilige verlengkabels met een vermogen van 5A.

BIJZONDERE WAARSCHUWINGEN VOOR POLIJSTWERKZAAMHEDEN

- a. De polijstkap mag geen losse delen hebben, in het bijzonder geen losse bevestigingsnoeren. Maak de bevestigingsnoeren vast of kort deze in. *Losse, meedraaiende bevestigingsnoeren kunnen uw vingers meenemen of in het werkstuk vasthaken.*

BIJZONDERE WAARSCHUWINGEN VOOR WERKZAAMHEDEN MET DRAADBORSTELS

- a. Houd er rekening mee dat de draadborstel ook tijdens het normale gebruik draadstukken verliest. Overbelast de draaden niet door een te hoge aandrukkraft. *Wegvliegende draadstukken kunnen gemakkelijk door dunne kleding en/of de huid dringen.*
- b. Als het gebruik van een beschermkap wordt geadviseerd, dient u te voorkomen dat beschermkap en draadborstel elkaar kunnen raken. *Vlakstaal- en komstaalborstels kunnen door aandrukkraft en centrifugaalkrachten hun diameter vergroten.*

ALLEEN VOOR LANDEN VAN DEEU



Gooi elektrische gereedschappen niet bij het huisvuil. Volgens de Europese richtlijn 2002/96/EG over elektrische en elektronische oude apparaten en de omzetting van de richtlijn in nationaal recht moeten niet meer bruikbare elektrische gereedschappen apart worden ingezameld en op een voor het milieu verantwoorde wijze worden hergebruikt.

MOTORSPECIFICATIES

Dit multigereedschap gebruikt een motor met regelbare hoge snelheid. De motor is geschikt voor gebruik op 230-240 Volt, 50-60 Hz. Controleer altijd of de spanningsvoorziening hetzelfde is als de spanning die staat vermeld op het typeplaatje van het gereedschap (gereedschappen met een vermelding van 230V of 240V kunnen ook worden aangesloten op een voeding van 220V).

MONTAGE

TREK ALTIJD EERST DE STEKKER VAN HET MULTIGEREEDSCHAP UIT HET STOPCONTACT, VOORDAT U INZETGEREEDSCHAPPEN OF SPANTANGEN GAAT WISSELEN OF ONDERHOUD AAN HET GEREEDSCHAP GAAT PLEGEN.

ALGEMEEN

Het Dremel multigereedschap is een precisiegereedschap van hoge kwaliteit dat kan worden gebruikt voor het uitvoeren van gedetailleerde en ingewikkelde toepassingen. Het uitgebreide gamma aan Dremel accessoires en hulpstukken stelt u in staat om een grote verscheidenheid aan toepassingen uit te voeren. Deze omvatten toepassingen als schuren, uitsnijdingen maken en graveren en frezen, snijden, reinigen en polijsten. AFBEELDING 2

AFBEELDING 1

- A. Spanmoer
- B. Spantang
- C. Hulpstukkoppelstuk
- D. Afdekplaatje op de behuizing
- E. As-blokkeringsknop
- F. Ventilatieopeningen
- G. Borstelkap (één aan elke kant)
- H. Aan/Uit-schakelaar
- I. LCD-display
- J. Knoppen voor toerental omhoog / omlaag
- K. Ophanghaak
- L. Voedingskabel

SPANTANGEN

De voor het multigereedschap verkrijgbare Dremel accessoires zijn er met verschillende schachtmaten. Er zijn vier maten spantangen verkrijgbaar voor de verschillende schachtmaten. De spantangmaten zijn te herkennen aan de ringen op de achterkant van de spantang.

AFBEELDING 3

- M. 3,2 mm spantang zonder ring (480)
- N. 2,4 mm spantang met drie ringen (481)
- O. 1,6 mm spantang met twee ringen (482)
- P. 0,8 mm spantang met één ring (483)

OPMERKING: Sommige multigereedschapsets bevatten eventueel niet alle vier spantangmaten. Spantangen zijn apart verkrijgbaar.

Gebruik altijd de spantang die overeenkomt met de maat van de asschacht van het accessoire dat u wilt gaan gebruiken. Probeer niet een schacht met een grotere diameter in een kleinere spantang te duwen.

SPANTANGEN WISSELEN

AFBEELDING 4

- Q. As-blokkeringsknop
- R. Spantang
- S. Vastdraaien
- T. Losdraaien
- U. Spanmoer

1. Druk op de as-blokkeringsknop, houd deze ingedrukt en draai de as met de hand tot de schacht blokkeert. Druk de as-blokkeringsknop niet in terwijl het multigereedschap draait.
2. Draai bij ingedrukte as-blokkeringsknop de spanmoer los en verwijder deze. Gebruik indien nodig de spantang.
3. Verwijder de spantang door deze van de as te trekken.
4. Plaats de spantang van het juiste formaat in de as en breng de spanmoer opnieuw handvast aan. Draai de moer niet helemaal vast als er geen accessoire of inzetgereedschap is geplaatst.

ACCESSOIRES WISSELEN

AFBEELDING 4/5

- Q. As-blokkeringsknop

1. Druk op de as-blokkeringsknop, houd deze ingedrukt en draai de as met de hand tot de schachtblokkering vastklikt. *Druk de as-blokkeringsknop niet in terwijl het multigereedschap draait.*
2. Draai bij ingedrukte as-blokkeringsknop de spanmoer los (maar verwijder deze niet). Gebruik indien nodig de spantang.
3. Plaats de schacht van het accessoire of inzetgereedschap helemaal in de spantang.
4. Terwijl de asvergrendeling is ingeschakeld, moet u de spanmoer handvast vastdraaien tot de schacht van het accessoire door de spantang wordt vastgegrepen. *OPMERKING: Lees absoluut de bij uw Dremel accessoire meegeleverde instructies voor meer informatie over het gebruik ervan.*

Gebruik uitsluitend door Dremel geteste accessoires met groot prestatievermogen.

EEN GOED BEGIN

GEbruik

De eerste stap bij het gebruik van het multigereedschap is u vertrouwd maken met het gereedschap. Houd het gereedschap in uw hand en voel het gewicht en de balans. Voel de taps toelopen de behuizing. Dit tapse toelopen maakt het mogelijk om het gereedschap bijna als een pen of potlood vast te houden. *Houd het gereedschap altijd uit de buurt van uw gezicht.*

Accessoires kunnen worden beschadigd tijdens het gebruik en kunnen uit elkaar spatten door het hoge toerental. Bedek bij het vasthouden van het gereedschap niet de ventilatieopeningen met uw hand. Blokkeren van de ventilatieopeningen kan leiden tot oververhitting van de motor.

BELANGRIJK! Oefen eerst op een stuk afvalmateriaal om te kijken hoe het gereedschap bij hoge snelheid presteert. Denk eraan dat uw multigereedschap het beste werk levert, wanneer u de snelheid, samen met het juiste Dremel accessoire en juiste hulpstuk, het werk voor u laat doen. Oefen indien mogelijk tijdens gebruik geen druk uit op het gereedschap. Breng in plaats daarvan het draaiende accessoire lichtjes omlaag naar het werkstukoppervlak en laat de punt daar contact maken waar u wilt beginnen. Concentreer u op het geleiden van het gereedschap over het werkstuk, met een lichte druk van uw hand. Sta toe dat het accessoire het werk doet.

Het is gewoonlijk beter om met het gereedschap een aantal keren dezelfde bewerkingsstappen uit te voeren dan om de hele klus in één keer te willen doen. Een voorzichtige aanpak zorgt voor de beste controle en vermindert de kans op fouten.

HET GEREEDSCHAP VASTHOUDEN

Voor de beste controle bij nauwkeurig werk moet u het multigereedschap als een pen tussen duim en wijsvinger houden. **AFBEELDING 6**

Het vasthouden als een golfclub is de beste methode voor zwaardere bewerkingen zoals slijpen of snijden. **AFBEELDING 7**

WERKTOERENTALEN

Dit gereedschap is een HS-multigereedschap. Het digitale display van het gereedschap 400 Series DIGITAL laat het exacte toerental in OPM (x 1.000) zien waarmee het gereedschap draait. Druk op de knoppen voor toerental omhoog / omlaag voor het verlagen / verhogen van het toerental. Het toerental van uw multigereedschap kan in stappen van 1.000 OPM worden verhoogd en verlaagd. Hierdoor kunt u het toerental van uw multigereedschap zeer nauwkeurig regelen. Wanneer u de omwentelingen per minuut afstelt op uw klus, zorgt dit voor een beter eindresultaat. Stel voor het verkrijgen van de beste resultaten bij het werken met verschillende materialen het variabele toerental in afhankelijk van de betreffende klus. Oefen eerst op een stuk afvalmateriaal om het juiste toerental voor het gebruikte accessoire te kiezen.

OPMERKING: Toerental wordt beïnvloed door veranderingen in spanning. Een verminderde ingangsspanning maakt de omwentelingen per minuut van het gereedschap langzamer, met name in de laagste instelling. Als uw gereedschap langzaam lijkt te draaien, verhoog dan de toerentalinstelling dienovereenkomstig. Het kan zijn dat het gereedschap niet start, wanneer de schakelaar in de laagste stand staat, in gebieden waar de spanning uit het stopcontact minder dan 220 Volt is. Zet de toerentalknop eenvoudig op een hogere stand om te beginnen met het werk.

Raadpleeg de tabel met toerentalinstellingen op de pagina's 4-6 om het juiste toerental voor het te bewerken materiaal en het gebruikte accessoire te helpen bepalen.

A) Voor gebruik bij gipskarton. Gebruik voor het beste resultaat een toerental van 33.000 OPM.

B) Voor gebruik voor het verwijderen van voegspecie tussen wand- en vloertegels. Gebruik instelling 20.000-28.000 OPM

*) Toerental voor lichte snijwerkzaamheden. Pas op, verbranding bij diepe groeven mogelijk.

■) Afhankelijk van snijrichting t.o.v. draad.

De meeste klussen kunnen worden uitgevoerd wanneer het gereedschap in de hoogste stand wordt gebruikt. Bepaalde materialen (sommige kunststoffen en metalen) kunnen echter worden beschadigd door de hitte die vrijkomt bij een hoog toerental, en dienen met relatief lage toerentallen te worden bewerkt. Gebruik met een laag toerental (15.000 OPM of minder) is gewoonlijk het beste voor polijstwerkzaamheden met de polijstaccessoires van viilt. Alle toepassingen met de draadborstel vereisen lagere toerentallen om te voorkomen dat draadstukken uit de houder vliegen. Laat de prestatie van het gereedschap het werk voor u doen bij het gebruik van lagere toerentallen. Hogere toerentallen zijn beter voor hardhout, metalen en glas en voor boren, uitsnijdingen maken, snijden, frezen, frezen van profielen en zagen van plinten of spinnings in hout.

Enkele richtlijnen met betrekking tot het toerental van het gereedschap:

- Kunststof en ander materiaal dat bij lage temperaturen smelt, moet met een laag toerental worden bewerkt.
- Polijsten, poetsen en reinigen met een draadborstel moet met een toerental niet hoger dan 15.000 OPM worden uitgevoerd om schade aan de borstel en uw materiaal te voorkomen.
- Hout moet met een hoog toerental worden gezaagd.
- Ijzer of staal moet met een hoog toerental worden gezaagd.
- Als een snelfrees voor staal begint te trillen, wijst dit er gewoonlijk op dat deze te langzaam draait.
- Aluminium, koperlegeringen, zinklegeringen en tin kunnen met verschillende toerentallen worden bewerkt, afhankelijk van het type bewerking dat u wilt uitvoeren. Gebruik een paraffine (geen water) of een ander geschikt smeermiddel om te voorkomen dat er materiaalresten tussen de zaagtanden van de frees gaan zitten.

OPMERKING: Verhoging van de druk op het gereedschap is niet de juiste reactie, wanneer het niet correct presteert. Probeer een andere accessoire of een andere toerentalinstelling om het gewenste resultaat te verkrijgen.

ONDERHOUD

Preventief onderhoud dat uitgevoerd wordt door onbevoegd personeel, kan resulteren in verkeerd terugplaatsen van inwendige draden en onderdelen. Hierdoor ontstaat groot gevaar. Wij raden aan, dat alle onderhoudswerkzaamheden aan het gereedschap uitgevoerd worden door de Dremel service-afdeling. Om letsel door onverwacht starten of een elektrische schok te vermijden, moet u altijd de stekker uit het stopcontact trekken voordat u onderhouds- of reinigingswerkzaamheden gaat uitvoeren.

KOOLBORSTELS

De koolborstels in uw gereedschap zijn ontworpen voor vele uren betrouwbare dienst. Om de koolborstels voor gebruik voor te bereiden, moet u het gereedschap gedurende 5 minuten onbelast op volle snelheid laten draaien. Hierdoor gaan de koolborstels goed "zitten" en wordt de levensduur van het gereedschap verlengd. Om een optimale prestatie van de motor te behouden, moet u de koolborstels iedere 40-50 uur onderzoeken op slijtage.

Gebruik van het gereedschap met versleten koolborstels zorgt voor onherstelbare schade aan de motor. Gebruik uitsluitend originele Dremel vervangingskoolborstels. Controleer de koolborstels van het multigereedschap na 40-50 gebruiksuren. Als het multigereedschap onregelmatig loopt, kracht verliest of ongewone geluiden maakt, controleer dan de koolborstels op slijtage en vervang deze eventueel. Volg deze stappen voor het controleren/verwisselen van de koolborstels van het multigereedschap:

1. Leg het gereedschap na het uit het stopcontact trekken van de stekker op een schoon oppervlak. Gebruik de sleutel van het gereedschap voor het verwijderen van de afdekplaatjes van de koolborstels. **AFBEELDING 8**
2. Draai het gereedschap zo dat de koolborstel uit de houder valt en controleer iedere koolborstel. Als de koolborstel minder dan 3mm lang is en het oppervlak van de koolborstel dat de collector raakt, ruw of aangevreten is, moeten de koolborstels worden vervangen. Zorg ervoor dat u beide koolborstels controleert. **AFBEELDING 9**
3. Als een koolborstel is versleten, moet u beide koolborstels vervangen voor een betere prestatie van uw multigereedschap. Verwijder de veer van de koolborstel, gooi de oude koolborstel weg en plaats de veer op een nieuwe koolborstel.

4. Zet de koolborstel met de veer terug in het gereedschap; de koolborstel past maar op één manier in het gereedschap. Zorg ervoor dat de koolborstels zoals getoond worden geplaatst. **AFBEELDING 9** Het gebogen oppervlak van de koolborstel moet overeenkomen met de kromming van de collector.
5. Laat de rechthoekige onderkant van de koolborstelklep op de rechthoekige kameropeningen rusten. Controleer of de veer op de V-groef van de koolborstel rust. Druk de voorkant van de klep omlaag. Druk daarna de achterste lip in de sleuf en klik deze vast. Na vervangen van de koolborstels moet u het gereedschap onbelast laten lopen; leg het gereedschap op een schoon oppervlak en laat het gedurende 5 minuten op volle snelheid onbelast lopen, voordat u het gaat belasten (of gebruiken). Hierdoor gaan de koolborstels goed "zitten" en verlengt u de levensduur van iedere set koolborstels. Zo wordt ook de levensduur van uw gereedschap verlengd, aangezien het oppervlak van de collector dan ook beter en langer meegaat. **AFBEELDING 10**

HET GEREEDSCHAP REINIGEN

TREK VOOR HET REINIGEN DE STEKKER UIT HET STOPCONTACT

Ventilatie-openingen en schakelaarhendels moeten schoon en vrij van vreemde voorwerpen gehouden worden. Probeer deze niet te reinigen door spitse voorwerpen door de openingen te steken.

Het gereedschap kan eventueel met perslucht worden gereinigd. Draag altijd een veiligheidsbril bij het reinigen van gereedschappen met perslucht.

Het Dremel multigereedschap hoeft niet te worden gesmeerd. *Bepaalde reinigings- en oplosmiddelen tasten kunststof onderdelen aan. Enkele van deze zijn: benzine, tetrachloorkoolstof, gechlloreerde reinigingsoplosmiddelen, ammoniak en huishoudelijke schoonmaakmiddelen die ammoniak bevatten.*

Reinig de "softgrip" vlakken van het gereedschap met een vochtige doek. Vlakken die erger zijn verontreinigd, kunnen meer dan één keer vegen nodig hebben om schoon te worden.

SERVICE EN GARANTIE

Op dit DREMEL product wordt garantie verleend overeenkomstig de wettelijke/landspecifieke voorschriften; beschadiging op grond van normale slijtage, overbelasting of onjuiste bediening zijn uitgesloten van de garantie.

Stuur in geval van klachten het gereedschap *volledig intact* samen met het aankoopbewijs naar uw dealer.

CONTACT OPNEMEN MET DREMEL

Ga voor meer informatie over het Dremel assortiment, support en hotline naar www.dremel.com

Dremel Europe, P.O. Box 3267, 4800 DG Breda

GENERELLE SIKKERHEDSINSTRUKSER



⚠ ADVARSEL

LÆS ALLE INSTRUKTIONERNE. I tilfælde af manglende overholdelse af nedenstående instrukser er der risiko for elektrisk stød, alvorlige personskader, og der kan opstå brandfare. Det benyttede begreb „el-værktøj“ refererer til netdrevne maskiner (med netkabel) og akkudrevne maskiner (uden netkabel).

DISSE INSTRUKSER BØR OPBEVARES TIL SENERE BRUG

1. ARBEJDSOMRÅDE

- Sørg for, at arbejdsområdet er rent og ryddeligt. *Uorden og uoplyste arbejdsområder øger faren for uheld.*
- Brug ikke maskinen i eksplosionstruede omgivelser, hvor der er brændbare væsker, gasser eller støv. *El-værktøj kan slå gnister, der kan antænde støv eller dampe.*
- Sørg for, at andre personer og ikke mindst børn holdes væk fra arbejdsområdet, når maskinen er i brug. *Hvis man distraheres, kan man miste kontrollen over maskinen.*

2. ELEKTRISK SIKKERHED

- Maskinens stik skal passe til kontakten. Stikket må under ingen omstændigheder ændres. Brug ikke adapterstik sammen med jordforbundne maskiner. *Uændrede stik, der passer til kontakterne, nedsætter risikoen for elektrisk stød.*
- Undgå kropskontakt med jordforbundne overflader som f.eks. rør, radiatorer, komfurer og køleskabe. *Hvis din krop er jordforbundet, øges risikoen for elektrisk stød.*
- Maskinen må ikke udsættes for regn eller fugt. *Indtrængning af vand i maskinen øger risikoen for elektrisk stød.*
- Brug ikke kablet til formål, den ikke er beregnet til (f.eks. må man aldrig bære maskinen i kablet, hænge maskinen op i kablet eller rykke i kablet for at trække stikket ud af kontakten). Beskyt kablet mod varme, olie, skarpe kanter eller maskindele, der er i bevægelse. *Beskadigede eller indviklede kabler øger risikoen for elektrisk stød.*
- Hvis maskinen benyttes i det fri, må der kun benyttes en forlængerledning, der er godkendt til udendørs brug. *Brug af forlængerledning til udendørs brug nedsætter risikoen for elektrisk stød.*

3. PERSONLIG SIKKERHED

- Det er vigtigt at være opmærksom, se, hvad man laver, og bruge maskinen fornuftigt. Man bør ikke bruge maskinen, hvis man er træt, har nydt alkohol eller er påvirket af medicin eller euforiserende stoffer. *Få sekunders uopmærksomhed ved brug af maskinen kan føre til alvorlige personskader.*



- Brug beskyttelsesudstyr og hav altid beskyttelsesbriller på. *Brug af beskyttelsesudstyr, f.eks. støvmaske og skridsikert fodtøj, (afhængigt af el-værktøjets type og anvendelsesområde) reducerer risikoen for kvæstelser.*

- Undgå utilsigtet igangsætning. Kontrollér altid, at el-værktøjet er slukket, før stikket sættes i. *Undgå at bære maskinen med fingeren på afbryderen og sørg for, at maskinen ikke er tændt, når den sluttes til nettet, da dette øger risikoen for personskader.*
- Fjern indstillingsværktøj eller skruenøgle, inden maskinen tændes. *Hvis et stykke værktøj eller en nøgle sidder i en roterende maskindel, er der risiko for personskader.*
- Overvurdér ikke dig selv. *Sørg for at stå sikkert, mens der arbejdes, og kom ikke ud af balance. Det er derved nemmere at kontrollere maskinen, hvis der skulle opstå uventede situationer.*
- Brug egnet arbejdstøj. *Undgå løse beklædningsgenstande eller smykker. Hold hår, tøj og handsker væk fra dele, der bevæger sig. Dele, der er i bevægelse, kan gribe fat i løstsiddende tøj, smykker eller langt hår.*
- Hvis støvsugnings- og opsamlingsudstyr kan monteres, er det vigtigt, at dette tilsluttes og benyttes korrekt. *Brug af dette udstyr nedsætter risikoen for personskader som følge af støv.*

4. OMHYGGE LIG BRUG OG HÅNDTERING AF EL-VÆRKTØJ

- Overbelast ikke maskinen. Brug altid en maskine, der er beregnet til det stykke arbejde, der skal udføres. *Med den rigtige maskine arbejder man bedst og mest sikkert inden for det angivne effektområde.*
- Brug ikke en maskine, hvis afbryder er defekt. *En maskine, der ikke kan startes og stoppes, er farlig og skal repareres.*
- Træk stikket ud af stikkontakten, inden maskinen indstilles, der skiftes tilbehør, eller maskinen lægges fra. *Disse sikkerhedsforanstaltninger forhindrer utilsigtet start af maskinen.*
- Opbevar ubenyttet el-værktøj uden for børns rækkevidde. Lad aldrig personer, der ikke er fortrolige med maskinen eller ikke har gennemlæst disse instrukser, benytte maskinen. *El-værktøj er farligt, hvis det benyttes af ukyndige personer.*
- Maskinen bør vedligeholdes omhyggeligt. Kontrollér om bevægelige dele fungerer korrekt og ikke sidder fast, og om delene er brækket eller beskadiget, således at maskinens funktion påvirkes. Få beskadigede dele repareret, inden maskinen tages i brug. *Mange uheld skyldes dårligt vedligeholdte maskiner.*
- Sørg for, at skæreværktøjer er skarpe og rene. *Omhyggeligt vedligeholdte skæreværktøjer med skarpe skærekanter sætter sig ikke så hurtigt fast og er nemmere at føre.*
- Brug el-værktøj, tilbehør, indsatsværktøj osv. iht. disse instrukser, og sådan som det kræves for denne specielle værktøjstype. Tag hensyn til arbejdsforholdene og det arbejde, der skal udføres. *I tilfælde af anvendelse af værktøjet til formål, som ligger uden for det fastsatte anvendelsesområde, kan der opstå farlige situationer.*

5. SERVICE

- a. Sørg for, at maskinen kun reparerer af kvalificerede fagfolk, og at der kun benyttes originale reservedele. *Dermed sikres størst mulig maskinsikkerhed.*

SIKKERHEDSINSTRUKSER FOR ALLE ANVENDELSESFORMÅL

FÆLLES ADVARSELSHENVISNINGER TIL SLIBNING, SANDPAPIRSLIBNING, ARBEJDE MED TRÅDBØRSTER, POLERING OG SKÆREARBEJDE

- a. Dette el-værktøj kan anvendes som sliber, sandpapirsliber, trådbørste, poleringsmaskine og skæremaskine. Læs og overhold alle advarsler, instruktioner, illustrationer og data, som du modtager i forbindelse med el-værktøjet. *Overholder du ikke følgende instruktioner, kan du få elektrisk stød, der kan opstå brand og/eller du kan blive kvæstet alvorligt.*
- b. Anvend kun tilbehør, hvis det er beregnet til dette el-værktøj og anbefalet af fabrikanten. *En mulig fastgørelse af tilbehøret til el-værktøjet sikrer ikke en sikker anvendelse.*
- c. Den tilladte hastighed for tilbehøret skal mindst være så høj som den maks. hastighed, der er angivet på el-værktøjet. *Tilbehør, der drejer hurtigere end tilladt, kan blive ødelagt.*
- d. Tilbehørets udvendige diameter og tykkelse skal svare til målene på dit el-værktøj. *Forkert dimensionerede tilbehørsdele kan ikke afskærmes eller kontrolleres tilstrækkeligt.*
- e. Slibeskiver, flanger, slibebagskiver eller andet tilbehør skal passe nøjagtigt til slibespindlen på dit el-værktøj. *Tilbehør, der ikke passer nøjagtigt på el-værktøjets slibespindel, drejer ujævnt, vibrerer meget stærkt og kan medføre, at man taber kontrollen.*
- f. Brug ikke el-værktøjet, hvis det er beskadiget. Kontrollér altid før brug tilbehør som f.eks. slibeskiver for afsplintninger og revner, slibebagskiver for revner, slid eller stærkt slid, trådbørster for løse eller brækkede tråde. *Tabes el-værktøjet eller tilbehøret på jorden, skal du kontrollere, om det er beskadiget; anvend evt. ubeskadiget tilbehør. Når tilbehøret er kontrolleret og indsat, skal du holde dig selv og personer, der befinder sig i nærheden, uden for det niveau, hvor tilbehøret roterer, og lad el-værktøjet køre i et minut ved højeste hastighed. *Beskadiget tilbehør brækker for det meste i denne testtid.**
- g. Brug personligt beskyttelsesudstyr. Brug helmaske til ansigtet, øjenværn eller beskyttelsesbriller, afhængigt af det udførte arbejde. Brug afhængigt af arbejdets art støvmaske, høreværn, beskyttelseshandsker eller specialforklæde, der beskytter dig mod små slibe- og materialepartikler fra arbejdsområdet. *Øjnene skal beskyttes mod fremmede genstande, der flyver rundt i luften og som opstår i forbindelse med forskelligt arbejde. Støv- eller åndedrætsmaske skal filtrere det støv, der opstår under arbejdet. Udsættes du for høj støj i længere tid, kan du lide høretab.*
- h. Sørg for tilstrækkelig afstand til andre personer under arbejdet. Enhver, der betræder arbejdsområdet, skal bruge personligt beskyttelsesudstyr. *Brudstykker fra arbejdsområdet eller brækket tilbehør kan flyve væk og føre til kvæstelser også uden for det direkte arbejdsområde.*

- i. Hold altid kun el-værktøjet i de isolerede gribeblader, når du udfører arbejde, hvor tilbehøret kan ramme bøjede strøm-kabler eller værktøjets eget kabel. *Kontakt med et spændingsførende kabel sætter også metaldele under spænding, hvilket fører til elektrisk stød.*
- j. Hold netkablet væk fra roterende tilbehør. *Taber du kontrollen over el-værktøjet, kan netkablet skæres over eller rammes, og din hånd eller din arm kan trækkes ind i det roterende tilbehør.*
- k. Læg aldrig el-værktøjet til side, før tilbehøret står helt stille. *Det roterende tilbehør kan komme i kontakt med fralægningsfladen, hvorved du kan tabe kontrollen over el-værktøjet.*
- l. Lad ikke el-værktøjet køre, mens det bæres. *Dit tøj kan blive fanget ved en tilfældig kontakt med det roterende tilbehør, hvorved tilbehøret kan bore sig ind i din krop.*
- m. Rengør ventilationsåbningerne på dit el-værktøj med regelmæssige mellemrum. *Motoren trækker støv ind i huset, og store mængder metalstøv kan være farligt rent elektrisk.*
- n. Brug ikke el-værktøjet i nærheden af brændbare materialer. *Gnister kan sætte ild i materialer.*
- o. Brug ikke tilbehør, der transporterer flydende kølemiddel. *Brug af vand eller andre flydende kølemidler kan føre til elektrisk stød.*

TILBAGESLAG OG TILSVARENDE ADVARSLER

Tilbageslag er en pludselig reaktion, som skyldes, at et roterende tilbehør (slibemaskine, slibebagskive, trådbørste osv.) har sat sig fast eller blokerer. Fastsættelse eller blokering fører til et pludseligt stop af det roterende tilbehør. Derved accelererer et ukontrolleret el-værktøj mod tilbehørets drejeretning på blokeringsstedet. Sidder f.eks. en slibeskive fast eller blokerer i et arbejdsområde, kan kanten på slibeskiven, der dykker ned i arbejdsområdet, blive siddende, hvorved slibeskiven brækker af eller fører til et tilbageslag. Slibeskiven bevæger sig så hen imod eller væk fra betjeningspersonen, afhængigt af skivens drejeretning på blokeringsstedet. I denne forbindelse kan slibeskiver også brække. Et tilbageslag skyldes forkert eller fejlbehæftet brug af el-værktøjet. Det kan forhindres ved at træffe egnede forsigtighedsforanstaltninger, der beskrives i det følgende.

- a. Hold godt fast i el-værktøjet og sørg for at både krop og arme befinder sig i en position, der kan klare tilbageslagskræfterne. Anvend altid ekstrahåndtaget, hvis et sådant findes, for at have så meget kontrol som muligt over tilbageslagskræfterne eller reaktionsmomenterne, når maskinen kører op i hastighed. *Betjeningspersonen kan beherske tilbageslags- og reaktionskræfterne med egnede forsigtighedsforanstaltninger.*
- b. Sørg for at din hånd aldrig kommer i nærheden af det roterende tilbehør. *Tilbehøret kan bevæge sig hen over din hånd i forbindelse med et tilbageslag.*

- c. Undgå at din krop befinder sig i det område, hvor el-værktøjet bevæger sig i forbindelse med et tilbageslag. *Tilbageslaget driver el-værktøjet i modsat retning af slibeskivens bevægelse på blokeringsstedet.*
- d. Arbejd særlig forsigtig i områder som f.eks. hjørner, skarpe kanter osv. Undgå, at tilbehøret slår tilbage fra arbejdsområdet og sætter sig fast. *Det roterende tilbehør har tendens til at sætte sig fast, når det anvendes i hjørner, skarpe kanter eller hvis det springer tilbage. Dette medfører tab af kontrol eller tilbageslag.*
- e. Brug ikke kædesavklinger eller tandede savklinger. *Sådan indsatsværktøj fører hyppigt til tilbageslag eller til at man taber kontrollen over el-værktøjet.*

SÆRLIGE ADVARSELSHENVISNINGER TIL SLIBNING OG SKÆREARBEJDE

- a. Brug udelukkende slibeskiver/slibestifter, der er godkendt til dit el-værktøj, og den beskyttelsesskærm, der er beregnet til disse slibeskiver/slibestifter. *Slibeskiver/slibestifter, der ikke er beregnet til el-værktøjet, kan ikke beskyttes tilstrækkeligt og er usikre.*
- b. Slibeskiver/slibestifter må kun anvendes til de anbefalede formål. F.eks.: Slib aldrig med sidefladen på en skæreskive. *Skæreskiver er bestemt til materialeafslibning med kanten på skiven. Udsættes disse slibeskiver/slibestifter for sidevendt kraftpåvirkning, kan de ødelægges.*
- c. Anvend altid ubeskadigede spændeflanger i den rigtige størrelse og form, der passer til den valgte slibeskive. *Egnede flanger støtter slibeskiven og forringer således faren for brud på slibeskiven. Flanger til skæreskiver kan være forskellige fra flanger for andre slibeskiver.*
- d. Brug ikke slidte slibeskiver, der passer til større el-værktøj. *Slibeskiver til større el-værktøj kan brække, da de ikke er egnede til de højere omdrejningstal, som småt el-værktøj arbejder med.*

YDERLIGERE SÆRLIGE ADVARSELSHENVISNINGER TIL SKÆREARBEJDE

- a. Undgå at skæreskiven blokerer eller får for højt modtryk. *Foretag ikke meget dybe snit. Overbelastes skæreskiven, øges skivens belastning og der er større tendens til, at skiven kan sætte sig i klemme eller blokere, hvilket igen kan føre til tilbageslag eller brud på slibeskiven/slibestiften.*
- b. Undgå området for og bag ved den roterende skæreskive. *Bevæger du skæreskiven i emnet væk fra dig selv, kan el-værktøjets roterende skive slynges direkte ind mod dig i tilfælde af et tilbageslag.*
- c. Sidder skæreskiven i klemme eller afbryder du arbejdet, slukkes el-værktøjet og maskinen holdes roligt, til skiven er

- stoppet. Forsøg aldrig at trække skæreskiven ud af snittet, mens den roterer, da dette kan føre til et tilbageslag. *Lokalisér og afhjælp fejlen.*
- d. Tænd ikke for el-værktøjet, så længe det befinder sig i arbejdsområdet. Sørg for at skæreskiven når op på sit fulde omdrejningstal, før du forsigtigt fortsætter snittet. *Ellers kan skiven sætte sig i klemme, springe ud af arbejdsområdet eller forårsage et tilbageslag.*
- e. Understøt plader eller store arbejdsområder for at reducere risikoen for et tilbageslag som følge af en fastklemt skæreskive. *Store arbejdsområder kan bøje sig under deres egen vægt. Arbejdsområdet skal støttes på begge sider, både i nærheden af skæresnittet og ved kanten.*
- f. Vær særlig forsigtig ved „lommensnit“ i bestående vægge eller andre områder, hvor man ikke har direkte indblik. *Den neddykkede skæreskive kan forårsage et tilbageslag, når der skæres i gas- eller vandledninger, elektriske kabler eller andre genstande.*

SÆRLIGE ADVARSELSHENVISNINGER TIL SANDPAPIRSLIBNING

- a. Anvend ikke overdimensioneret slibepapir, men læs og overhold fabrikantens forskrifter mht. slibepapirets størrelse. *Slibepapirer, der rager ud over slibebagskiven, kan føre til kvæstelser eller blokering eller iturivning af slibepapirerne eller til tilbageslag.*

SÆRLIGE ADVARSELSHENVISNINGER I FORBINDELSE MED POLERING

- a. Undgå løse dele på poleringshætten, især fastgørelsessnore. *Afkort fastgørelsessnorene eller gem dem væk. Løse, meddrørende fastgørelsessnore kan gribe fat i dine fingre eller sætte sig fast i arbejdsområdet.*

SÆRLIGE ADVARSELSHENVISNINGER I FORBINDELSE MED ARBEJDE MED TRÅDBØRSTER

- a. Vær opmærksom på, at trådbørsten også taber trådstykker under almindelig brug. *Overbelast ikke trådene med et for stort tryk. Flyvende trådstykker kan meget hurtigt trænge ind under tyndt tøj og/eller huden.*
- b. Anbefales det at bruge en beskyttelsesskærm, skal du forhindre, at beskyttelsesskærm og trådbørste kan berøre hinanden. *Tallerken- og kopbørster kan øge deres diameter som følge af tryk og centrifugalkraft.*

MILJØ

BORTSKAFFELSE

El-værktøj, tilbehør og emballage skal genbruges på en miljørigtig måde.

GÆLDER KUN I EU-LANDE



Smid ikke el-værktøj ud sammen med det almindelige husholdningsaffald!
Iht. det europæiske direktiv 2002/96/EF om affald af elektrisk og elektronisk udstyr skal kasseret elektrisk udstyr indsamles separat og genbruges iht. gældende miljøforskrifter.

SPECIFIKATIONER

GENERELLE SPECIFIKATIONER

Nominel spænding 230-240 V, 50-60 Hz
 Mærkestrøm 0,6 A
 Omdrejningstal, ubelastet . . n, 33.000/min
 Patronens kapacitet 0,8 mm, 1,6 mm, 2,4 mm, 3,2 mm

FORLÆNGERLEDNINGER

Brug altid kun sikre forlængerledninger med en kapacitet på 5 ampere, og rul dem helt ud.

SAMLING

TRÆK ALTID MULTIVÆRKTØJETS STIK UD AF STIKKONTAKTEN FØR UDSKIFTNING AF TILBEHØR ELLER SPÆNDEPATRONER ELLER FØR EFTERSYN AF VÆRKTØJET.

GENERELT

Dremels multiværktøj er et førsteklasses præcisionsværktøj, som kan anvendes til detaljerede og krævende opgaver. Det brede sortiment af Dremel tilbehør og -forsatser giver dig mulighed for at udføre en lang række forskellige opgaver, herunder slibning, udskæring og gravering, fræsning, skæring, rengøring og polering.

BILLEDE 1

- A. Spændemøtrik
- B. Spændepatron
- C. Monteringsinterface
- D. Dæksel til hus
- E. Knap til aksellås
- F. Luftåbninger
- G. Børstedæksel (et i hver side)
- H. Tænd/sluk-kontakt
- I. LCD-display
- J. Knapperne Hastighed op / ned
- K. Ophæng
- L. Netkabel

SPÆNDEPATRONER

Dremel tilbehøret til multiværktøjet fås med forskellige skaftstørrelser. Spændepatronerne fås i fire størrelser, der passer til de forskellige skaftdiametre. Spændepatronsstørrelserne kan identificeres ved hjælp af ringene bag på spændepatronen.

BILLEDE 3

- M. 3,2 mm spændepatron uden ring (480)
- N. 2,4 mm spændepatron med tre ringe (481)
- O. 1,6 mm spændepatron med to ringe (482)
- P. 0,8 mm spændepatron med én ring (483)

MOTORSPECIFIKATIONER

Dette multiværktøj er forsynet med en variabel højhastigheds-motor. Det er konstrueret til anvendelse ved 230-240 volt, 50-60 Hz. Kontrolrør altid, at forsyningsspændingen svarer til den spænding, der er angivet på værktøjets typeskilt (værktøj med en nominel spænding på 230 V eller 240 V kan også tilsluttes 220 V).

BEMÆRK! Nogle multiværktøjssæt indeholder muligvis ikke alle fire spændepatronsstørrelser. Spændepatronerne fås enkeltvis.

Brug altid den spændepatron, som svarer til størrelsen på skaftet for det tilbehør, der skal bruges. Forsøg ikke at presse et værktøj med en større skaftdiameter ned i en mindre spændepatron.

UDSKIFTNING AF SPÆNDEPATRONER

BILLEDE 4

- Q. Knap til aksellås
- R. Spændenøgle
- S. Spænde
- T. Løsne
- U. Spændemøtrik

1. Tryk på knappen til aksellåsen, hold den nede, og drej skaftet med hånden, indtil knappen går i indgreb på akslen. Bring ikke knappen til aksellåsen i indgreb, når multiværktøjet kører.
2. Bring knappen til aksellåsen i indgreb, og løs og fjern spændemøtrikken. Brug om nødvendigt spændenøglen.
3. Fjern spændepatronen ved at trække den fri af skaftet.
4. Monter spændepatronen med den korrekte størrelse på skaftet, genmonter spændemøtrikken, og spænd den til med fingrene. Spænd ikke møtrikken helt, så længe der ikke er isat en bit eller et tilbehør.

UDSKIFTNING AF TILBEHØR

BILLEDE 4/5

- Q. Knap til aksellås

1. Tryk på knappen til aksellåsen, og drej skaftet med hånden, indtil knaplåsen går i indgreb. *Bring ikke knappen til aksellåsen i indgreb, når multiværktøjet kører.*
2. Bring knappen til aksellåsen i indgreb, og løs (men fjern ikke) spændemøtrikken. Brug om nødvendigt spændenøglen.
3. Skub bittens eller tilbehørsskaftet helt ind i spændepatronen.

4. Bring knappen til aksellåsen i indgreb, og spænd spændemøtrikken til med fingrene, indtil spændepatronen har fat om bittens eller tilbehørets skaft.

BEMÆRK! Husk at læse den vejledning, der følger med dit Dremel tilbehør, for at få yderligere oplysninger om brugen af dette.

Anvend kun højtydende tilbehør testet af Dremel.

INTRODUKTION

BRUG

Første trin i brugen af multiværktøjet er at få "føling" med værktøjet. Hold det i hænderne, og mærk dets vægt og balance. Mærk kabinetets konusform. Konusformen gør det meget lettere at tage fat i værktøjet, som var det en kuglepen eller en blyant. *Hold altid værktøjet, så det vender væk fra ansigtet. Tilbehør kan blive beskadiget ved håndtering og kan slynges væk i flere stykker, når hastigheden øges. Værktøjet skal holdes, så du ikke blokerer luftåbningerne med hånden. Hvis luftåbningerne blokeres, kan motoren blive overophedet.*

VIGTIGT! Afprøv værktøjet på affaldsmaterialer først for at lære, hvordan værktøjet arbejder med høj hastighed. Husk, at multiværktøjets ydelse er optimal, når hastigheden i samarbejde med det rette Dremel tilbehør og de rette Dremel forsatser gør arbejdet for dig. Værktøjet skal så vidt muligt trykkes ind mod emnet ved brug. Du skal i stedet sænke det roterende tilbehør en smule i forhold til emnets overflade og give det mulighed for at berøre det punkt, hvor du vil begynde. Koncentrér dig om at føre værktøjet hen over emnet uden at trykke ret meget med hånden. Lad tilbehøret gøre arbejdet.

Det vil normalt være bedre at køre værktøjet hen over emnet flere gange end at gøre hele arbejdet i én arbejdsgang. Et let greb giver optimal kontrol og mindsker risikoen for fejl.

SÅDAN HOLDER DU VÆRKTØJET

Den bedste kontrol ved fint arbejde opnår du ved at holde multiværktøjet som en blyant mellem tommel- og pegefingert. BILLEDE 6 "Golf-grebet" anvendes til grovere arbejde, f.eks. slibning eller skæring. BILLEDE 7

DRIFTSHASTIGHEDER

Dette værktøj er et højhastigheds-multiværktøj. Det digitale display på det værktøj 400 Series DIGITAL viser værktøjets nøjagtige omdrejningstal (x 1.000). Du kan øge eller mindske omdrejningstallet ved at trykke på knapperne hastighed op / ned. Du kan øge eller mindske omdrejningstallet for dit multiværktøj i intervaller på 1.000 o/min. På den måde kan du styre omdrejningstallet for dit multiværktøj meget præcist. For at opnå det bedste slutresultat skal omdrejningshastigheden tilpasses i forhold til den forestående opgave. De bedste resultater ved arbejde med forskellige materialer opnås, når den variable hastighedsregulering indstilles, så den passer til arbejdet. Start med at lave en prøve kørsel på affaldsmateriale for at finde den rigtige hastighed til tilbehøret.

BEMÆRK: Hastigheden afhænger af spændingen. Svagere spændingstilførsel til værktøjet bevirker et lavere omdrejningstal, især i stillingen LO. Juster hastighedsindstillingen, hvis du synes, at værktøjet kører langsommere. Værktøjet kan muligvis ikke starte i stillingen LO på steder, hvor netspændingen er under 220 V. I disse tilfælde skal værktøjet indstilles til en højere hastighed, før det startes.

Se skemaet "Hastighedsindstillinger" på side 4-6 for at finde den korrekte hastighed og det rette tilbehør til bearbejdning af materialet.

A) Ved anvendelse på tørmur. 33.000 o/min for at opnå optimale resultater.

B) Ved anvendelse på mørtel på væg og gulve. Indstilling 20.000-28.000 o/min.

*) Hastighed til let skæring. Forsigtig: Der kan opstå skjoldning i dybe noter.

■) Afhængigt af skæretretningen i forhold til årens retning. Værktøjet kan klare de fleste opgaver, når det er indstillet til højeste hastighed. Nogle materialer (f.eks. nogle typer plast og metal) kan dog blive beskadiget på grund af den varme, der opstår ved højhastighedsbearbejdning, og de bør derfor bearbejdes ved relativt lav hastighed. Lav hastighed (15.000 o/min eller lavere) er normalt at foretrække ved polering, hvor poleringsudstyret af lidt anvendes. Al bearbejdning med børster bør udføres ved lav hastighed for at undgå, at børstetråde frigøres fra holderen. Lad værktøjet gøre arbejdet for dig, når du arbejder med lav hastighed. Højere hastighed er bedre egnet til bearbejdning af hårde træsorter, metal og glas samt til boring, udskæring, skæring, fræsning, formning og udskæring af friser eller falseopgaver i træ.

Et par retningslinjer for indstilling af værktøjshastigheden:

- Plast og andre materialer, der smelter ved lave temperaturer, skal skæres med lav hastighed.
- Polering, højglanspolering og rengøring med stålborste skal foretages med en hastighed, der er under 15.000 o/min for at undgå at beskadige børsten og materialet, der bearbejdes.
- Træ skal skæres ved høj hastighed.
- Jern og stål skal skæres med høj hastighed.
- Hvis et skærende højhastighedsværktøj begynder at vibrere ved bearbejdning af stål, er det normalt et tegn på, at hastigheden er for lav.
- Aluminium, kobberlegeringer, blylegeringer, zinklegeringer og tin kan skæres ved forskellige hastigheder afhængigt af den konkrete skæringsmetode. Anvend paraffin (ikke vand) eller et andet velegnet smøremiddel på klingens for at undgå, at materialet hænger fast på værktøjets skær.

BEMÆRK: Det hjælper ikke at presse værktøjet ind mod emnet, når værktøjet ikke kører korrekt. Prøv i stedet at skifte tilbehør eller arbejdhastighed for at opnå det ønskede resultat.

VEDLIGEHOJDELSE

Forebyggende vedligeholdelse udført af uautoriserede personer indebærer en risiko for ombytning af indvendige ledere og komponenter, hvilket kan være farligt. Vi anbefaler, at al service på værktøjet udføres af et Dremel serviceværksted. Tag altid stikket ud, før reparation eller rengøring af værktøjet påbegyndes, da der ellers er risiko for personskader som følge af elektrisk stød eller for, at værktøjet starter uventet.

KULSTOFSTÅLBØRSTER

Børsterne, der leveres med multiværktøjet, er designet til at være driftsikre og have en lang levetid. Børsterne klargøres til brug ved at lade værktøjet køre med maksimal hastighed i 5 minutter uden belastning. På den måde "placeres" børstehårene korrekt, og værktøjets levetid forlænges. Det skal kontrolleres, om børsterne er slidt for hver 40-50 timer, for at sikre at motoren vedbliver med at arbejde med optimal effekt.

Brug af værktøjer med slidte børster kan medføre permanent beskadigelse af motoren. Brug kun originale Dremel reservedele, når du udskifter børster. Kontroller multiværktøjets børster efter 40-50 timers drift. Kontroller, om børsterne er slidte og eventuelt skal udskiftes, hvis multiværktøjet kører uregelmæssigt eller mister ydeevne, eller hvis der kommer usædvanlige lyde fra multiværktøjet. Multiværktøjets børster kontrolleres/udskiftes på følgende måde:

1. Træk stikket ud, og læg værktøjet på en ren overflade. Brug spændenøglen til at fjerne børstehætterne. BILLEDE 8
2. Drej værktøjet, så børsten falder ud af holderen, og kontrollér derefter hver enkelt børste. Hvis børstehårene er kortere end 3 mm, og overfladen på børsten, der rører kommutatoren, er ujævn eller hullet, skal kulstofstålborsterne udskiftes. Husk at kontrollere begge børster. BILLEDE 9
3. Hvis det kun er den ene børste, der er slidt, bør begge børster alligevel udskiftes for at sikre optimal ydelse af multiværktøjet. Fjern fjederen fra børsten, smid den slidte børste ud, og sæt fjederen i en ny børste.

SERVICE OG GARANTI

Dette DREMEL produkt er dækket af garanti, som det er foreskrevet af de gældende lokale love og bestemmelser. Garantien dækker dog ikke skader som følge af normal slitage, overbelastning eller forkert håndtering af værktøjet.

I tilfælde af reklamation skal værktøjet sendes *samlet (ikke adskilt)* til forhandleren sammen med købsbeviset.

4. Sæt kulstofstålborsten med fjeder tilbage i multiværktøjet. Børsten kan kun vende på én måde i værktøjet. Kontrollér, at børsterne er monteret som vist. BILLEDE 9 Børstens buede overflade skal svare til kommutatorens krumning.
5. Anbring den firkantede underside af børstelågen, så den hviler på de firkantede hulrumsåbninger. Kontrollér, at fjederen hviler på børstens V-formede rille. Pres nedad på forsiden af lågen. Pres derefter nedad, og bring den bageste pal i indgreb i den tilhørende rille. Lad multiværktøjet køre uden belastning, efter at børsterne er blevet skiftet. Læg værktøjet på en ren overflade, og lad det køre frit ved maksimal hastighed i 5 minutter, før værktøjet belastes (eller anvendes). På den måde "placeres" børstehårene korrekt, og levetiden på de enkelte sæt børster forlænges. Det forlænger samtidig værktøjets levetid, da kommutatorens overflade ikke slides så meget og holder længere. BILLEDE 10

RENGØRING AF VÆRKTØJET

TRÆK STIKKET UD FØR RENGØRING AF VÆRKTØJET

Luftåbninger og kontakter skal holdes rene og fri for fremmedlegemer. Forsøg ikke at rengøre værktøjet ved at stikke spidse værktøjer ind gennem åbninger.

Værktøjet kan rengøres med trykluft. Anvend altid sikkerhedsbriller, når du rengør værktøj med trykluft. Multiværktøjet fra Dremel behøver ikke at blive smurt. Visse rengørings- og opløsningsmidler ødelægger plastdele. Nogle af disse er: benzin, tetrachlorkulstof, kloreret rensmiddel, ammoniak og husholdningsrensninger, der indeholder ammoniak.

Rengør værktøjets "softgrip"-områder ved at aftørre dem med en fugtig klud. Hvis der er områder, der er mere beskidte, kan det være nødvendigt at aftørre dem flere gange for at få dem rene.

KONTAKT DREMEL

Du kan få mere information om Dremels udvalg, support og hotline på www.dremel.com.

Dremel Europe, P.O. Box 3267, 4800 DG Breda

ALLMÄNNA SÄKERHETSANVISNINGAR



⚠ VARNING

LÄS ALLA INSTRUKTIONER. Fel som uppstår till följd av att anvisningarna nedan inte följts kan orsaka elstöt, brand och/eller allvariga kroppsskador. Begreppet "elverktyg" i alla varningar nedan syftar på det nättanslutna elverktyget.

TA VÄL VARA PÅ ANVISNINGARNA

1. HÅLL ARBETSPLATSEN

- a. Ren och välbelyst. *Oordning på arbetsplatsen och dåligt belyst arbetsområde kan leda till olyckor.*
- b. Använd inte elverktyget i explosionssamtilliggande omgivning med brännbara vätskor, gaser eller damm. *Elektriska verktyg avger gnistor som kan antända damm eller gas.*
- c. Håll under arbetet med elverktyget barn och obehöriga personer på betryggande avstånd. *Risken för olyckor ökar om du förlorar koncentrationen när du arbetar.*

2. ELEKTRISK SÄKERHET

- a. Elverktygets stickpropp måste passa till vägguttaget. Stickproppen får absolut inte ändras. Använd inte adapterkontakter tillsammans med skyddsjordade elverktyg. *Oförändrade stickproppar och passande vägguttag reducerar risken för elstöt.*
- b. Undvik kroppskontakt med jordade ytor som t. ex. rör, värmelement, spisar och kylskåp. *Det finns en större risk för elstöt om din kropp är jordad.*
- c. Skydda elverktyget mot regn och väta. *Tränger vatten in i ett elverktyg ökar risken för elstöt.*
- d. Missbruka inte nätsladden och använd den inte för att bära eller hänga upp elverktyget och inte heller för att dra stickproppen ur vägguttaget. Håll nätsladden på avstånd från värme, olja, skarpa kanter och rörliga maskindelar. *Skadade eller tilltrasslade ledningar ökar risken för elstöt.*
- e. När du arbetar med ett elverktyg utomhus använd endast förlängningsladdar som är godkända för utomhusbruk. *Om en lämplig förlängningsladd för utomhusbruk används minskar risken för elstöt.*

3. PERSONSÄKERHET

- a. Var uppmärksam, kontrollera vad du gör och använd elverktyget med förnuft. Använd inte elverktyget när du är trött eller om du är påverkad av droger, alkohol eller mediciner. *En ögonblicks ouppmärksamhet när du arbetar med elverktyg kan orsaka allvariga personskador.*
- b. Bär alltid personlig skyddsutrustning och skydds-glasögon. *Användning av personlig skyddsutrustning som t. ex. dammfiltermask, halkfria säkerhetsskor, skyddshjälm och hörselskydd reducerar alltefter elverktygets typ och användning risken för kroppsskada.*



- c. Undvik oavsiktlig igångsättning. Kontrollera att elverktyget har kopplats från innan du ansluter stickproppen till vägguttaget. *Om du bär elverktyget med fingret på strömställ-laren eller ansluter påkopplat elverktyg till nätströmmen kan olycka uppstå.*
- d. Ta bort alla inställningsverktyg och skruvnycklar innan du kopplar på elverktyget. *Ett verktyg eller en nyckel i en roterande komponent kan medföra kroppsskada.*
- e. Luta eller sträck dig inte när du arbetar. *Se till att du står stadigt och håller balansen. Då kan du lättare kontrollera elverktyget i oväntade situationer.*
- f. Bär lämpliga arbetskläder. *Bär inte löst hängande kläder eller smycken. Håll håret, kläderna och handskarna på avstånd från rörliga delar. Löst hängande kläder, långt hår och smycken kan dras in av roterande delar.*
- g. Vid elverktyg med dammsugnings- och -uppsamlingsutrustning kontrollera att anordningarna är rätt monterade och att de används på korrekt sätt. *Dessa anordningar reducerar faroriskerna i samband med damm.*

4. KORREKT ANVÄNDNING OCH HANTERING AV ELVERKTYG

- a. Överbelasta inte elverktyget. Använd för aktuellt arbete avsett elverktyg. *Med ett lämpligt elverktyg kan du arbeta bättre och säkrare inom angivet effektområde.*
- b. Ett elverktyg med defekt strömställare får inte längre användas. *Ett elverktyg som inte kan kopplas in eller ur är farligt och måste repareras.*
- c. Dra stickproppen ur vägguttaget innan inställningar utförs, tillbehörsdelar byts ut eller elverktyget lagras. *Denna skyddsåtgärd förhindrar oavsiktlig start av elverktyget.*
- d. Förvara elverktygen oåtkomliga för barn. *Låt inte elverktyget användas av personer som inte är förtrogna med dess användning eller inte läst denna anvisning. Elverktygen är farliga om de används av oerfarna personer.*
- e. Sköt elverktyget omsorgsfullt. Kontrollera att rörliga komponenter fungerar felfritt och inte kärvar, att komponenter inte brustit eller skadats; orsaker som kan leda till att elverktygets funktioner påverkas menligt. *Låt skadade delar repareras innan elverktyget tas i bruk. Många olyckor orsakas av dåligt skötta elverktyg.*
- f. Håll skärverktygen skarpa och rena. *Omsorgsfullt skötta skärverktyg med skarpa eggar kommer inte så lätt i kläm och går lättare att styra.*

- g. Använd elverktyget, tillbehör, insatsverktyg osv. enligt dessa anvisningar och på sätt som föreskrivits för aktuell verktygsmodell. Ta hänsyn till arbetsvillkoren och arbetsmomenten. *Används elverktyget på icke ändamålsenligt sätt kan farliga situationer uppstå.*

SÄKERHETSANVISNINGAR FÖR ALL DRIFT

GEMENSAMMA SÄKERHETSANVISNINGAR FÖR SLIPNING, SANDPAPPERSSLIPNING, ARBETEN MED STÅLBORSTE, POLERING OCH KAPSLIPNING

- a. Elverktyget kan användas som slip-, slippappersslip-, stålborste-, polerings- och kapslipmaskin. Beakta alla säkerhetsanvisningar, instruktioner, illustrationer och data som levereras med elverktyget. *Om nedanstående anvisningar ignoreras finns risk för att elstöt, brand och/eller allvariga personskador uppstår.*
- b. Använd inte tillbehör som tillverkaren inte uttryckligen godkänt och rekommenderat för detta elverktyg. *Även om tillbehör kan fästas på elverktyget finns det ingen garanti för en säker användning.*
- c. Insatsverktygets tillåtna varvtal måste åtminstone motsvara elverktygets angivna högsta varvtal. *Tillbehör med en högre rotationshastighet kan förstöras.*
- d. Insatsverktygets yttre diameter och tjocklek måste motsvara elverktygets dimensioner. *Feldimensionerade insatsverktyg kan inte på betryggande sätt avskäras och kontrolleras.*
- e. Slipskivor, flänsar, slipprondeller och annat tillbehör måste passa exakt på elverktygets slippindel. *Insatsverktyg som inte exakt passar till elverktygets slippindel roterar ojämnt, vibrerar kraftigt och kan leda till att kontrollen över verktyget går förlorat.*
- f. Använd aldrig skadade insatsverktyg. Kontrollera insatsverktygen före varje användning, t. ex. slipskivor avseende splitterskador och sprickor, slipprondeller avseende sprickor, repor eller kraftigt nedslitning, stålborstar avseende lösa eller brustna trådar. Om elverktyget eller insatsverktyget skulle falla i golvet, kontrollera om skada uppstått eller montera ett oskadat insatsverktyg. Du och andra personer i närheten ska efter kontroll och montering av insatsverktyg stå utanför insatsverktygets rotationsradie; låt sedan elverktyget rotera en minut med högsta varvtal. *Skadade insatsverktyg går i de flesta fall sönder vid denna provkörning.*
- g. Använd personlig skyddsutrustning. Använd alltefter avsett arbete ansiktsskärm, ögonskydd eller skyddsglasögon. Om så behövs, använd dammfiltermask, hörselskydd, skyddshandskar eller skyddsförkläde som skydd mot utslungade slip- och materialpartiklar. *Ögonen ska skyddas mot utslungade främmande partiklar som kan uppstå under arbetet. Damm- och andningsskydd måste kunna filtrera bort det damm som eventuellt uppstår under arbetet. Risk finns för hörselskada under en längre tids användning.*

5. SERVICE

- a. Låt en kvalificerad servicetekniker utföra service på elverktyget. Endast identiska reservdelar bör användas. *Det säkerställer att elverktyget fortsätter att fungera säkert.*
- h. Se till att obehöriga personer hålls på betryggande avstånd från arbetsområdet. Alla som rör sig inom arbetsområdet måste använda personlig skyddsutrustning. *Brottsstycken från arbetsstycket eller insatsverktygen kan slungas ut och orsaka personskada även utanför arbetsområdet.*
- i. Håll fast elverktyget endast vid de isolerade handtagen när arbeten utförs på ställen där insatsverktyget kan skada dolda elledningar eller egen nätsladd. *Om kapningstillbehöret kommer i kontakt med strömförande ledningar kan verktygets metalldelar också bli strömförande, vilket är livsfarligt.*
- j. Håll nätsladden på avstånd från roterande insatsverktyg. *Om du förlorar kontrollen över elverktyget kan nätsladden kapas eller dras in varvid risk finns för att din hand eller arm dras mot det roterande insatsverktyget.*
- k. Lägg aldrig ner elverktyget förrän insatsverktyget har stannat helt. *Det roterande insatsverktyget kan komma i beröring med underlaget varvid risk finns att du förlorar kontrollen över elverktyget.*
- l. Elverktyget får inte rotera när det bärs. *Kläder kan vid tillfällig kontakt med det roterande insatsverktyget dras in varvid insatsverktyget dras mot din kropp.*
- m. Rengör regelbundet elverktygets ventilationsöppningar. *Motorfläkten drar in damm i huset och en kraftig anhopning av metalldamm kan orsaka farliga elströmmar.*
- n. Använd inte elverktyget i närheten av brännbara material. *Risk finns för att gnistor antänder materialet.*
- o. Använd inte insatsverktyg som behöver flytande kylmedel. *Vatten eller andra kylvätskor kan medföra elstöt.*

VARNING FÖR BAKSLAG

Ett bakslag är en plötslig reaktion hos insatsverktyget när t. ex. slipskivan, slipprondellen, stålborsten hakar upp sig eller blockeras. Detta leder till abrupt uppbromsning av det roterande insatsverktyget. Härvid accelererar ett okontrollerat elverktyg mot insatsverktygets rotationsriktning vid inklämningsstället. Om t. ex. en slipskiva hakar upp sig eller blockeras i arbetsstycket kan slipskivans kant i arbetsstycket klämmas fast varvid slipskivan bryts sönder eller orsakar bakslag. Slipskivan rör sig nu mot eller bort från användaren beroende på skivans rotationsriktning vid inklämningsstället. Härvid kan slipskivan även brytas sönder. Bakslag uppstår till följd av missbruk eller felaktig hantering av elverktyget. Detta kan undvikas genom skyddsåtgärder som beskrivs nedan.

- a. Håll stadigt i elverktyget samt kroppen och armarna i ett läge som är lämpligt för att motstå bakslagskrafter. Använd alltid stödhandtaget för bästa möjliga kontroll av bakslagskrafter och reaktionsmoment vid start. *Användaren kan genom lämpliga försiktighetsåtgärder bättre behärska bakslags- och reaktionskrafterna.*

- b. Håll alltid handen på betryggande avstånd från det roterande insatsverktyget. *Insatsverktyget kan vid ett bakslag gå mot din hand.*
- c. Undvik att hålla kroppen inom det område elverktyget rör sig vid ett bakslag. *Bakslaget kommer att driva elverktyget i motsatt riktning till slipskivans rörelse vid inklämningsstället.*
- d. Var särskilt försiktig vid bearbetning av hörn, skarpa kanter osv. Håll emot så att insatsverktyget inte studsar ut från arbetsstycket eller kommer i kläm. *På hörn, skarpa kanter eller vid studsning tenderar det roterande insatsverktyget att komma i kläm. Detta kan leda till att kontrollen förloras eller att bakslag uppstår.*
- e. Använd aldrig kedje- eller tandade sågklingor. *Dessa insatsverktyg orsakar ofta ett bakslag eller förlust av kontrollen över elverktyget.*

SPECIELLA VARNINGAR FÖR SLIPNING OCH KAPSLIPNING

- a. Använd endast slipkroppar som godkänts för aktuellt elverktyg och de sprängskydd som är avsedda för dessa slipkroppar. *Slipkroppar som inte är avsedda för aktuellt elverktyg kan inte på betryggande sätt skyddas och är därför farliga.*
- b. Slipkroppar får användas endast för rekommenderade arbeten. Slipa t.ex. aldrig med kapskivans sidoyta. *Kapskivor är avsedda för materialavverknig med skivans kant. Om tryck från sidan utövas mot slipkroppen kan den spricka.*
- c. För vald slipskiva ska alltid oskadade spännflänsar i korrekt storlek och form användas. *Lämpliga flänsar stöder slipskivan och reducerar risken för slipskivsbrott. Flänsar för kapskivor och andra slipskivor kan ha olika utseende och form.*
- d. Använd inte nedslitna slipskivor från större elverktyg. *Slipskivor för större elverktyg är inte konstruerade för de mindre elverktygens högre varvtal och kan därför spricka.*

ANDRA SPECIELLA SÄKERHETSANVISNINGAR FÖR KAPSLIPNING

- a. Se till att kapskivan inte kommer i kläm och att den inte utsätts för högt mottryck. Försök inte skära för djupt. *Om kapskivan överbelastas ökar bress påfrestning och risk finns för att den snedvids eller blockeras som sedan kan resultera i bakslag eller slipkroppsbrott.*
- b. Undvik området framför och bakom den roterande kapskivan. *Om du för kapskivan i arbetsstycket bort från kroppen kan i händelse av ett bakslag elverktyget med roterande skiva slungas mot din kropp.*

- c. Om kapskivan kommer i kläm eller arbetet avbryts, koppla från elverktyget och håll det stilla tills skivan stannat fullständigt. Försök aldrig dra ut en roterande kapskiva ur skärspåret då detta kan leda till bakslag. *Lokalisera och åtgärda orsaken för inklämning.*
- d. Koppla inte åter på elverktyget om det sitter i arbetsstycket. Låt kapskivan uppnå fullt varvtal innan den försiktigt förs in i skärspåret för fortsatt kapning. *I annat fall kan skivan haka upp sig, hoppa ur arbetsstycket eller orsaka bakslag.*
- e. För att reducera risken för ett bakslag till följd av inklämd kapskiva ska skivor och andra stora arbetsstycken stödas. *Stora arbetsstycken kan råka böjas till följd av hög egenvikt. Arbetsstycket måste därför stödas på båda sidorna både i närheten av skärspåret och vid kanten.*
- f. Var speciellt försiktig vid "fickkapning" i dolda områden, t. ex. i en färdig vägg. *Där risk finns att kapskivan kommer i kontakt med vattenledningar, elledningar eller andra föremål som kan orsaka bakslag.*

SPECIELLA SÄKERHETSANVISNINGAR FÖR SANDPAPPERSSLIPNING

- a. Använd inte för stora slippapper, se tillverkarens uppgifter om slippapperets storlek. *Slippapper som står ut över slipprondellen kan leda till personskada, blockera, rivas sönder eller också orsaka bakslag.*

SPECIELLA SÄKERHETSANVISNINGAR FÖR POLERING

- a. Se till att inga lösa delar finns på polerhättan, t. ex. fastspänningsband. Kläm in eller kapa fastspänningsbanden. *roterande fastspänningsband kan gripa tag i dina fingrar eller dras in i arbetsstycket.*

SPECIELLA SÄKERHETSANVISNINGAR FÖR ARBETEN MED STÅLBORSTAR

- a. Observera att trådborstar även under normal användning förlorar trådbitar. Överbelasta inte stålborsten med för högt anliggningsstryck. *Utslungade trådbitar kan lätt tränga in genom kläder och/eller i huden.*
- b. När sprängskydd används bör man se till att sprängskyddet och trådborsten inte berör varandra. *Tallriks- och toppborstarnas diameter kan till följd av anliggningsstryck och centrifugalkrafter bli större.*

MILJÖ

AVFALLSHANTERING

Elverktyg, tillbehör och förpackning ska omhändertas på miljövänligt sätt för återvinning.

ENDAST FÖR EU-LÄNDER



Släng inte elverktyg i hushållsavfallet! Enligt europeiska direktivet 2002/96/EG för kasserade elektriska och elektroniska apparater och dess modifiering till nationell rätt måste obrukbara elverktyg omhändertas separat och på miljövänligt sätt lämnas in för återvinning.

SPECIFIKATIONER

ALLMÄNNA SPECIFIKATIONER

Spänning 230-240 V, 50-60 Hz
 Högsta strömstyrka 0,6 A
 Varvtal obelastad n, 33.000/min
 Spännhylsekapacitet 0,8 mm, 1,6 mm, 2,4 mm,
 3,2 mm

FÖRLÄNGNINGSSLADDAR

Använd helt utrullade och säkra förlängningssladdar med en kapacitet på 5 A.

MONTERING

DRA ALLTID UR MULTIVERKTYGETS KONTAKT INNAN DU BYTER INSATSVERKTYG, BYTER SPÄNNHYLSOR ELLER UTFÖR SERVICE.

ALLMÄNT

Dremel-multiverktyget är ett precisionsverktyg av hög kvalitet, som kan användas för detaljerade och komplicerade arbetsuppgifter. Tack vare Dremels stora sortiment av insatsverktyg och tillsatser kan du utföra en mängd uppgifter, t.ex. sandpappersslipning, snide, gravyr, fräsning, kapning, rengöring och polering. BILD 2

BILD 1

- A. Nosmutter
- B. Spännhylsa
- C. Tillsatsfäste
- D. Spännhylskåpa
- E. Skaftlåsknapp
- F. Ventilationsöppningar
- G. Borstlucka (en på varje sida)
- H. Strömbrytare
- I. LCD-display
- J. Hastighetsknappar upp/ner
- K. Hängare
- L. Nätkabel

SPÄNNHYLSOR

Multiverktygets Dremel-tillbehör har olika stora fästen. Det finns spännhysor i fyra olika storlekar för att passa olika stora fästen. På spännhysornas baksida finns ringar som anger dess storlek.

BILD 3

- M. 3,2 mm spännhylsa utan ring (480)
- N. 2,4 mm spännhylsa med tre ringar (481)
- O. 1,6 mm spännhylsa med två ringar (482)
- P. 0,8 mm spännhylsa med en ring (483)

MOTORSPECIFIKATIONER

Multiverktyget har en motor med varierbar hastighet. Den är anpassad för 230-240 V, 50-60 Hz. Kontrollera alltid att ström-källans spänning motsvarar de värden som anges på verktygets etikett (verktyg avsedda för 230 V eller 240 V kan också anslutas till en strömkälla på 220 V).

OBS! I en del multiverktygssatser ingår inte alla fyra spännhylsestorlekarna. Spännhysor kan köpas separat.

Använd alltid den spännhylsa som motsvarar storleken på fästet på det tillbehör du tänker använda. Tvinga aldrig in ett fäste med större diameter i en mindre spännhylsa.

BYTA SPÄNNHYLSOR

BILD 4

- Q. Skaftlåsknapp
- R. Chucknyckel
- S. Dra åt
- T. Lossa
- U. Nosmutter

1. Tryck på skaftlåsknappen, håll ner och vrid på skaftet för hand tills muttern fäster i skaftet. Använd inte skaftlåsknappen när multiverktyget är igång.
2. Skruva loss och ta bort nosmuttern när skaftlåsknappen är nedtryckt. Använd chucknyckeln vid behov.
3. Dra bort spännhysan från skaftet.
4. Montera en spännhylsa av korrekt storlek i skaftet och skruva på nosmuttern med handkraft. Dra inte åt muttern helt när inget borr eller insatsverktyg är monterat.

BYTA INSATSVERKTYG

BILD 5

- Q. Skaftlåsknapp

1. Tryck på skaftlåsknappen och vrid på skaftet för hand tills det fäster i skaftlåset. *Använd inte skaftlåsknappen när multiverktyget är igång.*
2. Lossa nosmuttern utan att ta bort den när skaftlåsknappen är nedtryckt. Använd chucknyckeln vid behov.

KOMMA IGÅNG

ANVÄNDNING

Första steget när du ska använda multiverktyget är att få en "känsla" för hur det fungerar. Håll den i handen och känn dess vikt och balans. Känn på det avsmalnande höjlet. Formen gör att du kan hålla i verktyget på samma sätt som en penna. *Håll alltid verktyget riktat bort från ansiktet. Tillbehör kan skadas under transport och flyga av när de börjar rotera snabbt. Håll inte verktyget så att ventilationsöppningarna täcks över när du använder det. Då kan motorn bli överhettad.*

VIKTIGT! Öva först på spillmaterial, så att du lär dig hur verktyget arbetar. Tänk på att multiverktyget fungerar som bäst om du låter hastigheten, tillsammans med rätt Dremel-tillbehör och tillsats, göra arbetet åt dig. Undvik om möjligt att lägga tryck på verktyget. Sänk i stället ner det roterande insatsverktyget försiktigt mot arbetsytan, och låt det vidröra det ställe där du vill börja. Koncenera dig på att föra verktyget över arbetsstycket med endast ett lätt tryck med handen. Låt tillbehöret utföra arbetet. Det är oftast bättre att föra verktyget flera gånger över arbetsytan i stället för att göra hela jobbet i ett svep. Ett försiktigt tryck ger den bästa kontrollen och minskar risken för fel.

HÅLLA I VERKTYGET

För att få bästa kontroll vid små arbeten håller du multiverktyget mellan tummen och pekfingeret som en penna. BILD 6 "Golfgreppet" används för tyngre arbeten som slipning eller kapning. BILD 7

DRIFTHASTIGHET

Det här multiverktyget är ett höghastighetsverktyg. Den digitala displayen på 400 Series DIGITAL-verktyget visar det exakta antalet varv per minut (x 1 000) som verktyget körs på. Du ökar/sänker varvtalet med knapparna upp/ner. Multiverktygets varvtal kan ökas och sänkas i steg om 1 000 varv/minut. Det innebär att du kan styra multiverktygets varvtal mycket exakt. Om du anpassar varvtalet till arbetet får du bättre slutresultat. För bästa resultat när du arbetar med olika material bör du anpassa hastigheten till arbetsuppgiften. Öva på en bit spillmaterial för att komma fram till rätt varvtal.

3. Sätt in boret eller insatsverktygets fäste helt i spännhysan.
4. Håll skaftlåsknappen intryckt och dra åt nosmuttern för hand tills spännhysan griper tag i boret eller tillbehörsfästet.
OBS! Läs anvisningarna som medföljde Dremel-tillbehöret. Där finns mer information om hur det används.

Använd endast tillbehör som godkänts av Dremel.

OBS! Varvtalet påverkas av spänningsförändringar. Minskad inkommande spänning sänker verktygets varvtal, särskilt vid lägsta inställning. Justera hastigheten om verktyget saktar ner. Verktyget startar inte alltid på lägsta varvtal där vägguttagets spänning understiger 220 V. Öka hastigheten i början.

Med hjälp av tabellen med varvtalsinställningar på sidan 4-6 kan du ta reda på rätt varvtal för det material du arbetar i och det insatsverktyg du använder.

A) För kallmur. Använd 33.000 varv/minut för bästa resultat.

B) För väggar och golv. Använd inställning 20.000-28.000 varv/minut.

*) Hastighet för grunda snitt. Varning, brännrisk i djupa spår.

■ Beroende på snittvinkel mot ådring.

De flesta arbeten kan utföras med högsta varvtal på verktyget. Vissa material (en del plaster och metaller) kan emellertid skadas av den värme som genereras vid höga hastigheter. Där bör i stället relativt låga varvtal användas. Låga varvtal (15.000 varv/minut eller lägre) passar oftast bäst vid polering med poleringstillbehör av fiit. All borstning kräver lägre varvtal för att undvika att trådarna lossnar ur hållaren. Låt verktyget göra arbetet när du använder låga varvtal. Högre varvtal passar bättre för hårda träslag, metall och glas, och vid borrar, skärning, kapning, fräsning, tillformning och låghalsfräsning eller falsning i trä.

Några riktlinjer vad gäller varvtal:

- Plast och andra material med låg smältpunkt bör bearbetas på låga varvtal.
- Polering, putsning och rengöring med stålborste måste göras med varvtal lägre än 15.000 varv/min, eftersom tillbehöret och materialet annars kan skadas.
- Trä ska bearbetas med högt varvtal.
- Järn och stål ska bearbetas med högt varvtal.
- Om en höghastighetsfräs börjar vibrera är det ofta ett tecken på att den körs för långsamt.
- Aluminium, tenn samt koppar-, bly- och zinklegeringar kan bearbetas med olika varvtal beroende på vilken typ av skärning som ska göras. Använd paraffin eller annat lämpligt smörjmedel (ej vatten) på tillbehöret för att undvika att materialet fastnar på skäreppen.

OBS! Det är ingen lösning att öka trycket på verktyget om det inte fungerar som det ska. Prova med ett annat insatsverktyg eller varvtal för att uppnå önskat resultat.

UNDERHÅLL

Om någon obehörig utför det förebyggande underhållet kan det leda till att inre ledningar och komponenter kommer bort, vilket är en stor säkerhetsrisk. Vi rekommenderar att du låter en Dremelrepresentant utföra all service på verktyget. För att undvika skador på grund av elstötter eller start av misstag bör du alltid dra ut kontakten ur vägguttaget innan service eller rengöring.

KOLBORSTAR

Borstarna i verktyget är utformade för många timmars säkert bruk. Förbered borstarna för användning genom att köra verktyget 5 minuter på full hastighet utan belastning. Då "sätter sig" borstarna, vilket ökar verktygets livslängd. För att upprätthålla verktygets effektivitet bör du undersöka att borstarna inte är slitna efter 40-50 timmar.

Om du använder verktyget med slitna borstar kan motorn skadas permanent. Använd endast originalborstar från Dremel. Undersök multiverktygets borstar efter 40-50 timmars användning. Om multiverktyget går ojämnt, förlorar kraft eller låter onormalt, bör du undersöka om borstarna är slitna och eventuellt byta dem. Kontrollera/byt multiverktygets borstar så här:

1. Dra ut nätkabeln och placera verktyget på en ren arbetsyta. Använd chucknyckeln när du tar bort borstluckorna. BILD 8
2. Vänd verktyget så att borsten ramlar ur hållaren. Kontrollera båda borstarna. Om borsten är kortare än 3 mm och den yta som ligger mot kommutatorn är grov eller gropig, bör du byta kolborstarna. Kontrollera båda borstarna. BILD 9
3. Om den ena borsten är slitna bör du byta båda borstarna för bästa prestanda. Ta bort fjädern från borsten, släng den gamla borsten och placera fjädern på en ny borste.

SERVICE OCH GARANTI

Denna DREMEL-produkt omfattas av garanti enligt lagstadgade/landsspecifika regler. Skador orsakade av normalt slitage, överbelastning eller felaktig användning täcks inte av garantin.

Skicka vid reklamation det *odemonterade* verktyget samt inköpsbevis till återförsäljaren.

4. Sätt tillbaka kolborsten och fjädern i verktyget. Borsten får bara plats på ett sätt. Var noga med att montera borstarna som på bilden. BILD 9 Den böjda ytan på borsten måste passa mot böjningen på kommutatorn.
5. Lägg borstluckans fyrkantiga undersida mot de fyrkantiga öppningarna. Var noga med att fjäderna vilar mot borstens V-spår. Tryck ner luckans framsida. Tryck sedan ner den bakre spärren i sitt spår så att den snäpper fast. Kör verktyget utan belastning när du har bytt borstar. Placera det på en ren arbetsyta och låt det köra på full hastighet i 5 minuter innan du belastar (eller använder) verktyget. Då "sätter sig" borstarna korrekt, vilket förlänger deras livslängd flera timmar. Det förlänger också verktygets livslängd, eftersom kommutatorns yta håller bättre. BILD 10

RENGÖRA VERKTYGET

DRA UT NÄTKABELN FÖRE RENGÖRING

Ventilationsöppningar och strömbrytare måste hållas rena och fria från skräp. Försök aldrig peta i öppningarna med ett vasst föremål.

Verktyget kan rengöras med tryckluft. Använd alltid skyddsglasögon när du gör rent med tryckluft. Dremel-multiverktyget behöver inte smörjas. Vissa rengöringsmedel och lösningsmedel kan skada plastdelarna. Det kan handla om: bensin, kolteetraklorid, klorerade rengöringslösningar, ammoniak och tvättmedel som innehåller ammoniak.

Rengör greppets mjuka områden med en fuktig trasa. Områden med hårdare nedsmutsning kan behöva torkas flera gånger för att bli rena.

KONTAKTA DREMEL

Mer information om Dremels sortiment, support och hotline finns på www.dremel.com

Dremel Europe, P.O. Box 3267, 4800 DG Breda

GENERELLE SIKKERHETSINFORMASJONER



ADVARSEL

LES GJENNOM ALLE ANVISNINGENE. Feil ved overholdelsen av nedenstående anvisninger kan medføre elektriske støt, brann og/eller alvorlige skader. Det nedenstående anvendte uttrykket "elektroverktøy" gjelder for strøm-drevne elektroverktøy (med ledning).

TA GODT VARE PÅ DISSE INSTRUKSJONENE

1. ARBEIDSOMRÅDE

- a. Hold arbeidsområdet rent og ryddig. *Rotete arbeidsområder og arbeidsområder uten lys kan føre til ulykker.*
- b. Ikke arbeid med maskinen i eksplosjonsutsatte omgivelser - der det finnes gasser, brennbare væsker, gass eller støv. *Elektroverktøy lager gnister som kan antenne støv eller damper.*
- c. Hold barn og andre personer unna når elektroverktøyet brukes. *Hvis du blir forstyrret under arbeidet, kan du miste kontrollen over maskinen.*

2. ELEKTRISK SIKKERHET

- a. Støpsetil maskinen må passe inn i stikkkontakten. Støpsetil må ikke forandres på noen som helst måte. Ikke bruk adapterstøpsler sammen med jordede maskiner. *Bruk av støpsler som ikke er forandret på og passende stikkontakter reduserer risikoen for elektriske støt.*
- b. Unngå kroppskontakt med jordede overflater slik som rør, ovner, komfyrer og kjøleskap. *Det er større fare ved elektriske støt hvis kroppen din er jordet.*
- c. Hold maskinen unna regn eller fuktighet. *Dersom det kommer vann i et elektroverktøy, øker risikoen for elektriske støt.*
- d. Ikke bruk ledningen til andre formål, f. eks. til å bære maskinen, henge den opp eller trekke den ut av stikkkontakten. Hold ledningen unna varme, olje, skarpe kanter eller maskindeler som beveger seg. *Med skadede eller opphopede ledninger øker risikoen for elektriske støt.*
- e. Når du arbeider utendørs med et elektroverktøy, må du kun bruke en skjøteledning som er godkjent til utendørs bruk. *Når du bruker en skjøteledning som er egnet for utendørs bruk, reduseres risikoen for elektriske støt.*

3. PERSONSIKKERHET

- a. Vær oppmerksom, pass på hva du gjør, gå fornuftig frem når du arbeider med et elektroverktøy. Ikke bruk maskinen når du er trett eller er påvirket av narkotika, alkohol eller medikamenter. *Et øyeblikks uoppmerksomhet ved bruk av maskinen kan føre til alvorlige skader.*
- b. Bruk personlig verneutstyr og husk alltid å bruke vernebriller. Bruk alltid vernebriller. *Bruk av personlig sikkerhetsutstyr som støvmaske, sklifaste arbeidssko, hjelm eller hørselvern - avhengig av type og bruk av elektroverktøyet - reduserer risikoen for skader.*



- c. Unngå å starte verktøyet ved en feiltagelse. Forviss deg om at elektroverktøyet er slått av før du setter støpsetil inn i stikkkontakten. *Hvis du holder fingeren på bryteren når du bærer maskinen eller kobler maskinen til strømmen i innkoblet tilstand, kan dette føre til uhell.*
- d. Fjern innstillingsverktøy eller skrunøkler før du slår på elektroverktøyet. *Et verktøy eller en nøkkel som befinner seg i en roterende maskindel, kan føre til skader.*
- e. Ikke overvurder deg selv. Sørg for å stå stødig og i balanse. *Sørg for at du har godt fotfeste og god balanse hele tiden. Dermed kan du kontrollere maskinen bedre i uventede situasjoner.*
- f. Bruk alltid egnede klær. *Ikke bruk vide klær eller smykker. Hold hår, tøy og hansker unna deler som beveger seg. Løstsittende tøy, smykker eller langt hår kan komme inn i deler som beveger seg.*
- g. Hvis det kan monteres støvavsug- og oppsamlingsinnretninger, må du forvise deg om at disse er tilkoblet og brukes på korrekt måte. *Bruk av disse innretningene reduserer faren på grunn av støv.*

4. OMHYGGELIG BRUK OG HÅNTERING AV ELEKTROVERKTØY

- a. Ikke overbelast verktøyet. Bruk et elektroverktøy som er beregnet til den type arbeid du vil utføre. *Med et passende elektroverktøy arbeider du bedre og sikrere i det angitte effektområdet.*
- b. Ikke bruk elektroverktøy med defekt på-/avbryter. *Et elektroverktøy som ikke lenger kan slås av eller på, er farlig og må repareres.*
- c. Trekk støpsetil ut av stikkkontakten før du utfører innstillinger på maskinen, skifter tilbehørsdeler eller legger maskinen bort. *Disse tiltakene forhindrer en utilsiktet starting av maskinen.*
- d. Elektroverktøy som ikke er i bruk må oppbevares utilgjengelig for barn. Ikke la maskinen brukes av personer som ikke er fortrolig med dette eller ikke har lest disse anvisningene. *Elektroverktøy er farlige når de brukes av uerfarne personer.*
- e. Vær nøye med vedlikeholdet av maskinen. Kontroller om bevegelige maskindeler fungerer feilfritt og ikke klemmes fast, og om deler er brukt eller skadet, slik at dette innvirker på maskinens funksjon. La disse skadede delene repareres før maskinen brukes. *Dårlig vedlikeholdte elektroverktøy er årsaken til mange uhell.*
- f. Hold skjæreverktøyene skarpe og rene. *Godt stelte skjæreverktøy med skarpe skjær setter seg ikke så ofte fast og er lettere å føre.*

- g. Bruk elektroverktøy, tilbehør, verktøy osv. i henhold til disse anvisningene og slik det er foreskrevet for denne spesielle maskintypen. Ta hensyn til arbeidsforholdene og arbeidet som skal utføres. *Bruk av elektroverktøy til andre formål enn det som er angitt, kan føre til farlige situasjoner.*

FOR DIN SIKKERHET

FELLES ADVARSLER OM SLIPING, SANDPAPIRSLIPING, ARBEID MED STÅLBØRSTER, POLERING OG KAPPING

- a. Dette elektroverktøyet skal brukes som sliper, sandpapiirsliper, stålbørste, polermaskin og kuttessliper. Følg alle advarsler, anvisninger, bilder og data som du får levert sammen med elektroverktøyet. *Hvis du ikke følger følgende anvisninger, kan det oppstå elektriske støt, ild og/eller store skader.*
- b. Ikke bruk tilbehør som ikke er spesielt beregnet og anbefalt av produsenten for dette elektroverktøyet. *Selv om du kan feste tilbehøret på elektroverktøyet ditt, garanterer dette ingen sikker bruk.*
- c. Det godkjente turtallet til innsatsverktøyet må være minst like høyt som det maksimale turtallet som er angitt på elektroverktøyet. *Tilbehør som dreies hurtigere enn godkjent, kan ødelegges.*
- d. Utvendig diameter og tykkelse på innsatsverktøyet må tilsvare målene for elektroverktøyet. *Gale innsatsverktøy kan ikke sikres eller kontrolleres tilstrekkelig.*
- e. Slipeskiver, flenser, slipetallerkener eller annet tilbehør må passe nøyaktig på slipespindelen til elektroverktøyet. *Innsatsverktøy som ikke passer nøyaktig på slipespindelen til elektroverktøyet, roterer uregelmessig, vibrerer svært sterkt og kan føre til at du mister kontrollen.*
- f. Ikke bruk skadede innsatsverktøy. Sjekk før hver bruk om innsatsverktøy slik som slipeskiver er splintret eller revnet, om slipetallerkener er revnet eller svært slitt, om stålbørster har løse eller har brukkede tråder. Hvis elektroverktøyet eller innsatsverktøyet faller ned, må du kontrollere om det er skadet eller bruk et ikke skadet innsatsverktøy. Når du har kontrollert og satt inn innsatsverktøyet, må du holde personer som oppholder seg i nærheten unna det roterende innsatsverktøyet og la elektroverktøyet gå i ett minutt med maksimalt turtall. *Som regel brenner skadede innsatsverktøy i løpet av denne testtiden.*
- g. Bruk personlig beskyttelsesutstyr. Avhengig av typen bruk må du bruke visir, øyebeskyttelse eller vernebriller. Om nødvendig må du bruke støvmaske, hørselvern, vernehansker eller spesialforkle som holder små slipe- og materialpartikler unna kroppen din. *Øynene bør beskyttes mot fremmedlegemer som kan fly rundt ved visse typer bruk. Støv- eller pustevernmasker må filtrere den typen støv som oppstår ved denne bruken. Hvis du er utsatt for sterk støv over lengre tid, kan du miste hørselen.*
- h. Pass på at andre personer holder tilstrekkelig avstand til arbeidsområdet ditt. Alle som går inn i arbeidsområdet må

5. SERVICE

- a. Maskinen din skal alltid kun repareres av kvalifisert fagpersonale og kun med originale reservedeler. *Slik opprettholdes maskinens sikkerhet.*

bruke personlig verneutstyr. *Brukne deler til verktøyet eller brukne innsatsverktøy kan slynges ut og derfor også forårsake skader utenfor det direkte arbeidsområdet.*

- i. Ta kun tak i elektroverktøyet på de isolerte gripeflatene, hvis du utfører arbeid der innsatsverktøyet kan treffe på skjulte strømledninger eller den egne strømledningen. *Kontakt med en spenningsførende ledning setter også elektroverktøyet metalldele under spenning og fører til elektriske støt.*
- j. Hold strømledningen unna roterende innsatsverktøy. *Hvis du mister kontrollen over elektroverktøyet kan strømledningen kappes eller komme inn i verktøyet, og hånden eller armen din kan komme inn i det roterende innsatsverktøyet.*
- k. Legg aldri elektroverktøyet ned før innsatsverktøyet er stanset helt. *Det roterende innsatsverktøyet kan komme i kontakt med overflaten der maskinen legges ned, slik at du kan miste kontrollen over elektroverktøyet.*
- l. La aldri elektroverktøyet være innkoblet mens du bærer det. *Tøyet ditt kan komme inn i det roterende innsatsverktøyet hvis det tilfeldigvis kommer i kontakt med verktøyet, og innsatsverktøyet kan da bore seg inn i kroppen din.*
- m. Rengjør ventilasjonsåpningene til elektroverktøyet med jevne mellomrom. *Motorviften trekker støv inn i huset, og en stor oppsamling av metallstøv kan medføre elektrisk fare.*
- n. Ikke bruk elektroverktøyet i nærheten av brennbare materialer. *Gnistre kan antenne disse materialene.*
- o. Bruk ikke innsatsverktøy som krever flytende kjølemidler. *Bruk av vann eller andre flytende kjølemidler kan føre til elektriske støt.*

TILBAKESLAG OG TILSVARENDE ADVARSLER

Tilbakeslag er innsatsverktøyet plutselige reaksjon etter at det har hengt seg opp eller blokkerer. Dette kan gjelde slipeskiven, slipetallerkener, stålbørsten osv.. Opphenging eller blokkering fører til at det roterende innsatsverktøyet stanser helt plutselig. Slik akselerer et ukontrollert elektroverktøy i motsatt retning av innsatsverktøyet dreieretning på blokkeringsstedet. Hvis f. eks. en slipeskive henger seg opp eller blokkerer i arbeidsstykket, kan kanten på slipeskiven som dykker inn i arbeidsstykket, henge seg opp og slik brenner slipeskiven eller forårsaker et tilbakeslag. Slipeskiven beveger seg da mot eller bort fra brukeren, avhengig av skivens dreieretning på blokkeringsstedet. Slipeskiver kan da også brenne. Et tilbakeslag er resultat av en gal eller feilaktig bruk av elektroverktøyet. Det kan unngås ved å følge egnede sikkerhetstiltak som beskrevet nedenstående.

- a. Hold elektroverktøyet godt fast og plasser kroppen og armene dine i en stilling som kan ta imot tilbakeslagskrefter. Bruk alltid ekstrahåndtaket - hvis dette finnes - for å ha størst mulig kontroll over tilbakeslagskrefter eller reaksjonsmomenter ved oppkjøring. *Brukeren kan beherske tilbakeslags- og reaksjonsmomenter med egnede tiltak.*
- b. Hold aldri hånden i nærheten av det roterende innsatsverktøyet. *Innsatsverktøyet kan bevege seg over hånden din ved tilbakeslag.*
- c. Unngå at kroppen din befinner seg i området der elektroverktøyet vil bevege seg ved et tilbakeslag. *Tilbakeslaget driver elektroverktøyet i motsatt retning av slipeskivens dreieretning på blokkeringsstedet.*
- d. Vær spesielt forsiktig i hjørner, på skarpe kanter osv. Du må forhindre at innsatsverktøyet avpelles fra arbeidsstykket eller klemmes fast. *Det roterende innsatsverktøyet har en tendens til å klemmes fast i hjørner, på skarpe kanter eller hvis det avpelles. Dette forårsaker kontrolltap eller tilbakeslag.*
- e. Bruk ikke kjedesagblad eller tannet sagblad. *Slike innsatsverktøy fører ofte til tilbakeslag eller til at man mister kontrollen over elektroverktøyet.*

SPEISIELLE ADVARSLER OM SLIPING OG KAPPING

- a. Bruk kun slipeskiver som er godkjent for dette elektroverktøyet og et verne deksel som er konstruert for denne typen slipeskive. *Slipeskiver som ikke ble konstruert for dette elektroverktøyet, kan ikke beskyttes tilsvarende og er ikke sikre.*
- b. Slipeskiver må kun brukes til anbefalt type bruk, f. eks.: Ikke slip med sideflaten til en kappeskive. *Kappeskiver er beregnet til materialjerning med kanten på skiven. Innvirkning av krefter fra siden kan føre til at slipeskivene brenner.*
- c. Bruk alltid uskadede spennflenser i riktig størrelse og form for den slipeskiven du har valgt. *Egnede flenser støtter slipeskiven og reduserer slik faren for at slipeskiven brenner. Flenser for kappeskiver kan være annerledes enn flenser for andre slipeskiver.*
- d. Ikke bruk slitte slipeskiver fra større elektroverktøy. *Slipeskiver for større elektroverktøy er ikke beregnet til de høyere turtall på mindre elektroverktøy og kan brenne.*

YTTERLIGERE SPEISIELLE ADVARSLER FOR KAPPSLIPING

- a. Unngå blokkering av kappeskiven eller for sterkt presstrykk. Ikke utfør for dype snitt. *En overbelastning av kappeskiven øker slitasjen og tendensen til fastkiling eller blokkering og dermed også muligheten til tilbakeslag eller brudd på slipeskiven.*
- b. Unngå området foran og bak den roterende kappeskiven. *Hvis kappeskiven beveger seg bort fra deg i arbeidsstykket, kan elektroverktøyet med den roterende skiven ved tilbakeslag slynges direkte mot kroppen din.*

- c. Hvis kappeskiven blokkerer eller du avbryter arbeidet, slår du av elektroverktøyet og holder det rolig til skiven er stanset helt. Forsøk aldri å trekke den roterende kappeskiven ut av snittet, ellers kan det oppstå et tilbakeslag. *Finn og fjern årsaken til blokkeringen.*
- d. Ikke start elektroverktøyet igjen så lenge det befinner seg i arbeidsstykket. La kappeskiven oppnå det maksimale turtallet før du fortsetter forsiktig med snittet. *Ellers kan skiven henge seg opp, springe ut av arbeidsstykket eller forårsake tilbakeslag.*
- e. Støtt plater eller store arbeidsstykker for å redusere risikoen for tilbakeslag fra en fastklemt kappeskive. *Store arbeidsstykker kan bøyes av sin egen vekt. Arbeidsstykket må støttes på begge sider, både nær kappesnittet og på kanten.*
- f. Vær spesielt forsiktig ved indykkingssnitt i vegger eller andre uoversiktlige områder. *Den inntrængende kappeskiven kan treffe på gass- eller vannledninger, elektriske ledninger eller gjenstander som kan forårsake tilbakeslag.*

SPEISIELLE ADVARSLER OM SANDPAPIRSLIPING

- a. Ikke bruk overdimensjonerte slipeskiver, følg produsentens informasjon om slipepapirstørrelsen. *Slipeskiver som peker ut over slipetallerkener kan forårsake skader og føre til at slipeskivene blokkerer eller revner eller til at det oppstår tilbakeslag.*

SPEISIELLE ADVARSLER OM POLERING

- a. Det må aldri finnes løse deler på poleretten, spesielt ikke festesnorer. Putt unna eller kapp festesnorene. *Løse roterende festesnorer kan gripe tak i fingrene dine eller vikle seg inn i arbeidsstykket.*

SPEISIELLE ADVARSLER FOR ARBEID MED STÅLBØRSTER

- a. Husk på at stålbørsten mister stålbiter i løpet av vanlig bruk. Ikke overbelast ståldelene med for sterkt presstrykk. *Ståldeler som slynges bort kan lett trenge inn gjennom tynt tøy og/eller hud.*
- b. Hvis det anbefales å bruke et verne deksel, må du forhindre at verne dekslet og stålbørsten kan berøre hverandre. *Tallerken- og koppbørster kan få større diameter med presstrykk og sentrifugalkrefter.*

MILJØ

DEPONERING

Elektroverktøy, tilbehør og emballasje må leveres inn til miljøvennlig gjenvinning.



Ikke kast elektroverktøy i vanlig søppel! Jf. det europeiske direktivet 2002/96/EF vedr. gamle elektriske og elektroniske apparater og tilpassingen til nasjonale lover må gammelt elektroverktøy som ikke lenger kan brukes samles inn og leveres inn til en miljøvennlig resirkulering.

SPESIFIKASJONER

GENERELLE SPESIFIKASJONER

Merkespenning 230-240 V, 50-60 Hz
Merkestrøm 0,6 A
Hastighet på tomgang . . . n₀ 33 000/min
Spennhylekapasitet 0,8 mm, 1,6 mm, 2,4 mm, 3,2 mm

SKJØTELEDNINGER

Bruk skjøteledninger som er helt rullet ut med en kapasitet på 5 A.

MONTERING

KOBLE ALLTID MULTIVERKTØYET FRA STRØM FØR BYTTE AV TILBEHØR, SPENNYLSER ELLER VEDLIKEHOLD AV VERKTØYET.

GENERELT

Multiverktøyet fra Dremel er et presisjonsverktøy av høy kvalitet som kan brukes til å utføre detaljerte presisjonsoppgaver. Det brede spekteret av Dremel-tilbehør og -forsatser gjør det mulig å utføre et stort antall oppgaver. Dette omfatter sliping, utskjæring og gravering samt fresing, kutting, rengjøring og polering.

BILDE 1

- A. Spennhylsemutter
- B. Spennhylse
- C. Forsatskobling
- D. Verktøykappe
- E. Spindellåsknapp
- F. Ventilasjonsåpninger
- G. Børstedeksel (et på hver side)
- H. På-/avbryter
- I. LCD-display
- J. Knapp for høyere/lavere hastighet
- K. Oppheng
- L. Strømledning

KUN FOR EU-LAND

MOTORSPESIFIKASJONER

Dette multiverktøyet bruker en variabel høyhastighetsmotor. Den er konstruert for drift med 230-240 V, 50-60 Hz. Kontroller alltid at tilførselsspenningen er den samme som spenningen som er angitt på verktøyet merkeplate (verktøy med merkespenning på 230 V eller 240 V kan også kobles til 220 V-uttak).

SPENNYLSER

Dremel-tilbehør til multiverktøyet leveres med ulike skaftstørrelser. Det finnes fire spennhylestørrelser til de ulike skaftstørrelsene. Spennhylestørrelsene kan identifiseres ved hjelp av ringene på baksiden av spennhyslen.

BILDE 3

- M. 3,2 mm spennhyle uten ring (480)
- N. 2,4 mm spennhyle med tre ringer (481)
- O. 1,6 mm spennhyle med to ringer (482)
- P. 0,8 mm spennhyle med en ring (483)

MERK: Noen multiverktøysett inneholder ikke alle fire spennhylestørrelsene. Spennhysler kan kjøpes separat.

Bruk alltid en spennhyle som samsvarer med akselstørrelsen på det tilbehøret du planlegger å bruke. Tving aldri et skaft med større diameter ned i en mindre spennhyle.

BYTTE SPENNYLSER

BILDE 4

- Q. Spindellåsknapp
- R. Spennhyslenøkkel
- S. Stramme
- T. Løsne
- U. Spennhylemutter

1. Trykk på spindellåsknappen, hold skaftet inne og vri for hånd inntil den smekker på plass. Man må ikke koble inn spindellåsknappen mens multiverktøyet er i bruk.
2. Hold spindellåsknappen inne, løsne og ta ut spennhylemutteren. Bruk spennhyslenøkkel om nødvendig.
3. Ta ut spennhyslen ved å trekke den løs fra skaftet.
4. Sett en spennhyle i riktig størrelse helt inn i skaftet og trekk til spennhylemutteren med fingrene. Ikke trekk mutteren helt til hvis det ikke er montert bits eller tilbehør.

SLIK KOMMER DU I GANG

BRUK

Det første trinnet ved bruk av multiverktøyet er å bli "kjent" med det. Hold det i hånden og bli kjent med vekten og balansen. Kjenn på tappen på dekslet. Denne tappen gjør det mulig å holde verktøyet som du holder en blyant eller penn. *Hold alltid verktøyet på sikker avstand fra ansiktet. Tilbehør kan skades ved bruk, og kan sprette ut når hastigheten øker. Når du holder verktøyet, må du ikke dekke ventilasjonsåpningene med hånden din. Hvis ventilasjonsåpningene blokkeres, kan motoren bli overopphetet.* Viktig: Øv deg på prøvematerialer først, slik at du blir vant med hvordan verktøyet skjærer på høy hastighet. Husk at multiverktøyet yter best hvis du lar hastigheten, sammen med riktig Dremel-tilbehør og -forsats, gjøre arbeidet for deg. Unngå å øve press mot verktøyet under bruk. Senk isteden det roterende tilbehøret forsiktig ned mot arbeidsflaten og la det komme i kontakt med punktet hvor det skal starte. Konsentrer deg om å føre verktøyet over arbeidsstykket med svært liten kraft. La tilbehøret gjøre jobben. Vanligvis er det best å gjøre jobben i flere omganger istedenfor å prøve å utføre hele jobben på én gang. Å arbeide med lett hånd gir best kontroll og reduserer risikoen for feil.

HOLDE VERKTØYET

Når du jobber med detaljer oppnår du best kontroll ved å holde verktøyet som en blyant mellom tommel og pekefinger. BILDE 6 "Golf"-grepet brukes til tyngre operasjoner som sliping eller kutting. BILDE 7

BYTTE TILBEHØR

BILDE 5

- Q. Spindellåsknapp

1. Trykk på spindellåsknappen, og vri skaftet for hånd inntil den smekker på plass. *Ikke koble inn spindellåsknappen mens multiverktøyet er i bruk.*
2. Hold spindellåsknappen inne, løsne (ikke ta ut) spennhylemutteren. Bruk spennhyslenøkkel om nødvendig.
3. Sett inn bitsen eller tilbehørsskaftet helt inn i spennhyslen.
4. Når spindellåsknappen er koblet inn, kan du stramme spennhyslen med fingrene til spennhyslen griper tak i skaftet på tilbehøret. *MERK: Sørg for å lese instruksjonene som følger med Dremel-tilbehøret. Her finner du mer informasjon om bruken.*

Bruk bare tilbehør med høy ytelse som er testet av Dremel.

DRIFTSHASTIGHETER

Verktøyet er et multiverktøy for høye hastigheter. Det digitale displayet 400 Series DIGITAL-verktøyet viser det nøyaktige omdreiningstallet (x 1000) som verktøyet kjører med. Du øker/reducerer hastigheten ved å skyve hastighetsknappene opp/ned. Hastigheten på multiverktøyet kan økes eller reduseres i trinn på 1000 o/min. Dermed kan du kontrollere hastigheten på multiverktøyet svært nøyaktig. Ved å justere antall omdreininger per minutt for prosjekter, vil du kunne få et bedre sluttresultat. Du oppnår best resultat med ulike materialer ved å stille inn bryteren for variabel hastighet slik at det passer til jobben. Du velger riktig hastighet for tilbehøret hvis du øver deg på litt prøvematerialer først. *MERK: Hastigheten påvirkes av endringer i spenningen. Redusert spenning vil gi lavere o/min, særlig på laveste innstilling. Hvis du synes verktøyet går sakte, må du øke hastighetsinnstillingen tilsvarende. Det kan skje at verktøyet ikke starter på laveste innstilling i områder der nettspenningen er lavere enn 220 volt. Flytt ganske enkelt hastighetsinnstillingen til en høyere stilling og begynn arbeidet.* Bruk diagrammet med hastighetsinnstillinger på side 4-6 som hjelpemiddel når du skal bestemme riktig hastighet for materialet du arbeider med, og hvilket tilbehør du skal bruke. A) For bruk på gipsvegger. Du oppnår best resultat ved 33 000 o/min. B) Brukes på fugemasse på gulv og vegg. Bruk innstilling 20.000-28.000 o/min. *) Hastighet for lette kutt. Forsiktig - risiko for fastbrenning ved dype spor. ■ Avhengig av kutteretning i forhold til fiberretningen. De fleste jobber kan utføres med verktøyet i høyeste stilling.

Imidlertid kan visse materialer (noen plast- og metallsorter) bli skadet av varmen som utvikles på grunn av den høye hastighe- ten. Disse må bearbeides ved lavere hastigheter. Drift på lav hastighet (15 000 o/min eller mindre) er vanligvis best for polering ved hjelp av filtpoleringsstilbehør. Ved bruk av alle typer børster kreves det lavere hastigheter for å unngå at trådene løs- ner fra holderen. La ytelsen til verktøyet utføre arbeidet for deg når du bruker lavere hastighetsinnstillinger. Høyere hastigheter er bedre for hardt treverk, metall og glass samt for boring, utskjæring, kutting, fresing, forming og kutting av dørfalser og brystpanel i treverk.

Noen retningslinjer mht. verktøyhastighet:

- Plast og andre materialer som smelter ved lave temperatu- rer, må kuttes ved lav hastighet.
- Polering, pussing og rengjøring med stålborste må utføres ved hastigheter under 15 000 o/min for å hindre skader på borsten og materialet.

VEDLIKEHOLD

Forebyggende vedlikehold utført av ukyndige personer kan føre til at innvendige deler og ledninger blir satt feil inn, noe som kan forårsake alvorlig fare. Vi anbefaler at all verktøyvedlike- hold utføres av et Dremel-serviceverksted. Du unngår skade fra uventet oppstart eller elektrisk støt ved å fjerne støpselet fra vegguttaket før du foretar vedlikehold eller rengjøring.

KULLBØRSTER

Børstene i verktøyet er konstruert for mange timers pålitelig bruk. Du klargjør børstene for bruk ved å kjøre verktøyet på full hastighet i 5 minutter på tomgang. Dermed "setter" bør- stene seg ordentlig, og levetiden for verktøyet forlenges. Du oppnår maksimal effektivitet for motoren ved å undersøke børstene mht. slitasje hver 40.-50. time.

Bruk av verktøyet med slitte børster skader motoren perma- nent. Bruk bare originale Dremel-reserverbørster. Inspiser multiverktøy-børstene etter 40-50 timers bruk. Hvis multi- verktøyet ikke fungerer som det skal, mister kraften eller lager uvanlig støy, må du kontrollere om børstene er slitt og bytte dem ved behov. Følg disse trinnene for å kontrollere/endre multiverktøyet's børster:

1. Trekk ut støpselet og legg verktøyet på en ren overflate. Bruk verktøyet's skrunøkkel og ta av børstedekslene. BILDE 8
2. Vri verktøyet slik at børstene faller ut av holderen. Kontroller hver børste. Hvis borsten er mindre enn 3 mm lang og overflaten på borsten som berører strømfordeleren er ujevn eller har små fordypninger, må kullbørstene skiftes ut. Husk å kontrollere begge børstene. BILDE 9
3. Hvis en av børstene er slitt, må du skifte ut begge slik at du får bedre ytelse av multiverktøyet. Ta av fjæren fra borsten, kast den gamle borsten og sett fjæren på en ny børste.

SERVICE OG GARANTI

Garantien for dette DREMEL-produktet gis i henhold til lovfe- stede/landsspesifikke lover og forskrifter. Skader grunnet normal slitasje, overbelastning eller feil bruk dekkes ikke av garantien.

Dersom du ønsker å klage på produktet, tar du med verktøyet i *montert stand* sammen med kjøpsbevis til forhandleren.

KONTAKTE DREMEL

Hvis du ønsker flere opplysninger om Dremels produktvalg, brukerstøtte og hotline, kan du se på www.dremel.com

Dremel Europe, P.O. Box 3267, 4800 DG Breda

4. Plasser kullbørsten og fjæren tilbake i verktøyet. Den kan bare plasseres på én måte i verktøyet. Se til at børstene monteres som vist. BILDE 9 Den kurvede flaten på borsten må passe til krumningen på strømfordeleren.
5. La den firkantede undersiden på børsteluken hvile på de firkantede utsparringene. Kontroller at fjæren hviler på V- sporet i borsten. Skyv fronten på luken nedover. Skyv der- etter ned og la den bakre låsemekanismen smekke på plass i sporet. Etter at du har byttet børstene, skal verktøy- et kjøres på tomgang. Plasser det på en ren overflate og la det gå fritt på full hastighet i 5 minutter for du belaster (eller bruker) verktøyet. Dette gjør det mulig for børstene å "sette" seg ordentlig, og gir deg lengre levetid for hvert børstesett. Dermed forlenges og levetiden for verktøyet siden overflaten på strømfordelen ikke blir ujevn slitt. BILDE 10

RENGJØRING AV VERKTØYET

TREKK UT STØPSELET FØR RENGJØRING

Ventilasjonsåpninger og brytere må holdes rene og fri for fremmedlegemer. Ikke forsøk å foreta rengjøring ved å stikke spisse gjenstander inn gjennom åpningene.

Bruk gjerne trykkluft til å rengjøre verktøyet. Bruk alltid verne- briller når du rengjør verktøy med trykkluft.

Dremel multiverktøy trenger ikke smøres.

Noen rengjøringsmidler og løsemidler kan skade plastdeler.

Dette omfatter blant annet bensin, karbontetraklorid, klorholdi- ge rensmidler, ammoniakk og rengjøringsmidler som innehol- der ammoniakk.

Rengjør "softgrip"-områdene på verktøyet ved hjelp av en fuk- tig klut. Svært skitne områder kan kreve mer enn én omgang med kluten før de blir rene.

YLEISET TURVALLISUUSOHJEET



VAROITUS

KAIKKI OHJEET TULEE LUKEA. *Alla olevien ohjeiden noudattamisen laiminlyönti saattaa johtaa sähköiskuun, tulipaloon ja/ tai vaka-vaan loukkaantumiseen. Seuraavassa käytetty käsite "sähkötyökalu" käsittää verkkokäyttöisiä sähkötyökaluja (verkkohdollalla).*

SÄILYTTÄ NÄMÄ OHJEET

1. TYÖPAIKKA

- Pidä työskentelyalue puhtaana ja hyvin valaistuna. Työpaikan epäjärjestys ja valaisemattomat työalueet voivat johtaa tapaturmiin.
- Pidä työskentele sähkötyökalulla räjähdysalttiissa ympäristössä, jossa on palavaa nestettä, kaasua tai pölyä. Sähkötyökalu muodostaa kipinöitä, jotka saattavat sytyttää pölyn tai höyryä.
- Pidä lapset ja sivulliset loitolla sähkötyökalua käyttäessäsi. Voit menettää laitteesi hallinnan, huomiosi suuntautuessa muualle.

2. SÄHKÖTURVALLISUUS

- Sähkötyökalun pistotulpan tulee sopia pisto-rasiaan. Pistotulppaa ei saa muuttaa millään tavalla. Älä käytä mitään pistorasia-adaptoreita maadoitettujen sähkötyökalujen kanssa. Alkuperäisessä kunnossa olevat pistotulpat ja sopivat pistorasiat vähentävät sähköiskun vaaraa.
- Vältä koskettamista maadoitettuja pintoja, kuten putkia, pattereita, liesiä tai jääkaappeja. Sähköiskun vaara kasvaa, jos kehosi on maadoitettu.
- Älä aseta sähkötyökalua alltiiksi sateelle tai kosteudelle. Veden tunkeutuminen sähkötyökalun sisään kasvattaa sähköiskun riskiä.
- Älä käytä verkkojohtoa väärin. Älä käytä sitä sähkötyökalun kantamiseen, ripustamiseen tai pistotulpan irrottamiseen pistorasiasta vetämällä. Pidä johto loitolla kuumuudesta, öljystä, terävistä reunoista ja liikkuvista osista. Vahingoittuneet tai sotkeutuneet johdot kasvattavat sähköiskun vaaraa.
- Käyttäessäsi sähkötyökalua ulkona, käytä ainoastaan ulko-käyttöön soveltuvaa jatkojohtoa. Ulkokäyttöön soveltuvan jatkojohdon käyttö pienentää sähköiskun vaaraa.

3. Henkilöturvallisuus

- Ole valpas, kiinnitä huomiota työskentelyysi ja noudata tervettä järkeä sähkötyökalua käyttäessäsi. Älä käytä laitetta, jos olet väsynyt tai huumeiden, alkoholiin tahi lääkkeiden vaikutuksen alaisena. Hetken tarkkaamattomuus sähkötyökalua käytettäessä, saattaa johtaa vakavaan loukkaantumiseen.
- Käytä suojavarusteita. Käytä aina suojalaseja. Henkilökohtaisen suojavarustuksen käyttö, kuten pölynaamarin, luistamattomien turvaken-kien, suojakypärän tai kuulonsuojaimien, riippuen sähkötyökalun lajista ja käytettävästä, vähentää loukaantumisriskiä.



- Vältä tahatonta käynnistämistä. Varmista, että sähkötyökalu on poiskytkettynä, ennen kuin liität pistotulpan pistorasiaan. Jos kannat sähkötyökalua sormi käynnistyskytkimellä tai kytket sähkötyökalun pistotulpan pistorasiaan, käynnistyskytkimen ollessa käyntiasennossa, altistat itsesi onnettomuuksille.
- Poista kaikki säätötyökalut ja ruuvitalat, ennen kuin käynnistät sähkötyökalun. Työkalu tai avain, joka sijaitsee laitteen pyörivässä osassa, saattaa johtaa loukkaantumiseen.
- Älä yliarvioi itseäsi. Huolehdi aina tukevasta seisoma-asennosta ja tasapainosta. Täten voit paremmin hallita sähkötyökalua odottamattomissa tilanteissa.
- Käytä tarkoitukseen soveltuvia vaatteita. Älä käytä löysiä työvaatteita tai koruja. Pidä hiukset, vaatteet ja käsineet loitolla liikkuvista osista. Välijät vaatteet, korut ja pitkät hiukset voivat takertua liikkuviin osiin.
- Jos pölynimu- ja keräilylaitteita voidaan asentaa, tulee sinun tarkistaa, että ne on liitetty ja että ne käytetään oikealla tavalla. Näiden laitteiden käyttö vähentää pölyn aiheuttamia vaaroja.

4. SÄHKÖTYÖKALUJEN HUOLELLINEN KÄYTTÖ JA KÄSITTELY

- Älä ylikuormita laitetta. Käytä kyseiseen työhön tarkoitettua sähkötyökalua. Sopivaa sähkötyökalua käyttäen työskentelet paremmin ja varmemmin tehoalueella, jolle sähkötyökalu on tarkoitettu.
- Älä käytä sähkötyökalua, jota ei voida käynnistää ja pysäyttää käynnistyskytkimestä. Sähkötyökalu, jota ei enää voida käynnistää ja pysäyttää käynnistyskytkimellä, on vaarallinen ja se täytyy korjata.
- Irrota pistotulppa pistorasiasta, ennen kuin suoritat säätöjä, vaihdat tarvikkeita tai siirrat sähkötyökalun varastoitavaksi. Nämä turvatoimenpiteet estävät sähkötyökalun tahattoman käynnistytksen.
- Säilytä sähkötyökalut poissa lasten ulottuvilta, kun niitä ei käytetä. Älä anna sellaisten henkilöiden käyttää sähkötyökalua, jotka eivät tunne sitä tai jotka eivät ole lukeneet tätä käyttöohjetta. Sähkötyökalut ovat vaarallisia, jos niitä käyttävät kokemattomat henkilöt.
- Hoida sähkötyökalusi huolella. Tarkista, että liikkuvat osat toimivat moitteettomasti, eivätkä ole puristuksessa sekä, että siinä ei ole murtuneita tai vahingoittuneita osia, jotka saattaisivat vaikuttaa haitallisesti sähkötyökalun toimintaan. Anna korjata nämä vioittuneet osat ennen käyttöä. Monen tapaturman syyt löytyvät huonosti huolletuista laitteista.

5. HUOLTO

- Anna koulutettujen ammattihenkilöiden korjata sähkötyökalusi ja hyväksy korjauksiin vain alkuperäisiä varaosia. Täten varmistat, että sähkötyökalu säilyy turvallisena.

TYÖTURVALLISUUSOHJEET KAIKKIIN TÖIHIN

YHTEISET TURVALLISUUSOHJEET HIOMISTA, HIEKKAPAPERIHUOMIUSTA, TYÖSKENTELYÄ TERÄSHARJAN KANSSA, KIILLTOTUSTA JA KATKAISUHIONTAA VARTEN

- Tätä sähkötyökalua tulee käyttää hiomakoneena, hiekkapaperihiomakoneena, teräsharja-, kiillotus- ja katkaisuhiomakoneena. Ota huomioon kaikki varo-ohjeet, ohjeet, piirustukset ja tiedot, joita saat sähkötyökalun kanssa. Ellet noudata seuraavia ohjeita, saattaa se johtaa sähköiskuun, tulipaloon ja/ tai loukkaantumisiin.
- Älä käytä mitään lisälaitteita, joita ei valmistaja ole tarkoittanut tai suositellut nimenomaan tälle sähkötyökalulle. Vain se, että pystyt kiinnittämään lisätarvikkeen sähkötyökaluusi ei takaa sen turvallista käyttöä.
- Vaihtotyökalun sallitun kierrosluvun tulee olla vähintään yhtä suuri kuin sähkötyökalussa mainittu suurin kierrosluku. Lisätarvike, joka pyörii sallitua suuremmalla nopeudella, saattaa tuhoutua.
- Vaihtotyökalun ulkohalkaisijan ja paksuuden tulee vastata sähkötyökalun mittatietoja. Väärin mitoitettuja vaihtotyökaluja ei voida suojata tai hallita riittävästi.
- Hiomalakkojen, laippojen, hiomalautasten ja muitten lisätarvikkeiden tulee sopia tarkasti sähkötyökalusi hiomakaraan. Vaihtotyökalut, jotka eivät sovi tarkkaan sähkötyökalun hiomakaraan pyörivät epätasaisesti, tärisevät voimakkaasti ja saattavat johtaa työkalun hallinnan menettämiseen.
- Älä käytä vaurioituneita vaihtotyökaluja. Tarkista ennen jokaista käyttöä, ettei vaihtotyökalussa, kuten hiomalakkoissa ole pirstoutumia tai halkemia, hiomalautasessa halkeamia tai voimakasta kulumista, teräsharjassa irtonaisia tai katkenneita lankoja. Jos sähkötyökalu tai vaihtotyökalu putoaa, tulee tarkistaa, että se on kunnossa tai sitten käytää ehjää vaihtotyökalua. Kun olet tarkistanut ja asentanut vaihtotyökalun, pidä itsesi ja lähistöllä olevat henkilöt poissa pyörivän vaihtotyökalun tasosta ja anna sähkötyökalun käydä minuutti täydellä kierrosluvulla. Vaurioituneet vaihtotyökalut menevät yleensä rikki tässä ajassa.
- Käytä henkilökohtaisia suojavarusteita. Käytä käytöstä riippuen kokokasvonaamiota, silmäsuojusta tai suojalaseja. Jos mahdollista, käytä pölynaamaria, kuulonsuojainta, suojakäsineitä tai erikoissuojavaatetta, joka suojaa sinut pieniltä hioma- ja materiaalihiukkasilta. Silmät tulee suojata lenteleviltä vierailta esineiltä, jotka saattavat syntyä eri

käytössä. Pöly- tai hengityssuojajanaamareiden täytyy suodattaa pois työstössä syntyvä pöly. Jos olet pitkään alltiina voimakkaalle melulle, saattaa se vaikuttaa heikentävästi kuuloon.

- Varmista, että muut henkilöt pysyvät turvallisella etäisyydellä työalueeltasi. Jokaisella, joka tulee työalueelle, tulee olla henkilökohtaiset suojavarusteet. Työkappaleen tai murtuneen vaihtotyökalun osia saattavat sinkoutua kauemmas ja vahingoittaa ihmisiä myös varsinaisen työalueen ulkopuolella.
- Tartu sähkötyökaluun ainoastaan eristetyistä pinnoista, tehdeksäsi työtä, jossa saattaisit osua piilossa olevaan sähköjohtoon tai sahan omaan sähköjohtoon. Kosketus jännitteeseen johtoon saattaa myös sähkötyökalun metalliosat jännitteisiksi ja johtaa sähköiskuun.
- Pidä sähköjohto poissa pyörivistä vaihtotyökaluista. Jos menetät sähkötyökalun hallinnan, saattaa verkkojohto tulla katkaistuksi tai tarttua kiinni ja vetää kätesi tai käsivartesi kiinni pyörivään vaihtotyökaluun.
- Älä aseta sähkötyökalua pois, ennen kuin vaihtotyökalu on pysähtynyt kokonaan. Pyörivä vaihtotyökalu saattaa koskettaa lepoppintaa ja voit menettää sähkötyökalusi hallinnan.
- Älä koskaan pidä sähkötyökalua käynnissä sitä kantaessasi. Vaatteesi voi hetkellisen kosketuksen seurauksena tarttua kiinni pyörivään vaihtotyökaluun, joka saattaa porautua kehoosi.
- Puhdista sähkötyökalusi tuuletusaukkoja säännöllisesti. Moottorin tuuletin imee pölyä työkalun koteloon, ja voimakas metallipölyn kasautuma voi synnyttää sähköisiä vaaratilanteita.
- Älä käytä sähkötyökalua palavien aineiden lähellä. Kipinät voivat sytyttää näitä aineita.
- Älä käytä vaihtotyökaluja, jotka tarvitsevat nestemäistä jäähdytysainetta. Veden tai muiden nestemäisten jäähdytysaineiden käyttö saattaa johtaa sähköiskuun.

TAKAISKU JA VASTAAVAT VARO-OHJEET

Takaisku on äkillinen reaktio, joka syntyy pyörivän vaihtotyökalun, kuten hiomalakan, hiomalautasen tai teräsharjan tarttuessa kiinni tai jäädessä puristukseen. Tarttuminen tai puristukseen joutuminen johtaa pyörivän vaihtotyökalun äkilliseen pysähtymiseen. Tällöin hallitsematon sähkötyökalu sinkoutuu tarttumakohdasta vaihtotyökalun kiertosuunnasta vastakkaiseen suuntaan. Jos esim. hiomalaikka tarttuu tai joutuu puristukseen työkappaleeseen, saattaa hiomalakan reuna, joka on oppunut

työkappaleeseen, juuttua kiinni aiheuttaen hiomalaikan ponnahduksen ulos työkappaleesta tai aiheuttaa takaiskun. Hiomalaikka liikkuu silloin käytävää henkilöä vasten tai pois päin hänestä, riippuen laikan kiertosuunnasta tarttumakohdassa. Tällöin hiomalaikka voi myös murtua. Takaisku johtuu sähkötyökälun väärinkäytöstä tai käytöstä vääriin tarkoitukseen. Se voidaan estää sopivin varotoimin, joita selostetaan seuraavassa.

- Pitele sähkötyökälua tukevasti ja saata kehosi ja käsivartesi asentoon, jossa pystyt vastaamaan takaiskuvuomiin. Käytä aina lisäkavaa, jos sinulla on sellainen, jotta pystyisit parhaalla mahdollisella tavalla hallitsemaan takaiskuvuomia tai vastamomenteja työkalun ryntökäynnissä. *Käytävä henkilö pystyy hallitsemaan takaisku ja vastamomenttivoimat noudattamalla sopivia suojatoimenpiteitä.*
- Älä koskaan tuo kättäsi lähelle pyörivää vaihtotyökälua. *Vaihtotyökälua saattaa takaiskun sattuessa liikkua kätesi yli.*
- Vältä pitämästä kehoasi alueella, johon sähkötyökälua liikkuu takaiskun sattuessa. *Takaisku pakottaa sähkötyökälun vastakkaiseen suuntaan hiomalaikan liikkeeseen nähdn tarttumiskohdassa.*
- Työskentele erityisen varovasti kulmien, terävien reunojen jne. alueella, estä vaihtotyökälua ponnahtamasta takaisin työkappaleesta ja juuttumasta kiinni. *Pyörivällä vaihtotyökälulla on taipumus juuttua kiinni kulmissa, terävissä reunoissa tai saadessaan kimmokkeen. Tämä johtaa hallinnan pettämiseen tai takaiskuun.*
- Älä käytä ketjuteriä tai hammastettuja sahanteriä. *Tällaiset vaihtotyökälut aiheuttavat usein takaiskun tai sähkötyökälun hallinnan menettämisen.*

ERITYISET OHJEET HIONTAAN JA KATKAISUHIONTAAN

- Käytä yksinomaan sähkötyökälullesi sallittuja hiomatyökäluja ja näitä hiomatyökäluja varten tarkoitettuja suojuksia. *Hiomatyökäluja, jotka eivät ole tarkoitettuja sähkötyökälun kanssa käytettäväksi, ei voida suojata riittävästi ja ne ovat turvattomia.*
- Hiomatyökäluja saa käyttää ainoastaan siihen käyttöön mihin niitä suositellaan. Esim: Älä koskaan hio hiomalaikan sivupintaa käyttäen. *Hiomalaikat on tarkoitettu hiontaan laikan ulkokehällä. Sivuttain kohdistuva voima saattaa murtua hiomalaikan.*
- Käytä aina virheetöntä, oikean kokoista ja muotoista kiinnityslaippaa valitsemallesi hiomalaikalalle. *Sopivat laipat tukevat hiomalaikkaa ja vähentävät näin hiomalaikan murtumisriskiä. Katkaisulaikkojen laipat saattavat poiketa muitten hiomalaikkojen laipoista.*
- Älä käytä isompiin sähkötyökäluihin kuuluneita, kuluneita hiomalaikkoja. *Suurempien sähkötyökälujen hiomalaikat eivät sovellu pienempien sähkötyökälujen suuremmille kierrosluvuille, ja ne voivat murtua.*

MUITA KATKAISUHIONTAAN LIITTYVIÄ ERITYISVARO-OHJEITA

- Vältä katkaisulaikan juuttumista kiinni ja liian suurta syöttöpainetta. Älä tee liian syviä leikkauksia. *Katkaisulaikan ylikuormitus kasvattaa sen rasitusta ja sen alltiutta kallistua tai juuttua kiinni ja siten takaiskun ja laikan murtumisen mahdollisuutta.*
- Vältä aluetta pyörivän katkaisulaikan edessä ja takana. *Jos katkaisulaikka liikkuu työkappaleessa sinusta pois päin, saattaa sähkötyökälua takaiskun sattuessa singota suoraan sinua kohti laikan pyöriessä.*
- Jos katkaisulaikka joutuu puristukseen tai keskeytät työn, tulee sinun pysäyttää sähkötyökälua ja pitää se rauhallisesti paikollaan, kunnes laikka on pysähtynyt. Älä koskaan koeta poistaa vielä pyörivää katkaisulaikkaa leikkauksesta, se saattaa aiheuttaa takaiskun. *Määrittele ja poista puristukseen joutumisen syy.*
- Älä käynnistä sähkötyökälua uudelleen, jos laikka on kiinni työkappaleessa. Anna katkaisulaikan ensin saavuttaa täysi kierroslukunsa, ennen kuin varovasti jatkat leikkausta. *Muussa tapauksessa saattaa laikka tarttua kiinni, ponnahtaa ulos työkappaleesta tai aiheuttaa takaiskun.*
- Tue liitteitä tai isot työkappaleet, katkaisulaikan puristuksen aiheuttaman takaiskuvaaaran minimoimiseksi. *Suuret työkappaleet voivat taipua oman painonsa takia. Työkappaleita tulee tukea molemmilta puolilta, sekä katkaisuleikkauksen vierestä, että reunoista.*
- Ole erityisen varovainen upotusleikkauksissa seiniin tai muihin alueisiin, joiden taustaa tai rakennetta et pysty näkemään. *Uppoava katkaisulaikka saattaa aiheuttaa takaiskun osuessaan kaasu- tai vesiputkiin, sähköjohtoihin tai muihin kohteisiin.*

ERITYISET VARO-OHJEET HIEKKAPAPERIHIONTAAN

- Älä käytä ylisuuria hiomapyöröjä. Noudata valmistajan ohjeita hiomapyöröjen koosta. *Hiomapyöröt jotka ulottuvat hiomalautasen ulkopuolelle, saattavat aiheuttaa loukkaantumista tai johtaa kiinnijuuuttumiseen, hiomapyörön repeytymiseen tai takaiskuun.*

ERITYISET VARO-OHJEET KIILLOTUKSEEN

- Älä hyväksy mitään irtonaisia osia kiillotushupussa, esim. kiinnitysnauhja. Piilota tailyhennä kiinnitysnauhat. *Irttonaiset pyörivät kiinnitysnauhat voivat tarttua sormeesi tai työkappaleeseen.*

ERITYISET VARO-OHJEET TYÖSKENTELYYN TERÄSHARJAN KANSSA

- Ota huomioon, että teräsharjasta irtoaa lankoja myös normaalkäytössä. Älä ylikuormita lankoja käyttämällä liian suurta painetta työkappaleella vasten. *Irti sinkoutuvat langan kappaleet voivat helposti tunkeutua ohuen vaatteen tai ihon läpi.*
- Jos suojusta suositellaan, tulee sinun varmistaa, ettei suojus ja teräsharja voi koskettaa toisiaan. *Lautas- ja kuppiharjojen halkaisijat voivat laajeta puristuspuineen ja keskipakovoiman johdosta.*

YMPÄRISTÖ

HÄVITYS

Sähkötyökälua, lisätarvikkeet ja pakkaukset tulee toimittaa ympäristöstävälliseen uusiokäyttöön.



Älä heitä sähkötyökäluja talousjätteisiin! Euroopalaisen vanhoja sähkö- ja elektroniikkalaitteita koskevan direktiivin 2002/96/EY ja sen kansallisten lakien muunnosten mukaan, tulee käyttökelpottomat sähkötyökälut kerätä erikseen ja toimittaa ympäristöstävälliseen uusiokäyttöön.

TEKNISET TIEDOT

YLEISET TEKNISET TIEDOT

Jännitearvot 230-240 V, 50-60 Hz
Ampeerilukuarvot 0,6 A
Nopeus kuormittamattomana n₀ 33.000/min
Hylyskapiteetti 0,8 mm; 1,6 mm; 2,4 mm; 3,2 mm

JATKOJOHDOT

Käytä täysin suoristettua ja turvallista jatkojohtoa, jonka kapasiteetti on 5 ampeeria.

KOKOAMINEN

IRROTA MULTITYÖKÄLU AINA VERKKOVIRRASTA ENNEN TARVIKKEIDEN TAI ISTUKKAHYLSYN VAIHTOA TAI TYÖKÄLUN HUOLTOA.

YLEISTÄ

Dremel-multityökälua on laadukas tarkkuustyökälua, jota voi käyttää tarkkoihin ja monimutkaisiin töihin. Laaja Dremel-tarvikkeiden ja lisälaitteiden valikoima mahdollistaa monenlaisten töiden suorittamisen. Näitä ovat muunmuassa hiominen, veistäminen, kaivertaminen ja jyräminen sekä katkaisu, puhdistus ja kiillotus. KUVA 2

KUVA 1

- Istukkamutteri
- Istukkahylsy
- Lisälaitteen rajapinta
- Rungon kärkikappale
- Karalukkopainike
- Tuuletusaukot
- Harjan suojus (yksi kummallakin puolella)
- Päällä-/pois päältä -kytkin
- LCD-näyttö
- Nopeuden säätöpainikkeet
- Teline
- Virtajohto

VAIN EU-MAITA VARTEN

MOOTTORIN TEKNISET TIEDOT

Tässä multityökälussa on vaihtuvanaopeuksinen suurinopeusmoottori. Se on johdottettu käytettäväksi 230-240 voltilla ja 50-60 hertsillä. Tarkista aina, että syöttöjännite on sama kuin työkalun kilvessä mainittu jännite (230 tai 240 V:n työkalun voi liittää myös 220 V:n syöttöön).

ISTUKKAHYLSYT

Multityökäluihin sopivissa Dremel-tarvikkeissa on eri varsikokoja. Istukkahylsyjä on neljää eri kokoa ja ne sopivat eri kokoihin varsiin. Eri kokoiset istukkahylsyt tunnista hylsyn takana olevista renkaista.

KUVA 3

- 3,2 mm:n istukkahylsy ilman rengasta (480)
- 2,4 mm:n istukkahylsy kolmella renkaalla (481)
- 1,6 mm:n istukkahylsy kahdella renkaalla (482)
- 0,8 mm:n istukkahylsy yhdellä renkaalla (483)

HUOMAA: Joissakin multityökälusarjoissa ei ehkä ole kaikkia neljää istukkahylsykokoa. Istukkahylsyjä on saatavana erikseen.

Käytä aina istukkahylsyä, joka sopii sen lisävarusteen rungon kokoon, jota aiot käyttää. Älä pakota läpimitaltaan suurempaa karanvartta pienempään istukkahylsyyn.

ISTUKKAHYLSYN VAIHTAMINEN

KUVA 4

- Q. Karalukkopainike
R. Istukka-avain
S. Kiristäminen
T. Löysääminen
U. Istukkamutteri

- Paina karalukkopainiketta, pidä alhaalla ja käännä karaa kädellä, kunnes se kiinnittyy varteen. Älä kytke karalukkopainiketta, kun multityökalu on käynnissä.
- Pidä karalukkopainiketta alhaalla, kierrä auki ja irrota istukkamutteri. Käytä tarvittaessa istukka-avainta.
- Poista istukkahylsy vetämällä se irti varresta.
- Asenna sopivan kokoinen istukkahylsy täysin varteen ja laita istukkamutteri takaisin sormikireyteen. Älä kiristä mutteria täysin, ennen kuin terä tai tarvike on asennettu.

KÄYTÖN ALOITTAMINEN

KÄYTÄ

Ensimmäinen askel multityökalun käytössä on saada siihen tuntu-
maa. Pidä sitä kädessäsi ja tunnustele sen painoa ja tasapainoa.
Tunnustele kotolon kartiomaista kärkeä. Tämä mahdollistaa sen
että työkalu voi pidellä kuten kynää.

*Pitele työkalua aina pois päin kasvoistasi. Tarvikkeet voivat vahingo-
ittaa käsittelyn aikana ja lennähtää irti nopeuden kasvaessa.
Kun pitelet työkalua, älä peitä ilmanpoistoaukkoja kädelläsi.
Ilmanpoistoaukkojen peittäminen voi aiheuttaa moottorin
ylikuumentumisen.*

TÄRKEÄÄ Harjoittele ensin johonkin jäännösmateriaaliin, jotta näet
miten työkalun suuri nopeus käyttäytyy. Pidä mielessä, että
multityökalu suoriutuu tehtävästään parhaiten, kun annat sen
nopeuden sekä oikean Dremel-tarvikkeen ja lisälaitteen hoitaa työn
puolestasi. Älä kohdista työkaluun painetta työskentelyn aikana,
jos vain mahdollista. Laske sen sijaan pyörivä tarvike kevyesti
työalustalle ja anna sen koskettaa kohtaa, josta haluat aloittaa.
Keskity ohjaamaan työkalua työlön yli ja käytä hyvin vähän voimaa.
Anna lisävarusteen tehdä työ.

On yleensä parempi tehdä työkalulla muutamia vetoja sen sijaan,
että yrittäisi tehdä koko työn yhdellä vedolla. Kevyt kosketus antaa
parhaimman hallinnan ja vähentää virheen mahdollisuutta.

TYÖKALUN PITELEMINEN

Saadaksesi parhaan kontrollin lähityöskentelyssä tartu multityö-
kaluun kuten kynään peukalollasi ja etusormellasi. KUVA 6
Golf-otetta käytetään raskaammassa töissä, kuten hionnassa ja
katkaisussa. KUVA 7

TARVIKKEEN VAIHTAMINEN

KUVA 4/5

Q. Karalukkopainike

- Paina karalukkopainiketta ja käännä karaa kädellä, kunnes se kiinnittyy varsilukkuun. *Älä kytke karalukkopainiketta, kun multityökalu on käynnissä.*
- Pidä karalukkopainiketta alhaalla, kierrä istukkamutteri auki (älä irrota). Käytä tarvittaessa istukka-avainta.
- Työnnä terä tai tarvikevarsi täysin istukkahylsyyn.
- Kun karalukkopainike on kytkeytynyt, kiristä käsin istukkahylsyn mutteri, kunnes terä tai tarvikevarsi tarttuu istukkahylsyyn.
HUOMAA: Muista lukea Dremel-tarvikkeen mukana toimitetut ohjeet, joista saat lisätietoja sen käytöstä.

Käytä vain Dremelin testaamia, suorituskykyisiä tarvikkeita.

TYÖSKENTELYN NOPEUDET

Tämä työkalu on suurinopeuksinen multityökalu. 400 Series DIGITAL työkalun näyttö osoittaa tarkan kierrosnopeuden (x 1.000), jolla työkalu sillä hetkellä pyörii. Kun haluat muuttaa nopeutta, paina nopeuden säätöpainikkeita. Työkalusi nopeutta voit säätää välein 1.000 kierrosta minuutissa. Tämän ansiosta voit hallita työkalusi nopeutta erittäin tarkasti. Säätämällä kierrosnopeutta projektisi mukaan, saat paremman lopputuloksen. Parhaan tuloksen saavuttaminen työskennellessä eri materiaaleilla - aseta säädettävä nopeus työn mukaan. Jotta osaat valita oikean nopeuden käytettävälle tarvikkeelle, harjoittele ensin jäännösmateriaaleilla.
HUOMAA: Jännitevaihtelu vaikuttavat nopeuteen. Alentunut syöttöjännite hidastaa työkalun pyörimisnopeutta varsinkin alimmalla asetuksella. Jos työkalusi vaikuttaa pyörivän hitaasti, nosta pyörimisnopeutta vastaavasti. Työkalu ei ehkä käynnisty alimmalla asetuksella paikoissa, joissa ulostulojännite on alle 220 voltia. Voit yksinkertaisesti siirtää nopeusasetuksen ylempään asentoon käynnistääkseen työkalun.

Katso Nopeuden säätötaulukosta sivuilta 4-6 ohjeet oikeaan nopeuden säätöön kullekin työstettävälle materiaalille ja käytettävälle tarvikkeelle.

A) Käytetään kiviseinään. Saat parhaan tuloksen nopeudella 33.000 kierr./min.

B) Seinä- ja lattialaattojen saumojen poistoon. Käytä asetusta 20.000-28.000 kierr./min.

*) Nopeus kevyisiin leikkauksiin. Varoitus, syvissä urissa voi tapahtua palamista.

■ Riippuen leikkaussuunnasta syihin nähden.

Useimmat työt voidaan suorittaa käyttämällä työkalua sen nopeimmalla asetuksella. Jotkin materiaalit (tietty muovit ja metallit) voivat kuitenkin vahingoittaa suuren nopeuden kehittämästä kuumuudesta, ja niitä tulee työstää suhteellisen alhaisilla nopeuksilla. Pieni nopeus (15.000 kierr./min tai alle) on

yleensä paras kiillotuksessa, kun käytetään huopakiillotus-tarviketta. Kaikissa harjaustöissä käytetään alhaisempaa nopeutta, jotta voidaan välttää harjasten irtoamista kiinnityksestään. Anna työkalun tehon tehdä työ puolestasi, kun käytät pienempiä nopeusasetuksia. Suuremmat nopeudet sopivat paremmin kovapuulle, metalleille ja lasille sekä poraukseen, veistoon, katkaisuun, jyräntään, muotoiluun ja urien ja kuvioiden leikkaukseen puuhun.

Joitakin ohjeita työkalun kierrosnopeuksiin:

- Muovi ja muut materiaalit, jotka sulavat alhaisissa lämpötiloissa, tulisi leikata alhaisilla nopeuksilla.
- Kiillotus, hiominen ja puhdistaminen teräsharjalla täytyy tehdä nopeudella joka on alle 15.000 kierr./min, jotta estetään harjan ja materiaalin vahingoittuminen.

KUNNOSSAPITO

*Valtuuttamattomien henkilöiden suorittamat ennaltaehkäiset huolto-
toimet voivat johtaa sisäisten johtojen ja osien vääryän sijoittamiseen, mikä voi aiheuttaa vakavan vaaran. Suositte-
lemme, että Dremelin huoltopalvelu suorittaa kaikki työkalun huolto-
toimenpiteet. Vältä yllättävän käynnistymisen tai sähkö-
iskun vaara irrottamalla pistoke aina pistorasiasta ennen huoltoa
tai puhdistusta.*

HIILIHARJAT

Työkalusi sisältämät harjat on suunniteltu kestämään useita tunteja luotettavaa käyttöä. Valmistele harjat käyttöä varten käyttämällä työkalua täydellä pyörimisnopeudella viiden minuutin ajan ilman kuormitusta. Tämä asettaa harjat kunnolla paikalleen ja pidentää työkalun käyttöaikaa. Ylläpitääksesi moottorin parhaan tehon, tarkista harjojen kuluminen 40-50 käyttötunnin välein.
Jos käytät työkalua kuluneilla harjoilla, aiheutat sen moottorille pysyvää vahinkoa. Käytä vain alkuperäisiä Dremel-vaihtoharjoja. Tarkista multityökalun harjat 40-50 käyttötunnin välein. Jos multityökalu toimii epävarmasti, virta katkeilee tai se pitää outoa ääntä, tarkista harjojen kuluneisuus ja vaihda tarvittaessa. Noudata seuraavia ohjeita harjojen tarkistuksessa ja vaihdossa:

- Irrota virtajohto verkkovirrasta ja aseta työkalu puhtaalle alustalle. Käytä työkaluavainta harjatulppien irrotukseen. KUVA 8
- Käännä työkalua niin, että harja putoaa kiinnikkeestään, ja tarkista jokainen harja. Jos harja on alle 3 mm pitkä ja virrankäntäntään osuva pinta on karkea tai syöpynyt, hiiliharjat on vaihdettava. Muista tarkistaa molemmat harjat. KUVA 9
- Jos yksi harja on kulunut, tulisi molemmat vaihtaa, jotta työkalusi toimisi paremmin. Irrota jousi harjasta, hävitä vanha harja ja aseta jousi uuteen harjaan.

- Puu tulisi leikata suurella nopeudella.
- Rauta tai teräs tulisi leikata suurella nopeudella.
- Jos suurinopeuksinen teräselekkuri alkaa täristä, se tarkoittaa yleensä sitä, että se pyörii liian hitaasti.
- Alumiini, kupariseokset, lyijyseokset, sinkkiseokset ja tina voidaan leikata eri nopeuksilla riippuen tehtävästä leikkauksesta. Käytä parafiniin (ei vettä) tai muuta sopivaa voiteluainetta leikkurissa, jotta estät leikatun materiaalin tarttumisen leikkurin teriin.

HUOMAA: Paineen lisääminen työstökohdetta vasten ei ole oikea ratkaisu, jos työkalu ei toimi oikein. Kokeile toista tarviketta tai nopeutta saavuttaaksesi halutun tuloksen.

- Aseta hiiliharja ja jousi takaisin työkaluun, se asettuu paikalleen vain yhteen asentoon. Varmista, että harjat on asennettu kuvan mukaisesti. KUVA 9 Harjan kaarevan pinnan on noudatettava virrankäntäjän kaarevuutta.
- Aseta harjaluuken tasainen alapinta tasaisia aukkoja vasten. Tarkista, että jousi on vasten harjan V-uraa. Paina luukun etuosa alas. Paina takasalpa alas ja napsauta se koloonsa. Kun harjat on vaihdettu, työkalua tulisi käyttää kuormitta-mattomana; aseta se puhtaalle alustalle ja käytä vapaasti täydellä pyörimisnopeudella viiden minuutin ajan, ennen kuin kuormitat (käytät) työkalua. Tällöin harjat asettuvat paikoilleen ja niiden käyttöikä pitenee. Tämä myös pidentää työkalusi käyttöaikaa, koska virrankäntäjän pinta kuluu paremmin ja kestävä pidempään. KUVA 10

TYÖKALUN PUHDISTAMINEN

IRROTA PISTOKE VERKKOVIIRRASTA ENNEN PUHDISTUSTA

Ilmanvaihtoaukot ja kytkimen vivut täytyy pitää siisteinä ja puhtaina vierasta materiaaleista. Älä yritä puhdistaa aukkoja työntämällä niihin teräviä esineitä.

*Työkalun voi puhdistaa paineilmalla. Käytä aina suoja-
lasia ja suojalaseja kun puhdistat työkalua paineilmalla.*

Dremel-multityökalua ei tarvitse voidella.

Tietyt puhdistusaineet ja liuotteet vahingoittavat muoviosia. Näitä ovat muunmuassa: bensiini, hiilitetrakloridi, klooria sisältävät puhdistusliuotteet, ammoniakki sekä ammoniakkaa sisältävät talouspuhdistusaineet.

Puhdista pehmeät kädensijat kostealla kankaalla. Pahimmin likaantuneet alueet saattavat vaatia useamman kuin yhden käsittelyn puhdistukseen.



HUOLTO JA TAKUU

Tällä DREMEL-tuotteella on lakisääteinen/maakohtaisten säännösten mukainen takuu; normaalista kulumisesta johtuvat vauriot, ylikuormitus ja väärä käsittely ovat tämän takuun ulkopuolella.

Jos tuotteeseen tulee vikaa, lähetä purkamaton työkalu yhdessä ostokuitin kanssa jälleenmyyjälle.

DREMELIN YHTEYSTIEDOT

Lisätietoja Dremelin valikoimista, tuesta ja hotlinesta saat osoitteesta www.dremel.com

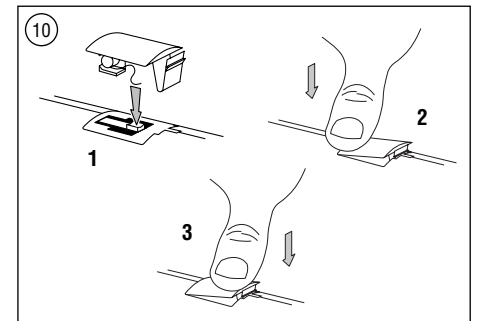
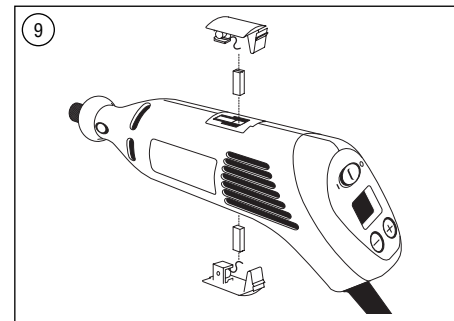
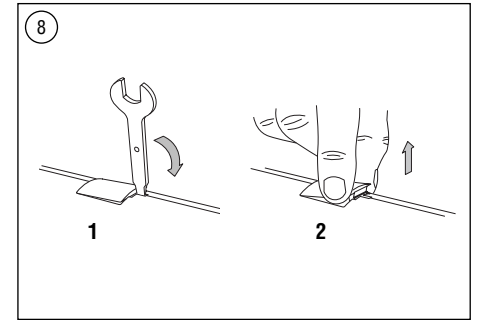
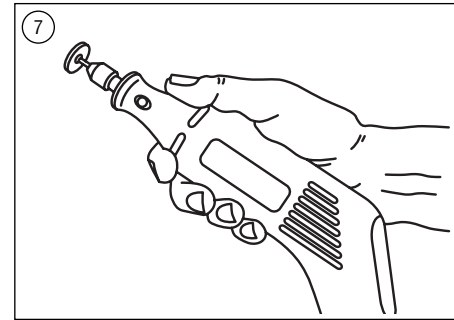
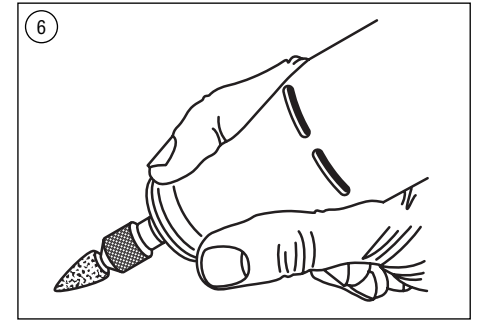
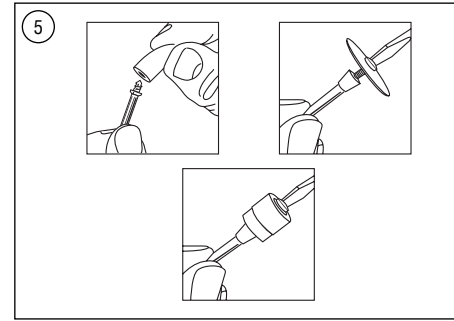
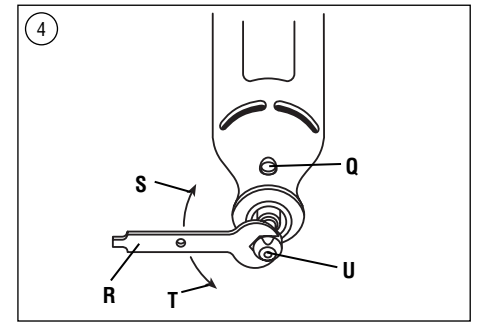
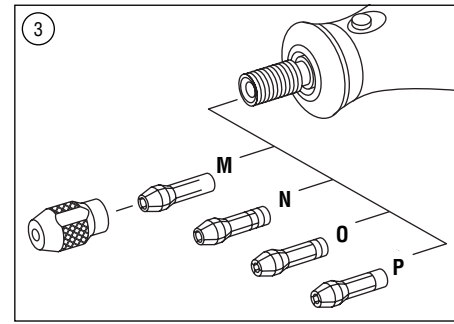
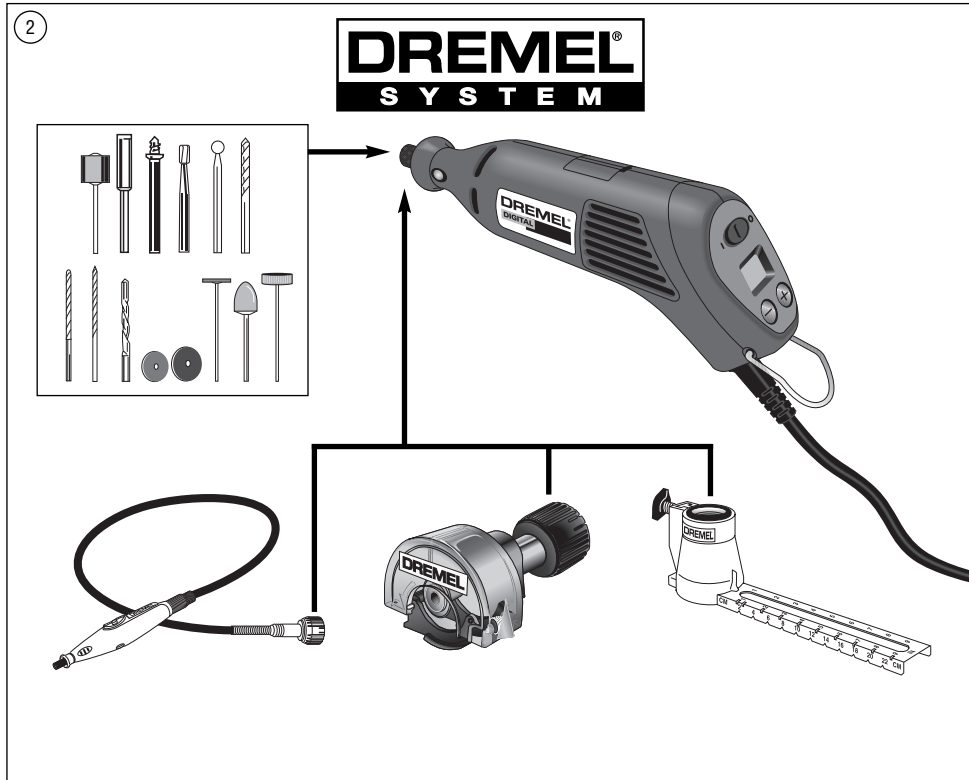
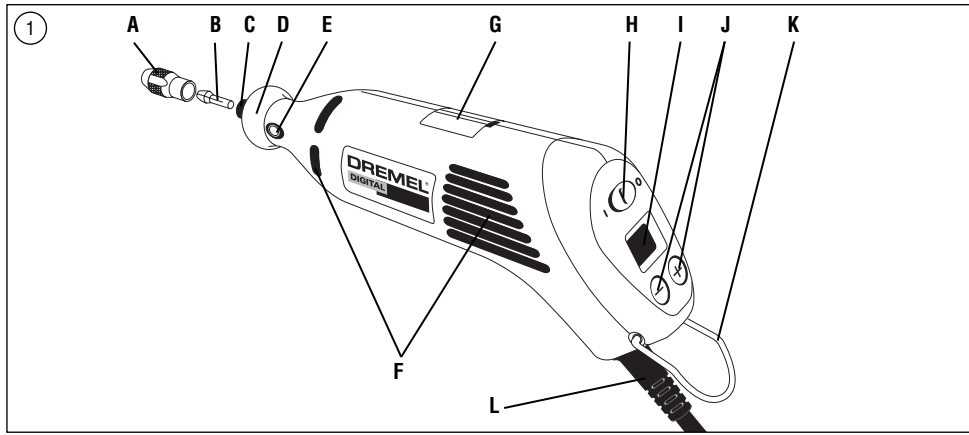
Dremel Europe, P.O. Box 3267, 4800 DG Breda







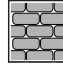


DREMEL® 400 SERIES DIGITAL







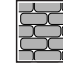




I	Istruzioni di funzionamento/sicurezza	Pagina	7
E	Instrucciones de funcionamiento y seguridad	Página	14
P	Instruções de utilização/segurança	Página	21
GR	Οδηγίες Χειρισμού/Ασφαλείας	Οελίδα	28
TR	Çalışma/Güvenlik Talimatları	Sayfa	36
CZ	Provozní/bezpečnostní pokyny	Strana	43
PL	Instrukcja obsługi/instrukcja dotycząca bezpieczeństwa	Strona	50
BG	Ръководство за работа/безопасност	Страница	58
H	Használati/biztonsági utasítások	Oldal	66
HR	Upute za rad/sigurnosne upute	Stranica	74
RO	Instrucțiuni de utilizare/protecție	Pagina	81
RU	Инструкции по эксплуатации и технике безопасности	Страница	88

**Dremel European Sales Office
The Netherlands**



									
105		27	33	21	15	21	-	-	-
106		27	33	18	15	21	-	-	-
107		27	33	18	15	21	-	-	-
108		27	33	21	15	21	-	-	-
110		27	33	18	15	21	-	-	-
111		27*	33*	21*	15	21	-	-	-
113		27*	33*	18*	15	21	-	-	-
114		27	21	15	18	21	-	-	-
115		27	33	15	18	21	-	-	-
117		27	21	15	18	21	-	-	-
118		27	33	15	18	27	-	-	-
125		27	21	15	18	21	-	-	-
134		27	21	15	18	21	-	-	-
144		27	21	15	18	21	-	-	-
150		33	27-33	9-15	-	21	-	-	-
191		27	33	15	18	27	-	-	-
192		27	33	15	18	27	-	-	-
193		27	33	15	18	27	-	-	-
194		27	33	15	18	27	-	-	-
196		27	21	15	18	21	-	-	-
199		27	27	15	18	21	-	-	-
403		15	15	9-15	21	21	-	-	-
404		15	15	9-15	21	21	-	-	-
405		15	15	9-15	21	21	-	-	-
407		9-33	9-33	9-21	33	33	9-33	9-33	-
408		9-33	9-33	9-21	33	33	9-33	9-33	-
409		-	-	9-15	33	33	33	33	-
411		27	27	9-15	-	9-15	-	-	-
412		27	27	9-15	-	9-15	-	-	-
413		27	27	9-15	-	9-15	-	-	-
414		-	-	-	21	21	21	21	21
420		-	-	9-15	33	33	33	33	-
422		-	-	-	21	21	21	21	21
423		-	-	-	21-27	21-27	21-27	21-27	21-27
425		-	-	-	27	27	-	-	-
426		-	-	9-15	33	33	33	33	-
428		15	15	9	15	-	-	-	-
429		-	-	-	21	21	21	21	21
430		9-33	9-33	9-21	33	33	9-33	9-33	-
431		9-33	9-33	9-21	33	33	9-33	9-33	-
432		9-33	9-33	9-21	33	33	9-33	9-33	-
438		9-33	9-33	9-21	33	33	9-33	9-33	-
439		9-33	9-33	9-21	33	33	9-33	9-33	-
440		9-33	9-33	9-21	33	33	9-33	9-33	-
442		15	15	9	15	-	-	-	-
443		15	15	9	15	-	-	-	-
444		9-33	9-33	9-21	33	33	9-33	9-33	-
453		-	-	-	27	-	-	-	-
454		-	-	-	27	-	-	-	-
455		-	-	-	27	-	-	-	-
456		-	-	-	27	-	-	-	-
457		-	-	-	27	-	-	-	-
461		-	-	-	27	27	27	27	27
462		-	-	-	27	27	27	27	27
463		-	-	-	27	27	27	27	27
502		21-27	27	9	33	27-33	-	-	-
504		21-27	27	9	33	27-33	-	-	-
511		21	21	15	21	21	-	-	-
516		15-21	15-21	-	27	21	-	-	-
518		15-21	15-21	-	27	21	-	-	-

									
520		-	-	-	-	-	-	-	-
530		-	15	-	15	-	-	-	-
531		-	15	-	15	-	-	-	-
532		-	15	-	15	-	-	-	-
535		15	15	-	15	15	15	-	-
536		15	15	-	15	15	15	-	-
537		15	15	-	15	15	15	-	-
538		-	-	-	-	-	-	-	-
540		-	-	9-15	33	33	33	33	-
541		33	33	-	27	15	21	33	-
542		33	27-33	9-15	33	33	33	33	-
545		27-33	27	-	-	-	-	-	-
546		-	-	-	-	-	-	-	-
560		A)	-	-	-	-	-	-	-
561		21-33	21-33	9-15	-	33	-	-	-
562		-	-	-	-	-	-	33	-
569		B)	-	-	-	-	-	-	-
570		B)	-	-	-	-	-	-	-
612		33*	27■	-	-	-	-	-	-
615		33*	27■	-	-	-	-	-	-
640		33*	27■	-	-	-	-	-	-
650		33*	27■	-	-	-	-	-	-
652		33*	27■	-	-	-	-	-	-
654		33*	27■	-	-	-	-	-	-
655		33*	27■	-	-	-	-	-	-
911		33	33	-	27	15	21	33	-
932		33	33	-	27	15	21	33	-
952		33	33	-	27	15	21	33	-
953		33	33	-	27	15	21	33	-
997		33	33	-	27	15	21	33	-
7103		33	27	-	-	-	33	33	33
7105		33	27	-	-	-	33	33	33
7120		33	27	-	-	-	33	33	33
7122		33	27	-	-	-	33	33	33
7123		33	27	-	-	-	33	33	33
7134		33	27	-	-	-	33	33	33
7144		33	27	-	-	-	33	33	33
8153		33	33	-	27	15	21	33	-
8175		33	33	-	27	15	21	33	-
8193		33	33	-	27	15	21	33	-
8215		33	33	-	27	15	21	33	-
9901		27	27	15	27-33	21	27	27-33	27-33
9902		27	27	15	27-33	21	27	27-33	27-33
9903		27	27	15	27-33	21	27	27-33	27-33
9904		27	27	15	27-33	21	27	27-33	27-33
9905		27	27	15	27-33	21	27	27-33	27-33
9909		27	27	15	27-33	21	27	27-33	27-33
9910		27	27	15	27-33	21	27	27-33	27-33
9911		27	27	15	27-33	21	27	27-33	27-33
9931		27	27	15	-	21	-	-	-
9933		27	27	15	-	21	-	-	-
9934		27	27	15	-	21	-	-	-
9936		27	27	15	-	21	-	-	-
83142		-	-	21	33	15	21	33	33
83322		-	-	21	33	15	21	33	33
83702		-	-	21	33	15	21	33	33
84922		-	-	21	33	15	21	33	33
85422		-	-	21	33	15	21	33	33
85602		-	-	21	33	15	21	33	33

I

CE DICHIARAZIONE DI CONFORMITÀ Dichiaramo, assumendo la piena responsabilità di tale dichiarazione, che il prodotto è conforme alle seguenti normative e ai relativi documenti: EN 60 745, EN 55 014 in base alle prescrizioni delle direttive CE 73/23/CE, 89/336/CE, 98/37/CE, 2002/96/CE. RUMIDOSITÀ/VIBRAZIONE Durante le operazioni di lavoro il livello di rumorosità può superare 85 dB(A); utilizzare le cuffie di protezione. Misurato in conformità al EN 60 745 il livello di pressione acustica di questo utensile è 77 dB(A) (deviazione standard: 3dB), e la vibrazione < 3,3 m/s² (metodo mano-braccio).

E

CE DECLARACION DE CONFORMIDAD Declaramos bajo nuestra sola responsabilidad que este producto está en conformidad con las normas o documentos normalizados siguientes: EN 60 745, EN 55 014, de acuerdo con las regulaciones 73/23/CE, 89/336/CE, 98/37/CE, 2002/96/CE. RUIDOS/VIBRACIONES El nivel de ruido, con la herramienta trabajando, podrá sobrepasar 85 dB(A); usar protectores auditivos. Medido según EN 60 745 el nivel de la presión acústica de esta herramienta se eleva a 77 dB(A) (desviación estándar: 3dB), y la vibración a < 3,3 m/s² (método brazo-mano).

P

CE DECLARAÇÃO DE CONFIRMIDADE Declaramos sob nossa exclusiva responsabilidade que este produto cumpre as seguintes normas ou documentos normativos: EN 60 745, EN 55 014, conforme as disposições das diretivas 73/23/CE, 89/336/CE, 98/37/CE, 2002/96/CE. RUIDO/VIBRAÇÕES O nível de ruído durante o trabalho pode exceder 85 dB(A); utilize protetores auriculares. Medido segundo EN 60 745 o nível de pressão acústica desta ferramenta é 77 dB(A) (espaço de erro: 3dB), e a vibração < 3,3 m/s² (método braço-mão).

GR

CE ΔΗΛΩΣΗ ΣΥΜΒΑΤΟΤΗΤΑΣ Δηλώνουμε υπευθύνως ότι το προϊόν αυτό είναι κατασκευασμένο σύμφωνα με τους ετήσι κανονισμούς ή κατασκευαστικές συστάσεις: EN 60 745, EN 55 014, κατά τις διατάξεις των κανονισμών της Κοινής Αγοράς 73/23/ΕΚ, 89/336/ΕΚ, 98/37/ΕΚ, 2002/96/ΕΚ. ΘΡΥΠΟΒΟΛΚΑΔΑΣΜΟΥΣ Η ηχητική στάθμη κατά την εργασία ενδέχεται να ξεπεράσει τα 85dB(A) – γι' αυτό θα πρέπει να φοράτε προστασία ακοής. Μετρημένη σύμφωνα με EN 60 745 η στάθμη ακουστικής πίεσης αυτού του εργαλείου ανέρχεται σε 77 dB(A) (κοινή απόκλιση: 3 dB), και ο κραδασμός σε < 3,3 m/s² (μέθοδος χειρός/βραχίονα).

TR

CE STANDARDIZASYON BEYANI Yegâne sorumlu olarak, bu ürünün aşağıdaki standartlara veya standart belgelerine uygun olduğunu beyan ederiz: EN 60 745, EN 55 014 yönetmeliği hükümleri uyarınca 73/23/EC, 89/336/EC, 98/37/EC, 2002/96/EC. GÜRÜLTÜ/TİTREŞİM Cihaz çalışırken gürültü seviyesi 85 dB(A) desibel'e kadar çıkabilir; kulak koruyucu kullanınız. Ölçülen EN 60 745 göre ses basıncı bu makinanın seviyesi 77 dB(A) (standart sapma: 3 dB), ve titreşim < 3,3 m/s² (el-kol metodu).

CZ

CE STRVZUJÍCÍ PROHLÁŠENÍ Potvrzujeme na odpovědnost, že tento výrobek odpovídá následujícím normám nebo normativním podkladům: EN 60 745, EN 55 014, podle ustanovení směrnice 73/23/EG, 89/336/EG, 98/37/EG, 2002/96/EG. HLUCNOSTI/VIBRACÍ Hladina hluku může při práci přesáhnout 85 dB(A); vhodným prostředkem si chráňte uši. Měřeno podle EN 60 745 činí tlak hlukové vlny tohoto přístroje 77 dB(A) (standardní odchylka: 3 dB), a vibrací < 3,3 m/s² (metoda ruka-paže).

PL

OŚWIADCZENIE ZGODNOŚCI CE Niniejszym oświadczamy ponosząc osobistą odpowiedzialność, że produkt wykonany jest zgodnie z następującymi normami i dokumentami normalizującymi: EN 60 745, EN 55 014, z godnie z wytycznymi 73/23/WE, 89/336/WE, 98/37/WE, 2002/96/WE. HAŁASU/WIBRACJE Poziom hałasu podczas pracy może przekraczać 85 dB(A); używać sprzęt do ochrony słuchu. Pomiarów dokonano zgodnie z normą EN 60 745 ciśnienie akustyczne narzędzia wynosi 77 dB(A) (poziom odchylenie: 3 dB) zaś wibracje < 3,3 m/s² (metoda dłoń-ręka).

Skil Europe B.V. A. v.d. Kloot

Handwritten signature

BG

CE ДЕКЛАРАЦИЯ ЗА СВОТВЕТСТВИЕ Декларираме на изцяло наша отговорност, че това изделие е съобразено със следните стандарти или стандартизирани документи: EN 60 745, EN 55 014, в съответствие с нормативната уредба на 73/23/ЕГ, 89/336/ЕГ, 98/37/ЕГ, 2002/96/ЕГ. ШУМ/ВИБРАЦИИ При работа нивото на шума може да надвиши 85 dB(A); носете антифони. Измерено в съответствие с EN 60 745 нивото на звуково налягане на този инструмент е 77 dB(A) (стандартно отклонение: 3 dB), а вибрациите са < 3,3 m/s² (метод ръка-рамо).

H

CE MINŐSÉGI TANUSÍTVÁNY Teljes felelősségünk tudatában kijelentjük, hogy jelen termék a következő szabványoknak vagy kötelező hatósági előírásoknak megfelel: EN 60 745, EN 55 014, a 73/23/ЕК, 89/336/ЕК, 98/37/ЕК, 2002/96/ЕК előírásoknak megfelelően. ZAJ/REZGÉS Munka közben a zaj meghaladhatja a 85 dB(A); hasznájon fülvédőt. Az EN 60 745 alapján végzett mérések szerint ezen készülék hangnyomás szintje 77 dB(A) (normál eltérés: 3 dB), a kézre ható rezgésszám < 3,3 m/s².

HR

CE IZJAVA O USKLADENOSTI Izjavljujemo uz punu odgovornost da je ovaj proizvod uskladen sa slijedećim normama i normativnim dokumentima: EN 60 745, EN 55 014, prema odredbama smjernica 73/23/EG, 89/336/EG, 98/37/EG, 2002/96/EG. BUCI/VIBRACIJAMA Razina buke pri radu može doseći 85 dB(A); zaštitite uši. Mjereno prema EN 60 745, prag zvučnog tlaka ovog električnog alata iznosi 77 dB(A) (standardna devijacija: 3 dB), a vibracija < 3,3 m/s² (postupkom na šaci-ruci).

RO

DECLARAȚIE DE CONFORMITATE CE Declaram pe proprie răspundere că acest produs este conform cu următoarele standarde sau documente standardizate: EN 60 745, EN 55 014, în conformitate cu regulile 73/23/EC, 89/336/EC, 98/37/EC, 2002/96/EC. ZGOMOT/VIBRAȚII Când este utilizat, nivelul de zgomot poate depăși 85 dB(A); este necesar să purtați echipament de protecție pentru urechi. Măsurat în conformitate cu EN 60 745 nivelul de presiune a sunetului generat de acest instrument este de 77 dB(A) (abaterea standard: 3 dB), iar nivelul vibrațiilor < 3,3 m/s² (metoda mină - braț).

RU

ЗАЯВЛЕНИЕ О СООТВЕТСТВИИ Мы с полной ответственностью заявляем, что это изделие соответствует следующим стандартам или стандартизованным документам: EN 60 745, EN 55 014, в соответствии с инструкциями 73/23/EC, 89/336/EC, 98/37/EC, 2002/96/EC. ШУМНОСТЬ/ВИБРАЦИИ Поскольку уровень шума при работе данного инструмента может превышать 85 dB(A), всегда используйте защиту для ушей. При измерении в соответствии со стандартом EN 60 745 уровень звукового давления для этого инструмента составляет 77 dB(A) (стандартное отклонение: 3 dB), и вибрации - < 3,3 m/s² (по методу для рук).

UA

CE ВІДПОВІДНІСТЬ Ми заявляємо, що відповідність даного продукту наступним стандартам і регулюючим документам повністю нашою відповідальністю: EN 60 745, EN 55 014, відповідно до положень директив 73/23/ЄС, 89/336/ЄС, 98/37/ЄС, 2002/96/ЄС. ШУМ/ВІБРАЦІЯ Рівень шуму при роботі може перевищувати 85 dB(A); використовуйте пристрої захисту слуху. Зміряний відповідно до EN 60 745 рівень тиску звуку даного інструменту 77 dB(A) (стандартне відхилення: 3 dB), а вібрація < 3,3 m/s² (ручна методика).

ISTRUZIONI GENERALI DI SICUREZZA



ATTENZIONE

E' ASSOLUTAMENTE NECESSARIO LEGGERE ATTENTAMENTE TUTTE LE ISTRUZIONI. Eventuali errori nell'adempimento delle istruzioni qui di seguito riportate potranno causare scosse elettriche, incendi e/o lesioni gravi. Il termine qui di seguito utilizzato "elettroutensile" si riferisce ad utensili elettrici alimentati dalla rete (con linea di allacciamento).

CONSERVARE QUESTE ISTRUZIONI

1. STAZIONE DI LAVORO

- a. Tenere la zona di operazione sempre pulita ed ordinata. *Il disordine e le zone di lavoro non illuminate possono essere fonte di incidenti.*
- b. Evitare d'impiegare l'elettroutensile in ambienti soggetti al rischio di esplosioni e nei quali si trovino liquidi, gas o polveri infiammabili. *Gli elettroutensili producono scintille che possono far infiammare la polvere o i gas.*
- c. Tenere lontani i bambini ed altre persone durante l'impiego dell'elettroutensile. *Eventuali distrazioni potranno comportare la perdita del controllo sull'elettroutensile.*

2. SICUREZZA ELETTRICA

- a. La spina per la presa di corrente dovrà essere adatta alla presa. Evitare assolutamente di apportare modifiche alla spina. Non impiegare spine adattatrici assieme ad elettroutensili con collegamento a terra. *Le spine non modificate e le prese adatte allo scopo riducono il rischio di scosse elettriche.*
- b. Evitare il contatto fisico con superfici collegate a terra, come tubi, riscaldamenti, cucine elettriche e frigoriferi. *Sussiste un maggior rischio di scosse elettriche nel momento in cui il corpo è messo a massa.*
- c. Custodire l'elettroutensile al riparo dalla pioggia o dall'umidità. *L'eventuale infiltrazione di acqua in un elettroutensile va ad aumentare il rischio d'insorgenza di scosse elettriche.*
- d. Non usare il cavo per scopi diversi da quelli previsti e quindi non usarlo per trasportare o appendere l'elettroutensile oppure per togliere la spina dalla presa di corrente. Non avvicinare il cavo a fonti di calore, olio, spigoli taglienti e neppure a parti della macchina che siano in movimento. *I cavi danneggiati o aggrovigliati aumentano il rischio d'insorgenza di scosse elettriche.*
- e. Qualora si voglia usare l'elettroutensile all'aperto, impiegare solo ed esclusivamente cavi di prolunga omologati per l'impiego all'esterno. *L'uso di un cavo di prolunga omologato per l'impiego all'esterno riduce il rischio d'insorgenza di scosse elettriche.*

3. SICUREZZA DI PERSONE

- a. È importante concentrarsi su ciò che si sta facendo e maneggiare con giudizio l'elettroutensile durante le operazioni di lavoro. Non utilizzare l'utensile in caso di stanchezza o sotto l'effetto di droghe, bevande alcoliche e medicinali. *Un attimo di distrazione durante l'uso dell'elettroutensile potrà causare lesioni gravi.*



- b. Indossare sempre equipaggiamento protettivo individuale, nonché guanti protettivi. Indossare sempre gli occhiali di protezione. *Indossando abbigliamento di protezione personale come la maschera per polveri, scarpe di sicurezza che non scivolino, elmetto di protezione oppure protezione acustica a seconda del tipo e dell'applicazione dell'elettroutensile, si riduce il rischio di incidenti.*
- c. Evitare l'accensione involontaria dell'utensile. Prima d'inserire la spina nella presa di corrente, assicurarsi che l'elettroutensile sia spento. *Il fatto di tenere il dito sopra all'interruttore o di collegare l'elettroutensile acceso all'alimentazione di corrente potrà essere causa di incidenti.*
- d. Togliere gli attrezzi di regolazione o la chiave inglese prima di accendere l'utensile. *Un utensile oppure una chiave che si trovi in una parte rotante della macchina può provocare seri incidenti.*
- e. Mai sopravvalutare le proprie possibilità di reazione. *Avere cura di mettersi in posizione sicura e di mantenere l'equilibrio. In tale maniera sarà possibile controllare meglio l'elettroutensile in situazioni inaspettate.*
- f. Indossare vestiti adeguati. *Non indossare vestiti larghi, né portare bracciali e catenine. Tenere i capelli, i vestiti ed i guanti lontani da pezzi in movimento. Vestiti lenti, gioielli o capelli lunghi potranno impigliarsi in pezzi in movimento.*
- g. In caso fosse previsto il montaggio di dispositivi di aspirazione della polvere e di raccolta, assicurarsi che gli stessi siano collegati e che vengano utilizzati correttamente. *L'utilizzo di tali dispositivi contribuisce a ridurre lo svilupparsi di situazioni pericolose provocate dalla presenza di polvere.*

4. TRATTAMENTO ACCURATO E USO CORRETTO DEGLI ELETTROUTENSILI

- a. Non sottoporre la macchina a sovraccarico. Per il proprio lavoro, utilizzare esclusivamente l'elettroutensile esplicitamente previsto per il caso. *Con un elettroutensile adatto si lavora in modo migliore e più sicuro nell'ambito della sua potenza di prestazione.*
- b. Non utilizzare mai elettroutensili con interruttori difettosi. *Un elettroutensile con l'interruttore rotto è pericoloso e deve essere aggiustato.*
- c. Togliere la spina dalla presa di corrente prima di iniziare a regolare l'elettroutensile, di sostituire pezzi di ricambio o di mettere da parte l'elettroutensile. *Tale precauzione eviterà che l'elettroutensile possa essere messo in funzione involontariamente.*
- d. Quando gli elettroutensili non vengono utilizzati, conservarli al di fuori del raggio di accesso di bambini. Non fare usare l'elettroutensile a persone che non siano abituate ad usarlo o che non abbiano letto le presenti istruzioni. *Gli*

elettroutensili sono macchine pericolose quando vengono utilizzati da persone non dotate di sufficiente esperienza.

- e. Effettuare accuratamente la manutenzione dell'elettrotensile. Verificare che le parti mobili dell'elettrotensile funzionino perfettamente e non s'incepino, che non ci siano pezzi rotti o danneggiati al punto tale da limitare la funzione dell'elettrotensile stesso. Prima di iniziare l'impiego, far riparare le parti danneggiate. *Numerosi incidenti vengono causati da elettroutensili la cui manutenzione è stata effettuata poco accuratamente.*
- f. Mantenere gli utensili da taglio sempre affilati e puliti. *Gli utensili da taglio curati con particolare attenzione e con taglienti affilati s'incepiscono meno frequentemente e sono più facili da condurre.*

ISTRUZIONI GENERALI DI SICUREZZA

ISTRUZIONI DI SICUREZZA GENERALI PER LAVORI DI LEVIGATURA, LEVIGATURA CON CARTA VETRATA, LAVORI CON SPAZZOLE METALLICHE, LUCIDATURA E TRONCATURA

- a. Questo elettrotensile è previsto per essere utilizzato come levigatrice, levigatrice per carta a vetro, spazzola metallica, lucidatrice e troncatrice. Inoltre è necessario attenersi alle istruzioni generali di sicurezza contenute nel manuale fornito a corredo o che si trova inserito nel presente libretto delle istruzioni per l'uso. *Eventuali errori nell'adempimento delle istruzioni qui di seguito riportate potranno causare scosse elettriche, incendi e/o incidenti gravi.*
- b. Non utilizzare nessun accessorio che la casa costruttrice non abbia esplicitamente previsto e raccomandato per questo elettrotensile. *Il semplice fatto che un accessorio possa essere fissato al Vostro elettrotensile non è una garanzia per un impiego sicuro.*
- c. Il numero di giri ammesso dell'accessorio impiegato deve essere almeno tanto alto quanto il numero massimo di giri riportato sull'elettrotensile. *Un accessorio che giri più rapidamente di quanto consentito può essere danneggiato.*
- d. Il diametro esterno e lo spessore dell'accessorio montato devono corrispondere ai dati delle dimensioni dell'elettrotensile in dotazione. *In caso di utilizzo di portautensili e di accessori di dimensioni sbagliate non sarà possibile schermarli oppure controllarli a sufficienza.*
- e. Dischi abrasivi, flange, platorelli oppure altri portautensili ed accessori devono adattarsi perfettamente al mandrino portamola dell'elettrotensile in dotazione. *Portautensili ed accessori che non si adattano perfettamente al mandrino portamola dell'elettrotensile non ruotano in modo uniforme, vibrano molto forte e possono provocare la perdita del controllo.*
- f. Non utilizzare mai portautensili od accessori danneggiati. Prima di ogni utilizzo controllare i portautensili e gli accessori ed accertarsi che sui dischi abrasivi non vi siano scheggiature o crepature, che il platorello non sia soggetto ad incrinature, crepature o forte usura e che le spazzole metalliche non abbiano fili metallici allentati oppure rotti. Se l'elettrotensile oppure l'accessorio impiegato dovesse

- g. Utilizzare utensili elettrici, accessori, attrezzi, ecc. in conformità con le presenti istruzioni e secondo quanto previsto per questo tipo specifico di elettrotensile. Così facendo, tenere sempre presente le condizioni di lavoro e le operazioni da eseguire. *L'impiego di elettroutensili per usi diversi da quelli consentiti potrà dar luogo a situazioni di pericolo.*

5. ASSISTENZA

- a. Fare riparare l'elettrotensile solo ed esclusivamente da personale specializzato e solo impiegando pezzi di ricambio originali. *In tale maniera potrà essere salvaguardata la sicurezza dell'elettrotensile.*

sfuggire dalla mano e cadere, accertarsi che questo non abbia subito nessun danno oppure utilizzare un accessorio intatto. Una volta controllato e montato il portautensile o accessorio, far funzionare l'elettrotensile per la durata di un minuto con il numero massimo di giri avendo cura di tenerli lontani e di impedire anche ad altre persone presenti di avvicinarsi al portautensile o accessorio in rotazione.

Nella maggior parte dei casi i portautensili o accessori danneggiati si rimpomano nel corso di questo periodo di prova.

- g. Indossare abbigliamento di protezione. A seconda dell'applicazione in corso utilizzare una visiera completa, maschere di protezione per gli occhi oppure occhiali di sicurezza. Per quanto necessario, portare maschere per polveri, protezione acustica, guanti di protezione oppure un grembiule speciale in grado di proteggervi da piccole particelle di levigatura o di materiale. *Gli occhi dovrebbero essere protetti da corpi estranei scaraventati per l'aria nel corso di diverse applicazioni. La maschera antipolvere e la maschera respiratoria devono essere in grado di filtrare la polvere provocata durante l'applicazione. Esponendosi per lungo tempo ad un rumore troppo forte vi è il pericolo di perdere l'udito.*
- h. Avere cura di evitare che altre persone possano avvicinarsi alla zona in cui si sta lavorando. Ogni persona che entra nella zona di operazione deve indossare un abbigliamento protettivo personale. *Frammenti del pezzo in lavorazione oppure utensili rotti possono volare via oppure provocare incidenti anche al di fuori della zona diretta di lavoro.*
- i. Quando si eseguono lavori in cui vi è pericolo che l'accessorio impiegato possa arrivare a toccare cavi elettrici nascosti oppure anche il cavo elettrico dell'elettrotensile stesso, operare con l'elettrotensile afferrandolo sempre alle superfici di impugnatura isolate. *Un contatto con un cavo elettrico mette sotto tensione anche parti in metallo dell'elettrotensile provocando quindi una scossa elettrica.*
- j. Tenere il cavo di collegamento elettrico sempre lontano da portautensili o accessori in rotazione. *Se si perde il controllo sull'elettrotensile vi è il pericolo di troncare o di colpire il cavo di collegamento elettrico e la Vostra mano o braccio può arrivare a toccare il portautensile o accessorio in rotazione.*
- k. Mai poggiare l'elettrotensile prima che il portautensile o l'accessorio impiegato non si sia fermato completamente.

L'utensile in rotazione può entrare in contatto con la superficie di appoggio facendovi perdere il controllo sulla macchina pneumatica.

- l. Mai trasportare l'elettrotensile mentre questo dovesse essere ancora in funzione. *Attraverso un contatto casuale l'utensile in rotazione potrebbe fare presa sugli indumenti oppure sui capelli dell'operatore e potrebbe arrivare a ferire seriamente il corpo dell'operatore.*
- m. Pulire regolarmente le feritoie di ventilazione dell'elettrotensile in dotazione. *Il ventilatore del motore attira polvere nella carcassa ed una forte raccolta di polvere di metallo può provocare pericoli di origine elettrica.*
- n. Non utilizzare mai l'elettrotensile nelle vicinanze di materiali infiammabili. *Le scintille possono far prendere fuoco questi materiali.*
- o. Non utilizzare mai accessori che richiedano refrigeranti liquidi. *L'utilizzo di acqua o di altri liquidi refrigeranti può provocare una scossa di corrente elettrica.*

CONTRACCOLPO E RELATIVE AVVERTENZE DI PERICOLO

Un contraccolpo è l'improvvisa reazione in seguito ad agganziamento oppure blocco di accessorio in rotazione come può essere un disco abrasivo, platorello, spazzola metallica ecc. Agganziandosi oppure bloccandosi il portautensile o accessorio provoca un arresto improvviso della rotazione dello stesso. In questo caso l'operatore non è più in grado di controllare l'elettrotensile ed al punto di blocco si provoca un rimbalzo dello stesso che avviene nella direzione opposta a quella della rotazione del portautensile o dell'accessorio. Se p. es. un disco abrasivo resta agganziato o bloccato nel pezzo in lavorazione, il bordo del disco abrasivo che si abbassa nel pezzo in lavorazione può rimanere impigliato provocando in questo modo una rottura oppure un contraccolpo del disco abrasivo. Il disco abrasivo si avvicina o si allontana dall'operatore a seconda della direzione di rotazione che ha nel momento in cui si blocca. In tali situazioni è possibile che le mole abrasive possano anche rompersi. Un contraccolpo è la conseguenza di un utilizzo non appropriato oppure non corretto dell'elettrotensile. Esso può essere evitato soltanto prendendo misure adatte di sicurezza come dalla descrizione che segue.

- a. Tenere sempre ben saldo l'elettrotensile e portare il proprio corpo e le proprie braccia in una posizione che Vi permetta di compensare le forze di contraccolpo. Se disponibile, utilizzare sempre l'impugnatura supplementare in modo da poter avere sempre il maggior controllo possibile su forze di contraccolpi oppure momenti di reazione che si sviluppano durante la fase in cui la macchina raggiunge il regime di pieno carico. *Prendendo appropriate misure di precauzione l'operatore può essere in grado di tenere sotto controllo le forze di contraccolpo e quelle di reazione a scatti.*
- b. Mai avvicinare la propria mano alla zona degli utensili in rotazione. *Nel corso dell'azione di contraccolpo il portautensile o accessorio potrebbe passare sulla Vostra mano.*
- c. Evitare di avvicinarsi con il proprio corpo alla zona in cui l'elettrotensile viene mosso in caso di un contraccolpo. *Un contraccolpo provoca uno spostamento improvviso dell'elettrotensile che si sviluppa nella direzione opposta a quella della rotazione della mola abrasiva al punto di blocco.*

- d. Operare con particolare attenzione in prossimità di spigoli, spigoli taglienti ecc. Avere cura di impedire che portautensili o accessori possano rimbalzare dal pezzo in lavorazione oppure possano rimanervi bloccati. *L'utensile in rotazione ha la tendenza a rimanere bloccato in angoli, spigoli taglienti oppure in caso di rimbalzo. Ciò provoca una perdita del controllo oppure un contraccolpo.*
- e. Non utilizzare seghe a catena e neppure lame dentellate. *Questo tipo di accessori provocano spesso un contraccolpo oppure la perdita del controllo sull'elettrotensile.*

PARTICOLARI AVVERTENZE DI PERICOLO PER OPERAZIONI DI LEVIGATURA E DI TRONCATURA

- a. Utilizzare sempre la calotta di protezione prevista per il tipo di utensile abrasivo utilizzato. *Utensili abrasivi che non sono previsti per l'elettrotensile non possono essere sufficientemente schermati e sono insicuri.*
- b. Utensili abrasivi possono essere utilizzati esclusivamente per le possibilità applicative esplicitamente raccomandate. P. es.: mai eseguire lavori di levigatura con la superficie laterale di un disco abrasivo da taglio diritto. *Mole abrasive da taglio diritto sono previste per l'asportazione di materiale dal bordo del disco. Esercitando dei carichi laterali su questi utensili abrasivi vi è il pericolo di romperli.*
- c. Per la mola abrasiva selezionata, utilizzare sempre flange di serraggio che siano in perfetto stato e che siano della corretta dimensione e forma. *Flange adatte hanno una funzione di corretto supporto della mola abrasiva riducendo il più possibile il pericolo di una rottura della mola abrasiva. È possibile che vi sia una differenza tra flange per mole abrasive da taglio diritto e flange per mole abrasive di altro tipo.*
- d. Non utilizzare mai mole abrasive usurate previste per elettrotensili più grandi. *Mole abrasive previste per elettrotensili più grandi non sono concepite per le maggiori velocità di elettrotensili più piccoli e possono rompersi.*

ULTERIORI AVVERTENZE DI PERICOLO SPECIFICHE PER LAVORI DI TRONCATURA

- a. Evitare di far bloccare il disco abrasivo da taglio diritto oppure di esercitare una pressione troppo alta. Non eseguire tagli eccessivamente profondi. *Sottoponendo la mola da taglio diritto a carico eccessivo se ne aumenta la sollecitazione e la si rende maggiormente soggetta ad angolature improprie o a blocchi venendo così a creare il pericolo di contraccolpo oppure di rottura dell'utensile abrasivo.*
- b. Evitare di avvicinarsi alla zona anteriore o posteriore al disco abrasivo da taglio in rotazione. *Quando l'operatore manovra la mola da taglio diritto nel pezzo in lavorazione in direzione opposta a quella della propria persona, può capitare che in caso di un contraccolpo il disco in rotazione faccia rimbalzare con violenza l'elettrotensile verso l'operatore.*
- c. Qualora il disco abrasivo da taglio diritto dovesse incepparsi oppure si dovesse interrompere il lavoro, spegnere l'elettrotensile e tenerlo fermo fino a quando il disco si sarà fermato completamente. Non tentare mai di estrarre il disco abrasivo dal taglio in esecuzione perché si potrebbe provocare un contraccolpo. *Rilevare ed eliminare la causa per il blocco.*



- d. Mai rimettere l'elettrotensile in funzione fintanto che esso si trovi ancora nel pezzo in lavorazione. Prima di continuare ad eseguire il taglio procedendo con la dovuta attenzione, attendere che il disco abrasivo da taglio diritto abbia raggiunto la massima velocità. *In caso contrario è possibile che il disco resti agganciato, sbalzi dal pezzo in lavorazione oppure provochi un contraccolpo.*
- e. Dotare di un supporto adatto pannelli oppure pezzi in lavorazione di dimensioni maggiori in modo da ridurre il rischio di un contraccolpo dovuto ad un disco abrasivo da taglio diritto che rimane bloccato. *Pezzi in lavorazione di dimensioni maggiori possono piegarsi sotto l'effetto del proprio peso. Provvedere a munire il pezzo in lavorazione di supporti adatti al caso specifico sia nelle vicinanze del taglio di troncatura che in quelle del bordo.*
- f. Operare con particolare attenzione in caso di "tagli dal centro" da eseguire in pareti già esistenti oppure in altre parti non visibili. *Il disco abrasivo da taglio diritto che inizia il taglio sul materiale può provocare un contraccolpo se dovesse arrivare a troncature condutture del gas o dell'acqua, linee elettriche oppure oggetti di altro tipo.*

AVVERTENZE DI PERICOLO SPECIFICHE PER LAVORI DI LEVIGATURA CON CARTA VETRO

- a. Non utilizzare mai fogli abrasivi troppo grandi ma attenersi alle indicazioni del rispettivo produttore relative alle dimensioni dei fogli abrasivi. *Fogli abrasivi che dovessero spor-*

gere oltre il platello possono provocare incidenti oppure blocchi, strappi dei fogli abrasivi oppure contraccolpi.

AVVERTENZE DI PERICOLO SPECIFICHE PER OPERAZIONI DI LUCIDATURA

- a. Evitare assolutamente che parti della cappa lucidatura restino staccate e prestare in modo particolare attenzione alle cordicelle di fissaggio. Raccogliere per bene oppure tagliare le cordicelle di fissaggio ad una lunghezza adatta. *Cordicelle di fissaggio che girino con la cappa possono far presa sulle dita dell'operatore oppure rimanere impigliate nel pezzo in lavorazione.*

AVVERTENZE DI PERICOLO SPECIFICHE PER LAVORI CON SPAZZOLE METALLICHE

- a. Tenere presente che la spazzola metallica perde pezzi di fil di ferro anche durante il comune impiego. Non sottoporre i fili metallici a carico troppo elevato esercitando una pressione troppo alta. *Pezzi di fil di ferro scaraventati per l'aria possono penetrare molto facilmente attraverso indumenti sottili e/o la pelle.*
- b. Impiegando una calotta di protezione si impedisce che la calotta di protezione e la spazzola metallica possano toccarsi. *I diametri delle spazzole a disco e delle spazzole a tazza possono essere aumentati attraverso forze di pressione e tramite l'azione di forze centrifugali.*

AMBIENTE

SMALTIMENTO

Avviare ad un riciclaggio rispettoso dell'ambiente gli imballaggi, gli elettrotensili e gli accessori dismessi.



Non gettare elettrotensili dismessi tra i rifiuti domestici! Conformemente alla norma della direttiva CE 2002/96 sui rifiuti di apparecchiature elettriche ed elettroniche (RAEE) ed all'attuazione del recepimento nel diritto nazionale, gli elettrotensili diventati inservibili devono essere raccolti separatamente ed essere inviati ad una riutilizzazione ecologica.

SOLO PER I PAESI DELLA CE

DATI TECNICI

DATI TECNICI GENERALI

Tensione di funzionamento . 230-240 V, 50-60 Hz
 Intensità di funzionamento . 0,6 A
 Velocità a vuoto n, 33.000 giri/min
 Dimensioni pinze 0,8 mm, 1,6 mm, 2,4 mm,
 3,2 mm

CAVI DI PROLUNGA

Utilizzare esclusivamente cavi di prolunga completamente svolti con portata minima di 5 amp.



MONTAGGIO

SCOLLEGARE SEMPRE IL MULTIUTENSILE PRIMA DI SOSTITUIRE GLI ACCESSORI, I MANDRINI O DI PROCEDERE A OPERAZIONI DI MANUTENZIONE.

GENERALE

Il multiutensile Dremel è uno strumento di precisione di alta qualità, adatto per lavori dettagliati e complessi. La vasta gamma di accessori e complementi Dremel permette di svolgere i più svariati lavori. Tra questi, levigatura, intaglio, incisione e fresatura, taglio, pulitura e lucidatura. FIGURA 2

FIGURA 1

- A. Ghiera di serraggio
- B. Pinza
- C. Interfaccia di collegamento
- D. Cappuccio
- E. Pulsante di blocco albero
- F. Aperture di aerazione
- G. Coperchio spazzola (su entrambi i lati)
- H. Comando di accensione/spengimento
- I. Display LCD
- J. Pulsanti Velocità + / -
- K. Gancio
- L. Cavo di alimentazione

PINZE

Gli accessori Dremel previsti per il multiutensile hanno gambi di diverse dimensioni. Sono disponibili quattro pinze di dimensioni diverse per le varie dimensioni dei gambi. Le dimensioni delle pinze sono identificate dagli anelli presenti alla base delle pinze stesse.

FIGURA 3

- M. Pinza da 3,2 mm senza anello (480)
- N. Pinza da 2,4 mm con tre anelli (481)
- O. Pinza da 1,6 mm con due anelli (482)
- P. Pinza da 0,8 mm con un anello (483)

N.B.: Alcuni kit multiutensile possono non includere le pinze nelle quattro dimensioni. Le pinze sono comunque disponibili separatamente.

Usare sempre la pinza che si adatta alle dimensioni del gambo e dell'accessorio che si intende usare. Non forzare un accessorio con gambo di diametro superiore della pinza.

SOSTITUZIONE PINZE

FIGURA 4

- Q. Pulsante di blocco albero
- R. Chiave di serraggio
- S. Serrare
- T. Allentare
- U. Ghiera di serraggio

1. Premere il pulsante di blocco dell'albero e, tenendolo premuto, ruotare l'albero a mano fino a che non si blocca. Non azionare il pulsante di blocco dell'albero mentre il multiutensile sta girando.
2. A pulsante di blocco dell'albero azionato, svitare e smontare la ghiera della pinza. Se necessario utilizzare la chiave di serraggio.
3. Estrarre la pinza dall'albero.
4. Inserire la pinza della dimensione desiderata nell'albero e serrare la ghiera di serraggio. Non serrare completamente la ghiera in assenza di punta o accessorio.

SOSTITUZIONE ACCESSORI

FIGURA 4/5

- Q. Pulsante di blocco albero

1. Premere il pulsante di blocco dell'albero e ruotare l'albero a mano fino a che non si blocca. *Non azionare il pulsante di blocco dell'albero mentre il multiutensile sta girando.*
2. A pulsante di blocco dell'albero azionato, allentare (ma non rimuovere) la ghiera di serraggio. Se necessario utilizzare la chiave di serraggio.
3. Inserire il gambo della punta o dell'accessorio nella pinza.
4. A pulsante di blocco dell'albero azionato, serrare la ghiera di serraggio fino a che il gambo della punta/accessorio non è bloccato.
N.B.: Leggere le istruzioni fornite con gli accessori Dremel per ulteriori informazioni sull'utilizzo.

Utilizzare esclusivamente accessori Dremel testati e ad elevate prestazioni.

PER INZIARE

USO

Prima di utilizzare il multiutensile è necessario "conoscerlo". Impugnarlo e valutarne il peso e il bilanciamento. Si prenda confidenza con l'estremità afusolata dell'utensile. E' questa parte che permette di impugnarlo come una penna o una matita.

Tenere sempre l'utensile lontano dal volto. Gli accessori potrebbero essere stati danneggiati durante la spedizione e potrebbero volar via ruotando ad alta velocità.

Nel maneggiare l'utensile evitare di coprire con le mani le aperture di aerazione. Se si bloccano le aperture di aerazione, il motore potrebbe surriscaldarsi.

IMPORTANTE! Provare ad utilizzare l'utensile su materiale di scarto per testarlo alle alte velocità. Ricordare che le prestazioni del multiutensile sono migliori se si permette alla velocità, insieme agli accessori e ai complementi Dremel più adatti, di svolgere completamente il lavoro. Se possibile non fare pressione sull'utensile in fase di utilizzo. Al contrario, appoggiare con cautela l'accessorio in rotazione sulla superficie di lavoro portandolo in contatto con il punto in corrispondenza del quale si vuole iniziare. Concentrarsi sulla guida dell'utensile lungo il pezzo applicando una leggerissima pressione con la mano. Deve essere l'accessorio a eseguire il lavoro.

Solitamente si consiglia di eseguire una serie di passate con l'utensile piuttosto che una sola passata per completare il lavoro. Un tocco leggero garantisce un migliore controllo e riduce le possibilità di errore.

COME USARE L'UTENSILE

Per un migliore controllo in lavori di precisione, impugnare il multiutensile come una penna tra pollice e indice. FIGURA 6 La presa "a mazza da golf" viene solitamente utilizzata per lavori più pesanti, quali levigatura o taglio. FIGURA 7

VELOCITÀ SELEZIONABILI

Questo utensile è un multiutensile ad alta velocità. Il display digitale dell'utensile 400 Series DIGITAL indica il numero esatto di giri/min (x 1.000) dell'utensile. Per aumentare/diminuire la velocità, premere i pulsanti Velocità + / - . E' possibile aumentare o diminuire la velocità dell'utensile con variazioni di 1.000 giri/min. In questo modo è possibile controllare con precisione la velocità. Regolare il numero di giri al minuto in base al progetto per ottenere risultati finali migliori. Per ottenere i risultati migliori lavorando con materiali diversi, regolare il comando di regolazione della velocità in modo ottimale in base al progetto. Per selezionare la giusta velocità in base all'accessorio in uso, fare pratica su materiali di scarto.

N.B.: La velocità dipende dalle variazioni di tensione. Una ten-

sione di alimentazione ridotta rallenta il numero di giri al minuto dell'utensile, in particolare alle basse regolazioni. Se l'utensile sembra lavorare a bassa velocità, aumentare di conseguenza la velocità. L'utensile può non funzionare alle basse velocità in ambienti in cui la tensione di alimentazione è inferiore a 220 V. Impostare il comando di regolazione della velocità in modo adeguato per iniziare a lavorare.

Vedere la tabella Impostazioni di velocità a pagina 4-6 per individuare la velocità più adatta in base al materiale di lavoro e all'accessorio utilizzato.

A) Per utilizzo su muratura. Per risultati ottimali, impostare su 33.000 giri/min.

B) Per piastrelle da parete e pavimento. Impostare su 20.000-28.000 giri/min.

*) Velocità per tagli minimi. Attenzione, possibile bruciatura in caso di scanalature profonde.

■) In base alla direzione di taglio rispetto alla grana.

E' possibile svolgere molti lavori con l'utensile regolato alla massima velocità. Tuttavia, alcuni materiali (alcuni tipi di plastica e metallo) possono danneggiarsi per il calore generato dall'alta velocità e dovrebbero pertanto essere lavorati a basse velocità. Le basse velocità (15.000 giri/min o meno) sono generalmente adatte per interventi di lucidatura con accessori di lucidatura in feltro. In caso di utilizzo di spazzole, le velocità devono essere basse per evitare scariche dal manico. Lasciare che l'utensile lavori per voi alle basse velocità. Le velocità più alte sono ideali per legni duri, metalli e vetro, oltre che per interventi di foratura, intaglio, taglio, fresatura, formatura e taglio di dadi e battute in legno.

Alcune indicazioni sulla velocità dell'utensile:

- La plastica e i materiali che fondono a basse temperature devono essere lavorati a bassa velocità.
- Lucidatura e pulitura con spazzola metallica devono essere eseguite a velocità inferiore a 15.000 giri/min per non danneggiare la spazzola e il materiale.
- Il legno deve essere lavorato a velocità elevata.
- Il ferro e l'acciaio devono essere lavorati a velocità elevata.
- Se un utensile da taglio in acciaio ad alta velocità inizia a vibrare, solitamente ciò significa che è stata selezionata una velocità troppo bassa.
- L'alluminio, il rame, le leghe di piombo, le leghe di zinco e lo stagno possono essere lavorati a velocità diverse, a seconda del tipo di lavorazione che si deve eseguire. Usare paraffina (non acqua) o altro lubrificante adatto sull'utensile di taglio per evitare che il materiale asportato aderisca al tagliente.

N.B.: Aumentare la pressione sull'utensile se non taglia come si vorrebbe, non risolve il problema. Provare ad utilizzare un accessorio o una regolazione della velocità diversi per ottenere i risultati desiderati.

MANUTENZIONE

La manutenzione preventiva eseguita da personale non autorizzato può causare l'errato posizionamento di componenti e dei cavi interni con possibili gravi rischi per le persone.

Raccomandiamo che l'assistenza sugli utensili sia eseguita presso i centri di assistenza autorizzati Dremel. Per evitare incidenti dovuti ad avvio non previsto o scariche elettriche, scollegare sempre la spina dalla presa di corrente prima di qualsiasi intervento manutentivo o di pulitura.

SPAZZOLE AL CARBONIO

Le spazzole dell'utensile sono state progettate per durare a lungo. Per preparare le spazzole all'uso, azionare l'utensile a velocità massima per 5 minuti senza carico. Questo permetterà alle spazzole di "inserirsi" in modo corretto aumentando di conseguenza la vita dell'utensile. Per conservare il motore al massimo grado di efficienza, controllare le spazzole ogni 40-50 ore per verificarne il grado di usura.

L'utilizzo dell'utensile con spazzole usurate danneggia in modo permanente il motore. Utilizzare esclusivamente spazzole originali Dremel. Controllare le spazzole del multiutensile dopo 40-50 ore di utilizzo. Se il multiutensile funziona in modo discontinuo, perde potenza e produce rumori insoliti, controllare lo stato di usura delle spazzole ed eventualmente sostituirle. Seguire quanto indicato di seguito per controllare/sostituire le spazzole del multiutensile:

1. A cavo di alimentazione scollegato, posizionare l'utensile su una superficie pulita. Utilizzare la chiave di serraggio per rimuovere i cappucci delle spazzole. FIGURA 8
2. Ruotare l'utensile in modo da far uscire la spazzola dal supporto e controllare ognuna di esse. Se la lunghezza della spazzola è inferiore a 3 mm e la superficie della spazzola a contatto con il commutatore è ruvida o vaiolata, sostituire le spazzole in carbonio. Controllare entrambe le spazzole. FIGURA 9
3. Se una spazzola è usurata, sostituire entrambe le spazzole per una migliore prestazione dell'utensile. Estrarre la molla dalla spazzola, eliminare la vecchia spazzola e inserire la molla su una nuova.

ASSISTENZA E GARANZIA

Questo prodotto DREMEL è garantito come da disposizioni normative/nazionali; eventuali danni dovuti a normale usura, sovraccarico o utilizzo improprio non sono coperti da garanzia.

4. Reinserire la spazzola in carbonio e la molla nell'utensile: la spazzola si inserisce correttamente solo in una posizione. Verificare che le spazzole vengano installate come indicato. FIGURA 9 La superficie curva della spazzola deve corrispondere alla curvatura del commutatore.
5. Appoggiare il lato inferiore squadrato del portellino spazzola sulle aperture della cavità squadrata. Verificare che la molla poggi sulla scanalatura a V della spazzola. Premere il lato anteriore del portellino verso il basso. Quindi premere e fare scattare il dispositivo di arresto in posizione. Dopo aver sostituito le spazzole, posizionare l'utensile su una superficie pulita e azionarlo a massima velocità per 5 minuti in assenza di carico o prima di utilizzarlo. In questo modo le spazzole si "inseriranno in sede" in modo adeguato aumentando la vita delle spazzole, ma anche dell'utensile in quanto la superficie del commutatore si usurerà in modo più omogeneo e su lunghi periodi. FIGURA 10

COME PULIRE L'UTENSILE

SCOLLEGARE LA SPINA PRIMA DI PROCEDERE ALLA PULIZIA

Le aperture di aerazione e le leve degli interruttori devono essere tenute pulite e libere da corpi estranei. Non cercare di pulire inserendo oggetti appuntiti attraverso le aperture. *L'utensile può essere pulito a fondo usando aria compressa. Quando si puliscono gli utensili con aria compressa indossare sempre occhiali di sicurezza.*

Non occorre lubrificare il multiutensile Dremel. *Alcuni prodotti e solventi per la pulizia danneggiano i componenti in plastica. Tra questi ci sono la benzina, il tetracloruro di carbonio, i solventi clorinati, l'ammoniaca e i detergenti per uso domestico a base di ammoniaca.*

Pulire l'area di "presa morbida" dell'utensile con un panno umido. Le aree più dure possono richiedere più di una passata per diventare pulite.

CONTATTO DREMEL

Per ulteriori informazioni sulla gamma di prodotti Dremel, supporto e numero verde, visitare il sito www.dremel.com

Dremel Europe, P.O. Box 3267, 4800 DG Breda

INSTRUCCIONES DE SEGURIDAD GENERALES



ATENCIÓN

LEA ÍNTEGRAMENTE ESTAS INSTRUCCIONES. En caso de no atenerse a las instrucciones siguientes, ello puede ocasionar una descarga eléctrica, un incendio y/o lesión grave. El término "herramienta eléctrica" empleado en las siguientes instrucciones se refiere a herramientas eléctricas de conexión a la red (con cable de red).

GUARDE ESTAS INSTRUCCIONES EN UN LUGAR SEGURO

1. PUESTO DE TRABAJO

- Mantenga limpio y bien iluminado su puesto de trabajo. *El desorden y una iluminación deficiente en las áreas de trabajo pueden provocar accidentes.*
- No utilice la herramienta eléctrica en un entorno con peligro de explosión, en el que se encuentren combustibles líquidos, gases o material en polvo. *Las herramientas eléctricas producen chispas que pueden llegar a inflamar los materiales en polvo o vapores.*
- Las herramientas eléctricas producen chispas que pueden llegar a inflamar los materiales en polvo o vapores. *Una distracción le puede hacer perder el control sobre el aparato.*

2. SEGURIDAD ELÉCTRICA

- El enchufe del aparato debe corresponder a la toma de corriente utilizada. No es admisible modificar el enchufe en forma alguna. No emplear adaptadores en aparatos dotados con una toma de tierra. *Los enchufes sin modificar adecuados a las respectivas tomas de corriente reducen el riesgo de una descarga eléctrica.*
- Evite que su cuerpo toque partes conectadas a tierra como tuberías, radiadores, cocinas y refrigeradores. *El riesgo a quedar expuesto a una sacudida eléctrica es mayor si su cuerpo tiene contacto con tierra.*
- No exponga el aparato a la lluvia y evite que penetren líquidos en su interior. *Existe el peligro de recibir una descarga eléctrica si penetran ciertos líquidos en el aparato eléctrico.*
- No utilice el cable de red para transportar o colgar el aparato, ni tire de él para sacar el enchufe de la toma de corriente. Mantenga el cable de red alejado del calor, aceite, esquinas cortantes o piezas móviles. *Mantenga el cable de red alejado del calor, aceite, esquinas cortantes o piezas móviles.*
- Al trabajar con la herramienta eléctrica en la intemperie utilice solamente cables de prolongación homologados para su uso en exteriores. *La utilización de un cable de prolongación adecuado para su uso en exteriores reduce el riesgo de una descarga eléctrica.*

3. SEGURIDAD DE PERSONAS

- Esté atento a lo que hace y emplee la herramienta eléctrica con prudencia. No utilice el aparato si estuviese cansado, ni tampoco después de haber consumido alcohol, drogas o medicamentos. *El no estar atento durante el uso de un aparato puede provocar serias lesiones.*



b. Utilice un equipo de protección y en todo caso unas gafas de protección. *El riesgo a lesionarse se reduce considerablemente si, dependiendo del tipo y la aplicación de la herramienta eléctrica empleada, se utiliza un equipo de protección adecuado como una mascarilla antipolvo, zapatos de seguridad con suela antideslizante, casco, o protectores auditivos.*

- Evite una puesta en marcha fortuita del aparato. Cerciorarse de que el aparato esté desconectado antes de conectarlo a la toma de corriente. *Si transporta el aparato sujetándolo por el interruptor de conexión/desconexión, o si introduce el enchufe en la toma de corriente con el aparato conectado, ello puede dar lugar a un accidente.*
- Retire las herramientas de ajuste o llaves fijas antes de conectar la herramienta eléctrica. *Una herramienta o llave colocada en una pieza rotante puede producir lesiones al ponerse a funcionar.*
- Sea precavido. *Trabaje sobre una base firme y mantenga el equilibrio en todo momento. Ello le permitirá controlar mejor el aparato en caso de presentarse una situación inesperada.*
- Lleve puesta una vestimenta de trabajo adecuada. *No utilice vestimenta amplia ni joyas. Mantenga su pelo, vestimenta y guantes alejados de las piezas móviles. La vestimenta suelta, el pelo largo y las joyas se pueden enganchar con las piezas en movimiento.*
- Siempre que sea posible utilizar unos equipos de aspiración o captación de polvo, asegúrese que éstos estén montados y que sean utilizados correctamente. *El empleo de estos equipos reduce los riesgos derivados del polvo.*

4. USO Y TRATO CUIDADOSO DE HERRAMIENTAS ELÉCTRICAS

- No sobrecargue el aparato. Use la herramienta prevista para el trabajo a realizar. *Con la herramienta adecuada podrá trabajar mejor y más seguro dentro del margen de potencia indicado.*

- No utilice herramientas con un interruptor defectuoso. *Las herramientas que no se puedan conectar o desconectar son peligrosas y deben hacerse reparar.*
- Saque el enchufe de la red antes de realizar un ajuste en el aparato, cambiar de accesorio o al guardar el aparato. *Esta medida preventiva reduce el riesgo a conectar accidentalmente el aparato.*
- Guarde las herramientas eléctricas fuera del alcance de los niños. No permita la utilización del aparato a aquellas personas que no estén familiarizadas con su uso o que no hayan leído estas instrucciones. *Las herramientas eléctricas utilizadas por personas inexpertas son peligrosas.*
- Cuide sus aparatos con esmero. Controle si funcionan correctamente, sin atascarse, las partes móviles del aparato, y si existen partes rotas o deterioradas que pudieran afectar al funcionamiento de la herramienta. Haga reparar estas piezas defectuosas antes de volver a utilizar la herramienta eléctrica.

INSTRUCCIONES DE SEGURIDAD PARA TODO TIPO DE TRABAJOS

ADVERTENCIAS DE PELIGRO GENERALES AL REALIZAR TRABAJOS DE AMOLADO, LIJADO, CON CEPILLOS DE ALAMBRE, PULIDO Y TRONZADO

- Esta herramienta eléctrica ha sido concebida para amolar, lijar, trabajar con cepillos de alambre, pulir y tronzar. Observe todas las advertencias de peligro, instrucciones, ilustraciones y especificaciones técnicas que se suministran con la herramienta eléctrica. *En caso de no atenerse a las instrucciones siguientes, ello puede provocar una electrocución, incendio y/o lesiones serias.*
- No emplee accesorios diferentes de aquellos que el fabricante haya previsto o recomendado especialmente para esta herramienta eléctrica. *El mero hecho de que sea accesorio a su herramienta eléctrica no implica que su utilización resulte segura.*
- Las revoluciones admisibles del útil deberán ser como mínimo iguales a las revoluciones máximas indicadas en la herramienta eléctrica. *Aquellos accesorios que giren a unas revoluciones mayores a las admisibles pueden llegar a romperse.*
- El diámetro exterior y el grosor del útil deberán corresponder con las medidas indicadas para su herramienta eléctrica. *Los útiles de dimensiones incorrectas no pueden protegerse ni controlarse con suficiente seguridad.*
- Los orificios de los discos amoladores, bridas, platos lijadores u otros útiles deberán alojar exactamente sobre el husillo de su herramienta eléctrica. *Los útiles que no ajusten correctamente sobre el husillo de la herramienta eléctrica, al girar descentrados, generan unas vibraciones excesivas y pueden hacerle perder el control sobre el aparato.*
- No use útiles dañados. Antes de cada uso inspeccione el estado de los útiles con el fin de detectar, p. ej., si están desportillados o fisurados los útiles de amolar, si está agrietado o muy desgastado el plato lijador, o si las púas de los cepillos de alambre están flojas o rotas. Si se le cae la herramienta eléctrica o el útil, inspeccione si han sufrido

mienta eléctrica. *Muchos de los accidentes se deben a aparatos con un mantenimiento deficiente.*

- Mantenga los útiles limpios y afilados. *Los útiles mantenidos correctamente se dejan guiar y controlar mejor.*
- Utilice herramientas eléctricas, accesorios, útiles, etc. de acuerdo a estas instrucciones y en la manera indicada específicamente para este aparato. Considere en ello las condiciones de trabajo y la tarea a realizar. *El uso de herramientas eléctricas para trabajos diferentes de aquellos para los que han sido concebidas puede resultar peligroso.*

5. SERVICIO

- Únicamente haga reparar su herramienta eléctrica por un profesional, empleando exclusivamente piezas de repuesto originales. *Solamente así se mantiene la seguridad del aparato.*

algún daño o monte otro útil en correctas condiciones. Una vez controlado y montado el útil útiase Vd. y las personas circundantes fuera del plano de rotación del útil y deje funcionar la herramienta eléctrica en vacío, a las revoluciones máximas, durante un minuto. *Por lo regular, aquellos útiles que estén dañados suelen romperse al realizar esta comprobación.*

- Utilice un equipo de protección personal. Dependiendo del trabajo a realizar use una careta, una protección para los ojos, o unas gafas de protección. Dependiendo del trabajo a realizar, emplee una mascarilla antipolvo, protectores auditivos, guantes de protección o un mandil especial adecuado para protegerle de los pequeños fragmentos que pudieran salir proyectados. *Las gafas de protección deberán ser indicadas para protegerle de los fragmentos que pudieran salir despedidos al trabajar. La mascarilla antipolvo o respiratoria deberá ser apta para filtrar las partículas producidas al trabajar. La exposición prolongada al ruido puede provocarle sordera.*
- Cuide que las personas en las inmediaciones se mantengan a suficiente distancia de la zona de trabajo. Toda persona que acceda a la zona de trabajo deberá utilizar un equipo de protección personal. *Podrían ser lesionadas, incluso fuera del área de trabajo inmediato, al salir proyectados fragmentos de la pieza de trabajo o del útil.*
- Únicamente sujete el aparato por las empuñaduras aisladas al realizar trabajos en los que el útil pueda tocar conductores eléctricos ocultos o el propio cable del aparato. *El contacto con conductores portadores de tensión puede hacer que las partes metálicas del aparato le provoquen una descarga eléctrica.*
- Mantenga el cable de red alejado del útil en funcionamiento. *En caso de que Vd. pierda el control sobre la herramienta eléctrica puede llegar a cortarse o enredarse el cable de red con el útil y lesionarle su mano o brazo.*
- Jamás deposite la herramienta eléctrica antes de que el útil se haya detenido por completo. *El útil en funcionamiento puede llegar a tocar la base de apoyo y hacerle perder el control sobre la herramienta eléctrica.*

- l. No deje funcionar la herramienta eléctrica mientras la transporta. *El útil en funcionamiento podría lesionarle al engancharse accidentalmente con su vestimenta o pelo.*
- m. Limpie periódicamente las rejillas de refrigeración de su herramienta eléctrica. *El ventilador del motor aspira polvo hacia el interior de la carcasa, y en caso de una acumulación fuerte de polvo metálico ello le puede provocar una descarga eléctrica.*
- n. No utilice la herramienta eléctrica cerca de materiales combustibles. *Las chispas producidas al trabajar pueden llegar a incendiar estos materiales.*
- o. No emplee útiles que requieran ser refrigerados con líquidos. *La aplicación de agua u otros refrigerantes líquidos puede comportar una descarga eléctrica.*

CAUSAS DEL RECHAZO Y ADVERTENCIAS AL RESPECTO

El rechazo es un reacción brusca que se produce al atascarse o engancharse el útil, como un disco de amolar, plato lijador, cepillo de alambre, etc. Al atascarse o engancharse el útil en funcionamiento, éste es frenado bruscamente. Ello puede hacerle perder el control sobre la herramienta eléctrica y hacer que ésta salga impulsada en dirección opuesta al sentido de giro que tenía el útil. En el caso de que, p. ej., un disco amolador se atasque o bloquee en la pieza de trabajo, puede suceder que el canto del útil que penetra en el material se enganche, provocando la rotura del útil o el rechazo del aparato. Según el sentido de giro y la posición del útil en el momento de bloquearse puede que éste resulte despedido hacia, o en sentido opuesto al usuario. En estos casos puede suceder que el útil incluso llegue a romperse. El rechazo es ocasionado por la aplicación o manejo incorrecto de la herramienta eléctrica. Es posible evitarlo ateniéndose a las medidas preventivas que a continuación se detallan.

- a. Sujete con firmeza la herramienta eléctrica y mantenga su cuerpo y brazos en una posición propicia para resistir las fuerzas de reacción. Si forma parte del aparato, utilice siempre la empuñadura adicional para poder soportar mejor las fuerzas derivadas del rechazo y los pares de reacción en la puesta en marcha. *El usuario puede controlar la fuerza de rechazo y de reacción si toma unas medidas preventivas oportunas.*
- b. Jamás aproxime su mano al útil en funcionamiento. *En caso de un rechazo el útil podría lesionarle la mano.*
- c. No se sitúe dentro del área hacia el que se movería la herramienta eléctrica al ser rechazada. *Al resultar rechazada la herramienta eléctrica saldrá despedida desde el punto de bloqueo en dirección opuesta al sentido de giro del útil.*
- d. Tenga especial precaución al trabajar esquinas, cantos afilados, etc. Evite que el útil de amolar rebote contra la pieza de trabajo o que se atasque. *En las esquinas, cantos afilados, o al rebotar, el útil en funcionamiento tiende a atascarse. Ello puede hacerle perder el control o causar un rechazo del útil.*
- e. No utilice hojas de sierra para madera ni otros útiles dentados. *Estos útiles son propensos al rechazo y pueden hacerle perder el control sobre la herramienta eléctrica.*

INSTRUCCIONES DE SEGURIDAD ESPECÍFICAS PARA OPERACIONES DE AMOLADO Y TRONZADO

- a. Use exclusivamente útiles homologados para su herramienta eléctrica en combinación con la caperuza protectora prevista. *Los útiles que no fueron diseñados para esta herramienta eléctrica pueden quedar insuficientemente protegidos y suponen un riesgo.*
- b. Solamente emplee el útil para aquellos trabajos para los que fue concebido. Por ejemplo, no emplee las caras de los discos tronzaadores para amolar. *En los útiles de tronzar el arranque de material se lleva a cabo con los bordes del disco. Si estos útiles son sometidos a un esfuerzo lateral ello puede provocar su rotura.*
- c. Siempre use para el útil seleccionado una brida en perfecto estado con las dimensiones y forma correctas. *Una brida adecuada soporta convenientemente el útil reduciendo así el peligro de rotura. Las bridas para discos tronzaadores pueden ser diferentes de aquellas para los discos de amolar.*
- d. No intente aprovechar los discos amoladores de otras herramientas eléctricas más grandes aunque cuyo diámetro exterior se haya reducido suficientemente por el desgaste. *Los discos amoladores destinados para herramientas eléctricas grandes no son aptos para soportar las velocidades periféricas más altas a las que trabajan las herramientas eléctricas más pequeñas y pueden llegar a romperse.*

INSTRUCCIONES DE SEGURIDAD ADICIONALES ESPECÍFICAS PARA EL TRONZADO

- a. Evite que se bloquee el disco tronizador y una presión de aplicación excesiva. No intente realizar cortes demasiado profundos. *Al solicitar en exceso el disco tronizador éste es más propenso a ladearse, bloquearse, a ser rechazado o a romperse.*
- b. No se coloque delante o detrás del disco tronizador en funcionamiento, alineado con la trayectoria del corte. *Mientras que al cortar, el disco tronizador es guiado en sentido opuesto a su cuerpo, en caso de un rechazo el disco tronizador y la herramienta eléctrica son impulsados directamente contra Vd.*
- c. Si el disco tronizador se bloquea, o si tuviese que interrumpir su trabajo, desconecte la herramienta eléctrica y manténgala en esa posición, sin moverla, hasta que el disco tronizador se haya detenido por completo. Jamás intente sacar el disco tronizador en marcha de la ranura de corte, ya que ello podría provocar un rechazo. *Investigue y subsane la causa del bloqueo.*
- d. No intente proseguir el corte con el disco tronizador insertado en la ranura de corte. Una vez fuera, conecte la herramienta eléctrica y espere a que el disco tronizador haya alcanzado las revoluciones máximas y aproxímelo entonces con cautela a la ranura de corte. *En caso contrario el disco tronizador podría bloquearse, salirse de la ranura de corte, o resultar rechazado.*
- e. Soporte las planchas u otras piezas de trabajo grandes para reducir el riesgo de bloqueo o rechazo del disco tronizador. *Las piezas de trabajo extensas tienden a combarse*

por su propio peso. La pieza de trabajo deberá apoyarse desde abajo a ambos lados tanto cerca de la línea de corte como a sus extremos.

- f. Proceda con especial cautela al realizar recortes “por inmersión” en paredes o superficies similares. *El disco tronizador puede ser rechazado al tocar tuberías de gas o agua, conductores eléctricos, u otros objetos.*

INSTRUCCIONES DE SEGURIDAD ESPECÍFICAS PARA TRABAJOS CON HOJAS LIJADORAS

- a. No use hojas lijadoras más grandes que el soporte, ateniéndose para ello a las dimensiones que el fabricante recomienda. *Las hojas lijadoras de un diámetro mayor que el plato lijador pueden provocar un accidente, fisurarse, o provocar un rechazo.*

INSTRUCCIONES DE SEGURIDAD ESPECÍFICAS PARA PULIDO

- a. Evite partes sueltas en la caperuza para pulir, especialmente el cordón de sujeción. Recoja o corte los cabos del cordón de sujeción. *Los cabos del cordón pueden engancharse con sus dedos o en la pieza de trabajo.*

INSTRUCCIONES DE SEGURIDAD ESPECÍFICAS PARA EL TRABAJO CON CEPILLOS DE ALAMBRE

- a. Considere que las púas de los cepillos de alambre pueden desprenderse también durante un uso normal. No fuerce las púas ejerciendo una fuerza de aplicación excesiva. *Las púas desprenderse pueden traspasar muy fácilmente tela delgada y/o la piel.*
- b. En caso de recomendarse el uso de una caperuza protectora, evite que el cepillo de alambre alcance a rozar contra la caperuza protectora. *Los cepillos de plato y de vaso pueden aumentar su diámetro por efecto de la presión de aplicación y de la fuerza centrífuga.*

MEDIO AMBIENTE

ELIMINACIÓN

Recomendamos que las herramientas eléctricas, accesorios y embalajes sean sometidos a un proceso de recuperación que respete el medio ambiente.

SÓLO PARA LOS PAÍSES DE LA UE



¡No arroje las herramientas eléctricas a la basura! Conforme a la Directriz Europea 2002/96/CE sobre aparatos eléctricos y electrónicos inservibles, tras su conversión en ley nacional, deberán acumularse por separado las herramientas eléctricas para ser sometidas a un reciclaje ecológico.

ESPECIFICACIONES

ESPECIFICACIONES GENERALES

Tensión nominal 230-240 V, 50-60 Hz
 Intensidad nominal 0,6 A
 Velocidad en vacío n₀ 33.000 r.p.m.
 Capacidad para boquillas . . . 0,8 mm, 1,6 mm, 2,4 mm y 3,2 mm

CABLES DE PROLONGACIÓN

Cables de prolongación totalmente desenrollados y seguros con una capacidad de 5 amperios.

ESPECIFICACIONES DEL MOTOR

Esta multiherramienta utiliza un motor de alta velocidad variable. Se conecta a través de un cable para recibir una corriente de 230-240 voltios y 50-60 Hz. Compruebe siempre que la tensión de alimentación es la misma que la indicada en la placa de datos de la herramienta (las herramientas con una tensión de 230 V o 240 V también se pueden conectar a una red de 220 V).

MONTAJE

DESENCHUFE SIEMPRE LA MULTIHERRAMIENTA ANTES DE CAMBIAR UN ACCESORIO O UNA BOQUILLA Y ANTES DE REALIZAR CUALQUIER REPARACIÓN.

GENERAL

La multiherramienta Dremel es un aparato de precisión de alta calidad que se puede utilizar para realizar tareas complejas y minuciosas. La amplia gama de accesorios y complementos Dremel permite realizar una gran variedad de operaciones, como lijar, tallar, grabar, fresar, cortar, limpiar y pulir. IMAGEN 2

IMAGEN 1

- A. Tuerca de retención
- B. Boquilla
- C. Interfaz de complemento
- D. Tapa de la carcasa
- E. Botón de bloqueo del eje
- F. Orificios de ventilación
- G. Soporte de escobilla (una a cada lado)
- H. Interruptor de encendido y apagado
- I. Pantalla LCD
- J. Botones de velocidad ascendente/descendente
- K. Gancho
- L. Cable de alimentación

BOQUILLAS

Los accesorios Dremel disponibles para la multiherramienta pueden tener vástagos de varios tamaños. Existen cuatro tamaños de boquilla apropiados para los distintos tamaños de vástago. El tamaño de la boquilla se identifica mediante los anillos que tiene en la parte de atrás.

IMAGEN 3

- M. 3,2 mm Boquilla sin anillo (480)
- N. 2,4 mm Boquilla con tres anillos (481)
- O. 1,6 mm Boquilla con dos anillos (482)
- P. 0,8 mm Boquilla con un anillo (483)

NOTA: Puede que algunos kit de multiherramientas no incluyan los cuatro tamaños de boquilla. Los tamaños que falten se pueden adquirir por separado.

Utilice siempre la boquilla que coincida con el tamaño del vástago del accesorio que piensa utilizar. No introduzca a la fuerza un vástago en una boquilla de diámetro inferior.

CAMBIO DE BOQUILLAS

IMAGEN 4

- Q. Botón de bloqueo del eje
- R. Llave de boquilla
- S. Apretar
- T. Aflojar
- U. Tuerca de retención

1. Pulse el botón de bloqueo del eje y, sin soltarlo, gire el eje a mano hasta que quede bloqueado. No apriete el botón mientras la multiherramienta esté en funcionamiento.
2. Con el botón de bloqueo del eje pulsado, afloje y retire la tuerca de retención. Use la llave de boquilla si es necesario.
3. Retire la boquilla tirando de ella hasta separarla del eje.
4. Instale una boquilla de tamaño correcto en el eje y vuelva a montar la tuerca de retención apretándola a mano. No apriete la tuerca al máximo si no está instalada una broca o un accesorio.

CAMBIO DE ACCESORIOS

IMAGEN 4/5

- Q. Botón de bloqueo del eje

1. Pulse el botón de bloqueo del eje y gire éste a mano hasta que quede bloqueado. *No apriete el botón mientras la multiherramienta esté en funcionamiento.*
2. Con el botón de bloqueo del eje pulsado, afloje la tuerca de retención (pero no la retire). Use la llave de boquilla si es necesario.
3. Inserte totalmente la broca o el vástago del accesorio en la boquilla.
4. Con el botón de bloqueo del eje pulsado, apriete a mano la tuerca de retención hasta que la broca o el vástago del accesorio queden sujetos por la boquilla.

NOTA: Asegúrese de leer las instrucciones adjuntas al accesorio Dremel para informarse sobre cómo se usa.

Utilice únicamente accesorios de alto rendimiento probados por Dremel.

CÓMO EMPEZAR

USO

El primer paso es aprender a sujetar la multiherramienta. Sujétela con la mano y examine su peso y equilibrio. Familiarícese con el cabezal. Este cabezal permite sujetar la herramienta como si fuera un bolígrafo o un lápiz.

Mantenga siempre la herramienta alejada de la cara. Los accesorios pueden dañarse durante la manipulación y pueden salir despedidos cuando alcancen una velocidad elevada.

Cuando sujete la herramienta, no cubra los orificios de ventilación con la mano. Si bloquea los orificios de ventilación el motor puede llegar a sobrecalentarse.

¡IMPORTANTE! Practique con restos de material para ver la acción de la herramienta a alta velocidad. Recuerde que los mejores resultados se obtienen dejando que la velocidad de la multiherramienta junto con el accesorio y el complemento de Dremel correctos hagan el trabajo por usted. Si puede evitarlo, no ejerza presión sobre la herramienta mientras la está utilizando. Es mejor que acerque el accesorio giratorio a la superficie de trabajo hasta que toque el punto en el que desea empezar. Concéntrese en guiar la herramienta sobre la pieza de trabajo aplicando una presión mínima con la mano. Permita que el accesorio realice el trabajo.

Normalmente lo mejor es realizar varias pasadas con la herramienta en lugar de hacer todo el trabajo de una vez. Manejándola con delicadeza se consigue el máximo control y se reduce la probabilidad de error.

SOSTENER LA HERRAMIENTA

Para obtener un control óptimo en trabajos de precisión, sujete la multiherramienta como si se tratará de un lápiz entre los dedos pulgar e índice. IMAGEN 6

Agarrarla por encima (como los palos de golf) es más adecuado para operaciones que requieren más fuerza, como amolar o cortar. IMAGEN 7

VELOCIDADES DE FUNCIONAMIENTO

Esta máquina es una multiherramienta de alta velocidad. Funciona a velocidad variable de 10.000 a 33.000 r.p.m. La pantalla digital de la herramienta 400 Series DIGITAL indica el número exacto de r.p.m. (por 1.000) a las que trabaja la herramienta. Para aumentar/reducir la velocidad pulse los botones de velocidad ascendente/descendente. Puede aumentar la velocidad de su multiherramienta en incrementos de 1.000 r.p.m. De esta forma, podrá controlar la velocidad de su multiherramienta con precisión. Ajustando el número de r.p.m. al proyecto en cuestión se obtienen mejores resultados. Para obtener los mejores resultados posibles

con cada material, ajuste el control de la velocidad en función del trabajo a realizar. Para seleccionar la velocidad correcta para el accesorio que está utilizando, practique primero con restos de material.

NOTA: Los cambios de tensión afectan a la velocidad. Una reducción de la tensión entrante reducirá el número de r.p.m. de la herramienta, sobre todo en la posición más baja del selector de velocidad. Si parece que la velocidad de la herramienta es demasiado baja, aumentela según convenga. Puede que la herramienta no arranque en la posición más baja del selector de velocidad en zonas en las que la tensión de salida sea inferior a 220 voltios. Para que la herramienta funcione basta con que cambie el selector de velocidad a una posición superior.

Consulte la tabla de velocidades en las páginas 4-6 para determinar la velocidad apropiada para cada material y el accesorio que se debe utilizar.

A) Para utilizarla sobre pladur. Para obtener mejores resultados, utilice 33.000 r.p.m.

B) Para utilizarla sobre lechada de pared o de suelo. Use las posiciones 20.000-28.000 r.p.m.

*) Velocidad para cortes de poca profundidad. Atención, es posible que se produzcan quemaduras en las acanaladuras profundas.

■) Dependiendo de la dirección del corte con relación al grano. La mayoría de los trabajos se pueden hacer con la máxima velocidad. No obstante, el calor generado por la alta velocidad de la herramienta puede estropear ciertos materiales (algunos plásticos y metales) por lo que conviene trabajar con ellos a velocidades relativamente bajas. Las velocidades bajas (15.000 r.p.m. o menos) suelen ser adecuadas para trabajos de pulido en los que se empleen los accesorios de felpa para pulido. Todas las aplicaciones de cepillado requieren velocidades bajas para evitar que los alambres se desprendan del cepillo. Deje que el funcionamiento de la herramienta le indique cuándo debe utilizar velocidades más bajas. Las velocidades más altas son adecuadas para maderas duras, metales y vidrio, así como para taladrar, tallar, cortar, fresar, conformar y cortar dados o rebajes en madera.

Precauciones a tener en cuenta a la hora de ajustar la velocidad:

- El plástico y otros materiales que se derriten a bajas temperaturas deberán cortarse a baja velocidad.
- El pulido y limpieza con un cepillo metálico deben efectuarse a una velocidad máxima de 15.000 r.p.m. para evitar daños en el cepillo y el material.
- La madera debería cortarse a alta velocidad.
- El hierro y el acero deberían cortarse a alta velocidad.
- Si una fresa a alta velocidad empieza a vibrar, suele indicar que está girando demasiado despacio.
- El aluminio, las aleaciones de cobre, plomo y cinc, así como el latón pueden cortarse a diversas velocidades, dependiendo del tipo de corte que se efectúe. Emplee parafina u otro lubricante apropiado (nunca agua) para evitar que el material cortado se adhiera a los dientes de la fresa.

NOTA: Aumentar la presión sobre la herramienta no es la solución adecuada cuando no está funcionando correctamente. Pruebe con otro accesorio o con otra velocidad hasta que consiga el resultado que busca.

MANTENIMIENTO

El mantenimiento preventivo debe ser realizado por personal autorizado, si no fuera así la colocación inadecuada de los componentes internos puede dar lugar a un grave riesgo. Se recomienda que cualquier reparación de la herramienta se realice en las instalaciones de Dremel. Para no correr el riesgo de hacerse daño por arrancar accidentalmente la herramienta o por una descarga eléctrica, saque siempre el enchufe de la toma de corriente antes de reparar o limpiar la herramienta.

ESCOBILLAS DE CARBÓN

Las escobillas que lleva la herramienta han sido diseñadas para proporcionar muchas horas de servicio fiable. Con el fin de preparar las escobillas para trabajar, ponga la herramienta a la máxima velocidad durante 5 minutos sin utilizarla. Así "asentará" perfectamente las escobillas y prolongará la vida útil de la herramienta. Para mantener la máxima eficiencia del motor, inspeccione las escobillas cada 40-50 horas para controlar su desgaste.

Si utiliza la herramienta con escobillas desgastadas estropeará el motor. Use únicamente escobillas originales de Dremel. Inspeccione las escobillas de la multiherramienta cada 40-50 horas de uso. Si el funcionamiento de la multiherramienta es irregular, pierde potencia o emite ruidos extraños, inspeccione las escobillas para ver si están demasiado desgastadas y es necesario cambiarlas. Siga estos pasos para inspeccionar o cambiar las escobillas de la multiherramienta:

1. Tras desenchufar el cable de alimentación coloque la herramienta sobre una superficie despejada. Utilice la llave de la herramienta para extraer las tapas de las escobillas. IMAGEN 8
2. Gire la herramienta de forma que la escobilla salga del soporte y compruebe cada escobilla. Si la longitud de la escobilla es inferior a 3 mm y la superficie de la misma que está en contacto con el colector está áspera o picada, hay que cambiarla. No olvide inspeccionar ambas escobillas. IMAGEN 9
3. Aunque sólo esté desgastada una de las escobillas, debería cambiar las dos, para que el funcionamiento de la multi-

herramienta sea óptimo. Quite el muelle de la escobilla, tire la escobilla y acople el muelle a una nueva.

4. Vuelva a instalar la escobilla de carbón con el muelle en el interior de la herramienta; sólo hay una forma de colocar la escobilla para que quepa dentro de la herramienta. Asegúrese de que las escobillas se han instalado como se muestra. IMAGEN 9 La superficie curvada de la escobilla debe coincidir con la curvatura del conmutador.
5. Apoye la parte inferior cuadrada de la escobilla en las aberturas cuadradas de la cavidad. Compruebe que el muelle se encuentra en forma de V en el hueco. Empuje hacia abajo la parte frontal de la puerta. Después empuje la pestaña trasera hacia abajo e introduzca la en la ranura. Después de cambiar las escobillas, debe poner en marcha la herramienta pero sin utilizarla; colóquela sobre una superficie despejada y déjela en marcha a la máxima velocidad durante 5 minutos antes de utilizarla para cualquier trabajo. De esta manera ambas escobillas se "asentarán" perfectamente en su sitio y durarán más. Eso también prolongará la vida útil de la propia herramienta, puesto que la superficie del colector también se desgastará más despacio. IMAGEN 10

LIMPIEZA DE LA HERRAMIENTA

DESENCHUFE LA HERRAMIENTA ANTES DE LIMPIARLA

Los orificios de ventilación y los interruptores deben mantenerse limpios y libres de objetos extraños. No intente limpiar la herramienta insertando objetos puntiagudos por las aberturas. Puede limpiarla con aire comprimido. Utilice siempre gafas protectoras cuando limpie la herramienta con aire comprimido. No hace falta lubricar la multiherramienta Dremel. Ciertos agentes limpiadores y disolventes dañarán las piezas de plástico. Algunos de estos productos son: gasolina, tetracloruro de carbono, disolventes de limpieza clorados, amoníaco y detergentes para el hogar a base de amoníaco. Limpie las áreas "suaves de empuñadura" con un paño húmedo. Puede que haga falta frotar las áreas sucias más difíciles de limpiar.

DATOS DE CONTACTO DE DREMEL

Para obtener más información sobre la línea de productos, el soporte técnico o la línea de atención al cliente de Dremel, visite www.dremel.com

Dremel Europe, P.O. Box 3267, 4800 DG Breda

REPARACIÓN Y GARANTÍA

Este producto de DREMEL está garantizado de acuerdo con el reglamento estatutario o específico de cada país; cualquier problema debido al desgaste normal, a una sobrecarga de la herramienta o a un uso indebido quedará excluido de la garantía.

Si desea presentar una queja, envíe la herramienta *desmontada* junto con un justificante de compra al distribuidor que se la haya vendido.

INDICAÇÕES GERAIS DE SEGURANÇA



ATENÇÃO

DEVEM SER LIDAS TODAS AS INSTRUÇÕES. O desrespeito das instruções apresentadas abaixo pode causar choque eléctrico, queimaduras e/ou graves lesões. O termo "Ferramenta eléctrica" utilizado a seguir refere-se a ferramentas eléctricas operadas com corrente de rede (com cabo de rede) e a ferramentas eléctricas operadas com acumulador (sem cabo de rede).

GUARDE BEM ESTAS INSTRUÇÕES



- b. Utilize equipamento de protecção pessoal e use sempre óculos de protecção. A utilização de equipamento de protecção pessoal, como máscara de pó e sapatos de segurança antiderrapantes, capacete de segurança ou protecção auricular, de acordo com o tipo e aplicação da ferramenta eléctrica reduz o risco de lesões.
- c. Evite uma colocação em funcionamento involuntária. Assegure-se de que a ferramenta eléctrica está desligada antes de introduzir a ficha na tomada. Se tiver o dedo no interruptor ao transportar a ferramenta eléctrica ou se a ferramenta eléctrica for conectada à alimentação de rede enquanto estiver ligada, poderão ocorrer acidentes.
- d. Remova ferramentas de ajuste ou chaves de porcas antes de ligar a ferramenta eléctrica. Uma ferramenta ou chave que se encontre numa parte da ferramenta eléctrica em movimento pode levar a lesões.
- e. Não se sobrestime. Mantenha sempre uma posição firme e o equilíbrio. Desta forma é mais fácil controlar a ferramenta eléctrica em situações inesperadas.
- f. Use roupa apropriada. Não use roupa larga nem jóias. Mantenha o cabelo, roupas e luvas afastadas de partes em movimento. Roupas largas, cabelos longos ou jóias podem ser agarrados por peças em movimento.
- g. Se for possível montar dispositivos de aspiração ou de recolha, assegure-se de que estão conectados e são utilizados correctamente. A utilização destes dispositivos reduz o perigo devido ao pó.

4. UTILIZAÇÃO E MANUSEIO CUIDADOSO COM FERRAMENTAS ELÉCTRICAS

- a. Não sobrecarregue a ferramenta eléctrica. Utilize para o seu trabalho a ferramenta eléctrica apropriada. É melhor e mais seguro trabalhar com a ferramenta eléctrica apropriada no regime de potência indicado.
- b. Não utilize uma ferramenta eléctrica com um interruptor defeituoso. Uma ferramenta eléctrica que deixa de poder ser ligada ou desligada é perigosa e deve ser reparada.
- c. Puxe a ficha da tomada antes de executar ajustes na ferramenta eléctrica, substituir acessórios ou guardar a ferramenta eléctrica. Estas medidas de segurança evitam o arranque involuntário da ferramenta eléctrica.
- d. Guarde ferramentas eléctricas não utilizadas fora do alcance de crianças. Não permita que pessoas que não estejam familiarizadas com a ferramenta eléctrica ou que não tenham lido estas instruções utilizem a ferramenta eléctrica. Ferramentas eléctricas são perigosas se forem utilizadas por pessoas inexperientes.
- e. Trate a ferramenta eléctrica com cuidado. Controle se as partes móveis da ferramenta eléctrica estão em perfeito

1. LOCAL DE TRABALHO

- a. Mantenha a sua área de trabalho sempre limpa e bem arrumada. Desordem e áreas insuficientemente iluminadas podem causar acidentes.
- b. Não trabalhe com a ferramenta eléctrica em áreas com risco de explosão, na qual se encontrem líquidos, gases ou pós inflamáveis. Ferramentas eléctricas produzem faíscas que podem inflamar pós ou vapores.
- c. Mantenha crianças e outras pessoas afastadas da ferramenta eléctrica durante a utilização. No caso de distração, é possível que seja perdido o controlo sobre o aparelho.

2. SEGURANÇA ELÉCTRICA

- a. A ficha de conexão da ferramenta eléctrica deve caber na tomada. A ficha não deve ser modificada de maneira alguma. Não utilize uma ficha de adaptação juntamente com ferramentas eléctricas protegidas por ligação à terra. Fichas não modificadas e tomadas apropriadas reduzem o risco de um choque eléctrico.
- b. Evite que o corpo possa entrar em contacto com superfícies ligadas à terra, como tubos, radiadores, fogões e frigoríficos. Há um risco elevado devido a um choque eléctrico, se o corpo estiver ligado à terra.
- c. Mantenha a ferramenta eléctrica afastada de chuva ou humidade. A infiltração de água numa ferramenta eléctrica aumenta o risco de choque eléctrico.
- d. Não deverá afastar o cabo da sua finalidade, como para, por exemplo, transportar a ferramenta eléctrica, pendurá-la ou para puxar a ficha da tomada. Mantenha o cabo afastado de calor, óleo, arestas afiadas ou partes do aparelho em movimento. Cabos danificados ou emaranhados aumentam o risco de um choque eléctrico.
- e. Se trabalhar com uma ferramenta eléctrica ao ar livre, só deverá utilizar cabos de extensão homologados para áreas exteriores. A utilização de um cabo de extensão apropriado para áreas exteriores reduz o risco de um choque eléctrico.

3. SEGURANÇA DE PESSOAS

- a. Esteja atento, observe o que está a fazer e seja prudente ao trabalhar com a ferramenta eléctrica. Não utilize a ferramenta eléctrica quando estiver fatigado ou sob a influência de drogas, álcool ou medicamentos. Um momento de descuido ao utilizar ferramentas eléctricas pode levar a lesões graves.

estado de funcionamento e não emperram, se há peças quebradas ou danificadas que possam prejudicar o funcionamento da ferramenta eléctrica. Mandar reparar as peças danificadas antes da utilização. *Muitos acidentes têm como causa a manutenção insuficiente das ferramentas eléctricas.*

- f. Mantenha as ferramentas de corte afiadas e limpas. *Ferramentas de corte cuidadosamente tratadas e com arestas de corte afiadas emperram com menos frequência e podem ser conduzidas com maior facilidade.*

INSTRUÇÕES DE SEGURANÇA PARA TODAS AS UTILIZAÇÕES

INDICAÇÕES DE AVISO GERAIS PARA LIXAR, LIXAR COM LIXA DE PAPEL, TRABALHAR COM ESCOVAS DE ARAME, POLIR E SEPARAR POR RECTIFICAÇÃO

- a. Esta ferramenta eléctrica pode ser utilizada como lixadeira, lixadeira com lixa de papel, máquina para polir e máquina para separar por rectificação. Observe todas as indicações de aviso, instruções, apresentações e dados fornecidos com a ferramenta eléctrica. *O desrespeito das seguintes instruções pode levar a um choque eléctrico, incêndio e/ou lesões graves.*
- b. Não utilize acessórios que não foram especialmente previstos e recomendados pelo fabricante para esta ferramenta eléctrica. *O facto de poder fixar o acessório a esta ferramenta eléctrica não garante uma aplicação segura.*
- c. O número de rotação admissível do acessório deve ser, no mínimo, tão alto quanto o máximo número de rotação indicado na ferramenta eléctrica. *Acessórios que girem mais rápido do que permitido podem ser destruídos.*
- d. O diâmetro exterior e a espessura do acessório devem corresponder às indicações de medida da sua ferramenta eléctrica. *Acessórios incorrectamente medidos podem não ser suficientemente blindados nem controlados.*
- e. Discos abrasivos, flanges, pratos abrasivos ou outros acessórios devem caber exactamente no veio de rectificação da sua ferramenta eléctrica. *Acessórios que não cabem exactamente no veio de rectificação da ferramenta eléctrica giram irregularmente, vibram fortemente e podem levar à perda de controlo.*
- f. Não utilize acessórios danificados. Antes de cada utilização deverá controlar os acessórios e verificar se, por exemplo, os discos abrasivos apresentam fissuras e estilhaços, se pratos abrasivos apresentam fissuras, se há desgaste ou forte atrição, se as escovas de arame apresentam arames soltos ou quebrados. Se a ferramenta eléctrica ou o acessório caírem, deverá verificar se sofreram danos ou deverá aplicar um acessório intacto. Após ter controlado e introduzido o acessório, deverá manter-se a si próprio e as pessoas que se encontrem nas proximidades fora do nível de rotação do acessório e permitir que a ferramenta

- g. Utilize a ferramenta eléctrica, acessórios, ferramentas de aplicação, etc. conforme estas Instruções e como previsto para este tipo especial de ferramenta eléctrica. Considere as condições de trabalho e a tarefa a ser executada. *A utilização de ferramentas eléctricas para outras tarefas que não sejam as aplicações previstas pode levar a situações perigosas.*

5. SERVIÇOS

- a. Só permita que a sua ferramenta eléctrica seja reparada por pessoal especializado e qualificado e apenas com peças de reposição originais. *Desta forma é assegurada a segurança da ferramenta eléctrica.*

eléctrica funcione durante um minuto com o máximo número de rotação. *A maioria dos acessórios danificados quebra durante este período de teste.*

- g. Use um equipamento de protecção pessoal. De acordo com a aplicação, deverá utilizar uma protecção para todo o rosto, protecção para os olhos ou óculos de protecção. Se for necessário, deverá utilizar uma máscara contra pó, protecção auricular, luvas de protecção ou um avental especial que mantenha afastadas pequenas partículas de amoladura e de material. *Os olhos devem ser protegidos contra partículas projectadas, produzidas durante as diversas aplicações. A máscara contra pó ou a máscara de respiração deve ser capaz de filtrar o pó produzido durante a respectiva aplicação. A exposição prolongada a fortes ruídos poderá provocar perda de capacidade auditiva.*
- h. Observe que as outras pessoas mantêm uma distância segura em relação à sua área de trabalho. Cada pessoa que entrar na área de trabalho deverá usar um equipamento de protecção pessoal. *Estilhaços da peça a ser trabalhada ou acessórios quebrados podem ser projectados e causar lesões fora da área imediata de trabalho.*
- i. Ao executar trabalhos durante os quais podem ser atingidos cabos eléctricos ou o próprio cabo de rede, deverá sempre segurar a ferramenta eléctrica pelas superfícies de punho isoladas. *O contacto com um cabo sob tensão também coloca peças de metal da ferramenta eléctrica sob tensão e leva a um choque eléctrico.*
- j. Mantenha o cabo de rede afastado de acessórios em rotação. *Se perder o controlo sobre a ferramenta eléctrica, é possível que o cabo de rede seja cortado ou enganchado e a sua mão ou braço sejam puxados contra o acessório em rotação.*
- k. Jamais pouse a ferramenta eléctrica antes que o acessório esteja completamente parado. *O acessório em rotação pode entrar em contacto com a superfície de apoio, provocando uma perda de controlo da ferramenta eléctrica.*
- l. Não permita que a ferramenta eléctrica funcione enquanto estiver a transportá-la. *A sua roupa pode ser agarrada devido a um contacto acidental com o acessório em rotação, de modo a que o acessório possa ferir o seu corpo.*

- m. Limpe regularmente as aberturas de ventilação da sua ferramenta eléctrica. *A ventoinha do motor puxa pó para dentro da carcaça e uma grande quantidade de pó pode causar perigos eléctricos.*
- n. Não utilize a ferramenta eléctrica perto de materiais inflamáveis. *Faíscas podem incendiar estes materiais.*
- o. Não utilize acessórios que necessitem de agentes de refrigeração líquidos. *A utilização de água ou de outros agentes de refrigeração líquidos pode provocar um choque eléctrico.*

CONTRAGOLPE E RESPECTIVAS INDICAÇÕES DE AVISO

O contragolpe é uma repentina reacção devido a um acessório travado ou bloqueado, como, por exemplo, um disco abrasivo, um prato abrasivo, uma escova de arame, etc. Um travamento ou um bloqueio levam a uma paragem abrupta do acessório em rotação. Desta forma, uma ferramenta eléctrica descontrolada é acelerada no local de bloqueio, em sentido contrário ao da rotação do acessório. Se, por exemplo, um disco abrasivo travar ou bloquear numa peça a ser trabalhada, o rebordo do disco abrasivo pode mergulhar na peça a ser trabalhada e encravar-se, quebrando o disco abrasivo ou causando um contragolpe. O disco abrasivo movimenta-se então no sentido do operador ou para longe deste, dependendo do sentido de rotação do disco no local de bloqueio. Também é possível que os discos abrasivos quebrem. Um contragolpe é a consequência de uma utilização incorrecta ou indevida da ferramenta eléctrica. Ele pode ser evitado através de apropriadas medidas de cuidado, como descrito a seguir.

- a. Segure firmemente a ferramenta eléctrica e posicione o seu corpo e os braços de modo a que possa resistir às forças de um contragolpe. Utilize sempre o punho adicional, se existente, para assegurar o máximo controlo possível sobre as forças de um contragolpe ou sobre momentos de reacção durante o arranque. *O operador pode controlar as forças de contragolpe e de reacção através de medidas de cuidado apropriadas.*
- b. Jamais permita que as suas mãos se encontrem perto de acessórios em rotação. *No caso de um contragolpe, o acessório poderá passar sobre a sua mão.*
- c. Evite que o seu corpo se encontre na área, na qual a ferramenta eléctrica possa ser movimentada no caso de um contragolpe. *O contragolpe força a ferramenta eléctrica no sentido contrário ao movimento do disco abrasivo no local de bloqueio.*
- d. Trabalhe com especial cuidado na área ao redor de esquinas, arestas afiadas, etc. Evite que acessórios sejam ricocheteados e travados pela peça a ser trabalhada. *O acessório em rotação tende a travar em esquinas, em arestas afiadas ou se for ricocheteada. Isto causa uma perda de controlo ou um contragolpe.*
- e. Não utilize lâminas de serra de corrente ou dentadas. *Estes acessórios causam frequentemente um contragolpe ou a perda de controlo sobre a ferramenta eléctrica.*

INDICAÇÕES ESPECIAIS DE AVISO PARA LIXAR E SEPARAR POR RECTIFICAÇÃO

- a. Utilize exclusivamente os corpos abrasivos homologados para a sua ferramenta eléctrica e a capa de protecção prevista para estes corpos abrasivos. *Corpos abrasivos não previstos para a ferramenta eléctrica não podem ser suficientemente protegidos e portanto não são seguros.*
- b. Os corpos abrasivos só devem ser utilizados para aplicações recomendadas. P. ex.: jamais lixar com a superfície lateral de um disco de corte. *Discos de corte são destinados para o desbaste de material com o rebordo do disco. Uma força lateral sobre estes corpos abrasivos pode quebrá-los.*
- c. Utilize sempre flanges de aperto intactos de tamanho e forma correctos para o disco abrasivo seleccionado. *Flanges apropriados apoiam o disco abrasivo e reduzem assim o perigo de uma ruptura do disco abrasivo. Flanges para discos de corte podem diferenciar-se de flanges para outros discos abrasivos.*
- d. Não utilize discos abrasivos gastos de outras ferramentas eléctricas maiores. *Discos abrasivos para ferramentas eléctricas maiores não são apropriados para os números de rotação mais altos de ferramentas eléctricas menores e podem quebrar.*

OUTRAS INDICAÇÕES ESPECIAIS DE AVISO PARA SEPARAR POR RECTIFICAÇÃO

- a. Evite um bloqueio do disco de corte ou uma força de pressão demasiado alta. Não efectuar cortes excessivamente profundos. *Uma sobrecarga do disco de corte aumenta o desgaste e a predisposição para emperrar e bloquear e, portanto, a possibilidade de um contragolpe ou uma ruptura do corpo abrasivo.*
- b. Evite a área que se encontra à frente ou atrás do disco de corte em rotação. *Se o disco de corte for conduzido na peça a ser trabalhada para a frente, afastando-se do corpo, é possível que no caso de um contragolpe a ferramenta eléctrica, junto com o disco em rotação, seja atirada directamente na direcção da pessoa a operar o aparelho.*
- c. Se o disco de corte emperrar ou se o trabalho for interrompido, deverá desligar a ferramenta eléctrica e mantê-la imóvel, até o disco parar completamente. Jamais tentar puxar o disco de corte para fora do corte enquanto ainda estiver em rotação; caso contrário, poderá ser provocado um contragolpe. *Verificar e eliminar a causa do emperramento.*
- d. Não ligue novamente a ferramenta eléctrica, enquanto ainda estiver na peça a ser trabalhada. Permita que o disco de corte alcance a sua velocidade máxima, antes de continuar cuidadosamente a cortar. *Caso contrário, é possível que o disco emperre, salte para fora da peça a ser trabalhada ou cause um contragolpe.*
- e. Apoie placas ou peças grandes, para reduzir um risco de contragolpe devido a um disco de corte emperrado. *Peças grandes podem flectir-se devido ao próprio peso. A peça a ser trabalhada deve ser apoiada de ambos os lados, tanto nas proximidades do corte como também nas extremidades.*

- f. Tenha extremamente cuidado ao efectuar "cortes de bolso" em paredes existentes ou em outras superfícies, onde não é possível reconhecer o que há por detrás. *O disco de corte pode causar um contragolpe se cortar acidentalmente tubagens de gás ou de água, cabos eléctricos ou outros objectos.*

INDICAÇÕES ESPECIAIS DE AVISO PARA LIXAR COM LIXA DE PAPEL

- a. Não utilize lixas de papel demasiado grandes, mas siga sempre as indicações do fabricante sobre o tamanho correcto das lixas de papel. *Lixas de papel, que sobresaaem dos cantos do prato abrasivo, podem causar lesões, assim como bloquear e rasgar as lixas de papel ou levar a um contragolpe.*

INDICAÇÕES ESPECIAIS DE AVISO PARA POLIR

- a. Não permita que hajam partes soltas da boina de polimento, principalmente cordões de fixação. Os cordões de fixação devem ser bem arrumados ou cortados. *Cordões de fixação soltos e em rotação podem agarrar os seus dedos ou prender-se na peça a ser trabalhada.*

AMBIENTE

ELIMINAÇÃO

Ferramentas eléctricas, acessórios e embalagens devem ser separados para uma reciclagem amiga do ambiente.



Não deitar ferramentas eléctricas no lixo doméstico! De acordo com a directiva europeia 2002/96/CE para aparelhos eléctricos e electrónicos usados, e com as respectivas implementações nas leis nacionais, as ferramentas eléctricas que não servem mais para a utilização, devem ser enviadas separadamente a uma reciclagem ecológica.

DADOS

DADOS GERAIS

Regime de tensão 230-240 V, 50-60 Hz
Regime de amperagem 0,6 A
Velocidade em vazio n, 33.000 r.p.m.
Capacidade da bucha 0,8 mm, 1,6 mm,
2,4 mm, 3,2 mm

EXTENSÕES ELÉCTRICAS

Utilizar extensões eléctricas completamente desenroladas e seguras com uma capacidade de 5 A.

INDICAÇÕES ESPECIAIS DE AVISO PARA TRABALHAR COM ESCOVAS DE ARAME

- a. Esteja ciente de que a escova de arame também perde pedaços de arame durante a utilização normal. Não sobrecarregue os arames exercendo uma força de pressão excessiva. *Pedaços de arame projectados podem penetrar facilmente em roupas finas e/ou na pele.*
- b. Se for recomendável uma capa de protecção, deverá evitar que a escova de arame entre em contacto com a capa de protecção. *O diâmetro das escovas em forma de prato ou de tacho pode aumentar devido à força de pressão e às forças centrífugas.*

APENAS PAÍSES EU

MONTAGEM

DESLIGUE SEMPRE A FERRAMENTA MULTIFUNCIONAL DA CORRENTE, ANTES DE SUBSTITUIR ACESSÓRIOS, SUBSTITUIR BUCHAS OU EFECTUAR QUALQUER TRABALHO DE MANUTENÇÃO NA FERRAMENTA.

GERAL

A ferramenta multifuncional Dremel é uma ferramenta de precisão de elevada qualidade, que pode ser utilizada para efectuar tarefas pormenorizadas e complexas. Os inúmeros acessórios e peças de montagem Dremel permitem-lhe realizar uma multiplicidade de tarefas. Isto inclui tarefas como lixar, talhar, gravar e fresar, cortar, limpar e polir. FIGURA 2

FIGURA 1

- A. Porca de aperto
- B. Mandril
- C. Interface da união de montagem
- D. Tampa da carcaça
- E. Botão de bloqueio do veio
- F. Aberturas de ventilação
- G. Cobertura da escova (uma em cada lado)
- H. Interruptor de ligar/desligar
- I. Display LCD
- J. Botões para aumentar /diminuir a velocidade
- K. Suspensão
- L. Cabo

MANDRIL

Os acessórios Dremel disponíveis para a ferramenta multifuncional vêm com vários tamanhos de encabadouro. Estão disponíveis quatro mandris para acomodar os diferentes tamanhos de encabadouro. Os tamanhos das mandris estão identificados pelos anéis na parte de trás da bucha.

FIGURA 3

- M. Mandril de 3,2 mm sem anel (480)
- N. Mandril de 2,4 mm com três anéis (481)
- O. Mandril de 1,6 mm com dois anéis (482)
- P. Mandril de 0,8 mm com um anel (483)

NOTA: Alguns conjuntos de ferramentas multifuncionais poderão não incluir os quatro tamanhos de buchas. As buchas estão disponíveis em separado.

Use sempre o mandril adequado ao tamanho do encabadouro do acessório, que tenciona utilizar. Não tente encaixar à força numa mandril mais pequeno, um encabadouro com um diâmetro superior.

SUBSTITUIR MANDRIL

FIGURA 4

- Q. Botão de bloqueio do veio
- R. Chave de bucha
- S. Para apertar
- T. Para desapertar
- U. Porca de aperto

1. Carregue no botão de bloqueio do veio, mantenha-o premido e rode o veio à mão, até o mecanismo de bloqueio fazer engatar o veio. Não accione o botão de bloqueio do veio, enquanto a ferramenta multifuncional estiver em funcionamento.
2. Estando o botão de bloqueio do veio accionado, desaperte e retire a porca de aperto. Se necessário, utilize a chave de bucha.
3. Retire o mandril, puxando-a para fora do veio.
4. Instale o mandril do tamanho adequado completamente dentro do veio e reinstale a ponta da porca de aperto. Não aperte completamente a porca se não existir nenhuma aplicação ou acessório instalado.

SUBSTITUIR ACESSÓRIOS

FIGURA 4/5

- Q. Botão de bloqueio do veio

1. Carregue no botão de bloqueio do veio e rode o veio à mão até o mecanismo de bloqueio fazer engatar o bloqueio do veio. *Não accione o botão de bloqueio do veio, enquanto a ferramenta multifuncional estiver em funcionamento.*
2. Estando o botão de bloqueio do veio accionado, desaperte (não retire) a porca de aperto. Se necessário, utilize a chave de bucha.
3. Insira a aplicação ou o encabadouro do acessório completamente na bucha.
4. Estando o botão de bloqueio do veio accionado, aperte a porca à mão, até a aplicação ou encabadouro do acessório ficar aprisionado pela bucha.

NOTA: Não se esqueça de ler as instruções fornecidas com o seu acessório Dremel, para mais informação sobre a sua utilização.

Utilizar apenas acessórios Dremel testados, de elevado desempenho.

INICIAÇÃO

UTILIZAÇÃO

O primeiro passo na utilização da ferramenta multifuncional consiste em "sentir-la". Pegue nela e segure-a na sua mão para sentir o seu peso e achar o centro de gravidade. Sinta na sua mão a configuração cônica do seu corpo. Esta configuração cônica permitir-lhe-á pegar na ferramenta como se fosse um lápis ou uma caneta.

Mantenha sempre a ferramenta afastada da sua face. Os acessórios podem sofrer danos durante o manuseamento, podendo igualmente ser projectados durante o trabalho, se estiverem mal montados.

Não tape as aberturas de ventilação com a sua mão quando segurar a ferramenta. Se tapar as aberturas de ventilação pode causar um sobreaquecimento do motor.

IMPORTANTE! Comece por praticar em materiais de desperdício, para se familiarizar com a forma como a ferramenta desempenha a sua função de alta velocidade. Lembre-se de que a sua ferramenta multifuncional terá um melhor desempenho colocando a velocidade ao seu serviço, associado ao acessório e à peça de montagem Dremel correcta. Se possível, não pressione a ferramenta durante a utilização. Aproxime o acessório em rotação da peça a ser trabalhada e encoste-o, ao de leve, no ponto onde tencionia começar. Concentre-se, sobretudo, em orientar a ferramenta ao longo da peça, exercendo uma pressão muito ligeira com a mão. Deixe que o acessório faça o essencial do trabalho. Normalmente, é aconselhável repartir a operação por diversas passagens com a ferramenta, em vez de tentar fazer logo o trabalho todo de uma só vez. Um simples toque dá-lhe o melhor controlo e reduz a hipótese de erro.

SEGURAR A FERRAMENTA

Para obter o controlo ideal em trabalhos de maior detalhe, pegue na ferramenta multifuncional como se fosse um lápis, segurando-a entre o polegar e o indicador. FIGURA 6 O método de punho "golfe" é utilizado para operações mais difíceis, tais como esmerilar e cortar. FIGURA 7

VELOCIDADES DE OPERAÇÃO

Esta ferramenta é uma ferramenta multifuncional de alta velocidade. O display digital da ferramenta 400 Series DIGITAL indica o número exacto das r.p.m. (x 1.000) em que a ferramenta funciona. Para aumentar / diminuir a velocidade, pressione os botões para aumentar / diminuir a velocidade. A velocidade da sua ferramenta multifuncional pode ser aumentada e diminuída em passos de 1.000 r.p.m.. Desta forma, pode regular com extrema precisão a velocidade da sua ferramenta multifuncional. Adaptar as r.p.m. ao seu projecto proporcionar-lhe-á um melhor resultado final. Para conseguir os melhores resultados enquanto trabalha com materiais diferentes, adapte o controlo da velocidade variável da forma mais indicada para o trabalho. Para seleccionar a velocidade correcta para o acessório a ser utilizado comece por praticar em materiais de desperdício.

NOTA: A velocidade é afectada por variações de tensão. Uma tensão de entrada reduzida diminuirá as r.p.m. da ferramenta, especialmente na posição mais baixa. Se a sua ferramenta parece funcionar lentamente, aumente de forma adequada o nível de velocidade. A ferramenta poderá não arrancar na posição do interruptor mais baixa em áreas em que a tensão é inferior a 220 V. Basta mover o nível de velocidade para uma posição mais elevada para iniciar a operação.

Consulte as tabelas dos níveis de velocidade nas páginas 4-6 para o ajudar a determinar a velocidade adequada para o material a ser trabalhado e o acessório a utilizar.

A) Para utilização em painéis de gesso. Para obter melhores resultados, usar a 33.000 r.p.m.

B) Para tirar argamassa das paredes e do chão. Utilizar as posições 20.000-28.000 r.p.m.

*) Velocidade para cortes ligeiros. Atenção, queima-se em ranhuras profundas.

■ Dependendo do sentido de movimento de corte relativo à granulação.

A maioria dos trabalhos podem ser realizados utilizando a ferramenta na posição mais elevada. No entanto, certos materiais (alguns plásticos e metais) podem ser danificados pelo calor gerado pela alta velocidade e devem ser trabalhados a velocidades relativamente baixas. A operação de baixa velocidade (15.000 r.p.m. ou menos) é geralmente melhor para as operações de polimento que empregam acessórios de polir em feltro. Todas as tarefas de escovar requerem velocidades inferiores para evitar o desprendimento de arames do suporte. Ponha o desempenho da ferramenta ao seu serviço quando utilizar níveis de velocidade inferiores. As velocidades superiores são melhores para madeiras rijas, metais e vidro e para furar, talhar, cortar, fresar, gravar e fazer sambaladuras ou frisos na madeira.

Algumas directivas relativas à velocidade da ferramenta:

- O plástico e outros materiais afins, que fundam a baixas temperaturas, deverão ser cortados a baixa velocidade.
- Certos trabalhos, como polir, puxar o lustro e limpar usando uma escova de arame, terão de ser executados a velocidades inferiores a 15.000 r.p.m., para não danificar a escova.
- A madeira deverá ser cortada a alta velocidade.
- O ferro ou o aço deverá ser cortado a alta velocidade.
- Quando um cortante de aço rápido começa a vibrar, normalmente isso significa que está a rodar a uma velocidade demasiado baixa.
- O alumínio, as ligas de cobre, de chumbo, de zinco e o latão são materiais, que poderão ser cortados a várias velocidades, dependendo do tipo de corte, que se pretenda efectuar. Aplique uma parafina (não água) ou outro lubrificante apropriado no cortante para impedir que o material cortado adira aos dentes.

NOTA: Aumentar a pressão na ferramenta não é a solução quando não está a funcionar correctamente. Experimente um acessório diferente ou nível de velocidade para conseguir o resultado desejado.

MANUTENÇÃO

A manutenção preventiva realizada por pessoal não autorizado pode resultar no deslocamento dos fios e componentes internos, o que é potencialmente perigoso. Recomendamos que todo o tipo de assistência técnica prestada à ferramenta se realize nas instalações da Dremel. Para evitar lesões devido à colocação em funcionamento imprevista ou choque eléctrico, retire sempre a ficha da tomada de parede, antes de efectuar qualquer trabalho de manutenção ou limpeza.

ESCOVAS DE CARVÃO

As escovas na sua ferramenta foram concebidas para várias horas de manutenção segura. Para preparar as escovas para a utilização ponha a ferramenta a funcionar em vazio, durante 5 minutos à velocidade máxima. Isto "assentará" correctamente as escovas e prolongará a vida útil da ferramenta. Para manter a maior eficácia do motor, examine o desgaste das escovas em cada 40-50 horas.

A utilização da ferramenta com escovas gastas danificará permanentemente o motor. Utilize apenas escovas de substituição originais Dremel. Examine as escovas da ferramenta multifuncional após 40-50 horas de utilização. Se a ferramenta funcionar de forma irregular, perder potência ou fizer ruídos invulgares, verifique o desgaste e a possível substituição das escovas. Siga estes passos para verificar/substituir as escovas da ferramenta multifuncional:

1. Estando o cabo de rede desligado da corrente, coloque a ferramenta sobre uma superfície limpa. Utilizar a chave de boca da ferramenta para remover as coberturas das escovas. FIGURA 8
2. Virar a ferramenta, de modo a que a escova saia do suporte e verificar cada uma das escovas. Se a escova tiver menos 3 mm de comprimento e a superfície da escova que toca no comutador estiver áspera ou corroída, as escovas de carvão devem ser substituídas. Não se esqueça de verificar ambas as escovas. FIGURA 9
3. Se uma das escovas estiver gasta, deve substituir ambas as escovas para um melhor desempenho da sua ferramenta multifuncional. Remova a mola da escova, elimine a escova antiga e coloque a mola na escova nova.

ASSISTÊNCIA TÉCNICA E GARANTIA

A garantia deste produto DREMEL está assegurada de acordo com as normas estatutárias/específicas do país; as avarias devidas ao desgaste normal, sobrecarga ou utilização incorrecta não estão abrangidas pela garantia.

Em caso de reclamação, envie a ferramenta *por desmontar* juntamente com o comprovativo de compra, para o seu agente autorizado.

4. Volte a colocar a escova de carvão e a mola dentro da ferramenta; existe apenas uma forma de a escova caber exactamente na ferramenta. Verificar se as escovas estão montadas como está ilustrado. FIGURA 9 A curvatura da escova deve coincidir com a curvatura do comutador.
5. Apoiar o lado inferior quadrado da porta da escova nas aberturas da cavidade quadrada. Verificar que a mola está apoiada na ranhura em V da escova. Pressionar a parte dianteira da porta para baixo. De seguida, pressionar para baixo e mover o trinco traseiro para dentro do entalhe. Após substituir as escovas, a ferramenta deve funcionar em vazio; coloque-a sobre uma superfície limpa e ponha-a a funcionar em vazio, durante 5 minutos à velocidade máxima, antes de carregar (ou utilizar) a ferramenta. Isto permitirá o "assentamento" adequado das escovas e conceder-lhe-á mais horas de vida útil em cada conjunto de escovas. Desta forma, prolongará também a vida útil da sua ferramenta, dado que a superfície do comutador também terá uma melhor e mais longa durabilidade. FIGURA 10

LIMPEZA DA FERRAMENTA

DESLIGUE A FICHA DA TOMADA ANTES DE LIMPAR

As aberturas de ventilação e as alavancas dos interruptores têm de estar sempre limpas e sem corpos estranhos. Não tente fazer a limpeza inserindo objectos pontiagudos pelas ranhuras.

A ferramenta pode ser limpa com ar comprimido. Use sempre óculos de protecção ao limpar a ferramenta com ar comprimido.

Não necessita de lubrificar a ferramenta multifuncional Dremel.

Alguns produtos de limpeza e solventes danificarão as partes em plástico. Eis alguns exemplos: gasolina, tetracloreto de carbono, solventes de limpeza à base de cloro, amoníaco e detergentes domésticos contendo amoníaco.

Limpe as áreas do "punho Softgrip" da ferramenta, utilizando um pano húmido. As áreas bastante sujas poderão necessitar de mais de uma passagem do pano para ficarem limpas.

CONTACTO DA DREMEL

Para mais informações sobre a variedade, apoio e linha directa da Dremel, consulte o site www.dremel.com

Dremel Europe, P.O. Box 3267, 4800 DG Breda

ΓΕΝΙΚΕΣ ΟΔΗΓΙΕΣ ΑΣΦΑΛΕΙΑΣ



▲ ΠΡΟΕΙΔΟΠΟΙΗΣΗ

ΔΙΑΒΑΣΤΕ ΟΛΕΣ ΤΙΣ ΥΠΟΔΕΙΞΕΙΣ. Η μη συμμόρφωση με τις πιο κάτω υποδείξεις μπορεί να οδηγήσει σε ηλεκτροπληξία, φωτιά και/ή σε σοβαρό τραυματισμό. Ο ορισμός "ηλεκτρικό εργαλείο" σε όλες τις πιο κάτω προειδοποιήσεις αναφέρεται σε ηλεκτρικά εργαλεία που συνδέονται με το ηλεκτρικό δίκτυο (με ηλεκτρικό καλώδιο).

ΦΥΛΑΞΤΕ ΑΥΤΕΣ ΤΙΣ ΟΔΗΓΙΕΣ

1. ΧΩΡΟΣ ΕΡΓΑΣΙΑΣ

- Διατηρείτε το χώρο εργασίας καθαρό και τακτοποιημένο. Η αταξία και οι σκοτεινές περιοχές προκαλούν ατύχημα.
- Μην εργάζεστε με το ηλεκτρικό εργαλείο σε περιβάλλον επικίνδυνο για έκρηξη, όπως εκεί που υπάρχουν εύφλεκτα υγρά, αέριο ή σκόνης. Τα ηλεκτρικά εργαλεία δημιουργούν σπινθήρες, οι οποίοι μπορούν να αναφλέξουν τη σκόνη ή τις αναθυμιάσεις.
- Όταν χρησιμοποιείτε ένα ηλεκτρικό εργαλείο κρατάτε μακριά τα παιδιά και τα άλλα παρευρισκόμενα άτομα. Σε περίπτωση απόσπασης της προσοχής σας μπορεί να χάσετε τον έλεγχο του εργαλείου.

2. ΗΛΕΚΤΡΙΚΗ ΑΣΦΑΛΕΙΑ

- Τα φως των ηλεκτρικών εργαλείων πρέπει να ταιριάζουν στην πρίζα. Σε καμία περίπτωση δεν επιτρέπεται η μετατροπή του φως. Μη χρησιμοποιείτε προσαρμογείς φως με γειωμένα ηλεκτρικά εργαλεία. Τα μη μεταποιημένα φως και οι κατάλληλες πρίζες μειώνουν τον κίνδυνο ηλεκτροπληξίας.
- Αποφεύγετε την επαφή του σώματος με γειωμένες επιφάνειες, όπως σωλήνες, θερμαντικά σώματα, ηλεκτρικές κουζίνες και ψυγεία. Όταν το σώμα σας είναι γειωμένο, αυξάνεται ο κίνδυνος ηλεκτροπληξίας.
- Μην εκθέτετε τα ηλεκτρικά εργαλεία στη βροχή ή στην υγρασία. Η διείσδυση νερού σε ένα ηλεκτρικό εργαλείο αυξάνει τον κίνδυνο ηλεκτροπληξίας.
- Χρησιμοποιείτε το καλώδιο ενδεχόμενα. Μη χρησιμοποιείτε το ηλεκτρικό καλώδιο για να μεταφέρετε ή να αναρτήσετε το ηλεκτρικό εργαλείο ή για να βγάλετε το φως από την πρίζα. Κρατάτε το ηλεκτρικό καλώδιο μακριά από θέρμανση, λάδι, κοφτερές ακμές ή κινούμενα εξαρτήματα. Τα χαλασμένα ή τα μπερδεμένα ηλεκτρικά καλώδια αυξάνουν τον κίνδυνο ηλεκτροπληξίας.
- Όταν εργάζεστε με ένα ηλεκτρικό εργαλείο στην ύπαιθρο, χρησιμοποιείτε ηλεκτρικό καλώδιο επεκτασης (μπαλαντέζα), κατάλληλα για χρήση στην ύπαιθρο. Η χρήση ενός ηλεκτρικού καλωδίου κατάλληλου για την ύπαιθρο μειώνει τον κίνδυνο ηλεκτροπληξίας.

3. ΑΣΦΑΛΕΙΑ ΠΡΟΣΩΠΩΝ

- Να είστε πάντοτε προσεκτικοί, να δίνετε προσοχή στην εργασία που κάνετε και να χειρίζεστε με προσοχή το ηλεκτρικό εργαλείο. Μη χρησιμοποιείτε ένα ηλεκτρικό εργαλείο, όταν είστε κουρασμένοι ή όταν βρίσκεστε υπό την επιρροή ναρκωτικών, οινοπνεύματος ή φαρμάκων. Μια στιγμή απροσεξίας κατά το χειρισμό του ηλεκτρικού εργαλείου μπορεί να οδηγήσει σε σοβαρούς τραυματισμούς του χειριστή.



β. Χρησιμοποιείτε εξοπλισμό ασφαλείας. Χρησιμοποιείτε πάντοτε προστατευτικά γυαλιά. Ο εξοπλισμός ασφαλείας, όπως μάσκα προστασίας από τη σκόνη, αντιπολιοθητικά υποδήματα ασφάλειας, προστατευτικό κράνος, ή ωτασπίδες, που χρησιμοποιείται κατάλληλα, μειώνει τον κίνδυνο τραυματισμών.

- Αποφεύγετε την αθέλητη εκκίνηση. Βεβαιωθείτε ότι ο διακόπτης βρίσκεται στη θέση OFF, προτού να συνδέσετε το εργαλείο στο ρεύμα. Όταν μεταφέρετε τα ηλεκτρικά εργαλεία με το δάκτυλό σας στο διακόπτη ή όταν συνδέσετε τα ηλεκτρικά εργαλεία, με το διακόπτη ενεργοποιημένο (ON), υπάρχει κίνδυνος ατυχήματος.
- Απομακρύνετε κάθε κλειδί ρύθμισης ή κλειδί τσοκ, προτού θέσετε το ηλεκτρικό εργαλείο σε λειτουργία. Ένα κλειδί τσοκ ή ένα κλειδί ρύθμισης, προσαρτημένο σ' ένα περιστρεφόμενο εξάρτημα του ηλεκτρικού εργαλείου μπορεί να οδηγήσει σε τραυματισμούς.
- Μην υπερεκτιμάτε τον εαυτό σας. Παίρνετε σωστή στάση και κρατάτε πάντοτε την ισορροπία σας. Αυτό βοηθά στον καλύτερο έλεγχο του ηλεκτρικού εργαλείου σε περίπτωση απροσδόκητων καταστάσεων.
- Φοράτε σωστή ενδυμασία. Μη φοράτε φαρδιά ρούχα ή κοσμήματα. Κρατάτε τα μαλλιά σας, τα ρούχα και τα γάντια σας μακριά από τα κινούμενα μέρη. Χαλαρά ρούχα, κοσμήματα ή μακριά μαλλιά μπορούν να εμπλακούν στα κινούμενα μέρη.
- Όταν υπάρχουν διατάξεις για σύνδεση σε αναρρόφηση και συλλογή σκόνης, βεβαιωθείτε, ότι είναι συνδεδεμένες και χρησιμοποιούνται σωστά. Η χρήση αυτών των διατάξεων μπορεί να μειώσει τον κίνδυνο που προκαλείται από τη σκόνη.

4. ΧΡΗΣΗ ΚΑΙ ΦΡΟΝΤΙΔΑ ΗΛΕΚΤΡΙΚΩΝ ΕΡΓΑΛΕΙΩΝ

- Μην υπερφορτώνετε το ηλεκτρικό εργαλείο. Χρησιμοποιείτε το σωστό ηλεκτρικό εργαλείο για την εργασία σας. Το σωστό ηλεκτρικό εργαλείο καθιστά την εργασία σας καλύτερη και ασφαλέστερη, όταν εργάζεστε στην ταχύτητα για την οποία κατασκευάστηκε.
- Μη χρησιμοποιείτε το ηλεκτρικό εργαλείο, εάν ο διακόπτης δεν μπορεί να ενεργοποιηθεί και να απενεργοποιηθεί. Ένα ηλεκτρικό εργαλείο, το οποίο δεν μπορεί να ελεγχθεί με το διακόπτη είναι επικίνδυνο και πρέπει να επισκευαστεί.
- Πριν προβείτε σε μια ρύθμιση, στην αλλαγή εξαρτήματος ή στη φύλαξη των ηλεκτρικών εργαλείων τραβήξτε το φως από την πρίζα του ρεύματος. Τα προληπτικά μέτρα ασφαλείας μειώνουν τον κίνδυνο μιας ακούσιας εκκίνησης του ηλεκτρικού εργαλείου.
- Φυλάγετε τα ηλεκτρικά εργαλεία που δε χρησιμοποιούνται μακριά από τα παιδιά και μην επιτρέψετε τη χρήση του ηλεκτρικού εργαλείου σε άτομα που δεν είναι εξοικειωμένα με αυτό το ηλεκτρικό εργαλείο ή με αυτές τις οδηγίες λειτουργίας του ηλεκτρικού εργαλείου. Τα ηλεκτρικά εργαλεία είναι επικίνδυνα, όταν χρησιμοποιούνται από άπειρα άτομα.

ΟΔΗΓΙΕΣ ΑΣΦΑΛΕΙΑΣ ΓΙΑ ΟΛΕΣ ΤΙΣ ΕΡΓΑΣΙΕΣ

ΠΡΟΕΙΔΟΠΟΙΗΣΕΙΣ ΑΣΦΑΛΕΙΑΣ ΠΟΥ ΙΣΧΥΟΥΝ ΓΙΑ ΤΡΟΧΙΣΜΑ, ΤΡΙΨΙΜΟ, ΕΡΓΑΣΙΕΣ ΜΕ ΣΥΡΜΑΤΟΒΟΥΡΤΣΑ, ΓΥΑΛΙΣΜΑ ΚΑΙ ΚΟΨΙΜΟ

- Αυτό το ηλεκτρικό εργαλείο προβλέπεται για εργασίες λείανσης, τριψίματος, εργασίες με συρματόβουρτσα, εργασίες στίλβωσης ή ως εργαλείο κοπής. Λαμβάνετε υπόψη σας όλες τις προειδοποιήσεις ασφαλείας, τις οδηγίες, τις απεικονίσεις και τις προδιαγραφές που παραδίδονται με αυτό το ηλεκτρικό εργαλείο. Η μη συμμόρφωση με τις πιο κάτω υποδείξεις μπορεί να οδηγήσει σε ηλεκτροπληξία, φωτιά και/ή σε σοβαρό τραυματισμό.
- Μη χρησιμοποιείτε εξαρτήματα, τα οποία δεν προβλέπονται και δε συστοιούνται από τον κατασκευαστή του εργαλείου. Η διαπίστωση ότι ένα εξάρτημα μπορεί να προσαρτηθεί στο ηλεκτρικό σας εργαλείο, δεν εγγυάται την ασφαλή λειτουργία.
- Ο επιπρεπτός αριθμός στροφών του εξαρτήματος πρέπει να είναι το λιγότερο ίσο με το μέγιστο αριθμό στροφών που αναφέρεται στο ηλεκτρικό εργαλείο. Τα εξαρτήματα που περιστρέφονται γρηγορότερα απ' αυτό τον επιπρεπτό αριθμό στροφών μπορούν να καταστραφούν.

- Συντηρείτε τα ηλεκτρικά εργαλεία. Ελέγχετε, εάν τα κινούμενα μέρη λειτουργούν λανθασμένα ή είναι μπλοκαρισμένα, εάν έχουν σπάσει καθώς και κάθε άλλη κατάσταση, που επηρεάζει αρνητικά τη λειτουργία των ηλεκτρικών εργαλείων. Εάν υπάρχουν ζημιές, δώστε το ηλεκτρικό εργαλείο για επισκευή, πριν το χρησιμοποιήσετε. Η κακή συντήρηση των ηλεκτρικών εργαλείων αποτελεί αιτία πολλών ατυχημάτων.
- Διατηρείτε τα εργαλεία κοπής κοφτερά και καθαρά. Τα σωστά συντηρημένα εργαλεία κοπής με κοφτερές ακμές κοπής μαγκνότερα δυσκολότερα και ελέγχονται ευκολότερα.
- Χρησιμοποιείτε το ηλεκτρικό εργαλείο και τα εξαρτήματά του, σύμφωνα με αυτές τις οδηγίες ασφαλείας και τον τρόπο που προβλέπεται για αυτό τον ξεχωριστό τύπο ηλεκτρικού εργαλείου, προσέχοντας τις συνθήκες εργασίας και το επεξεργαζόμενο κομμάτι που πρέπει να διαμορφωθεί. Η χρήση του ηλεκτρικού εργαλείου για εργασίες που δεν προβλέπονται για αυτό μπορεί να δημιουργήσει επικίνδυνες καταστάσεις.

5. ΣΕΡΒΙΣ

- Δώστε το ηλεκτρικό εργαλείο σας για σέρβις σ' ένα ειδικευμένο στις επισκευές άτομο, χρησιμοποιώντας μόνο γνήσια ανταλλακτικά εξαρτήματα. Έτσι εξασφαλίζεται η διατήρηση της ασφάλειας του ηλεκτρικού εργαλείου.

- Η εξωτερική διάμετρος και το πάχος του εξαρτήματος πρέπει να ταιριάζει στις αντίστοιχες διαστάσεις του ηλεκτρικού σας εργαλείου. Τα εξαρτήματα με λάθος μέγεθος δεν μπορούν να καλυφθούν ή να ελεγχθούν επαρκώς.
- Οι δίσκοι λείανσης/κοπής, οι φλάντζες, οι δίσκοι στήριξης ή άλλα εξαρτήματα πρέπει να προσαρμόζονται σωστά στον άξονα του ηλεκτρικού εργαλείου. Τα εξαρτήματα με σπές, που δεν ταιριάζουν ακριβώς στον άξονα του ηλεκτρικού εργαλείου, περιστρέφονται ανομοιόμορφα, προκαλούν ισχυρούς κραδασμούς και μπορούν να οδηγήσουν στην απώλεια του ελέγχου του ηλεκτρικού εργαλείου.
- Μη χρησιμοποιείτε χαλασμένα εξαρτήματα. Ελέγχετε πριν τη χρήση κάθε εξάρτημα, όπως τους δίσκους λείανσης για τυχόν σπασίματα και ρωγμές, τον δίσκο στήριξης για ρωγμές ή μεγάλες φθορές και τη συρματόβουρτσα για χαλαρά ή κομμένα σύρματα. Σε περίπτωση που το ηλεκτρικό εργαλείο ή το εξάρτημα πέσει κάτω, ελέγξετε για τυχόν ζημιά ή χρησιμοποίηστε ένα άλλο άψογο εξάρτημα. Μετά τον έλεγχο και την τοποθέτηση του εξαρτήματος, απομακρυνθείτε εσείς οι ίδιοι και τα παρευρισκόμενα άτομα από την περιοχή του περιστρεφόμενου εξαρτήματος και θέστε το ηλεκτρικό εργαλείο σε

λειτουργία με το μέγιστο αριθμό στροφών χωρίς φορτίο για ένα λεπτό. *Τα χαλασμένα εξαρτήματα σπάνε κανονικά κατά τη διάρκεια αυτού του χρόνου δοκιμής.*

- η. Χρησιμοποιείτε τον προσωπικό εξοπλισμό προστασίας. Ανάλογα με την εργασία χρησιμοποιείτε μάσκες προσώπου, προστατευτικές διατάξεις ματιών ή προστατευτικά γυαλιά. Όταν είναι απαραίτητο, φορέστε μια μάσκα προστασίας από τη σκόνη, ωτασπίδες, γάντια και μια κατάλληλη ποδιά, που θα σας προστατεύει από τα εκσφενδονιζόμενα σωματίδια λείανσης ή από τα θραύσματα που επεξεργαζόμενο κομμάτι. *Τα προστατευτικά γυαλιά πρέπει να είναι κατάλληλα για την προστασία από τα αιωρούμενα σωματίδια που δημιουργούνται κατά την εκτέλεση των διαφόρων εργασιών. Η μάσκα προστασίας από τη σκόνη ή η αναπνευστική μάσκα πρέπει να είναι κατάλληλη να φιλτράρουν τα μικροσωματίδια που δημιουργούνται κατά την εργασία σας. Η παρατεταμένη έκθεση σε θόρυβο υψηλής έντασης μπορεί να οδηγήσει στην απώλεια της ακοής.*
- θ. Κρατάτε τα παρευρισκόμενα άτομα σε απόσταση ασφαλείας από το χώρο εργασίας. Κάθε άτομο που εισέρχεται στο χώρο εργασίας πρέπει να φέρει προσωπικό εξοπλισμό προστασίας. *Τα θραύσματα του επεξεργαζόμενου κομματιού ή ενός σπασμένου εξαρτήματος μπορούν να εκσφενδονιστούν και να προκαλέσουν τραυματισμούς, ακόμα και εκτός της περιοχής εργασίας.*
- ι. Κρατάτε το ηλεκτρικό εργαλείο μόνο από τις ηλεκτρικά μονωμένες πλαινές χειρολαβές, όταν εκτελείτε μια εργασία, όπου το εξάρτημα κοπής μπορεί να έρθει σε επαφή με καλυμμένα σύρματα ή με το δίκτυο του καλώδιο. *Η επαφή ενός εξαρτήματος κοπής μ' ένα "ρευματοφόρο" σύρμα καθιστά τα ακάλυπτα μεταλλικά μέρη του ηλεκτρικού εργαλείου "ρευματοφόρα" και μπορεί να προκαλέσει την ηλεκτροπληξία του χειριστή.*
- κ. Τοποθετείτε το ηλεκτρικό καλώδιο ξεχωριστά από το περιστρεφόμενο εξάρτημα. *Σε περίπτωση που χάσετε τον έλεγχο, το ηλεκτρικό καλώδιο μπορεί να κοπεί ή να επιπλακεί και το χέρι ή το μπράτσο σας να τραβηχτεί πάνω στο περιστρεφόμενο εξάρτημα.*
- λ. Μην ακουμπάτε το ηλεκτρικό εργαλείο ποτέ κάτω, ώσπου να σταματήσει εντελώς το εξάρτημα. *Το περιστρεφόμενο εξάρτημα μπορεί να "αρπάξει" την επιφάνεια εναπόθεσης και να θέσει το ηλεκτρικό εργαλείο εκτός του ελέγχου.*
- μ. Μην αφήνετε το ηλεκτρικό εργαλείο να λειτουργεί, κατά τη διάρκεια της μεταφοράς. *Τα ρούχα σας μπορούν να τυλιχτούν αβέλητα στο περιστρεφόμενο εξάρτημα και να τραβήξουν το εξάρτημα στο σώμα σας.*
- ν. Καθαρίζετε τακτικά τις σχισμές αερισμού του ηλεκτρικού εργαλείου. *Ο ανεμιστήρας του κινητήρα αναρροφά τη σκόνη μέσα στο περιβλήμα και η υπερβολική συγκέντρωση της μεταλλικής σκόνης μπορεί να προκαλέσει ηλεκτρικούς κινδύνους.*

- ξ. Μη χρησιμοποιείτε το ηλεκτρικό εργαλείο κοντά σε εύφλεκτα υλικά. *Οι σπινθήρες μπορούν να αναφλέξουν αυτό το υλικό.*
- ο. Μη χρησιμοποιείτε εξαρτήματα, που απαιτούν ψύξη με ψυκτικά υγρά. *Η χρήση νερού ή άλλων ψυκτικών υγρών μπορεί να οδηγήσει σε ηλεκτροπληξία.*

ΑΝΑΔΡΑΣΗ ΚΑΙ ΣΧΕΤΙΚΕΣ ΠΡΟΕΙΔΟΠΟΙΗΣΕΙΣ

Η ανάνδραση (κλότσημα) είναι μια απροσδόκητη αντίδραση στο σφίξιμο ή μάγκωμα ενός περιστρεφόμενου δίσκου, ενός δίσκου στήριξης, μιας βούρτσας ή ενός άλλου εξαρτήματος. Το σφίξιμο ή μάγκωμα προκαλεί το ξαφνικό σταμάτημα του περιστρεφόμενου εξαρτήματος, πράγμα που έχει ως αποτέλεσμα το μη ελεγχόμενο ηλεκτρικό εργαλείο να τινάζεται στην αντίθετη κατεύθυνση της περιστροφής του εξαρτήματος στο σημείο εμπλοκής. Όταν π.χ. ένας δίσκος λείανσης σφηνώσει ή μπλοκάρει στο επεξεργαζόμενο κομμάτι, τότε η ακμή του δίσκου που βυθίζεται στο σημείο εμπλοκής μπορεί να "σκάψει" στην επιφάνεια του υλικού και να προκαλέσει την εκτίναξη προς τα έξω ή το κλότσημα του δίσκου. Ο δίσκος μπορεί να τιναχτεί προς την κατεύθυνση ή αντίθετα στην κατεύθυνση του χειριστή, ανάλογα με τη φορά περιστροφής του δίσκου στο σημείο εμπλοκής. Σε τέτοιες περιπτώσεις μπορούν οι δίσκοι λείανσης να σπάσουν. Το "κλότσημα" είναι το αποτέλεσμα λάθος χρήσης του ηλεκτρικού εργαλείου και/ή λάθος διαδικασίας χειρισμού ή συνθηκών και μπορεί να αποφευχθεί με τη λήψη σωστων προληπτικών μέτρων, ως περιγράφονται ακολούθως.

- α. Κρατάτε σταθερά το ηλεκτρικό εργαλείο και τοποθετήστε το σώμα και τα χέρια σας έτσι, ώστε να μπορείτε να αντισταθείτε στις δυνάμεις ανάνδρασης (κλότσηματος). Χρησιμοποιείτε πάντοτε τη βοηθητική λαβή, εάν υπάρχει, για να εξασφαλίσετε το μέγιστο έλεγχο της ανάνδρασης ή της αντίθετης ροπής κατά το ξεκίνημα. *Οι αντίθετες ροπές ή οι δυνάμεις της ανάνδρασης (κλότσημα) μπορούν να ελεγχθούν από το χειριστή, εάν ληφθούν τα σωστά προληπτικά μέτρα.*
- β. Μη βάζετε ποτέ τα χέρια σας κοντά στο περιστρεφόμενο εξάρτημα. *Το εξάρτημα μπορεί σε περίπτωση κλότσηματος να περάσει πάνω από το χέρι σας.*
- γ. Μην τοποθετείτε το σώμα σας στην περιοχή, στην οποία το ηλεκτρικό εργαλείο μπορεί να κινήθει, σε περίπτωση κλότσηματος. *Κατά το κλότσημα το ηλεκτρικό εργαλείο κινείται με κατεύθυνση αντίθετη από τη φορά περιστροφής του δίσκου στο σημείο εμπλοκής.*
- δ. Προσέχετε ιδιαίτερα, όταν εργάζεστε σε γωνίες, κοφτερές ακμές κτλ. Αποφύγετε την αναπήδηση και το σφηνωμα του εξαρτήματος. *Το περιστρεφόμενο εξάρτημα σφηνώνει εύκολα σε γωνίες και κοφτερές ακμές, με αποτέλεσμα απώλεια ελέγχου ή κλότσημα.*
- ε. Μη χρησιμοποιείτε ένα αλυσοπρίονο για σκάλισμα ξύλου ή μια οδοντωτή πριονόλαμα. *Αυτές οι λάμες προκαλούν συχνά κλότσημα και απώλεια του ελέγχου.*

ΕΙΔΙΚΕΣ ΠΡΟΕΙΔΟΠΟΙΗΣΕΙΣ ΑΣΦΑΛΕΙΑΣ ΓΙΑ ΕΡΓΑΣΙΕΣ ΛΕΙΑΝΣΗΣ ΚΑΙ ΚΟΠΗΣ

- α. Χρησιμοποιείτε μόνο τύπους δίσκων που συνιστούνται για το ηλεκτρικό σας εργαλείο και τους ειδικούς προφυλακτικές, που προβλέπονται για τους επιλεγμένους δίσκους. *Οι δίσκοι που δεν προβλέπονται για το ηλεκτρικό εργαλείο δεν μπορούν να καλυφτούν επαρκώς και είναι ανασφαλείς.*
- β. Οι δίσκοι πρέπει να χρησιμοποιούνται μόνο για τις προβλεπόμενες εργασίες. Για παράδειγμα: Μη λείανετε με την πλευρά ενός δίσκου κοπής. *Οι δίσκοι κοπής προορίζονται για τρύχιση με την περιφέρεια, η εφαρμογή πλευρικών δυνάμεων σε αυτούς τους δίσκους μπορούν να προκαλέσουν το σπάσιμο τους.*
- γ. Χρησιμοποιείτε πάντοτε άψογες φλάντζες σύσφιξης, που έχουν το σωστό μέγεθος και τη σωστή μορφή για τον επιλεγμένο δίσκο. *Η σωστή φλάντζα στηρίζει το δίσκο λείανσης και μειώνει τον κίνδυνο σπασίματος του δίσκου. Οι φλάντζες για τους δίσκους κοπής μπορούν να διαφέρουν από τις φλάντζες για δίσκους λείανσης.*
- δ. Μη χρησιμοποιείτε φθαρμένους δίσκους από μεγαλύτερα ηλεκτρικά εργαλεία. *Οι δίσκοι λείανσης για τα μεγαλύτερα ηλεκτρικά εργαλεία δεν είναι κατάλληλοι για την υψηλή ταχύτητα των μικρών εργαλείων και μπορεί να σπάσουν.*

ΕΙΔΙΚΕΣ ΠΡΟΣΘΕΤΕΣ ΠΡΟΕΙΔΟΠΟΙΗΣΕΙΣ ΑΣΦΑΛΕΙΑΣ ΓΙΑ ΕΡΓΑΣΙΕΣ ΚΟΠΗΣ

- α. Αποφύγετε το "μπλοκάρισμα" του δίσκου κοπής ή την εφαρμογή υπερβολικής πίεσης. Μην εκτελείτε τομές με υπερβολικό βάθος. *Η μεγάλη πίεση του δίσκου αυξάνει την επιβάρυνση και τον κίνδυνο στρέβλωσης ή μπλοκαρίσματος του δίσκου στην τομή και την πιθανότητα κλότσηματος ή σπασίματος του δίσκου.*
- β. Αποφύγετε με το σώμα σας την περιοχή μπροστά και πίσω από τον περιστρεφόμενο δίσκο. Όταν εργαζόμαστε το δίσκο προς τα εμπρός στο σημείο εργασίας, σε περίπτωση κλότσηματος μπορεί να τιναχτεί ο περιστρεφόμενος δίσκος και το ηλεκτρικό εργαλείο κατευθείαν επάνω σας.
- γ. Όταν μαγκώσετε ο δίσκος ή όταν διακοπεί το κόψιμο για οποιονδήποτε λόγο, απενεργοποιήστε το ηλεκτρικό εργαλείο και κρατήστε το ακίνητο, μέχρις ότου να ακινητοποιηθεί εντελώς ο δίσκος. Μην προσπαθήσετε ποτέ να αφαιρέσετε το δίσκο κοπής από την τομή, όταν ο δίσκος κινείται ακόμα, διαφορετικά υπάρχει κίνδυνος για κλότσημα. *Εξακριβώστε και διορθώστε την αιτία που προκαλεί το μάγκωμα του δίσκου.*
- δ. Μην αρχίσετε ξανά το κόψιμο, όταν ο δίσκος βρίσκεται στο επεξεργαζόμενο κομμάτι. Αφήστε το δίσκο να φθάσει στο μέγιστο αριθμό στροφών και συνεχίστε προσεκτικά το κόψιμο. *Ο δίσκος μπορεί διαφορετικά να μαγκώσει, να πεταχτεί έξω ή να*

προκαλέσει κλότσημα, όταν το ηλεκτρικό εργαλείο επαναξεκινήσει με το δίσκο μέσα στο επεξεργαζόμενο κομμάτι.

- ε. Υποστηρίζετε τις πλάκες ή τα άλλα μεγάλα μεγέθους επεξεργαζόμενα κομμάτια, για την ελαχιστοποίηση του κινδύνου να μπλοκάρει ο δίσκος και να κλοσηθεί. *Τα μεγάλα επεξεργαζόμενα κομμάτια έχουν την τάση να λυγίζουν κάτω από το ίδιο τους το βάρος τους. Τα στηρίγματα πρέπει να τοποθετηθούν κάτω από το επεξεργαζόμενο κομμάτι στις δύο πλευρές κοντά στη γραμμή του κοψίματος και κοντά στην άκρη του επεξεργαζόμενου κομματιού.*
- ζ. Προσέχετε ιδιαίτερα, όταν κάνετε ένα "κόψιμο ανοίγματος" σε υπάρχοντες τοίχους ή σε άλλες τυφλές περιοχές. *Ο προεξέχοντας δίσκος μπορεί να κόψει σωληνές γκαζιού ή νερού, ηλεκτρικές καλωδιώσεις ή αντικείμενα, που μπορεί να προκαλέσουν κλότσημα.*

ΕΙΔΙΚΕΣ ΠΡΟΕΙΔΟΠΟΙΗΣΕΙΣ ΑΣΦΑΛΕΙΑΣ ΓΙΑ ΕΡΓΑΣΙΕΣ ΛΕΙΑΝΣΗΣ

- α. Κατά τη λείανση μη χρησιμοποιείτε υπερμεγέθη σμυριφόφυλλα δίσκων λείανσης. Ακολουθήστε τις συστάσεις του κατασκευαστή, όταν επιλέγετε σμυριφόφυλλα. *Τα μεγάλα σμυριφόφυλλα που προεξέχουν από το δίσκο στήριξης εμπεριέχουν τον κίνδυνο σχισίματος και μπορούν να προκαλέσουν μπλοκάρισμα, σχισίμο του δίσκου ή κλότσημα.*

ΕΙΔΙΚΕΣ ΠΡΟΕΙΔΟΠΟΙΗΣΕΙΣ ΑΣΦΑΛΕΙΑΣ ΓΙΑ ΕΡΓΑΣΙΕΣ ΓΥΑΛΙΣΜΑΤΟΣ

- α. Ο σκούφος γυαλισματος δεν επιτρέπεται να είναι χαλαρός και τα κορδόνια προσάρτησης δεν επιτρέπεται να περιστρέφονται ελεύθερα. Καλύπτετε ή κοντύνετε τα χαλαρά κορδόνια προσάρτησης. *Τα χαλαρά και περιστρεφόμενα κορδόνια προσάρτησης μπορούν να μηδερνευτούν στα δάχτυλά σας ή να εμπλακούν στο επεξεργαζόμενο κομμάτι.*

ΕΙΔΙΚΕΣ ΠΡΟΕΙΔΟΠΟΙΗΣΕΙΣ ΑΣΦΑΛΕΙΑΣ ΓΙΑ ΕΡΓΑΣΙΕΣ ΜΕ ΣΥΡΜΑΤΟΒΟΥΡΤΣΑ

- α. Λαμβάνετε πάντοτε υπόψη, ότι οι συρματοβούρτσες χάνουν σύρματα ακόμα και κατά τη διάρκεια μιας κανονικής λειτουργίας. Μην εξασκείτε υπερβολική πίεση στη βούρτσα, για να μην επιβαρύνονται πολύ τα σύρματα. *Τα κομμένα σύρματα μπορούν να εισχωρήσουν εύκολα στα λεπτά ρούχα και/ή στο δέρμα σας.*
- β. Όταν για τη συρματοβούρτσα συνιστάται η χρήση ενός προφυλακτικού, δεν επιτρέπεται η επαφή του συρματοδίσκου ή της συρματοβούρτσας με τον προφυλακτικό. *Η διάμετρος του συρματοδίσκου ή της συρματοβούρτσας μπορεί να μεγαλώσει λόγω της πίεσης εργασίας και των φυγοκεντρικών δυνάμεων.*

ΠΕΡΙΒΑΛΛΟΝ

ΑΠΟΣΥΡΣΗ

Τα ηλεκτρικά εργαλεία, τα εξαρτήματα και οι συσκευασίες πρέπει να ανακυκλώνονται με τρόπο φιλικό προς το περιβάλλον.



Μην ρίχνετε τα ηλεκτρικά εργαλεία στα απορρίμματα του σπιτιού σας! Σύμφωνα με την Κοινοτική Οδηγία 2002/96/ΕΚ σχετικά με τις παλαιές ηλεκτρικές και ηλεκτρονικές συσκευές και τη μεταφορά της οδηγίας αυτής σε εθνικό δίκαιο δεν είναι πλέον υποχρεωτικό τα άχρηστα ηλεκτρικά εργαλεία να συλλέγονται ξεχωριστά για να ανακυκλωθούν με τρόπο φιλικό προς το περιβάλλον.

ΠΡΟΔΙΑΓΡΑΦΕΣ

ΓΕΝΙΚΕΣ ΠΡΟΔΙΑΓΡΑΦΕΣ

Τάση 230-240 V, 50-60 Hz
Ένταση ρεύματος 0,6 A
Ταχύτητα χωρίς φορτίο . η, 33.000 στροφές/λεπτό
Μέγεθος τσοκ 0,8 mm, 1,6 mm, 2,4 mm, 3,2 mm

ΗΛΕΚΤΡΙΚΟ ΚΑΛΩΔΙΟ ΕΠΕΚΤΑΣΗ (ΜΠΑΛΑΝΤΕΖΑ)

Χρησιμοποιείτε εντελώς ξετυλιγμένα και ασφαλή καλώδια επέκτασης (μπαλαντέζες) με χωρητικότητα 5 Amps.

ΜΟΝΟ ΓΙΑ ΧΩΡΕΣ ΤΙΣ ΕΕ

ΠΡΟΔΙΑΓΡΑΦΕΣ ΚΙΝΗΤΗΡΑ

Αυτό το πολυεργαλείο χρησιμοποιεί έναν κινητήρα μεταβλητής υψηλής ταχύτητας. Το εργαλείο είναι καλωδιωμένο για εργασία σε 230-240 V, 50-60 Hz. Ελέγχετε πάντοτε, εάν η τάση τροφοδοσίας είναι η ίδια με την τάση που αναφέρετε στην πινακίδα τύπου του εργαλείου (εργαλεία με τιμή 230 V ή 240 V μπορούν να συνδεθούν επίσης σε μια τάση τροφοδοσίας 220 V).

ΣΥΝΑΡΜΟΛΟΓΗΣΗ

ΑΠΟΣΥΝΔΕΕΤΕ ΠΑΝΤΟΤΕ ΤΟ ΠΟΛΥΕΡΓΑΛΕΙΟ ΑΠΟ ΤΟ ΡΕΥΜΑ ΠΡΙΝ ΤΗΝ ΑΛΛΑΓΗ ΕΞΑΡΤΗΜΑΤΩΝ, ΑΛΛΑΓΗ ΣΦΙΓΚΤΗΡΩΝ Ή ΤΗ ΣΥΝΤΗΡΗΣΗ ΤΟΥ ΕΡΓΑΛΕΙΟΥ.

ΓΕΝΙΚΑ

Το πολυεργαλείο της Dremel είναι ένα υψηλής ποιότητας εργαλείο ακριβείας, το οποίο μπορεί να χρησιμοποιηθεί για την εκτέλεση λεπτομερών και δύσκολων εργασιών. Η πλούσια συλλογή εξαρτημάτων και προσαρτημάτων της Dremel σας επιτρέπει να εκτελείτε ένα μεγάλο αριθμό εργασιών. Αυτό συμπεριλαμβάνει εργασίες, όπως λείανση, σκάλισμα και χάραγμα καθώς και φρεζάρισμα, κόψιμο, καθαρίσμο και γυάλισμα. ΕΙΚΟΝΑ 2

ΕΙΚΟΝΑ 1

- A. Σφιγκτήρας
B. Φωλιά

- C. Υποδοχή προσαρτήματος
D. Καπάκι περιβλήματος
E. Κουμπί κλειδώματος του άξονα
F. Ανοίγματα αερισμού
G. Κάλυμμα βούρτσας (ένα σε κάθε πλευρά)
H. Διακόπτης On/Off
I. Οθόνη LCD
J. Πλήκτρα ταχύτητας επάνω / κάτω
K. Αναρτήρας
L. Ηλεκτρικό καλώδιο

ΦΩΛΙΕΣ

Τα εξαρτήματα Dremel που είναι διαθέσιμα για το πολυεργαλείο υπάρχουν σε διαφορετικά μεγέθη στελέχους. Τέσσερα μεγέθη φωλιάς είναι διαθέσιμα για την προσαρμογή των διαφόρων μεγεθών στελέχους. Το μέγεθος της φωλιάς αναγνωρίζεται με τους δακτύλιους στο πίσω άκρο της φωλιάς.

ΕΙΚΟΝΑ 3

- M. Φωλιά 3,2 mm χωρίς δακτύλιο (480)
N. Φωλιά 2,4 mm με τρεις δακτύλιους (481)
O. Φωλιά 1,6 mm με δύο δακτύλιους (482)
P. Φωλιά 0,8 mm με ένα δακτύλιο (483)

ΥΠΟΔΕΙΞΗ: Μερικά σετ πολυεργαλείων μπορεί να μην περιλαμβάνουν και τα τέσσερα μεγέθη φωλιάς. Οι φωλιές είναι διαθέσιμες ξεχωριστά.

Χρησιμοποιείτε πάντοτε τη φωλιά, που ταιριάζει στο μέγεθος του στελέχους του εξαρτήματος που θέλετε να χρησιμοποιήσετε. Μην σπρώξετε ένα στέλεχος με μεγαλύτερη διάμετρο μέσα σε μια μικρότερη φωλιά.

ΑΛΛΑΓΗ ΦΩΛΙΩΝ

ΕΙΚΟΝΑ 4

- Q. Κουμπί κλειδώματος του άξονα
R. Κλειδί φωλιάς
S. Για σφίξιμο
T. Για λύσιμο
U. Σφιγκτήρας

1. Πατήστε το κουμπί κλειδώματος του άξονα, κρατήστε το πατημένο και περιστρέψτε τον άξονα με το χέρι, μέχρις ότου εμπλακεί ο άξονας. Μην πατάτε το πλήκτρο κλειδώματος του άξονα κατά τη διάρκεια που το πολυεργαλείο βρίσκεται σε λειτουργία.
2. Με πατημένο το πλήκτρο κλειδώματος του άξονα, λύστε και αφαιρέστε το σφιγκτήρα. Χρησιμοποιήστε το κλειδί φωλιάς, εάν είναι απαραίτητο.

ΞΕΚΙΝΗΜΑ

ΧΡΗΣΗ

Το πρώτο βήμα στη χρήση του πολυεργαλείου είναι η απόκτηση μιας "αίσθησης" γι' αυτό. Κρατήστε το εργαλείο στο χέρι σας και αισθανθείτε το βάρος και την ζυγοστάθμισή του. Ψηλαφίστε την κωνική μορφή του περιβλήματος. Αυτή η κωνική μορφή σας επιτρέπει να πινάτε το εργαλείο όπως ένα πινέλο ή μολύβι. *Κρατάτε πάντοτε το εργαλείο μακριά από το πρόσωπό σας. Τα εξαρτήματα μπορεί να έχουν υποστεί ζημιά και μπορούν να εκτοξευτούν, όταν αποκτήσουν μεγάλη ταχύτητα. Όταν κρατάτε το εργαλείο, μην καλύπτετε τα ανοίγματα αερισμού με το χέρι σας. Το μπλοκάρισμα των ανοιγμάτων αερισμού μπορεί να έχει ως αποτέλεσμα την υπερθέρμανση του κινητήρα.* ΣΗΜΑΝΤΙΚΟ! Δοκιμάστε πρώτα σ' ένα άχρηστο υλικό, για να δείτε πως εργάζεται το εργαλείο υψηλής ταχύτητας. Πρέπει να γνωρίζετε, ότι το πολυεργαλείο σας προσφέρει καλύτερη εργασία, όταν λειτουργεί με την ταχύτητα, που

3. Αφαιρέστε τη φωλιά, τραβώντας την από τον άξονα.
4. Τοποθετήστε τη φωλιά κατάλληλου μεγέθους εντελώς πάνω στον άξονα και ξανατοποθετήστε το σφιγκτήρα, σφίγγοντάς τον με το χέρι. Μην σφίξετε εντελώς το σφιγκτήρα, όταν δεν είναι τοποθετημένο κανένα λειαντικό ή άλλο εξάρτημα.

ΑΛΛΑΓΗ ΕΞΑΡΤΗΜΑΤΩΝ

ΕΙΚΟΝΑ 4/5

Q. Κουμπί κλειδώματος του άξονα

1. Πατήστε το κουμπί κλειδώματος του άξονα και περιστρέψτε τον άξονα με το χέρι, μέχρις ότου κλειδωθεί ο άξονας. Μην πατάτε το πλήκτρο κλειδώματος του άξονα κατά τη διάρκεια που το πολυεργαλείο βρίσκεται σε λειτουργία.
2. Με πατημένο το πλήκτρο κλειδώματος του άξονα, λύστε (μην αφαιρέστε) το σφιγκτήρα. Χρησιμοποιήστε το κλειδί φωλιάς, εάν είναι απαραίτητο.
3. Περάστε πλήρως το λειαντικό ή το στέλεχος του εξαρτήματος μέσα στη φωλιά.
4. Με τον άξονα κλειδωμένο, σφίξτε με τα δάκτυλα το σφιγκτήρα, ώπου το λειαντικό ή το στέλεχος του εξαρτήματος να σφίχτει στη φωλιά. *ΥΠΟΔΕΙΞΗ: Διαβάστε οπωσδήποτε τις οδηγίες που συνοδεύουν το εξάρτημα της Dremel για περισσότερες πληροφορίες σχετικά με τη χρήση του.*

Χρησιμοποιείτε μόνο δοκιμασμένα εξαρτήματα υψηλής απόδοσης της Dremel.

αντιστοιχεί στο σωστό εξάρτημα και προσάρτημα της Dremel. Όταν είναι δυνατόν, μην εξασκείτε πίεση πάνω στο εργαλείο κατά τη διάρκεια της χρήσης. Αντί αυτού κατεβάστε το γρήγορα περιστρεφόμενο εξάρτημα ελαφρά στην επιφάνεια του επεξεργαζόμενου κομματιού και αφήστε το εργαλείο να ακουμπήσει το σημείο, με το οποίο θέλετε να αρχίσετε την εργασία. Συγκεντρωθείτε στην οδήγηση του εργαλείου πάνω στο επεξεργαζόμενο κομμάτι, εφαρμόζοντας μόνο πολύ μικρή πίεση με το χέρι σας. Επιτρέψτε στο εξάρτημα να εκτελέσει την εργασία. Συνήθως είναι καλύτερα να κάνετε περισσότερα βήματα με το εργαλείο αντί να πραγματοποιείτε όλη την εργασία σε ένα βήμα. Η απαλή επαφή προσφέρει τον καλύτερο έλεγχο και μειώνει τον κίνδυνο σφάλματος.

ΚΡΑΤΗΜΑ ΤΟΥ ΕΡΓΑΛΕΙΟΥ

Για τον καλύτερο έλεγχο σε κλειστά επεξεργαζόμενα κομμάτια, πιάστε το πολυεργαλείο στο χέρι σας, όπως ένα μολύβι μεταξύ του αντίχειρα και του δείκτη σας. ΕΙΚΟΝΑ 6

Η λαβή "γκολφ" χρησιμοποιείται για δύσκολες εργασίες, όπως η λείανση ή το κόψιμο. ΕΙΚΟΝΑ 7

ΤΑΧΥΤΗΤΑ ΕΡΓΑΣΙΑΣ

Αυτό το εργαλείο είναι ένα πολυεργαλείο υψηλής ταχύτητας. Η ψηφιακή οθόνη του εργαλείου 400 Series DIGITAL δείχνει τον ακριβή αριθμό των στροφών ανά λεπτό (x 1.000), στον οποίο λειτουργεί το εργαλείο. Για την αύξηση / μείωση της ταχύτητας πατήστε τα πλήκτρα ταχύτητας επάνω / κάτω. Η ταχύτητα του πολυεργαλείου σας μπορεί να αυξηθεί και να μειωθεί σε βήματα των 1.000 στροφών/λεπτό. Αυτό σας επιτρέπει να ελέγχετε την ταχύτητα του πολυεργαλείου σας με μεγάλη ακρίβεια. Η ρύθμιση του αριθμού των στροφών ανά λεπτό αντίστοιχα με την εργασία σας προσφέρει ένα καλύτερο τελικό αποτέλεσμα. Για την επίτευξη των καλύτερων αποτελεσμάτων όταν εργάζεστε με διαφορετικά υλικά, ρυθμίστε τον έλεγχο μεταβλητής ταχύτητας, για την προσαρμογή στην εκάστοτε εργασία. Για την επιλογή της σωστής ταχύτητας για το χρησιμοποιούμενο εξάρτημα, χρησιμοποιήστε πρώτα ένα άχρηστο υλικό.

ΥΠΟΔΕΙΞΗ: Η ταχύτητα επηρεάζεται από την αλλαγή της τάσης. Μια μειωμένη τάση εισόδου επιβραδύνει τον αριθμό των στροφών ανά λεπτό του εργαλείου, ιδιαίτερα στη χαμηλή ρύθμιση. Όταν φαίνεται να λειτουργεί το εργαλείο σας αργά, αυξήστε αντίστοιχα τη ρύθμιση της ταχύτητας. Το εργαλείο δεν μπορεί ίσως να ξεκινήσει στη χαμηλή ρύθμιση σε περιοχές που η τάση εξόδου είναι κάτω από 220 V. Μεταθέστε τη ρύθμιση της ταχύτητας σε μια υψηλότερη θέση, για να αρχίσετε την εργασία.

Ανατρέξτε στο διάγραμμα "Ρυθμίσεις ταχύτητας" στις σελίδες 4-6, που σας βοηθούν στον προσδιορισμό της σωστής ταχύτητας για το επεξεργαζόμενο υλικό και το χρησιμοποιούμενο εξάρτημα.

A) Για χρήση σε ξηρή ταχυοποιία. Για καλύτερα αποτελέσματα χρησιμοποιείτε το εργαλείο στις 33.000 στροφές ανά λεπτό.

B) Για χρήση σε σοβά τοίχων και δάπεδα. Χρησιμοποιήστε τη ρύθμιση 20.000-28.000.

*) Ταχύτητα για ελαφρές τομές. Προσοχή, κίνδυνος εγκαύματος στα βαθιά αυλάκια.

■ Ανάλογα με την κατεύθυνση της τομής ως προς τις ίνες του υλικού.

Οι περισσότερες εργασίες μπορούν να πραγματοποιηθούν, χρησιμοποιώντας το εργαλείο στην υψηλότερη ρύθμιση. Πάντως ορισμένα υλικά (όπως πλαστικά και μέταλλα) μπορεί να υποστούν ζημιές στην υψηλή ταχύτητα, λόγω θέρμανσης, και πρέπει να επεξεργάζονται σε μια σχετικά χαμηλή ταχύτητα. Η εργασία στη χαμηλή ταχύτητα (15.000 στροφές ανά λεπτό ή χαμηλότερα) είναι συνήθως καλύτερη για τις εργασίες στίλβωσης, χρησιμοποιώντας το εξάρτημα τσόχας στίλβωσης. Όλες οι εργασίες βουρτσίσματος απαιτούν χαμηλή ταχύτητα για να μη φεύγουν τα σύρματα από το στήριγμα. Αφήστε το εργαλείο να κάνει τη δουλειά για σας, όταν χρησιμοποιείτε ρυθμίσεις χαμηλής ταχύτητας. Οι υψηλές ταχύτητες είναι καλύτερες για σκληρό ξύλο, μέταλλα και γυαλί και για τρύπημα, σκάσιμο, κόψιμο, φρεζάρισμα, ακόνισμα και κόψιμο αρμοκάλυπτων και ξυλαρμολιών σε ξύλο. Μερικές κατευθυντήριες γραμμές για την ταχύτητα του εργαλείου:

- Τα πλαστικά και τα άλλα υλικά που λιώνουν σε χαμηλές θερμοκρασίες πρέπει να κόβονται σε χαμηλές ταχύτητες.
- Το γυάλισμα, στίλβωμα και καθάρισμα με μια συματόβουρτσα πρέπει να γίνεται με ταχύτητες κάτω από 15.000 στροφές/λεπτό, για την αποφυγή ζημιών στη βούρτσα και στο υλικό σας.
- Το ξύλο πρέπει να κόβεται σε υψηλή ταχύτητα.
- Ο σίδηρος ή ο χάλυβας να κόβεται σε υψηλή ταχύτητα.
- Όταν ένα χαλύβδινο κοπτικό υψηλής ταχύτητας παρουσιάζει κραδασμούς, αυτό κανονικά σημαίνει ότι το εργαλείο περιστρέφεται πολύ αργά.
- Το αλουμίνιο, τα κράματα χαλκού και μολύβδου, τα κράματα ψευδαργύρου και ο τσίγκος μπορούν να κοπούν σε διάφορες ταχύτητες, ανάλογα με το είδος της εκτελούμενης κοπής. Χρησιμοποιείτε παραφίνη (όχι νερό) ή άλλο κατάλληλο λιπαντικό στον κόφτη, για να εμποδίσετε το υλικό κοπής να εισχωρήσει στα δόντια του κόφτη.

ΥΠΟΔΕΙΞΗ: Η αύξηση της πίεσης πάνω στο εργαλείο δεν είναι η λύση στην περίπτωση που δεν εργάζεται σωστά. Προσπαθήστε με ένα άλλο εξάρτημα ή με μια διαφορετική ρύθμιση της ταχύτητας για την επίτευξη του επιθυμητού αποτελέσματος.

ΣΥΝΤΗΡΗΣΗ

Η προληπτική συντήρηση, που εκτελείται από μη εξουσιοδοτημένο προσωπικό, μπορεί να οδηγήσει σε εσφαλμένη τοποθέτηση των εσωτερικών καλωδίων και στοιχείων, με αποτέλεσμα να προκληθούν σοβαρές ζημιές. Εμείς συνιστούμε την ανάθεση της συντήρησης όλων των εργαλείων στο Κεντρικό Service της Bosch. Για την αποφυγή τραυματισμών λόγω ξαφνικής εκκίνησης ή ηλεκτροπληξίας, απομακρύνετε πάντοτε το φως από την πρίζα του τοίχου προτού εκτελέσετε το σέρβις ή το καθάρισμα.

ΨΗΚΤΡΕΣ (ΚΑΡΒΟΥΝΑΚΙΑ)

Οι ψήκτρες (καρβουνάκια) στο εργαλείο σας έχουν κατασκευαστεί για πολλές ώρες αξιόπιστης εργασίας. Για την προετοιμασία των ψηκτρών για χρήση, αφήστε το εργαλείο να λειτουργήσει σε πλήρη ταχύτητα για 5 λεπτά χωρίς φορτίο. Αυτό φέρνει τις ψήκτρες στη σωστή "θέση" και επεκτείνει τη διάρκεια ζωής του εργαλείου. Για τη διατήρηση της μέγιστης απόδοσης

του κινητήρα, ελέγχετε τις ψήκτρες για τυχόν φθορά κάθε 40-50 ώρες.

Η χρήση του εργαλείου με φθαρμένες ψήκτρες οδηγεί σε μόνιμη ζημιά του κινητήρα. Χρησιμοποιείτε μόνο γνήσιες ανταλλακτικές ψήκτρες της Dremel. Ελέγχετε τις ψήκτρες (καρβουνάκια) του πολυεργαλείου μετά από 40-50 ώρες χρήσης. Όταν το πολυεργαλείο λειτουργεί ανώμαλα, χάνει ρεύμα ή δημιουργεί ασυνήθιστους θορύβους, ελέγξτε τις ψήκτρες για τυχόν φθορά και για ενδεχομένη αντικατάσταση. Ακολουθήστε αυτά τα βήματα για τον έλεγχο/την αλλαγή των ψηκτρών του πολυεργαλείου:

1. Με το ηλεκτρικό καλώδιο μη συνδεδεμένο, τοποθετήστε το εργαλείο σε μια καθαρή επιφάνεια. Χρησιμοποιήστε το κλειδί του εργαλείου, για να απομακρύνετε τις τάτες των ψηκτρών. ΕΙΚΟΝΑ 8
2. Στρέψτε το εργαλείο έτσι, ώστε να πέσει η ψήκτρα από το στήριγμα και ελέγξτε κάθε ψήκτρα. Όταν η ψήκτρα είναι λιγότερο από 3 mm και η επιφάνεια της ψήκτρας που έρχεται σε επαφή με το συλλέκτη είναι τραχιά ή διαβρωμένη, πρέπει να αντικατασταθεί η ψήκτρα. Βεβαιωθείτε, ότι έχετε ελέγξει και τις δύο ψήκτρες (καρβουνάκια). ΕΙΚΟΝΑ 9
3. Σε περίπτωση που μια από τις ψήκτρες είναι φθαρμένη, πρέπει να αντικαταστήσετε και τις δύο ψήκτρες για την καλύτερη απόδοση του πολυεργαλείου σας. Αφαιρέστε το ελατήριο από την ψήκτρα, πετάξτε την παλιά ψήκτρα και τοποθετήστε το ελατήριο σε μια νέα ψήκτρα.
4. Τοποθετήστε την ψήκτρα και το ελατήριο ξανά στο εργαλείο, υπάρχει μόνο μια θέση για την επανατοποθέτηση της ψήκτρας στο εργαλείο. Βεβαιωθείτε, ότι οι ψήκτρες (καρβουνάκια) είναι τοποθετημένες, όπως απεικονίζεται. ΕΙΚΟΝΑ 9 Η καμπύλη επιφάνεια της ψήκτρας πρέπει να ταυριάζει στην καμπυλότητα του συλλέκτη.
5. Ακουμπήστε την τετράγωνη κάτω μεριά της πόρτας της ψήκτρας στο τετράγωνο κοίλο άνοιγμα. Ελέγξτε για να βεβαιωθείτε ότι το

ΣΕΡΒΙΣ ΚΑΙ ΕΓΓΥΗΣΗ

Αυτό το προϊόν DREMEL είναι εγγυημένο σύμφωνα με τους νομικούς/τοπικούς κανονισμούς. Οι ζημιές που οφείλονται σε κανονική φθορά και σπάσιμο, υπερφόρτωση ή εσφαλμένο χειρισμό αποκλείονται από την εγγύηση.

Σε περίπτωση διαμαρτυρίας, στείλετε το εργαλείο συναρμολογημένο μαζί με την απόδειξη αγοράς στον προμηθευτή σας.

ελατήριο βρίσκεται στην εγκοπή V της ψήκτρας. Σπρώξτε το μπροστινό μέρος της πόρτας κάτω. Μετά σπρώξτε κάτω και αφήστε την πίσω γλώσσα να ασφαλίσει στην υποδοχή της. Μετά την αντικατάσταση των ψηκτρών πρέπει το εργαλείο να λειτουργήσει χωρίς φορτίο. Τοποθετήστε το εργαλείο πάνω σε μια καθαρή επιφάνεια και αφήστε το να λειτουργήσει ελεύθερα με πλήρη ταχύτητα για 5 λεπτά προτού φορτώσετε (ή χρησιμοποιήσετε) το εργαλείο. Αυτό επιτρέπει στις ψήκτρες (καρβουνάκια) να πάρουν τη σωστή "θέση" και προσφέρει περισσότερες ώρες ζωής σε κάθε σετ ψηκτρών. Αυτό μεγαλώνει τη διάρκεια ζωής του εργαλείου σας, επειδή η επιφάνεια του συλλέκτη αντέχει καλύτερα και για μεγαλύτερο διάστημα. ΕΙΚΟΝΑ 10

ΚΑΘΑΡΙΣΜΟΣ ΤΟΥ ΕΡΓΑΛΕΙΟΥ

ΑΠΟΣΥΝΔΕΣΤΕ ΤΟ ΦΙΣ ΠΡΙΝ ΤΟΝ ΚΑΘΑΡΙΣΜΟ

Τα ανοίγματα αερισμού και οι διακόπτες πρέπει να διατηρούνται καθαρά και ελεύθερα από ξένα σώματα. Μην προσπαθήσετε να καθαρίσετε το εργαλείο, εισάγοντας μυτερά αντικείμενα μέσα από τα ανοίγματα.

Το εργαλείο καθαρίζεται με πεπιεσμένο αέρα. Φοράτε πάντοτε γυαλιά προστασίας, όταν καθαρίζετε το εργαλείο με πεπιεσμένο αέρα.

Δεν υπάρχει ανάγκη λίπανσης του πολυεργαλείου της Dremel.

Ορισμένα υλικά καθαρισμού και διαλύτες προκαλούν ζημιές στα πλαστικά μέρη. Μερικά από αυτά τα μέσα είναι: Βενζίνη, τετραχλωράνθρακας, χλωριωμένα διαλύματα καθαρισμού, αμμωνία και υγρά καθαρισμού οικιακής χρήσης που εμπεριέχουν αμμωνία.

Καθαρίζετε τις περιοχές "απαλής λαβής" του εργαλείου, χρησιμοποιώντας ένα υγρό πανί. Οι περιοχές με μεγάλη ρύπανση χρειάζονται περισσότερο από ένα σκουπίσμα για να καθαριστούν.

ΕΠΑΦΗ ΜΕ DREMEL

Περισσότερες πληροφορίες σχετικά με τη συλλογή Dremel, υποστήριξη και hotline, θα βρείτε στην ιστοσελίδα www.dremel.com

Dremel Europe, P.O. Box 3267, 4800 DG Breda

GENEL GÜVENLİK TALİMATI



UYARI

ÜRÜNLERE AİT BÜTÜN TALİMATLARI OKUYUN. Aşağıda açıklanan talimata aykırı davranma, elektrik çarpmalarına, yangınlara ve/veya ağır yaralanmalara neden olabilir.

Aşağıda kullanılan "Elektrikli El Aleti" kavramı, akım şebekesine bağlı (şebeke bağlantı kablosu ile) aletlerle akü ile çalışan aletleri (akım şebekesine bağlantısı olmayan aletler) kapsamaktadır.

BU TALİMATLARI GÜVENLİ BİR ŞEKİLDE SAKLAYINIZ

1. ÇALIŞMA YERİ

- Çalıştığınız yer temiz ve düzenli tutun. Karmaşık ve karanlık alanlar kazalara davetiye çıkarır.
- Yakınında yanıcı sıvılar, gazlar veya tozlar bulunan patlama tehlikesi olan yerlerde aletinizle çalışmayın. Elektrikli el aletleri, toz veya buharların tutuşmasına neden olabilecek kıvılcımlar çıkarırlar.
- Elektrikli el aleti ile çalışırken çocukları ve başkalarını uzak tutun. Dikkatiniz dağılacak olursa aletin kontrolünü kaybedebilirsiniz.

2. ELEKTRİK GÜVENLİĞİ

- Aletin fişi prize uymalıdır. Fişi hiçbir zaman değiştirmeyin. Korumayı topraklanmış aletlerle birlikte adaptör fiş kullanmayın. Değiştirilmemiş fiş ve uygun priz elektrik çarpma tehlikesini azaltır.
- Borular, kalorifer petekleri, ısıtıcılar ve buzdolapları gibi topraklanmış yüzeylerle bedensel temasa gelmekten kaçınin. Bedeniniz topraklandığı anda büyük bir elektrik çarpma tehlikesi ortaya çıkar.
- Aleti yağmur altında veya nemli yerlerde bırakmayın. Suyun elektrikli el aleti içine sızması elektrik çarpma tehlikesini yükseltir.
- Kabloya sert muamele yapmayın. Aleti kablosundan tutarak taşımayın, kabloyu kullanarak asmayın veya kablodan çekerek fişi çıkarmayın. Kabloyu ısıdan, yağdan, keskin kenarlı cisimlerden veya aletin hareketli parçalarından uzak tutun. Hasarlı veya dolanmış kablo elektrik çarpma tehlikesini yükseltir.
- Bir elektrikli el aleti ile açık havada çalışırken, mutlaka açık havada kullanılmaya müsaadeli uzatma kablosu kullanın. Açık havada kullanılmaya uygun uzatma kablosunun kullanılması elektrik çarpma tehlikesini azaltır.

3. KİŞİLERİN GÜVENLİĞİ

- Dikkatli olun, ne yaptığınızı dikkat edin, elektrikli el aleti ile işinizi makul bir tempo ve yöntemle yürütün. Yorgunsanız, aldığınız hapları, ilaçları veya alkolün etkisinde iseniz aletinizi kullanmayın. Aleti kullanırken bir anki dikkatsizlik önemli yaralanmalara neden olabilir.



b. Kişisel koruyucu donanım kullanımı. Her zaman göz koruyucu takın. Elektrikli el aletinin türü ve kullanımına uygun olarak; toz maskesi,

kaymayan iş ayakkabıları, koruyucu kask veya koruyucu kulaklık gibi koruyucu donanım kullanımı yaralanma tehlikesini azaltır.

- Aletin yanlışlıkla çalıştırmaktan kaçınin. Fişi prize takmadan önce aletin KAPALI olduğundan emin olun. Aleti taşırken parmağınız şalter üzerinde durursa ve alet açikken fişi prize sokarsanız kazalara neden olabilirsiniz.
- Aleti çalıştırmadan önce ayar aletlerini veya anahtarları aletten çıkarın. Aletin dönen parçaları içinde bulunabilecek bir yardımcı alet yaralanmalara neden olabilir.
- Çok fazla yaklaşmayın. Her zaman arada uygun bir mesafe bırakın. Çalışırken duşunuz güvenli olsun ve dengeyi her zaman sağlayın.
- Uygun iş elbiseleri giyin. Geniş giysiler giymeyin ve takı takmayın. Saçlarınızı, giysileriniz ve eldivenlerinizi aletin hareketli parçalarından uzak tutun. Bol giysiler, uzun saçlar veya takılar aletin hareketli parçaları tarafından tutulabilir.
- Toz emme ve toplama donanımları cihaz ile birlikte verildiyse, bunların düzgün biçimde bağlandığından ve kullanıldığından emin olun. Bu donanımların kullanılması tozdan kaynaklanacak tehlikeleri azaltır.

4. ELEKTRİKLİ EL ALETLERİNİN ÖZENLE KULLANIMI VE BAKIMI

- Aleti aşırı ölçüde zorlamayın. Yaptığınız işlere uygun elektrikli el aletleri kullanın. Uygun performanslı elektrikli el aleti ile, belirlenen çalışma alanında daha iyi ve güvenli çalışırsınız.
- Şalteri bozuk olan elektrikli el aletini kullanmayın. Açılıp kapanmayan bir elektrikli el aleti tehlikelidir ve onarılmalıdır.
- Alette bir ayarlama işlemine başlamadan önce, herhangi bir aksesuarı değiştirirken veya aleti elinizden bırakırken fişi prizden çekin. Bu önlem, aletin yanlışlıkla çalışmasını önler.
- Kullanım dışı duran elektrikli el aletlerini çocukların ulaşamayacağı bir yerde saklayın. Aleti kullanmayı bilmeyen veya bu kullanım kılavuzunu okumayan kişilerin aletle çalışmasına izin vermeyin.

- Aletinizin bakımı özenle yapın. Aletinizin kusursuz olarak işlev görmesini engelleyebilecek bir durumun olup olmadığını, hareketli parçaların kusursuz olarak işlev görüp görmediklerini ve sıkışık sıkışmadıklarını, parçaların hasarlı olup olmadığını kontrol edin. Aleti kullanmaya başlamadan önce hasarlı parçaları onartın. Birçok iş kazası aletin kötü bakımından kaynaklanır.
- Kesici uçları daima keskin ve temiz tutun. Özenle bakımı yapılmış keskin kenarlı kesme uçlarının malzeme içinde sıkışma tehlikesi daha azdır ve daha rahat kullanım olanağı sağlarlar.

- Elektrikli el aletini, aksesuarı, uçları ve benzerlerini, bu özel tip alet için öngörülen talimata göre kullanın. Bu sırada çalışma koşullarına ve yaptığımız işi dikkate alın. Elektrikli el aletlerinin kendileri için kullanılan alanın dışında kullanılması tehlikeli durumlara neden olabilir.

5. AKÜLÜ ALETİN ÖZENLİ BAKIMI VE KULLANIMI

- Aküyü yerini yerleştirmeden önce aletin kapalı olduğundan emin olun. Açık bulunan bir elektrik el aletine akünün yerleştirilmesi kazalara neden olabilir.

TÜM İŞLEMLER İÇİN GÜVENLİK TALİMATLARI

TAŞLAMA, KUMLU ZIMPARA KAĞIDI İLE ZIMPARALAMA, TEL FIRÇA İLE TAŞLAMA, POLİŞAJ VE KESİCİ TAŞLAMA İŞLERİ İÇİN MÜŞTEREK UYARILAR

- Bu elektrikli el aleti taşlama, kumlu zımpara kağıdı ile zımparalama, polisaj ve kesici taşlama olarak kullanılmak üzere geliştirilmiştir. Elektrikli el aleti ile birlikte teslim edilen bütün uyarılara, talimata, şekillere ve verilere uygun hareket edin. Aşağıdaki talimat hükümlerine uymadığınız takdirde elektrik çarpması, yangın veya ağır yaralanma tehlikesi ile karşılaşabilirsiniz.
- Üretici tarafından bu alet için öngörülmemiş ve tavsiye edilmeyen hiçbir aksesuar kullanmayın. Çünkü aletinize takabileceğiniz her aksesuar güvenli kullanımı garanti kullanımı garanti etmez.
- Bu aletle kullanacağınız uçların müsaade edilen devir sayıları en azından alet üzerinde belirtilen en yüksek devir sayısı kadar olmalıdır. Müsaade edilenden daha yüksek devir sayısı ile çalışan uçlar hasar görebilir.
- Uçların çapları ve kalınlıkları elektrikli el aletinizin ölçülerine uymalıdır. Yanlış ölçülere sahip uçlar yeterli ölçüde kontrol edilemez.
- Taşlama diskleri, flanşlar, zımpara tablaları veya diğer aksesuarlar elektrikli el aletinizin taşlama miline tam olarak uymalıdır. Elektrikli el aletinin taşlama miline tam olarak uymayan uçlar düzensiz döner, yüksek oranda titreşim yapar ve aletin kontrolünün kaybedilmesine neden olabilir.
- Hasarlı uçları kullanmayın. Her kullanımdan önce taşlama disklerini soyulma ve çizik, zımpara tablalarını çizik, aşınma ve yıpranma, tel fırçaları gevşek ve kopuk tel açısından kontrol edin. Elektrikli el aleti veya uç yere düşecek olursa, hasar görüp görmediklerini kontrol edin veya hasar görmemiş bir uç kullanın. Ucu kontrol edip taktıktan sonra çevrede bulunanları uzaklaştırın ve elektrikli el aletini denemek üzere bir dakika kadar en yüksek devir sayısında çalıştırın. Hasarlı uçlar genellikle bu test çalışmasında kırılır.

- Kişisel koruma donanımı kullanın. Yaptığınız işe uygun olarak tam koruyucu yüz siperi veya koruyucu gözlük kullanın. Eğer uygunsa ve gerekiyorsa, küçük taşlama ve malzeme parçacıklarını sizden uzak tutacak olan toz maskesi, koruyucu kulaklık, koruyucu iş eldiveni veya özel çalışma önlüğü kullanın. Gözler, çeşitli çalışma türleri sırasında ortaya çıkan ve çevreye savrulan nesnelere korunmalıdır. Toz veya solunma maskesi çalışma sırasında ortaya çıkan tozu filtre eder. Uzun süre aşırı ve çok yüksek gürültü altında kalırsanız işitme kaybına uğrayabilirsiniz.
- Başkalarını çalışma yerinizden yeterli uzaklıkta tutun. Çalışma alanınızın giren herkes kişisel koruyucu donanım kullanmalıdır. İş parçasından kopan parçalar veya kırılan uçlar fırlatabilir ve çalışma alanınızın dışında da yaralanmalara neden olabilir.
- Alet ucunun görünmeyen elektrik kablolarına veya kendi bağlantı kablosuna temas etme olasılığı olan işleri yaparken aleti sadece izolasyonlu tutamaklarından tutun. Akım ileten elektrik kabloları ile temas aletin metal parçalarının da elektrik akımına maruz kalmasına ve elektrik çarpmalarına neden olabilir.
- Şebeke bağlantı kablosunu dönen uçtan uzak tutun. Elektrikli el aletinin kontrolünü kaybederseniz şebeke kablosu uç tarafından kesilebilir veya yakalanabilir, eliniz veya kolunuz dönmekte olan uca temas edebilir.
- Uç tam olarak durmadan elektrikli el aletini hiçbir zaman elinizden bırakmayın. Dönmekte olan uç aletin bırakıldığı zemine temas edebilir ve elektrikli el aletinin kontrolünü kaybedebilirsiniz.
- Elektrikli el aletini taşırken çalıştırın. Giysileriniz dönmekte olan uç tarafından tutulabilir ve elektrikli el aleti bedeninizde delme yapabilir.
- Elektrikli el aletinizin havalandırma deliklerini düzenli olarak temizleyin. Motor fanı tozları aletin gövdesine çeker ve biriken metal tozları elektrik çarpmasına neden olabilir.

- n. Elektrikli el aletini yanabilir malzemelerin yakınında kullanmayın. *Kıvılcımlar bu malzemeyi tutuşturabilir.*
- o. Sıvı soğutucu madde gerektiren uçları kullanmayın. *Su veya diğer sıvı soğutucu maddelerin kullanımını elektrik çarpmasına neden olabilir.*

GERİ TEPME VE BUNA İLİŞKİN UYARILAR

Geri tepme, taşlama disk, zımpara tablası, tel fırça ve benzeri uçların takılması veya bloke olması sonucu ortaya çıkan ani bir tepkidir. Takılma veya bloke olma dönmekte olan ucun ani olarak durmasına neden olur. Bunun sonucunda da kontrolden çıkan elektrikli el aleti blokaj yerinde ucun dönme yönünün tersine doğru dönmeye başlar. Örneğin bir taşlama disk iş parçası içinde takılır veya bloke olursa, iş parçası içine giren kenarı tutulur ve bunun sonucunda da disk kırılır veya bir geri tepme kuvveti oluşabilir. Taşlama disk blokaj yerine dönme yönüne doğru kullanıcıya doğru veya onun bulunduğu yerin tersine doğru hareket eder. Bu durumda taşlama disk kırılabilir. Geri tepme elektrikli el aletinin yanlış veya hatalı kullanımın bir sonucudur. Geri tepme kuvveti aşağıda belirtilen önlemlerle önlenebilir.

- a. Elektrikli el aletini sıkıca tutun ve bedeninizle kollarınızı geri tepme kuvvetlerini karşılayabilecek konuma getirin. Yüksek devirlerde geri tepme kuvvetlerini veya reaksiyon momentlerini kontrol edebilmek için varsa daima ek tutamağı kullanın. *Kullanıcı kişi uygun önlemler alarak geri tepme kuvvetlerinin veya reaksiyon momentlerinin üstesinden gelebilir.*
- b. Elinizi hiçbir zaman dönmekte olan ucun yakınına getirmeyin. *Aletin ucu geri tepme durumlarında elinizi doğru hareket edebilir.*
- c. Bedeninizi elektrikli el aletinin geri tepme kuvveti sonucu hareket edebileceği alandan uzak tutun. *Geri tepme kuvveti blokaj yerinde elektrikli el aletinin taşlama diskinin dönüş yönünün tersine doğru hareket ettirir.*
- d. Özellikle köşeler, keskin kenarlı nesnelere ve benzeri yerlerde çok dikkatli çalışın. Ucun iş parçasına çarpıp geri çıkmasını ve sıkışmasını önleyin. *Dönmekte olan uç köşelerde, keskin kenarlarda veya çarpma durumunda sıkışmaya eğilimlidir. Bu durum kontrol kaybına veya geri tepme kuvvetlerinin oluşmasına neden olur.*
- e. Zincirli veya dişli testere bıçağı kullanmayın. *Bu tip uçlar sık sık geri tepme kuvvetinin oluşmasına veya elektrikli el aletinin kontrolünün kaybına neden olur.*

TAŞLAMA VE KESİCİ TAŞLAMA DİSKLERİ İÇİN ÖZEL UYARILAR

- a. Daima taşlama malzemesi için öngörülen tipte koruyucu kapak kullanın. *Elektrikli el aletinin için öngörülmemiş taşlama uçları yeterli ölçüde kapatılmaz ve güvenli değildir.*

- b. Taşlama uçları sadece tavsiye edilen işlerde kullanılabilir. Örneğin: Bir kesici taşlama ucunun yan tarafı ile taşlama yapmayın. *Kesici taşlama uçları diskin kenarı ile malzeme kazıma için geliştirilmiştir. Bu taşlama diskinin yan taraftan kuvvet uygulanınca kırılabilir.*
- c. Daima seçtiğiniz taşlama diskinin uygun büyüklükte ve biçimde hasarsız bağlama flanşı kullanın. *Uygun flanşlar taşlama disklerin destekler ve kırılmalarını önler. Kesici taşlama disklerine ait flanşlar diğer taşlama diskleri için kullanılan flanşlardan farklılık gösterebilir.*
- d. Büyük elektrikli el aletlerine ait aşınmış taşlama diskleri kullanmayın. *Büyük elektrikli el aletlerine ait taşlama diskleri küçük elektrikli el aletlerinin yüksek devirlerine göre tasarlanmamış olup, kırılabilirler.*

KESİCİ TAŞLAMA İÇİN ÖZEL UYARILAR

- a. Kesici taşlama diskinin bloke olmasını önleyin ve yüksek bastırma kuvveti uygulamayın. Çok derin kesme işlemleri yapmayın. *Kesici taşlama diskinin aşırı yük bindirilecek olursa köşelenme yapma olasılığı veya bloke olma olasılığı artar ve bunun sonucunda da geri tepme kuvvetlerinin oluşma veya diskin kırılma tehlikesi ortaya çıkar.*
- b. Dönmekte olan kesici taşlama diskinin arkasına geçmeyin. *İş parçası içindeki kesici taşlama diskinin kendi yönünüzün tersine hareket ettirirseniz, elektrikli aletin geri tepme durumunda dönmekte olan disk bedeninize doğru savrulabilir.*
- c. Kesici taşlama diski sıkırsa veya siz işe ara verirsiniz, elektrikli el aletini kapatın ve disk tam olarak duruncaya kadar aleti sıkıca tutun. Halen dönmekte olan kesici taşlama diskinin hiçbir zaman kesme hattından çıkarmayı denemeyin, aksi takdirde ortaya geri tepme kuvvetleri çıkabilir. *Sıkışmanın nedenlerini tespit edin ve bunları ortadan kaldırın.*
- d. Elektrikli el aletini iş parçası içinde bulunduğu sürece tekrar çalıştırmayın. Kesici taşlama diskinin en yüksek devre ulaşmasını bekleyin ve sonra kesme işlemine dikkatli biçimde devam edin. *Aksi takdirde disk açılma yapabilir, iş parçasından dışarı fırlayabilir veya geri tepme kuvvetine neden olabilir.*
- e. Kesici taşlamanın sıkışması durumunda ortaya çıkabilecek geri tepme kuvvetlerinden düşürmek için levhaları veya büyük iş parçalarını destekleyin. *Büyük iş parçaları kendi ağırlıkları nedeniyle bükülebilir. Bu gibi iş parçaları her iki taraftan da desteklenmelidir; hem kesici taşlama diskinin yanından hem de kenardan.*
- f. Duvardaki veya diğer görünmeyen yüzeylerdeki "Çep kesimli içten kesme" işlerinde özellikle dikkatli olun. *Malzeme içine dalan kesici taşlama diski gaz, su veya elektrik kablolarını veya başka nesnelere keserse geri tepme kuvvetleri oluşur.*

KUMLU KAĞIT ZIMPARA/TAŞLAMA DİSKLERİNİN KULLANIMI HAKKINDA ÖZEL UYARILAR

- a. Ölçüleri gerektiğinden büyük olan zımpara kağıtları kullanmayın. Zımpara kağıdı üreticilerinin bu konudaki büyüklük ölçülerine uyun. *Zımpara tablasının dışına taşan zımpara kağıtları yaralanmalara, blokaja, yırtılmaya, çizilmeye veya geri tepme kuvvetlerine neden olabilir.*

POLİSAJ İŞLEMİNE AİT ÖZEL UYARILAR

- a. Özellikle tespit ipi olmak üzere polisaj kapağında gevşek parça bırakmayın. Tespit iplerini düzgünce yerleştirin veya kısaltın. *Birlikte dönen tespit ipleri parmaklarınızı kapabilir veya iş parçasına sarılabilir.*

ÇEVRE

KORUMASI

Elektrikli el aleti, aksesuar ve ambalaj malzemesi çevre dostu bir yöntemle tasfiye edilmek üzere tekrar kazanım merkezine gönderilmelidir.

TEKNİK ÖZELLİKLER

GENEL SPESİFİKASYONLAR

Voltaj Oranı	230-240 V, 50-60 Hz
Amper Sayısı	0,6 A
Devri Ayarları	n ₁ 33.000/dak
Penset Kapasitesi	0,8 mm, 1,6 mm, 2,4 mm, 3,2 mm

UZATMA KABLOLARI

5 Amp kapasiteli ve tamamen açılmış, güvenli uzatma kabloları kullanın.

TEL FIRÇALARLA ÇALIŞMAYA AİT ÖZEL UYARILAR

- a. Tel fırçanın normal kullanımında da tel parçalarının kaybolmamasına dikkat edin. Tellere çok yüksek bastırma gücü uygulamayın. *Fırçayan tel parçaları kolaylıkla ince giysiler ve/veya cilt içine girebilir.*
- b. Koruyucu kapak kullanıyorsanız, koruyucu kapağın tel fırça ile temasa geçmesini önlemenizi tavsiye ederiz. *Tablaların ve çanak fırçaların çapları bastırma kuvveti ve merkezkaç kuvveti sonucu büyüyebilir.*

SADECE AB ÜYESİ ÜLKELER İÇİN



Elektrikli el aletini evsel çöplerin içine atmayın! Elektrikli el aletleri ve eski elektronik aletlere ilişkin 2002/96/AT sayılı Avrupa Birliği yönetmeliği ve bunların tek tek ülkelerin hukuklarına uyarlanması uyarınca, kullanım ömrünü tamamlamış elektrikli el aletleri ayrı ayrı toplanmak ve çevre dostu bir yöntemle tasfiye edilmek üzere yeniden kazanım merkezlerine gönderilmek zorundadır.

MOTOR ÖZELLİKLERİ

Bu elektrikli multi el aleti yüksek devirli bir motora sahiptir. 230-240 volt, 50-60 Hz. güç beslemesi ile çalışır. Besleme voltajının elektrikli el aleti üzerindeki etikette belirtilen değer ile aynı olduğundan daima emin olunuz (of 230V veya 240V besleme ile çalışan el aletleri de 220V'luk prize bağlanabilir).

MONTAJ

UÇLARI, PENSETLERİ DEĞİŞTİRMEYEN VEYA ALETİN BAKIMINI YAPMADAN ÖNCE ELEKTRİKLİ EL ALETİNİN ELEKTRİK BAĞLANTISINI MUTLAKA KESİN.

GENEL

Dremel multi el aleti, girintili çıkıntılı yüzeylerdeki detaylı işleri gerçekleştirmek üzere tasarlanmış son derece hassas, yüksek kalitede bir alettir. Zengin Dremel uç ve aksesuar seçenekleri sayesinde, çok sayıda işlemi gerçekleştirmeniz mümkündür. Bu işlemler arasında taşlama, oyma, gravür ve kanal açma, kesme, polisaj ve temizleme sayılabilir. RESİM 2

RESİM 1

- Mandren
- Penset
- Bağlantı arayüzü
- Koruyucu kapak
- Mil Kilitleme Butonu
- Havalandırma kanalları
- Fırça kapağı (her bir tarafta)
- Açma kapama düğmesi
- LCD ekran
- Devir yükseltme/azaltma butonları
- Asabilmek için askı
- Elektrik kablosu

PENSETLER

Elektrikli multi el aletleri ile kullanılan Dremel uçlarının farklı gövde boyutları mevcuttur. Farklı gövde boyutları ile kullanım için pensetler dört farklı boyutta sunulur. Penset boyutları, pensetin arka tarafındaki halkalar ile belirlenir.

RESİM 3

- 3,2 mm'lik Halkasız penset (480)
- 2,4 mm'lik Üç halkalı penset (481)
- 1,6 mm'lik İki halkalı penset (482)
- 0,8 mm'lik Bir halkalı penset (483)

NOT: Bazı multi setlerinde bu dört farklı penset boyutu mevcut olmayabilir. Pensetler ayrı ayrı da mevcuttur.

Daima kullanmayı planladığınız cihazın gövde boyutu ile uyumlu bir penset kullanın. Bir penseti, çapı daha küçük bir gövdeye yerleştirmek için kesinlikle zorlamayın.

PENSET DEĞİŞİMİ

RESİM 4

- Mil Kilitleme Butonu
- Penset Anahtarı
- Sıkmak için
- Gevşetmek için
- Mandren

- Mil kilitleme butonuna basın, aşağı doğru tutun ve mili oturana kadar el ile döndürün. Multi çalışırken mil kilitleme butonunu kullanmayın.
- Mil kilitleme butonu basılı iken, mandreni gevşetin ve çıkarın. Gerekliyse penset anahtarı kullanın.
- Penseti milden çekerek çıkarın.
- Uygun boyuttaki penseti mile takın ve mandreni sıkıca tekrar yerleştirin. Uç veya aksesuar mevcut değilse mandreni çok sıkımayın.

AKSESUAR DEĞİŞİMİ

RESİM 4/5

- Mil Kilitleme Butonu

- Mil kilitleme butonuna basın ve mil kilidi oturana kadar el ile döndürün. *Multi çalışırken mil kilitleme butonunu kullanmayın.*
- Mil kilitleme butonu basılı iken, mandreni gevşetin (çıkarmayın). Gerekliyse penset anahtarı kullanın.
- Ucu veya aksesuarı penset gövdesine iyice oturtun.
- Mil kilitleme butonuna basılı iken, mandreni uç veya aksesuarın ortası penset tarafından kavranana kadar elle sıkıştırın.

NOT: Kullanım hakkında daha fazla bilgi edinmek için Dremel aksesuarınız ile birlikte verilen talimatları mutlaka okuyun.

Sadece Dremel tarafından test edilmiş, yüksek performanslı aksesuarlar kullanın.

BAŞLARKEN

KULLANIM

Multi el aletinizin kullanımında ilk adım, yarattığı "hiss" duymaktır. Onu elinize alın; ağırlığını ve dengesini hissedin. Muhafazasının inceliğini hissedin. Bu çıkıntı, cihazın bir kalem gibi kavranmasını sağlar.

Elektrikli el aletinizi daima yüzünüzden uzak tutun. Çalışma esnasında aksesuarlar hasar görebilir, hızla birlikte yerlerinden fırlayabilir. Aleti tutarken, havalandırma açıklıklarının eliniz ile kapamayın. Havalandırma açıklıklarının tıkanması motorun aşırı ısınmasına neden olur.

ÖNEMLİ! Elektrikli el aletinin yüksek devrini öncelikle kullanılmayan hurda parçalar üzerinde test edin. Elektrikli el aletinizin yüksek devrinin en iyi sonuçlarını Dremel aksesuarları ve bağlantı aksesuarları ile alacağınızı unutmayın. Mümkün ise, kullanım esnasında elektrikli el aleti üzerine kuvvet uygulamayın. Bunun yerine dönen aksesuarı çalışma yüzeyine yaklaştırın ve işleminin başlamasını istediğiniz noktaya temas etmesini sağlayın. Cihaza az miktarda basınç uygulayarak, üzerinde çalışmakta olduğunuz nesneye konsantre olun. İş aksesuarın yapmasına izin verin.

Genellikle tüm işi bir seferde tamamlamaya çalışmaktansa, bir kaç hamlede tamamlamak daha iyi sonuç verir. Hafif bir dokunuş ile en mükemmel kontrolü elde eder ve hata riskini azaltırsınız.

ALETİN TUTULMASI

Yakın işlemlerde en iyi kontrol için multiyi, bir kalem gibi baş ve işaret parmağınız arasında tutun. RESİM 6 "Golf" tipi kavrama yöntemi, taşlama veya kesme gibi daha ağır işlerde kullanılır. RESİM 7

ÇALIŞMA DEVİRLERİ

Bu elektrikli el aleti yüksek devirli bir multidir. 400 Series DIGITAL el aletinin dijital ekranı aletin çalışmakta olduğu devir sayısını kesin biçimde (x 1.000) gösterir. Devri yükseltmek veya azaltmak için devir yükseltme / azaltma butonlarına basın. Multi el aletinizin devri 1.000 DEV/DAK'lık aralıklarla yükseltiştirilip azaltılabilir. Bu sayede multi el aletinizin devrini hassas biçimde kontrol edebilirsiniz. Devir ayarının projenize uygun olması ile en iyi sonuçları elde edersiniz. Farklı malzemeler ile çalışırken en iyi sonuçlara ulaşmak için, değişken devri ayarını işe uygun biçimde yapın. Her bir aksesuara uygun doğru devri seçmek için önce hurda malzemeler üzerinde deneme yapın.

NOT: Devir, voltaj değişikliklerinden etkilenir. Azalan besleme voltajı, özellikle en düşük ayarda iken aletin devrini de düşürecektir. El aletiniz daha yavaş işlemeye başlarsa, devir ayarını uygun biçimde yükseltin. Elektrikli el aleti, çıkış voltajı 220 volttan düşük olan bölgelerde, en düşük ayarda çalışmaya başlamayabilir. İşletime başlamak için, devir ayarını yükseltin.

Sayfa 4-6'da yer alan Devir Ayarlarına bakarak çalışan malzeme ve kullanılan aksesuara uygun devir ayarını tespit edin.

- Kuru duvarda kullanım için. En iyi sonuç için, 33.000 dev/dak'ta kullanın.
- Duvar ve Yer Sivasında kullanım için. 20.000-28.000 ayarını kullanın.

*) Hafif kesme işlemleri için devir. Uyarı, derin oyuklarda yanma meydana gelebilir.

■ Kesim yönü dokuya bağlı olarak belirlenir. Birçok işlem elektrikli el aletini en yüksek devirde kullanarak gerçekleştirilir. Ancak, bazı malzemeler (bazı plastik ve metaller) yüksek devirlerde oluşan ısıya bağlı olarak zarar görebilir; buna bağlı olarak uygun bir düşük devirde çalışılmalıdır. Düşük devirde işletim (15.000 DEV/DAK veya daha az) özellikle polisaj aksesuarları ile gerçekleştirilen işlemleri için uygundur. Tüm fırçalama işlemleri, kabloun tutucudan ayılmasını engellemek için düşük devirde gerçekleştirilmelidir. Daha düşük devir ayarlarında kullanarak , elektrikli el aletinizin performansından faydalanın. Daha yüksek devirler, sert ahşap, metal, cam malzemeler veya delme, oyma, kesme, şekillendirme ile ahşap içine oluk ya da yiv açma işlemleri için uygundur.

Elektrikli el aletinin devri hakkında bilgiler:

- Plastik ve benzeri düşük ısılarla eriyen malzemeler, düşük devirde kesilmelidir.
- Metal fırça ile polisaj, fırçalama ve temizleme işlemleri, fırçanın ve malzemenin zarar görmemesi için 15.000 DEV/DAK'dan daha düşük devirlerde yapılmalıdır.
- Ahşap, yüksek devirde kesilmelidir.
- Demir veya çelik, yüksek devirde kesilmelidir.
- Yüksek devirli bir çelik kesici titreşime başladıysa, bu durum genellikle çok düşük devirde çalıştığını gösterir.
- Alüminyum, bakır alaşımları, kurşun alaşımları, çinko alaşımları ve teneke, yapılan kesme işleminin türüne bağlı olarak değişik devirlerde kesilebilir. Kesilen malzemenin, kesici diş zarar vermesini önlemek için, parafin (su değil) veya başka uygun bir yağlama malzemesi kullanın.

NOT: Elektrikli el aletiniz düzgün çalışmıyorsa, alet üzerindeki baskıyı arttırmak doğru bir hareket değildir. İsteddiğiniz sonuçları elde etmek için farklı bir aksesuar kullanmayı veya devir ayarını değiştirmeyi deneyin.

BAKIM

Önleyici bakımın yetkisiz kişiler tarafından yapılması, dahili kablo ve bileşenlerin yanlış yerleştirilmesine yol açabilir, bu da ciddi tehlike yaratır. Tüm alet bakımlarının, bir Dremel Servis İşletmesi tarafından yapılmasını tavsiye ederiz. Beklenmeyen çalışma veya elektrik çarpmasına bağlı yaralanmaları önlemek için, servis veya temizlik işlemleri öncesinde mutlaka el aletinizin elektrik bağlantısını kesin.

KARBON FIRÇALAR

Elektrikli el aletinizin fırçaları, ilgili bakım yapıldığı takdirde uzun süre kullanılacak biçimde üretilmiştir. Fırçaları kullanıma hazırlamak için, elektrikli el aletinizi en yüksek devirde 5 dakika süre ile çalıştırın. Bu sayede fırçalar uygun biçimde yerlerine "oturur" ve el aletinizin kullanım ömrü uzar. Motordan en yüksek verimi elde etmek için, her 40-50 saatte bir fırçaları muayene edin.

Elektrikli el aletinin kullanımı sonucu fırçaların aşınması, motora hasar verir. Değiştirmek gerekirse, orijinal Dremel fırçalarını kullanın. Multi el aletinizin fırçalarını 40-50 saatlik kullanımın ardından değiştirin. Multi el aletiniz düzensiz biçimde çalışıyor, güç kaybediyor veya alışılmadık sesler çıkarıyorsa, fırçaların aşınma oranını kontrol edin ve gerekiyorsa değiştirin. Multi el aletinin fırçalarını kontrol ederken/değiştirirken aşağıdaki adimleri izleyin:

1. Elektrik bağlantısı takılı değil iken, el aletinizi temiz bir yere koyun. Alet anahtarını kullanarak fırça kapaklarını çıkarın. RESİM 8
2. Aleti, fırça atana kadar döndürün ve her bir fırçayı kontrol edin. Fırça uzunluğu 3 mm'den kısa ve akım şalterine temas eden fırça yüzeyi girintili - çıkıntılı ise, karbon fırça değiştirilmelidir. Her iki fırçayı da kontrol ettiğinizden emin olun. RESİM 9
3. Bir fırça aşınmış ise, multinizin performansını arttırmak için her iki fırçayı da değiştirmeniz gerekir. Yaylı fırçadan çıkarın, eski fırçayı atın ve yaylı yeni fırçaya takın.

SERVİS VE GARANTİ

Bu DREMEL ürünü, yerel/ulusal yasal düzenlemelere uygun biçimde, normal aşınma ve eskimeden kaynaklanan hasarlara karşı garanti kapsamındadır; aşırı yüklenmeden veya uygun olmayan kullanımdan kaynaklanan hasarlar garanti kapsamına alınmaz.

Herhangi bir şikayet durumunda, elektrikli el aletinizi demonte etmeden satın alma belgeniz ile birlikte bayinize gönderin.

4. Karbon fırçayı yerleştirin ve yaylı el aletine takın; fırça sadece tek bir konumda alete yerleşebilir. Fırçaların resimde gösterildiği biçimde takılı olduğundan emin olun. RESİM 9 Fırçanın bombeli yüzeyi akım şalterinin kıvrımları ile uyum sağlar.
5. Fırça girişlerinin altındaki kare biçimindeki alanı, açıklıklardaki kare biçimli alanlara denk getirin. Fırçanın V oyuğundaki yayaların yerlerine oturduğundan emin olun. Girişin ön kısmını aşağı doğru bastırın. Ardından aşağı bastırarak arka mandalı yerine yerleştirin. Fırçaları değiştirdikten sonra alet tam devirle çalıştırılmalıdır; el aletinizi yüklemeyen (veya kullanmadan) önce temiz bir yere koyun ve en yüksek devirde 5 dakika süre ile boşta çalıştırın. Bu sayede fırçalar yerlerine tam "oturur" ve her bir fırça setinin kullanım ömrü de uzamış olur. Böylece akım şalteri yüzeyi daha iyi konuma geleceğinden el aletinizin de kullanım ömrü uzar. RESİM 10

ALETİN TEMİZLİĞİ

TEMİZLEMEDEN ÖNCE ELEKTRİK BAĞLANTISINI KESİN

Havalandırma açıklıkları ve düğme kolları temiz ve yabancı maddelerden arınmış bir şekilde tutulmalıdır. Açıklıklardan sivri cisimler sokarak temizlemeye çalışmayın.

Alet, sıkıştırılmış kuru hava ile temizlenebilir. Aleti basınçlı hava ile temizlerken daima koruyucu gözlük takın.

Dremel multi el aletini yağlamaya gerek yoktur. Belirli temizlik maddeleri ve solventleri plastik kısımlara zarar verecektir. Bunlardan bazıları: Benzin, karbon tetraklorid, klorlü temizlik solventleri, amonyak ve amonyak içeren ev deterjanları.

Kavrama kolunun "yumuşak" bölgelerini nemli bezle temizleyin. Sert yüzeyleri temizlemek için birden çok kez silmeniz gerekebilir.

DREMEL'E ULAŞIN

Dremel alet donanımı, destek ve yardım hattı hakkında daha fazla bilgi için www.dremel.com adresini ziyaret edin.

Dremel Europe, P.O. Box 3267, 4800 DG Breda

VŠEOBECNÉ BEZPEČNOSTNÍ PŘEDPISY



VAROVÁNÍ ČTĚTE VŠECHNY POKYNY. Chyby přidodžování níže uvedených pokynů mohou způsobit elektrický úder, požár, event. těžké poranění. Níže použitý pojem "elektronářadí" se vztahuje na elektronářadí provozované na el. síti (s přípojovacím kabelem) a na elektronářadí provozované na baterii (bez přípojovacího kabelu).

TYTO PŘEDPISY DOBŘE USCHOVEJTE

1. PRACOVNÍ MÍSTO

- Udržujte Vaše pracovní místo čisté a uklizené. **Nepořádek a neosvětlené pracovní oblasti mohou vést k úrazům.**
- Se strojem nepracujte v prostředích ohrožených explozí, kde se nacházejí hořlavé kapaliny, plyny nebo prach. **Elektronářadí vytváří jiskry, které mohou prach nebo páry zapálit.**
- Děti a jiné osoby udržujte při použití elektronářadí daleko od Vašeho pracovního místa. **Při rozptýlení můžete ztratit kontrolu nad strojem.**

2. ELEKTRICKÁ BEZPEČNOST

- Přípojovací zástrčka stroje musí lícovat se zásuvkou. Zástrčka nesmí být žádným způsobem upravena. Společně se stroji s ochranným uzemněním nepoužívejte žádné adaptérové zástrčky. **Neupravené zástrčky a vhodné zásuvky snižují riziko elektrického úderu.**
- Zabraňte kontaktu těla s uzemněnými povrchy, jako např. potrubí, topení, sporáky a chladničky. **Je-li Vaše tělo uzemněno, existuje zvýšené riziko elektrického úderu.**
- Chraňte stroj před deštěm a vlhkem. **Vniknutí vody do elektrického stroje zvyšuje nebezpečí elektrického úderu.**
- Dbejte na účel kabelu, nepoužívejte jej k nošení či zavěšení stroje nebo vytažení zástrčky ze zásuvky. Udržujte kabel daleko od tepla, oleje, ostrých hran nebo pohyblivých dílů stroje. **Poškozené nebo spletené kabely zvyšují riziko elektrického úderu.**
- Pokud pracujete s elektronářadím venku, použijte pouze takové prodlužovací kabely, které jsou schváleny i pro venkovní použití. **Použití prodlužovacího kabelu, jež je vhodný pro použití venku, snižuje riziko elektrického úderu.**

3. BEZPEČNOST OSOB

- Buďte pozorní, dávejte pozor na to, co děláte a přistupujte k práci s elektronářadím rozumně. Stroj nepoužívejte pokud jste unavení nebo pod vlivem drog, alkoholu nebo léků. **Moment nepozornosti při použití elektronářadí může vést k vážným**



- poraněním.**
- Noste osobní ochranné pomůcky a vždy ochranné brýle. **Nošení osobních ochranných pomůcek jako maska proti prachu, bezpečnostní obuv s protiskluzovou podrážkou, ochranná přilba nebo sluchátka, podle druhu nasazení elektronářadí, snižují riziko poranění.**
 - Zabraňte neúmyslnému uvedení do provozu. Přesvědčte se ještě než zastrčíte zástrčku do zásuvky, že je elektronářadí vypnuté. **Máte-li při nošení stroje prst na spínači nebo pokud stroj připojíte ke zdroji proudu zapnutý, pak to může vést k úrazům.**
 - Než stroj zapnete, odstraňte seřizovací nástroje nebo šroubovák. **Nástroj nebo klíč, který se nachází v otáčivém dílu stroje, může vést k poranění.**
 - Nepřeceňujte se. **Zajistěte si bezpečný postoj a vždy udržujte rovnováhu. Tím můžete stroj v neočekávaných situacích lépe kontrolovat.**
 - Noste vhodný oděv. **Nenoste žádný volný oděv nebo šperky. Vlasy, oděv a rukavice udržujte daleko od pohyblivých se dílů. Volný oděv, šperky nebo dlouhé vlasy mohou být zachyceny pohyblivými se díly.**
 - Lze-li namontovat odsávací či zachycující přípravky, přesvědčte se, že jsou připojeny a správně použity. **Použití těchto přípravků snižuje ohrožení prachem.**

4. SVĚDOMITÉ ZACHÁZENÍ A POUŽÍVÁNÍ ELEKTRONÁŘADÍ

- Stroj nepřetěžujte. Pro svou práci použijte k tomu určený stroj. **S vhodným elektronářadím budete pracovat v udané oblasti výkonu lépe a bezpečněji.**
- Nepoužívejte žádné elektronářadí, jehož spínač je vadný. **Elektronářadí, které nelze zapnout či vypnout je nebezpečné a musí se opravit.**
- Než provedete seřízení stroje, výměnu dílů příslušenství nebo stroj odložíte, vytáhněte zástrčku ze zásuvky. **Toto preventivní opatření zabrání neúmyslnému zapnutí stroje.**
- Uchovávejte nepoužívané elektronářadí mimo dosah dětí. Nenechte stroj používat osobám, které se strojem nejsou seznámeny nebo nečetly tyto pokyny. **Elektronářadí je nebezpečné, je-li používáno nezkušenými osobami.**

- e. Pečujte o stroj svědomitě. Zkontrolujte, zda pohyblivé díly stroje bezvadně fungují a nevzpřičují se, zda díly nejsou zlomené nebo poškozené tak, že je omezena funkce stroje. Poškozené díly nechte před nasazením stroje opravit. **Mnoho úrazů má příčinu ve špatně udržovaném elektronářadí.**
- f. Řezné nástroje udržujte ostré a čisté. **Pečlivě ošetřované řezné nástroje s ostrými řeznými hranami se méně vzpřičují a dají se lehčeji vést.**
- g. Používejte elektronářadí, příslušenství, nasazovací nástroje apod. podle těchto pokynů a tak, jak je to

pro ten určitý speciální typ stroje předepsáno. Respektujte přitom pracovní podmínky a prováděnou činnost. **Použití elektronářadí pro jiné než určující použití může vést k nebezpečným situacím.**

5. SERVIS

- a. Nechte Váš stroj opravit pouze kvalifikovaným odborným personálem a pouze s originálními náhradními díly. **Tím bude zajištěno, že bezpečnost stroje zůstane zachována.**

OBECNÉ BEZPEČNOSTNÍ POKYNY, SPOLEČNÉ PRO VŠECHNY APLIKACE

SPOLEČNÁ VAROVNÁ UPOZORNĚNÍ K BROUŠENÍ, SMIRKOVÁNÍ, PRÁCI S DRÁTĚNÝMI KARTAČI. LÉSTENÍ A DĚLENÍ

- a. Toto elektronářadí se používá jako bruska, bruska brusným papírem, kartáčovačka, leštička, dělicí bruska. Dbejte všech varovných upozornění, pokynů, zobrazení a údajů, jež jste s elektronářadím obdrželi. **Pokud následující pokyny nedodržíte, může to vést k úderu elektrickým proudem, požáru nebo těžkým poraněním.**
- b. Nepoužívejte žádné příslušenství, které není výrobcem pro toto elektronářadí speciálně určeno a doporučeno. **Pouze to, že můžete příslušenství na Vaše elektronářadí upevnit, nezaručuje bezpečné použití.**
- c. Dovolené otáčky nasazovacího nástroje musí být nejméně tak vysoké jako nejvyšší otáčky uvedené na elektronářadí. **Příslušenství, jež se otáčí rychleji než je dovoleno, může být zničeno.**
- d. Vnější rozměr a tloušťka nasazovacího nástroje musí odpovídat rozměrovým údajům Vašeho elektronářadí. **Špatně dimenzované nasazovací nástroje nemohou být dostatečně stíněny nebo kontrolovány.**
- e. Brusné kotouče, příruby, brusné talíře nebo jiné příslušenství musí přesně lícovat na brusné vřeteno Vašeho elektronářadí. **Nasazovací nástroje, které přesně nelicují na brusné vřeteno Vašeho elektronářadí, se nerovnoměrně točí, velmi silně vibrují a mohou vést ke ztrátě kontroly.**
- f. Nepoužívejte žádné poškozené nasazovací nástroje. Zkontrolujte před každým použitím nasazovací nástroje jako brusné kotouče na odštěpky a trhliny, brusné talíře na trhliny, otěr nebo silné opotřebení, drátěné kartáče na uvolněné nebo zlomené dráty. Spadne-li elektronářadí nebo nasazovací nástroj z výšky, zkontrolujte zda není poškozený nebo použijte nepoškozený nasazovací nástroj. Pokud jste

nasazovací nástroj zkontrolovali a nasadili, držte se Vy a v blízkosti nacházející se osoby mimo rovinu rotujícího nasazovacího nástroje aneche elektronářadí běžet jednu minutu snejvyššími otáčkami. **Poškozenénasazovací nástroje většinou v této dobětestování prasknou.**

- g. Noste osobní ochranné vybavení. Podle aplikace použijte ochranu celého obličeje, ochranu očí nebo ochranné brýle. Taktéž adekvátně noste ochrannou masku proti prachu, ochranu sluchu, ochranné rukavice nebo speciální zástěru, jež Vás ochrání před malými částicemi brusiva a materiálu. **Oči mají být chráněny před odletujícími cizími tělísky, jež vznikají při různých nasazeních. Protiprachová maska či respirátor musejí při nasazení vznikatý prách odfiltrovat. Pokud jste dlouho vystaveni silnému hluku, můžete utrpět ztrátu sluchu.**
- h. Dbejte u ostatních osob na bezpečnou vzdálenost k Vaší pracovní oblasti. Každý, kdo vstoupí do této pracovní oblasti, musí mít osobní ochranné vybavení. **Úlomky obrobku nebo zlomené nasazovací nástroje mohou odletnout a způsobit poranění i mimo přímou pracovní oblast.**
- i. Pokud provádíte práce, při kterých by nástroj mohl zasáhnout skrytá el. vedení nebo vlastní kabel, držte elektronářadí pouze na izolovaných uchopovacích plochách. **Kontakt s vedením pod napětím přivádí napětí i na kovové díly stroje a vede k úderu elektrickým proudem.**
- j. Držte síťový kabel daleko od otáčejících se nasazovacích nástrojů. **Když ztratíte kontrolu nad elektronářadím, může být přerušeno nebo zachyceno síťový kabel a Vaše paže nebo ruka se může dostat do otáčejícího se nasazovacího nástroje.**
- k. Nikdy neodkládejte elektronářadí dříve, než se nasazovací nástroj dostal zcela dostavu klidu. **Otáčející se nasazovací nástroj se může dostat do kontaktu s odkládací plochou, čímž můžete ztratit kontrolu nad elektronářadím.**
- l. Nenechte elektronářadí běžet po dobu, co jej nesete. **Váš oděv může být náhodným kontaktem s**

otáčejícím se nasazovacím nástrojem zachycen a nasazovací nástroj se může zavrtat do Vašeho těla.

- m. Čistěte pravidelně větrací otvory Vašeho elektronářadí. **Ventilátor motoru vtahuje do tělesa prách a silně nahromadí kovového práchu může způsobit elektrická rizika.**
- n. Nepoužívejte elektronářadí v blízkosti hořlavých materiálů. **Jiskry mohou tyto materiály zapálit.**
- o. Nepoužívejte žádné nasazovací nástroje, které vyžadují kapalnou chladicí prostředky. **Použití vody nebo jiných kapalných chladicích prostředků může vést k úderu elektrickým proudem.**

ZPĚTNÝ RÁZ A ODPOVÍDAJÍCÍ VAROVNÁ UPOZORNĚNÍ

Zpětný ráz je náhlá reakce v důsledku zaseknutého nebo zablokovaného otáčejícího se nasazovacího nástroje, jako je brusný kotouč, brusný talíř, drátěný kartáč atd. Zaseknutí nebo zablokování vede k náhlému zastavení rotujícího nasazovacího nástroje. Tím nekontrolované elektronářadí akceleruje v místě zablokování proti směru otáčení nasazovacího nástroje. Pokud se např. přičí nebo blokuje brusný kotouč v obrobku, může se hrana brusného kotouče, která se zanořuje do obrobku, zakousnout a tím brusný kotouč vylomit nebo způsobit zpětný ráz. Brusný kotouč se potom pohybuje k nebo od obsluhující osoby, podle směru otáčení kotouče na místě zablokování. Při tom mohou brusné kotouče i prasknout. Zpětný ráz je důsledek nesprávného nebo chybného použití elektronářadí. Lze mu zabránit vhodnými preventivními opatřeními, jak je následně popsáno.

- a. Držte elektronářadí dobře pevně a dejte Vaše tělo a paže do polohy, ve které můžete zachytit síly zpětného rázu. Je-li k dispozici, používejte vždy přídavnou rukojeť, abyste měli co největší možnost kontroly nad silami zpětného rázu nebo reakčních momentů při rozběhu. **Obsluhující osoba může vhodnými preventivními opatřeními zvládnout síly zpětného rázu a reakčního momentu.**
- b. Nedávejte Vaši ruku do blízkosti otáčejících se nasazovacích nástrojů. **Nasazovací nástroj se při zpětném rázu může pohybovat přes Vaši ruku.**
- c. Vyhybejte se Vaším tělem oblastí, kam se bude elektronářadí při zpětném rázu pohybovat. **Zpětný ráz vháni elektronářadí v místě zablokování do opačného směru k pohybu brusného kotouče.**
- d. Zvlášť opatrně pracujte v místech rohů, ostrých hran apod. Zabraňte, aby se nasazovací nástroj odrazil od obrobku a vzpřičil. **Rotující nasazovací nástroj je u rohů, ostrých hran a pokud se odrazináchylný na vzpřičení se. Toto způsobí ztrátukontroly nebo zpětný ráz.**
- e. Nepoužívejte žádný článkový nebo ozubený pilový

kotouč. **Takovéto nasazovací nástroje způsobují často zpětný ráz nebo ztrátu kontroly nad elektronářadím.**

ZVLÁŠTNÍ VAROVNÁ UPOZORNĚNÍ K BROUŠENÍ A DĚLENÍ

- a. Používejte výhradně pro Vaše elektronářadí schválená brusná tělesa a pro tato brusná tělesa určený ochranný kryt. **Brusná tělesa, která nejsou určena pro toto elektronářadí, nemohou být dostatečně stíněna a jsou nespolehlivá.**
- b. Brusná tělesa smějí být použita pouze pro doporučené možnosti nasazení. Např. nikdy nebruste boční plochou dělicího kotouče. **Dělicí kotouče jsou určeny k úberu materiálu hranou kotouče. Boční působení síly na tato brusná tělesa je může rozlámat.**
- c. Používejte vždy nepoškozené příruby ve správné velikosti a tvaru pro Vámi zvolený brusný kotouč. **Vhodné příruby podírají brusný kotouč a zmírňují tak nebezpečí prasknutí brusného kotouče. Příruby pro dělicí kotouče se mohou odlišovat od přírub pro jiné brusné kotouče.**
- d. Nepoužívejte žádné opotřebované brusné kotouče od většího elektronářadí. **Brusné kotouče pro větší elektronářadí nejsou konstruovány pro vyšší otáčky menších elektronářadí a mohou prasknout.**

DALŠÍ ZVLÁŠTNÍ VAROVNÁ UPOZORNĚNÍ K DĚLENÍ

- a. Zabraňte blokování dělicího kotouče nebo příliš vysokému přítlaku. Neprovádějte žádné nadměrně hluboké řezy. **Přetížení dělicího kotouče zvyšuje jeho namáhání a náchylnost ke vzpřičení nebo zablokování a tím možnost zpětného rázu nebo prasknutí brusného tělesa.**
- b. Vyhybejte se oblasti před a za rotujícím dělicím kotoučem. **Pokud pohybujete dělicím kotoučem v obrobku pryč od sebe, může být v případě zpětného rázu elektronářadí s otáčejícím se kotoučem vymrštno přímo na Vás.**
- c. Jestliže se dělicí kotouč přičí nebo práci přerušíte, elektronářadí vypněte a vydržte v klidu než se kotouč zastaví. Nikdy se nepokoušejte ještě běžící dělicí kotouč vytáhnout z řezu, jinak může následovat zpětný ráz. **Zjistěte a odstraňte příčinu uvíznutí.**
- d. Elektronářadí opět nezapínejte, dokud se nachází v obrobku. Nechte dělicí kotouč nejprve dosáhnout svých plných otáček, než budete v řezu opatrně pokračovat. **Jinak se může kotouč vzpřičit, vyskočit z obrobku nebo způsobit zpětný ráz.**
- e. Desky nebo velké obrobky podepřete, aby se zabránilo riziku zpětného rázu od sevřeného dělicího kotouče. **Velké obrobky se mohou pod svou vlastní hmotností prohnout. Obrobek musí**

být podepřen na obou stranách a to jak v blízkosti dělicího řezu tak i na okraji.

- f. Budte obzvláště opatrní u „kapsovitých řezů“ do stávajících stěn nebo jiných míst, kam není vidět. **Zanořující se dělicí kotouč může při zaříznutí do plynových, vodovodních či elektrických vedení nebo jiných objektů způsobit zpětný ráz.**

ZVLÁŠTNÍ VAROVNÁ UPOZORNĚNÍ KE SMIRKOVÁNÍ

- a. Nepoužívejte žádné předimenzované brusné listy, ale dodržujte údaje výrobce k velikosti brusného listu. **Brusné listy, které vyčnívají přes brusný talíř, mohou způsobit poranění a též vést k blokování, roztržení brusných listů nebo ke zpětnému rázu.**

ZVLÁŠTNÍ VAROVNÁ UPOZORNĚNÍ K LEŠTĚNÍ

- a. Nepřipusťte žádné uvolněné části na leštícím

ŽIVOTNÍ PROSTŘEDÍ

ZPRACOVÁNÍ ODPADŮ

Elektronářadí, příslušenství a obaly by měly být tříděny a sbírány k opětovnému zhodnocení nepoškozujícímu životní prostředí.



Sítová nářadí nevyhazujte do komunálního odpadu! Podle evropské směrnice 2002/96/ES o starých elektrických a elektronických zařízeních a její implementace v národních zákonech musí být vyřazená sítová nářadí sbírána odděleně a likvidována způsobem nepoškozujícím životní prostředí.

SPECIFIKACE

OBEČNÉ SPECIFIKACE

Jmenovité napětí 230-240 V, 50-60 Hz
 Jmenovitý proud 0,6 A
 Otáčky naprázdno . . . n, 33 000 ot/min
 Rozsah upínacího 0,8 mm; 1,6 mm; 2,4 mm;
 pouzdra 3,2 mm

PRODLUŽOVACÍ SÍŤOVÉ KABELY

Bezpečné prodlužovací síťové kabely o zatížitelnosti 5 A použijte úplně rozvinuté.

potahu, zvláště upevňovací provázek. Upevňovací provázky dobře urovnejte nebo zkraťte. **Volné, spolu se otáčející upevňovací provázky mohou zachytit Vaše prsty nebo se zamotat do obrobku.**

ZVLÁŠTNÍ VAROVNÁ UPOZORNĚNÍ K PRÁCI S DRÁTĚNÝMI KARTÁČI

- a. Dbejte na to, že drátěný kartáč i během běžného užívání ztrácí kousky drátu. Nepřetěžujte dráty příliš vysokým přítlakem. **Odlétající kousky drátu mohou velmi lehce proniknout skrz tenký oděv nebo pokožku.**
- b. Je-li doporučen ochranný kryt, zabraňte, aby se ochranný kryt a drátěný kartáč mohly dotýkat. **Talířové a hrncové kartáče mohou díky přítlaku a odstředivým silám zvětšit svůj průměr.**

POUZE PRO ZEMĚ EU

MONTÁŽ

PŘED VÝMĚNOU PŘÍSLUŠENSTVÍ, UPÍNACÍHO POUZDRA, NEBO PŘED PROVÁDĚNÍM ÚDRŽBY VŽDY ODPOJTE UNIVERZÁLNÍ NÁŘADÍ OD SÍTĚ.

OBEČNÉ

Univerzální nářadí Dremel je vysoce kvalitní, přesné nářadí na jemnou, složitou práci. Široký rozsah příslušenství a nástavců Dremel vám umožňuje provádět velmi rozmanité úlohy. Tyto úlohy zahrnují broušení, vyřezávání, rytí a frézování, řezání, čištění a leštění. OBRÁZEK 2

OBRÁZEK 1

- Upínací matice
- Upínací pouzdro
- Rozhraní nástavce
- Zaslepovací krytka
- Tlačítko blokování hřídele
- Ventilační otvory
- Krytka kartáčků (jedno na každé straně)
- Spínač Zap-Vyp
- LCD displej
- Tlačítka Zvýšení/snížení otáček
- Závěs
- Síťový kabel

UPÍNACÍ POUZDRA

Pro univerzální nářadí je k dispozici příslušenství Dremel s různými rozměry stopky. Pro upínání stopek různých rozměrů jsou k dispozici také čtyři velikosti upínacích pouzder. Velikost upínacího pouzdra je vyznačena kroužky na zadní straně pouzdra.

OBRÁZEK 3

- 3,2 mm Upínací pouzdro bez kroužku (480)
- 2,4 mm Upínací pouzdro se třemi kroužky (481)
- 1,6 mm Upínací pouzdro se dvěma kroužky (482)
- 0,8 mm Upínací pouzdro s jedním kroužkem (483)

POZNÁMKA: Některé soupravy univerzálního nářadí nemusí obsahovat upínací pouzdra všech čtyř velikostí. Upínací pouzdra se dodávají i samostatně.

Vždy použijte to upínací pouzdro, které odpovídá velikosti stopky. Nesnažte se násilím nasunout stopku většího průměru do menšího upínacího pouzdra.

VÝMĚNA UPÍNACÍHO POUZDRA

OBRÁZEK 4

- Tlačítko blokování hřídele
- Upínací klíč
- Utahování
- Uvolňování
- Upínací matice

- Tiskněte tlačítko blokování hřídele a rukou otáčejte hřídel, dokud blokovací západka nezapadne. Tlačítko blokování hřídele netiskněte, dokud je univerzální nářadí v chodu.
- Když je hřídel blokována, uvolněte a sejměte upínací matici. Je-li potřeba, použijte upínací klíč.
- Vytažením z hřídele vyjměte upínací pouzdro.
- Do hřídele plně zasuňte upínací pouzdro vhodné velikosti, a našroubujte a rukou lehce utáhněte upínací matici. Matici neutahujte plně, není-li nasazeno žádné příslušenství.

VÝMĚNA PŘÍSLUŠENSTVÍ

OBRÁZEK 4/5

- Tlačítko blokování hřídele

- Stiskněte tlačítko blokování hřídele a rukou otáčejte hřídel, dokud blokovací západka nezapadne. **Tlačítko blokování hřídele netiskněte, dokud je univerzální nářadí v chodu.**
- Když je hřídel blokována, uvolněte (ale nesnímejte) upínací matici. Je-li potřeba, použijte upínací klíč.
- Stopku bitu nebo příslušenství zasuňte plně do upínacího pouzdra.
- Se stisknutým tlačítkem blokování hřídele prsty pevně utahujte upínací matici, dokud stopka není v upínacím pouzdu řádně seřvena. **POZNÁMKA: Nezapomeňte si přečíst také pokyny dodávané s příslušenstvím Dremel, které obsahují další informace o jeho použití.**

Používejte jen vysoce kvalitní příslušenství testované firmou Dremel.

ZAČÍNÁME

POUŽITÍ

Nejprve musíte pro univerzální nářadí získat cit. Potézkávejte nářadí v ruce, abyste si zvykli na jeho hmotnost a pocítili jeho vyváženost. Učítíte zúžené místo na pouzdru nástroje. Toto zúžení dovoluje nářadí uchopit velmi podobně jako pero nebo tužku. **Nářadí nikdy nepřibližujte k obličejům. Při manipulaci by mohlo dojít k poškození příslušenství a to by se mohlo při zvyšování otáček rozletět. Když nářadí držíte, nezakrývejte rukou ventilační otvory. Zakrytí ventilačních otvorů by mohlo způsobit přehřátí motoru.**

DŮLEŽITÉ! Působení vysokootáčkového nářadí si nejprve vyzkoušejte nanečisto na kousku odpadního materiálu. Mějte stále na paměti, že univerzální nářadí, vybavené správnými nástavci a příslušenstvím, odvádí nejlepší práci, když jeho vysoké otáčky nebrzdíte. Pokud možno proto na nástroj při práci netlačte. Rotující příslušenství namísto toho lehce přibližujte k obráběnému povrchu tak, aby se ho dotklo v bodě, ve kterém chcete začít. Soustředte se na vedení nástroje podél obrobku s použitím velmi malého tlaku ruku. A na příslušenství ponechte, aby udělalo potřebnou práci. Bývá zpravidla lepší dělat práci postupně řadou opakovaných pohybů nástroje, než se snažit udělat celou práci jediným pohybem. Lehké dotyky nástroje umožňují lepší kontrolu a snižují pravděpodobnost chyby.

DRŽENÍ NÁŘADÍ

Při jemné práci získáte nejlepší kontrolu nad nástrojem, když univerzální nářadí uchopíte jako tužku mezi palec a ukazováček. OBRÁZEK 6
Golfové držení se používá na hrubší práce, jako je drcení, broušení nebo řezání. OBRÁZEK 7

PROVOZNÍ OTÁČKY

Toto nářadí je vysokorychlostní a univerzální. Digitální displej u nářadí řady 400 Series DIGITAL udává přesný počet otáček (x 1000) nástroje. Ke zvýšení/snížení otáček tiskněte tlačítka Zvýšení/snížení otáček. Otáčky univerzálního nářadí lze zvyšovat a snižovat v přírůstcích 1000 ot/min. To vám dovoluje ovládat otáčky univerzálního nářadí velmi přesně. Nastavení počtu otáček pro danou úlohu dává lepší konečný výsledek. Aby se při práci s různými materiály dosáhlo nejlepších výsledků, nastavte variabilní řízení otáček tak, jak to dané aplikaci vyhovuje. Při výběru správných otáček pro dané příslušenství si účinek nejprve vyzkoušejte na kousku odpadního materiálu.

POZNÁMKA: Otáčky jsou závislé na změnách napětí. Snižování vstupního napětí otáčky zpomaluje, zvláště u nejnižších nastavení. Zdá-li se, že má nástroj nízké otáčky, zvýšte odpovídajícím způsobem jejich nastavení. Tam, kde je napájecí napětí menší než 220 V, se nástroj při nejnižším nastavení nemusí vůbec rozběhnout. K tomu, aby se rozběhl, stačí jen nastavit vyšší otáčky.

Ohledně stanovení správných otáček pro opracovávány materiál a volbu příslušenství, viz tabulka nastavení otáček na str. 4-6.

A) Pro použití na montované stěny. Nejlepších výsledků se dosáhne při 33 000 ot/min.
B) Pro použití na mazaniny zdí a podlah. Použijte nastavení 20.000-28.000 ot/min.

*) Otáčky pro lehké řezy. Opatrně, u hlubokých drážek může dojít k pálení materiálu.

■ V závislosti na směru řezání vůči vláknům dřeva. Většinu úloh lze provádět při nejvyšších otáčkách nástrojů. U některých materiálů (některé plasty a kovy) by však mohlo dojít k poškození teplem, vznikajícím při vysokých otáčkách, a měly by se tudíž opracovávat při relativně nízkých otáčkách. Nízké otáčky (15 000 ot/min nebo nižší) jsou zpravidla nejlepší na leštění plstěným leštícím příslušenstvím. Veškeré aplikace kartáčování vyžadují nižší otáčky, aby nedocházelo k vylamování drátků z držáku. Při použití nižších nastavení otáček, nechte nástroj, aby pracoval za vás. Vyšší otáčky jsou lepší na tvrdé dřevo, kovy a sklo, a pro vrtání, vyřezávání, řezání, frézování, obrázení a řezání obkladů a drážek do dřeva.

Některá vodítka ohledně volby otáček:

- Plasty a ostatní materiály, které se taví při nízkých teplotách, je nutno opracovávat při nízkých otáčkách.
- Leštění, leštění měkkým kotoučem a čistění drátěným kartáčem se musí provádět při otáčkách ne vyšších než 15 000 ot/min, aby se předešlo poškození kartáče a materiálu.
- Dřevo by se mělo řezat při vysokých otáčkách.
- Železo nebo ocel by se měly řezat při vysokých otáčkách.
- Začne-li vysokorychlostní fréza na ocel vibrovat, znamená to zpravidla, že otáčky jsou příliš nízké.
- Hliník, slitiny mědi, slitiny olova, slitiny zinku a cínu mohou být opracovávány při různých rychlostech, v závislosti na typu obrábění. Na nástroj použijte parafín (nikoliv vodu) nebo jiné vhodné mazivo, aby se zabránilo nalepování materiálu na řezné hrany nástroje.

POZNÁMKA: Není-li výsledek uspokojivý, není řešením zvýšení tlaku na nástroj. K dosažení žádoucího výsledku zkuste jiné příslušenství nebo jiné nastavení otáček.

ÚDRŽBA

Preventivní údržba prováděná nepovolnými osobami může zavinít nesprávné zapojení vnitřních vodičů a umístění součástí a způsobit tak vážnou nehodu. Doporučujeme vám, abyste veškerou údržbu svěřovali servisním střediskům Dremel. Abyste se vyhnuli úrazu způsobenému neočekávaným zapnutím nářadí, nebo elektrickým proudem, vždy před čišněním nebo před prováděním údržby vytáhněte zástrčku ze sítě.

UHLÍKOVÉ KARTÁČKY

Kartáčky ve vašem nářadí byly vyvinuty pro mnoho hodin spolehlivého provozu. Aby byly kartáčky připraveny k použití, nechte nářadí běžet na plné otáčky 5 minut naprázdno (bez zátěže). Kartáčky si tak řádně sednou a prodlouží se životnost nářadí. Aby si motor udržoval špičkovou účinnost, kontrolujte kartáčky, zda nejsou opotřebené, každých 40-50 hodin.

Používáním nářadí s opotřebenými kartáčky se trvale poškodí motor. Používejte jen originální náhradní kartáčky Dremel. Kartáčky univerzálního nářadí kontrolujte po každých 40-50 hodinách provozu. Má-li univerzální nářadí chybový chod, ztrácí-li napájení, nebo vydává-li nezvyklé zvuky, zkontrolujte, zda nejsou kartáčky opotřebené a nepotřebují-li vyměnit. Při kontrole/výměně kartáček univerzálního nářadí proveďte následující kroky:

1. Odpojte síťový kabel od zásuvky a nářadí položte na čistý povrch. K sejmutí krytek kartáček použijte obrácený upínací klíč. OBRÁZEK 8
2. Obráťte nářadí, aby kartáčky vypadly z držáku, a zkontrolujte každý z kartáček. Je-li kartáček kratší než 3 mm a je-li ploška dosedající na komutátor drsná nebo důlkovitá, uhlíkové kartáčky by se měly vyměnit. Kontrolujte vždy oba kartáčky. OBRÁZEK 9
3. I když je opotřebený jen jeden kartáček, měli byste přesto vyměnit kartáčky oba, aby univerzální nářadí pracovalo lépe. Sejměte pružinku s kartáčku, starý kartáček vyhoďte a pružinku nasadte na nový kartáček.

SERVIS A ZÁRUKA

Na tento výrobek DREMEL je poskytována záruka v souladu se zákonnými/specifickými předpisy země určení; poškození způsobená normálním opotřebením, přetížením nebo nesprávným zacházením jsou ze záruky vyloučena.

V případě stížností zašlete **nerozebrané** nářadí spolu s nákupním dokladem svému odbornému prodejci.

4. Uhlíkový kartáček s pružinkou zasuňte zpátky do nářadí; lze jej tam zasunout jediným způsobem. Dbejte na to, aby kartáčky byly instalovány podle obrázku. OBRÁZEK 9 Zakřivená ploška kartáčku musí souhlasit se zakřivením komutátoru.
5. Čtyřhrannou spodní stranu uzávěru kartáčku opřete o čtyřhranné vybrání. Zkontrolujte, že se pružina opírá o V drážku kartáčku. Zatlačte přední stranu uzávěru dolů. Pak zatlačte dolů, až zpětná západka zapadne. Po výměně kartáčeků by nářadí mělo běžet nejprve bez zátěže; položte je na čistý povrch a nechte volně běžet na plné otáčky 5 minut, než je zatížíte (nebo začnete používat). To umožní kartáčkům, aby si řádně sedly a prodlouží to životnost každé ze sad kartáčeků. Prodlouží to také životnost celého nářadí, neboť se tak sníží opotřebování povrchu komutátoru. OBRÁZEK 10

ČISTĚNÍ NÁŘADÍ

PŘED ČISTĚNÍM VYTÁHNĚTE SÍŤOVOU ZÁSTRČKU ZE SÍTĚ

Ventilační otvory a páčky spínačů musí být udržovány v čistotě, bez cizích látek. Nepokoušejte se otvory ventilační mřížky čistit prostrkáváním špičatých předmětů.

Nářadí lze čistit stlačeným vzduchem. Při čišnění nářadí stlačeným vzduchem noste vždy ochranné brýle.

Univerzální nářadí Dremel nemusíte nijak mazat. **Některá čisticí a rozpouštědla poškozují díly z plastu. Patří mezi ně: benzin, tetrachlormetan, chlorované čisticí roztoky, amonium a saponáty pro domácnost na jeho bázi.**

Měkké pryžové tlumicí vložky Softgrip čistíte na nářadí vlhkým hadříkem. K vyčištění míst se zažranější špinou může být potřeba víc než jednoho přetření.

KONTAKT NA FIRMU DREMEL

Další informace ohledně sortimentu, podpoře a horké zákaznické lince firmy Dremel, viz www.dremel.com

Dremel Europe, P.O. Box 3267, 4800 DG Breda

OGÓLNE PRZEPISY BEZPIECZEŃSTWA



OSTRZEŻENIE NALEŻY PRZECZYTAĆ WSZYSTKIE PRZEPISY. *Błędy w przestrzeganiu następujących przepisów mogą spowodować porażenie prądem, pożar i/lub ciężkie obrażenia ciała. Pojęcie elektronarzędzie używane we wszystkich ostrzeżeniach podanych poniżej odnosi się do elektronarzędzi napędzanych prądem (z kablem zasilającym).*

NALEŻY DOBRZE PRZECHOWYWAĆ TE PRZEPISY

1. MIEJSCE PRACY

- Miejsce pracy należy utrzymywać w czystości i dobrze oświetlone. **Nieuporządkowane i nieoświetlone miejsca pracy mogą doprowadzić do wypadków.**
- Nie należy używać elektronarzędzi w otoczeniach zagrożonych wybuchem, w których znajdują się na przykład łatwopalne ciecze, gazy lub pyły. **Elektronarzędzia wywołują iskry, które mogą podpalić ten pył lub pary.**
- Elektronarzędzie trzymać podczas pracy z daleka od dzieci i innych osób. **Przy odwróceniu uwagi można stracić kontrolę na narzędziem.**

2. BEZPIECZEŃSTWO ELEKTRYCZNE

- Wtyczki elektronarzędzi muszą pasować do gniazda. Nie wolno zmieniać wtyczki w jakikolwiek sposób. Nie należy używać wtyczek adapterowych razem z uziemionymi elektronarzędziami. **Nieziemione wtyczki i pasujące gniazda zmniejszają ryzyko porażenia prądem.**
- Należy unikać kontaktu z uziemionymi powierzchniami, takimi jak rury, grzejniki, piece i lodówki. **Istnieje zwiększone ryzyko porażenia prądem, gdy Państwa ciało jest uziemione.**
- Elektronarzędzia należy trzymać zabezpieczone przed deszczem i wilgocią. **Wniknięcie wody do elektronarzędzia podwyższa ryzyko porażenia prądem.**
- Nie obciążać przewodu. Nigdy nie używać kabla do przenoszenia, zawieszania narzędzia, ani do wyciągania wtyczki z gniazda. Kabel należy trzymać z daleka od wysokich temperatur, oleju, ostrych krawędzi lub ruchomych części. **Uszkodzone lub poplątane kable zwiększają ryzyko porażenia prądem.**
- W przypadku, gdy elektronarzędzie używane jest na świeżym powietrzu, należy używać kabla przedłużającego dopuszczalnego do stosowania na zewnątrz. **Użycie kabla dopuszczalnego do stosowania na zewnątrz zmniejsza ryzyko porażenia prądem.**

3. BEZPIECZEŃSTWO OSÓB

- Należy zachować ostrożność, uważać na to co się robi i kierować się rozsądkiem podczas używania elektronarzędzia. Nie należy używać urządzeń w przypadku zmęczenia, pod wpływem narkotyków, alkoholu lub leków. **Moment nieuwagi podczas użytkowania elektronarzędzi może doprowadzić do poważnych obrażeń ciała.**
- Stosowanie wyposażenia ochronnego. Należy zawsze nosić okulary ochronne. **Wyposażenie ochronne, takie jak maska przeciwpyłowa, nie ślizgające się buty robocze, hełm ochronny lub wyposażenie chroniące słuch, stosowane w odpowiednich warunkach zmniejsza ryzyko obrażeń ciała.**
- Unikać przypadkowego uruchomienia. Przed włożeniem wtyczki należy upewnić się, czy przełącznik jest wyłączony. **Przenoszenie elektronarzędzi z palcem położonym na przełączniku lub podłączanie do prądu włączonych elektronarzędzi może doprowadzić do wypadków.**
- Przed włączeniem elektronarzędzia należy usunąć narzędzie nastawcze i klucz. **Narzędzie lub klucz pozostawiony w ruchomej części elektronarzędzia może spowodować obrażenia ciała.**
- Nie sięgać zbyt daleko. **Przez cały czas należy utrzymywać odpowiednie podparcie i równowagę. To umożliwi lepszą kontrolę nad elektronarzędziem w nieoczekiwanych sytuacjach.**
- Należy odpowiednio się ubierać. **Nie należy nosić luźnego ubrania ani biżuterii. Włosy, ubranie i rękawice należy trzymać z daleka od ruchomych części. Luźne ubranie, biżuteria lub długie włosy mogą zostać pochwycone przez ruchome części.**
- Jeżeli urządzenie dostosowano do podłączenia odciągu i odbioru pyłów, to należy dopilnować aby zostały one podłączone i były odpowiednio używane. **Użycie tych urządzeń może zmniejszyć zagrożenia związane z pyłami.**

4. UŻYTKOWANIE I UTRZYMANIE ELEKTRONARZĘDZIA

- Elektronarzędzia nie należy przeciążać. Należy używać elektronarzędzia odpowiedniego do danej pracy. **Odpowiednim narzędziem pracuje się lepiej i bezpieczniej w podanym zakresie**

sprawności.

- Nie należy używać elektronarzędzia, którego włącznik/wyłącznik nie działa. **Elektronarzędzie, którego nie można włączyć lub wyłączyć jest niebezpieczne i musi zostać naprawione.**
- Przed regulacją, wymianą wyposażenia dodatkowego i odłożeniem elektronarzędzi na miejsce przechowywania należy odłączyć wtyczkę od źródła zasilania. **Takie środki zapobiegawcze zmniejszają ryzyko przypadkowego włączenia elektronarzędzia.**
- Należy przechowywać nie używane elektronarzędzia poza zasięgiem dzieci i nie należy pozwalać, aby elektronarzędzie uruchamiały osoby nie znające tego elektronarzędzia i instrukcji. **Elektronarzędzia używane przez osoby nieprzeszkolone są niebezpieczne.**
- O elektronarzędzia należy dbać. Należy kontrolować, czy nie nastąpiło przestawienie lub zacięcie ruchomych części, uszkodzenie części lub inny stan, który może wpływać na działanie elektronarzędzi. W przypadku uszkodzenia elektronarzędzie przed użyciem należy oddać do naprawy. **Wiele wypadków spowodowanych jest**

- przez niewłaściwą konserwację elektronarzędzi.
- Narzędzia tnące powinny być zawsze ostre i czyste. **Prawidłowo pielęgnowane narzędzia tnące z ostrymi krawędziami tnącymi rzadziej się zablokują i łatwiej się je prowadzi.**
- Elektronarzędzie, wyposażenie dodatkowe, końcówki narzędzia itp. należy wykorzystywać zgodnie z podanymi instrukcjami oraz w sposób określony dla konkretnego rodzaju elektronarzędzia, uwzględniając warunki pracy oraz pracę jaką należy wykonać. **Użycie elektronarzędzia do innych prac niż przewidziane może doprowadzić do niebezpiecznych sytuacji.**

5. SERWIS

- Naprawę elektronarzędzia należy zlecać tylko wykwalifikowanemu fachowcowi i należy używać tylko identycznych części zamiennych. **To gwarantuje, że bezpieczeństwo elektronarzędzia zostanie zachowane.**

INSTRUKCJE DOTYCZĄCE BEZPIECZEŃSTWA DLA WSZYSTKICH PRAC

WSPÓLNE WSKAZÓWKI OSTRZEGAWCZE DOTYCZĄCE SZLIFOWANIA, SZLIFOWANIA OKŁADZINĄ ŚCIERNĄ, PRAC Z UŻYCIEM SZCZOTEK DRUCIANYCH, POLEROWANIA I PRZECINANIA ŚCIERNICĄ

- Elektronarzędzie należy używać jako szlifierki, szlifierki z okładziną ścierną, szczotki drucianej, urządzenia do polerowania i przecinania. Należy zapoznać się z wszystkimi wskazówkami ostrzegawczymi, instrukcjami, ilustracjami i danymi, które otrzymał Państwo wraz z elektronarzędziem. **Jeżeli nie będą przestrzegane wszystkie przepisy podane poniżej, to może dojść do porażenia prądem, pożaru i/lub ciężkich obrażeń ciała.**
- Nie należy używać osprzętu, który nie jest przewidziany i polecany przez producenta specjalnie do tego elektronarzędzia. **To, że można przymocować osprzęt do elektronarzędzia, nie gwarantuje bezpiecznego użycia.**
- Dopuszczalna prędkość osprzętu musi być co najmniej równa maksymalnej prędkości podanej na elektronarzędziu. **Osprzęt, który obraca się szybciej niż jest to dopuszczalne, może odcepić się od narzędzia.**
- Średnica zewnętrzna i grubość używanego osprzętu muszą odpowiadać danym wymiarom Państwa elektronarzędzia. **Używanych narzędzi o niewłaściwych wymiarach nie można**

- wystarczająco osłonić ani kontrolować.
- Ściernice, kołnierze, talerze szlifierskie lub inny osprzęt muszą dokładnie pasować na wrzeciono ściernicy Państwa elektronarzędzia. **Używane narzędzia, które nie pasują dokładnie na wrzeciono ściernicy elektronarzędzia, obracają się nierównomiernie, bardzo mocno wibrują i mogą doprowadzić do utraty kontroli.**
- Nie należy używać żadnych narzędzi, które są uszkodzone. Należy skontrolować przed każdym użyciem używane narzędzia takie jak ściernice pod względem odprysków i pęknięć, talerze szlifierskie pod względem pęknięć, starcia lub silnego zużycia, szczotki druciane pod względem luźnych lub złamanych drutów. W przypadku, gdy elektronarzędzie lub używane narzędzie upadnie, należy skontrolować, czy nie jest uszkodzone, lub użyć narzędzia, które jest nieuszkodzone. Jeżeli narzędzie zostało sprawdzone i umocowane, powinni przebywać Państwo i osoby znajdujące się w pobliżu poza obszarem obracającego się narzędzia, a elektronarzędzie należy pozostawić włączone przez minutę, bez obciążenia, na najwyższych obrotach. **Uszkodzone narzędzia łamią się w tym czasie próbnym.**
- Należy nosić osobiste wyposażenie ochronne. W zależności od użycia, należy nosić maskę ochronną pokrywającą całą twarz, ochronę oczu lub okulary ochronne. Gdy jest to stosowane, należy nosić maskę przeciwpyłową, ochronę słuchu,

rękawice ochronne i specjalny fartuch, który utrzymuje z daleka od Państwa małe cząstki ściernego i obrabianego materiału. **Oczy muszą być chronione przed poruszającymi się w powietrzu ciałami obcymi, które powstają przy różnych sposobach użycia. Maski przeciwpyłowa i ochrona dróg oddechowych muszą filtrować powstający podczas pracy pył. W przypadku, gdy pozostaje się długo pod wpływem hałasu, można utracić słuch.**

- h. Należy uważać, by inne osoby znajdowały się w bezpiecznym oddaleniu do Państwa zakresu pracy. Każdy, kto wkroczy w zakres pracy, musi nosić osobiste wyposażenie ochronne. **Odblaski obrabianego przedmiotu lub złamanych używanych narzędzi mogą zostać odrzucone i spowodować obrażenia również poza bezpośrednim zakresem pracy.**
- i. Elektronarzędzie należy dotykać jedynie przy izolowanych powierzchniach uchwyty, gdy przeprowadza się prace, przy których używane narzędzie może natrafić na ukryte przewody elektryczne lub na własny kabel zasilający. **Narzędzie tnące dotykające przewodu pod napięciem może spowodować, że odkryte metalowe części elektronarzędzia znajdą się pod napięciem i porażą operatora prądem.**
- j. Kabel zasilający należy trzymać z dala od obracającego się narzędzia. **Jeżeli straci się kontrolę nad narzędziem, kabel zasilający może zostać przecięty lub ujęty i dłoń lub ręka może dostać się w obracające się używane narzędzie.**
- k. Nigdy nie wolno odkładać elektronarzędzia zanim narzędzie się zupełnie nie zatrzyma. **Obracające się narzędzie może wejść w kontakt z powierzchnią, na którą jest odłożone, przez co można stracić kontrolę nad elektronarzędziem.**
- l. Nie wolno pozostawiać elektronarzędzia włączonego podczas przenoszenia. **Ubranie może zostać ujęte przez przypadkowy kontakt z obracającym się narzędziem, i narzędzie może się wwiercić w Państwa ciało.**
- m. Należy regularnie oczyszczać szczeliny wentylacyjne Państwa elektronarzędzia. **Dmuchawa silnika wciąga pył do obudowy, a duże nagromadzenie pyłu metalowego może spowodować zagrożenie elektryczne.**
- n. Nie należy używać elektronarzędzia w pobliżu materiałów łatwopalnych. **Iskry mogą zapalić te materiały.**
- o. Nie należy używać narzędzi, które wymagają płynnych środków chłodzących. **Użycie wody lub innych płynnych środków chłodzących może doprowadzić do porażenia prądem.**

ODRZUT I ODPOWIEDNIE WSKAZÓWKI OSTRZEGAWCZE

Odrzut to nagła reakcja na zaczepiające się lub

zablokowane obracające się narzędzie, takie jak ściernica, talerz szlifierski, szczotka druciana itd. Zaczepienie się lub zablokowanie prowadzi do nagłego zatrzymania się obracającego się narzędzia. Niekontrolowane elektronarzędzie zostanie przez to w miejscu zablokowania przyspieszone w kierunku przeciwnym do kierunku obrotu narzędzia. Gdy, np. ściernica zahaczy lub zablokuje się w obrabianym przedmiocie, krawędź ściernicy, która węgłbia się w obrabiany przedmiot, może zakleszczyć się i przez to ściernica może się wylać i spowodować odrzut. Ściernica porusza się wtedy w kierunku osoby obsługującej lub od niej, w zależności od kierunku obrotów ściernicy w miejscu zablokowania. Przy tym ściernice mogą się również złamać. Odrzut jest następstwem niewłaściwego lub błędnego użycia elektronarzędzia. Można go uniknąć przez zachowanie odpowiednich środków ostrożności, takich jak niżej opisane.

- a. Elektronarzędzie należy mocno trzymać, a ciało i ręce ustawić w pozycji, w której można złagodzić siły odrzutu. Należy zawsze używać uchwytu dodatkowego, jeśli jest, żeby mieć jak największą kontrolę nad siłami odrzutu lub momentem reakcji podczas rozruchu. **Osoba obsługująca urządzenie może opanować siły odrzutu i reakcji poprzez zachowanie odpowiednich środków ostrożności.**
- b. Nigdy nie należy trzymać rąk w pobliżu obracających się używanych narzędzi. **Używane narzędzie może przy odrzucie uderzyć o Państwa rękę.**
- c. Należy unikać ciałem zasięgu, w który poruszy się elektronarzędzie podczas odrzutu. **Odrzut przemieszcza elektronarzędzie w kierunku przeciwnym do ruchu ściernicy w miejscu zablokowania.**
- d. Należy pracować szczególnie ostrożnie w zakresach kątów, ostrych krawędzi itd. Należy zapobiec, by używane narzędzia mogły zostać odrzucone od obrabianego przedmiotu i mogły się zablokować. **Obracające się narzędzie może zahaczyć o kąty, ostre krawędzie lub ulec uszkodzeniu podczas odbicia. To powoduje utratę kontroli lub odrzut.**
- e. Nie należy używać brzeszczotu łańcuchowego lub zębatego. **Takie narzędzia często powodują odrzut lub utratę kontroli na elektronarzędziem.**

SZCZEGÓLNE WSKAZÓWKI OSTRZEGAWCZE DOTYCZĄCE SZLIFOWANIA I PRZECINANIA ŚCIERNICĄ

- a. Należy używać wyłącznie ściernicy przeznaczonej dla elektronarzędzia i osłony przeznaczonej dla tej ściernicy. **Ściernice, które nie są przeznaczone do tego elektronarzędzia nie mogą być wystarczająco osłonięte i są niepewne.**
- b. Narzędzi szlifierskich można używać tylko do zalecanych możliwości użycia. Np: nie wolno nigdy szlifować boczną powierzchnią ściernicy do cięcia. **Ściernice do cięcia przeznaczone są do usuwania**

materiału krawędzią tarczy. Działanie siły bocznej na to narzędzie szlifierskie może je złamać.

- c. Należy używać zawsze nieuszkodzonych kołnierzy mocujących o właściwej wielkości i kształcie dla wybranej przez Państwa ściernicy. **Zdatne kołnierze podpierają ściernicę i w ten sposób zmniejszają niebezpieczeństwo złamania się ściernicy. Kołnierze przeznaczone do ściernicy do cięcia mogą się różnić od kołnierzy przeznaczonych do innych ściernic.**
- d. Nie należy używać zużytych ściernic z większych elektronarzędzi. **Ściernice do większych elektronarzędzi nie są zaprojektowane dla wyższej liczby obrotów mniejszych elektronarzędzi i mogą się złamać.**

DALSZE SZCZEGÓLNE WSKAZÓWKI OSTRZEGAWCZE DOTYCZĄCE PRZECINANIA ŚCIERNICĄ

- a. Należy unikać zablokowania się ściernicy do cięcia i za dużego nacisku. Nie należy przeprowadzać nadmiernie głębokich cięć. **Przeciążenie ściernicy do cięcia podwyższa jej obciążenie i skłonność do zahaczenia się lub zablokowania i tym samym możliwość odrzutu lub złamania się średnicy.**
- b. Należy unikać zakresu przed i za obracającą się ściernicą. **Jeżeli przesuwają się ściernicę tarczową w przedmiocie obrabianym od siebie, elektronarzędzie może odskoczyć w razie odrzutu wraz z obracającą się ściernicą bezpośrednio w Państwa kierunku.**
- c. Jeżeli ściernica tarczowa do cięcia zakleszczy się lub praca zostaje przerwana, należy wyłączyć elektronarzędzie i trzymać je spokojnie aż ściernica się zatrzyma. Nigdy nie należy próbować wyciągać poruszającej się jeszcze ściernicy tarczowej do cięcia z miejsca cięcia, w przeciwnym razie może nastąpić odrzut. **Należy wykryć i usunąć przyczynę zakleszczenia się.**
- d. Nie wolno włączać ponownie elektronarzędzia dopóki znajduje się ono w przedmiocie obrabianym. Należy najpierw pozwolić ściernicy tarczowej na osiągnięcie pełnej prędkości obrotowej, zanim będzie można ostrożnie kontynuować cięcie. **W przypadku ponownego włączenia elektronarzędzia znajdującego się w obrabianym przedmiocie ściernica może się zaczepić, wyskoczyć z przedmiotu lub spowodować odrzut.**
- e. Płyty lub duże obrabiane przedmioty należy

podeprzeć, aby zmniejszyć ryzyko powstania odrzutu spowodowane ściśniętą ściernicą. **Duże obrabiane przedmioty mogą się przegiąć pod własnym ciężarem. Obrabiany przedmiot musi zostać podparty z obydwu stron ściernicy, zarówno w pobliżu linii cięcia jak i na krawędzi.**

- f. Należy być szczególnie ostrożnym przy cięciach wglębnych w istniejących ścianach lub innych niewidocznych miejscach. **Wgłębniająca się ściernica do cięcia może przy cięciu w przewody gazowe lub wodociągowe, przewody elektryczne lub inne obiekty spowodować odrzut.**

SZCZEGÓLNE WSKAZÓWKI OSTRZEGAWCZE DOTYCZĄCE SZLIFOWANIA OKŁADZINĄ ŚCIERNĄ

- a. Podczas szlifowania nie należy używać okładzin ściernych o za dużych rozmiarach. Podczas wybierania okładzin ściernych należy przestrzegać zaleceń producenta. **Okładziny ściernic, które wystają poza talerz szlifierski, mogą spowodować obrażenia oraz doprowadzić do zablokowania, rozerwania okładziny ściernic lub do odrzutu.**

SZCZEGÓLNE WSKAZÓWKI OSTRZEGAWCZE DOTYCZĄCE POLEROWANIA

- a. Nie wolno pozwolić na to, by przy pokrywie polerskiej znajdowały się luźne części, przede wszystkim sznurki mocujące. Sznurki mocujące należy schować lub skrócić. **Luźne, kręcące się razem sznurki mocujące mogą uchwycić Państwa palce lub zaplątać się w obrabianym przedmiocie.**

SZCZEGÓLNE WSKAZÓWKI OSTRZEGAWCZE DOTYCZĄCE PRAC Z UŻYCIEM SZCZOTEK DRUCIANYCH

- a. Należy zwrócić uwagę na to, że szczotka druciana gubi kawałki drutu także podczas zwykłego używania. Nie należy przeciążać drutów przez zbyt duży nacisk. **Odskakujące kawałki drutu mogą bardzo łatwo przeniknąć przez cienkie ubranie i/lub skórę.**
- b. Jeżeli zalecana jest osłona, należy zapobiec możliwości dotknięcia się osłony i szczotki drucianej. **Szczotki talerzowe i garnkowe mogą zwiększyć swoją średnicę przez nacisk i siły odśrodkowe.**

ŚRODOWISKO

USUWANIE ODPADÓW

Elektronarzędzia, osprzęt i opakowanie należy doprowadzić do ponownego użytkowania zgodnego z zasadami ochrony środowiska.

TYLKO DLA PAŃSTW NALEŻĄCYCH DO UE



Nie należy wyrzucać elektronarzędzi do odpadów domowych!
Zgodnie z europejską wytyczną 2002/96/EG o starych, zużytych narzędziach elektrycznych i elektronicznych i jej stosowania w prawie krajowym, wyeliminowane, niezdadne do użycia elektronarzędzia należy zbierać osobno i doprowadzić do ponownego użytkowania zgodnego z zasadami ochrony środowiska.

PARAMETRY

PARAMETRY OGÓLNE

Napięcie znamionowe 230-240 V, 50-60 Hz
Znamionowy prąd
w amperach 0,6 A
Prędkość bez obciążenia . . n₀ 33.000 obr/min
Wielkość tulei 0,8 mm, 1,6 mm, 2,4 mm,
3,2 mm

KABLE PRZEDŁUŻENIOWE

Należy stosować całkowicie rozwinięte i bezpieczne kable przedłużeniowe odpowiednie dla prądu 5 A.

PARAMETRY SILNIKA

To uniwersalne narzędzie wykorzystuje silnik o dużej, zmiennej prędkości. Jego okablowanie umożliwia pracę przy 230-240 V, 50-60 Hz. Należy zawsze sprawdzać, czy napięcie zasilania jest takie samo, jak napięcie podane na tabliczce znamionowej narzędzia (narzędzia odpowiednie dla 230V lub 240V można podłączyć również do zasilania 220V).

MONTAŻ

PRZED WYMIANĄ OSPRZĘTU, WYMIANĄ TULEI I SERWISEM NARZĘDZIA NALEŻY ZAWSZE ODŁĄCZYĆ WTYCZKĘ.

INFORMACJE OGÓLNE

Narzędzie uniwersalne Dremel to wysokiej jakości narzędzie precyzyjne, którego można używać do wykonywania precyzyjnych i skomplikowanych prac. Szeroki asortyment osprzętu i przystawek Dremel ułatwia wykonywanie całej gamy różnorodnych prac takich jak: szlifowanie okładziną ścierną, rzeźbienie, grawerowanie, żłobienie, wycinanie, oczyszczanie i polerowanie. RYSUNEK 2

RYSUNEK 1

- Nakrętka tulei zaciskowej
- Tuleja zaciskowa
- Element do przymocowywania przystawki
- Nasadka obudowy

- Przycisk blokady wałka
- Otwory odpowietrzające
- Pokrywa szczotek (jedna po każdej stronie)
- Włącznik-Wyłącznik
- Wyświetlacz ciekłokrystaliczny
- Przyciski zwiększania / zmniejszania prędkości
- Zaczep
- Kabel zasilający

TULEJE ZACISKOWE

Osprzęt Dremel dostępny dla narzędzia może mieć różne rozmiary trzpienia. Dostępne są cztery rozmiary tulei zaciskowych pasujące do różnych rozmiarów trzpienia. Rozmiary tulei zaciskowych można rozpoznać po ilości pierścieni na tylniej części tulei zaciskowej.

RYSUNEK 3

- 3,2 mm Tuleja zaciskowa bez pierścienia (480)
- 2,4 mm Tuleja zaciskowa z trzema pierścieniami (481)
- 1,6 mm Tuleja zaciskowa z dwoma pierścieniami (482)
- 0,8 mm Tuleja zaciskowa z jednym pierścieniem (483)

UWAGA: Niektóre zestawy narzędzi mogą nie posiadać na wyposażeniu wszystkich czterech rozmiarów tulei zaciskowych. Tuleje zaciskowe dostępne są oddzielnie.

Należy zawsze używać tulei zaciskowej, która pasuje do rozmiaru trzpienia osprzętu, jaki planujemy wykorzystać. Nie należy na siłę wciskać trzpienia o większej średnicy do mniejszej tulei zaciskowej.

WYMIANA TULEI ZACISKOWYCH

RYSUNEK 4

- Przycisk blokady wałka
- Klucz do tulei zaciskowych
- Aby dokręcić
- Aby poluzować
- Nakrętka tulei zaciskowej

- Nacisnąć przycisk blokady wałka, przytrzymać go i obracać wałek ręką, dopóki wałek nie zaskoczy. Nie uruchamiać przycisku blokady wałka podczas pracy narzędzia uniwersalnego.
- Przy włączonym przycisku blokady wałka poluzować i wyjąć nakrętkę tulei zaciskowej. W razie konieczności użyć klucza do tulei zaciskowych.

URUCHAMIANIE

UŻYTKOWANIE

Pierwszy krok podczas użytkowania narzędzia uniwersalnego to jego wyczuć. Należy przytrzymać je w ręce i wyczuć jego ciężar i równowagę. Wyczuć stożkowaty kształt obudowy. Ten stożkowaty kształt pozwala chwycić narzędzie tak jak pióro czy ołówek. **Należy zawsze trzymać narzędzie z daleka od twarzy. Podczas pracy uszkodzeniu może ulec osprzęt i może powstać niebezpieczny odprysk po osiągnięciu większej prędkości. Trzymając narzędzie nie należy zakrywać ręką otworów odpowietrzających. Zatkanie otworów odpowietrzających może spowodować przegrzanie silnika.**

- Zdemontować tuleję zaciskową ściągnając ją z wałka.
- Zamontować na wałku tuleję zaciskową o odpowiednim rozmiarze i ponownie dokręcić palcami nakrętkę tulei zaciskowej. Nakrętki nie należy dokręcać do końca, jeżeli nie została przymocowana końcówka lub osprzęt.

WYMIANA OSPRZĘTU

RYSUNEK 4/5

Q. Przycisk blokady wałka

- Nacisnąć przycisk blokady wałka, przytrzymać go i obracać wałek ręką, dopóki wałek nie zaskoczy. **Nie uruchamiać przycisku blokady wałka podczas pracy narzędzia uniwersalnego.**
- Przy włączonym przycisku blokady wałka poluzować (nie wyjmować) nakrętkę tulei zaciskowej. W razie konieczności użyć klucza do tulei zaciskowych.
- Włożyć trzonek końcówki lub osprzętu do końca do tulei zaciskowej.
- Przy włączonym przycisku blokady wałka dokręcać palcami nakrętkę tulei zaciskowej, dopóki trzpień końcówki lub osprzętu nie zostanie uchwycony przez tuleję zaciskową. **UWAGA: Więcej informacji o zastosowaniu można znaleźć w instrukcji dostarczonej razem z wyposażeniem dodatkowym Dremel.**

Należy używać tylko przetestowanego, pełnowartościowego wyposażenia dodatkowego firmy Dremel.

TRZYMANIE NARZĘDZIA

Aby uzyskać najlepszą kontrolę podczas dokładnych prac, należy chwycić narzędzie uniwersalne tak jak ołówek pomiędzy kciukiem a palcem wskazującym. RYSUNEK 6

Metoda wykorzystująca chwyt golfowy wykorzystywana jest przy cięższych operacjach, takich jak szlifowanie lub cięcie. RYSUNEK 7

PRĘDKOŚCI ROBOCZE

Narzędzie to jest wysokoobrotowym narzędziem uniwersalnym. Ciekłokrystaliczny wyświetlacz cyfrowy narzędzia 400 Series DIGITAL pokazuje dokładną ilość obr/min (x 1.000) przy jakiej pracuje narzędzie. Aby zwiększyć / zmniejszyć prędkość, należy wcisnąć przycisk up / down (zwiększanie / zmniejszanie prędkości). Prędkość narzędzia uniwersalnego można zwiększać i zmniejszać w krokach co 1.000 obr/min. Umożliwia to bardzo dokładną regulację prędkości narzędzia uniwersalnego. Dostosowanie ilości obrotów na minutę do wykonywanej pracy zapewnia lepszy wynik końcowy. Aby uzyskać najlepsze rezultaty podczas pracy z różnymi materiałami, należy ustawić regulator prędkości tak, aby była ona odpowiednia dla danej operacji. Aby wybrać prawidłową prędkość dla używanego osprzętu, należy najpierw wypróbować ją na materiale odpadowym.

UWAGA: Na prędkość wpływ mają zmiany napięcia. Zmniejszone napięcie wejściowe powoduje zmniejszenie ilości obrotów na minutę narzędzia, szczególnie przy najniższym ustawieniu. Jeżeli wydaje się, że narzędzie pracuje wolno, wówczas należy odpowiednio zwiększyć ustawienie prędkości. Narzędzie może nie włączać się przy najniższym ustawieniu przełącznika w miejscach, w których napięcie sieciowe jest mniejsze niż 220 V. Wtedy należy po prostu ustawić wyższą prędkość, aby rozpocząć pracę.

Tabela ustawień prędkości na stronach 4-6 pomoże ustalić odpowiednią prędkość dla wykorzystywanego materiału i używanego osprzętu.

A) Do stosowania na suchym murze. Aby uzyskać najlepsze wyniki, należy stosować przy 33.000 obr/min.

KONSERWACJA

Konserwacja profilaktyczna wykonywana przez osoby nieuprawnione może powodować przemieszczenie wewnętrznych przewodów i komponentów, co może być przyczyną poważnego zagrożenia. Zalecamy, aby przegląd i wszystkie naprawy narzędzi wykonywane były przez Dział Serwisu Dremel. Aby uniknąć obrażeń ciała spowodowanych przez nieoczekiwane włączenie lub porażenie prądem, przed przystąpieniem do serwisu lub czyszczenia należy zawsze wyciągnąć wtyczkę z

B) Do stosowania na zaprawie na ścianie i podłodze. Należy wykorzystać ustawienie 20.000-28.000 obr/min. *) Prędkość do lekkich cięć. Uwaga, możliwe spalanie na głębokich żłobieniach.

■) Zależnie od kierunku cięcia względem włókna. Większość prac można wykonać używając narzędzia przy najwyższym ustawieniu. Jednak niektóre materiały (niektóre tworzywa sztuczne i metale) mogą zostać uszkodzone przez ciepło powstające w wyniku wysokich obrotów i należy je obrabiać wykorzystując względnie małe prędkości. Praca przy małej prędkości (15.000 obr/min lub mniej) jest zwykle najlepsza podczas polerowania z wykorzystaniem filcowego osprzętu do polerowania. Wszystkie prace związane ze szcztokowaniem wymagają mniejszych prędkości, aby uniknąć wypadania drutów z uchwytu. W przypadku wykorzystywania niższych ustawień prędkości, pozwólmy aby narzędzie wykonywało pracę za nas. Większe prędkości są lepsze do twardego drewna, metali i szkła oraz do wiercenia, rzeźbienia, cięcia, żłobienia, kształtowania oraz wycinania wpustów lub wręgów w drewnie.

Kilka wytycznych dotyczących prędkości narzędzia:

- Tworzywa sztuczne oraz inne materiały, które topią się w niskich temperaturach, należy ciąć używając małych prędkości.
- Wyglądanie, polerowanie oraz czyszczenie szcztoką drucianą należy wykonywać przy prędkościach nie większych niż 15.000 obr/min, aby zapobiec uszkodzeniu szcztoki i materiału.
- Drewno należy ciąć przy dużej prędkości.
- Żelazo i stal należy ciąć przy dużej prędkości.
- Jeżeli wysokoobrotowy nóż do stali zaczyna drgać, to wskazuje to zwykle na zbyt wolną pracę.
- Aluminium, stopy miedzi, stopy ołowiu, stopy cynku i cynę można ciąć używając różnych prędkości, zależnie od typu wykonywanego cięcia. Należy zastosować parafinę (nie wodę) lub inny odpowiedni smar na nóż, aby zapobiec przyklejaniu ciętego materiału do zębów ostrza noża.

UWAGA: Zwiększenie nacisku na narzędzie nie jest odpowiednim zachowaniem w przypadku, gdy nie działa ono prawidłowo. W celu osiągnięcia pożądanego rezultatu, należy wypróbować inny osprzęt lub ustawienie prędkości.

gniazdka.

SZCZOTKI WĘGLOWE

Szcztoki w narzędziu zostały tak zaprojektowane, aby zapewniły one wiele godzin niezawodnej pracy. Aby przygotować szcztoki do użycia, należy włączyć narzędzie przy pełnej prędkości na 5 minut bez obciążenia. To spowoduje prawidłowe ustawienie szcztok i przedłuży żywotność narzędzia. Aby

utrzymać szczytową wydajność silnika, należy sprawdzać zużycie szcztok co 40-50 godzin.

Używanie narzędzia ze zużytymi szcztokami spowoduje trwałe uszkodzenie silnika. Należy stosować tylko oryginalne szcztoki wymienne Dremel.' Szcztoki narzędzia uniwersalnego należy sprawdzić po 40-50 godzinach użytkowania. Jeżeli narzędzie uniwersalne działa nieprawidłowo, traci moc lub wydaje nietypowe odgłosy, wówczas należy sprawdzić czy szcztoki nie są zużyte i czy nie należy ich wymienić. Należy wykonać następujące kroki, aby sprawdzić/wymienić szcztoki w narzędziu uniwersalnym:

1. Umieścić narzędzie z odłączonym kablem zasilającym na czystej powierzchni. Używając klucza do narzędzia należy zdjąć nasadki szcztok. RYSUNEK 8
2. Obrócić narzędzie tak, aby szcztoka wypadła z uchwytu, i sprawdzić każdą szcztokę. Jeżeli szcztoka ma mniej niż 3 mm długości i powierzchnia szcztoki, która dotyka komutatora, jest nierówna lub pognieciona, to szcztoki węglowe należy wymienić. Należy pamiętać o sprawdzeniu obu szcztok. RYSUNEK 9
3. Jeżeli zużyta jest jedna szcztoka, to należy wymienić obie szcztoki, aby uzyskać lepsze działanie narzędzia uniwersalnego. Wyjąć sprężynę ze szcztoki, wyrzucić starą szcztokę i umieścić sprężynę na nowej szcztocie.
4. Umieścić szcztokę węglową i sprężynę z powrotem w narzędziu, jest tylko jeden sposób w jaki można włożyć szcztokę z powrotem do narzędzia. Upewnij się, czy szcztoki zostały zamontowane tak jak pokazano. RYSUNEK 9 Zakrzywiona powierzchnia szcztoki musi pasować do krzywizny komutatora.
5. Oprzeć kwadratową dolną część pokrywy szcztoki na kwadratowych otworach wnęki. Sprawdzić czy sprężyna znajduje się w rowku klinowym szcztoki. Popchnąć przód pokrywy w dół. Następnie popchnąć w dół i zatrzasknąć tylną zasuwkę w

SERWIS I GWARANCJA

Na ten produkt DREMEL przyznawana jest gwarancja zgodnie z przepisami ustawowymi/krajowymi; gwarancja nie obejmuje uszkodzenia w wyniku normalnego zużycia, przeciążenia i nieprawidłowego użytkowania.

W przypadku reklamacji należy przesać narzędzie **nierozmontowane** razem z dowodem zakupu do swojego dealera.

otworze. Po wymianie szcztok narzędzie powinno popracować bez obciążenia; należy umieścić je na czystej powierzchni i włączyć swobodnie przy pełnej prędkości na 5 minut przed obciążeniem (lub użyciem). To umożliwi prawidłowe ustawienie szcztok oraz uzyskanie większej ilości godzin pracy z każdego zestawu szcztok. Przedłuży to również żywotność narzędzia, ponieważ powierzchnia komutatora również będzie używała się lepiej i dłużej. RYSUNEK 10

CZYSZCZENIE NARZĘDZIA

PRZED CZYSZCZENIEM NALEŻY ODŁĄCZYĆ WTYCZKĘ

Należy pilnować, aby otwory wentylacyjne i dźwignie przekładników były czyste i aby nie było w nich ciał obcych. Nie należy podejmować prób czyszczenia poprzez wkładanie ostro zakończonych przedmiotów do otworów.

Narzędzie można czyścić sprężonym powietrzem. Podczas czyszczenia narzędzia sprężonym powietrzem należy zawsze nosić okulary ochronne. Nie ma potrzeby smarowania narzędzia uniwersalnego Dremel.

Niektóre środki czyszczące i rozpuszczalniki mogą uszkodzić części plastikowe. Takie środki to: benzyna, czterochlorek węgla, chlorowane rozpuszczalniki do czyszczenia, amoniak, oraz środki gospodarcze które zawierają amoniak. Miejsca przy miękkim uchwycie narzędzia należy czyścić wilgotną szmatką. Aby wyczyścić bardziej zabrudzone miejsca, potrzebne może być więcej niż jednokrotne przetarcie.

KONTAKT Z FIRMĄ DREMEL

Więcej informacji na temat asortymentu produktów Dremel, obsługi i gorącej linii znajduje się na stronie www.dremel.com

Dremel Europe, P.O. Box 3267, 4800 DG Breda

ОБЩИ УКАЗАНИЯ ЗА БЕЗОПАСНА РАБОТА



ВНИМАНИЕ ПРОЧЕТЕТЕ ВСИЧКИ УКАЗАНИЯ. Неспазването на приведените по-долу указания може да доведе до токов удар, пожар и/или други тежки травми. Терминът "електроинструмент" се отнася до захранвани от електрическата мрежа (с кабел) електроинструменти.

ПАЗЕТЕ ТЕЗИ ИНСТРУКЦИИ

1. РАБОТНО МЯСТО

- Поддържайте работното си място чисто и подредено. *Безпорядъкът и недостатъчното осветление могат да предизвикат трудови злополуки.*
- Не работете с електроинструменти във взривоопасна среда, при наличие на леснозапалими течности, газове или прахообразни материали. *Електроинструментите могат да отделят искри, които могат да възпламенят прахообразни материали или пари.*
- Дръжте деца и странични лица далеч от електроинструмента по време на работа. *Отклоняване на вниманието може да доведе до загуба на контрол върху електроинструмента.*

2. БЕЗОПАСНОСТ ПРИ РАБОТА С ЕЛЕКТРИЧЕСКИ ТОК

- Щепселът на електроинструмента трябва да съответства на използвания електрически контакт. В никакъв случай не променяйте конструкцията на щепсела. Когато работите със заземени (занулени) електроинструменти не използвайте адаптери за щепсела. *Ползването на оригинални щепсели и контакти намалява риска от токов удар.*
- Избягвайте допира на тялото Ви до заземени или занулени повърхности, напр. тръби, радиатори, печки и хладилници. *Когато тялото Ви е заземено или занулено, рискът от възникване на токов удар е по-голям.*
- Предпазвайте електроинструмента от дъжд или влага. *Проникването на вода в електроинструмента повишава опасността от токов удар.*
- Използвайте кабела само по предназначение. Не ползвайте кабела за носене на електроинструмента, за теглене или за изваждане на щепсела от контакта. Пазете кабела от нагряване, омасляване, остри ръбове или движещи се части. *Повредени или усукани кабели увеличават риска от токов удар.*
- Когато работите с електроинструмента на открито, използвайте само удължителни кабели, предназначени за работа на открито. *Използването на удължител, предназначен за работа на открито, намалява риска от токов удар.*

3. ЛИЧНИ ПРЕДПАЗНИ СРЕДСТВА

- Бъдете внимателни, следете внимателно действията си и работете предпазливо с електроинструмента. Не използвайте електроинструмента, когато сте уморени или под влиянието на наркотични вещества, алкохол или упойващи лекарства. *Един миг разсеяност при работа с електроинструмента може да доведе до сериозни наранявания.*
 - Използвайте предпазна екипировка. Носете винаги предпазни очила. *Носенето на подходящи предпазни средства като дихателна маска, здрави плътни затворени със стабилен грайфер обувки, каска, или антифони намалява риска от наранявания.*
 - Избягвайте включването на електроинструмента по невнимание. Преди да включите щепсела в захранващата мрежа се уверете, че пусковият прекъсвач е в положение "изключено". *Ако при носене на електроинструмента държите пръста си върху пусковия прекъсвач или ако подавате захранващо напрежение на електроинструмента, когато е включен, възниква опасност от злополука.*
 - Преди да включите електроинструмента отстранете всички помощни инструменти и гаечни ключове от него. *Гаечен ключ или помощен инструмент, забравен закачен на въртяща се част на електроинструмента може да причини наранявания.*
 - Не се протягайте с усилие. *Работете в стабилно положение на тялото си и поддържайте равновесие през цялото време. Така ще можете по-добре да контролирате електроинструмента, ако възникне неочаквана ситуация.*
 - Носете подходящо облекло. *Не работете с широки дрехи или бижута. Дръжте косата си, дрехите и ръкавиците си на безопасно разстояние от въртящи се части. Широките дрехи, бижута или дългите коси могат да се закачат от въртящите се части.*
 - Ако се предвижда използването на аспирационна уредба, се уверете, че тя е включена и работи нормално. *Използването на такава уредба намалява опасността за здравето свързана със запрашаване.*



4. ИЗПОЛЗВАНЕ И ПОДДЪРЖАНЕ НА ЕЛЕКТРОИНСТРУМЕНТИТЕ

- Не претоварвайте електроинструмента. Използвайте електроинструмента само по неговото предназначение. *Ще работите по-добре и по-безопасно, когато използвате подходящия електроинструмент в зададения от производителя диапазон на натоварване.*
- Не използвайте електроинструмент, чийто пусков прекъсвач е повреден. *Електроинструмент, който не може да се включва и изключва с прекъсвача е опасен и трябва да бъде ремонтиран.*
- Извадете щепсела от контакта преди да правите всякакви настройки, смени на приспособления, или прибирате електроинструмента. *Такива предпазни мерки намаляват риска от включване на електроинструмента по невнимание.*
- Когато не използвате електроинструмента го съхранявайте извън обсега на деца и не позволявайте на лица незапознати с електроинструмента или с тези инструкции да работят с него. *Електроинструментите са опасни в ръцете на необучени потребители.*
- Поддръжка на електроинструментите. Проверете за разместването или затягането на подвижните

части, отчупени части и всички други обстоятелства, които могат да повлияят на работата на електроинструмента. Ако е повреден, поправете електроинструмента преди да го използвате. *Много злополуки са причинени от лошо поддържани електроинструменти.*

- Пазете режещите инструмент остри и чисти. *Правилно поддържаните режещи инструменти с остри режещи ръбове се заклинват по-рядко и са по-лесни за управление.*
- Използвайте електроинструмента, консумативите и найкрайниците към него според тези инструкции и предназначението на отделния тип електроинструмент, вземайки под внимание условията на работа и вида работа, който трябва да се извърши. *Използването на електроинструмента за работи, различни от тези, за които е предназначен, могат да доведат до опасности.*

5. ПОДДРЪЖКА

- Ремонтирайте Вашия електроинструмент само от квалифициран персонал използващ само еднакви резервни части. *Това ще Ви гарантира, че се запазва безопасността на електроинструмента.*

УКАЗАНИЯ ЗА БЕЗОПАСНОСТ ПРИ ВСИЧКИ ВИДОВЕ РАБОТИ

ОБЩИ УКАЗАНИЯ ЗА БЕЗОПАСНА РАБОТА ПРИ ГРУБО И ФИНО ШЛИФОВАНЕ, ПОЧИСТВАНЕ С ТЕЛЕНА ЧЕТКА, ПОЛИРАНЕ И РЪЗАНЕ С АБРАЗИВЕН ДИСК

- Този електроинструмент може да се използва за грубо и фино шлифване, почистване с телена четка, полиране и рязане с абразивен диск. Спазвайте всички указания и предупреждения, съобразявайте се с приведените технически параметри и изображения. *Ако не спазвате посочените по-долу указания, последствията могат да бъдат токов удар, пожар и/или тежки наранявания.*
- Не използвайте приспособления, които не са специално проектирани и не се препоръчват от производителя специално за този инструмент. *Фактът, че можете да закрепите към вашия електроинструмент определено приспособление, не гарантира безопасна работа с него.*
- Допустимата скорост на въртене на работния инструмент трябва да е не по-малка от изписаната на табелката на електроинструмента максимална скорост на въртене. *Работни инструменти, които се въртят с по-висока скорост от максимално допустимата, могат да излетят настрана.*

- Външният диаметър и дебелината на работния инструмент трябва да съответстват на данните, посочени в техническите характеристики на Вашия електроинструмент. *Работни инструменти с неподходящи размери не могат да бъдат защитени по необходимия начин или да бъдат контролирани достатъчно добре.*
- Шлифовъчните дискове, фланци, подложните дискове или другите използвани консумативи трябва да пасват точно на шпиндела на Вашия електроинструмент. *Консумативи, които не пасват точно на шпиндела на електроинструмента, се въртят неравномерно, вибрират силно и могат да доведат до загуба на контрол над машината.*
- Не използвайте повредени консумативи. Преди всяка употреба проверявайте работните консумативи, например абразивните дискове за пукнатини или откътнати ръбчета, подложните дискове за пукнатини или силно износване, телените четки за недобре захванати или счупени телчета. Ако изпуснете електроинструмента или работния консуматив, ги проверете внимателно за повреди или използвайте нови неповредени консумативи. След като сте проверили внимателно и сте монтирали работния инструмент, оставете електроинструмента да работи на максимални обороти на празен ход в продължение на една минута; стойте и дръжте страничните

лица встрани от равнината на въртене. *Най-често повредени работни инструменти се чупят през този период на изпитване.*

- з. Работете с лични предпазни средства. В зависимост от приложението работете с цяла маска за лице, защита за очите или предпазни очила. Ако е необходимо, работете с дихателна маска, антифони, работни обувки или специализирана престилка, която Ви предпазва от малки откъртени при работата частици. *Очите Ви трябва да са защитени от летящите в зоната на работа частици. Противопраховата или дихателната маска филтрират образувания се при работата прах. Ако продължително време сте изложени на силен шум, това може да доведе до загуба на слуха.*
- и. Внимавайте страничните лица да бъдат на безопасно разстояние от зоната на работа. Всеки, който се намира в зоната на работа, трябва да носи лични предпазни средства. *Откъртени парченца от обработвания детайл или работния инструмент могат в резултат на силното ускорение да отлетят надалече и да предизвикат наранявания също и извън зоната на работа.*
- к. Когато има опасност режещият диск да попадне на скрити под повърхността проводници под напрежение или да среже захранващия кабел на електроинструмента, го дръжте само за изолираните повърхности на ръкохватки. *В резултат на контакт с проводник под напрежение то се предава на металните части на електроинструмента и това може да предизвика токов удар на работещия.*
- л. Дръжте захранващия кабел на безопасно разстояние от въртящия се работен инструмент. *Ако изгубите контрол на електроинструмента, кабелът може да бъде прерязан или увлечен от работния инструмент и това да предизвика наранявания, например на ръката или рамото Ви.*
- м. Никога не оставяйте електроинструмента, преди работният инструмент да спре напълно въртенето си. *Въртящият се инструмент може да допре до предмет, в резултат на което да загубите контрол над електроинструмента.*
- н. Докато пренасяте електроинструмента, не го оставяйте включен. *Дрехите или косите Ви могат да бъдат увлечени от работния инструмент в резултат на неволен допир, в резултат на което работният инструмент може да се вреже в тялото Ви.*
- о. Редовно почиствайте вентилационните отвори на Вашия електроинструмент. *Турбината на електродвигателя засмуква прах в корпуса, а натрупването на метален прах увеличава опасността от токов удар.*
- п. Не използвайте електроинструмента в близост до леснозапалими материали. *Летящи искри могат да предизвикат възпламеняването на такива материали.*
- р. Не използвайте работни инструменти които изискват използването на охлаждащи течности.

Използването на вода или други охлаждащи течности може да предизвика токов удар.

ОТКАТ И СЪВЕТИ ЗА ИЗБЯГВАНЕТО МУ

Откат е внезапната реакция на машината вследствие на заклиняване или блокиране на въртящия се работен инструмент, например абразивен диск, гумен подложен диск, телена четка или други работни инструменти. Заклиняването или блокирането води до рязкото спиране на въртенето на работния инструмент, вследствие на това електроинструмента получава силно ускорение в посока, обратна на посоката на движение на инструмента в точката на блокиране, и става неуправляем. Ако например абразивен диск се заклини или блокира в обработвания детайл, рѣбът на диска, който допира детайла, може да се огъне и в резултат дискът да се счупи или да възникне откат. В такъв случай дискът се ускорява към работещия с машината или в обратна посока, в зависимост от посоката на въртене на диска и мястото на заклиняване. В такива случаи абразивните дискове могат и да се счупят. Откат възниква в резултат на неправилно или погрешно използване на електроинструмента, възникването му може да бъде предотвратено чрез спазването на подходящи предпазни мерки, както е описано по-долу.

- а. Дръжте електроинструмента здраво и дръжте ръцете и тялото си в такова положение, че да противостоите на евентуално възникващ откат. Ако електроинструментът има спомагателна ръкохватка, винаги я използвайте, за да го контролирате по-добре при откат или при възникващите моменти на усукване по време на включване. *Ако предварително вземете подходящи предпазни мерки, при възникване на откат или силни моменти на усукване можете да овладеете машината.*
- б. Никога не поставяйте ръцете си в близост до въртящия се работен инструмент. *Ако възникне откат, инструментът може да нарани ръката Ви.*
- в. Не заставайте в зоната, в която би отскочил електроинструмента при възникване на откат. *Откатът премества машината в посока, обратна на посоката на движение на работния инструмент в зоната на блокиране.*
- г. Работете особено предпазливо в зоните на ъгли, остри ръбове и др. Избягвайте отскачането и заклиняването на работните инструменти в обработвания детайл. *При обработване на ъгли или остри ръбове или при рязко отскачане на въртящия се работен инструмент съществува повишена опасност от заклиняване, това предизвиква загуба на контрол над машината или откат.*
- д. Не използвайте верижни трюони или назъбени дискове за циркуляр. *Такива работни инструменти често предизвикват откат или загуба на контрол над електроинструмента.*

СПЕЦИАЛНИ УКАЗАНИЯ ЗА БЕЗОПАСНА РАБОТА ПРИ ГРУБО ШЛИФОВАНЕ ИЛИ РЯЗАНЕ С РЕЖЕЩИ ДИСКОВЕ

- а. Използвайте само предвидените за Вашия електроинструмент абразивни дискове и предназначения за използвания режещ диск предпазен кожух. *Режещи дискове, които не са предназначени за електроинструменти, не могат да бъдат защитени добре и не гарантират безопасна работа.*
- б. Допуска се използването на режещи дискове само за целите, за които те са предвидени. Например: никога не шлифовайте със страничната повърхност на диск за рязане. *Дисковете за рязане са предназначени за отнемане на материал с рѣба си, страничното прилагане на сила може да ги счупи.*
- в. Винаги използвайте застопоряващи фланци, които са в безупречно състояние и съответстват по размери и форма на използвания режещ диск. *Използването на подходящ фланец предпазва диска и по този начин намалява опасността от счупването му. Застопоряващите фланци за режещи дискове могат да се различават от тези за дискове за шлифване.*
- г. Не използвайте износени режещи дискове от големи електроинструменти. *Дисковете за големи машини не са предназначени за въртене с високите обороти, с които се въртят по-малките, и могат да се счупят.*

СПЕЦИАЛНИ УКАЗАНИЯ ЗА БЕЗОПАСНА РАБОТА С РЕЖЕЩИ ДИСКОВЕ

- а. Избягвайте блокиране на режещия диск или силното му притискане. Не изпълнявайте твърде дълбоки срезове. *Претоварването на режещия диск увеличава опасността от заклиняването му или блокирането му, а с това и от възникването на откат или счупването му, докато се върти.*
- б. Избягвайте да заставате в зоната пред и зад въртящия се режещ диск. *Когато режещият диск е в една равнина с тялото ви, в случай на откат електроинструментът с въртящия се диск може да отскочи непосредствено към вас и да ви нарани.*
- в. Ако режещият диск се заклини или ако по някаква причина прекъснете работата, изключвайте електроинструмента и го оставяйте едва след окончателното спиране на въртенето на диска. Никога не опитвайте да извадите въртящия се диск от междината на рязане, в противен случай може да възникне откат. *Определете и отстранете причината за заклиняването.*
- г. Не включвайте повторно електроинструмента, ако дискът се намира в разрязвания детайл. Преди

внимателно да продължите рязането, изчакайте режещият диск да достигне пълната си скорост на въртене. *В противен случай дискът може да се заклини, да отскочи от обработвания детайл или да предизвика откат.*

- д. Подпирайте плоскости или големи разрязвани детайли по подходящ начин, за да ограничите риска от възникване на откат в резултат на заклинен режещ диск. *По време на рязане големите детайли могат да се огънат под действие на силата на собственото си тегло. Детайлът трябва да има опора от двете страни, както в близост до линията на рязане, така и в другия си край.*
- е. Бъдете особено предпазливи при прорязване на канали в стени или други зони, които могат да крият изненади. *Режещият диск може да предизвика откат на машината при допир до газо- или водопроводи, електропроводи или други обекти.*

СПЕЦИАЛНИ УКАЗАНИЯ ЗА БЕЗОПАСНА РАБОТА ПРИ ШЛИФОВАНЕ С ШКУРКА

- а. Не използвайте много големи листове шкурка. Спазвайте указанията на производителя за размерите на шкурката. *Листове шкурка, които се подават извън подложния диск, могат да предизвикат наранявания, както и да доведат до блокиране и разкъсване на шкурката или до възникване на откат.*

СПЕЦИАЛНИ УКАЗАНИЯ ЗА БЕЗОПАСНА РАБОТА ПРИ ПОЛИРАНЕ

- а. Не оставяйте висящи части или предмети по полиращия диск, например връв за окачване. Ако дискът има връв за окачване, предварително я връзвайте или отрязвайте. *Въртяща се незахваната връв може да увлече пръстите ви или да се усуче около обработвания детайл.*

СПЕЦИАЛНИ УКАЗАНИЯ ЗА БЕЗОПАСНА РАБОТА ПРИ ПОЧИСТВАНЕ С ТЕЛЕНИ ЧЕТКИ

- а. Не забравяйте, че при нормална работа от телената четка падат телчета. Не претоварвайте телената четка, като я притискате твърде силно. *Изхвърчащите от телената четка телчета могат лесно да проникнат през дрехите и/или кожата ви.*
- б. Ако се препоръчва използването на предпазен кожух, предварително се уверявайте, че телената четка не се допира до него. *Дисковете и чашковидните телени четки могат да увеличат диаметъра си в резултат на силата на притискане и центробежните сили.*

ОКОЛНА СРЕДА

БРАКУВАНЕ

С оглед опазване на околната среда електроинструментът, допълнителните приспособления и опаковката трябва да бъдат подложени на подходяща преработка за повторното използване на съдържащите се в тях суровини.



Не извършвайте електроинструментите при битовите отпадъци!
Съгласно Директивата на ЕС 2002/96/ЕС относно бракувани електрически и електронни устройства и утвърждаването ѝ като национален закон електроинструментите, които не могат да се използват повече, трябва да се събират отделно и да бъдат подлагани на подходяща преработка за оползотворяване на съдържащите се в тях вторични суровини.

СПЕЦИФИКАЦИИ

ОБЩИ СПЕЦИФИКАЦИИ

Номинално напрежение . . . 230-240 V, 50-60 Hz
Номинален ток 0,6 A
Скорост на празен ход . . . n₀ 33.000/min
Обхват на цангата 0,8 mm, 1,6 mm,
2,4 mm, 3,2 mm

УДЪЛЖИТЕЛНИ КАБЕЛИ

Използвайте изцяло развити и здрави удължителни кабели с мощност 5 A.

МОНТАЖ

ВИНАГИ ИЗВАЖДАЙТЕ ЩЕПСЕЛА ОТ КОНТАКТА НА УНИВЕРСАЛНИЯ ЕЛЕКТРОИНСТРУМЕНТ ПРЕДИ СМЯНА НА КОНСУМАТИВИ, СМЯНА НА ЦАНГИ, ИЛИ РЕМОНТ НА ИНСТРУМЕНТА

ОКОБЩИ ДАННИ

Универсалният електроинструмент Dremel е висококачествена машина за прецизна работа, която може да се използва за извършване на обичайни и по-сложни работи. Широката гама консумативи и приспособления Ви позволява да извършвате най-разнообразни видове работи, като шлифование, дърворезба и гравирание и профилно фрезование, рязане, почистване и полиране. ФИГУРА 2

ФИГУРА 1

- Затягаща гайка на цангата
- Цанга
- Шийка за монтаж на приспособленията
- Капак на корпуса

САМО ЗА СТРАНИ ОТ ЕС



Не извършвайте електроинструментите при битовите отпадъци!
Съгласно Директивата на ЕС 2002/96/ЕС относно бракувани електрически и електронни устройства и утвърждаването ѝ като национален закон електроинструментите, които не могат да се използват повече, трябва да се събират отделно и да бъдат подлагани на подходяща преработка за оползотворяване на съдържащите се в тях вторични суровини.

СПЕЦИФИКАЦИИ НА МОТОРА

Този универсален инструмент използва мотор с променлива скорост. Той е предвиден за работа на 230-240 V, 50-60 Hz. Винаги проверявайте дали подаваното напрежение е същото като напрежението обозначено на табелката на инструмента (инструменти с номинална мощност 230V или 240V могат да бъдат свързани към захранване 220V).

- Бутон за блокиране на шпиндела
- Вентилационни отвори
- Капачка за четка (по една от всяка страна)
- Ключ за включване/изключване
- LCD-дисплей
- Бутони за увеличаване/намаление на скоростта
- Скоба за закачване
- Захранващ кабел

ЦАНГИ

Консумативите на Dremel, които се предлагат за универсалния електроинструмент, имат различни размери на опашката. Четири размери цанги се предлагат за захващане на различните размери опашки. Размерите на цангите могат да се установят по каналите на задната страна на цангата.

ФИГУРА 3

- 3,2 mm-ова без канал (480)
- 2,4 mm-ова цанга с три канала (481)
- 1,6 mm-ова цанга с два канала (482)
- 0,8 mm-ова цанга с един канал (483)

ЗАБЕЛЕЖКА: Някои окомплектовки на универсалния електроинструмент могат да не включват всичките четири размера цанги. Цангите се предлагат отделно.

Винаги използвайте подходящата цанга за размера на опашката на консуматива, който възнамерявате да използвате. Не поставяйте със сила опашка с по-голям диаметър в по-малка цанга.

СМЯНА НА ЦАНГИТЕ

ФИГУРА 4

- Бутон за блокиране на шпиндела
- Гаечен ключ
- Затягане
- Освобождение
- Затягаща гайка на цангата

- Натиснете бутона за блокиране на шпиндела, задръжте надолу и завъртете шпиндела на ръка докато не се задейства блокировката. Не натискайте бутона за блокиране на шпиндела докато универсалният инструмент работи.
- С натиснат бутон за блокиране на шпиндела разхлабете и свалете затягащата гайка на цангата. Ако е необходимо използвайте гаечния ключ.

- Свалете цангата като я издърпате от шпиндела.
- Поставете подходящият размер цанга изцяло в шпиндела и затегнете с пръсти затягащата гайка на цангата. Не затягайте напълно гайката, когато не е поставен накрайник или консуматив.

СМЯНА НА КОНСУМАТИВИТЕ

ФИГУРА 4/5

Q. Бутон за блокиране на шпиндела

- Натиснете бутона за блокиране на шпиндела и завъртете шпиндела на ръка докато не се включи блокировката. *Не натискайте бутона за блокиране на шпиндела докато универсалният инструмент работи.*
- Със задействането на бутона за блокиране на шпиндела, разхлабете (но не сваляйте) затягащата гайка на цангата. Използвайте гаечен ключ ако е необходимо.
- Вкарайте опашката на накрайника или консуматива докрай в цангата.
- При натиснат бутон за блокиране на шпиндела затегнете на ръка затягащата гайка на цангата докато цангата не захване опашката на накрайника или консуматива.
ЗАБЕЛЕЖКА: Прочетете инструкциите към вашия електроинструмент Dremel за повече информация за използване на консумативите към него..

Използвайте само изпитани високоэффективни консумативи на Dremel.

НАЧАЛО

ПРИЛОЖЕНИЕ

Първата стъпка в използването на универсалния инструмент е да го "почувствате". Хванете го в ръка, за да свикнете с топлото и баланса му. Почувствайте скосяването на корпуса. Благодарение на него инструментът може да се хваща почти като писалка или молив. *Винаги дръжте инструмента далече от лицето си. Консумативите могат да се повредят по време на работа и да се разпадат с увеличаване на оборотите.*

Не закривайте с ръка вентилационните отвори, когато държите инструмента. Двигателят може да прегрее, ако вентилационните отвори са запушени. ВАЖНО! Упражнете се първо на някакъв отпадъчен материал, за да видите как се държи инструмента при високи скорости. Не забравяйте, че вашият универсален инструмент ще се представи най-добре, ако оставите скоростта, заедно с подходящия консуматив на Dremel или друго приспособление да

свършат работата вместо вас. При възможност избягвайте упражняването на натиск върху инструмента по време на работа. Вместо това приближете въртящия консуматив леко до работната повърхност и го оставете да докосне точката, в която искате да започнете. Стремете се да водите инструмента по време на работа с много малък натиск с ръка. Оставете консуматива сам да работи. Обикновено е най-добре да работите на няколко стъпки с инструмента, а не да извършвате цялата работа с един ход. При внимателна работа имате най-голям контрол и се намалява опасността от грешки.

ЗАХВАЩАНЕ НА ИНСТРУМЕНТА

За най-добро управление при работа хванете инструмента като молив между палеца и показалеца си. ФИГУРА 6
"Голф"-начина на хващане се използва при по-тежки работи като грубо шлифование или рязане. ФИГУРА 7

РАБОТНИ СКОРОСТИ

Това е универсален инструмент, който работи при висока скорост. Дигиталният дисплей на инструмента 400 Series DIGITAL показва точните обороти (x 1.000), с които се върти шпинделът му. За увеличаване/намаляване на скоростта натиснете бутоните нагоре/надолу. Скоростта на вашия универсален инструмент може да се увеличава и намалява на стъпки от 1.000 1/min. Това ви дава възможност да регулирате много точно скоростта на вашия универсален инструмент. Със съобразяване на оборотите на инструмента към конкретните нужди на вашата работа ще постигнете по-добър краен резултат. За най-добри резултати когато работите с различни материали, задавайте скорост, подходяща за нуждите на работата. За да изберете правилната скорост за съответния консуматив, първо се упражнете с отпадъчен материал.

ЗАБЕЛЕЖКА: Скоростта се влияе от промените в напрежението. С намаляване на входящото напрежение оборотите на инструмента спадат, особено при най-ниската настройка. Ако ви се струва, че инструментът работи бавно, увеличете работната скорост. Инструментът може да не се включи при най-ниската настройка на места, където напрежението в мрежата е по-ниско от 220 V. Просто задайте по-висока скорост, за да можете да започнете работа.

Вижте графиката "Настройки на скоростта" на стр. 4-6, която ще ви помогнат да изберете правилната скорост за обработвания материал и консуматива, който използвате.

A) За гипскартон. За най-добри резултати задайте 33.000 об./мин.

B) За мазилка по стени и подова замазка. Използвайте скорости 20.000-28.000 об./мин..

*) Скорост за леки материали. Внимание, възможно е запалване при по-дълбоки отвори.

■ В зависимост от посоката на рязане спрямо влакната.

В повечето случаи може да се постигнат успешни резултати при най-високата скорост. Но някои

материали (някои пластмаси и метали) могат да се увредят от топлината, която се отделя при високите обороти, и затова трябва да се обработват при сравнително по-ниски обороти. Ниските обороти (15.000 1/min или по-ниски) обикновено са най-подходящи за полиране с използване на филцовите полиращи консумативи. При почистването с четка винаги се изискват по-ниски обороти, за да се избегне изхвърлянето от държача. Оставете движението на самия инструмент да извършва работа на по-ниски обороти. По-високите обороти са по-подходящи за твърдо дърво, метал и стъкло, както и за пробиване, дърворезба, рязане, профилно фрезование, профилиране и направа на фуги или канали в дърво.

Някои препоръки по отношение на скоростта на инструмента:

- Пластмаси и други материали, които се топят при ниски температури, трябва да се режат на ниски скорости.
- Полиране, излъскване и почистване с телена четка трябва да се извършва при скорост не по-висока от 15.000 1/min, за да се избегне повреда на четката и вашия материал.
- Дървото трябва да се реже на висока скорост.
- Желязо или стомана трябва да се режат на висока скорост.
- Ако високооборотният режещ инструмент започне да вибрира, обикновено това показва, че той работи много бавно.
- Алуминий, медни, оловни, цинкови сплави и калай могат да се режат с различни скорости, в зависимост от типа на режещия инструмент, който ще го прави. Използвайте парафин (не вода) или друга подходяща смазка за режещия инструмент, за да предпазите полепване на отрязания материал по зъбите на режещия инструмент.

ЗАБЕЛЕЖКА: Увеличаването на натиска върху инструмента не дава отговор на въпроса, когато той не работи както трябва. Опитвайте различни консумативи или настройки на скоростта за постигане на желаните резултати.

ПОДДРЪЖКА

Поддръжката, извършена от некомпетентни лица, може да доведе до разместване на вътрешните проводници и компоненти, което представлява сериозна опасност. Препоръчваме инструментът да се обслужва само от сервиз на Dremel. За да се избегне нараняване от случайно включване или токов удар, винаги изключвайте щепсела от контакта преди работа по инструмента или почистване.

ВЪГЛЕНОВИ ЧЕТКИ

Четките на вашия инструмент са предназначени за продължителна експлоатация. За да подготвите четките за работа, оставете инструментата да работи на пълни обороти в продължение на 5 минути на празен ход. Така четките ще "улегнат" правилно и ще се удължи живота на инструмента. За да може

двигателят да се поддържа във върхова форма, проверявайте четките за износване на всеки 40-50 часа.

Използването на инструмента с износени четки ще доведе до трайна повреда на електромотора. Подменяйте само с оригинални четки на Dremel. Проверявайте четките след 40-50 часа експлоатация. Ако инструментът работи неравномерно, губи мощност или издава необичайни звуци, проверете дали четките не са износени и евентуално подменете. За проверка/смяна на четките на универсалния електроинструмента, следвайте следната процедура:

1. При изваден от захранващата мрежа щепсел поставете инструмента на чиста повърхност. Използвайте гаечният ключ към електроинструмента за да свалите капачките на четките. ФИГУРА 8
2. Обърнете универсалния електроинструмент така, че четките да изпадат от четкодържателите и проверете всяка от тях. Ако четката е по-къса от 3 mm и повърхността, която влиза в контакт с колектора, е нагряна или има вдлъбнатини, въгленовите четки трябва да се сменят. Трябва задължително да проверите и двете четки. ФИГУРА 9
3. Трябва да се сменят се и двете четки, дори и само една от тях да е износена, за да подобрите работата на универсалния електроинструмент. Свалете пружината от четката, изхвърлете старата четка и поставете пружината на нова четка.
4. Поставете въгленовата четка и пружината обратно в инструментата, четката може да влезе в него само по един начин. Убедете се, че четките са монтирани както е показано на фигурата. ФИГУРА 9 Закрълението на контактната повърхнина на четката трябва да съответствува

на това на колектора на електромотора.

5. Поставете квадратната долна страна на четката в квадратния отвор. Проверете дали пружината е поставена в V-образния канал на четката. Поставете предната част на капачката в отвора. След това натиснете надолу, докато заключващата част щракне в гнездото. След смяна на четките трябва да оставите инструмента да работи на празен ход; поставете го на чиста повърхност и го оставете да работи на пълни обороти в продължение на 5 минути преди да го натоварите (използвате). Така четките ще "улегнат" правилно и техният живот ще се удължи. Така също се удължава и живота на инструмента, тъй като повърхността на колектора също ще се износва по-равномерно и по-дълго време. ФИГУРА 10

ПОЧИСТВАНЕ НА ИНСТРУМЕНТА

ИЗВАДЕТЕ ЩЕПСЕЛА ОТ КОНТАКТА ПРЕДИ ПОЧИСТВАНЕ

Вентилационните отвори и лостчетата за превключване трябва да се поддържат чисти и без чужди тела по тях. Не се опитвайте да почиствате като вкарвате остри предмети през отворите. *Инструментът може да се почиства с въздух под налягане. Винаги носете защитни очила когато почиствате инструмента с въздух под налягане.* Няма нужда да смазвате универсалния инструмент Dremel.

Някои почистващи препарати и разреждатели ще повредят пластмасовите части. Такива са например: бензин, тетрахлорметан, съдържащи хлор почистващи разтворители, амоняк и домакински почистващи препарати съдържащи амоняк. Почиствайте "меката ръкохватка" на инструмента с влажен парцал. По-силно замърсените зони може да изискват повече от едно избърсване, за да бъдат почистени.

СЕРВИЗНО ОБСЛУЖВАНЕ И ГАРАНЦИЯ

За този продукт на DREMEL се предоставя гаранция съгласно законовите специфични за съответната страна разпоредби; гаранцията изключва повреди, причинени от износване в нормалния ход на работа, от претоварване или неправилна употреба.

В случай на рекламация, изпратете инструмента *неразглобен* заедно с документ, удостоверяващ покупката на Вашия търговец.

ЗА КОНТАКТИ С DREMEL

За повече информация за асортимента, поддръжката и пряка телефонна връзка с DREMEL, посетете www.dremel.com

Dremel Europe, P.O. Box 3267, 4800 DG Breda

ÁLTALÁNOS BIZTONSÁGI ELŐÍRÁSOK



FIGYELEM

OLVASSA EL AZ ÖSSZES ELŐÍRÁST. *Ha nem tartja be a következő előírásokat, akkor ez áramütéshez, tűzhoz és/vagy súlyos személyi sérülésekhez vezethet. Az alább alkalmazott „elektromos kéziszerszám-fogalom” a hálózati elektromos kéziszerszámokat (hálózati csatlakozó kábellel) és az akkumulátoros elektromos kéziszerszámokat (hálózati csatlakozó kábel nélkül) foglalja magában.*

Kérjük gondosan őrizze meg ezeket az előírásokat


1. MUNKAHELY

- Tartsa tisztán és tartsa rendben a munkahelyét. *A rendeltetés és a megvilágítatlan munkaterület balesetekhez vezethet.*
- Ne dolgozzon a berendezéssel olyan robbanásveszélyes környezetben, ahol éghető folyadékok, gázok vagy porok vannak. *Az elektromos kéziszerszámok szikrákat keltenek, amelyek a port vagy a gőzöket meggyújthatják.*
- Tartsa távol a gyerekeket és az idegen személyeket a munkahelytől, ha az elektromos kéziszerszámot használja. *Ha elvonják a figyelmét, elvesztheti az uralmát a berendezés felett.*

2. ELEKTROMOS BIZTONSÁGI ELŐÍRÁSOK

- A készülék csatlakozó dugójának bele kell illeszkednie a dugaszolóaljzatba. A csatlakozó dugó semmilyen módon sem szabad megváltoztatni. *Védőföldeléssel ellátott készülékekkel kapcsolatban ne használjon csatlakozó adaptert. A változtatás nélküli csatlakozó dugó és a megfelelő dugaszoló aljzatok csökkentik az áramütés kockázatát.*
- Kerülje el a földelt felületek, például csövek, fűtőtestek, kályhák és hűtőgépek megérintését. *Az áramütési veszély megnövekszik, ha a teste le van földelve.*
- Tartsa távol az elektromos kéziszerszámot az esőtől vagy nedvességtől. *Ha víz hatol be egy elektromos kéziszerszámba, ez megnöveli az áramütés veszélyét.*
- Soha ne használja a készüléket olyan célra, amelyre az nem való. Ne használja a kábelt a rendeltetésétől eltérő célokra, vagyis a szerszámot soha ne hordozza vagy akassza fel a kábelnél fogva, és sohase húzza ki a hálózati csatlakozó dugót a kábelnél fogva. Tartsa távol a kábelt hőforrásoktól, olajtól, éles élektől és sarkaktól és mozgó gépkatrészekről. *Egy megrongálódott vagy csomókkal teli kábel megnöveli az áramütés veszélyét.*
- Ha egy elektromos kéziszerszámmal a szabad ég alatt dolgozik, csak szabadban való használatra engedélyezett hosszabbítót használjon. *A szabadban való használatra engedélyezett hosszabbító használata csökkenti az áramütés veszélyét.*

3. SZEMÉLYI BIZTONSÁG

- Munka közben mindig figyeljen, ügyeljen arra, amit csinál és megdölgdoltan dolgozzon az elektromos kéziszerszámmal. Ha fáradt, ha kábítószerek vagy alkohol hatása alatt áll, vagy orvosságokat vett be, ne használja a berendezést. *Egy pillanatnyi figyelmetlenség a szerszám használata közben komoly sérülésekhez vezethet.*
-  Viseljen személyi védőfelszerelést és mindig viseljen védőszemüveget. *A személyi védőfelszerelések, mint porvédő álarc, csúszásbiztos védőcipő, védősapka és fülvédő használata az elektromos kéziszerszám használata jellegének megfelelően csökkenti a személyes sérülések kockázatát.*
- Kerülje el a készülék akaratlan üzembe helyezését. Győződjön meg arról, hogy az elektromos kéziszerszám ki van kapcsolva, mielőtt bedugná a csatlakozó dugót a dugaszolóaljzatba. *Ha az elektromos kéziszerszám felemelése közben az ujját a kapcsolón tartja, vagy ha a készüléket bekapcsolt állapotban csatlakoztatja az áramforráshoz, ez balesetekhez vezethet.*
- Az elektromos kéziszerszám bekapcsolása előtt okvetlenül távolítsa el a beállítószerszámokat vagy csavarkulcsokat. *Az elektromos kéziszerszám forgó részeiben felejtett beállítószerszám vagy csavarkulcs sérüléseket okozhat.*
- Ne becsülje túl önmagát. *Kerülje el a normálistól eltérő [156] testtartást, ügyeljen arra, hogy mindig biztosan álljon és az egyensúlyát megtartsa. Így az elektromos kéziszerszám felett váratlan helyzetekben is jobban tud uralkodni.*
- Viseljen megfelelő ruhát. *Ne viseljen bő ruhát vagy ékszereket. Tartsa távol a haját, a ruháját és a kesztyűjét a mozgó részekről. A bő ruhát, az ékszereket és a hosszú haját a mozgó alkatrészek magukkal rántathatják.*
- Ha az elektromos kéziszerszámra fel lehet szerelni a por elszívásához és összegyűjtéséhez szükséges berendezéseket, ellenőrizze, hogy azok megfelelő módon hozzá vannak kapcsolva a készülékhez és rendeltetésüknek megfelelően működnek. *Ezen berendezések használata csökkenti a munka során keletkező por veszélyes hatását.*

4. AZ ELEKTROMOS KÉZISZERSZÁMOK GONDOS KEZELÉSE ÉS HASZNÁLATA

- Ne terhelje túl a berendezést. A munkájához csak az arra szolgáló elektromos kéziszerszámot használja. *Egy alkalmas elektromos kéziszerszámmal a megadottteljesítménytartományon belül jobban és biztonságosabban lehet dolgozni.*
- Ne használjon olyan elektromos kéziszerszámot, amelynek a kapcsolója elromlott. *Egy olyan elektromos kéziszerszám, amelyet nem lehet sem be-, sem kikapcsolni, veszélyes és meg kell javíttatni.*
- Húzza ki a csatlakozó dugót a dugaszolóaljzataból, mielőtt az elektromos kéziszerszámon beállítási munkákat végez, tartozékokat cserél vagy a szerszámot tárolásra elteszi. *Ez az elővigyázatossági intézkedés meggátolja a szerszám akaratlan üzembe helyezését.*
- A használaton kívüli elektromos kéziszerszámokat olyan helyen tárolja, ahol azokhoz gyerekek nem férhetnek hozzá. Ne hagyja, hogy olyan személyek használják az elektromos kéziszerszámot, akik nem ismerik a szerszámot, vagy nem olvasták el ezt az útmutatót. *Az elektromos kéziszerszámok veszélyesek, ha azokat gyakorlatlan személyek használják.*

VALAMENNYI MŰVELETRE ÉRVÉNYES BIZTONSÁGI UTASÍTÁSOK

KÖZÖS FIGYELMEZTETŐ TÁJÉKOZTATÓ A CSISZOLÁSHOZ, CSISZOLÓPAPIRRAL VÉGZETT CSISZOLÁSHOZ, A DRÓTKEFÉVEL VÉGZETT MUNKÁKHOZ, POLÍROZÁSHOZ ÉS DARABOLÁSHOZ

- Ez az elektromos kéziszerszám csiszológépként, csiszolópapíros csiszológépként, drótkefeként, polírozógépként és daraboló csiszológépként használható. *Ügyeljen minden figyelmeztető jelzésre, előírásra, ábrára és adatra, amelyet az elektromos kéziszerszámmal együtt megkapott. Ha nem tartja be a következő előírásokat, akkor ez áramütéshez, tűzhoz és/vagy súlyos személyi sérülésekhez vezethet.*
- Ne használjon olyan tartozékokat, amelyeket a gyártó ehhez az elektromos kéziszerszámhoz nem irányzott elő és nem javasolt. *Az a tény, hogy a tartozékot rögzíteni tudja az elektromos kéziszerszámra, nem garantálja annak biztonságos alkalmazását.*

- A készüléket gondosan ápolja. Ellenőrizze, hogy a mozgó alkatrészek kifogástalanul működnek-e, nincsenek-e beszorulva, és nincsenek-e eltörve vagy megrongálódva olyan alkatrészek, amelyek hatással lehetnek az elektromos kéziszerszám működésére. *A berendezés megrongálódott részeit a készülék használata előtt javíttassa meg. Sok olyan baleset történik, amelyet az elektromos kéziszerszám nem kielégítő karbantartásáralehet visszavezetni.*
- Tartsa tisztán és éles állapotban a vágószerszámokat. *Az éles vágóélekkel rendelkező és gondosan ápolott vágószerszámok ritkábban ékelődnek be és azokat könnyebben lehet vezetni és irányítani.*
- Az elektromos kéziszerszámokat, tartozékokat, betétszámokat stb. csak ezen előírásoknak és az adott készüléktípusra vonatkozó kezelési utasításoknak megfelelően használja. Vegye figyelembe a munkafeltételeket és a kivitelezendő munka sajátosságait. *Az elektromos kéziszerszám eredeti rendeltetésétől eltérő célokra való alkalmazása veszélyes helyzetekhez vezethet.*

5. SZERVIZ-ELLENŐRZÉS

- Az elektromos kéziszerszámot csak szakképzett személyzet csak eredeti pótalkatrészek felhasználásával javíthatja. *Ez biztosítja, hogy az elektromos kéziszerszám biztonságos szerszám maradjon.*

- A betétszám megengedett fordulatszámának legalább akkorának kell lennie, mint az elektromos kéziszerszámon megadott legnagyobb fordulatszám. *A megengedettnél gyorsabban forgó tartozékok szétörhetnek.*
- A betétszámának külső átmérőjének és vastagságának meg kell felelnie az Ön elektromos kéziszerszámán megadott méreteknél. *A hibásan méretezett betétszámokat nem lehet megfelelően eltakarni, vagy irányítani.*
- A csiszolókorongoknak, karimáknak, csiszoló tányéroknak vagy más tartozékoknak pontosan rá kell illeszkedniük az Ön elektromos kéziszerszámjának a csiszoló tengelyére. *Az olyan betétszámok, amelyek nem illenek pontosan az elektromos kéziszerszám csiszoló tengelyéhez, egyenletlenül forognak, erősen berezegnek és a készülék feletti uralom megszűnéséhez vezethetnek.*
- Ne használjon megrongálódott betétszámokat. *Vizsgálja meg minden egyes használat előtt a betétszámokat: ellenőrizze, nem pattogzott-e le és nem repedt-e meg a csiszolókorong, nincs-e eltörve, megrepedve, vagy nagy mértékben elhasználódva a csiszoló tányér, nincsenek-e a drótkéfében kilazult, vagy Az Ön biztonságáért*

eltörtött drótok. Ha az elektromos kéziszerszám vagy a betétszerszám leesik, vizsgálja felül, nem rongálódott-e meg, vagy használjon egy hibátlan betétszerszámot. Miután ellenőrizte, majd behelyezte a készülékbe a betétszerszámot, tartózkodjon Ön sajátmaga és minden más a közelben található személy is a forgó betétszerszám síkján kívül és járassa egy percig az elektromos kéziszerszámot a legnagyobb fordulatszámmal. *A megrogálódott betétszerszámok ezalatt a próbaidő alatt általában már széttörnek.*

- g. Viseljen személyi védőfelszerelést. Használjon az alkalmazásnak megfelelő teljes védőálcot, szemvédőt vagy védőszemüveget. Amennyiben célszerű, viseljen porvédő álcot, zajtompító fülvédőt, védő kesztyűt vagy különleges kötényt, amely távol tartja a csiszolószerszám-és anyagrészecskéket. *Mindenképpen védje meg a szemét a kirepülő idegen anyagoktól, amelyek a különböző alkalmazások során keletkeznek. A por- vagy védőálcnak meg kell szűrnie a használat során keletkező port. Ha hosszú ideig ki van téve az eres zaj hatásának, elvesztheti a hallását.*
- h. Ügyeljen arra, hogy a többi személy biztonságos távolságban maradjon az Ön munkaterületétől. Minden olyan személynek, aki belép a munkaterületre, személyi védőfelszerelést kell viselnie. *A munkadarab letört részei vagy a szét tört betétszerszámok kirepülhetnek és a közvetlen munkaterületen kívül is személyi sérülést okozhatnak.*
- i. Az elektromos kéziszerszámot csak a szigetelt fogantyúfelületéknél fogja meg, ha olyan munkákat végez, amelyek során a betétszerszám kívülről nem látható, feszültség alatt álló vezetéseket, vagy a saját hálózati vezetékét is átvághatja. *Ha a berendezés egy feszültség alatt álló vezetékhez ér, az elektromos kéziszerszám fémrészei szintén feszültség alá kerülnek és áramütéshez vezetnek.*
- j. Tartsa távol a hálózati csatlakozó kábelt a forgó betétszerszámoktól. *Ha elveszíti az uralmát az elektromos kéziszerszám felett, az átvághatja, vagy bekaphatja a hálózati csatlakozó kábelt és az Ön keze vagy karja is a forgó betétszerszámhoz érhet.*
- k. Sohase tegye le az elektromos kéziszerszámot, mielőtt a betétszerszám teljesen leállna. *A forgásban lévő betétszerszám megérintheti a támasztó felületet, és Ön ennek következtében könnyen elvesztheti az uralmát az elektromos kéziszerszám felett.*
- l. Ne járassa az elektromos kéziszerszámot, miközben azt a kezében tartja. *A forgó betétszerszám egy véletlen érintkezés során bekaphatja a ruháját és a betétszerszám belefűródhat a testébe.*
- m. Tisztítsa meg rendszeresen az elektromos kéziszerszáma szellőzőnyílásait. *A motor ventilátorra beszívja a port a házba, és nagyobb mennyiségű tépőpor felhalmozódása elektromos veszélyekhez vezethet.*
- n. Ne használja az elektromos kéziszerszámot éghető anyagok közelében. *A szikrák ezeket az anyagokat meggyújthatják.*

- o. Ne használjon olyan betétszerszámokat, amelyek alkalmazásához folyékony hűtőanyagra van szükség. *Víz és egyéb folyékony hűtőanyagok alkalmazása áramütéshez vezethet.*

VISSZARÚGÁS ÉS MEGFELELŐ FIGYELMEZTETŐ TÁJÉKOZTATÓK

A visszarúgás a beékelődő vagy leblokkoló forgó betétszerszám, például csiszolókorong, csiszoló tányér, drótkéfe stb. hirtelen reakciója. A beékelődés vagy leblokkolás a forgó betétszerszám hirtelen leállításához vezet. Ez az irányítatlan elektromos kéziszerszámot a betétszerszám a leblokkolási ponton fennálló forgási irányával szembeni irányban felgyorsítja. Ha például egy csiszolókorong beékelődik, vagy leblokkol a megmunkálásra kerülő munkadarabban, a csiszolókorongnak a munkadarabba bemenő éle leáll és így acsiszolókorong kiugorhat vagy egy visszarúgást okozhat. A csiszolókorong ekkor a korongnak a leblokkolási pontban fennálló forgásiirányától függően a kezelő személy felé, vagy attól távolodva mozog. A csiszolókorongok ilyenkor el is törhetnek. Egy visszarúgás az elektromos kéziszerszám hibás vagy helytelen használatának következménye. Ezt az alábbiakban leírásra kerülő megfelelő óvatossági intézkedésekkel meg lehet gátolni.

- a. Tartsa szorosan fogva az elektromos kéziszerszámot, és hozza a testét és a karjait olyan helyzetbe, amelyben fel tudja venni a visszaütő erőket. Használja mindig a pótfogantyút, amennyiben létezik, hogy a lehető legjobban tudjon uralkodni a visszarúgási erő, illetve felütéskor a reakciós nyomatek felett. *A kezelő személy megfelel ővatossági intézkedésekkel uralkodni tud a visszarúgási és reakcióerők felett.*
- b. Sohase vigye a kezét a forgó betétszerszám közelébe. *A betétszerszám egy visszarúgás esetén a kezéhez érhet.*
- c. Kerülje el a testével azt a tartományt, ahová egy visszarúgás az elektromos kéziszerszámot mozgatja. *A visszarúgás az elektromos kéziszerszámot a csiszolókorongnak a leblokkolási pontban fennálló forgásiirányával ellentétes irányba hajtja.*
- d. A sarkok és élek közelében különösen óvatosan dolgozzon, akadályozza meg, hogy a betétszerszám lepattanjon a munkadarabról, vagy beékelődjön a munkadarabba. *A forgó betétszerszám a sarkoknál, éléknél és lepattanás esetén könnyen beékelődik. Ez a készülék feletti uralom elvesztéséhez, vagy egy visszarúgáshoz vezet.*
- e. Ne használjon fafűrészlapot, vagy fogazott fűrészlapot. *Az ilyen betétszerszámok gyakran visszarúgáshoz vezetnek, vagy a kezelő elvesztheti az uralmát az elektromos kéziszerszám felett.*

KÜLÖN FIGYELMEZTETÉSEK ÉS TÁJÉKOZTATÓ A CSISZOLÁSHOZ ÉS DARABOLÁSHOZ

- a. Kizárólag az Ön elektromos kéziszerszámához engedélyezett csiszolótesteket és az ezen csiszolótestekhez előírányzott védőburákat használja. *A nem az elektromos kéziszerszámhoz szolgáló csiszolótesteket nem lehet kielégítő módon letakarni és ezért ezek nem biztonságosak.*
- b. A csiszolótesteket csak az azok számára javasolt célokra szabad használni. Például: Sohase csiszoljon egy hasítókorong oldalsó felületével. *A hasítókorongok arra vannak méretezve, hogy az anyagot a korong élével munkálják le. Az ilyen csiszolótestekre ható oldalirányú erő a csiszolótest töréséhez vezethet.*
- c. Használjon mindig hibátlan, az Ön által választott csiszolókorongnak megfelelő méretű és alakú befogókarimát. *A megfelelő karimák megtámasztják a csiszolókorongot és így csökkentik a csiszolókorong eltörésének veszélyét. A hasítókorongokhoz szolgáló karimák különbözhetnek a csiszolókorongok számára szolgáló karimáktól.*
- d. Ne használjon nagyobb elektromos kéziszerszámokhoz szolgáló elhasználadott csiszolótesteket. *A nagyobb elektromos kéziszerszámokhoz szolgáló csiszolókorongok nincsenek a kisebb elektromos kéziszerszámok magasabb fordulatszámára méretezve és szét törhetnek.*

TOVÁBBI KÜLÖNLEGES FIGYELMEZTETŐ TÁJÉKOZTATÓ A DARABOLÁSHOZ

- a. Kerülje el a hasítókorong leblokkolását, és ne gyakoroljon túl erős nyomást a készülékre. Ne végezzen túl mély vágást. *A túlterhelés megnöveli a csiszolótest igénybevételel és beékelődési vagy leblokkolási hajlamát és visszarúgáshoz vagy a csiszolótest töréséhez vezethet.*
- b. Kerülje el a forgó hasítókorong előtti és mögötti tartományt. *Ha a hasítókorongot a munkadarabban magától eltávolodva mozgatja, akkor az elektromos kéziszerszám a forgó koronggal visszarúgás esetén közvetlenül Ön felé pattan.*
- c. Ha a hasítókorong beékelődik, vagy ha Ön megszakítja a munkát, kapcsolja ki az elektromos kéziszerszámot és tartsa azt nyugodtan, amíg a korong teljesen leáll. Sohase próbálja meg kihúzni a még forgó hasítókorongot a vágásból, mert ez visszarúgáshoz vezethet. *Határozza meg és hártsa el a beékelődés okát.*
- d. Addig ne kapcsolja ismét be az elektromos kéziszerszámot, amíg az még benne van a munkadarabban. Várja meg, amíg a hasítókorong eléri a teljes fordulatszámát, mielőtt óvatosan folytatná a vágást. *A korong ellenkező esetben*

beékelődhet, kiugorhat a munkadarabból, vagy visszarúgáshoz vezethet.

- e) Támassza fel a lemezeket vagy nagyobb munkadarabokat, hogy csökkentse egy beékelődő hasítókorong következtében fellépő visszarúgás kockázatát. *A nagyobb munkadarabok saját súlyuk alatt meghajolhatnak. A munkadarabot mindkét oldalán, és mind a vágási vonal közelében, mind a szélénél alá kell támasztani.*
- f) Ha egy meglévő falban, vagy más be nem látható területen hoz létre táskaszerű alakú beszűrést, járjon el különös óvatossággal. *Az anyagba behatoló hasítókorong gáz- vagy vízvezetékbe, elektromos vezetékbe vagy más tárgyakra ütközhet, amelyek visszarúgást okozhatnak.*

KÜLÖN FIGYELMEZTETÉSEK ÉS TÁJÉKOZTATÓ A CSISZOLÓPAPÍR ALKALMAZÁSÁVAL TÖRTÉNŐ CSISZOLÁSHOZ

- a. Ne használjon túl nagy csiszolólapokat, hanem kizárólag a gyártó által előírt méretet. *A csiszoló tányéron túl kúgó csiszolólapok személyi sérülést okozhatnak, valamint a csiszolólapok leblokkolásához, szétépedéséhez, vagy visszarúgáshoz vezethetnek.*

KÜLÖN FIGYELMEZTETÉSEK ÉS TÁJÉKOZTATÓ A POLÍROZÁSHOZ

- a. Ne tegye lehetővé, hogy a polírozóburán laza részek, mindenekelőtt rögzítő zsinórok legyenek. Megfelelően rögzítse, vagy rövidítse le a rögzítő zsinórokat. *A géppel együtt forgó laza rögzítő zsinórok bekaphatják a kezelő ujjait, vagy beakadhatnak a munkadarabba.*

KÜLÖN FIGYELMEZTETÉSEK ÉS TÁJÉKOZTATÓ A DRÓTKEFÉVEL VÉGZETT MUNKÁKHOZ

- a. Vegye tekintetbe, hogy a drótkéféből a normális használat közben is kirepülnek egyes drótdarabok. Ne terhelje túl a berendezésre gyakorolt túl nagy nyomással a drótokat. *A kirepülő drótdarabok igen könnyen áthatolhatnak a vékonyabb ruhadarabokon vagy az emberi bőrön.*
- b. Ha egy védőburát célszerű alkalmazni, akadályozza meg, hogy a védőbúra és a drótkéfe megérintse egymást. *A tányér-és csésze alakú kefék átmérője a berendezésre gyakorolt nyomás és a centrifugális erők hatására megnövekedhet.*

KÖRNYEZET

ELTÁVOLÍTÁS

Az elektromos kéziszerszámokat, a tartozékokat és a csomagolást a környezetvédelmi szempontoknak megfelelően kell újrafelhasználásra előkészíteni.

CSAK AZ EU-TAGORSZÁGOK SZÁMÁRA



Ne dobja ki az elektromos kéziszerszámokat a háztartási szemétkébe!

A használt villamos és elektronikus berendezésekre vonatkozó 2002/96/EG sz.

Európai Irányelvnek és ennek a megfelelő országok jogharmonizációjának megfelelően a már használhatatlan elektromos kéziszerszámokat külön össze kell gyűjteni és a környezetvédelmi szempontból megfelelő újra felhasználásra le kell adni.

JELLEMZŐK

ÁLTALÁNOS JELLEMZŐK

Névleges feszültség 230-240 V, 50-60 Hz
Névleges áram 0,6 A
Üresjárás fordulatszám . n₀ 33.000 1/perc
Befogási átmérő 0,8 mm, 1,6 mm, 2,4 mm, 3,2 mm

HOSSZABBÍTÓ KÁBELEK

Használjon teljesen letekert, 5 A terhelhetőségű, biztonságos hosszabbító kábeleket.

ÖSSZESZERELÉS

TARTOZÉKOK, BEFOGÓHÜVELYEK CSERÉJE VAGY A SZERSZÁM SZERVIZELÉSE ELŐTT MINDIG HÚZZA KI A TÖBBFUNKCIÓS SZERSZÁM CSATLAKOZÓDUGÓJÁT A HÁLÓZATBÓL.

ÁLTALÁNOS TUDNIVALÓK

A Dremel többfunkciós szerszám egy kiváló minőségű precíziós szerszám, amely aprólékos és bonyolult feladatok elvégzésére képes. A Dremel tartozékok és szerelvények széles választéka sokféle feladat elvégzését teszi lehetővé. Ide tartozik a homokszórás, vésés, metszés és homnyolás, vágás, tisztítás és polírozás. 2. ÁBRA

1. ÁBRA
- A. Befogóhüvely-anya
- B. Befogóhüvely
- C. Bóvítmány-csatlakozó
- D. Burkolósapka
- E. Tengelybiztosító gomb

- F. Szellőzőnyílások
- G. Kefe fedél (oldalanként egy)
- H. Be-Ki kapcsoló
- I. LCD kijelző
- J. Sebességnövelő / csökkentő gombokK. Akasztó
- L. Hálózati kábel

BEFOGÓHÜVELYEK

A többfunkciós szerszámhoz rendelkezésre álló tartozékok különböző szárméretekkel rendelkeznek. A különböző szárméretre négy befogóhüvely-méret áll rendelkezésre. A befogóhüvelyek mérete a hátoldalukon levő gyűrűvel azonosítható.

3. ÁBRA
- M 3,2 mm-es befogóhüvely (480) gyűrű nélkül
- N. 2,4 mm-es befogóhüvely (481)három gyűrűvel
- O. 1,6 mm-es befogóhüvely (482) két gyűrűvel
- P. 0,8 mm-es befogóhüvely (483) egy gyűrűvel

TARTOZÉKOK CSERÉJE

- 4/5. ÁBRA
- Q. Tengelybiztosító gomb

1. Nyomja meg és tartsa nyomva a tengelybiztosító gombot, kézzel forgassa meg a tengelyt amíg a biztosító bekattan. *A többfunkciós szerszám működése közben ne nyomja meg a tengelybiztosító gombot.*
 2. Benyomott tengelyrögzítő gomb mellett lazítsa meg (ne távolítsa el) a befogóhüvely-anyát. Szükség esetén használja a befogóhüvely-kulcsot.
 3. Helyezze be a betét vagy a tartozék szárát teljesen a befogóhüvelybe.
 4. Bekapcsolt tengelybiztosító mellett kézzel szorítsa meg a befogóhüvely-anyát, amíg a tartozék szárát megfogja a hüvely.
- MEGJEGYZÉS: Feltétlenül olvassa el a Dremel tartozékkal együtt szállított utasításokat a használati kapcsolatos további információkért.*

Csak a Dremel tesztelt, nagy teljesítményű tartozékait használja.

AZ ELSŐ LÉPÉSEK

HASZNÁLAT

A többfunkciós szerszám használatának első lépése megtanulni „érezni” azt. Fogja a kezébe, hogy érezze a súlyát és az egyensúlyát. Érezze a burkolat kúpos kiképzését. Ez a kúposág lehetővé teszi, hogy a szerszámot úgy tartsa mint egy tollat vagy egy ceruzát. *Mindig tartsa el a szerszámot az arcától. A kezelés során a tartozékok megsérülhetnek és, ahogy felveszik a forgási sebességet, kirepülhetnek.*

A gép megfogásánál ügyeljen arra, hogy kezével ne zárja le a szellőzőnyílásokat! A szellőzőnyílások elzárása esetén túlmelegedhet a motor.

FONTOS! Először hulladék anyagon gyakoroljon, figyelje meg, hogyan működik a szerszám nagy sebességgel. Ne feledje, hogy többfunkciós szerszáma a megfelelő sebesség és tartozékok illetve szerelvények alkalmazása esetén nyújtja a legjobb teljesítményt. Használat közben lehetőleg ne gyakoroljon nyomást a szerszámmra. Ehelyett, finoman eressze rá a forgó tartozékot a munkadarabra, és engedje, hogy megérintse az a pontot, ahol el akarja kezdeni a munkát. Arra koncentráljon, hogy a szerszámot egy nagyon enyhe kénytömással irányítsa a munkadarab felett. Engedje, hogy a tartozék végezze el a munkát. Rendszerint jobb a munkát több fogással, mint

egyszerre elvégezni. A finom mozdulat biztosítja a legjobb irányítást és csökkenti a hiba esélyét is.

A SZERSZÁM TARTÁSA

Finom munkák esetén, a szerszámot a hüvelyk- és a mutatóujja között, ceruza módjára tartva tudja a legjobban irányítani. 6. ÁBRA
A „golf”-os megfogási módszert nehezebb műveletekhez, pl. csiszolóshoz vagy vágáshoz használják. 7. ÁBRA

MŰKÖDÉSI SEBESSÉGEK

Ez a szerszám nagy sebességű, többfunkciós szerszám.A 400-as sorozatú DIGITAL szerszámok digitális kijelzője mutatja a szerszám aktuális percenkénti fordulatszámának értékét (x 1.000). A sebesség növeléséhez / csökkentéséhez nyomja meg a sebesség- növelő / csökkentő gombokat. A többfunkciós szerszám fordulatszama 1.000 ford/perc lépcsőkben növelhető és csökkenthető. Ez a szerszám fordulatszámának igen pontos szabályozását teszi lehetővé. A percenkénti fordulatszám feladathoz igazítása jobb végeredményt ad.

A legjobb eredmények eléréséhez a különböző anyagokkal dolgozva az elvégzendő munkának megfelelően állítsa be a fordulatszám-szabályzót. A használt tartozéknak megfelelő sebesség kiválasztásához először használjon hulladék darabot az adott anyagból.

MEGJEGYZÉS: A sebességet befolyásolják a feszültségváltozások. A csökkentett bemenő feszültség hatására lecsökken a szerszám fordulatszáma, különösen az alacsonyabb fordulatszám-tartományokban. Ha szerszáma lassúnak tűnik, növelje megfelelő mértékben a fordulatszám-beállítást. A szerszám esetleg nem indul el a legalacsonyabb fordulatszám-beállítással olyan helyeken, ahol a hálózati feszültség 220 V alatt van. Ilyenkor egyszerűen állítsa a fordulatszám-szabályzót magasabbra a működés megkezdéséhez.

A megmunkált anyagnak és a használt tartozéknak megfelelő sebesség kiválasztása a 4-6. oldalakon található fordulatszám-beállítási diagramok alapján végezhető.

A) Szárazfalazaton történő használatához. Legjobb teljesítményhez használjon 33.000 ford/perc fordulatszámot.

B) Fal- és padlókitöltő habarcsához. Használjon 20.000-28.000 ford/perc as beállítást.

*) Sebesség könnyű vágásokhoz. Figyelem, égés vagy mély hornyok fordulhatnak elő.

■ A vágásnak az erezet irányához képesti irányától függően.

A legtöbb munka elvégezhető a szerszám legmagasabb fordulatszámú beállításával. Néhány anyag azonban (egyes műanyagok és fémek) károsodhatnak a nagy sebesség miatt fejlődő hőtől, ezért megmunkálásukat viszonylag alacsony sebességeken kell végezni. Az alacsony sebesség (15.000 ford/perc vagy kisebb fordulatszám) rendszerint

KARBANTARTÁS

A nem hozzáértő személyek által végzett karbantartás a belső alkatrészek és vezetékek helytelen visszahelyezésével járhat és komoly veszélyeket okozhat. Javasoljuk, hogy valamennyi karbantartási munkát a Dremel szervizképviselőin végezzék. A váratlan elindulás és a villamos áramütés elkerülésének érdekében szerviz vagy tisztítás megkezdése előtt húzza ki a szerszám csatlakozódugóját a fali csatlakozóaljzatból.

SZÉNKEFÉK

A szerszámban található szénkeféket hosszú idejű megbízható működésre tervezték. A szénkefék üzemszerű használatra történő előkészítéséhez járassa a szerszámot 5 percig terhelés nélkül. Ez biztosítja a szénkefék megfelelő „ülését”, és meghosszabbítja a szerszám élettartamát. A motor maximális

a legjobb a polírozási műveletekhez a filcbevonatú polírozó tartozékok alkalmazása mellett. A kefélesi alkalmazásokhoz lassúbb sebességekre van szükség, hogy elkerülhető legyen a drótok kiszabadulása a tartóból. Alacsonyabb sebességbeállítások mellett hagyja, hogy a szerszám végezze el a munkát. A nagyobb sebességek jobban megfelelnek keményfához, fémekhez és üveghez, illetve fűráshoz, véséshez, vágáshoz, hornyoláshoz, formázáshoz és hornyok vagy csapok készítéséhez fában.

Néhány irányelv a szerszám sebességére vonatkozóan:

- Az alacsony hőmérsékleten olvadó műanyagokat és egyéb anyagokat alacsony sebességen kell vágni.
- A drótkéfével végzett fényezés, csiszolás és tisztítás esetén ne állítsa a sebességet 15.000 ford/perc érték fölé, hogy elkerülje a kefe és az anyag megrongálódását.
- Faanyagok vágását magas sebességen végezze.
- A vas vagy acél vágását magas sebességen végezze.
- Ha egy gyorsacél vágótárcsa elkezd vibrálni - ez általában arra utal, hogy a sebesség túl alacsony.
- Alumínium, rézötvözetek, ólomötvözetek, cinkötvözetek és bádogg vágása különböző sebességeken végezhető, a végzett vágástól függően. Paraffin (nem víz) vagy más megfelelő kenőanyag használatával megelőzheti, hogy a levágott anyag a tárcsa fogaihoz tapadjon.

MEGJEGYZÉS: Ha a vágás nem megfelelő, nem a nyomás növelése a helyes megoldás. A kívánt eredmény eléréséhez próbálkozzon másik tartozék vagy sebességbeállítás használatával.

teljesítményének megőrzése érdekében ellenőrizze a szénkeféket 40-50 üzemóránként. A szerszám kopott szénkefékkel történő használata maradandóan károsítja a motort. Csak eredeti Dremel tartalék szénkeféket használjon. 40-50 üzemóránként ellenőrizze a többcélú szerszám szénkeféit. Ha a többcélú szerszám akadozva működik, gyengül vagy szokatlan hangokat ad, ellenőrizze a szénkefék kopását, szükség esetén cserélje ki őket. A többcélú szerszám szénkeféinek ellenőrzését illetve cseréjét a következők szerint végezze:

1. Kihúzott hálózati csatlakozókábel mellett helyezze a szerszámot tiszta felületre. A szénkefék kupakjának eltávolításához használja a csavarkulcsot. 8. ÁBRA
2. Fordítsa úgy a szerszámot, hogy a szénkefe kiessen a tartóból és ellenőrizze mindkét szénkefét. Ha a szénkefe 3 mm-nél rövidebb és a kommutátorral érintkező felülete érdes vagy lyukacsos, akkor ki kell

A SZERSZÁM TISZTÍTÁSA

TISZTÍTÁS ELŐTT HÚZZA KI A HÁLÓZATI CSATLAKOZÓDUGÓT

A hűtőnyílásokat és a kapcsolókat mindig tisztán és idegen anyagoktól mentesen kell tartani. Ne próbálkozzon hegyes tárgyakkal, a nyílásokon keresztül tisztítani.

A gép sűrített levegővel tisztítható. Ha sűrített levegővel tisztít, mindig viseljen védőszemüveget.

A Dremel többcélú szerszám kenésére nincs szükség.

Bizonyos tisztító- és oldószerek kárt okoznak a műanyag részekben. Ilyenek például: benzín, széntetraklorid, klórtartalmú tisztítószerek, ammónia, valamint ammóniát tartalmazó háztartási tisztítószerek.

A szerszám „puha markolatának” környékét nedves ruhával tisztítsa. Az erősebben szennyezett részek letisztításához többszöri letörlésre lehet szükség.

SZERVIZ ÉS GARANCIA

Ez a DREMEL termék garantáltan kielégíti a törvényi illetve országspecifikus előírásokat; a normális használatból eredő kopás és elhasználódás, túlterhelés és helytelen kezelés miatt bekövetkező károsodásokra a garancia nem terjed ki.

Panasz esetén küldje vissza a szerszámot szétszerelés nélkül a vásárlást igazoló dokumentumokkal együtt a kereskedőhöz.

DREMEL ELÉRHETŐSÉG

A Dremel választékát, támogatását és közvetlen elérhetőségét illetően a www.dremel.com címen talál információt.

Dremel Europe, P.O. Box 3267, 4800 DG Breda

OPĆE SIGURNOSNE UPUTE



⚠ UPOZORENJE

SVE UPUTE TREBA PROČITATI. Nepoštivanje dolje navedenih uputa može uzrokovati električni udar, požar i/ili teške ozljede. U daljnjem tekstu korišten pojam „Električni alat“ odnosi se na električne alate s priključkom na električnu mrežu (s mrežnim kabelom).

SAČUVAJTE OVE UPUTE

1. RADNO MJESTO

- Održavajte vaše radno mjesto čistim i urednim. **Nered i neosvijetljeno radno područje mogu dovesti do nezgoda.**
- Ne radite s uređajem u okolini ugroženoj eksplozijom, u kojoj se nalaze zapaljive tekućine, plinovi ili prašina. **Električni alati proizvode iskre koje mogu zapaliti prašinu ili pare.**
- Tijekom uporabe električnog alata djecu i ostale osobe držite dalje od mjesta rada. **U slučaju skretanja pozornosti mogli bi izgubiti kontrolu nad uređajem.**

2. ELEKTRIČNA SIGURNOST

- Priključni utikač uređaja mora odgovarati utičnici. Na utikaču se ni na koji način ne smiju izvoditi izmjene. Ne koristite adapterski utikač zajedno sa zaštitno uzemljenim uređajem. **Utikač na kojem nisu vršene izmjene i odgovarajuća utičnica smanjuju opasnost od električnog udara.**
- Izbjegavajte dodir tijela s uzemljenim površinama kao što su cijevi, radijatori, štednjaci i hladnjaci. **Postoji povećana opasnost od električnog udara ukoliko je Vaše tijelo uzemljeno.**
- Uređaj držite dalje od kiše ili vlage. **Prodiranje vode u električni uređaj povećava opasnost od električnog udara.**
- Ne zloupotrebjavajte priključni kabel za nošenje, vješanje uređaja ili za izvlačenje utikača iz mrežne utičice. Priključni kabel držite dalje od izvora topline, ulja, oštih rubova ili pomičnih dijelova uređaja. **Oštećen ili usukan priključni kabel povećava opasnost od električnog udara.**
- Ako sa električnim alatom radite na otvorenom, koristite samo produžni kabel odobren za uporabu na otvorenom. **Primjena produžnog kabela prikladnog za rad na otvorenom smanjuje opasnost od električnog udara.**

3. SIGURNOST LJUDI

- Budite pažljivi, pazite što činite i postupajte oprezno kod rada s električnim alatom. Ne radite s uređajem ako ste umorni ili pod utjecajem droga, alkohola ili lijekova. **Trenutak nepažnje kod uporabe uređaja može dovesti do ozbiljnih ozljeda.**
- Nosite osobnu zaštitnu opremu. Uvijek nosite



zaštitne naočale. **Nošenje osobne zaštitne opreme, kao što je maska za prašinu, sigurnosna obuća koja ne klizi, zaštitna kaciga ili štitnik za sluh, ovisno od vrste i primjene električnog alata, smanjuje opasnost od ozljeda.**

- Izbjegavajte nehotično puštanje u rad. Prije nego što ćete utaknuti utikač u utičnicu, provjerite je li električni alat isključen. **Ako kod nošenja uređaja imate prst na prekidaču ili se uključeni uređaj priključi na električno napajanje, to može dovesti do nezgoda.**
- Prije uključivanja uređaja uklonite alate za podešavanje ili vijčani ključ. **Alat ili ključ koji se nalazi u rotirajućem dijelu uređaja može dovesti do nezgoda.**
- Ne precijenite svoje sposobnosti. **Zauzmite sigurno i stabilno uporište i u svakom trenutku održavajte ravnotežu. Na taj način možete uređaj bolje kontrolirati u neočekivanim situacijama.**
- Nosite prikladnu odjeću. **Ne nosite široku odjeću ili nakit. Kosu, odjeću i rukavice držite dalje od pomičnih dijelova. Mlohavu odjeću, nakit ili dugu kosu mogu zahvatiti pomični dijelovi.**
- Ako se mogu montirati naprave za usisavanje i hvatanje prašine, provjerite da li su iste priključene i da li se mogu ispravno koristiti. **Primjena ovih naprava smanjuje ugroženost od prašine.**

4. BRIŽLJIVA UPORABA I OPHOĐENJE S ELEKTRIČNIM ALATIMA

- Ne preopterećujte uređaj. Za vaš rad koristite za to predviđen električni alat. **S odgovarajućim električnim alatom radit ćete bolje i sigurnije u navedenom području učinaka.**
- Ne koristite električni alat čiji je prekidač neispravan. **Električni alat koji se više ne može uključivati i isključivati opasan je i mora se popraviti.**
- Izvučite utikač iz mrežne utičnice prije podešavanja uređaja, zamjene pribora ili odlaganja uređaja. **Ovim mjerama opreza izbjeći će se nehotično pokretanje uređaja.**
- Električni alat koji ne koristite spremite izvan dosega djece. Ne dopustite rad s uređajem osobama koje nisu s njim upoznate ili koje nisu pročitale ove upute. **Električni alat su opasni ako s njima rade neiskusne osobe.**

- Održavajte uređaj s pažnjom. Kontrolirajte da li pomični dijelovi uređaja besprijekorno rade i da nisu zaglavljivi, da li su dijelovi polomljeni ili tako oštećeni da se ne može osigurati funkcija uređaja. Prije primjene ove oštećene dijelove treba popraviti. **Mnoge nezgode imaju svoj uzrok u slabo održanim električnim alatima.**
- Rezne alate održavajte oštirim i čistim. **Pažljivo održavani rezni alati s oštirim oštricama manje će se zaglaviti i lakše se s njima radi.**
- Električni alat, pribor, radne alate, itd. koristite prema ovim uputama i na način kako je to

propisano za poseban tip uređaja. Kod toga uzmete u obzir radne uvjete i izvođene radove. **Uporaba električnih alata za druge primjene nego što je to predviđeno, može dovesti do opasnih situacija.**

5. SERVISIRANJE

- Popravak vašeg uređaja prepustite samo kvalificiranom stručnom osoblju ovlaštenog servisa i samo sa originalnim rezervnim dijelovima. **Na taj će se način osigurati da ostane sačuvana sigurnost uređaja.**

SIGURNOSNE UPUTE ZA SVE PRIMJENE

ZAJEDNIČKE UPUTE S UPOZORENJI-MA ZA BRUŠENJE, BRUŠENJE BRUS-NIJM PAPIROM, RADOVE SA ŽIČANIM ČETKAMA, POLIRANJE I REZANJE BRUŠENJEM

- Ovaj električni alat treba koristiti kao brusilicu, brusilicu s brusnim papirom, žičanu četku, uređaj za poliranje i rezanje brušenjem. Pridržavajte se svih naputaka s upozorenjem, uputa, prikaza i podataka koje ste dobili s električnim alatom. **Ako se ne bi pridržavali slijedećih uputa, moglo bi doći do električnog udara, požara i/ili teških ozljeda.**
- Ne koristite pribor koji proizvođač nije specijalno predvidio i preporučio za ovaj električni alat. **Samo što ste pribor pričvrstili na vaš električni alat, ne jamči njegovu sigurnu primjenu.**
- Dopušteni broj okretaja radnog alata treba biti najmanje toliko velik kao maksimalni broj okretaja naveden na električnom alatu. **Pribor koji bi se vrtio brže nego što je dopušteno, mogao bi se oštetiti.**
- Vanjski promjer i debljina radnog alata moraju odgovarati dimenzionalnim podacima vašeg električnog alata. **Pogrešno dimenzionirani radni alati ne mogu se dovoljno zaštititi ili kontrolirati.**
- Brusne ploče, prirubnice, brusni tanjuri ili ostali pribor moraju točno odgovarati brusnom vretenu vašeg električnog alata. **Radni alati koji ne odgovaraju točno brusnom vretenu električnog alata, okreću se nejednolično, vrlo jako vibriraju i mogu dovesti do gubitka kontrole nad uređajem.**
- Ne koristite oštećene radne alate. Kontrolirajte prije svake primjene radne alate kao što su brusne ploče na odlamanje komadića i na pukotine, brusne tanjure na pukotine, trošenje ili jaku istrošenost, žičane četke na popuštene ili odlomljene žice. Ako bi električni alat ili radni alat pao, provjerite da li je oštećen ili koristite neoštećeni radni alat. Kada radni alat imate pod kontrolom i kada s njim radite,

- držite ga tako da se druge osobe nađu izvan ravnine rotirajućeg radnog alata, i ostavite da se električni alat jednu minutu vrti s maksimalnim brojem okretaja. **Oštećeni radni alati pucaju najčešće u ovo vrijeme ispitivanja.**
- Nosite osobnu zaštitnu opremu. Ovisno od primjene koristite punu zaštitu lica, zaštitu očiju ili zaštitne naočale. Ukoliko je to primjerno, nosite masku za zaštitu od prašine, štitnik za sluh, zaštitne rukavice ili specijalnu pregaču, koja će vas zaštititi od manjih čestica od brušenja i materijala. **Oči treba zaštititi od letećih stranih tijela, koja bi mogla nastati kod različitih primjena. Maska za zaštitu od prašine ili maska za disanje mora kod primjene filtrirati nastalu prašinu. Ako ste dulje vrijeme izloženi glasnoj buci, mogli bi doživjeti oštećenje sluha.**
- Kada se radi o drugim osobama pazite na siguran razmak do vašeg radnog područja. Svatko tko bi stupio u radno područje, mora nositi osobnu zaštitnu opremu. **Odlomljeni komadići izratka ili radnog alata mogu odletjeti i uzrokovati ozljede i izvan izravnog radnog područja.**
- Uređaj držite samo na izoliranim ručama, ako izvodite radove kod kojih bi rezni alat mogao zahvatiti skrivene električne vodove ili vlastiti priključni kabel. **Kontaktom sa vodovima pod napon će se staviti i metalni dijelovi uređaja, što može dovesti do električnog udara.**
- Mrežni kabel držite dalje od rotirajućih radnih alata. **Ako ste izgubili kontrolu nad električnim alatom, mrežni kabel bi se mogao odrezati ili bi mogao biti zahvaćen, a vaše ruke bi mogao zahvatiti rotirajući radni alat.**
- Električni alat nikada ne odlažite prije nego što se radni alat potpuno zaustavi. **Rotirajući radni alat bi mogao zahvatiti površinu odlaganja, te bi moglo doći do gubitka kontrole nad radnim alatom.**
- Ne dopustite da električni alat radi dok ga nosite. **Kod slučajnog dodira vašu bi odjeću mogao zahvatiti rotirajući radni alat i ozlijediti vas.**
- Redovito čistite otvore za hlađenje vašeg električnog alata. **Ventilator motora uvlači prašinu**

u kućište, a veće nakupljanje metalne prašine može uzrokovati električne opasnosti.

- n. Električni alat ne koristite blizu zapaljivih materijala. **Iskre mogu zapaliti ovaj materijal.**
- o. Ne koristite radne alate koji zahtijevaju tekuće rashladno sredstvo. **Primjena vode ili ostalih tekućih rashladnih sredstava može dovesti do električnog udara.**

POVRATNI UDAR I ODGOVARAJUĆE NAPOMENE UPOZORENJA

Povratni udar je iznenadna reakcija zbog zaglavljenog ili blokiranog radnog alata u rotaciji, kao što su brusne ploče, brusni tanjuri, žičane četke, itd. Zaglavljivanje ili blokiranje dovodi do naglog zaustavljanja rotirajućeg radnog alata. Zbog toga će se nekontrolirani električni alat ubrzati suprotno smjeru rotacije radnog alata na mjestu blokiranja. Ako bi se npr. brusna ploča zaglavila ili blokirala u izratku, mogao bi se rub brusne ploče koji je zarezao u izradak zahvatiti i time odlomiti brusnu ploču ili uzrokovati povratni udar. Brusna ploča će se u tom slučaju pomaknuti prema osobi koja rukuje ili od nje, ovisno od smjera rotacije brusne ploče na mjestu blokiranja. Kod toga bi se brusne ploče mogle i odlomiti. Povratni udar je posljedica pogrešne ili manjkave uporabe električnog alata. On se može spriječiti prikladnim mjerama opreza, kako je to opisano u daljnjem tekstu.

- a. Električni alat držite čvrsto i dovedite vaše tijelo i ruke u položaj u kojem možete preuzeti silu povratnog udara. Ukoliko postoji, koristite uvijek dodatnu ručku, kako bi kod rada s uređajem imali najveću moguću kontrolu nad silama povratnog udara ili momentima reakcije. **Osoba koja rukuje uređajem može prikladnim mjerama opreza ovladati silama povratnog udara i silama reakcije.**
- b. Vaše ruke nikada ne stavljajte blizu rotirajućeg radnog alata. **Radni alat bi se od povratnog udara mogao pomaknuti preko vaše ruke.**
- c. Izbjegavajte s vašim tijelom područje u kojem se električni alat pomiče kod povratnog udara. **Povratni udar potiskuje električni alat u smjeru suprotnom od pomicanja brusne ploče na mjestu blokiranja.**
- d. Radite posebno oprezno u području uglova, oštrih rubova, itd. Spriječite da se radni alat odbije natrag od izratka i uklješti. **Rotirajući radni alat je na uglovima, oštrim rubovima ili kada bi odskočio, sklon uklještenju. To dovodi do gubitka kontrole nad uređajem ili povratnog udara.**
- e. Ne koristite lančani ili nazubljeni list pile. **Takvi radni alati često uzrokuju povratni udar ili gubitak kontrole nad električnim alatom.**

POSEBNE NAPOMENE UPOZORENJA ZA BRUŠENJE I REZANJE BRUŠENJEM

- a. Koristite isključivo brusna tijela dopuštena za vaš električni alat i štitnik predviđen za ova brusna tijela. **Brusna tijela koja nisu predviđena za električni alat ne mogu se dovoljno zaštititi i nesigurna su.**
- b. Brusna tijela smiju se koristiti samo za preporučene vrste primjene. Npr. nikada ne brusite s bočnom površinom brusne ploče za rezanje. **Brusne ploče za rezanje su predviđene za skidanje materijala s rubom ploče. Bočno djelovanje sile na ova brusna tijela može ih odlomiti.**
- c. Koristite uvijek neoštećene stezne prirubnice, odgovarajuće veličine i oblika, za brusne ploče koje ste odabrali. **Prikladne prirubnice štite brusnu ploču i smanjuju opasnost od pucanja brusne ploče. Prirubnice za brusne ploče za rezanje mogu se razlikovati od prirubnica za ostale brusne ploče.**
- d. Ne koristite istrošene brusne ploče sa većih električnih alata. **Brusne ploče za veće električne alate nisu predviđene za veći broj okretaja manjih električnih alata i mogu puknuti.**

OSTALE POSEBNE NAPOMENE UPOZORENJA ZA BRUSNE PLOČE ZA REZANJE

- a. Izbjegavajte blokiranje brusne ploče za rezanje ili preveliki pritisak. Ne izvodite prekomjerno duboke rezove. **Preopterećenje brusne ploče za rezanje povećava njihovo naprezanje i sklonost nagibanju u rezu, a time i mogućnost povratnog udara ili loma brusne ploče.**
- b. Izbjegavajte područje ispred i iza rotirajuće brusne ploče za rezanje. **Ako bi brusnu ploču za rezanje pomicali u izratku dalje od sebe, u slučaju povratnog udara električnog alata, rotirajuća ploča bi se mogla izravno odbaciti na vas.**
- c. Ukoliko bi se brusna ploča za rezanje uklještila ili bi vi prekinuli rad, isključite električni alat i držite ga mirno sve dok se brusna ploča ne zaustavi. Nikada ne pokušavajte brusnu ploču za rezanje koja se još okreće vaditi iz reza, jer inače može doći do povratnog udara. **Ustanovite i otklonite uzrok uklještenja.**
- d. Nikada ponovno ne uključujte električni alat, sve dok se on nalazi u izratku. Dopustite da brusna ploča za rezanje postigne svoj puni broj okretaja, prije nego što oprezno nastavite sa rezanjem. **Inače bi se brusna ploča mogla zaglaviti, odskočiti iz izratka ili uzrokovati povratni udar.**
- e. Oslonite ploče ili velike izratke, kako bi se umanjila opasnost od povratnog udara zbog uklještenje brusne ploče za rezanje. **Veliki izraci mogu se saviti pod vlastitom težinom. Izradak se mora osloniti na obje strane i to kako blizu reza, tako i na rubu.**
- f. Budite posebno oprezni kod zarezivanja u postojeće zidove ili u neka druga nevidljiva područja. **Brusne ploče za rezanje koje zarezuju, mogle bi kod zarezivanja plinskih ili vodovodnih cijevi,**

električnih vodova ili nekih drugih objekata uzrokovati povratni udar.

POSEBNE NAPOMENE UPOZORENJA ZA BRUŠENJE BRUSNIM PAPIROM

- a. Ne koristite predimenzionirane brusne listove nego se pridržavajte podataka proizvođača za veličinu brusnog lista. **Brusni listovi koji bi stršali izvan brusnog lista, mogu prouzročiti ozljede kao i dovesti do blokiranja, pucanja brusnog lista ili do povratnog udara.**

POSEBNE NAPOMENE UPOZORENJA ZA POLIRANJE

- a. Ne dopustite labave dijelove haube za poliranje, osobito uzice za pričvršćenje. Uzice za pričvršćenje

na odgovarajući način smjestite ili skratite. **Ovakve labave uzice koje rotiraju mogle bi zahvatiti vaše prste ili izradak.**

POSEBNE NAPOMENE UPOZORENJA ZA RAD SA ŽIČANIM ČETKAMA

- a. Obratite pozornost da žičane četke i tijekom uobičajene uporabe gube komadiće žice. Ne preopterećujte žice prevelikim pritiskom. **Komadići žice koji odlete mogu vrlo lako probiti tanku odjeću i/ili prodrijeti u kožu.**
- b. Ako se preporučuje štitnik, spriječite da se štitnik i žičana četka mogu dodirnuti. **Tanjuraste i lončaste četke mogu zbog sile pritiska i centrifugalnih sila povećati svoj promjer.**

OKOLIŠ

ZBRINJAVANJE

Električni alat, pribor i ambalažu treba dovesti na ekološki prihvatljivu ponovnu primjenu.

SAMO ZA ZEMLJE EU



Ne bacajte električni alat u kućni otpad! Prema Europskim smjernicama 2002/96/EG za električne i elektroničke stare uređaje, električni alati koji više nisu uporabivi moraju se odvojeno sakupiti i dovesti na ekološki prihvatljivu ponovnu primjenu.

SPECIFIKACIJE

OPĆE SPECIFIKACIJE

Nazivni napon 230-240 V, 50-60 Hz
 Nazivna struja 0,6 A
 Maksimalni broj okretaja n_n 33.000/min
 Stezna čahura 0,8 mm, 1,6 mm, 2,4 mm, 3,2 mm

PRODUŽNI KABLOVI

Koristite potpuno odmotane i sigurne produžne kablove kapaciteta 5 A.

SPECIFIKACIJE MOTORA

Ovaj višefunkcijski koristi motor s varijabilnom brzinom. Namijenjen je za napon 230-240 V, 50-60 Hz. Provjerite da li napon napajanja odgovara naponu na pločici s podacima na alatu (alat nazivnog napona 230V ili 240V možete priključiti i na el. mrežu napona 220V).

SASTAVLJANJE

PRIJE NEGO ŠTO ZAMJENITE RADNI ALAT ILI STEZNU ČAHURU I PRIJE SERVISIRANJA IZVUCITE UTIKAČ MULTI-ALATA.

OPĆENITO

Višefunkcijski alat Dremel je alat visoke kakvoće i preciznosti, namijenjen za detaljne i složene radove. Veliki izbor radnih alata i pribora omogućava vam izvođenje različitih radova, među ostalim i brušenje brusnim papirom, rezbarenje, graviranje i glodanje, čišćenje i poliranje. SLIKA 2

SLIKA 1

- A. Stezna matica
- B. Stezna čahura
- C. Sučelje za pribor
- D. Kapica kućišta
- E. Gumb za blokiranje osovine
- F. Otvori za provjetravanje
- G. Poklopac četke (po jedan na svakoj strani)
- H. Prekidač za uključivanje/isključivanje
- I. LCD pokazivač
- J. Gumbi za povećanje / smanjenje brzine
- K. Vješalica
- L. Priključni kabel

STEZNE ČAHURE

Radni alat Dremel za višefunkcijski alat dolazi s različitim dimenzijama drška. Stezne čahure u četiri veličine primaju drške različitih veličina. Dimenzija stezne čahure može se prepoznati pomoću prstena na steznoj čahuri.

SLIKA 3

- M. 3,2 mm stezna čahura bez prstena (480)
- N. 2,4 mm stezna čahura s tri prstena (481)
- O. 1,6 mm stezna čahura s dva prstena (482)
- P. 0,8 mm stezna čahura s jednim prstenom (483)

NAPOMENA: Neki kompleti višefunkcijskog alata ne sadrže stezne čahure u sve četiri veličine. Stezne čahure moguće je nabaviti odvojeno.

Uvijek koristite steznu čahuru koja odgovara dimenziji drška radnog alata. Ne silite držak velikog promjera u manju steznu čahuru.

ZAMJENA STEZNE ČAHURE

SLIKA 4

- Q. Gumb za blokiranje osovine
- R. Ključ za steznu čahuru
- S. Stezanje
- T. Popuštanje
- U. Stezna matica

1. Pritisnite gumb za blokiranje osovine, pridržite i rukom okrećite osovinu sve dok gumb ne blokira osovinu. Ne aktivirajte gumb za blokiranje osovine dok višefunkcijski alat radi.
2. Gumb za blokiranje je aktivirano, popustite i odstranite steznu maticu. Ako je potrebno, upotrijebite ključ za steznu čahuru.
3. Povucite steznu čahuru sa osovine.
4. Namjestite steznu čahuru prave veličine na osovinu te prstima pritegnite steznu maticu. Ne pritegnite maticu do kraja ukoliko nije namješten radni alat ili pribor.

ZAMJENA RADNOG ALATA

SLIKA 4/5

- Q. Gumb za blokiranje osovine

1. Pritisnite gumb za blokiranje osovine i rukom okrećite osovinu sve dok gumb ne blokira osovinu. **Ne aktivirajte gumb za blokiranje osovine dok višefunkcijski alat radi.**
2. Gumb za blokiranje je aktivirano, popustite (ne odstranite) steznu maticu. Ako je potrebno, upotrijebite ključ za steznu čahuru.
3. Umetnite držak radnog alata odn. pribora do kraja u steznu čahuru.
4. Gumb za blokiranje je aktivirano, prstima pritegnite steznu čahuru sve dok stezna čahura ne zahvati držak radnog alata odn. pribora. **NAPOMENA: Pročitajte upute vašeg radnog alata Dremel za daljnje informacije o njegovoj primjeni.**

Koristite samo ispitani i visoko produktivni alat Dremel.

PRVI KORACI

UPORABA

Prvi korak je dobivanje osjećaja za uporabu višefunkcijskog alata. Držite alat u ruci i procijenite njegovu težinu i ravnotežu. Primijetite konični oblik kućišta. Konični oblik omogućava držanje alata poput olovke.

Električni alat uvijek držite dalje od vašeg lica. Oštećen radni alat se može na brzini razletjeti. Ne pokrivajte otvore za provjetravanje rukom prilikom držanja alata. U slučaju blokiranja otvora za provjetravanja može uslijediti pregrijavanje motora. VAŽNO! Vježbajte na komadu otpadnog materijala kako bi upoznali ponašanje alata pri visokim brzinama. Uzimajte u obzir da vaš višefunkcijski alat najbolje obavi posao svojom brzinom, u kombinaciji s ispravnim radnim alatima i priborom Dremel. Ako je moguće, za vrijeme uporabe ne pritišćite na alat. Umjesto toga polako spustite rotirajući radni alat na radnu površinu u točki gdje želite početi raditi. Usredotočite se na vođenje alata po izratku i pri tome što manje pritišćite rukom. Dopustite da radni alat obavi posao. Bolje je obaviti više prolaza alatom nego obaviti čitav rad u jednom prolazu. Nježan pritisak daje najbolju kontrolu i smanjuje vjerojatnost pogreške.

DRŽANJE ALATA

Za najbolju kontrolu kod detaljnih radova uzmite višefunkcijski alat u ruku između palca i kažiprsta kao olovku. SLIKA 6
Metoda držanja golf namijenjena je zahtjevnijim operacijama kao što su brušenje i rezanje. SLIKA 7

RADNE BRZINE

Radi se o višefunkcijskom alatu visoke radne brzine. Digitalni pokazivač alata 400 Series DIGITAL pokazuje točan broj okretaja (x 1.000) alata. Za upravljanje brzinom pritisnite gumb za povećanje / smanjenje brzine. Brzinu vašeg višefunkcijskog alata možete povećati ili smanjiti u koracima po 1.000 okr/min. Time je omogućeno vrlo precizno upravljanje brzinom vašeg alata. Prilagođavanjem broja okretaja vašem projektu možete postići bolji rezultat. Za postizanje najboljih rezultata kod obrade različitih materijala podesite primjereni broj okretaja. Pravu brzinu za određeni radni alat potražite na komadu otpadnog materijala.

NAPOMENA: Brzina ovisi o promjenama napona. Sniženje ulaznog napona prouzroči smanjenje broja okretaja alata, naročito pri najnižoj brzini. Ako vaš alat radi presporo, povećajte brzinu. Alat možda neće početi raditi kod podesene najniže brzine ako je mrežni napon manji od 220 V. Za početak rada jednostavno podesite višu brzinu rada.

Vidi tabelu brzina na stranicama 4-6 za pomoć kod određivanja prave brzine za određeni materijal i radni alat.

A) Za primjenu na suhomontažnim zidovima. Za najbolji rezultat koristite brzinu 33.000 okr/min.

B) Za primjenu na zidnoj i podnoj žbuci. Koristite postavku 20.000-28.000 okr/min.

*) Brzina za plitke rezove. Oprez, mogućnost paljenja u dubokim utorima.

■) Ovisno o smjeru reza u odnosu na zrno. Većinu radova moguće je obaviti najvišom brzinom alata. No, neki materijali (plastike i metali) se mogu oštetiti zbog topline koja se stvara zbog visoke brzine te se moraju obrađivati s relativno niskim brzinama. Niske brzine (15.000 okr/min ili manje) su najbolje za poliranje pomoću pribora od filca. Četkati samo niskim brzinama kako bi izbjegli odljetanje komadića žice iz držača. Pri uporabi niskih brzina neka posao obavi radni alat. Visoke brzine su primjerenije za tvrdo drvo, metal i staklo, kao i za bušenje, rezbarenje, rezanje, graviranje, oblikovanje i rezanje utora u drvo.

Neke smjernice vezane uz biranje brzine alata:

- Plastiku i ostale materijale koji se tale na niskim temperaturama treba rezati pri niskim brzinama.
- Najveća brzina za poliranje, glancanje i čišćenje žičanom četkom je 15.000 okr/min kako ne bi došlo do oštećenja četke i vašeg materijala.
- Drvo treba rezati pri visokim brzinama.
- Željezo ili čelik treba rezati pri visokim brzinama.
- Ako bi nož od brzoreznog čelika počeo vibrirati, onda to znači da radi premalim brojem okretaja.
- Aluminijske, bakrene legure, olovne legure, cinkane legure i kositar možete rezati pri različitim brzinama, ovisno o vrsti rezanja. Koristite parafin (ili vodu) ili drugo primjereno mazivo na nožu za sprečavanje lijepljenja materijala na zube noža.

NAPOMENA: Ukoliko alat postiže loše rezultate ne pritišćite na alat. Pokušajte primijeniti drugi rezni alat ili drugu brzinu za traženi rezultat.

ODRŽAVANJE

Izvođenje preventivnog održavanja od strane neovlaštenog osoblja može prouzročiti brkanje unutarnjih kablova i komponenata i posljedično veliku opasnost. Preporučamo vam da održavanje alata prepustite servisnom centru Dremel. Prije servisiranja ili čišćenja izvucite utikač iz utičnice kako bi izbjegli ozljede i neočekivano puštanje alata u rad.

UGLJENE ČETKICE

Četkice u vašem alatu konstruirane su za dugotrajni, pouzdani rad. Alat neka radi 5 minuta punom brzinom bez opterećenja kako bi se četkice pripremile za rad. Četkice se time ispravno pozicioniraju za dulji životni vijek alata. Za maksimalni učinak motora provjerite trošenje četkica svakih 40-50 sati.

Uporaba alata sa istrošenim četkicama može trajno oštetiti motor. Koristite samo originalne rezervne četkice Dremel. Provjerite četkice višefunkcijskog alata nakon 40-50 sati uporabe. Ako je rad višefunkcijskog alata nemiran, gubi snagu ili stvara neobičnu buku, provjerite istrošenost četkica te ih prema potrebi zamijenite. Postupak provjere/zamjene četkica višefunkcijskog alata:

- Izvucite utikač i stavite alat na čistu površinu. Uklonite kapice četkica pomoću ključa alata. SLIKA 8
- Okrenite alat kako bi četkica ispala iz držača i provjerite svaku četkicu. Ako je četkica kraća od 3 mm i ako je površina četkice koja je u kontaktu s komutatorom gruba ili ako ima rupice, valja zamijeniti ugljene četkice. Provjerite obje četkice. SLIKA 9
- Ako je istrošena samo jedna četkica, zamijenite obje četkice za bolji rad vašeg višefunkcijskog alata. Odstranite oprugu sa četkice, bacite staru četkicu i stavite oprugu na novu četkicu.

SERVIS I GARANCIJA

Ovaj proizvod DREMEL je zajamčeno u skladu sa zakonskim/specifičnim nacionalnim propisima; šteta zbog normalnog trošenja, preopterećenja ili neispravne uporabe je isključena iz garancije.

U slučaju garancijskog zahtjeva pošaljite alat u **nerastavljenom** stanju zajedno s računom vašem trgovcu.

- Vratite ugljenu četkicu i oprugu na alat. Četkica se može staviti na alat samo u jednoj poziciji. Četkice moraju biti namještene kao što se vidi na slici. SLIKA 9 Kriva površina četkica mora odgovarati površini komutatora.
- Kvadratnu donju stranu vrata četkice stavite na kvadratne otvore. Provjerite leži li opruga na V-utoru četke. Gurnite prednji dio vrata prema dolje. Gurnite dolje i stavite zadnju kopču u njezin prorez. Alat neka nakon zamjene četkica radi na čistoj površini bez opterećenja 5 minuta pri najvišoj brzini prije opterećivanja (ili uporabe). Četkice se time ispravno pozicioniraju za dulji životni vijek svakog kompleta četkica. Zbog manjeg trošenja površine komutatora će se produžiti i životni vijek vašeg alata. SLIKA 10

ČIŠĆENJE ALATA

IZVUCITE UTIKAČ PRIJE ČIŠĆENJA

Otvori za provjetranje i ručice prekidača moraju biti čisti i bez stranih tijela. Ne čistite umetanjem šiljastih predmeta u otvore.

Alat možete očistiti komprimiranim zrakom. Za vrijeme čišćenja alata s komprimiranim zrakom nosite zaštitne naočale.

Podmazivanje višefunkcijskog alata Dremel nije potrebno.

Određena sredstva za čišćenje i otopine oštećuju plastične dijelove. Neki od njih su benzin, ugljični tetraklorid, klorirane otopine za čišćenje, amonijak i kućanski deterdženti koji sadrže amonijak.

Područja na mekanom dršku alata očistite vlažnom krpom. Jako zaprljane dijelove obrišite više puta.

KONTAKT DREMEL

Za više informacija o ponudi Dremel, tehničku potporu i vruću liniju posjetite www.dremel.com

Dremel Europe, P.O. Box 3267, 4800 DG Breda

INSTRUCȚIUNI PRIVIND SIGURANȚA ȘI PROTEȚȚIA MUNCII



ATENȚIE

CITIȚI TOATE INSTRUCȚIUNILE. Nerespectarea instrucȚiunilor enumerate în cele ce urmează poate duce la electrocutare, incendiu și/sau răniri grave. Termenul de sculă electrică folosit în continuare se referă la scule electrice alimentate de la rețea (cu cablu de alimentare) și la cele cu acumulator (fără cablu de alimentare).

PĂSTRAȚI ÎN BUNE CONDIȚII PREZENTELE INSTRUCȚIUNI

1. LOCUL DE MUNCĂ

- Pastrați curățenia și ordinea la locul de muncă. *Dezordinea și sectoarele de lucru neluminate pot duce la accidente.*
- Nu lucrați cu mașina în mediu cu pericol de explozie, în care există lichide, gaze sau pulberi inflamabile. *Sculele electrice generează scântei care pot aprinde praful sau vaporii.*
- Nu permiteți accesul copiilor și al altor persoane în timpul utilizării sculei electrice. *Dacă vă este distrasă atenția puteți pierde controlul asupra mașinii.*

2. SIGURANȚA ELECTRICĂ

- Ștecherul mașinii trebuie să fie potrivit prizei electrice. Nu este în nici un caz permisă modificarea ștecherului. Nu folosiți fișe adaptoare la mașinile legate la pamânt de protecție. *Ștecherule nemodificate și prizele corespunzătoare diminuează riscul de electrocutare.*
- Evitați contactul corporal cu suprafețe legate la pamânt ca țevi, instalații de încălzire, sobe și frigider. *Există un risc crescut de electrocutare atunci când corpul vă este legat la pământ.*
- Feriți mașina de ploaie sau umezeală. *Pătrunderea apei într-o sculă electrică mărește riscul de electrocutare.*
- Nu schimbați destinația cablului, folosindu-l pentru transportarea sau suspendarea mașinii ori pentru a trage ștecherul afară din priză. Feriți cablul de caldură, ulei, muchii ascuțite sau componente aflate în mișcare. *Cablurile deteriorate sau încurcate măresc riscul de electrocutare.*
- Atunci când lucrați cu o sculă electrică în aer liber, folosiți numai cabluri prelungitoare admise și pentru mediul exterior. *Folosirea unui cablu prelungitor adecvat pentru mediul exterior diminuează riscul de electrocutare.*

3. SIGURANȚA PERSOANELOR

- Fiți atenți, aveți grijă de ceea ce faceți și procedați rațional atunci când lucrați cu o sculă electrică. Nu folosiți mașina când sunteți oboșiți sau vă aflați sub influența drogurilor, a alcoolului sau a medicamentelor. *Un moment de neatenție în timpul utilizării mașinii poate duce la răniri grave.*



- Purtați echipament personal de protecție și întotdeauna ochelari de protecție. *Purtarea echipamentului personal de protecție, ca masca pentru praf, încălțăminte de siguranță antiderapantă, cască de protecție sau protecția auditivă, diminuează riscul rănirilor.*
- Evitați o punere în funcțiune involuntară. Înainte de a introduce ștecherul în priză, asigurați-vă ca scula electrică este oprită. *Dacă atunci când transportați mașina țineți degetul pe întrerupător sau dacă porniți mașina înainte de a o racorda la rețeaua de curent, puteți provoca accidente.*
- Înainte de pornirea mașinii îndepărtați dispozitivele de reglare sau cheile fixe din aceasta. *Un dispozitiv sau o cheie lăsată într-o componentă de mașină care se rotește poate duce la răniri.*
- Nu vă supraevaluați. *Adoptați o poziție stabilă și mențineți-vă întotdeauna echilibrul. Astfel veți putea controla mai bine mașina în situații neașteptate.*
- Purtați îmbrăcăminte adecvată. *Nu purtați îmbrăcăminte largă sau podoabe. Feriți părul, îmbrăcăminte și mânușile de piesele aflate în mișcare. Îmbrăcăminte largă, părul lung sau podoabele pot fi prinse în piesele aflate în mișcare.*
- Dacă pot fi montate echipamente de aspirare și colectare a prafului, asigurați-vă ca acestea sunt racordate și folosite în mod corect. *Folosirea acestor echipamente diminuează poluarea cu praf.*

4. UTILIZAREA ȘI MANEVRAREA ATENTĂ A SCULELOR ELECTRICE

- Nu suprasolicitați mașina. Folosiți pentru executarea lucrării dv. scula electrică destinată aceluși scop. *Cu scula electrică potrivită lucrați mai bine și mai sigur în domeniul de putere indicat.*
- Nu folosiți scula electrică dacă aceasta are întrerupătorul defect. *O sculă electrică, care nu mai poate fi pornită sau oprită, este periculoasă și trebuie reparată.*
- Scoateți ștecherul afară din priză, înainte de a executa reglaje la mașină, a schimba accesorii sau de a pune mașina la o parte. *Această măsură de prevedere împiedică pornirea involuntară a mașinii.*
- Păstrați sculele electrice nefolosite la loc inaccesibil copiilor. *Nu lăsați să lucreze cu mașina persoane care nu sunt familiarizate cu aceasta sau care nu au citit aceste instrucțiuni.*

- e. Întrețineți-vă mașina cu grijă. Controlați dacă componentele mobile ale mașinii funcționează impecabil și dacă nu se blochează, sau dacă există piese rupte sau deteriorate astfel încât să afecteze funcționarea mașinii. Înainte de utilizare dați la reparat piesele deteriorate. *Cauza multor accidente a fost întreținerea necorespunzătoare a sculelor electrice.*
- f. Mențineți bine ascuțite și curate dispozitivele de tăiere. *Dispozitivele de tăiere întreținute cu grijă, cu tășuri ascuțite se înțepenesc în mai mică măsură și pot fi conduse mai ușor.*
- g. Folosiți scula electrică, accesoriile, dispozitivele de lucru etc. conform prezentelor instrucțiuni și în așa

fel cum este prevăzut pentru acest tip special de mașină. Țineți cont de condițiile de lucru și de activitatea care trebuie desfășurată. *Folosirea sculelor electrice în alt scop decât pentru utilizările prevăzute, poate duce la situații periculoase.*

5. SERVICE

- a. Încredințați mașina pentru reparare numai personalului de specialitate, calificat în acest scop, repararea făcându-se numai cu piese de schimb originale. *Astfel veți fi siguri că este menținută siguranța mașinii.*

INSTRUCȚIUNI DE SIGURANȚĂ PENTRU TOATE OPERAȚIILE

AVERTISMENTE COMUNE PENTRU ȘLEFUIRE, ȘLEFUIRE CU HÂRTIE ABRAZIVĂ, LUCRUL CU PERIE DE SĂRMĂ, LUSTRIRE ȘI TĂIERE

- a. Această sculă electrică se va folosi ca polizor, perie de sărmă și mașină specială de retezat cu disc abraziv. Respectați toate avertismentele, instrucțiunile, reprezentările și datele primite împreună cu scula electrică. *În cazul în care nu veți respecta următoarele instrucțiuni, se poate ajunge la electrocutare, incendii și/sau răniri grave.*
- b. Nu folosiți accesorii care nu au fost prevăzute și recomandate în mod special de către producător pentru această sculă electrică. *Faptul în sine că accesoriul respectiv poate fi montat pe scula dumneavoastră electrică, nu garantează în nici un caz utilizarea lui sigură.*
- c. Turația admisă a dispozitivului de lucru trebuie să fie cel puțin egală cu turația nominală specificată pe scula electrică. *Un accesoriu care se rotește mai repede decât este admis, se poate distruge.*
- d. Diametrul exterior și grosimea dispozitivului de lucru trebuie să corespundă datelor dimensionale ale sculei dumneavoastră electrice. *Dispozitivele de lucru greșit dimensionate nu pot fi protejate sau controlate în suficientă măsură.*
- e. Discurile de șlefuit, flanșele, discurile abrazive sau alte accesorii trebuie să se potrivească exact pe arborele de polizat al sculei dumneavoastră electrice. *Dispozitivele de lucru care nu se potrivesc exact pe arborele de polizat al sculei dumneavoastră electrice se rotesc neuniform, vibrează foarte puternic și pot duce la pierderea controlului.*
- f. Nu folosiți dispozitive de lucru deteriorate. Înainte de utilizare controlați dacă dispozitivele de lucru ca discurile de șlefuit nu sunt sparte sau fisurate, dacă discurile abrazive nu sunt fisurate, uzate sau tocite puternic, dacă periele de sărmă nu prezintă fire desprinse sau rupte. Dacă scula electrică sau

dispozitivul de lucru cade pe jos, verificați dacă nu cumva s-a deteriorat sau folosiți un dispozitiv de lucru nedeteriorat. După ce ați controlat și montat dispozitivul de lucru, țineți persoanele aflate în preajmă în afara planului de rotație al dispozitivului de lucru, și lăsați scula electrică să funcționeze un minut la turația nominală. *De cele mai multe ori, dispozitivele de lucru deteriorate se rup în această perioadă de probă.*

- g. Purtați echipament personal de protecție. În funcție de utilizare, purtați o protecție completă a feței, protecție pentru ochi sau ochelari de protecție. Dacă este cazul purtați mască de protecție împotriva prafului, protecție auditivă, mănuși de protecție sau șorț special care să vă ferească de micile așchii și particule de material. *Ochii trebuie protejați de corpurile străine aflate în zbor, apărute în cursul diferitelor aplicații. Maska de protecție împotriva prafului sau masca de protecție a respirației trebuie să filtreze praful degajat în timpul utilizării. Dacă sunteți expuși timp îndelungat zgomotului puternic, vă puteți pierde auzul.*
- h. Aveți grijă ca celelalte persoane să păstreze o distanță sigură față de sectorul dumneavoastră de lucru. Oricine pătrunde în sectorul de lucru trebuie să poarte echipament personal de protecție. *Fragmente din piesa de lucru sau dispozitivele de lucru rupte pot zbura necontrolat și provoca răniri chiar în afara sectorului direct de lucru.*
- i. Apucați mașina numai de mânerul izolat atunci când executați lucrări la care dispozitivul de tăiere ar putea nimeri conductorii ascunși sau propriul cablu de alimentare al mașinii. *Contactul cu un conductor sub tensiune determină punerea în tensiune a componentelor metalice ale mașinii și duce la electrocutare.*
- j. Țineți cablul de alimentare departe de dispozitivele de lucru care se rotesc. *Dacă pierdeți controlul asupra mașinii cablul de alimentare poate fi tăiat sau prins iar mâna sau brațul dumneavoastră poate nimeri sub dispozitivul de lucru care se rotește.*

- k. Nu puneți niciodată jos scula electrică înainte ca dispozitivul de lucru să se fi oprit complet. *Dispozitivul de lucru care se rotește poate ajunge în contact cu suprafața de sprijin, fapt care vă poate face să pierdeți controlul asupra sculei electrice.*
- l. Nu lăsați scula electrică să funcționeze în timp ce o transportați. *În urma unui contact accidental cu dispozitivul de lucru care se rotește, acesta vă poate prinde îmbrăcămintea și chiar pătrunde în corpul dumneavoastră.*
- m. Curățați regulat fantele de aerisire ale sculei dumneavoastră electrice. *Ventilatorul motorului atrage praf în carcasă iar acumularea puternică de pulberi metalice poate provoca pericole electrice.*
- n. Nu folosiți scula electrică în apropierea materialelor inflamabile. *Scânteile pot duce la aprinderea acestor materiale.*
- o. Nu folosiți dispozitive de lucru care necesită agenți de răcire lichizi. *Folosirea apei sau a altor agenți de răcire lichizi poate duce la electrocutare.*

RECU ȘI AVERTISMENTE CORESPUNZĂTOARE

Recul este reacția bruscă apărută la agățarea sau blocarea unui dispozitiv de lucru care se rotește, cum ar fi un disc de șlefuit, un disc abraziv, o perie de sărmă, etc. Agățarea sau blocarea duce la oprirea bruscă a dispozitivului de lucru care se rotește. Aceasta face ca scula electrică necontrolată să fie accelerată în punctul de blocare, în sens contrar direcției de rotație a dispozitivului de lucru. Dacă, de exemplu, un disc de șlefuit se agață sau se blochează în piesa de lucru, marginea discului de șlefuit care penetrează direct piesa de lucru se poate agăța în aceasta și duce astfel la smulgerea discului de șlefuit sau provoca recul. Discul de șlefuit se va deplasa către operator sau în sens opus acestuia, în funcție de direcția de rotație a discului în punctul de blocare. În aceasta situație discurile de șlefuit se pot chiar rupe. Un recul este consecința utilizării greșite sau defectuoase a sculei electrice. El poate fi împiedicat prin măsuri preventive adecvate, precum cele descrise în continuare.

- a. Țineți bine scula electrică și aduceți-vă corpul și brațele într-o poziție în care să puteți controla forțele de recul. Folosiți întotdeauna un mâner suplimentar, în caz că acesta există, pentru a avea un control maxim asupra forțelor de recul sau a momentelor de reacție la turații înalte. *Operatorul poate stăpâni forțele de recul și de reacție prin măsuri preventive adecvate.*
- b. Nu apropiați niciodată mâna de dispozitivele de lucru în mișcare de rotație. *În caz de recul dispozitivul de lucru se poate deplasa peste mâna dumneavoastră.*
- c. Evitați să staționați cu corpul în zona de mișcare a sculei electrice în caz de recul. *Reculul proiectează scula electrică într-o direcție opusă mișcării discului de șlefuit din punctul de blocare.*

- d. Lucrați extrem de atent în zona colțurilor, muchiilor ascuțite, etc. Evitați ca dispozitivul de lucru să ricoșeze după izbirea de piesa de lucru și să se blocheze. *Dispozitivul de lucru aflat în mișcare de rotație are tendința să se blocheze în colțuri, pe muchii ascuțite sau când ricoșează în urma izbirii. Aceasta duce la pierderea controlului sau la recul.*
- e. Nu folosiți pânze de ferăstrău pentru lemn sau pânze dințate. *Asemenea dispozitive de lucru provoacă frecvent recul sau duc la pierderea controlului asupra sculei electrice.*

AVERTISMENTE SPECIALE PRIVIND ȘLEFUIREA ȘI TĂIEREA

- a. Folosiți numai corpuri abrazive admise pentru scula dumneavoastră electrică și o apărătoare de protecție prevăzută pentru aceste corpuri abrazive. *Corpurile abrazive care nu sunt prevăzute pentru această sculă electrică nu pot fi acoperite și protejate suficient, fiind nesigure.*
- b. Corpurile abrazive trebuie folosite numai pentru posibilitățile de utilizare recomandate. De exemplu: nu șlefuiți niciodată cu partea laterală a unui disc de tăiere. *Discurile de tăiere sunt destinate îndepărtării de material cu marginea discului. Exercițiul unei forțe laterale asupra acestui corp abraziv poate duce la ruperea sa.*
- c. Folosiți întotdeauna flanșe de prindere nedeteriorate având dimensiuni și forme corespunzătoare discului de șlefuit ales de dumneavoastră. *Flanșele adecvate sprijină discul de șlefuit diminuând astfel pericolul ruperii acestuia. Flanșele pentru discuri de tăiere pot fi diferite față de flanșele pentru alte discuri de șlefuit.*
- d. Nu întrebuințați discuri de șlefuit uzate provenind de la scule electrice mai mari. *Discurile de șlefuit pentru sculele electrice mai mari nu sunt concepute pentru turațiile mai ridicate ale sculelor electrice mai mici și se pot rupe.*

ALTE AVERTISMENTE SPECIALE PRIVIND TĂIEREA

- a. Evitați blocarea discului de tăiere sau o apăsare prea puternică. Nu executați tăieri exagerat de adânci. *O supraîncărcare a discului de tăiere mărește solicitarea acestuia și tendința acestuia de a se înclina greșit în piesa de lucru sau de a se bloca, aparând astfel posibilitatea unui recul sau a ruperii corpului abraziv.*
- b. Evitați zona din față și din spatele discului de tăiere care se rotește. *Dacă deplasați discul de tăiere în piesa de lucru în direcție opusă dumneavoastră, în caz de recul, scula electrică împreună cu discul care se rotește pot fi proiectate direct spre dumneavoastră.*
- c. Dacă discul de tăiere se blochează sau dacă întrerupeți lucrul, deconectați scula electrică și nu o mișcați până când discul se oprește complet. Nu încercați niciodată să extrageți discul de tăiere în mișcare din tăietură, altfel se poate produce un recul. *Stabilități și îndepărtați cauza blocării discului.*

- d. Nu reporniți niciodată scula electrică cât timp aceasta se mai află încă în piesa de lucru. Lăsați discul de tăiere să atingă turația nominală și numai după aceea continuați să tăiați cu precauție. *În caz contrar discul se poate agăța, sări afară din piesa de lucru sau provoca recul.*
- e. Sprijiniți plăcile sau piesele de lucru mari pentru a diminua riscul reculului cauzat de blocarea discului de tăiere. *Piesele mari se pot încovoia sub propria greutate. De aceea piesa de lucru trebuie sprijinită pe ambele părți, atât în apropierea liniei de tăiere cât și pe margine.*
- f. Fiți extrem de atenți în cazul tăierii de cavități în pereți deja existenți sau în alte sectoare fără vizibilitate. *La penetrarea în sectorul vizat, discul de tăiere poate cauza un recul dacă nimereste în conducte de gaz sau de apă, conductori electrici sau alte obiecte.*

AVERTISMENTE SPECIALE PRIVIND ȘLEFUIREA CU HÂRTIE ABRAZIVĂ

- a. Nu întrebuințați foi abrazive supradimensionate, ci respectați indicațiile fabricantului privitoare la dimensiunile foilor abrazive. *Foile abrazive care depășesc marginile discului abraziv, pot cauza răniri precum și agățarea, ruperea foilor abrazive sau pot duce la recul.*

MEDIU

ELIMINARE

Sculele electrice, accesoriile și ambalajele trebuie direcționate către o stație de revalorificare ecologică.



Nu aruncați sculele electrice în gunoiul menajer! Conform Directivei Europene 2002/96/CE privind mașinile și aparatele electrice și electronice uzate și transpunerea acesteia în legislația națională, sculele electrice scoase din uz trebuie colectate separat și direcționate către o stație de revalorificare ecologică.

SPECIFICAȚII

SPECIFICAȚII GENERALE

Tensiune nominală 230-240 V, 50-60 Hz
Curent nominal 0,6A
Turația în gol 33.000 . . . n₀ 33.000 rot/min
Dimensiuni pensetă . . . 0,8 mm, 1,6 mm, 2,4 mm, 3,2 mm

CABLURI DE PRELUNGIRE

Folosiți cabluri de prelungire sigure și complet desfășurate, cu o capacitate nominală de 5 A.

AVERTISMENTE SPECIALE PRIVIND OPERAȚIILE DE LUSTRIRE

- a. Nu lăsați să atârne liber porțiuni ale discului de lustruit, în special șnururile de prindere ale acestuia. Îndepărtați sau scurtați șnururile de prindere. *Șnururile de prindere care atârnă liber, rotindu-se împreună cu discul de lustruit vă pot apuca degetele sau se pot agăța în piesa de lucru.*

AVERTISMENTE SPECIALE PRIVIND LUCRUL CU PERIILE DE SĂRMĂ

- a. Țineți seama de faptul că peria de sârmă pierde bucăți de sârmă chiar în timpul utilizării obișnuite. Nu suprasolicitați firele de sârmă printr-o apăsare prea puternică. *Bucățile de sârmă desprinse pot pătrunde cu ușurință prin îmbrăcămintea subțire și/sau în piele.*
- b. Dacă se recomandă o apărătoare de protecție, împiedicați contactul dintre apărătoarea de protecție și peria de sârmă. *Periile disc și periile oală își pot mări diametrul sub acțiunea presiunii de apăsare și a forțelor centrifuge.*

NUMAI PENTRU ȚĂRILE UE



Nu aruncați sculele electrice în gunoiul menajer! Conform Directivei Europene 2002/96/CE privind mașinile și aparatele electrice și electronice uzate și transpunerea acesteia în legislația națională, sculele electrice scoase din uz trebuie colectate separat și direcționate către o stație de revalorificare ecologică.

SPECIFICAȚII MOTOR

Această sculă multifuncțională utilizează un motor de înaltă viteză cu turația variabilă. Motorul este cablat pentru utilizare la 230-240 V, 50-60 Hz. Totdeauna verificați, dacă tensiunea rețelei corespunde tensiunii indicate pe plăcuța sculei (sculele cu tensiunea nominală de 230 V sau 240 V se pot conecta la o rețea de 220 V).

ASAMBLARE

DECONECTAȚI ÎNTOTDEAUNA SCULA MULTIFUNCȚIONALĂ DE LA REȚEA, ÎNAINTE DE A SCHIBA ACCESORII, DE A SCHIMBA PENSETE SAU DE A ÎNȚEȚINE SCULA.

GENERALITĂȚI

Scula multifuncțională Dremel este o unealtă de precizie de înaltă calitate, care se poate utiliza pentru lucrări complicate, cu detalii fine. Gama largă de accesorii și dispozitive Dremel permite efectuarea diverselor lucrări de o mare varietate. Acestea includ șlefuirea, cioplirea și gravura, frezarea, tăierea, curățirea și lustruirea.

FIGURA 1

- Piulița de prindere
- Pensetă
- Dispozitiv de prindere
- Capac de protecție
- Buton de blocare arbore
- Fante de aerisire
- Capace perie (câte una pe fiecare parte)
- Întreprător Pornit-Oprit
- Afișaj LCD
- Butonane creștere/scădere viteză
- Agățătoare
- Cablu de alimentare

PENSETE

Accesoriile Dremel disponibile pentru scula multifuncțională sunt construite cu arbori de diverse diametre. Sunt disponibile patru pensete, potrivite pentru diametrele diferite ale arborilor. Dimensiunea pensetelor se poate identifica prin inelele de la baza patronului.

FIGURA 3

- 3,2 mm Pensetă fără inele (480)
- 2,4 mm Pensetă cu trei inele (481)
- 1,6 mm Pensetă cu două inele (482)
- 0,8 mm Pensetă cu un inel (483)

NOTĂ: Unele truse ale unei scule multifuncționale pot să nu includă toate cele patru dimensiuni de pensete. Pensetele sunt disponibile separat.

Totdeauna folosiți penseta potrivită diametrului arborelui accesoriului pe care doriți să-l utilizați. Nu forțați un accesoriu de diametru mai mare într-o pensetă mai mică.

SCHIMBAREA PENSETELOR

FIGURA 4

- Buton de blocare arbore
- Cheie de pensetă
- Strânge
- Desface
- Piulița de prindere

- Apăsați și țineți apăsat butonul de blocare arbore, și rotiți arborele cu mâna, până se blochează. Nu apăsați butonul de blocare arbore în timpul funcționării mașinii.
- Cu arborele blocat, desfaceți și îndepărtați piulița de prindere. Folosiți cheia de patron, dacă este necesar.
- Îndepărtați penseta, extrăgând-o liber de pe arbore.
- Introduceți complet penseta potrivită pe arbore, și reinstalați piulița de prindere, strângând cu degetele. Nu strângeți complet penseta până nu aveți burghiu sau accesoriu instalat.

SCHIMBAREA ACCESORIILOR

FIGURA 4/5

- Buton de blocare arbore

- Apăsați și țineți apăsat butonul de blocare arbore, și rotiți arborele cu mâna, până se blochează. *Nu apăsați butonul de blocare arbore în timpul funcționării mașinii.*
- Cu arborele blocat, desfaceți (nu îndepărtați) piulița de prindere. Folosiți cheia de pensetă, dacă este necesar.
- Introduceți burghiul sau arborele accesoriului complet în pensetă.
- Cu butonul de blocare arbore apăsat, strângeți piulița de prindere cu degetele, până burghiul sau arborele accesoriului este prins în pensetă. **NOTĂ:** Totdeauna consultați instrucțiunile furnizate cu accesoriul Dremel, pentru informații suplimentare în legătură cu utilizarea acestuia.

Folosiți numai accesorii de performanțe ridicate, testate Dremel.

GHID DE PORNIRE

UTILIZARE

Primul pas în utilizarea sculei multifuncționale este să vă formați senzația uneltei. Țineți-o în mână, să simțiți greutatea și balansul uneltei. Simțiți subțierea carcanei. Această subțiere vă permite ca să prindeți unealta în modul cum ați ține un creion sau un stilou.

Totdeauna țineți unealta astfel, ca să aveți fața ferită de aceasta. Accesoriile deteriorate în timpul utilizării se pot desprinde și pot fi proiectate la demarare.

Când țineți unealta, nu acoperiți cu mâna fanțele de aerisire. Blocarea fanțelor de aerisire poate duce la supraîncălzirea motorului.

IMPORTANT! La început, faceți câteva exerciții pe materiale-deșeu, ca să vedeți acțiunea turației ridicate a sculei. Aveți în vedere, că scula dumneavoastră va produce rezultate optime dacă permiteți ca turația, în combinație cu accesoriul sau dispozitivul Dremel corespunzător să lucreze pentru dumneavoastră. Dacă e posibil, nu apăsați scula în timpul funcționării. În schimb, lăsați scula în rotație ușor pe suprafața de lucru și permiteți să atingă punctul în care doriți să începeți lucrul. Concentrați-vă la dirijarea sculei pe piesa de lucru cu o foarte ușoară apăsare cu mâna. Lăsați ca accesoriul să vă facă lucrul. În general, este mai convenabil să efectuați lucrarea prin mai multe treceri succesive, decât printr-o singură trecere. O atingere fină vă asigură un control mai bun și reduce șansele unei erori.

PRINDEREA UNELTEI

Pentru un control mai bun a lucrărilor fine, țineți scula între degetul mare și degetul arătător, ca un creion. FIGURA 6

Metoda de prindere golf este recomandată pentru operații mai grele, ca șlefuirea sau tăierea. FIGURA 7

TURAȚIA DE LUCRU

Această uneltă este o sculă multifuncțională de turație ridicată. Afișajul digital al uneltei din 400 Series DIGITAL indică valoarea exactă a turației (x 1.000) la care lucrează unealta. Pentru a crește / scade turația, apăsați butoanele de creștere / scădere a turației. Turația uneltei dv. se poate crește sau scade în pași de 1.000 rot/min. Acesta permite controlul turației uneltei dv cu o precizie foarte mare. Reglând turația în mod corespunzător proiectului dumneavoastră vă oferă rezultate finale mai bune. Pentru cele mai bune rezultate când lucrați cu diverse materiale, setați reglajul turației variabile astfel ca să fie potrivit lucrării. Pentru a alege turația potrivită pentru accesoriul utilizat, mai întâi exersați pe o bucată de material-deșeu.

NOTE: Turația este afectată de variațiile tensiunii de alimentare. O reducere a tensiunii de alimentare va reduce turația sculei, în special la valorile mai reduse. Dacă aveți impresia că scula dumneavoastră a încetinit, creșteți turația în mod corespunzător. Se poate ca unealta să nu pornească când este reglată la limita inferioară a turației, în zonele unde tensiunea de rețea este sub 220 V. În acest caz reglați simplu turația la o valoare mai ridicată pentru a începe lucrul.

Pentru a determina turația corespunzătoare materialului prelucrat și accesoriului utilizat, consultați tabelul Reglajelor de turație de pe paginile 4-6.

A) Pentru utilizare în zidărie uscată. Pentru cele mai bune rezultate folosiți turația de 33.000 rot/min.

B) Pentru utilizare în tencuială sau pe podele de ciment. Folosiți setările 20.000-28.000 rot/min.

*) Turație pentru tăieturi ușoare. Atenție, în șanțurile adânci sunt posibile arderi.

■ În funcție de direcția de tăiere relativ la direcția fibrelor. Cele mai multe lucrări se pot efectua cu scula reglată la turația maximă. Cu toate acestea, unele materiale (anumite mase plastice și metale) se pot deteriora de căldura generată la turația înaltă și se vor prelucra la turații relativ scăzute. Funcționarea la viteze scăzute (15.000 rot/min sau mai mici) sunt în general cele mai potrivite pentru operații de lustruire cu accesorii de lustruire din pâslă. Toate operațiile utilizând perie necesită viteze mai reduse, pentru a evita desprinderea sârmelor din suport. Lăsați ca performanța sculei să lucreze pentru dumneavoastră, când utilizați turații mai scăzute. Turațiile mai ridicate sunt potrivite pentru lemnele tari, metale și sticlă și pentru găurire, gravură, tăiere, frezare, formare și pentru tăierea falțurilor sau soclurilor în lemn.

Câteva linii de ghidaj referitoare la selecția turației:

- Masele plastice și alte materiale care au temperatura de topire scăzută, se vor prelucra la turație scăzută.
- Lustruirea, șlefuirea și curățirea cu peria de sârmă se va face la turații care nu depășesc 15.000 rot/min, pentru prevenirea deteriorării periei sau materialului.
- Lemnul se taie la turație ridicată.
- Fierul sau oțelul se taie la turație ridicată.
- Dacă o freză de oțel începe să vibreze, aceasta indică în general că turația este prea scăzută.
- Alumiuniul, aliajele de cupru, aliajele de plumb, aliajele de zinc și staniu se taie la viteze diferite, în funcție de tipul tăieturii executate. Aplicați parafină (nu apă) sau alt lubrifiant corespunzător pe freză, pentru a preveni ca materialul tăiat să se lipească de dinții frezei.

NOTĂ: Creșterea presiunii sculei nu este măsura adecvată când scula nu funcționează corespunzător. Încercați un accesoriu diferit sau modificați turația pentru a obține rezultatul dorit.

ÎNȚEȚINERE

Înțeteținerea preventivă executată de o persoană neautorizată poate duce la conectarea greșită a firelor și a componentelor interne, care pot cauza un pericol serios. Vă recomandăm ca toate operațiile de service să le executați la un punct de service Dremel. Pentru a evita rănirea cauzată de o pornire accidentală sau electrocutarea, totdeauna scoateți ștecherul din priză, înainte de-a executa lucrări de service sau curățare.

PERIILE DE CARBON

Periile de carbon din unealta dumneavoastră au fost construite pentru numeroase ore de utilizare demnă de încredere. Pentru a pregăti periile pentru utilizare, utilizați unealta la turație maximă în gol pentru 5 minute. Acesta va așeza periile în mod corespunzător și extinde durata de viață a uneltei. Pentru a menține eficiența maximă a motorului, examinați periile după fiecare 40-50 de ore de funcționare.

Utilizarea uneltei cu perii uzate va produce avarii permanente în motor. Folosiți numai perii de schimb originale Dremel. Inspectați periile sculei multifuncționale după fiecare 40-50 de ore de funcționare. Dacă scula multifuncțională funcționează neregulat, pierde din putere sau emite zgomote neobișnuite, verificați uzura periiilor și înlocuiți, dacă e cazul. Urmați pașii următori, pentru verificarea/schimbarea periiilor sculei multifuncționale:

1. Cu cablul de alimentare scos din priză, așezați unealta pe o suprafață curată. Utilizați cheia sculei pentru demontarea capacelor de perie. FIGURA 8
2. Țineți scula astfel ca peria să cadă din locaș, apoi examinați fiecare perie. Dacă lungimea periei este sub 3 mm și suprafața care face contact cu comutatorul este aspră sau cu ciupituri, periile de carbon trebuie înlocuite. Aveți grijă, ca să verificați ambele perii. FIGURA 9
3. Chiar dacă numai una din perii este uzată, înlocuiți ambele perii, pentru o funcționare mai bună a sculei. Scoateți arcul de pe perie, debarasați peria veche și atașați arcul pe o perie nouă.

SERVICE ȘI GARANȚIE

Acest produs DREMEL este garantat în conformitate cu prevederile legale/specifice țării; deteriorările datorite uzurii normale, supraîncălzirii sau mânăuirii necorespunzătoare sunt excluse din garanție.

În cazul unei reclamații, trimiteți scula furnizorului dumneavoastră nedemontată împreună cu dovada achiziției.

4. Așezați peria de carbon și arcul înapoi în sculă. Peria se potrivește în locaș numai în poziția corectă. Asigurați-vă că periile sunt instalate conform figurii. FIGURA 9 Suprafața curbată a periei trebuie să coincidă cu curbura comutatorului.
5. Sprijiniți partea inferioară pătrată a clapetei periiilor pe deschizăturile pătrate. Verificați ca să fiți siguri ca arcul se sprijină pe șanțul V de pe perie. Apăsați în jos partea frontală a clapetei. Apoi apăsați jos și fixați limba din spate în creștătură. După înlocuirea periiilor, lăsați scula să funcționeze fără sarcină; așezați pe o suprafață curată și lăsați să funcționeze liber, la turația maximă, aproximativ 5 minute înainte de a lucra cu sarcină. Acesta va permite periiilor să se așeze în mod corespunzător și va oferi durată de viață prelungită pentru fiecare set de perii. Prin aceasta extindeți și durata de viață a sculei, întrucât va îmbunătăți și va prelunge uzura suprafeței comutatorului. FIGURA 10

CURĂȚAREA SCULEI

SCOATEȚI ȘTECHERUL DIN PRIZĂ ÎNAINTE DE A CURĂȚA SCULA

Fantele de aerisire și părghiile de acționare a întrerupătoarelor trebuie menținute curate și ferite de impurități. Este interzisă curățarea prin introducerea obiectelor ascuțite în orificii. Scula se va curăța cu aer comprimat. Totdeauna purtați ochelari de protecție când curățați scula cu aer comprimat. Nu este necesară lubrifierea sculelor multifuncționale Dremel.

Unii detergenți și solvenți pot avaria părțile din material plastic. Printre altele, acestea sunt: benzina, tetraclorura de carbon, detergenții cu conținut de clor, amoniul și detergenții casnici cu conținut de amoniu. Curățați zonele soft grip ale sculei cu o lavetă umedă. Zonele puternic murdărite pot necesita mai multe ștergeri pentru a deveni curate.

CONTACTAȚI DREMEL

Pentru informații suplimentare despre sortimentul Dremel, pentru suport și asistență, vizitați www.dremel.com

Dremel Europe, P.O. Box 3267, 4800 DG Breda

ОБЩИЕ ИНСТРУКЦИИ ПО ТЕХНИКЕ БЕЗОПАСНОСТИ



ВНИМАНИЕ

ПРОЧИТАЙТЕ ВСЕ ИНСТРУКЦИИ. Ошибки, допущенные при выполнении приведенных ниже инструкций, могут вызвать поражение электрическим током, пожар и/или привести к тяжелым травмам. Использованное ниже понятие «электроинструмент» распространяется на электроинструмент с питанием от сети (с кабелем питания от электросети).

СОХРАНИТЕ ДАННУЮ ИНСТРУКЦИЮ

1. РАБОЧЕЕ МЕСТО

- Рабочее место следует содержать в чистоте и порядке. Беспорядок на рабочем месте и его плохое освещение могут привести к несчастным случаям.
- Запрещается пользоваться электроинструментами во взрывоопасной среде, в которой находятся воспламеняющиеся жидкости, газы или пыль. Электроинструменты искрят, что может привести к воспламенению пыли или паров.
- При работе с электроинструментом не подпускайте близко детей и посторонних лиц. При отвлечении во время работы можно потерять контроль над инструментом.

2. ЭЛЕКТРОБЕЗОПАСНОСТЬ

- Штепсельная вилка электроинструмента должна подходить к штепсельной розетке. Ни в коем случае не изменять штепсельную вилку. Запрещается применять адаптеры для штепсельных вилок электроинструментов с защитным заземлением. *Неизменные штепсельные вилки и подходящие штепсельные розетки снижают риск поражения электротоком.*
- Предотвращайте телесный контакт с заземленными поверхностями, как например, трубами, элементами отопления, кухонными плитами и холодильниками. При заземлении Вашего тела повышается риск поражения электротоком.
- Защищайте электроинструмент от дождя и сырости. При попадании воды в электроинструмент повышается риск поражения электрическим током.
- Не допускается использовать электрокабель не по назначению, например, для ношения или подвески электроинструмента или для вытягивания вилки из штепсельной розетки. Защищайте кабель от воздействия высоких температур, масла, острых кромок или подвижных частей электроинструмента. Поврежденный или сжестленный кабель повышает риск поражения электрическим током.
- При работе с электроинструментом вне помещений используйте кабели-удлинители,

подходящие для работы на открытом воздухе. Использование кабеля, подходящего для работы на открытом воздухе, снижает риск поражения электрическим током.

3. БЕЗОПАСНОСТЬ ЛЮДЕЙ

- Будьте внимательными, следите за тем, что Вы делаете и продуманно начинайте работу с электроинструментом. Не работайте с электроинструментом в усталом состоянии или, если Вы находитесь под влиянием наркотиков, спиртных напитков или лекарств. Одно мгновение невнимательности при работе с электроинструментом может привести к серьезным травмам.
- Используйте средства индивидуальной защиты. Всегда надевайте защитные очки. Средства индивидуальной защиты, как то противопылевые респираторы, нескользящая защитная обувь, защитный шлем или средства защиты органов слуха, в зависимости от работы и применяемого электроинструмента, снижают риск получения травм.
- Предотвращайте непроизвольное включение электроинструмента. Перед тем как вставить вилку в штепсельную розетку убедитесь, что электроинструмент находится в выключенном состоянии. Если Вы при транспорте электроинструмента держите палец на выключателе или включенный электроинструмент подключаете к сети питания, то это может привести к несчастному случаю.
- Убирайте инструмент для настройки и гаечные ключи до включения электроинструмента. Инструмент или ключ, находящийся во вращающейся части электроинструмента, может привести к травмам.
- Не переоценивайте свои силы. Всегда занимайте устойчивое положение и держите равновесие. Благодаря этому Вы можете лучше контролировать электроинструмент в неожиданных ситуациях.
- Надевайте подходящую одежду. Не носите широкую одежду и украшения. Держите волосы, одежду и перчатки на расстоянии от движущихся частей. Широкая одежда, длинные волосы или украшения могут быть затянуты вращающимися частями электроинструмента.
- При наличии возможности установите



б. Используйте средства индивидуальной защиты. Всегда надевайте защитные очки.

Средства индивидуальной защиты, как то противопылевые респираторы, нескользящая защитная обувь, защитный шлем или средства защиты органов слуха, в зависимости от работы и применяемого электроинструмента, снижают риск получения травм.

пылеотсасывающих и пылесборных устройств проверяйте их присоединение и правильное использование. Использование этих устройств снижает опасность воздействия пыли.

4. ЭКСПЛУАТАЦИЯ ЭЛЕКТРОИНСТРУМЕНТА И УХОД ЗА НИМ

- Не перегружайте электроинструмент. Используйте для Вашей работы предназначенный для этого электроинструмент. С подходящим электроинструментом Вы работаете лучше и надежнее в указанном диапазоне мощности.
- Не работайте с электроинструментом с неисправным выключателем. Электроинструмент, который не поддается включению или выключению, опасен и должен быть отремонтирован.
- До начала наладки электроинструмента, замены принадлежностей или прекращения работы отключайте штепсельную вилку от розетки сети. Эта мера предосторожности предотвращает случайное включение электроинструмента.
- Храните неиспользуемые электроинструменты недоступно для детей. Не разрешайте пользоваться электроинструментом лицам, которые не знакомы с ним или не читали настоящих инструкций. Электроинструменты опасны в руках неопытных лиц.
- Тщательно ухаживайте за электроинструментом.

Проверяйте безупречную функцию и ход подвижных частей электроинструмента, отсутствие поломок или повреждений, отрицательно влияющих на функцию электроинструмента. Поврежденные части должны быть отремонтированы до использования электроинструмента. Неудовлетворительное обслуживание электроинструментов является причиной большого числа несчастных случаев.

- Держите режущий инструмент заточенным и чистым. Правильно ухоженные режущие инструменты с острыми режущими кромками режут легче и безопаснее.
- Применяйте электроинструмент, принадлежности, рабочий инструмент и т. д. в соответствии с настоящими инструкциями и так, как это предписано для специального типа инструмента. Учитывайте при этом рабочие условия и выполняемую работу. Использование электроинструментов для непредусмотренных работ может привести к возникновению опасных ситуаций.

5. СЕРВИС

- Ремонт Вашего электроинструмента поручайте только квалифицированному персоналу и только с применением оригинальных запасных частей. Этим обеспечивается сохранность безопасности электроинструмента.

ИНСТРУКЦИИ ПО ТЕХНИКЕ БЕЗОПАСНОСТИ ДЛЯ ВСЕХ ТИПОВ РАБОТ

ИНСТРУКЦИИ ПО ТЕХНИКЕ БЕЗОПАСНОСТИ ОТНОСИТЕЛЬНО К ШЛИФОВАНИЮ, АБРАЗИВНОЙ ОБРАБОТКЕ, РАБОТЕ С ПРОВОЛОЧНЫМИ ЩЕТКАМИ, ПОЛИРОВКЕ И ОТРЕЗАНИЮ

- Настоящий электроинструмент предназначен для применения в качестве шлифовальной машины, шлифовальной машины с наждачной бумагой, проволочной щетки и отрезной машины. Учитывайте все предупредительные указания, инструкции, иллюстрации и данные, которые Вы получите с электроинструментом. При несоблюдении нижеследующих указаний возможно поражение электротоком, возникновение пожара и/или получение серьезных травм.
- Не применяйте принадлежности, которые не предусмотрены изготовителем специально для настоящего электроинструмента и не рекомендуются им. Только возможность крепления принадлежностей в Вашем электроинструменте не гарантирует еще его надежного применения.
- Допустимое число оборотов рабочего инструмента

должно быть не менее указанного на электроинструменте максимального числа оборотов. Принадлежности, вращающиеся с большей, чем допустимо скоростью, могут разорваться.

- Наружный диаметр и толщина рабочего инструмента должны соответствовать размерам Вашего электроинструмента. Неправильно соразмеренные рабочие инструменты не могут быть в достаточной степени защищены или контролироваться.
- Шлифовальные круги, фланцы, шлифовальные тарелки или другие принадлежности должны точно сидеть на шпинделе Вашего электроинструмента. Рабочие инструменты, не точно сидящие на шпинделе электроинструмента, вращаются с биением, сильно вибрируют и могут привести к потере контроля.
- Не применяйте поврежденные рабочие инструменты. Проверяйте каждый раз перед использованием рабочие инструменты, как то, шлифовальные круги на сколы и трещины, шлифовальные тарелки на трещины, риски или сильный износ, проволочные щетки на незакрепленные или поломанные проволоки. После падения электроинструмента или рабочего

инструмента проверяйте последний на повреждения и при надобности замените его на неповрежденный Для Вашей безопасности. После контроля и закрепления рабочего инструмента, Вам и всем находящимся вблизи лицам необходимо занять положение за пределами плоскости вращения рабочего инструмента и включить электроинструмент на одну минуту на максимальное число оборотов. *В большинстве случаев поврежденные рабочие инструменты разрываются за это время контроля.*

- g. Применяйте средства индивидуальной защиты. В зависимости от выполняемой работы применяйте защитный щиток для лица, защитное средство для глаз или защитные очки. При необходимости применяйте противопылевой респиратор, средства защиты органов слуха, защитные перчатки или специальный фартук, которые защищают Вас от абразивных частиц и частиц материала. *Глаза должны быть защищены от летящих в воздухе посторонних тел, которые возникают при выполнении различных работ. Противопылевой респиратор или защитная маска органов дыхания должны задерживать возникающую при работе пыль. Длительное воздействие высокого уровня шума может привести к потере слуха.*
- h. Не допускайте посторонних лиц на Ваш рабочий участок. Каждое лицо в пределах рабочего участка должно иметь средства индивидуальной защиты. *Осколки детали или разорванных рабочих инструментов могут отлететь в сторону и стать причиной травм также и за пределами непосредственного рабочего участка.*
- i. Держите электроинструмент только за изолированные поверхности рукоятки, если Вы выполняете работы, при которых рабочий инструмент может попасть на скрытую электропроводку или на собственный шнур подключения питания. *Контакт с токоведущим проводом ставит под напряжение также металлические части электроинструмента и ведет к поражению электрическим током.*
- j. Держите шнур подключения питания в стороне от вращающегося рабочего инструмента. *Если Вы потеряете контроль над инструментом, то шнур подключения питания может быть перерезан или захвачен вращающейся частью и Ваша кисть или рука может попасть под вращающийся рабочий инструмент.*
- k. Никогда не выпускайте электроинструмент из рук, пока рабочий инструмент полностью не остановится. *Вращающийся рабочий инструмент может зацепиться за опорную поверхность и Вы можете потерять контроль над электроинструментом.*
- l. Выключайте электроинструмент при транспортировании. *Ваша одежда может быть случайно захвачена вращающимся рабочим инструментом и последний может нанести Вам травму.*
- m. Регулярно очищайте вентиляционные прорезы

Вашего электроинструмента. *Вентилятор двигателя затягивает пыль в корпус и большое скопление металлической пыли может привести к электрической опасности.*

- n. Не пользуйтесь электроинструментом вблизи горючих материалов. *Искры могут воспламенить эти материалы.*
- o. Не применяйте рабочие инструменты, требующие применение жидких охлаждающих средств. *Применение воды или других жидких охлаждающих средств может привести к поражению электротоком.*

ОБРАТНЫЙ УДАР И СООТВЕТСТВУЮЩИЕ ПРЕДУПРЕЖДАЮЩИЕ УКАЗАНИЯ

Обратный удар это внезапная реакция в результате заедания или блокирования вращающегося рабочего инструмента, как то, шлифовального круга, шлифовальной тарелки, проволочной щетки и т. д. Заедание или блокирование ведет к резкому останову рабочего инструмента. При этом неконтролируемый электроинструмент приходит в движение в направлении, противоположном направлению вращения рабочего инструмента в месте блокирования. Например, если шлифовальный круг заест или заблокирует в детали, то кромка шлифовального круга, которая погружается в деталь, может врезаться в деталь, круг будет заторможен и в результате выскакивает из детали или возникает обратный удар. При этом шлифовальный круг движется на оператора или от него, в зависимости от направления вращения круга на месте блокирования. При этом шлифовальный круг может разломаться. Обратный удар является следствием неправильного использования электроинструмента или ошибки оператора. Его можно предотвратить подходящими мерами предосторожности, описанными ниже.

- a. Крепко держите электроинструмент и займите Вашим телом и руками положение, в котором Вы можете противодействовать обратным силам. При наличии, всегда применяйте дополнительную рукоятку, чтобы как можно лучше противодействовать обратным силам или реакционным моментам при наборе оборотов. *Оператор может подходящими мерами предосторожности противодействовать обратным и реакционным силам.*
- b. Ваша рука никогда не должна быть вблизи вращающегося рабочего инструмента. *При обратном ударе рабочий инструмент может пойти по Вашей руке.*
- c. Держитесь в стороне от участка, в котором при обратном ударе будет двигаться электроинструмент. *Обратный удар ведет электроинструмент в противоположном направлении к движению шлифовального круга в месте блокирования.*
- d. Особенно осторожно работайте на углах, острых

кромках и т. д. Предотвращайте отскок рабочего инструмента от детали и его заклинивание.

Вращающийся рабочий инструмент склонен на углах, острых кромках и при отскоке к заклиниванию. Это вызывает потерю контроля или обратный удар.

- e. Не применяйте цепные пилы или зубчатые пыльные полотна. *Такие рабочие инструменты часто становятся причиной обратного удара или потери контроля над электроинструментом.*

СПЕЦИАЛЬНЫЕ ПРЕДУПРЕЖДАЮЩИЕ УКАЗАНИЯ ПО ШЛИФОВАНИЮ И ОТРЕЗАНИЮ

- a. Применяйте допущенные исключительно для Вашего электроинструмента абразивные инструменты и предусмотренные для них защитные колпаки. *Абразивные инструменты, не предусмотренные для этого электроинструмента, не могут быть достаточно экранированы и не безопасны.*
- b. Абразивные инструменты допускаются применять только для рекомендуемых работ. Например: Никогда не шлифуйте боковой поверхностью отрезного диска. *Отрезные диски предназначены для съема материала кромкой. Боковые силы на этот абразивный инструмент могут сломать его.*
- c. Всегда применяйте неповрежденные фланцевые гайки с правильными размерами и формой для выбранного Вами шлифовального круга. *Правильные фланцы являются опорой для шлифовального круга и уменьшают опасность его поломки. Фланцы для отрезных дисков могут отличаться от фланцев для шлифовальных кругов.*
- d. Не применяйте изношенные шлифовальные круги больших электроинструментов. *Шлифовальные круги для больших электроинструментов изготовлены не для высоких скоростей вращения маленьких электроинструментов и их может разорвать.*

ДОПОЛНИТЕЛЬНЫЕ СПЕЦИАЛЬНЫЕ ПРЕДУПРЕЖДАЮЩИЕ УКАЗАНИЯ

- a. Предотвращайте блокирование отрезного диска и завышенное усилие прижатия. Не выполняйте слишком глубокие резы. *Перегрузка отрезного диска повышает нагрузку и склонность к перекашиванию или блокированию диска и этим возможность обратного удара или поломки абразивного инструмента.*
- b. Будьте осторожны перед и за вращающимся отрезным диском. *Если Вы ведете отрезной диск в детали от себя, то в случае обратного удара электроинструмент может с вращающимся диском отскочить прямо на Вас.*
- c. При заклинивании отрезного диска или при перерыве в работе выключайте электроинструмент и дайте диску спокойно остановиться. Никогда не пытайтесь вынуть еще вращающийся

отрезной диск из реза, так как это может привести к обратному удару. *Установите и устраните причину заклинивания.*

- d. Не включайте повторно электроинструмент, пока абразивный инструмент находится в детали. Дайте отрезному диску развить полное число оборотов, перед тем как Вы осторожно продолжите резание. *В противном случае диск может завест, выскочить из детали или вызвать обратный удар.*
- e. Плиты или большие детали должны надежно лежать на опоре для снижения опасности обратного удара при заклинивании отрезного диска. *Большие детали могут прогибаться под собственным весом. Деталь должна лежать на опорах с обеих сторон, как вблизи реза, так и по краям.*
- f. Будьте особенно осторожны при выполнении резов с погружением в стены или на других непросматриваемых участках. *Погружающийся отрезной диск может при резании газопровода или водопровода, электрических проводов или других объектов привести к обратному удару.*

СПЕЦИАЛЬНЫЕ ПРЕДУПРЕЖДАЮЩИЕ УКАЗАНИЯ ДЛЯ ШЛИФОВАНИЯ НАЖДАЧНОЙ БУМАГОЙ

- a. Не применяйте шлифовальные листы с завышенными размерами, а следуйте данным изготовителя по размерам шлифовальных листов. *Шлифовальные листы, выступающие за край шлифовальной тарелки, могут стать причиной травм и блокирования, рваться или привести к обратному удару.*

СПЕЦИАЛЬНЫЕ ПРЕДУПРЕЖДАЮЩИЕ УКАЗАНИЯ ДЛЯ ПОЛИРОВАНИЯ

- a. Убирайте незакрепленные части колпака полировального тампона, особенно тесемки крепления. *Спрячьте или укоротите тесемки крепления могут захватить Ваши пальцы или намотаться на деталь.*

ОСОБЫЕ ПРЕДУПРЕЖДАЮЩИЕ УКАЗАНИЯ ДЛЯ РАБОТ С ПРОВОЛОЧНЫМИ ЩЕТКАМИ

- a. Учитывайте, что проволочные щетки теряют проволоки также и при нормальной работе. Не перегружайте проволоки чрезмерным усилием прижатия. *Отлетающие куски проволоки могут легко проникнуть через тонкую одежду и/или кожу.*
- b. Если для работы рекомендуется использовать защитный колпак, то исключайте возможность соприкосновения проволочной щетки с колпаком. *Тарельчатые и чашечные щетки могут увеличить свой диаметр под действием усилия прижатия и центрифугальных сил.*

ОКРУЖАЮЩАЯ СРЕДА

УТИЛИЗАЦИЯ

Отслужившие свой срок электроинструменты, принадлежности и упаковки следует сдавать на экологически чистую рециркуляцию отходов.



Не выбрасывайте электроинструменты в коммунальный мусор!!
Согласно Европейской Директиве 2002/96/ЕЭС о старых электрических и электронных инструментах и приборах, а также о претворении этой директивы в национальное право, отслужившие свой срок электроинструменты должны отдельно собираться и сдаваться на экологически чистую утилизацию.

ТОЛЬКО ДЛЯ СТРАН-ЧЛЕНОВ ЕС

ТЕХНИЧЕСКИЕ ХАРАКТЕРИСТИКИ

ОБЩИЕ ТЕХНИЧЕСКИЕ ХАРАКТЕРИСТИКИ

Напряжение питания . . . 230-240 В, 50-60 Гц
Сила тока 0,6 А
Скорость на холостых оборотах п, 33 000 об/мин
Диаметр цанги 0,8 мм, 1,6 мм, 2,4 мм, 3,2 мм

УДЛИНИТЕЛИ

Используйте полностью развернутые и безопасные удлинители, рассчитанные на ток не менее 5 А.

СПЕЦИФИКАЦИИ ЭЛЕКТРОДВИГАТЕЛЯ

Данный многофункциональный инструмент оснащен высокоскоростным двигателем с регулировкой скорости. Двигатель рассчитан на работу от сети 230-240 В, 50-60 Гц. Перед работой всегда проверяйте, чтобы вольтаж розетки соответствовал данным, указанным на фирменной табличке электроинструмента (инструменты, предназначенные для работы в сетях 230 В или 240 В совместимы с розетками на 220 В).

СБОРКА

ПЕРЕД СЕРВИСНЫМ ОБСЛУЖИВАНИЕМ, ЗАМЕНОЙ ПРИСТАВОК, ПРИНАДЛЕЖНОСТЕЙ И ЦАНГИ ВСЕГДА ОТКЛЮЧАЙТЕ МНОГОФУНКЦИОНАЛЬНЫЙ ИНСТРУМЕНТ ОТ СЕТИ.

ОБЩИЕ ДАННЫЕ

Многофункциональный инструмент Dremel представляет собой высококачественный точный инструмент, который может использоваться для выполнения различных работ. Широкая гамма принадлежностей и приставок Dremel позволяет выполнять множество разных работ, среди которых шлифование, резьба, гравировка, фрезерование, отрезание, чистка и полировка. РИС. 2

РИС. 1

- A. Цанговая гайка
- B. Цанга
- C. Переходник приставки
- D. Крышка станины

- E. Кнопка блокировки вала
- F. Вентиляционные отверстия
- G. Крышка щеток (по одной с каждой стороны)
- H. Выключатель
- I. ЖК-дисплей
- J. Кнопки увеличения/уменьшения скорости
- K. Ремень
- L. Шнур питания

ЦАНГИ

Принадлежности Dremel для многофункциональных инструментов поставляются с различными размерами хвостовиков. Для того чтобы использовать все принадлежности, цанги выпускаются четырех типоразмеров. Размер цанги обозначен кольцами, расположенными позади цанги.

РИС. 3

- M. Цанга 3,2 мм без кольца (480)
- N. Цанга 2,4 мм с тремя кольцами (481)
- O. Цанга 1,6 мм с двумя кольцами (482)
- P. Цанга 0,8 мм с одним кольцом (483)

ПРИМЕЧАНИЕ: Некоторые многофункциональные инструменты поставляются не со всеми четырьмя цангами разных размеров. Цанги поставляются отдельно.

Всегда используйте цангу, соответствующую размеру хвостовика используемой принадлежности. Вставлять хвостовик большего размера в цангу меньшего размера запрещается.

ЗАМЕНА ЦАНГИ

РИС. 4

- Q. Кнопка блокировки вала
- R. Цанговый ключ
- S. Затянуть
- T. Ослабить
- U. Цанговая гайка

1. Нажмите кнопку блокировки вала, удерживайте ее в нажатом положении и вращайте шпindelь рукой, пока он не зафиксируется. Не нажимайте кнопку блокировки вала, если многофункциональный инструмент работает.
2. Удерживая кнопку блокировки вала нажатой, ослабьте и снимите цанговую гайку. В случае необходимости используйте цанговый ключ.
3. Вытяните цангу со шпинделя.

4. Вставьте цангу требуемого типоразмера в шпindelь, установите цанговую гайку и затяните от руки. Не затягивайте гайку до конца, если не устанавливается приставка или принадлежность.

СМЕНА ПРИНАДЛЕЖНОСТЕЙ

РИС. 4/5

- Q. Кнопка блокировки вала

1. Нажмите кнопку блокировки вала, удерживайте ее в нажатом положении и вращайте шпindelь рукой, пока не сработает фиксатор шпинделя. *Не нажимайте кнопку блокировки вала, если многофункциональный инструмент работает.*
2. Удерживая кнопку блокировки вала нажатой, ослабьте (но не снимайте) цанговую гайку. В случае необходимости используйте цанговый ключ.
3. Вставьте хвостовик приставки или принадлежности в цангу до упора.
4. При заблокированном вале затяните цанговую гайку пальцами так, чтобы хвостовик приставки или принадлежности надежно удерживался цангой. *ПРИМЕЧАНИЕ: перед использованием принадлежностей Dremel внимательно прочтите прилагаемые к ним инструкции по эксплуатации.*

Используйте только проверенные высокопроизводительные принадлежности Dremel.

НАЧАЛО РАБОТЫ

РАБОТА С ИНСТРУМЕНТОМ

Перед работой с многофункциональным инструментом следует привыкнуть к нему и "почувствовать" его. Возьмите его в руку, почувствуйте его вес и найдите равновесное положение. Принаровитесь к форме корпуса. Она позволяет держать инструмент примерно так же, как карандаш или авторучку. *Всегда держите инструмент на расстоянии от лица. Принадлежности могут быть повреждены и могут вылететь из инструмента при увеличении скорости. Не закрывайте вентиляционные отверстия во время работы. Блокировка этих отверстий ведет к перегреву двигателя инструмента.* ВАЖНО! Перед началом работы попрактикуйтесь на ненужных обрезках материала, чтобы понять, как ведет себя высокоскоростной инструмент. Не забывайте, что многофункциональный инструмент работает лучше с верно выбранной скоростью и оригинальными принадлежностями и приставками

Dremel. Не перегружайте инструмент во время работы. Напротив, подводите инструмент к обрабатываемой поверхности аккуратно, чтобы почувствовать контакт с точкой, с которой начнется работа. Аккуратно проведите инструментом по заготовке, прилагая рукой очень небольшое усилие. Позвольте принадлежности работать за Вас. Лучше сделать несколько проходов инструментом, чем пытаться выполнить всю работу за один проход. Деликатный подход к работе - это залог полного контроля и точного результата.

КАК ПРАВИЛЬНО ДЕРЖАТЬ ИНСТРУМЕНТ

Для лучшего контроля при тонкой работе возьмите многофункциональный инструмент, как карандаш, большим и указательным пальцами. РИС. 6 Метод двустороннего захвата применяется для выполнения сложных работ, таких как, например, шлифование или отрезание. РИС. 7

СКОРОСТЬ

Данный инструмент является высокоскоростным многофункциональным инструментом. Цифровой дисплей 400 Series DIGITAL отображает точную скорость инструмента в об/мин (x 1000). Для того чтобы увеличить или снизить число оборотов, нажимайте кнопки скорости up / down. Скорость многофункционального инструмента увеличивается или уменьшается с шагом в 1000 об/мин. Это позволяет Вам очень точно регулировать скорость многофункционального инструмента. Регулировка скорости в зависимости от типа выполняемых работ позволяет добиться наилучшего результата. Для достижения наилучшего результата при работе с различными материалами регулируйте скорость, исходя из конкретной задачи. Для достижения наилучшего результата при работе с различными материалами - выбирайте оптимальную скорость для конкретной задачи.

ПРИМЕЧАНИЕ: скачки напряжения влияют на скорость. Снижение напряжения уменьшит количество об/мин, особенно на низкой скорости. Если скорость вашего инструмента снизилась, увеличьте ее до требуемой. Инструмент может не запуститься, если напряжение сети будет ниже 220 В и при этом выбрана самая низкая скорость. В этом случае просто увеличьте скорость.

Таблица настроек скорости, приведенная на с. 4-6, поможет вам выбрать оптимальную скорость при работе с тем или иным материалом или приставкой.

- A) Для гипсокартона. Для наилучшего результата выбирайте 33 000 об/мин.
B) Для цементных стен и полов. Используйте настройки 20.000-28.000 об/мин.

*) Скорость доводочных пропилов. Предостережение: возгорание при глубоких прорезах.

■ В зависимости от направления пиления относительно волокна.

Заключительная стадия большинства работ выполняется на максимальной скорости. Обработка некоторых материалов (например,

некоторых пластмасс) требует относительно небольших скоростей, т. к. на высоких скоростях трение инструмента приводит к выделению тепла и расплавлению материала. Низкая скорость (15 000 об/мин или ниже) лучше всего подходит для полировки при помощи войлочных полировальных приспособлений. При работе со щеткой также рекомендуется выбирать низкую скорость, что позволит сохранить щетку и не даст щетине растрепаться. Несмотря на выбор низкой скорости, производительность инструмента не снижается.

Высокие скорости оптимально подходят для обработки твердых сортов древесины, металлов и стекла, для сверления, резьбы, отрезания, фрезерования и заточки, а также для выборки пазов в древесине.

Несколько инструкций по выбору скорости:

- Пластмассу и легкоплавкие материалы следует обрабатывать на низкой скорости.
- Полировка, отделка и очистка проволоочной щеткой производятся на скорости ниже 15 000 об/мин, чтобы избежать повреждения щетки.
- Резка древесины производится на высокой скорости.
- Резка железа и стали производится на высокой скорости.
- Если высокоскоростной стальной резец начинает вибрировать, это, как правило, означает, что выбрана слишком низкая скорость.
- Резка алюминия, медных, свинцовых и цинковых сплавов, а также олова может производиться на разных скоростях, в зависимости от типа резки. Во избежание прилипания разрезаемого материала к зубьям режущего диска смажьте его парафином (не водой!) или другой подходящей смазкой.

ПРИМЕЧАНИЕ: если инструмент, по вашему мнению, не режет должным образом, увеличивать давление на него не следует. Для достижения требуемого результата попробуйте другую приставку или выберите другую скорость.

УХОД

Техническое обслуживание неспециалистом чревато неправильной сборкой, что может представлять собой серьезную угрозу. Рекомендуется проводить обслуживание всех Ваших инструментов в сервисных центрах фирмы Dremel. Для того, чтобы предотвратить поражение электрическим током или произвольный запуск инструмента, всегда вынимайте штепсельную вилку инструмента из розетки перед работами по уходу или перед чисткой.

УГОЛЬНЫЕ ЩЕТКИ

Щетки, установленные в Вашем инструменте, рассчитаны на длительное использование. Для того чтобы подготовить щетки к работе, запустите инструмент на полной скорости и дайте ему поработать вхолостую около 5 минут. Эта процедура поможет "усадить" щетки и увеличить срок службы инструмента. Для того, чтобы поддерживать мощность двигателя на постоянном высоком уровне, проводите контроль щеток каждые 40-50 часов.

Использование двигателя с изношенными щетками выводит двигатель из строя. Используйте только оригинальные запасные щетки Dremel. Проверяйте щетки на износ через каждые 40-50 отработанных часов. Если многофункциональный инструмент работает нестабильно, теряет мощность или издает необычный шум при работе, убедитесь, что щетки не изношены. В случае необходимости замените их. Порядок работ при проверке/замене щеток многофункционального инструмента:

1. Отсоедините шнур питания инструмента от сети и положите инструмент на чистую поверхность. Для удаления крышек щеток используйте ключ. РИС. 8
2. Переверните инструмент таким образом, чтобы щетка выскользнула из держателя, и проверьте каждую щетку. Если длина щетки не превышает 3 мм и ее поверхность, прилегающая к коллектору, изношена или потрепана, это означает, что щетки следует заменить. Обязательно проверьте обе щетки. РИС. 9
3. В случае износа одной щетки следует заменить обе, для сохранения максимальной производительности многофункционального инструмента. Снимите пружину со старой щетки, наденьте на новую щетку, утилизируйте старую щетку.
4. Установите угольную щетку с пружиной на место - щетка устанавливается только в одно положение. Убедитесь, что щетки установлены как показано на рисунке. РИС. 9 Изогнутая поверхность щетки должна подходить к изгибу поверхности переключателя.
5. Установите квадратную нижнюю часть дверцы щетки в отверстие квадратного паза. Убедитесь,

что пружина встала в V-образную прорезь щетки. Нажмите на переднюю часть дверцы. Теперь нажмите и закройте заднюю защелку. После замены щеток дайте инструменту поработать без нагрузки. Положите его на чистую поверхность и дайте поработать около пяти минут на холостых оборотах, прежде чем начнете работу с ним. Эта процедура поможет "усадить" щетки и увеличить срок их службы. Кроме того, это позволит увеличить срок службы самого инструмента, так как поверхность коллектора будет дольше защищена от износа. РИС. 10

ЧИСТКА ИНСТРУМЕНТА

ПЕРЕД ЧИСТКОЙ ВЫНЬТЕ ШТЕПСЕЛЬНУЮ ВИЛКУ КАБЕЛЯ ИЗ РОЗЕТКИ

Вентиляционные отверстия и выключатели должны всегда быть чистыми. Не пытайтесь прочищать отверстия острыми предметами.

Инструмент разрешается очищать сжатым воздухом. При чистке сжатым воздухом всегда надевайте защитные очки.

Смазка многофункционального инструмента Dremel не требуется.

Некоторые моющие средства и растворители могут повредить пластиковые части. Например: бензин, четыреххлористый углерод, хлорсодержащие чистящие средства, аммиак и домашние моющие средства, содержащие аммиак.

Очищайте поверхности рукоятки с мягкой накладкой при помощи влажной салфетки. Особо загрязненные участки могут потребовать нескольких циклов очистки.

СЕРВИС И ГАРАНТИЙНОЕ ОБСЛУЖИВАНИЕ

Гарантийное обслуживание продукции компании DREMEL осуществляется в соответствии с действующими местными правовыми нормами. Гарантия не распространяется на детали, подверженные естественному износу. В случае использования инструмента не по назначению гарантия теряет силу.

Для рекламации отсылайте инструмент в сборе Вашему дилеру, приложив чек, удостоверяющий покупку.

КОНТАКТЫ С DREMEL

Дополнительная информация об ассортименте продукции Dremel, поддержка пользователей и горячая линия находятся на сайте www.dremel.com

Dremel Europe, P.O. Box 3267, 4800 DG Breda