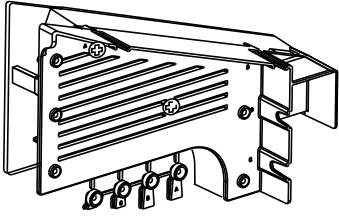
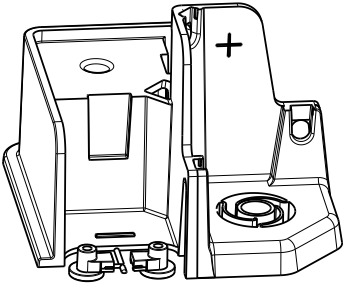
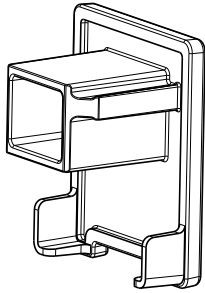
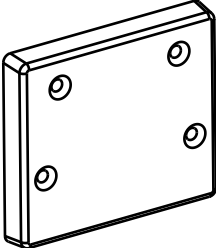

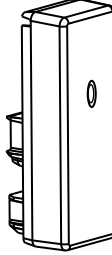

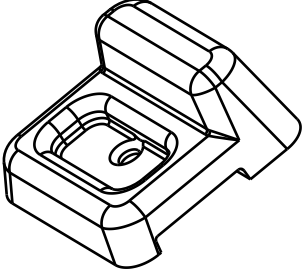
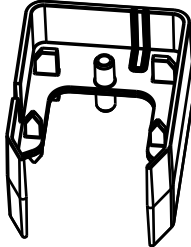
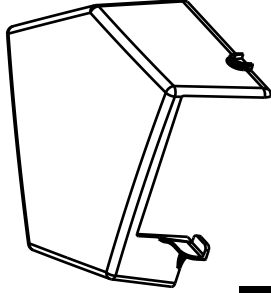
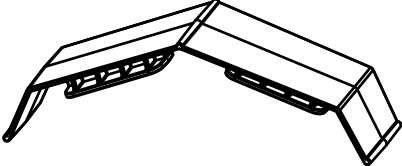
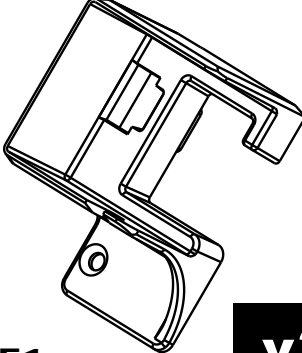
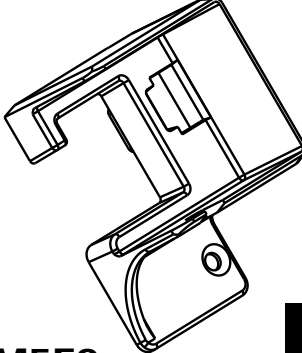
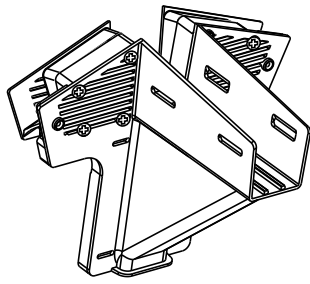


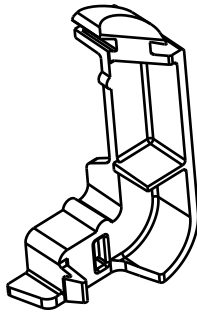
NOMENCLATURE

 <p>M1A1 M1A2</p> <p>x2 x2</p>	 <p>M02A</p> <p>x4</p>	 <p>M02B</p> <p>x2</p>	
 <p>M03</p> <p>x26</p>	 <p>M5E1</p> <p>x2</p>	 <p>M5E2</p> <p>x2</p>	 <p>M5G</p> <p>x4</p>
 <p>M5D</p> <p>x1</p>	 <p>M5B</p> <p>x2</p>	 <p>M5A</p> <p>x2</p>	
 <p>M5C</p> <p>x1</p>	 <p>M5F1</p> <p>x2</p>	 <p>M5F2</p> <p>x2</p>	



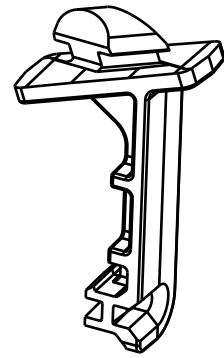
M06A

x2



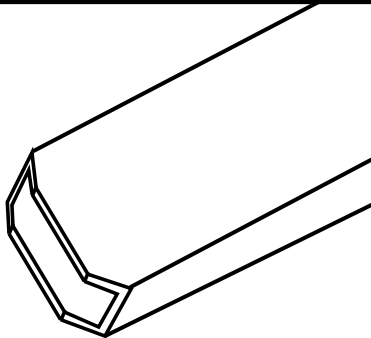
M8A

x32



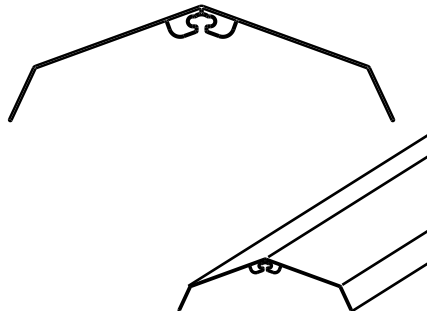
M8B

x12



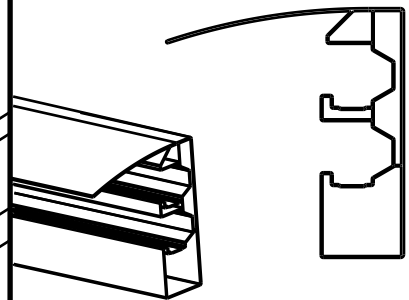
F10A L 1765 mm

x28



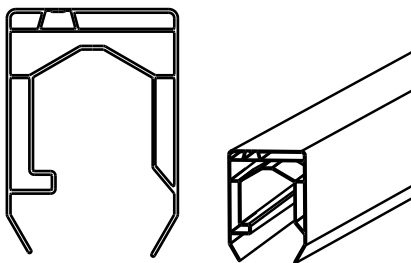
F8D L 1990 mm

x2



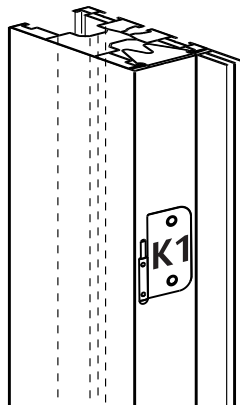
F71E L 2060 mm

x4



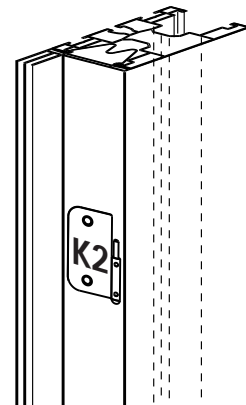
F72D L 1975 mm

x4



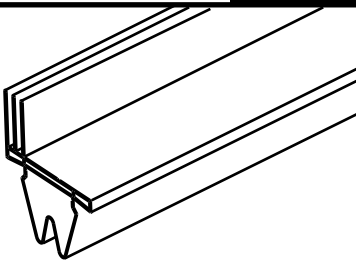
EM1

x1



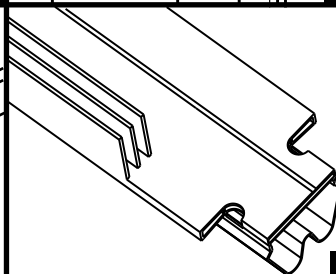
EM2

x1



F6D2 L 600 mm

x2

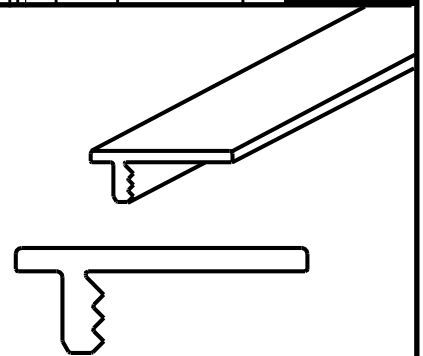


F6A2 L 1482 mm

x1

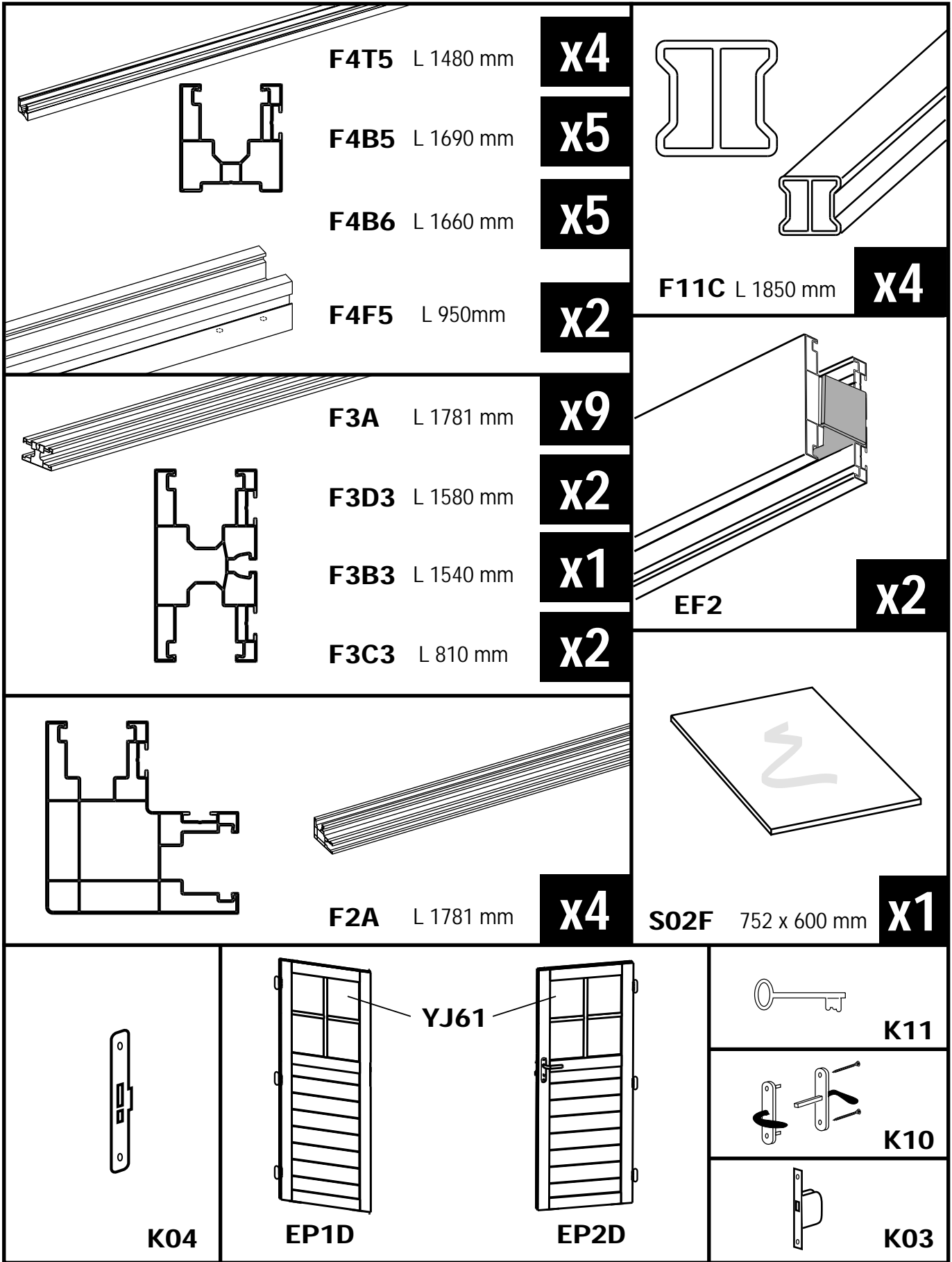
F6E2 L 792mm

x2



FP113 L 1800 mm

x1



F4T5 L 1480 mm

x4

F4B5 L 1690 mm

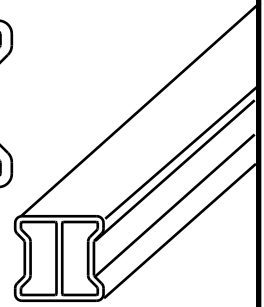
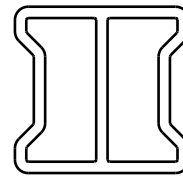
x5

F4B6 L 1660 mm

x5

F4F5 L 950mm

x2



F11C L 1850 mm

x4

F3A L 1781 mm

x9

F3D3 L 1580 mm

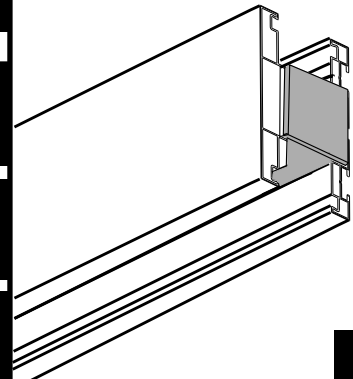
x2

F3B3 L 1540 mm

x1

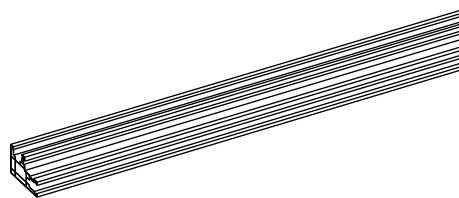
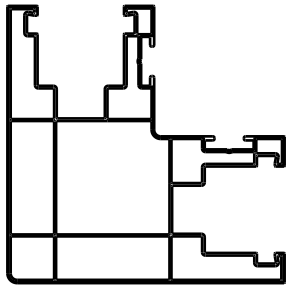
F3C3 L 810 mm

x2



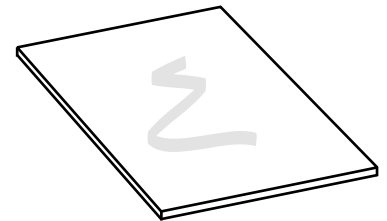
EF2

x2



F2A L 1781 mm

x4

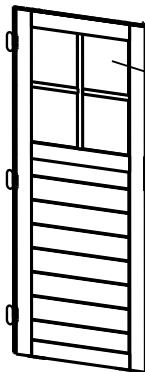


S02F 752 x 600 mm

x1

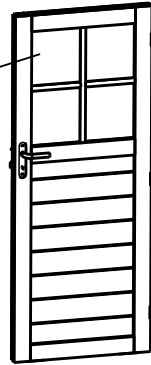


K04



EP1D

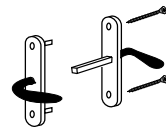
YJ61



EP2D



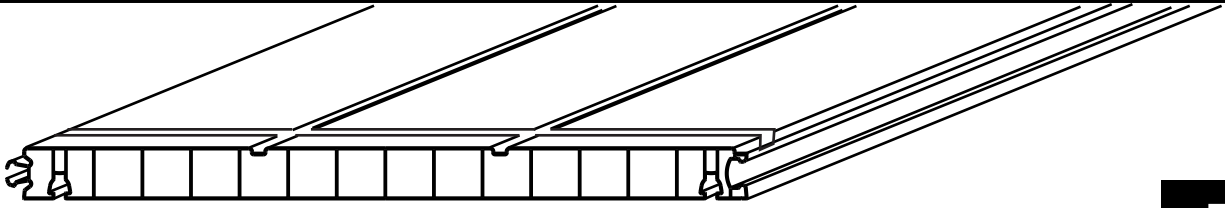
K11



K10



K03

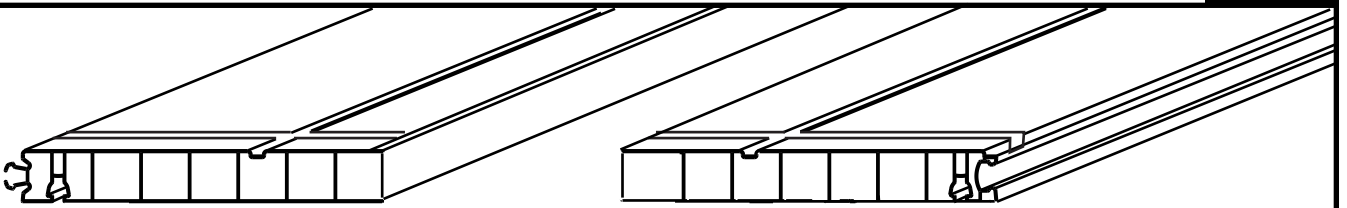


F1H1 L 810 mm

x57

F1H3 L 890 mm

x10



F1D1 L 810 mm

x1

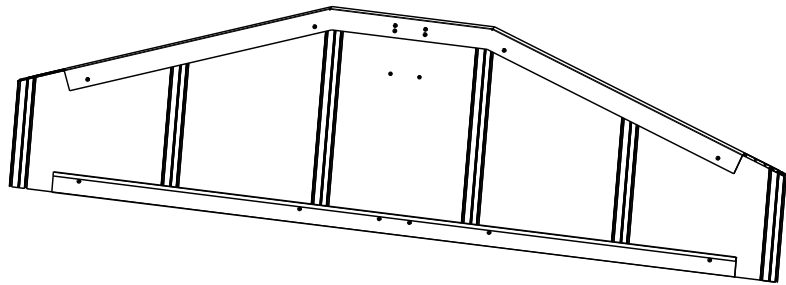
F1D2 L 810 mm

x1



F1T5 L 2100 mm

x22



ET5

x2



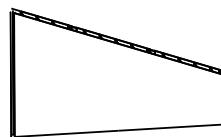
T5-4

x2



T5-3

x2



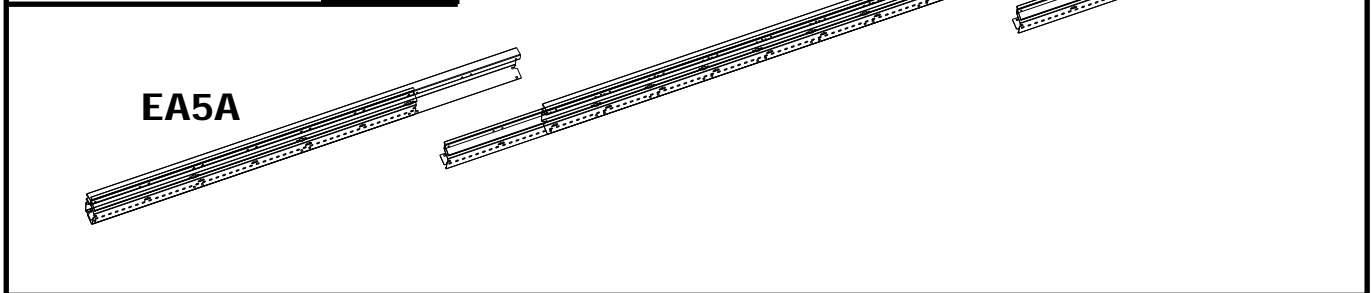
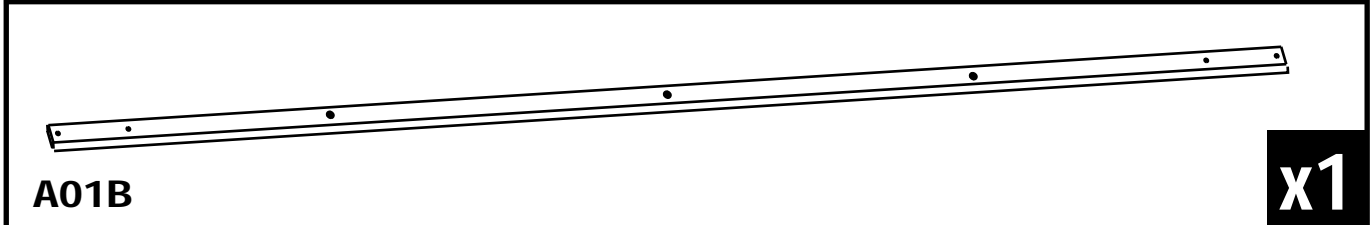
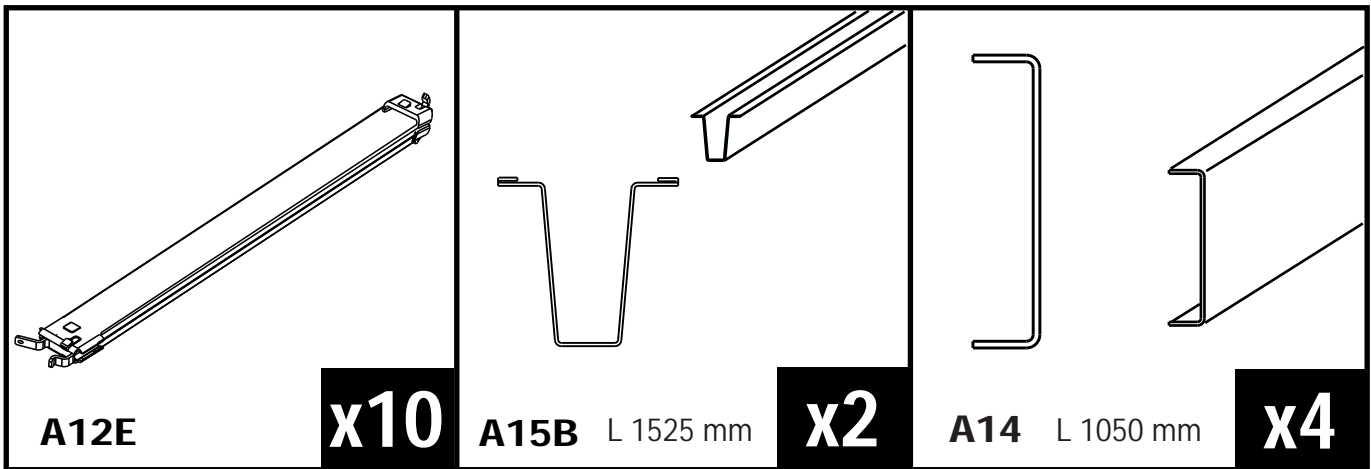
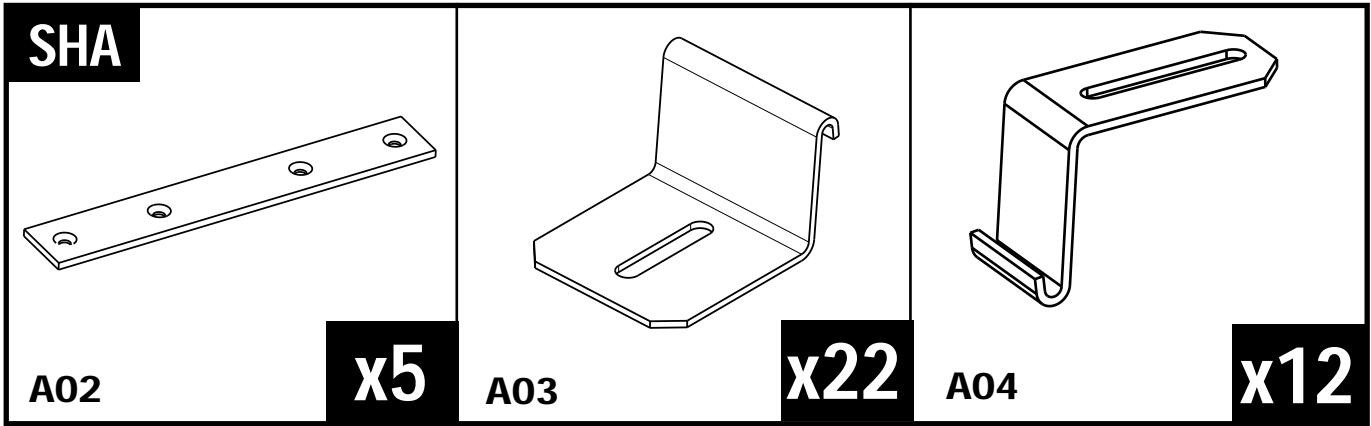
T5-2

x2

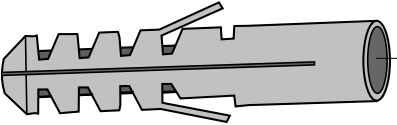


T5-1

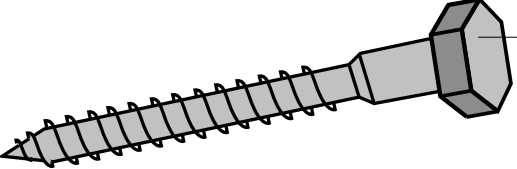
x2



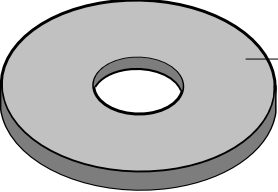
VISSERIE

SH01  **V04**
Ø10mm

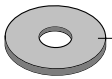
x4

 **V08**
Ø8 x 50mm

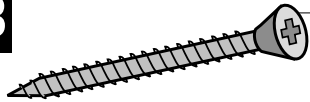
x4

 **V23**
Ø36mm

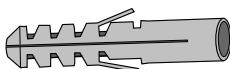
x4

SH07  **V22**
Ø14mm

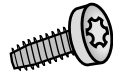
x44

SH08  **V20**
Ø4 x 40mm

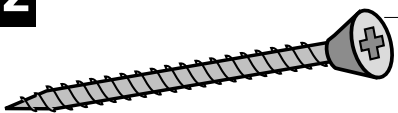
x13

SH09  **V03**
Ø6mm

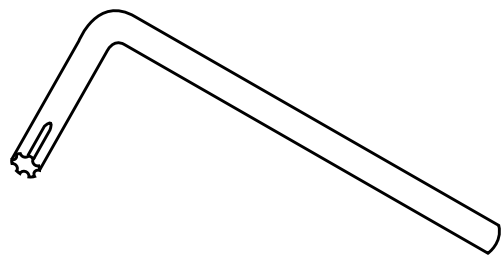
x30

SH10  **V07**
Ø4 x 8mm

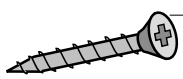
x6

SH02  **V11**
Ø4 x 45mm

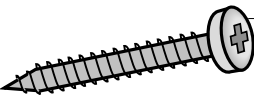
x155



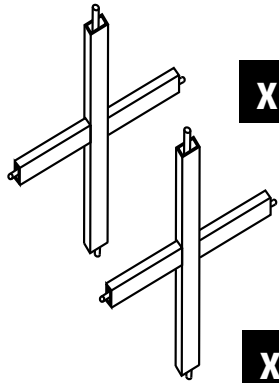
x1

SH03  **V13**
Ø4,2 x 25mm

x73

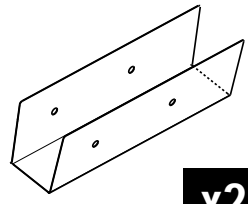
SH04  **V01**
Ø4 x 32mm

x10

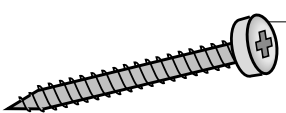
PBYN2 

x1

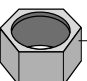
x2

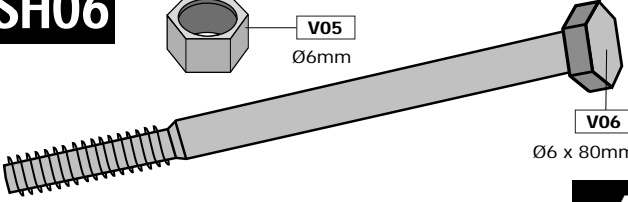
YP02 

x2

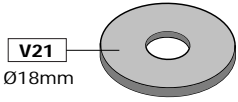
SH05  **V16**
Ø4,2 x 35mm

x35

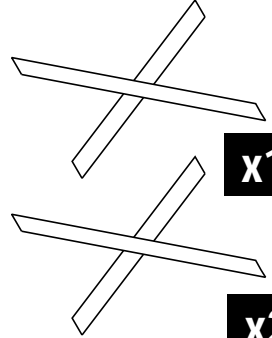
SH06  **V05**
Ø6mm

 **V06**
Ø6 x 80mm

x4


 **V21**
Ø18mm

x8

PBYN4 

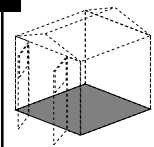
x1

x2

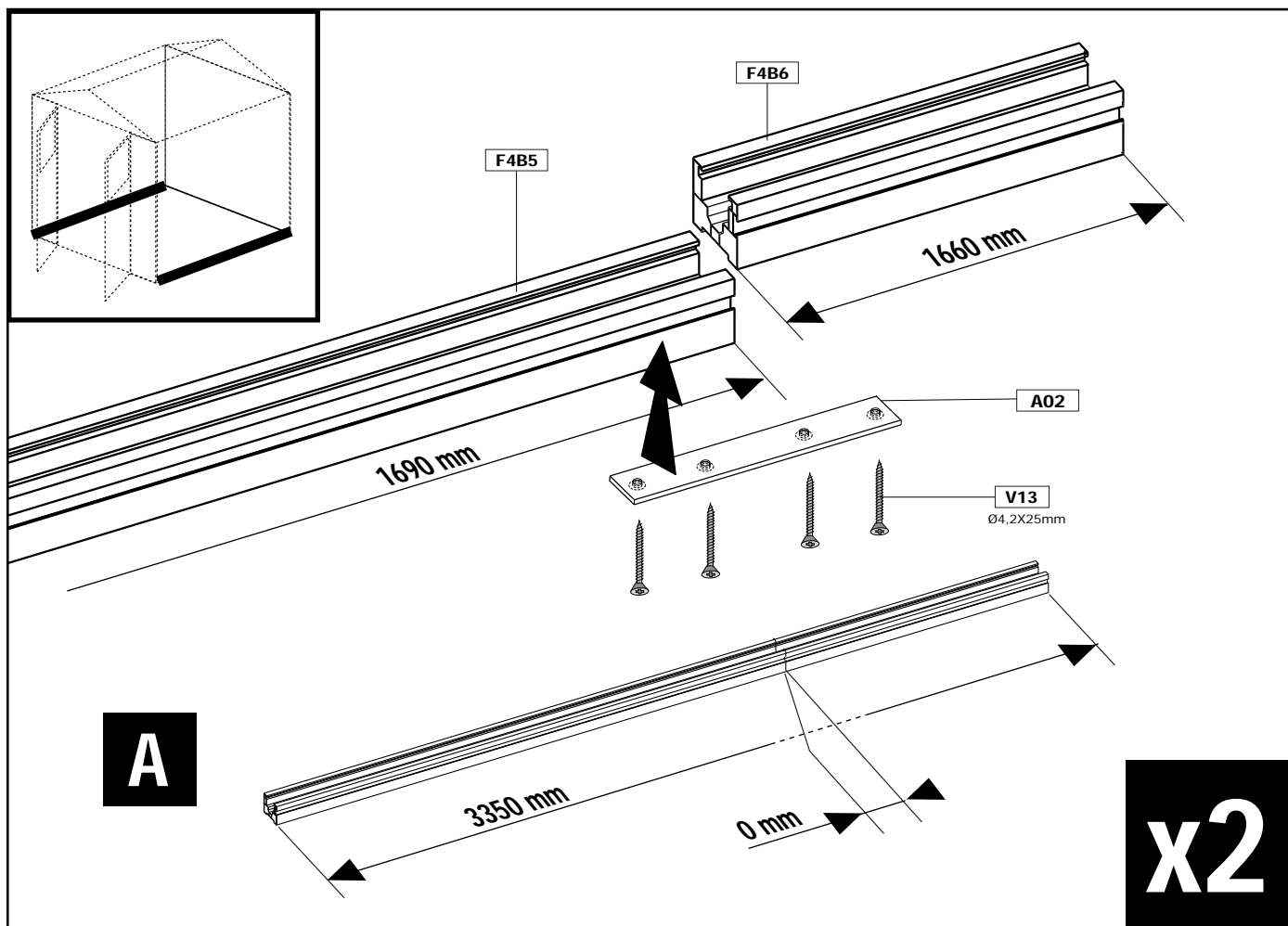
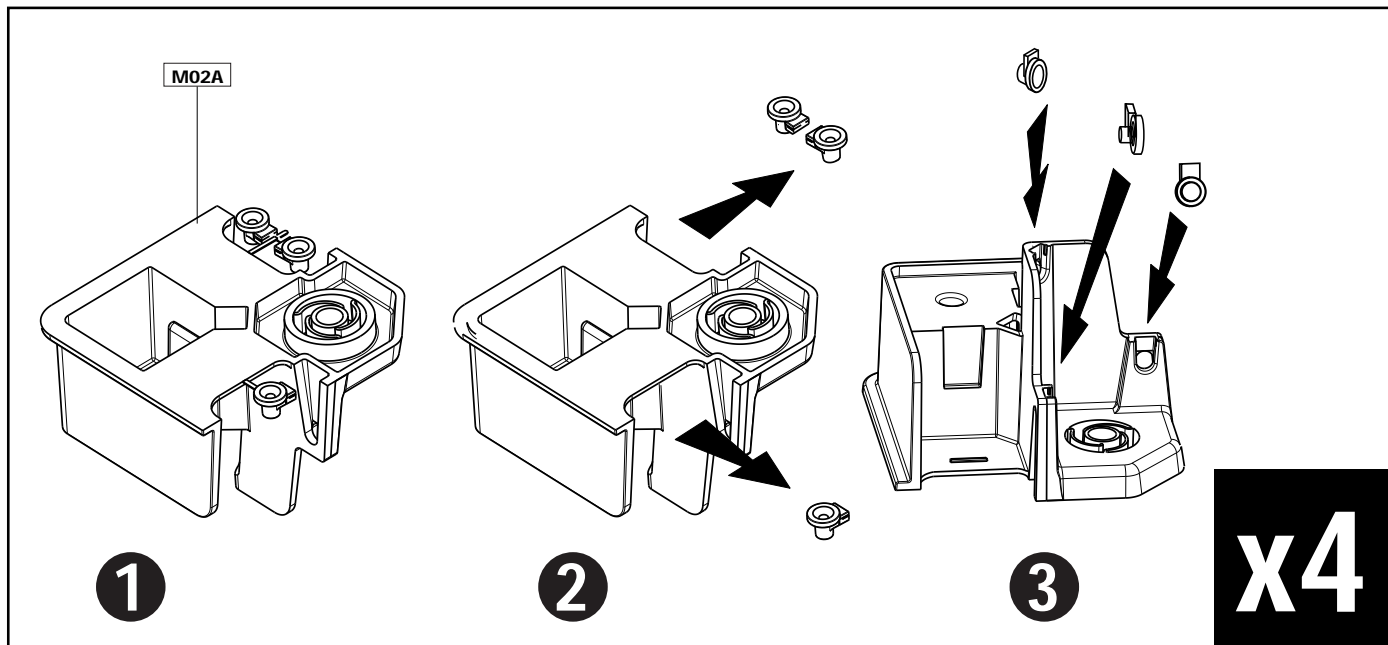
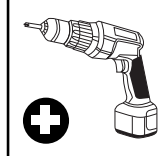
YM09 

x2

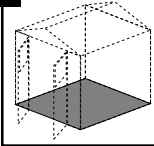
1.1



M02A (x4)
F4B6 (x2)
F4B5 (x2)
V13-SH03 (x8)
A02 (x2)



1.2



F4B6 (x1)
F4B5 (x1)
A02 (x1)
V13- SH03 (x4)

F4F5 (x2)
A01B (x1)
V13- SH03 (x4)

