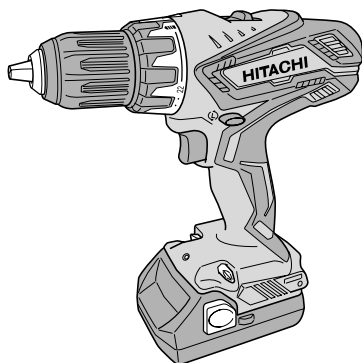


HITACHI

**Cordless Driver Drill
Akku-Bohrschrauber
Perceuse-visseuse à batterie
Trapano-avvitatore a batteria
Snoerloze boor-schroefmachine
Taladro atornillador a batería
Berbequim aparafusadora a bateria**

DS 14DJL • DS 18DJL

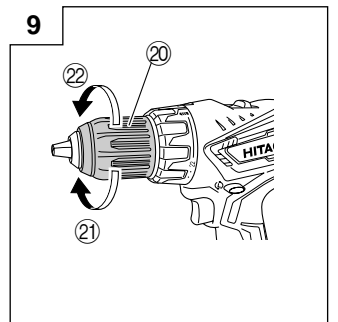
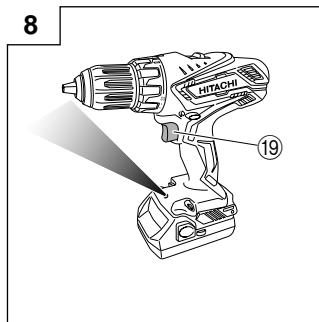
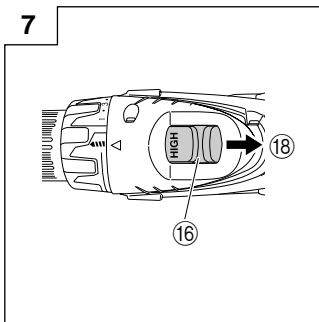
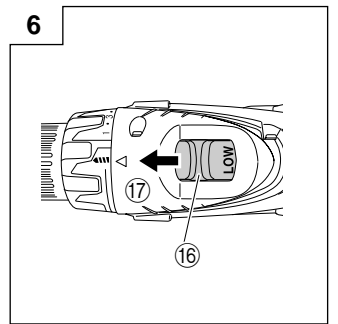
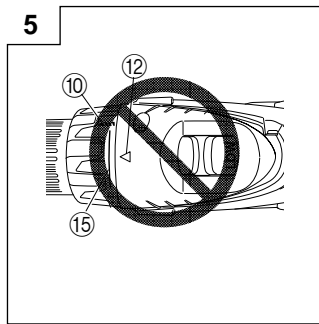
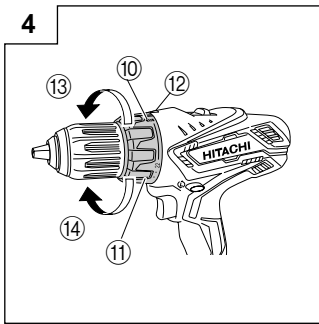
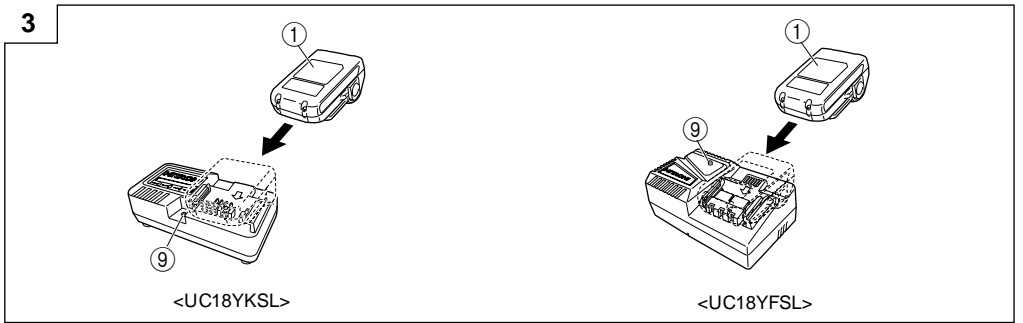
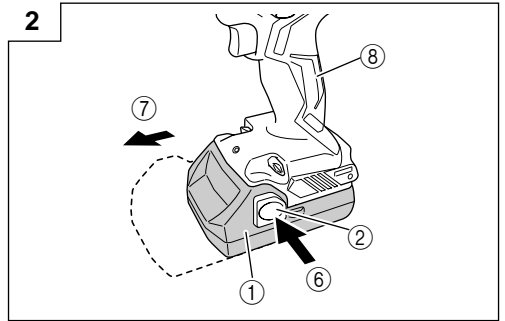
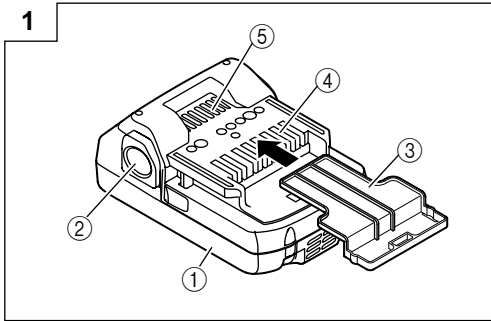


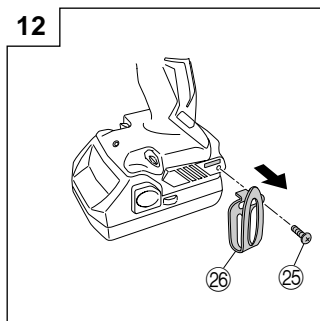
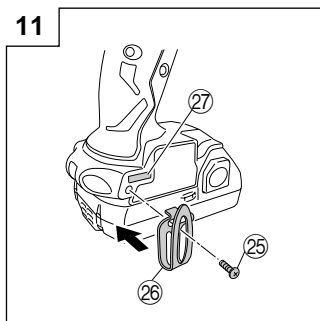
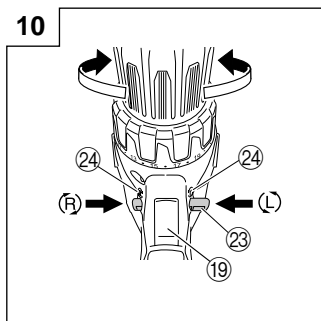
DS18DJL

Read through carefully and understand these instructions before use.
Diese Anleitung vor Benutzung des Werkzeugs sorgfältig durchlesen und verstehen.
Lire soigneusement et bien assimiler ces instructions avant usage.
Prima dell'uso leggere attentamente e comprendere queste istruzioni.
Deze gebruiksaanwijzing a.u.b. voor gebruik zorgvuldig doorlezen.
Leer cuidadosamente y comprender estas instrucciones antes del uso.
Antes de usar, leia com cuidado para assimilar estas instruções.

Handling instructions
Bedienungsanleitung
Mode d'emploi
Istruzioni per l'uso
Gebruiksaanwijzing
Instrucciones de manejo
Instruções de uso





Hitachi Koki





	English	Deutsch	Français	Italiano
①	Rechargeable battery	Aufladbare Batterie	Batterie rechargeable	Batteria ricaricabile
②	Latch	Verriegelung	Taquet	Fermo
③	Battery cover	Akkuabdeckung	Couvercle de la batterie	Coperchio della batteria
④	Terminal	Anschluss	Borne	Terminale
⑤	Ventilator	Lüfter	Ventilateur	Ventola
⑥	Push	Drücken	Pousser	Premere
⑦	Pull out	Herausziehen	Tirer vers l'extérieur	Estrarre
⑧	Handle	Handgriff	Poignée	Impugnatura
⑨	Pilot lamp	Kontrolllampe	Lampe témoin	Spia
⑩	Drill mark	Bohrer-Zeichen	Indice de forage	Simbolo di foratura
⑪	Clutch dial	Kupplungsskala	Sélecteur de débrayage	Ghiera frizione
⑫	Triangle mark	Dreiecksmarkierung	Triangle	Simbolo del triangolo
⑬	Weak	Schwach	Faible	Debol
⑭	Strong	Stark	Fort	Forte
⑮	Line	Linie	Ligne	Linea
⑯	Shift knob	Schaltknopf	Bouton de décalage	Manopola di comando
⑰	Low speed	Kleine Geschwindigkeit	Vitesse ralentie	Bassa velocità
⑱	High speed	Große Geschwindigkeit	Vitesse élevée	Alta velocità
⑲	Trigger switch	Trigger	Déclencheur	Interruttore
⑳	Sleeve	Manschette	Manchon	Collare
㉑	Tighten	Anziehen	Serrer	Stringere
㉒	Loosen	Lösen	Desserrer	Allentare
㉓	Selector button	Wählhebel	Sélecteur	Selettore
㉔	(R) and (L) marks	(R) und (L) Zeichen	Indices (R) et (L)	Segno (R), (L)
㉕	Screw	Schraube	Vis	Vite
㉖	Hook	Haken	Crochet	Gancio
㉗	Groove	Nut	Gorge	Scanalatura

	Nederlands	Español	Português
①	Oplaadbare batterij	Batería recargable	Bateria recarregável
②	Vergrendeling	Cierre	Lingüeta
③	Batterijdeksel	Tapa de la batería	Tampa da bateria
④	Klem	Terminal	Terminal
⑤	Ventilator	Ventilador	Ventilador
⑥	Duwen	Pulsador	Premir
⑦	Uittrekken	Sacar	Retirar
⑧	Handgreep	Asidero	Cabo
⑨	Controlelampje	Lámpara piloto	Lâmpada piloto
⑩	Boor-markering	Marca del taladro	Símbolo da broca
⑪	Koppelingsinstelling	Dial del embrague	Disco de engate
⑫	Driehoekje	Marca de triángulo	Marca de triângulo
⑬	Zwak	Débil	Fraco
⑭	Sterk	Fuerte	Forte
⑮	Streepje	Línea	Linha
⑯	Toerenschakelaar	Mando de cambio	Comutador
⑰	Laag toerental	Velocidad alta	Velocidade baixa
⑱	Hoog toerental	Velocidad baja	Velocidade alta
⑲	Trekkerschakelaar	Conmutador de gatillo	Interruptor de comando
⑳	Klembus	Manguito	Manguito
㉑	Aandraaien	Apretar	Apertar
㉒	Losdraaien	Aflojar	Afrouxar
㉓	Omzetschakelaar	Botón selector	Botão seletor
㉔	(R) en (L) merktekens	Marcas (R) y (L)	Marcas (R) e (L)
㉕	Schroef	Tornillo	Parafuso
㉖	Haak	Gancho	Gancho
㉗	Groef	Ranura	Ranhura

	English	Deutsch	Français	Italiano
	<p>Symbols ⚠ WARNING The following show symbols used for the machine. Be sure that you understand their meaning before use.</p>	<p>Symbole ⚠ WARNUNG Die folgenden Symbole werden für diese Maschine verwendet. Achten Sie darauf, diese vor der Verwendung zu verstehen.</p>	<p>Symboles ⚠ AVERTISSEMENT Les symboles suivants sont utilisés pour l'outil. Bien se familiariser avec leur signification avant d'utiliser l'outil.</p>	<p>Simboli ⚠ AVVERTENZA Di seguito mostriamo i simboli usati per la macchina. Assicurarsi di comprenderne il significato prima dell'uso.</p>
	<p>Read all safety warnings and all instructions. Failure to follow the warnings and instructions may result in electric shock, fire and/or serious injury.</p>	<p>Lesen Sie sämtliche Sicherheitshinweise und Anweisungen durch. Wenn die Warnungen und Anweisungen nicht befolgt werden, kann es zu Stromschlag, Brand und/oder ernsthaften Verletzungen kommen.</p>	<p>Lire tous les avertissements de sécurité et toutes les instructions. Tout manquement à observer ces avertissements et instructions peut engendrer des chocs électriques, des incendies et/ou des blessures graves.</p>	<p>Leggere tutti gli avvertimenti di sicurezza e tutte le istruzioni. La mancata osservanza degli avvertimenti e delle istruzioni potrebbe essere causa di scosse elettriche, incendi e/o gravi lesioni.</p>
	<p>Only for EU countries Do not dispose of electric tools together with household waste material! In observance of European Directive 2002/96/EC on waste electrical and electronic equipment and its implementation in accordance with national law, electric tools that have reached the end of their life must be collected separately and returned to an environmentally compatible recycling facility.</p>	<p>Nur für EU-Länder Werfen Sie Elektrowerkzeuge nicht in den Hausmüll! Gemäss Europäischer Richtlinie 2002/96/EG über Elektro- und Elektronik-Altgeräte und Umsetzung in nationales Recht müssen verbrauchte Elektrowerkzeuge getrennt gesammelt und einer umweltgerechten Wiederverwertung zugeführt werden.</p>	<p>Pour les pays européens uniquement Ne pas jeter les appareils électriques dans les ordures ménagères! Conformément à la directive européenne 2002/96/CE relative aux déchets d'équipements électriques ou électroniques (DEEE), et à sa transposition dans la législation nationale, les appareils électriques doivent être collectés à part et être soumis à un recyclage respectueux de l'environnement.</p>	<p>Solo per Paesi UE Non gettare le apparecchiature elettriche tra i rifiuti domestici. Secondo la Direttiva Europea 2002/96/CE sui rifiuti di apparecchiature elettriche ed elettroniche e la sua attuazione in conformità alle norme nazionali, le apparecchiature elettriche esauste devono essere raccolte separatamente, al fine di essere reimpiagate in modo eco-compatibile.</p>
	Nederlands	Español	Português	
	<p>Symbolen ⚠ WAARSCHUWING Hieronder staan symbolen afgebeeld die van toepassing zijn op deze machine. U moet de betekenis hiervan begrijpen voor gebruik.</p>	<p>Símbolos ⚠ ADVERTENCIA A continuación se muestran los símbolos usados para la máquina. Asegúrese de comprender su significado antes del uso.</p>	<p>Símbolos ⚠ AVISO A seguir aparecem os símbolos utilizados pela máquina. Assimile bem seus significados antes do uso.</p>	
	<p>Lees alle waarschuwingen en instructies aandachtig door. Nalating om de waarschuwingen en instructies op te volgen kan in een elektrische schok, brand en/of ernstig letsel resulteren.</p>	<p>Lea todas las instrucciones y advertencias de seguridad. Si no se siguen las advertencias e instrucciones, podría producirse una descarga eléctrica, un incendio y/o daños graves.</p>	<p>Leia todas as instruções e avisos de segurança. Se não seguir todas as instruções e os avisos, pode provocar um choque eléctrico, incêndio e/ou ferimentos graves.</p>	
	<p>Alleen voor EU-landen Geef elektrisch gereedschap niet met het huisvuil mee! Volgens de Europese richtlijn 2002/96/EC inzake oude elektrische en elektronische apparaten en de toepassing daarvan binnen de nationale wetgeving, dient gebruikt elektrisch gereedschap gescheiden te worden ingezameld en te worden afgevoerd naar een recycle bedrijf dat voldoet aan de geldende milieueisen.</p>	<p>Sólo para países de la Unión Europea ¡No deseches los aparatos eléctricos junto con los residuos domésticos! De conformidad con la Directiva Europea 2002/96/CE sobre residuos de aparatos eléctricos y electrónicos y su aplicación de acuerdo con la legislación nacional, las herramientas eléctricas cuya vida útil haya llegado a su fin se deberán recoger por separado y trasladar a una planta de reciclaje que cumpla con las exigencias ecológicas.</p>	<p>Apenas para países da UE Não deite ferramentas eléctricas no lixo doméstico! De acordo com a directiva europeia 2002/96/CE sobre ferramentas eléctricas e electrónicas usadas e a transposição para as leis nacionais, as ferramentas eléctricas usadas devem ser recolhidas em separado e encaminhadas a uma instalação de reciclagem dos materiais ecológica.</p>	

GENERAL POWER TOOL SAFETY WARNINGS**⚠ WARNING**

Read all safety warnings and all instructions.

Failure to follow the warnings and instructions may result in electric shock, fire and/or serious injury.

Save all warnings and instructions for future reference.

The term "power tool" in the warnings refers to your mains-operated (corded) power tool or battery-operated (cordless) power tool.

1) Work area safety

- a) **Keep work area clean and well lit.**

Cluttered or dark areas invite accidents.

- b) **Do not operate power tools in explosive atmospheres, such as in the presence of flammable liquids, gases or dust.**

Power tools create sparks which may ignite the dust or fumes.

- c) **Keep children and bystanders away while operating a power tool.**

Distractions can cause you to lose control.

2) Electrical safety

- a) **Power tool plugs must match the outlet.**

Never modify the plug in any way.

Do not use any adapter plugs with earthed (grounded) power tools.

Unmodified plugs and matching outlets will reduce risk of electric shock.

- b) **Avoid body contact with earthed or grounded surfaces, such as pipes, radiators, ranges and refrigerators.**

There is an increased risk of electric shock if your body is earthed or grounded.

- c) **Do not expose power tools to rain or wet conditions.**

Water entering a power tool will increase the risk of electric shock.

- d) **Do not abuse the cord. Never use the cord for carrying, pulling or unplugging the power tool. Keep cord away from heat, oil, sharp edges or moving parts.**

Damaged or entangled cords increase the risk of electric shock.

- e) **When operating a power tool outdoors, use an extension cord suitable for outdoor use.**

Use of a cord suitable for outdoor use reduces the risk of electric shock.

- f) **If operating a power tool in a damp location is unavoidable, use a residual current device (RCD) protected supply.**

Use of an RCD reduces the risk of electric shock.

3) Personal safety

- a) **Stay alert, watch what you are doing and use common sense when operating a power tool. Do not use a power tool while you are tired or under the influence of drugs, alcohol or medication.**

A moment of inattention while operating power tools may result in serious personal injury.

- b) **Use personal protective equipment. Always wear eye protection.**

Protective equipment such as dust mask, non-skid safety shoes, hard hat, or hearing protection used for appropriate conditions will reduce personal injuries.

- c) **Prevent unintentional starting. Ensure the switch is in the off-position before connecting to power source and/or battery pack, picking up or carrying the tool.**

Carrying power tools with your finger on the switch or energising power tools that have the switch on invites accidents.

- d) **Remove any adjusting key or wrench before turning the power tool on.**

A wrench or a key left attached to a rotating part of the power tool may result in personal injury.

- e) **Do not overreach. Keep proper footing and balance at all times.**

This enables better control of the power tool in unexpected situations.

- f) **Dress properly. Do not wear loose clothing or jewellery. Keep your hair, clothing and gloves away from moving parts.**

Loose clothes, jewellery or long hair can be caught in moving parts.

- g) **If devices are provided for the connection of dust extraction and collection facilities, ensure these are connected and properly used.**

Use of dust collection can reduce dust related hazards.

4) Power tool use and care

- a) **Do not force the power tool. Use the correct power tool for your application.**

The correct power tool will do the job better and safer at the rate for which it was designed.

- b) **Do not use the power tool if the switch does not turn it on and off.**

Any power tool that cannot be controlled with the switch is dangerous and must be repaired.

- c) **Disconnect the plug from the power source and/or the battery pack from the power tool before making any adjustments, changing accessories, or storing power tools.**

Such preventive safety measures reduce the risk of starting the power tool accidentally.

- d) **Store idle power tools out of the reach of children and do not allow persons unfamiliar with the power tool or these instructions to operate the power tool.**

Power tools are dangerous in the hands of untrained users.

- e) **Maintain power tools. Check for misalignment or binding of moving parts, breakage of parts and any other condition that may affect the power tools operation.**

If damaged, have the power tool repaired before use.

Many accidents are caused by poorly maintained power tools.

- f) **Keep cutting tools sharp and clean.**

Properly maintained cutting tools with sharp cutting edges are less likely to bind and are easier to control.

- g) **Use the power tool, accessories and tool bits etc. in accordance with these instructions, taking into account the working conditions and the work to be performed.**

Use of the power tool for operations different from those intended could result in a hazardous situation.

5) Battery tool use and care

a) Recharge only with the charger specified by the manufacturer.

A charger that is suitable for one type of battery pack may create a risk of fire when used with another battery pack.

b) Use power tools only with specifically designated battery packs.

Use of any other battery packs may create a risk of injury and fire.

c) When battery pack is not in use, keep it away from other metal objects like paper clips, coins, keys, nails, screws, or other small metal objects that can make a connection from one terminal to another.

Shorting the battery terminals together may cause burns or a fire.

d) Under abusive conditions, liquid may be ejected from the battery; avoid contact. If contact accidentally occurs, flush with water. If liquid contacts eyes, additionally seek medical help.

Liquid ejected from the battery may cause irritation or burns.

6) Service

a) Have your power tool serviced by a qualified repair person using only identical replacement parts.

This will ensure that the safety of the power tool is maintained.

PRECAUTION

Keep children and infirm persons away.

When not in use, tools should be stored out of reach of children and infirm persons.

CORDLESS DRIVER DRILL SAFETY WARNINGS

- Use auxiliary handle(s), if supplied with the tool. Loss of control can cause personal injury.
- Hold power tool by insulated gripping surfaces, when performing an operation where the cutting accessory or fastener may contact hidden wiring. Cutting accessory or fasteners contacting a "live" wire may make exposed metal parts of the power tool "live" and could give the operator an electric shock.
- Always charge the battery at a temperature of 0 – 40°C. A temperature of less than 0°C will result in over charging which is dangerous. The battery cannot be charged at a temperature higher than 40°C.
The most suitable temperature for charging is that of 20 – 25°C.
- When one charging is completed, leave the charger for about 15 minutes before the next charging of battery.
Do not charge more than two batteries consecutively.
- Do not allow foreign matter to enter the hole for connecting the rechargeable battery.
- Never disassemble the rechargeable battery and charger.
- Never short-circuit the rechargeable battery. Short-circuiting the battery will cause a great electric current and overheat. It results in burn or damage to the battery.

- Do not dispose of the battery in fire. If the battery is burnt, it may explode.
- Bring the battery to the shop from which it was purchased as soon as the post-charging battery life becomes too short for practical use. Do not dispose of the exhausted battery.
- Using an exhausted battery will damage the charger.
- Do not insert object into the air ventilation slots of the charger.
Inserting metal objects or inflammables into the charger air ventilation slots will result in electrical shock hazard or damaged charger.
- When mounting a bit into the keyless chuck, tighten the sleeve adequately. If the sleeve is not tight, the bit may slip or fall out, causing injury.
- This product contains a strong permanent magnet in the motor.
Observe the following precautions regarding adhering of chips to the tool and the effect of the permanent magnet on electronic devices.

CAUTION

○ Do not place the tool on a workbench or work area where metal chips are present.

The chips may adhere to the tool, resulting in injury or malfunction.

○ If chips have adhered to the tool, do not touch it. Remove the chips with a brush.

Failure to do so may result in injury.



○ If you use a pacemaker or other electronic medical device, do not operate or approach the tool.

Operation of the electronic device may be affected.

○ Do not use the tool in the vicinity of precision devices such as cell phones, magnetic cards or electronic memory media.

Doing so may lead to misoperation, malfunction or loss of data.

CAUTION ON LITHIUM-ION BATTERY

To extend the lifetime, the lithium-ion battery equips with the protection function to stop the output. In the cases of 1 to 3 described below, when using this product, even if you are pulling the switch, the motor may stop. This is not the trouble but the result of protection function.

- When the battery power remaining runs out, the motor stops.
In such a case, charge it up immediately.
- If the tool is overloaded, the motor may stop. In this case, release the switch of tool and eliminate causes of overloading. After that, you can use it again.
- If the battery is overheated under overload work, the battery power may stop.
In this case, stop using the battery and let the battery cool. After that, you can use it again.

Furthermore, please heed the following warning and caution.

WARNING

In order to prevent any battery leakage, heat generation, smoke emission, explosion and ignition beforehand, please be sure to heed the following precautions.

1. Make sure that swarf and dust do not collect on the battery.
 - During work make sure that swarf and dust do not fall on the battery.
 - Make sure that any swarf and dust falling on the power tool during work do not collect on the battery.
 - Do not store an unused battery in a location exposed to swarf and dust.
 - Before storing a battery, remove any swarf and dust that may adhere to it and do not store it together with metal parts (screws, nails, etc.).
2. Do not pierce battery with a sharp object such as a nail, strike with a hammer, step on, throw or subject the battery to severe physical shock.
3. Do not use an apparently damaged or deformed battery.
4. Do not use the battery in reverse polarity.
5. Do not connect directly to an electrical outlets or car cigarette lighter sockets.
6. Do not use the battery for a purpose other than those specified.
7. If the battery charging fails to complete even when a specified recharging time has elapsed, immediately stop further recharging.
8. Do not put or subject the battery to high temperatures or high pressure such as into a microwave oven, dryer, or high pressure container.

9. Keep away from fire immediately when leakage or foul odor are detected.
10. Do not use in a location where strong static electricity generates.
11. If there is battery leakage, foul odor, heat generated, discolored or deformed, or in any way appears abnormal during use, recharging or storage, immediately remove it from the equipment or battery charger, and stop use.

CAUTION

1. If liquid leaking from the battery gets into your eyes, do not rub your eyes and wash them well with fresh clean water such as tap water and contact a doctor immediately.
If left untreated, the liquid may cause eye-problems.
2. If liquid leaks onto your skin or clothes, wash well with clean water such as tap water immediately.
There is a possibility that this can cause skin irritation.
3. If you find rust, foul odor, overheating, discolor, deformation, and/or other irregularities when using the battery for the first time, do not use and return it to your supplier or vendor.

WARNING

If a conductive foreign matter enters in the terminal of lithium ion battery, the battery may be shorted, causing fire. When storing the lithium ion battery, obey surely the rules of following contents.

- **Do not place conductive debris, nail and wires such as iron wire and copper wire in the storage case.**
- **To prevent shorting from occurring, load the battery in the tool or insert securely the battery cover for storing until the ventilator is not seen. (Fig. 1)**

SPECIFICATIONS

POWER TOOL

Model		DS14DJL		DS18DJL	
No-load speed (Low / High)		0 – 450 / 0 – 1250 min ⁻¹			
Capacity	Drilling	Wood (Thickness 18 mm)	30 mm		38 mm
		Metal (Thickness 1.6 mm)	Steel: 13 mm, Aluminum: 13 mm		
	Driving	Machine screw	6 mm		
		Wood screw	6.0 mm (diameter) × 75 mm (length) (Requires a pilot hole)	6.8 mm (diameter) × 50 mm (length) (Requires a pilot hole)	
Rechargeable battery		BSL1415: Li-ion 14.4 V (1.5 Ah 4 cells)	BSL1425: Li-ion 14.4 V (2.5 Ah 4 cells)	BSL1815: Li-ion 18 V (1.5 Ah 5 cells)	BSL1825: Li-ion 18 V (2.5 Ah 5 cells)
Weight*		1.6 kg		1.7 kg	

* Weight: According to EPTA-Procedure 01/2003

CHARGER

Model	UC18YKSL	UC18YFSL
Charging voltage	14.4 V – 18 V	
Weight	0.35 kg	0.5 kg

STANDARD ACCESSORIES

DS14DJL (2LEGK) DS18DJL (2LEGK)	① Plus driver bit (No. 2)	1
	② Charger (UC18YKSL)	1
	③ Battery (BSL1415 or BSL1815)	2
	④ Plastic case	1
	⑤ Battery cover	1
DS14DJL (2LFGK) (2LFRK) DS18DJL (2LFGK) (2LFRK)	① Plus driver bit (No. 2)	1
	② Charger (UC18YKSL or UC18YFSL)	1
	③ Battery (BSL1425 or BSL1825)	2
	④ Plastic case	1
	⑤ Battery cover	1
	⑥ Cordless torchlight (UB18DAL)	1
DS18DJL (NNK)	① Plus driver bit (No. 2)	1
	② Plastic case	1
DS14DJL (NN) DS18DJL (NN)	① Plus driver bit (No. 2)	1
	② Without charger, battery, plastic case, torchlight and battery cover.	

Standard accessories are subject to change without notice.

OPTIONAL ACCESSORIES (sold separately)

- Battery
BSL1415, BSL1425
BSL1815, BSL1825
- Hook (with screw)

Optional accessories are subject to change without notice.

APPLICATIONS

- Driving and removing of machine screws, wood screws, tapping screws, etc.
- Drilling of various metals
- Drilling of various woods

BATTERY REMOVAL/INSTALLATION

1. Battery removal

Hold the handle tightly and push the battery latch (2 pcs.) to remove the battery (See **Figs. 1 and 2**).

CAUTION

Never short-circuit the battery.

2. Battery installation

Insert the battery while observing its polarities (See **Fig. 2**).

CHARGING

Before using the power tool, charge the battery as follows.

1. Connect the charger's power cord to the receptacle.

When connecting the plug of the charger to a receptacle, the pilot lamp will blink in red (At 1-second intervals).

2. Insert the battery into the charger.

Firmly insert the battery into the charger as shown in **Fig. 3**.

3. Charging

When inserting a battery in the charger, charging will commence and the pilot lamp will light up continuously in red.

When the battery becomes fully recharged, the pilot lamp will blink in red. (At 1-second intervals) (See **Table 1**)

(1) Pilot lamp indication

The indications of the pilot lamp will be as shown in **Table 1**, according to the condition of the charger or the rechargeable battery.

Table 1

		Indications of the pilot lamp		
Pilot lamp (red)	Before charging	Blinks	Lights for 0.5 seconds. Does not light for 0.5 seconds. (off for 0.5 seconds) ██████ █████ █████	/
	While charging	Lights	Lights continuously ████████████████████	
	Charging complete	Blinks	Lights for 0.5 seconds. Does not light for 0.5 seconds. (off for 0.5 seconds) ██████ █████ █████	
	Overheat standby	Blinks	Lights for 1 second. Does not light for 0.5 seconds. (off for 0.5 seconds) ████████████████████	Battery overheated. Unable to charge. (Charging will commence when battery cools)
	Charging impossible	Flickers	Lights for 0.1 seconds. Does not light for 0.1 seconds) ████████████████████	Malfunction in the battery or the charger

- (2) Regarding the temperatures of the rechargeable battery

The temperatures for rechargeable batteries are as shown in **Table 2**, and batteries that have become hot should be cooled for a while before being recharged.

Table 2 Recharging ranges of batteries

Rechargeable batteries	Temperatures at which the battery can be recharged
BSL1425, BSL1415 BSL1825, BSL1815	0°C – 50°C

- (3) Regarding recharging time

Depending on the combination of the charger and batteries, the charging time will become as shown in **Table 3**.

Table 3 Charging time (At 20°C)

Charger Battery	UC18YKSL	UC18YFSL
BSL1415, BSL1815	Approx. 40 min.	Approx. 22 min.
BSL1425, BSL1825	Approx. 75 min.	Approx. 35 min.

NOTE

The recharging time may vary according to the ambient temperature and power source voltage.

- Disconnect the charger's power cord from the receptacle.**
- Hold the charger firmly and pull out the battery**

NOTE

Be sure to pull out the battery from the charger after use, and then keep it.

Regarding electric discharge in case of new batteries, etc.

As the internal chemical substance of new batteries and batteries that have not been used for an extended period is not activated, the electric discharge might be low when using them the first and second time. This is a temporary phenomenon, and normal time required for recharging will be restored by recharging the batteries 2 – 3 times.

How to make the batteries perform longer

- Recharge the batteries before they become completely exhausted.
When you feel that the power of the tool becomes weaker, stop using the tool and recharge its battery. If you continue to use the tool and exhaust the electric current, the battery may be damaged and its life will become shorter.
- Avoid recharging at high temperatures.
A rechargeable battery will be hot immediately after use. If such a battery is recharged immediately after use, its internal chemical substance will deteriorate, and the battery life will be shortened. Leave the battery and recharge it after it has cooled for a while.

CAUTION

- If the battery is charged while it is heated because it has been left for a long time in a location subject to direct sunlight or because the battery has just been used, the pilot lamp of the charger lights for 1 second, does not light for 0.5 seconds (off for 0.5 seconds). In such a case, first let the battery cool, then start charging.
- When the pilot lamp flickers (at 0.2-second intervals), check for and take out any foreign objects in the charger's battery connector. If there are no foreign objects, it is probable that the battery or charger is malfunctioning. Take it to your authorized Service Center.
- Since the built-in micro computer takes about 3 seconds to confirm that the battery being charged with UC18YKSL/UC18YFSL is taken out, wait for a minimum of 3 seconds before reinserting it to continue charging. If the battery is reinserted within 3 seconds, the battery may not be properly charged.

PRIOR TO OPERATION

Setting up and checking the work environment

Check if the work environment is suitable by following the precautions.

HOW TO USE

1. Confirm the clutch dial position (See Fig. 4)

The tightening torque of this unit can be adjusted according to the clutch dial position, at which the clutch dial is set.

- When using this unit as a screw driver, line up the one of the numbers "1, 3, 5 ... 22" on the clutch dial, or the dots, with the triangle mark on the outer body.
- When using this unit as a drill, align the clutch dial drill mark "▲" with the triangle mark on the outer body.

CAUTION

- The clutch dial cannot be set between the numerals "1, 3, 5 ... 22" or the dots.
- Do not use with the clutch dial numeral between "22" and the line at the middle of the drill mark. Doing so may cause damage. (See Fig. 5)

2. Tightening torque adjustment

- Tightening torque**
Tightening torque should correspond in its intensity to the screw diameter. When too strong torque is used, the screw head may be broken or be injured. Be sure to adjust the clutch dial position according to the screw diameter.
- Tightening torque indication**
The tightening torque differs depending on the type of screw and the material being tightened. The unit indicates the tightening torque with the numbers "1, 3, 5 ... 22" on the clutch dial, and the dots. The tightening torque at position "1" is the weakest and the torque is strongest at the highest number. (See Fig. 4)
- Adjusting the tightening torque**
Rotate the clutch dial and line up the numbers "1, 3, 5, ... 22" on the clutch dial, or the dots, with the triangle mark on the outer body. Adjust the clutch dial in the weak or the strong torque direction according to the torque you need.

CAUTION

- The motor rotation may be locked to cease while the unit is used as drill. While operating the driver drill, take care not to lock the motor.
- Too long hammering may cause the screw broken due to excessive tightening.

3. Change rotation speed

Operate the shift knob to change the rotational speed. Move the shift knob in the direction of the arrow (see **Figs. 6** and **7**).

When the shift knob is set to “LOW”, the drill rotates at a low speed. When set to “HIGH”, the drill rotates at a high speed.

CAUTION



- When changing the rotational speed with the shift knob, confirm that the switch is off. Changing the speed while the motor is rotating will damage the gears.
- When setting the shift knob to “HIGH” (high speed) and the position of the clutch dial is “17” or “22”, it may happen that the clutch is not engaged and that the motor is locked. In such a case, please set the shift knob to “LOW” (low speed).
- If the motor is locked, immediately turn the power off. If the motor is locked for a while, the motor or battery may be burnt.

Be sure to turn the shift knob.




4. The scope and suggestions for uses

The usable scope for various types of work based on the mechanical structure of this unit is shown in **Table 4**.

Table 4

Work		Clutch dial Position	Suggestion
Drilling	Wood		Use for drilling purpose.
	Steel		
	Aluminum		
Driving	Machine screw	1 – 22	Use the bit or socket matching the screw diameter.
	Wood screw	1 – 	Use after drilling a pilot hole.

5. How to select tightening torque and rotational speed**Table 5**

Use		Clutch dial Position	Rotating speed selection (Position of the shift knob)	
			LOW (Low speed)	HIGH (High speed)
Driving	Machine screw	1 – 22	For 6 mm or smaller diameter screws.	For 6 mm or smaller diameter screws.
	Wood screw	1 – 	For 6.8 mm or smaller nominal diameter screws. (DS18DJL)	For 4.8 mm or smaller nominal diameter screws. (DS18DJL)
			For 6 mm or smaller nominal diameter screws. (DS14DJL)	For 3.8 mm or smaller nominal diameters screws. (DS14DJL)
Drilling	Wood		For 38 mm or smaller diameters. (DS18DJL)	For 24 mm or smaller diameters. (DS18DJL)
			For 30 mm or smaller diameters. (DS14DJL)	For 12 mm or smaller diameters. (DS14DJL)
	Metal		For drilling with a metal working drill bit.	

CAUTION

- The selection examples shown in **Table 5** should be considered as general standard. As different types of tightening screws and different materials to be tightened are used in actual works proper adjustments are naturally necessary.
- When using the driver drill with a machine screw at HIGH (high speed), a screw may damage or a bit may loose due to the tightening torque is too strong. Use the driver drill at LOW (low speed) when using a machine screw.

NOTE

The use of the battery in a cold condition (below 0 degree Centigrade) can sometimes result in the weakened tightening torque and reduced amount of work. This, however, is a temporary phenomenon, and returns to normal when the battery warms up.

6. Using the light

Pull the trigger switch to light up the light. The light keeps on lighting while the trigger switch is being pulled. The light goes out after releasing the trigger switch. (**Fig. 8**)

(The light automatically goes out 10 seconds after releasing the trigger switch.)

CAUTION

Do not expose directly your eye to the light by looking into the light.

If your eye is continuously exposed to the light, your eye will be hurt.

7. Mounting and dismounting of the bit

(1) Mounting the bit

Loosen the sleeve by turning it toward the left (in the counterclockwise direction as viewed from the front) to open the clip on the keyless chuck. After inserting a driver bit, etc., into the keyless drill chuck, and tighten the sleeve by turning it toward the right (in the clockwise direction as viewed from the front). (See Fig. 9)

- If the sleeve becomes loose during operation, tighten it further.

The tightening force becomes stronger when the sleeve is tightened additionally.

(2) Dismounting the bit

Loosen the sleeve by turning it toward the left (in the counterclockwise direction as viewed from the front), and then take out the bit etc. (See Fig. 9)

NOTE

If the sleeve is tightened in a state where the clip of the keyless chuck is opened to a maximum limit, a click noise may occur. This is the noise that occurs when the loosening of the keyless chuck is prevented and is not a malfunction.

CAUTION

When it is no longer possible to loosen the sleeve, use a vise or similar instrument to secure the bit. Set the clutch mode between 1 and 11 and then turn the sleeve to the loose side (left side) while operating the clutch. It should be easy now to loosen the sleeve.

8. Automatic spindle-lock mechanism

This unit has automatic spindle-lock mechanism for quick bit changes.

9. Confirm that the battery is mounted correctly

10. Check the rotational direction

The bit rotates clockwise (viewed from the rear side) by pushing the R-side of the selector button.

The L-side of the selector button is pushed to turn the bit counterclockwise. (See Fig. 10) (The (L) and (R) marks are provided on the body.)

11. Using the hook (Sold separately)

The hook is used to hang up the power tool to your waist belt while working.

CAUTION

- When using the hook, hang up the power tool firmly not to drop accidentally.

If the power tool is dropped, it may lead to an accident.

- When carrying the power tool with hooked to your waist belt, do not fit any bit to the tip of power tool. If the sharp bit such as drill is fitted to the power tool when carrying it with hooked to your waist belt, you will be injured.
- Install securely the hook. Unless the hook is securely installed, it may cause an injury while using.

(1) Placing the hook and tightening the screws.

Install securely the hook in the groove of power tool and tighten the screws to fix the hook firmly. (Fig. 11)

(2) Removing the hook.

Remove the screws fixing the hook with Phillips screw driver. (Fig. 12)

12. Switch operation

- When the trigger switch is depressed, the tool rotates. When the trigger is released, the tool stops.

- The rotational speed of the drill can be controlled by varying the amount that the trigger switch is pulled. Speed is low when the trigger switch is pulled slightly and increases as the trigger switch is pulled more.

NOTE

A buzzing noise is produced when the motor is about to rotate; This is only a noise, not a machine failure.

MAINTENANCE AND INSPECTION

1. Inspecting the tool

Since use of a dull tool will degrade efficiency and cause possible motor malfunction, sharpen or replace the tool as soon as abrasion is noted.

2. Inspecting the mounting screws

Regularly inspect all mounting screws and ensure that they are properly tightened. Should any of the screws be loose, retighten them immediately. Failure to do so could result in serious hazard.

3. Maintenance of the motor

The motor unit winding is the very "heart" of the power tool.

Exercise due care to ensure the winding does not become damaged and/or wet with oil or water.

4. Cleaning on the outside

When the driver drill is stained, wipe with a soft dry cloth or a cloth moistened with soapy water. Do not use chloric solvents, gasoline or paint thinner, for they melt plastics.

5. Storage

Store the driver drill in a place in which the temperature is less than 40°C and out of reach of children.

NOTE

Make sure that the battery is fully charged when stored for a long period (3 months or more). The battery with smaller capacity may not be able to be charged when used, if stored for a long period.

NOTE

Storing lithium-ion batteries

Make sure the lithium-ion batteries have been fully charged before storing them.

Prolonged storage of batteries with a low charge may result in performance deterioration, significantly reducing battery usage time or rendering the batteries incapable of holding a charge.

However, significantly reduced battery usage time may be recovered by repeatedly charging and using the batteries two to five times.

If the battery usage time is extremely short despite repeated charging and use, consider the batteries dead and purchase new batteries.

6. Service parts list

CAUTION

Repair, modification and inspection of Hitachi Power Tools must be carried out by a Hitachi Authorized Service Center.

This Parts List will be helpful if presented with the tool to the Hitachi Authorized Service Center when requesting repair or other maintenance.

In the operation and maintenance of power tools, the safety regulations and standards prescribed in each country must be observed.

MODIFICATIONS

Hitachi Power Tools are constantly being improved and modified to incorporate the latest technological advancements.

Accordingly, some parts may be changed without prior notice.

Important notice on the batteries for the Hitachi cordless power tools

Please always use one of our designated genuine batteries. We cannot guarantee the safety and performance of our cordless power tool when used with batteries other than these designated by us, or when the battery is disassembled and modified (such as disassembly and replacement of cells or other internal parts).

- Identify safety measures to protect the operator that are based on an estimation of exposure in the actual conditions of use (taking account of all parts of the operating cycle such as the times when the tool is switched off and when it is running idle in addition to the trigger time).

GUARANTEE

We guarantee Hitachi Power Tools in accordance with statutory/country specific regulation. This guarantee does not cover defects or damage due to misuse, abuse, or normal wear and tear. In case of complaint, please send the Power Tool, undismantled, with the GUARANTEE CERTIFICATE found at the end of this Handling instruction, to a Hitachi Authorized Service Center.

NOTE

Due to HITACHI's continuing program of research and development, the specifications herein are subject to change without prior notice.

Information concerning airborne noise and vibration

The measured values were determined according to EN60745 and declared in accordance with ISO 4871.

Measured A-weighted sound power level: 97 dB (A)

Measured A-weighted sound pressure level: 86 dB (A)

Uncertainty KpA: 3 dB (A).

Wear hearing protection.

Vibration total values (triax vector sum) determined according to EN60745.

Drilling:

Vibration emission value $a_{h, D} = 4.5 \text{ m/s}^2$

Uncertainty K = 1.5 m/s^2

The declared vibration total value has been measured in accordance with a standard test method and may be used for comparing one tool with another.

It may also be used in a preliminary assessment of exposure.

WARNING

- The vibration emission during actual use of the power tool can differ from the declared total value depending on the ways in which the tool is used.

ALLGEMEINE SICHERHEITSHINWEISE FÜR ELEKTROGERÄTE

⚠️ WARNUNG

Lesen Sie sämtliche Sicherheitshinweise und Anweisungen durch

Wenn die Warnungen und Anweisungen nicht befolgt werden, kann es zu Stromschlag, Brand und/oder ernsthaften Verletzungen kommen.

Bitte bewahren Sie alle Warnhinweise und Anweisungen zum späteren Nachschlagen auf.

Der Begriff „Elektrowerkzeug“ bezieht sich in den Warnhinweisen auf Elektrowerkzeuge mit Netz- (schnurgebunden) oder Akkubetrieb (schnurlos).

1) Sicherheit im Arbeitsbereich

- a) Sorgen Sie für einen sauberen und gut ausgeleuchteten Arbeitsbereich.
Zugestellte oder dunkle Bereiche ziehen Unfälle förmlich an.
- b) Verwenden Sie Elektrowerkzeuge niemals an Orten, an denen Explosionsgefahr besteht – zum Beispiel in der Nähe von leicht entflammaren Flüssigkeiten, Gasen oder Stäuben.
Bei der Arbeit mit Elektrowerkzeugen kann es zu Funkenbildung kommen, wodurch sich Stäube oder Dämpfe entzünden können.
- c) Sorgen Sie bei der Arbeit mit Elektrowerkzeugen dafür, dass sich keine Zuschauer (insbesondere Kinder) in der Nähe befinden.
Wenn Sie abgelenkt werden, können Sie die Kontrolle über das Werkzeug verlieren.

2) Elektrische Sicherheit

- a) Elektrowerkzeuge müssen mit passender Stromversorgung betrieben werden.
Nehmen Sie niemals irgendwelche Änderungen am Anschlussstecker vor.
Verwenden Sie bei Elektrowerkzeugen mit Schutzkontakt (geerdet) niemals Adapterstecker.
Stecker im Originalzustand und passende Steckdosen reduzieren das Stromschlagrisiko.
- b) Vermeiden Sie Körperkontakt mit geerdeten Gegenständen wie Rohrleitungen, Heizungen, Herden oder Kühlschränken.
Bei Körperkontakt mit geerdeten Gegenständen besteht ein erhöhtes Stromschlagrisiko.
- c) Setzen Sie Elektrowerkzeuge niemals Regen oder sonstiger Feuchtigkeit aus.
Wenn Flüssigkeiten in ein Elektrowerkzeug eindringen, erhöht sich das Stromschlagrisiko.
- d) Verwenden Sie das Anschlusskabel nicht missbräuchlich. Tragen Sie das Elektrowerkzeug niemals an der Anschlussschnur, ziehen Sie es nicht damit heran und ziehen Sie den Stecker nicht an der Anschlussschnur aus der Steckdose. Halten Sie die Anschlussschnur von Hitzequellen, Öl, scharfen Kanten und beweglichen Teilen fern.
Beschädigte oder verdrehte Anschlussschnüre erhöhen das Stromschlagrisiko.
- e) Wenn Sie ein Elektrowerkzeug im Freien benutzen, verwenden Sie ein für den Außeneinsatz geeignetes Verlängerungskabel.
Ein für den Außeneinsatz geeignetes Kabel vermindert das Stromschlagrisiko.
- f) Falls sich der Betrieb des Elektrowerkzeuges in feuchter Umgebung nicht vermeiden lässt, verwenden Sie eine Stromversorgung mit Fehlerstromschutzeinrichtung (Residual Current Device, RCD).

Durch den Einsatz einer Fehlerstromschutzeinrichtung wird das Risiko eines elektrischen Schlages reduziert.

3) Persönliche Sicherheit

- a) Bleiben Sie wachsam, achten Sie auf das, was Sie tun, und setzen Sie Ihren Verstand ein, wenn Sie mit Elektrowerkzeugen arbeiten.
Benutzen Sie keine Elektrowerkzeuge, wenn Sie müde sind oder unter Einfluss von Drogen, Alkohol oder Medikamenten stehen.
Bei der Arbeit mit Elektrowerkzeugen können bereits kurze Phasen der Unaufmerksamkeit zu schweren Verletzungen führen.
 - b) Benutzen Sie eine persönliche Schutzausrüstung. Tragen Sie immer einen Augenschutz.
Schutzausrüstung wie Staubmaske, rutschsichere Sicherheitsschuhe, Schutzhelm und Gehörschutz senken das Verletzungsrisiko bei angemessenem Einsatz.
 - c) Vermeiden Sie unbeabsichtigtes Einschalten. Achten Sie darauf, dass sich der Schalter in der Aus- (Off-) Position befindet, ehe Sie das Gerät mit der Stromversorgung und/oder Batteriestromversorgung verbinden, es aufheben oder herumtragen.
Das Herumtragen von Elektrowerkzeugen mit dem Finger am Schalter oder das Herstellen der Stromversorgung bei betätigtem Schalter zieht Unfälle regelrecht an.
 - d) Entfernen Sie sämtliche Einstellwerkzeuge (Einstellschlüssel), ehe Sie das Elektrowerkzeug einschalten.
Ein an einem beweglichen Teil des Elektrowerkzeugs angebrachter Schlüssel kann zu Verletzungen führen.
 - e) Sorgen Sie für einen festen Stand. Achten Sie jederzeit darauf, sicher zu stehen und das Gleichgewicht zu bewahren.
Dadurch haben Sie das Elektrowerkzeug in unerwarteten Situationen besser im Griff.
 - f) Kleiden Sie sich richtig. Tragen Sie keine lose Kleidung oder Schmuck. Halten Sie Haar, Kleidung und Handschuhe von beweglichen Teilen fern.
Lose Kleidung, Schmuck oder langes Haar kann von beweglichen Teilen erfasst werden.
 - g) Wenn Anschlüsse für Staubsabsaug- und -sammelvorrichtungen vorhanden sind, sorgen Sie dafür, dass diese richtig angeschlossen und eingesetzt werden.
Durch Entfernen des Staubes können staubbezogene Gefahren vermindert werden.
- 4) Einsatz und Pflege von Elektrowerkzeugen**
- a) Überansprechen Sie Elektrowerkzeuge nicht. Benutzen Sie das richtige Elektrowerkzeug für Ihren Einsatzzweck.
Das richtige Elektrowerkzeug erledigt seine Arbeit bei bestimmungsgemäßem Einsatz besser und sicherer.
 - b) Benutzen Sie das Elektrowerkzeug nicht, wenn es sich nicht am Schalter ein- und ausschalten lässt.
Jedes Elektrowerkzeug, das nicht mit dem Schalter betätigt werden kann, stellt eine Gefahr dar und muss repariert werden.
 - c) Stecken Sie den Stecker der Stromversorgung oder Batteriestromversorgung vom Gerät ab, ehe Sie Einstellarbeiten vornehmen, Zubehörteile tauschen oder das Elektrowerkzeug verstauen.
Solche präventiven Sicherheitsmaßnahmen verhindern den unbeabsichtigten Anlauf des Elektrowerkzeugs und die damit verbundenen Gefahren.

- d) Lagern Sie nicht benutzte Elektrowerkzeuge außerhalb der Reichweite von Kindern, lassen Sie nicht zu, dass Personen das Elektrowerkzeug bedienen, die nicht mit dem Werkzeug selbst und/oder diesen Anweisungen vertraut sind.
Elektrowerkzeuge in ungeschulten Händen sind gefährlich.
- e) Halten Sie Elektrowerkzeuge in Stand. Prüfen Sie auf Fehlausrichtungen, sicheren Halt und Leichtgängigkeit beweglicher Teile, Beschädigungen von Teilen und auf jegliche andere Zustände, die sich auf den Betrieb des Elektrowerkzeugs auswirken können. Bei Beschädigungen lassen Sie das Elektrowerkzeug reparieren, ehe Sie es benutzen. *Viele Unfälle mit Elektrowerkzeugen sind auf schlechte Wartung zurückzuführen.*
- f) Halten Sie Schneidwerkzeuge scharf und sauber. *Richtig gewartete Schneidwerkzeuge mit scharfen Schneidkanten bleiben weniger häufig hängen und sind einfacher zu beherrschen.*
- g) Benutzen Sie Elektrowerkzeuge, Zubehör, Werkzeugspitzen und Ähnliches in Übereinstimmung mit diesen Anweisungen – beachten Sie dabei die jeweiligen Arbeitsbedingungen und die Art und Weise der auszuführenden Arbeiten.
Der Gebrauch des Elektrowerkzeuges für andere als die vorgesehenen Anwendungen kann zu gefährlichen Situationen führen.
- 5) Verwendung und Pflege der Batterie
- a) Laden Sie das Gerät nur mit dem vom Hersteller empfohlenen Ladegerät auf.
Ein Ladegerät für einen speziellen Batterietyp kann bei Verwendung mit anderen Batterien zu Gefahren führen.
- b) Verwenden Sie für das Gerät nur die speziell empfohlenen Batterien.
Eine Verwendung von anderen Batterien kann zu Verletzungen und Bränden führen.
- c) Ist die Batterie nicht in Gebrauch, achten Sie darauf, dass sie nicht mit metallischen Gegenständen, beispielsweise Büroklammern, Münzen, Schlüssel, Nägel, Schrauben in Kontakt kommt, da diese Gegenstände einen Kurzschluss der Anschlüsse verursachen könnten.
Ein Kurzschluss der Batterieanschlüsse kann zu Verbrennungen oder Bränden führen.
- d) Im Falle von Störungen, kann Flüssigkeit aus der Batterie austreten. Vermeiden Sie in diesem Fall jeglichen Kontakt. Sollten Sie dennoch mit der Batterie in Berührung kommen, waschen Sie die betroffene Stelle gründlich mit Wasser ab. Ist die Flüssigkeit ins Auge geraten, suchen Sie einen Arzt auf.
Ausgetretene Batterieflüssigkeiten können zu Reizungen oder Verbrennungen führen.
- 6) Service
- a) Lassen Sie Elektrowerkzeuge durch qualifizierte Fachkräfte und unter Einsatz passender, zugelassener Originalteile warten.
Dies sorgt dafür, dass die Sicherheit des Elektrowerkzeugs nicht beeinträchtigt wird.

VORSICHT

Von Kindern und gebrechlichen Personen fernhalten. Werkzeuge sollten bei Nichtgebrauch außerhalb der Reichweite von Kindern und gebrechlichen Personen aufbewahrt werden.

SICHERHEITSHINWEISE FÜR AKKU-BOHRSCHRAUBER

1. **Benutzen Sie die Zusatzgriffe, sofern Sie dem Werkzeug mitgeliefert wurden.**
Wenn Sie die Kontrolle über das Werkzeug verlieren, kann es zu Verletzungen kommen.
2. **Halten Sie das Elektrowerkzeug an den isolierten Griffflächen, wenn Sie Arbeiten ausführen, bei denen das Schneidwerkzeug oder die Befestigungsvorrichtung mit verborgenen Kabeln in Kontakt geraten könnte.** Wenn Schneidwerkzeuge oder Befestigungsvorrichtungen auf einen "stromführenden" Draht treffen, können die freigelegten Metallteile das Elektrowerkzeug "unter Strom setzen" und dem Bediener einen elektrischen Schlag versetzen.
3. Die Batterie immer bei einer Temperatur von 0 – 40°C laden. Laden bei einer Temperatur, die niedriger als 0°C ist, wird gefährliche Überladung verursachen. Die Batterie kann nicht bei einer Temperatur über 40°C geladen werden.
Die beste Temperatur zum Laden wäre von 20 – 25°C.
4. Nach Beendigung einer Ladung, lassen Sie das Ladegerät ungefähr 15 Minuten ruhen bevor die nächste Batterieladung unternommen wird. Nicht mehr als zwei Batterien nacheinander laden.
5. Keine Fremdkörper durch das Anschlußloch der Batterie eindringen lassen.
6. Niemals die Batterie und das Ladegerät auseinandernehmen.
7. Niemals die Batterie kurzschließen. Kurzschluß der Batterie verursacht eine zu große Stromzufuhr und überhitzung, wodurch Durchbrennen oder Schaden beider Batterie entsteht.
8. Die Batterie nicht ins Feuer werfen. Sie könnte dabei explodieren.
9. Bringen Sie die Batterie zum Geschäft, wo Sie sie gekauft haben, sobald die Lebensdauer der Batterie zur Neige geht. Die leere Batterie nicht wegwerfen.
10. Das Benutzen einer leeren Batterie beschädigt das Ladegerät.
11. Darauf achten, daß keine Gegenstände durch Belüftungsschlitze das Ladegeräts in das Gerät eindringen. Wenn Metallobjekte oder entzündliche Gegenstände durch die Belüftungsschlitze des Ladegeräts eindringen, kann dies zu elektrischen Schlägen führen oder das Ladegerät beschädigen.
12. Beim Einspannen von Bohrspitzen oder Stangenbohrern in das schlüssellose Spannfutter die Bohrhülse ausreichend festdrehen. Bei nicht ausreichend festgedrehter Bohrhülse kann die Bohrspitze verrutschen oder herausfallen und Verletzungen verursachen.
13. Der Motor dieses Produkts enthält einen starken Dauermagneten.
Beachten Sie die folgenden Vorsichtsmaßnahmen bezüglich am Werkzeug haftender Späne und der Auswirkungen des Dauermagneten auf elektronische Geräte.

ACHTUNG

- **Legen Sie das Werkzeug nicht auf einen Arbeitstisch oder Arbeitsbereich, auf dem Metallspäne liegen.** Die Späne könnten am Werkzeug haften und zu Verletzungen oder Funktionsstörungen führen.
- **Wenn Späne am Werkzeug haften, berühren Sie es nicht. Entfernen Sie die Späne mit einer Bürste.** Anderenfalls kann es zu Verletzungen kommen.



- **Wenn Sie einen Herzschrittmacher oder ein anderes elektronisches medizinisches Gerät benutzen, betätigen Sie das Werkzeug nicht und halten Sie sich von ihm fern.** Es kann zu einer Beeinträchtigung der Funktionsfähigkeit des elektronischen Geräts kommen.
- **Verwenden Sie das Werkzeug nicht in der Nähe von Präzisionsgeräten wie Mobiltelefonen, Magnetkarten oder elektronischen Speichermedien.** Anderenfalls kann es zu Betriebsstörungen, Defekt oder Datenverlust kommen.

WARNUNG ZUM LITHIUM-IONEN-AKKU

Um die Lebensdauer des Lithium-Ionen-Akkus zu verlängern, ist dieser mit einer Schutzfunktion zum Stoppen der Leistungsabgabe ausgestattet.

In den unten beschriebenen Fällen 1 bis 3 kann es vorkommen, dass der Motor trotz Betätigung des Schalters angehalten wird. Dies ist kein Defekt sondern das Resultat der Schutzfunktion.

1. Wenn die verbleibende Akkuleistung nicht mehr ausreicht, schaltet der Motor ab. Laden Sie in einem solchen Fall den Akku umgehend auf.
2. Wenn das Werkzeug überlastet ist, kann es zum Abschalten des Motors kommen. Lassen Sie in diesem Fall den Schalter des Geräts los und beseitigen Sie die Ursache der Überlastung. Danach können Sie das Gerät wieder verwenden.
3. Kommt es während des Betriebs zu einer Erhitzung der Batterie, wird das Gerät unter Umständen angehalten. Unterbrechen Sie in diesem Fall Ihre Arbeit und lassen Sie die Batterie abkühlen. Anschließend können Sie das Gerät wieder normal verwenden.

Bitte beachten Sie die folgenden Warnhinweise.

WARNUNG

Zur Vermeidung einer ausgelaufenen Batterie, Erwärmung, Rauchentwicklung, Explosionen und vorzeitiger Zündung beachten Sie bitte die folgenden Vorsichtsmaßnahmen.

- 1. Stellen Sie sicher, dass sich Späne und Staub nicht auf der Batterie ansammeln.
- Stellen Sie während der Arbeit sicher, dass Späne und Staub nicht auf die Batterie fallen.
- Stellen Sie sicher, dass Staub und Späne, die während der Bearbeitung auf das Elektrowerkzeug fallen, nicht in die Batterie gelangen.

- Lagern Sie ungebrauchte Batterien nicht an Plätzen, an denen Staub oder Späne anfallen.
 - Vor dem Einlagern einer Batterie sind sämtlicher Staub und Späne zu entfernen. Weiterhin ist zu berücksichtigen, dass die Batterie nicht gemeinsam mit Metallteilen (Schrauben, Nägel, usw.) zu lagern ist.
2. Achten Sie darauf, dass die Batterie nicht durch einen spitzen Gegenstand, beispielsweise einen Nagel, beschädigt wird. Vermeiden Sie Schläge mit dem Hammer. Treten Sie nicht gegen die Batterie, werfen Sie diese nicht, und vermeiden Sie Stöße.
 3. Beschädigte oder verformte Batterien dürfen nicht weiter verwendet werden.
 4. Achten Sie auf den richtigen Anschluss der Pole.
 5. Schließen Sie die Batterie nicht direkt an elektrische Ausgänge oder Zigarettenanzünder im Auto an.
 6. Verwenden Sie die Batterie nur für den angegebenen Zweck.
 7. Falls die Batterie nach Verstreichen der angegebenen Ladezeit nicht vollständig aufgeladen ist, brechen Sie den Ladevorgang unverzüglich ab.
 8. Vermeiden Sie hohe Temperaturen und hohen Druck, wie er beispielsweise in der Mikrowelle, einem Trockner oder einem Hochdruckbehälter auftritt.
 9. Wenn Sie ein Leck oder Rußgeruch feststellen, vermeiden Sie jeglichen Kontakt mit Feuerstellen.
 10. Vermeiden Sie eine Verwendung an Orten, an denen starke statische Elektrizität erzeugt wird.
 11. Werden ein Leck, Rußgeruch, Erwärmung, Verfärbungen, Verformungen oder sonstige Anomalitäten während der Verwendung, des Aufladens oder der Lagerung festgestellt, entfernen Sie die Batterie unverzüglich vom Gerät oder dem Ladegerät und beenden Sie die Anwendung.

ACHTUNG

1. Tritt die auslaufende Flüssigkeit in Kontakt mit Ihren Augen, reiben Sie diese nicht, sondern waschen Sie sie mit sauberem (Leitungs-) Wasser gut aus und suchen Sie unverzüglich einen Arzt auf. Ohne sachgemäße Behandlung können Augenverletzungen auftreten.
2. Wenn die ausgelaufene Flüssigkeit auf Haut oder Kleidung trifft, waschen Sie diese unverzüglich mit sauberem Wasser ab. Es besteht die Gefahr von Hautreizungen.
3. Beim Auftreten von Rost, Rußgeruch, Erwärmung, Verfärbungen, Verformungen oder sonstigen Anomalitäten während der ersten Verwendung der Batterie, ist diese nicht weiter zu verwenden. Bringen Sie die Batterie zum Händler oder Verkäufer zurück.

WARNUNG

Falls leitfähige Materialien die Kontakte des Lithium-Ionen Akkus berühren, besteht die Gefahr eines Kurzschlusses, was u. U. einen Brand verursachen kann. Zum Aufbewahren des Lithium-Ionen Akkus stets folgende Hinweise beachten.

- **Keine leitfähigen Materialien, Metallnägels oder Drähte wie z.B. Stahl- oder Kupferdrähte in das Akkufach platzieren.**
- **Um Kurzschlüsse zu verhindern, den Akku in das Gerät einsetzen bzw. die Akkuabdeckung ordnungsgemäß aufsetzen, so dass der Lüfter vollständig verdeckt ist. (Abb. 1)**

TECHNISCHE DATEN

ELEKTRO-WERKZEUG

Modell		DS14DJL		DS18DJL		
Leerlaufdrehzahl (Niedrig / Schnell)		0 – 450 / 0 – 1250 min ⁻¹				
Kapazität	Bohren	Holz (Dicke 18 mm)	30 mm		38 mm	
		Metall (Dicke 1,6 mm)	Stahl: 13 mm, Aluminium: 13 mm			
	Einschrauben	Maschinenschraube	6 mm			
		Holzschraube	6,0 mm (Durchmesser) × 75 mm (Länge) (Bei vorgebohrtem Loch.)		6,8 mm (Durchmesser) × 50 mm (Länge) (Bei vorgebohrtem Loch.)	
Wiederaufladbare Batterie		BSL1415: Li-ion 14,4 V (1,5 Ah 4 Zellen)	BSL1425: Li-ion 14,4 V (2,5 Ah 4 Zellen)	BSL1815: Li-ion 18 V (1,5 Ah 5 Zellen)	BSL1825: Li-ion 18 V (2,5 Ah 5 Zellen)	
Gewicht*		1,6 kg			1,7 kg	

* Gewicht: Gemäß EPTA-Verfahren 01/2003

LADEGERÄT

Modell	UC18YKSL	UC18YFSL
Ladespannung	14,4 V – 18 V	
Gewicht	0,35 kg	0,5 kg

STANDARDZUBEHÖR

DS14DJL (2LEGG) DS18DJL (2LEGG)	① Plusschrauber (Nr. 2)	1
	② Ladegerät (UC18YKSL)	1
	③ Batterie (BSL1415 oder BSL1815)	2
	④ Plastikgehäuse	1
	⑤ Batterieabdeckung	1
DS14DJL (2LFGK) (2LFRK) DS18DJL (2LFGK) (2LFRK)	① Plusschrauber (Nr. 2)	1
	② Ladegerät (UC18YKSL oder UC18YFSL)	1
	③ Batterie (BSL1425 oder BSL1825)	2
	④ Plastikgehäuse	1
	⑤ Batterieabdeckung	1
	⑥ Akku-laterne (UB18DAL)	1
DS18DJL (NNK)	① Plusschrauber (Nr. 2)	1
	② Plastikgehäuse	1
	Ohne Ladegerät, Batterie, Laterne und Batterieabdeckung.	
DS14DJL (NN) DS18DJL (NN)	① Plusschrauber (Nr. 2)	1
	Ohne Ladegerät, Batterie, Kunststoffkoffer, Laterne und Batterieabdeckung.	

Das Standardzubehör kann ohne vorherige Bekanntmachung jederzeit geändert werden.

SONDERZUBEHÖR (separat zu beziehen)

- Batterie
BSL1415, BSL1425
BSL1815, BSL1825
- Haken (mit Schraube)

Das Sonderzubehör kann ohne vorherige Bekanntmachung jederzeit geändert werden

VERWENDUNG

- Einschrauben und Entfernung von Maschinenschrauben, Holzschrauben, Schneidschrauben, etc.
- Bohren von verschiedenen Metallen
- Bohren von verschiedenen Hölzern

HERAUSNEHMEN/EINSETZEN DER BATTERIE

1. Herausnehmen der Batterie

Den Handgriff festhalten und die Batterieverriegelungen (2 Stück) drücken, um die Batterie herauszunehmen (siehe **Abb. 1** und **2**).

ACHTUNG

Die Kontakte der Batterie niemals kurzschließen.

2. Einsetzen der Batterie

Den Batterie unter Beachtung der richtigen Richtung in das Gerät einsetzen (siehe **Abb. 2**).

LADEN

Vor Gebrauch des Akku-Werkzeugs, die Akkumulatur wie folgt laden.

1. Den Netzstecker des Ladegerätes in eine Steckdose einstecken.

Beim Anschluss des Ladegeräts an eine Netzsteckdose blinkt die Kontrolllampe rot auf (in Sekundenabständen).

2. Eine Batterie in das Ladegerät einlegen.

Drücken Sie die Batterie fest in das Ladegerät, wie in **Abb. 3** dargestellt.

3. Anzeigelämpchen

Beim Einlegen einer Batterie in das Ladegerät beginnt der Ladevorgang und die Kontrolllampe leuchtet kontinuierlich rot.

Wenn die Batterie voll aufgeladen ist, blinkt das Kontrolllampe in Rot. (In Sekundenabständen) (Siehe **Tafel 1**)

(1) Anzeigelämpchen

Das Kontrolllampe leuchtet auf, wie in **Tafel 1** gezeigt, entsprechend dem Zustand des verwendeten Ladegeräts für die Akkubatterie.

Tafel 1

Anzeigen der Kontrolllampe					
Kontrolllampe (rot)	Vor dem Laden	Blinkt	Leuchtet für 0,5 Sekunden. Erlischt für 0,5 Sekunden. (Aus für 0,5 Sekunden)		
	Beim Laden	Leuchtet	Leuchtet kontinuierlich		
	Laden durchgeführt	Blinkt	Leuchtet für 0,5 Sekunden. Erlischt für 0,5 Sekunden. (Aus für 0,5 Sekunden)		
	Wegen Überhitzung angehalten	Blinkt	Leuchtet für 1 Sekunden. Erlischt für 0,5 Sekunden. (Aus für 0,5 Sekunden)		Akku überhitzt. Laden nicht möglich (Ladevorgang wird nach Abkühlen der Akkus gestartet).
	Laden unmöglich	Flackert	Leuchtet für 0,1 Sekunden. Erlischt für 0,1 Sekunden. (Aus für 0,1 Sekunden)		Betriebsstörung in der Batterie oder im Ladegerät

- (2) Über die Temperatur der Akkubatterie
Die Temperaturen für Akkus sind in **Tafel 2** gezeigt.
Erhitzte Batterien vor dem Laden abkühlen lassen.

die Leistung von beim ersten und zweiten Einsatz niedrig sein. Dies ist eine vorübergehende Erscheinung, und die normale Batterieleistung wird nach zwei- oder dreimaligem Aufladen der Batterien wieder hergestellt.

Tafel 2 Aufladebereiche für Batterie

Akkubatterien	Temperaturen, bei denen die Batterie geladen werden kann
BSL1425, BSL1415 BSL1825, BSL1815	0°C – 50°C

Verlängerung der Lebensdauer von Batterien

- (3) Über die Aufladezeit
Je nach Kombination von Ladegerät und Batterien wird die Aufladezeit wie in **Tafel 3** gezeigt.

- (1) Die Batterien aufladen, bevor sie völlig erschöpft sind. Wenn festgestellt wird, daß die Leistung des Werkzeugs nachläßt, mit der Arbeit aufhören und die Batterie aufladen.
Wenn das Werkzeug weiter verwendet wird und die Batterie völlig erschöpft wird, kann die Batterie beschädigt und ihre Lebensdauer verkürzt werden.
- (2) Nicht bei hohen Temperaturen aufladen.
Eine Akkubatterie erhitzt sich bei der Verwendung. Wenn solch eine Batterie sofort nach der Verwendung aufgeladen wird, werden die Batteriechemikalien beeinträchtigt, und die Batterielebensdauer nimmt ab. Die Batterie etwas stehen lassen und erst aufladen, wenn sie sich abgekühlt hat.

Tafel 3 Aufladezeit (bei 20°C)

Ladegerät Batterie	UC18YKSL	UC18YFSL
BSL1415, BSL1815	Etwa. 40 min.	Etwa. 22 min.
BSL1425, BSL1825	Etwa. 75 min.	Etwa. 35 min.

ACHTUNG

- Wenn die Akkubatterie geladen wird, während sie aufgrund längerer Einwirkung von direktem Sonnenlicht erhitzt wurde, oder wenn sie soeben verwendet wurde, leuchtet die Steuerleuchte des Ladegeräts 1 Sekunde und erlischt dann für 0,5 Sekunden (leuchtet 0,5 Sekunden nicht). In diesem Fall zuerst die Batterie abkühlen lassen und erst dann mit dem Aufladen beginnen.
- Wenn die Kontrolllampe in schneller Folge flackert (in 0,2-Sekunden-Abständen), nachsehen ob Fremdkörper im Batterieanschluss des Ladegeräts sind und diese ggf. herausnehmen. Wenn keine Fremdkörper im Batteriefach sind, liegt wahrscheinlich eine Fehlfunktion bei der Batterie oder beim Ladegerät vor. Die Teile vom autorisierten Kundendienst prüfen lassen.

HINWEIS

Die Aufladezeit kann je nach Umgebungstemperatur und Spannung der Stromquelle variieren.

- Den Netzstecker des Ladegeräts aus der Steckdose ziehen.**
- Das Ladegerät festhalten und die Batterie herausziehen**

HINWEIS

Achten Sie darauf, die Batterie nach der Verwendung aus dem Ladegerät zu nehmen und sie aufzubewahren.

Zur Leistung von neuen Batterien

Da die Batteriechemikalien von neuen Batterien und Batterien, die längere Zeit über nicht verwendet wurden, noch nicht bzw. nicht mehr aktiv sind, kann

- Da der eingebaute Mikrocomputer etwa 3 Sekunden braucht, um zu bestätigen, daß die im UC18YKSL/UC18YFSL zum Laden eingelegte Batterie herausgenommen wird, warten Sie mindestens 3 Sekunden, bevor Sie die Batterie zum Fortsetzen des Aufladens einlegen. Wenn die Batterie innerhalb von 3 Sekunden eingelegt wird, kann es sein, daß sie nicht richtig geladen wird.

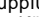
VOR INBETRIEBNAHME

Aufstellung und Überprüfung der Arbeitsumgebung
Prüfen Sie, ob die Arbeitsumgebung folgenden Vorsichtsbedingungen entspricht.

ANWENDUNG

1. Bestätigen Sie die Position der Kupplungsskala (siehe Abb. 4)

Das Anzugdrehmoment dieses Gerätes kann entsprechend der Einstellungsposition auf der Kupplungsskala eingestellt werden.

- (1) Richten Sie bei Verwendung dieses Gerätes als Schraubenzieher eine der Zahlen "1, 3, 5, ..., 22" auf der Kupplungsskala oder den Punkt auf die Dreiecksmarkierung am äußeren Körper aus.
- (2) Richten Sie bei Verwendung dieses Gerätes als Bohrer das Bohrer-Zeichen „“ der Kupplungsskala auf die Dreiecksmarkierung am äußeren Körper aus.

ACHTUNG

- Die Kupplungsskala kann nicht zwischen den Zahlen "1, 3, 5, ..., 22" oder den Punkten eingestellt werden.
- Verwenden Sie das Gerät nicht mit der Kupplungsskalenzahl zwischen "22" und der Linie in der Mitte des Bohrer-Zeichens. Dies kann Beschädigung verursachen. (Siehe **Abb. 5**)

2. Einstellung des Anzugsdrehmoments

(1) Anzugsdrehmoment

Das Anzugsdrehmoment sollte dem Schraubendurchschnitt entsprechen.

Wenn zuviel Drehmoment angewandt wird, kann die Schraube brechen oder am Kopf beschädigt werden. Achten Sie darauf, die Kupplungsskalenposition entsprechend dem Schraubendurchmesser einzustellen.

(2) Anzugsdrehmoments

Das Anzugsdrehmoment unterscheidet sich entsprechend der Art der Schraube und des angezogenen Materials.

Das Gerät zeigt das Anzugsdrehmoment mit den Zahlen "1, 3, 5, ..., 22" auf der Kupplungsskala und einem Punkt an. Das Anzugsdrehmoment ist am schwächsten an der Position „1“ und am stärksten an der höchsten Zahl. (Siehe **Abb. 4**)

(3) Einstellen des Anzugsdrehmoments

Drehen Sie die Kupplungsskala und richten Sie eine der Zahlen "1, 3, 5, ..., 22" auf der Kupplungsskala oder den Punkt auf die Dreiecksmarkierung am äußeren Gehäuse aus. Verstellen Sie die Kappe entsprechend dem erforderlichen Drehmoment in Richtung von stärkerem oder schwächerem Drehmoment.

ACHTUNG

- Die Motordrehung kann anhalten, während das Werkzeug als Bohrer verwendet wird. Bei Gebrauch des Bohrschraubers, aufpassen daß der Motor nicht gesperrt ist.
- Eine zu lange Schlagbewegung könnte wegen zu starkem Anziehen der Schraube die Schraube brechen.

3. Wechsel der Drehzahl

Die Drehzahl mit dem Schaltknopf wechseln. Den Schaltknopf in Richtung Pfeil bewegen (Siehe **Abb. 6** und **7**).

Wenn der Schaltknopf auf „LOW“ eingestellt ist, dreht sich der Bohrer langsam. Wenn auf „HIGH“ eingestellt ist, dreht sich der Bohrer schnell.



ACHTUNG

- Beim Wechseln der Drehzahl mit dem Schaltknopf sich vergewissern, daß der Schalter auf ZU eingestellt und gesperrt ist. Ändern der Geschwindigkeit bei laufendem Motor beschädigt das Getriebe.
- Wenn der Schaltknopf auf „HIGH“ (hohe Drehzahl) gestellt wird und die Kupplungsskala auf „17“ oder „22“ gestellt ist, kann es vorkommen, dass die Kupplung nicht eingreift und der Motor verriegelt wird. Stellen Sie in diesem Fall bitte den Schaltknopf auf „LOW“ (niedrige Drehzahl).
- Falls der Motor gesperrt ist, sofort abstellen. Falls der Motor längere Zeit in gesperrtem Zustand bleibt, mag es vorkommen, daß er oder der Akkumulator überhitzt werden. Betätigen Sie den Schaltknopf.

4. Einsatzbereich und Angaben

Der Einsatzbereich, basierend auf der Mechanik dieses Werkzeugs, wird in der folgenden **Tafel 4** gezeigt:

Tafel 4

Arbeit		Drehmomentskalenposition	Anweisung
Bohren	Holz		Für Bohrarbeiten verwenden.
	Stahl		
	Aluminium		
Einschrauben	Maschinenschraube	1 – 22	Bohrespitze oder Hülse dem Schraubendurchschnitt verwenden.
	Holzschraube	1 – 	Nach bohren von Führungsloch verwenden.

5. Wahl von Anziehdrehmoment und Drehfrequenz

Tafel 5

Verwendung		Drehmomentskalen- position	Wahl der Drehgeschwindigkeit (Stellung des Schaltknopfs)	
			LOW (niedrige Geschwindigkeit)	HIGH (hohe Geschwindigkeit)
Ein- schrauben	Maschinenschraube	1 – 22	Für Schrauben von 6 mm Durchmesser oder weniger	Für Schraube von 6 mm Durchmesser oder weniger
	Holzschraube	1 –	Für 6,8 mm Nenndurchmesser oder weniger (DS18DJL)	Für 4,8 mm Nenndurchmesser oder weniger (DS18DJL)
Für 6 mm Nenndurchmesser oder weniger (DS14DJL)			Für 3,8 mm Nenndurchmesser oder weniger (DS14DJL)	
Bohren	Holz		Für 38 mm Durchmesser oder weniger (DS18DJL)	Für 24 mm Durchmesser oder weniger (DS18DJL)
			Für 30 mm Durchmesser oder weniger (DS14DJL)	Für 12 mm Durchmesser oder weniger (DS14DJL)
	Metall		Für Bohren mit Eisenbearbeitungsbohrer.	

ACHTUNG

- Die Beispiele in **Tafel 5** sollten als allgemeine Regeln verstanden werden. Da in der Praxis verschiedene Schrauben und unterschiedliche Materialien verwendet werden, können Anpassungen natürlich erforderlich sein.
- Bei Verwendung des Schraubbohrers mit einer Maschinenschraube bei Stellung HIGH (hohe Geschwindigkeit) kann die Schraube beschädigt oder gelockert werden, weil die Anzugsdrehkraft zu stark ist. In diesem Fall die Stellung LOW (niedrige Geschwindigkeit) verwenden.

HINWEIS

Die Verwendung der Batterie in kalter Umgebung (unter 0°C) kann möglicherweise in geschwächtem Anzugsdrehmoment und verringerter Arbeitsleistung resultieren. Dies ist jedoch eine zeitweilige Erscheinung, und die Leistung wird wieder normal, wenn sich die Batterie erwärmt.

6. Verwendung des Lichts

Ziehen Sie den Auslöseschalter, damit die Lampe leuchtet. Solange der Auslöseschalter gezogen ist, leuchtet die Lampe. Wenn Sie den Auslöseschalter loslassen, erlischt das Licht. (**Abb. 8**)
(Wenn Sie den Auslöseschalter loslassen, erlischt das Licht nach 10 Sekunden automatisch.)

ACHTUNG

Niemals direkt in die LED blicken!
Wird das Auge kontinuierlich den LED-Strahlen ausgesetzt, kann es zu Augenverletzungen kommen.

7. Anbringen und Abnehmen des Schrauberbits

- (1) Anbringen des Schrauberbits
Lösen Sie das Bohrfutter durch Linksdrehung (gegen den Uhrzeigersinn bei Sicht von vorne), um die Klammer des schlüssellosen Futters zu lösen. Schieben Sie dann ein Schrauberbit usw. in das schlüssellose Futter und ziehen Sie das Bohrfutter durch Rechtsdrehung (im Uhrzeigersinn bei Sicht von vorne) an. (Siehe **Abb. 9**)
- Wenn sich das Bohrfutter während des Betriebs lockert, so ziehen Sie es wieder an.
Die Anzugskraft wird größer, wenn das Bohrfutter zusätzlich angezogen wird.

(2) Entfernen des Schrauberbits

Lösen Sie das Bohrfutter durch Linksdrehung (gegen den Uhrzeigersinn bei Sicht von vorne), um die Klammer des schlüssellosen Futters zu lösen, und entfernen Sie das Schrauberbit usw. (Siehe **Abb. 9**)

HINWEIS

Wenn das Bohrfutter angezogen wird, während die Klammer des schlüssellosen Futters maximal geöffnet ist, kann es zu einem klickenden Geräusch kommen. Dieses Geräusch tritt auf, wenn Lösen des schlüssellosen Futters verhütet wird, und es handelt sich hierbei nicht um eine Fehlfunktion.

ACHTUNG

Wenn das Bohrfutter nicht losgeschraubt werden kann, das eingesteckte Werkzeug in einem Schraubstock o.ä. befestigen, die Kupplung auf 1–11 stellen und das Bohrfutter gegen den Uhrzeigersinn drehen, während die Kupplung betätigt wird. Das Lösen des Bohrfutters sollte jetzt problemlos möglich sein.

8. Automatischer Spindelverriegelungsmechanismus

Dieses Gerät hat einen automatischen Spindelverriegelungsmechanismus für schnellen Wechsel der Schraubenzieherspitze.

9. Sich vergewissern, daß die Batterie richtig angebracht ist

10. Die Drehrichtung nachprüfen

Die Bohrerspitze dreht sich nach rechts (von der Hinterseite gesehen), wenn auf die R-Seite des Wählhebels gedrückt wird.

Um die Bohrerspitze nach links zu drehen auf die L-Seite des Wählhebels drücken. (Siehe **Abb. 10**) (Die (L) und (R) Zeichen sind auf dem Körper markiert.)

11. Verwendung des Hakens (Separat zu beziehen)

Der Haken dient während des Arbeitens zum Anhängen des Werkzeugs an einen Gürtel.

ACHTUNG

- Beim Aufhängen am Haken sicherstellen, dass das Werkzeug sicher den Gürtel fasst und nicht fallen kann. Bei Fall des Werkzeugs besteht Unfallgefahr.
- Beim Tragen am Gürtel darf das Werkzeug nicht mit einem Bohrer usw. bestückt sein. Befindet sich ein scharfer Bohrer o.Ä. im Futter, während das Werkzeug am Gürtel getragen wird, besteht Verletzungsgefahr!

- Den Haken ordnungsgemäß anbringen. Falls der Haken nicht korrekt befestigt ist, besteht Verletzungsgefahr beim Einsatz.
- (1) Anbringen des Hakens und Festziehen der Schrauben. Den Haken fest in die Nut am Werkzeug einpassen und die Halteschrauben des Werkzeugs ordnungsgemäß festziehen. (Abb. 11)
- (2) Abnehmen des Hakens
Die Halteschrauben des Hakens mit einem Kreuzschraubendreher entfernen. (Abb. 12)

12. Betätigung des Schalters

- Wenn der Schalter gedrückt ist, dreht sich das Werkzeug. Wenn ausgelöst, wird das Werkzeug abgestellt.
- Die Drehgeschwindigkeit des Bohrers kann durch Verändern des Betrags des Ziehens am Auslöser geregelt werden. Die Geschwindigkeit ist niedrig, wenn der Auslöser nur gering gezogen wird und nimmt zu, wenn er stärker gezogen.

HINWEIS

Wenn der Motor beginnt, zu rotieren, ist ein Summen zu hören. Dabei handelt es sich nicht um eine Störung.

WARTUNG UND INSPEKTION

1. Nachprüfen des Werkzeuges

Da ein stumpfes Werkzeug die Leistung vermindern wird und eventuell ein schlechtes Funktionieren des Motors verursachen wird, das Werkzeug schärfen oder es wechseln sobald Verschleiß sichtbar wird.

2. Nachprüfen der Befestigungsschrauben

Alle Befestigungsschrauben regelmäßig auf gute Festschraubung nachprüfen. Falls irgendeine der Schrauben locker sein sollte, sofort anziehen. Vernachlässigung dieses Punktes kann zu erheblicher Gefahr führen.

3. Wartung des Motors

Die Motorwicklung ist das „Herz“ des Elektrowerkzeugs. Daher ist besonders sorgfältig darauf zu achten, daß die Wicklung nicht beschädigt wird und/oder mit Öl oder Wasser in Berührung kommt.

4. Außenreinigung

Wenn der Bohrschrauber schmutzig ist, ihn mit einem weichen und trockenen Tuch abwischen oder mit einem in Seifenwasser benetzten Tuch. Kein Chlorlösungsmittel, Benzin oder Farblösungsmittel verwenden, da sie Kunststoffe aufweichen.

5. Lagern

Den Bohrschrauber an einen Ort aufbewahren wo die Temperatur unter 40°C ist und außer Reichweite der Kinder.

HINWEIS

Vergewissern Sie sich, dass die Batterie nach einer längeren Lagerung (3 Monate oder mehr) voll aufgeladen ist. Eine Batterie mit geringerer Kapazität könnte sich nach längerer Lagerung eventuell nicht mehr aufladen lassen.

HINWEIS

Aufbewahren von Lithium-Ionen Akkus
Vergewissern Sie sich, dass die Lithium-Ionen Akkus voll aufgeladen sind, bevor Sie sie lagern.
Das Lagern der Akkus über längere Zeit mit einem niedrigen Ladestand kann zu einer Leistungsminderung führen, welche die Nutzungszeit der Akkus deutlich verkürzt oder mit sich bringt, dass die Akkus keine Ladung mehr halten können.

Eine deutliche Verkürzung der Nutzungszeit kann jedoch durch wiederholtes zwei- bis fünfmaliges Aufladen und Benutzen der Akkus wieder behoben werden.

Sollte die Nutzungszeit trotz wiederholtem Aufladen und Benutzung extrem kurz sein, betrachten Sie die Akkus als tot und kaufen Sie neue Akkus.

6. Liste der Wartungsteile

ACHTUNG

Reparatur, Modifikation und Inspektion von Hitachi-Elektrowerkzeugen müssen durch ein autorisiertes Hitachi-Kundendienstzentrum durchgeführt werden. Diese Teilliste ist hilfreich, wenn sie dem autorisierten Hitachi-Kundendienstzentrum zusammen mit dem Werkzeug für Reparatur oder Wartung ausgehändigt wird.

Bei Betrieb und Wartung von Elektrowerkzeugen müssen die Sicherheitsvorschriften und Normen beachtet werden.

MODIFIKATIONEN

Hitachi-Elektrowerkzeuge werden fortwährend verbessert und modifiziert, um die neuesten technischen Fortschritte einzubauen.

Dementsprechend ist es möglich, daß einige Teile ohne vorherige Benachrichtigung geändert werden.

Wichtiger Hinweis zu den Batterien für Akku-Geräte von Hitachi

Verwenden Sie immer unsere angegebenen Originalbatterien. Wir können die Sicherheit und die Leistung unseres Akku-Gerätes nicht gewährleisten, wenn andere als die von uns angegebenen Batterien verwendet werden, oder wenn die Batterie zerlegt und verändert wird (etwa durch Zerlegen und Ersetzung von Zellen oder anderen innen gelegenen Teilen).

GARANTIE

Auf Hitachi-Elektrowerkzeuge gewähren wir eine Garantie unter Zugrundelegung der jeweils geltenden gesetzlichen und landesspezifischen Bedingungen. Dieses Garantie erstreckt sich nicht auf Gehäusedefekte und nicht auf Schäden, die auf Missbrauch, bestimmungswidrigen Einsatz oder normalen Verschleiß zurückzuführen sind. Im Schadensfall senden Sie das nicht zerlegte Elektrowerkzeug zusammen mit dem GARANTIESCHEIN, den Sie am Ende der Bedienungsanleitung finden, an ein von Hitachi autorisiertes Servicecenter, ohne vorherige Benachrichtigung geändert werden.

HINWEIS

Aufgrund des ständigen Forschungs und Entwicklung programms von HITACHI sind Änderungen der hierin gemachten technischen Angaben vorbehalten.

Information über Betriebslärm und Vibration

Die gemessenen Werte wurden entsprechend EN60745 bestimmt und in Übereinstimmung mit ISO 4871 ausgewiesen.

Gemessener A-gewichteter Schallpegel: 97 dB (A)

Gemessener A-gewichteter Schalldruck: 86 dB (A)

Messunsicherheit KpA: 3 dB (A)

Gehörschutz tragen.

Gesamtvibrationswerte (3-Achsen-Vektorsumme), bestimmt gemäß EN60745.

Bohren:

Vibrationsemissionswert $a_{h,D} = 4,5 \text{ m/s}^2$

Messunsicherheit K = 1,5 m/s²

Die angegebenen Gesamtvibrationswerte wurden entsprechend einem standardisierten Testverfahren gemessen und können dazu verwendet werden, Werkzeuge miteinander zu vergleichen.

Außerdem können sie zur vorbereitenden Expositionseinschätzung verwendet werden.

WARNUNG

- Der Vibrationsemissionswert während der tatsächlichen Benutzung des Elektrowerkzeugs kann von dem deklarierten Gesamtwert abweichen, abhängig davon, wie das Werkzeug verwendet wird.
- Legen Sie Sicherheitsmaßnahmen zum Schutz des Bedieners fest, die auf einer Expositionseinschätzung unter den tatsächlichen Benutzungsbedingungen beruhen (unter Berücksichtigung aller Bereiche des Betriebszyklus, darunter neben der Triggerzeit auch die Zeiten, in denen das Werkzeug ausgeschaltet ist oder im Leerlaufbetrieb läuft).

AVERTISSEMENTS DE SÉCURITÉ GÉNÉRAUX POUR L'OUTIL

⚠ AVERTISSEMENT

Lire tous les avertissements de sécurité et toutes les instructions.

Ne pas suivre les avertissements et instructions peut donner lieu à un choc électrique, un incendie et/ou une blessure sérieuse.

Conserver tous les avertissements et toutes les instructions pour pouvoir s'y reporter ultérieurement.

Le terme "outil" dans les avertissements fait référence à votre outil électrique alimenté par le secteur (avec cordon d'alimentation) ou votre outil fonctionnant sur batterie (sans cordon d'alimentation).

1) Sécurité de la zone de travail

a) Conserver la zone de travail propre et bien éclairée.

Les zones en désordre ou sombres sont propices aux accidents.

b) Ne pas faire fonctionner les outils électriques en atmosphère explosive, par exemple en présence de liquides inflammables, de gaz ou de poussières.

Les outils électriques produisent des étincelles qui peuvent enflammer les poussières ou les fumées.

c) Maintenir les enfants et les personnes présentes à l'écart pendant l'utilisation de l'outil.

Les distractions peuvent vous faire perdre le contrôle de l'outil.

2) Sécurité électrique

a) Il faut que les fiches de l'outil électrique soient adaptées au socle.

Ne jamais modifier la fiche de quelque façon que ce soit.

Ne pas utiliser d'adaptateurs avec des outils à branchement de terre.

Des fiches non modifiées et des socles adaptés réduiront le risque de choc électrique.

b) Éviter tout contact du corps avec des surfaces reliées à la terre telles que les tuyaux, les radiateurs, les cuisinières et les réfrigérateurs.

Il existe un risque accru de choc électrique si votre corps est relié à la terre.

c) Ne pas exposer les outils à la pluie ou à des conditions humides.

La pénétration d'eau à l'intérieur d'un outil augmentera le risque de choc électrique.

d) Ne pas maltraiter le cordon. Ne jamais utiliser le cordon pour porter, tirer ou débrancher l'outil. Maintenir le cordon à l'écart de la chaleur, du lubrifiant, des arêtes ou des parties en mouvement.

Des cordons endommagés ou emmêlés augmentent le risque de choc électrique.

e) Lorsqu'on utilise un outil à l'extérieur, utiliser un prolongateur adapté à l'utilisation extérieure.

L'utilisation d'un cordon adapté à l'utilisation extérieure réduit le risque de choc électrique.

f) Si l'usage d'un outil dans un emplacement humide est inévitable, utiliser une alimentation protégée par un dispositif à courant différentiel résiduel (RCD).

L'usage d'un RCD réduit le risque de choc électrique.

3) Sécurité des personnes

a) Rester vigilant, regarder ce que vous êtes en train de faire et faire preuve de bon sens dans votre

utilisation de l'outil. Ne pas utiliser un outil lorsque vous êtes fatigué ou sous l'emprise de drogues, d'alcool ou de médicaments.

Un moment d'inattention en cours d'utilisation d'un outil peut entraîner des blessures graves des personnes.

b) Utiliser un équipement de sécurité. Toujours porter une protection pour les yeux.

Les équipements de sécurité tels que les masques contre les poussières, les chaussures de sécurité antidérapantes, les casques ou les protections acoustiques utilisés pour les conditions appropriées réduiront les blessures de personnes.

c) Éviter tout démarrage intempestif. S'assurer que l'interrupteur est en position arrêté avant de brancher l'outil au secteur et/ou au bloc de batteries, de le ramasser ou de le porter.

Porter les outils en ayant le doigt sur l'interrupteur ou brancher des outils dont l'interrupteur est en position marche est source d'accidents.

d) Retirer toute clé de réglage avant de mettre l'outil en marche.

Une clé laissée fixée sur une partie tournante de l'outil peut donner lieu à des blessures de personnes.

e) Ne pas se précipiter. Garder une position et un équilibre adaptés à tout moment.

Cela permet un meilleur contrôle de l'outil dans des situations inattendues.

f) S'habiller de manière adaptée. Ne pas porter de vêtements amples ou de bijoux. Garder les cheveux, les vêtements et les gants à distance des parties en mouvement.

Des vêtements amples, des bijoux ou les cheveux longs peuvent être pris dans des parties en mouvement.

g) Si des dispositifs sont fournis pour le raccordement d'équipements pour l'extraction et la récupération des poussières, s'assurer qu'ils sont connectés et correctement utilisés.

Utiliser des collecteurs de poussière peut réduire les risques dus aux poussières.

4) Utilisation et entretien de l'outil

a) Ne pas forcer l'outil. Utiliser l'outil adapté à votre application.

L'outil adapté réalisera mieux le travail et de manière plus sûre au régime pour lequel il a été construit.

b) Ne pas utiliser l'outil si l'interrupteur ne permet pas de passer de l'état de marche à arrêté et vice versa.

Tout outil qui ne peut pas être commandé par l'interrupteur est dangereux et il faut le réparer.

c) Débrancher la fiche de la source d'alimentation en courant et/ou le bloc de batteries de l'outil avant tout réglage, changement d'accessoires ou avant de ranger l'outil.

De telles mesures de sécurité préventives réduisent le risque de démarrage accidentel de l'outil.

d) Conserver les outils à l'arrêt hors de la portée des enfants et ne pas permettre à des personnes ne connaissant pas l'outil ou les présentes instructions de le faire fonctionner.

Les outils sont dangereux entre les mains d'utilisateurs novices.

e) Observer la maintenance de l'outil. Vérifier qu'il n'y a pas de mauvais alignement ou de blocage des parties mobiles, des pièces cassées ou toute autre

condition pouvant affecter le fonctionnement de l'outil.

En cas de dommages, faire réparer l'outil avant de l'utiliser.

De nombreux accidents sont dus à des outils mal entretenus.

f) Garder affûtés et propres les outils permettant de couper.

Des outils destinés à couper correctement entretenus avec des pièces coupantes tranchantes sont moins susceptibles de bloquer et sont plus faciles à contrôler.

g) Utiliser l'outil, les accessoires et les lames etc., conformément à ces instructions, en tenant compte des conditions de travail et du travail à réaliser.

L'utilisation de l'outil pour des opérations différentes de celles prévues pourrait donner lieu à des situations dangereuses.

5) Utilisation des outils fonctionnant sur batteries et précautions d'emploi

a) Ne recharger qu'avec le chargeur spécifié par le fabricant.

Un chargeur qui est adapté à un type de bloc de batteries peut créer un risque de feu lorsqu'il est utilisé avec un autre type de bloc de batteries.

b) N'utiliser les outils qu'avec des blocs de batteries spécifiquement désignés.

L'utilisation de tout autre bloc de batteries peut créer un risque de blessure et de feu.

c) Lorsqu'un bloc de batteries n'est pas utilisé, le maintenir à l'écart de tout autre objet métallique, par exemple trombones, pièces de monnaie, clés, clous, vis ou autres objets de petite taille qui peuvent donner lieu à une connexion d'une borne à une autre.

Le court-circuitage des bornes d'une batterie entre elles peut causer des brûlures ou un feu.

d) Dans de mauvaises conditions, du liquide peut être éjecté de la batterie; éviter tout contact. En cas de contact accidentel, nettoyer à l'eau. Si le liquide entre en contact avec les yeux, rechercher en plus une aide médicale.

Le liquide éjecté des batteries peut causer des irritations ou des brûlures.

6) Maintenance et entretien

a) Faire entretenir l'outil par un réparateur qualifié utilisant uniquement des pièces de rechange identiques.

Cela assurera le maintien de la sécurité de l'outil.

PRECAUTIONS

Maintenir les enfants et les personnes infirmes éloignés. Lorsque les outils ne sont pas utilisés, ils doivent être rangés hors de portée des enfants et des personnes infirmes.

AVERTISSEMENTS DE SECURITE POUR LE TOURNEVIS-PERCEUSE-VISSEUSE À BATTERIE

1. Utilisez la ou les poignées auxiliaires si elles sont prévues avec l'outil.

Toute perte de contrôle peut entraîner des blessures.

2. Tenir l'outil électrique par les surfaces isolées permettant de l'agripper pour effectuer une opération où l'accessoire de coupe ou l'attache peut entrer en contact avec des fils électriques masqués. Le contact de l'accessoire de coupe ou de

l'attache avec un fil sous tension peut transmettre du courant dans les pièces métalliques exposées de l'outil et communiquer une décharge électrique à l'opérateur.

3. Chargez toujours la batterie à une température de 0–40°C. Une température inférieure à 0°C entraînera une surcharge dangereuse. La batterie ne peut pas être chargée à une température supérieure à 40°C. La température la plus appropriée serait de 20–25°C.
4. Quand une charge a été effectuée, laissez le chargeur au repos pendant environ 15 minutes avant de commencer la prochaine charge de batterie. Ne pas recharger plus de deux batteries de suite.
5. Ne laissez pas de corps étrangers pénétrer par le trou de raccord de la batterie rechargeable.
6. Ne désassemblez jamais la batterie rechargeable et le chargeur.
7. Ne court-circuitez jamais la batterie rechargeable. Le fait de court-circuiter la batterie générera un courant électrique élevé et une surcharge, ce qui entraînera la brûlure ou l'endommagement de la batterie.
8. Ne jetez pas la batterie au feu. Elle pourrait exploser.
9. Apportez la batterie au magasin où vous l'avez achetée dès que la durée de vie de post-charge de la batterie devient trop courte pour une utilisation pratique. Ne jetez pas de batterie usagée.
10. L'utilisation d'une batterie usagée endommagera le chargeur.
11. Ne pas insérer d'objets dans les fentes de ventilation du chargeur. Ne pas introduire d'objets métalliques ou des produits inflammables dans les fentes d'aération du chargeur, cela provoquera un choc électrique ou endommagera le chargeur.
12. Lorsque vous montez un foret ou une mèche dans le plateau de serrage sans clavettes, serrez suffisamment le manchon. Si ce dernier est trop lâche, le foret ou la mèche risque de glisser ou de tomber et blesser quelqu'un.
13. Le moteur de ce produit contient un aimant permanent puissant. Vous devez observer les précautions suivantes relatives à l'adhérence de copeaux à l'outils et à l'effet de l'aimant permanent sur les appareils électroniques.

ATTENTION

- **Ne placez pas l'outil sur un banc ou une zone de travail jonchée de copeaux métalliques.** Les copeaux risquent d'adhérer à l'outil et de provoquer une blessure ou un dysfonctionnement.
- **Si des copeaux sont restés collés à l'outil, ne les touchez pas. Utilisez une brosse pour les décrocher.** Vous risquez sinon de vous blesser.



- **Si vous portez un pacemaker ou autre dispositif électronique médical, n'utilisez pas l'outil et ne vous en approchez pas.**

Le fonctionnement de votre dispositif médical risquerait d'être affecté.

- **N'utilisez pas l'outil à proximité d'appareils de précision tels que des téléphones cellulaires, des cartes magnétiques ou des supports de mémoire électroniques.**
Vous risqueriez de provoquer un dysfonctionnement du dispositif ou de subir une perte de données.

PRÉCAUTIONS RELATIVES A LA BATTERIE AU LITHIUM ION

Pour prolonger sa durée de vie, la batterie lithium-ion est équipée d'une fonction de protection qui coupe automatiquement l'alimentation.

Dans les cas 1 à 3 décrits ci-dessous, il est possible que le moteur s'arrête lorsque vous utilisez ce produit, même si vous actionnez le commutateur. Il ne s'agit pas d'un dysfonctionnement, mais du fonctionnement normal de la protection.

1. Lorsque la charge restante de la batterie diminue, le moteur s'arrête.
Dans ce cas de figure, chargez immédiatement la batterie.
2. En cas de surcharge de l'outil, actionnez le commutateur de l'outil et éliminez les causes de la surcharge. Vous pouvez ensuite recommencer à utiliser l'outil.
3. En cas de surchauffe due à un travail trop intensif, l'alimentation de la batterie peut se couper.
Dans ce cas, arrêtez toute utilisation de la batterie et laissez-la refroidir. Vous pouvez ensuite recommencer à l'utiliser.

En outre, respectez la précaution et l'avertissement suivants.

AVERTISSEMENT

Afin d'éviter toute fuite de la batterie, génération de chaleur, émission de fumée, explosion et inflammation, respectez scrupuleusement les précautions suivantes :

1. Assurez-vous que les copeaux et la poussière ne s'accumulent pas sur la batterie.
- Lorsque vous travaillez, assurez-vous que les copeaux et la poussière ne tombent pas sur la batterie.
- Assurez-vous que les copeaux et la poussière qui tombent sur l'outil lorsque vous travaillez ne s'accumulent pas sur la batterie.
- Ne conservez pas une batterie inutilisée dans un endroit qui est exposé aux copeaux et à la poussière.
- Avant de stocker une batterie, retirez tous les copeaux et la poussière qui ont pu y adhérer et ne la conservez pas avec des pièces métalliques (vis, clous, etc.).
2. Ne percez pas la batterie à l'aide d'un objet pointu tel qu'un clou. Ne la frappez pas à l'aide d'un marteau. Ne marchez pas dessus, ne la lancez pas et ne la soumettez pas un à choc physique important.
3. N'utilisez pas une batterie dont l'extérieur est déformé ou laisse penser qu'elle est défectueuse.
4. N'insérez pas la batterie à l'envers (pôles inversés).
5. Ne raccordez pas directement la batterie à une prise électrique ou à un allume-cigare.
6. N'utilisez pas la batterie à d'autres fins que celle spécifiée.
7. En cas d'échec du chargement d'une batterie, même après un certain délai, arrêtez immédiatement le rechargement.
8. N'exposez pas la batterie à des températures ou à une pression élevées (four à micro-ondes, séchoir, conteneur sous haute pression).

9. Maintenez à la batterie à l'écart de toute flamme en cas de détection d'une fuite ou d'une mauvaise odeur.
10. Ne pas utiliser à proximité d'une source puissante d'électricité statique.
11. En cas de fuite de la batterie, de mauvaise odeur, de génération de chaleur, de décoloration, de déformation ou d'anomalie en cours d'utilisation, de rechargement ou d'entreposage, ôtez immédiatement la batterie de l'équipement ou du chargeur de batterie et ne l'utilisez plus.

ATTENTION

1. En cas de projection dans les yeux de liquide ayant fuit de la batterie, ne vous frottez pas les yeux, rincez-les à l'eau claire et contactez immédiatement un médecin.
En l'absence de traitement, le liquide peut détériorer l'oeil.
2. En cas de projection de liquide ayant fuit de la batterie sur votre peau ou vos vêtements, rincez immédiatement ces derniers à l'eau claire (au robinet).
Le liquide peut provoquer une irritation de la peau.
3. En cas de détection de rouille, de mauvaise odeur, de surchauffe, de décoloration, de déformation et/ou autres anomalies lors de la première utilisation de la batterie, n'utilisez pas cette dernière et renvoyez-la au fournisseur ou au fabricant.

AVERTISSEMENT

Si des corps étrangers conducteurs s'introduisent dans la batterie lithium-ion, un court-circuit peut se produire dans la batterie et provoquer un incendie. Lors du stockage d'une batterie lithium-ion, veillez à suivre scrupuleusement les instructions suivantes.

- **Ne pas placer de débris conducteurs, de clous ou de morceaux de fils électriques en fer ou en cuivre dans le boîtier de rangement.**
- **Pour éviter tout court-circuit, charger la batterie dans l'outil ou insérer le couvercle de stockage de la batterie à fond, de manière à ne plus voir le ventilateur. (Fig. 1)**

SPECIFICATIONS

OUTIL ELECTRIQUE

Modèle		DS14DJL	DS18DJL
Vitesse à vide (Basse / Grande)		0 – 450 / 0 – 1250 min ⁻¹	
Capacité	Perçage	Bois (épaisseur 18 mm)	30 mm
		Métal (épaisseur 1,6 mm)	38 mm
	Enfoncement	Acier: 13 mm, Aluminium: 13 mm	
Vis mécanique		6 mm	
	Vis de bois	6,0 mm (diamètre) × 75 mm (Longueur) (Orifice préformé)	6,8 mm (diamètre) × 50 mm (Longueur) (Orifice préformé)
Batterie rechargeable		BSL1415: Li-ion 14,4 V (1,5 Ah 4 piles)	BSL1425: Li-ion 14,4 V (2,5 Ah 4 piles)
		BSL1815: Li-ion 18 V (1,5 Ah 5 piles)	BSL1825: Li-ion 18 V (2,5 Ah 5 piles)
Poids*		1,6 kg	1,7 kg

* Poids: selon la procédure EPTA 01/2003

CHARGEUR

Modèle	UC18YKSL	UC18YFSL
Tension de charge	14,4 V – 18 V	
Poids	0,35 kg	0,5 kg

ACCESSOIRES STANDARD

DS14DJL (2LEGK) DS18DJL (2LEGK)	① Mèche-visseuse cruciforme (No. 2) 1
	② Chargeur (UC18YKSL) 1
	③ Batterie (BSL1415 ou BSL1815) 2
	④ Boîtier en plastique 1
	⑤ Couvercle de la batterie 1
DS14DJL (2LFGK) DS18DJL (2LFGK) DS18DJL (2LFRK)	① Mèche-visseuse cruciforme (No. 2) 1
	② Chargeur (UC18YKSL ou UC18YFSL) 1
	③ Batterie (BSL1425 ou BSL1825) 2
	④ Boîtier en plastique 1
	⑤ Couvercle de la batterie 1
	⑥ Projecteur à batterie (UB18DAL) 1
DS18DJL (NNK)	① Mèche-visseuse cruciforme (No. 2) 1
	② Boîtier en plastique 1
	Sans chargeur, batterie, projecteur et couvercle de la batterie.
DS14DJL (NN) DS18DJL (NN)	① Mèche-visseuse cruciforme (No. 2) 1
	Sans chargeur, batterie, boîtier en plastique, projecteur et couvercle de la batterie.

Les accessoires standard sont sujets à changement sans préavis.

ACCESSOIRES SUR OPTION (vendus séparément)

- Batterie
BSL1415, BSL1425
BSL1815, BSL1825
- Crochet (avec vis)

Les accessoires à option sont sujets à changement sans préavis.

APPLICATION

- Enfoncement et extraction de vis mécaniques, vis de bois, vis de taraudage, etc.
- Forage de différents métaux
- Forage de différents bois

EXTRACTION ET INSTALLATION DE LA BATTERIE

1. Retrait de la batterie

Maintenir fermement la poignée et pousser le taquet de la batterie (2) pour l'enlever (Voir Fig. 1 et 2).

ATTENTION

Ne jamais court-circuiter la batterie.

2. Mise en place de la batterie

Insérer la batterie tout en respectant la polarité (voir Fig. 2).

CHARGE

Avant d'utiliser l'outil électrique, chargez la batterie comme suit:

1. Brancher le cordon d'alimentation du chargeur sur une prise secteur.

Quand vous raccordez la fiche du chargeur à une prise murale, le voyant témoin clignote en rouge (à intervalles d'une seconde)

2. Insérer la batterie dans le chargeur.

Insérer fermement la pile dans le chargeur, comme illustré aux Fig. 3.

3. Recharge

Quand vous insérez une batterie dans le chargeur, la recharge commence et la lampe témoin s'allume en rouge.

Quand la batterie est complètement chargée, la lampe témoin clignote en rouge. (À intervalles d'une seconde) (Voir **Tableau 1**)

(1) Indication de la lampe témoin
Les indications de la lampe témoin sont expliquées dans le **Tableau 1**, selon la condition du chargeur ou de la batterie rechargeable.

Tableau 1

Indications de la lampe témoin			
Lampe témoin (rouge)	Avant la recharge	Clignote	S'allume pendant 0,5 seconde. Ne s'allume pas pendant 0,5 seconde. (Eteint pendant 0,5 seconde)
	Pendant la recharge	S'allume	S'allume sans interruption
	Recharge terminée	Clignote	S'allume pendant 0,5 seconde. Ne s'allume pas pendant 0,5 seconde. (Eteint pendant 0,5 seconde)
	Veille en surchauffe	Clignote	S'allume pendant 1 seconde. Ne s'allume pas pendant 0,5 seconde. (Eteint pendant 0,5 seconde)
	Recharge impossible	Clignote	S'allume pendant 0,1 seconde. Ne s'allume pas pendant 0,1 seconde. (Eteint pendant 0,1 seconde)
			Batterie en surchauffe. Chargement impossible (Le chargement commencera une fois que la batterie sera froide).
			Anomalie de la batterie ou du chargeur

(2) Au sujet de la température de la batterie rechargeable
Les plages de température des batteries rechargeables sont indiquées dans le **Tableau 2**; en outre, vous devez laisser refroidir les batteries avant de les recharger.

Tableau 2 Plage de recharge des batteries

Batteries rechargeables	Températures de recharge de la batterie
BSL1425, BSL1415 BSL1825, BSL1815	0°C – 50°C

(3) Au sujet du temps de recharge
Suivant le type de chargeur et de batterie, le temps de recharge indiqué sur le **Tableau 3** varie comme suit:

Tableau 3 Temps de recharge (à 20°C)

Chargeur \ Batterie	UC18YKSL	UC18YFSL
BSL1415, BSL1815	Env. 40 min.	Env. 22 min.
BSL1425, BSL1825	Env. 75 min.	Env. 35 min.

REMARQUE

La durée du chargement peut varier en fonction de la température ambiante et du voltage de la source d'alimentation.

4. Débrancher le cordon d'alimentation secteur de la prise secteur.

5. Tenir fermement le chargeur et dégager la batterie

REMARQUE

Bien sortir la batterie du chargeur après usage, et la conserver.

En ce qui concerne le courant de décharge d'une batterie neuve

Etant donnée que les substances chimiques internes sont restées inactives dans le cas des batteries neuves ou des batteries qui sont restées longtemps inutilisées, le courant de décharge risque d'être très faible lors des première et deuxième utilisations. Ce phénomène est temporaire et le temps de recharge normal sera rétabli quand les batteries auront été rechargées 2 ou 3 fois.

Comment prolonger la durée de vie des batteries

(1) Recharger les batteries avant qu'elles ne soient complètement épuisées.

Quand la puissance de l'outil utilisé faiblit, l'éteindre et recharger la batterie. Si l'outil continue d'être utilisé jusqu'à épuisement du courant électrique, la batterie risque d'être endommagée et sa durée de vie se raccourcira.

(2) Eviter d'effectuer la recharge sous des températures élevées.

Une batterie est toujours chaude immédiatement après son utilisation. Si la batterie est rechargée immédiatement après utilisation, les substances chimiques internes risquent de se détériorer et la durée de vie de la batterie se raccourcira. Laisser la batterie refroidir un moment avant de l'utiliser.

ATTENTION

○ Si la batterie est chaude quand elle est rechargée, parce qu'elle est restée longtemps en plein soleil ou parce qu'elle vient juste d'être utilisée, la lampe pilote du chargeur clignote en s'allumant pendant 1 seconde, puis en s'éteignant pendant 0,5 seconde. Dans une telle éventualité, laisser la batterie refroidir, puis procéder à la recharge.

- Quand la lampe témoin clignote rapidement (à intervalles de 0,2 seconde), vérifier le chargeur et retirer tout objet étranger qui serait tombé dans son connecteur. S'il n'y a rien d'anormal, il est alors probable que la batterie ou le chargeur fonctionne mal. Dans ce cas, les enlever et les porter à un réparateur agréé.
- Etant donné qu'il faut environ 3 secondes au microordinateur intégré pour confirmer l'extraction de la batterie en cours de chargement avec UC18YKSL/UC18YFSL, attendre 3 secondes au minimum avant de la réinsérer pour continuer le chargement. Si la batterie est réinsérée dans les 3 secondes, elle risque de ne pas être correctement rechargée.

AVANT LA MISE EN MARCHÉ

Installation et vérification de l'environnement de travail

Vérifier si l'environnement de travail est adéquat en suivant les précautions.

UTILISATION

1. Vérifier la position du sélecteur de débrayage (Fig. 4)

Le couple de serrage est défini par la position du sélecteur de débrayage.

- (1) En mode visseuse, alignez l'un des chiffres du sélecteur "1, 3, 5, ... 22" ou le point avec le repère triangulaire sur le corps.
- (2) En mode perceuse, alignez le symbole du foret "▲▲▲" sur le sélecteur de débrayage avec le repère triangulaire sur le corps.

ATTENTION

- Il est impossible de positionner le sélecteur de débrayage entre les chiffres "1, 3, 5, ... 22" ou le point.
- N'utilisez pas l'outil avec le sélecteur de débrayage positionné entre le chiffre "22" et la ligne au centre du symbole du foret, vous risqueriez de l'endommager. (voir Fig. 5)

2. Réglage du couple de serrage

(1) Couple de serrage

Le couple de serrage devra correspondre au diamètre de la vis utilisée. Si trop de force est utilisée, il se peut que la vis se casse ou s'endommage dans la partie de sa tête. Assurez-vous de positionner le sélecteur de débrayage en fonction du diamètre de la vis.

(2) Indication du couple de serrage

Le couple de serrage varie en fonction du type de vis et du matériau à serrer. Le couple de serrage est indiqué par les chiffres "1, 3, 5, ... 22" sur le sélecteur de débrayage et un noir. La position "1" correspond au couple le plus faible et le chiffre le plus élevé au couple le plus important. (voir Fig. 4)

(3) Réglage du couple de serrage

Faites tourner le sélecteur de débrayage et alignez l'un des chiffres "1, 3, 5, ... 22" ou le point avec le repère triangulaire sur le corps. Faites tourner le sélecteur vers la droite ou la gauche, suivant le couple souhaité.

ATTENTION

- Il se peut que la rotation du moteur se verrouille et s'arrête pendant que l'outil est utilisé en tant que perceuse. Pendant le fonctionnement de la perceuse-visseuse, faites attention à ne pas verrouiller le moteur.
- Une percussion trop prolongée peut casser la vis par suite d'un serrage excessif.

3. Changement de vitesse de rotation

Actionnez le bouton de décalage pour changer la vitesse de rotation. Enfoncez le bouton de blocage pour relâcher le blocage et déplacez le bouton de décalage dans la direction de la flèche (Voir les Fig. 6 et 7).

Quand le bouton de décalage est mis sur "LOW" (petite vitesse), la perceuse tourne à petite vitesse. Quand mis sur "HIGH" (grande vitesse), la perceuse tourne à grande vitesse.

ATTENTION



- Lors du changement de la vitesse de rotation à l'aide du bouton de décalage, assurez-vous que l'interrupteur est sur arrêt et que le sélecteur est mis sur "0" (ARRÊT). Le fait de changer la vitesse quand le moteur tourne endommagera l'engrenage.
- Si le bouton de réglage est en position "HIGH" (grande vitesse) et que le sélecteur de débrayage est sur "17" ou "22", l'embrayage ne sera peut-être pas engagé et le moteur risque alors d'être bloqué. Dans ce cas, amenez le bouton de réglage en position "LOW" (petite vitesse).
- Si le moteur a été verrouillé, débranchez immédiatement l'alimentation. Si le moteur reste verrouillé pendant un certain temps, le moteur ou la batterie en seront brûlés.

Veillez bien à tourner le bouton de décalage.

4. Portée et recommandations pour l'utilisation




La portée utilisable pour les différents types de travaux basée sur la structure mécanique de cet outil est indiquée au Tableau 4.

Tableau 4

Travail		Position du sélecteur de débrayage	Recommandations
Forage	Bois		Utiliser pour opération de forage.
	Acier		
	Aluminium		
Enfoncement	Vis mécanique	1 – 22	Utiliser la mèche ou la douille adaptés au diamètre de la vis.
	Vis de bois	1 – 	Utiliser après forage d'un trou de préparation.

5. Sélection de la couple de serrage et de la fréquence de rotation

Tableau 5

Utilisation		Position du sélecteur de débrayage	Sélection de vitesse de rotation (Position du bouton de changement)	
			LOW (Petite vitesse)	HIGH (Grande vitesse)
Enfoncement	Vis mécanique	1 – 22	Pour vis de 6 mm ou moins diamètre.	Pour vis de 6 mm ou moins diamètre.
	Vis de bois	1 – 	Pour vis de 6,8 mm ou moins diamètre nominal. (DS18DJL) Pour vis de 6 mm ou moins diamètre nominal. (DS14DJL)	Pour vis de 4,8 mm ou moins diamètre nominal. (DS18DJL) Pour vis de 3,8 mm ou moins diamètre nominal. (DS14DJL)
Forage	Bois		Pour diamètre de 38 mm ou moins. (DS18DJL) Pour diamètre de 30 mm ou moins. (DS14DJL)	Pour diamètre de 24 mm ou moins. (DS18DJL) Pour diamètre de 12 mm ou moins. (DS14DJL)
	Métal		Pour forage avec perceuse à travailler le fer.	

ATTENTION

- Les exemples choisis et montrés au **Tableau 5**, seront pris en tant qu'exemples standard étant donné que différentes vis de serrages et différents matériels devant être serrés seront utilisés réellement, et pour lesquels un réglage approprié sera évidemment requis.
- Si la machine est utilisée pour serrer une vis à métaux à grande vitesse (HIGH), la vis risque d'être endommagée ou de se desserrer à cause de la trop grande force de torsion. Ne serrer qu'à petite vitesse (LOW) une vis à métaux.

REMARQUE

L'utilisation de la batterie dans un environnement froid (en-dessous de 0 degré centi-grade) peut parfois entraîner un affaiblissement du couple de serrage et une réduction du volume de travail. Il s'agit d'un phénomène purement temporaire, et la batterie recommencera à fonctionner normalement lorsqu'elle se sera réchauffée.

6. Utilisation de l'éclairage

Appuyez sur le déclencheur pour allumer le témoin. Le témoin reste allumé tant que vous appuyez sur le déclencheur. Le témoin s'éteint dès que vous avez relâché le déclencheur. (**Fig. 8**)
(Le témoin s'éteint automatiquement 10 secondes après avoir relâché le déclencheur.)

ATTENTION

N'exposez pas vos yeux directement à la lampe en la regardant.
Une exposition continue de vos yeux à la lampe pourrait les blesser.

7. Pese et dépose du foret

- (1) Fixation de la mèche
Desserrer le manchon en le tournant vers la gauche (dans le sens inverse des aiguilles d'une montre vu de face) pour ouvrir l'attache du mandrin sans clavette. Insérer la mèche, etc. dans le mandrin à attache sans clavette, et serrer le manchon en le tournant vers la droite (dans le sens des aiguilles d'une montre vu de face). (Voir **Fig. 9**)
- Si le manchon se desserre pendant le fonctionnement, le resserrer.
La force de serrage augmente lorsqu'on serre le manchon davantage.

(2) Retrait de la mèche

Desserrer le manchon en le tournant vers la gauche (dans le sens inverse des aiguilles d'une montre vu de face), et sortir la mèche, etc. (Voir **Fig. 9**)

REMARQUE

Si l'on serre le manchon alors que l'attache du mandrin sans clavette est ouverte au maximum, un clic risque de se faire entendre. Ce bruit indique que le desserrage du mandrin sans clavette est empêché, et il est normal.

ATTENTION

Lorsque le manchon ne peut pas être dévissé, bloquer l'outil emmanché dans un étau, etc., mettre l'embrayage sur 1 à 11 et tourner le manchon dans le sens contraire des aiguilles d'une montre tout en faisant fonctionner l'embrayage.

8. Mécanisme de verrouillage d'axe automatique

L'outil possède un mécanisme de verrouillage d'axe automatique qui permet le remplacement rapide des mèches.

9. Vérifiez se la batterie a été correctement installée

10. Vérifiez la direction de rotation

La mèche tourne dans le sens horaire (vu de l'arrière) quand on appuie sur côté-R du sélecteur. En appuyant sur côté-L du sélecteur la mèche tourne dans le sens anti-horaire. (Voir **Fig. 10**) (Les repères (L) et (R) sont marqués sur le corps.)

11. Utilisation du crochet (Vendus séparément)

Le crochet sert à suspendre l'outil électrique à votre ceinture pendant le travail.

ATTENTION

- Lorsque vous employez le crochet, accrochez fermement l'outil pour en éviter toute chute accidentelle.
En cas de chute de l'outil électrique, un accident pourrait survenir.
- Lorsque vous portez l'outil accroché à votre ceinture, n'installez aucune mèche au bout de l'outil. Si une mèche tranchante, comme une fraise, est installée sur l'outil accroché à votre ceinture, vous pourriez vous blesser.
- Installez fermement le crochet. Une mauvaise installation pourrait provoquer des blessures pendant l'utilisation.

- (1) Mise en place du crochet et serrage des vis.
Installez le crochet à fond dans la gorge de l'outil électrique et serrez les vis pour le maintenir fermement. (Fig. 11)
- (2) Dépose du crochet.
Enlevez les vis qui maintiennent le crochet, à l'aide d'un tournevis Philips. (Fig. 12)

12. Fonctionnement de l'interrupteur

- Quand le trigger de l'interrupteur est tiré, l'outil tourne. Quand le trigger est relâché, l'outil s'arrête.
- La vitesse de rotation de la foreuse peut être contrôlée en faisant varier la force avec laquelle on appuie sur l'interrupteur. En appuyant légèrement sur l'interrupteur, la vitesse est basse et elle augmente lorsqu'on appuie plus fort.

REMARQUE

Un bruit vibration se fait entendre lorsque le moteur est sur le point de tourner. Ceci est normal.

ENTRETIEN ET VERIFICATION

1. Vérification de l'outil

Etant donné que l'utilisation d'un outil émoussé réduira le rendement et entraînera éventuellement un mauvais fonctionnement du moteur, aiguissez dès qu'une abrasion apparaît.

2. Vérifiez régulièrement toutes les vis de fixation

Vérifiez régulièrement toutes les vis de fixation et assurez-vous qu'elles sont bien serrées. S'il advient qu'une vis se desserre, la resserrer immédiatement. Le fait de négliger ce point pourrait entraîner de sérieux dangers.

3. Entretien du moteur

Le bobinage de l'ensemble moteur est le "cœur" même de l'outil électro-portatif.

Veiller soigneusement à ce que ce bobinage ne soit pas endommagé et/ou mouillé par de l'huile ou de l'eau.

4. Nettoyage de l'extérieur

Quand la perceuse-visseuse est sale, essuyez-la avec un chiffon sec et doux ou un chiffon imbibé d'eau savonneuse.

N'utilisez pas de solvant au chlore, d'essence ou de diluant, car ils font fondre les matières plastiques.

5. Rangement

Rangez la perceuse-visseuse dans un endroit où la température est inférieure à 40°C et hors de portée des enfants.

REMARQUE

Si vous pensez ne pas avoir à utiliser la pile pendant une longue période (3 mois ou plus), veillez à ce qu'elle soit entièrement chargée avant de la ranger. Une pile moins chargée pourrait ne plus se recharger correctement après une longue période de stockage.

REMARQUE

Stockage des batteries au lithium-ion
Assurez-vous que les batteries au lithium-ion ont été entièrement chargées avant de les stocker.

Le stockage prolongé de batteries faiblement chargées peut entraîner une détérioration des performances, réduisant considérablement la durée d'autonomie des batteries alors incapables de tenir une charge.

Il est cependant possible de recouvrer la capacité d'autonomie d'une batterie considérablement endommagée en alternant deux à cinq fois charge et utilisation.

Si la durée d'autonomie de la batterie reste extrêmement courte malgré les charges et utilisations consécutives, considérez la batterie en fin de vie et procurez-vous en une neuve.

6. Liste des pièces de rechange

ATTENTION

Les réparations, modifications et inspections des outils électriques Hitachi doivent être confiées à un service après-vente Hitachi agréé.

Il sera utile de présenter cette liste de pièces au service après-vente Hitachi agréé lorsqu'on apporte un outil nécessitant des réparations ou tout autre entretien.

Lors de l'utilisation et de l'entretien d'un outil électrique, respecter les règlements et les normes de sécurité en vigueur dans le pays en question.

MODIFICATIONS

Les outils électriques Hitachi sont constamment améliorés et modifiés afin d'incorporer les tous derniers progrès technologiques.

En conséquence, il est possible que certaines pièces soient modifiées sans avis préalable.

Avis important sur les batteries pour outils électriques sans fil Hitachi

Toujours utiliser une de nos batteries originales spécifiées. Nous ne saurions garantir la sécurité et la performance de notre outil électrique sans fil s'il est utilisé avec une batterie autre que celle que nous avons spécifiée, ou encore si la batterie est démontée et modifiée (par exemple, le démontage et remplacement des cellules ou autres composants internes).

GARANTIE

Nous garantissons que l'ensemble des Outils électriques Hitachi sont conformes aux réglementations spécifiques statutaires/nationales. Cette garantie ne couvre pas les défauts ni les dommages inhérents à une mauvaise utilisation, une utilisation abusive ou l'usure et les dommages normaux. En cas de réclamation, veuillez envoyer l'Outil électrique, en l'état, accompagné du CERTIFICAT DE GARANTIE qui se trouve à la fin du Mode d'emploi, dans un service d'entretien autorisé.

REMARQUE

Par suite du programme permanent de recherche et de développement HITACHI, ces spécifications peuvent faire l'objet de modifications sans avis préalable.

Au sujet du bruit et des vibrations

Les valeurs mesurées ont été déterminées en fonction de la norme EN60745 et déclarées conforme à ISO 4871.

Niveau de puissance sonore pondérée A: 97 dB (A)

Niveau de pression acoustique pondérée A: 86 dB (A)

Incertitude K_{PA} : 3 dB (A)

Porter des protections anti-bruit.

Valeurs totales des vibration (somme vectorielle triaxiale) déterminée conformément à EN60745.

Forage:

Valeur d'émission de vibration $a_{h,D} = 4,5 \text{ m/s}^2$

Incertitude $K = 1,5 \text{ m/s}^2$

La valeur totale des vibrations a été mesurée par une méthode d'essai standard et peut être utilisée pour comparer un outil à un autre.

Elle peut également être utilisée pour une évaluation préliminaire du niveau d'exposition.

AVERTISSEMENT

- La valeur d'émission de vibration en fonctionnement de l'outil électrique peut être différente de la valeur totale déclarée, en fonction des utilisations de l'outil.
- Identification les mesures de protection de l'utilisateur fondées sur une estimation de l'exposition en conditions d'utilisation (tenant compte de tous les aspects du cycle d'utilisation, tels que les moments où l'outil est mis hors tension ou lorsqu'il tourne à vide en plus des temps de déclenchements).

AVVERTIMENTI GENERALI DI SICUREZZA SUGLI UTENSILI ELETTRICI

⚠ AVVERTENZA

Leggere tutti gli avvertimenti di sicurezza e tutte le istruzioni.

La mancata osservanza degli avvertimenti e delle istruzioni potrebbe essere causa di scosse elettriche, incendi e/o gravi lesioni.

Salvare tutti gli avvertimenti e le istruzioni per riferimenti futuri.

Il termine "elettroutensili" riportato nelle avvertenze si riferisce agli elettroutensili azionati con alimentazione di rete (via cavi) o a batterie (senza cavi).

1) Sicurezza dell'area operativa

a) Mantenere l'area operativa pulita e ordinata.

Aree operative sporche o disordinate possono favorire gli infortuni.

b) Non utilizzare gli elettroutensili in atmosfere esplosive, ad es. in presenza di liquidi, gas o polveri infiammabili.

Gli elettroutensili generano delle scintille che potrebbero accendere la polvere o i fumi.

c) Tenere lontani bambini e astanti durante l'utilizzo degli elettroutensili.

Qualsiasi distrazione può essere causa di perdita di controllo.

2) Sicurezza elettrica

a) Le spine degli elettroutensili devono essere idonee alle prese disponibili.

Non modificare mai le prese.

Con gli elettroutensili a massa (messi a terra), non utilizzare alcun adattatore.

L'utilizzo di spine intatte e corrispondenti alle prese disponibili ridurrà il rischio di scosse elettriche.

b) Evitare qualsiasi contatto con le superfici a massa o a terra, quali tubi, radiatori, fornelli e frigoriferi.

In caso di messa a terra o massa del corpo, sussiste un maggior rischio di scosse elettriche.

c) Non esporre gli elettroutensili alla pioggia o all'umidità.

La penetrazione di acqua negli elettroutensili aumenterà il rischio di scosse elettriche.

d) Non tirare il cavo. Non utilizzarlo per il trasporto, o per tirare o scollegare l'elettroutensile.

Tenere il cavo lontano da fonti di calore, oli, bordi appuntiti o parti in movimento.

Cavi danneggiati o attorcigliati possono aumentare il rischio di scosse elettriche.

e) Durante l'uso degli elettroutensili all'esterno, utilizzare una prolunga idonea per usi esterni.

L'utilizzo di cavi per esterno riduce il rischio di scosse elettriche.

f) Se è impossibile evitare l'impiego di un utensile elettrico in un luogo umido, utilizzare l'alimentazione protetta da un dispositivo a corrente residua (RCD).

L'uso di un RCD riduce il rischio di scosse elettriche.

3) Sicurezza personale

a) Durante l'uso degli elettroutensili, state all'erta, verificate ciò che state eseguendo e adottate sempre il buon senso.

Non utilizzate gli elettroutensili qualora siate stanchi, sotto l'influenza di farmaci, alcol o cure mediche.

Anche un attimo di disattenzione durante l'uso degli elettroutensili potrebbe essere causa di gravi lesioni personali.

b) Indossate l'attrezzatura di protezione personale. Indossate sempre le protezioni oculari.

L'attrezzatura protettiva, quali maschera facciale, calzature antiscivolo, caschi o protezioni oculari ridurrà il rischio di lesioni personali.

c) Impedite le accensioni involontarie. Prima del collegamento a una sorgente di alimentazione e/o pacco batteria e prima di raccogliere o trasportare l'utensile, verificate che l'interruttore sia posizionato su OFF.

Il trasporto degli elettroutensili tenendo le dita sull'interruttore o l'attivazione elettrica degli utensile che hanno l'interruttore su ON, implica il rischio di incidenti.

d) Prima di attivare l'elettroutensile, rimuovete qualsiasi chiave di regolazione.

Lasciando la chiave in un componente in rotazione dell'elettroutensile, sussiste il rischio di lesioni personali.

e) Mantenersi in equilibrio. Mantenersi sempre su due piedi, in equilibrio stabile.

Ciò consente di controllare al meglio l'elettroutensile in caso di situazioni impreviste.

f) Vestirsi in modo adeguato. Non indossare abiti larghi o gioielli. Tenere i capelli, gli abiti e i guanti lontano dalle parti in movimento.

Abiti allentati, gioielli e capelli lunghi potrebbero impigliarsi nelle parti in movimento.

g) In caso di dispositivi provvisti di collegamento ad apparecchiature di rimozione e raccolta polveri, verificare che queste siano collegate e utilizzate in modo adeguato.

L'utilizzo della raccolta della polvere può ridurre i rischi connessi alle polveri.

4) Utilizzo e manutenzione degli elettroutensili

a) Non utilizzare elettroutensili non idonei. Utilizzare l'elettroutensile idoneo alla propria applicazione. Utilizzando l'elettroutensile corretto, si garantirà un'esecuzione migliore e più sicura del lavoro, alla velocità di progetto.

b) Non utilizzare l'elettroutensile qualora non sia possibile accenderlo/spegnarlo tramite l'interruttore.

È pericoloso utilizzare elettroutensili che non possano essere azionati dall'interruttore. Provvedere alla relativa riparazione.

c) Prima di effettuare qualsiasi regolazione, sostituire gli accessori o depositare gli elettroutensili, scollegare la spina dalla presa elettrica e/o il pacco batteria dall'utensile elettrico.

Queste misure di sicurezza preventive riducono il rischio di avvio involontario dell'elettroutensile.

d) Depositare gli elettroutensili non utilizzati lontano dalla portata dei bambini ed evitare che persone non esperte di elettroutensili o non a conoscenza di quanto riportato sulle presenti istruzioni azionino l'elettroutensile.

È pericoloso consentire che utenti non esperti utilizzino gli elettroutensili.

- e) **Manutenzione degli elettrotensili.** Verificare che non vi siano componenti in movimento disallineati o bloccati, componenti rotti o altre condizioni che potrebbero influenzare negativamente il funzionamento dell'elettrotensile.
In caso di guasti, provvedere alla riparazione dell'elettrotensile prima di riutilizzarlo.
Molti incidenti sono causati da una scarsa manutenzione.
- f) **Mantenere gli strumenti di taglio affilati e puliti.**
Gli strumenti di taglio in condizioni di manutenzione adeguata, con bordi affilati, sono meno soggetti al bloccaggio e sono più facilmente controllabili.
- g) **Utilizzare l'elettrotensile, gli accessori, le barrette, ecc. in conformità a quanto riportato nelle presenti istruzioni, tenendo in debita considerazione le condizioni operative e il tipo di lavoro da eseguire.**
L'uso dell'utensile elettrico per operazioni diverse da quelle previste potrebbe causare una situazione pericolosa.
- 5) **Utilizzo e cura dell'utensile batteria**
- a) **Ricaricare solo con il caricatore specificato dal produttore.**
Un caricatore adatto per un tipo di gruppo batteria può creare un rischio di incendio quando viene utilizzato con un altro gruppo batteria.
- b) **Usare utensili elettrici con gruppi batteria specificatamente designati.**
L'utilizzo di qualsiasi altro gruppo batteria può creare un rischio di lesioni e incendi.
- c) **Quando il gruppo batteria non viene utilizzato, tenerlo lontano da altri oggetti metallici come graffette, monete, chiavi, chiodi, viti, o altri piccoli oggetti metallici che possono creare una connessione da un terminale a un altro.**
Cortocircuitare i terminali della batteria insieme può causare ustioni o incendi.
- d) **In condizioni abusive, del liquido può fuoriuscire dalla batteria; evitare il contatto. Se il contatto si verifica accidentalmente, sciacquare con acqua. Se il liquido entra a contatto con gli occhi, richiedere assistenza medica.**
Il liquido che fuoriesce dalla batteria può causare irritazioni o ustioni.
- 6) **Assistenza**
- a) **Affidate le riparazioni dell'elettrotensile a persone qualificate che utilizzino solamente parti di ricambio identiche.**
Ciò garantirà il mantenimento della sicurezza dell'elettrotensile.

PRECAUZIONI

Tenere lontano dalla portata di bambini e invalidi. Quando non utilizzati, gli strumenti dovranno essere depositi lontano dalla portata di bambini e invalidi.

PRECAUZIONI PER IL TRAPANO AVVITATORE A BATTERIA

1. **Utilizzare le leve ausiliarie se fornite con l'utensile.**
La perdita di controllo può causare lesioni alla persona.

2. **Tenere l'utensile dalle superfici isolate quando si esegue una operazione in cui l'attrezzo di taglio o il dispositivo di fissaggio potrebbe venire a contatto con fili nascosti.** Gli attrezzi di taglio o i dispositivi di fissaggio a contatto con un filo in "tensione" potrebbero esporre le parti metalliche dell'utensile in "tensione" e causare scosse elettriche all'operatore.
3. **Caricare la batteria ad una temperatura di 0 – 40°C.** Una temperatura minore può provocare sovraccarico, il che è pericoloso. La batteria non può essere ricaricata ad una temperatura superiore ai 40°C.
La temperatura ideale è compresa 20 – 25 gradi.
4. **Quando un'operazione di ricarica è terminata, prima di iniziarnela una seconda, lasciare che il caricatore riposi per 15 minuti.**
Non caricare più di due batterie consecutivamente.
5. **Non permettere che sostanze estranee entrino nel foro di collegamento della batteria ricaricabile.**
6. **Non smontare mai la batteria ricaricabile e il caricatore.**
7. **Non provocare assolutamente mai dei corto-circuiti alla batteria ricaricabile.** Il fenomeno provoca surriscaldamento e grande corrente elettrica. Può quindi causare bruciature o danni alla batteria.
8. **Non gettare la batteria nel fuoco.**
Può esplodere.
9. **Non appena la vita della batteria dopo le operazioni di ricarica diventa troppo breve per fini pratici, si porti la batteria al negozio dove è stata acquistata. Non la si getti mai via.**
10. **Usando una batteria scarica, il caricatore può venir danneggiato.**
11. **Non inserire nessun oggetto nelle fessure di ventilazione del caricatore.**
Inserendo oggetti metallici o infiammabili nelle fessure di ventilazione, si possono causare facilmente delle scosse elettriche, o si può danneggiare il caricatore.
12. **Per montare una punta o una trivella da trapano nel mandrino senza chiave, stringere il manicotto in maniera adeguata. Se il manicotto non è ben stretto, la punta o la trivella da trapano può scivolare o cadere, con il pericolo di lesioni alle persone.**
13. **Questo prodotto contiene un forte magnete permanente nel motore.**
Osservare le seguenti precauzioni riguardo l'aderenza di trucioli all'utensile e l'effetto del magnete permanente sui dispositivi elettronici.

ATTENZIONE

- **Non posizionare l'utensile su un banco di lavoro o zona di lavoro dove sono presenti trucioli di metallo.** I trucioli potrebbero aderire all'utensile, causando lesioni o malfunzionamenti.
- **Se dei trucioli si sono attaccati all'utensile, non toccarlo. Rimuovere i trucioli con una spazzola.**
La mancata osservanza di ciò potrebbe causare lesioni.



- **Se usate un pacemaker o altro dispositivo medico elettronico, non adoperate né avvicinate l'utensile.** Il funzionamento del dispositivo elettronico potrebbe essere compromesso.
- **Non usate l'utensile in prossimità di dispositivi di precisione come cellulari, schede magnetiche o altri supporti di memoria elettronica.** Questo potrebbe causare un uso erraneo, malfunzionamento o perdita di dati.

PRECAUZIONI SULLA BATTERIA AGLI IONI DI LITIO

Per estendere la durata, la batteria agli ioni di litio è unita a una funzione di protezione per arrestarne l'uscita. Nei casi da 1 a 3 descritti di seguito, durante l'utilizzo di questo prodotto, il motore potrebbe arrestarsi, anche se si sta tirando l'interruttore. Ciò non indica un malfunzionamento ma è il risultato della funzione di protezione.

1. Quando la rimanente alimentazione della batteria si esaurisce, il motore si arresta. In tal caso, ricaricarla immediatamente.
2. Se l'utensile è sovraccarico, il motore potrebbe arrestarsi. In tal caso, rilasciare l'interruttore dell'utensile ed eliminare le cause del sovraccarico. Dopo ciò, sarà possibile riutilizzarlo.
3. Se la batteria si surriscalda in lavori di sovraccarico, l'alimentazione della batteria potrebbe arrestarsi. In tal caso, interrompere l'uso della batteria e lasciarla raffreddare. Dopo di ciò, è possibile riutilizzarla.

Inoltre, si prega di prestare attenzione al seguente avvertimento e cautela.

AVVERTENZA

Per prevenire qualsiasi perdita delle batterie, generazione di calore, emissione di fumi, esplosione e accensione, assicurarsi di prestare attenzione alle seguenti precauzioni.

1. Assicurarsi che la polvere e i detriti non si accumulino sulla batteria.
 - Durante la lavorazione, assicurarsi che la polvere e i detriti non si depositino sulla batteria.
 - Assicurarsi che qualsiasi polvere e detriti che si depositano sull'utensile elettrico durante la lavorazione non si accumulino sulla batteria.
 - Non conservare una batteria inutilizzata in un luogo esposto a polvere e detriti.
 - Prima di ritirare una batteria, rimuovere la polvere e i detriti che si sono depositati su di essa e non conservarla insieme a parti metalliche (viti, chiodi, ecc.).
2. Non forare la batteria con un oggetto appuntito come un chiodo, non colpire con un martello, calpestare, lanciare o sottoporre la batterie a violenti urti fisici.
3. Non usare batterie apparentemente danneggiate o deformate.
4. Non usare batterie con la polarità invertita.
5. Non collegare direttamente a prese elettriche o prese per caricabatteria da auto.
6. Non usare la batteria per uno scopo diverso da quelli specificati.
7. Se la ricarica della batteria non si completa anche quando è passato un tempo di ricarica specificato, interrompere immediatamente la ricarica.

8. Non mettere o sottoporre la batteria a temperature elevate o ad alta pressione come in un forno microonde, essiccatore o contenitore ad alta pressione.
9. Tenere immediatamente lontano dal fuoco quando si rilevano perdite o maleodore.
10. Non usare in un luogo dove viene generata forte elettricità statica.
11. Se si verifica la perdita delle batterie, maleodore, generazione di calore, scolorimento o deformazione, o se appaiono anomalie di qualsiasi natura durante l'uso, la ricarica o la conservazione, rimuoverla immediatamente dall'apparecchio o carica batteria, e interrompere l'uso.

ATTENZIONE

1. Se il liquido che fuoriesce dalla batteria entra negli occhi, non sfregare gli occhi e lavarli bene con acqua fresca e pulita come acqua di rubinetto e contattare immediatamente un medico. Se non viene trattato, il liquido può causare problemi agli occhi.
2. Se il liquido fuoriesce sulla pelle o gli abiti, lavare bene con acqua pulita come l'acqua del rubinetto immediatamente. C'è una possibilità che possa causare irritazione alla pelle.
3. Se trovate ruggine, maleodore, surriscaldamento, scolorimento, deformazione, e/o altre irregolarità quando si utilizza la batteria per prima volta, non usarla e restituirla al fornitore o venditore.

AVVERTENZA

Se nel terminale della batteria a ioni di litio penetrano corpi estranei conduttivi, potrebbe verificarsi un cortocircuito della batteria con conseguente incendio. Nello stoccaggio della batteria a ioni di litio, attenersi scrupolosamente alle seguenti istruzioni.

- **Non inserire corpi conduttivi, chiodi e fili (ad esempio fili di ferro o rame) nel vano di stoccaggio.**
- **Per impedire cortocircuiti, caricare la batteria nello strumento o applicare saldamente il coperchio della batteria per lo stoccaggio fino a nascondere la ventola. (Fig. 1)**

CARATTERISTICHE**UTENSILE ELETTRICO**

Modello		DS14DJL		DS18DJL	
Velocità a vuoto (Bassa / Alta)		0 – 450 / 0 – 1250 min ⁻¹			
Capacità	Forature	Legno (Spessore 18 mm)	30 mm		38 mm
		Metallo (Spessore 1,6 mm)	Acciaio: 13 mm, Alluminio: 13 mm		
	Avvitamento	Vite di macchina	6 mm		
		Vite per legno	6,0 mm (diametro) × 75 mm (lunghezza) (Questo è un foro preliminare)	6,8 mm (diametro) × 50 mm (lunghezza) (Questo è un foro preliminare)	
Batteria ricaricabile		BSL1415: Li-ion 14,4 V (1,5 Ah 4 batterie)	BSL1425: Li-ion 14,4 V (2,5 Ah 4 batterie)	BSL1815: Li-ion 18 V (1,5 Ah 5 batterie)	BSL1825: Li-ion 18 V (2,5 Ah 5 batterie)
Peso*		1,6 kg		1,7 kg	

* Peso: Secondo procedura EPTA 01/2003

CARICATORE

Modello	UC18YKSL	UC18YFSL
Votaggio di carica	14,4 V – 18 V	
Peso	0,35 kg	0,5 kg

ACCESSORI STANDARD

DS14DJL (2LEGK) DS18DJL (2LEGK)	① Cacciavite a croce (n. 2) 1
	② Caricatore (UC18YKSL) 1
	③ Batteria (BSL1415 o BSL1815) 2
	④ Custodia in plastica 1
	⑤ Coperchio della batteria 1
DS14DJL (2LFGK) (2LFRK) DS18DJL (2LFGK) (2LFRK)	① Cacciavite a croce (n. 2) 1
	② Caricatore (UC18YKSL o UC18YFSL) 1
	③ Batteria (BSL1425 o BSL1825) 2
	④ Custodia in plastica 1
	⑤ Coperchio della batteria 1
DS18DJL (NNK)	① Cacciavite a croce (n. 2) 1
	② Custodia in plastica 1
	Senza caricatore, batteria, torcia e coperchio della batteria.
DS14DJL (NN) DS18DJL (NN)	① Cacciavite a croce (n. 2) 1
	Senza caricatore, batteria in plastica, torcia e coperchio della batteria.

Gli accessori standard possono essere cambiati senza preavviso.

ACCESSORI FACOLTATIVI (venduti a parte)

- Batteria
BSL1415, BSL1425
BSL1815, BSL1825
- Gancio (con vite)

Gli accessori disponibili a richiesta possono essere cambiati senza preavviso.

APPLICAZIONI

- Per stringere o togliere delle viti di macchina, delle viti per legno, delle viti mordenti etc.
- Per la foratura di metalli diversi
- Per la foratura di legni diversi

RIMOZIONE E INSTALLAZIONE DELLA BATTERIA**1. Smontaggio della batteria**

Tenere saldamente l'impugnatura e spingere il fermo (2 fermi) della batteria, in modo da smontarla (ved. Fig. 1 e 2).

ATTENZIONE

Non mettere la batteria in corto circuito.

2. Montaggio della batteria

Inserire la batteria facendo attenzione alla corretta collocazione delle polarità (ved. Fig. 2).

RICARICA

Prima di utilizzare l'utensile elettrico, caricare la batteria come indicato di seguito.

1. Collegare il cavo di alimentazione del caricatore a una presa CA.

Quando si collega la spina del caricatore ad una presa a muro, la spia pilota lampeggia in rosso (A intervalli di 1 secondo).

2. Inserire la batteria nel caricatore.

Inserire saldamente la batteria nel caricatore come mostrato nella Fig. 3.

3. Carica

Quando si inserisce una batteria nel caricatore, la carica inizia e la spia si illumina stabilmente in rosso.

Quando la batteria è completamente carica, la spia lampeggia in rosso. (A intervalli di un secondo) (Vedere le **Tabella 1**)

(1) Indicazioni della spia

Le indicazioni della spia sono come indicato nella **Tabella 1**, a seconda delle condizioni del caricabatterie o della batteria ricaricabile.

Tabella 1

Indicazioni della spia			
Spia (rossa)	Prima della carica	Lampeggia	Si illumina per 0,5 secondi. Non si illumina per 0,5 secondi. (Spento per 0,5 secondi)
	Durante la carica	Si illumina	Si illumina stabilmente
	Carica completa	Lampeggia	Si illumina per 0,5 secondi. Non si illumina per 0,5 secondi. (Spento per 0,5 secondi)
	Standby di surriscaldamento	Lampeggia	Si illumina per 1 secondi. Non si illumina per 0,5 secondi. (Spento per 0,5 secondi)
	Carica impossibile	Lampeggia	Si illumina per 0,1 secondi. Non si illumina per 0,1 secondi. (Spento per 0,1 secondi)
			Batteria surriscaldata. Impossibile ricaricare (la ricarica comincerà quando la batteria si raffredda).
			Malfunzionamento della batteria o del caricatore

(2) Temperatura della batteria ricaricabile
Le temperature delle batterie ricaricabili sono indicate nella **Tabella 2**. Prima di ricaricare batterie che si sono surriscaldate è necessario farle raffreddare.

Tabella 2 Gamma di temperature per la ricarica delle batterie

Batterie ricaricabili	Temperature di carica per le batterie
BSL1425, BSL1415 BSL1825, BSL1815	0°C – 50°C

(3) Tempo di carica necessario
A seconda della combinazione di caricatore e batterie, il tempo di carica è come indicato nella **Tabella 3**.

Tabella 3 Tempo di carica (a 20°C)

Caricatore Batteria	UC18YKSL	UC18YFSL
	BSL1415, BSL1815	Circa. 40 min.
BSL1425, BSL1825	Circa. 75 min.	Circa. 35 min.

NOTA

Il tempo di ricarica può variare a seconda della temperatura ambiente e della tensione dell'alimentazione elettrica.

4. Scollegare il cavo di alimentazione del caricatore dalla presa CA.

5. Tenere saldamente il caricatore e estrarre la batteria

NOTA

Assicurarsi di estrarre la batteria dal caricatore dopo l'uso e quindi conservarla.

Scarica nel caso di batterie nuove, ecc.

Poiché la sostanza chimica interna delle batterie nuove e delle batterie che non sono state usate per un lungo periodo di tempo non è attivata, la scarica esterna può essere abbassata quando le si usa per la prima e seconda volta. Questo è un fenomeno

temporaneo e il tempo normale necessario per la carica viene ripristinato ricaricando la batteria per 2 o 3 volte.

Come mantenere più lunga la durata delle batterie

(1) Ricaricare le batterie prima che si scarichino completamente.

Quando si sente che la potenza dell'attrezzo si indebolisce, interrompere l'uso e ricaricare la batteria. Se si continua l'uso e si finisce la corrente elettrica, la batteria può essere danneggiata e la sua durata abbreviarsi.

(2) Evitare di raggiungere alte temperature.

Una batteria ricaricabile si riscalda subito dopo l'uso. Se si ricarica una batteria subito dopo averla usata, la sostanza chimica interna viene deteriorata e la durata della batteria abbreviata. Consentire alla batteria di raffreddarsi per un po' e quindi ricaricarla.

ATTENZIONE

- Se la batteria viene caricata mentre è calda perché rimasta esposta a lungo ai raggi solari o perché immediatamente dopo l'uso della batteria, la spia pilota del caricatore lampeggia illuminandosi per 1 secondo e non illuminandosi per 0,5 secondi (spenta per 0,5 secondi.) In questo caso, prima lasciar raffreddare la batteria e poi eseguire l'operazione di carica.

- Quando la spia lampeggia velocemente (a intervalli di 0,2 secondi), controllare che non siano presenti oggetti estranei nel connettore della batteria del caricatore. Se non sono presenti oggetti estranei è probabile che la batteria od il caricatore non funzioni bene. Farla vedere a un Agente di manutenzione autorizzato.

- Poiché il micro computer incorporato impiega circa 3 secondi per confermare che la batteria caricata con l'UC18YKSL/UC18YFSL è stata espulsa, aspettare almeno 3 secondi prima di reinserirla per continuare il caricamento. Se la batteria viene reinserita entro 3 secondi, essa può non essere caricata in modo appropriato.

PRIMA DI INIZIARE LE OPERAZIONI

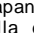
Stabilire e controllare l'ambiente di lavoro

Controllare che l'ambiente di lavoro sia adatto seguendo le necessarie precauzioni.

OPERAZIONE

1. Verificare la posizione della ghiera della frizione (Ved. Fig. 4).

La coppia di serraggio dell'utensile può essere impostata spostando la ghiera della frizione nella posizione appropriata.

- (1) Per utilizzare l'utensile come avvitatore, allineare uno dei numeri "1, 3, 5 ... 22" o uno dei punti sulla ghiera della frizione con il triangolo presente sul corpo dell'utensile.
- (2) Per utilizzare l'utensile come trapano, allineare il simbolo del trapano  sulla ghiera con il triangolo presente sul corpo dell'utensile.

ATTENZIONE

- Per evitare possibili danni all'utensile la ghiera della frizione non deve essere mai collocata su posizioni intermedie tra i numeri "1, 3, 5 ... 22" o fra i punti.
- Non utilizzare l'utensile con la ghiera della frizione situata in posizione intermedia tra il numero "22" e la linea al centro del simbolo del trapano. Questo può causare danni. (Vedere la Fig. 5)

2. Regolazione della coppia di serraggio

- (1) Coppia di serraggio
La coppia di serraggio deve essere regolata in corrispondenza del diametro della vite. Se la forza di serraggio è troppo elevata, la vite si può rompere o la testa ne può risultare danneggiata. Assicurarsi di posizionare la ghiera della frizione nella posizione appropriata per il diametro delle viti utilizzate.
- (2) Indicazione della coppia di serraggio
La coppia di serraggio necessaria varia a seconda del tipo di vite e del materiale su cui si lavora. L'utensile indica la coppia di serraggio impostata mediante una scala numerata "1, 3, 5 ... 22" e punti sulla ghiera della frizione. Con la ghiera in posizione 1, verrà applicata la coppia di serraggio minore. Con la ghiera in posizione 22 verrà applicata la coppia di serraggio massima (Vedere la Fig. 4).

- (3) Regolazione della coppia di serraggio.
Ruotare la ghiera della frizione per allineare il numero desiderato della scala "1, 3, 5 ... 22" o i punti con il triangolo di riferimento sul corpo dell'utensile. Selezionare la coppia di serraggio necessaria ruotando la ghiera fra i valori minimo e massimo.

ATTENZIONE

- La rotazione del motore può essere bloccata, quando si usa l'utensile come trapano. Usando il trapano avvitatore, fare attenzione a non bloccare il motore.
- Facendo lavorare a percussione l'utensile durante un tempo troppo prolungato, è possibile che la vite si rompa.

3. Cambio della velocità di rotazione

Usare la manopola d'intercambio per cambiare la velocità di rotazione. Premere il pulsante di blocco per liberare e spostare la manopola d'intercambio in direzione della freccia (Ved. Figs. 6 e 7). Quando la manopola d'intercambio è portata su "LOW" il trapano rota a bassa velocità. Su "HIGH" il trapano rota ad alta velocità.



ATTENZIONE

- Quando si cambia la velocità di rotazione con la manopola d'intercambio, assicurarsi che l'interruttore sia spento e che la manopola di selezione sia in posizione "0" (OFF).
Se si cambia la velocità con il motore in moto si causeranno danni agli ingranaggi.
- Se si cerca di posizionare il selettore velocità su "HIGH" (alta velocità) con la ghiera frizione sulle posizioni fra "17" e "22", può accadere che la frizione non si innesti e il motore si blocchi. In questo caso spostare il selettore velocità su "LOW" (bassa velocità).
- Se il motore si blocca, togliere immediatamente la corrente.
Se il motore si blocca per qualche attimo, il motore o la batteria possono essere bruciati.
Ruotare la manopola di comando.

4. Suggestimenti e limite d'uso

La gamma di utilizzo per vari tipi di lavoro in base alla struttura meccanica dell'utensile è indicata nella **Tabella 4**.

Tabella 4

Lavoro		Posizione della ghiera della frizione	Suggestimenti
Forature	Legno		Uso dell'utensile per forare.
	Acciaio		
	Alluminio		
Serraggio di viti	Viti per macchine	1 – 22	Usare punta o chiave adatte per il diametro della vite.
	Viti per legno	1 – 	Usare solo dopo avere eseguito un foro di preparazione.

5. Scelta della coppia di serraggio e della frequenza di rotazione

Tabella 5

Uso		Posizione della ghiera della frizione	Selezione della velocità di rotazione (Posizione della manopola di selezione)	
			LOW (bassa velocità)	HIGH (alta velocità)
Serraggio di viti	Viti di macchina	1 – 22	Per viti de 6 mm diametro o meno.	Per viti de 6 mm diametro o meno.
	Viti per legno	1 –	Per viti de 6,8 mm diametro nominale o meno. (DS18DJL) Per viti de 6 mm diametro nominale o meno. (DS14DJL)	Per viti de 4,8 mm diametro nominale o meno. (DS18DJL) Per viti de 3,8 mm diametro nominale o meno. (DS14DJL)
Foratura	Legno		Per diametri di 38 mm o meno. (DS18DJL)	Per diametri di 24 mm o meno. (DS18DJL)
			Per diametri di 30 mm o meno. (DS14DJL)	Per diametri di 12 mm o meno. (DS14DJL)
	Matallo		Per foratura con punta per il ferro.	

ATTENZIONE

- Gli esempi di cui alla **Tabella 5** sono da considerarsi come indicativi. I diversi tipi di viti e di materiale usati in pratica rendono necessari degli aggiustamenti dei valori dati.
- Quando si usa una punta con una vite di macchina ad alta velocità (HIGH), si può danneggiare una vite o si può allentare la punta a causa del fissaggio troppo forte. Usare la punta a bassa velocità (LOW) quando si impiega una vite di macchina.

NOTA

L'uso della batteria a basse temperature (sotto 0 gradi centigradi) può a volte risultare in una coppia di serraggio indebolita e una minore quantità di lavoro. Questo è tuttavia un fenomeno temporaneo e il funzionamento torna alla normalità quando la batteria si scalda.

6. Utilizzo della luce

Tirare l'interruttore della luce per illuminare la luce. La luce continua a illuminarsi mentre viene tirato l'interruttore del grilletto. La luce si spegne dopo che viene rilasciato l'interruttore del grilletto. (**Fig. 8**)

(La luce si spegne automaticamente 10 secondi dopo che l'interruttore del grilletto è stato rilasciato.)

ATTENZIONE

Non esporre gli occhi alla luce in modo diretto. Se gli occhi vengono esposti continuamente alla luce, potrebbero verificarsi fastidi alla vista.

7. Montaggio e smontaggio della punta**(1) Montaggio della punta**

Allentare il collare girandolo verso sinistra (in senso antiorario visto da davanti) per aprire il fermaglio del mandrino senza chiave. Dopo aver inserito la punta cacciavite, ecc. nel mandrino senza chiave, serrare il collare girandolo verso destra (in senso orario visto da davanti). (Vedere la **Fig. 9**)

- Se il collare si allenta durante l'impiego, serrarlo più strettamente.

La forza di serraggio aumenta se si serra ulteriormente il collare.

(2) Smontaggio della punta

Allentare il collare girandolo verso sinistra (in senso antiorario visto da davanti) e quindi estrarre la punta, ecc. (Vedere la **Fig. 9**)

NOTA

Se il collare viene serrato in un stato in cui il fermaglio del mandrino senza chiave è aperto al limite massimo, si può sentire uno scatto. Questo rumore si verifica quando l'allentamento del mandrino senza chiave è ostacolato e non è indice di guasti.

ATTENZIONE

Quando non è possibile svitare il collare, stringere l'attrezzo inserito in una morsa, ecc., regolare il modo frizione su 1–11 e girare il collare in senso antiorario usando la frizione. Ora dovrebbe essere facile allentare il collare.

8. Meccanismo di blocco automatico dell'alberino

Questo utensile è dotato di meccanismo di blocco automatico dell'alberino per permettere rapidi cambi di punta.

9. Assicurarsi che la batteria sia montata in modo corretto**10. Controllare la direzione della rotazione**

La punta gira in senso orario (come visto dal retro) se si preme la parte di destra R del selettore.

Per far girare la punta in senso antiorario premere la parte sinistra L del selettore. (Vedere **Fig. 10**) (I contrassegni (L) ed (R) sono apportati sul corpo dell'attrezzo.)

11. Utilizzo del gancio (Venduti a parte)

Il gancio viene utilizzato per agganciare l'utensile alla cintura durante il lavoro.

ATTENZIONE

- Quando si utilizza il gancio, agganciare saldamente l'utensile per evitare cadute accidentali. In caso di caduta dell'utensile, potrebbero verificarsi incidenti.

- Durante il trasporto dell'utensile agganciato alla cintura, non collocare punte in cima all'utensile. Se durante il trasporto dell'utensile agganciato alla cintura viene inserita una punta tagliente come quella per il trapano, quest'ultima potrebbe causare lesioni all'operatore.

- Fissare saldamente il gancio. Se il gancio non è stato fissato saldamente, potrebbe provocare lesioni all'operatore durante l'uso.

- (1) Posizionamento del gancio e serraggio delle viti. Installare saldamente il gancio nella scanalatura dell'utensile e serrare le viti per fissare il gancio in modo saldo. (**Fig. 11**)

- (2) Rimozione del gancio.
Rimuovere le viti che fissano il gancio mediante un cacciavite Philips. (Fig. 12).

12. Funzionamento dell'interruttore

- Premendo il grilletto interruttore, l'utensile si mette in movimento. Lasciando andare il grilletto, il motore si ferma.
- La velocità di rotazione del trapano può essere dell'interruttore viene premuto. La velocità è bassa quando il grilletto dell'interruttore viene premuto leggermente, e aumenta a mano a mano che l'interruttore viene premuto maggiormente.

NOTA

Prima di cominciare a ruotare, il motore produce un ronzio. Tale rumore non è indice di cattivo funzionamento della macchina.

MANUTENZIONE ED ISPEZIONE

1. Ispezione dell'utensile

Poiché condizioni imperfette causano un abbassamento dell'efficienza e possibili malfunzionamenti all'attrezzo, affilare o sostituire l'utensile quando si notano segni di abrasione.

2. Ispezione delle viti di montaggio

Ispezionare regolarmente le viti di montaggio e assicurarsi che siano ben fissate. Se una di queste dovesse essere allentata, riserrarla immediatamente. Si rischia in caso contrario di provocare incidenti pericolosi.

3. Manutenzione del motore

L'avvolgimento del motore il vero e proprio "cuore" degli attrezzi elettrici.

Fare attenzione a non danneggiare l'avvolgimento e/o non bagnarlo con olio o acqua.

4. Pulizia della carcassa dell'utensile

Se il trapano-avvitatore è sporco, pulirlo con uno staccio soffice, inumidito di acqua e sapone.

Non usare solventi cloridici, benzina o diluenti per benzina, in quanto potrebbero deformare la plastica.

5. Conservazione

Conservare il trapano-avvitatore ad una temperatura inferiore ai 40°C e non a portata di mano di bambini.

NOTA

Assicurarsi che la batteria sia completamente carica quando viene conservata per un lungo periodo (3 mesi o più). Una batteria con minore capacità potrebbe non essere in grado di essere caricata quando viene utilizzata, se conservata per un lungo periodo.

NOTA

Conservazione delle batterie agli ioni di litio
Prima di riporre le batterie agli ioni di litio, assicurarsi di averle caricate completamente.

Riporre le batterie per periodi prolungati con un basso livello di carica ne può provocare il deterioramento delle prestazioni o la significativa riduzione del tempo di utilizzo delle batterie, e potrebbe anche rendere le batterie incapaci di mantenere la carica.

Tuttavia, la significativa riduzione del tempo di utilizzo delle batterie può essere risolta caricando e utilizzando le batterie ripetutamente da due a cinque volte.

Se il tempo di utilizzo delle batterie rimane estremamente ridotto nonostante le ricariche ripetute, considerare le batterie inutilizzabili e acquistarne di nuove.

6. Lista dei pezzi di ricambio

ATTENZIONE

Riparazioni, modifiche e ispezioni di utensili elettrici Hitachi devono essere eseguite da un centro assistenza Hitachi autorizzato.

Questa lista dei pezzi torna utile se viene presentata con l'utensile al centro assistenza Hitachi autorizzato quando si richiedono riparazioni o altri interventi di manutenzione.

Nell'uso e nella manutenzione degli utensili elettrici devono essere osservate le normative di sicurezza e i criteri prescritti in ciascun paese.

MODIFICHE

Gli utensili elettrici Hitachi vengono continuamente migliorati e modificati per includere le più recenti innovazioni tecnologiche.

Di conseguenza, alcuni pezzi possono essere modificati senza preavviso.

Avviso importante sulle batterie per gli utensili elettrici a batteria Hitachi

Utilizzare sempre una delle nostre batterie originali. Non possiamo garantire la sicurezza e le prestazioni dell'utensile elettrico a batteria quando esso viene utilizzato con batterie diverse da quelle da noi designate, o quando la batteria viene smontata e modificata (per esempio lo smontaggio e la sostituzione di pile o altre parti interne).

GARANZIA

Garantiamo gli Utensili Elettrici Hitachi in conformità alle specifiche normative imposte dalla legge e dai paesi. Questa garanzia non copre difetti o danni dovuti a uso erraneo, abuso o normale usura. In caso di lamentele, si prega di inviare l'Utensile Elettrico, non smontato, insieme al CERTIFICATO DI GARANZIA che si trova al termine di queste Istruzioni per l'uso, ad un Centro di Assistenza Autorizzato Hitachi.

NOTA

A causa del continuo programma di ricerche e sviluppo della HITACHI, le caratteristiche riportate in questo foglio sono soggette a cambiamenti senza preventiva comunicazione.

Informazioni riguardanti i rumori trasmessi dall'aria e le vibrazioni

I valori misurati sono stati determinati in conformità a EN60745 e descritti in conformità alla normativa ISO 4871.

Livello misurato di potenza sonora pesato A: 97 dB (A)

Livello misurato di pressione sonora pesato A: 86 dB (A)

KpA incertezza: 3 dB (A)

Indossare i dispositivi di protezione acustica.

Valori totali di vibrazione (somma vettori triass.) determinati secondo la norma EN60745.

Forature:

Valore di emissione vibrazioni $a_{h, D} = 4,5 \text{ m/s}^2$

Incertezza $K = 1,5 \text{ m/s}^2$

Il valore totale di emissione vibrazioni dichiarato è stato misurato in base al metodo di test standard e può essere utilizzato per confrontare un utensile con un altro.

Può essere inoltre utilizzato per la stima preliminare dell'esposizione.

AVVERTENZA

- Il valore di emissione vibrazioni durante l'uso effettivo dell'utensile può essere diverso dal valore totale dichiarato in base alle modalità di utilizzo dell'utensile stesso.
- Identificare le misure di sicurezza per la protezione dell'operatore basate su stima dell'esposizione nelle effettive condizioni di utilizzo (prendendo in considerazione tutte le parti del ciclo di funzionamento come i tempi in cui l'utensile resta spento e quando funziona senza essere utilizzato in aggiunta al tempo di avvio).

ALGEMENE VEILIGHEIDSWAARSCHUWINGEN VOOR ELEKTRISCH GEREEDSCHAP

⚠ WAARSCHUWING

Lees alle waarschuwingen en instructies aandachtig door.

Nalating om de waarschuwingen en instructies op te volgen kan in een elektrische schok, brand en/of ernstig letsel resulteren.

Bewaar alle waarschuwingen en aanwijzingen voor eventuele naslag in de toekomst.

De term "elektrisch gereedschap" heeft zowel betrekking op elektrisch gereedschap dat via de netvoeding van stroom wordt voorzien als gereedschap dat via een accu (snoerloos) van stroom wordt voorzien.

1) Veiligheid van de werkplek

a) **Zorg voor een schone en goed verlichte werkplek.**

Een rommelige of donkere werkplek verhoogt de kans op ongelukken.

b) **Gebruik het elektrisch gereedschap niet in een omgeving met ontplofbare vloeistoffen, gassen of stof.**

Elektrisch gereedschap kan vonken afgeven. Deze vonkjes kunnen stofdeeltjes of gassen doen ontbranden.

c) **Houd kinderen en andere toeschouwers tijdens het gebruik van elektrische gereedschap uit de buurt.**

Afleidingen kunnen gevaarlijk zijn.

2) Elektrische veiligheid

a) **De stekker op het elektrische gereedschap moet geschikt zijn voor aansluiting op de wandcontactdoos.**

De stekker mag op geen enkele manier gemodificeerd worden. Gebruik geen verloopstekker met geaard elektrisch gereedschap. Deugdelijke stekkers en geschikte wandcontactdozen verminderen het risico op een elektrische schok.

b) **Vermijd lichamelijk contact met geaarde oppervlakken zoals leidingen, radiatoren, fornuizen en koelkasten.**

Wanneer uw lichaam in contact staat met geaarde oppervlakken loopt u een groter risico op een elektrische schok.

c) **Stel het elektrisch gereedschap niet bloot aan regen of vochtige omstandigheden.**

Het risico op een elektrische schok wordt vergroot wanneer er water in het elektrisch gereedschap terecht komt.

d) **Behandel het snoer voorzichtig. Draag het gereedschap nooit door dit bij het snoer vast te houden. Trek niet aan het snoer wanneer u de stekker uit het stopcontact wilt halen.**

Houd het snoer uit de buurt van warmtebronnen, olie, scherpe randen of bewegende onderdelen. Een beschadigd of verward snoer verhoogt het risico op een elektrische schok.

e) **Gebruik buitenshuis een verlengsnoer dat specifiek geschikt is voor het gebruik buiten.**

Het gebruik van een snoer dat specifiek geschikt is voor gebruik buitenshuis vermindert het risico op een elektrische schok.

f) **Als het elektrisch gereedschap in een vochtige omgeving gebruikt moet worden, dient een voeding met RCD (reststroom-apparaat) beveiliging te worden gebruikt.**

Gebruik van een RCD vermindert de kans op een elektrische schok.

3) Persoonlijke veiligheid

a) **Blijf waakzaam, let voortdurend op uw werk en gebruik uw gezond verstand wanneer u elektrisch gereedschap gebruikt.**

Gebruik geen elektrisch gereedschap wanneer u moe bent of onder invloed van drugs, alcohol of medicijnen.

Een moment van onoplettendheid kan in ernstig lichamelijk letsel resulteren.

b) **Gebruik persoonlijke beschermingsmiddelen. Draag altijd oogbescherming.**

Beschermingsmiddelen zoals stofmaskers, niet-glijdende veiligheidsschoenen, een helm of oorbescherming vermindert het risico op lichamelijk letsel.

c) **Voorkom dat het gereedschap per ongeluk kan starten. Controleer of de schakelaar in de uit stand staat voordat u de voeding en/of de accu aansluit, het gereedschap oppakt of gaat dragen.**

Zorg ervoor dat u tijdens het verplaatsen van het elektrisch gereedschap uw vingers uit de buurt van de schakelaar houdt en sluit de stroombron niet aan terwijl de schakelaar op aan staat om ongelukken te vermijden.

d) **Verwijder sleutels en moersleutels uit het gereedschap voordat u het elektrisch gereedschap aanzet.**

Een (moer-)sleutel die op een bewegend onderdeel van het elektrisch gereedschap bevestigd is kan in lichamelijk letsel resulteren.

e) **Reik niet te ver. Zorg ervoor dat u te allen tijde stevig staat en uw evenwicht behoudt.**

Op deze manier heeft u tijdens een onverwachte situatie meer controle over het elektrisch gereedschap.

f) **Draag geen loszittende kleding of sieraden. Houd uw haar, kleding en handschoenen uit de buurt van bewegende onderdelen.**

Loszittende kleding, sieraden en lang haar kunnen in de bewegende onderdelen verstrikt raken.

g) **Indien het elektrisch gereedschap van een aansluiting voor stofafzuiging is voorzien dan dient u ervoor te zorgen dat de stofafzuiging aangesloten en op de juiste manier gebruikt wordt.**

Het gebruik van stofafzuiging vermindert eventuele stofgerelateerde risico's.

4) Bediening en onderhoud van elektrisch gereedschap

a) **Het elektrisch gereedschap mag niet geforceerd worden. Gebruik het juiste gereedschap voor het karwei.**

U kunt de klus beter en veiliger uitvoeren wanneer u het juiste elektrische gereedschap gebruikt.

b) **Gebruik het elektrisch gereedschap niet als de schakelaar niet goed werkt.**

Elektrisch gereedschap dat niet via de schakelaar bediend kan worden is gevaarlijk en moet onmiddellijk gerepareerd worden.

c) **Haal de stekker uit het stopcontact voordat u de voeding en/of de accu van het elektrisch gereedschap losmaakt, afstellingen verricht, accessoires verwisselt of voordat u het elektrisch gereedschap opbergt.**

Dergelijke preventieve veiligheidsmaatregelen verminderen het risico dat het elektrisch gereedschap per ongeluk opstart.

- d) **Berg elektrisch gereedschap buiten het bereik van kinderen op en sta niet toe dat personen die niet bekend zijn met het juiste gebruik van het gereedschap of deze voorschriften dit elektrisch gereedschap gebruiken.**
Elektrisch gereedschap is gevaarlijk in onbevoegde handen.
- e) **Het elektrisch gereedschap moet regelmatig onderhouden worden. Controleer het gereedschap op een foutieve uitlijning, vastgelopen of defecte bewegende onderdelen en andere problemen die van invloed zijn op de juiste werking van het gereedschap. Indien het gereedschap defect of beschadigd is moet het gerepareerd worden voordat u het gereedschap opnieuw gebruikt.**
Slecht onderhouden elektrisch gereedschap is verantwoordelijk voor een groot aantal doe-het-zelf ongelukken.
- f) **Houd snijwerktuigen scherp en schoon.**
Goed onderhouden snijwerktuigen met scherpe snijranden lopen minder snel vast en zijn gemakkelijker in het gebruik.
- g) **Elektrisch gereedschap, toebehoren, bits enz. moeten in overeenstemming met deze instructies worden gebruikt waarbij de werkomstandigheden en het werk in overweging moeten worden genomen.**
Gebruik van het elektrisch gereedschap voor andere doeleinden dan waarvoor het is bedoeld, kan resulteren in een gevaarlijke situatie.
- 5) **Gebruik van gereedschap en onderhoud van de batterij**
- a) **Herlaad enkel met de lader die door de fabrikant wordt gespecificeerd.**
Een lader die geschikt is voor één bepaald type batterijgroep kan brandgevaar veroorzaken bij een andere batterijgroep.
- b) **Gebruik de apparaten enkel met specifiek ontworpen batterijgroepen.**
Het gebruik van andere batterijgroepen kan letsels of brand veroorzaken.
- c) **Wanneer de batterijgroep niet in gebruik is, houdt u ze verwijderd van andere metalen voorwerpen zoals papierclips, munten, sleutels, spijkers, schroeven of andere metalen voorwerpen die een verbindingen van de ene terminal met de andere kunnen maken.**
De batterijterminals kortsluiten kan brandwonden of brand veroorzaken.
- d) **Bij een verkeerd gebruik kan er vloeistof uit de batterij lekken; vermijd elk contact. Indien er toevallig contact ontstaat, goed met water spoelen. Indien de vloeistof in contact met de ogen komt, ook medische hulp inroepen.**
Vloeistof die uit de batterij lekt kan irritatie en brandwonden veroorzaken.
- 6) **Onderhoudsbeurt**
- a) **Het gereedschap mag uitsluitend door bevoegd onderhoudspersoneel worden onderhouden die authentieke onderdelen gebruikt.**
Hierdoor kunt u erop aan dat de veiligheid van het elektrisch gereedschap behouden blijft.

VOORZORGMAAATREGELEN

Houd kinderen en kwetsbare personen op een afstand. Het gereedschap moet na gebruik buiten het bereik van kinderen en andere kwetsbare personen worden opgeborgen.

VEILIGHEIDSWAARSCHUWINGEN VOOR SNOERLOZE BOOR-SCHROEFMACHINE

- Gebruik de extra handgre(e)p(en) die met het gereedschap zijn meegeleverd.**
Verlies van controle over het gereedschap kan in lichamelijk letsel resulteren.
- Houd het gereedschap vast aan de geïsoleerde handgrepen tijdens het uitvoeren van een bewerking waarbij het snijtoebehoren of de klem in aanraking kan komen met verborgen bedrading.** Snijtoebehoren of klemmen die een onder stroom staande draad aanraken, maken dat niet-geïsoleerde delen van het gereedschap ook onder stroom komen, waardoor de gebruiker een elektrische schok kan krijgen.
- Laad de accu bij een temperatuur van 0 – 40°C.** Een temperatuur van onder 0°C kan overlading veroorzaken, hetgeen gevaarlijk kan zijn. de accu kan niet bij een temperatuur van boven de 40°C geladen worden.
De meest geschikte temperatuur is tussen de 20 – 25°C.
- Wacht ongeveer 15 minuten voordat met het laden van een andere batterij begonnen wordt.**
Laad niet meer dan twee accu's achterelkaar op.
- Voorom dat stof of vuil in de aansluitopening van de accutrecht komt.**
- Demonteer de oplaadbare batterij of acculader niet.**
- Voorom kortsluiting van de oplaadbare batterij.** Kortsluiting kan resulteren in oververhitting. Dit kan schade of brandgevaar opleveren.
- Gooi de batterij niet in het vuur.**
Een brandende batterij kan ontploffen.
- Breng de batterij naar de dealer waar deze gekocht werd, nadat deze na oplading onvoldoende kracht heeft voor praktisch gebruik. Gooi een uitgewerkte batterij niet weg.**
- Het gebruik van een uitgeputte batterij zal de acculader beschadigen.**
- Steek nooit een voorwerp in de ventilatie-openingen van de acculader.**
Als een voorwerp of ontylambaar materiaal in de ventilatie-openingen van de acculader wordt gestoken, kan dit resulteren in een elektrische schok of beschadiging aan de acculader.
- Wanneer u een bitje in de sleutelloze boorkop doet, moet u de klembus voldoende vastdraaien.** Als de klembus niet goed vast zit, kan het bitje slippen of los komen en letsel veroorzaken.
- Dit product bevat een krachtige permanente magneet in de motor.**
Neem de volgende punten in acht betreffende het vastkleven van metaaldeeltjes aan het gereedschap en de invloed van de permanente magneet op elektronische apparatuur.

LET OP

- Leg het gereedschap niet op een werkbank of andere plaats waar metaaldeeltjes liggen.**
De deeltjes kunnen aan het gereedschap gaan kleven met letsel of een defect tot gevolg.

- **Als er deeltjes aan het gereedschap kleven, mag u het gereedschap niet aanraken. Verwijder de deeltjes met een borstel.**
Indien dit niet wordt gedaan, kunt u letsel oplopen.



- **Als u een pacemaker of ander elektronisch medisch apparaat gebruikt, mag u het gereedschap niet bedienen of in de buurt van het gereedschap komen.** Dit kan namelijk de werking van het elektronisch medisch apparaat beïnvloeden.
- **Gebruik het gereedschap niet in de buurt van precisie-apparatuur zoals mobiele telefoons, magneetkaarten of elektronische geheugenmedia.** Dit zou kunnen resulteren in een foutieve werking, defect of verlies van gegevens.

OPMERKINGEN BIJ GEBRUIK LITHIUM-ION BATTERIJ

De lithium-ion batterij is voorzien van een beschermingsfunctie die volledige ontlading van de batterij voorkomt waardoor de levensduur wordt verlengd.

In de gevallen 1 tot 3 die hieronder worden beschreven, kan tijdens het gebruik van dit product, zelfs indien u aan de schakelaar trekt, de motor stilvallen. Dit geeft geen probleem met het product aan maar wordt veroorzaakt door de beschermingsfunctie.

1. De motor komt tot stilstand wanneer de batterij leeg is.
De batterij moet in dit geval onmiddellijk opgeladen worden.
2. De motor kan tot stilstand komen wanneer het gereedschap overbelast is. Laat de schakelaar onmiddellijk los en zoek naar de oorzaak van de overbelasting. Wanneer u het probleem verholpen heeft kunt u het gereedschap opnieuw gebruiken.
3. Wanneer de batterij oververhit is door overbelasting, kan het zijn dat de batterij stopt. In dit geval gebruikt u de batterij niet verder en laat u ze afkoelen. Daarna kunt u haar opnieuw gebruiken.

Gelieve eveneens aandacht te schenken aan volgende waarschuwing en aandachtspunt.

WAARSCHUWING

Om acculekken, het opwekken van warmte, rookemissie, explosie en ontsteking bijtijds te vermijden, moet u ervoor zorgen volgende voorzorgsmaatregelen onder de aandacht te brengen.

1. Zorg ervoor dat er geen spaanders en stof op de accu ophopen.
- Zorg er tijdens de werkzaamheden voor dat er geen spaanders en stof op de accu kunnen vallen.
- Zorg ervoor dat de spaanders en stof die tijdens het werk op het elektrisch gereedschap vallen zich niet op de accu ophopen.
- Bewaar een ongebruikte accu niet op een plaats waar het aan spaanders en stof wordt blootgesteld.

- Verwijder alle spaanders en stof van een accu voordat u hem opbergt en bewaar de accu niet op dezelfde plek als metalen onderdelen (schroeven, spijkers, enz.).
- 2. Doorboor de accu niet met een scherp voorwerp, zoals een nagel, klop er niet op met een hamer, stap niet op de accu of gooi er niet mee of stel hem niet bloot aan ernstige fysieke schokken.
- 3. Gebruik geen zichtbare beschadigde of vervormde accu.
- 4. Gebruik de accu niet met een omgekeerde polariteit.
- 5. Sluit hem niet rechtstreeks aan op elektrische toestellen of fittingen van sigarettenaanstekers in wagens.
- 6. Gebruik de accu niet voor andere doeleinden dan deze die gespecificeerd werden.
- 7. Wanneer de accu niet kan worden opgeladen, zelfs nadat de specifieke oplaadtijd verstreken is, stopt u onmiddellijk met het opladen.
- 8. Breng de accu niet op hoge temperaturen of drukken of stel ze er niet aan bloot, zoals in een microgolfoven, droger of een hogedrukcontainer.
- 9. Blijf uit de buurt van vuur onmiddellijk nadat een lek of vieze geur werd vastgesteld.
- 10. Gebruik hem niet in een plaats waar een grote statische elektriciteit wordt opgewekt.
- 11. In geval van een acculek, vieze geur, warmteopwekking, verkleuring of vervorming, of iets abnormaals tijdens het gebruik, het opladen of de opslag, haalt u hem onmiddellijk uit de uitrusting of de acculader en stopt u het gebruik.

LET OP

1. Wanneer u de lekkende vloeistof uit de accu in de ogen krijgt, wrijf dan niet in de ogen, en was ze goed uit met vers proper water, zoals kraantjeswater en roep er onmiddellijk een dokter bij.
Indien u geen behandeling krijgt, kan de vloeistof oogproblemen veroorzaken.
2. Wanneer de vloeistof lekt op uw huid of kleding, was ze onmiddellijk goed af met proper water, zoals kraantjeswater.
De kans bestaat dat dit huidirritatie veroorzaakt.
3. Wanneer u roest, een vieze geur, oververhitting, verkleuring, vervorming en/of andere onregelmatigheden vaststelt wanneer u de accu voor de eerste maal gebruikt, gebruik ze dan niet verder en stuur ze terug naar de leverancier of de verkoper.

WAARSCHUWING

Als een geleidende vreemde stof op de klem van de lithium-ionbatterij terecht komt, kan de batterij worden kortgesloten, waardoor brand kan ontstaan. Wanneer u de lithium-ionbatterij bewaart, dient u de volgende regels in acht te nemen.

- **Plaats geen geleidende stoffen, nagels en draden zoals ijzer- en koperdraad in de opslagdoos.**
- **Plaats de batterij in het gereedschap of bevestig het batterijdeksel stevig voor opslag tot u de ventilator niet meer ziet om kortsluiting te voorkomen. (Afb. 1)**

TECHNISCHE GEGEVENS

BOORMACHINE

Model		DS14DJL		DS18DJL	
Onbelaste snelheid (Laage / Hoge)		0 – 450 / 0 – 1250 min ⁻¹			
Kapaciteit	Boren	Hout (Dikte 18 mm)	30 mm		38 mm
		Metaal (Dikte 1,6 mm)	Staal: 13 mm, Aluminum: 13 mm		
Drijven	Kolomschroef	6 mm			
	Houtschroef	6,0 mm (diameter) × 75 mm (lengte) (bij voorgeboord schroefgat)		6,8 mm (diameter) × 50 mm (lengte) (bij voorgeboord schroefgat)	
Oplaadbare batterij		BSL1415: Li-ion 14,4 V (1,5 Ah 4 cellen)	BSL1425: Li-ion 14,4 V (2,5 Ah 4 cellen)	BSL1815: Li-ion 18 V (1,5 Ah 5 cellen)	BSL1825: Li-ion 18 V (2,5 Ah 5 cellen)
Gewicht*		1,6 kg		1,7 kg	

* Gewicht: Volgens EPTA-procedure 01/2003

ACCULADER

Model	UC18YKSL	UC18YFSL
Oplaadspanning	14,4 V – 18 V	
Gewicht	0,35 kg	0,5 kg

STANDAARD TOEBEHOREN

DS14DJL (2LEGK) DS18DJL (2LEGK)	① Kruijskopdrijver (Nr. 2) 1
	② Acculader (UC18YKSL) 1
	③ Batterij (BSL1415 of BSL1815) 2
	④ Plastic doos 1
	⑤ Batterijdeksel 1
DS14DJL (2LFGK) (2LFRK) DS18DJL (2LFGK) (2LFRK)	① Kruijskopdrijver (Nr. 2) 1
	② Acculader (UC18YKSL of UC18YFSL) ... 1
	③ Batterij (BSL1425 of BSL1825) 2
	④ Plastic doos 1
	⑤ Batterijdeksel 1
⑥ Snoerloze lantaarn (UB18DAL) 1	
DS18DJL (NNK)	① Kruijskopdrijver (Nr. 2) 1
	② Plastic doos 1 Zonder acculader, batterij, lantaarn en batterijdeksel.
DS14DJL (NN) DS18DJL (NN)	① Kruijskopdrijver (Nr. 2) 1 Zonder acculader, batterij, plastic doos, lantaarn en batterijdeksel.

De standaard toebehoren kunnen zonder nadere aankondiging gewijzigd worden.

EXTRA TOEBEHOREN (los verkrijgbaar)

- Batterij
BSL1415, BSL1425
BSL1815, BSL1825
- Haak (met schroef)

De extra toebehoren kunnen zonder nadere aankondiging gewijzigd worden.

TOEPASSINGEN

- Indraaien en uitdraaien van machineschroeven, houtschroeven, tapbouten, etc.
- Boren van verschillende metalen
- Boren van verschillende houtsoorten

INLEGGEN EN UITNEMEN VAN DE BATTERIJ

1. **Verwijderen van de batterij**
Houd de handgreep goed vast en druk tegen de accvergrendeling (2 stuks) om de batterij te verwijderen (zie **Afb. 1** en **2**).

LET OP

- Sluit de batterij nooit kort.
- 2. **Aanbrengen van de batterij**
Plaats de batterij met de polen juist aangebracht (zie **Afb. 2**).

OPLADEN

Voor het gebruik van het elektrisch gereedschap dient de batterij als volgt opgeladen te worden.

1. **Sluit het netsnoer van het oplaadapparaat op het stopcontact aan.**
Wanneer de stekker van de acculader in het stopcontact wordt gestoken, zal het lampje in rood knipperen (met tussenpozen van 1 seconde).
2. **Steek de batterij in het acculader.**
Steek de batterij stevig in de oplader zoals in **Afb. 3** getoond wordt.

3. Opladen

Wanneer een batterij in de acculader wordt aangebracht, blijft het controlelampje continu rood branden. Wanneer de batterij volledig is opgeladen, gaat het controlelampje in rood knipperen. (Met tussenpozen van 1 seconde) (Zie **Tabel 1**)

- (1) Aanduiding van de controlelampje
De aanduidingen van het controlelampje zijn zoals aangegeven in **Tabel 1**, al naar gelang de toestand van de oplaadbare batterij of het acculader.

Tabel 1

Aanduidingen van het controlelampje				
Controlelampje (rood)	Voor het laden	Knippert	Brandt ongeveer 0,5 seconde. Brandt ongeveer 0,5 seconde niet. (Uit voor 0,5 seconde)	/
	Tijdens opladen	Brandt	Blijft branden	
	Na opladen	Knippert	Brandt ongeveer 0,5 seconde. Brandt ongeveer 0,5 seconde niet. (Uit voor 0,5 seconde)	
	Oververhitting standby	Knippert	Brandt ongeveer 1 seconde. Brandt ongeveer 0,5 seconde niet. (Uit voor 0,5 seconde)	
	Opladen onmogelijk	Knippert	Brandt ongeveer 0,1 seconde. Brandt ongeveer 0,1 seconde niet. (Uit voor 0,1 seconde)	
			De batterij is oververhit. De batterij kan niet opgeladen worden (het opladen wordt hervat wanneer de batterij is afgekoeld).	
			Malfunzionamento della batteria o del caricatore	

(2) Betreffende de temperatuur van de oplaadbare batterij

De temperaturen voor herlaadbare batterijen worden weergegeven in **Tabel 2**. Oververhitte batterijen moeten een tijdje afkoelen voordat ze worden herladen.

Tabel 2 Temperatuur voor opladen van batterijen

Oplaadbare batterijen	Geschikte temperatuur voor het opladen
BSL1425, BSL1415 BSL1825, BSL1815	0°C – 50°C

(3) Tijd die benodigd is voor het opladen

De oplaadtijden in de onderstaande **Tabel 3** zijn afhankelijk van de combinatie van acculader en batterij.

Tabel 3 Oplaadtijden (bij 20°C)

Acculader Batterij	UC18YKSL	UC18YFSL
BSL1415, BSL1815	Circa. 40 min.	Circa. 22 min.
BSL1425, BSL1825	Circa. 75 min.	Circa. 35 min.

OPMERKING

De oplaadtijd kan verschillen afhankelijk van de omgevingstemperatuur en de voedingsspanning.

4. Trek de stekker van het oplaadapparaat uit het stopcontact.

5. Houd het oplaadapparaat stevig vast en trek de batterij er uit

OPMERKING

Verwijder beslist de accu van de lader na gebruik. Bewaar op een veilige plaats.

Betreffende het ontladen raken van nieuwe batterij e.d.

Aangezien bij nieuwe en langdurig niet gebruikte batterijen de chemische activiteit is teruggelopen, zal de stroomopbrengst bij het eerste en tweede gebruik slechts gering zijn. Dit is een tijdelijk verschijnsel; de normale oplaadtijd kan hersteld worden door de batterij 2 à 3 maal bij kamertemperatuur op te laden.

Om langdurig gebruik van de batterij te bevorderen

- (1) Laad batterijen op vóórdát ze volledig uitgeput zijn. Merkt u dat de gevoede apparatuur minder krachtig gaat werken, onderbreek dan het gebruik en laad de batterij op. Als u apparatuur op batterijvoeding te lang blijft gebruiken, kan dit leiden tot teruglopen van de batterijwerking en eventueel zelfs beschadiging ervan.
- (2) Verricht het opladen niet bij hoge temperatuur. Een oplaadbare batterij zal onmiddellijk na gebruik gewoonlijk erg warm zijn. Als u een dergelijke batterij onmiddellijk gaat opladen, zal de chemische balans in het inwendige verstoord worden en zal de levensduur van de batterij afnemen. Laat de batterij daarom even afkoelen, voor u met opladen begint.

LET OP

- Als wordt geprobeerd de batterij op te laden terwijl deze te warm is geworden door langdurige blootstelling aan direct zonlicht of onmiddellijk na gebruik van de batterij, is het mogelijk dat het controlelampje van de acculader knippert door 1 seconde op te lichten en 0,5 seconde niet op te lichten (lampje is 0,5 seconde uit). Mocht dit zich voordoen, laat de batterij dan eerst even afkoelen alvorens u deze oplaadt.
- Wanneer het controlelampje snel knippert (vijfmaal per seconde), neem de batterij dan uit het oplaadapparaat en controleer op de aanwezigheid van een voorwerp dat er niet hoort. Is er geen

voorwerp in de opening aanwezig, dan is de storing waarschijnlijk te wijten aan de oplaadbare batterij of het oplaadapparaat. Laat deze dan controleren door een bevoegde onderhoudsinstantie.

- Aangzien de ingebouwde micoprocessor van de UC18YKSL/UC18YFSL een drietal seconden nodig heeft om te reageren op het loskoppelen van de batterij, dient u minimaal drie seconden te wachten voordat u de batterij weer aansluit om het laden te vervolgen. Als de batterij binnen de drie seconden wordt aangesloten, bestaat de kans dat deze niet goed wordt opgeladen.

VOOR HET GEBRUIK

Gereedmaken en controleren van de werkplaats

Kontroleer of de werkplaats geschikt is door nauwkeurig de genomde voorzorgsmaatregelen op te volgen.

BEDIENING

1. Controleer de stand van de koppelingsinstelling. (Zie Afb. 4)

Het aantrekkoppel wordt ingesteld aan de hand van de stand van deze koppelingsinstelling.

- (1) Bij gebruik van deze machine als schroevendraaier plaatst u één van de nummers "1, 3, 5 ... 22" op de koppelingsinstelling, of een stip, tegenover het driehoekje op de machine.
- (2) Bij gebruik van deze machine als boor plaatst u de boor-markering "▲" op de koppelingsinstelling tegenover het driehoekje.

LET OP

- De koppelingsinstelling mag niet in een stand worden gezet tussen de nummers "1, 3, 5 ... 22" of de stippen in.
- Gebruik de machine niet met de koppelingsinstelling tussen "22" en het streepje in het midden van de boor-markering. Dit kan resulteren in beschadiging. (Zie Afb. 5)

2. Afstelling van het aantrekkoppel

(1) Aantrekkoppel

Instelling van het aantrekkoppel van de boor dient te gebeuren op basis van de schroefdiameter. Wanneer teveel kracht bij het aandraaien gebruikt wordt, zal de schroef beschadigd en misschien onbruikbaar worden. Plaats de koppelingsinstelling in een stand die geschikt is voor de diameter van het soort schroef in gebruik.

- (2) Aanduiding van het aantrekkoppel
Het aantrekkoppel verschilt afhankelijk van het type schroef en het soort materiaal dat wordt vastgezet. De machine geeft het aantrekkoppel aan met nummers "1, 3, 5 ... 22" op de koppelingsinstelling en stippen. Het aantrekkoppel bij stand "1" is het kleinste en het koppel wordt groter naarmate het nummer oploopt. (Zie Afb. 4)

- (3) Instellen van het aantrekkoppel
Draai de koppelingsinstelling rond en plaats de nummers "1, 3, 5 ... 22" op de kap, of de stippen, tegenover het driehoekje op de machine. Draai de koppelingsinstelling in de richting van een zwakker of sterker aantrekkoppel overeenkomstig het koppel dat u nodig heeft.

LET OP

- Het kan voorkomen dat de motor stopt wanneer het apparaat als een drill gebruikt wordt. Zorg ervoor dat de boor schroef-machine niet vast loopt tijdens gebruik.
- Wanneer te lang gedraaid wordt kan de schroef breken.

3. Veranderen van de draaisnelheid

Gebruik de toerenschakelaar om de draaisnelheid te veranderen. Druk op de vergrendeltoets en schuif de toerenschakelaar in de richting van de pijl (Zie Afb. 6 en 7).

Door de toerenschakelaar op "LOW" te zetten, draait de boor met lage snelheid. Wanneer de toets "HIGH" gezet wordt, draait de boor op hoge snelheid.



LET OP

- Wanneer de draaisnelheid met de toerenschakelaar veranderd wordt, dient de schakelaar uitgezet te worden, en de keuzeschakelaar dient op "O" (OFF) gezet te worden.
De motor wordt beschadigd wanneer de draaisnelheid veranderd wordt tijdens het draaien van de motor.
- Als u de toerenschakelaar op "HIGH" (hoog toerental) zet, terwijl de koppelingsinstelling op "17" of "22" staat, kan het gebeuren dat de koppeling doorslipt en dat de motor vast komt te staan. Zet in dat geval de toerenschakelaar op "LOW" (laag toerental).
- Schakel de netspanning onmiddellijk uit wanneer de motor vast loopt. Dit om te voorkomen dat de motor of accu beschadigd wordt.
Draai aan de toerenschakelaar.

4. Manieren en suggesties voor gebruik



Tabel 4 geeft een overzicht van de diverse werkzaamheden die met dit apparaat kunnen worden uitgevoerd op basis van de mechanische eigenschappen van dit gereedschap.

Tabel 4

Werk		Koppelingsinstelling-positie	Suggesties
Boren	Hout		Gebruik een boor en dopsleutel die met de diameter van de schroef overeenkomen.
	Staal		
	Aluminium		
Drijven	Kolomschroef	1 – 22	Bohrespitze of Hülse dem Schraubendurchschnitt verwenden.
	Houtschroef	1 – 	Gebruik na het voorboren van gat.

5. Scelta della coppia di serraggio e della frequenza di rotazione

Tabel 5

Toepassing		Koppelingsinstelling- positie	Kiezen van het toerental (kapstand)	
			LOW (laag toerental)	HIGH (hoog toerental)
Drijven	Kolomschroef	1 – 22	Voor schroeven met een diameter van 6 mm of minder.	Voor schroeven met een diameter van 6 mm of minder.
	Houtschroef	1 – 	Voor schroeven met een nominale diameter van 6,8 mm of minder. (DS18DJL) Voor schroeven met een nominale diameter van 6 mm of minder. (DS14DJL)	Voor schroeven met een nominale diameter van 4,8 mm of minder. (DS18DJL) Voor schroeven met een nominale diameter van 3,8 mm of minder. (DS14DJL)
Boren	Hout		Voor diameters van 38 mm of minder. (DS18DJL) Voor diameters van 30 mm of minder. (DS14DJL)	Voor diameters van 24 mm of minder. (DS18DJL) Voor diameters van 12 mm of minder. (DS14DJL)
	Metaal		Voor boren met een staalboor.	

LET OP

- Bovenstaande voorbeelden in **Tabel 5** kunnen als standaard gezien worden voor de verschillende types schroeven en materialen, alhoewel verschillende schroeven en materialen gebruikt worden in de praktijk. Voor verschillende types dient het juiste draaikoppel te worden gekozen.
- Als u de boor gebruikt om een schroef met een vierkante of zeskantige kop in te schroeven, gebruik dan geen hoog toerental (HIGH). Dit zou kunnen leiden tot beschadiging van de schroefkop of van het bitje, daar het aandraaikoppel te groot is. Gebruik de boor met het lage toerental ingeschakeld (LOW).

OPMERKING

Het gebruik van de batterij bij lage temperaturen (onder nul) kan soms een zwakker aantrekkoppel en slechtere werking van het gereedschap tot gevolg hebben. Dit is slechts tijdelijk en de werking zal weer normaal zijn als de batterij weer op normale temperatuur is.

6. Het licht gebruiken

Trek aan de trekkerschakelaar om het lampje te laten branden. Het lampje blijft branden zolang de trekkerschakelaar wordt ingetrokken. Het lampje gaat uit zodat de trekkerschakelaar wordt losgelaten. (**Afb. 8**)
(Zodra u de trekkerschakelaar loslaat, gaat het lampje na 10 seconden automatisch uit.)

LET OP

Stel uw ogen niet rechtstreeks bloot aan het licht door in het lampje te kijken.

Als uw ogen voortdurend worden blootgesteld aan het licht, kan dit oogletsel veroorzaken.

7. Aanbrengen en verwijderen van het inzetstuk

- (1) Bevestigen van het bitje
Draai de mof los naar links (tegen de klok in van voren gezien) om de klem van de sleutellose boorkop te openen. Doe een schroevendraaierbitje enz. in de sleutellose boorkop en draai de mof weer vast naar rechts (met de klok mee van voren gezien). (Zie **Afb. 9**)
- Als de mof losraakt terwijl u aan het werk bent, dient u deze weer vast te draaien.
Draai de mof extra aan om deze zo vast mogelijk te zetten.

- (2) Verwijderen van het bitje

Draai de mof los naar links (tegen de klok in van voren gezien) en verwijder het bitje enz. (Zie **Afb. 9**)

OPMERKING

Als de mof wordt verdraaid terwijl de klem van de sleutellose boorkop helemaal open staat, kan er een klikkend geluid veroorzaakt worden. Dit geluid wordt veroorzaakt door de beveiliging tegen het losdraaien van de sleutellose boorkop en duidt niet op een storing.

LET OP

Wanneer de klembus niet losgeschroefd kan worden, dient u het gereedschap in een bankschroef vast te zetten. Zet vervolgens de koppeling op 1–11 en draai de klembus linksom terwijl u de koppeling bedient.

8. Automatische asvergrendeling

Deze machine is uitgerust met een mechanisme dat automatisch de as vergrendelt zodat u sneller het bitje kunt wisselen.

9. Controleer of de accu op de juiste manier aangebracht is

De boor draait rechtsom (van achteren gezien) wanneer de R-kant van de omzetschakelaar ingedrukt wordt.

De L-kant van de omzetschakelaar dient te worden ingedrukt om de boor linksom te laten draaien. (Zie **Afb. 10**) (De (L) en de (R) merkingen zijn op de behuizing aangebracht.)

11. De haak gebruiken (Los verkrijgbaar)

De haak wordt gebruikt om de machine aan uw heupriem te hangen terwijl u werkt.

LET OP

- Wanneer u de haak gebruikt, dient u erop te letten dat de machine stevig bevestigd is zodat deze niet per ongeluk valt.
Als de machine valt, kan dit een ongeval veroorzaken.
- Wanneer u de machine draagt terwijl deze bevestigd is aan uw heupriem, plaats dan geen uitrustingsstuk in de kop van de machine. Als de machine is uitgerust met een scherp uitrustingsstuk zoals een

boor terwijl u het aan uw heupriem draagt, veroorzaakt dat letsel.

- Bevestig de haak stevig. Als de haak niet stevig is bevestigd, kan dit letsel veroorzaken tijdens het gebruik.
- (1) Plaatsen van de haak en vastdraaien van de schroeven.
Plaats de haak stevig in de groef van de machine en draai de schroeven vast om de haak stevig te bevestigen. (Fig. 11)
- (2) De haak verwijderen.
Verwijder de schroeven die de haak op zijn plaats houden met een Philips schroevendraaier. (Fig. 12)

12. Bediening van de schakelaar

- De boor gaat draaien wanneer aan de trekker getrokken wordt. Wanneer de trekker wordt losgelaten stopt de boor.
- De draaisnelheid van de boor kunt u regelen door in meer of mindere mate aan de trekschakelaar te trekken. Wanneer u licht aan de trekschakelaar trekt, is de snelheid laag en bij harder trekken wordt de snelheid verhoogd.

OPMERKING

Een gezoem wordt gehoord als de motor begint te draaien; dit is alleen geluid en duidt geen defekt aan.

ONDERHOUD EN INSPECTIE

1. Inspectie van de boor

Slijp of vervang de boor wanneer slijtage gekonstateerd wordt; gebruik van eengekonstateerd wordt; gebruik van een stompe boor vermindert de efficiëntie en kan de motor beschadigen.

2. Inspectie van bevestigingsschroeven

Kontroleer deze schroeven regelmatig om te verzekeren dat ze goed aangedraaid zijn. Draai loszittende schroeven onmiddellijk vast. Dit om ongelukken te voorkomen.

3. Onderhoud van de motor

De motorwikkeling is het „hert” van het elektrische gereedschap.

Er moet daarom bijzonder zorgvuldig op gelet worden, dat de wikkeling niet beschadigd en/or met olie of water bevochtigd wordt.

4. Reinigen van de behuizing

Gebruik een zachte droge doek, of wat soppig water, wanneer de behuizing bevuild is. Gebruik geen vloeistoffen zoals terpentijn of benzine om te voorkomen dat de afwerking beschadigd wordt.

5. Opbergen

Bewaar de slagboor op een plaats waar de temperatuur niet hoger is dan 40°C, en buiten het bereik van kinderen.

OPMERKING

Controleer of de batterij volledig is geladen als deze gedurende langere tijd is opgeslagen (3 maanden of langer). Een batterij met een kleinere capaciteit kan tijdens het gebruik mogelijk niet worden opgeladen als hij langdurig is opgeslagen.

OPMERKING

Opbergen van lithium-ion batterijen
Zorg dat de lithium-ion batterijen volledig zijn opgeladen voordat u deze opbergt.

Langdurig opbergen van de batterijen met een lage lading kan resulteren in een slechtere prestatie, een sterke afname van de gebruiksduur van de batterijen en ook is het mogelijk dat de batterijen niet meer opgeladen kunnen worden.

Een sterke afname van de gebruiksduur van de batterijen kan soms wel weer verholpen worden door de batterijen herhaaldelijk van twee- tot vijfmaal op te laden en te gebruiken.

Als de gebruiksduur van de batterijen zeer kort blijft nadat deze meerdere malen zijn opgeladen en gebruikt, zijn de batterijen versleten en dient u nieuwe batterijen aan te schaffen.

6. Lijst vervangingsonderdelen

LET OP

Reparatie, modificatie en inspectie van Hitachi elektrisch gereedschap dient te worden uitgevoerd door een erkend Hitachi Service-centrum.

Deze Onderdelenlijst komt van pas wanneer u deze samen met het gereedschap aanbiedt bij het erkende Hitachi Service-centrum wanneer u om reparatie of ander onderhoud verzoekt.

Bij gebruik en onderhoud van elektrisch gereedschap dienen de in het land waar u zich bevindt geldende veiligheidsregelgeving en veiligheidsstandaarden strikt te worden opgevolgd.

MODIFICATIES

Hitachi elektrisch gereedschap wordt voortdurend verbeterd en gewijzigd teneinde gebruik te kunnen maken van de nieuwste technische ontwikkelingen. Daarom is mogelijk dat sommige onderdelen zonder voorafgaande kennisgeving gewijzigd worden.

Belangrijke informatie voor batterijen van Hitachi snoerloos elektrisch gereedschap

Gebruik altijd een van onze voorgeschreven originele batterijen. Wij kunnen de veiligheid en prestatie van ons snoerloos elektrisch gereedschap niet garanderen bij gebruik van andere dan de voorgeschreven batterijen, of als de batterij gedemonteerd of gewijzigd is (zoals demontage of vervanging van batterijcellen of andere inwendige onderdelen).

GARANTIE

De garantie op het elektrisch gereedschap van Hitachi is in overeenstemming met de wettelijke/landspecifieke richtlijnen. Deze garantie dekt geen defecten of schade als gevolg van foutief gebruik, misbruik of normale slijtage. In geval van klachten verzoeken wij u het elektrisch gereedschap samen met het GARANTIECERTIFICAAT dat u achterin deze handleiding aantreft naar een erkend servicecentrum van Hitachi te sturen. Indien door de gebruiker de machine wordt gedemonteerd vervalt de aanspraak op garantie.

OPMERKING

Op grond van het voortdurende research en ontwikkelingsprogramma van HITACHI zijn veranderingen van de hierin genoemde technische opgaven voorbehouden.

Informatie betreffende luchtgeluid en trillingen

De gemeten waarden zijn verkregen overeenkomstig EN60745 en voldoen aan de eisen van ISO 4871.

Gemeten A-gewogen geluidsniveau: 97 dB (A)

Gemeten A-gewogen geluidsdrukkniveau: 86 dB (A)

Onzekerheid KpA: 3 dB (A)

Draag gehoorbescherming.

Totale trillingswaarden (triax vector som) bepaald overeenkomstig EN60745.

Boren:

Trillingsemissiewaarde $a_{h, D} = 4,5 \text{ m/s}^2$

Onzekerheid K = 1,5 m/s^2

De totale bepaalde trillingswaarde is gemeten in overeenstemming met een standaardtestmethode en is bruikbaar om meerdere gereedschappen met elkaar te vergelijken.

U kunt dit ook als beoordeling vooraf aan de blootstelling gebruiken.

WAARSCHUWING

- De trillingsemissiewaarde tijdens het feitelijke gebruik van het elektrisch gereedschap kan afwijken van de opgegeven totale waarde afhankelijk van de manieren waarop het gereedschap wordt gebruikt.
- Neem kennis van de veiligheidsmaatregelen voor de bescherming van de gebruiker die gebaseerd zijn op een schatting van blootstelling onder feitelijke gebruiksomstandigheden (rekening houdend met alle onderdelen van de gebruikscyclus, zoals de tijd dat het gereedschap is uitgeschakeld en wanneer dit onbelast draait inclusief de triggertijd).

ADVERTENCIAS DE SEGURIDAD GENERAL DE LA HERRAMIENTA ELÉCTRICA

⚠ ADVERTENCIA

Lea todas las instrucciones y advertencias de seguridad. Si no se siguen las advertencias e instrucciones, podría producirse una descarga eléctrica, un incendio y/o daños graves.

Guarde todas las advertencias e instrucciones para futura referencia.

El término “herramienta eléctrica” en las advertencias hace referencia a la herramienta eléctrica que funciona con la red de suministro (con cable) o a la herramienta eléctrica que funciona con pilas (sin cable).

1) Seguridad del área de trabajo

- a) Mantenga la zona de trabajo limpia y bien iluminada. Las zonas desordenadas u oscuras pueden provocar accidentes.
- b) No utilice las herramientas eléctricas en entornos explosivos como, por ejemplo, en presencia de líquidos inflamables, gases o polvo. Las herramientas eléctricas crean chispas que pueden inflamar el polvo o los humos.
- c) Mantenga a los niños y transeúntes alejados cuando utilice una herramienta eléctrica. Las distracciones pueden hacer que pierda el control.

2) Seguridad eléctrica

- a) Los enchufes de las herramientas eléctricas tienen que ser adecuados a la toma de corriente. No modifique el enchufe. No utilice enchufes adaptadores con herramientas eléctricas conectadas a tierra. Si no se modifican los enchufes y se utilizan tomas de corriente adecuadas se reducirá el riesgo de descarga eléctrica.
- b) Evite el contacto corporal con superficies conectadas a tierra como tuberías, radiadores y frigoríficos. Hay mayor riesgo de descarga eléctrica si su cuerpo está en contacto con el suelo.
- c) No exponga las herramientas eléctricas a la lluvia o a la humedad. La entrada de agua en una herramienta eléctrica aumentará el riesgo de descarga eléctrica.
- d) No utilice el cable incorrectamente. No utilice el cable para transportar, tirar de la herramienta eléctrica o desenchufarla. Mantenga el cable alejado del calor, del aceite, de bordes afilados o piezas móviles. Los cables dañados o enredados aumentan el riesgo de descarga eléctrica.
- e) Cuando utilice una herramienta eléctrica al aire libre, utilice un cable prolongador adecuado para utilizarse al aire libre. La utilización de un cable adecuado para usarse al aire libre reduce el riesgo de descarga eléctrica.
- f) Si no se puede evitar el uso de una herramienta eléctrica en un lugar húmedo, utilice un suministro protegido mediante un dispositivo de corriente residual (RCD). El uso de un RCD reduce el riesgo de descarga eléctrica.

3) Seguridad personal

- a) Esté atento, preste atención a lo que hace y utilice el sentido común cuando utilice una herramienta eléctrica.

No utilice una herramienta eléctrica cuando esté cansado o esté bajo la influencia de drogas, alcohol o medicación.

La distracción momentánea cuando utiliza herramientas eléctricas puede dar lugar a importantes daños personales.

- b) Utilice un equipo de protección. Utilice siempre una protección ocular. El equipo de protección como máscara para el polvo, zapatos de seguridad antideslizantes, casco o protección para oídos utilizado para condiciones adecuadas reducirá los daños personales.
- c) Evite un inicio involuntario. Asegúrese de que el interruptor está en “off” antes de conectar la herramienta a una fuente de alimentación y/o batería, cogerla o transportarla.

El transporte de herramientas eléctricas con el dedo en el interruptor o el encendido de herramientas eléctricas con el interruptor encendido puede provocar accidentes.

- d) Retire las llaves de ajuste antes de encender la herramienta eléctrica. Si se deja una llave en una pieza giratoria de la herramienta eléctrica podrían producirse daños personales.

- e) No se extralimite. Mantenga un equilibrio adecuado en todo momento. Esto permite un mayor control de la herramienta eléctrica en situaciones inesperadas.

- f) Vístase adecuadamente. No lleve prendas sueltas o joyas. Mantenga el pelo, la ropa y los guantes alejados de las piezas móviles. La ropa suelta, las joyas y el pelo largo pueden pillarse en las piezas móviles.

- g) Si se proporcionan dispositivos para la conexión de extracción de polvo e instalaciones de recogida, asegúrese de que están conectados y se utilizan adecuadamente. La utilización de un sistema de recogida de polvo puede reducir los riesgos relacionados con el polvo.

4) Utilización y mantenimiento de las herramientas eléctricas

- a) No fuerce la herramienta eléctrica. Utilice la herramienta eléctrica correcta para su aplicación. La herramienta eléctrica correcta trabajará mejor y de forma más segura si se utiliza a la velocidad para la que fue diseñada.
- b) No utilice la herramienta eléctrica si el interruptor no la enciende y apaga. Las herramientas eléctricas que no pueden controlarse con el interruptor son peligrosas y deben repararse.
- c) Desconecte el enchufe de la fuente eléctrica y/o la batería de la herramienta eléctrica antes de hacer ajustes, cambiar accesorios o almacenar herramientas eléctricas. Estas medidas de seguridad preventivas reducen el riesgo de que la herramienta eléctrica se ponga en marcha accidentalmente.
- d) Guarde las herramientas eléctricas que no se utilicen para que no las cojan los niños y no permita que utilicen las herramientas eléctricas personas no familiarizadas con las mismas o con estas instrucciones. Las herramientas eléctricas son peligrosas si son utilizadas por usuarios sin formación.

- e) **Mantenimiento de las herramientas eléctricas.** Compruebe si las piezas móviles están mal alineadas o unidas, si hay alguna pieza rota u otra condición que pudiera afectar al funcionamiento de las herramientas eléctricas.

Si la herramienta eléctrica está dañada, llévela a reparar antes de utilizarla.

Se producen muchos accidentes por no realizar un mantenimiento correcto de las herramientas eléctricas.

- f) **Mantenga las herramientas de corte afiladas y limpias.**

Las herramientas de corte correctamente mantenidas con los bordes de corte afilados son más fáciles de controlar.

- g) **Utilice la herramienta eléctrica, los accesorios y las brocas de la herramienta, etc. de acuerdo con estas instrucciones, teniendo en cuenta las condiciones laborales y el trabajo que se va a realizar.**

La utilización de la herramienta eléctrica para operaciones diferentes a aquellas pretendidas podría dar lugar a una situación peligrosa.

- 5) **Utilización y mantenimiento de las herramientas a batería**

- a) **Recargue sólo con el cargador especificado por el fabricante.**

Un cargador adecuado para un tipo de batería podría crear peligro de incendio si se utiliza con otra batería.

- b) **Utilice herramientas eléctricas sólo con baterías designadas específicamente.**

La utilización de otras baterías podría crear peligro de daños e incendio.

- c) **Cuando no se utilice la batería, manténgala alejada de otros objetos metálicos como clips de papel, monedas, llaves, clavos, tornillos u otros objetos metálicos pequeños que puedan hacer una conexión de un terminal a otro.**

Si se acercan y acercan los terminales de las baterías, podrían producirse quemaduras o un incendio.

- d) **Bajo condiciones abusivas, podría salir líquido de la batería; evite todo contacto. Si se produce un contacto accidentalmente, aclare con agua. Si entra líquido en los ojos, busque ayuda médica.**

El líquido de la batería podría causar irritación o quemaduras.

- 6) **Revisión**

- a) **Lleve su herramienta a que la revise un experto cualificado que utilice sólo piezas de repuesto idénticas.**

Esto garantizará el mantenimiento de la seguridad de la herramienta eléctrica.

PRECAUCIÓN

Mantenga a los niños y a las personas enfermas alejadas. Cuando no se utilicen, las herramientas deben almacenarse fuera del alcance de los niños y de las personas enfermas.

PRECAUCIONES DE SEGURIDAD DEL TALADRO ATORNILLADOR A BATERÍA

1. **Utilice los mangos auxiliares en el caso de que se proporcionen con la herramienta.**
La pérdida de control puede causar daños personales.
2. **Sostenga la herramienta eléctrica por las superficies de agarre aisladas cuando realice una operación en la que el accesorio de corte o el pasador pueda entrar en contacto con el cableado oculto.** Si el accesorio de corte o los pasadores entra en contacto con un cable con corriente, las partes metálicas expuestas de la herramienta eléctrica pueden transmitir esa corriente y producir una descarga eléctrica al operador.
3. **Siempre cargar la batería a una temperatura comprendida 0 – 40°C.** Una temperatura inferior a 0°C causa una sobrecarga, lo que es peligroso. No puede cargarse la batería a una temperatura mayor de 40°C.
La temperatura más apropiada para cargar es la de 20 – 25°C.
4. **Cuando se completa la carga, dejar descansar el cargador por 15 minutos antes de proseguir con la carga siguiente.**
No cargue consecutivamente más de dos baterías.
5. **No dejar que entre suciedad por el orificio de conexión de la batería recargable.**
6. **Nunca desarmar la batería recargable ni el cargador.**
7. **Nunca poner en cortocircuito la batería recargable.** Poner en cortocircuito la batería produce una corriente eléctrica enorme y el consecuente recalentamiento, pudiendo quemar o deteriorar la batería.
8. **No tirar la batería al fuego.**
Si se quema la batería puede explotar.
9. **Llevar la batería al sitio de compra original en el caso de que la duración de la batería recargable sea reducida al usarse.** No tirar la batería descargada.
10. **El uso de una batería descargada dañará el cargador.**
11. **No insertar objetos en las ranuras de ventilación del cargador.**
La inserción de objetos metálicos o inflamables en dichas ranuras puede provocar descargas eléctricas o dañar el cargador.
12. **Cuando monte una broca o barrena en el portabroca de apriete sin llave, apriete el manguito adecuadamente.** Si el manguito no queda bien apretado, la broca o la barrena pueden deslizarse y caerse, causando heridas.
13. **Este producto contiene un fuerte imán permanente en el motor.**
Cumpla las siguientes precauciones referentes a adherir astillas a la herramienta y el efecto del imán permanente en dispositivos electrónicos.

PRECAUCIÓN

- **No coloque la herramienta sobre un banco de trabajo o un área de trabajo en el que haya astillas de metal.**
Las astillas pueden adherirse a la herramienta, causando lesiones o un funcionamiento incorrecto.
- **Si se han adherido astillas a la herramienta, no la toque. Retírelas con un cepillo.**
De lo contrario podrían producirse lesiones.



- **Si utiliza marcapasos u otro dispositivo médico electrónico no utilice o acerque la herramienta.**
El funcionamiento del dispositivo electrónico podría verse afectado.
- **No utilice la herramienta cerca de dispositivos de precisión como teléfonos móviles, tarjetas magnéticas o medios de memoria electrónicos.**
Esto podría llevar a una operación incorrecta, funcionamiento incorrecto o pérdida de datos.

ADVERTENCIA DE LA BATERÍA DE LITIO

Para ampliar su duración, la batería de litio está equipada con la función de protección para detener la salida. En los casos 1 a 3 descritos más abajo, cuando utilice este producto, incluso si tira del interruptor, el motor puede detenerse. No es un problema, sino el resultado de la función de protección.

1. Cuando la batería restante se agota, el motor se detiene. En este caso, cárguela inmediatamente.
2. Si la herramienta se sobrecarga, el motor puede detenerse. En este caso, suelte el interruptor de la herramienta y elimine las causas de la sobrecarga. A continuación, puede volverla a utilizar.
3. Si la batería se calienta excesivamente al realizar un trabajo de sobrecarga, la potencia de la batería podría pararse.
En este caso, deje de utilizar la batería y deje que se enfríe. Posteriormente puede utilizarla de nuevo.

Asimismo, preste atención a las siguientes advertencias y precauciones.

ADVERTENCIA

Para evitar fugas de la batería, generación de calor, emisión de humo, explosiones e igniciones, preste atención a las siguientes precauciones.

1. Asegúrese de que no entran virutas o polvo en la batería.
 - Durante el trabajo, asegúrese de que no caen virutas o polvo en la batería.
 - Asegúrese de que las virutas o el polvo que caen sobre la herramienta eléctrica durante el trabajo no entran en la batería.
 - No almacene una batería sin utilizar en un lugar expuesto a virutas y polvo.
 - Antes de almacenar una batería, retire las virutas y el polvo que se haya adherido y no la almacene junto a piezas metálicas (tornillos, clavos, etc.).
2. No agujeree la batería con un objeto afilado como un clavo, no la golpee con un martillo, la pise, la tire o la esponga a fuertes impactos físicos.
3. No utilice una batería que pudiera estar dañada o deformada.
4. No utilice la batería con las polaridades cambiadas.
5. No conecte la batería directamente a salidas eléctricas o a los encendedores de cigarrillos de los coches.
6. No utilice la batería para un fin diferente a los especificados.

7. Si la carga de la batería no finaliza incluso cuando ha transcurrido un determinado tiempo de recarga, detenga inmediatamente la recarga.
8. No coloque o exponga la batería a temperaturas elevadas o alta presión como en un microondas, una secadora o un contenedor de gran presión.
9. Aléjela del fuego inmediatamente cuando se detecte una fuga o un olor raro.
10. No la utilice en un lugar donde se genere gran electricidad estática.
11. Si hay una fuga de la batería, mal olor, se genera color, está descolorida o deformada, o de algún modo funciona de forma anormal durante su utilización, recarga o almacenamiento, retírela inmediatamente del equipo o del cargador de la batería y detenga su utilización.

PRECAUCIÓN

1. Si el líquido de fuga de la batería entra en contacto con los ojos, no se los frote y lávelos bien con agua limpia como, por ejemplo, agua del grifo y póngase en contacto con un médico inmediatamente.
Si no se trata, el líquido podría causar problemas de visión.
2. Si el líquido de fuga entra en contacto con la piel o la ropa, lávela bien con agua limpia como, por ejemplo, agua del grifo inmediatamente.
Podría producir irritación de la piel.
3. Si observa óxido, mal olor, recalentamiento, decoloración, deformación y/u otras irregularidades al utilizar la batería por primera vez, no la utilice y devuélvasela a su proveedor o distribuidor.

ADVERTENCIA

Si penetran materiales conductivos en el terminal de la batería de ion-litio, la batería podría experimentar un cortocircuito y provocar un incendio. Al guardar la batería de ion-litio, siga las normas de seguridad siguientes.

- **No deje restos conductivos, clavos ni cables, como por ejemplo cables de hierro o de cobre, en el estuche de almacenamiento.**
- **Para evitar que se produzcan cortocircuitos, cargue la batería en la herramienta o fije con firmeza la tapa de la batería hasta que deje de verse el ventilador. (Fig. 1)**

ESPECIFICACIONES**HERRAMIENTA MOTORIZADA**

Modelo		DS14DJL	DS18DJL	
Velocidad de no carga (Baja / Alta)		0 – 450 / 0 – 1250 min ⁻¹		
Capacidad	Taladrado	Madera (Grosor 18 mm)	30 mm	
		Metal (Grosor 1,6 mm)	Acero: 13 mm, Aluminio: 13 mm	
	Apriete de tornillos	Tornillo para metales	6 mm	
		Tornillo para madera	6,0 mm (diámetro) × 75 mm (longitud) (Requiere un agujero guía)	6,8 mm (diámetro) × 50 mm (longitud) (Requiere un agujero guía)
Batería recargable		BSL1415: Li-ion 14,4 V (1,5 Ah 4 elementos)	BSL1425: Li-ion 14,4 V (2,5 Ah 4 elementos)	
Peso*		1,6 kg	1,7 kg	

* Peso: según procedimiento EPTA 01/2003

CARGADOR

Modelo	UC18YKSL	UC18YFSL
Tensión de carga	14,4 V – 18 V	
Peso	0,35 kg	0,5 kg

ACCESORIOS ESTANDAR

DS14DJL (2LEBK) DS18DJL (2LEBK)	① Destornillador en cruz (+) (No. 2) 1
	② Cargador (UC18YKSL) 1
	③ Batería (BSL1415 o BSL1815) 2
	④ Caja de plástico 1
	⑤ Tapa de la batería 1
DS14DJL (2LFGK) (2LFRK) DS18DJL (2LFGK) (2LFRK)	① Destornillador en cruz (+) (No. 2) 1
	② Cargador (UC18YKSL o UC18YFSL) 1
	③ Batería (BSL1425 o BSL1825) 2
	④ Caja de plástico 1
	⑤ Tapa de la batería 1
	⑥ Linterna a batería (UB18DAL) 1
DS18DJL (NNK)	① Destornillador en cruz (+) (No. 2) 1
	② Caja de plástico 1 Sin cargador, batería, linterna y tapa de la batería.
DS14DJL (NN) DS18DJL (NN)	① Destornillador en cruz (+) (No. 2) 1 Sin cargador, batería, caja de plástico, linterna y tapa de la batería.

Los accesorios estándar están sujetos a cambio sin previo aviso.

**ACCESORIOS OPCIONALES
(de venta por separado)**

- Batería
BSL1415, BSL1425
BSL1815, BSL1825
- Gancho (con tornillo)

Das Sonderzubehör kann ohne vorherige Bekanntmachung jederzeit geändert werden

APLICACIÓN

- Atornillamiento y desatornillamiento de tornillos para metales, tornillos para madera, tornillos que no necesitan abrir antes su agujero, etc.
- Taladrado de varios metales
- Taladrado de varias maderas

DESMONTAJE E INSTALACIÓN DE LA BATERIA**1. Desmontaje de la batería**

Sujetar firmemente el asidero y presionar el cierre de la batería (2 pzas) para desmontarla (Ver las **Figs. 1 y 2**).

PRECAUCIÓN

No cortocircuitar nunca la batería.

2. Instalación de la batería

Insertar la batería observando sus polaridades (ver la **Fig. 2**).

CARGA

Antes de usar la herramienta eléctrica, cargar la batería del modo siguiente:

1. Enchufe el cable de alimentación del cargador a un tomacorriente de CA.

Cuando haya conectado el enchufe del cargador a una toma de la red, el piloto parpadeará en rojo (A intervalos de 1 segundo).

2. Inserte la batería en el cargador

Introduzca firmemente la batería en el cargador como se muestra en la **Fig 3**.

3. Carga

Cuando inserte una batería en el cargador, la carga comenzará la lámpara piloto permanecerá continuamente encendida en rojo.

Cuando la batería se haya cargado completamente, la lámpara piloto parpadeará en rojo. (A intervalos de 1 segundo) (Vea las **Tabla 1**)

(1) Indicaciones de la lámpara piloto

Las indicaciones de la lámpara piloto mostradas en la **Tabla 1**, se producirán de acuerdo con la condición del cargador o de la batería.

Tabla 1

Indicaciones de la lámpara indicadora				
Lámpara piloto (rojo)	Antes de la carga	Parpadeo	Se encenderá durante 0,5 segundos. No se encenderá durante 0,5 segundos. (Apagada durante 0,5 segundos)	
	Durante la carga	Iluminación	Iluminación permanente	
	Carga completa	Parpadeo	Se encenderá durante 0,5 segundos. No se encenderá durante 0,5 segundos. (Apagada durante 0,5 segundos)	
	Espera por recalentamiento	Parpadeo	Se encenderá durante 1 segundo. No se encenderá durante 0,5 segundos. (Apagada durante 0,5 segundos)	Batería recalentada. No puede cargarse (la carga comenzará cuando la batería se enfríe).
	Carga imposible	Destello	Se encenderá durante 0,1 segundos. No se encenderá durante 0,1 segundos. (Apagada durante 0,1 segundos)	Mal funcionamiento de la batería o del cargador

(2) Temperatura de las baterías

Las temperaturas para las baterías recargables se muestran en la **Tabla 2**; las baterías calientes deben dejarse enfriar antes de volver a cargarlas.

Tabla 2 Márgenes de carga de las baterías

Baterías	Temperatura con la que podrá cargarse la batería
BSL1425, BSL1415 BSL1825, BSL1815	0°C – 50°C

(3) Tiempo de recarga

Dependiendo de la combinación del cargador y las baterías, el tiempo de carga será como se muestra en la **Tabla 3**.

Tabla 3 Tiempo de carga (a 20°C)

Batería	Cargador	
	UC18YKSL	UC18YFSL
BSL1415, BSL1815	Aprox. 40 min.	Aprox. 22 min.
BSL1425, BSL1825	Aprox. 75 min.	Aprox. 35 min.

NOTA

El tiempo de recarga podría variar según la temperatura ambiente y la tensión eléctrica.

4. Desenchufe el cable de alimentación del cargador del tomacorriente de CA.

5. Sostenga el cargador firmemente y saque la batería

NOTA

Asegúrese de extraer la batería del cargador después del uso, y guárdela después.

Forma de hacer que las baterías duren más

- Recargue las baterías antes de que se hayan agotado completamente. Si siente que la potencia de la herramienta eléctrica se debilita, deje de utilizarla y recargue su batería. Si continuase utilizando la herramienta hasta agotar la capacidad de la batería, ésta podría dañarse y su duración útil podría acortarse.
- Evite realizar la recarga a altas temperaturas. Una batería se calentará inmediatamente después de haberla utilizado. Si recargase tal batería inmediatamente después de haberla utilizado, su substancia química interna se deterioraría, y la duración útil de la batería se acortaría. Deje la batería y recárguela después de que se haya enfriado durante cierto tiempo.

PRECAUCIÓN

- Si carga la batería mientras esté caliente por haber estado mucho tiempo en un lugar sometido a la luz solar directa, o por haber acabado de utilizarla, la lámpara de piloto del cargador parpadea durante 1 segundo y no se enciende durante 0,5 segundos (apagada durante 0,5 segundos). En tales casos, deje primero que se enfríe la batería e inicie luego la carga.
- Cuando la lámpara piloto destelle (a intervalos de 0,2 segundos), realice una comprobación y extraiga los objetos extraños de la batería del cargador. Si no hay ningún objeto extraño, es posible que la batería o el cargador funcione mal. Llévelos a un agente de servicio técnico autorizado.
- Como el microprocesador incorporado tarda 3 segundos en confirmar que la batería que estaba cargándose con el UC18YKSL/UC18YFSL se ha extraído, espere 3 segundos como mínimo antes de reinsertarla para continuar cargando. Si reinserta la batería antes de 3 segundos, es posible que no se cargue adecuadamente.

Descarga eléctrica en caso de baterías nuevas, etc.

Como la substancia química interna de las baterías nuevas o las que no se hayan utilizado durante mucho tiempo no está activada, la descarga eléctrica puede ser inferior cuando se utilicen por primera y segunda vez. Este fenómeno es temporal, y el tiempo normal requerido para la recarga se restablecerá recargando las baterías 2 – 3 veces.

ANTES DE USAR LA HERRAMIENTA

Instalación y comprobación del ambiente de trabajo
Compruebe si el ambiente de trabajo es adecuado tomando las precauciones siguientes.

COMO SE USA

1. Confirmar la posición del dial del embrague (Ver la Fig. 4)

El par de apriete de esta unidad se puede ajustar en base a la posición de ajuste del dial del embrague.

- (1) Cuando utilice esta unidad como destornillador, alinee uno de los números "1, 3, 5 ... 22" del dial del embrague, o los puntos, con la marca de triángulo del cuerpo exterior.
- (2) Cuando utilice esta unidad como taladro, alinee la marca de taladro "▲" del dial del embrague con la marca de triángulo del cuerpo exterior.

PRECAUCIÓN

- El dial del embrague no se puede ajustar entre los números "1, 3, 5 ... 22" ni los puntos.
- Evite usar la unidad con el número del dial del embrague entre "22" y la línea provista en el medio de la marca del taladro. Si lo hiciese, se podrían producir daños. (Consulte la Fig. 5)

2. Ajuste del par de apriete

(1) Par de apriete

La intensidad del par de apriete deberá corresponder con el diámetro del tornillo.

Cuando se utiliza un par excesivo el tornillo se romperá o se dañará su cabeza. Asegúrese de ajustar la posición del dial del embrague de acuerdo con el diámetro del tornillo.

(2) Indicación del par de apriete

El par de apriete difiere según el tipo de tornillo y del material que se está apretando.

La unidad indica el par de apriete mediante los números "1, 3, 5 ... 22" que aparecen en el dial del embrague, y los puntos. El par de apriete en la posición "1" es el más débil, y el más fuerte es el del número más alto. (Consulte la Fig. 4)

- (3) Ajuste del par de apriete
Gire el dial del embrague y alinee los números "1, 3, 5, ... 22" del dial del embrague, o los puntos, con la marca de triángulo provista en el cuerpo exterior. Ajuste la tapa en la dirección de par débil o fuerte, según el par que necesite.

PRECAUCIÓN

- El giro del motor podrá trabarse mientras que se usa la unidad como taladro.
Tenga cuidado de no bloquear el motor mientras que se está operando el atornillador taladro.
- Un apriete excesivo podrá causar la rotura del tornillo.

3. Cambio de velocidad de rotación

Operar la perilla de cambio para cambiar la velocidad de rotación. Oprimir el botón de cierre para desenganchar el cerrojo y mover la perilla de cambio en la dirección de la flecha (Ver la Figs. 6 y 7). Cuando la perilla de cambio se deja en "LOW", el taladro gira despacio, mientras que en la marca "HIGH" gira rápidamente.

PRECAUCIÓN

- Cuando se cambia la velocidad de rotación con la perilla de cambio, confirmar que el interruptor se desconecta y la perilla selectora queda en "O" (OFF).



Cambiar la velocidad mientras rota el motor puede hacer que se dañen los engranajes.

- Cuando ponga el mando de cambio en "HIGH" (alta velocidad) y la posición del dial del embrague sea "17" o "22", puede suceder que el embrague no entre en toma y que el motor se bloquee. En tal caso, ponga el mando de cambio en "LOW" (baja velocidad).
- Si se traba el motor, desconectarlo de inmediato. Si el motor se traba por cierto tiempo, puede quemarse tanto él como la batería. Asegúrese de girar el mando de cambio.

4. Ambito y sugerencias para las utilizaciones




El ámbito de utilización para los diversos tipos de trabajos basados en la estructura mecánica de esta unidad es como se indica en la **Tabla 4**.

Tabla 4

Trabajo		Posición de la cubierta	Sugerencias
Taladrado	Madera		Utilizar par taladrar.
	Acero		
	Aluminio		
Apriete de tornillos	Tornillo para metales	1 – 22	Utilizar el destornillador o el receptáculo que concuerden con el diámetro del tornillo.
	Tornillo para madera	1 – 	Utiliser après forage d'un trou de préparation.

5. Modo de seleccionar el par de apriete y la velocidad de rotación

Tabla 5

Utilizaciones		Posición de la cubierta	Selección de la velocidad de rotación (Posición del mando de cambio)	
			LOW (Baja velocidad)	HIGH (Alta velocidad)
Apriete de tornillos	Tornillo para metales	1 – 22	Para tornillos de 6 mm de diámetro o menos.	Para tornillos de 6 mm de diámetro o menos.
	Tornillo para madera	1 – 	Para tornillos de 6,8 mm de diámetro nominal o menos. (DS18DJL)	Para tornillos de 4,8 mm de diámetro nominal o menos. (DS18DJL)
			Para tornillos de 6 mm de diámetro nominal o menos (DS14DJL)	Para tornillos de 3,8 mm de diámetro nominal o menos. (DS14DJL)
Taladrado	Madera		Para diámetro de 38 mm o menos. (DS18DJL)	Para diámetro de 24 mm o menos. (DS18DJL)
			Para diámetro de 30 mm o menos. (DS14DJL)	Para diámetro de 12 mm o menos. (DS14DJL)
	Metal		Para taladrar con un taladro de trabajos en hierro.	

PRECAUCIÓN

- Los ejemplos de selección mostrados en la **Tabla 5** deberán considerarse como el estándar general ya que en la actualidad se utilizan diferentes tipos de tornillos de apriete y diferentes materiales a ser apretados todos los cuales, necesitan naturalmente los ajustes apropiados.
- Si emplea la unidad con un tornillo para metal en HIGH (alta velocidad), es posible que tal tornillo se dañe o que se afloje la broca debido a que el par de apriete es demasiado fuerte. Cuando utilice tornillos para metal emplee LOW (baja velocidad).

NOTA

La utilización de la batería en lugares fríos (menos de 0 grados centígrados) puede resultar a veces en la reducción del par de apriete y el rendimiento del trabajo. Sin embargo, éste es un fenómeno temporal y, cuando la batería se caliente, volverá a la normalidad.

6. Utilización de la luz

Tire del interruptor de activación para encender la luz. La luz sigue iluminando mientras se tire del interruptor de activación. La luz se apaga tras soltar el interruptor de activación. (**Fig. 8**)
(La luz se apaga automáticamente 10 segundos después de soltar el interruptor de activación.)

PRECAUCIÓN

No exponga los ojos directamente a la luz; evite mirar hacia ella directamente.
Si los ojos están expuestos de manera continua a la luz, pueden resultar lesionados.

7. Montaje y desmontaje de la broca

(1) Montaje de la broca

Afloje el manguito girándolo hacia la izquierda (en el sentido contrario a las agujas del reloj visto desde el frente) para abrir las mordazas del portabrocas sin llave. Después de insertar una broca, etc., en el portabrocas sin llave, apriete el manguito girándolo hacia la derecha (en el sentido de las agujas del reloj visto desde el frente). (Véase **Fig. 9**)

- Si se afloja el manguito durante la operación, apriételo adicionalmente.
La fuerza de apriete aumenta al apretar el manguito adicionalmente.

(2) Desmontaje de la broca

Afloje el manguito girándolo hacia la izquierda (en el sentido contrario a las agujas del reloj visto desde el frente), y extraiga la broca, etc. (Véase **Fig. 9**)

NOTA

Si aprieta el manguito con las mordazas del portabrocas sin llave abiertas hasta el límite máximo, se podría escuchar un ruido de clic. Este ruido es producido por el portabrocas sin llave para evitar que se afloje, y no es una anomalía.

PRECAUCIÓN

Cuando el manguito no pueda desatornillarse, sujete la herramienta insertada en un tornillo de carpintero, etc. ajuste el modo de embrague a 1–11, y gire el manguito hacia la izquierda mientras accione el embrague.

8. Mecanismo de bloqueo del husillo

La unidad dispone de un mecanismo de bloqueo del husillo para poder cambiar la broca rápidamente.

9. Confirmar que la batería está puesta correctamente

10. Examinar la dirección de rotación

La broca rota hacia la derecha (mirándola desde atrás) al oprimir el lado R (der.) de inversión. El lado L (izq.) se usa para hacer girar la broca a la izquierda. (Vea las **Fig. 10**). (Las marcas (L) y (R) están en el cuerpo del taladro.)

11. Uso del gancho (De venta por separado)

El gancho se usa para colgarse la herramienta con alimentación eléctrica del cinturón mientras se trabaja.

PRECAUCIÓN

- Cuando se utiliza el gancho, se debe sujetar la herramienta con firmeza para que no se caiga por accidente.
Al caer, puede provocar un accidente.
- No ajuste ninguna broca en el extremo de la herramienta de alimentación eléctrica si la lleva enganchada del cinturón. Si la herramienta tiene ajustada una broca afilada, por ejemplo una perforadora, y se lleva enganchada al cinturón, puede resultar lesionado.
- Instale el gancho de forma segura. Si no está correctamente colocado, puede provocar lesiones durante su uso.

- (1) Colocar el gancho y apretar los tornillos. Instale el gancho en la ranura de la herramienta de alimentación eléctrica de forma segura y apriete los tornillos de manera que el gancho quede firmemente sujeto. (Fig. 11)
- (2) Retirada del gancho. Extraiga los tornillos que sujetan el gancho con un destornillador Philips. (Fig. 12)

12. Operación del interruptor

- Cuando se tira del gatillo del interruptor, la herramienta gira. Cuando se suelta el gatillo, la herramienta se detiene.
- La velocidad rotacional de la taladradora podrá controlarse variando la presión con la que se tire del interruptor de gatillo. La velocidad será baja cuando se tire ligeramente del gatillo, y aumentará a medida que se tire más de él.

NOTA

Se produce un ruido de zumbido antes de que el motor empiece a girar, lo cual no indica problema alguno de la máquina.

MANTENIMIENTO E INSPECCIÓN

1. Inspección de la herramienta

Debido a que cuando se usa una broca en malas condiciones se desmejora la eficiencia y pueden producirse desperfectos del motor, siempre conviene usar la broca afiladas. Afilan inmediatamente la broca en cuanto se note abrasión.

2. Inspección de los tornillos de montaje

Inspeccionar regularmente los tornillos de montaje y asegurarse que están bien apretados. Si se afloja algún tornillo, hay que apretarlos inmediatamente. De lo contrario, en éste, puede ser muy peligroso.

3. Mantenimiento de motor

La unidad de bobinado del motor es el verdadero "corazón" de las herramientas eléctricas. Prestar el mayor cuidado a asegurarse de que el bobinado no se dañe y/o se humedezca con aceite o agua.

4. Limpieza del exterior

Cuando el taladro atornillado esté sucio, limpiarlo con un paño mojado en agua jabonosa. No utilizar disolventes clóricos, gasolina o disolventes para pinturas ya que éstos funden los materiales plásticos.

5. Almacenamiento

Guardar el taladro atornillador en un lugar en el cual la temperatura sea inferior a 40°C y esté alejado del alcance de los niños.

NOTA

Asegúrese de que la batería está completamente cargada si la va a almacenar durante un prolongado período de tiempo (3 meses o más). Es posible que la batería con una capacidad más pequeña no se pueda cargar cuando se utilice si se ha almacenado durante un prolongado período de tiempo.

NOTA

Almacenar baterías de ion-litio
Compruebe que las baterías de ion-litio se han cargado completamente antes de almacenarlas. Un almacenamiento prolongado de las baterías con carga baja podría deteriorar su funcionamiento, reduciendo en gran medida el tiempo de uso de

la batería o haciendo que las baterías no puedan mantener una carga.

No obstante, la reducción en gran medida del tiempo de uso de la batería puede recuperarse si se carga y utiliza de dos a cinco veces.

Si el tiempo de uso de la batería es extremadamente corto a pesar de haber cargado y utilizado la batería varias veces, deberá considerarla agotada y comprar una nueva.

6. Lista de repuestos

PRECAUCIÓN

La reparación, modificación e inspección de las herramientas eléctricas Hitachi deben ser realizadas por un Centro de Servicio Autorizado de Hitachi. Esta lista de repuestos será de utilidad si es presentada junto con la herramienta al Centro de Servicio Autorizado de Hitachi, para solicitar la reparación o cualquier otro tipo de mantenimiento. En el manejo y el mantenimiento de las herramientas eléctricas, se deberán observar las normas y reglamentos vigentes en cada país.

MODIFICACIONES

Hitachi Power Tools introduce constantemente mejoras y modificaciones para incorporar los últimos avances tecnológicos.

Por consiguiente, algunas partes pueden ser modificadas sin previo aviso.

Aviso importante sobre las pilas de las herramientas inalámbricas de Hitachi

Utilice siempre una de nuestras pilas genuinas. No podemos garantizar la seguridad y el funcionamiento de nuestra herramienta eléctrica inalámbrica cuando se utiliza con pilas diferentes a las indicadas por nosotros o cuando la pila se desmonta y modifica (como cuando se desmontan y sustituyen celdas u otras piezas internas).

GARANTÍA

Las herramientas motorizadas de Hitachi incluye una garantía conforme al reglamento específico legal/nacional. Esta garantía no cubre los defectos o daños debidos al uso incorrecto, el abuso o el desgaste normal. En caso de reclamación, envíe la herramienta motorizada, sin desmontar y con el CERTIFICADO DE GARANTÍA que aparece al final de estas instrucciones de uso, al Centro de Servicio Autorizado de Hitachi.

NOTA

Debido al programa continuo de investigación y desarrollo de HITACHI estas especificaciones están sujetas a cambio sin previo aviso.

Información sobre el ruido propagado por el aire y vibración

Los valores medidos se determinaron de acuerdo con EN60745 declararon de conformidad con ISO 4871.

Nivel de potencia auditiva ponderada A: 97 dB (A)

Nivel de presión auditiva ponderada A: 86 dB (A)

Duda KpA: 3 dB (A)

Utilice protecciones auriculares.

Valores totales de la vibración (suma de vectores triax.) determinados de acuerdo con EN60745.

Taladrado:

Valor de emisión de la vibración $a_{h, D} = 4,5 \text{ m/s}^2$

Incertidumbre $K = 1,5 \text{ m/s}^2$

El valor total de vibración declarado ha sido medido de acuerdo con un método de prueba estándar y permite comparar unas herramientas con otras.

También resulta útil para llevar a cabo evaluaciones preliminares de exposición.

ADVERTENCIA

- La emisión de vibración durante la utilización de la herramienta eléctrica puede ser diferente del valor total declarado dependiendo de las formas de utilización de la herramienta.
- Identifique las medidas seguras para proteger al operario basadas en una estimación de exposición en las condiciones reales de uso (teniendo en cuenta todas las partes del ciclo de funcionamiento como tiempos cuando la herramienta está apagada y cuando funciona lentamente además del tiempo de activación).

AVISOS GERAIS DE SEGURANÇA PARA A FERRAMENTA ELÉCTRICA

⚠ AVISO

Leia todas as instruções e avisos de segurança

Se não seguir todas as instruções e os avisos, pode provocar um choque eléctrico, incêndio e/ou ferimentos graves.

Guarde todos os avisos e instruções para referência futura. O termo “ferramenta eléctrica” em todos os avisos refere-se à sua ferramenta ligada à corrente (com fios) ou à ferramenta eléctrica a baterias (sem fios).

1) Segurança da área de trabalho

- a) Mantenha a área de trabalho limpa e bem iluminada.

As áreas escuras ou cheias de material são propícias aos acidentes.

- b) Não trabalhe com ferramentas eléctricas em ambientes explosivos, tais como na presença de líquidos inflamáveis, gases ou pó.

As ferramentas eléctricas criam faíscas que podem inflamar o pó dos fumos.

- c) Mantenha as crianças e outras pessoas afastadas quando trabalhar com uma ferramenta eléctrica. As distrações podem fazer com que perca controlo.

2) Segurança eléctrica

- a) As fichas da ferramenta eléctrica devem corresponder às tomadas.

Nunca modifique a ficha.

Não utilize fichas adaptadoras com ferramentas eléctricas ligadas à terra.

As fichas não modificadas e tomadas correspondentes reduzirão o risco de choques eléctricos.

- b) Evite contacto corporal com superfícies ligadas à terra, tais como tubos, radiadores, máquinas e frigoríficos.

Existe um risco acrescido de choque eléctrico se o seu corpo estiver ligado à terra.

- c) Não exponha ferramentas eléctricas à chuva ou condições de humidade.

A entrada de água numa ferramenta eléctrica aumentará o risco de choques eléctricos.

- d) Não abuse do fio. Nunca utilize o fio para transportar, puxar ou desligar a ferramenta eléctrica.

Mantenha o fio afastado do calor, óleo, margens afiadas ou peças em movimento.

Os fios danificados ou entrelaçados podem aumentar o risco de choques eléctricos.

- e) Quando trabalhar com uma ferramenta eléctrica no exterior, utilize uma extensão adequada para utilização exterior.

A utilização de um fio adequado para utilização no exterior reduz o risco de choques eléctricos.

- f) Se não for possível evitar a utilização de uma máquina eléctrica num local húmido, utilize uma fonte de alimentação protegida por um dispositivo de corrente residual (RCD).

A utilização de um RCD reduz o risco de choque eléctrico.

3) Segurança pessoal

- a) Mantenha-se alerta, esteja atento ao que está a fazer e utilize senso comum quando trabalhar com uma ferramenta eléctrica.

Não utilize uma ferramenta eléctrica quando estiver cansado ou sob a influência de drogas, álcool ou medicamentos.

Um momento de desatenção enquanto trabalha com ferramentas eléctricas pode resultar em ferimentos pessoais graves.

- b) Utilize equipamento de protecção pessoal. Utilize sempre protecção para os olhos.

O equipamento de protecção, tal como uma máscara de pó, sapatos de segurança anti-derrapantes, chapéu rígido ou protecção auricular utilizados para condições adequadas reduzirá os ferimentos pessoais.

- c) Evite ligar por acidente. Certifique-se de que o interruptor está na posição de desligado antes de ligar a fonte de alimentação e/ou bateria, levantar ou transportar a ferramenta.

Transportar ferramentas eléctricas com o dedo no interruptor ou activar ferramentas que estão com o interruptor ligado é propício a acidentes.

- d) Remova qualquer chave de parafusos ou chave-inglesa de regulação antes de ligar a ferramenta.

Uma chave-inglesa ou de parafusos ligada à parte rotativa da ferramenta pode provocar ferimentos pessoais.

- e) Não se estique. Mantenha sempre o controlo e equilíbrio adequados.

Isto permite obter um melhor controlo da ferramenta em situações inesperadas.

- f) Use vestuário adequado. Não use roupas largas ou jóias. Mantenha o cabelo, roupas e luvas afastados das peças móveis.

As roupas largas, jóias ou cabelo comprido podem ser apanhados em peças móveis.

- g) Se forem fornecidos dispositivos para a ligação de extractores de pó e dispositivos de recolha, certifique-se de que estes estão ligados e são utilizados adequadamente.

A utilização de uma recolha de pó pode reduzir os perigos relacionados com o pó.

4) Utilização da ferramenta e manutenção

- a) Não force a ferramenta eléctrica. Utilize a ferramenta correcta para a sua aplicação.

A ferramenta correcta fará o trabalho melhor e com mais segurança à velocidade para a qual foi concebida.

- b) Não utilize a ferramenta eléctrica se o interruptor não a ligar ou desligar.

Qualquer ferramenta que não possa ser controlada com o interruptor é perigosa e deve ser reparada.

- c) Desligue a ficha da rede antes e/ou a bateria da ferramenta eléctrica antes de efectuar quaisquer regulações, mudar os acessórios ou guardar ferramentas eléctricas.

Tais medidas de segurança de prevenção reduzem o risco de ligar a ferramenta eléctrica acidentalmente.

- d) Guarde as ferramentas eléctricas fora do alcance de crianças e não permita que pessoas não habituadas à ferramenta eléctrica ou estas instruções trabalhem com a ferramenta.

As ferramentas eléctricas são perigosas nas mãos de utilizadores inexperientes.

- e) Efectue a manutenção de ferramentas eléctricas. Verifique a existência de desalinhamentos ou dobragens das peças móveis, quebras de peças e quaisquer outras condições que possam afectar o funcionamento das ferramentas eléctricas.

Se danificada, mande reparar a ferramenta antes de utilizar.

Muitos acidentes são causados por ferramentas com má manutenção.

- f) **Mantenha as ferramentas de corte afiadas e limpas.**
As ferramentas de corte com uma manutenção adequada e extremidades afiadas são menos propensas a dobrar e mais fáceis de controlar.
- g) **Utilize a ferramenta eléctrica, acessórios e pontas de ferramentas, etc., de acordo com estas instruções, tomando em consideração as condições de trabalho e o trabalho a ser efectuado.**
A utilização de uma ferramenta eléctrica para operações diferentes das concebidas pode resultar num mau funcionamento.
- 5) **Utilização e manutenção da ferramenta com bateria**
- a) **Apenas é recarregável com o carregador especificado pelo fabricante.**
Um carregador que seja adequado para um tipo de bateria pode criar um risco de incêndio quando utilizado com outra bateria.
- b) **Utilize ferramentas eléctricas apenas com as baterias especialmente concebidas.**
A utilização de quaisquer outras baterias poderá criar um risco de ferimentos e incêndios.
- c) **Quando não estiver a ser utilizada uma bateria, mantenha-a afastada de outros objectos metálicos, tais como cliques de papel, moedas, chaves, pregos, parafusos ou outros objectos metálicos pequenos que possam fazer uma ligação de um terminal para o outro.**
Fazer curto-circuito dos terminais da bateria poderá causar queimaduras ou um incêndio.
- d) **Em condições abusivas, poderá ser ejectado líquido da bateria. Evite o contacto. Se ocorrer um contacto accidental, lave com água. Se o líquido entrar em contacto com os olhos, procure ajuda médica.**
O líquido ejectado da bateria poderá provocar irritações ou queimaduras.
- 6) **Manutenção**
- a) **Faça a manutenção da sua ferramenta eléctrica por um pessoal de reparação qualificado e utilize apenas peças de substituição idênticas.**
Isto garantirá que a segurança da ferramenta eléctrica é mantida.

AVISO

Mantenha afastadas das crianças e pessoas doentes. Quando não estiverem a ser utilizadas, as ferramentas devem ser guardadas fora do alcance de crianças e pessoas doentes.

AVISOS DE SEGURANÇA DO BERBEQUIM APARAFUSADOR A BATERIA

1. **Utilize a(s) empunhadura(s) auxiliadora(s) caso seja(m) fornecida(s) com a ferramenta.**
A perda de controlo pode provocar lesões.
2. **Segure na ferramenta pelas superfícies isoladas, quando efectuar uma operação em que o acessório de corte ou a broca possa entrar em contacto com cabos ocultos.** O contacto do acessório de corte ou a broca com um cabo com corrente poderá electrificar as partes metálicas da ferramenta podendo electrocutar o utilizador.
3. **Recarregue sempre a bateria numa temperatura entre 0° e 40°C.** Uma temperatura de menos de 0°C provocará uma recarga excessiva, o que é perigoso. Enquanto que numa temperatura acima

de 40°C, a bateria não pode ser recarregada. A temperatura mais apropriada para a recarga é entre 20° e 25°C.

4. Quando terminar um recarregamento, libere o recarregador por cerca de 15 minutos antes da próxima recarga da bateria. Não recarregue mais do que duas baterias consecutivamente.
5. Não deixe que materiais estranhos entrem no orifício de conexão da bateria recarregável.
6. Não desmonte nunca a bateria recarregável nem o recarregador.
7. Nunca provoque curto-circuito na bateria recarregável. Ao fazer isso, a bateria provocará uma grande corrente eléctrica e um sobreaquecimento, podendo resultar em queima ou danos à bateria.
8. Não jogue a bateria no fogo. Queimando-se, ela pode explodir.
9. Leve a bateria à loja onde você a comprou assim que a vida útil da bateria após a recarga começar a ficar muito curta para uso prático. Não descarte a bateria velha.
10. O uso de uma bateria velha pode danificar o recarregador.
11. Não insira nenhum objeto nas aberturas de ventilação do recarregador. A inserção de objetos metálicos ou inflamáveis nas aberturas de ventilação do recarregador pode causar choques eléctricos ou danificar o recarregador.
12. Ao montar um palhetão de chave no mandril automático, aperte adequadamente o manguito. Se o manguito não estiver apertado, o palhetão pode deslizar ou cair, podendo provocar ferimentos.
13. Este produto contém um ímã forte e permanente no motor.
Observe as precauções seguintes relativas à adesão de limalhas à ferramenta e o efeito do ímã permanente em dispositivos electrónicos.

CUIDADO

- **Não coloque a ferramenta numa mesa ou zona de trabalho onde estejam presentes limalhas de metal.** As limalhas podem aderir à ferramenta, resultando em ferimentos ou avarias.
- **Se tiverem aderido limalhas à ferramenta, não lhe toque. Retire as limalhas com uma escova.** Caso contrário, poderá resultar em ferimentos.



- **Se utilizar um pacemaker ou outro dispositivo médico electrónico, não utilize nem se aproxime da ferramenta.** O funcionamento do dispositivo electrónico poderá fi car afectado.
- **Não utilize a ferramenta perto de dispositivos precisão, tais como telemóveis, cartões magnéticos ou suportes de memória electrónicos.** Caso contrário, poderá provocar um funcionamento incorrecto, avaria ou perda de dados.

PRECAUÇÕES PARA A BATERIA DE IÕES DE LÍTIO

Para aumentar a vida útil, a bateria de iões de lítio está equipada com uma função de protecção para impedir a transmissão de corrente.

Nos casos 1 a 3 descritos abaixo, quando utilizar este produto, mesmo que esteja a puxar o gatilho, o motor poderá parar. Isto não constitui uma avaria, sendo o resultado da função de protecção.

1. Quando a carga restante da bateria se esgotar, o motor pára.
Nesse caso, carregue-a imediatamente.
2. Se a ferramenta estiver sobrecarregada, o motor poderá parar. Nesse caso, solte o botão da ferramenta e elimine as causas da sobrecarga. De seguida, pode voltar a utilizá-la.
3. Se a bateria estiver sobreaquecida em condições de sobrecarga, a alimentação da bateria poderá parar.
Neste caso, pare de utilizar a bateria e deixe-a arrefecer. Após este período, pode voltar a utilizá-la.

Além disso, tenha em consideração os seguintes avisos e precauções.

AVISO

Para evitar antecipadamente qualquer fuga na bateria, produção de calor, emissão de fumo, explosão e ignição, certifique-se de que toma as seguintes precauções.

1. Certifique-se de que limalhas e pó não se acumulam na bateria.
 - Durante o trabalho, certifique-se de que limalhas e pó não caem na bateria.
 - Certifique-se de que qualquer limalha e pó que caia na ferramenta durante os trabalhos não se acumulam na bateria.
 - Não guarde uma bateria não utilizada num local exposto a limalhas e ao pó.
 - Antes de guardar uma bateria, remova quaisquer limalhas e pó que possam existir na mesma e não a guarde com peças metálicas (parafusos, pregos, etc.).
2. Não perfure a bateria com objectos afiados como pregos, não lhe bata com um martelo, e não pise, arremesse, nem submeta a bateria a impactos físicos severos.
3. Não utilize uma bateria que pareça estar danificada ou deformada.
4. Não utilize a bateria com a polaridade invertida.
5. Não a ligue directamente a quaisquer tomadas eléctricas ou tomadas de isqueiro de automóvel.
6. Não utilize a bateria para fins que não os especificados.
7. Se a bateria não carregar completamente mesmo após ter passado o tempo de recarga especificado, pare imediatamente de a recarregar.
8. Não coloque nem submeta a bateria a temperaturas elevadas ou a alta pressão, como as de um forno microondas, secador, ou recipiente de alta pressão.
9. Afaste-a imediatamente do fogo quando fugas ou maus odores forem detectados.
10. Não utilizar em locais onde seja produzida uma forte electricidade estática.

11. Se a bateria apresentar fugas, maus odores, produção de calor, descoloração ou deformações, ou parecer funcionar de forma anormal durante a utilização, recarga ou armazenamento, remova-a imediatamente do equipamento ou do carregador de baterias e pare de a utilizar.

CUIDADO

1. Se o líquido vertido pela bateria entrar nos seus olhos, não os esfregue e lave-os bem com água fresca e limpa como água da torneira e contacte imediatamente um médico.
Se não for tratado, o líquido pode provocar problemas nos olhos.
2. Se o líquido verter para a sua pele ou roupa, lave-as imediatamente com água limpa como água da torneira.
Existe a possibilidade do líquido provocar irritação cutânea.
3. Se se deparar com ferrugem, maus odores, sobreaquecimento, descoloração, deformações e/ou outras irregularidades ao utilizar a bateria pela primeira vez, pare de utilizá-la e devolva-a ao seu fornecedor ou vendedor.

AVISO

Se uma matéria estranha condutora penetrar no terminal da bateria de iões de lítio, a bateria pode sofrer um curto-circuito e causar um incêndio. Quando guardar a bateria de iões de lítio respeite as seguintes disposições.

- **Não coloque detritos condutores, pregos e fios de arame, tais como fios de ferro e de cobre no compartimento de arrumação.**
- **Para impedir curtos-circuitos, coloque a bateria na ferramenta ou coloque fixamente a tampa da bateria para armazenamento de modo a que não seja possível ver o ventilador. (Fig. 1)**

ESPECIFICAÇÕES

FERRAMENTA ELÉTRICA

Modelo			DS14DJL	DS18DJL
Velocidade sem carga (Baixa / Alta)			0 – 450 / 0 – 1250 min ⁻¹	
Capacidade	Perfuração	Madeira (espessura 18 mm)	30 mm	38 mm
		Metal (espessura 1,6 mm)	Aço: 13 mm, Alumínio: 13 mm	
Aparafusamento	Parafuso para metal	6 mm		
	Parafuso para madeira	6,0 mm (diâmetro) × 75 mm (comprimento) (Requer um orifício-piloto)	6,8 mm (diâmetro) × 50 mm (comprimento) (Requer um orifício-piloto)	
Bateria recarregável			BSL1415: Li-ion 14,4 V (1,5 Ah 4 células)	BSL1425: Li-ion 14,4 V (2,5 Ah 4 células)
			BSL1815: Li-ion 18 V (1,5 Ah 5 células)	BSL1825: Li-ion 18 V (2,5 Ah 5 células)
Peso*			1,6 kg	
			1,7 kg	

* Peso: de acordo com o procedimento EPTA 01/2003

RECARREGADOR

Modelo	UC18YKSL	UC18YFSL
Voltagem para recarga	14,4 V – 18 V	
Peso	0,35 kg	0,5 kg

ACESSÓRIOS-PADRÃO

DS14DJL (2LEGK) DS18DJL (2LEGK)	① Palhetão de chave mais (Nº2) 1
	② Recarregador (UC18YKSL) 1
	③ Bateria (BSL1415 ou BSL1815) 2
	④ Estojo de plástico 1
	⑤ Tampa da bateria 1
DS14DJL (2LFGK) (2LFRK) DS18DJL (2LFGK) (2LFRK)	① Palhetão de chave mais (Nº2) 1
	② Recarregador (UC18YKSL ou UC18YFSL) 1
	③ Bateria (BSL1425 ou BSL1825) 2
	④ Estojo de plástico 1
	⑤ Tampa da bateria 1
⑥ Lanterna a bateria (UB18DAL) 1	
DS18DJL (NNK)	① Palhetão de chave mais (Nº2) 1
	② Estojo de plástico 1 Sem carregador, bateria, lanterna e tampa da bateria.
DS14DJL (NN) DS18DJL (NN)	① Palhetão de chave mais (Nº2) 1 Sem carregador, bateria, estojo de plástico, lanterna e tampa da bateria.

Os acessórios-padrão estão sujeitos a mudanças sem aviso prévio.

ACESSÓRIOS OPCIONAIS (vendidos separadamente)

- Bateria
BSL1415, BSL1425
BSL1815, BSL1825
- Gancho (com parafuso)

Os acessórios opcionais estão sujeitos a mudanças sem aviso prévio.

APLICAÇÕES

- Aparafusar e retirar parafusos de metal, parafusos de madeira, parafusos de rosca, etc.
- Perfuração de vários tipos de metais
- Perfuração de vários tipos de madeira

RETIRADA/INSTALAÇÃO DA BATERIA

1. Retirada da bateria

Segure a empunhadura firmemente e aperte a lingüeta da bateria (2 peças) para retirar a bateria (veja **Figs. 1 e 2**).

CUIDADO

Não provoque nunca curto-circuito na bateria.

2. Instalação da bateria

Insira a bateria, observando a direção correta (veja **Fig. 2**).

RECARGA

Antes de usar a ferramenta elétrica, recarregue a bateria da seguinte forma.

1. Conecte o cabo de eletricidade do recarregador na tomada.

Ao ligar a ficha do carregador a uma tomada, a lâmpada avisadora piscará a vermelho (Em intervalos de 1 segundo).

2. Insira a bateria no recarregador.

Insira firmemente a bateria no recarregador, como ilustrado na **Fig. 3**.

3. Recarga

A recarga se inicia ao inserir a bateria no recarregador e a lâmpada piloto se acenderá continuamente em vermelho.

Quando a bateria ficar completamente recarregada, a lâmpada piloto vai piscar em vermelho. (Em intervalos de 1 segundo) (Veja **Quadro 1**)

(1) Indicação da lâmpada piloto

As indicações da lâmpada piloto serão como as mostradas na **Quadro 1**, de acordo com a condição do recarregador ou da bateria recarregável.

Quadro 1

Indicações da lâmpada piloto					
Lâmpada piloto (vermelha)	Antes da recarga	Pisca	Acende-se por 0,5 segundo. Não se acende por 0,5 segundo. (desliga-se por 0,5 segundo)	/	
	Durante a recarga	Acende	Fica continuamente acesa		
	Recarga completa	Pisca	Acende-se por 0,5 segundo. Não se acende por 0,5 segundo. (desliga-se por 0,5 segundo)		
	Standby em caso de sobreaquecimento	Pisca	Acende-se por 1 segundo. Não se acende por 0,5 segundo. (desliga-se por 0,5 segundo)		Bateria sobreaquecida. Não é possível carregar (a carga inicia quando a bateria arrefecer).
	Recarga impossível	Pisca	Acende-se por 0,1 segundo. Não se acende por 0,1 segundo. (desliga-se por 0,1 segundo)		Defeito na bateria ou no carregador

(2) Quanto a temperaturas da bateria recarregável
As temperaturas aplicáveis às baterias recarregáveis estão indicadas na **Quadro 2**; as baterias que tenham aquecido devem ser deixadas a arrefecer durante algum tempo antes de serem recarregadas.

Quadro 2 Limites para recarga de baterias

Baterias recarregáveis	Temperaturas nas quais a bateria pode ser recarregada
BSL1425, BSL1415 BSL1825, BSL1815	0°C – 50°C

(3) Quanto ao tempo de recarga
Conforme a combinação do recarregador e das baterias, o tempo de recarga será o que mostra o **Quadro 3**.

Quadro 3 Tempo de recarga (a 20° C)

Bateria	Recarregador	
	UC18YKSL	UC18YFSL
BSL1415, BSL1815	Aprox. 40 min.	Aprox. 22 min.
BSL1425, BSL1825	Aprox. 75 min.	Aprox. 35 min.

NOTA

O tempo de recarregamento pode variar consoante a temperatura ambiente e a voltagem da fonte de alimentação.

- Desconecte da tomada o cabo de energia do recarregador.
- Segure o recarregador firmemente e puxe a bateria para fora

NOTA

Não esqueça de retirar a bateria do recarregador depois da utilização e de guardá-la de forma correta.

prolongado período não está ativada, pode haver uma pequena descarga elétrica ao usá-las pela primeira e segunda vezes. Este fenómeno é temporário e o tempo normal requerido para a recarga será restabelecido depois da recarregar a bateria umas duas ou três vezes.

Como prolongar a vida útil das baterias

- Recarregue as baterias antes que elas se descarreguem completamente.
Quando sentir que a potência da ferramenta enfraquece, pare de usá-la e recarregue a bateria. Se continuar a usar a ferramenta e descarregar a corrente elétrica, a bateria pode se danificar e sua vida útil ficará menor.
- Evite fazer a recarga em altas temperaturas.
A bateria recarregável se aquece imediatamente depois do uso. Se for recarregada imediatamente depois de ter sido usada, sua substância química interna pode deteriorar e sua vida útil pode diminuir. Deixe a bateria descansar e recarregue-a somente depois que tiver esfriado por algum tempo.

CUIDADO

- Se a bateria for carregada enquanto estiver quente por ter permanecido por um longo tempo em local sujeito à luz directa do sol, ou porque acabou de ser usada, a lâmpada piloto do carregador pisca acendendo-se durante 1 segundo e não se acende durante 0,5 segundos (apagada durante 0,5 segundos). Nesse caso, primeiro deixe a bateria esfriar para depois iniciar a recarga.
- Quando a lâmpada piloto piscar (em intervalos de 0,2 segundo), verifique se existe algum objeto estranho no conector do carregador da bateria. Caso exista, retire-o de lá imediatamente. Se não houver nenhum objeto estranho, é provável que a bateria ou o recarregador estejam com defeito. Leve ambos até o serviço autorizado.

Quanto à descarga elétrica no caso de novas baterias, etc.

Como a substância química interna das novas baterias e daquelas que não foram usadas por um

- Como o microcomputador integrado leva cerca de 3 segundos para confirmar se a bateria que está sendo recarregada com UC18YKSL/UC18YFSL foi retirada, espere no mínimo 3 segundos antes de reinseri-la para que continue a ser recarregada. Caso seja reinserida dentro de 3 segundos, ela pode não estar sendo recarregada de maneira correta.

ANTES DA OPERAÇÃO

Definição e verificação do ambiente de trabalho

Confirme se o ambiente de trabalho é apropriado, seguindo as precauções.

MODO DE USAR

1. Verifique a posição do disco de engate (Veja Fig. 4)

O torque de aperto deste aparelho pode ser ajustado de acordo com a posição que foi estabelecida no disco de engate.

- (1) Ao usar este aparelho como chave de fenda, alinhe-a com os números "1, 3, 5 ... 22" da tampa, ou os pontos, com a marca de triângulo da parte externa do corpo.
- (2) Ao usar este aparelho como furadeira, alinhe a marca "▲" da broca do disco de engate com a marca de triângulo da parte externa do corpo.

CUIDADO

- O disco de engate não pode ser ajustado entre os numerais "1, 3, 5 ... 22" nem entre os pontos.
- Não utilize com os numerais do disco de engate entre "22" e a linha no meio da marca da broca. Isto poderia provocar danos (Veja Fig. 5)

2. Ajuste do torque de aperto

(1) Torque de aperto

O torque de aperto deve corresponder em sua intensidade ao diâmetro do parafuso. Quando se empregar um torque forte demais, a cabeça do parafuso pode se quebrar ou se danificar. Certifique-se de ajustar a posição do disco de engate de acordo com o diâmetro do parafuso.

(2) Indicação do torque de aperto

O torque de aperto difere conforme o tipo de parafuso e de material que está sendo apertado.

O aparelho indica o torque de aperto com os números "1, 3, 5 ... 22" no disco de engate e os pontos. A posição "1" indica o torque de aperto mais fraco, enquanto o número maior corresponde ao torque mais forte. (Veja Fig. 4)

(3) Ajuste do torque de aperto

Gire o disco de engate e alinhe os números "1, 3, 5 ... 22", ou os pontos, com a marca de triângulo da parte externa do corpo. Ajuste a tampa na direção de torque fraco ou forte, conforme sua necessidade.

CUIDADO

- Enquanto o aparelho é usado como berbequim, a rotação do motor pode ser travada para parar. Enquanto o berbequim aparafusadora é operado, fique atento para não travar o motor.
- Uma martelada muito longa pode provocar uma quebra do parafuso devido à força de aperto excessiva.

3. Mudança na velocidade de rotação

Opere o comutador para mudar a velocidade de rotação.

Desloque o comutador na direção da seta (Veja Figs. 6 e 7).

Quando o comutador estiver ajustado para "LOW", o berbequim gira em velocidade baixa. Quando ajustado para "HIGH", o berbequim gira em velocidade alta.



CUIDADO

- Ao mudar a velocidade de rotação com o comutador, confirme que o interruptor está desligado. Mudar a velocidade enquanto o motor estiver girando danifica as engrenagens.
- Ao ajustar o comutador para "HIGH" (velocidade alta) e a posição do disco de engate for "17" ou "22" pode acontecer que a embreagem não engrene e que o motor trave. Caso isto aconteça, ajuste o comutador para "LOW" (velocidade baixa).
- Se o motor travar, desligue-o imediatamente. Se o motor estiver travado por algum tempo, ele ou a bateria podem queimar. Não se esqueça de rodar o comutador.

4. A finalidade e sugestões de uso

A finalidade de uso para vários tipos de trabalhos baseados na estrutura mecânica deste aparelho é mostrada na **Quadro 4**.

Quadro 4

Trabalho		Posição do disco de engate	Sugestões
Perfuração	Madeira		Utilize para perfuração.
	Metal		
	Alumínio		
Aparafusamento	Parafuso para metal	1 – 22	Use a broca ou o encaixe correspondentes ao diâmetro do parafuso.
	Parafuso para madeira	1 – 	Use depois de perfurar um orifício-piloto.

5. Como seleccionar a potência de aperto e a velocidade de rotação

Quadro 5

Uso		Posição do disco de engate	Seleção da velocidade de rotação (Posição do comutador)	
			LOW (velocidade baixa)	HIGH (velocidade alta)
Aparafusamento	Parafuso de metal	1 – 22	Para parafusos de diâmetro de 6 mm ou menores.	Para parafusos de diâmetro de 6 mm ou menores.
	Parafuso de madeira	1	Para parafusos de diâmetro nominal de 6,8 mm ou menores. (DS18DJL) Para parafusos de diâmetro nominal de 6 mm ou menores. (DS14DJL)	Para parafusos de diâmetro nominal de 4,8 mm ou menores. (DS18DJL) Para parafusos de diâmetro nominal de 3,8 mm ou menores. (DS14DJL)
Perfuração	Madeira		Para diâmetros de 38 mm ou menores. (DS18DJL) Para diâmetros de 30 mm ou menores. (DS14DJL)	Para diâmetros de 24 mm ou menores. (DS18DJL) Para diâmetros de 12 mm ou menores. (DS14DJL)
	Metal		Para perfurar trabalhos em metal com broca.	

CUIDADO

- A seleção de exemplos mostrados no **Quadro 5** deve ser utilizada como um padrão geral. Como são usados diferentes tipos de parafusos de aperto e de materiais a serem presos com eles nos trabalhos normais, é naturalmente necessário que se façam os ajustes adequados.
- Ao utilizar o berbequim aparafusadora com um parafuso de metal em HIGH (velocidade alta), pode-se danificar um parafuso ou afrouxar uma broca, devido a um torque de aperto muito forte. Utilize o berbequim aparafusadora em LOW (velocidade baixa) ao usar um parafuso de metal.

NOTA

O emprego da bateria em condição de baixas temperaturas (abaixo de 0°C) pode às vezes resultar num torque de aperto fraco e numa reduzida quantidade de trabalho. No entanto, este é um fenómeno temporário e o retorno à normalidade ocorre quando a bateria se aquece.

6. Utilizar a luz

Prima o interruptor do gatilho para acender a luz. A luz acende enquanto o gatilho é premido. A luz apaga quando soltar o gatilho. (**Fig. 8**)
(A luz se apaga automaticamente 10 segundos após soltar o gatilho.)

ATENÇÃO

Não olhe directamente para a luz.
Se os seus olhos estiverem continuamente expostos à luz, sofrerão lesões.

7. Montagem e desmontagem da broca**(1) Montagem do palhetão**

Afrouxe o manguito girando-o para a esquerda (no sentido antihorário visto de frente) para abrir o fecho no mandril automático. Depois de inserir uma chave de fenda etc., no mandril automático, aperte o manguito para a direita (no sentido horário visto de frente). (Veja **Fig. 9**)

- Se o manguito ser tornar frouxo durante a operação, aperte-o ainda mais.
- A pressão do aperto se torna mais forte quanto mais o manguito for apertado.

(2) Desmontagem do palhetão

Arouxe o manguito girando-o para a esquerda (no sentido antihorário visto de frente), e então retire o palhetão etc. (Veja **Fig. 9**)

NOTA

Se o manguito for apertado numa posição onde o fecho do mandril automático for aberto no seu limite máximo, pode ocorrer um ruído de clique. O ruído ocorre quando o afrouxamento do mandril automático é evitado e não é nenhum defeito de fabricação.

CUIDADO

Quando não for mais possível afrouxar o manguito, use uma morsa ou algum instrumento similar para prender a broca. Ajuste o modo embreagem entre 1 e 11 e então gire o manguito para o lado frouxo (lado esquerdo) enquanto opera a embreagem. Assim fica fácil afrouxar o manguito.

8. Mecanismo automático de trava do eixo

Este aparelho possui um mecanismo automático de trava do eixo para permitir a mudança rápida do palhetão.

9. Verifique se a bateria está montada corretamente**10. Verifique a direção de rotação**

A broca gira no sentido horário (vista de trás) ao apertar o lado R (direito) do seletor. O lado L (esquerdo) do seletor é apertado para girar a broca no sentido anti-horário. (Veja **Fig. 10**). (As marcas (L) e (R) estão no corpo do aparelho.)

11. Utilizar o gancho (Vendidos separadamente)

O gancho é utilizado para prender a ferramenta eléctrica ao cinto enquanto trabalha.

CUIDADO

- Quando utilizar o gancho, prenda a ferramenta eléctrica firmemente, de modo a não cair acidentalmente.
Se a ferramenta eléctrica for deixada cair, pode ocorrer um acidente.
- Quando transportar a ferramenta eléctrica presa ao cinto, não encaixe uma ponteira na ponta da ferramenta eléctrica. Se uma ponteira aguçada, tal como uma broca, for encaixada na ferramenta eléctrica, quando a transportar presa ao cinto, sofrerá ferimentos.

- Coloque o gancho fixamente. Se o gancho não for colocado fixamente, poderá causar ferimentos durante a utilização.

(1) Colocar o gancho e apertar os parafusos. Instale o gancho fixamente na ranhura da ferramenta eléctrica e aperte os parafusos para fixar firmemente o gancho. (Fig. 11)

(2) Remover o gancho.

Retire os parafusos que fixam o gancho com uma chave de parafusos Philips. (Fig. 12)

12. Operação do interruptor

- Quando o interruptor de gatilho é apertado, a ferramenta gira. Quando o gatilho é solto, a ferramenta pára de funcionar.

- A velocidade de rotação do berbequim pode ser controlada pela variação da força de aperto no gatilho. A velocidade é baixa quando o gatilho é apertado um pouco e aumenta à medida que o gatilho é apertado com mais força.

NOTA

Pode ser produzido um som de pio quando o motor estiver para começar a girar, mas é apenas um ruído, não um defeito da máquina.

MANUTENÇÃO E INSPEÇÃO

1. Inspeção da ferramenta

Como o uso de uma ferramenta sem fio diminui a eficiência e causa possíveis falhas no motor, afie ou troque a ferramenta assim que notar que ela está ficando cega.

2. Inspeção dos parafusos de fixação

Inspeccione regularmente todos os parafusos de fixação e se certifique de que estão corretamente apertados. Caso algum parafuso se afrouxe, reaperte-o imediatamente, do contrário existe risco de graves problemas.

3. Manutenção do motor

O enrolamento do motor do aparelho é o “coração” da ferramenta eléctrica.

Tome o devido cuidado para assegurar que o enrolamento não se danifique e/ou fique molhado com óleo ou água.

4. Limpeza externa

Quando o berbequim aparafusadora estiver manchado, limpe-o com um pano macio e seco umedecido com água com sabão. Não utilize solventes clorídricos, gasolina ou solventes de tinta, pois eles derretem plásticos.

5. Armazenagem

Guarde o berbequim aparafusadora num local cuja temperatura seja menor que 40°C e fora do alcance de crianças.

NOTA

Certifique-se de que a bateria se encontra totalmente carregada quando a mesma tiver sido armazenada durante um longo período (3 meses ou mais). Poderá não ser possível utilizar uma bateria com menor capacidade depois de a mesma ter estado armazenada durante um longo período.

NOTA

Guardar baterias de íões de lítio

Certifique-se de que as baterias de íões de lítio foram totalmente carregadas antes de guardá-las. Armazenamento prolongado das baterias com pouca carga pode resultar em deterioração do desempenho, redução significativa do tempo de utilização das baterias ou tornar as baterias incapazes de manter a carga.

Contudo, o tempo de utilização da bateria significativamente reduzido pode ser recuperado carregando e utilizando repetidamente as baterias duas a cinco vezes.

Se o tempo de utilização das baterias for extremamente curto apesar do carregamento e utilização repetidos, considere as baterias inactivas e adquira baterias novas.

6. Lista de peças para conserto

CUIDADO

Consertos, modificações e inspeção de Ferramentas Eléctricas da Hitachi devem ser realizados por uma Oficina Autorizada da Hitachi.

Esta lista de peças pode ser útil se apresentada com a ferramenta na Oficina Autorizada da Hitachi ao solicitar conserto ou manutenção.

Na operação e na manutenção das ferramentas eléctricas, devem-se observar as normas de segurança e os padrões prescritos por cada país.

MODIFICAÇÃO

As Ferramentas Eléctricas da Hitachi estão sempre sendo aperfeiçoadas e modificadas para incorporar os mais recentes avanços tecnológicos.

Dessa forma, algumas peças podem mudar sem aviso prévio.

Aviso importante sobre as baterias para as ferramentas sem fios Hitachi.

Utilize sempre uma das nossas baterias originais designadas. Não podemos garantir a segurança e desempenho da nossa ferramenta sem fios quando é utilizada com baterias diferentes das baterias designadas por nós ou quando a bateria é desmontada e modificada (assim como desmontagem e substituição das células ou outras peças internas).

GARANTIA

Garantimos que a Hitachi Power Tools obedece às respectivas normas específicas estatutárias/de país. Esta garantia não cobre avarias ou danos derivados de má utilização, abuso ou desgaste normal. Em caso de queixa, envie a Ferramenta, não desmontada, juntamente com o CERTIFICADO DE GARANTIA que se encontra no fundo destas instruções de utilização, para um Centro de Serviço Autorizado Hitachi.

NOTA

Devido ao contínuo programa de pesquisa e desenvolvimento da HITACHI, as especificações aqui contidas estão sujeitas a mudanças sem aviso prévio.

Informação a respeito de ruídos e vibração do ar

Os valores medidos foram determinados de acordo com a EN60745 e declarados em conformidade com a ISO 4871.

Nível de potência sonora ponderada A medida: 97 dB (A)

Nível de pressão sonora ponderada A medida: 86 dB (A)

Imprecisão KpA: 3 dB (A)

Use proteção auditiva.

Os valores totais da vibração (soma do vector triax) são determinados de acordo com a norma EN60745.

Perfuração:

Valor de emissão de vibrações $a_{h, D} = 4,5 \text{ m/s}^2$

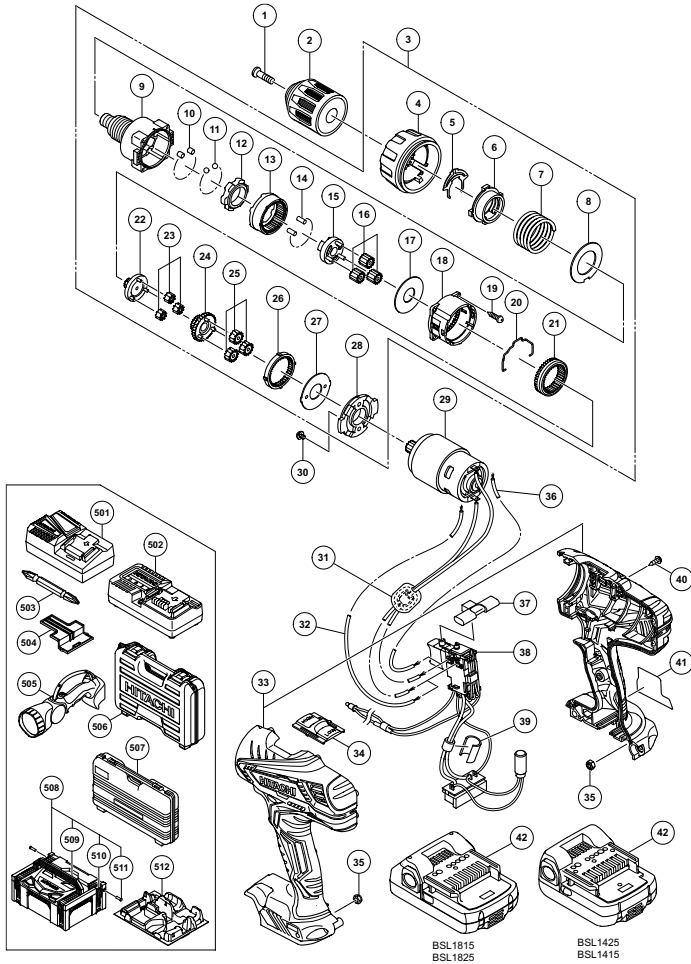
Incerteza de $K = 1,5 \text{ m/s}^2$

O valor total de vibração declarado foi medido de acordo com um método de teste padrão e pode ser utilizado para comparar ferramentas.

Pode também ser utilizado numa avaliação preliminar de exposição.

AVISO

- O valor de emissão de vibrações durante a utilização da ferramenta eléctrica pode ser diferente do valor total declarado, consoante as formas de utilização da ferramenta.
- Identificar as medidas de segurança para proteger o operador, que são baseadas numa estimativa de exposição nas actuais condições de utilização (tendo em conta todas as partes do ciclo de funcionamento, tais como os tempos em que a ferramenta é desligada e quando está a funcionar ao ralenti, além do tempo de accionamento do gatilho).



Item No.	Part Name	QTY
1	SPECIAL SCREW (LEFT HAND) M6×23	1
2	KEYLESS CHUCK 13MM	1
3	GEAR BOX ASS'Y (INCLUD.4-28)	1
4	CLUTCH DIAL	1
5	CLICK SPRING	1
6	NUT	1
7	SPRING	1
8	WASHER (D)	1
9	FRONT CASE	1
10	ROLLER SET	6
11	STEEL BALL D5	6
12	LOCK RING	1
13	RING GEAR	1
14	NEEDLE ROLLER (A) SET	6
15	CARRIER	1
16	PLANET GEAR (C) SET	3
17	WASHER (A)	1
18	REAR CASE	1
19	SCREW SET D3×12	4
20	SHIFT ARM	1
21	SLIDE RING GEAR (B)	1
22	PINION(C)	1
23	PLANET GEAR (B) SET	3
24	PINION (B)	1
25	PLANET GEAR (A) SET	3
26	FIRST RING GEAR	1
27	WASHER (B)	1
28	MOTOR SPACER	1
29	MOTOR	1
30	MACHINE SCREW (W/SP. WASHER) M4×6	2
31	INTERNAL WIRE FERRITE SET	1
32	INTERNAL WIRE (BLACK)	1

Item No.	Part Name	QTY
33	HOUSING (A) (B) SET	1
34	SHIFT KNOB	1
35	LOCK NUT M4	2
36	INTERNAL WIRE (RED)	1
37	PUSHING BUTTON	1
38	SWITCH TERMINAL SET	1
39	SUPPORT (D)	1
40	TAPPING SCREW (W/FLANGE) D3×16	9
41	NAME PLATE	1
42	BATTERY (BSL1415 / BSL1425 / BSL1815 / BSL1825)	2
501	CHARGER (UC18YFSL)	1
502	CHARGER (UC18YKSL)	1
503	PLUS DRIVER BIT NO.2 65L	1
504	BATTERY COVER	1
505	TORCHLIGHT (UB18DAL)	1
506	CASE	1
507	CASE (FOR TORCHLIGHT)	1
508	CASE ASS'Y (STACKABLE) (INCLUDE. 509-511)	1
509	HANDLE	1
510	LATCH	4
511	HINGE	2
512	INNER TRAY	1

<p>English</p> <p><u>GUARANTEE CERTIFICATE</u></p> <ol style="list-style-type: none"> ① Model No. ② Serial No. ③ Date of Purchase ④ Customer Name and Address ⑤ Dealer Name and Address (Please stamp dealer name and address) 	<p>Nederlands</p> <p><u>GARANTIEBEWIJS</u></p> <ol style="list-style-type: none"> ① Modelnummer ② Serienummer ③ Datum van aankoop ④ Naam en adres van de gebruiker ⑤ Naam en adres van de handelaar (Stempel a.u.b. naam en adres vande de handelaar)
<p>Deutsch</p> <p><u>GARANTIESCHEIN</u></p> <ol style="list-style-type: none"> ① Modell-Nr. ② Serien-Nr. ③ Kaufdatum ④ Name und Anschrift des Kunden ⑤ Name und Anschrift des Händlers (Bitte mit Namen und Anschrift des Handlers abstempeln) 	<p>Español</p> <p><u>CERTIFICADO DE GARANTIA</u></p> <ol style="list-style-type: none"> ① Número de modelo ② Número de serie ③ Fecha de adquisición ④ Nombre y dirección del cliente ⑤ Nombre y dirección del distribuidor (Se ruega poner el sellú del distribuidor con su nombre y dirección)
<p>Français</p> <p><u>CERTIFICAT DE GARANTIE</u></p> <ol style="list-style-type: none"> ① No. de modèle ② No. de série ③ Date d'achat ④ Nom et adresse du client ⑤ Nom et adresse du revendeur (Cachet portant le nom et l'adresse du revendeur) 	<p>Português</p> <p><u>CERTIFICADO DE GARANTIA</u></p> <ol style="list-style-type: none"> ① Número do modelo ② Número do série ③ Data de compra ④ Nome e morada do cliente ⑤ Nome e morada do distribuidor (Por favor, carimbe o nome e morada do distribuidor)
<p>Italiano</p> <p><u>CERTIFICATO DI GARANZIA</u></p> <ol style="list-style-type: none"> ① Modello ② N° di serie ③ Data di acquisto ④ Nome e indirizzo dell'acquirente ⑤ Nome e indirizzo del rivenditore (Si prega di apporre il timbro con questi dati) 	

HITACHI

①	
②	
③	
④	
⑤	



Hitachi Power Tools Europe GmbH

Siemensring 34, 47877 Willich, Germany
Tel: +49 2154 49930
Fax: +49 2154 499350
URL: <http://www.hitachi-powertools.de>

Hitachi Power Tools Netherlands B. V.

Brabanthaven 11, 3433 PJ Nieuwegein, The Netherlands
Tel: +31 30 6084040
Fax: +31 30 6067266
URL: <http://www.hitachi-powertools.nl>

Hitachi Power Tools (U. K.) Ltd.

Precedent Drive, Rooksley, Milton Keynes, MK 13, 8PJ, United Kingdom
Tel: +44 1908 660663
Fax: +44 1908 606642
URL: <http://www.hitachi-powertools.co.uk>

Hitachi Power Tools France S. A. S.

Prac de l'Eglantier 22, rue des Crerisiers Lisses-C. E. 1541,
91015 EVRY CEDEX, France
Tel: +33 1 69474949
Fax: +33 1 60861416
URL: <http://www.hitachi-powertools.fr>

Hitachi Power Tools Belgium N.V. / S.A.

Koningin Astridlaan 51, 1780 Wemmel, Belgium
Tel: +32 2 460 1720
Fax: +32 2 460 2542
URL: <http://www.hitachi-powertools.be>

Hitachi Fercad Power Tools Italia S.p.A


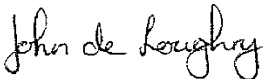

Via Retrone 49, 36077, Altavilla Vicentina (VI), Italy
Tel: +39 0444 548111
Fax: +39 0444 548110
URL: <http://www.hitachi-powertools.it>

Hitachi Power Tools Iberica, S.A.

Puigbarral, 26-28 Pol. Ind. Can Petit 08227 TERRSSA (Barcelona) Spain
Tel: +34 93 735 6722
Fax: +34 93 735 7442
URL: <http://www.hitachi-powertools.es>

Hitachi Power Tools Österreich GmbH

Str. 7, Objekt 58/A6, Industriezentrum NÖ –Süd 2355
Wiener Neudorf, Austria
Tel: +43 2236 64673/5
Fax: +43 2236 63373
URL: <http://www.hitachi-powertools.at/>

<p>English</p> <p>Object of declaration: Hitachi Cordless Driver Drill DS14DJL, DS18DJL</p> <p>EC DECLARATION OF CONFORMITY</p> <p>We declare under our sole responsibility that this product is in conformity with standards or standardization documents EN60745-1, EN60745-2-1, EN60745-2-2, EN60335-1, EN60335-2-29, EN55014-1, EN55014-2 and EN61000 in accordance with Directives 2004/108/EC, 2006/95/EC and 2006/42/EC. This product also conforms to RoHS Directive 2011/65/EU. The European Standards Manager at Hitachi Koki Europe Ltd. is authorized to compile the technical file.</p> <p>This declaration is applicable to the product affixed CE marking.</p>	<p>Nederlands</p> <p>Onderwerp van verklaring: Hitachi Snoerloze boor-schroefmachine DS14DJL, DS18DJL</p> <p>EC VERKLARING VAN CONFORMITEIT</p> <p>Wij verklaren onder eigen verantwoordelijkheid dat dit product conform de richtlijnen of gestandaardiseerde documenten EN60745-1, EN60745-2-1, EN60745-2-2, EN60335-1, EN60335-2-29, EN55014-1, EN55014-2 en EN61000 voldoet aan de eisen van bepalingen 2004/108/EC, 2006/95/EC en 2006/42/EC. Dit product voldoet ook aan de RoHS-richtlijn 2011/65/EU.</p> <p>De manager voor Europese normen van Hitachi Koki Europe Ltd. heeft de bevoegdheid tot het samenstellen van het technische bestand.</p> <p>Deze verklaring is van toepassing op producten voorzien van de CE-markeringen.</p>
<p>Deutsch</p> <p>Gegenstand der Erklärung: Hitachi Akku-Bohrschrauber DS14DJL, DS18DJL</p> <p>EG-KONFORMITÄTSERKLÄRUNG</p> <p>Wir erklären mit alleiniger Verantwortung, dass dieses Produkt den Standards oder Standardisierungsdokumenten EN60745-1, EN60745-2-1, EN60745-2-2, EN60335-1, EN60335-2-29, EN55014-1, EN55014-2 und EN61000 in Übereinstimmung mit den Direktiven 2004/108/EG, 2006/95/EG und 2006/42/EG entspricht. Dieses Produkt stimmt auch mit der RoHS-Richtlinie 2011/65/EU überein. Der Manager für europäische Standards bei der Hitachi Koki Europe Ltd. ist zum Verfassen der technischen Datei befugt.</p> <p>Diese Erklärung gilt für Produkte, die die CE-Markierung tragen.</p>	<p>Español</p> <p>Objeto de declaración: Hitachi Taladro atornillador a batería DS14DJL, DS18DJL</p> <p>DECLARACIÓN DE CONFORMIDAD DE LA CE</p> <p>Declaramos bajo nuestra única responsabilidad que este producto está de acuerdo con las normas o con los documentos de normalización EN60745-1, EN60745-2-1, EN60745-2-2, EN60335-1, EN60335-2-29, EN55014-1, EN55014-2 y EN61000, según indican las Directrices 2004/108/CE, 2006/95/CE y 2006/42/CE. Este producto satisface también los requisitos establecidos por la Directiva 2011/65/EU (RoHS).</p> <p>El Jefe de Normas Europeas de Hitachi Koki Europe Ltd. está autorizado para recopilar archivos técnicos.</p> <p>Esta declaración se aplica a los productos con marcas de la CE.</p>
<p>Français</p> <p>Objet de la déclaration: Hitachi Perceuse-visseuse à batterie DS14DJL, DS18DJL</p> <p>DECLARATION DE CONFORMITE CE</p> <p>Nous déclarons sous notre seule et entière responsabilité que ce produit est conforme aux normes ou documents de normalisation EN60745-1, EN60745-2-1, EN60745-2-2, EN60335-1, EN60335-2-29, EN55014-1, EN55014-2 et EN61000 en accord avec les Directives 2004/108/CE, 2006/95/CE et 2006/42/CE. Ce produit est aussi conforme à la Directive RoHS 2011/65/EU. Le responsable des normes européennes d'Hitachi Koki Europe Ltd. est autorisé à compiler les données techniques.</p> <p>Cette déclaration s'applique aux produits désignés CE.</p>	<p>Português</p> <p>Objeto de declaração: Hitachi Berbequim aparafusadora a bateria DS14DJL, DS18DJL</p> <p>DECLARAÇÃO DE CONFORMIDADE CE</p> <p>Declaramos, sob nossa única e inteira responsabilidade, que este produto está de acordo com as normas ou documentos normativos EN60745-1, EN60745-2-1, EN60745-2-2, EN60335-1, EN60335-2-29, EN55014-1, EN55014-2 e EN61000, em conformidade com as Directrizes 2004/108/CE, 2006/95/CE e 2006/42/CE. Este produto está também em conformidade com a Directiva RoHS 2011/65/EU.</p> <p>O Gestor de Normas Europeias da Hitachi Koki Europe Ltd. está autorizado a compilar o ficheiro técnico.</p> <p>Esta declaração se aplica aos produtos designados CE.</p>
<p>Italiano</p> <p>Oggetto della dichiarazione: Hitachi Trapano-avvitatore a batteria DS14DJL, DS18DJL</p> <p>DICHIARAZIONE DI CONFORMITÀ CE</p> <p>Dichiariamo sotto nostra responsabilità che questo prodotto è conforme agli standard o ai documenti sulla standardizzazione EN60745-1, EN60745-2-1, EN60745-2-2, EN60335-1, EN60335-2-29, EN55014-1, EN55014-2 e EN61000 in conformità alle Direttive 2004/108/CE, 2006/95/CE e 2006/42/CE. Il prodotto è inoltre conforme alla direttiva RoHS 2011/65/EU. Il Responsabile delle Norme Europee di Hitachi Koki Ltd. è autorizzato a compilare la scheda tecnica.</p> <p>Questa dichiarazione è applicabile ai prodotti cui sono applicati i marchi CE.</p>	
<div style="display: flex; justify-content: space-between;"> <div style="width: 60%;"> <p>Hitachi Koki Europe Ltd. Clonshaugh Business & Technology Park, Dublin 17, Ireland</p> <p>Representative office in Europe Hitachi Power Tools Europe GmbH Siemensring 34, 47877 Willich 1, F. R. Germany</p> <p>Head office in Japan Hitachi Koki Co., Ltd. Shinagawa Intercity Tower A, 15-1, Konan 2-chome, Minato-ku, Tokyo, Japan</p> </div> <div style="width: 35%; text-align: center;">  <p>28. 2. 2014</p>  <p>John de Loughry European Standard Manager</p> <p>28. 2. 2014</p>  <p>F. Tashimo Vice-President & Director</p> </div> </div>	