

CSE1935S
CSE2040S

CSE1835
CSE2040



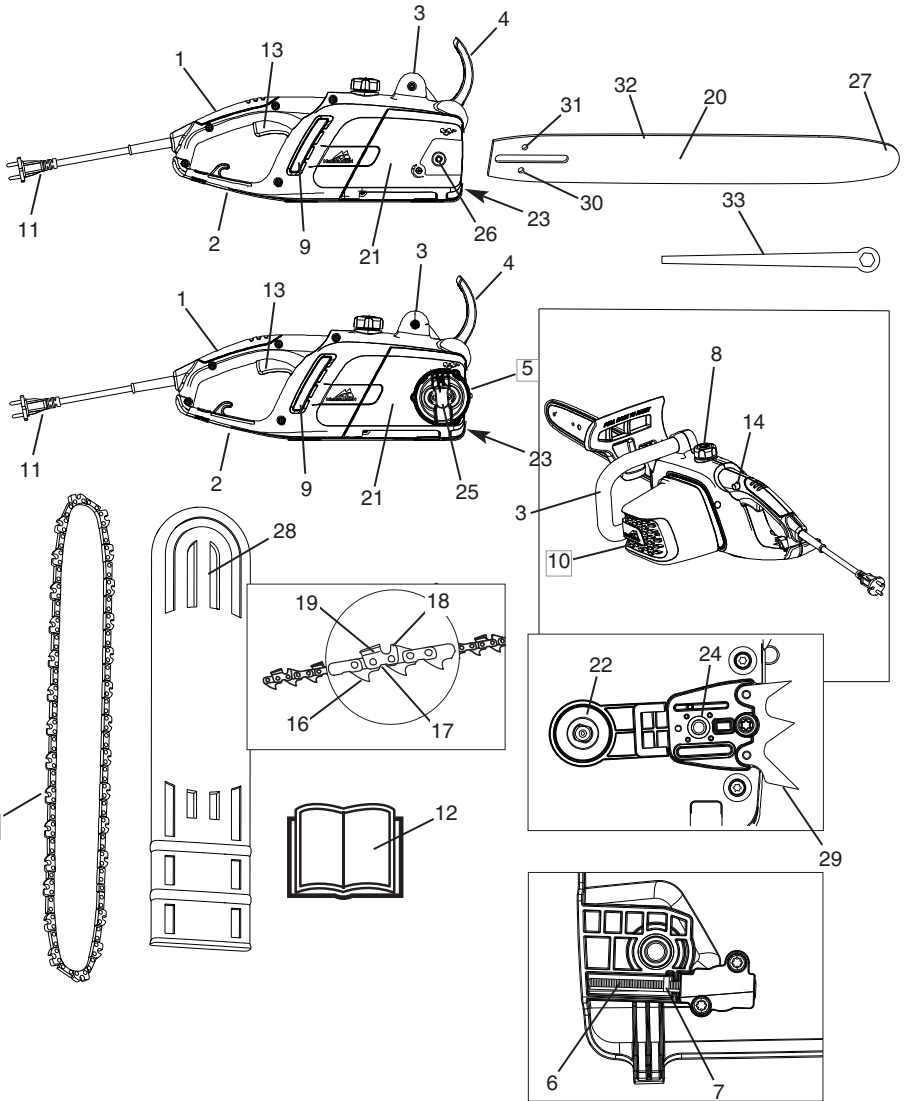
- GB** **Original Instructions**
Electric Chainsaw
- DE** **Originalanleitung**
Elektro-Kettensäge
- FR** **Instructions d'origine**
Tronçonneuse électrique
- NL** **Oorspronkelijke instructies**
Elektrische kettingzaag
- NO** **Originalinstrukser**
Elektrisk kjedesag
- FI** **Alkuperäiset ohjeet**
Sähkökäyttöinen moottorisaha
- SE** **Originalinstruktioner**
Elektrisk motorsåg
- DK** **Originale instruktioner**
Elektrisk kædesav
- ES** **Instrucciones originales**
Motosierra eléctrica
- PT** **Instruções Originais**
Motosserra eléctrica
- IT** **Istruzioni originali**
Elettrosega
- HU** **Eredeti Utasítás**
Elektromos láncfűrész
- PL** **Oryginalne Instrukcje**
Piła łańcuchowa elektryczna
- CZ** **Originální pokyny**
Elektrická řetězová píla
- SK** **Pôvodné pokyny**
Elektrická reťazová píla
- SI** **Originalna navodila**
Električna verižna žaga
- HR** **Originalne upute**
Električna lančana píla
- LT** **Pagrindinės instrukcijos**
Elektriniai grandininiai pjūklai
- RU** **Исходные инструкции**
Электрическая цепная пила
- EE** **Algsed juhised**
Elektriline kettsaag
- LV** **Sākotnējās instrukcijas**
Elektriskais ķēdes zāģis
- RO** **Instrucțiuni originale**
Ferăstrău electric cu lanț
- GR** **Αρχικές οδηγίες**
Ηλεκτρικό αλυσοπίρινο
- TR** **Orjinal Talimatlar**
Elektrikli Testere
- RS** **Originalno uputstvo**
za električnu lančanu testeru
- BA** **Originalno Uputstvo**
Električna motorna píla
- BG** **Оригинални инструкции**
Електрически верижен трион
- UA** **Початкові інструкції**
Електрична ланцюгова піла

- GB** **IMPORTANT INFORMATION**
Read before use and retain for future reference
- DE** **WICHTIGE INFORMATIONEN**
Bitte vor dem Gebrauch sorgfältig durchlesen und für einen späteren Bezug an einem sicheren Ort aufbewahren
- FR** **INFORMATIONS IMPORTANTES**
A lire attentivement et bien assimiler avant tout emploi
- NL** **BELANGRIJKE INFORMATIE**
Deze informatie lezen alvorens het product in gebruik te nemen en zorgvuldig bewaren
- NO** **VIKTIG INFORMASJON**
Les gjennom før bruk og oppbevar til fremtidig bruk
- FI** **TÄRKEÄÄ**
Lue ennen käyttöä ja säilytä tulevan varalle
- SE** **VIKTIG INFORMATION**
Läs detta innan du använder maskinen och spara för framtida användning
- DK** **VIGTIG INFORMATION**
Læs før brug og gem til at kunne konsultere i fremtiden
- ES** **INFORMACIÓN IMPORTANTE**
Léala antes de usar el aparato y guárdela como referencia futura
- PT** **INFORMAÇÃO IMPORTANTE**
Leia antes de utilizar e guarde para consulta futura
- IT** **IMPORTANTE INFORMAZIONE**
Leggere prima dell'uso e conservare per futuro riferimento
- HU** **FONTOS INFORMÁCIÓ**
Használat előtt olvassa el, és tartsa meg későbbi felhasználásra
- PL** **UWAGA**
Zapoznać się z treścią niniejszej instrukcji przed użyciem i zachować ją do dalszego użytkowania urządzenia
- CZ** **DŮLEŽITÁ INFORMACE**
Než začnete stroj používat, přečtěte si pozorně tento návod a uschovejte jej pro další použití v budoucnu

- SK** **DÔLEŽITÉ INFORMÁCIE**
Pred použitím si prečítajte nasledovnú informáciu a odložte si ich pre budúcu potrebu
- SI** **POMEMBNA INFORMACIJA**
Preberite pred uporabo in shranite za prihodnjo uporabo
- HR** **VAŽNE INFORMACIJE**
Pročitati prije upotrebe i sačuvati za buduće osvrte
- LT** **Operatoriaus instrukcijų rinkinys**
Perskaitykite šį instrukcijų labai atidžiai, kad pilnai suprastumėte turinį, prieš pradėdami naudoti vejos/ žolės pjovėją.
- RU** **ВАЖНАЯ ИНФОРМАЦИЯ**
Прочитайте перед тем, как включить триммер, и сохраните для дальнейшего использования.
- EE** **OLULINE TEAVE**
Enne seadme kasutuselevõtmist lugege kasutusjuhend läbi ning säilitage see tuleviku tarbeks.
- LV** **SVARĪGA INFORMĀCIJA**
Pirms lietošanas izlasiet un saglabāiet turpmākām uzzinām
- RO** **Manual de instrucțiuni**
Înainte să folosiți mașina de tuns pentru prima oară, citiți cu atenție manualul de instrucțiuni pentru a-i înțelege conținutul.
- GR** **ΣΗΜΑΝΤΙΚΕΣ ΠΛΗΡΟΦΟΡΙΕΣ**
Διαβάστε αυτό το φυλλάδιο πριν από τη χρήση της συσκευής και φυλάξτε το για γελλοντική αναφορά
- TR** **ÖNEMLİ BİLGİLER**
Kullanmadan önce okuyunuz ve ileride başvurmak üzere saklayınız.
- RS** **VAŽNE INFORMACIJE**
Pročitajte pre korišćenja i sačuvajte za buduću upotrebu
- BA** **VAŽNE INFORMACIJE**
Pročitajte prije upotrebe i sačuvajte za buduće konsultovanje
- BG** **ВАЖНА ИНФОРМАЦИЯ**
Прочетете преди употреба и запазете за бъдещи справки
- UA** **ВАЖЛИВА ІНФОРМАЦІЯ**
Прочитайте перед використанням і збережіть для подальшого використання

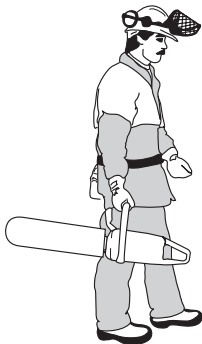
- GB** Due to a constant product improvement programme, the factory reserves the right to modify technical details mentioned in this manual without prior notice.
- DE** Im Sinne des Fortschritts behält sich der Hersteller das Recht vor, technische Änderungen ohne vorherigen Hinweis durchzuführen.
- FR** La Maison se réserve la possibilité de changer des caractéristiques et des données de ce manuel à n'importe quel moment et sans préavis.
- NL** Door konstante produkt ontwikkeling behoudt de fabrikant zich het recht voor om technische specificaties zoals vermeld in deze handleiding te veranderen zonder hiervan vooraf bericht te geven.
- NO** Produsenten forbeholder seg all rett og mulighet til a forandre tekniske detaljer i denne manualen uten forhåndsvarsel.
- FI** Jatkuvan tuotteen parannusohjelman tähden valmistaja pidättää oikeuden vaihtaa ilman ennakkovaroitusta tässä ohjekirjassessa mainittuja teknisiä yksityiskohtia.
- SE** Tilverkaren reserverar sig rätten att ändra fakta och uppgifter ur handboken utan förvarning.
- DK** Producenten forbeholder sig ret til ændringer, hvad angår karakteristika og data i nærværende instruktion, når som helst og uden varsel.
- ES** La firma productora se reserva la posibilidad de cambiar las características y datos del presente manual en cualquier momento y sin previo aviso.
- PT** A casa productora se reserva a possibilidade de variar características e dados do presente manual em qualquer momento e sem aviso prévio.
- IT** La casa produttrice si riserva la possibilità di variare caratteristiche e dati del presente manuale in qualunque momento e senza preavviso.
- HU** A gyártó cég fenntartja a jogot arra, hogy a használati utasításban megadott adatokon és technikai tulajdonságokon bármikor és előzetes bejelentés nélkül változtasson.
- PL** W związku z programem ciągłego ulepszenia swoich wyrobów producent zastrzega sobie prawo do wprowadzania zmian w szczegółach technicznych wymienionych w tej instrukcji bez poprzedniego zawiadomienia. Instrukcja jest częścią wyposażenia
- CZ** Vzhledem k pokračujícím inovacím si výrobce vyhrazuje právo mnit technické hodnoty uvedené v této příručce bez předchozího upozornění.
- SK** Proizvateľ si pridržuje právo, da spremeni značilnosti in podatke pričujočega priročnika v katerem koli trenutku in brez predhodnega onvestila.
- SI** Zaradi programa za nenehne izboljšave izdelkov si proizvajalec pridržuje pravico do sprememb tehničnih lastnosti, navedenih v tem priročniku, brez predhodnega opozorila.
- HR** S obzirom na program konstantnog poboljšavanja proizvoda, tvornica pridržava pravo izmjene tehničkih podataka navedenih u ovom priručniku, bez prethodne obavijesti.
- LT** Dėl pastovios gaminio tobulinimo programos, gamykla pasilieka teisę pakeisti šiose instrukcijose pateiktus techninius duomenis be išankstinio pranešimo.
- RU** Компания производитель сохраняет за собой право изменять характеристики и данные в настоящем руководстве, в любой момент и без предварительного извещения.
- EE** Tootja jätab endale õiguse muuta käesolevas kasutusjuhendis kirjeldatud omadusi ja andmeid suvalisel hetkel ja sellest eelnevalt ette teatamata.
- LV** Izgatavotājs saglabā tiesības jebkurā brīdī un bez brīdinājuma mainīt šarā rokasgrāmatā esošos datus un raksturliņkus.
- RO** Datorită unui program constant de îmbunătățire a produsului, fabrica își rezervă dreptul de a modifica detaliile tehnice prezentate în acest manual fără a notificare prealabilă.
- GR** Λόγω προγράμματος συνεχοῦς βελτίωσης προϊόντων, το εργοστάσιο επιφυλάσσει του δικαιώματος να τροποποιεί τις τεχνικές λεπτομέρειες που αναφέρονται στο εγχειρίδιο αυτό χωρίς προηγούμενη ειδοποίηση.
- TR** Üretici firma bu kullanma kılavuzunda yer alan özellik ve verilerin istediği zamanda yer haber vermesizin değiştirilme hakkını kendinde sahip tutar.
- RS** Zbog programa stalnog poboljšanja proizvoda fabrika zadržava pravo na izmenu tehničkih specifikacija navedenih u ovom uputstvu bez prethodne najave.
- BA** Zbog programa stalnog poboljšanja proizvoda, tvornica zadržava pravo izmjene tehničkih detalja navedenih u ovom priručniku, bez prethodne najave.
- BG** Изпълнявайки своята програма за постоянно подобряване на продуктите, заводът си запазва правото да променя техническите детайли, упоменати в това ръководство, без предизвестие.
- UA** У зв'язку з постійним покращенням продукції, компанія-виробник зберігає за собою право змінювати характеристики, зазначені у цьому керівництві без попереднього повідомлення.

A

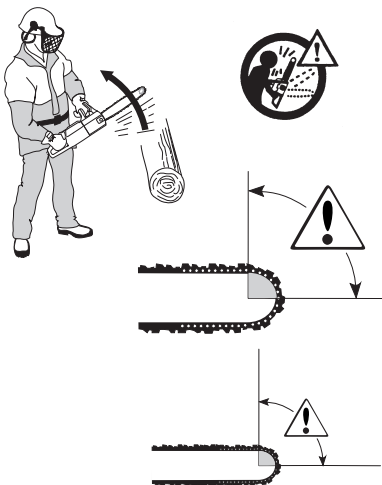
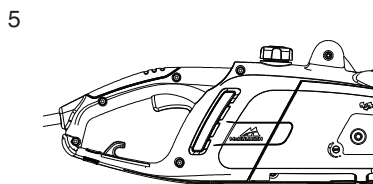
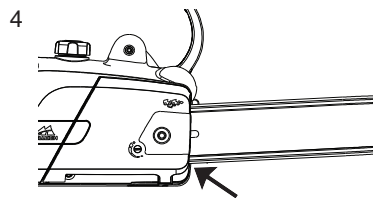
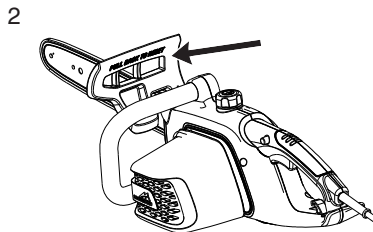
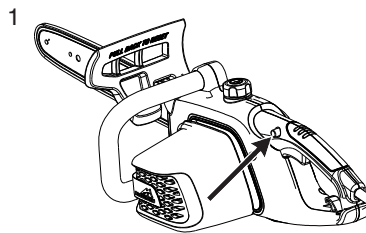


B

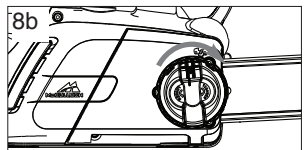
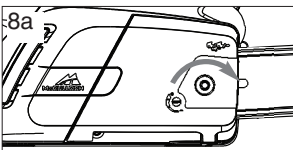
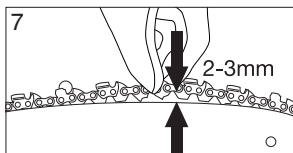
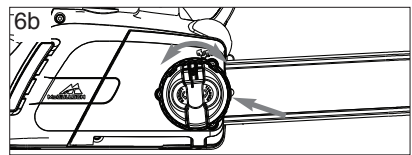
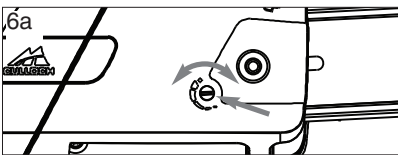
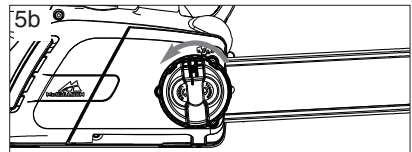
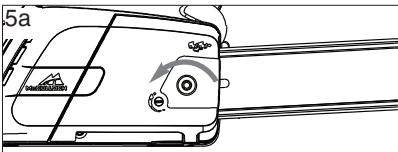
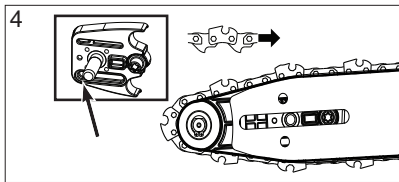
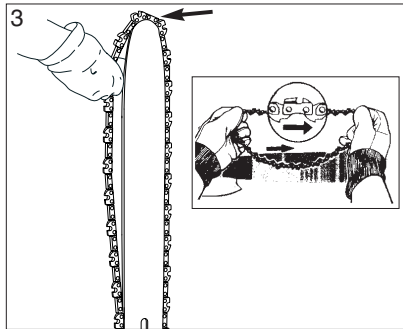
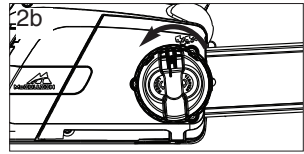
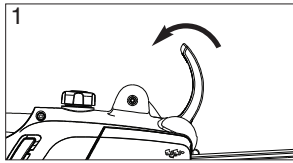
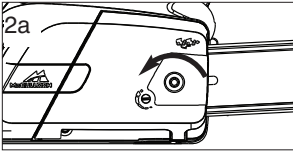
12

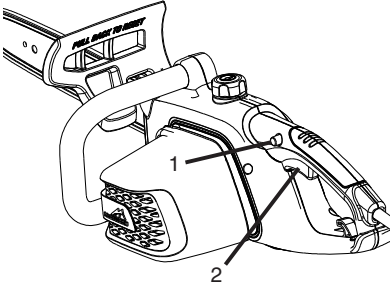
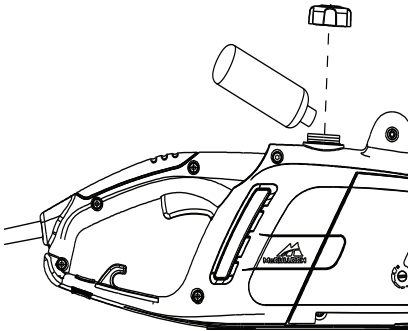
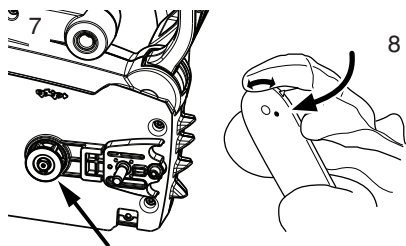
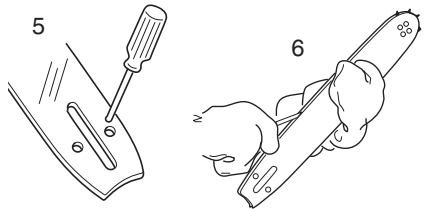
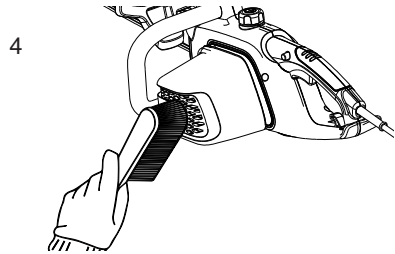
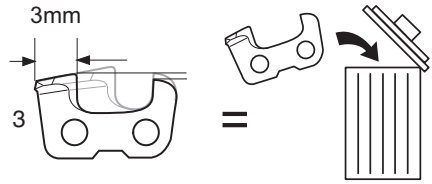


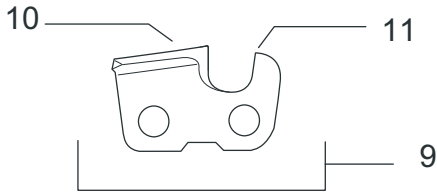
14

**C**

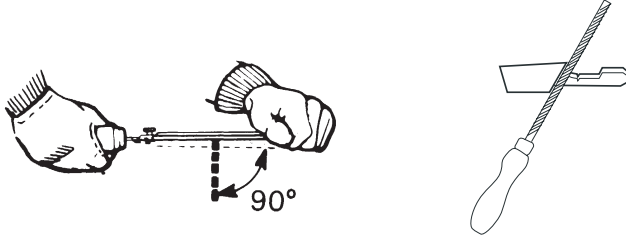
D



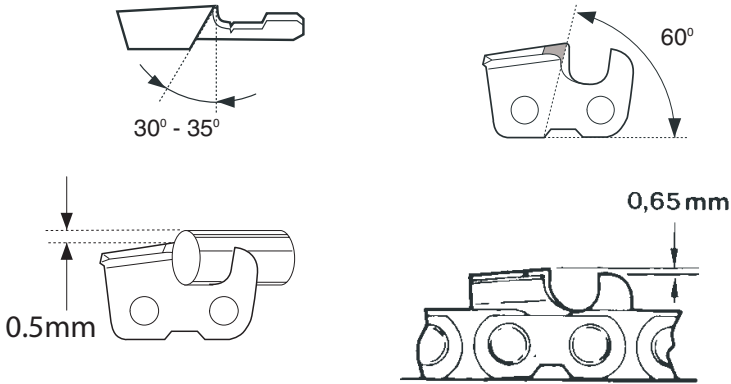
E**F****G**

G

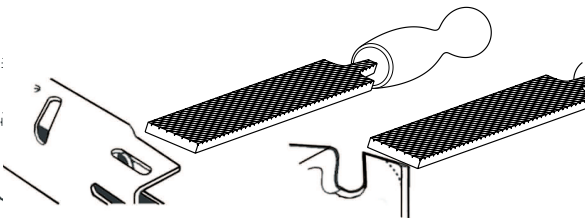
12



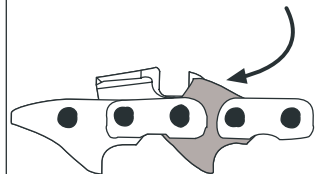
13



14



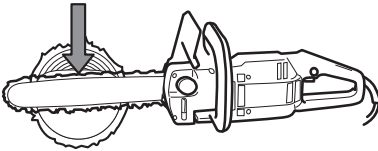
15



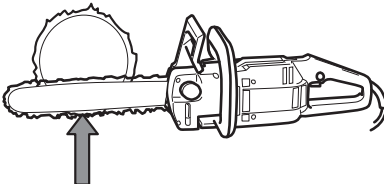
1



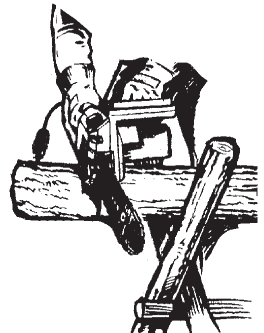
2



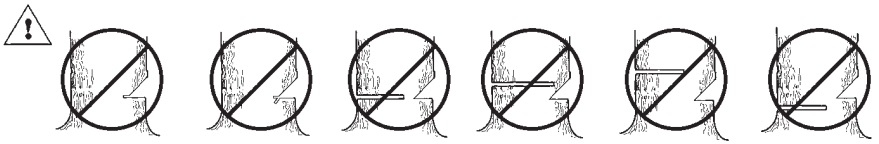
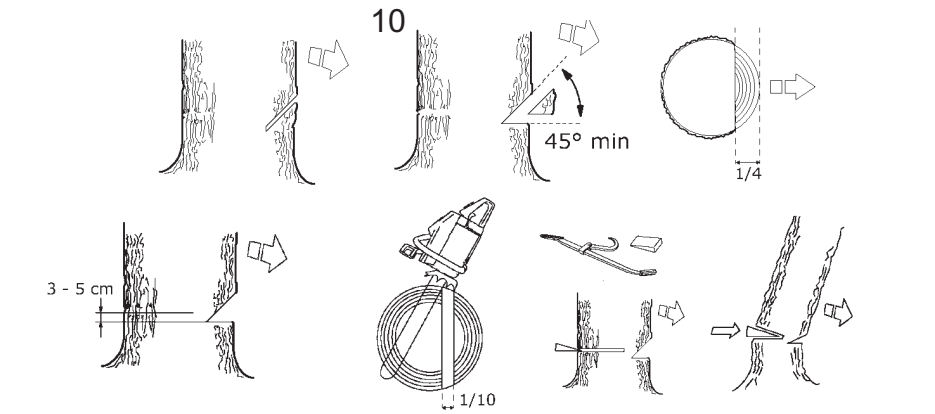
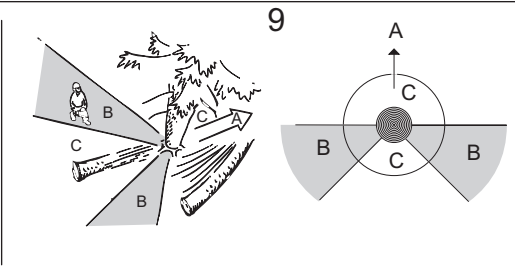
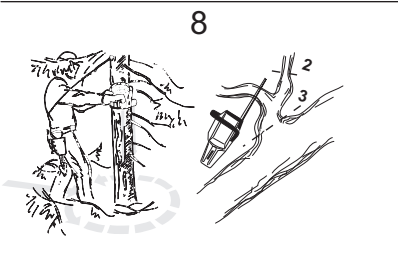
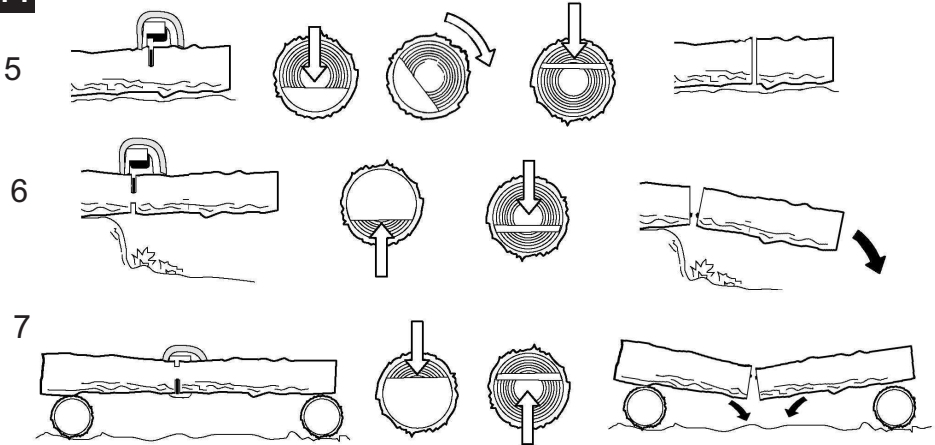
3



4

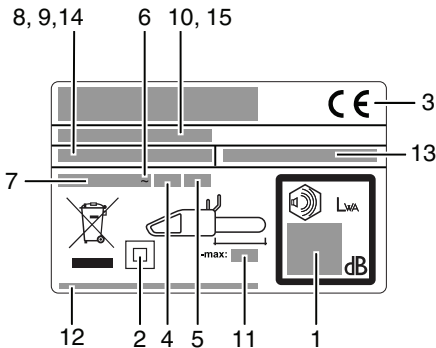


H



A. GENERAL DESCRIPTION

- | | |
|---|--|
| <ul style="list-style-type: none"> 1) Rear handle 2) Rear hand guard 3) Front handle 4) Front hand guard/chain brake lever 5) Chain tensioner outer knob 6) Chain tensioner screw 7) Chain tensioner pin 8) Oil tank cap 9) Oil tank inspection gauge 10) Air vents 11) Cable 12) Manual 13) Switch 14) Switch block 15) Chain 16) Drive tooth 17) Cutting link 18) Cutting depth gauge | <ul style="list-style-type: none"> 19) Cutting tooth 20) Guide Bar 21) Drive Sprocket Cover 22) Drive Sprocket 23) Chain catcher 24) Bar retaining screw 25) Bar retaining inner knob 26) Bar retaining nut 27) Nose sprocket 28) Guard bar cover 29) Spiked bumper 30) Chain tensioner pin housing 31) Lubrication hole 32) Guide bar groove 33) Spanner/screwdriver |
|---|--|



Example of identification label

- 1) Guaranteed sound power according to directive 2000/14/EC
- 2) Class II tool
- 3) CE marking of conformity
- 4) Rated frequency
- 5) Rated power
- 6) Alternating current
- 7) Rated voltage
- 8) Type
- 9) Product code
- 10) Year of manufacture
- 11) Maximum length of guide bar
- 12) Manufacturer's name and address
- 13) Article number (Electric Chainsaw)
- 14) Model
- 15) Serial number

B. SAFETY PRECAUTIONS

MEANING OF SYMBOLS



Warning!
Read the instruction manual carefully



Protective boots



Protective goggles or visor, protective helmet and hearing protection



Protective cut-proof gloves



Protective long, cut-proof trousers



Chain brake: deactivated, activated



Remove plug from the mains immediately if the cable is damaged or cut



Keep bystanders away



Correct direction of the cutting teeth.



Always grip the machine with two hands



Kickback danger



Do not expose to rain or moisture.



Chain oil



Refrain from



Turn the machine off



Disconnect the plug before adjusting or cleaning.



Risk of electric shock

General Power Tool Safety Warnings

⚠ WARNING Read all safety warnings and all instructions. Failure to follow the warnings and instructions may result in electric shock, fire and/or serious injury.

Save all warnings and instructions for future reference. The term "power tool" in the warnings refers to your mains-operated (corded) power tool or battery-operated (cordless) power tool.

1) Work area safety

- Keep work area clean and well lit.** Cluttered or dark areas invite accidents.
- Do not operate power tools in explosive atmospheres, such as in the presence of flammable liquids, gases or dust.** Power tools create sparks which may ignite the dust or fumes.
- Keep children and bystanders away while operating a power tool.** Distractions can cause you to lose control.

2) Electrical safety

- Power tool plugs must match the outlet. Never modify the plug in any way. Do not use any adaptor plugs with earthed (grounded) power tools.** Unmodified plugs and matching outlets will reduce risk of electric shock.
- Avoid body contact with earthed or grounded surfaces, such as pipes, radiators, ranges and refrigerators.** There is an increased risk of electric shock if your body is earthed or grounded.
- Do not expose power tools to rain or wet conditions.** Water entering a power tool will increase the risk electric shock.

- Do not abuse the cord. Never use the cord for carrying, pulling or unplugging the power tool. Keep cord away from heat, oil, sharp edges or moving parts. Damaged or entangled cords increase the risk of electric shock.**

- When operating a power tool outdoors, use an extension cord suitable for outdoor use.** Use of a cord suitable for outdoor use reduces the risk of electric shock.

- If operating a power tool in a damp location is unavoidable, use a residual current device (RCD) protected supply.** Use of an RCD reduces the risk of electric shock.

3) Personal safety

- Stay alert, watch what you are doing and use common sense when operating a power tool. Do not use a power tool while you are tired or under the influence of drugs, alcohol or medication.** A moment of inattention while operating power tools may result in serious personal injury.
- Use personal protective equipment. Always wear eye protection.** Protective equipment such as dust mask, non-skid safety shoes, hard hat, or hearing protection used for appropriate conditions will reduce personal injuries.
- Prevent unintentional starting. Ensure the switch is in the off-position before connecting to power source and/or battery pack, picking up or carrying the tool. Carrying power tools with your finger on the switch or energising power tools that have the switch on invites accidents.**

- d) **Remove any adjusting key or wrench before turning the power tool on.** A wrench or a key left attached to a rotating part of the power tools may result in personal injury.
- e) **Do not overreach. Keep proper footing and balance at all times.** This enables better control of the power tool in unexpected situations.
- f) **Dress properly. Do not wear loose clothing or jewellery.** Keep your hair, clothing and gloves away from moving parts. Loose clothes, jewellery or long hair can be caught in moving parts.
- g) **If devices are provided for the connection of dust extraction and collection facilities, ensure these are connected and properly used.** Use of dust collection can reduce dust-related hazards.
- 4) **Power tool use and care**
 - a) **Do not force the power tool. Use the correct power tool for your application.** The correct power tool will do the job better and safer at the rate for which it was designed.
 - b) **Do not use the power tool if the switch does not turn it on and off.** Any power tool that cannot be controlled with the switch is dangerous and must be repaired.
 - c) **Disconnect the plug from the power source and/or the battery pack from the power tool before making any adjustments, changing accessories, or storing power tools.** Such preventive safety measures reduce the risk of starting the power tool accidentally.
 - d) **Store idle power tools out of the reach of children and do not allow persons unfamiliar with the power tool or these instructions to operate the power tool.** Power tools are dangerous in the hands of untrained users.
 - e) **Maintain power tools. Check for misalignment or binding of moving parts, breakage of parts and any other condition that may affect the power tool's operation. If damaged, have the power tool repaired before use.** Many accidents are caused by poorly maintained power tools.
 - f) **Keep cutting tools sharp and clean.** Properly maintained cutting tools with sharp cutting edges are less likely to bind and are easier to control.
 - g) **Use the power tool, accessories and tool bits etc. in accordance with these instructions, taking into account the working conditions and the work to be performed.** Use of the power tool for operations different from those intended could result in a hazardous situation.
- 5. **Service**
 - a) **Have your power tool serviced by a qualified repair person using only identical replacement parts.** This will ensure that the safety of the power tool is maintained.

Chain saw safety warnings:

- **Keep all parts of the body away from the saw chain when the chain saw is operating. Before you start the chain saw, make sure the saw chain is not contacting anything.** A moment of inattention while operating chain saws may cause entanglement of your clothing or body with the saw chain.
- **Always hold the chain saw with your right hand on the rear handle and your left hand on the front handle.** Holding the chain saw with a reversed hand configuration increases the risk of personal injury and should never be done.
- **Hold the power tool by insulated gripping surfaces only, because the saw chain may contact hidden wiring or its own cord.** Saw chains contacting a "live" wire may make exposed metal parts of the power tool "live" and could give the operator an electric shock.
- **Wear safety glasses and hearing protection. Further protective equipment for head, hands, legs and feet is recommended.** Adequate protective clothing will reduce personal injury by flying debris or accidental contact with the saw chain.
- **Do not operate a chain saw in a tree.** Operation of chain saw while up a tree may result in personal injury.
- **Always keep proper footing and operate the chain saw only when standing on fixed, secure and level surface.** Slippery or unstable surfaces such as

ladders may cause a loss of balance or control of the chain saw.

- **When cutting a limb that is under tension be alert for spring back.** When the tension in the wood fibres is released the spring loaded limb may strike the operator and/or throw the chain saw out of control.
- **Use extreme caution when cutting brush and saplings.** The slender material may catch the saw chain and be whipped forward toward you or pull you off balance.
- **Carry the chain saw by the front handle with the chain saw switched off and away from your body. When transporting or storing the chain saw always fit the guide bar cover.** Proper handling of the chain saw will reduce the likelihood of accidental contact with the moving saw chain.
- **Follow instructions for lubricating, chain tensioning and changing accessories.** Improperly tensioned or lubricated chain may either break or increase the chance for kickback.
- **Keep handles dry, clean and free from oil and grease.** Greasy, oily handles are slippery causing loss of control.
- **Cut wood only. Do not use chain saw for purposes not intended. For example: do not use chain saw for cutting plastic, masonry or non-wood building materials.** Use of the chain saw for operations different than intended could result in a hazardous situation.

Causes and operator prevention of kickback:

Kickback may occur when the nose or tip of the guide bar touches an object, or when the wood closes in and pinches the saw chain in the cut.

Tip contact in some cases may cause a sudden reverse reaction, kicking the guide bar up and back towards the operator.

Pinching the saw chain along the top of the guide bar may push the guide bar rapidly back towards the operator.

Either of these reactions may cause you to lose control of the saw which could result in serious personal injury. Do not rely exclusively upon the safety devices built into your saw. As a chain saw user, you should take several steps to keep your cutting jobs free from accident or injury.

Kickback is a result of tool misuse and/or incorrect operating procedures or conditions and can be avoided by taking proper precautions as given below:

- **Maintain a firm grip, with thumbs and fingers encircling the chain saw handles, with both hands on the saw and position your body and arm to allow you to resist kickback forces.** Kickback forces can be controlled by the operator, if proper precautions are taken. Do not let go of the chain saw.
- **Do not overreach and do not cut above shoulder height.** This helps prevent unintended tip contact and enables better control of the chain saw in unexpected situations.
- **Only use replacement bars and chains specified by the manufacturer.** Incorrect replacement bars and chains may cause chain breakage and/or kickback.
- **Follow the manufacturer's sharpening and maintenance instructions for the saw chain.** Decreasing the depth gauge height can lead to increased kickback.

Additional Safety Recommendations

1. **Manual use.** All persons using this machine must read the user manual completely with extreme care. The user manual must be included with the machine in the case of sale or loan to another person.
2. **Precautions prior to machine use.** Never permit this machine to be used by any persons who are not perfectly familiar with the manual instructions. Inexperienced persons must follow a training period operating on a saw horse only.
3. **Control checks.** Check the machine with care before use each time, especially if it has been subject to strong impact, or if it shows any signs of malfunction. Perform all operations described in the chapter "Maintenance & Storage – Before each use".

4. **Repairs and Maintenance.** All the machine parts that can be replaced personally, are clearly explained in the "Assembly / disassembly" instructions chapter. Where necessary, all other machine parts must be replaced exclusively by an Authorised Service Centre.
5. **Clothing. (fig 4)** When using this machine the user must wear the following approved individual protective clothing : close-fitting protective clothing, safety boots with non-slip soles, crush-proof toe protectors and cut-proof protection, cut-proof vibration-proof gloves, protective goggles or safety visor, ear protection muffs and helmet (if there is any danger of falling objects).
6. **Health precautions – Vibrations and Noise levels.** Avoid using the machine for long periods of time: the noise and vibrations can be dangerous causing irritation, stress, fatigue and hypacusia (hearing problems). Prolonged machine use exposes the user to vibrations that can generate "white finger phenomenon" (Raynaud's Phenomenon), carpal tunnel syndrome and similar disturbances.
7. **Health precautions – Chemical agents.** Avoid all chain oil contact with skin and eyes.
8. **Health precautions - Heat.** During use, sprocket and chain reach very high temperatures, take care not to touch these parts while hot.
9. **WARNING!** This machine produces an electromagnetic field during operation. This field may under some circumstances interfere with active or passive medical implants. To reduce the risk of serious or fatal injury, we recommend persons with medical implants to consult their physician and the medical implant manufacturer before operating this machine.

Transport and storage precautions. (fig 12) Each time the work area is changed to another location, disconnect the machine from the mains supply and activate the chain brake lever. Mount the guide bar cover guard each time before transporting or storage. Always carry the machine by hand with the bar facing backwards, or when transporting the machine in a vehicle, always attach it securely to prevent damage.

Kickback reaction. (fig 14) The kickback reaction consists of a violent upwards-reverse action of the bar towards the user. This generally occurs if the upper part of the bar nose (called the "kickback danger zone") comes into contact with some object, or if the chain is blocked in the wood. Kickback can make the user lose control of the machine provoking dangerous and even fatal accidents. The chain brake lever and other safety devices are not sufficient to protect the user against injury: the user must be well aware of the conditions that can provoke the reaction, and prevent them by paying very close attention according to experience, together with prudent and correct machine handling (for example: never cut several branches at a time because this can cause accidental impact on the "kickback danger zone")

Work area safety

1. Never allow children or people unfamiliar with these instructions to use the product. Local regulations may restrict the age of the operator.
2. Only use the product in the manner and for the functions described in these instructions.
3. Check the whole work area carefully to check for any danger source (e.g.: roads, paths, electric cables, dangerous trees, etc)
4. Keep all bystanders and animals well clear of the work area (where necessary, fence off the area and use warning signs) at a minimum distance of 2,5 x the trunk height; in any case no less than ten metres.
5. The operator or user is responsible for accidents or hazards occurring to other people or their property.

Electrical safety

1. It is recommended that you use a Residual Current Device (R.C.D.) with a tripping current of not more than 30mA. Even with a R.C.D. installed 100% safety cannot be guaranteed and safe working practice must be followed at all times. Check your R.C.D. every time you use it.
2. Before use, examine cable for damage, replace it if there are signs of damage or ageing.
3. Do not use the product if the electric cables are damaged or worn.
4. Immediately disconnect from the mains electricity supply if the cable is cut, or the insulation is damaged. Do not touch the electric cable until the electrical supply has been disconnected. Do not repair a cut or damaged cable. Replace it with a new one.
5. Your electric cable must be untangled, tangled cables can overheat and reduce the efficiency of your product.
6. Always make sure that the cable/ extension cord is kept behind the user, ensuring that it does not create a source of danger for the user or for other persons, and check that it cannot be damaged (by heat, sharp objects, sharp edges, oil, etc);
7. Position the cable so that it will not be caught on branches and the like, during cutting.
8. Always switch off at the mains before disconnecting any plug, cable connector or extension cable.
9. Switch off, remove plug from mains and examine electric supply cable for damage or ageing **before** winding cable for storage. Do not repair a damaged cable, replace it with a new one. Use only Husqvarna Outdoor Products replacement cable.
10. Remove the plug from the mains before leaving the product unattended for any period.
11. Always wind cable carefully, avoiding kinking.
12. Use only on AC mains supply voltage shown on the product rating label.
13. The chainsaw is double insulated to EN60745. Under no circumstances should an earth be connected to any part of the product.

Cables

1. Mains cables and extensions are available from your local Approved service centre
2. Only use approved extension cables
3. Extension cables and leads should only be used if they are designed for outdoor use and comply with H07 RN-F or IEC 60245 designation 66.
4. If you want to use an extension cable when operating your product, only the following cable dimensions should be used:

Models CSE1835, CSE1935S:

- 5.0 mm² : max length 40 m
- 5.0 mm² : max length 60 m
- 8.0 mm² : max length 100 m

Models CSE2040, CSE2040S:

- 5.0 mm² : max length 50 m
- 8.0 mm² : max length 90 m

C. SAFETY EQUIPMENT DESCRIPTION

SWITCH BLOCK

Your machine is equipped with a device (fig.1) that when deactivated, stops the switch from being pressed thus preventing accidental start-up.

N.B.: When the chain brake is activated, a safety switch cuts off all current to the motor.

⚠ Relleasing the chain brake whilst the switch is held will start the product.

CHAIN BRAKE ACTION ON SWITCH RELEASE

Your machine is equipped with a device that blocks the chain immediately as soon as the switch is released; If this device should not work at any time, the machine must NOT be used and must be taken to an Authorised Service Centre.

CHAIN CATCHER

This machine is equipped with a chain catcher (fig.4) located under the sprocket. This mechanism is designed to stop the backward chain movement in the case of chain breaking or derailing. These situations can be avoided by ensuring correct chain tension (Refer to chapter "D. Assembly/disassembly").

FRONT HAND GUARD / CHAIN BRAKE LEVER

The front hand guard (fig.2) is designed to prevent your left hand from coming into contact with the chain (on condition that the machine is held correctly according to instructions). The front hand guard also acts as a chain brake, including a device that blocks the chain in less than 0.15 of a second in the case of kickback. The chain brake is released when the front hand guard is pulled backwards and clicked in position (the chain is able to move). The chain brake is activated when the front hand guard is pushed forward (the chain is blocked). The chain brake can be activated using the left wrist by pushing forwards, or when the wrist comes into contact with the front hand guard as a result of kickback.

When the machine is used with the bar in horizontal position, for example during tree felling, the chain brake offers less protection. (fig.3).

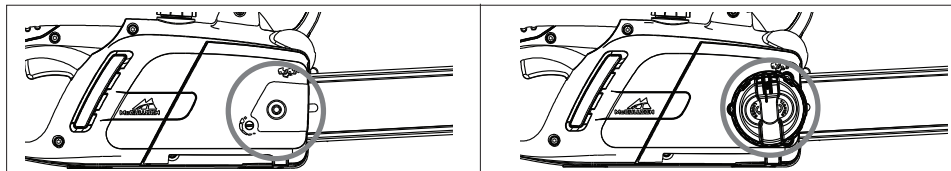
REAR HAND GUARD

This acts to protect (fig.5) the hand in the case of chain breaking or derailing.

D. ASSEMBLY / DISASSEMBLY

BAR AND CHAIN ASSEMBLY

Assembly methods change according to the type of your machine- so please take care to refer to the illustrations and machine type marked on the label. Take great care when assembling to ensure this is performed correctly.



1. Check that the chain brake is not activated. If so, deactivate it.	
2a. Unscrew the bar retaining nut and remove the drive sprocket cover.	2b. Unscrew the bar retaining knob and remove the drive sprocket cover.
3 Position the chain over the bar, starting at the nose sprocket, fitting into the bar guide groove.	
Attention! Ensure that the sharp side of the cutting teeth face in a forward direction on the upper part of the bar. Wear Gloves.	
4. Ensure the chain tensioner pin is as far back towards the drive sprocket as possible. Mount the bar on the bar retaining screw and the chain tensioner pin and position the chain over the drive sprocket. Replace the drive sprocket cover, ensuring the drive teeth of the chain are engaged in the drive sprocket and in the guide groove.	
5a. Screw the bar retaining nut by hand until loosely tightened.	5b. Screw the bar retaining knob until loosely tightened.
6a. To tension the chain, screw the chain tensioner screw in a clockwise direction using the spanner/screwdriver provided. To reduce tension screw in an anti-clockwise direction when performing this operation, (keep the bar nose raised upwards)	6b. To tension the chain, screw the chain tensioner outer knob in a clockwise direction. To reduce tension screw in an anti-clockwise direction. (when performing this operation, keep the bar nose raised upwards)
7. Tension the chain until the tension is correct. Pull the chain away from the bar and ensure gap measures approx 2-3mm	
8a. Tighten the bar retaining nut using the spanner/screwdriver provided	8b. Tighten the bar until securely tightened.

Tensioning the chain too tightly will overload the motor and cause damage, insufficient tension can provoke chain derailing, whereas a chain tightened correctly provides the best cutting characteristics and prolonged work life. Check the tension regularly because the chain length tends to stretch with use (especially when the chain is new; after the first assembly, the chain tension must be checked after 5 minutes machine operation); in any case do not tighten the chain immediately after use, but wait until it cools down.

In cases where the loosened chain needs to be adjusted, always unscrew the bar retaining nut / knob before adjusting the chain tensioning screw / knob; adjust the tension and tighten the bar retaining nut / knob accordingly.

E. START-UP AND STOPPING

Start-up: grip both handles firmly, release the chain brake lever whilst ensuring hand is still on front handle, press and maintain the switch block (**fig E1**) pressed in, then press the switch (**fig E2**) (at this point the switch block can be released).

Stopping: The machine will stop whenever the switch is released. In the case where the machine does not stop, activate the chain brake, disconnect the cable from the main line socket and take the machine to the Authorised Service Centre.

F. BAR AND CHAIN LUBRICATION

ATTENTION! Insufficient lubrication will provoke chain breaking and can cause serious and even fatal injury.

Bar and chain lubrication is performed by an automatic pump.

Refer to "Maintenance & Storage" for indications on ensuring that the chain oil is sufficiently distributed.

Choice of chain oil

Always use new oil only (special type for chains) with adequate viscosity: the oil must adhere well and guarantee good running properties in both winter and summer. If chain oil is not available, EP 90 transmission oil can be used.

Never use waste oil because this is harmful to health, the machine and the environment. Make sure that the oil is suitable for the temperature of the environment where the tool will be used: For temperatures under 0°C certain oils become thicker, overloading the pump and causing damage. Contact your Authorised Service Centre for advice on oil choice.

Filling oil tank

Unscrew the oil tank cap, and fill the tank taking care not to spill any oil (if this occurs clean the machine carefully) and then screw the cap back on tightly.

G. MAINTENANCE AND STORAGE

Before performing any maintenance or cleaning, remove the plug from the mains.

ATTENTION! In cases where work environments are particularly dirty or dusty, the operations described must be performed more frequently than mentioned in the instructions.

Before each use

Check that the chain oil pump functions correctly: direct the bar towards a clear surface at a distance of about 20 centimetres; after the machine has run for about a minute, the surface should show clear traces of oil (**fig.1**).

Check that excessive strength is not needed for activating and deactivating the chain brake. Also check that it is not activated too easily and that it is not blocked. Then check chain brake function as follows: release the chain brake, grip the machine correctly and start up the machine, activate the chain brake by pushing the front hand guard forward with the left wrist or arm but without removing the hand from the handle (**fig.2**). If the chain brake is working correctly, the chain should be stopped immediately. Check that the chain is sharpened correctly, in good working condition and that the tension is correct. If the chain is irregularly worn, or if the cutting teeth are only 3 mm long, the chain must be replaced (**fig.3**). Clean the air vents regularly to prevent motor overheating (**fig.4**).

Check that the switch and switch block function correctly (to be performed with the chain brake released): press the switch and the switch block and ensure that they return to idle position as soon as they are released; check that it is impossible to press the switch without activating the switch block.

Check that the chain catcher and the right hand guard are in correct condition without any visible faults such as damaged material.

Every 2-3 hours of use

Check the bar condition, if necessary clean the lubrication holes (**fig.5**) and the guide grooves (**fig.6**) carefully; If the groove is worn or shows signs of deep notching, it must be replaced. Clean the drive sprocket regularly and check that it has not been subject to excess wear (**fig.7**). Lubricate the nose sprocket with bearing grease through the hole shown in the illustration (**fig.8**).

Chain sharpening (When necessary)

If the chain does not cut correctly, or requires hard bar pressure against the wood, and if the sawdust is very fine, this is a sign that it is not sharpened correctly. If the cutting action produces no sawdust, this means the cutting edge has been worn completely and the chain is pulverising the wood during cutting. A well-sharpened chain crosses through the wood without effort or pressure and produces large long wood shavings.

The cutting side of the chain is composed of the cutting link (**fig.9**) with a cutting tooth (**fig.10**) and a cutting limit gauge (**fig.11**). The difference between these determines the cutting depth; a file guide and a 4mm diameter round file are needed to obtain good sharpening results; Follow the instructions below: Once the chain has been mounted and the tension is correctly adjusted, and the chain brake is activated, position the file guide perpendicular to the bar as shown in the illustration (**fig.12**), filing the cutting teeth at the angle shown (**fig.13**), always working from the interior towards the exterior, lessening the pressure during the return stage (it is very important to follow the instructions perfectly: excessive or insufficient sharpening angles or an incorrect file diameter will increase the risk of kickback.) To obtain higher precision on side angles, it is advisable to position the file so that it exceeds the upper cutter by about 0.5 mm. File all the teeth on one side first, then turn the machine over and repeat the operation. Make sure that after sharpening operations, all teeth are the same length and that the height of the depth gauge is 0.6 mm lower than the upper cutter: check the height using a proper template and file (with a flat file) all protruding parts, rounding off the front part of the depth gauge (**fig.14**), paying attention to not file the kickback protection tooth (**fig.15**).

Every 30 hours use.

Take the machine to the Authorised Service Centre for general revision and control check on brake components.

Storage

Store the product in a cool dry place and out of reach of children. Do not store outdoors.

H. CUTTING TECHNIQUES

(fig.1) When using the machine, prevent:

- cutting in conditions where the trunk could split during cutting (wood under pressure, dry dead trees, etc): sudden splitting can be very dangerous.
- the bar or the chain from becoming blocked in the cutting notch: if this should occur, disconnect the machine from the main electricity supply and try to raise the trunk using an appropriate tool as a lever; do not attempt to free the machine by shaking or pulling as this could cause damage or injury.
- situations that can lead to kickback reactions.
- using the product above shoulder height
- cutting wood with foreign objects e.g. nails

(fig.1) During machine use:

- When cutting on sloping ground, always work uphill of the trunk to avoid being hit if the trunk should roll downhill.
- When felling trees, always finish the job: a partially cut tree could break and fall.
- At the end of each cutting operation the user will notice a considerable change in the strength necessary for controlling the machine. Great care must be taken not to lose control. Below is a description of two different types of cutting operation:

Cutting action by pulling the chain (from top to bottom)

(fig.2) can lead to dangerous sudden movement of the machine towards the trunk with consequential loss of control. Where possible, use the spiked bumper during cutting operations.

Cutting action pushing the chain (from bottom to top)

(fig.3) will lead to the danger of a sudden movement of the machine in the direction of the user, with the risk of hitting the user, or an impact of the "kickback danger zone" on the trunk resulting in strong kickback; extreme care must be taken when cutting in this manner.

The safest method for using the machine, is to block the log on a sawhorse, cutting from top to bottom, on the portion outside the sawhorse. (fig.4)

Spiked bumper use.

Where possible, use the spiked bumper to ensure safer cutting action: plant it in the bark or surface of the trunk in order to maintain more control over the machine. Below are descriptions of typical cutting procedure to be adopted for specific situations. However, these should be assessed each time to calculate whether the method is most suitable or not. In order to use a method with the least possible risk.

Trunk on the ground. (Risk of touching the ground with the chain once the bar has passed through the trunk). (fig.5)

Cut from top to bottom through the whole trunk. Towards the end of the cut, proceed very carefully to prevent the chain from hitting the ground. If it is possible, cut 2/3 of the trunk, roll it over, and cut the remaining third from top to bottom to limit the risk of the chain touching the ground. Trunk supported at one end only (Risk of trunk breaking during cutting action). (fig.6)

Begin the cut from underneath for about 1/3 of the diameter, and then finish the cutting action from the top to meet the undercut.

Trunk supported at both ends. (Risk of pinching the chain). (fig.7)

Begin the cut from above for about 1/3 of the diameter, and then continue from underneath to meet the overcut.

Trunk laying on a slope. Always stand on the uphill side of the log. When 'cutting through', to maintain complete control, release the cutting pressure near the end of the cut without relaxing your grip on the chainsaw handles. Do not let the chain contact the ground.

Tree felling.

ATTENTION! Never attempt to fell a tree if you do not have the necessary experience, and in any case never fell trees that have trunks with a diameter larger than the length of the bar! This operation is reserved for expert machine users with adequate equipment.

When felling a tree, the aim is to have the tree fall in the most convenient position for the following limbing and bucking operations. (Avoid trees falling on top of other trees: Felling trees that are entangled with other trees is a very dangerous operation).

First of all decide which is the best direction for the tree to fall by evaluating the following: objects or other plants around the tree, the inclination, the curve, wind direction, and greatest branch concentration. Take into account dead or broken branches that may break off during felling creating a further danger risk.

ATTENTION! During tree felling operations in critical conditions, always remove ear protection immediately after cutting operations to be able to listen for unusual noises and any warning signals.

Preliminary cutting operations and identifying the retreat path.

Eliminate any branches that interfere with the job (fig.8), starting from top to bottom, and then, always keeping the trunk between the user and the machine eliminate the more difficult branches afterwards, piece by piece. Eliminate all plants that interfere with work operations and control the area for possible obstacles (rocks, roots, ditches, etc.) when planning the retreat path (to follow during tree fall); Refer to the illustration (fig.9) for the directions to be maintained (A. predicted tree fall direction. B. Retreat path. C. Danger zone).

FELLING CUTS (fig.10)

In order to ensure that the user has complete control over the tree fall, the cutting instructions are as follows:

The cut that controls the fall direction of the tree is to be executed first: First of all cut the UPPER PART of the directional notch on the side the tree must fall. Remain on the right hand side of the tree and cut using the chain pull method; then cut the LOWER PART that must meet the end of the upper part. The depth of the directional notch must be 1/4 of the trunk diameter, with an angle of at least 45° between upper and lower cut. The meeting point between the two sides of the notch is called "directional cut line" This line must be perfectly horizontal at right angles (90°) to the felling direction.

The felling cut that provokes the tree fall, is performed at 3 to 5cm above the lower part of the directional felling cut line, finishing at a distance of 1/10 of the trunk from the notch. Remain on the left hand side of the tree and cut using the chain pulling method and the spiked bumper. Check that the tree does not move in a direction other than that predicted for the fall. As soon as possible insert a felling lever or wedge into the cut. The uncut part of the trunk is called the "hinge", as it is intended to guide the tree as it falls; in cases where the cuts are not sufficient, not straight, or have been cut through completely, the tree fall cannot be controlled (extremely dangerous!). For this reason the various cuts must be performed with great precision.

When cutting operations are completed the tree will begin to fall. Where necessary help tree fall using wedges or felling levers.

Limbing

Once the tree has been felled, the trunk must be limbed: in other words, the branches are removed from the trunk. Do not underestimate this operation because the large majority of kickback accidents occur during this stage. For this reason pay close attention to the position of the bar nose during cutting operations and always work on the left hand side of the trunk.

I. ENVIRONMENTAL INFORMATION


This section contains information useful for maintaining the characteristic of ecocompatibility included in the origin design of the machine, and as regards proper use and disposal of chain oil

USE OF THE MACHINE

The operations of filling the oil tank should be carried out in such a way as to avoid spilling oil and contaminating the soil and the environment.

DISPOSAL

Do not dispose of the machine inappropriately when it is no longer usable. Deliver it to an authorized organization for proper disposal in compliance with the regulation in force.

The symbol  on the product or on its packaging indicates that this product may not be treated as household waste. Instead it shall be handed over to the applicable collection point for the recycling of electrical and electronic equipment. By ensuring this product is disposed of correctly, you will help prevent potential negative consequences for the environment and human health, which could otherwise be caused by inappropriate waste handling of this product. For more detailed information about recycling of this product, please contact your local council office, your household waste disposal service or the shop where you purchased the product.

J. TROUBLESHOOTING TABLE

	Motor does not start	Motor turns with difficulty or loses power	The machine starts but does not cut properly	Motor turns improperly or at reduced speeds	Braking devices do not stop the chain properly
Make sure the main line is powered	●				
Make sure the machine is properly plugged in	●				
Make sure your cable/ext. cord is not damaged	●				
Make sure that chain brake is not activated	●				
Check that chain is properly assembled and tensioned		●	●		
Check chain lubrication as in chapters F and G			●		
Make sure that the chain is sharp			●		
Check cut-out switch is activated	●				
Contact your authorised centre	●	●		●	●

K. REPLACEMENT PARTS

35cm	Chain	91PJ052XN	Part no.:	530051538
	Guide Bar		Part no.:	576965401
40cm	Chain	91PJ056XN	Part no.:	530051539
	Guide Bar		Part no.:	576965201

L. EC DECLARATION OF CONFORMITY

Husqvarna AB, S-561 82, Huskvarna, Sweden

Declare under our sole responsibility that the product(s);

Designation.....**Chainsaw**
 Designation of Type(s).....**CSE1835, CSE1935S, CSE2040, CSE2040S**
 Identification of Series.....**See Product Rating Label**
 Year of Construction.....**See Product Rating Label**

Conforms to the essential requirements & provisions of the following EC Directives:

2006/42/EC, 2004/108/EC, 2000/14/EC, 2011/65/EU

based on the following EU harmonized standards applied:

EN60745-1, EN60745-2-13, EN55014-2, EN55014-1, EN61000-3-2, EN61000-3-11

Notified Body that carried out the EC type-examination

in accordance with article 8 section 2c..... TÜV Rheinland LGA Products GmbH
 Tillystraße 2
 D-90431 Nürnberg
 Germany
 Certificate no.: BM 50268379

The maximum A weighted sound pressure level L_{pA} at the workstation, measured according to EN60745-2-13, is given in the table.

The maximum hand / arm vibration weighted value a_h measured according to EN60745-2-13, on a sample of the above product(s) is given in the table.

The declared vibration total value has been measured in accordance with a standard test method and may be used for comparing one tool with another.

The declared vibration total value may also be used in a preliminary assessment of exposure.

Warning:

The vibration emission during actual use of the power tool can differ from the declared total value depending on the ways in which the tool is used

Operators should identify safety measures to protect themselves that are based on an estimation of exposure in the actual conditions of use (taking account of all parts of the operating cycle such as the times when the tool is switched off and when it is running idle in addition to the trigger time).

2000/14/EC: The Measured Sound Power L_{WA} & Guaranteed Sound Power L_{WA} values are according to the tabulated figures.

Conformity Assessment Procedure..... Annex V

Ulm 12/02/2013

P. Lamelli

Global R&D Director - Hand held

Keeper of Technical Documentation



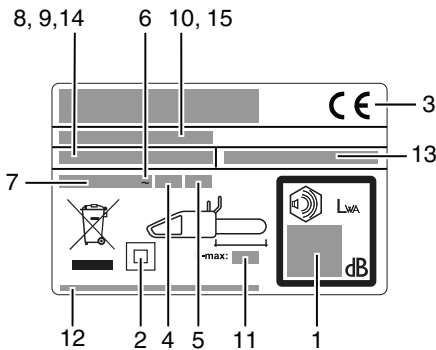

Type (CSE_____)	1835	1935S	2040	2040S
Dry Weight (Kg)	4.3	4.5	4.4	4.6
Power (kW)	1.8	1.9	2.0	2.0
Oil tank volume (cm ³)	240	240	240	240
Maximum length of guide bar (cm)	35	35	40	40
Chain pitch (mm)	9.52	9.52	9.52	9.52
Chain gauge (mm)	1.3	1.3	1.3	1.3
Measured Sound Power L_{WA} (dB(A))	106	106	106	106
Guaranteed Sound Power L_{WA} (dB(A))	110	110	110	110
Sound pressure L_{pA} (dB(A))	95	95	95	95
Uncertainty K_{pA} (dB(A))	2.5	2.5	2.5	2.5
Hand / arm vibration a_h (m/s ²)	7.28	7.28	8.08	8.08
Uncertainty K_{ah} (m/s ²)	1.5	1.5	1.5	1.5
Mains-Impedance Z_{max} (Ohm)	0.382	0.382	0.382	0.382

EN 61000-3-11 Compliance statement

Depending on the characteristics of the local electricity supply network, use of this product may result in short voltage drops at the instant of switching on. This may influence other electrical equipment e.g a momentary dimming of a lamp. If the **Mains Impedance Z_{max}** of your electricity supply is less than the value shown in the table (applicable to your model) then these effects will not occur. The value of the network impedance may be determined by contacting your electricity supply authority

A. ALLGEMEINE BESCHREIBUNG

- | | |
|--|--|
| <ol style="list-style-type: none"> 1) Hinterer Handgriff 2) Hinterer Handschutz 3) Vorderer Handgriff 4) Vorderer Handschutz/Kettenbremsbügel 5) Rändelknopf Kettenspanner 6) Kettenspannerschraube 7) Kettenspannstift 8) Öltankverschluss 9) Ölstandsichtfenster 10) Lüftungsöffnungen 11) Kabel 12) Handbuch 13) Schalter 14) Schaltersperre 15) Kette 16) Zugzahn 17) Sägeglied 18) Begrenzungsvorrichtung Sägetiefe | <ol style="list-style-type: none"> 19) Sägezahn 20) Führungsschiene 21) Kettenradabdeckung 22) Antriebskettenrad 23) Kettenfänger 24) Schienenbefestigungsschraube 25) Halteknopf Schiene 26) Sicherungsmutter Schiene 27) Kettenrad 28) Kettenschutz 29) Baumkralle 30) Einsatz Kettenspannstift 31) Schmierölbohrung 32) Führungsschienen Schlitz 33) Kombiwerkzeug
Schraubenschlüssel/
Schraubendreher |
|--|--|



Beispiel für Kennschild

- 1) Garantierte Geräuschemission nach Richtlinie 2000/14/EU
- 2) Werkzeug der Klasse II
- 3) CE-Konformitätszeichen
- 4) Nennfrequenz
- 5) Nennleistung
- 6) Wechselstrom
- 7) Nennspannung
- 8) Typ
- 9) Produktcode
- 10) Baujahr
- 11) Maximale Länge der Führungsschiene
- 12) Name und Anschrift des Herstellers
- 13) Artikelnummer (Elektro-Kettensäge)
- 14) Modell
- 15) Seriennummer

B. SICHERHEITSMASSNAHMEN

BEDEUTUNG DER SYMBOLE



**Achtung
Handbuch
aufmerksam lesen**



Sicherheits-Schuhe



**Helm, Ohrenschutz,
Schutzbrille oder
Sichtschutz**



**Schnittfeste
Handschuhe**



**Lange Hosen mit
Schnittschutz**



**Bremse
angezogen/gelöst**



**Ziehen Sie den Stecker
sofort aus der
Steckdose, wenn das
Kabel beschädigt oder
eingeschnitten ist.**



**Halten Sie Abstand zu
anderen Personen.**



**Richtung des
Sägezahns**



**Immer mit beiden
Händen anfassen**



Rückschlag-Gefahr



**Nie Regen oder
Feuchtigkeit
aussetzen**



Kettenöl



Verboten...



Maschine abschalten



**Ziehen Sie vor der
Einstellung oder
Säuberung den
Stecker.**



**Gefahr eines
elektrischen Schlags**

Allgemeine Sicherheitshinweise für den Gebrauch von Elektrowerkzeugen

⚠️ WARNUNG! Alle Sicherheitshinweise und andere Anweisungen lesen. Werden die folgenden Warnungen und Anweisungen nicht befolgt, besteht die Gefahr eines Stromschlags, Brands und/oder von schweren Verletzungen.

Alle Sicherheitshinweise und andere Anweisungen für den zukünftigen Gebrauch gut aufbewahren.

Der Begriff „Elektrowerkzeug“ in den Sicherheitshinweisen bezieht sich auf Ihr netzbetriebenes Elektrowerkzeug (mit Kabel).

1) Sicherheit am Arbeitsplatz

a) Achten Sie auf ein sauberes und gut beleuchtetes Arbeitsumfeld. In unordentlicher oder schlecht beleuchteter Umgebung besteht ein erhöhtes Unfallrisiko.

b) Betreiben Sie keine Elektrowerkzeuge in explosionsgefährdeten Bereichen, wie etwa in der Nähe von brennbaren Flüssigkeiten, Gasen oder Staub. Elektrowerkzeuge erzeugen Funken, die Staub oder Rauchgase entzünden können.

c) Halten Sie Kinder und Zuschauer auf Abstand, wenn Sie ein Elektrowerkzeug benutzen. Ablenkung kann zum Verlust der Kontrolle über das Werkzeug führen.

2) Sicherheit von elektrischen Geräten

a) Der Netzstecker des Elektrowerkzeugs muss für die benutzte Netzsteckdose ausgelegt sein. Nehmen Sie am Stecker keinerlei Modifikationen vor. Verwenden Sie keine Adapterstecker für geerdete Elektrowerkzeuge. Originalstecker und passende Steckdosen vermindern das Risiko eines Stromschlags.

b) Vermeiden Sie Körperkontakt mit geerdeten Oberflächen, wie Rohren, Heizkörpern, Herden und Kühlschränken. Wenn Ihr Körper geerdet ist, besteht ein erhöhtes Stromschlagrisiko.

c) Elektrowerkzeuge dürfen weder Regen noch Feuchtigkeit ausgesetzt werden. Wasser, das in ein Elektrowerkzeug eindringt, erhöht das Risiko eines Stromschlags.

d) Mit dem Netzkabel sorgfältig umgehen. Verwenden Sie das Kabel nicht, um das Elektrowerkzeug zu transportieren oder zu ziehen oder den Stecker herauszuziehen. Halten Sie das Kabel von Hitze, Öl, scharfen Kanten und beweglichen Teilen fern. Beschädigte oder verwickelte Kabel erhöhen das Risiko eines Stromschlags.

e) Verwenden Sie ein geeignetes Verlängerungskabel, wenn Sie das Elektrowerkzeug im Freien betreiben. Die Verwendung eines für den Gebrauch im Freien vorgesehenen Verlängerungskabels vermindert das Risiko eines Stromschlags.

f) Ist die Benutzung eines Elektrowerkzeugs an einem feuchten Ort unvermeidbar, muss das Gerät durch einen FI-Schalter geschützt sein. Die Verwendung eines FI-Schalters vermindert das Risiko eines Stromschlags.

3) Persönliche Sicherheit

- a) **bleiben Sie wachsam, achten Sie auf das, was Sie tun, und gebrauchen Sie Ihren gesunden Menschenverstand, wenn Sie ein Elektrowerkzeug benutzen.** Betreiben Sie Elektrowerkzeuge nicht, wenn Sie müde sind oder unter dem Einfluss von Drogen, Alkohol oder Medikamenten stehen. *Schon ein Moment der Unachtsamkeit beim Umgang mit Elektrowerkzeugen kann zu schweren Verletzungen führen.*
- b) **Persönliche Schutzausrüstung tragen. Tragen Sie immer eine Schutzbrille.** *Das Tragen von entsprechender Schutzausrüstung, wie Staubmaske, rutschfreien Sicherheitsschuhen, Schutzhelm oder Gehörschutz, vermindert das Verletzungsrisiko.*
- c) **Die versehentliche Inbetriebnahme verhindern. Vergewissern Sie sich, dass das Werkzeug ausgeschaltet ist, bevor Sie es an der Stromquelle und/oder an der Batterie anschließen, anheben oder transportieren.** *Der Transport des Geräts mit dem Finger auf dem Schalter und das Anschließen von eingeschalteten Elektrowerkzeugen an der Spannungsquelle können zu Unfällen führen.*
- d) **Übernehmen Sie sich nicht. Achten Sie stets auf einen festen Stand und halten Sie stets das Gleichgewicht.** *Dies ermöglicht die bessere Kontrolle des Elektrowerkzeugs in unvorhergesehenen Situationen.*
- e) **Tragen Sie geeignete Kleidung. Tragen Sie keine weite Kleidung oder Schmuck. Achten Sie darauf, dass Haare, Kleidung und Handschuhe nicht in den Bereich von beweglichen Teilen gelangen.** *Weite Kleidung, Schmuck und langes Haar können sich in beweglichen Teilen verfangen.*
- 4) **Gebrauch und Pflege von Elektrowerkzeugen**
- a) **Beim Gebrauch des Elektrowerkzeugs keine übermäßige Kraft anwenden. Benutzen Sie das für die jeweilige Anwendung geeignete Elektrowerkzeug.** *Jedes Werkzeug erfüllt seine Aufgabe am besten und sichersten, wenn es für den Zweck verwendet wird, für den es vom Hersteller ausgelegt ist.*
- b) **Verwenden Sie kein Elektrowerkzeug, das sich nicht mit dem Schalter ein- und ausschalten lässt.** *Jedes Elektrowerkzeug, dessen Ein-/Ausschalter nicht funktioniert, stellt eine Gefahr dar und muss repariert werden.*
- c) **Trennen Sie den Gerätestecker von der Netzdose bevor Sie Einstellungen am Elektrowerkzeug vornehmen, Zubehör wechseln oder das Gerät lagern.** *Diese vorbeugenden Sicherheitsmaßnahmen vermindern das Risiko, dass das Werkzeug versehentlich eingeschaltet wird.*
- d) **Lagern Sie nicht verwendete Elektrowerkzeuge außerhalb der Reichweite von Kindern. Gestatten Sie niemandem, der mit dem Betrieb des Elektrowerkzeugs oder den vorliegenden Anweisungen nicht vertraut ist, dieses zu benutzen.** *In den Händen ungeübter Benutzer sind Elektrowerkzeuge gefährlich.*
- e) **Halten Sie die Elektrowerkzeuge Instand. Überzeugen Sie sich davon, dass bewegte Teile korrekt ausgerichtet sind und sich ungehindert bewegen, dass keine Teile gebrochen sind und dass die Funktionsweise des Geräts nicht beeinträchtigt ist. Lassen Sie beschädigte Elektrowerkzeuge vor dem Gebrauch reparieren.** *Zahlreiche Unfälle sind auf nicht ausreichend gewartete Elektrowerkzeuge zurückzuführen.*
- f) **Halten Sie Schneidwerkzeuge scharf und sauber.** *Ordnungsgemäß gewartete Schneidwerkzeuge mit scharfen Schneidkanten verhaken nicht so schnell und sind einfacher in der Handhabung.*

- g) **Benutzen Sie das Elektrowerkzeug, dessen Zubehör, Messer usw. nur in Übereinstimmung mit diesen Anweisungen und berücksichtigen Sie dabei die Arbeitsbedingungen und die auszuführenden Arbeiten.** *Die bestimmungsfremde Verwendung von Elektrowerkzeugen kann zu einer Gefahrensituation führen.*

5. Wartung

- a) **Lassen Sie Ihr Elektrowerkzeug nur von Fachpersonal unter Verwendung von Originalersatzteilen warten.** *Dies gewährleistet die dauerhafte Sicherheit des Elektrowerkzeugs.*

Sicherheitshinweise für Kettensäge:

- **Achten Sie darauf, dass kein Körperteil in die Nähe der Sägekette gelangt, wenn die Kettensäge in Betrieb ist. Achten Sie vor dem Einschalten der Kettensäge darauf, dass die Sägekette nirgends etwas berührt.** *Ein Moment der Unachtsamkeit beim Betrieb der Kettensäge kann dazu führen, dass sich Ihre Kleidung in der Sägekette verfängt oder Ihr Körper mit ihr in Berührung kommt.*
- **Halten Sie die Kettensäge immer so, dass die rechte Hand den hinteren Griff und die linke Hand den vorderen Griff umfasst.** *Sie sollten die Kettensäge niemals mit den entgegengesetzten Händen festhalten, weil dadurch das Risiko einer Körperverletzung erhöht wird.*
- **Das Elektrogerät nur an den isolierten Griffflächen halten, da die Sägekette versteckte Leitungen oder das Anschlusskabel berühren könnte.** *Wenn die Sägekette eine stromführende Leitung berührt, kann dies dazu führen, dass die freiliegenden Metallteile des Geräts unter Spannung gesetzt werden, was wiederum beim Benutzer einen Stromschlag verursachen kann.*
- **Tragen Sie eine Schutzbrille und Gehörschutz. Weitere Schutzausrüstungen für den Kopf, die Hände, Beine und Füße werden empfohlen.** *Eine entsprechende Schutzbekleidung verringert Körperverletzungen durch herumfliegende Teile oder unbeabsichtigten Kontakt mit der Sägekette.*
- **Verwenden Sie die Kettensäge nicht im Baum.** *Der Betrieb der Kettensäge im Baum kann zu Körperverletzungen führen.*
- **Achten Sie immer auf den richtigen Halt und bedienen Sie die Kettensäge nur, wenn Sie auf einer festen, sicheren und geraden Fläche stehen.** *Rutschige oder nicht stabile Flächen, wie z. B. Leitern, können zum Verlust des Gleichgewichts oder der Kontrolle über die Kettensäge führen.*
- **Denken Sie beim Sägen eines Astes, der unter Spannung steht, daran, dass er zurückschlagen kann.** *Wenn die Spannung des Holzes nachlässt, kann der unter Spannung stehende Ast den Bediener treffen und/oder die Kettensäge außer Kontrolle geraten.*
- **Säen Sie besonders vorsichtig beim Sägen kleiner Büsche und junger Bäume.** *Das schwache Material kann sich in der Sägekette verfangen und in Ihre Richtung schlagen oder Sie aus dem Gleichgewicht bringen.*
- **Tragen Sie die Kettensäge bei ausgeschaltetem Motor am vorderen Griff und immer von Ihrem Körper abgewandt. Setzen Sie beim Transport oder der Lagerung der Kettensäge immer den Kettenschutz auf.** *Eine ordnungsgemäße Handhabung der Kettensäge verringert die Wahrscheinlichkeit eines unbeabsichtigten Kontaktes mit der sich bewegenden Sägekette.*
- **Befolgen Sie die Hinweise zum Schmieren, Kettenspannen und Auswechseln des Zubehörs.** *Eine nicht ordnungsgemäß gespannte oder geschmierte Kette kann brechen oder die Möglichkeit des Rückschlags erhöhen.*

- **Achten Sie darauf, dass die Griffe immer trocken, sauber und öl- und fettfrei sind.** *Fettige und ölige Griffe sind rutschig und führen zum Verlust der Kontrolle.*
- **Sägen Sie mit der Kettensäge nur Holz. Verwenden Sie die Kettensäge nur für den Zweck, für den sie bestimmt ist. Verwenden Sie die Kettensäge z.B. nicht zum Sägen von Kunststoff, Mauerwerk oder Baumaterialien, die nicht aus Holz bestehen.** *Die Verwendung der Kettensäge für einen anderen als den beabsichtigten Zweck könnte zu gefährlichen Situationen führen.*

Ursachen für den Rückschlag und Vorsichtsmaßnahmen des Bedieners:

- Ein Rückschlag kann auftreten, wenn das obere Viertel der Spitze (**Abb. B3**) der Führungsschiene einen Gegenstand berührt, oder das Holz die Sägekette beim Schnitt einklemmt.
Der Kontakt mit der Spitze kann in manchen Fällen ein plötzliches Zurückschlagen verursachen, wodurch die Führungsschiene nach oben und zurück zum Bediener gestoßen wird.
Wenn die Sägekette oben an der Führungsschiene eingeklemmt wird, kann die Führungsschiene blitzschnell zum Bediener zurück federn.
Jede dieser Aktionen kann dazu führen, dass Sie die Kontrolle über die Säge verlieren, was zu schweren Körperverletzungen führen kann. Verlassen Sie sich nicht ausschließlich auf die in Ihre Säge eingebauten Sicherheitseinrichtungen. Als Benutzer einer Kettensäge sollten Sie alle Schritte unternehmen, damit es bei Ihrer Arbeit zu keinem Unfall und keinen Verletzungen kommt.
Rückschläge entstehen durch die falsche Verwendung des Werkzeugs und/oder falsche Bedienungshandlungen oder -bedingungen, was durch die im Folgenden genannten Sicherheitsmaßnahmen verhindert werden kann:
- **Halten Sie die Kettensäge immer mit beiden Händen gut fest. Daumen und Finger müssen die Handgriffe der Kettensäge fest umschließen. Positionieren Sie Ihren Körper und Arm so, dass Sie den Rückschlagkräften widerstehen können.** *Rückschlagkräfte können vom Bediener kontrolliert werden, wenn die entsprechenden Maßnahmen getroffen werden. Lassen Sie die Kettensäge nicht unkontrolliert starten.*
- **Arbeiten Sie nicht zu hoch und sägen Sie nicht über Schulterhöhe.** *Dadurch vermeiden Sie einen unbeabsichtigten Kontakt der Spitze der Führungsschiene und können die Kettensäge in unerwarteten Situationen besser kontrollieren.*
- **Verwenden Sie nur Ersatzschienen und -ketten, die vom Hersteller angegeben wurden.** *Falsche Ersatzschienen und -ketten können zum Bruch der Kette und/oder Rückschlag führen.*
- **Befolgen Sie die Hinweise des Herstellers zum Schärfen und zur Wartung der Sägekette. Eine Verringerung der Tiefeneinstellung kann zu erhöhtem Rückschlag führen.**

Zusätzliche Sicherheitsempfehlungen

1. **Verwendung des Handbuchs.** Alle Personen, die diese Kettensäge benutzen, müssen das Benutzerhandbuch vollständig und äußerst sorgfältig lesen. Das Benutzerhandbuch muss beim Verkauf der Kettensäge oder beim Ausleihen an andere Personen mitgegeben werden.
2. **Sicherheitsmaßnahmen vor der Verwendung der Kettensäge.** Die Kettensäge darf nie von Personen benutzt werden, die die Hinweise aus dem Benutzerhandbuch nicht kennen. Unerfahrene Personen müssen zuerst ein Training an einem Sägebock absolvieren.
3. **Überprüfungen.** Überprüfen Sie die Kettensäge sorgfältig vor jeder Benutzung, insbesondere wenn sie starken Belastungen ausgesetzt war oder wenn sie Anzeichen einer Funktionsstörung zeigt. Führen Sie alle im Kapitel "Wartung und Lagerung – Vor jeder Benutzung" beschriebenen Tätigkeiten aus.

4. **Reparaturen und Wartung.** Alle Teile der Kettensäge, die eigenständig ausgewechselt werden können, werden im Abschnitt "Montage / Kettenspannung" genau erklärt. Alle anderen Teile der Kettensäge sind bei Bedarf ausschließlich von einem Autorisierten Service-Center auszuwechseln.
5. **Bekleidung. (Abb. 1)** Bei der Verwendung dieser Kettensäge muss der Benutzer die folgende vorschriftsmäßige Schutzbekleidung tragen: enganliegende Schutzbekleidung, Sicherheitsschuhe mit fester Sohle, stoßsicherem Zehenschutz und Schnitzschutz, Handschuhe mit Schnitzschutz und Schwingungsschutz, Schutzbrille oder Gesichtsschutz, Ohrschützer und Schutzhelm (bei Gefahr durch herunterfallende Objekte). Persönliche Schutzausrüstungen sind im einschlägigen Fachhandel erhältlich.
6. **Gesundheitsmaßnahmen – Schwingungen und Lärmpegel.** Durch eine anhaltend lange Benutzung der Kettensäge wird der Bediener Schwingungen ausgesetzt, die zum "Weißfinger-Phänomen" (Raynauds-Phänomen), Karpaltunnelsyndrom und ähnlichen Störungen führen können. Beachten Sie bitte die örtlichen Ruhezeiten ihrer Gemeinde.
7. Verwenden Sie ausschließlich Schmierstoffe die vom Hersteller freigegeben sind.
8. **Gesundheitsmaßnahmen – Wärme.** Da das Kettenrad und die Kette während des Betriebes sehr hohe Temperaturen erreichen, sollten Sie diese Teile nicht berühren, so lange sie heiß sind.
9. **ACHTUNG!** Dieses Gerät erzeugt während des Betriebs ein elektromagnetisches Feld. Dieses Feld kann unter gewissen Umständen störende Auswirkungen auf aktive oder passive medizinische Implantate haben. Um das Risiko einer schweren Verletzung mit möglicher Todesfolge zu vermeiden, empfehlen wir Personen mit medizinischen Implantaten, vor Verwendung dieses Geräts ihren Arzt und den Hersteller des medizinischen Implantats zu konsultieren.

Sicherheitsmaßnahmen für Transport und Lagerung.

(**Abb. 2**) Jedesmal, wenn der Arbeitsbereich gewechselt wird, ist die Kettensäge vom Netz zu trennen und der Kettenbremshebel zu betätigen. Befestigen Sie vor jedem Transport und jeder Lagerung den Kettenschutz. Tragen Sie die Kettensäge in der Hand mit nach hinten gerichteter Schiene oder, wenn Sie die Kettensäge in einem Fahrzeug transportieren, befestigen Sie sie immer sicher, um Beschädigungen zu vermeiden.

Rückschlagreaktion. (Abb. 3) Die Rückschlagreaktion ist eine heftige rückwärts nach oben gerichtete Aktion der Schiene zum Benutzer hin. Das geschieht im Allgemeinen, wenn der obere Teil der Schienenkante

("Rückschlaggefahrzone" genannt) (**siehe rote Markierung auf der Führungsschiene**) einen Gegenstand berührt oder wenn die Kette im Holz eingeklemmt ist. Ein Rückschlag kann dazu führen, dass der Benutzer die Kontrolle über die Kettensäge verliert, was zu gefährlichen und sogar tödlichen Unfällen führen kann. Der Kettenbremshebel und die anderen Sicherheitseinrichtungen bieten dem Bediener keinen ausreichenden Schutz vor Verletzungen – der Benutzer muss die Bedingungen kennen, die diese Reaktion hervorrufen können, und sie durch seine Erfahrung und durch besondere Aufmerksamkeit sowie durch vorsichtige und korrekte Behandlung der Kettensäge verhindern (Sägen Sie z.B. niemals mehrere Äste gleichzeitig, da dies zur unbeabsichtigten Einwirkung auf die "Rückschlaggefahrzone" führen kann).

Sicherheit des Arbeitsbereichs

1. Erlauben Sie keinen Kindern oder Personen, die nicht mit diesen Hinweisen vertraut sind, die Verwendung dieses Gerätes. Das Alter des Bedieners kann durch örtliche Vorschriften begrenzt sein.
2. Verwenden Sie dieses Gerät nur in der beschriebenen Art und Weise und nur für die in diesen Hinweisen beschriebenen Funktionen.
3. Überprüfen Sie den gesamten Arbeitsbereich sorgfältig auf mögliche Gefahrenquellen (z.B. Straßen, Wege, Elektrokabel, gefährliche Bäume usw.)

- Achten Sie darauf, dass sich keine Menschen oder Tiere in der Nähe des Arbeitsbereiches aufhalten (wo erforderlich, zäunen Sie den Bereich ab und stellen Sie Warnschilder auf); Mindestabstand 2,5 x Stammhöhe; in jedem Fall nicht weniger als zehn Meter.
- Der Bediener oder Benutzer ist verantwortlich für Unfälle oder Gefährdungen an anderen Menschen oder deren Eigentum.

Elektrische Sicherheit

- Es wird empfohlen, eine Fehlerstrom-Schutzeinrichtung (FI-Schalter) mit einem Bemessungsstrom von nicht mehr als 30 mA zu verwenden. Selbst bei einem installierten FI-Schutzschalter kann keine 100%ige Sicherheit garantiert werden, und es muss immer eine sichere Arbeitsweise beachtet werden. Überprüfen Sie vor jeder Benutzung Ihren FI-Schalter.
- Überprüfen Sie vor jeder Benutzung das Kabel auf Schäden und wechseln Sie es aus, wenn es Anzeichen von Beschädigungen oder Alterung aufweist.
- Benutzen Sie das Gerät nicht, wenn die Elektrokabel beschädigt oder verschlissen sind.
- Ziehen Sie sofort den Stecker aus der Steckdose, wenn das Kabel durchschnitten oder die Isolation beschädigt wird. Berühren Sie das Elektrokabel nicht, bevor die Stromzuführung unterbrochen ist. Reparieren Sie kein durchschnittenen oder beschädigtes Kabel, sondern lassen Sie es durch den GARDENA Service oder einen Fachmann ersetzen.
- Das Verlängerungskabel muss abgerollt oder abgewickelt sein, da es sonst zu einer Überhitzung kommen kann, die sich auf die Leistungsfähigkeit Ihres Rasenmähers auswirkt.
- Achten Sie immer darauf, dass sich das Kabel/Verlängerungskabel hinter dem Benutzer befindet und sorgen Sie dafür, dass es keine Gefahrenquelle für den Benutzer oder für andere Personen darstellt, und überprüfen Sie, dass es nicht beschädigt werden kann (durch Wärme, scharfe Gegenstände, scharfe Kanten, Öl usw.);

- Legen Sie das Kabel so aus, dass es sich während des Sägens nicht an Ästen oder ähnlichem verfangen kann.
- Schalten Sie die Kettensäge immer aus, bevor Sie Stecker, Kabelsteckverbinder oder Verlängerungskabel vom Netz trennen.
- Schalten Sie das Gerät aus, ziehen Sie den Stecker aus der Steckdose und überprüfen Sie das Elektrokabel auf Schäden und Alterung bevor Sie das Kabel zur Lagerung aufwickeln. Reparieren Sie kein beschädigtes Kabel, sondern lassen Sie es durch den GARDENA Service oder den Elektrofachmann ersetzen.
- Ziehen Sie den Stecker aus der Steckdose, bevor Sie das Gerät für längere Zeit unbeaufsichtigt lassen.
- Wickeln Sie das Kabel vorsichtig auf und knicken Sie es nicht.
- Verwenden Sie nur die auf dem Typschild angegebene Wechselspannung.
- Die Kettensäge ist nach EN 60745-1 und 2-13 schutzisoliert.

Kabel

- Verlängerungen sind bei Ihrem Fachhandel erhältlich.
- Verwenden Sie nur vorschriftsmäßige Verlängerungskabel.
- Verlängerungskabel und -leitungen sollten nur dann verwendet werden, wenn sie für die Verwendung im Freien ausgelegt sind und die H07 RN-F oder IEC 60245 Bestimmung 66 eingehalten wird.
- Wenn Sie beim Gebrauch Ihres Geräts ein Verlängerungskabel verwenden möchten, sind hierzu nur Kabel mit den folgenden Abmessungen einzusetzen:

Modelle CSE1835, CSE1935S:

- 5.0 mm² : max length 40 m
- 5.0 mm² : max length 60 m
- 8.0 mm² : max length 100 m

Modelle CSE2040, CSE2040S:

- 5.0 mm² : max length 50 m
- 8.0 mm² : max length 90 m

C. BESCHREIBUNG DER SICHERHEITSAUSRÜSTUNGEN

SCHALTERSPERRE

An Ihrer Maschine ist eine Vorrichtung installiert (**Abb. 1**), die bei abgeschalteter Maschine verhindert, dass der Schalter gedrückt wird. So wird ein zufälliges Anschalten verhindert.

KETTENBREMSBÜGEL BEIM LÖSEN DES SCHALTERS

Ihre Maschine verfügt über eine Vorrichtung, die die Kette sofort beim Loslassen des Schalters blockiert. Sollte sie nicht funktionieren, benutzen Sie die Maschine nicht, sondern bringen Sie zu einem autorisierten Kundendienstzentrum.

KETTENBREMSBÜGEL / VORDERER HANDSCHUTZ

Der vordere Handschutz (**Abb. 2**) verhindert (sofern die Maschine korrekt gegriffen wird), dass Ihre linke Hand in Berührung mit der Kette kommt. Der vordere Handschutz hat außerdem die Funktion, den Kettenbremsbügel zu betätigen; diese Vorrichtung blockiert die Kette im Fall eines Rückschlags im Bruchteil einer Sekunde. Der Kettenbremsbügel ist abgeschaltet, wenn der vordere Handschutz nach hinten gezogen und blockiert ist (die Kette kann sich bewegen). Der Kettenbremsbügel ist eingelegt, wenn der vordere Handschutz nach vorn geschoben ist (die Kette ist blockiert). Die Kettenbremse wird wie folgt aktiviert: entweder mit dem linken Handgelenk, und zwar durch Drücken der Kettenbremse nach vorn, oder dann, wenn das Handgelenk aufgrund eines Rückschlags mit der vorderen Schutzvorrichtung in Berührung gerät.

Wird mit der Motorsäge horizontal geschnitten, z.B. beim Fällen von Bäumen, bietet die Kettenbremse weniger Schutz. (**Abb. 3**)

HINWEIS: Wenn der Kettenbremsbügel eingelegt wird, schaltet ein Sicherheitsschalter den Strom für den Motor ab.

 **Wird die Kettenbremse bei gedrücktem Schalter freigegeben, läuft die Kette der Motorsäge an.**

KETTENFÄNGER

Diese Motorsäge ist mit einer Kettenfangvorrichtung (**Abb. 4**) unter dem Antriebsritzel ausgestattet. Dieser Mechanismus ist darauf ausgelegt, die Rückwärtsbewegung der Kette in dem Fall zu stoppen, dass die Kette einmal reißt oder aus der Führungsnut springt.

Das Reißen bzw. Herauspringen der Kette kann durch eine richtige Kettenspannung verhindert werden (siehe Kapitel D, "Zusammenbau/Auseinanderbau").

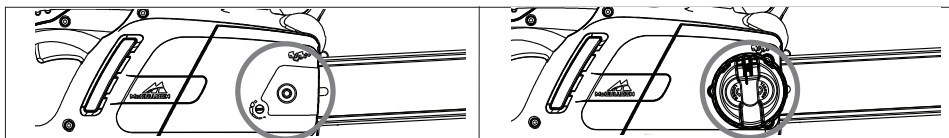
HINTERER HANDSCHUTZ

Dient zum Schutz der rechten Hand (**Abb. 5**) bei einem Abspringen oder Bruch der Kette.

D. EINBAU / AUSBAU

EINBAU VON FÜHRUNGSSCHIENE UND KETTE

Je nach dem Modell Ihrer Maschine folgt der Einbau einem anderen Verfahren, beachten Sie daher die Abbildungen und die Art des Etiketts auf dem Produkt. Achten Sie darauf, die Montage korrekt auszuführen.



1. Kontrollieren Sie, dass der Kettenbremsbügel nicht eingelegt ist, andernfalls lösen sie ihn.	
2a. Schrauben Sie die Schienenbefestigungsmuttern ab und nehmen Sie die Kettenhaube ab.	2b. Schrauben Sie den Schienenbefestigungsknauf ab und nehmen Sie die Kettenhaube ab.
3 Die Kette in die Nut der Schiene führen, dabei am Umlenkstern beginnen. Achtung! Darauf achten, dass die scharfe Seite der Sägezähne auf dem oberen Teil der Schiene nach vorn zeigt. Handschuhe tragen!	
4a. Der Kettenspannerstift muss so weit wie möglich in Richtung des Antriebsritzes sitzen. Die Schiene auf die Schienenhalteschraube und den Kettenspannerstift setzen und die Kette über das Antriebsritzel führen.	4b. Die Metallrolle so weit wie möglich gegen den Uhrzeigersinn drehen. Die Schiene auf die Schienenhalteschraube setzen und die Kette auf das Antriebsritzel führen.
Den Kettenschutz wiederanbringen, wobei darauf zu achten ist, dass die Antriebszähne der Sägekette im Antriebsritzel und in der Führungsnut sitzen.	
5a. Die Schienensicherungsmutter lose mit der Hand aufschrauben.	5b. Den Rändelknopf lose mit der Hand aufschrauben.
6a. Zum Spannen der Kette wird die Kettenspannerschraube mit dem beiliegenden Kombiwerkzeug im Uhrzeigersinn gedreht. Für eine geringere Kettenspannung dreht man die Kettenspannerschraube gegen den Uhrzeigersinn (beim Ausführen dieser Einstellung das vordere Ende der Schiene nach oben halten).	6b. Zum Spannen der Kette wird der Rändelknopf des Kettenspanners im Uhrzeigersinn gedreht. Für eine geringere Kettenspannung dreht man den Rändelknopf gegen den Uhrzeigersinn (beim Ausführen dieser Einstellung das vordere Ende der Schiene nach oben halten).
7. Bei richtiger Kettenspannung lässt sich die Kette ca. 2-3 mm von der Schiene abheben.	
8a. Die Schienensicherungsmutter mit dem beiliegenden Kombiwerkzeug festziehen.	8b. Die Schiene ausreichend festziehen, so dass sie sicher befestigt ist.

Wenn die Kette zu stark gespannt ist, kann dies den Motor überlasten und beschädigen; ist sie nicht genug gespannt, kann sie abspringen. Eine richtig gespannte Kette bedeutet die besten Sägeeigenschaften und eine längere Lebensdauer des Produkts. Kontrollieren Sie die Kettenspannung häufig, denn sie dehnt sich bei der Benutzung aus (besonders wenn sie neu ist, kontrollieren Sie nach der ersten Montage die Spannung nach 5 Arbeitsminuten). Spannen Sie allerdings die Kette nicht sofort nach dem Gebrauch, sondern warten Sie ab, bis sie abgekühlt ist. Wenn Sie die Kettenspannung regulieren müssen, lockern Sie immer erst die Schienenbefestigungsmuttern/-knauf, bevor Sie Kettenspannschraube bzw. -knauf betätigen, und ziehen Sie dann die Schienenbefestigungsmuttern/-knauf wieder fest an.

E. START UND STOP

Inbetriebnahme: Die Motorsäge an beiden Griffen gut festhalten, den Kettenbremsgriff freigeben, ohne dabei den vorderen Griff loszulassen, den Schalterblock drücken und gedrückt halten und dann den Schalter drücken (nun kann der Schalterblock freigegeben werden).

Stop: Die Maschine hält an, wenn Sie den Schalter loslassen. Sollte die Maschine nicht anhalten, legen Sie den Kettenbremsbügel ein, ziehen Sie das Kabel vom Netz ab und bringen Sie in ein autorisiertes Kundendienstzentrum.

F. SCHMIERUNG VON FÜHRUNGSSCHIENE UND KETTE

ACHTUNG! Eine ungenügende Schmierung des Sägewerkzeugs führt zum Kettenbruch mit der großen Gefahr schwerer, auch tödlicher Verletzungen.

Für die Schmierung von Führungsschiene und Kette sorgt eine automatische Pumpe

Dann prüfen Sie, wie im Kapitel "Wartung" beschrieben, dass das Kettenöl in ausreichender Menge abgegeben wird.

Wahl des Kettenöls

Verwenden Sie ausschließlich neues Öl (speziell für Ketten) mit guter Viskosität: Es muss gut haften und im Sommer wie im Winter gute Gleiteigenschaften aufweisen. Falls kein Kettenöl erhältlich ist, verwenden Sie Öl für Übertragungen EP 90.

Verwenden Sie nie verbrauchte Öle, denn sie sind schädlich für Sie, die Maschine und die Umwelt. Prüfen Sie, dass das Öl für die Umgebungstemperatur am Arbeitsort geeignet ist: Bei Temperaturen unter 0°C werden einige Öle dicker, wodurch die Pumpe überlastet und beschädigt wird. Für die Wahl des geeigneten Öls wenden Sie sich an Ihr autorisiertes Kundendienstzentrum.

Öl nachfüllen

Schrauben Sie den Öltankverschluss ab und füllen Sie den Behälter. Achten Sie darauf, dass kein Öl austritt (sollte dies passieren, reinigen Sie die Maschine gründlich). Dann Verschluss wieder gut festschrauben.

G. WARTUNG UND LAGERUNG

Bevor Sie Wartungs- oder Reinigungsarbeiten vornehmen, ziehen Sie immer den Stecker aus der Steckdose und lassen Sie das Gerät abkühlen

ACHTUNG! Wenn Sie in sehr schmutziger oder staubiger Umgebung arbeiten, müssen die beschriebenen Arbeiten häufiger als angegeben ausgeführt werden.

Vor jedem Gebrauch

Prüfen Sie, dass die Kettenölpumpe richtig funktioniert: Richten Sie die Führungsschiene mit ca. 20 cm Abstand auf eine helle Oberfläche; nach einer Minute Betrieb der Maschine muss die Fläche deutliche Ölsuren aufweisen (**Abb. 1**). Prüfen Sie, dass zum Einlegen oder Lösen des Kettenbremsbügels keine zu starke oder zu geringe Kraft nötig ist und dass er nicht blockiert ist. Dann kontrollieren Sie den Betrieb wie angegeben: Lösen Sie den Kettenbremsbügel, greifen Sie die Maschine korrekt und betätigen sie. Legen Sie nun den Kettenbremsbügel ein, indem Sie den vorderen Handschutz mit dem linken Handgelenk/Arm verschieben, ohne die Griffe je loszulassen (**Abb. 2**). Wenn der Kettenbremsbügel funktioniert, muss die Kette sofort anhalten. Kontrollieren Sie, dass die Kette scharf (siehe unten), in gutem Zustand und richtig gespannt ist, sollte sie unregelmäßige Abnutzung aufweisen oder einen Sägezahn von nur 3 mm haben, muss sie ersetzt werden (**Abb. 3**).

Reinigen Sie die Lüftungsschlitze häufig, damit der Motor nicht überhitzt. (**Abb. 4**)

Kontrollieren Sie die Funktion von Schalter und Schaltersperre (bei gelöstem Kettenbremsbügel): betätigen Sie den Schalter und die Schaltersperre und prüfen Sie, dass sie beim Loslassen sofort in die Ruhelage zurückkehren. Prüfen Sie, dass der Schalter nicht gedrückt werden kann, ohne dass die Schaltersperre betätigt wurde.

Prüfen Sie, dass der Kettenfänger und der hintere Handschutz unversehrt sind und keine sichtbaren Defekte wie Materialschäden zeigen.

Alle 2-3 Betriebsstunden

Kontrollieren Sie die Führungsschiene, wenn nötig reinigen Sie die Schmiröhlbohrungen (**Abb. 5**) und die Führungsnut (**Abb. 6**) gründlich. Wenn die Letztere abgenutzt ist oder starke Rillen zeigt, muss sie ersetzt werden. Reinigen Sie das Antriebskettenrad regelmäßig und überprüfen Sie, dass es noch keinen übermäßigen Verschleiß aufweist. (**Abb. 7**). Schmieren Sie das Kettenrad der Führungsschiene mit Lagerfett durch die angegebene Bohrung (**Abb. 8**).

Kette schleifen (wenn nötig)

Wenn die Kette nur sägt, wenn man die Führungsschiene gegen das Holz drückt, und sehr feine Sägespäne erzeugt, ist sie nicht scharf genug. Wenn der Schnitt keine Sägespäne erzeugt, hat die Kette völlig den Schliff verloren und zerstäubt das Holz beim Sägen. Eine gut geschliffene Kette bewegt sich von selbst im Holz nach vorn und erzeugt große, lange Späne.

Der sägende Teil der Kette besteht aus dem Sägeglied (**Abb. 9**) mit einem Sägezahn (**Abb. 10**) und einer Begrenzungsrichtung (**Abb. 11**). Der Höhenunterschied dazwischen bestimmt die Sägetiefe. Zum richtigen Schleifen benötigt man eine Feilenführung und eine Rundfeile mit einem Durchmesser von 4 mm und geht wie folgt vor: Bei montierter, richtig gespannter Kette legen Sie den Kettenbremsbügel ein und setzen die Feilenführung wie in der Abbildung senkrecht zur Führungsschiene an (**Abb. 12**) und bearbeiten den Sägezahn mit den in der Abbildung angegebenen Winkeln (**Abb. 13**). Man schleift immer von innen nach außen und lockert den Druck in der Rückkehrphase (diese Angaben sind sehr wichtig: Zu große oder zu kleine Schleifwinkel oder ein falscher Feilendurchmesser erhöhen die Rückschlaggefahr). Um präzisere Seitenwinkel zu erhalten, wird empfohlen, die Feile so anzusetzen, dass sie die obere Schneide vertikal um ca. 0,5 mm übersteigt. Schleifen Sie erst alle Zähne auf einer Seite, dann drehen Sie die Säge und wiederholen Sie den Arbeitsgang. Kontrollieren Sie, dass alle Zähne nach dem Schleifen gleich lang sind und dass die Höhe der Begrenzungsrichtungen 0,6 mm unterhalb der oberen Schneide beträgt: Prüfen Sie die Höhe mit der Feile und feilen Sie (mit einer Flachfeile) den Überstand. Runden Sie dann den vorderen Teil der Begrenzungsrichtung (**Abb. 14**) ab, aber achten Sie darauf, dass Sie NICHT auch den Gegenschlag-Schutz Zahn mit abfeilen (**Abb. 15**).

Alle 30 Betriebsstunden

Bringen Sie die Maschine zu einem autorisierten Kundendienstzentrum für eine Generalüberholung und eine Kontrolle der Bremsvorrichtungen.

Lagerung

An einem kühlen, trockenen Ort, außerhalb der Reichweite von Kindern aufbewahren. Nicht im Freien aufbewahren.

H. SÄGETECHNIKEN

Vermieden Sie beim Gebrauch: (Abb. 1)

- in Situationen zu sägen, in denen der Stamm sich aufspalten könnte (Holz unter Spannung, trockene Bäume usw.); ein plötzlicher Bruch kann sehr gefährlich sein;
- dass die Führungsschiene oder die Kette im Schnitt einklemmen: Sollte dies passieren, trennen Sie die Maschine vom Stromnetz und versuchen Sie, den Stamm anzuheben, indem Sie mit einem geeigneten Werkzeug Hebelwirkung ausüben. Versuchen Sie nicht, die Maschine durch Schütteln oder Ziehen zu befreien, denn Sie riskieren dabei, die Maschine zu beschädigen oder sich zu verletzen.
- Situationen, die zu Rückschlägen führen können.
- über Schulterhöhe benutzt werden.
- zum Sägen von Holz verwendet werden, das Fremdkörper, wie z.B. Nägel, enthält.

Beachten Sie während des Betriebs: (Abb. 1)

- Wenn Sie auf abschüssigem Gelände sägen, arbeiten Sie oberhalb des Stammes, so dass er sie nicht treffen kann, falls er wegrollen sollte.
 - Lassen Sie den Schalter nach jedem Schnitt los: Ein längerer Motorbetrieb im Leerlauf kann zu schweren Störungen führen.
 - Beenden Sie beim Fällen immer die Arbeit: Ein teilweise gefällter Baum kann umkippen.
 - Sie werden bemerken, dass die erforderliche Kraft, um die Maschine zu führen, sich bei jedem Schnittende erheblich ändert. Achten Sie stark darauf, nicht die Kontrolle zu verlieren.
- Im Folgenden beziehen wir uns auf zwei Sägearten: Sägen durch Ziehen der Kette (von oben nach unten) (**Abb. 2**), das die Gefahr einer plötzlichen Verschiebung der Maschine zum Stamm hin und damit eines Kontrollverlustes birgt. Verwenden Sie dabei wenn möglich die Baumkralle.

Sägen durch Schieben der Kette (von unten nach oben) (**Abb. 3**): Diese Arbeitsweise birgt dagegen das Risiko einer plötzlichen Verschiebung der Maschine zum Bediener hin mit der Gefahr, ihn zu treffen oder mit dem Gefahrenbereich auf den Stamm zu stoßen, so dass ein Rückschlag erfolgt. Seien Sie beim Sägen sehr vorsichtig.

Die sicherste Art, die Maschine zu verwenden, ist, das Holz auf dem Bock einzuspannen, dann von oben nach unten zu sägen und dabei außerhalb des Ständerbereichs zu arbeiten (**Abb. 4**).

Verwendung der Baumkralle

Wenn möglich, verwenden Sie die Baumkralle für einen sichereren Schnitt: Greifen Sie damit in die Rinde oder die Oberfläche des Stamms, so dass Sie die Maschine leichter unter Kontrolle behalten.

Im Folgenden sind die typischen Verfahren für bestimmte Situationen aufgeführt. Es muss allerdings in jedem Fall neu beurteilt werden, ob sie dafür zutreffen oder wie der Schnitt mit dem geringsten Risiko durchgeführt werden kann.

Stamm auf dem Boden: (Gefahr, dass die Kette am Ende des Schnitts den Boden berührt) (**Abb. 5**).

Sägen Sie von oben nach unten durch den ganzen Stamm. Seien Sie in der Endphase vorsichtig, damit die Kette nicht den Boden berührt. Wenn möglich, halten Sie nach 2/3 der Stammdicke an, drehen Sie den Stamm und sägen Sie den verbleibenden Teil von oben nach unten. So vermeiden Sie, dass die Kette in Berührung mit dem Boden gerät.

Stamm an einem Ende abgestützt: (Gefahr, dass sich der Stamm beim Sägen abspaltet) (**Abb. 6**).

Beginnen Sie den Schnitt von unten bis zu etwa 1/3 des Durchmessers und beenden Sie ihn von oben, indem Sie auf den ersten Schnitt treffen.

Stamm an beiden Enden abgestützt (Gefahr, dass die Kette einquetscht) (**Abb. 7**).

Beginnen Sie den Schnitt von oben bis zu etwa 1/3 des Durchmessers und beenden Sie ihn von unten, indem Sie auf den ersten Schnitt treffen.

Baumstamm, der auf einer geneigten Ebene liegt. Stellen Sie sich immer auf die bergauf gerichtete Seite des Stamms. Um beim 'Durchschneiden' die vollständige Kontrolle zu behalten, nehmen Sie zum Ende des Schnitts hin den Sägedruck etwas zurück ohne jedoch Ihren festen Griff an den Griffen der Kettensäge nachzulassen. Berühren Sie mit der Kettensäge nicht den Boden.

Fällen

ACHTUNG! Versuchen Sie nicht zu fällen, wenn Sie keine ausreichende Erfahrung haben. Der Stammdurchmesser darf nie größer sein als die Länge der Führungsschiene! Diese Arbeit darf nur von erfahrenen Fällern mit geeigneter Ausrüstung ausgeführt werden.

Zweck des Fällens ist, dass der Baum in die bestmögliche Position für das anschließende Entasten und Unterteilen des Stamms fällt (vermeiden Sie, dass der fallende Baum sich in einem anderen verfangt: Einen verkeilten Baum zum Fallen zu bringen, ist sehr gefährlich).

Bei der Entscheidung der besten Fallrichtung müssen Sie bedenken: Was befindet sich um den Baum herum, wie sind seine Neigung, Biegung, die Windrichtung und die Konzentration der Äste.

Bedenken Sie auch tote oder abgebrochene Zweige, die beim Fällen abbrechen können und eine Gefahr darstellen.

ACHTUNG! Wenn Sie in kritischen Bedingungen fällen, nehmen Sie gleich nach dem Sägen den Gehörschutz ab, so dass Sie ungewöhnliche Geräusche und evtl. Warnsignale sofort wahrnehmen können.

Vorbereitung für das Sägen und Bestimmung des Rückzugswegs

Beseitigen Sie Äste, die die Arbeit behindern (**Abb. 8**)
Beginnen Sie von oben nach unten und halten Sie den Stamm zwischen sich und der Maschine, wenn Sie nacheinander die schwierigsten Äste Stück für Stück entfernen. Beseitigen Sie die Vegetation um den Baum herum und achten Sie auf eventuelle Hindernisse (Steine, Wurzeln, Gräben usw.), wenn Sie Ihren Rückzugsweg planen (beim Fallen des Baumes). Beachten Sie für die Richtung des Rückzugsweg die Abbildung (**Abb. 9**) (A. Vorgesehene Fallrichtung des Baums. B. Rückzugsweg. C. Gefahrenzone).

FÄLLEN (Abb. 10)

Damit Sie sicher die Kontrolle über das Fallen des Baumes haben, müssen Sie folgende Schnitte ausführen:

Zuerst muss der Richtungsschnitt ausgeführt werden. Er dient dazu, die Fallrichtung des Baums zu kontrollieren: Führen Sie zuerst den OBEREN TEIL des Richtungsschnitts an der Seite aus, zu der der Baum gefällt werden soll. Bleiben Sie rechts vom Baum und sägen Sie, indem Sie die Kette ziehen; dann führen Sie den UNTEREN TEIL des Schnitts aus, der am Ende des oberen Teils enden muss. Die Tiefe des Richtungsschnitts muss 1/4 des Stammdurchmessers, der Winkel zwischen oberem und unterem Schnitt mindestens 45° betragen. Der Berührungspunkt zwischen den beiden Schnitten wird "Richtungsschnittlinie" genannt. Die Linie muss vollkommen waagrecht und im rechten Winkel (90°) zur Fallrichtung sein.

Der Trennschnitt hat den Zweck, den Baum zu Fall zu bringen. Er wird 3-5 cm über dem unteren Teil der Ebene der Richtungsschnittlinie ausgeführt und endet in einem Abstand davon, der 1/10 der Stammdicke entspricht. Bleiben Sie links vom Baum und sägen Sie, indem Sie die Kette ziehen. Verwenden Sie die Baumkralle. Kontrollieren Sie, dass der Baum sich nicht in eine andere als die für den Fall vorgesehene Richtung bewegt. Schieben Sie so bald wie möglich einen Fällkeil in den Schnitt. Der nicht gesägte Stammteil wird als Drehpunkt bezeichnet, er stellt das "Scharnier" dar, das den Baum beim Fall leitet. Wenn er ungenügend, nicht gerade oder nicht vollständig gesägt wurde, kann man das Fallen des Baums nicht mehr kontrollieren (sehr gefährlich!). Es ist daher sehr wichtig, dass die einzelnen Schnitte präzise ausgeführt werden.

Am Ende der Schnitte muss der Baum beginnen zu fallen. Sie können dies, sollte es nützlich sein, mit einem Keil oder einem Fällhebel unterstützen.

Absägen der Äste

Wenn der Baum gefällt ist, folgt das Entasten, also die Beseitigung der Äste vom Stamm. Unterschätzen Sie diesen Vorgang nicht! Die meisten Unfälle durch Rückschläge erfolgen genau hierbei. Achten Sie daher auf die Position der Sägespitze beim Schnitt und arbeiten Sie auf der linken Seite des Stamms.

I. ÖKOLOGIE


In diesem Kapitel finden Sie nützliche Informationen, um die Eigenschaften der Umweltverträglichkeit zu erhalten, die bei der Entwicklung der Maschine geplant wurden, sowie zum korrekten Betrieb der Maschine und zur Entsorgung des Öls.

MASCHINENBETRIEB

Beim Nachfüllen des Öltanks muss darauf geachtet werden, dass kein Kettenöl in die Umwelt gerät.

VERSCHROTTUNG

Werfen Sie die Maschine nicht weg, wenn sie nicht mehr funktioniert, sondern übergeben Sie sie den zuständigen Stellen für die Abfallentsorgung nach den Vorschriften der geltenden Gesetze.

Das Symbol  auf dem Produkt bzw. auf der Produktverpackung gibt an, dass dieses Produkt nicht als Hausmüll behandelt werden darf. Zur Entsorgung ist es an einen entsprechenden Recycling-Punkt für elektrische und elektronische Geräte zu bringen. Durch die umweltgerechte Entsorgung dieses Produkts tragen Sie dazu bei, potentielle Folgeschäden an der Umwelt und Gesundheitsschäden zu verhindern.

Ausführlichere Informationen über das Recycling dieses Produkts erhalten Sie auf Wunsch von Ihrem Stadt- oder Gemeinderat, den für die Hausmüllentsorgung zuständigen Behörden oder dem Geschäft, in dem Sie dieses Produkt gekauft haben.

J. TABELLE FÜR DIE STÖRUNGSSUCHE

	Der Motor startet nicht	Motor dreht schlecht oder verliert Leistung	Maschine startet, sägt aber nicht korrekt	Motor dreht auf ungewöhnliche Weise	Die Bremsvorrichtungen blockieren die Kettendrehung nicht richtig
Prüfen Sie, dass Netzstrom vorhanden ist	●				
Prüfen Sie, dass der Stecker richtig angeschlossen ist	●				
Prüfen Sie, dass weder Kabel noch Verlängerung beschädigt sind	●				
Prüfen Sie, dass der Kettenbremsbügel nicht eingelegt ist	●				
Prüfen, dass die Kette ordnungsgemäß montiert und gespannt ist.		●	●		
Kontrollieren Sie die Kettenschmierung, wie in den Kapiteln F und G beschrieben			●		
Kontrollieren Sie, dass die Kette geschliffen ist			●		
Prüfen, dass der Ausschalter aktiviert ist.	●				
Wenden Sie sich an ein autorisiertes Kundendienstzentrum	●	●		●	●

K. ERSATZTEILE

35cm	Kette	91PJ052XN	Teilenummer:	530051538
	Führungsschiene		Teilenummer:	576965401
40cm	Kette	91PJ056XN	Teilenummer:	530051539
	Führungsschiene		Teilenummer.:	576965201

L. EC KONFORMITÄTSERKLÄRUNG

Husqvarna AB, S-561 82, Huskvarna, Sweden

erklären in alleiniger Verantwortung, dass das Produkt bzw. die Produkte

Verwendungszweck..... **Chainsaw - Kettensäge**
 Verwendungszweck der Typen..... **CSE1835, CSE1935S, CSE2040, CSE2040S**
 Identifizierung der reihe..... **Siehe Produkttypenschild**
 Baujahr..... **Siehe Produkttypenschild**

die maßgeblichen Anforderungen und Bestimmungen der folgenden EC-Richtlinien erfüllt/erfüllen:
2006/42/EC, 2004/108/EC, 2000/14/EC, 2011/65/EU

beruhend auf den folgenden in der EU harmonisierten, anwendbaren Standards:

EN60745-1, EN60745-2-13, EN55014-2, EN55014-1, EN61000-3-2, EN61000-3-11

Prüfbehörde, welche die EU-Prüfung nach

Artikel 8, Abschnitt 2c, ausgeführt hat..... TÜV Rheinland LGA Products GmbH
 Tillystraße 2
 D-90431 Nürnberg
 Germany
 BM 50268379

Urkunde Nr.....

Der maximale A-bewertete Schalldruckpegel L_{pA} an der Arbeitsstation, gemessen entsprechend EN60745-2-13, ist in der Tabelle aufgeführt.

Der maximale, gewichtete Wert a_{h1} für die Hand-/Armerschütterung, gemessen entsprechend EN60745-2-13 anhand eines Musters des/der obigen Produkte(s), ist in der Tabelle aufgeführt.

Der angegebene Vibrationsgesamtwert wurde gemäß einer Standardprüfmethode ermittelt und kann zum Vergleich einzelner Geräte verwendet werden.

Der angegebene Vibrationsgesamtwert kann auch bei einer Erstbewertung der Belastung verwendet werden.

Achtung:

Die während der Verwendung des Elektrogeräts auftretende Vibrationsbelastung kann je nachdem, wie das Gerät verwendet wird, vom angegebenen Gesamtwert abweichen.

Bediener sollten zu ihrem Schutz angemessene Sicherheitsmaßnahmen basierend auf einer Belastungsschätzung unter realen Gebrauchsbedingungen bestimmen (hierzu müssen alle Bestandteile des Betriebszyklus berücksichtigt werden, wie beispielsweise zusätzlich zur Zeit, während der der Auslösehebel gedrückt wird, auch die Zeiten, in denen das Gerät ausgeschaltet ist und während es sich im Leerlauf befindet).

2000/14/EC: Die Werte der gemessenen Geräuschemission L_{WA} und der garantierten Geräuschemission L_{WA} entsprechen den Tabellenwerten.

Konformitätsbewertungsverfahren..... Annex V

Ulm 12/02/2013

P. Lamelli

Global R&D Director – handgehalten
 Inhaber der technischen Unterlagen




Typ (CSE_____)	1835	1935S	2040	2040S
Trockengewicht (Kg)	4.3	4.5	4.4	4.6
Leistung (kW)	1.8	1.9	2.0	2.0
Füllmenge Öltank (cm ³)	240	240	240	240
Maximale Länge der Führungsschiene (cm)	35	35	40	40
Kettenteilung (mm)	9.52	9.52	9.52	9.52
Kettenteilung (mm)	1.3	1.3	1.3	1.3
Gemessene Geräuschemission L_{WA} (dB(A))	106	106	106	106
Garantierte Geräuschemission L_{WA} (dB(A))	110	110	110	110
Schalldruck L_{pA} (dB(A))	95	95	95	95
Ungewissheit K_{pA} (dB(A))	2.5	2.5	2.5	2.5
Hand-/Arm vibration a_{h1} (m/s ²)	7.28	7.28	8.08	8.08
Unsicherheit K_{ah} (m/s ²)	1.5	1.5	1.5	1.5
Impedanz Z_{max} (Ω)	0.382	0.382	0.382	0.382

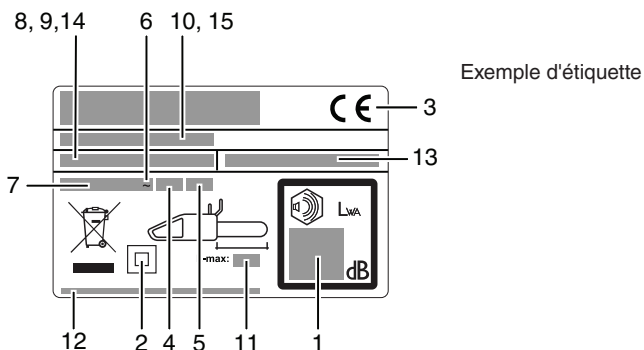
Konformitätserklärung nach EN 61000-3-11

Je nach Bemessung des örtlichen Stromversorgungsnetzes kann beim Einschalten dieses Produkts ein kurzzeitiger Spannungsabfall auftreten, der sich eventuell auf andere elektrische Betriebsmittel auswirkt (beispielsweise könnten Lampen für einen Moment schwächer leuchten). Liegt die Impedanz Z_{max} Ihrer Stromversorgung unter dem in der Tabelle angegebenen Wert (entsprechend Ihres Modells), treten solche Wirkungen nicht auf. Zur Ermittlung der Impedanz Ihres Stromnetzes wenden Sie sich bitte an Ihre zuständige Stromversorgungsbehörde.

DEUTSCH - 10

A. DESCRIPTION GENERALE






















- | | |
|---|--|
| <ol style="list-style-type: none"> 1) Poignée arrière 2) Protège-main arrière 3) Poignée avant 4) Protège-main avant/frein de chaîne 5) Bouton externe de tendeur de chaîne 6) Vis de tendeur de chaîne 7) Pivot tendeur de chaîne 8) Bouchon du réservoir d'huile 9) Fenêtre de contrôle du niveau d'huile 10) Fentes d'aération 11) Cordon d'alimentation 12) Manuel 13) Interrupteur 14) Blocage interrupteur 15) Chaîne 16) Maillon entraîneur 17) Maillon gouge 18) Limiteur de profondeur de la gouge | <ol style="list-style-type: none"> 19) Gouge 20) Barre de guidage 21) Couvercle pignon d'entraînement 22) Pignon d'entraînement 23) Pivot bloque-chaîne 24) Vis de fixation du guide 25) Bouton interne de fixation barre 26) Ecrou de serrage barre 27) Roue d'extrémité 28) Couvercle barre de guidage 29) Crampo 30) Siège pivot tendeur de chaîne 31) Orifice de lubrification 32) Rainure barre de guidage 33) Clé/tournevis |
|---|--|




- 1) Niveau de puissance sonore garanti selon la directive 2000/14/CE
- 2) Outil Classe II
- 3) Marquage de conformité CE
- 4) Fréquence nominale
- 5) Puissance nominale
- 6) Courant alternatif
- 7) Tension nominale
- 8) Type
- 9) Référence produit
- 10) Année de fabrication
- 11) Longueur maximum de la barre de guidage
- 12) Nom et adresse du constructeur
- 13) N° d'article (Tronçonneuse électrique)
- 14) Modèle
- 15) N° de série

B. PRECAUTIONS POUR LA SECURITE

SYMBOLES UTILISES

	Attention Lire attentivement le manuel		Direction de la gouge
	Bottes de travail	 	Tenir toujours à deux mains
	Casque, protège-oreilles et lunettes de protection ou visière	 	Risque d'effet de rebond
	Gants anti-coupe	 	Ne pas exposer à la pluie ou à l'humidité
	Pantalons longs et anti-coupe	 	Huile chaîne
	Frein désactivé, activé		A ne pas faire...
	Retirer la prise du secteur immédiatement si le câble est endommagé ou coupé		Arrêter la machine
	Eviter toute personne à proximité		Débrancher la prise avant tout réglage ou nettoyage
			Risque de choc électrique

Précautions générales de sécurité pour les outils électriques

 **AVERTISSEMENT** Lire tous les avertissements de sécurité et toutes les instructions. *Tout manquement au respect des avertissements et instructions peut être la cause d'un choc électrique, d'un incendie et/ou de blessures graves.*

Conserver tous les avertissements et instructions pour référence future.

Le terme "outil électrique" dans les avertissements se rapporte à tous les outils câblés alimentés sur le secteur domestique et à tous les outils électriques sans fil alimentés par des piles.

1) Sécurité sur le lieu de travail

- S'assurer que toutes les zones de travail soient propres et bien éclairées. Les zones encombrées ou sombres favorisent les accidents.
- Ne pas utiliser d'outil électrique dans une atmosphère explosive, ni en présence de liquides inflammables, de gaz ou de poussière. Les outils électriques créent des étincelles qui peuvent provoquer l'inflammation de la poussière ou des vapeurs.
- Maintenir les enfants et spectateurs à distance en utilisant un outil électrique. Les distractions peuvent être la cause d'une perte de contrôle.

2) Sécurité électrique

- La fiche de l'outil électrique doit être adaptée à la prise de courant. Ne jamais modifier la fiche de quelque manière que ce soit. Ne jamais utiliser d'adaptateur pour le branchement d'outils électriques avec un fil de terre. Les fiches d'origine et les prises correspondantes réduisent les risques de choc électrique.
- Éviter tout contact corporel avec les surfaces connectées à la terre, telles que tuyaux métalliques, radiateurs, cuisinières et réfrigérateurs. Si le corps de l'utilisateur de l'outil électrique est connecté à la terre, le risque de choc électrique est lui présent.
- Ne pas exposer les outils électriques à la pluie ou à l'humidité. La présence d'eau à l'intérieur de l'outil électrique augmente les risques de choc électrique.
- Ne pas maltraiter le cordon d'alimentation de l'outil. Ne jamais utiliser le cordon d'alimentation électrique pour transporter, tirer ou débrancher l'outil électrique. Maintenir le cordon à distance de toute source de chaleur, d'huile, de bords coupants ou de pièces en mouvement. Un cordon électrique endommagé ou emmêlé augmente le risque de choc électrique.
- Lors de l'utilisation d'un outil électrique en extérieur, utiliser une rallonge appropriée pour utilisation extérieure. L'utilisation d'un câble d'alimentation électrique approprié aux conditions en extérieur réduit le risque de choc électrique.

- f) Si l'utilisation d'un outil électrique dans un lieu humide est inévitable, brancher l'outil sur une alimentation électrique protégée par un disjoncteur différentiel. *La présence d'un disjoncteur différentiel dans le circuit réduit le risque de choc électrique.*
- 3) Sécurité individuelle
- a) Rester concentré sur le travail en cours et utiliser l'outil électrique raisonnablement. Ne pas utiliser un outil électrique si vous êtes fatigué, sous l'influence de drogues, d'alcool ou de médicaments. *Le moindre moment d'inattention pendant l'utilisation d'un outil électrique peut être la cause de blessures graves.*
- b) Utiliser les équipements de protection individuelle. Toujours porter des lunettes de protection. *L'utilisation appropriée des équipements tels que masque antipoussière, chaussures antidérapantes, casque rigide et protection acoustique sur les oreilles réduit le risque de blessures personnelles.*
- c) Éviter tout risque de démarrage accidentel. S'assurer que l'interrupteur de l'outil soit sur la position arrêt avant de brancher l'alimentation électrique et/ou la batterie, de saisir l'outil ou de le transporter. *Il est dangereux de porter l'outil en conservant le doigt sur la gâchette ou de le brancher alors que l'interrupteur est en position marche.*
- d) Retirer toute clé de réglage ou autres accessoires avant d'allumer l'alimentation de l'outil électrique. *Toute clé de mandrin ou autre accessoire attaché à une pièce de l'outil en mouvement présente un grand danger de blessure personnelle.*
- e) Ne pas travailler à bout de bras. Se tenir debout fermement et bien équilibré. *Ceci permet de mieux contrôler l'outil électrique dans des situations inattendues.*
- f) S'habiller correctement. Ne pas porter de vêtements trop amples ou de bijoux. Faire attention que les cheveux, les habits et les gants soient hors de portée des pièces de l'outil en mouvement. *Des vêtements trop amples, des bijoux ou des cheveux longs qui peuvent se prendre dans les pièces de l'outil en mouvement sont dangereux.*
- g) Si l'outil est équipé d'un dispositif d'extraction ou de collection de la poussière, s'assurer qu'il soit en place et correctement connecté avant d'utiliser l'outil. *L'utilisation d'un collecteur de poussière réduit les risques inhérents à la présence de poussière.*
- 4) Utilisation et maintenance des outils électriques
- a) Ne pas forcer en utilisant l'outil électrique. Utiliser l'outil de la puissance correcte pour l'application. *L'outil approprié permettra de mieux réaliser la tâche en toute sécurité à la vitesse pour laquelle il a été conçu.*
- b) Ne pas utiliser l'outil électrique si l'interrupteur marche/arrêt n'est pas opérationnel. *Tout outil électrique qui ne peut pas être contrôlé par son interrupteur est dangereux et doit être réparé.*
- c) Débrancher la fiche de la prise électrique et/ou la batterie de l'outil électrique avant d'effectuer les réglages, de changer d'accessoires, ou de ranger l'outil. *De telles mesures préventives réduisent le risque de démarrage accidentel de l'outil.*
- d) Ranger les outils non utilisés hors de portée des enfants et ne pas autoriser une personne qui n'est pas familière avec son utilisation et ces instructions à se servir de cet outil électrique. *Les outils électriques sont dangereux entre les mains de personnes qui ne sont pas habituées à s'en servir.*
- e) Assurer une bonne maintenance des outils électriques. Vérifier l'alignement et l'installation des pièces en mouvement, qu'il n'y a pas de pièces fracturées ou autrement endommagées qui puissent affecter le fonctionnement des outils électriques. En cas de dommages, faire réparer l'outil électrique avant de l'utiliser. *Un grand nombre d'accidents résultent d'une mauvaise maintenance des outils.*
- f) S'assurer que les outils de coupe sont aiguisés et propres. *Des outils de coupe bien entretenus et bien aiguisés présentent moins de risques de se coincer et sont plus faciles à contrôler.*
- g) Utiliser l'outil électrique, ses accessoires et les outils, etc. conformément à ces instructions, en tenant compte des conditions de travail et de l'application. *L'utilisation d'un outil électrique pour des applications différentes de celles pour lesquelles il a été conçu peut être la cause d'une situation dangereuse.*

5. Révisions

- a) Faire réviser vos outils électriques par un technicien qualifié qui n'utilise que des pièces de rechange identiques. *Ceci garantit le maintien de la sécurité de l'outil électrique.*

Conseils de sécurité concernant la tronçonneuse :

- Garder toute partie du corps éloignée de la tronçonneuse lorsque celle-ci est en marche. Avant de mettre la tronçonneuse sous tension, s'assurer qu'elle n'est en contact avec aucun objet. *Un moment d'inattention pendant son utilisation et vous risquez de vous blesser ou qu'elle accroche vos vêtements.*
- Toujours tenir la tronçonneuse avec votre main droite sur la poignée arrière et votre main gauche sur la poignée avant. *En tenant la tronçonneuse dans la position opposée augmente le risque de blessure corporelle et doit être évité.*
- Tenir l'outil électrique uniquement par les surfaces de prise isolées car la tronçonneuse pourrait entrer en contact avec un câblage dissimulé ou son propre cordon. *En cas de contact de la tronçonneuse avec un conducteur sous tension, les pièces métalliques à découvert de l'outil transmettraient un choc électrique à l'utilisateur.*
- Porter des lunettes de sécurité et une protection pour les oreilles. Un équipement de protection supplémentaire pour la tête, les mains, les jambes et les pieds est recommandé. *Des vêtements de protection adéquats réduiront le risque de blessure par projection de débris et tout contact accidentel avec la tronçonneuse.*
- Ne pas utiliser la tronçonneuse dans un arbre. *Utiliser la tronçonneuse en montant sur un arbre peut entraîner des blessures corporelles.*
- Garder toujours le corps bien stable et utiliser uniquement la tronçonneuse quand vous êtes sur une surface fixe, sûre et de niveau. *Des surfaces glissantes ou instables, telles que des échelles, peuvent provoquer une perte d'équilibre ou de contrôle de la tronçonneuse.*
- Quand vous coupez une grosse branche qui est sous tension, penser à reculer. *Quand la tension dans les fibres du bois se relâche, la branche dégagée peut frapper l'opérateur et/ou mettre la tronçonneuse hors de contrôle.*
- Soyez très prudent lorsque vous coupez des buissons et de jeunes arbres. *Les fines brindilles peuvent se prendre dans la chaîne et être projetés dans votre direction ou vous déséquilibrer.*
- Porter la tronçonneuse par la poignée avant, celle-ci étant hors tension et éloignée de votre corps. Quand vous transportez ou rangez la tronçonneuse, toujours fixer le couvercle de la barre de guidage. *Une manipulation correcte de la tronçonneuse réduira la probabilité de contact accidentel avec la chaîne.*

- **Suivre les instructions concernant le graissage, la tension de chaîne et le remplacement des accessoires.** *Une chaîne incorrectement tendue ou lubrifiée peut soit se casser ou augmenter le risque de retour en arrière.*
- **Maintenir les poignées sèches, propres et exemptes d'huile et de graisse.** *Des poignées grasses sont glissantes, provoquant une perte de contrôle.*
- **Couper uniquement du bois. Ne pas utiliser la tronçonneuse pour tout autre usage. Par exemple : ne pas utiliser la tronçonneuse pour couper des matériaux de maçonnerie, matières plastiques ou autre que du bois de construction.** *Utiliser la tronçonneuse pour tout usage autre que celui prévu peut entraîner des risques.*

Causes et prévention de tout retour vers l'opérateur :

Le retour en arrière peut se produire quand l'avant ou le bout de la barre de guidage touche un objet (**Fig. B3**), ou quand le bois est trop proche et se prend dans la chaîne lors de la coupe.

Dans certains cas, le contact peut provoquer une réaction inverse soudaine, avec mouvement basculant de la barre de guidage en direction de l'opérateur.

L'accrochage de la tronçonneuse par le haut de la barre de guide peut entraîner rapidement celle-ci en arrière, vers l'opérateur.

Dans les deux cas, vous risquez de perdre le contrôle de la tronçonneuse et vous blesser sérieusement. Ne vous reposer pas exclusivement sur les dispositifs de sécurité équipant votre tronçonneuse. En tant qu'utilisateur de tronçonneuse, vous devez prendre les mesures nécessaires pour pouvoir effectuer tout travail de coupe sans risque d'accident ou de blessure.

L'effet de retour arrière est le résultat d'une mauvaise utilisation de l'outil et/ou de conditions ou procédures de fonctionnement incorrectes ; celui-ci peut être évité en prenant les précautions adéquates suivantes :

- **Maintenir une prise ferme, avec les pouces et les doigts enclenchant les poignées de la tronçonneuse, les deux mains sur l'appareil et en positionnant bien le corps et les bras pour résister à la pression de retour.** *La pression de retour peut être contrôlée par l'opérateur si des précautions adéquates sont prises. Ne pas laisser partir la tronçonneuse.*
- **Ne pas dépasser la portée de coupe ni couper au-dessus de la hauteur d'épaule.** *Cela permet d'éviter tout contact du bout non intentionnel et un meilleur contrôle de la tronçonneuse dans des situations imprévues.*
- **Utiliser uniquement des barres et chaînes de rechange spécifiées par le fabricant.** *Des barres et chaînes de rechange incorrectes peuvent entraîner une rupture de la chaîne et/ou un retour arrière.*
- **Suivre les instructions du fabricant concernant l'ajustage et l'entretien de la tronçonneuse.** *Diminuer la hauteur de jauge de profondeur peut accroître le risque de retour arrière.*

Recommandations de sécurité additionnelles

1. **Utilisation du manuel.** Toute personne utilisant cet appareil doit lire entièrement et attentivement le manuel d'utilisation. Le manuel d'utilisation doit être fourni avec l'appareil dans le cas de vente ou de prêt à toute autre personne.
2. **Précautions préalables à l'utilisation de l'appareil.** Ne jamais autoriser l'utilisation de cet appareil par toute personne qui ne connaît pas parfaitement les instructions du manuel. Les personnes inexpérimentées doivent suivre une période d'entraînement en utilisant un fendeur à bois.

3. **Vérifications de contrôle.** Vérifier soigneusement l'appareil avant toute utilisation, en particulier s'il a subi un choc important ou s'il montre tout signe de mauvais fonctionnement. Réaliser toutes les opérations détaillées au chapitre "Entretien et rangement – Avant toute utilisation".
4. **Réparation et entretien.** Toutes les pièces de l'appareil pouvant être remplacées par l'utilisateur sont clairement détaillées dans le chapitre des instructions de "Montage / démontage". Lorsque c'est nécessaire, toutes les autres pièces de l'appareil doivent être remplacées exclusivement par un Centre de service agréé.
5. **Vêtements. (fig. 1)** Lors de l'utilisation de cet appareil, l'utilisateur doit porter les vêtements de protection approuvés suivants : vêtement de protection ajusté, chaussures de sécurité avec semelles antidérapantes, à bout renforcé, gants de protection anti-vibrations et anti-coupe, lunettes protectrices ou visière de sécurité, protections oreilles et casque (en cas de risque de chute d'objets). En vente chez tout fournisseur de vêtements de travail.
6. **Précautions santé – Vibrations et niveaux sonores.** Veuillez vous renseigner sur les restrictions de bruit dans la zone immédiate. L'utilisation prolongée de l'appareil expose l'utilisateur à des vibrations qui peuvent engendrer "le symptôme des doigts blancs" (le phénomène de Raynaud), le syndrome du canal carpien et autres troubles similaires.
7. **Précautions santé – agents chimiques.** Utiliser de l'huile approuvée par le fabricant.
8. **Précautions santé – Chaleur.** Durant l'utilisation, le pignon et la chaîne atteignent des températures très élevées ; prendre soin de ne pas toucher ces parties quand elles sont chaudes.
9. **AVERTISSEMENT !** Cet appareil produit un champ électromagnétique quand il fonctionne. Dans certaines circonstances, ce champ peut interférer avec des implants médicaux actifs ou passifs. Afin de réduire le risque de blessure grave ou mortelle, nous recommandons aux personnes porteuses d'implants médicaux de consulter leur médecin et le fabricant du dispositif avant de faire fonctionner cet appareil.

Précautions de transport et rangement. (fig. 2) A chaque changement de zone de travail, débrancher l'appareil du secteur et activer le frein de chaîne. Monter le couvercle de la barre de guidage lors de tout transport ou rangement. Toujours transporter l'appareil par la poignée, la barre orientée vers l'avant ou, lors du transport de l'appareil dans un véhicule, toujours l'attacher fermement pour éviter de l'endommager.

Réaction de retour. (fig. 3) La réaction de retour consiste en un mouvement inverse violent vers le haut de la barre en direction de l'utilisateur. Cela se produit en général si la partie supérieure de l'avant de la barre (appelée la "zone de danger de retour") (voir la marque rouge sur la barre de guidage) entre en contact avec un objet quelconque ou si la chaîne reste bloquée dans le bois. L'effet de retour peut faire perdre le contrôle de l'appareil, provoquant de graves accidents, voire fatals. Le levier du frein de chaîne et autres dispositifs de sécurité ne suffisent pas à protéger l'utilisateur contre tout risque de blessure : l'utilisateur doit être prévenu des conditions qui peuvent provoquer la réaction et les éviter en faisant très attention et en manipulant l'appareil correctement et avec prudence (par exemple : ne jamais couper plusieurs branches à la fois car cela peut provoquer un impact accidentel sur la "zone de danger de retour")

Sécurité de la zone de travail

1. Ne jamais autoriser des enfants ou personnes ne connaissant pas ces instructions d'utiliser le produit. La réglementation locale peut limiter l'âge de l'opérateur.
2. Utiliser le produit seulement de la manière et pour les fonctions décrites dans ces instructions.

3. Vérifier soigneusement toute la zone de travail pour écarter toute source de danger (ex. : routes, chemins, câbles électriques, arbres dangereux, etc.)
4. Maintenir les passants et animaux éloignés de la zone de travail (le cas échéant, clôturer la zone et utiliser des panneaux d'avertissement) à une distance minimum de 2,5 x la hauteur de l'arbre; dans tous les cas, pas moins de dix mètres.
5. L'opérateur ou utilisateur est responsable des accidents ou dangers survenant à d'autres personnes sur leur propriété.
7. Positionner le câble de manière à ce qu'il ne se prenne pas dans les branches durant la coupe.
8. Toujours débrancher du secteur avant d'enlever toute prise, connecter de câble ou rallonge.
9. Eteindre, enlever la prise du secteur et vérifier que le câble d'alimentation électrique n'est pas endommagé ou usé avant de l'enrouler pour le ranger. Ne pas réparer un câble endommagé. Porter le produit dans un Centre de service agréé pour faire remplacer le câble.

Sécurité électrique

1. Il est recommandé d'utiliser un dispositif à courant résiduel (RCD) avec un courant de déclenchement de 30mA maximum. Même avec un RCD installé, il est impossible de garantir 100% de sécurité et une pratique de travail sûre doit être suivie à chaque fois. Contrôler votre RCD à chaque fois que vous l'utilisez.
2. Avant utilisation, vérifier que le câble n'est pas endommagé, le remplacer en cas de signe d'endommagement ou d'usage.
3. Ne pas utiliser le produit si le câble électrique est endommagé ou usé.
4. Débrancher immédiatement du secteur si le câble est coupé ou que l'isolation est endommagée. Ne pas toucher le câble électrique tant que l'alimentation n'a pas été coupée. Ne pas réparer un câble coupé ou endommagé. Porter le produit dans un Centre de service agréé pour faire remplacer le câble.
5. La rallonge doit être entièrement déroulée car les câbles enroulés risquent de surchauffer ce qui diminue l'efficacité de votre tondeuse.
6. Toujours vérifier que le câble/ rallonge se trouve derrière l'utilisateur, en s'assurant qu'il ne présente pas une source de danger pour l'utilisateur ou d'autres personnes, et vérifier qu'il n'existe aucun risque de l'endommager (chaleur, objets pointus, bords pointus, huile, etc.) ;

10. Enlever la prise du secteur avant de laisser le produit non utilisé pendant une certaine période.
11. Toujours enrouler le câble avec soin, en évitant de l'entortiller.
12. Utiliser uniquement la tension nominale d'alimentation secteur CA indiquée sur l'étiquette du produit.
13. La tronçonneuse est doublement isolée selon les normes EN60745-1 & EN60745-2-13. En aucun cas, aucune partie du produit ne doit être connectée à la terre.

Câbles

1. Les câbles d'alimentation et rallonges sont disponibles auprès de votre centre de service agréé local
2. Utiliser uniquement des rallonges approuvées
3. Les rallonges et contacts ne doivent être utilisés qu'à la condition d'être prévus pour un usage en extérieur.
4. Si vous voulez ajouter une rallonge pour utiliser le produit, nous vous conseillons de respecter les dimensions de câble suivantes:

Modèles CSE1835, CSE1935S:

- 5.0 mm² : longueur max. 40 m
- 5.0 mm² : longueur max. 60 m
- 8.0 mm² : longueur max. 100 m

Modèles CSE2040, CSE2040S :

- 5.0 mm² : longueur max. 50 m
- 8.0 mm² : longueur max. 90 m

C. DESCRIPTION DES EQUIPEMENTS DE SECURITE

BLOCAGE DE L'INTERRUPTEUR

Votre machine est équipée d'un dispositif (**Fig. 1**) qui empêche, lorsqu'il n'est pas actionné, d'appuyer sur l'interrupteur afin d'éviter tout risque de démarrage accidentel.

FREIN DE CHAÎNE AU DECLENCHEMENT DE L'INTERRUPTEUR

Votre machine est équipée d'un dispositif qui bloque instantanément la chaîne lorsque l'interrupteur est déclenché; s'il ne fonctionne pas, n'utilisez pas la machine et emmenez-la dans un Centre d'Assistance Agréé.

FREIN DE CHAÎNE / PROTEGE-MAIN AVANT

Le protège-main avant (**fig.2**) permet d'éviter (à condition que vous empoigniez correctement la machine) que votre main gauche entre en contact avec la chaîne. Le protège-main avant a également pour fonction d'actionner le frein de chaîne, qui est un dispositif conçu pour bloquer la chaîne en quelques millisecondes en cas de recul de réaction. Le frein de chaîne est désactivé lorsque le protège-main avant est tiré vers l'arrière et bloqué (la chaîne peut bouger). Le frein de chaîne est actionné lorsque le protège-main avant est poussé vers l'avant (la chaîne est bloquée). Le frein à chaîne peut être activé par une poussée vers l'avant de la poignée avec la main gauche ou par contact de la poignée avec l'arceau protecteur, en faisant contrepois au sens du rebond.

Lorsque l'appareil est utilisé avec la barre en position horizontale, par exemple lors de la chute d'un arbre, le frein à chaîne offre moins de protection. (**fig.3**).

N.B.: lorsque le frein de chaîne est activé un interrupteur de sécurité coupe l'alimentation au moteur.

⚠ Pour démarrer l'appareil, relâcher le frein à chaîne tout en maintenant le contacteur.

PIVOT BLOQUE-CHAÎNE

Cet appareil est équipé d'un capteur de chaîne (**fig.4**) situé sous le pignon. Ce mécanisme est conçu pour stopper le mouvement de retour de chaîne en cas de rupture ou de déraillement de la chaîne.

Ces situations peuvent être évitées en s'assurant d'une tension de chaîne correcte (se reporter au chapitre "D. Montage/Démontage").

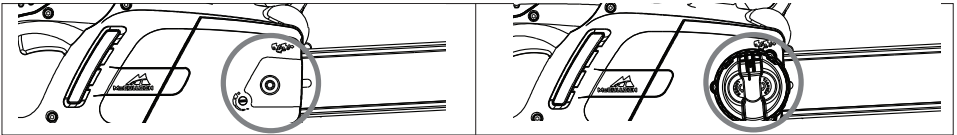
PROTEGE-MAIN ARRIERE

Sert à protéger la main droite (**fig.5**) au cas où la chaîne sauterait ou se casserait.

D. MONTAGE / DEMONTAGE

MONTAGE DU GUIDE ET DE LA CHAÎNE

En fonction du modèle de votre machine, la procédure de montage change. Par Veillez à effectuer une opération de montage correcte.



1. Contrôlez que le frein de chaîne ne soit pas enclenché, et le cas échéant libérez-le	
2a. Dévisser l'écrou de retenue barre et retirer le couvercle du pignon d'entraînement.	2b. Dévisser la molette de retenue barre et retirer le couvercle du pignon d'entraînement.
3 Positionner la chaîne sur la barre, en commençant par le pignon avant et la placer dans la rainure de la barre de guidage. Attention! S'assurer que le côté pointu des dents de coupe soit positionné face avant sur la partie supérieure de la barre. Porter des gants.	
4a. S'assurer que la broche du tendeur de chaîne est face et aussi loin que possible du pignon d'entraînement. Monter la barre sur la vis de retenue barre et la broche du tendeur de chaîne, puis positionner la chaîne sur le pignon d'entraînement. Remettre en place le couvercle du pignon d'entraînement en s'assurant que les dents d'entraînement de la chaîne sont bien engagées dans le pignon d'entraînement et la rainure de guidage.	4b. Tourner la molette métallique au maximum dans le sens anti-horaire. Monter la barre sur la vis de retenue barre et positionner la chaîne sur le pignon d'entraînement.
5a. Serrer l'écrou d'arrêt du guide à la main sans le bloquer à fond.	5b. Visser le bouton de fixation barre sans le bloquer à fond.
6a. Pour régler la tension de la chaîne, visser la vis du tendeur de chaîne dans le sens horaire en utilisant la clé/le tournevis fourni. Pour réduire la tension, visser dans le sens anti-horaire (pour cette opération, maintenir le nez de la barre vers le haut)	6b. Pour régler la tension de la chaîne, visser le bouton externe du tendeur de chaîne dans le sens horaire. Pour réduire la tension, visser dans le sens anti-horaire.(pour cette opération maintenir le nez de la barre vers le haut)
7. Régler la tension de la chaîne pour obtenir le niveau correct. Soulever la chaîne de la barre et vérifier que l'écart est compris entre 2 à 3 mm.	
8a. Serrer l'écrou de serrage de la barre à l'aide de la clé/du tournevis fourni.	8b. Serrer la barre jusqu'à ce qu'elle soit fermement maintenue.

Tendre excessivement la chaîne peut surcharger le moteur et l'endommager. Ne pas la tendre suffisamment peut provoquer son décrochage. Une chaîne correctement tendue signifie par contre de meilleures caractéristiques de coupe et une plus grande durée de vie de celle-ci. Contrôlez souvent la tension de la chaîne car sa longueur tend à augmenter à l'usage (en particulier si elle est neuve, après le premier montage, contrôlez de nouveau la tension après 5 minutes de travail); dans tous les cas, ne tendez pas la chaîne tout de suite après l'utilisation, mais attendez qu'elle se refroidisse.

Au cas où vous devriez régler la tension de la chaîne, desserrez toujours les écrous/bouton de maintien du guide avant d'intervenir sur la vis/molette tendeur de chaîne; tendez-la correctement et serrez ensuite, les écrous/bouton de maintien du guide.

E. MISE EN MARCHÉ ET ARRÊT

Démarrage : Agripper fermement les deux poignées, relâcher le levier du frein à chaîne et tout en maintenant une main sur la poignée avant, garder la pression sur le bouton de contact, puis appuyer sur le contacteur (il est alors possible de relâcher le bouton de contact).

Arrêt: la machine s'arrête lorsque vous relâchez l'interrupteur. Si la machine ne s'arrête pas, actionnez le frein de chaîne, débranchez le cordon d'alimentation du secteur et emmenez la machine dans un Centre d'Assistance Agréé

F. LUBRIFICATION DU GUIDE ET DE LA CHAÎNE

ATTENTION! Une lubrification insuffisante de l'appareillage de coupe provoquera une rupture de la chaîne avec des risques de lésions personnelles graves, voire même mortelles

La lubrification du guide et de la chaîne est assurée par une pompe automatique.

Et vérifiez comme cela est indiqué dans la partie "Maintenance" que l'huile de la chaîne soit distribuée en quantité suffisante.

Choix du type d'huile de la chaîne

Utilisez uniquement une huile neuve (de type spécial pour chaînes) présentant une bonne viscosité: elle doit présenter une bonne adhérence et garantir de bonnes propriétés de coulissement, aussi bien en été qu'en hiver. Si vous ne disposez pas d'huile pour chaînes, vous pouvez utiliser de l'huile pour

transmissions EP 90.

N'utilisez jamais d'huiles usées car elles sont nocives pour vous, la machine et l'environnement. Assurez-vous que l'huile utilisée est adaptée à la température ambiante du lieu d'utilisation: aux températures inférieures à 0°C certaines huiles deviennent plus denses, de qui surcharge ainsi la pompe et l'endommagement. Pour le choix de l'huile la mieux recommandée, veuillez contacter votre Centre d'Assistance Agréé.

Appoint d'huile

Dévissez le bouchon du réservoir d'huile, remplissez le réservoir en évitant de tomber de l'huile sur la machine (si ceci se produit, nettoyez soigneusement la machine) puis serrez fermement le bouchon.

G. ENTRETIEN ET RANGEMENT

Avant d'entreprendre tout entretien ou nettoyage, retirer la prise du secteur.

ATTENTION! Au cas où le travail se déroulerait dans des ambiances très sales ou poussiéreuses, les opérations décrites devront être réalisées selon une fréquence plus rapprochée que celle indiquée.

Avant chaque utilisation

Contrôlez que la pompe à huile de la chaîne fonctionne correctement: pointez le guide vers une surface claire située à environ 20 centimètres; après une minute de fonctionnement de la machine, la surface devra présenter des traces d'huile évidentes (Fig. 1). Vérifiez que pour actionner ou libérer le frein de chaîne il ne soit pas nécessaire d'exercer une force excessive ou insuffisante et que celui-ci ne soit pas bloqué. Contrôlez ensuite son fonctionnement de la façon suivante: libérez le frein de chaîne, engagez correctement la machine et actionnez-la, enclenchez le frein de chaîne en poussant le protège-main avant avec le poignet/bras gauche, sans jamais lâcher les poignées (Fig. 2). Si le frein de chaîne fonctionne, la chaîne doit se bloquer immédiatement. Contrôlez que la chaîne soit affûtée, en bon état et correctement tendue; si elle est usée de façon irrégulière ou des gouges de 3 mm seulement, remplacez-la (Fig. 3).

Nettoyez fréquemment les fentes d'aération afin d'éviter que le moteur ne surchauffe. (Fig. 4).

Contrôlez le fonctionnement de l'interrupteur et du blocage de l'interrupteur (à effectuer lorsque le frein de chaîne est libéré): actionnez l'interrupteur et le blocage de l'interrupteur et contrôlez qu'ils retournent en position de repos dès lors qu'ils sont relâchés; vérifiez que, sans actionner le blocage de l'interrupteur, il est impossible d'actionner l'interrupteur.

Contrôlez que le pivot bloque-chaîne et le protège-main droite soient intègres et sans défauts apparents, tels que par exemple des lésions du matériau.

outes les 2-3 heures d'utilisation

Contrôlez le guide et, si cela est nécessaire, nettoyez avec soin les orifices de lubrification (Fig. 5) et la gorge du guide (Fig. 6). Si le guide est usé ou présente des sillons trop profonds, remplacez-le. Nettoyer régulièrement le pignon d'entraînement et vérifier qu'il n'a pas subi d'usure excessive (Fig.7). Graissez la roue d'extrémité du guide avec de la graisse pour roulements en vous servant de l'orifice prévu à cet effet (Fig. 8).

Affûtage de la chaîne (lorsque cela est nécessaire)

Si la chaîne ne coupe pas sans appuyer le guide contre le bois et produit de la sciure très fine, cela signifie qu'elle est mal affûtée. Si la coupe ne produit pas de sciure, la chaîne a complètement perdu le tranchant et en coupant elle pulvérise le bois. Une chaîne bien affûtée pénètre toute seule dans le bois et produit des copeaux gros et longs.

La partie tranchante de la chaîne est constituée par le maillon gouge (Fig. 9), muni d'une gouge (Fig. 10) et un limiteur de profondeur de la gouge (Fig. 11). La différence de niveau entre ceux-ci détermine la profondeur de coupe; pour obtenir un bon affûtage, il faut avoir un porte-lime, une lime ronde de 4 mm de diamètre et suivre les indications suivantes: une fois que la chaîne est montée et tendue correctement, actionnez le frein de chaîne, placez le porte-lime en position perpendiculaire par rapport au guide (Fig. 12), puis affûtez la gouge selon l'angle d'affûtage indiqué (Fig. 13), en procédant toujours de l'intérieur vers l'extérieur et en exerçant une pression moins importante dans le mouvement de retour (il est très important de respecter les indications: des angles d'affûtage excessifs ou insuffisants et un diamètre de la lime inapproprié augmentent le risque de recul de réaction). Pour obtenir des angles latéraux plus précis, il est conseillé de placer la lime de façon à ce qu'elle dépasse verticalement le tranchant supérieur d'environ 0,5 mm. Affûtez tout d'abord toutes les gouges d'un même côté, puis tournez la scie et répétez l'opération de l'autre côté. Assurez-vous qu'après l'affûtage les gouges soient toutes de même longueur et que la hauteur des limiteurs de profondeur se trouve 0,6 mm au-dessus du tranchant supérieur. Contrôlez la hauteur en utilisant la jauge et limez (avec une lime plate) la partie saillante, arrondissez ensuite la partie avant du limiteur de profondeur (Fig. 14), en faisant attention à NE PAS limer également la dent de protection anti-recul de réaction (Fig. 15).

Toutes les 30 heures d'utilisation

Amenez la machine dans une Centre d'Assistance Agréé pour une révision générale et un contrôle des dispositifs de freinage.

Rangement

Ranger le produit dans un endroit sec et frais, et hors de portée des enfants. Ne pas laisser à l'extérieur.

H. TECHNIQUES DE COUPE

Pendant l'utilisation, évitez (fig.1)

- de couper dans des situations où le tronc pourrait se briser durant la coupe (bois en tension, arbres secs, etc.); une rupture soudaine pourrait être très dangereuse;
- que le guide ou la chaîne ne se coince dans la coupe; si ceci se produit, débranchez la machine du secteur et essayez de soulever le tronc en faisant levier avec un instrument approprié; n'essayez pas de libérer la machine ou la secouant ou en la tirant car vous pourriez l'endommager ou vous faire mal;
- les situations qui pourraient favoriser la manifestation du recul de réaction.
- d'utiliser le produit au-dessus du niveau d'épaule
- de couper du bois comportant des corps étrangers (ex., des clous)

Pendant l'utilisation (fig.1)

- si vous coupez sur un terrain escarpé, travaillez en amont du tronc afin que celui-ci ne puisse pas vous frapper au cas où il roulerait;
 - en cas d'abattage d'un arbre, terminez toujours votre travail; en effet, un arbre partiellement coupé pourrait se rompre;
 - à la fin de chaque coupe, vous noterez un changement important de la force nécessaire pour tenir la machine; faites bien attention à ne pas en perdre le contrôle.
- Le texte suivant se réfère aux deux techniques de coupe suivantes:
- la coupe avec chaîne-tireur (du haut vers le bas) (Fig. 2), qui présente le risque d'un déplacement soudain de la machine vers le tronc suivi d'une perte de contrôle; si cela est possible, utilisez le crampon durant la coupe;

- la coupe avec chaîne-pousseur (du bas vers le haut) (Fig. 3), qui présente quant à elle le risque d'un déplacement soudain de la machine vers l'opérateur, avec le risque de l'atteindre, ou d'impact du secteur de risque avec le tronc suivi du recul de réaction; soyez très vigilant durant la coupe.

Le mode le plus sûr d'utiliser la machine consiste à bloquer le bois sur un chevalet, en coupant du haut vers le bas et opérant en-dehors du support (Fig. 4).

Utilisation du crampon

Lorsque cela est possible, utilisez le crampon pour une coupe plus sûre: plantez-le dans l'écorce ou dans la partie superficielle du tronc afin de garder plus facilement le contrôle de la machine.

Ci-après il est reporté les procédures typiques à adopter dans différentes situations. Il faudra évaluer cas par cas si elles sont adaptées ou non à votre situation et quelle est la technique de coupe qui présente le risque mineur.

Tronc au sol risque de toucher le sol avec la chaîne à la fin de la coupe). (Fig. 5)

Coupez du haut vers le bas à travers tout le tronc. Soyez vigilant à la fin de la coupe afin d'éviter que la chaîne entre en contact avec le sol. Si cela est possible, arrêtez-vous aux 2/3 de l'épaisseur du tronc, tourner ensuite le tronc et coupez la partie restante du haut vers le bas afin de limiter au maximum le risque de contact avec le sol.

Tronc en appui sur un seul côté (risque de rupture du tronc durant la coupe). (Fig. 6)

Commencez la coupe par dessous jusqu'à environ 1/3 du diamètre. Terminez ensuite la coupe par dessus jusqu'à ce vous atteigniez la coupe effectuée de l'autre côté.

Tronc en appui à chaque extrémité (risque d'écrasement de la chaîne). (Fig. 7)

Commencez la coupe par dessus jusqu'à environ 1/3 du diamètre. Terminez ensuite la coupe par dessous jusqu'à ce vous atteigniez la coupe effectuée de l'autre côté.

Tronc couché sur une pente. Toujours rester sur le côté haut du rondin. Pour 'couper à travers' tout en gardant un parfait contrôle, relâcher la pression de coupe près de l'extrémité de la coupe sans desserrer la prise sur les poignées de la tronçonneuse. Ne pas laisser la chaîne entrer en contact avec le sol.

Abattage

ATTENTION! N'essayez pas de procéder à l'abattage d'un arbre si vous n'avez pas suffisamment d'expérience et, dans tous les cas, n'abattez jamais des troncs ayant un diamètre supérieur à la longueur du guide! Cette opération est réservée aux utilisateurs experts équipés d'équipements appropriés.

Le but de l'abattage est de faire tomber l'arbre dans la meilleure position possible en vue des opérations suivantes d'élagage et de sectionnement du tronc. Évitez qu'un arbre en chute ne se coince dans un autre; faire tomber un arbre coincé est une opération très dangereuse. Vous devez décider quelle est la meilleure direction de chute en évaluant: ce qu'il y a autour de l'arbre, son inclinaison, son incurvation, la direction du vent et la concentration des branches. Ne négligez pas non plus la présence de branches mortes ou brisées qui pourraient se casser durant l'abattage et constituer un danger.

ATTENTION! Durant les opérations d'abattage dans des conditions critiques, enlevez vos protections acoustiques tout de suite après la coupe afin de pouvoir percevoir les bruits insolites et les éventuels signaux d'avertissement.

Opérations préliminaires de la coupe et identification des dégagement de secours

Éliminez les branches qui gênent le travail (Fig. 8), en commençant du haut vers le bas et en maintenant le tronc placé entre vous et la machine; éliminez ensuite les branches les plus difficiles, un morceau après l'autre. Éliminez la végétation autour de l'arbre et observez les éventuels obstacles présents (pierres, racines, fossés, etc.) pour planifier votre dégagement de secours (qui servira lors de la chute de l'arbre); reportez-vous à la Fig. 9 pour la direction à suivre (A direction prévue pour la chute de l'arbre. B. Dégagement de secours C. Zone à risque).

ABATTAGE (Fig. 10)

Pour vous assurer du contrôle de la chute de l'arbre, vous devez effectuer les opérations suivantes:

La coupe directionnelle, à effectuer en premier, sert à contrôler la direction de chute de l'arbre: effectuez tout d'abord la PARTIE SUPERIEURE de la coupe directionnelle du côté vers où l'arbre s'abattrait. Placez-vous à droite de l'arbre et exécutez l'entaille avec la chaîne-tireur; exécutez ensuite la PARTIE INFÉRIEURE de l'entaille, qui doit se terminer à la fin de la partie supérieure. La profondeur de la coupe directionnelle doit être égale à 1/4 du diamètre du tronc et l'angle entre l'entaille supérieure et l'entaille inférieure doit être au moins de 45°. Le point de rencontre des deux entailles est appelé "ligne de la coupe directionnelle". Cette ligne doit être parfaitement horizontale et à angle droit (90°) par rapport à la direction de chute.

La coupe d'abattage, qui a pour but de provoquer la chute de l'arbre, doit être exécutée à environ 3-5 cm au-dessus de la partie inférieure du plan de la coupe directionnelle et se terminer à 1/10 du tronc de celle-ci. Placez-vous sur la gauche de l'arbre et exécutez la coupe avec la chaîne-tireur, en utilisant le crampon. Contrôlez que l'arbre ne bouge pas dans une direction autre que celle prévue pour la chute. Dès que cela est possible, introduisez un coin d'abattage dans la coupe. La partie de tronc non coupée est appelée point d'appui et est la "chamrière" qui guide l'arbre dans sa chute; s'il est insuffisant, non rectiligne ou bien scié complètement, il ne sera plus possible de contrôler la chute de l'arbre (situation très dangereuse!), d'où l'importance d'effectuer les coupes avec précision. A la fin des coupes, l'arbre doit commencer à tomber; si cela devait être nécessaire, aidez-le avec un coin et un levier d'abattage.

Elagage

Lorsque l'arbre est abattu, il faut procéder à l'élagage, c'est-à-dire à l'élimination des branches du tronc. Ne sous-évaluez pas cette opération car la plupart des accidents de recul de réaction se produisent durant l'élagage; faites donc bien attention à la position de l'avant du guide durant la coupe et travaillez du côté gauche du tronc.

I. ECOLOGIE


Ce chapitre vous fournira des informations très utiles pour conserver les caractéristiques d'écocompatibilité conçues lors de la phase de développement de la machine, l'utilisation correcte de la machine et l'élimination des huiles.

UTILISATION DE LA MACHINE

Les opérations de remplissage du réservoir à huile doivent être effectuées de façon à ne pas provoquer la dispersion dans la nature de l'huile de la chaîne.

ELIMINATION

Ne jetez pas la machine qui ne fonctionne plus dans la nature, mais remettez-la au contraire aux organismes agréés pour le traitement des déchets, conformément à ce qui est prévu par les normes en vigueur.

Le symbole  sur le produit ou sur son emballage indique que ce produit ne doit pas être traité comme déchet ménager. Il doit obligatoirement être déposé au point de collecte prévu pour le recyclage du matériel électrique et électronique. En vous conformant à une procédure d'enlèvement correcte du produit devenu obsolète, vous aiderez à prévenir tout effet nuisible à l'environnement et à la santé, qu'une manipulation inappropriée de celui-ci pourrait autrement provoquer.

Pour de plus amples informations sur le recyclage de ce produit, veuillez contacter votre mairie ou collectivité locale, la déchetterie de votre localité ou le magasin où vous avez acheté le produit.

J. TABLEAU D'IDENTIFICATION DES PANNES

	Le moteur ne démarre pas	Le moteur tourne mal ou perd de la puissance	La machine démarre mais ne coupe pas correctement	Le moteur tourne de façon anormale	Les dispositifs de freinage ne bloquent pas correctement la rotation de la chaîne
Vérifiez la présence du courant d'alimentation	●				
Vérifiez si la fiche est correctement branchée	●				
Vérifiez que ni le cordon d'alimentation ni la rallonge ne soient endommagés	●				
Vérifiez que le frein de chaîne ne soit pas actionné	●				
Vérifiez que la chaîne est correctement montée et bien réglée au niveau tension		●	●		
Contrôlez la lubrification de la chaîne comme cela est décrit aux chapitres F et G			●		
Contrôlez que la chaîne soit affûtée			●		
Vérifiez que l'interrupteur thermique est activé	●				
Adressez-vous à un Centre d'Assistance Agréé	●	●		●	●

K. PIÈCES DE RECHANGE

35cm	Chaîne	91PJ052XN	Numéro de pièce.:	530051538
	Barre de guidage		Numéro de pièce.:	576965401
40cm	Chaîne	91PJ056XN	Numéro de pièce.:	530051539
	Barre de guidage		Numéro de pièce.:	576965201

L. EC DÉCLARATION DE CONFORMITÉ

Husqvarna AB, S-561 82, Huskvarna, Sweden

Nous déclarons sous notre seule responsabilité que le(s) produit(s) :

Désignation..... **Chainsaw - Tronçonneuse**
 Désignation du(des) type(s)..... **CSE1835, CSE1935S, CSE2040, CSE2040S**
 Identification de la série..... **Voir la Plaquette D'identification**
 Année de Construction..... **Voir la Plaquette D'identification**

est/sont conforme(s) aux exigences et dispositions essentielles des Directives européennes suivantes :
2006/42/EC, 2004/108/EC, 2000/14/EC, 2011/65/EU

Selon les normes harmonisées de l'UE applicables :
EN60745-1, EN60745-2-13, EN55014-2, EN55014-1, EN61000-3-2, EN61000-3-11

Organisme notifié qui a délivré une attestation d'examen
 'CE' conformément à la section 2c de l'article 8..... TÜV Rheinland LGA Products GmbH
 Tillystraße 2
 D-90431 Nürnberg
 Germany
 BM 50268379

Certificat n°
 Le niveau maximum de pression acoustique pondéré L_{pA} enregistré à la position de l'opérateur, mesuré selon la norme EN60745-2-13, correspond au niveau indiqué dans le tableau.

La valeur pondérée des vibrations main / bras maximum a_{h1} , mesurée selon la norme EN60745-2-13 sur un échantillon du/des produit(s) ci-dessus correspond à la valeur ah donnée dans le tableau.

La valeur totale déclarée des vibrations émises a été calculée suivant une méthode de test standard et peut servir à comparer un outil par rapport à un autre.

La valeur totale déclarée des vibrations émises peut également servir lors d'une évaluation préliminaire du taux d'exposition.

Attention :

Les vibrations émises durant une utilisation effective de l'outil électrique peuvent varier de la valeur totale déclarée en fonction de la façon dont l'outil est employé.

Les opérateurs doivent identifier les mesures de sécurité concernant leur propre protection, qui sont basées sur une estimation du taux d'exposition dans les conditions réelles d'utilisation (en tenant compte de tous les éléments du cycle opérationnel, tels que le nombre de fois que l'outil est arrêté et lorsqu'il tourne au ralenti, en plus du temps de déclenchement).

2000/14/CE : Les valeurs de puissance sonore mesurées et de puissance sonore garantie sont conformes aux chiffres indiqués dans le tableau.

Procédure d'évaluation de conformité..... Annex V

Ulm 12/02/2013
 P. Lamelli
 Directeur R&D International - portatif
 Conserver la documentation technique



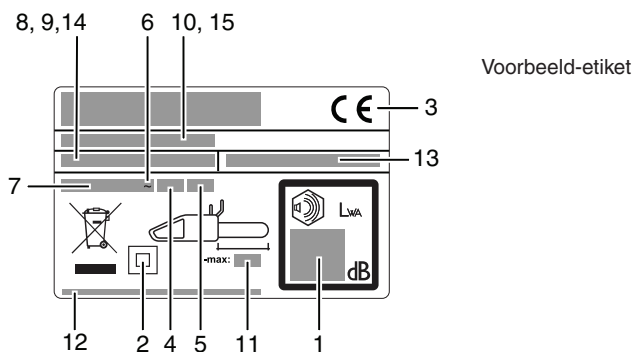

Type (CSE _____)	1835	1935S	2040	2040S
Poids à vide (Kg)	4.3	4.5	4.4	4.6
Puissance (kW)	1.8	1.9	2.0	2.0
Capacité réservoir à huile (cm ³)	240	240	240	240
Longueur maximum de la barre de guidage (cm)	35	35	40	40
Pas chaîne (mm)	9.52	9.52	9.52	9.52
Gabarit de chaîne (mm)	1.3	1.3	1.3	1.3
Niveau de puissance sonore mesuré L_{WA} (dB(A))	106	106	106	106
Niveau de puissance sonore garanti L_{WA} (dB(A))	110	110	110	110
Pression sonore L_{pA} (dB(A))	95	95	95	95
Incertitude K_{pA} (dB(A))	2.5	2.5	2.5	2.5
Vibration dans les mains/bras a_{h1} (m/s ²)	7.28	7.28	8.08	8.08
Incertitude K_{ah} (m/s ²)	1.5	1.5	1.5	1.5
Valeur Z_{max} de la courbe d'impédance secteur (Ω)	0.382	0.382	0.382	0.382

Déclaration de conformité EN 61000-3-11

En fonction des caractéristiques du réseau d'alimentation électrique local, l'utilisation de ce produit peut entraîner de courtes baisses de tension au moment de la mise en marche. Cela peut avoir une influence sur d'autres appareils électriques (ex., l'atténuation momentanée d'une lampe). Ces effets ne se produiront pas si la valeur Z_{max} de la courbe d'impédance secteur de votre alimentation électrique est inférieure à celle indiquée dans le tableau (applicable à votre modèle). La valeur de l'impédance secteur peut être déterminée en contactant votre centre de distribution d'électricité.

A. ALGEMENE BESCHRIJVING

- | | |
|--|---|
| <ol style="list-style-type: none"> 1) Achterste handgreep 2) Handbescherming achter 3) Voorste handgreep 4) Handbescherming voor/kettingremhandel 5) Buitenste kettingspanknop 6) Kettingspannschroef 7) Kettingspanpen 8) Olietankdop 9) Kijkvenster olieniveau 10) Ventilatieopeningen 11) Kabel 12) Gebruiksaanwijzing 13) Schakelaar 14) Schakelaarvergrendeling 15) Ketting 16) Aandrijfschakel 17) Snijschakel 18) Dieptesteller | <ol style="list-style-type: none"> 19) Snijtand 20) Geleider 21) Kettingwielkast 22) Kettingwiel 23) Kettingvanger 24) Zwaardbevestigingsschroef 25) Binnenste kettingbladknop 26) Kettingbladmoer 27) Neuswiel 28) Geleiderkap 29) Veltand 30) Zitting kettingspanpen 31) Smeergat 32) Geleidergroef 33) Moersleutel/schroevendraaier |
|--|---|



- 1) Geluidsvermogen gegarandeerd volgens richtlijn 2000/14/EC
- 2) Werktuig van Klasse II
- 3) CE-markering
- 4) Nominale frequentie
- 5) Nominaal vermogen
- 6) Wisselstroom
- 7) Nominale spanning
- 8) Type
- 9) Productcode
- 10) Bouwjaar
- 11) Maximale lengte van geleider
- 12) Naam en adres fabrikant
- 13) Artikelnummer (Elektrische kettingzaag)
- 14) Mode
- 15) Serienummer

B. VEILIGHEIDSINSTRUCTIES

BETEKENIS VAN DE SYMBOLEN



Waarschuwing
Gebruiksaanwijzing
aandachtig lezen



Veiligheidslaarzen



**Helm, gehoor-
bescherming en
veiligheidsbril of vizier**



**Veiligheids-
handschoenen**



**Lange veiligheidsbroek
tegen snijwonden**



**Rem uitgeschakeld,
ingeschakeld**



**Als het snoer beschadigd
of doorgesneden is, dient
u de stekker onmiddellijk
uit het stopcontact te halen**



**Houd omstanders uit
de buurt**



**Richting van de
snijstand**



**Altijd met twee handen
gebruiken**



Gevaar voor terugslag



**Niet blootstellen aan
regen of vocht**



Kettingolie



Niet doen ...



Machine uitschakelen



**Haal de stekker uit het
stopcontact voordat u
de machine verstelt of
schoonmaakt**



**Kans op elektrische
schok**

Algemene veiligheidswaarschuwingen voor elektrische gereedschappen.

WAARSCHUWING Lees alle veiligheidswaarschuwingen en alle instructies. *Het niet opvolgen van de waarschuwingen en instructies kan stroomschokken, brand en/of ernstig letsel tot gevolg hebben.*

Bewaar alle waarschuwingen en instructies voor toekomstig gebruik.

Onder de term "elektrisch gereedschap" in de waarschuwingen wordt verstaan uw elektrisch gereedschap met netvoeding (met snoer) of uw elektrisch gereedschap met batterij (zonder snoer).

1) Veiligheid op de werkplek

- Zorg ervoor dat de werkplek schoon en goed verlicht is.** *Een rommelige of donkere werkplek kan ongelukken veroorzaken.*
- Gebruik het elektrisch gereedschap niet in explosieve atmosferen, bijvoorbeeld in aanwezigheid van ontvlambare vloeistoffen, gassen of stof.** *Elektrische gereedschappen geven vonken af die het stof of de dampen vlam kunnen doen vatten.*
- Zorg ervoor dat kinderen en omstanders op een afstand blijven wanneer u een elektrisch gereedschap gebruikt.** *Als u afgeleid wordt kunt u de controle over het gereedschap verliezen.*

2) Elektrische veiligheid

- De stekker van het elektrisch gereedschap moet geschikt zijn voor het stopcontact.** *Nooit een stekker modificeren. Gebruik geen adapterstekkers in combinatie met geaarde elektrische gereedschappen.* *Ongemodificeerde stekkers en geschikte stopcontacten reduceren het risico van stroomschokken.*
- Vermijd lichaamscontact met geaarde oppervlakken zoals pijpen, radiators, fornuizen en koelkasten.** *Het risico van stroomschokken neemt toe als uw lichaam geaard wordt.*
- Stel elektrische gereedschappen niet bloot aan regen of natte condities.** *Als er water in een elektrisch gereedschap komt, neemt het risico van stroomschokken toe.*
- Misbruik het snoer niet.** *Gebruik het snoer niet om het elektrisch gereedschap te dragen of naar u toe te trekken, of de stekker uit het stopcontact te trekken. Houd het snoer uit de buurt van warmtebronnen, olie, scherpe randen en bewegende onderdelen.* *Met een beschadigd of verknoopt snoer neemt het risico van stroomschokken toe.*
- Als het elektrisch gereedschap buiten gebruikt wordt, gebruik dan een verlengsnoer dat geschikt is voor gebruik buitenshuis.** *Het gebruik van een geschikt snoer vermindert het risico van stroomschokken.*

- f) Als gebruik van elektrisch gereedschap op een vochtige plek onvermijdelijk is, gebruik dan een door een aardlekschakelaar (RCD) beschermde voedingsbron. Een RCD vermindert het risico van stroomschokken.
- 3) **Persoonlijke veiligheid**
- a) Blijf alert, let op wat u doet en gebruik uw gezond verstand bij gebruik van elektrisch gereedschap. Gebruik elektrische gereedschappen niet als u moe of onder invloed van drugs, alcohol of geneesmiddelen bent. *Zelfs als u één ogenblik niet oplet tijdens gebruik van elektrisch gereedschap, kan dit ernstig persoonlijk letsel veroorzaken.*
- b) Gebruik persoonlijke beschermingsmiddelen. Draag altijd oogbescherming. *Beschermingsmiddelen zoals een stofmasker, slipvrije veiligheidsschoenen, een helm of oorbescherming in bepaalde condities verminderen het risico van persoonlijk letsel.*
- c) Voorkom dat u de apparatuur per ongeluk opstart. Controleer of de schakelaar in de uit-stand staat voordat u de stekker in het stopcontact steekt, een batterij aansluit of het gereedschap oppakt. *Het dragen van elektrisch gereedschap met uw vinger op de schakelaar of het inschakelen van elektrisch gereedschap dat aanstaat kan ongelukken veroorzaken.*
- d) Verwijder stelsleutels voordat u het elektrisch gereedschap aanzet. *Het laten zitten van een sleutel in een draaiend deel van het elektrisch gereedschap kan persoonlijk letsel veroorzaken.*
- e) Reik niet te ver. Zorg dat u altijd stevig staat en in balans blijft. *U heeft dan beter controle over het elektrisch gereedschap in onverwachte situaties.*
- f) Draag geschikte kleding. Draag geen loszittende kleding of sierraden. Houd haar, kleding en handschoenen uit de buurt van bewegende onderdelen. *Loszittende kleding, sierraden of lang haar kan verstrengeld raken in bewegende onderdelen.*
- g) Als er inrichtingen zijn voor het afzuigen of verzamelen van stof, zorg er dan voor dat deze op de juiste manier aangesloten en gebruikt worden. *Het gebruik van stofverzamelingsapparatuur kan risico's in verband met stof verminderen.*
- 4) **Gebruik en verzorging van elektrische gereedschappen**
- a) Forceer het elektrisch gereedschap niet. Gebruik het juiste elektrisch gereedschap voor het betreffende doeleinde. *Het juiste elektrisch gereedschap levert betere resultaten op en is veiliger voor het doel waarvoor het ontworpen werd.*
- b) Gebruik het elektrisch gereedschap niet als het niet met de schakelaar aan en uit te zetten is. *Een elektrisch gereedschap dat niet via de schakelaar te bedienen is, is gevaarlijk en moet gerepareerd worden.*
- c) Neem de stekker uit het stopcontact en/of de batterij uit het elektrisch gereedschap voordat u instellingen verandert, hulpstukken verwisselt of het gereedschap opbergt. *Dergelijke voorzorgsmaatregelen verminderen het risico dat het elektrisch gereedschap per ongeluk opstart.*
- d) Bewaar elektrische gereedschappen buiten het bereik van kinderen en laat ze niet bedienen door personen die niet vertrouwd zijn met het gereedschap of deze instructies. *Elektrische gereedschappen zijn gevaarlijk in de handen van onervaren gebruikers.*
- e) Houd het elektrisch gereedschap goed bij. Controleer op slijtage van vasthaken van bewegende onderdelen, kapotte onderdelen en andere condities die de werking van het gereedschap kunnen aantasten. Indien het elektrisch gereedschap beschadigd is, repareer het dan alvorens het weer te gebruiken. *Veel ongelukken worden veroorzaakt door slecht onderhouden elektrische gereedschappen.*
- f) Houd snijgereedschappen scherp en schoon. *Goed onderhouden snijgereedschappen met scherpe snijranden blijven minder snel haken en zijn gemakkelijker te bedienen.*
- g) Gebruik het elektrisch gereedschap, de hulpstukken en bitten etc. in overeenstemming met deze instructies. Houd tevens rekening met de werkcondities en het doeleinde. *Het gebruik van het elektrisch gereedschap voor andere doeleinden dan die waarvoor het bedoeld is, kan tot gevaarlijke situaties leiden.*
5. **Onderhoud**
- a) Laat het elektrisch gereedschap door een bevoegde monteur onderhouden, uitsluitend met gebruik van identieke vervangingsonderdelen. *Zo wordt de veiligheid van het elektrisch gereedschap gehandhaafd.*

Veiligheidsaanschuivingen:

- Houd alle lichaamsdelen uit de buurt van de ketting wanneer de kettingzaag wordt gebruikt. Voordat u de kettingzaag start, moet u ervoor zorgen dat de ketting nergens contact mee maakt. *Een moment van onoplettendheid tijdens het gebruik van de kettingzaag kan ervoor zorgen dat uw kleding of uw lichaam met de ketting in contact komt.*
- Houd de kettingzaag altijd met uw rechterhand aan het achterste handvat vast en met uw linkerhand aan het voorste handvat. *Als u de kettingzaag omgekeerd vasthoudt, vergroot u de kans op lichamelijk letsel. Doe dit dus niet.*
- Houd elektrische gereedschap alleen aan de geïsoleerde oppervlakken vasthouden, want de zaagketting kan contact maken met verborgen bedrading of het eigen snoer. *Als de zaagketting contact maakt met een stroomvoerende draad, kan dit blootliggende metalen delen van het elektrische gereedschap stroomvoerdend maken en de gebruiker een elektrische schok geven.*
- Draag een veiligheidsbril en oorbeschermers. Aanbevolen wordt ook uw hoofd, handen, benen en voeten te beschermen. *Goede beschermende kleding verlaagt de kans op lichamelijk letsel door rondvliegende deeltjes of contact met de ketting.*
- Gebruik de kettingzaag niet in een boom. *Als u de kettingzaag gebruikt wanneer u in een boom bent geklommen, loopt u kans op lichamelijk letsel.*
- Zorg er altijd voor dat u een stevige voetensteun hebt en gebruik de kettingzaag alleen wanneer u op een stabiel, veilig en horizontaal oppervlak staat. *Glibberige of instabiele oppervlakken, zoals ladders, kunnen ervoor zorgen dat u uw evenwicht verliest en de controle over de kettingzaag verliest.*
- Wanneer u een tak afzaagt die onder spanning staat, moet u oppassen voor de terugvering. *Wanneer de spanning in de houtvezels wordt afgelaten, kan de tak u met kracht raken en/of ervoor zorgen dat u de controle over de kettingzaag verliest.*
- Wees heel voorzichtig wanneer u kreupelhout en jonge boompjes afzaagt. *Dit dunne hout kan de ketting raken en vooruit in uw richting worden getrokken of u uit uw evenwicht trekken.*

- **Draag de kettingzaag bij het voorste handvat wanneer de ketting uitgezet is en houd de zaag uit de buurt van uw lichaam. Wanneer u de kettingzaag vervoert of opbergt, moet u altijd de kap over de geleider van de zaagketting doen.** *Als de kettingzaag goed wordt gebruikt, loopt u minder risico dat u per ongeluk contact maakt met de ketting.*
- **Volg de aanwijzingen voor smering, kettingopspanning en het verwisselen van accessoires.** *Onjuist opgespannen of gesmeerde kettingen breken of vergroten de kans op terugslag.*
- **Houd de handvatten droog, schoon en vrij van olie en vet.** *Vettige, olieachtige handvatten zijn glibberig en kunnen ervoor zorgen dat u de controle over de machine verliest.*
- **Zaag alleen hout met deze machine. Gebruik de kettingzaag nooit voor iets anders dan het beoogde doel.** *Bijvoorbeeld: gebruik de kettingzaag niet voor het zagen van plastic, steen of constructiemateriaal dat niet van hout is gemaakt. Als u de kettingzaag gebruikt voor iets anders dan het beoogde doel, kan een gevaarlijke situatie ontstaan.*

De oorzaak van terugslag en hoe dit voorkomen kan worden:

Terugslag gebeurt wanneer de neus of punt van de geleider een voorwerp raakt **(afb. B3)** of wanneer het hout de ketting tijdens het zagen vastklemt.

Dit contact met de punt kan een plotselinge omgekeerde reactie veroorzaken, waardoor de geleider omhoog en naar achteren, naar de gebruiker wordt geduwd.

Als de ketting langs de bovenkant van de geleider wordt vastgeknepen, kan de geleider ineens snel naar de gebruiker worden geduwd.

Beide reacties kunnen ervoor zorgen dat u de controle over de kettingzaag verliest, wat tot ernstig lichamelijk letsel kan leiden. Vertrouw niet uitsluitend op de veiligheidsfuncties van de kettingzaag zelf. Als gebruiker van de kettingzaag, moet u enkele stappen ondernemen om ervoor te zorgen dat er bij uw werk geen ongelukken of ongevallen voorkomen.

Terugslag is het gevolg van onjuist gebruik van het gereedschap en/of onjuiste bedrijfsprocedures of omstandigheden en kan worden vermeden door de onderstaande voorzorgsmaatregelen te treffen.

- **Handhaaf een stevige greep op de machine. Waarbij de duimen en vingers de handvatten van de kettingzaag omvatten. Houd de kettingzaag met beide handen vast, en plaats uw lichaam en arm zo, dat u de terugslagkracht kunt weerstaan.** *De terugslagkracht kan door de gebruiker worden weerstaan als de juiste voorzorgsmaatregelen worden getroffen. Laat de kettingzaag nooit los.*
- **Strek niet te ver vooruit en zaag niet boven schouderhoogte.** *Dit helpt te voorkomen dat de punt van de ketting per ongeluk ergens tegenaan stoot en zorgt ervoor dat u de kettingzaag in een onverwachte situatie beter onder controle kunt houden.*
- **Gebruik alleen geleiders en kettingen die door de fabrikant worden aangeraden.** *Onjuist vervangen geleiders en kettingen kunnen ervoor zorgen dat de ketting breekt en/of terugslaat.*
- **Volg de slijp- en onderhoudsaanwijzingen van de fabrikant.** *Als de snijdiepte wordt vermindert, kan dit tot meer terugslag leiden.*

Aanvullende veiligheidsaanbevelingen

1. **Handleiding.** Iedereen die deze machine gebruikt, moet de handleiding zorgvuldig doorlezen. De handleiding moet bij de machine worden meegeleverd als iemand anders de kettingzaag koopt of leent.

2. **Voorzorgsmaatregelen.** Zorg ervoor dat niemand deze machine gebruikt die niet precies weet wat er in de handleiding staat. Onervaren mensen moeten eerst worden getraind (alleen met een zaagbok).
3. **Controles.** Controleer de machine zorgvuldig voor elk gebruik, vooral als hij zwaar werk heeft moeten leveren of als u het idee hebt dat zich een storing heeft voorgedaan. Voer alle handelingen uit die staan beschreven in het hoofdstuk "Onderhoud en opslag – voorafgaand aan elk gebruik".
4. **Reparatie en onderhoud.** Alle machineonderdelen die vervangen kunnen worden, staan duidelijk beschreven in het hoofdstuk "Assemblage / demontage". Alle andere machineonderdelen mogen alleen vervangen worden door een erkend reparatiecentrum.
5. **Kleding. (afb. 1)** Wanneer deze machine wordt gebruikt, moet de gebruiker de volgende goedgekeurde persoonlijke beschermende kleding dragen: nauw aansluitende beschermende kleding, veiligheidschoenen met antislipzolen, kreukelvrije teenbeschermers en snijbestendige bescherming, snijbestendige trillingsvrije handschoenen, veiligheidsbril of vizier, oorscherming en helm (als er kans is op vallende voorwerpen). Deze bescherming is verkrijgbaar van een werkklingleverancier.
6. **Gezondheidswaarschuwingen – Trillingen en geluidsniveau.** Controleer of er lawaailimieten in de onmiddellijke omgeving bestaan. Langdurig gebruik van de machine stelt de operator bloot aan trillingen die zogenaamde "dode vingers" (fenomeen van Raynaud), carpal tunnel-syndroom en soortgelijke aandoeningen kunnen veroorzaken.
7. **Gezondheidswaarschuwingen – Chemische stoffen.** Gebruik de soort olie die door de fabrikant wordt aanbevolen.
8. **Gezondheidswaarschuwingen – Hitte.** Tijdens het gebruik bereiken het tandwiel en de ketting erg hoge temperaturen. Raak deze onderdelen dus niet aan wanneer ze heet zijn.
9. **WAARSCHUWING!** Dit apparaat produceert een elektromagnetisch veld tijdens gebruik. Dit veld mag onder geen beding storing veroorzaken met actieve of passieve implantaten. Om het risico van ernstige of dodelijke verwondingen te voorkomen, raden wij personen met medische implantaten aan om hun arts en de fabrikant van het implantaat te raadplegen alvorens dit apparaat te gebruiken.

Voorzorgsmaatregelen voor transport en opslag. (afb. 2)

Telkens wanneer van werklocatie wordt veranderd, moet de stekker uit het stopcontact worden gehaald en moet de remhendel wordt gebruikt. Breng de geleiderkap aan, telkens wanneer de kettingzaag wordt vervoerd of opgeborgen. Draag de machine altijd met de hand met de geleider naar achteren gekeerd. Als de machine in een voertuig wordt vervoerd, moet hij altijd goed worden vastgezet, om schade te voorkomen.

Terugslag. (afb. 3) Terugslag bestaat uit een plotselinge harde beweging van de geleider naar boven en naar achteren, richting gebruiker. Dit gebeurt meestal wanneer het bovenste deel van de geleiderneus (ook wel de 'terugslagzone' genoemd - zie de rode markeringen op de geleider), contact maakt met een voorwerp of als de ketting in het hout komt vast te zitten. Door deze terugslag raakt de operator de controle over de machine kwijt, wat tot ernstig en zelfs fataal letsel kan leiden. De remhendel en andere veiligheidsfuncties zijn onvoldoende om de gebruiker tegen lichamelijk letsel te beschermen: de gebruiker moet zich goed bewust zijn van de omstandigheden waarin terugslag voorkomt en deze vermijden door de aandacht erbij te houden, op basis van zijn ervaring, en door de machine verstandig en juist te gebruiken (bijvoorbeeld: zaag nooit meerdere takken tegelijkertijd, omdat deze per ongeluk in contact kunnen komen met de 'terugslagzone').

Veiligheid in het werkgebied

1. Laat de machine nooit gebruiken door kinderen of mensen die de gebruiksaanwijzingen niet kennen. Plaatselijke regels kunnen beperkingen opleggen aan de leeftijd van de gebruiker.
2. Gebruik het product alleen op de manier en voor de doeleinden die in deze aanwijzingen staan beschreven.
3. Controleer het hele werkgebied zorgvuldig op mogelijke gevaren (bijv. wegen, paden, elektrische kabels, gevaarlijke bomen, enz.)
4. Houd alle omstanders en dieren uit de buurt van het werkgebied (zet zo nodig het gebied af en plaats waarschuwingsborden). Zorg voor een minimum afstand van 2,5 x de stamhoogte; nooit minder dan tien meter.
5. De operator is verantwoordelijk voor ongelukken of gevaarlijke situaties voor andere mensen en hun eigendommen.

Elektrische beveiliging

1. Aanbevolen wordt dat u een aardlekschakelaar gebruikt met een uitschakelstroom van niet meer dan 30 mA. Zelfs met een aardlekschakelaar kan de veiligheid niet 100% worden gegarandeerd en moet men te allen tijde de veiligheidsrichtlijnen toepassen. Controleer uw aardlekschakelaar telkens wanneer u hem gebruikt.
2. Vóór elk gebruik inspecteert u het snoer op beschadiging. Vervang het snoer als het beschadigd of versleten is.
3. Gebruik het product niet als de elektrische snoeren beschadigd of versleten zijn.
4. Als het snoer wordt doorgesneden of als de isolatie is beschadigd, moet de netstroom onmiddellijk van de kettingzaag worden afgehaald. Raak het elektriciteits snoer niet aan totdat de stroom is uitgeschakeld. Repareer een doorgesneden of beschadigd snoer niet. Neem het product mee naar een erkend reparatiecentrum en laat het snoer vervangen.
5. Het verlengsnoer moet zijn afgerold of afgewikkeld. Opgerolde of niet afgewikkelde snoeren kunnen oververhit raken en het vermogen van de grasmaaier verminderen.

6. Zorg er altijd voor dat het (verleng)snoer achter de gebruiker blijft, waarbij het geen gevaar voor de gebruiker of andere mensen mag opleveren. Zorg ervoor dat het snoer niet kan worden beschadigd (door hitte, scherpe voorwerpen, scherpe randen, olie, enz.)
7. Houd het snoer zo vast dat het tijdens het zagen niet achter takken e.d. blijft haken.
8. Schakel de machine altijd bij de netstroom uit voordat u een stekker, contact of verlengsnoer verwijdert.
9. Schakel de machine uit, haal de stekker uit het stopcontact en inspecteer het stroomsnoer op beschadiging of slijtage voordat u het snoer oprolt. Een beschadigd snoer mag niet gerepareerd worden. Neem het product mee naar een erkend reparatiecentrum en laat het snoer vervangen.
10. Haal de stekker uit het stopcontact voordat u het product enige tijd onbeheerd achterlaat.
11. Wikkel het snoer nooit voorzichtig op. Het mag niet geknikt worden.
12. Gebruik alleen de wisselstroomspanning die op het productlabel staat aangegeven.
13. De kettingzaag is dubbel geïsoleerd volgens EN60745 en EN60745-2-13. Onder geen beding mag een aarde aan enig onderdeel van het product worden verbonden.

Snoeren

1. Stroom- en verlengsnoeren zijn verkrijgbaar bij een erkend reparatiecentrum.
2. Gebruik alleen goedgekeurde verlengsnoeren.
3. Verlengsnoeren en kabels mogen alleen worden gebruikt als ze geschikt zijn voor gebruik buitenshuis.
4. Als u een verlengsnoer met dit product wilt gebruiken, mogen alleen de volgende snoerafmetingen worden gebruikt:

Model CSE1835, CSE1935S:

- 5,0 mm² : max. 40 m lang
- 5,0 mm² : max. 60 m lang
- 8,0 mm² : max. 100 m lang

Model CSE2040, CSE2040S:

- 5,0 mm² : max. 50 m lang
- 8,0 mm² : max. 90 m lang

C. BESCHRIJVING VAN DE VEILIGHEIDSSUITRUSTINGEN

SCHAKELAARVERGRENDILING

Op uw machine is een inrichting (fig.1) geïnstalleerd die, indien niet geactiveerd, verhindert dat de schakelaar kan worden ingedrukt, om per ongeluk starten van de machine te voorkomen.

KETTINGREM BIJ LOSLATEN VAN DE SCHAKELAAR

Uw machine is voorzien van een inrichting die de ketting onmiddellijk blokkeert wanneer de schakelaar wordt losgelaten; mocht deze beveiliging niet goed werken dan mag u de machine niet gebruiken en moet u hem direct naar een erkende servicewerkplaats brengen.

HANDBESCHERMING VOOR/KETTINGREMHANDEL

De handbescherming voor (fig.2) voorkomt (mits u de machine op de juiste wijze vasthoudt) dat uw linker hand in contact komt met de ketting. De handbescherming voor fungeert bovendien als kettingrem, een inrichting die werd ontwikkeld om de ketting binnen enkele milliseconden te blokkeren in geval van terugslag. De kettingrem wordt uitgeschakeld door de handbescherming voor naar achteren te trekken en te vergrendelen (de ketting kan bewegen). De kettingrem wordt ingeschakeld wanneer de handbescherming voor naar voren wordt gedruwd (de ketting is geblokkeerd). De kettingrem kan geactiveerd worden met de linkerpols door naar voren te duwen, of wanneer de pols in contact komt met de voorste handbescherming door een terugslag. Wanneer de machine gebruikt wordt met het kettingblad in horizontale positie, bijvoorbeeld bij het omhakken van een boom, dan biedt de kettingrem minder bescherming. (fig.3)

OPMERKING: Wanneer de kettingrem is geactiveerd, koppelt een veiligheidsschakelaar de stroom naar de motor af.

 **Het loslaten van de kettingrem, terwijl de schakelaar wordt vastgehouden, zal het product starten.**

KETTINGVANGER

Deze machine is uitgerust met een kettingvanger (fig.4) geplaatst onder het kettingwiel. Dit mechanisme is bedoeld om de achterwaartse kettingbeweging te stoppen wanneer de ketting breekt of uit de groef loopt. Deze situaties kunt u vermijden door ervoor te zorgen dat u de ketting op de juiste wijze spant (Zie hoofdstuk "D. In elkaar zetten/uit elkaar halen").

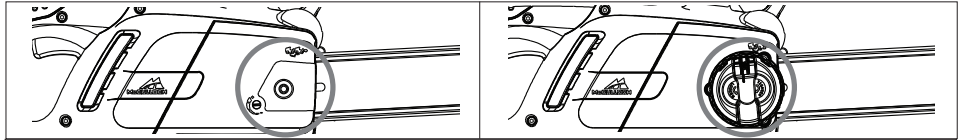
HANDBESCHERMING ACHTER

Deze dient ter bescherming (fig.5) van de rechter hand in geval van breuk of aflopen van de ketting.

D. MONTAGE / DEMONTAGE

MONTAGE ZWAARD EN KETTING

De montageprocedure verschilt afhankelijk van het machinemodel, raadpleeg dus de afbeeldingen en het machinetype dat op het productetiket is aangegeven, let goed op dat u de montage correct uitvoert.



1. Controleer of de kettingrem niet ingeschakeld is, is dit het geval schakel hem dan uit
- 2a. Schroef de borgmoer van de stang los en verwijder het deksel van het aandrijfkettingwiel.
- 2b. Schroef de borgknop van de stang los en verwijder het deksel van het aandrijfkettingwiel.
- 3 Plaats de ketting over de stang, te beginnen bij het kettingwiel en leid hem in de daarvoor bestemde groef. **Let op!** Zorg dat de scherpe kant van de snijtanden naar voren is gericht op het bovenste gedeelte van de stang. Handschoenen dragen
- 4a. Zorg dat de pen die de ketting spant zo ver mogelijk naar achteren naar het aandrijfkettingwiel toe zit. Bevestig de stang op de borgschroef en de pen die de ketting spant en plaats de ketting over het kettingwiel.
- 4b. Draai het metalen wielte zo ver mogelijk linksom. Bevestig de stang op de borgschroef en plaats de ketting over het kettingwiel.
- 5a. Schroef de kettingbladmoer met de hand vast totdat hij losjes vastzit.
- 5b. Schroef de kettingbladknop vast totdat hij losjes vastzit.
- 6a. Om de ketting te spannen, schroeft u de kettingspanschroef met de bijgeleverde moersleutel/schroevendraaier met de klok mee vast. Om de spanning te verminderen, schroeft u tegen de klok in. (wanneer u deze handeling uitvoert, moet omhoog houden)
- 6b. Om de ketting te spannen, schroeft u de buitenste kettingspanknop met de klok mee vast. Om de spanning te verminderen, schroeft u tegen de klok in. (wanneer u deze handeling uitvoert, moet u de neus van het kettingblad omhoog houden)
7. Span de ketting totdat hij de juiste spanning heeft bereikt. Trek de ketting van het kettingblad en zorg ervoor dat de ruimte ongeveer 2-3 mm is.
- 8a. Zet de kettingbladmoer vast met de bijgeleverde moersleutel/schroevendraaier.
- 8b. Zet het kettingblad stevig vast.

Indien de ketting te strak wordt gespannen kan de motor overbelast en beschadigd raken, en indien hij niet onvoldoende wordt gespannen kan hij losraken, terwijl een correct gespannen ketting de beste resultaten en een langere levensduur oplevert. Controleer regelmatig de kettingspanning omdat de ketting tijdens het gebruik uitrekt (met name als hij nieuw is; bij de eerste montage moet de spanning na 5 minuten werken opnieuw gecontroleerd worden). Span de ketting in elk geval niet direct na gebruik maar wacht tot hij is afgekoeld. Indien de ketting gespannen moet worden draai dan altijd eerst de zwaardbevestigingsmoeren/knop los alvorens de kettingspanschroef/knop bij te stellen; regel de spanning en zet de zwaardbevestigingsmoeren/knop weer vast.

E. STARTEN EN STOPPEN

Begin: pak beide handgrepen stevig vast, maak de kettingremhendel los terwijl u ervoor zorgt dat uw hand nog steeds op de voorste handgreep ligt, druk het schakelblok in en houdt dit ingedrukt; druk dan de schakelaar in (u kunt nu het schakelblok loslaten).

Stoppen: De machine stopt wanneer u de schakelaar loslaat. Indien de machine niet tot stilstand komt, de kettingrem inschakelen, de kabel van het voedingsnet afkoppelen en de machine naar een erkende servicewerkplaats brengen.

F. SMEREN VAN ZWAARD EN KETTING

PAS OPI Een gebrekkige smering kan breuk van de ketting tot gevolg hebben en ernstig of zelfs dodelijk letsel veroorzaken.

De smering van zwaard en ketting wordt door een automatische pomp gegarandeerd. Controleer volgens de aanwijzingen in "Onderhoud" of de juist hoeveelheid kettingolie wordt afgegeven.

Keuze van de kettingolie

Gebruik uitsluitend nieuwe olie (speciaal type voor kettingen) met een goede viscositeitsgraad: hij moet een goede kleefkracht hebben en zowel 's zomers als 's winters goede glij-eigenschappen garanderen. Indien geen kettingolie beschikbaar is kunt u EP 90 transmissie-olie gebruiken.

Gebruik nooit afgewerkte olie omdat dit schadelijk is voor u, voor de machine en voor het milieu.

Controleer of de olie geschikt is voor de omgevingstemperatuur van de plaats van gebruik: bij lagere temperaturen dan 0°C worden sommige oliesoorten dikker, waardoor de pomp overbelast raakt en schade kan optreden. Neem voor advies over de beste oliesoort contact op met een erkende servicewerkplaats.

Olie bijvullen

Draai de olietankdop open, vul de tank zonder olie te morsen (mocht dit toch gebeuren reinig de machine dan zorgvuldig) en draai de dop goed vast.

G. ONDERHOUD EN OPSLAG

Haal de stekker uit het stopcontact voordat u onderhoud- of schoonmaakwerkzaamheden gaat uitvoeren.

PAS OPI In geval van werk in een bijzonder vuile of stoffige omgeving, moeten de beschreven werkzaamheden met kortere intervallen worden uitgevoerd dan hier aangegeven.

Voer elk gebruik

Controleer of de kettingoliepomp goed werkt: richt het zwaard op een licht oppervlak, op een afstand van ca. twintig centimeter; nadat de machine een minuut heeft gewerkt moet het oppervlak duidelijke oliesporen vertonen (**fig.1**). Controleer of het in- en uitschakelen van de kettingrem niet te moeizaam of te gemakkelijk gaat en of hij niet geblokkeerd is. Controleer vervolgens de werking ervan als volgt: schakel de kettingrem uit, pak de machine op de juiste wijze vast en start hem, schakel de kettingrem in door de handbescherming voor met uw linker pols/arm naar voren te duwen, maar zonder de handgrepen los te laten (**fig.2**). Als de kettingrem correct werkt, moet de ketting onmiddellijk geblokkeerd worden. Controleer of de ketting scherp is (zie hieronder), in goede staat verkeert en correct is gespannen, indien hij onregelmatig gesleten is of een snijrand heeft van slechts 3mm, moet hij worden vervangen (**fig.3**).

Reinig de ventilatieopeningen regelmatig om oververhitting van de motor te voorkomen. (**fig.4**).

Controleer de werking van de schakelaar en de schakelaarvergrendeling (uit te voeren bij uitgeschakelde kettingrem): bedien de schakelaar en de schakelaarvergrendeling en controleer of ze in de ruststand terugkomen zodra ze worden losgelaten; controleer of het onmogelijk is de schakelaar te bedienen zonder dat de schakelaarvergrendeling is ingedrukt.

Controleer of de kettingvanger en de handbescherming achter in perfecte staat verkeren en geen defecten vertonen, zoals beschadigingen van het materiaal.

Elke 2-3 werkuren

Controleer het zwaard, en reinig indien nodig zorgvuldig de smeergaten (**fig.5**) en de kettinggeleider (**fig.6**); indien deze versleten is of diepe putten vertoont moet hij worden vervangen. Maak het kettingwiel regelmatig schoon en zorg ervoor dat het niet te veel is versleten. (**fig.7**). Smeer het neuswiel van het zwaard met lagervet via de aangegeven opening (**fig.8**).

Vijlen van de ketting (wanneer nodig)

Als de ketting niet zaagt zonder dat men het zwaard tegen het hout drukt en als het zaagsel zeer fijn is, is dit een teken dat de ketting niet goed scherp is. Als de snede geen zaagsel produceert, dan is de snijkant van de ketting volledig afgesleten en wordt het hout bij het zagen volgedrukt. Een goed geslepen ketting gaat moeiteloos door het hout en vormt grof, lang zaagsel.

Het snijdende gedeelte van de ketting wordt gevormd door de snijdschakel (**fig.9**), met een snijrand (**fig.10**) en een dieptesteller (**fig.11**). Het hoogteverschil hiertussen bepaalt de zaagdiepte; om een goede scherpte te verkrijgen zijn een vijlgeleider en een ronde vijl met een diameter van 4mm vereist. Ga als volgt te werk: met de ketting gemonteerd en correct gespannen, de kettingrem inschakelen en de vijlgeleider loodrecht op het zwaard plaatsen zoals in de afbeelding getoond (**fig.12**). Vijl de snijrand met de aangegeven hoek (**fig.13**), steeds van de binnenkant naar de buitenkant en met afnemende druk bij de teruggaande beweging (het is van groot belang dat deze aanwijzingen worden opgevolgd: een overmatige of onvoldoende slijphoek of een verkeerde vijldiameter verhoogt de kans op terugslag). Om een betere precisie op de zijhoeken te verkrijgen wordt aangeraden de vijl zo te plaatsen dat hij verticaal ca. 0,5 mm over de bovenste snijkant steekt. Vijl eerst alle tanden aan de ene kant, draai daarna de machine om en vijl de tanden aan de andere kant. Zorg ervoor dat een gelijke lengte van alle tanden wordt verkregen en dat de hoogte van de dieptestellers 0,6mm lager is dan de bovenste snijkant: controleer de hoogte met behulp van een kaliber en vijl (met een platte vijl) het uitstekende gedeelte af, en werk het voorste gedeelte van de dieptesteller rond af (**fig.14**), waarbij u erop moet letten dat u NIET ook de terugslag-beschermingstand afvijlt (**fig.15**).

Elke 30 werkuren

Breng de machine naar een erkende servicewerkplaats voor een algemene nakijkbeurt en een controle van de remonderdelen.

Opslag

Sla het product op een koele, droge plaats op, buiten het bereik van kinderen. Niet buiten opslaan.

H. ZAAGTECHNIEKEN

Voorkom het volgende tijdens gebruik: (fig.1)

-- zaagwerk in situaties waarbij de stam tijdens het zagen kan breken (hout onder spanning, droge dode bomen, etc.): een onverwachte breuk kan zeer gevaarlijk zijn.

- dat het zwaard of de ketting in de snede geklemd raakt: mocht dit gebeuren, de machine van het voedingsnet afkoppelen en probeer de stam op te tillen door een geschikt middel als hefboom te gebruiken; tracht de machine niet te bevrijden door schudden of trekken, omdat u hiermee schade of letsel kunt veroorzaken.

- situaties die de kans op terugslag kunnen verhogen.

- het product boven schouderhoogte te gebruiken

- hout te zagen waarin vreemde objecten zoals spijkers zitten

Tijdens het gebruik: (fig.1)

- Indien u op hellend terrein werkt, blijf dan boven de stam, zodat deze u niet kan raken mocht hij naar beneden rollen.

- Bij het vellen van bomen het werk altijd afmaken: een gedeeltelijk geveld boom kan breken.

- Na beëindiging van elke snede voelt u een aanzienlijke verandering in de kracht die nodig is om de machine vast te houden. Wees zeer voorzichtig zodat u de controle over de machine niet verliest.

In de onderstaande tekst wordt verwezen naar de volgende twee zaagmethodes:

Zagen met getrokken ketting (van boven naar beneden) (**fig.2**), waarbij het risico bestaat van een plotselinge beweging van de machine naar de stam toe met als gevolg controleverlies, gebruik indien mogelijk de veldrand tijdens het zagen.

Zagen met geduwde ketting (van onder naar boven) (fig.3): hierbij bestaat het gevaar van een plotselinge beweging van de machine naar de gebruiker toe, met het risico dat deze geraakt wordt, of stoten van de risicozone tegen de stam met als gevolg terugslag; bij deze zaagmethode is grote voorzichtigheid geboden.

De meest veilige methode om de machine te gebruiken is met het hout op de zaagbok geblokkeerd, van boven naar onder zegend en op het gedeelte buiten de steun. (fig.4)

Gebruik van de veldand

Gebruik wanneer mogelijk de veldand om veiliger te werken: plant hem in de schors of het stamoppervlak, zodat u gemakkelijker de controle over de machine bewaart.

Hieronder worden de standaard procedures beschreven die in bepaalde situaties moeten worden toegepast. U dient echter van keer tot keer te beoordelen of deze procedures al dan niet op uw geval van toepassing zijn, om een methode te kiezen die zo min mogelijk risico's met zich meebrengt.

Stam aan de grond (Risico dat de grond aan het eind van de snede met de ketting wordt geraakt.) (fig.5)

Zaag van boven naar onder door de hele stam. Werk voorzichtig aan het eind van de snede om te voorkomen dat de ketting de grond raakt. Stop indien mogelijk op 2/3 van de dikte van de stam, draai hem om en zaag het resterende gedeelte van boven naar onder, om het risico van contact met de grond te voorkomen.

Stam aan één kant ondersteund (Risico dat de stam breekt tijdens het zagen) (fig.6)

Begin de snede van onder tot op circa 1/3 van de diameter, en zaag vervolgens van bovenaf tot u bij de ondersnede uitkomt.

Stam aan beide uiteinden ondersteund (Risico dat de ketting geklemd raakt.) (fig.7)

Begin de snede van bovenaf tot op circa 1/3 van de diameter, en zaag vervolgens van onderaf tot u bij de bovsnede uitkomt.

Een boomstam die tegen een helling aan ligt

Ga altijd aan de hogere kant van de boomstam staan. Wanneer u de boomstam doorzaagt, bewaart u controle over de kettingzaag door de snijdruk tegen het einde van de zaagbeweging wat af te laten, zonder dat u uw greep op de handvatten van de kettingzaag ontspant. Zorg ervoor dat de ketting niet in contact komt met de grond.

Bomen vellen

PAS OPI: Probeer geen bomen te vellen wanneer u hier niet de nodige ervaring mee heeft, en vel in geen geval een boom die een grotere diameter heeft dan de lengte van het zwaard! Deze operatie mag alleen door deskundigen en met geschikte uitrustingen worden uitgevoerd.

Bij het vellen van een boom is het de bedoeling hem in de meest geschikte positie te laten vallen voor het latere ontakken en in stukken zagen. (Voorkom dat een vallende boom in een andere boom verstrikt raakt: een verstrikte boom laten vallen is een zeer gevaarlijke operatie).

U moet de juiste valrichting bepalen door het volgende te beoordelen: wat zich rond de boom bevindt, de helling en kromming van de boom, de windrichting en de dichtheid van de takken.

Houd ook rekening met de aanwezigheid van dode of gebroken takken die af kunnen breken tijdens het vellen en een gevaar kunnen vormen.

PAS OPI Tijdens het vellen van een boom in kritieke omstandigheden, na het zagen altijd direct de gehoorbescherming afnemen om ongewone geluiden en eventuele waarschuwingssignalen te kunnen horen.

Voorbereidende werkzaamheden en bepalen van de vluchtroute

Verwijder eventuele takken die het werk hinderen (fig.8), van boven naar onder werkend, en houd de stam tussen u en de machine terwijl u vervolgens de moeilijkere takken één voor één verwijdert. Verwijder de begroeiing rond de boom en let op eventuele aanwezige obstakels (stenen, wortels, greppels etc.) bij het plannen van uw vluchtroute (te benutten tijdens het vallen van de boom); zie de afbeelding (fig.9) voor de te kiezen richting (A voorziene valrichting van de boom. B. Vluchtroute C. Risicozone)

VELTECHNIEK (fig.10)

Om de controle over de vallende boom te verzekeren moeten de volgende sneden worden uitgevoerd:

De valkerf, die het eerst moet worden gemaakt en dient om de valrichting van de boom te bepalen: maak eerst de BOVENSNEDEN van de valkerf aan de kant waarnaar de boom moet vallen. Blijf rechts van de boom en zaag met getrokken ketting; maak vervolgens de ONDERSNEDE van de valkerf, die op hetzelfde punt moet eindigen als de bovsnede. De diepte van de valkerf moet 1/4 van de stamdiameter bedragen, met een hoek tussen de boven- en ondersnede van tenminste 45°. Het ontmoetingspunt tussen de twee sneden wordt "valkerflijn" genoemd. Deze lijn moet perfect horizontaal zijn en een rechte hoek (90°) vormen met de valrichting.

De velsnede, die het doel heeft de boom te doen vallen, moet op 3-5 cm boven het ondervlak van de valkerf worden gemaakt, en moet eindigen op een afstand van de valkerf die overeenkomt met 1/10 van de stamdiameter. Blijf links van de boom en zaag met getrokken ketting, met gebruik van de veldand. Controleer of de boom zich niet in een andere richting beweegt dan de beoogde valrichting. Steek zodra dit mogelijk is een wig in de zaagsnede. Het ongezaagde stuk van de stam wordt scharnierpunt genoemd, en dient om de valrichting van de boom te sturen. Als het scharnierpunt te klein is, niet recht is of geheel is doorgezaagd, is het niet meer mogelijk de vallende boom te sturen (zeer gevaarlijk!). Daarom moeten de diverse sneden met grote precisie worden uitgevoerd.

Wanneer de zaagsneden zijn voltooid, begint de boom te vallen en kan eventueel worden geholpen met een wig of velhevel.

Ontakken

Wanneer de boom is geveld moet de stam van zijn takken worden ontdaan. Onderschat dit werk niet, want de meeste ongelukken als gevolg van terugslag vinden juist in deze fase plaats. Let dus goed op de positie van de neus van het zwaard tijdens het zagen en werk aan de linkerkant van de stam.

I. ECOLOGISCHE INFORMATIE

In dit hoofdstuk vindt u nuttige informatie voor het behoud van de ecologische kenmerken die in de ontwikkelingsfase van de machine werden vastgesteld, een correct gebruik van de machine en de verwerking van de olie.

GEBRUIK VAN DE MACHINE

De werkzaamheden voor het vullen van de olietank moeten zo worden uitgevoerd dat geen lozing van de kettingolie in het milieu wordt veroorzaakt.

LANGE PERIODES VAN STILSTAND

Maak de olietank altijd leeg in geval van langdurige opslagperiodes.

SLOOP

Voorkom lozing in het milieu van de afgedankte machine; lever hem in bij de aangewezen instellingen voor afvalverwerking volgens de geldende wettelijke voorschriften.

Het symbool  op het product of de verpakking betekent dat dit product niet mag worden behandeld als gewoon huishoudelijk afval, maar in plaats daarvan moet worden ingeleverd bij het punt voor recycling van elektrische en elektronische apparatuur. Door dit product correct te verwijderen helpt u om de negatieve gevolgen die een verkeerde verwerking van dit product kan hebben voor het milieu en de gezondheid te voorkomen.

Voor verdere informatie over recycling van dit product kunt u contact opnemen met uw gemeente, de relevante dienst voor de verwerking van huishoudelijk afval of de winkel waar u het product hebt gekocht.

J. TABEL VOOR STORINGSOPSPORING

	De motor start niet	De motor draait slecht of verliest vermogen	De machine start wel maar zaagt niet goed	De motor draait op ongewone wijze	De draaiende ketting wordt niet goed door het remmechanisme geblokkeerd
Controleer of er stroom op het net staat	●				
VControleer of de stekker goed in het stopcontact is gestoken	●				
Controleer de voedingskabel en de verlengkabel op beschadigingen	●				
Controleer of de kettingrem niet is ingeschakeld	●				
Controleer of de ketting goed aangebracht en gespannen is		●	●		
Controleer de smering van de ketting zoals beschreven in hoofdstuk F en G			●		
Controleer of de ketting scherp is			●		
Controleer of de stroomonderbrekingsschakelaars geactiveerd	●				
Wend u tot een erkende servicewerkplaats	●	●		●	●

K. Reserveonderdelen

35cm	Ketting	91PJ052XN	Onderdeelnummer.:	530051538
	Geleider		Onderdeelnummer.:	576965401
40cm	Ketting	91PJ056XN	Onderdeelnummer.:	530051539
	Geleider		Onderdeelnummer.:	576965201

L. EC CONFORMITEITSVERKLARING

Husqvarna AB, S-561 82, Huskvarna, Sweden

Verklaren op eigen verantwoording dat het(de) product(en);

Benaming..... **Chainsaw - Kettingzaag**
Typebenaming(en)..... **CSE1835, CSE1935S, CSE2040, CSE2040S**
Identificatie van serie..... **Zie Productlabel**
Bouwjaar..... **Zie Productlabel**

Voldoet (voldoen) aan de essentiële eisen en voorzieningen van de volgende EG-richtlijnen:

2006/42/EC, 2004/108/EC, 2000/14/EC, 2011/65/EU

gebaseerd op de volgende toegepaste binnen de EU geharmoniseerde standaarden:

EN60745-1, EN60745-2-13, EN55014-2, EN55014-1, EN61000-3-2, EN61000-3-11

Erkend lichaam dat het EG-typeonderzoek heeft uitgevoerd

in overeenstemming met artikel 8 sectie 2c..... TÜV Rheinland LGA Products GmbH
Tillystraße 2
D-90431 Nürnberg
Germany
BM 50268379

Certificaatnr.

Het maximale A-gewogen geluidsdrukniveau L_{pA} aan het werkstation, gemeten volgens EN60745-2-13, vindt u in de tabel.

De maximale gewogen waarde voor hand-arm trillingen a_{h1} , gemeten volgens EN60745-2-13 op een monster van bovenstaand(e) product(en), vindt u in de tabel.

De vermelde totale trillingswaarde is gemeten in overeenstemming met een standaardtestmethode en kan worden gebruikt om gereedschappen met elkaar te vergelijken.

De vermelde totale trillingswaarde kan tevens worden gebruikt bij een voorlopige beoordeling van blootstelling.

Waarschuwing:

De trilling die dit elektrisch gereedschap tijdens het gebruik veroorzaakt, kan afwijken van de vermelde totale trillingswaarde, afhankelijk van de manier waarop het gereedschap gebruikt wordt.

Gebruikers moeten veiligheidsmaatregelen treffen om zichzelf te beschermen, die zijn gebaseerd op een geraamde blootstelling onder de werkelijke gebruiksomstandigheden (naast het eigenlijke gebruik ook rekening houdend met alle fasen van de gebruikscyclus, zoals keren dat het gereedschap wordt uitgeschakeld en tijd dat het stationair draait).

2000/14/EC: Het Gemeten Geluidsvermogen L_{WA} en het Gegarandeerde Geluidsvermogen L_{WA} komen overeen met de cijfers uit de tabel.

Controleprocedure conformiteit..... Annex V

Ulm 12/02/2013

P. Lamelli

Wereldwijd directeur O&O - Handheld

Houder van technische documentatie



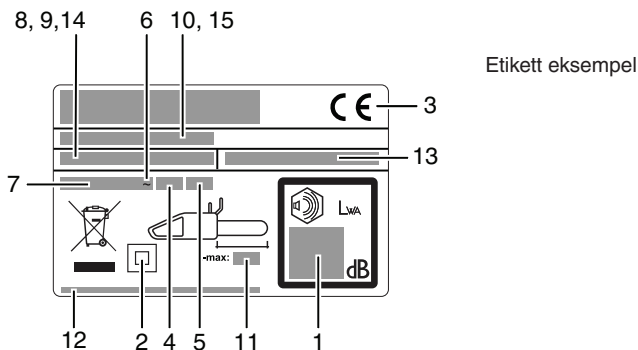
Type (CSE_____)	1835	1935S	2040	2040S
Droog gewicht (Kg)	4.3	4.5	4.4	4.6
Vermogen (kW)	1.8	1.9	2.0	2.0
Inhoud olietank (cm ³)	240	240	240	240
Maximale lengte van geleider (cm)	35	35	40	40
Kettingsteek (mm)	9.52	9.52	9.52	9.52
Kettingmaat (mm)	1.3	1.3	1.3	1.3
Gemeten geluidsvermogen L_{WA} (dB(A))	106	106	106	106
Gegarandeerd geluidsvermogen L_{WA} (dB(A))	110	110	110	110
Geluidsdruk L_{pA} (dB(A))	95	95	95	95
Onzekerheid K_{pA} (dB(A))	2.5	2.5	2.5	2.5
Hand-armtrillingen a_{h1} (m/s ²)	7.28	7.28	8.08	8.08
Onzekerheid K_{ah} (m/s ²)	1.5	1.5	1.5	1.5
Voedingsimpedantie Z_{max} (Ohm)	0.382	0.382	0.382	0.382

EN 61000-3-11 Verklaring van overeenkomstigheid

Al naar gelang de kenmerken van het plaatselijke stroomnetwerk kan het gebruik van dit product voor een kort spanningsverlies zorgen, zodra het wordt ingeschakeld. Dit kan van invloed zijn op andere elektrische apparatuur, bijv. een lamp die tijdelijk dimt. Als de impedantie van uw stroomnetwerk lager is dan de waarde in de tabel (die voor uw model geldt), dan hebt u geen last van dit effect. De waarde van de netwerkimpedantie kan wordt vastgesteld door contact op te nemen met uw elektriciteitsbedrijf.

A. GENERELL BESKRIVELSE

- | | |
|--|--|
| <ol style="list-style-type: none"> 1) Bakhåndtak 2) Håndbeskyttelse bak 3) Forhåndtak 4) Håndbeskyttelse foran/bremse kjede 5) Ytre kjedestrammerknott 6) Kjedestrammerskrue 7) Kjedestrammer bolt 8) Olje tank lokk 9) Kontroll målestokk olje nivå 10) Ventilasjons åpninger 11) Kabel 12) Manual 13) Bryter 14) Blokkerings bryter 15) Kjede 16) Tann trekker 17) Klippe maske 18) Klippe dybde avgrenser | <ol style="list-style-type: none"> 19) Klippe tann 20) Sverd 21) Deksel for drivtannhjul 22) Drivtannhjul 23) Kjede stopper bolt 24) Stang fester skrue 25) Indre festeknott for stang 26) Festemutter for stang 27) Kjede tannhjul 28) Deksel for sverd 29) Krok 30) Bolt huset kjedestrammer 31) Smørehull 32) Styrespor i sverd 33) Skrunøkkel/skrutrekker |
|--|--|



- 1) Garantert lydeffekt i henhold til direktiv 2000/14/EC
- 2) Verktøy i klasse II
- 3) EC Konformitets garanti/markering
- 4) Nominell frekvens
- 5) Nominell potens
- 6) Vekseldrøm
- 7) Nominell spenning
- 8) Type
- 9) Produkt kode
- 10) Fabrikasjons år
- 11) Maksimum sverdlengde
- 12) Manufacturer's name and address
- 13) Artikkelnummer (Elektrisk kjedesag)
- 14) Model
- 15) Serienummer

B. SIKKERHETS INSTRUKSJONER/FORHÅNDSREGLER

SYMBOL FORKLARING



Advarsel

Les nøye gjennom manualen



Sikkerhets støvler



Hjelm, hørselsvern og vernebriller eller visir



Anti-klipp vernehansker



Anti-klipp lang bukser



Bremse deaktivisert, aktivisert



Fjern støpslet omgående fra hovedstrømmen hvis ledningen er skadet eller kuttet



Hold tilskuere unna



Klippe tanndireksjonen



Alltid bruk med to hender.



Fare for tilbakeslag reaksjon.



Ikke utsett for regn og fuktighet



Kjede olje



Ikke gjør...



Stans maskinen



Ta støpslet ut før justering eller rengjøring



Fare for elektrisk støt

Generelle sikkerhetsadvarsler for elektriske verktøy

ADVARSEL - Les alle sikkerhetsadvarsler og instruksjoner. Unngår du å følge advarslene og instruksjonene kan dette føre til elektrisk støt, brann og/eller alvorlig personskade.

Ta vare på alle advarsler og instruksjoner for fremtidig referanse.

Uttrykket "elektrisk verktøy" i advarslene refererer seg til verktøy drevet med hovedstrøm (med ledning) eller batteridrevet (uten ledning).

1) Sikkerhet på arbeidsområdet

- Hold arbeidsområdet rent og godt belyst. Et mørkt og rotete arbeidsområde inviterer til uhell.
- Elektriske verktøy skal ikke brukes i eksplosive atmosfærer, for eksempel når brannfarlige væsker, gasser eller støv er til stede. Elektriske verktøy skaper gnister som muligens kan antenne støv eller damp.
- Hold barn og tilskuere unna når du bruker det elektriske verktøyet. Distraksjoner kan gjøre at du mister kontrollen.

2) Elektrisk sikkerhet

- Støpslene på elektriske verktøy må passe til strømuttaket/kontakten. Støpslet må aldri modifiseres. Ikke bruk adapterstøpsler sammen med elektrisk verktøy som er jordet. Umodifiserte støpsler og strømuttak som er tilpasset reduserer faren for elektrisk støt.
- Unngå kroppskontakt med overflater som har jording, slik som rør, radiatorer, komfyrer og kjøleskap. Dette øker faren for elektrisk støt hvis kroppen din er jordet.
- Elektriske verktøy må ikke utsettes for regn eller fuktige forhold. Hvis det kommer vann i et elektrisk verktøy øker dette faren for elektrisk støt.
- Ikke misbruk strømledningen. Den må aldri brukes til å bære og trekke verktøyet, eller for å trekke ut støpslet på verktøyet. Hold strømledningen unna varme, olje, skarpe kanter eller bevegelige deler. Skadede eller sammenviklede strømledninger øker faren for elektrisk støt.
- Når et elektrisk verktøy brukes utendørs, bruk en skjøteledning som egner seg til utendørs bruk. Ved å bruke en strømledning som er egnet til utendørs bruk, reduseres faren for elektrisk støt.

- f) Hvis bruk av et elektrisk verktøy ikke er til å unngå på et sted hvor det er fuktig, bruk strømtilførsel som er beskyttet av en reststrømanordning. Ved å bruke en reststrømanordning reduseres faren for elektrisk støt.
- 3) Personlig sikkerhet
- a) Vær på vakt og pass på hva du gjør, og bruk sunn fornuft når du bruker et elektrisk verktøy. Ikke bruk et elektrisk verktøy når du er trett eller påvirket av rusgift, alkohol eller medisiner. Et øyeblikks uoppmerksomhet når du bruker et elektrisk verktøy kan resultere i alvorlig personskade.
- b) Bruk personlig beskyttelsesutstyr. **Altid på deg vernebriller/øyebeskyttelse.** Bruk av beskyttelsesutstyr under hensiktsmessige forhold, slik som støvmaske, vernesko som ikke sklir, vernehjel eller hørselvern, vil redusere personskader.
- c) Forhindre utilsiktet start. Forsikre deg om at bryteren er satt i AV-stilling før strømmen og/eller batteripakken tilkobles, eller før verktøyet løftes og bæres. Elektriske verktøy skal ikke bæres med fingeren på bryteren da dette inviterer til uhell.
- d) Fjern eventuell justeringsnøkkel eller skrunøkkel før det elektriske verktøyet slås på. En skrunøkkel eller nøkkel som måtte bli sittende fast på en roterende del av det elektriske verktøyet, kan resultere i personskade.
- e) Ikke strekk deg for langt. Sørg hele tiden for god fotfeste og balanse. Dette gir bedre kontroll på det elektriske verktøyet under uventede situasjoner.
- f) Ha på deg hensiktsmessige klær. Ikke ha på deg løstsittende klær eller smykker. Hold hår, klær og hansker unna bevegelige deler. Løstsittende klær, smykker eller langt hår kan sette seg fast i bevegelige deler.
- g) Hvis det følger med anordninger slik som støvstusker, sørg for at disse er tilkoblet og brukt forsvarlig. Bruk av støvstusker kan redusere støvrelaterte farer.
- 4) Bruk av elektriske verktøy, omtanke og forsiktighet
- a) Ikke forsør det elektriske verktøyet. Bruk det riktige elektriske verktøyet til hvert bruksområde. Det riktige elektriske verktøyet vil gjøre arbeidet bedre og sikrere med kapasiteten det er konstruert for.
- b) Ikke bruk det elektriske verktøyet hvis du ikke kan slå det Av og På med bryteren. Et elektrisk verktøy som ikke kan bli kontrollert med bryteren er farlig og må bli reparert.
- c) Trekk støpslet ut av strømtilførselen/kontakten og/eller batteripakken fra det elektriske verktøyet før det foretas noe som helst justering, skifting av tilbehør, eller lagring av verktøyet. Slike forebyggende sikkerhetstiltak reduserer faren for at det elektriske verktøyet slår seg på tilfeldig.
- d) Elektriske verktøy som ikke er i bruk skal oppbevares utilgjengelig for barn, og la heller ikke personer som er ukjente med det elektriske verktøyet eller instruksene bruke det. Elektriske verktøy er farlige i hendene på personer som ikke er opplærte.
- e) Elektriske verktøy skal vedlikeholdes. Sjekk for skjævinnstilling eller bevegelige deler som har satt seg fast, brudd på deler og eventuelt andre tilstander som kan ha innvirkning på funksjonen av det elektriske verktøyet. Hvis skadet, skal verktøyet repareres før det brukes igjen. Mange uhell er forårsaket av dårlige vedlikeholdte elektriske verktøy.
- f) Hold skjæreverktøy skarpe og rene. Skjæreverktøy som er hensiktsmessig vedlikeholdt har mindre mulighet for å sette seg fast og er lettere å kontrollere.
- g) Bruk det elektriske verktøyet, tilbehør og borspisser osv. I henhold til disse instruksene, samtidig som arbeidsforholdene og arbeidet som skal utføres blir tatt med i beregningen. Bruk av det elektriske verktøyet til annet arbeid enn det som verktøyet er beregnet til, kan føre til farlige situasjoner.

5. Service

- a) Det elektriske verktøyet skal vedlikeholdes av en kvalifisert person og det skal kun brukes originale reservedeler. Dette garanterer at sikkerheten opprettholdes på det elektriske verktøyet.

Sikkerhetsadvarsler for kjedesag:

- Hold alle kroppsdeler borte fra sagkjedet når kjedesagen er i bruk. Før du starter kjedesagen, forsikre deg om at kjedet ikke er i kontakt med noe som helst. Et øyeblikks uoppmerksomhet mens en kjedesag er i bruk kan forårsake innvikling av klær eller kropp med kjedet.
- Hold alltid kjedesagen med høyre hånd på bakre håndtak og venstre hånd på fremre håndtak. Å holde kjedesagen med motsatt håndkonfigurasjon øker faren for personskade og skal aldri bli gjort.
- Elektroverktøyet skal kun holdes etter de isolerte gripeflatene, fordi sagkjeden kan få kontakt med skjult kabling eller sin egen ledning. Sagkjeder som får kontakt med en strømførende ledning kan gjøre de ubeskyttede metalldelene av elektroverktøyet strømførende og gi operatøren elektrisk støt.
- Bruk vernebriller og hørselsvern. Ytterligere beskyttelsesutstyr for hode, hender, bein og føtter er anbefalt. Tilstrekkelig beskyttelsesklær vil redusere personskade ved flygende avfall eller tilfeldig kontakt med kjedet.
- Bruk ikke kjedesagen opppe i et tre. Bruk av kjedesag når du er oppe i et tre kan resultere i personskade.
- Sørg alltid for hensiktsmessig fotfeste og balanse, og bruk kjedesagen kun når du står på en fast og sikker plan flate. Glatte eller ustabile flater slik som stiger kan forårsake tap av balanse eller kontroll på kjedesagen.
- Vær forberedt på at kutting av grener som er i spenn, kan slå tilbake. Når spenningen i trefibrene blir utløst, kan den fjærbelastede grenen treffe operatøren og/eller slå kjedesagen ut av kontroll.
- Vær ekstra forsiktig når det kuttes kratt og ungrær. Det spinkle materialet kan fange kjedet og bli slått fremover mot deg eller gjøre at du mister balansen.

- **Kjedesagen skal bæres etter fremre håndtak med kjedesagen slått av og bli holdt unna kroppen din. Når kjedesagen transporteres eller lagres skal dekslet for sverdet alltid være montert.**
Hensiktsmessig håndtering av kjedesagen vil redusere sannsynligheten for tilfeldig kontakt med kjedet som roterer.
- **Følg instruksene for smøring, kjedestramming og når det skiftes tilbehør.** *Et u hensiktsmessig strammet eller smurt kjede kan enten slites av eller øke muligheten for tilbakeslag.*
- **Hold håndtakene tørre, rene og frie for olje og fett.** *Håndtak med fett og olje er glatte og kan forårsake tap av kontroll.*
- **Det skal kun kuttes tre. Kjedesagen skal ikke brukes til formål den ikke er beregnet til. For eksempel: kjedesagen skal ikke brukes til å kutte plast, stein/mur eller byggematerialer som ikke er av tre.** *Bruk av kjedesagen til annet arbeid enn hva den er beregnet til, kan resultere i farlige situasjoner.*

Årsaker for tilbakeslag og forebygging fra operatørens side:

Tilbakeslag kan oppstå når tuppen av sverdet kommer i kontakt et objekt (**Fig. B3**), eller når treet lukker seg sammen og kniper kjedet i kuttet.

I noen tilfeller kan kontakt med tuppen forårsake et tilsvarende reversert virkning som slår sverdet opp og tilbake mot operatøren.

Hvis kjedet knipes langs toppen av sverdet kan dette skyve sverdet tilbake mot operatøren.

Begge disse reaksjonene kan føre til at du mister kontroll over sagen som kan resultere i personskade. Stol ikke kun på de innebygde sikkerhetsanordningene i sagen. Som bruker av en kjedesag skal du ta flere forholdsregler mot uhell og skade slik at dette ikke oppstår når du bruker sagen.

Tilbakeslag er et resultat av verktøymisbruk og/eller ukorrekte arbeidsprosedyrer eller tilstander som kan bli unngått ved å ta hensiktsmessige forholdsregler som oppgitt nedenfor:

- **Ha et godt grep rundt håndtakene med tommer og fingrer og med begge hendene på sagen. Stå i en kroppstilling med armene slik at du kan motstå kreftene fra tilbakeslag.** *Kreftene fra tilbakeslag kan bli kontrollert av operatøren, dersom hensiktsmessige forholdsregler blir tatt. Slipp ikke taket på kjedesagen.*
- **Strekk deg ikke for langt og kutt ikke over skulderhøyde.** *Dette vil hjelpe å unngå utilsiktet kontakt med tuppen som gir bedre kontroll på kjedesagen i uventede situasjoner.*
- **Bruk kun originale sverd og kjeder som spesifisert av produsenten.** *Bruk av uoriginale sverd og kjeder kan forårsake kjedebrekasje og/eller tilbakeslag.*
- **Følg produsentens instruksjoner for bryning og vedlikehold av kjedet.** *Minsking av høyden på dybdemåleren kan føre til øket tilbakeslag.*

Ytterligere anbefalinger for sikkerhet

1. **Bruk av håndbok.** Alle personer som bruker denne maskinen skal lese ekstra nøye gjennom hele brukerhåndboken. Brukerhåndboken skal følge med maskinen i tillegg den selges eller lånes ut til en annen person.

2. **Forholdsregler før maskinen tas i bruk.** Tillatelse til å bruke denne maskinen må aldri gis til en person som ikke er totalt kjent med instruksene i håndboken. Uerfarne personer må følge en opplæringsperiode i bruk, og kun på en sagkrakk.
3. **Kontrollsjekker.** Sjekk maskinen nøye hver gang før den tas i bruk, spesielt hvis den har vært utsatt for sterke slag, eller hvis det er tegn på funksjonsfeil. Foreta alle operasjoner i avsnittet "Vedlikehold & Lagring – hver gang før den tas i bruk"
4. **Reparasjon og vedlikehold.** Alle maskindeler som kan bli skiftet ut av brukeren er tydelig forklart i avsnittet som handler om "Montering / Demontering". Hvor nødvendig skal alle andre maskindeler kun bli skiftet ut av et autorisert servicecenter.
5. **Klær. (fig. 1)** Når denne maskinen brukes skal operatøren ha på seg følgende godkjente individuelle beskyttelsesklær : tettstende beskyttelsesklær, verne støvler med skliskre såler, tåhette av stål som er støtsikker og med kuttsikker beskyttelse, kuttsikre og vibrasjonssikre vernehansker, vernebriller eller sikkerhetsskjerm, øreklodder (hørselsvern) og hjelm (hvis det er fare for fallende gjenstander). Kan skaffes fra arbeidstøyleverandør/forretning.
6. **Helseregler – vibrasjons- og støynivåer.** Vennligst vær oppmerksom på støystreksjonene i det umiddelbare området. Forlenget maskinbruk utsetter brukeren for vibrasjoner som kan skape "liikfingre" (Raynauds sykdom), carpaltunnelsyndrom og lignende forstyrrelser.
7. **Helseregler – kjemiske midler** Bruk olje som er godkjent av produsenten.
8. **Helseregler – varme.** Drivtannhjul og kjede får meget høye temperaturer under bruk. Vær forsiktig å ikke ta på disse delene når de er varme.
9. **ADVARSEL!** Denne maskinen produserer et elektromagnetisk felt under bruk. Feltet kan under visse omstendigheter forstyrre aktive eller passive medisinske implantater. For å redusere faren for alvorlig eller dødelig skade, anbefaler vi at personer som har medisinske implantater rådfører seg med sin lege og produsenten av det medisinske implantatet før denne maskinen brukes.

Forholdsregler under transport og lagring. (fig. 2)

Hver gang arbeidsområdet skiftes til et annet sted, kople maskinen fra strømtilførselen og aktiver kjedebremshendelen. Sett på dekslet for sverdet hver gang før maskinen transporteres og lagres. Maskinen skal alltid bæres for hånd med sverdet pekende bakover, eller når maskinen transporteres i et kjøretøy skal den sikres for å forebygge skade.

Tilbakeslagsreaksjon. (fig. 3) Reaksjonen fra et tilbakeslag består av en voldsom opp- og tilbakeaksjon av sverdet mot brukeren. Dette forekommer generelt sett når øvre delen av sverdtuppen (kalt "faresonen for tilbakeslag") (se rød merking på sverdet) kommer i kontakt med et eller annet objekt, eller om kjedet er låst i treet. Tilbakeslag kan gjøre at operatøren mister kontrollen over maskinen som kan tilskynde farlige og selv dødelige uhell. Kjedebremshendelen og andre sikkerhetsanordninger er ikke tilstrekkelig for å beskytte operatøren mot skade; operatøren skal være godt oppmerksom på tilstandene som kan tilskynde reaksjonen, og forebygge disse ved å være meget påpasselig i henhold til erfaring sammen med forsiktighet og korrekt maskinhåndtering (for eksempel: kutt aldri flere grener samtidig da dette kan forårsake tilfeldig slag på "faresonen for tilbakeslag")

Sikkerhet på arbeidsområdet

1. La aldri barn eller personer som ikke er kjent med disse instruksene bruke produktet. Lokale forskrifter kan muligens begrense alderen på operatøren.
2. Produktet skal kun brukes på måter og vis, og til arbeid som beskrevet i disse instruksene.
3. Sjekk hele arbeidsområdet nøye for eventuelle farekilder (dvs.: veier, stier, elektriske ledninger, farlige trær osv.)
4. Hold eventuelle tilskuere og dyr godt unna arbeidsområdet (hvor nødvendig, gjerd av område og sett opp varselsskilt) med en minimumsavstand som er $2\frac{1}{2}$ x høyden på trestammen, men i alle tilfeller ikke mindre enn 10 meter.
5. Operatøren er ansvarlig for uhell eller farer som måtte skje med andre folk eller deres eiendom.

Elektrisk sikkerhet

1. Det er anbefalt at du bruker en reststrømanordning (R.C.D.) med en utkoplingsstrøm som ikke er mer enn 30 mA. Selv med R.C.D. installert, kan 100 % sikkerhet ikke bli garantert og sikker arbeidspraksis må alltid bli fulgt. Sjekk R.C.D.-en din hver gang den brukes.
2. Sjekk ledningen for skade før bruk. Skift ut hvis tegn på skade eller aldring.
3. Ikke bruk produktet hvis de elektriske ledningene er skadet eller slitte.
4. Hvis ledningen blir kuttet eller isolasjonen blir skadet skal hovedstrømmen omgående bli frakoblet. Ikke rør den elektriske ledningen før den elektriske tilførselen har blitt frakoblet. Ikke foreta reparasjon på en ledning med kutt eller skade. Gå til et autorisert servicesenter for å få ledningen skiftet ut.
5. Skjøteledningen må være viklet ut. Sammenviklede kabler kan overhetes og redusere gressklipperens effektivitet.
6. Sørg alltid for at ledningen/skjøteledningen blir holdt bak brukeren for å være sikker på at det ikke skapes en fare for brukeren eller for andre personer, og sjekk at ledningen ikke kan bli skadet

(av varme, skarpe gjenstander, skarpe kanter, olje, osv.);

7. Plasser ledningen slik at den ikke setter seg fast i grener og liknende under kutting.
8. Slå alltid av hovedstrømmen før støpsel, kableforbinder eller skjøteledning blir frakoblet.
9. Slå av strømmen, fjern støpsel fra strømtilførsel og undersøk den elektriske tilførselsledningen for skade eller aldring før den vikles opp for lagring. Ikke foreta reparasjon på en kuttet eller skadet ledning. Gå til et autorisert servicesenter for å få ledningen skiftet ut.
10. Fjern støpslet fra hovedstrømtilførselen før produktet forlates uten oppsyn, uansett tidsperiode.
11. Ledningen skal alltid vikles opp forsiktig, unngå bukt.
12. Bruk kun AC strømspenning som vist på produktets typeskilt.
13. Kjedesagen er dobbelt isolert ifølge EN60745-1 & EN60745-2-13. En jording må ikke under noen omstendigheter bli koblet til noen del av produktet.

Ledninger

1. Hovedstrømledninger og skjøteledninger kan leveres fra godkjent servicesenter på stedet
2. Bruk kun godkjente skjøteledninger
3. Skjøteledninger og ledninger skal kun bli brukt hvis de er beregnet til bruk utendørs.
4. Hvis du trenger å bruke skjøteledning under bruk av produktet ditt, bruk kun følgende ledningsdimensjoner:

Modellene CSE1835, CSE1935S:

- 5,0 mm² : maks. lengde 40 m
- 5,0 mm² : maks. lengde 60 m
- 8,0 mm² : maks. lengde 100 m

Modellene CSE2040, CSE2040S:

- 5,0 mm² : maks. lengde 50 m
- 8,0 mm² : maks. lengde 90 m

C. BESKRIVELSE AV SIKKERHETS UTSTYRET

SPERRING AV BRYTER

Deres maskin er installert med en utstyrenhet (**fig.1**) som, i tilfelle ikke aktivisert, forhindrer å trykke på bryteren, for å forhindre tilfeldig oppstart.

KJEDE BREMSE KJEDE VED SLIPP AV BRYTEREN

Deres maskin er utstyrt med en utstyrenhet som sperrer kjedet med en gang bryteren slippes; i tilfelle denne ikke fungerer, ikke bruk maskinen men ta den til en Autorisert Forhandler.

BREMSE KJEDET / BESKYTTELSE FOR HÅNDEN FORAN

Beskyttelsen på/for hånden foran (**fig.2**) hjelper for å unngå at (forutsatt at maskinen holdes korrekt) deres venstre hånd kommer i kontakt med kjedet. Bakre beskyttelse av hånden har dessuten funksjonen til å sette i gang kjedebremsen, utstyrenheten studert for å kunne blokkere kjedet etter få tusen sekunder i tilfelle tilbakevirkningslag. Kjedet bremsen er ikke i gang satt når bakre beskyttelse av hånden er dratt bakover og blokkert (kjedet kan bevege seg). Bremse kjedet er innført når beskyttelse for hånden foran er presset forover (kjedet er blokkert). Kjedebremsen kan bli aktivert ved å bruke venstre håndledd som skyves framover, eller når håndleddet kommer i kontakt med håndvernet foran som et resultat av tilbakeslag.

Når maskinen brukes med stanga i horisontal stilling, for eksempel under trehugst, vil kjedebremsen gi mindre beskyttelse. (**fig. 3**).

NOTIS: Når denne kjettingen/lenke er innført såvil en sikkerhets bryter ta bort all strøm fra motoren.

 **Ved å utløse kjedebremsen mens du holder på bryteren, gjør at produktet starter.**

KJEDE STOPPER BOLT

Denne maskinen er utstyrt med en kjedefanger (**fig. 4**) som er plassert under kjedehjulet. Denne mekanismen er konstruert for å stoppe eventuell bakoverbevegelse på kjeden i tilfelle den sliter seg eller hopper av.

Disse situasjonene kan bli unngått ved å sørge for korrekt kjedestramming (Se avsnitt "D. Montering/Demontering").

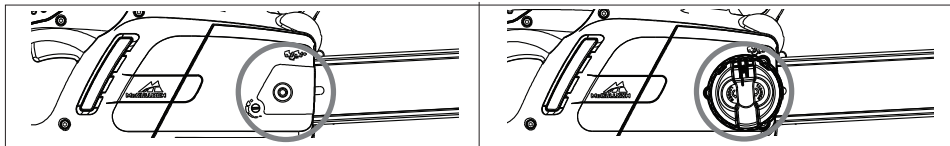
BAKRE BESKYTTELSE FOR HØYRE HÅND

Hjelper til å beskytte (**fig.5**) hånden i tilfelle hopp eller ødeleggelse av kjedet.

D. MONTERING / DEMONTERING

MONTERING AV METALLSTANG OG KJEDE

Etter hvilken modell maskinen deres er så forandres monterings prosedyren, derfor så må dere referere til figurene og typen på produkt etikketen vær meget oppmerksomme på å utføre monteringen korrekt.



1. Kontroller at kjetting/lenke bremsen ikke er innført, i tilfelle ta den bort

2a. Skru løs festeskruen for stanga og fjern dekslet for tannhjulsdreivet.

2b. Skru løs festeknotten for stanga og fjern dekslet for tannhjulsdreivet.

3 Monter kjeden over stanga, begynn på nesetannhullet, og monter kjeden i sporet på styrestanga. **Forsiktig!** Forsikre deg om at den skarpe siden av kuttetennene peker i retningen fremover på den øvre delen av stanga. Bruk hansker.

4a. Forsikre deg om at stiften for kjedestrammeren er så langt tilbake mot tannhjulsdreivet som mulig. Fest stanga på festeskruen og kjedestrammer-stiften, og monter kjeden over tannhjulsdreivet.

4b. Roter metallhjulet så langt som mulig i retningen mot urviserne. Monter stanga på festeskruen og monter kjeden over tannhjulsdreivet.

Monter dekslet for tannhjulsdreivet på plass, samtidig som du sjekker at tennene på kjeden kopler inn i tannhjulsdreivet og styresporet.

5a. Skru festemutteren for stanga løst til for hånd.

5b. Skru festeknotten for stanga løst til for hånd.

6a. For å stramme kjeden, skru kjedestrammerskrueni retning med urviserne ved å bruke skrunøkkel/ skrutrekker som følger med. For å slakke kjeden, skru i retningen mot urviserne (hold nesen på stangen i hevet stilling når du foretar dette)

6b. For å stramme kjeden, skru den ytre knotten på kjedestrammeren i retning med urviserne. For å slakke kjeden, skru i retningen mot urviserne (hold nesen på stangen i hevet stilling når du foretar dette)

7. Stram kjeden korrekt. Trekk kjeden bort fra stangen og sjekk at åpningen måler cirka 2-3 mm

8a. Skru til festemutteren for stangen ved å bruke skrunøkkel/skrutrekker som følger med.

8b. Skru stangen forsvarlig fast

Ved å stramme til for mye kjedet så kan en overanstrenge motoren og skade den, å ikke stramme den godt nok kan føre til at den hektes av, mens et kjede som er spent til korrekt betyr de beste klippe måter og en forlenget holdbarhet av denne. Kontroller regelmessigt spenningen til kjedet fordi dens lengde har en tendens til å øke med bruk (spesielt dersom den er ny, på den første monteringen kontroller igjen spenningen etter 5 minutters arbeid); i hvert tilfelle ikke stram til kjedet med en gang men vent til den har kjølet seg ned.

I tilfelle dere må regulere spenningen til kjedet løsne alltid mutterene stang fikserenknotten før en tar for seg knotten kjedespenneren; spenn den til korrekt of skru til på nytt stangfiksers knotten

E. OPPSTART OG STANS

Oppstart: Hold godt i begge håndtakene og utlås spaken for kjedebremsen samtidig som du fremdeles holder i fronthåndtaket. Trykk og hold bryterblokka hele tiden trykt inn, og trykk deretter på bryteren (på dette tidspunktet kan bryterblokka bli utløst).

Stans: Maskinen stanser når dere slipper bryteren. I tilfelle maskinen ikke stanser opp, innfør kjedet bremsen, ta bort kabelen fra nettet og ta den med til en Autorisert Forhandler.

F. SMØRING AV METALLSTANG OG KJETTING

ADVARSEL! En En ikke god nok smøring av kippinge utstyret vil fremkalle ødeleggelse av kjedet med alvorlig risiko for skader og død av personer.

Smøring av stangen og kjedet er forsikret av en automatisk pompe.

Derfor kontroller slik som indikert under "Vedlikehold" at kjedet oljen alltid er fordelt med tilstrekkelig mengde.

Valg av kjede oljen

Bruk kun ny olje (av spesiell type for kjettinger) med god viskositet: den må ha en god sammenheng og kunne garantere gode flyte egenskaper, både

sommer og vinter. Hvor det ikke er tilgjengelig olje til kjede bruk olje til transmisjon EP 90.

Bruk aldri avfalls oljer da disse kan være skadelige for dere, maskinen og miljøet. Forsikre dere om at oljen er tillegnet til temperaturen i det området den blir brukt: i temperaturer under 0°C så blir noen oljer tykkere, og vil overanstrenge pumpen og ødelegge den. For valg av olje så er det best at en tar kontakt med deres nærmeste Autoriserte Forhandler.

Påfylling av olje

Skru av lokket på olje tankbeholderen, unngå å søle ut oljen (dersom dette skulle skje rengjør maskine godt) skru så godt igjen lokket.

G. VEDLIKEHOLD OG LAGRING

Før det foretas vedlikehold eller rengjøring, ta støpslet ut av strømtilførselen.

ADVARSEL! I tilfelle en arbeider i områder som er særlig skitne og støvete, så må operasjonene som er forklarte bli utført hyppigere enn det som er indikert.

Før hver bruk

Kontroller at kjede olje pumpen fungerer slik som den skal: sikt stangen mot en lys overflate, med en avstand på tyve centimeter; etter at maskinen har vært i funksjon i ett minutt så vil det være olje flekker på overflaten (**fig.1**). Kontroller at for å innføre og å ta ut/bort kjede bremsen at det ikke er nødvendig med en overdreven styrke, dårlig og at den ikke er blokkert/sperrert. Etter det kontroller funksjonen slik som indikert: ta ut kjede bremsen, hold maskinen korrekt og start den opp, innfør kjede bremsen ved å presse beskyttelsen foran til hånden med venstre håndledd/arm, uten å slippe håndtakene (**fig.2**). Dersom bremse kjeden fungerer, så vil kjeden blokkere seg med en gang. Kontroller at kjedet er slipt (se under), er i god stand og spennet riktig, i tilfelle den har uregelmessig slitasje eller har klippe tenner som er kun 3mm, sostiutela (**fig.3**).

Rengjør ventilasjonsspalten ofte, for å unngå at motoren overopphetes. (**fig 4**).

Kontroller funksjonen til bryteren og brytersperren (skal utføres når kjedebremsen er tatt av): sett i gang bryteren og brytersperren og kontroller at de returnerer tilbake i hvile posisjon med en gang de blir sluppet; undersøk at, uten å sette i gang brytersperren, så er det er umulig å sette i gang bryteren.

Kontroller at kjede blokkerbolten og beskyttelsen for høyre hånd er fullstendig og uten tilsynelatende feil, slik som materiale skader.

Etter 2-3 timers bruk

Kontroller stangen, dersom nødvendig rengjør nøye smøre hullene (**fig.5**) og leder kanalen (**fig.6**), i det siste tilfellet dersom den fremstiller slitasje og overdrevne furer bytt den ut. Foreta regelmessig rengjøring av drivtannhullet og sjekk at det ikke har blitt utsatt for overdreven slitasje (**fig.7**). Smør kjedetann hjulet til stangen med fett til støtputene gjennom det indikerte hullet (**fig.8**).

Sliping av kjede (Når nødvendig)

Dersom kjedet ikke klipper uten å trykke stangen mot tømmeret og det produserer veldig små sagflis, så er det tegn på at den er ikke godt nok slipt. Dersom skjæringen ikke produserer sagflis, så har kjedet helt mistet tråen og når de skjærer så støver det kun tømmeret. Et godt slipt kjede avanserer selv i tømmeret og produserer store og lange høvelspon.

Den skjærende delen av kjedet er satt sammen av skjære løkke (**fig.9**), med en skjære tann (**fig.10**) og en klippe avgrensner (**fig.11**). Ugjevnheter mellom disse fastslår dybden på klippet; for å oppnå en god sliping så har en behov for en lederfil og en rund lim med en diameter på 4mm, følg instruksjonene som følger: med kjedet korrekt montert og korrekt spennet innfør kjede bremsen, posisjoner leder filen slik som figuren viser, loddrett med metallstangen (**fig.12**), og operer på klippe tannen med vinklens slik som er indikert på figuren (**fig.13**), slip alltid fra innsiden og ut og gjør trykket slappere i retur fase (det er veldig viktig å følge nøye indikasjonene: overdreven hjørne sliping, dårlig eller en feil diameter på filen øker muligheten til tilbakevirkningsslag). For å oppnå sidehjørnene mere presise så anbefaler en å posisjonere filen på en slik måte at den overgår vertikalt det øverste skjæreelementet med cirka 0,5 mm. Slip først alle taggene på den ene siden, deretter snu saken og repetet operasjonen. Forsikre dere om at alle taggene er like lange etter sliping og at høyden på dybde avgrensner er 0,6mm under det øverste skjæreelementet: kontroller høyden ved å bruke en sjablong og slip (med en flat fil) delen som rager frem, avrund deretter den fremste delen av dybde avgrensner (**fig.14**), ved å være oppmerksom på å IKKE slippe beskyttelses tannen anti.tilbakevirkningsslag (**fig.15**).

Hver 30 timers arbeid

Ta maskinen til en Autorisert Forhandler for et generell gjennomsyn og for en kontroll av de bremsende utstyreneheter.

Lagring

Produktet skal lagres på et tørt og kjølig sted, og skal oppbevares utilgjengelig for barn. Skal ikke lagres utendørs.

H. KLIPPE TEKNIKKER

Under bruk unngå: (fig.1)

- Å klippe i situasjoner hvor stammen kan dele seg mens en skjærer (spennet tømmer, tørre trær, o.s.v.): en plutselig brudd kan være meget farlig.

- At metallstangen eller kjeden infatter seg i snittet: dersom dette skjer, adskill maskinen fra nettet og prøv å heve stammen ved å løfte den med et tilpassende verktøy; ikke prøv å befri maskinen ved å riste eller dra fordi dere kan risiere å ødelegge den eller å skade dere selv.

- Situasjoner som kan favorisere tilbakevirkningsslag til å fremstå.

- bruke produktet over skulderhøyde

- kutte tre med fremmedlegemer, for eksempel spiker

Under bruk: (fig.1)

- Dersom dere klipper på et terreng i skråning arbeid da oppover på stammen, slik at den ikke kan truffe dere i tilfelle den skulle rulle.

- Dersom dere klipper på et terreng i skråning arbeid da oppover på stammen, slik at den ikke kan truffe dere i tilfelle den skulle rulle.

I teksten som følger så refererer vi til disse to klippe:

Klipp med spennet kjede (fra oppoverfra mot nedover) (**fig.2**), fremstiller en fare for en tilfeldig bevegelse av maskinen mot stammen med de konsekvensene at en mister kontrollen, dersom det er mulig bruk kroken mens en klipper.

Klipp med pressende kjede(nedover mot oppover) (**fig.3**): fremstiller istedet en fare for en tilfeldig bevegelse av maskinen mot operatøren med risikoen for å treffe ham, enten sammenstøt med stammen i risiko sektoren med risikoen for et tilbakevirkningsslag konsekvenser; vær meget oppmerksom mens dere klipper.

Den mest sikre måten for bruk av maskinen er når tømmeret er blokkert på sagestativet, ved å skjære ovenfra of ned og å arbeide utenom støtten. (**fig.4**)

Bruk av krok

Når det er mulig bruk kroken for et sikkrere klipp: fest den i barken eller på overflaten av stammen, slik at en lettere kan bevare kontrollen over maskinen.

Følgende så er de typiske prosedyrene å anvende overførte, hver eneste gang så vil det hending å vurdere om de vil være tilegnet eller ikke til deres tilfelle og hvordan utføre klippet/saget med den minste risiko.

Stamme på grunnflaten ((Risiko at kjedet kommer i nærheten av jordbunnen mot slutten av klippet). (fig.5)

Klipp fra ovenfra og ned gjennom hele stammen. Fortsett forsiktig til slutten av klippet for å unngå at kjedet kommer borti jordbunnen. Dersom det er mulig stans opp på 2/3 av stammene tykkelse, rull stammen og klipp den resterende delen ovenfra og ned, for å begrense risikoen for å komme i nærheten av jorden.

Stubben støttet kun på en side (Risiko for at stammen brykkes under klipp) (fig.6)

Begynn sagingen nedenfra til cirka 1/3 av diameteren, avslutt ovenfra, ved å møte klippet som allerede er blitt utført.

Stammen støttet på dens to ytterligheter (Risiko at kjedet knuses.) (fig.7) Begynn sagingen nedenfra til cirka 1/3 av diameteren, avslutt ovenfra, ved å møte klippet som allerede er blitt utført.

Trestamme som ligger i en helling. Stå alltid på oversiden av trestammen. For å ha total kontroll når du «kutter gjennom», utløs trykket ned mot slutten av kuttet uten å løsne grepet på håndtakene. La ikke kjedet komme i kontakt med bakken.

Felling

ADVARSEL! Ikke prøv å felle dersom dere ikke har god nok erfaring, og i alle tilfeller ikke fell stammer med en større diameter enn lengden på selve metallstangen! Denne operasjonen er reservert for eksperte brukere og med passende utstyr.

Meningen med fellingen er å få treet til å falle i den beste posisjonen mulig for den neste opprykkning og stammene disseksjon. (Unngå at et tre i fall faller og vikler seg over et annet: å få et tre som har viklet seg inn er en meget farlig operasjon).

Dere må bestemme den beste direksjonen for fallet/ved å vurdere: hva som befinner seg rundt treet, dets helning, krumning, vindens direksjon og konsentrasjonen av greiner.

Heller ikke undervurder de døde eller brekkte greinene tilstede da de kan løsne under fellingen og representere en fare.

ADVARSEL! Under fellings operasjoner med kritiske omgivelser, løft med en gang de aukustiske beskyttelsene etter klippingen, slik at en kan lettere bemerke usedvanligstøy og eventuelt advarsels-signaler.

Innledende operasjoner til klipp/sag og individualisering av flukt vei

Fjern greiner som hindrer arbeidet (fig.8), ved å begynne ovenfra og nedover og ved å holde/ha stammen mellom dere og maskinen, deretter fjern de vanskeligste greinene, del for del. Fjern vegetasjonen rundt treet og observer om det eventuelt er noen forhindringer tilstede (steiner, røtter, grøtter o.s.v..) i planleggingen av deres flukt vei (å ta bruke under trets fall); referer til figur (fig.9) for hvilken direksjon å ta (A direksjon forutsatt for trets fall. B. Flukt vei C. Risiko sektor)

FELLING (fig.10)

For å forsikre dere kontrollen over trets fall så må dere følge de følgende klipp:

Direksjons klippet, som først må utføres, tjener til å kontrollere direksjonen over trets fall: følg først ØVERSTE DEL av direksjons klippet på den siden hvor treet skal felles. Hold høyre siden på treet som dere skal klippe og klipp med trekket kjede; etter det følg så NEDRE DEL av klippet, som skal avsluttes på toppen av den øverste delen. Dybden på direksjons snittet må være på 1/4 av diameteren på stammen, med en vinkel på det øverste klippet med den nederste på hvertfall 45°. Møtet fra de to klippene er kalt "direksjons klippe linjen". Linjen må være perfekt horisontal og med en spiss vinkel på (90°) sett ut fra fall direksjonen.

Fellings klippet, som skal å fremprovosere fallet av treet, skal gjøres ca. 3-5 cm over den nederste delen av flaten av direksjons klippe linjen, og avsluttes med en avstand på 1/10 av stammen fra denne. Hold den ventre siden av treet og klipp med trekket kjede, ved å bruke kroken. Kontroller at treet ikke beveger seg i forskjellig direksjon av det som var forutsatt for fallet. Med en gang det er mulig innfør en fellings kile i snittet. Delen av stammen som ikke er klippet kalles støttepunkt, og er "glidlåsen" som leder treet i fallet; i tilfellet det ikke er nok, ikke rettlinjert, eller helt saget så har en ikke lenger ha kontroll over fallet på treet (meget farlig!) derfor så er det helt nødvendig at de forskjellige klippene blir utført med presisjon.

På slutten av klippene, så skal treet begynne å falle, dersom det er nødvendig så hjelp til med en kile eller en felle løfte stang.

Avrivning

En gang en har fellet treet så går en over til opprivningen, det vil si til fjerningen av grenene på stammen. Ikke undervurder denne operasjonen, fordi mesteparten av tilbakevirkningsslag ulykkene skjer nettopp mens en holder på med avrivningen, derfor må dere være oppmerksomme på hvordan dere posisjonerer knivbladet mens dere klipper og arbeid fra ventre side av stammen.

I. MILJØ INFORMASJON


I dette avsnittet vil du finne all informasjon som behøves for å ta vare på de miljøvennlige katteristikkene som maskinen ble laget med fra begynnelsen av, den riktige bruk av maskinen, og avsetning av oljene.

BRUK AV MASKINEN

Når en fyller på oljetanken så må en være forsiktig og ikke fremkalle utsøling av kjedeoljen i miljøet.

KASTING AV FRAGMENTER

Ikke kast maskinen som ikke lenger fungerer ut i miljøet, heller ta den med til nærmeste autoriserte virksomhet som etter de gjeldende forskrifter, kan ødelegge avfal.

Symbolet på  produktet eller på produktets innpakning angir at dette produktet bør muligens ikke bli behandlet som husholdningsavfall. Det skal i stedet bli levert inn på et egnet samlepunkt for gjenvinning av elektrisk og elektronisk utstyr. Ved å forsikre deg om at dette produktet er deponert korrekt, hjelper du med å forebygge negative virkninger på miljøet og menneskelig helse, som ellers kan bli forårsaket av u hensiktsmessig avfallshåndtering av dette produktet. For mer detaljert informasjon om gjenvinning av dette produktet, vennligst ta kontakt med kommunekontoret på stedet, renovasjonstjenesten for husholdningsavfall, eller butikken hvor du kjøpte produktet.

J. FEILFINNER SKJEMA

	Motoren starter ikke	Motoren går dårlig rundt og mister potens	Maskinen starter men klipper ikke slik som den skal	Motoren går rundt på en uregelmessig måte	De bremsende utstyrene sperrer ikke kjederoteringen slik som de skal
Forsikre dere om at det er strøm tilstede på nettet	●				
Forsikre dere om at støpselen er korrekt innført	●				
Forsikre dere om at ikke kablet eller, forlengeren er skadet	●				
Forsikre dere om at kjede bremsen ikke er innført	●				
Sjekk at kjeden er hensiktsmessig montert og strammet		●	●		
Kontroller at smøringen av kjedet slik som forklart i kapitell F og G			●		
Kontroller at kjedet er slipt			●		
Sjekk at utkoplingsbryteren er aktivert	●				
Ta kontakt med en Autorisert Forhandler	●	●		●	●

K. Reservedeler

35cm	Kjede Sverd	91PJ052XN	Delenummer.: Delenummer.:	530051538 576965401
40cm	Kjede Sverd	91PJ056XN	Delenummer.: Delenummer.:	530051539 576965201

L. EC KONFORMITETSERKLÆRING

Husqvarna AB, S-561 82, Huskvarna, Sweden

Erklærer under vårt utelukkende ansvar at produktet/ene er:

Betegnelse.....**Chainsaw - Kjedesag**
Typebetegnelse/r.....**CSE1835, CSE1935S, CSE2040, CSE2040S**
Serieidentifikasjon.....**Se Produktets Klassifiseringsettitt**
Byggeår.....**Se Produktets Klassifiseringsettitt**

i overensstemmelse med opprinnelige krav og bestemmelser i henhold til følgende EC-direktiver:
2006/42/EC, 2004/108/EC, 2000/14/EC. 2011/65/EU

basert på de følgende gjeldende EU-harmoniserte standarder:

EN60745-1, EN60745-2-13, EN55014-2, EN55014-1, EN61000-3-2, EN61000-3-11

Myndighet som foretok EU type-eksaminasjon

i følge artikkel 8 avsnitt 2c..... TÜV Rheinland LGA Products GmbH
Tillystraße 2
D-90431 Nürnberg
Germany
Godkjenning nr.: BM 50268379

Maksimum L_{pA} (A-veiet lydtryknivå) på arbeidsstasjonen, målt i henhold til EN60745-2-13 er oppgitt i tabellen.

Maksimum veiet verdi for hånd-/armvibrasjon a_{Hv} , målt i henhold til EN60745-2-13 på et eksemplar av produkt(er) ovenfor, er oppgitt i tabellen.

Den totale verdien på erklært vibrasjon har blitt målt i henhold til en standard testmetode og kan brukes til å sammenligne ett verktøy med et annet.

Den totale verdien av erklært vibrasjon kan også brukes i en foreløpig eksponeringsvurdering.

Advarsel:

Vibrasjonsemisjonen under faktisk bruk av elektrisk drevet verktøy kan differere fra total erklært verdi avhengig av hvordan verktøyet brukes.

Operatører skal sørge for sikkerhetstiltak for å beskytte seg selv som er basert på beregnet eksponering under faktiske bruksforhold (hvor det tas hensyn til alle deler av brukssyklusen slik som tiden når verktøyet er slått av og når det går på tomgang i tillegg til avtrekkertid).

2000/14/EC: Målt lydeffekt L_{WA} & garanterte lydeffektverdier er i henhold til tallene i tabellen.

Prosedyre for konformitetsvurdering..... Annex V

Ulm 12/02/2013

P. Lamelli

Global Direktør FoU - Håndholdt

Vokter av teknisk dokumentasjon



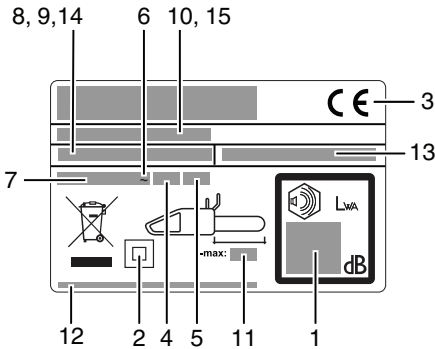
Type (CSE_____)	1835	1935S	2040	2040S
Vekt uten brennstoff(Kg)	4.3	4.5	4.4	4.6
Strøm (kW)	1.8	1.9	2.0	2.0
Oljetank kapasitet (cm ³)	240	240	240	240
Maksimum sverdlengde (cm)	35	35	40	40
Kjede gang (mm)	9.52	9.52	9.52	9.52
Kjededimensjon (mm)	1.3	1.3	1.3	1.3
Målt lydeffekt L_{WA} (dB(A))	106	106	106	106
Garantert lydeffekt L_{WA} (dB(A))	110	110	110	110
Lydtrykk L_{pA} (dB(A))	95	95	95	95
Usikkerhet K_{pA} (dB(A))	2.5	2.5	2.5	2.5
Hånd-/armvibrasjon a_{Hv} (m/s ²)	7.28	7.28	8.08	8.08
Usikkerhet K_{ah} (m/s ²)	1.5	1.5	1.5	1.5
Nettimpedans Z_{max} (Ω)	0.382	0.382	0.382	0.382

EN 61000-3-11 Samsvarserklæring

Avhengig av det lokale elektrisitetsverkets nettnetvork kan bruk av dette produktet føre til korte spenningsfall i det øyeblikket apparatet slås på. Dette kan ha innvirkning på annet elektrisk utstyr, f.eks. en lampe som øyeblikkvis lyser svakere. Hvis **strømforsyningens nettimpedans Z_{max}** er mindre enn verdien vist i tabellen (se aktuell del for din modell), vil disse virkningene ikke skje. Du kan finne ut verdien av nettnetvorksimpedansen hvis du kontakter ditt lokale elektrisitetsverk.

A. YLEISKUVAUS

- | | |
|--|---|
| <ol style="list-style-type: none"> 1) Takakädensija 2) Rystysuojus 3) Etukädensija 4) Takapotkusuojus/ketjujarru 5) Teräketjun kiristimen ulompi nappi 6) Teräketjun kiristysruuvi 7) Ketjunkiristimen tappi 8) Öljysäiliön korkki 9) Öljytason tarkistusikkuna 10) Tuuletusaukot 11) Sähköjohto 12) Manuaalinen 13) Käyttökytkin 14) Käyttökytkimen varmistin 15) Teräketju 16) Vetolenkki 17) Leikkuulenkki 18) Leikkuusyvyyden rajoitin | <ol style="list-style-type: none"> 19) Leikkuuhammas 20) Terälevy 21) Vetopyörän kotelo 22) Vetopyörä 23) Ketjusieppo 24) Terälevyn kiinnitysruuvi 25) Terälevyn sisempi asennusnappi 26) Terälevyn asennusmutteri 27) Kärkipyörä 28) Terälevyn suojus 29) Kuorituki 30) Ketjunkiristimen tapin istukka 31) Voiteluaukko 32) Terälevyn ura 33) Yhdistelmäavain |
|--|---|



Esimerkkietiketti

- 1) Taattu äänen voimakkuus
direktiivin 2000/14/EY mukainen
- 2) Luokan II työkalu
- 3) CE-merkintä
vaatimustenmukaisuudesta
- 4) Nimellistaajuus
- 5) Nimellisteho
- 6) Vaihtovirta
- 7) Nimellisjännite
- 8) Tyyppi
- 9) Tuotteen koodi
- 10) Valmistusvuodi
- 11) Terälevyn enimmäispituus
- 12) Valmistajan nimi ja osoite
- 13) Tuotenumero (Sähkökäyttöinen
moottorisaha)
- 14) Malli
- 15) Sarjanumero

B. VAROTOIMENPITEET

TUNNUKSIEN MERKITYS



Varoitus
Lue opas huolellisesti



Turvasaappaat



Kypärä,
kuulosuojaimet ja
suojalasit tai
kasvosuojain



Viiltosuojat
hansikkaat



Pitkät viiltosuojat
housut



Ketjujarru pois päältä,
päällä



Irrota pistoke
verkkovirrasta
välittömästi, jos johto on
vahingoittunut tai poikki.



Pidä sivulliset
työskentelyalueen
ulkopuolella.



Leikkukuham-paan
suunta



Käytä konetta aina
kahdella kädellä



Takapotku-vaara



Älä jätä sateeseen tai
kosteaan



Ketjuöljy



Älä...



Sammuta kone



Irrota pistoke ennen
säättöä tai puhdistusta.



Sähköiskun vaara.

Sähkötyökaluja koskevia yleisvaroituksia

VAROITUS Lue kaikki varoitukset ja ohjeet.

Varoitusten ja ohjeiden laiminlyöminen saattaa johtaa sähköiskuun, tulipaloon ja/tai vakaviin henkilövahinkoihin.

Säilytä kaikki varoitukset ja ohjeet tulevan varalle.

Varoituksissa mainittu "sähkötyökalu" viittaa verkkokäyttöiseen (johdolliseen) sähkötyökaluun tai akkukäyttöiseen (johdottomaan) sähkötyökaluun.

1) Työskentelyalueen turvallisuus

a) Pidä työskentelyalue puhtaana ja hyvin valaistuna. Sotkuiset tai hämärät alueet altistavat vahingoille.

b) Älä käytä sähkötyökaluja räjähdysriskissä paikoissa, esim. jos paikalla on syttyviä nesteitä, kaasuja tai pölyä. Sähkötyökalat saavat aikaan kipinöitä, jotka voivat syyttää pölyn tai höyryt tuleen.

c) Älä päästä lapsia tai sivullisia sähkötyökalan lähelle sitä käytettäessä. Keskitymistä häiritsevät tekijät voivat saada sinut menettämään laitteen hallinnan.

2) Sähköturvallisuus

a) Sähkötyökalan pistokkeen täytyy sopia pistorasiaan. Pistoketta ei saa muuntaa millään tavalla. Älä käytä adapteripistokkeita maadoitettujen sähkötyökalujen kanssa.

Muuntamattomat pistokeet ja sopivat pistorasiat vähentävät sähköiskun vaaraa.

b) Vältä koskettamasta maadoitettuja pintoja, kuten putkia, lämmittimiä, liesiä ja jääkaappeja millään kehoosi osalla. Sähköiskun vaara kasvaa, jos kehoosi on maadoittunut.

c) Sähkötyökaluja ei saa altistaa sateelle tai kosteudelle. Sähköiskun vaara kasvaa, jos sähkötyökalan sisälle pääsee vettä.

d) Älä käytä johtoa vääriin. Älä koskaan kannna tai vedä työkalua johdosta, äläkä irrota pistoketta vetämällä johdosta. Pidä johto poissa lämmön, öljyn, terävien reunojen ja liikkuvien osien läheisyydestä. Vahingoittuneet tai sotkuiset johdot lisäävät sähköiskun vaaraa.

e) Kun käytät sähkötyökaluja ulkona, käytä ulkokäyttöön soveltuvaa jatkojohtoa. Ulkokäyttöön soveltuvan jatkojohtoon käyttö vähentää sähköiskun vaaraa.

f) Jos sähkötyökaluja täytyy käyttää kosteassa paikassa, käytä jäännösvirtalaitteella varustettua virtalähdettä. Jäännösvirtalaitteen käyttö vähentää sähköiskun vaaraa.

3) Henkilökohtainen turvallisuus

a) Ole varuillasi, katso mitä teet ja käytä tervettä järkeä sähkötyökaluja käytettäessäsi. Älä käytä sähkötyökaluja väsyneenä tai huumeiden, alkoholin tai lääkkeiden vaikutuksen alaisena. Hetken tarkaamattomuus sähkötyökaluja käytettäessä voi johtaa vakaviin henkilövahinkoihin.

- b) Käytä henkilökohtaisia suojavarusteita. Käytä aina suojalaseja. *Suojavarusteiden kuten hengityssuojaimen, liukumattomien turvakenkien, suojapäähineen tai kuulosuojainten käyttö sopivissa tilanteissa vähentävät henkilövahinkoja.*
- c) Estä tahaton käynnistyminen. Varmista, että kytkin on pois päältä –asennossa ennen virtalähteeseen ja/tai akun kytkemistä, työkalun nostamista tai kantamista. *Jos kannat sähkötyökalua sormesi ollessa käynnistyskytkimellä tai jos kytket virran päälle kytkimen ollessa päällä –asennossa, onnettomuusriski on erittäin suuri.*
- d) Poista säätöavaimet yms. ennen kuin työkalun kytketään virta päälle. *Sähkötyökalun pyörittävään osaan jätetty avain voi aiheuttaa henkilövahinkoja.*
- e) Älä kurkota. Seiso tukevasti ja pysy tasapainossa koko ajan. Näin pystyt hallitsemaan työkalun paremmin odottamattomissa tilanteissa.
- f) Pukeudu asianmukaisesti. Älä käytä välijiä vaatteita tai koruja. Pidä hiukset, vaatteet ja käsiinnet pois liikkuvien osien läheisyydestä. *Väljät vaatteet, korut tai pitkät hiukset voivat tarttua liikkuviin osiin.*
- g) Jos työkalun voidaan liittää pölynpoistin ja –kerääjä, varmista että ne kiinnitetään ja niitä käytetään oikein. *Pölynkerääjän käyttö voi vähentää pölyyn liittyviä vaaroja.*
- 4) Sähkötyökalun käyttö ja huolto
- a) Älä pakota sähkötyökalua. Käytä työtehtävään sopivaa oikeaa työkalua. *Oikealla työkalulla työ onnistuu paremmin ja turvallisemmin sitä varten suunnitellulla nopeudella.*
- b) Älä käytä työkalua, jos sitä ei voi käynnistää ja sammuttaa virtakytkimellä. *Sähkökäyttöinen työkalu, jonka virtakytkeyt ei toimi, on vaarallinen ja se täytyy korjata.*
- c) Irrota pistoke virtalähteestä ja/tai akku työkalusta ennen kuin ryhdyt tekemään mitään säätöjä, vaihtamaan tarvikkeita tai laitat työkalun varastoon. Näin työkalun tahattoman käynnistymisen vaara pienenee.
- d) Säilytä sähkötyökalua poissa lasten ulottuvilta äläkä anna sellaisten henkilöiden, jotka eivät tunne työkalua tai näitä käyttöohjeita, käyttää tätä sähkötyökalua. *Sähkötyökalut ovat vaarallisia kokemattomien henkilöiden käsissä.*
- e) Muista huoltaa sähkötyökalut. Tarkista, että liikkuvat osat on suunnattu oikein, etteivät ne hankaa, ole rikki tai ettei mikään muu vaikuta työkalun toimintaan. Jos työkalu on vahingoittunut, se täytyy korjata ennen käyttöä. *Monet onnettomuudet johtuvat huonosti huolletuista sähkötyökaluista.*
- f) Pidä katkaisutyökalut terävinä ja puhtaina. Kunnolla huolletut katkaisutyökalut, joissa on terävät terät, eivät takeltele helposti ja niitä on helpompi hallita.
- g) Käytä työkalua, tarvikkeita ja teriä yms. näiden ohjeiden mukaisesti ottaen huomioon työskentelyolosuhteet ja itse tehtävän. *Työkalun käyttö muuhun kuin sille tarkoitettuun käyttötarkoitukseen voi aiheuttaa vaaratilanteita.*

5. Huolto

- a) Vie sähkötyökalusi huollettavaksi ammattihenkilölle, joka käyttää vain samanlaisia vaihto-osia. Tällä varmistetaan, että sähkötyökalu on turvallinen käyttäjä.
- Moottorisahaa koskevia varoituksia:**
- Pidä kaikki kehon osat kaukana sahaketjusta, kun moottorisaha on käytössä. Ennen kuin käynnistät moottorisahan, varmista, että sahaketju ei ole kosketuksissa mihinkään. *Hetken tarkkaamattomuus moottorisahojen käytön aikana saattaa johtaa siihen, että vaatteet tai keho takertuu sahaketjuun.*
 - Pidä moottorisahasta aina kiinni oikealla kädellä takakahvasta ja vasemmallä kädellä etukahvasta. *Moottorisahan piteleminen väärin lisää henkilövahingon vaaraa, joten sahaa on pidettävä aina oikein.*
 - Pidä työkalusta kiinni vain eristetyistä tartuntapinnoista, sillä teräketju saattaa osua näkymättömissä oleviin johtoihin tai sen omaan johtoon. *Jos teräketjut osuvat jännitteiseen johtoon työkalun metalliset osat saattavat tulla jännitteisiksi, jolloin työkalun käyttäjä voi saada sähköiskun.*
 - Käytä suojalaseja ja kuulosuojaimia. Lisäksi suositellaan suojavarusteita päähän, käsiin, säärin ja jalkoihin. *Riittävä suojavaatteet vähentävät lentävien roskien tai sahaketjun tahattoman kosketuksen aiheuttamaa henkilövahingon vaaraa.*
 - Älä käytä moottorisahaa puussa. *Moottorisahan käyttö käyttäjän ollessa puuhun kiivenneenä voi johtaa henkilövahinkoihin.*
 - Seiso aina tukevasti ja käytä moottorisahaa vain, kun seisoit lujalla, varmalla ja tasaisella pinnalla. *Liukkaat tai epävakaaat alustat, kuten tikapuu, saattavat aiheuttaa tasapainon menetyksen tai moottorisahan hallinnan menetyksen.*
 - Kun sahaat kireää oksaa, varo kimpoamista. *Kun puun kuitujen kireys vapautuu, kiristynyt oksa saattaa osua käyttäjään ja/tai aiheuttaa moottorisahan hallinnan menetyksen.*
 - Ole erittäin varovainen sahatessasi pensastoa ja taimia. *Hento aines saattaa tarttua sahanketjuun ja sinkoutua eteenpäin itseäsi kohti tai aiheuttaa tasapainon menetyksen.*
 - Kanna moottorisahaa etukahvasta siten, että saha on sammutettuna ja pois päin kehostasi. *Kun kuljetat moottorisahaa tai laitat sen varastoon, muista aina laittaa terälevyn suojus paikalleen. Moottorisahan oikea käyttö vähentää riskiä, että liikkuva sahaketju osuu vahingossa käyttäjään.*
 - Noudata voitelun, terän kiristysten ja tarvikkeiden vaihdon ohjeita. *Väärin kiristetty tai voideltu ketju saattaa joko katketa tai lisätä takapotkun mahdollisuutta.*
 - Pidä kahvat aina kuivina, puhtaina ja ilman öljy- ja rasvatahroja. *Rasvaiset tai öljyiset kahvat ovat liukkaita ja aiheuttavat hallinnan menetyksen.*
 - Sahaa vain puuta. Älä käytä moottorisahaa muihin tarkoituksiin. *Esimerkiksi: älä sahaa moottorisahalla muovia, muurauksia tai muita kuin puisia rakennusmateriaaleja. Moottorisahan käyttö muuhun kuin sille tarkoitettuun käyttötarkoitukseen voi aiheuttaa vaaratilanteita.*

Takapotkun syyt ja takapotkujen estäminen:

Takapotkua saattaa esiintyä, kun terälevyn nokka tai kärki osuu esineeseen (kuva B3) tai kun puu puristaa sahaketjun leikkaukkohtaan.

Kärjen kosketus saattaa joissain tapauksissa aiheuttaa äkillisen peruutusreaktion ja potkaista terälevyn ylös ja taaksepäin käyttäjää kohti.

Sahaketjun puristuminen terälevyn ylösosaan vasten saattaa työntää terälevyn nopeasti taaksepäin käyttäjää kohti.

Nämä reaktiot saattavat aiheuttaa sahan hallinnan menetyksen, mistä voi olla seurauksena vakava tapaturma. Älä luota pelkästään sahan sisältämiin suojalaitteisiin. Moottorisahan käyttäjänä sinun tulee huolehtia useiden eri toimien avulla siitä, että sahaus on turvallista.

Takapotku on seuraus työkalun väärinkäytöstä ja/tai vääristä käyttötoimenpiteistä tai olosuhteista, ja se voidaan välttää noudattamalla seuraavia varoituksia:

- **Pidä koko ajan laajasti kiinni siten, että peukalot ja sormet ovat moottorisahan kahvojen ympärillä ja kumpikin käsi on sahasa kiinni ja sijoita kehosi ja käsivartesi niin, että voit vastata takapotkuvoimiin.** Käyttäjää voi hallita takapotkuvoimia, jos hän varautuu oikein. Älä päästä irti moottorisahasta.
- **Älä kurkotta liian pitkälle äläkä sahaa hartioita korkeammalla.** Näin pystyt estämään tahattoman kärkikosketuksen ja hallitsemaan moottorisahan paremmin odottamattomissa tilanteissa.
- **Käytä ainoastaan valmistajan ilmoittamia vaihtoterälevyjä ja -ketjuja.** Väärät vaihtoterälevyt ja -ketjut saattavat aiheuttaa terän katkeamisen ja/tai takapotkun.
- **Noudata valmistajan ohjeita, jotka koskevat sahaketjun teroitusta ja huoltoa.** Syvysmittarin korkeuden asentaminen saattaa johtaa lisääntyneeseen takapotkuun.

Muita turvallisuussuosituksia

1. **Oppaan käyttö.** Kaikkien tätä konetta käyttävien on luettava käyttöopas kokonaan ja erittäin huolellisesti. Käyttöopas on toimitettava koneen mukana, jos kone myydään tai lainataan toiselle henkilölle.
2. **Varoitukset ennen koneen käyttöä.** Älä koskaan anna tätä konetta käyttöön henkilöille, jotka eivät ole täysin perehtyneitä oppaan ohjeisiin. Kokemattomien henkilöiden täytyy käydä koulutusjakso, jossa käytetään vain sahapukkia.
3. **Tarkastukset.** Tarkasta kone huolellisesti joka kerta ennen käyttöä etenkin, jos siihen on kohdistunut kova isku tai jos siinä näkyy merkkejä toimintahäiriöistä. Tee kaikki kappaleessa "Huolto ja varastointi – ennen jokaista käyttökertaa" kuvatut toimenpiteet.
4. **Korjaukset ja huolto.** Kaikki koneen osat, jotka ovat käyttäjän itsensä vaihdettavissa, on selitetty selkeästi ohjeiden luvussa "Kokoaminen/purkaminen". Tarvittaessa kaikki muut koneen osat on annettava aina valtuutetun huoltoliikkeen vaihdettavaksi.
5. **Vaatus (kuva 1).** Käyttäjän on tätä konetta käyttäessään aina pukeuduttava seuraaviin hyväksytyihin henkilökohtaisiin suojavaatteisiin: ihonmyötäiset suojavaatteet, luistamattomat turvakengät, musertumisen estävät varussuojat ja viilloilta suojaavat suojat, viilloilta ja värinältä suojaavat käsineet, suojalasit tai suojavisiiri, kuulosuojaimet ja kypärä (jos on olemassa putoavien esineiden vaara). Saatavana työvaatteiden toimittajilta.

6. **Terveyteen liittyvät varoitukset – värähtely- ja melutasot.** Selvitä välittömän läheisyyden melurajoitukset. Koneen pitkäkestoinen käyttö altistaa käyttäjän haitallisille värähtelyille, jotka voivat aiheuttaa "valkosormisuutta" (Raynaud'n oireyhtymää), rannekanavaoireyhtymää ja vastaavia vaivoja.

7. **Terveyteen liittyvät varoitukset – kemialliset aineet.** Käytä valmistajan hyväksymää öljyä.

8. **Terveyteen liittyvät varoitukset – kuumeisuus.** Käytön aikana hammaspyörä ja ketju kuumenevat erittäin kuumiksi. Varo koskemasta näihin osiin niiden ollessa kuumia.

9. **VAROITUS!** Tämä laite saa aikaan sähkömagneettisen kentän käytön aikana. Tämä kenttä saattaa joissakin tapauksissa häiritä aktiivisia tai passiivisia lääkinnällisiä laitteita. Vakavien tai kuolemaan johtavien vahinkojen välttämiseksi suosittelemme, että lääkinnällisiä laitteita käyttävät henkilöt ottavat yhteyttä lääkäriinsä ja lääkinnällisen laitteen valmistajaan ennen tämän työkalun käyttämistä.

Kuljetukseen ja varastointiin liittyvät varoitukset (kuva 2). Joka kerta kun työskentelyalue siirtyy toiseen paikkaan, irrota kone sähköverkosta ja kytke ketjujarrun vipu. Asenna terälevyn suojus paikalleen joka kerta ennen kuljetusta tai varastointia. Kanna konetta aina kädessä siten, että terälevy osoittaa taaksepäin. Kun konetta kuljetetaan ajoneuvossa, kiinnitä se varmasti vahinkojen välttämiseksi.

Takapotku (kuva 3). Takapotku koostuu terälevyn voimakkaasta liikkeestä ylös ja taaksepäin käyttäjää kohti. Näin käy yleensä, jos terälevyn nokka (eli "takapotkun vaaravyöhyke", katso punainen merkintä terälevyssä) osuu johonkin esineeseen tai jos ketju juuttuu puuhun. Takapotku voi saada käyttäjän menettämään koneen hallinnan, mistä voi olla seurauksena vaarallisia ja jopa kuolemaan johtavia onnettomuuksia. Ketjujarrun vipu ja muut suojalaitteet eivät riitä suojaamaan käyttäjää tapaturmilta: käyttäjän on tunnettava hyvin olosuhteet, jotka saattavat aiheuttaa reaktion, ja estettävä ne erittäin varovaisella kokemukseen perustuvalla toiminnalla sekä huolellisella ja oikealla koneen käsittelyllä (esimerkiksi: useita oksia ei saa koskaan sahata kerralla, koska siitä voi olla seurauksena onnettomuuteen johtava isku "takapotkun vaaravyöhykkeellä").

Työskentelyalueen turvallisuus

1. Älä koskaan anna lasten tai muiden henkilöiden, jotka eivät ole tutustuneet näihin käyttöohjeisiin, käyttää tätä konetta. Paikalliset säännöt ja määräykset saattavat asettaa rajoituksia käyttäjän iälle.
2. Käytä tätä laitetta vain näissä ohjeissa kuvattulla tavalla ja näissä ohjeissa kuvattuihin tarkoituksiin.
3. Tarkasta koko työskentelyalue huolellisesti mahdollisten vaaratekijöiden varalta (esimerkiksi: tiet, polut, sähkökaapelit ja vaaralliset puut).
4. Pidä kaikki sivulliset ja eläimet turvallisen matkan päässä työskentelyalueelta (aitaa tarvittaessa alue ja käytä varoituskylttejä). Turvallinen etäisyys on vähintään 2,5 kertaa rungon pituus tai kaikissa tapauksissa vähintään kymmenen metriä.
5. Käyttäjä vastaa muille ihmisille tai heidän omaisuudelleen aiheutuneista vahingoista.

Sähköturvallisuus

1. On suositeltavaa käyttää vikavirtasuojakytkintä, jonka laukaisuvirta on korkeintaan 30 mA. Vaikka vikavirtasuojakytkin on asennettuna, sataprosenttista turvallisuutta ei voida taata, vaan turvallisia työskentelytapoja on aina noudatettava. Tarkasta vikavirtasuojakytkin joka kerta, kun käytät sitä.
2. Tarkasta johto ennen käyttöä. Vaihda se, jos siinä on merkkejä vaurioista tai vanhenemisesta.
3. Älä käytä laitetta, jos sähköjohdot ovat vaurioituneet tai kuluneet.
4. Kytke laite irti verkkovirrasta välittömästi, jos johto on poikki tai jos eristys on vahingoittunut. Älä koske sähköjohtoon, ennen kuin sähkövirta on katkaistu. Älä korjaa katkennutta tai vaurioitunutta johtoa. Vie laite valtuutettuun huoltoliikkeeseen johdon vaihtoa varten.
5. Jatkojohto täytyy avata kierteeltä, sillä kierteellä oleva johto saattaa kuumeta liikaa ja heikentää ruohonleikkurin tehoa.
6. Varmista aina, että johto/jatkojohto pysyy käyttäjän takana ja ettei se pääse aiheuttamaan vaaratilaa käyttäjälle tai muille henkilöille ja ettei se pääse vaurioitumaan (esimerkiksi lämmön, terävien esineiden, terävien reunojen tai öljyn takia).
7. Sijoita johto niin, että se ei pääse takertumaan oksiin ja vastaaviin sahaamisen aikana.
8. Katkaise virta aina ennen pistokkeen, johdon liittimen tai jatkojohdon irrottamista.
9. Katkaise virta, irrota johto verkkovirrasta ja tarkasta sähköjohto vaurioiden ja vanhenemisen varalta ennen johdon kerimistä varastointia varten. Älä korjaa vaurioitunutta johtoa. Vie laite valtuutettuun huoltoliikkeeseen johdon vaihtoa varten.

10. Irrota pistoke verkkovirrasta, ennen kuin jätät laitteen ilman valvontaa lyhyeksikin ajaksi.
11. Keri johto huolellisesti siten, että se ei mene sykkyrälle.
12. Käytä ainoastaan laitteen arvokilvessä mainittua vaihtovirtajännitettä.
13. Tämä moottorisaha on suojaeristetty EN60745-1- ja EN60745-2-13-vaatimusten mukaisesti. Maadoitusta ei saa missään tapauksessa liittää tuottoen mihinkään osaan.

Johdot

1. Valtuutetusta huoltoliikkeestä saa virtajohtoja ja jatkojohtoja.
2. Käytä ainoastaan hyväksytyjä jatkojohtoja.
3. Jatkojohtoja ja -kaapeleita saa käyttää vain, jos ne on suunniteltu ulkokäyttöön.
4. Jos jatkojohtoa käytetään laitetta käytettäessä, sen tulee olla seuraavien mittojen mukainen:

Mallit CSE1835, CSE1935S:

- 5,0 mm² : maksimi pituus 40 m
- 5,0 mm² : maksimi pituus 60 m
- 8,0 mm² : maksimi pituus 100 mvaihtovirtaa

Mallit CSE2040, CSE2040S:

- 5,0 mm² : maksimi pituus 50 m
- 8,0 mm² : maksimi pituus 90 mvaihtovirtaa

C. TURVAVARUSTEIDEN KUVAUS

KÄYTTÖKYTKIMEN VARMISTIN

Koneeseen on asennettu laite (kuva 2), joka, käynnistämättömänä, estää käyttökytkimen painalluksen ja siten sen vahingonomaisten käsittelyn.

KETJUJARRU KÄYTTÖKYTKIMEN VAPAUTUKSEN YHTEYDESSÄ

Kone on varustettu laitteella, joka lukitsee teräketjun välittömästi käyttökytkimen vapautuksen yhteydessä; mikäli laite ei toimi, alkää käyttäkö konetta vaan viekää se Valtuutettuun huoltoliikkeeseen.

KETJUJARRU / TAKAPOTKUSUOJUS

Takapotkusuojuus (kuva 2) auttaa välttämään vasemman käden joutumisen kosketuksiin teräketjun kanssa (mikäli koneesta pidetään oikein kiinni). Lisäksi takapotkusuojuksen tehtävänä on käynnistää ketjujarru, jonka tulee lukita teräketju muutamassa millisekunnissa takapotkun tapauksessa. Ketjujarru on pois päältä, kun takapotkusuojuus on vedetty taakse ja lukittu (ketju voi liikkua). Ketjujarru on päällä, kun takapotkusuojuus on työnnetty eteenpäin (ketju on lukittu). Ketjujarru voidaan kytkeä päälle vasemmalla ranteella työntämällä sitä eteenpäin tai kun ranne koskettaa eturystysuojusta takapotkutilanteessa.

Kun sahaa käytetään terälevyn ollessa pystyasennossa, esim. puita kaadettaessa, ketjujarru ei suojaa yhtä tehokkaasti (kuva 3).

HUOMAA: Kun ketjujarru on päällä, turvakytin ottaa pois sähkövirran moottorista.

 **Saha käynnistyy, jos teräjaru vapautetaan kun painike on painettuna.**

KETJUSIEPPO

Tässä sahasa on ketjusieppo (kuva 4), joka sijaitsee ketjupyörän alapuolella. Sen tarkoitus on estää teräketjua liikkumasta taaksepäin, jos ketju katkeaa tai hyppää pois terälevyn uralta.

Nämä tilanteet voidaan välttää pitämällä teräketju sopivan kireänä (ks. kappale "D. Asennus/irrotus").

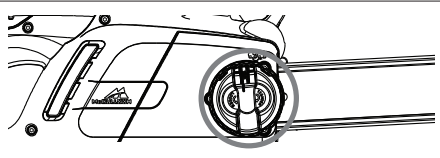
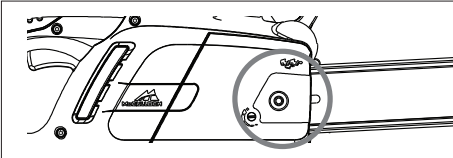
RYSTYSUOJUS

Suoja (kuva 5) kättä teräketjun irrotessa tai rikkoutuessa.

D. ASENTAMINEN / POISTAMINEN

TERÄLEVYN JA TERÄKETJUN ASENTAMINEN

Koneen mallista riippuen asennustapa vaihtelee ja sen vuoksi pyydetään katsomaan kuvia sekä tuotteen etiketissä olevaa tyyppimerkintää), olkaa erityisen huolellinen, jotta noudatetaan oikeita asennusohjeita.



1. Tarkistakaa, että ketjujarru ei ole päällä, tarvittaessa ottakaa pois päältä.

2a. Avaa tangon kiinnitysmutteri ja poista ajohammaspyörän suojus.

2b. Avaa tangon kiinnitysmutteri ja poista ajohammaspyörän suojus.

3 Aseta ketju tangon päälle aloittaen kärjen hammaspyörästä ja sovita ohjaustangon uraan.

Huomio! Varmista, että hampaiden leikkauspinnan terävä puoli on eteenpäin tangon yläosan päällä. Käytä suojakäsineitä.

4a. Tarkista, että ketjun kiristysnasta on mahdollisimman kaukana taka-asennossa ajohammaspyörää kohti. Kiinnitä tanko sen kiinnitysruuviin ja ketjun kiristysnastaan, ja aseta ketju ajohammaspyörän päälle.

4b. Käännä metallista vierityspyörää vastapäivään niin kauas kuin mahdollista. Kiinnitä tanko sen kiinnitysruuviin ja aseta ketju ajohammaspyörän päälle.

Aseta ajohammaspyörän suojus takaisin paikalleen varmistaen, että ketjun hampaat ovat ajohammaspyörän päällä ja ohjausurassa.

5a. Skru festemutteren for stanga løst til for hånd.

5b. Skru festeknotten for stanga løst til for hånd.

6a. For å stramme kjeden, skru kjedstrammerskrueni retning med urviserne ved å bruke skrunøkkel/ skrutrekker som følger med. For å slakke kjeden, skru i retningen mot urviserne (hold nesen på stangen i hevet stilling når du foretar dette)

6b. For å stramme kjeden, skru den ytre knotten på kjedestrammeren i retning med urviserne. For å slakke kjeden, skru i retningen mot urviserne (hold nesen på stangen i hevet stilling når du foretar dette)

7. Kiristä teräketjua, kunnes kireys on oikea. Vedä teräketjua pois päin terälevyistä ja varmista, että väli on noin 2-3 mm.

8a. Skru til festemutteren for stangen ved å bruke skrunøkkel/skrutrekker som følger med.

8b. Skru stangen forsvarlig fast

Teräketjun liiallinen kiristäminen voi rasittaa moottoria ja vahingoittaa sitä, liian vähäinen kiristäminen voi aiheuttaa teräketjun irtoamisen, sen sijaan oikein kiristetty ketju takaa parhaan sahaustuloksen ja pitkäikäisen ketjun. Tarkistakaa ketjun kireys usein, koska sen pituus pyrkii lisääntymään käytössä (erityisesti uutena, ensimmäisen käyttökerran yhteydessä tarkistakaa kireys 5 minuutin työskentelyn jälkeen); joka tapauksessa älkää kiristäkö teräketjua heti käytön jälkeen vaan odottakaa, että se jäähtyy. Mikäli tulee säätää ketjun kireyttä, löystyttäkää aina terälevyn kiinnitysmutterit/-nuppi ennenkuin käsitellään ketjunkiristimen muttereita/nuppia.

E. KÄYNNISTYS JA PYSÄYTTÄMINEN

Aloitus: Ota kummastakin kahvasta tukevasti kiinni, vapauta ketjujarrun vipu ja pidä samalla kätesi paikallaan etukahvassa, paina kytkimen varmistinnappia ja pidä se painettuna ja paina käynnistyskytkintä (varmistinnappi voidaan vapauttaa tässä vaiheessa).

Pysäyttäminen: Kone pysähtyy, kun vapautatte käyttökytkimen. Mikäli kone ei pysähdy, työntäkää päälle ketjujarru, irrottaa pistoke sähköverkosta ja viekää kone Valtuutettuun huoltoliikkeeseen.

F. TERÄLEVYN JA KETJUN VOITELU

VAROITUS! Leikkuuvälleineiston riittämätön voitelu aiheuttaa teräketjun rikkoutumisen lisäten vakavien henkilökohtaisten, jopa kuolemaanjohtavien, vammojen vaaraa.

Terälevyn ja ketjun voitelu varmistetaan automaattisella pumpulla. Olkaa aina varovainen, että teräketjun voitelu on riittävää, älkää koskaan sulkeko öljypumppua kokonaan ja tarkistakaa kuten osoitettu kappaleessa "Huolto", että ketjuöljyä toimitetaan riittävä määrä.

Ketjuöljyn valinta

Käyttäkää yksinomaan uutta, hyvän viskositeetin omaavaa (erityisesti teräketjuille tarkoitettua) öljyä: sen tulee olla riittävän tarttuvaa ja taata hyvät luisto-ominaisuudet sekä kesällä että talvella.

Mikäli ei ole saatavilla teräketjuille tarkoitettua öljyä, käyttäkää vaihteistoöljyä EP 90.

Älkää koskaan käyttäkö jätteöljyä, koska ne ovat vahingollisia käyttäjälle, koneelle ja ympäristölle. Varmistakaa, että öljy sopii käyttöpaikan ympäristön lämpötilaan: alle 0°C lämpötiloissa jotkut öljyt muuttuvat paksummiksi rasittaen liiallisesti pumpua ja vahingoittaen sitä. Sopivimman öljyn valitsemiseksi ottakaa yhteyttä Valtuutettuun huoltoliikkeeseen.

Öljyn lisääminen

Ruuvatkaa auki öljysäiliön korkki, täyttäkää säiliö välttämättä öljyn roiskumista tai ulostuloa (mikäli näin tapahtuu, puhdistakaa kone hyvin) ja ruuvatkaa korkki hyvin kiinni.

G. HUOLTO JA VARASTOINTI

Irrota pistoke aina verkkovirrasta ennen kaikkia huolto- tai puhdistustöitä.

VAROITUS! Työkenneltäessä erityisen likaisissa tai pölyisissä ympäristöissä, kuvatut toimenpiteet tulee suorittaa ilmoitettua useammin.

Ennen jokaista käyttöä

Tarkistakaa, että teräketjun öljypumppu toimii oikein: kohdistakaa terälevy vaaleaa pintaa kohden noin kahdenkymmenen senttimetrin etäisyydeltä: noin minuutin koneen toiminnan jälkeen pinnalla tulisi näkyä selkeitä öljyjälkiä (**kuva 1**). Tarkistakaa, että ketjujarrun päälle tai pois päältä kytkemiseksi ei tarvita liiallista tai liian vähäistä voimaa ja että se ei ole lukkiutunut. Sen jälkeen tarkistakaa sen toiminta kuten osoitettu: ottakaa ketjujarru pois päältä, pitäkää koneesta kiinni oikein ja käynnistäkää se, kytkekää ketjujarru päälle työntäen takapotkusuojusta vasemmalla ranteella/ käsivarrella ilman, että irrotatte käden otetta kädensijasta (**kuva 2**). Jos ketjujarru toimii oikein, teräketjun tulee lukkiutua välittömästi. Tarkistakaa, että teräketju on terävä (katsokaa seuraavaa), hyvässä kunnossa ja oikein kiristetty, mikäli se on epäsäännöllisesti kulunut tai leikkuuhampas on vain 3 mm, vaihtakaa se (**kuva 3**).

Puhdistakaa tuuletusaukot usein, jotta vältetään moottorin ylikuumeneminen. (**kuva 4**).

Tarkistakaa käyttökytkimen ja sen varmistimen toiminta (suoritettava ketjujarru pois päältä): käynnistäkää käyttökytkin ja käyttökytkimen varmistin ja tarkistakaa, että ne palautuvat lepoasentoon heti, kun ne vapautetaan; tarkistakaa, että käyttökytkimen varmistinta käsittelemättä ei ole mahdollista käynnistää käyttökytkintä.

Tarkistakaa, että ketjusiepon tappi ja rystysuojos ovat ehjät sekä että niissä ei ole näkyvissä vaurioita kuten materiaaliviat.

Joka 2.-3. käyttötunti

Tarkistakaa terälevy, mikäli tarpeen puhdistakaa huolellisesti voiteluaukot (**kuva 5**) ja terälevyn ura (**kuva 6**), mikäli viimeksi mainittu on kulunut tai siinä on näkyvissä liiallisia jälkiä, vaihtakaa se. Puhdista vetopyörä säännöllisesti ja tarkista, ettei se ole kulunut liikaa. (**kuva 7**). Rasvatkaa terälevyn kärkipyörä laakereille sopivalla voiteluaineella osoitetun aukon kautta (**kuva 8**).

H. LEIKKUUTEKNIIKAT

Käytön aikana välttääkää: (kuva 1)

- Sahaamasta tilanteissa, joissa runko voisi katketa sahausken aikana (jännitteen alainen puu, kuivat puut, jne): yllättävä rikkoutuminen voi olla hyvin vaarallista.
- Että terälevy tai ketju takertuvat sahausaukkoon: jos näin tapahtuu, irrottakaa kone verkkovirrasta ja yrittäkää nostaa runkoa käyttäen vipuna sopivaa välinettä; älkää yrittäkö irrottaa konetta heiluttaen tai vetäen sitä, koska voitte rikkoa koneen tai satuttaa itseenne.
- Tilanteita, jotka voivat aiheuttaa takapotkuvaaran.
- käyttämästä sahaa olkapäitä korkeammalla
- sahaamasta puuta, jossa on esim. nauloja

Käytön aikana: (kuva 1)

- Jos sahaatte kaltevassa maastossa, työskennelkää rungon yläpuolella siten, että se ei voi osua teihin sen mahdollisesti vieressä alas.

Teräketjun teroittaminen (tarpeen mukaan)

Jos teräketju ei sahaa ilman, että terälevyä tulee painaa puuta vasten ja se tuottaa erittäin hienoa sahanpurua, on tämä merkki siitä, että se ei ole hyvin teroitettu. Jos sahaus ei tuota sahanpurua, teräketju on menettänyt kokonaan terävyytensä ja sahattaessa muuttaa puun jauheeksi. Hyvin teroitettu teräketju etenee vaikeuksitta puussa sekä tuottaa isoja ja pitkiä sahanpuruja.

Teräketjun leikkaava osa muodostuu leikkuukulenkistä (kuva 9), leikkuuhampaan (**kuva 10**) ja leikkuusvyöyden rajoittimen kanssa (**kuva 11**). Näiden välinen tasoero määrää leikkuusvyöyden; oikean terävyyden saamiseksi tarvitaan viilaojain ja 4 mm:n pyöröviila, noudattakaa seuraavia ohjeita. teräketju asennettuna ja oikein kiristettynä työntäkää ketjujarru päälle, asettakaa viilaojain kuten osoitettu kuvassa kohtisuoraan terälevyä kohti (**kuva 12**) ja käsitelkää leikkuuhammasta kuvassa (**kuva 13**) osoitetujen kulmasuhteiden mukaisesti teroittaen aina sisältä ulospäin ja löystyttäen painallusta palautusvaiheessa (on erittäin tärkeää noudattaa ohjeita yksityiskohtaisesti: liialliset tai liian vähäiset teroituskulmat tai viilan väärä halkaisija lisäävät taipumusta takapotkuun. Tarkempien sivukulmien saamiseksi suositellaan asettamaan viila siten, että yllättää vertikaalisesti ylempään leikkaajaan noin 0,5 mm. Teroitakaa ensin kaikki hampaat yhdeltä puolelta, sitten kääntäkää saha ja toistakaa toimenpide toiselle puolelle. Varmistakaa, että teroittamisen jälkeen kaikki hampaat ovat yhtä pitkiä ja että leikkuusvyöyden rajoittimien korkeus on 0,6 mm ylempään leikkaajan alapuolella: tarkistakaa korkeus käyttäen mallitulkkia ja viiltaa (tasaisella viialla) ulostyöntävyä ajo, pyörästää sitten leikkuusvyöyden rajoittimen etuosa (**kuva 14**) varoen, että Ei viilata myös takapotkun suojaushammasta (**kuva 15**).

Joka 30. käyttötunti

Viekää kone Valtuutettuun huoltoliikkeeseen yleishuoltoa ja jarrutuslaitteiden tarkistusta varten.

Kuljetus

Säilytettävä viileässä ja kuivassa paikassa, ei saa jättää lasten ulottuville. Ei saa varastoida ulkotiloissa.

Turvallisien koneiden käyttötapana on se, että lukitaan puu tukijalustaan ja sahataan ylhäältä alaspäin tukijalustan ulkopuolella. **(kuva 4)**

Kuorituksen käyttö

Mikäli mahdollista käyttäkää kuoritukea sahausksen suorittamiseksi turvallisemmin: kiinnittäkää se rungon kuoreen tai pintaosaan siten, että säilytetään helpommin koneen hallinta.

Seuraavassa esitetään tyyppilliset toimintamenetelmät, joita voidaan käyttää erityistilanteissa, on kuitenkin tarpeen arvioida joka kerta erikseen, sopiiko menetelmä suoritettavaan tilanteeseen ja miten voidaan suorittaa sahaus pienimmän riskin kanssa.

Maassa oleva runko (Vaarana koskettaa maata ketjulla sahausksen lopussa). **(kuva 5)**

Sahatkaa ylhäältä alaspäin koko runko. Edetkää varovasti sahausksen lopussa, jotta vältetään teräketjun koskettaminen maaperään. Jos on mahdollista, lopettakaa sahaus saavutettuun 2/3 rungon paksuudesta ja kiertäkää runko ylösalaisin sahaten jäljellä oleva osa ylhäältä alaspäin välttäen täten vaara koskettaa maahan.

Vain yhdestä päästä tuettu runko (Vaarana rungon rikkoutuminen sahausksen aikana) **(kuva 6)**

Aloitakaa sahaus alhaalta, kunnes saavutatte noin 1/3 halkaisijasta, suorittakaa sahaus loppuun yläpuolelta tähdäten jo suoritettuun sahausaukkoon.

Kahdesta ääripäästä tuettu runko (Vaarana teräketjun kiinnijääminen.) **(kuva 7)**

Aloitakaa sahaus ylhäältä, kunnes saavutatte noin 1/3 halkaisijasta, suorittakaa sahaus loppuun alhaalta tähdäten jo suoritettuun sahausaukkoon.

Rinteessä oleva runko. Seiso aina tukista katsottuna ylämäkeen. Kun sahaat läpi, voit säilyttää täyden hallinnan vapauttamalla sahauspaineen lähellä sahausksen loppua vapauttamatta otettasi moottorisahan kahvoista. Älä anna ketjun koskea maahan.

Kaattaminen

VAROITUS! Älkää yrittäkö kaataa puita, jos teillä ei ole riittävästi kokemusta ja joka tapauksessa älkää koskaan kaatako puita, joiden halkaisija on terälevyä pidempi! Tämä toimenpide on varattu kokeneille käyttäjille sopivien varusteiden kanssa.

Kaattamisen tarkoituksena on saada puu kaatumaan parhaaseen mahdolliseen asentoon sen jälkeen suoritettavaa karsintaa ja rungon katkontaa varten. (Välttäkää, että kaatuva puu jää kiinni toiseen puuhun: kiinnijääneen puun kaatumaan saaminen on hyvin vaarallinen toimenpide).

Teidän tulee päättää paras kaatumisuunta arvioiden: mitä puun ympärillä on, sen kaltevuus, kaarevuus, tuulen suunta ja oksien sijainti.

Älkää jättäkö huomiotta kuolleita tai katkenneita oksia, jotka voivat irrota kaattamisen aikana ja aiheuttaa vaaratilanteen.

VAROITUS! Vaarallisissa olosuhteissa suoritettavien kaatojen yhteydessä sahausksen jälkeen poistakaa välittömästi kuulosuojaimet, jotta voitte havaita epätavalliset äänet tai mahdolliset varoitusmerkit.

Sahausta edeltävät toimenpiteet ja poistumisreitit yksilöinti

Poistakaa oksat, jotka estävät työskentelyä **(kuva 8)**, aloittaen ylhäältä alaspäin ja pitään runko teidän ja moottorisahan välissä, poistaen sen jälkeen vaikeimmat oksat patkka kerrallaan. Poistakaa kasvusto puun ympäriltä ja tarkailkaa, onko olemassa mahdollisia esteitä (kivet, juuret, kuopat, jne) samalla, kun suunnittelette poistumisreitintenne (jota käytätte puun kaatuessa); huomioikaa kuva **(kuva 9)** valittavan suunnan suhteen (A puun arvioitu kaatumissuunta. B. Poistumisreitti C. Riskialue)

KAATAMINEN (kuva 10)

Varmistaaksenne puun kaatumisen hallinta teidän tulee suorittaa seuraavat sahauskset:

Kaatokolon sahaus tulee suorittaa ensimmäiseksi ja sen avulla ohjataan puun kaatumissuuntaa: suorittakaa ensin kaatokolon YLEMPI SAHAUS sille puolelle puuta, jonne puun halutaan kaatuvan. Pysytelkää puun oikealla puolella ja sahakkaa vetävällä ketjulla, suorittakaa sen jälkeen kaatokolon ALEMPI SAHAUS, jonka tulee osua ylemmän sahausksen loppumiskohtaan. Kaatokolon syvyys tulee olla noin _ rungon halkaisijasta ja ylemmän sekä alemman sahausksen välisen kulman tulee olla vähintään 45°. Näiden kahden sahausksen välistä kohtauslinjaa kutsutaan "kaatokolon linjaksi". Sen tulee täysin horisontaalinen ja suorassa kulmassa (90°) kaatumissuuntaan nähden.

Kaatosahausta, jonka tarkoituksena on aiheuttaa puun kaatuminen, suoritetaan noin 3-5 cm ylemmäksi kaatokolon linjan tasoon nähden ja sen tulee päättyä kaatokolon linjasta etäisyydelle, joka on 1/10 rungon halkaisijasta. Pysykää puun vasemmalla puolella ja sahakkaa vetävällä ketjulla kuoritukea käyttäen. Tarkistakaa, että puu ei liiku eri suuntaan kuin mitä oli suunniteltu. Heti kun on mahdollista työntäkää kaatokiilaa sahausaukkoon. Rungon sahaamatonta osaa kutsutaan katkeamislinjaksi ja se on "vetoketju", joka ohjaa puuta sen kaatuessa; mikäli se on riittämätön, ei suoraviivainen tai kokonaan sahattu, ei voida enää hallita puun kaatumista (erittäin vaarallista!); tämän vuoksi on välttämätöntä, että eri sahauskset suoritetaan erittäin täsmällisesti.

Sahausten suorittamisen jälkeen puun tulee alkaa kaatua, mikäli tarpeen, auttakaa sitä kaatokiilalla tai kaatovivun avulla.

Karsinta

Sen jälkeen kun puu on kaadettu, siirrytään karsintaan, siis oksien poistoon rungosta. Älkää aliarvioiko tätä toimenpidettä, koska suurin osa takapotkuunonnettomuuksista tapahtuu juuri karsinnan aikana; tämä vuoksi olkaa varovainen terälevyn kärjen asennon suhteen sahausksen aikana ja työskennelkää rungon vasemmalla puolella.

I. EKOLOGIA


Tästä kappaleesta löydätte tarvittavat tiedot ekologisten vaatimustenmukaisuusominaisuuksien säilyttämiseksi, joita on ajateltu koneen kehitysvaiheessa, koneen oikein käyttämiseksi ja öljyn hävittämiseksi.

KONEEN KÄYTTÖ

Öljysäiliön täyttötoimenpiteet tulee suorittaa siten, että ei aiheuteta ketjuöljypäästöjä ympäristöön.

ROMUTUS

Älkää heittäkö ympäristöön toimimatonta konetta vaan toimittakaa se valtuutetulle liikkeelle, joka huolehtii jätteiden käsittelystä voimassa olevien paikallisten lakien mukaisesti.

Tuotteessa tai pakkauksessa oleva  -merkki tarkoittaa, että tätä tuotetta ei voi hävittää talousjätteiden tavoin. Sen sijaan se täytyy viedä käsiteltäväksi asianmukaiseen sähkö- ja elektronisten laitteiden kierrätyspisteeseen. Kun hävität tämän tuotteen asianmukaisesti, autat estämään ympäristölle ja ihmisille mahdollisesti aiheutuvia haitallisia jälkiseurauksia, joita saattaa syntyä, jos tämä tuote hävitetään väärällä tavalla. Tarkempia tietoja tämän tuotteen kierrätyksestä saat ottamalla yhteyttä paikalliseen kunnanvirastoon, kotitalouksien jätepalveluun tai liikkeeseen, josta ostit tuotteen.

J. VIKOJEN ETSINTÄTAULUKKO

	Moottori ei käynnisty	Moottori pyöri huonosti tai menettää tehonsa	Kone käynnistyy, mutta ei leikkaa oikein	Moottori pyöri virheellisesti	Jarruttavat laitteet eivät lukitse oikein ketjun kiertoa
Varmistakaa, että verkkovirta on paikalla	●				
Tarkistakaa, että pistoke on työnnetty oikein	●				
Tarkistakaa, että johto tai jatkojohto eivät ole vahingoittuneet	●				
Tarkistakaa, että ketjujarru ei ole päällä	●				
Tarkista, että teräketju on oikein paikallaan ja oikealla kireydellä		●	●		
Tarkistakaa teräketjun voitelu kuten osoitettu kappaleissa F ja G			●		
Tarkistakaa, että teräketju on terävä			●		
Tarkista, että hätäpysäytyskytkin on aktivoitu	●				
Kääntykää Valtuutetun huoltoliikkeen puoleen	●	●		●	●

K. Vaihto-osat

35cm	Teräketju	91PJ052XN	Osanumero.:	530051538
	Terälevy		Osanumero.:	576965401
40cm	Teräketju	91PJ056XN	Osanumero.:	530051539
	Terälevy		Osanumero.:	576965201

L. EC VAATIMUSTENMUSTENMUKAISUUSVAKUUTUS

Husqvarna AB, S-561 82, Huskvarna, Sweden

Vakuuttaa yksinvastuullisena, että saha(t):

Määrittys.....**Chainsaw - Ketjusaha**
Tyyppimäärittys.....**CSE1835, CSE1935S, CSE2040, CSE2040S**
Sarjan Tunnus.....**Katso Tuotteen Arvokilpeä**
Valmistusvuos.....**Katso Tuotteen Arvokilpeä**

vastaa seuraavien EY-direktiivien vaatimuksia:

2006/42/EC, 2004/108/EC, 2000/14/EC, 2011/65/EU

seuraavien yhtenäisten EU-standardien mukaisesti:

EN60745-1, EN60745-2-13, EN55014-2, EN55014-1, EN61000-3-2, EN61000-3-11

Ilmoitettu virasto, joka on suorittanut EY-tyyppitarkastuksen

artiklan 8 (2c) mukaisesti..... TÜV Rheinland LGA Products GmbH
Tillystraße 2
D-90431 Nürnberg
Germany
BM 50268379

Todistusno:

EN60745-2-13-standardin mukaan mitattu suurin ohjaamossa vallitseva äänenpainetaso (L_{pa}) ilmenee taulukosta.

Edellä mainittujen tuotteiden tutkimusnäytteestä EN60745-2-13 -standardin mukaisesti mitattu suurin käden värinätaaso (a_h) ilmenee taulukosta.

Ilmoitettu värinätaason arvo on mitattu vakiintuneen testimenetelmän mukaisesti, ja sitä voidaan käyttää työkalujen väliseen vertailuun.

Ilmoitettua värinätaasoa voidaan myös käyttää alustavassa altistusarvioinnissa.

Varoitukset:

Tärinän voimakkuus sähkötyökalun todellisessa käytössä voi vaihdella ilmoitetusta kokonaisarvosta työkalun käyttötavasta riippuen.

Käyttäjän tulee huolehtia tarvittavista varoitoimenpiteistä, jotka perustuvat todelliseen käyttöön liittyviin altistusarvioihin (huomioiden kaikki vaiheet kuten ajat, jolloin työkalu on kytketty pois toiminnasta ja kun se käy tyhjäkäynnillä varsinaisen toiminnan lisäksi).

2000/14/EY: Mitattu äänen voimakkuuden (L_{wa}) ja taattu äänen voimakkuuden (L_{wa}) arvot ovat taulukossa esitettyjen mukaiset.

Yhdenmukaisuuden arviointimenettelytavat:..... Annex V

Ulm 12/02/2013

P. Lamelli

Globaali T&K-päällikkö - Käsikäyttöinen

Teknisten asiakirjojen hallussapitäjä



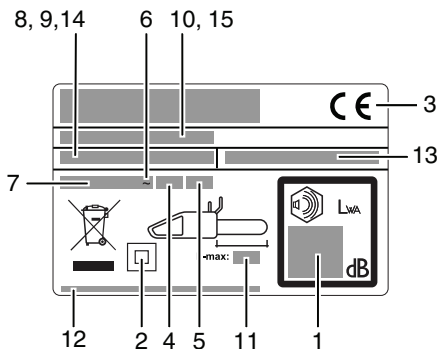
Tyyppi (CSE _____)	1835	1935S	2040	2040S
Paino kuivana (Kg)	4.3	4.5	4.4	4.6
Strøm (kW)	1.8	1.9	2.0	2.0
Öljysäiliön kapasiteetti (cm ³)	240	240	240	240
Terälevyn enimmäispituus (cm)	35	35	40	40
Teräketjun ketjujako (mm)	9.52	9.52	9.52	9.52
Kjededimensjon (mm)	1.3	1.3	1.3	1.3
Målt lydeffekt L_{WA} (dB(A))	106	106	106	106
Garantert lydeffekt L_{WA} (dB(A))	110	110	110	110
Äänenpaine L_{PA} (dB(A))	95	95	95	95
Epävarma K_{PA} (dB(A))	2.5	2.5	2.5	2.5
Käden värinä a_h (m/s ²)	7.28	7.28	8.08	8.08
Epätarkkuus K_{ah} (m/s ²)	1.5	1.5	1.5	1.5
Verkoimpedanssi Z_{max} (Ohm)	0.382	0.382	0.382	0.382

EN 61000-3-11 -yhteensopivuuslauseke

Paikallisen sähköjakeluverkoston ominaisuuksista riippuen tämän koneen käyttö voi aiheuttaa lyhyitä jännitepudotuksia, kun koneeseen kytketään virta päälle. Tämä saattaa vaikuttaa muihin sähkölaitteisiin, esim. valot saattavat himmentyä hetkeksi. Jos **pääverkon verkoimpedanssi Z_{max}** on pienempi kuin taulukossa (mallikohtainen) ilmoitettu, tätä häiriötä ei esiinny. Verkoimpedanssin arvo voidaan selvittää ottamalla yhteyttä paikalliseen sähkölaitokseen.

A. ALLMÄN BESKRIVNING

- | | |
|--|--|
| <ul style="list-style-type: none"> 1) Bakre handtag 2) Högerhandsskydd 3) Främre handtag 4) Främre handskydd/kastskydd 5) Yttre vred för spänning av kedja 6) Kedjespänningsskruv 7) Kedjespännarsprint 8) Lock för oljebehållare 9) Mätare för oljebehållare 10) Lufthål 11) Elkabel 12) Bruksanvisning 13) Gasreglage 14) Gasspärr 15) Kedja 16) Drivlänk 17) Skärlänk 18) Skärdjupsbegränsare | <ul style="list-style-type: none"> 19) Skärtand 20) Svärd 21) Drivkedjehjulskåpa 22) Drivkedja 23) Kedjefångare 24) Fästskruv för svärd 25) Inre knapp för fasthållning av stång 26) Fasthållningsutter för stång 27) Noshjul 28) Svärdkåpa 29) Barkstöd 30) Smörjhål 31) Urtagning för kedjespännarsprint 32) Svärdräffla 33) Skruvnyckel /skruvmejsel |
|--|--|



Exempel på märkplåt

- 1) Garanterat ljudkraft i enlighet med direktiv 2000/14/EC
- 2) Klass II-verktyg
- 3) Försäkran om CE-överensstämmelse
- 4) Märkfrequens
- 5) Märkeffekt
- 6) Växelström
- 7) Märkspänning
- 8) Typ
- 9) Produktnummer
- 10) Tillverkningsår
- 11) Maximal längd för svärd
- 12) Tillverkarens namn och adress
- 13) Artikelnummer (Elektrisk motorsåg)
- 14) Modell
- 15) Serienummer

B. SÄKERHETSFORESKRIFTER

SYMBOLFÖRKLARING



Varning!
Läs bruks-anvisningen
noggrant.



Skyddsskor



**Skydds-glasögon eller
-visir, skydds-hjälm och
hörselskydd.**



**Skärtåliga skydds-
handskar**



Skärtåliga skyddsbyxor.



Kedjebroms: FRÅN/TILL



**Avlägsna omedelbart
kontakten från elnäten om
sladden är skadad eller
skuren**



Håll åskådare borta



**Korrekt riktning för
skärtanden.**



**Håll alltid maskinen med
båda händerna.**



Fara för kast.



**Utsätt inte maskinen för
regn och fukt.**



Kedjeolja



Undvik att...



Stäng av maskinen.



**Ta ur kontakten innan
justering eller rengöring.**



Risk för elchock

Allmänna säkerhetsvarningar för eldrivna redskap

⚠ OBS! Läs alla säkerhetsvarningar och alla instruktioner. Om man bortser från varningar och instruktioner kan detta leda till elektrisk chock, brand och/eller allvarlig skada.

Spara alla varningar och instruktioner för framtida bruk.

Termen "eldrivna redskap" i varningarna avser ditt eldrivna redskap (med sladd) eller ditt batteridrivna redskap (utan sladd).

1) Säkerhet på arbetsplatsen

- Håll arbetsplatsen ren och välbelyst.** Olyckor händer oftast på röriga eller mörka platser.
- Använd inte eldrivna redskap i explosiva miljöer, som exempelvis nära lättantändliga vätskor, gaser eller damm.** Eldrivna redskap genererar gnistor som kan antända damm eller ångor.
- Håll barn och kringstående borta vid bruk av eldrivna redskap.** Distractioner kan leda till att du tappar kontroll.

2) Elektrisk säkerhet

- Proppen på ett eldrivna redskap måste passa uttaget. Modifiera aldrig proppen på något vis. Använd aldrig en adapter med ett eldrivna redskap som är jordat.** Proppar som inte är modifierade och som passar uttag minskar risken för elektrisk chock.

- Undvik fysisk kontakt med jordade ytor som till exempel rör, värmelement, spisar och kylskåp.** Risken för elektrisk chock ökar om din kropp är jordad.
- Utse inte eldrivna redskap för regn eller våta miljöer.** Risken för elektrisk chock ökar om vatten når det eldrivna redskapet.
- Missbruka inte sladden. Använd aldrig sladden till att bära, dra eller koppla ur det eldrivna redskapet. Håll sladden borta från värme, olja, vassa kanter eller delar som rör sej.** Skadade eller intrasslade sladdar ökar risken för elektrisk chock.
- Vid bruk av det eldrivna redskapet utomhus, använd en förlängnings-sladd som är lämplig för bruk utomhus.** Risken för elektrisk chock minskar vid användning av en sladd som är lämplig för bruk utomhus.
- Om det inte går att undgå att använda det eldrivna redskapet på en fuktig plats, använd ett uttag skyddat med en jordfelsbrytare (RCD).** Bruk av en jordfelsbrytare (RCD) minskar risken för elektrisk chock.

3) Personlig säkerhet

- a) Var beredd, tänk på vad du gör och använd sunt förnuft när du använder eldrivna redskap. Använd aldrig ett eldrivet redskap när du är trött eller påverkad av droger, alkohol eller medicin.

Allvarlig personskada kan uppstå efter endast en kort stund av ouppmärksamhet vid bruk av ett eldrivet redskap.

- b) Använd personlig skyddsutrustning. Använd alltid ögonskydd. *Bruk av skyddsutrustning som ansiktsskydd mot damm, skor mot halka, skyddshjäl, eller öronskydd i lämpliga miljöer minskar personskador.*

- c) Undvik oavsiktlig start. Se till att omkopplaren är i främre läge innan redskapet kopplas till ett elutag och/eller batteriet, samt innan redskapet lyfts upp eller ska bäras. *Olyckor kan lätt uppstå om ett eldrivet redskap flyttas med ditt finger på omkopplaren eller med redskapet påslaget.*

- d) Avlägsna alla justerings- eller skiftnycklar innan det eldrivna redskapet sätts på. *En justerings- eller skiftnyckel som sitter kvar på en roterande del på det eldrivna redskapet kan leda till personskada*

- e) Sträck dej inte för långt. Behåll ett fast fotfäste och bra balans hela tiden. *Detta gör att du har bättre kontroll över det eldrivna redskapet vid oväntade situationer.*

- f) Använd lämplig klädsel. Bär inga lösa kläder eller hängande smycken. Håll hår, klädsel och handskar borta från delar som rör sej. *Lösa kläder, smycken eller långt hår kan trassla in sej i delar som rör sej.*

- g) Om det finns anordningar som har anslutits för att få bort damm eller samla material, se till att dom har anslutits ordentligt och att dom används lämpligt. *Damm bortföring kan minska dammrelaterade faror.*

4) Användning och vård av det eldrivna redskapet

- a) Forcera inte det eldrivna redskapet. Använd det rätta eldrivna redskapet för din tillämpning. *Det rätta eldrivna redskapet gör ett bättre och säkrare jobb.*

- b) Använd inte det eldrivna redskapet om omkopplaren inte kan slås till och från. *Ett eldrivet redskap som inte kan kontrolleras med en omkopplare är farligt och skall repareras.*

- c) Koppla bort proppen från eluttaget och/eller batteripaketet från det eldrivna redskapet innan du gör några justeringar, byten av tillbehör, eller förvaringar. *Dessa förebyggande säkerhetsåtgärder minskar risken för att det eldrivna redskapet sätts på oavsiktligt.*

- d) Förvara eldrivna redskap som inte används utom räckhåll från barn och låt ingen som inte känner till det eldrivna redskapet eller dessa bruksanvisningar använda det eldrivna redskapet. *Eldrivna redskap är farliga i fel händer.*

- e) Underhåll eldrivna redskap. Kontrollera felfinställningar eller rörande delar som binder och övriga tillstånd som kan påverka det eldrivna redskapets bruk. *Reparera ett skadat redskap innan det används. Många olyckor sker p.g.a. att eldrivna redskap underhålls dåligt.*

- f) Se till att skärytor är vassa och rena. *Redskap med vassa skärytor som underhålls rätt binder mindre sällan och är lättare att kontrollera.*

- g) Använd det eldrivna redskapet med tillbehör osv. enligt bruksanvisningarna och med tanke på arbetsmiljön och det arbete som skall utföras. *Farliga situation kan uppstå om det eldrivna redskapet används på ett oavsiktligt sätt.*

5. Service

- a) Se till att service av ditt eldrivna redskap görs av en kvalificerad reparatör och endast med identiska ersättningsdelar. *Detta gör att ditt eldrivna redskap fortsätter att vara säkert.*

Säkerhetsvarningar för motorsåg:

- Håll alla koppsdelar borta från motorsågen när motorsågen är i drift. Innan du startar motorsågen, se till att motorsågen inte är i kontakt med något. *Ett ögonblick av ouppmärksamhet under drift kan orsaka få dina kläder eller kropp att trasslas in med motorsågen.*
- Håll alltid motorsågen med din högra hand på det bakre handtaget och din vänstra hand på det främre handtaget. *Att hålla motorsågen med motsatt handkonfigurering ökar risken för personskada och får inte göras.*
- Håll endast elverktyget i de isolerade greppen, eftersom sågkedjan kan komma i kontakt med gömda ledningar eller sin egen sladd. *Sågkedjor som berör en spänningsförande ledning kan göra frilagda metalldelar på elverktyget spänningsförande och kan ge operatören en elchock.*
- Bär skyddsglasögon och hörselskydd. Vidare skyddsutrustning för huvud, händer, ben och fötter rekommenderas. *Adekvat skyddsklädsel reducerar personskada från flygande bråte eller oavsiktlig kontakt med motorsågens kedja. Går att få tag på från en arbetsklädesaffär.*
- Använd inte motorsågen i ett träd. *Drift av motorsågen medan du befinner dig i ett träd kan resultera i personskada.*
- Stå alltid ordentligt och använd endast motorsågen när du står på en fast, säker och jämn yta. *Hala eller ostabila ytor såsom stegar kan få dig att tappa balansen eller kontroll över motorsågen.*
- När en spänd gren sägas, se upp för återfjädring. *När spänningen i träfibren släpps kan den spända grenen slå emot operatören och/eller kasta motorsågen ur kontroll.*
- Använd extrem försiktighet vid sågning av buskar och unga träd. *Det tunna materialet kan fastna i motorsågen och kan kastas fram emot dig eller få dig ur balans.*
- Bär motorsågen i det främre handtaget med motorsågens avstång och bort från kroppen. Vid transport eller förvaring av motorsågen, använd alltid svärdkåpan. *Korrekt hantering av motorsågen reducerar chansen för oavsiktlig kontakt med den igångsatta motorsågen.*
- Följ instruktionerna för smörjning, kedjespänning och byte av tillbehör. *Felaktigt spänd eller smörjd kedja kan antingen gå av eller öka risken för bakslag.*
- Håll handtagen torra, rena och fria från olja och smörjmedel. *Fettiga, oljiga handtag är hala och kan orsaka kontrollförlust.*

- **Såga endast trä. Använd inte motorsågen för sådant den inte är ämnad för. Till exempel: använd inte motorsågen för att såga plast, murverk eller byggmaterial som inte är av trä.** Användning av motorsågen för drift annan än vad den är ämnad för kan resultera i en farlig situation.

Orsaker och operatörförhindring av bakslag:

Bakslag kan uppstå när nosen eller tippen på svärden nuddar ett föremål (fig B3), eller när träet kommer nära och klämmer sågkedjan vid sågningen.

Tippkontakt i en del fall kan orsaka en plötslig motsatt reaktion, som slår tillbaka listen upp och bakåt mot operatören.

Klämning av sågkedjan längs med ovansidan av svärden kan trycka svärden snabbt tillbaka mot operatören.

Dessa reaktioner kan få dig att tappa kontrollen över motorsågen som kan resultera i allvarlig personskada. Lite inte endast på säkerhetsenheter som är inbyggda i din såg. Som motorsågsanvändare bör du vidta flera steg för att hålla dina sågningsjobb olycks- och skadefria.

Bakslag är ett resultat av felanvändning av verktyg och/eller felkätiga operatörsprocedurer och kan undvikas genom att vidta korrekta försiktighetsåtgärder enligt nedan:

- **Bibehåll ett fast grepp, med tummar och fingrar runt motorsågens handtag, med båda handtagen på sågen och positionera din kropp och arm för att låta dig motstå bakslagskraft.** *Bakslagskraft kan kontrolleras av operatören, om korrekta försiktighetsåtgärder vidtas. Släpp inte motorsågen.*
- **Sträck dig inte för långt och såga inte ovanför axelhöjd.** *Detta hjälper till att förebygga oavsiktlig tippkontakt och ger bättre kontroll av motorsågen i ovanstående situationer.*
- **Använd endast reservlister och kedjor specificerade av tillverkaren.** *Felaktiga reservlister och kedjor kan få kedjan att gå av och/eller ge bakslag.*
- **Följ tillverkarens slippnings- och underhållsinstruktioner för motorsågen.** *Minskning av djupmätarhöjden kan leda till ökat bakslag.*

Ytterligare säkerhetsrekommendationer

1. **Användning av bruksanvisningen.** Alla personer som använder denna maskin måste reda bruksanvisningen till fullo. Bruksanvisningen måste inkluderas med maskinen om den säljs eller lånas ut till en annan person.
2. **Försiktighetsåtgärder innan användning av maskinen.** Låt aldrig denna maskin användas av någon annan person som inte är till fullo familjär med bruksanvisningens instruktioner. Öerfarna personer måste följa en träningsperiod där de endast övar på en sågbock.
3. **Kontroller.** Kolla maskinen noga innan varje användning, speciellt om den har utsatts för stark stöt, eller om den visar tecken på funktionsstörning. Utför all drift som beskrivs i kapitlet "Underhåll & förvaring – Innan användning".
4. **Reparationer och underhåll.** Alla maskindelar som kan bytas ut personligen, är tydligt förklarade i instruktionskapitlet "Montering / demontering." När så nödvändigt, får alla andra maskindelar endast bytas ut av ett auktoriserat servicecenter.

5. **Kläder. (fig 1)** Vid användande av denna maskin måste användaren bära följande godkända individuella skyddskläder: tätt åtsittande skyddskläder, skyddsstövlar med halkfria sulor, krossäkra tåskydd och skärsäkert skydd, skärskyddade vibrationssära handskarm skyddsglasögon eller skyddsvisir, hörselskydd och hjälm (om det finns någon fara för fallande föremål). Går att få tag på från en arbetsklädesaffär.
6. **Hälsöförsiktighetsåtgärder – vibrationer och bullerlarm.** Var uppmärksam på bullerrestriktioner inom det närmaste området. Förlängt användande av maskinen utsätter användaren för vibrationer som kan skapa "vita fingrar fenomen" (Raynauds fenomen), karpaltunnelsyndrom och liknande störningar.
7. **Hälsöförsiktighetsåtgärder – kemiska medel.** Använd olja som är godkänd av tillverkaren.
8. **Hälsöförsiktighetsåtgärder - Värme.** Vid användning uppnår skruvnyckel och kedja mycket höga temperaturer, iaktta försiktighet med att inte vidröra dessa delar då de är heta.
9. **WARNING!** Denna maskin producerar ett elektromagnetiskt fält under drift. Detta fält kan under en del förhållanden störa aktiva eller passiva medicinska implantat. För att reducera risken för allvarlig eller dödlig skada rekommenderar vi att personer med medicinska implantat konsulterar sin läkare och tillverkaren av det medicinska implantatet innan användande av denna maskin.

Transport och förvaringsförsiktighetsåtgärder. (fig 2)

Varje gång arbetsområdet ändras till en annan plats, koppla ur maskinen från elnätet och aktivera kedjebromsspaken. Montera alltid svärdråpan innan transporter eller förvaring. Bär alltid maskinen i handen med listen bakåt, eller vid transporter av maskinen i ett fordon, fäst den alltid säkert för att undvika skada.

Bakslagsreaktion. (fig 3) Bakslagsreaktionen består av en våldsamt uppåt-motsatt aktion av listen mot användaren. Detta uppstår i allmänhet om den övre delen på listnosen (kallas "bakslagsfarozone") (se röda markeringar på svärden) kommer i kontakt med något föremål, eller om kedjan blockerar i träet. Bakslag kan få användaren att förlora kontrollen över maskinen och kan orsaka farliga och även dödliga olyckor. Kedjebromsspaken och andra säkerhetsenheter räcker inte för att skydda användaren mot skada: användaren måste vara uppmärksam på förhållandena som kan orsaka reaktionen, och förhindra dem genom att vara mycket uppmärksam i enlighet med erfarenhet, tillsammans med förståndigt och korrekt maskinhantering (till exempel: såga aldrig flera grenar samtidigt eftersom detta kan orsaka oavsiktlig påverkan av "bakslagsfarozone")

Arbetsområdes säkerhet

1. Låt aldrig barn eller personer ovana med dessa instruktioner använda produkten. Lokala lagar kan gälla som begränsning av operatörens ålder.
2. Använd endast produkten på det vis och för de funktioner som beskrivs i dessa instruktioner.
3. Kolla hela arbetsområdet noga för att kolla efter eventuella farokällor (t.ex.: vägar, stigar, elkablar, farliga träd, etc)
4. Håll alla åskådare och djur borta från arbetsområdet (när så nödvändigt, stängs lås av området och använd varningsskyltar) på ett minimiavstånd på 2,5 x stammens höjd; i alla fall inte mindre än tio meter.

- Operatören eller användaren ansvarar för olyckor eller faror som uppstår för andra personer eller deras egendom.

ESÄKERHET

- Det rekommenderas att du använder en jordfelsbrytare med en utlösningsström inte mer än 30mA. Även med en jordfelsbrytare installerad kan inte 100 % säkerhet garanteras och säker arbetspraxis måste alltid följas. Kolla din jordfelsbrytare varje gång du använder den.
- Innan användning, kolla så att sladden inte är skadad, byt ut den om det finns tecken på skada eller åldrande.
- Använd inte denna produkt om elsladdarna är skadade eller slitna.
- Koppla omedelbart ur från elnätet om sladden skärs, eller om isoleringen skadas. Rör inte elsladden tills eltillförseln har kopplats ur. Reparera inte en skuren eller skadad sladd. Ta produkten till ett auktoriserat servicecenter och få sladden utbytt.
- Din förlängningskabel måste vara avlindad eller avrullad, hoplindade eller hoprullade kablar kan överhettas vilket minskar din gräsklippares effektivitet.
- Se alltid till att sladden/förlängningssladden är bakom användaren, se till att den inte skapar en farokälla för användaren eller för andra personer, och kolla att den inte kan skadas (av värme, vassa föremål, vassa kanter, olja, etc.);
- Placera sladden så att den inte kan fastna i grenar och liknande, under sågning.
- Stäng alltid av vid elnätet innan urkoppling av någon kontakt, sladdanslutare eller sladdförlängare.

- Stäng av, avlägsna kontakten från elnätet och undersök elsladden efter skada eller åldrande innan sladden lindas ihop för förvaring. Reparera inte en skadad sladd. Ta produkten till ett auktoriserat servicecenter och få sladden utbytt.
- Avlägsna kontakten från elnätet innan du lämnar produkten utan uppsyn för någon period.
- Linda alltid sladden försiktigt, undvik härvor.
- Använd endast med växelströmselnätsspänning som visas på produktens märkplåt.
- Motorsågen är dubbelisolerad enligt EN60745-1 & EN60745-2-13. En jordledare får under inga omständigheter kopplas till någon del av maskinen.

Sladdar

- Elnätssladden och förlängningar finns hos ditt lokala godkända servicecenter.
- Använd endast godkända förlängningssladdar.
- Förlängningssladdar och kablar bör endast användas om de är ämnade för utomhusbruk.
- Om du vill använda en förlängningssladd vid drift av produkten får endast följande kabeldimensioner användas:

Modeller CSE1835, CSE1935S:

- 5,0 mm² : maxlängd 40 m
- 5,0 mm² : maxlängd 60 m
- 8,0 mm² : maxlängd 100 m

Modeller CSE2040, CSE2040S:

- 5,0 mm² : maxlängd 50 m
- 8,0 mm² : maxlängd 90 m

C. BESKRIVNING AV SÄKERHETSUTRUSTNING

GASSPÄRR

Din maskin är utrustad med en anordning (fig. 1) som om den slås från förhindrar att gasreglaget kan tryckas ned, för att förhindra ofrivilliga starter

KEDJEBROMS NÄR GASREGLAGET SLÄPPS UPP

Din maskin är utrustad med en anordning som blockerar kedjan omedelbart så fort gasreglaget släpps upp. Om denna anordning inte skulle fungera ska maskinen INTE användas och lämnas in till en auktoriserad serviceverkstad.

FRÄMRE HANDSKYDD/KASTSKYDD

Det främre handskyddet (fig. 2) är konstruerat för att förhindra att din vänstra hand kommer i kontakt med kedjan (under förutsättning att maskinen hålls på ett korrekt sätt). Det främre handskyddet fungerar även som en kedjebroms som blockerar kedjan på någon tusendels sekund vid slag. Kedjebromsen kopplas från när det främre handskyddet dras bakåt och blockeras (kedjan kan röras). Kedjebromsen kopplas till när det främre handskyddet trycks framåt (kedjan är blockerad). Kedjebromsen kan aktiveras med hjälp av vänster handled genom att trycka framåt, eller när handleden kommer i kontakt med det främre handskyddet som resultat från bakslag.

När maskinen används med stängen i horisontell position, till exempel vid trädfällning, erbjuder kedjebromsen mindre skydd. (fig.3).

OBS! När kedjebromsen är tillkopplad slår en säkerhetsbrytare från all ström till motorn.

 **Frånkoppling av kedjebromsen medan kontakten hålls kommer att starta produkten.**

KEDJEFÅNGARE

Denna maskin är utrustad med en kedjeuppfångare (fig.4) som befinner sig under skruvnyckeln. Denna mekanism är utformad att stoppa den bakåtgående kedjerörelsen vid kedjebrott eller urspårning.

Dessa situationer kan undvikas genom att se till att kedjespänningen är korrekt (se till kapitel "D. Montering/demontering").

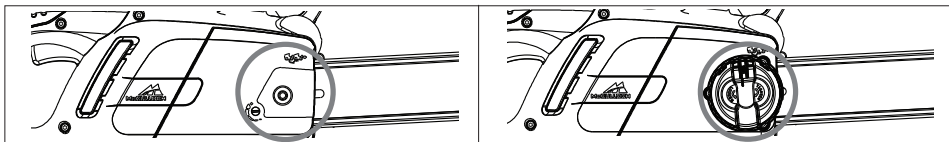
HÖGERHANDSSKYDD

Denna anordning (fig. 5) skyddar handen om kedjan går av eller spårar ur.

D. MONTERING/NEDMONTERING

MONTERING AV SVÄRD OCH KEDJA

Monteringsmetoderna ändras beroende på typen av maskin, se därför på figurerna och maskintypen som anges på märkplåten. Var uppmärksam vid monteringen att så att den sker på ett korrekt sätt.



1. Kontrollera att kedjebromsen inte är tillkopplad. Koppla i annat fall från kedjebromsen.

2a. Skruva ur stångens spännmutter och avlägsna drivkedjehjulåpan.

2b. Skruva ur stångens spännknopp och avlägsna drivkedjehjulåpan.

3 Placera kedjan över stängen, starta vid noshjulet, passa in den i stångguidens skåra. **OBST!** Se till att den vassa sidan av skärtänderna är i framåt riktning på den övre delen av stängen. Bär handskar.

4a. Se till att kedjespänningspinnen är så långt tillbaka mot drivkedjehjulet som möjligt. Montera stängen på stångspänningskraven och kedjespänningspinnen och placera kedjan över drivkedjehjulet.

4b. Roter metallrullningshjulet moturs så långt som möjligt. Montera stängen på stångspänningskraven och placera kedjan över kedjehjulet.

Sätt tillbaka drivkedjehjulåkan, se till att kedjans drivtänder greppar drivkedjehjulet och in i guideräfflan.

5a. Skruva till stångfasthållningskraven för hand tills den är löst tillskruvad.

5b. Skruva till stångfasthållningsknoppen för hand tills den är löst tillskruvad.

6a. För att späna kedjan, skruva till kedjespänningskraven i medurs riktning med hjälp av skruvnyckeln/skrumvejseln som medföljer. För att reducera spänningen, skruva i en moturs riktning (vid utförande av detta, håll stångens nos uppåt)

6b. För att späna kedjan, skruva till den yttre kedjespänningsknoppen i medurs riktning. För att reducera spänningen, skruva i en moturs riktning (vid utförande av detta, håll stångens nos uppåt)

7. Spänn kedjan tills spänningen är korrekt. Drag kedjan bort från stängen och se till att gapet mäter ungefär 2-3mm

8a. Skruva till stångfasthållningskraven med hjälp av skruvnyckeln/skrumvejseln som medföljer.

8b. Skruva till tills stängen sitter ordentligt.

Om kedjan späns för hårt överbelastas motorn och kan skadas. Otillräcklig spänning av kedjan kan göra att kedjan spårar ur. En korrekt spänd kedja ger bästa sågegenskaper och längsta livslängd. Kontrollera spänningen regelbundet eftersom kedjelängden förlängs med tiden (i synnerhet när kedjan är ny. Efter att kedjan har monterats ska den kontrolleras efter 5 minuters drift). Kedjan ska aldrig spännas direkt efter användning, vänta tills den har svalnat.

Om lös kedja måste justeras ska fästmuttrarna/-vreden alltid lossas innan kedjespännarskraven/-vredet justeras. Justera spänningen korrekt och dra åter åt fästmuttrarna/-vreden.

E. START OCH STOPP

Sätta igång: greppa båda handtagen ordentligt, släpp kedjebromshandtaget medan du ser till att händerna fortfarande på det främre handtaget, tryck in och håll kontaktblocket intryckt, tryck sedan in kontakten (nu kan kontaktblocket släppas)

Stopp: Maskinen stannar så fort gasreglaget släpps upp. Om maskinen inte stannar, koppla till kedjebromsen, koppla från elkabeln från vägguttaget och lämna in maskinen till en auktoriserad serviceverkstad.

F. SMÖRJNING AV SVÄRD OCH KEDJA

VARNING! En otillräcklig smörjning gör att kedjan går av och kan försaka allvarliga och livsfarliga skador.

Smörjning av svärd och kedja sker med en automatisk pump

Se Underhållsanvisningar för att försäkra dig om att tillräckligt med kedjeolja matas ut.

Val av kedjeolja

Använd endast ny olja (särskild typ för kedjor) med lämplig viskositet: Oljan måste vidfästa ordentligt och garantera goda drifttegenskaper både vinter och sommar. Om kedjeolja inte finns tillgänglig kan växellådsolja EP 90 användas.

Använd aldrig kasserad olja eftersom det är farligt för hälsan, maskinen och miljön. Försäkra dig om att oljan är lämplig för omgivningstemperaturen där verktyget används: För temperaturer under 0 °C blir vissa oljor tjockare. Detta överbelastar och skadar pumpen. Kontakta din auktoriserade serviceverkstad angående val av olja.

Påfyllning av oljebehållare

Skruva loss locket för oljebehållaren och fyll på behållaren. Var försiktig så att du inte spiller ut olja (om detta sker ska maskinen rengöras noggrant) (**fig. 2**) och skruva sedan åter fäst locket ordentligt.

G. UNDERHÅLL OCH FÖRVARING

Innan underhåll eller rengöring utförs, ta ur kontakten från elnätet.

VARNING! Om arbetsmiljön är särskilt smutsig eller dammig ska de beskrivna momenten utföras oftare än vad som anges i anvisningarna.

Före varje användning

Kontrollera att kedjeoljepumpen fungerar korrekt: Rikta svärdet mot en ljus yta på ett avstånd på 20 centimeter. Efter att maskinen har gått i en minut ska ytan uppvisa tydliga oljespår (**fig. 1**).

Kontrollera att det inte krävs överdriven kraft för att koppla till och från kedjebromsen. Kontrollera dessutom att kedjebromsen inte kopplas till för lätt eller är blockerad. Kontrollera sedan kedjebromsens funktion på följande sätt: Lossa på kedjebromsen. Ta tag i maskinen på ett korrekt sätt och starta maskinen. Koppla till kedjebromsen genom att trycka det främre handskyddet framåt med vänster handled eller arm utan att ta bort handen från handtaget (**fig. 2**). Om kedjebromsen fungerar korrekt ska kedjan blockeras omedelbart.

Kontrollera att kedjan är vässad på ett korrekt sätt (se nedan), är i ett gott skick samt att spänningen är korrekt. Om kedjan är oregelbundet sliten eller om skärtänderna endast är 3 mm höga ska kedjan bytas ut (**fig. 3**).

Rengör lufthålen regelbundet för att förhindra överhettning (**fig. 4**).

Kontrollera att gasreglaget och gasspärren fungerar korrekt (detta ska göras med fränkopplad kedjebroms): Tryck på gasreglaget och gasspärren och kontrollera att de går tillbaka till viloläge så fort de släpps upp. Kontrollera att det inte går att trycka ned gasreglaget utan att gasspärren kopplas till.

Kontrollera att kedjefångaren och skyddet för höger hand är i gott skick utan att något synligt fel (såsom skadat material) förekommer.

Var 2: a – 3:e driftimme

Kontrollera svärdets skick. Rengör smörjhålen (**fig. 5**) och spårännorna (**fig. 6**) noggrant. Om spåret är slitet eller uppvisar tecken på djup urholkning ska det bytas ut. Rengör drivkedjehjulet regelbundet och kolla att det inte är utslitet (**fig. 7**). Smörj noshjulet med lagerfett genom hålet som visas i figuren (**fig. 8**).

Vässning av kedja (när det är nödvändigt)

Om kedjan inte sågar på ett korrekt sätt eller om det krävs ett hårt svärdtryck mot träet och om sågspånet är mycket fint är detta tecken på att kedjan inte är vässad på ett korrekt sätt. Om inget spån bildas vid sågningen innebär det att sågkanten har slitits ut fullständigt och kedjan pulveriserar träet vid sågning. En väl vässad kedja skär igenom träet utan att du behöver lägga på kraft och tryck och skapar stora och långa spån.

Kedjans skärande del består av skärlänken (**fig. 9**) med en skärtand (**fig. 10**) och en skärdjupsbegränsare (**fig. 11**). Skillnaden mellan dessa bestämmer skärdjupet. En filstyrning och en Δ 4 mm rundfil krävs för ett gott vässningsresultat. Följ anvisningarna nedan: När kedjan har monterats och spänningen är korrekt justerad och kedjebromsen är tillkopplad ska du placera filstyrningen i rätt vinkel mot svärdet, se figuren (**fig. 12**). Fila sedan skärtanden med den vinkel som visas (**fig. 13**). Arbeta alltid från insidan och utåt och släpp på trycket vid retrurrörelsen (det är mycket viktigt att följa anvisningarna i detalj):

Överdriven eller otillräcklig slippvinkel eller en felaktig fildiameter ökar risken för slag). För att erhålla en högre precision på sidovinklarna rekommenderas det att placera filen så att den överstiger den övre skärleden med ca 0,5 mm. Fila först alla tänder på ena sidan, vänd sedan på maskinen och upprepa momentet. Efter vässningen ska du kontrollera att alla tänder är lika långa och att höjden på skärdjupsbegränsaren är 0,6 mm lägre än den övre skärleden: Kontrollera höjden med ett lämplig stickmått och fila (med en plattfil) alla utstående delar. Runda av den främre delen på skärdjupsbegränsaren (**fig. 14**). Var försiktig så att du inte filar på slagskyddstanden (**fig. 15**).

Var 30: e driftimme.

Lämna in maskinen till en auktoriserad serviceverkstad för allmän genomgång och kontroll av bromskomponenterna.

Förvaring

Förvara produkten på en sval, torr plats utom räckhåll för barn. Förvara inte utomhus.

H. SÅGTEKNIKER

Vid användning ska du undvika: (fig. 1)

- Att säga under förhållanden när stammen kan spricka under sågningen (trä under tryck, torra döda träd o.s.v.): Plötsliga sprickor kan vara mycket farliga.
- Att svärdet eller kedjan blockeras i ett sågsnitt: Om detta inträffar ska maskinen kopplas från elnätet och försök att lyfta upp stammen med hjälp av ett lämpligt verktyg, som t.ex. en hävarm. Försök inte att frigöra maskinen genom att skaka eller dra den eftersom det kan förorsaka skador.
- Situationer som kan leda till slag.
- använda produkten ovanför axelhöjd
- säga trä med främmande föremål såsom t.ex. spikar

Vid användning av maskinen: (fig. 1)

- Vid sågning på sluttande mark ska du alltid arbeta ovanpå på stammen så att du inte kan träffas av den om den skulle rulla ned.
- Vid fällning av träd ska arbetet alltid avslutas: Ett delvist kapat trä kan brytas och falla ned.

- I slutet av varje sågmoment känner användaren att styrkan som krävs för att kontrollera sågen minskar drastiskt. Var mycket uppmärksam på att inte förlora kontrollen när detta sker.

Nedan beskrivs två olika typer av sågmoment:

Sågrörelser genom att dra kedjan (uppifrån och nedåt) (**fig. 2**) kan leda till att maskinen gör farliga oberäkneliga rörelser mot stocken. Detta kan leda till att du förlorar kontrollen över maskinen. Använd barkstödet under kapningsmoment om det är möjligt.

Sågrörelser genom att trycka kedjan (nedifrån och uppåt) (**fig. 3**) kan leda till att maskinen gör farliga oberäkneliga rörelser mot användaren för maskinen. Detta kan leda till att användaren träffas av maskinen eller att stammen kommer i kontakt med området för risk för slag, vilket förorsakar en våldsamt slagrörelse. Var mycket försiktig vid sågning på detta sätt.

Det säkraste sättet att använda maskinen är att låsa fast träet på en sågbock och säga uppifrån och ned den del av träet som sticker ut från sågbocken. (**fig. 4**)

Användning av barkstöd.

Använd barkstödet för att garantera ett säkert kapningsmoment, när det är möjligt: Tryck in barkstödet i barken eller i stammens yta för att få bättre kontroll över maskinen.

Nedan beskrivs olika sågmetoder att tillämpa beroende på specifik situation. Bedöm från gång till gång vilken metod som är mest lämplig och säker för aktuell kapning.

Stam på marken. (Risk för att kedjan nuddar vid marken när svärdet har passerat genom stammen). (fig. 5)

Såga uppifrån och ned genom hela stammen. I slutet av kapningen ska du såga mycket försiktigt så att inte kedjan kommer i kontakt med marken. Du kan såga 2/3 av stammen och sedan rulla över den och såga av den resterande tredjedelen uppifrån och ned för att minska risken för att kedjan nuddar vid marken.

Stam som är stödd endast i ena änden. (Risk för att stammen bryts av under kapningen). (fig. 6)

Börja snittet från undersidan och såga 1/3 av diametern. Avsluta sedan snittet från ovsidan så att du möter snittet från undersidan.

Stam som är stödd i båda ändarna. (Risk för att kedjan kläms fast). (fig. 7)

Börja snittet från ovsidan och såga 1/3 av diametern. Avsluta sedan snittet från undersidan så att du möter snittet från ovsidan.

Grensågning på en slutning. Stå alltid på stammens uppåtsida. När du 'sågar igenom', för att kvarhålla fullständig kontroll, släpp sågningstrycket mot slutändan av sågningen utan att slappna av greppet motorsågens handtag. Låt inte kedjan komma i kontakt med marken.

Fällning av träd.

VARNING! Försök aldrig att fälla ett träd om du inte har nödvändig erfarenhet och fäll aldrig i något låge träd som har grövre diameter än svärdets längd! Denna sågningstyp är förbehållen yrkesverksamma personer som har lämplig utrustning.

Vid fällning av träd är målet att fälla trädet i mest lämplig riktning för den efterföljande kvistningen och kapningen (undvik att träd faller så att de fastnar i andra träd: Fällning av träd som sitter fast i andra träd är ett mycket farligt moment).

Först av allt ska du bestämma bästa fallriktning genom att göra följande bedömningar: Ta hänsyn till föremål eller annan växtlighet runt trädet, trädets vinkling och kurvning, vindriktning och största kvistansamling samt döda eller brutna grenar som kan gå av under fällningen vilket kan skapa ytterligare faror.

VARNING! Vid fällning under besvärliga förhållanden ska du alltid ta bort hörselskydden direkt efter kapningsmomenten så att du kan höra onormala ljud och eventuella varningssignaler.

Förberedande kapningsmoment och fastställande av flyktväg.

Kapa alla kvistar som stör dig i ditt arbete (fig. 8). Börja uppifrån och ned och se till att stammen alltid är mellan användaren och maskinen. Ta sedan bort de svårare kvistarna, bit för bit. Ta bort alla växtlighet som stör dig i ditt arbete och kontrollera att det inte förekommer hinder (stenar, rötter, diken o.s.v.) när du planerar din flyktväg (som du följer när trädet faller). Se figuren (fig. 9) för de riktningar som ska respekteras (A. Avsedd fallriktning. B. Flyktväg. C. Farligt område).

SÅGNING VID FÄLLNING (fig. 10)

Läs följande såganvisningar för att du ska få fullständig kontroll över fällningen:

Först ska du såga snittet som kontrollerar trädets fallriktning: Såga först den ÖVRE DELEN av snittet för fallriktning på den sida åt vilken trädet ska falla. Stanna kvar på höger sida om trädet och såga den NEDRE DELEN med metoden att dra kedjan. Sågsnittet ska möta det övre sågsnittets slut. Djupet för snittet för fallriktningen ska vara $\frac{1}{10}$ av stammens diameter med en vinkel på minst 45° mellan det övre och det nedre snittet. Mötespunkten mellan de två snittsidorna kallas för kaplinje för fallriktning. Denna linje ska vara fullständigt horisontell och i rät vinkel (90°) i förhållande till fallriktningen.

Fallsnittet som gör att träder faller ska göras 3 till 5 cm ovanför den nedre delen av kaplinjen för fallriktning och avslutas på ett avstånd från snittet på 1/10 av stammens diameter. Stanna kvar på vänster sida om trädet. Såga med metoden att dra kedjan och använd barkstödet. Kontrollera att trädet inte rör sig i annan riktning än den som är avsedd för fallet. Stick in ett brytdon eller en kil i snittet så fort det är möjligt. Den del av stammen som inte har kapats kallas för gångjärn eftersom den ska styra trädet när det faller. Om snitten inte är tillräckliga, inte raka eller inte har sågats igenom tillräckligt kan trädet inte kontrolleras (mycket farligt!). Av den anledningen måste de olika snitten göras med stor precision.

När snitten har slutförts börjar trädet falla. Om det är nödvändigt kan du hjälpa trädet med kilar eller brytdon.

Kvistning

När trädet har fallit ska stammen kvistas: Det innebär att kvistarna tas bort från stammen. Undervärdera inte detta moment eftersom de flesta fall av slagolyckor sker vid just kvistning. Av denna anledningen ska du vara uppmärksam på svärdnosens position under sågmoment och alltid arbeta på stammens vänstra sida.

I. MILJÖINFORMATION


Detta avsnitt innehåller viktig information om ekologisk kompatibilitet vad gäller maskinens konstruktion, lämplig användning och kassering av kedjeolja.

ANVÄNDNING AV MASKINEN

Undvik att spillta ut olja och förorena marken och miljön vid påfyllning av oljebehållaren.

KASSERING

Kassera inte maskinen i miljön när den inte längre fungerar. Lämna istället in maskinen till en auktoriserad sopstation för att kassera den i enlighet med gällande lagar.

Symbolen  på produkten eller dess förpackning indikerar att denna produkt ej kan hanteras som hushållsavfall. Den skall i stället överlämnas till passande återvinningsstation för återvinning av elektrisk och elektronisk utrustning. Genom att se till att denna produkt omhändertas ordentligt kan du hjälpa till att motverka potentiella negativa konsekvenser på miljö och människor, vilka annars kan orsakas genom oriktig avfallshantering av denna produkt. För mer detaljerad information om återvinning av denna produkt, kontakta din kommun, din hushållsavfallsservice eller affären där du köpte produkten.

J. FELSÖKNINGSTABELL

	Motorn startar inte.	Motorn går dåligt eller tappar effekt	Maskinen startar men sågar inte korrekt.	Motorn går ojämnt eller med lågt varvtal.	Bromsordningarna stoppar inte kedjan korrekt.
Kontrollera att det finns ström i elnätet.	●				
Kontrollera att stickkontakten är ordentligt isatt.	●				
Kontrollera att elkabeln/förlängningskabeln inte är skadad.	●				
Kontrollera att kedjebromsen inte är inkopplad.	●				
Kolla att kedjan är ordentligt hopmonterad och har korrekt spänning		●	●		
Kontrollera kedjesmörjningen, se kapitel F och G.			●		
Försäkra dig om att kedjan är vass.			●		
Kolla att strömbrytaren är aktiverad	●				
Kontakta din auktoriserade serviceverkstad.	●	●		●	●

K. RESERVDELAR

35cm	Kedja Svärd	91PJ052XN	Reservdelsnummer:	530051538
			Reservdelsnummer:	576965401
40cm	Kedja Svärd	91PJ056XN	Reservdelsnummer:	530051539
			Reservdelsnummer:	576965201

L. EC DECLARATION OF CONFORMITY

Husqvarna AB, S-561 82, Huskvarna, Sweden

Deklarerar under vårt eget ansvar att produkten:

Beteckning.....**Chainsaw - Motorsåg**
Beteckning av typ(er).....**CSE1835, CSE1935S, CSE2040, CSE2040S**
Identifiering av serie.....**Se Produktidentifieringsetikett**
Tillverkningsår.....**Se Produktidentifieringsetikett**

Överrensstämmer med nödvändiga krav & villkor i de följande EG-direktiv:
2006/42/EC, 2004/108/EC, 2000/14/EC, 2011/65/EU

baserat på följande EU-samordningsstandard:

EN60745-1, EN60745-2-13, EN55014-2, EN55014-1, EN61000-3-2, EN61000-3-11

Underlått organ som utförde EG-undersökningen

i enlighet med artikel 8 sektion 2c..... TÜV Rheinland LGA Products GmbH
Tillystraße 2
D-90431 Nürnberg
Germany
Certifikat nr. BM 50268379

Maximal A-vägd ljudtrycksnivå L_{pA} vid arbetsstationen, uppmätt i enlighet med EN60745-2-13 anges i tabellen.

Det maximala hand-/armvibrationsvärdet a_h uppmätt i enlighet med EN60745-2-13 vid ett prov av ovan nämnda produkt anges i tabellen.

Det deklarerade totala vibrationsvärdet har uppmätts i enlighet med en standardtestmetod och kan användas för att jämföra ett verktyg med ett annat.

Det deklarerade totala vibrationsvärdet kan även användas i en preliminär utvärdering av utsättande.

Varning!

Vibrationsutsändningen under faktiskt användande av elverktyget kan skilja sig från det deklarerade totala värdet beroende på hur verktyget används.

Operatörer bör identifiera säkerhetsåtgärder för att skydda sig själva som baseras på en utvärdering av utsättande under faktiska användningsförhållanden (med beaktning av alla delar av driftscykeln såsom stunder då verktyget är avstängt och när det går på tomgång förutom då det aktivt används)

2000/14/EC: Den uppmätta ljudkraft L_{WA} & garanterade ljudkraft L_{WA} värdena är i enlighet med de tabulerade siffrorna.

Konformitetsvärderingsprocedur..... Annex V

Ulm 12/02/2013

P. Lamelli

Global R&D Director - Handhållen

Hållare för tekniska dokument



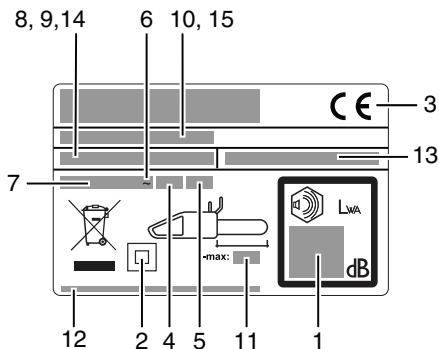
Typ (CSE_____)	1835	1935S	2040	2040S
Torrsvikt (Kg)	4.3	4.5	4.4	4.6
Effekt (kW)	1.8	1.9	2.0	2.0
Volym för oljebehållare (cm ³)	240	240	240	240
Maximal längd för svärd (cm)	35	35	40	40
Kedjedelning (mm)	9.52	9.52	9.52	9.52
Kedjetjocklek (mm)	1.3	1.3	1.3	1.3
Uppmätt ljudeffekt L_{WA} (dB(A))	106	106	106	106
Garanterad ljudeffekt L_{WA} (dB(A))	110	110	110	110
Ljudtryck L_{pA} (dB(A))	95	95	95	95
Osäkerhet K_{pA} (dB(A))	2.5	2.5	2.5	2.5
Hand- /armvibration a_h (m/s ²)	7.28	7.28	8.08	8.08
Oviss K_{ah} (m/s ²)	1.5	1.5	1.5	1.5
Tillförsels impedans Z_{max} (Ω)	0.382	0.382	0.382	0.382

Förenlighetsuttalande enligt EN 61000-3-11

Beroende på det lokala elnätverket kan användande av denna produkt resultera i korta spänningsfall vid aktiveringstillfället. Detta kan påverka annan elutrustning, t.ex. tillfälligt dimma en lampa. Om elnätets **tillförsels impedans Z_{max}** är mindre än värdet som visas i tabellen (gällande din modell) så kommer dessa effekter inte att uppstå. Nätverkets impedansvärde kan avgöras genom att kontakta ditt elverk.

A. ALMEN BESKRIVELSE

- | | |
|--|--|
| <ol style="list-style-type: none"> 1) Håndgreb bagtil 2) Håndbeskyttelsesindretning bagtil 3) Håndgreb fortil 4) Kædebremse 5) Kædestrammeskrue 6) Kædestrammeskrue 7) Kædestrammetape 8) Olietankens hætte 9) Oliestandsinspektionsrude 10) Ventilationsåbning 11) Ledning 12) Håndbog 13) Kontakt 14) Kontaktpærre 15) Kæde 16) Træktand 17) Skæreled | <ol style="list-style-type: none"> 18) Anordning til begrænsning af skæredybden 19) Skæretand 20) Sværd 21) Kædehjulsskærm 22) Kædehjul 23) Kædespærretape 24) Skruer til fastgøring af stangen 25) Sværdknap (indre) 26) Sværdmøtrik 27) Spidshjul 28) Skærm til sværd 29) Hage 30) Kædestrammetapeleje 31) Smørehul 32) Sværdforfybning 33) Skruenøgle og -trækker |
|--|--|



Eksempel på mærke

- 1) Garanteret støjniveau iht. 2000/14/EF
- 2) Klasse-II værktøj
- 3) EU-overensstemmelseserklæring
- 4) Mærkefrekvens
- 5) Mærkeeffekt
- 6) Vekselstrøm
- 7) Mærkespænding
- 8) Type
- 9) Produktets kodenummer
- 10) Fremstillingsår
- 11) Sværdets maksimale længde
- 12) Producentens navn og adresse
- 13) Artikelnummer (Elektrisk kædesav)
- 14) Model
- 15) Serienummer

B. SIKKERHEDSFORANSTALTNINGER

SYMBOLERNES BETYDNING



Giv agt
Læs brugervejledningen omhyggeligt igennem



Sikkerhedsstøvler



Beskyttelses-hjelm med høreværn og beskyttelses-briller eller -visir.



Skærehæm-mende handsker



Lange, skærehæm-mende bukser



Bremse koblet til/koblet fra



Træk øjeblikkeligt stikket ud af stikkontakten, hvis der skæres i kablet eller hvis det bliver beskadiget.



Hold omkringstående væk



Skæretandens retning



Anvend altid begge hænder!



Fare for tilbageslag



Må ikke udsættes for regn eller fugt



Kædeolie



Forbud mod ...



Sluk for maskinen




Tag stikket ud af kontakten før der udføres justeringer eller rengøring.



Risiko for elektrisk stød

Generelle sikkerhedsadvarsler for elværktøj

 **ADVARSEL** Læs alle sikkerhedsadvarsler og alle instrukser. I tilfælde af manglende overholdelse af advarslerne og instrukserne er der risiko for elektrisk stød, brandfare og/eller alvorlig personskade.

Gem alle advarsler og instrukser til fremtidig brug.

Udtrykket "elværktøj" i advarslerne henviser til dit eldrevne (ledningsforbundne) elværktøj eller batteridrevne (ledningsfri) elværktøj.

1) Sikkerhed på arbejdspladsen

- Arbejdsområdet skal holdes rent og veloplyst. Der sker flere ulykker på rodede og mørke områder.
- Brug ikke elværktøj i eksplosive atmosfærer, som ved tilstedeværelse af brændbare væsker, gasser eller støv. Elværktøj kan slå gnister, der kan antænde støv eller dampe.
- Man skal sørge for at holde børn og tilskuere væk, mens man bruger elværktøj. Hvis man distraheres, kan man miste kontrollen over værktøjet.

2) Elektrisk sikkerhed

- Elværktøjets stik skal passe til kontakten. Man må ikke modificere stikket på nogen måde. Brug ikke adapterstik sammen med jordforbundet elværktøj. Umodificerede stik, der passer til kontakterne, nedsætter risikoen for elektrisk stød.

- Undgå kropskontakt med jordforbundne overflader, som f.eks. rør, radiatorer, komfurer og køleskabe. Der er en forøget risiko for elektrisk stød, hvis din krop er jordforbundet.

- Elværktøj må ikke udsættes for regn eller fugt. Hvis der trænger vand ind i et elværktøj, vil det øge risikoen for elektrisk stød.

- Brug ikke ledningen til formål, den ikke er beregnet til. Man må aldrig bruge ledningen til at trække eller trække elværktøjet og heller ikke til at trække stikket ud af kontakten med. Beskyt ledningen mod varme, olie, skarpe kanter og bevægelige dele. Beskadigede eller indviklede ledninger øger risikoen for elektrisk stød.

- Hvis et elværktøj anvendes udendørs, skal man bruge en forlængerledning, der er beregnet til udendørs brug. Brugen af en ledning, der er beregnet til udendørs brug, vil reducere risikoen for elektrisk stød.

- Hvis det er uundgåeligt at bruge et elværktøj på et fugtigt sted, skal man anvende en elforsyning, der er beskyttet med en fejlstrømsafbryder (RCD). Brugen af en RCD reducerer risikoen for elektrisk stød.

3) Personlig sikkerhed

- a) Det er vigtigt at være opmærksom, se, hvad man laver, og bruge elværktøjet fornuftigt. Man må ikke bruge et elværktøj, hvis man er træt, har nydt alkohol eller er påvirket af medicin eller uopfiserende stoffer. *Et øjeblikks uopmærksomhed, når man bruger elværktøj, kan føre til alvorlige personskader.*
- b) Brug personligt beskyttelsesudstyr. Brug altid beskyttelsesbriller. *Beskyttelsesudstyr, som f.eks. støvmaske, skridsikre sikkerhedssko, beskyttelsehjelm eller høreværn, der anvendes under de rette omstændigheder, vil reducere personskader.*
- c) Forhindr utilsigtet start. Kontroller, at afbryderen er i slukket position, før elværktøjet tilsluttes til strømkilde og/eller batteripakke, samles op eller bæres. *Der kan let ske ulykker, hvis elværktøj bæres med fingrene på afbryderen eller hvis man tilslutter elværktøj, med aktiveret afbryder.*
- d) Fjern eventuelt indstillingsværktøj eller skruenøgle inden elværktøjet tændes. *Hvis et stykke værktøj eller nøgle efterlades i en roterende elværktøjsdel, kan det medføre personskader.*
- e) Lad være med at række for langt ud. Sørg for at stå sikkert, mens der arbejdes og kom ikke ud af balance. *Det giver bedre kontrol over elværktøjet, hvis der skulle opstå uventede situationer.*
- f) Brug egnet arbejdstøj. Undgå løse bekædningsgenstande og smykker. Hold hår, tøj og handsker væk fra bevægelige dele. *Løst tøj, smykker og langt hår kan indfanges i bevægelige dele.*
- (g) Hvis støvudsugnings- og opsamlingsudstyr forefindes, er det vigtigt, at dette tilsluttes og anvendes korrekt. *Brug af støvopsamlingsudstyr kan reducere støvrelaterede farer.*
- 4) Brug og pleje af elværktøj
- a) Man må ikke presse elværktøjet for meget. Brug det korrekte elværktøj til det arbejde, der skal udføres. *Det korrekte elværktøj vil gøre arbejdet bedre og sikrere indenfor det effektområde, det er konstrueret til.*
- b) Elværktøjet må ikke bruges, hvis afbryderen er defekt. *Et elværktøj, som ikke kan kontrolleres med afbryderen, er farligt og skal repareres.*
- c) Tag stikket ud af kontakten og/eller batteripakken ud af elværktøjet, før værktøjet indstilles, der skiftes tilbehør eller elværktøjet lægges til side. *Disse sikkerhedsforanstaltninger forhindrer utilsigtet start af elværktøjet.*
- d) Opbevar ubenyttet elværktøj uden for børn rækkevidde og lad aldrig personer, der ikke er fortrolle med elværktøjet, eller ikke har gennemlæst disse instrukser, benytte elværktøjet. *Elværktøj er farligt, hvis det benyttes af ukyndige personer.*
- e) Vedligeholdelse af elværktøj. Kontroller, om bevægelige dele fungerer korrekt og ikke sidder fast, om delene er blevet beskadiget og for enhver anden tilstand, som kan påvirke elværktøjets funktion. Hvis elværktøjet bliver beskadiget, skal det repareres før brug. *Mange ulykker skyldes dårligt vedligeholdt elværktøj.*

- f) Sørg for, at skæreværktøjer er skarpe og rene. *Omhyggeligt vedligeholdte skæreværktøjer med skarpe skærekanten sætter sig ikke så hurtigt fast og er nemmere at styre.*

- (g) Brug elværktøj, tilbehør og indsatsværktøj etc. i henhold til disse instrukser, og tag hensyn til de foreliggende arbejdsforhold og det arbejde, der skal udføres. *Hvis elværktøj bruges til andre formål end de beregnede, kan der opstå farlige situationer.*

5. Service

- a) Sørg for, at elværktøj kun serviceres af kvalificerede fagfolk, og at der kun benyttes originale reservedele. *Dermed sikres det, at elværktøjets sikkerhed opretholdes.*

Sikkerhedsadvarsler for kædesaven:

- Hold alle kropsdelen væk fra kædesaven, mens den er i brug. Før du starter motorsaven, skal du sikre, at kædesaven ikke er i kontakt med nogen genstande. *Blot et øjeblikks uopmærksomhed under brug kan medføre, at dit tøj eller kropsdelen bliver viklet ind i kædesaven.*
- Hold altid kædesaven med din højre hånd på det bageste håndtag og din venstre hånd på det forreste håndtag. *Hvis motorsaven holdes med den omvendte håndstilling øges risikoen for kvæstelser, hvorfor saven aldrig må holdes på denne måde.*
- Elværktøjet må kun holdes på de isolerede gribeoverflader, da savkæden måske kan komme i kontakt med skjult ledningsføring eller værktøjets egen ledning. *Hvis savkæden kommer i kontakt med en strømførende ledning kan uisolerede dele af elværktøjet ligeledes blive strømførende og kan give brugeren elektrisk stød.*
- Brug sikkerhedsbriller og høreværn. Brug af yderligere beskyttelsesudstyr til hoved, hænder, ben og fødder anbefales. *Brug af tilstrækkelig sikkerhedsudstyr vil reducere personskader der forårsages af flyvende affald eller utilsigtet kontakt med savkæden.*
- Kædesaven må ikke anvendes i et træ. *Hvis kædesaven betjenes, mens man befinder sig oppe i et træ, kan det medføre personskader.*
- Sørg altid for at have et stabilt fodfæste og brug kun kædesaven, når du står på en fast, sikker og jævn flade. *Glatte og ustabile flader - såsom stige - r kan medføre tab af balance eller kontrol over kædesaven.*
- Ved savning af grene som er under spænding skal du være opmærksom på tilbagesvirp. *Når spændingen i træets fibre frigøres kan grenene ramme brugeren og/eller forårsage manglende kontrol over kædesaven.*
- Vær ekstra forsigtig ved savning af krat og unge træer. *Det tynde materiale kan sidde fast i savkæden og blive slynget mod dig eller få dig til at miste balancen.*
- Kædesaven skal bæres i det forreste håndtag, mens den er slukket og holdes væk fra din krop. Ved transport og opbevaring af kædesaven skal sværdets skærm altid anvendes. *Korrekt håndtering af kædesaven reducerer risikoen for utilsigtet kontakt med den bevægelige savkæde.*
- Følg vejledningen til smøring, kædespænding og udskiftning af dele. *En kæde som ikke er smøret eller smurt korrekt kan gå i stykker samt øge risikoen for tilbageslag.*

- **Sørg for at håndtagene er tørre, rene og fri for olie og fedt.** *Fedtede og olierede håndtag er glatte, hvilket medfører tab af kontrol over saven.*
- **Sav kun i træ. Brug aldrig kædesaven til formål den ikke er beregnet til. Eksempel: brug aldrig kædesaven til at savning i plastik, murværk eller byggematerialer som ikke er af træ.** *Brug af kædesaven til andre formål end de tilsigtede kan resultere i farlige situationer.*

Årsager til og beskyttelse mod tilbageslag:

Der kan opstå tilbageslag når spidsen af sværdet kommer i kontakt med en genstand (**Fig B3**), eller når træet lukker sig sammen og klemmer sværdet i snittet.

Kontakt med spidsen kan i visse tilfælde forårsage en pludselig omvendt reaktion som slynger sværdet op og tilbage mod brugeren.

Hvis savkæden klemmes langs sværdets overdel kan sværdet blive skubbet hurtigt tilbage mod brugeren.

Begge disse reaktioner kan få dig til at miste kontrollen over saven, hvilket kan medføre alvorlige kvæstelser. Du må ikke udelukkende stole på savens indbyggede sikkerhedsanordninger. Som bruger af kædesaven skal du tage adskillige forholdsregler til sikring mod uheld og skader, når du anvender saven.

Tilbageslag opstår som resultat af forkert brug af værktøjet og/eller forkerte betjeningsprocedurer eller forhold og kan undgås ved at tage de passende forholdsregler som er anført herunder:

- **Hold godt fast med begge hænder således at fingrene omslutter håndtagene og placer din krop og arm således, at du kan modstå tilbageslag.** *Tilbageslag kan styres af brugeren, hvis han har taget de korrekte forholdsregler. Slip aldrig kædesaven.*
- **Brug ikke værktøjet i en rækkevidde, hvor du ikke kan styre det og sav aldrig over skulderhøjde.** *Dette hjælper med at forebygge utilsigtet kontakt med spidsen af sværdet og giver en bedre kontrol over kædesaven i uventede situationer.*
- **Sværd og kæde må kun udskiftes med dele fra producenten.** *Brug af forkerte reservedele kan resultere i at kæden går i stykker og/eller medføre tilbageslag.*
- **Følg producentens instruktioner vedrørende slibning og vedligeholdelse af savkæden.** *Hvis dybdemålerens højde reduceres, kan det medføre flere tilbageslag.*

Ekstra sikkerhedsanbefalinger

1. **Manuel betjening.** Alle personer som anvender dette værktøj skal læse hele brugermanualen grundigt. Brugermanualen skal følge med maskinen i tilfælde af salg eller udlån til andre personer.
2. **Forholdsregler før ibrugtagning af maskinen.** Dette værktøj må aldrig anvendes af personer som ikke er helt bekendt med instrukserne i manualen. Uerfarne brugere skal følge en træningsperiode, hvor saven kun bruges på en savbuk.
3. **Kontroltjek.** Kontrollér maskinen grundigt før hver ibrugtagning og især hvis den har været udsat for stærke stød, eller hvis den viser tegn på defekter. Udfør alle handlinger som er beskrevet i afsnittet "Vedligeholdelse og opbevaring – Før hver ibrugtagning".

4. **Reparationer og vedligeholdelse.** Alle maskindele som brugeren selv kan udskifte er beskrevet udtrykkeligt i afsnittet "Montering / demontering". Hvor det er nødvendigt skal savens dele udskiftes af et autoriseret servicecenter.
5. **Beklædning. (fig 1)** Ved anvendelse af denne maskine skal brugeren bære den følgende godkendte og individuelle beskyttende beklædning: tætsiddende beskyttelsestøj, sikkerhedsstøvler med skridsikre såler, stødsikker tå-beskyttelse og skæresikker beskyttelse, skæresikre og vibrationsikre handsker, sikkerhedsbriller eller sikkerhedsvisir, høreværn og hjelm (hvis der er fare for nedfaldende genstande). Dette udstyr kan fås hos en forhandler af arbejdstøj.
6. **Sikkerhedsforskrifter– Vibrationer og støjniveauer.** Vær opmærksom på støjrestriktioner i det umiddelbare område. Længerevarende brug af maskinen udsætter brugeren for vibrationer som kan medføre fænomenet "hvide fingre" (Raynard's fænomén), karpaltunnelsyndrom og lignende forstyrrelser.
7. **Sikkerhedsforskrifter– Kemiske stoffer.** Brug olie som er godkendt af producenten.
8. **Sikkerhedsforskrifter - Varme.** Under brug kan hjulet og kæden nå meget høje temperaturer, så pas på ikke at røre ved disse dele, mens de er varme.
9. **ADVARSEL!** Denne maskine skaber et elektromagnetisk felt under drift. Dette felt kan under visse omstændigheder interferere med aktive eller passive medicinske implantater. For at reducere risikoen for alvorlig eller dødelig skade anbefaler vi, at personer med medicinske implantater konsulterer deres læge, og producenten af det medicinske implantat, før de betjener denne maskine.

Transport og opbevaring. (fig 2) Hver gang man skifter arbejdsområde, skal værktøjet kobles fra strømforsyningen og kædebremsen aktiveres. Påmonter altid sværdets skærm for transport eller opbevaring. Bær altid saven således at sværdet peger bagud. Ved transport med et køretøj skal saven altid fastspændes for at undgå skader.

Tilbageslagsreaktion (fig 3) Tilbageslagsreaktionen består af en voldsom bevægelse, der går opad og bagud mod brugeren. Dette sker normalt hvis den øverste del af sværdets kant (der kaldes "tilbageslagszone") (se den røde markering på sværdet) kommer i kontakt med en genstand, eller hvis kæden sidder fast i træet. Tilbageslag kan få brugeren til at miste kontrollen over saven, hvilket kan resultere i farlige og tilmed dødelige ulykker. Kædebremsen - samt andre sikkerhedsanordninger - er ikke tilstrækkelige til at beskytte brugeren mod skader: brugeren skal være klar over de forhold som kan fremprovokere reaktionen og forebygge disse ved at være ekstra opmærksom i henhold til sin erfaring sammen med forsvarlig og korrekt maskinhåndtering (for eksempel: sav aldrig flere grene på en gang da dette kan forårsage utilsigtet sammenstød i "tilbageslagszonen").

Sikkerhed på arbejdsområdet

1. Børn og personer, som ikke er bekendt med denne vejledning, må aldrig anvende kædesaven. Lokale bestemmelser kan lægge begrænsning på brugerens alder.
2. Brug kun saven på den måde og til de funktioner som er beskrevet i denne vejledning.
3. Kontrollér hele arbejdsområdet grundigt for at kontrollere eventuelle farekilder (eks. veje, stier, el-kabler, farlige træer mv.)

- Hold alle omkringstående og dyr i sikker afstand til arbejdsområdet (afskærm om nødvendigt område og brug advarselsskilte) med en mindste afstand på 2,5 x træstammens højde; i alle tilfælde ikke mindre end ti meter.
- Brugeren bærer ansvaret ulykker og farlige situationer som involverer andre personer og deres ejendom.

Elektrisk sikkerhed

- Det anbefales, at du anvender en reststrømsafbryder med en udløsningsstrøm der ikke er større end 30mA. Selv med en reststrømsafbryder kan det ikke garanteres, at saven er 100% sikker, hvorfor sikker arbejdspraksis skal altid følges. Kontroller reststrømsafbryderen hver gang du anvender den.
- Inspecter tilslutningskablet for tegn på skader og ælde før brug.
- Brug aldrig produktet, hvis el-kablerne er beskadigede eller slidte.
- Sluk øjeblikkeligt for strømtilførslen hvis der saves i kablet, eller hvis isoleringen beskadiges. Rør ikke ved el-kablet før strømforsyningen er frakoblet. Et beskadiget kabel må aldrig repareres. Tag saven med til et autoriseret servicecenter og få kablet udskiftet.
- Ledningen skal ruller ud og må ikke være snoet, da oprullede/snoede ledninger kan overophede og reducere plæneklipperens effektivitet.
- Sørg altid for at kablet/forlængerledningen holdes bag ved brugeren, således at det ikke udgør nogen som helst fare for brugeren eller andre personer og kontrollér, at det ikke kan blive beskadiget (af varme, skarpe objekter, skarpe kanter, olie osv.).
- Placer kablet således at det ikke sidder fast i grene og lignende under savningen.

- Sluk altid saven ved strømforsyningen før stik, stikforbindelse og forlængerkabler frakobles.
- Sluk øjeblikkeligt for strømtilførslen og undersøg strømkablet for skader og ælde før det lægges til opbevaring. Et beskadiget kabel må aldrig repareres. Tag saven med til et autoriseret servicecenter og få udskiftet kablet.
- Tag stikket ud af kontakten hvis saven efterlades uden opsyn uanset hvor længe.
- Rul altid kablet forsigtigt sammen og undgå at bukke det.
- Brug kun den AC-vekselsstrømsspænding som er anført på typeskiltet.
- Kædesaven er dobbeltisoleret i overensstemmelse med EN60745-1 & EN60745-2-13. Der må under ingen omstændigheder oprettes en jordforbindelse til nogen som helst dele af produktet.

Kabler

- Strømkabler og forlængerkabler kan købes hos dit lokalt godkendte servicecenter.
- Brug kun godkendte forlængerkabler
- Der må kun anvendes forlængerkabler, som er beregnet til udendørs brug.
- Hvis du ønsker at bruge et forlængerkabel, når du bruger dit produkt, må kun de følgende kabeldimensioner anvendes:

Modeller CSE1835, CSE1935S:

- 5,0 mm² : maks. længde 40 m
- 5,0 mm² : maks. længde 60 m
- 8,0 mm² : maks. længde 100 m

Modeller CSE2040, CSE2040S:

- 5,0 mm² : maks. længde 50 m
- 8,0 mm² : maks. længde 90 m

C. BESKRIVELSE AF SIKKERHEDSUDSTYRET

KONTAKTSPÆRRE

Jeres maskine er forsynet med en anordning (fig. 1), som hvis den ikke aktiveres hindrer tryk på kontakten, hvilket forebygger hændelig tilkobling.

KÆDEBREMSE, DER AKTIVERES NÅR KONTAKTEN SLIPPES

Jeres maskine er forsynet med en anordning, der øjeblikkeligt spærrer kæden, når kontakten slippes; hvis den ikke fungerer, må maskinen ikke anvendes; den skal indleveres til et Autoriseret Servicecenter.

KÆDEBREMSE / HÅNDBESKYTTELSESINDRETNING FORTIL

Håndbeskyttelsesindretningen fortill (fig.2) hindrer (såfremt maskinen holdes ordentligt fast), at den venstre hånd kommer i kontakt med kæden. Håndbeskyttelsesindretningen fortill aktiverer desuden kædebremsen, en anordning, der er i stand til at spærre kæden i løbet af ganske få tusindedele af et sekund i tilfælde af tilbageslag. Kædebremsen frakobles, når håndbeskyttelsesindretningen fortill er trukket tilbage og er spærret (kæden kan bevæge sig). Kædebremsen tilkobles, når håndbeskyttelsesindretningen fortill er presset fremad (kæden er spærret). Kædebremsen kan aktiveres med venstre håndled, når man skubber fremad, og ved at forreste håndværn rammer håndleddet ved tilbageslag.

Når saven anvendes med sværdet vandret, f.eks. ved træfældning, yder kædebremsen mindre beskyttelse (fig.3).

BEMÆRK: Når kædebremsen er tilkoblet, hindrer en sikkerhedskontakt strømtilførsel til motoren.



Hvis kædebremsen løsnes, mens startknappen er trykket ind, starter saven.

KÆDESPÆRRETAP

Saven er udstyret med en kædefanger (fig. 4), der sidder under kædehjulet. Denne mekanisme er lavet til at standse kæden (indadgående forned) i tilfælde af, at den knækker eller springer af.

Disse fejl kan undgås ved at sørge for, at kædestramningen er korrekt (jf. afsnit "D. Samling og adskillelse").

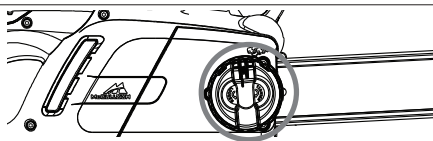
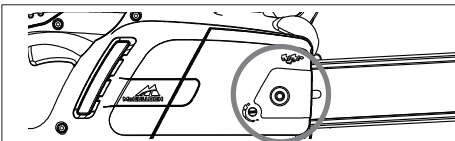
INDRETNING BAGTIL TIL BESKYTTELSE AF HØJRE HÅND

Den beskytter (fig. 5) hånden, hvis kæden springer op eller går i stykker.

D. MONTERING / AFMONTERING

MONTERING AF STANG OG KÆDE

Monteringsproceduren varierer alt efter maskinmodellen; der henvises derfor til illustrationerne og typeangivelserne på produktets mærke, sørg for, at monteringen foretages rigtigt.



1. Kontrollér at kædebremsen ikke er tilkoblet, frakobl den om nødvendigt.

2a. Løsn holdemøtrikken til sværdet og afmonter skærmen på kædehjulet.

2b. Løsn holdegræbet til sværdet og afmonter skærmen på kædehjulet.

3 Placer kæden over sværdet og start ved det forreste kædehjul og sæt den ind i sværdets fordybning.

Bemærk! Sørg for at skæretændernes skarpe ende peger fremad på den øverste del af sværdet. Brug handsker.

4a. Sørg for at kædespændingsbolten er så langt tilbage mod kædehjulet som muligt. Monter sværdet på holdeskruen og kædespændingsbolten og placer kæden over kædehjulet.

4b. Dreje metalkonturhjulet så langt mod uret som muligt. Monter sværdet på sværdets holdeskruer og placer kæden over kædehjulet.

Sæt kædehjulsskærmen på og sørg for at tænderne på kæden sidder i kædehjulet og i sværdets fordybning.

5a. Spænd sværdmøtrikken løst til med håndkraft.

5b. Spænd ligeledes sværdknappen løst til.

6a. Kæden strammes ved at spænde kædestrammerkruen (højre om) med den tmedfølgende skruenøgle og -trækker. Og kæden slækkes ved at løse skruen (venstre om), (hertil skal sværdet holdes lodret opad)

6b. Kæden strammes ved at spænde kædestrammerknappen (højre om). Og kæden slækkes ved at løse strammerknappen (venstre om), (hertil skal sværdet holdes lodret opad).

7. Kæden skal strammes korrekt, nemlig sådan, at der er ca. 2-3 mm frigang, når kæden trækkes op fra sværdet.

8a. Spænd sværdmonteringsmøtrikken med den medfølgende skruenøgle og -trækker.

8b. Spænd ligeledes strammerknappen, så sværdet sidder godt fast.

Hvis kæden strammes for meget, risikerer man at overbelaste eller at beskadige motoren, hvorimod man risikerer, at kæden går af, hvis den ikke strammes nok; en korrekt stramning af kæden sikrer derimod bedre skæresresultater og en længere driftstid. Man skal ofte kontrollere kædens spænding, eftersom den har det med at blive længere, når den anvendes (især hvis den er ny, kontrollér spændingen efter 5 minutters arbejde ved første montering); kæden må under ingen omstændigheder strækkes ud lige efter brug, man skal vente, indtil den køler af. Skulle der opstå behov for at regulere kædens spænding, skal man altid løse møtrikkerne/knoppen til fastgøring af stangen, før man foretager reguleringen ved hjælp af kædestrammeskruen/-knoppen; stram den rigtigt og stram møtrikkerne/knoppen til fastgøring af stangen igen.

E. START OG STANDSNING

Start: Tag godt fat i håndtagene, løsn kædebremsearmen, uden at slippe det forreste håndtag, hold kontaktpærren inde, og tryk på kontakten (så kan man slippe kontaktpærren).

Standning: Maskinen går i stå, når man slipper kontakten. Hvis maskinen ikke går i stå, skal man tilkoble kædebremsen, frakoble ledningen netforsyningen og indlevere maskinen til et Autoriseret Servicecenter.

F. SMØRING AF STANG OG KÆDE

GIV AGTI Hvis skæreudstyret ikke smøres ordentligt, går kæden i stykker, hvilket medfører alvorlig fare for personsikkerhed, endda dødsulykker.

Stang og kæde smøres takket være en automatisk pumpe.

Og man skal undersøge at der tilføres en tilstrækkelig mængde kædeolie ifølge anvisningerne i "Vedligeholdelse".

Valg af kædeolie

Der må udelukkende anvendes ny olie (særligt beregnet til kæder) med en god viskositet: Den skal sikre en god binde- og glideevne, både om sommeren og om vinteren. Skulle det ikke være muligt at tilvejebringe kædeolie, skal der anvendes transmissionsolie af typen EP 90.

Der må under ingen omstændigheder anvendes brugt olie, da den er skadelig for jer selv, for maskinen og miljøet. Man skal forvise sig om, at olien passer til den omgivende lufttemperatur og arbejdsstedet: Hvis temperaturen kommer ned under 0°C, bliver nogle olietyper mere tyktflydende, hvorved pumpen overbelastes og beskadiges. I bedes henvende jer til et Autoriseret Servicecenter for at vælge en velegnet olie.

Efterfyldning af olie

Skru olietankens hætte løs, fyld tanken uden at olien løber ud (skulle dette ske, skal maskinen renses omhyggeligt), og stram hættens omhyggeligt.

G. VEDLIGEHOLDELSE OG OPBEVARING

Tag stikket ud af kontakten før der udføres nogen som helst form for vedligeholdelse eller rengøring.

GIV AGTI Hvis man arbejder i særligt snavsede eller støvede omgivelser, skal de fremstillede operationer foretages hyppigere end angivet.

Før hver anvendelse

Kontrollér om kædeoliepumpen fungerer ordentligt: Ret stangen mod en lys flade, der skal befinde sig omtrent tyve centimeter fra den; efter en times drift, skal der være tydelige oliepletter på denne flade (**fig. 1**). Kontrollér om der skal for stor eller for lidt kraft til for at koble kædebremsen til eller fra samt at den ikke er spærret. Kontrollér derefter maskinens drift på følgende måde: frakobl kædebremsen, grib rigtigt fat om maskinen og start den, tilkobl kædebremsen ved at presse på håndbeskyttelsesindretningen fortil med venstre håndled/arm uden at slippe håndgrebene på noget som helst tidspunkt (**fig. 2**). Hvis kædebremsen fungerer, skal kæden spærres med det samme. Kontrollér om kæden er skarp (se nedenfor), i god forfatning og strammet rigtigt; skift den, hvis den fremviser uregelmæssigt slid eller en skæretand på 3mm (**fig. 3**).

Rens ventilationsprækkerne med jævne mellemrum for at undgå, at motoren overophedes. (**fig. 4**).

Kontrollér om kontakten og kontaktspærren fungerer (skal foretages, mens kædebremsen er frakoblet):

Aktivér kontakten og kontaktspærren og kontrollér, om de vender tilbage til hvilestillingen, så snart de slippes; kontrollér at det er umuligt at aktivere kontakten uden at aktivere kontaktspærren.

Kontrollér om kædespærretappen og beskyttelsesindretningen for den højre hånd er intakte og ikke fremviser synlige defekter, såsom beskadigelse af materialet.

Hver 2.-3. times anvendelse

Kontrollér stangen, rens om nødvendigt dens smørehuller (**fig.5**) og lederille (**fig.6**); udskift sidstnævnte, hvis den er for slidt eller der er for dybe fuger i den. Rengør kædehjulet regelmæssigt og kontrollér at det ikke er blevet udsat for overdrevent slid (**fig.7**). Smør stangens spidshjul med leje-fedt gennem det dertil beregnede hul (**fig.8**).

Slibning af kæde (Efter behov)

Hvis kæden ikke skærer, med mindre man presser stangen mod træet, og hvis der dannes meget fint savsmuld, er den sandsynligvis ikke slebet ordentligt. Hvis der ikke dannes savsmuld under skæringen, har kæden mistet dens skarpe kant fuldstændigt, og træet forstøves, mens der skæres. Hvis kæden er ordentligt slebet, arbejder den sig selv fremad i træet og frembringer store, lange spåner.

Den skarpe del af kæden består af et skæreled (**fig.9**), med en skæretand (**fig.10**) og en anordning til begrænsning af skæredybden (**fig.11**). Skæredybden afhænger af afstanden mellem disse; man opnår en god slibning ved hjælp af en filskinne og en rund rasp med en diameter på 4mm; følg disse anvisninger: sørg for, at kæden er monteret og rigtigt strammet, tilkobl kædebremsen, placér filskinnen som vist på billedet, vinkelret i forhold til stangen (**fig.12**), og slib skæretanden ved den vinkel, der er vist på billedet (**fig.13**); man skal altid begynde slibningen indvendigt og fortsætte i udadgående retning, hvorved man skal udøve et lettere tryk, når man er på vej tilbage (det er meget vigtigt at overholde følgende: Hvis slibevinklen er for stor eller for lille, eller hvis filens diameter er forkert, øges risikoen for tilbageslag). Man opnår mere nøjagtige sidevinkler, hvis man placerer filen således, at den i den lodrette retning overstiger det øvre skær med cirka 0,5 mm. Man skal først slibe alle tænderne på den ene side, og derefter vende maskinen og gentage arbejdet. Efter slibningen skal man forvise sig om, at alle tænderne er lige lange og om anordningerne til begrænsning af skæredybden når en højde på 0,6 mm under det øvre skær: Kontrollér højden ved hjælp af skabelonen og fil den fremspringende del (med en flad fil), afrund derefter firsiden af anordningen til begrænsning af skæredybden (**fig. 14**), hvorved man skal passe på IKKE at komme til at file tilbageslagsbeskyttelsestanden (**fig. 15**).

Hver 30. times anvendelse

Få foretaget et generelt eftersyn og en kontrol af bremseanordningerne på et Autoriseret Servicecenter.

Opbevaring

Opbevar produktet på et køligt, tørt sted uden for børns rækkevidde. Må ikke opbevares udendørs.

H. SKÆRETEKNIK

Under brug skal man undgå: (**fig.1**)

- at skære i situationer, hvor der er fare for, at stammen går i stykker under skæringen (træ under spænding, tørre træer, osv.): Pludselige brud kan medføre alvorlige farer.
- at stangen eller kæden sidder fast under skæringen: Skulle dette forekomme, skal maskinen frakobles netforsyningen, og man skal forsøge at hæve stammen ved hjælp af egnede midler; man må ikke prøve at frigøre maskinen ved at ryste den eller trække i den, da der opstår risiko for at beskadige den eller selv at komme til skade.
- omstændigheder, der øger risikoen for tilbageslag.
- at anvende saven over skulderhøjde
- at save i træ med fremmedlegemer, som f.eks. søm, i.

Under brug: (**fig.1**)

- Hvis der arbejdes på hældende terræn, skal man under arbejdet befinde sig højere oppe end stammen, således at man ikke rammes af den, hvis den ruller ned.

- Ved træfældning skal man altid afslutte arbejdet: Delvist fældede træer kan gå i stykker.

- Ved afslutningen af overskæringen mærker man, at der skal meget større kraft til for at holde maskinen, udvis stor forsigtighed, så I ikke mister kontrollen over den.

I den nedenstående tekst henvises der til to slags skæring:

Skæring med kæde, der trækkes (ovenfra og nedad) (**fig. 2**), som medfører fare for, at maskinen pludseligt bevæger sig mod stammen, hvorved der opstår risiko for miste kontrollen; anvend om muligt hagen til skæringen.

Ved skæring med kæde, der skubbes (nedefra og opad) (fig. 3): er der derimod fare for, at maskinen pludseligt bevæger sig mod operatøren, hvorved der opstår risiko for, at den rammer ham eller hende, eller at fareområdet rammer stammen med fare for tilbageslag; udvis stor forsigtighed under skæringen.

En forsvarlig måde at anvende maskinen på, er at spærre træet på bukken, skære oppefra og nedad og arbejde udenfor støtteanordningen. (fig.4)

Anvendelse af hagen

Anvend om muligt hagen for at foretage skærearbejdet mere sikkert: Sæt den ind i barken eller stammens overflade, således at det er nemmere at styre maskinen.

Nedenfor fremstilles de mest almindelige procedurer, der skal følges i bestemte situationer; man skal imidlertid i hvert enkelt tilfælde vurdere, om disse fremgangsmåder er velegnede samt hvordan skærearbejdet kan udføres med færrest mulige risici.

Stammen ligger på jorden Risiko for at kæden rører jorden ved afslutningen af skæringen). (fig.5)

Skær gennem hele stammen, hvorved man skal begynde oppefra og fortsætte i nedadgående retning. Udvis forsigtighed under hele skærearbejdet for at undgå, at kæden kommer i berøring med jorden. Stop om muligt, når I når frem til 2/3 af stammens tykkelse, drej stammen og skær resten af stammen over, hvorved man skal begynde oppefra og fortsætte i nedadgående retning for at begrænse faren for kontakt med jorden.

Den ene ende af stammen støtter (Risiko for brud på stammen, hvis den skæres over) (fig.6)

Begynd skæringen på undersiden, indtil man når frem til ca. 1/3 af stammens diameter, fuldend skærearbejdet på oversiden, idet man kommer ned til den første skæring

Begge ender af stammen støtter (Risiko for sammenklæmning af kæden.) (fig.7)

Begynd skæringen på oversiden, indtil man når frem til ca. 1/3 af stammens diameter, fuldend skærearbejdet på undersiden, idet man kommer op til den første skæring

Stamme der ligger på en skrænt. Stå altid øverst på skrænten i forhold til stammen. Når du saver igennem stammen, skal du - for at bevare den fulde kontrol - slippe savningstrykket ved slutningen af snittet uden at løse dit greb om kædesaven. Kæden må ikke komme i kontakt med jorden.

Fældning

GIV AGT! : Forsøg ikke at foretage fældningen, hvis I ikke råder over den fornødne erfaring, og fæld under ingen omstændigheder træer, hvis stammes diameter overstiger stangens længde! Dette arbejde må udelukkende foretages af brugere, der råder over den fornødne erfaring og det påkrævede udstyr

Målet med fældningen er at få træet til at falde på den bedste måde med henblik på den efterfølgende beskæring og udhugning af stammen. (Man skal sørge for, at træet ikke kan komme til at sidde fast i et andet, mens det falder: Det er nemlig meget farligt at få et træ, som sidder fast i et andet, til at falde til jorden).

Man skal beslutte sig for, i hvilken retning træet skal falde, idet man skal vurdere følgende: træets omgivelser, hældning, runding, vindens retning og grenenes tæthed.

Man bør heller ikke undervurdere tilstedeværelsen af udtørrede eller overrevne grene, som under fældningen kan falde af på farlig vis.

GIV AGT! I forbindelse med svære fældeopgaver skal man fjerne høreværnene, så snart man er færdig med skæringen, således at man kan høre usædvanlige lyde og eventuelle varselssignaler.

Operationer, der skal foretages før overskæring, og valg af flugtvej

Man skal fjerne de grene, som hindrer arbejdet (fig. 8), hvorved man skal begynde oppefra og arbejde sig nedad og sørge for, at stammen befinder sig mellem sig selv og maskinen. Fjern derfor de sværeste grene stykvis. Ryd området rundt om træet for beplantning og undersøg, om der findes hindringer (sten, rødder, grøfter osv.), således at man har en flugtvej (når træet falder); hvad angår retningen henvises der til billedet (fig. 9) (A. er den retning, træet forventes at falde i B. Flugtvej C. Fareområde)

FÆLDNING (fig. 10)

For at få fuld kontrol over, i hvilken retning træet falder, skal man foretage følgende skæringer:

Man skal starte med skråskæringen, som hjælper med til at kontrollere, i hvilken retning træet falder: Man skal først og fremmest udføre den ØVERSTE SKRÅSKÆRING på den side, træet skal falde i. Bliv på højre side af træet og skær med kæden, således at den trækker; man skal derefter udføre den NEDERSTE SKRÅSKÆRING, så man kommer helt frem til den øverste. Skråskæringens dybde skal udgøre 1/4 af stammens diameter, med en vinkel på mindst 45° mellem den øverste og nederste skæring. Det sted, hvor de to skæringer mødes, kaldes for "skråskæringslinien". Denne linie skal være fuldstændig vandret og retvinklet (90°) i forhold til den retning, træet skal falde i.

Den skæring, som skal bevirk selv fældningen, skal foretages 3-5 cm over undersiden af skråskæringslinien, og den skal ophøre på en afstand svarende til 1/10 af stammens diameter derfra. Man skal stå på venstre side af træet og skære med kæden, således at den trækker, og anvende hagen. Sørg for, at træet ikke bevæger sig i en anden retning end den, som det forventes at falde i. Indsæt en fældeklie, så snart dette er muligt. Den del af stammen, der endnu ikke er skåret over, er midterpunktet, og det er det "hængsel", der får træet til at falde i den rigtige retning. Hvis det ikke er passende, hvis det ikke er retlinet eller er savet helt over, er det ikke muligt at kontrollere, hvordan træet falder (meget farligt!), og af denne årsag skal alle skæringerne foretages nøjagtigt.

Så snart man er færdig med skæringerne, skal træet begynde at falde, om nødvendigt ved hjælp af en fældeklie eller en dirk.

Beskæring

Så snart man har fældet træet, skal man begynde beskæringen, d.v.s at fjerne grenene fra stammen. Man skal ikke undervurdere denne operation, eftersom de fleste ulykker på grund af tilbageslag opstår i forbindelse med beskæringen; man skal derfor passe på, hvordan klingens placeres under skæringen, og man skal stå på venstre side af stammen.

I. MILJØET


Dette kapitel indeholder nyttige oplysninger om, hvordan man bibeholder maskinens miljøvenlige egenskaber, som er blevet projekteret under dens udvikling, samt om hvordan den anvendes korrekt og hvordan olien skal bortskaffes.

ANVENDELSE AF MASKINEN

Påfyldningen af olietanken skal foretages således, at der ikke spredes kædeolie i miljøet.

SKROTNING

Hvis maskinen ikke længere skal anvendes, må den ikke efterlades i naturen; den skal derimod afleveres til autoriserede firmaer, som bortskaffer affald i henhold til den gældende lovgivning.

Symbolet  på produktet eller emballagen angiver, at dette produkt ikke må behandles som almindeligt husholdningsaffald. Det skal i stedet indleveres på en genbrugsstation, hvor man tager sig af elektrisk og elektronisk udstyr.

Når du bortskaffer dette produkt korrekt, er du med til at forhindre den negative indvirkning, der ellers kan være på sundhed og miljø.

Du kan få yderligere oplysninger om genbrug af dette produkt ved at kontakte de lokale myndigheder, dit renoveringsselskab eller den butik, hvor produktet er købt.

J. FEJLFINDINGSOVERSIGT

	Motoren går ikke i gang	Motoren kører ikke ordentligt eller mister kraft	Maskinen går i gang men skærer ikke ordentligt	Motoren kører unormalt	Bremseanordningerne spærrer ikke kædens omdrejning rigtigt
Kontrollér om elforsyningen er regelmæssig	●				
Kontrollér om stikket er sat rigtigt i	●				
Kontrollér at hverken ledning eller forlængerledning er defekte	●				
Kontrollér at kædebremsen ikke er tilkoblet	●				
Kontrollér, at kæden er korrekt monteret og strammet		●	●		
Kontrollér at kæden er smurt ifølge anvisningerne i kapitel F og G			●		
Kontrollér at kæden er slebet			●		
Kontrollér, om termoafbryderen har slået ud	●				
Henvend jer til et - Autoriseret Servicecenter	●	●		●	●

K. RESERVEDELE

35cm	Kæde	91PJ052XN	Delnummer:	530051538
	Sværd		Delnummer:	576965401
40cm	Kæde	91PJ056XN	Delnummer:	530051539
	Sværd		Delnummer:	576965201

L. EC OVERENSSTEMMELSESERKLÆRING

Husqvarna AB, S-561 82, Huskvarna, Sweden

Vi erklærer herved under eneansvar, at produktet/produkterne:

Betegnelse.....**Chainsaw - Kædesav**
Betegnelsestype(r).....**CSE1835, CSE1935S, CSE2040, CSE2040S**
Identifikation af serie.....**Se Produktmærkat**
Fremstillingsår.....**Se Produktmærkat**

Holder overensstemmelse med de væsentlige krav og bestemmelser i følgende EU-direktiver:
2006/42/EC, 2004/108/EC, 2000/14/EC, 2011/65/EU

på grundlag af følgende anvendte EU-harmoniserede standarder:

EN60745-1, EN60745-2-13, EN55014-2, EN55014-1, EN61000-3-2, EN61000-3-11

Bemyndiget organ, der har udført EU-typebestemmelse

iht. artikel 8, paragraf 2c..... TÜV Rheinland LGA Products GmbH
Tillystraße 2
D-90431 Nürnberg
Germany
Certifikat nr. BM 50268379

Det maksimale A-vægtede lydtrykniveau L_{pA} på arbejdsstationen, som måles i henhold til EN60745-2-13, er anført i tabellen.

Den maksimale vægtede a_h -værdi for hånd-/armvibration, som er målt i henhold til EN60745-2-13 med en prøve fra ovennævnte produkt(er), er anført i tabellen.

Den deklarede samlede vibrationsværdi er blevet målt i overensstemmelse med en standard testmetode og kan bruges til at sammenligne et værktøj med et andet.

Den deklarede samlede vibrationsværdi kan også bruges i en indledende eksponeringsevaluering.

Advarsel:

Vibrationsemissionen under faktisk brug af elværktøjet kan være forskellig fra den den deklarede samlede værdi, alt afhængig af de måder, som værktøjet bruges på.

Operatører skal identificere sikkerhedsforanstaltninger for at beskytte sig selv, der er baseret på en vurdering af eksponering under de faktiske brugsomstændigheder (idet der tages hensyn til alle dele af driftscyklusen, som fx de tidsperioder, hvor der er slukket for værktøjet og når det er i tomgang, såvel som de tidsperioder, hvor aftrækkeren er aktiveret).

2000/14/EF: De målte L_{WA} -værdier for målt og garanteret støjniveau er de opgivne tal i skemaet.

Procedure for overensstemmelsesvurdering..... Annex V

Ulm 12/02/2013

P. Lamelli

Global R&D Director - Håndholdt

Indehaver af teknisk dokumentation



Type (CSE_____)	1835	1935S	2040	2040S
Vægt uden væsker (Kg)	4.3	4.5	4.4	4.6
Elektricitet (kW)	1.8	1.9	2.0	2.0
Olietankens rumindhold (cm ³)	240	240	240	240
Sværdets maksimale længde (cm)	35	35	40	40
Afstand kæde (mm)	9.52	9.52	9.52	9.52
Kædestørrelse (mm)	1.3	1.3	1.3	1.3
Målt støjniveau L_{WA} (dB(A))	106	106	106	106
Garanteret støjniveau L_{WA} (dB(A))	110	110	110	110
Lydtryk L_{pA} (dB(A))	95	95	95	95
Usikkerhed K_{pA} (dB(A))	2.5	2.5	2.5	2.5
Hand-/armvibration a_h (m/s ²)	7.28	7.28	8.08	8.08
Usikkerhed K_{ah} (m/s ²)	1.5	1.5	1.5	1.5
Netimpedans Z_{max} (Ω)	0.382	0.382	0.382	0.382

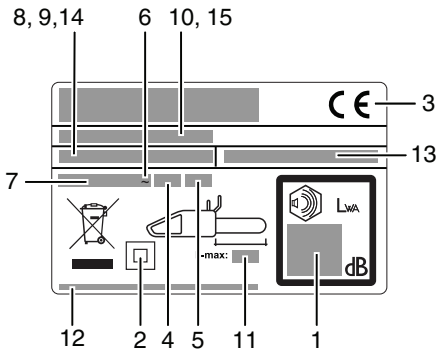
EN 61000-3-11 Overensstemmelseserklæring

Brugen af dette produkt kan medføre korte spændingsfald i det øjeblik det tændes, helt afhængig af karakteristikkene af den lokale netforsyning. Det kan påvirke andet elektrisk udstyr, f.eks. en kort dæmpning af et lys. Hvis

elforsyningens netimpedans Z_{max} er mindre end den viste værdi på tabellen (for den pågældende model), vil disse påvirkninger ikke forekomme. Netimpedans-værdien kan fastlægges ved at rette henvendelse til myndighederne i kontrol af elforsyningen

A. DESCRIPCIÓN GENERAL

- | | |
|---|--|
| <ol style="list-style-type: none"> 1) Empuñadura posterior 2) Protección posterior de la mano 3) Empuñadura anterior 4) Protección anterior de la mano/freno de cadena 5) Pomo exterior del tensor de cadena 6) Tornillo tensor de cadena 7) Perno tensor de la cadena 8) Tapa del depósito de aceite 9) Ventana de control del nivel de aceite 10) Aberturas de ventilación 11) Cable 12) Manual 13) Interruptor 14) Seguro del interruptor 15) Cadena 16) Diente de tracción 17) Malla de corte 18) Delimitador de la profundidad de corte 19) Diente de corte | <ol style="list-style-type: none"> 20) Barra (de guía) 21) Tapa de la rueda dentada motriz 22) Rueda dentada motriz 23) Perno de retén de la cadena 24) Tornillo de sujeción de la barra 25) Pomo interior de retención de la barra 26) Tuerca de retención de la barra 27) Rueda de punta 28) Tapa de la barra 29) Espada 30) Asiento del perno tensor de la cadena 31) Orificio de lubricación 32) Ranura de la barra cortante 33) Llave de tuercas/destornillador |
|---|--|



Etiqueta ejemplo

- 1) Potencia de ruido garantizada según directiva 2000/14/CE
- 2) Herramienta clase II
- 3) Marca de conformidad CE
- 4) Frecuencia nominal
- 5) Potencia nominal
- 6) Corriente alterna
- 7) Tensión nominal
- 8) Tipo
- 9) Código de producto
- 10) Año de fabricación
- 11) Longitud máxima de la barra
- 12) Nombre y dirección del fabricante
- 13) N° de artículo (Motosierra eléctrica)
- 14) Modelo
- 15) N° de serie

B. PRECAUCIONES DE SEGURIDAD

SIGNIFICADO DE LOS SÍMBOLOS



Atención
Leer atentamente el manual



Botas de seguridad



Casco, protectores auditivos y gafas o visor de protección



Guantes con protección contra cortes



Pantalones largos con protección contra cortes



Freno desactivado, activado



Desenchufe de la red inmediatamente si el cable está dañado o cortado.



Mantenga alejada a cualquier persona



Dirección del diente de corte



Usar siempre con las dos manos



Peligro de reacción de contragolpe



No exponer a la lluvia o a la humedad



Aceite de la cadena



No hacer...



Apagar la máquina



Desenchufe antes de realizar cualquier ajuste o limpieza.



Riesgo de descarga eléctrica

Avisos generales de seguridad de la herramienta mecánica

AVISO – Lea todos los avisos de seguridad y todas las instrucciones. El fallo en seguir los avisos e instrucciones podría resultar en descarga eléctrica, fuego y/o heridas graves.

Guarde todos los avisos e instrucciones como referencia futura.

El término "herramienta mecánica" en los avisos se refiere a su herramienta mecánica enchufada a la red (con cordón) o a su herramienta mecánica de funcionamiento a pilas (sin cordón).

1) Seguridad de la zona de trabajo

a) Mantenga la zona de trabajo limpia y bien iluminada. Las zonas desordenadas y oscuras invitan a que ocurran accidentes.

b) No haga funcionar las herramientas mecánicas en atmósferas explosivas, como en presencia de líquidos inflamables, gases o polvo. Las herramientas mecánicas crean chispas que podrían inflamar el polvo o los humos.

c) Mantenga a los niños y a los curiosos alejados mientras opera la herramienta mecánica. Las distracciones podrían hacer que perdiera el control.

2) Seguridad eléctrica

a) Los enchufes de la herramienta mecánica deben coincidir con la toma de corriente. No modifique nunca el enchufe de ningún modo. No utilice ningún enchufe adaptador con herramientas mecánicas puestas a tierra. Los enchufes sin modificar y las

tomas de corriente coincidentes reducirán el riesgo de descarga eléctrica.

b) Evite el contacto del cuerpo con las superficies puestas a tierra, tales como tuberías, radiadores, cocinas y refrigeradores. Se corre mayor riesgo de descarga eléctrica si su cuerpo está puesto a tierra.

c) No exponga las herramientas mecánicas a la lluvia o a condiciones húmedas. El agua que se introduce en la herramienta mecánica hace que aumente el riesgo de descarga eléctrica.

d) No abuse del cordón. No utilice nunca el cordón para llevar, tirar o desenchufar la herramienta mecánica. Mantenga el cordón alejado del calor, aceite, bordes afilados o plezas en movimiento. Los cordones dañados o enredados aumentan el riesgo de descarga eléctrica.

e) Cuando utilice una herramienta mecánica en el exterior, utilice un cable de prolongación adecuado para usar al aire libre. El uso de un cable de prolongación para exteriores reduce el riesgo de descarga eléctrica.

f) Si el uso de una herramienta mecánica en lugares húmedos es inevitable, utilice una corriente protegida para dispositivos de corriente remanente. El uso de un dispositivo de corriente remanente reduce el riesgo de descarga eléctrica.

3) Seguridad personal

- a) Manténgase alerta, tenga cuidado con lo que hace y use el sentido común cuando opere una herramienta mecánica. No utilice una herramienta mecánica cuando esté cansado o bajo la influencia de drogas, alcohol o medicinas. *Un momento de distracción mientras opera una herramienta mecánica podría causar lesiones personales graves.*
- b) Utilice equipo de protección personal. Lleve siempre equipo de protección de los ojos. *El equipo de protección utilizado en condiciones apropiadas, como las mascarillas contra el polvo, el calzado antideslizante de seguridad, un casco duro o la protección de los oídos, reducirá las lesiones personales.*
- c) Prevención del arranque no intencional. Confirme que el interruptor está desactivado en la posición "off" antes de conectarlo a la herramienta mecánica y/o paquete de baterías, coger la herramienta o transportarla. *Si se transporta la herramienta mecánica con el dedo en el interruptor o se energizan las herramientas mecánicas cuando tienen el interruptor activado "on", se invita a que ocurran accidentes.*
- d) Quite cualquier llave de ajuste o llave de tuercas antes de encender la herramienta mecánica. *Una llave de tuercas o llave de ajuste acoplada a una pieza rotativa de la herramienta mecánica, podría resultar en lesión personal.*
- e) No trate de alcanzar demasiado lejos con la herramienta. Mantenga los pies sobre una base sólida y el equilibrio en todo momento. *Podrá así controlar mejor la herramienta mecánica en situaciones inesperadas.*
- f) Utilice la ropa adecuada. No lleve ropa suelta o joyas. Mantenga el pelo, la ropa y los guantes alejados de las piezas en movimiento. *La ropa suelta, las joyas o el pelo largo suelto podría engancharse en las piezas en movimiento.*
- g) Si se proporcionan dispositivos para la conexión de las facilidades de extracción y recogida del polvo, asegúrese de que están bien conectados y de que se usan correctamente. *El uso de dispositivos para la recogida del polvo puede reducir los peligros relacionados con el polvo.*
- ### 4) Uso y cuidado de la herramienta mecánica
- a) No fuerce la herramienta mecánica. Utilice la herramienta mecánica para su aplicación. *La herramienta mecánica correcta hará el trabajo mejor y con más seguridad, a la tasa para la que ha sido diseñada.*
- b) No utilice la herramienta mecánica si el interruptor no funciona bien para encenderla y apagarla. *Cualquier herramienta mecánica que no se pueda controlar con el interruptor es peligrosa y debe repararse.*
- c) Desconectar el enchufe del generador y/o del paquete de baterías de la herramienta mecánica antes de hacer ajustes, cambiar los accesorios o almacenarlas. *Tales medidas de prevención reducirán el riesgo de arranque accidental de la herramienta.*
- d) Almacene las herramientas mecánicas inactivas fuera del alcance de los niños y no permita operarlas a las personas que no estén familiarizadas con la herramienta mecánica o con estas instrucciones. *Las herramientas mecánicas son peligrosas en manos de usuarios no formados.*
- e) Mantenimiento de las herramientas mecánicas. Compruebe la desalineación o el agarrotamiento de las piezas móviles, la rotura de las piezas y otras condiciones que pudieran afectar el funcionamiento de la herramienta mecánica. Si está dañada, repárela antes de usarla. *Muchos accidentes son causados por herramientas mecánicas mal mantenidas.*

- f) Mantenga las herramientas de corte afiladas y limpias. *Las herramientas de corte mantenidas correctamente con los bordes de corte afilados tienen menos probabilidad de agarrotarse y son más fáciles de controlar.*

- g) Utilice la herramienta mecánica, los accesorios y las brocas de la herramienta, etc., de acuerdo con estas instrucciones, teniendo en cuenta las condiciones de trabajo y la tarea que va a realizar. *El uso de la herramienta mecánica para operaciones diferentes a las previstas, podría resultar en una situación peligrosa.*

5. Servicio

- a) Haga que una persona cualificada en reparaciones haga el servicio de la máquina, utilizando solamente piezas de sustitución idénticas. *Esto garantizará que se mantiene la seguridad de la herramienta mecánica.*

Advertencias de seguridad de la motosierra:

- Mantenga todas las partes del cuerpo alejadas de la cadena de la motosierra cuando ésta esté en funcionamiento. Antes de accionar la motosierra, asegúrese de que la cadena no está en contacto con nada. *Un instante de inatención mientras utiliza la motosierra puede provocar el enganche de la ropa o una parte del cuerpo por la cadena de la sierra.*
- Sujete siempre la sierra con la mano derecha en el mango trasero y la mano izquierda en el mango delantero. *Sujetar la sierra con una configuración invertida de manos aumenta el riesgo de lesiones personales y no debe hacerse nunca.*
- Sujete la máquina herramienta únicamente por las superficies de agarre que están aisladas, ya que la cadena de la sierra podría entrar en contacto con cables ocultos con su propio cordón. *Las cadenas de la sierra que entren en contacto con un hilo conductor podrían cargar de tensión las partes metálicas expuestas de la máquina herramienta y podrían dar una descarga eléctrica al operario que la maneje.*
- Póngase gafas de seguridad y protecciones para los oídos. También se recomienda el uso de equipos de protección para la cabeza, las manos, las piernas y los pies. *La vestimenta adecuada de protección reducirá las lesiones personales causadas por astillas despedidas o contacto accidental con la cadena de la sierra.*
- No utilice una motosierra en un árbol. *Utilizar una motosierra estando en un árbol puede causar lesiones personales.*
- Mantenga en todo momento la estabilidad de los pies y utilice la motosierra únicamente estando en una superficie estable, segura y llana. *Las superficies resbaladizas o inestables, como las escaleras plegables pueden hacer perder el equilibrio y el control de la sierra.*
- Cuando corte una rama que esté en tensión, no olvide el efecto resorte que se produce al cortarla. *Al eliminar la tensión de las fibras de madera, la rama hasta entonces retenida puede golpear al operario y/o hacer perder el control de la sierra.*
- Tenga extremado cuidado al cortar maleza y árboles jóvenes. *Los materiales finos pueden engancharse a la cadena de la sierra y salir despedidos contra usted o hacer que pierda el equilibrio.*
- Transporte la sierra por el mango delantero, desenchufada y alejada de su cuerpo. Cuando transporte o almacene la motosierra, ponga siempre la tapa de la barra. *El manejo apropiado de la sierra reducirá el riesgo de contacto accidental con la cadena de la sierra en movimiento.*

- **Siga las instrucciones para lubricar, tensar la cadena y cambiar los accesorios.** *Una cadena mal tensada o mal lubricada puede romperse o aumentar el riesgo de rebote.*
- **Mantenga los mangos secos, limpios y sin aceite ni grasa.** *Los mangos grasientos o aceitosos provocan deslizamientos y pérdida de control.*
- **Corte únicamente madera. No utilice la motosierra para propósitos distintos a los especificados.** **Por ejemplo: no utilice la motosierra para cortar plástico, obras de albañilería o materiales de construcción distintos a la madera.** *El uso de la motosierra para operaciones diferentes a las previstas podría resultar en una situación peligrosa.*

Causas del rebote y su prevención por parte del operario:

El rebote puede suceder cuando la parte delantera o punta de la barra de guía toca un objeto (**Fig B3**), o cuando la madera cerca y pinza la cadena de la motosierra durante el corte.

El contacto de la punta puede, en ocasiones, causar una repentina reacción de inversión, golpeando la barra de guía hacia arriba y hacia el operario.

Pinzar la cadena en la parte superior de la barra de guía puede impulsar rápidamente la barra hacia atrás, en dirección del operario.

Cualquiera de estas reacciones puede hacer que pierda el control de la sierra, y provocar lesiones personales graves. No se fie exclusivamente de los dispositivos de seguridad integrados en la sierra. En calidad de usuario de una motosierra, debería seguir ciertas pautas para prevenir los accidentes en sus distintas utilizaciones.

Los rebotes son consecuencia de un uso inapropiado de la herramienta y/o procedimientos o condiciones de funcionamiento incorrectos, y se pueden evitar tomando las debidas precauciones, es decir:

- **Mantenga una sujeción firme, rodeando los mangos de la sierra con los pulgares y los dedos, con ambas manos en la sierra y posicionando el cuerpo y el brazo de forma que pueda resistir las fuerzas de rebote.** *El operario puede controlar las fuerzas de rebote si toma las debidas precauciones. No suelte la motosierra.*
- **No intente llegar demasiado lejos y no sobrepase la altura del hombro.** *TAsí evitará el contacto inesperado de la punta y permitirá un mejor control de la motosierra en situaciones imprevistas.*
- **Utilice únicamente las barras y cadenas de recambio especificadas por el fabricante.** *Las barras y cadenas de recambio no adecuadas pueden provocar la rotura de la cadena y/o rebotes.*
- **Siga las instrucciones de afilado y mantenimiento del fabricante.** *Disminuir la altura del talón de profundidad puede producir más reacciones de rebote.*

Recomendaciones adicionales de seguridad

1. **Uso del manual.** Todas las personas que utilicen la máquina deben leer el manual de instrucciones completamente y con mucha atención. El manual de instrucciones debe acompañar a la máquina en caso de venta o préstamo a otra persona.
2. **Precauciones previas a la utilización de la máquina.** No permita nunca que una persona que no esté familiarizada con el manual de instrucciones utilice esta herramienta. Las personas sin experiencia deben pasar por un período de formación utilizando únicamente un banco de serrar.
3. **Comprabones de control.** Compruebe con cuidado la máquina antes de cada uso, especialmente si ha sufrido un impacto fuerte o si muestra cualquier signo de mal funcionamiento. Realice todas las operaciones descritas en el capítulo "Mantenimiento y almacenamiento – Antes de cada uso".

4. **Reparaciones y mantenimiento.** Todas las piezas de la máquina que puede cambiar personalmente están explicadas con claridad en el capítulo de instrucciones "Montaje / desmontaje". Siempre que fuese necesario, el resto de las piezas de la máquina deben de ser cambiadas exclusivamente por un Centro autorizado.
5. **Vestimenta. (fig 1)** Cuando utilice esta máquina, el usuario debe llevar las siguientes prendas aprobadas de protección individual: prendas ajustadas de protección, botas de seguridad con suelas antideslizantes, protectores contra impactos en los dedos y protección a prueba de cortes, guantes a prueba de cortes y vibraciones, máscara de protección o un visor de seguridad, tapones de protección en los oídos y casco (si hay riesgo de caída de objetos). Puede conseguir todas estas prendas en una tienda de equipos de trabajo.
6. **Precauciones sanitarias – Niveles de vibración y sonido.** Aténgase a las restricciones sonoras de su zona. El uso prolongado de la máquina expone al usuario a vibraciones que pueden generar el "fenómeno de los dedos blancos" (o "fenómeno de Raynaud"), el síndrome del túnel carpiano y trastornos similares.
7. **Precauciones sanitarias – Agentes químicos.** Utilice aceite aprobado por el fabricante.
8. **Precauciones sanitarias - Calor.** Durante la utilización, la rueda dentada y la cadena alcanzan temperaturas muy elevadas, tenga cuidado de no tocar dichas partes mientras estén calientes.
9. **¡PELIGRO!** Esta máquina produce un campo electromagnético durante su funcionamiento. Dicho campo puede, en algunas circunstancias, afectar al funcionamiento de implantes médicos activos o pasivos. Para reducir el riesgo de lesiones graves o mortales, recomendamos a las personas que tengan un implante medico que consulten a su medico y al fabricante del implante antes de utilizar esta máquina.

Precauciones de transporte y almacenamiento. (fig 2)

Cada vez que cambie de zona de trabajo, desconecte la máquina de la toma de corriente y active la palanca de freno de la cadena. Coloque la tapa de la barra siempre antes de transportar o guardar la herramienta. Transporte siempre la máquina a mano, con la barra hacia atrás; cuando la transporte en un vehículo, sujétela bien para evitar cualquier daño.

Reacción de rebote. (fig 3) La reacción de rebote consiste en un violento movimiento hacia arriba y hacia atrás de la barra en dirección al usuario. Se da, generalmente, cuando la parte superior de la punta de la barra (denominada la "zona de riesgo de rebote") (véase la marca roja de la barra de guía) entra en contacto con algún objeto, o si la cadena se bloquea con un trozo de madera. El rebote puede hacer que el usuario pierda el control de la máquina, provocando accidentes peligrosos e incluso mortales. La palanca de freno de la cadena y otros dispositivos de seguridad de la cadena no bastan para proteger al usuario de posibles lesiones: el usuario también tiene que ser consciente de las condiciones que pueden provocar la reacción, y evitarlas prestando mucha atención de acuerdo con su experiencia, y manejando la máquina de forma prudente y correcta (por ejemplo: no corte nunca varias ramas a la vez, ya que esto puede causar un impacto accidental en la "zona de peligro de rebote").

Seguridad en el área de trabajo

1. No permita nunca que niños o personas no habituadas a utilizarlo se sirvan de este producto aún leyendo las instrucciones. Las regulaciones locales podrían restringir la edad del operario.
2. Utilice únicamente el producto de la forma y para los usos descritos en estas instrucciones.
3. Compruebe toda la zona de trabajo atentamente para detectar cualquier fuente de peligro (p.ej.: carreteras, caminos, cables eléctricos, árboles peligrosos, etc.)

- Aleje a cualquier persona o animal de la zona de trabajo (si fuese necesario, acordone la zona y utilice señales de aviso), a una distancia mínima de 2,5 x la altura del tronco; en ningún caso a menos de diez metros.
- El operario o usuario es responsable de los accidentes y riesgos acaecidos a otras personas en su propiedad.

Seguridad eléctrica

- Se recomienda utilizar un dispositivo diferencial residual (D.D.R.) con una corriente de desconexión de no más de 30mA. Incluso con la instalación de un D.D.R. la seguridad 100% no existe, y en todo momento se tiene que trabajar siguiendo las instrucciones de seguridad. Compruebe su D.D.R. cada vez que lo use.
- Antes de utilizarlo, compruebe si el cable está dañado, sustitúyalo si tiene señales de deterioro o envejecimiento.
- No utilice el producto si los cables eléctricos están deteriorados o gastados.
- Desconecte inmediatamente de la red eléctrica principal si el cable está cortado o la instalación está deteriorada. No toque el cable eléctrico hasta que no se haya desconectado del suministro eléctrico. No repare un cable cortado ni deteriorado. Lleve el producto a un Centro de reparaciones autorizado para arreglar el cable.
- El cable de extensión enrollado deberá desenrollarse, los cables enrollados pueden sobrecalentarse y reducir la eficacia del cortacésped.
- Asegúrese siempre de que el cable/ alargadera se mantenga detrás del usuario, y que no constituya una fuente de peligro ni para él ni para otras personas; asegúrese también de que el cable no pueda verse dañado (por una fuente de calor, objetos afilados, bordes afilados, aceite, etc);
- Posicione el cable de manera que no pueda enredarse en las ramas ni similares durante el proceso de cortado.

- Desconecte siempre de la red principal antes de desconectar cualquier enchufe, cable conector o alargadera.
- Desconecte, desenchufe de la red principal y compruebe si el cable de suministro eléctrico está deteriorado o gastado antes de enrollar el cable para guardarlo. No repare un cable deteriorado. Lleve el producto a un Centro de reparaciones autorizado para arreglar el cable.
- Desenchufe de la red principal antes de dejar el producto sin vigilancia durante cualquier intervalo de tiempo.
- Enrolle siempre el cable cuidadosamente, evitando las vueltas.
- Utilícelo únicamente con una red del voltaje mostrado en la etiqueta del producto.
- La motosierra está doblemente aislada según EN60745-1 y EN60745-2-13. Bajo ninguna circunstancia debe hacerse la conexión a tierra a alguna parte de este

Cables

- Puede adquirir los cables y alargaderas apropiados en su Centro autorizado local.
- Utilice únicamente alargaderas aprobadas.
- Las alargaderas y otros cables sólo deberían utilizarse si son aptos para uso exterior.
- Si desea conectar el producto con un cable alargador, deberá respetar las siguientes dimensiones del cable:

Modelos ES716, 718, 720:

- 5,0 mm² : largo máx 40 m
- 5,0 mm² : largo máx 60 m
- 8,0 mm² : largo máx 100 m

Modelos CSE2040, CSE2040S:

- 5,0 mm² : largo máx 50 m
- 8,0 mm² : largo máx 90 m

C. DESCRIPCIÓN DE LOS DISPOSITIVOS DE SEGURIDAD

SEGURO DEL INTERRUPTOR

La máquina lleva instalado un dispositivo (**fig.1**) que, si no se acciona, impide que pueda pulsarse el interruptor, para así prevenir su accionamiento accidental.

FRENO DE CADENA AL SOLTAR EL INTERRUPTOR

La máquina está dotada de un dispositivo que bloquea instantáneamente la cadena tan pronto como se suelta el interruptor; en caso de que el dispositivo no funcione, no utilice la máquina: llévela a un Centro de asistencia autorizado.

FRENO DE CADENA / PROTECCIÓN ANTERIOR DE LA MANO

La protección anterior de la mano (**fig.2**) sirve para evitar que la mano izquierda del usuario entre en contacto con la cadena (siempre y cuando haya empuñado la máquina correctamente). La protección anterior de la mano tiene además la función de accionar el freno de cadena, dispositivo estudiado para bloquear la cadena, en caso de reacción de contragolpe, en milésimas de segundo. El freno de cadena está desactivado cuando la protección anterior de la mano está hacia atrás y bloqueada (la cadena puede moverse). El freno de cadena está activado cuando la protección anterior de la mano está hacia adelante (cadena bloqueada). El freno de la cadena se puede activar utilizando la muñeca izquierda para empujarlo hacia delante o cuando la muñeca entra en contacto con la guarda de mano delantera como resultado de una tensión de retroceso. Cuando se utiliza la máquina con la barra en posición

horizontal, por ejemplo para talar árboles, el freno de la cadena ofrece menos protección (**fig.3**).

NOTA: Cuando el freno de cadena está puesto, un interruptor de seguridad corta la corriente del motor.

⚠ Para arrancar la máquina, suelte el freno de la cadena mientras pulsa el interruptor.

PERNO DE RETÉN DE LA CADENA

Esta máquina está equipada con un retén de cadena (**fig 4**) situado bajo la rueda dentada. Este mecanismo está diseñado para impedir el movimiento de retroceso de la cadena en caso de que se rompa o se salga de su sitio. Estas situaciones se pueden evitar asegurando que la cadena tiene la tensión correcta (Consulte el capítulo "D. Montaje/desmontaje").

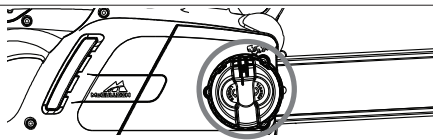
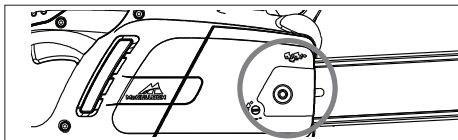
PROTECCIÓN POSTERIOR DE LA MANO DERECHA

Sirve para proteger (**fig.5**) la mano en caso de salto o rotura de la cadena.

D. MONTAJE / DESMONTAJE

MONTAJE DE LA BARRA Y DE LA CADENA

El procedimiento cambia según el modelo de la máquina. Tomar como referencia las figuras y el tipo de máquina indicados en la etiqueta del producto, prestar mucha atención a efectuar correctamente el montaje.



1. Controlar que no esté puesto el freno de cadena. Si así fuera, soltarlo

2a. Desenrosque la tuerca que sujeta la barra y quite la cubierta de la rueda dentada motriz para cadena.

2b. Desenrosque el pomo que sujeta la barra y quite la cubierta de la rueda dentada motriz para cadena.

3. Coloque la cadena sobre la barra, comenzando por la muesca de la barra de guía. **¡Atención!** Asegúrese de que el lado afilado de la cara dentada de corte encara en la dirección hacia el frente en la parte superior de la barra. Lleve guantes.

4a. Asegúrese de que la clavija de tensión de la cadena está lo más hacia atrás posible de la rueda dentada motriz para cadena. Monte la barra en el tornillo de retención de barra y la clavija de tensión de la cadena y coloque la cadena sobre la rueda dentada motriz para cadena.

4b. Gire la rueda de desplazamiento de metal hacia la izquierda el máximo posible. Monte la barra en el tornillo de retención de barra y coloque la cadena sobre la rueda dentada motriz para cadena.

Vuelva a colocar la cubierta de la rueda dentada motriz para cadena, asegurándose de que los dientes de accionamiento de la cadena están embragados en la rueda dentada motriz para cadena y en la ranura de guía.

5a. Enrosque la tuerca de retención de la barra a mano sin apretar.

5b. Enrosque el pomo de retención de la barra sin apretar.

6a. Para tensar la cadena, enrosque el tornillo tensor de la cadena hacia la derecha, utilizando la llave de tuercas/destornillador provistos. Para reducir la tensión, enrosque el tornillo hacia la izquierda. (Cuando realice esta operación, mantenga el morro de la barra hacia arriba).

6b. Para tensar la cadena, enrosque el pomo exterior del tensor de cadena hacia la derecha. Para reducir la tensión, enrosque hacia la izquierda. (Cuando realice esta operación, mantenga el morro de la barra hacia arriba).

7. Apriete la cadena hasta que su tensión sea correcta. Saque la cadena de la barra y asegúrese de que el huelgo es de aproximadamente 2-3mm.

8a. Apriete la tuerca de retención de la barra con la llave de tuercas/destornillador provistos.

8b. Apriete la barra hasta que esté bien sujeta.

Un tensado excesivo de la cadena puede sobrecargar el motor y averiarlo; si el tensado es insuficiente, la cadena puede salirse. Una cadena correctamente tensada proporciona mejores características de corte y aumenta la duración de la misma. Controlar con frecuencia el tensado de la cadena, porque su longitud tiende a aumentar con el uso (sobre todo cuando es nueva, la primera vez que se monta controlar el tensado después de 5 minutos de trabajo); en todo caso, no tensar la cadena inmediatamente después de usarla, esperar a que se enfríe. A la hora de regular el tensado de la cadena, aflojar siempre las tuercas o el pomo de sujeción de la barra antes de tocar el tornillo o el pomo tensor de cadena; tensarla correctamente y apretar de nuevo las tuercas o el pomo de sujeción de la barra.

E. PUESTA EN MARCHA Y PARADA

Arranque: Sujete ambos mangos con firmeza, suelte la palanca del freno de la cadena asegurándose de que la mano está todavía sujetando el mango delantero, pulse y mantenga pulsado el bloque de conmutación y a continuación pulse el interruptor (en ese momento, puede soltar el bloque de conmutación).

Parada: La máquina se para cuando se suelta el interruptor. Si la máquina no se parase, poner el freno de cadena, desenchufar el cable de la red y llevarla a un Centro de asistencia autorizado..

F. LUBRICACIÓN DE LA BARRA Y DE LA CADENA

ATTENZIONI! La lubricación insuficiente de la herramienta de corte provoca la rotura de la cadena con grave riesgo de lesiones personales, que pueden ser mortales.

Una bomba automática asegura la lubricación de la barra y de la cadena. Controle como se indica en "Mantenimiento" que la cadena reciba aceite en cantidad suficiente.

Elección del aceite la cadena

Utilice exclusivamente aceite nuevo (especial para cadenas) con buena viscosidad: debe presentar una buena adherencia y garantizar buenas propiedades de deslizamiento, tanto en verano como en invierno. Si no se dispone de aceite para cadenas, utilice aceite para transmisiones EP 90.

Nunca utilice aceites agotados, que son nocivos para el usuario, para la máquina y para el medio ambiente. Asegúrese de que el aceite sea el adecuado para la temperatura ambiente y para el lugar en que vaya a utilizarse la máquina: Con temperaturas por debajo de 0°C, algunos aceites se vuelven más densos, sobrecargando la bomba y causando averías de la misma. Para elegir el aceite más adecuado, póngase en contacto con su Centro de asistencia autorizado.

Rellenado del aceite

Desenrosque la tapa del depósito de aceite, rellene el depósito evitando derramamientos de aceite (si se derramase aceite, limpie bien la máquina) y apriete bien la tapa.

G. MATENIMIENTO Y ALMACENAMIENTO

Antes de realizar cualquier acción de mantenimiento o limpieza, desenchufe el aparato de la corriente.

¡ATENCIÓN! Si se trabaja en sitios particularmente sucios o polvorientos, las operaciones mencionadas deben hacerse con más frecuencia.

Antes de usar la máquina

Controle que la bomba de aceite de la cadena funcione correctamente: oriente la barra hacia una superficie clara, a unos veinte centímetros de distancia; tras un minuto de funcionamiento de la máquina, la superficie deberá presentar rastros evidentes de aceite (**fig.1**). Controle que para poner o soltar el freno de cadena no haya que hacer una fuerza excesiva o insuficiente, y que no esté bloqueado. Seguidamente controle su funcionamiento como se indica a continuación: suelte el freno de cadena, sujete correctamente las empuñaduras de la máquina y enciéndala. Ponga el freno de cadena empujando la protección anterior de la mano con el pulso/brazo izquierdo, sin soltar en ningún momento las empuñaduras (**fig.2**). Si el freno de cadena funciona, la cadena debe quedar bloqueada inmediatamente. Controle que la cadena esté afilada (ver abajo), en buen estado y correctamente tensada. Si presentase desgaste irregular o el diente de corte no superase los 3 mm, sustitúyala (**fig.3**).

Limpie frecuentemente las ranuras de ventilación, para evitar que el motor se recaliente. (**fig.4**).

Controle el funcionamiento del interruptor y del seguro del interruptor (a efectuar con freno de cadena suelto): accione el interruptor y el seguro del interruptor y controle que vuelvan a la posición de reposo nada más soltarlos; compruebe que no se pueda accionar el interruptor sin antes accionar el seguro del interruptor.

Controle que el perno de retén de la cadena y la protección de la mano derecha estén enteros y sin defectos evidentes, como desperfectos del material.

Cada 2-3 horas de trabajo

Controle la barra, y si es necesario limpie cuidadosamente los orificios de lubricación (**fig.5**) y la ranura de guía (**fig.6**). Si esta última estuviera desgastada o los surcos fueran excesivos, sustitúyala. Limpie periódicamente la rueda dentada motriz y compruebe que no está demasiado gastada. (**fig.7**). Engrase la rueda de punta de la barra con grasa para cojinetes a través del orificio indicado (**fig.8**).

Afilado de la cadena (siempre que sea necesario)

Si es necesario mantener presionada la barra contra la madera para que la cadena corte, y si el serrín que produce es muy fino, es signo de que no está bien afilada. Si el corte no produce serrín, la cadena ha perdido completamente el filo y al cortar pulveriza la madera. Una cadena bien afilada avanzará por sí sola en la madera, produciendo viruta gruesa y larga.

La parte cortante de la cadena está formada por la malla de corte (**fig.9**), con un diente de corte (**fig.10**) y un delimitador de corte (**fig.11**). El desnivel entre estos elementos determina la profundidad de corte; para obtener un buen afilado, son necesarios un guía-lima y una lima redonda de 4 mm de diámetro. Proceda como se indica a continuación: con la cadena montada y correctamente tensada, ponga el freno de cadena, coloque el guía-lima como se indica en la figura, perpendicular a la barra (**fig.12**), y lime el diente de corte con la angulaciones indicadas en la figura (**fig.13**), afilando siempre desde dentro hacia afuera y aflojando la presión en la fase de vuelta (es muy importante respetar las indicaciones: unos ángulos de afilado excesivos o insuficientes, o un diámetro de lima erróneo aumentan la tendencia a la reacción de contragolpe). Para obtener mayor exactitud en los ángulos laterales, se aconseja situar la lima de modo que sobresalga por encima del filo de corte superior unos 0,5 mm. Afile primero todos los dientes de un lado. Gire después la máquina y repita la operación. Asegúrese de que, tras el afilado, todos los dientes tengan la misma longitud y que la altura de los delimitadores de profundidad sea de 0,6 mm por debajo del filo de corte superior: controle la altura usando el modelo y lime (con una lima plana) la parte que sobresale. Redondee después la parte anterior del delimitador de profundidad (**fig.14**), con cuidado de NO limar también el diente de protección anticontragolpe (**fig.15**)

Cada 30 horas de trabajo

Lleve la máquina a un Centro de Asistencia Autorizado para una revisión general y un control de los dispositivos de freno.

Almacenamiento

Almacene el producto en un lugar seco, frío y fuera del alcance de los niños. No lo almacene en el exterior.

H. TÉCNICAS DE CORTE

Mientras usa la máquina, evite: (fig.1)

- Cortar troncos que pudieran romperse durante el corte (leña sometida a tensión, árboles secos, etc): una rotura repentina podría ser muy peligrosa.
- Que la barra o la cadena se atasquen en el corte si así ocurriese, desconecte la máquina de la red y trate de levantar el tronco haciendo palanca con un instrumento adecuado; no trate de liberar la máquina con sacudidas o tirones, porque corre el riesgo de estropearla y de hacerse daño.
- Situaciones que podrían favorecer la reacción de contragolpe.
- Utilizar la máquina a una altura superior a los hombros
- Cortar madera con objetos extraños en ella, p.ej., clavos

Mientras usa la máquina: (fig.1)

- Si está cortando en un terreno en pendiente, trabaje desde la parte alta, de modo que el tronco no pueda golpearle en caso de salir rodando.
- En caso de tala de árboles, nunca deje el trabajo a medio hacer: un árbol talado parcialmente podría romperse.
- Al final de cada corte, se notará una notable diferencia en la fuerza necesaria para sostener la máquina.

Preste mucha atención para no perder el control. En el texto que sigue nos referiremos a estos dos tipos de corte:

El corte con la cadena en retroceso (de arriba a abajo) (fig.2), que presenta el riesgo de un repentino desplazamiento de la máquina hacia el tronco, con la consiguiente pérdida de control. Si es posible, utilice la espada durante el corte.

El corte con la cadena empujando (de abajo a arriba) (fig.3) presenta en cambio el riesgo de un repentino desplazamiento de la máquina hacia el operador, con el riesgo de golpearlo. El sector de riesgo puede impactar contra el tronco y causar la consiguiente reacción de contragolpe; preste mucha atención durante el corte. El modo más seguro de utilizar la máquina es con la leña asegurada sobre el caballete, cortando de arriba hacia abajo y trabajando por la parte de fuera del soporte. (fig.4)

Uso de la espada:

Siempre que sea posible, utilice la espada para un corte más seguro: clávela en la corteza o en la superficie del tronco, de modo que sea más fácil conservar el control de la máquina.

A continuación se explican los procedimientos típicos a seguir en determinadas situaciones. Será necesario valorar en cada ocasión el procedimiento más adecuado para efectuar el corte con el menor riesgo posible.

Tronco en el suelo Riesgo de tocar el suelo con la cadena al final del corte). (fig.5)

Cortar desde arriba hacia abajo pasando por todo el tronco. Al final del corte proceda con cautela para evitar que la cadena entre en contacto con el terreno. Si es posible, deténgase cuando haya cortado 2/3 del grosor del tronco. Déle entonces la vuelta y corte la parte restante desde arriba hacia abajo, para limitar el riesgo de contacto con el terreno.

Tronco apoyado por una sola parte (Riesgo de rotura del tronco durante el corte) (fig.6)

Comience a cortar por debajo hasta 1/3 del diámetro, termine completando el corte desde arriba.

Tronco apoyado por los dos extremos (Riesgo de aplastamiento de la cadena). (fig.7)

Comience a cortar por encima hasta 1/3 del diámetro, termine completando el corte desde abajo.

Corte de troncos en una pendiente. Colóquese siempre en la parte superior de la pendiente respecto al tronco.

Mientras realice el corte, para mantener un control total, disminuya la presión de corte cuando se acerque al final, sin aflojar la sujeción de los mangos de la motosierra. No deje que la cadena entre en contacto con el suelo.

Tala

¡ATENCIÓN! : No intente talar árboles si no tiene la experiencia necesaria. En todo caso, nunca pruebe a cortar troncos con un diámetro superior a la longitud de la barra. Esta operación debe ser realizada exclusivamente por usuarios expertos adecuadamente equipados.

La finalidad de la tala es hacer caer el árbol en la mejor posición para pasar seguidamente a limpiarlo de ramas y a seccionar el tronco. Evite que en su trayecto de caída el árbol se enrede en otro: hacer caer un árbol que se ha enredado en otro es una operación muy peligrosa. Hay que decidir la mejor dirección de caída valorando: el entorno del árbol, su inclinación, su curvatura, la dirección del viento y la concentración de ramas. Otro factor a tener muy en cuenta es la presencia de ramas muertas o rotas que podrían desgajarse durante la tala y representar un peligro.

¡ATENCIÓN! En operaciones de tala en condiciones críticas, quitarse las protecciones acústicas inmediatamente después del corte, a fin de poder percibir ruidos inusuales o posibles señales de advertencia.

Operaciones preliminares y localización de la vía de escape.

Elimine las ramas que dificulten el trabajo (fig.8), comenzando desde arriba hacia abajo y manteniendo el tronco entre su cuerpo y la máquina elimine las ramas más difíciles, pieza por pieza. Elimine la vegetación en torno al árbol y observe los obstáculos que pueda haber (piedras, raíces, socavones, etc.) teniéndolos en cuenta al definir la vía de fuga (a seguir durante la caída del árbol); tome como referencia la figura (fig.9) para saber qué dirección tomar (A.dirección prevista de caída del árbol. B.Vía de Fuga C. Zona de riesgo)

TALA (fig.10)

Para tener controlada la caída del árbol, hay que efectuar los siguientes cortes:

En primer lugar se efectúa el corte direccional, que sirve para controlar la dirección de caída del árbol: Ejecute primero la PARTE SUPERIOR del corte sobre el lado hacia el que se derribará el árbol. Sitúese a la derecha del árbol y corte con la cadena en retroceso; ejecute entonces la PARTE INFERIOR del corte, que terminará allí donde termina la parte superior. La profundidad del corte direccional debe ser aproximadamente de 1/4 del diámetro del tronco, y el ángulo entre el corte superior y el inferior debe ser al menos de 45°. La línea de encuentro entre los dos cortes se denomina "línea del corte direccional". La línea debe ser perfectamente horizontal y debe formar ángulo recto (90°) con respecto a la dirección de caída. El corte que acabará provocando la caída del árbol se efectuará de 3 a 5 cm por encima de la parte inferior del plano de la línea de corte direccional, y terminará a una distancia de dicha línea equivalente a 1/10 del diámetro del tronco. Manténgase a la izquierda del árbol y corte con la cadena en retroceso, utilizando la espada. Controle que el árbol no se mueva en otra dirección que no sea la prevista para la caída. Tan pronto como sea posible, introduzca una cuña de derribo en el corte. La parte de tronco no cortada se denomina eje, y es la "bisagra" que guía al árbol en su caída; si el eje fuese insuficiente, no fuera rectilíneo, o se cortase del todo, se perdería el control sobre la caída del árbol (¡muy peligrosos!), razón por la cual es necesario que los cortes se ejecuten con precisión. Terminados los cortes, el árbol comenzará a caer. Si fuera necesario, facilite la caída con una cuña o una palanca de derribo.

Desrame

Una vez derribado el árbol, se procede al desrame, la eliminación de las ramas del tronco. No se debe subestimar la dificultad de esta operación, porque la mayor parte de los accidentes por reacción de contragolpe tienen lugar precisamente durante el desrame. Preste, por consiguiente, mucha atención a la posición de la punta de la barra durante el corte y trabaje desde la parte izquierda del tronco.

I. ECOLOGÍA


Este capítulo le proporcionará información útil para mantener las características de eco-compatibilidad previstas para la máquina en la fase proyectual, su uso correcto y la eliminación de los aceites.

USO DE LA MÁQUINA

Las operaciones de llenado del depósito de aceite deben hacerse de modo que no comporten la dispersión en el medio ambiente del aceite de la cadena.

DESGUACE

No abandonar en el entorno la máquina que haya dejado de funcionar; entregarla a los organismos autorizados para la eliminación de basuras conforme a la normativa vigente.

El símbolo  en el producto o en su envase indica que no se puede tratar este producto como desperdicio doméstico. Deberá por lo tanto depositarse en el punto de recogida aplicable para el reciclado de equipos eléctricos y electrónicos. Asegúrese de eliminar este producto correctamente, ayudará así a evitar consecuencias potenciales negativas para el medio ambiente y la salud humana, que podrían de lo contrario ocurrir con el manejo inapropiado de los residuos de este producto.

Para obtener información más detallada sobre el reciclado de este producto, contacte con la oficina municipal local, con el servicio de eliminación de desperdicios domésticos o con la tienda donde compró el producto.

J. TABLA DE DETECCIÓN DE AVERÍAS

	El motor no arranca	El motor no funciona bien o pierde potencia	La máquina se enciende pero no corta bien	El motor funciona de anómala	Los dispositivos de freno no bloquean correctamente la rotación de la cadena
Asegúrese de que hay corriente en la red.	●				
Compruebe que la clavija esté bien enchufada	●				
Compruebe que ni el cable ni la alargadera presenten desperfectos	●				
Compruebe que no esté puesto el freno de cadena	●				
Compruebe que la cadena está correctamente instalada y tensada		●	●		
Controle la lubricación de la cadena como se explica en los capítulos F y G			●		
Controle que la cadena esté afilada			●		
Compruebe que el interruptor térmico está activado	●				
Diríjase a un Centro de asistencia autorizado	●	●		●	●

K. PIEZAS DE REPUESTO

35cm	Cadena	91PJ052XN	Número de pieza:	530051538
	Barra (de guía)		Número de pieza:	576965401
40cm	Cadena	91PJ056XN	Número de pieza:	530051539
	Barra (de guía)		Número de pieza:	576965201

L. EC DECLARACIÓN DE CONFORMIDAD

Husqvarna AB, S-561 82, Huskvarna, Sweden

Declaramos bajo nuestra exclusiva responsabilidad que el producto(s);

Designación.....**Chainsaw - Motosierra**

Tipo(s) de designación.....**CSE1835, CSE1935S, CSE2040, CSE2040S**

Identificación de la serie.....**Ver Etiqueta de Identificación Del**

Año de Construcción.....**Ver Etiqueta de Identificación Del**

Tiene conformidad con los requisitos esenciales y disposiciones de las siguientes Directivas de la CE:
2006/42/EC, 2004/108/EC, 2000/14/EC, 2011/65/EU

Basadas en las siguientes normativas armonizadas de la UE aplicadas:

EN60745-1, EN60745-2-13, EN55014-2, EN55014-1, EN61000-3-2, EN61000-3-11

Organismo notificado que ha realizado el examen tipo CE

de conformidad con el artículo 8 sección 2c..... TÜV Rheinland LGA Products GmbH
Tillystraße 2
D-90431 Nürnberg
Germany
Nº de certificado BM 50268379

El nivel máximo de presión acústica de ponderación A en la estación de trabajo medido según EN60745-2-13 corresponde al nivel L_{pA} dado en la tabla.

El valor máximo de vibración media sufrido por la mano / brazo medido según EN60745-2-13 en una muestra del producto(s) anterior corresponde al valor a_{h1} dado en la tabla.

El valor total declarado de vibración se ha medido de acuerdo con un método de ensayo estándar y se puede utilizar para comparar una herramienta con otra.

El valor total declarado de vibración también se puede utilizar en una evaluación premilitar de exposición.

Aviso:

La emisión de vibración durante el uso efectivo de la herramienta eléctrica puede ser distinta del valor total declarado dependiendo de cómo se utilice la herramienta.

Sus operarios han de identificar las medidas de seguridad para protegerse a sí mismos; estas medidas se han de basar en una estimación de la exposición en las condiciones reales de uso (considerando todas las partes del ciclo operativo, como cuando la herramienta está apagada y cuando está encendida sin trabajar, además de los momentos de trabajo real).

2000/14/CE: Los valores L_{WA} de potencia de ruido medido y potencia de ruido garantizado tienen conformidad con las cifras tabuladas.

Procedimiento de evaluación de conformidad..... Annex V

Ulm 12/02/2013

P. Lamelli

Director Global I+D - Portátil

Archivo de documentación técnica



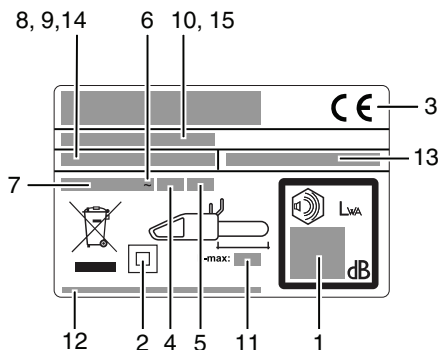

Tipo (CSE_____)	1835	1935S	2040	2040S
Peso sin combustible(Kg)	4.3	4.5	4.4	4.6
Potencia (kW)	1.8	1.9	2.0	2.0
Capacidad depósito de aceite (cm ³)	240	240	240	240
Longitud máxima de la barra (cm)	35	35	40	40
Paso de cadena (mm)	9.52	9.52	9.52	9.52
Calibrador de cadena (mm)	1.3	1.3	1.3	1.3
Potencia sonora medida L_{WA} (dB(A))	106	106	106	106
Potencia sonora garantizada L_{WA} (dB(A))	110	110	110	110
Presión acústica L_{pA} (dB(A))	95	95	95	95
Incertidumbre K_{pA} (dB(A))	2.5	2.5	2.5	2.5
Vibración de mano /brazo a_{h1} (m/s ²)	7.28	7.28	8.08	8.08
Incertidumbre K_{sh} (m/s ²)	1.5	1.5	1.5	1.5
Red-Impedancia Z_{max} (Ω)	0.382	0.382	0.382	0.382

Declaración de conformidad EN 61000-3-11

Dependiendo de las características de su red eléctrica local, la utilización de este producto puede provocar pequeñas caídas de voltaje en el momento de ponerlo en marcha. Estos bajones pueden afectar a otros equipos eléctricos, por ejemplo, las lámparas pueden oscurecerse momentáneamente. Si la **impedancia Z_{max}** de la red eléctrica de su suministro eléctrico es menor que el valor mostrado en el cuadro (aplicable a su modelo) no se producirán los efectos antes descritos. Puede determinar el valor de la impedancia de la red llamando al organismo correspondiente encargado del suministro eléctrico.

A. DESCRIÇÃO GERAL

- | | |
|--|--|
| <ul style="list-style-type: none"> 1) Punho posterior 2) Proteção posterior da mão 3) Punho anterior 4) Proteção anterior da mão/freio da corrente 5) Botão externo do tensor da corrente 6) Parafuso do tensor da corrente 7) Eixo tensor da corrente 8) Tampa do tanque de óleo 9) Janela de controle do nível de óleo 10) Aberturas de ventilação 11) Cabo 12) Manual 13) Interruptor 14) Bloqueio do interruptor 15) Corrente 16) Dente de tração 17) Malhas de corte 18) Delimitador da profundidade de corte | <ul style="list-style-type: none"> 19) Dente de corte 20) Lâmina 21) Protecção do carreto de transmissão 22) Carreto de transmissão 23) Eixo pára-corrente 24) Parafuso de fixação da barra 25) Botão interno de retenção da barra 26) Porca de retenção da barra 27) Rodela de ponta 28) Protecção da lâmina 29) Gancho 30) Sede do eixo tensor da corrente 31) Furo para lubrificação 32) Ranhura da lâmina 33) Chave de bocas/chave de parafusos |
|--|--|










Etiqueta exemplificativa


- 1) Potência sonora garantida em conformidade com a directiva 2000/14/EC
- 2) Ferramenta de Classe II
- 3) Selo de conformidade com a CE
- 4) Frequência nominal
- 5) Potência nominal
- 6) Corrente alternada
- 7) Tensão nominal
- 8) Tipo
- 9) Código do produto
- 10) Ano de fabricação
- 11) Comprimento máximo da lâmina
- 12) Nome e endereço do fabricante
- 13) N° de artigo (Motosserra eléctrica)
- 14) Modelo
- 15) N° de série

B. PRECAUÇÕES DE SEGURANÇA

SIGNIFICADO DOS SÍMBOLOS

	Atenção Ler atentamente este manual		Direção do dente de corte
	Botas de segurança		Usar sempre com ambas as mãos
	Capacete, protetores auriculares ou viseira		Perigo de contragolpe de reação
	Luvas anti-corte		Não expor à chuva ou umidade
	Calças compridas anti-corte		Óleo da corrente
	Freio desativado, ativado		Não fazer...
	Remova imediatamente a ficha da tomada se o cabo estiver danificado ou cortado.		Desligar a máquina
	Mantenha as outras pessoas afastadas		Desligue a ficha antes de realizar ajustes ou limpar.
			Perigo de choque eléctrico

Advertências gerais de segurança para ferramentas eléctricas

 **ADVERTÊNCIA** Leia todas as advertências de segurança e instruções. O incumprimento das advertências e instruções pode resultar em choque eléctrico, incêndio e/ou lesões graves.

Guarde todas as advertências e instruções para referência futura.

O termo "ferramenta eléctrica" nas advertências refere-se à sua ferramenta eléctrica ligada à rede eléctrica (com cabo) ou ferramenta eléctrica com bateria (sem cabo).

1) Segurança na área de trabalho

- Mantenha a área de trabalho limpa e bem iluminada. Áreas desarrumadas ou escuras facilitam a ocorrência de acidentes.
- Não utilize ferramentas eléctricas em atmosferas explosivas, na presença de líquidos, gases ou pó inflamáveis. As ferramentas eléctricas criam faíscas que podem incendiar o pó ou os gases.
- Mantenha crianças e outras pessoas afastadas enquanto estiver a utilizar uma ferramenta eléctrica. As distrações podem levar a que perca o controlo.

2) Segurança eléctrica

- As fichas das ferramentas eléctricas devem ser compatíveis com a tomada. Nunca modifique a tomada de forma alguma. Não utilize quaisquer fichas adaptadoras com ferramentas eléctricas ligadas à terra (com fio de terra). O uso de fichas inalteradas e tomadas adequadas reduzirá o risco de choque eléctrico.

b) Evite o contacto do corpo com superfícies ligadas à terra ou à massa, como tubos, radiadores, fogões e frigoríficos. Há um maior risco de choque eléctrico se o seu corpo estiver ligado à terra ou à massa.

c) Não exponha as ferramentas eléctricas a chuva ou condições de humidade. A entrada de água numa ferramenta eléctrica aumentará o risco de choque eléctrico.

d) Não force o cabo. Nunca utilize o cabo para transportar, puxar ou desligar a ferramenta eléctrica da tomada. Mantenha o cabo afastado de calor, óleo, arestas afiadas ou peças móveis. Cabos danificados ou emaranhados aumentam o risco de choque eléctrico.

e) Ao utilizar uma ferramenta eléctrica ao ar livre, utilize uma extensão adequada para uso exterior. Utilizar um cabo adequado para uso exterior reduz o risco de choque eléctrico.

f) Se a utilização da ferramenta eléctrica num local húmido for inevitável, utilize uma fonte de alimentação protegida com disjuntor diferencial. A utilização de um disjuntor diferencial reduz o risco de choque eléctrico.

3) Segurança pessoal

- a) **Mantenha-se alerta, esteja atento ao que está a fazer e empregue senso comum ao utilizar uma ferramenta eléctrica.** Não utilize uma ferramenta eléctrica quando estiver cansado ou sob o efeito de drogas, álcool ou medicação. *Um momento de desatenção ao utilizar uma ferramenta eléctrica pode resultar em lesões pessoais graves.*
- b) **Utilize equipamento de protecção pessoal. Use sempre protecção para os olhos.** Quando utilizado para as condições adequadas, o equipamento de protecção, nomeadamente máscaras de poeira, calçado de segurança com sola antiderrapante, capacete de segurança, ou protecção auditiva reduzirá o risco de lesões pessoais.
- c) **Evite o arranque accidental. Certifique-se de que o interruptor está desligado antes de ligar a ferramenta a alimentação e/ou bateria, pegar na ferramenta ou transportá-la.** Transportar ferramentas eléctricas com o dedo no interruptor ou ligar ferramentas eléctricas que tenham o interruptor ligado facilita a ocorrência de acidentes.
- d) **Remova qualquer chave de ajuste antes de ligar a ferramenta eléctrica.** Uma chave que fique ligada a uma parte rotativa da ferramenta eléctrica pode resultar em lesões pessoais.
- e) **Não se incline em demasia. Mantenha-se sempre bem equilibrado e apoiado.** Tal permite um melhor controlo da ferramenta eléctrica em situações inesperadas.
- f) **Use vestuário adequado. Não use vestuário largo ou objectos de adorno pessoal. Mantenha o cabelo, roupa e luvas afastados de peças móveis.** Roupa larga, objectos de adorno ou cabelo comprido podem ficar presos nas peças móveis.
- g) **Se forem fornecidos dispositivos para a ligação de equipamentos de extracção e recolha de poeiras, certifique-se de que estão ligados e são utilizados de forma adequada.** A utilização de dispositivos de recolha de poeiras pode reduzir perigos relacionados com poeiras.
- 4) **Utilização e manutenção de ferramentas eléctricas**
- a) **Não force a ferramenta eléctrica. Utilize a ferramenta eléctrica correcta para a sua aplicação.** A ferramenta eléctrica correcta terá um desempenho melhor e mais seguro se funcionar ao ritmo para o qual foi concebida.
- b) **Não utilize a ferramenta eléctrica se o interruptor não a ligar nem desligar.** Qualquer ferramenta eléctrica que não possa ser controlada com o interruptor é perigosa e deve ser reparada.
- c) **Desligue a ficha da alimentação e/ou a bateria da ferramenta eléctrica antes de fazer qualquer ajuste, mudar acessórios, ou armazenar as ferramentas eléctricas.** Estas medidas de segurança preventivas reduzem o risco de ligar a ferramenta eléctrica accidentalmente.
- d) **Armazene as ferramentas eléctricas que não estejam a ser usadas fora do alcance de crianças e não permita que pessoas que não estejam familiarizadas com a ferramenta eléctrica ou estas instruções as utilizem.** As ferramentas eléctricas são perigosas nas mãos de utilizadores inexperientes.
- e) **Conserve as ferramentas eléctricas em bom estado.** Verifique se existem peças móveis mal reguladas ou presas, peças danificadas e qualquer outro problema que possa afectar o funcionamento da ferramenta eléctrica. Se a ferramenta eléctrica estiver danificada, mande-a reparar antes de utilizar. Muitos acidentes são provocados por falta de manutenção das ferramentas eléctricas.

- f) **Mantenha as ferramentas de corte afiadas e limpas.** Ferramentas de corte em bom estado com gumes afiados têm uma menor probabilidade de prender e são mais fáceis de controlar.
- g) **Utilize a ferramenta eléctrica, acessórios e ferramentas de corte etc. de acordo com estas instruções, tendo em conta as condições de trabalho e o trabalho a realizar.** A utilização da ferramenta eléctrica em operações para as quais não foi concebida pode resultar numa situação perigosa.

5. Assistência

- a) **A sua ferramenta eléctrica deve ser reparada por um técnico de reparação qualificado, e apenas com peças de substituição idênticas.** Tal garantirá a manutenção da segurança da ferramenta eléctrica.

Advertências de segurança para a utilização da motosserra:

- Quando a motosserra estiver em funcionamento, mantenha todas as partes do corpo afastadas da corrente. Antes de ligar a motosserra, verifique se a motosserra não está encostada ao que quer que seja. Um momento de desatenção durante a utilização da motosserra pode fazer com que a corrente apanhe o seu vestuário ou uma parte do seu corpo.
- **Segure sempre a motosserra com a mão direita no manípulo traseiro e a mão esquerda no manípulo dianteiro.** O manuseamento da motosserra com as mãos em posição inversa à mencionada acima aumenta o risco de ferimentos, pelo que nunca a deve utilizar desta forma.
- **Segure a ferramenta eléctrica apenas pelos punhos isolados, visto que a motosserra pode entrar em contacto com cabos ocultos ou com o próprio cabo de alimentação.** Se as motosserras entrarem em contacto com um cabo com carga, a corrente pode passar para os componentes metálicos expostos da ferramenta eléctrica, podendo electrocutar o operador.
- **Use óculos de protecção e protecção auditiva.** Também é recomendável usar equipamento de protecção para a cabeça, as mãos, as pernas e pés. O vestuário de protecção adequado limitará os ferimentos provocados pelos detritos projectados ou pelo contacto accidental com a corrente.
- **Não utilize uma motosserra em cima de uma árvore.** A utilização de uma motosserra em cima de uma árvore pode provocar ferimentos.
- **Mantenha-se sempre bem equilibrado e utilize a motosserra apenas quando se encontrar numa superfície fixa, segura e nivelada.** As superfícies escorregadias ou instáveis como as escadas, podem causar a perda de equilíbrio ou a perda de controlo da motosserra.
- Quando cortar um ramo que esteja sob tensão, tenha atenção ao ressalto. Quando a tensão das fibras da madeira é libertada o ramo pode ressaltar e atingir o operador e/ou provocar a perda do controlo da motosserra.
- **Tenha muito cuidado ao cortar arbustos e árvores novas.** Os materiais pouco grossos podem ficar presos na corrente e ser arremessados na sua direcção ou provocar o seu desequilíbrio.
- **Para transportar a motosserra utilize o manípulo dianteiro, desligue-a e mantenha-a afastada do corpo.** Para transportar ou guardar a motosserra, coloque sempre a protecção da lâmina. O manuseamento correcto da motosserra reduz a possibilidade de contacto accidental com a corrente em movimento.
- **Siga as instruções relativas à lubrificação, à afinação da tensão da corrente e à substituição de acessórios.** Uma corrente mal esticada ou lubrificada pode partir ou aumentar a possibilidade de recuo.

- **Mantenha os manípulos secos e limpos e sem óleo ou gordura.** *Os manípulos com gordura ou óleo ficam escorregadios e causam a perda de controlo.*
- **Corte apenas madeira.** **Não utilize a motosserra para outros fins.** **Por exemplo: não utilize a motosserra para cortar plástico, alvenaria nem materiais de construção que não sejam de madeira.** *A utilização da motosserra em operações para as quais não foi concebida pode resultar numa situação perigosa.*

Causas de recuo e prevenção por parte do operador:

O recuo pode ocorrer quando a ponta da lâmina toca num objecto (**Fig. B3**), ou quando a madeira fecha e aperta a corrente no corte.

O contacto com a ponta pode, por vezes, provocar uma reacção de inversão repentina, projectando a lâmina para cima e para trás na direcção do operador.

Se a corrente ficar trilhada na parte superior da lâmina, pode projectar a lâmina rapidamente para trás na direcção do operador.

Qualquer uma destas reacções pode provocar a perda de controlo da motosserra, o que pode resultar em ferimentos graves. Não confie apenas nos dispositivos de segurança que a motosserra possui. Na qualidade de operador de uma motosserra, deve adoptar várias medidas para que os seus trabalhos com a motosserra não provoquem acidentes nem ferimentos.

O recuo resulta da má utilização da ferramenta e/ou de condições de utilização incorrectas e pode ser evitado através da adopção de precauções adequadas, conforme descrito de seguida.:

- **Segure-a firmemente com as duas mãos, apertando os manípulos da motosserra com os polegares e os dedos, posicionando o corpo e os braços de forma a conseguir resistir à força de recuo.** *Se o operador adoptar as precauções adequadas pode controlar a força de recuo. Não deixe a motosserra.*
- **Não se incline em demasia nem efectue cortes acima do nível dos ombros.** *Desta forma ajuda a prevenir o contacto não propositado da ponta e consegue controlar melhor a motosserra em situações imprevistas.*
- **Utilize apenas lâminas e correntes de substituição indicadas pelo fabricante.** *Lâminas e correntes de substituição não indicadas pelo fabricante podem provocar a ruptura da corrente e/ou recuos.*
- **Siga as instruções do fabricante para afiar e fazer a manutenção da corrente.** *A diminuição da altura do calibrador de profundidade pode aumentar a ocorrência de recuo.*

Recomendações de segurança adicionais

1. **Consulta do Manual.** Qualquer pessoa que utilize esta máquina tem de ler completa e atentamente o manual do utilizador. Se a máquina for vendida ou emprestada a outra pessoa, o manual do utilizador tem de acompanhar a máquina.
2. **Precauções antes da utilização da máquina.** Nunca permita que esta máquina seja utilizada por alguém que não conheça completamente as instruções do manual. As pessoas sem prática têm de praticar utilizando um cavalete para serrar madeira.
3. **Verificações de rotina.** Verifique sempre a máquina, atentamente, antes de cada utilização e tendo mais em atenção se ela foi submetida a impactos fortes ou se apresenta algum indício de avaria. Efectue todas as operações descritas no capítulo "Manutenção e armazenamento – Antes de cada utilização".
4. **Reparações e manutenção.** Todas as peças da máquina que podem ser substituídas pelo operador estão claramente explicadas no capítulo que contém as instruções relativas a "Montagem/desmontagem". Quando for necessário, quaisquer outras peças da máquina têm de ser substituídas, exclusivamente, por um Centro de Assistência Autorizado.

5. **Vestuário. (fig. 1)** Para utilizar esta máquina o operador da máquina tem de usar o vestuário de protecção individual aprovado seguidamente indicado. vestuário de protecção acolchegado, botas de protecção com reforço protector, biqueira de aço e solas anti-derrapantes, luvas com reforço protector, viseira ou óculos de protecção, protectores auriculares e capacete (se houver o risco de queda de objectos). Estes artigos podem ser adquiridos num fornecedor de vestuário de trabalho.
6. **Precauções para a saúde – Níveis de ruído e de vibração.** Tenha atenção com as restrições de ruído na área circundante. A utilização prolongada da máquina submete o operador a vibrações que podem provocar "fenómeno de dedos mortos" (síndrome de Raynaud), síndrome de canal cárpico e outras perturbações semelhantes.
7. **Precauções para a saúde – Agentes químicos.** Utilize apenas óleo aprovado pelo fabricante.
8. **Precauções para a saúde – Calor.** Durante a utilização, o carroto e a corrente atingem temperaturas extremamente elevadas; não toque nestes componentes enquanto estiverem quentes.
9. **ADVERTÊNCIAS!** Esta máquina produz um campo electromagnético durante o funcionamento. Em certas circunstâncias, este campo pode interferir com implantes médicos activos ou passivos. Para reduzir o risco de lesões graves ou fatais, recomendamos que os indivíduos com implantes médicos consultem o seu médico e o fabricante do respectivo implante antes de utilizarem esta máquina.

Precauções para o transporte e armazenamento. (fig. 2)

Sempre que mudar de área de trabalho, desligue a máquina da alimentação eléctrica e accione a alavanca do travão da corrente. Coloque sempre a protecção da lâmina antes de transportar ou armazenar a máquina.

Transporte sempre a máquina com a lâmina virada para trás e, se a transportar num veículo, prenda-a sempre firmemente para evitar danos.

Reacção de recuo. (fig. 3) A reacção de recuo consiste numa acção violenta da lâmina, que é impulsionada para cima e para trás em direcção ao operador. Geralmente, isto ocorre se a parte superior da ponta da lâmina (a chamada "zona de perigo de recuo") (ver a marcação vermelha na lâmina) entrar em contacto com algum objecto ou se a corrente ficar presa na madeira. O recuo pode fazer com que o operador perca o controlo da máquina e provocar acidentes perigosos e mesmo fatais. A alavanca do travão da corrente e restantes dispositivos de segurança não são suficientes para proteger o operador de ferimentos: o utilizador tem de estar ciente das condições que podem provocar a reacção, preveni-las estando muito atento, com base na sua experiência, sendo prudente e manuseando correctamente a máquina (por exemplo: nunca cortar vários ramos de uma vez, pois isto pode causar um impacto accidental na "zona de perigo de recuo").

Segurança da área de trabalho

1. Nunca permita que crianças ou pessoas que desconheçam estas instruções utilizem o equipamento. Os regulamentos locais poderão impor restrições à idade do operador.
2. Utilize a máquina, exclusivamente, da forma descrita nestas instruções e para as funções a que se destina.
3. Verifique atentamente toda a área de trabalho quanto a possíveis perigos (ex.: estradas, caminhos, cabos eléctricos, árvores perigosas, etc.)

- Mantenha todas as pessoas e animais afastados da área de trabalho (se for necessário, isole a área e utilize sinais de advertência), a uma distância mínima de 2,5 x da altura do tronco; a área nunca deve ser inferior a dez metros.
- O operador ou o utilizador é o responsável pelos acidentes ou perigos que ocorram em pessoas ou suas propriedades.

Segurança eléctrica

- Recomenda-se que utilize um dispositivo de corrente residual com disjuntor diferencial com uma corrente de disparo não superior a 30 mA. Mesmo estando instalado um dispositivo de corrente residual com disjuntor diferencial, não pode ser garantida uma segurança a 100% e é necessário seguir sempre as práticas de trabalho seguras. Verifique o dispositivo de corrente residual com disjuntor diferencial sempre que o utilizar.
- Antes de utilizar, verifique se o cabo apresenta danos e substitua-o no caso de este apresentar sinais de danos ou de desgaste.
- Não utilize a máquina se os cabos eléctricos estiverem danificados ou desgastados.
- Se o cabo estiver cortado ou se o isolamento estiver danificado, desligue imediatamente a fonte da alimentação eléctrica. Não toque no cabo eléctrico antes de desligar a alimentação eléctrica. Não efectue reparações num cabo cortado ou danificado. Leva a máquina a um Centro de Assistência Autorizado para reparar o cabo.
- O cabo de extensão deve ser desenrolado completamente. Os cabos enrolados podem aquecer demasiado e diminuir a eficácia do seu corta-relvas.
- Assegure sempre que cabo/extensão ficam atrás do operador, garantindo que não criam uma fonte de perigo para o utilizador ou outras pessoas e que fiquem dispostos de forma a que não possam ser danificados (por calor, objectos afiados, extremidades cortantes, óleo, etc.).
- Posicione o cabo de maneira a que não possa ser apanhado pelos ramos ou outros durante a operação de corte.

- Desligue sempre a alimentação eléctrica antes de desligar qualquer ficha, conectores ou extensões.
- Desligue, retire a ficha da alimentação eléctrica e examine o cabo de alimentação eléctrica quanto a danos ou desgaste, antes de enrolar o cabo para guardar. Não repare um cabo danificado. Leva a máquina a um Centro de Assistência Autorizado para reparar o cabo.
- Remove a ficha da alimentação eléctrica antes de deixar a máquina sozinha, por qualquer período de tempo que seja.
- Enrole o cabo sempre com cuidado para evitar o emaranhamento.
- A máquina só pode ser usada nas instalações eléctricas de CC com a tensão indicada na etiqueta de classificação do produto.
- A motosserra possui isolamento duplo em conformidade com as normas EN60745-1 e EN60745-2-13. Nunca, em nenhuma circunstância, deve fazer uma ligação à terra a qualquer peça da máquina.

Cabos

- Os cabos de alimentação e as extensões podem ser adquiridos no centro local de assistência aprovado.
- Utilize apenas extensões aprovadas
- As extensões e os cabos só devem ser usados se se destinarem a utilização no exterior.
- Se desejar usar um cabo de extensão durante a utilização do equipamento, só devem ser utilizados cabos com as seguintes dimensões:

Modelos CSE1835, CSE1935S:

- 5,0 mm² : comprimento máx. 40 m
- 5,0 mm² : comprimento máx. 60 m
- 8,0 mm² : comprimento máx. 100 m

Modelos CSE2040, CSE2040S:

- 5,0 mm² : comprimento máx. 50 m
- 8,0 mm² : comprimento máx. 90 m

C. DESCRIÇÃO DOS EQUIPAMENTOS DE SEGURANÇA DA MÁQUINA

BLOQUEIO DO INTERRUPTOR

Na sua máquina está instalado um dispositivo (fig. 1) que, se não acionado, bloqueia a pressão do interruptor, a fim de prevenir a ligação acidental da máquina.

FREIO DA CORRENTE NA LIBERAÇÃO DO INTERRUPTOR

A sua máquina dispõe de um dispositivo que bloqueia instantaneamente a corrente no momento da liberação do interruptor. Caso não funcione, não use a máquina. Leve-a a um Centro de Assistência Autorizado.

FREIO DA CORRENTE / PROTEÇÃO ANTERIOR DA MÃO

A protecção anterior da mão (fig. 2) serve para evitar que a sua mão esquerda entre em contacto com a corrente (com a premissa de que o operador esteja segurando corretamente a máquina). A protecção anterior da mão tem, ainda, a função de acionar o freio da corrente, dispositivo estudado para bloquear a corrente em poucos milésimos de segundos, em caso de contragolpe de reacção. O freio da corrente é desinserido quando a protecção anterior da mão é puxada para trás e bloqueada (a corrente pode se mover). O freio da corrente é inserido quando a protecção anterior da mão é puxada para frente (a corrente é bloqueada). O travão da corrente pode ser activado com o pulso esquerdo, empurrando para a frente, ou quando o pulso entrar em contacto com a protecção da mão dianteira em resultado do efeito de coice. Quando utilizar a máquina com a barra na posição horizontal, por exemplo, durante o derrube de árvores, o travão da corrente proporciona menos protecção (fig.3).

NOTA: Quando o freio da corrente é inserido, um interruptor de segurança retira eletricidade do motor.

⚠ Se soltar o travão da corrente enquanto estiver a premir o interruptor, o equipamento arrancará.

EIXO PÁRA-CORRENTE

Esta máquina está equipada com uma protecção de corrente (fig. 4) situada por debaixo do carreto. Este mecanismo foi concebido para parar o movimento de retorno da corrente caso esta parta ou desengate. Estas situações podem evitar-se através de uma tensão correcta da corrente (Consulte o capítulo "D. Montagem/desmontagem").

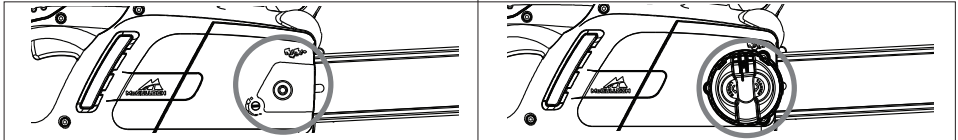
PROTEÇÃO POSTERIOR DA MÃO DIREITA

Serve para proteger (fig.5) a mão em caso de salto ou rompimento da corrente.

D. MONTAGEM / DESMONTAGEM

MONTAGEM DA BARRA E DA CORRENTE

De acordo com o modelo da sua máquina, o procedimento de montagem muda. Por isso, verifique a figura e o tipo de etiqueta do produto e preste atenção à montagem correta.



- | | |
|---|--|
| 1. Verifique se o freio da corrente está inserido. Caso esteja inserido, retire-o. | 2b. Desaperte o botão de retenção da barra e retire a protecção do carreto de transmissão. |
| 2a. Desaperte a porca de retenção da barra e retire a protecção do carreto de transmissão. | 2b. Desaperte o botão de retenção da barra e retire a protecção do carreto de transmissão. |
| 3 Posicione a corrente por cima da barra, começando pelo lado da lâmina. Atenção! Certifique-se de que o lado afiado dos dentes de corte está voltado para a frente na parte superior da barra. Use luvas. | 3 Posicione a corrente por cima da barra, começando pelo carreto da extremidade, e instalando na ranhura da lâmina. |
| 4a. Certifique-se de que o pino do tensor da corrente está o mais encostado possível ao carreto de transmissão. Instale a barra no parafuso de retenção da barra e no pino do tensor da corrente e posicione a corrente sobre o carreto de transmissão | 4b. Rode a roda helicoidal metálica no sentido oposto ao dos ponteiros dos relógios o mais possível. Instale a barra no parafuso de retenção da barra e posicione a corrente sobre o carreto de transmissão |
| Instale novamente a protecção do carreto de transmissão, certificando-se de que os dentes de transmissão da corrente engatam no carreto de transmissão e na ranhura da lâmina. | |
| 5a. Aperte a porca de retenção da barra com a mão até ficar ligeiramente apertada. | 5b. Aperte o botão de retenção da barra até ficar ligeiramente apertado. |
| 6a. Para aplicar tensão sobre a corrente, aperte o parafuso do tensor da corrente no sentido dos ponteiros dos relógios utilizando a chave de bocas/chave de parafusos fornecidas. Para reduzir a tensão, aperte no sentido oposto ao dos ponteiros dos relógios (quando efectuar esta operação, mantenha a extremidade da barra levantada) | 6b. Para aplicar tensão na corrente, aperte o botão exterior do tensor da corrente no sentido dos ponteiros dos relógios. Para reduzir a tensão, aperte no sentido oposto ao dos ponteiros dos relógios (quando efectuar esta operação, mantenha a extremidade da barra levantada) |
| 7. Aplique tensão até atingir a correcta. Afaste a corrente da barra e certifique-se de que a folga é de aprox. 2-3mm | |
| 8a. Aperte a porca de retenção da barra utilizando a chave de bocas/chave de fendas fornecidas. | 8b. Aperte a barra até ficar bem fixa. |

Esticar excessivamente a corrente pode sobrecarregar o motor e danificá-lo; não esticá-la suficientemente pode provocar o seu desengate. Uma corrente corretamente esticada proporciona um melhor corte e uma maior duração da corrente. Verificar com frequência a tensão da corrente, visto que o seu comprimento tende a aumentar com o uso (especialmente quando nova, controle a tensão da corrente depois de 5 minutos de trabalho); de qualquer maneira, não estique a corrente logo depois do uso: espere que a mesma esfrie. Caso você tenha que regular a tensão da corrente, afrouxe as porcas e a maçaneta de fixação da barra antes de intervir no parafuso/maçaneta de tensão da corrente; segure-a corretamente e feche novamente as porcas/dados de fixação da barra.

E. ACENDIMENTO E DESLIGAMENTO

Arranque: agarre ambas as alavancas com firmeza, solte a alavanca do travão da corrente, certificando-se de que não tira a mão da alavanca da frente, prima e mantenha premido o bloqueio do interruptor, depois prima o interruptor (neste momento, poderá soltar o bloqueio do interruptor).

Parada: A máquina desliga-se quando o interruptor é liberado. Caso a máquina não se desligar, insira o freio da corrente, disinsira o cabo da rede e leve-a num Centro de Assistência Autorizado.

F. LUBRIFICAÇÃO DA BARRA E DA CORRENTE

ATENÇÃO! Uma insuficiente lubrificação da ferramenta de corte provoca o rompimento da corrente, o que comporta graves riscos de lesão, inclusive mortais. A lubrificação da barra e da corrente é assegurada por uma bomba automática. Então verifique - como indicado em "Manutenção" - se o óleo da corrente está sendo liberado em quantidade suficiente.

Escolha do óleo da corrente

Use exclusivamente óleo novo (do tipo especial para correntes), com boa viscosidade: o óleo deve apresentar uma boa aderência e garantir um bom escorrimento, tanto no inverno como no verão. Se o óleo para correntes não for disponível, use óleo para transmissões EP 90.

Nunca use óleos exaustos, visto que são nocivos para você, para a máquina e para o meio-ambiente. Assegure-se que o óleo seja adequado à temperatura ambiente do lugar de uso: alguns óleos ficam mais densos com temperaturas inferiores a 0°C, sobrecarregando a bomba e danificando-a. Para a escolha do óleo mais indicado, contate o seu Centro de Assistência Autorizado.

Abastecimento do óleo

Abra a tampa do reservatório de óleo, encha o reservatório, evitando de derramar óleo (caso isso ocorra, limpe bem a motosserra), e feche bem a tampa denovo.

G. MANUTENÇÃO E ARMAZENAMENTO

Antes de efectuar qualquer manutenção ou limpeza, remova a ficha da alimentação eléctrica.

ATENÇÃO! Em caso de trabalho em ambientes particularmente sujos ou empoeirados, as operações descritas devem ser executadas com maior frequência.

Antes de cada uso

Verifique se a bomba do óleo da corrente esteja funcionando bem: posicionar a barra a aproximadamente vinte centímetros de distância de uma superfície clara; depois de um minuto de funcionamento da máquina, a superfície deverá apresentar evidentes manchas de óleo (**fig. 1**) Certifique-se que para inserir e desinserir o freio da corrente não seja necessário empregar uma força excessiva ou insuficiente, e certifique-se que não esteja bloqueado. Depois verifique o funcionamento como indicado a seguir: desinserir o freio da corrente, segure corretamente a máquina e ligue-a, insira o freio da corrente empurrando a proteção anterior da mão com o pulso/braço esquerdo, sem tirar as mãos dos punhos (**fig.2**). Se o freio da corrente estiver funcionando bem, a corrente se bloqueará imediatamente. Certifique-se que a corrente esteja afiada (ver abaixo), em bom estado e esticada corretamente. Caso esteja gasta em maneira não-uniforme ou tenha o dente de corte com somente 3mm, providencie a sua substituição (**fig.3**).

Limpe os orifícios de ventilação com frequência, para evitar o superaquecimento do motor. (**fig.4**).

Verifique o funcionamento do interruptor e do bloqueio do interruptor (essa operação deve ser feita com o freio da corrente desinserido): acione o interruptor e o bloqueio do interruptor, e controle que ambos retornem em posição de repouso logo que sejam liberados; certifique-se que, sem acionar o bloqueio do interruptor, seja possível acionar o interruptor.

Certifique-se que o eixo pára-corrente e a proteção da mão direita estejam íntegros e sem defeitos aparentes, como lesões materiais.

Depois de 2-3 horas de uso

Verifique o estado da barra. Se necessário, limpe cuidadosamente os furos de lubrificação (**fig. 5**) e a canalura guia (**fig. 6**). Caso esta última esteja gasta ou apresente sulcos excessivos, substitua-a. Limpe o carro de transmissão com regularidade e verifique se não foi sujeito a um desgaste excessivo. (**fig.7**). Lubrifique a rodela de bico da barra com óleo para rolamentos, através do furo indicado (**fig.8**).

Afiamento da corrente (Quando necessário)

!Se a corrente não corte sem que você tenha que apertar a barra contra a madeira e produz uma serragem muito fina, significa que não está bem afiada. Se o corte não produz serragem, a corrente perdeu completamente o fio e, cortando, pulveriza a madeira. Uma corrente bem afiada avança sozinha na madeira e produz lascas grandes e compridas.

A parte cortante da corrente é constituída pela malha de corte (**fig. 9**), com um dente de corte (**fig.10**) e um delimitador de corte (**fig.11**). O desnível entre estes determina a profundidade do corte; para obter um bom afiamento, são necessários um guia-lima e uma lima-redonda com 4mm de diâmetro. Siga as seguintes indicações: com a corrente montada e corretamente esticada, insira o freio da corrente, posicione o guia-lima conforme a figura, perpendicularmente à barra (**fig.12**), e aja sobre o dente de taglio com as angulações indicadas na figura (**fig.13**), afiando sempre de dentro para fora e afrouxando a pressão na fase de retorno (é muito importante respeitar as indicações: ângulos de afiamento excessivos, insuficientes ou um diâmetro de lima errado aumentam a tendência ao contragolpe de reação). Para obter ângulos laterais mais precisos, aconselha-se posicionar a lima verticalmente, 0,5mm acima do cortante superior. Antes de tudo, afie os dentes de um lado, depois a serra e então repita a operação. Certifique-se que, depois do afiamento, os dentes tenham igual comprimento e que a altura dos delimitadores de profundidade seja de 0,6mm abaixo do cortante superior; verifique a altura usando o modelo e lime (com uma lima plana) a parte saliente; depois arredonde a parte anterior do delimitador de profundidade (**fig.14**), prestando atenção para NÃO limar o dente de proteção anti-contragolpe (**fig.15**)

Depois de 30 horas de uso

Leve a máquina a um Centro de Assistência Autorizada, para uma revisão geral e um controle dos dispositivos de freagem.

Armazenamento

Guarde a máquina num local fresco e seco e fora do alcance das crianças. Não guardar no exterior.

H. TÉCNICAS DE CORTE

Durante o uso, evite: (fig.1)

- Realizar o corte em situações em que o tronco poderia romper-se durante a operação (madeira em tensão, árvores secas, etc.): uma quebra repentina pode ser muito perigosa.
- Que a barra ou a corrente encastrem-se no corte: caso isso ocorra, desligar a máquina da corrente eléctrica e tentar levantar o tronco, fazendo alavanca com uma ferramenta adequada; não tente liberar a máquina sacudindo-a ou puxando-a, porque você poderia danificá-la e machucar-se.
- Situações que poderiam favorecer o contragolpe de reação.
- usar o equipamento acima do nível dos ombros
- cortar madeira com objectos estranhos, p. ex., pregos

Durante o uso: (fig. 1)

- Se você deve realizar um corte sobre um terreno inclinado, trabalhe na parte mais alta do tronco, de modo que este não possa atingi-lo quando caia.
- em caso de abatimento, nunca deixe o trabalho pela

metade: uma árvore parcialmente cortada poderia romper-se.

- No fim de cada corte, você perceberá uma notável mudança na força empregada para segurar a máquina. Preste atenção para não perder o controle.

O texto a seguir refere-se os seguintes dois tipos de cortes:

O corte com a corrente "a puxar" (de cima para baixo) (**fig. 2**), que apresenta o risco de um repentino escorregamento da máquina em direção ao tronco, com uma consequente perda de controle. Se possível, use um gancho durante o corte.

O corte com corrente "a empurrar" (de baixo para cima) (**fig. 3**): apresenta o risco de um repentino escorregamento da máquina na direção do operador, com o risco de atingi-lo ou choque do setor de risco contra o tronco, com o consequente contragolpe de reação; preste muita atenção quando estiver realizando o corte.

O modo mais seguro de usar a máquina é com a madeira bloqueada no cavalete, cortando de cima para baixo e trabalhando fora do suporte. (**fig.4**)

Uso do gancho

Quando possível, use o gancho para um corte mais seguro. Coloque-o no córtex ou na parte superficial do tronco, de modo que você possa manter mais facilmente o controle da máquina.

A seguir vão os procedimentos típicos a serem adotados em determinadas situações. É o caso de avaliar se se adaptam ou não ao seu caso, de acordo com as circunstâncias. Seguem também o procedimento de realização do corte com risco mínimo.

Tronco no chão (Risco de a corrente tocar o chão no fim do corte.) (fig.5)

Corte de cima para baixo através do tronco. Prossiga com cuidado ao fim do corte, para evitar que a corrente encontre o chão. Se é possível, termine o corte a 2/3 do diâmetro do tronco, gire o tronco e corte a parte restante de cima para baixo, para limitar o risco de contato com o chão

Tronco apoiado de um lado só (Risco de rompimento do tronco durante o corte) (fig.6)

Comece o corte da parte de baixo, até aproximadamente 1/3 do diâmetro do tronco. Depois termine de cortar a parte de cima, encontrando o corte já realizado.

Tronco apoiado dos dois lados (Risco de esmagamento do tronco durante o corte.) (fig.7)

Comece o corte da parte de cima, até aproximadamente 1/3 do diâmetro do tronco. Depois termine de cortar a parte de baixo, encontrando o corte já realizado.

Corte de derrube numa inclinação. Coloque-se sempre pela parte de cima do tronco. Para manter total controle durante o "corte normal", deixe de exercer pressão perto do final do corte, sem diminuir a força com que está a segurar nos manípulos da máquina. Não permita que a corrente entre em contacto com o solo.

Abatimento

ATENÇÃO! Não tente abater uma árvore se você não tem a experiência necessária; e, de qualquer maneira, nunca abata um tronco cujo diâmetro seja maior que o comprimento da barra! Essa operação está reservada aos usuários espertos, que possuam o equipamento adequado.

O objetivo do abatimento é derrubar a árvore na melhor posição possível para a sucessiva retirada dos ramos e corte do tronco. (Evite que uma árvore em queda enrosque-se numa outra: provocar a queda de uma árvore enroscada é uma operação muito perigosa).

Você deve decidir a melhor direção de queda avaliando: o que há ao redor da árvore, a sua inclinação, curvatura, a direção do vento e a concentração dos ramos.

Não ignore a presença de ramos mortos ou quebrados: estes poderiam romper-se durante o abatimento e representar um perigo.

ATENÇÃO! Durante as operações de abatimento em condições críticas, retire imediatamente a proteção acústica depois do corte, para poder ouvir barulhos estranhos e eventuais sinais de advertência.

Operações preliminares ao corte a individuação da via de fuga

Elimine os ramos que atrapalham o trabalho (fig. 8), começando de cima para baixo e mantendo o tronco entre o seu corpo e a motosserra. Elimine os ramos mais difíceis, um por vez. Elimine a vegetação ao redor da árvore e observe os eventuais obstáculos presentes (pedras, raízes, fossas, etc.) quando planificar a sua via de fuga (a ser seguida durante a queda da árvore); consulte a figura (fig. 9) para saber a direção a ser tomada (A direção prevista de queda da árvore. B.Via de Fuga C. Zona de risco)

ABATIMENTO (fig.10)

Para assegurar o controle da queda da árvore, é necessário realizar os seguintes cortes:

O corte direcional, que deve ser feito em primeiro lugar, e que serve para controlar a direção de queda da árvore: realize primeiramente a PARTE SUPERIOR do corte direcional do lado em que a árvore deve ser abatida. Mantenha-se à direita da árvore e corte com a corrente "a puxar"; depois realize a PARTE INFERIOR do corte, que deve atingir o fim da parte superior. A profundidade do corte direcional deve ser de 1/4 do diâmetro do tronco, com um ângulo entre o corte superior e o corte inferior de pelo menos 45°. O encontro entre os dois cortes é chamado "linha de corte direcional". A linha deve ser perfeitamente horizontal e em ângulo reto (90°) em relação à direção de queda.

O corte de abatimento, com o objetivo de provocar a queda da árvore, deve ser realizado a 3-5 cm acima da parte inferior do plano da linha de corte direcional, e terminar a uma distância de 1/10 do tronco em relação a este último. Mantenha-se à esquerda da árvore e corte com a corrente "a puxar", usando o gancho. Certifique-se que a árvore não se mova em direção diversa daquela prevista para a queda. Assim que possível, coloque uma cunha de abatimento no corte. A parte de tronco não cortada é chamada fulcro (sustentáculo), e é como um "ziper" que guia a árvore na queda; caso seja insuficiente, curvo ou completamente serrado, não será possível controlar a queda da árvore (muito perigoso!) por isso, é necessário que os vários cortes sejam feitos com precisão.

Ao terminar os cortes, a árvore começará a cair. Caso seja útil, use uma cunha ou uma alavanca de abatimento.

Retirada dos ramos

Abatida a árvore, o passo seguinte é a eliminação dos ramos do tronco. Não subestime essa operação, porque a maior parte dos incidentes de contragolpe de reação acontecem exatamente durante a retirada dos ramos. Por isso, preste atenção à posição da ponta da lâmina durante o corte e trabalhe do lado esquerdo do tronco.

I. ECOLOGIA


Este capítulo contém informações úteis para manter as características de compatibilidade ecológica, ideadas na fase de desenvolvimento da máquina, o correto uso desta e a correta eliminação dos óleos.

USO DA MÁQUINA

As operações de enchimento do tanque de óleo devem ser realizadas de forma a evitar a dispersão do óleo da corrente no ambiente.

SUCATEAMENTO

Não disperse no ambiente a máquina inutilizada, e sim entregue-a às entidades autorizadas à eliminação do lixo, segundo as normas previstas pela legislação em vigor.

O símbolo  existente no produto ou na respectiva embalagem indica que o produto não pode ser tratado como lixo doméstico. Por conseguinte, deverá ser depositado no ponto de recolha aplicável para efeitos de reciclagem de equipamento eléctrico e electrónico. Ao assegurar-se de que a deposição deste produto é efectuada da forma correcta, estará a contribuir para evitar consequências potencialmente negativas para o ambiente e a saúde humana, que, de outro modo, poderiam ser causadas pelo manuseamento inadequado deste produto.

Para mais informações sobre a reciclagem deste produto, contacte o gabinete municipal da sua localidade, o serviço de recolha de lixos domésticos ou a loja onde adquiriu o produto.

J. TABELA DE POSSÍVEIS PROBLEMAS

	O motor não liga	O motor funciona mal ou perde	A máquina liga, mas não corta corretamente	O motor funciona de maneira anómala	Os dispositivos de freio não bloqueiam corretamente a rotação da corrente
Certifique-se que há eletricidade na rede	●				
Verifique se o cabo está corretamente inserido na tomada	●				
Verifique se o cabo ou a extensão estão danificados	●				
Certifique-se que o freio da corrente não esteja inserido	●				
Verifique se a corrente está devidamente instalada e tem a tensão correcta		●	●		
Verifique se a lubrificação da corrente corresponde à descrição dos capítulos F e G			●		
Certifique-se de que a corrente está afiada			●		
Verifique se o interruptor de corte está activado	●				
Entre em contato com um Centro de Assistência Técnica autorizado.	●	●		●	●

K. PEÇAS DE SUBSTITUIÇÃO

35cm	Corrente	91PJ052XN	Referência:	530051538
	Lâmina		Referência:	576965401
40cm	Corrente	91PJ056XN	Referência:	530051539
	Lâmina		Referência:	576965201

L. EC DECLARAÇÃO DE CONFORMIDADE

Husqvarna AB, S-561 82, Huskvarna, Sweden

Declaramos sob a nossa exclusiva responsabilidade que o(s) equipamento(s);

Designação.....**Chainsaw - Serra eléctrica**

Designação do Tipo(s).....**CSE1835, CSE1935S, CSE2040, CSE2040S**

Identificação da série.....**Consulte a Etiqueta de Especificações do**

Ano de fabrico.....**Consulte a Etiqueta de Especificações do**

Está(ão) em conformidade com os requisitos e disposições essenciais das seguintes Directivas da CE:

2006/42/EC, 2004/108/EC, 2000/14/EC, 2011/65/EU

baseado nas seguintes normas harmonizadas das EU aplicadas:

EN60745-1, EN60745-2-13, EN55014-2, EN55014-1, EN61000-3-2, EN61000-3-11

Organismo Notificado que realizou o certificado de exame CE

em conformidade com o artigo 8, secção 2c. TÜV Rheinland LGA Products GmbH

Tillystraße 2

D-90431 Nürnberg

Germany

BM 50268379

Certificado n.º

O nível de pressão sonora máxima ponderada L_{pA} na estação de trabalho, avaliado em conformidade com a norma EN60745-2-13 é indicado na tabela.

O valor máximo ponderado de vibração mão/braço a_h avaliado em conformidade com a norma EN60745-2-13 numa amostra do(s) produto(s) supracitado(s) é indicado na tabela.

O valor total de vibração declarado foi medido em conformidade com um método de teste padrão e pode ser utilizado para comparação de uma ferramenta com outra.

O valor total de vibração declarado também pode ser utilizado numa avaliação de exposição preliminar.

Advertência:

A emissão de vibração durante a utilização real da ferramenta eléctrica pode ser diferente do valor total declarado, dependendo dos modos como a ferramenta é utilizada.

Os operadores devem identificar medidas de segurança para protecção própria que se baseiem numa estimativa da exposição nas condições de utilização reais (considerando todos os componentes do ciclo de funcionamento, tais como o número de vezes que a máquina é desligada e quando está em funcionamento, para além do tempo de disparo).

2000/14/EC: Os valores do nível sonoro ponderado L_{WA} e da potência sonora garantida L_{WA} estão em conformidade com os valores indicados nas tabelas.

Procedimento de avaliação da conformidade. Annex V

Ulm 12/02/2013

P. Lamelli

Director de Investigação e Desenvolvimento Global -

Ferramentas portáteis

Responsável pela documentação técnica



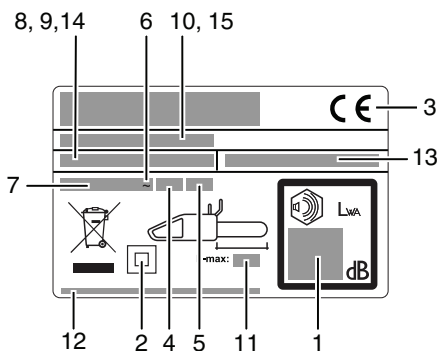

Tipo (CSE_____)	1835	1935S	2040	2040S
Peso a seco (Kg)	4.3	4.5	4.4	4.6
Potência (kW)	1.8	1.9	2.0	2.0
Capacidade do tanque de óleo (cm ³)	240	240	240	240
Comprimento máximo da lâmina (cm)	35	35	40	40
Passo da corrente (mm)	9.52	9.52	9.52	9.52
Calibre da corrente (mm)	1.3	1.3	1.3	1.3
Potência Sonora medida L_{WA} (dB(A))	106	106	106	106
Potência sonora garantida L_{WA} (dB(A))	110	110	110	110
Pressão sonora L_{pA} (dB(A))	95	95	95	95
Irregularidade K_{pA} (dB(A))	2.5	2.5	2.5	2.5
Vibração da mão / braço a_h (m/s ²)	7.28	7.28	8.08	8.08
Incerteza K_{ah} (m/s ²)	1.5	1.5	1.5	1.5
Impedância da rede eléctrica Z_{max} (Ω)	0.382	0.382	0.382	0.382

Declaração de conformidade com EN 61000-3-11

Dependendo das características da rede eléctrica local, a utilização deste equipamento pode provocar breves quedas de tensão quando o mesmo é ligado. Tal efeito pode influenciar outro equipamento eléctrico, como por exemplo, a redução temporária da intensidade luminosa de uma lâmpada. Se a impedância Z_{max} da rede eléctrica for inferior ao valor indicado na tabela (aplicável ao seu modelo), esses efeitos não se verificarão. Para determinar o valor de impedância da rede, poderá contactar a companhia fornecedora de electricidade local.

A. DESCRIZIONE GENERALE

- | | |
|---|---|
| <ol style="list-style-type: none"> 1) Impugnatura posteriore 2) Protezione posteriore della mano 3) Impugnatura anteriore 4) Protezione anteriore della mano/freno catena 5) Pomello esterno tendicatena 6) Vite tendicatena 7) Perno tendicatena 8) Tappo serbatoio olio 9) Finestra controllo livello olio 10) Aperture di ventilazione 11) Cavo 12) Manuale 13) Interruttore 14) Blocco interruttore 15) Catena 16) Dente di trazione 17) Maglia di taglio 18) Delimitatore profondità di taglio | <ol style="list-style-type: none"> 19) Dente di taglio 20) Barra guida 21) Coperchio pignone motore 22) Pignone motore 23) Perno ferma catena 24) Vite fissa barra 25) Pomello interno bloccaggio barra 26) Dado bloccaggio barra 27) Rotella di punta 28) Copribarra 29) Arpione 30) Sede perno tendicatena 31) Foro lubrificazione 32) Scanalatura barra guida 33) Chiave/cacciavite |
|---|---|







Etichetta d'esempio

- 1) Potenza sonora garantita conforme alla direttiva 2000/14/CEE
- 2) Elettrotensile di classe II
- 3) Marcatura CE di conformità
- 4) Frequenza nominale
- 5) Potenza nominale
- 6) Corrente alternata
- 7) Tensione nominale
- 8) Tipo
- 9) Codice prodotto
- 10) Anno di fabbricazione
- 11) Lunghezza massima della barra guida
- 12) Nome e indirizzo del costruttore
- 13) N° di articolo (Elettrosega)
- 14) Modello
- 15) N° di serie

B. PRECAUZIONI PER LA SICUREZZA

SIGNIFICATO DEI SIMBOLI

	Attenzione		Direzione del dente di taglio
	Leggere attentamente il manuale		Usare sempre con due mani
	Stivali di sicurezza		
	Casco, paraorecchi e occhiali di protezione o visiera		Pericolo di contraccolpo di reazione
	Guanti antitaglio		Non esporre a pioggia o umidità
	Pantaloni lunghi e antitaglio		Olio catena
	Freno disattivato, attivato		Non fare...
	Se il cavo appare danneggiato o reciso, rimuovere immediatamente la spina dall'alimentazione di rete		Spegnere la macchina
	Tenere lontani i presenti		Scollegare la spina prima di eseguire qualsiasi operazione di regolazione o pulizia
			Rischio di scosse elettriche

Avvertenze di sicurezza generiche relative all'uso degli apparecchi elettrici

⚠ AVVERTENZA Leggere tutte le avvertenze e le istruzioni di sicurezza. La mancata osservanza delle presenti avvertenze e istruzioni può comportare il rischio di folgorazioni, incendi e/o infortuni gravi.

Conservare tutte le avvertenze e le istruzioni per eventuali consultazioni successive.

Il termine "apparecchio elettrico" riportato nelle presenti avvertenze si riferisce ad un apparecchio elettrico azionato mediante cavo (cablato) o batteria (senza fili).

1) Sicurezza nell'area di lavoro

- Tenere l'area di lavoro pulita e ben illuminata. Gli spazi disordinati o bui danno spesso luogo a incidenti.
- Non azionare apparecchi elettrici in atmosfere esplosive, ad esempio in presenza di liquidi, gas o polveri infiammabili. Gli apparecchi elettrici generano scintille che possono infiammare polveri o esalazioni.
- Durante l'utilizzo dell'apparecchio elettrico occorre tenere lontani i presenti, soprattutto i bambini. Eventuali distrazioni potrebbero fare perdere il controllo dell'apparecchio.

2) Sicurezza elettrica

- Le spine degli apparecchi elettrici devono corrispondere alle prese di alimentazione utilizzate. Non apportare alcuna modifica alle spine. Non usare mai spine adattatrici con apparecchi elettrici collegati alla messa a terra. L'uso di spine non modificate e di prese idonee all'apparecchio elettrico riduce il rischio di folgorazione.

b) Evitare il contatto del corpo con superfici collegate a terra, ad esempio tubi, radiatori, cucine economiche e frigoriferi. In caso di contatto, il corpo può essere collegato alla linea di massa aumentando il rischio di folgorazione.

c) Non esporre gli apparecchi elettrici a pioggia o umidità. L'infiltrazione di acqua in un apparecchio elettrico aumenta il rischio di folgorazione.

d) Non utilizzare impropriamente il cavo. Non usare mai il cavo per trasportare, tirare o scollegare l'apparecchio elettrico. Tenere il cavo lontano da calore, olio, spigoli vivi o parti mobili. I cavi danneggiati o aggrovigliati aumentano il rischio di folgorazione.

e) Se si impiega l'apparecchio elettrico all'aperto, utilizzare una prolunga omologata per ambienti esterni. L'uso di un cavo omologato per ambienti esterni riduce il rischio di folgorazione.

f) Se non è possibile evitare l'utilizzo di un apparecchio elettrico in zone umide, usare un'alimentazione protetta mediante dispositivo a corrente residua (RCD). L'uso di un RCD riduce il rischio di folgorazione.

3) Sicurezza personale

- Restare vigili, porre attenzione a quanto si sta facendo e usare il buon senso quando si aziona un apparecchio elettrico. Non utilizzare apparecchi elettrici quando si è stanchi o sotto l'effetto di droghe, alcol o farmaci. Un momento di disattenzione durante l'azionamento degli apparecchi elettrici può provocare infortuni gravi.

- b) Usare dispositivi per la protezione personale. Indossare sempre una protezione per gli occhi. *L'uso di dispositivi di protezione adeguati, quali maschere antipolvere, scarpe antinfortunistiche e antiscivolo, caschi o protezioni per le orecchie, riduce il rischio di infortuni.*
- c) Evitare l'accensione involontaria dell'apparecchio. Accertarsi che l'interruttore sia in posizione OFF prima di collegare l'apparecchio alla fonte di alimentazione e/o alla batteria o di sollevarlo e trasportarlo. *Trasportare apparecchi elettrici con il dito sull'interruttore o collegarli all'alimentazione con l'interruttore acceso può essere causa di incidenti.*
- d) Rimuovere eventuali chiavi di regolazione o avvitatori prima di accendere l'apparecchio elettrico. *Eventuali chiavi o avvitatori lasciati attaccati alle parti rotanti di un apparecchio elettrico possono provocare infortuni.*
- e) Non sbilanciarsi. Adottare sempre una postura che permetta di mantenere stabilità ed equilibrio. *In questo modo è possibile controllare meglio l'apparecchio elettrico in caso di imprevisti.*
- f) Indossare un abbigliamento adeguato. Non indossare indumenti larghi o gioielli. Tenere capelli, vestiti e guanti lontani dalle parti mobili. *Vestiti larghi, gioielli o capelli lunghi potrebbero restare impigliati nelle parti mobili.*
- g) Se sono presenti dispositivi per il collegamento di impianti di estrazione e raccolta polveri, accertarsi che siano stati collegati correttamente e che vengano utilizzati idoneamente. *L'uso di dispositivi di captazione delle polveri può ridurre i pericoli ad esse correlati.*
- 4) Uso e manutenzione degli apparecchi elettrici
- a) Non forzare l'apparecchio elettrico. Usare l'apparecchio elettrico più adatto al lavoro da svolgere. *L'uso dell'apparecchio elettrico giusto consente di ottenere risultati migliori e di lavorare in sicurezza alla rapidità progettualmente prevista.*
- b) Non usare l'apparecchio elettrico se non può essere acceso o spento mediante l'interruttore. *Qualunque apparecchio elettrico non controllabile mediante l'interruttore è pericoloso e deve essere riparato.*
- c) Scollegare la spina dalla sorgente di alimentazione e/o la batteria dall'apparecchio elettrico prima di effettuare qualunque regolazione, cambiare gli accessori o riporre l'apparecchio stesso. *Queste misure di sicurezza preventive riducono il rischio di azionamenti accidentali dell'apparecchio elettrico.*
- d) Conservare gli apparecchi elettrici fuori dalla portata dei bambini e non consentirne l'impiego a persone inesperte o che non conoscono le relative istruzioni d'uso. *Gli apparecchi elettrici possono essere pericolosi se utilizzati da persone inesperte.*
- e) Sottoporre gli apparecchi elettrici a manutenzione. Accertarsi che non siano presenti errori di allineamento o inceppamenti delle parti mobili, rottura di componenti o altre condizioni che possono pregiudicare il corretto funzionamento dell'apparecchio elettrico. *Se danneggiato, l'apparecchio elettrico deve essere riparato prima di procedere all'uso. Molti incidenti sono dovuti ad una cattiva manutenzione degli apparecchi elettrici.*
- f) Tenere gli utensili di taglio affilati e puliti. *Gli apparecchi con taglienti ben affilati e sottoposti a una manutenzione adeguata tendono a incepparsi con minor frequenza e sono più facili da controllare.*
- g) Usare l'apparecchio elettrico, gli accessori, gli utensili ecc. secondo quanto indicato nelle presenti istruzioni, tenendo conto delle condizioni operative e del tipo di lavoro da svolgere. *L'utilizzo dell'apparecchio elettrico per operazioni diverse da quelle progettualmente previste può determinare situazioni pericolose.*

5. Riparazioni

- a) Gli apparecchi elettrici devono essere riparati da personale qualificato che utilizzi esclusivamente parti di ricambio identiche. *In questo modo è possibile mantenere il livello di sicurezza ottimale degli apparecchi elettrici.*

Avvertenze di sicurezza per l'elettrosega:

- Tenere tutte le parti del corpo lontane dall'elettrosega quando è in funzione. Prima di avviare l'elettrosega, assicurarsi che la catena non sia a contatto con alcun oggetto. *Un momento di disattenzione durante l'azionamento di elettroseghe può far sì che abiti o parti del corpo rimangano impigliati nella catena.*
- Afferrare l'elettrosega sempre con la mano destra dall'impugnatura posteriore e con la mano sinistra dall'impugnatura anteriore. *Si sconsiglia di impugnare l'elettrosega con una configurazione diversa poiché aumenta il rischio di infortuni.*
- Impugnare l'apparecchio elettrico solo dalle superfici antiscivolo isolate per evitare che la catena entri in contatto con fili elettrici nascosti o con il suo stesso cavo. *Se le catene entrano in contatto con un filo in tensione, le parti metalliche esposte dell'apparecchio elettrico entrano in tensione e potrebbero comportare il rischio di folgorazioni per l'operatore.*
- Indossare occhiali protettivi e protezioni per l'udito. *Si raccomanda l'utilizzo di attrezzature protettive supplementari per testa, mani, gambe e piedi. Indossare adeguati indumenti protettivi riduce il rischio di infortuni causati da detriti volanti o contatto accidentale con la catena.*
- Non utilizzare l'elettrosega su un albero. *L'utilizzo dell'elettrosega sopra un albero può causare infortuni.*
- Adottare sempre una postura che permetta di mantenere stabilità e utilizzare l'elettrosega solo su superfici piane, fisse e sicure. *Superfici scivolose o instabili, come ad esempio scale, possono causare la perdita di equilibrio o di controllo dell'elettrosega.*
- Quando si taglia un ramo in tensione, fare attenzione a non farsi cogliere di sorpresa dal rimbalzo. *Quando viene rilasciata la tensione delle fibre del legno, il ramo può colpire l'operatore e/o far perdere il controllo dell'elettrosega.*
- Prestare la massima attenzione quando si tagliano cespugli e arbusti. *Il materiale sottile può bloccare la catena e rimbalzare contro l'operatore oppure fargli perdere l'equilibrio.*
- Trasportare l'elettrosega dall'impugnatura anteriore, a motore spento e lontana dal corpo. *Al momento di trasportare o riporre l'elettrosega, montare sempre il copribarra. La corretta manipolazione dell'elettrosega riduce il rischio di contatto accidentale con la catena in movimento.*
- Seguire le istruzioni per lubrificare lo strumento, tendere la catena e sostituire gli accessori. *Una catena tesa o lubrificata in maniera errata può rompersi o aumentare il rischio di contraccolpi.*
- Mantenere le impugnature asciutte, pulite e libere da sostanze oleose e untuose. *Impugnature unte e oleose sono scivolose e possono causare la perdita di controllo dell'elettrosega.*
- Tagliare solo legno. *Non utilizzare l'elettrosega per scopi diversi da quelli progettualmente previsti. Ad esempio, l'elettrosega non deve essere impiegata per tagliare plastica, muri o materiali da costruzione non in legno. L'utilizzo dell'elettrosega per operazioni diverse da quelle progettualmente previste potrebbe determinare situazioni pericolose.*

Cause e prevenzione di contraccolpi per l'operatore:

Il contraccolpo può verificarsi quando la punta della barra guida tocca un oggetto (Figura B3) oppure quando il legno blocca e schiaccia la catena durante il taglio.

Il contatto della punta in alcuni casi può provocare una brusca reazione contraria, che porta la barra verso l'alto e poi indietro verso l'operatore. Lo schiacciamento della catena lungo la sommità della barra guida può spingere indietro la barra stessa in maniera veloce verso l'operatore.

Entrambe queste reazioni possono causare la perdita di controllo dell'elettrosega, con conseguenti infortuni gravi. Si consiglia di non fare affidamento esclusivamente sui dispositivi di sicurezza integrati nell'elettrosega. L'operatore che utilizza un'elettrosega deve adottare diverse misure di sicurezza affinché i lavori di taglio che esegue prevengano il rischio di incidenti o infortuni.

Il fenomeno del contraccolpo è il risultato di un uso improprio e/o di procedure o condizioni di funzionamento scorrette, che possono evitarsi adottando precauzioni adeguate, come descritto di seguito:

- **Mantenere una presa decisa, con le dita ed entrambe le mani ben salde attorno alle impugnature dell'elettrosega. Posizionare corpo e braccio in modo tale da resistere a forze di contraccolpo.** *Le forze di contraccolpo possono essere controllate dall'operatore, purché vengano adottate adeguate misure di precauzione. Non allentare la presa sull'elettrosega.*
- **Non sbilanciarsi né tagliare a un'altezza superiore alle spalle.** *In questo modo si previene il contatto involontario della punta e si ottiene un migliore controllo dell'elettrosega in caso di imprevisti.*
- **Utilizzare solo barre e catene di ricambio come indicato dal fabbricante.** *Una sostituzione errata di barre e catene può causare la rottura della catena e/o fenomeni di contraccolpo.*
- **Attenersi alle istruzioni specificate dal fabbricante per l'affiliatura e la manutenzione della catena dell'elettrosega.** *La riduzione dell'altezza del delimitatore della profondità di taglio può aumentare il rischio di contraccolpi.*

Ulteriori raccomandazioni di sicurezza

1. **Manuale d'uso.** Chiunque utilizzi questa macchina deve leggere con molta attenzione il manuale d'uso in tutte le sue parti. Il manuale d'uso deve essere fornito assieme alla macchina in caso di vendita o prestito della stessa a un'altra persona.
2. **Misure precauzionali prima dell'utilizzo della macchina.** Non permettere mai l'uso di questa macchina a persone che non conoscano completamente le istruzioni del manuale. Le persone inesperte devono seguire un periodo formativo nel quale operano solo su un apposito cavalletto.
3. **Verifiche di controllo.** Eseguire un'accurata verifica della macchina prima di ogni utilizzo, soprattutto se è stata soggetta a forti urti o se mostra segni di malfunzionamento. Eseguire tutte le operazioni descritte nel capitolo "Manutenzione e conservazione: cosa fare prima di ogni utilizzo".
4. **Riparazioni e manutenzione.** Tutte le parti della macchina che possono essere sostituite personalmente sono spiegate chiaramente nel capitolo relativo alle istruzioni di "Montaggio e smontaggio". Ove necessario, tutte le altre parti della macchina devono essere sostituite solo da un centro servizi autorizzato.
5. **Abbigliamento protettivo (Figura 1).** Quando l'utente utilizza questa macchina deve indossare i seguenti indumenti di protezione personale omologati: indumenti di protezione aderenti, stivali di sicurezza con suole antidirucciolevoli, puntali e protezione antiurto, guanti antitaglio e antivibrazione, occhiali

protettivi o visiera di sicurezza, cuffie antirumore ed elmetto (in caso di pericolo di caduta di oggetti). Disponibili presso un fornitore di indumenti da lavoro.

6. **Precauzioni per la salute: vibrazioni e livelli di rumorosità.** Fare attenzione alle restrizioni del livello sonoro nelle immediate vicinanze. L'utilizzo prolungato della macchina espone l'utente a vibrazioni che possono generare disturbi quali la cosiddetta "sindrome del dito bianco da vibrazione" (VWF) (Fenomeno di Raynaud), la sindrome del tunnel carpale e simili.
7. **Precauzioni per la salute: agenti chimici.** Utilizzare olio approvato dal fabbricante.
8. **Precauzioni per la salute: calore.** Durante l'utilizzo, il rocchetto e la catena raggiungono temperature molto elevate: fare attenzione a non toccare queste parti quando sono calde.
9. **ATTENZIONI!** Questa macchina produce un campo elettromagnetico durante il funzionamento. Questo campo può, in alcune circostanze, interferire con i dispositivi medici attivi o passivi impiantati. Per ridurre il rischio di infortuni gravi o fatali, raccomandiamo ai portatori di dispositivi medici di consultare il medico e il produttore del dispositivo prima di utilizzare questa macchina.

Precauzioni per il trasporto e la conservazione (Figura 2)

Ogni volta che si cambia area di lavoro, scollegare la macchina dall'alimentazione e attivare la leva del freno catena. Prima di trasportare o riporre la macchina, inserire ogni volta il copribarra. Trasportare la macchina sempre a mano, con la barra rivolta all'indietro; quando si trasporta la macchina su un veicolo, assicurarsi sempre di fissarla al fine di prevenire danni.

Reazione del contraccolpo (Figura 3) La reazione del contraccolpo consiste in una brusca azione contraria e verso l'alto della barra in direzione dell'utente. Questo fenomeno si verifica di solito quando l'estremità della punta della barra (chiamata "settore a rischio contraccolpo") (vedere il contrassegno rosso sulla barra guida) entra in contatto con un oggetto, oppure quando la catena rimane incastrata nel legno. Il contraccolpo può far perdere all'utente il controllo della macchina, provocando incidenti pericolosi e persino mortali. La leva del freno catena e gli altri dispositivi di sicurezza integrati nella macchina non sono sufficienti a proteggere l'utente da infortuni: l'utente deve conoscere bene le condizioni che possono provocare la reazione e prevenirle prestando estrema attenzione in base alla propria esperienza, nonché essere prudente e manipolare correttamente la macchina (ad esempio, non tagliare mai diversi rami tutti in una volta perché ciò può causare l'impatto accidentale sul "settore a rischio contraccolpo").

Sicurezza nell'area di lavoro

1. Non permettere mai l'uso del prodotto a bambini o persone che non abbiano familiarità con le presenti istruzioni. Le normative locali possono limitare l'età dell'operatore.
2. Utilizzare il prodotto solo secondo le modalità e per le funzioni descritte in queste istruzioni.
3. Controllare attentamente l'intera area di lavoro per verificare che non vi siano fonti di pericolo (quali, ad esempio, strade, sentieri, cavi elettrici, alberi pericolosi, ecc.).
4. Tenere tutti i passanti e gli animali a una debita distanza dall'area di lavoro (ove necessario, separare l'area con una recinzione e utilizzare segnali di avvertenza) di almeno due volte e mezzo l'altezza del tronco, e in ogni caso non meno di 10 metri.
5. L'operatore o utente è responsabile in caso di incidenti o pericoli occorsi ad altre persone o alle loro cose.

Sicurezza elettrica

1. Si raccomanda l'uso di un dispositivo di corrente residua (RCD), con una corrente di scatto non superiore a 30 mA. Anche con un RCD installato, non è garantita una totale sicurezza e si devono sempre adottare le norme precauzionali di sicurezza. Controllare il dispositivo RCD a ogni utilizzo.
2. Prima dell'uso, verificare che il cavo non sia danneggiato e sostituirlo qualora presenti segni di danneggiamento o usura.
3. Non utilizzare il prodotto se i cavi elettrici sono danneggiati o consumati.
4. Se il cavo è reciso o l'isolante danneggiato, scollegare immediatamente dall'alimentazione. Non toccare il cavo elettrico fino a quando l'alimentazione non sia stata scollegata. Non riparare un cavo reciso o danneggiato. Portare il prodotto presso un centro servizi autorizzato, che provvederà alla sostituzione del cavo.
5. Svolgere sempre e completamente il cavo di prolunga. Se restano avvolti o attorcigliati, i cavi possono surriscaldarsi e ridurre l'efficienza del tosaerba.
6. Controllare sempre che il cavo/prolunga sia tenuto dietro l'utente, assicurandosi che non rappresenti una fonte di pericolo per l'utente o altre persone, e verificare che non possa essere danneggiato (da calore, oggetti appuntiti, spigoli vivi, olio, ecc.).
7. Posizionare il cavo in modo tale che durante l'operazione di taglio non rimanga impigliato in rami e simili.
8. Prima di scollegare qualsiasi spina, connettore o prolunga, spegnere sempre l'alimentazione.
9. Spegnerne l'alimentazione, scollegare la spina e verificare che il cavo elettrico non sia danneggiato o usurato prima di avvolgerlo e riporlo. Non riparare un cavo danneggiato. Portare il prodotto presso un centro servizi autorizzato, che provvederà alla sostituzione del cavo.
10. Rimuovere la spina dall'alimentazione di rete prima di lasciare il prodotto incustodito per un certo periodo di tempo.

11. Avvolgere sempre il cavo con attenzione, evitando di attorcigliarlo.
12. Usare solo su una tensione di rete CA, come mostrato sulla targhetta nominale del prodotto.
13. L'elettrosega è a doppio isolamento, in conformità alle norme EN60745-1 ed EN60745-2-13. In nessuna circostanza devono collegarsi dispositivi di messa a terra a qualsiasi parte del prodotto.

Cavi

1. I cavi di alimentazione e le prolunghe sono disponibili presso il proprio centro servizi autorizzato locale.
2. Utilizzare solo prolunghe omologate.
3. Impiegare solo prolunghe e fili elettrici progettati specificamente per ambienti esterni.
4. Se necessari all'uso del prodotto, i cavi di prolunga utilizzati devono essere conformi alle seguenti dimensioni:

Modelli CSE1835, CSE1935S:

- 5,0 mm² : lunghezza max 40 m
- 5,0 mm² : lunghezza max 60 m
- 8,0 mm² : lunghezza max 100 m

Modelli CSE2040, CSE2040S:

- 5,0 mm² : lunghezza max 50 m
- 8,0 mm² : lunghezza max 90 m

C. DESCRIZIONE DEGLI EQUIPAGGIAMENTI DI SICUREZZA

BLOCCO DELL'INTERRUTTORE

Sulla vostra macchina è installato un dispositivo (fig.1) che, se non azionato, impedisce la pressione dell'interruttore, al fine di prevenirne l'azionamento accidentale.

FRENO CATENA AL RILASCIO DELL'INTERRUTTORE

La vostra macchina è dotata di un dispositivo che blocca istantaneamente la catena al rilascio dell'interruttore; nel caso non funzionasse, non usate la macchina ma portatela da un Centro Assistenza Autorizzato.

FRENO CATENA / PROTEZIONE ANTERIORE DELLA MANO

La protezione anteriore della mano (fig.2) serve ad evitare che (posto che la macchina sia impugnata correttamente) la vostra mano sinistra entri in contatto con la catena. La protezione anteriore della mano ha inoltre la funzione di azionare il freno catena, dispositivo studiato per bloccare la catena in pochi millisecondi in caso di contraccolpo di reazione. Il freno catena è disinserito quando la protezione anteriore della mano è tirata indietro e bloccata (la catena può muoversi). Il freno catena è inserito quando la protezione anteriore della mano è spinta in avanti (la catena è bloccata). Il freno della catena entra in funzione se viene spinto in avanti con il polso sinistro oppure se il polso entra a contatto con il paramano anteriore a causa di un contraccolpo.

Quando l'apparecchio viene utilizzato con la barra in posizione orizzontale, ad esempio per abbattere un albero, il freno della catena offre meno protezione (fig.3).

NOTA: Quando il freno catena è inserito un interruttore di sicurezza toglie corrente al motore.

 **Se si rilascia il freno della catena con l'interruttore premuto, l'apparecchio entra in funzione.**

PERNO FERMA CATENA

Questo apparecchio è dotato di un fermacatena (fig.4) posto sotto la ruota dentata. Questo meccanismo serve a bloccare il movimento indietro della catena in caso di rottura o fuoriuscita della stessa dalla scanalatura della barra. Queste situazioni possono essere evitate verificando sempre la corretta tensione della catena (v. sezione "D. Montaggio/smontaggio").

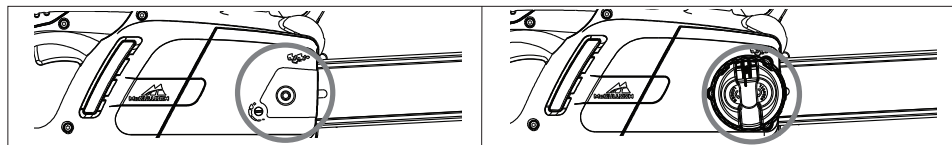
PROTEZIONE POSTERIORE MANO DESTRA

Serve a proteggere (fig.5) la mano in caso di salto o rottura della catena.

D. MONTAGGIO / SMONTAGGIO

MONTAGGIO BARRA E CATENA

A secondo del modello della vostra macchina la procedura di montaggio cambia, di conseguenza fate riferimento alle figure e al tipo sull'etichetta prodotto, fate molta attenzione ad eseguire un montaggio corretto.



1. Controllate che il freno catena non sia inserito, nel caso disinseritelo.

2a. Svitare il dado del porta-barra e rimuovere il coperchio del pignone motore.

2b. Svitare la manopola del porta-barra e rimuovere il coperchio del pignone motore.

3. Posizionare la catena sulla barra, partendo dalla parte superiore e facendola passare nella scanalatura della barra guida. **Attenzione!** Assicurarsi che l'estremità affilata dei denti di taglio sia rivolta in avanti sulla parte superiore della barra. Indossare guanti.

4a. Assicurarsi che il perno di supporto del tendicatena si trovi il più possibile indietro verso il pignone motore. Montare la barra sulla vite del porta-barra e sul perno di supporto del tendicatena, e posizionarla sul pignone motore.

4b. Ruotare quanto più possibile la rotella di metallo in senso antiorario. Montare la barra sulla vite del porta-barra e posizionarla sul pignone motore.

Rimettere il coperchio del pignone motore, assicurandosi che le maglie motrici della catena siano ben incastrate nei pignone e nella scanalatura della barra guida.

5a. Avvitare manualmente il dado di bloccaggio della barra, senza serrarlo a fondo.

5b. Avvitare il pomello interno di bloccaggio della barra, senza serrarlo a fondo.

6a. Per tendere la catena, girare la vite del tendicatena in senso orario usando la chiave/il cacciavite forniti. Per allentare la catena, avvitare in senso antiorario (al momento di eseguire questa operazione, tenere la punta della barra rivolta verso l'alto)

6b. Per tendere la catena, avvitare il pomello esterno del tendicatena in senso orario. Per allentare la catena, avvitare in senso antiorario (al momento di eseguire questa operazione, tenere la punta della barra rivolta verso l'alto).

7. Tendere la catena fino ad ottenere la tensione corretta. Sollevare la catena dalla barra e controllare che la distanza tra le due sia di circa 2-3mm.

8a. Serrare il dado di bloccaggio della barra usando la chiave/il cacciavite forniti.

8b. Serrare a fondo la barra.

Tendere eccessivamente la catena può sovraccaricare il motore e danneggiarlo, non tenderla a sufficienza può provocarne lo sganciamento, invece una catena correttamente tesa significa migliori caratteristiche di taglio e una maggiore durata della stessa. Controllate spesso la tensione della catena perché la sua lunghezza tende ad aumentare con l'uso (specialmente se nuova, al primo montaggio ricontrollatene la tensione dopo 5 minuti di lavoro); in ogni caso non tendete la catena subito dopo l'utilizzo ma attendete che si raffreddi. Nel caso dobbiate regolare la tensione della catena allentate sempre i dadi/pomello fissa barra prima di agire sulla vite/pomello tendicatena; tendetela correttamente e serrate nuovamente i dadi/pomello fissa barra.

E. AVVIAMENTO E ARRESTO

Avviamento: afferrare saldamente entrambe le impugnature e rilasciare la leva del freno della catena. Tenere la mano sull'impugnatura anteriore e tenere premuto il gruppo interruttore, quindi premere l'interruttore (a questo punto è possibile rilasciare il gruppo interruttore).

Arresto: La macchina si ferma quando rilasciate l'interruttore. Nel caso la macchina non si fermasse, inserite il freno catena, disinserite il cavo dalla rete e portatela in un Centro Assistenza Autorizzato.

F. LUBRIFICAZIONE BARRA E CATENA

ATTENZIONE! Una lubrificazione insufficiente dell'attrezzatura di taglio provoca la rottura della catena con gravi rischi di lesioni personali anche mortali. La lubrificazione di barra e catena è assicurata da una pompa automatica. Quindi verificate come indicato in "Manutenzione" che l'olio catena sia erogato in quantità sufficiente.

Sceita dell'olio catena

Usate esclusivamente olio nuovo (di tipo speciale per catene) con buona viscosità: deve presentare una buona aderenza e garantire buone proprietà di scorrimento, sia d'estate che d'inverno. Dove non fosse disponibile olio per catene utilizzate olio per trasmissioni EP 90. Non utilizzate mai oli esausti poiché nocivi per voi, la

macchina e l'ambiente. Accertatevi che l'olio sia adatto alla temperatura ambiente del luogo di utilizzo: con temperature inferiori a 0°C alcuni oli diventano più densi, sovraccaricando la pompa e danneggiandola. Per la scelta dell'olio più indicato contattate il vostro Centro Assistenza Autorizzato.

Rifornimento dell'olio

Svitare il tappo serbatoio olio, riempite il serbatoio evitando di far fuoriuscire l'olio (se ciò avvenisse, pulite bene la macchina) e serrate bene il tappo.

G. MANUTENZIONE E CONSERVAZIONE

Prima di eseguire qualsiasi operazione di manutenzione o pulizia, rimuovere la spina dall'alimentazione.

ATTENZIONI In caso di lavoro in ambienti particolarmente sporchi o polverosi, le operazioni descritte vanno eseguite con frequenza maggiore di quella indicata.

Prima di ogni utilizzo

Controllate che la pompa olio catena funzioni correttamente: puntate la barra verso una superficie chiara, ad una ventina di centimetri di distanza; dopo un minuto di funzionamento della macchina la superficie dovrà presentare evidenti tracce d'olio (**fig.1**). Controllate che per inserire o disinserire il freno catena non sia necessaria una forza eccessiva, insufficiente e che non sia bloccato. Poi controllate il funzionamento come indicato: disinserite il freno catena, impugnate correttamente la macchina e azionatela, inserite il freno catena spingendo la protezione anteriore della mano con il polso/braccio sinistro, senza mai lasciare le impugnature (**fig.2**). Se il freno catena funziona, la catena si deve bloccare immediatamente. Controllate che la catena sia affilata (vedere sotto), in buono stato e tesa correttamente, nel caso fosse usata irregolarmente o avesse il dente di taglio di soli 3mm, sostituirla (**fig.3**).

Pulite le fessure di ventilazione frequentemente, per evitare che il motore si surriscaldi. (**fig 4**).

Controllate il funzionamento dell'interruttore e blocco interruttore (da effettuare con il freno catena disinserito): azionate l'interruttore e il blocco interruttore e controllate che ritornino in posizione di riposo non appena vengono rilasciati; verificate che, senza azionare il blocco interruttore, sia impossibile azionare l'interruttore.

Controllate che il perno ferma catena e la protezione mano destra siano integri e senza difetti apparenti, quali lesioni nel materiale.

Ogni 2-3 ore di utilizzo

Controllate la barra, se necessario pulitene accuratamente i fori di lubrificazione (**fig.5**) e la scanalatura di guida (**fig.6**), nel caso quest'ultima fosse usurata o presentasse solchi eccessivi sostituirla. Pulire periodicamente il pignone motore e controllare che non sia stato soggetto a usura eccessiva. (**fig.7**). Ingrassate la rotella di punta della barra con grasso per cuscinetti attraverso il foro indicato (**fig.8**).

Affilatura catena (Quando Necessario)

!Se la catena non taglia senza dover premere la barra contro il legno e produce segatura molto fine, è segno che non è affilata bene. Se il taglio non produce segatura, la catena ha perso completamente il filo e nel tagliare polverizza il legno. Una catena ben affilata avanza da sola nel legno e produce trucioli grossi e lunghi.

La parte tagliente della catena è costituita dalla maglia di taglio (**fig.9**), con un dente di taglio (**fig.10**) e un delimitatore di taglio (**fig.11**). Il dislivello tra questi determina la profondità di taglio; per ottenere una buona affilatura servono un guida lima e una lima tonda di diametro 4mm, seguite le seguenti indicazioni: con la catena montata e correttamente tesa inserite il freno catena, posizionare il guida lima come in figura, perpendicolarmente alla barra (**fig.12**), e operate sul dente di taglio con le angolazioni indicate in figura (**fig.13**), affilando sempre dall'interno verso l'esterno e allentando la pressione in fase di ritorno (è molto importante rispettare le indicazioni: angoli di affilatura eccessivi, insufficienti o un diametro della lima sbagliato aumentano la tendenza al contraccolpo di reazione). Per ottenere angoli laterali più precisi si consiglia di posizionare la lima in modo che superi verticalmente il tagliente superiore di circa 0,5 mm. Affilate prima tutti i denti di un lato, poi girate la macchina e ripetete l'operazione. Accertatevi che dopo l'affilatura i denti siano tutti di uguale lunghezza e che l'altezza dei delimitatori di profondità sia 0,6mm al di sotto del tagliente superiore: controllate l'altezza usando la dima limate (con una lima piana) la parte sporgente, arrotondate poi la parte anteriore del delimitatore di profondità (**fig.14**), facendo attenzione a NON limare anche il dente di protezione anticcontraccolpo (**fig.15**).

Ogni 30 ore di utilizzo

Portate la macchina da un Centro Assistenza Autorizzato per una revisione generale e un controllo dei dispositivi frenanti.

Conservazione

Conservare il prodotto in un luogo fresco e asciutto, e fuori dalla portata dei bambini.

Non conservare in ambienti esterni.

H. TECNICHE DI TAGLIO

Durante l'uso, evitare: (fig.1)

- Di tagliare in situazioni in cui il tronco potrebbe spezzarsi durante il taglio (legna in tensione, alberi secchi, etc.): una rottura improvvisa può essere molto pericolosa.

- Che la barra o la catena si incastrino nel taglio: se dovesse succedere, scollegate la macchina dalla rete e cercate di sollevare il tronco facendo leva con uno strumento adatto; non tentate di liberare la macchina scuotendo o tirando perché potreste rischiare di danneggiarla o di farvi male.

- Situazioni che potrebbero favorire l'insorgere del contraccolpo di reazione.

- usare l'apparecchio sollevandolo oltre l'altezza della spalla

- tagliare legni contenenti corpi estranei, p.e. chiodi

Durante l'uso: (fig.1)

- Se tagliate su terreno in pendenza lavorate a monte del tronco, in modo tale che non vi possa colpire nel caso dovesse rotolare.

- In caso di abbattimento terminate sempre il vostro lavoro: un albero parzialmente abbattuto potrebbe rompersi.

- Al termine di ogni taglio avvertirete un notevole cambiamento nella forza necessaria per reggere la macchina, fate molta attenzione per non perderne il controllo.

Nel testo seguente ci riferiremo a questi due tipi di taglio:

Il taglio con catena a tirare (dall'alto verso il basso) (**fig.2**), che presenta il rischio di un improvviso spostamento della macchina verso il tronco con conseguente perdita di controllo, se possibile utilizzate l'arpione durante il taglio.

Il taglio con catena a spingere (dal basso verso l'alto) (**fig.3**): presenta invece il rischio di un improvviso spostamento della macchina verso l'operatore, con il rischio di colpirla, o di impatto del settore di rischio con il tronco con conseguente contraccolpo di reazione; prestate molta attenzione durante il taglio.

Il modo più sicuro di utilizzare la macchina è con la legna bloccata sul cavalletto, tagliando dall'alto verso il basso e lavorando al di fuori del supporto. (**fig.4**)

Uso dell'arpione

Quando possibile utilizzate l'arpione per un taglio più sicuro: piantatelo nella corteccia o nella parte superficiale del tronco, in modo da conservare più facilmente il controllo della macchina.

Di seguito sono riportate le procedure tipiche da adottarsi in determinate situazioni, di volta in volta sarà però il caso di valutare se si adattino o meno al vostro caso e come eseguire il taglio con il minor rischio possibile.

Tronco per terra (Rischio di toccare il suolo con la catena alla fine del taglio). (fig.5)

Tagliate dall'alto verso il basso attraverso tutto il tronco. Procedete con cautela alla fine del taglio per evitare che la catena incontri il terreno. Se vi è possibile terminate a 2/3 dello spessore del tronco, ruotate il tronco e tagliate la parte rimanente dall'alto verso il basso, per limitare il rischio di contatto con il terreno

Tronco appoggiato da una parte sola (Rischio di rottura del tronco durante il taglio) (fig.6) Cominciate il taglio dal di sotto fino a circa 1/3 del diametro, terminate poi da sopra, andando a incontrare il taglio già eseguito

Tronco appoggiato alle due estremità (Rischio di schiacciamento della catena.) (fig.7) Cominciate il taglio dal di sopra per circa 1/3 del diametro, terminate da sotto andando a incontrare il taglio già eseguito

Tronco su una superficie in pendenza. Rimanere sempre sul lato in salita del tronco. Quando il tronco viene tagliato, al fine di mantenere un controllo completo, rilasciare la pressione prima della fine del taglio senza mollare la presa dalle impugnature dell'elettrosega. Non lasciare che la catena entri in contatto con il suolo.

Abbattimento

ATTENZIONI! Non tentate di abbattere se non avete l'esperienza necessaria, e in ogni caso non abbattete mai tronchi con un diametro maggiore della lunghezza della barra! Questa operazione è riservata ad utilizzatori esperti e con attrezzatura adeguata.

Lo scopo dell'abbattimento è di far cadere l'albero nella miglior posizione possibile per la successiva sramatura e il sezionamento del tronco. (Evitate che un albero in caduta vada ad impigliarsi in un altro: far cadere un albero impigliato è un'operazione molto pericolosa).

Dovete decidere la direzione migliore di caduta valutando: cosa c'è attorno all'albero, la sua inclinazione, curvatura, la direzione del vento e la concentrazione dei rami.

Non trascurate neppure la presenza di rami morti o spezzati che potrebbero staccarsi durante l'abbattimento e rappresentare un pericolo.

ATTENZIONE! Durante operazioni di abbattimento in condizioni critiche, sollevate immediatamente le protezioni acustiche dopo il taglio, in modo da poter percepire rumori insoliti ed eventuali segnali di avvertimento.

Operazioni preliminari al taglio e individuazione della via di fuga

Eliminate i rami che ostacolano il lavoro (fig.8), cominciando dall'alto verso il basso e mantenendo il tronco tra voi e la macchina, eliminate i rami più difficili in seguito, pezzo per pezzo. Eliminate la vegetazione intorno all'albero e osservate gli eventuali ostacoli presenti (pietre, radici, fosse ecc.) nel pianificare il vostro percorso di fuga (da sfruttare durante la caduta dell'albero); fate riferimento alla figura (fig.9) per la direzione da tenere (A direzione prevista di caduta dell'albero. B.Via di Fuga C. Zona a rischio)

ABBATTIMENTO (fig.10)

Per assicurarvi il controllo della caduta dell'albero dovete eseguire i seguenti tagli:

Il taglio direzionale, da eseguirsi per primo, serve a controllare la direzione di caduta dell'albero: eseguite prima la PARTE SUPERIORE del taglio direzionale sul lato verso cui l'albero va abbattuto. State a destra della pianta e tagliate con la catena a tirare; eseguite poi la PARTE INFERIORE del taglio, che deve terminare alla fine della parte superiore. La profondità del taglio direzionale deve essere di 1/4 del diametro del tronco, con un angolo tra il taglio superiore e quello inferiore di almeno 45°. L'incontro tra i due tagli è chiamato "linea del taglio direzionale". La linea deve essere perfettamente orizzontale e ad angolo retto (90°) rispetto alla direzione di caduta.

Il taglio di abbattimento, con lo scopo di provocare la caduta dell'albero, va eseguito a 3-5 cm al di sopra della parte inferiore del piano della linea del taglio direzionale, e terminare a una distanza di 1/10 del tronco da questo. State sulla sinistra dell'albero e tagliate con la catena a tirare, utilizzando l'arpione. Controllate che l'albero non si muova in direzione diversa da quella prevista per la caduta. Appena possibile inserite un cuneo di abbattimento nel taglio. La parte di tronco non tagliata si dice fulcro, ed è la "cerniera" che guida l'albero nella caduta; nel caso sia insufficiente, non rettilineo, o segato completamente non si potrà più controllare la caduta dell'albero (molto pericoloso!) per questo è necessario che i vari tagli siano eseguiti con precisione.

Al termine dei tagli, l'albero deve cominciare a cadere, se dovesse servire aiutatelo con un cuneo o una leva di abbattimento.

Sramatura

Una volta abbattuta la pianta si passa alla sramatura, cioè all'eliminazione dei rami dal tronco. Non sottovalutate questa operazione, perché la maggior parte degli incidenti da contraccolpo di reazione avviene proprio durante la sramatura, per questo fate attenzione alla posizione della punta della lama durante il taglio e lavorate dalla parte sinistra del tronco.

I. ECOLOGIA


In questo capitolo troverete informazioni utili per mantenere le caratteristiche di eco compatibilità pensate in fase di sviluppo della macchina, il corretto uso della macchina e lo smaltimento degli oli.

UTILIZZO DELLA MACCHINA

Le operazioni di riempimento del serbatoio olio devono essere effettuate in modo da non provocare la dispersione nell'ambiente dell'olio catena.

ROTTAMAZIONE

Non disperdere nell'ambiente la macchina non più funzionante ma consegnarla agli enti autorizzati per lo smaltimento dei rifiuti, secondo quanto previsto dalle normative vigenti.

Il simbolo  che appare sul prodotto o sulla confezione indica che il prodotto non può essere smaltito come rifiuti domestici. Invece deve essere consegnato all'inerente punto di raccolta per il riciclo di apparecchi elettrici o elettronici. Assicurandosi che questo prodotto venga smaltito correttamente, si aiuta a prevenire potenziali conseguenze negative per l'ambiente e per la sanità delle persone, che potrebbero altrimenti essere causate con l'incorretto smaltimento di questo prodotto.

Per ulteriori informazioni dettagliate sullo smaltimento, si prega contattare il locale comune, il servizio dello smaltimento dei rifiuti oppure il negozio dove il prodotto è stato acquistato.

J. TABELLA DI RICERCA GUASTI

	Il motore non parte	Il motore gira male o perde potenza	La macchina si avvia ma non taglia correttamente	Il motore gira in modo anomalo	I dispositivi frenanti non bloccano correttamente la rotazione della catena
Accertatevi della presenza di corrente nella rete	●				
Verificate che la spina inserita correttamente	●				
Verificate che né il cavo, né la prolunga siano danneggiati	●				
Verificate che il freno catena non sia inserito	●				
Controllare che la catena sia montata e regolata correttamente		●	●		
Controllate la lubrificazione della catena come descritta ai capitoli F e G			●		
Controllate che la catena sia affilata			●		
Controllare che il termointerruttore sia attivato	●				
Rivolgetevi ad un Centro Assistenza Autorizzato	●	●		●	●

K. PARTI DI RICAMBIO

35cm	Catena	91PJ052XN	Codice articolo:	530051538
	Barra guida		Codice articolo:	576965401
40cm	Catena	91PJ056XN	Codice articolo:	530051539
	Barra guida		Codice articolo:	576965201

L. EC DICHIARAZIONE DI CONFORMITÀ

Husqvarna AB, S-561 82, Huskvarna, Sweden

Dichiariamo sotto la nostra esclusiva responsabilità che il prodotto

Categoria.....**Chainsaw - Elettrosega**

Tipo.....**CSE1835, CSE1935S, CSE2040, CSE2040S**

Identificazione serie.....**Vedi Etichetta Dati Prodotto**

Anno di costruzione.....**Vedi Etichetta Dati Prodotto**

è conforme ai requisiti e alle disposizioni essenziali delle seguenti direttive CEE:

2006/42/EC, 2004/108/EC, 2000/14/EC, 2011/65/EU

in base ai seguenti standard armonizzati UE applicati:

EN60745-1, EN60745-2-13, EN55014-2, EN55014-1, EN61000-3-2, EN61000-3-11

Organismo notificato che ha condotto l'esame tipo CEE

in base all'articolo 8 sezione 2c..... TÜV Rheinland LGA Products GmbH
Tillystraße 2
D-90431 Nürnberg
Germany
Certificato n° BM 50268379

Il livello massimo di pressione sonora ponderato $A_{L_{pA}}$ nella postazione di lavoro, misurato secondo la norma

EN60745-2-13 è riportato in tabella.

Il livello massimo del valore ponderato a_{h1} per la vibrazione mano/braccio misurato secondo la norma EN60745-2-13 è riportato in tabella.

Il valore delle vibrazioni totale dichiarato è stato misurato in base a un metodo di verifica standard e può essere usato per eseguire confronti tra apparecchi.

Il valore delle vibrazioni totale dichiarato può anche essere utilizzato per la valutazione preliminare dell'esposizione.

Attenzione:

l'emissione di vibrazioni durante l'utilizzo effettivo dell'apparecchio elettrico può discostarsi dal valore totale dichiarato a seconda dei metodi di utilizzo dell'apparecchio elettrico.

Gli operatori devono identificare le misure di sicurezza idonee alla protezione personale in base alla stima dell'esposizione nelle condizioni effettive di utilizzo dell'apparecchio elettrico (tenendo conto di tutte le parti del ciclo operativo, tra cui i momenti in cui l'apparecchio viene spento o resta acceso, ma non utilizzato oltre al tempo totale effettivo giornaliero di contatto dell'interruttore).

2000/14/CEE: il livello di potenza sonora L_{WA} misurata e i valori di potenza sonora L_{WA} garantiti corrispondono alle cifre riportate nelle tabelle.

Procedura di valutazione dalla conformità..... Annex V

Ulm 12/02/2013

P. Lamelli

Direttore globale R&D – A mano

Prossessore della documentazione tecnica



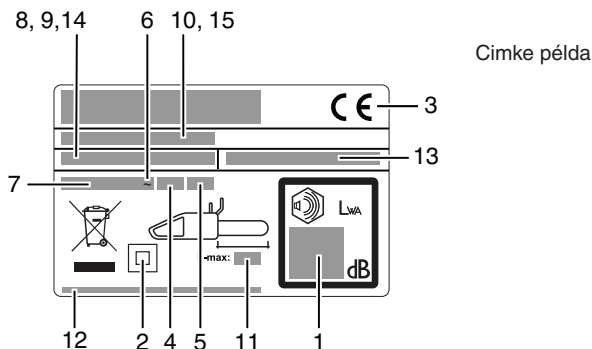
Tipo (CSE_____)	1835	1935S	2040	2040S
Peso a secco(Kg)	4.3	4.5	4.4	4.6
Alimentazione (kW)	1.8	1.9	2.0	2.0
Capacità serbatoio olio (cm ³)	240	240	240	240
Lunghezza massima della barra guida (cm)	35	35	40	40
Passo catena (mm)	9.52	9.52	9.52	9.52
Spessore catena (mm)	1.3	1.3	1.3	1.3
Potenza sonora misurata L_{WA} (dB(A))	106	106	106	106
Potenza sonora garantita L_{WA} (dB(A))	110	110	110	110
Pressione Sonora L_{pA} (dB(A))	95	95	95	95
Incertezza K_{pA} (dB(A))	2.5	2.5	2.5	2.5
Vibrazione mano / braccio a_{h1} (m/s ²)	7.28	7.28	8.08	8.08
Incertezza K_{a1} (m/s ²)	1.5	1.5	1.5	1.5
Valore massimo dell'impedenza Z_{max} (Ω)	0.382	0.382	0.382	0.382

Chiarazione di conformità alla norma EN 61000-3-11

In base alle caratteristiche della rete elettrica locale, l'utilizzo di questo prodotto può causare brevi cadute di tensione al momento dell'accensione. Ciò può influenzare altre apparecchiature elettriche, come ad esempio il momentaneo oscuramento di una lampada. Se il valore **massimo dell'impedenza (Z_{max})** della propria alimentazione elettrica è inferiore al valore mostrato nella tabella (applicabile al proprio modello), tali effetti non si verificano. Il valore dell'impedenza di rete può essere determinato contattando il proprio ente di fornitura elettrica.

A. ÁLTALÁNOS LEÍRÁS

- | | |
|--|---|
| <ol style="list-style-type: none"> 1) Hátsó markolat 2) Hátsó kézvédő 3) Elülső markolat 4) Elülső kézvédő/láncfék 5) Láncfeszítő külső gomb 6) Láncfeszítő csavar 7) Láncfeszítő csap 8) Olajtartály dugó 9) Olajszint kémlelőnyílás 10) Szellőzőnyílások 11) Tápvezeték 12) Kézikönyv 13) Indítógomb 14) Biztonsági kapcsoló 15) Láncc 16) Vezetőfog 17) Vágószem 18) Vágási mélységmérő | <ol style="list-style-type: none"> 19) Vágófog 20) Vezetőrúd 21) A hajtó lánckerék fedele 22) Hajtó lánckerék 23) Láncleállító 24) Vezetőlaprögztítő csavar 25) Lánctartót rögzítő belső gomb 26) Lánctartót rögzítő anya 27) Orrkerék 28) A vezetőrúd feделе 29) Karmos ütköző 30) Láncfeszítő csap helye 31) Kenőnyílás 32) A vezetőrúd hornya 33) Távtartó/csavarhúzó |
|--|---|



- 1) Garantált teljesítmény a 2000/14/EK irányelv szerint.
- 2) II. osztályú szerszám
- 3) CE jelölés EU megfeleléség
- 4) Névleges frekvencia
- 5) Névleges teljesítmény
- 6) Váltóáram
- 7) Névleges feszültség
- 8) Típus
- 9) Termékkód
- 10) Gyártási év
- 11) A vezetőrúd maximális hossza
- 12) Gyártó neve és címe
- 13) Cikkszám (Elektromos láncfűrész)
- 14) Modell
- 15) Sorozatszám

B. BIZTONSÁGI ELŐÍRÁSOK

SZIMBÓLUMOK



Figyelem!
Figyelmesen olvassa el
a kézikönyvet



**Biztonságvédelmi
csizma**



**Védősisak, fülvédő és
védőszemüveg vagy
védőárlarc**



Vágásálló kesztyű



**Vágásálló
hosszúnadrág**



**Fék kikapcsolva,
bekapcsolva**



**Azonnal húzza ki a dugót
a hálózathoz, ha a kábelt
megrongálta vagy
elvégtal**



**Ne legyen a közelben
senki!**



Vágófog iránya



**Mindig két kézzel
tartsa a gépet.**



**Visszacsapódási
reakció veszélye**



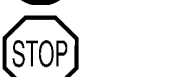
**Esőtől vagy
nedvességtől védve
tartandó**



Láncolaj



Ne tegye...



Kapcsolja ki a gépet



**Áramtalanítson
szabályozás vagy
tisztítás előtt!**



Áramütés veszély!

**Motoros készülékekkel kapcsolatos általános biztonsági
figyelmeztetések**

FIGYELEM! Olvasson el minden biztonsági
figyelmeztetést és utasítást!

A figyelmeztetések és utasítások be nem tartása áramütést,
tüzet és/vagy súlyos személyi sérülést okozhat.

**Őrizzen meg minden figyelmeztetést és utasítást
későbbi felhasználásra!**

A figyelmeztetésekben alkalmazott "motoros készülék"
kifejezés a hálózathoz (csatlakozó kábellel)
csatlakoztatható motoros és az akkumulátoros (vezeték
nélküli) készülékekre is vonatkozik.

1) A munkaterület biztonsága

a) Tartsuk a munkaterület tisztán, és jól világítsuk ki!
A rendezetlen vagy sötét területek a balesetek
gyakori forrásai.

**b) Ne üzemeltesse a motoros készülékeket
robbanásveszélyes légkörben, például gyúlékony
folyadékok, gázok vagy por esetén. A motoros
készülékek szikráznak, amelyektől a por vagy a
gökök meggyulladhatnak.**

**c) A gyermekek és közlekedő személyek távol
tartandók a motoros készülék üzemeltetése alatt. Ha
bármilyen elvonja a figyelmét, elveszitheti a készülék
feletti ellenőrzést.**

2) Elektromos biztonság

**a) A motoros készülék csatlakozó dugói feleljenek meg a
csatlakozó aljzatnak. Soha ne alakítsa át semmilyen
módon a csatlakozó dugót! Ne használjon semmilyen
adapter dugót földelt motoros készülékhez! A csatlakozó
dugó és a csatlakozó aljzat átalakítása növeli az áramütés
kockázatát.**

**b) Kerülje az érintkezést az olyan földelt felületekkel,
mint a csövezetékek, radiátorok, háztartási
készülékek és hűtőgépek. Nő az áramütés
kockázata, ha a földelt készülékekhez ér.**

**c) Ne tegye ki a motoros készülékeket eső vagy
nedvesség hatásának! A motoros készüléke
bekerülő víz növeli az áramütés kockázatát.**

**d) A zsinórt csak rendeltetészerűen használja! Soha
ne használja a zsinórt arra, hogy a motoros eszközt
a zsinómál fogva szállítsa, vonszolja, vagy a zsinórt
fogva húzza ki a dugóját a hálózati csatlakozóból!
Tartsa távol a zsinórt hőtől, olajtól, éles tárgyaktól
vagy mozgó részeketől. A sérült vagy megleteredett
zsinór megnöveli az áramütés kockázatát.**

**e) A motoros készülék szabad térben való
üzemeltetése során a szabadtéri használathoz
megfelelő hosszabbító kábelt használjon. A
szabadtéri használatra megfelelő kábel használata
csökkenti az áramütés kockázatát.**

**f) Ha a motoros készüléket nedves helyen kell
használni, a maradékáram elvén működő (RCD)
védőeszközt alkalmazzon! Az RCD alkalmazása
csökkenti az áramütés kockázatát.**

3) Személyi biztonság

**a) Mindig legyen éber, figyeljen oda arra, amit csinál,
józanésszel használja a motoros készüléket. Ne
használja a motoros készüléket, amikor fáradt, vagy
gyógyszerek, alkohol vagy kábítószer hatása alatt.
A motoros készülékek használata során a figyelem
egy pillanatnyi lankadása súlyos személyi
sérüléshez vezethet.**

- b) **Használjon személyi védőfelszerelést! Mindig védje a szemét!** *Az olyan védőeszközök, mint a porvédő maszk, a csúszásmentes biztonsági cipő, a sisak, vagy a fülvédő a megfelelő feltételek esetén, csökkentik a személyi sérülés kockázatát.*
- c) **Meg kell előzni a véletlen beindítást! Ügyeljen rá, hogy a kapcsoló ki legyen kapcsolva, mielőtt csatlakoztatja a készüléket az áramforráshoz és/vagy az akkumulátorhoz, amikor felemeli vagy egyik helyről a másikra viszi a készüléket!** *Ha úgy viszi egyik helyről a másikra a motoros készüléket, hogy az ujjá a kapcsolón van, vagy a kapcsolóra tett kézzel helyezi áram alá a motoros eszközöket, ez balesetet okozhat.*
- d) **Távolítson el minden szabályozó kulcsot vagy csavarkulcsot, mielőtt bekapcsolja a motoros készüléket!** *A motoros készülék forgó részén hagyott kulcs vagy csavarkulcs személyi sérülést okozhat.*
- e) **Ne hajoljon fölül! Mindig tartson megfelelő távolságot és egyensúlyt!** *Ez váratlan helyzetekben is jobb ellenőrzést biztosít a motoros eszköz felett.*
- f) **Ötözzön megfelelően! Ne viseljen laza ruházatot vagy ékszer!** *Tartsa távol a haját, a ruházatát és kesztyűjét a mozgó alkatrészektől!* *A laza ruhát, ékszert vagy a hosszú haját elkapathatják a mozgó alkatrészek.*
- g) **Ha a készülék fel van szerelve porvédő és gyújtó eszközzel, ügyeljen rá, hogy ezek megfelelően legyenek csatlakoztatva és felhasználva.** *A porgyűjtő használata csökkentheti a porral kapcsolatos kockázatokat.*
- 4) **A motoros készülék használata és kezelése**
- a) **Ne erőltesse a motoros készüléket!** **Rendeltetészerűen használja a motoros készüléket!** *A motoros készülék jobban és biztonságosabban működik az eredetileg tervezett sebességgel.*
- b) **Ne használja a motoros készüléket, ha a kapcsolója nem kapcsolódik be és kil!** *Ha a motoros készülék nem irányítható a kapcsolóval, ez veszélyes, és javítást igényel.*
- c) **Húzza ki az áramforrásból és/vagy az akkumulátorból a motoros készülék dugóját bármilyen szabályozás, a tartozékok cseréje vagy a motoros készülék tárolása előtt!** *Az ilyen megelőző biztonsági intézkedések csökkentik a motoros készülék véletlen beindulásának kockázatát.*
- d) **A leállított motoros készülékeket gyermekektől távol kell tárolni, és nem lehet megengedni a motoros készülék üzemeltetését olyan személyek számára, akik nem ismerik a motoros készülékeket, vagy ezeket az utasításokat.** *A motoros készülékek veszélyesek a hozzá nem értők kezében.*
- e) **A motoros készülékek karbantartást igényelnek.** **Ellenőrizzük, hogy a mozgó alkatrészek a helyükön vannak-e, vagy rögzítve vannak-e, vizsgáljuk meg, nincsenek-e törött alkatrészek, vagy bármi egyéb feltétel, amely befolyásolhatja a motoros készülék működését.** **Meghibásodás esetén használat előtt javíttassuk meg a motoros készüléket!** *Sok balesetet okozott a rosszul karbantartott motoros készülék.*
- f) **A vágó szerszámokat tartsuk élesen és tisztán!** **A megfelelően karbantartott vágó szerszámok, éles vágóélekkel, kevésbé hajlamosak az elgömbülésre, és könnyebben szabályozhatók.**
- g) **A motoros készüléket, a tartozékokat és szerszámokat stb. ezen utasítások szerint használjuk, figyelembe véve az üzemi feltételeket és a végzendő munkát!** *A motoros készülék nem rendeltetészerű használata veszélyt okozhat.*
5. Szerviz
- a) **A motoros készüléket szakképzett személyvel javíttassa, csak azonos pótalkatrészek felhasználásával!** *Ez biztosítja, hogy a motoros készülék továbbra is biztonságos.*

Láncfűrész biztonsági figyelmeztetések:

- **Minden tesztelését tartsa távol a láncfűrészről a láncfűrész használata közben.** **A láncfűrész bekapcsolása előtt ügyeljen rá, hogy a láncfűrész ne érintkezzen semmivel.** *A láncfűrész használata közben bármilyen figyelmetlenség oda vezethet, hogy a ruhája vagy testrésze beakad a láncfűrészbe.*
- **Mindig a jobb kezével a hátsó fogantyún tartsa a láncfűrész, és bal kézzel fogja az előlő fogantyút.** *A láncfűrész fordított helyzetben tartása fokozza a személyi sérülés kockázatát, ezért tilos!*
- **A motoros szerszámot csak a szigetelt markoló felületen fogja meg, mert a láncfűrész hozzáérhet a rejtett kábelhez vagy a saját tápszínórához.** *Az áram alatti vezetékhez érő láncfűrész tovább vezethetik az áramot a motoros szerszám alkatrészeire, és a kezelőnek áramütést okozhat.*
- **Viseljen biztonsági szemüveget és fülvédőt.** **Ajánljuk további védőfelszerelés használatát a fején, a kezén, a lábszáran és a lábfejen is.** *A megfelelő védőruházat csökkenti a szétrepülő törmelék okozta személyi sérülés vagy a láncfűrészrel való véletlen érintkezés kockázatát.*
- **Ne használja a láncfűrész fenn a fán.** *A fa tetején a láncfűrész használata személyi sérüléshez vezethet.*
- **Mindig megfelelő lábtartással használja a láncfűrész, úgy, hogy fixen alátámasztott, biztonságos és egyenesen felületen áll.** *A csúszós vagy labilis felületek, például létrák, egyensúlyvesztést és a láncfűrész feletti ellenőrzés elvesztését okozhatják.*
- **Ha feszültség alatt álló ágat vág, ügyeljen a visszacsapódásra.** *Ha a fa rostjaiban a feszültség megszűnik, a felcsapódó ág megütheti a láncfűrész kezelőjét, és/vagy elveszitheti a láncfűrész felett gyakorolt ellenőrzést.*
- **Legyen nagyon óvatos, amikor bokrokat és facsemetket nyír.** *A vékony faanyag beakadhat a láncfűrészbe, és Ön felé csaphat, vagy kibillentheti az egyensúlyiából.*
- **A láncfűrész kikapcsolt állapotban a mellő fogónál fogva, és a testétől távol tartva hordozza.** **Szállítás vagy tárolás közben a láncfűrészzen mindig legyen letakarva a vezetőrúd.** *A láncfűrész megfelelő kezelése csökkenti a véletlen baleset valószínűségét a láncfűrész hordozása közben.*
- **Tartsa be a kenési, láncfeszítési és a tartozékok cseréjére vonatkozó utasításokat.** *A nem megfelelően megfeszített vagy kent lánc eltérhet, vagy fokozhatja a visszarágás esélyét.*
- **Tartsa a fogókat szárazon, tisztán és mentesen bármiféle olajtól vagy zsírtól.** *A zsíros, olajos fogók csúszósak, s így elveszitheti a láncfűrész feletti ellenőrzést.*
- **Csak fát vágjon! Ne használja a láncfűrész más célra.** **Például: ne vágjon a láncfűrészrel műanyagot, téglát vagy fától eltérő építőanyagokat.** *A láncfűrész nem rendeltetészerű használata veszélyes helyzetet okozhat.*

A visszarágás okai és a megelőzése

Visszarágás akkor fordulhat elő, ha a vezetőrúd orra vagy csúcsa valamilyen tárgyba ütközik **(B3. Ábra)**, vagy ha vágás közben a fa beakad és eltömíti a láncot.

A csúcsnál az érintkezés bizonyos esetekben hirtelen válaszreakciót vált ki, ilyenkor visszarúg a vezetőrúd a kezelő felé.

A vezetőrúd tetejénél a láncfűrész elakadása a vezetőrudat gyors ütemben a kezelő felé nyomhatja. E reakciók bármelyike esetén elvészethi az ellenőrzést a láncfűrész felett, ami súlyos személyi sérülést okozhat. Ne támaszkodjon kizárólag a láncfűrészbe beépített biztonsági eszközökre. A láncfűrész üzemeltetőjeként több lépést is kell tennie a balesetmentes vagy biztonságos fűrészelés érdekében.

A visszarúgás a szerszám nem rendeltetésszerű és/vagy helytelen üzemeltetésének vagy feltételeinek következménye, és elkerülhető az alábbi megfelelő óvintézkedések foganatosításával:

- **Tartsa erősen a markolatot, a hüvelykujjait és a többi ujját a láncfűrész fogó köré helyezve, két kézzel tartsa a láncfűrész, és úgy tartsa a testét és a karját, hogy a visszarúgó erőknél ellen tudjon állni.** *A visszarúgó erőket a kezelő szabályozhatja, ha megfelelő óvintézkedéseket tesz. Ne hagyja, hogy elszabaduljon a láncfűrész.*
- **Ne nyúljon túl magasra, és ne vágjon a láncfűrészrel vállmagasság felett.** *Ez segít megelőzni a csúcs nem kívánatos érintkezését, és áratlan helyzetekben is lehetőséget nyújt a láncfűrész jobb szabályozására.*
- **Csak a gyártó által megadott csere rudakat és láncokat használja.** *A helytelenül kicserélt rudak és láncok a lánc törését és/vagy visszarúgást okozhatnak.*
- **Kövesse a gyártónak a lánc élezésére és karbantartására vonatkozó utasításait.** *Ha a mélységmérő nincs lekenve a kellő magasságban, ez fokozott visszarúgáshoz vezethet.*

További biztonsági ajánlások

1. **Használati utasítás.** A gépet kezelő minden személynek a legnagyobb figyelemmel el kell olvasnia a használati utasítást. A használati utasítást mellékelni kell a géphez értékesítés esetén, vagy ha kölcsönadják a gépet más személynek.
2. **Óvintézkedések a gép használatba vétele előtt.** Soha ne engedje, hogy ezt a gépet bárki olyan személy használja, aki nem ismeri teljesen a használati utasításokat. A tapasztalatlan személyeknek előbb megfelelő felügyelet mellett be kell gyakorolniuk a láncfűrész használatát.
3. **Ellenőrző vizsgálatok.** A kellő gondossággal ellenőrizze a gépet minden használat előtt, különösen, ha erős ütés hatásának volt kitéve, vagy ha a meghibásodás bármilyen jelét mutatja. Végezze el a "Karbantartás és tárolás – minden használat előtt" c. fejezetben leírt összes műveletet.
4. **Karbantartás és javítás.** A gép minden személyesen kicserélhető alkatrészét egyértelműen ismerteti a használati utasítás "Összeszerelés/szét szerelés" c. része. Szükség esetén a gép minden más alkatrészét kizárólag a Meghatalmazott Szervizközpont cserélheti ki.
5. **Ruházat (1. Ábra).** A gép használata során a felhasználónak a következő jóváhagyott egyéni védőruházatot kell viselnie: szorosan záródó védőruházat, csúszmentes talppal, útésálló lábujj védelemmel ellátott és átvághatatlan biztonsági bakancs, átvághatatlan vibráció-védő kesztyű, védőszemüveg vagy biztonsági szemellenző, fülvédő tappancsok és sisak (ha fennáll a leeső tárgyak veszélye). Mindezek beszereshetők a munkaruha szállítótól.

6. **Egészségügyi óvintézkedések – Vibráció és zajszintek.** Úgyeljen a közvetlen környezetében a zajkorlátozásra. A gép tartós használata a felhasználót vibráció hatásának teszi ki, aminek következtében felléphet a "felpörögő jelenség" (Raynaud-féle jelenség), a Carpalis alagút szindróma és hasonló zavarok.

7. **Egészségügyi óvintézkedések – Kémiai hatóanyagok.** A gyártó által jóváhagyott olajat használja kenésre.

8. **Egészségügyi óvintézkedések – Hő.** A használat során a lánckerék és a lánc nagyon fellemelegszik, vigyázzon rá, hogy ne nyúljon ezekhez az alkatrészekhez, amíg forróak.

9. **FIGYELEMI** A működés során ez a gép elektromágneses mezőt hoz létre. Ez a mező bizonyos esetekben interferenciába léphet bizonyos aktív vagy passzív orvosi implantátumokkal. A súlyos vagy halálos sérülés elkerülése érdekében az orvosi implantátumokkal rendelkező személyek a gép működtetése előtt forduljanak orvoshoz vagy az implantátum gyártójához.

Szállítási és tárolási óvintézkedések (2. Ábra).

Minden alkalommal, amikor más helyszínre megy át, húzza ki a készülék csatlakozóját a hálózathoz, és kapcsolja be a láncfék kapot. Szállítás vagy tárolás előtt minden alkalommal tegye fel a vezetőrúd fedelét. Kézben mindig úgy vigye a készüléket, hogy a rúd hátrafelé nézzen, vagy amikor járműben szállítja a készüléket, mindig megbízhatóan rögzítse a meghibásodás megelőzése céljából.

Visszarúgási reakció (3. Ábra). A visszarúgási reakció abból áll, hogy a rúd a felhasználó irányában felfelé és hátrafelé nagy erővel üt. Ez általában akkor történik, ha a rúd orrának felső része (ennek neve „visszarúgási veszélyzóna”) (lásd a vörös jelölést a vezetőrúdon) valamilyen tárgyba ütközik, vagy ha a lánc elakad a fában. A visszarúgás következtében elvészethi a készülék feletti ellenőrzést, ami veszélyes, sőt, halálos balesethez is vezethet. A láncfék kar és más biztonsági eszköz nem elegendő rá, hogy védje a felhasználót a sérüléstől: a felhasználónak ismernie kell az ilyen reakciót esetlegesen kiváltó feltételeket, és meg kell akadályoznia azzal, hogy nagy figyelmet fordít erre a tapasztalatok szerint, a készülék óvatossá és megfelelő kezelésével együtt (például: soha ne vágjon több ágat egyszerre, mivel ez balesetet okozhat a "visszarúgási veszélyzónában").

A munkaterület biztonságá

1. Soha ne engedje, hogy az ezen utasításokat nem ismerő gyermekek vagy más személyek használják a készüléket. A helyi szabályzat minimális korhatárt is előírhat a kezelő személy tekintetében.
2. A készüléket csak az ezen utasításban leírt módon és funkcióban használja.
3. Minden veszélyforrás tekintetében gondosan ellenőrizze az egész munkaterületet (pl.: kőzetek, átjárók, elektromos kábelek, veszélyes fák stb.).
4. A munkaterületről távolítson el minden más személyt és állatot (szükség esetén kerítse körül a területet és tegyen ki figyelmeztető jelzéseket) a fatörzs magasságának minimum 2,5-szeres távolságán; de legalább tíz méterre.
5. A készülék kezelője vagy felhasználója felel a személyi sérülésekért, vagy a vagyoni kárért, vagy az ilyen veszélyekért.

Elektromos biztonság

1. Ajánljuk a 30 mA-t meg nem haladó küszöbáramú maradékáram-működtetésű megszakító (Residual Current Device, R.C.D.) használatát. Még R.C.D. készülék mellett sem garantálható 100 %-os biztonság, és mindig be kell tartani a biztonságos munkavégzési gyakorlatot. Minden használatkor ellenőrizze az R.C.D. készüléket.
2. Használat előtt vizsgálja meg a kábelt, nem sérült-e, cserélje ki a sérülés vagy elavulás bármilyen jele esetén.
3. Ne használja a készüléket, ha az elektromos kábelek sérültek vagy kopottak.
4. Haladéktalanul áramtalanítsa a készüléket, ha a kábel el van vágva, vagy a szigetelés sérült. Ne nyúljon az elektromos kábelhez, amíg nem áramtalanította a készüléket. Ne javítsa ki az elvágott vagy sérült kábelt. Vigye el a készüléket az Meghatalmazott Szervizközpontba, és cseréltesse ki a kábelt.
5. A hosszabbító kábelt teljesen le kell tekerni vagy tekerceselni, a feltekert vagy feltekercselt kábel túlmelegedhet és csökkentheti a fűnyíró hatékonyságát.
6. Mindig ügyeljen rá, hogy a kábel/hosszabbító zsinór a felhasználó mögött legyen, ügyelve rá, hogy ne képezzen veszélyforrást a felhasználó vagy mások számára, és ellenőrizze, hogy nem sérült-e (hő, éles tárgyak, éles szélek, olaj stb. hatására).
7. Úgy fedtesse a kábelt, hogy ne akadjon be az ágakba és hasonlóka fűrészelés közben.
8. Mindig áramtalanítsa a készüléket, mielőtt levesz bármilyen dugót, kábelcsatlakozót vagy hosszabbító kábelt.
9. Kapcsolja ki, húzza ki a dugót a hálózati csatlakozóból és vizsgálja meg az elektromos tápkábelt, nincs-e rajta sérülés vagy öregedés nyoma, mielőtt feltekéri a kábelt tárolás céljából. A sérült kábelt ne javítsa meg. Vigye el a készüléket a Meghatalmazott Szervizközpontba, és javíttassa meg a kábelt.

10. Húzza ki a dugót a hálózati csatlakozó aljzatból, mielőtt bármilyen időszakra is felügyelet nélkül hagyja a készüléket.
11. Mindig óvatosan tekerje fel a kábelt, ügyelve rá, hogy ne legyen rajta törés.
12. Csak a készülék gyári tábláján feltüntetett váltakozó áramú hálózati feszültségbe csatlakoztassa a készüléket.
13. A láncfűrész kettős szigeteléssel van ellátva az EN60745-1 és EN60745-2-13 szerint. Földelést a készülék bármely részéhez csatlakoztatni mindenkor tilos!

Kábelek

1. A hálózati kábelek és a hosszabbító kábelek beszerezhetők a helyi Meghatalmazott Szervizközpontból.
2. Csak a jóváhagyott hosszabbító kábeleket használja.
3. A hosszabbító kábeleket és vezetéseket csak akkor lehet használni, ha kültéri használatra szolgálnak.
4. Ha hosszabbító kábelt kíván használni a termék működtetésekor, akkor csak a következő kábel méretek használhatók:

CSE1835, CSE1935S modellek:

- 5,0 mm² : max hossz 40 m
- 5,0 mm² : max hossz 60 m
- 8,0 mm² : max hossz 100 m

CSE2040, CSE2040S modellek:

- 5,0 mm² : max hossz 50 m
- 8,0 mm² : max hossz 90 m

C. A BIZTONSÁGVÉDELMI FELSZERELÉSEK LEÍRÁSA

BIZTONSÁGI KAPCSOLÓ

Gépén egy szerkezet található (1. ábra) mely, ha nincs bekapcsolva, megakadályozza az indítógomb lenyomását, így véletlenül sem fogja tudni üzemeltetni a gépet.

LÁNCFÉK AZ INDÍTÓGOMB ELENEDÉSEKOR

Gépén egy olyan szerkezet van, amely az indítógomb elengedésekor azonnal leállítja a láncot; ha ez a szerkezet nem működik, akkor ne használja a gépet, hanem azonnal vigye egy márkaszervizbe.

LÁNCFÉK / ELÜLSŐ KÉZVÉDŐ

Az elülső kézvédőnek (2. ábra) az a feladata, hogy megakadályozza (a markolat helyes megragadásakor), hogy bal keze a lánchoz érjen. Ezen túl az elülső kézvédő segítségével bekapcsolhatja a láncféket, mely visszacsapódás esetén a másodperc tört része alatt leállítja a láncot. A láncfék akkor van kikapcsolva, ha az elülső kézvédő hátrahúzza és rögzítve van (a lánc mozoghat). A láncfék akkor van bekapcsolva, ha az elülső kézvédő előre van tolvá (a lánc rögzítve van). A láncfék a bal dugattyúcsap előre tolásával aktiválható, vagy amikor a dugattyúcsap érintkezik az elülsőkézvédővel a visszarúgás következtében.

Amikor a gépet a rúddal vízszintes helyzetben használják, például fadótnés közben, a láncfék kisebb védelmet biztosít (3. Ábra).

MEGJEGYZÉS: A láncfék bekapcsolása esetén egy biztonsági berendezés a motort lekapcsolja az áramról.

⚠ A kapcsoló lenyomása közben a láncfék kioldása elindítja a gépet.

LÁNCLEÁLLÍTÓ

Ez a gép láncfogóval (4. Ábra) van felszerelve, ez a lánckerék alatt található. Ez a mechanizmus arra szolgál, hogy leállítsa a hátrafelé irányuló láncmozgást a lánc törése vagy a sínből való kiugrása esetén.

Az ilyen helyzet elkerülhető a lánc megfelelő feszességének biztosításával (Lásd a "D. Összeszerelés/szét szerelés" c. fejezetet).

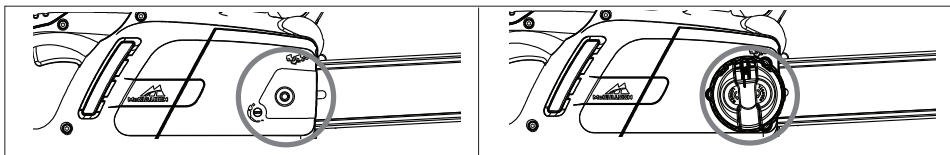
JOBB KÉZ HÁTSÓ VÉDŐJE

A kéz védelmére szolgál a lánc megugrása vagy elszakadása esetén (5. ábra).

D. FELSZERELÉS / LESZERELÉS

VEZETŐLAP ÉS LÁNC FELSZERELÉSE

Gépének modellje szerint a felszerelési eljárás változik, tehát figyelmesen nézze meg a termék címkéjén található ábrákat és a típusjelt), csak nagyon figyelmesen dolgozva végezheti el helyesen a szerelési munkákat .



1. Ellenőrizze, hogy a láncfék ki lett-e kapcsolva, ha nincs, kapcsolja ki

2a. Csavarozza ki az anyát tartó rudat, és vegye le a hajtó lánckerék fedelét.

2b. Csavarozza ki a nyomógombot tartó rudat, és vegye le a hajtó lánckerék fedelét.

3 Tegye a láncot a rúdra, a lánckerék csúcánál kezdve, a vezetőrúd hornyába helyezve. **Figyelem!** Ügyeljen rá, hogy a vágófogak homlokfelületének éles oldala előre menetben a rúd felső részén van. Viseljen védőkesztyűt!

4a. Ügyeljen rá, hogy a láncfeszítő tű lehetőleg minél hátrább legyen a hajtó lánckerék felé. Tegye a rúdra a rúdtartó csavart és a láncfeszítő tűt, és helyezze a láncot a hajtó lánckerékre

4b. Az óramutató járásával ellentétes irányban fordítsa el a fém görgető kereket, ameddig lehet. Tegye a rúdra a rúdtartó csavart és helyezze a láncot a hajtó lánckerékre.

Tegye vissza a hajtó lánckerék fedelét, ügyelve rá, hogy a lánc hajtó fogai belekapcsolódjanak a hajtó lánckerékbe és a vezető horonyba.

5a. A lánc tartó anyát kézzel jól húzza meg!

5b. A gombot rögzítőrudat jól húzza meg!

6a. A lánc megfeszítése céljából a láncfeszítősavart az óramutató járásával megegyezőirányban csavarozza a mellékelt távtartó/csavarhúzó segítségével. A feszesség csökkentése céljából csavarja az óramutató járásával ellentétes irányban (e mivelet közben a lánc tartó orrának felfelé kell néznie).

6b. A lánc megfeszítéséhez csavarja a láncfeszítőkülső gombot az óramutató járásával megegyezőirányban. A feszesség csökkentéséhez csavarja az óramutató járásával ellentétes irányban (e mivelet közben a lánc tartó orrának felfelé kell néznie).

7. Feszítse meg a láncot, amíg eléri a megfelelőfeszességet. Húzza el a láncot a lánc tartótól, és ügyeljen rá, hogy kb. 2-3 mm legyen a hézag!

8a. Húzza meg a lánc tartó anyát a mellékelt távtartó/csavarhúzó segítségével.

8b. Húzza meg a lánc tartót, hogy biztonságosan rögzítve legyen!

A lánc túlságos kifeszítése megterheli és károsíthatja a motort, míg ha nem feszíti ki jól, akkor elmozdulhat a helyéről; a helyes láncfeszesség jó vágási eredményt és a lánc hosszabb élettartamát biztosítja. Gyakran ellenőrizze a láncfeszességet, mert használat közben meglazul (ez főleg igaz új lánc esetén), az első használatkor 5 perces üzemelés után végezze el az ellenőrzést); minden esetben ne feszítse újra a láncot azonnal, hanem várja meg, hogy lehűljön. Ha a láncfeszességet kell szabályoznia, akkor mindig előbb lazítsa meg a vezetőlaprögzítő csavaranyákat/gombot, majd ezután dolgozzon a láncfeszítő csavarokkal/gombbal; feszítse ki a láncot és húzza meg ismét a vezetőlap rögzítő csavaranyákat/gombot.

E. BEINDÍTÁS ÉS LEÁLLÍTÁS

Indítás: fogja meg mindkét fogantyút erősen, engedje ki a láncfék karját, ügyelve rá, hogy a keze az elsőfogantyún legyen, nyomja le és tartsa lenyomva a kapcsolóblokkot, majd nyomja le a kapcsolót (ekkor a kapcsoló blokkot fel lehet engedni).

Leállítás: A gép leáll, amikor elengedi az indítógombot. Ha a gép nem áll le, akkor kapcsolja be a láncfékét, húzza ki a vezeték a hálózatról és vigye el a gépet egy márkaszervizbe.

F. VEZETŐLAP ÉS LÁNC KENÉSE

FIGYELEM! A vágószerszám nem megfelelő kenése a lánc elszakadását eredményezi, ami súlyos, olykor halálos balesethez vezethet.

A vezetőlap és a lánc kenését egy automata szivattyú végzi

Rehát ne zárja el teljesen a szivattyút és a "Karbantartás" részben nézze meg, mikor elégséges a láncolaj adagolása.

A láncolaj kiválasztása

Kizárólag jó viszkozitású, új olajat használjon (melyet láncolajozáshoz árulnak): jó tapadóképeséggel és csúszással kell rendelkeznie mind nyáron, mind télen. Ha nem tud beszerezni láncolajat, akkor vásároljon EP 90-es hajtómű olajat.

Soha ne használjon fáradt olajat, mert ez káros a kezelőre, a gépre és a környezetre nézve. Győződjön meg arról, hogy a munkaterület hőmérsékletének megfelelő olajat használ-e: 0°C-nál alacsonyabb hőmérsékleten néhány olaj besűrösödik, jobban megterheli a szivattyút és kárt okoz benne. Az olaj kiválasztásához kérje ki egy márkaszerviz véleményét.

Az olaj betöltése

Csavarja ki az olajtartály dugóját, töltsön be olajat, de vigyázzon, nehogy túlfolyjon (ha ez bekövetkezne, törölje szárazra a gépet) majd csavarja vissza a dugót.

G. KARBANTARTÁS ÉS TÁROLÁS

Bármilyen karbantartás vagy tisztítás végzése előtt áramtalanítsa a készüléket!

FIGYELEMI Különösen szennyezett vagy poros környezetben a karbantartási munkákat az előírtnál gyakrabban kell elvégezni.

Minden bekapcsolás előtt

Ellenőrizze, hogy a láncolaj szivattyúja helyesen működik-e: a vezetőlapot tartsa egy világos felület felé, 20 cm-es távolságra; a gép egy perces üzemeltetése után a felületen olajfoltok kell lennie **(1. ábra)**.
Ellenőrizze, hogy a láncfék be- illetve kikapcsolása könnyen történik-e és hogy nincs-e beakadva. Az alábbiak szerint ellenőrizze a működését: kapcsolja ki a láncfékét, ragadja meg helyesen a gépet és indítsa be, kapcsolja be a láncfékét úgy, hogy az előlő kézvédőt a bal csuklóval vagy karral megtolja anélkül, hogy a markolatokat eleresztené **(2. ábra)**. Ha a láncfék működik, akkor a lánc azonnal leblokkol. Ellenőrizze, hogy a lánc éles-e (lásd lent), jó állapotban és fészesen áll-e, ha viszont nem egységesen van elkopva vagy ha a vágófog csak 3 mm-es, akkor cserélje ki **(3. ábra)**.

A szellőzőnyílásokat gyakran kell tisztítani, nehogy a motor túlhevüljön. **(4 ábra)**.

Ellenőrizze az indítógombot és a biztonsági kapcsolót (ezt a láncfék kikapcsolása után végezze): működtesse az indítógombot és a biztonsági kapcsolót és ellenőrizze, hogy inaktív helyzetbe ugranak-e vissza, amint elengedte őket; azt is ellenőrizze, hogy a biztonsági kapcsoló üzemeltetése nélkül ne működjön az indítógomb.

Ellenőrizze, hogy a láncleállító és a jobb kézvédő ép-e, az anyagokban nincs-e látható károsodás.

2-3 óras használat után

Ellenőrizze a vezetőlapot és szükség esetén gondosan tisztítsa meg a kenőnyílásokat **(5. ábra)** és ha a vezetőbarázdákat **(6. ábra)**, ha ez utóbbiak elkoptak vagy több bevágás képződött a szükségesnél, akkor cserélje ki. Rendszeresen tisztítsa meg a hajtó lánckeréket, és ellenőrizze, hogy nem kopott-e el túlzottan. **(7. Ábra)**. A jelölt nyílason keresztül **(8. ábra)** csapágyzsírral kenje meg a vezetőlap orrkerekeit.

A lánc élezése (ha szükséges)

Amikor a lánc nem vág anélkül, hogy a vezetőlapot a fához nyomná és nagyon finom fűrészpor képződik, akkor ez azt jelenti, hogy már nem elég éles. Amikor a vágáskor nem képződik fűrészpor, akkor a lánc teljesen elvesztette az élet és elporlasztja a fát. Az éles lánc egyedül halad a fában és hosszú, nagy forgáscsot eredményez.

A lánc vágófelülete vágószemből **(9. ábra)**, vágófogból **(10. ábra)** és vágási mélységmérőből **(11. ábra)** áll. Az ezek közötti szintkülönbség határozza meg a vágási mélységet; a kiköszörüléshez egy reszelőtartó és egy 4 mm átmérőjű kerek reszelő szükséges az alábbi útmutatással: helyesen felszerelt és megfelelően kifeszített láncra kapcsolja be a láncfékét, a reszelőtartót az ábra szerint a vezetőlapra merőlegesen helyezze el **(12. ábra)**, majd használja a vágófogon a **(13. ábra)** szerinti szögben, mindig belülről kívüre mozogva végezze a köszörülést, míg amikor visszafelé halad, csökkentse a nyomást (rendkívül fontos betartani az útmutatást: túl éles szög, a reszelő elégtelen vagy hibás átmérője növelheti a visszacsapódás veszélyét). A pontos oldalszög előérése érdekében tanácsos a reszelőt úgy tartani, hogy a felső élét függőlegesen kb. 0,5 mm-rel haladja meg. Először köszörülje ki az összes fog egyik oldalát, majd fordítsa meg a gépet és ismételve meg az eljárást.

Ellenőrizze, hogy a köszörülés után a fogak hossza megegyezzen és a vágási mélységmérőnek a magassága 0,6 mm-rel alacsonyabb legyen a felső élnél: a magasságot egy sablonnal ellenőrizze és egy (sikreszelővel) reszelje le a kiálló részt, majd kerekítse le a vágási mélységmérő előlő részét **(14. ábra)**, de vigyázzon, NEHOGY lereszelve a visszacsapódástól védő fogat is **(15. ábra)**

30 óras használat után

Vigye a gépet egy márkaszervizbe, ahol kérjen egy teljes revíziót és a fékszerkezetek ellenőrzését.

Tárolás

A készüléket hűvös, száraz helyen kell tárolni, gyermekektől távol. Szabad ég alatt tárolni tilos.

H. VÁGÁSI TECHNIKÁK

Használat közben: (1. ábra)

- Ne vágjon olyan helyzetben, ahol a tönk eltörne a munkavégzés alatt (kifeszített fa, kiszáradt fa, stb.) egy váratlan eltérő veszélyes lehet.
- Vigyázzon, nehogy a vezetőlap vagy a lánc beakadjanak a vágási résbe: ha ez mégis megtörténik, akkor a gépet kapcsolja le az áramról és egy megfelelő szerszám segítségével emelje fel a fatönköt. Ne próbálja meg kiszabadítani a gépet úgy, hogy rázza, vagy ráncigálja, mert megkárosítaná a gépet, illetve megsértené saját magát.
- Kerülje el az olyan helyzeteket, melyek visszacsapódást okoznának.
- használja a gépet vállmagasság fölött
- vágjon olyan fát, amelyben idegen tárgyak, pl. szögek vannak.

Használat közben: (1. ábra)

- Ha lejtős területen dolgozik, akkor a tönkhöz képest hegynek felfelé álljon, nehogy a leguruló fa megsértse.
- Fakidőntéskor mindig fejezze be a munkát: egy félig elvágott fa elhasadhat.
- Minden vágás után észlelni fogja, hogy a gép tartásához nem ugyanannyi erő szükséges, ezért nagyon vigyázzon, nehogy elveszítsé felette az uralmát.

Az alábbi szövegben erre a két vágási típusra hivatkozunk:

Vágás a lánc húzásával (felülről lefelé) **(2. ábra)**, mely azzal a veszéllyel jár, hogy a gép hirtelen a tönk felé mozdul el és a kezelő elveszti felette az uralmát, ezért a vágás közben lehetőleg használja a karmos ütközőt.

Vágás a lánc tolasásával (alulról felfelé) **(3. ábra)**, mely azzal a veszéllyel jár, hogy a gép hirtelen a kezelő felé mozdul el, azt megütheti, vagy a veszélyes zóna a fatönkhöz ér és visszacsapódási reakció jön létre; nagyon vigyázzon a vágás közben.

A legbiztonságosabb vágási mód az, ha a fát egy bakra rögzíti , felülről lefelé vágja és a tartókon kívül dolgozik **(4. ábra)**

A karmos ütköző használata

Amikor csak lehet, használja a karmos ütközőt a biztonságos munkavégzés érdekében: mélyessze a fa kérgebe vagy a felső részébe, így uralmát könnyebben megőrzi a gép felett.

Alább feltüntetünk tipikus eljárásokat, melyeket bizonyos helyzetekben kell betartani, de a kezelő feladata, hogy elbírálja, hogy melyiket válassza a legbiztonságosabb munkavégzés érdekében.

Fatönk a földön (A vágás végén a lánccal a talajhoz érhet). (5. ábra)

Felülről lefelé vágja át a fatönköt. A vágás végén nagy elővigyázatossággal haladjon, nehogy a lánccal a talajhoz érjen. Ha lehetséges, csak a tönk 2/3-át vágja át, fordítsa meg a fát és fejezze be a vágást felülről lefelé haladva, így kisebb lesz annak a veszélye, hogy a talajhoz érjen.

Csak az egyik végén megtámasztott fatönk (A vágás közben a fatönk eltörhet) (6. ábra)

Alulról kezdje a vágást az átmérő kb. 1/3-áig, majd fejezze be felülről, a már létrehozott vágás felé haladva.

Mindkét végén megtámasztott fatönk (A lánccal becsípődhet) (7. ábra)

Felülről kezdje a vágást az átmérő kb. 1/3-áig, majd alulról fejezze be, a már létrehozott vágás felé haladva.

Lejtőn lévő fatörzs. Mindig a fatörzs felső oldalán álljon. "Átvágáskor" a készülék feletti teljes ellenőrzés megtartása céljából a vágási felület vége felé lazítson a vágási nyomáson, anélkül, hogy enyhítené a lánccűrűzés fogóira gyakorolt szorítóerőt. Ne hagyja, hogy a lánccal a talajjal érintkezzen.

Kidöntés

FIGYELEMI: Ne próbáljon kidönteni egy fát, ha nem rendelkezik a megfelelő tapasztalattal, és semmi esetre se tegye, ha a fatönk átmérője nagyobb a vezetőlap hosszánál! Ezt a munkát csak tapasztalt és megfelelő felszereléssel rendelkező személyek végezhetik.

A kidöntés célja az, hogy a fa a lehető legjobb helyre essen a gallyazáshoz és a törzs feldarabolásához. (Vigyázzon, nehogy a kidőlő fa egy másikba akadjon: egy beakadt fa kidöntése nagyon veszélyes művelet).

Meg kell vizsgálnia, melyik döntési irány a legmegfelelőbb, tehát ellenőrizze: mi található a fa körül, a dőlési irányát, a meghajlást, a szélirányt és az ágak elhelyezkedését.

Vegye figyelembe az elszáradt vagy eltört ágakat is, mert kidöntés közben letörhetnek és balesetet okozhatnak.

FIGYELEMI Ha a kivágást kritikus körülmények között végzi, akkor a vágás után azonnal vegye le a zajvédőket, hogy az esetleges furcsa zajokat és a figyelmeztető jeleket azonnal meghallja.

Kivágás előtt elvégzendő műveletek és a menekülési útvonal meghatározása

Felülről lefelé haladva távolítsa el azokat a gallyakat, amelyek a munkában akadályoznák (8. ábra) úgy, hogy a fatönk maga és a gép között legyen, a nehezebb ágakat ezután vágja le, egyenként. Távolítsa el a fa körül található növényzetet és vizsgálja meg az esetleges akadályokat (kő, gyökér, árok, stb.), hogy a menekülési útvonalát megtervezhesse (erre menekülhet a fa kidőlésekor); vizsgálja meg az ábrát (9. ábra) az irány megtervezéséhez ("A" a fa erre fog kidőlni, "B" menekülési útvonala, "C" veszélyes zóna)

KIDÖNTÉS (10. ábra)

A kezelő akkor tudja tökéletesen meghatározni a dőlésirányt, ha az alábbi bevágásokat hozza létre:

Az irányvágást kell először elvégezni, ez fogja meghatározni a fa kidőlésének irányát: először az irányvágás FELSŐ RÉSZÉT készítsse el azon az oldalon, amerre a fát akarja kidönteni. A fa jobb oldalán álljon és a lánccűrűzéses vágási technikát alkalmazza; ezután hozza létre az irányvágás ALSÓ RÉSZÉT, mely a felső részig kell, hogy érjen. Az irányvágás mélysége a fatörzs átmérőjének 1/4-e, a felső és az alsó bevágás által bezárt szög legalább 45°-os legyen. A két vágás összetalálkozását "irányvágási vonal"-nak nevezik. Ez a vonal tökéletesen vízszintes és a kidőlési irányra merőleges (90°) legyen.

A törésvonalat, mely a fa kidőlését eredményezi, 3-5 cm-rel az irányvágás vonalának alsó része felett kell létrehozni és az irányvágástól a fatönk 1/10 részével megegyező távolságra befejezni. A fa bal oldalán helyezkedjen el és vágjon a lánccűrűzéses technikával, valamint használja a karmos ütközőt.

Ellenőrizze, hogy a fa megtervezett irányba dőljön. Amint lehet, a vágásba helyezze egy emelőt vagy egy kidöntő éket.

A fatönk nem bevágott részét támaszpontnak hívják és ez a "csukló", mely a tönköt a dőlésben vezeti; ha nem elégséges, nem egyenes, illetve ha nem lett teljesen elfűrészelve, akkor nem fogja a fa kidőlését meghatározni (nagyon veszélyes helyzet!), éppen ezért rendkívül fontos, hogy az egyes bevágásokat pontosan végezze el.

A vágások elvégzése után a fa kezd kidőlni, ha ez mégsem következne be, akkor használjon egy kidöntő éket vagy egy emelőt.

Gallyozás

A kidöntés után lehet elkezdeni a gallyozást, vagyis a törzsről eltávolítani az ágakat. Ne becsülje le ezt a műveletet, mert a legtöbb visszacsapódási reakció éppen ez alatt a művelet alatt következik be, éppen ezért nagyon figyelje a vezetőlap helyzetét a vágás közben és a fatönk bal oldalán elhelyezkedve végezze a munkát.

I. KÖRNYEZETVÉDELEM


Ebben a fejezetben arra kap információt, hogy hogyan lehet a gépgyártáskor betervezett környezetvédelmi szempontokat betartani, hogyan kell helyesen használni a gépet, valamint hogyan kell az olajokat lerakni a szelektív hulladékgyűjtés szabályai szerint.

A GÉP HASZNÁLATA

Az olajtartály feltöltését úgy kell elvégezni, hogy a láncolaj ne szennyezze a környezetet.

LESELEJTÉZÉS

A már nem működő gépet ne dobja ki, hanem a helyi előírások betartásával vigye a hulladéklerakó udvarba.

Ez a  szimbólum a terméken vagy a csomagolásán azt jelzi, hogy ezt a terméket nem szabad háztartási hulladékként kezelni. Le kell adni az elektromos és elektronikus készülékek újrahasznosításra szolgáló megfelelő begyűjtő helyen.

E termék megfelelő elhelyezésének biztosításával 'n' segít megelőzni a környezetre és az emberi egészségre esetleg ártalmas olyan negatív következményeket, amelyeket egyébként okozhatna e termék nem megfelelő kidobása.

E termék újrahasznosításával kapcsolatban részletesebb tájékoztatásért forduljon a helyi önkormányzathoz, a háztartási hulladék elhelyezési szolgálathoz, vagy az üzlethez, ahol a terméket vásárolta.

J. HIBAKERESŐ TÁBLÁZAT

	A motor nem indul be	A motor rosszul forog vagy nincs ereje	A gép beindul, de nem vág jól	A motor forgása nem szabályos	A fékezőszerkezetek nem állítják le helyesen a lánc forgását
Ellenőrizze, van-e áram a hálózatban	●				
Ellenőrizze, hogy a dugó helyesen csatlakozik-e	●				
Ellenőrizze a vezeték és a hosszabbító épségét	●				
Ellenőrizze, hogy a láncfék nincs-e bekapcsolva	●				
Ellenőrizze, hogy a lánc megfelelően van-e összeszerelve és megfeszítve.		●	●		
Ellenőrizze, hogy a lánc olajozása az F és a G fejezetben leírtak szerint történt-e			●		
Ellenőrizze a lánc élességét			●		
Ellenőrizze a kioldó kapcsoló működését!	●				
Forduljon a szakszervizhez	●	●		●	●

K. CSEREALKATRÉSZEK

35cm	Lánc	91PJ052XN	Alkatrészszám:	530051538
	Vezetőrúd		Alkatrészszám:	576965401
40cm	Lánc	91PJ056XN	Alkatrészszám:	530051539
	Vezetőrúd		Alkatrészszám:	576965201

L. EC MEGFELELŐSÉGI TANÚSÍTVÁNY

Husqvarna AB, S-561 82, Huskvarna, Sweden

Kizárólagos felelősséget vállalunk azért, hogy a termék(ek):

Jelölés **Chainsaw - Láncfűrész**
 Tipusmegjelölés **CSE1835, CSE1935S, CSE2040, CSE2040S**
 Széria azonosítása **Lásd a Termékinórástól Cédulát**
 Gyártási Év **Lásd a Termékinórástól Cédulát**

Megfelel az alábbi EK irányelvek alapvetőkövetelményeinek és rendelkezéseinek:

2006/42/EC, 2004/108/EC, 2000/14/EC, 2011/65/EU

Az alábbi EU harmonizált szabványok alkalmazásán alapul:

EN60745-1, EN60745-2-13, EN55014-2, EN55014-1, EN61000-3-2, EN61000-3-11

Az EK típusvizsgálatokat a kijelölt szerv

a 8. cikk 2c. pontja szerint folytatta le..... TÜV Rheinland LGA Products GmbH
 Tillystraße 2
 D-90431 Nürnberg
 Germany
 BM 50268379

A tanúsítvány száma.

A legnagyobb A-súlyozású, az EN60745-2-13 előírásnak megfelelően mért L_{pA} hangnyomásszint a munkaállomáson meg van adva a táblázatban.

A legnagyobb kéz/kar rázkódású súlyozott, az EN60745-2-13 előírásnak megfelelően mért a_h érték a fenti termék mintáján feljegyezve, meg van adva a táblázatban.

A megadott teljes vibrációs érték szabványos tesztelési módszerrel lett lemérve, és egy eszköz másik eszközzel való összehasonlítására használható.

A megadott teljes vibrációs érték előzetes kitettség-értékelés esetén használható.

Figyelem:

A szerszámgép tényleges használata során a szerszámgép használati módjától függően a vibrációs kibocsátás eltérhet a megadott teljes értéktől.

A kezelőknek meg kell hozni az őket védő azon biztonsági intézkedéseket, amelyek a tényleges használati feltételek melletti kitettség felbecsülésén alapulnak (figyelembe véve a működési ciklus minden részét, mint például azt az időtartamot is, amíg az eszköz ki van kapcsolva, vagy amikor az indítási időn túl alapjáraton működik).

2000/14/EK: A mért hangteljesítmény L_{WA} és a garantált hangteljesítmény L_{WA} értékek megfelelnek a táblázatban közölt értékeknek.

Megfelelőség értékelési eljárás..... Annex V

Ulm 12/02/2013

P. Lamelli

Globális kutatási és fejlesztési igazgató - kézi

A technikai dokumentáció tartója



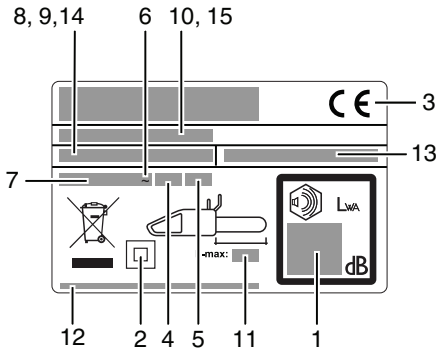

Tipus (CSE _____)	1835	1935S	2040	2040S
Súly üresen (Kg)	4.3	4.5	4.4	4.6
Táplálás (kW)	1.8	1.9	2.0	2.0
Vezetőlap hossz (cm ³)	240	240	240	240
A vezetőrúd maximális hossza (cm)	35	35	40	40
Láncmenet (mm)	9.52	9.52	9.52	9.52
Láncos mérő (mm)	1.3	1.3	1.3	1.3
Mért hangteljesítmény L_{WA} (dB(A))	106	106	106	106
Garantált hangteljesítmény L_{WA} (dB(A))	110	110	110	110
Hangnyomás L_{pA} (dB(A))	95	95	95	95
Bizonytalanság K_{pA} (dB(A))	2.5	2.5	2.5	2.5
Kéz/kar rázkódása a_h (m/s ²)	7.28	7.28	8.08	8.08
Bizonytalanság K_{ah} (m/s ²)	1.5	1.5	1.5	1.5
Hálózati impedancia Z_{max} (Ω)	0.382	0.382	0.382	0.382

EN 61000-3-11 teljesítési nyilatkozat

A helyi elektromos hálózattól függően e készülék használata rövid idejű feszültségessést okozhat a bekapcsoláskor. Ez befolyásolhatja más villamos készülékeket, pl. egy pillanatra elsötétednek a lámpák. Ha az elektromos hálózatában a Z_{max} hálózati impedancia kisebb, mint (az Ön készülékére vonatkozóan) a gyári táblán feltüntetett érték, akkor ilyen hatások nem lépnek fel. A hálózati impedancia értékének megállapítása céljából forduljon az Elektromos Művekhez.

A. OPIS OGÓLNY

- | | |
|---|--|
| <ol style="list-style-type: none"> 1) Uchwyt tylny 2) Tylna osłona dłoni 3) Uchwyt przedni 4) Przednia osłona dłoni / hamulec bezpieczeństwa łańcucha 5) Zewnętrzne pokrętko regulacyjne napinacza łańcucha 6) Śruba napinacza łańcucha 7) Kołek napinający łańcuch 8) Korek zbiornika oleju 9) Okienko kontroli poziomu oleju 10) Szczeliny wentylacyjne 11) Kabel 12) Instrukcja 13) Wyłącznik 14) Blokada wyłącznika 15) Łańcuch 16) Ząb ciągnący 17) Ogniwko tnące 18) Ogranicznik głębokości cięcia 19) Ząb tnący 20) Prowadnica 21) Osłona koła zębatego | <ol style="list-style-type: none"> 22) Koło zębate 23) Kołek blokujący łańcuch 24) Śruba mocująca prowadnicę 25) Wewnętrzne pokrętko zabezpieczające prowadnicy 26) Nakrętka zabezpieczająca prowadnicy 27) Kółko końcówki 28) Osłona prowadnicy 29) Kolec 30) Gniazdo kołka napinającego łańcuch 31) Otwór do smarowania 32) Rowek prowadnicy 33) Klucz/śrubokręt |
|---|--|



Przykład tabliczki znamionowej wyrobu

- 1) Gwarantowany poziom natężenia dźwięku zgodny z dyrektywą 2000/14/EC
- 2) Narzędzie klasy II
- 3) Znak zgodności CE
- 4) Nominalna częstotliwość
- 5) Nominalna moc
- 6) Prąd przemienny
- 7) Nominalne napięcie
- 8) Typ
- 9) Kod wyrobu
- 10) Rok produkcji
- 11) Maksymalna długość prowadnicy
- 12) Nazwa i adres producenta
- 13) Nr artykułu (Piła łańcuchowa elektryczna)
- 14) Model
- 15) Nr serii

B. ŚRODKI OSTROŻNOŚCI

Znaczenie symboli



Uwaga
Dokładnie i z uwagą
przeczytać instrukcję



Wysokie buty
ochronne



Kask, nauszniki oraz
okulary ochronne lub
chroniące twarz
osłony



Chroniące przed
przecięciem rękawice



Długie, chroniące
przed przecięciem
spodnie



Hamulec wyłączony,
włączony



Jeżeli przewód jest
uszkodzony lub przecięty
należy niezwłocznie
wyjąć wtyczkę z
gniazdka sieciowego



Osoby postronne nie
powinny zbliżać się do
urządzenia



Kierunek ruchu zęba
tnącego



Trzymać zawsze
dwoma rękami



Niebezpieczeństwo
wystąpienia odbicia



Nie wystawiać na
działanie deszczu lub
wilgoci



Olej łańcuchowy



Nie wolno...



Wyłączyć urządzenie



Przed regulacją i
czyszczeniem należy
odłączyć wtyczkę od
źródła zasilania



Ryzyko porażenia
prądem elektrycznym

Ogólne ostrzeżenia dotyczące użytkowania
elektronarzędzi

OSTRZEŻENIE Należy przeczytać wszystkie instrukcje i
ostrzeżenia dotyczące bezpieczeństwa. Nie zastosowanie się
do instrukcji i ostrzeżeń może prowadzić do porażenia prądem
elektrycznym, pożaru oraz/lub poważnego urazu ciała.

Wszystkie instrukcje i ostrzeżenia należy zachować.

Termin "elektronarzędzie" w ostrzeżeniach odnosi się do
narzędzia zasilanego zarówno z sieci (przewodowego)
jak i z akumulatora (bezprowodowego).

1) Bezpieczeństwo miejsca pracy

- Miejsce pracy musi być zawsze czyste i dobrze
oświetlone. Bałagan i brak oświetlenia zwiększają
ryzyko wypadku.
- Nie wolno używać elektronarzędzi w środowisku grożącym
wybuchem, np. w obecności łatwopalnych cieczy, gazów
lub pyłów. Elektronarzędzia wytwarzają iskry, które mogą
zapalić pył lub opary.
- Nie wolno pozwalać dzieciom ani nie upoważnionym
osobom zbliżać się do miejsca pracy
elektronarzędziem. Rozproszenie uwagi może
doprowadzić do utraty kontroli nad urządzeniem.

2) Bezpieczeństwo elektryczne

- Wtyczki elektronarzędzi muszą pasować do
gniazdek sieciowych. Nie wolno dokonywać
żadnych modyfikacji wtyczki. Nie wolno używać
przebieżówek z uziemionymi elektronarzędziami.
Originalne wtyczki i dopasowane gniazda sieciowe
zmniejszają ryzyko porażenia prądem.

- Należy unikać kontaktu ciała z uziemionymi
powierzchniami, takimi jak rury, grzejniki, kuchenki
oraz lodówki. *Gdy ciało jest uziemione, istnieje
większe ryzyko porażenia prądem elektrycznym.*
- Nie wolno narażać elektronarzędzi na działanie
deszczu ani wilgoci. *Przedostanie się wody do
urządzenia zwiększa ryzyko porażenia prądem
elektrycznym.*
- Nie wolno niewłaściwie użytkować przewodu
zasilającego. Nie wolno używać przewodu do
przenoszenia, ciągnięcia lub odłączania
elektronarzędzia od sieci. Nie wolno zbliżać
przewodu do źródeł wysokiej temperatury, smaru,
ostrych krawędzi ani ruchomych elementów.
*Uszkodzony lub spleciony przewód zwiększa ryzyko
porażenia prądem elektrycznym.*
- Podczas pracy elektronarzędziem w warunkach
zewnętrznych należy korzystać z przedłużacza
przystosowanego do użytku na zewnątrz.
*Zastosowanie przedłużacza do pracy w warunkach
zewnętrznych zmniejsza ryzyko porażenia prądem.*
- Gdy praca elektronarzędziem w wilgotnym
środowisku jest nieunikniona, należy zastosować
wyłącznik różnicowoprądowy (RCD).

- 3) **Bezpieczeństwo użytkownika**
- a) **Podczas pracy elektronarzędziem należy zachowywać czujność, koncentrować się na wykonywanej czynności i kierować się rozkazami. Nie wolno obsługiwać elektronarzędzi osobom zmagczonym lub będącym pod wpływem alkoholu, środków odurzających bądź leków. Krótka chwila nieuwagi może doprowadzić do poważnych obrażeń ciała.**
- b) **Należy korzystać ze środków ochrony osobistej. Zawsze należy używać środków ochrony oczu. Środki ochronne (np. maska przeciwpyłowa, przeciwpoślizgowe obuwie ochronne, kask lub nauszniki), wykorzystywane stosownie do warunków pracy, zmniejszają ryzyko urazów ciała.**
- c) **Należy zapobiegać nieprzewidzianemu uruchomieniu elektronarzędzia. Przed podłączeniem urządzenia do sieci lub akumulatora oraz przed jego podnoszeniem i przenoszeniem należy ustawić wyłącznik w pozycji wyłączonej ("off"). Przenoszenie urządzenia z palcem na wyłączniku lub podłączanie do źródła zasilania narzędzia z wyłącznikiem w pozycji włączonej ("on") zwiększa niebezpieczeństwo wypadku.**
- d) **Przed uruchomieniem elektronarzędzia należy odłączyć klucze i narzędzia do regulacji. Pozostawienie klucza lub innego narzędzia, zamocowanego do obracającego się elementu urządzenia, może doprowadzić do urazu ciała.**
- e) **Nie wolno sięgać elektronarzędziem zbyt daleko. Zawsze należy zachować dobre ustawienie stóp i równowagę. Właściwa postawa zapewnia lepsze panowanie nad urządzeniem w nieoczekiwanych sytuacjach.**
- f) **Należy zadbać o stosowny strój roboczy. Nie należy zakładać luźnych ubrań ani biżuterii. Nie wolno zbliżać włosów, odzieży ani rękawic do poruszających się elementów elektronarzędzia. Luźne części odzieży, biżuteria lub długie włosy mogą wkręcić się w urządzenie.**
- g) **Jeżeli istnieje możliwość podłączenia odpylacza, należy go zamontować i właściwie użytkować. Zastosowanie odpylacza może zmniejszyć niebezpieczeństwo związane z nadmiernym pyłem.**
- 4) **Użytkowanie i konserwacja elektronarzędzi**
- a) **Nie wolno przeciążać elektronarzędzi. Należy wykorzystywać produkt odpowiedni do danego zastosowania. Urządzenie będzie pracować lepiej i bezpieczniej, gdy będzie użytkowane zgodnie ze swoimi parametrami.**
- b) **Nie wolno korzystać z elektronarzędzia, jeżeli wyłącznik nie działa prawidłowo. Urządzenie, którego nie można obsługiwać wyłącznikiem, jest niebezpieczne i musi zostać naprawione.**
- c) **Przed dokonaniem dowolnej regulacji, wymiany akcesoriów lub odłożeniem elektronarzędzia do przechowywania, należy odłączyć urządzenie od sieci oraz/lub akumulatora. Takie środki ostrożności zmniejszają ryzyko przypadkowego uruchomienia urządzenia.**
- d) **Nie użytkowane elektronarzędzia należy przechowywać poza zasięgiem dzieci. Nie wolno pozwalać korzystać z elektronarzędzi osobom, które nie znają się na ich obsłudze i nie zapoznają się z instrukcją użytkowania. W rękach niewprawnych użytkowników elektronarzędzia są niebezpieczne.**
- e) **Elektronarzędzia wymagają odpowiedniej konserwacji. Należy kontrolować ruchome elementy pod kontem ich ustawienia, ewentualności zacinania się, uszkodzeń oraz wszelkich innych nieprawidłowości, które mogłyby zakłócić właściwe działanie urządzenia. Uszkodzone elementy należy wymienić przed rozpoczęciem pracy. Przyczyną wielu wypadków jest niewłaściwa konserwacja elektronarzędzi.**
- f) **Elementy tnące muszą być zawsze ostre i czyste. Dobrze konserwowane narzędzia tnące z ostrymi końcówkami są mniej narażone na zacinanie się i łatwiejsze w obsłudze.**
- g) **Należy używać elektronarzędzi, akcesoriów, końcówek itp. zgodnie z niniejszymi instrukcjami, uwzględniając warunki robocze oraz charakter wykonywanej pracy. Wykorzystanie elektronarzędzi niezgodnie z przeznaczeniem może prowadzić do niebezpiecznych sytuacji.**
5. **Naprawa**
- a) **Naprawy narzędzia powinien dokonywać tylko wykwalifikowany specjalista, przy użyciu wyłącznie części zamiennych identycznych z oryginalnymi. W ten sposób nie zostanie naruszone bezpieczeństwo urządzenia.**
- Zalecenia odnośnie bezpieczeństwa:**
- **Nie należy zbliżać żadnych części ciała do piły podczas jej pracy. Przed uruchomieniem piły należy upewnić się, że nie pozostaje ona w kontakcie z żadnym przedmiotem. Chwila nieuwagi podczas użytkowania piły może skutkować kontaktem odzieży lub ciała z tańczuchem**
 - **Zawsze należy obsługiwać pilnę trzymając prawą dłoń na tylnym uchwycie, a lewą na przednim. Trzymanie piły w odwrotnym układzie rąk zwiększa ryzyko urazu ciała, dlatego nie należy w ten sposób pracować.**
 - **Urządzenie należy trzymać wyłącznie za izolowane uchwyty, ponieważ podczas pracy tańczuch pilarki może wejść w kontakt z ukrytymi przewodami elektrycznymi lub z własnym kablem zasilającym. Łańcuchy stykające się z przewodem będącym pod napięciem mogą spowodować zaistnienie napięcia na odsłoniętych metalowych częściach urządzenia i doprowadzić do porażenia operatora prądem elektrycznym.**
 - **Należy nosić okulary ochronne i nauszniki. Zaleca się również korzystanie z dodatkowych środków ochrony głowy, dłoni, nóg i stóp. Odpowiednia odzież ochronna zmniejsza ryzyko obrażeń ciała przez wyrzucane w powietrze resztki ciętego materiału oraz przypadkowy kontakt z pilą.**
 - **Piły tańczuchowej nie należy używać pracując na drzewie. Używanie piły tańczuchowej na drzewie może doprowadzić do urazu ciała.**
 - **Zawsze należy zachować stabilną pozycję i postugiwać się pilą tylko stojąc na trwałej, bezpiecznej i równej powierzchni. Śliska lub niestabilna powierzchnia (np. drabina) może przyczynić się do utraty równowagi lub panowania nad pilą.**
 - **Podczas cięcia gałęzi będącej pod napięciem należy pamiętać o możliwości "odbicia". Po zmniejszeniu się napięcia włókien drewna, naprężona gałąź może odskoczyć i uderzyć operatora oraz/lub spowodować, że utraci on panowanie nad pilą.**
 - **Należy zachować szczególną ostrożność podczas cięcia gałązek i młodych drzewek. Drobny materiał może wkręcić się w łańcuch (i zostać wyrzucony w kierunku operatora) lub pozbawić operatora równowagi.**
 - **Pilę należy przenosić za przedni uchwyt po uprzednim jej wyłączeniu, trzymając ją z dala od ciała. Przed transportowaniem piły lub odłożeniem jej do przechowywania należy założyć osłonę prowadnicę. Właściwe postugiwanie się pilą zmniejsza ryzyko przypadkowego kontaktu z poruszającym się łańcuchem.**
 - **Należy przestrzegać instrukcji smarowania, napinania łańcucha i wymiany akcesoriów. Nieprawidłowo napięty lub źle nasmarowany łańcuch może pęknąć i zwiększyć ryzyko odrzutu urządzenia.**

- **Uchwyty należy utrzymywać w czystości, wolne od oleju i smaru.** Uchwyty pokryte smarem lub olejem są śliskie i mogą spowodować utratę panowania nad piłą.
- **Piły należy używać tylko do cięcia drewna. Nie należy wykorzystywać piły do celów niezgodnych z jej przeznaczeniem.** Na przykład: nie należy używać piły do cięcia plastiku, elementów murowanych oraz niedrewnianych materiałów budowlanych.
Wykorzystywanie piły niezgodnie z przeznaczeniem może prowadzić do niebezpiecznych sytuacji.

Przyczyny odrzutu i sposoby zapobiegania:

Odrzut może nastąpić, gdy czoło lub czubek prowadnicy dotknie obiektu (**Rys. B3**) lub gdy drewno zakleszczy się i uwięzi łańcuch piły w nacięciu.

W pewnych przypadkach kontakt czubka z materiałem może spowodować nagły ruch powrotny, odrzucający prowadnicę w kierunku operatora.

Przykleszczenie łańcucha przy czubku prowadnicy może gwałtownie odrzucić prowadnicę w kierunku operatora.

W każdym podobnym przypadku operator może stracić panowanie nad piłą, co grozi poważnym urazem ciała. Nie można bezkrytycznie polegać na mechanizmach zabezpieczających, wbudowanych w urządzenie. Użytkownik powinien sam podjąć pewne kroki, dzięki którym praca piłą nie będzie związana z ryzykiem urazu.

Odrzut jest efektem nieprawidłowego postępowania się narzędziem oraz/lub niewłaściwymi procedurami bądź warunkami operacyjnymi i można go uniknąć, podejmując odpowiednie środki ostrożności, opisane poniżej:

- **Należy mocno trzymać piłę oburącz, dobrze obejmując uchwyty kciukami i pozostałymi palcami, ustawiając tułów i ramiona w sposób pozwalający odeprzeć siły ewentualnego odrzutu.** *Operator może kontrolować siły odrzutu, przestrzegając odpowiednich zaleceń odnośnie bezpieczeństwa. Nie należy puszczać piły.*
- **Nie należy sięgać piłą zbyt daleko ani ciąć wyżej niż na wysokości ramion.** *Pomaga to zapobiec przypadkowemu kontaktowi czubka piły z materiałem i pozwala na lepsze panowanie nad urządzeniem w nieoczekiwanych sytuacjach.*
- **Należy używać tylko prowadnic i łańcuchów zamiennych zalecanych przez producenta.** *Niewłaściwe prowadnice i łańcuchy zamienne mogą powodować uszkodzenia łańcucha oraz/lub odrzut.*
- **Należy przestrzegać zaleceń producenta odnośnie ostrzeżenia i konserwacji łańcucha piły.** *Zmniejszenie wysokości miernika głębokości cięcia może prowadzić do większego odrzutu.*

Dodatkowe zalecenia odnośnie bezpieczeństwa

1. **Korzystanie z Informatora.** Osoba korzystająca z tego urządzenia musi bardzo uważnie przeczytać Instrukcję użytkownika. W przypadku sprzedaży lub wypożyczenia urządzenia innej osobie należy zacytować Instrukcję użytkownika.
2. **Środki ostrożności przed rozpoczęciem korzystania z urządzenia.** Nie wolno pozwalać, by z urządzenia korzystały jakiegokolwiek osoby nie zaznajomione w pełni z Instrukcją użytkownika. Nieodświadczone osoby muszą przejść okres przeszkolenia, posługując się narzędziem tylko na koźle do pitowania.
3. **Przeglądy kontrolne.** Należy dokładnie sprawdzać stan narzędzia przed każdym jego użyciem, zwłaszcza, jeżeli wcześniej było ono poddane silnemu uderzeniu lub wykazuje jakiegokolwiek oznaki nieprawidłowego funkcjonowania. Należy wykonać wszystkie czynności opisane w części "Konserwacja i przechowywanie - przed każdym użyciem".

4. **Naprawa i konserwacja.** Wszystkie elementy, jakie użytkownik może wymieniać samodzielnie, zostały wymienione w części "Montaż/demontaż". Wszelkie inne elementy w razie konieczności mogą zostać wymienione wyłącznie przez Autoryzowany Serwis.
5. **Odzień ochronna. (Rys. 1)** Podczas używania narzędzia należy korzystać z odpowiednich atestowanych środków ochrony osobistej, takich jak: dopasowana odzież; obuwie z antypoślizgową podszewką i sztywnymi ochraniaczami czubków, zabezpieczone przed rozcięciem; rękawice odporne na wibracje i rozcięcia; okulary ochronne lub osłona oczu; naszniki oraz kask (jeżeli istnieje zagrożenie ze strony spadających obiektów). Produkty do nabycia u dostawcy odzieży roboczej.
6. **Ochrona zdrowia – wibracje i hałas.** Należy pamiętać o ograniczeniu hałasu w najbliższym rejonie. Dłuższe korzystanie z urządzenia naraża użytkownika na wibracje, powodujące "bielejące palce" (syndrom Raynauda), zespół cieśni nadgarstka oraz podobne problemy zdrowotne.
7. **Ochrona zdrowia – substancje chemiczne.** Należy używać oleju zatwierdzonego przez producenta.
8. **Ochrona zdrowia – wysoka temperatura.** Podczas pracy piłą, napęd i łańcuch bardzo silnie się nagrzewają, dlatego należy zachować ostrożność i nie dotykać gorących elementów.
9. **OSTRZEŻENIE!** Podczas pracy urządzenie wytwarza pole elektromagnetyczne. W pewnych okolicznościach takie pole może zakłócać pracę aktywnych lub biernych implantów medycznych. Aby zmniejszyć ryzyko poważnego lub śmiertelnego urazu ciała, zalecamy, aby osoby z implantami przed użyciem tego urządzenia skonsultowały się z lekarzem lub producentem danego implantu.

Środki ostrożności - transport i przechowywanie. (Rys. 2)

Podczas każdej zmiany miejsca pracy należy odłączyć urządzenie od sieci zasilającej i włączyć hamulec łańcucha. Przed każdym transportem lub odłożeniem urządzenia do przechowywania należy zamontować osłonę prowadnicy. Urządzenie należy zawsze przенosić ujmując uchwyt dłonią i kierując prowadnicę w tył. Podczas transportu w pojeździe narzędzie należy dobrze umocować, aby zapobiec jego uszkodzeniu.

Odrzut. (fig 3) Odrzut to gwałtowny ruch prowadnicy w górę i w tył, w kierunku użytkownika. Zwykle dochodzi do niego, gdy górna część czubka prowadnicy (nazywana "strefą zagrożenia odrzutem" - zobacz czerwone oznaczenie na prowadnicy) wejdzie w kontakt z jakimś obiektem lub gdy łańcuch uwięźnie w ciętym materiale. Odrzut może sprawić, że użytkownik straci panowanie nad urządzeniem, co grozi poważnym, a nawet śmiertelnym wypadkiem. Hamulec łańcucha oraz inne zabezpieczenia nie gwarantują pełnej ochrony przed urazem: użytkownik musi być świadomy warunków, które powodują odrzut i zapobiegać im poprzez zachowanie szczególnej ostrożności oraz rozsądną i prawidłową obsługę urządzenia (na przykład: nie wolno ciąć kilku gałęzi jednocześnie, ponieważ może to spowodować przypadkowy nacisk na "strefę grożącą odrzutem").

Bezpieczeństwo miejsca pracy

1. Nigdy nie wolno pozwalać, by produktu używały dzieci lub osoby nie znające Instrukcji użytkownika. Lokalne przepisy mogą ograniczać wiek operatora.
2. Produktu należy używać tylko w sposób zgodny z Instrukcją i do celów w niej opisanych.
3. Należy dokładnie sprawdzić cały obszar roboczy pod kątem źródeł zagrożenia (np.: drogi, ścieżki, przewody elektryczne, niebezpieczne drzewa itp.).
4. Nie wolno pozwalać zbliżyć się do obszaru roboczego osobom postronnym ani zwierzętom (w razie konieczności należy ogrodzić teren i ustawić znaki ostrzegawcze) na odległość mniejszą niż 2,5 x wysokość pnia; w żadnym przypadku nie może to być mniej niż 10 metrów.

5. Operator lub użytkownik ponosi odpowiedzialność za wypadki oraz zagrożenia dla osób postronnych i ich własności.

Bezpieczeństwo elektryczne

1. Zaleca się korzystanie z wyłącznika różnicowoprądowego (RCD) z prądem wyzwalającym nie przekraczającym 30mA. Nawet po zamontowaniu wyłącznika RCD niema 100% gwarancji bezpieczeństwa i zawsze należy przestrzegać bezpiecznych praktyk pracy. Stan wyłącznika RCD należy sprawdzać przy każdorazowym jego użyciu.
2. Przed rozpoczęciem pracy należy sprawdzić stan kabli i wymienić je, jeżeli widać oznaki ich uszkodzenia lub zużycia.
3. Nie wolno używać produktu jeżeli kable elektryczne są uszkodzone lub zużyte.
4. Należy niezwłocznie odłączyć urządzenie od sieci zasilającej jeżeli kabel jest przecięty lub ma uszkodzoną izolację. Nie wolno dotykać kabli elektrycznych do chwili odłączenia ich od źródła zasilania. Nie należy naprawiać przeciętego lub uszkodzonego kabla. Należy dostarczyć produkt do Autoryzowanego Serwisu w celu dokonania wymiany.
5. Twój przedłużacz zasilający musi być rozwinięty, ponieważ zwinięte lub nawinięte na zwinięte kable mogą przegrzać i spowodować zmniejszenie wydajności kosiarki.
6. Kabel/przedłużacz zawsze powinien znajdować się za operatorem, aby nie stwarzał zagrożenia dla użytkownika ani innych osób i nie uległ uszkodzeniu (przez wysoką temperaturę, ostre przedmioty, ostre krawędzie, olej itp.);
7. Kabel należy poprowadzić tak, aby podczas cięcia nie zablokował się na gałęziach lub innych obiektach.
8. Przed odłączeniem wtyczki, łącznika kabla lub przedłużacza zawsze należy wyłączać zasilanie sieciowe.

9. Przed zwinięciem kabla do przechowywania należy wyłączyć zasilanie, wyjąć wtyczkę z gniazdka sieciowego i sprawdzić stan kabla pod kątem uszkodzeń i zużycia. Nie należy naprawiać uszkodzonego kabla. Należy dostarczyć produkt do Autoryzowanego Serwisu w celu dokonania wymiany.
10. W przypadku pozostawiania urządzenia bez dozoru należy zawsze odłączać je od sieci.
11. Kable zawsze należy zwinąć starannie, unikając ich splątania.
12. Należy korzystać tylko z zasilania sieciowego AC, podanego na tabliczce znamionowej produktu.
13. Piła łańcuchowa jest podwójnie izolowana, zgodnie z EN60745-1 i EN60745-2-13. W żadnych okolicznościach nie wolno podłączać uziemienia do jakiegokolwiek części produktu.

Kable

1. Kable sieciowe i przedłużacze są dostępne w lokalnym Autoryzowanym Serwisie
2. Należy używać tylko atestowanych przedłużaczy
3. Można używać tylko takich dodatkowych kabli i przedłużaczy, które są przeznaczone do użytku w warunkach zewnętrznych.
4. Jeżeli wymagane jest użycie przedłużacza do pracy przy pomocy urządzenia, należy zastosować przedłużacze o następujących parametrach.

Modele CSE1835, CSE1935S:

- 5,0 mm² : maks. długość 40 m
- 5,0 mm²: maks. długość 60 m
- 8,0 mm²: maks. długość 100 m

Modele CSE2040, CSE2040S:

- 5,0 mm²: maks. długość 50 m
- 8,0 mm²: maks. długość 90 m

C. OPIS WYPOSAŻENIA ZABEZPIEZAJĄCEGO

BIOKADA WYŁĄCZNIKA

Urządzenie posiada zabezpieczenie (**rys.1**), które po włączeniu uniemożliwia naciśnięcie wyłącznika, zapobiegając w ten sposób przypadkowemu jego przestawieniu.

HAMULEC ŁAŃCUCHA WŁĄCZAJĄCY SIĘ W MOMENCIE ZWOLNIENIA WYŁĄCZNIKA

Urządzenie wyposażone jest w zabezpieczenie, które w natychmiastowy sposób blokuje łańcuch w momencie zwolnienia wyłącznika. Gdyby okazało się ono niesprawne, nie wolno używać urządzenia, lecz należy oddać je do Autoryzowanego Serwisu Obsługi Technicznej.

HAMULEC ŁAŃCUCHA / PRZEDNIA OSŁONA DŁONI

Przednia osłona dłoni (**rys.2**) pozwala (przy poprawnym uchwyceniu urządzenia) zapobiec dotknięciu łańcucha lewą dłonią. Przednia osłona dłoni służy ponadto do włączenia hamulca łańcucha, to znaczy specjalnego zabezpieczenia, które w przypadku wystąpienia reakcji odbicia w przeciągu kilku milisekund blokuje łańcuch. Hamulec łańcucha jest wyłączony wtedy, gdy przednia osłona dłoni jest pociągnięta do tyłu i zablokowana (łańcuch może się poruszać). Hamulec łańcucha jest włączony wtedy, gdy przednia osłona dłoni jest przesunięta do przodu (łańcuch jest zablokowany). Hamulec łańcucha można uruchomić lewym nadgarstkiem poprzez naciśnięcie osłony lub, gdy nadgarstek zbliży się do przedniej osłony ręki w momencie odrzutu. Gdy urządzenie pracuje z prowadnicą w pozycji poziomej, np. podczas ścinania drzewa, hamulec łańcucha zapewnia mniejszą ochronę (**Rys.3**).

UWAGA: Gdy hamulec łańcucha jest włączony, wyłącznik zabezpieczający odcina dopływ prądu elektrycznego do silnika.

 **Wyzwolenie hamulca łańcucha, podczas gdy przelaznik jest przytrzymywany uruchomi urządzenie.**

Kotek blokujący łańcuch

Urządzenie to jest wyposażone w chwytacz łańcucha (**Rys.4**) zlokalizowany pod kotłem łańcuchowym. Mechanizm ten został zaprojektowany do zatrzymania wstecznego ruchu łańcucha w momencie hamowania łańcucha lub, gdy łańcuch spadnie z prowadnicy.

Sytuacjom tym można zapobiec poprzez właściwe naprężanie łańcucha (patrz Rozdz. "D" Montaż/Demontaż).

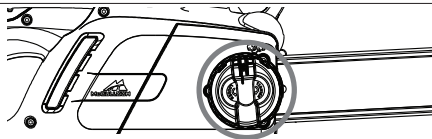
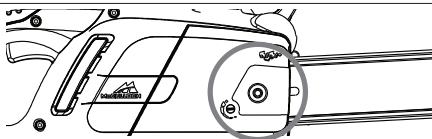
TYLNA OSŁONA PRAWEJ DŁONI

Służy do ochrony (**rys.5**) dłoni w przypadku skoku lub zerwania się łańcucha.

D. MONTAŻ / DEMONTAŻ

MONTAŻ PROWADNICY I ŁAŃCUCHA

Procedura montażu zależy od modelu urządzenia, dlatego też należy postępować zgodnie z opisem i rysunkami odpowiadającymi rodzajowi urządzenia wskazanemu na tabliczce znamionowej wyrobu. Montaż należy przeprowadzać w sposób bardzo uważny, aby zagwarantować sobie jego pełną poprawność.



1. Sprawdzić, czy hamulec łańcucha nie jest włączony; je...li tak, wyłączyć go.

2a. Odkręć nakrętkę zabezpieczającą prowadnicę i zdejmij osłonę koła zębatego.

2b. Odkręć pokrętko zabezpieczające prowadnicę i zdejmij osłonę koła zębatego.

3 Umieść łańcuch na prowadnicy, zaczynając od zębátky czołowej i wpasowując go w rowek prowadnicy. **Uwaga!** Upewnij się, że ostra strona zębów tnących jest skierowana ku przodowi na górną część prowadnicy. Należy nosić rękawice ochronne.

4a. Upewnij się, że sworznię napinacza łańcucha jest maksymalnie ściśnięty w kierunku koła zębatego. Zamontuj prowadnicę na śrubie zabezpieczającej oraz sworzniu napinacza i załóż łańcuch na koło zębate.

4b. Obróć metalowe kółko ze spiralą maksymalnie w lewo. Zamontuj prowadnicę na śrubie zabezpieczającej i umieść łańcuch na kole zębatym.

Założ osłonę koła zębatego, upewniając się, że zęby łańcucha są wpasowane w koło i rowek prowadnicy.

5a. Dokręć do końca palcami nakrętkę podtrzymującą prowadnicę.

5b. Dokręć do końca pokrętko podtrzymującą prowadnicę

6a. Aby naprężyć łańcuch, dokręć śrubę napinacza łańcucha zgodnie z ruchem zegara za pomocą klucza/śrubokrętu będącego a wyposażeniu. Aby zmniejszyć naprężenie łańcucha, obracać śrubę przeciwnie do ruchu zegara (podczas wykonywania tej czynności, utrzymywać górną część prowadnicy uniesioną do góry).

6b. Aby naprężyć łańcuch, dokręć zewnętrzne pokrętko napinacza łańcucha zgodnie z ruchem zegara. Aby zmniejszyć naprężenie łańcucha, obracać śrubę przeciwnie do ruchu zegara (podczas wykonywania tej czynności, utrzymywać górną część prowadnicy uniesioną do góry).

7. Naprężyć łańcuch do momentu aż jego naprężenie będzie odpowiednie. Odciągnąć łańcuch od prowadnicy i upewnić się, że mierzona szczelina wynosi około 2-3 mm.

8a. Dokręć nakrętkę podtrzymującą prowadnicę za pomocą klucza/śrubokrętu będącego na wyposażeniu.

8b. Dokręć do oporu prowadnicę.

Nadmierne naciągnięcie łańcucha może spowodować przeciążenie silnika oraz jego uszkodzenie. Zbyt małe naciągnięcie może spowodować wypadnięcie łańcucha. Natomiast poprawnie naciągnięty łańcuch zapewnia lepszą jakość cięcia oraz dłuższą żywotność łańcucha. Należy dość często sprawdzać jego naciąg, ponieważ ma on tendencję do wydłużania się w miarę jego użytkowania (zwłaszcza w przypadku gdy jest nowy; przy pierwszym montażu należy sprawdzać jego naciąg zaraz po 5 minutach pracy). Nie należy w żadnym wypadku naciągać łańcucha zaraz po jego użytkowaniu, lecz należy poczekać, aby wystygł. W przypadku konieczności wyregulowania naciągu łańcucha należy zawsze przed posłużeniem się śrubą / gałką napinającą łańcuch poluzować nakrętki / pokrętko mocujące prowadnicę; następnie poprawnie naciągnąć łańcuch i ponownie dokręcić nakrętki / pokrętko mocujące prowadnicę.

E. URUCHAMIANIE I ZATRZYMANIE

Rozruch: Uchwycić mocno oba uchwyty, zwolnić dźwignię hamulca tak, aby ręka wciąży trzymała przedni uchwyt, wciśnij i przytrzymaj blok przełącznika, następnie wciśnij przełącznik (w tym momencie można zwolnić blok przełącznika).

Zatrzymanie: Urządzenie zatrzymuje się w momencie zwolnienia wyłącznika. Gdyby zatrzymanie urządzenia nie nastąpiło, należy wyłączyć hamulec łańcucha, wyłączyć kabel z sieci zasilania i oddać urządzenie do Autoryzowanego Serwisu Obsługi Technicznej.

F. SMAROWANIE PROWADNICY I ŁAŃCUCHA

UWAGA! Niewystarczające smarowanie oprzyrządowania tnącego może spowodować zerwanie się łańcucha, stanowiąc tym samym poważną groźbę wywołania obrażeń, także śmiertelnych.

Smarowanie prowadnicy i łańcucha wykonywane jest przez automatyczną pompę. Należy w sposób opisany w rozdziale "Konserwacja" sprawdzić, czy olej łańcuchowy podawany jest we właściwej ilości.

Wybór oleju łańcuchowego

Należy stosować wyłącznie nowy olej (specjalnie przeznaczony do łańcuchów), charakteryzujący się dobrą lepkością; musi on posiadać dobrą przyczepność i gwarantować dobre przesuwanie się, zarówno w lecie, jak i w zimie. Jeśli niemożliwe jest zastosowanie oleju łańcuchowego, należy użyć oleju przekładniowego EP 90.

Nie należy nigdy stosować zużytych olejów, ponieważ są one szkodliwe dla osób, urządzenia oraz środowiska naturalnego. Należy sprawdzić, czy olej nadaje się do wykorzystania w temperaturze otoczenia panującej w miejscu działania: niektóre oleje w temperaturach poniżej 0°C stają się zbyt gęste, powodując przeciążenie pompy i w konsekwencji jej uszkodzenie. W celu wybrania najodpowiedniejszego rodzaju oleju należy zwrócić się o pomoc do Autoryzowanego Serwisu Obsługi Technicznej.

Uzupełnianie oleju

Odkręć korek zbiornika oleju, napełnić zbiornik, nie dopuszczając do przelania oleju (jeśli to nastąpi, należy starannie oczyścić urządzenie), na koniec dobrze zakręcić korek.

G. KONSERWACJA I PRZECHOWYWANIE

Przed dokonaniem konserwacji lub czyszczenia należy wyciąć wtyczkę z gniazda sieciowego.

UWAGA! Podczas pracy w wyjątkowo brudnym lub zakurzoneym otoczeniu, opisane czynności muszą być wykonywane częściej niż jest to zalecane poniżej.

Przed każdym użytkowaniem

Należy sprawdzić, czy pompa oleju łańcuchowego działa poprawnie: w tym celu należy skierować prowadnicę w stronę jakiejś jasnej powierzchni, trzymając ją w odległości około dwudziestu centymetrów; po minucie pracy urządzenia powierzchnia powinna przedstawiać wyraźne ślady oleju (**rys.1**). Należy sprawdzić, czy włączanie lub wyłączanie hamulca łańcucha nie odbywa się w sposób zbyt ciężki, zbyt łatwy lub czy w ogóle nie jest zablokowane. Następnie należy sprawdzić jego działanie, to znaczy: wylączyć hamulec łańcucha, chwycić poprawnie urządzenie i uruchomić je, włączając hamulec łańcucha, poprzez popchnięcie przedniej osłony dłoni za pomocą lewego nadgarstka / ramienia, nie wypuszczając absolutnie uchwytów urządzenia z dłoni (**rys.2**). Jeśli hamulec łańcucha działa poprawnie, łańcuch powinien natychmiast zostać zablokowany. Należy sprawdzić, czy łańcuch jest naostrzony (zobacz poniżej), czy jest w dobrym stanie technicznym oraz czy jest właściwie naciągnięty. Jeśli łańcuch jest zużyty nierównomiernie lub jego ząb tnący wynosi tylko 3 mm, należy go wymienić (**rys.3**).

Należy często czyścić szczeliny wentylacyjne urządzenia, aby nie dopuścić do przegrzania się silnika. (**rys.4**).

Należy sprawdzić działanie wyłącznika oraz blokady wyłącznika (przy wyłączonym hamulcu łańcucha): ustawić wyłącznik i blokadę wyłącznika w pozycji roboczej, a następnie sprawdzić, czy po ich zwolnieniu wracają natychmiast do pozycji spoczynku; należy sprawdzić, czy w przypadku, gdy blokada wyłącznika nie zostanie ustawiona w pozycji roboczej, także naciśnięcie wyłącznika będzie niemożliwe.

Należy sprawdzić, czy kolek blokujący łańcuch oraz osłona prawej dłoni są kompletne i nie przedstawiają widocznych uszkodzeń takich, jak na przykład pęknięcia materiału.

Co 2-3 godziny użytkowania

Należy sprawdzić prowadnicę; jeśli byłoby to konieczne, należy wyczyścić starannie jej otwory do smarowania (**rys.5**) oraz rowek prowadzący (**rys.6**); jeśli rowek wydaje się zbyt zużyty lub przedstawia zbyt głębokie wyżłobienia, należy wymienić prowadnicę. Koło zębate należy regularnie oczyszczać i upewniać się, czy nie jest ono nadmiernie zużyte. (**rys.7**). Za pomocą smaru do

łożysk należy nasmarować kółko końcówki prowadnicy, wykorzystując do tego wskazany otwór (**rys.8**).

Ostrzenie łańcucha (jeśli konieczne)

Jeśli bez dociskania prowadnicy do drzewa łańcuch nie tnie, a powstające wióry są bardzo małe, oznacza to, że łańcuch nie jest dobrze naostrzony. Jeśli podczas cięcia wióry nie tworzą się w ogóle, oznacza to, że łańcuch jest całkiem tępy i podczas cięcia zamienia drzewo w pył. Dobrze naostrzony łańcuch posuwa się w drzewie do przodu sam i wytwarza duże i długie wióry.

Tnąca część łańcucha składa się z ogniwa tnącego (**rys.9**), posiadającego ząb tnący (**rys.10**) oraz ogranicznik głębokości cięcia (**rys.11**). Różnica wysokości pomiędzy nimi stanowi głębokość cięcia. W celu dobrego naostrzenia łańcucha potrzebny jest prowadnik pilnika oraz okrągły pilnik o średnicy 4 mm. Należy postępować zgodnie z poniższymi wskazówkami: przy zamontowanym i poprawnie napiętym łańcuchu należy włączyć hamulec łańcucha, umieścić prowadnik pilnika prostopadłe do prowadnicy, w sposób pokazany na rysunku (**rys.12**), i ostrzyć ząb tnący pod wskazanymi na rysunku kątami (**rys.13**). Ruchy muszą zawsze być wykonywane w kierunku od środka na zewnątrz, zmniejszając nacisk w fazie powrotnej (jest bardzo ważne, aby starannie przestrzegać podanych wskazówek, ponieważ zbyt duże lub zbyt małe kąty naostrzenia, czy też nieodpowiednia średnica pilnika zwiększają ryzyko wystąpienia reakcji odbicia). W celu uzyskania dokładniejszych kątów bocznych zaleca się umieszczenie pilnika tak, aby w pionie przewyższał on ostrze górne o około 0,5 mm. Należy naostrzyć najpierw wszystkie zęby po jednej stronie, następnie należy odwrócić piłę i wykonać te same operacje po drugiej stronie. Należy sprawdzić, czy po naostrzeniu wszystkie zęby mają tę samą wysokość oraz czy wysokość ograniczników cięcia jest mniejsza o 0,6 mm od wysokości ostrza górnego; wysokość należy sprawdzić za pomocą wzornika i w razie konieczności opilować (płaskim pilnikiem) część wystającą, a następnie odpowiednio zaokrąglić przednią część ogranicznika głębokości (**rys.14**). Należy zwrócić uwagę, aby NIE opilować zęba chroniącego przed odbiciem (**rys.15**).

Co 30 godzin użytkowania

Należy oddać urządzenie do Autoryzowanego Serwisu Obsługi Technicznej w celu wykonania generalnego przeglądu technicznego i sprawdzenia zabezpieczeń hamujących.

Przechowywanie

Produkt należy przechowywać w chłodnym i suchym miejscu, poza zasięgiem dzieci. Nie należy przechowywać produktu w warunkach zewnętrznych.

H. TECHNIKI CIĘCIA

Podczas użytkowania należy unikać: (rys.1)

- cięcia w okolicznościach, w których kłoda mogłaby się złamać (drzewo naprężone, suche, itp.); niespodziewane złamanie się kłody może być bardzo niebezpieczne.

- zakleszczenia się prowadnicy lub łańcucha w nacięcie: gdyby tak się zdarzyło, należy odłączyć urządzenie od sieci zasilania i spróbować podnieść kłodę, podważając ją za pomocą odpowiedniego narzędzia; nie należy usiłować wyjmować urządzenia, potrząsając nim lub ciągnąc za nie, ponieważ może to spowodować jego uszkodzenie i zranienie się.

- okoliczności sprzyjających wystąpieniu reakcji odbicia.

- używania urządzenia na wysokości powyżej ramienia

- cięcia drewna z ciałami obcymi jak np. gwoździe

Podczas użytkowania: (rys.1)

- jeśli cięcie wykonywane jest na pochylonym terenie, należy znajdować się po górnej stronie kłody, aby nie zostać nią uderzonym w przypadku, gdyby zaczęła się toczyć.

- w przypadku ścinania drzewa należy zawsze

doprowadzić operację do końca: pozostawione, tylko częściowo ścięte drzewo może się złamać.

- po zakończeniu każdego cięcia zauważyć można istotną zmianę w wielkości siły koniecznej do utrzymania urządzenia. Należy postępować z dużą ostrożnością, aby nie stracić nad nim kontroli.

W zamieszczeniu poniżej tekście omówione zostały dwa rodzaje cięcia:

Cięcie z łańcuchem ciągnącym (ruch w kierunku od góry do dołu) (**rys.2**). W tym przypadku występuje niebezpieczeństwo nagłego przemieszczenia się urządzenia w kierunku pionu i w konsekwencji utrata kontroli nad nim. Jeśli to możliwe, podczas cięcia należy stosować kolek.

Cięcie z łańcuchem pchającym (ruch w kierunku od dołu do góry) (**rys.3**). W tym przypadku występuje niebezpieczeństwo nagłego przemieszczenia się urządzenia w kierunku operatora, grożąc jego uderzeniem lub kontaktem sektora ryzyka z kłodą, powodując wystąpienie reakcji odbicia. Cięcie należy wykonywać z bardzo dużą ostrożnością.

Najbezpieczniejszy sposób wykorzystywania urządzenia ma miejsce wtedy, gdy drzewo zablokowane jest na kośle, a cięcia wykonywane jest po zewnętrznej stronie punktu oparcia kłody, w kierunku od góry do dołu (**rys.4**).

Wykorzystanie kolca

Jeśli jest to tylko możliwe, należy stosować kolec, aby wykonywane cięcia było bardziej bezpieczne: kolec należy wbić w korę lub w zewnętrzną część kłody, ułatwi to, w razie konieczności, zapanowanie nad urządzeniem.

Poniżej przedstawione zostały typowe procedury do zastosowania w określonych sytuacjach. Niemniej jednak, za każdym razem należy ocenić, czy odpowiadają one okolicznościom, w których ma się odbyć praca i jaki jest sposób możliwie najbezpieczniejszego wykonania cięcia.

Kłoda położona na ziemi (Niebezpieczeństwo dotknięcia łańcuchem podłoża w ostatniej fazie cięcia) (**rys.5**).

Cięcie należy wykonywać w kierunku od góry do dołu, przechodząc przez całą kłodę. W ostatniej fazie cięcia należy postępować z wyjątkową ostrożnością, aby nie dotknąć łańcuchem terenu. Jeśli na głębokości 2/3 grubości kłody możliwe jest przerwanie cięcia, należy kłodę obrócić i pozostały kawałek przeciąć ponownie w kierunku od góry do dołu, ograniczając w ten sposób ryzyko kontaktu z terenem.

Kłoda oparta tylko po jednej stronie (Niebezpieczeństwo złamania się kłody w trakcie cięcia) (**rys.6**).

Cięcie należy rozpocząć od dołu i wykonać je na głębokość około 1/3 średnicy kłody, następnie należy je ukończyć od góry w kierunku wykonanego już nacięcia.

Kłoda oparta po obu stronach (Niebezpieczeństwo zgniecia łańcucha) (**rys.7**).

Cięcie należy rozpocząć od góry i wykonać je na głębokość około 1/3 średnicy kłody, następnie należy je ukończyć od dołu w kierunku wykonanego już nacięcia.

Pień leżący na spadzistym terenie. Zawsze należy stać powyżej pnia. Podczas przecinania, aby zachować pełną panowanie nad urządzeniem, należy zmniejszyć nacisk w pobliżu końca nacięcia, nie zwalnając siły przytrzymywania uchwytów. Nie należy pozwalać na kontakt łańcucha z podłożem.

Ścinanie drzew

UWAGA! Nie należy podejmować się ścinania drzew, jeśli nie posiada się odpowiedniego doświadczenia. W żadnym przypadku nie należy ścinać drzew o średnicy większej niż długość prowadnicy! Tego typu operacje wykonywać mogą wyłącznie doświadczeni użytkownicy z wykorzystaniem odpowiedniego sprzętu.

Celem ścinania jest spowodowanie upadku drzewa w najlepszej do jego okrzesańia i podziału pozycji. (Nie należy dopuścić, aby upadające drzewo zaczęło się o inne: obalanie takiego drzewa jest bardzo niebezpieczne).

Najdogodniejszy kierunek upadku drzewa należy wybrać, biorąc pod uwagę następujące okoliczności: co znajduje się wokół drzewa, jakie jest jego nachylenie, wykrzywienie, jaki jest kierunek wiatru oraz nagromadzenie gałęzi.

Nie należy bagatelizować nigdy obecności gałęzi martwych lub złamanych, które podczas ścinania mogą opaść i stać się źródłem zagrożenia.

UWAGA! W przypadku wykonywania czynności ścinania w wyjątkowo trudnych okolicznościach, należy natychmiast po zakończeniu cięcia podnieść nauszники ochronne, by od razu usłyszeć odbiegający od normy hałas oraz zauważyć inne ewentualne sygnały ostrzegawcze.

Operacje poprzedzające cięcie oraz określenie drogi ucieczki

Najpierw, pracując w kierunku od góry do dołu i zachowując pień położony pomiędzy sobą i urządzeniem, należy usunąć gałęzie mogące utrudnić ścinanie (**rys.8**), następnie należy usunąć, jedna po drugiej, gałęzie grubsze. W dalszej kolejności należy usunąć otaczającą drzewo roślinność i planując drogę ucieczki (do wykorzystania w momencie upadku drzewa) przyjrzeć się wszystkim ewentualnie występującym przeszkodom (jak np.: kamienie, korzenie, doły, itp.). W celu określenia kierunku ucieczki posłużyć się należy także rysunkiem (**rys.9**) (A – przewidywany kierunek upadku drzewa. B – droga ucieczki. C – obszar niebezpieczny).

ŚCINANIE DRZEWA (rys.10)

W celu zapewnienia sobie kontroli nad upadającym drzewem należy wykonać następujące cięcia:

Cięcie ukierunkowujące, które należy wykonać jako pierwsze. Służy ono do kontrolowania kierunku upadku drzewa. Najpierw, po stronie, na którą ma spaść drzewo, należy wykonać GÓRNĄ CZĘŚĆ cięcia ukierunkowującego. Podczas tej operacji należy stać po prawej stronie drzewa i ciąć łańcuchem ciągnącym. Następnie należy wykonać DOLNĄ CZĘŚĆ cięcia, którą należy ukończyć dokładnie na końcu cięcia górnego. Głębokość cięcia ukierunkowującego musi wynosić 1/4 średnicy pnia, a kąt pomiędzy cięciami górnym i dolnym musi mieć co najmniej 45°. Punkt spotkania się obydwu cięć nosi nazwę "linii cięcia ukierunkowującego". Linia ta musi być idealnie pozioma i położona pod kątem prostym (90°) wobec kierunku upadku drzewa.

Cięcie ścinające, którego celem jest wywołanie upadku drzewa, wykonać należy o 3-5 cm powyżej dolnej płaszczyzny określającej linię cięcia ukierunkowującego a zakończyć je w odległości od tej linii wynoszącej 1/10 pnia. Należy stać po lewej stronie drzewa i ciąć łańcuchem ciągnącym, wykorzystując do pomocy także kolec. Należy sprawdzić, czy drzewo nie przechyliło się w kierunku przeciwnym do założonego. Jak tylko to możliwe, należy włożyć do wnętrza cięcia klin ścinający. Część pnia, która nie została przecięta nosi nazwę punktu podparcia i stanowi "zawias", który kieruje drzewem podczas upadku. Jeśli okaże się on niewystarczający, krzywy lub całkowicie przecięty, nie będzie można kontrolować kierunku upadku drzewa (bardzo niebezpieczna sytuacja!). W związku z tym konieczne jest, aby wszystkie cięcia wykonane były zawsze bardzo starannie.

Po zakończeniu wykonywania cięć drzewo powinno rozpocząć swój upadek. W razie konieczności, można posłużyć się klinem lub tomem do obalania.

Okrzesywanie

Po ścięciu drzewa można przystąpić do jego okrzesywania, to znaczy usuwania gałęzi z pnia. Nie należy bagatelizować tej operacji, ponieważ najwięcej wywołanych reakcją odbicia nieszczęśliwych wypadków zdarza się właśnie podczas czynności okrzesywania drzewa. Z tego też względu należy uważać na pozycję końcówki prowadnicy podczas cięcia i pracować zawsze po lewej stronie pnia.

I. EKOLOGIA

W niniejszym rozdziale przedstawione zostały informacje potrzebne do zachowania opracowanych w fazie projektu, charakterystycznych cech ekologicznego dostosowania urządzenia do wymogów ochrony środowiska naturalnego, do jego poprawnego użytkowania oraz do właściwej eliminacji olejów.


UŻYWANIE URZĄDZENIA

Podczas uzupełniania oleju w zbiorniku należy uważać, by go nie porozlewać, powodując zanieczyszczenie środowiska naturalnego.

ZŁOMOWANIE

Nie należy porzucać niesprawnego urządzenia w nie przeznaczonym do tego miejscu.

Należy, zgodnie z obowiązującymi przepisami, odstawić je do autoryzowanego, zajmującego się eliminacją odpadów centrum.

Symbol  na produkcie lub jego opakowaniu oznacza, że po utracie wartości użytkowej dany wyrób nie może być traktowany tak jak inne odpady. Należy przekazać go do punktu zbiórki urządzeń elektrycznych i elektronicznych przeznaczonych do recyklingu.

Przestrzegając zalecanych zasad postępowania ze zużytym produktem zapobiegasz ewentualnym negatywnym konsekwencjom dla zdrowia i środowiska, jakie mogłyby nastąpić w wyniku niewłaściwego sposobu pozbycia się wyrobu.

Szczegółowych informacji na temat recyklingu tego produktu mogą udzielić władze lokalne, służby zajmujące się wywozem śmieci lub pracownicy sklepu, w którym produkt został zakupiony.

J. TABELA IDENTYFIKACJI AWARII I USTEREK

	Nie można uruchomić silnika	Nieprawidłowe obroty silnika lub utrata mocy	Urządzenie pracuje, lecz właściwy sposób	Silnik pracuje w sposób nieprawidłowy	Urządzenia hamujące nie blokują we właściwy sposób uchu łańcucha
Sprawdzić, czy w sieci występuje zasilanie	●				
Sprawdzić, czy wtyczka została poprawnie włożona do gniazdka elektrycznego	●				
Sprawdzić, czy kabel lub przedłużacz nie są uszkodzone	●				
Sprawdzić, czy nie jest włączony hamulec bezpieczeństwa łańcucha	●				
Sprawdź czy łańcuch jest właściwie założony i naprężony.		●	●		
Sprawdzić, czy łańcuch nasmarowany został w sposób opisany w rozdziałach F i G			●		
Sprawdzić, czy łańcuch jest naostrzony			●		
Sprawdź czy wyłącznik odcinający jest uaktywniony.	●				
Zwrócić się do Autoryzowanego Serwisu Obsługi Technicznej	●	●		●	●

K. CZĘŚCI ZAMIENNE

35cm	Łańcuch	91PJ052XN	Numer części:	530051538
	Prowadnica		Numer części:	576965401
40cm	Łańcuch	91PJ056XN	Numer części:	530051539
	Prowadnica		Numer części:	576965201

L. EC DEKLARACJA ZGODNOŚCI

Husqvarna AB, S-561 82, Huskvarna, Sweden

Deklarujemy z całą odpowiedzialnością że nasz produkt(y) :

Oznaczenie.....**Chainsaw - Piła łańcuchowa**
 Oznaczenie typu(ów).....**CSE1835, CSE1935S, CSE2040, CSE2040S**
 Identyfikacja serii.....**Patrz Tabliczka Znamionowa Wyrobu**
 Rok Produkcji.....**Patrz Tabliczka Znamionowa Wyrobu**

Spełniają zasadnicze wymagania i warunki następujących dyrektyw EC :

2006/42/EC, 2004/108/EC, 2000/14/EC, 2011/65/EU

na podstawie zastosowanych następujących norm EU :

EN60745-1, EN60745-2-13, EN55014-2, EN55014-1, EN61000-3-2, EN61000-3-11

Uprawnione organy przeprowadzające kontrolę typu EC

zgodnie z artykułem 8 rozdz.2c..... TÜV Rheinland LGA Products GmbH
 Tillystraße 2
 D-90431 Nürnberg
 Germany

Świadectwo nr BM 50268379

Maksymalny ważony poziom dźwięku L_{pA} na stanowisku pracy zmierzony zgodnie z normą EN60745-2-13 został podany w tabeli.

Maksymalna wartość ważona drgań dla ręki/ramienia a_h zmierzona zgodnie z normą EN60745-2-13 w próbie powyższego produktu (produktów) została podana w tabeli.

Całkowita zadeklarowana wartość wibracji została zmierzona zgodnie ze standardową metodą testowania i może być używana dla celów porównywania jednego urządzenia z innym.

Całkowita zadeklarowana wartość wibracji może również służyć do wstępnej oceny narażenia na oddziaływanie.

Ostrzeżenie:

Emisja wibracji podczas rzeczywistej pracy z urządzeniem może się różnić od całkowitej zadeklarowanej wartości, w zależności od sposobu użytkowania narzędzia Operatorzy powinni określić środki niezbędne dla własnego bezpieczeństwa w oparciu o szacunkową ocenę narażenia w rzeczywistych warunkach pracy (uwzględniając wszystkie części cyklu operacyjnego, czyli oprócz czasu pracy przy włączonym spuście również okresy wyłączenia urządzenia i pracy jałowej).

2000/14/EC: Mierzony Poziom Natężenia Dźwięku L_{WA} oraz Gwarantowany Poziom Natężenia Dźwięku L_{WA} są zgodne z wielkościami podanymi w tabelach.

Procedura Oceny Zgodności..... Annex V

Ulm 12/02/2013

P. Lamelli

Dyrektor ds. Globalnych Badań i Rozwoju – Produkty przenośne

Posiadacz dokumentacji technicznej



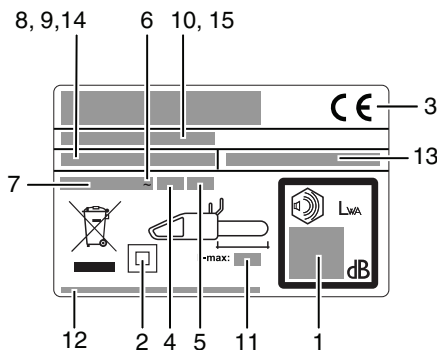

Typ (CSE_____)	1835	1935S	2040	2040S
Ciężar bez paliwa (Kg)	4.3	4.5	4.4	4.6
Zasilanie (kW)	1.8	1.9	2.0	2.0
Pojemność zbiornika oleju (cm ³)	240	240	240	240
Maksymalna długość przewodnicy (cm)	35	35	40	40
Podziałka łańcucha (mm)	9.52	9.52	9.52	9.52
Grubość łańcucha (mm)	1.3	1.3	1.3	1.3
Mierzony Poziom Natężenia Dźwięku L_{WA} (dB(A))	106	106	106	106
Gwarantowany Poziom Natężenia Dźwięku L_{WA} (dB(A))	110	110	110	110
Ciśnienie akustyczne L_{pA} (dB(A))	95	95	95	95
Wątpliwość K_{pA} (dB(A))	2.5	2.5	2.5	2.5
Wibracja miejscowa a_h (m/s ²)	7.28	7.28	8.08	8.08
Niepewność K_{ah} (m/s ²)	1.5	1.5	1.5	1.5
Sieć – impedancja Z_{max} (Ω)	0.382	0.382	0.382	0.382

Deklaracja zgodności z EN 61000-3-11

Zależnie od właściwości lokalnej sieci zasilania, korzystanie z produktu może powodować krótkotrwale spadki napięcia w momencie włączania urządzenia. Może to zakłócić pracę innych urządzeń elektrycznych, powodując np. chwilowe przgaśnięcie lampy. Jeżeli **impedancja Z_{max} sieci zasilania** jest niższa niż pokazana w tabeli (stosownie do modelu urządzenia), wspomniane zakłócenia nie będą miały miejsca. Wartość impedancji sieci można ustalić kontaktując się ze swoim dostawcą energii.

A. VSEOBECNÝ POPIS

- | | |
|---|---|
| <ol style="list-style-type: none"> 1) Zadní rukojeť 2) Ochranný kryt pravé ruky 3) Přední rukojeť 4) Ochranný kryt levé ruky/páka brzd pilového řetězu 5) Vnější knoflík napínače řetězu 6) Šroub napínače řetězu 7) Čep napínání řetězu 8) Zátka olejové nádrže 9) Okénko kontroly hladiny oleje 10) Ventilační otvory 11) Kabel 12) Manuál 13) Vypínač 14) Zablokování vypínače 15) Pilový řetěz 16) Tažný článek 17) Řezný článek 18) Omezovač hloubky řezu 19) Řezný zub 20) Vodící lišta | <ol style="list-style-type: none"> 21) Kryt hnacího kola 22) Hnací kolo 23) Zachycovač řetězu 24) Upevňovací šroub lišty 25) Vnitřní knoflík přidržující tyč 26) Matice přidržující tyč 27) Řetězka na špici 28) Kryt vodící lišty 29) Ozubená opěrka 30) Uložení zachycovače řetězu 31) Otvor mazání 32) Vodící drážka lišty 33) Klíč/šroubovák |
|---|---|



- 1) Zaručená intenzita zvuku podle směrnice 2000/14/ES
- 2) Zařízení třídy II
- 3) Značení shody CE
- 4) Nominální kmitočet
- 5) Nominální výkon
- 6) Střídavý proud
- 7) Nominální napětí
- 8) Typ
- 9) Kód výrobku
- 10) Rok výroby
- 11) Maximální délka lišty
- 12) Jméno a adresa výrobce
- 13) Č. číslo (Elektrická řetězová pila)
- 14) Model
- 15) Č. série

B. BEZPEČNOSTNÍ OPATŘENÍ

VÝZNAM SYMBOLŮ



Pozor
Pozorně si přečtěte
manuál



Bezpečnostní holínky



Helma, chrániče sluchu
a ochranné brýle nebo
ochranný štítek



Rukavice chránící proti
řezu



Dlouhé kalhoty chránící
proti řezu



Brzda řetězů
vypojena, zapojena



Pokud je kabel poškozen
nebo nařezán, okamžitě
vytáhněte zástrčku ze sítě.



V pracovním prostoru
se nesmějí zdržovat
jiné osoby.



Směr řezného zubu



Používejte vždy oběma
rukama



Nebezpečí zpětného
vrhu



Nevystavujte dešti
nebo vlhkosti



Řetězový olej



Nedělejte...



Vypněte stroj



Před úpravami nebo
čištěním vytáhněte
zástrčku ze sítě.



Nebezpečí úrazu
elektrickým proudem

Všeobecná bezpečnostní upozornění pro elektrické nářadí

UPOZORNĚNÍ Přečtěte si všechna bezpečnostní upozornění a pokyny. Nedodržení těchto upozornění a pokynů může mít za následek elektrický šok, požár a/nebo vážné zranění.

Všechna upozornění a pokyny si uschovejte k použití v budoucnu.



Termín "elektrické nářadí" se v upozorněních týká nářadí (se šňůrou) napájeného ze sítě nebo nářadí napájeného z baterie (bezdrátové).

1) Bezpečnost pracovního prostoru

- Udržujte pracovní prostor v čistotě a dobře osvětlený. Neuspořádané a tmavé prostředí zvyšuje riziko úrazu.
- Nepoužívejte elektrické nástroje ve výbušném prostředí, např. v přítomnosti hořlavých kapalin, plynů nebo prachu. Elektrické nástroje vytvářejí jiskry, které mohou zapálit prach nebo výpary.
- Při použití elektrického nástroje udržujte děti a kolem stojící osoby mimo. Odvrácením pozornosti můžete ztratit kontrolu.

2) Elektrická bezpečnost

- Zástrčky elektrického nářadí musí odpovídat zásuvce. Zástrčku nikdy žádným způsobem nemodifikujte. S uzemněnými elektrickými nástroji nepoužívejte rozvodné zástrčky. Nemodifikované zástrčky a odpovídající zásuvky snižují riziko elektrického šoku. odpovídající zásuvky snižují riziko elektrického šoku.
- Vyhýnejte se styku těla s uzemněnými povrchy jako jsou trubky, radiátory, vaňiče a ledničky. Je-li vaše tělo uzemněno, zvyšuje se nebezpečí úrazu elektrickým proudem.
- Nevystavujte elektrické přístroje dešti či vlhkosti. Voda v elektrickém přístroji zvýší nebezpečí úrazu elektrickým proudem.
- Se šňůrou nezacházejte hrubě. Nikdy nepoužívejte kabel k nesení, tahání, či vypínání elektrického přístroje. Šňůru chraňte před teplem a olejem, ostrými hranami a pohyblivými díly. Poškozené či zapletené kabely zvyšují nebezpečí úrazu elektrickým proudem.
- Při použití elektrického nářadí venku použijte prodlužovací šňůru vhodnou k venkovnímu použití. Použitím šňůry vhodné pro venkovní použití se snižuje riziko elektrického šoku.
- Pokud je použití elektrického nářadí ve vlhkém místě nevyhnutelné, používejte napájení chráněné proudovým chráničem (RCD). Použití RCD snižuje riziko elektrického šoku.

3) Osobní bezpečnost

- a) Při použití elektrického nástroje buďte ostražití, sledujte, co děláte a používejte zdravý rozum. Elektrický nástroj nepoužívejte, pokud jste unavení, pod vlivem drog, alkoholu nebo léků. *Chvilé nepozornosti při používání elektrického přístroje může způsobit vážné zranění.*
- b) Používejte osobní ochranné pomůcka. Vždy používejte ochranu očí. *Ochranné vybavení jako protiprachová maska, protiskluzová bezpečnostní obuv, tvrdá přilba anebo ochrana sluchu používané v příslušných situacích snižují zranění osob.*
- c) Předcházejte neúmyslnému spuštění. Před zapojením do sítě a/nebo k baterii, zvednutím nebo přenášením nástroje se ujistěte, že je vypínač ve vypnuté poloze. *Nošení elektrických přístrojů s prstem na vypínači či zapojování spuštěných elektrických přístrojů zvyšuje nebezpečí úrazu.*
- d) Před zapnutím elektrického nářadí vytáhněte seřizovací klíč nebo šroubovák. *Šroubovák nebo klíč ponechaný připojený k rotující části elektrického nástroje může mít za následek osobní zranění.*
- e) Nepřetahujte se příliš daleko. Neustále udržujte správné postavení a rovnováhu. *To umožňuje lepší kontrolu elektrického nářadí v nečekaných situacích.*
- f) Správně se oblékejte. Nenoste volné oděvy ani šperky. Udržujte vlasy, oděvy a kůvavice mimo pohyblivé části. *Volné oděvy, šperky, či dlouhé vlasy mohou být zachyceny v pohyblivých částech.*
- g) Pokud jsou k dispozici zařízení k odsávání a sběru prachu, zajistěte, aby byla řádně připojena a používána. *Použití zařízení k odsávání prachu může snížit rizika spojená s prachem.*
- 4) Použití a údržba elektrického nářadí
- a) S elektrickým nářadím nezacházejte násilím. Používejte správné elektrické nářadí pro danou aplikaci. *Správným elektrickým nářadím provedete práci lépe a bezpečněji při rychlosti, pro kterou je navržen.*
- b) Elektrické nářadí nepoužívejte, pokud ho nelze spínačem zapnout a vypnout. *Jakékoliv elektrické nářadí, které nelze ovládat spínačem je nebezpečné a je ho třeba opravit.*
- c) Před seřizováním, výměnou příslušenství anebo uložením elektrického nářadí odpojte zástrčku ze sítě. *Tato preventivní bezpečnostní opatření snižují riziko náhodného spuštění nářadí.*
- d) Skladujte nepoužívané elektrické nářadí mimo dosah dětí a nedovoďte, aby ho ovládaly osoby, které nejsou obeznámeny s tímto elektrickým nářadím nebo s těmito pokyny. *Elektrické nářadí je v rukou neškolených uživatelů nebezpečné.*
- e) Provádějte údržbu elektrického nářadí. Kontrolujte na nesprávné vyrovnání nebo zachycování pohyblivých dílů, zlomení dílů a jakékoliv jiné stavy, které mohou nepříznivě ovlivnit provoz elektrického nářadí. *Pokud je nářadí poškozené, před použitím nechejte opravit. Mnoho nehod je způsobeno špatně udržovaným elektrickým nářadím.*
- f) Udržujte řezné nástroje ostré a čisté. *Řádně udržované řezné nástroje s ostrými řeznými hranami se budou s menší pravděpodobností zachytávat a snadněji se ovládají.*
- g) Používejte elektrické nářadí, příslušenství a hroty nástrojů atd. v souladu s těmito pokyny a

současné berte v úvahu pracovní podmínky a práci, která se má provádět. *Použití elektrické nářadí pro jiné operace, než pro které je určeno, by mohlo mít za následek nebezpečnou situaci.*

5. Servis

- a) Servis elektrického nářadí nechávejte provádět kvalifikovaným opravářem a s použitím totožným náhradních dílů. *Tím bude zaručeno zachování bezpečnosti elektrického nástroje.*

Bezpečnostní upozornění týkající se řetězu:

- Nepřibližujte se žádnou částí těla k řetězu, když je pila v provozu. *Než pilu spustíte, ujistěte se, že se řetěz ničeho nedotýká. Chvilé nepozornosti při práci s motorovou pilou může způsobit zachycení oděvu nebo části těla v řetězu pily.*
- Držte pilu pravou rukou za zadní držadlo a levou rukou za přední držadlo. *Opačné držení pily zvyšuje riziko úrazu.*
- Elektrický nástroj držte výhradně za odizolované plochy. *Řetěz pily by se mohl dotknout skrytého elektrického vedení nebo svého napájecího kabelu. Při kontaktu řetězu s "nabitým" vodičem se odkryté kovové součásti elektrického nástroje mohou "nabit" a způsobit obsluhu úraz elektrickým proudem.*
- Noste ochranné brýle a používejte ochranu sluchu. *Doporučujeme nosit ochranu hlavy, rukou a nohou. Odpovídající ochranné oblečení zmenší zranění odletujícími úlomky nebo náhodným dotykem s řetězem.*
- Nepoužívejte motorovou pilu na stromě. *Používání motorové pily na stromě může přivodit úraz.*
- Při práci s pilou udržujte rovnováhu a stůjte na pevném a rovném povrchu. *Kluzký nebo nestabilní povrch (např. žebřík) může způsobit ztrátu rovnováhy nebo kontroly nad pilou.*
- Při řezání napnuté větve buďte připraveni na to, že se může vymrštit. *Když se napětí v dřevních vlákních uvolní, napnutá větev může zasáhnout pracovníka nebo způsobit vymknutí pily z kontroly.*
- Při řezání keřů a mladých stromků dbejte zvýšené opatrnosti. *Tenké větve mohou zachytit řetěz pily a vymrštit se proti vám nebo vás vyvést z rovnováhy.*
- Pilu přenášejte za přední držadlo, vypnutou a v bezpečné vzdálenosti od těla. *Když pilu přenášíte nebo uskládujete, vždy nasadte kryt vodící lišty. Správné zacházení s pilou snižuje riziko náhodného kontaktu s běžícím řetězem.*
- Řiďte se pokyny na mazání, napínání řetězu a výměnu příslušenství. *INesprávně napnutý nebo namazaný řetěz se může přetrhout nebo zvýšit riziko zpětného rázu.*
- Udržujte rukojeti suché a čisté, bez stop oleje nebo mazadel. *Mastné rukojeti jsou kluzké a mohou vést ke ztrátě kontroly.*
- Řežte pouze dřevo. *Nepoužívejte pilu k jinému než stanovenému účelu. Například: nepoužívejte pilu na řezání plastů, zdíva nebo nedřevěných stavebních materiálů. Používání pily k jinému účelu, než k jakému je určena, může vyvolat nebezpečnou situaci.*

Příčiny a prevence zpětného rázu:

Zpětný ráz se může objevit, pokud se špička vodící lišty dotkne nějakého předmětu (obr. B3), nebo když se řetěz zachytí v řezu.

V některých případech může dotyk špičkou lišty způsobit nečekané zvednutí vodící lišty proti pracovníkovi.

Zachycení řetězu na horní části vodící lišty může odhodit lištu proti pracovníkovi.

Obě tyto reakce mohou vést ke ztrátě kontroly nad pilou a způsobit vážný úraz. Nespolehejte se výhradně na bezpečnostní prvky pily. Při práci s řetězovou pilou byste měli dbát několika zásad, aby nedošlo k nehodě nebo úrazu.

Zpětný ráz je výsledkem nesprávného používání pily, špatného pracovního postupu nebo podmínek a lze mu předéjit dodržováním níže uvedených bezpečnostních opatření:

- **Držte pilu pevně, palce a prsty kolem rukojetí pily, obě ruce na pile, a zaujměte pozici, která vám umožní zvládnout sílu zpětného rázu.**
Pracovník může udržet zpětný náraz pod kontrolou, pokud dbá bezpečnostních opatření. Pilu nepouštějte.
- **Při řezání se nenatahujte a neřežte nad výšku ramen.** *Snáze tak předejdete náhodnému dotyku špičkou lišty a umožní vám to lépe kontrolovat pilu v nepředvídaných situacích.*
- **Používejte výhradně náhradní lišty a řetězy určené výrobcem.** *Nesprávné náhradní lišty a řetězy mohou způsobit přetržení řetězu nebo zpětný ráz.*
- **Řiďte se pokyny výrobce ohledně ostření a údržby řetězu.** *Snižení výšky omezovací patky může vést k zvýšenému zpětnému rázu.*

Další bezpečnostní doporučení

1. **Návod k použití.** Všechny osoby používající tento přístroj si musejí pečlivě přečíst celý návod k použití. Návod k použití musí být přiložen k přístroji v případě prodeje nebo zapůjčení jiné osobě.
2. **Bezpečnostní opatření před použitím přístroje.** Nedovolte, aby tento přístroj používaly osoby, které nejsou důkladně seznámeny s návodem k použití. Nezkoušené osoby musejí během zaškolování řezat pouze na stojanu ("koze").
3. **Kontrola.** Před každým použitím pily důkladně zkontrolujte, zvláště pokud přestala silný náraz, nebo jeví známky poruchy. Vykonjte všechny úkony popsané v kapitole "Údržba a uskladnění – Před každým použitím".
4. **Opravy a údržba.** Všechny součásti, které může vyměnit uživatel osobně, jsou uvedeny v kapitole "Montáž / demontáž". Pokud je potřeba, všechny ostatní součástky musejí být vyměněny výhradně pověřeným servisním střediskem.
5. **Oblečení. (obr. 1)** Při práci s tímto přístrojem musí uživatel používat uvedené ochranné oblečení: přiléhavé ochranné pracovní oblečení, pevnou pracovní obuv odolnou proti proříznutí, s neklouzavými podrážkami a vyztuženou špičkou, rukavice odolné proti proříznutí a vibracím, ochranné brýle nebo štít, mlušové chrániče sluchu a helmu (pokud hrozí nebezpečí padajících předmětů). K dostání u prodejců pracovního oblečení.
6. **Ochrana zdraví – Vibrace a hladina hluku.** Dbejte na předpisy týkající se hluku v bezprostředním okolí. Dlouhodobé používání přístroje vystavuje pracovníka vibracím, které mohou vyvolat tzv. "syndrom modrých prstů" (Raynaudův syndrom), syndrom karpálního tunelu a podobné poruchy.
7. **Ochrana zdraví - Chemické látky** Používejte olej schválený výrobcem.
8. **Ochrana zdraví - Vysoké teploty.** Řetězovka a řetěz během provozu dosahují velmi vysokých teplot. Nedotýkejte se těchto částí, když jsou horké.

9. **VAROVÁNÍ!** Toto nařadí během provozu vytváří elektromagnetické pole. Toto pole za žádných okolností nesmí rušit aktivní nebo pasivní zdravotní implantáty. V zájmu omezení rizika vážného či smrtelného úrazu doporučujeme, aby se osoby se zdravotními implantáty před používáním tohoto nařadí poradily se svým lékařem a výrobcem implantátu.

Bezpečnost při přepravě a uskladnění. (obr. 2) Při přenášení na jiné pracoviště pilu odpojte z elektrické sítě a zapněte brzdu řetězu. Před přepravou nebo skladováním vždy nasadte kryt na vodící lištu. Při přenášení v ruce musí lišta směřovat dozadu. Když pilu převážíte ve vozidle, bezpečně ji připevněte, aby se předešlo poškození.

Zpětný ráz. (obr. 3) Zpětný ráz spočívá v prudkém vymrštění lišty proti pracovníkovi. To se obvykle stává, když se horní část špičky lišty (tzv. "zóna nebezpečí zpětného rázu") (viz červeně označenou část vodící lišty) přijde do styku s nějakým předmětem, nebo když se řetěz zasekne ve dřevě. Zpětný ráz může způsobit ztrátu kontroly nad pilou a vést k nebezpečným či dokonce smrtelným nehodám. Brzda řetězu a další bezpečnostní prvky na pile neposkytují dostatečnou ochranu před úrazem: pracovník si musí být dobře vědom, za jakých podmínek může dojít k zpětnému rázu a předcházet jim tím, že jim podle své zkušenosti věnuje zvýšenou pozornost a správně a opatrně zachází s pilou (například: nikdy neřežte několik větví najednou, protože může dojít k bezděčnému dotyku se "zónou nebezpečí zpětného rázu").

Bezpečnost pracovního prostředí

1. Nedovolte dětem a osobám neobeznámeným s tímto návodem pracovat s pilou. Místní předpisy mohou upravovat požadovaný věk pracovníka.
2. Tento výrobek používejte výhradně způsobem a k účelům popsaným v tomto návodu.
3. Pečlivě zkontrolujte celý pracovní prostor, zda se v něm nevyskytují zdroje nebezpečí (např. silnice, chodníky, elektrické kabely, nebezpečné stroje atp.)
4. V pracovním prostoru se nesmíjí zdržovat jiné osoby a zvířata (pokud nutno, prostor ohradte a označte výstražnými značkami) - nejmenší dovolená vzdálenost je 2,5 násobek výšky kmene nebo minimálně 10 metrů.
5. Pracovník je zodpovědný za nehody nebo ohrožení jiných osob nebo jejich majetku.

Elektrická bezpečnost

1. Doporučujeme používat proudový chránič s vypínacím proudem maximálně 30 mA. Ani používání proudového chrániče nezaručuje 100% bezpečnost a vždy je nutno dodržovat bezpečné pracovní postupy. Zkontrolujte svůj proudový chránič před každým použitím.
2. Před použitím zkontrolujte, zda kabel není poškozený. Pokud jeví známky poškození nebo opotřebení, vyměňte ho.
3. Výrobek nepoužívejte, pokud jsou elektrické kabely poškozené nebo opotřebované.
4. Okamžitě odpojte od elektrické sítě, pokud je kabel nařiznutý nebo je poškozená izolace. Nedotýkejte se elektrického kabelu, dokud není odpojen elektrický zdroj. Nespravujte nařiznutý nebo poškozený kabel. Nechte kabel vyměnit v pověřeném servisním středisku.

5. Prodlužovací kabel musí být vytažený z navijáče nebo rozvinutý, navinuté nebo svinuté kabely se mohou přehřívat a snižovat účinnost sekačky.
6. Dbejte na to, aby kabel / prodlužovací kabel byl za pracovníkem, aby nepředstavoval zdroj nebezpečí pro pracovníka nebo jiné osoby, a ujistěte se, že nemůže dojít k jeho poškození (teplem, ostrými předměty, ostrými hranami, olejem atp.)
7. Umístěte kabel tak, aby se během řezání nezachytil ve větvích a podobně.
8. Před odpojením zástrčky, spojky nebo prodlužovacího kabelu vždy nejdříve vypněte elektrickou zásuvku.
9. Vypněte, vytáhněte zástrčku ze zásuvky a zkontrolujte napájecí kabel, zda není poškozený nebo opotřebovaný, předtím než kabel stočíte k uskladnění. Poškozený kabel nespravujte. Nechte kabel vyměnit v pověřeném servisním středisku.
10. Pokud necháváte výrobek bez dozoru na jakoukoli dobu, vytáhněte zástrčku ze sítě.
11. Kabel svíjejte opatrně, pozor na zauzlování.
12. Používejte výhradně zdroj obousměrného elektrického napětí odpovídající napětí vyznačenému na štítku přístroje.

13. Tato řetězová pila má dvojitou izolaci v souladu s EN60745-1 a EN60745-2-13. Žádná část tohoto výrobku nesmí být za jakýchkoli podmínek uzemněna.

Kabely

1. Napájecí a prodlužovací kabely jsou k dostání v místním pověřeném servisním středisku.
2. Používejte pouze schválené prodlužovací kabely.
3. Používejte pouze prodlužovací šňůry určené k venkovním použití.
4. Pokud chcete při používání tohoto výrobku používat prodlužovací kabel, používejte výhradně kabely těchto rozměrů:

Modely CSE1835, CSE1935S:

- 5,0 mm² : max. délka 40 m
- 5,0 mm² : max. délka 60 m
- 8,0 mm² : max. délka 100 m

Modely CSE2040, CSE2040S:

- 5,0 mm² : max. délka 50 m
- 8,0 mm² : max. délka 90 m

C. POPIS BEZPEČNOSTNÍCH ZAŘÍZENÍ

ZABLOKOVÁNÍ VYPÍNAČE

Na Vašem stroji je instalované zařízení (**obr.1**), které pokud není zapojené, zabráňuje stisknutí vypínače za účelem zamezení náhodného spuštění.

BRZDA PILOVÉHO ŘETĚZU PŘI UVOLNĚNÍ VYPÍNAČE

Váš stroj je vybaven zařízením, které okamžitě blokuje pilový řetěz při uvolnění vypínače; pokud nefunguje, nepoužívejte stroj, ale odnesete ho do Autorizovaného servisního střediska.

OCHRANNÝ KRYT LEVÉ RUKY/PÁKA BRZDY PILOVÉHO ŘETĚZU

Ochranný kryt levé ruky (**obr. 2**) slouží (za předpokladu, že je na stroji instalován správným způsobem) k tomu, aby se Vaše ruka nedostala do kontaktu s pilovým řetězem. Ochranný kryt levé ruky má kromě toho i funkci spuštění brzdy pilového řetězu, zařízení, které bylo vyvinuto k zablokování pilového řetězu během několika milisekund v případě zpětného vrhu. Brzda pilového řetězu je vypojena, jakmile je ochranný kryt levé ruky stisknut dozadu a zablokován (pilový řetěz se může pohybovat). Brzda pilového řetězu je zapojena, jakmile je ochranný kryt levé ruky stlačen dopředu (pilový řetěz je zablokován). Brzdu řetězu lze aktivovat zatlačením vpřed levým zápěstím anebo když se zápěstí dostane do styku v předním krytem ruky následkem zpětného rázu.

Když se pila používá s tyčí ve vodorovné poloze, např. při kácení stromů, brzda řetězu poskytuje menší ochranu (**obr. 3**).

NOTA: Jakmile je zapojena brzda pilového řetězu, bezpečnostní vypínač přerušuje přívod proudu do motoru.

 **Uvolněním brzdy řetězu za současného držení spínače se pila spustí.**

ZACHYCOVAČ ŘETĚZU

Zařízení je vybaveno lapačem řetězu (**obr.4**) umístěným pod řetězovým kolem. Tento mechanismus je navržen k zastavení zpětného pohybu řetězu v případě přetržení nebo vyklejení řetězu.

Těmito situacím se lze vyhnout zajištěním správného napětí řetězu (Viz kapitola "D. Montáž/demontáž").

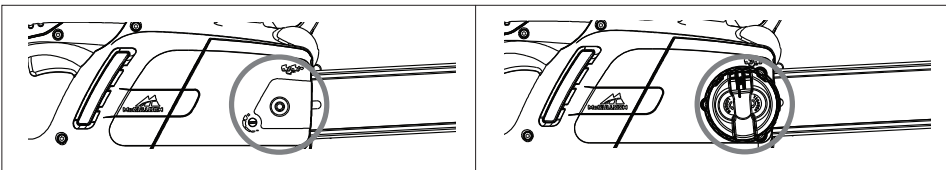
OCHRANNÝ KRYT PRAVÉ RUKY

Slouží k ochraně (**obr.5**) ruky v případě rozbití pilového řetězu.

D. MONTÁŽ / DEMONTÁŽ

MONTÁŽ LIŠTY A PILOVÉHO ŘETĚZU

Postup při montáži se mění podle modelu Vašeho stroje, proto se řiďte obrázky a typem stroje uvedeným na štítku výrobku, věnujte zvýšenou pozornost správné montáži.



1. Zkontrolujte, zda není zapojena brzda pilového řetězu, pokud ano vypojte ji.

2a. Odšroubujte přídržnou matici lišty a vyjměte kryt hnacího řetězového kola.

2b. Odšroubujte přídržný knoflík lišty a vyjměte kryt hnacího řetězového kola.

3 Umístěte řetěz přes lištu. Začněte u čelního zuba a zasunujte do drážky vodičí lišty.

Pozor! Zajistěte, aby byla ostrá strana čela řezných zubů vepředu na horní části lišty. Noste rukavice.

4a. Zajistěte, aby byl čep napínače řetězu co nejvíce vzadu od hnacího kola. Nasadte lištu na přídržný šroub lišty a čep napínače řetězu a umístěte řetěz na hnací řetězové kolo.

4b. Otočte kovové přetáčecí kolečko co nejdále proti směru hodinových ručiček. Nasadte lištu na přídržný šroub lišty a umístěte řetěz na hnací řetězové kolo.

Umístěte zpět kryt hnacího řetězového kola. Zajistěte, aby byly hnací zuby řetězu zasunuty hnacím řetězovým kole a ve vodičí drážce.

5a. Volně utáhněte přídržnou maticí rukou.

5b. Volně utáhněte přídržný knoflík tyče

6a. K napnutí řetězu šroubujte šroubem napínáku vpravo pomocí dodaného klíče/šroubováku. Ke snížení napětí šroubujte vlevo (při provádění této operace udržujte přední část tyče zvednutou vzhůru)

6b. K napnutí řetězu šroubujte vnějším knoflíkem napínáku vpravo. Ke snížení napětí šroubujte vlevo (při provádění této operace udržujte přední část tyče zvednutou vzhůru)

7. Napínejte řetěz, dokud nebude napětí řetězu správné. Odtáhněte řetěz od tyče a zajistěte mezeru přibližně 2-3 mm

8a. Utáhněte přídržnou maticí tyče pomocí dodaného klíče/šroubováku.

8b. Tyč utahujte, dokud nebude pevně zajištěna.

Příliš silné napnutí pilového řetězu může přetěžovat motor a poškodit ho, pokud není dostatečně napnut, může dojít k jeho uvolnění, zatímco správně napnutý pilový řetěz znamená lepší řezný výkon stroje a jeho delší životnost. ěasto kontrolujte napětí pilového řetězu, protože použitím se jeho délka natahuje (zejména pokud je nový, při první montáži zkontrolujte napětí po uplynutí 5 minut práce); v každém případě nenapínejte pilový řetěz hned po použití, ale vyčkejte, až se ochladí. Pokud musíte seřídit napětí pilového řetězu, vždy nejdříve uvolněte upevňovací maticе/knoflík lišty před zásahem na šroubu/knoflíku napínání řetězu; správně ho napněte a znovu utáhněte upevňovací maticе/knoflík lišty

E. SPUŠTĚNÍ A ZASTAVENÍ

Spuštění: pevně uchopte obě rukojeti, uvolněte páku brzdy řetězu a současně zajistěte, aby byla ruka stále na přední rukojeti, stiskněte a držte spínací blok zamáčknutý, poté stiskněte spínač (nyní můžete spínací blok uvolnit).

Zastavení: Stroj se zastaví, jakmile uvolníte vypínač. Pokud se stroj nezastaví, zapojte brzdu pilového řetězu, odpojte kabel ze sítě a odněte ho do Autorizovaného servisního střediska.

F. MAZÁNÍ LIŠTY A PILOVÉHO ŘETĚZU

POZOR! Nedostatečné promazání řezacího nástroje způsobuje rozbití pilového řetězu s vážným nebezpečím zranění osob i se smrtelnými následky.

Mazání lišty a pilového řetězu je zajišťováno automatickým čerpadlem. Zkontrolujte podle pokynů v sekci "Údržba", zda je řetězový olej dodáván v dostatečném množství.

Nikdy nepoužívejte vyježděné oleje, protože jsou škodlivé pro Vás, stroj a životní prostředí. Zkontrolujte, zda je olej vhodný pro teplotu prostředí v místě použití: při teplotách pod 0°C některé oleje houstnou, přetěžují a poškozují čerpadlo. Pro volbu nejvhodnějšího oleje se obraťte na Vaše Autorizované servisní středisko.

Doplňování oleje

Odšroubujte zátku olejové nádrže, naplňte nádrž, přitom dejte pozor, aby nedošlo k úniku oleje (pokud k tomu přece dojde, dobře očistěte motorovou pilu) a dobře utáhněte zátku

Volba řetězového oleje

Používejte výhradně nový olej (speciální typ pro řetězy) s dobrou viskozitou: musí mít dobrou přilnavost a zaručovat správné kluzné vlastnosti jak v létě tak v zimě. Pokud nemáte k dispozici řetězový olej, použijte převodový olej EP 90.

G. ÚDRŽBA A SKLADOVÁNÍ

Před prováděním jakékoliv údržby nebo čištění vytáhněte zadržku ze sítě.

POZOR! Pokud pracujete v obzvláště špinavém nebo prašném prostředí, popsané operace musí být prováděny v kratších intervalech než je uvedeno.

Před každým použitím

Zkontrolujte, zda čerpadlo řetězového oleje správně funguje, nasměrujte lišty směrem ke světlé ploše ve vzdálenosti dvaceti centimetrů, po minutě chodu stroje se na ploše musí objevit zřetelné stopy oleje **(obr.1)**. Zkontrolujte, zda pro zapojení a vypojení brzdy pilového řetězu nemusíte vyvíjet příliš velký tlak nebo naopak k zapojení nebo vypojení dochází příliš snadno, zkontrolujte také, zda není zablokována. Pak zkontrolujte její funkci následujícím způsobem: vypojte brzdou pilového řetězu, uchopte správným způsobem stroj a uveďte ho do chodu, zapojte brzdou pilového řetězu stlačením ochranného krytu levé ruky pomocí levého zápěstí/levé paže, přitom nikdy nepouštějte rukojeť **(obr.2)**. Pokud brzda pilového řetězu funguje, pilový řetěz se musí okamžitě zablokovat. Zkontrolujte, zda je pilový řetěz naostřený (viz dále), v dobrém stavu a správně napnut, pokud je nepravděelně opotřebený nebo jeho řezný zub dosahuje výšky pouze 3 mm, vyměňte ho **(obr.3)**.

Často čistěte ventilační otvory, zamezte tak přehřívání motoru. **(obr.4)**

Zkontrolujte funkci vypínače a zablokování vypínače (tuto operaci provádějte s vypojenou brzdou pilového řetězu): zapněte vypínač a zablokování vypínače a zkontrolujte, zda se hned po uvolnění vracejí do klidové polohy; ověřte, zda bez zapojení zablokování vypínače není možné zapnout vypínač.

Zkontrolujte, zda zachycovač řetězu a ochranný kryt pravé ruky jsou v dobrém stavu a bez viditelných závad jako například poškození materiálu.

Každé 2-3 hodiny práce se strojem

Zkontrolujte lištu, pokud je to nutné pečlivě očistěte její otvory mazání **(obr.5)** a vodič drážku **(obr.6)**, pokud je drážka opotřebená nebo na ní jsou patrné hluboké rýhy, vyměňte ji. Pravidelně čistěte hnací kolo a zkontrolujte, zda není nadměrně opotřebené. **(obr.7)**. Promažte řetězku na špičce lišty tukem pro ložiska označeným otvorem **(obr.8)**.

Ostření pilového řetězu (v případě potřeby)

Pokud pilový řetěz neřeže bez nutnosti přitlačit lištu na dřevo a vyrábí velmi jemné piliny, znamená to, že není dobře nabroušený. Pokud se při řezání netvoří piliny, pilový řetěz je zcela tupý a při řezání drtí dřevo na prach. Dobře naostřený pilový řetěz projíždí dřevem sám a tvoří dlouhé a velké piliny.

Řezná část pilového řetězu je představována řezným článkem **(obr.9)**, s řezným zubem **(obr.10)** a omezovačem hloubky řezu **(obr.11)**. Rozdílné výšky mezi nimi určuje hloubku řezu; pro správné ostření potřebujete vodič očílky, kulatou očílku o průměru 4 mm. Postupujte následujícím způsobem: se správně namontovaným a správně napnutým pilovým řetězem zapojte brzdou pilového řetězu, umístěte vodič očílky podle obrázku, kolmo k liště **(obr.12)**, a nabruste řezný zub na úhel zobrazeným na obrázku **(obr.13)**, ostření provádějte vždy zevnitř směrem ven a při návratu snižte vyvíjený tlak (je velmi důležité dodržovat správný postup při ostření: příliš velké, nedostatečné úhly ostření nebo chybný průměr očílky zvyšují sklon stroje k zpětným vrhům). Pro dosažení přesnějších bočních úhlů nastavte očílku tak, aby vertikálně přesahovala horní řeznou část přibližně o 0,5 mm. Naostřete nejříve všechny zuby na jedné straně, pak otočte stroj a opakujte operaci. Zkontrolujte, zda po ostření mají všechny zuby stejnou délku a zda výška omezovačů hloubky dosahuje 0,6 mm pod úrovní horní řezací části: zkontrolujte výšku pomocí šablony a pilulky (pomocí plochého pilníku) vyčnívající část, zaoblete pak přední část omezovače hloubky **(obr.14)**, přitom dávejte pozor, abyste NEOPILOVALI i zub ochrany proti zpětnému vrhu **(obr.15)**.

Každých 30 hodin práce stroje

Odnesete stroj do Autorizovaného servisního střediska ke generální revizi a kontrole brzdných zařízení.

Skladování

Produkt skladujte v chladu a suchu a mimo dosah dětí. Neskladujte venku.

H. TECHNIKY ŘEZU

Během použití se vyhněte: (obr.1)

-řezání v situaci, kdy by se kmen mohl během řezání zlomit (dřevo je napnuté, suché stromy apod.): náhlé zlomení může být velmi nebezpečné.

-aby se lišty nebo pilový řetěz zasekly v řezu: pokud k tomu přece dojde, odpojte stroj od přívodu napětí a pokuste se zvednout kmen, vyvíjejte páku pomocí vhodného nástroje; nesazte se vytáhnout stroj jeho tažením nebo otfásáním, mohli byste poškodit stroj nebo se zranit.

-situacím, které by mohly způsobit reakci zpětného vrhu.

- použití produktu na výškovou práci

- řezání dřeva s cizími předměty, např. hřebíky

Během použití: (obr.1)

-Pokud řežete ve svahu, pracujte vždy nad kmenem, tímto způsobem Vás kmen nemůže zasáhnout, pokud by se začal koulet dolů.

-V případě kácení dokončete za každých okolností započatou práci: částečně pokácený strom by se mohl zlomit.

-Na konci každého řezu zaznamenáte značnou změnu síly potřebné k držení stroje, dávejte velký pozor, abyste neztratili kontrolu nad strojem.

V následujícím textu se soustředíme na dva typy řezu:

řez pomocí tažení řetězu (shora směrem dolů) **(obr.2)**, u kterého je nebezpečí náhlého přemístění stroje směrem ke kmeni s následnou ztrátou kontroly, pokud je to možné, používejte při práci ozubenou opěrku.

řez s tlačáním řetězu (zdola směrem nahoru) **(obr.3)**: u kterého je nebezpečí náhlého přemístění stroje směrem k pracovníkovi s rizikem jeho zasažení nebo náraz rizikového sektoru na kmen a následnou reakci zpětného vrhu; při řezání proto dávejte velký pozor.

Nejbezpečnější způsob použití stroje je upevnění dřeva na kovu, řezání shora směrem dolů a práce mimo opěrky. **(obr.4)**

Použití ozubené opěrky

Jakmile je to možné, použijte ozubenou opěrku pro bezpečnější řezání: zasaťte ji do kůry nebo do povrchu kmene, zajistíte si tak snadnější kontrolu stroje.

Dále jsou uvedené typické postupy, které je třeba dodržet v určitých situacích, pokaždé však zhodnoťte, zda jsou vhodné nebo ne pro Váš případ, a zvažte, jak provést řez s co nejmenším rizikem.

Kmen na zemi (Nebezpečí kontaktu pilového řetězu s terénem na konci řezu). **(obr.5)**

šežte shora směrem dolů skrz celý průměr kmene. Na konci řezu postupujte opatrně, abyste zamezili kontaktu pilového řetězu s terénem. Pokud můžete, přeřezte řezání ve 2/3 tloušťky kmene, otočte kmen a řežte zbývající část shora směrem dolů, abyste se tak vyhnuli nebezpečí kontaktu pilového řetězu s terénem.

Kmen opřený jen na jednom konci (Nebezpečí zlomení kmene během řezu) **(obr.6)**

Začněte řezat zesponu do přibližně 1/3 průměru, pak práci dokončete shora a napojte se na již provedený řez.

Kmen opřený na dvou koncích (Nebezpečí stlačení pilového řetězu.) **(obr.7)**

Začněte řezat shora do přibližně 1/3 průměru, pak práci dokončete zdola a napojte se na již provedený řez.

Řezání kmene ležícího ve svahu. Vždy stůjte ve svahu nad kmenem. Když 'prořezáváte', abyste si uchovali úplnou kontrolu, před koncem řezu uvolněte tlak, ale držte pevně rukojeti pily. Nenechte řetěz dotknout země.

Kácení stromů

POZOR! Nikdy se nepokoušejte kácet stromy, pokud nemáte dostatečnou zkušenost, v každém případě nekácejte nikdy stromy, jejichž průměr kmene je větší než délka listů! Tato operace je vyhrazena zkušeným uživatelům vybaveným vhodným zařízením.

Účelem kácení je nechat padnout strom do co nejlepší polohy pro následné odstraňování větví a řezání kmene. (Zamezte tomu, aby se padající strom zachytil do větví druhého stromu: stahovat zachycený strom je velmi nebezpečné).

Musíte rozhodnout co nejlepší směr pádu na základě následujícího zvažení: co se nachází kolem stromu, jeho naklonění, nahnutí, směr větru a koncentrace větví.

Neopomeňte výskyt suchých nebo zlomených větví, které by se mohly zlomit během kácení a představovat nebezpečí.

POZOR! Během kácení stromů v kritických podmínkách si po ukončení řezu okamžitě sejměte chrániče sluchu, abyste mohli zaznamenat neobvyklé zvuky a eventuální výstražné signály.

Předběžné operace řezu a vyhledání únikové cesty

Odstraňte větve, které brání v práci **(obr.8)**, začněte shora směrem dolů tak, aby se kmen nacházel mezi Vámi a strojem, odstraňte pak obtížné větve jednu po druhé. Odstraňte porost kolem stromu a při určení únikové cesty zaznamenejte případné překážky vyskytující se kolem stromu (kamery, kořeny, příkopy apod.) a bráničí v úniku (úniková cesta slouží při padání stromu); na obrázku **(obr.9)** je zobrazený směr, kterým se musíte vydat (A předpokládaný směr pádu stromu.

B.Úniková cesta C. Nebezpečná zóna)

KÁCENÍ STROMU (obr.10)

Za účelem zajištění kontroly nad pádem stromu musíte provést následující řezu:

Směrový zářez, který musí být provedený jako první, slouží ke kontrole směru pádu stromu: nejdříve řežte HORNÍ ČÁST směrového zářezu na straně, ke které má být strom pokácen. Stůjte na pravé straně stromu a řežte metodou tahání řetězu; pak proveďte SPODNÍ ČÁST řezu, který se musí setkat s koncem horní části. Hloubka směrového zářezu musí odpovídat 1/4 průměru kmene, s úhlem nejméně 45° mezi horním a dolním řezem. Setkání mezi dvěma řezy se nazývá "linka směrového řezu". Linka musí být dokonale vodorovná a v pravém úhlu (90°) ke směru pádu.

šez při kácení, který má za účel pád stromu, musí být proveden ve výšce 3-5 cm nad spodní částí linky směrového řezu a končit ve vzdálenosti 1/10 kmene od zářezu. Držte se na pravé straně stromu a řežte metodou tahání řetězu, použijte přitom ozubenou opěrku. Zkontrolujte, zda se strom nekloní jiným směrem než plánovaným. Hned jak je to možné, vložte do zářezu dřevorubecký klin. Áast stromu, která zůstala neřezaná se nazývá "kloub", který vede strom při pádu; pokud je nedostačující, není rovný nebo není úplně přeřezán, není schopen kontrolovat pád stromu (velmi nebezpečná situace!), proto je nezbytné, aby různé řezu byly provedeny s maximální přesností.

Na konci řezání strom musí začít padat, pokud je to nutné, pomozte si vložním dřevorubeckého klinu nebo dřevorubecké páky.

Odstraňování větví

Jakmile je strom poražen, je třeba ho zbavit větví, to znamená odřezat větve z kmene. Nepodceňujte tuto operaci, protože k většině případů zpětného vrhu dochází během odvětvování, dávejte velký pozor na polohu špiče listů během řezu a pracujte na levé straně kmenu.

I. EKOLOGIE


V této kapitole najdete informace užitečné pro dodržení vlastností ekologické kompatibility, na kterou byl brán ohled při vývoji tohoto stroje, dodržení správného použití stroje a zpracování olejů.

POUŽITÍ STROJE

Operace plnění olejové nádrže musí být provedeny tak, aby řetězový olej neunikal do okolního prostředí .

LIKVIDACE

Nenechávejte v okolním prostředí nefungující stroj, ale odevzdejte ho firmě, která má povolení k likvidaci odpadků podle předpisů platných norem.

Tento  symbol na výrobku nebo na obalu znamená, že s výrobkem nelze nakládat jako s odpadem domácnosti.

Výrobek je třeba odnést do příslušného sběrného místa k recyklaci elektrických a elektronických zařízení.

Zajištěním řádné likvidace výrobku pomůžete předejít potenciálním záporným vlivům na životní prostředí a lidské zdraví, které by se mohly projevit v případě likvidace tohoto výrobku nepatřičně způsobem.

Podrobnější informace o recyklaci tohoto výrobku si vyžádejte na Vašem obecním úřadu, od firmy zabývající se likvidací domácího odpadu anebo v prodejně, kde jste výrobek zakoupili.

J. TABULKA VYHLEDÁVÁNÍ ZÁVAD

	Nespouští se motor	Špatná funkce motoru nebo motor ztrácí na výkonu	Stroj se spouští, ale špatně řeže	Motor se neobvyklým způsobem	Brzdná zařízení neblokují správným způsobem otáčení pilového řetězu
Ověřte, zda je v síti napětí	●				
Ověřte, zda je zástrčka správně zapojena	●				
Ověřte, zda není poškozený kabel nebo prodlužovací kabel	●				
Ověřte, zda není zapojena brzda pilového řetězu	●				
Zkontrolujte, zda je řetěz řádně smontován a napnut		●	●		
Zkontrolujte mazání pilového řetězu podle pokynů uvedených v kapitolách F a G			●		
Zkontrolujte, zda je pilový řetěz naostřený			●		
Zkontrolujte, je je aktivovaná pojistka - vypínač	●				
Obraťte se na Autorizované servisní středisko	●	●		●	●

K. NÁHRADNÍ DÍLY

35cm	Pilový řetěz Vodící lišta	91PJ052XN	Číslo součástky:	530051538
			Číslo součástky:	576965401
40cm	Pilový řetěz Vodící lišta	91PJ056XN	Číslo součástky:	530051539
			Číslo součástky:	576965201

L. ES PROHLÁŠENÍ O SHODĚ

Husqvarna AB, S-561 82, Huskvarna, Sweden

Prohlašuje na základě výhradní odpovědnosti, je produkt(y):

Označení..... **Chainsaw - Řetězová pila**
Označení typů..... **CSE1835, CSE1935S, CSE2040, CSE2040S**
Identifikace Série..... **Viz Výrobní štítek**
Rok výroby..... **Viz Výrobní štítek**

Spĺňuje základní požadavky a předpisy následujících směrnic ES:

2006/42/EC, 2004/108/EC, 2000/14/EC, 2011/65/EU

založeno na následujících použitých harmonizovaných norem EU:

EN60745-1, EN60745-2-13, EN55014-2, EN55014-1, EN61000-3-2, EN61000-3-11

Notifikovaný orgán, který provedl ES přezkoušení

v souladu se článkem 8, odstavcem 2c..... TÜV Rheinland LGA Products GmbH
Tillystraße 2
D-90431 Nürnberg
Germany
BM 50268379

Certifikát č.

Maximální hladinu akustického tlaku L_{pA} přepočítanou dle váhového filtru A na pracovní stanici a měřenou podle normy EN60745-2-13 udává tabulka.

Maximální váženou hodnotu a_{H1} vibrací rukou / paží, měřenou podle normy EN60745-2-13 u výběru výše uvedených produktů, udává tabulka.

Deklarovaná celková hodnota vibrací byla měřena v souladu se standardní metodologií a lze ji použít ke srovnání různých nářadí.

Deklarovanou celkovou hodnotu vibrací lze také použít jako předběžný odhad expozice.

Upozornění:

Emise vibrací během vlastního používání elektrického nářadí se může lišit od deklarované celkové hodnoty v závislosti na způsobu používání nářadí.

Je potřeba stanovit bezpečnostní opatření na ochranu osoby, která pracuje s nářadím, na základě odhadu expozice za daných podmínek (s ohledem na všechny části pracovního cyklu včetně doby, kdy je nářadí vypnuté nebo běží naprázdno, nejmenom doby provozu).

2000/14/ES: Hodnoty naměřená intenzity zvuku L_{WA} a zaručené intenzity zvuku L_{WA} odpovídají tabulkovým hodnotám.

Postup hodnocení shody..... Annex V

Ulm 12/02/2013

P. Lamelli

Globální ředitel výzkumu a vývoje - ruční nástroje

Držitel technické dokumentace



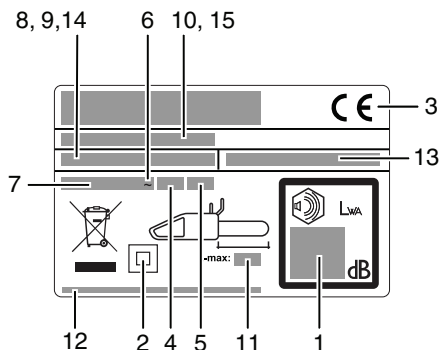
Typ (CSE_____)	1835	1935S	2040	2040S
Hmotnost s prázdnými nádržemi (Kg)	4.3	4.5	4.4	4.6
Výkon (kW)	1.8	1.9	2.0	2.0
Obsah olejové nádrže (cm ³)	240	240	240	240
Maximální délka lišty (cm)	35	35	40	40
Rozteč pilového řetězu (mm)	9.52	9.52	9.52	9.52
Kalibr řetězu (mm)	1.3	1.3	1.3	1.3
Naměřená intenzita zvuku L_{WA} (dB(A))	106	106	106	106
Zaručená intenzita zvuku L_{WA} (dB(A))	110	110	110	110
Akustický tlak L_{pA} (dB(A))	95	95	95	95
Nejistota K_{pA} (dB(A))	2.5	2.5	2.5	2.5
Vibrace do rukou / paží a_{H1} (m/s ²)	7.28	7.28	8.08	8.08
Výchylka K_{aH1} (m/s ²)	1.5	1.5	1.5	1.5
Impedance Z_{max} (Ω)	0.382	0.382	0.382	0.382

Vyhovuje normě EN 61000-3-11

V závislosti na vlastnostech místní elektrické sítě používání tohoto výrobku může způsobit krátký pokles napětí v okamžiku jeho zapnutí. To může ovlivnit jiné elektrické přístroje, např. způsobit chvilkové pohasnutí lampy. Pokud je impedance (Z_{max}) ve vaší elektrické síti nižší než hodnota vyznačená v tabulce (pro daný model) tyto vlivy se neprojeví. Hodnotu impedance ve vaší síti můžete zjistit dotazem u vašeho dodavatele.

A. VŠEOBECNÝ POPIS

- | | |
|--|--|
| <ol style="list-style-type: none"> 1) Zadná rukoväť 2) Ochranný kryt pravej ruky 3) Predná rukoväť 4) Ochranný kryt ľavej ruky/páka brzdý reťaze 5) Vonkajší gombík napínania reťaze 6) Skrutka na napínanie reťaze 7) Čap napínania reťaze 8) Zátka olejovej nádrže 9) Okienko kontroly hladiny oleja 10) Ventiláčne otvory 11) Kábel 12) Manuál 13) Vypínač 14) Zablokovanie vypínača 15) Reťaz 16) Ťažný článok 17) Rezný článok 18) Omezovač hĺbky rezu 19) Rezný zub | <ol style="list-style-type: none"> 20) Vodiaca lišta 21) Kryt na reťazovom kolese 22) Reťazové koleso 23) Zachytávač reťaze 23) Upevňovacia skrutka lišty 25) Vnútorý gombík na žrdi 26) Matica na žrdi 27) Reťazové koliesko na špici 28) Kryt vodiacej lišty 29) Opierka 30) Uloženie zachytávača reťaze 31) Otvor mazania 32) Drážka vodiacej lišty 33) Kľúč alebo skrutkovač |
|--|--|



Príklad štítku

- 1) Garantovaná úroveň hluku je v súlade s normou 2000/14/E
- 2) Nástroj II. triedy
- 3) Značenie zhody CE
- 4) Nominálny kmitočet
- 5) Nominálny výkon
- 6) Striedavý prúd
- 7) Nominálne napätie
- 8) Typ
- 9) Kód výroby
- 10) Rok výroby
- 11) Maximálna dĺžka vodiacej lišty
- 12) Meno a adresa výrobcu
- 13) Č. číslo (Elektrická reťazová píla)
- 14) Model
- 15) Č. série

B. BEZPEČNOSTNÉ OPATRENIA

VÝZNAM SYMBOLOV

	Pozor Pozorne si prečítajte manuál		Smer rezného zubu
	Bezpečnostné čičky		Používajte vždy obomi rukami
	Helma, chrániče sluchu a ochranné okuliare lebo ochranný štítok		Nebezpečenstvo spätného vrhu
	Rukavice proti rezu		Nevystavujte dažďi lebo vlhkosti
	Dlhé kalhoty proti rezu		Refazový olej
	Brzda reťaze vypojená, zapojená		Nerobte...
	Ak je kábel poškodený alebo prerezaný, zástrčku okamžite vytiahnite zo siete.		Vypnite stroj
	Nedovoľte, aby sa k vám pri práci niekto priblížil		Nebezpečenstvo úrazu elektrickým prúdom

Všeobecné bezpečnostné opatrenia pre elektrické nástroje

UPOZORNENIE Prečítajte si všetky bezpečnostné opatrenia a pokyny. Pri nedodržaní upozornení a pokynov môže dôjsť k elektrickému šoku, požiaru a/alebo vážnemu poraneniu.

Všetky upozornenia a pokyny si odložte v prípade budúceho použitia.

Pojem Elektrický nástroj vo všetkých upozorneniach znamená nástroj, ktorý funguje na elektrickú energiu s káblovým napojením alebo na batérie bez kábla.

1) Bezpečnosť pracovného priestoru

- Pracovný priestor udržiavajte v čistote a dobre osvetlený. Neporiadok a prítomnosť môže spôsobiť úraz.
- Nikdy nepoužívajte elektrický nástroj vo výbušnom prostredí, kde sa nachádzajú horľavé látky, plyny alebo prach. Elektrické nástroje produkujú iskry, ktoré môžu vznietiť prach alebo výpary.
- Pri práci s elektrickými nástrojmi chráňte deti a osoby stojace v okolí. Rozptyľovanie môže spôsobiť stratu kontroly.

2) Bezpečnosť elektroinštalácie

- Zástrčky na nástrojoch sa musia hodiť do zásuvky. Žiadnym spôsobom neupravujte zástrčky. S uzemnenými elektrickými nástrojmi nepoužívajte žiadny adaptér. Originálne zástrčky a zhoda so zásuvkou znižujú riziko elektrického šoku.

- Nedotýkajte sa uzemnených povrchov ako sú káble, radiátory, reťaze a chladničky. Ak je vaše telo uzemnené, zvyšuje sa riziko elektrického šoku.

- Elektrické nástroje nevystavujte dažďu a nedržte vo vlhkých podmienkach. Ak sa do nástroja dostane voda, zvýši sa riziko elektrického šoku.

- Kábel používajte iba predpísaným spôsobom. Nikdy nepoužívajte kábel na nosenie, ťahanie alebo odpájanie nástroja od zdroja elektrickej energie. Kábel chráňte pred teplom, olejom, ostrými hranami a pohyblivými časťami. Poškodené a zamotané káble zvyšujú riziko elektrického šoku.

- Pri používaní nástroja v exteriéri používajte predĺžovací kábel vhodný na použitie v exteriéri. Použitie kábla, ktorý je vhodný do exteriériu, znižuje riziko elektrického šoku.

- Pri práci s elektrickými nástrojmi vo vlhkom prostredí používajte zdroj so striedavým prúdom a s poistkou. Použitie striedavého prúdu znižuje riziko elektrického šoku.

3) Bezpečnosť osôb

- Pri práci s elektrickými nástrojmi buďte ostražití, pozerajte sa na to, čo robíte a riadte sa zdravým rozumom. Nepoužívajte elektrický nástroj, ak ste unavený alebo ste pod vplyvom drog, alkoholu alebo liečiv. Chvilka nepozornosti pri práci s elektrickým nástrojom môže viesť k vážnym poraneniám.

- b) Používajte ochranné prostriedky. Vždy noste ochranné prostriedky na oči. *Ochranné prostriedky ako maska, protišmyková obuv, helma alebo slúchadlá používané v určitých podmienkach znižujú riziko poranenia.*
- c) Vyvarujte sa náhodnému nastartovaniu. Skontrolujte, či je spínač pred zapojením nástroja do siete a/alebo k batérii, pred nadvihnutím alebo prenášaním nástroja vo vypnutej polohe (off). *Prenášanie nástroja s prstom na spínači alebo nabíjanie nástroja so zapnutým spínačom môže spôsobiť nehodu.*
- d) Pre zapnutím nástroja dajte dolu všetky nastavovacie kľúče a hasáky. *Hasák alebo kľúč pripojený k rotačnej časti elektrického nástroja môže spôsobiť poranenia.*
- e) Nepreceňujte svoje schopnosti. Noste vhodnú obuv a vždy udržiavajte rovnováhu. *Toto umožňuje lepšie ovládanie elektrického nástroja v neočakávaných situáciách.*
- f) Noste vhodný odev. Nenoste voľný odev alebo šperky. Chráňte si vlasy, odev a rukavice v blízkosti pohyblivých častí. *Voľný odev, šperky a dlhé vlasy sa môžu zachytiť do pohyblivých častí.*
- g) Ak máte k dispozícii pripojenie k zariadeniu na extrahovanie a zber prachu, skontrolujte, či je toto zariadenie správne napojené. *Použitie zariadenie na zber prachu môže znížiť nebezpečenstvo spojené s prachom.*
- 4) Použitie a údržba elektrického nástroja
- a) Nepoužívajte elektrický nástroj nasilu. *Používajte správny nástroj. Správny nástroj vykoná prácu lepšie a bezpečnejšie, keďže bol na úkon vyrobený.*
- b) Elektrický nástroj nepoužívajte, ak sa spínačom nezapne prípadne nevypne. *Všetky elektrické nástroje, ktoré sa nedajú riadiť spínačom sú nebezpečné a musia sa dať opraviť.*
- c) Pred každým nastavením, výmenou príslušenstva alebo pred uskladnením elektrického nástroja odpojte zástrčku elektrického nástroja zo siete a/alebo batérie. *Takéto preventívne bezpečnostné opatrenie zníži riziko náhodného zapnutia.*
- d) Elektrické nástroje, ktoré nepoužívate, skladujte mimo dosahu detí a nedovoľte osobám, ktoré nepoznajú nástroj alebo tieto pokyny, s nástrojom manipulovať. *Elektrické nástroje v rukách neškolených používateľov sú nebezpečné.*
- e) Robte údržbu elektrických nástrojov. Skontrolujte, či nástroj nie je nesprávne zapojený, alebo či nie sú ohnuté alebo zlomené pohyblivé časti, prípadne iné poruchy, ktoré by mohli ovplyvniť fungovanie nástroja. *Keď nástroj poškodený, pred použitím ho dajte opraviť. Veľa úrazov spôsobí nedostatočná údržba elektrických nástrojov.*
- f) Rezné nástroje udržiavajte ostré a čisté. *Riadne udržiavané rezné nástroje s ostrými hranami sa neohnú a jednoduchšie sa ovládajú.*
- g) Elektrický nástroj, jeho časti a príslušenstvo používajte podľa týchto pokynov, do úvahy berte aj pracovné podmienky a druh vykonávanej práce. *Používanie nástrojov pri úkonoch, na aké nie sú vyrobené, môže viesť k nebezpečnej situácii.*
5. Servis
- a) Údržbu elektrického nástroja môže vykonávať iba kvalifikovaný opravár pomocou rovnakých náhradných dielov. *Toto zaisťuje, aby bola zachovaná bezpečnosť elektrického nástroja.*
- Bezpečnostné pokyny pri práci s reťazovou pílou:**
- Pri práci s reťazovou pílou sa žiadnou časťou tela nepriblížte k pile. *Pred zapnutím reťazovej píly skontrolujte, či sa reťaz píly ničoho nedotýka. Pri práci reťazovými pilami stačí iba chvíľka nepozornosti a môže dôjsť k zachyteniu oblečenia alebo časti tela do reťaze píly.*
 - Reťazovú pílu držte vždy pravou rukou na zadnej rukoväti a ľavou rukou na prednej rukoväti. *Nikdy nedržte reťazovú pílu naopak, zvyšuje sa tým riziko poranenia.*
 - Elektrický nástroj držte iba za izolovanú úchytku, lebo reťazová píla sa môže dostať do kontaktu so zakrytým elektrickým káblom alebo s vlastných lankom. *Keď sa reťazová píla dostane do kontaktu s káblom, ktorý je pod prúdom, môžu sa aj nechránené kovové časti elektrického nástroja dostať pod prúd a používateľovi nástroja spôsobiť elektrický šok.*
 - Pri práci noste ochranné okuliare a slúchadlá. *Odporúčajú sa aj ochranné prostriedky na hlavu, ruky, nohy a chodidlá. Vhodný ochranný odev znižuje riziko poranenia odletujúcimi úločkami alebo v prípade kontaktu s reťazou píly.*
 - Reťazovú pílu nepoužívajte na strome. *Ak ste na strome, môžete si použitím reťazovej píly spôsobiť zranenie.*
 - Pri práci s reťazovou pílou vždy stojte pevne na fixovanom, bezpečnom a rovnom povrchu. *Šmyklavý alebo nestabilný povrch môže spôsobiť stratu rovnováhy alebo kontrolu nad reťazovou pílou.*
 - Keď pľíte napnutý konár, dávajte pozor, aby sa nevymrštil. *Keď sa uvoľní napätie v dreve, konár môže udrieť používateľa a/alebo spôsobiť stratu kontroly nad pílou.*
 - Pri rezaní malých krovín a stromčekov buďte obzvlášť opatrní. *Tenký materiál môže zaseknúť reťaz píly a švihne ňou dopredu, alebo zapríčini používateľovi stratu rovnováhy.*
 - Reťazovú pílu noste za prednú rukoväť, vždy musí byť vypnutá. *Pílu držte od tela. Reťazovú pílu prenášajte a skladujte s nasadeným ochranným krytom na vodiacu lištu. Správne zaobchádzanie s reťazovou pílou znižuje pravdepodobnosť náhodného kontaktu s pohyblivou reťazou píly.*
 - Pri mazaní, napínaní reťaze a výmene príslušenstva sa riadte návodom. *Zle napnutá alebo zle namazaná reťaz môže viesť k jej prasknutiu, prípadne zvyšuje riziko spätného vymrštenia.*
 - Dajte na to, aby boli rukoväte suché, čisté a aby neboli špinavé od oleja alebo maziva. *Mastné rukoväte od oleja sa šmykajú a spôsobia stratu kontroly nad výrobkom.*
 - Pílu pľite iba drevo. *Reťazovú sieť nepoužívajte iba na účely, na ktoré bola vyrobená. Napríklad: nepoužívajte ju na rezanie plastov, muriva alebo stavebných materiálov, ktoré nie sú z dreva. Používanie reťazovej píly na iné účely, než pre aké je určená, môže viesť k nebezpečným situáciám.*
- Dôvody a prevencia pred spätným vymrštením:**
- Spätý pohyb môže nastať, keď sa nos alebo špic lišty dotkne nejakého predmetu (Obr. B3), alebo keď sa drevo zasekne do píly a potiahne pri rezaní reťaz píly.
- Dotyk špica môže niekedy spôsobiť neočakávaný pohyb vzad, čím dôjde k vymršteniu lišty naspäť k používateľovi.

Potiahnutím reťaze píly pozdĺž hornej časti lišty môže potlačiť lištu náhle naspäť k používateľovi. Všetky tieto reakcie môžu spôsobiť stratu kontroly nad pilou, čo môže viesť k vážnym poraneniam. Nespoliehajte sa iba na bezpečnostné zariadenie, ktoré je zabudované v pile. Ako používateľ reťazovej píly musíte vykonať niekoľko bezpečnostných krokov, aby vaša práca s pilou nevedla k nehodám alebo poraneniam.

Vymrštenie je spôsobené nesprávnym použitím píly alebo podmienkami, ktorým sa dá vyhnúť, ak sa dodržia doleuvedené bezpečnostné opatrenia:

- **Pílu držte pevne oboma rukami tak, aby palce a prsty oboplnali rukoväť reťazovej píly. Stoďte v takej polohe, aby ste pri vymrštení pílu udržali.** Ak používateľ dodrží predpísané opatrenia, vymrštenie bude mať pod kontrolou. Dbajte na to, aby sa vám reťazová píla nevymkla z rúk.
- **Nedosahujte píluo vzdialené miesta a nepracujte vyššie, ako je úroveň vašich pliec.** Vyvarujete sa tak nechceného kontaktu špicou a umožní vám to lepšie udržať kontrolu nad pilou v nepredvídaných situáciách.
- **Používajte iba náhradné lišty a reťaze odporúčané výrobcom.** Nesprávne náhradné lišty a reťaze môžu spôsobiť prasknutie reťaze a/alebo spätné vymrštenie píly.
- **Postupujte podľa pokynov od výrobcu ohľadne brúsenia a údržby píly.** Zmenšovanie úrovne nastavenia hĺbky môže viesť k zväčšeniu spätného vymrštenia.

Dodatocné bezpečnostné odporúčania

1. **Návod na použitie.** Všetky osoby, ktoré používajú tento nástroj, si musia dôkladne prečítať celý návod na použitie. Ak pílu predávate alebo požičiavate inej osobe, návod na použitie musíte priložiť k nástroju.
2. **Bezpečnostné opatrenia pred použitím nástroja.** Nikdy nedovoľte používať nástroj osobám, ktoré sa dôkladne neoboznámili s návodom na použitie. Neskúsené osoby musia postupovať podľa tréningového programu a môžu piľiť iba na koze na rezanie.
3. **Kontroly riadenia.** Pred každým použitím nástroja dôkladne skontrolujte, obzvlášť po veľkom nápre, alebo v prípade, ak zjavne nefunguje dobre. Vykonajte všetky úkony uvedené v kapitole Údržba a skladovanie – pred každým použitím.
4. **Opravy a údržba.** Všetky časti nástroja, ktoré môžete sami vymeniť, sú jasne vysvetlené v pokynoch kapitoly Montáž / Demontáž. Ak je nutná výmena iných častí, môže byť prevedená iba v autorizovanom servisnom stredisku.
5. **Odev. (Obr. 1)** Počas použitia tohto nástroja musí používateľ nosiť nasledovný schválený obranný odev: ochranný odev správnjej veľkosti, bezpečnostnú obuv s protišmykovou podrážkou, tvrdou špicou a ochranou proti prerezaniu, ochranné rukavice zabezpečené proti prerezaniu a vibráciám, ochranné okuliare alebo štít, protihlukové slúchadlá a helmu (v prípade nebezpečenstva padajúcich predmetov). Môžete si ho kúpiť u dodávateľov ochranných odevov.
6. **Bezpečnostné opatrenia ohľadne ochrany zdravia – vibrácie a úroveň hluku.** Dbajte na obmedzenia úrovne hluku v bezprostrednej oblasti okolo vás. Po dlhom používaní nástroja je používateľ vystavený vibráciám, ktoré môžu mať za následok Raynaudov symptom – biele prsty, syndróm dutého zápästia a podobné poruchy.

7. **Bezpečnostné opatrenia ohľadne ochrany zdravia – chemické látky.** Používajte olej, ktorý je schválený výrobcom.
8. **Bezpečnostné opatrenia ohľadne ochrany zdravia – teplo.** Počas použitia sa reťazové koleso a reťaz zohrejú na vysokú teplotu, a preto dávajte pozor, aby ste sa týchto horúcich častí nedotkli.
9. **POZORI!** Počas prevádzky nástroj vytvára elektromagnetické pole. Za určitých okolností môže mať toto magnetické pole vplyv na aktívne alebo pasívne zdravotnícké implantáty. Za účelom zníženia rizika vážneho alebo smrteľného úrazu odporúčame osobám, ktoré takého implantátu majú, aby sa pred použitím stroja poradili so svojím lekárom a výrobcom implantátu.

Bezpečnostné opatrenia ohľadne transportu a skladovania. (Obr. 2)

Vždy, keď meníte miesto práce, odpojte nástroj od zdroja elektrickej energie a aktivujte brzdu na reťazi. Pred prenášaním alebo skladovaním nástroja zložte ochranný kryt na vodiacu lištu. Nástroj noste v ruke s lištou smerujúcou dozadu. Ak prenášate nástroj v aute, zabezpečte ho proti poškodeniu.

Spätné vymrštenie. (Obr. 3)

Spätné vymrštenie pozostáva zo silného spätného pohybu lišty smerom nahor k používateľovi. K takémuto vymršteniu dôjde vtedy, keď sa horná časť hrotu lišty (nazývaná tiež zóna nebezpečenstva spätného vymrštenia – vid'. červená značka na vodiacej lište) dotkne nejakého predmetu alebo ak sa reťaz zasekne do dreva. Spätné vymrštenie môže zapríčiniť stratu kontroly nad nástrojom, a následne viesť k nebezpečným až smrteľným úrazom. Brzdová páka na reťazi alebo iné bezpečnostné zariadenia nie sú dostačujúce a neochránia používateľa pred poranením; Používateľ si musí byť vedomý podmienok, ktoré môžu spôsobiť túto reakciu a musí sa takýmto situáciám vyhnúť, musí byť opatrný, prihladať na svoje skúsenosti a s pilou musí narábať patrične a obzretne (napríklad: nikdy nesmie piľiť viac konárov naraz, môže pritom náhodne naraziť na zónu nebezpečenstva spätného pohybu.

Bezpečnosť miesta práce

1. Nedovoľte deťom a osobám, ktoré sa neoboznámili s týmito pokynmi, používať tento výrobok. Miestne predpisy môžu obmedzovať vek používateľa.
2. Výrobok používajte iba takým spôsobom a na také účely, ktoré sú uvedené v tomto návode.
3. Pozorne skontrolujte miesto práce a eliminujte zdroje nebezpečenstva (napr.: cesty, trasy, elektrické káble, nebezpečné stromy, a pod.)
4. Všetky osoby a zvieratá držte v bezpečnej vzdialenosti od miesta práce (v prípade potreby ohradte plotom a použite upozorňujúce značky) - minimálne 2,5 násobok výšky kmeňa, v každom prípade nie menej ako desať metrov.
5. Používateľ zodpovedá za úrazy a riziká spôsobené iným osobám alebo za škody na ich majetku.

Bezpečnosť pri používaní elektrických zariadení

1. Odporúčame, aby ste použili zariadenie s reziduálnym prúdom a so spúšťacim prúdom, ktorý nepresahuje 30 mA. Ani so zariadením s inštalovaným reziduálnym prúdom sa nedá zabezpečiť úplná bezpečnosť a je nutné vždy dodržiavať bezpečnostné pokyny. Pri každom použití skontrolujte zariadenie s reziduálnym prúdom.
2. Pred použitím skontrolujte, či nie je kábel poškodený, v prípade poškodenia alebo opotrebovania ho vymeňte.

3. Výrobok nepoužívajte, ak sú elektrické káble poškodené alebo opotrebované.
4. Ak je kábel prerezaný alebo je poškodená jeho izolácia, výrobok okamžite odpojte od zdroja elektrickej energie. Nedotýkajte sa sieťového kábla vodičov, kým nie je odpojený od zdroja elektrickej energie. Neopravujte prerezaný alebo poškodený kábel. Kábel dajte vymeniť v autorizovanom servisnom stredisku.
5. Predlžovací kábel nesmie byť navinutý ani stvorkený, môže sa totiž prehriať a tak znížiť výkonnosť kosačky.
6. Je potrebné vždy dbať na to, aby bol sieťový alebo predlžovací kábel vždy za používateľom a skontrolujte, či nespôsobuje používateľovi alebo iným osobám žiadne nebezpečenstvo. Dbajte na to, aby sa nepoškodil teplom, ostrými predmetmi, ostrými hranami, olejom a pod.
7. Kábel umiestnite tak, aby sa počas rezania nezachytil na konároch alebo podobných predmetoch.
8. Pred odpojením zástrčky, konektora na káblí alebo predlžovacieho kábla vždy najprv vypnite zdroj elektrickej energie.
9. Výrobok vypnite, zástrčku vytiahnite zo zdroja elektrickej energie a skontrolujte, či nie je poškodený alebo opotrebovaný sieťový kábel. Potom môžete kábel zvinúť a uskladniť. Neopravujte poškodený kábel. Kábel dajte vymeniť v autorizovanom servisnom stredisku.
10. Výrobok nikdy nenechávajte bez dozoru, najprv vytiahnite zástrčku zo zdroja elektrickej energie.
11. Kábel namotávať opatrne, dbajte na to, aby sa na ňom neurobili slučky.
12. Používajte iba sieťový zdroj striedavého napätia uvedený na štítku výrobku.

13. Reťazová píla má dvojitzú izoláciu v súlade s normami EN60745-1 a EN60745-2-13. Za žiadnych okolností sa nesmie žiadna časť tohto výrobku dotýkať uzemnenia.

Káble

1. Sieťové a predlžovacie káble si môžete kúpiť v miestnom autorizovanom servisnom stredisku.
2. Používajte iba schválené predlžovacie káble.
3. Predlžovacie káble a vedenia sa môžu používať iba vtedy, ak sú určené na použitie v exteriéri.
4. Ak chcete počas prevádzky výrobku použiť predlžovací kábel, použite iba nasledovné rozmery káblov:

Modely CSE1835, CSE1935S:

- 5,0 mm²: maximálna dĺžka 40 metrov
- 5,0 mm²: maximálna dĺžka 60 metrov
- 8,0 mm²: maximálna dĺžka 100 metrov

Modely CSE2040, CSE2040S:

- 5,0 mm²: maximálna dĺžka 50 metrov
- 8,0 mm²: maximálna dĺžka 90 metrov

C. POPIS BEZPEČNOSTNÝCH ZARIADENÍ

ZABLOKOVANIE VYPÍNAČA

Na Vašom stroji je inštalované zariadenie (**obr.1**), ktoré pokiaľ nie je zapojené, zabráňuje stisnutiu vypínača za účelom zamedzenia náhodného spustenia.

BRZDA REŤAZE PRI UVOLNENÍ VYPÍNAČA

Váš stroj je vybavený zariadením, ktoré okamžite blokuje reťaz pri uvoľnení vypínača; pokiaľ nefunguje, nepoužívajte stroj, ale odnesť ho do Autorizovaného servisného strediska.

Ochranný kryt ľavej ruky/páka brzdy reťaze

Ochranný kryt ľavej ruky (**obr. 2**) slúži (za predpokladu, že je na stroji inštalovaný správny spôsobom) k tomu, aby sa Vaša ruka nedostala do kontaktu s pilovým reťazom. Ochranný kryt ľavej ruky má okrem toho aj funkciu spustenia brzdy reťaze, zariadenie, ktoré bylo vyvinuto k zablokovaniu reťaze počas niekoľko milisekúnd v prípade spätného vrhu. Brzda reťaze je vypojená, ak je ochranný kryt ľavej ruky stisnutý dozadu a zablokovaný (reťaz sa môže pohybovať). Brzda reťaze je zapojená, ak je ochranný kryt ľavej ruky stlačený dopredu (reťaz je zablokovaný).

Brzda na reťazi sa môže aktivovať potlačením ľaveho zápästia dopredu, alebo keď sa zápästie dotkne prednej rúčky v súvislosti so spätným pohybom.

Ak zariadenie používate so žrdťou vo vodorovnej polohe, napr. pri rúbaní stromov, brzda na reťazi je menej chránená (**Obr. 3**)

NOTA: Ak je zapojená brzda reťaze, bezpečnostný vypínač prerušuje prívod prúdu do motoru.

 **Uvoľnenie brzdy na reťazi keď je spínač napnutý, výrobok naštartuje.**

ZACHYŤÁVAČ REŤAZE

Toto zariadenie je vybavené zachyťávačom reťaze (**Obr. 4**), ktorý je umiestnený pod ozubeným kolieskom. Tento mechanizmus slúži nato, aby sa zabránilo spätnému pohybu reťaze v prípade brzdenia alebo vykoľajenia.

Takýmto situáciám sa vyhnete, ak je reťaz správne napnutá (Vidť. Kapitola D. Montáž/Demontáž).

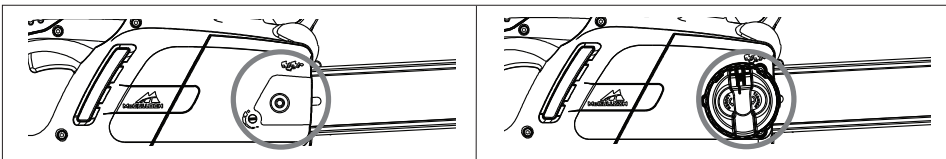
OCHRANNÝ KRYT PRAVEJ RUKY

Služi k ochrane (**obr.5**) ruky v prípade rozbitia reťaze.

D. MONTÁŽ / DEMONTÁŽ

MONTÁŽ LIŠTY A REŤAZE

Postup pri montáži sa mení podľa modelu Vášho stroja, preto sa riaďte obrázkami a typom stroja uvedeným na štítku výrobu, venujte zvýšenú pozornosť správnej montáži.



1. Skontrolujte, či nie je zapojená brzda reťaze, pokiaľ áno vypojte ju.

2a. Odskrutkujte maticu držiacu lištu a odstráňte kryt na reťazovom kolese.

2b. Odskrutkujte otočný regulátor držiaci lištu a odstráňte kryt na reťazovom kolese.

3. Reťaz položte na lištu a vložte ju do drážky na vodiacej lište, začnite na špiči ozubeného kolesa. **Upozomenie!** Skontrolujte, či ostrá strana rezných zubov smeruje dopredu na hornej časti lišty. Používajte ochranné rukavice.

4a. Skontrolujte, či je svorka napínania reťaze čo najďalej od reťazového kolesa. Lištu upevnite ku skrutke držiacej lištu a svorku napínania reťaze. Reťaz umiestnite na reťazové koleso.

4b. Kovové posuvné koliesko otáčajte v protismere hodinových ručičiek. Lištu upevnite ku skrutke držiacej lištu a reťaz položte na reťazové koleso.

Založte kryt na reťazovom kolese, skontrolujte, či zuby reťaze zapadajú do reťazového kolesa a do drážky na vodiacej lište.

5a. Naskrutkujte maticu na žrď rukou a príliš neťahujte.

5b. Naskrutkujte gombík na žrdi a príliš neťahujte.

6a. Napnite reťaz, naskrutkujte skrutky na napnutý reťaz v smere hodinových ručičiek pomocou priloženého kľúča alebo skrutkovača. Reťaz uvoľnite otočením v protismere hodinových ručičiek (pri tejto operácii držte koniec žrde nadvihnutý).

6b. Reťaz napnete skrutkovaním vonkajšieho gombíka na reťazi v smere hodinových ručičiek a uvoľnite otočením v protismere hodinových ručičiek (pri tejto operácii držte koniec žrde nadvihnutý).

7. Reťaz utiahnite na požadovanú úroveň. Reťaz potiahnite preč od žrde a skontrolujte, či je priestor medzi nimi približne 2 – 3 mm.

8a. Uťahnite maticu na žrdi pomocou priloženého kľúča alebo skrutkovača.

8b. Uťahnite žrď na bezpečnú úroveň.

Príliš silné napnutie reťaze môže preťažovať motor a poškodiť ho, pokiaľ nie je dostatočne napnutý, môže dôjsť k jeho uvoľneniu, zatiaľ čo správne napnutý reťaz znamená lepší rezný výkon stroja a jeho dlhšiu životnosť. Ďašto kontrolujte napätie reťaze, pretože použitím sa jeho drážka natahuje (najmä pokiaľ je nový, pri prvej montáži skontrolujte napätie po 5 minútach práce); v každom prípade nenapínajte reťaz hneď po použití, ale vyčkajte, až sa ochladí.

Pokiaľ musíte regulovať napätie reťaze, vždy najprv uvoľnite upevňovacie matice/gombík lišty pred zásahom na skrutku/gombík napínania reťaze; správne ho napnite a znovu utiahnite upevňovacie matice/gombík lišty.

E. SPUSTENIE A ZASTAVENIE

Štartovanie: Pevne uchopíte obe rúčky, uvoľnite brzdovú páku na reťazi a ruku stále držte na prednej rúčke, stlačte a držte blokovanie spínača zatlačené. Potom stlačte spínač, teraz môžete uvoľniť blokovanie spínača).

Zastavenie: Stroj sa zastaví, ak uvoľníte vypínač. Pokiaľ sa stroj nezastaví, zapojte brzdovú reťaz, odpojte kábel zo siete a odnesť ho do Autorizovaného servisného strediska.

F. MAZANIE LIŠTY A REŤAZE

POZORI! Nedostatočné premazanie rezacieho nástroja spôsobuje rozbitie reťaze s vážnym nebezpečenstvom zranenia osôb i so smrteľnými následkami.

Mazanie lišty a reťaze je zaisťované automatickým čerpadlom. Skontrolujte podľa pokynov v odseku "Udržba", či je reťazový olej dodávaný v dostatočnom množstve.

Voľba reťazového oleja

Používajte výhradne nový olej (špeciálny typ pre reťazy) s dobrou viskozitou: musí mať dobrú prilnavosť a zaručovať správne klzné vlastnosti ak v lete tak v zime. Pokiaľ nemáte k dispozícii reťazový olej, použite prevodový olej EP 90.

Nikdy nepoužívajte použité oleje, pretože sú škodlivé pre Vás, stroj a životné prostredie. Skontrolujte, či je olej vhodný pre teplotu prostredia v mieste použitia: pri teplotách pod 0°C niektoré oleje hustnú, pretečujú a poškodzujú čerpadlo. Pre voľbu najvhodnejšieho oleja kontaktujte Vaše Autorizované servisné stredisko.

Doplňovanie oleja

Odskrutkujte zátku olejovej nádrže, naplnite nádrž, pritom dajte pozor, aby nedošlo k úniku oleja (pokiaľ k tomu predsa dôjde, dobre očistite motorovú pílu) a dobre utiahnite zátku.

G. ÚDRŽBA A SKLADOVANIE

Pred vykonaním údržby alebo pred čistením odpojte výrobok od zdroja elektrickej energie.

POZOR! Pokiaľ pracujete v obzvlášť špinavých lebo prašných prostrediach, popísané operácie musia byť robené v kratších intervaloch ako je uvedené.

Pred každým použitím

Skontrolujte, či čerpadlo reťazového oleja správne funguje, nasmerujte lišty smerom ke svetlej ploche vo vzdialenosti dvadsať centimetrov, po minúte chodu stroja sa na ploche musia objaviť zreteľné stopy oleja **(obr.1)**. Skontrolujte, či pre zapojenie a vypojenie brzdy reťaze nemusíte vyvíjať príliš veľký tlak lebo naopak k zapojeniu lebo vypojeniu dochádza príliš ľahko, skontrolujte taktiež, či nie je zablokovaná. Ďalej skontrolujte jej funkciu nasledujúcim spôsobom: vypojte brzdú reťaze, uchopte správnym spôsobom stroja a uveďte ho do chodu, zapojte brzdú reťaze tlačeníím ochranného krytu ľavej ruky pomocou ľavého zápästia/ľavej paže, pritom nikdy nepúšťajte rukoväť **(obr.2)**. Pokiaľ brzda reťaze funguje, reťaz sa musí okamžite zablokovať. Skontrolujte, či je reťaz naostrený, v dobrom stave a správne napnutý, pokiaľ je nepravdive opotrebovaný lebo jeho rezný zub dosahuje výšky toľko 3 mm, vymeňte ho **(obr.3)**.

Ďalej čistite ventilačné otvory, zamedzte tak prehrievaniu motoru. **(obr.4)**.

Skontrolujte funkciu vypínača a zablokovania vypínača (tuto operáciu robte s vypojenou brzdou reťaze): zapnite vypínač a zablokovanie vypínača a skontrolujte, či sa hneď po uvoľnení vracajú do kľudovej polohy; overte, či bez zapojenia zablokovania vypínača nie je možné zapnúť vypínač.

Skontrolujte, či zachytávač reťaze a ochranný kryt pravej ruky sú v dobrom stave a bez viditeľných porúch ako napríklad poškodenie materiálu.

Každé 2-3 hodiny práce so strojom

Skontrolujte lištu, pokiaľ je to nutné starostlivo očistite jej otvory mazania **(obr.4)** a vodiacu drážku **(obr.5)**, pokiaľ je drážka opotrebovaná lebo na nej sú viditeľné hlboké rýhy, vymeňte ju. Pravidelne čistite reťazové koleso a kontrolujte, či nie je opotrebované. **(Obr. 7)**. Premažte reťazové kolesko na špiči lišty tukom pre ložiská označeným otvorom **(obr.8)**...

Ostrenie reťaze (v prípade potreby)

Pokiaľ reťaz nereže bez nutnosti priliečať lištu na drevo a vyrába veľmi jemné piliny, znamená to, že nie je dobre naostrený. Pokiaľ sa pri rezaní netvorí piliny, reťaz je celkom tupý a pri rezaní drví drevo na prach. Dobre naostrený reťaz prechádza drevom sám a tvorí dlhé a veľké piliny.

Rezná časť reťaze je predstavovaná rezným článkom **(obr.9)**, s rezným zubom **(obr.10)** a omezovacou hĺbkou rezu **(obr.11)**. Rozdiel výšky medzi nimi určuje hĺbku rezu; pre správne ostrenie potrebujete vodič ocieľky, guľatú ocieľku o priemeru 4 mm. Postupujte nasledujúcim spôsobom: so správne namontovaným a správne napnutým pilovým reťazom zapojte brzdú reťaze, umiestnite vodič ocieľky podľa obrázku, kolmo k lište **(obr.12)**, a nabrúste rezný zub s úhlami zobrazenými na obrázku **(obr.13)**, ostrenie robte vždy zvnútra smerom von a pri návrate znížte vyvíjaný tlak (je veľmi dôležité dodržiavať správny postup pri ostrení: príliš veľké, nedostatočné uhly ostrenia lebo chybný priemer ocieľky zvyšujú sklon stroja k spätným vrhom). Pre dosiahnutie presnejších bočných uhlov nastavte ocieľku tak, aby vertikálne presahovala hornú reznú časť približne o 0,5 mm. Naostrite najprv všetky zuby na jednej strane, pak otočte stroj a opakujte operáciu. Skontrolujte, či po ostrení majú všetky zuby rovnakú dĺžku a či výška omezočavov hĺbky dosahuje 0,6 mm pod úrovňou hornej rezacej časti: skontrolujte výšku pomocou šablóny a opíľajte (pomocou plochého pilníka) vyčnievajúcu časť, zaoblite potom prednú časť omezočavú hĺbku **(obr.14)**, pritom dávajte pozor, aby ste NEOPILOVALI aj zub ochrany proti spätnému vrhu **(obr.15)**.

Každých 30 hodín práce stroja

Odnesť stroj do Autorizovaného servisného strediska k generálnej revízii a kontrole brzdnych zariadení.

Skladovanie

Výrobok skladujte na suchom a chladnom mieste a mimo dosahu detí. Neskladujte v exteriéri.

H. TECHNIKY REZU

Počas použitia sa vyhnite: (obr.1)

- rezaniu v situácii, keď by sa kmeň mohol počas rezania zlomiť (drevo je napnuté, suché stromy apod.): náhle zlomenie môže byť veľmi nebezpečné.
 - aby sa lišty lebo reťaz zasekli v rezu: pokiaľ k tomu predsa dôjde, odpojte stroj od prívodu napätia a pokuste sa zvednúť kmeň, vyvíjajte páku pomocou vhodného nástroja; nesnažte sa vytiahnuť stroj jeho ťahaním lebo otriasaním, mohli by ste poškodiť stroj lebo sa zraniť.
 - situáciám, ktoré by mohli spôsobiť reakciu spätného vrhu.
 - nepoužívali výrobok vyššie ako je úroveň pliec
 - nerezali drevo s cudzími predmetmi, napr. kĺnce
- Počas použitia: (obr.1)**

- Pokiaľ režete v svahe, pracujte vždy nad kmeňom, týmto spôsobom Vás kmeň nemôže zasiahnuť, pokiaľ by sa začal guľat dolu.
 - V prípade stanania dokončite za každých okolností započnutú prácu: čiastočne statý strom by sa mohol zlomiť.
 - Na konci každého rezu zaznamenáte značnú zmenu sily potrebnej k držaniu stroja, dávajte veľký pozor, aby ste nestratili kontrolu nad strojom.
- V nasledujúcom texte sa sústreďíme na dva typy rezu:

rez pomocou ťahania reťaze (zhora smerom dolu) **(obr.2)**, u ktorého je nebezpečenstvo náhleho premiestnenia stroja smerom ku kmeni s nasledujúcou stratou kontroly, pokiaľ je to možné, používajte pri práci opierku.

Rez s tlačeníím reťaze (zdola smerom nahoru) **(obr.3)**: u ktorého je nebezpečenstvo náhleho premiestnenia stroja smerom k pracovníkovi s rizikom jeho zasaženia lebo nárast rizikového sektoru na kmeň a nasledujúcou reakciou spätného vrhu; pri rezaní preto dávajte veľký pozor.

Najbezpečnejší spôsob použitia stroja je upevnenie dreva na kozu, rezanie zhora smerom dolu a práca mimo opery. **(obr.4)**

Použitie opierky

Ak je to možné, používajte opierku pre bezpečnejšie rezanie: zasaďte ju do kóry lebo do povrchu kmeňa, zaručíte tak ľahšiu kontrolu stroja.

Ďalej sú uvedené typické postupy, ktoré je treba dodržať v určitých situáciách, vždy však posuňte, či sú vhodné lebo nie pre Váš prípad, a zväzťe, ako urobiť rez s čo najmenším rizikom.

Kmeň na zemi (Nebezpečenstvo kontaktu reťaze s terénom na konci rezu). (**obr.5**)

Reže zhora smerom dolu cez celý priemer kmeňa. Na konci rezu postupujte opatrne, aby ste zamedzili kontaktu reťaze s terénom. Pokiaľ môžete, prerušíte rezanie vo 2/3 hrúbky kmeňa, otočíte kmeň a režete zvyšnú časť zhora smerom dolu, aby ste sa tak vyhnuli nebezpečenstvu kontaktu reťaze s terénom.

Kmeň oprený len na jednom konci (Nebezpečenstvo zlomenia kmeňa počas rezu) (**obr.6**)

Začnite rezať zospodu do približne 1/3 priemeru, potom prácu dokončíte zhora a napojíte sa na už urobený rez.

Kmeň oprený na dvoch koncoch (Nebezpečenstvo stlačenia reťaze.) (**obr.7**)

Začnite rezať zhora do približne 1/3 priemeru, potom prácu dokončíte zospodu a napojíte sa na už urobený rez.

Kmeň stromu je umiestnený na svahu. Na svahu vždy stojte nad kmeňom stromu. Pred pílením naprieč zabezpečíte ovládanie reziva tak, že tesne pred úplným prerezaním uvoľníte tlak rezania, ale rukoväť reťazovej pily naďalej pevne držte. Dbajte na to, aby sa reťaz nedostala do kontaktu so zemou.

Stínanie stromov

POZORI! Nikdy sa nepokúšajte stínať stromy, pokiaľ nemáte dostatočnú skúsenosť, v každom prípade nestínajte nikdy stromy, ktorých priemer kmeňa je väčší ako dĺžka listy! Tato operácia je vyhradená pre skúsených užívateľov vybavených vhodným zariadením. Účelom stínania je nechať padnúť strom do čo najlepšej polohy pre následujúce odstraňovanie konárov a rezanie kmeňa. (Zamedzte tomu, aby sa padajúci strom zachytil do konárov iného stromu: sťahovať zachytený strom je veľmi nebezpečné).

Musíte rozhodnúť čo najlepší smer pádu na základe nasledujúceho zväzenia: čo sa nachádza okolo stromu, jeho naklonenia, nahnutia, smer vetru a koncentrácia konárov.

Nezabúdajte na výskyt suchých lebo zlomených konárov, ktoré by sa mohli zlomiť počas stínania a predstavovať nebezpečenstvo.

POZORI! Počas stínania stromov v kritických podmienkach si po ukončení rezu okamžite snímte chrániče sluchu, aby ste mohli zaznamenať neobvyklé zvuky a eventuálne výstražné signály.

Predbežné operácie rezu a vyhľadanie únikovej cesty

Odstráňte konáry, ktoré bránia v práci (**obr.8**), začnite zhora smerom dolu tak, aby sa kmeň nachádzal medzi Vami a strojom, odstráňte potom zložité konáre jeden po druhom. Odstráňte porast okolo stromu a pri určení únikovej cesty zaznamenajte prípadné prekážky vyskytujúce sa okolo stromu (kamene, korene, príkopy apod.) a brániace v úniku (úniková cesta slúži pri padaní stromu); na obrázku (**obr.9**) je zobrazený smer, ktorým sa musíte vydať (A predpokladaný smer pádu stromu. B.Úniková cesta C. Nebezpečná zóna)

STÍNANIE STROMU (obr.10)

Za účelom zaručenia kontroly nad pádom stromu musíte urobiť nasledujúce rezy:

Smerový zárez, ktorý musí byť urobený ako prvý, slúži ku kontrole smeru pádu stromu: najprv reže HORNÚ ČASŔ smerového zárezu na strane, ku ktorej má byť strom stínaný. Držte sa na pravej strane stromu a reže metódou ťahania reťaze; potom urobte SPODNÚ ČASŔ rezu, ktorý sa musí zísť s koncom hornej časti. Hĺbka smerového zárezu musí odpovedať 1/4 priemeru kmeňa, s úhľom najmenej 45° medzi horným a dolným rezom. Setkanie medzi dvoma zárezmi sa nazýva "lína smerového rezu". Línia musí byť dokonale vodorovná a v pravom uhle (90°) k smeru pádu.

Rez pri stínaní, ktorý má za účel pád stromu, musí byť provedený vo výške 3-5 cm nad spodnou časťou línie smerového rezu a končiť vo vzdialenosti 1/10 kmeňa od zárezu. Držte sa na pravej strane stromu a reže metódou ťahania reťaze použite pritom opierku. Skontrolujte, či sa strom nenakláňa iným smerom ako plánovaným. Hneď ak

je to možné, vložte do zárezu drevorúbačský klin. áast stromu, ktorá ostala nerezaná sa nazýva "kňb", ktorý vedie strom pri pádu; pokiaľ je nedostačujúci, nie je rovný lebo nie je celkom prerezaný, nie je schopný kontrolovať pád stromu (veľmi nebezpečná situácia!), preto je nezbytné, aby rôzne rezy boli urobené s maximálnou presnosťou.

Na konci rezania strom musí začať padať, pokiaľ je to nutné, pomôžte si vložением drevorúbačského klinu lebo drevorubeckej paky.

Odstraňovanie konárov

Ak je strom porazený, je treba ho zbaviť konárov, to znamená odrezať konáry z kmeňa. Nepodceňujte tuto operáciu, pretože k väčšine prípadov spätného vrhu dochádza počas odstraňovania konárov, dávajte veľký pozor na polohu špice listy počas rezu a pracujte na ľavej strane kmeňa.

I. EKOLÓGIA


V tejto kapitole nájdete informácie užitočné pre dodržanie vlastností ekologickej kompatibility, na ktorú bol branný ohľad pri vývoji tohto stroja, dodržanie správneho použitia stroja a spracovanie olejov.

PROJEKTOVANIE

Vo fáze projektovania stroja bol vyvinutý motor s nízkou spotrebou a nízkou hlučnosťou.

LIKVIDÁCIA

Nenechávajte v okolnom prostredí nefunkčný stroj, ale odovzdajte ho firme, ktorá má povolenie k likvidácii odpadkov podľa predpisov platných noriem.

Symbol  na výrobku alebo na jeho obale označuje, že výrobok sa nesmie považovať za domáci odpad, a musí sa odovzdať do príslušného zberného centra, kde sa zrecykluje jeho elektrické a elektronické zariadenie.

Zabezpečením správneho skartovania výrobku prispějete k prevencii potenciálnych negatívnych následkov na životné prostredie a zdravie človeka, ktoré mohli byť zapríčinené nesprávnou likvidáciou tohto výrobku. Ďalšie informácie o recyklovaní tohto výrobku sa dozviete na miestnom úrade, v organizácii, ktorá zabezpečuje likvidáciu domáceho odpadu alebo v predajni, kde ste výrobok kúpili.

J. TABUĽKA VYHLEDÁVANIA PORÚCH

	Nespušťa sa motor	Špatná funkcia motoru lebo motor stráca na výkone	Stroj sa spúšťa, ale špatne reže	Motor sa otáča neobvyklým spôsobom	Brzdné zariadenie neblokuje správnym spôsobom otáčenie reťaze
Overte, či je v sieti napätie	●				
Overte, či je zástrčka správne zapojená	●				
Overte, či nie je poškodený kábel lebo predlžovací kábel	●				
Overte, či nie je zapojená brzda reťaz	●				
Skontrolujte, či je reťaz dobre zmontovaná a napnutá		●	●		
Skontrolujte mazanie reťaze podľa pokynov uvedených v kapitolách F a G			●		
Skontrolujte, či je reťaz naostrény			●		
Skontrolujte, či je tepelná poistka aktivovaná	●				
Obráťte sa na Autorizované servisné stredisko	●	●		●	●

K. NÁHRADNÉ DIELY

35cm	Reťaz Vodiaca lišta	91PJ052XN	Číslo dielu: Číslo dielu:	530051538 576965401
40cm	Reťaz Vodiaca lišta	91PJ056XN	Číslo dielu: Číslo dielu:	530051539 576965201

L. EC PREHLÁSENIE O PRÁVNEJ SPÔSOBILOSTI TOVARU

Husqvarna AB, S-561 82, Huskvarna, Sweden

Potvrďujeme podľa nášho vedomia a svedomia, že výrobok:

Označenie.....**Chainsaw - Motorová píla**
 Označenie typu(ov).....**CSE1835, CSE1935S, CSE2040, CSE2040S**
 identifikácia série.....**Vid Štítkov Parametrov Výrobku**
 Rok výroby.....**Vid Štítkov Parametrov Výrobku**

Je v súlade so základnými požiadavkami a nariadeniami nasledovných EC noriem:

2006/42/EC, 2004/108/EC, 2000/14/EC, 2011/65/EU

na základe nasledovných použitých EU harmonizovaných noriem.

EN60745-1, EN60745-2-13, EN55014-2, EN55014-1, EN61000-3-2, EN61000-3-11

Organizácia, ktorý vykonala testy typu EC

v súlade s článkom 8 časti 2c..... TÜV Rheinland LGA Products GmbH
 Tillystraße 2
 D-90431 Nürnberg
 Germany

Certifikát č. BM 50268379

Maximálna A úroveň akustického tlaku L_{pA} na pracovisku, meraná podľa normy EN60745-2-13 je uvedená v tabuľke.

Maximálna nameraná hodnota otrasov ruky / ramena a_{rh} , meraná v zmysle normy EN60745-2-13 na vzorke vyššie uvedeného výrobku(ov) je uvedená v tabuľke.

Celková nameraná hodnota vibrácií je v súlade s bežnou testovacou metódou, ktorá sa používa pri porovnaní nástrojov.

Nameraná hodnota vibrácií môže byť použitá pri určení vystavenia vibráciám.

Upozornenie:

Úroveň vibrácií počas použitia nástroja môže byť rozdielna s deklarovanou úrovňou, závisí to od spôsobu použitia nástroja.

Pre vlastnú bezpečnosť musia užívatelia dodržiavať bezpečnostné pokyny založené na odhade vibrácií pri prevádzke nástroja (berúc do úvahy všetky časti prevádzky, ako je doba, kedy je nástroj vypnutý a je v nečinnosti spolu s dobou spustenia).

2000/14/EC: Nameraná hodnoty intenzity hluku L_{WA} a garantovanej intenzity hluku L_{WA} sú v súlade s hodnotami v tabuľke.

Postup hodnotenia súladu..... Annex V

Ulm 12/02/2013

P. Lamelli

Global R&D Director – drží sa v ruke

Vlastník technickej dokumentácie



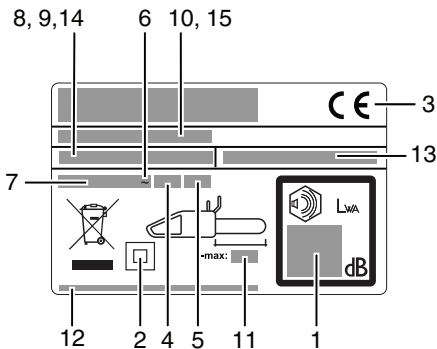
Typ (CSE_____)	1835	1935S	2040	2040SI
Hmotnosť s prázdnyimi nádržami (Kg)	4.3	4.5	4.4	4.6
Napájanie (kW)	1.8	1.9	2.0	2.0
Obsah olejovej nádrže (cm ³)	240	240	240	240
Maximálna dĺžka vodiacej lišty (cm)	35	35	40	40
Delenie reťaze (mm)	9.52	9.52	9.52	9.52
Hrúbka reťaze(mm)	1.3	1.3	1.3	1.3
Nameraná hodnota úrovne hluku L_{pA} (dB(A))	106	106	106	106
Garantovaná hodnota úrovne hluku L_{WA} (dB(A))	110	110	110	110
Hladina hluku L_{pA} (dB(A))	95	95	95	95
Neistota K_{pA} (dB(A))	2.5	2.5	2.5	2.5
Vibrácia ruky/ramena a_{rh} (m/s ²)	7.28	7.28	8.08	8.08
Ochýľka K_{ah} (m/s ²)	1.5	1.5	1.5	1.5
Prívod elektrickej energie - Impedancia Z_{max} (Ω)	0.382	0.382	0.382	0.382

EN 61000-3-11 Prehlásenie o zhode s normami

V závislosti od vlastností miestnej siete zdroja elektrickej energie môže pri použití tohto výrobku nastať krátky pokles napätia v momente, keď výrobok zapnete. Toto môže mať vplyv na ostatné elektrické spotrebiče, napr. chvíľkové stmienenie svetla lampy. Ak je **sieťová impedancia Z_{max}** vášho zdroja elektrickej energie nižšia ako hodnota uvedená v tabuľke (pre váš model), tieto vplyvy na elektrické spotrebiče nenastanú. Hodnotu sieťovej impedancie zistíte v spoločnosti, ktorá je dodávateľom elektrickej energie.

A. SPLOŠNI OPIS

- | | |
|---|---|
| <ol style="list-style-type: none"> 1) Zadnja ročica 2) Zadnji ščitnik 3) Sprednja ročica 4) Sprednji ščitnik/ročica zavore verige 5) Zunanji gumb napenjalnika verige 6) Vijak napenjalnika verige 7) Zatič napenjalnika verige 8) Pokrov rezervoarja za olje 9) Merilnik preostalega olja v rezervoarju 10) Prezračevalne odprtine 11) Kabel 12) Ročno 13) Stikalo 14) Blokada stikala 15) Veriga 16) Vodilni zob 17) Rezalni člen 18) Merilnik rezalne globine 19) Rezalni zob | <ol style="list-style-type: none"> 20) Meč 21) Pokrov pogonskega verižnika 22) Pogonski verižnik 23) Lovilec verige 24) Vijak za pritrditev meča 25) Notranji gumb za pritrditev meča 26) Matica za pritrditev meča 27) Sprednji verižnik 28) Zaščitni pokrov meča 29) Nazobčan odbijač 30) Ogrodje za zatič napenjalnika verige 31) Odprtina za mazanje 32) Vodilni utor na meču 33) Ključ/izvijajač |
|---|---|



Primer identifikacijske nalepke

- 1) Zagotovljena jakost zvoka v skladu z direktivo 2000/14/EC
- 2) Orodje razreda II
- 3) Skladnost z oznako CE
- 4) Nazivna frekvenca
- 5) Nazivna moč
- 6) Izmenični tok
- 7) Nazivna napetost
- 8) Tip
- 9) Koda izdelka
- 10) Leto izdelave
- 11) Največja dolžina meča
- 12) Ime in naslov proizvajalca
- 13) Artikla številka (Električna verižna žaga)
- 14) Model
- 15) Serijska številka

B. VARNOSTNI UKREPI

POMEN SIMBOLOV



Pozor!
Pozorno preberite
priročnik za uporabo



Zaščitni škornji



Zaščitna očala ali vizor,
zaščitna čelada in
zaščita sluha



Zaščitne rokavice, ki jih
ni mogoče prerezati



Dolge zaščitne hlače, ki
jih ni mogoče prerezati



Zavora verige:
izklopljena, vklopljena



Če je kabel poškodovan
ali prerezan, ga takoj
iztaknite iz vtičnice.



Prisotne osebe naj ne
bodo v neposredni
bližini



Popravite smer rezalnih
zob.



Napravo vedno držite z
obema rokama



Nevarnost odboja



Ne izpostavljajte dežju
ali vlagi.



Olje za verigo



Tega ne počnite...



Izklopite napravo



Pred prilagajanjem ali
čiščenjem iztaknite
vtičač.



Nevarnost električnega
udara

Splošna varnostna opozorila glede motornih orodij

⚠ POZOR: Preberite vsa varnostna opozorila in navodila. Če ne upoštevate varnostnih navodil, lahko pride do električnega udara, požara ali hude telesne poškodbe.

Vsa opozorila in navodila shranite za poznejšo uporabo.

Izraz "motorno orodje" v opozorilih se nanaša na motorno orodje z napajanjem iz električnega omrežja (prek napajalnega kabla) ali baterijsko motorno orodje (brez napajalnega kabla).

1) Varnost na delovnem območju

a) Delovno območje naj bo čisto in dobro osvetljeno. V natrpanih ali temnih območjih je nevarnost nesreč večja.

b) Motornih orodij ne uporabljajte v okoljih, kjer obstaja možnost eksplozije, na primer ob prisotnosti vnetljivih tekočin, plinov ali prahu. Motorna orodja povzročajo nastanek isker, ki lahko sprožijo vžig prahu ali hlapov.

c) Motornega orodja ne uporabljajte v prisotnosti otrok ali opazovalcev. Zaradi odvrtačenja pozornosti lahko izgubite nadzor.

2) Električna varnost

a) Vtičač motornega orodja mora ustrezati napajalni vtičnici. Vtičača ne smete na noben način spreminjati. Z ozemljenimi motornimi orodji ne uporabljajte nobenih adapterjev za vtičače. Nespremenjeni vtičači in ustrezne napajalne vtičnice zmanjšajo nevarnost električnega udara.

b) Izogibajte se telesnemu stiku z ozemljenimi površinami, kot so cevi, radiatorji, štedilniki in hladilniki. Če je vaše telo ozemljeno, je nevarnost električnega udara večja.

c) Motornih orodij ne izpostavljajte dežju in vlažnim pogojem. Voda, ki vstopi v motorno orodje, poveča nevarnost električnega udara.

d) Ne zlorablajte napajalnega kabla. Nikoli ga ne uporabljajte za nošenje, vlečenje ali odkapljanje napajalnega orodja. Pazite, da ne pride v stik z vročino, oljem, ostrimi robovi ali premičnimi deli. Poškodovani ali zapleteni kabli povečujejo nevarnost električnega udara.

e) Ko motorno orodje uporabljate na prostem, uporabite podaljšek, ki je primeren za uporabo na prostem. Uporaba podaljška, ki je namenjen uporabi na prostem, zmanjšuje nevarnost električnega udara.

f) Če je uporaba motornega orodja v vlažnem okolju neizogibna, uporabite vir napajanja, ki je zaščiten z napravo okvarnega toka (RCD). Uporaba naprave RCD zmanjšuje nevarnost električnega udara.

3) Osebna varnost

a) Pri uporabi motornega orodja bodite previdni, pazite, kaj počnete, in uporabite zdrav razum. Motornega orodja ne uporabljajte, kadar ste utrujeni ali pod vplivom drog, alkohola ali zdravil. Ze samo trenutek nepazljivosti med uporabo motornega orodja lahko povzroči hudo telesno poškodbo.

- b) Uporabljajte osebno zaščitno opremo. Vedno nosite zaščitna očala. *Zaščitna oprema, kot so zaščitna maska proti prahu, varnostna obutev, ki ne drsi, trda čelada in zaščitna sluha, uporabljena v ustreznih pogojih, zmanjšuje nevarnost telesnih poškodb.*
- c) **Preprečite nenamerni zagon. Preden orodje priklopite na vir napajanja in/ali baterijo, ga dvignite ali prenašate, se prepričajte, da je stikalo za vklop/izklop v položaju za izklop.** *Če med prenašanjem motornega orodja držite prst na stikalu ali priklopite orodje, na katerem je stikalo za vklop/izklop v položaju za vklop, na vir napajanja, lahko povzročite nezgodo.*
- d) **Pred vklopom orodja odstranite morebiten ključ ali izvijač za namestitvev.** *Ključ ali izvijač, ki ostane na vrtečem se delu motornega orodja, lahko povzroči telesno poškodbo.*
- e) **Ne poskušajte seči predaleč. Vedno ohranite stabilen položaj nog in ravnotežje.** *Tako boste lažje nadzorovali motorno orodje v nepričakovanih okoliščinah.*
- f) **Oblecite se ustrezno. Ne nosite ohlapnih oblačil ali nakita.** *Las, oblačil in rokavic ne približujte premičnim se delom. Premični deli lahko zagrabijo ohlapna oblačila, nakit ali dolge lase.*
- g) **Če so priložene naprave za priključitev pripomočkov za odstranjevanje in zbiranje prahu, poskrbite, da bodo te priključene in pravilno uporabljene.** *Uporaba pripomočkov za zbiranje prahu zmanjšuje s tem povezane nevarnosti.*
- 4) **Uporaba in nega motornega orodja**
- a) **Motornega orodja ne uporabljajte na silo. Motorno orodje uporabljajte samo za ustrezne namene.** *Z ustreznim motornim orodjem boste delo bolje opravili, uporaba orodja za namen, za katerega je bilo zasnovano, pa je tudi varnejša.*
- b) **Ne uporabljajte motornega orodja, na katerem ne deluje stikalo za vklop/izklop.** *Motorno orodje, ki ga ni mogoče upravljati s stikalom, je nevarno, zato ga je treba odnesti na popravilo.*
- c) **Preden napravite kakršne koli prilagoditve, zamenjate dodatno opremo ali motorno orodje shranite, iztaknite vtičak iz vira napajanja in/ali odstranite baterijo.** *Ti preventivni varnostni ukrepi zmanjšujejo tveganje nenamernega zagona motornega orodja.*
- d) **Motorno orodje v pripravljenosti hranite zunaj dosega otrok. Ne dovolite, da motorno orodje uporabljajo osebe, ki niso seznanjene z njegovo uporabo ali temi navodili.** *Motorna orodja so v rokah neusposobljenih uporabnikov nevarna.*
- e) **Skrbite za vzdrževanje motornih orodij. Bodite pozorni na napačno poravnavo ali vezavo premičnih delov, na polomljene dele in druge okoliščine, ki bi lahko vplivale na delovanje motornega orodja. Poškodovano motorno orodje pred uporabo odnesite na popravilo.** *Številne nesreče so posledica neustreznega vzdrževanja motornega orodja.*
- f) **Rezalno orodje naj bo ostro in čisto.** *Pravilno vzdrževana rezalna orodja z ostrimi rezalnimi robovi so varnejša in jih je lažje upravljati.*
- g) **Motorna orodja, dodatno opremo in dele orodja ltd. uporabljajte v skladu s temi navodili, upoštevajte pa tudi delovne pogoje in vrsto dela, ki ga želite opraviti.** *Uporaba motornih orodij za dela, za katera niso namenjena, je lahko nevarna.*
5. **Servis**
- a) **Servis motornega orodja naj opravlja samo usposobljen serviser, ki naj uporabi samo ustrezne nadomestne dele.** *Samo tako boste ohranili varnost motornega orodja.*

Varnostna opozorila za verižno žago:

- **Pazite, da deli telesa ne pridejo v stik z verižno žago, kadar je ta v delovanju. Preden vklopite verižno žago, se prepričajte, da se veriga žage ničesar ne dotika.** *Trenutek nepazljivosti med delom z verižno žago lahko povzroči, da se veriga žage zaplete v vaša oblačila ali vas poškoduje.*
 - **Verižno žago vedno držite z desno roko na zadnjem ročaju in z levo na sprednjem ročaju.** *Pri držanju verižne žage nikoli ne smete zamenjati rok, saj se s tem poveča nevarnost telesne poškodbe.*
 - **Motorno orodje prijemajte samo na izolirnih oprijemalnih površinah, saj lahko veriga žage pride v stik s prikrito električno napeljavo ali z lastnim kablom.** *Če verige žag pridejo v stik z žico pod napetostjo, lahko v nezavarnostnih kovinskih delih motornega orodja sprožijo električni tok, ki lahko udari v uporabnika.*
 - **Noste varnostna očala in pripomoček za zaščito sluha. Priporočljiva je dodatna zaščita za glavo, roke in noge.** *Primerna zaščitna obleka bo zmanjšala možnost telesne poškodbe zaradi letočih delcev ali nenamernega stika z verigo žage.*
 - **Z verižno žago ne delajte na drevesu.** *Delo z verižno žago, medtem ko ste na drevesu, se lahko konča s telesnimi poškodbami.*
 - **Vedno ohranite stabilen položaj nog. Z verižno žago delajte le, če stojite na trdni, varni in ravni površini.** *Spolzke ali nestabilne površine, kot so lestve, lahko povzročijo izgubo ravnotežja ali nadzora nad verižno žago.*
 - **Kadar režete vejo, ki je napeta, bodite pozorni na njeno morebitno sunkovito vrnitev nazaj.** *Ko sprostito napetost v lesnih vlaknih, lahko napeta veja udari upravljavca žage, ali/in vrže verižno žago izven nadzora.*
 - **Kadar režete grmičje in mladike, bodite izjemno previdni.** *Tanjša stebela se lahko ujamejo v verigo žage, kar lahko žago obrne proti vam ali vas spodnese.*
 - **Verižno žago nosite za sprednji ročaj, ugasnjeno in obrnjeno stran od vašega telesa.** *Pri transportu ali shranjevanju verižne žage vedno namestitev zaščitni pokrov meča. Pravilno ravnanje z verižno žago bo zmanjšalo verjetnost nenamernega stika s premikajočo se verigo žage.*
 - **Sledite navodilom o mazanju, napanjenju verige in menjavi dodatne opreme.** *Nepravilno napeta ali namazana veriga se lahko zlomi, ali poveča možnost odboja.*
 - **Pazite, da bodo ročaji suhi, čisti in nemastni.** *Mastni ročaji so spolzki, kar lahko povzroči izgubo nadzora.*
 - **Samo za žaganje lesa. Verižne žage ne uporabljajte v namene, za katere ni namenjena.** *Na primer: žage ne uporabljajte za žaganje plastike, zidov ali ostalih nelesnih gradbenih materialov. Uporaba verižne žage za dela, za katera ni namenjena, je lahko nevarna.*
- Razlogi za odboj in ukrepi za preprečevanje odboja:**
- Odboj se lahko zgodi, kadar se vrh meča dotakne nekega predmeta (**Sl. B3**), ali kadar les stisne verigo med žaganjem.
- Stik vrha meča s predmetom lahko povzroči nenaden protisunek, ki obrne meč navzgor in nazaj proti upravljavcu.
- Stiskanje verige po vrhu meča lahko potisne meč hitro nazaj, proti upravljavcu.

V obeh primerih lahko izgubite nadzor nad žago, kar se lahko konča s hudimi telesnimi poškodbami. Ne zanašajte se izključno na varnostne naprave, ki so vgrajene v žago. Kot uporabnik verižne žage morate upoštevati nekatere previdnostne ukrepe, ki vas bodo obvarovali pred nesrečami ali poškodbami.

Odboj je posledica napačnega ravnanja z orodjem in/ali nepravilnih delovnih postopkov ali pogojev, čemur se je možno izogniti, če upoštevate previdnostne ukrepe, kot so opisani spodaj:

- **Žago držite trdno in z obema rokama, prsti naj bodo trdno oklenjeni okrog ročajev žage, svoje telo pa postavite v položaj, ki vam bo omogočal, da se uprete silam odboja.** *Ob upoštevanju ustreznih previdnostnih ukrepov lahko upravljavec obvladuje sile odboja. Verižne žage ne izpustite iz rok.*
- **Ne poskušajte seči predaleč in ne žagajte nad višino ramen.** *S tem preprečite nenameren dotik predmetov z vrhom meča in omogočite boljši nadzor nad verižno žago v nepričakovanih okoliščinah.*
- **Uporabljajte samo nadomestne meče in verige, ki jih je določil proizvajalec.** *Napačni nadomestni meči ali verige lahko povzročijo zlom verige in/ali odboj.*
- **Upoštevajte navodila proizvajalca za vzdrževanje in brušenje verige žage.** *Znižanje višine merilnika globine lahko povzroči večji odboj.*

Dodatna varnostna priporočila

1. **Uporaba priročnika.** Vse osebe, ki uporabljajo to napravo, morajo izjemno pazljivo in v celoti prebrati priročnik za uporabo. Priročnik za uporabo mora biti ob prodaji ali posojanju tretji osebi vedno priložen napravi.
2. **Previdnostni ukrepi pred uporabo naprave.** Naprave nikoli ne smejo uporabljati osebe, ki niso popolnoma seznanjene z navodili v priročniku za uporabo. Neizkušene osebe morajo opraviti usposabljanje, pri katerem uporabljajo kozo za žaganje.
3. **Kontrolni pregledi.** Pred vsako uporabo skrbno preverite napravo, še posebej, če je bila izpostavljena močnim udarcem ali če kaže znake okvare. Opravite vse postopke, opisane v poglavju "Vzdrževanje in shranjevanje – pred vsako uporabo".
4. **Popravila in vzdrževanje.** Vsi deli naprave, ki jih lahko zamenjate sami, so navedeni v poglavju "Sestavljanje/razstavljanje". Vse druge dele naprave sme po potrebi zamenjati izključno pooblaščen servisler.
5. **Oblačila. (sl. 1)** Uporabnik mora pri uporabi naprave nositi naslednja odobrena posamezna zaščitna oblačila: tesno prilegajoča zaščitna oblačila, varnostne škornje z nestrsečimi podplati z zaščito prstov, ki je ni mogoče zdrobiti in ki jih ni mogoče prerezati; rokavice, ki so odporne na vibracije in ki jih ni mogoče prerezati, zaščitna očala ali varnostni vizor; glušnike in čelado (če obstaja nevarnost padajočih predmetov). Na voljo pri dobaviteljnih delovnih oblačilih.
6. **Zdravstveni previdnostni ukrepi – vibracije in raven hrupa.** Upoštevajte omejitve hrupa v bližnjem okolju. Pri dolgotrajni uporabi naprave je uporabnik izpostavljen vibracijam, ki lahko povzročijo "fenomen belega prsta" (Raynaudov fenomen), sindrom karpalnega kanala in podobne motnje.
7. **Zdravstveni previdnostni ukrepi – kemična sredstva.** Uporabljajte olje, ki je bilo odobreno s strani proizvajalca.
8. **Zdravstveni previdnostni ukrepi – vročina.** Verižnik in veriga se med uporabo zelo segrejeta, zato

pazite, da se ju ne dotaknete, kadar sta vroča.

9. **OPOZORILO!** Ta stroj med delovanjem ustvarja elektromagnetno polje. To polje lahko v nekaterih primerih vpliva na aktivne ali pasivne medicinske vsadke. Za zmanjšanje tveganja hude ali smrtonosne telesne poškodbe priporočamo osebam z medicinskimi vsadki, da se pred uporabo te naprave posvetujejo s svojim zdravnikom in proizvajalcem medicinskih vsadkov.

Previdnostni ukrepi pri transportu in hrambi. (sl. 2)

Vsakič, ko spremenite lokacijo delovnega območja, odklopite napravo iz električnega omrežja in vklopite ročico zavore verige. Pred vsakim transportom ali hrambo namestite zaščitni pokrov meča. Napravo vedno nesite v roki tako, da je meč obrnjen nazaj, pri transportu z vozilom pa napravo varno pritrдите, da se ne more poškodovati.

Odboj. (sl. 3) Pri odboju se meč močno odbije nazaj in gor, proti uporabniku. To se običajno zgodi, če zgornji del konice meča (imenovan "območje, nevarno za odboj") (glejte rdeče oznake na meču) pride v stik s kakim predmetom ali če se veriga zagodji v lesu. Pri odboju lahko uporabnik izgubi nadzor nad napravo, kar lahko povzroči nevarno ali celo usodno nesrečo. Ročica zavore verige in druge varnostne naprave ne zadostujejo za zaščito uporabnika pred telesno poškodbo: uporabnik mora poznati okoliščine, ki lahko sprožijo tak odziv, in jih preprečiti, tako da je zelo pozoren, izkuščen ter z napravo ravna preudarno in pravilno (na primer: nikoli ne smete rezati več vej hkrati, ker lahko pride do nenamernega stika z "območjem, nevarnim za odboj")

Varnost na delovnem območju

1. Nikoli ne dopustite, da bi izdelek uporabljali otroci ali ljudje, ki niso seznanjeni z navodili za uporabo. Starost uporabnika lahko omejujejo lokalni predpisi.
2. Izdelek uporabljajte samo na način in v namene, ki so opisani v navodilih za uporabo.
3. Temeljito preglejte celotno delovno območje in se prepričajte, da ni virov nevarnosti (npr. cest, poti, električnih kablov, nevarnih dreves itd.)
4. Preprečite, da bi se druge osebe in živali približale delovnemu območju (po potrebi območje zavarujte z ograjo in opozorilnimi znaki) na več kot 2,5-kratno razdaljo višine debla; v vsakem primeru morajo biti oddaljeni najmanj deset metrov.
5. Upravljavec oz. uporabnik je odgovoren za nesreče ali nevarnosti, ki se dogodijo drugim ljudem ali njihovi lastnini.

Električna varnost

1. Priporočljivo je, da uporabite napravo na diferenčni tok (N.D.K) s sprotivnenim tokom, ki ni močnejši od 30 mA. Tudi z nameščeno napravo N.D.K niste 100 % varni, zato morate vedno slediti postopkom za varnost pri delu. Napravo N.D.K preverite vsakič, ko jo uporabite.
2. Pred uporabo preglejte, ali je kabel kje poškodovan in ga zamenjajte, če ste našli znake poškodbe ali obrabe.
3. Če so električni kabli obrabljeni ali poškodovani, izdelka ne uporabljajte.
4. Če je kabel prerezan ali je poškodovana izolacija kabla, izdelek nemudoma izključite iz električne napeljave. Električnega kabla se ne dotikajte, dokler ni izključen iz električne napeljave. Prerezanega ali poškodovanega kabla ne popravljajte. Izdelek odnesite na pooblaščen servis na zamenjavo kabla.

5. Vaš podaljševalni kabel mora biti odvit oziroma razvit. Neodviti oziroma nerazviti kabli se lahko pregrejejo in zmanjšajo učinkovitost vaše kosilnice.
6. Vedno se prepričajte, da je kabel/podaljšek za uporabnikom in ne ogroža uporabnika ali drugih oseb, prepričajte pa se tudi, da se ne more poškodovati (zaradi vročine, ostrih predmetov, ostrih robov, olja itd.).
7. Kabel namestite tako, da se med žaganjem ne bo ujel v veje ali podobno..
8. Vedno izklopite glavni vod električne napeljave, preden iztaknete vtič, kabelski priključek ali kabelski podaljšek.
9. Izklopite napravo, vtič iztaknite iz vtičnice in pregledajte električni kabel če je kje poškodovan ali obrabljen, **preden** zvijete kabel, da ga boste popravili. Poškodovanega kabla ne popravljajte. Izdelek odnesite na pooblaščen servis na zamenjavo kabla.
10. Preden pustite izdelek nenadzorovan za kakršnokoli časovno obdobje, iztaknite vtič iz vtičnice.
11. Kabel vedno navijajte previdno in se pri tem izogibajte zankam.
12. Uporabljajte samo napajanje z izmenično napetostjo, ki je prikazana na identifikacijski oznaki izdelka.
13. Verižna žaga je dvojno izolirana na osnovi EN60745-1 in EN60745-2-13. V nobenem primeru ne smete nobenega dela izdelka ozemljiti.

Kabli

1. Električni kabli in podaljški so na voljo na vašem lokalnem pooblaščenem servisu
2. Uporabljajte samo odobrene podaljševalne kable
3. Uporabljajte le podaljševalne kable in vodnike, ki so namenjeni zunanji uporabi.
4. Če želite pri uporabi izdelka uporabljati podaljšek, je dovoljeno uporabljati izključno naslednje dimenzije kablov.

Modeli CSE1835, CSE1935S:

- 5,0 mm²: največja dolžina 40 m
- 5,0 mm²: največja dolžina 60 m
- 8,0 mm²: največja dolžina 100 m

Modeli CSE2040, CSE2040S:

- 5,0 mm²: največja dolžina 50 m
- 8,0 mm²: največja dolžina 90 m

C. OPIS VARNOSTNE OPREME

BLOKADA STIKALA

žaga je opremljena z napravo (**sl. 1**), ki preprečuje nenameren zagon izklopljene žage.

ZAVORA VERIGE, KI SE SPROŽI OB IZKLOPU STIKALA

žaga je opremljena z napravo, ki blokira verigo, takoj ko izklopite stikalo. če ta naprava kadar koli ne deluje, žage NE smete uporabljati; odnesite jo na pooblaščen servis.

SPREDNJI ŠČITNIK/ROČICA ZAVORE VERIGE

Sprednji ščitnik (**sl. 2**) je zasnovan tako, da preprečuje stik leve roke z verigo (pod pogojem, da žago pravilno držite v skladu z navodili). Sprednji ščitnik hkrati deluje tudi kot zavora verige, saj vsebuje napravo, ki v primeru odboja blokira verigo v manj kot 0,15 sekunde. Zavora verige sprostite tako, da sprednji ščitnik povlečete nazaj, da se zaskoči (veriga se nato lahko premika). Zavora verige se sproži, če sprednji ščitnik potisnete naprej (veriga je blokirana). Zavora verige se sproži, če zapestje leve roke potisnete naprej ali če zaradi odboja zapestje pride v stik s sprednjim ščitnikom.

Če žago uporabljate tako, da je meč v vodoravnem položaju, na primer pri podiranju dreves, zavora verige zagotavlja manj zaščite (**sl. 3**).

Pozor: Ko se sproži zavora verige, varnostno stikalo prekine tok do motorja.

 **žago vklopite tako, da sprostite zavoro verige, medtem ko držite stikalo.**

LOVILEC VERIGE

žaga je opremljena z lovilec verige (**sl. 4**), ki je pod verižnikom. Mehанизem je zasnovan tako, da v primeru, če se veriga pretrga ali iztiri, preprečuje gibanje verige v obratno smer. Te okoliščin lahko preprečite, tako da poskrbite, da je veriga pravilno napeta (glejte poglavje "D. Sestavljanje/razstavljanje").

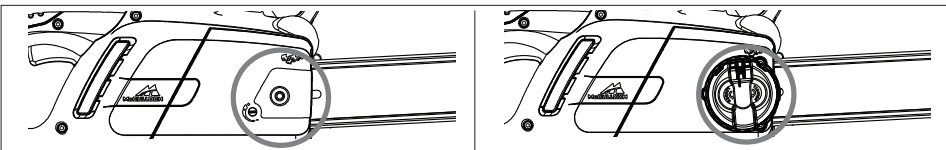
ZADNJI ŠČITNIK

Tudi ta je namenjen zaščiti (**sl. 5**) roke, če se veriga pretrga ali iztiri.

D. SESTAVLJANJE/RAZSTAVLJANJE

SESTAVLJANJE MEČA IN VERIGE

Način sestavljanja je odvisen od vrste naprave, zato pozorno glejte slike in oznako tipa naprave, ki je naveden na nalepki. Pri sestavljanju bodite zelo previdni in pazite, da ga boste opravili pravilno.



1. Preverite, ali je zavora verige sproščena. Če ni, jo sprostite.

2a. Odvijte matico za pritrditev meča in odstranite pokrov verižnika.

2b. Odvijte gumb za pritrditev meča in odstranite pokrov verižnika.

3. Verigo namestite na meč; začnite pri sprednjem verižniku, tako da verigo namestite v vodilni utor na meču. **Pozor!** Pazite, da bo na zgornji strani meča ostra stran rezalnih zobovrtnja naprej. Nosite rokavice.

4a. Poskrbite, da bo zatič napenjalnika verige čim bližje verižniku. Meč namestite na vijak za pritrditev meča in zatič napenjalnika verige, verigo pa namestite na verižnik.

4b. Kovinsko pomično kolo zavrtite v nasprotni smeri urinega kazalca, kolikor je mogoče. Meč namestite na vijak za pritrditev meča in verigo namestite na verižnik.

Ponovno namestite pokrov verige, še prej pa se prepričajte, da so vodilni zobje verige nameščeni v verižnik in v vodilni utor.

5a. Z roko rahlo privijte matico za pritrditev meča.

5b. Rahlo privijte gumb za pritrditev meča.

6a. Napnite verigo, tako da s priloženim ključem/izvijlačem privijete vijak napenjalnikaverige v smeri urnega kazalca. popustite tako, da vijak napenjalnika zavrtite v nasprotni smeri urnega kazalca (pri tem postopku naj bo sprednji del meča dvignjen navzgor).

6b. Napnite verigo, tako da s zunanji gumb napenjalnika verige zavrtite v smeri urnega kazalca. Napetost popustite tako, da vijak napenjalnika zavrtite v nasprotni smeri urnega kazalca (pri tem postopku naj bo sprednji del meča dvignjen navzgor).

7. Primerno napnite verigo. Če verigo povlečete stran od meča, mora nastati reža, široka približno 2-3 mm.

8a. S priloženim ključem/izvijlačem pritegnite matico za pritrditev meča.

8b. Meč dobro pritrdite.

Če preveč trdno napnete verigo, se motor preobremeni in naprava se lahko poškoduje, če pa je veriga premalo napeta, se lahko iztiri. Samo pravilno nameščena veriga omogoča najboljše rezalne lastnosti in podaljšano življenjsko dobo. Napetost redno preverjajte, ker se veriga z uporabo razteguje (še posebej, ko je veriga še nova; po prvem sestavljanju mora biti napetost verige preverjena po petih minutah delovanja naprave); verige ne smete v nobenem primeru trdno priviti takoj po uporabi, pač pa je treba počakati, da se ohladi. V primerih, ko je potrebno prilagoditi razrahljano verigo, vedno odvijte matico/gumb za pritrditev meča pred prilagoditvijo vijaka/gumba napenjalnika verige; prilagodite napetost in pritegnite matico/gumb za pritrditev meča.

E. ZAGON IN ZAUSTAVITEV

Zagon: trdno primite obe ročici, sprostite ročico zavore verige, pri čemer naj roka ostane na sprednji ročici, pritisnite in držite blokado stikala noter in pritisnite stikalo (v tem trenutku lahko blokado stikala spustite).

Zaustavitev: žaga se zaustavi, ko pritisnete stikalo, če se ne ustavi, vklopite zavoro verige, odklopite kabel iz vtičnice električnega omrežja in žago odnesite na pooblaščen servis.

F. MAZANJE MEČA IN VERIGE

POZORI Zaradi nezadostnega mazanja se lahko veriga pretрга, pri čemer lahko pride do hude ali celo usodne telesne poškodbe. Za mazanje meča in verige skrbí samodejna črpalčka.

Za informacije o tem, kako zagotoviti ustrezno porazdelitev olja za verigo, glejte poglavje "Vzdrževanje".

Nikoli ne uporabljajte odpadnega olja, saj je škodljivo za zdravje, napravo in okolje. Olje mora biti primerno za temperaturo okolja, v katerem boste uporabljali orodje: Pri temperaturi pod 0 °C se nekatera olja zgostijo, kar privede do preobremenitve črpalke in lahko povzroči poškodbo. Za nasvet o izbiri olja se obrnite na pooblaščen servis.

Izbira olja za verigo

Vedno uporabite samo novo olje (namensko olje za verige) ustrezne gostote: olje se mora dobro prilepiti na verigo in zagotoviti, da veriga gladko teče, tako pozimi kot poleti. Če nimate na voljo olja za verige, lahko uporabite olje za menjalnik EP 90.

Polnjenje rezervoarja za olje

Odvijte pokrov rezervoarja za olje in napolnite rezervoar, pri čemer pazite, da olja ne polijete (če se to zgodi, skrbno očistite napravo); nato ponovno trdno privijte pokrov.

G. VZDRŽEVANJE IN SHRANJEVANJE

Pred vzdrževalnimi deli ali čiščenjem iztaknite vtič iz vtičnice.

POZORI če delate v zelo umazanem ali prašnem okolju, je opisane postopke treba opravljati pogosteje, kot je navedeno v navodilih.

Pred vsako uporabo

Preverite, ali črpalka za olje za verigo deluje pravilno: meč usmerite proti čisti površini, oddaljeni približno 20 centimetrov; potem ko naprava teče približno

minuto, bi na površini morali biti vidni sledovi olja (**sl. 1**).

Prepričajte se, da za vklop in izklop zavora verige ni potrebna premočna sila. Preverite tudi, da je ni mogoče vklopiti prelahko in da ni blokirana. Nato preverite delovanje funkcije zavora verige tako: sprostite zavoro verige,

pravilno primate napravo in jo vklopite, vklopite zavoro verige, tako da z levim zapestjem ali roko potisnete sprednji ščitnik naprej, pri čemer ne smete spustiti ročice (**sl. 2**). Če zavora verige pravilno deluje, se mora veriga takoj ustaviti.

Preverite, ali je veriga pravilno nabrušena, v dobrem delovnem stanju in pravilno napeta. Če je veriga neenakomerno obrabljena ali so rezalni zobje dolgi le 3 mm, je treba verigo zamenjati (**sl. 3**).

Redno čistite prezračevalne odprtine, da ne bi prišlo do pregrevanja motorja (**sl. 4**).

Prepričajte se, ali stikalo in blokado stikala pravilno delujeta (med postopkom naj bo zavora verige sproščena); pritisnite stikalo in blokado stikala ter se prepričajte, da se takoj, ko ju spustite, vrnete v prvotni položaj; prepričajte se, da stikala ni mogoče pritisniti, ne da bi vklopili blokado stikala.

Preverite, ali sta lovilec verige in ščitnik desne roke v primernem stanju, da na njih ni vidnih napak, na primer poškodb.

Vsake 2-3 ure uporabe

Preverite stanje meča in po potrebi skrbno očistite odprtine za mazanje (**sl. 5**) in vodilne uture (**sl. 6**), če je utor izrabljen ali globoko nazobčan, ga je treba

zamenjati. Redno čistite pogonski verižnik in preverjajte, ali ni preveč obrabljen (**sl. 7**). Skozi odprtino, ki je prikazana na sliki (**sl. 8**), s posebnim mazivom namažite sprednji verižnik.

Brušenje verige (po potrebi)

Če veriga ne teče pravilno ali je treba pri žaganju močno pritisniti na les, žagovina pa je zelo fina, je to znak, da veriga ni pravilno nabrušena. Če pri žaganju ni žagovine, je rezalni rob popolnoma izrabljen, veriga pa med žaganjem melje les v prah.

Dobro nabrušena veriga žaga les brez truda ali pritiska, pri žaganju pa nastajajo veliki, dolgi ostružki.

Rezalna stran verige je sestavljena iz rezalnega člena (**sl. 9**) z rezalnim zobom (**sl. 10**) in omejitvijo širine rezanja (**sl. 11**). Razlika med temi določa globino rezanja. Za pravilno brušenje potrebujete vodilo pile in okroglo pilo s 4 mm premera. Upoštevajte spodnja navodila: Ko je veriga nameščena na in je napenjalnik pravilno prilagojen, zavora verige pa je

vklopljena, namestite vodilo pile pravokotno na meč, kot kaže slika (**sl. 12**), in pilite rezalni zob pod prikazanim kotom (**sl. 13**). Vedno pilite od notranjosti proti zunanosti, pri vračanju pa zmanjšajte pritisk (zelo pomembno je, da navodila natančno upoštevate: zaradi prevelikega ali premajhnega kota brušenja ali uporabe pile z napačnim premerom se poveča nevarnost odboja), če želite ohraniti natančnost ob stranskih robovih, je priporočljivo pilo namestiti tako, da presega zgornji rezalnik za približno 0,5 mm. Naprej nabrustite vse zobe na eni strani, nato obrnite naprej in postopek ponovite. Po brušenju morajo biti vsi zobje isto dolgi, višina merilnika globine pa 0,6 mm nižje od zgornjega rezalnika: višino preverite z ustrezno predlogo in spilite (s ploščato pilo) vse štrleče dele, pri čemer mora biti sprednji del merilnika globine (**sl. 14**) zaobljen. Pazite, da ne spilite zoba za zaščito pred odbojem (**sl. 15**).

Vsakh 30 ur uporabe

Žago odnesite na pooblaščen servis na generalni pregled in preverjanje sestavnih delov zavora.

Shranjevanje

Izdelek hranite v suhem in hladnem prostoru ter zunaj dosega otrok. Ne hranite ga zunaj.

H. TEHNIKE ŽAGANJA

(Sl. 1) Pri uporabi naprave preprečite:

- žaganje v okoliščinah, v katerih bi se lahko med žaganjem deblo razcepilo (les pod pritiskom, posušena mrtva drevesa itd.): nenaden razcep je lahko zelo nevaren;

- zagodenje meča ali verige v zarez: če se to zgodi, odklopite napravo iz električnega omrežja in poskusite deblo dvigniti z ustreznim orodjem ali vzvodom; naprave ne poskušajte odstraniti s tresenjem ali vlečenjem, saj lahko pride do poškodb naprave ali telesne poškodbe;

- okoliščine, ki lahko privedejo do odboja;

- uporabo izdelka nad višino ramen;

- žaganje lesa s tuljki, npr. želbi.

(Sl. 1) Med uporabo naprave:

- Pri žaganju na nagnjenih tleh vedno stojte višje od debila, da vas to ne bi zadelo, če se skotali po hribu.

- Pri podiranju dreves vedno dokončajte delo: delno odžagano drevo se lahko zlomi in pade.

- Po koncu vsakega žaganja bo uporabnik opazil precejšnje spremembo v moči, potrebni za obvladovanje naprave. Treba je zelo paziti, da ne izgubite nadzora.

Spodaj je opis dveh različnih tipov žaganja:

Žaganje z vlečenjem verige (od zgoraj dol) (**sl. 2**) lahko privede do nevarnega nenadnega premika žage proti debilu, kar lahko povzroči izgubo nadzora. Če je mogoče, pri žaganju uporabite nazobčan odbijač.

Žaganje s potiskanjem verige (od spodaj gor) (**sl. 3**) lahko privede do nevarnega nenadnega premika

žage proti uporabniku, pri čemer obstaja nevarnost, da žaga zadane uporabnika; pa tudi nevarnost dotika "območja, nevarnega za odboj" z debelom, ki lahko povzroči močan odboj. Če žagate na ta način morate biti zelo previdni.

Najvarnejše je žaganje na kozi za žaganje, pri čemer žagate od zgoraj dol, in sicer del, ki je zunaj območja kože. (**Sl. 4**)

Uporaba nazobčanega odbijača

Če je mogoče, uporabite nazobčan odbijač, ki zagotavlja varnejše žaganje: namestite ga na lubje ali površino debila, da boste žago lažje nadzorovali. Spodaj so opisani postopki žaganja, ki so primerni za posamezne okoliščine. Vsakič je treba oceniti, kateri način je najprimernejši in povzročja najmanjše mogoče tveganje.

Deblo je na tleh. (Nevarnost, da se veriga dotakne tal, ko prežaga deblo.) (Sl. 5)

Začnite žagati od zgoraj dol skozi celo deblo. Proti koncu reza bodite zelo previdni, da se veriga ne dotakne tal. Če je mogoče, prežagajte 2/3 debla, nato pa ga obrnite in prežagajte še preostalo tretjino od zgoraj dol, s čimer zmanjšate nevarnosti, da bi se veriga dotaknila tal.

Deblo je podprto samo na eni strani. (Nevarnost, da bi se deblo med žaganjem prelomilo.)

(Sl. 6)

Začnite žagati od spodaj gor, do približno 1/3 premera, nato pa dokončajte žaganje od zgoraj dol, da pridete do spodnje zarez.

Deblo je podprto na obeh straneh. (Nevarnost, da uklešči verigo.) (Sl. 7)

Začnite žagati od zgoraj dol do približno 1/3 premera, nato pa nadaljujte od spodaj gor, do prejšnje zarez.

Hlod, ki leži na pobočju. Vedno stojte na strani hloda, kjer se pobočje vzpenja. Da ohranite popolni nadzor, ko "žagate skozi", pri koncu sprostite pritisk pri žaganju, ne da bi ob tem popustili oprjem na ročajih žage. Veriga se ne sme dotakniti tal.

Podiranje dreves.

POZORI: Nikoli se ne lotite podiranja dreves, če nimate ustreznih izkušenj. Ne poskušajte podreti drevesa, katerega premer je večji od dolžine meča! Ta postopek smejo opraviti samo strokovnjaki, ki imajo na voljo ustrezno opremo.

Pri podiranju drevesa je cilj, da drevo pade v položaj, ki je najugodnejši za kleščenje vej in nadaljnje žaganje. (Pazite, da drevo ne pade na druga drevesa: podiranje dreves, ki so se zapletla z drugimi drevesi, je zelo nevarno.)

Najprej se odločite, katera smer padca je najprimernejša, pri čemer upoštevajte naslednje: predmete ali druge rastline okoli drevesa, naklon, ukrivljenost, smer vetra, največjo koncentracijo vej. Bodite pozorni na mrtve ali nalomljene veje, ki se lahko med podiranjem odlomijo in vas ogrozijo.

POZORI! Med podiranjem dreves v nevarnih okoliščinah vedno takoj po žaganju odstranite glušnike, da boste lahko slišali nenavadne ali opozorilne zvoke.

Pripravljalni postopki in ugotavljanje poti za umik.

Odstranite vse veje, ki motijo delo (sl. 8); začnite od zgoraj dol. Nato odstranite težavnejše veje, eno za drugo, pri čemer naj bo deblo vedno med uporabnikom in napravo. Odstranite vse rastline, ki motijo delo. Ko načrtujete pot umika (med padanjem drevesa), se prepričajte, da na območju ni morebitnih ovir (kamni, korenine, jarki itd.). Za smeri, ki jih je treba ohranjati, glejte sliko (sl. 9) (A. Predvidena smer padca drevesa. B. Pot umika. C. Nevarno območje.).

ZAREZE ZA PODIRANJE (sl. 10)

Da bi uporabnik imel popoln nadzor nad padcem drevesa, mora upoštevati naslednje navodila za žaganje:

Najprej je treba napraviti zarez, ki nadzoruje padec drevesa: Najprej odžagajte ZGORNJI DEL zarez, ki nadzoruje padec drevesa, na strani, kamor naj bi padlo drevo. Ostanite na desni strani drevesa, za žaganje pa uporabite način vlečenja verige. Nato odžagajte SPODNJI DEL, ki se mora srečati z zgornjim. Zareza, ki določa smer padca, naj bo globoka 1/4 debeline debla, med zgornjim in spodnjim rezom pa mora biti najmanj kot 45°. Slik obeh strani zarez se imenuje Črta smernega reza. Ta črta mora biti povsem vodoravna in v pravem kotu (90°) na smer padca.

Rez, ki sproži padec drevesa, se napravi 3 do 5 cm nad spodnjim delom črte smernega reza, konča pa se na razdalji 1/10 debeline debla od zarez. Ostanite na levi strani drevesa, za žaganje pa uporabite način z vlečenjem verige in nazobčan odbijač. Prepričajte se, da se drevo ne nagiba v smer, predvideno za padec, in ne v katero drugo. Takoj, ko je mogoče, v zarezu vstavite vzvod za podiranje ali klin. Neprežagan del debla se imenuje "zgib", saj je potreben, da vodi drevo med padanjem. Če so zarez premahne, če niso ravne ali če je drevo popolnoma prežagano, padca ni mogoče nadzorovati (zelo nevarno!). Zareze je zato treba napraviti zelo natančno.

Ko je žaganje zarez končano, drevo začne padati. Po potrebi pomagajte pri padcu s klini ali vzvodi za podiranje.

Kleščenje

Ko je drevo podrt, je treba deblo oklestiti: z drugimi besedami - z debla je treba odstraniti veje. Ne podcenjujte tega postopka; večina nesreč zaradi odboja se namreč zgodi prav pri tem delu. Med žaganjem bodite zelo pozorni na položaj konice meča in vedno bodite na levi strani debla.

I. OKOLJSKE INFORMACIJE


Ta razdelek vsebuje informacije, ki so pomembne za ohranjanje ekološke skladnosti, ki velja za originalno zasnovano napravo, pa tudi informacije glede pravilne uporabe in odlaganja olja za verigo.

UPORABA NAPRAVE

Pri polnjenju rezervoarja za olje je treba paziti, da ne polijete olja ter onesnažite zemlje in okolja.

ODLAGANJE

Ko naprava ni več uporabna, je ne smete zavreči v nasprotju s predpisi. Oddajte jo pooblaščenim organizaciji, ki bo poskrbela za ustrezno odlaganje, skladno z veljavnimi predpisi.

Znak  na produktu ali na njegovi embalaži označuje, da se s tem produktom ne sme ravnati kot z gospodinjskimi odpadki. Namesto tega ga je potrebno oddati na ustrezno zbirno mesto, kjer reciklirajo električno in elektronsko opremo.

Z ustreznim odlaganjem tega produkta boste pomagali preprečiti možne negativne posledice za okolje in človeško zdravje, ki bi bile v nasprotnem povzročene. Glede podrobnosti o recikliranju tega produkta prosimo kontaktirajte vaš občinski svet, komunalno podjetje ali trgovino, kjer ste produkt kupili.

J. TABELA ZA ODPRAVLJANJE TEŽAV

	Motorja ni mogoče zagnati	Motor se obrača s težavo ali izgublja moč	Naprava se vklopi, vendar ne žaga dobro	Motor se nepravilno obrača ali z zmanjšano hitrostjo	Zavorne naprave ne ustavijo pravilno verige
Preverite, ali je na voljo dovolj visoka električna napetost	●				
Preverite, ali je naprava pravilno priključena	●				
Prepričajte se, da kabel/podaljšek ni poškodovan	●				
Preverite, ali ni vklopljena zavora rverige	●				
Preverite, ali je veriga pravilno sestavljena in napeta		●	●		
Preverite mazanje verige, v skladu z navodili v poglavjih F in G			●		
Preverite, ali je veriga ostra			●		
Preverite, ali je vklopljeno stikalo varovalke	●				
Obrnite se na pooblaščen servis	●	●		●	●

K. NADOMESTNI DELI

35cm	Veriga	91PJ052XN	Številka dela:	530051538
	Meč		Številka dela:	576965401
40cm	Veriga	91PJ056XN	Številka dela:	530051539
	Meč		Številka dela:	576965201

L. EC IZJAVA PROIZVAJALCA O SKLADNOSTI PROIZVODA Z STANDARDI

Husqvarna AB, S-561 82, Huskvarna, Sweden

Prevzemamo izključno odgovornost, da so izdelki:

Oznaka.....**Chainsaw - Motorna žaga**
Oznaka tipa (ov).....**CSE1835, CSE1935S, CSE2040, CSE2040S**
Identifikacija serije.....**Glej Etiketo Označbe Proizvoda**
Leto izdelave.....**Glej Etiketo Označbe Proizvoda**

skladni z osnovnimi zahtevami in določili naslednjih direktiv ES:

2006/42/EC, 2004/108/EC, 2000/14/EC, 2011/65/EU

na osnovi naslednjih veljavnih harmoniziranih standardov EU:

EN60745-1, EN60745-2-13, EN55014-2, EN55014-1, EN61000-3-2, EN61000-3-11

Priglašeni organ, ki je opravil pregled tipa ES

v skladu z 2c. razdelkom 8. člena..... TÜV Rheinland LGA Products GmbH
Tillystraße 2
D-90431 Nürnberg
Germany

št. certifikata..... BM 50268379

V tabeli je navedena največja raven zvočnega tlaka L_{pA} na delovni postaji, obteženega z A, izmerjena v skladu z EN60745-2-13.

V tabeli je navedena najvišja vrednost vibracij na dlan/roko a_h , izmerjena v skladu s standardom EN60745-2-13 na vzorcu zgornjih izdelkov.

Navedena skupna vrednost tresljajev je bila izmerjena skladno s standardno preizkusno metodo in jo je mogoče uporabiti za primerjanje različnih orodij.

Navedena skupna vrednost tresljajev je primerna tudi za okvirno ovrednotenje izpostavljenosti.

Opozorilo:

Tresljaji med dejansko rabo orodja se lahko razlikujejo od navedene skupne vrednosti, odvisno od načinov uporabe orodja.

Uporabniki naj določijo potrebne varnostne ukrepe, da se zaščitijo, na podlagi izpostavljenosti med dejansko uporabo (pri tem naj upoštevajo vse dele cikla uporabe, kar poleg časa pritisnjene sprožilca vključuje tudi čas izklopa in delovanja orodja v prostem teku).

2000/14/EC: Vrednosti izmerjene jakosti dolgovalovnega zvoka in zagotovljene jakosti dolgovalovnega zvoka sta prikazani s številkami v tabeli

Postopek ocenjevanja skladnosti..... Annex V

Ulm 12/02/2013

P. Lamelli

Direktor svetovnega oddelka RR - Ročna naprava

Skrbnik tehnične dokumentacije



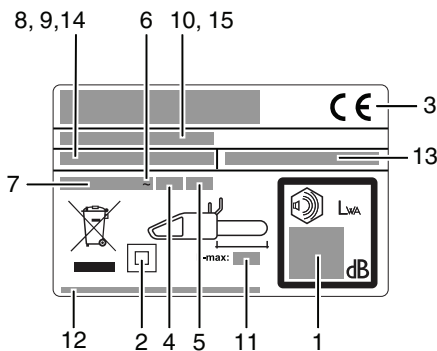
Tip (CSE_____)	1835	1935S	2040	2040S
Suha teža (Kg)	4.3	4.5	4.4	4.6
Moč (kW)	1.8	1.9	2.0	2.0
Prostornina rezervoarja za olje (cm ³)	240	240	240	240
Največja dolžina meča	35	35	40	40
Razmak verige (mm)	9.52	9.52	9.52	9.52
Debelina verige (mm)	1.3	1.3	1.3	1.3
Izmerjena jakost zvoka L_{WA} (dB(A))	106	106	106	106
Zagotovljena jakost zvoka L_{WA} (dB(A))	110	110	110	110
Zvočni tlak L_{pA} (dB(A))	95	95	95	95
Negotovost K_{pA} (dB(A))	2.5	2.5	2.5	2.5
Tresljaji roke/dlani a_h (m/s ²)	7.28	7.28	8.08	8.08
Negotovost K_{ah} (m/s ²)	1.5	1.5	1.5	1.5
Upor vtičnice Z_{max} (Ω)	0.382	0.382	0.382	0.382

Izjava skladnosti EN 61000-3-11

Odvizno od značilnosti lokalnega električnega omrežja lahko uporaba tega izdelka ob trenutku vklopa povzroči padce napetosti. To lahko vpliva na drugo električno opremo, npr. trenutno ugašanje svetilke. Če je **upor omrežja Z_{max}** vašega električnega napajanja manjši od vrednosti v tabeli (ki velja za vaš model), do teh učinkov ne bo prišlo. Vrednost upornosti omrežja lahko dobite tako, da se obrnete na dobavitelja električne energije

A. OPĆENITO

- | | |
|--|--|
| <ul style="list-style-type: none"> 1) Stražnja ručica 2) Stražnji štitić za ruku 3) Prednja ručica 4) Prednji štitić za ruku/ ručka kočnice lanca 5) Vanjski kotač za zatezanje lanca 6) Vijak za zatezanje lanca 7) Klin za zatezanje lanca 8) Poklopac spremnika za gorivo 9) Pokazivač razine ulja u spremniku 10) Otvori za zrak 11) Kabel 12) Priručnik 13) Prekidač 14) Osigurač prekidača 15) Lanac 16) Uvodni zubac 17) Rezna karika 18) Pokazivač dubine rezanja 19) Rezni zubac | <ul style="list-style-type: none"> 20) Vodilica 21) Poklopac pogonskog zupčanika 22) Pogonski zupčanik 23) Držač lanca 24) Vijak za držanje lista 25) Unutarnji kotač za zadržavanje lista 26) Matica za držanje lista 27) Vrh lančanika 28) Pokrov vodilice 29) Šiljasti branik 30) Kućište klina za zatezanje lanca 31) Rupa za podmazivanje 32) Utor vodilice 33) Ključ/odvijač |
|--|--|



Primjer naljepnice s podacima

- 1) Zajamčena snaga zvuka u skladu s direktivom 2000/14/EC
- 2) Alat II klase
- 3) CE oznaka usklađenosti
- 4) Nominalna frekvencija
- 5) Nominalna snaga
- 6) Izmjenična struja
- 7) Nominalni napon
- 8) Vrsta
- 9) Šifra proizvoda
- 10) Godina proizvodnje
- 11) Godina proizvodnje
- 12) Ime i adresa proizvođača
- 13) Artikel broj (Električna lančana pila)
- 14) Model
- 15) Serijski broj

B. MJERE SIGURNOSTI

ZNAČENJE SIMBOLA



Pozor!
Pažljivo pročitajte
priručnik za uporabu



Zaštitne čizme



Zaštitne naočale ili
štitnik, zaštitni šljem i
zaštita sluha



Zaštitne rukavice
protiv rezanja



Zaštitne duge hlače
protiv rezanja



Kočnica lanca:
deaktivirana, aktivirana



Utikač odmah odvojite
od električne utičnice
ako se kabel ošteti ili
prereže



Promatračima ne
dopuštajte da budu u
blizini



Ispravni smjer reznih
zubaca.



Uvijek držite uređaj s
dvije ruke



Opasnost od
povratnog udara



Ne izlažite kiši ili vlazi.



Ulje za lanac



Nemojte...



Isključite uređaj



Utikač odvojite od
električne utičnice prije
podešavanja ili
čišćenja



Opasnost od
električnog udara

Općenita upozorenja koja se odnose na električne alate

UPOZORENJE Pročitajte sva upozorenja o sigurnosti i sve upute. Ne pridržavanje upozorenja i uputa može dovesti do udara električne struje, požara i/ili ozbiljne ozljede.

Pogledajte sva upozorenja i upute za ubuduće.



Izraz "električni latica" u upozorenju se odnosi na vaš električni (sa žicom) alat koji radi na struju (sa žicom) ili na baterije (bežični).

1) Sigurnost na radnom mjestu

- Održavajte radno mjesto čistim i dobro osvijetljenim. Prenatrpna ili slabo osvijetljena mjesta izazivaju nezgode.
- Nemojte koristiti električni alat u eksplozivnim okruženjima, kao što je prisutnost zapaljivih tekućina, plinova ili prašine. Električni alati proizvode iskre koje mogu zapaliti prašinu ili plinove.
- Dokradite s električnim alatom, neka djeca i promatrači budu što dalje. Ako vam nešto ili netko odvraći pažnju, može se dogoditi da izgubite kontrolu.

2) Električna sigurnost

- Utikači za električni alat moraju odgovarati utičnici. Nikad nemojte ni na koji način modificirati utikač. Nemojte koristiti adapter utičnice s uzemljenim električnim alatom. Ne izmijenjeni

utikači i odgovarajuće utičnice će smanjiti opasnost od električnog udara.

- Izbjegavajte kontakt tijela s uzemljenim površinama, kao što su cijeve, radiatori, štednjaci i frižideri. Postoji povećana opasnost od električnog šoka ako je vaše tijelo uzemljeno.
- Nemojte izlagati električni alat kiši ili vlažnim uvjetima. Voda koja prodre u električni alat će povećati opasnost od električnog šoka.
- Nemojte oštećivati kabel. Nikad nemojte koristiti kabel električnog alata za nošenje, vučenje ili čupanje iz utičnice. Držite kabel što dalje od izvora topline, ulja, oštih predmeta ili pokretnih djelova. Oštećeni ili zamršeni kabeli povećavaju opasnost od električnog šoka.
- Kad radite s električnim alatom vani, koristite produžni kabel koji je namijenjen za uporabu na otvorenim prostorima. Koristite kabla koji je namijenjen za uporabu na otvorenom prostoru smanjuje opasnost od električnog šoka.
- Ako ne možete izbjeći rad s električnim alatom na vlažnoj lokaciji, upotrijebite napajanje koje je opremljeno za rad s rezidualnom strujom (RCD). Korištenje RCD opreme smanjuje opasnost od električnog šoka.

3) Osobna sigurnost

- a) Budite budni, pazite što radite i koristite zdrav razum dok radite s električnim alatom. Nemojte koristiti električni alat dok ste umorni ili pod utjecajem droge, alkohola ili lijekova. *Trenutak nepažnje dok radite s električnim alatom može dovesti do ozbiljne osobne ozljede.*
- b) Koristite osobnu zaštitnu opremu. Uvijek nosite zaštitu za oči. *Kad se koristi u odgovarajućim uvjetima, zaštitna oprema kao što je maska za prašinu, sigurnosne cipele protiv klizanja, šljem ili zaštita za uši smanjit će osobne ozljede.*
- c) Spriječite nenamjerno paljenje. Provjerite je li sklopka u "off" poziciji prije nego spojite s izvorom napajanja i/ili baterijom, prije nego držite ili nosite alat. *Nošenje električnog alata s prstom na sklopki ili uključivanje u struju električni alat na kojem je sklopka u "on" poziciji, izazivanje je nezgode.*
- d) Odstranite ključ za podešavanje ili francuski ključ prije nego uključite električni alat. *Francuski ključ ili ključ za podešavanje koji je ostao na rotirajućem dijelu električnog alata može dovesti do osobne ozljede.*
- e) Ne istežite se. Stalno održavajte odgovarajući položaj nogu i ravnotežu. *To vam omogućava bolju kontrolu električnog alata u neočekivanim situacijama.*
- f) Budite odgovarajuće odjeveni. Nemojte nositi široku odjeću ili nakit. Držite kosu, odjeću ili rukavice što dalje od pokretnih dijelova. *Široka odjeća, nakit ili duga kosa može zapeti za pokretne dijelove.*
- g) Ako postoji oprema za spajanje s napravom za izbacivanje i prikupljanje prašine, provjerite jesu li spojene i koriste li se ispravno. *Korištenje sakupljača prašine može smanjiti opasnosti povezane s prašinom.*
- 4) Korištenje i održavanje električnog alata
- a) Nemojte siliti električni alat. Koristite odgovarajući električni alat za rad koji obavljate. *Odgovarajući električni alat će bolje i sigurnije obaviti posao brzinom za koju je dizajniran.*
- b) Nemojte koristiti električni alat ako se sklopka ne može uključiti i isključiti. *Električni alat koji se ne može kontrolirati sklopkom je opasan i treba ga popraviti.*
- c) Izvadite utikač iz izvora napajanje i/ili baterije alata prije nego ga počnete podešavati, mijenjati mu dodatnu opremu ili odlagati. *Ove preventivne sigurnosne mjere smanjuju rizik od slučajnog uključivanja električnog alata.*
- d) Spremite električni alat u mirovanju izvan dohvata djece i ne dozvoljavajte osobama koje nisu upoznate s električnim alatom ili ovim uputama da rade s električnim alatom. *Električni alati su opasni u rukama neuježbanih korisnika.*
- e) Održavanje električnih alata. Provjerite ima li iskrivljenosti ili isprepletenosti pokretnih dijelova, slomljenih dijelova ili bilo kojih drugih stanja koja bi mogla utjecati na rad električnog alata. *Ako je alat oštećen dajte ga popraviti prije uporabe. Mnogo nezgoda se dogodilo radi loše održavanog električnog alata.*
- f) Održavajte dijelove za rezanje oštrim i čistim. *Ispravno održavani dijelovi za rezanje s oštrim reznim dijelovima se vjerojatno neće zapetljati i lakše ih je kontrolirati.*
- g) Koristite električni alat, dodatnu opremu i dijelove itd. u skladu s ovim uputama, pazeci pri tom na radne uvjete i na rad koji treba obaviti. *Korištenje električnog alata za radnje koje su različite od onih za koje je namijenjen može dovesti do opasnih situacija.*

5. Servisiranje

- a) Vaš električni lat treba servisirati kvalificirano osoblje za popravke koristeći samo identične zamjenske dijelove. *To će osigurati da električni alat bude siguran.*

Sigurnosna upozorenja uz lanac:

- Sve dijelove tijela držite podalje od lanca dok je pila u upotrebi. *Prije pokretanja lančane pile provjerite da lanac pile nije u kontaktu s bilo kakvom površinom. Trenutak nepažnje tijekom rada s lančanom pilom može izazvati uplitanje odjeće ili dijelova tijela u lanac pile.*
- Lančanu pilu uvijek pridržavajte desnom rukom za stražnji rukohvat i lijevom rukom za prednji rukohvat. *Obrnuto pridržavanje lančane pile povećava rizik od profesionalnih ozljeda i nikad se ne smije prakticirati.*
- Držite električni uređaj samo za izolirane površine namijenjene za to, jer motorna pila može doći u kontakt sa skrivenim žicama ili s vlastitim kabelom. *Motorne pile koje imaju kontakt s žicom pod naponom mogu napraviti da vanjski metalni dijelovi električnog uređaja postanu pod naponom i mogli bi osobi koja rukuje s njim dati električni šok*
- Koristite zaštitne naočale i zaštitu za sluh. *Preporučuje se korištenje dodatne zaštitne opreme za glavu, ruke, noge i stopala. Zadovoljavajuća zaštitna odjeća smanjit će mogućnost ozljeđivanja od letućih otpadaka ili slučajaj dodir s lancem pile.*
- Lančanu pilu nemojte upotrebljavati na drveću. *Upotreba lančane pile dok ste na drvetu može rezultirati osobnim ozljedama.*
- Uvijek stabilno održavajte ravnotežu i pilu koristite isključivo dok stojite na nepomičnoj i sigurnoj vodoravnoj površini. *Klizava ili nestabilna površina, kao što su ljestve, može prouzrokovati gubitak ravnoteže ili kontrole nad lančanom pilom.*
- Dok režete granu koja je napeta, pazite na povratnu elastičnost. *Kad se oslobodi napetost vlakana u drvu, napeta grana mogla bi uslijed elastičnosti udariti rukovatelja i/ili izazvati gubitak kontrole nad lančanom pilom.*
- Budite krajnje pažljivi tijekom rezanja grmlja i mladica. *Savitljivo granje moglo bi se zahvatiti u lančanu pilu i trznuti prema vama ili vas izbaciti iz ravnoteže.*
- Lančanu pilu nosite pridržavajući je za prednji rukohvat, pri čemu pila mora biti isključena i udaljena od tijela. *Tijekom prenošenja ili skladištenja lančane pile uvijek postavite štitičnik vodilice. Pravilnim rukovanjem lančanom pilom smanjit ćete vjerojatnost slučajnog kontakta s lančanom pilom.*
- Slijedite upute za podmazivanje, napinjanje lanca ili izmjenu dodatne opreme. *Nepravilno napet ili podmazani lanac može puknuti ili povećati vjerojatnost povratnog udara.*
- Rukohvate održavajte suhim, čistim i bez prisutnosti ulja ili masti. *Mast ili ulje na rukohvatu stvara njegovu klizavost i prouzrokovat će gubitak kontrole.*
- Režite isključivo drvo. *Lančanu pilu ne koristite u svrhe za koje nije namijenjena. Na primjer: lančanu pilu ne koristite za rezanje plastike, građevinskih zidova ili građevinskih materijala koji nisu od drva. Upotreba lančane pile u svrhe za koje nije namijenjena može dovesti do opasnih situacija.*

Uzroci povratnog udara i načini njegovog sprječavanja

Povratni udar može se dogoditi kad nos ili vrh vodilice dodirne objekt (**Slika B3**) ili kad se rez u drvu zatvori i izazove zahvaćanje pile.

Dodir vrhom može u nekim slučajevima izazvati iznenadnu i naglu povratnu reakciju, potiskujući vodilicu prema gore i unatrag prema rukovatelju.

Zahvaćanje lanca uz gornji rub vodilice može vodilicu naglo i brzo potisnuti unatrag prema rukovatelju.

Bilo koja od ovih reakcija može izazvati gubitak kontrole nad pilom, što može rezultirati ozbiljnim osobnim ozljedama. Ne oslanjajte se isključivo na sigurnosne sklopove ugrađene u pili. Kao korisnik lančane pile potrebno je da poduzmete određene korake kako bi izbjegli nezgode ili ozljede tijekom poslova rezanja.

Povratni je udar posljedica nepravilne upotrebe alata i/ili nepravilnih postupaka ili uvjeta upotrebe i može se izbjeći poduzimanjem sljedećih preventivnih mjera:

- **Alat uvijek čvrsto pridržavajte, pri čemu prstima morate potpuno obuhvatiti rukohvate lančane pile, lančanu pilu morate pridržavati s obje ruke, a tijelo i ruke postavite tako da se odupiru silama povratnog udara.** Rukovatelj može kontrolirati reakciju povratnog udara ako se poduzmu pravilne mjere predostrožnosti. Ne dopuštajte lančanoj pili da se sama kreće.
- **Ne posežite predaleko i ne režite iznad visine ramena.** Ovim se pomaže u sprječavanju neželjenog kontakta vrhom pile i omogućuje bolja kontrola nad lančanom pilom u neočekivanim situacijama.
- **Upotrebljavajte isključivo zamjenske vodilice i lance koje je odredio proizvođač.** Nepravilne vodilice i lanci mogu prouzrokovati pucanje lance i/ili povratni udar.
- **Slijedite proizvođačeve upute o oštrenju i održavanju lanca.** Smanjivanje dubine profila može dovesti do povećanog povratnog udara.

Dodatne sigurnosne preporuke

1. **Korisnički priručnik.** Sve osobe koje upotrebljavaju ovaj električni alat moraju temeljito i izuzetno pažljivo pročitati korisnički priručnik. Korisnički priručnik mora se priložiti uz električni alat u slučaju njegove posudbe ili daljnje prodaje drugoj osobi.
2. **Mjere predostrožnosti prije upotrebe.** Nikad ne dopustite upotrebu ovog električnog alata od strane bilo koje osobe koja nije potpuno upoznata s uputama iz priručnika. Neiskusne osobe moraju proći razdoblje obuke, pri čemu će pilu koristiti isključivo na kozliču za piljenje.
3. **Kontrolne provjere.** Električni alat pažljivo provjerite prije svake upotrebe, posebno ako je bio izložen snažnom udaru ili ako pokazuje bilo kakve znakove neispravnosti. Izvedite sve radnje opisane u poglavlju "Održavanje i skladištenje - Prije svake upotrebe".
4. **Popravci i održavanje.** Sve dijelove električnog alata možete sami zamijeniti, kako je pojašnjeno u poglavlju "Sklapanje i rasklapanje". Kad je to potrebno, sve ostale dijelove električnog alata smije zamijeniti isključivo ovlaštenu servis.
5. **Odjeća (slika 1).** Tijekom korištenja električnog alata rukovatelj mora imati sljedeću odobrenu opremu za osobnu zaštitu: zaštitnu odjeću koja odgovara veličinom, sigurnosne čizme s potplatima koji sprječavaju klizanje, zaštitu za

nožne prste od udara i rezanja, rukavice sa zaštitom od rezanja i vibracija, zaštitne naočale ili vizir, zaštitu od buke i zaštitnu kacigu (ako postoji opasnost od padajućih predmeta). Može se nabaviti kod dobavljača radne odjeće i obuće.

6. **Sigurnosne predostrožnosti - Razine vibracija i buke.** Obratite pozornost na ograničenja po pitanju buke u neposrednom području. Produljena upotreba strojeva izlaže korisnika vibracijama koje mogu stvoriti fenomen "bijelih prstiju" (Raynaudov fenomen), sindrom karpalnog tunela i slične poremećaje.
7. **Zdravstvene predostrožnosti - Kemijski reagensi.** Upotrebljavajte ulje odobreno od strane proizvođača.
8. **Zdravstvene predostrožnosti - Toplina.** Tijekom korištenja, lančani i lanac postizu visoke temperature. Obratite pozornost kako ove dijelove ne biste dodirivali dok su vrući.
9. **POZORI** Ovaj uređaj proizvodi elektro magnetsko polje prilikom rada. To polje može pod nekim okolnostima ometati aktivne ili pasivne medicinske uretke. Da bi se smanjila opasnost od ozbiljne ili fatalne povrede, savjetujemo da osobe s medicinskim uretcima prije rada s ovim uređajem porazgovaraju sa svojim liječnikom ili proizvođačem medicinskog uretka.

Predostrožnosti tijekom prenošenja i skladištenja (slika 2). Tijekom svake promjene radne lokacije, električni alat odvojite od električnog napajanja i aktivirajte polugu blokade lanca. Prije svakog prenošenja ili skladištenja namjestite štitičnik vodilice. Električni alat tijekom nošenja uvijek pridržavajte za rukohvat, pri čemu je vodilica okrenuta unatrag. Tijekom prevoženja u vozilu, električni alata uvijek osigurajte od pomicanja kako biste spriječili njegovo oštećivanje.

Reakcija povratnog udara (slika 3). Reakcija povratnog udara podrazumijeva žestoku povratnu reakciju vodilice prema gore i unatrag prema rukovatelju. Ovo se općenito događa ako gornji dio nosa vodilice (tzv. "opasna zona povratnog udara", pogledajte crvenu oznaku na vodilici) dođe u dodir s nekim predmetom ili ako je lanac zaglavljn u drvu. Povratni udar može izazvati gubitak kontrole rukovatelja nad alatom i dovesti do opasnih nezgoda, čak i smrtonosnih ishoda. Poluga blokade lanca i ostali sigurnosni sklopovi nisu dovoljni da rukovatelja zaštite od ozljeda. Rukovatelj mora biti svjestan svih uvjeta koji mogu izazvati reakciju i spriječiti ih obraćanjem pozornosti sukladno iskustvu, zajedno s promišljenim i ispravnim rukovanjem električnim alatom. Na primjer: nikad ne režite nekoliko grana odjednom jer time možete izazvati slučajan kontakt u "opasnoj zoni povratnog udara".

Sigurnost u radnom području

1. Djeci i osobama koje nisu upoznate s ovim uputama nikad ne dopuštajte upotrebu ovog proizvoda. Starost rukovatelja mogla bi biti ograničena lokalnim propisima.
2. Proizvod upotrebljavajte isključivo na način i u svrhe opisane u ovim uputama.
3. Pažljivo provjerite cjelokupno radno područje radi bilo kakvih izvora opasnosti (npr. ceste, pješačke staze, električni kabeli, opasno drveće itd.).
4. Promatrače i životinje držite podalje od radnog područja u udaljenosti od 2,5 puta većoj od visine stabla i nikako manje od 10 m. Ako je potrebno, ogradite radno područje i postavite oznake upozorenje.

- Rukovatelj ili korisnik odgovoran je za nezgode i ozljede drugih ljudi ili oštećenja njihove imovine.

Zaštita od električne struje

- Preporučuje se upotreba diferencijalne sklopke prekidne struje ne veće od 30 mA. Čak i kad je diferencijalna sklopka postavljena, nije moguće zamijetiti potpunu sigurnost i u svakom trenutku potrebno je pridržavati se pravila o sigurnom radu. Diferencijalnu sklopku provjerite prije svake upotrebe.
- Prije upotrebe provjerite kabel radi mogućih oštećenja i zamijenite ga ako postoje bilo kakve naznake oštećenje ili istrošenosti.
- Proizvod ne upotrebljavajte ako je kabel za napajanje oštećen ili istrošen.
- Smjesta odvojite utikač od električnog napajanja ako se kabel prereže ili se ošteti njegova izolacija. Kabel napajanja ne dodirujte dok se utikač ne odvoji od električnog napajanja. Ne popravljajte prevlazane ili oštećeni kabel. Proizvod odnesite u ovlaštenu servis radi zamjene kabela.
- Vaš produžni kabel mora biti nezavijen ili neodmotan, zamotani ili zavijeni kablovi se mogu pregrijati i smanjiti učinkovitost vaše kosilice.
- Uvijek se pobrinite da su kabel i produžni kabel provedeni iza rukovatelja i da ne predstavljaju izvor opasnosti za rukovatelja ili druge osobe. Dodatno provjerite da se ne može oštetiti vrućinom, oštrim predmetima ili rubovima, uljem itd.
- Kabel provedite tako da se tijekom rezanja neće zahvatiti granjem ili sličnim.
- Uvijek isključite glavno napajanje prije odvajanja bilo kakve utičnice, kabelskog prespojnika ili produžnog kabela.

- Isključite, uklonite utikač iz električnog napajanja i provjerite kabel napajanja radi mogućih oštećenja ili trošenja prije namatanja kabela radi njegovog skladištenja. Ne popravljajte oštećeni kabel. Proizvod odnesite u ovlaštenu servis radi zamjene kabela.
- Uklonite utikač iz električnog napajanja ako proizvod ostavljate bez nadzora tijekom bilo kojeg vremenskog razdoblja.
- Kabel uvijek namatajte pažljivo i izbjegavajte njegovo presavijanje.
- Upotrebljavajte isključivo utičnice izmjenične struje s naponom napajanja naznačenim na opisnoj pločici proizvoda.
- Lančana pila raspolaže dvostrukom izolacijom prema standardima EN60745-1 i EN60745-2-1. Ni pod kojim okolnostima ne smije se na bilo koji dio ovog proizvoda priključiti uzemljenje.

Kabeli

- Kabeli napajanja i produžni kabeli dostupni su u vašem ovlaštenom servisu.
- Koristite samo odobrene produžne kabele.
- Produžni kabeli i vodiči smiju se upotrebljavati samo ako su namijenjeni upotrebi na otvorenom.
- Ako želite koristiti produžni kabel dok radite s vašim proizvodom, smijete koristiti samo sljedeće dimenzije kabela.

Modeli CSE1835, CSE1935S:

- 5,0 mm² : Maksimalna dužina 40 m
- 5,0 mm² : Maksimalna dužina 60 m
- 8,0 mm² : Maksimalna dužina 100 m

Modeli CSE2040, CSE2040S:

- 5,0 mm² : Maksimalna dužina 50 m
- 8,0 mm² : Maksimalna dužina 90 m

C. OPIS SIGURNOSNE OPREME

KOČNICA PREKIDAČA

Vaš uređaj je opremljen s napravom (slika 1) koja, kad je isključena, sprječava slučajno uključivanje ako je prekidač pritisnut.

DJELOVANJE KOČNICE PRILIKOM DEBLOKIRANJA PREKIDAČA

Vaš uređaj je opremljen s napravom koja blokira lanac odmah čim se otpusti prekidač. Ako u bilo kojem trenutku ta naprava ne radi, uređaj NE SMIJETE koristiti i trebate ga odnijeti u ovlaštenu servisni centar.

PREDNJI ŠTITNIK ZA RUKU/ RUČKA KOČNICE LANCA

Prednji štitićnik za ruku (slika 2) napravljen je kako bi spriječio vašu lijevu ruku da dođe u kontakt s lancem (pod uvjetom da uređaj držite ispravno u skladu s uputama). Prednji štitićnik za ruku radi i kao koćnica lanca, uključujući napravu koja blokira lanac za manje od 0.15 sekunde u slučaju da je došlo do povratnog udara. Koćnica lanca se otpušta kad je prednji štitićnik pomaknut prema natrag i uskoćio u poziciju uz zvuk klik (lanac se može micati). Koćnica lanca je aktivirana kada je štitićnik prednje ruke pomaknut prema naprijed (lanac je blokiran). Koćnica lanca može biti aktivirana upotrebom lijevog rućnog zgloba pomicanjem prema naprijed, ili ako zglob dođe u kontakt s prednjim štitićnikom za ruku radi povratnog udara.

Kad koristite uređaj i list je u vodoravnom poloćaju, naprimjer za vrijeme rušenja drveća, koćnica lanca daje manju zaštitu (slika 3).

Primjedba: Kada je koćnica lanca aktivirana, sigurnosni prekidać prekida dovod struje u motor.

 **Otpuštanje koćnice lanca dok držite prekidać će uključiti uređaj.**

DRŽAĆ LANCA

Ovaj uređaj je opremljen s držaćem lanca (slika 4) koji se nalazi ispod lanćanika. Ovaj mehanizam je napravljen da bi zaustavio pomicanje lanca unatrag i slučaju da lanac pukne ili ispadne. Te se situacije mogu izbjeći tako što ćete osigurati ispravno zatezanje lanca (Pogledajte poglavlje "D sastavljanje/rastavljanje")

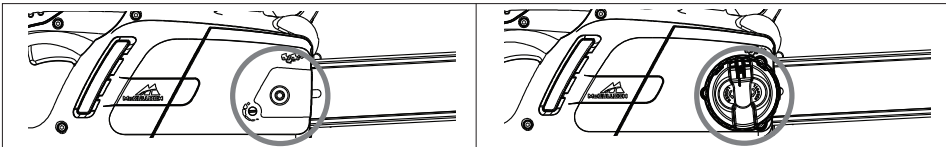
STRAŽNJI ŠTITNIK ZA RUKU

Služi kao zaštita ruke (slika 5) u slučaju da lanac pukne ili ispadne.

D. SASTAVLJANJE / RASTAVLJANJE

SASTAVLJANJE LISTA I LANCA

Način sastavljanja mijenja se u skladu s tipom vašeg uređaja pa vas molimo da pažljivo pogledate ilustracije i vrstu uređaja koji se nalaze na naljepnici. Budite vrlo oprezni dok sastavljate kako biste osigurali da je sastavljanje propisno obavljeno.



1. Provjerite je li kočnica lanca deaktivirana. Ako nije, deaktivirajte je
 - 2a. Odvijte maticu koja pričvršćuje šipku i uklonite poklopac zupčanika.
 - 2b. Odvijte gumb koji pričvršćuje šipku i uklonite poklopac zupčanika.
 - 3 Postavite lanac iznad šipke, počevši od prednjeg zupčanika tako da sjedne u utor vodilice. **Pozor!** Provjerite je li oštra strana rezaćih zubaca okrenuta prema naprijed na gornjoj strani šipke. Nosite rukavice.
 - 4a. Provjerite je li zatik zateznika lanca što dalje od zupčanika. Namjestite šipku na vijak koji pričvršćuje šipku i zateznic lanca i postavite lanac iznad zupčanika
 - 4b. Okrenite metalni pomični kolut suprotno od kazaljke na satu koliko je god moguće. Namjestite šipku na vijak koji pričvršćuje šipku i postavite lanac iznad zupčanika.
- Zamijenite poklopac zupčanika tako da zupci lanca budu uglavljeni u zupčanik i utor vodilice.
- 5a. Pritegnite maticu za držanje lista rukom dok nije lagano pritegnuta.
 - 5b. Pritegnite kvaku za držanje lista dok nije lagano pritegnuta.
 - 6a. Da biste zategnuli lanac, zategnite vijak za natezanje lanca u smjeru kazaljke na satu uz upotrebu matičnog ključa/odvijača. Da biste smanjili napetost, odvrnite u smjeru suprotnom od kazaljke na satu (dok to radite, držite vrh lista prema gore)
 - 6b. Da biste zategnuli lanac, zavrnite kvaku za zatezanje lanca u smjeru kazaljke na satu. Da biste smanjili napetost, odvrnite u smjeru suprotnom od kazaljke na satu (dok to radite, držite vrh lista prema gore).
7. Zategnite lanac dok ne postignete ispravnu zategnutost. Povucite lanac s lista i provjerite je li razmak otprilike 2 do 3 mm.
- 8a. Zategnite maticu za držanje lista upotrebom priložnog ključa/odvijača.
 - 8b. Zategnite list sve dok nije sigurno zategnut.

Prejako zatezanje lanca će preopteretiti motor i nanijeti s tetu, dok nedovoljno zategnuti lanac može dovesti do ispadanja lanca. Propisno zategnuti lanac omogućuje najbolje rezanje i produženi vijek trajanja. Redovno provjeravajte napetost jer se dužina lanca može povećati tijekom uporabe (naročito kad je lanac nov; nakon prvog montiranja napetost lanca treba biti provjerena nakon 5 minuta rada); u svakom slučaju nemojte zatezati lanac odmah nakon uporabe, pričekajte da se ohladi.

U slučajevima gdje treba podesiti olabavljeni lanac uvijek odvijte maticu/kvaku za držanje lista prije nego podesite vijak/kvaku za zatezanje lanca; podesite napetost i zategnite maticu/kvaku na odgovarajući način.

E. PODMAZIVANJE LISTA I LANCA

Uključivanje: čvrsto zgrabite obje ručke, otpustite ručku kočnice lanca ali neka vam ruka bude i dalje na prednjoj ručki, pritisnite i držite blokator prekidača pritisnutim, a nakon toga pritisnite prekidač (u tom trenutku možete otpustiti blokator kočnice).

Prestanak rada: Uređaj će se isključiti kad se prekidač otpusti. U slučaju kad uređaj ne prestaje raditi, aktivirajte kočnicu lanca, odspojite kabel iz utikača za struju i odnesite uređaj u ovlaštenu servisnu centar.

F. PODMAZIVANJE LISTA I LANCA

PAŽNJA! Nedovoljno podmazivanje će dovesti do pucanja lanca što može uzrokovati ozbiljne ili čak smrtonosne posljedice.

Podmazivanje lista i lanca izvodi automatska pumpa.

Pogledajte pod "Održavanje" kako da osigurate da je ulje za lanac ravnomjerno raspoređeno.

Izbor ulja za lanac

Uvijek koristite samo novo ulje (posebno ulje za lance) s odgovarajućim viskozitetom. Ulje mora dobro prijanjati i jamčiti dobro podmazivanje zimi i ljeti. Ako se ne može dobiti ulje za lance, može se koristiti ulje EP 90 za mjenjačke kutije. Nemojte nikad upotrijebiti otpadno ulje

jer to šteti zdravlju, uređaju i okolišu. Provjerite je li ulje pogodno za temperaturu okoliša u kojem će se alat koristiti. Na temperaturama ispod 0°C određena ulja postaju gušća, preopterećuju pumpu i uzrokuju štetu. Obratite se vašem ovlaštenom servisnom centru za savjet u vezi izbora ulja.

Punjenje spremnika za ulje

Odvijte poklopac spremnika za ulje, napunite spremnik pazeći pri tom da ne proljete nimalo ulja (ako do toga dode pažljivo očistite uređaj) i nakon toga vratite poklopac i čvrsto ga pritegnite.

G. ODRŽAVANJE I SKLADIŠTENJE

Prije izvođenja bilo kakvih radova održavanja ili čišćenja, utikač napajanja odvojite od električnog napajanja.

PAŽNJA! U uvjetima gdje je radna sredina izrazito prljava ili prašna, radnje koje su ovdje opisane treba izvoditi češće nego što se navodi u uputama.

Prije svake uporabe

Provjerite da pumpa za ulje za lanac radi ispravno. Usmjerite list prema čistoj površini udaljenoj oko 20 cm, nakon što je uređaj radio otprilike jednu minutu. Na površini bi se trebali vidjeti jasni tragovi ulja **(slika 1)**.

Provjerite da nije potrebna pretjerana sila da bi se aktivirala ili deaktivirala kočnica lanca. Također provjerite da se ne aktivira pre lako i da nije zablokirana. Nakon toga, provjerite rad kočnice na sljedeći način: otpustite kočnicu lanca, uhvatite uređaj na ispravan način i uključite ga, aktivirajte kočnicu lanca pritiskom na prednji štitičnik za ruku prema naprijed s lijevim zglobom ili rukom bez da dignete ruku s ručke **(slika 2)**. Ako kočnica lanca radi ispravno, lanac bi se trebao odmah zaustaviti.

Provjerite je li lanac ispravno naoštren, u dobrom radnom stanju i je li zategnut kako treba. Ako je lanac neravnomjerno iznošen, ili ako su zupci dugi samo 3 mm, lanac treba zamijeniti **(slika 3)**.

Čistite otvore za zrak redovno kako biste spriječili pregrijavanje motora **(slika 4)**.

Provjerite rade li prekidač i blokator prekidača ispravno (to treba obaviti kad je kočnica lanca otpuštena). Pritisnite prekidač i blokator prekidača i osigurajte da se vraćaju u početni položaj čim su otpušteni, provjerite je li moguće stisnuti prekidač bez aktiviranja blokatora prekidača. Provjerite da li su držač lanca i štitičnik desne ruke i ispravnom položaju bez vidljivih grešaka kao što je na primjer oštećeni materijal.

Svaka 2 do 3 sata uporabe

Provjerite stanje lista, ako je potrebno pažljivo očistite rupe za podmazivanje **(slika 5)** i otvore za uvođenje **(slika 6)**; ako je utor istrošen ili pokazuje znakove dubokih udubljenja, treba ga zamijeniti. Pogonski zupčanik redovno čistite i provjeravajte nije li bio izložen prevelikom opterećenju. **(slika 7)**. Podmažite vrh lančanika s mazivom za ležišta kroz rupu prikazanu na ilustraciji **(slika 8)**.

Oštrenje lanca (kad je potrebno)

Ako lanac ne reže dobro, ili treba jako pritisnuti list na drvo, i ako je piljevina vrlo sitna, to znači da nije dobro naoštren. Ako akcija rezanja ne proizvede piljevinu, to znači da je rub za rezanje pretjerano izlizan i da lanac pretvara drvo u prašinu od reže. Dobro naoštren lanac reže drvo bez napora ili pritiska i daje dugačke komade strugotine. Rezna strana lanca se sastoji od rezne karike **(slika 9)** s reznim zubom **(slika 10)** i graničnikom dubine rezanja **(slika 11)**. Razlika između tih graničnika određuje dubinu rezanja, vodič za turpiju i okrugla turpija s promjerom od 4 mm su potrebni kako bi se dobili dobri rezultati oštrenja. Slijedite upute ispod: Jednom kad je lanac postavljen i ispravna zategnutost postignuta, i nakon što je aktivirana kočnica lanca, stavite vodič za turpiju okomito na list kao što je prikazano na ilustraciji **(slika 12)**, izbrusite rezne zube pod kutom kao što je prikazano **(slika 13)**, uvijek od unutra prema van, smanjujući pritisak dok se vraćate (vrlo je važno da slijedite ove upute pažljivo: pretjerano veliki ili nedovoljno veliki kutovi oštrenja ili neispravan promjer turpije će povećati opasnost od povratnog udara.) Da biste postigli veću preciznost kutova sa strane, savjetuje se da postavite turpiju tako da pređe preko gornjeg rezača za oko 0.5 mm. Prvo iz turpijajte zupce na jednoj strani, pa okrenite uređaj i ponovite radnje. Provjerite da su svi zupci jednake dužine nakon oštrenja i da je visina pokazivača dubine za 0.6 mm niža nego gornji rezač: provjerite visinu upotrebom predloška i turpijajte (s ravnom turpijom) sve dijelove koji strše, tako što ćete zaobliti prednji dio graničnika dubine **(slika 14)**, paziteći pri tome da ne turpijajte zubičica za zaštitu od povratnog udara **(slika 15)**.

Svakih 30 sati uporabe.

Odesite uređaj u ovlašten servisni centar za generalni pregled i kontrolnu provjeru svih dijelova kočnice.

Pohrana

Pohranite alata na hladno, suho mjesto izvan dohvata djece. Nemojte ga pohranjivati na otvorenom.

H. TEHNIKE REZANJA

(slika 1) Dok koristite uređaj, spriječite:

- rezanje u uvjetima gdje bi deblo moglo puknuti za vrijeme rezanja (drvo pod pritiskom, suho uginulo drveće, itd.), iznenadno pucanje može biti vrlo opasno.
- da se list ili lanac zablokiraju u urezu: ako dođe do toga, odspojite uređaj s glavnog dovoda električne energije i pokušajte podići deblo uporabom odgovarajućeg alata kao potpore, nemojte pokušati osloboditi uređaj tresući ga ili vukući ga jer to može dovesti do oštećenja ili povrede.
- situacije koje mogu dovesti do povratnog udara
- korištenje proizvoda u visini iznad ramena
- rezanje drva s predmetima od drugih materijala, na primjer čavlima

(slika 1) Za vrijeme korištenja uređaja:

- Kad režete na kosini, uvijek radite uzbrdo od debla kako biste izbjegli da vas deblo udari u slučaju da se otkotrlja nizbrdo.
- Kad rušite drva, uvijek završite posao. Djelomično odrezano drvo se može slomiti i pasti.

- Na kraju svakog rezanja, korisnik će primijetiti znatnu promjenu u jačini potrebnoj za kontroliranje uređaja. Treba paziti da se ne izgubi kontrola.

Ovdje se nalazi opis dvije različite vrste rezanja:

Rezanje potezanjem na lanac (od vrha prema dnu) **(slika 2)** može dovesti do opasnih iznenadnih kretnji uređaja prema deblo što može dovesti do gubitka kontrole. Gdje god je moguće, koristite štitičnik za vrijeme operacija rezanja.

Rezanje guranjem lanca (od vrha prema dnu) **(slika 3)** će dovesti do opasnosti od iznenadnog pokreta uređaja prema korisniku, što može dovesti do udara korisnika ili do "zone povratnog udara" prema deblo što dovodi do jakog povratnog udara; izuzetni oprez se treba primijeniti kada se reže na takav način.

Najsigurnija metoda korištenja uređaja je kada se blokira deblo na stalku za rezanje, zatim rezanje od vrha prema dnu, na dijelu izvan stalka za rezanje. **(slika 4)**

Korištenje šiljastog branika

Kad god je moguće, koristite šiljasti branik da biste osigurali sigurnije rezanje. Uglavite ga u koru ili površinu debela kako bi bolje kontrolirali pilu.

Ispod se nalaze opisi tipičnih postupaka rezanja koja treba prilagoditi specifičnim situacijama. Međutim, te postupke treba procijeniti svaki put kako bi se odredilo koja metoda najbolje odgovara, da bi se koristila metoda s najmanjim mogućim rizikom.

Deblo na tlu (Opasnost od dodirivanja tla s lancem jednom kad je list prošao kroz deblo). (slika 5) Odrežite od vrha prema dnu kroz cijelo deblo. Pri kraju rezanja, nastavite vrlo oprezno kako biste spriječili da lanac dotakne tlo. Ako je moguće, odrežite 2/3 debela, preokrenite ga te prerežite zadnju trećinu od vrha prema dnu da bi smanjili opasnost da lanac dotakne tlo.

Deblo koje ima potporu samo s jedne strane (Opasnost da se deblo prelomi za vrijeme rezanja)

(slika 6) Počnite rezati s donje strane, izrežite jednu trećinu dijametra i nakon toga završite rezanje s gornje strane da biste se spojili s donjim rezom.

Deblo koje ima potporu s obje strane. (Opasnost od stiskanja lanca). (slika 7)

Počnite rezati odozgo, izrežite jednu trećinu promjera i nakon toga završite rezanje s donje strane da biste se spojili s gornjim rezom.

Deblo položeno na kosini. Uvijek stanite na strani okrenutoj vrhu kosine. Dok prerezujete, kako biste održali potpunu kontrolu, pred kraj rezanja popustite pritisak rezanja bez opuštanja držanja rukohvata. Ne dopuštajte da lanac dođe u dodir s tlom.

Rušenje stabla.

PAŽNJA! Nikad ne pokušavajte rušiti stablo ako nemate odgovarajuće iskustvo, a u svakom slučaju nemojte nikad rušiti stablo koje ima deblo šire od dužine lista! Te radnje smiju raditi samo iskusni korisnici pila s odgovarajućom opremom.

Kad rušite stablo, cilj je da stablo padne na najpovoljniju poziciju na kojoj se može obaviti rezanje grana i popratne radnje. (Izbjegavajte da stabla padnu preko drugih drva: Srušena stabla isprepletana s drugim drvećem predstavljaju vrlo opasnu situaciju). Prije svega odlučite koji je najbolji smjer da stablo padne tako što ćete uzeti u obzir sljedeće: predmeti ili druge biljke oko stabla, nagib, krivina, smjer vjetera i najveća koncentracija grana. Uzmite u obzir osušene ili slomljene grane koje se mogu slomiti za vrijeme rušenja i tako predstavljati dodatnu opasnost.

PAŽNJA! Za vrijeme rušenja stabla u kritičnim uvjetima, uvijek odstranite zaštitu za uši odmah nakon rezanja kako biste mogli čuti neobične zvukove ili znakove upozorenja.

Preliminarne operacije rezanja i identificiranje rute za uzmicanje

Odstranite sve grane koje smetaju poslu (slika 8), počevši od vrha prema dnu, i nakon toga uvijek imajući deblo između korisnika i uređaja, uklonite preostale teške grane, komad po komad. Uklonite sve biljke koje smetaju radu i kontrolirajte ima li drugih mogućih prepreka (kamenje, korijenje, rupe itd.) kad planirate radu za uzmicanje (koju treba slijediti za vrijeme rušenja drva). Pogledajte na ilustraciju (slika 9) koje smjerove treba držati (A. predviđeni smjer pada stabla, B. ruta za uzmicanje, C. opasna zona).

REZOVI ZA RUŠENJE STABLA (slika 10)

Da biste osigurali da korisnik ima kompletnu kontrolu nad rušenjem stabla, slijedite ove upute za rezanje: Prvo treba napraviti rez koji kontrolira smjer pada stabla: Prije svega izrežite GORNJI DIO klinastog ureza koji određuje smjer pada, na strani stabla na koju ono treba pasti. Ostanite s desne strane stabla i uz uporabu metode povlačenja lanca, izrežite DONJI DIO klinastog ureza koji

se treba sastati s krajem gornjeg dijela. Dubina klinastog ureza koji određuje smjer treba biti jedna četvrtina promjera debela i s kutom od barem 45° između gornjeg i donjeg reza. Mjesto sastajanja između dvije strane klinastog ureza zove se šmjerne linija reza^N. Ta linija treba biti potpuno vodoravna pod pravim kutom (90°) prema smjeru pada.

Rez za rušenje stabla koji prisiljava drvo da se sruši, radi se 3 do 5 cm iznad donjeg dijela smjernog reza za rušenje drva, i završava na udaljenosti od oko 1/10 debela od klinastog ureza. Ostanite s lijeve strane drveta i izrežite metodom povlačenja lanca i šiljastog branika. Proverite da se drvo ne pomiče u smjeru koji nije predviđen za pad. što je moguće prije, umetnite klin ili polugu u rez. Neodrezani dio debela se zove "zglobo" i njegova svrha je da vodi stablo pri padu; u slučajevima gdje rezovi nisu dovoljni, niti ravni, ili gdje su potpuno prerezani, pad stabla ne može se kontrolirati (izuzetno opasno!). Iz tog razloga razni rezovi trebaju biti obavljani s velikom preciznošću. Kad je rezanje završeno, stablo će početi padati. Gdje je potrebno, pomognite stablu da padne uz upotrebu klinova i poluga.

Rezanje grana

Jednom kada je deblo palo, treba odrezati grane: drugim riječima, treba skinuti grane s debela. Nemojte podcijeniti ovu operaciju jer većina nezgoda radi povratnog udara se događa baš za vrijeme ove faze. Radi toga treba dobro paziti na položaj vrha lista za vrijeme rezanja i uvijek treba raditi s lijeve strane debela.

I. INFORMACIJE O OKOLIŠU


Ovaj odjeljak sadrži informacije koje su korisne za održavanje karakteristika ekokompatibilnosti uključenih u originalni dizajn uređaja, a koje se odnose na ispravno korištenje i odbacivanje ulja za lanac

KORIŠTENJE UREĐAJA

Punjenje spremnika za ulje bi trebalo obaviti na način da se izbjegne prolijevanje ulja i zagađivanja tla i okoliša.

ODBACIVANJE

Nemojte uređaj odbacivati na pogrešan način nakon što postane neupotrebljiv. Odnesite ga u ovlaštenu organizaciju za ispravno odbacivanje u skladu s propisima koji su na snazi.

Znak  (znak) koji se nalazi na proizvodu ili na ambalaži znači da se s ovim proizvodom ne može postupiti kao s kućnim otpadom. Umjesto toga će biti predat na određeno prikupljalište za recikliranje električne i elektroničke opreme. Odlaganjem ovog proizvoda na ispravan način spriječit ćete moguće negativne posljedice za okoliš i ljudsko zdravlje, koje bi mogle nastati kada bi se ovaj proizvod odložio na smetlište na nepropisan način. Za detaljnije informacije o recikliranju ovog proizvoda, molimo vas obratite se vašem lokalnom uredu, vašem servisu za odlaganje smeća ili u dućan gdje ste kupili ovaj proizvod.

J. TABLICA S RJEŠENJIMA U SLUČAJU DA UREĐAJ NE RADI

	Motor se ne uključuje	Motor radi s poteškoćom ili gubi snagu	Uređaj se uključuje ali reže kako treba	Motor se ne okreće kako treba ili smanjuje brzinu	Kočnica ne zaustavlja lanac propisno
Provjerite da li ima struje u žici	●				
Provjerite je li uređaj ispravno ukopčan u struju.	●				
Provjerite je li kabel ili produžni kabel oštećen	●				
Provjerite da kočnica lanca nije aktivirana	●				
Provjerite da je lanac ispravno montiran i zategnut		●	●		
Provjerite podmazivanje lanca kao što piše u poglavljima F i G			●		
Provjerite da je lanac oštar			●		
Provjerite je li termalna zaštita aktivirana	●				
Obratite se ovlaštenom centru	●	●		●	●

K. REZERVNI DIJELOVI

35cm	Lanac	91PJ052XN	Broj rezervnog dijela:	530051538
	Vodilica		Broj rezervnog dijela:	576965401
40cm	Lanac	91PJ056XN	Broj rezervnog dijela:	530051539
	Vodilica		Broj rezervnog dijela:	576965201

L. EC DEKLARACIJA EV O USKLAĐENOSTI

Husqvarna AB, S-561 82, Huskvarna, Sweden

Izjavljujemo pod vlastitom odgovornošću da je proizvod (da su proizvodi):

Oznaka.....**Chainsaw - Lančana pila**
 Oznaka tipa(-ova).....**CSE1835, CSE1935S, CSE2040, CSE2040S**
 Vrsta uređaja za rezanje.....**Rotirajuća oštrica**
 Godina gradnje.....**Rotirajuća oštrica**

U skladu s osnovnim zahtjevima i odredbama sljedećih direktiva EV:

2006/42/EC, 2004/108/EC, 2000/14/EC, 2011/65/EU

temelje se na sljedećim harmoniziranim standardima europske unije:

EN60745-1, EN60745-2-13, EN55014-2, EN55014-1, EN61000-3-2, EN61000-3-11

Obavijestiti tijelo koje je provelo EV vrstu pregleda

u skladu s člankom 8 odjeljak 2c TÜV Rheinland LGA Products GmbH
 Tillystraße 2
 D-90431 Nürnberg
 Germany
 BM 50268379

Certifikat broj:

Maksimalna razina zvučnog tlaka L_{pA} prema krivulji A na radnoj stanici, mjerena u skladu s EN60745-2-13, navedena je u tablici.

Maksimalna vrijednost vibracija ruke/nadlaktice a_{h1} , izmjerena u skladu s EN60745-2-13 na uzorku proizvoda gore, navedena je u tablici.

Prijavljena ukupna vibracijska vrijednost izmjerena je u skladu sa standardnom metodom testiranja i može se koristiti za uspoređivanje jednog uređaja s drugim.

Prijavljena ukupna vibracijska vrijednost se može također koristiti u preliminarnoj procjeni izloženosti.

Pozor:

Vibracijsko emitiranje za vrijeme stvarne uporabe električnog uređaja može se razlikovati od prijavljene ukupne vrijednosti ovisno o načinu na koji se uređaj koristi.

Operateri bi trebali biti upoznati s mjerama predostrožnosti kako bi se zaštitili, koje se zasnivaju na procjeni izlaganja u stvarnim uvjetima korištenja (uzimajući u obzir sve dijelove radnog ciklusa kao što je vrijeme kada je uređaj isključen i kada je u praznom hodu te vrijeme okidanja).

2000/14/EC: Vrijednosti izmjerene snage zvuka L_{WA} / Zajamčena snaga zvuka L_{WA} su u skladu s tabeliranim ciframa.

Postupak za ocjenu sukladnosti..... Annex V

Ulm 12/02/2013

P. Lamelli

Globalni R&D Direktor – Ručna verzija

Mjesto za čuvanje tehničke dokumentacije



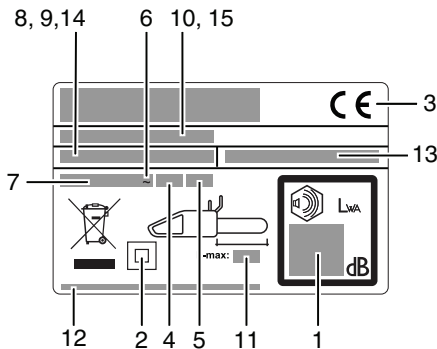

Vrsta (CSE_____):	1835	1935S	2040	2040S
Težina bez ulja u kg	4.3	4.5	4.4	4.6
Snaga (kW)	1.8	1.9	2.0	2.0
Zapremina spremnika za ulje (cm ³)	240	240	240	240
Godina proizvodnje (cm)	35	35	40	40
Razmak u lancu (mm)	9.52	9.52	9.52	9.52
Mjerač lanca (mm)	1.3	1.3	1.3	1.3
Izmjerena snaga zvuka L_{WA} (dB(A))	106	106	106	106
Zajamčena snaga zvuka L_{WA} (dB(A))	110	110	110	110
Zvučni tlak L_{pA} (dB(A))	91	91	90	91
Neodređenost K_{pA} (dB(A))	2.5	2.5	2.5	2.5
Vibracije ruke a_{h1} (m/s ²)	7.28	7.28	8.08	8.08
Neodređenost K_{ah} (m/s ²)	1.5	1.5	1.5	1.5
Strujna-Impedancija Z_{max} (Ω)	0.382	0.382	0.382	0.382

Izjava u svezi pridržavanja EN 61000-3-11

Ovisno o svojstvima lokalne mreže za dovod struje, upotreba ovog proizvoda može dovesti do kratkog pada napona u trenutku uključivanja uređaja. To može utjecati na drugu električnu opremu, na primjer može doći do toga da svjetlo u lampi zatira. Ako je **Zmax impedancija struje** za vaš dovod električne energije manja od vrijednosti prikazane u tabeli (potražite koja se odnosi na vaš model) onda do toga neće doći. Vrijednost impedancije mreže može se saznati tako da nazovete vašeg dobavljača električne energije.

A. BENDRAS APRAŠYMAS

- | | |
|--|---|
| 1) Galinė rankena | 19) Pjovimo dantelis |
| 2) Galinė rankų apsauga | 20) Kreipiamoji plokštė |
| 3) Priekinė rankena | 21) Varančio grandininio rato gaubtas |
| 4) Priekinė rankų apsauga/grandinės stabdžių rankena | 22) Varantis grandininis ratas |
| 5) Grandinės įtempimo išorinė rankenėlė | 23) Grandinės sugriebimo įtaisas |
| 6) Grandinės įtempimo varžtas | 24) Atraminės plokštės laikantysis varžtas |
| 7) Grandinės įtempimo galvutė | 25) Atraminės plokštės laikančioji vidinė rankenėlė |
| 8) Alyvos bako dangtelis | 26) Atraminės plokštės laikančioji veržlė |
| 9) Alyvos lygio indikatorius | 27) Priekinis krumpliaratis |
| 10) Oro angos | 28) Kreipiamosios plokštės gaubtas |
| 11) Laidas | 29) Spygliuotas buferis |
| 12) Instrukcija | 30) Grandinės įtempimo galvutės vieta |
| 13) Jungiklis | 31) Tepimo anga |
| 14) Jungiklio blokas | 32) Kreipiamosios plokštės griovelis |
| 15) Grandinė | 33) Veržliaraktis/atsuktuvus |
| 16) Pavaros danteliai | |
| 17) Pjovimo grandis | |
| 18) Pjovimo gylio matuoklis | |



Identifikavimo etiketės pavyzdys

- | |
|---|
| 1) Garantuojamas garso stiprumas pagal 2000/14/ES direktyvą |
| 2) II klasės įrankis |
| 3) CE atitikimo ženklas |
| 4) Nominalus dažnis |
| 5) Nominali galia |
| 6) Kintamoji srovė |
| 7) Nominali įtampa |
| 8) Tipas |
| 9) Produkto kodas |
| 10) Pagaminimo metai |
| 11) Maksimalus kreipiamosios plokštės ilgis |
| 12) Gamintojo pavadinimas ir adresas |
| 13) Artikulo numeris (Elektriniai grandininiai pjūklai) |
| 14) Modelis |
| 15) Serijos numeris |

B. ĮSPĖJIMAI

SIMBOLIŲ REIKŠMĖS



Įspėjimas!
Įdėmiai perskaitykite
naudojimo instrukciją



Apsauginiai batai



Apsauginiai akiniai
arba antveidis,
apsauginis šalmas ir
klausos apsauga



Apsauginės pirštinės,
atsparios įpjovimams



Apsauginės ilgos
kelnės, atsparios
įpjovimams



Grandinės stabdžiai:
išjungti, įjungti



Jei pažeistumėte ar
nukirstumėte kabelį,
nedelsdami ištraukite
kištuką iš elektros tinklo



Pašaliniai turi laikytis
atokiau



Pjovimo dantelių
teisinga kryptis



Visada laikykite
prietaisą abejomis
rankomis



Atatranks pavojus



Nedirbkite lyjant ar kai
yra drėgna



Grandinės alyva



Susilaikykite nuo...



Išjunkite prietaisą



Prieš reguliuodami
arba valydami
ištraukite kištuką.



Elektros smūgio rizika

Bendri saugos įspėjimai dirbant su elektriniais įrankiais

⚠️ ĮSPĖJIMAS Privalote perskaityti visus saugos įspėjimus ir nurodymus. Jei nevykdysite šių įspėjimų ir nurodymų, iškilis elektros smūgio, gaisro ir (arba) sunkaus sužalojimo pavojus.

Išsaugokite visus įspėjimus ir nurodymus, kad galėtumėte juos bet kada vėliau perskaityti.

Įspėjimuose naudojamas terminas "elektrinis įrankis" taikomas įrankiams, kurių maitinimas vyksta iš elektros tinklo (laidiniai) arba naudojant akumuliatorius (beleidžiai).

1) Sauga darbo vietoje

- Darbo vieta turi būti švari ir gerai apšviesta. Užgriozdinimas ar tamsa gali tapti nelaimingo atsitikimo priežastimi.
- Nenaudokite elektrinių įrankių aplinkoje, kurioje kyla sprogimo pavojus, pvz., jei netoliese yra lengvai užsiliepsnojančių medžiagų, dujų ar dulkių. Elektriniai įrankiai skleidžia žiežirbas, kurios gali padegti dulkes ar dūmus.
- Nenaudokite įrankio, jei netoliese yra vaikų ar pašaliniių asmenų. Jei kas nors atitrauks jūsų dėmesį, galite nesuvaldyti įrankio.

2) Elektros saugos reikalavimai

- Elektrinių įrankių kištukai privalo tiktai lizdui, į kurį bus kišami. Niekada nebandykite kokių nors būdu perdaryti kištuko. Draudžiama naudoti kištukinius adapterius įžemintų elektrinių įrankių jungimui. Neperdaryti kištukai ir juos atitinkantys lizdai mažina elektros smūgio pavojų.

- Venkite kūno kontakto su žemintais paviršiais, pvz., vamzdžiais, radiatoriais, virykėmis ir šaldytuvais. Elektros smūgio pavojus padidėja, jei jūsų kūnas yra įžemintas.

- Neleiskite, kad ant elektrinių įrankių lytų arba įle būtų laikomi šlapijoje vietoje. Į elektrinį įrankį patekęs vanduo padidins elektros smūgio pavojaus galimybę.

- Laidą naudokite tik pagal paskirtį. Niekada netempkite už laido, jei norite elektrinį įrankį perkelti į kitą vietą, jį patraukti ar išjungti. Laidas turi būti kuo toliau nuo ugnies, tepalų, aštrių briaunų ar judančių dalių. Pažeisti ar susipainioję laidai didina elektros smūgio pavojų.

- Kai dirbate elektriniu įrankiu lauke, naudokite darbu lauke tinkamą prailginimo laidą. Darbu lauke tinkantis laidas sumažina elektros smūgio pavojų.

- Jei elektrinį įrankį yra būtina naudoti aplinkoje, kur daug drėgmės, naudokite liekamosios srovės įrenginio (RCD) apsaugotą elektros tiekimo šaltinį. RCD naudojimas sumažina elektros smūgio pavojų.

3) Asmens sauga

- Dirbdami su elektriniu įrankiu būkite budrūs, matykite, ką darote ir vadovaukitės sveiku protu. Nenaudokite elektrinio įrankio tada, kai esate pavargęs arba vartojate narkotikus, alkoholį ar vaistus. Viena neatidumo akimirka dirbant elektriniu įrankiu, ir jūs galite sunkiai susižaloti.

- b) Naudokite asmenines apsaugos priemones. Visada būkite užsidėję apsauginius akinius. *Apsauginė įranga, pvz., tam tikromis aplinkybėmis naudojamas respiratorius, specialūs neslystantys batai, apsauginis šalmas ar ausinės mažina tikimybę susižaloti.*
- c) Saugokitės, kad įrankio neįjungtumėte netyčia. Prieš įjungdami įrankį į elektros tinklą ir (arba) prie akumuliatorių bloko arba prieš keldami ar norėdami nunešti jį į kitą vietą, patikrinkite, ar jungiklis yra padėtyje "išjungta". *Elektras įrankio nešimas laikant pirštą ant jungiklio arba įrankio judinimas, kai jungiklis yra padėtyje "įjungta", gali tapti nelaimės priežastimi.*
- d) Prieš įjungdami elektros įrankį, nuo jo nuimkite montavimo raktus ar veržilarakčius. *Jei ant besisukancios elektrinio įrankio detalės paliksėte veržilaraktį ar bet kurį kitą raktą, galite susižeisti.*
- e) Per plačiai neužsimokite. Visada turėkite tvirtą pagrindą po kojomis ir išlaikykite pusiausvyrą. *Tik taip galėsite suvaldyti elektrinį įrankį iškilus netikėtomis aplinkybėmis.*
- f) Tinkamai apsirenkite. Venkite palaidų drabužių ir papuošalų. Žūrėkite, kad jūsų plaukai, drabužiai ar pirštinės būtų kuo toliau nuo judančių dalių. *Judančios dalys gali įsukti palaidus drabužius, papuošalus ar ilgus plaukus.*
- g) Jei gaunate prietaisų, skirtų prijungti dulkių pašalinimo ar surinkimo įtaisą, patikrinkite, kad šie būtų prijungiami ir naudojami tinkamai. *Dulkių surinkimas mažina dėl dulkių kylančius pavojus.*
- 4) Elektrinių įrankių naudojimas ir priežiūra
- a) Nenaudokite jėgos. Savo darbai atlikti pasirinkite tinkamą elektrinį įrankį. *Tinkamas elektrinis įrankis atliks darbą geriau bei saugiau ir tokiu tempu, koks numatytas jį projektuojant.*
- b) Nenaudokite elektrinio įrankio, jei neveikia jo jungiklis. *Bet kuris elektrinis įrankis, kurio jungiklis neveikia, yra pavojingas ir turi būti taisomas.*
- c) Prieš taisydami elektrinį įrankį, keisdami priedus ar padėdami jį į sandėli, išjunkite kištuką iš maitinimo šaltinio ir (arba) atjunkite elektrinį įrankį nuo akumuliatorių bloko. *Šios atsargumo priemonės mažina pavojų, jog elektrinis įrankis išjungs netyčia.*
- d) Nenaudojamus elektrinius įrankius laikykite vaikams nepasiekiamoje vietoje ir neleiskite su šiuo įrankiu ar šiais nurodymais nesupažinusiems asmenims juo dirbti. Elektriniai įrankiai yra pavojingi, jei patenka į neįšmokyto naudotojo rankas.
- e) Elektrinių įrankių priežiūra. Patikrinkite vietas, kuriose judančios dalys turi sutapti, taip pat sudūrimus, ar nėra įtrūkimų ar kitų pažeidimų, dėl kurių įrankis gali blogai dirbti. Jei aptiksite gedimų, prieš naudodami būtina juos pašalinti. *Daug nelaimių atsitinka dėl netinkamos elektrinių įrankių priežiūros.*
- f) Pjovimui skirti įrankiai turi būti aštrūs ir švarūs. *Tinkamai prižiūrimi pjovimo įrankiai, turintys aštrius ašmenis, ne taip greitai atšimpa ir todėl su jais yra lengviau dirbti.*
- g) Naudodami šį elektrinį įrankį, priedus, jo ašmenis ir t. t., vadovaukitės šiais nurodymais; taip pat atsizvelkite į darbo sąlygas ir darbo, kurį reikia atlikti, pobūdį. *Pavojinga naudoti šį elektrinį įrankį kitiems tikslams nei numatytieji.*
5. Techninė priežiūra
- a) Jūsų turimą elektrinį įrankį leidžiama remontuoti tik kvalifikuotam specialistui, kuris detales keistų tik tokiomis pat detalėmis. *Taip bus užtikrintas elektrinio prietaiso saugumas.*

Grandinio pjūklo saugos perspėjimai:

- Laikykite visas kūno dalis atokiau nuo grandininio pjūklo, kai jis veikia. Prieš įjungdami grandininį pjūklą įsitikinkite, kad pjūklo grandinė nieko neličia. *Dirbant neatidžiai veikiantis grandininis pjūklas gali įsukti jūsų rūbus arba kūno dalis pjūklo grandine.*
- Visada laikykite grandininį pjūklą dešine ranka už galinės rankenos, o kaire ranka už priekinės rankenos. *Laikant grandininį pjūklą atvirksčia rankų padėtimi padidėja sužeidimo rizika, todėl to niekada nedarykite.*
- Elektrinį įrankį laikykite suėmę tik už izoliuotų rankenos paviršių, kadangi pjūklo grandinė gali kontaktuoti su paslėptais laidais arba nuosavu laidu. *Pjūklo grandinėmis priilietus laidą, kuriuo teka elektros srovė, per metalines elektrinio įrankio dalis bus perduota elektros srovė, todėl su tuo įrankiu dirbantys asmuo patirs elektros smūgį.*
- Dėvėkite apsauginius akinius ir ausines. Rekomenduojamos ir kitos apsaugos galvai, rankoms, kojomis ir pėdoms. *Tinkami apsauginiai drabužiai sumažins asmeninių traumų riziką nuo lekiančių skeveldrų arba atsitiktinio kontakto su pjūklo grandine.*
- Nenaudokite grandininio pjūklo medžiuose. *Dirbdami su grandininio pjūklo medyje galite susižeisti.*
- Visada turėkite tinkamą pagrindą ir dirbkite su grandininio pjūklo stovėdami ant tvirto, stabilaus ir horizontalaus paviršiaus. *Ant slidaus ir nestabilaus paviršiaus, pavyzdžiui ant kopėčių, galite neišlaikyti pusiausvyros arba nesuvaldyti grandininio pjūklo.*
- Pjaudami užlinkusią ir įsitempusią šaką, saugokitės, kad ji neatšoktų atgal. *Kai medžio skaidulos atsileidžia, atšokdama šaka gali sužeisti operatorių ir (arba) nekontroliuojamai nukreipti grandininį pjūklą.*
- Būkite ypač atsargūs pjaudami krūmus ir jaunus medelius. *Plona medžiaga gali pagriebti pjūklo grandinę ir staiga palinkti link jūsų arba jūs galite prarasti pusiausvyrą.*
- Nešiokite grandininį pjūklą už priekinės rankenos išjungta ir visada nukreipta nuo savęs. *Kai transportuojate arba saugote grandininį pjūklą, visada uždėkite kreipiamosios plokštės gaubtą. Tinkamai elgdami su grandininio pjūklo sumažinsite atsitiktinio kontakto su judančia pjūklo grandine galimybę.*
- Laikykites tepimo, grandinės įtempimo ir priedu keltimo instrukcijų. *Neteisingai įtempta arba sutepta grandinė gali nutrūkti, arba padidinti atatranksos galimybę.*
- Rankenos turi būti sausos, švarios ir nesuteptos alyva bei tepalais. *Tepaluotos, alyva išteptos rankenos yra slidžios ir sunkiai valdomos.*
- Pjaukite tik medį. Nenaudokite grandininio pjūklo nenumatytiems tikslams. *Pavyzdžiui: nenaudokite grandininio pjūklo pjauti plastmaselį, mūrai arba ne medinėms statybinėms medžiagoms. Pavojinga naudoti grandininį pjūklą kitiems tikslams nei numatyta.*

Atatranksos priežastys ir operatoriaus prevenciniai veiksmai:

Atatranka gali pasireikšti, kai kreipiamosios plokštės galiukas prisiliečia prie objekto (**B3 pav.**) arba kai mediena susispaudžia ir sugnybia pjūklo grandinę pjovimo metu.

Galiuko kontaktas kai kuriais atvejais gali sukelti staigią atbulinę reakciją bei pakelti kreipiamąją plokštę aukštyrįn ir atgal link operatoriaus.

Pjūklo grandinės suspaudimas ties kreipiamosios plokštės galu gali greitai pastumti kreipiamąją plokštę atgal link operatoriaus.

Dėl bet kurios iš šių reakcijų gali būti prarasta pjūklo kontrolė, o tai gali baigtis rimtais asmens sužeidimais. Nepasikliaukite vien tik ant pjūklo sumontuotais saugos įrenginiais. Būdamas grandininio pjūklo naudotojas, turite imtis veiksmų, kad užtikrintumėte pjovimo darbų saugą ir išvengtumėte traumų. Atatranka yra neteisingo įrankio naudojimo ir (arba) netinkamo darbo arba sąlygų rezultatas. Jos galima išvengti imantis tinkamų saugos priemonių:

- **Tvirtai laikykite grandininio pjūklo rankenas apimdami jas nykščiais ir pirštais, abiem rankomis. Išlaikykite tokią kūno ir rankų padėtį, kad galėtumėte atlaikyti atatrankos jėgą.** *Atatrankos jėgą operatorius gali kontroliuoti, jeigu bus tam tinkamai pasiruošęs. Nepraraskite grandininio pjūklo kontrolės.*
- **Nesiekite per toli ir nepjunkite aukščiau pečių aukščio.** *Taip išvengsite atsitiktinio galiuko kontakto ir galėsite geriau valdyti grandininį pjūklą netikėtose situacijose.*
- **Naudokite tik gamintojo nurodytus plokščių ir grandinių pakaitalus.** *Naudojant netinkamas plokštes ir grandines, grandinė gali nutrūkti ir (arba) gali būti sukelta atatranka.*
- **Laikykites gamintojo instrukcijų galąsdami arba prižiūrėdami pjūklo grandinę.** *Sumažinus gylio matuoklio aukštį gali padidėti atatrankos galimybė.*

Papildomos saugos rekomendacijos

1. **Naudotojo vadovo naudojimas.** Visi asmenys naudojantys šį įrenginį turi itin atidžiai perskaityti visą naudotojo vadovą. Naudotojo vadovas turi būti pridedamas prie įrenginio, jei jis parduodamas arba išnuomojamas kitiems asmenims.
2. **Atsargumo priemonės prieš naudojant įrenginį.** Niekada neleiskite naudoti šio įrenginio asmenims, kurie nėra tinkamai susipažinę su šio vadovo instrukcijomis. Nepatyrę asmenys turi baigti mokymus naudojant tik pjovimo ožį.
3. **Kontroliniai tikrinimai.** Atidžiai patikrinkite įrenginį kiekvieną kartą prieš naudojimą, ypač jei jis buvo stipriai sutrenktas arba pasireiškia kokie nors gedimo požymiai. Atlikite visas operacijas nurodytas skyriuje „Priežiūra ir saugojimas – prieš kiekvieną naudojimą“.
4. **Remontas ir priežiūra.** Visos įrenginio dalys, kurias gali keisti naudotojas, yra išsamiai aprašytos skyriuje „Surinkimas ir išrinkimas“. Visos kitos įrenginio dalys prireikus turi būti keičiamos tik įgijotame aptarnavimo centre.
5. **Drabužiai. (B1 pav.)** Naudojamas šį įrenginį naudotojas turi dėvėti šiuos apraibytus asmeninės apsaugos drabužius: gerai priglundančius apsauginius drabužius, saugius batus su neslystančiais padais, nuo suspaudimo ir pjovimo apsaugotais galais, nuo pjovimo ir vibracijos apsaugančias pirštines, apsauginius akinius arba apsauginius skydelius, ausines ir šalną (jeigu galimas kritančių objektų pavojus). Įsigyjama iš darbo drabužių tiekėjo.
6. **Sveikatos atsargumo priemonės – vibracijos ir triukšmo lygis.** Laikykites triukšmo ribojimų aplinkinėje zonoje. Ilgalais įrenginio naudojimas pasireiškia vibracijos poveikiu naudotojui ir gali sukelti „baltų pirštų efektą“ (Raynaud sindromą), riešo tunelio sindromą ir panašius negalavimus.
7. **Sveikatos atsargumo priemonės – cheminės medžiagos.** Naudokite alyvas, kurias rekomenduoja gamintojas.

8. Sveikatos atsargumo priemonės – karštis.

Naudojant grandininis ratas ir grandinė stipriai įkaista, būkite atsargūs ir nelieskite šių dalių, kol jos neatvės.

9. **PERSPĖJIMAI!** Šis įrenginys savo veikimo metu skleidžia elektromagnetinį lauką. Kai kuriomis aplinkybėmis šis laukas gali truktių aktyvius arba pasyviuos medicininis implantus. Kad sumažintumėte rimtų sužeidimų arba mirties atvejų riziką, rekomenduojame prieš naudojantis šiuo įrenginiu asmenims su medicininiais implantais pasikonsultuoti su gydytoju ir medicinos įrenginio gamintoju.

Transportavimo ir saugojimo atsargumo priemonės.

(B2 pav.) Kaskart, kai keičiama darbo vieta, atjunkite įrenginį nuo maitinimo tinklo ir įjunkite grandinės stabdžio svirtį. Prieš kiekvieną transportavimą ar saugojimą uždėkite kreipiamosios plokštės apsaugos gaubtą. Visada neškite įrenginį ranka nukreipę plokštę atgal arba, kai transportuojate įrenginį automobilyje, visada į gerai pritvirtinkite, kad išvengtumėte pažeidimų.

Atatranka. (B3 pav.) Atatranka jėgą sudaro stiprus plokštės atoveiksmis aukštyn-atgal, nukreiptas į naudotoją. Taip paprastai įvyksta, kai plokštės priekio viršutinė dalis (vadinama „atatrankos pavojaus zona“) (raudonai pažymėta ant kreipiamosios plokštės) priliiečia prie kokio nors objekto arba jeigu grandinė užstringa medyje. Dėl atatrankos naudotojas gali prarasti įrenginio kontrolę, sukeldamas pavojingus nelaimingus įvykius ir net mirtį. Grandinės stabdžio svirties ir kitos saugos įrangos nepakanka apsaugoti naudotoją nuo traumų: naudotojas turi saugotis aplinkybių galinčių sukelti tokią reakciją ir jų įšėjimą atsižvelgdamas į patirtį ir skirdamas ypatingą dėmesį tinkamam ir teisingam įrenginio naudojimui (pavyzdžiui: niekada nepjunkite keleto šakų vienu metu, nes taip galima atsitiktinai priliesti prie „atatrankos pavojaus zonos“).

Darbo aplinkos sauga

1. Niekada neleiskite vaikams arba žmonėms, nesusipažinusiems su šiomis instrukcijomis, naudotis įrenginiu. Vietinės taisyklės gali riboti operatoriaus amžių.
2. Gaminių naudokite tik taip ir tokiems tikslams, kaip nurodyta šiose instrukcijose.
3. Atidžiai patikrinkite darbo aplinką, ar nėra kokių nors pavojaus šaltinių (pvz.: kelių, takų, elektros kabelių, pavojingų medžių ir t.t.)
4. Visi pašaliniai asmenys ir gyvūnai turi būti atokiai nuo darbo zonos (kur reikia, aptverkite zoną ir naudokite perspėjančius ženklus) mažiausiai 2,5 karto didesniu atstumu, nei kamieno aukštis; bet kuriuo atveju ne mažiau nei dešimt metrų.
5. Operatorius arba naudotojas yra atsakingas už nelaimingus įvykius ir traumas, sukeltas kitiems žmonėms, arba už jų nuosavybės sugadinimą.

Elektros sauga

1. Rekomenduojama naudoti liekamosios srovės įrenginį (R.C.D.) su išjungimo srove ne didesne nei 30 mA. Net jei yra sumontuotas R.C.D., jis neužtikrina 100% saugumo, todėl būtina visą laiką laikytis saugaus darbo taisyklių. Kaskart naudodami patikrinkite R.C.D.
2. Prieš naudodami patikrinkite, ar nepažeisti laidai ir, jei yra gedimo arba susidėvėjimo požymiai, pakeiskite juos.
3. Nenaudokite gaminio, jeigu elektros laidai pažeisti arba susidėvėję.
4. Nedelsdami atjunkite elektros maitinimą, jei laidas buvo nupjautas arba pažeista izoliacija. Nelieskite elektros laidų, kol elektros įtampa nebus atjungta. Netaisykite nupjautą arba pažeistą laidą. Pristatykite gaminį į įgijotą aptarnavimo centrą, kuriame jums pakeis laidą.

5. Prailginimo laidas turi būti išvyniotas. Suvynioti laida gali perkaisti ir sumažinti gaminio našumą.
6. Laidas arba ilgintuvus visada turi būti už naudotojo, kad nekeltų pavojaus naudotojui arba kitiems asmenims, ir saugokite, kad jis nebūtų pažeistas (karščio, aštrių objektų, aštrių briaunų, alyvos ir t.t.);
7. Laikykite laidą taip, kad pjaunant jo neužkabintų šakos ir kiti objektai.
8. Visada išjunkite maitinimą prieš atjungdami kištuką, laido jungiklį arba ilgintuvą.
9. Išjunkite, ištraukite kištuką iš maitinimo tinklo ir patikrinkite elektros tiekimo laidą, ar jis nėra pažeistas arba susidėvėjęs, prieš suvyniodami laidą saugojimui. Netaisykite pažeisto laido. Pristatykite gaminį į įgaliotą aptarnavimo centrą, kuriame jums pakeis laidą.
10. Ištraukite laidą iš maitinimo tinklo, jei nors trumpam ruošiatės palikti gaminį be priežiūros.
11. Visada rūpestingai suvyniokite laidą, vengdami mazgų.
12. Naudokite tik kintamosios srovės įtampą, nurodytą gaminio techninių duomenų etiketėje.
13. Grandininis pjūklas turi dvigubą izoliaciją pagal EN60745-1 ir EN60745-2-13.
Jokiu būdu negalima įžeminti nė vienos šio produkto dalies.

Laidai

1. Maitinimo laidus ir ilgintuvus galima įsigyti jūsų vietiniame įgaliotame aptarnavimo centre
2. Naudokite tik patvirtintus ilginimo laidus
3. Ilginimo kabeliai ir laidai gali būti naudojami tik, jei jie yra skirti naudoti lauke.
4. Jei naudodami savo gaminį norite naudoti pailginimo kabelį, naudokite tik toliau pateiktų matmenų kabelį.

CSE1835, CSE1935S modeliai:

- 5,0 mm²: maks. ilgis 40 m
- 5,0 mm²: maks. ilgis 60 m
- 8,0 mm²: maks. ilgis 100 m

CSE2040, CSE2040S modeliai:

- 5,0 mm²: maks. ilgis 50 m
- 8,0 mm²: maks. ilgis 90 m

C. APSAUGINĖS ĮRANGOS APRAŠYMAS

JUNGIKLIO BLOKAS

Jūsų prietaise yra įrenginys (**1 pav.**), kurį išjungus, jungiklio nebegalėsite paspausti ir taip bus užkirstas kelias netyčiniam įjungimui.

GRANDINĖS STABDŽIO VEIKIMAS IŠJUNGUS JUNGIKLĮ

Jūsų prietaise yra įrenginys, kuris tuoj pat blokuoja grandinę, kai tik išjungiamas jungiklis; jei šis įrenginys kuriuo nors metu nesuveiks, prietaisu NEBEBUS galima naudotis, jį reikės kuo skubiau nuvežti į įgaliotą aptarnavimo centrą.

PRIEKINĖ RANKŲ APSAUGA/GRANDINĖS STABDŽIŲ RANKENA

Priekinė rankų apsauga (**2 pav.**) yra sukurta tam, kad jūsų kairė ranka nekontaktuotų su grandine (jei prietaisą laikote teisingai ir pagal instrukcijas). Priekinė rankų apsauga taip pat veikia kaip grandinės stabdis, įskaitant įrenginį, kuris blokuoja grandinę mažiau nei per 0,15 sekundės atitranskos atveju. Grandinės stabdis išjungiamas, kai priekinė rankų apsauga pastumiama atgal ir pastatoma į vietą (grandinė gali judėti). Grandinės stabdis įjungiamas, kai priekinė rankų apsauga pastumiama į priekį (grandinė užblokuota). Grandinės stabdis gali būti įjungiamas naudojantis, kairiu riešu pastumiant apsaugą pirmyn arba kai riešas kontaktuoja su priekine rankų apsauga atitranskos metu.

Kai prietaisas naudojamas atraminei plokštei esant horizontalioje padėtyje, pavyzdžiui per medžių nuleidimą, grandinės stabdis teikia mažesnę apsaugą (**3 pav.**).

Pastaba: Kai įjungiamas grandinės stabdis, saugiklis nutraukia srovę varikliui.

⚠ Atleidžiant grandinės stabdį, kol yra laikomas jungiklis, bus įjungtas prietaisas.

GRANDINĖS SUGRIEBIMO ĮTAISAS

Šiame prietaise yra grandinės sugriebimo įtaisas (**4 pav.**), kuris yra po krumpliaračiu. Mechanizmas yra sukurtas tam, kad sustabdytų atbulinį grandinės judėjimą grandinės nutrūkimo ar atsilaisvinimo atvejais. Šių situacijų galima išvengti užtikrinant teisingą grandinės įtempimą (žr. skyrių D "Surinkimas/Išrinkimas").

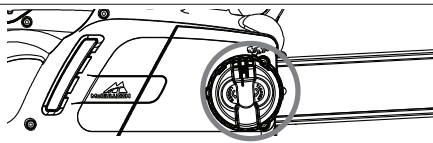
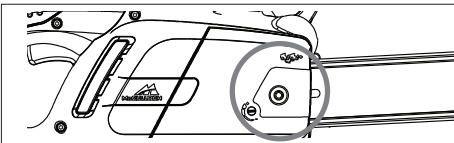
GALINĖ RANKŲ APSAUGA

Jos paskirtis yra apsaugoti (**5 pav.**) ranką grandinės nutrūkimo arba atsilaisvinimo atvejais.

D. SURINKIMAS/ŠRINKIMAS

Atraminės plokštės ir grandinės surinkimas

Surinkimo metodai priklauso nuo jūsų prietaiso tipo, todėl atkreipkite dėmesį į iliustracijas ir prietaiso tipą, nurodytą etiketėje. Būkite labai atidūs surinkdami ir užtikrinkite, kad viskas būtų atlikta teisingai.



1. Patikrinkite, ar grandinių stabdis nėra įjungtas. Jei taip, išjunkite.

2a. Atsukite plokštės tvirtinimo varželę ir nuimkite varančio grandininio rato gaubtą.

2b. Atsukite plokštės tvirtinimo rankenėlę ir nuimkite varančio grandininio rato gaubtą.

3. Uždėkite grandinę ant plokštės pradėdami nuo priekinio grandininio rato, taikydami ant krepiamosios plokštės griovelio. **Dėmesio!** Įsitinkinkite, kad pjaunancio dantuko aštrioji pusė viršutinėje plokštės pusėje būtų nukreipta pirmyn. Dėvėkite pirštines.

4a. Pasirūpinkite, kad grandinės įtempimo kaištis būtų kaip galima toliau nuo varančio grandininio rato. Uždėkite plokštę ant plokštės tvirtinimo varžto, įstatykite grandinės įtempimo kaištį ir uždėkite grandinę ant varančio grandininio rato.

4b. Sukite kiek galima metalinį srieginį krumpliarėtį prieš laikrodžio rodyklę. Uždėkite plokštę ant plokštės tvirtinimo varžto ir grandinę ant varančio grandininio rato.

Uždėkite varančio grandininio rato gaubtą, užtikrindami, kad grandinės varomieji dantukai užsikabintų už varančio grandininio rato ir įlįstų į krepiamosios griovelį.

5a. Prisukite plokštės varželę ranka, kol bus laisvai pritvirtinta.

5b. Prisukite plokštės ratuką, kol bus laisvai pritvirtinta.

6a. Norint įtempti grandinę, sukite grandinės įtempimo varžtą pagal laikrodžio rodyklę, naudojantis pridėtu varžliarakčiu/atsuktuvu. Norint sumažinti tempimą, sukite prieš laikrodžio rodyklę (atliekant šią operaciją, plokštės viršutinę dalį laikykite viršuje).

6b. Norint įtempti grandinę, sukite grandinės įtempimo išorinį ratuką pagal laikrodžio rodyklę. Norint sumažinti tempimą, sukite prieš laikrodžio rodyklę (atliekant šią operaciją, plokštės viršutinę dalį laikykite viršuje).

7. Įtempkite grandinę, kol bus pasiekta teisingas įtempimas. Patraukite grandinę nuo plokštės ir užtikrinkite, kad atsiradęs tarpas būtų maždaug 2-3mm.

8a. Užvėžkite plokštės varželę, naudojantis pridėtu varžliarakčiu/atsuktuvu.

8b. Vėžkite plokštę, kol tvirtai prisiverš

Per smarkiai įtempus grandinę, bus perkrautas variklis ir gali atsirasti gedimų, dėl nepakankamo įtempimo grandinė gali nuslysti nuo bėgių, o kai grandinė yra įtempta teisingai, pjaunant bus pasiekta geriausias rezultatas ir pjūklas tarnaus ilgiau. Įtempimą reikia nuolat tikrinti, nes nuo naudojimo grandinė ilgėja (ypatingai jei ji yra nauja; po pirmojo surinkimo; grandinės įtempimą reikėtų tikrinti po 5 minučių pjovimo). Negalima grandinės tempti vos tik išjungus pjūklą, reikia palaukti, kol ji atvės. Tai atvejais, kai atsipalaidavusią grandinę reikia labiau įtempti, visada pirmiausiai atsukite atraminės plokštės varželę / rankenėlę ir tik po to sureguliuokite grandinės įtempimo varžtą / rankenėlę, sureguliuokite įtempimą ir priveržkite atraminę plokštę su varželę / rankenėlę.

E. PALEIDIMAS IR SUSTABDYMAS

Paleidimas: tvirtai suimkite abi rankenas, atleiskite grandinės stabdžių rankeną, užtikrinant, kad ranka vis dar yra ant priekinės rankenos, paspauskite ir laikykite jungiklio bloką nuspausta, o tada paspauskite jungiklį (dabar jau galima atleisti jungiklio blokavimo mygtuką).

Sustabdymas: prietaisas sustos, kai tik bus išjungtas mygtukas. Prietaiso neišsijungimo atveju, įjunkite grandinės stabdį, išjunkite kabelį iš lizdo ir nuvežkite prietaisą į įgaliotą aptarnavimo centrą.

F. ATRAMINĖS PLOKŠTĖS IR GRANDINĖS SUTEPIMAS

DĖMESIO! Dėl nepakankamo sutepimo gali nutrūkti grandinė ir sukelti rimtus arba net mirtinus sužeidimus.

Plokštės ir grandinės sutepimas atliekamas su automatine pompa.

žr. "Priežiūra" dėl nurodymų apie tai, kaip užtikrinti pakankamą grandinės alyvos paskirstymą.

kad alyva yra tinkama tai temperatūrai, kokioje bus naudojamas įrankis: esant žemesnei negu 0°C temperatūrai, tam tikros alyvos sutirštėja, perkaitindamos pompą ir sukeldamos žalą. Susisiekite su įgaliotu aptarnavimo centru, jei norite pasikonsultuoti dėl alyvos parinkimo.

Grandinės alyvos parinkimas

Visada naudokite tik naują alyvą (specialaus tipo grandinėms) su pakankamu klampumu: alyva turi gerai prikibti ir garantuoti geras takumo savybes ir vasarą, ir žiemą. Jei nėra grandinės alyvos, galima naudoti EP 90 transmisijos alyvą. Niekada nenaudokite alyvos likučių, nes tai žalinga sveikatai, prietaisui ir aplinkai. Užtikrinkite,

Alyvos bako pildymas

Atsukite alyvos bako dangtelį ir užpildykite baką, stengiantis nepapilti alyvos (jei taip atsitiks, atsargiai nuvalykite prietaisą), ir tada vėl tvirtai užsukite dangtelį.

G. PRIEŽIŪRA IR SAUGOJIMAS

Prieš atlikdami bet kokius priežiūros darbus arba valymą, ištraukite kištuką iš maitinimo tinklo.

DĖMĖSIO! Kai darbo vieta yra ypatingai nešvari ar dulkėta, aprašyti operacijos turi būti atliekamos dažniau nei parašyta instrukcijoje.

Prieš kiekvieną naudojimą

Patikrinkite, ar grandinės alyvos pompa veikia teisingai: nukreipkite atraminę plokštę ties švari paviršiumi, maždaug 20cm atstumu; praėjus minutei po prietaiso įjungimo, paviršiuje turėtų būti aiškių alyvos žymių (**1 pav.**)

Patikrinkite, ar nereikia panaudoti per didelės jėgos įjungiant ir išjungiant grandinės stabdį. Taip pat patikrinkite, kad jis nebūtų įjungiamas per daug lengvai, ir kad stabdis nebūtų blokuojamas. Tada patikrinkite grandinės stabdžio funkciją šitokiu būdu: atleiskite grandinės stabdį, teisingai paimkite prietaisą ir jį įjunkite, įjunkite grandinės stabdį, kairiu riešu arba ranka pastumdami pirmyn priekinę rankų apsaugą, bet nenuimdami rankos nuo rankenos (**2 pav.**). Jei grandinės stabdis veikia teisingai, grandinė turi būti tuoj pat sustabdyta.

Patikrinkite, ar grandinė tinkamai pagალsta, ar yra geros būklės ir ar tinkamai įtempta. Jei grandinė yra susidėvėjusi arba jei pjovimo danteliai yra tik 3mm ilgio, grandinę reikia pakeisti (**3 pav.**).

Reguliarie valykite oro angas, kad neperkaistų variklis (**4 pav.**).

Patikrinkite, ar jungiklis ir jungiklio blokas veikia teisingai (tai turi būti atliekama, kai atleistas grandinės stabdis): paspauskite jungiklį bei jungiklio bloką ir pažiūrėkite, ar juos atleidus, jie grįžta į savo padėtį; patikrinkite, ar yra neįmanoma nuspausti jungiklio, nepradėjus veikti jungiklio blokui.

Patikrinkite, ar grandinės sugriebimo įtaisai ir dešinės rankos apsauga yra normalios būklės, be jokių matomų pakenkimų, ar nepažeista jo medžiaga.

Panaudojus 2-3 valandas

Patikrinkite atraminės plokštės būklę, jei reikia, atsargiai išvalykite tepimo angas (**5 pav.**) ir griovelius (**6 pav.**); jei griovelis susidėvėjo arba rodo giluminio įpjovimo ženklus, jį reikia pakeisti. Reguliarie valykite varantį grandininį ratą ir tikrinkite, ar jis nesusidėvėjęs. (**7 pav.**). Patepkite plokštės galiuko krumpliaratį tepalu nuo susidėvėjimo per skylę, parodytą iliustracijoje (**8 pav.**).

H. PJOVIMO BŪDAI

(1 pav.) Naudojantis prietaisu, venkite:

- Pjauti tokiomis sąlygomis, kai kamienas gali perskilti pjovimo metu (jėgos veikiama mediena, sausi negyvi medžiai ir pan.): staigus skilimas gali būti labai pavojingas.

- Atraminės plokštės arba grandinės užblokavimo pjovimo įrangoje: jei taip atsitiktų, išjunkite prietaisą iš elektros šaltinio ir pabandykite pakelti kamieną, naudodami tinkamą įrankį, pvz.: svertą. Nebandykite ištraukti prietaiso kratant arba traukiant, nes tai gali sukelti gedimus ar sužeidimus. Situacijų, kurios gali baigtis atatranks reakcija.

- Prietaisą naudoti aukščiau pečių lygio.

- Medienos pjovimo, naudojant pašalinis objektus, pvz.: vinis.

(1 pav.) Naudojantis prietaisu:

- Pjauant ant nuožulnaus paviršiaus, visada dirbkite aukštesnėje nuožulnumos dalyje, kad išvengtumėte partrenkimo, jei kamienas pradėtų ridentis į pakalnę.

- Kertant medžius, visada užbaikite darbą: nepilnai nupjautas medis gali lūžti ir nukristi.

- Kiekvienos pjovimo operacijos pabaigoje naudotojas

Grandinės galandimas (kai reikia)

Jei grandinė nepajaua teisingai arba jei atraminę plokštę reikia stipriai spausiti prie medžio, ir jei pjūvenos yra labai smulkios - tai rodo, kad grandinė nėra teisingai pagალsta. Jei pjovimo veiksmo metu pjūvenų nėra, tai reiškia, kad pjovimo kraštas visiškai susidėvėjo ir grandinė pjovimo metu trina medieną į dulkes. Gerai pagალsta grandinė be lengvai ir be didelių pastangų eina per medį ir susidaro didelės, ilgos medžio drožlės.

Grandinės pjovimo pusė susideda iš pjovimo grandies (**9 pav.**) su pjovimo danteliu (**10 pav.**) ir pjovimo ribos indikatoriumi (**11 pav.**). Skirtumas tarp šių dviejų dalių nustato pjovimo gylį; reikalingas dides kreiptuvas ir 4mm skersmens apvali dildė, norint gauti geres galandimo rezultatus. Sekite žemiau nurodytoms instrukcijomis: kai grandinė yra įtaisyta, įtempimas tinkamai sureguliuotas ir jungtas grandinės stabdis, įtaisykite dildės kreiptuvą statmenai plokštei, kaip parodyta iliustracijoje (**12 pav.**), užpildant pjovimo dantelius nurodytu kampu (**13 pav.**), visada dirbant iš vidaus į išorę, sumažinant spaudimą grįžimo stadijoje (labai svarbu tiksliai laikytis instrukcijų: per dideli arba nepakankami galandimo kampai ar neteisingas dildės skersmuo padidins atatranks riziką). Norint gauti didesnį tikslumą šoniniuose kampuose, patartina nukreipti dildę taip, kad ji viršytų viršutinį pjautuvą maždaug 0,5mm. Pirmiausiai pagალskite vienos pusės dantelius, tada apverskite prietaisą ir pakartokite operaciją. Užtikrinkite, kad po galandimo operacijų visi danteliai būtų to paties ilgio ir kad gylis indikatoriaus aukštis būtų 0,6 mm žemiau nei viršutinis pjautuvas: aukštį tikrinkite tinkamu šablonu ir nušlifukokite (plokščia dilde) visas išsikišusias dalis, užapvalinant priekinę gylio indikatoriaus dalį (**14 pav.**). Pasirūpinkite, kad nebūtų nušlifutuotas apsaugantis nuo atatranks dantelis (**15 pav.**).

Kas 30 naudojimo valandų

Pristatykite prietaisą į įgaliotą aptarnavimo centrą bendrai apžiūrai ir stabdžių komponentų kontroliniam patikrinimui.

Saugojimas

Saugokite gaminį vėsioje, sausoje, vaikams neprieinamoje vietoje. Nelaikykite lauke.

pastebės, kaip pasikeitė jėga, kurios reikia prietaiso kontroliavimui. Reikia būti labai atidžiam, kad neatsitiktų taip, kad nebegalėtis suvaldyti prietaiso.

Žemiau yra aprašyti du skirtingi pjovimo operacijos tipai:

Pjovimo veiksmas traukiant grandinę (iš viršaus į apačią) (**2 pav.**) gali baigtis pavojingu ir staigiu prietaiso judėjimu link kamieno ir kontrolės praradimu. Jei tik įmanoma, naudokite spygliuotą buferį pjovimo operacijų metu.

Pjovimo veiksmas stumiant grandinę (iš apačios į viršų) (**3 pav.**) gali baigtis pavojingu ir staigiu prietaiso pajudėjimu naudotojo kryptimi, taip gali atsirasti pataikymo į naudotoją rizika arba „atatranks pavojaus zona“ gali susidurti su kamieniu, dėl ko gali įvykti stipri atatranka. Šiuo būdu reikia pjauti labai atsargiai.

Saugiausias prietaiso naudojimo metodas yra uždėti rąstą ant pjovimo ožio ir pjauti iš viršaus į apačią tą rąsto dalį, kuri yra už pjovimo ožio.

Spygliuoto buferio naudojimas

Kai įmanoma, naudokite spygliuotą buferį, norint užtikrinti saugų pjovimo veiksmą: įtaisykite jį medžio žievėje ar kamieno paviršiuje, norėdami išlaikyti didesnę prietaiso kontrolę

Žemiau pateikti tipinių pjovimo procedūrų, kurias reikia taikyti konkrečioms situacijoms, aprašymai. Jos turi būti kaskart įvertinamos, apsaikčiuojant, kuris metodas yra pats tinkamiausias ir galėtų sukelti mažiausią įmanomą riziką.

Kamienas ant žemės. (žemės lietimosi su grandine rizika, kai plokštė pereis per kamieną). **(5 pav.)**

Pjaukite iš viršaus į apačią per visą kamieną. Pjovimo pabaigoje tęskite labai atsargiai, kad grandinė neatsitrenktų į žemę. Jei įmanoma, perpjaukite 2/3 kamieno, apverskite jį ir pjaukite likusį trečdalį iš viršaus į apačią, kad būtų apribota grandinės lietimosi su žeme rizika.

Kamienas paremtas tik iš vienos pusės. (Kamieno lūžimo rizika pjovimo metu). **(6 pav.)**

Pradėkite pjauti iš apačios, maždaug 1/3 skersmens, ir tada toje pačioje vietoje užbaikite pjovimo veiksmą iš viršaus.

Kamienas paremtas iš abiejų pusių. (Grandinės spaudimo rizika). **(7 pav.)**

Pradėkite pjauti iš viršaus, maždaug 1/3 skersmens, ir tada toje pačioje vietoje tęskite iš apačios.

Kamienas gulintis ant šlaito. Visada stovėkite viršutinėje pusėje nuo pjaunamo rąsto. Kai pjaunate per visą kamieną, geriau išlaikysite kontrolę, jeigu prieš galą pjaudami spausite mažiau, tačiau neatpalaiduosite grandininio pjūklų rankenų. Neleiskite grandinei paliesti žemės.

Medžių pjovimas.

DĖMESIO! Niekada nebandykite pjauti medžio, jei neturite reikalingos patirties, ir bet kuriuo atveju niekada nepjaukite medžių, kurių kamienų skersmenys yra didesni nei atraminės plokštės ilgis! Šią operaciją turi atlikti profesionalūs prietaiso naudotojai su tinkama įranga.

Kertant medžius turi būti siekiama, kad medis nuvirstų pačia patogiausia padėtimi, nes taip bus palengvintos šaknų kapojimo ir rąstų pjovimo operacijos. (Venkite medžių užvirtimo ant kitų medžių: tarp kitų medžių įstrigusių medžių nuleidimas yra labai pavojinga operacija).

Pirmiausia nuspręskite, kuria kryptimi medžiui geriausia kristi, įvertinkite: objektus ir kitus augalus aplink medį, nuolydį, kreivę, vėjo kryptį ir didžiausią šakų koncentraciją. Atkreipkite dėmesį į negyvas ar sulūžusias šakas, kurios gali nulūžti nuleidimo metu ir taip sudaryti sąlygas nelaimėi.

DĖMESIO! Medžio kirtimo operacijų metu, esant kritinėms sąlygoms, visada tuoj pat nusiimkite ausų apsaugą po pjovimo operacijų, kad galėtumėte išgirsti neįprastus garsus ir bet kokius įspėjamuosius signalus.

Paruošiamosios pjovimo operacijos ir atsitraukimo kelio nustatymas.

Pašalinkite bet kokias šakas, kurios trukdo darbui **(8 pav.)**, pradėdami iš viršaus į apačią, ir tada, kamienui visada esant tarp naudotojo ir prietaiso, vieną po kitos pašalinkite sunkesnes šakas. Pašalinkite visus augalus, kurie trukdo darbo operacijoms, ir patikrinkite, ar darbo vietoje nėra galimų kliūčių (akmenų, šaknų, griovių ir pan.), planuojant atsitraukimo kelią (kuriuo reikės eiti kritimo metu). Žiūrėkite iliustraciją **(9 pav.)** dėl reikalingų kryptčių išlaikymo (A. Numatyta medžio kritimo kryptis, B. Atsitraukimo kelias, C. Pavojaus zona).

ĮPJOVIMAI KERTANT(10 pav.)

Norint užtikrinti, kad naudotojas galėtų pilnai kontroliuoti krintantį medį, reikia vadovautis šiomis pjovimo instrukcijomis:

įpjovimą, kuris kontroliuoja medžio kritimo kryptį, reikia įpjauti anksčiausiai: pirmiausiai, pjaukite VIRŠUTINĘ kryptinės prapjovos dalį toje pusėje, kurioje medis turi

kristi. Būkite dešinėje medžio pusėje ir pjaukite, naudodamiesi grandinės traukimo metodu; tada pjaukite APATINĘ dalį, kuri turi sutapti su viršutinės dalies pabaiga. Kryptinės prapjovos gylis turi būti 1/4 kamieno skersmens, o kampas tarp viršutinio ir apatinio įpjovimo turi būti mažiausiai 45°. Susikertantis taškas tarp dviejų prapjovos pusių vadinamas "kryptine pjovimo linija". Ši linija turi būti idealiai horizontali, tinkamo kampo (90°) su kritimo kryptimi. Nuleidimo įpjovimas, dėl kurio medis krenta, yra pradėdamas nuo 3cm iki 5cm virš kryptinės nuleidimo prapjovos linijos apatinės dalies, o baigiamas, esant 1/10 skersmens atstumui nuo prapjovos. Būkite kairėje medžio pusėje ir pjaukite, naudodamiesi grandinės traukimo metodu ir spygliuotu buferiu. Patikrinkite, kad medis nejudėtų nenumatyta kryptimi. Kaip galima greičiau įdėkite nuleidimo svertą ar pleišną į įpjovą. Nenujaukite medžio dalis vadinama vyriu, nes ji skirta nukreipti medį jo kritimo metu; esant atvejams, kai įpjovimas yra nepakankamas, nelygus arba kai buvo visai perpjautas kamienas, medžio kritimas negali būti kontroliuojamas (labai pavojinga!). Dėl šios priežasties įvairūs įpjovimai turi būti atliekami labai tiksliai. Užbaigus pjovimo operacijas, medis pradės kristi. Kai reikia, padėkite medžiui kristi, naudodamiesi nuleidimo svertais ar pleištais.

Šakų kapojimas

Kai tik medis nuleidžiamas, kamieną reikia nugenėti - kitaip tarant - nuo kamieno yra pašalinamos šakos. Nenuvertinkite šios operacijos, nes dauguma atatrakos nelaimių įvyksta šioje stadijoje. Dėl šios priežasties stebėkite atraminės plokštės galiuko poziciją per pjovimo operacijas ir visada dirbkite kairėje kamieno pusėje.

I. APLINKOSAUGOS INFORMACIJA


Šiame skyriuje pateikiama naudinga informacija apie ekologinio suderinamumo charakteristikos, įtrauktos į prietaiso konstrukciją, išlaikymą, tinkamą grandinės alyvos naudojimą ir išmetimą.

PRIETAISO NAUDOJIMAS

Alyvos bako pildymo operacijos turi būti vykdomos tokiu būdu, kad alyva neišsilietų ir neužterštų dirvožemio ir aplinkos.

IŠMETIMAS

Neišmeskite prietaiso netinkamai, kai jis nebetinka naudojimui. Pristatykite jį į įgaliotą organizaciją tinkamam išmetimui, griežtai vadovaujantis nuostatomis.

Ant produkto ar ant jo pakuotės esantis simbolis  nurodo, kad šio produkto negalima laikyti namų apyvokos atlieka. Vietoj to, jį reikia perduoti į reikiamą surinkimo tašką elektros ir elektronikos įrangos perdirbimui. Užtikrindami, kad produktas būtų išmestas teisingai, jūs padėsite užkirsti kelią potencialiems neigiamiems padariniams aplinkai ir žmogaus sveikatai, kurie gali būti sukelti netinkamai elgiantis su prietaisu išmetimo metu. Dėl išsamesnės informacijos apie šio produkto išmetimą prašome susisiekti su savo vietiniu informacijos centru, namų atliekų išmetimo tarnyba arba parduotuve, kurioje įsigijote produktą.

J. GEDIMŲ LENTELĖ

	Neužsiveda variklis	Variklis lėtai sukasi arba užgęsta	Prietaisas įsijungia, tačiau nepjauna tinkamai	Variklis sukasi netinkamai arba mažu greičiu	Stabdymo įrengimai nesustabdo grandinės tinkamai
Įsitikinkite, ar įjungtas elektros šaltinis	●				
Įsitikinkite, ar prietaisas tinkamai prijungtas	●				
Įsitikinkite, ar Jūsų aidas/prailginimo laidas nėra pažeistas	●				
Įsitikinkite, ar neįjungtas grandinės stabdis	●				
Patikrinkite, ar grandinė tinkamai surinkta ir įtempta		●	●		
Patikrinkite grandinės sutepimą, kaip nurodyta F ir G skyriuose			●		
Įsitikinkite, ar grandinė aštri			●		
Patikrinkite, ar įjungtas automatinio išjungimo jungiklis	●				
Susisiekite su savo įgaliotu centru	●	●		●	●

K. ATSARGINĖS DALYS

35cm	Grandinė	91PJ052XN	Dalies numeris:	530051538
	Kreipiamoji plokštė		Dalies numeris:	576965401
40cm	Grandinė	91PJ056XN	Dalies numeris:	530051539
	Kreipiamoji plokštė		Dalies numeris:	576965201

L. ET ATITIKIMO DEKLARACIJA

Husqvarna AB, S-561 82, Huskvarna, Sweden

Atsakingai pareiškiamo, kad produktas(-ai);

Paskirtis..... **Chainsaw - Grandininis pjūklas**
 Tipo (-ų) aprašymas..... **CSE1835, CSE1935S, CSE2040, CSE2040S**
 Serijos identifikacija..... **Žiūrėti gaminio klasės etiketę**
 Pagaminimo metai..... **Žiūrėti gaminio klasės etiketę**

Atitinka pagrindinius sekančių ET direktyvų reikalavimus ir nuostatus:

2006/42/EC, 2004/108/EC, 2000/14/EC, 2011/65/EU

remiantis šiais taikomais harmonizuotais ES standartais:

EN60745-1, EN60745-2-13, EN55014-2, EN55014-1, EN61000-3-2, EN61000-3-11

Paskelbtoji įstaiga, kuri vykdė ET tipo tyrimą,

remiantis 8 straipsnio 2c pastraipa..... TÜV Rheinland LGA Products GmbH
 Tillystraße 2
 D-90431 Nürnberg
 Germany
 Sertifikato nr..... BM 50268379

Didžiausias įrenginio A svertinio garso slėgio lygis L_{PA} , išmatuotas pagal EN60745-2-13, yra nurodytas lentelėje.

Didžiausia plaštakos / rankos vibracijos svertinė reikšmė a_{H1} , išmatuota remiantis EN60745-2-13 naudojant minėto produkto (-ų) bandinį, yra nurodyta lentelėje.

Nurodyta vibracijos bendroji reikšmė išmatuota pagal standartinį testavimo metodą ir gali būti naudojama lyginant vieną įrankį su kitu.

Nurodyta vibracijos bendroji reikšmė taip pat gali būti naudojama preliminariai matuoti eksploatacija.

Perspėjimas:

Vibracijos emisija naudojant įrankį gali skirtis nuo nurodytos bendrosios reikšmės priklausomai nuo įrankio naudojimo būdo.

Operatoriai pagal įrankio naudojimo aplinką ir sąlygas (atsižvelgdami į visas operacijos ciklo dalis, įskaitant papildoma laiką be įrankio naudojimo, kai įrankis išjungiamas ir veikia laisvąja eiga) turi identifikuoti reikiamas asmenines apsaugos priemones.

2000/14/EC: Išmatuotos garso galios L_{WA} ir garantuojamos garso galios L_{WA} reikšmės yra pateiktos pagal lentelių skaičius.

Atitikimo įvertinimo procedūra..... Annex V

Ulm 12/02/2013

P. Lamelli

Pasaulinių tyrimų ir vystymo skyriaus direktorius – rankinis

Techninės dokumentacijos savininkas



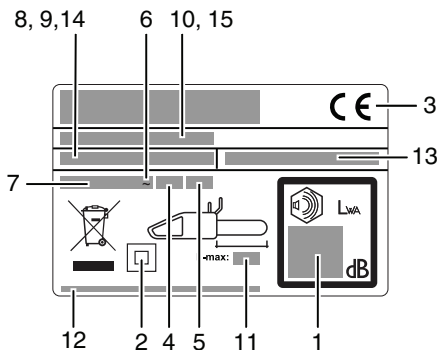

Tipas (CSE_____):	1835	1935S	2040	2040S
Sausas svoris(Kg)	4.3	4.5	4.4	4.6
Galingumas(kW)	1.8	1.9	2.0	2.0
Alyvos bako tūris (cm ³)	240	240	240	240
Maksimalus kreipiamosios plokštės ilgis	35	35	40	40
Grandinės žingsnis (mm)	9.52	9.52	9.52	9.52
Grandinės indikatorius (mm)	1.3	1.3	1.3	1.3
Išmatuota garso galia L_{WA} (dB(A))	106	106	106	106
Garantuota garso galia L_{WA} (dB(A))	110	110	110	110
Garso slėgis L_{PA} (dB(A))	95	95	95	95
Netikrumas K_{NA} (dB(A))	2.5	2.5	2.5	2.5
Vibracija, tenkanti plaštakai / rankai a_{H1} (m/s ²)	7.28	7.28	8.08	8.08
Neapibrėžtis K_{ah} (m/s ²)	1.5	1.5	1.5	1.5
Elektros tinklo pilnutinė varža Z_{max} (Ω)	0.382	0.382	0.382	0.382

EN 61000-3-11 atitikties patvirtinimas

Priklausomai nuo vietos elektros tinklo parametų, naudojant šį gaminį galimi trumpi įtampos kritimai įjungimo momentu. Tai gali turėti įtakos kitai elektrinei įrangai, pvz., tuo metu gali prigesti lempa. Jei elektros tinklo **pilnutinė varža (Z_{max})** yra mažesnė už lentelėje nurodytą reikšmę (skirtą jūsų modeliui), šio poveikio nepajusite. Elektros tinklo pilnutinę varžą galite sužinoti elektros energiją tiekiančioje įmonėje.

А. ОБЩЕЕ ОПИСАНИЕ

- | | |
|--|---|
| <ol style="list-style-type: none"> 1) Задняя рукоятка 2) Задняя защита руки 3) Передняя рукоятка 4) Передняя защита руки/тормоз цепи 5) Внешняя рукоятка устройства для натяжения цепи 6) Болт устройства для натяжения цепи 7) Штырь натяжения цепи 8) Пробка бака масла 9) Окно контроля уровня масла 10) Отверстия для вентиляции 11) Кабель 12) Ручной 13) Выключатель 14) Блокировка выключателя 15) Цепь 16) Зубец привода 17) Звено резки 18) Ограничитель глубины реза 19) Зубец реза 20) Шина 21) Крышка ведущей звездочки | <ol style="list-style-type: none"> 22) Ведущая звездочка 23) Штырь остановки цепи 24) Винт фиксации ножа 25) Внутренняя рукоятка, фиксирующая пильную шину 26) Гайка, фиксирующая пильную шину 27) Колесико наконечника 28) Защитный чехол шины 29) Крюк 30) Гнездо штыря натяжения цепи 31) Отверстие смазки 32) Направляющий желоб шины 33) Гаечный ключ/отвертка |
|--|---|



Пример этикетки

- 1) Гарантированная акустическая мощность согласно директиве 2000/14/ЕС
- 2) Изделие класса II
- 3) Маркировка соответствия ЕС
- 4) Номинальная частота
- 5) Номинальная мощность
- 6) Переменный ток
- 7) Номинальное напряжение
- 8) Тип
- 9) Код изделия
- 10) Год изготовления
- 11) Максимально допустимая длина шины
- 12) Название и адрес производителя
- 13) № артикул (Электрическая цепная пила)
- 14) Модель
- 15) № серии

В. МЕРЫ ПРЕДОСТОРОЖНОСТИ

ЗНАЧЕНИЕ СИМВОЛОВ

	Внимание Внимательно прочитать руководство		Направление зубца резки
	Защитные сапоги		Всегда использовать две руки
	Каска, наушники и защитные очки или лицевой щиток		Опасность обратного удара
	Перчатки, защищающие от порезов		Не оставлять под дождем или во влажной среде
	Длинные брюки, защищающие от порезов		Масло цепи
	Тормоз деактивирован, активирован		Не делать...
	Немедленно отсоедините штекер от сети при повреждении или обрезке кабеля		Выключить машину
	Радиус рабочей зоны		Отсоединяйте штекер от сети при регулировках или чистке
			Риск поражения электрическим током

Основные меры предосторожности при пользовании электроинструментом

⚠ ПРЕДУПРЕЖДЕНИЕ: Прочитайте все меры предосторожности и все инструкции.

Несоблюдение мер предосторожности и инструкций может иметь следствием поражение электрическим током, пожар и/или серьезное ранение.

Сохраните все предупреждения и инструкции для дальнейшего использования.

Термин "электроинструмент" в мерах предосторожности относится к инструментам с питанием от электрической сети (через провод) или к инструментам с питанием от батарей (беспроводным).

- 1) Меры предосторожности на месте работы
- a) Поддерживайте место работы в чистоте и хорошо освещенным. На загроможденных или неосвещенных участках часто случаются несчастные случаи.
- b) Не пользуйтесь электроинструментом во взрывоопасной атмосфере, такой как в присутствии легковоспламеняющихся жидкостей, газов или пыли. Электроинструмент производит искры, которые могут воспламенить пыль или испарения.
- c) Не позволяйте детям и посторонним людям приближаться к Вам, когда Вы работаете с электроинструментом. Отвлечение внимания может вызвать потерю контроля над инструментом.

2) Меры предосторожности при работе с электричеством

- a) Штепсели электроинструментов должны подходить к розеткам электрической сети. Никогда и никоим образом не переделывайте штепсель. Не используйте никаких переходников для подсоединения заземленных электроинструментов к розетке электрической сети. Неизменные штепсели и подходящие розетки уменьшают риск поражения электрическим током.
- b) Избегайте соприкосновения с заземленными поверхностями, такими как трубопроводы, радиаторы, электроплиты или холодильники. Существует повышенный риск поражения электрическим током, если Ваше тело заземлено.
- c) Не подвергайте электроинструмент воздействию дождя или влажных условий. Вода, попавшая в электроинструмент, увеличит риск поражения электрическим током.
- d) Не подвергайте провод неправильному обращению. Никогда не используйте провод электроинструмента для переноски, волочения или вытаскивания штепселя из розетки электрической сети. Держите провод в стороне от нагреваемых поверхностей, масла, острых краев или движущихся частей машин. Поврежденные или спутанные провода увеличивают риск поражения электрическим током.

- e) При работе с электроинструментом вне помещений используйте удлинитель, подходящий для применения на открытом воздухе. *Использование провода, подходящего для применения на открытом воздухе, уменьшает риск поражения электрическим током.*
- f) Если работа с электроинструментом в сыром месте является неизбежной, используйте источник питания с устройством защиты от токов замыкания на землю. *Использование устройства защиты от токов замыкания на землю уменьшает риск поражения электрическим током.*
- 3) **Личная безопасность**
- a) При работе с электроинструментом будьте бдительны, смотрите, что Вы делаете и используйте здравый смысл. Не пользуйтесь электроинструментом, когда Вы устали или находитесь под воздействием наркотиков, алкоголя или лекарств. Момент невнимания при работе с электроинструментом может привести к серьезному ранению.
- b) Используйте средства личной защиты. Всегда одевайте защитные очки. Средства защиты, такие как противопылевой респиратор, несвязывающие защитные ботинки, каска или слухозащитные приспособления, используемые в соответствующих условиях, уменьшат риск ранения.
- c) Предотвращайте непреднамеренный запуск. Убедитесь, что переключатель находится в выключенном положении перед тем, как подсоединить инструмент к источнику электропитания и/или к аккумуляторной батарее, а также при поднятии или переносе инструмента. *Переноска электроинструмента с пальцем на переключателе или источника питания во включенном состоянии может послужить причиной несчастного случая.*
- d) Уберите любой регулировочный клин или гаечный ключ перед тем, как включить электроинструмент. *Гаечный ключ или клин, подсоединенный к вращающейся части электроинструмента может послужить причиной ранения.*
- e) Не тянитесь далеко. Всегда сохраняйте равновесие и устойчивость. Это позволит Вам сохранить лучший контроль над электроинструментом в неожиданных ситуациях.
- f) Одевайтесь должным образом. Не носите одежду свободного покроя или ювелирные украшения. Держите волосы, одежду и перчатки в стороне от движущихся частей. *Пространная одежда, ювелирные украшения или длинные волосы могут быть захвачены движущимися частями.*
- g) Если имеются подсоединяемые устройства для удаления и сбора пыли, убедитесь, чтобы они были подсоединены и правильно использовались. *Использование пылесборника может уменьшить опасности, связанные с пылью.*
- 4) **Использование электроинструмента и уход за ним**
- a) Не форсируйте работу электроинструмента. Используйте для работы правильный электроинструмент. *Правильный электроинструмент сделает работу лучше и безопаснее на той скорости, для которой он предназначен.*
- b) Не пользуйтесь электроинструментом, если переключатель не включает и не выключает его. Любая электроинструмент, который не контролируется переключателем, является опасным и должен быть отремонтирован.
- c) Отсоедините штепсель от источника электропитания и/или аккумуляторную батарею от электроинструмента перед тем, как делать какие-либо регулировки, менять насадки или перед укладкой электроинструмента на хранение. *Такие профилактические меры безопасности уменьшат риск случайного запуска электроинструмента.*
- d) Храните неиспользуемый электроинструмент вне досягаемости детей и не позволяйте людям, не умеющим обращаться с электроинструментом или не ознакомившимся с этими инструкциями, работать с электроинструментом. *Электроинструмент является опасным в руках неопытных пользователей.*
- e) Содержите электроинструмент в исправности. Проверяйте движущиеся части на регулировку или заедание, проверяйте, нет ли сломанных частей, а также на любое другое состояние, которое может повлиять на работу электроинструмента. Если электроинструмент сломается, отремонтируйте его перед тем, как использовать. *Много несчастных случаев происходит из-за плохого ухода за электроинструментом.*
- f) Поддерживайте режущие инструменты острыми и чистыми. Режущие инструменты, поддерживаемые в исправности и с острыми режущими кромками, менее подвержены заеданию и легче контролируются.
- g) Пользуйтесь электроинструментом, насадками, вставными резаками и т.п. согласно этим инструкциям, принимая во внимание условия работы и ту работу, которая должна быть проделана. *Использование электроинструмента для целей, отличных от тех, для которых он предназначен, может послужить причиной возникновения опасной ситуации.*
5. **Техническое обслуживание**
- a) Техническое обслуживание Вашего электроинструмента должно проводиться квалифицированным ремонтным персоналом, использующим только идентичные запасные части. Это обеспечит поддержание безопасности электроинструмента.
- Правила безопасного использования цепной пилы
- Старайтесь держать части тела как можно дальше от работающей пилы. Перед включением пилы убедитесь, что цепь ни с чем не соприкасается. *Невнимательность во время использования цепной пилы может привести к затягиванию пилой одежды или серьезным травмам.*
 - Всегда удерживайте заднюю ручку пилы правой рукой, а переднюю ручку левой. *Обратное положение рук при удержании цепной пилы повышает опасность травм и категорически не должно применяться.*
 - Держите инструмент только за изолированные поверхности, так как пильная цепь может прийти в соприкосновение со скрытой проводкой или собственным шнуром. *При соприкосновении пильной цепи с проводом, который находится под напряжением, неизолированные металлические части инструмента могут также оказаться под напряжением, и есть опасность, что оператор получит удар электрическим током.*
 - Используйте защитные очки и средства защиты органов слуха. Кроме того, рекомендуется использовать защитную экипировку для головы, рук, ног и ступней. *Отвечающая требованиям защитная одежда снижает риск ранения отлетевшими щепками или случайный контакт с цепью.*
 - Не работайте с пилой на дереве. *Работа с пилой на дереве может стать причиной несчастных случаев.*
 - Всегда сохраняйте надежную опору и запускайте цепную пилу, только когда стоите на неподвижной, безопасной и ровной поверхности. *Скользкие или неустойчивые поверхности, такие как лестница, могут вызвать потерю равновесия или контроля над цепной пилой.*

- Обрезая ветку, находящуюся под нагрузкой, будьте готовы к ее освобождению. Когда исчезает напряжение древесных волокон, спружинившая ветка может ударить работника и/или вызвать потерю контроля над цепной пилой.
- Нустарник и молодые деревья обрезайте с особой осторожностью. Гибкая древесина может зажать цепь пилы, ударить в сторону работника или лишить его равновесия.
- Переносите выключенную пилу за переднюю ручку, держа ее как можно дальше от тела. При транспортировке или хранении всегда используйте защитный чехол шины. Правильное обращение с пилой снижает риск случайного контакта с подвижной цепью.
- Смазывайте и натягивайте цепь, а также заменяйте компоненты пилы как указано в руководстве. Плохо натянута или смазанная цепь грозит повреждением или отбросом пилы.
- Следите за тем, чтобы ручки пилы были всегда сухими, чистыми и незасмазанными. Засмазанные ручки являются скользкими, что может вызвать потерю контроля над пилой.
- Используйте пилу только для работы с древесной. Не используйте пилу для целей, не предусмотренных в данном руководстве. Например, не используйте цепную пилу для резки пластика, кирпичной кладки или недревесных строительных материалов. Использование пилы для целей, отличных от тех, для которых она предназначена, может стать причиной опасной ситуации.

Причины отброса пилы и действия по их предотвращению.

- Отброс пилы происходит, когда верхняя часть шины соприкасается с каким-либо предметом (рис. Б3) или когда пила застревает в древесине. В некоторых случаях контакт концевой части с объектом может стать причиной внезапной реверсивной реакции, которая отбрасывает шину в направлении работника.
- При защемлении верхней части шины она также с силой отбрасывается назад в направлении работника. В каждом из указанных случаев можно потерять контроль над пилой и получить травму. Не полагайтесь исключительно на предохраняющие устройства пилы. Работающий с цепной пилой должен всегда принимать необходимые меры предосторожности во избежание травм и несчастных случаев.
- Отброс пилы возможен в результате ненадлежащего и/или неправильного использования инструмента или при определенных условиях и может быть предотвращен при соблюдении соответствующих мер предосторожности, описанных ниже.
- **Сохраняйте жесткий захват, удерживая ручки цепной пилы обеими руками; положение тела и рук позволит противодействовать силе отброса.** Сила отброса может контролироваться работником при соблюдении мер предосторожности. Не выпускайте пилу из рук.
 - **Не производите резку выше уровня плеч.** Выполнение данного требования помогает предотвратить произвольный контакт концевой части шины с объектом и способствует большему контролю над цепной пилой в непредвиденных ситуациях.
 - **При замене используйте только указанные изготовителем шины и цепи.** неподходящие сменные цепи и шины могут привести к поломке цепи и/или отбросу пилы.
 - **Производите технический уход и заточку пилы согласно инструкции изготовителя.** Износ ограничителя глубины пропила может привести к усилению отброса пилы.

Дополнительные рекомендации по безопасности

1. **Пользуйтесь руководством.** Любой работник, пользующийся этим инструментом, обязан предельно внимательно ознакомиться с руководством пользователя. Руководство должно входить в комплект как в случае продажи пилы, так и при сдаче ее в арендное пользование.
2. **Меры предосторожности перед применением инструмента.** Ни в коем случае не позволяйте пользоваться инструментом лицам, не ознакомившимся с руководством пользователя. Лица без опыта работы должны пройти этап подготовки, управляя пилой с обязательным применением козел.
3. **Контрольная проверка.** Каждый раз перед использованием тщательно проверяйте инструмент, в особенности если он использовался на протяжении длительного времени или если наблюдаются признаки неисправности. Перед использованием выполните все действия, описанные в разделе «Техническое обслуживание и хранение».
4. **Ремонт и техническое обслуживание.** Все компоненты инструмента, которые могут заменяться самостоятельно, детально описаны в разделе «Установка/Демонтаж». Все остальные компоненты изделия при необходимости заменяются только в официальном сервисном центре.
5. **Спецодежда. (Рис. В1)** В комплект спецодежды для работы с цепной пилой входят: защитная облегчающая одежда, безопасная обувь на нескользящей подошве, ударопрочные и противополезные щитки на мыске ботинка, непрорезаемые антивибрационные перчатки, защитные очки или безопасная маска, средства защиты органов слуха и защитная каска (при опасности падения объектов). Доступны в магазинах спецодежды.
6. **Вредные условия эксплуатации. Вибрация и уровень шума.** Осведомитесь об ограничениях шума в зоне использования изделия. Длительное использование инструмента подвергает работника вибрациям, которые могут способствовать возникновению «синдрома белых пальцев» (феномен Рейно, туннельного синдрома запястья и других подобных нарушений).
7. **Вредные условия эксплуатации. Химические вещества.** Используйте масло, рекомендованное изготовителем.
8. **Вредные условия эксплуатации. Высокая температура.** Во время использования ведущая звездочка и цепь существенно нагреваются. Избегайте контакта с ними.
9. **ПРЕДУПРЕЖДЕНИЕ!** Этот инструмент создает электромагнитное поле во время работы. Это поле может при некоторых условиях влиять на работу активных или пассивных медицинских имплантатов. Для того, чтобы уменьшить риск серьезной или смертельной травмы, мы рекомендуем лицам с медицинскими имплантатами проконсультироваться с их лечащим врачом и производителем медицинского имплантата перед тем, как работать с этим инструментом.

Правила техники безопасности при хранении и транспортировке. (Рис. В2) При переносе пилы на новое рабочее место необходимо отсоединить сетевой штекер и активировать рычаг цепного тормоза. Перед транспортировкой или хранением наденьте на шину защитный кожух. Переносить пилу следует за ручку, направив шину назад, а при транспортировке на автомобиле надежно закрепить, чтобы предотвратить повреждение.

Отброс. (Рис. В3) Отброс — это резкое реверсивное движение пилы в сторону работающего. Как правило, он случается, если верхняя часть переднего конца шины (называемая «зоной возникновения

отброса", на рисунке отмечена красным цветом) соприкоснулась с каким-либо предметом, либо в случае застревания пилы в стволе дерева. При возникновении отброса пила становится неуправляемой, что может привести к получению травмы или даже к смертельному исходу. Рычаг цепного тормоза и другие предохраняющие устройства не могут в полной мере защитить работающих от травм: работник должен знать, при каких условиях возникает отброс, и исключать его появление, опираясь на опыт и соблюдая все правила надлежащего обращения с электрической пилой (например, ни в коем случае не обрезать несколько веток сразу, так как это может привести к случайному воздействию на "зону возникновения отброса").

Безопасность на рабочем месте

1. Ни в коем случае не позволяйте пользоваться электрической пилой детям или взрослым, не умеющим с ней обращаться. Местное законодательство может ограничивать возраст работника.
2. Используйте пилу согласно правилам эксплуатации и только для целей, описанных в данном руководстве.
3. Внимательно осмотрите рабочее место для определения возможных источников опасности (например, дороги, тропинки, линии электропередач, опасные деревья и др.).
4. Не допускайте посторонних лиц и животных в рабочую зону (при необходимости оградите ее и установите предупреждающие знаки) в радиусе не менее 2,5 метров х на высоту дерева; минимальный радиус рабочей зоны должен быть не меньше десяти метров.
5. Работник несет ответственность за возникновение несчастных случаев с окружающими или за возможный ущерб чужой собственности.

Электробезопасность

1. Рекомендуется использовать устройство защитного отключения (УЗО) с номинальным током не более 30 миллиампер. Однако даже УЗО не может гарантировать 100% безопасность, поэтому во время работы следует соблюдать необходимые меры предосторожности. Проверьте исправность УЗО перед использованием.
2. Перед началом работы осмотрите кабель. При обнаружении признаков повреждения или износа кабель следует заменить.
3. Не используйте электропилу, если ее кабель поврежден или изношен.
4. Немедленно отсоедините сетевой штекер при обрезке кабеля или повреждении его изоляции. Не прикасайтесь к кабелю до отключения источника электропитания. Не пытайтесь починить надрезанный или поврежденный

кабель. Для замены кабеля обратитесь в официальный сервисный центр.

5. Ваш электрический кабель должен быть развернут. Свернутые кабели могут перегреться и уменьшить эффективность работы Вашего триммера.
6. Постоянно следите, чтобы кабель и кабельный удлинитель находились при работе сзади, не создавая источников опасности для работника и окружающих. Убедитесь, что ничто не может повредить кабель (источник огня, острые предметы и крошки, масло и др.).
7. Располагайте кабель так, чтобы он не цеплялся за сучья во время реза.
8. Всегда отключайте сеть питания перед отсоединением штепселей, кабельной муфты или кабельного удлинителя.
9. Отключите питание, отсоедините сетевой штекер и проверьте кабель на предмет повреждений или износа **перед** тем как сматывать для хранения. Не пытайтесь починить поврежденный кабель. Для замены кабеля обратитесь в официальный сервисный центр.
10. Отсоединяйте сетевой штекер сразу после завершения работы с электропилой.
11. Аккуратно сматывайте кабель и следите, чтобы не образовывались петли.
12. Используйте только питание от сети переменного тока, указанное на паспортной табличке.
13. Электропила имеет двойную изоляцию согласно стандартам 60745-1 и 60745-2-13 Европейского комитета электротехнической стандартизации. Ни при каких обстоятельствах никакие части изделия не должны заземляться.

Кабели

1. Приобретайте кабели и удлинители электропитания в официальных сервисных центрах.
2. Используйте только сертифицированные кабельные удлинители.
3. Кабели и удлинители должны предназначаться для работы вне помещения.
4. Если при работе с изделием Вы хотите использовать кабельный удлинитель, то должны быть использованы только кабели следующих размеров:

Модели CSE1835, CSE1935S:

- 1,0 м² : максимальная длина 40 метров
- 1,5 м² : максимальная длина 60 метров
- 2,5 м² : максимальная длина 100 метров

Модели CSE2040, CSE2040S:

- 1,5 м² : максимальная длина 50 метров
- 2,5 м² : максимальная длина 90 метров

С. ОПИСАНИЕ ОБОРУДОВАНИЯ ДЛЯ БЕЗОПАСНОСТИ

БЛОКИРОВКА ВЫКЛЮЧАТЕЛЯ

На Вашей машине установлено данное устройство (рис. 1) которое, если не включено, препятствует нажатию на выключатель, для предотвращения случайного включения.

ТОРМОЗ ЦЕПИ ПРИ ОТПУСКАНИИ ВЫКЛЮЧАТЕЛЯ

Ваша машина оснащена устройством, которое немедленно блокирует цепь при отпускании выключателя; в том случае, если оно не работает, не используйте машину, анесите ее в уполномоченный Центр техпомощи.

ТОРМОЗ ЦЕПИ / ПЕРЕДНЯЯ ЗАЩИТА РУКИ

Передняя защита руки (рис. 2) (при условии, что машина удерживается правильно) служит для того, чтобы Ваша левая рука не могла войти в контакт с цепью. Передняя защита руки также приводит в действие тормоз цепи, устройство разработано для блокировки цепи за несколько миллисекунд в случае

обратного удара реакции. Тормоз цепи не включен, когда передняя защита руки натянута назад и заблокирована (цепь может двигаться). Тормоз цепи включен, когда передняя защита руки отведена вперед (цепь заблокирована). Цепной тормоз может быть приведен в действие с помощью толчка вперед левым запястьем, или когда запястье входит в контакт с передним предохранителем руки вследствие отдачи. Когда изделие используется с пильной шиной в горизонтальном положении, например, во время спиливания дерева, цепной тормоз предоставляет меньшую защиту (Рис.3)

ПРИМЕЧАНИЕ: Когда тормоз цепи включается, предохранительный выключатель отключает ток от двигателя.

Высвобождение цепного тормоза в то время, когда нажат выключатель, приведет пилу в действие.



ШТЫРЬ ОСТАНОВКИ ЦЕПИ

Это изделие оборудовано ограничителем хода цепи (**рис.4**), расположенным под звездочкой. Этот механизм предназначен для остановки движения цепи в обратном направлении в случае её поломки или смещения.

Этих ситуаций можно избежать, обеспечив правильное натяжение цепи (См. главу "D. Сборка/разборка").

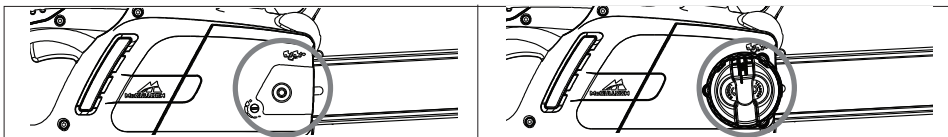
ЗАДНЯЯ ЗАЩИТА ПРАВОЙ РУКИ

Служит для защиты (**рис. 5**) руки в случае отбрасывания или разрыва цепи.

D. МОНТАЖ / ДЕМОНТАЖ

МОНТАЖ НОЖА И ЦЕПИ

В зависимости от модели Вашей машины порядок монтажа меняется, поэтому необходимо руководствоваться рисунками, а также типом, указанным на этикетке изделия), обращать повышенное внимание на правильное выполнение монтажа.



1. Проверить, что тормоз цепи не включен, в противном случае, отключить его.

2а. Отвинтите гайку шины и снимите крышку ведущей звездочки.

2б. Открутите круглую ручку шины и снимите крышку ведущей звездочки.

3. Удерживая цепь на носовом конце шины, наденьте ее, устанавливая в желоб направляющей шины. **Внимание!** Убедитесь, что режущие зубья цепи на верхней части шины направлены вперед. Работать всегда необходимо в защитных перчатках.

4а. Убедитесь, что штифт натяжного устройства цепи находится как можно дальше от ведущей звездочки. Установите шину на винт крепления и на штифт натяжного устройства и наденьте цепь на ведущую звездочку.

4б. Закрутите металлическое колесико против часовой стрелки как можно сильнее. Установите шину на винт крепления и наденьте цепь на ведущую звездочку.

Установите на место крышку ведущей звездочки, убедившись, что ведущие зубья цепи находятся в зацеплении с ведущей звездочкой и попадают в направляющий желоб.

5а. Затягивайте ручку гайку, фиксирующую пыльную шину, пока она не будет затянута не слишком туго.

5б. Затягивайте рукоятку, фиксирующую пыльную шину, пока она не будет затянута не слишком туго.

6а. Для того, чтобы натянуть цепь, поворачивайте болт устройства натяжения цепи по часовой стрелке, используя поставляемый гаечный ключ/отвертку. Для того, чтобы уменьшить натяжение, поворачивайте болт против часовой стрелки (при выполнении этой операции держите нос пыльной шины направленным вверх).

6б. Для того, чтобы натянуть цепь, поворачивайте внешнюю рукоятку устройства натяжения цепи по часовой стрелке. Для того, чтобы уменьшить натяжение, поворачивайте рукоятку против часовой стрелки (при выполнении этой операции держите нос пыльной шины направленным вверх).

7. Натягивайте цепь до тех пор, пока натяжение не будет правильным. Оттяните цепь от пилы и убедитесь, что зазор составляет примерно 2-3 мм.

8а. Затяните гайку, фиксирующую пыльную шину, используя поставляемый гаечный ключ/отвертку.

8б. Закрепляйте пыльную шину, пока она не будет надежно зафиксирована.

При избыточном натяжении цепи может происходить слишком сильная нагрузка на двигатель, приводящая к его повреждению, при недостаточном натяжении может произойти ее отсоединение. Правильно натянута цепь улучшает характеристики резки и удлиняет срок ее службы. Часто проверять натяжение цепи, поскольку ее длина вытягивается при использовании (особенно, если цепь новая, при первом монтаже повторно проверьте натяжение через 5 минут после начала работы); в любом случае, не натягивайте цепь сразу после использования, а подождите, пока она остынет. Если необходимо отрегулировать натяжение цепи, следует всегда ослабить гайки/рукоятку фиксации ножа перед тем, как воздействовать на винт/рукоятку натяжения цепи; правильно натянуть ее и повторно затянуть гайки/рукоятку фиксации ножа.

E. ПУСК И ОСТАНОВ

Запуск: крепко держа обе рукоятки, высвободите рычаг цепного тормоза; в то же время убедившись, что рука все еще находится на передней рукоятке, нажмите и держите нажатым блок выключателя, затем нажмите на выключатель (в этот момент блок выключателя может быть отпущен).

Останов: машина останавливается, когда Вы отпускаете выключатель. В том случае, если машина не остановилась, включите тормоз цепи, отсоедините кабель от сети и отнесите ее в уполномоченный Центр техпомощи.

F. СМАЗКА НОЖА И ЦЕПИ

ВНИМАНИЕ! Недостаточная смазки приспособлений резки приводит к разрыву цепи, с риском серьезных несчастных случаев, в том числе смертельных.

Смазка ножа и цепи обеспечивается автоматическим насосом

Как указано в "Техобслуживании", что масло цепи подается в достаточном количестве.

Выбор масла цепи

Использовать исключительно новое масло (специального типа для цепей) с хорошей вязкостью: оно должно иметь хорошее прилегание и обеспечивать требуемые характеристики скольжения, как летом, так и зимой. Там, где отсутствует возможность приобретения масел для цепи, использовать масла для трансмиссии EP 90.

Никогда не использовать отработанные масла, поскольку они вредны для Вас, для машины и для окружающей среды. Проверьте, что масло подходит для температуры окружающей среды в месте работы: при температурах ниже 0°C некоторые масла становятся более вязкими, избыточно нагружая насос и приводя к его повреждению. Для выбора наиболее подходящего масла обращайтесь в уполномоченный Центр техпомощи.

Заправка маслом

Отвинтить пробку резервуара масла, наполнить резервуар так, чтобы масло не вышло наружу (если это произойдет, тщательно очистить мотопилу) и хорошо закрыть пробку.

G. ТЕХНИЧЕСКОЕ ОБСЛУЖИВАНИЕ И ХРАНЕНИЕ

Прежде чем приступать к любому виду технического ухода и чистки, отсоедините штекер от сети питания.

ВНИМАНИЕ! При работе в особенно сильно загрязненной или пыльной среде, описанные операции должны выполняться с большей частотой, по сравнению с указанной.

Перед каждым использованием

Проверить, что насос масла цепи работает правильно: направьте нож по направлению к светлой поверхности, на расстоянии около двадцати сантиметров; спустя минуту работы машины на поверхности должны появиться явные следы масла (**рис. 1**). Проверить, что для включения и выключения тормоза цепи не требуется избыточное усилие, недостаточное усилие и что он не заблокирован. Затем необходимо проверить работу, как указано: отключите тормоз цепи, правильно возьмитесь за рукоятку машины и приведите ее в действие, включите тормоз цепи, толкнув переднюю защиту руки запястьем/левой рукой, не отпуская при этом рукоятки (**рис. 2**). Если тормоз цепи работает, цепь должна быть немедленно заблокирована. Проверить, что цепь заточена, в хорошем состоянии и правильно натянута, в том случае, если она изношена неравномерно или имеет зубец резки размером всего 3 мм, ее следует заменить (**рис. 3**).

Регулярно производить очистку вентиляционных прорезей, чтобы избежать перегрева двигателя. (**рис. 4**)

Проверить работу выключателя и блокировки выключателя (необходимо выполнять при отключенном тормозе цепи): включить выключатель и блокировку выключателя и проверить, что они возвращаются в положение покоя, как только их отпускают; проверить, что без включения блокировки выключателя, невозможно включить выключатель.

Проверить, что штырь остановки цепи и защита правой руки сохранили целостность и не имеют явных повреждений, то есть повреждений материала.

Каждые 2-3 часа работы

Проверить нож, если необходимо, тщательно очистить отверстия смазки (**рис. 5**) и направляющий желоб (**рис. 6**), в том случае, если он изношен или имеет избыточные желоба, заменить его. Регулярно выполняйте чистку ведущей звездочки и проверяйте степень ее износа. (**рис. 7**). Смазать колесико ножа консистентной смазкой для подшипников, через указанное отверстие (**рис. 8**).

Затачивание цепи (когда требуется)

Если цепь не режет, не нажав ножом на дерево и образуется очень тонкая стружка, это является признаком того, что она плохо заточена. Если при резке не образуется стружка, цепь полностью затупилась и во время резки измельчает дерево в пыль. Хорошо заточенная цепь сама продвигается вперед в дереве и образует крупную и длинную стружку.

Режущая часть цепи состоит из звена резки (**рис. 9**), с зубцом резки (**рис. 10**) и ограничителем резки (**рис. 11**). Разница уровней между этими элементами определяет глубину реза; для того, чтобы достигнуть хорошего затачивания, необходима направляющая напильника и круглый напильник диаметром 4 мм. Следовать приведенным далее инструкциям: при надетой и правильно натянутой цепи установите тормоз цепи, установите направляющую напильника, как показано на рисунке, перпендикулярно ношу (**рис. 12**), и работайте на зубце резки под углом, указанным на рисунке (**рис. 13**), производя заточку по направлению от внутренней стороны к внешней стороне и ослабляя давление на этапе возврата (очень важно выполнять инструкции: избыточные, недостаточные углы затачивания или ошибочный диаметр напильника повышают риск обратного удара реакции). Для того, чтобы блокочные углы были более точными, рекомендуется установить напильник так, чтобы он превышал по вертикали верхнюю режущую часть приблизительно на 0,5 мм. Сначала следует заточить все зубцы одной стороны, затем повернуть пилу и повторить операцию. Проверьте, что после затачивания все зубцы имеют одинаковую длину и что высота ограничителей глубины равна 0,6 мм ниже верхней режущей части: проверить высоту, используя шаблон и напильники (при помощи плоского напильника), выступающей части, затем закруглить переднюю часть ограничителя глубины (**рис. 14**), обращая внимание на то, чтобы НЕ стачивать также зубец защиты от обратного удара (**рис. 15**).

Каждые 30 часов работы

Относить машину в уполномоченный Центр техпомощи для общей переборки и контроля устройств торможения.

Хранение

Храните устройство в прохладном, сухом, недоступном для детей месте. Хранение на открытом воздухе противопоказано.

Н. ТЕХНИКИ СПИЛИВАНИЯ

Во время работы следует избегать: (рис. 1)

- Пилить ствол в таких ситуациях, когда он может сломаться во время резки (дерево в натяжении, сухие деревья, и т. д.): неожиданный перелом может быть очень опасен.

- Застывания ножа или цепи во время резки: если это произойдет, отсоединить машину от сети питания и постараться поднять ствол, прилагая усилие при помощи подходящего инструмента; не старайтесь освободить машину, трясая ее или потянув, поскольку Вы можете повредить машину или нанести себе травмы.

- Ситуаций, могущих благоприятствовать обратному удару реакции.

- использования пилы выше высоты плеча
- распиливания дерева с посторонними предметами в нем, например, гвоздями.

Во время работы: (рис. 1)

-Если Вы работаете на почве под уклоном, работайте, находясь перед стволом, так, чтобы дерево не могло Вас ударить при падении.

- В случае валки дерева всегда следует завершить Вашу работу: частично спиленное дерево может сломаться.

- По окончании каждого реза Вы заметите значительное изменение необходимой для удержания машины силы, соблюдайте повышенную осторожность, чтобы не потерять над ней контроль. В приведенном далее тексте описаны два типа резки:

Резка с цепью в натяжении (сверху вниз) (рис. 2), создающая риск неожиданного смещения машины по направлению к стволу с потерей контроля. Если возможно, следует использовать крюк во время резки.

Резка с цепью при надавливании (снизу вверх) (рис. 3): риск неожиданного смещения машины по направлению к оператору, с риском удара, или контакта участка риска со стволом, с последующим обратным ударом реакции; соблюдать повышенную осторожность во время резки. Наиболее надежный способ использования машины – это блокировка ствола на козлах, с резкой сверху вниз и работа в пределах опоры. (рис. 4)

Использование крюка

Когда возможно, использовать крюк для более надежной резки: ввести крюк в нору или в поверхностную часть ствола, чтобы лучше контролировать машину. Далее приведены типичные процедуры, применяемые в определенных ситуациях. Однако всякий раз необходимо оценивать, насколько описанная ситуация соответствует Вашему конкретному случаю, и как выполнить рез с наименьшим риском.

Ствол на земле (Риск дотронуться цепью до почвы в конце реза). (рис. 5) Пилить сверху вниз через весь ствол. Действовать с осторожностью в конце резки, чтобы избежать столкновения цепи с землей.

Если возможно, закончить резку на 2/3 толщины ствола, перевернуть ствол и распилить оставшуюся часть сверху вниз, для ограничения риска контакта с землей.

Ствол, положенный на землю одним концом (Риск перелома во время резки) (рис. 6)

Начинать резку снизу приблизительно на 1/3 диаметра, закончить резку сверху, направляясь навстречу уже выполненному разрезу.

Ствол, положенный двумя концами

(Риск сдавливания цепи) (рис. 7)

Начинать резку сверху приблизительно на 1/3 диаметра. Закончить резку снизу, направляясь навстречу уже выполненному разрезу.

Ствол на склоне. Всегда стойте на возвышающейся от бревна стороне. Для достижения полного контроля при сквозной резке необходимо снизить давление шины на ствол ближе к концу резки, не ослабляя захвата на ручках пилы. Не допускайте касания земли цепью.

Валка деревьев

ВНИМАНИЕ! не пытаться производить валку, если у Вас нет достаточного опыта, и в любом случае

никогда не валить стволы с диаметром, превышающим длину ножа! Эта операция выполняется только опытными пользователями с соответствующими приспособлениями.

Цель валки – дать дереву упасть в наилучшее положение для последующей обрубки веток и распиливания ствола на части. (Избегайте ситуации, когда одно дерево, при падении, загубывается в другом дереве. Очень опасно сваливать загубившееся дерево.)

Вы должны определить наилучшее направление падения, оценив: что находится вокруг дерева, его наклон, изгиб, направление ветра и концентрацию веток.

Не следует недооценивать наличие сухих или сломанных веток, которые могут отсоединиться во время валки дерева и представлять собой опасность.

ВНИМАНИЕ! Во время операции валки в критических условиях, немедленно поднять противозумную защиту сразу после резки, для определения необычного шума и возможных предупреждающих сигналов.

Предварительные операции перед резкой и определение пути к отступлению

Удалите ветки, мешающие работе (рис. 8), начинайте работать сверху вниз, так, чтобы ствол располагался между Вами и машиной, удаляйте наиболее сложные ветки по частям. Удалите растительность вокруг дерева и проверьте наличие возможных препятствий (камни, корни, ямы, и т. д.), чтобы иметь маршрут для отступления (используемый во время падения дерева); следует смотреть рисунок (рис. 9) для определения направления, которого следует придерживаться (А направление, предусмотренное для падения дерева. В. Путь к отступлению С. Зона риска)

ВАЛКА ДЕРЕВА (рис. 10)

Для того, чтобы обеспечить контроль за падением дерева, следует выполнить следующие резы:

Направляющий рез, выполняемый первым, для определения направления падения дерева: Выполнить сначала ВЕРХНИЮ ЧАСТЬ направляющего реза на стороне, куда должно упасть дерево. Находиться справа от дерева и резать с натянутой цепью. Затем выполнить НИЖНИЮ ЧАСТЬ направляющего реза, который должен закончиться в конце верхней части. Глубина направляющего реза должна составлять 1/4 диаметра ствола, с углом между верхним резом и нижним резом минимум 45°. Встреча двух резов называется «линия направляющего реза». Линия должна быть совершенно горизонтальной и с прямым углом (90°) по отношению к направлению падения.

Рез валки, выполняемый для того, чтобы свалить дерево, выполняется на высоте 3-5 см над нижней частью линии направляющего реза и завершается на 1/10 ствола от него. Следует находиться слева от дерева и резать с натянутой цепью, используя крюк. Проверить, что дерево не движется в другом направлении, отличающемся от предусмотренного для падения направления. Как только возможно, вставить клин для валки в разрез. Не разрезанная часть ствола считается точкой опоры, и является «шарниром», который направляет дерево при падении; в том случае, если эта часть недостаточна, не прямая или полностью перепилена, отсутствует возможность контроля за падением дерева (очень опасно). Поэтому необходимо, чтобы различные резы выполнялись с большой точностью.

По окончании резки, дерево должно начать падение, если это требуется, следует помочь клином или рычагом валки.

Срезание веток

После того, как дерево спилено, приступить к срезанию веток, то есть удалению веток со ствола. Не следует недооценивать данную операцию, поскольку большая часть несчастных случаев, вызванных обратным ударом реакции происходит именно во время срезания веток, поэтому необходимо обратить внимание на положение конца ножа во время резки и работать с левой части ствола.

I. ЭКОЛОГИЯ

В данной главе приводится информация, полезная для поддержания характеристик экологической совместимости, заложенных на этапе проектирования машины, сведения по правильному использованию машины и вывозу на свалку масел и топлива

ИСПОЛЬЗОВАНИЕ МАШИНЫ


Операции по наполнению бака масла должны выполняться так, чтобы не приводить к разлитию в окружающую среду масла цепи.

ПЕРИОДЫ ДОЛГОГО НЕИСПОЛЬЗОВАНИЯ

В случае долгого неиспользования, сливать содержимое из бака масла цепи.

ВЫВОЗ НА СВАЛКУ

Не бросать не работающую машину в окружающей среде, а сдавать на свалку в уполномоченные для сбора отходов организации, согласно действующему законодательству.

Символ  на изделии или на упаковке показывает, что это изделие нельзя выбрасывать вместе с бытовым мусором. Вместо этого оно должно быть отнесено на подходящий сборный пункт для утилизации электрического и электронного оборудования. Обеспечив, чтобы это изделие было выброшено правильным образом, Вы сможете предотвратить потенциальные негативные последствия для окружающей среды и здоровья людей, что могло бы случиться при неправильном обращении с этим изделием, выброшенным в бытовой мусор. Для более подробной информации об утилизации этого изделия, пожалуйста, свяжитесь с офисом Вашего местного совета, службой удаления бытового мусора или с магазином, где Вы приобрели это изделие.

J. ТАБЛИЦА ПОИСКА НЕИСПРАВНОСТЕЙ

	Двигатель не включается	Двигатель вращается плохо и теряет мощность	Машина включается, но режет неправильно	Двигатель вращается с аномалиями greičiu	Тормозящие устройства блокируют вращение цепи неправильно
Проверить наличие тока в сети питания	●				
Проверить, что вилка вставлена правильно	●				
Проверить, что не кабель, не удлинитель не были повреждены	●				
Проверить, что тормоз цепи не включен	●				
Проверьте, чтобы цепь была правильно собрана и натянута		●	●		
Проверить смазку цепи, как описано в главах F и G			●		
Проверить, что цепь заточена			●		
Проверьте, чтобы тепловой выключатель был включен	●				
Обратиться в уполномоченный Центр техпомощи	●	●		●	●

K. ЗАПАСНЫЕ ЧАСТИ

35cm	Цепь	91PJ052XN	Номер детали:	530051538
	Шина		Номер детали:	576965401
40cm	Цепь	91PJ056XN	Номер детали:	530051539
	Шина		Номер детали:	576965201

L. Декларация соответствия стандартам Европейского Сообщества

Husqvarna AB, S-561 82, Huskvarna, Sweden

Заявляем под нашу исключительную ответственность, что изделие (изделия):

Маркировка..... **Chainsaw - Цепная пила**
 Маркировка типа..... **CSE1835, CSE1935S, CSE2040, CSE2040S**
 Тип режущего устройства..... **Вращающееся лезвие**
 Год изготовления..... **Вращающееся лезвие**

соответствует необходимым требованиям и положениям следующих Директив ЕС:

2006/42/EC, 2004/108/EC, 2000/14/EC, 2011/65/EU

основываясь на следующих применяемых согласованных стандартах Европейского Союза:

EN60745-1, EN60745-2-13, EN55014-2, EN55014-1, EN61000-3-2, EN61000-3-11

Уведомляемая организация, которая проводила проверку на соответствие

стандартам ЕС согласно статье 8, раздел 2с. TÜV Rheinland LGA Products GmbH
 Tillystraße 2
 D-90431 Nürnberg
 Germany

Сертификат №..... BM 50268379

Максимальный уровень звукового давления по шкале A (L_{pA}) на рабочем месте, измеряемый в соответствии со стандартами EN60745-2-13 указан в таблице.

Максимальное взвешенное значение вибрации a_{rh} , воздействующее на руку и измеряемое в соответствии со стандартами EN60745-2-13, указано на образце данного(ых) изделия(ий) и в таблице.

Заявленное суммарное значение вибрации измерялось в соответствии со стандартным испытательным методом и может быть использовано для сравнения одного инструмента с другим.

Заявленное суммарное значение вибрации может также быть использовано для предварительной оценки воздействия.

Предупреждение:

Вибрационная эмиссия при фактическом использовании электроинструмента может отличаться от заявленного суммарного значения в зависимости от того, как инструмент используется.

Операторы должны определять меры безопасности, чтобы защитить себя, на основе оценки воздействия при фактических условиях использования (принимая в расчет все части операционного цикла, такие как периоды времени, когда инструмент был выключен и когда он работал вхолостую в добавление ко времени запуска).

2000/14/EC: Значения измеренной акустической мощности L_{WA} и гарантированной акустической мощности L_{WA} соответствуют табличным значениям.

Процедура оценки соответствия..... Annex V

Ulm 12/02/2013

M. Bowden

Директор по общим научным исследованиям и разработкам - ручной инструмент

Владелец технической документации



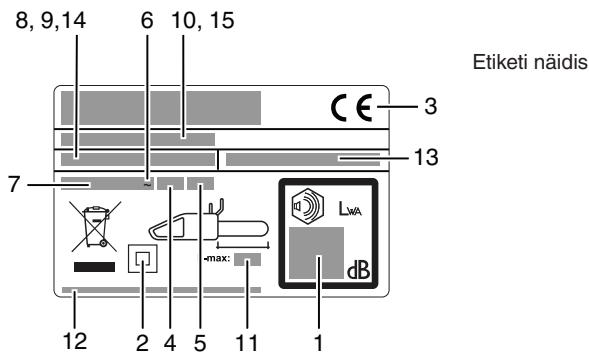

ТИП (CSE_____)	1835	1935S	2040	2040S
Сухой вес (кг)	4.3	4.5	4.4	4.6
Мощность (kW)	1.8	1.9	2.0	2.0
Емкость резервуара масла (см ³)	240	240	240	240
Максимально допустимая длина шины	35	35	40	40
Шаг цепи (мм)	9.52	9.52	9.52	9.52
Толщина цепи (мм)	1.3	1.3	1.3	1.3
Измеренная акустическая мощность L_{WA} (dB(A))	106	106	106	106
Гарантированная акустическая мощность L_{WA} (dB(A))	110	110	110	110
Звуковое давление L_{pA} (dB(A))	95	95	95	95
Погрешность K_{pA} (dB(A))	2.5	2.5	2.5	2.5
Вибрация кисти руки/предплечья a_{rh} (m/s ²)	7.28	7.28	8.08	8.08
Уровень неопределенности K_{ah} (m/s ²)	1.5	1.5	1.5	1.5
Сопротивление сети Z_{max} (Ω)	0.382	0.382	0.382	0.382

Положение о соответствии EN 61000-3-11

Использование устройства может привести к кратковременному падению напряжения в момент его включения (это зависит от параметров местной электросети). Перепад напряжения может повлиять на работу других электроприборов, например, вызвать временное потускнение лампочки. Если **максимальное сопротивление** вашей электросети меньше значения, указанного в таблице характеристик для соответствующей модели, подобный эффект не возникнет. Сведения о сопротивлении вашей электросети можно получить в местном центре электроснабжения.

A. ÜLDKIRJELDUS

- | | |
|---|---|
| <ol style="list-style-type: none"> 1) Tagumine käepide 2) Tagumine käekaitse 3) Eesmine käepide 4) Eesmine käekaitse/ketipidur 5) Ketipinguti välimine nupp 6) Ketipinguti kruvi 7) Keti pinguldamise hoob 8) Õlipaagi kork 9) Õli taseme kontrollaken 10) Õhutusavad 11) Kaabel 12) Kasutusjuhend 13) Lüliti 14) Lüliti blokeerija 15) Kett 16) Ülekandehammas 17) Lõikelüli 18) Lõike sügavuse piiraja 19) Lõikehammas 20) Juhtlatt | <ol style="list-style-type: none"> 21) Vedava ketiratta kate 22) Vedav ketiratas 23) Keti peatamise hoob 24) Saelehe fikseerimise kruvi 25) Ketsae juhikut kinnitav sisemine nupp 26) Ketsae juhikut kinnitav mutter 27) Otsiku ratas 28) Juhtlati kate 29) Haak 30) Keti pinguldamise hoova pesa 31) Õlitamise avaus 32) Juhtlati ketisoon 33) Mutrivõti/kruvikeeraja |
|---|---|



- 1) Garanteeritud helivõimsus vastavalt direktiivile 2000/14/EÜ
- 2) II ohutusklassi tööriist
- 3) EC vastavuse markeering
- 4) Nimisagedus
- 5) Nimivõimsus
- 6) Vahelduvvool
- 7) Nimipinge
- 8) Tüüp
- 9) Toote kood
- 10) Valmimisaasta
- 11) Juhtlati maksimaalpikkus
- 12) Tootja nimetus ja aadress
- 13) Artikli nr. (Elektriline kettsaag)
- 14) Mudel
- 15) Seeria nr.

B. ETTEVAATUSABINÕUD

SÜMBOLITE TÄHENDUS



Tähelepanu
Hoolikalt lugeda
juhend läbi



Kaitsesaapad



Kiiver, kõrvaklapid ja
kaitseprillid või
näokaitse



Sisselõikamise eest
kaitsvad kindad



Sisselõikamise eest
kaitsvad pikad püksid



Pidur välja lülitatud,
aktiveeritud



Kui kaabel on
kahjustunud või läbi
lõigatud, siis eemaldage
pistik kohe vooluvõrgust



Hoidke kõrvalised
isikud eemal



Lõikehamba suund



Alati kasutada
mõlemat kätt



Tagasilöögi oht



Mitte jätta vihma alla
või niiskesse
keskkonda



Ketiõli



Mitte teha...



Lülitada masin välja



Enne reguleerimist või
puhastamist ühendage
seade vooluvõrgust lahti



Elektrilöögi oht

Üldised elektrilise tööriista turvaholatused

⚠ HOIATUS Lugege kõiki turvahoiatusi ja kõiki juhiseid.
Hoiatuste ja juhiste mittejärgimine võib põhjustada
elektrilöögi, tulekahju ja/või tõsiseid vigastusi.

Säilitage kõik holatused ja juhised edaspidiseks
tutvumiseks.

Mõiste "elektriline tööriist" hoiatustes viitab teie elektritoitel
(juhtmega) tööriistale või akutoitel (juhtmata) tööriistale.

1) Tööpiirkonna turvalisus

- Hoidke tööpiirkond puhas ja hästvalgustatud.
Segamini või pimedad tökohad kutsuvad esile
õnnetusi.
- Ärge töötage elektriliste tööriistadega
plahvatusohtlikes keskkondades, näiteks
kergsüttivate vedelike, gaaside või toimu läheduses.
Elektrilised tööriistad tekitavad sädemeid, mis võivad
tolmu süüdata, või vingu.
- Hoidke lapsed ja kõrvaliseisjad elektrilise tööriistaga
töötamise ajal eemal. Tähelepanu kõrvalejuhtimine
võib põhjustada teil kontrolli kadumist.

2) Elektriohtus

- Elektrilise tööriista pistikud peavad sobima
kontaktiga. Ärge muutke pistikut kunagi mingil viisil.
Ärge kasutage maandatud elektriliste tööriistadega
mingeid adapterpistikuid. Muutmata pistikud ja
sobivad kontaktid vähendavad elektrilöögis riski.
- Vältige kehalist kontakti maandatud pinnaga, nt
torud, radiaatorid, ketid ja külmutusseadmed. Kui
teie keha on maandatud, on elektrilöögis risk
suurenenud.

c) Ärge jätke elektrilise tööriista kattet vihma kätte või
niisketesse oludesse. Elektrilise tööriista sisse
sattunud vesi suurendab elektrilöögis riski.

d) Ärge kasutage juhett vääralt. Ärge kunagi kasutage
juhett elektrilise tööriista kandmiseks, tõmbamiseks
või lahtilühendamiseks. Hoidke juhe eemal
kuumusest, õlist, teravatest servadest või liikuvatest
osadest. Kahjustunud või sassis juhe suurendab
elektrilöögis riski.

e) Elektrilise tööriista kasutamisel väljas kasutage
pikendusjuhett, mis on sobiv vältimistingimustes
kasutamiseks. Vältimistingimustes kasutamiseks sobiva
juhtme kasutamine vähendab elektrilöögis riski.

f) Kui elektrilise tööriistaga töötamine niiskes kohas on
vältimatu, kasutage rikkevoolukaitsesega toidet.
Rikkevoolukaitses kasutamine vähendab
elektrilöögis riski.

3) Isiklik ohutus

- Jääge valvsaks, vaadake, mida teete ning kasutage
elektrilist tööriista mõistlikult. Ärge kasutage
elektrilist tööriista, kui olete väsinud või uimastite,
alkoholi või ravimite mõju all. Hetkeline
tähelepanematus elektrilise tööriistaga töötamisel
võib põhjustada tõsiseid kehavigastusi.
- Kasutage kaitsevarustust. Kasutage alati
kaitseprille. Kaitsevarustuse, nt tolmumask,
mittelibisevad turvajalanõud, kaitsekiiver või
kuulmiskaitsemed, kasutamine vastavates tingimustes
vähendab kehavigastusi.

- c) Hoiduge tahtmatust käivitamisest. Veenduge, et lüliti on enne toiteallika ja/või patareidega ühendamist, tööriista ülesvõtmist või vedamist asendils "väljas". Elektriliste tööriistade kandmine sõrm lülitil või nende pingestamine lüliti seesoleku ajal kutsub esile õnnetusi.
- d) Eemaldage enne elektrilise tööriista sisselülitamist igasugune reguleerimis- või mutrivõli. Elektriliste tööriistade keerleva osa külge jäetud mutrivõli või võti võib põhjustada kehavigastusi.
- e) Ärge pingutage üle. Hoidke alati tasakaalu ning leidke kindel jalgealune. See võimaldab elektrilist tööriista ootamatutes olukordades paremini juhtida.
- f) Riletuge õigesti. Ärge kandke lahtiseid rõivaid või ehteid. Hoidke oma juuksed, rõivad ja kindad liikuvatest osadest eemal. Lahtised rõivad, ehted või pikad juuksed võivad jääda liikuvate osade vahele.
- g) Kui seadmeid on lubatud ühendada tolmueraldus ja –kogumiseseadmega, veenduge, et need on ühendatud ja õigesti kasutatud. Tolmukoguja kasutamine võib vähendada tolmuga seotud ohte.
- 4) Elektrilise tööriista kasutamine ja hooldus
- a) Ärge kasutage jõudu käsitsedes elektrilist tööriista. Kasutage elektrilist tööriista oma tarbeks. Õige elektriline tööriist teeb tööd paremini ja ohutumalt klassis, mille jaoks on kavandatud.
- b) Ärge kasutage elektrilist tööriista, kui lüliti ei lülita seda sisse ja välja. Iga elektriline tööriist, mida ei saa lüliti abil juhtida, on ohtlik ja tuleb parandada.
- c) Ühendage enne mis tahes reguleerimiste tegemist, lisavarustuse muutmist või elektrilise tööriista hoiulepanekut pistik toiteallikast ja/või patareid tööriistast lahti. Sellised ennetavad ohutusmeetmed vähendavad elektrilise tööriista kogemata tööle hakkamise riski.
- d) Hoidke kasutuses mitteolevad elektrilised tööriistad laste käeulatuses eemal ning ärge lubage inimestel, kellele ei ole tuttav käesolev elektriline tööriist või need juhised, selle elektrilise tööriistaga töötada. Elektrilised tööriistad on väljaõppeta kasutajate käes ohtlikud.
- e) Elektriliste tööriistade hooldamine. Kontrollige liikuvate osade ertelgusid või kinnitatusi, osade kahjustusi ja teisi seisundeid, mis võivad mõjutada elektrilise tööriista tööd. Kahjustuse korral parandage elektrilist tööriista enne kasutamist. Paljud õnnetused on põhjustatud elektriliste tööriistade halvast hooldusest.
- f) Hoidke lõikeristad teravate ja puhasena. Õigesti hooldatud teravate lõikeservadega lõikeristad jäävad väiksema tõenäosusega kinni ning neid on lihtsam juhtida.
- g) Kasutage elektrilise tööriista, liistarvikuid ning tööriistaosi vastavalt käesolevatele juhistele, võttes arvesse töötingimusi ning sooritavat tööd. Elektrilise tööriista kasutamine mitte sihtotstarbeliselt võib põhjustada ohtlikke olukordi.
5. Teenindus
- a) Laske oma elektrilist tööriista parandada kvalifitseeritud remondimehel, kes kasutab selleks ainult samasuguseid asenduosi. See tagab elektrilise tööriista turvalisuse säilimise.

Mootorsae ohutusnõuded:

- Hoidke kõik kehaosad töötava sae ketist eemal. Enne sae käivitamist veenduge, et saekett ei ole millegagi kontaktis. Hetkeline tähelepanematus mootorsaeaga töötamisel võib põhjustada kehavigastusi või saeketi takerdumise teie riistusse.

- Hoidke mootorsae tagumisest käepidemest alati parema käega ja esimesest käepidemest alati vasema käega. Saagi ei tohiks kunagi hoida vastupidi, sest see suurendab kehavigastuste tekitamise ohtu.
- Hoidke tööriista ainult isoleerkattega käepidemetest, kuna saekett võib puutuda vastu varjatud juhtmeid või tööriista juhet. Kui saekett satub kontakti pingestatud juhtmega, võivad tööriista metallosad pinge alla sattuda ja operaatorile elektrilöögi anda.
- Kandke kaitseprille ja kuulmise kaitsevahendeid. Soovitatav on kasutada veel lisaks kaitsevahendeid pea, käte ja jalgede kaitseks. Sobiv kaitserietus vähendab lendavast prügist või juhuslikust saeketiga kokkupuutest tekkivate vigastuste ohtu.
- Ärge kasutage mootorsae puu otsas. Sae kasutamine puu otsas võib põhjustada kehavigastusi.
- Kasutage alati sobivat jalgealust ning kasutage saagi ainult stabiilsel ja tasasel pinnal seistes. Libe või ebastabiilne jalgealune (nagu näiteks redel) võib põhjustada tasakaalu kaotust või kontrolli kaotamist sae üle.
- Pinge all oleva oksa saagimisel olge valvel tagasilöögi suhtes. Kui puukiudude pinge vabaneb, võib pingestatud oks tabada saeoperaatorit ja/või lüüa sae kontrolli alt välja.
- Põõsaste ja võsude lõikamisel olge eriti ettevaatlik. Peened oksad võivad ketti takerduda ja teid tabada või siis teid tasakaalust välja vedada.
- Kandke saagi välja lülitatuna, kehast eemal ja hoides eesmisest käepidemest. Mootorsaei transportides või hoiustades paigaldage juhtlatile alati kate. Mootorsae kohane käsitsemine vähendab liikuva saeketiga kogemata kokku puutumise tõenäosust.
- Järgluge määrimise, ketipingutuse ja detailide vahetamise juhiseid. Valesi pingutatud või määritud kett võib kas puruneda või suurendada tagasilöögi võimalust.
- Hoidke käepidemed kuivad, puhtad ning määrde- ja õlivabad. Määrdesed või õlised käepidemed on libedad ning võivad põhjustada kontrolli kadumist sae üle.
- Lõigake ainult puitu. Ärge kasutage saagi töödeks, milleks see pole ette nähtud. Näiteks: ärge saagige sellega plasti, kivi või teisi mitte puidust ehitusmaterjale. Mootorsae kasutamine mitte sihtotstarbeliselt võib põhjustada ohtlikke olukordi.

Tagasilöögi põhjused ja juhised selle vältimiseks:

Tagasilöök võib tekkida, kui sae ots või juhtlati ots puutub esemega kokku (joonis B3) või kui puit pressib saelehe sisselõikesse kinni.

Otsaga kokkupuude võib mõnel juhul tekitada järsu tagasilöögi, mis tõukab juhtlati töötaja poolle üles ja tagasi suunas.

Juhtlati pealmisel serval saeketi kinnipigistamine võib tekitada juhtlati järsu tagasiõuke.

Mõlemal juhul võite kaotada kontrolli sae üle, mis võib lõppeda kasutajale tõsiste vigastuste tekkimisega. Ärge lootke ainult sse sisseehitatud ohutusseadmete peale. Mootorsae kasutajana peaksite õnnetuste või vigastuste vältimiseks järgima mitmeid soovitusi.

Tagasilöök on tööriista valesti kasutamise või valede töövõtete kasutamise tagajärg ning seda saab vältida alpool antud kohaste ettevaatusabinõude abil.

- **Hoidke käepidemetest mõlema käega kindlalt kinni, sõrmed ja põlvid käepidemete ümber, ning valige selline keha ja käte asend, et saaksite tagasilöögi jõule vastu hoida.** Kohaseid ettevaatusabinõusid kasutades on tagasilööki võimalik kontrollida. Ärge laske mootorsaest lahti.
- **Ärge sirutage saagi kaugele ning vältige saagimist öla kõrgusest kõrgemal.** See aitab vältida juhuslikku kontakti juhtlatti tipuga ja lubab saagi ootamatutes olukordades paremini kontrollida.
- **Kasutage ainult tootja lubatud juhtlatte ja -saekette.** Sobimatud juhtlatti ja ketid võivad põhjustada keti purunemist ja/või tagasilööki.
- **Järgige saeketi hooldamisel ja teritamisel tootja teritus- ja hooldusjuhiseid.** Sügavuspiiraja lühendamise võib põhjustada tugevamat tagasilööki.

Täiendavad ohutusalsed soovitusused

1. **Kasutusjuhendi kasutamine.** Kõik selle mootorsae kasutajad peavad kasutusjuhendi täielikult ja hoolikalt läbi lugema. Mõlemisel või teisele isikule laenamiseisel tuleb kasutusjuhendi saega kaasa anda.
2. **Ettevaatusabinõud enne kasutamist.** Ärge lubage kunagi saagi kasutada isikutel, kes pole kasutusjuhendiga täielikult tuttavad. Mõgumusteta isikud peavad kõigepealt harjutama mootorsae kasutamist saepukil.
3. **Ülevaatus.** Kontrollige seadet hoolikalt iga kord enne kasutamist, eriti kui see on saanud tugeva löögi või ei tööta õigesti. Sooritage kõik toimingud, mida on kirjeldatud peatükis „Hooldus ja hoiustamine – enne iga kasutust“.
4. **Remont ja hooldus.** Kõik osad, mida kasutaja saab vahetada, on selgelt lahti seletatud peatükis „Kokkumonteerimine/lahtimonteerimine“. Kõiki ülejäänud osi peab vajadusel vahetama volitatud teeninduskeskus.
5. **Riietus. (Joonis 1)** Seda masinat kasutades peab operaator kandma järgmist heakskiidetud individuaalset kaitseriietust: paraja suurusega kaitseriietus, mittelibisevate taldade ja varbakaitsetega, saagimiskindlad turvasaapad, saagimiskindlad vibratsiooni leevendavad kindad, kaitseprillid või kaitsevisiir, kõrvatropid ja kiiver (juhul, kui on kukkuvate esemete oht). Kaitseriietust on võimalik osta tööriiete müüjalt.
6. **Terwisealased ettevaatusabinõud – vibratsiooni- ja müratasemed.** Olge teadlikud lähima ümbruse mürapüürangutest. Sae pikaajalisel kasutamisel saavad vibratsioon võib tekitada „valge sõrme fenomeni“ (Raynaud’ fenomeni), randmekanali põletiku ja teisi sarnaseid häireid.
7. **Terwisealased ettevaatusabinõud – kemikaalid.** Kasutage ainult tootja heakskiidetud õli.
8. **Terwisealased ettevaatusabinõud – kuumus.** Kasutamise käigus lähevad kett ja tähik kuumaks. Ärge katsuge neid detaile, kui need on kuumad.
9. **HOIATUSI** Toode tekitab kasutamisel elektromagnetilise välja. See väli võib mõnedel tingimustel häirida aktiivsete või passiivsete meditsiiniliste implantaatide tööd. Tõsiste või surmaga lõppevate vigastuste vältimiseks soovitage meditsiiniliste implantaatidega inimestel enne masina kasutamist konsulteerida oma arsti ja implantaadi tootjaga.

Transpordi ja hoiustamise ettevaatusabinõud. (Joonis 2)

Ühest tööpiirkonnast teise liikudes ühendage saagivooluvõrgust lahti ja aktiveerige ketipiduri. Paigaldage juhtlatti kaitse alati enne transpordi või hoiustamist. Saagi käes kandes hoidke seda alati juhtlatti tagapool, sõidukis transpordides kinnitage see vigastuste vältimiseks alati kindlalt.

Tagasilööki. (Joonis 3) Tagasilöögi korral paiskub juhtlatti järsult tagasi üles operatoori suunas. Tavaliselt toimub see juhul, kui juhtlatti otsa ülemine osa (nimetatatakse “tagasilöögi ohutsooniks”) (vaadake punast markeeritud juhtlatti) puutub mõne esemega kokku või kui kett jääb puitu kinni. Tagasilööki võib põhjustada kontrolli kaotamist sae üle ning ohtlikke ja saatuslike tagajärgedega õnnetusi. Ketipiduri hoob ja teised ohutusseadmed ei ole kasutaja kaitsmiseks vigastuste eest piisavad: kasutaja peab sellist reaktsiooni põhjustavate tingimustega hästi tuttav olema ning oskama neid vältida, vastavalt oma kogemusele, ning käsitsemata saagi ettenägelikult ja korrektselt (näiteks: ei sae kunagi mitut oksa korraga, sest see võib põhjustada juhuslikku kontakti “tagasilöögi ohutsooniga”).

Tõõala turvalisus

1. Ärge lubage lastel või juhustega mitte tutvunud inimestel seda toodet kasutada. Toodet käsitseva isiku vanus võib olla kohalike seadustega piiratud.
2. Kasutage toodet ainult selliselt ja sellisteks toiminguteks, nagu kirjeldatud antud juhendis.
3. Kontrollige ohuallikate tuvastamiseks kogu tõõala põhjalikult (nt: teed, rajad, elektrijuhtmed, ohtlikud puud jms).
4. Hoidke kõik kõrvalised isikud ja loomad tõõalast eemal (vajadusel tarastage ala ning kasutage hoiatusmärke) vähemasti 2,5 x tüve kõrguse võrra; Igal juhul mitte lähemal kui kümme meetrit.
5. Sae operaator on vastutav teiste inimeste või nende varaga juhtunud õnnetuste või ohtude eest.

Elektriohtus

1. Soovitav on kasutada rikkevoolukaitses rakenduvooluga mitte rohkem kui 30 mA. Isegi rikkevoolukaitsmega ei saa garanteerida 100% ohutust ning ohutu töö reegleid tuleb järgida alati. Kontrollige rikkevoolukaitses iga kord, kui te seda kasutate.
2. Enne kasutamist kontrollige, et kaabel poleks kahjustunud. Kui kaabli on märke kahjustustest või vananemisest, siis asendage see.
3. Ärge kasutage saagi, kui elektrijuhe on kahjustunud või kulumud.
4. Ühendage juhe kohe vooluvõrgust lahti, kui sellesse on sisse lõigatud või kui isolatsioon on kahjustatud. Ärge puudutage kaablit enne, kui toide on lahti ühendatud. Ärge parandage läbi lõigatud või kahjustunud kaablit. Viige toode volitatud teeninduskeskusesse ja laske kaabel välja vahetada.
5. Elekritoitejuhe peab olema lahti keritud, sest keritud juhtmed võivad üle kuumeneda ja vähendada seadme tõhusust.
6. Jälgi alati, et juhe/pikendusjuhe jääks kasutajast tahapoole, tagades, et see ei oleks kasutajale või teistele isikutele ohuallikaks, samuti jälgi, et juhe ei saaks kahjustada (kuumus, teravad esemed, teravad servad, õli vms).

7. Asetage juhe selliselt, et see ei takerduks saagimise ajal okste ja muude sarnaste asjade taha.
8. Alati lülitage toide enne pistikute lahtiühendamist välja.
9. Lülitage seade välja, eemaldage pistik vooluvõrgust ning kontrollige juhett kahjustuste ja vananemise suhtes enne selle hoiustamiseks kokkukerimist. Ärge parandage kahjustunud kaablit. Viige toode volitatud teeninduskeskusesse ja laske kaabel välja vahetada.
10. Enne seadme järelevalveta jätmist ükskõik kui pikaks ajaks eemaldage toitepistik vooluvõrgust.
11. Kerige kaabel alati hoolikalt, vältides keerdumist.
12. Kasutage ainult seadme andmesildil märgitud toitepinget.
13. Mootorsaag on topeltisoleeritud vastavalt standarditele EN60745-1 ja EN60745-2-13. Mitte mingil juhul ei tohi toote ühtegi osa maandada.

Kaablid

1. Toitekaablid ja pikendusjuhtmed on saadaval teie kohalikust tunnustatud teeninduskeskusest.
2. Kasutage ainult heaks kiidetud pikendusjuhtmeid
3. Pikendusjuhtmeid tohib kasutada vaid siis, kui need on mõeldud õues kasutamiseks.
4. Kui soovite kasutada tootega pikenduskaablit, tuleks kasutada ainult järgmiste mõõtmetega kaableid:

Mudelid CSE1835, CSE1935S:

- 5,0 mm² – max pikkus 40 m
- 5,0 mm² – max pikkus 60 m
- 8,0 mm² – max pikkus 100 m

Mudelid CSE2040, CSE2040S:

- 5,0 mm² – max pikkus 50 m
- 8,0 mm² – max pikkus 90 m

C. OHUTUSSEADMETE KIRJELDUS

LÜLITI BLOKEERIJÄ

Teie masinal on paigaldatud antud seade (**joon.1**), mis, kui ei ole sisselülitatud, takistab lüliti vajutamist, et ennetada juhuslikku sisselülitust.

KETIPIDUR LÜLITI LAHTI LASKMISEL

Teie masin on varustatud seadmega, mis koheselt blokeerib ketti, kui lüliti lastakse lahti. Juhul, kui see ei tööta, ärge kasutage masinat, vaid viige seda volitatud Tehnoabi keskusesse.

KETIPIDUR / EESMINE KÄEKAITSE

Eesmine käekaitse (**joon. 2**) (juhul, kui hoitakse masinat õigesti) on selleks, et Teie vasak käsi ei satuks ketiga kontakti. Ka lülitab eesmine käekaitse sisse ketipiduri, seade on väljatöötatud selliselt, et see blokeerib keti tagasilöögi puhul mõneks millisekundiks. Ketipidur ei ole sisselülitatud, kui eesmine käekaitse on tõmmatud taha ja on blokeeritud (kett võib liikuda). Ketipidur on sisselülitatud, kui eesmine käekaitse on viidud ette (kett blokeeritud). Ketiluku saate aktiveerida, kui lükkate vasakut rannet ette või ranne puutub tagasilöögi tõttu kokku ees oleva käekaitsega.

Kui masinat kasutatakse nii, et sae juhik on horisontaalselt, näiteks puu langetamise ajal, pakub ketipidur vähem kaitset (**joonis 3**).

MÄRKUS: Kui ketipidur lülitub sisse, võtab kaitselülitu voolu mootorist välja.

 **Juhul, kui lüliti all hoitakse, käivitub mootor ketipiduri lahti päästmisel automaatselt.**

KETI PEATAMISE HOOB

Masin on varustatud ketipüüdjaga (**joonis 4**), mis asub ketiratta all. See mehhanism on välja töötatud nii, et ei tekiks keti tagurpidi liikumist juhul, kui saekett purunema või juhikult maha jooksmata peaks. Neid situatsioone on võimalik vältida, veendudes, et saekett on õige pinge all (vaadake peatükki "D Kokkupanek/lahtivõtmine").

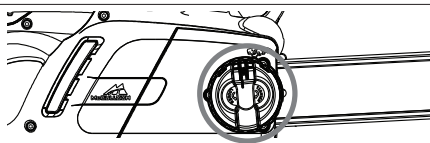
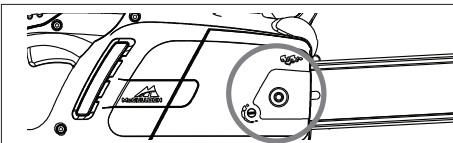
TAGUMINE PAREMA KÄE KAITSE

Kaitseb kätt (**hoon. 5**) keti eemale viskamise või katkemise juhul.

D. KOKKUMONTEERIMINE / LAHTIVÕTMINE

SAELEHE JA KETI KOKKUMONTEERIMINE

Vastavalt Teie masina mudelile muutub monteerimise kord, seepärast tuleks juhendada joonistest ning toote sildil märgitud tüübigi, osutada kõrgendatud tähelepanu monteerimise õigele teostamisele.



1. Kontrollida, kas ketipidur on sisselülitatud, kui jah, siis lülitada see välja.

2a. Keerake lahti juhtlati lukustusmutter ja eemaldage keti veoratta kaitse.

2b. Keerake lahti juhtlati lukustusnupp ja eemaldage keti veoratta kaitse.

3 Asetage saekett juhtlatile, alustades otsaketirattast, paigaldades selle juhtlati soonde.

Tähelepanu! Jälgige, et löikehamba terav serv asetuks lati ülemises osas suunaga ettepoole. Kandke kindaid.

4a. Jälgige, et saeketi pinguti tiht asetseks nii kaugel taga keti veoratta suunas kui võimalik. Paigaldage juhtlatt lati lukustuskruvi külge ja paigaldage saeketi pinguti tiht ning asetage saekett keti veorattale.

4b. Pöörake metallist kerimisrattast nii kaugemale vastupäeva kui võimalik. Paigaldage juhtlatt lati lukustuskruvi külge ja asetage saekett keti veorattale.

Asetage keti veoratta kaitse tagasi oma kohale, jälgides, et saeketi veohambad haakusid keti veorattaga ja paikneksid juhtsoones.

5a. Keerake juhikut kinnitav mutter käsitsi kinni nii, et see oleks nõrgalt pingutatud.

5b. Keerake juhikut kinnitav nupp kinni nii, et see oleks nõrgalt pingutatud.

6a. Keti pingutamiseks keerake kaasas oleva mutrivõtme/kruvikeerajaga ketipinguti kruvi päripäeva. Keti lödvendamiseks keerake kruvi vastupäeva (sel juhul hoidke juhikut püstiselt).

6b. Keti pingutamiseks keerake kaasas oleva mutrivõtme/kruvikeerajaga ketipinguti nuppu päripäeva. Keti lödvendamiseks keerake kruvi vastupäeva (sel juhul hoidke juhikut püstiselt).

7. Pingutage ketti, kuni pinge on õige. Tõmmake ketti juhikust eemale – keti ja juhiku vahele peaks jääma umbes 2–3 mm laiune vahe.

8a. Keerake juhikut kinnitav polt kinni, kasutades selleks kaasas olevat mutrivõtit /kruvikeerajat.

8b. Keerake juhik kinni, kuni see on turvaliselt oma kohal

Keti üleliigsel pingutamisel võib tekkida liiga suur rõhk mootorile, mis võib viia selle kahjustamisele, liig nõrgal pingutamisel aga võib toimuda keti lahtiühendamine. Õigesti pinguldatud kett parendab löikeomadusi ja pikendab tööiga. Tuleb tihti kontrollida keti pinguldust, kuna selle pikkus suureneb kasutamise jooksul (eriti kui kett on uus, esimesel monteerimisel kontrollige veelkord pinguldust 5 minutit pärast töö algust); igal juhul, ärge pingutage ketti kohe pärast selle kasutamist, vaid oodake, kuni ta ära jahtub. Kui on vaja reguleerida ketipinguldust, tuleb alati lasta vabaks saelehe fikseerimise mutrit/käepidet enne, kui hakkate keerama keti pinguldamise mutrit või käepidet, pingutada õigesti ning seejärel taas keerake kinni saelehe fikseerimise mutrit/käepidet.

E. KÄIVITAMINE JA PEATAMINE

Käivitamine: võtke mõlema käega saest kinni, vabastage ketipiduri hooob, samal ajal vaandudes, et käsi hoiaks endiselt eesmisest käepidemest kinni. Seejärel hoidke lüliti piduri vabastusnupu all ning vajutage lüliti (nüüd võite lüliti vabastusnupu lahti lasta).

Peatamine: masin peatub, kui te lasete lüliti lahti. Juhul, kui masin ei peatu, lülitage ketipidur sisse, eemaldage kaabel volulüürist ning viige masin volitatud hoolduskeskusesse.

F. SAELEHE JA KETI ÕLITAMINE

TÄHELEPANU! Lõikevahendite ebapiisav õlitamine võib viia keti katkemisele, millega kaasneb tõsiste õnnetusjuhtumite sealhulgas surmajuhtumite risk.

Saelehe ja keti õlitamine on tagatud spetsiaalse pumbaga.

Seejärel kontrollida, nagu on märgitud "Tehnilises hoolduses", et keti õli tuleb piisavas koguses.

Keti õli valik

Kasutada tuleb eranditult uut õli (eritüüp kettide jaoks) hea viskoossusega; ta peab hästi kleepuma ning tagama nõutud libisemise karakteristikud, nii suvel, kui ka talvel. Seal, kus puudub võimalus osta keti jaoks õli, tuleb kasutada õlid EP 90 ülekande jaoks.

Mitte mingil juhul mitte kasutada töötanud õlid, kuna nad on ohtlikud nii Teile, masina, kui ka keskkonna jaoks. Kontrollige, et õli sobiks keskkonna temperatuurile töökojas: alla 0°C temperatuuri juures muutuvad õlid venivaks, liigselt koormates pumpa ja kutsudes esile selle kahjustamist. Paremini sobiva õli valikuks pöörduge volitatud hoolduskeskusesse.

Õli lisamine

Keerata õlipaagi kork lahti, täita anum nii, et õli ei tuleks välja (kui see juhtub, siis tuleb seade hoolikalt puhastada) ning kork hästi sulgeda.

G. HOOLDUS JA HOIUSTAMINE

Enne hooldamist ja puhastamist eemaldage tootepistik vooluvõrgust.

TÄHELEPANU! Eriti reostatud või tolmuses keskkonnas töötamise puhul peavad alljärgnevat toimingud olema teostatud tihedamini, kui siin märgitud.

Iga kasutuskorra eel

Veenduda, et ketiõlipump töötab õigesti: suunake saeleht heledale pinnale, umbes kahekümne sentimeetri kaugusele; pärast masina minutiajalist tööd peavad pinnal tekkima selged õliäljald (**joon. 1**). Kontrollige, et ketipiduri lülitamiseks ja väljalülitamiseks ei ole liiga suur pingutus vaja, või ebapiisav pingutus, ja et ta ei ole blokeeritud. Seejärel kontrollige töötamist, nagu on märgitud: lülitage ketipidur välja, võtke masin õigesti käepidemest õigesti kätte, käivitage see, lülitage ketipidur sisse, lükates eesmist käekaitset vasaku käerandmega, laskmata samas käepidemest lahti (**joon. 2**). Kui ketipidur töötab, siis peaks kett olema koheselt blokeeritud. Veenduda, et kett on teritatud, on heas korras ja õigesti pinguldatud, juhul, kui ta on ebaühtlaselt kulunud või lõikehamba suurus on vaid 3 mm, siis tuleb seda välja vahetada (**joon. 3**).

Regulaarselt teostada õhutusavade puhastust, et vältida mootori ülekuumenemist (**joon. 4**).

Kontrollida lüliti ja lüliti blokeerija tööd (tuleb teha, kui ketipidur on välja lülitatud): käivitada lüliti ja lüliti blokeerija ning veenduda, et nad tulevad tagasi stand-by positsiooni niipea, kui neid lasta lahti. Veenduda, et ilma lüliti blokeerija sisselülitamist ei saa käivitada ka lüliti.

Kontrollida, et ketipeatamise hoob ja parema käe kaitse oleksid terved ja neil poleks silmnähtavaid kahjustusi, ehk siis materjali kahjustusi.

Iga 2-3 töötunni tagant

Kontrollida saelehte, vajaduse korral puhastada õlitamise avad (**joon. 5**) ja juhtsoon (**joon. 6**), juhul, kui ta on kulunud või omab üleliigseid lohke, asendada see. Puhastage regulaarselt vedavat ketiratast ja kontrollige, et see ei oleks liialt kulunud (**joonis 7**). Määrida saeleherattakest näidatud ava kaudu konsistentse õliga kuullaagrite jaoks (**joon. 8**).

Keti teritamine (vajaduse korral)

Kui kett ilma saelehte puu vastu surumiseta ei lõika, ja tekib väga peenike saepuru, siis on see tunnusmärk sellest, et ta on halvasti teritatud. Kui lõikamise ei teki saepuru, siis on kett on tavaliselt nüri ja lõikamise ajal peenestab puitu tolmuks. Hästi teritatud kett liigub ise puus edasi ja tekitab pikka ja suurt saepuru.

Keti lõikav osa koosneb lõikehambaga (**joon. 10**) ja lõikepiirajaga (**joon. 11**) lõikelülisil (**joon. 9**). Tasemete vahe nende osade vahel määrab lõikesügavust; hea terituse saavutamiseks on vajalik viilisuuajaja ja ümmargune viil diameetriga 4mm. Järgida alljärgnevat instruksioone: peale pandud ja õigesti pinguldatud ketiga asetage ketipidur, seadke viilisuuajajat nii, nagu on näidatud joonisel, perpendikulaarselt saelehele (**joon.12**), ja töötag lõikehambal joonisel näidatud nurgas all (**joon.13**), teostades teritamist suunaga eestpoolt väljapoolle ning nõrgendades survet tagasisuunal (väga oluline on järgida instruksioone: üleliigsed, ebapiisavad teritamise nurgad või viili vale diameeter suurendavad reaktsiooni vastulöögi riski). Selleks, et blokknurgad oleksid täpsemad, on soovitat asetada viil sellisel, et ta ületaks umbes 0,5 mm võrra vertikaalsi ülemist lõikeosa. Algul tuleb teritada kõik ühe külje hambad, seejärel keerata saag ja korrata operatsiooni. Kontrollige, et pärast teritamist oleksid kõik hambad ühepikkused, ja et väljalautava osa sügavuse piiraja kõrgus on ülemisest lõikeosast 0,6 mm madalamal: kontrollida kõrgust kasutades šabloon ja viile (lameda viili abil), seejärel keerata sügavuse piiraja eesmine ots kinni (**joon. 14**), osutades tähelepanu sellele, et mitte maha teritada tagasilöögi kaitsehammas (**joon. 15**).

Iga 30 töötunni tagant

Viima masinat volitatud Tehnoabi keskusesse üldisele ümber koostamisele ja pidurdusmehhanismide kontrolliks.

Hoiustamine

Hoidke toodet jahedas, kuivas ja lastele kättesaamatus kohas. Ärge hoidke toodet välitingimustes.

H. SAAGIMISTEHNIIKA

Töö ajal tuleks vältida: (joon. 1)

- Saagida tüve olukorras, kus ta võib lõikamise ajal katki minna (puu pingutatud, kuivad puud jne): ootamatu murdumine võib olla väga ohtlik.
- Saelehe või keti kinni jäämist lõikamise ajal: kui see juhtub, eemaldada masin toitevõrgust ja püüda tõsta tüvi, aidates kaasa sobiva tööriistaga; ärge proovige vabastada masinat, raputades tüve või tirides saagi, kuna võite kahjustada masinat või tekitada endale traumad.
- olukordi, mis võivad hõlbustada reaktsiooni vastulööki.
- toote kasutamistest õlavööst kõrgemal
- võõrkehadega puidu saagimisest (näiteks naelad)

Töö ajal: (joon. 1)

- Kui Te töötate kaldpinnal, siis töötage olles tüve ees nii, et puu ei saaks teid kukkumisele lüüa.
- Puu langetamise juhul tuleb alati lõpetada oma töö: osaliselt mahasaetud puu võib murduda.
- Iga lõike lõpul Te märkate olulist muutust masina hoidmiseks vaja mineva jõu osas, olge väga ettevaatlikud, et mitte kaotada kontrolli tema üle.

Toodud tekstis on kirjeldatud kaks lõikamise tüüpi:

Pingutatud ketiga lõikamine (ülalt alla) (**joon. 2**), mis tekitab ootamatu masina nihutuse riski tüve suunas, kontrolli kaotamisele. Võimaluse korral tuleks lõikamise ajal kasutada haaki.

Ketiga lõikamise pealevajutamisel (alt üles) (**joon. 3**): masina ootamatu nihkumise risk operatoori suunas, löögi riskiga, või riskiala kontaktiga tüvega, sellele järgneva reaktsiooni vastulöödigiga; olla väga ettevaatlik lõikamise ajal.

Kõige kindlam masina kasutamiseviis – tüve blokeerimine kitsedel, ülalt alla lõikamisega ja väljaspool teostuse piiride töötamisega (**joon. 4**).

Haagi kasutamine

Võimaluse korral kasutage haaki kindlama lõike jaoks: sisestada haak koorde või tüve pindmisse ossa, et paremini juhtida masinat.

Edasi on toodud tüüpilised protseduurid, mida kasutatakse teatud olukordades. Kuid iga kord tuleb hinnata, kui võrd kirjeldatud olukord vastab Teie konkreetsele juhule, ja kuidas teostada lõikamist minimaalse riskiga.

Tüvi maas

(Risk lõikamise lõpus puudutada ketiga mulda). **(Joon. 5)** Saagida ülalt alla läbi kogu tüve. Tegutseda ettevaatlikult lõikamise lõpus, et vältida keti kokkupuudet mullaga.

Võimaluse korral lõpetada lõikamist 2/3-l tüve paksusest, keerata tüvi ümber ja saagida läbi ülejäänud osa ülalt alla, et piirata mullaga kontakti riski.

Tüvi asetatud maale ühe otsaga

(murdumise risk lõikamise ajal) **(Joon. 6)**

Alustada lõikamist alt umbes kolmandikuni diameetrist, lõpetada lõikamist ülevalt poolt, liikudes juba tehtud lahtilõikele vastu.

Kahe otsaga asetatud tüvi

(keti kinnipigistamise risk) **(Joon. 7)**

Alustada lõikamist ülalt kuni umbes kolmandikuni diameetrist. Lõpetada lõikamist alt, liikudes juba tehtud lahtilõikele vastu.

Langusel asuv tüvi. Seiske alati tüvest ülesmäge.

Läbilõikamisel vähendage lõpus survet, lõvendamata sae hoidmise haaret, et säilitada täielik kontroll sae üle. Ärge laske saeketil vastu maad minna.

Puude langetamine

TÄHELEPANU! Ärge püüdke teostada langetamist, kui Teil puudub piisav kogemus, ja igal juhul ärge langetage puud, mille tüve diameeter ületab saeüle pikkust! See operatsioon teostatakse vaid kogunud kasutajate poolt, kellel on vastavad seadmed.

Langetamise eesmärk – lasta puul langeda parimasse asendisse järgneva laasimiseks ja tüve osadeks lahtilõikamiseks. (Vältida olukordi, mil üks puu, kukkudes, takerdub teise puusse. Takerdunud puud on väga ohtlik langetada.)

Te peate määrama parima langemise suuna, hinnates: mis asub puu ümber, tema kallet, kõverust, tuule suunda ja okste kontsentratsiooni.

Ei maksa alahinnata kuivade või murtud okste olemasolu, mis võivad tulla lahti puu langetamise ajal ja olla ohtlikud.

TÄHELEPANU! Kriitilistes tingimustes langetamise operatsiooni ajal tuleb müravastast kaitset tõsta koheselt peale lõikamist, et määrata ebatavalist müra ja võimalikke hoiatavaid signaale.

Lõikamisele eelnevad operatsioonid ja taganemistee määramine

Eemaldage tööd segavad oksad **(Joon. 8)**, alustage töötamist ülalt alla nii, et tüvi oleks Teie ja masina vahel, raskemad oksad eemaldage osade kaupa. Eemaldage taimestik puu ümber ja kontrollige võimalike takistuste olemasolu (kivid, juured, augud jne.), et omada taganemise marsruuti (mida kasutada puu langemisel); vaadake joonist **(Joon. 9)**, et määrata suund, mida hiljem hoida (A. Puu langemiseks ettenähtud suund. B. Taganemistee C. Riskitsoon)

PUU LANGETAMINE (Joon. 10)

Selleks, et tagada puu langemise üle kontrolli, tuleb teha järgmised lõiked:

Suunav lõige, mida tehakse esimesena, et määrata puu langemise suunda: Algul teha suunava lõike ÜLEMINE OSA suunal, kuhu puu peaks langema. Viibida puust paremal pool ja lõigata pingutatud ketiga. Seejärel teha suunava lõike ALUMIST OSA, mis peab lõppemaülemise osa lõpus. Suunava lõike sügavus peaks olema 1/4 tüve diameetrist, minimaalse nurgaga ülemise ja alumise lõike vahel 45°. Kahe lõike kohtumise joont nimetatakse "suunava lõike jooneks". Joon peab olema absoluutselt horisontaalne ja langemise suuna suhtes täisnurga all (90°).

Langetamise lõik, mida tehakse selleks, et puud langetada, tehakse suunava lõike alumise joone kohal 3-5 cm kõrgusel ja lõpetatakse temast 1/10 tüvest. Tuleb viibida puust vasakul ja lõigata pingutatud ketiga, kasutades haaki. Veenduda, et puu ei liigu ettenähtud langemise suunale erinevas suunas. Nii, kui on võimalik, asetada langetamise kiil lahtilõikele. Tüve lahtilõikamata osa loetakse pidepunktiks, ja on omamoodi "liigendiks", mis suunab puu langemisel; juhul, kui see osa ei ole piisav, või ei ole sirge, või täiesti läbi saetud, siis puudub kontroll puu langemise üle (väga ohtlik!). Seega on vajalik, et erinevad lõiked teostataks suure täpsusega.

Lõikamise lõpus peaks puu alustama langemist. Vajaduse korral võib aidata kaasa langetamise kiiluga või hoovaga.

Laasimine

Pärast seda, kui puu on maha saetud, asuda laasimisele, ehk okste eemaldamisele tüvelt. Ei tohi antud operatsiooni allahinnata, kuna suur osa õnnetsuhtumistest, mis on esile kutsutud reaktsiooni vastulööbiga, toimub just laasimise ajal, seetõttu tuleb pöörata tähelepanu saeüle otsa asendile ja töötada vasakul pool tüvest.

I. ÖKOLOOGIA


Antud peatükis tuuakse välja informatsioon, mis on kasulik ökoloogilise kokkusobivuse karakteristikute toetamiseks, millised on pandid aluseks masina projekteerimisel, masina õige kasutamise ja õlide ning kütuse prügilasse äraviimise kohta.

MASINA KASUTAMINE

Õlimahuti täitmise toimingud peab teostama selliselt, et ei toimuks ketiõli laiali voolamist keskkonda.

VÄLJAVEDU PRÜGILASSE

Mitte visata töötavale masinale keskkonnas, vaid vastavalt kehtivale seadusandlusele viia prügilasse, ettevõtetele, mis tegelevad jäätmete käitlemisega.

Tähis  seadmel või selle pakendil näitab, et seadet ei tohi käidelda sarnaselt olmejäätmetega. Seade tuleb viia sobivasse elektriliste ja elektrooniliste seadmete kogumispunkti.

Seadet õigesti utiliseerides aitate ära hoida võimalikku keskkonna ja inimeste tervise kahjustamist, mida võib tekitada vale jäätmekäitlus.

Seadme ümbertöötamise kohta saate täpsemat teavet kohalikust keskkonnaametist, olmejäätmete käitlemise ettevõttest või kauplusest, kust seadme ostsite.

J. VIGADE OTSIMISE TABEL

	Mootor ei käivitu	Mootor keerleb halvasti ning kaotab võimsust	Masin käivitub, kuid löikab valesti	Mootor keerleb anomaalia-tega	Pidurdus-seadmed blokeerivad keti ringluse valesti
Kontrollida voolu olemasolu toitevõrgus	●				
Kontrollida, kas pistik on lülitatud õigesti	●				
Kontrollida, et ei kaabel ega pikendusjuhe ole kahjustatud	●				
Kontrollida, kas ketipidur ei ole sisse lülitatud	●				
Kontrollige, et saekett oleks korrektselt monteeritud ja pingutatud		●	●		
Kontrollida ketiõli, nagu on kirjeldatud F ja G peatükkides			●		
Kontrollida, kas kett on teritatud			●		
Kontrollige, kas väljalülitamise lüliti on töökorras	●				
Pöörduda volitatud tehnobi keskusesse	●	●		●	●

K. Varuosad

35cm	Kett Juhtlatt	91PJ052XN	Osanumber:	530051538
			Osanumber:	576965401
40cm	Kett Juhtlatt	91PJ056XN	Osanumber:	530051539
			Osanumber:	576965201

L. EÜ Vastavusdeklaratsioon

Husqvarna AB, S-561 82, Huskvarna, Sweden

Võtame endale ainuvastutuse, et toode:

Tähistus.....**Chainsaw - Mootorsaag**
Tüübi/tüüpide tähistus.....**CSE1835, CSE1935S, CSE2040, CSE2040S**
Lõikeseade tüüp.....**Pöördera**
Valmimisaasta.....**Pöördera**

vastab järgmiste EÜ direktiivide nõuetele ja sätetele:

2006/42/EC, 2004/108/EC, 2000/14/EC, 2011/65/EU

põhinedes järgmistel EL-is kooskõlastatud standarditel:

EN60745-1, EN60745-2-13, EN55014-2, EN55014-1, EN61000-3-2, EN61000-3-11

informeeritud organ, kes viis läbi EÜ tüübi-ülevaatuse

vastavalt artiklile 8 lõigule 2c. TÜV Rheinland LGA Products GmbH
Tillystraße 2
D-90431 Nürnberg
Germany
Sertifikaadi number BM 50268379

Maksimaalne A-kaalutud helirõhu tase L_{pA} tööpaigas, mõõdetud kooskõlas standardiga EN60745-2-13, on esitatud tabelis.

Maksimaalne käe/käsivarre vibratsiooni kaalutud väärtus a_{h1} , mõõdetud kõnealus(t)e too(de)te näidiskesemplari(de)l kooskõlas standardiga EN60745-2-13, on esitatud tabelis.

Vibratsiooni koguväärtus on mõõdetud kooskõlas standardse testimisviisiga ning seda saab kasutada eri tööriistade võrdlemisel.

Vibratsiooni koguväärtust saab kasutada ka vibratsiooniga kokkupuute eelhindamiseks.

Hoiaatus:

Vibratsioon tööriista tegeliku kasutuse ajal võib tööriista kasutusviisist sõltuvalt esitatud koguväärtusest erineda.

Kasutajad peaksid enda kaitsmiseks tuvastama tegeliku kasutuse tingimustes vibratsiooniga kokkupuute hinnangul põhinevad ohutusmeetmed (võttes arvesse kasutustsükli kõiki osi, lisaks tööajale näiteks ka aega, kus tööriist on välja lülitatud või töötab ooterežiimis).

2000/14/EÜ: mõõdetud helivõimsuse L_{WA} ja garanteeritud helivõimsuse L_{WA} väärtused on toodud tabelis.

Vastavuse hindamise protseduur. Annex V

Ulm 12/02/2013

P. Lamelli

Rahvusvahelise teadus- ja arendustegevuse juht – käeshoitavad
Tehnilise dokumentatsiooni hoidja



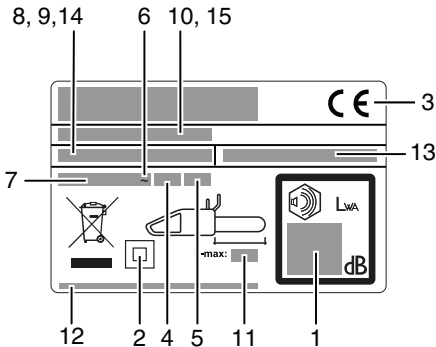
TÜÜP (CSE _____):	1835	1935S	2040	2040S
Kuivkaal (kg)	4.3	4.5	4.4	4.6
Võimsus (kW)	1.8	1.9	2.0	2.0
Ölimahuti maht (cm ³)	240	240	240	240
Juhtlati maksimaalpikkus	35	35	40	40
Keti samm (mm)	9.52	9.52	9.52	9.52
Keti mõõt (mm)	1.3	1.3	1.3	1.3
Mõõdetud helivõimsus L_{WA} (dB(A))	106	106	106	106
Garanteeritud helivõimsus L_{WA} (dB(A))	110	110	110	110
Helirõhk L_{pA} (dB(A))	95	95	95	95
Määramatus K_{PA} (dB(A))	2.5	2.5	2.5	2.5
Käe/käsivarre vibratsioon a_{h1} (m/s ²)	7.28	7.28	8.08	8.08
määramatuskonstant K_{ah1} (m/s ²)	1.5	1.5	1.5	1.5
Võrgutakistus Z_{max} (Ω)	0.382	0.382	0.382	0.382

EN 61000-3-11 nõuetele vastavuse kinnitus

Sõltuvalt kohaliku vooluvõrgu omadustest võib selle toote kasutamine põhjustada väikest pingelangust sisselülitamise hetkel. See võib mõjutada muid elektriseadmeid, nt põhjustada lambivalguse hetkelist hämardumist. Kui teie vooluvõrgu **toite näivtakistus (Zmax)** on tabelis märgitud väärtusest väiksem (oleneb teie seadme mudelist), siis kirjeldatud mõju ei esine. Vooluvõrgu näivtakistuse väärtuse kohta saate teavet oma elektriteenuse pakkujalt

A. VISPĀRĪGS APRAKSTS

- | | |
|--|---|
| <ol style="list-style-type: none"> 1) Aizmugurējais rokturis 2) Aizmugurējais rokas aizsargs 3) Priekšējais rokturis 4) Priekšējais rokas aizsargs /
Ķēdes bremzes svira 5) Ķēdes spriegotāja ārējais rokturis 6). Skrūve ķēdes spriegošanai 7) Ķēdes spriegojuma tapa 8) Eļļas tvertnes vāks 9) Logš eļļas līmeņa pārbaudei 10) Vedināšanas caurums 11) Kabelis 12) Rokasgrāmata 13) Slēdzis 14) Slēdža bloķētājs 15) Ķēde 16) Vilkmes zobi 17) Zāģēšanas mezgls 18) Griešanas dziļuma ierobežotājs 19) Griešanas zobs | <ol style="list-style-type: none"> 20) Virzītājsliede 21) Piedziņas rata pārsegs 22) Piedziņas ķēdes rats 23) Ķēdes uztvērējs 24) Sliedes stiprināšanas skrūves 25) Sliedes savilcēja iekšējā poga 26) Sliedes savilcēja uzgrieznis 27) Gala veltnis 28) Virzītājsliedes pārsegs 29) Āķis 30) Ķēdes spriegojuma tapas līgзда 31) Caurums eļļošanai 32) Virzītājsliedes ierīvis 33) Atslēga/skrūvgriezis |
|--|---|



Ražotāja etiķetes piemērs

- 1) Garantētais skaņas līmenis atbilstošs direktīvai 2000/14/EC
- 2) 2. klases darbarīks
- 3) CE atbilstības zīme
- 4) Nomināla frekvence
- 5) Nomināla jauda
- 6) Maiņstrāva
- 7) Nomināls spriegojums
- 8) Tips
- 9) Produkta kods
- 10) Izgatavošanas gads
- 11) Maksimālais virzītājsliedes garums
- 12) Ražotāja nosaukums un adrese
- 13) Pants numurs (Elektriskais ķēdes zāģis)
- 14) Modelis
- 15) Sērijas numurs

B. PIESARDZĪBAS PASĀKUMI

APZĪMĒJUMU PASKAIDROJUMI



Brīdinājums
Uzmanīgi izlasiet
lietotāja rokasgrāmatu



Aizsargzābaki



Aizsargķivere,
aizsargaustiņas un
aizsargbrilles vai
sejsegs



Aizsargcimdi ar
pretgriešanas
aizsardzību



Gari aizsargbikses ar
pretgriešanas
aizsardzību



Ķēdes bremze:
neiedarbināta,
ledarbināta



Ja kabelis ir bojāts vai
sagriezts, nekavējoties
atvienojiet kontaktspraudni
no elektrotilka



Nepiederošas personas
nedrīkst atrasties
elektriskā ķēdes zāģa
tuvumā



Griešanas zobu
pareizais virziens



Vienmēr turiet mašīnu
ar abām rokām



Pastāv atsitienu
bīstamība



Neizmantojiet mašīnu
kad līst un neglabājiet
to mitrās telpās.



Ķēdes eļļa



Nedarīet ...



Izslēdziet mašīnu



Pirms zāģa regulēšanas
vai tīrīšanas atvienojiet to
no elektrotilka



Elektriskās strāvas
trieciena risks

Vispārīgi brīdinājumi par elektroinstrumentu drošību

BRĪDINĀJUMS. Izlasiet visus drošības
brīdinājumus un instrukcijas. Brīdinājumu un
instrukciju neievērošana var izraisīt elektriskās
strāvas triecienu, ugunsgrēku un/vai smagus miesas
bojājumus.

Uzglabājiet visus brīdinājumus un instrukcijas, lai tos
turpmāk varētu lietot.

Brīdinājumu tekstā lietotais termins

“elektroinstruments” apzīmē ar strāvu darbināmu
(vadu) elektroinstrumentu vai ar akumulatoru
darbināmu (bezvadu) elektroinstrumentu.

1) Darba zonas drošība

Nodrošiniet, lai darba zona būtu tīra un labi apgaismota.
Nekārtīgās vai tumšās vietās iespējami negadījumi.

Nedarbiniet elektroinstrumentus sprādzienbīstamā
vidē, piemēram, uzliesmojošu šķidrumu, gāzu vai
puteķļu klātbūtnē. Elektroinstrumenti rada dzirksteles,
kas var aizdedzināt puteķļus vai izgarojumu vaikus.

Elektroinstrumenta darbināšanas laikā tā tuvumā
nedrīkst atrasties bērni un citas nepiederošas personas.
Nevēlams dēļ var zaudēt vadību pār ierīci.

2) Elektrodrošība

a) Elektroinstrumenta kontaktspraudņiem ir jāatbilst
kontaktilgzdai. Nekādā veidā nepārvērojiet
kontaktspraudni. Nelietojiet nekādus
spraudsavienojumus kopā ar lezēmītiem
elektroinstrumentiem. Lietojot nepārveidotus
kontaktspraudņus un atbilstošas kontaktilgzdas,
tiek samazināts elektriskās strāvas triecienu risks.

b) Izvaiļieties no saskares ar lezēmītām virsmām,
piemēram, caurulēm, radiatoriem, plītiem un
ledusskapjiem. Elektriskās strāvas triecienu risks
palielinās, ja jūsu ķermenis ir iezemēts.

c) Nepakļaujiet elektroinstrumentus lietus vai mitruma
iedarbībai. Ūdens iekļūšana elektroinstrumentos
palielina elektriskās strāvas triecienu risku.

d) Pareizi izmantojiet vadu. Nekad lietojiet vadu, lai
elektroinstrumentu pārvietotu, vilktu vai izslēgtu.
Neturiet vadu karstumā un eļļā, asmeņā vai kustīgu
daļu tuvumā. Bojāti vai sapinušies vadi palielina
elektriskās strāvas triecienu risku.

e) Darbinot elektroinstrumentu ārpus telpām,
izmantojiet pagarinātāju, kas piemērots lietošanai
ārpus telpām. Izmantojot vadu, kas ir paredzēts
lietošanai ārpus telpām, tiek samazināts elektriskās
strāvas triecienu risks.

f) Ja nevar izvairīties no elektroinstrumenta
darbināšanas mitrās vietās, izmantojiet barošanu,
kas aizsargāta ar noplūdes strāvas aizsardzības
ierīcēm. Noplūdes strāvas aizsardzības ierīču
izmantošana samazina elektriskās strāvas triecienu
risku.

3) Personiskā drošība

a) Darbinot elektroinstrumentu, esiet piesardzīgs,
sekojiet līdzi tam, ko darāt, un lietojiet veselo
saprātu. Nelietojiet elektroinstrumentu, ja esat
noguris vai atrodaties narkotisku vielu, alkohola vai
medikamentu iedarbībā. Mirklis neuzmanības
elektroinstrumentu darbināšanas laikā var izraisīt
smagus miesas bojājumus.

- b) Lietojiet personiskos aizsarglīdzekļus. Vienmēr izmantojiet acu aizsargus. *Aizsarglīdzekļi, piemēram, pretputekļu maska, neslīdoši drošības apavi, ķivere vai dzirdes aizsargierīces, kas izmantoti atbilstošos apstākļos, pasargās no savainojumiem.*
- c) Pasargājiet ierīci no nejuaušas iedarbināšanas Pirms ierīces pacelšanas, pārvietošanas vai pievienošanas strāvas avotam un/vai akumulatora blokam pārliecinieties, vai slēdzis ir izslēgtā stāvoklī. *Elektroinstrumentu pārvietošana, turot pirkstu uz slēdža, vai sprieguma padeve elektroinstrumentiem, kuriem ir ieslēgts slēdzis, var izraisīt negadījumus.*
- d) Pirms ieslēdzat elektroinstrumentu, ņemiet visas regulēšanas atslēgas vai uzgriežņatslēgas. *Uzgriežņatslēga vai atslēga, kas atstāta piestiprināta pie elektroinstrumentu rotējošās daļas, var izraisīt miesas bojājumus.*
- e) Pārmērīgi neizstiepiet rokas. Vienmēr pareizi atbalstieties un noturiet līdzsvaru. *Tādējādi nodrošināsiet efektīvāku elektroinstrumenta vadību neparedzētās situācijās.*
- f) Lietojiet piemērotu apģērbu. Nevelciet brīvu apģērbu vai rotaslietas. Nodrošiniet, lai mati, apģērbs un cimdi nenonāktu kustīgo daļu tuvumā. *Brīvs apģērbs, rotaslietas un gari mati var iekerties kustīgajās daļās.*
- g) Ja ierīces ir paredzēts pievienot putekļu nosūkšanas un savākšanas ierīcēm, nodrošiniet, lai tās tiktu pareizi pievienotas un izmantotas. *Putekļu savācēju izmantošana var samazināt ar putekļiem saistīto kaitīgumu.*
- 4) Elektroinstrumenta lietošana un apkope
- a) Nesteidziniet elektroinstrumenta darbību. Izmantojiet darbam piemērotāko elektroinstrumentu. *Pareizā elektroinstrumenta darbs būs efektīvāks un drošāks, strādājot tam paredzētajā ātrumā.*
- b) Nelietojiet elektroinstrumentu, ja nedarbojas tā slēdzis. *Elektroinstruments, kuram nedarbojas slēdzis, ir bīstams, un tas ir jāremontē.*
- c) Pirms veicat kādus pielāgojumus, maināt piederumus vai novietojat elektroinstrumentu glabāšanā, atvienojiet kontaktspraudni no strāvas avota un/vai akumulatora bloku - no elektroinstrumenta. *Šādi profilaktiski drošības pasākumi samazina elektroinstrumenta nejuaušas iedarbināšanas risku.*
- d) Uzlabājiet elektroinstrumentus bērnim nepieejamās vietās un neļaujiet tos darbināt personām, kas nepārzina elektroinstrumenta darbību vai nav iepazīnušas ar šiem norādījumiem. *Elektroinstrumenti ir bīstami, ja ar tiem rīkojas neapmācīti lietotāji.*
- e) Veiciet elektroinstrumentu apkopi. Pārbaudiet kustīgo daļu savienojumus vai sastiprinājumus, detaļu bojājumus vai citus apstākļus, kas var ietekmēt elektroinstrumenta darbību. Ja konstatējat bojājumus, elektroinstruments pirms lietošanas ir jāsalabo. *Daudzi negadījumi rodas nepareizas elektroinstrumentu apkopes dēļ.*
- f) Griezējinstrumentiem vienmēr jābūt asiem un tīriem. *Pareizi apkopti griezējinstrumenti ar asiem asmeņiem retāk iesprūst un ir vieglāk vadāmi.*
- g) Elektroinstrumentu, tā piederumu, griezēju un citas sastāvdaļas lietojiet saskaņā ar šiem norādījumiem, ņemot vērā darba apstākļus un veicamo darbu. *Elektroinstrumenta lietošana neparedzētiem mērķiem var izraisīt bīstamas situācijas.*

5. Apkope

- a) Nodrošiniet, lai elektroinstrumenta apkopi veiktu kvalificēts speciālists, izmantojot tikai identiskas rezerves daļas. *Šādi tiks saglabāta elektroinstrumenta drošība.*

Ķēdes zāga drošības brīdinājumi

- Strādājot ar zāģi, nevētiniet to ķermeņa daļām. Pirms ķēdes zāģa ieslēgšanas pārbaudiet, vai tas nekam nepieskaras. *Neuzmanīgi rīkojoties ar ieslēgtu ķēdes zāģi, var notikt apģērba vai ķermeņa daļu saskare ar ierīci.*
- Satveriet ķēdes zāģi ar labo roku aiz aizmugurējā roktura un ar krešo roku aiz priekšējā roktura. *Satverot ķēdes zāģi pretējā secībā, var palielināties savainojumu risks, tādēļ nekad tā nerīkojieties.*
- Turiet elektroinstrumentu tikai aiz izlozētām savienības virsmām, jo zāģa ķēde var saskarties ar paslēpto elektroinstalāciju vai savu strāvas kabeli. *Zāģu ķēžu saskaršanās ar strāvas kabeli, var izraisīt elektroinstrumenta atklāto metāla daļu vadītspēju un radīt lietotājam elektrošoka draudus.*
- Lietojiet aizsargbrilles un aizsargaustiņas. Ieteicams lietot arī galvas, roku un kāju un aizsarglīdzekļus. *Piemērots aizsargtērps samazinās savainojumus, ko var radīt lidojoši gruži vai nejuauša saskare ar ķēdes zāģi.*
- Nestrādājiet ar ķēdes zāģi, atrodoties kokā. *Pretējā gadījumā varat gūt savainojumus.*
- Vienmēr stāviet uz abām kājām un strādājiet ar zāģi, stāvot uz stabilas, līdzenes virsmas. *Slidenas vai nestabilas virsmas, piemēram, trepes, var izraisīt līdzsvara zudumu vai ķēdes zāģa vadības zaudēšanu.*
- Zāģējot nosprīgotu zaru, uzmanieties no tā. *Nosprīgotu koka šķiedru zāģēšanas laikā, spriegojums zūd, un šis zars var trāpīt operatoram un/vai arī var tikt zaudēta ķēdes zāģa vadība.*
- Esiet īpaši piesardzīgs, zāģējot krūmus un nelielus kokus. *Šāds materiāls var aizķerties aiz zāģa ķēdes un tikt rauts uz priekšu virzienā pret jums vai arī izraisīt līdzsvara zudumu.*
- Nesiet izslēgtu ķēdes zāģi aiz priekšējā roktura tā, lai tas nesaskaras ar ķermeni. *Transportējot vai uzglabājot ķēdes zāģi, uzlieciet virzītājsliedes pārsegu. Pareiza rīkošanās ar ķēdes zāģi samazinās nejuaušu saskari ar kustīgo zāģa ķēdi.*
- Izpildiet eļļošanas, ķēdes spriegošanas un piederumu nomaiņas norādījumus. *Nepareizi nosprīgota vai ieeļļota ķēde var sabojāties vai palielināt atsitienu rašanās iespēju.*
- Rūpējieties, lai ķēdes zāģa rokturī būtu sausi un tīri; notīriet no tiem eļļu un dubļus. *Netīri, eļļaini rokturi ir slideni un var izraisīt vadības zudumu.*
- Zāģējiet tikai koku. *Nelietojiet ķēdes zāģi nolūkā, kam tas nav paredzēts. Piemēram: nelietojiet ķēdes zāģi plastmasas, mūru vai celtniecības materiālu (kas nav no koka) zāģēšanai. Ķēdes zāģa lietošana tam neparedzētiem mērķiem var izraisīt bīstamu stāvokli.*

Atsitienu cēloņi un operātoru aizsardzība

- Atsitienu var rasties, kad zāģa virzītājsliedes priekšējā daļa vai gals pieskaras priekšmetam (**B3 att.**) vai kad zāģēšanas laikā koka griezuma vieta aizveras un saspiež zāģi.
- Zāģa gala pieskaršanās dažkārt var izraisīt strauju pretreakciju, pasītot zāģa sliedi uz augšu un atpakaļ operatora virzienā.
- Zāģa ķēdes saspiešana virzītājsliedes galā var strauji pagrūst sliedi atpakaļ operatora virzienā. Šo pretkustību rezultātā varat zaudēt vadību pār zāģi, kas var izraisīt smagus savainojumus. Nepalaužieties tikai uz zāģi iebūvētajām

aizsargiercēm. Lai zāgēšana būtu droša, ķēdes zāga lietotājam jāizpilda vairākas darbības.

Atsitiens rodas darbarīka nepareizas lietošanas un/vai nepareizas darba kārtības vai nepiemērotu apstākļu dēļ. Lai to nepieļautu, ievērojiet tālāk minētos piesardzības pasākumus:

- **Nodrošiniet stingru zāga satvērienu, izmantojot Tkškus un pirkstus, satverot abus ierīces rokturus ar abām rokām un nostājoties tā, lai pretotos atsitienu spēkam.** Ievērojot pareizus piesardzības pasākumus, operators var kontrolēt atsitienu spēku. *Neļaujiet ķēdes zāgim brīvi atlēkt.*
- **Pārmērīgi neizstiepiet rokas un nezāgējiet vīrs plecu augstuma.** *Tas novērsīs nejaūšu priekšgala saskari un nodrošinās labāku ķēdes zāga vadību neparedzētās situācijās.*
- **Lietojiet tikai ražotāja norādītās rezerves slīdes un ķēdes.** *Nepiemērotas rezerves slīdes un ķēdes var izraisīt ķēdes bojājumus un/vai atsitienu.*
- **Izpildiet ķēdes zāga ražotāja norādījumus par asināšanu un tehnisko apkopi.** Skaidzība augstuma samazināšana var izraisīt palielinātu atsitienu.

Papildu drošības ieteikumi

1. **Rokasgrāmatas lietošana.** Personām, kas lieto šo darbarīku, rūpīgi jāizlasa lietotāja rokasgrāmata. Pārdo dot vai nododot darbarīku citai personai, pievienojiet arī lietotāja rokasgrāmatu.
2. **Piesardzības pasākumi pirms darbarīka lietošanas.** Neļaujiet lietot darbarīku personām, kuras nav pilnībā iepazīlušas ar rokasgrāmatā minētajiem norādījumiem. **Neparedzēšūšām personām jāiziet apmācība, izmantojot zāgēšanas stēķus.**
3. **Pārbaudes.** Vienmēr rūpīgi pārbaudiet darbarīku, it īpaši tad, ja tas tiek pakļauts stipriem triecieniem vai arī, ja pamanāt, ka tas darbojas nepareizi. Veiciet visas sadaļā „Apkope un uzglabāšana — pirms katras lietošanas reizes” aprakstītās darbības.
4. **Remonts un apkope.** Visas darbarīka nomaināmās daļas ir silki aprakstītas sadaļas „Montāža/izjaukšana” norādījumos. Nepieciešamības gadījumā darbarīka daļas drīkst nomainīt tikai pilnvarotā klientu apkalpošanas centrā.
5. **Darba apģērbs. (B1. att.)** Lietojot darbarīku, operatoram jāvalkā šāds apstiprināts aizsargtērps: cieši pieguļošs aizsargtērps, aizsargapavi ar nesliedošām zolēm, triecienizturīgi purngalu aizsargi un griezienizturīgi aizsarglīdzekļi, kā arī griezienizturīgi, vibrācijdroši cimdi, aizsargbrilles vai drošības sejsegs, aizsargaustiņas un ķivere (ja pastāv kritošu priekšmetu bīstamība). Iegādājieties aizsarglīdzekļus no darba apģērba tirgotāja.
6. **Pasākumi veselības problēmu novēršanai — vibrācija un trokšņa līmenis.** Lūdzu, ievērojiet darbavietas trokšņa līmeņa ierobežojumus. Ilgstoša darbarīka lietošana pakļauj lietotāju vibrācijām, kas var izraisīt „balto pirkstu parādību” (vibroslimība), delnas kanāla/nerva saspišanas sindromu un līdzīgus veselības traucējumus.
7. **Pasākumi veselības problēmu novēršanai — ķīmikālijas.** Lietojiet tikai ražotāja apstiprinātu eļļu.
8. **Pasākumi veselības problēmu novēršanai — karstums.** Lietošanas laikā ķēdes rats un ķēde ievērojami sakarst, tādēļ nepieskarieties šim daļām.
9. **BRĪDINĀJUMS!** Ierīces darbības laikā rodas elektromagnētiskais lauks. Noteiktos darba apstākļos šis lauks var traucēt aktīvu vai pasīvu implantējamu medicīnisku ierīču darbību. Lai mazinātu letālu traumu rašanās risku, iesakām personām ar medicīniskajiem implantiem pirms šī instrumenta izmantošanas konsultēties ar savu ārstu un medicīniskā implanta ražotāju.

Transportēšanas un uzglabāšanas piesardzības pasākumi. (B2. att.) Mainot darbavietu, atvienojiet darbarīku no elektrotīkla un aktivizējiet ķēdes apturēšanas sviru. Pirms transportēšanas vai uzglabāšanas, uzlieciet virzītājslīdes aizsargpārsegu. Pārņēmsijiet darbarīku tā, lai slīde būtu vērsta uz aizmuguri, vai arī, ja pāravadājat darbarīku ar transportlīdzekli, nostipriniet to, lai nepieļautu bojājumus.

Atsitienu reakcija. (B3. att.) Atsitienu reakcija ir spēcīga augšupvērsta reversējošas slīdes kustība pret lietotāju. Tas parasti notiek tad, ja slīdes priekšgala augšējā daļa (saukta par “atsitienu bīstamības zonu”) (sk. sarkano atzīmi uz virzītājslīdes) saskaras ar priekšmetu vai arī tad, ja ķēde tiek iespiesta kokā. Atsitiens var izraisīt kontroles zudumu pār darbarīku, tādējādi radot bīstamus un pat nāvējošus negadījumus. Ķēdes apturēšanas svira un citas aizsargierīces nav pietiekami efektīvas, lai aizsargātu lietotāju pret savainojumiem: lietotājam jāapzinās apstākļi, kas var izraisīt reakciju, un jānovērš tie, ievērojot pastiprinātu uzmanību atbilstoši savai darba pieredzei un pareizai darbarīka lietošanas praksei (piemēram: nezāgējiet vienlaikus vairākus zarus, jo tas var nejausī radīt saskari ar “atsitienu bīstamības zonu”).

Darbavietas drošība

1. Neļaujiet bērniem vai personām, kas nav iepazīnušies ar šiem norādījumiem, lietot šo darbarīku. Vietējie noteikumi, iespējams, nosaka lietotāja vecuma ierobežojumus.
2. Lietojiet darbarīku tikai atbilstoši šajos norādījumos minētajam veidam un paredzētajām funkcijām.
3. Lai noteiktu bīstamības avotu (piemēram, ceļus, ejas, elektriskos kabelus, bīstamus kokus u.c. šķēršļus), rūpīgi pārbaudiet darbavietu.
4. Neļaujiet nepiederošām personām vai dzīvniekiem atrasties darbavietas zonā (ja nepieciešams, iezogojiet darbavietu un lietojiet brīdinājuma zīmes) — tuvāk par attālumu, kas ir 2,5 x koka augstums, taču jebkurā gadījumā ne mazāk par desmit metriem no darbavietas.
5. Operators vai lietotājs ir atbildīgs par negadījumiem vai bīstamību, kas rodas citām personām vai viņu īpašumam.

Iektrodrošība

1. Ieteicams lietot paliekošās strāvas ierīci, kuras atvienošana strāva nav lielāka par 30 mA. Pat lietojot paliekošās strāvas ierīci, nevar garantēt 100% drošību, tādēļ vienmēr jāievēro drošas lietošanas norādījumi. Pārbaudiet paliekošās strāvas ierīci ikreiz pirms tās lietošanas.
2. Pirms lietošanas pārbaudiet, vai nav bojāts strāvas kabelis, un ja konstatējat bojājumu vai nodilumu, nomainiet to.
3. Nelietojiet darbarīku, ja strāvas kabelis ir bojāts vai nodilis.
4. Ja kabelis tiek sagriežts vai ir bojāta tā izolācija, nekavējoties atvienojiet darbarīku no elektrotīkla. Nepieskarieties strāvas kabelim, līdz nav atvienota strāvas padeve. Nereмонтējiet sagrieztu vai bojātu strāvas kabeli. Nogatājiēt ierīci pilnvarotā klientu apkalpošanas centrā, lai tiktu veikta kabeļa.
5. Elektrības kabelim ir jābūt atritinātam; ritulī satīti kabeli var pārkarst un samazināt ierīces efektivitāti.
6. Pārlicinieties, ka kabelis/pagarinātājs atrodas aiz lietotāja, tādējādi nodrošinot to, ka kabelis nerada draudus lietotājam vai citām personām, kā arī pārbaudiet, vai to nevar bojāt karstums, asi priekšmeti, asas malas, eļļa u.c.

7. Novietojiet kabeli tā, lai zāģēšanas laikā tas nesaskaras ar zariem un citiem līdzīgiem šķēršļiem.
8. Pirms kabeļa kontaktspraudņa, savienotāja vai pagarinātāja atvienošanas izslēdziet galveno strāvas slēdzi.
9. Izslēdziet darbarīku, atvienojiet to no elektrotīkla un **pirms** kabeļa uztišanas pārbaudiet, vai tas nav bojāts vai nodilis. Neremontējiet bojātu strāvas kabeli. Nogādājiet ierīci pilnvarotā klientu apkalpošanas centrā, lai tiktu veikta kabeļa.
10. Pirms darbarīka atstāšanas bez uzraudzības (neatkarīgi no ilguma) atvienojiet to no elektrotīkla.
11. Rūpīgi uztiniet kabeli, nepieļaujot tā samezģlošanos.
12. Izmantojiet tikai tāda sprieguma maiņstrāvu, kāda minēta darbarīka tehnisko datu plāksnītē.
13. Kēdes zāģim ir divkārša izolācija, kas atbilst standartam EN60745-1 un EN60745-2-13. Neviena darbarīka daļa nekādos apstākļos nedrīkst veidot savienojumu ar zemi.

Kabeļi

1. Strāvas kabeļi un pagarinātāji ir pieejami pilnvarotā klientu apkalpošanas centrā.
2. Lietojiet tikai apstiprinātus pagarinātājus.
3. Izmantojiet tikai tādus pagarinātājus un pievadus, kas paredzēti lietošanai ārā.
4. Ja darbā ar ierīci vēlaties izmantot pagarinātāju, atļauts izmantot tikai tādus pagarinātājus, kas atbilst tālāk minētajiem lielumiem:

Modelis CSE1835, CSE1935S

- 5,0 mm²: maks. garums 40 m
- 5,0 mm²: maks. garums 60 m
- 8,0 mm²: maks. garums 100 m

Modelis CSE2040, CSE2040S

- 5,0 mm²: maks. garums 50 m
- 8,0 mm²: maks. garums 90 m

C. DROŠĪBAS IERĪČU APRAKSTS

SLĒDŅA BLOKĒTĀJS

Uz jūsu mašīnas ir uzstādīta ierīce (**1. zīm.**), kura izslēgtajā stāvoklī neļauj nospiegt slēdzi, tādējādi novēršot nejaušu iedarbināšanu.

KĒDES BREMZES REAKCIJA UZ SLĒDŅA ATLAIŠĀNU

Uz jūsu mašīnas ir uzstādīta ierīce, kura nekavējoties bloķē ķēdi uzreiz pēc slēdža atlaišanas; Ja kādā laikā brīdi ir vērojami šīs ierīces darba traucējumi, mašīnu NEDRĪKST izmantot un tā ir jānogādā uz autorizēto tehniskās apkalpošanas centru.

Priekšējais rokas aizsargs / ķēdes bremzes svira

Priekšējais rokas aizsargs (**2. zīm.**) ir izstrādāts ar mērķi nepieļaut jūsu kreisās rokas saskaršanos ar ķēdi (ar nosacījumu, ka mašīna tiek turēta pareizi un atbilstoši norādījumiem). Priekšējais rokas aizsargs funkcionē arī kā ķēdes bremze, kas ir nodrošināta ar ierīces palīdzību, kura bloķē ķēdi dažu sekundes daļu laikā pēc atsitiena. Ķēdes bremze tiek atlaista kad priekšējais rokas aizsargs ir pavilkts atpakaļ un nofiksēts atbilstošā pozīcijā (ķēde var kustēties). Ķēdes bremze tiek iedarbināta kad priekšējais rokas aizsargs ir pavilkts uz priekšu (ķēde ir bloķēta). Ķēdes bremzi var iedarbināt ar kreisās rokas sviru, nospiežot to uz priekšu vai arī atsitiena rezultātā, ja svira nonāk kontaktā ar priekšējo rokas aizsargu.

Ja zāģis tiek lietots tad, kad sliede ir horizontālā stāvoklī, piemēram, gāžot koku, ķēdes bremze nodrošina mazāku aizsardzību (**3. zīm.**).

Svarīga piezīme: Kad tiek iedarbināta ķēdes bremze, ar drošības slēdža palīdzību tiek pārtraukta strāvas padeve dzinējam.

 **Atlaižot ķēdes bremzi ar ieslēgtu slēdzi, zāģis sāks darboties.**

KĒDES UZTVĒRĒJS

Šis izstrādājums ir aprīkots ar ķēdes uztvērēju (**4. zīm.**), kas novietots zem ķēdes zobrata. Šis mehānisms ir konstruēts tā, lai apturētu ķēdes pārvietošanos virzienā atpakaļ, gadījumā, ja ķēde pārtrūkst vai noslid no sliedes. No šādām situācijām var izvairīties, ja pārliecinās par korektu ķēdes spriegojumu (skat., nodaļu "D. Montāža/Demontāža").

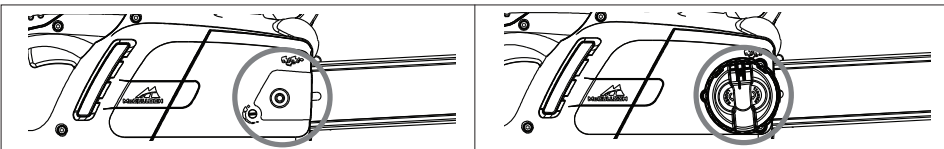
AIZMUGURĒJĀIS ROKAS AIZSARGS

Šī ierīce ir domāta rokas aizsardzībai ķēdes plīšanas vai nobīdes gadījumā (**5. zīm.**).

D. MONTĒŠANA / DEMONTĒŠANA

SLIEDĒS UN KĒDES MONTĀŅA

Montāžas metodes atšķiras dažādiem modeļiem, tādejādi, mēs lūdzam jūs apskatīt ilustrācijas un mašīnas tipu, kurš ir norādīts uz ražotāja etiķetes, esiet uzmanīgi un sekojiet pareizajai montāžas instrukcijai.



1. Pārbaudiet vai nav iedarbināta ķēdes bremze. Jā tā ir iedarbināta, atslēdziet to.

2a. Izskrūvējiet slīdes fiksācijas uzgriezni un noņemiet piedziņas rata pārsegu.

2b. Izskrūvējiet slīdes fiksatoru un noņemiet piedziņas rata pārsegu.

3. Novietojiet ķēdi virs slīdes un, sākot ar priekšējo ķēdes zobu, ievietojiet to virzošās slīdes gropē. **Uzmanību!** Griezējzoba asajai malai ir jābūt vērstai pret slīdes augšdaļu. Lietojiet aizsargcimdus.

4a. Ķēdes spriegošanas tapai ir jāatrodas pēc iespējas tālāk no piedziņas rata. Uzstādiet slīdi uz slīdes fiksācijas skrūves un ķēde spriegošanas tapas un novietojiet ķēdi virs piedziņas ķēdes rata.

4b. Pagrieziet metāla ritināšanas rīpu pretēji pulksteņrādītāju kustības virzienam tālākajā stāvoklī. Uzstādiet slīdi uz slīdes fiksācijas skrūves un novietojiet ķēdi virs piedziņas ķēdes rata.

Uzlieciet atpakaļ piedziņas rata pārsegu tā, lai ķēdes dzenošie zobi tiktu sakabināti ar piedziņas ķēdes ratu un virzošās slīdes gropi.

5.a Uzskrūvējiet ar roku savilcējuzgriezni, kamēr tas ir brīvi pievilkt.

5.b Skrūvējiet slīdes savilcēja pogu, kamēr tā ir brīvi pievilkt.

6.a Lai nospriegotu ķēdi, skrūvējiet ķēdes spriegotājskrūvi pulksteņrādītāju kustības virzienā, lietojot komplektā esošo atslēgu / skrūvgriezi. Lai samazinātu ķēdes spriegumu, spriegotājskrūvi grieziet pretēji pulksteņrādītāju kustības virzienam. (Izpildot šo darbību, turiet slīdes priekšgalu augšup).

6.b Lai nospriegotu ķēdi, skrūvējiet ķēdes spriegotāja ārējo rokturi pulksteņrādītāju kustības virzienā. Lai samazinātu ķēdes spriegumu, spriegotājskrūvi grieziet pretēji pulksteņrādītāju kustības virzienam. (Izpildot šo darbību, turiet slīdes priekšgalu augšup).

7. Spriegojiet ķēdi, kamēr tās spriegums ir pareizs. Pārliecinieties, vai, paceļot ķēdi no slīdes, attālums ir apmēram 2-3 mm.

8.a Nostipriniet slīdes savilcējuzgriezni, lietojot komplektā esošo atslēgu/skrūvgriezi.

8.b Nostipriniet slīdi pietiekami stingri

Ja ķēde ir uzstiepta pārāk stingri, tas pārslodzēs dzinēju un bojās mašīnu. Savukārt, ja spriegojums nav pietiekoši liels, ķēde var noskriet no slīdes. Tikai tad, kad ķēde ir pareizi uzstiepta tiek nodrošināti vislabākie zāģēšanas rādītāji un ilgstošs mašīnas kalpošanas laiks. Regulāri pārbaudiet spriegojumu, jo ķēdes garums lietošanas laikā palielinās (it īpaši ja ķēde ir jauna; kad mašīna tiek lietota pirmo reizi, ķēdes spriegojums jāpārbauda ik pēc 5 minūtēm); jebkura gadījumā, neuzstiepiet ķēdi uzreiz pēc mašīnas pielietošanas un ļaujiet ķēdei atdzist.

Vienmēr kad ir jāneregulē ķēdes spriegojums, pirms ķēdes spriegojuma skrūves / roktura regulēšanas atskrūvējiet slīdi stiprināšanas rokturi / uzgriezni; noregulējiet spriegojumu un aizskrūvējiet līdz galam slīdi stiprināšanas rokturi / uzgriezni.

E. IEDARBINĀŠANA UN IZSLĒGŠANA

Darba uzsākšana: satveriet stingri abus rokturus, atbrīvojiet ķēdes bremzes sviru, turot zāģi aiz priekšējā roktura, nospiediet un turiet piespiestu slēdža bloķētāju, tad nospiediet slēdzi (šajā brīdī slēdža bloķētāju var atlaist).

Izslēgšana: Mašīna izslēgsies uzreiz pēc tam, kad tiks atlaists slēdzis. Cēdījumā, ja mašīna tomēr neapstājas, iedarbiniet ķēdes bremzi, atslēdziet kabeli no elektriskā tīkla un piegādājiet mašīnu uz autorizēto tehniskās apkalpošanas centru.

F. SLIEDĒS UN KĒDES EĻĶOŠANA

UZMANĪBU! Nepietiekama eļļošana izraisīs ķēdes pīšanu, kuras rezultātā var iegūt smagus vai pat letālus ievainojumus.

Slīdes un ķēdes eļļošana tiek veikta ar automātiskā sūkņa palīdzību.

Nodalā "Tehniskā apkalpošana" var atrast informāciju par to kā pārliecināties, ka ķēdes eļļas daudzums ir pietiekošs.

Ķēdes eļļas izvēle

Vienmēr izmantojiet tikai jauno eļļu (ķēžu eļļošana ir nepieciešams īpašs eļļas tips) ar atbilstošu viskozitāti: eļļai ir labi jāpielpiņ un tai jāgarantē strādāšanu bez traucējumiem gan ziemas, gan vasaras laikā. Ja ķēdes eļļa nav pieejama, var izmantot EP 90 transmisijas eļļu.

Nekad neizmantojiet nostrādātu eļļu, jo tā ir kaitīga veselībai, mašīnai un apkārtējai videi. Pārliecinieties, ka eļļa atbilst temperatūras līmeņiem tajā vietā, kur tiks izmantota mašīna: dažas eļļas paliek biežākas, līdz ar ko tiek pārslogots sūknis un tiek bojāta mašīna, ja temperatūra pazeminās zem 0°C. Sazinieties ar tuvāko autorizēto tehniskās apkalpošanas centru, kur var saņemt konsultāciju par eļļas izvēli.

Tvertnes uzpilde

Atskrūvējiet eļļas tvertnes vāku, un uzpildiet tvertni. Cenšaties nepieļaut eļļas izliešanu (ja tas tomēr notiek, uzmanīgi noslauciet mašīnu). Beigās labi pieskrūvējiet tvertnes vāku.

G. APKOPE UN UZGLABĀŠANA

Pirms darbarīka apkopes vai tīrīšanas atvienojiet to no elektrotīkla.

UZMANĪBU! Ja vide, kurā tiek izmantota mašīna ir īpaši piesārņota vai piepūtināta, aprakstītos tehniskās apkalpošanas darbus jāveic biežāk, nekā norādīts šajā rokasgrāmatā.

Pirms katras izmantošanas reizes

Pārbaudiet vai ķēdes eļļas sūkņi darbojas pareizi: pāversiet sliedi uz gaisu virsmu, kura atrodas apmēram divdesmit centimetru attālumā. Pēc tam kad mašīna ir nostrādājusi apmēram minūti, uz virsmas ir jāparādās skaidri redzamām eļļas zīmēm (**1. zīm.**).

Ķēdes bremzes iedarbināšanai un atlaišanai nav jāizmanto pārmērīgs fiziskais spēks. Turklāt pārbaudiet, vai tās iedarbināšana nav pārāk viegla, un vai tā nav bloķēta. Pēc tam pārbaudiet, vai ķēdes bremze pareizi darbojas, veicot sekojošās darbības: atlaidiet ķēdes bremzi, pareizi paņēmiat mašīnu un iedarbiniet to. Iedarbiniet ķēdes bremzi atvelkot priekšējo rokas aizsargu uz priekšu ar kreisās aprocas vai rokas palīdzību, bet neatlaižot roku no roktura (**2. zīm.**). Ja ķēdes bremze darbojas pareizi, tad pēc šīs operācijas ķēde nekavējoties tiks bloķēta. Pārbaudiet vai ķēde ir pareizi uzasināta, ir labā darba stāvoklī un, ka ķēdes spriegojums ir pareizs. Ja ķēde ir ļoti nodiluša, vai ja griešanas zobu augstums ir tikai 3 mm, ķēde ir jānomaina (**3. zīm.**).

Regulāri tīriet vedināšanas caurumus, lai novērstu dzinēja pārkarsēšanu. (**4. zīm.**).

Pārbaudiet vai slēdzis un slēdža bloķētājs pareizi darbojas (šīs operācijas laikā ķēdes bremzēji jābūt atlaistai): nospiediet slēdzi un slēdža bloķētāju un pārliecinieties, ka tie atgriežas sākuma pozīcijā uzreiz pēc to atlaišanas; pārbaudiet vai slēdzi nav iespējams nospiegt, ja nav iedarbināts slēdža bloķētājs.

Pārbaudiet vai ķēdes uztvērējs un labās rokas aizsargs ir labā darba stāvoklī un uz tiem nav redzamu bojājumu, piemēram, materiāla plīšanas.

Ik pēc 2-3 darbības stundām

Pārbaudiet sliedes stāvokli. Ja nepieciešams, uzmanīgi notīriet caurumus eļļošanai (**4. zīm.**) un sliedes rievu (**5. zīm.**). Ja rievu ir nodiluša vai uz tās ir pīsumi, tad tā ir jānomaina. Regulāri tīriet piedziņas ķēdes ratu un pārbaudiet, vai tas nav nodilis. (**7. zīm.**) Ieļļojiet gala veltni ar gultnu eļļu caur caurumu, kurš ir attēlots zīmējumā (**8. zīm.**).

Ķēdes uzasināšana (kad tas ir nepieciešams)

Ja ķēde nezažē pieņāci, vai jā sliedi ir cieši jāpiespiež pie koknes un ja skaidas ir ļoti sīkas, tad tas ir pazīmēs, ka ķēde nav uzasināta. Ja zāģēšanas laikā skaidu vispār nav, tad tas nozīmē, ka griešanas puse ir pilnīgi nodiluša un zāģēšanas laikā koksnē tiek saburzta pulverī. Ja ķēde ir labi uzasināta, tad tā pati, bez papildus piepūles, ienāk koksnē un zāģēšanas laikā iegūtas skaidas ir lielas un garas.

Ķēdes zāģējoša daļa sastāv no zāģēšanas mezgla (**9. zīm.**) ar griešanas zobu (**10. zīm.**) un griešanas dziluma ierobežotāja (**11. zīm.**). Mainot līmeni var regulēt zāģēšanas dzilumu. Labai ķēdes asināšanai ir nepieciešams vīles virzītājs un apaļā vīle ar diametru 4 mm. Sekojoši zemāk esošajiem norādījumiem: pēc ķēdes uzstādīšanas, spriegojuma pareizas noregulēšanas un kad ķēdes bremze ir iedarbināta, uzstādiat vīles virzītāju perpendikulārī sliedi, kā parādīts uz attēla (**12. zīm.**), uzasiniet griešanas zobus ar vīles palīdzību ievērojot norādījumus, kuri attiecas uz uzasināšanas lenķi (**13. zīm.**). Vīles kustībai jābūt vērītai no iekšējas uz ārējo pusi, samaziniet spiedienu kad vīle tiek atgriezta sākuma stāvoklī (ir ļoti svarīgi rūpīgi sekot norādījumiem: pārāk liels vai mazs asināšanas lenķis, vai nepareizs vīles diametrs paaugstina atslīdiena risku). Lai sānu lenķi būtu precīzāki, tiek rekomendēts izvietot vīli tādā veidā, lai tā apmēram par 0,5 mm būtu augstāk nekā augšējā griezējškautne. Vispirms apstrādājiat ar vīli visus zobus vienā pusē un pēc tam apgrieziet mašīnu un atkārtojiet operāciju. Pārliecinieties, ka pēc uzasināšanas visas zobu garums ir vienāds un, ka griešanas dziluma ierobežotāja augstums ir par 0,6 mm zemāks nekā augšējais griezējs: pārbaudiet augstumu ar atbilstošu šablona palīdzību un ar vīles (ar plakanas vīles) palīdzību apstrādājiat visas izvirzījušas daļas, noapaļojot griešanas dziluma ierobežotāja priekšējo daļu (**14. zīm.**). Esiet uzmanīgi un neapstrādājiat ar vīli pretatsliena aizsardzības zobu (**15. zīm.**).

Ik pēc 30 izmantošanas stundām.

Nogādājiat mašīnu uz autorizēto tehniskās apkalpošanas centru, lai veiktu mašīnas vispārēju apskati un pārbaudītu bremzēšanas elementus.

Uzglabāšana

Uzglabājiat izstrādājumu vēsā, sausā un bērniem nepieejamā vietā. Neuzglabājiat ārā.

H. ZĀĢĒŠANAS PAŅĒMIENI

Mašīnas izmantošanas laikā izvairieties no sekojošajām situācijām: (1. zīm.)

- nezāģējiat, ja pastāv risks, ka stumbrs zāģēšanas laikā var saplīst (ja uz koksnī kaut kas spiež, ja tiek zāģēts sauss mirušais koks u.t.t.); negaidīta plīšana var būt ļoti bīstama.

- nepieļājiat, lai sliede vai ķēde tiktu iestrēgta koksnē: ja tas tomēr notiek, atvienojiet mašīnu no elektriskā tīkla un pamēģiniat pacelt stumbru ar atbilstošu darbarīka palīdzību, piemēram, ar sviru; nemēģiniat atbrīvot mašīnu trīcinot vai velkot to, jo tas var izraisīt bojājumus vai ievainojumus.

- nepieļājiat situācijas, kuru dēļ var rasties atslīdēns.

- izstrādājuma lietošanas virs plecu augstuma,

- tādu koku zāģēšanas, kuros ir svešķermeņi, piemēram, naglas.

Mašīnas izmantošanas laikā: (1. zīm.)

- kad zāģēšana notiek slīpās virsmās, vienmēr esiet stumbra augšējā daļā, tādēji, ja stumbrs kāda iemesla dēļ sāks rīpot uz leju, tad tas just neaiztik.

- kad jūs nodarbojiāties ar koku gāšanu, vienmēr pabeidziat iesākto darbu, jo daļēji sazāģēts koks var salūzt un nokrist.

- pēc katras zāģēšanas operācijas mašīnas lietotājs var pamanīt, ka viņš ir zaudējis ievērojami daudz spēka, kurš ir nepieciešams mašīnas vadīšanai. Esiet ārkārtīgi uzmanīgs un nepieļājiat vadības zaudēšanu pār mašīnu.

Zemāk ir aprakstīti divi atšķirīgi zāģēšanas darbu tipi:

Zāģēšana, kuras laikā ķēde tiek vilkta (no augšas uz apakšu) (**2. zīm.**), var izraisīt mašīnas negaidītu un bīstamu kustību stumbra pusē, kuras dēļ var zaudēt mašīnas vadību. Kur tas ir iespējams, veicot zāģēšanas darbus izmantojiat āķi.

Zāģēšana, kuras laikā ķēde tiek grūsta (no apakšas uz augšu) (**3. zīm.**), var izraisīt mašīnas negaidītu un bīstamu kustību lietotāja pusē, kuras dēļ lietotājs var gūt ievainojumus, vai "atsliena riska zona" var aiztik stumbru, kas var izraisīt spēcīgu atslīdēnu; jābūt ārkārtīgi uzmanīgam veicot zāģēšanas darbus šādā veidā.

Visdrošākais veids kādā var izmantot šo mašīnu ir sekojošais: nostiprināt balķi uz stekjiem un zāģēt no augšas uz apakšu tajā daļā, kura ir ārpus stekļiem. (**4.zīm.**)

Āķa izmantošana

Kur tas ir iespējams, izmantojiet āķi, lai nodrošinātu drošu zāģēšanas darbu veikšanu: nostipriniet to uz stumbra garozas vai ārējās virsmas, lai jums būtu vieglāk darboties ar mašīnu.

Zemāk ir aprakstītas tipiskas zāģēšanas procedūras, kuras ir piemērotas izmantošanai dažādās situācijās. Tomēr, katru reizi pirms ķeršanas pie darba rūpīgi novērtējiet katru no metodēm un noskaidrojiet kura dotajā situācijā ir vispiemērotākā, proti, ar to ir saistīts vismazākais risks.

Ja stumbrs guļ uz zemes. (Pastāv risks, ka ķēde var saskarties ar zemes virsmu kad sliede izies caur visam stumbram). **(5. zīm.)**

Zāģēt no augšas uz apakšu šķērsām visam stumbram. Esiet īpaši uzmanīgi zāģēšanas beigās, lai nepieļautu ķēdes saskaršanos ar zemi. Ja tas ir iespējams, nozāģējiet stumbru līdz 2/3 no tā diametra, apgrieziet to un nozāģējiet atlikušo daļu, tas samazinās risku tam, ka ķēde saskarsies ar zemi.

Ja viens stumbra gals ir atbalstīts. (Zāģēšanas laikā pastāv stumbra plīšanas risks). **(6. zīm.)**

Sāciet zāģēšanu no apakšas, un nozāģējiet stumbru apmēram līdz 1/3 no tā diametra. Turpiniet zāģēšanu no augšas līdz jau izveidotajam griezumam.

Ja abi stumbra gali ir atbalstīti (šajā gadījumā pastāv ķēdes iestrēgšanas risks). **(7. zīm.)**

Sāciet zāģēšanu no augšas un nozāģējiet stumbru apmēram līdz 1/3 no tā diametra. Turpiniet zāģēšanu no apakšas līdz jau izveidotajam griezumam.

Ja koks atrodas guļus nogāzē. Nostāieties nogāzē tā, lai būtu augstāk par koku. Veicot koka pārzāģēšanu, lai nodrošinātu pilnīgu darbarīka vadību, īsi pirms esat pabeidzis zāģēt, samaziniet spiedienu uz zāģi, neatslābinot ķēdes zāģa satvērienu. Neļaujiet ķēdei saskarties ar zemi.

Koku gāšana

UZMANĪBUI Nekādā gadījumā nemēģiniet gāzt koku, ja jums nav nepieciešamas pieredzes, un jebkurā gadījumā nekad negāziet kokus, kuru stumbra diametrs ir lielāks par sliedes garumu! Šo operāciju var veikt tikai augsti kvalificēti mašīnas lietotāji, kuriem ir atbilstošs aprikojums.

Koka gāšanas laikā visvarīgākais ir nodrošināt to, lai koks nokristu labākajā iespējamajā vietā, lai pēc tam varētu nozāģēt zarus un stumbru. (Pievērsiet uzmanību tam, lai krītošais koks neaizķertos aiz blakusesošajiem kokiem: Aizķēruša koka gāšana ir ļoti bīstama).

Vispirms nosakiet kāds ir vislabākais koka krišanas virziens, ņemot vērā sekojošus faktoros: objekti un citi augi, kuri ir ap koku; koka noliekums; koka likums; vēja virziens; vietas ar lielāko zaru koncentrāciju. Turklāt, pievērsiet uzmanību mirušajiem un lauztajiem zariem, kuri ir uz koka, šie zari zāģēšanas laikā var nokrist un rādīt bīstamu situāciju.

UZMANĪBUI Veicot koku gāšanu īpaši bīstamos apstākļos, uzreiz pēc zāģēšanas ņemiet akustiskās aizsardzības līdzekļus, lai jūs varētu dzirdēt neparastas skaņas un citus iespējamus briesmu signālus.

Iepriekšējie zāģēšanas darbi un atiešanas ceļa sastādīšana

Nozāģējiet zarus, kuri sarežģī darbu **(8. zīm.)**, zāģējiet no augšas uz leju. Nostāieties tā, lai starp jums un mašīnu būtu stumbrs un pēc kārtas nozāģējiet vissarežģītākos zarus. Novāciet augus ap koku, kuri sarežģī darbu un pārbaudiet, vai pie koka nav šķēršļu (akmeņi, saknes, bedres u.t.t.), lai izvēlēties atiešanas ceļu uz kura nav šķēršļu (pa šo ceļu būs jāpārvietojas koka krišanas laikā). Zīmējumā **(9. zīm.)** var atrast norādījumus, kuriem jāseko sastādot atiešanas ceļu (A. Prognozējams koka krišanas virziens. B. Atiešanas ceļš. C. Bīstamības zona).

KOKU ZĀĢĒŠANA (10. zīm.)

Lai nodrošinātu to, ka lietotājs pilnībā kontrolē koka krišanas virzienu, sekojiet zemāk izklāstītajiem zāģēšanas noteikumiem:

Vispirms ir jāzāģē griezumus, kurš nosaka koka krišanas virzienu. Vispirms jāzāģē virzītāgrieziena AUGŠĒJĀ DAĶA tajā pusē, uz kuru zāģējamajam kokam jākrīt. Jāstāv no koka pa labi, zāģēšanas laikā ķēde ir jāvelk ārā; pēc tam jāzāģē virzītāgrieziena APAKŠĒJĀ DAĶA, šim izzāģējumam jāsasniedz griezienu augšējās daļas gals. Virzītāgrieziena dziļumam jāساتāda 1/4 no stumbra diametra, leņķim starp augšējo un apakšējo griezumam jābūt vienādam vismaz ar 45°. Vieta, kurā sastopas divi augstākminētie griezumi tiek saukta par "virzītāgrieziena līniju". Šai līnijai jābūt absolūti horizontālai un tai taisnu leņķi (90°) attiecībā pret krišanas virzienu.

Koka zāģēšanas griezumam, kura rezultātā koks nokritis, jābūt 3-5 cm virs virzītāgrieziena līnijas līmeņa apakšējās daļas, un attālumam starp griezienu un līniju jābūt vismaz 1/10 no stumbra diametra. Pālieciet koka kreisajā pusē un zāģējiet, izmantojot paņēmienu, kurā ķēde tiek vilkta ārā, kā arī izmantojiet āķi. Pāliecinietes, ka koks nevirzās krišanas virzienu pretējā pusē. Pēc iespējas ātrāk iespraudiet griezienā koka gāšanas sviru vai ķīli. Koka daļa, kura netika izzāģēta tiek uzskatīta par "šarnīru", jo tas kontrolē koka krišanas virzienu. Ja griezumi ir nepietiekami, ja tie nav taisni vai ja tie tika pilnīgi nozāģēti, tad koka krišanas virzienu nav iespējams kontrolēt (tas ir ārkārtīgi bīstami!). Tādējādi, visi griezieni jāizdara ļoti precīzi.

Kad visi griezieni ir izdarīti, koks sāks krist. Ja nepieciešams, koka gāšanai izmantojiet gāšanas sviru vai ķīli.

Zaru zāģēšana

Pēc tā kad koks ir nogāzts, no stumbra ir jānozāģē zari. Esiet modrs veicot šo operāciju, jo lielākais ar mašīnas atsittena saistītu negadījumu skaits notiek zaru zāģēšanas laikā. Tādējādi, vienmēr sekojiet tam, kur zāģēšanas laikā atrodas sliedes gals un darba laikā vienmēr stāviet stumbra kreisajā pusē.

I. EKOĻĢIJA


Šajā nodaļā jūs atradīsiet derīgu informāciju par mašīnas projektēšanas posmā izstrādātajām ekoloģiskajām īpašībām, par mašīnas pareizo lietošanu, kā arī par eļļu utilizāciju.

MAŠĪNAS LIETOŠANA

Eļļas tvertnes uzpilde ir jāveic uzmanīgi, lai nepieļautu eļļas izliešanos, kas var izraisīt augsnes un apkārtējās vides piesārņošanu.

UTILIZĀCIJA

Neizmetiet ārā mašīnu, kura vairs nedarbojas. Nogādājiet to uz speciālo utilizācijas centru saskaņā ar spēkā esošajiem normatīvajiem aktiem.

Simbols  uz produkta vai uz tā iepakojuma norāda, ka no šī produkta nedrīkst atbrīvoties, kā no mājsaimniecības atkritumiem. Tas ir jānodod atbilstošā savākšanas punktā elektrisko un elektronisko ierīču pārstrādei.

Nodrošinot pareizu atbrīvošanos no šī produkta, jūs palīdzēsiet novērst iespējamās negatīvas sekas videi un cilvēku veselībai, ko pretējā gadījumā varētu izraisīt šī produkta atkritumu apstrāde.

Plašāku informāciju par šī produkta pārstrādi lūdziet savā pašvaldībā, mājsaimniecības atkritumu iznīcināšanas centrā vai veikalā, kur šo produktu iegādājāties.

J. IESPĒJAMO PROBLĒMU RISINĀŠANAS TABULA

	Nevar iedarbināt dzinēju	Dzinējs slikti darbojas vai zaudē jaudu	Mašīna tiek iedarbināta, bet griešanas kvalitāte ir sliktā	Dzinējs darbojas ar traucējumiem vai apgriezīgu skaitu ir samazināts	Bremzešanas ierīces neapstādina ķēdi
Pārbaudiet vai elektrības tīklā ir elektrība	●				
Pārbaudiet vai mašīna ir pareizi pieslēgta	●				
Pārbaudiet vai kabelis / pagarināšanas vads nav bojāts	●				
Pārbaudiet vai ķēdes bremze nav iedarbināta	●				
Pārbaudiet, vai ķēde ir pareizi uzmontēta un nospriegota.		●	●		
Pārbaudiet vai ķēde ir ieeļļota, sekojot norādījumiem sadaļās F un G.			●		
Pārbaudiet vai ķēde ir uzasināta			●		
Pārbaudiet, vai ir ieslēgts automātiskais slēdzis.	●				
Sazinieties ar tuvāko autorizēto tehniskās apkalpošanas centru	●	●		●	●

K. REZERVES DAĻAS

35cm	Ķēde	91PJ052XN	Daļas numurs:	530051538
	Virzītājsliede		Daļas numurs:	576965401
40cm	Ķēde	91PJ056XN	Daļas numurs:	530051539
	Virzītājsliede		Daļas numurs:	576965201

L. EK Atbilstības deklarācija

Husqvarna AB, S-561 82, Huskvarna, Sweden

Nosaka vienīgi mūsu atbildību par to, ka izstrādājums (-i);

Apzīmējums..... **Chainsaw - Kēdes zāģis**

Tipa(-u) apzīmējums..... **CSE1835, CSE1935S, CSE2040, CSE2040S**

Griešanas ierīces veids..... **rotējošs asmens**

Izgatavošanas gads..... **rotējošs asmens**

atbilst Eiropas Komisijas direktīvu pamata prasībām un noteikumiem:

2006/42/EC, 2004/108/EC, 2000/14/EC, 2011/65/EU

balstīts uz šādiem ES (Eiropas Savienības) piemērotiem un saskaņotiem standartiem:

EN60745-1, EN60745-2-13, EN55014-2, EN55014-1, EN61000-3-2, EN61000-3-11

"Notified Body", kas veikusi Eiropas Komisijas

veida pārbaudi atbilstoši 8. reglamenta 2.c sadaļai..... TÜV Rheinland LGA Products GmbH

Tillystraße 2

D-90431 Nürnberg

Germany

BM 50268379

Sertifikāts nr.....

Maksimālais A svērtais skaņas spiediena līmenis L_{pA} darbstacijā, ko mēra saskaņā ar standartu EN60745-2-13, ir norādīts tabulā.

Maksimālā plaukostas/rokas vibrācijas svērtā vērtība a_{h1} , ko mēra saskaņā ar standartu EN60745-2-13, izmantojot iepriekš minēto izstrādājumu paraugus, ir norādīta tabulā.

Noteiktā vibrāciju kopējā vērtība ir izmērīta ar standarta testēšanas metodi, un šo vērtību var izmantot, lai salīdzinātu dažādus instrumentus.

To var lietot sākotnējā instrumenta iedarbības novērtējumā.

Brīdinājums:

elektriskā instrumenta lietošanas laikā sasniegtā vibrācijas emisijas vērtība var atšķirties no norādītās kopējās vērtības atkarībā no instrumenta izmantošanas veida.

Lietotājam jānosaka instrumenta radītā iedarbība faktiskajos izmantošanas apstākļos un jāizvēlas attiecīgi drošības pasākumi personiskai aizsardzībai (ņemot vērā visus darba cikla faktorus, piemēram, cik reizu instruments ir izslēgts un cik ilgi pēc ieslēgšanas tas darbojas tukšgaitā).

2000/14/EC: izmērītās skaņas stipruma L_{WA} un garantētās skaņas stipruma L_{WA} vērtības ir atbilstošas tabulās

fiksētajām skaitliskajām vērtībām.

Atbilstības novērtēšanas procedūra..... Annex V

Ulm 12/02/2013

P. Lamelli

Global R&D vadītājs – roka turamas ierīces

Tehniskās dokumentācijas īpašnieks



Tipi (CSE _____):

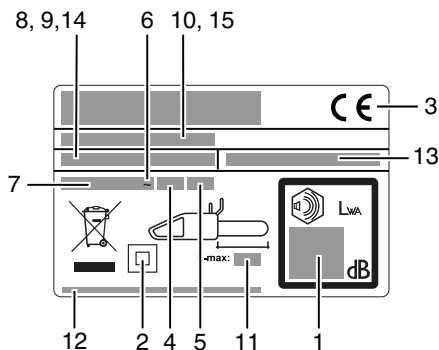
	1835	1935S	2040	2040S
Svars bez šķidrumiem (Kg)	4.3	4.5	4.4	4.6
Jauda (kW)	1.8	1.9	2.0	2.0
Elļas tvertnes tilpums (cm ³)	240	240	240	240
Maksimālais virzītājsliedes garums	35	35	40	40
Kēdes gājiens (mm)	9.52	9.52	9.52	9.52
Kēdes platums (mm)	1.3	1.3	1.3	1.3
Izmērītā skaņas intensitāte L_{WA} (dB(A))	106	106	106	106
Garantētā skaņas intensitāte L_{WA} (dB(A))	110	110	110	110
Skaņas spiediens L_{pA} (dB(A))	95	95	95	95
Nedroši K_{pA} (dB(A))	2.5	2.5	2.5	2.5
Rokas / plaukostas vibrācija a_{h1} (m/s ²)	7.28	7.28	8.08	8.08
Mainīgums K_{ah} (m/s ²)	1.5	1.5	1.5	1.5
Elektrotīkla pilnā pretestība Z_{max} (Ω)	0.382	0.382	0.382	0.382

Paziņojums par atbilstību standartam EN 61000-3-11

Atkarībā no vietējā elektrotīkla tehniskajiem parametriem šī izstrādājuma lietošana ieslēgšanas brīdī var radīt īslaicīgu sprieguma kritumu. Tas var ietekmēt citu elektroierīču darbību, piemēram, lampa var īslaicīgi aptumšoties. Ja jūsu elektrotīkla pilnā pretestība (Z maks.) ir mazāka nekā tabulā norādītā vērtība (atbilstoši jūsu modelim), šī parādība nenotiks. Tikla pilnās pretestības vērtību var noteikt, sazinoties ar savu elektrības piegādes uzņēmumu.

A. DESCRIERE GENERALĂ

- | | |
|---|--|
| <ol style="list-style-type: none"> 1) Mâner spate 2) Protecție mână spate 3) Mâner față 4) Protecție mână față/braț frânare lanț 5) Buton de tensionare exterioară a lanțului 6) Șurub de tensionare a lanțului 7) Știft de tensionare a lanțului 8) Capac rezervor de ulei 9) Indicator de verificare a rezervorului de ulei 10) Orificii de evacuare a aerului 11) Cablu 12) Manual 13) Comutator 14) Dispozitiv de blocare comutator 15) Lanț 16) Dinte de acționare 17) Legătură de tăiere 18) Indicator de adâncime a tăieturii 19) Dinte de tăiere | <ol style="list-style-type: none"> 20) Bară de ghidare 21) Capac roată dințată de acționare 22) Roată dințată de acționare 23) Captator de lanț 24) Șurub de reținere a cadrului 25) Șurub interior de reținere a cadrului 26) Piuliță de reținere a cadrului 27) Vârf roată dințată 28) Capac bară de ghidare 29) Atenuator șocuri 30) Carcasa știftului de tensionare a lanțului 31) Orificiu pentru lubrifiere 32) Canelură bară de ghidare 33) Cheie/șurubelniță |
|---|--|



Exemplu de etichetă pentru identificare

- 1) Nivelul garantat al puterii acustice în conformitate cu directiva 2000/14/EC
- 2) Unealtă de clasa II
- 3) Marcaj CE de conformitate
- 4) Frecvență nominală
- 5) Putere nominală
- 6) Curent alternativ
- 7) Tensiune nominală
- 8) Tip
- 9) Cod de produs
- 10) Anul fabricației
- 11) Lungime maximă a barei de ghidare
- 12) Numele și adresa producătorului
- 13) Număr de articol (Ferăstrău electric cu lanț)
- 14) Model
- 15) Număr de serie

B. PRECAUȚII DE SIGURANȚĂ

SEMNIȚAȚIA SIMBOLURILOR



Avertisment!
Citiți cu atenție
manualul de
instrucțiuni



Cizme de protecție



**Ochelari sau ecran de
protecție, cască de
protecție și protecție
antifonică**



**Mănuși de protecție
împotriva tăierii**



**Pantalonii lungi de
protecție împotriva
tăierii**



**Frână pentru lanț:
dezactivată, activată**



**Scoateți imediat fișa din
conector în cazul în care
cablul este deteriorat sau
tăiat**



**Țineți la distanță
trecătorii**



**Direcția corectă a
dinților de tăiere.**



**Întotdeauna țineți
mașina cu două mâini**



Pericol de recul



**Nu expuneți mașina la
ploaie sau umezeală.**



Ulei de lanț



Ferțiți de.....



Oprțiți mașina



**Decuplați fișa înainte
de ajustare sau
curățare**



Risc de electrocutare

**Avertismente generale de siguranță pentru unelte
electrice**

AVERTISMENT Citiți toate avertismentele de
siguranță și toate instrucțiunile. *Nerespectarea
avertismentelor și instrucțiunilor poate duce la
electrocutări, incendii și/sau răni grave.*

**⚠ Păstrați toate avertismentele și instrucțiunile
pentru o referință ulterioară.**

*Termenul de "unealtă electrică" din avertismente se
referă la unealta electrică alimentată de la rețea (prin
cablu) sau la unealta electrică alimentată de la
acumulatoare (fără cablu).*

1) Siguranța locului de muncă

- a) Mențineți locul de muncă curat și bine iluminat.**
Zonele aglomerate și întunecate atrag accidente.
- b) Nu utilizați unelte electrice în atmosfere explozive,
cum ar fi prezența lichidelor inflamabile, a gazelor
sau prafului. *Uneltele electrice produc scântei care
pot aprinde praful sau vaporii.***

**c) Țineți copiii și alte persoane la depărtare în timp ce
utilizați unealta electrică.** *Distragerea atenției
dumneavoastră poate duce la pierderea controlului
asupra produsului.*

2) Siguranța electrică

- a) Fișa uneltei electrice trebuie să se potrivească cu
conectorul. Niciodată nu modificați fișa în niciun
fel. Nu folosiți niciun fel de fișe adaptatoare pentru
unelte electrice legate la împământare (masă).**
*Fișele nemodificate și conectoarele potrivite reduc
riscul electrocutărilor.*

**b) Evitați atingerea suprafețelor împământate sau
legate la masă, cum ar fi conducte, radiatoare,
mașini de gătit și frigider.** *Riscul electrocutării
este mai mare dacă corpul dumneavoastră este
legat la împământare sau la masă.*

**c) Nu expuneți uneltele electrice la ploaie sau condiții
de umezeală.** *Apa infiltrată într-o unealtă electrică
crește riscul electrocutării.*

**d) Nu întindeți excesiv cablul. Nu folosiți niciodată
cablul pentru transportarea, tragerea sau
deconectarea uneltei electrice. Țineți cablul la
depărtare de căldură, ulei, margini ascuțite sau
piele aflate în mișcare.** *Cablurile deteriorate sau
încurcate cresc riscul electrocutării.*

**e) Dacă utilizați o unealtă electrică în aer liber, folosiți
un cablu prelungitor potrivit pentru utilizarea
aplicațiilor în aer liber.** *Folosirea unui cablu potrivit
pentru utilizarea în aer liber reduce riscul
electrocutării.*

**f) Dacă utilizarea uneltei electrice într-un loc umed
este inevitabilă, folosiți o sursă de alimentare
protejată la curentul rezidual (RCD).** *Utilizarea unui
RCD reduce riscul electrocutării.*

3) Siguranța personală

- a) Fiți vigilenți, urmăriți lucrul și mențineți-vă simțul
realității atunci când folosiți o unealtă electrică. Nu
folosiți o unealtă electrică dacă sunteți obosit, sub
influența drogurilor, alcoolului sau medicamentelor.**
*Un moment de neatenție în timpul utilizării uneltelor
electrice poate duce la rănire gravă.*

- b) Folosiți echipament de protecție personală. Purtați întotdeauna ochelari de protecție. *Echipamentul de protecție, cum ar fi mască împotriva prafului, încălțăminte de protecție nealunecoasă, cască de protecție sau căști de protecție auditivă, folosit în condițiile corespunzătoare, reduce riscul rănilor.*
- c) Preveniți pornirea accidentală. Asigurați-vă să poziționați comutatorul în poziția oprit înainte de a conecta dispozitivul la sursa de alimentare și sau acumulator, sau înainte de ridicare sau transport. *Transportul uneltelor electrice cu degetul pe comutatorul sau alimentarea acestora cu comutatorul pe poziția pornit poate duce la accidente.*
- d) Îndepărtați orice cheie de ajustare sau cheie fixă înainte de pornirea dispozitivului. *O cheie fixă sau una de ajustare atașată la o piesă rotativă a uneltelor electrice poate duce la rănire.*
- e) Nu vă întindeți prea mult. Mențineți permanent o poziție a picioarelor corespunzătoare și un echilibru. *Aceasta permite un control mai bun al unelei electrice în situații neașteptate.*
- f) Purtați haine corespunzătoare. Nu purtați îmbrăcăminte neajustată sau bijuterii. *Mențineți-vă părul, îmbrăcămintea și mânușile la depărtare de părțile aflate în mișcare. Îmbrăcămintea largă sau părul lung pot fi prinse de părțile aflate în mișcare.*
- g) Dacă dispozitivele sunt livrate pentru conectarea la utilitățile de extragere și colectare a prafului, asigurați-vă că acestea sunt conectate și utilizate corespunzător. *Folosirea dispozitivelor de colectare a prafului poate reduce pericolele legate de praf.*
- 4) Utilizarea și întreținerea uneltelor electrice
- a) Nu forțați unealta electrică. Folosiți unealta electrică potrivită pentru munca pe care o efectuați. *O unealtă electrică potrivită va efectua mai bine și mai sigur munca la sarcina pentru care a fost proiectată.*
- b) Nu folosiți unealta electrică dacă comutatorul nu o pornește și nu o oprește. *Orice unealtă electrică ce nu poate fi controlată prin comutator este periculoasă și trebuie reparată.*
- c) Deconectați fișa unelei electrice de la sursa de alimentare și/sau acumulator înainte de a efectua orice ajustări, schimbări de accesorii sau depozitare. *Asemenea măsuri preventive reduc riscul pornirii accidentale a unelei electrice.*
- d) Depozitați unelele neutilizate astfel încât să nu fie accesibile copiilor și nu permiteți persoanelor care nu cunosc funcționarea unelei electrice sau aceste instrucțiuni să utilizeze echipamentul. *Unelele electrice sunt periculoase în mâinile utilizatorilor neinstruiți.*
- e) Întrețineți unelele electrice. Verificați alinierea sau fixarea corespunzătoare a părților aflate în mișcare, eventualele rupturi și orice alte situații care pot afecta utilizarea unelei electrice. *Reparati unelele electrice înainte de utilizare, dacă sunt deteriorate. Multe accidente sunt provocate de unelte electrice neîntreținute corespunzător.*
- f) Mențineți componentele de tăiere ascuțite și curate. *Componentele de tăiere întreținute corespunzător, cu lame de tăiere ascuțite, se blochează mai greu și sunt mai ușor de controlat.*
- g) Folosiți unealta electrică, piesele acesteia etc. în conformitate cu aceste instrucțiuni, luând în considerare condițiile de lucru și munca pe care o efectuați. *Folosirea unelei electrice pentru operații diferite de cele pentru care a fost proiectată poate duce la situații periculoase.*
5. Lucrările de service
- a) Permiteți efectuarea lucrărilor de service numai persoanelor calificate, folosind numai piese de schimb identice. *Acest lucru va asigura menținerea siguranței în funcționarea unelei electrice.*
- Avertismente de siguranță pentru ferăstrăul cu lanț:**
- Ferți orice parte a corpului de lanțul ferăstrăului când ferăstrăul funcționează. *Înainte de a porni ferăstrăul cu lanț, asigurați-vă că lanțul ferăstrăului nu atinge nimic. Un moment de neatenție în timpul utilizării ferăstrăului cu lanț poate provoca prinderea îmbrăcămintei sau corpului în lanțul ferăstrăului.*
 - Țineți întotdeauna ferăstrăul cu lanț cu mâna dreaptă pe mânerul din spate și cu mâna stângă pe mânerul din față. *Ținerea ferăstrăului cu lanț cu mâinile inversate crește riscul rănirii și trebuie evitată întotdeauna.*
 - Apucați unealta electrică numai de suprafețele de prindere izolate, întrucât lanțul fierăstrăului poate atinge firele ascunse sau cablul de alimentare. *Lanțul fierăstrăului care atinge firele aflate sub tensiune transformă piesele metalice în componente aflate sub tensiune și pot curenta operatorul.*
 - Purtați ochelari de protecție și căști de protecție auditivă. *Este recomandată utilizarea echipamentelor suplimentare de protecție pentru cap, mâini și picioare. O îmbrăcămintă de protecție adecvată va diminua rănirile cauzate de resturile aruncate sau de atingerea accidentală a lanțului ferăstrăului. Pot fi procurate de la un furnizor local de echipamente de lucru.*
 - Nu utilizați un ferăstrău cu lanț atunci când vă aflați pe un copac. *Utilizarea unui ferăstrău cu lanț în timp ce vă aflați pe un copac poate provoca răniri.*
 - Mențineți întotdeauna o poziție stabilă pe picioare și folosiți ferăstrăul cu lanț doar dacă vă aflați pe o suprafață fixă, sigură și plană. *Suprafețele alunecoase sau instabile cum ar fi scările pot cauza pierderea echilibrului sau a controlului ferăstrăului cu lanț.*
 - Dacă tăiați o creangă tensionată fiți atent la reculul acesteia. *În momentul eliberării tensiunii fibrelor lemnului, creanga tensionată ar putea lovi operatorul și/sau să scoată ferăstrăul cu lanț de sub control.*
 - Fiți deosebit de vigilenți dacă tăiați tufișuri și puieți. *Materialul subțire ar putea prinde lanțul ferăstrăului și acesta poate fi tras către dumneavoastră sau ar putea să vă dezechilibreze.*
 - Purtați ferăstrăul cu lanț de la mânerul din față, cu lanțul ferăstrăului decuplat și îndepărtat de corpul dumneavoastră. *Dacă transportați sau depozitați ferăstrăul cu lanț, fixați întotdeauna capacul barei de ghidare. Manipularea corespunzătoare a ferăstrăului cu lanț reduce probabilitatea contactului accidental cu lanțul ferăstrăului aflat în mișcare.*
 - Urmați instrucțiunile de lubrifiere, de tensionare a lanțului și de schimbare a accesorior. *Lanțul tensionat sau lubrifiat în mod necorespunzător ar putea să se rupă sau ar putea crește riscul unui recul.*
 - Mențineți mânerul uscat, curat și lipsit de ulei sau alte materiale de grăsime. *Mânerul cu materiale de grăsime sau uleiuri sunt alunecoase și provoacă pierderea controlului.*

- **Tăiați doar lemn. Nu folosiți ferăstrăul cu lanț pentru scopuri pentru care nu a fost proiectat. De exemplu: nu folosiți ferăstrăul cu lanț pentru tăierea plasticului, zidăriei sau a materialelor de construcție altele decât lemnul. Folosirea ferăstrăului cu lanț pentru operații diferite de cele pentru care a fost proiectată poate duce la situații periculoase.**

Cauze și metode de prevenire de către operator ale unui recul:

Reculul poate să apară atunci când vârful sau extremitatea cadrului de protecție atinge un obiect sau când lemnul se strânge și prinde lanțul ferăstrăului în tăietură.

Contactul extremității în unele cazuri poate duce la o reacție inversă rapidă, lovind cadrul de ghidare în sus și înapoi spre operator.

Prinderea lanțului ferăstrăului de-a lungul părții de sus a cadrului de ghidare poate împinge rapid cadrul înapoi spre operator.

Oricare din aceste reacții poate duce la pierderea controlului asupra ferăstrăului, cauzând rănire gravă. Nu vă bazați exclusiv pe dispozitivele de siguranță montate pe ferăstrăul dumneavoastră. Ca utilizator de ferăstrău, trebuie să respectați câțiva pași pentru a menține lucrările de tăiere ferite de accidente sau răniri.

Reculul este rezultatul utilizării greșite și/sau al procedurilor sau condițiilor de utilizare incorecte și pot fi evitate prin luarea unor măsuri de precauție arătate mai jos:

- **Mențineți o forță de prindere fermă, cu degetele de jur împrejurul mânerelor ferăstrăului cu lanț, cu ambele mâini pe ferăstrău și poziționați-vă corpul și brațele astfel încât să vă permiteți să rezistați la forțele de recul. Forțele de recul pot fi controlate de către operator, dacă se iau măsurile corespunzătoare de precauție. Nu scăpați din mâini lanțul cu ferăstrău.**
- **Nu vă aplecați peste și nu tăiați peste înălțimea umărului. Aceasta ajută la prevenirea contactului accidental al vârfului și asigură un control mai bun al ferăstrăului cu lanț în situații neașteptate.**
- **Utilizați doar cadre și lanțuri de înlocuire specificate de producător. Cadrele și lanțurile de înlocuire necorespunzătoare pot duce la ruperea lanțului și/sau recul.**
- **Urmați instrucțiunile producătorului pentru ascuțire și întreținere referitoare la ferăstrăul cu lanț. Reducerea înălțimii indicatorului de adâncime poate duce la un recul mai puternic.**

Recomandări suplimentare privind siguranța

1. **Utilizarea manuală.** Toate persoanele care utilizează această mașină trebuie să citească în întregime manualul utilizatorului cu atenție sporită. Manualul utilizatorului trebuie livrat împreună cu mașina în cazul vânzării sau închirierii către o altă persoană.
2. **Precauțiile înaintea utilizării mașinii.** Nu permiteți niciodată utilizarea acestei mașini de către persoane care nu sunt familiarizate perfect cu instrucțiunile din manual. Persoanele neexperimentate trebuie să urmeze o perioadă de instruire exclusiv pe o capră de tăiat lemne.
3. **Verificările de control.** Verificați mașina cu atenție înaintea fiecărei utilizări, în special dacă a fost supusă unui impact puternic sau dacă apar semne de funcționare defectuoasă. Efectuați toate operațiile descrise în capitolul "Întreținere și depozitare" – Înainte de fiecare utilizare".

4. **Reparațiile și întreținerea.** Toate piesele mașinii care pot fi înlocuite personal sunt prezentate exact în capitolul de instrucțiuni "Asamblarea/dezasamblarea". Dacă este necesară, înlocuirea celorlalte piese ale mașinii trebuie realizată exclusiv de către un Centru de Service Autorizat.

5. **Îmbrăcămintea. (fig 1)** În timpul utilizării acestei mașini, utilizatorul trebuie să poarte următoarea îmbrăcămintă individuală autorizată de protecție: îmbrăcăminte de protecție strânsă, bocanci de siguranță cu talpă aderentă, și cu protecție a degetelor de la picioare împotriva loviturilor și tăieturilor, mănuși cu protecție împotriva tăieturilor și vibrațiilor, ochelari de protecție sau vizor de siguranță, dopuri de protecție pentru urechi și cască de protecție (dacă există pericolul apariției unor obiecte căzătoare). Pot fi procurate de la un furnizor local de echipamente de lucru.

6. **Precauții privind sănătatea – vibrații și niveluri de zgomot.** Luați în considerare restricțiile referitoare la zgomot în zona înconjurătoare. Utilizarea îndelungată a mașinii expune utilizatorul la vibrații care pot genera „fenomenul degetelor albe” (Fenomenul Raynaud), sindromul de tunel carpian și alte perturbări similare.

7. **Precauții privind sănătatea – Agenți chimici.** Folosiți ulei aprobat de către producător.

8. **Precauții privind sănătatea – Căldura.** În timpul utilizării, roata dințată și lanțul pot atinge temperaturi foarte ridicate, aveți grijă să nu atingeți aceste piese cât timp sunt fierbinți.

9. **AVERTISMENTI!** Această mașină produce un câmp electromagnetic în timpul funcționării. Acest câmp ar putea interfera în unele circumstanțe cu implanturile medicale active sau pasive. Pentru a reduce riscul unei răniri grave sau letale, recomandăm persoanelor cu implanturi medicale să consulte medicul și producătorul implantului medical înainte de utilizarea acestei mașini.

Precauții privind transportul și depozitarea. (fig 2) De fiecare dată când zona de lucru este mutată, deconectați mașina de la alimentare și activați levierul de frână pentru lanț. Montați capacul barei de ghidare de fiecare dată înainte de transport sau depozitare. Purtați întotdeauna mașina în mână, cu bara orientată spre înainte, sau în cazul transportului mașinii într-un vehicul, fixați-o sigur pentru a preveni deteriorarea.

Reacția de recul. (fig 3) Reacția de recul constă într-o acțiune violentă către sus și înapoi a barei către utilizator. Acest lucru se întâmplă de obicei dacă partea superioară a vârfului barei (denumită „zona de pericol de recul”) (a se vedea marcajul roșu de pe bara de ghidare) atinge un obiect sau dacă lanțul se blochează în lemn. Reculul poate provoca pierderea controlului mașinii de către utilizator, provocând accidente periculoase sau chiar mortale. Levierul de frână pentru lanț și celelalte dispozitive de siguranță nu sunt suficiente pentru protejarea utilizatorului de răniri: utilizatorul trebuie să fie conștient de condițiile care pot provoca reacția și să le prevină prin acordarea unei atenții mărite, conform experienței, împreună cu o utilizare prudentă și corespunzătoare a mașinii (de exemplu: niciodată nu tăiați mai multe ramuri în același timp, deoarece acest lucru poate cauza un impact accidental în "zona de pericol de recul")

Siguranța locului de muncă

1. Nu permiteți niciodată copiilor sau persoanelor nefamiliarizate cu aceste instrucțiuni să utilizeze produsul. Reglementările locale pot restricționa vârsta utilizatorului.
2. Folosiți produsul doar în modul și pentru funcțiile descrise în aceste instrucțiuni.

- verificați întreaga zonă de lucru pentru depistarea oricărei surse de pericol (ex.: drumuri, cărări, cabluri electrice, copaci periculoși etc.)
- Țineți la depărtare toate persoanele și animalele de zona de lucru (dacă este necesar, înconjuțați zona și folosiți semne de avertizare), la o distanță minimă de 2,5 ori înălțimea trunchiului; în niciun caz mai mică de zece metri.
- Operatorul sau utilizatorul este responsabil pentru accidentele sau pericolele care amenință celelalte persoane sau bunurile acestora.

Siguranța electrică

- Este recomandat să utilizați o sursă de alimentare protejată la curentul rezidual (R.C.D.) cu un curent de decuplare nu mai mare de 30 mA. Chiar și cu instalarea unei R.C.D., siguranța 100 % nu poate fi garantată, iar practicile privind munca în siguranță trebuie urmate totdeauna. Verificați R.C.D.-ul de fiecare dată înainte de utilizare.
- Înainte de utilizare, verificați cablul pentru depistarea deteriorărilor și înlocuiți-l dacă apar semne de deteriorare sau de îmbătrânire.
- Nu folosiți produsul dacă cablurile sunt deteriorate sau uzate.
- Decuplați imediat de la sursa de alimentare dacă cablul este tăiat sau dacă izolarea este deteriorată. Nu atingeți cablul electric înainte de decuplarea de la alimentarea electrică. Nu reparați un cablu tăiat sau deteriorat. Duceți produsul la un Centru de Service Autorizat pentru înlocuirea cablului.
- Prelungitorul trebuie desfăcut; cablurile înfășurate se pot supraîncălzi și pot reduce eficiența produsului.
- Asigurați-vă întotdeauna că cablul/cablul prelungitor se află în spatele utilizatorului, garantând faptul că acesta nu creează o sursă de pericol pentru utilizator sau pentru alte persoane și verificați ca acesta să nu poată fi deteriorat (de căldură, obiecte ascuțite, margini ascuțite, ulei etc.);
- Așezați cablul astfel încât să nu se prindă pe crengi sau alte obiecte asemănătoare în timpul tăierii.

- Decuplați întotdeauna alimentarea înainte de a deconecta orice fișă, conector de cablu sau cablu prelungitor.
- Decuplați, deconectați fișa de la alimentare și verificați cablul de alimentare cu electricitate pentru depistarea deteriorărilor sau îmbătrânirii înainte de a înfășura cablul pentru depozitare. Nu reparați un cablu deteriorat. Duceți produsul la un Centru de Service Autorizat pentru înlocuirea cablului.
- Scoateți fișa de la alimentare înainte de a lăsa produsul nesupravegheat pentru orice perioadă de timp.
- Înfășurați întotdeauna cablul cu grijă, prevenind buclarea.
- Folosiți doar alimentare de CA, afișată pe eticheta de identificare a produsului.
- Ferăstrăul cu lanț este izolat dublu, conform EN60745-1 și EN60745-2-13. În nicio condiție, nu se va conecta nicio împănăntare la nicio piesă a produsului.

Cablurile

- Cablurile de alimentare și prelungitoarele sunt disponibile la Centrul de service autorizat local
- Folosiți doar cabluri prelungitoare aprobate
- Cablurile și conductoarele prelungitoare se vor utiliza doar dacă sunt destinate utilizării în exterior.
- Dacă doriți să folosiți un cablu prelungitor când folosiți produsul, se vor folosi numai următoarele dimensiuni de cablu.

Modele CSE1835, CSE1935S:

- 5,0 mm² : lungime max. 40 m
- 5,0 mm² : lungime max. 60 m
- 8,0 mm² : lungime max. 100 m

Modele CSE2040, CSE2040S:

- 5,0 mm² : lungime max. 50 m
- 8,0 mm² : lungime max. 90 m

C. DESCRIEREA DISPOZITIVELOR DE SIGURANȚĂ ALE ECHIPAMENTULUI

DISPOZITIVUL DE BLOCARE A COMUTATORULUI

Mașina este echipată cu un dispozitiv (fig. 1) care, atunci când este dezactivat, împiedică apăsarea comutatorului, prin urmare prevenind pornirea accidentală.

AȚIUNEA DE FRÂNARE A LANȚULUI LA ELIBERAREA COMUTATORULUI

Mașina este echipată cu un dispozitiv care blochează lanțul imediat după eliberarea comutatorului; Dacă acest dispozitiv nu funcționează tot timpul, mașina NU se va utiliza și se va duce la un Centru de Service Autorizat.

PROTECȚIA MĂINII DIN FAȚĂ / BRAȚUL DE FRÂNARE A LANȚULUI

Protecția mâinii din față (fig. 2) este proiectată să prevină intrarea în contact a mâinii stângi cu lanțul (în situația în care mașina este ținută corect conform instrucțiunilor). Protecția mâinii din față acționează și ca frână pentru lanț, incluzând un dispozitiv care blochează lanțul în mai puțin de 0,15 secunde în caz de recul. Frâna lanțului este eliberată atunci când protecția mâinii din față este trasă înapoi și fixată în poziția sa (lanțul poate să se rotească). Frâna lanțului este dezactivată atunci când protecția mâinii din față este împinsă înainte (lanțul este blocat). Frâna lanțului poate fi activată cu ajutorul încheieturii mâinii stângi prin împingerea înainte sau atunci când încheietura mâinii intră în contact cu protecția mâinii stângi ca rezultat al unui recul.

Când mașina este folosită cu cadrul în poziție orizontală, de exemplu, în timpul tăierii unui arbore, frâna lanțului asigură o protecție mai redusă. (fig. 3).

N.B.: Când frâna de lanț este activată, un comutator de siguranță întrerupe curentul prin motor.

 **Eliberarea frânei de lanț în timp ce comutatorul este apăsat cauzează pomirea mașinii.**

CAPTATORUL DE LANȚ

Această mașină este echipată cu un captator de lanț (fig. 4) amplasat sub roata dințată. Acest mecanism are rolul de a opri mișcarea lanțului spre înapoi în cazul în care lanțul se rupe sau sare de pe rola de antrenare. Aceste situații pot fi evitate prin tensionarea corectă a lanțului (consultați capitolul "D. Asamblarea / dezasamblarea").

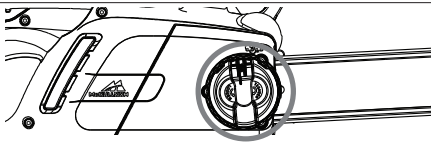
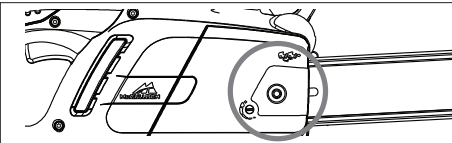
PROTECȚIA MĂINII DIN SPATE

Aceasta are rolul de a proteja (fig. 5) mâna în cazul în care lanțul se rupe sau sare de pe rola de antrenare.

D. ASAMBLAREA / DEZASAMBLAREA

ASAMBLAREA CADRULUI ȘI LANȚULUI

Metodele de asamblare sunt diferite în funcție de tipul mașinii dumneavoastră, prin urmare consultați cu atenție ilustrațiile și tipul mașinii marcat pe etichetă. Asamblați mașina cu mare grijă pentru a vă asigura că operația este executată corect.



1. Verificați ca frâna lanțului să nu fie activată. Dacă este activată, dezactivați-o.

2a. Deșurubați piulița de fixare a barei și îndepărtați capacul pinionului de lanț al mecanismului de antrenare.

2b. Deșurubați clapeta de fixare a barei și îndepărtați capacul pinionului de lanț al mecanismului de antrenare.

3 Poziționați lanțul peste bară, începând de la pinionul de lanț frontal, fixându-l în canelura țije de ghidare. **Atenție!** Asigurați-vă că partea ascuțită a dinților de tăiere este orientată în direcția înainte pe partea superioară a barei. Purtați mănuși.

4a. Asigurați-vă că bolțul întinzător al lanțului este cât mai departe înspre înapoi de pinionul de lanț al mecanismului de antrenare. Montați bara pe șurubul de fixare al barei și pe bolțul întinzător al lanțului și poziționați lanțul peste pinionul de lanț al mecanismului de antrenare.

4b. Rotiți roata metalică de deplasare în sensul invers acelor de ceasornic cât mai departe posibil. Montați bara pe șurubul de fixare al barei și poziționați lanțul peste pinionul de lanț al mecanismului de antrenare.

Puneți la loc capacul pinionului de lanț al mecanismului de antrenare, asigurându-vă că dinții mecanismului de antrenare al lanțului sunt antrenați în pinionul de lanț al mecanismului de antrenare în șanțul de direcție.

5a. Înșurubați piulița de fixare a cadrului cu mâna, până se strânge ușor.

5b. Înșurubați butonul de fixare a cadrului până se strânge ușor.

6a. Pentru a tensiona lanțul, rotiți spre dreapta șurubul de tensionare a lanțului folosind cheia/șurubelnița furnizată. Pentru a reduce tensionarea lanțului, rotiți spre stânga (întimpul acestei operații, țineți vârful cadrului ridicat în sus)

6b. Pentru a tensiona lanțul, rotiți spre dreapta butonul de tensionare exterior a lanțului. Pentru a reduce tensionarea lanțului, rotiți spre stânga butonul (în timpul acestei operații, țineți vârful cadrului ridicat în sus).

7. Tensionați lanțul până când acesta este tensionat corect. Trageți lanțul de pe cadru și asigurați-vă că deplasarea măsoară aproximativ 2-3 mm.

8a. Strângeți piulița de fixare a cadrului folosind cheia/șurubelnița furnizată.

8b. Strângeți cadrul până când acesta este bine fixat.

Tensionarea prea puternică a lanțului va suprasolicita motorul, cauzând defectarea lui, tensionarea insuficientă poate provoca sărirea lanțului de pe rolă, în timp ce un lanț tensionat corect asigură cele mai bune caracteristici de tăiere, având și o durată de viață mai lungă. Verificați cu regularitate tensionarea lanțului întrucât lungimea lanțului tinde să crească odată cu utilizarea acestuia (mai ales atunci când lanțul este nou; după prima asamblare, tensionarea lanțului trebuie verificată după 5 minute de funcționare); în orice caz, nu tensionați lanțul imediat după utilizare, ci așteptați până când acesta se răcește. În cazurile în care lanțul slăbit trebuie reglat, întotdeauna deșurubați piulița/șurubul de fixare a cadrului înainte de a regla piulița/butonul de tensionare a lanțului; reglați tensionarea din lanț și strângeți piulița/șurubul de fixare a cadrului în mod corespunzător.

E. PORNIREA ȘI OPRIREA

Pornirea: apucați ferm mașina cu ambele mâini, eliberați brațul de frânare a lanțului în timp ce vă asigurați că mâna este tot pe mânerul din față, apăsați și țineți apăsat dispozitivul de blocare a comutatorului, apoi apăsați comutatorul (în acest moment, dispozitivul de blocare a comutatorului poate fi eliberat).

Oprirea: Mașina se va opri în orice moment în care eliberați comutatorul. În cazul în care mașina nu se oprește, activați frâna lanțului, deconectați cablul de la priza electrică și duceți mașina la Centrul de Service Autorizat.

F. LUBRIFIEREA CADRULUI ȘI LANȚULUI

ATENȚIE! Lubrifierea insuficientă va duce la ruperea lanțului și poate cauza răni grave sau chiar fatale.

Lubrifierea cadrului și a lanțului este realizată de o pompă automată.

Consultați "Întreținerea" pentru indicații privind asigurarea certitudinii că uleiul de lanț este suficient distribuit.

Alegerea uleiului de lanț

Folosii întotdeauna ulei nou (de tip special pentru lanț) cu vâscozitate corespunzătoare: uleiul trebuie să aibă o bună aderență și să garanteze proprietăți bune de lubrifiere atât iarna, cât și vara. Dacă nu este disponibil ulei de lanț, poate fi utilizat ulei de transmisie EP 90.

Nu utilizați niciodată ulei uzat deoarece acesta este dăunător sănătății, mașinii și mediului. Asigurați-vă că uleiul este potrivit temperaturii mediului în care unealta va fi utilizată: Pentru temperaturi sub 0°C anumite uleiuri devin mai vâscoase, supraîncărcând pompa și cauzând defecțiuni. Contactați Centrul de Service Autorizat local pentru sfaturi privind alegerea tipului de ulei.

Umplerea rezervorului de ulei

Deșurubați capacul rezervorului de ulei și umpleți rezervorul cu grijă, atenție să nu scurgă pe lângă rezervor (dacă se scurge, curățați cu atenție mașina), apoi înșurubați bine capacul.

G. ÎNTREȚINEREA ȘI DEPOZITAREA

Înainte de efectuarea oricăror lucrări de întreținere sau curățare, scoateți fișa de la alimentarea.

ATENȚIE! În cazurile în care mediile de lucru sunt murdare sau cu praf, operațiile descrise trebuie realizate mult mai frecvent decât se menționează în instrucțiuni.

Înainte de fiecare utilizare

Verificați dacă pompa de ulei pentru lanț funcționează corect: îndreptați cadrul spre o suprafață curată la o distanță de circa 20 centimetri; după funcționarea mașinii timp de aproximativ un minut, suprafața ar trebui să prezinte urme clare de ulei (**fig. 1**).

Verificați că nu este necesară o forță excesivă pentru activarea sau dezactivarea frânei de lanț. De asemenea, verificați că nu se activează foarte ușor și că nu este blocată. Verificați apoi funcționarea franei de lanț după cum urmează: eliberați frâna de lanț, apucați corect mașina cu degetele și porniți-o, activați frâna de lanț împingând înainte protecția mâinii din față cu încheietura mâinii stângi sau cu brațul dar fără să luați mâna de pe mâner (**fig. 2**). Dacă frâna de lanț funcționează corect, lanțul se va opri imediat.

Verificați ca lanțul să fie corect ascuțit, se află în stare bună de funcționare și că tensionarea lanțului este corectă. Dacă lanțul prezintă uzuri neregulate sau dacă lungimea dintelui de tăiere este de numai 3 mm lungime, lanțul trebuie înlocuit (**fig. 3**).

Curățați orificiile de evacuare a aerului pentru a preveni supraîncălzirea motorului (**fig. 4**).

Verificați funcționarea corectă a comutatorului și a dispozitivului de blocare a comutatorului (se va realiza cu frâna de lanț eliberată): apăsați comutatorul și dispozitivul de blocare a comutatorului și asigurați-vă că acestea revin în poziția de oprire în momentul în care sunt eliberate; verificați dacă nu se poate apăsa comutatorul fără activarea dispozitivului de blocare a comutatorului.

Verificați dacă protecția mâinii drepte și captatorul de lanț se află în stare bună, fără defecte vizibile, cum ar fi materialul deteriorat.

La fiecare 2-3 ore de utilizare

Verificați starea cadrului, dacă este necesar curățați cu atenție orificiile de lubrifiere (**fig. 5**) și canalele de ghidare (**fig. 6**); Dacă canalul este uzat sau prezintă urme de creștături adânci, acesta trebuie înlocuit. Curățați în mod regulat roata dințată de acționare și verificați dacă nu s-a uzat excesiv (**fig. 7**). Lubrifiați vârful roții dințate cu vaselină pentru rulmenți prin orificiul prezentat în ilustrație (**fig. 8**).

Ascuțirea lanțului (când este necesar)

Dacă lanțul nu taie bine sau este necesară o forță de apăsare mare a cadrului pe lemn și dacă rumegușul este foarte fin, este un semn că lanțul nu este ascuțit bine. Dacă în urma tăierii nu rezultă rumeguș, înseamnă că latura tăioasă este uzată complet și lanțul pulverizează lemnul în timpul tăierii. Un lanț bine ascuțit străbate lemnul fără efort sau apăsare mare și produce așchii de lemn mari și lungi. Latura tăioasă a lanțului este compusă dintr-o legătură de tăiere (**fig. 9**) cu un dinte de tăiere (**fig. 10**) și un limitator a adâncimii de tăiere (**fig. 11**). Diferența dintre acestea determină adâncimea de tăiere; pentru a obține rezultate bune de ascuțire este nevoie de o pilă de ascuțire plană și una rotundă cu diametrul de 4 mm; Urmați instrucțiunile de mai jos: x Odată ce lanțul a fost montat și tensionat corect și frâna de lanț este activată, poziționați pila perpendicular pe cadru așa cum se prezintă în ilustrație (**fig. 12**), piliți dinții de tăiere la unghiul prezentat (**fig. 13**), acționând pila întotdeauna din interior spre exterior, diminuând apăsarea în faza de revenire (este foarte important să urmați întocmai instrucțiunile: unghiurile prea mari sau prea mici sau un diametru necorespunzător al pilei va crește riscul apariției reculului.) Pentru a obține o precizie mai mare pe partea unghiulară, se recomandă poziționarea pilei așa încât să depășească partea de sus a tășului cu circa 0,5 mm. Prima dată piliți toți dinții de pe o parte, apoi întoarceți mașina și repetați operația. Asigurați-vă că după operația de ascuțire, toți dinții au aceeași lungime și că înălțimea adâncimii de tăiere este cu 0,6 mm mai mică decât tășul superior; verificați înălțimea folosind un etalon potrivit și piliți (cu o pilă plată) toate protuberanțele, rotunjind partea din față a adâncimii (**fig. 14**), având grijă să nu piliți dințele de protecție la recul (**fig. 15**).

La fiecare 30 de ore de utilizare.

Duceți mașina la Centrul de Service Autorizat pentru revizie generală și verificări ale componentelor de frânare.

Depozitare

Depozitați produsul într-un loc răcoros și uscat, care nu se află la îndemâna copiilor. Nu depozitați afară.

H. TEHNICI DE TĂIERE

(fig. 1) Când utilizați mașina, evitați:

- tăierea în situațiile în care trunchiul se poate crăpa în timpul tăierii (lemn sub presiune, arbori uscați etc.); crăparea bruscă poate fi extrem de periculoasă.
- blocarea cadrului sau lanțului în creștături: dacă apare acest eveniment, deconectați mașina de la sursa de electricitate și încercați să ridicați trunchiul folosind o unealtă potrivită ca levier; nu încercați să eliberați mașina prin scuturare sau tragere întrucât acest lucru poate cauza deteriorarea mașinii sau rănirea persoanei.
- situațiile care pot conduce la apariția fenomenului de recul.
- utilizarea produsului deasupra înălțimii umerilor.
- tăierea lemnului care conține obiecte străine de ex. cuie.

(fig. 1) În timpul utilizării mașinii:

- Când tăiați pe teren în pantă, întotdeauna lucrați în partea de sus a trunchiului pentru a evita impactul dacă trunchiul se rostogolește la vale.
- Când tăiați arbori, întotdeauna terminați lucrul: un arbore parțial tăiat se poate rupe și poate cădea.

- La sfârșitul fiecărei operații de tăiere utilizatorul va sesiza o schimbare semnificativă în privința puterii necesare pentru a controla mașina. Se va avea mare grijă pentru a nu pierde controlul.

Mai jos este o descriere a două tipuri diferite de operații de tăiere:

Acțiunea de tăiere prin tragerea lanțului (de sus în jos) (**fig. 2**) poate duce la mișcări bruște ale mașinii spre trunchi având ca efect pierderea controlului. Când este posibil, folosiți un atenuator de șocuri în timpul operațiilor de tăiere.

Acțiunea de tăiere prin împingerea lanțului (de jos în sus) (**fig. 3**) va duce la pericolul unei mișcări bruște a mașinii în direcția utilizatorului, cu riscul de lovire a utilizatorului sau cu un impact al "zonei periculoase de recul" pe trunchi, având ca rezultat un recul puternic; se vor lua măsuri speciale atunci când tăiați în această manieră.

Cea mai sigură metodă de utilizare a mașinii este aceea de a bloca bușteanul într-un tăietor de lemne, tăierea de sus în jos, pe porțiunea situată în afara tăietorului de lemne. (**fig. 4**)

Utilizarea atenuatorului de șocuri. Când este posibil, folosiți atenuatorul de șocuri pentru a efectua o operație de tăiere mai sigură: implantați-l în scoarța sau pe suprafața unui trunchi de copac pentru a avea un control mai mare asupra mașinii.

Mai jos sunt descrise procedurile de tăiere tipice ce trebuie adoptate pentru situații particulare. totuși, acestea trebuie luate în considerare de fiecare dată pentru a calcula dacă metoda este cea mai adecvată sau nu, pentru a utiliza o metodă cu cel mai mic risc posibil.

Trunchi pe pământ. (Risc de atingere a pământului cu lanțul odată ce cadrul a trecut prin trunchi). (fig. 5) Tăiați de sus în jos prin întregul trunchi. Spre sfârșitul tăieturii, tăiați cu mare atenție pentru a evita ca lanțul să atingă pământul. Dacă este posibil, tăiați 2/3 din trunchi, rostogoliți-l și tăiați treimea rămasă de sus în jos pentru a limita riscul ca lanțul să atingă pământul.

Trunchi sprîlnit numai la un singur capăt (Risc de rupere a trunchiului în timpul tăierii). (fig. 6) Începeți să tăiați de dedesubt circa 1/3 din diametru, apoi terminați tăietura începând de sus astfel încât să întâlniți tăietura inferioară.

Trunchi sprîlnit la ambele capete. (Risc de blocare a lanțului.) (fig. 7) Începeți să tăiați începând de sus aproximativ 1/3 din diametru, apoi continuați tăietura de dedesubt așa astfel încât să întâlniți tăietura superioară.

Trunchi aflat pe o pantă. Așezați-vă întotdeauna deasupra trunchiului pe pantă. Atunci când "tăiați complet", pentru menținerea controlului complet, slăbiți presiunea de tăiere în apropierea capătului fără să slăbiți prinderea pe mânerul ferăstrăului cu lanț. Nu permiteți ca lanțul să atingă solul.

Tăierea arborilor.

ATENȚIE! Nu încercați niciodată să tăiați un arbore dacă nu aveți experiența necesară și în orice caz nu tăiați niciodată arbori care au trunchiuri cu un diametru mai mare decât lungimea cadrului! Această operație este rezervată utilizatorilor experimentați dotați cu echipament adecvat.

La tăierea unui arbore, scopul este acela de a realiza o cădere a arborelui în poziția cea mai convenabilă pentru operațiile următoare de curățare de crengi și tăiere la dimensiune. (Evitați căderea arborilor peste alți arbori: Tăierea arborilor care se încurcă cu alți arbori este o operație extrem de periculoasă).

Înainte de toate, decideți care este cea mai bună direcție în care arborele să cadă ținând cont de următoarele: obiecte sau alte plante din jurul arborelui, înclinația, curbura, direcția vântului și ce mai mare concentrație de ramuri. Țineți cont de ramurile uscate sau parțial rupte, care se pot rupe în timpul căderii, creând un pericol potențial.

ATENȚIE! În timpul operațiilor de tăiere a arborilor în condiții critice, întotdeauna îndepărtați de pe urechi protecția fonică imediat după operația de tăiere pentru a putea auzi zgomotele neobișnuite și orice alt semnal de avertisment.

Operațiile preliminare tăierii și identificarea cîii de retragere.

Eliminați orice ramură care interferează cu lucrarea (fig.8), începând de sus în jos apoi, ținând tot timpul trunchiul între utilizator și mașină, eliminați secvențial ramurile mai grele, rând pe rând. Curățați toate plantele care interferează cu operațiile de tăiere și examinați zona pentru a depista posibile obstacole (pietre, rădăcini, șanțuri etc.) atunci când planificați calea de retragere (de urmat în timpul căderii arborelui); Consultați ilustrația (fig. 9) pentru direcțiile ce trebuie păstrate (A. direcția anticipată de cădere a arborelui. B. Calea de retragere. C. Zonă de pericol).

TĂIERI DE ARBORI (fig. 10)

Pentru asigurarea certitudinii că utilizatorul deține controlul complet asupra căderii arborelui, instrucțiunile de tăiere sunt următoarele: Prima dată se va executa tăietura care controlează direcția de cădere: Înainte de toate, tăiați PARTEA SUPERIOARĂ a creștăturii direcționale pe partea unde trebuie să cadă arborele. Rămâneți pe partea dreaptă a arborelui și tăiați folosind metoda de tăiere prin tragere a lanțului; apoi tăiați PARTEA INFERIOARĂ, tăietură care trebuie să întănească capătul tăieturii superioare. Adâncimea creștăturii direcționale trebuie să fie 1/4 din diametrul trunchiului, cu un unghi de cel puțin 45° între tăietura superioară și cea inferioară. Punctul de întâlnire dintre cele două părți ale creștăturii se numește "linie de tăiere direcțională". Această linie trebuie să fie perfect orizontală la unghiuri drepte (90°) față de direcția de cădere. Tăietura de cădere care face ca arborele să cadă, este executată la 3 - 5 cm deasupra celei mai joase părți a liniei de tăiere direcționale, terminându-se la o distanță de 1/10 din trunchi față de creștătură. Rămâneți pe partea stângă a arborelui și tăiați folosind metoda de tăiere prin tragere a lanțului și atenuatorul de șocuri. Verificați faptul că arborele nu se înclină în altă direcție decât în cea dorită. Introduceți cât mai repede un levier de cădere sau o pană în tăietură. Partea netăiată a trunchiului este numită "balama", deoarece are rolul de a ghida arborele atunci când cade; în cazurile când tăieturile nu sunt suficiente de mari, nu sunt drepte sau sunt duse până la capăt, căderea arborelui nu poate fi controlată (extrem de periculos!). Din acest motiv, diversele tăieturi trebuie executate cu mare precizie. După terminarea operațiilor de tăiere arborele va începe să cadă. Acolo unde este cazul, ajutați arborele să cadă folosind pene sau leviere de cădere.

Îndepărtarea ramurilor de pe trunchi

Odată ce arborele a fost doborât, trunchiul trebuie curățat de ramuri: cu alte cuvinte, crengile sunt îndepărtate de pe trunchi. Nu subapreciați această operație deoarece marea majoritate a accidentelor de recul au loc în această fază. Din acest motiv, acordați mare atenție poziției vârfului cadrului în timpul operațiilor de tăiere și lucrați întotdeauna pe partea stângă a trunchiului.

I. INFORMAȚII PRIVIND MEDIUL


Această secțiune conține informații utile pentru păstrarea caracteristicii de compatibilitate ecologică aflată la originea proiectului mașinii și care privesc utilizarea corespunzătoare și trecerea la deșeurii a uleiului de lanț.

UTILIZAREA MAȘINII

Operațiile de umplere a rezervorului de ulei trebuie efectuate astfel încât să se evite scurgerea pe lângă rezervor a uleiului și contaminarea solului și mediului.

TRECEREA LA DEȘEURI

Nu treceți la deșeurii mașina în mod necorespunzător atunci când nu mai poate fi utilizată. Predați-o unei organizații autorizate pentru trecerea la deșeurii în mod corespunzător, în conformitate cu reglementările în vigoare.

Simbolul  de pe produs sau de pe ambalajul său indică faptul că este posibil ca acest produs să nu poată fi tratat ca deșeu casnic.

În schimb, trebuie predat la un centru de colectare a deșeurilor pentru reciclarea echipamentelor electrice și electronice. Asigurându-vă că acest produs a fost trecut la deșeurii în mod corect, veți ajuta la prevenirea posibilelor consecințe negative asupra mediului și sănătății umane, ceea ce se poate întâmpla în cazul tratării necorespunzătoare a acestui produs ca deșeu. Pentru mai multe informații privind reciclarea produsului, vă rugăm să contactați oficiul consiliului local, serviciul de salubritate sau magazinul de unde ați achiziționat acest produs.

J. TABEL DE DEPANARE

	Motorul nu pornește	Motorul se învârtă cu greutate sau pierde putere	Mașina pornește dar nu taie corespunzător	Motorul se rotește necorespunzător sau la viteze reduse	Dispozitivele de rânare nu opresc corespunzător lanțul
Asigurați-vă că linia principală se află sub tensiune	●				
Asigurați-vă că mașina este conectată corespunzător	●				
Asigurați-vă că cablul/cordonul de prelungire nu este deteriorat	●				
Asigurați-vă că frâna lanțului nu este activată	●				
Verificați dacă lanțul este asamblat și tensionat corect		●	●		
Verificați modul de lubrifiere a lanțului ca și capitoarele F și G			●		
Asigurați-vă că lanțul este ascuțit			●		
Contactați centrul autorizat local	●	●		●	●
Verificați dacă întrerupătorul este activat	●				

K. PIESE DE SCHIMB

35cm	Lanț	91PJ052XN	Număr piesă:	530051538
	Bară de ghidare		Număr piesă:	576965401
40cm	Lanț	91PJ056XN	Număr piesă:	530051539
	Bară de ghidare		Număr piesă:	576965201

L. DECLARAȚIE DE CONFORMITATE CE

Husqvarna AB, S-561 82, Huskvarna, Sweden

Declarăm pe propria răspundere că produsul(ele);

Denumire.....**Chainsaw - Ferăstrău cu lanț**
 Denumirea tipurilor.....**CSE1835, CSE1935S, CSE2040, CSE2040S**
 Identificator de serie.....**Consultați eticheta de identificare a produsului**
 Anul construcției.....**Consultați eticheta de identificare a produsului**

Se conformează cerințelor și reglementărilor fundamentale ale următoarelor Directive CE:

2006/42/EC, 2004/108/EC, 2000/14/EC, 2011/65/EU

bazate pe următoarele standarde armonizate UE aplicate:

EN60745-1, EN60745-2-13, EN55014-2, EN55014-1, EN61000-3-2, EN61000-3-11

Autoritatea înștiințată care a realizat examinarea de tip CE

în concordanță cu articolul 8 secțiunea 2c..... TÜV Rheinland LGA Products GmbH
 Tillystraße 2
 D-90431 Nürnberg
 Germany
 Nr. certificat BM 50268379

Nivelul maxim ponderat A de presiune acustică L_{pA} la nivelul stației de lucru, măsurat conform EN60745-2-13 este dat în tabel.

Valoarea ponderată maximă a vibrațiilor la nivelul mâinii/brațului măsurată conform EN60745-2-13 pe un eșantion din produsul(ele) de mai sus este dată în tabel.

Valoarea totală declarată a vibrației a fost măsurată în conformitate cu o metodă de testare standard și poate fi folosită pentru a compara o unealtă cu alta.

Valoarea totală declarată a vibrației poate fi folosită de asemenea pentru evaluarea preliminară a expunerii.

Avertisment:

Emisia de vibrații din timpul utilizării propriu-zise a unelei electrice poate diferi de valoarea totală declarată, în funcție de modul în care unealta este folosită

Utilizatorii vor trebui să determine singuri măsurile de siguranță menite să-i protejeze, pe baza unei estimări a expunerii în condițiile actuale de utilizare (luând în considerare toate etapele ciclului de operare, cum ar fi momentele în care unealta este oprită sau când funcționează la mers în gol precum și perioadele în care este activată).

2000/14/EC: Valorile Puterii Acustice Măsurate L_{WA} și Puterii Acustice Garantate L_{WA} sunt în concordanță cu diagramele tabelare.

Procedura de evaluare a conformității..... Annex V

Ulm 12/02/2013

P. Lamelli

Director global cercetare și dezvoltare – echipamente de mână

Documentație pentru utilizator sau tehnică



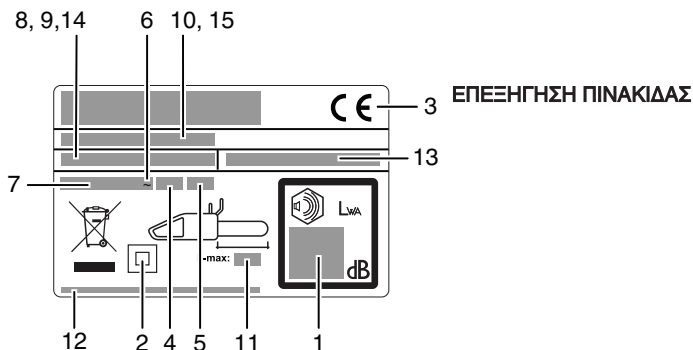

Tip: (CSE___)	1835	1935S	2040	2040S
Greutatea fără ulei (Kg)	4.3	4.5	4.4	4.6
Putere (kW)	1.8	1.9	2.0	2.0
Volumul rezervorului de ulei (cm ³)	240	240	240	240
Lungime maximă a barei de ghidare	35	35	40	40
Distanță între dinți (mm)	9.52	9.52	9.52	9.52
Grosime lanț (mm)	1.3	1.3	1.3	1.3
Nivelul puterii acustice măsurate L_{WA} (dB(A))	106	106	106	106
Nivelul puterii acustice garantate L_{WA} (dB(A))	110	110	110	110
Presiune sonoră L_{pA} (dB(A))	95	95	95	95
Incertitudine K_{pA} (dB(A))	2.5	2.5	2.5	2.5
Vibrații mână/braț a_{H1} (m/S ²)	7.28	7.28	8.08	8.08
Incertitudine K_{aH1} (m/S ²)	1.5	1.5	1.5	1.5
Impedanța rețelei electrice Z_{max} (Ω)	0.382	0.382	0.382	0.382

Declarația de conformitate EN 61000-3-11

În funcție de caracteristicile rețelei de distribuție a energiei electrice, utilizarea acestui produs poate cauza la pornire scăderi scurte ale tensiunilor. Aceasta poate influența funcționarea altor echipamente electrice, cum ar fi scăderea intensității luminii unui bec. Dacă **impedanța Z_{max} a rețelei electrice** este mai mică decât valoarea indicată în tabel (aplicabilă modelului dumneavoastră), aceste efecte nu vor avea loc. Valoarea impedanței rețelei dumneavoastră poate fi determinată prin contactarea furnizorului de electricitate

Α. ΓΕΝΙΚΗ ΠΕΡΙΓΡΑΦΗ

- | | |
|---|--|
| <ol style="list-style-type: none"> 1) Πίσω λαβή 2) Πίσω προφυλακτήρας χεριού 3) Μπροστινή λαβή 4) Μπροστινός προφυλακτήρας χεριού/μοχλός φρένου αλυσίδας 5) Εξωτερική χειρολαβή εντατήρα αλυσίδας 6) Βίδα εντατήρα αλυσίδας 7) Πείρος εντατήρα αλυσίδας 8) Καπάκι δοχείου λαδιού 9) Ένδειξη ελέγχου δοχείου λαδιού 10) Εξαεριστήρες 11) Καλώδιο 12) Εγχειρίδιο 13) Διακόπτης 14) Μπλοκ διακόπτη 15) Αλυσίδα 16) Δόντι κίνησης 17) Στοιχείο κοπής 18) Ένδειξη βάθους κοπής | <ol style="list-style-type: none"> 19) Δόντι κοπής 20) Λάμα-οδηγός 21) Κάλυμμα γραναζιού κίνησης 22) Γρανάζι κίνησης 23) Πείρος ακινητοποίησης αλυσίδας 24) Βίδα μπλοκ λάμας 25) Εσωτερική χειρολαβή μπλοκ λάμας 26) Παξιμάδι μπλοκ λάμας 27) Γρανάζι μύτης 28) Κάλυμμα λάμας-οδηγού 29) Προστατευτικό με καρφιά αλυσίδας 30) Θέση πείρου εντατήρα αλυσίδας 31) Οπή λίπανσης 32) Αυτάκωση λάμας-οδηγού 33) Κλειδί/κατσαβίδι |
|---|--|



- 1) Επίπεδο εγγυημένης ηχητικής ισχύος με βάση την οδηγία 2000/14/EK
- 2) Εργαλείο κατηγορίας II
- 3) Σήμα συμμόρφωσης CE
- 4) Ονομαστική συχνότητα
- 5) Ονομαστική ισχύς
- 6) Εναλλασσόμενο ρεύμα
- 7) Ονομαστική τάση
- 8) Τύπος
- 9) Κωδικός προϊόντος
- 10) Έτος κατασκευής
- 11) Μέγιστος μήκος λάμας-οδηγού
- 12) Όνομα και διεύθυνση του κατασκευαστή
- 13) Αρ. άρθρου (Ηλεκτρικό αλυσοπρίονο)
- 14) Μοντέλο
- 15) Αρ. Σειράς

Β. ΠΡΟΛΗΨΕΙΣ ΓΙΑ ΤΗΝ ΑΣΦΑΛΕΙΑ

ΕΝΝΟΙΑ ΤΩΝ ΣΥΜΒΟΛΩΝ



Προσοχή
Διαβάστε προσεκτικά
το εγχειρίδιο



Μπότες ασφαλείας



Κράνος, γυαλιά ασφαλείας
προστατευτικά γυαλιά
ή προσωπίδα



Προστατευτικά γάντια



Μακριά
προστατευτικά
πανταλόνια εργασίας



Φρένο
απενεργοποιημένο,
ενεργοποιημένο



Αφαιρέστε αμέσως το
βύσμα από την πρίζα του
ηλεκτρικού εάν το
καλώδιο έχει υποστεί
ζημιά ή έχει κοπεί



Κρατήστε όλους τους
παρευρισκόμενους
μακριά

Γενικές προειδοποιήσεις ασφαλείας για ηλεκτρικά εργαλεία

ΠΡΟΕΙΔΟΠΟΙΗΣΗ Διαβάστε όλες τις προειδοποιήσεις ασφαλείας και όλες τις οδηγίες. Εάν δεν τηρηθούν οι προειδοποιήσεις και οι οδηγίες μπορεί να προκληθεί ηλεκτροπληξία, πυρκαγιά ή/και σοβαρός τραυματισμός.

Φυλάξτε όλες τις προειδοποιήσεις και τις οδηγίες για μελλοντική αναφορά.

Με τον όρο "ηλεκτρικό εργαλείο" στις προειδοποιήσεις εννοείται το ηλεκτρικό εργαλείο που λειτουργεί με ρεύμα (με καλώδιο) ή το ηλεκτρικό εργαλείο που λειτουργεί με μπαταρία (χωρίς καλώδιο).

1) Ασφάλεια χώρου εργασίας

- Διατηρείτε το χώρο εργασίας καθαρό και καλά φωτισμένο. Στους ακατάστατους και σκοτεινούς χώρους προκαλούνται ευκολότερα ατυχήματα.
- Μη λειτουργείτε τα ηλεκτρικά εργαλεία σε εκρηκτικά περιβάλλοντα, όπως σε περιβάλλοντα όπου υπάρχουν εύφλεκτα υγρά, αέρια ή σκόνη. Τα ηλεκτρικά εργαλεία δημιουργούν σπινθήκες που μπορεί να προκαλέσουν ανάφλεξη της σκόνης ή των ατμών.
- Κρατάτε τα παιδιά και τους παρευρισκόμενους μακριά όταν λειτουργείτε το ηλεκτρικό εργαλείο. Εάν αποσπαστεί η προσοχή σας υπάρχει περίπτωση να χάσετε τον έλεγχο.

2) Ηλεκτρική ασφάλεια

- Τα βύσματα των ηλεκτρικών εργαλείων πρέπει να ταιριάζουν με την πρίζα. Ποτέ μην τροποποιείτε το βύσμα με οποιονδήποτε τρόπο. Μη χρησιμοποιείτε βύσματα προσαρμογών με γεωμενά ηλεκτρικά εργαλεία. Τα μη τροποποιημένα βύσματα και οι



Κατεύθυνση του
δοντιού κοπής



Χρησιμοποιείτε πάντα
με τα δύο χέρια



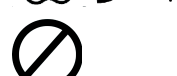
Κίνδυνος κόντρα
χτυπήματος



Μην αφήνετε στην
βροχή ή υγρασία



Λάδι αλυσίδας



Μην κάνετε...



Σβήστε την μηχανή



Αποσυνδέστε το βύσμα
πριν από οποιοσδήποτε
ρυθμίσεις ή
καθαρισμό



Κίνδυνος
ηλεκτροπληξίας

κατάλληλες πρίζες μειώνουν τον κίνδυνο ηλεκτροπληξίας.

- Αποφεύγετε τη σωματική επαφή με επιφάνειες συνδεδεμένες στη γείωση ή στην ουδέτερη φάση, όπως σωλήνες, θερμάστρες, μαγειρικές συσκευές και ψυγεία. Εάν το σώμα σας έρθει σε επαφή με γείωση ή ουδέτερη φάση υπάρχει αυξημένος κίνδυνος ηλεκτροπληξίας.
 - Μην εκθέτετε τα ηλεκτρικά εργαλεία στη βροχή ή σε υγρές συνθήκες. Η εισαγωγή νερού στο ηλεκτρικό εργαλείο αυξάνει τον κίνδυνο ηλεκτροπληξίας.
 - Μην κακομεταχειρίζεστε το καλώδιο. Μη χρησιμοποιείτε ποτέ το καλώδιο για να μεταφέρετε, να τραβήξετε ή να βγάξετε από την πρίζα το ηλεκτρικό εργαλείο. Κρατάτε το καλώδιο μακριά από θερμότητα, λάδι, αιχμηρές άκρες ή κινούμενα μέρη. Τα καλώδια που έχουν υποστεί ζημιά ή έχουν μπλεχτεί αυξάνουν τον κίνδυνο ηλεκτροπληξίας.
 - Όταν λειτουργείτε ένα ηλεκτρικό εργαλείο σε εξωτερικό χώρο, χρησιμοποιείτε καλώδιο προέκτασης κατάλληλο για χρήση σε εξωτερικούς χώρους. Η χρήση καλωδίου κατάλληλου για χρήση σε εξωτερικούς χώρους μειώνει τον κίνδυνο ηλεκτροπληξίας.
 - Εάν η λειτουργία του ηλεκτρικού εργαλείου σε υγρό περιβάλλον είναι αναπόφευκτη, χρησιμοποιήστε τροφοδοτικό με διάταξη προστασίας από διαρροή ρεύματος (RCD). Η χρήση διάταξης RCD μειώνει τον κίνδυνο ηλεκτροπληξίας.
- Προσωπική ασφάλεια
 - Όταν λειτουργείτε ηλεκτρικά εργαλεία πρέπει να είστε σε ετοιμότητα, να βλέπετε τι κάνετε και να

χρησιμοποιείτε κοινή λογική. Μη χρησιμοποιείτε ηλεκτρικά εργαλεία όταν είστε κουρασμένοι ή υπό την επήρεια ναρκωτικών ουσιών, αλκοόλ ή φαρμάκων. Μια στιγμή απροσεξίας κατά τη λειτουργία ηλεκτρικών εργαλείων μπορεί να προκαλέσει σοβαρό προσωπικό τραυματισμό.

β) Χρησιμοποιείτε προσωπικό προστατευτικό εξοπλισμό. Φοράτε πάντα προστατευτικά για τα μάτια.

Προστατευτικός εξοπλισμός, όπως μάσκα για τη σκόνη, αντιλιοθητικά υποδημάτια, κράνος ή προστατευτικά ακοής που χρησιμοποιούνται στις αντίστοιχες συνθήκες μειώνουν τις πιθανότητες τραυματισμού.

γ) Αποφεύγετε την κατά λάθος έναρξη λειτουργίας. Βεβαιωθείτε ότι ο διακόπτης είναι στη θέση απενεργοποίησης (off) πριν συνδέσετε το εργαλείο στο ρεύμα ή/και στην μπαταρία, το σηκώσετε ή το μεταφέρετε. Η μεταφορά ηλεκτρικών εργαλείων με το δάκτυλο στο διακόπτη λειτουργίας ή τη σύνδεση ηλεκτρικών εργαλείων στο ρεύμα με το διακόπτη στη θέση ενεργοποίησης αυξάνει τις πιθανότητες ατυχήματος.

δ) Αφαιρέτε τυχόν κλειδιά ρυθμιζόμενου ανοιγμάτων ή τα απλά κλειδιά πριν θέσετε σε λειτουργία το ηλεκτρικό εργαλείο. Ένα απλό κλειδί ή ένα κλειδί ρυθμιζόμενου ανοιγματος που είναι προσαρτημένο σε περιστρεφόμενο εξάρτημα του ηλεκτρικού εργαλείου μπορεί να προκαλέσει προσωπικό τραυματισμό.

ε) Μην τεντώνετε. Πατάτε γερά και σταθερά και διατηρείτε πάντα την ισορροπία σας. Με αυτόν τον τρόπο μπορείτε να ελέγχετε καλύτερα το ηλεκτρικό εργαλείο σε μη αναμενόμενες καταστάσεις.

στ) Να είστε ντυμένοι κατάλληλα. Μη φοράτε φαρδιά ρούχα ή κοσμήματα. Κρατάτε τα μαλλιά σας, τα ρούχα σας και τα γάντια σας μακριά από κινούμενα μέρη. Τα φαρδιά ρούχα, τα κοσμήματα και τα μακριά μαλλιά μπορεί να πιαστούν σε κινούμενα μέρη.

ζ) Εάν παρέχονται εξαρτήματα για τη σύνδεση συσκευών εξαγωγής και συλλογής σκόνης, εξασφαλίστε ότι είναι συνδεδεμένα και χρησιμοποιούνται με το σωστό τρόπο. Η χρήση αυτών των συσκευών μπορεί να μειώσει τους κινδύνους που σχετίζονται με τη σκόνη.

4) Χρήση και φροντίδα ηλεκτρικών εργαλείων

α) Μην ασκείτε δύναμη στο ηλεκτρικό εργαλείο. Χρησιμοποιείτε το ηλεκτρικό εργαλείο που είναι κατάλληλο για το είδος της εργασίας που εκτελείτε. Το κατάλληλο ηλεκτρικό εργαλείο θα εκτελέσει την εργασία για την οποία σχεδιάστηκε καλύτερα και με μεγαλύτερη ασφάλεια.

β) Μη χρησιμοποιείτε το ηλεκτρικό εργαλείο εάν ο διακόπτης λειτουργίας δεν το ανάβει και δεν το σβήνει. Ένα ηλεκτρικό εργαλείο που δεν ελέγχεται από το διακόπτη λειτουργίας είναι επικίνδυνο και πρέπει να επισκευαστεί.

γ) Αποσυνδέστε το βύσμα από το ρεύμα ή/και βγάλτε τις μπαταρίες από το ηλεκτρικό εργαλείο πριν κάνετε οποιοδήποτε ρυθμίσεις, αλλάξετε εξάρτημα ή αποθηκεύσετε το ηλεκτρικό εργαλείο. Αυτά τα προληπτικά μέτρα ασφαλείας μειώνουν τον κίνδυνο να ξεκινήσει το ηλεκτρικό εργαλείο κατά λάθος.

δ) Αποθηκεύστε τα εργαλεία που δεν χρησιμοποιείτε μακριά από παιδιά και μην αφήνετε άτομα που δεν είναι εξοικειωμένα με το ηλεκτρικό εργαλείο ή με αυτές τις οδηγίες να χρησιμοποιούν το ηλεκτρικό εργαλείο. Τα ηλεκτρικά εργαλεία είναι επικίνδυνα στα χέρια μη εκπαιδευμένων χρηστών.

ε) Συντηρείτε τα ηλεκτρικά εργαλεία. Ελέγχετε την ευθυγράμμιση τους ή το μπλοκάρισμα των κινούμενων μερών, τη θραύση των εξαρτημάτων και οποιοδήποτε άλλη κατάσταση που ενδέχεται να επηρεάσει τη λειτουργία του ηλεκτρικού εργαλείου. Σε περίπτωση βλάβης, το ηλεκτρικό εργαλείο πρέπει να επισκευαστεί πριν χρησιμοποιηθεί. Πολλά ατυχήματα προκαλούνται από ηλεκτρικά εργαλεία που δεν έχουν συντηρηθεί σωστά.

στ) Διατηρείτε τα εργαλεία κοπής καθερέα και καθαρά. Τα κατάλληλα συντηρημένα εργαλεία κοπής με αιχμηρές άκρες μπλοκάρουν πιο δύσκολα και ελέγχονται πιο εύκολα.

ζ) Χρησιμοποιείτε το ηλεκτρικό εργαλείο, τα εξαρτήματα, τις μύτες των εργαλείων κ.λπ. σύμφωνα με αυτές τις οδηγίες, λαμβάνοντας υπόψη τις συνθήκες εργασίας και την εργασία που πρόκειται να εκτελεστεί. Η χρήση του ηλεκτρικού εργαλείου σε λειτουργίες διαφορετικές από εκείνες για τις οποίες προορίζεται μπορεί να δημιουργήσει επικίνδυνες καταστάσεις.

5. Σέρβις

α) Δίνετε το ηλεκτρικό εργαλείο για σέρβις σε κατάλληλα εκπαιδευμένα άτομα και χρησιμοποιείτε μόνο γνήσια ανταλλακτικά. Με αυτόν τον τρόπο είστε βέβαιοι για την ασφάλεια του ηλεκτρικού εργαλείου

Προειδοποιήσεις ασφαλείας αλυσοπρίνου:

- Κρατάτε όλα τα μέρη του σώματος μακριά από την αλυσίδα όταν λειτουργεί το αλυσοπρίνο. Προτού θέσετε σε λειτουργία το αλυσοπρίνο, βεβαιωθείτε ότι δεν έρχεται σε επαφή με τίποτα. Μια στιγμή απροσεξίας κατά τη λειτουργία των αλυσοπρίνων μπορεί να προκαλέσει εμπλοκή των ρούχων ή μερών του σώματός σας με την αλυσίδα.
- Κρατάτε πάντα το αλυσοπρίνο με το δεξί σας χέρι στην πίσω λαβή και το αριστερό σας χέρι στη μπροστινή λαβή. Εάν κρατάτε το αλυσοπρίνο με αντίθετα χέρια από τα ενδεδειγμένα αυξάνεται ο κίνδυνος προσωπικού τραυματισμού και δεν πρέπει να το κάνετε ποτέ.
- Κρατάτε το ηλεκτρικό εργαλείο μόνο από τις μονωμένες επιφάνειες συγκρότησης, γιατί η αλυσίδα πρινισμού μπορεί να έρθει σε επαφή με κρυφή καλωδίωση ή με το δικό του καλώδιο. Αν μια αλυσίδα πρινισμού έρθουν σε επαφή με ένα ρευματοφόρο καλώδιο, μπορεί να γίνουν και τα εκτεθειμένα μεταλλικά μέρη του ηλεκτρικού εργαλείου ρευματοφόρα και να προκληθεί ηλεκτροπληξία στον χειριστή.
- Φοράτε προστατευτικά γυαλιά και προστατευτικά ακοής. Συνιστάται πρόσθετος προστατευτικός εξοπλισμός ή το κεφάλι, τα χέρια και τα πόδια. Ο επαρκής προστατευτικός ρουχισμός θα μειώσει τους προσωπικούς τραυματισμούς από σκουπίδια που πετάνονται ή από ακούσια επαφή με την αλυσίδα του αλυσοπρίνου.
- Μη χρησιμοποιείτε το αλυσοπρίνο σε δέντρο. Η λειτουργία του αλυσοπρίνου ενώ βρίσκεστε επάνω σε δέντρο μπορεί να προκαλέσει προσωπικό τραυματισμό.
- Πατάτε πάντα γερά και σταθερά και χρησιμοποιείτε το αλυσοπρίνο μόνο όταν στεβέκετε σε σταθερή, ασφαλή και επίπεδη επιφάνεια. Ολισθηρές ή ασταβείς επιφάνειες, όπως οι σκάλες, μπορεί να προκαλέσουν απώλεια της ισορροπίας ή του ελέγχου του αλυσοπρίνου.
- Όταν κόβετε ένα μεγάλο κλαδί που είναι σε τάση, προσέχετε μήπως εκταχθεί προς τα πίσω. Όταν η τάση στις ίνες του ξύλου απελευθερώνεται, το τανυσμένο κλαδί μπορεί να χτυπήσει το χειριστή ή/και να βγάλει το αλυσοπρίνο εκτός ελέγχου.
- Προσεύχετε πάρα πολύ όταν κόβετε χαμοκλαδά και δενδρύλλια. Το λεπτό υλικό μπορεί να πάσει την αλυσίδα του αλυσοπρίνου και να κινηθεί απότομα προς το μέρος σας ή να σας κάνει να χάσετε την ισορροπία σας.
- Μεταφέρετε το αλυσοπρίνο ορθιστό κρατώντας το από τη μπροστινή λαβή και μακριά από το σώμα σας. Όταν μεταφέρετε τη φυλάσσετε το αλυσοπρίνο, βάζετε πάντα το κλύμα της λάμας-οδηγού. Ο σωστός χειρισμός του αλυσοπρίνου θα μειώσει τις πιθανότητες ακούσιας επαφής με την κινούμενη αλυσίδα του.
- Ακολουθήστε τις οδηγίες για τη λίπανση, την τάνυση της αλυσίδας και την αλλαγή των εξαρτημάτων. Η μη ενδεδειγμένη τάνυση ή λίπανση της αλυσίδας μπορεί είτε να προκαλέσει τη θραύση της είτε να αυξήσει τις πιθανότητες για κλώτσημα.
- Διατηρείτε τις λαβές στεγνές, καθαρές και χωρίς λάδια και γράσα. Οι γρασασιμένες ή λαδωμένες

λαβές είναι ολισθηρές και προκαλούν απώλεια του ελέγχου.

- **Κόβετε μόνο ξύλο. Μη χρησιμοποιείτε το αλυσοπρίνο για μη ενδεδειγμένους σκοπούς. Για παράδειγμα: μη χρησιμοποιείτε το αλυσοπρίνο για την κοπή πλαστικών υλικών, υλικών τοιχοποιίας ή μη ξύλινων οικοδομικών υλικών. Η χρήση του αλυσοπρίνου σε λειτουργίες διαφορετικές από εκείνες για τις οποίες προορίζεται μπορεί να δημιουργήσει επικίνδυνες καταστάσεις.**

Απίες κλωστήματος και αποφυγή του κλωστήματος από το χειριστή:

Μπορεί να διαπιστώσετε κλώτσημα όταν η μύτη ή η άκρη της λάμας-οδηγού έρθει σε επαφή με ένα αντικείμενο (Εικ. Β3) ή όταν το ξύλο που κόβεται γυρίσει προς τα μέσα και συνθλίψει την αλυσίδα στο σημείο κοπής.

Η επαφή με το άκρο σε ορισμένες περιπτώσεις μπορεί να προκαλέσει ξαφνική αντίδραση, κλωτώντας τη λάμα-οδηγό προς τα επάνω και προς τα πίσω, προς τον χειριστή.

Αν συνθλίψει η αλυσίδα παράλληλα με το επάνω μέρος της λάμας-οδηγού μπορεί να σπρωχθεί γρήγορα προς τα πίσω, προς το μέρος του χειριστή.

Όποιαδήποτε από αυτές τις αντιδράσεις μπορεί να σας κάνει να χάσετε τον έλεγχο του πριονιού, με αποτέλεσμα σοβαρό προσωπικό τραυματισμό. Μην βασίζεστε απόλυτα στις διατάξεις ασφαλείας που είναι ενσωματωμένες στο πριόνι σας. Ως χρήστης αλυσοπρίνου, πρέπει να ακολουθήσετε αρκετά βήματα για να εξασφαλίσετε ότι κατά τις κοπτικές σας εργασίες δεν θα προκληθεί ατύχημα ή τραυματισμός.

Το κλώτσημα είναι αποτέλεσμα κακής χρήσης του εργαλείου ή/και εσφαλμένων διαδικασιών ή συνθηκών λειτουργίας και μπορεί να αποφευχθεί με τη λήψη των σωστών προφυλάξεων, όπως εξηγούνται παρακάτω:

- **Κρατήστε γερά, με τους αντίχειρες και τα δάχτυλα να αγκαλιάζουν τις λαβές του αλυσοπρίνου και με τα δύο χέρια στο πριόνι και τοποθετήστε το σώμα και το βροχίονά σας με τρόπο που να σας επιτρέπει να αντιστέκεστε στις δυνάμεις του κλωστήματος.** Οι δυνάμεις του κλωστήματος μπορούν να ελεγχθούν από το χειριστή, εάν ληφθούν οι κατάλληλες προφυλάξεις. Μην αφήσετε το αλυσοπρίνο.
- **Μην τεντώνετε και μην κόβετε αντικείμενα που βρίσκονται πάνω από το ύψος του ώμου σας.** Αυτό βοηθά στην αποφυγή της ακούσιας επαφής με το άκρο και δίνει τη δυνατότητα καλύτερου ελέγχου του αλυσοπρίνου σε μη αναμενόμενες καταστάσεις.
- **Χρησιμοποιείτε μόνο ανταλλακτικές λάμες και αλυσίδες σύμφωνες με τις προδιαγραφές του κατασκευαστή.** Οι μη ενδεδειγμένες ανταλλακτικές λάμες και αλυσίδες μπορεί να προκαλέσουν θραύση της αλυσίδας ή/και κλώτσημα.
- **Ακολουθείτε τις οδηγίες ακονίσματος και συντήρησης του κατασκευαστή για την αλυσίδα του πριονιού.** Η μείωση της ένδειξης βάθους μπορεί να οδηγήσει σε αυξημένο κίνδυνο κλωστήματος.

Πρόσθετες συστάσεις ασφαλείας

1. **Χρήση του εγχειριδίου.** Όλα τα άτομα που χρησιμοποιούν αυτό το μηχάνημα πρέπει να διαβάσουν πολύ προσεκτικά ολόκληρο το εγχειρίδιο χρήσης. Το εγχειρίδιο χρήσης πρέπει να συμπεριλαμβάνεται στο μηχάνημα σε περίπτωση πώλησης ή δανεισμού σε άλλο άτομο.
2. **Προφυλάξεις πριν τη χρήση του μηχανήματος.** Μη επιτρέπετε ποτέ τη χρήση του μηχανήματος από άλλα άτομα που δεν είναι πλήρως εξοικειωμένα με τις οδηγίες του εγχειριδίου. Τα άτομα χωρίς εμπειρία πρέπει να ακολουθούν μια περίοδο εκπαίδευσης μόνο σε ειδικό στήριγμα.
3. **Έλεγχος.** Ελέγχετε προσεκτικά το μηχάνημα κάθε φορά πριν τη χρήση, ιδιαίτερα εάν έχει υποστεί ισχυρή σύγκρουση ή εάν εμφανίζει σημάδια κακής λειτουργίας. Πραγματοποιήστε όλες τις λειτουργίες που περιγράφονται στο κεφάλαιο "Συντήρηση & φύλαξη – Πριν από κάθε χρήση".

4. **Επισκευές και συντήρηση.** Όλα τα εξαρτήματα του μηχανήματος που μπορούν να αντικατασταθούν από το χρήστη, επισκευάζονται ξεκάθαρα στο κεφάλαιο οδηγιών "Συναρμολόγηση / αποσυρμολόγηση". Όπου είναι απαραίτητο, όλα τα εξαρτήματα του μηχανήματος πρέπει να αντικαθίστανται αποκλειστικά από εξουσιοδοτημένο κέντρο σέρβις.
5. **Ρουχισμός (εικ. 4)** Κατά τη χρήση αυτού του μηχανήματος, ο χρήστης πρέπει να φορά τον ακόλουθο εγκεκριμένο προσωπικό προστατευτικό ρουχισμό: στενό προστατευτικό ρουχισμό, προστατευτικές μπότες με αντιολισθητικές σόλες, αντισυνθλιπτικά προστατευτικά δακτύλων ποδιού, προστατευτικά κατά της κοπής, προστατευτικά γάντια κατά της κοπής και των κραδασμών, προστατευτικά ματιών ή προστατευτική προσωπίδα, ωτοασπίδες και κράνος (εάν υπάρχει κίνδυνος πτώσης αντικειμένων). Τον προστατευτικό ρουχισμό μπορείτε να τον βρείτε σε προμηθευτές ρουχισμού εργασίας.
6. **Προλήψεις για την υγεία – Κραδασμοί και Θόρυβος.** Αποφεύγετε την χρήση της μηχανής για μεγάλα χρονικά διαστήματα: ο θόρυβος και οι κραδασμοί μπορεί να είναι βλαβεροί για την υγεία, προκαλώντας αδιαθεσία, στρες, κόπωση και υποακουσία. Η μακρόχρονη χρήση της μηχανής θέτει τον χρήστη σε κραδασμούς που μπορεί να προκαλέσουν "το φαινόμενο των λευκών δακτύλων" (Raynaud's Phenomenon), σύνδρομο του καρπού ή άλλες παθολογίες.
7. **Προλήψεις για την υγεία – Χημικά μέσα.** Αποφεύγετε την επαφή του λαδιού αλυσίδας με το δέρμα ή τα μάτια.
8. **Προλήψεις για την υγεία – Θερμότητα.** Κατά τη χρήση, το γρανάζι και η αλυσίδα θερμαίνονται πάρα πολύ και πρέπει να προσέχετε να μην τα αγγίζετε όταν είναι θερμά.
9. **ΠΡΟΕΙΔΟΠΟΙΗΣΗ!** Το μηχάνημα αυτό παράγει ηλεκτρομαγνητικό πεδίο κατά τη διάρκεια του χειρισμού του. Κάτω από ορισμένες συνθήκες, το πεδίο αυτό μπορεί να προκαλέσει παρεμβολές σε ενεργά ή παθητικά ιατρικά εμφυτεύματα. Για να μειωθεί ο κίνδυνος σοβαρού τραυματισμού ή θανάτου, συνιστούμε σε όσα άτομα έχουν ιατρικά εμφυτεύματα να συμβουλευθούν το γιατρό τους και τον κατασκευαστή του ιατρικού εμφυτεύματος πριν χειριστούν αυτό το μηχάνημα.

Προφυλάξεις κατά τη μεταφορά και τη φύλαξη. (εικ. 12)

Κάθε φορά που ο χώρος εργασίας μεταφέρεται σε άλλη περιοχή, αποσυνδέετε το μηχάνημα από το ρεύμα και ενεργοποιείτε το μοχλό φρένου αλυσίδας. Πριν τη μεταφορά ή τη φύλαξη, τοποθετείτε πάντα το προστατευτικό κάλυμμα λάμας-οδηγού. Κρατάτε πάντα το μηχάνημα με το χέρι έχοντας τη λάμα στραμμένη προς τα πίσω ή όταν μεταφέρετε το μηχάνημα σε όχημα, δένετέ το πάντα καλά για την αποφυγή ζημιών.

Αντίδραση κλωστήματος. (εικ. 14) Η αντίδραση κλωστήματος είναι μια βίαιη προς τα επάνω και πίσω κίνηση της λάμας προς τη μεριά του χρήστη. Αυτό γενικά συμβαίνει όταν το επάνω μέρος της μύτης της λάμας (που ονομάζεται "ζώνη κινδύνου κλωστήματος" Kickback danger zone) (δείτε την κόκκινη σήμανση στη λάμα-οδηγό) έρχεται σε επαφή με κάποιο αντικείμενο ή όταν η αλυσίδα μπλοκάρει στο ξύλο. Το κλώτσημα μπορεί να κάνει το χρήστη να χάσει τον έλεγχο του μηχανήματος προκαλώντας επικίνδυνα ή ακόμη και θανατηφόρα ατυχήματα. Ο μοχλός φρένου αλυσίδας και οι άλλες διατάξεις ασφαλείας δεν επαρκούν για την προστασία του χρήστη από τραυματισμό: ο χρήστης πρέπει να γνωρίζει όλες τις συνθήκες που μπορεί να προκαλέσουν την αντίδραση και να τις προλαμβάνει δίνοντας ιδιαίτερη προσοχή, σύμφωνα με την εμπειρία του, και με συνετό και σωστό χειρισμό του μηχανήματος (για παράδειγμα: μην κόβετε ποτέ πολλά κλαδιά ταυτόχρονα, διότι αυτό μπορεί να προκαλέσει απροσδόκητο χτύπημα στη "ζώνη κινδύνου κλωστήματος")

Ασφάλεια χώρου εργασίας

1. Ποτέ μην επιτρέπετε σε μικρά παιδιά ή σε άτομα που δεν είναι εξοικειωμένα με αυτές τις οδηγίες να χρησιμοποιούν το προϊόν. Ίσως οι τοπικοί κανονισμοί να επιβάλλουν περιορισμούς ως προς την ηλικία του χειριστή.

- Χρησιμοποιείτε το προϊόν μόνο με τον τρόπο και μόνο για τις εργασίες που περιγράφονται στις παρούσες οδηγίες.
- Επιθεωρήστε προσεκτικά ολόκληρο το χώρο εργασίας για να ελέγξετε για τυχόν πηγές κινδύνου (π.χ.: δρόμοι, μονοπάτια, ηλεκτρικά καλώδια, επικίνδυνα δένδρα, κ.λπ.)
- Κρατήστε όλους του παρευρισκόμενους και τα ζώα αρκετά μακριά από το χώρο εργασίας (όπου είναι απαραίτητο, περιφράξτε την περιοχή και χρησιμοποιήστε προειδοποιητικά σήματα) σε ελάχιστη απόσταση 2,5 φορές του ύψους του κορμού, αλλά σε καμία περίπτωση σε απόσταση μικρότερη από δέκα μέτρα.
- Ο χειριστής ή ο χρήστης είναι υπεύθυνος για ατυχήματα ή κινδύνους που προκύπτουν σε άλλα άτομα ή στην ιδιοκτησία τους.

Ηλεκτρική ασφάλεια

- Συνιστάται να χρησιμοποιείτε διάταξη προστασίας από διαρροή ρεύματος (R.C.D.) με ρεύμα απελευθέρωσης όχι μεγαλύτερο από 30 mA. Ακόμη και με τοποθετημένη μια διάταξη R.C.D., η ασφάλεια δεν είναι 100% εγγυημένη, για αυτό πρέπει να ακολουθούνται πάντα ασφαλείς πρακτικές εργασίας. Ελέγχετε τη διάταξη R.C.D. κάθε φορά που τη χρησιμοποιείτε.
- Πριν τη χρήση, επιθεωρείτε το καλώδιο για τυχόν ζημιές και, αν υπάρχουν σημάδια ζημιάς ή φθοράς, αντικαταστήστε το.
- Μην χρησιμοποιείτε το προϊόν, εάν τα ηλεκτρικά καλώδια είναι κατεστραμμένα ή έχουν φθαρεί.
- Να την αποσυνδέετε αμέσως από την κεντρική παροχή ηλεκτρισμού εάν το καλώδιο είναι κοσγένε, ή η γόνωση είναι χαλασγένη. Μην αγγίζετε το ηλεκτρικό καλώδιο έως ότου έχει αποσυνδεθεί η ηλεκτρική παροχή. Μην επισκευάζετε μια κοπή ή ένα χαλασγένε καλώδιο. Να το αντικαταστήσετε με ένα καινούργιο.
- Το ηλεκτρικό καλώδιο σας πρέπει να ξετυλιχτεί, τα κουλουριασγένε καλώδια γπυρούν να υπερθερβάνουν και να βειώσουν την αποδοτικότητα της συσκευής σας.
- Εξασφαλίστε πάντα ότι το καλώδιο/ η μπαλαντέζα βρίσκειται πίσω από το χρήστη και δεν δημιουργεί καμία πηγή κινδύνου για το χρήστη ή για άλλα άτομα και ελέγχετε ότι δεν μπορεί να υποστεί ζημιά (από θερμότητα, αιχμηρά αντικείμενα, αιχμηρές άκρες, λάδι, κ.λπ.).
- Τοποθετείτε το καλώδιο έτσι ώστε να μην μπορεί να πιαστεί σε κλαδιά ή άλλα παρόμοια μέρη κατά τη διάρκεια της κοπής.
- Πάντα να σβήνετε την κεντρική παροχή προτού αποσυνδέσετε τυχόν πρίζα, συνδετήρα καλωδίων ή καλώδιο επέκτασης.
- Σβήστε, αφαιρέστε την πρίζα από την κεντρική

- παροχή και εξετάστε το ηλεκτρικό καλώδιο παροχής για τυχόν βλάβη ή φθορά **προτού** να κουλουριάσετε το καλώδιο για αποθήκευση. Μην επισκευάζετε χαλασγένε καλώδιο, να το αντικαταστήσετε με καινούργιο. Χρησιμοποιείτε γόνο το καλώδιο αντικατάστασης Υπαιθρίων Προϊόντων Husqvarna.
- Αφαιρέστε το βύσμα από το ρεύμα πριν αφήσετε το προϊόν χωρίς επιτήρηση, για οποιοδήποτε χρονικό διάστημα.
 - Πάντα να κουλουριάσετε το καλώδιο προσεκτικά, αποφεύγοντας τη συστροφή.
 - Να χρησιμοποιείτε γόνο την κεντρική παροχή εναλλασσόμενου ρεύματος AC που παρουσιάζεται στην ετικέτα κατάταξης προϊόντων.
 - Τα προϊόντα σας διαθέτουν διπλή γόνωση με βάση το EN60335. Κάτω από καμία περίπτωση δεν πρέπει να συνδεθεί γείωση με εξάρτημα της συσκευής.

Καλώδια

- Καλώδια ρεύματος και επεκτάσεις διατίθενται από το τοπικό σας εξουσιοδοτημένο κέντρο σέρβις
- Χρησιμοποιείτε μόνο εγκριμένες μπαλαντέζες
- Θα πρέπει να χρησιμοποιούνται μόνο μπαλαντέζες και καλώδια που είναι σχεδιασμένα για χρήση σε εξωτερικούς χώρους.
- Αν θέλετε να χρησιμοποιήσετε μπαλαντέζα για το χειρισμό του προϊόντος, πρέπει να χρησιμοποιούνται μόνο οι ακόλουθες διαστάσεις καλωδίου.

Μοντέλα CSE1835, CSE1935S:

- 5,0 mm² : μέγ. μήκος 40 m
- 5,0 mm² : μέγ. μήκος 60 m
- 8,0 mm² : μέγ. μήκος 100 m

Μοντέλα CSE2040, CSE2040S:

- 5,0 mm² : μέγ. μήκος 50 m
- 8,0 mm² : μέγ. μήκος 90 m

C. ΠΕΡΙΓΡΑΦΗ ΤΩΝ ΕΞΟΠΛΙΣΜΩΝ ΑΣΦΑΛΕΙΑΣ

ΜΠΛΟΚ ΔΙΑΚΟΠΤΗ

Στην μηχανή σας είναι εγκατεστημένο ένα σύστημα (Σχ.1) που όταν είναι ενεργοποιημένο, εμποδίζει την πίεση και λειτουργία του διακόπτη, έτσι ώστε να αποφευχθεί η τυχαία ενεργοποίηση της μηχανής

ΦΡΕΝΟ ΑΛΥΣΙΔΑΣ ΣΕ ΑΠΕΛΕΥΘΕΡΩΣΗ ΤΟΥ ΔΙΑΚΟΠΤΗ

Στην μηχανή σας είναι εγκατεστημένο ένα σύστημα που μπλοκάρει αυτόματα την αλυσίδα αν κατά την απελευθέρωση του διακόπτη. Το σύστημα δεν λειτουργήσει, μην χρησιμοποιείτε την μηχανή αλλά πηγαίνετε σε Εξουσιοδοτημένο Κέντρο Τεχνικής Υποστήριξης

ΦΡΕΝΟ ΑΛΥΣΙΔΑΣ / ΜΠΡΟΣΤΙΝΗ ΠΡΟΣΤΑΣΙΑ ΤΟΥ ΧΕΡΙΟΥ

Η μπροστινή προστασία του χεριού (Σχ.2) χρειάζεται για να αποφευχθεί (τοποθετημένη έτσι ώστε η μηχανή να κρατιέται σωστά) η επαφή του αριστερού σας χεριού με την αλυσίδα. Η μπροστινή προστασία του

χεριού έχει ακόμη την λειτουργία ενεργοποίησης του φρένου αλυσίδας, ειδικά σχεδιασμένο σύστημα να ακινητοποιήσει την αλυσίδα σε λίγα χιλιοστά του δευτερολέπτου σε περίπτωση κόντρα χτυπήματος. Το φρένο αλυσίδας είναι απενεργοποιημένο όταν η μπροστινή προστασία του χεριού είναι τραβηγμένη προς τα πίσω και μπλοκαρισμένη (η αλυσίδα μπορεί να κινείται). Το φρένο αλυσίδας είναι ενεργοποιημένο όταν η μπροστινή προστασία του χεριού είναι τραβηγμένη μπροστά (η αλυσίδα είναι μπλοκαρισμένη). Το φρένο αλυσίδας μπορεί να ενεργοποιηθεί με τον αριστερό καρπό, όταν σπρώξετε προς τα μπροστά ή όταν μετά από ένα κόντρα χτύπημα έρθει σε επαφή με την εμπρός προστασία χεριού.

Κ. ΠΕΡΙΓΡΑΦΗ ΤΩΝ ΕΞΟΠΛΙΣΜΩΝ ΑΣΦΑΛΕΙΑΣ

Χρησιμοποιώντας την μηχανή με την λάμα οριζόντια, για παράδειγμα κατά την υλοτομία, το φρένο αλυσίδας προσφέρει μικρότερη προστασία (**Σχ. 3**).

ΣΗΜΕΙΩΣΗ: Όταν το φρένο αλυσίδας είναι ενεργοποιημένο ένας διακόπτης ασφάλειας αποσυνδέει το ρεύμα από το μοτέρ.

⚠ Αν αφήσετε το φρένο αλυσίδας με πατημένο τον διακόπτη, το μηχάνημα ξεκινά να λειτουργεί.

ΠΕΙΡΟΣ ΑΚΙΝΗΤΟΠΟΙΗΣΗΣ ΑΛΥΣΙΔΑΣ

Το μηχάνημα αυτό διαθέτει πείρο ακινητοποίησης αλυσίδας (**Σχ. 4**), τοποθετημένο κάτω από το γρανάζι. Ο μηχανισμός έχει σχεδιαστεί για να ακινητοποιεί την κίνηση προς τα πίσω της αλυσίδας σε περίπτωση σπασίματος ή διαφυγής της λάμας.

Αυτά τα φαινόμενα μπορεί να αποφευχθούν τεντώνοντας σωστά την αλυσίδα (βλέπε κεφάλαιο "D. Συναρμολόγηση/Αποσυναρμολόγηση").

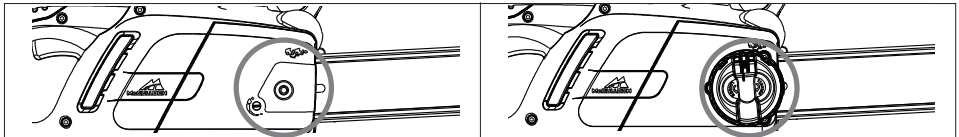
ΠΙΣΩ ΠΡΟΣΤΑΣΙΑ ΔΕΞΙΟΥ ΧΕΡΙΟΥ

Χρειάζεται για την προστασία (**Σχ.5**) του χεριού σε περίπτωση σπασίματος ή αναπήδησης της αλυσίδας.

Δ. ΣΥΝΑΡΜΟΛΟΓΗΣΗ / ΑΠΟΣΥΝΑΡΜΟΛΟΓΗΣΗ

ΣΥΝΑΡΜΟΛΟΓΗΣΗ ΛΑΜΑΣ ΚΑΙ ΑΛΥΣΙΔΑΣ

Με βάση το μοντέλο της μηχανής σας η διαδικασία συναρμολόγησης αλλάζει, για αυτό το λόγο συμβουλευθείτε τα σχήματα και την τυπολογία της στην σχετική πινακίδα του προϊόντος), δώστε πολύ προσοχή ώστε να κάνετε την συναρμολόγηση σωστά.



1. Ελέγξτε ότι δεν είναι ενεργοποιημένο το φρένο της αλυσίδας. Εάν είναι, απενεργοποιήστε το.

2a. Ξεβιδώστε το παξιμάδι του μπλοκ λάμας και αφαιρέστε το κάλυμμα του γραναζιού κίνησης.

2b. Ξεβιδώστε τη χειρολαβή του μπλοκ λάμας και αφαιρέστε το κάλυμμα του γραναζιού κίνησης.

3 Τοποθετήστε την αλυσίδα επάνω στη λάμα, ξεκινώντας από το γρανάζι της μύτης και περνώντας την μέσα στην αλμάκωση της λάμας-οδηγού. **ΠΡΟΣΟΧΗ!** Ελέγξτε ώστε η αιχμηρή πλευρά της όψης των δοντιών κοπής να είναι στραμμένη προς τα μπροστά στην άνω πλευρά της λάμας. Φοράτε γάντια.

4a. Βεβαιωθείτε ότι ο πείρος του εντατήρα αλυσίδας βρίσκεται όσο πίσω γίνεται προς τη μεριά του γραναζιού κίνησης. Στερεώστε τη λάμα στη βίδα του μπλοκ λάμας και στον πείρο του εντατήρα αλυσίδας και τοποθετήστε την αλυσίδα επάνω από το γρανάζι κίνησης.

4b. Περιστρέψτε τον μεταλλικό τροχό περιστροφής αριστερόστροφα, όσο περισσότερο γίνεται. Στερεώστε τη λάμα στη βίδα του μπλοκ λάμας και τοποθετήστε την αλυσίδα επάνω από το γρανάζι κίνησης..

Τοποθετήστε ξανά το κάλυμμα του γραναζιού κίνησης, εξασφαλίζοντας ότι τα δόντια έλξης της αλυσίδας εφαρμόζουν στο γρανάζι κίνησης και στην αλμάκωση της λάμας-οδηγού.

5a. Σφίξτε χαλαρά με το χέρι το παξιμάδι του μπλοκ λάμας.

5b. Βιδώστε τη χειρολαβή του μπλοκ λάμας μέχρι να σφίξει χαλαρά.

6a. Για να τεντώσετε την αλυσίδα, βιδώστε δεξιόστροφα τη βίδα του εντατήρα αλυσίδας, με το παρεχόμενο κλειδί και κατσαβίδι. Για να μειώσετε την τάση της αλυσίδας, βιδώστε αριστερόστροφα (όταν κάνετε αυτήν την εργασία, κρατάτε τη μύτη της λάμας ανασηκωμένη προς τα επάνω)

6b. Για να τεντώσετε την αλυσίδα, βιδώστε δεξιόστροφα την εξωτερική χειρολαβή του εντατήρα αλυσίδας. Για να μειώσετε την τάση της αλυσίδας, βιδώστε αριστερόστροφα (όταν κάνετε αυτήν την εργασία, κρατάτε τη μύτη της λάμας ανασηκωμένη προς τα επάνω)

7. Τεντώστε την αλυσίδα, μέχρι να αποκτήσει τη τάση. Απομακρύνετε την αλυσίδα από τη λάμα και βεβαιωθείτε ότι το κενό είναι περίπου 2-3 mm.

8a. Σφίξτε το παξιμάδι του μπλοκ λάμας με το παρεχόμενο κλειδί και κατσαβίδι.

8b. Σφίξτε τη λάμα μέχρι να στερεωθεί καλά.

Το υπερβολικό τέντωμα της αλυσίδας μπορεί να υπερφορτώσει το μοτέρ και να προκαλέσει ζημιά, αν πάλι η ένταση της δεν επαρκής μπορεί να προκαλέσει την διαφυγή της , μία αλυσίδα σωστά τεντωμένη αποδίδει καλύτερα χαρακτηριστικά κοπής και μεγαλύτερη διάρκεια ζωής της . Ελέγξτε συχνά την τάση της αλυσίδας διότι το μήκος τείνει να αυξάνει με την χρήση (ειδικά αν είναι καινούργια, στην πρώτη συναρμολόγηση ελέγξτε και πάλι την τάση μετά από 5 λεπτά εργασίας); Σε κάθε περίπτωση μην τεντώσετε την αλυσίδα αμέσως μετά την χρήση άλλα περιμένετε να κρυσώσει.

Στην περίπτωση που χρειάζεστε να ρυθμίσετε την τάση της αλυσίδας ξεσφίξτε πάντα τα παξιμάδια/λαβή μπλοκ λάμα πριν να ξεσφίξετε τις βίδες/εντατήρα αλυσίδας; Τεντώστε την σωστά και σφίξτε και πάλι τα παξιμάδια/λαβή μπλοκ λάμας.

E. ΕΚΚΙΝΗΣΗ ΚΑΙ ΑΚΙΝΗΤΟΠΟΙΗΣΗ

Εκκίνηση: Κρατήστε γερά και τις δύο χειρολαβές, ελευθερώστε το μοχλό του φρένου αλυσίδας, προσέχοντας το χέρι σας να παραμένει στην μπροστινή χειρολαβή, πατήστε και κρατήστε πατημένο το μπλοκ διακόπτη και πατήστε τον διακόπτη (τώρα μπορείτε να αφήσετε το μπλοκ διακόπτη).

Διακοπή: Η μηχανή σταματά όταν αφήνετε τον διακόπτη. Στην περίπτωση που η μηχανή δεν σταματήσει, βάλτε το φρένο αλυσίδας, αποσυνδέστε το καλώδιο από το ρεύμα και πηγαίνετε την μηχανή σε ένα Εξουσιοδοτημένο Κέντρο Τεχνικής Υποστήριξης.

F. ΛΙΠΑΝΣΗ ΛΑΜΑ ΚΑΙ ΑΛΥΣΙΔΑ

ΠΡΟΣΟΧΗ! Μιά μη επαρκής λιπάνση insufficiente του εξοπλισμού κοπής μπορεί να προκαλέσει το σπάσιμο της αλυσίδας με κίνδυνο σοβαρού ατυχήματος ακόμη και θανατηφόρου.

Η λιπάνση της λάμας και της αλυσίδας γίνεται με μία αυτόματη αντλία.

ελέγξτε όπως περιγράφεται στην "Συντήρηση" ώστε το λάδι της αλυσίδας να παρέχεται σε κατάλληλη ποσότητα

Επιλογή του λιπαντικού αλυσίδας

Να χρησιμοποιείτε αποκλειστικά καινούργιο λάδι (ειδικό τύπου για αλυσίδες) και με καλό ιξώδες: πρέπει να παρουσιάζει καλή προσκόλληση και να εγγυάται καλά χαρακτηριστικά ολίσθησης, τόσο το καλοκαίρι όσο και τον χειμώνα. Αν δεν έχετε στην διάθεσή σας λάδι για αλυσίδες χρησιμοποιείτε λάδι για μεταδόσεις EP 90.

Μην χρησιμοποιείτε ποτέ παλιά και χαλασμένα λάδια που βλάπτουν και την υγεία, την μηχανή και το περιβάλλον. Σιγουρευτείτε ότι το λάδι είναι κατάλληλο για την θερμοκρασία του περιβάλλοντος χρήσης: σε θερμοκρασίες κάτω των 0°C μερικά λάδια γίνονται πιο παχιά, υπερφορτώνοντας έτσι την αντλία. Για την επιλογή του κατάλληλου λαδιού συμβουλευθείτε ένα Εξουσιοδοτημένο Κέντρο Τεχνικής Υποστήριξης.

Συμπλήρωση λαδιού

Ξεβιδώστε την τάπα ρεζερβουάρ λαδιού, γεμίστε το ρεζερβουάρ χωρίς να σας χυθεί έξω το λάδι (Αν αυτό συμβεί, καθαρίστε καλά την μηχανή) και σφίξτε καλά την τάπα.

G. ΣΥΝΤΗΡΗΣΗ ΚΑΙ ΦΥΛΑΞΗ

Προτού πραγματοποιήσετε οποιαδήποτε εργασία συντήρησης ή καθαρισμού, αφαιρέστε το βύσμα από το ρεύμα.

ΠΡΟΣΟΧΗ! Σε περίπτωση εργασίας σε χώρους ιδιαίτερα βρόμικους ή με πολύ σκόνη, οι διαδικασίες που περιγράφτηκαν παραπάνω πρέπει να γίνονται με μεγαλύτερη συχνότητα.

Πριν από κάθε χρήση

Ελέγξτε ώστε η αντλία λαδιού της αλυσίδας να λειτουργεί σωστά: φέρτε την λάμα προς μία λευκή επιφάνεια, σε περίπου είκοσι εκατοστά απόσταση; μετά από ένα λεπτό λειτουργίας της μηχανής η επιφάνεια θα πρέπει να παρουσιάζει ίχνη λαδιού. **(Σχ.1)** Ελέγξτε ώστε για την απενεργοποίηση και ενεργοποίηση του φρένου αλυσίδας δεν χρειάζεται να ασκήσετε υπερβολική δύναμη, και ώστε να μην είναι μπλοκαρισμένο. Στην συνέχεια ελέγξτε την λειτουργία του όπως περιγράφεται: απενεργοποιήστε το φρένο αλυσίδας, κρατήστε σωστά την μηχανή και ενεργοποιήστε την, βάλτε το φρένο αλυσίδας στρώνοντας την μπροστινή προστασία του χεριού με τον αριστερό καρπό/μπράτσο/, χωρίς να αφήσετε τις χειρολαβές **(Σχ.2)**. Αν το φρένο αλυσίδας λειτουργεί, η αλυσίδα θα πρέπει να ακινητοποιηθεί αμέσως i.

Ελέγξτε ώστε η αλυσίδα να είναι καλά λιμαρισμένη, σε καλή κατάσταση σε σωστή τάση, στην περίπτωση που είναι ανώμαλα φθαρμένη ή που έχει το δόντι κοπής με ύψος μόνο 3 χιλ., αντικαταστήστε την **(Σχ.3)**.

Καθαρίστε τις σπές εξερισμού συχνά για να αποφύγετε την υπερθέρμανση του μοτέρ **(Σχ.4)**.

Ελέγξτε την λειτουργία του διακόπτη και μπλοκ διακόπτη (πρέπει να γίνεται το φρένο αλυσίδας απενεργοποιημένο): ενεργοποιήστε τον διακόπτη και το μπλοκ διακόπτη και ελέγξτε ώστε να επιστρέψουν στην αρχική τους θέση μόλις τα απελευθερώσετε; ελέγξτε ακόμη, χωρίς να ενεργοποιήσετε το μπλοκ διακόπτη, ότι είναι δυνατόν να ενεργοποιήσετε τον διακόπτη.

Ελέγξτε ώστε ο πείρος μπλοκ αλυσίδας και η προστασία του δεξιού χεριού να μην παρουσιάζουν φθορές, όπως σπασίματα του υλικού.

Κάθε 2-3 ώρες χρήσης

Ελέγξτε την λάμα, Αν χρειάζεται καθαρίστε προσεκτικά τις σπές λιπάνσης **(Σχ.5)** και την οδηγό αυλάκωση **(Σχ.6)**, στην περίπτωση όπου αυτή παρουσιάζει υπερβολική φθορά αντικαταστήστε την. Καθαρίζετε το γρανάτζι κίνησης τακτικά και ελέγχετε ότι δεν έχει φθαρεί υπερβολικά **(Σχ.7)**. Λιπάνετε την ροδέλα της μύτης της Ιλάμας με γράσο για κουζινέτα μέσω της ειδικής σπής στο σχήμα **(Σχ.8)**.

Λιμάρισμα αλυσίδα

Για προβλήματα σχετικά με το ακόνισμα της αλυσίδας, επικοινωνήστε με ένα εξουσιοδοτημένο κέντρο σέρβις.

Η αλυσίδα πρέπει να είναι ακονισμένη σωστά. Μια λάθος ακονισμένη αλυσίδα μπορεί να προκαλέσει κλώτσημα και υψηλό κίνδυνο τραυματισμού.

Αν η αλυσίδα δεν κόβει χωρίς να στρώσετε senza την λάμα κόντρα στο ξύλο και παράγει μάλατα ψιλό ροκανίδι, αυτό είναι σημάδι πώς δεν είναι καλά λιμαρισμένη. Αν την κοπή παράγει κοπή, η αλυσίδα έχει χάσει τελείως την ικανότητα της και βόσκοντας κάνει σκόνη το ξύλο. Μια αλυσίδα καλά λιμαρισμένη προχωρά μόνη της στο ξύλο και παράγει μακριά και χοντρά ροκανίδια.

Το κοπτικό τμήμα της αλυσίδας αποτελείται από τους κρικους κοπής **(Σχ.9)**, με ένα δόντι κοπής **(Σχ.10)** και έναν περιοριστή βάθους κοπής **(Σχ.11)**. Η διαφορά ύψους αυτών των δύο καθορίζει το βάθος της κοπής; για να έχετε ένα καλό λιμάρισμα χρειάζονται ένας οδηγός λιμα και μία στρογγυλή λιμα με διάμετρο 4χιλ, ακολουθήστε τις παρακάτω οδηγίες; με την αλυσίδα εγκατεστημένη και σωστά τευτωμένη ενεργοποιήστε το φρένο αλυσίδας, τοποθετήστε τον οδηγό της λάμας όπως στο σχήμα, κάβετε στην στή λάμα **(Σχ.12)**, και λιμάρετε το δόντι κοπής με τις γωνίες που φαίνονται στο σχήμα **(Σχ.13Α, 13Β)**, λιμαρώντας πάντα από το εσωτερικό προς το εξωτερικό με μικρότερη πίεση κατά την επιστροφή της λάμας (είναι πολύ σημαντικό να ακολουθήσετε πιστά τις οδηγίες; γωνίες υπερβολικές στο λιμάρισμα, ανεπαρκείς ή με λάθος διάμετρο λιμας αυξάνουν την πιθανότητα κόντρα χτυπήματος). Για να έχετε πλάγιες γωνίες ακριβείας συνιστάται να τοποθετήσετε την λιμα έτσι ώστε να ξεπερνά κάβετε το πάνω δόντι για περίπου 0,5 χιλ. Λιμάρετε πρώτα όλα

τα δόντια από την μία πλευρά, μετά γυρίστε την μηχανή και επαναλάβετε. Σιγουρευτείτε ώστε μετά το λιμάρισμα τα δόντια να παρουσιάζουν όλα το ίδιο μήκος και ώστε το ύψος των περιοριστών βάθους κοπής να είναι κατά 0,6χιλ κάτω από το ανώτερο δόντι: ελέγξτε το ύψος με παχύμετρο και λιμάρετε (με μία επίπεδη λίμα) το μέρος που εξέχει, στρογγυλέψτε έπειτα το μπροστινό μέρος του περιοριστή βάθους κοπής (Σχ.14), με προσοχή να ΜΗΝ λιμάρετε και το δόντι της προστασίας κατά του κόντρα χτυπήματος(Σχ.15).

Κάθε 30 ώρες χρήσης.

Πηγαίνετε την μηχανή σε ένα Εξουσιοδοτημένο Κέντρο Τεχνικής Υποστήριξης για ένα γενικό service και έναν έλεγχο των εξοπλισμών πέδησης.

Φύλαξη

Φυλάσσετε το προϊόν σε δροσερό και ξηρό σημείο, όπου δεν μπορούν να φτάσουν μικρά παιδιά. Μην αποθηκεύετε σε εξωτερικούς χώρους.

H. ΤΕΧΝΙΚΕΣ ΚΟΠΗΣ

Κατά την χρήση, αποφεύγετε: (Σχ.1)

-Να κόβετε σε περιπτώσεις όπου ο κορμός θα μπορούσε να σπάσει κατά την κοπή (ξύλα σε ένταση tensione, ξερά δέντρα, κ.λ.π.): ένα απρόβλεπτο σπάσιμο μπορεί να είναι πολύ επικίνδυνο.

-Να μπλοκαριστούν η λάμα ή η αλυσίδα στην κοπή: Αν αυτό συμβεί, απουσιάζει την μηχανή από το ρεύμα και προσπαθώντας να ανασκηώσετε τον κορμό χρησιμοποιώντας έναν μοχλό; Μην προσπαθήσετε να απελευθερώσετε την μηχανή τραβώντας ή κουνώντας την βίαια διότι μπορεί αυτή να υποστεί βλάβη και εσείς κάποιο ατύχημα.

-Αυτές τις καταστάσεις που θα μπορούσαν να προκαλέσουν ένα κόντρα χτύπημα της μηχανής.

- τη χρήση του μηχανήματος σε ύψος μεγαλύτερο από των ώμων σας

- την κοπή ξύλων με ξένα αντικείμενα, όπως καρφιά

Κατά την χρήση: (Σχ.1)

- Αν κόβετε σε έδαφος με κλίση να εργάζεστε πάνω από τον κορμό, έτσι ώστε να μην μπορεί να σας χτυπήσει αν τυχόν σας ξεφύγει.

- Σε περίπτωση υλοτομίας τελειώνετε πάντα την εργασία σας: ένα μερικώς κομμένο δέντρο μπορεί να σπάσει.

- Στο τέλος κάθε κοπής θα αισθανθείτε μια ουσιαστική αλλαγή στην απαραίτητη δύναμη για να κρατήσετε την μηχανή, δώστε πολλή προσοχή ώστε να μην χάσετε τον έλεγχο.

Παρακάτω θα αναφερθούμε σε δύο είδη κοπής:

Την κοπή με την αλυσίδα να τραβά (από πάνω προς τα κάτω) (Σχ.2), που παρουσιάζει τον κίνδυνο μία απότομης μετακίνησης της μηχανής προς τον κορμό που μπορεί να έχει σαν αποτέλεσμα το χάσιμο του ελέγχου, Αν είναι δυνατόν χρησιμοποιείτε τον νύχι κατά την κοπή.

Την κοπή με την αλυσίδα να στρώχνει(από κάτω προς τα πάνω) (Σχ.3): που παρουσιάζει τον κίνδυνο μία απότομης μετακίνησης της μηχανής προς τον χρήστη, με κίνδυνο να τον χτυπήσει, ή με κίνδυνο να προκληθεί ένα κόντρα χτύπημα; Δώστε πολλή προσοχή κατά την κοπή.

Ο πιο σίγουρος τρόπος χρήσης της μηχανής είναι να τοποθετήσετε το ξύλο πάνω στο, κόβοντας από πάνω προς τα κάτω και δουλεύοντας όπως φαίνεται στο σχήμα. (Σχ.4)

Χρήση του νυχιού

Όταν αυτό είναι δυνατό χρησιμοποιήστε το νύχι για μία πιο ασφαλή κοπή: καρφώστε το στον φλοιό του ξύλου ή πάνω στο ξύλο του κορμού, έτσι ώστε να έχετε έναν τέλειο έλεγχο της μηχανής.

Παρακάτω περιγράφονται οι τυπικές διαδικασίες που θα πρέπει να ακολουθήσετε σε ορισμένες περιπτώσεις, κάθε φορά φυσικά θα είναι η μεμονωμένη περίπτωση που θα καθορίσει την διαδικασία που θα πρέπει να ακολουθήσετε για μία κοπή με τον μικρότερο δυνατό κίνδυνο.

Κορμός κατά γης (Κίνδυνος να ακουμπήσετε το έδαφος με την αλυσίδα στο τέλος της κοπής). (Σχ.5)

Κόψτε από πάνω προς τα κάτω γύρω από όλο τον κορμό. Κόβετε με προσοχή αποφεύγοντας την επαφή του πριονιού με το έδαφος. Αν αυτό είναι δυνατό (και μπορείτε να γυρίσετε τον κορμό) τελειώστε την κοπή στα 2/3 του πάχους του κορμού. Γυρίστε τον κορμό και κόψτε το υπόλοιπο μέρος του από πάνω προς τα κάτω.

Κορμός ακουμπισμένος σε μια μονό πλευρά (Κίνδυνος σπασίματος του κορμού κατά την κοπή) (Σχ.6).

Αρχίστε την κοπή από κάτω για το 1/3 περίπου της διαμέτρου. Τελειώστε την κοπή από την πάνω μεριά φτάνοντας έτσι την προηγούμενη.

Κορμός ακουμπισμένος και στις δύο άκρες (Κίνδυνος μπλοκαρίσματος της αλυσίδας.) (Σχ.7)

Αρχίστε την κοπή από πάνω για το 1/3 περίπου της διαμέτρου. Τελειώστε την κοπή από την κάτω μεριά φτάνοντας έτσι την προηγούμενη.

Τοποθέτηση του κορμού σε κεκλιμένη επιφάνεια. Να στέκεστε πάντα στην ανηφορική πλευρά του κούτσουρου. Όταν κόβετε, για να διατηρείτε τον πλήρη έλεγχο, απελευθερώνετε την πίεση κοπής κοντά στο τέλος της κοπής, χωρίς να χαλαρώνετε το πιάσιμο στις λαβές του αλυσοπριονίου. Μην αφήνετε την αλυσίδα να έρχεται σε επαφή με το έδαφος.

ΠΡΟΣΟΧΗ! Δεν συνιστάται σε αρχάριους χρήστες ή με μικρή εμπειρία να κόβουν δέντρα με λάμα μικρότερη της διαμέτρου του δέντρου! Αυτή η επέμβαση θα πρέπει να γίνεται από έμπειρους χρήστες και με κατάλληλο εξοπλισμό.

Ο σκοπός της υλοτομίας είναι να πέσει το δέντρο στην καλύτερη δυνατή θέση για να ακολουθήσει το κλάδεμα των κλαδιών του και στην συνέχεια η κατάμιση του. (Αποφεύγετε την πτώση του δέντρου άνω σε ένα άλλο δέντρο: η επέμβαση που θα χρειαστεί να ακολουθήσετε είναι πού επικίνδυνη).

Πρέπει να επιλέξετε την καλύτερη κατεύθυνση πτώσης του δέντρου: τι υπάρχει γύρω από το δέντρο;, την κλίση του, το λύγισμα του, την κατεύθυνση του ανέμου και την συγκέντρωση των κλαδιών. Έχετε υπόψη σας ακόμη ότι τα ξερά κλαδιά ή και τα σπασμένα μπορεί να πέσουν κατά την πτώση και να αποτελέσουν κίνδυνο.

ΠΡΟΣΟΧΗ! Κατά κρίσιμες διαδικασίες υλοτομίας, βγάλετε αμέσως τις ακουστικές προστασίες μετά την

κοπή, ώστε να μπορείτε να ακούσετε τυχών θορύβους και προειδοποιητικά σήματα.

Προκαταρκτικές διαδικασίες πριν την κοπή και κατεύθυνση διαφυγής

Αφαιρέστε τα κλαδιά που μπορεί να εμποδίζουν την εργασία (**Σχ.8**), αρχίζοντας από πάνω προς τα κάτω και κρατώντας τον κορμό ανάμεσα σε σας και την μηχανή, αφαιρέστε τα πιο δύσκολα κλαδιά στην συνέχεια, κομμάτι-κομμάτι. Αφαιρέστε την βλάστηση γύρω από το δέντρο και δείτε να υπάρχουν τυχών εμπόδια (πέτρες, ρίζες, λακκούβες κ.τ.λ.) κατά την επιλογή της κατεύθυνσης φυγής (κατά την πτώση του δέντρου); Συμβουλευθείτε το σχήμα (**Σχ.9**) για την σωστή κατεύθυνση που πρέπει να επιλέξετε (Α προβλεπόμενη κατεύθυνση πτώσης του δέντρου. Β. της κατεύθυνσης φυγής. C. Ζώνη κινδύνου)

ΥΛΟΤΟΜΙΑ (Σχ.10)

Για να είστε σίγουροι για την κατεύθυνση πτώσης του δέντρου πρέπει να κάνετε τις εξής τομές:

Πρώτα την κατευθυντήρια κοπή, που χρειάζεται για να καθορίσει την κατεύθυνση πτώσης του δέντρου: κάντε πρώτα την κατευθυντήρια κοπή στο ΠΛΑΝΩ ΤΜΗΜΑ προς την πλευρά όπου θα πέσει το δέντρο. Κρατηθείτε στα δεξιά του δέντρου και κόβετε με την αλυσίδα να τραβάει; Κάνετε έπειτα την κοπή στο ΚΑΤΩ ΤΜΗΜΑ, έτσι ώστε να φτάσετε στο τέλος στου πάνω τμήματος. Το βάθος της κατευθυντήριας κοπής θα πρέπει να είναι ίσο με το 1/4 της διαμέτρου του κορμού, και με μία γωνία ανάμεσα στην πάνω και την κάτω κοπή ίση με τουλάχιστον 45°. Η γραμμή συνάντησης των δύο κοπών ονομάζεται "γραμμή της κατευθυντήριας κοπής". Αυτή η γραμμή θα πρέπει να είναι απολύτως οριζόντια και με κάθετη γωνία (90°) σε σχέση με την κατεύθυνση της πτώσης.

Η κοπή στην υλοτομία, με στόχο την πτώση του δέντρου, γίνεται σε απόσταση ίση με 3-5 εκ πάνω από το χαμηλότερο επίπεδο της γραμμής της κατευθυντήριας κοπής, και τελειώνει σε μία απόσταση ίση με το 1/10 του κορμού από αυτή.

Κρατηθείτε στα αριστερά του δέντρου και κόβετε με την αλυσίδα να τραβάει, χρησιμοποιώντας το νύχι. Ελέγξτε ώστε το δέντρο να μην κινείται σε μία κατεύθυνση διαφορετική από την προβλεπόμενη για την πτώση. Μόλις αυτό σας είναι δυνατό βάλτε μία σφήνα στην κοπή. Το μη κομμένο μέρος του κορμού ονομάζεται υπομόχλιο, και είναι ο "μντεσές" που θα οδηγήσει το δέντρο στην πτώση; στην περίπτωση όπου είναι ανεπαρκές, μη ευθύγραμμο, ή κομμένο σε μεγάλο βάθος δεν θα είναι δυνατός ο έλεγχος της πτώσης του δέντρου (πολύ επικίνδυνο!) για αυτό και οι διάφορες κοπές πρέπει να γίνεται με ακρίβεια.

Στο τέλος των κοπών, το δέντρο θα πρέπει να αρχίσει να πέττει, αν χρειαστεί βοηθήστε την πτώση με έναν μοχλό υλοτομίας.

Κλάδεμα

Αφού κοπεί το δέντρο ακολουθεί το κλάδεμα των κλαδιών του, δηλαδή η αφαίρεση τους από τον κορμό. Μην υποτιμάτε αυτήν την διαδικασία, γιατί τα περισσότερα κόντρα χτυπήματα γίνονται ακριβώς κατά την διάρκεια του κλαδέματος, για αυτό δώστε προσοχή στην θέση της μύτης της λάμας κατά την κοπή και εργάζεστε από την αριστερή πλευρά του κορμού.

I.ΟΙΚΟΛΟΓΙΑ

Σε αυτό το κεφάλαιο θα βρείτε χρήσιμες πληροφορίες για να τηρήσετε όλα τα προβλεπόμενα χαρακτηριστικά της μηχανής για την προστασία του περιβάλλοντος, την σωστή χρήση της μηχανής και την ανακύκλωση των λαδιών

ΧΡΗΣΗ ΤΗΣ ΜΗΧΑΝΗΣ

Οι διαδικασίες πλήρωσης του ρεζερβουάρ λαδιού πρέπει να γίνονται έτσι ώστε να προκαλέσουν διαρροές και μόλυνση τους περιβάλλοντος με το λαδί της αλυσίδας.

ΑΝΑΚΥΚΛΩΣΗ

Μην πετάτε την μηχανή που δεν λειτουργεί πλέον αλλά παραδώστε την στις αρμόδιες αρχές για την ανακύκλωση των υλικών της, με βάση τις κείμενες διατάξεις.

Το σύμβολο  στη συσκευή ή στη συσκευασία του δείχνει ότι αυτή η συσκευή δεν ήππορεί να επεξεργαστεί ως οικιακά απόβλητα. Αντί αυτού θα παραδοθεί στο κατάλληλο σήγείο συλλογής για την ανακύκλωση του ηλεκτρικού και ηλεκτρονικού εξοπλισμού.

Με την εξασφάλιση ότι αυτή τη συσκευή πετάγεται σωστά, θα βοηθήσετε να αποτρέψετε τις πιθανές αρνητικές συνέπειες για το περιβάλλον και την ανθρώπινη υγεία, τα οποία θα ήππορούσαν να προκληθούν ήε τον ακατάλληλο χειρισμό αποβλήτων αυτής της συσκευής.

Για περισσότερες αναλυτικές πληροφορίες για την ανακύκλωση αυτής της συσκευής, παρακαλώ ελάτε σε επαφή ήε το τοπικό γραφείο του ηήγαρχείου σας, την υπηρεσία διάθεσης οικιακών αποβλήτων σας ή το κατάστηθά όπου αγοράσατε τη συσκευή.

J.ΤΑΜΠΕΛΑ ΑΝΑΖΗΤΗΣΗΣ ΒΛΑΒΩΝ

	Το μοτέρ δεν ξεκινά	Το μοτέρ γυρνά άσχημα και χωρίς ισχύ	Η μηχανή ξεκινά αλλά δεν κόβει σωστά	Το μοτέρ γυρνά με τρόπο ανώμαλο	Τα συστήματα πέδησης δεν ακινητοποιούν σωστά την περιστροφή της αλυσίδας
Σιγουρευτείτε ότι το δίκτυο έχει ρεύμα	●				
Ελέγξτε ώστε το βύσμα να είναι σωστά συνδεδεμένο	●				
Ελέγξτε ώστε το καλώδιο ή η προέκταση να μην έχουν καταστραφεί	●				
Ελέγξτε ώστε το φρένο αλυσίδας να μην είναι ενεργοποιημένο	●				
Βεβαιωθείτε ότι η αλυσίδα είναι σωστά συναρμολογημένη και τεντωμένη		●	●		
Ελέγξτε της λίπανση της αλυσίδας όπως περιγράφεται στα κεφάλαια F και G		●	●		
Ελέγξτε ώστε η αλυσίδα να είναι λιμαρισμένη			●		
Απευθυνθείτε σε ένα Εξουσιοδοτημένο Κέντρο Τεχνικής Υποστήριξης	●	●		●	●
Βεβαιωθείτε ότι ο διακόπτης με ασφάλεια θερμικού στοιχείου είναι ενεργοποιημένος	●				

Κ. ΑΝΤΑΛΛΑΚΤΙΚΑ

35cm	Αλυσίδα Λάμα-οδηγός	91PJ052XN	Αριθμός εξαρτήματος: Αριθμός εξαρτήματος:	530051538 576965401
40cm	Αλυσίδα Λάμα-οδηγός	91PJ056XN	Αριθμός εξαρτήματος: Αριθμός εξαρτήματος:	530051539 576965201

L. EC ΔΗΛΩΣΗ ΣΥΜΜΟΡΦΩΣΗΣ

Huskvarna AB, S-561 82, Huskvarna, Sweden

Δηλώνουμε με αποκλειστικά δική μας ευθύνη ότι το προϊόν/τα προϊόντα

Προσδιορισμός..... **Chainsaw - Αλυσσοπρίνο**

Προσδιορισμός τύπου/ων..... **CSE1835, CSE1935S, CSE2040, CSE2040S**

Προσδιορισμός της Σειράς..... **Ανατρέξτε στην πινακίδα χαρακτηριστικών προϊόντος**

Έτος κατασκευής **Ανατρέξτε στην πινακίδα χαρακτηριστικών προϊόντος**

Συμμορφώνονται με τις ουσιώδεις απαιτήσεις και όρους των παρακάτω οδηγιών ΕΚ:

2006/42/EC, 2004/108/EC, 2000/14/EC, 2011/65/EU

βάσει των ακόλουθων εφαρμοζόμενων εναρμονισμένων προτύπων της ΕΕ:

EN60745-1, EN60745-2-13, EN55014-2, EN55014-1, EN61000-3-2, EN61000-3-11

Ενήμερος φορέας, ο οποίος διεξήγαγε τις δοκιμές τύπου EC

σύμφωνα με το άρθρο 8, ενότητα 2c. TÜV Rheinland LGA Products GmbH
Tillystraße 2
D-90431 Nürnberg
Germany

Αρ. Πιστοποιητικού..... BM 50268379

Η μέγιστη Α-σταθμισμένη στάθμη ακουστικής πίεσης L_{pA} στο σταθμό εργασίας, η οποία μετρήθηκε σύμφωνα με το

πρότυπο EN60745-2-13, παρουσιάζεται στον πίνακα.

Η μέγιστη σταθμισμένη τιμή κραδασμών άκρου χεριού / βραχίονα a_{h1} , η οποία μετρήθηκε σύμφωνα με το

EN60745-2-13 σε δείγμα των παραπάνω προϊόντων, παρουσιάζεται στον πίνακα.

Η δηλωμένη συνολική τιμή κραδασμών έχει μετρηθεί σύμφωνα με μια πρότυπη μέθοδο δοκιμής και μπορεί να χρησιμοποιηθεί για τη σύγκριση διαφορετικών εργαλείων μεταξύ τους.

Η δηλωμένη συνολική τιμή κραδασμών μπορεί επίσης να χρησιμοποιηθεί για την προκαταρκτική εκτίμηση της έκθεσης.

Προειδοποίηση:

Οι παραγόμενοι κραδασμοί κατά τη διάρκεια της πραγματικής χρήσης του ηλεκτροκίνητου εργαλείου μπορεί να διαφέρουν από τη δηλωμένη συνολική τιμή κραδασμών, ανάλογα με τους τρόπους με τους οποίους γίνεται χρήση του εργαλείου

Οι χειριστές πρέπει να αναγνωρίζουν τα μέτρα ασφαλείας για την προστασία τους, τα οποία βασίζονται σε εκτίμηση της έκθεσης στις πραγματικές συνθήκες χρήσης (λαμβάνοντας υπόψη όλα τα τμήματα του κύκλου λειτουργίας, όπως ο χρόνος στους οποίους το εργαλείο είναι σβηστό και στους οποίους λειτουργεί στο ρελαντί, πρόσθετα στον χρόνο ενεργοποίησης).

Τιμές επιπέδου θορύβου L_{WA} , σύμφωνα με το 2000/14/ΕΚ που παρέχεται στον πίνακα.

Διαδικασία διαπίστωσης συμμόρφωσης..... Annex V

Ulm 12/02/2013

P. Lamelli

Παγκόσμιος Διευθυντής Ε&Α - Χειρός

Φορέας διαφύλαξης της τεχνικής τεκμηρίωσης



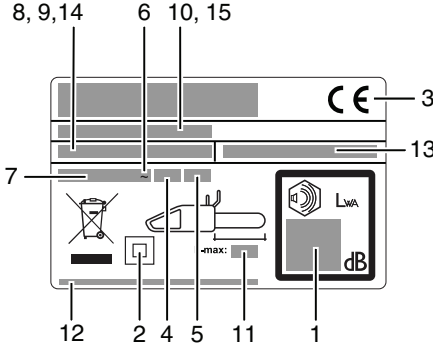
Τύπος (CSE_____)	1835	1935S	2040	2040S
Βάρος εν κενό (Kg)	4.3	4.5	4.4	4.6
Ισχύς (kW)	1.8	1.9	2.0	2.0
Χωρητικότητα ρεζερβουάρ λαδιού (εκ3)	240	240	240	240
Μέγιστος μήκος λάμας-οδηγού	35	35	40	40
Βήμα αλυσίδα (mm)	9.52	9.52	9.52	9.52
Διάμετρος αλυσίδας (mm)	1.3	1.3	1.3	1.3
Μετρηθείσα ηχητική ισχύς L_{WA} (dB(A))	106	106	106	106
Εγγυημένη ηχητική ισχύς L_{WA} (dB(A))	110	110	110	110
Ακουστική πίεση L_{pA} (dB(A))	95	95	95	95
Αβεβαιότητα K_{pA} (dB(A))	2.5	2.5	2.5	2.5
Κραδασμοί στο χέρι/στον βραχίονα a_{h1} (m/s ²)	7.28	7.28	8.08	8.08
Αβεβαιότητα K_{ah} (m/s ²)	1.5	1.5	1.5	1.5
Σύνθετη αντίσταση ρεύματος Z_{max} (Ω)	0.382	0.382	0.382	0.382

EN 61000-3-11 Δήλωση συμμόρφωσης

Ανάλογα με τα χαρακτηριστικά του τοπικού δικτύου παροχής ηλεκτρισμού, η χρήση αυτού του προϊόντος μπορεί να προκαλεί απότομες πτώσεις τάσης τη στιγμή που τίθεται σε λειτουργία. Αυτό μπορεί να επηρεάσει και άλλο ηλεκτρικό εξοπλισμό, π.χ. στιγμιαία μείωση της φωτεινότητας μιας λάμπας. Εάν η μέγιστη τιμή **σύνθετης αντίστασης Z_{max} του δικτύου** σας είναι μικρότερη από την τιμή που εμφανίζεται στον πίνακα (που ισχύει για το μοντέλο σας), δεν θα παρουσιαστούν αυτές οι επιπτώσεις. Την τιμή της σύνθετης αντίστασης του δικτύου μπορείτε να τη βρείτε επικοινωνώντας με την εταιρεία σας παροχής ηλεκτρισμού

A. GENEL TANIMLAMALAR

- 1) Arka tutma kolu
- 2) Arka el koruması
- 3) Ön tutma kolu
- 4) Ön el koruma kalkanı / zincir freni
- 5) Zincir gerici dış düğmesi
- 6) Zincir gerici vidası
- 7) Zincir germe mili
- 8) Sıvı yağ depo kapağı
- 9) Sıvı yağ miktar kontrol penceresi
- 10) Havalandırma ızgarası
- 11) Kablo
- 12) Kullanma kılavuzu
- 13) Devre anahtar tetiği
- 14) Devre anahtar tetik kilidi
- 15) Zincir
- 16) Çekme halkası
- 17) Kesme halkası
- 18) Kesme derinliği kısıtlayıcısı
- 19) Kesme dişi
- 20) Kılavuz çubuğu
- 21) Yönlendirme dişlisi kapağı
- 22) Yönlendirme dişlisi
- 23) Zincir tutma mili
- 24) Kılavuz sabitleme vidası
- 25) Çubuk tespitleme iç düğmesi
- 26) Çubuk tespitleme somunu
- 27) Kılavuz burun makarası
- 28) Kılavuz çubuğu kapağı
- 29) Zıpkın
- 30) Zincir germe mil yuvası
- 31) Yağlama deliği
- 32) Kılavuz çubuğu oyuğu
- 33) Vida anahtarı/tornavida



Örnek etiket

- 1) 2000/14/EC direktifine göre garanti edilen güvenilir güç
- 2) Sınıf II araç
- 3) CE uyum markası.
- 4) Nominal frekans.
- 5) Nominal güç.
- 6) Alternatif akım.
- 7) Nominal gerilim.
- 8) Tip.
- 9) Ürün kodu.
- 10) Üretim senesi
- 11) Maksimum kılavuz çubuk uzunluğu
- 12) Üretici adı ve adresi.
- 13) Madde N° (Elektrikli Testere)
- 14) Model
- 15) Seri N°

B. GÜVENLİK ÖNLEMLERİ

SEMBOLLERİN ANLAMLARI



Dikkat
Kullanma kılavuzunu
dikkatlice okuyunuz



Koruyucu çizmeler



**Kask,kulak koruyucu
ve gözlük veya siperlik**



**Kesmeye karşı
koruyucu eldivenler**



**Kesmeye karşı
korunmalı ve uzun
pantolonlar**



**Fren devre dışı,
devrede**



**Kablo hasarlı veya
kesikse şebekeden fişi
hemen çıkarın**



**Çevredeki insanlar
uzak tutun**



Kesme dişi yönü



**Her zaman için iki
elinizi kullanınız**



**Etkiye geri tepme
tehlikesi**



**Yağmurlu ve nemli
ortam altında
bulundurmayınız**



Zincir sıvı yağı



Yapmayınız.....



Makineyi durdurunuz



**Ayarlama veya
temizleme yapmadan
önce prizden çıkarın**



Elektrik şoku riski

Elektrikli Alet Genel Emniyet Uyarıları

⚠ UYARI Emniyet uyarılarını ve tüm talimatları okuyun. Uyarılara ve talimatlara uyulmaması elektrik şokuna, yangına ve/veya ciddi yaralanmaya neden olabilir.

Gelecekteki referansınız için tüm uyarıları ve talimatları saklayın.

Uyarılar kısmındaki "elektrikli alet" terimi, şebekeden çalışan (kablolu) elektrikli alet veya pille çalışan (kablosuz) elektrikli alet anlamına gelmektedir.

1) Çalışma alanı emniyeti

- Çalışma alanının temiz ve iyi aydınlatılmış olması sağlansın.** Düşensiz veya karanlık alanlar kazalara davetiye çıkarır.
- Elektrikli aletleri, yanıcı sıvıların, gazların veya tozun bulunduğu patlayıcı ortamlarda çalıştırmayın.** Elektrikli aletler, tozu veya dumanları tutuşturabilen kıvılcımlar oluştururlar.
- Elektrikli bir aleti çalışırken çocukları ve seyredenleri uzak tutun.** Dikkatinizi çeken şeyler kontrolü kaybetmenize neden olabilir.

2) Elektriksel emniyet

- Elektrikli aletin fişleri prize uymalıdır.** Fişi herhangi bir şekilde kesinlikle değiştirmeyin. Topraklı (topraklanmış) elektrik aletleri ile herhangi bir adaptör fişini kullanmayın. Değiştirilmemiş fişler ve uygun prizler elektrik şoku riskini azaltacaktır.

b) Borular, radyatörler, fırınlar ve buzdolapları gibi topraklanmış yüzeylerle vücudunuzun temas etmesinden kaçınınız. Vücudunuz topraklanırsa elektrik şokunun artma riski vardır.

c) Elektrikli aletleri yağmurlu veya nemli şartlara maruz bırakmayın. Elektrikli bir alete su girmesi elektrik şoku riskini arttıracaktır.

d) Kordonu usulüne uygun kullanınız. Elektrikli aleti taşımak, çekmek veya fişinden çıkarmak için kordonu kesinlikle kullanmayın. Kordonu, ısıdan, yağdan, sivri kenarlardan veya hareketli parçalardan uzak tutun. Hasarlı veya dolaşmış kablolar elektrik şoku riskini artırır.

e) Elektrikli bir aleti açık alanda çalıştırırken, açık alanda kullanımı için uygun bir uzatma kablosu kullanınız. Açık alanda kullanıma uygun bir kablolu kullanılması elektrik şoku riskini azaltır.

f) Nemli bir ortamda elektrikli bir aleti çalıştırmaktan kaçınıyorsanız, artık akım aygıtı (RCD) korunmalı bir güç kaynağı kullanınız. Bir RCD'nin kullanılması elektrik şoku riskini azaltır.

3) Kişisel emniyet

- Elektrikli bir alet çalışırken uyanık olun, ne yaptığınızı izleyin ve sağduyunuzu kullanınız.** Yorgun olduğunuzda veya ilaçların, alkolün veya ilaç tedavisi etkisi altında elektrikli bir aleti kullanmayın. Elektrikli aletleri çalıştırırken bir anlık dikkatsizlik ciddi yaralanmaya neden olabilir.

- b) **Kişisel koruyucu ekipman kullanın.** Daima göz koruyucu ekipman takın. Uygun şartlar için kullanılan toz maskesi, kaymayan emniyetli ayakkabı, kask veya işitme koruyucu donanım kişisel yaralanmaları azaltacaktır.
- c) **İstem dışı çalıştırmayı önleyin.** Aleti güç kaynağına ve/veya pil takımına bağlamadan, toplanandan veya taşımadan önce anahtarın off (devre dışı) konumunda olduğuna emin olun. Pamağınız anahtar üzerinde iken veya anahtarı on (devrede) konumunda olan elektrikli aletlere güç verirken elektrikli aletlerin taşınması kazalara davetiye çıkarır.
- d) **Elektrikli aleti açmadan önce herhangi bir ayarlama anahtarını ve somun anahtarını çıkartın.** Elektrikli aletlerin dönen parçasına takılı olarak bırakılmış bir somun anahtarı veya bir ayar anahtarı kişisel yaralanmaya neden olabilir.
- e) **Aşın yüklemeyin.** Her zaman uygun basacak bir yer ve denge sağlayın. Bu işlem, beklenmedik durumlarda elektrikli aletin daha iyi kontrol edilmesini sağlar.
- f) **Uygun şekilde giyinin.** Bol elbise giymeyin veya mücevher takmayın. Saçınızı, elbisenizi ve eldivenlerinizi hareketli parçalardan uzak tutun. Bol elbiseler, mücevherat veya uzun saçlar hareketli parçalara takılabilir.
- g) **Toz çıkarma ve biriktirme donanımlarının bağlantısı için aygıtlar verilmişse, bunları bağlandığına ve doğru olarak kullanıldığına emin olun.** Toz biriktirme donanımının kullanılması tozdan kaynaklanan tehlikeleri azaltabilir.
- 4) **Elektrikli aletlerin kullanımını ve bakımı**
- a) **Elektrikli aleti zorlamayın.** Uygulamanız için doğru elektrikli alet kullanın. Doğru elektrikli alet, işi tasarlandığı oranda daha iyi ve daha güvenilir yapacaktır.
- b) **Anahtar aleti açmıyor ve kapatıyorsa elektrikli aleti kullanmayın.** Anahtarla kontrol edilemeyen herhangi bir elektrikli alet tehlikelidir ve onarılmaz zorundadır.
- c) **Herhangi bir ayarlama yapmadan önce, aksesuarları değiştirmeden önce veya elektrikli aletleri depolamadan önce güç kaynağından ve/veya elektrikli aletin pil takımından fişi ayırın.** Bu tür önleyici emniyet tedbirleri elektrikli aleti yanlışlıkla çalıştırma riskini azaltmaktadır.
- d) **Elektrikli aletleri çocukları erişemeyeceği şekilde devre dışı bırakılmış durumda boşta depolayın ve elektrikli alet ile veya bu talimatlarla aşına olmayan kişilerin elektrikli aleti çalıştırmasına izin vermeyin.** Elektrikli aletler eğitimsiz kişilerin ellerinde tehlikelidirler.
- e) **Elektrikli aletlerin bakımının yapılması.** Hareketli parçaları yanlış ayarlama veya bağlantı için, parçaları kırık olup olmadığını ve elektrikli aletin çalışmasını etkileyebilecek başka herhangi bir koşulu kontrol edin. Hasarı ise, kullanmadan önce elektrikli aleti onarılmasını sağlayın. Birçok kazalar bakımı kötü yapılmış elektrikli aletler tarafından neden olunmaktadır.
- f) **Kesim aletlerinin keskin ve temiz olmasını sağlayın.** Bakımı uygun şekilde yapılmış, keskin kesim kenarlarına sahip kesim aletleri daha az tutukluk yaparlar ve kontrol edilmeleri daha kolaydır.

- g) **Çalışma koşullarını ve gerçekleştirilecek işi dikkate alarak bu talimatlara göre elektrikli aleti, aksesuarları ve alet parçalarını vb. kullanın.** Elektrikli aletin tasarlandıklarından farklı işlemler için kullanılması tehlikeli bir duruma yol açabilir.

5. Servis

- a) **Sadece aynı yedek parçalar kullanılarak nitelikli bir onarım personeli tarafından elektrikli aletinize servis verilmesini sağlayın.** Bu durum, elektrikli aletinizin emniyetinin sağlanmasını garanti edecektir.

Zincir testere güvenlik uyarıları:

- Zincir testere çalıştırılırken vücudunuzun tüm parçalarını testere zincirinden uzak tutun. Zincir testereyi çalıştırmadan önce testere zincirinin herhangi bir şeye temas etmediğinden emin olun. Zincir testerele çalıştırırken bir anlık dikkatsizlik kıyafetinizin ya da vücudunuzun testere zincirine dolanmasına neden olabilir.
- Zincir testereyi daima sağ elinizle arka koldan ve sol elinizle ön koldan tutun. Zincir testerenin ters elle tutulması yaralanma riskini artırır ve asla yapılmaması gerekir.
- Güç aracı yalnızca yalıtılmış yüzeylerden kavrayarak tutun, çünkü zincir testere gizli elektrik kablolarıyla veya kendi kablosuyla temas edebilir. "Elektrikli" telle temas eden zincir testerele, güç aletinin metal parçalarının "elektriğe" maruz kalmasına ve operatörü elektrik çarpmasına yol açabilir.
- Güvenlik gözlüğü ve işitme koruyucu kullanın. Baş, el, bacak ve ayaklar için diğer koruyucu ekipmanlar önerilmektedir. Uygun koruyucu giysi, uçuşan kıymıklar veya testere zincirine kazara dokunma nedeniyle oluşabilecek yaralanma riskinizi azaltır.
- Zincir testereyi açmıyorken kullanmayın. Zincir testerenin ağacın üzerinden çıkmasını yaralanmaya neden olabilir.
- Her zaman uygun basacak bir yer sağlayın ve zincir testereyi yalnızca sabit, güvenli ve düz bir yüzey üzerinde çalıştırın. Merdiven gibi kaygan veya dengesiz yüzeyler denge kaybına ya da zincir testerenin kontrolünü kaybetmeye neden olabilir.
- Gergin bir dalı keserken geriye doğru fırlamasına karşı dikkatli olun. Ağaç liflerindeki gerginlik boşaldığında, dal yay gibi operatöre çarpabilir ve/veya zincir testereyi kontrolden çıkarabilir.
- Çalı ya da fidanları keserken son derece dikkatli olun. İnce maddeler testere zincirine yakalanıp size doğru savrulabilir ya da sizi çekerek dengeyi bozabilir.
- Zincir testereyi kapalı halde ve vücudunuzdan uzakta olacak şekilde ön koldan tutarak taşıyın. Zincir testereyi naklederken veya depolarken klavuz çubuk kapağını daima takın. Zincir testerenin doğru olarak kullanılması hareketli testere zincirine kazara temas etme olasılığını azaltacaktır.
- Yağlamak, zincir girmek ve aksesuarları değiştirmek için talimatlara uyun. Düzgün şekilde gerilmeyen veya yağlanmayan zincir kırılabilir ya da geri tepme riskini artırabilir.
- Kolların kuru, temiz ve yağsız olmasını sağlayın. Yağlı kollar kaygan olur ve kontrolünü kaybedilmesine yol açar.

- **Sadece odun kesin. Zincir testereyi amacı dışında kullanmayın. Örneğin: Zincir testereyi plastik, duvar ya da ahşap olmayan inşaat malzemelerini kesmek için kullanmayın.** *Zincir testerenin tasarlandığından farklı işlemler için kullanılması tehlikeli bir duruma yol açabilir.*

Geri tepme nedenleri ve operatörün bunu engellemesi:

Geri tepme, kılavuz çubuğun ucu bir cisme (**Res B3**) dokunduğunda veya odun zincir testereyi yarıktaki sıkıştırdığında gerçekleşebilir.

Bazı durumlarda uç tarafın temas etmesi ani bir ters tepkiye neden olarak kılavuz çubuğunu yukarı ve geriye operatöre doğru atar.

Kılavuz çubuğun üst kısmı boyunca testere zincirinin sıkıştırılması kılavuz çubuğunu hızlı bir şekilde operatöre itebilir.

Bu her iki olay da testerenin kontrolünü kaybederek ciddi şekilde yaralanmaya neden olabilir. Yalnızca testere üzerindeki güvenlik aletlerini güvenmeyin. Bir zincir testere kullanıcısı olarak kesme işlemlerinizde kaza ve yaralanma olmamasını sağlamak için bazı önlemler almanız gerekir.

Geri tepme, yanlış alet kullanımının ve/veya yanlış çalışma prosedürlerinin ya da koşullarının bir sonucudur ve aşağıda verilenler gibi uygun önlemler alınarak engellenebilir:

- **Her iki elinizle başparmak ve parmaklarınızı kullanarak zincir testerenin kolları sıkıca kavrayın, elleriniz testerenin üzerindeki vücudunuzu ve kolları zincir geri tepme gücüne karşı durabilecek şekilde konumlandırın.** Uygun önlemler alındığı takdirde geri tepme gücü operatör tarafından kontrol edilebilir. Zincir testerenin elinizden kurtulmasına izin vermeyin.
- **Çok fazla uzanmayın ve omuz yüksekliğinden yukarısını kesmeyin.** Bu, istenmeyen uç temasını önlemeye yardımcı olur ve beklenmedik durumlarda zincir testerenin daha iyi kontrol edilmesini sağlar.
- **Yalnızca üretici tarafından belirtilen yedek çubukları ve zincirleri kullanın.** Yanlış yedek çubuk ve zincirler zincirin kırılmasına ve/veya geri tepmeye neden olabilir.
- **Zincir testere için üreticinin bileme ve bakım talimatlarını uygulayın.** Derinlik göstergesi yüksekliğini azaltmak geri tepmenin artmasına neden olabilir.

İlave Emniyet Önerileri

1. **Kullanım kılavuzu.** Bu makineyi kullanan herkes kullanım kılavuzunu çok dikkatli bir şekilde okumalıdır. Makinenin başka bir kişiye satılması ya da kiralanması durumunda beraberinde kullanım kılavuzu verilmelidir.
2. **Makineyi kullanmadan önceki önlemler.** Kullanım kılavuzu talimatlarını tam olarak bilmeyen kişilerin bu makineyi kullanmasına asla izin vermeyin. Deneyimsiz kişiler testere tezgahında bir eğitim sürecinden geçmelidir.
3. **Kontrollör.** Her kullanımdan önce özellikle güçlü bir darbeye maruz kaldığında ya da arıza belirtisi gösterdiğinde makineyi dikkatle kontrol edin. "Bakım ve Saklama – Her kullanımdan önce" bölümünde açıklanan tüm işlemleri gerçekleştirin.
4. **Onarımlar ve Bakım.** Makinenin değiştirilebileceğiniz tüm parçaları açık bir şekilde "Montaj / Demontaj" talimatları bölümünde açıklanmıştır. Gerekli diğer tüm makine parçaları yalnızca Yetkili Servis Merkezi tarafından değiştirilmelidir.

5. **Giysiler. (res 1)** Bu makineyi kullanırken kullanıcı aşağıdaki onaylı koruyucu giysileri giymelidir: dar koruyucu giysi, kaymaz tabanlı güvenli ayakkabısı, ezilmez topuk koruyucu ve kesilmez koruyucu, kesme ve titreşime karşı koruyucu eldivenler, koruyucu gözlükler veya güvenlik maskesi, kulak koruma manşonu ve kask (cisimlerin düşme tehlikesi varsa) İş giysisi tedarikçisinden alınabilir.
6. **Sağlık önlemleri – Titreşim ve Gürültü düzeyi.** Bölgenizdeki gürültü kısıtlamalarına dikkat edin. Makinenin uzun süreli kullanımını kullanıcısı, "beyaz parmak fenomeni" (Raynaud fenomeni), Karpal tüneli sendromu ve benzeri rahatsızlıkları yaratabilen titreşimlere maruz bırakır.
7. **Sağlık önlemleri – Kimyasal maddeler.** Üretici tarafından onaylanan yağ kullanın.
8. **Sağlık önlemleri – Sıcaklık.** Kullanım sırasında dişi ve zincir çok yüksek sıcaklıklara ulaşır, sıcakken bu parçalara dokunmamaya özen gösterin.
9. **UYARI!** Bu makine, çalışır haldeyken elektromanyetik bir alan meydana getirir. Bu alan, çeşitli durumlarda aktif veya pasif tıbbi implantları engelleyebilir. Ciddi veya ölümcül yaralanma riskini azaltmak için tıbbi implantlara sahip kişilerin bu aleti kullanmadan önce doktorlarına ve tıbbi implant üreticilerine danışmalarını öneririz.

Nakliye ve saklama önlemleri. (res 2) Çalışma alanının başka bir yer ile değiştirilmesinde makineyi elektrik şebekesinden çıkartın ve zincir fren kolunu etkin hale getirin. Her nakliye ya da saklama işleminden önce kılavuz çubuğu kapağını takın. Makineyi daima çubuk geriye bakacak şekilde taşıyın ya da makineyi bir araç içinde taşırken zarar görmesini engellemek için her zaman sıkıca bağlayın.

Geri tepme tepkisi. (res 3) Geri tepme tepkisi çubuğun kullanıcısına doğru şiddetli bir şekilde yukarı ve geri yöndeki hareketinden oluşur. Bu genellikle çubuk ucunun üst kısmı ("geri tepme tehlike bölgesi" denir) (Kılavuz Çubuk üzerindeki kırmızı işaretare bakın) bir cisme temas ederse ya da zincir odun içinde sıkışır gerçekleşir. Geri tepme kullanımının kontrolü kaybederek tehlikeli ve hatta ölümcül kazalar yapmasına neden olabilir. Zincir fren kolu ve diğer güvenlik aletleri kullanıcıyı yaralanmaya karşı korumak için yeterli değildir; kullanıcı tepkiye neden olabilecek durumlara iyi bilmelidir ve tedbirli ve doğru bir makine kullanımıyla birlikte deneyimi sayesinde çok dikkat ederek bunları önlemelidir (örneğin: asla tek seferde birkaç dalı birden kesmeyin çünkü bu "geri tepme tehlike bölgesi" üzerinde kazara bir darbeye neden olabilir).

Çalışma alanı güvenliği

1. Hiçbir zaman çocukların veya bu talimatları bilmeyen kişilerin ürünü kullanmasına izin vermeyin. Yerel yönetmelikler operatörün yaşını kısıtlayabilir.
2. Ürünü yalnızca usulüne uygun şekilde ve bu talimatlarla açıklanan işlevler için kullanın.
3. Tüm çalışma alanını herhangi bir tehlike kaynağına karşı dikkatli bir şekilde kontrol edin (örn: yollar, patikalar, elektrik kabloları, tehlikeli ağaçlar vb.)
4. Çevredeki tüm insanları ve hayvanları çalışma alanından en az ağaç gövdesinin 2,5 katı uzak tutun (gerekliğinde, alanı çevirin ve uyarı işaretleri kullanın); her durumda on metreden az olmayacak şekilde.
5. Diğer insanlara ya da mallara yapılan kazalardan ya da tehlikelerden operatör ya da kullanıcı sorumludur.

Elektriksel emniyet

- 30 mA'dan fazla olmayan akıma sahip bir Artık Akım Aygıtı (R.C.D.) kullanmanız önerilir. Monte edilmiş bir R.C.D.'yle bile %100 güvenilir garanti edilemez ve güvenli çalışma uygulamasına her zaman uyulmalıdır. Her kullanışınızda R.C.D'nizi kontrol edin.
- Kullanmadan önce kabloları hasara karşı inceleyin, hasar ya da yıpranma belirtisi varsa değiştirin.
- Elektrik kabloları hasarlı ya da yıpranmışsa ürünü kullanmayın.
- Kablo kesilmişse ya da yalıtımı zarar görmüşse derhal elektrik prizinden çıkartın. Elektrik prizinden çıkartılana kadar elektrik kablosuna dokunmayın. Kesilmiş ya da zarar görmüş kabloyu onarmayın. Ürünü bir Yetkili Servise götürün ve kabloyu değiştirin.
- Elektrik kablosunun sargısı açılmış olmalıdır. Sarılmış haldeki kablolar aşırı ısınarak ürününüzün verimini azaltabilir.
- Her zaman kablunun/uzatma kablosunun kullanıcının arkasında kalmasını sağlayın, kullanıcı veya diğer insanlar için tehlike oluşturmadığından emin olun ve zarar görmediğini kontrol edin (sıcaklık, keskin cisimler, keskin kenarlar, yağ vb. sayesinde);
- Kesme sırasında kabloyu dal ya da benzeri şeylere takılmayacak şekilde yerleştirin.
- Fiş, kablo konektörü ya da uzatma kablosunu çekmeden önce her zaman aleti kapatın.

- Aleti kapatın, fişi prizden çekin ve kabloyu saklamak üzere sarmadan **önce** hasar ya da eskimeye karşı elektrik besleme kablosunu inceleyin. Zarar görmüş bir kabloyu onarmayın. Ürünü bir Yetkili Servise götürün ve kabloyu değiştirin.
- Ürünü bir süre için yalnız bıraktığınızda fişi prizden çıkartın.
- Kabloyu dolaştırmadan her zaman dikkatli bir şekilde sarın.
- Her zaman ürün değerlendirme etiketinde gösterilen AC elektrik şebekesi voltajında kullanın.
- Zincir testere EN60745-1 ve EN60745-2-13'e uygun olarak çift yalıtımlıdır. Bu ürünün herhangi bir kısmına hiç bir şekilde topraklama yapılmamalıdır.

Kablolar

- Elektrik kabloları ve uzatmaları yerel Onaylı servis merkezinde bulabilirsiniz
- Yalnızca onaylı uzatma kabloları kullanın
- Yalnızca dışarıda kullanılmak için tasarlanmış uzatma kabloları kullanılmalıdır.
- Ürününüzü çalıştırırken bir uzatma kablosu kullanmak isterseniz, yalnızca aşağıdaki kablo boyutlarını kullanmalısınız.

Model CSE1835, CSE1935S:

- 5,0 mm² : maks uzunluk 40 m
- 5,0 mm² : maks uzunluk 60 m
- 8,0 mm² : maks uzunluk 100 m

Model CSE2040, CSE2040S:

- 5,0 mm² : maks uzunluk 50 m
- 8,0 mm² : maks uzunluk 900 m

C. GÜVENLİK EKİPMANLARININ TANIMLANMASI

DEVRE ANAHTAR TETİĞİ KLİDİ

Sizin aletinizin üzerinde bir adet özel düzenek öngörülmüş olup **(şekil.1)**, bu harekete geçirilmeden önce, devre anahtar tetiğine, sizin arzunuzun dışında bir nedenden dolayı basılabileceği mümkün değildir.

DEVRE ANAHTAR TETİĞİNİN BIRAKILMASI İLE HAREKETE GEÇEN ZİNCİR FRENİ

Sizin aletinizin üzerinde bir adet özel düzenek öngörülmüş olup, devre anahtar tetiğinin serbest bırakılması ile aniden devreye girerek zincirin bloke olmasını sağlar; şayet bunun çalışmadığının farkına varırsanız hemen Yetkili Teknik Servise baş vurunuz.

ZİNCİR FRENİ / ÖN EL KORUMA KALKANI

Ön el koruma kalkanı **(şekil.2)** sol eliniz zincir ile temas etmesini engeller (aletin doğru olarak kavrama yeri). Ön el koruma kalkanı aynı zamanda zincir freni görevini üstlenmekte olup, bu düzenek tepme reaksiyonlarında, zinciri, bir kaç mili saniye içerisinde bloke edilecek bir tarzda tasarlanmıştır.

Zincir freni, ön el koruma kalkanı geriye doğru konumlanması ile bloke edilmiş olup devre dışındadır (zincir hareket edebilir).

Zincir freni, ön el koruma kalkanı ileriye doğru konumlanması ile devreye girer (zincir bloke durumda) Zincir freni, sol bileği kullanarak ileri itmek suretiyle veya ters tepkinin bir sonucu olarak bilek, ön kol siperi ile temas ettiği zaman etkinleştirilebilir.

Makine, yatay pozisyonda çubuk ile kullanıldığında, örneğin ağaç keserken, zincir freni az ölçüde koruma sağlamaktadır. **(şekil.3)**.

NOT: Ön el koruma kalkanının devreye girmesi ile, bir emniyet devre anahtarı motordan akımı keser.

Anahtar tutulmuş durumda iken zincirin bırakılması ürününüzü çalıştıracaktır.

ZİNCİR TUTMA MİLİ

Bu makine, zincir dişlisi altına yerleştirilen bir zincir tutucu ile **(şekil.4)** donatılmıştır.

Bu mekanizma, zincirin kopması veya yerinden çıkması durumunda zincirin geriye doğru hareket etmesini durdurmak için tasarlanmıştır.

Zincir gerginliğinin doğru olduğundan emin olmak suretiyle bu durumlardan kaçınılabilir ("D. Montaj/sökme" bölümüne bakın).

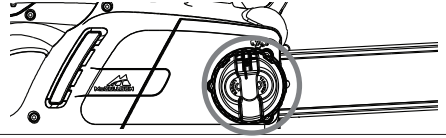
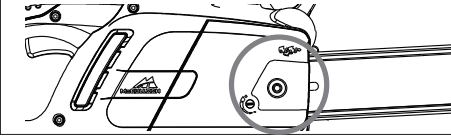
ARKA EL KORUMASI

Zincir kopmalarında veya sıçramalarında karşı elin korunması görevini üstlenir **(şekil. 5)**

D. MONTE / DEMONTE ETMEK

KILAVUZ VE ZİNCİR MONTE ETMEK

Sizin sahip olduğunuz modele göre, değiştirme Monte işlemlerinde farklılıklar gösterir, bu nedenle; ürün etiketinde bulunan tip ve referans şekillerine dikkat ediniz, doğru olarak montenin gerçekleştirilmesi için çok dikkat ediniz.



1. Zincir freninin devrede olmadığını kontrol ediniz, aksi takdirde bunu, devre dışı bırakınız.

2a. Plaka tespit somununu çevirerek söküp, tahrik dişlisinin kapağını çıkarın.

2b. Plaka tespit kulpunu çevirerek söküp, tahrik dişlisinin kapağını çıkarın.

3. Zinciri plakanın üzerine hizalayıp, burun dişlisinden başlayarak kılavuz plakası yuvasına yerleştirin. **Dikkat!** Kesici dişlerin keskin taraflarının, plakanın üst kısmında öne doğru bakmasını sağlayın. Eldiven takın.

4a. Zincir gerginlik piminin, tahrik dişlisine doğru mümkün olduğu kadar geride olmasını sağlayın. Plakayı, plaka tespit vidasının ve zincir gerginlik piminin üzerine monte edip, zinciri tahrik dişlisi üzerine hizalayın.

4b. Kaydırma çarkını saat dönüşünün ters yönünde döndürüp kadar çevirin. Plakayı plaka tespit vidasının üzerine monte edip, zinciri tahrik dişlisinin üzerine hizalayın.

Tahrik dişlisinin kapağını takıp, zincirin tahrik dişlisinin, tahrik dişlisine geçmesine ve kılavuz yuvasının içinde olmasına dikkat edin.

5a. Çubuk tespitleme somununu gevşek şekilde sıkıncaya kadar elinizle vidalayın.

5b. Çubuk tespitleme düğmesini gevşek şekilde sıkıncaya kadar vidalayın.

6a. Zinciri germek için, birlikte verilen vida anahtarını/tornavidayı kullanarak zincir gerici vidasını saat dönüş doğrultusunda döndürün. Gerginliği azaltmak için, vidayı saat dönüş yönünün tersine döndürün (bu işlemi gerçekleştirirken, çubuk ucunun yukarıya doğru kalkık olmasını sağlayın)

6b. Zinciri germek için, zincir gerici dış düğmesini saat dönüş yönünde döndürün. Gerginliği azaltmak için, vidayı saat dönüş yönünün tersine döndürün (bu işlem gerçekleştirirken, çubuk ucunun yukarıya doğru kalkık olmasını sağlayın)

7. Doğru germe değerine kadar zinciri gerin. Zinciri, çubuktan uzağa çekin ve yaklaşık 2-3 mm'lik mesafe olduğuna emin olun

8a. Birlikte verilen vida anahtarını/tornavidayı kullanarak çubuk tespitleme somununu sıkıştırın

8b. Çubuğu sim sıkı oluncaya kadar sıkın.

Zincirin gereğinden fazla gerilmiş olması, motor üzerine daha fazla yük bindirerek bunun hasar görmesine neden olur, aksi taktirde, zincirin yeterli kadar gerilmemesi durumunda bunun çıkmasına neden olur, halbuki gerilme noktasının tam ve doğru olarak yapılmış olmasının avantajları hem kesimde en iyi verimin alınması hemde bunların daha uzun ömürlü olmalarını sağlamış olur. Zincir gerilimini sık sık kontrol ediniz, kullanım ile uzunlukları artmaya meyil gösterirler (özellikle yeni oldukları zamanlarda, ilk Monte işleminin gerçekleştirilmesinden sonra, 5 dakikalık çalışma sonunda gerilimi kontrol ediniz); her şıkta, kullanımın hemen sonrasında germe işlemi gerçekleştirilmeyiniz, bunun soğumasını bekleyiniz.Zincir gerilim ayarlanması gerekli olduğu zamanlarda, Vida / zincir germe topuzu üzerinde işlem yapmadan evvel ilk önce, kılavuz sabitleme somunlar / topuz 'unu gevşetiniz; doğru bir şekilde germe işlemini gerçekleştiriniz ve yeniden kılavuz sabitleme somunlar / topuz 'unu sıkıca sabitletiniz.

E. HAREKETE GEÇİRME VE DURDURMA

Başlatma: her iki tutamağı sıkıca tutun, elinizin hala ön tutamakta olduğuna emin olarak zincir fren kolunu bırakın, anahtar bloğuna basın ve içeri basılmış olmasını sağlayın, sonra anahtara basın (bu noktada anahtar bloğu bırakılabilir)

Durdurma: alet, devre anahtar tetiğini serbest bıraktığınız anda durur. şayet alet durmaz ise, zincir frenini devreye sokunuz, kabloyu elektrik hattından çekerek en yakın Yetkili Teknik Servise müracaat ediniz.

F. KILAVUZ VE ZİNCİRİN YAĞLANMASI

DİKKATI Kesme aletinin yeterli olarak yağlanmış olması, zincir kopmasına ve şahıslarda ölümcül de olabilecek ağır yaralanmalara neden olabilir. Kılavuz ve zincirin yağlanması, otomatik olan bir pompa ile sağlanmaktadır.

"Bakım" bölümünde izah edilmekte olduğu gibi, pompanın yeterli miktarda zincire sıvı yağ salmasını sağlamak için denetlenir.

Zincir sıvı yağı seçimi

Sadece yeni , yeterli yapışkan özellikli sıvı yağ kullanınız (zincirler için özel olan tipte); hem yazın hem de kışın iyi derecede akıcı ve kavrayıcı özelliklere sahip olmalıdır. Zincir için olan sıvı yağların temin edilemediği durumlarda transmisyon için olan EP 90 sıvı yağlar kullanınız.

Özelliklerini yitirmiş olan sıvı yağları asla kullanmayınız, bunlar sizin sağlığını zincir zararlı oldukları kadar, aletinize de ve ortama da zarar verirler. Kullandığınız sıvı yağın, bulunduğunuz ortam ısısı için uygun olduğunu denetleyiniz: 0°C ısının altında bazı sıvı yağlar daha çok yoğunlaşırlar, pompaya yük bindirirler ve bunun hasar görmesine neden olurlar. Sizin için en uygun olan sıvı yağın seçimi için Yetkili Teknik Servisinize baş vurabilirsiniz.

Sıvı yağ doldurma

Sıvı yağ depo kapağını açınız, bunu sıvı yağ taşmayacak kadar doldurunuz (taşması durumunda, aleti iyice temizleyiniz) ve kapağı iyice kapayınız.

G. BAKIM VE SAKLAMA

Herhangi bir bakım ya da temizleme işlemini gerçekleştirmeden önce fişi prizden çıkartın.

DIKKATI Normalden daha fazla kirli ve tozlu ortamlarda çalışılması durumunda, ileride bahsedilmekte olan işlemlerin yazılmakta olduğundan daha sıklıkla gerçekleştirilmesi gereklidir.

Her kullanımı öncesi

Sıvı yağ pompasının gerekli olduğu gibi çalışmakta olduğunu kontrol ediniz; yirmi santimetre mesafedeki kılavuzu açık renkli bir yüzeye doğru çeviriniz; bir dakikalık çalışma sonrasında, bu yüzeyde belirgin olarak sıvı yağ izlerinin gözlenmesi gereklidir. **(şekil. 1).**

Zincir freninin devreye girebilmesi veya devre dışı olması için, çok fazla güce, yetersizliye ve de bloke olmadığını kontrol ediniz. Bu kontrolü şu şekilde yapabilirsiniz: zincir frenini devre dışı bırakınız, aleti doğru bir şekilde kavrayınız ve çalıştırınız. Ön el koruma kalkanını, kavramanızı bırakmadan, sol bileğinizi/kolunuzu ile iterek zincir frenini devreye sokunuz **(şekil. 2)**, şayet zincir freni çalışıyor ise, zincir anında durmak zorundadır. Zincirin gerektiği kadar keskin, iyi konumda ve gerektiği gibi gerginliğe sahip olduğunu kontrol ediniz, düzensiz olaraaktan aşınmalar mevcut ise veya kesme dişleri sadece 3mm kaldılar ise, bunu değiştiriniz **(şekil. 3).**

Motorun ısınmasını önlemek amacı ile, havalandırma deliklerini sıklıkla temizleyiniz. **(şekil. 4).**

Devre anahtar tetiği ve Devre anahtar tetik kilidinin çalışmasını kontrol ediniz (bu işlem zincir freni devre dışında iken yapılır): Devre anahtar tetiği ve Devre anahtar tetik kilidini harekete geçirin ve bunları bıraktığınız anda geri döndüklerini kontrol ediniz, Devre anahtar tetik kilidini kullanmadan Devre anahtar tetiğinin kullanılmadığını denetleyiniz.

Zincir tutma mili ve sağ el koruma kalkanını tam ve gözülebilir bir materyal hatalarını kaldırdığını kontrol ediniz.

Her 2-3 saatlik kullanımda

Kılavuzu kontrol ediniz, gerekli olası durumda yağlama deliğini **(şekil. 5)** ve kılavuz oluşunu **(şekil.6)** itina ile temizleyiniz, bu sonuncunun şayet aşınmış olması durumunda veya olabileceğinden fazla üzerinde hasarlar varsa, bunu değiştiriniz. Yönlendirme dişlisini düzenli olarak temizleyin ve aşın yıpranmaya maruz kalıp kalmadığını kontrol edin **(resim 7)**. Kılavuz burun makarası rulmanlarını belirtilen deliklerden gresleyiniz **(şekil.8).**

H. KESME TEKNİKLERİ

Kullanım esnasında, sakınız: **(şekil.1)**

- Kesme esnasında kütüğün kırılma riski olma durumlarında kesmek (gerilimli tahta, kuru ağaçlar): ani bir kırılma çok tehlikeli olabilir.

- Kılavuz veya zincirin kesim esnasında sıkışması: şayet böyle bir olay meydana gelirse, aletten akımı kesiniz ve uygun bir gereç kullanarak kütüğü kaldırmaya çalışınız; aleti sarsarak veya çekştirerek kırtarmaya çalışmayınız aksi taktirde buna hasar verebilir veya yaralanabilirsiniz.

- Geri tepme reaksiyonlarının oluşumuna neden olabilecek durumlar.

- Ürünün omuz yüksekliğinden yukarı kullanılması

- örneğin çivi gibi yabancı cisimler bulunan tahtanın kesilmesi

Kullanım esnasında: **(şekil1)**

- şayet meyilli bir yüzeyde kesiyorsanız, yuvarlanarak sizin üzerinize gelmemesi için, kütüğün üst tarafında çalışınız.

- Devirme işleminde, işinizi her zaman tamolarak bitiriniz: kısmi kesilmiş bir ağaç kırılabilir.

- Her kesim sonunda, aleti taşıyabilecek olan gücünüzde bir farklılık olacağını hissedebilirsiniz, kontrolü kaybetmemek için çok dikkatli olunuz.İleride izah edilecek bölümde iki tip kesim anlatılacaktır:

Zincir bileyleme (Gerekli olması durumunda)

Kılavuzu tahtaya doğru baskı uygulama mecburiyeti olmadan kesmiyor ve çok ince taraş üretiyor ise bu yeteri kadar keskinlik olmadığını işaretliyor. şayet kesim esnasında talaş üretilmiyor ve kesimde tahtayı toza çeviriyor ise, zincir tamamen özelliğini yitirmiştir. Gayet güzel olarak bileylenmiş olan bir zincir kendiliğinden yol alır, büyük ve uzun talaşlar üretir.

Zincirin kesen bölümü, kesme halkasından oluşmakta olup **(şekil.9)** üzerinde kesme dişleri **(şekil.10)** ve kesme derinliği kısıtlayıcısı mevcuttur **(şekil.11)**, bu iki kısım arasındaki yükseklik farkı, kesim derinliğini sağlamaktadır; iyi bir bileyleme işlemi gerçekleştirebilmek için bir şablona ve 4mm'lik yuvarlak bir eğeye ihtiyaç vardır, bu işlem için açıklamaları takip ediniz: monte edilmiş ve gerektiği gibi gerilmiş olan zincire, zincir freninin devrede olma kaydı ile, şekilde görüldüğü gibi kılavuza dikey olarak **(şekil.12)** şablono yerleştiriniz, ve şekilde görüldüğü gibi **(şekil.13)** belirtilen açılar verilerek kesme dişi üzerinde işlem yapınız, her zaman için bileyleme yönünü içeriden dışarıya doğru ve geri dönüş esnasında da baskıyı azaltarak yapınız (belirtilmekte olan işleme açısına özen göstermek çok önemlidir; gereğinden fazla, az olan işleme açısı veya çapı yanlış olan bir ege ile gerçekleştirilen işlemlerde, geri tepme reaksiyon riski artar. Yan açılardan hassas olabilmesi için, egeğin kesici üst kısmını dikey olarak 0,5mm geçerek konumlandırılması tavsiye edilir. İlek önce bir tarafın tüm dişlerini bileyleyiniz ve testereyi çeviriniz, işlemi tekrar ediniz. Bileyleme işlemini tamamladıktan sonra, tüm dişlerin eşit uzunlukta olduklarını ve üst kesme noktasından kesme derinliği kısıtlayıcısının 0,6mm aşağıda olduğunu denetleyiniz; şablono kullanandıktan, fazla olan kısmı eğeyiniz (düz bir ege ile), daha sonra kesme derinliği kısıtlayıcısının ön tarafını yuvarlaklaştırınız **(şekil.14)**, burada dikkat etmeniz gereken nokta, geri tepme koruyucu dişinin EĞELEMEMESİDİR **(şekil.15)**.

Her 30 saatlik kullanımda

Aleti, genel bakım ve frenleme sistemlerinin kontrolleri için bir Yetkili Teknik Servise götürünüz.

Depolama

Ürünü serin, kuru ve çocukların erişemeyeceği bir yerde saklayın. Açık mekanlarda depolamayın.

Zincir çekme kesimi (yukarıdan aşağıya doğru) **(şekil.2)**, bu metot, aletin kütüğe doğru ansızın hareket etme riskine neden olaraaktan, kontrolün kaybolmasına sebep verebilir, şayet mümkünse, kesim esnasında zipkını kullanınız.

Zincir itirme kesimi (aşağıdan yukarıya doğru) **(şekil.3)** burada ise aletin ansızın kullancıya doğru hareket ederek çarpma veya kütük ile tehlikeli bölgenin temas edip geri tepme riskleri mevcuttur; kesim esnasında çok dikkat edilmelidir.

Aleti güvenli bir şekilde kullanmanın en etkili şekli, kütüğün bir sehpa üzerinde bloke ederekten, yukarıdan aşağıya doğru bir hareketle ve yardım alınan sehpa alanı dışından kesilmesidir **(şekil.4)**.

Zipkını kullanımı

Kullanımı mümkün olduğu hallerde daha güvenli bir kesim için zipkını da faydalanınız: alet üzerindeki kontrolünüzü kaybetmemek için, kütüğün yüzeysel bölgesine veya gövdeye bunu saplayınız.

İleride özel durumlarda yapılması gereken tipik kesme metotları ele alınacak olup, en az risk olarak uygulanacak olan kesim işleminin sizin o anda bulunduğunuz çalışma şartlarına uygun olup olmadığını siz değerlendireceksinizdir.

Yerde olan bir kütük (kesim sonunda zincirin yere çapma riski mevcuttur). (şekil.5)

Tüm kütüğü yukarıdan aşağıya doğru kesiniz. Kesimin sonuna doğru, zincirin yere değmemesi için dikkat ediniz. Mümkün olması durumlarında, yer ile temas riskini azaltmak amacı ile, kütüğün 2/3'ünü kesiniz, daha sonra bunu yuvarlayınız ve geri kalan kısmı yukarıdan aşağıya doğru kesiniz.

Tek bir taraftan destek alan kütük (Kesme esnasında kütüğün kırılma riski mevcuttur) (şekil.6)

Kesime alt taraftan başlayarak 1/3 kadarını kesiniz, işlem tamamlandıktan sonra kesim hizasını takip ederek üstten kesimi tamamlayınız.

İki taraftan destek alan kütük (zincirin sıkışma riski mevcuttur) (şekil.7)

Kesmeye üst taraftan başlayarak çapın 1/3 kadar kesiniz, işlem tamamlandıktan sonra kesim hizasını takip ederek alt taraftan kesimi tamamlayınız.

Eğimli yüzeyde ağaç gövdesi devirme. Daima ağaç gövdesinin tepe tarafında durun. "Keserken" tam kontrol sağlamak için kesim işleminin sonuna doğru testere kollarını sıkıca tutmaya devam ederek kesme baskısını uygulamayı bırakın. Zincirin yere temas etmesine izin vermeyin.

Devirme

DİKKATI: Yeterli tecrübenizin olmaması halinde asla devirme işlemi yapmaya kalkmayınız ve her şıkta, kilavuz boyunu geçen çapa sahip olan gövdelerin devirme işlemi yapmayınız! Bu tipi işler, yeterli tecrübeye ve gerekli olan gereçlere sahip olan kullanıcılar içindir. Ağaç devirmenin amacı, en iyi konumda bunu devirip daha sonrada tomruğun dallarını keserek ayıklamak ve parçalara bölmek (devrilmekte olan ağacın diğer bir ağaca takılmasından kaçınılır: dolanmış olan bir ağacın kurtarma operasyonu çok tehlikelidir).

En doğru devirme yönünün ayarlanmasında şu noktaları değerlendiriniz: ağacın etrafında neler bulunuyor, bunu eğimi, açısı, rüzgar yönü ve dalların yoğunluğu. Aynı zamanda ölü olan dalların varlığını da değerlendirmelisiniz aksi taktirde bunlar kopabilir ve bir tehlike arz edebilirler.

DİKKATI Kritik devirme işlemlerinde, kesim sonrasında, akustik kulak koruyucunuzu hemen çıkartınız ki, normal olmayan sesleri ve olabilecek ikazları duyabilirsiniz. Kesim öncesi hazırlıklar ve kaçış planı hazırlama Yukarıdan aşağıya doğru ve gövdeyi alet ile aranızda alarak, zor dalları sonraya bırakarak, tek tek çalışmanızı engelleyen dalları temizleyiniz (şekil.8). Ağaç etrafındaki çalılıklarında temizlenmesinden sonra, kaçış yönünüzde bulunabilecek ve size engel olabilecek diğer unsurları da inceleyiniz (taşlar, kökler, çukurlar vs..); şekilde verilen referans noktalarını göz önüne alınız (şekil.9). (A. ağacın devirme yönü, B. Kaçış Yolu, C. Tehlikeli Bölge)

DEVİRME (şekil.10)

Ağaç devirme yönünün kontrolünü sağlayabilmek için aşağıdaki kesimleri yapmak zorundasınızdır:

Yön çentiği, ilk bu işlem yapılmalıdır, ağacın düşüş yönünü tayin edebilmek içindir: İlk önce, ağacın devrilmesini istediğimiz taraftan, yön çentiğinin ÜST KISMINDAN başlanmalıdır. Ağacın sağ tarafına konularak ve zincir çekme kesim metodu uygulanmalıdır; daha sonrada üst kısmın son noktası ile birleşecek olan, ALT KISMİN kesimi gerçekleştirilmelidir. Yön çentik kesim derinliği, gövde çapının 1/4'ü ve üst ve alt kesim açısı da hiç değil ise 45° olmalıdır. Bu iki kesimin birleştiği yere "yön çentiği hattı" adı verilir. Bu hat kusursuz olarak tam yatay ve devirme yönüne dik açılı (90°) olmalıdır

Devirme kesimi, ağacı devirmeye sebep vermek için gerçekleştirilmekte olup, yön çentiği hattı üstünden 3-4cm yukarıdan ve gövdenin 1/10 kadar mafsala bırakılarak gerçekleştirilir. Ağacın solundan ve zincir çekme kesimi uygulanarak, zıpkın kullanarak işinizi yapınız. Ağacın, planlanmakta olan devirme yönünden

başka bir tarafa doğru hareket etmediğini kontrol ediniz. Mümkün olan ilk fırsatta kesige, bir takoz yerleştiriniz. Gövdenin kesilmemiş olan kısmına mafsala denir, bu "mentеше" ağacın devrilmesine yol gösterir; bunun yeterli, düz hat olmaması durumunda, veya tamamen kesilmiş olması ile ağacın düşme kontrolünü kaybedilmesine neden olur (çok tehlikeli!) bu nedenden dolayıdır ki, bu kesimlerin gerçekleştirilmesinde çok hassas, hatasız olunmalıdır. Kesimlerin sonunda, ağaç devirmeye başlamalıdır, gerekli olması durumlarında bir kama veya devirme manivelası kullanılmalıdır.

Budama

Ağacın devrilmesi tamamlandıktan sonra, budama işlemi yapılır, yani gövdeden dalların temizlenmesidir. Bu iş fazla hafife almayınız, çünkü, geri tepme reaksiyonlarının çoğu işte bu budama esnasında meydana gelmektedirler, bundan dolayı, kesim esnasında kilavuzun burun kısmının konumuna dikkat ediniz ve gövdenin sol tarafından çalışınız.

I. ÇEVRE BİLİMİ


Bu bölümde, aletin projelendirilmesi esnasında ön görülen çevre ile uyumu sağlayacak özellikleri ile ilgili, aletin doğru olarak kullanılması ve sıvı yağların yok edilmesi hakkında bilgi edineceksiniz.

ALETİN KULLANILMASI

Sıvı yağ deposunun doldurulması işlemlerinde, çevreye zincir sıvı yağının dağılmasına neden olmadan gerçekleştirilmelidir.

Hurdaya çıkarma

Çalışmayan bir aleti çevreye atmıyıp, o anda yürürlükte bulunan normlara uygun olarak, bunları atıklar ile birlikte değerlendirebilecek olan yetkili bir kuruluşa teslim ediniz

Ürünün ya da ambalajının üzerindeki  sembolü, bu ürüne evlerden çıkan olağan atık madde muamelesi yapılamayacağını belirtir. Bu ürün bertaraf edileceği zaman, elektrikli ve elektronik cihazların geri dönüşümünü sağlamak için uygun toplama noktasına götürülmelidir.

Bu ürünün gerektiği gibi bertaraf edilmesini sağlayarak çevre ve insan sağlığı için oluşturulacak muhtemel olumsuz sonuçların önlenmesine yardım etmiş olacaksınız. Aksi takdirde, bu ürün için uygun olmayan atık madde muamelesi yapıldığında yukarıda sözü edilen olumsuz sonuçlar meydana gelebilir.

Bu ürünün geri dönüşümü hakkında daha ayrıntılı bilgi için lütfen bulunduğunuz yerdeki geri dönüşüm bürosuna, çöp toplama servisine ya da ürünü satın aldığınız mağazaya danışın.

J. ARIZA BULMA TABELASI

	Motor hareket etmiyor	Motor kötü dönüyor veya güç kaybediyor	Alet normal olarak çalışıyor ama doğru olarak kesmiyor	Motor anormal şekilde dönüyor	Frenleme tertibatı öngörülüyor gibi zincirin dönmesini durdurmuyor
Hatta akım olduğundan emin olunuz	●				
Fişin doğru olarak takılmış olduğunu denetleyiniz	●				
Hem kablounun hem de uzatmanın üzerinde hasar olmadığını denetleyiniz	●				
Zincir freninin devrede olmadığını denetleyiniz	●				
Zincirin uygun şekilde takıldığını ve gerildiğini kontrol edin		●	●		
Zincir yağlamasının G ve F bölümlerinde belirtildiği gibi olduğunu kontrol ediniz			●		
Zincirin keskin olduğunu kontrol ediniz			●		
Kesme anahtarının etkinleştirildiğini kontrol edin	●				
Yetkili Teknik Servise müracaat ediniz	●	●		●	●

K. YEDEK PARÇALAR

35cm	Zincir	91PJ052XN	Parça Numarası:	530051538
	Kılavuz çubuğu		Parça Numarası:	576965401
40cm	Zincir	91PJ056XN	Parça Numarası:	530051539
	Kılavuz çubuğu		Parça Numarası:	576965201

L. EC UYGUNLUK BEYANNAMESİ

Huskvarna AB, S-561 82, Huskvarna, Sweden

Ürünün; uygulanmış olan aşağıdaki AB uyumlu standartlara dayanarak:

Gösterim..... **Chainsaw - Motorlu Testere**
Tip Gösterimi..... **CSE1835, CSE1935S, CSE2040, CSE2040S**
Kesme Cihazının Tipi..... **Kesme Mısinası**
Yapım Yılı..... **Kesme Mısinası**

aşağıdaki EC Direktiflerinin esas gereksinimleri ve ön koşulları ile uyumlu olduğunu

2006/42/EC, 2004/108/EC, 2000/14/EC, 2011/65/EU

ana sorumluluğumuza dayanarak beyan ederiz:

EN60745-1, EN60745-2-13, EN55014-2, EN55014-1, EN61000-3-2, EN61000-3-11

Belirtilen Cisim, bölüm 2c madde 8 ile uyumlu olarak

EC tip testini başarıyla tamamlamıştır..... TÜV Rheinland LGA Products GmbH
Tillystraße 2
D-90431 Nürnberg
Germany
BM 50268379

Sertifika nr.....

Tabloda belirtilen EN60745-2-13'e göre iş istasyonunda ölçülen maksimum A ağırlıklı ses basınç düzeyi L_{pA} .

Tabloda belirtilen ürünün/ürünlerin numunesi üzerinde EN60745-2-13'e göre ölçülmüş maksimum el / kol titreşimi ağırlıklı değeri a_{h1} 'dir.

Beyan edilen titreşim toplam değeri standart test yöntemine göre ölçülmüştür ve bir aracı değeriyle karşılaştırmak için kullanılabilir.

Beyan edilen titreşim toplam değeri ayrıca etkinin başlangıç niteliğinde ön değerlendirmesinde de kullanılabilir.

Uyan:

Güç aletin fiili kullanımı sırasındaki titreşim yayılımı, aletin kullanıldığı şekillere bağlı olarak beyan edilen toplam değerden farklı olabilir.

Operatörler, kendilerini korumak için gerekli güvenlik ölçümlerini tanımlamalıdır. Bu ölçümler, fiili kullanım şartlarındaki etki tahminine dayalı olarak yapılır. (Burada işletim döngüsünün her kısmı, yani tetikleme zamanına ek olarak aletin avara (rölanide) çalıştığı ve kapalı olduğu zamanları da hesaba katılır.)

2000/14/EC: Ölçülen Güvenilir Güç L_{WA} ve Garanti Edilen Güvenilir Güç L_{WA} değerleri çizelge haline getirilmiş resimlere göre olmaktadır.

Uygunluk Değerlendirme Prosedürü..... Annex V

Ulm 12/02/2013

P. Lamelli

Global Ar&G Müdürlüğü – Elde taşınır

Teknik dokümantasyon sorumlusu



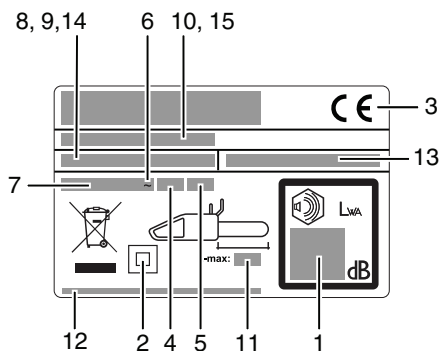
MODEL (CSE_____)	1835	1935S	2040	2040S
Kuru ağırlık (Kg)	4.3	4.5	4.4	4.6
Güç (kW)	1.8	1.9	2.0	2.0
Sıvı yağ depo kapasitesi (cm ³)	240	240	240	240
Maksimum kılavuz çubuk uzunluğu	35	35	40	40
Zincir aralığı (mm)	9.52	9.52	9.52	9.52
Zincir kalibrasyonu (mm)	1.3	1.3	1.3	1.3
Ölçülen Ses Gücü L_{WA} (dB(A))	106	106	106	106
Garanti Edilen Ses Gücü L_{WA} (dB(A))	110	110	110	110
Ses Basınç L_{pA} (dB(A))	95	95	95	95
Belirsizlik K_{pA} (dB(A))	2.5	2.5	2.5	2.5
El / Kol Titreşimi a_{h1} (m/s ²)	7.28	7.28	8.08	8.08
(m/s ²) belirsizlik K_{ah}	1.5	1.5	1.5	1.5
Şebeke-Empedans Z_{maks} (Ω)	0.382	0.382	0.382	0.382

EN 61000-3-11 Uygunluk beyanı

Yerel elektrik tedarik şebekesinin özelliklerine bağlı olarak, bu ürünün kullanımı şalterin açılması anında kısa voltaj düşüşlerine neden olabilir. Bu durum, elektrikli diğer ekipmanları etkileyebilir, örneğin, bir lambada anlık karama yaşanabilir. Elektrik şebekesinin **Ana Şebeke empedansı Z_{maks}** değeri, tabloda belirtilen değerden (modeliniz için geçerli değerden) daha düşükse, bu etki meydana gelmez. Şebeke empedansının değerini, elektrik tedariki yetkilinize başvurarak öğrenebilirsiniz.

A. OPŠTI OPIS

- | | |
|--|---------------------------------------|
| 1) Zadnja ručka | 19) Rezni zubac |
| 2) Zadnja zaštita za šaku | 20) Vođica lista |
| 3) Prednja ručka | 21) Poklopac pogonskog zupčanika |
| 4) Prednja zaštita za šaku/ručka kočnice lanca | 22) Pogonski zupčanik |
| 5) Spoljni točkić za zatezanje lanca | 23) Držač lanca |
| 6) Zavrtnanj za zatezanje lanca | 24) Zavrtnanj za držanje lista |
| 7) Klin za zatezanje lanca | 25) Unutrašnje dugme za držanje lista |
| 8) Poklopac rezervoara za ulje | 26) Matica za držanje lista |
| 9) Pokazivač nivoa u rezervoaru za ulje | 27) Vrh lančanika |
| 10) Otvori za vazduh | 28) Pokrov vođice |
| 11) Kabl | 29) Šiljasti branik |
| 12) Priručnik | 30) Kućište klina za zatezanje lanca |
| 13) Prekidač | 31) Otvor za podmazivanje |
| 14) Kočnica prekidača | 32) Utor vođice |
| 15) Lanac | 33) Ključ/odvijač |
| 16) Pogonski zubac | |
| 17) Rezna karika | |
| 18) Pokazivač dubine sečenja | |



Primer identifikacione nalepnice

- 1) Garantovana snaga zvuka prema direktivi 2000/14/EZ
- 2) Alat klase II
- 3) Oznaka usklađenosti sa CE propisima
- 4) Nominalna frekvencija
- 5) Nominalna snaga
- 6) Naizmjenična struja
- 7) Nominalni napon
- 8) Tip
- 9) Šifra proizvođača
- 10) Godina proizvodnje
- 11) Maksimalna dužina vođice
- 12) Naziv i adresa proizvođača
- 13) Artikla broj (za električnu lančanu testeru)
- 14) Model
- 15) Serijski broj

B. BEZBEDNOSNE MERE PREDOSTROŽNOSTI

ZNAČENJE SIMBOLA



Upozorenje!
Pažljivo pročitajte priručnik sa upustvima



Zaštitne čizme



Zaštite naočari ili štitnik za oči, šlem i zaštita za uši



Zaštitne rukavice otporne na seču



Zaštitne pantalone otporne na seču



Kočnica lanca: deaktivirana, aktivirana



Ako je kabl oštećen ili isečen, odmah izvucite utikač iz utičnice



Ne dozvolite drugim osobama da se približavaju



Ispravan smer reznih zubaca.



Alat uvek držite sa obe ruke



Opasnost od povratnog udara



Ne izlažite proizvod kiši ili vlazi.



Ulje za podmazivanje lanca



Nemojte...



Isključite električni alat



Pre podešavanja ili čišćenja uvek izvucite utikač.



Opasnost od udara električne struje

Opšta upozorenja u vezi sa bezbednošću električnih alata



UPOZORENJE Pročitajte sva bezbednosna upozorenja i uputstva. Nепridržavanje upozorenja i uputstava može izazvati udar električne struje, požar i/ili teške povrede.

Sačuvajte sva upozorenja i uputstva za buduću upotrebu. Pojam "električni alat" u upozorenjima odnosi se na bežični alat koji radi na baterije (bez kabla).

1) Bezbednost zone rada

- Zona rada mora da bude čista i dobro osvetljena. U zakrčenim i tamnim delovima može da dođe do nesreća.
- Ne koristite električne alate u eksplozivnoj atmosferi kao na primer u prisutnosti zapaljivih tečnosti, gasova ili prašine. Električni alati stvaraju iskre koje mogu da zapale prašinu ili pare.
- Deca i posmatrači ne smeju da se približavaju tokom rada sa električnim alatom. Odvratanje pažnje može da izazove gubitak kontrole.

2) Bezbednost pri radu sa električnim alatima

- Utikači električnih alata moraju da odgovaraju utičnici. Nikada nemojte ni na koji način modifikovati utikač. Sa uzemljenim električnim alatima ne koristite adapterske utikače. Nemodifikovani utikači i odgovarajuće utičnice smanjuju rizik od udara električne struje.
- Izbegavajte kontakt tela sa uzemljenim površinama kao što su cevi, radijatori, peći i frižideri. Ako dođe do uzemljenja tela to može da poveća opasnost od udara električne struje.
- Ne izlažite električne alate kiši ili vlazi. Prodor vode u električni alat povećava opasnost od udara električne struje.

- Nemojte vući za kabl. Nikada ne koristite kabl za nošenje, povlačenje ili izvlačenje utikača iz utičnice. Držite kabl podalje od toplote, ulja, oštih rubova ili pokretnih delova. Oštećeni ili uvijeni kablovi povećavaju opasnost od udara električne struje.
- Kada električni alat koristite na otvorenom, koristite odgovarajući produžni kabl. Korišćenje kabla namenjenog za upotrebu na otvorenom smanjuje opasnost od udara električne struje.
- Ako električni alat morate da koristite na vlažnom mestu, upotrebite RCD uređaj sa zaštitom napajanja. Upotreba RCD uređaja smanjuje opasnost od udara električne struje.
- Lična bezbednost
 - Dok radite sa električnim alatom budite pažljivi, kontrolišite situaciju i koristite zdrav razum. Ne koristite električni alat kada ste umorni ili pod uticajem droga, alkohola ili lekova. Trenutak nepažnje za vreme rada sa električnim alatom može da izazove teške povrede.
 - Koristite ličnu zaštitnu opremu. Uvek nosite zaštitu za oči. Zaštitna oprema kao što je maska protiv prašine, zaštitna obruča koja ne klizi, šlem ili zaštita za uši koji se koriste u odgovarajućim uslovima smanjuje mogućnost povreda.
 - Sprečite slučajno pokretanje. Proverite da li je prekidač u isključenom položaju pre nego što ga uključite u napajanje i/ili stavite bateriju, podignite ili dok nosite alat. Nošenje električnog alata sa prstom na prekidaču ili uspostavljanje napajanja električnog alata dok je prekidač uključen može da izazove nesreću.

- d) Uklonite sve ključeve za podešavanje pre uključivanja alata. Ključ ostavljen u rotirajućem delu električnog alata može da izazove povredu.
- e) **Nemojte se prejako naginjati. Stalno održavajte propisnu ravnotežu.** Tako ćete bolje kontrolisati električni alat u neočekivanim situacijama.
- f) **Obučite odgovarajuću odevu. Nemojte nositi široku odevu ili nakit.** Kosu, odevu i rukavice držite podalje od pokretnih delova. Pokretni delovi mogu da zahvate široku odevu, nakit ili dugu kosu.
- g) **Ako postoje uređaji za sakupljanje prašine, proverite da li su ispravno priključeni i da li se ispravno koriste.** Korišćenje uređaja za sakupljanje prašine može da smanji opasnost od prašine.
- 4) **Korišćenje i održavanje električnih alata**
 - a) **Nemojte primenjivati silu na električni alat. Upotrebite alat koji odgovara vašim potrebama. Odgovarajući električni alat će obaviti posao bolje i bezbednije, brzinom koja je predviđena za to.**
 - b) **Ne koristite električni alat ako prekidačem ne možete da ga uključite ili isključite.** Svi električni alati koji ne mogu da se kontrolišu prekidačem su opasni i moraju da se predaju na popravak.
 - c) **Isključite utikač iz napajanja i/ili deaktivirajte bateriju pre nego što obavite bilo kakva podešavanja, promenite pribor ili odložite alat.** Te preventivne bezbednosne mere smanjuju opasnost od slučajnog pokretanja električnog alata.
 - d) **Isključene električne alate skladištite podalje od dohvata dece i ne dozvolite da osobe koje nisu upoznate sa njima ili sa ovim uputstvima da ih koriste. Električni alati su opasni ako ih koriste neobučeni korisnici.**
 - e) **Održavajte električne alate. Proverite neporavnane ili spajanje pokretnih delova, lomove i sva druga stanja koja mogu da utiču na rad alata. Ako je alat oštećen, mora se popraviti pre ponovnog korišćenja. Mnoge nesreće izazvane su slabom održavanjem električnim alatom.**
 - f) **Rezni alati moraju uvek da budu naoštreni i čisti. Ispravno održavan rezni alat manje se hvata na podlogu koja se seče i jednostavnije se kontrolise.**
 - g) **Električne alate i pribor koristite u skladu sa ovim uputstvima, uzimajući u obzir uslove rada i posao koji treba obaviti. Korišćenje električnih alata za poslove za koje nisu namenjeni može da izazove opasnu situaciju.**
- 5. **Servis**
 - a) **Servisiranje električnog alata mora da vrši kvalifikovani servisier. Pri tome se sme koristiti samo identičan rezervni materijal. Time ćete osigurati bezbednost električnog alata.**

Upozorenja u vezi sa bezbednošću pri radu sa lančanim testerama:

- Sve delove tela držite podalje od lanca testere dok ona radi. Pre nego što pokrenete lančanu testeru, uverite se da ništa ne dodiruje. Trenutak nepažnje za vreme rada sa lančanom testerom može da izazove uplitanje u odevu ili neki deo tela.
- Uvek držite lančanu testeru sa desnom šakom na zadnjoj i levom šakom na prednjoj ručki. Ako držite testeru obrnuto, povećavate opasnost od povrede i to ne biste smeli nikada da činite.
- Električni alat držite samo za izolovane površine, jer testera može da dođe u kontakt sa sakrivenim ožičenjem ili sa sopstvenim kablom. Lančane testere koje dođu u kontakt sa žicom pod naponom mogu da provedu napon do metalnih delova električnog alata i izazovu udar električne struje.
- Nosite zaštitne naočari i zaštitu za uši. Preporučuje se i zaštitna oprema za glavu, šake, noge i stopala. Odgovarajuća zaštitna oprema će smanjiti mogućnost povrede od izletanja opadnog materijala ili slučajnog kontakta sa lancem testere.
- **Nemojte raditi na lančanom testerom na drvetu. Ako budete radili sa lančanom testerom dok ste na drvetu, možete izazvati povredu.**
- **Uvek stojte stabilno na tlu i radite samo kada ste na fiksnoj, bezbednoj i ravnoj površini. Klizave i nestabilne površine kao što su merdevine mogu da izazovu gubitak ravnoteže ili kontrole lančane testere.**
- **Kada sečete granu koja je napregnuta, pazite na povratni udar. Kada se naprezanje u vlaknima oslobodi, grana koja je pod opružnom silom može udariti operatera i/ili nekontrolisano odbaciti lančanu testeru.**
- **Budite izuzetno oprezni kod seče žbunja i sadnica. Lanac testere može da zahvati tanak materijal i da ga odbaci prema vama ili da vas izbaci iz ravnoteže.**

- Lančanu testeru nosite isključenu, držeći je za prednju ručku, podalje od tela. Kod transporta ili skladištenja lančane testere uvek stavite pokrov vodice. Ispravno rukovanje lančanom testerom smanjuje mogućnost slučajnog kontakta sa testerom u pokretu.
- **Pratite uputstva za podmazivanje, zatezanje lanca i zamenu pribora. Nepravilno zategnut ili podmazan lanac može puknuti ili povećati mogućnost povratnog udara.**
- **Ručke moraju da budu suve, čiste i na njima ne sme da bude ulja i masti. Masne ručke su klizave i izazivaju gubitak kontrole.**
- **Seците samo drvo. Nemojte da koristite lančanu testeru za postupke koji nisu predviđeni. Na primer: lančanom testerom nemojte seći plastiku, cigle ili građevinske materijale koji nisu od drveta. Korišćenje lančane testere za poslove za koje nije namenjena može da izazove opasnu situaciju.**

Razlozi povratnog udara i njegov sprečavanje:

Do povratnog udara može doći kada vrh vodice dodirne neki predmet ili kada se drvo zatađuri i uklješti lančanu testeru u useku.

Kontakt sa vrhom ponekad može da izazove iznenadnu povratnu reakciju, odnosno povratni udar vodice prema gore i nazad prema operateru. Uklještenje lančane testere uz gornji rub vodice može brzo da gurne vodicu unazad, prema operateru. Obe navedene reakcije mogu da izazovu gubitak kontrole nad testerom, čime može da se izazove teška povreda. Nemojte se oslanjati samo na bezbednosne uređaje koji su ugrađeni u testeru. Kao korisnik lančane testere morate preduzeti nekoliko koraka da biste sprečili nesreće i povrede tokom rada sa testerom.

Povratni udar je rezultat nepravilnog korišćenja alata i/ili nepravilnih radnih postupaka ili uslova i može se izbeći preduzimajući sledećih odgovarajućih mera:

- **Testeru držite čvrsto, tako da vam prsti i palac obuhvate ručke, sa obe šake, a telo i ruke postavite tako da možete da se oduprete sili povratnog udara. Operater može da kontrolise sile povratnog udara ako preduzme odgovarajuće mere predostrožnosti. Nemojte puštati lančanu testeru.**
- **Nemojte se previše naginjati i ne sećite iznad visine ramena. Time ćete sprečiti slučajan kontakt vrha i omogućiti bolju kontrolu lančane testere u neočekivanim situacijama.**
- **Koristite samo zamenske vodice i lance koje preporučuje proizvođač. Neodgovarajuće vodice i lanci mogu da izazovu pucanje lanca i/ili povratni udar.**
- **Pratite uputstva proizvođača u vezi sa oštrenjem i održavanjem lančane testere. Smanjenje visine merača dubine seče može dovesti do povećanog povratnog udara.**

Dodatne bezbednosne preporuke

1. **Upotreba priručnika.** Sve osobe koje koriste ovaj alat moraju pažljivo da pročitaju ceo priručnik. Korisnički priručnik mora da se preda zajedno sa alatom u slučaju prodaje ili pozajmljivanja drugoj osobi.
2. **Mere predostrožnosti pri korišćenju alata.** Ovaj alat nikada ne smeju da koriste osobe koje nisu savršeno upoznate sa uputstvima iz priručnika. Neiskusne osobe moraju da prođu period obučavanja i vežbe rada samo na stalnu (kozulicu).
3. **Kontrolne provere.** Pažljivo proverite alat pre svake upotrebe, posebno ako je doživao jak udarac ili ako pokazuje bilo kakve znakove nepravilnog rada. proverite sve radnje opisane u poglavlju „Održavanje i skladištenje – pre svake upotrebe“.
4. **Popravl i održavanje.** Svi delovi alata koje možete da menjate sami jasno su objašnjeni u poglavlju „Sklapanje/rasklapanje“ u priručniku. Sve druge delove alata prema potrebi morate da menjate u ovlašćenom servisnom centru.
5. **Odeća. (sl. 4)** Tokom korišćenja ovog alata korisnik mora da nosi sledeću odobrenu individualnu ličnu zaštitnu odevu: usko zaštitno odelo, zaštitne čizme koje ne klize, štittnice na rhvovima cipela i zaštitu protiv seče, rukavice otporne na vibracije i zaštitene od seče, zaštitne naočari ili štittnici za lice, štittnice za uši i šlem (ako postoji bilo kakva opasnost od padajućih predmeta).

6. Zdravstvene mere predostrožnosti – Nivoi vibracija i buke.

Izbegavajte korišćenje alata duže vreme: buka i vibracije mogu da budu opasni i da izazovu iritaciju, stres, umor i hipakuziju (naglušnost). Kod dužeg korišćenja alata korisnik je izložen vibracijama koje mogu da izazovu „fenomen belih prstiju“ (Rejnoov fenomen), sindrom karpalnog tunela i slične smetnje.

7. Zdravstvene mere predostrožnosti – Hemijska sredstva.

Izbegavajte kontakt ulja za lanac sa kožom i očima.

8. Zdravstvene mere predostrožnosti - toplota.

Tokom korišćenja lančanik i lanac se veoma jako zagrevaju, pazite da ne dodirujete te delove dok su vrući.

9. **UPOZORENJE!** Ovaj alat tokom rada stvara elektromagnetno polje. To polje pod određenim uslovima može da ometa aktivne i pasivne medicinske implantate. Da biste smanjili opasnost od fatalnih povreda, preporučujemo da se osobe sa medicinskim implantatima pre rada konsultuju sa lekarom i proizvođačem implantata.

Mere opreza tokom transporta i skladištenja. (sl. 12) Kod svake promene oblasti rada isključite alat iz mrežnog napajanja i aktivirajte ručku kočnice lanca. Montirajte zaštitni pokrov vodice za svaki transport ili skladištenje. Uvek nosite alat u ruci tako da vodiča gleda prema nazad. Ako ga transportujete vozilom, uvek ga dobro pričvrstite da biste izbegli oštećenja.

Reakcija povratnog udara. (sl. 14) Povratni udar se sastoji od jake akcije vodice prema gore i unazad, prema korisniku. To se uglavnom događa ako gornji deo vrha vodice (koji se zove i "zona opasnosti od povratnog udara") dođe u kontakt s nekim predmetom ili ako se lanac zaglavi u drvo. Povratni udar može izazvati gubitak kontrole nad alatom i teške, čak i smrtno, povrede. Ručka kočnice lanca i drugi bezbednosni uređaji nisu dovoljni za zaštitu korisnika od povreda: korisnik mora da bude svestan okolnosti koje mogu da izazovu reakciju i da ih spreči tako da radi veoma pažljivo, u skladu sa iskustvom, zajedno sa mudrim i ispravnim rukovanjem alatom (na primer: nikada ne secite nekoliko grana istovremeno jer time možete izazvati slučajan udar u "zonu opasnost od povratnog udara").

Bezbednost zone rada

1. Nikada ne dozvolite da deca ili neupućene osobe koriste proizvod. Lokalni propisi mogu ograničiti dob rukovaoca.
2. Proizvod koristite samo na način i za namene opisane u ovom uputstvu.
3. U celoj radnoj zoni proverite da li ima izvora opasnosti (npr.: putevi, staze, električni kablovi, opasno drveće itd.)
4. Svi posmatrači i životinje moraju da budu podalje od radne zone (kada je potrebno, ogradite je i upotrebite znakove upozorenja) na minimalnom rastojanju od 2,5 x visina debela; i svakom slučaju ne manje od deset metara.
5. Operater ili korisnik je odgovoran za nesreće ili opasnosti koje se dogode drugim osobama ili njihovoj imovini.

Bezbednost u vezi sa napajanjem električnom strujom

1. Preporučuje se da koristite RCD uređaj za zaštitom napajanja i prekidnom strujom ne većom od 30 mA. Čak i kada je instaliran zaštitni RCD uređaj, ne može se garantovati 100-procentna bezbednost pa tokom rada stalno treba primenjivati bezbedne postupke. Proverite RCD uređaj svaki put kada ga koristite.
2. Pre upotrebe proverite da li na kablu ima oštećenja, i ako primetite znakove oštećenja ili istrošenosti, zamenite ga.
3. Ne koristite proizvod ako su kablovi oštećeni ili istrošeni.
4. Odmah isključite kabl iz glavnog napajanja u slučaju da se preseče ili da se ošteti izolacija. Ne dodirujte električni kabl dok ne isključite napajanje električnom energijom. Nemojte popravljati presečen ili oštećen kabl. Zamenite ga novim.
5. Vš električni kabl mora da bude ravan. Upleteni kablovi mogu da se pregreju i da izazovu smanjenje efikasnosti proizvoda.
6. Uvek se uverite da je kabl/produžni kabl iza korisnika i da ne predstavlja izvor opasnosti za njega ili za druge osobe, kao i da ne može da se ošteti (toplotom, oštrim predmetima, oštrim ivicama, uljem itd.);
7. Postavite kabl tako da tokom seče ne može da se zakači za grane i slično.
8. Uvek isključite glavno napajanje pre izvlačenja bilo kakvog utikača, konektora kabla ili produžnog kabla.
9. Isključite alat, izvucite utikač iz napajanja i pregledajte da li na kablu za napajanje ima znakova oštećenja ili istrošenosti ~~pre~~ nego što ga namotate i odložite. Nemojte popravljati oštećen kabl, već ga zamenite novim. Koristite samo zamenske kablove Husqvarna Outdoor Products.
10. Izvucite utikač iz glavnog napajanja pre nego što ostavite alat bez kontrole na bilo koje vreme.
11. Uvek pažljivo zamotajte kablove, izbegavajući presavijanje.
12. Koristite samo napajanje naizmeničnom strujom navedeno na tipskoj pločici proizvoda.
13. Lančana testera ima dvostruku izolaciju u skladu sa EN60745. Nikako nemojte uzemljiti nijedan deo proizvoda.

Kablovi

1. Kablovi za napajanje i produžni kablovi mogu se nabaviti u lokalnom ovlašćenom servisnom centru.
2. Koristite samo odobrene produžne kablove
3. Produžni kablovi i vodiči smeju se koristiti samo ako su predviđeni za spoljnu upotrebu i ako su u skladu sa H07 RN-F ili IEC 60245, oznaka 66.
4. Ako želite da koristite produžni kabl za rad sa alatom, koristite samo sledeće dimenzije kablova:

Modeli CSE1835, CSE1935S:

- 5,0 mm²: maks. dužina 40 m
- 5,0 mm²: maks. dužina 60 m
- 8,0 mm²: maks. dužina 100 m

Modeli CSE2040, CSE2040S:

- 5,0 mm²: maks. dužina 50 m
- 8,0 mm²: maks. dužina 90 m

C. OPIS BEZBEDNOSNE OPREME

KOČNICA PREKIDAČA

Vaš alat je opremljen uređajem (sl.1) koji prilikom deaktivacije onemogućuje pritisak prekidača i slučajno pokretanje.

RAD KOČNICE PRILIKOM DEBLOKIRANJA PREKIDAČA

Vaš alat je opremljen uređajem koji blokira lanac čim se otpusti prekidač; Ako taj uređaj u bilo kom trenutku ne radi, alat se NE SME koristiti i mora se odneti u ovlašćeni servisni centar.

ZAŠTITA ZA PREDNJU ŠAKU/RUČKA KOČNICE LANCA

Prednja zaštita za šaku (sl. 2) je sprečava da leva šaka dođe u kontakt sa lancem (pod uslovom da se alat drži ispravno, u skladu sa uputstvom). Prednja zaštita za šaku takođe služi i kao kočnica lanca, a obuhvata uređaj koji u slučaju povratnog udara blokira lanac za manje od 0,15 sekunde. Kočnica lanca se otpušta kada se prednja zaštita za šaku povuče prema nazad i učvrsti u tom položaju (lanac može da se pomeri). Kočnica lanca se aktivira kada se prednja zaštita za šaku gurne napred (lanac se blokira). Kočnica lanca može se aktivirati levim zglobom, guranjem prema napred, ili ako zglob dođe u kontakt sa prednjom zaštitom kao rezultat povratnog udara.

Kada se alat koristi sa vodičom u horizontalnom položaju, na primer tokom rušenja drveća, kočnica lanca nudi manju zaštitu. (sl. 3).

NAPOMENA. Kada se aktivira kočnica lanca, bezbednosni prekidač prekida napajanje motora.



Otpuštanjem kočnice lanca dok se drži prekidač, alat se pokreće.

DRŽAČ LANCA

Ovaj alat je opremljen držačem lanca (sl. 4) koji se nalazi ispod lančanika. Taj mehanizam služi za zaustavljanje kretanja lanca unazad u slučaju pucanja ili ispadanja iz vodice. Te situacije mogu da se izbegnu ako se obezbedi ispravno zatezanje lanca (pogledajte poglavlje "D. Sklapanje/rasklapanje").

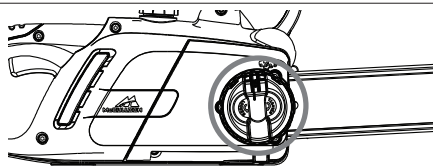
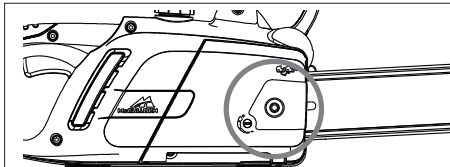
ZADNJA ZAŠTITA ZA ŠAKU

Ona služi za zaštitu (sl. 5) šake u slučaju pucanja ili ispadanja lanca iz vodice.

D. SKLAPANJE/RASKLAPANJE

SKLOP VOĐICE I LANCA

Načini sklapanja zavise od tipa alata pa proverite ilustracije i tip alata na nalepnici. Jako pazite tokom sklapanja da biste obezbedili ispravan rad alata.



1. Uverite se da kočnica lanca nije aktivirana. Ako jeste, deaktivirajte je.	
2a. Odvratite maticu vodice i uklonite pokrov pogonskog lančanika.	2b. Odvratite dugme vodice i uklonite pokrov pogonskog lančanika.
3. Postavite lanac u žleb vodice, počevši od vrha. Pažnja! Pazite da oštra strana reznih zubaca bude okrenuta prema napred na gornjem delu vodice. Nosite rukavice.	
4. Pazite da klin za zatezanje lanca bude što dalje, prema pogonskom lančaniku. Montirajte vodiču na zavrtnj i klin za zatezanje lanca i postavite lanac na pogonski lančanik. Vratite pokrov pogonskog lančanika, pazeci da pogonski zupci lanca budu u pogonskom lančaniku i žlebu vodice.	
5a. Rukom završite maticu lista dok ne bude labavo učvršćena.	5b. Rukom završite maticu lista dok ne bude labavo učvršćena.
6a. Da biste zategnuli lanac, zavrtnite zavrtnj za zatezanje lanca u smeru kazaljki na satu pomoću isporučenog ključa/odvijača. Da biste smanjili okrećite zavrtnj u smeru suprotnom od kazaljke na satu (vrh lista mora da bude podignut)	6b. Da biste zategnuli lanac, zavrtnite spoljno dugme zatezača lanca u smeru kazaljke na satu. Da biste smanjili zategnutost, odvrćite zavrtnj u smeru suprotnom od kazaljke na satu. (dok obavljate ovu radnju vrh lista mora da bude podignut)
7. Zatežite lanac dok ne postignete ispravnu zategnutost. Povucite lanac sa lista, razmak mora da bude otprilike 2-3 mm	
8a. Zategnite maticu lista pomoću ključa/odvijača	8b. Zatežite vodiču dok ne bude ispravno učvršćena.

Prejako zatezanje lanca može da preoptereći motor i izazove štetu, a nedovoljna zategnutost može da izazove ispadanje lanca. Ispravno zatezanje lanca pruža najbolje karakteristike seče i dug vek trajanja. Redovno proveravajte zategnutost jer lanac ima tendenciju razvlačenja tokom korišćenja (posebno kada je nov; posle prvog sklapanja morate proveriti zategnutost lanca posle 5 minuta rada); u svakom slučaju, nemojte zatezati lanac odmah nakon upotrebe, nego sačekajte da se ohladi.

U slučajevima kada labav lanac mora da se podesi, uvek odvijte maticu lista/dugme za podešavanje zavrtnja/dugmeta za zatezanje lanca; podesite zategnutost i zatim pritegnite maticu/dugme.

E. POKRETANJE I ZAUSTAVLJANJE

Pokretanje: čvrsto uhvatite s obe ruke, otpustite ručku kočnice lanca dok vam je ruka još uvek na prednjoj ručki, pritisnite i zadržite blokadu prekidača (sl. E1), zatim pritisnite prekidač (sl. E2) (u tom trenutku možete otpustiti blokadu prekidača).

Zaustavljanje: Alat će se zaustaviti pri svakom otpuštanju prekidača. U slučaju da se alat ne zaustavi, aktivirajte kočnicu lanca, isključite kabl iz glavnog napajanja i odnesite alat u ovlašćeni servisni centar.

F. PODMAZIVANJE LISTA I LANCA

PAŽNJA! Nedovoljno podmazivanje može da izazove pucanje lanca i teške, pa čak i smrtonosne, povrede. Podmazivanje lista i lanca se vrši automatskom pumpom.

Uputstva za ravnomerno raspoređivanje ulja na lancu potražite u odeljku "Održavanje i skladištenje".

Izbor ulja za podmazivanje lanca

Uvek koristite samo sveže ulje (posebno ulje za lance) adekvatnog viskoziteta: ulje mora dobro da se maže na komponente i da garantuje dobra svojstva rada i leti i zimi. Ako ne možete da nabavite ulje za podmazivanje lanaca, možete upotrebiti ulje za sisteme prenosa EP 90.

Nikada ne koristite otpadno ulje jer je ono štetno za zdravlje, alat i okolinu. Proverite da li je ulje pogodno za temperature okoline u kojoj ćete koristiti alat: Na temperaturama nižim od 0 °C neka ulja se zgušnjavaju, preopterećuju pumpu i izazivaju oštećenja. Obratite se ovlašćenom serviseru za savet u vezi sa izborom ulja.

Punjenje rezervoara za ulje

Odvrnite poklopac rezervoara i napunite rezervoar pazeći da ne prolivate ulje unaokolo (ako se to dogodi, pažljivo očistite alat) i zatim dobro zavrnite poklopac.

G. ODRŽAVANJE I SKLADIŠTENJE

Pre bilo kakvog održavanja ili čišćenja izvucite utikač iz glavnog napajanja.

PAŽNJA! U slučaju da je radna zona posebno prljava i prašnjava, opisane radnje morate vršiti češće nego što je navedeno u uputstvima.

Pre svake upotrebe

Proverite da li pumpa za podmazivanje ulja ispravno radi: usmerite vodicu prema čistoj površini na rastojanju od oko 20 centimetara; nakon što je alat radio oko jedan minut, na površini bi morali da se vide tragovi ulja (sl.1).

Uverite se da za aktivaciju i deaktivaciju kočnice lanca nije potrebna prevelika snaga. Takođe se uverite da se ne aktivira prelako i da nije blokirana. Zatim na sledeći način proverite funkciju kočnice lanca: otpustite kočnicu lanca, dobro zahvatite alat i pokrenite ga, aktivirajte kočnicu lanca guranjem prednje zaštite za šaku levim zglobom ili rukom, nemojte skidati šaku sa ručke (sl. 2). Ako kočnica lanca ispravno radi, lanac bi morao odmah da se zaustavi.

Proverite da li je lanac ispravno naoštren, da li je u dobrom radnom stanju i da li je zatezanje ispravno. Ako je lanac neravnomerno istrošen ili ako su zupci dugi samo 3 mm, lanac mora da se zameni (sl. 3). Redovno čistite otvore za vazduh da biste sprečili pregrevanje motora (sl. 4).

Proverite da li ispravno rade prekidač i blokada prekidača (dok je kočnica lanca otpuštena): pritisnite prekidač i blokadu prekidača i proverite da li se vraćaju u početni položaj čim ih otpustite; proverite da li je nemoguće pritisnuti prekidač bez aktivacije blokade prekidača.

Proverite da li su držač lanca i desna zaštita za šaku u ispravnom stanju. Na njima ne sme da bude nikakvih vidljivih oštećenja, na primer, oštećenja materijala.

Svaka 2-3 sata upotrebe

Proverite stanje lista, ako je potrebno, pažljivo očistite otvore za podmazivanje (sl. 5) i žlebove na listu (sl. 6) ; Ako je žleb istrošen ili pokazuje duboke useke, morate ga zameniti. Redovno čistite pogonski lančanik i proveravajte da nije podvrgnut prejakom trošenju (sl. 7). Podmažite vrh lančanika mazivom za ležajeve kroz otvor prikazan na slici (sl. 8).

Oštrenje lanca (kada je potrebno)

Ako lanac ne seče ispravno ili je potrebno jako oslanjanje lista na drvo i ako je piljevina jako sitna, to znači da nije ispravno naoštren. Ako se tokom sečenja ne proizvodi piljevina, to znači da je rezna ivica potpuno istrošena i da lanac pretvara drvo u prašinu tokom sečenja. Dobro naoštren lanac prolazi kroz drvo bez puno napora ili pritiska i stvara velike opiljke.

Rezna strana lanca se sastoji od rezne karike (sl. 9) sa reznim zupcem (sl. 10) i pokazivačem dubine sečenja (sl. 11). Razlika između tih graničnika određuje dubinu sečenja; za dobre rezultate oštrenja su potrebni turpija za oštrenje i okrugla turpija od 4 mm; sledite donja uputstva: Nakon montaže lanca, ispravnog podešavanja zatezanja i aktivacije kočnice lanca, postavite vodicu turpije vertikalno na list kao što je prikazano na slici (fig.12) i izoštrite rezne zupce pod prikazanim uglom (sl. 13), radeći iznutra prema napolje i smanjujući pritisak tokom povratne faze (veoma je važno strogo pridržavanje uputstava: prekomerni ili nedovoljni uglovi oštrenja ili nepropisan prečnik turpije povećaće opasnost od povratnog udara.) Da biste postigli veću preciznost na bočnim uglovima, preporučuje se da postavite turpiju tako da viri iznad gornjeg sekača oko 0,5 mm. Prvo naoštrite sve zupce na jednoj strani, a zatim okrenite alat i ponovite postupak sa druge strane. Nakon oštrenja svi zupci moraju da budu iste dužine, a visina pokazivača dubine mora da bude 0,6 mm niža od gornjeg sekača: visinu proverite pomoću ispravnog šablona i naoštrite (ravnom turpijom), sve delove koji vire, zaobljavajući prednji deo pokazivača dubine (sl. 14), pazeći da ne naoštrite zubac za zaštitu od povratnog udara (sl. 15)

Svakih 30 sati upotrebe

Odnosite alat u ovlašćeni servisni centar na generalni pregled i kontrolu komponenata kočnice.

Skladištenje

Alat čuvajte na suvom i hladnom mestu, podalje od dohvata dece. Nemojte držati proizvod na otvorenom.

H. TEHNIKE SEČENJA

(sl. 1) Prilikom upotrebe alata morate sprečiti sledeće situacije:

- sečenje u uslovima u kojima bi drvo moglo da se rascepi tokom sečenja (drvo pod pritiskom, suvo mrtvo drveće itd.): iznenadno pucanje drveta bi moglo da bude veoma opasno.
- vodica ili lanac ne smeju da se zaglave u useku: ako se to desi, isključite alat iz glavnog napajanja i pokušajte da podignete deblo odgovarajućim alatom koji će poslužiti kao poluga; ne pokušavajte da oslobodite alat tresenjem ili povlačenjem jer biste tako mogli da izazovete oštećenja ili povrede.
- situacije koje mogu da dovedu do povratnog udara.
- korišćenje proizvoda iznad visine ramena
- sečenje drveta sa stranim telima, npr. ekserima

(sl. 1) Tokom upotrebe alata:

- kod sečenja na nagibima uvek radite okrenuti prema dole prema deblo da biste izbegli da se prevali na vas.
- kod rušenja drveća uvek završite posao: delomično odsećeno drvo bi moglo da se slomi i padne.
- na kraju svakog posla sečenja korisnik će primetiti značajnu promenu u snazi potrebnoj za kontrolu alata. Morate jako paziti da ne izgubite kontrolu. U nastavku slede dva opisa različitih postupaka sečenja: sečenje povlačenjem lanca (odozgo prema dole) (sl. 2) može dovesti do opasnih iznenadnih kretanja alata prema deblo uz posledični gubitak kontrole. Kadgod je to moguće, tokom sečenja koristite šiljasti branik. Akcija sečenja garanjem lanca (odozdo prema gore) (sl. 3) dovede do opasnosti od iznenadnog kretanja alata u smeru korisnika, uz opasnost od udara ili uticaja "zone opasnosti od povratnog udara" na deblo, što može da izazove jak povratni udar; kod sečenja na taj način morate da primenite izuzetnu pažnju. Najbezbedniji način korištenja alata jeste blokiranje debela na stalku (kozlčik), sečenje odozgo prema dole na delu koji je izvan stalka. (sl. 4)

Korišćenje šiljastog branika.

Kadgod je to moguće koristite šiljasti branik da biste obezbedili sečenje: uglavite ga u koru ili površinu debela da biste održali bolju kontrolu alata. U nastavku su opisani tipičnih postupaka sečenja koje treba primenjivati u specifičnim situacijama. Njih, međutim, treba svaki put proceniti da bi se utvrdilo da li je taj način rada prikladan i da li može da se primeni uz najmanji mogući rizik.

Deblo na tlu. (opasnost od dodirivanja tla lancem nakon što je list prošao kroz deblo). (sl. 5)

Sečenje odozgo prema dole kroz celo deblo. Prema kraju sečenja budite vrlo oprezni da biste sprečili udarac lanca o tle. Ako je moguće, isecite 2/3 debela, prevalite ga i preseците preostalu trećinu odozgo prema dole da biste ograničili opasnost od dodirivanja tla lancem. Deblo poduprto samo na jednom kraju (opasnost od pucanja debela tokom sečenja). (sl. 6) Počnite da sečete odozdo do otprilike 1/3 prečnika, a zatim dovršite sečenje odozgo tako da spojite rez. Deblo poduprto sa obe strane. (opasnost od uklještenja lanca). (sl. 7)

Počnite da sečete odozgo do otprilike 1/3 prečnika, a zatim dovršite sečenje odozgo tako da spojite rez.

Deblo leži na nagibu. Uvek stojte iznad debela. Da biste održali potpunu kontrolu prilikom "presecanja", otpustite pritisak sečenja pored kraja reza bez oslobađanja ručki lančane pile. Pazite da lanac ne dodirne tle.

PAŽNJA! Nikada nemojte pokušavati rušiti stabla ako nemate potrebno iskustvo, a u svakom slučaju nikad nemojte rušiti stabla sa prečnikom dužim od lista! Tu radnju prepustite stručnim korisnicima alata sa odgovarajućom opremom.

Kod rušenja drveća cilje je da drvo padne na najpraktičnije mesto za daljnje radnje skidanja grana i komadanja. (izbegavajte rušenje na druga stabla: rušenje stabala koja su upletena u sgrane drugih stabala veoma je opasno).

Prvo odlučite o najboljem smeru za rušenje procenom sledećih elemenata: objekti ili drugo raslinje oko drveta, nagib tla, zaobljenost, smer vetra i najveća koncentracija grana. Uzmite u obzir mrtve ili slomljene grane koje bi mogle da se slome tokom rušenja i da stvore dodatne opasnosti.

PAŽNJA! Tokom rušenja stabala u kritičnim uslovima uvek odmah nakon sečenja uklonite zaštitu za uši da biste mogli da čujete neobičnu buku ili upozoravajuće signale.

Radnje potrebne pre sečenja i utvrđivanje putanje za sklanjanje.

Uklonite sve grane koje ometaju posao (sl. 8) odozgo prema dole, a zatim, uvek tako da stablo bude između korisnika i alata, uklonite teže grane, jednu po jednu. Prilikom planiranja putanje sklanjanja (tokom padanja stabla) uklonite svo raslinje i prepreke koji ometaju rad i kontrolu radne zone (kamenje, korenje, rovove itd.); na ilustraciji (sl. 9) potražite sve smerove koje treba održavati (A. predviđen smer pada stabla. B. Putanja sklanjanja. C. Zona opasnosti).

RUŠENJE STABALA (sl. 10)

Da bi se obezbedila potpuna kontrola prilikom rušenja stabala, uputstva za sečenje su sledeća: Klinasti rez kojim se kontroliše smer pada stabla mora se izvršiti prvi: Prvo odsecite GORNJI DEO useka za smer na strani na koju stablo treba da padne. Ostanite na desnoj strani stabla i secite pomoću metoda povlačenja lanca; zatim odsecite DONJI DEO koji mora da se spoji sa krajem gornjeg dela. Dubina useka za smer mora da bude ¼ prečnika stabla, pod uglom od najmanje 45° između gornjeg i donjeg reza. Tačka spajanja između dve strane useka se naziva "linija useka za smer". Ta linija mora da bude savršeno vodoravna i pod pravim uglom (90°) u odnosu na smer rušenja. Onaj kojim se aktivira rušenje vrši se na 3 do 5 cm iznad donjeg dela linije reza za smer i završava se na rastojanju od 1/10 stabla od useka. Ostanite na levoj strani stabla i secite koristeći metod povlačenja lanca i šiljastog branika. Proverite da se stablo ne pomeri u nekom drugom smeru, a ne onom koji je predviđen za rušenje. Čim bude moguće, ugurajte polugu ili klin u usek. Neodsečeni deo stabla se naziva "šarkom", jer služi za usmeravanje stabla dok pada; u slučajevima kada rezovi nisu dovoljni, nisu ravni ili su potpuno prosečeni, pad stabla ne može da se kontroliše (izuzetno opasno!). Zbog toga se različiti rezovi moraju izvršiti jako precizno.

Nakon završetka sečenja drvo će početi da pada. Ako je potrebno, pomozite da stablo padne koristeći klinove ili poluge za rušenje.

Uklanjanje grana

Nakon što je stablo srušeno, sa deblo se moraju ukloniti grane: drugim rečima, one se odsecaju sa debela. Nemojte podcenjivati tu radnju jer se velik deo nesreća sa povratnim udarom događa u toj fazi. Zato tokom sečenja izuzetno pazite na položaj vrha lista i uvek radite sa leve strane debela.

Stablo pada.

I. EKOLOŠKE INFORMACIJE


Ovo poglavlje sadrži informacije korisne za održavanje karakteristika ekološke kompatibilnosti originalnog projekta alata i informacije u vezi sa pravilnim korišćenjem i odlaganjem ulja za podmazivanje lanca

KORIŠĆENJE ALATA

Punjenje rezervoara za ulje potrebno je vršiti tako da se izbegne protivanje ulja i kontaminacija tla i čovekove sredine.

ODLAGANJE NA KRAJU VEKA TRAJANJA

Nemojte odlagati alat na pogrešan način kada vam više ne bude potreban ili koristan. Odnosite ga u ovlašćeni centar za odlaganje u skladu sa važećim propisima.

Simbol  na proizvodi ili pakovanju označava da se on ne sme tretirati kao otpad iz kućanstva. Umesto toga, treba ga predati na odgovarajuće odlagalište za reciklažu električne i elektronske opreme. Propisnim odlaganjem ovog proizvoda na otpad pomoć ćete da se spreče potencijalno negativne posledice po životnu sredinu i zdravlje ljudi, koje bi inače mogle da budu prouzrokovane nepropisnim rukovanjem i odlaganjem ovog proizvoda. Detaljnije informacije o reciklaži ovog proizvoda možete dobiti u lokalnoj kancelariji, službi za odlaganje otpada ili u prodavnici u kojoj ste kupili proizvod.

J. TABELA ZA REŠAVANJE PROBLEMA

	Motor se ne pokreće	Motor se teško okreće ili gubi snagu	Alat se pokreće, ali ne seče ispravno	Motor se okreće nepravilno ili uz smanjenu brzinu	Uredaji za kočenje lanca ne zaustavljaju lanac na ispravan način
Proverite da li je glavni vod pod naponom	●				
Proverite da li je alat ispravno uključen	●				
Proverite da li kabl/produžni kabl neoštećen	●				
Uverite se da kočnica lanca nije aktivirana	●				
Proverite da li je lanac ispravno montiran i zategnut		●	●		
Pročitajte poglavlja F i G o podmazivanju lanca			●		
Proverite da li je lanac oštar			●		
Proverite da li je aktiviran prekidač	●				
Obratite se ovlašćenom servisnom centru	●	●		●	●

K. ZAMENSKI DELOVI

35 cm	Lanac Vodica	91PJ052XN	Broj dela Broj dela	530051538 576965401
40 cm	Lanac Vodica	91PJ056XN	Broj dela Broj dela	530051539 576965201

L. IZJAVA O UKLAĐENOSTI SA PROPISIMA EZ

Husqvarna AB, S-561 82, Huskvarna, Švedska

pod isključivom odgovornošću izjavljuje da su proizvod(i);

Oznaka **Lančana testera**
Oznaka tipa(ova) **CSE1835, CSE1935S, CSE2040, CSE2040S**
Oznaka serije **vidi nalepnicu sa podacima o proizvodu**
Godina proizvodnje **vidi nalepnicu sa podacima o proizvodu**

usklađeni sa suštinskim zahtevima i odredbama sledećih direktiva EZ:

2006/42/EC, 2004/108/EC, 2000/14/EC, 2011/65/EU

na osnovu primene sledećih usklađenih standarda EU:

EN60745-1, EN60745-2-13, EN55014-2, EN55014-1, EN61000-3-2, EN61000-3-11

Obavešteno telo koje je provelo ispitivanje tipa EZ

u skladu sa članom 8, poglavljem 2c TÜV Rheinland LGA Products GmbH
Tillystraße 2
D-90431 Nürnberg
Nemačka

Certifikat br. BM 50268379

Maksimalni težinski opterećeni zvučni pritisak L_{pA} na radnoj stanici, izmeren prema EN60745-2-13, naveden je u tabeli.

Maksimalna težinski opterećena vrednost vibracija šake/ruke a_h izmerena prema EN60745-2-13, na uzorku gore navedenog proizvoda je data u tabeli.

Prijavljena ukupna vrednost vibracija je izmerena u skladu sa standardnim metodom ispitivanja i može se koristiti za upoređivanje jednog alata sa drugim.

Prijavljena ukupna vrednost vibracija takode se može koristiti za preliminarnu procenu izloženosti.

Upozorenje:

emisije vibracija tokom stvarnog korišćenja alata mogu se razlikovati od prijavljene ukupne vrednosti, zavisno od načina korišćenja alata

Operateri bi morali da utvrde bezbednosne mere zaštite koje se zasnivaju na proceni izloženosti u stvarnim uslovima upotrebe (uzimajući u obzir delove radnog ciklusa kao što je vreme dok je alat isključen ili radi u praznom hodu u odnosu na stvarno vreme aktivacije).

2000/14/EC: Izmerena zvučna snaga L_{WA} i garantovana zvučna snaga L_{WA} odgovaraju vrednostima iz tabele.

Postupak ocene usklađenosti Dodatak V

Ulm 12/02/2013

P. Lamelli

Direktor odeljenja za istraživanje i razvoj ručnih alata

na globalnom nivou

Upravnik tehničke dokumentacije



Tip (CSE_____)	1835	1935S	2040	2040S
Suva težina (kg)	4,3	4,5	4,4	4,6
Snaga (kW)	1,8	1,9	2,0	2,0
Zapremina rezervoara za ulje (cm ³)	240	240	240	240
Maksimalna dužina vođice (cm)	35	35	40	40
Visina lanca (mm)	9,52	9,52	9,52	9,52
Dimenzije lanca (mm)	1,3	1,3	1,3	1,3
Izmerena zvučna snaga L_{WA} (dB(A))	106	106	106	106
Garantovana zvučna snaga L_{WA} (dB(A))	110	110	110	110
Zvučna snaga L_{pA} (dB(A))	95	95	95	95
Nepouzdanost K_{pA} (dB(A))	2,5	2,5	2,5	2,5
Vibracije šake/ruke a_h (m/s ²)	7,28	7,28	8,08	8,08
Nepouzdanost K_{ah} (m/s ²)	1,5	1,5	1,5	1,5
Impedancija mreže $Z_{mreže}$ (Ohm)	0,382	0,382	0,382	0,382

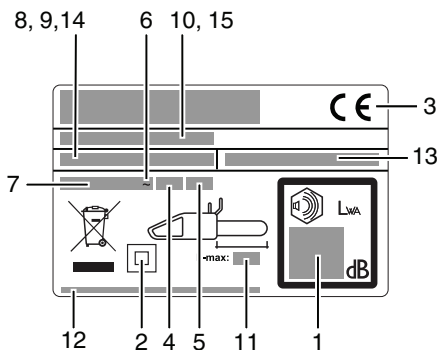
Izjava o usklađenosti sa standardom EN 61000-3-11

Zavisno od karakteristika lokalne mreže napajanja, upotreba ovog proizvoda može da izazove padove napona u trenutku uključivanja. To može da utiče na drugu električnu opremu odnosno trenutno zatamnjene svetiljke.

Ako je **impedancija mrežnog napajanja $Z_{mreže}$** vašeg opskrbnog voda manja od vrednosti prikazane u tabeli (odnosi se na vaš model), do takvih efekata neće dolaziti. Vrednost impedancije mreže možete saznati od kompanije koja pruža usluge opskrbe električnom energijom

A. OPĆI OPIS

- | | |
|---|---|
| 1) Zadnja drška | 19) Rezni zub |
| 2) Štitnik zadnje drške | 20) Vodicica |
| 3) Prednja drška | 21) Poklopac pogona lančanika |
| 4) Štitnik prednje drške/poluga kočnice lanca | 22) Pogon lančanika |
| 5) Vanjska ručica zatezača lanca | 23) Hvatač lanca |
| 6) Vijak zatezača lanca | 24) Pričvrtni vijak vodilice |
| 7) Klin zatezača lanca | 25) Unutrašnje dugme za pričvršćivanje vodilice |
| 8) Poklopac rezervoara za ulje | 26) Matica za pričvršćivanje vodilice |
| 9) Mjerač za inspekciju razine ulja | 27) Vrh lančanika |
| 10) Ventilacioni otvori | 28) Zaštitni poklopac lančanika |
| 11) Kabl | 29) Nazubljeni odbojnik |
| 12) Uputstvo za upotrebu | 30) Kućište klina zatezača lanca |
| 13) Prekidač | 31) Otvor za podmazivanje |
| 14) Blokada prekidača | 32) Utor vodilice |
| 15) Lanac | 33) Ključ/odvijač |
| 16) Pogonski zub | |
| 17) Rezna poveznica | |
| 18) Mjerač dubine rezanja | |



Primjer identifikacijske naljepnice

- 1) Garantovana zvučna snaga u skladu sa Direktivom 2000/14/EZ
- 2) Alat klase II
- 3) CE znak usklađenosti
- 4) Nominalna frekvencija
- 5) Nominalna snaga
- 6) Naizmjenična struja
- 7) Nazivni napon
- 8) Tip
- 9) Šifra proizvođača
- 10) Godina proizvodnje
- 11) Maksimalna dužina vodilice
- 12) Ime i adresa proizvođača
- 13) Artičla broj (Električna motorna pila)
- 14) Model
- 15) Serijski broj

B. SIGURNOSNE MJERE OPREZA

ZNAČENJE SIMBOLA



Upozorenje!
Pažljivo pročitate uputstvo za upotrebu



Zaštitne čizme



Zaštitne naočale ili vizir, zaštitna kaciga
i zaštita sluha



Zaštitne rukavice otporne na sječenje



Zaštine hlače s dugim nogavicama,
otporne na sječenje



Kočnica lanca: deaktivirana,
aktivirana



Odmah izvadite utikač iz
utičnice, ako je kabel oštećen ili
presječen



Udaljite posmatrača



Ispravite smjer zubaca za sječenje



Uvijek držite mašinu sa dvije
ruke



Opasnost od povratnog
trzaja



Ne izlazite kiši ili vlazi.



Ulje za lanac



Uzdržite se od



Isključite mašinu



Izvadite utikač prije podešavanja ili
čišćenja.



Opasnost od strujnog udara

Opća sigurnosna upozorenja za električne alate



UPOZORENJE Pročitajte sva upozorenja i
uputstva.

Nepoštovanje upozorenja i uputstava
može izazvati strujni udar, požar i/ili teške ozljede.
Sačuvajte sva upozorenja i uputstva za buduće
reference.

Termin "električni alat" u upozorenjima se odnosi na vaš
električni alat koji se napaja preko mreže (kablom) ili na
električni alat na baterije (bežični).

1) Sigurno područje rada

Držite radno područje čistim i dobro osvijetljenim.
Pretrpano radno područje ili tamne zone mogu dovesti
do nesreće.

Nemojte upotrebljavati električne alate u eksplozivnim
atmosfera, kao što su područja u kojima se nalaze
zapaljive tekućine, plinovi ili prašine. Električni alati
proizvode varnice, koje mogu zapaliti prašinu ili pare.

Za vrijeme rukovanja sa električnim alatom držite
djecu i prolaznike van njihovog domašaja. Ometanje
od strane drugih osoba, mogu dovesti do gubitka
kontrola.

2) Električna sigurnost

Utičaći električnih alata moraju odgovarati utičnici.
Nikada nemojte modifikovati utikač na bilo koji način.
Nemojte koristiti utikače adaptere za uzemljene
električne alate. Nemodifikovani utikači i odgovarajuće
utičnice smanjuju rizik od strujnog udara.

Izbjegavajte dodir tijela sa uzemljenim površinama,
kao što su cijevi, radijatori, okviri i hladnjaci. Postoji
povećana opasnost od strujnog udara, ako je Vaše
tijelo uzemljeno.

c) Ne izlazite električne alate kiši ili vlažnim uvjetima.

Voda koja može ući u električni alat će povećati rizik
strujnog udara.

d) Da ne zloupotrebljavate kabl. Nikada nemojte koristiti
kabl za nošenje, povlačenje ili isključivanje električnog
alata. Držite kabl dalje od izvora topline, ulja, oštih
rubova ili pokretnih dijelova. Oštećeni ili zamršeni
kablovi povećavaju rizik od strujnog udara.

e) Pri radu sa električnim alatom na otvorenom, koristite
produžni kabl pogodan za vanjsku upotrebu.

Korištenje kabla koji je pogodan za vanjsku upotrebu
smanjuje opasnost od strujnog udara.

f) Ako je neophodno upotrebljavanje električnog alata u
vlažnim uvjetima, koristite zaštitni uređaj diferencijalne
struje napajanja (engl. RCD). Upotreba RCD uređaja
smanjuje rizik od strujnog udara.

3) Lična sigurnost

a) Budite oprezni, pazite što radite i koristiti zdrav razum
dok koristite električni alat. Nemojte koristiti električni
alat ako ste umorni ili pod utjecajem droga, alkohola ili
lijekova. Trenutak nepažnje prilikom rada sa
električnim alatom može dovesti do ozbiljnih povreda.

b) Koristite ličnu zaštitnu opremu. Uvijek nosite zaštitu za
oči. Zaštitna oprema, kao što su maska za prašinu,
neklizajuće zaštitne cipele, kaciga, ili zaštita sluha,
koja se koristi u odgovarajućim uvjetima rada,
smanjuje osobne povrede.

c) Sprežite slučajno pokretanje. Osigurajte se da je prekidač
u isključenom položaju prije spajanja na izvor napajanja i/ili
na baterije, podizanja ili nošenja alata. Nošenje električnih
alata sa prstom na prekidaču ili spajanja na izvor napajanja
električnih alata koji imaju prekidač u uključenom položaju,
može dovesti do nesreće.

- d) **Uklonite ključeve za podešavanje ili viljuškasti ključ prije nego što uključite alat.** Ključeve za podešavanje ili viljuškasti ključ koji su ostali zakačeni na rotirajućim dijelovima može dovesti do povreda.
- e) **Nikada se nemojte previše naginjati. Držite odgovarajući oslonac i ravnotežu u svakom trenutku.** To vam omogućava bolju kontrolu električnog alata u neočekivanim situacijama.
- f) **Obucite odgovarajuću odjeću. Ne nosite široku odjeću ili nakit.** Držite kosu, odjeću i rukavice dalje od pokretnih dijelova. *Široka odjeća, nakit ili duga kosa mogu biti zahvaćeni od pokretnih dijelova.*
- g) **Ako su uređaji snabdijeljeni s otvorom za povezivanje na sustav za usisavanje prašine i prikupljanje objekata, osigurajte da su povezani i da se pravilno koriste.** Korištenje sustava za sakupljanje prašine može smanjiti opasnosti povezane za prašinu.
- 4) **Upotreba i briga električnog alata**
 - a) **Ne forsirajte električni alat. Koristite odgovarajući električni alat za odabranu aplikaciju.** Pravilno odabrani električni alat će bolje i sigurnije obaviti posao za koji je dizajniran.
 - b) **Ne koristite električni alat, ako prekidač ne može da ga isključi i uključi.** Svaki električni alat sa kojim se ne može upravljati s prekidačem je opasan i mora se popraviti.
 - c) **Prije vršenja bilo kakvih podešavanja na alatu, zamjene dodataka ili skladištenja, izvucite utikač iz utičnice i/ili odpojite bateriju sa električnog alata.** Takve preventivne sigurnosne mjere smanjuju rizik od slučajnog pokretanja električnog alata.
 - d) **Električni alat, u stanju mirovanja, čuvajte izvan dohvata djece i ne dozvolite osobama koje ne poznaju električni alat ili ove upute za rad, da rade sa istim.** Električni alati su opasni u rukama neiskusnih korisnika.
 - e) **Održavajte električne alate. Provjerite asimetrije ili vezivanje pokretnih dijelova, lomljenje dijelova i bilo koje drugo stanje koje može utjecati na rad električnog alata.** Slučajno oštećenja, popravite alat prije upotrebe. *Mnoge nesreće su se dogodile zbog lošeg održavanja električnih alata.*
 - f) **Držite rezni alat ostrim i čistim.** Pravilno održavani rezni alati s ostrim reznim rubovima imaju manje šanse da se blokiraju i lakše se kontroliraju.
 - g) **Koristite električni alat, pribor i dijelove alata itd., u skladu sa ovim uputstvima, uzimajući u obzir radne uvjete i posao koji se obavlja.** Upotreba električnog alata za operacije drugačije od onih namijenjenih može dovesti do opasnih situacija.
- 5. **Servis**
 - a) **Servisirajte vaš električni alat od strane osobe kvalifikovane za popravke, koristeći samo originalne dijelove.** To će osigurati održavanje sigurnosti na električnom alatu.

Sigurnosna upozorenja za motornu pilu:

- **Držite sve dijelove tijela dalje od motorne pile kada motorna pila radi.** Prije nego što pokrenete motornu pilu, provjerite da lanac nije u kontaktu sa predmetima. *Trenutak nepažnje u radu s motornom pilom može prouzrokovati zaplitanje vaše odjeće ili tijela sa lancem pile.*
- **Uvijek držite motornu pilu sa desnom rukom na stražnjoj ručki i sa lijevom rukom na prednjoj.** *Držanje pile sa obrnutom konfiguracijom ruku povećava rizik od povreda i nikada ga ne treba primjenjivati.*
- **Držite električni alat za izolirane hvatne površine, jer lanac može doći u kontakt sa skrivenim žicama ili vlastitim kablom.** *Lanac pile koji dođe u dodir sa "živom" žicom može dovesti do toga da izloženi metalni dijelovi električnog alata postanu "živi" i dovedu do strujnog udara operatera.*
- **Nositi zaštitne naočale i zaštitu za sluh.** *Preporučuje se dodatna zaštitna oprema za glavu, ruke, noge i stopala.* *Adekvatna zaštitna odjeća će smanjiti tjelesne povrede koje mogu biti prouzrokovane odbačenim krhotinama ili od slučajnog kontakta sa lancem pile.*

- **Nemojte koristiti motornu pilu na drvetu.** *Upotreba motorne pile dok se nalazite na drvetu može dovesti do povreda.*
- **Uvijek držite odgovarajući oslonac i upotrebljavajte motornu pilu samo kada stojite na fiksnim, sigurnim i ravnim površinama.** *Klizave ili nestabilne površine, kao što su ljestve, mogu izazvati gubitak ravnoteže ili kontrolu nad motornom pilom.*
- **Prilikom rezanja grane koja je pod pritiskom budite na oprezni od mogućeg vraćanja unatrag.** *Kad se otpusti napetost u vlaknima drveta, grana pod pritiskom može udariti u operatera i/ili baciti pilu van kontrole.*
- **Budite izuzetno oprezni prilikom rezanja šipražja i mladica.** *Vitki materijal može uhvatiti lanac pile i jurnuti naprijed prema vama ili vas povući iz ravnoteže.*
- **Nosite pilu držač je za prednju ručku, isključenu i udaljeno od tijela.** *Prilikom transporta ili skladištenja pile uvijek stavite poklopac vodilice.* *Pravilno rukovanje s motornom pilom će smanjiti vjerovatnost slučajnog kontakta sa pokretnim lancem pile.*
- **Slijedite uputstva za podmazivanje, zatezanje lanca i mijenjanje opreme.** *Nepropisno zategnuti ili podmazani lanac može ili slomiti ili povećati šansu za odskok.*
- **Držite ručke suhima, čistima i bez ulja i masti.** *Masne, zauljene ručke su klizave i uzrokuju gubitak kontrole.*
- **Sijecite samo drvo.** *Ne koristite motornu pilu u svrhe za koje nije namijenjena.* *Na primjer: nemojte koristiti motornu pilu za rezanje plastike, zidova ili nedrvenih građevinskih materijala.* *Upotreba motorne pile za operacije drugačije od namjeravanih može dovesti do opasne situacije.*

Uzroci povratnog trzaja i prevencija operatera:

- **Povratni trzaj može nastati kada nos ili vrh vodilice dotakne neki predmet, ili kada se drvo zatvara i uštine lanac u rezu.** *Kontakt vrha vodilice u nekim slučajevima može izazvati munjevito brzo obratnu reakciju, odbacujući vodilicu nagore i unazad prema operateru.* *Stiskanje lanca pile na gornjem dijelu vodilice može odgurnuti vodilicu veoma brzo unazad prema operateru.* *Bilo koja od ovih reakcija može dovesti do gubitka kontrole nad pilom, što može dovesti do ozbiljnih povreda.* *Ne oslanjajte se samo na sigurnosne uređaje ugrađene u pilu.* *Kao korisnik motorne pile, treba da preduzmete nekoliko koraka kako bi vaši poslovi rezanja bili bez nezgoda ili ozljeda.* *Povratni trzaj je posljedica pogrešne upotrebe alata i/ili netačnih operativnih postupaka ili stanja i može se izbjeći uzimanjem odgovarajućih mjera opreza, kao što je navedeno u nastavku:*
- **Održavajte čvrsti stisak, sa palcem i prstima koji obuhvataju ručke motorne pile, sa obje ruke na pili i postavite vaše tijelo i ruku u položaj koji vam omogućuje da se oduprete sili povratnog trzaja.** *Snaga povratnog trzaja se može kontrolirati od strane operatera, ako se preduzmu odgovarajuće mjere opreza.* *Nemojte ispuštati motornu pilu.*
- **Nemojte stajati predaleko i nemojte rezati iznad visine ramena.** *Ovo pomaže u sprečavanju neželjenih kontakata vrha i omogućava bolju kontrolu motorne pile u neočekivanim situacijama.*
- **Koristite samo vodilice i lance za zamjenu, a koje je naveo proizvođač.** *Nepravilna zamjena vodilice i lanaca može uzrokovati pucanje lanca i/ili povratni trzaj.*
- **Slijedite uputstva proizvođača za oštrenje i održavanje motorne pile.** *Smanjenje dubinomjera visine može dovesti do povećanja povratnog trzaja.*

Dodatne sigurnosne preporuke

1. **Ručna upotreba.** *Sve osobe koje koriste ovaj uređaj moraju pročitati u potpunosti i sa izuzetnom pažnjom korisnički priručnik. Korisnički priručnik mora biti uključen uz uređaj u slučaju prodaje ili pozajmice drugoj osobi.*

- Mjere opreza prije upotrebe mašine.** Nikada nemojte dozvoliti da ovaj stroj koristiti bilo koja osoba koja nije savršeno upoznata sa uputstvom za upotrebu. Neiskusne osobe moraju slijediti period obuke i raditi samo na konju za piljenje.
- Kontrolne provjere.** Svaki put, pažljivo provjerite mašinu prije nego što je koristite, pogotovo ako je bila izložena jakom udaru ili ako pokazuje znakove kvara. Obavite sve operacije opisane u poglavlju "Održavanje i skladištenje – Prije svake upotrebe".
- Popravke i održavanje.** Svi dijelova mašine koji se mogu zamijeniti od strane operatera su jasno objašnjeni u poglavlju "Sklapanje / demontaža". Gdje je to potrebno, svi ostali dijelovi mašine se moraju zamijeniti isključivo od strane ovlaštenog servisera.
- Odjeća. (sl. 4)** Prilikom upotrebe ovog uređaja, operater mora nositi sljedeću odobrenu individualnu zaštitnu odjeću: zaštitnu odjeću odgovarajuće veličine, zaštitne cizme sa neklizajućom donom i zaštitom za prste, otpornom na gnječenje i rezanje, zaštitne rukavice otporne na rezanje i vibracije, zaštitne naočale ili sigurnosni vizir, sigurnosne slušalice za zaštitu ušiju i sluha i kacigu (ako postoji opasnost od padanja predmeta).
- Zdravstvene mjere opreza – Nivoi vibracije i buke.** Izbjegavajte upotrebu uređaja na duži vremenski period: buka i vibracije mogu biti opasni i izazvati iritacije, stres, umor i hypacusia (problemi sa sluhom). Produžena upotreba mašine izlaže korisnika vibracijama koje mogu proizvesti "fenomen bijelog prsta" (Raynaudijev fenomen), sindrom karpalnog tunela i slične poremećaje.
- Zdravstvene mjere opreza – Hemijski agensi.** Izbjegavajte bilo koji kontakt ulja za lanac s kožom i očima.
- Zdravstvene mjere opreza – Toplota.** Prilikom upotrebe, lančanik i lanac dostižu vrlo visoke temperature i morate biti oprezni da ih ne dodirnete dok su vrući.
- UPOZORENJE!** Ova mašina stvara elektromagnetsko polje u toku rada. Ovo magnetsko polje meže u određenim okolnostima da utiče na aktivne ili pasivne medicinske implantate. Da biste smanjili rizik od ozbiljne povrede ili smrti, preporučujemo osobama s medicinskim implantatima da se konsultuju sa svojim ljekarom i proizvođačem medicinskog implantata, prije rukovanja sa ovom mašinom.

Mjere opreza za vrijeme transporta i skladištenja. (sl. 12) Svaki put kada se promijenjeni radni prostor i kada se prelazi na drugu lokaciju, isključite aparat iz električne mreže i aktivirajte ručicu kočnice lanca. Montirajte zaštitni poklopac vodilice svaki put prije transporta ili skladištenja. Uvijek nosite mašinu u ruci sa vodilicom koja je okrenuta prema nazad, ali kada prevozite mašinu u vozilu, uvijek je osigurajte da se ne bi oštetila.

Reakcija povratnog trzaja. (sl. 14) Reakcija povratnog trzaja se sastoji od nasilne akcije vodilice, koja je usmjerena natrag i gore, prema korisniku. Ovo se obično javlja kada gornji dio nosa vodilice (tzv. "opasna zona povratnog trzaja") dolazi u kontakt sa nekim predmetom, ili ako je lanac blokiran u drvetu. Povratni trzaj može dovesti do toga da operater olabavi kontrolu nad mašinom i do izazivanja opasne, pa čak i fatalne nesreće. Poluga ručice kočnice lanca i drugi sigurnosni uređaji nisu dovoljni za zaštitu korisnika od povreda: korisnik mora biti dobro upoznat sa uvjetima koji mogu izazvati reakciju povratnog trzaja, te ih mora spriječiti posvećivanjem odgovarajuće pažnje prema iskustvu, zajedno sa opreznim i ispravnim rukovanjem mašinom (npr. nikad ne rezati više grana odjednom, jer to može dovesti do slučajnog uticaj na "opasnu zonu povratnog trzaja"

Područje radne sigurnosti

- Nikada ne dozvolite djeci ili ljudima koji nisu upoznati sa ovim uputstvima da upotrebljavaju proizvod. Lokalni propisi mogu ograničiti starost operatera.
- Koristite proizvod samo na način i za funkcije opisane u ovim uputama.

- Provjerite pažljivo cijelo radno područje na bilo koji izvor opasnosti (npr.: ceste, staze, električni kablovi, opasna stabla, itd.)
- Držite sve prolaznike i životinje dobro udaljene od radnog prostora (gdje je to potrebno, ogradite prostora i koristite znakove upozorenja) na minimalnoj udaljenosti od 2,5 puta od visine debla koje se reže; u svakom slučaju ne manje od deset metara.
- Operater ili korisnik je odgovoran za nesreće ili opasnosti koje se javljaju po druge osobe ili njihovu imovinu.

Električna sigurnost

- Preporučuje se da koristite zaštitni uređaj diferencijalne struje napajanja (engl. R.C.D.) uz struju aktiviranja koja nije viša od 30mA. Čak i sa instaliranim R.C.D. uređajem 100% sigurnost ne može biti zajamčena i u svakom trenutku se mora slijediti sigurna radna praksa. Provjerite vaš R.C.D. uređaj svaki put kada ga koristite.
- Prije upotrebe provjerite da li je oštećen kabel, te ga zamijenite ako postoje znakovi oštećenja ili starenja.
- Nemojte koristiti mašinu ako je električni kabl oštećen ili istrošen.
- Odmah isključite iz električne mreže ako je kabel zasječen ili je oštećena izolacija. Ne dirajte električni kabl dok ne prekinete napajanje strujom. Nemojte popravljati zasječeni ili oštećeni kabl. Zamijenite ga sa novim.
- Vaš električni kabl mora biti odpetljan, jer zapetljani kablovi se mogu pregrijati i smanjiti efikasnost vašeg proizvoda.
- Uvijek vodite računa da se kabl/produžni kabl nalazi iza korisnika, osiguravajući da se ne stvori izvor opasnosti za korisnika ili druge osobe, te provjerite da ne može biti oštećen (od toplote, oštrih predmeta, oštrih rubova, ulja, itd.);
- Postavite kabl tako da nemože biti uhvaćen za vrijeme rezanja na granama i slično.
- Uvijek isključite glavni prekidač električne mreže prije isključenja utikača, kabla priključka ili produžnog kabla.
- Isključite, izvadite utikač iz zida i provjerite kabl za oštećenja ili starenje prije namotavanje istog za skladištenje. Nemojte popravljati oštećeni kabl, zamijenite ga sa novim. Za zamjenu koristite samo Husqvarna Outdoor Products kabl.
- Izvadite utikač iz utičnice prije nego ostavite proizvod bez nadzora na bilo koji vremenski period.
- Uvijek pažljivo namotajte kabl, izbjegavajući lomljenje.
- Koristite samo na AC napon napajanja koji je prikazan na identifikacijskoj naljepnici proizvoda.
- Motorna pila je dvostruko izolirana prema EN60745. Ni u kom slučaju se ne smije spojiti zemlja na bilo koji dio proizvoda.

Kablovi

- Mrežni kablovi ili produžni kablovi su dostupni su kod vašeg lokalnog odobrenog servisnog centra
- Koristite samo odobrene produžne kablove
- Produžni i kablovi za napajanje se mogu koristiti samo ako su namijenjeni za vanjsku upotrebu i ako su u skladu sa H07 RN-F ili IEC 60245 oznaka 66.
- Ako želite koristiti produžni kabl prilikom rada vašeg proizvoda, mogu se koristiti samo kablovi sljedećih dimenzija:

Modeli CSE1835, CSE1935S:

- 5.0 mm²: max dužina 40 m
- 5.0 mm²: max dužina 60 m
- 8.0 mm²: max dužina 100 m

Modeli CSE2040, CSE2040S:

- 5.0 mm²: max dužina 50 m
- 8.0 mm²: max dužina 90 m

C. OPIS SIGURNOSNE OPREME

BLOK ZA UKLUČIVANJE

Vaša mašina je opremljena sa uređajem (sl.1) koji kada je deaktiviran, onemogućuje pritisakanje prekidača i tako sprječava slučajno pokretanje.

AKCIJA KOČNICE LANCA NA OTPUŠTANJE PREKIDAČA

Vaša mašina je opremljena sa uređajem koji blokira lanac odmah čim se pusti prekidač; ako ovaj uređaj ne radi, u bilo koje vrijeme, mašina se NE SMIJE koristiti i mora se odnijeti u ovlašteni servisni centar.

ŠTITNIK PREDNJE DRŠKE / POLUGA KOČNICE LANCA

Štitnik prednje drške (sl.2) je dizajniran da sprijehi da Vaša lijeva ruka dođe u kontakt s lancem (pod uvjetom da se mašina drži ispravno, prema uputama). Štitnik prednje drške također djeluje i kao poluga kočnice lanca, uključujući uređaj koji blokira lanac za manje od 0.15 sekundi u slučaju povratnog trzaja. Kočnica lanca je otpuštena kada je štitnik prednje drške povučen unazad i postavljen u taj položaj (omogućeno je pokretanje lanca). Kočnica lanca je aktivirana kada je štitnik prednje drške gurnut naprijed (lanac je blokiran). Kočnica lanca se može aktivirati pomoću lijevog zgloba, guranjem prema naprijed, ili kad zglob dođe u kontakt sa štitnikom prednje drške, kao rezultat povratnog trzaja.

Kada se mašina koristi sa vodilicom u horizontalnom položaju, na primjer za vrijeme sječe, kočnica lanca pruža manju zaštitu. (sl.3).

NAPOMENA: Kada je aktivirana kočnica lanca, sigurnosni prekidač prekida svako napajanje motora strujom.

⚠️ Otpuštanje kočnice lanca kada se drži prekidač će dovesti do pokretanja mašine.

HVATAČ LANCA

Ova mašina je opremljena sa hvatačem lanca (sl.4) koji se nalazi ispod lančanika. Ovaj mehanizam je dizajniran da zaustavi pokrete lanca unazad u slučaju loma ili iskliznuća istog. Ova situacija se može izbjeći tako što će osigurati ispravna zategnutost lanca (Pogledajte poglavlje "D. Sklapanje / demontaža").

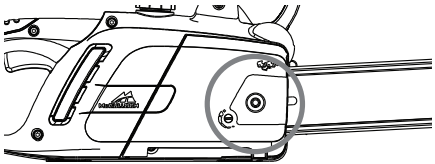
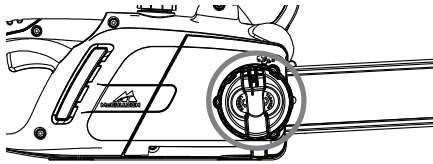
ŠTITNIK ZADNJE DRŠKE

Djeluje kao zaštita (sl.5) ruke u slučaju loma ili iskliznuća lanca.

D. SKLAPANJE / DEMONTAŽA

SKLAPANJE VODILICE I LANCA

Metode sklapanja se mijenjaju prema vrsti mašine, pa vas molimo da koristite ilustracije za tip mašine koji je označen na naljepnici. Vodite veliku pažnju prilikom sklapanja mašine kako bi bili sigurno da ste je ispravno izveli.

			
1. Provjerite da kočnica lanca nije aktivirana. Ako je aktivirana, deaktivirajte je.			
2a. Odvijte maticu koja pridrđava vodilicu i uklonite poklopac lančanika.		2b. Odvijte dugme za zadržavanje koje pridrđava vodilicu i uklonite poklopac lančanika.	
3 Postavite lanac preko vodilice, počevši od lančanika na vrhu vodilice, i postavite lanac u žlijeb na vodilici. Pažnja! Budite sigurni da je oštra strana zubaca okrenuta prema naprijed na gornjem dijelu vodilice. Nosite rukavice.			
4. Proverite da je klin zatezača lanca postavljen što je moguće više unatrag, prema disku lančanik. Montirajte vodilicu na vijak za zadržavanje vodilice i klina zatezača lanca i postavite lanac preko pogonskog lančanika. Vratite poklopac pogonskog lančanika, osiguravajući da su pogonski zubi lanca zakačeni na pogonski lančanik i da su u žlijebu vodiča.			
5a. Zategnite rukom vijak koji pridrđava vodilicu.		5b. Zategnite rukom dugme za zadržavanje koje pridrđava vodilicu.	
6a. Za dotezanje lanca, zavijte vijak zatezača lanca u smjeru kazaljke na satu koristeći isporučeni ključ/odvijač. Za smanjenje napetosti lanca okrenite vijak u smjeru suprotnom od kazaljke na satu kada vršite ovu operaciju. (držite vrh vodilice podignut prema gore)		6b. Za dotezanje lanca, zavijte vanjsko dugme zatezača lanca u smjeru kazaljke na satu. Za smanjenje napetosti lanca okrenite vanjsko dugme zatezača lanca u smjeru suprotnom od kazaljke na satu. (kada vršite ovu operaciju, držite vrh vodilice podignut prema gore)	
7. Zategnite lanac sve dok ne postignete ispravnu napetost. Povucite lanac od vodilice i uvjerite se da razmak između njih iznosi oko 2-3mm			
8a. Zategnite maticu za blokiranje vodilice koristeći isporučeni ključ/odvijač.		8b. Zategnite vodilicu sve dok nije sigurno pričvršćena.	

Previše čvrsto zatezanje lanca će dovesti do preopterećenja motora i do oštećenja, dok nedovoljna napetost može izazvati iskliznuće lanca, a ispravno zategnuti lanac pruža najbolje rezne osobine i produženi radni vijek. Redovno provjeravajte zategnutost, jer lanac ima tendenciju izdužavanja kroz upotrebu (posebno kada je lanac nov; nakon prvog sklapanja, potrebno je provjeriti zategnutost lanca nakon 5 minuta rada mašine); u svakom slučaju nemojte zatezati lanac odmah nakon upotrebe, već pričekajte dok se ne ohladi.

U slučajevima kada treba prilagoditi olabavljeni lanac, uvijek odvrnite zadržavajuću maticu / dugme prije podešavanja vijka / dugmeta za zatezanje lanca; podesite napetost i zategnite zadržavajuću maticu / dugme.

E. POKRETANJE I ZAUSTAVLJANJE

Pokretanje: čvrsto uhvatite obje drške, otpustite kočnicu lanca dok se ruka uvijek nalazi na prednjoj ručici, pritisnite i držite pritisnutom blokadu (**sl. E1**) prekidača, a zatim pritisnite prekidač (**sl. E2**) (u ovom trenutku blokada prekidača može biti otpuštena).

Zaustavljanje: Mašina će se zaustaviti kad god se pusti prekidač. U slučaju da se mašina ne zaustavi, aktivirajte kočnicu lanca, isključite kabel iz glavne utičnice i odnesite mašinu kod ovlaštenog serviser.

F. PODMAZIVANJE VODILICE I LANCA

PAŽNJA! Nedovoljno podmazivanje će izazvati lom lanca i može dovesti do ozbiljnih, pa čak i fatalnih povreda. Podmazivanje vodilice i lanca se vrši preko automatske pumpe. Pogledajte "Održavanje i skladištenje" za više indikacija o tome kako da osigurate dovoljno distribuiranje ulja.

Izbor ulja za lanac

Uvijek koristite samo novo ulje (poseban tip za lance) sa adekvatnim stepenom viskoznosti; ulje mora dobro prrijanjati i garantirati dobra svojstva kretanja i zimi i ljeti. Ako nije dostupno ulje za lance, može se koristiti ulje EP 90 za transmisije.

Nikada ne koristite otpadna ulja jer su ona štetna po zdravlje, za mašinu i za okoliš. Uvjerite se da je ulje pogodno za temperaturu okoline u kojoj će se koristiti alat: Za temperature ispod 0°C, pojedina ulja postaju deblja, preopterećuju pumpu i dovode do oštećenja. Kontaktirajte svog ovlaštenog serviser za savjet o izboru ulja.

Punjenje rezervoara ulja

Odvijte poklopac rezervoara ulja i napunite rezervoar pazeći da ne prospete ulje (ako se to dogodi očistite pažljivo mašinu), a zatim vratite poklopac i dobro ga zavijte.

G. ODRŽAVANJE I SKLADIŠTENJE

Prije obavljanja bilo kojih radnji održavanja ili čišćenja, izvadite utikač iz utičnice.

PAŽNJA! U slučajevima gdje su radna okruženja posebno zaprijetna ili prašnjava, potrebno je češće provoditi opisane operacije od onoga što je navedeno u uputstvima.

Prije svake upotrebe

Provjerite da li uljna pumpa lanca radi ispravno: usmjerite vodilicu prema čistoj površini na udaljenosti od oko 20 centimetara; nakon što mašina radi oko minut, podloga mora pokazati jasne tragove ulja (**sl. 1**). Provjerite da nije potrebna pretjerana snaga za aktiviranje i deaktiviranje kočnice lanca. Također provjerite da se ne aktivira suviše lako i da nije blokirana. Zatim provjerite rad kočnice lanca kako slijedi: otpustite kočnicu lanca, uzмите pravilno mašinu i pokrenite je, aktivirajte kočnicu lanca guranjem prednjeg štitnika sa lijevim zglobov ili rukom, ali bez skidanja ruku s rukohvata (**sl.2**). Ako kočnica lanca radi ispravno, lanac treba da se odmah zaustavi.

Provjerite da li je lanac ispravno naoštren, u dobrom radnom stanju te da je napetost ispravna. Ako je lanac nepravilno istrošen, ili ako su rezni zub dugi samo 3 mm, lanac se mora zamijeniti (**sl.3**).

Redovno čistite otvore za ventilaciju kako bi spriječili pregrijavanje motora (**sl. 4**).

Provjerite da prekidač i blokada prekidača rade ispravno (provjeru izvršiti sa otpuštenom kočnicom lanca): pritisnite prekidač i blokadu prekidača i osigurajte da se vraćaju u položaj mirovanja čim su pušteni; provjerite da je nemoguće pritisnuti prekidača bez prethodnog aktiviranja blokade prekidača.

Provjerite da li su hvatači lanca i štitnik desne ruke u ispravnom stanju, bez vidljivih nedostataka, kao što je oštećenje materijala.

Svaka 2-3 sata korištenja

Provjerite stanje vodilice i po potrebi pažljivo očistite rupe za podmazivanje (**sl.5**) i žljebove vodiča (**sl.6**); Ako je žljeb istrošen ili pokazuje znakove dubokih zasjeka, mora se zamijeniti. Redovno čistite pogon lančanika i provjerite da nije bio predmet prevelikog habanja (**sl.7**). Podmažite lančanik na vrhu vodilice sa masti za ležajeve, kroz otvor, kao što je prikazano na slici (**sl.8**).

Oštrenje lanca (kada je potrebno)

Ako lanac ne siječe pravilno, ili zahtijeva veliki pritisak sa vodilicom na drvo, te ako je piljevina vrlo fina, to je znak da nije dobro naoštren. Ako rezanje ne proizvodi nikakvu piljevinu, to znači da je rezna oštrica u potpunosti istrošena i da za vrijeme rezanja lanac pretvara drvo u prašinu. Dobro naoštren lanac prolazi kroz drvo bez napora ili pritiska i proizvodi veliku dugu piljevinu.

rezna strana lanca se sastoji od rezne karike (**sl.9**) sa reznim zubom (**sl.10**) i mjeraca limita rezanja (**sl.11**). Razlika između ovih dijelova određuje dubinu rezanja; potrebni su vodiči za turpiju i okrugla turpija od 4mm promjera za dobijanje dobrih rezultata oštrenja; Slijedite upute u nastavku: Kada je lanac montiran i nategnutost je ispravno podešena, a kočnica lanca aktivirana, postavite vodič turpije okomito na vodilicu, kao što je prikazano na ilustraciji (**sl.12**), naoštrite rezne zube pod prikazanom kutom (**sl.13**), uvijek radeći od unutrašnjosti prema vani, smanjujući pritisak u povratnoj fazi (veoma je važno da slijedite uputstva u potpunosti: prekomjerni ili nedovoljni kutovi oštrenja ili neispravni promjer turpije povećavaju rizik od povratnog trzaja.) Da biste dobili veću preciznost na bočnim kutovima, preporučljivo je da postavite turpiju tako da ona prelazi gornji rezač za oko 0.5 mm. Turpijajte sve zube na jednoj strani, a zatim okrenite mašinu i ponovite postupak. Pobrinite se da su nakon operacije oštrenja svi zubi iste dužine i da je visina reznog ruba 0.6 mm niža od gornjeg rezača; provjerite visinu svih isturenih dijelova pomoću odgovarajućeg predložka i turpije (sa pljosnatom turpijom), zaobljavanjem prednjeg dijela reznog ruba (**sl.14**), vodeći računa da ne turpijate zub za zaštitu od povratnog trzaja (**sl.15**)

Svakih 30 sati korištenja.

Odnosite mašinu kod ovlaštenog serviser na opću reviziju i kontrolnu provjeru kočionih komponenti.

Čuvanje

Čuvajte proizvod na hladnom i suhom mjestu i van dohvata djece. Ne skladištiti na otvorenom prostoru.

H. TEHNIKE REZANJA

(sl.1) Kada koristite mašinu, spriječite:

- rezanje u uvjetima gdje jse deblo može rascijepiti za vrijeme rezanja (drvo pod pritiskom, suha mrtva stabla, itd.); naglo cijepanje može biti vrlo opasno.
 - da vodilica ili lanac ostanu blokirani u rezonom otvoru: ako se to dogoditi, isključite uređaj iz glavnog izvora napajanja i pokušajte podići stablo pomoću odgovarajućeg alata koje možete koristiti kao polugu; ne pokušavajte da oslobodi aparat trešenjem ili povlačenjem, jer to može dovesti do oštećenja ili povrede.
 - situacija koje mogu dovesti do reakcije povratnog trzaja.
 - korišćenja proizvoda iznad visine ramena
 - rezanje drva sa stranom objektima na primjer ekserima
- (sl.1) Tokom korišćenja mašine:**
- Kod rezanja na nagnutom terenu, uvijek radite na gornjoj strani (uzbrdo) debela kako bi izbjegli da vas deblo pogodi, ako se počne kotrljati nizbrdo.
 - Kada obarate stabala, uvijek završite započeti posao: djelomično presječeno stablo se može slomiti i pasti.
 - Na kraju svake operacije rezanja korisnik će primijetiti znatnu promjenu u snazi potrebnoj za kontrolu uređaja. Morate posvetiti veliku pažnju da ne izgubite kontrolu. Ispod su opisana dva različita tipa rezanja:

Sječenje povlačenjem lanca (od vrha do dna) **(sl.2)** može dovesti do opasnog naglog kretanja mašine prema debelu sa posljedničim gubitkom kontrole. Gdje je to moguće, koristite nazubljeni branik za vrijeme operacija rezanja.

Sječenje guranjem lanca (od dna do vrha) **(sl.3)** će dovesti do opasnosti od iznenadnog kretanja mašine u smjeru korisnika, uz rizik od udaranja korisnika, ili utjecaj na "opasnu zonu povratnog trzaja", na debelu, što će rezultirati jakim povratnim trzajem; morate posvetiti veliku pažnju prilikom rezanja na ovaj način.

Najsigurnija metoda za upotrebu mašine jeste da blokirate dnevno deblo na nogare za sječenje drva, te da režete od vrha do dna, na dijelu koji se nalazi izvan nogara za sječenje drva. **(sl.4)**

Upotreba nazubljenog branika.

Gdje je to moguće, koristite nazubljeni branik kako bi osigurali sigurnije rezanje: postavite ga u koru ili na površinu debela kako bi imali više kontrole nad mašinom.

U nastavku su opisani tipičnih postupka rezanja koji se moraju primijeniti za specifične situacije. Međutim, ove postupke treba procijeniti svaki put, kako bi se vidjelo da li je metoda najprikladnija ili ne, a kako bi se koristila ona metoda koja pruža najmanje rizika.

Deblo na tlu. (Opasnost od dodirivanja tla sa lancem kada prođe kroz deblo). **(sl.5)**

Sječite od vrha do dna kroz cijelo deblo. Prema kraju reza, nastavite vrlo oprezno kako bi spriječili dodir lanca sa tlom. Ako je moguće, izrežite 2/3 debela, okrenite ga i izrežite preostalu trećinu od vrha do dna, kako bi ograničili rizik od dodira lanca sa tlom.

Deblo podržano samo na jednom kraju (opasnost od lomljenja debela za vrijeme rezanja). **(sl.6)**

Početi rez od ispod za oko 1/3 promjera, a zatim završiti rezanje sa vrha prema dnu, kako bi susreli donji rez. Deblo podržano na oba kraja. (Opasnost od priklještenja lanca). **(sl.7)**

Početi reza odozgo za oko 1/3 promjera, a zatim nastavite od ispod prema vrhu, kako bi susreli gornji rez.

Deblo leži na padini. Uvijek stajati uzbrdo u odnosu na deblo. Kada "režete kroz deblo", zadržite u potpunosti kontrolu, popustite pritisak u blizini kraja reza, bez popuštanja vašeg stiska na ručkama motorne pile. Ne dozvolite da lanac dodirne tlo.

Obranje stabala.

PAŽNJA! Nikada ne pokušavajte da oborite stablo, ako nemate potrebno iskustvo, a u svakom slučaju nikada nemojte obarati stabla koja imaju veći promjer od duljine vodilice! Ova operacija je rezervirana za stručne korisnike mašine sa adekvatnom opremom.

Kada obarate stabla, cilj je da stablo padne na najpogodniji položaj za sljedeće operacije potkresivanja i rezanja. (Izbjegavajte da stabla padaju iznad drugih stabala: Obranje stabala koja su isprepletana sa drugim drvećem je vrlo opasna operacija).

Prije svega odlučite koji je najbolji smjer za padanje stabla, procjenjujući sljedeće: predmete ili druge biljake oko stabla, nagib, zakrivljenost, smjer vjetra i najveća koncentraciju grana. Uzмите u obzir mrtve ili slomljene grane koje se mogu slomiti prilikom obaranja stvarajući dodatni rizik opasnosti.

PAŽNJA! Za vrijeme operacija sječnja u kritičnim uvjetima, uvijek uklonite zaštitu za sluh odmah nakon rezanja, kako bi mogli čuti neobične zvukove i signale upozorenja.

Preliminarnе operacije rezanja i identifikacija staze za povlačenje

Uklonite sve grane koje ometaju posao **(sl.8)**, počevši od vrha prema dnu, a onda, uvijek imajući deblo između korisnika i mašine, eliminirajte teže grane komad po komad. Kada se planira put za povlačenje (pratite za vrijeme pada stabla), uklonite sve biljke koje ometaju rad i kontrolirajte prostor na moguće prepreke (stijene, korijenje, jarko, itd.); Pogledajte ilustraciju (sl.9) za pravce koji treba da se održavaju (A. predviđeni pravac pada stabla. B. Put za povlačenje. C. Zona opasnosti).

REZOVİ ZA OBARANJE STABALA (sl.10)

Kako bi se osiguralo da korisnik ima potpunu kontrolu nad padom stabla, upute za rezanje su kako slijedi:

Najprije se vrši rez koji kontrolira smjer padanja stabla:

Najprije se vrši rezanje GORNJEG DIJELA klina na strani smjera padanja stabla. Ostanite na desnoj strani stabla i izvršite rez pomoću metode povlačenja lanca; a zatim izrežite DONJI DIO, koji mora susresti kraj gornjeg dijela. Dubina klina za usmjeravanje pada mora biti ¼

promjera debela, sa kutom od najmanje 45° između gornjeg i donjeg reza. Točka susreta između dvije strane zarez a se naziva "linija smjernog reza". Ova linija mora biti vodoravna pod pravim kutem (90°) u odnosu na pravac padanja.

Rez koji dovodi do padanja stabla se vrši na 3 do 5 cm iznad donjeg dijela linije smjernog reza i završava na udaljenosti od 1/10 debljine debela od zarez a. Ostanite na lijevoj strani stabla i izvršite rez pomoću metode

povlačenja lanca i nazubljenog branika. Provjerite da se stablo ne pomiče u nekom drugom pravcu osim od onog predviđenog za padanje. Što je prije moguće ubacite polugu ili klin za obaranje u rez. Nepresječeni dio stabla se zove "šarka" i ima za cilj da vodi stablo tokom pada; u slučajevima kada rezovi nisu dovoljni, nisu ravni, ili su u potpunosti prerezali stablo, pad se ne može kontrolirati (veoma opasno!). Iz tog razloga, razni rezovi se moraju obavljati s velikom preciznošću. Kada završite s operacijama rezanja, stablo će početi sa padom. Gdje je to potrebno, pomognite pad stabla pomoću klinova ili poluga za obaranje.

Sječenje grana

Nakon što je stablo je oboreno, deblo mora biti očišćeno od grana: drugim riječima, grane se uklanjaju sa debela. Nemojte potjenjivati ovu operaciju, jer se velika većina nesreća javlja u ovoj fazi. Iz tog razloga treba obratiti posebnu pažnju na položaj vrha vodilice za vrijeme rezanja i uvijek radite na lijevoj strani debela.

I. INFORMACIJE O OKOLIŠU

Ovo poglavlje sadrži informacije korisne za održavanje karakteristika ekološke kompaktnosti, koje su primjenjene prilikom dizajniranja mašine, a koje se tiču pravilne upotrebe i odlaganja ulja za lanac

KORIŠĆENJE MAŠINE

Operacije punjenja rezervoara za ulje treba obaviti na takav način da se izbjegne prosipanje ulja i kontaminacija tla i okoliša.

ODLAGANJE

Nemojte neprimjereno odlagati mašinu kada više nije upotrebljiva. Isporučite je ovlaštenoj organizaciji za pravilno odlaganje, u skladu sa propisima na snazi.



Oznaka , na proizvodu ili na ambalaži, označava da se ovaj proizvod ne smije tretirati kao kućni otpad. Umjesto toga, treba ga zbrinuti na predviđenom mjestu za reciklažu električne i elektronske opreme. Osiguravanjem ispravno zbrinjavanja ovog proizvoda ćete spriječiti potencijalne negativne posljedice na okoliš i zdravlje ljudi, koje bi inače mogle biti izazvane neodgovarajućim rukovanjem otpada ovog proizvoda. Za detaljnije informacije o recikliranju ovog proizvoda, obratite se kancelariji lokalne uprave, odlagalištu otpada ili trgovini gdje ste kupili proizvod.

J. TABLICA ZA REŠAVANJE PROBLEMA

	Motor se ne okreće	Motor se teško okreće ili izgubi snagu	Mašina se okreće, ali ne sječe pravilno	Motor se okreće nepravilno ili sa smanjenom brzinom	Uređaj za kočenje ne zaustavlja ispravno lanac
Pobrinite se da je glavni vod pod naponom	●				
Pobrinite se da je mašina ispravno priključena	●				
Pobrinite se da vaš kabal/produžni kabal nije oštećen	●				
Pobrinite se da kočnica lanca nije aktivirana	●				
Provjerite da li je lanac pravilno montiran i zategnut		●	●		
Provjerite podmazivanje lanca kako je opisano u poglavljima F i G			●		
Uvjerite se da je lanac oštar			●		
Provjerite da se zaštitna sklopka aktivira	●				
Obratite se ovlaštenom centru	●	●		●	●

K. REZERVNI DIJELOVI

35cm	Lanac	91PJ052XN	Kataloški br.:	530051538
	Vodilica		Kataloški br.:	576965401
40cm	Lanac	91PJ056XN	Kataloški br.:	530051539
	Vodilica		Kataloški br.:	576965201

L. EZ IZJAVA O USKLAĐENOSTI

Husqvarna AB, S-561 82, Huskvarna, Švedska

Izjavljuje pod punom odgovornošću da je proizvod(i);

Oznaka **Motorna pila**
Tip(ovi) oznake **CSE1835, CSE1935S, CSE2040, CSE2040S**
Identifikacija serije **Vidjeti napis na identifikacionoj naljepnici**
Godina proizvodnje **Vidjeti napis na identifikacionoj naljepnici**

u skladu sa osnovnim zahtjevima i odredbama sljedećih EZ direktiva:

2006/42/EZ, 2004/108/EZ, 2000/14/EZ, 2011/65/EU

na osnovu sljedećih primjenjenih harmoniziranih EU standarda:

EN60745-1, EN60745-2-13, EN55014-2, EN55014-1, EN61000-3-2, EN61000-3-11

Sertifikujuće tijelo koje je izvršilo EZ ispitivanje tipa

na osnovu člana 8. odjeljak 2c TÜV Rheinland LGA Products GmbH
Tillystraße 2
D-90431 Nürnberg
Njemačka

Sertifikat br. BM 50268379

Maksimalni A ponderirani nivo pritiska zvuka L_{pA} u radnoj stanici, izmjeren u skladu sa EN60745-2-13, dat je u tabeli.

Maksimalna ponderisana vrijednost vibracije šake / ruke a_h mjerena prema EN60745-2-13, na uzorku gore navedenog(ih) proizvoda, data je u tabeli.

Navedena ukupna vrijednost vibracija je mjerena u skladu sa standardnom test metodom i može se koristiti za usporedbu jedne alatke s drugom.

Navedena ukupna vrijednost vibracija se može koristiti i za preliminarnu procjenu izloženosti.

Upozorenje:

Emisija vibracija tokom stvarnog korištenja električnog alata može se razlikovati od navedene ukupne vrijednosti, a u zavisnosti od načina na koji se koristi alat

Da bi se zaštitili, operatori treba da identificiraju sigurnosne mjere koje se temelje na procjeni izloženosti u stvarnim uvjetima korištenja (uzimajući u obzir sve dijelove operativnog ciklusa, kao što su vremena kada je alat isključen, kao i kada radi u stanju mirovanja, koje treba dodati na stvarno vrijeme rada).

2000/14/EZ: Vrijednosti izmjerene snage zvuka L_{WA} i garantirane snaga zvuka L_{WA} su u skladu s brojevima navedenim u tabeli.

Procedura ocjenjivanja usklađenosti Aneks V

Ulm 12/02/2013

P. Lamelli

Globalni direktor razvoja - Ručno držani

Odgovoran za tehničku dokumentaciju



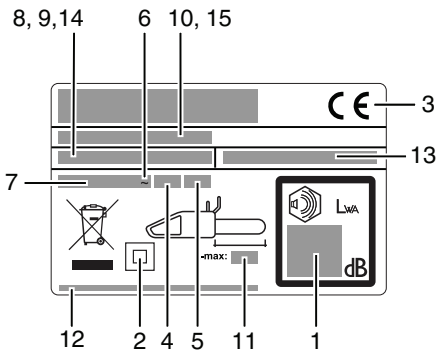
Tip (CSE_____)	1835	1935S	2040	2040S
Suva težina (Kg)	4.3	4.5	4.4	4.6
Snaga (kW)	1.8	1.9	2.0	2.0
Zapremina rezervoara ulja (cm ³)	240	240	240	240
Maksimalna dužina vodilice (cm)	35	35	40	40
Korak lanca (mm)	9.52	9.52	9.52	9.52
Mjera lanca (mm)	1.3	1.3	1.3	1.3
Izmjerena zvučna snaga L_{WA} (dB(A))	106	106	106	106
Garantirana zvučna snaga L_{WA} (dB(A))	110	110	110	110
Zvučni pritisak L_{pA} (dB(A))	95	95	95	95
Neizvjesnost K_{pA} (dB(A))	2.5	2.5	2.5	2.5
Vibracija šake / ruke a_h (m/s ²)	7.28	7.28	8.08	8.08
Neizvjesnost K_{ah} (m/s ²)	1.5	1.5	1.5	1.5
Mrežna impedancija Z_{max} (Ohm)	0.382	0.382	0.382	0.382

EN 61000-3-11 Izjava o usklađenosti

U zavisnosti od karakteristika lokalne mreže snabdijevanja električnom energijom, korištenje ovog proizvoda može dovesti do kratkog pada napona u trenutku uključivanja. Ovo može uticati na drugu električnu opremu npr. trenutno zatamnivanje svijetla. Ako je **Mrežna impedancija Z_{max}** vašeg snabdijevanja električnom energijom manja od vrijednosti prikazane u tablici (koja važi za vaš model), onda neće doći do ovih efekata. Vrijednost mrežne impedancije se može utvrditi tako što ćete kontaktirati vašeg snabdijevača električnom energijom

А. ОБЩО ОПИСАНИЕ

- | | |
|--|---|
| <p>1) Задна ръкохватка
 2) Заден предпазител за ръката
 3) Предна ръкохватка
 4) Преден предпазител за ръката/лост за верижната спирачка
 5) Външен ключ на механизма за обтягане на веригата
 6) Винт на механизма за обтягане на веригата
 7) Щифт на механизма за обтягане на веригата
 8) Капачка на резервоара за масло
 9) Контролен прибор на резервоара за масло
 10) Отвори за въздух
 11) Кабел
 12) Ръководство
 13) Превключвател
 14) Блокировка на превключвателя
 15) Верига
 16) Задвижващ палец</p> | <p>17) Режещо звено
 18) Дълбокомер за рязане
 19) Зъбец за рязане
 20) Водеща шина
 21) Капак на задвижващото верижно зъбно колело
 22) Задвижващо зъбно колело
 23) Ограничител на веригата
 24) Задържащ винт на шината
 25) Вътрешен задържащ ключ на шината
 26) Задържаща гайка на шината
 27) Челно зъбно колело
 28) Капак на предпазната шина
 29) Броня с шипове
 30) Кожух на щифта на механизма за обтягане на веригата
 31) Отвор за смазване
 32) Жлеб на водещата шина
 33) Гаечен ключ/отвертка</p> |
|--|---|



Пример за идентификационен етикет

- 1) Гарантирана звукова мощност съгласно Директива 2000/14/ЕС
 2) Инструмент клас II
 3) CE маркировка за съответствие
 4) Номинална честота
 5) Номинална мощност
 6) Променлив ток
 7) Номинално напрежение
 8) Тип
 9) Код на продукта
 10) Година на производство
 11) Максимална дължина на водещата шина
 12) Име и адрес на производителя
 13) Артикулен номер (Електрически верижен трион)
 14) Модел
 15) Сериен номер

В. МЕРКИ ЗА БЕЗОПАСНОСТ

ЗНАЧЕНИЕ НА СИМВОЛИТЕ



Предупреждения!
Прочетете внимателно
ръководството с инструкции



Защитни ботуши



Защитни очила или маска, защитна
каска и антифони



Защитни ръкавици, устойчиви на
рязане



Дълги защитни панталони,
устойчиви на рязане



Верижна спирачка:
деактивирана, активирана



Изваждайте щепсела от
контакта незабавно, ако има
срязване или повреда на
кабела.



Не допускайте наблизо странични
наблюдатели



Коригирайте посоката на режещия
тъбец.



Винаги дръжте
инструмента с двете ръце



Опасност от отскачане
назад



Не излагайте инструмента
на дъжд или влага.



Масло за веригата



Въздържайте се от такива действия



Изключете инструмента



Изваждайте щепсела от контакта,
преди да извършвате регулиране
или почистване.



Опасност от токов удар

Общи предупреждения за безопасност при работа с електрически инструменти



ПРЕДУПРЕЖДЕНИЕ Прочетете всички инструкции и
предупреждения за безопасност. Неспазването на
инструкциите и на предупрежденията за безопасност може
да доведе до токов удар, пожар и/или сериозни наранявания.
Запазете всички инструкции и предупреждения за
безопасност за бъдещи справки.

Терминът "електрически инструмент" в предупрежденията се
отнася за уред, който работи с електрозахранване от мрежата
(чрез кабел) или от акумулаторна батерия (без кабел).

1) Безопасност на работния участък

а) Работният участък трябва да бъде чист и добре осветен. В
неосветен и задръстени с препятствия участъци може да
възникнат инциденти.

б) Не работете с електрически инструменти във
въздухоопасна въздушна среда, напр. при наличие на
запалими течности, газове или прах. При електрическите
инструменти се създава искра, която може да възпламени
праха или изпаренията.

в) Не допускайте наблизо деца и странични наблюдатели,
докато работите с електрически инструмент. При
разсейване може да изгубите контрол над инструмента.

2) Електрическа безопасност

а) Щепселите на електрическите инструменти трябва да бъдат
включени в съответстващите им изходи. Никога не
модифицирайте щепселите по какъвто и да било начин. Не
използвайте адаптерни щепсели със заземени електрически
инструменти. Немодифицираните щепсели и съответстващи
им изходи ще намалят рисковете от токов удар.

б) Избягвайте директен контакт на тялото със заземени
повърхности, като напр. тръби, радиатори, готварски печки и
хладилници. Ако тялото ви осъществи контакт със заземена
повърхност, съществува повишен риск от токов удар.

в) Не излагайте електрически инструменти на дъжд или
влага. Ако в такъв електрически инструмент навлезе
вода, тя ще повиши рисковете от токов удар.

г) Не излагайте кабела на силови въздействия. Никога не
използвайте кабела за преместване, дърпане или
изключване на електрическия инструмент. Пазете кабела
далече от топлини източници, масла, остри ръбове или
движещи се части. Заплетените или повредени кабели
повишават рисковете от токов удар.

д) Когато работите с електрически инструмент на открито,
използвайте удължител, подходящ за употреба навън.
Кабелът, подходящ за използване на открито, намалява
рисковете от токов удар.

е) Ако не можете да избегнете употребата на електрически
инструмент във влажна среда, използвайте източник на
електрозахранване, защитен чрез устройство за
остатъчен ток. Използването на устройство за остатъчен
ток намалява рисковете от токов удар.

3) Лична безопасност

а) Бъдете бдителни, наблюдавайте действията си и се
осланяйте на здравия разум, когато работите с
електрически инструмент. Не използвайте електрически
инструмент, когато сте уморени или под въздействие на
употребявани вещества, алкохол или медикаменти.

Бъди момент невнимание по време на работа с
електрически инструмент може да доведе до сериозни
телесни наранявания.

б) Използвайте лични предпазни средства. Винаги носете
защита за очите. Използването на лични предпазни
средства като противопрахова маска, защитни обувки
срещу подхлъзване, твърда каска или защита за слуха при
подходящите условия, намалява рисковете от телесни
наранявания.

в) Не допускайте неволно пускане. Проверявайте дали
превключвателят е в положение изключено, преди да
свързвате инструмента с източник на електрозахранване
и/или акумулаторна батерия или да го вземате за
пренасяне. Преместването на електрически инструменти с
пръст върху превключвателя или включването им към
електрозахранването при превключвател в положение
включено може да предизвика злополука.

- г) Сваляйте всички регулиращи или гачни ключове, преди да включвате електрическия инструмент. Гачни или друг ключ, оставен прикрупен към въртящата се част на електрически инструмент, може да доведе до сериозни телесни наранявания.
- д) Не се протегайте прекомерно. Поддържайте стабилна стойка и равновесие във всеки един момент. Това позволява да се осъществява по-добър контрол над електрическия инструмент в неочаквани ситуации.
- е) Обличайте подходящи дрехи. Не носете широки дрехи или украшения. Пазете косата, облеклото и ръкавиците си далеч от движещи се части. Широките дрехи, украшенията или дългата коса може да бъдат захванати в движещите се части.
- ж) Ако са предвидени устройства за извличане на прах и събиране на отпадъци, проверете дали те са свързани и дали се използват правилно. Използването на устройство за събиране на прах може да намали рисковете, свързани със запращаност.
- 4) Използване и грижи за електрическия инструмент
 - а) Не упражнявайте силови въздействия върху електрическия инструмент. Използвайте подходящ електрически инструмент за вашата задача. Подходящият електрически инструмент ще извърши работата по-добре, при по-голяма безопасност и със скоростта, за която е проектиран.
 - б) Не използвайте електрическия инструмент, ако той не може да се включва или изключва чрез превключвателя. Електрически инструмент, който не може да се управлява чрез превключвателя, е опасен и трябва да се ремонтира.
 - в) Изваждайте щепсела от източника на електрохраняване или акумулаторната батерия, преди да предприемате регулиране, смяна на принадлежност или прибиране на електрическите инструменти. Тези превантивни мерки за безопасност намаляват рисковете от случайно пускане на електрическия инструмент.
 - г) Съхранявайте електрическите инструменти, които не се употребяват в момента, извън обсега на деца и не позволявайте те да се използват от лица, непознати с тях или с инструментите за ползването им. Електрическите инструменти са опасни в ръцете на неопитни потребители.
 - д) Поддържайте на електрическите инструменти.
 - Проверявайте за разстърпване или задрани на движещите се части, счупвания на елементи или други състояния, които могат да се отразят на работата на електрическия инструмент. В случай на повреда електрическият инструмент трябва да се ремонтира, преди да се използва отново. Голям брой злополуки се дължат на лоша поддръжка на електрическите инструменти.
 - е) Поддържайте ренжещите инструменти заточени и чисти. При правилно поддържаните ренжещи инструменти с остри ренжещи ръбове задрянето е по-малко вероятно и управлението е по-лесно.
 - ж) Използвайте електрическия инструмент, принадлежностите и накрайниците на инструмента в съответствие с тези инструкции, като отчитате работните условия и естеството на работата, която трябва да се извърши. Използването на електрическия инструмент за операции, различни от тези, за които е предназначен, може да доведе до опасни ситуации.
- 5. Обслужване
 - а) Техническото обслужване на този електрически инструмент трябва да се извършва от квалифицирано лице, като се използва само идентични резервни части. Това ще гарантира безопасността на електрическия инструмент.

Предупреждения за безопасност при работа с верижния трион:

- Пазете всички части на тялото си далеч от верижния трион, когато той работи. Преди включване на верижния трион проверете дали той не е в контакт с други обекти. Дори при моментно невнимание по време на работа с верижния трион дрехите или части на тялото ви могат да бъдат захванати в него.
- Винаги дръжте верижния трион с дясната си ръка върху предната ръкохватка, а лявата върху предната ръкохватка. Ако дръжите верижния трион с ръце, разположени обратно, рисковете от сериозни наранявания нарастват и това не би следвало да се прави никога.
- Дръжте електрическия инструмент само за изолираните места за хватане, тъй като верижният трион може да влезе в контакт със скрити кабели или със собствения си кабел. При контакт на верижния трион с жица под напрежение изложеният метални части на инструмента също може да са под напрежение и това да предизвика токов удар за оператора.

- Носете защитни очила и антифони. Препоръчват се допълнителни лични предпазни средства за главата, ръцете, краката и стъпалата. Подходящото предпазно облекло ще намали рисковете от причиняване на телесни наранявания от летящи отломки или случаен контакт с верижния трион.
- Не работете с верижния трион в дървета. Работа с верижния трион, докато сте качени на дърво, може да доведе до телесни наранявания.
- Винаги поддържайте стабилна стойка и работете с верижния трион само когато сте застанали на неподвижна, обезопасена и хоризонтална повърхност. При подхлъзване или при работа на нестабилна повърхност, напр. на подвижна стълба, можете да загубите равновесие или контрол над верижния трион.
- При рязане на клон, който е отпънат, внимавайте, за да може да отскочите назад навреме. Когато напрежението в дървесните влакна се освободи, отбегнатият клон може да пружинира и да удари оператора и/или да го накара да загуби контрол над верижния трион.
- Внимавайте изключително много при рязане на храсти и фиданки. Трънният клон може да захване верижния трион и да го отхвърли напред към вас или да ви извади от равновесие.
- Носете верижния трион за предната ръкохватка, като той трябва да е изключен и далеч от тялото ви. При транспортиране или прибиране за съхранение на верижния трион винаги поставяйте капак на водещата шина. Правилното боравене с инструмента ще намали вероятността от случаен контакт с движещия се верижен трион.
- Следвайте инструкциите за смазване, натягане на веригата и замяна на принадлежностите. Неправилно натегната или смазана верига може да се счупи или да увеличи вероятността за отскочане назад.
- Поддържайте ръкохватките сухи, чисти и без следи от масло и грес. Ако по ръкохватките има наличие на грес и масло, те се хлъзгат и може да причинят загуба на контрол над инструмента.
- Само за рязане на дърво. Не използвайте верижния трион за цели, различни от тези, за които е предназначен. Например не използвайте верижния трион за рязане на пластмасва, зидария или строителни материали, които не са от дърво. Използването на верижния трион за операции, различни от тези, за които е предназначен, може да доведе до опасни ситуации.

Причини и начини за предпазване от отскочане на инструмента назад:

- Отскочане на инструмента назад може да настъпи, когато челната част или върхът на водещата шина докосва предмет или когато разцепеното дърво се затваря и заципва верижния трион в пропеца. Допирът с върха в някои случаи може да предизвика светкавична обратна реакция, която отхвърля водещата шина нагоре и назад към оператора. Заципване на верижния трион по горната част на водещата шина може да изтласка шината бързо назад към оператора. Всяка от тези реакции може да ви накара да загубите контрол върху триона, което да доведе до сериозно нараняване. Не бива да разчитате изключително на вградени в триона защитни средства. Когато използвате верижен трион, вие трябва да вземете съответните мерки за предпазване от злополуки или наранявания при рязане с този инструмент.
- Отскочане на инструмента назад настъпва при неправилно боравене или неподходящи условия и работни операции; това може да се избегне чрез вземане на предпазни мерки съобразно описаното по-долу.
- Дръжте здраво инструмента, като обхващане с палци и пръсти ръкохватките на верижния трион, с двете ръце върху него и с положение на тялото, което ви позволява да устоите на въздействията, които може да причинят отскочане назад. Въздействията, които може да причинят отскочане назад, може да се контролират от оператора, ако са взети подходящи предпазни мерки. Не оставяйте верижният трион да ви се изплъзне.
- Не се протегайте прекомерно и не извършвайте рязане над височината на раменете. Това ще предотврати неволни контакт на върха с друг предмет и ще улесни контрола над верижния трион в неочаквани ситуации.
- За замалка използвайте само шини и вериги, указани от производителя. Шини и вериги с неподходящи характеристики, използвани за замяна, може да причинят счупване на веригата и/или отскочане назад.
- Следвайте инструкциите на производителя за заточване и поддръжка на верижния трион. Намаляване на височината на дълбокомера може да доведе до повишено отскочане назад.

Допълнителни препоръки за безопасност

- Ръчна употреба** Всички лица, които ще използват този инструмент, трябва да прочетат изцяло и изключително внимателно ръчничка на потребителя. Ръчничкият на потребителя трябва да присъства в опаковката, с която се продава инструментът, или да се предоставя на друго лице при използването му.
- Предпазни мерки преди използване на инструмента.** Никога не позволявайте този инструмент да се използва от лица, които не са много добре запознати с инструкциите в ръководството. Неопитните потребители трябва да преминават период на обучение, през който да работят с триона само на дървено магаре.
- Контролни проверки.** Проверявайте внимателно инструмента преди всяка употреба, особено ако е бил подложен на силнови въздействия или ако показва признаци на неизправна работа. Изпълнете всички операции, описани в главата "Поддръжка и съхранение – Преди всяка употреба".
- Ремонт и поддръжка.** Всички части на инструмента, които могат да се заменят от потребителя, са ясно посочени в главата с инструкции "Сглобяване/разглобяване". Когато е необходимо, всички останали части на инструмента трябва да се заменят изключително от сертифициран сервиз.
- Дрехи. (Фиг. 4)** Когато използвате този инструмент, потребителят трябва да носи следното одобрено индивидуално защитно облекло: плътно прилягащо защитно облекло, защитни ботуши с неплъзгащи се подметки, бомбета с протектори срещу премазване и устойчиви на рязане, ръкавици, устойчиви на рязане и на вибрации, защитни очила или защитна маска, антифони и каска (ако има опасност от падащи предмети).
- Мерки за защита на здравето – Нива на шум и вибрации.** Избягвайте употребата на инструмента за дълги периоди от време: шумът и вибрациите могат да бъдат вредни, тъй като причиняват раздразнение, стрес, умора и проблеми със слуха. При дългосрочно използване на инструмента потребителят е подложен на вибрации, които могат да доведат до "синдром на белия пръст" (Синдром на Рейно), синдром на карпалния тунел и други смущения.
- Мерки за защита на здравето – Химически вещества.** Избягвайте всякакви контакти на масло за веригата с кожата и очите.
- Мерки за защита на здравето - Нагряване.** По време на работа зъбното колело и веригата достигат много високи температури, така че внимавайте да не докосвате тези части, когато са нагорещени.
- ПРЕДУПРЕЖДЕНИЕ!** Този инструментът създава електромагнитно поле по време на работа. При някоя обстоятелства това поле може да взаимодейства с активни или пасивни медицински импланти. За да се намалят рисковете от сериозни или фатални увреждания, се препоръчва лицата с медицински импланти да се консултират с лекар си и с производителя на медицинския имплант, преди да работят с този инструмент.

Предпазни мерки за транспортиране и съхранение. (Фиг. 12)
При всяко преместване на работния участък на друго място изключвайте инструмента от електрозахранващата мрежа и задействайте лоста за верижната спиралка. Монтирайте предпазния капак на водещата шина всеки път, преди да транспортирате и прибирате инструментата за съхранение. Винаги носете инструмента в ръка с шината, обърната назад, а когато го транспортирате в превозно средство, винаги го закрепвайте добре, за да предотвратите повреди.

Реакция на отскачане назад. (Фиг. 14) Реакцията на отскачане назад представлява силно движение нагоре и назад на шината, което се насочва към потребителя. Това обикновено настъпва когато горната чедла част на шината (която се нарича "рисковата зона за отскачане назад") влиза в контакт с някой предмет или ако веригата бъде захваната в дървото. При отскачане назад потребителят може да загуби контрол над инструментата и това да причини опасни и дори фатални злополуки. Лостът за верижната спиралка и останалите устройства за безопасаване не осигуряват достатъчна защита на потребителя от нараняване: потребителят трябва да умее добре да отчита условията, които могат да предизвикат такава реакция, и да я предотвратява, като упражнява повишено внимание съобразно опита си, както и да брави правилно и предпазливо с инструмента (например никога да не реже едновременно няколко клона, тъй като при това може да възникне случайно въздействие върху "рисковата зона за отскачане назад").

Безопасност на работния участък

- Никога не позволявайте на деца или на хора, непознати с тези инструкции, да използват уреда. Местните разпоредби може да поставят възрастови ограничения за работа с уреда.
- Използвайте уреда само за целите и по начина, описани в тези инструкции.

- Проверете целия работен участък внимателно, за да откриете обстоятелства, които биха могли да създадат евентуални опасности (напр. пълтица, пътници, електрически кабели, опасни дървета и др.).
- Дръжте всички странични наблюдатели и животните надалеч от работния участък (където е необходимо, оградете участъка и поставете предупредителни знаци) на минимално разстояние 2,5 x височината на дънера на дървото, но не по-малко от десет метра.
- Операторът или потребителят носи отговорност за нещастни случаи или опасности за други хора или тяхното имущество.

Електрическа безопасност

- Препоръчва се да използвате устройството за остатъчен ток с ток на изключване не повече от 30 mA. Дори при инсталиран източник на електрозахранване, защитен чрез устройство за остатъчен ток, не може да се гарантира 100% безопасност и практиката за безопасна работа трябва да се следва по всяко време. Проверявайте устройството за остатъчен ток при всяка употреба.
- Преди работа огледайте кабелите за повреди и ги заменете, ако откриете признаци на повреди или износване.
- Не използвайте инструмента, ако електрическите кабели са повредени или износени.
- Ако кабелът има срязвания или ако изолацията е повредена, незабавно изключете инструмента от електрозахранващата мрежа. Не докосвайте електрическия кабел, преди да изключите електрозахранването. Не поправяйте кабел със срязвания или повреди. Подменете го с нов.
- Електрическият кабел не трябва да се залпита, тъй като заплетените кабели могат да се прегреят и да влошат ефективната работа на инструмента.
- Винаги проверявайте дали кабелът/удължителният кабел е зад потребителя и не създава опасност за него или за други лица, както и че не може да бъде повреден в процеса на работа (от топлина, остри предмети, ръбове, масло и др.).
- Позиционирайте кабела така, че да не може да се захване в клоните и др. подобни обекти в процеса на рязане.
- Винаги изключвайте електрозахранването, преди да изключавате други щепсели, кабелни връзки или удължителни кабели.
- Изключете, захранете щепсела от електрозахранването и огледайте захранващия кабел за признаци на повреда или износване, преди да го навиете за съхранение. Не поправяйте повредени кабели, заменете ги с нови. За замяна използвайте само кабел от Husqvarna Outdoor Products.
- Изваждайте щепсела от електрозахранването, преди да оставите инструмента без наблюдение за какъвто и да било период от време.
- Винаги разгъвайте кабела внимателно, без да допускате прегъване.
- Използвайте уреда само в електрическа мрежа за променлив ток с номинално напрежение като обозначеното на етикетата с данни на уреда.
- Верижният трион е с двойна изолация съгласно EN60745. При никакви обстоятелства заземителен извод не трябва да се свързва към нията част от този уред.

Кабели

- Захранващи и удължителни кабели се предлагат във всякия местен изпълномощен сервизен център
- Използвайте само одобрени удължителни кабели
- Трябва да се използва само удължителни кабели и племби, предназначени за употреба на открито, които отговарят на изискванията на H07 RN-F или IEC 60245 обозначение 66.
- За работа с този инструмент трябва да се използва само удължителни кабели със следните размери:

Модели CSE1835, CSE1935S:

- 5,0 mm²: макс. дължина 40 m
- 5,0 mm²: макс. дължина 60 m
- 8,0 mm²: макс. дължина 100 m

Модели CSE2040, CSE2040S:

- 5,0 mm²: макс. дължина 50 m
- 8,0 mm²: макс. дължина 90 m

С. ОПИСАНИЕ НА ОБОРУДВАНЕТО ЗА БЕЗОПАСНОСТ

БЛОКИРОВКА НА ПРЕВЛЮЧАТЕЛЯ

Този инструмент е снабден с устройство (фиг. 1), което, когато е задействано, предотвратява натискане на превключвателя и инцидентно стартиране.

ДЕЙСТВИЕ НА ВЕРИЖНАТА СПИРАЧКА ВЪРХУ ОСВОБОЖДАНЕТО НА ПРЕВЛЮЧАТЕЛЯ

Този инструмент е снабден с устройство, което блокира веригата незабавно след освобождаването на превключвателя. Ако това устройство не работи в даден момент, инструментът НЕ трябва да се използва, а да се занесе в оторизиран сервиз.

ПРЕДЕН ПРЕДПАЗИТЕЛ ЗА РЪКАТА/ЛОСТ ЗА ВЕРИЖНАТА СПИРАЧКА

Предният предпазител за ръката (фиг. 2) е предназначен предотвратява контакт на лявата ви ръка с веригата (при условие че инструментът се държи правилно, съобразно инструкциите). Предният предпазител за ръката действа като верижна спирачка, вкл. и като устройство, което блокира веригата за по-малко от 0,15 от секундата в случай на отскане назад. Верижната спирачка се освобождава, когато предният предпазител за ръката се издърпа назад и щракне на мястото си (веригата може да се движи).

Верижната спирачка се задейства, когато предният предпазител за ръката се изтласка напред (веригата е блокирана). Верижната спирачка може се задейства, като използвате лявата си китка за изтласкване напред или когато китката ви влиза в контакт с предния предпазител за ръката в резултат на отскане назад.

Когато инструментът се използва с шина в хоризонтално положение, например при повалване на дърво, верижната спирачка осигурява по-малка защита. (фиг. 3).

Забележка: Когато верижната спирачка е задействана, предпазител прехвърля прехвърля изцяло подаването на ток към електромотора.

⚠ Освобождане на верижната спирачка, докато се задържа превключвателят ще предизвика включване на инструмента.

ОГРАНИЧИТЕЛ НА ВЕРИГАТА

Този инструмент е снабден с ограничител на веригата (фиг. 4), разположен под зъбното колело. Предназначението на този механизъм е да спира движението на веригата назад в случай на счупване или изместване. Такива ситуации могат да бъдат избегнати, като се осигури правилно отпъване на веригата (Вж. глава "D. Сглобяване/разглобяване").

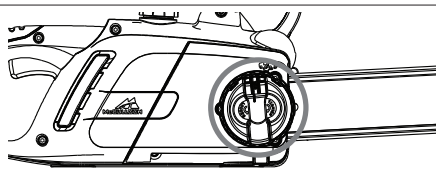
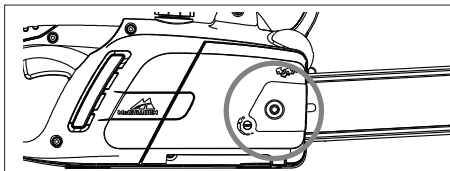
ЗАДЕН ПРЕДПАЗИТЕЛ ЗА РЪКАТА

Предпазва ръката (фиг. 5) в случай на счупване или изместване на веригата.

D. СГЛОБЯВАНЕ/РАЗГЛОБЯВАНЕ

БЛОК НА ШИНАТА И ВЕРИГАТА

Методите на сглобяване се различават в зависимост от типа на инструмента; отделете време да прегледате илюстрациите и типа на инструмента, обозначен на етикета. Бъдете особено внимателни при сглобяването, за да гарантирате правилното изпълнение на операциите.



1. Проверете дали верижната спирачка не е включена. Ако е така, изключете я.	
2а. Отвинтете задържащата гайка на шината и свалете капака на задвижващото зъбно колело.	2б. Отвинтете задържащия ключ на шината и свалете капака на задвижващото зъбно колело.
3 Позиционирайте веригата над шината, като започнете от челното зъбно колело, и я наместете в жлеба на водещата шина. Внимание! Убедете се, че острата страна на режещите зъбци е обърната в посока напред в горната част на шината. Носете ръкавици.	
4. Убедете се, че шифтът на механизма за обтягане на веригата е колкото се може назад към задвижващото зъбно колело. Монтирайте шината на съответния задържащ винт и шифта на механизма за обтягане на веригата и позиционирайте веригата над задвижващото зъбно колело. Върнете капака на задвижващото зъбно колело на мястото му, като се уверите, че задвижващите зъбци на веригата са захванати в зъбното колело и във водещия жлеб.	
5а. Завинтете задържащата гайка на шината с ръка, докато се затегне леко.	5б. Завинтете задържащия ключ на шината, докато се затегне леко.
6а. За обтягане на веригата завинтете винта на механизма за обтягане по посока на часовниковата стрелка с помощта на предоставения гаечен ключ/отвертка. За намаляване на опъна завинтете обратно на часовниковата стрелка когато извършвате тази операция, (като поддържате челната част на шината вдигната нагоре)	6б. За обтягане на веригата завинтете външния ключ на механизма за обтягане на веригата по посока на часовниковата стрелка. За намаляване на опъна завинтете обратно на часовниковата стрелка, (когато извършвате тази операция, поддържайте челната част на шината вдигната нагоре)
7. Натягнете веригата, докато се постигне подходящ опън. Издърпайте веригата надалеч от шината и проверете дали междината е около 2-3 мм.	
8а. Затегнете задържащата гайка на шината с помощта на предоставения гаечен ключ/отвертка.	8б. Затегнете здраво шината.

Прекалено силно обтягане на веригата ще претовари електромотора и ще предизвика повреди, а недостатъчното обтягане може да доведе до изместване на веригата. Правилното обтягане на веригата ще осигури най-добри характеристики на рязане и ще удължи експлоатационния период на инструмента. Проверявайте редовно обтягането, тъй като дължината на веригата обикновено се увеличава в процеса на употреба (особено когато веригата е нова; след първото сглобяване обтягането на веригата трябва да се провери след 5 минути работа с инструмента); във всички случаи не затягвайте веригата веднага след употреба, а изчакайте, докато се охлади.

Когато се налага разхлабената верига да се регулира, винаги отвинтвайте задържащата гайка/ключ на шината, преди да регулирате винта/ключа за натягане на веригата; регулирайте опъна и затегнете задържащата гайка/ключ на шината по съответния начин.

Е. ПУСКАНЕ И СПИРАНЕ

Пускане: хванете здраво и двете ръкохватки, освободете доста на верижната спирачка, като не изпускате предната ръкохватка, натиснете и задържете блокировката на превключателя (фиг. Е1) натисната, след което натиснете превключателя (фиг. Е2) (в този момент блокировката на превключателя може да се освободи).

Спиране: Инструментът ще спре при освобождаване на превключателя. Ако се случи така, че инструментът не спре, задействайте верижната спирачка, изключете кабела от контакта на електрозахранването и отнесете инструмента в оторизиран сервис.

Ф. СМАЗВАНЕ НА ШИНАТА И НА ВЕРИГАТА

ВНИМАНИЕ! Недостатъчно смазване ще доведе до счупване на веригата и може да предизвика сериозни и дори смъртоносни наранявания.

Смазването на шината и на веригата се извършва от автоматична помпа.

Вж. "Поддръжка и съхранение" за указания как да се осигури адекватно смазване на веригата.

Избор на масло за веригата

Винаги използвайте само свежо масло (тип специално за вериги) с подходящ вискозитет: маслото трябва да прилепва добре и да гарантира добри характеристики на работа както през лятото, така и през зимата. Ако не разполагате с налично масло за вериги, може да се използва трансмисионно масло EP 90.

Никога не използвайте отпадно масло, тъй като то е вредно за човешкото здраве, за инструмента и за околната среда. Проверете дали маслото е подходящо за температурата на средата, в която ще се използва инструментът: При температури под 0°C някои масла се съствяват, претоварват помпата и предизвикват повреди. Свържете се с оторизиран сервис за съвети относно избора на масло.

Пълнене на резервоара за масло

Отвинтете капачката на резервоара за масло и напълнете резервоара, като внимавате да не разлеете масло (ако това все пак се случи, внимателно почистете инструмента) и след това отново завинтете здраво капачката.

Г. ПОДДРЪЖКА И СЪХРАНЕНИЕ

Преди да изпълнявате операции за поддръжка или почистване извадете щепсела от електрозахранването.

ВНИМАНИЕ! Когато се работи в особено замърсена или опасна среда, описаните операции трябва да се изпълняват по-често, отколкото е посочено в инструкциите.

Преди всяка употреба

Проверете дали маслената помпа на веригата функционира правилно: насочете шината към чиста повърхност от разстояние прилб. 20 см; след около едноминутна работа на инструмента по тази повърхност би трябвало да се появят ясни следи от масло (фиг. 1). Проверете дали за задействане и изключване на верижната спирачка не е необходимо прекомерно усилие. Също така проверете дали тя не се задейства прекалено лесно и дали не е блокирана. След това проверете дали верижната спирачка работи, както следва: освободете верижната спирачка, хванете правилно инструмента и го включете, задействайте верижната спирачка, като изтласкате предния предпазител за ръката напред с лявата си китка или с ръката, без да отделяте дланта си от ръкохватката (фиг. 2). Ако верижната спирачка работи правилно, веригата трябва да спре незабавно.

Проверете дали веригата е заточена правилно, дали е в добро работно състояние и дали обтягането е подходящо. Ако веригата е износена неравномерно или ако режещите зъбци са с дължина само 3 мм, веригата трябва да се замени (фиг. 3).

Почиствайте редовно отворите за въздух, за да не допуснете прегряване на електромотора (фиг. 4). Проверете дали превключателят и блокировката на превключателя функционират правилно (да се изпълнява при освободена верижна спирачка): натиснете превключателя и блокировката на превключателя и се уверете, че те се връщат в положение за празен ход веднага след като се освободят; уверете се, че е невъзможно натискане на превключателя при задействана блокировка на превключателя.

Проверете дали ограничителят на веригата и предпазителят за дясната ръка са в добро състояние, без видими белези на материални повреди.

На всеки 2-3 часа работа

Проверете състоянието на шината, почистете внимателно отворите за смазване, ако се налага, (фиг. 5) както и водещите жлебове (фиг. 6); ако по жлеба има признаци на износване и дълбоки нарязи, той трябва да се замени. Почиствайте редовно задвижващото зъбно колело и проверявайте дали не е било подложено на интензивно износване (фиг. 7). Смазвайте челното зъбно колело с грес за лагери през отвора, показан на илюстрацията (фиг. 8).

Заточване на веригата (когато се налага)

Ако веригата не реже добре или ако е необходим силен натиск на шината върху дървото или дървесните трици са много ситни, това е знак, че веригата трябва да се заточи по подходящия начин. Ако при рязането не се отделят дървесни трици, това означава, че режещият ръб е напълно износен и че веригата разпръсва дървото по време на рязане. Добре заточената верига преминава през дървото без усилие и без натиск, при което от него се отделят големи и дълги стърготини. Режещата страна на веригата се състои от режещо звено (фиг. 9) със зъбец за рязане (фиг. 10) и показалец за ограничаване на рязането (фиг. 11). Разликата между тях определя дълбочината на рязане; за постигане на добро заточване са необходими водач за пила и кръгла пила с диаметър 4 мм. Следвайте инструкциите по-долу: След монтиране на веригата, правилно регулиране на обтягането и задействане на верижната спирачка, позиционирайте водача за пилата перпендикулярно на шината, както е показано на илюстрацията (фиг. 12), и започнете да пилите режещите зъбци под ъгъл, обозначен на (фиг. 13), като неизменно работите отвътре навън и намалявайте натиска по време на етапа за връщане (много е важно да следвате стриктно инструкциите: прекален или недостатъчен ъгъл на заточване или неправилен диаметър на пилата ще увеличат рисковете от отсканане назад). За да постигнете по-добра прецизност при страничните ъгли, се препоръчва да позиционирате пилата така, че да е на около 0,5 мм над горния ръб за рязане. Най-напред изпилете всички зъбци от едната страна, а след това обърнете инструмента обратно и повторете операцията. След операциите по заточването проверете дали всички зъбци са с еднаква дължина и дали височината на дълбокомера е с 0,6 мм по-малка от горния ръб за рязане: проверете височината с помощта на подходящ шаблон и изпилете (с плоска пила) всички издадени части, като заоблите предната част на дълбокомера (фиг. 14) и внимавате да не изпилите зъбеца за предпазване от отсканане назад (фиг. 15)

На всеки 30 часа работа

Отнасяйте инструмента в оторизиран сервис за общ преглед и контролни проверки на компонентите на спирачката.

Съхранение

Съхранявайте инструмента на хладно и сухо място, далеч от обсега на деца. Не съхранявайте инструмента на открито.

Н. ТЕХНОЛОГИИ ЗА РЪЗАНЕ

(фиг. 1) Когато работите с този инструмент, не допускайте:

- ръзване в условия, при които дънерът може да се разцепи по време на ръзането (дърветата под натиск, мъртви изсъхнали дървета и др.); внезапно разцепване може да бъде много опасно.

- блокиране на шината на веригата в процеп на ръзване: ако това се случи, изключете инструмента от електрозахранващата мрежа и се опитайте да повдигнете дънера с помощта на подходящ инструмент, напр. лост; не се опитвайте да освободите верижния трион, като го разтърсвате или издърпвате, тъй като това може да причини щети и наранявания.

- ситуации, които могат да предизвикат реакция на отскочане назад.

- работа с инструмента над височината на раменете.

- ръзване на дървета с наличие на чужди тела в тях, напр. гвоздеи

(фиг. 1) При работа с този инструмент:

- Когато извършвате ръзване по наклонен терен, винаги работете от по-високата страна спрямо дървото, за да не пострадате, ако дънерът се свлече надолу.

- При повалене на дървета винаги довършвайте работата си: ненапълно отрязано дърво може да се пречупи и да падне.

- В края на всяка операция за ръзване потребителят ще забележи значителна промяна в нивото на усилие, необходима за управление на инструмента. Изключително много трябва да се внимава да не се загуби контрол над инструмента. По-долу е представено описание на два различни типа операции за ръзване:

Извършване на ръзване чрез теглене на веригата (отгоре надолу) (фиг. 2) може да доведе до опасно внезапно движение на инструмента към дънера с последваща загуба на контрол. Когато е възможно, използвайте бронята с шипове при операции за ръзване.

Извършване на ръзване чрез тласкане на веригата (отдолу нагоре) (фиг. 3) може да доведе до опасно внезапно движение на инструмента към ползвателя, при което той да бъде ударен, или силно въздействие на "рисковата зона за отскочане назад" върху дънера, при което ще се получи силно отскочане назад; ето защо при ръзване по този начин трябва да се внимава изключително много.

Най-безопасният начин за повалене на този инструмент е дънерът да се блокира на "магаре" и да се реже отгоре надолу частта от дървото, която е извън "магарето". (фиг. 4)

Използване на броня с шипове

Когато е възможно, използвайте бронята с шипове, за да си осигурите безопасно ръзване: поставете я в кората или на повърхността на дървото, за да можете да контролирате по-добре инструмента.

По-долу са представени описания на типичната процедура за ръзване в различни ситуации. Трябва обаче да се прави оценка на всяка ситуация отделно, за да се определи кой метод е най-подходящ и кой създава най-малко рискове.

Дънер на земята. (Съществува риск от допир на веригата до земята след преминаване на шината през дънера). (фиг. 5)

Извършвайте ръзване отгоре надолу през целия дънер. Към края на ръзането бъдете изключително внимателни, за да предотвратите удране на веригата в земята. Ако е възможно, отрежете 2/3 от дънера, преобърнете го и отрежете останалата една трета отгоре надолу, за да намалите рисковете от удране на веригата в земята.

Дънер с опора само от единия край (съществува риск от пречупване на дънера по време на ръзането). (фиг. 6)

Започнете да режете отдолу за около 1/3 от диаметъра и след това продължете ръзането отгоре, докато разрезите се срещнат.

Дънер с опори от двата края. (Съществува риск от защипване на веригата). (фиг. 7)

Започнете да режете отгоре за около 1/3 от диаметъра и след това продължете ръзането отдолу, докато разрезите се срещнат.

Дънерът лежи на наклон. Винаги стойте от по-високата страна спрямо дънера. За да контролирате напълно инструмента, когато извършвате "презряване", освободете натиска за ръзване към края на процеса, без да отпускате хванатите ръкохватки на верижния трион. Не допускайте веригата да докосва земята.

ВНИМАНИЕ! Никога не се опитвайте да повалите дървета, ако нямате необходимия опит, и в никакъв случай не поваляйте дървета с диаметър, по-голям от дължината на шината! Такива операции трябва да се изпълняват само от опитни потребители на инструмента с адекватно оборудване.

При повалене на дървета целта е дървото да падне в най-удобното положение за последващите операции за окастриране и разрязване. (Не допускайте дървото да пада върху други дървета: Поваление на дървета, които са заплетени в други дървета, е твърде опасна операция).

Най-напред решете коя е най-добрата посока, в която да падне дървото, като направите оценка на следното: наличие на предмети или на други дървета в близост, наклон, крива, посока на вятъра и от коя страна гъстотата на клоните е най-голяма. Не пропускате да вземете предвид изсъхналите или счупени клони, които могат да се пречуршат в процеса на повалене на дървото и да създадат допълнителни рискове.

ВНИМАНИЕ! По време на операции за повалене на дървета в критични условия винаги сваляйте антифоните веднага след приключване на ръзането, за да можете да чуете необичайни шумове и предупредителни сигнали.

Предварителни операции за ръзване и определяне на пътя за отстъп.

Отстранете клоните, които пречат на работния процес (фиг. 8), като започнете отгоре надолу и след това, като все така внимавате дървото да бъде между потребителя и инструмента, отрежете, част по част, най-трудните клони.

Отстранете всички растения, които пречат на работните операции и отдайте участъка за наличие на евентуални препятствия (скални късове, корени, ровове и др.), когато планирате пътя за отстъп (който ще следвате при повалянето на дървото). Вж. илюстрацията (фиг. 9) за указания как да съумеете да свалите (А. Планираната посока на падане на дървото. В. Пътя за отстъп. С. Рисковата зона).

РЪЗАНЕ ЗА ПОВАЛЯНЕ НА ДЪРВО (фиг. 10)

За да може ползвателят да има пълен контрол над процеса на падане на дървото, трябва да се спазват следните инструкции за ръзване:

Най-напред трябва да се извърши ръзането, което определи посоката на падане на дървото: Най-напред отрежете ГОРНАТА ЧАСТ при процеп за посока от страната, на която трябва да падне дървото. Останете отдалеч на дървото, като извършвате ръзване чрез теглене на веригата, след което отрежете ДОЛНАТА ЧАСТ, която трябва да се срещне с края на горната част. Дълбочината на процепа за посока трябва да бъде 1/3 от диаметъра на дънера, с възел от поне 45° между горния и долния разрез. Точката, в която се срещат двете страни на процепа се нарича "линия за посока на ръзване". Тази линия трябва да бъде напълно хоризонтална под прави ъгли (90°) спрямо посоката на поваление на дървото.

Разрежете за поваление, които предизвиква падането на дървото, трябва да се направи на 3 до 5 см над долната част на линията за посока на ръзване при поваление, и да завърши на разстояние 1/10 по дънера от процепа. Останете отляво на дървото, като извършвате ръзване чрез теглене на веригата и бронята с шипове. Проверете дали дървото не се движи в посока, различна от планираната за падането му. Плъхнете в разреза лост за поваление или клин веднага щом това стане възможно. Неразрязаната част от дънера се нарича "паната", тъй като нейното предназначение е да "води" дървото в процеса на падане. В случаите, когато разрезите са недостатъчни, не са прави или не е направено пълно презряване, падането на дървото не може да се контролира (изключително опасна ситуация!). Поради тази причина различните разрези трябва да се изпълняват precisely. След приключване на операциите за ръзване дървото започва да пада. Ако е необходимо, процесът на падане може да се подпомогне с клинове или с лостове за поваление.

Ръзване на клони

След повалянето на дървото дънерът трябва да се окастри: т.е. клоните да се отстранят от стъблото. Не подценявайте тази операция, тъй като повечето инциденти с "отскочане назад" настъпват през този етап. Поради тази причина обръщайте особено внимание на положението на челната част на шината по време на операциите за ръзване и винаги работете отляво на дънера.

I. ИНФОРМАЦИЯ ЗА ОКОЛНАТА СРЕДА

Този раздел съдържа полезна информация за поддържане на екологичната съвместимост такава, каквато е при първоначално проектирания инструмент, както и във връзка с правилното използване и изхвърляне на маслото за веригата

ИЗПОЛЗВАНЕ НА ИНСТРУМЕНТА

Операциите за пълнене на резервоара за масло трябва да се извършват така, че да не се допуска разливане на масло и замърсяване на почвата и околната среда.

ИЗХВЪРЛЯНЕ

Не изхвърляйте инструмента по неподходящ начин, след като стане неизползваем. Предайте го на оторизирана организация за правилно изхвърляне в съответствие с действащите разпоредби.



Символът на инструмента или на опаковката му показва, че този продукт не трябва да се третира като домакински отпадък. Вместо това той трябва да се предава в съответния пункт за събиране и рециклиране на електрическо и електронно оборудване. Като се погрижите за правилното изхвърляне на този инструмент, вие ще съдействате за предотвратяване на евентуални негативни последици за околната среда и човешкото здраве, които в противен случай биха могли да настъпят вследствие на неправилното изхвърляне на този инструмент. За по-подробна информация относно рециклирането на този инструмент се свържете с местните общински власти, службата за изхвърляне на домакински отпадъци или към магазина, от който сте закупили инструмента.

J. ТАБЛИЦА ЗА ОТСТРАНЯВАНЕ НА НЕИЗПРАВНОСТИ

	Електромоторът не стартира	Електромоторът се включва трудно или губи мощност	Инструментът се включва, но не реже правилно	Електромоторът се включва неправилно или при намалени обороти	Спирачните устройства не спират веригата правилно
Проверете дали има мрежово електрозахранване	●				
Проверете дали инструментът е включен правилно в контакта	●				
Проверете дали кабелът/удължителният кабел не е повреден	●				
Проверете дали верижната спирачка не е задействана	●				
Проверете дали веригата е слобена и натегната правилно		●	●		
Проверете дали смазването на веригата е в съответствие с посоченото в глави F и G			●		
Проверете дали веригата е заточена			●		
Проверете дали температурният преносвач не е задействан	●				
Свържете се с оторизиран сервиз	●	●		●	●

K. РЕЗЕРВНИ ЧАСТИ

35 cm	Верига	91PJ052XN	Номер на част:	530051538
	Водеща шина		Номер на част:	576965401
40 cm	Верига	91PJ056XN	Номер на част:	530051539
	Водеща шина		Номер на част:	576965201

L. ДЕКЛАРАЦИЯ ЗА СЪОТВЕТСТВИЕ НА ЕС

Husqvarna AB, S-561 82, Huskvarna, Sweden

Декларира единствено на своя собствена отговорност, че продуктът(ите);

Обозначение **Вериген трион**
Обозначение на типа(овете) . **CSE1835, CSE1935S, CSE2040, CSE2040S**
Идентификация на серия **Вж. етикета с данни на инструмента**
Година на производство **Вж. етикета с данни на инструмента**

Отговаря на главните изисквания и разпоредби на следните Директиви на ЕС:
2006/42/EC, 2004/108/EC, 2000/14/EC, 2011/65/EU

въз основа на средните приложени хармонизирани стандарти на EU:
EN60745-1, EN60745-2-13, EN55014-2, EN55014-1, EN61000-3-2, EN61000-3-11

Наблюдаващ орган, провел изпитванията от ЕС тип
в съответствие с член 8 раздел 2с TÜV Rheinland LGA Products GmbH
Tillystraße 2
D-90431 Nürnberg
Germany

Сертификат №. BM 50268379

Максималното А отчетено ниво на звуково налягане L_{pA} на мястото на работа, измерено съгласно EN60745-2-13, е дадено в таблицата.

Максималната отчетена стойност на вибрации за дланта/ръката a_{h1} , измерена съгласно EN60745-2-13 на представителен екземпляр от горния(те) продукт(и), е дадена в таблицата.

Декларираната стойност на общи вибрации е измерена по стандартен тестов метод и може да се използва за сравнение на един инструмент с друг.

Декларираната стойност на общи вибрации може да се използва и за предварителна оценка на степента на излагане.

Предупреждение:

Действителното ниво на вибрации при употреба може да се различава от декларираната стойност на общи вибрации в зависимост от начина на използване на инструмента.

Операторите трябва да спазват мерки за защита и безопасност, които са определени въз основа на оценка на излагането при условия на действителна употреба (като се вземат предвид всички компоненти на работния цикъл, като напр. периодите, през които инструментът е изключен и тези, през които работи на празен ход, в допълнение към времето за задействане).

2000/14/EC: Измерените стойности на звукова мощност L_{WA} и гарантирана звукова мощност L_{WA} са в съответствие с цифрите в таблицата.

Процедура за оценяване на съответствиеАнекс V

Ulm 12/02/2013

P. Lamelli

Глобален директор изследвания и разработки -

Ръчни инструменти

Съхраняващ техническата документация



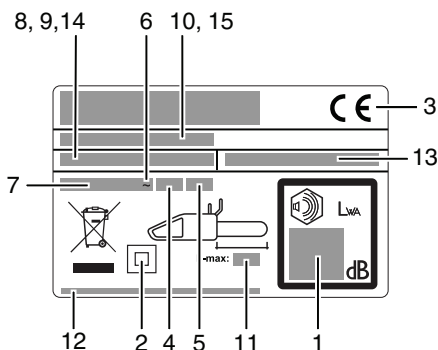
Тип (CSE_____)	1835	1935S	2040	2040S
Сухо тегло (Kg)	4,3	4,5	4,4	4,6
Мощност (kW)	1,8	1,9	2,0	2,0
Обем на резервоара за масло (cm ³)	240	240	240	240
Максимална дължина на водещата шина (cm)	35	35	40	40
Съпка на веригата (mm)	9,52	9,52	9,52	9,52
Дебелина на веригата (mm)	1,3	1,3	1,3	1,3
Измерено звуково налягане L_{pA} (dB(A))	106	106	106	106
Гарантирана звукова мощност L_{WA} (dB(A))	110	110	110	110
Звуково налягане L_{pA} (dB(A))	95	95	95	95
Неопределеност K_{pA} (dB(A))	2,5	2,5	2,5	2,5
Вибрации за дланта/ръката a_{h1} (m/s ²)	7,28	7,28	8,08	8,08
Неопределеност K_{ah} (m/s ²)	1,5	1,5	1,5	1,5
Импеданс на мрежата Z_{max} (Ohm)	0,382	0,382	0,382	0,382

EN 61000-3-11 Декларация за съответствие

В зависимост от характеристиките на местната електрозахранваща мрежа при използването на този инструмент може да възникнат кратки спадове на напрежението в момента на включването му. Това може да се отрази на други електрически устройства, напр. моментално затъмняване на електрическа крушка. Ако **импедансът Z_{max}** на вашето мрежово електрозахранване е по-малък от стойността, посочена в таблицата (приложима за вашия модел), тогава тези явления няма да се наблюдават. Стойността на импеданса на мрежата можете да научите, като се обадите на службата за електрозахранване

А. ЗАГАЛЬНИЙ ОПИС

- | | |
|---|--|
| <ol style="list-style-type: none"> 1) Задня рукоятка 2) Задній захист руки 3) Передня рукоятка 4) Передній захист руки/гальмо ланцюга 5) Зовнішня рукоятка пристрою для натягування ланцюга 6) Болт для натягування ланцюга 7) Штир натягування ланцюга 8) Кришка бака мастила 9) Вікно контролю рівня мастила 10) Отвори для вентиляції 11) Кабель 12) Керівництво 13) Вимикач 14) Блокування вимикача 15) Ланцюг 16) Зубець приводу 17) Ланка різання 18) Обмежувач глибини різання | <ol style="list-style-type: none"> 19) Зубець різу 20) Шина 21) Кришка тягової зірочки 22) Тягова зірочка 23) Штир зупинки ланцюга 24) Гвинт фіксації шини 25) Внутрішня рукоятка, що фіксує пильну шину 26) Гайка, що фіксує пильну шину 27) Коліщатко наконечника 28) Захисний чохол шини 29) Гак 30) Гніздо штиря натягування ланцюга 31) Отвір мастила 32) Напрямний жолоб 33) Гайковий ключ/викрутка |
|---|--|



Приклад етикетки

- 1) Гарантований рівень звукової потужності відповідно до Директиви 2000/14/ЕС
- 2) Інструмент класу II
- 3) Маркування відповідності ЄС
- 4) Номінальна частота
- 5) Номінальна потужність
- 6) Змінний струм
- 7) Номінальна напруга
- 8) Тип
- 9) Код виробу
- 10) Рік виготовлення
- 11) Максимально припустима довжина шини
- 12) Назва й адреса виробника
- 13) Артикул номер (Електрична ланцюгова пила)
- 14) Модель
- 15) Серійний номер

В. ЗАХОДИ БЕЗПЕКИ

ЗНАЧЕННЯ СИМВОЛІВ



Увага!
Уважно прочитайте керівництво



Захисні черевки



Каска, навушники і захисні окуляри
або захисний козирок



Рукавиці для захисту від порізів



Довгі штани для захисту від порізів



Гальмо дезактивоване,
активоване



Вийняти вилку, якщо набель
пошкоджений



Не підпускайте сторонніх осіб



Напряв зубця різки.



Завжди тримайте
інструмент обома руками



Небезпека віддачі



Не залишайте під дощем
або у вологому
середовищі.



Масило ланцюга



Не робити...



Виключити машину



Вийняти вилку перед регулюванням
або чисткою.



Ризик ураження електричним
струмом

Загальні застереження щодо дотримання вимог техніки безпеки і усіх інструкцій при користуванні електроприладом



ПОПЕРЕДЖЕННЯ: Прочитайте усі застереження щодо дотримання вимог техніки безпеки і усі інструкції. Недотримання застережень та інструкцій може призвести до ураження електричним струмом, пожежі і/або серйозного травмування.

Збережіть усі застереження та інструкції для подальшого використання.

Термін «електроінструмент» у застереженнях стосується інструментів, які працюють від електричної мережі (через шнур) або акумуляторних (бездротових) інструментів.

1) Техніка безпеки на робочому місці

a) **Забезпечуйте порядок та добре освітлення в робочій зоні.** Безлад і погане освітлення сприяють нещасним випадкам.

b) **Не користуйтеся електроінструментом у вибухонебезпечному середовищі, наприклад поблизу легкозаймистих рідин, газів чи пилу.** Електроінструменти утворюють іскри, які можуть запалити пил або випари.

c) **Не дозволяйте дітям і стороннім людям наблизитися до вас, коли ви працюєте з електроінструментом.** Ви можете відволіктися і втратити контроль.

2) Електронезбезпека

a) **Вилки електроінструментів повинні підходити до розеток.** Ніколи не переробляйте вилку.

Не використовуйте жодних перехідників для заземлених електроінструментів. Неперероблені вилки і відповідні розетки зменшують ризик ураження електричним струмом.

- b) Уникайте контакту із заземленими поверхнями, наприклад трубопроводами, радіаторами, електроплитами чи холодильниками. За таких умов існує підвищений ризик ураження електричним струмом.
- c) **Не залишайте електроінструменти під дощем чи у вологому середовищі.** Вода, яка потрапляє в електроінструмент, збільшує ризик ураження електричним струмом.
- d) **Не дозволяється використовувати шнур не за призначенням.** Ніколи не використовуйте шнур для перенесення, перетягування чи виймання вилки електроінструменту з розетки. Тримайте шнур дедалі від гарячих, масляних поверхонь, гострих країв або рухомих частин. Пошкоджені або заплутані шнури збільшують ризик ураження електричним струмом.
- e) **Під час експлуатації електроінструмента просто неба, використовуйте подовжувач шнура, який підходить для застосування на відкритому повітрі.** Використання шнуру, який підходить для застосування на відкритому повітрі, зменшує ризик ураження електричним струмом.
- f) **При експлуатації електроінструмента у вологих місцях, підключайте його до мережі, обладнаній пристроєм захисного вимкнення.** Використання ПЗВ зменшує ризик ураження електричним струмом.
- 3) Особиста безпека
- a) **Будьте пильними, слідуйте за тим, що робите та дотримуйтеся правил здорового глузду під час експлуатації електроінструмента.** Не використовуйте електроінструмент, коли ви втомлені або перебуваєте під впливом наркотиків, алкоголю або ліків. Втрата уваги на мить під час експлуатації електроінструмента може призвести до серйозної травми.

- b) Використовуйте засоби індивідуального захисту. Обов'язково необхідно користуватися засобами захисту для очей. Засоби захисту, наприклад: протипиловий респіратор, нековзані захисні черевички, наскра або засоби захисту органів слуху, які використовуються у відповідних умовах, зменшують ризик травм.
 - c) Запобігання ненавмисному запуску. Переконайтеся, що перемикач знаходиться у вимкненому положенні перш ніж підключити інструмент до джерела електроживлення /або до акумуляторної батареї, а також при піднятті або перенесенні інструмента. Перенесення електроінструментів, тримаючи пальці на перемикачі або підключенні у працюючому може призвести до нещасного випадку.
 - d) Приберіть усі регульовані клини або гайкові ключі перш ніж вимкнути електроінструмент. Гайковий ключ або клин у контакті з обертовою частиною електроінструмента можуть призвести до травм.
 - e) Не тягніть далеко. Завжди зберігайте рівновагу і баланс. Це дозволить краще контролювати електроінструмент у непередбачених ситуаціях.
 - f) Одягайте належним чином. Не одягайте широкий одяг або ювелірні прикраси. Тримаєте волосся, одяг і рукавички далеко від рухомих частин. Широкий одяг, ювелірні прикраси або довге волосся можуть захопити рухомі частини.
 - g) Якщо передбачене під'єднання пилососмоктувача чи пилосбірника, переконайтеся, що вони прикріплені належним чином. Використання пилосбірника може зменшити безпеку, пов'язану з пилом.
 - 4) Експлуатація та догляд за електроінструментом
 - a) Не форсуйте роботу електроінструмента. Вибирайте електроінструмент, що підходить для ваших потреб. Належний електроінструмент працюватиме краще і безпечніше на тій швидкості, яка для нього призначена.
 - b) Не користуйтеся електроінструментом, якщо це працює перемикач вимкнення/вимикання. Будь-який електроінструмент, яким неможливо керувати за допомогою вимкача, є небезпечним та підлягає ремонту.
 - c) Витягніть вилку з розетки /або вийміть акумуляторну батарею з електроінструмента перш ніж щось в ньому регулювати, міняти насадку або прибирати електроінструмент на зберігання. Такі запобіжні заходи зменшують ризик ненавмисного запуску електроінструмента.
 - d) Вимкнені електроінструменти зберігайте у недоступному для дітей місці і не дозволяйте користуватися ним особам, які не ознайомилися з роботою електроінструмента або з цією інструкцією. Електричні інструменти становлять небезпеку в руках невідготовлених користувачів.
 - e) Технічне обслуговування електроінструментів. Перевіряйте рухомі частини на зміщення чи заїдання, наявність зламаних частин, а також інший стан, який може вплинути на роботу електроінструмента. У разі пошкодження відремонтуйте електроінструмент, перш ніж користуватися ним. Багато нещасних випадків виникають внаслідок недостатнього технічного обслуговування електричних інструментів.
 - f) Підтримуйте різальну частину інструменту гострою і чистою. Належний догляд за різальними частинами інструменту забезпечує меншу вірогідність заїдання і легший контроль.
 - g) Використовуйте електроінструмент, насадки, вставні різиці, тощо у відповідності з цією інструкцією, враховуючи умови та характер роботи, яку потрібно виконати. Використання електроінструмента для цілей, інших за ті, для яких він призначений, може спричинити виникнення небезпечної ситуації.
 - 5. Технічне обслуговування
 - a) Сервісне обслуговування електроінструмента повинен виконувати кваліфікований майстер з використанням лише ідентичних запасних частин. Це гарантуватиме підтримання безпечної роботи електроінструмента.
- Правила безпечної використання ланцюгової пили:**
- Намагайтеся тримати частини тіла якнайдалі від працюючої пили. Перед вимкненням пили переконайтеся, що ланцюг ні з чим не стикається. Неуважність під час використання ланцюгової пили може призвести до затягування пилою одягу або спричинення серйозних травм.
 - Завжди тримайте пилу правою рукою за задню рукоятку, а лівою – за передню. Тримання ланцюгової пили у інший спосіб підвищує ризик травм і категорично не повинно застосовуватися.
 - Тримайте інструмент лише за ізольовані поверхні, тому що ланцюг пили може прийти в зіткнення зі схованою провідною або власним шнуром. При зіткненні ланцюга пили із проводом, що перебуває під напругою, незіольовані металеві частини інструменту можуть також потрапити під напругу, і є небезпечна, що оператор отримає удар електричним струмом.
 - Використовуйте захисні окуляри та засоби захисту органів слуху. Крім того, рекомендується використовувати засоби захисту для голови, рук, ніг і ступень. Захисний одяг, що відповідає вимогам, знижує ризик поранення відлетілою скіпою або випадкового контакту з ланцюгом.
 - Не працюйте з пилом на деревах. Робота з пилом на деревах може стати причиною нещасних випадків.
 - Завжди зберігайте надійну опору і запускайте ланцюгову пилу, лише коли стоїте на нерухомій, безпечній і рівній поверхні. Слизькі або нестійкі поверхні, такі як сходи, можуть викликати втрату рівноваги або контроль над ланцюговою пилом.
 - Срізуючі гілки, яка знаходиться під напругою, будьте готові відокнутися. Коли напруга у деревинних волокнах зникає, вітка, що спружинилася, може вдарити працівника та/або викликати втрату контролю над ланцюговою пилом.
 - Будьте особливо пильними, коли обрізуєте куці і молоді дерева. Тонкі гілки можуть захопити ланцюг пили, полетіти на вас або збити з рівноваги.
 - Переносьте вимкнену пилу за передню ручку, тримаючи її як дедалі від тіла. При транспортуванні або зберіганні пили завжди використовуйте захисний хохол шини. Належне керування пилою знижує ризик випадкового контакту з рухливим ланцюгом.
 - Змазуйте та натягуйте ланцюг, а також заміняйте насадки пили, дотримуючись інструкцій. Неналежним чином натягнутий або змазаний ланцюг може збільшити вірогідність ушкодження або віддачі пили.
 - Стежте за тим, щоб ручки пили були завжди сухими, чистими і не замасльовані. Замаслені ручки слизькі, що може викликати втрату контролю над пилом.
 - Використовуйте пилу лише для роботи з деревиною. Не використовуйте пилу для цілей, не передбачених цією інструкцією. Наприклад, не використовуйте ланцюгову пилу для різання пластику, цегельної кладки або не деревинних будівельних матеріалів. Використання пили для цілей, інших за ті, для яких вона призначена, може призвести до небезпечної ситуації.
- Причини відкидання пили та його запобігання:**
- Відкидання пили відбувається, коли верхня частина шини торкається будь-якого предмета або коли пила застряє у деревині.
- У деяких випадках контакт верхини ланцюга може спричинити раптову зворотну реакцію, яка виштовпує шину вгору та назад на оператора.
- Защемлення ланцюга пили у частині верхини шини може швидко штовхнути шину назад на оператора. Будь-яка з цих реакцій може спричинити втрату контролю над пилом, що може спричинити серйозне травмування. Не покладайтеся виключно на запобіжні механізми, вбудовані у пилу. Працюючий з ланцюговою пилом повинен завжди вживати необхідні заходи обережності, щоб уникнути травм і нещасних випадків.
- Відкидання пили можливе у результаті неналежного та/або неправильного використання інструмента або за певних умов, і може бути відвернутий при дотриманні відповідних запобіжних заходів, описаних нижче:
- Зберігайте твердий захват, утримуючи ручки ланцюгової пили обома руками; положення тіла та рук дозволить протидіяти силі відкидання. Сила відкидання може контролюватися працівником при дотриманні заходів обережності. Не відпускайте пилу з рук.
 - Не здійснюйте різання вище рівня плечей. Виконання цієї вимоги допомагає уникнути мимовільному контакту кітцевої частини шини з об'єктом і сприяє більшому контролю над ланцюговою пилом у непередбачених ситуаціях.

- При заміні використовуйте тільки зазначені виробником шини та ланцюги. Невідповідні зміни ланцюга та шини можуть привести до поломки ланцюга та/або відкидання пили.
- Виконуйте технічний огляд і заточення пили відповідно з інструкцією виробника. Зношування обмежувача глибини різання може привести до посилення відкидання пили.

Додаткові рекомендації з техніки безпеки

1. **Використання керівництва.** Будь-який працівник, що користується цим інструментом, зобов'язаний дуже уважно ознайомитися з керівництвом користувача. Керівництво користувача має виходити до комплекту у разі продажу чи передачі іншої сабії.
2. **Запобіжні заходи до застосування інструмента.** У жодному разі не дозволяйте користуватися інструментом особам, що не ознайомилися з інструкціями керівництва. Особи без досвіду роботи повинні пройти етап підготовки, і працювати пилою з обов'язковим застосуванням козел.
3. **Контрольна перевірка.** Кожен раз перед використанням ретельно перевіряйте інструмент, особливо якщо він використовувався протягом тривалого часу або якщо спостерігаються ознаки несправності. Перед використанням виконайте всі дії, описані в розділі «Технічне обслуговування – і зберігання».
4. **Ремонт і технічне обслуговування.** Всі компоненти інструмента, які можна замінювати самостійно, детально описані у розділі «Монтаж/демонтаж». Всі інші компоненти виробу при необхідності замінюються тільки в офіційному сервісному центрі.
5. **Спецодяг. (мал. 4)** До комплекту спецодягу для роботи з ланцюговою пилою входять: захисний одяг, що облягає, безпечне взуття на неслизкій підшві, удароміцні та протипорізні шитки на миску черевика, непрорізувальні антивібраційні рукавички, захисні окуляри або безпечна маска, засоби захисту органів слуху та захисна каска (при небезпеці падіння об'єктів).
6. **Шкідливі умови експлуатації. – Вібрація і рівень шуму.** Тривале використання інструменту та шум і вібрації можуть викликати у працівників дратівливість, стрес, втому та гіпоакзію (порушення слуху). Тривале використання виробу піддає працівника вібрації, які можуть сприяти виникненню «синдрому білих пальців» (феномен Рейно), тунельного синдрому зап'ястя та інших подібних порушень.
7. **Шкідливі умови експлуатації. – Хімічні речовини.** Уникайте контакту масла ланцюга з поверхнею шкіри та очима.
8. **Шкідливі умови експлуатації. Висока температура.** Під час використання тягова зирочка та ланцюг істотно нагріваються. Уникайте контакту з ними.
9. **УВАГА!** Під час роботи цього приладу утворюється електромагнітне поле. Це поле може за деяких умов впливати на роботу активних або пасивних медичних імплантатів. Щоб зменшити ризик серйозних або смертельних травм, рекомендуємо особам з медичними імплантатами проконсультуватися зі своїм лікарем і виробником медичного імплантату перед початком експлуатації цього приладу.

Правила техніки безпеки при зберіганні і

транспортуванні. (мал. 12) При перенесенні пили на нове робоче місце необхідно від'єднати мережний штекер та активувати важіль гальма ланцюга. Перед транспортуванням або зберіганням надягніть на шину захисний кожух. Переносити пилку треба за ручку, направивши шину назад, а при транспортуванні на автомобілі надійно закріпити, щоб запобігти ушкодженню.

Відкидання. (мал. 14) Відкидання – це різкий реверсивний рух пили убік користувача. Як правило, він трапляється, якщо верхня частина переднього кінця шини (звана «зоною виникнення відкидання») стикнулася з будь-яким предметом, або у випадку застрягання ланцюга в стовбурі дерева. При виникненні відкидання пила стає некерованою, що може призвести до травмування або навіть до смерті. Важіль гальма ланцюга та інші запобіжні пристрої не можуть повною мірою захистити користувача від травм: користувач повинен знати, за яких умов виникає відкидання, і виключати його появи, опираючись на досвід і дотримуючись усіх правил належного використання електропили (наприклад, ніколи не обрізати кілька гілок відразу, тому що це може призвести до випадкового впливу на «зону виникнення відкидання»).

Безпека в робочій зоні

1. Ніколи не дозволяйте користуватися виробом дітям або людям, які не ознайомилися з цими інструкціями. Вік оператора може обмежуватися місцевими нормами.
2. Використовуйте цей виріб у такий спосіб та для виконання таких операцій, які описані у цій інструкції.
3. Уважно огляньте робоче місце для визначення можливих джерел небезпек (наприклад, дороги, стежки, лінії електропередач, небезпечні дерева тощо)
4. Не допускайте сторонніх осіб і тварин до робочої зони (при необхідності обгородіть її та встановіть попереджувальні знаки) у радіусі не менш 2,5 метрів х на висоту дерева; мінімальний радіус робочої зони повинен бути не менше десяти метрів.
5. Оператор або користувач несе відповідальність за нещасні випадки або шкоду, заподіяну іншим людям та їх майну.

Електробезпека

1. Рекомендується використовувати пристрій захисного відключення (ПЗВ) з номінальним струмом не більше 30 міліамперів. Навіть якщо ПЗВ встановлено, це не дає 100% гарантії безпеки, тому завжди слід дотримуватися правил техніки безпеки. Перевіряйте ПЗВ при кожному використанні виробу.
2. Перед початком роботи огляньте кабель. При виявленні ознак ушкодження або зношування кабель варто замінити.
3. Не використовуйте електропилу, якщо її кабель ушкоджений або зношений.
4. Негайно від'єднайте виріб від електромережі, якщо кабель перерізано або пошкодилася ізоляція. Не торкайтеся електричного кабелю, поки не буде електронивлення. Не ремонтуйте перерізаний або пошкоджений кабель. Замініть його новим.
5. Ваш електричний кабель повинен бути розгорнутим. Згорнуті кабелі можуть перерігтися та зменшити ефективність роботи вашого виробу.
6. Постійно стежте, щоб кабель і кабельний подовжувач перебували при роботі позаду, не створюючи джерел небезпеки для працівника і оточуючих. Переконайтеся, що ніщо не може зашкочити кабель (джерело вогню, гострі предмети та кромки, масло та ін.);
7. Розташуйте кабель так, щоб він не чіпався за сучки під час різання.
8. Завжди відключайте мережу живлення перед від'єднанням штепселів, кабельної муфти або кабельного подовжувача.
9. Відключіть живлення, від'єднайте мережний штекер і перевірте кабель на предмет ушкоджень або зношувань **перед** тим, як змотувати для зберігання. Не намагайтеся полагодити ушкоджений кабель. Для заміни кабелю зверніться до офіційного сервісного центру.
10. Від'єднайте мережний штекер відразу після завершення роботи з електропилою.
11. Завжди змотуйте кабель обережно, не перегинаючи його.
12. Підключайте лише до джерела змінного струму з напругою, вказаною на паспортній таблиці виробу.
13. Електропила має подвійну ізоляцію відповідно до стандартів EN60745. За жодних обставин не слід заземлювати будь-яку частину цього виробу.

Кабелі

1. Кабелі живлення та подовжувачі можна придбати в місцевому авторизованому сервісному центрі
2. Використовуйте тільки сертифіковані кабельні подовжувачі
3. Кабелі та подовжувачі повинні призначатися для роботи поза приміщенням та відповідати H07 RN-F або IEC 60245 позначка 66.
4. Якщо при роботі з виробом ви хочете використати кабельні подовжувачі, то повинні бути використані лише кабелі наступних розмірів:

Моделі CSE1835, CSE1935S:

- 5,0 мм²: макс. довжина 40 м
- 5,0 мм²: макс. довжина 60 м
- 8,0 мм²: макс. довжина 100 м

Моделі CSE2040, CSE2040S:

- 5,0 мм²: макс. довжина 50 м
- 8,0 мм²: макс. довжина 90 м

С. ОПИС ОБЛАДНАННЯ ДЛЯ БЕЗПЕКИ

БЛОКУВАННЯ ВИМИКАЧА

На Вашій машині встановлений цей пристрій (мал.1) який, якщо не включений, перешкоджає натисненню на вимикач для попередження випадкового включення.

ГАЛЬМО ЛАНЦЮГА ПРИ ВІДПУСКАННІ ВИМИКАЧА

Ваша машина оснащена пристроєм, який негайно блокує ланцюг при відпусканні вимикача; у тому випадку, якщо воно не працює, НЕ використовуйте машину, а віднесіть її до авторизованого сервісного центру.

ГАЛЬМО ЛАНЦЮГА/ПЕРЕДНІЙ ЗАХИСТ РУКИ

Передній захист руки (мал.2) (за умови, що машина утримується правильно) слугує для того, щоб ваша ліва рука не могла увійти до контакту з ланцюгом. Передній захист руки також приводить в дію гальмо ланцюга, включаючи пристрій, який блокує ланцюг менше, ніж за 0,15 секунд у випадку зворотного удару. Гальмо ланцюга не вклучене, коли передній захист руки натягнутий назад і заблокований (ланцюг може рухатися). Гальмо ланцюга вклучене, коли передній захист руки відведений вперед (ланцюг заблокований). Гальмо ланцюга може бути приведене в дію за допомогою поштовху вперед лівим зап'ястям, або коли зап'ястям входить у контакт із переднім захистом руки внаслідок віддачі.

Коли виріб використовується з ножем в горизонтальному положенні, наприклад, під час спилювання дерева, ланцюгове гальмо надає менший захист. (мал.3).

ПРИМІТКА: Коли гальмо ланцюга вклучається, запобіжний вимикач відключає струм від двигуна.

⚠ Вивільнення гальма ланцюга в той час, коли натиснуто вимикач, приведе пилу в дію.

ОБМЕЖУВАЧ ЛАНЦЮГА

Цей виріб обладнаний обмежувачем ланцюга (мал.4) розташованим під зіркою. Цей механізм призначений для припинення руху ланцюга у зворотному напрямку у випадку його поломки або зсуву. Цих ситуацій можна уникнути, забезпечивши правильне натягнення ланцюга (Див. розділ «D. Монтаж/демонтаж»).

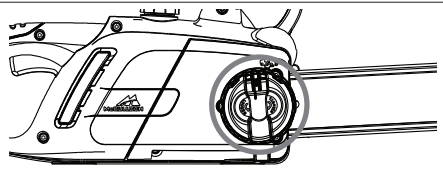
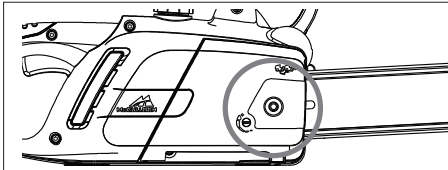
ЗАДНІЙ ЗАХИСТ ПРАВОЇ РУКИ

Служить для захисту (мал.5) руки у випадку відкидання або розриву ланцюга.

D. МОНТАЖ/ДЕМОНТАЖ

МОНТАЖ ШИНИ І ЛАНЦЮГА

Залежно від моделі машини порядок монтажу змінюється, тому необхідно керуватися малюнками, а також типом, зазначеними на етикетці виробу. Звертайте увагу на правильне виконання монтажу.



1. Перевірте, що гальмо ланцюга не вклучене, у противному випадку, відключіть його.

2a. Відкрутіть гайку, що фіксує пильну шину, та зніміть кришку тягової зірочки.

2b. Відкрутіть рукоятку, що фіксує пильну шину, та зніміть кришку тягової зірочки.

3 Утримуючи ланцюг на колишньому наконечника, надайте йому, встановлюючи в напрямному жолобі.

Увага! Переконайтеся, щоб гостра сторона зубця різання на верхній частині шини була спрямована вперед. Надгайте рукавиці.

4. Переконайтеся, що штифт для натягнення ланцюга перебуває якнайдалі від тягової зірочки. Встановіть шину на гвинт фіксації ножа та на штифт для натягнення ланцюга, і надіньте ланцюг на тягову зірочку. Встановіть на місце кришку тягової зірочки, переконавшись, що зубці приводу ланцюга знаходяться у зачепленні з тяговою зіркою та попадають у напрямний жолоб.

5a. Затягуйте рукою гайку, що фіксує пильну шину, поки вона не буде затянута не загато туго.

5b. Затягуйте рукоятку, що фіксує пильну шину, поки вона не буде затянута не загато туго.

6a. Для того, щоб натягнути ланцюг, повертайте болт для натягнення ланцюга по годинниковій стрілці, використовуючи гайковий ключ/ викрутку. Для того, щоб зменшити натягнення, повертайте болт проти годинникової стрілки (при виконанні цієї операції тримайте ніс пильної шини спрямованим нагору)

6b. Для того, щоб натягнути ланцюг, повертайте зовнішню рукоятку пристрою для натягнення ланцюга по годинниковій стрілці. Для того, щоб зменшити напругу, повертайте рукоятку проти годинникової стрілки. (при виконанні цієї операції тримайте ніс пильної шини спрямованим нагору)

7. Натягніть ланцюг доти, поки натягнення не буде правильним. Відтягніть ланцюг від пили та переконайтеся, що проміжок становить приблизно 2-3 мм

8a. Затягніть гайку, що фіксує пильну шину, використовуючи гайковий ключ/ викрутку.

8b. Закріпіть пильну шину, поки вона не буде надійно зафіксована.

При надлишковому натягненні ланцюга може відбутися загато сильне навантаження на двигун, що приведе до його uszkodження, при недостатньому натягненні може відбутися його від'єднання. Правильно натягнутий ланцюг поліпшує характеристики різання та подовжує термін його служби. Часто перевіряйте натягнення ланцюга, оскільки його довжина витягується при виконанні (особливо, якщо ланцюг новий, при першому монтажі повторно перевірте напругу через 5 хвилин після початку роботи); у жодному разі, не натягуйте ланцюг відразу після використання, а почекайте, поки він охолоне.

Якщо необхідно відрегулювати натягнення ланцюга, варто завжди послабити гайку/рукоятку, що фіксує пильну шину перед тим, як впливати на болт/ рукоятку для натягнення ланцюга; правильно натягнути його та повторно закрити гайку/ рукоятку, що фіксує пильну шину.

Е. ПУСК І ЗУПИНКА

Пуск: міцно тримаючи обидві рукоятки, вивільніть важіль гальма ланцюга. У той же час переконавшись, що рука усе ще перебуває на передній рукоятці, натисніть і тримайте натиснутим блок вимикача (**мал. Е1**), потім натисніть на вимикач (**мал. Е2**) (у цей момент блок вимикача може бути відпущений).

Зупинка: машина зупиняється, коли ви відпускаєте вимикач. У тому випадку, якщо машина не зупиниться, включіть гальмо ланцюга, від'єднайте кабель від мережі та віднесіть її до авторизованого сервісного центру.

Ф. ЗМАЩЕННЯ ШИНИ ТА ЛАНЦЮГА

УВАГА! Недостатнє змащування пристосувань різання приводить до розриву ланцюга з ризиком серйозних нещасних випадків, у тому числі смертельних. Змащування ножа і ланцюга забезпечується автоматичним насосом.

Дивіться розділ «Технічне обслуговування і зберігання», щоб переконатися, що масло ланцюга подається в достатній кількості.

Вибір масла ланцюга

Використовувати винятково нове масло (спеціального типу для ланцюгів) з доброю в'язкістю: масло повинне мати добре прилягання та забезпечувати необхідні характеристики ковзання, як влітку, так і взимку. Там, де відсутня можливість придбання масла для ланцюга, використовувати масла для трансмісії EP 90.

Ніколи не використовувати відпрацьовані масла, оскільки вони шкідливі для вас, машини та навколишнього середовища. Перевірте, що масло підходить для температури навколишнього середовища, в якому використовуватиметься пристрій: При температурах нижче 0°C деякі масла стають більш в'язкими, знайдіть навантажуючі насос і приводячі до його ушкодження. Для вибору найбільш відповідного масла звертайтеся до авторизованого сервісного центру.

Заправлення маслом

Відкрутіть пробку резервуара масла, наповніть резервуар так, щоб масло не вийшло назовні (якщо це відбудеться, ретельно очистіть мотопилу) і добре закрити пробку.

Г. ТЕХНІЧНЕ ОБСЛУГОВУВАННЯ І ЗБЕРІГАННЯ

Перш, ніж приступати до будь-якого виду технічного обслуговування і чистки, від'єднайте інструмент від мережі живлення.

УВАГА! При роботі в особливо сильно забрудненому або пильному середовищі, описані операції повинні виконуватися з більшою частотою, у порівнянні із зазначеною.

Перед кожним використанням

Перевірте, щоб насос масла ланцюга працював правильно: направте шину у напрямку до світлої поверхні, на відстані приблизно 20 сантиметрів; через хвилину роботи машини на поверхні повинні з'явитися явні сліди масла (**мал.1**).

Перевірте, що для включення та виключення гальма ланцюга не потрібне надлишкове зусилля, недостатнє зусилля і що він не заблокований. Крім того, перевірте що інструмент не вклячається занадто легко і що він не заблокований. Потім необхідно перевирити роботу, як зазначено: відключіть гальмо ланцюга, правильно візьміться за рукоятку машини та приведіть її в дію, включіть гальмо ланцюга, штовхнувши передній захист руки зап'ястям/лівою рукою, не відпускаючи при цьому рукоятки (**мал.2**). Якщо гальмо ланцюга працює правильно, ланцюг повинен бути негайно заблокований. Перевірте, що ланцюг заточений, у доброму стані та правильно натягнутий. У випадку, якщо він зношений нерівномірно або має зубець різь розміром усього 3 мм, його варто замінити (**мал.3**).

Регулярно робіть очищення вентиляційних прорізів, щоб уникнути перегріву двигуна (**мал. 4**).

Перевірте роботу вимикача та блокування вимикача (необхідно виконувати при відключеному гальмі ланцюга): включіть вимикач і блокування вимикача та перевірте, щоб вони поверталися в положенні спокою, як тільки їх відпускають; перевірте, що без включення блокування вимикача, неможливо включити вимикач. Перевірте, що штир зупинки ланцюга та захист правої руки зберегли цілісність і не мають явних пошкоджень, тобто пошкоджені матеріалу.

Кожні 2-3 години роботи

Перевірте шину, якщо необхідно, ретельно очистіть отвори мастила (**мал.5**) і напрямний жолоб (**мал.6**) У тому випадку, якщо вона зношена або має надлишкові жолоби, замінити її. Регулярно виконуйте чищення тягової зирочки і перевіряйте ступінь її зношування (**мал.7**). Змазуйте коліщатко ножа консистентним мастилом для підшипників через зазначений отвір (**мал.8**).

Заточування ланцюга (коли потрібно)

Якщо ланцюг не різє, не натиснувши шиною на дерево і утворюється дуже тонка стружка, це є ознакою того, що він погано заточений. Якщо при різанні не утворюється стружка, ланцюг повністю затупився і під час різання подрібнює дерево в пил. Добре заточений ланцюг сам просувається вперед в дереві і утворює крупну і довгу стружку.

Ріжуча частина ланцюга складається з ланки різь (**мал.9**), зубця різь (**мал.10**) і обмежувачем різь (**мал.11**). Різняця рівнів між цими елементами визначає глибину різь; для того, щоб досягти гарного заточування, необхідна напрямна напилка і круглий напилек діаметром 4 мм. Слідуйте наведеним далі інструкціям: при надітаному і правильно натягнутому ланцюзі встановіть гальмо ланцюга, встановіть направляючу напилка, як показано на малюнку, перпендикулярно шині (**мал.12**), і працюйте на зубці різь під кутом, зазначеним на малюнку (**мал.13**), здійснюючи заточування по напрямку від внутрішньої сторони до зовнішньої сторони і послаблюючи тиск на етапі повернення (дуже важливо виконувати інструкції: надлишкові, недостатні кути заточування або помилковий діаметр напилка підвищують ризик зворотного удару реакції). Для того, аби біловні кути були більш точними, рекомендується встановити напилек так, щоб він перевищував по вертикалі верхню ріжучу частину приблизно на 0,5 мм. Спочатку варто заточити всі зубці однієї сторони, потім повернути пилку і повторити операцію. Перевірте, що після заточування всі зубці мають однакову довжину і що висота обмежувачів глибини дорівнює 0,6 мм нижче верхньої ріжучої частини: перевірте висоту, використовуючи шаблон і напилки (за допомогою плоского напилка) частин, що виступають, потім закрутіть передню частину обмежувача глибини (**мал.14**), звертаючи увагу на те, щоб не сточувати також зубець захисту від зворотного удару (**мал.15**).

Кожні 30 годин роботи

Віднесіть інструмент до авторизованого сервісного центру для повного огляду і контролю пристроїв гальмування.

Зберігання

Зберігайте інструмент у прохолодному, сухому, недоступному для дітей місці. Не зберігайте надворі.

Н. ТЕХНІКИ СПИЛЮВАННЯ

(мал.1) Під час роботи варто уникати:

- пиляння стовбура у таких ситуаціях, коли він може зламатися під час різання (дерево в натягу, сухі дерева, і т.д.); несподіваний перелом може бути дуже небезпечним.
- застрягання шини або ланцюга під час різання: якщо це трапилось, від'єднайте інструмент від мережі живлення і спробуйте підняти стовбур, збільшуючи зусилля за допомогою належного інструмента; не намагайтеся звільнити інструмент, трясучи або тягучи його, оскільки ви можете пошкодити інструмент або травмуватись.
- ситуації, що можуть сприяти зворотному удару реакції.
- використання пили вище висоти плеча
- розпилювання дерева зі сторонніми предметами в ньому, наприклад, цвяхами

(мал.1) Під час роботи:

- Якщо ви працюєте на похилій поверхні, завжди стійте вище стовбура, щоб дерево не вдарило вас при падінні.
- Під час валки дерев завжди завершуйте розпочату роботу: частково спилане дерево може зламатися.
- Після закінчення кожного різання, ви помітите значну зміну необхідної для втримання машини сили. Будьте дуже обережними, щоб не втратити над нею контроль. У наведеному далі тексті описані два типи різання: Різання з ланцюгом у натягу (зверху вниз) (мал.2) що створює ризик несподіваного зсуву машини в напрямку до стовбура із втраченою контролю. Якщо можливо, варто використати гак під час різання.

- Різання з ланцюгом при натисненні (знизу догори) (мал.3) ризик несподіваного зсуву інструменту в напрямку до оператора, з ризиком удару або контакту ділянки ризику зі стовбуром, наступним зворотним ударом реакції. Будьте дуже обережними під час різання. Найбільш надійний спосіб використання машина – це блокування стовбура на козлах, з різанням зверху вниз і працюючи поза межами опори. (мал.4)

Використання гака.

Якщо можливо використовуйте гак для більш надійного різання; уведіть гак у кору або в поверхню частину стовбура, щоб краще контролювати машину.

Далі наведені типові процедури, які застосовуються в певних ситуаціях. Однак, щораз необхідно оцінювати, наскільки описана ситуація відповідає конкретному випадку, і як виконати різання із найменшим ризиком.

Стовбур на землі. (Ризик доторкнутися ланцюгом до ґрунту в кінці різання) (мал.5)

Ріжте зверху вниз через весь стовбур. Дійте з обережністю наприкінці різання, щоб уникнути зіткнення ланцюга із землею. Якщо можливо, закінчіть різати на 2/3 товщини стовбура, поверніть стовбур і розпиліть частину, яка залишилася, зверху вниз, для обмеження ризику контакту зі землею.

Стовбур, покладений на землю одним кінцем, (ризик перелому під час різання). (мал.6)

починайте різати знизу приблизно на 1/3 діаметру і закінчіть різати зверху у напрямку вже виконаного розрізу.

Стовбур, покладений двома кінцями, (ризик вдавлювання ланцюга). (мал.7)

починайте різати зверху приблизно на 1/3 діаметра. Закінчіть різати знизу у напрямку вже виконаного розрізу.

Стовбур на схилі. Завжди стійте з боку підвищення по відношенню до стовбура. Для досягнення повного контролю при наскрізному різанні необхідно знизити тиск шини на стовбур ближче до кінця різання, не послаблюючи захвату на ручках пили. Не допускайте торкання землі ланцюгом.

Валка дерев.

УВАГА! Не намагайтеся валити дерево, якщо ви не маєте необхідного досвіду, і у будь-якому випадку ніколи не валіть дерева, стовбур яких більше довжини шини! Ця операція виконується лише професіональними користувачами з відповідним обладнанням.

При рубці дерева необхідно, щоб дерево упало у найбільш зручне положення для подальшої обробки гілок і розпилення стовбура на частини. (уникайте ситуацій, коли одне дерево, коли падає, зачіпає інше: небезпечно звалювати дерева у одному місці).

По-перше, знайдіть найкраще місце для падіння дерева, оцінивши що знаходиться навколо нього, його нахил, вигин, напрямок вітру і концентрацію гілок. Враховуйте наявність сухих чи зламаних гілок, які можуть зламатися під час падіння дерева і бути небезпечними.

УВАГА! Під час валки дерев в небезпечних умовах завжди знімайте засоби захисту від шуму відразу після зрізання, щоб бути в змозі почути незвичайні шуми і будь-які попереджувальні сигнали.

Попередні операції перед зрізанням і визначення шляху відступу.

Приберіть гілки, які заважають роботі (мал. 8). Починайте працювати зверху вниз, таким чином, щоб стовбур був між вами і інструментом, приборайте найбільш складні гілки по частках. Видаліть рослини навколо дерева і перевірте наявність можливих перешкод (каміння, коріння, ями, тощо), щоб підготувати шлях відступу (під час падіння дерева); Дивіться малюнок (мал. 9) для визначення напрямку, якого слід триматися (А – напрямком передбачений для падіння дерева, В – шлях відступу, С – зона ризику).

ВАЛКА ДЕРЕВА (мал.10)

Для того, щоб забезпечити контроль над падінням дерева, слід дотримуватися наступних інструкцій зі спилювання: напрямний розріз слід робити першим для визначення напрямку падіння дерева: Спочатку відріжте ВЕРХНЮ ЧАСТИНУ спрямованої мітки на стороні, на яку дерево має упасти. Залишайтеся праворуч від дерева і ріжте із натягнутим ланцюгом. Потім відріжте НИЖНЮ ЧАСТИНУ напрямного розрізу, який має закінчуватися у кінці верхньої частини. Глибина напрямного розрізу має бути $\frac{1}{4}$ діаметру стовбура, з кутом між верхнім і нижнім розрізами щонайменше 45°. Точка перетину двох сторін розрізу називається «лінія спрямованого розрізу». Лінія повинна біти ідеально горизонтальною, зробленою під прямим кутом 90° по відношенню до напрямку падіння.

Розріз, зроблений для валки дерева, робиться на висоті 3-5 см вище нижньої частини лінії спрямованого розрізу і закінчується на 1/10 стовбура від нього. Залишайтеся ліворуч від дерева і ріжте із натягнутим ланцюгом, використовуючи крок. Перевірте, щоб дерево не рухалося у напрямку іншому за передбаченого для падіння. Якомога швидше вставте клин для валки в розріз. Нерозрізана частина стовбура називається «шарніром», оскільки вона направляє дерево, коли воно падає; у разі коли зроблено недостатньо надрізів, коли вони непрямі або повністю розрізані, падіння дерева неможливо контролювати (дуже небезпечно). Тому необхідно, щоб різні розрізи були зроблені з максимальною точністю. Після закінчення різання, дерево повинно начати падати. Якщо необхідно слід допомогти клином або важелем валки.

Обрізування суків

Після спилання дерева, стовбур слід обчистити, інакше качучи, зрізати гілки. Не слід недооцінювати цю роботу, оскільки більша частина нещасних випадків, спричинених зворотним ударом реакції, трапляються саме на цьому етапі. Тому слід звернути увагу на положення шини під час різання і завжди працювати ліворуч від стовбура.

I. ЕКОЛОГІЯ

У цьому розділі надана інформація, корисна для підтримки характеристик екологічної сумісності, закладених на етапі проектування машини, відомості з правильного використання машини та утилізації масел і палива

ВИКОРИСТАННЯ ІНСТРУМЕНТУ

Наповнення баку для мастила має здійснюватися у такий спосіб, щоб уникнути витоків у навколишнє середовище.

УТИЛІЗАЦІЯ

Не викидайте непрацюючий інструмент неналежним чином. Здайте його до відповідної організації, яка займається утилізацією відповідно до положень діючого законодавства.



Символ на виробі або на упаковці вказує на те, що цей продукт, не можна викидати як побутове сміття. Натомість, його треба здати до відповідного збірного пункту для утилізації електричного й електронного обладнання. Забезпечивши належну утилізацію продукту, ви допоможете запобігти потенційним негативним наслідкам для навколишнього середовища і здоров'я людей, що могло б мати місце у разі неналежної його утилізації. Для більш докладної інформації про утилізацію цього виробу, будь ласка, зв'яжіться з місцевою радою, службою прибирання побутового сміття або магазином, в якому ви придбали цей продукт.

J. ТАБЛИЦЯ НЕСПРАВНОСТЕЙ

	Двигун не включається	Двигун обертається погано і втрачає потужність	Машини включається, але погано ріже	Двигун обертається неправильно чи повільно	Гальмуючі пристрої блокують обертання ланцюга неправильно
Перевірте наявність струму у мережі живлення	●				
Перевірте, щоб вилка була вставлена правильно	●				
Перевірте, щоб кабель/подовжувач не були пошкоджені	●				
Перевірте, щоб гальмо ланцюга не було включене	●				
Перевірте, щоб ланцюг був правильно зібраний і натягнутий		●	●		
Перевірити змащення ланцюга, як описано у розділі F и G			●		
Перевірте, щоб ланцюг був заточений			●		
Перевірте, щоб тепловий вимикач був включений	●				
Зверніться до відповідного сервісного центру	●	●		●	●

K. ЗАПАСНІ ЧАСТИНИ

35см	ланцюг шина	91PJ052XN	Номер деталі: Номер деталі:	530051538 576965401
40см	ланцюг шина	91PJ056XN	Номер деталі: Номер деталі:	530051539 576965201

L. ДЕКЛАРАЦІЯ ВІДПОВІДНОСТІ ЕС

Husqvarna AB, SE-561 82 м. Хускварна, Швеція

заявляємо під власну виняткову відповідальність, що продукт(и):

Найменування **Ланцюгова пила**
 Тип найменування **CSE1835, CSE1935S, CSE2040, CSE2040S**
 Визначення серії **Див. паспортну табличку продукту**
 Рік виготовлення **Див. паспортну табличку продукту**

Відповідає необхідним вимогам і положенням наступних директив ЄС:

2006/42/EC, 2004/108/EC, 2000/14/EC, 2011/65/EU

Відповідно до наступних узгоджених стандартів Європейського Союзу:

EN60745-1, EN60745-2-13, EN55014-2, EN55014-1, EN61000-3-2, EN61000-3-11

Уповноважений орган, який сертифікує

у відповідності до статті 8, розділу 2с TÜV Rheinland LGA Products GmbH
 Tillystraße 2
 D-90431 Nürnberg
 Germany

Сертифікат № BM 50268379

Максимальний скоригований за частотною характеристикою A рівень звукового тиску L_{pA} на робочому місці, вимірюваний у відповідності зі стандартами EN60745-2-13, зазначений у таблиці.

Максимальне зважене значення вібрації a_{rw} що впливає на руку, вимірюване у відповідності зі стандартами EN60745-2-13 на зразку зазначеного вище продукту(ів), зазначене у таблиці.

Заявлене сумарне значення вібрації вимірялося у відповідності зі стандартним іспитовим методом і може бути використане для порівняння одного інструмента з іншим.

Заявлене сумарне значення вібрації може також бути використане для попередньої оцінки впливу.

Увага:

Вібраційна емісія при фактичному використанні електроінструмента може відрізнятись від заявленого сумарного значення залежно від того, як інструмент використовується.

Оператори повинні визначати заходи безпеки для власного захисту, на підставі оцінки впливу при фактичних умовах використання (беручи до уваги всі частини операційного циклу, такі як періоди часу, коли інструмент був виключений і коли він працював у холосту додатково до вчасного запуску).

2000/14/EC: Значення обмірюваної акустичної потужності L_{WA} і гарантованої акустичної потужності L_{WA} відповідають табличним значенням.

Процедура оцінки відповідності.....Додаток V

Ульм 12/02/2013

П. Ламеллі

Директор з глобальних і наукових досліджень

Власник технічної документації




Тип (CSE_____)	1835	1935S	2040	2040S
Суха вага (кг)	4.3	4.5	4.4	4.6
Потужність (кВт)	1.8	1.9	2.0	2.0
Ємність бака для мастила (см ³)	240	240	240	240
Максимально припустима довжина шини (см)	35	35	40	40
Крок ланцюга (мм)	9.52	9.52	9.52	9.52
Товщина ланцюга (мм)	1.3	1.3	1.3	1.3
Обмірювана акустична потужність L_{WA} (дБ(A))	106	106	106	106
Гарантована акустична потужність L_{WA} (дБ(A))	110	110	110	110
Звуковий тиск L_{pA} (дБ(A))	95	95	95	95
Погрішність K_{pA} (дБ(A))	2.5	2.5	2.5	2.5
Вібрації руки/кісті a_{rh} (м/с ²)	7.28	7.28	8.08	8.08
Рівень невизначеності K_{ah} (м/с ²)	1.5	1.5	1.5	1.5
Опір мережі Z_{max} (Ohm)	0.382	0.382	0.382	0.382

EN 61000-3-11 Положення про відповідність вимогам стандарту

Застосування приладу може призвести до короткочасного спадання напруги в момент його підключення, залежно від характеристик місцевої електромережі. Перепад напруги може вплинути на роботу інших електроприладів, наприклад, викликати тимчасове потемніння лампочки. Якщо **максимальний опір Z_{max}** вашої електромережі менший за значення, зазначене у таблиці для відповідної моделі, подібний ефект не матиме місце. Відомості про опір вашої електромережі можна отримати у місцевому центрі електропостачання.

Our policy of continuous improvement means that the specification of products may be altered from time to time without prior notice.

McCulloch is part of the Husqvarna Group. Copyright © 2014 Husqvarna AB (publ). All rights reserved. McCulloch and other product and feature marks are registered or unregistered trademarks of Husqvarna AB (publ) or of an affiliated company within the Husqvarna Group

Husqvarna AB
S-561 82
Huskvarna
Sweden

1156240-39 Rev. 2 4/02/14