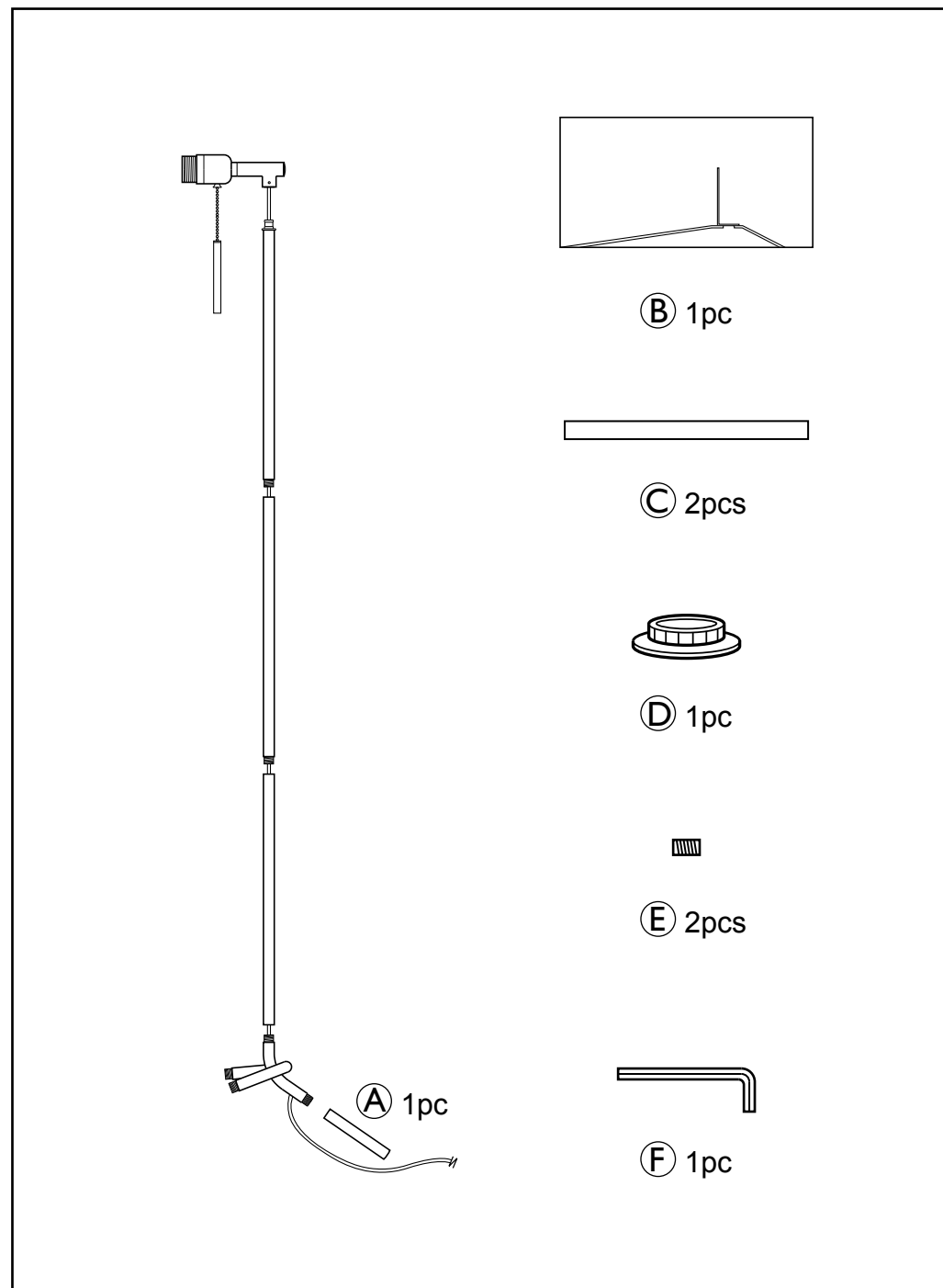
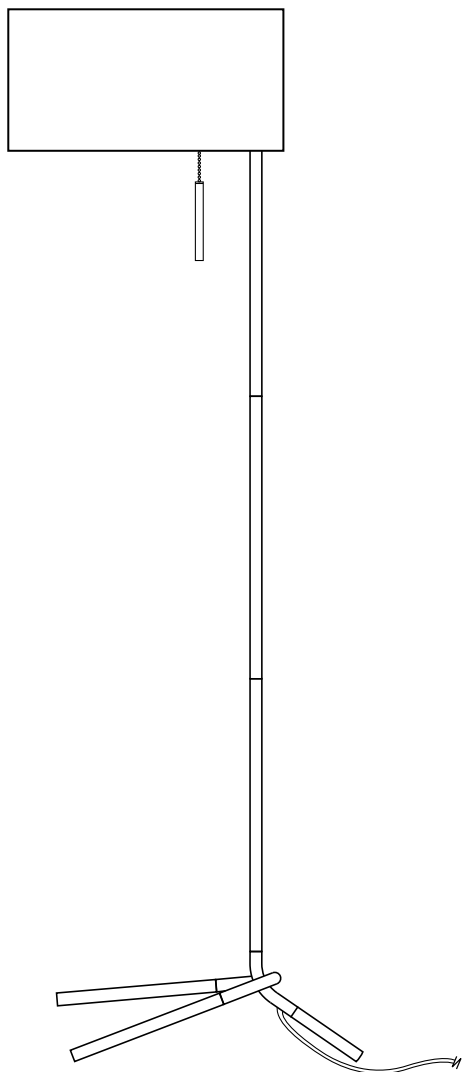


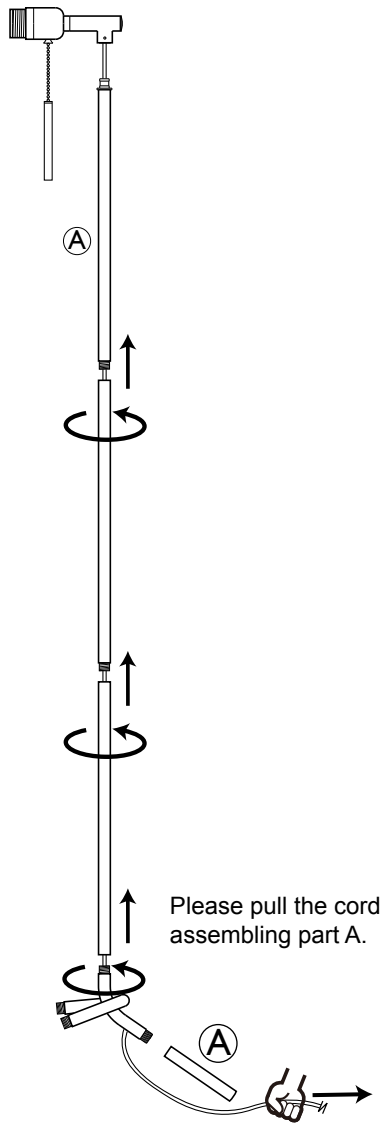
# ASSEMBLY INSTRUCTIONS

CO-308009

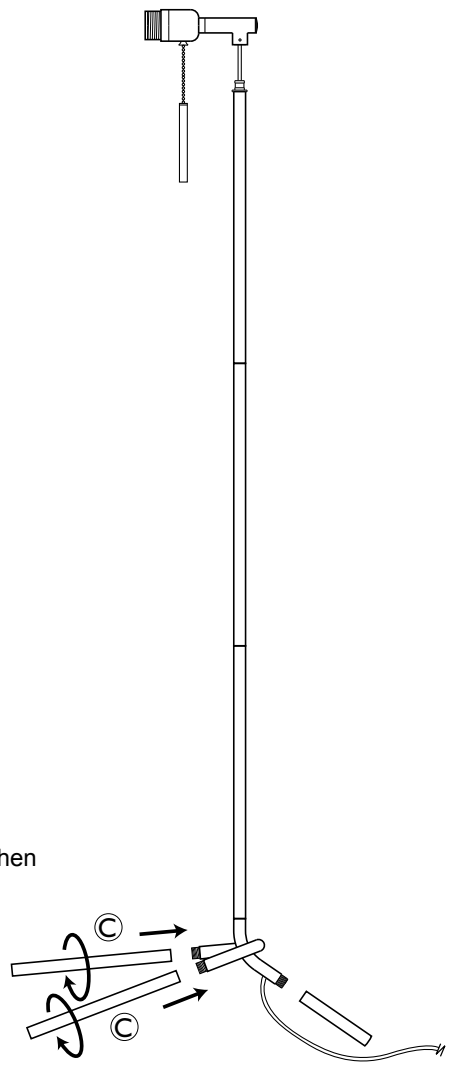


**Caution :** If the external flexible cable or cord of this luminaire is damaged, it should be replaced by a qualified person in order to avoid a hazard.

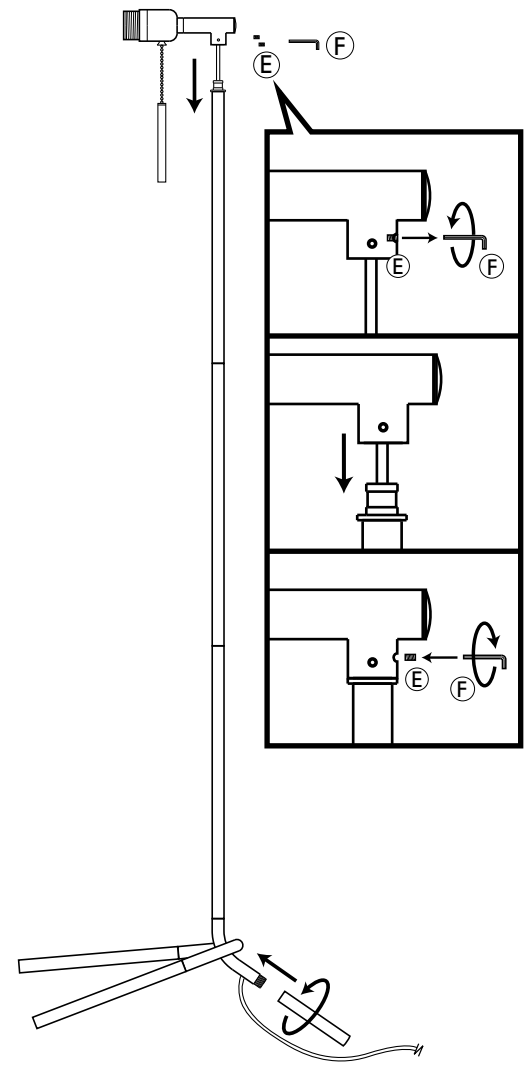
1



2



3



4

