

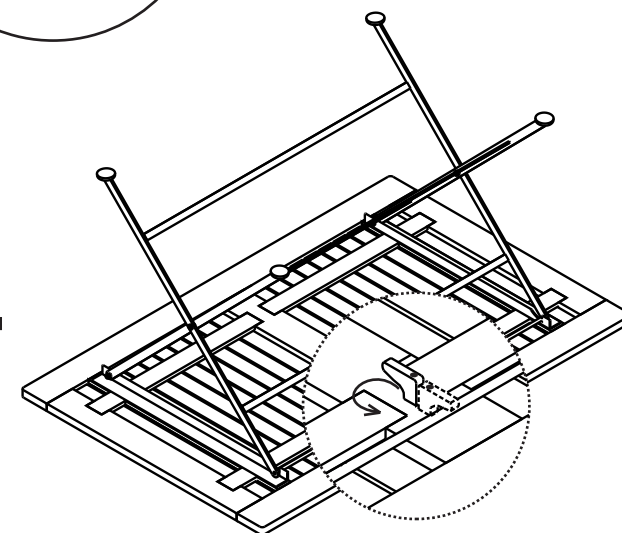
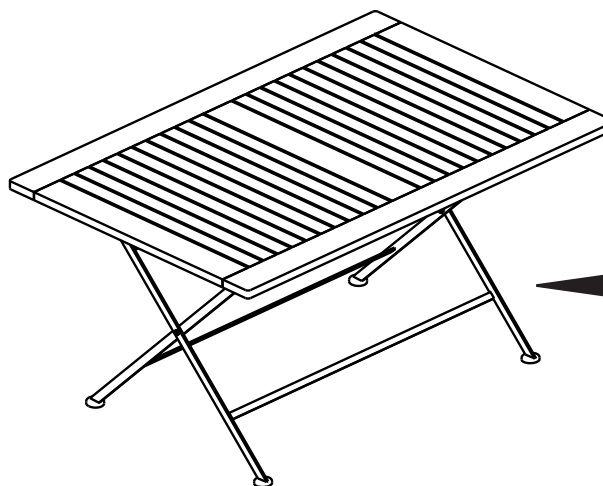
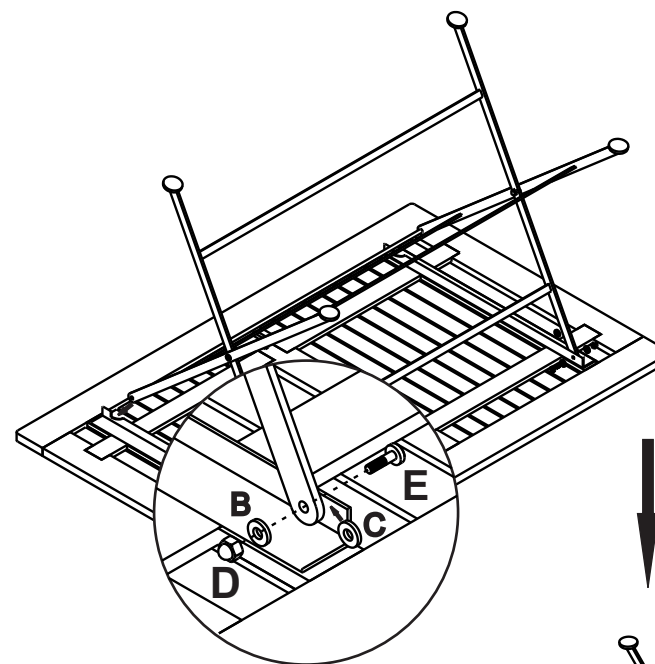
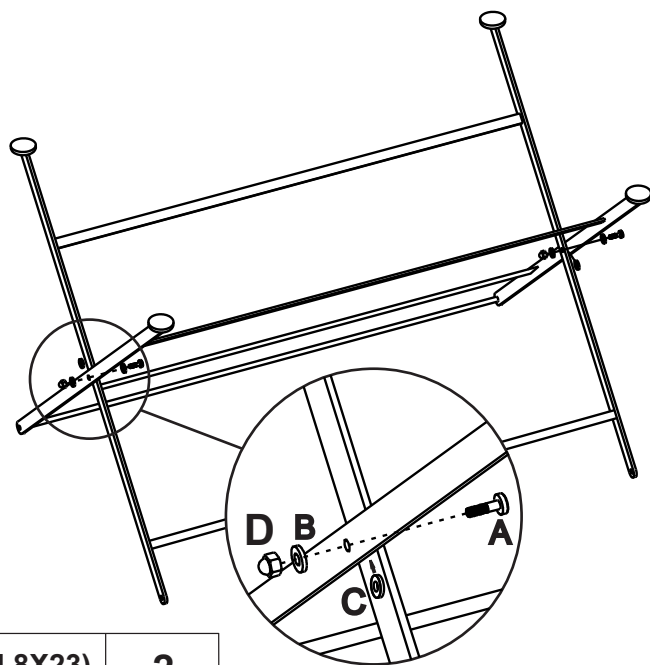


TWO PERSONS
FOR ASSEMBLY

TIME: 15 MINUTES

DE-MONTAGEANWEISUNG FR-INSTRUCTIONS DE MONTAGE IT-ISTRUZIONI DI MONTAGGIO

REDFORD FOLDING TABLE



A	(M 8X23)	2
B	(IRON)	4
C	(PLASTIC)	4
D	(IRON)	4
E	(M 8X20)	2
	(ALUMINUM)	1
	(STEEL)	1