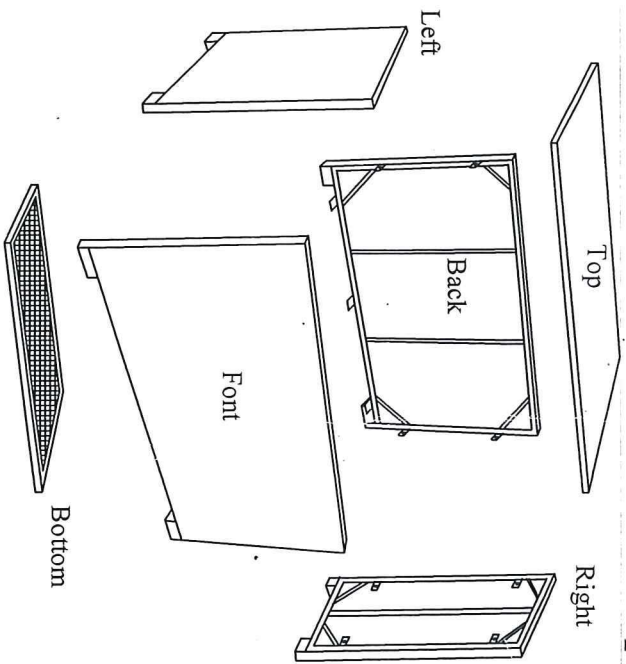
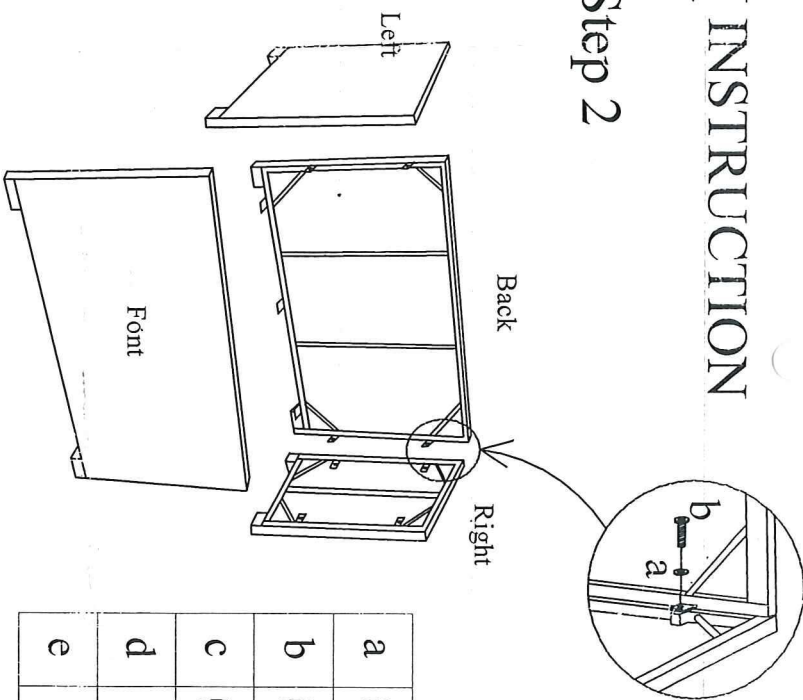


# Step 1



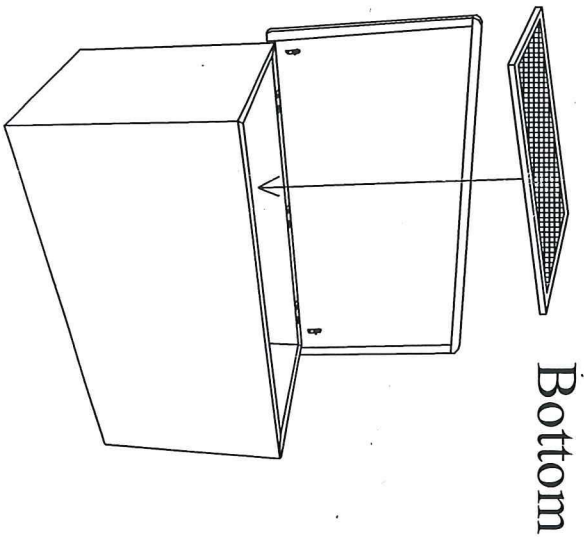
# ASSEMBLY INSTRUCTION

# Step 2

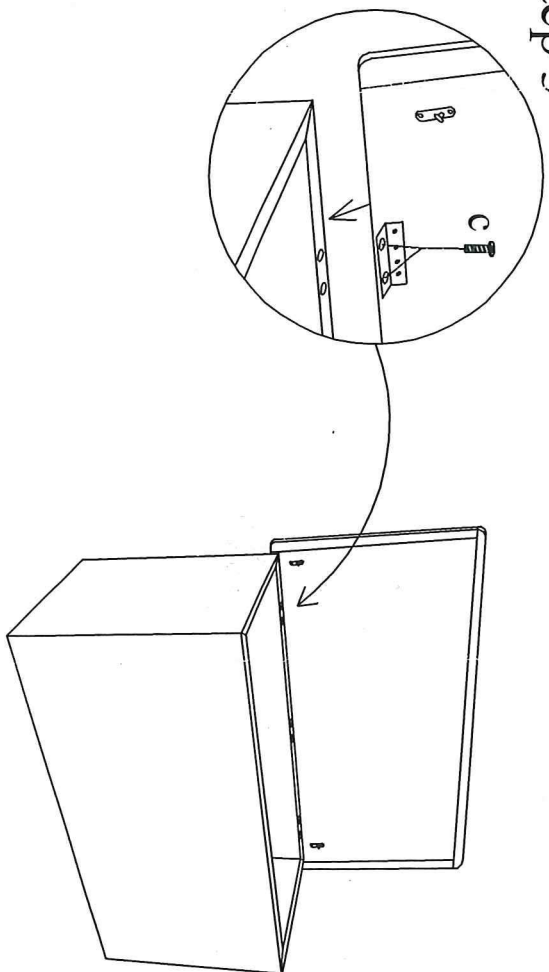


a		8 pcs
b		8 pcs
c		6 pcs
d		2 pcs
e		2 pcs

# Step 4

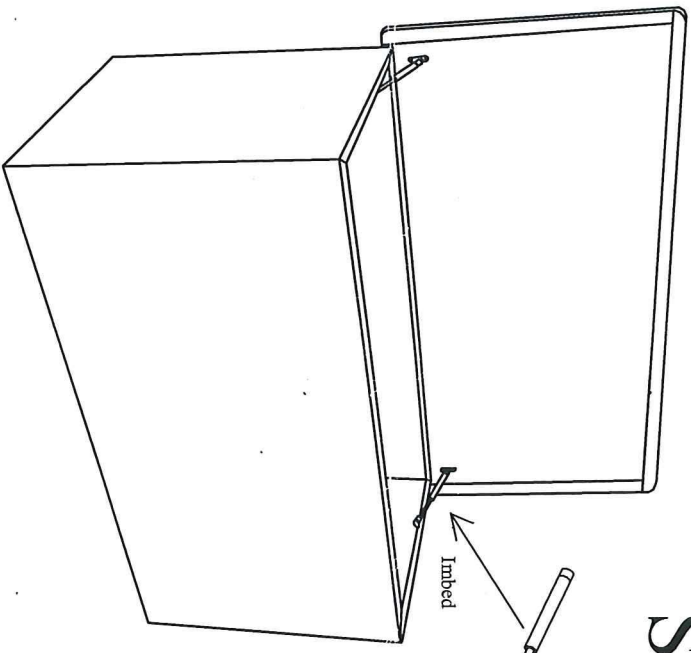


# Step 3

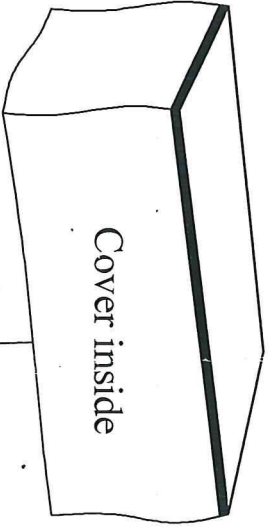
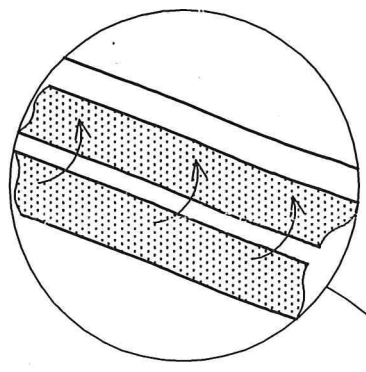


ASSEMBLY INSTRUCTION

Step 5



d



Step 6

