

Service
Service
Service



Philips Domestic Appliances and Personal Care

Service Manual

SAP coding: HQC888

PRODUCT INFORMATION

General description:

The Philishave ProStyler HQ-C888 is especially designed for men who want to choose their own personal style but do not accept any compromise on end results. Its unique and NEW 3D -technology enables men to perfectly create their own individual style.

Materials used:

- housing : ABS
- combs : PA / PC
- others : PA / POM / PP / SAN / SEBS / steel

Features:

- | | |
|---|---|
| Lubrication for life | - Maintenance free cutting unit ensures consistent high performance |
| 3D rounded teeth | - For ultimate skin protection |
| Precision Zoom Lock with 15 lengths settings (1-41 mm) | - 2 guide combs are included |
| Styler set | - Styling comb, cleaning brush, scissors, cape |
| Interactive CD rom | - The ultimate interactive way to help you style your hair (not available as spare) |
| Protective hard case | - Durable hard case for safe storage or travel |

Power supply - Rechargeable and corded (RC/AC)
 Charging time - 10 h
 Cordless operation time - 50 min

Product meets the requirements regarding interference suppression on radio and TV.

Adapter
 primary (EU) - 220-240 V - 50/60 Hz
 secondary (EU) - 1,3 V - 1500 mA
 primary (CDN / USA) - 120 V - 60 Hz
 secondary (CDN / USA) - 1,3 V - 1500 mA

Never use again a deformed housing clamp (4). After the product has been repaired, it should function properly and has to meet the safety requirements as laid down and officially established at this moment.

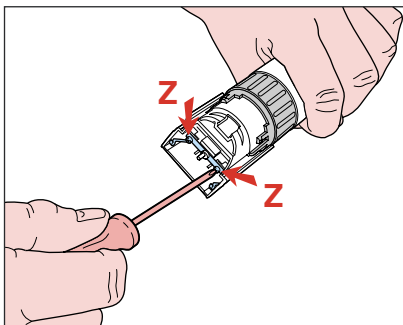
Dimensions F-box - 20,5 x 9,1 x 24,0 cm
 Weight F-box - 1,3 kg
 Weight product (with comb) - 154 g

NOTES :

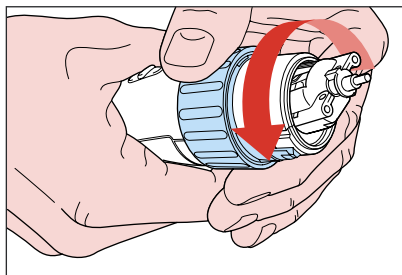
- In order to guarantee the longest possible workinglife of the battery:
 - do not charge for more than 24 hours
 - do not keep the charging unit permanently plugged in
 - discharge the battery completely once a year by letting the motor run until it stops
- The appliance should be charged again, when not used for a long period

TO OPEN THE APPLIANCE:

Remove **COMB (1 or 2)**
CUTTER (3)
SCREWS (Z)

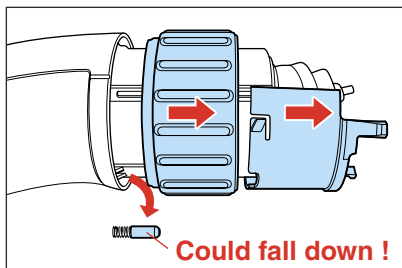
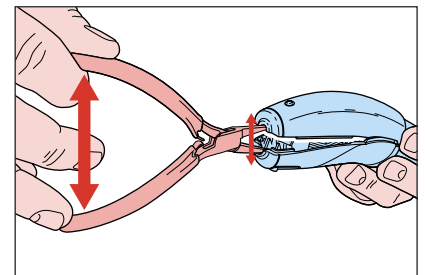


Remove **HOUSING CLAMP (4)**
TILTHOUSING (5)
COMBHOLDER (6)



Turn the zoomring (7), till the combholder (6) is on its highest position. After that, go on turning the zoomring (7), with a little bit more force, till the combholder (6) comes out of his seat.

Remove **ZOOMRING (7)**
ZOOMRING SPRING (8)
 open **HOUSING PARTS (9)**



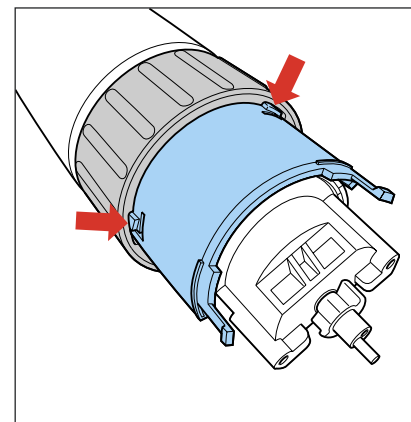
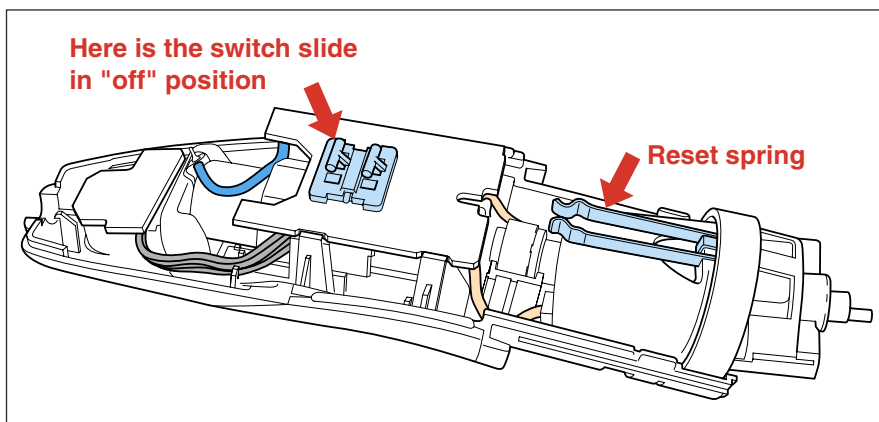
Note:
 When you are opening the housing parts (9), you have to order them new, because of breaking snap hooks. Also you have to use the LED insert (X), switch lever (Y), on/off knob (11) and the panel (10) from the old housing parts, because a new ordered housing set (9) comes without above mentioned parts.

ASSEMBLY ADVISE

HQ-C888

Before closing the housing parts (9), be sure, that all wirings are on their correct positions, the switch slide is at the "off" position (back position) and the reset spring is in the center of the appliance (because you are able to turn the motor unit left and right).

Take care, that the nocks of the comb holder (6), fit perfectly into the grooves of the zoom ring (7).



REPAIR INSTRUCTIONS

- No specific issues

OPTIONAL (ACCESSORIES)

- No specific issues

PARTS LIST

Pos	Service code	Description
1	4203 035 78940	Large comb
2	4203 035 78950	Small comb
3	4203 035 78960	Cutter
4	4203 035 78970	Housing clamp
5	4203 035 78980	Tilthousing
6	4203 035 79000	Combholder
7	4203 035 78990	Zoomring
8	4203 035 71380	Spring Zoomring
9	4203 035 79070	Housing set
10	4203 035 79030	Panel
11	4203 035 79020	On / Off Knob
12	4203 035 79050	Accuholder
13	4203 035 77100	Rechargeable Battery NiCd
	4822 138 10551	Rechargeable Battery NiMh
14	4203 035 79040	PCB
15	4203 035 73670	Motor - DC
16	4822 690 30434	Scissors
17	4822 690 30433	Barbers comb
18	4822 479 30183	Cleaning brush
19	4822 690 30441	Adapter - EU
	4822 690 30442	Adapter - GB
	4822 690 30443	Adapter - USA
	4822 690 30444	Adapter - CANADA
	4822 219 10149	Adapter - AUS

