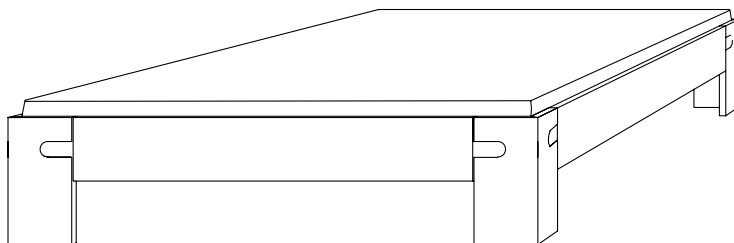
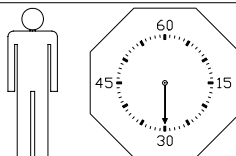
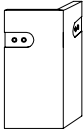


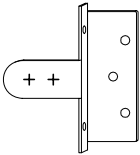
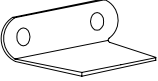
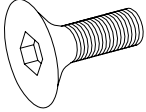

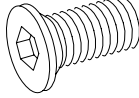
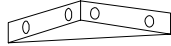
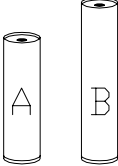


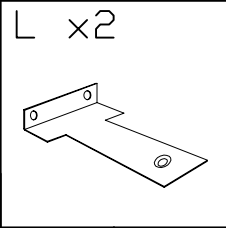
4044.111.001.01-03  
4044.112.001.01-03  
PANORAMA CUBE  
Bett



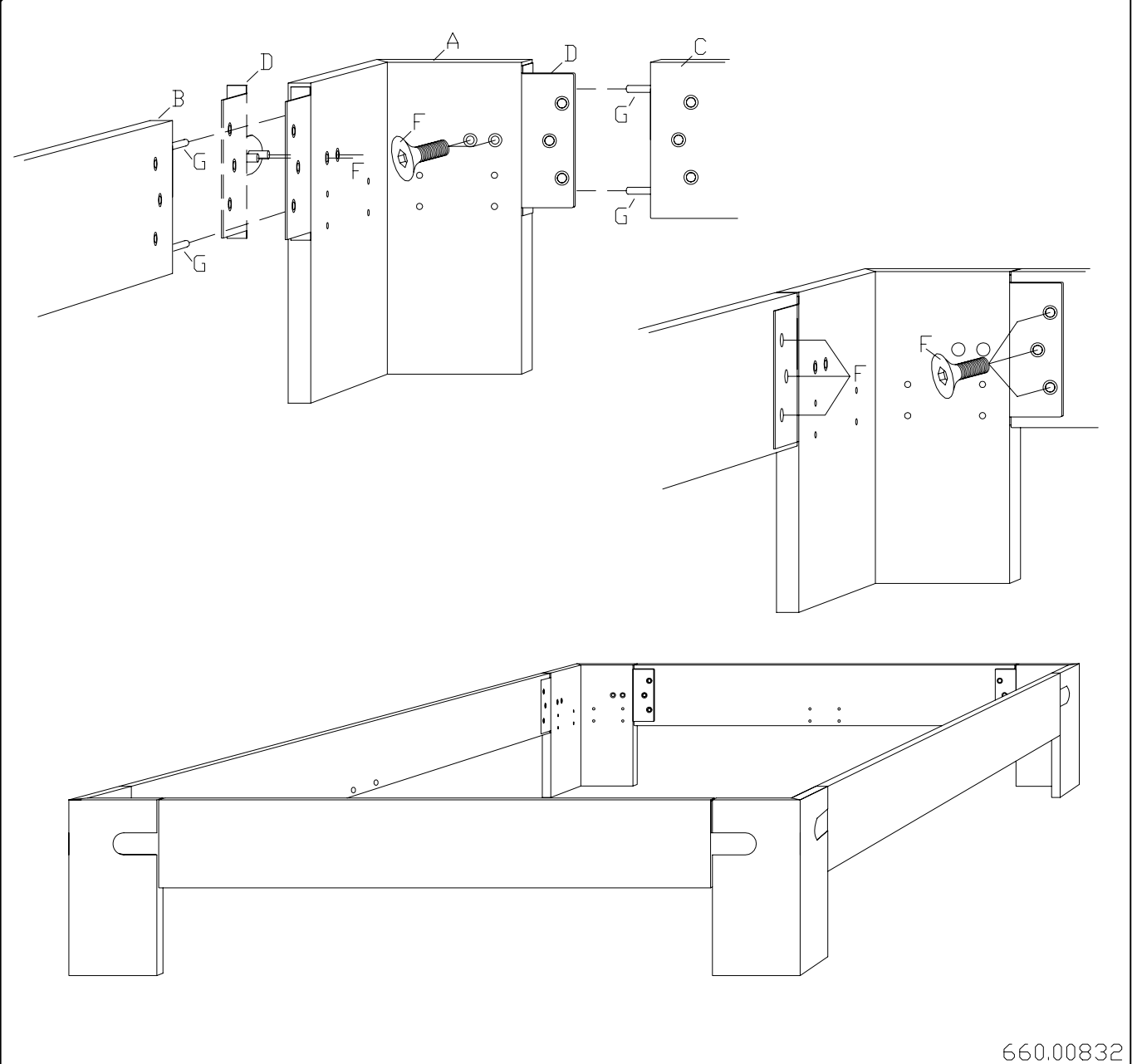
Benötigte Werkzeuge – Outils Nécessaires – Tools Required – Attrezzi Necessari



|   |  |  |   |   |   |
|---|--|--|---|---|---|
| <p>A x4</p>  | <p>B x2</p>   | <p>C x2</p>  | <p>D x8</p>  |   |   |
| <p>E x2</p>  | <p>F x42</p>  | <p>G x16</p>  | <p>H x24</p>   | <p>J x4</p>  | <p>K x2</p>  |

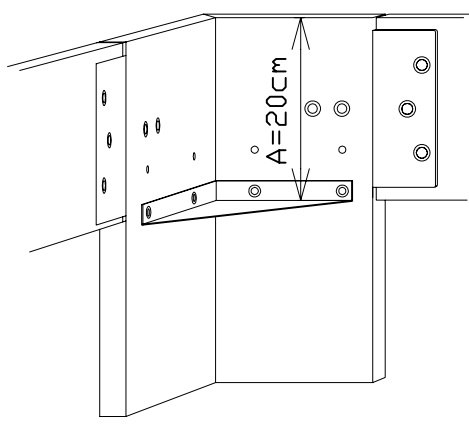


1.

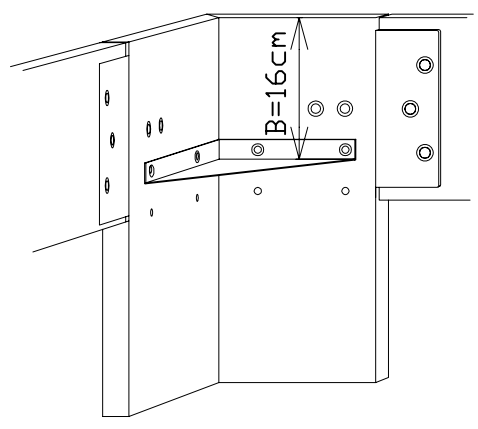


2.

Variante A

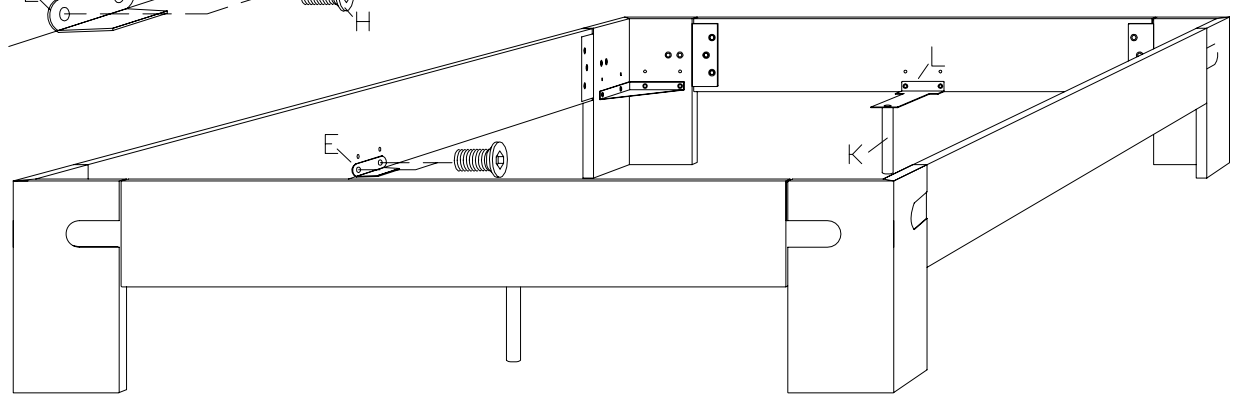
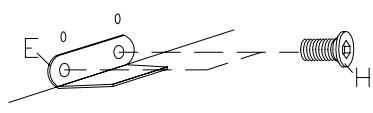
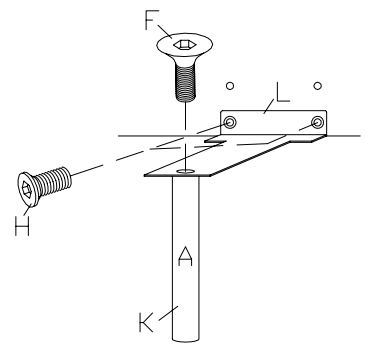
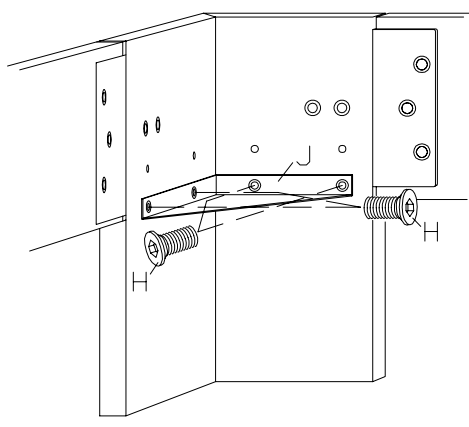


Variante B



3.

Variante A



4.

# Variante B

