

Assembly instructions

General advice



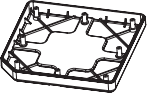
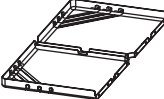

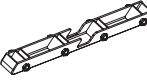



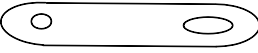
ET9493 KD Plastic base

Please take a few moments to read these instructions for use thoroughly and keep them in a safe place for future use. Check all the parts are present. please follow the instructions exactly.

Caution

1. While assembling, keep children away.
2. Do not erect the umbrella on soft, muddy or sandy surfaces.
3. Users must be cautioned to carry out a stability check if the pedestal(base) with the put-up sunshade on, to fold up or remove the sunshade completely when it is windy, and not to drop the pedestal(base).

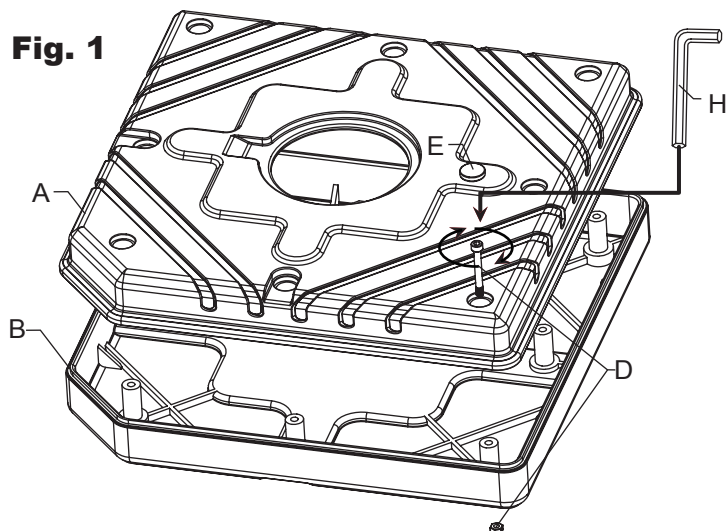
Parts list

Description	Part #	Qty.	Description	Part #	Qty.
 Tank top	A	4	 Bolts cover	E	32
 Tank bottom	B	4	 Plastic cover A	F	2
 Tank cap	C	4	 Plastic cover B	G	2
 Bolts & Nuts	D	24	 Allen Key	H	1
 M6x78	I	8	 Steel sheet	J	4

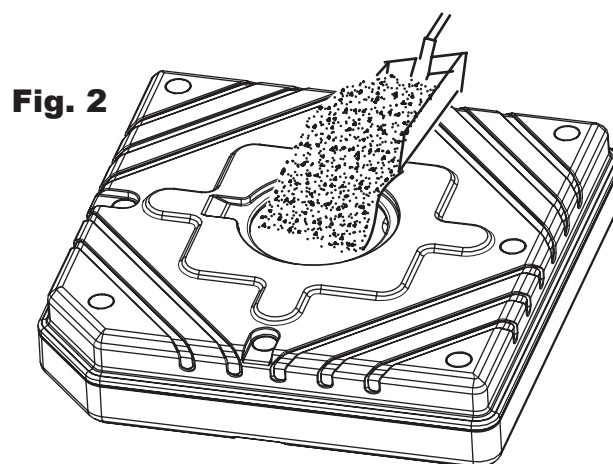
Assembly instructions

Base data:

Base cover: 91x91cm;
Tank: 43x43x9.5cm;
Net weight: 10.0kg.

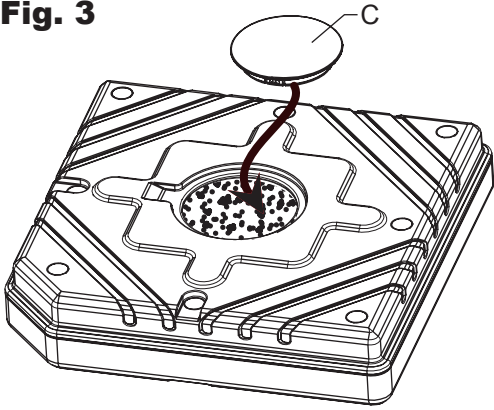


1. Cover the tank bottom (B) with tank top (A) and align the bolt holes and fasten the tank tightly with bolts & nuts (D) & bolt cover (E). Repeat this step with the remaining 3 tanks.



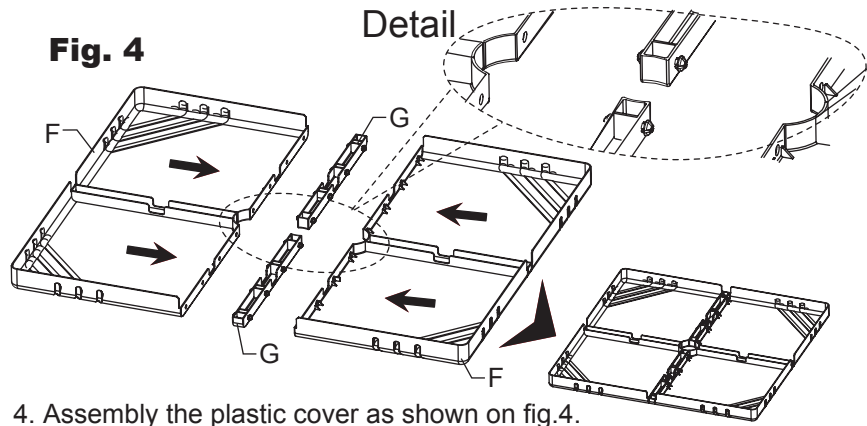
2. Fully fill the tank with **wet sand only** as shown on fig.2.

Fig. 3



3. Cover the tank cap as shown on fig.3.

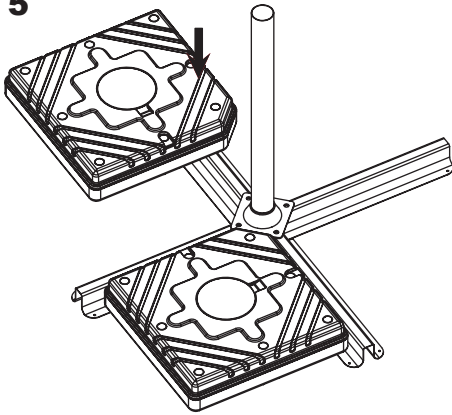
Fig. 4



4. Assembly the plastic cover as shown on fig.4.

NOTE: Before install, pls note the direction for part "G" and part "F", because the plastic cover could not be demolished once installed .

Fig. 5



5. Insert the tanks into crossing base as shown on fig.5.

Fig. 5-1

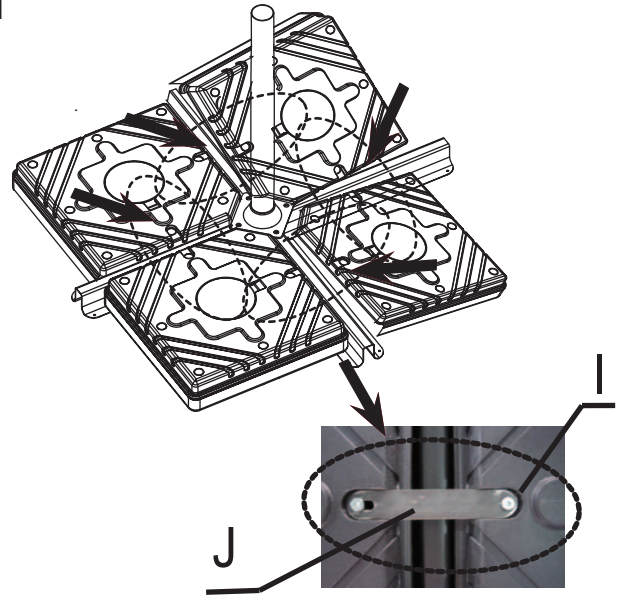
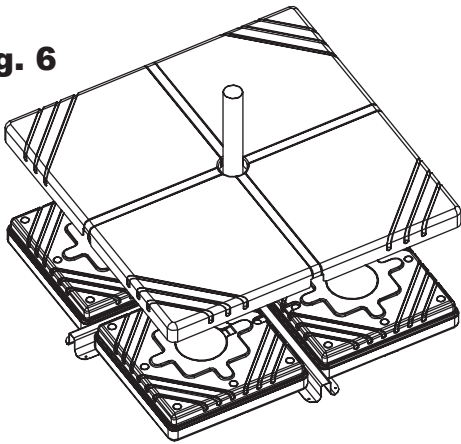
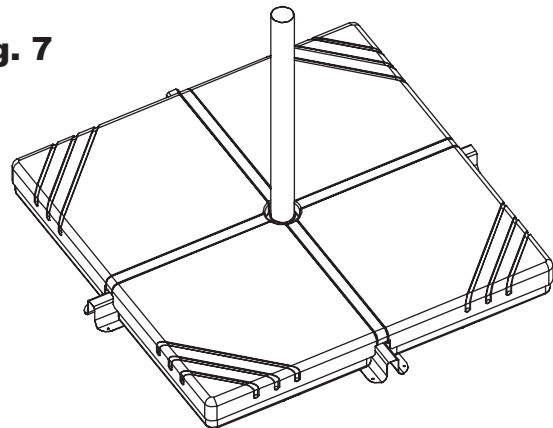


Fig. 6



6. Then put the plastic cover on the crossing base with 4 tanks as shown on fig.6.

Fig. 7



Füllbar mit nassem Sand bis ca. 100 kg.
 Remplissable avec sable humide jusqu'à 100 kg.
 Riempibile con sabbia bagnato fino a 100 kg.

Storage:

1. Before storing your base, make sure it is completely dry and clean.
2. Keep the base in a dry and well-ventilated place to protect against cane or mildew infestation.
3. Clean with damp cloth.