

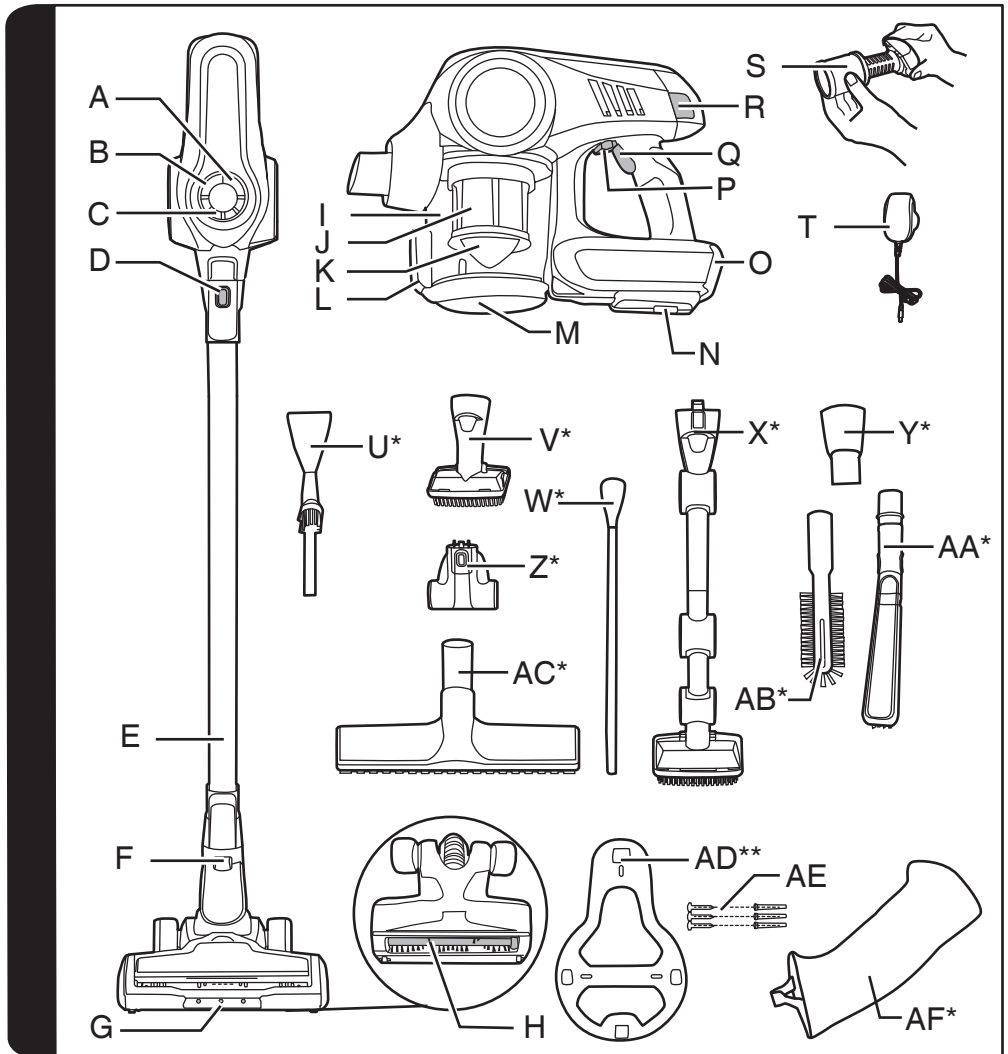
HOOVER



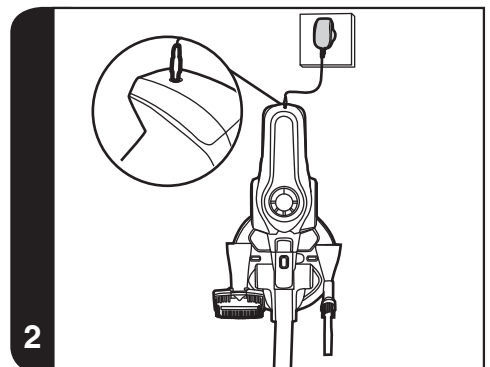
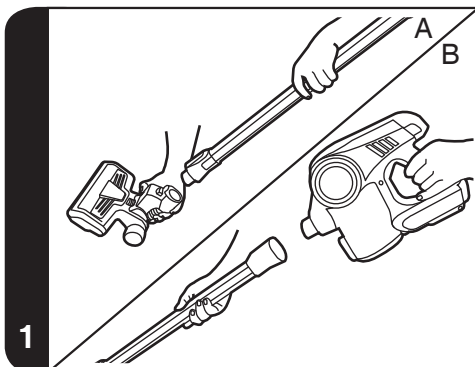
| | |
|----------------------------------|------|
| USER MANUAL (GB) | P 01 |
| MANUEL D'UTILISATION (FR) | P 08 |
| BEDIENUNGSANLEITUNG (DE)..... | P 15 |
| MANUALE D'ISTRUZIONI (IT)..... | P 21 |
| GEBRUIKERSHANDLEIDING(NL)..... | P 27 |
| MANUAL DE INSTRUÇÕES(PT)..... | P 33 |
| MANUAL DE INSTRUCCIONES(ES)..... | P 39 |
| BRUGERVEJLEDNING(DK)..... | P 45 |
| BRUKSANVISNING(NO)..... | P 51 |
| INSTRUKTIONSMANUAL(SE)..... | P 57 |
| KÄYTTÖOHJE(FI)..... | P 63 |
| ΟΔΗΓΙΕΣ ΧΡΗΣΕΩΣ(GR)..... | P 69 |
| РУКОВОДСТВО ПОЛЬЗОВАТЕЛЯ(RU)... | P 75 |
| INSTRUKCJA OBSŁUGI(PL)..... | P 81 |
| NÁVOD K OBSLUZE(CZ)..... | P 87 |
| NAVODILA ZA UPORABO(SI)..... | P 93 |
| KULLANIM KILAVUZU(TR)..... | P 99 |

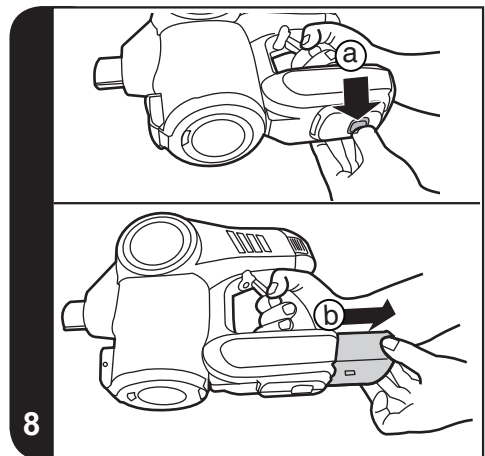
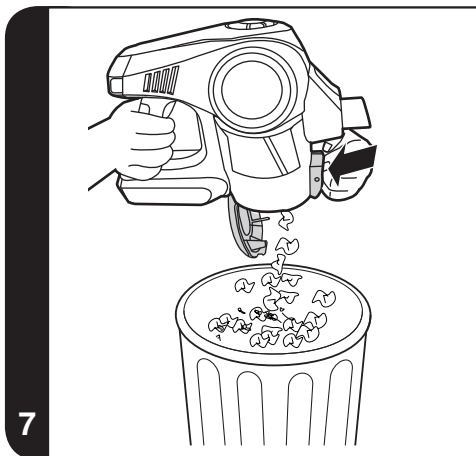
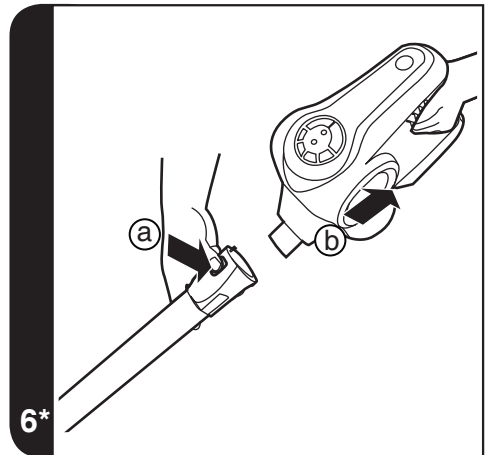
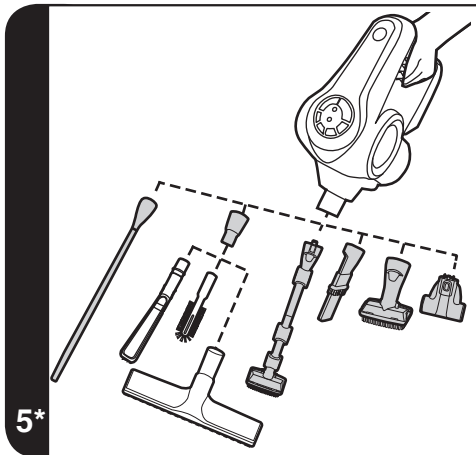
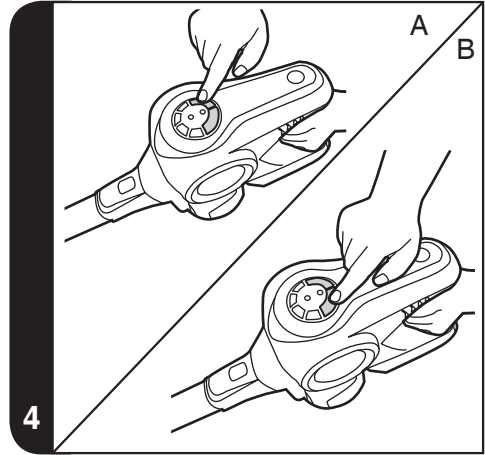
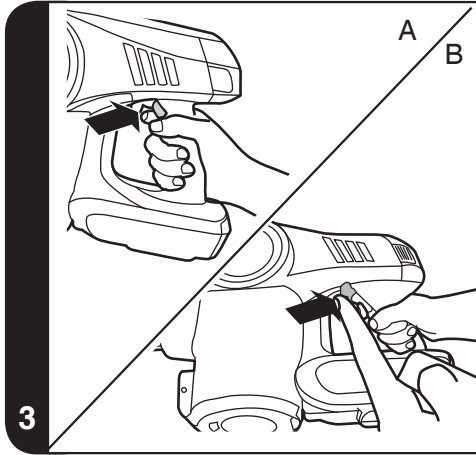


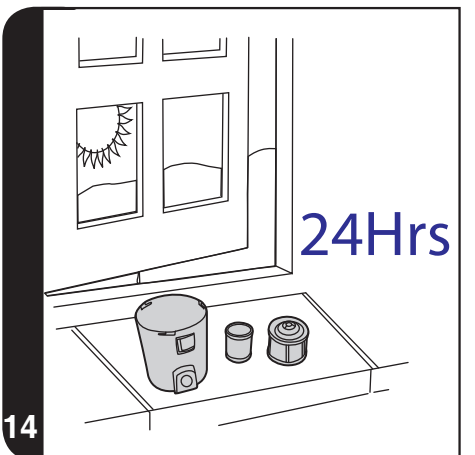
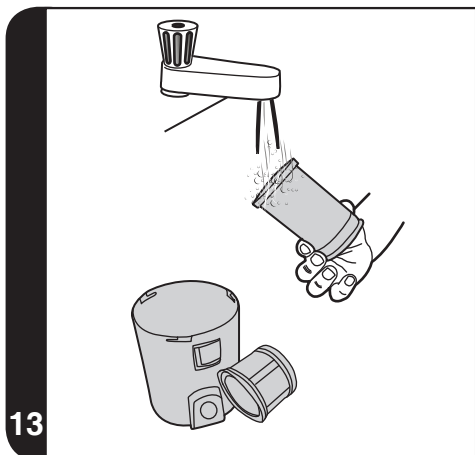
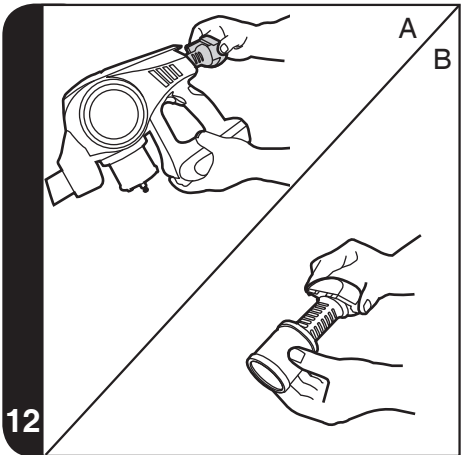
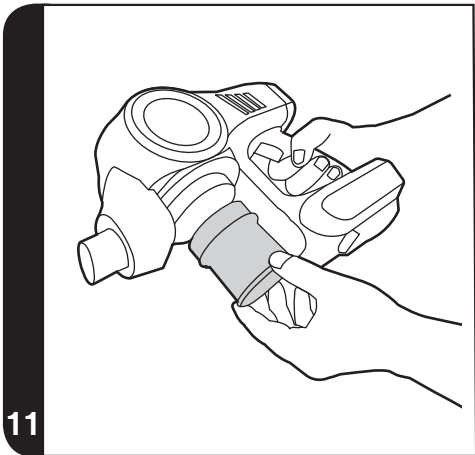
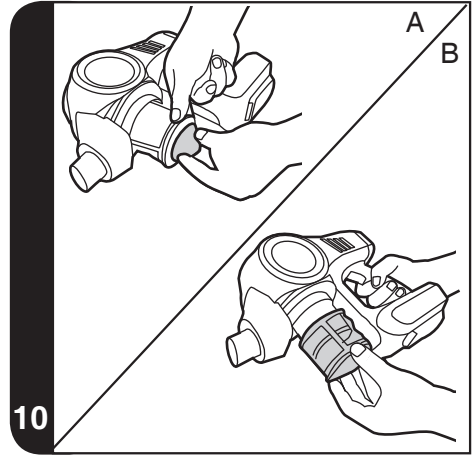
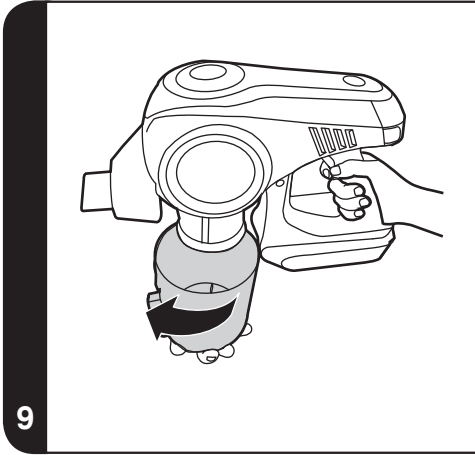
BORN INNOVATIVE

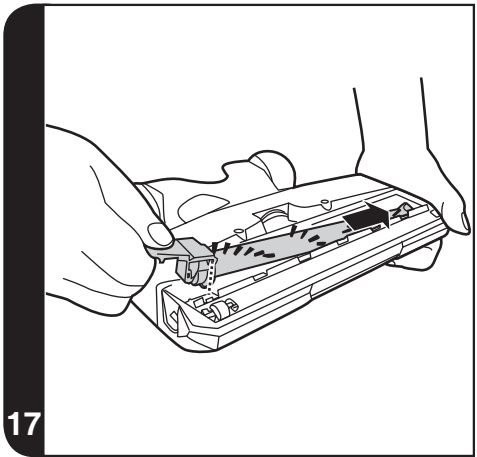
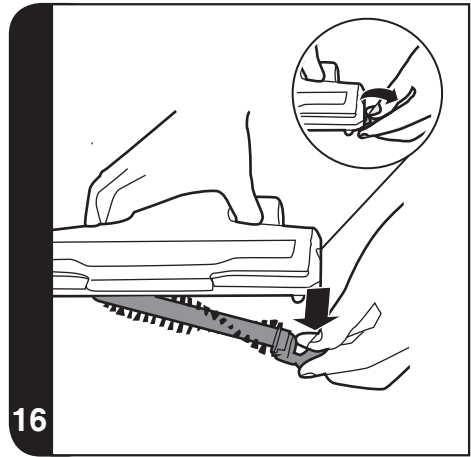
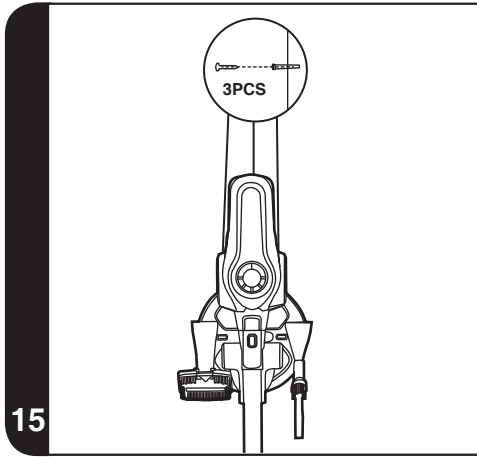


* Certain models only, accessories may vary according to model









INSTRUCTIONS FOR SAFE USE

This appliance should only be used for domestic cleaning, as described in this user guide. Please ensure that this guide is fully understood before operating the appliance.

Always switch off and remove the charger from the socket before cleaning the appliance or any maintenance task.

This appliance can be used by children aged from 8 years and above and persons with reduced physical, sensory or mental capabilities or lack of experience and knowledge if they have been given supervision or instruction concerning use of the appliance in a safe way and understand the hazards involved. Children shall not play with the appliance. Cleaning and user maintenance shall not be made by children without supervision.

If the power cord is damaged stop using the appliance immediately. To avoid a safety hazard, an authorised Hoover service engineer must replace the power cord.

Keep hands, feet, loose clothing and hair away from rotating brushes.

Use only the original charger supplied with the appliance.

Check that your supply voltage is the same as that stated on the charger.

This appliance is supplied with a double insulated battery charger which is only suitable for insertion in a 230V (UK 240V) socket outlet.

Plug the charger in to suitable socket outlet and connect the charger jack plug to the appliance.

When charging the appliance, the power switch lever must be in the off position.

Before first use, charge your appliance for at least 24 hours. The LED indicator light will blink in blue when charging and remain light when fully charged.

Re-connect the appliance to the charger after use to recharge the battery.

Never charge the batteries in temperatures above 37°C or below 0°C.

It is normal for the charger to become warm to the touch when charging.

Do not unplug the charger by pulling on the power cord.

Unplug the charger in the event of prolonged absence (holidays, etc.). Recharge appliance again before use as batteries may self discharge over increased periods of storage.

If the appliance is to be disposed of the batteries must first be removed. The appliance must be disconnected from the supply mains when removing the battery. Dispose of the batteries safely. Run the appliance until it stops because the batteries are fully discharged. Used batteries should be taken to a recycling station and not disposed of with household waste. To remove the batteries, please contact the Hoover Customer Centre or proceed according to the following instructions.

IMPORTANT: Always fully discharge the batteries before removal.

Run the cleaner until the batteries are completely empty.

Remove the charger jack plug from the appliance.

Pull down the battery pack release button and the battery pack will be pushed out a short distance automatically. **[8A]**

Drag the battery pack slowly from the slot. **[8B]**

Note: Should you experience any difficulty in dismantling the unit or for more detailed information on treatment, recovery and recycling of this appliance, please contact your local city office or your household waste disposal service.

Use only attachments, consumables or spares recommended or supplied by Hoover.

Static electricity: Some carpets can cause a small build up of static electricity. Any static discharge is not hazardous to health.

Do not use your appliance out of doors or on any wet surface or for wet pick up.

Do not pick up hard or sharp objects, matches, hot ashes, cigarette ends or other similar items. Do not spray with or pick up flammable liquids, cleaning fluids, aerosols or their vapours.

Do not run over the power cord when using your appliance or remove the plug by pulling on the power cord. Do not continue to use your appliance or charger if it appears faulty.

Hoover service: To ensure the continued safe and efficient

operation of this appliance we recommend that any servicing or repairs are only carried out by an authorised Hoover service engineer.

Do not use the appliance to clean animals or people.

Do not replace the batteries with non-rechargeable batteries.

The Environment:

This appliance is marked according to the European directive 2011/65/EC on Waste Electrical and Electronic Equipment (WEEE). By ensuring this product is disposed of correctly, you will help prevent potential negative consequences for the environment and human health, which could otherwise be caused by inappropriate waste handling of this product. The symbol on the product indicates that this product may not be treated as household waste. Instead it shall be handed over to the applicable collection point for the recycling of electrical and electronic equipment. Disposal must be carried out in accordance with local environmental regulations for waste disposal. For more detailed information about treatment, recovery and recycling of this product, please contact your local city office, your household waste disposal service or the shop where you purchased the product.



This product complies with the European Directives 2014/35/EU, 2014/30/EU and 2011/65/EU.

CANDY HOOVER GROUP S.r.l. Via Privata Eden Fumagalli, 20861 Brugherio (MB) Italy

PRODUCT COMPONENTS

- | | |
|--|---|
| A. Turbo On/Off Button | Q. ON/OFF Switch |
| B. Carpet Button | R. Exhaust Filter Release Buttons |
| C. LED Indicators | S. Exhaust Filter |
| D. Handheld Release Button | T. Charger |
| E. Tube | U. 2 in 1 Crevice and Dusting Brush * |
| F. Nozzle Release Button | V. 2 in 1 Large Dusting and Furniture Brush * |
| G. Nozzle Front Light | W. Long Flexible Crevice Tool * |
| H. Nozzle Agitator | X. Multi Function Up To Top Tool * |
| I. Dust Cup | Y. Adaptor * |
| J. HSpin-Core Technology Mesh Filter Cover | Z. Mini Turbo Nozzle * |
| K. HSpin-Core Technology Motor Cover | AA. Deep Cleaning Brush * |
| L. Dust Cup Empty Button | AB. Radiator Tool * |
| M. Dust Cup Bottom Cover | AC. Parquet Caresse Nozzle * |
| N. Battery Pack Release Button | AD. Wall Mount * |
| O. Battery Pack | AE. Screws Plugs * |
| P. Switch Lever | AF. Accessory Bag * |

PREPARING YOUR CLEANER

1. Fix the Wall mount to your wall using the screws and screw plugs provided. [15]
2. Insert the nozzle head into one side of tube until you heard a "click" sound. [1A]
3. Insert another side of tube into handheld unit until you heard a "click" sound. [1B]
4. To fully charge the appliance, connect the charger jack plug to the battery pack. It will take around 5Hrs. [2]

NOTE: To remove the nozzle, press the nozzle release button and pull away from the main body.

NOTE: Use only the charger supplied with your cleaner to recharge.

IMPORTANT: When charging the cleaner, the switch lever must be in the OFF position. You can charge the battery pack also when released from the product.

It is normal for the charger to become warm to touch when charging.

* Certain Models Only

USING YOUR CLEANER

There are four working modes:

- **TEMPORARY MODE:** The product will start working when you press on the ON/OFF Switch and stop when released. [3A]
- **CONTINUOUS MODE:** To enable continuous mode you can pull switch lever back and it will click into place. [3B] To disable continuous mode you can push the switch lever forward.
- **CARPET MODE:** Press the Carpet button to use the product on carpets, with LED lights ON. [4A]
- **TURBO MODE:** Press Turbo button to full power on either floor or carpet mode. [4B]

NOTE: Temporary mode and continuous mode are recommended to clean hard floor; Carpet mode activates agitator and is recommended for lifting dirt and debris from carpet pile.

IMPORTANT: After each use of your product, please ensure to push the switch lever forward to the unlocked position. Failure to do so may result in a reduction in battery life or failure.

DISPLAY LED:

This cleaner is equipped with a LED display. When the product is ON and the display illuminated the indicators show the following information.

BATTERY LEVEL INDICATOR:

- 4 points = 100% charge
- 3 points = 75% charge
- 2 points = 50% charge
- 1 point = 25% charge

CHARGING

During the charging process if the battery charged level is below 25% you will see the first LED blink until it reaches above 25%, then it will stay illuminated. This process will continue on all points of the LED indicating level of battery charge 25%, 50%, 75%, etc. When the battery charge has reached 100% all 4 points will be illuminated.

Please note to ensure your battery is being charged at a safe working temperature we have fitted a safety device. If this device activates and you commence the charging process then you will see the first LED flash until it has reset. After it has automatically reset the normal charging process as described above will commence.

DISCHARGING

When the product is running and the batteries are discharging the LED indicator light will start to flash when the battery capacity is lower than 5% indicating the need to recharge.

ACCESSORIES:

2 IN 1 CREVICE & DUSTING BRUSH*, **2-1 LARGE DUSTING & FURNITURE BRUSH***, **LONG FLEXIBLE CREVICE TOOL***, **MULTI FUNCTION UP TO TOP TOOL* AND MINI TURBO NOZZLE***.

The above accessories can be fitted directly into the handheld unit or one side of the tube. [5]

RADIATOR TOOL* / DEEP CLEANING BRUSH* / PARQUET CARESSE NOZZLE*

The accessory adaptor* must be fitted when using any of the above accessories. [5]

NOTE: The mini-turbo nozzle is ideal for deep cleaning textile surfaces (i.e. sofas) and pet hair removal. Move it steadily backwards and forwards. After using, please remove hair / threads collected on the brush with scissors if necessary.

NOTE: The long flexible crevice tool is ideal for cleaning in hard to reach areas, underneath furniture and in your car.

NOTE: The radiator tool is ideal for cleaning inside and around cabinets, radiators, couches, blinds and more.

NOTE: The deep cleaning brush is useful to clean in tight spaces without scratching surfaces, and inside your car.

NOTE: The multi-function tool is designed to easily clean delicate surfaces without scratching and all areas that are hard to access or reach. The multi function tool is made up of three key parts:

1. Crevice tool this is ideal for accessing tight spaces.
2. Dusting brush is ideal for cleaning surfaces without damaging or scratching.
3. Furniture nozzle is ideal for cleaning surfaces like sofa.

ACCESSORY BAG*

Accessories can be stored in the accessory bag.

* Certain Models Only

WALL MOUNT*

Hang the wall mount to the wall, using the three screws included in the product [15] to hang product, 2in1 crevice & dusting brush, 2in1 large dusting & crevice and mini turbo nozzle (when included).

CLEANER MAINTENANCE

Emptying the Dust Container

1. Press the handheld release button and remove the tube. [6]
2. Press the dust cup empty button to release the bin flap and empty the contents. [7]
3. Close the dust cup flap up, you will hear a click when fully locked.

NOTE: It is recommended to empty the dust cup after each use or when dust is up to the max fill lines.

Cleaning the Dust Container and Filter

1. Press the handheld release button and remove the tube. [6]
2. Press the dust cup empty button to open the bin flap and empty it. [7]
3. Push down the battery pack release button and remove the battery pack. [8A,8B]
4. Turn the dust bin in an anti-clockwise direction, align the arrow marks and remove it from the product. [9]
5. Turn the HSpin-Core Technology motor cover to the clockwise direction and then take the HSpin-Core Technology mesh filter cover down from the HSpin-Core Technology mesh filter. [10A,10B]
6. Push down the HSpin-Core Technology mesh filter when you clean the filter or find the HSpin-Core Technology motor is blocked. It is not suggested to clean with water. [11]
7. Press the two exhaust filter release buttons and then remove the exhaust filter. [12A, 12B]
8. Wash the exhaust filter in lukewarm water and leave to dry for 24 hours. Reassemble once completely dry and refit to the product. [13,14]
9. Wash the dust cup/HSpin-Core Technology mesh filter cover in lukewarm water. Ensure it is fully dry before returning to the main body. [13,14]
10. Reassemble the handheld unit and then attach it on the Wall Mount. [15]

NOTE: Do not use hot water or detergents when cleaning the exhaust filters. In the unlikely event of the exhaust filters becoming damaged, fit a genuine Hoover replacement. Do not try use the product without a filter fitted.

IMPORTANT: For optimum performance, always keep your mesh filter clean. We recommend that the filter should be washed at least once a month.

Changing and Cleaning the Agitator

IMPORTANT: Always switch off the cleaner before changing and cleaning the agitator.

1. Detach the agitator release button flap. It is positioned on the lateral part of the nozzle. [16]
2. Hold the agitator release flap and pull down to remove the agitator. [16]
3. Replace with new agitator or clean it. This can only fit in one direction.
4. Re-fit in position the agitator release flap. [17]

Replacing the Batteries

This cleaner is fitted with a rechargeable Lithium ion battery pack and it is replaceable.

WARNING: Only use approved replacement parts for your cleaner. Using parts not validated by Hoover are dangerous and will invalidate your guarantee.

WARNING: Do not try to open the battery pack and repair it by yourself.

1. Pull down the battery pack release button and the battery pack will be pushed out short distance automatic. [8A]
2. Drag the battery pack slowly from the slot. [8B]
3. Removed the old battery pack and replace with the new battery pack.
4. Dispose of the batteries safely. Used batteries should be taken to a recycling station and not disposed off with household waste.

TROUBLE SHOOTING

Should you have any problem with you cleaner, follow this simple check list before calling the Hoover Customer Service Centre:

A. Cleaner does not switch on

- Check if the cleaner is charged
- Check if the battery pack is assembled in place.

Cleaner stop working

- Check if the HSpin-Core Technology motor is blocked.

B. Loss of suction or no suction

- Empty the dust cup and wash the mesh filter and separator.
- Remove nozzle and check for any blockages in the duct.

C. Batteries cannot be charged

- This may be a result of very long storage periods (over half year).
- Contact Hoover customer service to arrange battery replacement.
- If the problem persists contact the Hoover customer service centre.

HOOVER SPARES AND CONSUMABLES

Always replace parts with genuine Hoover spares. These are available from your local Hoover dealer or direct from Hoover. When order parts always quote your model number.

YOUR GUARANTEE

The guarantee conditions for this appliance are as defined by our representative in the country in which it is sold. Details regarding these conditions can be obtained from the dealer from whom the appliance was purchased. The bill of sale or receipt must be produced when making any claim under the terms of this guarantee.

IMPORTANT: The battery in this cleaner is guaranteed for 2 years from the date of purchase. After 2 years the customer is liable for the cost of a new battery.

Subject to change without notice.

INSTRUCTIONS DE SÉCURITÉ D'UTILISATION

Cet appareil ne doit être utilisé que pour un nettoyage domestique, conformément à ce guide d'utilisation. Veuillez vous assurer que ces instructions sont parfaitement comprises avant d'utiliser l'appareil.

Il convient de toujours éteindre et mettre le chargeur hors tension avant d'entreprendre des opérations de nettoyage ou d'entretien de l'appareil.

Cet appareil peut être utilisé par des enfants âgés d'au moins 8 ans et par des personnes ayant des capacités physiques, sensorielles ou mentales réduites, ou n'ayant pas d'expérience ou de connaissances en la matière. Ces dernières doivent recevoir des instructions sur l'utilisation de l'appareil en toute sécurité et comprendre les risques impliqués. Les enfants ne doivent pas jouer avec l'appareil. Le nettoyage et l'entretien ne devraient pas être effectués par des enfants sans supervision.

Si le cordon d'alimentation est endommagé, arrêtez immédiatement d'utiliser l'appareil. Pour éviter les risques d'accident, un réparateur Hoover agréé doit remplacer le cordon d'alimentation.

Maintenez les mains, pieds, vêtements et cheveux à distance des brosses rotatives.

Utilisez uniquement le chargeur d'origine qui vous a été fourni avec l'appareil.

Vérifiez que la tension de l'alimentation est la même que celle indiquée sur le chargeur.

Cet appareil Hoover est fourni avec un chargeur de batterie doublement isolé qui n'est adapté qu'à une prise de 230 V (240 V Grande-Bretagne).

Branchez le chargeur dans une prise adaptée et connectez la prise jack du chargeur dans l'appareil.

Lors du chargement de l'appareil, le commutateur d'arrêt/de démarrage doit être sur arrêt.

Avant la première utilisation, rechargez votre aspirateur pendant au moins 24 heures. L'indicateur lumineux clignote en bleu lorsque le produit est en cours de chargement et reste allumé lorsqu'il est complètement chargé.

Rebranchez l'appareil au chargeur après l'utilisation pour recharger les batteries.

Ne rechargez jamais les batteries dans des températures de plus de 37°C ou en-dessous de 0°C.

Il est normal pour le chargeur de devenir chaud au toucher lorsqu'il est en train de charger.

Ne pas débrancher en tirant sur le cordon d'alimentation.

Débranchez le chargeur en cas d'absence prolongée (vacances, etc.). Rechargez l'appareil de nouveau avant de l'utiliser car les batteries peuvent se décharger toutes seules si elles sont stockées pendant longtemps.

Si vous mettez l'appareil à la poubelle, il convient de retirer les batteries d'abord. L'appareil ne doit pas être branché à la prise, lorsque vous retirez les batteries. Mettez les batteries à la poubelle, dans un endroit sûr. Laissez fonctionner l'appareil jusqu'à l'arrêt total de l'appareil dû au fait que les batteries sont entièrement déchargées. Des batteries usées doivent être amenées à un point de recyclage et non pas être éliminées avec les ordures ménagères. Pour retirer les batteries, veuillez contacter le centre d'assistance Hoover ou suivez les instructions suivantes.

IMPORTANT : Déchargez toujours complètement les piles avant de les retirer.

Faites fonctionner le nettoyeur jusqu'à ce que les batteries soient complètement vides.

Retirez la prise jack du chargeur de l'appareil.

Tirez sur le bouton de déverrouillage du bloc batterie ; le bloc batterie ressortira sur une petite distance de manière automatique. **[8A]**

Tirez lentement le bloc batterie de la fente. **[8B]**

Note : Si vous rencontrez des difficultés en démontant l'unité ou si vous souhaitez obtenir de plus amples informations concernant le traitement, la récupération et le recyclage de cet appareil, veuillez contacter les services de votre ville locale ou un service de traitement des ordures ménagères.

N'utilisez que les accessoires, les consommables et les pièces de rechange recommandés ou fournis par Hoover.

Electricité statique : Certains tapis peuvent entraîner une petite accumulation d'électricité statique. Les décharges d'électricité statique ne sont pas dangereuses pour la santé.

N'utilisez pas votre appareil à l'extérieur, sur une surface humide ou

pour un ramassage humide.

N'aspirez pas d'objets durs ou tranchants, d'allumettes, de cendres chaudes, de mégots de cigarettes ou d'autres objets similaires. Ne pulvérisez ou n'aspirez pas des liquides inflammables, des produits d'entretien liquides, des aérosols ou leurs vapeurs.

Ne marchez pas sur le cordon d'alimentation lorsque vous utilisez votre appareil et ne le débranchez pas de la prise en tirant sur le cordon d'alimentation. Ne continuez pas à utiliser votre appareil ou votre chargeur s'il semble défectueux.

Service Hoover : Pour assurer l'utilisation sûre et efficace de cet appareil, nous recommandons de n'en confier l'entretien et les réparations qu'à un réparateur Hoover agréé.

N'utilisez pas l'appareil sur des personnes ou des animaux.

Ne remplacez pas les batteries avec des batteries non rechargeables.

Environnement :

Cet appareil porte des marques conformes à la directive européenne 2011/65/EC relative aux déchets d'équipements électriques et électroniques (DEEE). Si vous jetez ce produit convenablement, vous contribuerez à éviter des conséquences potentiellement nuisibles pour l'environnement et pour la santé. Le symbole figurant sur le produit indique qu'il ne peut pas être mis à la poubelle avec les ordures ménagères. Vous devez le déposer dans un centre de recyclage des déchets électriques et électroniques. La déposition doit être effectuée conformément à la réglementation locale en matière de déchets. Pour obtenir des compléments d'information sur le traitement, la récupération et le recyclage de ce produit, merci de contacter votre municipalité, le service local des ordures ménagères ou le lieu d'achat du produit.



Cet appareil est conforme aux Directives européennes 2014/35/UE, 2014/30/EUE et 2011/65/UE.

CANDY HOOVER GROUP S.r.l. Via Privata Eden Fumagalli, 20861 Brugherio (MB) Italy

COMPOSANTS DU PRODUIT

- | | |
|--|--|
| A. Bouton d'activation/de désactivation du turbo | R. Bouton de déverrouillage du filtre d'évacuation |
| B. Bouton moquette | S. Filtre d'évacuation |
| C. Indicateurs LED | T. Chargeur |
| D. Bouton de déverrouillage portable | U. Suceur et brosse à dépoussiérer 2 en 1 * |
| E. Tube | V. Grande brosse à dépoussiérer et à meubles 2 en 1 * |
| F. Bouton pour détacher la brosse | W. Suceur flexible coins profonds * |
| G. Lumière avant de la brosse | X. Outil accès en hauteur multifonction * |
| H. Agitateur de brosse | Y. Adaptateur secteur * |
| I. Récipient à poussière | Z. Mini turbobrosse * |
| J. Couvercle du filtre à mailles HSpin-Core Technology | AA. Brosse de nettoyage soigné * |
| K. Couvercle du moteur HSpin-Core Technology | AB. Outil de radiateur * |
| L. Bouton de vidage du bac à poussière | AC. Brosse Parquet Caresse * |
| M. Couvercle inférieur du récipient à poussière | AD. Support mural * |
| N. Bouton de déverrouillage du bloc batterie | AE. Bouchons à vis * |
| O. Bloc batterie | AF. Sac accessoire * |
| P. Commutateur d'arrêt/de démarrage | |
| Q. Interrupteur ON/OFF | |

* Sur certains modèles uniquement

PREPARATION DE L'APPAREIL

1. Fixez le support mural au mur à l'aide des vis et des bouchons à vis fournis. **[1A]**
2. Insérez la tête de buse dans un côté du tube jusqu'à ce que vous entendiez un déclic. **[1A]**
3. Insérez l'autre côté du tube dans l'aspirette jusqu'à ce que vous entendiez un déclic. **[1B]**
4. Pour entièrement charger l'appareil, connectez la prise jack du chargeur au bloc batterie. Cela prendra environ 5 heures. **[2]**

REMARQUE : Pour enlever la brosse, appuyez sur le bouton pour détacher la brosse et enlevez-la du corps principal.

REMARQUE : N'utilisez que le chargeur fourni avec votre nettoyeur pour recharger.

IMPORTANT : Quand vous rechargez le nettoyeur, le bouton Marche/Arrêt doit être en position ARRÊT. Vous pouvez charger le bloc batterie également lorsqu'il est détaché du produit.

Il est normal pour le chargeur de devenir chaud au toucher lorsqu'il est en train de charger.

UTILISATION DE L'APPAREIL

Il existe quatre modes de fonctionnement :

- **MODE TEMPORAIRE :** Le produit commence à fonctionner lorsque vous appuyez sur le bouton de MARCHE/ARRÊT et s'arrête quand vous le relâchez. **[3A]**
- **MODE CONTINU :** Pour activer le mode continu, vous pouvez retirer le commutateur d'arrêt/de démarrage et il s'enclenchera. **[3B]** Pour désactiver le mode continu, vous pouvez pousser le commutateur d'arrêt/de démarrage en avant.
- **MODE MOQUETTES :** Appuyez sur le bouton Moquette pour utiliser le produit sur les moquettes, avec les voyants allumés. **[4A]**
- **MODE TURBO :** Appuyez sur le bouton Turbo pour la pleine puissance en mode sol ou tapis. **[4B]**

REMARQUE : Les modes temporaire et continu sont recommandés pour nettoyer les sols durs ; le mode Moquette active l'agitateur et est recommandé pour enlever la saleté et les débris de la moquette.

IMPORTANT : Après chaque utilisation du produit, veuillez vous assurer de faire avancer le commutateur d'arrêt/de démarrage à la position déverrouillée. Ne pas respecter cette instruction peut entraîner la réduction de la durée de vie ou la défaillance de la batterie.

AFFICHAGE LED:

Cet appareil est équipé d'un écran LED. Lorsque le produit est en marche et que l'affichage brille, les indicateurs communiquent les informations suivantes.

INDICATEUR DE NIVEAU DE LA BATTERIE :

- 4 points = charge à 100%
- 3 points = charge à 75%
- 2 points = charge à 50%
- 1 point = charge à 25%

CHARGE

Lors du processus de charge, si le niveau de chargement de la batterie est inférieur à 25%, vous verrez le premier voyant clignoter jusqu'à ce que la charge dépasse 25%, puis la lumière du voyant se maintiendra. Ce processus se poursuivra sur tous les points du niveau d'indication LED de charge de la batterie 25%, 50%, 75%, etc. Lorsque la charge de la batterie a atteint 100%, tous les 4 points s'illuminent.

Veuillez noter que pour assurer la charge de votre batterie à une température de fonctionnement sûre, nous avons prévu un dispositif de sécurité. Si ce dispositif s'active et que vous commencez le processus de charge, vous verrez le premier voyant clignoter jusqu'à la réinitialisation. Après sa réinitialisation automatique, le processus de charge normal tel que décrit ci-dessus commencera.

INDICATION DE DÉCHARGE

Lorsque le produit est en marche et que les batteries se déchargent, l'indicateur LED commencera à clignoter lorsque la capacité de la batterie sera inférieure à 5%, ce qui indique la nécessité de procéder à la recharge.

ACCESSOIRES:

SUCEUR ET BROSSSE À DÉPOUSSIÉRER 2 EN 1*, GRANDE BROSSSE À DÉPOUSSIÉRER ET À MEUBLES*, SUCEUR FLEXIBLE COINS PROFONDS*, OUTIL ACCÈS EN HAUTEUR MULTIFONCTION* ET MINI TURBOBROSSE*.

Les accessoires ci-dessus peuvent être insérés directement dans l'aspirette ou dans un côté du tube. **[5]**

* Sur certains modèles uniquement

OUTIL DE RADIATEUR* / BROSSSE DE NETTOYAGE SOIGNÉ* / BROSSSE PARQUET CARESSE*

L'adaptateur d'accessoire* doit être inséré lors de l'utilisation de l'un des accessoires ci-dessus. [5]

REMARQUE : La mini turbobrosse est idéale pour le nettoyage en profondeur des surfaces textiles (c.-à-d. les canapés) et pour le retrait de poils d'animaux domestiques. Faites-le avancer et reculer de façon régulière. Après l'utilisation, veuillez retirer les cheveux/fils rassemblés sur la brosse à l'aide de ciseaux, si nécessaire.

REMARQUE : Le suceur flexible coins profonds est idéal pour le nettoyage des endroits difficilement accessibles, sous les meubles et dans votre voiture.

REMARQUE : L'outil multifonction est idéal pour nettoyer à l'intérieur et autour des meubles, radiateurs, canapés, stores et plus.

REMARQUE : La brosse de nettoyage soigné est utile pour nettoyer les espaces étroits sans égratigner les surfaces et l'intérieur de votre voiture.

REMARQUE : L'outil multifonction est conçu pour facilement nettoyer les surfaces délicates sans les égratigner et tous les endroits difficilement accessibles. L'outil multifonction est constitué de trois pièces clés :

1. Le suceur plat est idéal pour accéder aux espaces étroits.
2. La brosse à dépoussiérer est idéale pour nettoyer les surfaces sans les endommager ou les égratigner.
3. La brosse à meubles est idéale pour le nettoyage des surfaces comme les canapés.

SAC ACCESSOIRE*

Des accessoires supplémentaires peuvent être rangés dans le sac accessoire.

SUPPORT MURAL*

Accrochez le support mural au mur, à l'aide des trois vis prévues dans le produit [15] pour accrocher le produit, le suceur et brosse à dépoussiérer 2 en 1, la grande brosse et suceur 2 en 1 et la mini turbobrosse (le cas échéant).

ENTRETIEN DE L'ASPIRATEUR**Vidage du bac à poussière**

1. Appuyez sur le bouton de déverrouillage manuel et retirez le tube. [6]
2. Appuyez sur le bouton de vidage du bac à poussière pour ouvrir le volet du bac et videz-le. [7]
3. Fermez le volet du bac à poussière ; vous entendrez un déclic une fois complètement verrouillé.

REMARQUE : Il est recommandé de vider le bac à poussière après chaque usage ou lorsque la poussière atteint la ligne de remplissage maximale.

Nettoyez le bac à poussière et le filtre.

1. Appuyez sur le bouton de déverrouillage manuel et retirez le tube. [6]
2. Appuyez sur le bouton de vidage du bac à poussière pour ouvrir le volet du bac et videz-le. [7]
3. Poussez le bouton de déverrouillage du bloc batterie vers le bas et retirez le bloc batterie. [8A,8B]
4. Tournez le récipient à poussière dans le sens antihoraire, alignez les flèches de repère, et retirez-le du produit. [9]
5. Tournez le couvercle du moteur HSpin-Core Technology dans le sens horaire, puis abaissez le couvercle du filtre à mailles HSpin-Core Technology à partir du filtre à mailles HSpin-Core Technology. [10A,10B]
6. Poussez le filtre à mailles HSpin-Core Technology vers le bas lorsque vous nettoyez le filtre ou vérifiez si le moteur HSpin-Core Technology est bloqué. Il n'est pas conseillé de nettoyer le produit à l'eau. [11]
7. Appuyez sur les deux boutons de déverrouillage du filtre d'évacuation, puis retirez le filtre d'évacuation. [12A, 12B]
8. Lavez le filtre d'évacuation dans de l'eau tiède et laissez-le sécher pendant 24 heures. Remontez-le quand il est complètement sec et remplacez-le sur le produit. [13,14]
9. Lavez le récipient à poussière/filtre à mailles HSpin-Core Technology à l'eau tiède. Assurez-vous qu'il est complètement sec avant de le remettre dans le corps principal. [13,14]
10. Remontez l'aspirette, puis fixez-la au support mural. [15]

REMARQUE : N'utilisez pas d'eau chaude ou de détergents pour laver les filtres d'évacuation. Dans le cas peu probable où les filtres d'évacuation seraient endommagés, remplacez-les par des filtres de la marque Hoover. Ne tentez pas d'utiliser le produit sans avoir monté le filtre.

IMPORTANT : Pour des performances optimales, conservez toujours le filtre à mailles propre. Nous recommandons que le filtre soit lavé au moins une fois par mois.

Changement et nettoyage de la brosse rotative

IMPORTANT : Arrêtez toujours l'appareil avant de changer ou de nettoyer la brosse rotative.

1. Détachez le volet de dégagement de la brosse rotative. Il est positionné sur la partie latérale de la brosse. [16]

2. Tenez le volet de dégagement de la brosse rotative et abaissez-le pour retirer la brosse rotative. [16]
3. Remplacez-le par une nouvelle brosse rotative ou nettoyez-le. Celui-ci ne peut être placé que dans un seul sens.
4. Remettez le volet de dégagement de la brosse rotative en place. [17]

Remplacement des batteries

Cet aspirateur est équipé d'un bloc batterie Lithium ion rechargeable qui est remplaçable.

MISE EN GARDE : Utilisez uniquement les pièces de rechange approuvées pour votre aspirateur. L'utilisation de pièces non approuvées par Hoover est dangereuse et invalidera votre garantie.

MISE EN GARDE : N'essayez pas d'ouvrir le bloc batterie pour le réparer vous-même.

1. Tirez sur le bouton de déverrouillage du bloc batterie ; le bloc batterie ressortira sur une petite distance de manière automatique. [8A]
2. Tirez lentement le bloc batterie de la fente. [8B]
3. Enlevez l'ancien bloc batterie et remplacez-le par un nouveau.
4. Mettez les batteries à la poubelle, dans un endroit sûr. Des batteries usées doivent être amenées à un point de recyclage et non pas être éliminées avec les ordures ménagères.

DEPANNAGE

Si vous avez des problèmes avec votre nettoyeur, suivez cette simple liste de vérification avant d'appeler le service clientèle Hoover :

A. Le nettoyeur ne s'allume pas

Vérifiez que le nettoyeur est chargé

Vérifiez que le bloc batterie est monté en place.

L'aspirateur s'arrête de fonctionner

Vérifiez si le moteur HSpin-Core Technology est bloqué.

B. Aspiration insuffisante ou pas d'aspiration du tout

Videz le bac à poussière et nettoyez le filtre à mailles et le séparateur.

Enlevez la brosse et vérifiez qu'il n'y a pas de blocages dans les conduites.

C. Les batteries ne peuvent pas se charger

Cela peut être dû à de très longues périodes de stockage (plus de 6 mois).

Contactez le service clientèle Hoover pour effectuer le changement de batterie.

Si le problème persiste, contactez le service clientèle Hoover.

PIÈCES DÉTACHÉES ET CONSOMMABLES HOOVER

Toujours remplacer les pièces par des pièces détachées de la marque Hoover. Celles-ci sont disponibles auprès de votre revendeur Hoover. Lorsque vous commandez des pièces, toujours indiquer votre numéro de modèle.

VOTRE GARANTIE

Les conditions de garantie de cet appareil sont définies par notre représentant dans le pays où il est vendu et peuvent être obtenues auprès de votre revendeur. Les détails concernant ces conditions peuvent être obtenues auprès du revendeur auprès duquel l'appareil a été acheté. La facture d'achat ou le reçu doivent être présentés pour toutes réclamations relevant des conditions de cette garantie.

IMPORTANT : La batterie de cet aspirateur bénéficie d'une garantie de 2 ans à partir de la date d'achat. Passés les deux ans, le client est responsable du coût d'acquisition d'une nouvelle batterie.

Ces conditions peuvent être modifiées sans préavis.

HINWEISE FÜR DIE SICHERE BENUTZUNG

Dieses Gerät ist nur zum Gebrauch im Haushalt und nicht für gewerbliche Zwecke bestimmt. Sie sollten das Gerät ausschließlich gemäß den Angaben in dieser Bedienungsanleitung verwenden. Vor dem Gebrauch des Gerätes muss die vorliegende Bedienungsanleitung vollständig gelesen und verstanden worden sein.

Schalten Sie das Gerät immer aus und ziehen den Stecker des Ladegerätes, bevor Sie das Gerät reinigen oder irgendwelche Wartungsarbeiten durchführen.

Dieses Gerät darf von Kindern ab 8 Jahren, sowie körperlich, geistig oder sensorisch behinderten Personen bzw. Personen ohne Erfahrung und Kenntnisse im Gebrauch nur unter Aufsicht oder unter Anleitung für die sichere Benutzung und den damit verbundenen Gefahren benutzt werden. Kinder sollten nicht unbeaufsichtigt mit dem Gerät spielen. Reinigungs- und Wartungsarbeiten dürfen von Kindern nur unter Aufsicht ausgeführt werden.

Ist das Netzkabel beschädigt, darf das Gerät NICHT mehr benutzt werden. Im Falle eines Defektes, darf das Netzkabel nur durch einen autorisierten Hoover-Kundendiensttechniker ausgetauscht werden.

Hände, Füße, lose Kleidung und Haare von den rotierenden Bürsten fernhalten.

Verwenden Sie nur das Originalladegerät, das mit dem Gerät geliefert wurde.

Stellen Sie sicher, dass die Versorgungsspannung mit der auf dem Ladegerät angegebenen Spannung übereinstimmt.

Dieses Haushaltsgerät von Hoover wird mit einem schutzisolierten Batterieladegerät geliefert, welches ausschließlich für 220-230 V (GB 240 V) Steckdosen geeignet ist.

Stecken Sie das Netzteil in eine geeignete Steckdose und schließen Sie den Stecker am Gerät an.

Zum Aufladen muss der Ein-/Aus-Schalter des Gerätes auf AUS geschaltet werden.

Laden Sie die Akkus des Gerätes vor der ersten Benutzung mindestens 24 Stunden lang auf. Die LED-Kontrollleuchte wird beim Aufladen blau blinken und leuchtet ununterbrochen, wenn der Akku vollständig aufgeladen ist.

Schließen Sie das Gerät nach der Benutzung wieder an das Netzteil

an, um die Akkus wieder aufzuladen.

Akkus niemals bei Temperaturen über 37°C oder unter 0°C aufladen!
Es ist normal, dass sich das Ladegerät während des Ladevorgangs erwärmt.

Ziehen Sie den Netzstecker des Ladegerätes NIEMALS durch Ziehen am Kabel heraus.

Ziehen Sie im Fall einer längeren Abwesenheit, z.B. Urlaub usw. den Stecker des Ladegerätes aus der Steckdose. Laden Sie nach einer längeren Zeit der Lagerung/Nichtbenutzung das Gerät vor der erneuten Benutzung wieder komplett auf, da sich die Akkus von selber entladen können.

Wenn das Gerät entsorgt wird, müssen zuvor die Akkus entfernt werden. Das Gerät muss von der Stromnetz getrennt sein, wenn die Akkus entnommen werden. Entsorgen Sie die Akkus ordnungsgemäß. Lassen Sie das Gerät laufen, bis die Akkus leer sind und es von selber stoppt. Gebrauchte Akkus sollten zum Recycling zurückgegeben und nicht mit dem Hausmüll entsorgt werden. Um die Akkus herauszunehmen, wenden Sie sich bitte an das Hoover-Kundendienst oder führen Sie folgende Schritte aus.

WICHTIG: Entladen Sie die Akkus zunächst vollständig, bevor Sie diese herausnehmen und vergewissern sich, dass das Ladegerät nicht angeschlossen ist.

Lassen Sie dafür das Gerät laufen, bis die Akkus vollständig entladen sind.

Ziehen Sie den Stecker des Ladegeräts aus dem Gerät.

Ziehen Sie die Akku-Freigabetaste zurück. Dadurch wird der Akku automatisch etwas herausgedrückt. **[8A]**

Ziehen Sie den Akku langsam aus dem Steckplatz. **[8B]**

Hinweis: Sollten Sie irgendwelche Schwierigkeiten beim Auseinandernehmen des Gerätes haben oder detailliertere Informationen zur Behandlung, Reparatur oder zum Recycling des Geräts benötigen, kontaktieren Sie bitte Ihre Stadtverwaltung oder den lokalen Entsorgungsdienst für Haushaltsabfälle.

Verwenden Sie nur Zubehör, Verbrauchsmaterial oder Ersatzteile, die von Hoover empfohlen oder geliefert werden.

Statische Aufladung: Manche Teppiche können die Bildung statischer Elektrizität verursachen. Diese ist jedoch sehr gering und bei Entladung nicht gesundheitsschädlich.

Benutzen Sie das Gerät nicht im Freien, auf nassen Oberflächen

oder zur Aufnahme von feuchtem Schmutz.

Vermeiden Sie es, harte oder scharfe Gegenstände, Streichhölzer, heiße Asche, Zigarettenkippen oder Ähnliches aufzusaugen. Niemals entzündliche Flüssigkeiten, Reinigungsmittel, Aerosole oder deren Dämpfe auf das Gerät sprühen oder damit aufsaugen.

Während des Betriebs nicht über das Netzkabel fahren. Nicht am Kabel ziehen, um den Gerätestecker aus der Steckdose zu ziehen. Stellen Sie die Verwendung des Gerätes oder des Ladegerätes ein, wenn ein Defekt vermutet wird.

Hoover-Kundendienst: Um auf Dauer den sicheren und effizienten Betrieb dieses Gerätes zu gewährleisten, empfehlen wir, Wartungs- und Reparaturarbeiten ausschließlich von einem zugelassenen Hoover-Kundendiensttechniker durchführen zu lassen.

Benutzen Sie das Gerät nicht zur Reinigung von Menschen oder Tieren.

Ersetzen Sie die Akkus nicht durch Einwegbatterien.

Umweltschutz:

Dieses Elektrohaushaltsgerät ist entsprechend der EU-Richtlinie 2011/65/EC über Elektro- und Elektronik-Altgeräte (WEEE) gekennzeichnet. Durch die sichere und umweltgerechte Entsorgung dieses Produkts tragen Sie dazu bei, mögliche negative Auswirkungen auf die Umwelt und die Gesundheit des Menschen zu verhindern. Das am Produkt angebrachte Symbol gibt an, dass dieses Produkt nicht als Hausmüll behandelt werden darf, sondern an einer entsprechenden Sammelstelle für das Recycling von elektrischen und elektronischen Geräten zu entsorgen ist. Die Entsorgung ist in Übereinstimmung mit allen geltenden Vorschriften für die umweltgerechte Abfallentsorgung vorzunehmen. Ausführlichere Informationen über die Müllbehandlung und das Recycling dieses Produktes erhalten Sie von der zuständigen Umweltbehörde, der Müllentsorgungstelle Ihrer Kommune oder dem Händler, bei dem Sie das Produkt erworben haben.



Dieses Gerät erfüllt die Europäischen Richtlinien 2014/35/EG, 2014/30/EG und 2011/65/EG.

CANDY HOOVER GROUP S.r.l. Via Privata Eden Fumagalli, 20861 Brugherio (MB) Italy

PRODUKTBESTANDTEILE

- | | |
|---|---|
| A. Turbo Ein-/Aus-Taste | Q. EIN/AUS-Schalter |
| B. Teppichbodentaste | R. Abluffilter-Freigabetasten |
| C. LED-Kontrollleuchten | S. Abluffilter |
| D. Griffentriegelungsknopf | T. Ladegerät |
| E. Rohr | U. 2in1-Fugen- und Möbelpinsel * |
| F. Taste zum Entfernen der Bodendüse | V. 2in1-Großer Möbelpinsel * |
| G. Düsenbeleuchtung vorne | W. Lange, flexible Fugendüse * |
| H. Düsen Bürstwalze | X. Multifunktions-Höhenreinigungsbürste * |
| I. Staubbehälter | Y. Adapter * |
| J. HSpin-Core-Technology-Schaumstofffilterabdeckung | Z. Miniturbodüse * |
| K. HSpin-Core-Technology-Motorabdeckung | AA. Tiefenreinigungsbürste * |
| L. Staubfangteller-Entleerungstaste | AB. Heizkörperbürste * |
| M. Staubfangteller-Bodenabdeckung | AC. ParquetCaresse-Hartbodendüse * |
| N. Akku-Freigabetaste | AD. Wandhalterung * |
| O. Akku | AE. Schraubstecker * |
| P. Schalthebel | AF. ZUBEHÖRTASCHE * |

* Geräteausstattung ist modellabhängig

VORBEREITUNG DES STAUBSAUGERS

1. Befestigen Sie die Wandhalterung mit den mitgelieferten Schrauben und Dübeln an der Wand. [15]
2. Schieben Sie den Düsenkopf auf ein Ende des Rohres bis Sie ein „Klicken“ hören. [1A]
3. Schieben Sie das andere Ende des Rohres in die Handeinheit bis Sie ein „Klicken“ hören. [1B]
4. Um das Gerät vollständig aufzuladen, stecken Sie den Stecker des Ladegeräts in den Akkupack. Das dauert etwa 5 Stunden. [2]

HINWEIS: Zum Abnehmen der Bodendüse drücken Sie auf die Düsenfreigabetaste und ziehen diese ab. **HINWEIS:** Verwenden Sie zum Aufladen nur das mit dem Gerät mitgelieferte Ladegerät.

WICHTIG: Zum Aufladen muss der Ein/Aus-Schalter des Staubsaugers auf die Position AUS geschaltet werden. Sie können den Akkupack auch aufladen, wenn Sie ihn vom Gerät abnehmen.

Es ist normal, dass sich das Ladegerät während des Ladevorgangs erwärmt.

GEBRAUCH DES GERÄTES

Es gibt vier Arbeitsweisen:

- **VORÜBERGEHENDER GEBRAUCH:** Das Gerät startet, wenn Sie den Ein/Aus-Schalter drücken und stoppt, wenn Sie ihn wieder losgelassen. [3A]
- **FORTGESETZTER GEBRAUCH:** Um den Dauerbetrieb zu aktivieren, können Sie den Schalthebel nach hinten ziehen und einrasten lassen. [3B] Um den Dauerbetrieb zu deaktivieren, drücken Sie den Schalthebel nach vorne.
- **TEPPICHBODENMODUS:** Drücken Sie die Teppichbodentaste um das Gerät auf Teppichböden mit eingeschalteten LED-Leuchten zu benutzen. [4A]
- **TURBOMODUS:** Drücken Sie für volle Leistung im Fußboden- als auch Teppichmodus die Turbotaste. [4B]

HINWEIS: Vorübergehender Gebrauch und Dauerbetrieb werden empfohlen, um Hartböden zu reinigen. Der Teppichbodenmodus aktiviert die Bürstwalze und wird empfohlen, um Schmutz und Staub von Teppichflor zu entfernen.

WICHTIG: Achten Sie nach jedem Gebrauch des Geräts darauf, dass der Schalthebel nach vorne in die entriegelte Position gedrückt wird. Andernfalls kann es zu einer Verringerung der Batterielebensdauer oder zu einem Ausfall kommen.

LED-ANZEIGE:

Das Gerät ist mit einer LED-Anzeige ausgestattet. Wenn das Gerät eingeschaltet ist zeigen die Kontrollleuchten folgende Informationen an:

AKKULADEZUSTANDSANZEIGE:

- 4 Punkte = 100% geladen
- 3 Punkte = 75% geladen
- 2 Punkte = 50% geladen
- 1 Punkt = 25% geladen

AUFLADEN

Während des Ladevorgangs wird, wenn der Ladezustand des Akkus weniger als 25 % beträgt, die erste LED blinken, bis 25 % erreicht wurden. Danach wird sie kontinuierlich leuchten. Dieser Vorgang wird bei allen LEDs fortgesetzt, die den Ladezustand des Akkus von 25 %, 50 %, 75 % usw. anzeigen. Wenn der Akku zu 100 % geladen ist, werden alle 4 LEDs leuchten.

Bitte beachten Sie, dass der Akku bei einer sicheren Betriebstemperatur aufgeladen wird. Wir haben eine Schutzvorrichtung eingebaut. Wenn dieses Gerät aktiviert wird und Sie den Ladevorgang beginnen, sehen Sie die erste LED blinken, bis es zurückgesetzt wurde. Nach dem automatischen Zurücksetzen wird der normale Ladevorgang, wie oben beschrieben, beginnen.

ENTLADENANZEIGE

Wenn das Gerät benutzt wird und sich die Akkus entladen, beginnt die LED-Kontrollleuchte zu blinken, wenn die Akkukapazität unter 5 % liegt, was bedeutet, dass der Akku aufgeladen werden muss.

ZUBEHÖR:

2IN1 FUGEN- UND MÖBELPINSEL*, 2IN1 GROSSER MÖBELPINSEL*, LANGE FLEXIBLE FUGENDÜSE*, MULTIFUNKTIONS-HÖHENREINIGUNGSBÜRSTE* UND MINITURBODÜSE*.

Das oben genannte Zubehör kann direkt in die Handeinheit oder an einem Rohrende befestigt werden. [5]

* Gerätenestattung ist modelabhängig.
HEIZKÖRPERDÜSE* / HEIFENREINIGUNGSBÜRSTE* / CARESS-HARTBODENDÜSE*

Bei einigen der oben genannten Zubehörteile muss der Zubehöradapter* benutzt werden. [5]

HINWEIS: Die Mini Turbo-Düse ist ideal für die tiefe Reinigung von Textiloberflächen (z. B. Sofas) und zum Entfernen von Tierhaaren. Bewegen Sie ihn kontinuierlich rückwärts und vorwärts. Entfernen Sie nach dem Gebrauch auf der Bürste angesammelte Haare/Fäden nach Bedarf mit einer Schere.

HINWEIS: Die lange, flexible Fugendüse ist ideal für die Reinigung von schwer erreichbaren Bereichen, unter Möbeln und in Ihrem Auto.

HINWEIS: Die Heizkörperbürste ist ideal für die Reinigung von Heizkörpern, Sofas, Jalousien, das Schrankinnere, um den Schrank herum und vieles mehr.

HINWEIS: Die Tiefenreinigungsbürste ist hilfreich bei der Reinigung von tiefen Räumen, ohne dabei die Oberflächen zu zerkratzen und in Ihrem Auto.

HINWEIS: Das Multifunktionszubehör ist so konzipiert, dass Sie empfindliche Oberflächen ohne Kratzer und alle Bereiche, die schwer zugänglich sind, leicht reinigen können. Das Multifunktionszubehör besteht aus drei wichtigen Teilen:

1. Fugendüse, sie ist ideal für den Zugang zu engen Räumen.
2. Möbelpinsel, er eignet sich hervorragend zum Reinigen von Oberflächen, ohne sie zu beschädigen oder Kratzer zu hinterlassen.
3. Die Polsterdüse ist ideal zum Reinigen von Oberflächen wie Polstermöbel.

ZUBEHÖRTASCHE*

Alles weitere Zubehör kann in der Zubehörtasche aufbewahrt werden.

WANDHALTERUNG*

Befestigen Sie die Wandhalterung mit den drei mitgelieferten Schrauben [15] an der Wand, um das Gerät, 2in1 Fugen- und Möbelpinsel, 2in1 großer Fugen- und Möbelpinsel und die Miniturbodüse (sofern enthalten) aufzuhängen.

WARTUNG DES GERÄTES

Leeren des Staubbehälters

1. Drücken Sie die Freigabetaste auf der Handeinheit und nehmen Sie das Rohr ab. [6]
2. Drücken Sie die Staubfangteller-Entleerungstaste nach unten, um die Behälterklappe zu entriegeln und den Behälter zu entleeren. [7]
3. Schließen Sie die Staubfangtellerklappe. Sie werden ein Klicken hören, wenn diese vollständig verschlossen ist.

HINWEIS: Es wird empfohlen den Staubfangteller nach jedem Gebrauch, oder wenn der Staub bis zur maximalen Fülllinie reicht, zu entleeren.

Reinigen Sie den Staubbehälter und den Filter.

1. Drücken Sie die Freigabetaste auf der Handeinheit und nehmen Sie das Rohr ab. [6]
2. Drücken Sie auf die Staubfangteller-Entleerungstaste, um die Behälterklappe zu öffnen und den Behälter zu entleeren. [7]
3. Drücken Sie auf die Akkupack-Freigabetaste und nehmen Sie den Akkupack ab. [8A,8B]
4. Drehen Sie den Staubbehälter entgegen dem Uhrzeigersinn. Richten Sie die Pfeilmarkierungen aus und nehmen Sie den Staubbehälter vom Gerät ab. [9]
5. Drehen Sie die HSpin-Core Technology-Motorabdeckung im Uhrzeigersinn und nehmen Sie danach die HSpin-Core Technology-Schaumstofffilterabdeckung vom HSpin-Core Technology-Schaumstofffilter ab. [10A,10B]
6. Drücken Sie, wenn Sie den Filter reinigen oder der HSpin-Core Technology-Motor blockiert ist, den HSpin-Core Technology-Schaumstofffilter nach unten. Es wird empfohlen, diesen nicht mit Wasser zu reinigen. [11]
7. Drücken Sie die beiden Abluftfilter-Freigabetasten gleichzeitig und entfernen Sie danach den Abluftfilter. [12A, 12B]
8. Waschen Sie den Abluftfilter mit lauwarmem Wasser und lassen Sie ihn 24 Stunden lang trocknen. Setzen Sie den Filter, nachdem er vollständig getrocknet ist, wieder in das Gerät ein. [13,14]
9. Waschen Sie die Staubfangteller/HSpin-Core Technology-Schaumstofffilterabdeckung mit lauwarmem Wasser. Vergewissern Sie sich, dass die Teile vollständig getrocknet sind, bevor Sie sie wieder in den Gerätekorpus einsetzen. [13,14]
10. Bauen Sie die Handeinheit wieder zusammenbauen und befestigen Sie diese an der Wandhalterung. [15]

HINWEIS: Verwenden Sie kein heißes Wasser oder Reinigungsmittel zum Reinigen des Abluftfilters. Sollte einer der Abluftfilter beschädigt sein, tauschen Sie ihn nur gegen einen Hoover-Originalfilter aus. Versuchen Sie nicht, das Gerät ohne eingesetzten Filter zu benutzen.

WICHTIG: Halten Sie den Filter für optimale Leistung immer sauber. Wir empfehlen, den Filter je nach Nutzungshäufigkeit min. einmal pro Monat zu reinigen.

Bürstwalze austauschen und reinigen

WICHTIG: Schalten Sie vor einem Austausch oder Reinigen der Bürstwalze den Staubsauger immer aus.

1. Entriegeln Sie die Bürstwalzen-Freigabeklappe. Sie befindet sich auf dem Seitenteil der Düse. [16]
2. Halten Sie Bürstwalzen-Freigabeklappe fest und ziehen Sie sie nach unten, um die Bürstwalze zu entfernen. [16]
3. Ersetzen Sie die Bürstwalze durch eine Neue oder reinigen Sie diese. Sie passt nur in einer Richtung.
4. Setzen Sie die Bürstwalzen-Freigabeklappe wieder ein. [17]

Batterien auswechseln

Dieser Staubsauger ist mit einem wiederaufladbaren, austauschbaren Lithium-Ionen-Akku ausgestattet.

WARNUNG: Verwenden Sie nur Hoover Originalersatzteile für Ihren Staubsauger. Das Verwenden von Teilen, die nicht von Hoover zugelassen wurden, ist gefährlich und führt eventuell dazu, dass Ihre Garantie erlischt.

WARNUNG: Versuchen Sie nicht, den Akku zu öffnen und selbst zu reparieren.

1. Ziehen Sie die Akku-Freigabetaste zurück. Dadurch wird der Akku automatisch etwas herausgedrückt. [8A]
2. Ziehen Sie den Akku langsam aus dem Steckplatz. [8B]
3. Entfernen Sie die alten Batterien und ersetzen sie durch neue Batterien.
4. Entsorgen Sie die Akkus ordnungsgemäß. Gebrauchte Akkus sollten zum Recycling zurückgegeben und nicht mit dem Hausmüll entsorgt werden.

FEHLERBEHEBUNG

Falls Sie ein Problem mit Ihrem Gerät haben, befolgen Sie, bevor Sie den Hoover-Kundendienst kontaktieren, bitte folgende einfache Checkliste:

A. Das Gerät lässt sich nicht einschalten

Überprüfen Sie, ob die Akkus aufgeladen sind

Überprüfen Sie, ob der Akkupack eingesetzt ist.

Der Staubsauger funktioniert nicht mehr

Überprüfen Sie, ob der HSpin-Core Technology-Motor blockiert ist.

B. Niedrige Saugleistung oder das Gerät saugt überhaupt nichts an.

Entleeren Sie den Staubfangteller und waschen Sie den Schaumstofffilter und den Abscheider.

Entfernen Sie die Düse und überprüfen Sie diese auf Verstopfungen.

C. Die Akkus können nicht aufgeladen werden

Dies ist nach einem langen Zeitraum (über ein halbes Jahr) der Nichtbenutzung/Lagerung möglich.

Wenden Sie sich bitte an den Hoover-Kundendienst, um einen Austausch der Akkus zu veranlassen.

Wenn das Problem weiterhin besteht, wenden Sie sich bitte an den Hoover-Kundendienst.

HOOVER ORIGINAL-ERSATZTEILE UND VERBRAUCHSARTIKEL

Verwenden Sie stets Originalersatzteile von Hoover. Diese sind über den Hoover-Kundendienst erhältlich. Geben Sie bei der Bestellung von Ersatzteilen bitte stets die komplette Modellnummer von der Typenplakette unten am Gerät an.

GARANTIEERKLÄRUNG

Die Garantiebestimmungen für dieses Gerät entsprechen den Richtlinien des Landes, in dem Sie das Gerät erworben haben. Weitere Einzelheiten dazu erhalten Sie vom Händler, bei dem Sie das Gerät erworben haben oder aus dem roten Garantieheft, das der Verpackung beiliegt. Bitte bewahren Sie den Kaufbeleg sorgfältig auf, denn er wird für eventuell auftretende Garantieansprüche benötigt.

WICHTIG: Die Garantie für den Akku in diesem Staubsauger beträgt 2 Jahre ab Kaufdatum. Nach Ablauf der 2 Jahre trägt der Kunde die Kosten für einen neuen Akku.

Änderungen vorbehalten.

ISTRUZIONI PER UN USO SICURO

Questo apparecchio deve essere utilizzato esclusivamente in ambito domestico per interventi di pulizia, secondo le istruzioni riportate nel presente documento. Accertarsi di aver compreso le istruzioni prima di mettere in funzione l'apparecchio.

Prima di procedere alla pulizia dell'apparecchio o effettuare qualsiasi operazione di manutenzione, spegnerlo sempre e rimuovere il caricatore dalla presa.

Questo elettrodomestico non è destinato a essere utilizzato da persone dalle ridotte capacità fisiche, sensoriali o mentali (bambini inclusi), senza una adeguata assistenza o controllo da parte di una persona adulta responsabile della loro sicurezza. Controllare che i bambini non giochino con l'apparecchio. Pulizia e manutenzione non possono essere eseguite da bambini senza sorveglianza da parte di una persona responsabile.

Se il cavo di alimentazione è danneggiato, interrompere immediatamente l'utilizzo dell'apparecchio. Per evitare pericoli, il cavo di alimentazione dovrà essere sostituito da un tecnico del servizio assistenza autorizzato Hoover.

Tenere le mani, i piedi, i capi di abbigliamento non attillati e i capelli lontani dalle spazzole rotanti.

Per ricaricare l'apparecchio, usare solo il caricatore in dotazione.

Controllare che i dati indicati sul caricatore corrispondano alla vostra tensione di alimentazione.

Questo prodotto Hoover è dotato di un caricabatteria doppio isolato che può essere collegato unicamente a una presa 230V (UK 240V).

Inserire la spina del caricatore in una presa adatta e collegare il connettore jack del caricatore all'apparecchio.

Durante la carica, la leva dell'interruttore di accensione/spegnimento (On/Off) dell'apparecchio deve trovarsi in posizione Off.

Al primo utilizzo caricare l'apparecchio per almeno 24 ore. L'indicatore LED di colore blu lampeggerà durante la carica e rimarrà acceso a carica completa.

Dopo l'uso, ricollegare l'apparecchio al caricatore per ricaricare le batterie.

Mai caricare le batterie a temperature superiori ai 37 °C o inferiori a 0 °C. È normale che il caricatore si scaldi mentre lavora.

Non scollegare il caricatore tirando il cavo.

Scollegare il caricatore in caso di assenza prolungata (ferie, ecc.). Dopo lunghi periodi di inutilizzo ricaricare l'apparecchio perchè le batterie potrebbero essersi scaricate automaticamente.

Se l'apparecchio è da smaltire, le batterie devono prima essere rimosse. Rimuovere la batteria solo quando l'apparecchio è scollegato dalla rete di alimentazione. Smaltire le batterie in sicurezza. Far funzionare l'apparecchio fino al suo arresto ed assicurarsi che le batterie siano completamente scariche. Le batterie usate devono essere riposte in un centro di riciclaggio e non smaltite con i rifiuti domestici. Per rimuovere le batterie, si prega di contattare il Centro Servizi per Assistenza Clienti Hoover o procedere in base alle seguenti istruzioni.

IMPORTANTE: Scaricare sempre completamente le batterie prima della rimozione ed assicurarsi che il caricatore sia scollegato.

Procedere con la pulizia fino a quando le batterie sono completamente scariche.

Rimuovere il connettore jack per la ricarica dall'apparecchio.

Tirare verso il basso il pulsante di rilascio batteria che farà spingere automaticamente fuori la batteria stessa. **[8A]**

Estrarre lentamente la batteria dal suo alloggiamento. **[8B]**

Nota: Se si riscontrano difficoltà a smantellare l'unità o per informazioni più dettagliate sul trattamento, recupero e riciclaggio di questo apparecchio, si prega di contattare l'ufficio comunale per il servizio smaltimento rifiuti.

Utilizzare solo accessori o parti di consumo e di ricambio consigliati o forniti da HOOVER.

Elettricità statica: Alcuni tappeti possono produrre un piccolo accumulo di elettricità statica. Le cariche di elettricità statica non sono pericolose per la salute.

Non utilizzare l'apparecchio all'aperto, su superfici bagnate o per aspirare liquidi.

Non aspirare oggetti solidi o appuntiti, fiammiferi, ceneri calde, mozziconi di sigaretta o simili. Non vaporizzare o aspirare liquidi infiammabili, detergenti, aerosol o i loro vapori.

Non calpestare il cavo di alimentazione durante l'utilizzo dell'apparecchio o scollegare la spina dalla presa tirando il cavo di alimentazione. Non continuare a utilizzare l'apparecchio o il caricatore in caso di presunto guasto.

Assistenza Hoover: per garantire un funzionamento sempre sicuro ed efficiente dell'apparecchiatura, si consiglia di fare eseguire eventuali interventi di assistenza o di riparazione dai tecnici del servizio assistenza autorizzato Hoover.

Non utilizzare l'apparecchio per l'igiene della persona o degli animali.

Non sostituire le batterie con batterie non ricaricabili

Ambiente:

L'apparecchio è contrassegnato in conformità alla Direttiva Europea 2011/65/EC sulla gestione dei rifiuti da apparecchiature elettriche ed elettroniche. Garantendo il corretto smaltimento del prodotto, il cliente contribuisce alla salvaguardia della salute delle persone e alla protezione dell'ambiente che potrebbero altrimenti essere compromessi da uno smaltimento eseguito in maniera non idonea. Il simbolo apposto sul prodotto indica che lo stesso non può essere smaltito come i normali rifiuti domestici, bensì deve essere portato al punto di raccolta o al centro di riciclaggio delle apparecchiature elettriche ed elettroniche più vicino. Lo smaltimento deve essere eseguito in conformità alle normative locali vigenti per la salvaguardia dell'ambiente e lo smaltimento dei rifiuti. Per ulteriori informazioni sul trattamento, il recupero e il riciclaggio di questo prodotto, contattare l'unità territoriale competente per il servizio di smaltimento o il negozio in cui il prodotto è stato acquistato.



Questo prodotto è conforme alle Direttive Europee 2014/35/EU, 2014/30/EU e 2011/65/EU.

CANDY HOOVER GROUP S.r.l. Via Privata Eden Fumagalli, 20861 Brugherio (MB) Italy

COMPONENTI DELL'APPARECCHIO

- | | |
|--|---|
| A. Pulsante Accensione/Spengimento modalità Turbo | S. Filtro in uscita |
| B. Pulsante modalità tappeti | T. Caricatore |
| C. Indicatori LED | U. Bocchetta per fessure 2 in 1 e Spazzola a Pennello * |
| D. Pulsante di rilascio impugnatura | V. Spazzola larga 2 in 1 per aspirare polvere e pulire mobili * |
| E. Tubo | W. Bocchetta flessibile lunga per fessure * |
| F. Pulsante rilascio spazzola | X. Bocchetta Multi-Funzione per prolungamento estremità superiore * |
| G. Luce frontale spazzola | Y. Trasformatore di alimentazione di rete * |
| H. Spazzola rotante | Z. Mini Turbospazzola * |
| I. Vaschetta raccogli-polvere | AA. Spazzola per una pulizia profonda * |
| J. Coperchio del filtro reticolare con Tecnologia HSpin-Core | AB. Bocchetta per radiatore * |
| K. Coperchio del motore con tecnologia HSpin-Core | AC. Spazzola Parquet Caresse * |
| L. Pulsante per svuotamento vaschetta raccogli-polvere | AD. Supporto a Parete * |
| M. Coperchio inferiore vaschetta raccogli-polvere | AE. Viti con tasselli * |
| N. Pulsante di rilascio batteria | AF. Borsa Accessori * |
| O. Batteria | |
| P. Leva interruttore | |
| Q. Interruttore ON/OFF | |
| R. Pulsanti di rilascio filtro in uscita | |

PREPARAZIONE DELL'APPARECCHIO

1. Fissare il supporto a muro al muro utilizzando le viti e i tasselli forniti. **[15]**
2. Inserire la spazzola principale all'estremità del tubo fino a sentire un "click". **[1A]**
3. Inserire l'altra parte del tubo nella pistola portatile fino a sentire un "click". **[1B]**
4. Inserire il connettore jack del caricatore al set batteria per caricare completamente l'apparecchio. Questo richiederà circa 5 ore. **[2]**

NOTA: Premere il pulsante di rilascio spazzola per rimuovere la spazzola e staccarla dal corpo principale dall'apparecchio.

NOTA: Per ricaricare l'apparecchio, usare solo il caricatore in dotazione.

IMPORTANTE: Durante la carica, la leva dell'interruttore di accensione/spengimento dell'apparecchio deve trovarsi in posizione OFF. È possibile caricare il set batteria anche quando non è inserito nell'apparecchio. È normale che il caricatore si scaldi mentre lavora.

* Solo su alcuni modelli

UTILIZZO DELL'APPARECCHIO

È possibile utilizzare l'apparecchio in quattro modalità di funzionamento:

- **MODALITÀ TEMPORANEA:** L'apparecchio sarà in funzione quando viene premuto l'interruttore ON/OFF e si fermerà al rilascio. [3A]
- **MODALITÀ CONTINUA:** Per attivare la modalità continua basta tirare indietro la leva dell'interruttore che scatterà in posizione. [3B] Per disabilitare la modalità continua premere la leva dell'interruttore per riportarla avanti.
- **MODALITÀ TAPPETI:** Quando le luci a LED sono accese, premere il pulsante Tappeti per utilizzare l'apparecchio per pulire i tappeti. [4A]
- **MODALITÀ TURBO:** Premere il tasto Turbo per azionare la piena potenza per entrambe le modalità di pulizia, pavimenti o tappeti. [4B]

NOTA: Sono consigliate la modalità temporanea e la modalità continua per pulire pavimenti duri; mentre per pulire moquette da sporco e polvere è raccomandata la modalità Tappeti che attiva la spazzola rotante.

IMPORTANTE: Dopo ogni utilizzo dell'apparecchio, assicurarsi che venga premuta in avanti la leva dell'interruttore per portarla nella posizione di sblocco. Se non lo si facesse si potrebbe danneggiare o compromettere la durata della batteria.

DISPLAY A LED:

Questo apparecchio è dotato di display a LED. Quando l'apparecchio è ACCESO ed il display illuminato, gli indicatori riportano le seguenti informazioni.

INDICATORE LIVELLO CARICA BATTERIA:

- 4 punti = carica al 100%
- 3 punti = carica al 75%
- 2 punti = carica al 50%
- 1 punto = carica al 25%

CARICA

Se la batteria è a un livello inferiore al 25%, durante la ricarica si vedrà lampeggiare il primo LED che sarà acceso e fisso solo dopo che la carica avrà superato questo livello. Questo processo degli indicatori LED si ripeterà per tutte i livelli di carica della batteria (25%, 50%, 75%, ecc.). Quando la batteria è carica al 100%, i 4 punti di livello di carica saranno tutti accesi.

Quando la batteria è in carica, per garantire una temperatura operativa adeguata, l'apparecchio è stato dotato di un sistema di sicurezza. Se il dispositivo si è attivato ed inizia il processo di ricarica, il primo LED lampeggerà fino al ripristino. Dopo il reset automatico, inizierà un normale processo di carica come sopra descritto.

APPARECCHIO SCARICO

Quando l'apparecchio è in funzione e le batterie si stanno scaricando, l'indicatore LED inizia a lampeggiare. Quando il livello di carica della batteria è inferiore al 5% è necessario ricaricarla.

ACCESSORI:

BOCCHETTA PER FESSURE 2 IN 1 E SPAZZOLA A PENNELLO*, SPAZZOLA LARGA 2 IN 1 PER ASPIRARE POLVERE E PULIRE MOBILI*, BOCCHETTA FLESSIBILE LUNGA PER FESSURE*, BOCCHETTA MULTI-FUNZIONE PER PROLUNGAMENTO ESTREMITÀ SUPERIORE E MINI TURBOSPAZZOLA*.

È possibile inserire direttamente gli accessori nell'unità portatile o in un'estremità del tubo. [5]

BOCCHETTA PER TERMOSIFONI* / SPAZZOLA PER UNA PULIZIA PROFONDA* / SPAZZOLA PARQUET CARESSE*

Per utilizzare i sopra citati accessori è necessario assemblarli con l'adattatore* accessori. [5]

NOTA: La Mini Turbospazzola è ideale per la pulizia profonda di tessuti (come ad esempio divani) e per rimuovere i peli degli animali domestici. Passarla avanti e indietro regolarmente. Dopo l'uso, prestare attenzione e se necessario, rimuovere con delle forbici eventuali capelli o fili aggrovigliati nella spazzola.

NOTA: La bocchetta flessibile lunga per fessure è ideale per la pulizia di aree di difficile accesso, sotto i mobili e nelle automobili.

NOTA: La bocchetta per radiatore è ideale per la pulizia intorno e nell'interno degli armadi, dei radiatori, dei divani, delle tende e molto altro ancora.

NOTA: La spazzola per pulizia profonda è utile per pulire in spazi ristretti senza graffiarne le superfici e all'interno delle automobili.

* Solo su alcuni modelli

NOTA: La bocchetta multi-funzione è ideale per una facile pulizia di superfici delicate senza graffiare e aree difficoltose da raggiungere. La bocchetta multi-funzione è composta da 3 pezzi base.

1. La bocchetta per le fessure è ideale per la pulizia degli angoli o punti difficili da raggiungere.
2. La spazzola a pennello è utile per pulire superfici delicate senza danneggiarle o graffiarle.
3. La spazzola per mobili è ideale per la pulizia degli imbottiti (come ad esempio divani).

BORSA ACCESSORI*

Gli altri accessori possono essere riposti nella apposita borsa.

SUPPORTO A PARETE*

Fissare il supporto a parete al muro utilizzando le tre viti in dotazione con l'apparecchio [15] per appendere: l'apparecchio, la bocchetta per fessure 2 in 1 e la spazzola a pennello, la spazzola larga 2 in 1 per aspirare polvere e pulire mobili e la mini turbospazzola (quando inclusi).

MANUTENZIONE DELL'APPARECCHIO

Svuotamento del contenitore raccogli-polvere

1. Premere il pulsante di rilascio dell'unità portatile e rimuovere il tubo. [6]
2. Premere il pulsante per lo svuotamento della vaschetta raccogli-polvere per aprire lo sportello contenitore e svuotarne il contenuto. [7]
3. Chiudere lo sportello della vaschetta raccogli-polvere, si udirà un "click" quando completamente bloccato.

NOTA: Si consiglia di svuotare la vaschetta raccogli-polvere dopo ogni utilizzo o quando la polvere supera il livello di riempimento massimo.

Pulizia del contenitore raccogli-polvere e del filtro

1. Premere il pulsante di rilascio dell'unità portatile e rimuovere il tubo. [6]
2. Premere il pulsante per lo svuotamento della vaschetta raccogli-polvere per aprire lo sportello contenitore e svuotarne il contenuto. [7]
3. Premere verso il basso il pulsante di rilascio set batteria ed estrarlo. [8A,8B]
4. Ruotare il contenitore raccogli-polvere in senso antiorario ed allinearli alla freccia disegnata, quindi estrarlo dall'apparecchio. [9]
5. Ruotare il coperchio del motore con Tecnologia HSpin-Core in senso orario e poi staccare dal basso il coperchio del filtro reticolare con Tecnologia HSpin-Core dal suo filtro. [10A,10B]
6. Spingere verso il basso il filtro reticolare con Tecnologia HSpin-Core quando è da pulire o quando il motore con Tecnologia HSpin-Core è bloccato. È sconsigliata la pulizia con acqua. [11]
7. Premere i due pulsanti di rilascio filtro in uscita e poi rimuoverlo. [12A, 12B]
8. Lavare il filtro in uscita in acqua tiepida e lasciare asciugare per 24 ore. Una volta completamente asciutto, rimontarlo e riposizionarlo nell'apparecchio. [13,14]
9. Lavare in acqua tiepida il contenitore raccogli-polvere e il coperchio del filtro reticolare con Tecnologia HSpin-Core. Assicurarsi che siano completamente asciutti prima di riporli nel corpo principale dell'apparecchio. [13,14]
10. Rimontare l'unità portatile e quindi appenderla al supporto a parete. [15]

NOTA: Non utilizzare acqua bollente o detersivi durante la pulizia dei filtri in uscita. Se accidentalmente i filtri in uscita vengono danneggiati, sostituirli con ricambi originali Hoover. Non utilizzare l'apparecchio senza aver montato il filtro.

IMPORTANTE: Per mantenere prestazioni ottimali, tenere sempre il filtro a rete pulito. Si raccomanda di lavare il filtro almeno una volta al mese.

Sostituzione e pulizia spazzola rotante

IMPORTANTE: Spegnerne sempre l'apparecchio prima di assemblare o pulire la spazzola rotante.

1. Staccare la levetta per il rilascio della spazzola rotante. Essa è posizionata sulla parte laterale della spazzola. [16]
2. Tenere la levetta di rilascio e tirare verso il basso per rimuovere la spazzola rotante. [16]
3. Sostituire con una nuova spazzola rotante o pulirla. Questa può essere inserita solo in una direzione.
4. Riposizionare la levetta per il rilascio della spazzola rotante. [17]

Sostituzione delle batterie

L'apparecchio è dotato di un set di batterie ricaricabili agli ioni di litio che possono essere sostituite.

ATTENZIONE: Utilizzare solo parti di ricambio originali per il vostro apparecchio. L'uso di parti non originali Hoover può risultare pericoloso e invalida la garanzia.

ATTENZIONE: Non tentare di aprire o riparare la batteria.

1. Premere il pulsante di rilascio batteria che ne permetterà il rilascio. **[8A]**
2. Estrarre lentamente la batteria dal suo alloggiamento. **[8B]**
3. Estrarre il vecchio set batteria e sostituirlo con uno nuovo.
4. Smaltire le batterie in sicurezza. Le batterie usate devono essere riposte in un centro di riciclaggio e non smaltite con i rifiuti domestici.

RISOLUZIONE DEI PROBLEMI

In caso di problemi con l'apparecchio, completare questa semplice checklist utente prima di chiamare il Centro per l'Assistenza Clienti Hoover:

A. L'apparecchio non si accende

- Controllare che l'apparecchio sia carico
- Controllare che il set di batterie sia posizionato correttamente.

L'apparecchio smette di funzionare

Controllare se il motore con Tecnologia HSpin-Core è bloccato.

B. Forza aspirante bassa o nulla

- Svuotare la vaschetta raccogli-polvere, lavare il filtro a rete e l'unità separatrice.
- Rimuovere la spazzola e controllare eventuali ostruzioni nel condotto.

C. Le batterie non possono essere caricate

- Potrebbe essere a causa di lunghi periodi di conservazione (oltre un semestre).
- Contattare un Centro per l'Assistenza Clienti Hoover per la sostituzione delle batterie.
- Se il problema persiste, contattare il Centro per l'Assistenza Clienti Hoover più vicino.

PARTI DI RICAMBIO E DI CONSUMO HOOVER

Utilizzare sempre parti di ricambio originali Hoover, che è possibile acquistare dal distributore locale Hoover o direttamente sul sito internet Hoover. Quando si ordinano delle parti di ricambio, ricordarsi sempre di fornire il numero di modello dell'apparecchio utilizzato.

REGOLAMENTO PER LA GARANZIA

Le condizioni di garanzia relative a questo apparecchio sono definite dal rappresentate Hoover nel Paese di vendita. Per conoscere in dettaglio le condizioni, rivolgersi al distributore Hoover presso il quale l'apparecchio è stato acquistato. Per ogni contestazione ai sensi dei termini della garanzia, è necessario mostrare la fattura o un documento di acquisto equipollente.

IMPORTANTE: La batteria di questo apparecchio è garantita per 2 anni dalla data di acquisto. Dopo 2 anni il cliente potrebbe dover acquistare una nuova batteria.

Queste condizioni potrebbero venire modificate senza obbligo di preavviso.

INSTRUCTIES VOOR VEILIG GEBRUIK

Dit toestel mag enkel gebruikt worden voor reiniging in het huis, zoals beschreven in deze gebruikersgids. Zorg ervoor dat u de instructies volledig begrijpt voordat u het apparaat in gebruik neemt.

Oplader altijd uitdoen en uit het stopcontact halen voor het schoonmaken of enige andere onderhoudstaak te verrichten.

Dit toestel kan gebruikt worden door kinderen vanaf 8 jaar en ouder en personen met verminderde lichamelijke, zintuiglijke of mentale capaciteiten of een gebrek aan ervaring of kennis indien ze toezicht of onderricht gehad hebben betreffende het veilig gebruik van het toestel en het begrip van de gevaren in kwestie. Kinderen mogen niet met het toestel spelen. Reinigings- en gebruiksonderhoud mag niet uitgevoerd worden door kinderen zonder toezicht.

Indien het stroomsnoer beschadigd is, stop dan onmiddellijk met het toestel te gebruiken. Om veiligheidsrisico's te voorkomen, moet het netsnoer worden vervangen door een erkend monteur van Hoover.

Houd handen, voeten, losse kleding en haar uit de buurt van roterende borstels.

Gebruik alleen de oplader die oorspronkelijk bij het toestel geleverd is.

Controleer of uw netspanning hetzelfde is als die vermeld op de lader.

Dit Hoover-apparaat is voorzien van een dubbel geïsoleerde batterijoplader, die alleen geschikt is om in een 230V (UK 240V) stopcontact te steken.

Steek de oplader in een geschikt stopcontact en steek de aansluitingstekker van de oplader in het apparaat.

Tijdens het laden van het toestel dient de stroomschakelaar in de uitstand te staan.

Laad het toestel voor het eerste gebruik minstens 24 uur op. Het ledlampje knippert blauw tijdens het opladen en blijft branden als het toestel volledig is opgeladen.

Sluit het toestel na gebruik aan de oplader aan om de batterij weer op te laden.

Laad de batterijen niet op bij temperaturen boven 37°C of onder 0°C.

Het is normaal dat de lader warm wordt bij het opladen.

Trek de oplader niet aan de kabel uit het stopcontact.

Haal bij langere afwezigheid (vakanties, etc.) de oplader uit het stopcontact. Laad het product opnieuw op voor gebruik, aangezien batterijen uit zichzelf kunnen ontladen tijdens langere opslagperiodes.

In het geval dat u het apparaat weg doet, dienen de batterijen eerst verwijderd te worden. Het apparaat moet ontkoppeld zijn van het net bij het verwijderen van de batterij. Gooi de batterijen veilig weg. Laat het apparaat doorwerken totdat het stopt en de batterijen volledig ontladen zijn. Gebruikte batterijen moeten naar een recyclagecentrum gebracht worden en niet bij het huishoudafval geworpen worden. Om de batterijen te verwijderen neem contact op met de Hoover klantendienst, of ga verder volgens deze instructies.

BELANGRIJK: Maak de batterijen helemaal leeg voordat u ze verwijdert en ontkoppel steeds de lader.

Laat de reiniger draaien totdat de batterijen helemaal leeg zijn.

Verwijder de jack plug van de oplader uit het toestel.

Haal de ontgrendelknop van het batterijpak naar achteren en het batterijpak zal automatisch een klein beetje naar buiten geduwd worden. **[8A]**

Trek de accu langzaam uit de sleuf. **[8B]**

Opmerking: Mocht u enige problemen ondervinden met het uit elkaar halen van het voorwerp, of voor meer gedetailleerde informatie over behandeling, herstel en recyclage van dit apparaat, neem contact op met uw lokale gemeente of de afvalreinigingsdienst.

Gebruik enkel toevoegingen, gebruiksartikelen of reserveonderdelen die door Hoover aanbevolen of geleverd zijn.

Statische elektriciteit: Sommige tapijten kunnen een kleine opbouw van statische elektriciteit veroorzaken. Ontladingen van statische elektriciteit zijn onschadelijk voor uw gezondheid.

Gebruik je toestel nooit buiten of op natte oppervlaktes of om vocht op te nemen.

Raap geen harde of scherpe objecten op zoals lucifers, hete assen, sigaretten of andere gelijkaardige items. Spuit niet met ontvlambare vloeistoffen, reinigingsvloeistoffen, aerosols of hun dampen en zuig ze ook niet op.

Loop niet over het stroomsnoer wanneer je het toestel gebruikt of verwijder de stekker niet door aan het stroomsnoer te trekken. Gebruik uw apparaat of oplader niet als deze defect blijkt te zijn.

Hoover service: Om de veilige en doeltreffende werking van het apparaat te verzekeren, adviseren wij om onderhoud of reparaties alleen door een erkende onderhoudsmonteur van Hoover uit te laten voeren.

Gebruik het toestel niet om dieren of mensen te reinigen.

Vervang de batterijen niet met onoplaadbare batterijen.

Het milieu:

Dit toestel is gemerkt volgens de Europese richtlijn 2011/65/EC op afgedankte elektrische en elektronische apparaten (AEEA). Door dit product aan het einde van de levensduur op verantwoorde wijze weg te gooien, voorkomt u mogelijk negatieve gevolgen voor het milieu en de gezondheid, die zouden kunnen ontstaan door een onverantwoorde afvalverwerking van dit product. Het symbool op dit product geeft aan dat het niet mag worden beschouwd als huishoudelijk afval. In plaats daarvan moet u het inleveren bij een inzamelpunt voor het recycleren van elektrische en elektronische apparatuur. U moet het toestel weggooien in overeenstemming met de lokale voorschriften voor afvalverwerking. Voor meer informatie over verwerking, hergebruik en recycleren van dit product, kunt u contact opnemen met uw lokale overheid, uw afvalverwerkingsbedrijf of de winkel waar u het product heeft gekocht.



Dit toestel voldoet aan de Europese Richtlijnen 2014/35/EU, 2014/30/EU en 2011/65/EU.

CANDY HOOVER GROUP S.r.l. Via Privata Eden Fumagalli, 20861 Brugherio (MB) Italy

PRODUCTONDERDELEN

- | | |
|--|--|
| A. Turbo aan/uit knop | Q. AAN/UIT Schakelaar |
| B. Knop voor tapijt | R. Ontgrendelingsknoppen uitlaafilter |
| C. Led-indicatoren | S. Uitlaat Filter |
| D. Vrijgaveknop handgreep | T. Oplader |
| E. Buis | U. 2 in 1 kieren- en stofborstel * |
| F. Ontgrendelingsknop mondstuk | V. 2 in 1 grote stof- en meubelborstel * |
| G. Licht vooraan op het mondstuk | W. Lange flexibele kierenzuiger * |
| H. Draaikop mondstuk | X. Multifunctioneel opzetstuk * |
| I. Stofreservoir | Y. Adaptor * |
| J. HSpin-Core-Technology gaasfilterafdekking | Z. Mini-turbo zuigmond * |
| K. HSpin-Core-Technology motorafdekking | AA. Grondige reinigingsborstel * |
| L. Stofreservoir leegknop | AB. Radiatorborstel * |
| M. Kap bodem stofreservoir | AC. Zuigmond voor parket Caresse * |
| N. Ontgrendelknop batterijpak | AD. Wandhouder * |
| O. Batterijpak | AE. Schroefpluggen * |
| P. Schakelaar | AF. Accessoire zak * |

UW STOFZUIGER IN ELKAAR ZETTEN

1. Bevestig de muurhouder aan de wand met behulp van de bijgeleverde schroeven en pluggen. **[15]**
2. Breng het mondstuk aan de ene kant van de buis naar binnen totdat je een 'klik' geluid hoort. **[1A]**
3. Breng de andere kant van de buis in de kruimelzuiger totdat je een 'klik' geluid hoort. **[1B]**
4. Verbind de stekker van de oplader met de accu om het apparaat volledig op te laden. Het duurt ongeveer 5 uur. **[2]**

OPMERKING: Om het mondstuk af te nemen, druk op de ontgrendelingsknop van het mondstuk en haal deze los van de romp.

OPMERKING: Om te heropladen, gebruik alleen de oplader die bij uw reiniger is bijgeleverd.

BELANGRIJK: Tijdens het laden van het toestel dient de schakelaar in de OFF stand te staan. De accu kan ook los van het apparaat worden opgeladen.

Het is normaal dat de lader warm wordt bij het opladen.

* Alleen bepaalde modellen

UW STOFZUIGER GEBRUIKEN

Er zijn vier werkingsmodi:

- **TIJDELIJKE MODUS:** Het product begint te functioneren als je de AAN/UITKNOP indrukt en stopt als deze losgelaten wordt. **[3A]**
- **CONTINUE MODUS:** Om de continue modus in te schakelen kan je de schakelaar naar achter halen welke dan op zijn plaats klikt. **[3B]** Om de continue modus uit te schakelen kan je de schakelaar naar voor duwen.
- **TAPIJTMODUS:** Druk op de knop 'Tapijt' om het product op tapijt te gebruiken, met de ledlampjes aan. **[4A]**
- **TURBO MODE:** Druk de turboknop in voor volledig vermogen op zowel vloer- als tapijtstand. **[4B]**

OPMERKING: De tijdelijke modus en de continue modus worden aanbevolen om harde vloeren te reinigen. In de tapijtmodus wordt de draaikop geactiveerd, waarmee vuil van tapijttegels wordt losgemaakt.

BELANGRIJK: Gelieve steeds de schakelaar naar voren te duwen in de ontgrendelde positie na elk gebruik van uw product. Als dit niet gebeurt kan dit leiden tot een kortere batterijduur of falen.

LED DISPLAY:

Deze reiniger bevat een LED display. Als het product aan is en de display verlicht is, zullen de indicatoren de volgende informatie vertonen.

INDICATIE BATTERIJNIVEAU:

- 4 punten = 100% lading
- 3 punten = 75% lading
- 2 punten = 50% lading
- 1 punt = 25% lading

LADEN

Tijdens het opladen knippert het eerste ledlampje zolang het laadniveau beneden 25% is. Boven de 25% blijft het lampje continu branden. Dit gaat zo door voor de overige ledlampjes, die vervolgens aangeven wanneer de accu 50%, 75% en 100% is geladen. Bij 100% branden alle vier de lampjes.

Om ervoor te zorgen dat de accu op een veilige temperatuur wordt geladen, is er een veiligheidsvoorziening aangebracht. Als deze voorziening in werking treedt en het laden begint, blijft het eerste ledlampje knipperen totdat een reset plaatsvindt. Na de automatische reset begint het opladen op normale wijze, zoals hierboven beschreven.

ONTLAADINDICATIE

Als het apparaat in werking is, begint het ledlampje te knipperen wanneer de acculading lager is dan 5%. Op dat moment is het nodig om de accu te laden.

ACCESSOIRES:

2 IN 1 KIEREN- EN STOFBORSTEL*, 2 IN 1 GROTE STOF- EN MEUBELBORSTEL*, LANG EN FLEXIBEL KIERENMONDSTUK*, MULTIFUNCTIONEEL OPZETSTUK* EN MINI-TURBO MONDSTUK*.

De bovengenoemde accessoires kunnen direct op het draagbare gedeelte worden aangebracht, of op één kant van de buis. **[5]**

RADIATORBORSTEL* / GRONDIGE REINIGINGSBORSTEL* / ZUIGMOND VOOR PARKET CARESSE*

De adapter voor accessoires moet worden aangebracht bij het gebruik van één van de bovengenoemde apparaten. **[5]**

OPMERKING: Het mini-turbo mondstuk is ideaal voor het grondig reinigen van textiele oppervlakken (zoals banken) en het verwijderen van haar van huisdieren. Beweeg de reiniger gelijkmatig heen en weer. Na gebruik kan u best haar en/of draden die aan de borstel zijn gaan zitten, waar nodig met een schaar verwijderen.

OPMERKING: het lange, flexibele opzetstuk voor het reinigen van kieren is ideaal voor moeilijk te bereiken plekken, zoals onder meubels of in de auto.

OPMERKING: De radiator tool is ideaal voor het van binnen en van buiten reinigen van kasten, banken, lamellen en meer.

OPMERKING: De diepreinigende borstel is handig voor het schoonmaken van nauwe ruimtes zonder risico op krassen, zoals in de auto.

OPMERKING: Het multifunctionele mondstuk is ontworpen om kwetsbare en moeilijk te bereiken oppervlakken gemakkelijk te reinigen zonder risico op krassen. Het multifunctionele mondstuk bestaat uit drie hoofddelen:

1. Kierenmondstuk voor het bereiken van nauwe ruimtes.
2. Stofborstel voor het reinigen van oppervlakken zonder risico op beschadiging of krassen.
3. Meubelmondstuk voor het reinigen van oppervlakken zoals bankstellen.

ACCESSOIRE ZAK*

Overige accessoires kunnen in de accessoire zak bewaard worden.

* Alleen bepaalde modellen

WANDHOUDER*

Bevestig de wandhouder aan de muur met de drie schroeven die bij het product zijn geleverd [15]. Het apparaat, de 2 in 1 kieren- en stofborstel, het 2 in 1 grote stof- en kierenmondstuk en het mini-turbo-mondstuk (als aanwezig) kunnen aan de wandhouder worden opgehangen.

ONDERHOUD STOFZUIGER**De stofcontainer ledigen**

1. Druk op de ontgrendelingsknop op het draagbare gedeelte en verwijder de buis. [6]
2. Druk de stofreservoir ledigknop in om de klep van de bak te ontgrendelen en de inhoud te ledigen. [7]
3. Sluit de stofreservoir klep, je hoort een klik als deze volledig vergrendeld is.

OPMERKING: Het is aangeraden om het stofreservoir te ledigen na elk gebruik of als het stof tot de maximale vullijn komt.

Maak het stofreservoir en filter schoon

1. Druk de stofreservoir ledigknop in om de klep van de bak te openen en deze te ledigen. [6]
2. Druk de stofreservoir leegknop in om de klep van de bak te openen en deze te legen. [7]
3. Druk op de ontgrendelingsknop van de accu en verwijder de accu. [8A,8B]
4. Draai het stofreservoir linksom, breng de pijltjes op één lijn en verwijder het reservoir van het product. [9]
5. Draai de HSpin-Core-Technology motorafdekking rechtsom en verwijder de HSpin-Core-Technology gaasfilterafdekking van de HSpin-Core-technology. [10A,10B]
6. Druk de HSpin-Core-Technology gaasfilter omlaag voor het reinigen van de filter of als de HSpin-Core-Technology motor is verstopt. Reinigen met water is niet aanbevolen. [11]
7. Druk op de twee uitlaafilter ontgrendelknoppen tegelijkertijd en verwijder dan de uitlaafilter. [12A, 12B]
8. Was de uitlaafilter in lauw water en laat deze 24 uur drogen. Wanneer deze helemaal droog is zet opnieuw in elkaar en bevestig weer aan het product. [13,14]
9. Was het stofreservoir/HSpin-Core-Technology gaasfilterafdekking met lauw water. Zorg er voor dat het helemaal droog is voordat het teruggeplaatst wordt in de romp. [13,14]
10. Zet het draagbare gedeelte van het apparaat weer in elkaar en hang het aan de wandhouder. [15]

OPMERKING: Gebruik geen heet water of schoonmaakmiddelen bij het schoonmaken van de uitlaafilters. Het is zeer onwaarschijnlijk, maar indien de uitlaafilters beschadigd raken, vervang de door originele Hoover uitlaafilters. Gebruik het product niet zonder de filter.

BELANGRIJK: Houd de gaasfilter altijd schoon voor optimale prestatie. Wij raden aan de filter eenmaal per maand te wassen.

De agitator veranderen en reinigen.

BELANGRIJK: De reiniger altijd uitschakelen alvorens de agitator te veranderen en schoon te maken.

1. Maak de agitatorontgrendelklep los. Deze is gepositioneerd op het achterdeel van het mondstuk. [16]
2. Hou de agitator ontgrendelklep vast en trek deze naar beneden om de agitator te verwijderen. [16]
3. Vervang met een nieuwe agitator of reinig deze. Deze past slechts in één richting.
4. Breng de agitator ontgrendelklep terug in positie. [17]

Batterijen vervangen

Het toestel is voorzien van een oplaadbare lithium ion batterijpak die vervangbaar is.

WAARSCHUWING: Gebruik alleen erkende vervangingsonderdelen voor uw toestel. Het gebruik van onderdelen die niet door Hoover werden gevalideerd zal uw garantie ongeldig maken.

WAARSCHUWING: Het batterijpak niet openen om het zelf te proberen te repareren.

1. Haal de batterijpak ontgrendelknop naar achteren en het batterijpak zal automatisch een klein beetje naar buiten geduwd worden. [8A]
2. Trek de accu langzaam uit de sleuf. [8B]
3. Verwijder het oude batterijpak en vervang deze met het nieuwe batterijpak.
4. Gooi de batterijen veilig weg. Gebruikte batterijen moeten naar een recyclagecentrum gebracht worden en niet in het afval van het huishouden geworpen worden.

WAT TE DOEN BIJ PROBLEMEN

Mocht u problemen hebben met uw reiniger, volg dan eerst deze eenvoudige checklist voordat u het Hoover-klantenservicecentrum belt:

A. De reiniger gaat niet aan

Controleer of de reiniger is opgeladen.

Controleer of de accu op zijn plek zit.

Het apparaat werkt niet meer

Controleer of de HSpin-Core-Technology motor is verstopt.

B. Verminderde of helemaal geen zuigkracht.

Ledig het stofreservoir en was de gaasfilter en de scheiding.

Verwijder het mondstuk en kijk of er iets de buis blokkeert.

C. Batterijen kunnen niet worden opgeladen

Dit zou een resultaat kunnen zijn van zeer lange opslag periodes (meer dan 6 maanden).

Neem contact op met de Hoover-klantenservice om vervanging van de accu te regelen.

Indien het probleem aanhoudt, neem contact op met het Hoover-klantenservicecentrum.

HOOVER RESERVEONDERDELEN EN VERBRUIKSARTIKELEN

Gebruik uitsluitend originele reserveonderdelen van Hoover. Deze zijn verkrijgbaar bij uw Hoover Dealer. Als u onderdelen bestelt, vermeld dan altijd het modelnummer.

JOUW GARANTIE

De garantievoorwaarden voor dit toestel worden bepaald door onze vertegenwoordiger in het land waar het toestel wordt verkocht. Details omtrent deze voorwaarden zijn verkrijgbaar bij de dealer waar u het toestel hebt gekocht. Wanneer u aanspraak wilt maken op deze garantie, dan moet u het verkoop- of ontvangstbewijs voorleggen.

BELANGRIJK: De accu van dit apparaat heeft een garantie van twee jaar vanaf de aankoopdatum. Na twee jaar moet de klant zelf de kosten van een nieuwe accu betalen.

Wijzigingen zijn zonder voorafgaande kennisgeving mogelijk.

INSTRUÇÕES PARA UMA UTILIZAÇÃO SEGURA

Este aparelho só deve ser utilizado para limpeza doméstica, conforme descrito neste guia do utilizador. Certifique-se de que este manual é totalmente compreendido antes de utilizar o aparelho.

Desligue sempre o aparelho e retire o carregador da tomada antes de limpar o aparelho ou efectuar qualquer tarefa de manutenção.

Este aparelho pode ser utilizado por crianças com idade igual ou superior a 8 anos e por pessoas com capacidades mentais, sensoriais e físicas reduzidas ou sem experiência e conhecimento caso lhes sejam fornecidas instruções e supervisão relativas à utilização do aparelho de modo seguro e caso compreendam os perigos envolvidos. As crianças não devem brincar com o aparelho. A limpeza e a manutenção não devem ser efectuada por crianças sem supervisão.

Se o cabo de alimentação estiver danificado deixe de utilizar o aparelho imediatamente. Para evitar um risco de segurança, o cabo de alimentação deve ser substituído por um técnico de assistência autorizado da Hoover.

Mantenha as mãos, os pés, as roupas largas e o cabelo longe das escovas rotativas.

Utilize apenas o carregador original fornecido com o aparelho.

Verifique que a tensão de alimentação corresponde à indicada no carregador.

Este electrodoméstico da Hoover vem com um carregador de baterias duplamente isolado que é apenas adequado para alimentação eléctrica de 230 V (240 V no Reino Unido).

Ligue o carregador a uma tomada eléctrica adequada e ligue a ficha do carregador ao eletrodoméstico.

Ao carregar o aparelho, o interruptor de alimentação tem de estar na posição Off.

Antes da primeira utilização, carregue o aparelho durante, pelo menos, 24 horas. O indicador LED irá piscar azul durante o carregamento e fica aceso quando totalmente carregado.

Volte a ligar o aparelho ao carregador depois da utilização para recarregar a bateria.

Nunca troque as baterias em temperaturas acima de 37°C ou abaixo de 0°C.

É normal que o carregador aqueça enquanto estiver a carregar.

Não desligue o carregador puxando o cabo.

Desligue o carregador em caso de ausência prolongada (férias, etc.). Recarregue novamente o produto antes de utilizar, pois a bateria pode descarregar durante longos períodos de armazenamento.

Se for necessário eliminar o aparelho, primeiro retire as baterias. O aparelho deve ser desligado da fonte de alimentação ao remover a bateria. Elimine as baterias em segurança. Deixe o aparelho em funcionamento até parar devido ao facto de as baterias estarem completamente descarregadas. As pilhas usadas devem ser levadas para uma estação de reciclagem e não devem ser colocadas no lixo doméstico. Para remover as baterias, contacte o centro de apoio ao cliente da Hoover ou prossiga de acordo com as instruções seguintes.

IMPORTANTE: Descarregue, sempre, na totalidade as baterias antes de as remover.

Coloque o aspirador em funcionamento até a bateria estar totalmente descarregada.

Remova a ficha de tomada do carregador do aparelho.

Puxe o botão de libertação do conjunto de baterias e o conjunto de baterias será afastado uma pequena distância automaticamente. **[8A]**

Afaste o conjunto de baterias lentamente da ranhura. **[8B]**

Nota: Caso experiencie qualquer dificuldade na desmontagem da unidade ou necessite de informações mais detalhadas sobre o trabalho, recuperação e reciclagem deste aparelho, contacte o departamento da sua cidade ou o serviço de eliminação de lixo doméstico.

Utilize apenas acessórios, consumíveis ou peças sobressalentes recomendadas ou fornecidas pela Hoover.

Electricidade estática: Algumas alcatifas podem provocar uma pequena acumulação de electricidade estática. A descarga de electricidade estática não constitui qualquer perigo para a saúde.

Não utilize o aparelho no exterior, em superfícies húmidas ou para aspirar líquidos.

Não aspire objectos duros ou afiados, fósforos, cinzas quentes, pontas de cigarro ou outros itens semelhantes. Não pulverize nem aspire líquidos inflamáveis, líquidos de limpeza, aerossóis ou respectivos vapores.

Não passe por cima do cabo de alimentação ao utilizar o aspirador nem retire a ficha puxando pelo cabo de alimentação. Não continue a utilizar o aparelho ou o carregador caso aparente estar defeituoso.

Assistência da Hoover: Para assegurar o funcionamento seguro e eficiente deste aparelho, recomendamos que todas as intervenções de assistência ou reparação sejam efectuadas apenas por um técnico de assistência autorizado da Hoover.

Não utilize o aparelho para limpar pessoas ou animais.

Não substitua as baterias por baterias não recarregáveis.

Ambiente:

Este electrodoméstico está marcado de acordo com o disposto na directiva europeia 2011/65/EC relativa aos resíduos de equipamentos eléctricos e electrónicos (REEE). Ao garantir que este produto é eliminado de forma correcta, estará a contribuir para evitar potenciais consequências negativas para o ambiente e a saúde humana, o que pode ocorrer devido a um tratamento inadequado dos resíduos deste produto. O símbolo no produto indica que este não pode ser tratado como resíduo doméstico. Pelo contrário, deve ser encaminhado para o ponto de recolha aplicável para reciclagem de equipamento eléctrico e electrónico. A eliminação deve ser realizada em conformidade com as leis ambientais locais relativas à eliminação de resíduos. Para obter informações mais detalhadas sobre o tratamento, recuperação e reciclagem deste produto, contacte as autoridades locais, o serviço de eliminação de resíduos domésticos ou a loja onde adquiriu o produto.



Este aparelho encontra-se em conformidade com as Directivas Europeias 2014/35/UE, 2014/30/UE e 2011/65/UE.

CANDY HOOVER GROUP S.r.l. Via Privata Eden Fumagalli, 20861 Brugherio (MB) Italy

COMPONENTES DO PRODUTO

- | | |
|--|---|
| A. Botão Turbo On/Off | Q. Interruptor LIGAR/DESLIGAR |
| B. Botão carpete | R. Botões Libertação Filtro Exaustão |
| C. Indicadores LED | S. Filtro do escape |
| D. Botão de libertação manual | T. Carregador |
| E. Tubo | U. Escova de Pó e Fendas 2 em 1 * |
| F. Botão de libertação da escova | V. Escova para móveis e de pó grande 2 em 1 * |
| G. Luz Frontal Bocal | W. Ferramenta longa para fendas flexível * |
| H. Agitador Bocal | X. Acessório Multi-funções até ao Topo * |
| I. Compartimento para o pó | Y. Transformador eléctrico * |
| J. Tampa Filtro de rede Tecnologia HSpin-Core | Z. Mini Escova Turbo * |
| K. Tampa Motor Tecnologia HSpin-Core | AA. Escova de limpeza profunda * |
| L. Botão de esvaziamento do depósito de pó | AB. Ferramenta para radiadores * |
| M. Tampa Inferior Depósito Pó | AC. Escova Caresse para parquet * |
| N. Botão de libertação do conjunto de baterias | AD. Montagem de parede * |
| O. Conjunto de baterias | AE. Tampões com porca * |
| P. Alavanca do interruptor | AF. Saco de Acessórios * |

PREPARAR O SEU ASPIRADOR

1. Fixe a montagem de parede utilizando os parafusos e tampões com porca fornecidos. [15]
2. Insira a cabeça da escova num lado do tubo até ouvir um clique. [1A]
3. Insira outro lado do tubo na unidade portátil até ouvir um clique. [1B]
4. Para carregar totalmente o aparelho, ligue a ficha de tomada do carregador ao pacote da bateria. Demora cerca de 5 horas. [2]

NOTA: Para remover a escova, pressione o botão de libertação da escova e retire do corpo principal.

NOTA: Utilize apenas o carregador fornecido com o aspirador para recarregar.

IMPORTANTE: Ao carregar o aspirador, a alavanca do interruptor tem de estar na posição OFF. Pode carregar o conjunto de baterias também quando está desligado do produto.

É normal que o carregador aqueça enquanto estiver a carregar.

* Apenas em alguns modelos

UTILIZAR O SEU ASPIRADOR

Existem quatro modos de funcionamento:

- **MODO TEMPORÁRIO:** O produto começa a trabalhar quando prime o botão LIGAR/DESLIGAR e pára quando solto. [3A]
- **MODO CONTÍNUO:** Para activar o modo contínuo, pode puxar a alavanca do interruptor para trás e irá encaixar. [3B] Para desactivar o modo contínuo, pode empurrar a alavanca do interruptor para a frente.
- **MODO TAPETES:** Pressione o botão Carpete para usar o produto em tapetes, com as luzes LED ON. [4A]
- **MODO TURBO:** Prima o botão Turbo para potência máxima no modo de pavimento ou alcatifas. [4B]

NOTA: O modo temporário e o modo contínuo são recomendados para a limpeza de pavimentos rígidos; o modo de tapete ativa o agitador e é recomendado para a elevação da sujidade e detritos em alcatifas.

IMPORTANTE: Depois de cada utilização do produto, certifique-se de que empurra a alavanca do interruptor para a frente para a posição desbloqueada. O incumprimento desta recomendação pode resultar numa redução da vida da bateria ou na sua falha.

DISPLAY LED:

Este aspirador está equipado com um visor LED. Quando o produto está ligado e o visor iluminado, os indicadores apresentam a seguinte informação.

INDICADOR DO NÍVEL DA BATERIA:

- Quatro pontos = 100% de carga
- Três pontos = 75% de carga
- Dois pontos = 50% de carga
- Um ponto = 25% de carga

CARREGAMENTO

Durante o processo de carregamento se o nível da bateria carregada está abaixo de 25%, irá ver o primeiro LED a piscar até passar os 25%, em seguida, este fica iluminado. Este processo irá continuar em todos os pontos do LED que indicam o nível de carga da bateria 25%, 50%, 75%, etc. Quando as baterias estiverem 100% carregadas, os quatro pontos ficarão iluminados.

Por favor, note que para garantir que a sua bateria está sendo carregada a uma temperatura de funcionamento segura, instalamos um dispositivo de segurança. Se este aparelho ativa-se e começa o processo de carregamento em seguida, irá ver o primeiro LED piscar até que se tenha restabelecido. Depois de restabelecer-se automaticamente, o ciclo normal de carregamento começará, como descrito abaixo.

INDICAÇÃO DE DESCARGA

Quando o produto está em execução e as baterias estão a descarregar-se, o indicador de LED irá começar a piscar quando a capacidade da bateria é inferior a 5%, indicando a necessidade de recarregar.

ACESSÓRIOS:

ESCOVA PÓ E FENDAS 2 EM 1*, ESCOVA MÓVEIS E PÓ GRANDE 2 EM 1*, FERRAMENTA FENDAS FLEXÍVEL LONGA*, FERRAMENTA PARA AS PARTES SUPERIORES MULTIFUNÇÕES* BOCAL TURBO MINI*.

Os acessórios abaixo podem ser montados diretamente na unidade portátil ou num lado do tubo. [5]

FERRAMENTA PARA RADIADORES* / ESCOVA DE LIMPEZA PROFUNDA* / ESCOVA CARESSE PARA PARQUET*

O adaptador da ferramenta deve ser montado quando usar qualquer um dos acessórios acima. [5]

NOTA: A mini escova turbo é ideal para a limpeza profunda de superfícies têxteis (ou seja, sofás) e remoção de pêlos de animais. Desloque firmemente para trás e para a frente. Depois da utilização, retire os pêlos/fios recolhidos da escova com uma tesoura, se necessário.

NOTA: O acessório de fendas flexível longo é ideal para limpar áreas de difícil acesso, debaixo de móveis e no automóvel.

NOTA: A ferramenta para radiadores é ideal para limpar dentro e ao redor de armários, radiadores, sofás, persianas, etc.

NOTA: A escova de limpeza profunda é útil para limpar espaços apertados sem riscar as superfícies, e dentro do seu automóvel

NOTA: A ferramenta multifunções é projetada para limpar facilmente superfícies delicadas sem riscar e todas as áreas que são de difícil acesso. O acessório multi-funções é feito de três partes principais:

1. O acessório para fendas é ideal para aceder a espaços apertados.
2. A escova de pó é ideal para limpar superfícies sem danificar ou arranhar.
3. O bocal de móveis é ideal para superfícies como o sofá.

* Apenas em alguns modelos

SACO DE ACESSÓRIOS*

Podem ser armazenados acessórios adicionais no saco de acessórios.

MONTAGEM DE PAREDE*

Pendure a montagem de parede à parede, usando os três parafusos incluídos no produto [15] para pendurar o produto, escova de pó e fendas 2 em 1 fendas, bocal turbo mini e de fendas e pó 2 em 1 (quando incluído).

MANUTENÇÃO DO ASPIRADOR**Esvaziar o depósito de pó**

1. Prima o botão de libertação portátil e retire o tubo. [6]
2. Empurre o botão de esvaziamento do compartimento para pó para soltar a aba do recipiente e esvazie o conteúdo. [7]
3. Feche a aba do compartimento para pó, ouvirá um clique quando estiver encaixado.

NOTA: É recomendado esvaziar o compartimento para pó depois de cada utilização ou quando o pó estiver até à linha máxima de enchimento.

Limpe o depósito de pó e o filtro

1. Prima o botão de libertação portátil e retire o tubo. [6]
2. Prima o botão de esvaziamento do compartimento para pó para abrir a abra do recipiente e esvaziá-lo. [7]
3. Puxe o botão de libertação do conjunto de baterias para baixo e remova o conjunto de baterias. [8A,8B]
4. Gire o depósito de pó numa direção anti-horária, alinhe as marcas de seta e removê-lo do produto. [9]
5. Gire a tampa do motor com tecnologia HSpin-Core para o sentido horário e, em seguida, mova para baixo a tampa do filtro de rede com tecnologia HSpin-Core do filtro de rede com tecnologia HSpin-Core. [10A,10B]
6. Empurre para baixo o filtro de rede com tecnologia HSpin-Core quando limpa o filtro ou encontra o motor com tecnologia HSpin-Core bloqueado. Não é aconselhável limpar com água. [11]
7. Prima os dois botões de libertação do filtro de escape e retire o filtro de escape. [12A, 12B]
8. Lave o filtro de escape em água morna e deixe a secar durante 24 horas. Volte a montar assim que estiver completamente seco e volte a colocar no produto. [13,14]
9. Lave o compartimento para pó/o filtro de rede com tecnologia HSpin-Core em água morna. Certifique-se de que está totalmente seca antes de voltar a aplicar no corpo principal. [13,14]
10. Volte a montar a unidade portátil e fixe-a na montagem de parede. [15]

NOTA: Não utilize água quente ou detergentes ao limpar os filtros de escape. No caso improvável dos filtros de escape ficarem danificados, instale uma peça de substituição Hoover genuína. Não tente utilizar o aspirador sem o filtro montado.

IMPORTANTE: Para um desempenho ideal, mantenha sempre o filtro de rede limpo. Recomendamos lavar o filtro mensalmente.

Substituir e limpar o agitador

IMPORTANTE: Desligue sempre o aspirador antes de mudar e limpar o agitador.

1. Liberte a aba de libertação do agitador Posicionada na parte lateral do bocal. [16]
2. Segure na aba de libertação do agitador e puxe-a para retirar o agitador. [16]
3. Substitua por um agitador novo ou limpe-o. Apenas pode ser encaixado numa direcção.
4. Volte a colocar na respetiva posição a aba de libertação do agitador. [17]

Substituição das baterias

Este aspirador está instalado com um conjunto de baterias de íões de lítio recarregáveis que são substituíveis.

ATENÇÃO: Utilize apenas peças de substituição aprovadas para o aspirador. A utilização de peças não aprovadas pela Hoover é perigosa e irá tornar a sua garantia inválida.

ATENÇÃO: Não tente abrir o conjunto de baterias e repará-lo.

1. Puxe o botão de libertação do conjunto de baterias e o conjunto de baterias será afastado uma pequena distância automaticamente. [8A]
2. Afaste o conjunto de baterias lentamente da ranhura. [8B]
3. Retire a bateria antiga e substitua-a por uma bateria nova.
4. Elimine as baterias em segurança. As pilhas usadas devem ser levadas para uma estação de reciclagem e não devem ser colocadas no lixo doméstico.

RESOLUÇÃO DE PROBLEMAS

Se tiver qualquer problema com o aspirador, siga esta lista de verificação simples antes de contactar o Centro de Assistência ao Cliente da Hoover:

A. O aspirador não liga

- Verifique se o aspirador está carregado
- Controle se o pacote da bateria está montado no lugar.

O aspirador parou de trabalhar.

- Controle se o motor com Tecnologia HSpin-Core está bloqueado.

B. Perda de sucção ou sem sucção.

- Esvazie o compartimento para pó e lave o filtro de rede e o separador.
- Retire a escova e verifique se existe qualquer obstrução na conduta.

C. Não é possível carregar a bateria

- Isto pode dever-se a um período de armazenamento muito longo (mais de meio ano).
- Contacte o serviço de apoio ao cliente da Hoover para que a bateria seja substituída.
- Se o problema persistir, contacte o centro de assistência ao cliente da Hoover.

PEÇAS SOBRESSALENTES E CONSUMÍVEIS HOOVER

Substitua sempre as peças por peças sobressalentes Hoover genuínas. Pode obtê-las junto do seu representante local ou directamente da Hoover. Quando encomendar peças, mencione sempre o número do seu modelo.

A SUA GARANTIA

As condições de garantia para este aparelho são as definidas pelo nosso representante no país onde foi vendido. Pode obter detalhes sobre estas condições junto do agente a quem adquiriu o aparelho. A factura de venda ou o recibo deverão ser entregues quando apresentar uma reclamação ao abrigo dos termos da garantia.

IMPORTANTE: A bateria neste aspirador possui uma garantia de 2 anos a partir da data de compra. Após 2 anos, o comprador é responsável pelo custo da nova bateria.

Sujeito a alteração sem aviso prévio.

INSTRUCCIONES PARA UN USO SEGURO

Este aparato sólo debe utilizarse para la limpieza doméstica habitual, como se describe en este manual de usuario. Asegúrese de haber comprendido todo el contenido de este manual antes de poner en funcionamiento el aparato.

Apague y quite el cargador de la toma de corriente antes de limpiar el aparato o de efectuar cualquier operación de mantenimiento.

Este aparato puede ser usado por niños de 8 años en adelante y personas con capacidades físicas, sensoriales o mentales reducidas o falta de experiencia y conocimiento bajo supervisión y con una explicación de las instrucciones con respecto al uso del aparato de manera segura y que comprendan los riesgos implicados. Los niños no deben jugar con el aparato. Los niños no deben limpiar ni dar mantenimiento sin supervisión.

Si el cable de alimentación está dañado, deje de utilizar el aparato inmediatamente. Para evitar riesgos de seguridad, el cable de alimentación sólo puede ser cambiado por un especialista del servicio técnico de Hoover.

Mantener lejos de los cepillos rotatorios pies, manos, ropa suelta y cabellos.

Utilice únicamente el cargador original suministrado con el aparato.

Controle que el voltaje de la corriente eléctrica sea el mismo que el indicado en el cargador.

Este aparato Hoover se proporciona con un cargador de baterías con doble aislamiento que sólo se puede conectar en una toma de corriente de 230V (240V en Reino Unido).

Enchufe el cargador en una toma de corriente adecuada y conecte el enchufe de clavija del cargador al electrodoméstico.

Durante la carga del electrodoméstico, el interruptor de alimentación debe estar en posición de apagado.

Antes del primer uso, cargue el aspirador durante al menos 24 horas. La luz indicadora LED parpadeará de color azul durante la carga y permanecerá encendida cuando se haya cargado por completo.

Vuelva a conectar el electrodoméstico al cargador después del uso para recargar las baterías.

No cargue nunca la batería a temperaturas superiores a los 37°C o inferiores a 0°C.

Es normal que el cargador esté caliente al tacto mientras se está cargando.

No tire del cable para desenchufar el cargador.

Desenchufe el cargador en caso de ausencias prolongadas (vacaciones, etc.). Vuelva a cargar el aparato nuevamente antes de usarlo, ya que las baterías se podrían descargar durante períodos de almacenamiento prolongados.

Si se debe desechar el aparato, primero es necesario extraer las baterías. Cuando extraiga las baterías, el electrodoméstico debe estar desconectado de la red eléctrica. Elimine las baterías de manera segura. Haga funcionar el electrodoméstico hasta que se detenga debido a que las baterías están totalmente descargadas. Las baterías usadas deben llevarse a un punto de reciclaje y no deben desecharse con los residuos domésticos. Para quitar las baterías, contacte con el Servicio Técnico de Hoover o siga las siguientes instrucciones.

IMPORTANTE: Descargue siempre las baterías completamente antes de desecharlas y asegúrese de que el cargador está desenchufado.

Haga funcionar el aspirador hasta que las baterías estén completamente descargadas.

Quite el conector jack del cargador del electrodoméstico.

Tire hacia atrás el botón de desenganche del paquete de baterías y dicho paquete de baterías será empujado automáticamente un poco hacia afuera. **[8A]**

Saque lentamente el paquete de baterías de la ranura. **[8B]**

Nota: Si llega a experimentar problemas al desmontar el aspirador portátil o para obtener información más detallada sobre el tratamiento, la recuperación y el reciclaje de este electrodoméstico, contacte con su Ayuntamiento o con el servicio de recogida de residuos domésticos de su zona.

Utilice únicamente accesorios, consumibles o repuestos recomendados o distribuidos por Hoover.

Electricidad estática: Algunas alfombras pueden provocar una pequeña acumulación de electricidad estática. Las descargas estáticas no son peligrosas para la salud.

No utilice el aparato al aire libre, en superficies húmedas o para recoger líquidos.

No aspire objetos duros o afilados, cerillas, cenizas calientes, colillas de cigarrillo u objetos similares. No rocíe ni aspire líquidos inflamables, aerosoles para limpiar o sus vapores.

No pase por encima del cable de alimentación cuando utilice el aparato ni lo desenchufe tirando del cable. No siga utilizando el electrodoméstico o el cargador si parece estar defectuoso.

Servicio Técnico de Hoover: Para garantizar el funcionamiento seguro, eficaz y duradero del aspirador, recomendamos que las tareas de mantenimiento sean realizadas exclusivamente por técnicos autorizados del servicio Técnico de Hoover.

No utilice el aparato en personas ni animales.

No sustituya las baterías por baterías no recargables.

El Medio Ambiente:

Este aparato está marcado de acuerdo con la Directiva Europea 2011/65/EC sobre residuos de aparatos eléctricos y electrónicos (RAEE). Al cerciorarse de que este producto se elimine correctamente, usted ayudará a prevenir las posibles consecuencias perjudiciales para el medio ambiente y la salud humana que, de otro modo, podrían producirse en caso de manejo inadecuado de los residuos de este producto. El símbolo que puede verse en el producto indica que éste no puede tratarse como residuo doméstico. En vez de esto debe entregarse en un punto de recogida de electrodomésticos para el reciclaje de equipos eléctricos y electrónicos. La eliminación debe llevarse a cabo según los reglamentos medioambientales locales sobre eliminación de residuos. Para información más detallada sobre el tratamiento, la recuperación y el reciclaje de este producto, póngase en contacto con su Ayuntamiento, su servicio de recogida de residuos domésticos o con el establecimiento donde haya comprado el producto.



Esta aparato cumple con las Directivas europeas 2014/35/EU, 2014/30/EU y 2011/65/EU.

CANDY HOOVER GROUP S.r.l. Via Privata Eden Fumagalli, 20861 Brugherio (MB) Italy

COMPONENTES DEL PRODUCTO

- | | |
|---|--|
| A. Botón encendido/apagado Turbo | T. Cargador |
| B. Botón Alfombras | U. Accesorio 2 en 1 para quitar el polvo y para los rincones * |
| C. Indicadores LED | V. Cepillo grande 2 en 1 para quitar el polvo y para los muebles * |
| D. Botón de desenganche de la unidad portátil | W. Accesorio largo y flexible para rincones * |
| E. Tubo | X. Accesorio multifunción para superficies elevadas * |
| F. Botón desbloqueo de tobera | Y. Adaptador * |
| G. Luz delantera de la tobera | Z. Tobera Mini-turbo * |
| H. Agitador de la tobera | AA. Cepillo para limpieza profunda * |
| I. Depósito de suciedad | AB. Accesorio para el radiador * |
| J. Tecnología HSpin-Core con cubierta del filtro de malla | AC. Tobera Caresse para parquet * |
| K. Tecnología HSpin-Core con cubierta del motor | AD. Soporte de pared * |
| L. Botón de vaciado del depósito de suciedad | AE. Tapones de tornillos * |
| M. Cubierta inferior del depósito de suciedad | AF. Bolsa para accesorios * |
| N. Botón de desenganche del paquete de baterías | |
| O. Paquete de baterías | |
| P. Palanca del interruptor | |
| Q. Interruptor de encendido/apagado (ON/OFF) | |
| R. Botones de liberación del filtro de salida | |
| S. Filtro de salida | |

PREPARACIÓN DEL ASPIRADOR

1. Fije el soporte de pared a la pared utilizando los tornillos y los tapones de tornillos suministrados. [15]
2. Introduzca el cabezal de la tobera en un lado del tubo hasta que se oiga un "clic". [1A]
3. Introduzca el otro lado del tubo en el aspirador extraíble hasta que se oiga un "clic". [1B]
4. Para cargar por completo el electrodoméstico, conecte el conector jack del cargador al paquete de baterías. Esto durará aproximadamente 5 horas. [2]

NOTA: Para retirar la tobera, presione el botón de desbloqueo de la tobera y retírela del cuerpo principal.

NOTA: Sólo utilice el cargador proporcionado con su aspirador para recargar.

IMPORTANTE: Cuando el aspirador se esté cargando la palanca del interruptor debe estar en posición de APAGADO. El paquete de baterías se puede cargar incluso cuando está desenganchado del electrodoméstico.

Es normal que el cargador esté caliente al tacto mientras se está cargando.

* Sólo para algunos modelos

USO DEL ASPIRADOR

Hay cuatro modos de funcionamiento:

- **MODO TEMPORAL:** El electrodoméstico comenzará a funcionar al presionar el interruptor encendido/apagado y se detendrá al soltarlo. [3A]
 - **MODO CONTINUO:** Para activar el modo continuo es necesario tirar hacia atrás la palanca del interruptor que se encajará en su lugar al oírse un clic. [3B] Para desactivar el modo continuo es necesario empujar la palanca del interruptor hacia adelante.
 - **MODO CARPET (ALFOMBRA):** Pulse el botón Alfombras para utilizar el electrodoméstico en alfombras, con luces LED encendidas. [4A]
 - **MODO TURBO:** Presione este botón para obtener la potencia máxima en el modo floor (suelo) o carpet (alfombra). [4B]
- NOTA:** Se recomienda utilizar el modo temporal y el modo continuo para limpiar suelos duros; el modo Carpet (alfombra) activa el agitador y es recomendado para levantar polvo y desechos del pelo de la alfombra.
- IMPORTANTE:** Después de cada uso del electrodoméstico, asegúrese de empujar la palanca del interruptor hacia adelante en posición de desbloqueo. De lo contrario, puede reducirse la vida útil de la batería u ocurrir una avería.

PANTALLA LED:

Este aspirador está dotado de una pantalla LED. Cuando el electrodoméstico está encendido y la pantalla está iluminada los indicadores muestran la siguiente información.

INDICADOR DEL NIVEL DE BATERÍA:

- 4 puntos = carga al 100%
- 3 puntos = carga al 75%
- 2 puntos = carga al 50%
- 1 punto = carga al 25%

PROCESO DE CARGA

Durante el proceso de carga si el nivel de carga de la batería es inferior al 25% verá parpadear el primer LED hasta que sea superior al 25%, luego permanecerá iluminado. Este proceso continuará en todos los puntos del LED que indican el nivel de carga de la batería 25%, 50%, 75%, etc. Cuando la carga de la batería alcance el 100% los 4 puntos estarán iluminados.

Cabe señalar que para asegurar que la batería se cargue a una temperatura de funcionamiento segura fue dotada de un dispositivo de seguridad. Si este dispositivo se activa y comienza el proceso de carga, se verá parpadear el primer LED hasta que se restablezca. Después de que se haya restablecido automáticamente comenzará el proceso de carga normal según lo indicado anteriormente.

INDICACIÓN DE DESCARGA

Cuando el electrodoméstico esté funcionando y las baterías se estén descargando la luz indicadora LED comenzará a parpadear cuando la capacidad de la batería sea inferior al 5% lo cual indica la necesidad de recarga.

ACCESORIOS:

ACCESORIO 2 EN 1 PARA QUITAR EL POLVO Y PARA LOS RINCONES*, CEPILLO GRANDE 2 EN 1 PARA QUITAR EL POLVO Y PARA LOS MUEBLES*, ACCESORIO LARGO Y FLEXIBLE PARA RINCONES*, ACCESORIO MULTIFUNCIÓN PARA SUPERFICIES ELEVADAS* Y TOBERA MINI TURBO*.

Los accesorios indicados anteriormente pueden encajarse directamente en el aspirador extraíble o en un lado del tubo. [5]

ACCESORIO RADIADOR* / CEPILLO PARA LIMPIEZA PROFUNDA* / TOBERA PARA PARQUET CARESSE*

Cuando se utilice cualquiera de los accesorios indicados anteriormente se debe encajar el adaptador* de accesorios. [5]

NOTA: La tobera Mini Turbo es ideal para una limpieza profunda de los tejidos del hogar (p. ej. sofás) y para eliminar el pelo de las mascotas. Mueva constantemente hacia adelante y hacia atrás. Después del uso, elimine cabello/hilos recogidos en el cepillo, usando las tijeras si es necesario.

NOTA: El accesorio largo y flexible para rincones es ideal para la limpieza de zonas difíciles de alcanzar, debajo de los muebles y en el coche.

NOTA: El accesorio para el radiador es ideal para limpiar alrededor y en el interior de armarios, radiadores, sofás, persianas etc.

NOTA: El cepillo para limpieza profunda es útil para limpiar espacios estrechos sin rayar las superficies y el interior del coche.

* Sólo para algunos modelos

NOTA: El accesorio multifunción está diseñado para limpiar fácilmente superficies delicadas sin rayarlas y todas las zonas difíciles de alcanzar. El accesorio multifunción está formado por tres partes fundamentales:

1. El accesorio para rincones es ideal para alcanzar espacios estrechos.
2. El cepillo para quitar el polvo es ideal para limpiar superficies sin dañarlas o rayarlas.
3. La tobera para muebles es ideal para limpiar superficies como el sofá.

BOLSA PARA ACCESORIOS*

Los accesorios adicionales se pueden guardar en la bolsa para accesorios.

SOPORTE DE PARED*

Enganche el soporte de pared a la pared, utilizando los tres tornillos suministrados con el electrodoméstico [15] para colgarlo, accesorio 2 en 1 para quitar el polvo y para los rincones, cepillo grande 2 en 1 para quitar el polvo y para rincones y tobera mini turbo (cuando esté incluida).

MANTENIMIENTO DEL ASPIRADOR

Vaciado del depósito de suciedad

1. Pulse el botón de desenganche del aspirador extraíble y extraiga el tubo. [6]
2. Presione el botón de vaciado del depósito de suciedad para desenganchar la tapa del contenedor y vaciar el contenido. [7]
3. Cierre la tapa del depósito de suciedad, cuando esté totalmente bloqueada se escuchará un clic.

NOTA: Se recomienda vaciar el depósito de suciedad después de cada uso o cuando la suciedad llegue a la línea de llenado máximo.

Limpiar el contenedor de polvo y el filtro

1. Pulse el botón de desenganche del aspirador extraíble y extraiga el tubo. [6]
2. Presione el botón de vaciado del depósito de suciedad para abrir la tapa del contenedor y vaciarlo. [7]
3. Pulse el botón de desenganche del paquete de baterías y extraiga dicho paquete de baterías. [8A,8B]
4. Gire el contenedor de polvo en sentido contrario a las agujas del reloj, alinee las marcas de las flechas y extraígallo del electrodoméstico. [9]
5. Gire la cubierta del motor con tecnología HSpin-Core en el sentido de las agujas del reloj y luego extraiga la cubierta del filtro de malla con tecnología HSpin-Core de dicho filtro de malla. [10A,10B]
6. Empuje hacia abajo el filtro de malla con Tecnología HSpin-Core cuando limpie el filtro o cuando se dé cuenta de que el motor con Tecnología HSpin-Core está bloqueado. No se recomienda limpiar con agua. [11]
7. Presione simultáneamente los dos botones de desenganche del filtro de salida y luego extraiga dicho filtro de salida. [12A, 12B]
8. Lave el filtro de salida con agua tibia y déjelo secar durante 24 horas. Volver a montarlo una vez esté completamente seco y reinstalarlo en el aspirador. [13,14]
9. Lave con agua tibia el depósito de suciedad/la cubierta del filtro de malla con Tecnología HSpin-Core. Asegúrese de que esté completamente seco antes de volver a colocarlo en el cuerpo principal. [13,14]
10. Vuelva a montar el aspirador extraíble y fíjelo en el soporte de pared. [15]

NOTA: No utilice agua caliente o detergentes para limpiar el filtro de salida. En el caso poco probable de que los filtros de salida se dañen, utilice un repuesto auténtico Hoover. No trate de utilizar el aparato sin montar el filtro.

IMPORTANTE: Para obtener un rendimiento óptimo, mantenga siempre limpio el filtro de malla. Le recomendamos que lave el filtro una vez al mes.

Cambio y limpieza del agitador

IMPORTANTE: Apague siempre el aspirador antes de cambiar o limpiar el agitador.

1. Desacople la solapa de desbloqueo del agitador. Está colocada en la parte lateral de la tobera. [16]
2. Sostenga la solapa de desbloqueo del agitador y tire hacia abajo para quitar el agitador. [16]
3. Sustituya con un nuevo agitador o límpielo. Éste sólo se puede colocar en una dirección.
4. Vuelva a encajar la solapa de desbloqueo del agitador en su lugar. [17]

Reemplazar las baterías

Este aspirador está dotado de un paquete de baterías recargables de ion-litio, el cual es reemplazable.

ADVERTENCIA: Utilice únicamente piezas de repuesto aprobadas para su aspirador. La utilización de piezas no homologadas por Hoover es peligrosa e invalidará su garantía.

ADVERTENCIA: No trate de abrir el paquete de baterías ni de repararlo por sí mismo.

1. Tire hacia atrás el botón de desenganche del paquete de baterías y dicho paquete de baterías será empujado automáticamente un poco hacia afuera. **[8A]**
2. Saque lentamente el paquete de baterías de la ranura. **[8B]**
3. Extraiga el viejo paquete de baterías y sustitúyalo con el nuevo.
4. Elimine las baterías de manera segura. Las baterías agotadas deben llevarse a una estación de reciclaje y no se deben eliminar con los residuos domésticos.

RESOLUCIÓN DE PROBLEMAS

Si tiene algún problema con su aspirador, siga esta simple lista de verificación antes de llamar al servicio técnico de Hoover:

A. El aspirador no se enciende

- Verifique si el aspirador está cargado.
- Verifique si el paquete de baterías está montado en su lugar.

El aspirador deja de funcionar

- Verifique si el motor con Tecnología HSpin-Core está bloqueado.

B. Pérdida de aspiración o sin aspiración.

- Vacíe el depósito de suciedad y lave el filtro de malla y el separador.
- Extraiga la tobera y controle si hay obstrucciones en el tubo

C. Las baterías no se pueden cargar

- Este puede ser el resultado de periodos de almacenamiento muy prolongados (más de 6 meses).
- Contacte con el servicio técnico de Hoover para acordar un reemplazo de baterías.
- Si el problema continúa, contacte con el servicio técnico de Hoover.

PIEZAS DE REPUESTO Y CONSUMIBLES HOOVER

Utilice siempre piezas de repuesto originales de Hoover. Puede adquirirlas a través de su Servicio Técnico de Hoover. Cuando realice pedidos de piezas, indique siempre el número de modelo que posee.

SU GARANTÍA

Las condiciones de garantía para este aparato vienen definidas por nuestro representante en el país de venta. Puede obtener los detalles acerca de estas condiciones en el establecimiento donde haya comprado este aparato. Debe mostrarse la factura de compra o el recibo al hacer alguna reclamación en virtud de las condiciones de garantía.

IMPORTANTE: La batería de este aspirador tiene una garantía de 2 años a partir de la fecha de compra. Después de 2 años el coste de una nueva batería está a cargo del cliente.

Sujeto a cambios sin previo aviso.

INSTRUKTIONER FOR SIKKER ANVENDELSE

Denne støvsuger må kun anvendes til almindelig husholdningsrengøring, som beskrevet i brugsanvisningen. Du bør sikre dig, at du har forstået indholdet af denne brugervejledning fuldt ud, inden apparatet tages i brug.

Inden du rengør eller foretager nogen som helst vedligeholdelse af apparatet, skal du altid slukke for det og tage stikket ud af stikkontakten.

Dette udstyr kan anvendes af børn, der er 8 år gamle og derover, og af personer med nedsatte fysiske, sensoriske eller mentale evner eller manglende erfaring og viden, hvis de er under opsyn eller vejledning i at bruge udstyret på en sikker måde og forstår de risici, der er involveret. Børn må ikke lege med udstyret. Rengøring og vedligeholdelse må ikke udføres af børn uden en voksen tilstede.

Hvis netledningen er ødelagt, skal du stoppe med at bruge støvsugeren øjeblikkeligt. For at undgå en sikkerhedsrisiko skal en autoriseret Hoover-servicetekniker udskifte strømledningen.

Hold hænder, fødder, løstsiddende tøj og hår væk fra roterende børster.

Brug kun den originale oplader, der blev leveret sammen med apparatet.

Sørg for at stømmen i dit forsyningsnet er den samme som anført på opladeren.

Denne støvsuger er forsynet med en dobbelt isoleret batterioplader, der kun er beregnet til tilslutning til en 220 V stikdåse.

Sæt opladeren i en passende stikkontakt og tilslut opladeren til apparatet.

Strømknappen skal stå på off-positionen ved opladning af apparatet.

Støvsugeren skal oplades i mindst 24 timer, før den tages i brug første gang. LED-indikatoren blinker blå under opladning og lyser konstant ved fuld opladning.

Støvsugeren skal tilsluttes opladeren igen efter brug, så batterierne kan blive genopladet.

Oplad aldrig batterierne ved over 37°C eller under 0°C.

Det er normalt for opladeren at blive varm at røre ved under opladning.

Opladeren må ikke trækkes ud af stikdåsen ved at trække i kablet.

Træk opladeren ud af stikket ved længere tids fravær (ferie o.lign.). Genoplad støvsugeren igen før brug, da batterierne kan selvaflade ved længere tids stilstand.

Hvis dit apparat skal kasseres, skal batterierne fjernes inden. Apparatet skal abrydes fra lysnettet når batteriet fjernes. Bortskaf batterierne på en sikker måde. Tænd apparatet, indtil det stopper, fordi batterierne er helt afladet. Brugte batterier skal afleveres på en genbrugsstation og ikke smides ud sammen med husholdningsaffald. Hvis batterierne skal fjernes, bedes du kontakte Hoover-kundeservice eller handle i henhold til følgende anvisninger.

VIGTIGT: Aflad altid batterierne helt, før de fjernes.

Kør med støvsugeren, indtil batterierne er helt tomme.

Fjern opladeren fra apparatet.

Træk knappen til afmontering af batteripakke tilbage, hvorefter batteripakken automatisk skubbes et lille stykke ud. **[8A]**

Træk langsomt batteripakken ud fra åbningen. **[8B]**

Bemærk: Hvis du får problemer med at afmontere enheden eller ønsker mere detaljerede oplysninger om behandling, genanvendelse og genbrug af dette produkt, bedes du kontakte kommunen eller skraldeselskabet.

Anvend kun tilbehør, udstyr og reservedele leveret af Hoover.

Statisk elektricitet: Visse tæpper kan forårsage en mindre akkumulering af statisk elektricitet. Udledning af statisk elektricitet er ikke sundhedsfarligt.

Brug ikke støvsugeren udendørs eller på våde overflader eller til opsugning af væsker.

Undlad at opsuge hårde eller skarpe genstande, tændstikker, varm aske, cigaretstumper eller andre lignende genstande. Undlad at sprøjte med eller opsuge brændbare væsker, rensesvæsker, spraydåser eller spray fra disse.

Undlad at køre over strømkablet når du bruger din støvsuger og undlad at trække stikket ud ved at trække i strømkablet, men hold fast i stikket. Hvis apparatet eller opladeren ser ud til at være beskadigede, skal det tages ud af brug.

Hoover service: For at sikre løbende sikker og effektiv drift af denne støvsuger anbefaler vi, at eftersyn eller reparationer udelukkende udføres af en autoriseret Hoover-servicetekniker.

Undlad at bruge apparatet på at rengøre mennesker eller dyr. Batterierne må ikke udskiftes med ikke-genopladelige batterier.

Miljøet:

Denne håndstøvsuger er mærket i overensstemmelse med det europæiskedirektiv 2011/65//EC om affald af elektrisk og elektronisk udstyr (WEEE). Ved at sikre at dette produkt bortskaffes korrekt er du med til at forhindre eventuelle negative konsekvenser for miljø og sundhed, som ellers kunne forårsages på grund af forkert bortskaffelse af dette produkt. Symbolet på produktet angiver, at produktet ikke må behandles som husholdningsaffald. Det skal i stedet afleveres til en affaldsstation for genbrug af elektrisk og elektronisk udstyr. Bortskaffelse skal ske i overensstemmelse med de lokale miljøregler vedrørende bortskaffelse af affald. Du kan få flere detaljerede oplysninger om behandling, genvinding og genbrug af dette produkt ved at kontakte din lokale kommune, renovationsfirmaet eller den butik, hvor du købte produktet.



Dette apparat overholder bestemmelserne is EU Direktiverne 2014/35/EU, 2014/30/EU og 2011/65/EU.

CANDY HOOVER GROUP S.r.l. Via Privata Eden Fumagalli, 20861 Brugherio (MB) Italy

PRODUKTKOMPONENTER

- | | |
|--|--|
| A. Tænd/sluk-knap til turbo | Q. ON/OFF kontakt |
| B. Knap til tæppe | R. Knapper til afmontering af udsugningsfilter |
| C. LED-indikatorer | S. Udsugningsfilter |
| D. Håndholdt udløserknap | T. Oplader |
| E. Rør | U. 2i1 fuge- og børstemundstykke * |
| F. Knap til afmontering af mundstykke | V. 2i1 stort støv- og møbelbørstemundstykke * |
| G. Mundstykke-forlyst | W. Langt fleksibelt fugemundstykke * |
| H. Børstemundstykke | X. Multifunktionelt op til toppen-redskab * |
| I. Støvbeholder | Y. Netspændingsadapter * |
| J. Dæksel til maskefilter med HSpin-Core-teknologi | Z. Mini Turbo Mundstykke * |
| K. Motordæksel med DHSpin-Core-teknologi | AA. Lang rengøringsbørste * |
| L. Knap til tømning af støvbeholder | AB. Radiatorredskab * |
| M. Bunddæksel til støvbeholder | AC. Mundstykke til parketpleje * |
| N. Knap til afmontering af batteripakke | AD. Væggholder * |
| O. Batteripakke | AE. Rawplugs * |
| P. Omskifterkontakt | AF. Tilbehørstaske * |

SÅDAN KLARGØRES STØVSUGEREN

1. Fastgør væggholderen vha. de medfølgende skruer og skruetrækkere. [15]
2. Isæt mundstykket på den ene side af røret, indtil du hører en "kliklyd". [1A]
3. Isæt den anden side af røret på den håndholdte enhed, indtil du hører en "kliklyd". [1B]
4. For fuld opladning af apparatet, skal opladerens stikkontakt tilsluttes batteripakken. Det vil tage omkring 5 t. [2]

BEMÆRK: Mundstykket tages af, ved at trykke på udløserknappen, hvorefter mundstykket trækkes af hoveddelen.

BEMÆRK: Brug kun den oplader, der er leveret sammen med støvsugeren, til opladning.

VIGTIGT: Omskifterkontakten skal stå på OFF-positionen ved opladning af støvsugeren. Batteripakken kan også oplades når den ikke er tilsluttet produktet.

Det er normalt for opladeren at blive varm at røre ved under opladning.

* Kun til visse modeller

BRUG AF STØVSUGEREN

Der er fire arbejdstilstande:

- **MIDLERTIDIG TILSTAND:** Produktet starter, når du trykker på ON/OFF-knappen og slukker, når du slipper. **[3A]**
 - **KONTINUERLIG TILSTAND:** For at aktivere kontinuerlig tilstand kan du trække omskifterkontakten tilbage, hvorefter det vil klikke på plads. **[3B]** For at deaktivere kontinuerlig tilstand skal du skubbe omskifterkontakten frem,
 - **TÆPPE INDSTILLING:** Tryk på knappen til tæppe for at bruge produktet på tæpper, med LED-lysene tændt. **[4A]**
 - **TURBO INDSTILLING:** Tryk på TURBO-knappen for at få fuld effekt ved enten gulv-eller tæppe-funktion. **[4B]**
- BEMÆRK:** Den midlertidige tilstand og den kontinuerlige tilstand anbefales til rengøring af hårde gulve. Tæppefunktionen aktiverer børsten og anbefales til at fjerne støv og snavs fra tæppets bagside.
- VIGTIGT:** Efter du har brugt produktet, skal du sørge for at skubbe omskifterkontakten frem til den ulåste position. I modsat fald kan det resultere i en reduktion i batteriets levetid eller fejl.

LED DISPLAY:

Støvsugerens udstyr med en lysdiodedisplay. Når produktet er tændt og displayet lyser, vises de følgende informationer.

BATTERINIVEAUINDIKATOR:

- 4 point = 100% opladning
- 3 point = 75 % opladning
- 2 point = 50 % opladning
- 1 point = 25 % opladning

OPLADNING

Hvis batteriets opladningsniveau er under 25 % når opladningsprocessen er i gang, ser du først LED'en blinke, og når niveauet stiger over 25 %, lyser LED'en kontinuerligt. Denne process fremkommer ved alle punkter for batteriets opladningsniveau, 25 %, 50 %, 75 %, osv. Når batteriet er opladet til 100 %, lyser alle 4 punkter.

Vær opmærksom på at sikre, at dit batteri oplades ved en sikker driftstemperatur, vi har monteret en sikkerhedsanordning. Hvis enheden aktiveres og du starter opladningsprocessen, ser du den første LED blinke indtil den er genoprettet. Efter at den er genoprettet, starter den normale opladningsproces som beskrevet nedenfor.

INDIKATOR FOR AFLADNING

Når produktet er i funktion og batterierne er ved at aflade, begynder LED-indikatoren at blinke når batterikapaciteten er lavere end 5 %, hvilket angiver behovet for opladning.

TILBEHØR:

211 FUGE- OG STØVBØRSTE*, **2-1 STOR BØRSTE TIL STØV & MØBLER***, **LANGT FLEKSIBELT FUGEMUNDSTYKKE***, **MULTIFUNKTIONELT OP TIL TOPPEN-REDSKAB* OG MINI TURBO-MUNDSTYKKE***.

Det ovennævnte tilbehør kan monteres direkte på håndstøvsugeren eller på siden af røret. **[5]**

RADIATORREDSKAB* / LANG RENGØRINGSBØRSTE* / MUNDSTYKKE TIL PARKETPLEJE*

Tilbehørsadapteren* skal monteres når et af de ovennævnte tilbehør anvendes. **[5]**

BEMÆRK: Mini-turbo mundstykket er ideelt til dybdegående rengøring af tekstiloverflader (dvs. sofaer) og fjernelse af dyrehår. Flyt den frem og tilbage i en støt bevægelse. Hvis det er nødvendigt skal du med en saks fjerne hår/tråde, der har samlet sig på børsten efter brug.

BEMÆRK: Det lange fleksible fugemundstykke er ideelt til rengøring på svært tilgængelige steder, under møblerne og i din bil.

BEMÆRK: Radiatorredskabet er ideelt til rengøring i og omkring skabe, radiatorer, sofaer, persiener og mere.

BEMÆRK: Den lange rengøringsbørste er nyttig til rengøring af smalle steder uden at ridse overflader, eller til rengøring indvendigt i din bil.

BEMÆRK: Det multifunktionelle redskab er designet til en let rengøring af sarte overflader uden at ridse og til svært tilgængelige steder. Det multifunktionelle redskab består af tre hoveddele:

1. Fugemundstykket er ideelt til at nå snævre steder.
2. Støvbørsten er ideel til rengøring af overflader uden at beskadige eller ridse.
3. Møbelmundstykket er ideelt til rengøring af overflader som sofaer.

TILBEHØRSTASKE*

Tilbehørsudstyr kan gemmes i tilbehørstasken.

* Kun til visse modeller

VÆGHOLDER*

Hæng vægholderen på væggen vha. de tre skruer, der følger med produktet [15] til at hænge det op, 2i1 fuge- & støvbørste, 2i1 stor støv- & fugemundstykke og mini turbomundstykke (når inkluderet).

VEDLIGEHODELSE AF STØVSUGEREN**Tømning af støvbeholderen**

1. Tryk på udløsningsknappen til den håndholdte enhed og fjern røret. [6]
2. Tryk på knappen til tømning af støvbeholderen for at udløse beholderklappen og tømme indholdet. [7]
3. Luk klappen på støvbeholderen, hvorefter du vil høre en kliklyd, når den er helt lukket i.

BEMÆRK: Det anbefales at tømme støvbeholderen efter hvert brug, eller når støvet når til den maksimale fyldlinje.

Rengør støvbeholderen og filteret

1. Tryk på udløsningsknappen til den håndholdte enhed og fjern røret. [6]
2. Tryk på knappen til tømning af støvbeholderen for at åbne beholderklappen og tømme den. [7]
3. Tryk på udløsningsknappen til batteripakken og fjern batteripakken. [8A,8B]
4. Drej støvbeholderen mod uret, justér pilmærkerne og fjern den fra produktet. [9]
5. Drej motordækslet med HSpin-Core-teknologi med uret og tag dækslet til maskefilteret med HSpin-Core-teknologi ned fra maskefilteret med HSpin-Core-teknologi. [10A,10B]
6. Tryk maskefilteret med HSpin-Core-teknologi ned når du skal rengøre filteret eller når motoren med HSpin-Core-teknologi er blokeret. Det anbefales ikke at rengøre med vand. [11]
7. Tryk på de to knapper til afmontering af udsugningsfilteret på samme tid og dernæst fjern udsugningsfilteret. [12A, 12B]
8. Vask udsugningsfilteret i luncent vand og lad det tørre i 24 timer. Saml filterpakkerne, når de er helt tørre, og monter dem i produktet igen. [13,14]
9. Vask støvbeholderen/dækslet til maskefilteret med HSpin-Core-teknologi med luncent vand. Kontroller at den er helt tør, før den sættes fast på hoveddelen igen. [13,14]
10. Montér den håndholdte enhed igen og hæng den på vægholderen. [15]

BEMÆRK: Der må ikke bruges varmt vand eller vaskemiddel til at rengøre udsugningsfilteret. Skulle det ske at udsugningsfiltre bliver beskadiget, isættes en original Hoover udskiftning. Produktet må ikke anvendes, hvis filteret ikke er monteret.

VIGTIGT: For at opnå optimal effekt skal maskefiltret altid holdes rent. Vi anbefaler, at filtret vaskes en gang om måneden.

Sådan skiftes og rengøres rotoren

VIGTIGT: Støvsugeren skal altid slukkes ved udskiftning og rengøring af børsten.

1. Frigør rotor-udløsningsklappen. Den er placeret på den tværgående del af mundstykket. [16]
2. Hold i rotor-udløsningsklappen og træk ned for at løsne rotoren. [16]
3. Udskift den med en ny børste. Den passer kun den ene vej.
4. Før rotor-udløsningsklappen tilbage til sin oprindelige position. [17]

Udskiftning af batterierne

Denne støvsuger er udstyret med en genopladelig Lithium-ion batteripakke, som kan udskiftes.

ADVARSEL: Brug kun godkendte udskiftningsdele for din støvsuger. Dele, som ikke er godkendt af Hoover, er farlige og gør din garanti ugyldig.

ADVARSEL: Forsøg ikke at åbne batteripakken og reparere den selv.

1. Træk knappen til afmontering af batteripakke tilbage, hvorefter batteripakken automatisk skubbes et lille stykke ud. [8A]
2. Træk langsomt batteripakken ud fra åbningen. [8B]
3. Fjern den gamle batteripakke og udskift med en ny batteripakke.
4. Bortskaf batterierne på en sikker måde. Brugte batterier skal afleveres på en genbrugsstation og ikke smides ud sammen med husholdningsaffald.

FEJLFINDING

Hvis du har problemer med støvsugeren, bedes du følge følgende enkle tjekliste, før du kontakter Hoovers kundeservicecenter:

A. Støvsugeren starter ikke

- Kontroller om støvsugeren er opladet
- Kontrollér om batteripakken sidder korrekt.

Støvsugeren stopper med at fungere

- Kontrollér om motoren med HSpin-Core-teknologi er blokeret.

B. Tab af sugeevne eller ingen sugning

- Tøm støvbeholderen og vask maskefilteret og separatoren.
- Fjern mundstykket og kontrollér for eventuel tilstopning af kanalen.

C. Batterier kan ikke oplades

- Dette kan opstå som følge af lange opbevaringsperioder (over et halvt år).
- Kontakt Hoover kundeservice for at bestille udskiftning af batteriet.
- Kontakt Hoover kundeservice, hvis problemet bliver ved.

HOOVER RESERVEDELE OG FORBRUGSSTOFFER

Udskift altid dele med ægte Hoover reservedele. Disse fås fra Hoovers reservedelsforhandler, check www.hoover.dk Når du bestiller dele, skal du altid opgive modelnummer.

DIN GARANTI

Garantibetingelserne for dette apparat er som defineret af vores repræsentant i det land, hvor det er solgt. Oplysninger vedrørende disse betingelser kan indhentes hos den forhandler, apparatet er købt hos. Kvitteringen skal fremvises i forbindelse med ethvert krav under disse garantibetingelser.

VIGTIGT: Garantien til støvsugerens batteri gælder i 2 år fra købsdatoen. Efter 2 år er udgifterne for et nyt batteri kundens ansvar.

Ret til ændringer uden varsel forbeholdes

INSTRUKSJONER FOR SIKKER BRUK

Dette apparatet må kun brukes til husrengjøring, og slik denne bruksanvisningen beskriver. Sørg for at denne veiledningene er forstått fullstendig før du bruker apparatet.

Slå alltid av og koble laderen fra støpselet før enheten rengjøres eller vedlikeholdes.

Apparatet kan brukes av barn fra 8 år, og av personer med nedsatte fysiske, sanselige eller mentale evner, eller manglende erfaring og kunnskap, dersom de er under oppsyn eller har fått opplæring i sikker bruk av apparatet og forstår farene bruk av apparatet kan medføre. Barn skal ikke leke med apparatet. Rengjøring og vedlikehold skal ikke utføres av barn uten oppsyn.

Bruken av apparatet må opphøre umiddelbart dersom strømledningen er skadet. Av sikkerhetshensyn må en autorisert Hoover-tekniker erstatte strømledningen.

Hold hender, føtter, løse klær og hår unna roterende børster.

Bruk den opprinnelige laderen som fulgte med apparatet.

Kontroller at forsyningsspenningen er den samme som er angitt på laderen.

Dette Hoover-apparatet leveres med dobbeltisolert batterilader, som kun kan settes i et 230V (britisk 240V) strømuttak.

Koble laderen til et egnet strømuttak, og koble laderens kontakt til apparatet.

Når du lader apparatet, må av/på-spaken være i av-posisjon.

La rengjøringsapparatet stå på lading i minst 24 timer før første gangs bruk. LED-indikatorlyset vil blinke blått når den lader, og lyset vil forbli tent når den er ferdig ladet.

Koble apparatet tilbake i laderen etter bruk, slik at batteriet lades opp.

Lad aldri batteriene i temperaturer over 37 °C eller under 0 °C.

Det er vanlig at laderen er varm ved berøring under lading.

Ikke koble fra laderen ved å trekke i ledningen.

Koble fra laderen dersom du er borte over langre tid (f.eks. ferie). Produktet bør lades opp igjen før bruk, da batteriene kan selvutløses ved lengre tids lagring.

Hvis apparatet skal avhendes, bør batteriene fjernes først. Apparatet må være frakoblet strømmettet når du fjerner batteriet. Kast batteriene på en trygg måte. La apparatet gå til den stopper fordi batteriene er helt tømt. Brukte batterier bør leveres til en gjenbruksstasjon, og ikke kastes sammen med husholdningsavfall. For å fjerne batteriene, bør du kontakte Hoovers kundesenter, eller fortsette som anvist nedenfor:

VIKTIG: Tøm alltid batteriene helt før fjerning, og kontroller at laderen er koblet fra.

La rengjøringsapparatet gå til batteriene er helt tømt.

Ta laderkontakten ut av apparatet.

Trekk i batteripakkens utløserknapp, slik at batteripakken skyves litt ut automatisk. **[8A]**

Trekk batteripakken sakte ut av hakket. **[8B]**

Merk: Hvis du har vanskeligheter med å demontere enheten eller ønsker mer detaljert informasjon om behandling, gjenvinning og resirkulering av apparatet, ta kontakt med kommunen eller renovasjonsselskapet.

Bruk kun tilbehør, forbruksvarer eller reservedeler som anbefales eller leveres av Hoover.

Statisk elektrisitet: Enkelte tepper kan bygge opp små mengder statisk elektrisitet. Utladning av statisk elektrisitet er ikke helseskadelig.

Du må ikke bruke apparatet utendørs, på våte overflater eller til å støvsuge væske.

Du må ikke støvsuge harde eller skarpe objekter, varm aske, sigarettneiper eller andre liknende gjenstander. Apparatet må ikke utsettes for eller støvsuge opp brennbare væsker, rengjøringsmidler, aerosoler eller damp fra slike væsker.

Unngå å kjøre over ledningen eller trekke ut støpselet under bruk. Ikke fortsett å bruke rengjøringsapparatet eller laderen hvis det virker som om det er noe feil med dem.

Hoover-service: For å sikre at apparatet fortsatt virker som det skal, og er trygt å bruke, anbefaler vi at all service og alle reparasjoner blir utført av en autorisert Hoover-tekniker.

Du må ikke bruke apparatet til å rengjøre dyr eller mennesker. Ikke erstatt batteriene med ikke-oppladbare batterier.

Miljøet:

Dette apparatet er merket i henhold til EU-direktiv 2011/65/EC om elektrisk avfall og elektronisk utstyr (WEEE). Ved å sørge for at dette produktet avhendes på riktig måte, bidrar du til å forhindre eventuelle negative konsekvenser for miljø og menneskelig helse, som ellers kunne ha blitt forårsaket av uriktig avfallshåndtering av dette produktet. Symbolet på produktet angir at dette produktet ikke kan behandles som husholdningsavfall. Det må istedet leveres til passende oppsamlingspunkt for resirkulering av elektrisk og elektronisk utstyr. Avhendingen må gjennomføres i samsvar med lokale miljøforskrifter for avfallshåndtering. For mer informasjon om behandling, gjenvinning og resirkulering av dette produktet, ta kontakt med den kommunale etaten for avfallshåndtering eller butikken der du kjøpte produktet.



Dette produktet overholder EU-direktiv 2014/35/EU, 2014/30/EU og 2011/65/EU.

CANDY HOOVER GROUP S.r.l. Via Privata Eden Fumagalli, 20861 Brugherio (MB) Italy

PRODUKTKOMPONENTER

- | | |
|--|---|
| A. Turbo På/Av-knapp. | Q. PÅ/AV-knapp |
| B. Teppe-knapp | R. Utløserknapper for avtrekksfilter |
| C. LED-indikatorer | S. Avgassfilter |
| D. Håndholdt utløserknapp | T. Lader |
| E. Rør | U. 2 i 1 Sprekkverktøy og støvbørste * |
| F. Utløserknapp for munnstykket | V. 2 i 1 Stor støv- og møbelbørste * |
| G. Frontlys for munnstykke | W. Langt bøyeleg verktøy for sprekker * |
| H. Munnstykke-agitator | X. Flerfunksjons Opp-til-toppen-verktøy * |
| I. Støvbeholder | Y. Tilbehørsadapter * |
| J. HSpin-Core Teknologi Filtermaskens deksel | Z. Mini Turbodyse * |
| K. HSpin-Core Teknologi Motordeksel | AA. Dyprengjørende børste * |
| L. Knapp for tømning av støvbeholderen | AB. Radiatorverktøy * |
| M. Bunndeksel for støvbeholder | AC. Caresse-munnstykke for parkett * |
| N. Utløserknapp for batteripakke | AD. Veggmontering * |
| O. Batteripakke | AE. Skruelugger * |
| P. Bryterspak | AF. Tilbehørpose * |

FORBEREDING AV STØVSUGEREN

1. Fest veggmonteringsbraketten til veggen ved bruk av de medfølgende skrueluggene. [15]
2. For dysehodet inn på en side av røret, til du hører en klikkelyd. [1A]
3. Sett den andre siden av røret inn i den håndholdte enheten, til du hører en klikkelyd. [1B]
4. For å lade apparatet helt opp, må du koble ladekontakten til batteripakken. Det tar omtrent 5 timer. [2]

MERK: Du fjerner munnstykket ved å trykke på munnstykkets utløserknapp og trekke den unna hoveddelen.

MERK: Bruk kun laderen som ble levert med rengjøringsapparatet.

VIKTIG: Når du lader rengjøringsapparatet, må bryterspaken være i AV-posisjon. Du kan også lade batteripakken når den er frakoplet produktet.

Det er vanlig at laderen er varm ved berøring under lading.

* Bare enkelte modeller

BRUK AV APPARATET

Det finnes fire arbeidsmoduser:

- **MIDLERTIDIG MODUS:** Produktet begynner å virke når du holder inne på PÅ/AV-bryteren og stopper når bryteren slippes. [3A]
- **KONTINUERLIG MODUS:** For aktivere kontinuerlig modus kan du trekke bryterspaken tilbake, til du hører en klikkelyd. [3B] Du kan aktivere kontinuerlig modus ved å skyve bryterspaken forover.
- **TEPPE-MODUS:** Trykk på Teppe-knappen for å bruke produktet på tepper, med LED-lysene PÅ. [4A]
- **TURBO-MODUS:** Trykk ned turboknappen for full styrke på i både gulv- og teppemodus. [4B]

MERK: Midlertidig modus og vedvarende modus anbefales for å rengjøre hardt gulv; Teppe-modus aktiverer agitator og er anbefalt for å løfte skitt og rester fra tepper.

VIKTIG: Etter at du har brukt produktet må du alltid skyve bryterspaken frem i ulåst posisjon. Dersom du ikke gjør det, kan det føre til at batteriet svikter eller får kortere levetid.

DISPLAY-LED:

Dette rengjøringsapparatet er utstyrt med et LED-display. Når produktet er på og displayet lyser, viser indikatorene følgende informasjon.

BATTERINIVÅINDIKATOR:

- 4 punkter = 100 % oppladet
- 3 punkter = 75 % oppladet
- 2 punkter = 50 % oppladet
- 1 punkt = 25 % oppladet

LADING

Dersom batterinivået er under 25% i løpet av ladeprosessen, vil du se den første LED-lampen blinke inntil den når over 25%, og deretter vil den forbli tent. Denne prosessen vil fortsette på alle LED-lampenes prikker, som vil indikere batteriladenivå 25%, 50%, 75%, etc. Når batteriladingen har nådd 100%, vil alle de 4 prikkene være tent.

Vennligst merk at vi har montert en sikkerhetsanordning som sørger for at batteriet blir ladet ved en trygg driftstemperatur. Dersom denne anordningen aktiveres og du begynner ladeprosessen, vil du se den første LED-lampen blinke inntil den har nullstilt seg. Etter at den har nullstilt seg automatisk, vil den normale ladeprosessen som beskrevet ovenfor starte.

UTLADNINGSINDIKERING

Når produktet er i bruk og batteriene utlades, vil LED-indikatoren begynne å blinke når batterikapasiteten er lavere enn 5%, noe som indikerer at det er behov for å lade den opp.

TILBEHØR:

2 I 1 SPREKKVERKTØY OG STØVBØSTE*, 2-1 STOR STØV- OG MØBELBØRSTE*, LANGT OG BØYELIG SPREKKVERKTØY*, FLERFUNKSJONS OPP-TIL-TOPPEN-VERKTØY* OG MINI TURBO-MUNNSTYKKE*.

Det ovenfor nevnte ekstrautstyret kan monteres direkte på den håndholdte enheten eller på den ene siden av slangen. [5]

RADIATORVERKTØY* / DYPRENGJØRENDE BØRSTE* / PARQUET CARESSE MUNNSTYKKE*

Tilbehørsadapteren* må monteres når man skal bruke det ovenfor nevnte ekstrautstyret. [5]

MERK: Mini-turbodysen passer perfekt for rengjøring av tekstiloverflater (f.eks. sofaer) og fjerning av dyrehår. Skyv apparatet jevnt forover og bakover. Etter bruk må du fjerne hår/tråder som har samlet seg i børsten, om nødvendig ved hjelp av saks.

MERK: Det lange bøyelege sprekkeverktøyet passer perfekt til rengjøring på steder der det er vanskelig å komme til, under møbler og i bilen.

MERK: Radiatorverktøyet passer perfekt for rengjøring inni og rundt skap, radiatorer, sofaer, persienner osv.

MERK: Den dyptrengjørende børsten rengjør trange områder, uten å ripe overflater, og inne i bilen din.

MERK: Flerfunksjonsverktøyet er utviklet for å enkelt rengjøre skjøre overflater uten å lage riper og alle områder som er vanskelige å komme til. Flerfunksjonsverktøyet består av tre viktige deler:

1. Sprekkeverktøyet er ideelt for å komme til på trange plasser.
2. Støvbørsten er ideell for å rengjøre overflater uten å lage riper og skader.
3. Møbelmunnstykket er ideelt for å rengjøre overflater som en sofa.

TILBEHØRPOSE*

Annet tilbehør kan lagres i tilbehørposen.

* Bare enkelte modeller

VEGGMONTERING*

Heng veggmonteringsbraketten til veggen, ved å bruke de tre skruene som følger med produktet [15] for å henge opp produktet, 2 i sprekk- og støvbørste, 2 i stor støv- og sprekkbørste og mini turbo munnstykke (når dette er inkludert).

VEDLIKEHOLD AV STØVSUGEREN**Tømme støvbeholderen**

1. Trykk ned utløserknappen og trekk ut slangen. [6]
2. Skyv ned tømmeknappen for støvsamleren for å løse støvbeholderklaffen og tømme ut innholdet. [7]
3. Lås støvsamleren fast med klaffen opp. En klikkelyd høres når den er låst fast.

MERK: Det anbefales at du tømmer støvbeholderen etter hver bruk, eller når støvet når opp til makslinjen.

Rengjør støvbeholderen og filteret

1. Trykk ned utløserknappen og trekk ut slangen. [6]
2. Trykk på tømmeknappen for støvsamleren for å åpne støvbeholderklaffen og tømme den. [7]
3. Trykk ned batteripakkens utløserknapp og fjern batteripakken. [8A,8B]
4. Drei støvbeholderen i retning mot klokken, sett pilmerkene på linje og ta den ut av produktet. [9]
5. Drei dekselet til HSpin-Core Teknologi motoren i retning med klokken og ta deretter dekselet til HSpin-Core Teknologi nettingfilter ut fra HSpin-Core Teknologi nettingfilter. [10A,10B]
6. Press ned HSpin-Core Teknologi nettingfilter når du rengjør filteret eller oppdager at HSpin-Core Teknologi motoren er blokkert. Det er ikke anbefalt å rengjøre med vann. [11]
7. Trykk de to utløpsfilternes utløserknapper samtidig og trekk ut utløpsfilteret. [12A, 12B]
8. Vask utløpsfilteret i lunke vann og la det tørke i 24 timer. Sett sammen igjen etter at det har tørket helt, og sett det tilbake på produktet. [13,14]
9. Vask støvkoppen/HSpin-Core Teknologi nettingfilter i lunke vann. Sørg for at det er tørket helt før du setter det tilbake på hoveddelen. [13,14]
10. Sett sammen igjen den håndholdte enheten og fest den til veggstativet. [15]

MERK: Ikke bruk varmt vann eller rengjøringsmidler til rengjøring av utløpsfiltrene. I det usannsynlige tilfellet at utløpsfiltrene blir ødelagt, tilpass en erstatning fra Genuine Hoover. Ikke prøv å bruk produktet uten at filteret er satt inn.

VIKTIG: For å sikre optimal ytelse, bør nettingfilteret alltid holdes rent. Vi anbefaler at filteret vaskes én gang i måneden.

Bytte og rengjøre agitatorene.

VIKTIG: Slå alltid rengjøringsapparatet av før du skifter ut og rengjør agitatorene.

1. Løsne utløserklaffen for agitatorene. Den er plassert på den laterale delen av munnstykket. [16]
2. Hold utløserklaffen for agitatorene og dra den ned for å fjerne agitatorene. [16]
3. Bytt til en ny agitator eller rengjør den. Den passer kun i én retning.
4. Sett utløserklaffen for agitatorene tilbake på plass. [17]

Bytte batteriene

Dette rengjøringsapparatet er utstyrt med en oppladbar litium-ion-batteripakke, som kan skiftes ut.

ADVARSEL: Bruk bare godkjente reservedeler til rengjøringsapparatet. Å bruke deler som ikke er godkjent av Hoover er farlig og vil ugyldiggjøre garantien.

ADVARSEL: Ikke prøv å åpne batteripakken og reparere den selv.

1. Trekk i batteripakkens utløserknapp, slik at batteripakken skyves litt ut automatisk. [8A]
2. Trekk batteripakken sakte ut av hakket. [8B]
3. Fjern den gamle batteripakken og erstatt den med den nye batteripakken.
4. Kast batteriene på en trygg måte. Brukte batterier bør leveres til en gjenbruksstasjon, og ikke kastes sammen med husholdningsavfall.

FEILSØKING

Dersom du får problemer med rengjøringsapparatet, kan du følge denne enkle kontrollisten før du tar kontakt med Hoover kundeservice:

A. Støvsugeren slås ikke på

Kontroller at rengjøringsapparatet er ladet opp
Sjekk om batteripakken er montert på plass.

Rengjøringsapparatet har sluttet å virke.

Sjekk om HSpin-Core Teknologi motoren er blokkert.

B. Tap av sugeeffekt eller ingen sugeeffekt.

Tom støvsamleren og vask nettingfilteret og separatoreen.
Ta av dysen og se etter blokkasje i røret.

C. Batteriene kan ikke lades

Dette kan skyldes lagring over lenger tid (mer enn et halvt år).
Ta kontakt med Hoover kundeservice for å avtale utskifting av batteri.
Ta kontakt med Hoover kundeservice dersom problemet vedvarer.

ORIGINALDELER FRA HOOVER

Bruk alltid originale deler fra Hoover. Disse er tilgjengelige fra din lokale Hoover-forhandler eller direkte fra Hoover. Når du bestiller deler, må du alltid oppgi modellnummeret.

DIN GARANTI

Garantibetingelsene for dette apparatet er som definert av vår representant i det landet der det ble solgt. Detaljer vedrørende disse betingelsene fås fra forhandleren der apparatet ble kjøpt. Salgskvitteringen må fremvises ved fremsetting av krav under betingelsene i denne garantien..

VIKTIG: Batteriet som medfølger dette rengjøringsapparatet har 2 års garanti fra kjøpsdato. Etter 2 år må kunden selv stå for kostnaden av et nytt batteri.

Kan endres uten forvarsel.

INSTRUKTIONER FÖR SÄKER ANVÄNDNING

Som beskrivs i denna bruksanvisning, får denna apparat endast användas vid städning av hemmet. Se till att du förstår anvisningarna helt innan du börjar använda maskinen.

Stäng alltid av och ta bort laddaren från uttaget innan du rengör apparaten eller utför något underhåll.

Den här apparaten kan användas av barn från 8 års ålder och personer med en nedsatt fysisk, sensorisk eller mental förmåga och som inte har den erfarenhet och kunskaper som behövs, förutsatt att de övervakas eller har fått instruktioner om hur apparaten används på ett säkert vis och förstår riskerna som är involverade. Barn får inte leka med apparaten. Rengöring och underhåll som användaren ska utföra, får inte göras av barn utan överinseende.

Om nätsladden är skadad, sluta då omedelbart att använda produkten. För att undvika säkerhetsrisker så måste en behörig Hoover-servicetekniker byta nätsladden.

Håll händer, fötter, lösa klädesplagg och hår borta från roterande borstar.

Använd endast den ursprungliga laddaren som följer med apparaten.

Kontrollera att din nätspänning är samma som är angivet på laddaren.

Denna Hoover ångrengörare levereras med en dubbelisolerad batteriladdare som endast är lämplig i ett 230V (Storbritannien 240V) uttag.

Koppla in laddaren i lämpligt eluttag och anslut laddaren till apparaten.

När du laddar apparaten måste strömbrytaren vara i avslaget läge.

Ladda apparaten i minst 24 timmar innan du använder den för första gången. Indikatorlampan kommer att blinka i blått under laddningen och lyser med fast sken när den är fulladdad.

Anslut apparaten till laddaren igen efter användning för att ladda batteriet.

Ladda aldrig batterier i temperaturer över 37°C eller under 0°C.

Det är normalt att laddaren blir varm när laddning pågår.

Dra inte ut kontakten till laddaren genom att dra i kabeln.

Koppla ur laddaren vid långvarig frånvaro (semester, etc.). Ladda produkten igen innan användning då batterierna kan själv laddad ur under förlängda förvaring.

Om maskinen ska kasseras måste batterierna först tas bort. Maskinen måste kopplas bort från elnätet vid borttagning av batterierna. Kassera batterierna på ett säkert sätt. Kör apparaten tills den stannar på grund av att batterierna är helt urladdade. Användna batterier bör tas till en återvinningsstation och inte disponeras med hushållssoporna. För att ta bort batterierna, kontakta kundtjänsten på Hoover eller fortsätt enligt följande instruktioner.

VIKTIGT: Ladda alltid ur batterier helt innan de tas ut.

Kör ångrengöraren till det attbatterierna är helt tomma.

Dra ur laddarens stickpropp ur apparaten.

Dra frigöringsknappen till batteripaketet bakåt så trycks batteripaketet ut en liten bit automatiskt. **[8A]**

Dra långsamt ur batteripaketet ur facket. **[8B]**

OBS! Om du upplever några svårigheter med att montera ner enheten eller för mer information om hantering eller återvinning av den här maskinen, var god och kontakta dina lokala myndigheter eller din återvinningsstation.

Använd endast tillbehör, förbrukningsvaror och reservdelar som rekommenderas eller levereras av Hoover.

Statisk elektricitet: Vissa mattor kan orsaka en liten uppbyggnad av statisk elektricitet. Elektrostatiska urladdningar är inte hälsofarliga.

Använd inte apparaten ut ur dörrar eller på något vått underlag eller för våtupptagning.

Plocka inte upp hårda eller vassa föremål, tändstickor, het aska, fimpar eller andra liknande föremål. Plocka inte upp eller spraya med brandfarliga vätskor, rengöringsmedel, aerosoler eller ångor.

Kör inte över sladden när du använder apparaten eller dra ut kontakten genom att dra i sladden. Fortsätt inte att använda apparaten eller laddaren om den verkar vara defekt.

Hoover service: För att se till att maskinen fortsätter att vara effektiv fungerar som den ska rekommenderar vi att service och reparationer endast utförs av behöriga servicetekniker från Hoover.

Använd inte apparaten för att rengöra djur eller människor. Ersätt inte batterierna med icke-uppladdningsbara batterier.

Miljön:

Denna produkt är märkt enligt det europeiska direktivet 2011/65/EC gällande elektroniskt avfall och elektronisk utrustning (WEEE). Genom att se till att produkten avfallshandteras på rätt sätt kan du hjälpa till att hindra möjliga negativa konsekvenser för miljö och hälsa. Symbolen på produkten visar att den inte får hanteras som hushållsavfall. Den ska i stället lämnas in på en samlingsplats för återvinning av elektrisk och elektronisk utrustning. Avfallshandlingen ska utföras enligt de lokala miljöbestämmelserna. Mer utförlig information om hantering och återvinning av produkten kan du få från kommunen, återvinningsanläggningen eller den butik där du köpte produkten.



Denna apparat uppfyller de europeiska direktiven 2014/35/EU, 2014/30/EU och 2011/65/EU.

CANDY HOOVER GROUP S.r.l. Via Privata Eden Fumagalli, 20861 Brugherio (MB) Italy

PRODUKTKOMPONENTER

- | | |
|--------------------------------------|--|
| A. På-/avknapp turbo | Q. Knapp PÅ/AV |
| B. Knapp matta | R. Frigöringsknapp utblåsningsfilter |
| C. LED-indikatorer | S. Utblåsningsfilter |
| D. Handhållen frigöringsknapp | T. Laddare |
| E. Slang | U. 2-i-1 fogmunstycke och dammborste * |
| F. Knapp för frigörande av munstycke | V. 2-i-1 stor damm- och möbelborste * |
| G. Munstyckets främre lampa | W. Långt, flexibelt fogmunstycke * |
| H. Munstycke omrörare | X. Multifunktions-toppverktyg * |
| I. Dammbehållare | Y. Nätadapter * |
| J. HSpin-kärnteknologi lock nätfiler | Z. Minuturbomunstycke * |
| K. HSpin-kärnteknologi motorskydd | AA. Borste för djuprengöring * |
| L. Knapp för tömning av dammkopp | AB. Elementmunstycke * |
| M. Dammkopp bottenlock | AC. Parkettmunstycke * |
| N. Frigöringsknapp för batteripaket | AD. Väggfäste * |
| O. Batteripaket | AE. Skruvpluggar * |
| P. Spak | AF. Tillbehörsväska * |

FÖRBEREDA DIN DAMMSUGARE

1. Fäst väggfästet i väggen med skruvar och skruvpluggar som medföljer. [15]
2. För in munstyckets huvud i ena sidan av slangen tills du hör ett klickljud. [1A]
3. För in den andra sidan av slangen i den handhållna enheten tills du hör ett klickljud. [1B]
4. Anslut laddarens stickpropp till batterisatsen för att ladda upp apparaten. Det tar cirka 5 tim. [2]

OBS! För att ta bort munstycket, tryck på utlösningssknappen till munstycket och dra bort från dammsugaren.

OBS! Använd endast laddare som medföljde ångrengöraren.

VIKTIGT: När du laddar dammsugaren måste strömbrytaren vara i avslaget läge. Du kan även ladda batterisatsen när det har tagits ut ur produkten.

Det är normalt att laddaren blir varm när laddning pågår.

* Endast vissa modeller

ANVÅNDA PRODUKTEN

Det finns fyra arbetslägen:

- **TILLFÄLLIGT LÅGE:** Produkten börjar arbeta när du trycker på på/av-knappen och slutar arbeta när knappen släpps upp. [3A]
 - **KONTINUERLIGT LÅGE:** Om du vill aktivera det kontinuerliga läget drar du spaken bakåt tills den klickar på plats. [3B] Om du vill inaktivera det kontinuerliga läget för du spaken framåt.
 - **MATTLÅGE:** Tryck på matt-knappen för att använda produkten på mattor med TÄNDA LED-lampor (ON). [4A]
 - **TURBOLÅGE:** Tryck Turbo-knappen för full uteffekt på endera golv- eller mattinställning. [4B]
- OBS!** Tillfälligt och kontinuerligt läge rekommenderas för rengöring av hårda golv; mattläget aktiverar agitatorer och rekommenderas för att lyfta upp smuts och skräp från mattluggen.
- VIKTIGT:** Efter varje användning av produkten ska du se till att föra spaken framåt till den olästa positionen. Underlåtelse att göra detta kan leda till minskad livlängd hos batteriet eller andra fel.

SKÄRM LED:

Den här dammsugaren är utrustad med en LED-skärm. När produkten är på och skärmen upplyst visar indikatorerna följande information.

BATTERINIVÅNDIKATOR:

- 4 punkter = 100% laddad
- 3 punkter = 75% laddad
- 2 punkter = 50% laddad
- 1 punkt = 25% laddad

LADDNING

Under laddningsprocessen, om batterikapaciteten är under 25% blinkar LED-lampan tills den ligger över 25%, och kommer sedan att lysa med fast sken. Denna process kommer att fortsätta på alla punkter där LED-lampan indikerar nivån på batteriladdningen 25%, 50%, 75%, etc. När batteriet har uppnått 100% kommer alla 4 punkter att tändas.

Observera att för att du ska kunna säkerställa att batteriet laddas i en säker arbetstemperatur har vi monterat en säkerhetsanordning. Om denna anordning aktiveras och du påbörjar laddningsprocessen kommer du att se den första LED-lampan blinka tills den har återställts. När det har återställts automatiskt kommer den normala laddningsprocessen som beskrivs ovan att påbörjas.

INDIKATION PÅ URLADDAT BATTERI

När produkten är igång och batterierna börjar att laddas ur kommer LED-indikatorlampan att blinka när batterikapaciteten är lägre än 5% vilket är en indikation på att uppladdning krävs.

TILLBEHÖR:

2 I 1 FOGMUNSTYCKE & DAMMBORSTE*, 2-1 STOR DAMM- & MÖBELBORSTE*, LÅNGT FLEXIBELT FOGMUNSTYCKE*, MULTI FUNKTIONS TOPPVERKTYG* OCH MINI-TURBOMUNSTYCKE*.

Tillbehören ovan kan monteras direkt på den handhållna enheten eller på den ena sidan av röret. [5]

ELEMENTMUNSTYCKE* / BORSTE FÖR DJUPRENGÖRING* / PARKETTMUNSTYCKE*

Extra adaptorn* måste monteras när du använder något av tillbehören som nämns ovan. [5]

OBS! Det lilla turbomunstycket är perfekt för djuprengöring av ytor i textil (dvs. soffor) och för borttagning av päls. Rör det stadigt bakåt och framåt. Efter användning bör du använda en sax för att avlägsna hår/trådar som samlats på borsten om så krävs.

OBS! Det långa flexibla fogmunstycket är perfekt för rengöring av områden som är svåra att komma åt, exempelvis under möbler eller i bilen.

OBS! Elementmunstycket är perfekt för rengöring inne i och runt skåp, element, soffor, persienner osv.

OBS! Djuprengöringsborsten är användbar för att rengöra trånga utrymmen utan att repa ytor och bilens insida.

OBS! Multifunktionsverktyget är utformat för att enkelt rengöra ömtåliga ytor utan att repa och alla områden som är svåra att komma åt. Multifunktionsverktyget består av tre huvuddelar:

1. Fogmunstycke som är perfekt för att komma åt trånga utrymmen.
2. Dammborste som är perfekt för att rengöra ytor utan skador och repor.
3. Möbelsmunstycke som är perfekt för att rengöra ytor som exempelvis soffor.

TILLBEHÖRSVÄSKA*

Ytterligare tillbehör kan förvaras i tillbehörsväskan.

* Endast vissa modeller

VÄGGFÄSTE*

Fäst väggfästet på väggen med de tre skruvarna som medföljer produkten [15] till fästet, 2-i-2 fogmunstycke & dammborste, 2-i-1 stort damm- & fogmunstycke och miniturbo-munstycke (om bifogat).

UNDERHÅLL AV DAMMSUGAREN**Tömma dammbehållaren**

1. Tryck på den handhållna frigöringsknappen och ta bort röret. [6]
2. Tryck ner knappen för tömning av dammupsamlaren för att frigöra klaffen och tömma innehållet. [7]
3. Stäng klaffen till dammupsamlaren. Du hör ett klickljud när den är låst.

OBS! Du rekommenderas att tömma dammupsamlaren efter varje användning eller när dammet når upp till max-linjen.

Rengör dammbehållare och filter

1. Tryck på den handhållna frigöringsknappen och ta bort röret. [6]
2. Tryck på knappen för tömning av dammupsamlaren för att öppna klaffen och tömma den. [7]
3. Tryck ner frigöringsknappen till batterisatsen och ta bort batterisatsen. [8A,8B]
4. Vrid dammbehållaren moturs, rikta in pilmarkeringarna och ta bort den från produkten. [9]
5. Vrid motorskyddet i HSpin-kärnteknologi medurs och ta sedan bort nätfiltrets lock i HSpin-kärnteknologi från nätfiltret i HSpin-kärnteknologin. [10A,10B]
6. Tryck ned nätfiltret i HSpin-kärnteknologi när du rengör filtret eller ser att motorn i HSpin-kärnteknologi är blockerad. Vi rekommenderar inte rengöring med vatten. [11]
7. Tryck på de två frigöringsknapparna för utblåsningsfiltret samtidigt och avlägsna därefter utblåsningsfiltret. [12A, 12B]
8. Tvätta utblåsningsfiltret i ljummet vatten och låt det torka i 24 timmar. Montera ihop när det är helt torrt och sätt tillbaka det i produkten. [13,14]
9. Tvätta dammbehållare/locket till nätfiltret i HSpin-kärnteknologi i ljummet vatten. Se till att allt är helt torrt innan du sätter tillbaka delarna i huvuddelen. [13,14]
10. Montera tillbaka den handhållna enheten och sätt fast den i väggfästet. [15]

OBS! Använd inte hett vatten eller rengöringsmedel vid rengöring av utblåsningsfiltren. Om utblåsningsfiltren mot förmodan skulle skadas ska de ersättas med en äkta Hoover-reservdel. Använd inte produkten om något filter inte sitter på plats.

VIKTIGT: För optimal prestanda bör du alltid hålla nätfiltret rent. Vi rekommenderar att filtret tvättas en gång i månaden.

Byta ut och rengöra omröraren

VIKTIGT: Stäng alltid av dammsugaren innan du byter ut och rengör rullborsten.

1. Ta loss omrörarens frigöringsflik. Den är placerad på munstyckets sida. [16]
2. Håll i omrörarens frigöringsflik och dra nedåt för att ta bort omröraren. [16]
3. Ersätt med ny omrörare eller rengör befintlig. Den kan endast passas in en riktning.
4. Återmontera omrörarens frigöringsflik. [17]

Byta batterier

Denna dammsugare är utrustad med ett laddningsbart litiumjonbatteripaket, som kan bytas ut.

VARNING: Använd endast godkända reservdelar för din dammsugare. Användning av delar som inte är godkända av Hoover är farligt och kan ogiltigförklara din garanti.

VARNING: Försök inte att öppna batteripaketet och reparera det själv.

1. Dra frigöringsknappen till batteripaketet bakåt så trycks batteripaketet ut en liten bit automatiskt. [8A]
2. Dra långsamt ur batteripaketet ur facket. [8B]
3. Ta bort det gamla batteripaketet och byt ut det med det nya batteripaketet.
4. Kassera batterierna på ett säkert sätt. Användna batterier bör tas till en återvinningsstation och inte disponeras med hushållssoporna.

FELSÖKNING

Om du har något problem med din ångrengörare, följ denna enkla checklista innan du ringer Hoover kundtjänstcenter:

A. Dammsugare slår inte på

- Kontrollera om sammsugaren är laddad
- Kontrollera att batterisatsen sitter på plats.

Rengöraren slutar fungera

- Kontrollera om motorn till HSpin-kärntechnologin är blockerad.

B. Förlust av insugningstryck eller inget sug alls

- Töm dammbehållaren och tvätta nätfiltrer och separatorn.
- Ta bort munstycket och kontrollera om det kanalen är igentäppt.

C. Batterierna kan inte laddas

- Det kan bero på att den har förvarats under en väldigt lång period (mer än ett halvår).
- Kontakta Hoovers kundtjänst för att ordna batteribyte.
- Om problemet kvarstår kontakta Hoovers kundtjänstcenter.

HOOVER RESERVDELAR OCH FÖRBRUKNINGSVAROR

Använd alltid originaldelar från Hoover vid byte. Du kan beställa delar från närmaste Hoover-återförsäljare eller direkt från Hoover. Uppge alltid modellnummer när du beställer delar.

DIN GARANTI

Garantivillkoren för produkten definieras av vår representant i det land där produkten säljs. Du kan få uppgifter om aktuella villkor från återförsäljaren. Kvittot måste visas upp när man kräver ersättning enligt garantin.

VIKTIGT: Batteriet i den här rengöraren har en garantitid på 2 år från inköpsdatumet. Efter 2 år måste kunden stå för kostnaden av ett nytt batteri.

Specifikationerna kan ändras utan föregående meddelande.

OHJEET TURVALLISTA KÄYTTÖÄ VARTEN

Tämä laite on tarkoitettu ainoastaan kotikäyttöön tämän käyttöoppaan kuvaamalla tavalla. Tutustu tähän käyttöoppaaseen huolellisesti ennen laitteen käyttöä.

Kytke laturista virta ja irrota laturi virtalähteestä aina käytön jälkeen ja ennen kuin puhdistat laitteen tai teet huoltotoimenpiteitä.

Tätä laitetta voivat käyttää yli 8-vuotiaat lapset ja henkilöt joilla on vähentynyt fyysinen, aistillinen tai henkinen kyky tai joilla ei kokemusta tai tietoja, mikäli heille on annettu ohjausta ja valvontaa koskien laitteen turvallista käyttöä ja ymmärtävät käyttöön liittyvät vaaratekijät. Lapset eivät saa leikkiä laitteella. Käyttäjän suorittamaa puhdistusta ja huoltoa ei tule suorittaa lasten toimesta ilman valvontaa.

Lopeta laitteen käyttö välittömästi, jos virtajohto on vahingoittunut. Virtajohdon saa turvallisuussyistä vaihtaa vain valtuutettu Hoover-huoltoliike.

Pidä kädet, jalat, löysät vaatteet ja hiukset loitolla pyörivistä harjoista.

Käytä vain laitteen mukana toimitettua laturia.

Varmista, että laturiin merkityt arvot vastaavat syöttöjännitettä.

Tämä Hoover-laite on varustettu kaksois-eristetyllä akkulaturilla joka sopii liitettäväksi vain 230V:n (Iso-Britannia 240V) pistorasiaan.

Kytke laturi sopivaan pistorasiaan ja yhdistä laturin jakkiliitinlaitteeseen.

Virtakytkimen on oltava OFF-asennossa laitteen lataamisen aikana.

Lataa laitetta ennen ensimmäistä käyttöä vähintään 24 tuntia. Merkkivalo vilkkuu latauksen aikana sinisenä ja jää palamaan, kun akku on ladattu.

Laita laite käytön jälkeen takaisin laturiin akun lataamiseksi.

Älä koskaan lataa akkuja yli 37 °C:n tai alle 0 °C:n lämpötiloissa.

Laturi lämpeneminen latauksen aikana on aivan normaalia.

Älä irrota laturia virtalähteestä johdosta vetämällä.

Irrota laturi mikäli laitetta ei käytetä pitkään aikaan (loma-ajat jne.). Lataa laite uudelleen ennen käyttöä koska akut voivat

purkaa varausta pitkien säilytysjaksojen aikana.

Jos laite hävitetään, akut on ensin poistettava. Laitteen täytyy olla irti verkkovirrasta akkua vaihdettaessa. Hävitä akut turvallisesti. Käytä laitetta kunnes se pysähtyy, jotta akut tyhjentyvät kokonaan. Vie käytetyt akut kierrätyskeskukseen. Älä hävitä niitä kotitalousjätteen mukana. Irrottaaksesi akut ota yhteyttä valtuutettuun Hoover huoltoliikkeeseen tai noudata seuraavia ohjeita.

TÄRKEÄÄ: Tyhjennä paristot aina kokonaan ennen niiden poistamista.

Käytä imuria kunnes akut ovat täysin tyhjä.

Irrota laturin liitin laitteesta.

Vedä akkupaketin vapautuspainiketta taakse, jolloin akkupaketti työntyy automaattisesti hieman ulos. **[8A]**

Vedä akkupaketti hitaasti pois paikaltaan. **[8B]**

Huomaa: Jos sinulla on vaikeuksia purkaa laitetta tai tarvitset yksityiskohtaisempaa tietoa laitteen jälkikäsittelystä, talteenotosta ja kierrätyksestä, ota yhteyttä paikallisiin kierrätysviranomaisiin tai kotitalouksien jätehuoltoon.

Käytä ainoastaan Hooverin toimittamia tai suosittelemia kiinnityskappaleita, lisävarusteita tai varaosia.

Staattinen sähkö: Jotkin matot voivat aiheuttaa vähäisen määrän staattista sähköä. Staattisen sähköön purkaus ei ole vaarallista terveydelle.

Älä käytä laitettasi ulkona tai märällä alustalla. Älä imuroi nesteitä.

Älä imuroi kovia tai teräviä esineitä, tulitikkuja, kuumaa tuhkaa, tupakantumpeja tai muita vastaavia esineitä. Älä ruiskuta laitteelle tai imuroi laitteella syttyviä nesteitä, puhdistusnesteitä, aerosoleja tai näiden höyryjä.

Älä aja laitteella verkkojohdon yli tai irrota pistoketta virtalähteestä johdosta vetämällä. Älä käytä laitetta tai laturia, jos se vaikuttaa vialliselta.

Hoover-huolto: Laitteen käyttöturvallisuuden ja tehokkaan toiminnan varmistamiseksi huolto ja korjaukset kannattaa teettää valtuutetussa Hoover-huollossa.

Älä käytä laitetta ihmisten tai eläinten puhdistamiseen. Älä vaihda akkuja ei-ladattaviin akkuihin.

Ympäristö:

Tämä laite on merkitty sähkö- ja elektroniikkalaiteromusta annetun direktiivin 2011/65/EY (WEEE) mukaisesti. Hävittämällä tämän laitteen oikein estät mahdollisia ympäristölle ja ihmisterveydelle aiheutuvia haittavaikutuksia, joita saattaa syntyä laitteen vääränlaisen hävittämisen seurauksena. Laitteessa oleva symboli osoittaa, että laitetta ei saa hävittää kotitalousjätteenä. Se täytyy luovuttaa kodinkoneiden keräyspisteeseen sähkölaitteiden kierrätystä varten. Hävittäminen on suoritettava paikallisten jätteiden hävittämistä koskevien ympäristösäännösten mukaisesti. Saat lisätietoja tämän tuotteen käsittelemisestä, hyötykäytöstä ja kierrätyksestä paikallisilta viranomaisilta, kotitalouksien jätehuollosta tai liikkeestä, josta ostit tuotteen.



Tämä tuote on yhdenmukainen Euroopan direktiivien 2014/35/EU, 2014/30/EU ja 2011/65/EU kanssa.

CANDY HOOVER GROUP S.r.l. Via Privata Eden Fumagalli, 20861 Brugherio (MB) Italy

TUOTTEEN OSAT

- | | |
|---|--|
| A. Turbon Päälle/pois-painike | Q. ON/OFF -kytkin |
| B. Mattopainike | R. Poistoilmansuodattimen vapautuspainikkeet |
| C. Merkkivalot | S. Poistoilmansuodatin |
| D. Rikkaimurin vapautuspainike | T. Laturi |
| E. Putki | U. 2 in 1 rakosuutin ja pölyharja * |
| F. Suulakkeen vapautus-painike | V. 2 in 1 suuri pöly- ja huonekaluharja * |
| G. Suulakkeen etuvalo | W. Pitkä joustava rakosuutin * |
| H. Suulakkeen mattoharja | X. Monitoimivaruste * |
| I. Pölysäiliö | Y. Muuntaja * |
| J. HSpin-Core Technology -verkkosuodattimen kansi | Z. Miniturbosuutin * |
| K. HSpin-Core Technology -moottorin suojuus | AA. Syväpuhdistusharja * |
| L. Pölysäiliön tyhjennuspainike | AB. Lämpöpatterisuutin * |
| M. Pölysäiliön alakansi | AC. Caresse-parkettisuulake * |
| N. Akkupaketin vapautuspainike | AD. Seinäasennus * |
| O. Akkupaketti | AE. Ruuvitulpat * |
| P. Kytkinvipu | AF. Lisävarustelaukku * |

LAITTEEN KOKOAMINEN

- Kiinnitä seinäasennus seinään toimitetuilla ruuveilla ja ruuvitulpilla. **[15]**
- Asenna suutinpää putken toiseen päähän niin, että kuulet napsahduksen. **[1A]**
- Kiinnitä putken toinen pää kannettavaan yksikköön niin, että kuulet napsahduksen. **[1B]**
- Lataa laite täyteen kiinnittämällä latausliitin akkupakettiin. Tähän kuluu noin 5 tuntia. **[2]**

HUOMAA: Irrottaaksesi suulakkeen, paina suulakkeen vapautus-painiketta ja vedä suulaketa runko-osasta ulospäin.

HUOMAA: Käytä vain imurisi kanssa toimitettua laturia imurin lataukseen.

TÄRKEÄÄ: Imurin latauksen aikana kytkinvivun on oltava OFF-asennossa. Voit ladata akkupaketin myös silloin, kun se on irrotettu tuotteesta.

On normaalia, että laturi lämpenee latauksen aikana.

* Vain joissakin malleissa

LAITTEEN KÄYTTÖ

Laitteessa on neljä toimintatilaa:

- **LYHYTTOIMINTO:** Imuri alkaa toimia painettaessa Päälle/Pois-kytkintä ja se pysähtyy, kun kytkin vapautetaan. **[3A]**
 - **JATKUVA TOIMINTO:** Jatkuvan toiminnon saa käyttöön vetämällä kytkinvivun taakse niin, että se napsahtaa paikalleen. **[3B]** Jatkuva toiminto kytketään pois päältä työntämällä kytkinvivun eteen.
 - **MATTOTILA:** Paina mattopainiketta laitteen käyttämiseksi matoilla, merkkivalojen palaessa. **[4A]**
 - **TURBO-TILA:** Paina Turbo-painiketta tuottaakseen täyden tehon joko lattia- tai matto-tilassa. **[4B]**
- HUOMAA:** Kovan lattian puhdistamiseen suositellaan lyhyttoimintoa ja jatkuvaa toimintoa; mattotila aktivoi mattoharjan ja sitä suositellaan lian ja roskien poistamiseen maton nukasta.
- TÄRKEÄÄ:** Kytkinvipu on muistettava työntää aina imurin käytön jälkeen eteen lukitsemattomaan asentoon. Muussa tapauksessa akun käyttöikä voi lyhentyä tai akku voi vahingoittua.

LED-NÄYTTÖ:

Imuri on varustettu LED-näytöllä. Kun tuote on päällä ja näyttö valaistu, merkit näyttävät seuraavat tiedot.

AKUN VARAUSTASON ILMAISIN:

- 4 pistettä = 100% lataustila
- 3 pistettä = 75% lataustila
- 2 pistettä = 50% lataustila
- 1 piste = 25% lataustila

LATAUS

Jos latauksen aikana akun lataustaso on alle 25 %, näet etsimmäisen merkkivalon vilkkuvan, kunnes taso on 25 %. Tämän jälkeen se jää palamaan. Tämä prosessi jatkuu kaikissa merkkivalon pisteissä ilmoittaen akun lataustason 25 %, 50 %, 75 % jne. Kun akun lataustaso on 100 %, kaikki 4 pistettä palavat.

Huomaathan, että olemme asentaneet turvalaitteen sen valvomiseksi, että akkua ladataan turvallisessa toimintalämpötilassa. Jos laite kytketään päälle ja aloitat latauksen, näet ensimmäisen merkkivalon vilkkuvan, kunnes se nollautuu. Kun tämä on nollattu, normaali lataus alkaa edellä kuvatulla tavalla.

AKUN TYHJENEMISEN MERKKIVALO

Kun laite on käynnissä ja akut tyhjenemässä, merkkivalo alkaa vilkkua, kun akun lataus on alle 5 % ilmoittaen, että akku pitää ladata.

LISÄVARUSTEET:

2 IN 1 RAKOSUUTIN & PÖLYHARJA*, 2-1 SUURI PÖLY- & HUONEKALUHARJA*, PITKÄ JOUSTAVA RAKOSUUTIN*, MONITOIMIVARUSTE* JA MINITURBOSUUTIN*.

Nämä varusteet voi asentaa suoraan rikkaimuriin tai putken toiselle puolelle. **[5]**

PATTERISUULAKE* / SYVÄPUHDISTUSHARJA* / CARESSÉ-PARKETTISUUTIN*

Lisävarustusosittin* pitää asentaa, kun käytössä on jokin näistä varusteista. **[5]**

HUOMAA: Miniturbosuutin sopii ihanteellisesti tekstiilipintojen (esim. sohvien) puhdistukseen ja kotieläinten karvojen poistoon. Liikuta tasaisesti taakse- ja eteenpäin. Poista tarvittaessa käytön jälkeen harjaan kertyneet karvat/langat saksilla.

HUOMAA: Pitkä joustava rakosuutin sopii ihanteellisesti puhdistamaan vaikeapääsyisiä paikkoja, huonekalujen alta ja autojen sisätiloja.

HUOMAA: Patterisuutin sopii ihanteellisesti kaappien, pattereiden, sohvien, kaihdinten jne. sisäosien ja ympäryksen puhdistamiseen

HUOMAA: Syväpuhdistusharjalla puhdistuvat kätevästi ahtaat paikat, pintoja naarmuttamatta, sekä autojen sisätilat.

HUOMAA: Monitoimityökalulla voi puhdistaa helposti herkä pinnat niitä naarmuttamatta sekä vaikeapääsyiset alueet. Monitoimityökalu koostuu kolmesta pääosasta:

1. Rakosuuttimella pääsee hyvin ahtaisiin paikkoihin.
2. Pölyharja puhdistaa pinnat niitä vahingoittamatta tai naarmuttamatta.
3. Huonekalusuulake sopii esimerkiksi sohvapintojen puhdistamiseen.

LISÄVARUSTELAUKKU*

Lisävarusteita voi säilyttää lisävarustelaukussa.

* Vain joissakin malleissa

SEINÄASENNUS*

Ripusta seinäkiinnike seinään käyttäen tuotteeseen kuuluvia kolmea ruuvia [15], joilla ripustetaan tuote, 2in1 rakosuutin & pölyharja, 2in1 suuri pölyharja & rakosuutin ja miniturbosuulake (joissain malleissa).

LAITTEEN KUNNOSSAPITO

Pölysäiliön tyhjennys

1. Paina rikkaimurin vapautuspainiketta ja irrota putki. [6]
2. Paina pölysäiliön tyhjennyspainiketta säiliön kannen avaamiseksi ja tyhjennä se. [7]
3. Sulje pölysäiliön kansi; sen lukituessa kuuluu napsahdus.

HUOMAA: Pölysäiliö kannattaa tyhjentää aina käytön jälkeen tai kun se on täynnä maksimirajaan asti.

Puhdista pölysäiliö ja suodatin

1. Paina rikkaimurin vapautuspainiketta ja irrota putki. [6]
2. Paina pölysäiliön tyhjennyspainiketta säiliön kannen avaamiseksi ja sen tyhjentämiseksi. [7]
3. Paina akkupaketin vapautuspainike alas ja irrota akkupaketti. [8A,8B]
4. Käännä pölysäiliötä vastapäivään, kohdistu nuolimerkit ja irrota säiliö laitteesta. [9]
5. Käännä HSpin-Core Technology -moottorin suojusta myötäpäivään ja vedä alas HSpin-Core Technology -verkkosuodattimen kansi HSpin-Core Technology -verkkosuodattimesta. [10A,10B]
6. Paina alas HSpin-Core Technology -verkkosuodatin, kun puhdistat suodattimen tai huomaat, että HSpin-Core Technology -moottori on jumissa. Vesipesua ei suositella. [11]
7. Paina molempia poistosuodattimen vapautuspainikkeita samanaikaisesti ja irrota poistosuodatin. [12A, 12B]
8. Pese poistosuodatin haalealla vedellä ja anna sen kuivua 24 tuntia. Asenna suodatin takaisin laitteeseen sen olessa täysin kuiva. [13,14]
9. Pese pölysäiliö / HSpin-Core Technology -verkkosuodattimen kansi haalealla vedellä. Varmista, että osa on täysin kuiva ennen sen asentamista takaisin laitteeseen. [13,14]
10. Asenna rikkaimuri takaisin ja kiinnitä se sitten seinäasennukseen. [15]

HUOMAA: Älä käytä poistosuodattimien pesussa kuumaa vettä tai pesuainetta. Jos poistosuodattimet jostain syystä vahingoittuvat, asenna tilalle Hooverin alkuperäinen varaosa. Älä yritä käyttää laitetta ilman suodatinta.

TÄRKEÄÄ: Hyvän suorituskyvyn ylläpitämiseksi verkkosuodatin tulee aina pitää puhtaana. Suosittelemme että suodatin pestään kerran kuukaudessa.

Mattoharjan vaihto ja puhdistus

TÄRKEÄÄ: Imurista on aina katkaistava virta ennen mattoharjan vaihtoa ja puhdistusta.

1. Avaa mattoharjan vapautuslappä. Se sijaitsee suulakkeen sivuosassa. [16]
2. Irrota mattoharja pitelemällä mattoharjan vapautuslappä ja vetämällä alaspäin. [16]
3. Puhdista tai vaihda tilalle uusi mattoharja. Tämä voidaan sovittaa vain yhteen suuntaan.
4. Aseta mattoharjan vapautuslappä takaisin paikalleen. [17]

Akkujen vaihtaminen

Imurissa on ladattava litiumioniakkupaketti, jonka voi vaihtaa.

VAROITUS: Asenna imuriin vain hyväksytyt varaosia. Varaosien, jotka eivät ole Hooverin hyväksymiä, käyttäminen on vaarallista ja mitätöi takuun.

VAROITUS: Älä yritä avata ja korjata akkupakettia itse.

1. Vedä akkupaketin vapautuspainiketta taakse, jolloin akkupaketti työntyy automaattisesti hieman ulos. [8A]
2. Vedä akkupaketti hitaasti pois paikaltaan. [8B]
3. Poista vanha akkupaketti ja laita tilalle uusi.
4. Hävitä akut turvallisesti. Vie käytetyt akut kierrätyskeskukseen. Älä hävitä niitä kotitalousjätteen mukana.

VIANMÄÄRITYS

Mikäli sinulla on mitään ongelmia imurisi kanssa, noudata seuraavaa yksinkertaista tarkistuslistaa ennen kuin soitat valtuutettuun Hoover huoltoliikkeeseen:

A. Imuri ei käynnisty

Tarkista imurin lataus

Tarkista, onko akkupaketti asennettu paikalleen.

Imuri lakkaa toimimasta

Tarkista, onko HSpin-Core Technology -moottori jumissa.

B. Imun vähäisyys tai ei imua.

Tyhjennä pölysäiliö ja pese verkkosuodatin ja erotin.

Irrota suulake ja tarkista, ettei putkessa ole tukoksia.

C. Akkuja ei voida ladata

Voi johtua pitkästä (yli puolen vuoden) varastointijaksosta.

Ota yhteyttä valtuutettuun Hoover huoltoliikkeeseen, mistä voit ostaa uudet akut.

Mikäli ongelma ei ratkea, ota yhteyttä valtuutettuun Hoover huoltoliikkeeseen.

HOOVER-VARAOSAT JA -TARVIKKEET

Käytä vain alkuperäisiä Hoover-varaosia. Niitä on saatavana paikalliselta Hoover- jälleenmyyjältä tai valtuutetusta huoltoliikkeestä. Kun tilaat varaosia, kerro aina mallinumero.

TAKUU

Tämän laitteen takuehdot määrittelee ostamaan Hoover-edustaja. Yksityiskohtaiset tiedot näistä ehdoista saa laitteen myyneeltä jälleenmyyjältä. Tämän takuun mukaisia vaateita esitettäessä on esitettävä myyntitodistus tai ostokuitti.

TÄRKEÄÄ: Tässä imurissa olevalla akulla on 2 vuoden takuu ostopäivästä alkaen. 2 vuoden jälkeen asiakkaan on maksettava uusi akku.

Oikeus muutoksiin pidätetään.

ΟΔΗΓΙΕΣ ΑΣΦΑΛΟΥΣ ΧΡΗΣΗΣ

Η συσκευή πρέπει να χρησιμοποιείται αποκλειστικά για οικιακή χρήση, σύμφωνα με τις οδηγίες χρήσης. Πριν δοκιμάσετε να χρησιμοποιήσετε τη συσκευή, βεβαιωθείτε ότι έχετε κατανοήσει τις οδηγίες που περιέχει το βιβλίο που κρατάτε στα χέρια σας.

Πριν από τον καθαρισμό της συσκευής ή οποιαδήποτε εργασία συντήρησης να απενεργοποιείτε πάντα τη συσκευή και να βγάζετε το φορτιστή από την πρίζα.

Η χρήση της συσκευής από παιδιά άνω των 8 ετών, ηλικιωμένους και ΑΜΕΑ προϋποθέτει την παρουσία ενήλικα που θα φέρει την ευθύνη για την ασφαλεία τους. Η χρήση της συσκευής από άτομα που δεν έχουν εξοικειωθεί στη χρήση παρόμοιων συσκευών μπορεί να γίνει μόνο αφού γίνει κατανοητός ο κίνδυνος που ενέχει η χρήση της συσκευής. Μην αφήνετε τα παιδιά να παίζουν με τη συσκευή. Οι εργασίες καθαρισμού και συντήρησης της συσκευής δεν πρέπει να γίνονται από τα παιδιά χωρίς την επίβλεψη ενήλικα που θα φέρει την ευθύνη για την ασφαλεία τους.

Εάν το καλώδιο σύνδεσης με το δίκτυο παροχής εμφανίσει φθορές διακόψτε την λειτουργία της συσκευής αμέσως. Για λόγους ασφάλειας η αντικατάσταση του φθαρμένου καλωδίου της συσκευής πρέπει να γίνεται αποκλειστικά στα σημεία τεχνικής υποστήριξης Hoover.

Μην πλησιάζετε τις περιστρεφόμενες βούρτσες με τα χέρια, τα πόδια, τα μαλιά ή τα ρούχα σας.

Χρησιμοποιείτε μόνο τον αυθεντικό φορτιστή που παρέχεται με τη συσκευή.

Ελέγξτε ότι η τάση τροφοδοσίας είναι η ίδια με αυτή που αναγράφεται στο φορτιστή.

Η συσκευή Hoover διατίθεται με φορτιστή μπαταρίας με διπλή μόνωση, ο οποίος είναι κατάλληλος μόνον για πρίζες με τάση 230 V (240 V - Ηνωμένο Βασίλειο).

Βάλτε τον φορτιστή σε κατάλληλη πρίζα και συνδέστε το βύσμα του φορτιστή στην συσκευή.

Κατά τη φόρτιση της συσκευής ο διακόπτης τροφοδοσίας πρέπει να βρίσκεται στη θέση OFF.

Πριν από την πρώτη χρήση, φορτίστε τη συσκευή για 24 ώρες τουλάχιστον. Η ενδεικτική λυχνία LED θα αναβοσβήνει σε μπλε χρώμα κατά τη φόρτιση και θα παραμείνει αναμμένη όταν η φόρτιση ολοκληρωθεί.

Μετά τη χρήση, βάλτε τη συσκευή στον φορτιστή για την επαναφόρτιση της μπαταρίας.

Μη φορτίζετε ποτέ τις μπαταρίες σε θερμοκρασία μεγαλύτερη από 37°C ή μικρότερη από 0°C.

Κατά την διάρκεια της φόρτισης ο φορτιστής θερμαίνεται.

Μην αποσυνδέετε τον φορτιστή τραβώντας το καλώδιο.

Σε περίπτωση μακράς απουσίας (διακοπές, κλπ) αποσυνδέστε τον φορτιστή από την παροχή. Σε μακρές περιόδους αποθήκευσης της συσκευής, επαναφορτίστε την συσκευή πριν την χρησιμοποιήσετε, καθώς οι μπαταρίες μπορεί να έχουν αδειάσει.

Εάν η συσκευή πρόκειται να απορριφθεί, πρώτα πρέπει να αφαιρεθούν οι μπαταρίες. Η συσκευή πρέπει να αποσυνδεθεί από το ηλεκτρικό δίκτυο κατά την αφαίρεση των μπαταριών. Απορρίψτε τις μπαταρίες με ασφαλή τρόπο. Αφήστε τη συσκευή να λειτουργεί μέχρι να σταματήσει λόγω πλήρους εκφόρτισης των μπαταριών. Οι χρησιμοποιημένες μπαταρίες πρέπει να προσκομίζονται σε ένα σταθμό ανακύκλωσης και δεν πρέπει να απορρίπτονται με τα οικιακά απορρίμματα. Για να αφαιρέσετε τις μπαταρίες, επικοινωνήστε με το κέντρο εξυπηρέτησης πελατών της Hoover ή ακολουθήστε τις παρακάτω οδηγίες.

ΕΠΙΣΗΜΑΝΣΗ : Αδειάστε πλήρως τις μπαταρίες πριν τις αφαιρέσετε.

Λειτουργείστε τη σκούπα μέχρι να αδειάσουν πλήρως οι μπαταρίες.

Βγάλτε το βύσμα του φορτιστή από τη συσκευή.

Τραβήξτε το κουμπί απελευθέρωσης της συστοιχίας μπαταριών και η συστοιχία θα βγει λίγο αυτόματα. **[8A]**

Τραβήξτε τη συστοιχία μπαταριών αργά από την υποδοχή. **[8B]**

Σημείωση: Εάν συναντήσετε δυσκολίες κατά την αποσυναρμολόγηση της μονάδας ή για περισσότερες πληροφορίες σχετικά με την επεξεργασία, την ανάκτηση ή την ανακύκλωση αυτής της συσκευής, επικοινωνήστε με την αρμόδια δημοτική αρχή ή την υπηρεσία απόρριψης οικιακών απορριμμάτων της περιοχής σας.

Χρησιμοποιείτε μόνο αξεσουάρ, αναλώσιμα ή ανταλλακτικά που συνιστώνται ή παρέχονται από τη Hoover.

Στατικός ηλεκτρισμός: Ορισμένα χαλιά μπορεί να προκαλέσουν συσσώρευση στατικού ηλεκτρισμού. Τυχόν στατικές εκκενώσεις δεν είναι επικίνδυνες για την υγεία.

Μην χρησιμοποιείτε τη συσκευή σας σε εξωτερικούς χώρους, σε υγρή επιφάνεια ή για τη συλλογή υγρών.

Μην συλλέγετε με τη συσκευή σκληρά ή αιχμηρά αντικείμενα, καυτή στάχτη, αποσίγαρα ή άλλα παρόμοια αντικείμενα. Μην ψεκάζετε ή συλλέγετε εύφλεκτα υγρά, υγρά καθαρισμού, αερολύματα ή τους ατμούς τους.

Ενόσω χρησιμοποιείτε τη συσκευή δεν πρέπει να πατάτε επάνω στο καλώδιο, μην τραβάτε το καλώδιο για να αποσυνδέσετε τη συσκευή από την παροχή. Μην συνεχίσετε να χρησιμοποιείτε τη συσκευή ή το φορτιστή αν παρουσιάζουν βλάβη.

Service Hoover: Για τις εργασίες συντήρησης ή αποκατάστασης κακής λειτουργίας ή βλάβης πρέπει να απευθύνεστε αποκλειστικά στα κέντρα

τεχνικής υποστήριξης Hoover, έτσι εξασφαλίζετε την ασφαλή και αποτελεσματική λειτουργία της συσκευής

Μην χρησιμοποιείτε τη συσκευή για να καθαρίζετε ζώα ή άτομα.

Μην αντικαθιστάτε τις μπαταρίες με μη επαναφορτιζόμενες μπαταρίες.

Περιβάλλον:

Αυτή η συσκευή φέρει σήμανση σύμφωνα με την υπ' αριθμ 2011/65/EK, οδηγία για Απόβλητα Ηλεκτρικού και Ηλεκτρονικού Εξοπλισμού (WEEE). Η σωστή απόσυρση της συσκευής συμβάλλει στην αποφυγή αρνητικών επιπτώσεων για το περιβάλλον και τον άνθρωπο που μπορεί να προκληθούν από την λανθασμένη διαχείριση στην διαδικασία απόσυρσης της συσκευής. Η σήμανση του προϊόντος επισημαίνει ότι το συγκεκριμένο προϊόν δεν πρέπει να απορρίπτεται μαζί με τα οικιακά απορρίμματα. Η συσκευή αυτή πρέπει να αποσύρεται στα ειδικά σημεία συγκέντρωσης για ανακύκλωση ηλεκτρικού και ηλεκτρονικού εξοπλισμού. Η απόρριψη της συσκευής πρέπει να γίνει σύμφωνα με την ισχύουσα κατά τόπο νομοθεσία για την απόρριψη ηλεκτρονικών και ηλεκτρικών αποβλήτων. Για περισσότερες πληροφορίες σχετικά με τη διαχείριση, την ανάκτηση και την ανακύκλωση του προϊόντος, επικοινωνήστε με την αρμόδια τοπική υπηρεσία, την υπηρεσία αποκομιδής οικιακών απορριμμάτων ή το κατάστημα που το αγοράσατε.



Αυτή η συσκευή πληροί τις υπ' αριθμ.2014/35/EU, 2014/30/EU και 2011/65/EU Ευρωπαϊκές Οδηγίες.

CANDY HOOVER GROUP S.r.l. Via Privata Eden Fumagalli, 20861 Brugherio (MB) Italy

ΕΞΑΡΤΗΜΑΤΑ ΤΟΥ ΠΡΟΪΟΝΤΟΣ

- | | |
|---|--|
| A. Κουμπί On/Off Turbo | Q. Διακόπτης ON/OFF (έναρξης/παύσης λειτουργίας) |
| B. Κουμπί χαλιών | R. Κουμπί απελευθέρωσης φίλτρου εξόδου |
| C. Ενδείξεις LED | S. Φίλτρο απαγωγής |
| D. Πλήκτρο απασφάλισης χειρολαβής | T. Φορτιστής |
| E. Σωλήνας | U. Βούρτσα 2 σε 1 ξεσκονίσματος και για δύσκολα σημεία * |
| F. Πλήκτρο απασφάλισης ακροφυσίου | V. Μεγάλη βούρτσα 2 σε 1 ξεσκονίσματος και επίπλων * |
| G. Εμπρός φως ακροφυσίου | W. Μακρύ εύκαμπτο εργαλείο σχισμών * |
| H. Αναδευτήρας ακροφυσίου | X. Εργαλείο πολλαπλών λειτουργιών επάνω μέρους * |
| I. Δοχείο σκόνης | Y. Προσαρμογέας-Αντάπτορας * |
| J. Κάλυμμα φίλτρου πλέγματος τεχνολογίας HSpin-Core | Z. Ακροφύσιο Mini Turbo * |
| K. Κάλυμμα κινητήρα τεχνολογίας HSpin-Core | AA. Βούρτσα για βαθύ καθαρισμό * |
| L. Κουμπί αδειάσματος δοχείου σκόνης | AB. Εργαλείο καλοριφέρ * |
| M. Κάτω κάλυμμα δοχείου σκόνης | AC. Πέλμα Caresse για ξύλινα δάπεδα * |
| N. Κουμπί απελευθέρωσης συστοιχίας μπαταριών | AD. Επιτοίχια τοποθέτηση * |
| O. Συστοιχία μπαταριών | AE. Πώματα βιδών * |
| P. Μοχλός διακόπτη | AF. Τσάντα αξεσουάρ * |

ΠΡΟΕΤΟΙΜΑΣΙΑ ΤΗΣ ΣΚΟΥΠΑΣ

1. Στερεώστε την επιτοίχια βάση στον τοίχο με τις βίδες και τα ούπα που παρέχονται. **[15]**
2. Βάλτε την κεφαλή του ακροφυσίου στη μια πλευρά του σωλήνα μέχρι να ακούσετε ένα "κλικ" κουμπιέματος. **[1A]**
3. Βάλτε την άλλη πλευρά του σωλήνα στη μονάδα χειρός μέχρι να ακούσετε ένα "κλικ". **[1B]**
4. Για να φορτίσετε πλήρως τη συσκευή, συνδέστε το βύσμα του φορτιστή στην μπαταρία. Θα χρειαστούν περίπου 5 ώρες. **[2]**

ΣΗΜΕΙΩΣΗ: Για να αφαιρέσετε το ακροφύσιο, πιέστε το κουμπί απασφάλισης του ακροφυσίου και τραβήξτε το από το κύριο σώμα της σκούπας.

ΣΗΜΕΙΩΣΗ: Για να φορτίσετε τη συσκευή χρησιμοποιείτε αποκλειστικά το φορτιστή που διατίθεται με τη σκούπα σας.

ΕΠΙΣΗΜΑΝΣΗ : Όταν φορτίζετε την σκούπα ο μοχλός διακόπτη πρέπει να είναι στη θέση OFF. Μπορείτε να φορτίσετε την μπαταρία ακόμη και όταν έχει βγει από το προϊόν.

Κατά τη φόρτιση, ο φορτιστής θερμαίνεται.

* Μόνο ορισμένα μοντέλα

ΟΔΗΓΙΕΣ ΧΡΗΣΕΩΣ

Υπάρχουν τέσσερις τρόποι λειτουργίας:

- **ΠΡΟΣΩΡΙΝΗ ΛΕΙΤΟΥΡΓΙΑ:** Το προϊόν θα αρχίσει να λειτουργεί όταν πατάτε τον διακόπτη ON/OFF και θα σταματήσει όταν τον αφήσετε. [3A]
- **ΣΥΝΕΧΗΣ ΛΕΙΤΟΥΡΓΙΑ** Για να ενεργοποιήσετε την συνεχή λειτουργία μπορείτε να τραβήξετε πίσω τον μοχλό διακόπτη και θα κομπώσει στη θέση του. [3B] Για να απενεργοποιήσετε την συνεχή λειτουργία μπορείτε να σπρώξετε μπροστά τον μοχλό διακόπτη.
- **ΛΕΙΤΟΥΡΓΙΑ ΓΙΑ ΧΑΛΙΑ:** Πατήστε το κουμπί χαλιών για να χρησιμοποιήσετε το προϊόν σε χαλιά με τα φώτα LED αναμμένα ON. [4A]
- **ΤΡΟΠΟΣ ΛΕΙΤΟΥΡΓΙΑΣ TURBO:** Πιέστε το πλήκτρο Turbo για να έχετε λειτουργία με πλήρη ισχύ ε στη λειτουργία καθαρισμού και τάπητα. [4B]

ΣΗΜΕΙΩΣΗ: Η προσωρινή λειτουργία και η συνεχής λειτουργία συνιστώνται για τον καθαρισμό σκληρού δαπέδου. Η λειτουργία χαλιών ενεργοποιεί τον αναδευτήρα και συνιστάται για να ανασκάνει σκόνη και σκουπίδια από το πέλος των χαλιών.

ΕΠΙΣΗΜΑΝΣΗ : Μετά από κάθε χρήση του προϊόντος, βεβαιωθείτε ότι γυρίσατε τον μοχλό διακόπτη προς την ξεκλειδωτή θέση. Αν παραλείψετε να το κάνετε μπορεί να έχει ως αποτέλεσμα μειωμένη διάρκεια ζωής ή αστοχία της μπαταρίας.

ΟΘΟΝΗ LED:

Η σκούπα είναι εξοπλισμένη με μια ενδειξίσιςLED. Όταν το προϊόν είναι ενεργοποιημένο και η οθόνη ανάβει οι δείκτες υποδεικνύουν τις εξής πληροφορίες.

ΕΝΔΕΙΞΗ ΒΑΘΜΟΥ ΦΟΡΤΙΣΗΣ ΤΗΣ ΜΠΑΤΑΡΙΑΣ:

- 4 σημεία = φόρτιση 100%
- 3 σημεία = φόρτιση 75%
- 2 σημεία = φόρτιση 50%
- 1 σημείο = φόρτιση 25%

ΦΟΡΤΙΣΗ

Κατά τη διαδικασία φόρτισης αν η στάθμη φόρτισης της μπαταρίας είναι κάτω από 25% θα δείτε το πρώτο LED να αναβοσβήνει μέχρι να ξεπεράσει το 25%, και στη συνέχεια θα μείνει αναμμένο. Αυτή η διαδικασία θα συνεχίσει σε όλα τα σημεία ένδειξης φόρτισης της μπαταρίας με LED 25%, 50%, 75%, κ.λπ. Όταν η μπαταρία έχει φορτιστεί στο 100% και τα 4 σημεία θα παραμείνουν αναμμένα.

Σημειώστε ότι για να διασφαλίσουμε ότι η μπαταρία φορτίζεται σε ασφαλή θερμοκρασία λειτουργίας ενσωματώσαμε μια ασφάλεια. Αν αυτή η ασφάλεια ενεργοποιηθεί και αρχίσετε τη διαδικασία φόρτισης τότε θα δείτε το πρώτο LED να αναβοσβήνει μέχρι να την επαναφέρετε. Αφού επαναφερθεί αυτόματα θα αρχίσει η κανονική διαδικασία φόρτισης.

ΕΝΔΕΙΞΗ ΑΠΟΦΟΡΤΙΣΗΣ

Όταν το προϊόν λειτουργεί και οι μπαταρίες εκφορτίζονται η ενδεικτική λυχνία LED αρχίζει να αναβοσβήνει όταν η χωρητικότητα της μπαταρίας είναι κάτω από 5% υποδεικνύοντας την ανάγκη επαναφόρτισης.

ΑΞΕΣΟΥΑΡ:

ΒΟΥΡΤΣΑ 2 ΣΕ 1 ΓΙΑ ΞΕΣΚΟΝΙΣΜΑ & ΔΥΣΚΟΛΑ ΣΗΜΕΙΑ*, ΜΕΓΑΛΗ ΒΟΥΡΤΣΑ 2-1 ΓΙΑ ΞΕΣΚΟΝΙΣΜΑ & ΕΠΙΠΛΑ*, ΜΑΚΡΥ ΕΥΚΑΜΠΤΟ ΕΡΓΑΛΕΙΟ ΓΙΑ ΔΥΣΚΟΛΑ ΣΗΜΕΙΑ *, ΕΡΓΑΛΕΙΟ ΠΟΛΛΑΠΛΩΝ ΛΕΙΤΟΥΡΓΙΩΝ ΓΙΑ ΨΗΛΑ ΣΗΜΕΙΑ* ΚΑΙ ΜΙΝΙ ΑΚΡΟΦΥΣΙΟ TURBO*.

Μπορείτε να βάλετε τα παραπάνω αξεσουάρ απευθείας στη μονάδα χειρός ή στη μια πλευρά του σωλήνα. [5]

ΕΡΓΑΛΕΙΟ ΚΑΛΟΡΙΦΕΡ* / ΒΟΥΡΤΣΑ ΓΙΑ ΒΑΘΥ ΚΑΘΑΡΙΣΜΟ* / ΠΕΛΜΑ CARESSIE ΓΙΑ ΠΑΡΚΕ*

Πρέπει να τοποθετείται ο προσαρμογέας αξεσουάρ* όταν χρησιμοποιείτε κάποιο από τα παραπάνω αξεσουάρ. [5]

ΣΗΜΕΙΩΣΗ: Το ακροφύσιο μίνι turbo είναι ιδανικό για βαθύ καθαρισμό υφασμάτων επιφανειών (π.χ. καναπέδες) και απομάκρυνση τριχών κατοικίδιων. Μετακινήστε το σταθερά εμπρός και πίσω. Μετά τη χρήση, αφαιρέστε τριχές/κλωστές που μαζεύονται στη βούρτσα με ψαλίδι αν χρειαστεί.

ΣΗΜΕΙΩΣΗ: Το μακρύ εύκαμπτο εργαλείο για σχισμές είναι ιδανικό για καθαρισμό δύσκολων σημείων και κάτω από έπιπλα και για το αυτοκίνητο.

ΣΗΜΕΙΩΣΗ: Το εργαλείο για καλοριφέρ είναι ιδανικό για να καθαρίζετε μέσα και γύρω από ντουλάπια, καλοριφέρ, καναπέδες, στόρια και άλλα.

ΣΗΜΕΙΩΣΗ: Η βούρτσα για βαθύ καθαρισμό είναι χρήσιμη για να καθαρίζετε στενούς χώρους χωρίς να χαράξετε τις επιφάνειες και για το αυτοκίνητο.

* Μόνο ορισμένα μοντέλα

ΣΗΜΕΙΩΣΗ: Το εργαλείο πολλαπλών λειτουργιών έχει σχεδιαστεί για να καθαρίζει εύκολα σημεία και ευαίσθητες επιφάνειες δύσκολης πρόσβασης χωρίς να χαράζει. Το εργαλείο πολλαπλών λειτουργιών αποτελείται από τρία κύρια μέρη:

1. Το εργαλείο για σχισμές είναι ιδανικό για στενούς χώρους.
2. Η βούρτσα ξεσκόνισματος είναι ιδανική για τον καθαρισμό επιφανειών χωρίς ζημιές και γδαρσίματα.
3. Το ακροφύσιο επίπλων είναι ιδανικό για τον καθαρισμό καναπέδων.

ΤΣΑΝΤΑ ΑΞΕΣΟΥΑΡ*

Πρόσθετα αξεσουάρ μπορείτε να τα αποθηκεύσετε στη τσάντα αξεσουάρ.

ΕΠΙΤΟΙΧΙΑ ΤΟΠΟΘΕΤΗΣΗ*

Κρεμάστε την επιτοίχια βάση στον τοίχο, με τις τρεις βίδες που παρέχονται με το προϊόν **[15]** για να κρεμάσετε το ίδιο, τη βούρτσα 2σε1 για σχισμές & ξεσκόνισμα, τη μεγάλη βούρτσα 2σε1 για ξεσκόνισμα & σχισμές και το μίνι ακροφύσιο turbo (όταν υπάρχει).

ΣΥΝΤΗΡΙΣΗ ΚΑΙ ΚΑΘΑΡΙΣΜΟΣ

Άδειασμα του δοχείου σκόνης

1. Πατήστε το κουμπί απελευθέρωσης και βγάλτε τον σωλήνα. **[6]**
2. Πατήστε το κουμπί για το άδειασμα δοχείου σκόνης για να απελευθερώσετε το πτερύγιο κάδου και να αδειάσετε τα περιεχόμενα. **[7]**
3. Κλείστε το πτερύγιο δοχείου σκόνης, θα ακούσετε ένα κλικ όταν κλειδώσει καλά.

ΣΗΜΕΙΩΣΗ: Συνιστάται να αδειάζετε το δοχείο σκόνης μετά από κάθε χρήση ή όταν η σκόνη είναι μέχρι τη γραμμή μέγιστης πλήρωσης.

Καθαρίστε το δοχείο σκόνης και το φίλτρο

1. Πατήστε το κουμπί απελευθέρωσης και βγάλτε τον σωλήνα. **[6]**
2. Πατήστε το κουμπί για το άδειασμα δοχείου σκόνης για να ανοίξετε το πτερύγιο κάδου και να τον αδειάσετε. **[7]**
3. Ωθήστε προς τα κάτω το κουμπί απελευθέρωσης της μπαταρίας και βγάλτε την. **[8A,8B]**
4. Γυρίστε το δοχείο σκόνης αριστερόστροφα, ευθυγραμμίστε τις ενδείξεις βέλους και αφαιρέστε το από το προϊόν. **[9]**
5. Γυρίστε το κάλυμμα κινητήρα τεχνολογίας HSpin-Core Technology δεξιάστροφα και μετά βγάλτε το κάλυμμα φίλτρου πλέγματος τεχνολογίας HSpin-Core από το φίλτρο πλέγματος τεχνολογίας HSpin-Core. **[10A,10B]**
6. Ωθήστε προς τα κάτω το φίλτρο πλέγματος τεχνολογίας HSpin-Core όταν καθαρίζετε το φίλτρο ή δείτε ότι ο κινητήρας τεχνολογίας HSpin-Core είναι μπλοκαρισμένος. Δεν συνιστάται ο καθαρισμός με νερό. **[11]**
7. Πατήστε τα δύο κουμπιά απελευθέρωσης φίλτρου εξαγωγής ταυτόχρονα και μετά βγάλτε το φίλτρο εξαγωγής. **[12A, 12B]**
8. Πλύνετε το φίλτρο εξαγωγής με χλιαρό νερό και αφήστε το να στεγνώσει για 24 ώρες. Συναρμολογήστε και πάλι όταν στεγνώσει εντελώς και βάλτε το ξανά στο προϊόν. **[13,14]**
9. Πλύνετε το δοχείο σκόνης/κάλυμμα φίλτρου πλέγματος τεχνολογίας HSpin-Core με χλιαρό νερό. Βεβαιωθείτε ότι είναι εντελώς στεγνό πριν το τοποθετήσετε και πάλι στο κύριο σώμα. **[13,14]**
10. Συναρμολογήστε ξανά τη μονάδα χειρός και βάλτε την στην επιτοίχια βάση. **[15]**

ΣΗΜΕΙΩΣΗ: Μην χρησιμοποιείτε ζεστό νερό ή απορρυπαντικά όταν καθαρίζετε τα φίλτρα εξαγωγής. Στην απίθανη περίπτωση βλάβης των φίλτρων εξαγωγής, τοποθετήστε αυθεντικό ανταλλακτικό Hoover. Μην δοκιμάζετε και μη χρησιμοποιείτε το προϊόν χωρίς φίλτρο.

ΕΠΙΣΗΜΑΝΣΗ : Για βέλτιστη απόδοση, διατηρείτε καθαρό το φίλτρο πλέγματος. Συνιστούμε να καθαρίζετε το φίλτρο μια φορά το μήνα.

Αντικατάσταση και Καθαρισμός Αναδευτήρα

ΕΠΙΣΗΜΑΝΣΗ : Να κλείνετε πάντα τη σκούπα πριν από τη φόρτιση και τον καθαρισμό του αναδευτήρα.

1. Αποσυνδέστε το πτερύγιο απασφάλισης του αναδευτήρα. Βρίσκεται στο πλευρικό μέρος του ακροφυσίου. **[16]**
2. Κρατήστε το πτερύγιο απασφάλισης του αναδευτήρα και τραβήξτε προς τα κάτω για να αφαιρέσετε τον αναδευτήρα. **[16]**
3. Αντικαταστήστε με νέο Αναδευτήρα ή καθαρίστε τον. Η τοποθέτηση του γίνεται μόνο προς μια κατεύθυνση.
4. Βάλτε ξανά στη θέση του το πτερύγιο απασφάλισης του αναδευτήρα. **[17]**

Αντικατάσταση μπαταριών

Αυτή η σκούπα είναι εφοδιασμένη με επαναφορτιζόμενη συστοιχία μπαταριών ιόντων λιθίου που μπορεί να αντικατασταθεί.

ΠΡΟΣΟΧΗ : Χρησιμοποιείτε μόνο εγκεκριμένα ανταλλακτικά για τη σκούπα σας. Η χρήση μη γνήσιων αμταλλακτικών Hoover είναι επικίνδυνη και θα ακυρώσει την εγγύησή της συσκευής.

ΠΡΟΣΟΧΗ : Μην ανοίξετε τη συστοιχία μπαταριών για να την επισκευάσετε μόνοι σας.

1. Τραβήξτε το κουμπί απελευθέρωσης της συστοιχίας μπαταριών και η συστοιχία θα βγει λίγο αυτόματα. **[8A]**
2. Τραβήξτε τη συστοιχία μπαταριών αργά από την υποδοχή. **[8B]**
3. Αφαιρέστε την παλιά συστοιχία μπαταριών και αντικαταστήστε την με καινούρια.
4. Απορρίψτε τις μπαταρίες με ασφαλή τρόπο. Οι χρησιμοποιημένες μπαταρίες πρέπει να προσκομίζονται σε σημείο ανακύκλωσης και δεν πρέπει να απορρίπτονται με τα οικιακά απορρίμματα.

ΑΝΤΙΜΕΤΩΠΙΣΗ ΠΡΟΒΛΗΜΑΤΩΝ

Εάν αντιμετωπίσετε οποιοδήποτε πρόβλημα με τη σκούπα σας, πριν καλέσετε το Κέντρο Τεχνικής Υποστήριξης Hoover ακολουθείστε τις οδηγίες που αναγράφονται στο πίνακα :

A. Η σκούπα δεν τίθεται σε λειτουργία

Ελέγξτε αν η σκούπα είναι φορτισμένη

Ελέγξτε αν η μπαταρία έχει τοποθετηθεί στη θέση της.

Η σκούπα σταμάτησε να λειτουργεί

Ελέγξτε αν ο κινητήρας τεχνολογίας HSpin-Core έχει μπλοκάρει.

B. Απώλεια απορρόφησης ή καθόλου απορρόφηση.

Αδειάστε το δοχείο σκόνης και πλύνετε το φίλτρο πλέγματος και τον διαχωριστή.

Αφαιρέστε το ακροφύσιο και ελέγξτε για τυχόν εμπόδια στον αγωγό.

C. Οι μπαταρίες δεν φορτίζονται

Αυτό μπορεί να συμβεί εάν η συσκευή έχει παραμείνει για μεγάλο διάστημα (πάνω εξάμηνο) σε αχρησία.

Επικοινωνήστε με το Κέντρο Τεχνικής Υποστήριξης Hoover για να φροντίσετε για την αντικατάσταση των μπαταριών.

Εάν το πρόβλημα παραμένει επικοινωνήστε με το Κέντρο Τεχνικής Υποστήριξης Hoover.

ΑΝΤΑΛΛΑΚΤΙΚΑ ΚΑΙ ΑΝΑΛΩΣΙΜΑ HOOVER

Όταν παραστεί η ανάγκη χρησιμοποιείτε αποκλειστικά γνήσια ανταλλακτικά Hoover. Τα ανταλλακτικά Hoover διατίθενται από τον τοπικό αντιπρόσωπο Hoover ή απευθείας από τη Hoover. Κατά την παραγγελία εξαρτημάτων να αναφέρετε πάντα τον αριθμό μοντέλου.

Η ΕΓΓΥΗΣΗ ΣΑΣ

Οι όροι ισχύος της εγγύησης της συσκευής καθορίζονται από τον αντιπρόσωπο της χώρας στην οποία έχει πραγματοποιηθεί η πώληση. Περισσότερες πληροφορίες σχετικά με τους όρους εγγύησης μπορείτε να ζητήσετε από τον αντιπρόσωπο που αγοράσατε τη συσκευή. Η προσκόμιση του τιμολογίου ή της απόδειξης αγοράς είναι βασική προϋπόθεση για την ισχύ της εγγύησης.

ΕΠΙΣΗΜΑΝΣΗ : Η μπαταρία σε αυτή τη σκούπα διαθέτει εγγύηση 2 ετών από την ημερομηνία αγοράς. Μετά τα 2 χρόνια ο πελάτης επιβαρύνεται με το κόστος της καινούργιας μπαταρίας.

Ο κατασκευαστής διατηρεί το δικαίωμα να επιφέρει αλλαγές χωρίς προγενέστερη ενημέρωση.

ИНСТРУКЦИИ ПО БЕЗОПАСНОМУ ИСПОЛЬЗОВАНИЮ

Данный прибор предназначен только для домашнего использования в соответствии с описанием, приведенным в настоящем Руководстве пользователя. Прежде чем приступить к эксплуатации данного бытового электроприбора, убедитесь в том, что вы понимаете настоящее руководство.

Перед очисткой или обслуживанием всегда вынимайте вилку из розетки.

Дети старше восьми лет, а также лица со сниженным физическим, сенсорным или умственным развитием или отсутствием опыта или знаний об устройстве могут использовать устройство под присмотром или если они должным образом проинструктированы о безопасном использовании устройства и понимают риски, которые может повлечь собой его использование. С устройством не должны играть дети. Не следует допускать детей к очистке и обслуживанию прибора без присмотра взрослых.

Если провод питания поврежден, немедленно отключите прибор. Во избежание несчастных случаев замену провода должен осуществлять только специалист авторизованного сервисного центра Hoover.

Не приближайте вращающиеся щетки к рукам, ногам, болтающейся одежде и волосам.

Пользуйтесь только оригинальным зарядным устройством, входящим в комплект поставки прибора.

Убедитесь, что напряжение источника питания соответствует параметрам зарядного устройства.

Это пылесос Hoover снабжено зарядным устройством с двойной изоляцией, которое подходит только для вставки в розетку с 230V (240 в Великобритании).

Вставьте зарядное устройство в соответствующую розетку и подсоедините разъем зарядного устройства к пылесосу.

При зарядке прибора рычаг выключателя питания должен находиться в положении "выключено".

Перед первым использованием зарядите пылесос в течении минимум 24 часов. Во время зарядки светодиод будет мигать синим, а при полном заряде аккумулятора он будет гореть постоянно.

После использования всегда устанавливайте прибор на зарядное устройство с целью подзарядки аккумуляторов.

Запрещается зарядка аккумуляторных батарей при температуре выше 37 C или ниже 0 C.

Совершенно нормально, если во время зарядки коснуться зарядного устройства, то оно будет теплым.

Никогда не отключайте зарядное устройство, потянув за кабель.

Отключите зарядное устройство в случае длительного отсутствия (каникулы и т.д.) Перезарядите пылесос снова перед использованием, так как аккумулятор может саморазрядиться за период хранения.

При необходимости утилизации прибора, выньте из него аккумуляторы. Вынимая аккумуляторы, отключите прибор от электросети. Соблюдайте правила техники безопасности при утилизации аккумуляторов. Запустить в работу прибор и дождаться полной разрядки аккумуляторов. Использованные аккумуляторы необходимо сдавать в специальный пункт приема и не смешивать с обычными бытовыми отходами. Чтобы извлечь аккумуляторы, свяжитесь с Клиентской Службой Hoover или следуйте приведенным далее инструкциям.

ВНИМАНИЕ! Перед тем как извлечь батареи из пылесоса, они должны быть полностью разряжены.

Используйте пылесос до полной разрядки аккумуляторов.

Выньте вилку зарядного устройства из прибора.

Оттяните защелку аккумулятора назад, и аккумулятор автоматически “выскочит” из отсека. **[8A]**

Медленно и аккуратно вытяните аккумулятор из отсека. **[8B]**

Примечание: В случае возникновения каких-либо сложностей с разборкой блока или при необходимости получения более подробной информации об обслуживании, утилизации и переработке данного прибора, обратитесь в местные органы власти или в местную службу по утилизации бытовых отходов.

Используйте только рекомендуемые Hoover насадки, расходные материалы или запасные части.

Статическое электричество: Некоторые типы ковровых покрытий способны накапливать небольшой заряд статического электричества. Разряд статического электричества не представляет опасности для здоровья.

Не применяйте прибор вне помещений, на влажных поверхностях или для сбора жидкостей.

Не используйте прибор для сбора острых предметов, спичек, горячего пепла, окурков или аналогичных объектов. Не распыляйте или не собирайте горючие жидкости, чистящие средства, аэрозоли или прочие пары.

Не перевозите свой прибор через провод питания и не тяните за провод, вынимая вилку из розетки. Не используйте прибор или зарядное устройство, если они неисправны.

Сервисная служба Hoover: Для обеспечения продолжительной, безопасной и эффективной работы данного бытового электроприбора

любой вид ремонта рекомендуется производить только специалистом авторизованного сервисного центра Hoover.

Не пользуйтесь прибором для очистки животных или людей.

Замену можно производить только на аккумуляторные батареи.

Окружающая среда:

Прибор маркируется согласно Европейской директиве 2011/65/EC по отходам электрического и электронного оборудования (WEEE). Соблюдая правила утилизации данного электроприбора, вы помогаете предотвратить возможные отрицательные последствия для окружающей среды и здоровья человека, которые могли бы иметь место при неправильной утилизации данного устройства. Клеймо на данном устройстве означает, что его нельзя утилизировать как бытовые отходы. Его необходимо доставить в соответствующий пункт утилизации электрического и электронного оборудования. Утилизация должна проводиться в соответствии с местными природоохранными правилами по утилизации отходов. Для получения более подробной информации по уходу, восстановлению и переработке данного устройства обратитесь к городским властям, в службу утилизации бытовых отходов или в магазин, в котором было куплено изделие.



Данный прибор отвечает требованиям Европейских Директив 2014/35/EU, 2014/30/EU и 2011/65/EU.

CANDY HOOVER GROUP S.r.l. Via Privata Eden Fumagalli, 20861 Brugherio (MB) Italy

КОМПОНЕНТЫ ПЫЛЕСОСА

- | | |
|---|---|
| A. Кнопка включения/выключения турбо-режима | Q. Кнопка ВКЛ/ВЫКЛ |
| B. Кнопка "Ковер" | R. Защелка выпускного фильтра |
| C. Светодиодные индикаторы | S. Выпускной фильтр |
| D. Кнопка отсоединения рукоятки | T. Зарядное устройство |
| E. Трубка | U. Щетка 2 в 1 для щелей и уборки пыли * |
| F. Кнопка выпуска насадок | V. Большая щетка 2 в 1 для уборки пыли и мебели * |
| G. Кнопка подсветки насадок | W. Длинная гибкая щелевая насадка * |
| H. Вращающаяся щетка насадки | X. Многофункциональная насадка для высоких поверхностей * |
| I. Контейнер для сбора пыли | Y. Адаптер электропитания * |
| J. Крышка сетчатого фильтра HSpin-Core Technology | Z. Мини-турбонасадка * |
| K. Крышка двигателя HSpin-Core Technology | AA. Щетка для глубокой очистки * |
| L. Кнопка извлечения контейнера для пыли | AB. Насадка для очистки радиаторов * |
| M. Нижняя крышка контейнера для пыли | AC. Насадка Caress для паркета * |
| N. Защелка аккумулятора | AD. Настенное крепление * |
| O. Аккумулятор | AE. Заглушка для винта * |
| P. Рычаг переключателя | AF. Сумка для насадок * |

ПОДГОТОВЬТЕ ПЫЛЕСОС

1. Закрепите настенное крепление на стене с помощью болтов и заглушек из комплекта поставки. [15]
2. Вставьте головку насадки с одной стороны трубы до защелкивания. [1A]
3. Вставьте другую сторону трубы в блок с рукояткой до защелкивания. [1B]
4. Для полного заряда прибора подсоедините разъем зарядного устройства к аккумулятору. Процесс зарядки может занять около 5 часов. [2]

ПРИМЕЧАНИЕ: Чтобы удалить насадку нажмите на кнопку выпуска насадок и вытяните ее из корпуса.

ПРИМЕЧАНИЕ: Для зарядки используйте только зарядное устройство поставляемое с пылесосом.

ВНИМАНИЕ! При зарядке пылесоса рычаг выключателя питания должен находиться в положении "выключено". Для зарядки аккумулятор также можно снять с пылесоса.

Совершенно нормально, если во время зарядки коснуться зарядного устройства, то оно будет теплым.

* Только у конкретных моделей

ЭКСПЛУАТАЦИЯ ПЫЛЕСОСА

Пылесос работает в одном из четырех режимов:

- **ВРЕМЕННЫЙ РЕЖИМ:** Пылесос начинает работать при нажатии кнопки питания и останавливается при отпускании кнопки. [3A]

- **ПОСТОЯННЫЙ РЕЖИМ:** Для включения непрерывной работы нужно оттянуть рычаг питания назад до защелкивания. [3B] Для выхода из непрерывного режима нужно передвинуть рычаг вперед.

- **РЕЖИМ "КОВЕР":** Нажмите кнопку "Ковер", чтобы перейти к уборке ковровых покрытий. При этом загорается светодиод. [4A]

- **ТУРБО-РЕЖИМ:** Нажмите кнопку Turbo для включения полной мощности для использования на полу или ковровых покрытиях. [4B]

ПРИМЕЧАНИЕ: Временный и постоянный режимы рекомендуются для уборки твердых напольных покрытий. В режиме "Ковер" включается вращающаяся щетка, что рекомендуется для поднятия грязи и пыли из-под ворсинок.

ВНИМАНИЕ! После каждого использования пылесоса переместите рычаг выключателя вперед в положение блокировки. В противном случае сокращается срок службы аккумулятора вплоть до его выхода из строя.

СВЕТОДИОДНЫЙ ДИСПЛЕЙ:

Пылесос оснащен светодиодным дисплеем. После включения прибора индикаторы, загоревшиеся на дисплее, сообщают следующую информацию.

ИНДИКАТОР УРОВНЯ ЗАРЯДА АККУМУЛЯТОРА:

- 4 точки = 100% заряда
- 3 точки = 75% заряда
- 2 точки = 50% заряда
- 1 точка = 25% заряда

ЗАРЯДКА

Во время зарядки первый светодиод будет мигать до тех пор, пока заряд аккумулятора не достигнет 25%, после чего он перестает мигать и горит постоянно. Остальные светодиоды работают по тому же принципу, указывая уровень заряда аккумулятора 25%, 50%, 75%. Когда заряд достигает 100% постоянно горят все четыре аккумулятора.

Обратите внимание, что для контроля уровня температуры в процессе зарядки аккумулятора мы установили специальное устройство безопасности. Если во время зарядки срабатывает это устройство, первый светодиод будет мигать вспышками, пока не выполнится перезагрузка. После автоматической перезагрузки и возврата в нормальное состояние, продолжится работа в описанном выше порядке.

ИНДИКАЦИЯ РАЗРЯДКИ

При разрядке аккумулятора в процессе работы прибора индикатор начинает мигать на уровне 5%, указывая на необходимость зарядки.

АКСЕССУАРЫ:

ЩЕТКА 2 В 1 ДЛЯ ЩЕЛЕЙ И УБОРКИ ПЫЛИ*, **БОЛЬШАЯ ЩЕТКА 2 В 1 ДЛЯ УБОРКИ ПЫЛИ И МЕБЕЛИ***, **ДЛИННАЯ ГИБКАЯ НАСАДКА ДЛЯ ЩЕЛЕЙ***, **МНОГОФУНКЦИОНАЛЬНАЯ НАСАДКА ДЛЯ ВЫСОКИХ ПОВЕРХНОСТЕЙ*** и **МИНИТУРБО НАСАДКА***.

Следующие аксессуары можно установить непосредственно на ручной блок или с одной стороны трубы. [5]

НАСАДКА ДЛЯ ОЧИСТКИ РАДИАТОРОВ* / ЩЕТКА ДЛЯ ГЛУБОКОЙ ОЧИСТКИ* / НАСАДКА CARESSE ДЛЯ ПАРКЕТА*

При использовании перечисленных выше насадок необходимо устанавливать переходник насадки*. [5]

ПРИМЕЧАНИЕ: Насадка минитурбо идеально подходит для очистки текстильных поверхностей (например, диванов) и удаления шерсти животных. Плавно перемещайте вперед и назад. После использования ножницами срежьте намотавшиеся на щетку волосы или нитки.

ПРИМЕЧАНИЕ: Длинная гибкая насадка для щелей идеально подходит для очистки труднодоступных участков, под мебелью и в автомобиле.

ПРИМЕЧАНИЕ: Насадка для батарей и радиаторов идеально подходит для очистки внутри и вокруг шкафов, радиаторных батарей, диванов, жалюзи и пр.

ПРИМЕЧАНИЕ: Щетка для глубокой очистки полезна при уборке в узких пространствах без риска поцарапать поверхности, а также внутри автомобиля.

* Только у конкретных моделей

ПРИМЕЧАНИЕ: Многофункциональная насадка предназначена для очистки деликатных поверхностей без царапин, а также для уборки в труднодоступных местах. Многофункциональная насадка состоит из трех частей:

1. Насадка для щелей идеальна для узких пространств.
2. Щетка для уборки пыли идеальна для очистки поверхностей без риска повредить или поцарапать их.
3. Насадка для мебели идеальна для очистки, например, поверхностей дивана.

СУМКА ДЛЯ НАСАДОК*

Дополнительные насадки можно хранить в специальной сумке.

НАСТЕННОЕ КРЕПЛЕНИЕ*

Зафиксировать крепление на стене с помощью трех винтов из комплекта поставки [15], чтобы повесить на нем прибор, щетку 2 в 1 для щелей и пыли, большую щетку 2 в 1 для пыли и мебели, а также минитурбо насадку (при наличии).

ТЕХНИЧЕСКОЕ ОБСЛУЖИВАНИЕ ПЫЛЕСОСА

Очистка пылесборника

1. Нажмите кнопку защелки и снимите трубу. [6]
2. Прижмите рычаг опорожнения контейнера для пыли, чтобы открыть откидную крышку и выгрузить мусор из контейнера. [7]
3. Закройте откидную крышку, при закрывании замка вы услышите щелчок.

ПРИМЕЧАНИЕ: Рекомендуется опорожнять контейнер после каждого использования или при его заполнении.

Очистите пылесборник и фильтр

1. Нажмите кнопку защелки и снимите трубу. [6]
2. Прижмите рычаг опорожнения контейнера для пыли, чтобы открыть откидную крышку и выгрузить мусор. [7]
3. Нажмите кнопку защелки аккумулятора и выньте его. [8A,8B]
4. Поверните контейнер для пыли против часовой стрелки, совместите стрелки и снимите контейнер с пылесоса. [9]
5. Поверните крышку двигателя HSpin-Core Technology по часовой стрелке, а затем стяните крышку сетчатого фильтра HSpin-Core Technology с фильтра. [10A,10B]
6. Вытолкните сетчатый фильтр HSpin-Core Technology в процессе очистки фильтра, или двигатель HSpin-Core Technology будет заблокирован. Чистить водой не рекомендуется. [11]
7. Прижмите одновременно оба рычага высвобождения выпускного фильтра, а затем снимите выпускной фильтр. [12A, 12B]
8. Промойте выпускной фильтр слегка теплой водой и оставьте на 24 часа сушиться. Полностью просушив, соберите фильтр и установите его на место в пылесос. [13,14]
9. Промойте контейнер для пыли/крышку сетчатого фильтра HSpin-Core Technology в слегка теплой воде. Хорошо просушите прежде чем снова устанавливать в главный корпус. [13,14]
10. Установите на место ручной блок и закрепите его на настенном креплении. [15]

ПРИМЕЧАНИЕ: Не пользуйтесь горячей водой или моющими средствами при очистке выпускного фильтра. В маловероятном случае повреждения выпускного фильтра используйте для замены только оригинальный фильтр Hoover. Запрещается использование пылесоса без установленного фильтра.

ВНИМАНИЕ! Для эффективной работы пылесоса следите, чтобы сетчатый фильтр всегда был чистым. Мы рекомендуем, проводить промывку фильтра раз в месяц.

Замена и очистка вращающейся щетки

ВНИМАНИЕ! Перед заменой или очисткой вращающейся щетки всегда отключайте прибор от сети.

1. Отсоединить откидную защелку вращающейся щетки Она расположена в боковой части сопла. [16]
2. Удерживая откидную защелку, потянуть вращающуюся щетку вниз и снять ее. [16]
3. Установить новую щетку или очистить старую. Она может вставиться только в одном положении.
4. Вернуть на место откидную защелку вращающейся щетки. [17]

Замена батарей

Этот пылесос работает от перезаряжаемых литий-ионных аккумуляторов, которые можно заменить.

ВНИМАНИЕ: Пользуйтесь только утвержденными запасными частями для вашего пылесоса. Использование запасных частей, которые не одобрены компанией Hoover, является опасным и приведет к аннулированию вашей гарантии.

ВНИМАНИЕ: Не пытайтесь вскрывать аккумулятор и ремонтировать его самостоятельно.

1. Оттяните защелку аккумулятора назад, и аккумулятор автоматически "высочит" из отсека. [8A]

2. Медленно и аккуратно вытяните аккумулятор из отсека. **[8В]**
3. Замените старый аккумулятор на новый.
4. Соблюдайте правила техники безопасности при утилизации аккумуляторов. Использованные аккумуляторы необходимо сдавать в специальный пункт приема и не смешивать с обычными бытовыми отходами.

ПОИСК И УСТРАНЕНИЕ НЕИСПРАВНОСТЕЙ

Если у вас есть какие-либо проблемы с пылесосом, пожалуйста, выполните простую проверку перед звонком в центр обслуживания клиентов компании Hoover:

A. Пылесос не включается

Проверьте зарядку пылесоса

Проверьте, правильно ли установлен аккумулятор.

Сработал блокиратор пылесоса

Проверить, не заблокирован ли двигатель HSpin-Core Technology.

B. Потеря всасывания или не всасывание

Опорожнить контейнер для пыли и промыть сетчатый фильтр с сепаратором.

Снимите насадку и проверьте шланг на закупорки.

C. Аккумулятор не заряжается

Такое может случиться в результате длительного простоя (более полугода).

Свяжитесь с центром обслуживания клиентов Hoover для организации замены аккумулятора.

Если проблема не устранена, обратитесь в центр обслуживания клиентов компании Hoover.

ЗАПАСНЫЕ ЧАСТИ И РАСХОДНЫЕ МАТЕРИАЛЫ К ПЫЛЕСОСАМ HOOVER

При замене частей используйте только оригинальные запасные части и расходные материалы компании Hoover. Их можно приобрести у вашего местного дилера компании Hoover или непосредственно в компании Hoover. При заказе запасных частей не забудьте указать номер модели Вашего прибора.

ВАША ГАРАНТИЯ

Условия гарантии для данного бытового электрического прибора определяются нашим представительством в той стране, в которой этот электроприбор был куплен. Более подробную информацию об этих условиях вы можете получить от нашего дилера. При предъявлении претензий по условиям данных гарантийных обязательств необходимо предъявить чек или квитанцию на проданный товар.

ВНИМАНИЕ! На аккумулятор в этом пылесосе дается гарантия 2 года с даты покупки. Через 2 года покупатель несет ответственность за приобретение нового аккумулятора.

Изменения могут быть внесены без предварительного уведомления.

INSTRUKCJE BEZPIECZNEGO UŻYTKOWANIA

Urządzenie to jest przeznaczone wyłącznie do użytku domowego w sposób opisany w niniejszej instrukcji użytkownika. Prosimy o dokładne zapoznanie się z instrukcją przed rozpoczęciem używania odkurzacza.

Należy zawsze wyłączyć i wyjąć ładowarkę z gniazdka przed przystąpieniem do czyszczenia urządzenia lub wykonaniem jakichkolwiek czynności konserwacyjnych.

Urządzenie mogą obsługiwać dzieci w wieku co najmniej 8 lat, osoby o ograniczonych zdolnościach fizycznych, sensorycznych lub mentalnych, a także osoby nieposiadające odpowiedniego doświadczenia oraz wiedzy, jedynie pod warunkiem że odbywać się będzie to pod nadzorem lub po przeszkoleniu na temat bezpiecznego użycia urządzenia oraz związanych z nim zagrożeń. Dzieci nie mogą bawić się urządzeniem. Urządzenia nie powinny czyścić ani konserwować dzieci bez nadzoru.

Jeśli przewód zasilający uległ uszkodzeniu, należy natychmiast zaprzestać korzystania z urządzenia. Ze względów bezpieczeństwa, przewód zasilający powinien zostać wymieniony przez serwisanta autoryzowanego punktu serwisowego firmy Hoover.

Nie zbliżać rąk, stóp, luźnej odzieży ani włosów do obracających się szczotek.

Należy stosować wyłącznie ładowarkę dostarczoną wraz z urządzeniem.

Należy sprawdzić, czy napięcie zasilania w gniazdku jest zgodne z podanym na tabliczce znamionowej ładowarki.

Niniejsze urządzenie Hoover zasilane jest podwójnie izolowaną ładowarką akumulatorów, która może być podłączana do gniazd 230V (UK 240V).

Podłączyć ładowarkę od odpowiedniego gniazdka, a przewód ładowarki do urządzenia.

Podczas ładowania urządzenia dźwignia wyłącznika zasilania musi być w pozycji wyłączonej.

Przed pierwszym użyciem urządzenie należy ładować przez co najmniej 24 godziny. Podczas ładowania wskaźnik LED będzie migał na niebiesko, a po całkowitym naładowaniu będzie świecić światłem ciągłym.

Po użyciu ponownie podłączyć urządzenie do ładowarki, aby doładować akumulator.

Nigdy nie ładować akumulatorów w temperaturze powyżej 37°C lub poniżej 0°C.

Nieznaczne nagrzewanie się ładowarki podczas ładowania jest normalnym zjawiskiem.

NIE wyjmować wtyczki ładowarki z gniazdka, ciągnąc za przewód

zasilający.

W razie dłuższej nieobecności (urlop itp.) odłączyć ładowarkę od zasilania. Po dłuższej przerwie w eksploatacji urządzenie należy doładować przed użyciem, ponieważ bezczynność powoduje rozładowanie akumulatorów.

Jeżeli urządzenie ma być złomowane, należy z niego najpierw usunąć akumulatory. Podczas wyjmowania akumulatora urządzenie musi być odłączone od zasilania. Akumulatory należy utylizować w sposób bezpieczny dla środowiska. Włączyć urządzenie i pozwolić, aby pracowało aż do całkowitego wyczerpania akumulatorów. Zużyte akumulatory należy przekazać do recyklingu. Nie należy ich wyrzucać ze śmieciami domowymi. W celu wyjęcia akumulatorów należy skontaktować się z Centrum Serwisowym Hoover lub postępować zgodnie z następującymi instrukcjami.

WAŻNE: Przed usunięciem należy całkowicie rozładować akumulatory.

Włączyć odkurzacz i pozwolić, aby pracował aż do pełnego wyczerpania akumulatorów.

Wyjąć wtyczkę przewodu ładowarki z urządzenia.

Przesunąć do tyłu przycisk zwalniający zestaw akumulatorów, a zestaw automatycznie nieco się wysunie. **[8A]**

Powoli wysunąć zestaw akumulatorów ze szczeliny. **[8B]**

Uwaga: W razie napotkania jakichkolwiek problemów z demontażem jednostki lub w razie konieczności uzyskania dodatkowych informacji na temat sposobu utylizacji, złomowania i recyklingu urządzenia należy skontaktować się z lokalnym urzędem gminy lub komunalnym zakładem utylizacji odpadów.

Należy korzystać wyłącznie z końcówek, materiałów eksploatacyjnych oraz części zamiennych zalecanych lub dostarczonych przez firmę Hoover.

Ładunki elektrostatyczne: Odkurzanie niektórych dywanów może powodować niewielkie naelektryzowanie się urządzenia. Tego rodzaju ładunki elektrostatyczne nie stanowią zagrożenia dla zdrowia.

Nie używać urządzenia na zewnątrz domu, do odkurzania mokrych powierzchni ani do zbierania wody.

Nie wolno wciągać twardych lub ostrych przedmiotów, zapalek, gorącego popiołu, niedopałków papierosów ani innych podobnych przedmiotów. Nie spryskiwać łatwopalnymi cieczami, środkami czyszczącymi w aerozolu ani parą.

Nie stąpać po przewodzie zasilającym podczas korzystania z urządzenia i nie wyjmować wtyczki, ciągnąc za przewód zasilający. Nie wolno

kontynuować eksploatacji uszkodzonego urządzenia lub ładowarki.

Serwis firmy Hoover: Aby zapewnić bezpieczne i sprawne działanie tego urządzenia, zalecamy zlecanie prac serwisowych lub napraw wyłącznie serwisantom autoryzowanego punktu serwisowego firmy Hoover.

Nie używać urządzenia do odkurzania ludzi lub zwierząt.

Nie wolno stosować jednorazowych baterii zamiast akumulatorów.

Ochrona środowiska:

Niniejsze urządzenie posiada oznaczenia zgodnie z Dyrektywą Europejską nr 2011/65/WE w sprawie zużytego sprzętu elektrycznego i elektrotechnicznego (WEEE). Zapewniając prawidłowe złomowanie niniejszego urządzenia, przyczyniając się Państwo do ograniczenia ryzyka wystąpienia negatywnego wpływu produktu na środowisko i zdrowie ludzi, które mogłoby zaistnieć w przypadku niewłaściwej utylizacji urządzenia. Symbol umieszczony na produkcie lub na dołączonych do niego dokumentach oznacza, że niniejszy produkt nie jest klasyfikowany jako odpad z gospodarstwa domowego. Urządzenie należy zdać w odpowiednim punkcie utylizacji w celu recyklingu komponentów elektrycznych i elektronicznych. Urządzenie należy złomować zgodnie z lokalnymi przepisami w sprawie utylizacji odpadów. Dodatkowe informacje na temat sposobu utylizacji, złomowania i recyklingu urządzenia można uzyskać w lokalnym urzędzie miejskim, w komunalnym zakładzie utylizacji odpadów lub w sklepie, w którym produkt został zakupiony.



Urządzenie spełnia wymogi dyrektyw europejskich 2014/35/WE, 2014/30/WE oraz 2011/65/WE.

CANDY HOOVER GROUP S.r.l. Via Privata Eden Fumagalli, 20861 Brugherio (MB) Italy

KOMPONENTY URZĄDZENIA

- | | |
|---|--|
| A. Przycisk Turbo ON/OFF | S. Filtr wylotowy |
| B. Przycisk do dywanów | T. Ładowarka |
| C. Wskaźniki LED | U. 2 w 2: ssawka szczelinowa i szczotka do kurzu * |
| D. Ręczny przycisk zwalniający | V. 2 w 1: duża ssawka i szczotka do mebli * |
| E. Rura | W. Długa elastyczna ssawka szczelinowa * |
| F. Przycisk zwalniania końcówki | X. Narzędzie wielofunkcyjne * |
| G. Podświetlenie frontowe ssawki | Y. Ładowarka * |
| H. Element czyszczący ssawki | Z. Turboszczotka mini * |
| I. Pojemnik na kurz | AA. Szczotka do głębokiego czyszczenia * |
| J. Pokrywa filtra z siateczki wykonana w technologii HSpin-Core | AB. Szczotka do kaloryferów * |
| K. Pokrywa silnika wykonana w technologii HSpin-Core | AC. Szczotka Caresse do parkietów * |
| L. Przycisk opróżniania pojemnika na kurz. | AD. Wspornik do montażu na ścianie * |
| M. Pokrywa dolna pojemnika na kurz | AE. Kołki * |
| N. Przycisk zwalniający zestaw akumulatorów | AF. Worek na akcesoria * |
| O. Zestaw akumulatorów | |
| P. Dźwignia wyłącznika | |
| Q. Przełącznik Wł./Wyt. | |
| R. Przyciski zwalniające filtr wylotowy | |

PRZYGOTOWYWANIE ODKURZACZA

1. Zamocuj wspornik na ścianie wykorzystując dostarczone śruby i wkręty. [15]
2. Włóż końcówkę ssawki na rurę w taki sposób, aby zaskoczyła. [1A]
3. Włóż drugi koniec rury do zestawu przenośnego w taki sposób, aby zaskoczył. [1B]
4. Aby całkowicie naładować urządzenie, podłącz wtyczkę przewodu ładowarki do urządzenia. Potrwa to ok. 5 godzin. [2]

UWAGA: Aby wyjąć końcówkę, nacisnąć przycisk zwalniający końcówkę i wyciągnąć ją z obudowy odkurzacza.

UWAGA: Do ładowania należy stosować wyłącznie ładowarkę dostarczoną wraz z urządzeniem.

* Tylko w niektórych modelach

WAŻNE: Podczas ładowania odkurzacza dźwignia wyłącznika musi być w pozycji wyłączonej. Baterię można naładować także po odłączeniu od produktu.

Nieznaczne nagrzewanie się ładowarki podczas ładowania jest normalnym zjawiskiem.

KORZYSTANIE Z ODKURZACZA

Dostępne są cztery tryby pracy:

- **TRYB TYMCZASOWY:** Urządzenie zacznie pracę po naciśnięciu wyłącznika i zakończy po jego zwolnieniu. **[3A]**
- **TRYB CIĄGŁY:** Aby włączyć tryb ciągły, należy przesunąć dźwignię wyłącznika do tyłu w taki sposób, aby zaskoczyła na miejsce. **[3B]** Aby wyłączyć tryb ciągły, należy przesunąć dźwignię wyłącznika do przodu.
- **TRYB DYWAN:** Naciśnij przycisk do dywanów, aby używać urządzenia do czyszczenia dywanów, przy zapalanej diodzie LED. **[4A]**

- **TRYB TURBO:** Naciśnij przycisk Turbo, aby pracować z pełną mocą w trybie Praca lub Dywan. **[4B]**

UWAGA: Do czyszczenia twardej podłogi zaleca się stosowanie trybu tymczasowego lub trybu ciągłego; tryb do dywanów aktywuje ruchomy element do czyszczenia, który pomaga wyciągnąć brud na powierzchnię dywanu.

WAŻNE: Po każdym użyciu urządzenia należy zawsze przesunąć dźwignię wyłącznika do przodu do pozycji odblokowanej. Niewykonanie tego zalecenia może skutkować skróceniem żywotności akumulatora lub awarią.

WSKAŹNIKI LED:

Odkurzacze posiadają wyświetlacz LED. Kiedy urządzenie jest włączone i display podświetlony, wskaźniki pokazują następujące informacje.

WSKAŹNIK POZIOMU NAŁADOWANIA AKUMULATORA

- 4 punkty = 100% naładowania
- 3 punkty = 75% naładowania
- 2 punkty = 50% naładowania
- 1 punkt = 25% naładowania

ŁADOWANIE

Podczas procesu ładowania, jeżeli stan naładowania baterii jest poniżej 25%, wskaźnik LED będzie migał do czasu uzyskania 25%, a następnie będzie świecił światłem ciągłym. Proces ten będzie kontynuowany we wszystkich punktach LED, wskazując poziom naładowania akumulatora 25%, 50%, 75%, itd. Kiedy akumulator zostanie naładowany w 100%, zapalą się wszystkie 4 diody.

Aby zagwarantować, że akumulator ładowany jest przy odpowiedniej temperaturze roboczej, w urządzeniu zamocowaliśmy system zabezpieczający. Jeżeli system ten jest aktywowany, po rozpoczęciu procesu ładowania zapali się pierwsza dioda LED, która będzie migać do czasu wyresetowania. Po automatycznym zresetowaniu systemu rozpocznie się normalny proces ładowania opisany powyżej.

INFORMACJA O ROZŁADOWANIU

W czasie pracy urządzenia, bateria rozładowuje się: dioda LED zacznie migać, kiedy poziom naładowania akumulatora spadnie poniżej 5%, wskazując konieczność naładowania.

AKCESORIA:

2 W 1 SSAWKA SZCZELINOWA I SZCZOTKA DO KURZU*, 2 W 1 DUŻA SZCZOTKA I SZCZOTKA DO MEBLI*, DUŻE ELASTYCZNE NARZĘDZIE DO CZYSZCZENIA SZCZELIN*, NARZĘDZIE WIELOFUNKCYJNE* I SSAWKA MINI TURBO.

Aksesoria można zamocować do rączki lub z boku rury. **[5]**

SZCZOTKA DO KALORYFERÓW* / SZCZOTKA DO GŁĘBOKIEGO CZYSZCZENIA* / SZCZOTKA CARESSÉ DO PARKIETÓW*

Aby korzystać z tych akcesoriów, należy zastosować przejściówkę*. **[5]**

UWAGA: Szczotka miniturbo idealnie nadaje się do czyszczenia powierzchni tapicerowanych (np. sof) oraz do usuwania sierści zwierząt domowych. Miarowo przesuwaj do przodu i do tyłu. Po użyciu należy usunąć sierść/kłaczki ze szczotki. W razie potrzeby użyć do tego nożyczek.

UWAGA: Długie elastyczne narzędzie do czyszczenia w szczelinach idealnie nadaje się do czyszczenia trudno dostępnych

* Tylko w niektórych modelach

miejsc oraz przestrzeni pod meblami.

UWAGA: Szczotka do kaloryferów jest idealna do czyszczenia wnętrz oraz okolic szaf, kaloryferów, sof, żaluzji itp.

UWAGA: Szczotka do głębokiego czyszczenia służy do czyszczenia wąskich przestrzeni z delikatną powierzchnią oraz do czyszczenia wnętrza samochodu.

UWAGA: Wielofunkcyjne narzędzie do czyszczenia doskonale nadaje się do czyszczenia delikatnych powierzchni oraz do czyszczenia miejsc trudno dostępnych. Nie rysuje. Narzędzie wielofunkcyjne składa się z 3 głównych części:

1. Ssawka szczelinowa idealnie nadaje się do czyszczenia trudno dostępnych miejsc.
2. Szczotka do czyszczenia służy do czyszczenia delikatnych powierzchni. Nie rysuje.
3. Szczotka do mebli idealnie nadaje się do czyszczenia powierzchni tapicerowanych, takich jak kanapa.

WOREK NA AKCESORIA*

Dodatkowe akcesoria można przechowywać w worku na akcesoria.

MOCOWANIE DO ŚCIANY*

Za pomocą załączonych śrub [15] zamocuj na ścianie uchwyt do zawieszenia produktu, narzędzia 2w1 ssawki szczelinowej i szczotki do czyszczenia, narzędzia 2w1 dużej szczotki i ssawki szczelinowej oraz ssawki miniturbo (o ile są w komplecie).

KONSERWACJA URZĄDZENIA

Opróżnianie pojemnika na kurz

1. Naciśnij przycisk zwalniający i wyjmij rurę. [6]
2. Nacisnąć przycisk opróżniania pojemnika na kurz, aby zwolnić kłapę pokrywy, aby opróżnić pojemnik. [7]
3. Zamknąć kłapę pojemnika na kurz. Kiedy zaskoczy, oznacza to, że jest prawidłowo zablokowana.

UWAGA: Zaleca się opróżnianie pojemnika na kurz po każdym użyciu oraz zawsze wtedy, kiedy kurz sięga linii poziomu maksymalnego napełnienia.

Czyszczenie pojemnika na kurz i filtra

1. Naciśnij przycisk zwalniający i wyjmij rurę. [6]
2. Nacisnąć przycisk opróżniania pojemnika na kurz, aby zwolnić kłapę pokrywy i opróżnić pojemnik. [7]
3. Naciśnij do dołu przycisk zwalniający zestaw baterii i wyjmij go. [8A,8B]
4. Obróć pojemnik na kurz w kierunku przeciwnym do ruchu wskazówek zegara, aby dopasować się do znacznika w kształcie strzałki, a następnie wyjmij go z odkurzacza. [9]
5. Obróć pokrywę na silnik HSpin-Core w kierunku przeciwnym do ruchu wskazówek zegara, a następnie zdejmij z filtra siatkowego pokrywę filtra siatkowego wykonaną w technologii HSpin-Core. [10A,10B]
6. Kiedy czyścisz filtr lub kiedy silnik HSpin-Core jest zablokowany, należy nacisnąć ku dołowi filtr siatkowy HSpin-Core. Nie zalecamy mycia wodą. [11]
7. Nacisnąć jednocześnie dwa przyciski zwalniania filtra wylotowego, a następnie wyjąć filtr wylotowy. [12A, 12B]
8. Przemyć filtr wylotowy w ciepłej wodzie i pozostawić do wyschnięcia na 24 godziny. Po całkowitym wyschnięciu zmontować ponownie filtr. [13,14]
9. Umyj ciepłą wodą pojemnik na kurz/pokrywę na filtr siatkowy HSpin-Core. Przed ponownym zamontowaniem w obudowie upewnić się, że jest suchy. [13,14]
10. Ponownie zamontuj jednostkę przenośną i zamocuj na wsporniku ściennym. [15]

UWAGA: Do czyszczenia filtrów nie stosować gorącej wody ani detergentów. W mało prawdopodobnym przypadku uszkodzenia filtrów wylotowych należy zastąpić je oryginalnymi filtrami Hoover. Nie używaj urządzenia bez zamontowanego filtra.

WAŻNE: Aby uzyskać optymalną wydajność, filtry siatkowe powinny być zawsze czyste. Zalecamy mycie filtra co najmniej raz na miesiąc.

Wymiana i czyszczenie zagarniacza

WAŻNE: Zawsze wyłączać odkurzacz przed wymianą oraz czyszczeniem szczotki obrotowej.

1. Wyjmij zagarniacz zwalniając kłapkę. Jest ona umieszczona z boku ssawki. [16]
2. Przytrzymaj kłapkę i pociągnij w dół element zagarniający. [16]
3. Wymień element lub go wyczyść. Można go zamontować tylko w jednym położeniu.
4. Umieść w odpowiedniej pozycji i opuść kłapkę. [17]

Wymiana akumulatorów

Odkurzacz jest wyposażony w wymienny zestaw akumulatorów litowo-jonowych (Li-Ion), który można ładować.

Ostrzeżenie: W odkurzaczu stosować wyłącznie zatwierdzone części zamienne. Używanie innych części niż te zatwierdzone przez firmę Hoover, jest niebezpieczne i powoduje utratę gwarancji urządzenia.

Ostrzeżenie: Nie próbować otwierać lub samodzielnie naprawiać zestawu akumulatorów.

1. Przesunąć do tyłu przycisk zwalnający zestaw akumulatorów, a zestaw automatycznie nieco się wysunie. **[8A]**
2. Powoli wysunąć zestaw akumulatorów ze szczeliny. **[8B]**
3. Wyjąć stary zestaw akumulatorów i wymienić na nowy.
4. Akumulatory należy utylizować w sposób bezpieczny dla środowiska. Zużyte akumulatory należy przekazać do recyklingu. Nie należy ich wyrzucać ze śmieciami domowymi.

ROZWIĄZYWANIE PROBLEMÓW

W razie wystąpienia jakiegokolwiek problemu z urządzeniem przed skontaktowaniem się z lokalnym serwisem firmy Hoover należy przeprowadzić proste kontrole zgodnie z poniższą listą:

A. Odkurzacz się nie włącza

Sprawdzić, czy odkurzacz jest naładowany

Upewnić się, że zestaw bateryjny jest poprawnie zamocowany.

Przerwanie pracy odkurzacza

Sprawdź, czy silnik HSpin-Core nie jest zablokowany.

B. Utrata mocy ssania lub brak ssania

Opróżnij pojemnik na kurz i umyj filtr siatkowy oraz separator cyklonowy.

Zdjąć końcówkę i sprawdzić, czy wąż lub rura nie są zatkane.

C. Nie można naładować akumulatorów

Może to wynikać z bardzo długiego okresu bezczynności (ponad pół roku).

Skontaktować się z centrum serwisowym firmy Hoover, aby zlecić wymianę akumulatorów.

Jeżeli problem nie znika, skontaktować się z centrum serwisowym firmy Hoover.

CZĘŚCI ZAPASOWE I MATERIAŁY EKSPLOATACYJNE MARKI HOOVER

Należy zawsze wymieniać części na oryginalne części zapasowe firmy Hoover. Można je nabyć w lokalnym serwisie firmy Hoover lub bezpośrednio w firmie Hoover. Przy zamawianiu części zawsze należy podać numer danego modelu.

GWARANCJA

Warunki gwarancji na niniejsze urządzenie są określone przez naszego przedstawiciela w kraju, w którym urządzenie jest sprzedawane. Szczegółowe informacje na temat warunków gwarancji można uzyskać w punkcie, w którym urządzenie zostało nabyte. Przy zgłaszaniu wszelkich roszczeń w ramach gwarancji należy przedstawić dowód sprzedaży lub pokwitowanie.

WAŻNE: Bateria w tym odkurzaczu jest objęta gwarancją przez 2 lata od daty zakupu. Po okresie 2 lat użytkownik jest odpowiedzialny za zapewnienie nowej baterii.

Zastrzegamy sobie możliwość wprowadzania zmian bez wcześniejszego powiadomienia.

NÁVOD K BEZPEČNÉMU POUŽITÍ

Tento vysavač by měl být používán pouze pro úklid domácnosti a v souladu s touto uživatelskou příručkou. Než začnete spotřebič používat, ujistěte se, že rozumíte tomuto návodu.

Před čištěním nebo jakoukoli údržbou zařízení vždy vypněte a síťovou šňůru vytáhněte ze zásuvky.

Tento přístroj smí používat děti od 8 let výše a osoby se sníženými fyzickými, smyslovými nebo mentálními schopnostmi nebo s nedostatkem zkušeností a znalostí, pokud jsou pod dohledem nebo jim byly dány pokyny týkající se bezpečného používání tohoto přístroje a byly seznámeny s možnými riziky jeho používání. S přístrojem si nesmí hrát děti. Čištění a údržbu nesmí provádět děti bez dohledu.

Jestliže je poškozena síťová šňůra, okamžitě přestaňte zařízení používat. Síťovou šňůru musí vyměnit autorizovaný servisní technik společnosti Hoover, aby se předešlo ohrožení bezpečnosti.

Udržujte dostatečnou vzdálenost rukou, nohou, volného oděvu a vlasů z dosahu otočných kartáčů.

Pro dobíjení používejte pouze nabíječku dodanou se zařízením.

Zkontrolujte, zda údaje na štítku nabíječky odpovídají hodnotám síťového napětí.

Tento vysavač společnosti Hoover je vybaven dvojité odizolovanou nabíjecí baterií, která je vhodná k zapojení pouze do zástrčky 230V (UK 240V).

Zapojte nabíječku do vhodné zásuvky a konektor nabíječky připojte k vhodnému výstupu na vysavači.

Při nabíjení musí být spínač vysavače v poloze vypnuto.

Před prvním použitím přístroj nabíjejte nejméně 24 hodin. Při nabíjení bude blikat kontrolka LED a při plném nabití začne svítit.

Po použití znovu připojte přístroj k nabíječce k dobití baterie.

Důležité: Nikdy nenabíjejte akumulátor při teplotě vyšší než 37°C nebo nižší než 0°C.

Je běžné, že při nabíjení se nabíječka zahřívá.

Nevytahujte nabíječku ze zásuvky taháním za síťový kabel.

V případě delší nepřítomnosti (dovolená apod.) nabíječku odpojte. Přístroj před použitím znovu dobijte, protože baterie by se při delší

době skladování mohly vybit samy.

Před likvidací vysavače z něj nejprve vyjměte baterie. Před odstraněním baterie se ujistěte, že výrobek je odpojen od elektrické sítě. Zlikvidujte baterie bezpečně a ekologicky. Používejte zařízení dokud baterie nejsou naprosto vybité. Použité baterie by měly být přijaté do recyklační stanice a nesmějí být vyhazované dohromady s domovním odpadem. Pro vyjmutí baterií prosím kontaktujte Zákaznické servisní středisko Hoover, které najdete na internetových stránkách www.candy-hoover.cz nebo postupujte podle následujících pokynů:

DŮLEŽITÉ UPOZORNĚNÍ: Před vyjmutím je nutno baterii zcela vybit.

Nechte vysavač zapnutý, dokud nebudou baterie zcela vybité.

Odpojte nabíječku od spotřebiče.

Stiskněte tlačítko uvolnění baterie a baterie automaticky vyskočí ven. **[8A]**

Opatrně baterii vytáhněte. **[8B]**

Poznámka: Budete-li mít při demontáži jednotky jakékoli problémy nebo budete-li požadovat podrobnější informace o manipulaci, využití a recyklaci tohoto výrobku, kontaktujte prosím místní úřad nebo středisko sběrných surovin.

Používejte výhradně příslušenství, spotřební materiály a náhradní díly doporučené nebo dodávané firmou Hoover.

Statická elektřina: Při čištění některých koberců vzniká malé množství statické elektřiny. Výboje statické elektřiny neohrožují zdraví.

Nepoužívejte Vaše zařízení venku, na mokré povrchy nebo na mokrá vysávání.

Nevysávejte tvrdé nebo ostré předměty, zápalky, žhavý popel, cigaretové nedopalky a podobné předměty. Nestříkejte nebo nevysávejte hořlavé kapaliny, čisticí tekutiny, aerosoly nebo jejich výpary.

Během použití zařízení nepřejíždějte přes síťovou šňůru a nevytahujte síťový kabel ze zásuvky taháním za šňůru. Nepoužívejte zařízení nebo nabíjení, pokud vám připadá vadné.

Servis Hoover najdete na internetových stránkách www.candy-hoover.cz Spolehlivý provoz a vysokou účinnost tohoto spotřebiče

jsou zajištěny pouze v případě, že bude prováděn pravidelný servis a opravy, které musí zajišťovat autorizovaný technik společnosti Hoover.

Nepoužívejte zařízení pro čištění zvířat a osob.

Nenahrazujte baterie jinými, které nelze dobít.

Životní prostředí:

Tento spotřebič je označen v souladu s Evropskou Směrnicí 2011/65/ES o omezení používání nebezpečných látek v elektrických a elektronických zařízeních (WEEE). Zajištěním správné likvidace tohoto výrobku pomůžete předcházet případným negativním důsledkům pro životní prostředí a lidské zdraví, které mohou být v opačném případě způsobeny nesprávnou likvidací tohoto výrobku. Symbol na výrobku označuje, že tento výrobek nesmí být likvidován jako domovní odpad. Měl by být předán na příslušné místo sběru pro recyklaci elektrických a elektronických zařízení. Likvidace musí proběhnout v souladu s místními ekologickými předpisy pro likvidaci odpadu. Další informace o manipulaci, novém využití a recyklaci tohoto výrobku získáte na místním obecním úřadě, u služby pro sběr domovního odpadu nebo u prodejce, kde jste výrobek zakoupili.



Tento výrobek je v souladu s Evropskými směnicemi 2014/35/ES, 2014/30/ES a 2011/65/ES.

CANDY HOOVER GROUP S.r.l. Via Privata Eden Fumagalli, 20861 Brugherio (MB) Italy

KOMPONENTY PRODUKTU

- | | |
|--|--|
| A. Turbo tlačítko zapnout/vypnout | Q. Vypínač |
| B. Tlačítko Koberec | R. Tlačítko uvolnění výstupního filtru |
| C. Kontrolky LED | S. Výstupní filtr |
| D. Tlačítko uvolnění ručního parního čističe | T. Nabíjecí základna |
| E. Trubky | U. Prachový kartáč a štěrbinová hubice 2 v 1 * |
| F. Tlačítko pro uvolnění hubice | V. Velký prachový kartáč a kartáč na nábytek 2 v 1 * |
| G. Přední světlo hubice | W. Dlouhý ohebný štěrbinový nástavec * |
| H. Hubice rotačního kartáče | X. Multifunkční nástavec pro vysávání stropů * |
| I. Zásobník na nečistoty | Y. Napájecí adaptér * |
| J. Kryt filtru technologie HSpin-Core | Z. Miniturbohubice * |
| K. Kryt motoru technologie HSpin-Core | AA. Hluboký kartáč * |
| L. Tlačítko uvolnění nádoby na prach | AB. Radiátorový nástavec * |
| M. Spodní kryt nádoby na prach | AC. Hubice na údržbu parket * |
| N. Tlačítko uvolnění baterie | AD. Úchytka na zeď * |
| O. Baterie | AE. Šroubové zátky * |
| P. Přepínací páčka | AF. Pytlík na příslušenství * |

PŘÍPRAVA VYSAVAČE

1. Připevněte nástěnný držák ke zdi pomocí šroubků a zátek. [15]
2. Zasuňte hubici do jedné strany trubice, dokud neuslyšíte cvaknutí. [1A]
3. Druhou stranu trubice nasuňte do ruční jednotky, dokud neuslyšíte cvaknutí. [1B]
4. Pro úplné nabití připojte k baterii spotřebiče konektor nabíječky. Nabítí bude trvat asi 5 hodin. [2]

POZNÁMKA: Abyste sundali hlavici, stiskněte tlačítko pro uvolnění hlavice a tahem ji sejměte z hlavního těla.

POZNÁMKA: Pro dobíjení používejte pouze nabíjecí stanici dodanou k vysavači.

DŮLEŽITÉ UPOZORNĚNÍ: Při nabíjení musí být spínač přístroje v poloze vypnuto. Baterii můžete nabíjet také po sejmутí z těla vysavače.

Je běžné, že při nabíjení se nabíječka zahřívá.

* Pouze u některých modelů

JAK POUŽÍVAT VYSAVAČ

K dispozici jsou čtyři pracovní režimy:

- **DOČASNÝ REŽIM:** Přístroj začne pracovat po stisknutí spínače a přestane při jeho uvolnění. **[3A]**
- **NEPŘETRŽITÝ REŽIM:** Nepřetržitý režim zapnete tak, že posunete páčku směrem zpět, až do zajištění. **[3B]** Nepřetržitý režim ukončíte posunutím páčky zpět do původní polohy.
- **REŽIM "CARPET":** Stiskněte tlačítko Koberec, abyste mohli použít vysavač na kobercích, kontrolka LED musí svítit. **[4A]**
- **TURBO REŽIM:** Stiskněte tlačítko TURBO pro plný výkon buď v režimu na podlahy nebo na koberce. **[4B]**

POZNÁMKA: Pro čištění tvrdých podlah doporučujeme dočasný režim a plynulý režim; režim Koberec aktivuje rotační kartáč a doporučuje se pro vysávání nečistot z koberce.

DŮLEŽITÉ UPOZORNĚNÍ: Po každém použití přepněte páčku vpřed do odjistěné polohy. Pokud tak neučiníte, může dojít ke zkrácení životnosti baterie nebo k jejímu poruše.

LED DISPLEJ:

Tento vysavač je vybaven LED displejem. Když je produkt zapnutý a displej se rozsvítí, indikátory ukazují následující informace.

KONTROLKA NABÍTÍ BATERIE:

- 4 segmenty = 100% nabití
- 3 segmenty = 75% nabití
- 2 segmenty = 50% nabití
- 1 segment = 25% nabití

NABÍJENÍ

Pokud bude při nabíjení baterie nabitá z méně než 25 %, bude dioda nejprve blikat, a po dosažení 25 % začne svítit. Kontrolka bude postupně ukazovat nabití na 25 %, na 50 %, 75 % atd. Po dosažení 100% nabití se rozsvítí všechny 4 body.

Baterie se nabíjí při bezpečné pracovní teplotě, vybavili jsme ji pojistným zařízením. Pokud se toto zařízení aktivuje a zahájíte proces nabíjení, bude dioda LED nejprve blikat, dokud nebude zařízení resetováno. Teprve po automatickém resetu začne běžný nabíjecí proces, jak je popsán výše.

KONTROLKA VYBÍJENÍ

Když je zařízení v provozu a kontrolka LED začne blikat, pokud je baterie nabitá na méně než 5 % a potřebuje dobít.

PŘÍSLUŠENSTVÍ:

ŠTĚRBINOVÝ A PRACHOVÝ KARTÁČ 2 V 1*, ŠIROKÝ PRACHOVÝ KARTÁČ A KARTÁČ NA NÁBYTEK 2 V 1*, DLOUHÝ OHEBNÝ ŠTĚRBINOVÝ NÁSTAVEC*, MULTIFUNKČNÍ NÁSTAVEC NA STROPY* A MINI TURBO HUBICE*.

Výše uvedené příslušenství lze namontovat přímo na ruční jednotku nebo na jednu stranu trubice. **[5]**

RADIÁTOROVÝ NÁSTAVEC* / HLOUBKOVÝ KARTÁČ* / HUBICE NA ÚDRŽBU PARET*

Při použití některého z výše uvedených příslušenství musí být namontován adaptér* příslušenství. **[5]**

POZNÁMKA: Hubice mini-turbo ideální pro hloubkové čištění textilních povrchů (například pohovky) a odstranění zvířecích chloupků. Pohybuje jím neustále dopředu a dozadu. Po použití nůžkami odstraňte vlasy/vláčna shromážděná na kartáči.

POZNÁMKA: Dlouhý ohebný štěrbinový nástavec je vhodný pro čištění v obtížně přístupných místech, pod nábytkem a v autě.

POZNÁMKA: Radiátorový nástavec je vhodný pro čištění uvnitř a v okolí skříněk, radiátorů, gaučů, žaluzií a podobně.

POZNÁMKA: Pomocí hloubkového kartáče lze čistit úzká místa bez rizika poškrábání povrchu, a také v autě.

POZNÁMKA: Multifunkční nástavec slouží ke snadnému přístupu k jemným povrchům bez poškrábání a také ke všem těžko přístupným povrchům. Multifunkční nástavec se skládá ze tří hlavních částí:

1. Štěrbinový nástavec je ideální pro úzké prostory.
2. Prachový kartáč je ideální pro čištění povrchů bez poškrábání nebo poničení.
3. Kartáč na nábytek je ideální pro čištění povrchů jako například gaučů.

PYTLÍK NA PŘÍSLUŠENSTVÍ*

V pytlíku na příslušenství lze uskladnit dodatečné příslušenství.

* Pouze u některých modelů

NÁSTĚNNÝ DRŽÁK*

Pomocí tří přiložených šroubů připevníte držák ke zdi [15], aby se na něj dal pověsit samotný vysavač, štěrbínový a prachový kartáč 2 v 1, širokou hubici na prach a štěrbiny 2 v 1 a mini turbo hubici (pokud je součástí výrobku).

ÚDRŽBA VYSAVAČE

Vyprázdnění zásobníku na prach

1. Stiskněte tlačítko uvolnění trubice na ruční jednotce a trubicí sundejte. [6]
2. Stiskněte tlačítko vyprázdnění nádoby na prach, aby se uvolnila klapka, a vysypte obsah. [7]
3. Uzavřete klapku nádoby na prach, při zajištění uslyšíte cvaknutí.

POZNÁMKA: Doporučujeme vyprazdňovat nádobu na prach po každém použití, nebo při naplnění po maximální úroveň.

Zkontrolujte prachový zásobník a filtr

1. Stiskněte tlačítko uvolnění trubice na ruční jednotce a trubicí sundejte. [6]
2. Stiskněte tlačítko vyprázdnění nádoby na prach, aby se uvolnila klapka, a vysypte obsah. [7]
3. Stiskněte tlačítko uvolnění baterie a baterii vyndejte. [8A,8B]
4. Otočte zásobníkem na prach doleva, zarovnejte šipky a vytáhněte zásobník ven. [9]
5. Otočte krytem motoru technologie HSpin-Core doprava a poté z filtru technologie HSpin-Core sundejte kryt filtru. [10A,10B]
6. Pokud chcete vyčistit filtr nebo zjistíte, že je motor Technologie HSpin-Core zablokovaný, stlačte filtr technologie HSpin-Core dolů. Není vhodné při čištění používat vodu. [11]
7. Stiskněte obě tlačítka uvolnění výstupního filtru zároveň a poté filtr vyndejte. [12A, 12B]
8. Omyjte výstupní filtr vlažnou vodou a nechte jej 24 hodin schnout. Jakmile je filtr úplně suchý, umístěte jej zpět do vysavače. [13,14]
9. Umyjte nádobu na prach/kryt filtru technologie HSpin-Core vlažnou vodou. Než filtr vrátíte do hlavního těla vysavače, musí být zcela suchý. [13,14]
10. Poskládejte znovu ruční jednotku a vložte do nástěnného držáku. [15]

POZNÁMKA: Na čištění filtrů nepoužívejte horkou vodu ani čisticí prostředky. V nepravděpodobném případě, že se filtry poškodí, je vyměňte za originální náhradní část firmy Hoover. Nesnažte se vysavač používat bez filtru.

DŮLEŽITÉ UPOZORNĚNÍ: Pro optimální výkon udržujte filtr vždy čistý. Doporučujeme, abyste filtr umývali aspoň jednou za měsíc.

Výměna a čištění rotačního kartáče

DŮLEŽITÉ UPOZORNĚNÍ: Před výměnou otočného kartáče vysavač vždy vypněte.

1. Odpojte uvolňovací klapku agitátoru. Je umístěn na boční části nástavce. [16]
2. Držte uvolňovací klapku rotačního kartáče a zatlačte k odstranění rotačního kartáče. [16]
3. Nahraďte novým agitátorem nebo jej vyčistěte. To lze provést pouze jedním směrem.
4. Umístěte zpět uvolňovací klapku agitátoru. [17]

Výměna baterií

Součástí vysavače je vyměnitelná dobíjecí Lithium-iontová baterie.

VAROVÁNÍ: Pro svůj vysavač používejte pouze schválené náhradní díly. Používání dílů neschválených firmou Hoover je nebezpečné a přicházíte tím o záruku.

VAROVÁNÍ: Nepokoušejte se sami rozmontovat nebo opravit baterii.

1. Stiskněte tlačítko uvolnění baterie a baterie automaticky vyskočí ven. [8A]
2. Opatrně baterii vytáhněte. [8B]
3. Vyjměte starou baterii a nahraďte ji novou baterií.
4. Zlikvidujte baterie bezpečně a ekologicky. Použité baterie by měly být přijaté do recyklační stanice a nesmějí být vyhazované dohromady s domovním odpadem.

ŘEŠENÍ POTÍŽÍ

Budete-li mít s vysavačem nějaký problém, postupujte podle tohoto jednoduchého kontrolního seznamu, než zavoláte do Zákaznického servisního střediska Hoover:

A. Vysavač se nezapíná

- Zkontrolujte, zda je nabitý
- Zkontrolujte, jestli je baterie na svém místě.

Čistič přestal pracovat

- Zkontrolujte, jestli není motor technologie HSpin-Core zanesený.

B. Ztráta sacího výkonu nebo žádné sání

- Vyprázdněte nádobu na prach a omyjte filtr i separátor.
- Sundejte hubici a zkontrolujte, zda nejsou průchody trubice zablokované.

C. Baterie nelze nabíjet

- To může být následkem velmi dlouhé doby nenabíjení akumulátorů (více než půl rok).
- Kontaktujte Zákaznické servisní středisko Hoover a dojednejte si výměnu baterií.
- Pokud problém přetrvává, kontaktujte Zákaznické servisní středisko Hoover.

NÁHRADNÍ DÍLY A SPOTŘEBNÍ MATERIÁLY HOOVER

Vždy používejte originální náhradní díly společnosti Hoover. Získáte je u místního prodejce výrobků Hoover nebo u servisních partnerů. V objednávce dílů laskavě vždy uvádějte číslo modelu.

VAŠE ZÁRUKA

Záruční podmínky pro tento spotřebič stanovuje náš zástupce v zemi, v níž je spotřebič prodáván. Přesné znění podmínek vám poskytne prodejce, u něhož jste si zařízení zakoupili. Při reklamaci podle těchto záručních podmínek je nutno předložit doklad o koupi nebo převzetí.

DŮLEŽITÉ UPOZORNĚNÍ: Záruka na baterii v tomto produktu je 2 roky od zakoupení. Po dvou letech si novou baterii musí zákazník koupit sám.

Právo změny bez předchozího upozornění vyhrazeno.

NAVODILA ZA VARNO UPORABO

Sesalnik lahko uporabljate le za čiščenje stanovanjskih prostorov, kot je opisano v tem priročniku. Prosimo, da se pred uporabo sesalnika temeljito seznanite s temi navodili.

Pred čiščenjem naprave ali kakršimi koli vzdrževalnimi deli vedno izklopite in odstranite polnilnik iz vtičnice.

Ta aparat lahko uporabljajo otroci, starejši od 8 let, ter osebe z zmanjšanimi telesnimi, zaznavnimi in mentalnimi sposobnostmi ali osebe s pomanjkljivimi izkušnjami in znanjem, če so pod nadzorom ali so bile ustrezno poučene o varni uporabi aparata ter se zavedajo nevarnosti, ki so povezane z njegovo uporabo. Otroci se ne smejo igrati z aparatom. Otroci ne smejo čistiti ali vzdrževati aparata brez nadzora.

Če je napajalni kabel poškodovan, nemudoma prenehajte z uporabo sesalnika. Da bi se izognili nevarnosti, mora napajalni kabel zamenjati pooblaščen Hooverjev serviser.

Imejte roke, noge, ohlapna oblačila in lasje proč od vrtljivih krtač.

Uporabljajte le originalni polnilnik, ki je priložen napravi.

Preverite, ali je napajalna napetost enaka tisti, ki je navedena na polnilniku.

Ta Hooverjev aparat je dobavljen z dvojno izoliranim polnilcem baterij, ki je primeren samo za priključitev na 230-V (UK 240V) vtičnico.

Polnillec priključite v ustrezno vtičnico in nato drugi del priključite še na napravo.

Med polnjenjem naprave mora biti gumb za vklop in izklop naprave v legi OFF.

Pred prvo uporabo baterijo naprave polnite vsaj 24 ur. Lučka LED se obarva z modro in utripa, ko se naprava polni, ko pa se naprava napolni, lučka neprekinjeno sveti.

Po uporabi naprave spet priključite polnilnik in tako vnovič napolnite baterijo.

Nikoli ne polnite baterij pri temperaturah višjih od 37°C ali nižjih od 0°C.

Normalno je, da se polnilnik med polnjenjem segreva.

Ne izklopite polnilca tako, da povlečete kabel.

Polnilec izklopite v primeru podaljšane odsotnosti (počitnice, itd.). Pred ponovno uporabo spet napolnite baterije, ker se lahko te izpraznijo samodejno, če sesalnika dlje časa ne uporabljate.

Če boste napravo odvrgli, morate najprej odstraniti baterije. Ko želite odstraniti baterije, mora biti naprava izključena iz električnega toka. Baterije odvrzite na varen način. Pustite delovati napravo do konca, da bodo baterije popolnoma prazne. Uporabljene baterije je treba odnesti v enoto za recikliranje in se ne smejo odvreči v gospodinjske smeti. Za odstranitev baterij vas prosimo, da se obrnete na Hooverjev center za kupce ali nadaljujete po sledečih navodilih.

POMEMBNO: Pred odstranjevanjem baterije vedno popolnoma izpraznite.

Sesalnik naj deluje toliko časa, da se baterije do konca izpraznijo.

Vtikač polnilca odstranite iz naprave.

Gumb za sprostitvev baterije povlecite nazaj in baterija bo samodejno deloma izstopila iz reže. **[8A]**

Baterijo počasi odstranite iz reže. **[8B]**

Opomba: V primeru težav z razstavljanjem naprave ali za podrobnejše informacije o ravnanju z izdelkom, obnovi ali ricikliranju izdelka se obrnite na krajevni urad ali komunalno podjetje za odvoz gospodinjskih odpadkov.

Uporabljajte le dodatke, potrošni material ali nadomestne dele, ki jih priporoča ali dobavi Hoover.

Statična elektrika: Določene vrste preprog lahko ustvarijo manjšo količino statične elektrike. Kakršnen koli statični električni naboj ne ogroža zdravja.

Sesalnika ne smete uporabljati na prostem, na kakršni koli mokri površini ali za sesanje tekočin.

Ne smete sesati trdih ali ostrih predmetov, vžigalic, vročega pepela, cigaretnih ogorkov ali drugih podobnih snovi. Ne smete pršiti ali sesati vnetljivih tekočin, čistil, osvežilcev zraka ali njihovih hlapov

Ne smete zapeljati prek napajalnega kabla med uporabo sesalnika ali izvleči vtikača tako, da bi vlekli za kabel. Ne smete

uporabljeni naprave ali polnilnika, če ne delujeta pravilno.

Hooverjev servis: Za zagotovitev nenehnega varnega in učinkovitega delovanja naprave priporočamo, da servis ali popravila izvrši le pooblaščen Hooverjev serviser.

Ne smete uporabljati sesalnika za čiščenje živali ali ljudi.

Ne smete zamenjati polnljivih baterij z navadnimi baterijami.

Okolje:

Ta naprava je označena v skladu z evropsko direktivo 2011/65/ES o odpadni električni in elektronski opremi (OEEO). S pravilnim odstranjevanjem izdelka boste pripomogli k preprečevanju morebitnih negativnih vplivov na okolje in človeško zdravje, do česar bi utegnili priti ob neprimerni odstranitvi tega izdelka. Simbol na izdelku pomeni, da izdelka ne smete odstraniti kot gospodinjski odpadek. Oddati ga morate na zbirnem mestu za recikliranje električne in elektronske opreme. Odstranitev morate izvesti v skladu s krajevnimi okoljskimi predpisi glede odstranjevanja odpadkov. Za podrobnejše informacije o ravnanju z izdelkom, obnovi in recikliranju izdelka se obrnite na krajevni urad, komunalno podjetje za odvoz gospodinjskih odpadkov ali trgovino, kjer ste izdelek kupili.



Ta naprava je v skladu z evropskimi direktivami 2014/35/EU, 2014/30/EU in 2011/65/EU.

CANDY HOOVER GROUP S.r.l. Via Privata Eden Fumagalli, 20861 Brugherio (MB) Italy

SESTAVNI DELI IZDELKA

- | | |
|--|---|
| A. Gumb On/Off načina Turbo | Q. Stikalo za VKLOP/IZKLOP |
| B. Gumb načina za čiščenje preproge | R. Gumbi za sprostitev izpušnega filtra |
| C. LED indikatorji | S. Izhodni filter |
| D. Ročni gumb za sprostitev | T. Polnilec |
| E. Cev | U. 2 v 1 ozki nastavek in krtača za prah * |
| F. Gumb za sproščanje nastavkov | V. 2 v 1 krtača za čiščenje prahu in pohištva * |
| G. Sprednja luč krtače | W. Dolg in ozek upogljivi nastavek * |
| H. Vrtljiva ščetka | X. Večfunkcijski pripomoček * |
| I. Posoda za prah | Y. Napajalni vmesnik * |
| J. Pokrov mrežnega filtra tehnologije HSpin-Core | Z. Mini turbo krtača * |
| K. Pokrov motorja tehnologije HSpin-Core | AA. Krtača za globinsko čiščenje * |
| L. Gumb za izpraznitev posode za prah | AB. Krtača za čiščenje radiatorjev * |
| M. Zgornji pokrov posode za prah | AC. Nastavek - krtača Caresse za čiščenje parketa * |
| N. Gumb za sprostitev baterije | AD. Stenski nosilec * |
| O. Baterija | AE. Vhodi za vijake * |
| P. Stikalna ročica | AF. Torba za pripomočke * |

PRIPRAVA VAŠEGA SESALNIKA

1. Stenski nosilec pritrdite na steno, za to pa uporabite priložene vijake in matice. **[15]**
2. Glavo krtače vstavite v eno od dveh skrajnih točk cevi in jo namestite tako, da zaslišite "klik". **[1A]**
3. Drugo skrajno točko cevi vstavite v ročaj in cev namestite tako, da zaslišite "klik". **[1B]**
4. Če želite napravo povsem napolniti, polnilnik povežite z baterijo. Naprava se bo polnila približno 5 ur. **[2]**

OPOMBA: Nastavek snamete tako, da pritisnete gumb za sproščanje nastavka in ga izvlečete iz osnovnega dela.

OPOMBA: Pri ponovnem polnjenju uporabite samo polnilec, ki je dobavljen z vašim sesalcem.

POMEMBNO: Med polnjenjem naprave mora biti stikalna ročica v legi OFF. Baterijo lahko polnite tudi, ko ta ni nameščena na napravi.

Normalno je, da se polnilnik med polnjenjem segreva.

* Le pri določenih modelih

UPORABA SESALNIKA

Izbirate lahko med štirimi delovnimi načini:

- **ZAČASNI NAČIN:** Sesalnik začne delovati, ko pritisnete stikalo on/off, in neha delovati, ko stikalo sprostite. **[3A]**
 - **NEPREKINJENI NAČIN:** Če želite vključiti neprekinjeni način, stikalno ročico povlecite nazaj in ta bo spet prešla v svojo lego. **[3B]** Če želite izključiti neprekinjeni način, stikalno ročico potisnite naprej.
 - **Način za ČIŠČENJE PREPROG:** Pritisnite gumb za preproge, če želite napravo uporabiti za čiščenje preproge z prižganimi LED lučkami. **[4A]**
 - **NAČIN TURBO:** Pritisnite Turbo gumb za polno moč bodisi za način za čiščenje tal ali preprog. **[4B]**
- OPOMBA:** Uporaba začasnega načina in neprekinjenega načina se priporoča pri čiščenju trdih talnih površin. Način za čiščenje preprog aktivira vrtljivo krtačko, uporaba tega načina pa se priporoča za čiščenje umazanije in delcev, ki se naberejo na preprogi.
- POMEMBNO:** Po vsaki uporabi sesalnika potisnite stikalno ročico naprej in jo tako namestite v zaklenjeno lego. Če tega ne storite, se lahko življenjska doba baterije skrajša ali se pojavi napaka.

LED ZASLON:

Ta sesalnik je opremljen z LED zaslonom. Ko je izdelek prižgan in je zaslon osvetljen, opozorilne lučke sporočajo naslednje podatke.

INDIKATOR RAVNI BATERIJE:

- 4 pike = 100 % napolnjenost
- 3 pike = 75 % napolnjenost
- 2 piki = 50 % napolnjenost
- 1 pika = 25 % napolnjenost

POLNJENJE

Če je stopnja napolnjenosti baterije nižja od 25 %, med polnjenjem prva lučka LED utripa. Ko stopnja napolnjenosti doseže 25 %, prva lučka LED neprekinjeno sveti. Enako velja tudi za nadaljnji postopek polnjenja, saj se lučke LED v zaporedju prižgajo, ko stopnja napolnjenosti doseže 25 %, 50 %, 75% itd. Ko postopek polnjenja baterije doseže 100 %, se vse 4 pike obarvajo.

Da bi zagotovili varno polnjenje baterije na ustrezni delovni temperaturi, smo namestili varnostno napravo. Če se ta naprava aktivira in vi sprožite postopek polnjenja, bo lučka LED začela utripati in bo utripala vse do ponastavitve. Po samodejni ponastavitvi se spet sproži postopek polnjenja, kot je to zgoraj opisano.

OPOZORILO O PRAZNI BATERIJI

Ko naprava deluje in je baterija že skoraj prazna, začne lučka LED utripati. Lučka utripa, ko je stopnja napolnjenosti baterije nižja od 5 %, in tako sporoča, da je treba baterijo napolniti.

DODATKI:

2V1 OZEK NASTAVEK IN KRTAČA ZA PRAH*, 2 V 1 ŠIROKA KRTAČA ZA PRAH IN KRTAČA ZA POHIŠTVO*, DOLG IN OZEK NASTAVLJIV NASTAVEK*, VEČFUNKCIJSKI PRIPOMOČEK*IN MAJHNA TURBO KRTAČA*.

Zgoraj navedene pripomočke lahko namestite neposredno na ročno enoto ali na eno stran cevi. **[5]**

KRTAČA ZA ČIŠČENJE RADIATORJEV* / KRTAČA ZA GLOBINSKO ČIŠČENJE* / KRTAČA ZA ČIŠČENJE PARKETA CARESSE*

Adapter za pripomočke* mora biti vedno nameščen, ko uporabljate zgoraj navedene pripomočke. **[5]**

OPOMBA: Mini-turbo krtača je idealna za čiščenje platnenih površin (npr. naslanjačev) in za odstranjevanje živalske dlake. Enakomerno jo potiskajte naprej in nazaj. Po uporabi odstranite dlake / delce, ki so se nabrali na krtači, po potrebi pa za to uporabite škarje.

OPOMBA: Dolga in ozka prilagodljiva cev je idealna za čiščenje težje dostopnih predelov, površin pod pohištvo in avtomobilov.

OPOMBA: Krtača za radiatorje je idealna za čiščenje notranjoti omar, radiatorjev, naslanjačev, žaluzij idr.

OPOMBA: Krtača za globinsko čiščenje je idealna za čiščenje težje dostopnih predelov in avtomobilov, pri tem pa ne odrgne površin..

OPOMBA: Večfunkcijski pripomoček je namenjen preprostemu čiščenju občutljivih površin, saj jih ne odrgne, prav tako pa je idealen za čiščenje težje dostopnih predelov. Večfunkcijski pripomoček sestavljajo trije osnovni elementi:

1. Ozki nastavek je idealen za čiščenje težje dostopnih predelov.
2. Krtača za brisanje prahu je idealna za čiščenje občutljivih površin, saj jih ne poškoduje ali opraska.
3. Krtača za pohištvo je idealna za čiščenje elementov, kot je na primer zofa.

* Le pri določenih modelih

TORBA ZA PRIPOMOČKE*

Dodatne pripomočke lahko shranite v torbo za pripomočke.

STENSKI NOSILEC*

Stenski nosilec pritrdite na steno, pri tem pa uporabite priložene tri vijake [15]. Na nosilec namestite ozko cev 2v1 za brisanje prahu, široko cev 2v1 za brisanje prahu in majhno turbo krtačo (če je ta vključena).

VZDRŽEVANJE SESALNIKA**Praznjenje posode za prah**

1. Pritisnite gumb za ročno sprostitvev in odstranite cev. [6]
2. Gumb za izpraznitev posode za prah potisnite navzdol ter tako sprostite pokrov posode in zatem izpraznite vsebino. [7]
3. Zaprite pokrov posode za prah. Ko se pokrov povsem zapre, zasljučite "klik".

OPOMBA: Posodo za prah izpraznite po vsaki uporabi sesalnika ali ko prah doseže zgornjo oznako največje dovoljene količine prahu.

Očistite posodo za prah in filter.

1. Pritisnite gumb za ročno sprostitvev in odstranite cev. [6]
2. Pritisnite gumb za izpraznitev posode za prah ter tako odprite pokrov posode in zatem izpraznite vsebino. [7]
3. Gumb za sprostitvev baterije potisnite navzdol in odstranite baterijo. [8A,8B]
4. Posodo za prah zavrtite v nasprotni smeri urinega kazalca, uskladite narisane puščice in odstranite posodo. [9]
5. Pokrov motorja tehnologije HSpin-Core Technology zavrtite v smer urinega kazalca in nato pokrov mrežnega filtra HSpin-Core tehnologije odstranite z mrežnega filtra tehnologije HSpin-Core. [10A,10B]
6. Ko čistite filter ali opazite, da je motor HSpin-Core blokiran, potisnite mrežni filter tehnologije HSpin-Core navzdol. Odsvetuje se čiščenje z vodo. [11]
7. Hkrati pritisnite oba gumba za sprostitvev izpušnega filtra in zatem odstranite izpušni filter. [12A, 12B]
8. Izpušni filter operite z mlačno vodo. Po pranju se mora filter sušiti 24 ur. Ko je filter povsem suh, ga spet sestavite in vnovič namestite na sesalnik. [13,14]
9. Z mlačno vodo operite pokrov mrežnega filtra posode za prah/tehnologije HSpin-Core. Vsak element se mora najprej povsem posušiti, šele zatem pa ga lahko spet namestite na glavno ogrodje. [13,14]
10. Ročno enoto vnovič sestavite in jo nato pritrdite na stenski nosilec. [15]

OPOMBA: Izpušnega filtra nikoli ne čistite z vročo vodo ali detergenti. Če se izpušni filter poškoduje, ga nadomestite samo z drugim Hooverjevimi filtrom. Sesalnika ne uporabljajte brez nameščenega filtra.

POMEMBNO: Da bi zagotovili optimalno delovanje sesalnika, morate vedno ustrezno čistiti mrežni filter. Priporočamo, da filter operete enkrat na mesec.

Menjava in čiščenje vrtljive krtače

POMEMBNO: Pred zamenjavo in čiščenjem vrtljive krtače vedno ugasnite sesalnik.

1. Odstranite odpiralno loputo vrtljive krtače. Ta se nahaja na stranskem delu krtače. [16]
2. Držite odpiralno loputo vrtljive krtače in povlecite navzdol ter tako odstranite vrtljivo krtačo. [16]
3. Očistite vrtljivo krtačo ali namestite novo. Namestite jo lahko samo na en način.
4. Odpiralno loputo vrtljive krtače spet namestite v njeno prvotno lego. [17]

Menjava baterij

Sesalnik vsebuje litij-ionsko baterijo, ki jo je mogoče napolniti in tudi nadomestiti.

OPOZORILO: Za svoj sesalnik uporabite samo odobrene nadomestne dele. Uporaba delov, ki jih Hoover ne priporoča, je nevarna in bo razveljavila garancijo.

OPOZORILO: Ne poskušajte sami odpreti in popraviti baterije.

1. Gumb za sprostitvev baterije povlecite nazaj in baterija bo samodejno deloma izstopila iz reže. [8A]
2. Baterijo počasi odstranite iz reže. [8B]
3. Odstranite staro baterijo in jo nadomestite z novo.
4. Baterije odvrzite na varen način. Uporabljene baterije je treba odnesti v enoto za recikliranje in se ne smejo odvreči v gospodinjnske smeti.

ODPRAVLJANJE TEŽAV

Če boste imeli kakršne koli težave z vašim sesalnikom, preden pokličete Hooverjev servisni center za stranke s pomočjo enostavnega seznama v nadaljevanju preverite naslednje:

A. Sesalnik se ne vklopi

- Preverite, če je sesalnik napolnjen
- Preverite, ali je baterija pravilno nameščena.

Sesalnik ne deluje.

- Preverite, ali je motor HSpin-Core blokiran.

B. Sesalna moč je manjša ali pa sesalnik sploh ne vsesava

- Izpraznite posodo za prah ter operite mrežni filter in separator.
- Odstranite krtačo in preverite, ali se v cevi nahaja kakršenkoli predmet, ki onemogoča prehod.

C. Baterij ne morete napolniti

- To je morebitna posledica zelo dolgega obdobja shranjevanja (več kot pol leta).
- Kontaktirajte Hooverjev servis za stranke, da se dogovorite za zamenjavo baterij.
- Če težava traja dlje, kontaktirajte Hooverjev servisni center za stranke.

NADOMESTNI DELI IN POTROŠNI MATERIJAL HOOVER

Vedno uporabljajte originalne nadomestne dele Hoover. Dobite jih pri krajevnem prodajalcu Hooverjevih izdelkov. Pri naročanju delov vedno navedite številko modela.

GARANCIJA

Garancijski pogoji za to napravo so taki, kot jih določi zastopnik v državi, kjer je naprava prodana. Podrobnosti glede garancijskih pogojev lahko dobite od prodajalca, pri katerem ste napravo kupili. Če želite uveljavljati kakršno koli garancijo, potrebujete potrdilo o nakupu ali račun.

POMEMBNO: Baterija tega sesalnika ima dveletno garancijo, ta pa stopi v veljavo na dan nakupa. Po dveh letih je stranka sama odgovorna za nakup in plačilo nove baterije.

Garancija se lahko spreminja brez predhodnega obvestila.

GÜVENLİ KULLANIM TALİMATLARI

Bu ürün kullanım kılavuzunda belirtildiği gibi yalnızca ev temizliği için kullanılmalıdır. Lütfen ürünü kullanmadan önce bu kılavuzun tam olarak anlaşıldığından emin olun.

Cihazı temizlemeden ya da herhangi bir bakım işlemi uygulamadan önce daima cihazı kapatın ve şarj aletini prizden çıkarın.

Bu cihaz 8 yaş ve üzeri çocuklar ve yetersiz fiziksel, duyuşsal veya zihinsel kabiliyete sahip kişiler ya da deneyim ve bilgi yoksunu kişiler tarafından bir yetişkinin gözetiminde veya cihazın güvenli bir şekilde kullanımı ile ilgili talimatı ve bulunan tehlikelerin açıkça anlatılması ile kullanılabilirler. Çocuklar cihaz ile oynamamalıdır. Temizleme ve bakım işlemi denetimsiz şekilde çocuklar tarafından yapılmamalıdır.

Güç kablosu hasar görürse cihazı kullanmayı derhal bırakın. Herhangi bir yaralanmaya engel olmak için güç kablosunun mutlaka yetkili bir Hoover servisi tarafından değiştirilmesi gereklidir.

Ellerinizi, ayaklarınızı, bol giysileri ve saçlarınızı dönen fırçalardan uzak tutun.

Yalnızca cihazla birlikte verilen şarj aletini kullanın.

Besleme voltajının şarj aleti üzerinde belirtilen değerle aynı olup olmadığını kontrol edin.

Bu Hoover ev aleti sadece 230V (İngiltere: 240V) prize takılması uygun olan çift izolasyonlu bir batarya şarj cihazıyla verilmektedir.

Şarj cihazını uygun bir prize takın ve şarj aleti jakının prizini cihaza takın.

Aygıtı şarj ederken güç anahtarı kolu kapalı konumda olmalıdır.

İlk kullanımdan önce elektrikli süpürgenizi en az 24 saat şarj edin. Şarj sırasında LED gösterge ışığı mavi renkte yanıp sönecek ve şarj işlemi tamamladığında da tamamen açık kalacaktır.

Pilleri yeniden şarj etmek için kullanım sonrasında cihazı yeniden şarj cihazına bağlayın.

Pilleri kesinlikle 37°C'nin üzerindeki veya 0°C'nin altındaki sıcaklıklarda şarj etmeyin.

Şarj aletinin şarj olurken ısınması doğaldır.

Şarj aletinin fişini kablosundan çekerek çıkarmayın.

Uzun süre evde bulunmayacaksanız (tatil vs. gibi nedenlerle) şarj aletini prizden çekin. Uzun süre kullanılmayan elektrikli süpürge'nin şarjı kendi kendine bitebileceğinden, yeniden kullanmadan önce süpürgeyi iyice şarj edin.

Cihaz atılacağı zaman, öncelikle piller çıkartılmalıdır. Pil çıkartılırken, cihaz şebeke beslemesinden çıkartılmalıdır. Pilleri güvenli bir şekilde imha edin. Pillerin tamamen boşalması için cihazı durana kadar çalıştırın. Kullanılmış piller bir geri dönüştürme istasyonuna götürülmeli ve evsel atıklarla birlikte atılmamalıdır. Pilleri çıkarmak için, lütfen Hoover Müşteri Merkezi ile temasa geçin veya aşağıdaki talimatlara göre devam edin.

ÖNEMLİ: Pilleri çıkarmadan önce daima tamamen boşaltın ve şarj ünitesinin fişten çıkarıldığından emin olun.

Süpürgeyi piller tamamen boşalana kadar çalıştırın.

Şarj cihazı jak fişini cihazdan çıkarın.

Batarya grubu açma düğmesini geri çekin ve batarya otomatik olarak kısa bir mesafe dışarı itilir. **[8A]**

Batarya grubunu yavaşça yuvadan çekin. **[8B]**

Not: Birimin parçalarına ayrılması ile ilgili zorluk yaşarsanız ya da cihazın tamiri, onarımı ya da geri dönüşümü ile ilgili daha ayrıntılı bilgiye ihtiyaç duyarsanız lütfen belediyeniz ya da ev atıkları imha hizmetleri ile görüşün.

Yalnızca Hoover tarafından önerilen veya sağlanan aparatları, malzemeleri ve yedek parçaları kullanın.

Statik elektrik: Bazı halılar statik elektrik oluşuma neden olabilir. Statik elektrik deşarjı sağlığa zararlı değildir.

Cihazınızı dış mekanlarda veya ıslak yüzeylerde ya da ıslak toplama için kullanmayın.

Sert veya keskin nesnelere, kibritleri, sıcak külleri, sigara izmaritleri veya diğer benzeri öğeleri toplamayın. Yanıcı sıvıları, temizleme sıvılarını, aerosollerini veya spreyleri püskürtmeyin ya da toplamayın.

Cihazı kullanırken güç kablosu üzerine basmayın veya güç kablosundan çekerek prizden çıkarmayın. Arıza görünürse cihazı veya şarj aletini kullanmayı bırakın.

Hoover teknik servisi: Cihazın uzun süre güvenli ve verimli kullanımını sağlamak için, servis ve bakımlarının yetkili Hoover servisinde yapılmasını tavsiye ederiz.

Cihazı hayvanları veya insanları temizlemek için kullanmayın.

Pilleri şarj edilemeyen pillerle değiştirmeyin.

Çevre:

Bu cihaz Atık Elektrikli ve Elektronik Teçhizat (WEEE) hakkında Avrupa direktifi 2011/65/EC'ye uygunluk işaretine sahiptir. Bu ürünün doğru bir şekilde atılmasını sağlayarak, yanlış atılmasından dolayı çevre ve insan sağlığında oluşabilecek olumsuz etkilerin önlenmesine katkıda bulunacaksınız. Ürünün üzerindeki sembol, bu ürünün ev atığı olarak değerlendirilmeyeceğini gösterir. Bunun yerine ürün, elektrikli ve elektronik cihazların geri dönüştürülmesi için oluşturulan geçerli bir toplama noktasına bırakılmalıdır. İmha, atık imhası için düzenlenen yerel çevre yönetmeliklerine uygun olarak yapılmalıdır. Ürünün nasıl elden çıkarılacağı konusunda daha detaylı bilgi için bağlı bulunduğunuz muhtarlığa, çöp toplama şirketine veya ürünü satın almış olduğunuz mağazaya müracaat edin.



Bu ürün 2014/35/EU, 2014/30/EU ve 2011/65/EU' Avrupa Direktiflerine göre uygundur.

CANDY HOOVER GROUP S.r.l. Via Privata Eden Fumagalli, 20861 Brugherio (MB) Italy

ÜRÜN BİLEŞENLERİ

- | | |
|--|---|
| A. Turbo Açma/Kapama Düğmesi | Q. Açma/Kapama Düğmesi |
| B. Halı Düğmesi | R. Egzoz Filtresi Açma Düğmeleri |
| C. LED Göstergeleri | S. Çıkış Filtresi |
| D. El Ünitesi Çıkarma Düğmesi | T. Şarj Aleti |
| E. Boru | U. 2'si 1 Arada Köşe ve Toz Alma Fırçası * |
| F. Başlık Çıkarma Düğmesi | V. 2'si 1 Arada Toz Alma ve Mobilya Fırçası * |
| G. Başlık Ön Işığı | W. Uzun Esnek Kenar-Köşe Aparatı * |
| H. Başlık Karıştırıcı | X. Çok İşlevli Yüksek Yüzey Aparatı * |
| I. Toz haznesi | Y. Adaptör * |
| J. HSpin-Core Teknolojisi Ağ Filtresi Kapağı | Z. Mini Turbo Başlık * |
| K. HSpin-Core Teknolojisi Motor Kapağı | AA.Derin Temizleme Fırçası * |
| L. Toz Haznesi Boşaltma Düğmesi | AB.Radyatör Aparatı * |
| M. Toz Kabı Alt Kapağı | AC.Parke Başlığı * |
| N. Batarya Grubu Açma Düğmesi | AD.Duvara Montaj * |
| O. Batarya Grubu | AE.Vida Tapaları * |
| P. Anahtar Kolu | AF.Aksesuar çantası * |

SÜPÜRGENİZİN HAZIRLANMASI

1. Ürünle birlikte verilen vida ve vida tapalarını kullanarak Duvara montaj parçasını duvara sabitleyin. [15]
2. Süpürge başlığını bir "tık" sesi duyuncaya kadar borunun bir ucunun içine takın. [1A]
3. Borunun diğer tarafını bir "tık" sesi duyuncaya kadar elde taşınır ünite içine takın. [1B]
4. Cihazı tamamen şarj etmek için şarj cihazı ucunu batarya takımına bağlayın. Yaklaşık 5 saat sürecektir. [2]

NOT: Başlığı çıkarmak için başlık çıkarma düğmesine basın ve başlığı çekerek ana gövdeden çıkarın.

NOT: Sadece elektrikli süpürgeyle birlikte verilen şarj aletini kullanın.

ÖNEMLİ: Elektrik süpürgesini temizlerken anahtar kolu KAPALI konumda olmalıdır. Batarya takımını üründen çıkardıktan sonra da şarj edebilirsiniz.

Şarj aletinin şarj olurken ısınması doğaldır.

* Sadece bazı modeller için

SÜPÜRGENİZİN KULLANIMI

Dört çalışma modu bulunur:

- **GEÇİCİ MOD:** Açma/kapama anahtarına bastığınızda ürün çalışmaya başlar ve bırakıldığında durur. **[3A]**
- **SÜREKLİ MOD:** Sürekli modu etkinleştirmek için anahtar kolunu geri çekip ve yerine oturtun. **[3B]** Sürekli modu devre dışı bırakmak için anahtar kolunu ileriye doğru itebilirsiniz.
- **HALI MODU:** Ürünü halı üzerinde kullanmak için LED ışıkları yanarken Halı düğmesine basın. **[4A]**
- **TURBO MODU:** Zemin veya halı modunda en yüksek gücü elde etmek için Turbo düğmesine basın. **[4B]**

NOT: Sert zeminlerin temizlenmesi için geçici mod ve sürekli mod önerilir; Hali modu, karıştırıcıyı etkinleştirir ve bu modun halıdaki kir ve kalıntıların yüzeye çıkarılması için kullanılması tavsiye edilir.

ÖNEMLİ: Ürününüzün her kullanımından sonra lütfen anahtar kolunu ileriye kilitleti konuma ittiğinizden emin olun. Aksi takdirde batarya ömründe azalma veya arızaya neden olabilir.

GÖSTERGE LED'İ

Bu süpürge de bir LED gösterge bulunmaktadır. Ürün açık olduğunda ekrandaki göstergeler aşağıdaki bilgileri gösterir.

BATARYA SEVİYESİ:

- 4 nokta = %100 şarj durumu
- 3 nokta = %75 şarj durumu
- 2 nokta = %50 şarj durumu
- 1 nokta = %25 şarj durumu

ŞARJ

Şarj işlemi sırasında batarya şarj seviyesi %25'in altında olduğunda, ilk LED ışığının %25 üzerine ulaşılan kadar yanıp söneceğini ve daha sonra da açık kalacağını göreceksiniz. Bu işlem, batarya şarj düzeylerini (%25, %50, %75 vb.) gösterecek şekilde tüm LED ışıkları yanana kadar devam edecektir. Batarya şarj seviyesi %100'e ulaştığında 4 noktanın tamamı da yanacaktır.

Lütfen ürünün bataryasının güvenli bir çalışma sıcaklığında şarj edilmesini sağlamak için bir güvenlik cihazı ile donatıldığını unutmayın. Cihaz etkinken şarj işlemini başlatmanız halinde, birinci LED ışığının sıfırlanana kadar yanıp sönüğünü göreceksiniz. Otomatik sıfırlama sonrasında, yukarıda açıklanan normal şarj işlemi başlatılacaktır.

DEŞARJ GÖSTERİMİ

Ürün çalışırken ve bataryaların şarjı kullanılırken, batarya kapasitesi %5'in altına ulaştığında, şarj işleminin gerekli olduğunu belirtmek üzere LED gösterge ışığı yanıp sönmeye başlayacaktır.

AKSESUARLAR:

2'Sİ 1 ARADA KÖŞE VE TOZ ALMA FIRÇASI*, **2'Sİ 1 ARADA BÜYÜK TOZ ALMA VE MOBİLYA FIRÇASI***, **UZUN ESNEK KÖŞE APARATI***, **ÇOK İŞLEVLİ YÜKSEK YÜZEY APARATI- VE MİNİ TURBO BAŞLIĞI***

Yukarıdaki aksesuarlar doğrudan el ünitesine veya borunun bir tarafına takılabilir. **[5]**

RADYATÖR APARATI* / DERİN TEMİZLEME FIRÇASI* / PARKE BAKIM BAŞLIĞI*

Yukarıdaki aksesuarlardan herhangi biri kullanıldığında aksesuar uyarlayıcısı* takılmalıdır. **[5]**

NOT: Kumaş yüzeyleri (örneğin kanepeler) derinlemesine temizlemek ve evcil hayvan tüyleri temizlemek için mini turbo başlık idealdir. Düzgün bir şekilde ileri ve geri hareket ettirin. Kullandıktan sonra gerekirse bir makasla fırçada toplanan tüyleri/iplikleri lütfen temizleyin.

NOT: Uzun esnek köşe aparatı, mobilya altları ve araba gibi ulaşması zor alanların temizlenmesi için idealdir.

NOT: Radyatör parçası, dolap, radyatör, koltuk, perde ve daha fazlasının iç ve çevresinin temizlenmesi için idealdir.

NOT: Derin temizleme fırçası, dar alanlarda yüzeyleri çizmeden temizlik yapmak ve araba için temizlemek için kullanılabilir.

NOT: Çok işlevli yüksek yüzey aparatı, hassas yüzeylerin çizilmeden temizlenebilmesi ve erişmesi veya ulaşması zor alanların temizliği için tasarlanmıştır. Çok işlevli aparat, üç ana parçadan oluşur:

1. Köşe aparatı dar alanlara erişim için idealdir.
2. Toz fırçası, yüzeyleri hasar vermeden veya çizmeden temizlemek için idealdir.
3. Mobilya başlığı, kanepeler gibi yüzeylerin temizliği için idealdir.

AKSESUAR ÇANTASI*

İlave aksesuarlar aksesuar çantasında saklanabilir.

* Sadece bazı modeller için

DUVARA MONTAJ*

Ürünü, 2'si 1 arada köşe ve toz alma fırçasını, 2'si 1 arada büyük toz alma ve köşe parçasını ve mini turbo başlığı (ürünle birlikte verilmişse) asmak için ürünlere birlikte verilen üç vidayı [15] kullanarak Duvara montaj parçasını duvara asın.

SÜPÜRGENİZİN BAKIMI

Toz Haznesinin Boşaltılması

1. El ünitesi çıkarma düğmesine basın ve boruyu çıkarın. [6]
2. Toz haznesini kapağını açıp içindekileri boşaltmak için toz haznesi boşaltma düğmesine basın. [7]
3. Toz haznesi kapağını kapatın, tam olarak kilitlendiğinde bir tık sesi duyacaksınız.

NOT: Toz haznesinin her kullanım sonrasında veya toz maksimum dolma çizgisine geldiğinde boşaltılması önerilir.

Toz haznesini ve filtreyi temizleyiniz

1. El ünitesi çıkarma düğmesine basın ve boruyu çıkarın. [6]
2. Toz haznesi kapağını açmak için toz haznesi boşaltma düğmesine basın ve boşaltın. [7]
3. Batarya takımı açma düğmesine basın ve batarya takımını çıkarın. [8A,8B]
4. Toz haznesini saat yönünün tersine çevirin, ok işaretlerini hizalayın ve üründen çıkarın. [9]
5. HSpin-Core Teknolojisi motoru kapağını saat yönüne çevirin ve HSpin-Core Teknolojisi ağ filtresi kapağını HSpin-Core Teknolojisi ağ filtresinden aşağı doğru çekerek çıkarın. [10A,10B]
6. Filtreyi temizlediğinizde veya HSpin-Core Teknolojisi motorunun tıkanık olduğunu tespit ettiğinizde HSpin-Core Teknolojisi ağ filtresini aşağı doğru bastırın. Suyla temizlenmesi önerilmez. [11]
7. İki adet egzoz filtresi düğmesine aynı anda basın ve ardından egzoz filtresini çıkarın. [12A, 12B]
8. Egzoz filtresini ılık suda yıkayın ve 24 saat kurumaya bırakın. Tamamen kurduğunda süpürgedeki yerine yeniden takınız. [13,14]
9. Toz kabını/HSpin-Core Teknolojisi ağ filtresi kapağını ılık suyla yıkayın. Yeniden elektrikli süpürgeye ana gövdesine takmadan önce tamamen kurumasını bekleyin. [13,14]
10. El ünitesini yeniden monte edin ve Duvara Montaj birimine takın. [15]

NOT: Egzoz filtrelerini temizlerken sıcak su veya deterjan kullanmayın. Egzoz filtresinin hasar görmesi durumunda orijinal bir Hoover yedek parçası takın. Ürünü filtre takılı değilken kullanmaya çalışmayın.

ÖNEMLİ: Optimum performans için her zaman örgü filtrenizi temiz tutun. Filtrenin en az ayda bir kez yıkanmasını öneririz.

Döner Fırçanın Değiştirilmesi ve Temizlenmesi

ÖNEMLİ: Döner fırçayı değiştirmeden veya temizlemeden önce daima cihazı kapatın.

1. Karıştırıcı serbest bırakma kapağını çıkarın. Bu kapak ağızlığın yan kısmında yer alır. [16]
2. Karıştırıcı serbest bırakma kapağını tutun ve karıştırıcıyı aşağı çekerek çıkarın. [16]
3. Yeni Karıştırıcıyla değiştirin veya temizleyin. Karıştırıcı sadece doğru yöne doğru takılabilir.
4. Karıştırıcı serbest bırakma kapağını yeniden uygun konuma getirin. [17]

Pillerin değiştirilmesi

Bu elektrik süpürgesine değiştirilebilir, yeniden şarj edilebilir Lityum İyon batarya grubu takılmıştır.

UYARI: Yalnızca elektrik süpürge için onaylanmış yedek parçaları kullanın. Hoover tarafından onaylanmamış parçaların kullanılması tehlikelidir ve garantinizi geçersiz kılar.

UYARI: Batarya grubunu açmaya ve kendiniz onarmaya çalışmayın.

1. Batarya grubu açma düğmesini geri çekin ve batarya otomatik olarak kısa bir mesafe dışarı itilir. [8A]
2. Batarya grubunu yavaşça yuvadan çekin. [8B]
3. Eski batarya grubunu çıkarın ve yeni batarya grubuyla değiştirin.
4. Pilleri güvenli bir şekilde imha edin. Kullanılmış bataryaların geri dönüştürme istasyonuna götürülmeleri ve evsel atıkla atılmamaları gerekir.

SORUN GİDERME

Elektrikli süpürgeyle ilgili bir sorun yaşarsanız, Hoover Müşteri Hizmetleri Merkezi'ni aramadan önce aşağıdaki kontrol listesini inceleyin:

A. Elektrikli süpürge açılmıyor

Süpürge'nin şarj olduğundan emin olun

Batarya grubunun yerine monte edilmiş olup olmadığını kontrol edin.

Süpürge çalışmayı durdurdu

HSpin-Core Teknolojili motorda tıkanıklık olup olmadığını kontrol edin.

B. Emme zayıf veya emme yapılmıyor.

Toz kabını boşaltın ve ağ filtreyi ve ayırıcıyı yıkayın.

Başlığı çıkarın ve kanalda tıkanma olup olmadığını kontrol edin.

C. Bataryalar şarj edilemiyor

Bu, çok uzun süre saklamadan dolayı olabilir (altı aydan fazla).

Batarya değişimi için Hoover müşteri hizmetlerine başvurun.

Sorun devam ederse Hoover Müşteri Hizmetleri Merkezi'ne başvurun.

HOOVER YEDEK PARÇA VE SARF MALZEMELERİ

Parçaları daima orijinal Hoover parçaları ile değiştirin. Bu parçaları Hoover servislerinden tedarik edebilirsiniz. Parça siparişi verirken lütfen model numaranızı belirtin.

GARANTİNİZ

Bu cihaz için garanti koşulları, cihazın satıldığı ülkedeki temsilcimiz tarafından tanımlanmaktadır. Bu koşullara ilişkin ayrıntılar cihazın satın alındığı bayiden edinilebilmektedir. Bu garanti koşulları altında yapılan talepte satış fişi(faturası) ve makbuzu ibraz edilmiş olmalıdır.

ÖNEMLİ: Bu süpürge'nin bataryası satın alım tarihinden itibaren 2 yıl garantilidir. 2 yıl sonra, yeni batarya maliyeti müşterinin sorumluluğunda olacaktır.

Haber verilmeksizin değişiklikler yapılabilir.



®

BORN INNOVATIVE

PRINTED IN P.R.C
48022557