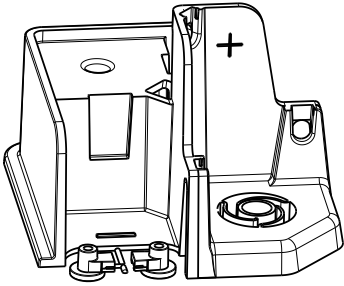
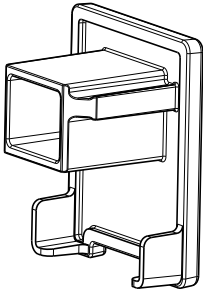
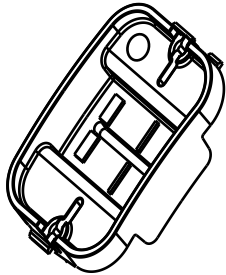
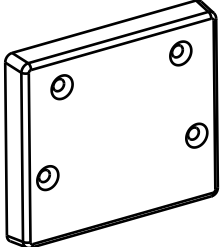

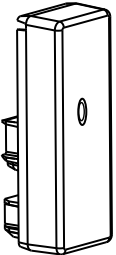
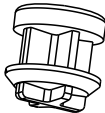
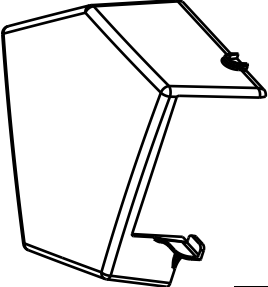
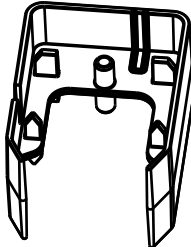
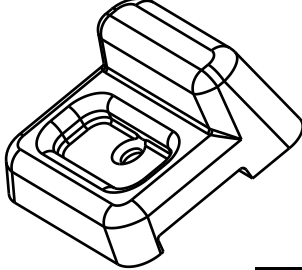
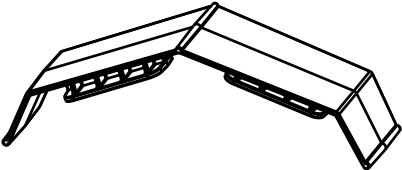
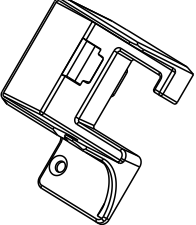
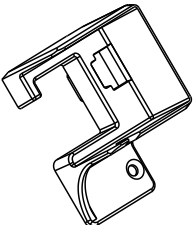
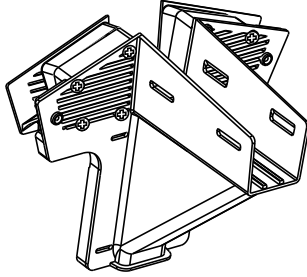
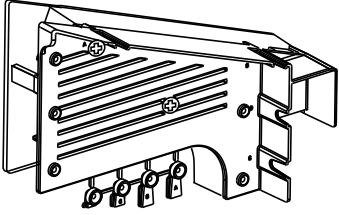
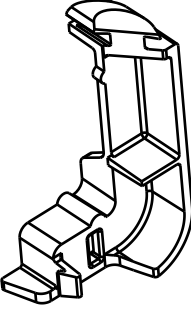
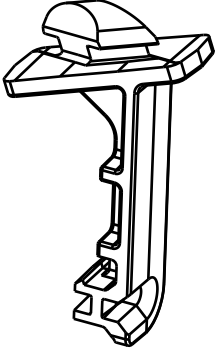
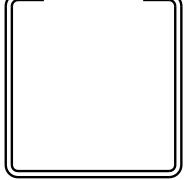
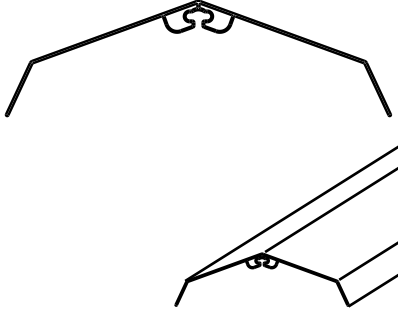
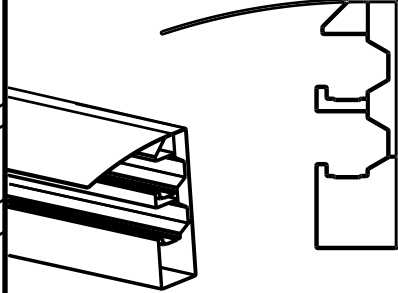
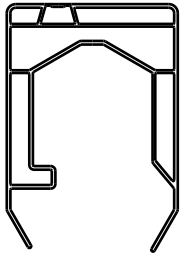
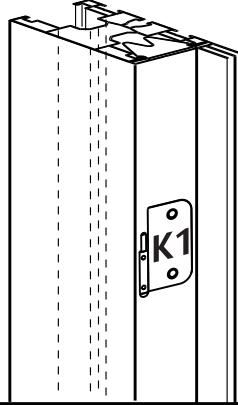
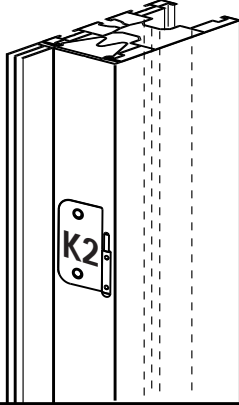
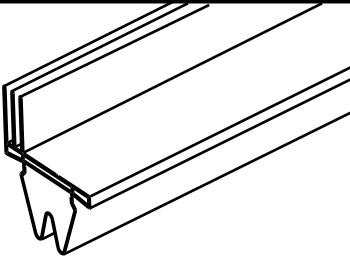
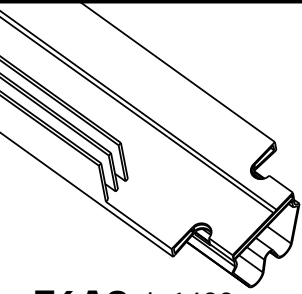
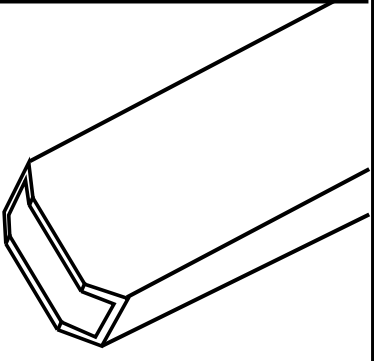
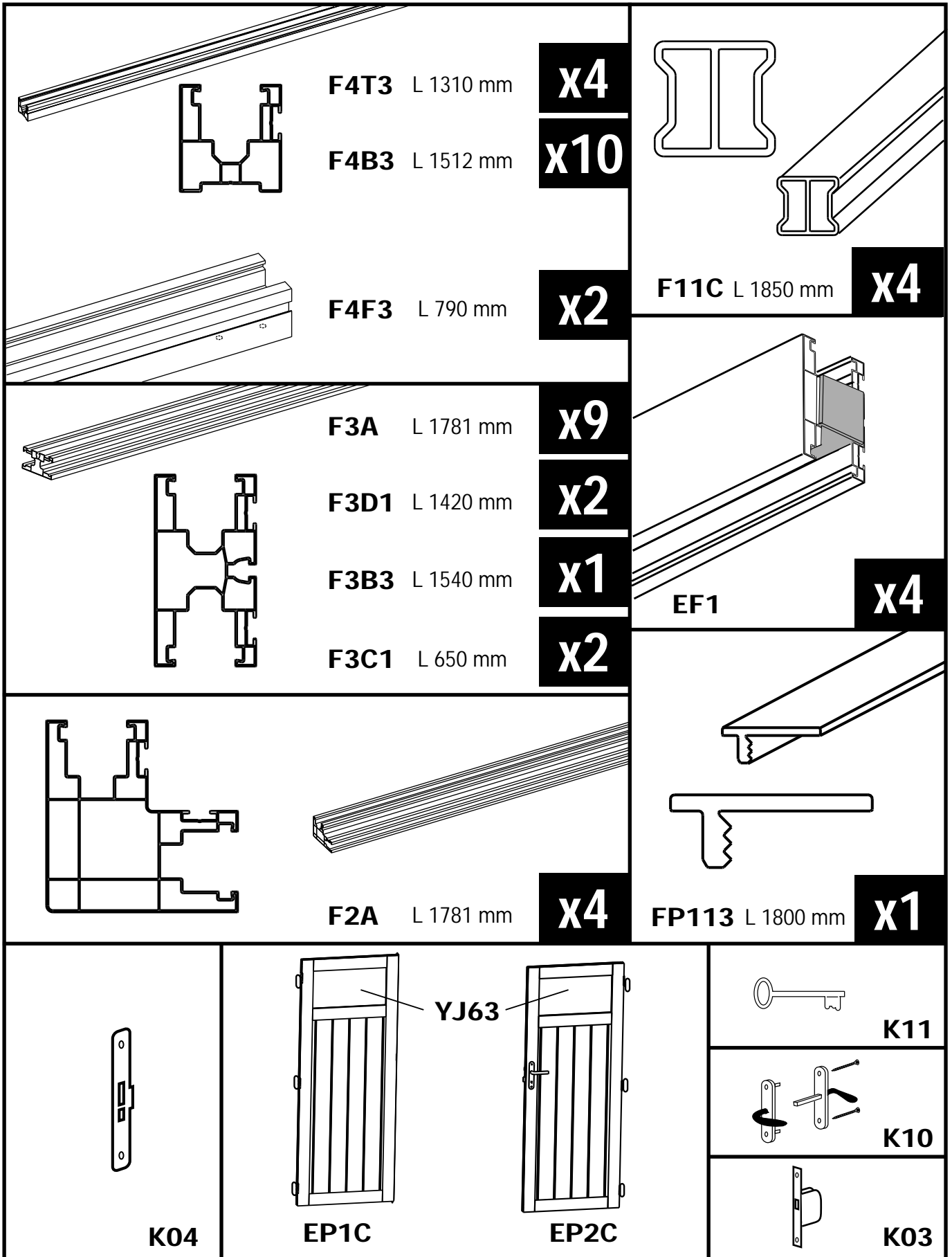
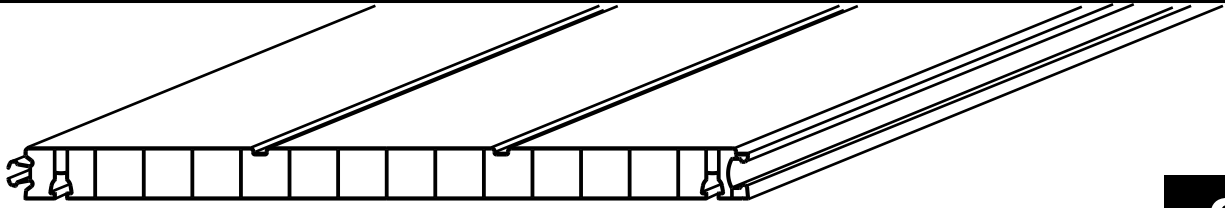


NOMENCLATURE

 <p>M02A x4</p>	 <p>M02B x2</p>	 <p>M02C x2</p>	
 <p>M03 x22</p>	 <p>M5E1 x2</p>	 <p>M5E2 x2</p>	 <p>M5G x4</p>
 <p>M5A x2</p>	 <p>M5B x2</p>	 <p>M5D x1</p>	
 <p>M5C x1</p>	 <p>M5F1 x2</p>	 <p>M5F2 x2</p>	 <p>M06A x2</p>

 <p>M1A1 x2</p>	 <p>M8A x32</p>	 <p>M8B x10</p>
 <p>A9A L 1860 mm x4</p>	 <p>F8E L 1805 mm x2</p>	 <p>F71C L 1875mm x4</p>
 <p>F72E L 1795 mm x4</p>	 <p>EM1 x1</p>	 <p>EM2 x1</p>
 <p>F6D1 L 275 mm x4</p>	 <p>F6A2 L 1482 mm x1</p> <p>F6E1 L 712 mm x4</p>	 <p>F10A L 1765 mm x28</p>



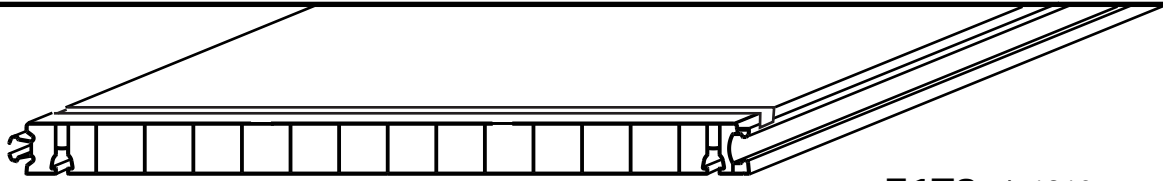


F1V1 L 1825 mm

x24

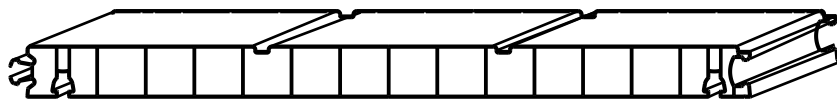
F1V2 L 1377 mm

x4



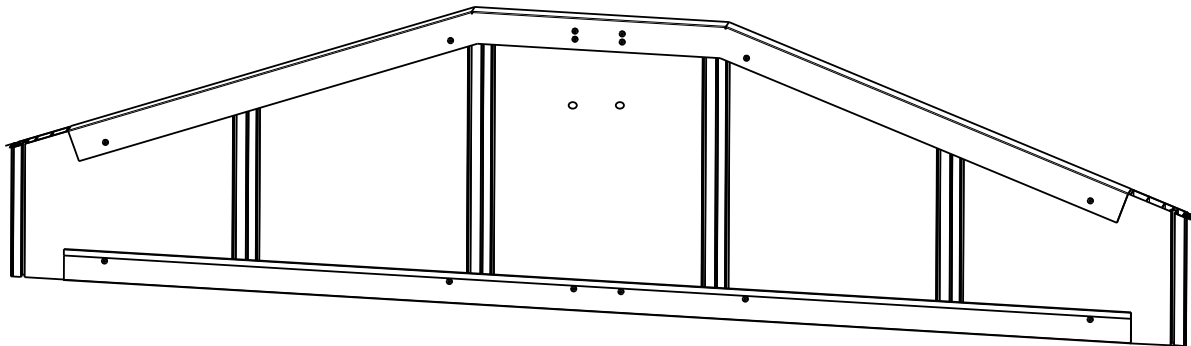
F1T3 L 1910 mm

x20



F1V3 L 45 mm

x4



ET3

x2



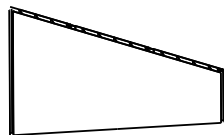
T3-4

x2



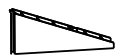
T3-3

x2



T3-2

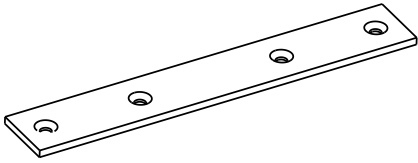
x2



T3-1

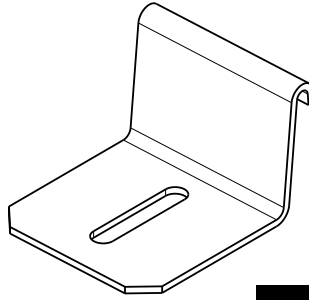
x2

SHA



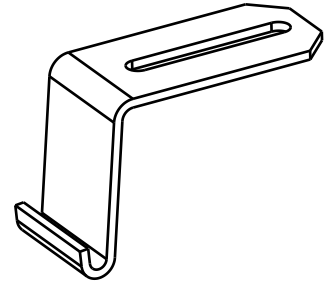
A02

x5



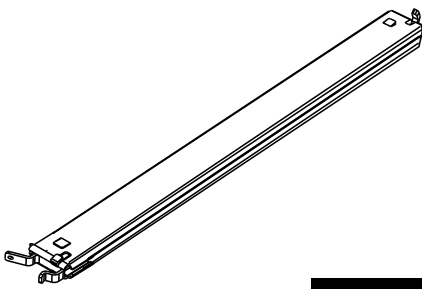
A03

x22



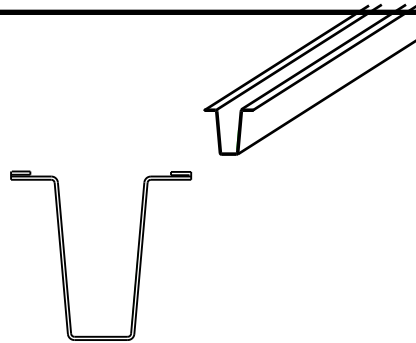
A04

x8



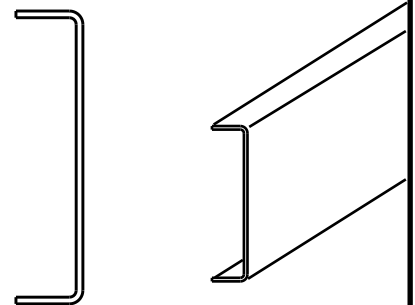
A12C

x8



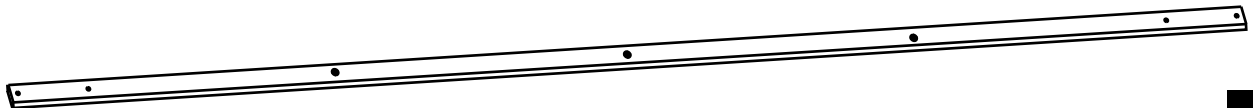
A15A L 1350 mm

x2



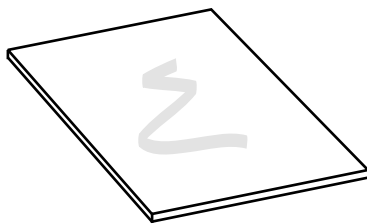
A14 L 1050 mm

x4



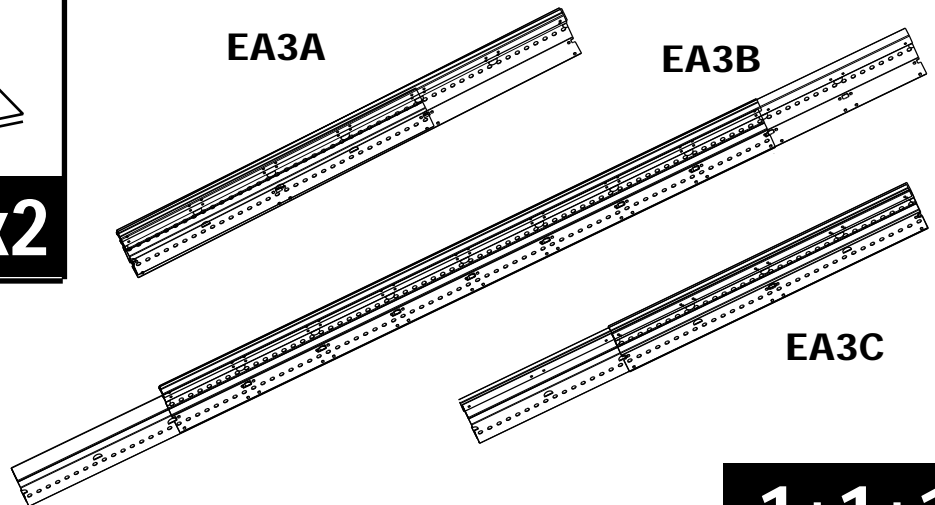
A01B

x1



S01F 672 X 274 mm

x2



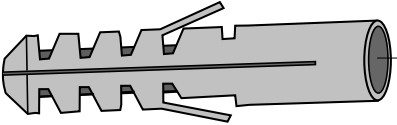
EA3A

EA3B

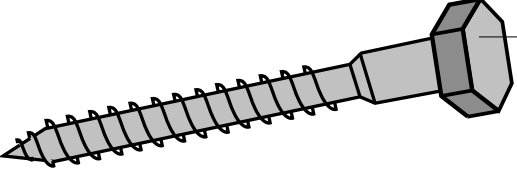
EA3C

1+1+1

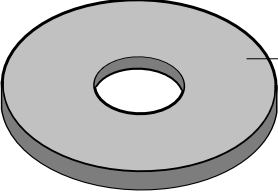
VISSERIE

SH01  **V04**
Ø10mm

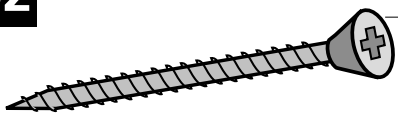
x4

 **V08**
Ø8 x 50mm

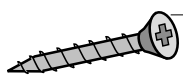
x4

 **V23**
Ø36mm

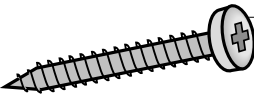
x4

SH02  **V11**
Ø4 x 45mm

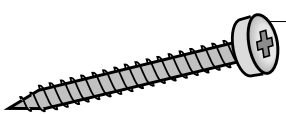
x155

SH03  **V13**
Ø4,2 x 25mm

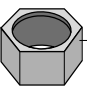
x73

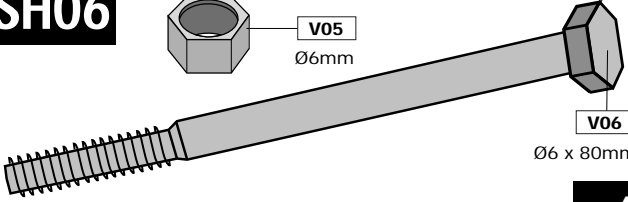
SH04  **V01**
Ø4 x 32mm

x10

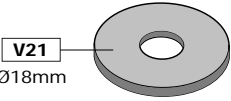
SH05  **V16**
Ø4,2 x 35mm

x35

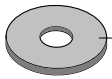
SH06  **V05**
Ø6mm

 **V06**
Ø6 x 80mm

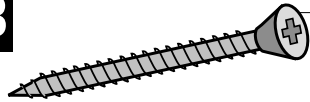
x4

 **V21**
Ø18mm

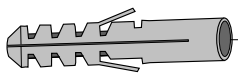
x8

SH07  **V22**
Ø14mm

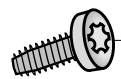
x44

SH08  **V20**
Ø4 x 40mm

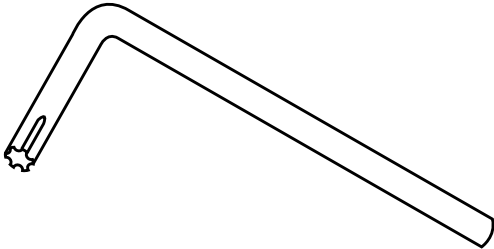
x13

SH09  **V03**
Ø6mm

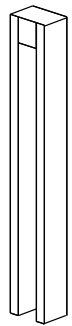
x30

SH10  **V07**
Ø4 x 8mm

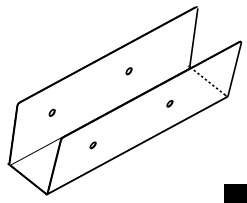
x6



x1

YM09 

x2

YP02 

x2