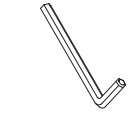
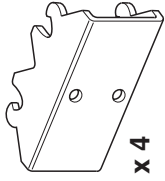


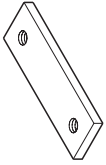
ASSEMBLY INSTRUCTIONS



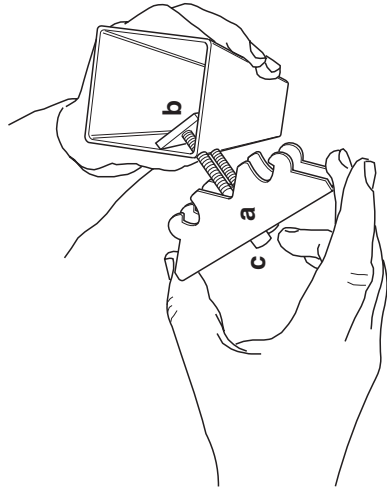
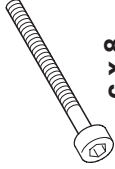
a x 4



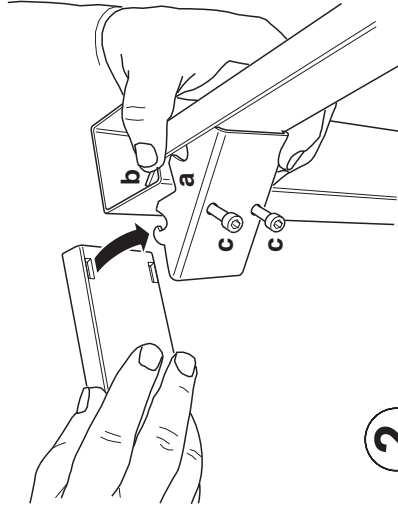
b x 4



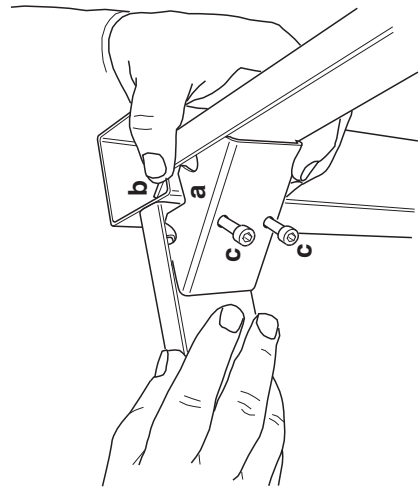
c x 8



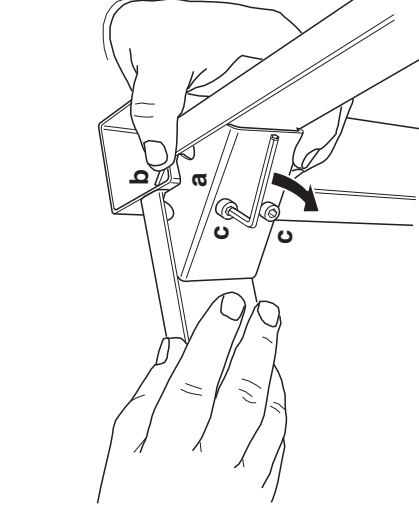
1



2

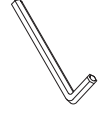


3

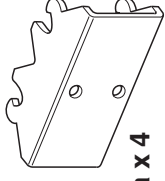


4

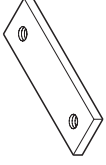
ASSEMBLY INSTRUCTIONS



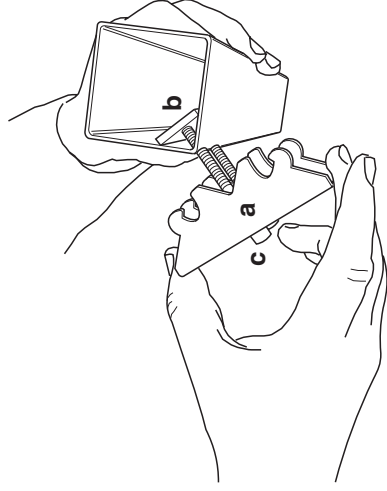
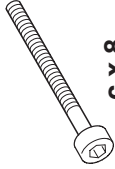
a x 4



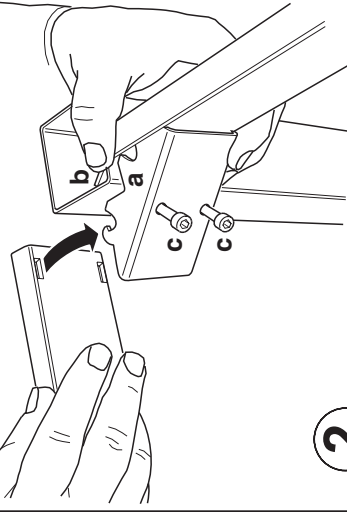
b x 4



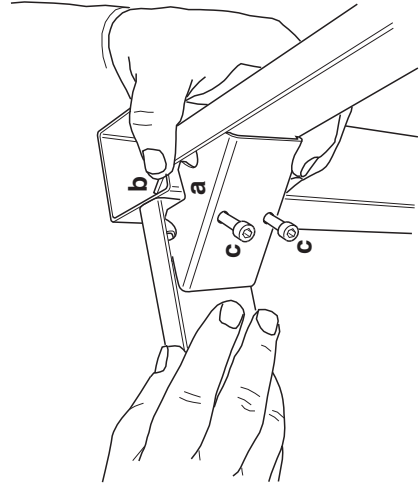
c x 8



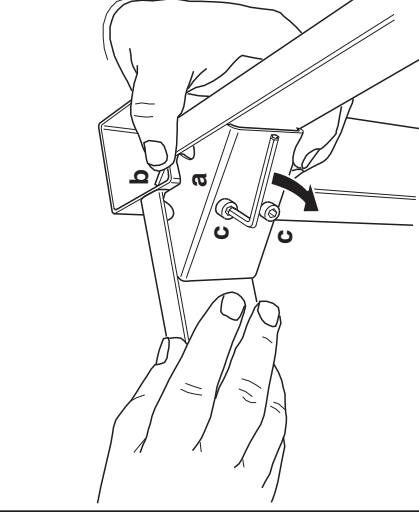
1



2



3



4