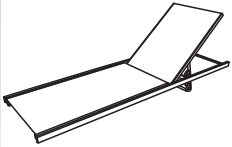
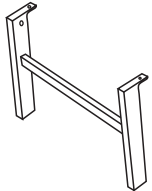
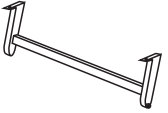


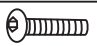







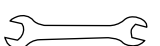


# ASSEMBLY INSTRUCTION OF CHAIR

7531109

No.	PARTS LIST	DESCRIPTION	QTY
A		SEAT	1
B		LEG<1>	1
C		LEG<2>	1
D		WHEEL	2
E		BOLT CAP	8
F		BOLT(M6*20mm)	8
G		BOLT(M6*12mm)	2
H		WASHER 1	8
I		WASHER 2	2
J		WASHER 3	8
K		AXLE	2
L		WHEEL CAP	2
M		ALLEN WRENCH	1
N		SPANNER	1

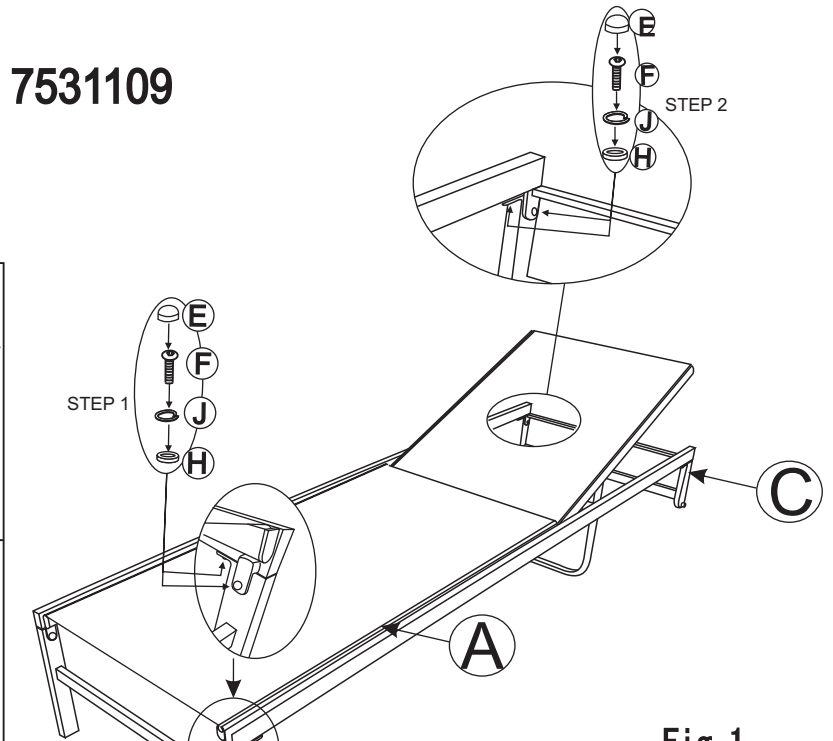


Fig. 1

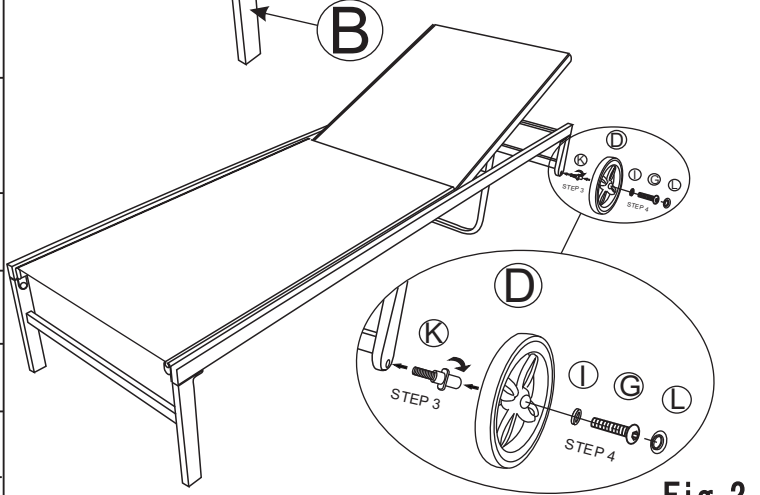


Fig. 2

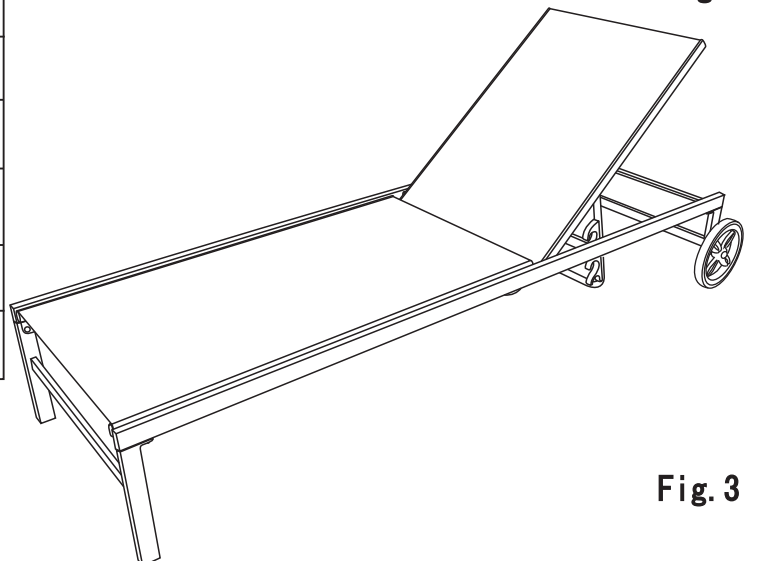


Fig. 3