

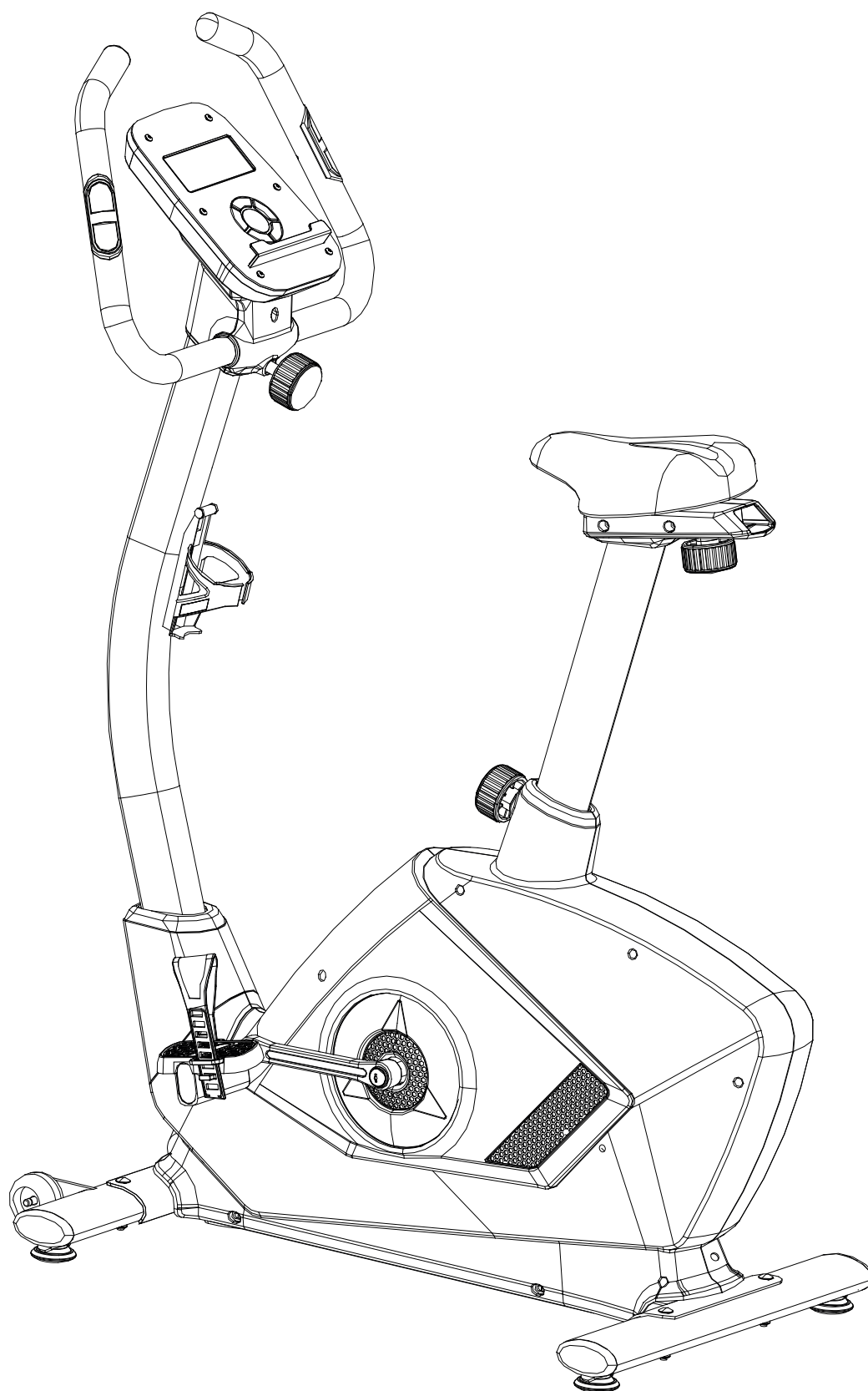


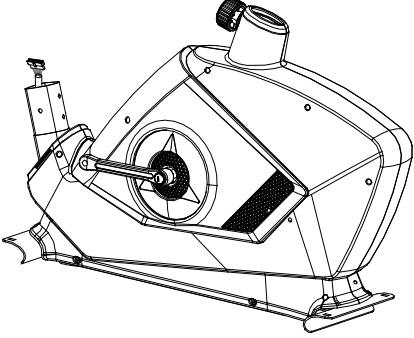
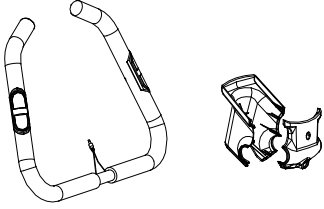

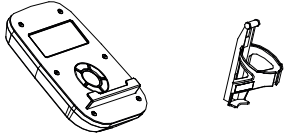
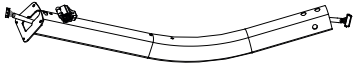

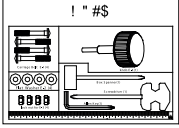
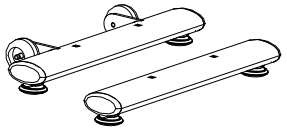
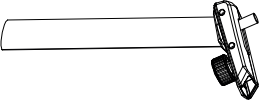
ONE GB50

ASSEMBLY GUIDE

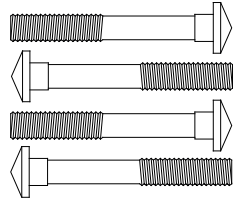
Reebok
ONE SERIES

GB50.
ASSEMBLY GUIDE

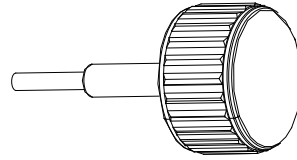


<p>D</p>			
<p>B D-32 D-33</p>		<p>D-29 D-35</p>	
<p>A D-34</p>		<p>C</p>	
<p>D-30 D-31</p>		<p>E</p>	
<p>G F</p>		<p>H</p>	

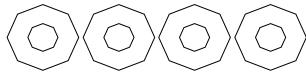
GB50.
ASSEMBLY GUIDE



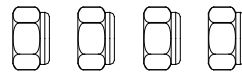
Carriage Bolt E-1 (4)



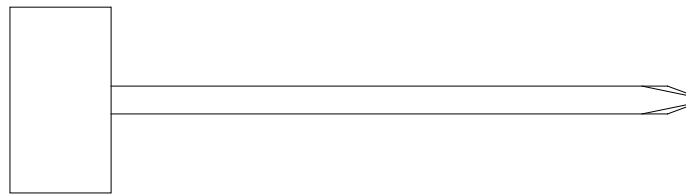
Knob E-4 (1)



Flat Washer E-2 (4)



Lock Nut for E-3 (4)



Box Spanner (1)



Screwdriver (1)



Allen Key (1)

1



Carriage bolt E-1 (4)



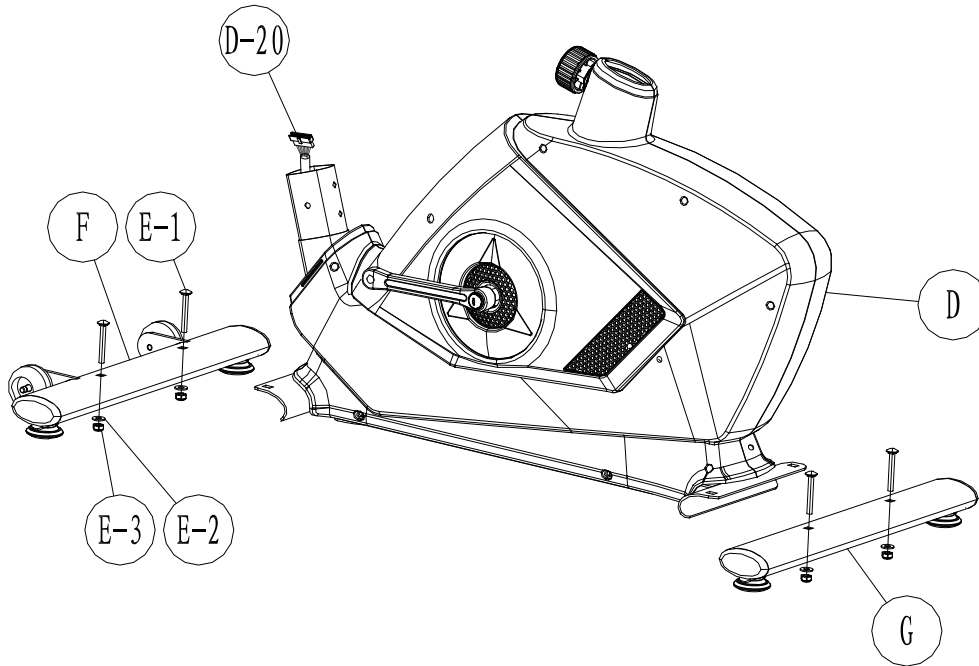
Lock nut for E-3 (4)



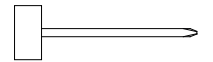
Flat washer E-2 (4)



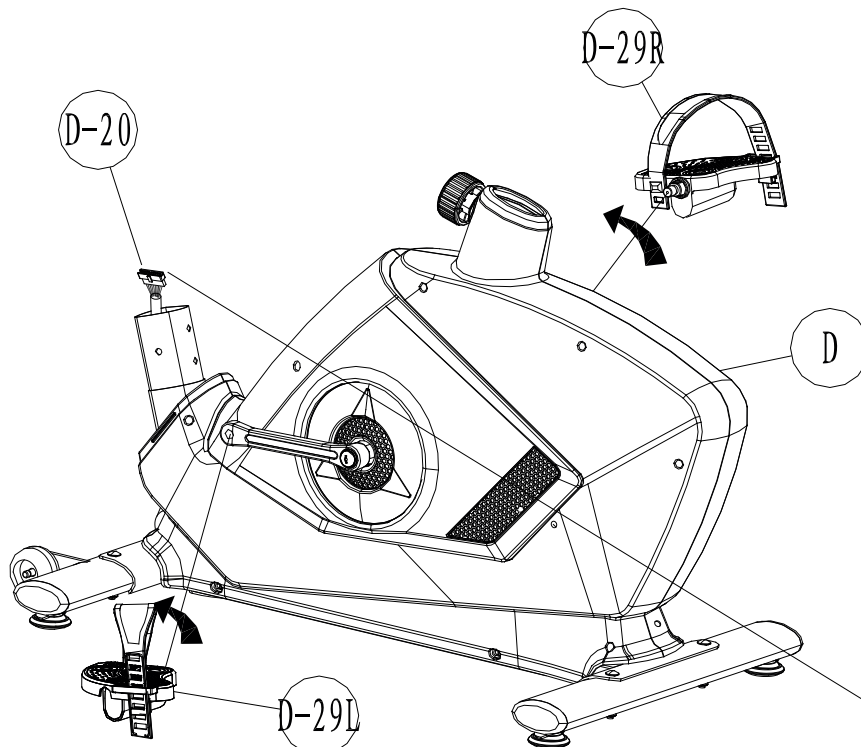
Box spanner (1)



2

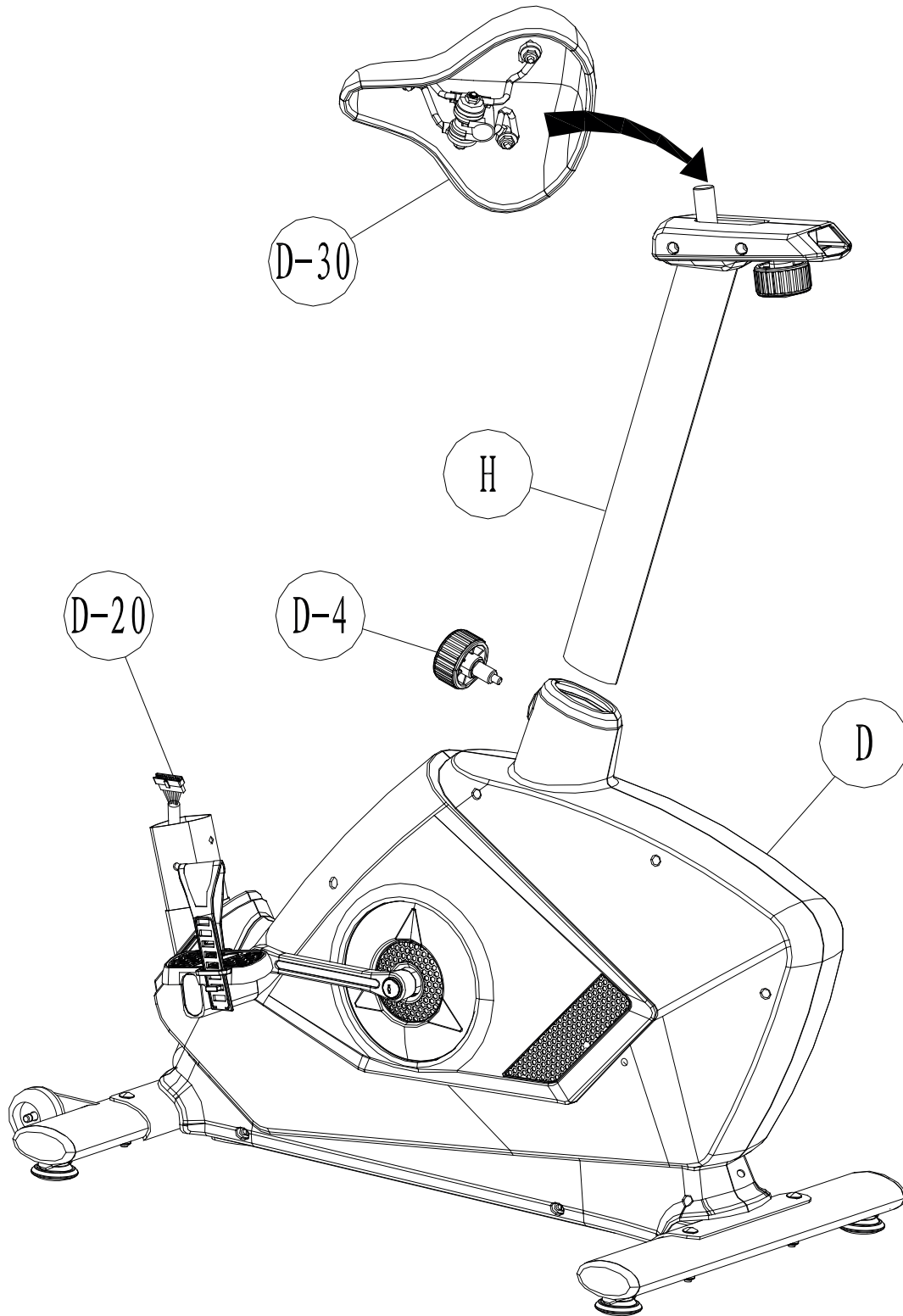


Box spanner (1)



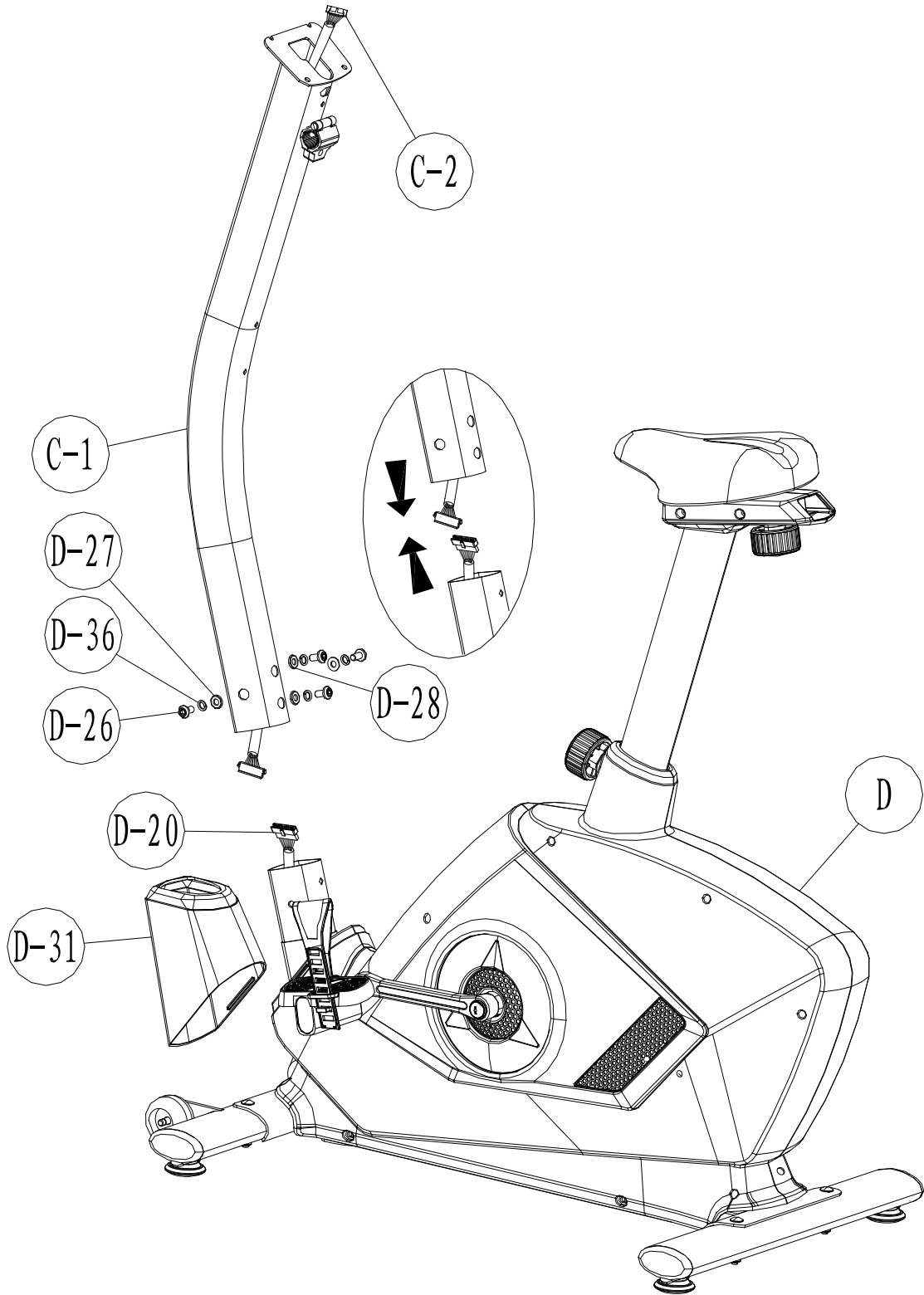


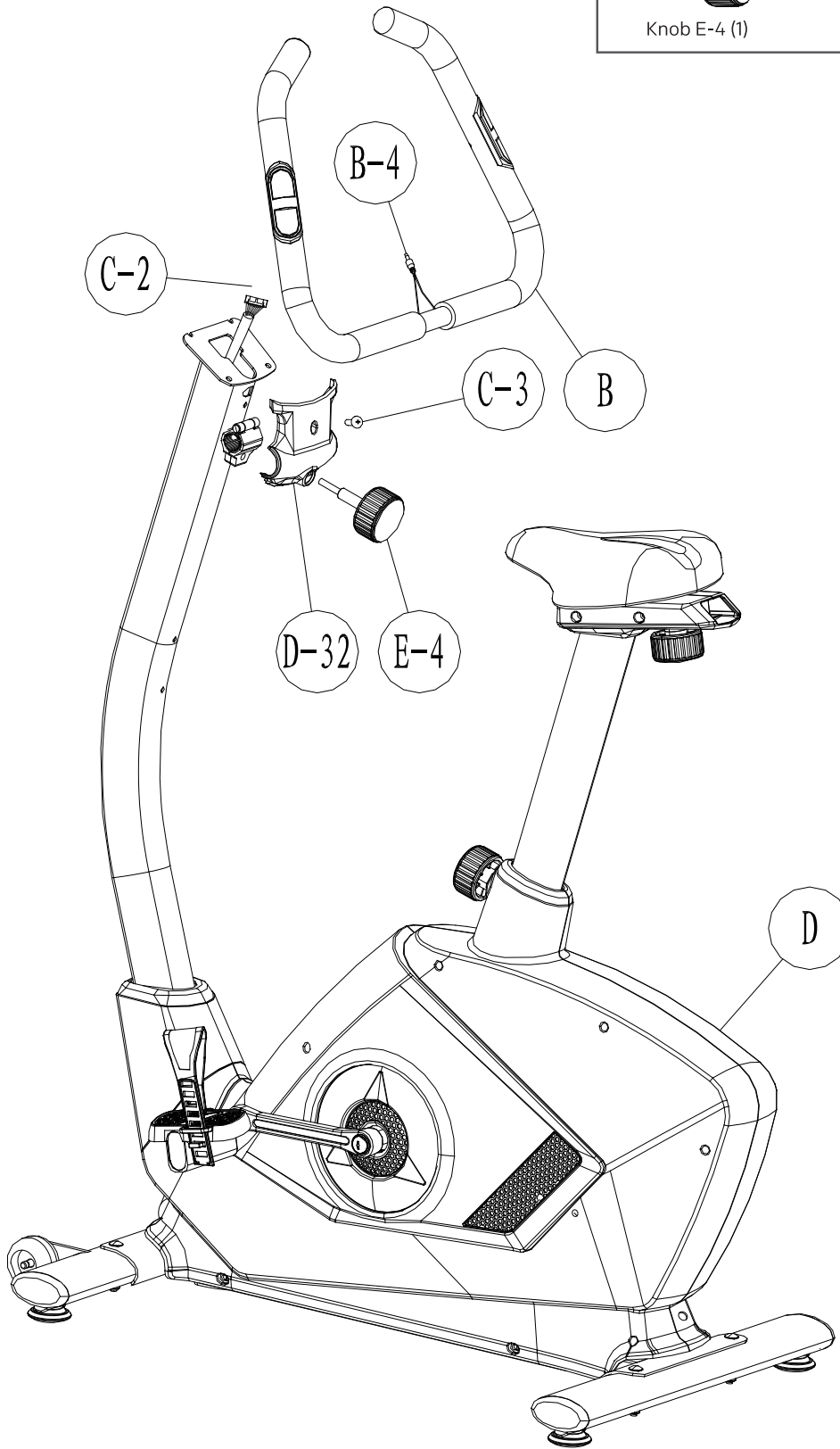
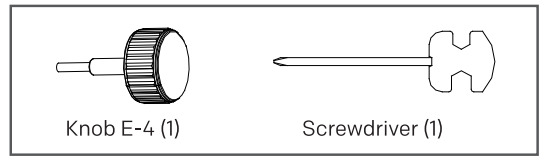
Screwdriver (1)



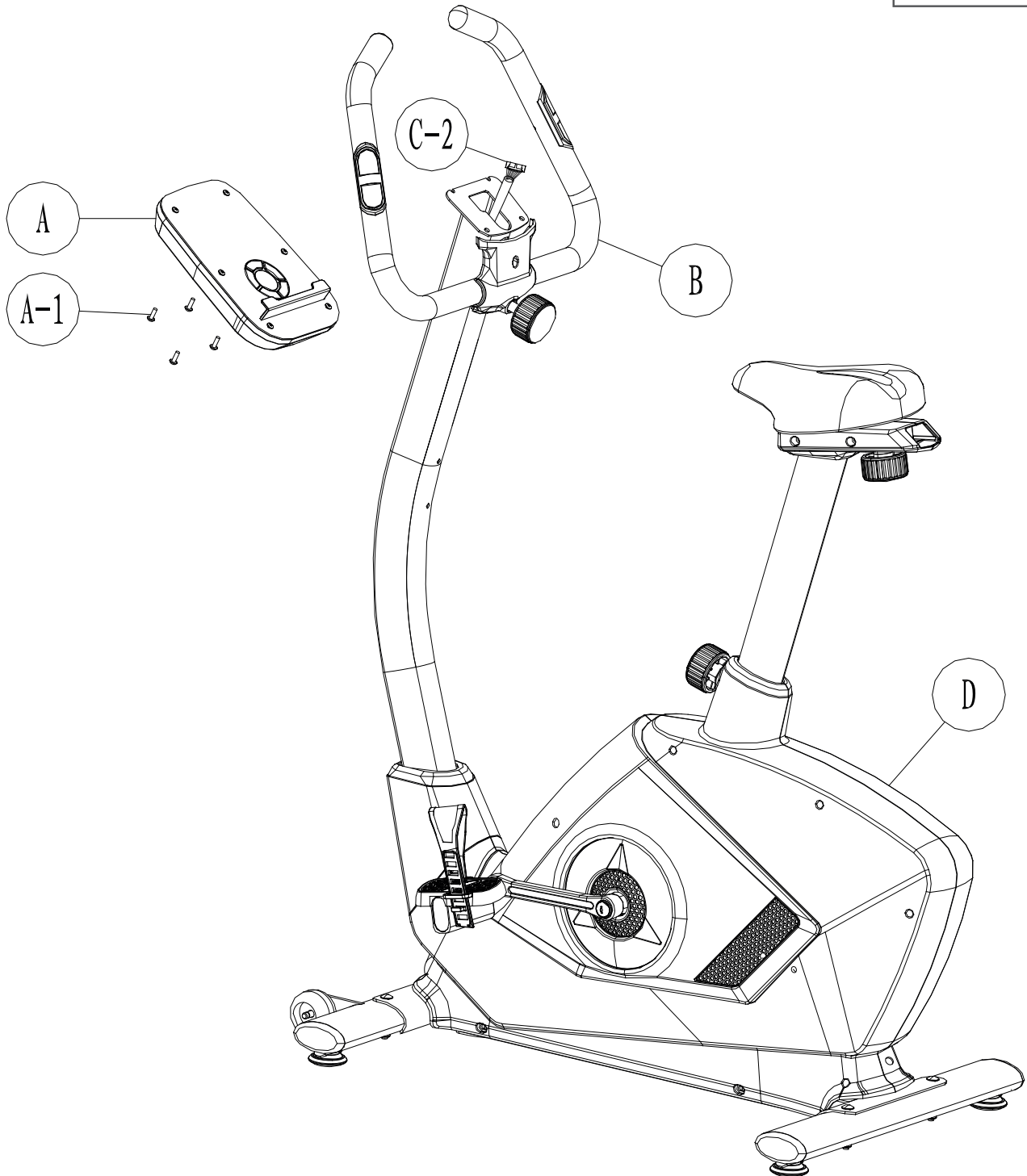
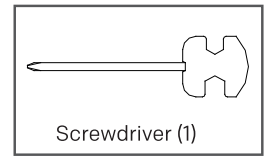


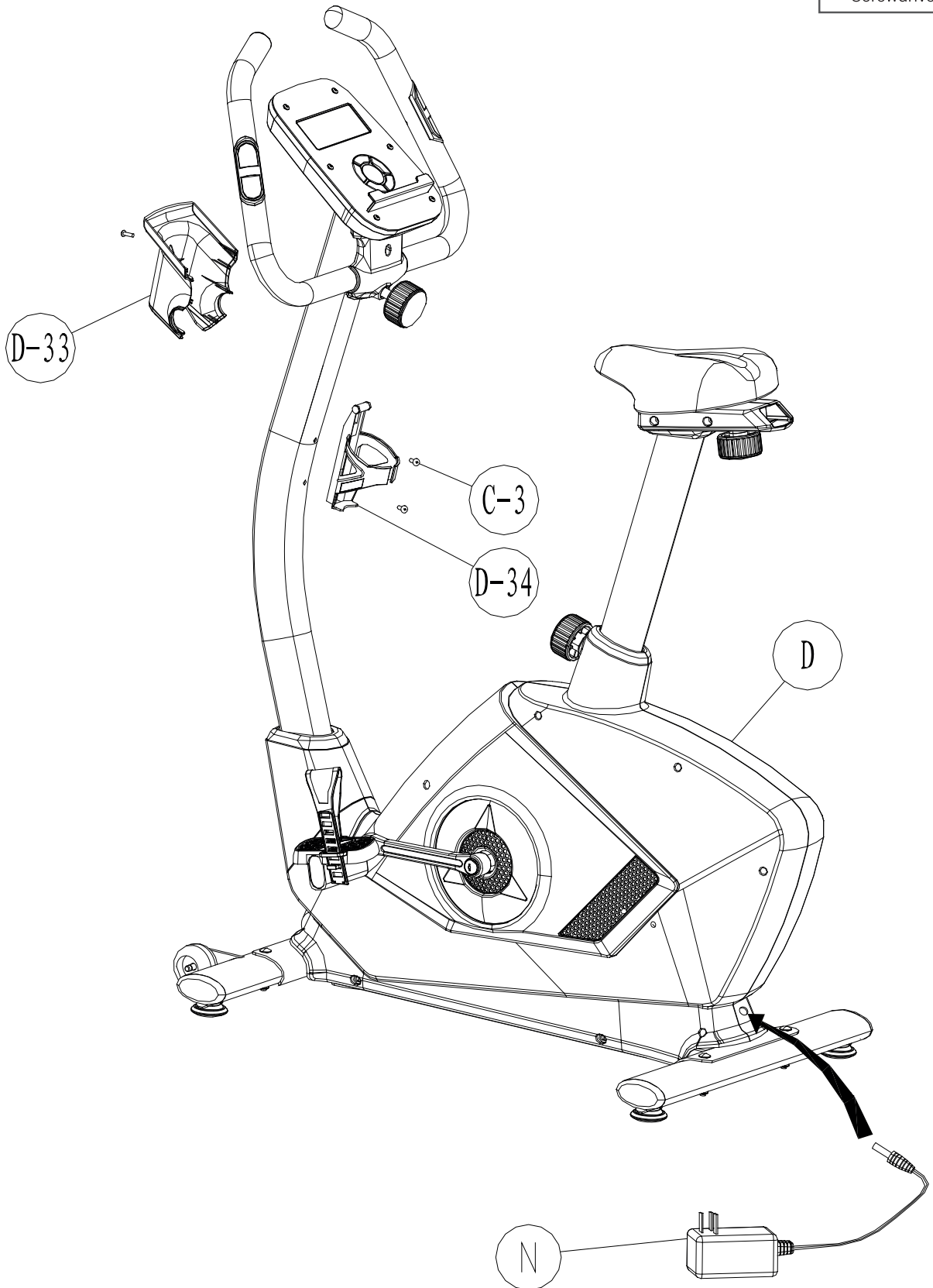
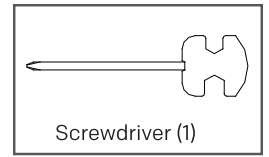
Allen Key (1)

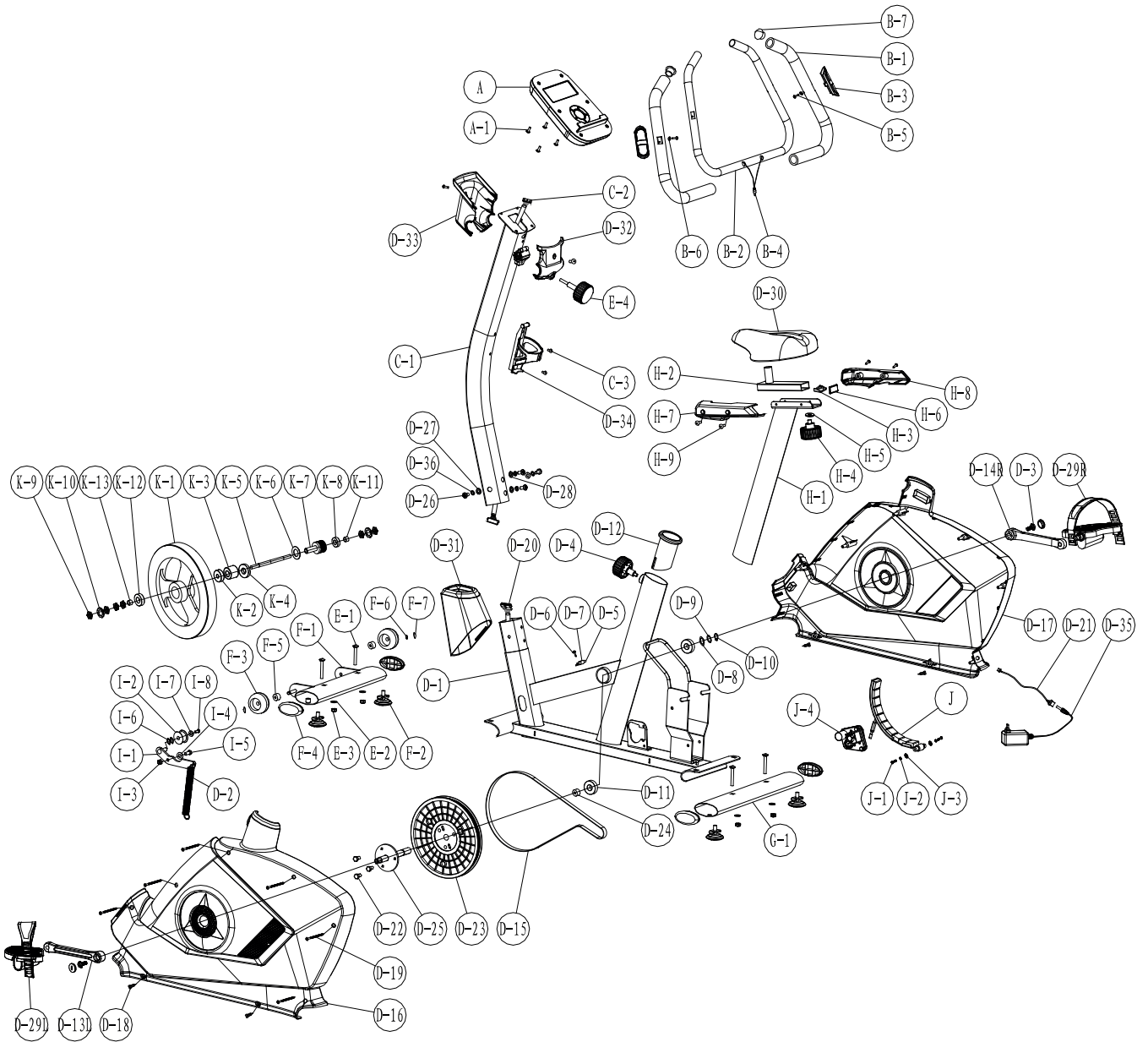




6







SPARE PARTS LIST

ITEM	DESCRIPTION	EVB SPEC	QTY	
A	Console	PE-SM76490017102	1	PCS
A-1	Screw	PD-SWM10510-1002	4	PCS
B	Handlebar set	AA-A-PA3169-9014	1	SET
B-1	Foam grip	PL-P-PB4009-1002	2	PCS
B-2	Handlebar	PT-P-PB5023-1082	1	PCS
B-3	Hand pulse	1PC1007-12B1	2	PCS
B-4	Heart rate wire	B6I20-E206500650-000	1	PCS
B-5	Screw	PD-SUM10420-1002	2	PCS
B-6	Semi Washer	PH-P-PB4109-1002	2	PCS
B-7	End cap	PL-P-PB1554L1002	2	PCS
C	Handlebar post set	AA-GB50FA02-9000	1	SET
C-1	Handlebar	MT-GB50FW02-7002	1	PCS
C-2	Cable	B3192-CD11150CB1-600	1	PCS
C-3	Screw	PD-SWM40520-1002	4	PCS
D	Main frame set	AA-GB50FA01-9000	1	SET
D-1	Main frame	MT-GB50FW01-7002	1	PCS
D-2	ilder spring	PH-P-PB1226-1000	1	PCS
D-3	Nylon	PD-SEM10820-7600	2	PCS
D-4	Knob	PD-P-PB6913-1000	1	PCS
D-5	Wire	B7030-D10400D6-260	1	PCS
D-6	Screw	PD-SDM20410-1041	1	PCS
D-7	Senor bracket	PE-P-PB4310-1300	1	PCS
D-8	Wave washer	PD-WD061725-1002	1	PCS
D-9	Flat washer	PD-WN121725-1002	1	PCS
D-10	C ring	PD-KCO11700-1002	1	PCS
D-11	Bearing	PH-BA2-6203-1200	2	PCS
D-12	Clamp	PL-P-PB2278-1002	1	PCS
D-13	Left crank	PH-P-PA-818-1041	1	PCS
D-14	Right crank	PH-P-PA-819-1041	1	PCS
D-15	Belt	PH-LJ6M1066-1000	1	PCS
D-16	Left cover(upper)	PL-C-GB5001-1002	1	PCS
D-17	Right cover (lower)	PL-C-GB5011-1002	1	PCS
D-18	Screw	PD-SBM20516-1241	4	PCS
D-19	Screw	PD-SBM20440-1041	6	PCS
D-20	Wire of servo motor	B3193-CC110002C1-300	1	PCS
D-21	DC wire	B3192-3B404003H2-000	1	PCS
D-22	Screw	PD-SHM20812-1102	3	PCS
D-23	Pulley	PL-PJ6B2401-1002	1	PCS
D-24	Bushing	PH-P-PB3630-1000	1	PCS
D-25	Axle set	PH-P-PB5184-1000	1	PCS
D-26	Screw	PD-SRM40816-1002	4	PCS
D-27	Flat washer	PD-WN240819-1002	2	PCS
D-28	Semi washer	PD-WA220819-1102	2	PCS
D-29	Pedal	PS-P-PB5907-1302	1	SET
D-30	Saddle	PS-P-PB-240-1402	1	PCS
D-31	Cap of handlebar post	PL-C-GB5090-1002	1	PCS
D-32	Front cover of handlebar	PL-SB03-003-1002	1	PCS
D-33	Rear cover of handlebar	PL-SB03-013-1002	1	PCS
D-34	Water bottle holder	PL-P-PB2074-1024	1	PCS
D-35	Adapter	PE-P-PB6829-1300	1	PCS
E	Hardware kit	AA-GB40FA03-9000	1	SET
E-1	Screw	PD-SMM40855-1002	4	PCS
E-2	Flat washer	PD-WN240819-1002	4	PCS
E-3	Nut	PD-NNM20800-1002	4	PCS
E-4	Knob of handlebar	PL-P-PB6915-1100	1	PCS

F	Front stabilizer set	AA-GB40FA04-9100	1	SET
F-1	Front stabilizer	MT-GB40FW04-7002	1	PCS
F-2	Nap	PL-P-PB2796L1002	4	PCS
F-3	Roller	PL-P-PB3031-1200	2	PCS
F-4	End cap	PL-P-PB5062-1024	4	PCS
F-5	Bushing	PH-P-PB3112-1000	2	PCS
F-6	C ring	PD-KCO10800-1002	2	PCS
F-7	Nut	PD-NQM10800-1002	2	PCS
G	Rear stabilizer set	AA-GB40FA05-9000	1	SET
G-1	Rear stabilizer	MT-GB40FW05-7002	1	PCS
H	Seat post set	MT-GB40FW03-7300	1	SET
H-1	Seat post	MT-GB40FW03-5000	1	PCS
H-2	Rail tube	MT-B2010FW047300	1	PCS
H-3	Screw bracket of rail tube	PD-P-PB2293-1000	1	PCS
H-4	Knob of seat	PD-P-PB6914-1100	1	PCS
H-5	Flat washer	PD-WN321425-1041	1	PCS
H-6	End cap	PL-P-PB1577L1002	1	PCS
H-7	Left cover of rail tube	PL-C-GB500D-1002	1	PCS
H-8	Right cover of rail tube	PL-C-GB501D-1002	1	PCS
H-9	Screw	PD-SWM20506-1002	4	PCS
I	Idler set	AA-A-PA3248-9000	1	SET
I-1	Idler	MT-TUBRFW04-5000	1	PCS
I-2	Jockey wheel	PH-P-PB3851-1000	1	PCS
I-3	Nut	PD-NNM20800-1041	1	PCS
I-4	Flat washer	PD-WN110825-1141	1	PCS
I-5	Screw	PD-SHM20820-1141	1	PCS
I-6	Wave washer	PD-WD061015-1002	2	PCS
I-7	Flat washer	PD-WN120612-1041	1	PCS
I-8	Screw	PD-SHM10612-1002	1	PCS
J	Magnet set	AA-A-PA3431-9800	1	SET
J-1	Screw	PD-SHM20616-1041	2	PCS
J-2	Spring washer	PD-WS210600-1041	2	PCS
J-3	Flat washer	PD-WN120613-1041	2	PCS
J-4	Servo motor set	AA-A-PA3235-9202	1	SET
K	Flywheel set	AA-A-PA3235-9102	1	SET
K-1	Flywheel	PH-FAD25032G1002	1	PCS
K-2	Bearing	PH-BA2-6300-1000	1	PCS
K-3	Single bearing set	PH-P-PB3485-1000	1	PCS
K-4	Bearing	PH-BA2-6203-1100	1	PCS
K-5	Flywheel axle	PH-P-PB4982-1000	1	PCS
K-6	Flat washer	PD-WN113034-1002	1	PCS
K-7	Pulley	PH-P-PB4842-1000	1	PCS
K-8	Bearing	PH-BA2-6900-1000	1	PCS
K-9	Nut	PD-NNI21224-1041	5	PCS
K-10	Star washer	PD-NNI21224-1041	2	PCS
K-11	Bushing	PH-P-PA-008-1000	1	PCS
K-12	Bearing	PH-BA2-6003-1000	1	PCS
K-13	Bushing	PH-P-PA-009-1000	1	PCS



REEBOKFITNESSEQUIPMENT.COM/PRODUCTSUPPORT

Reebok
ONE SERIES