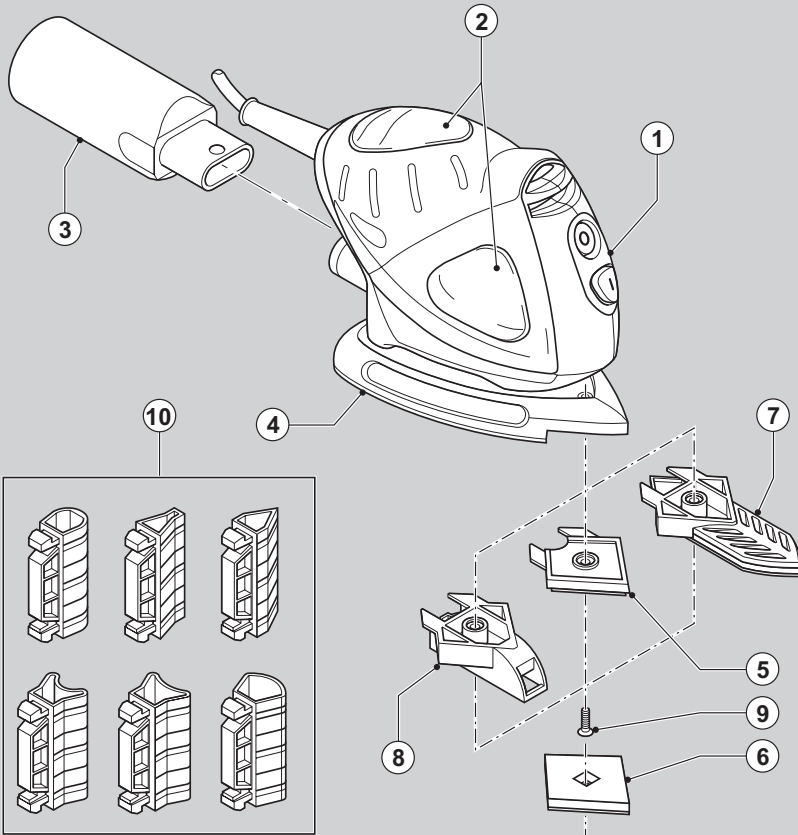


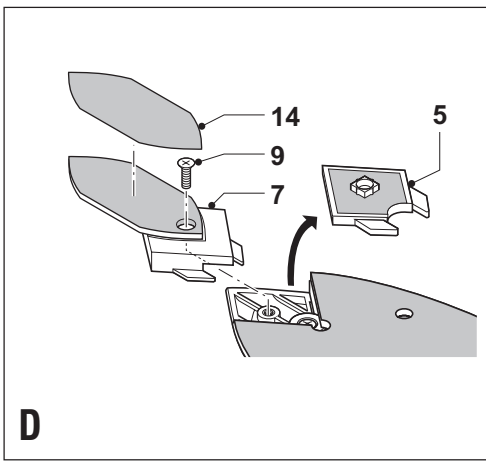
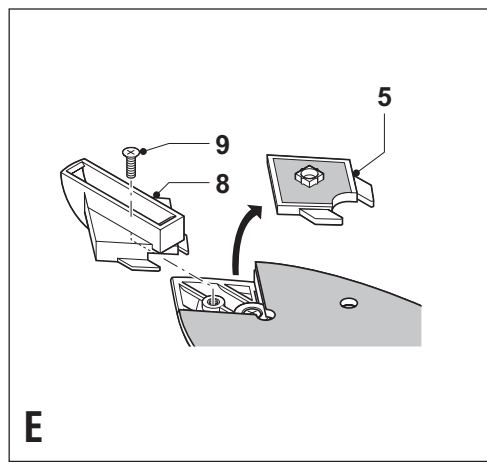
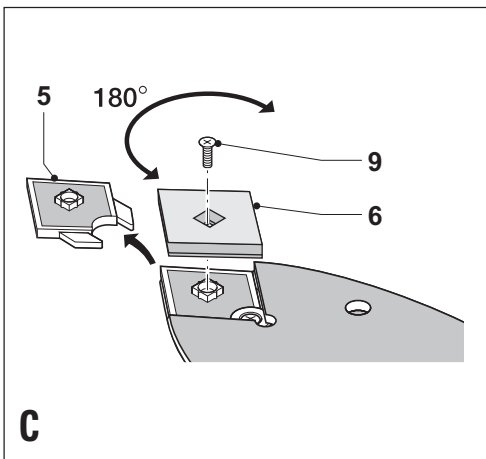
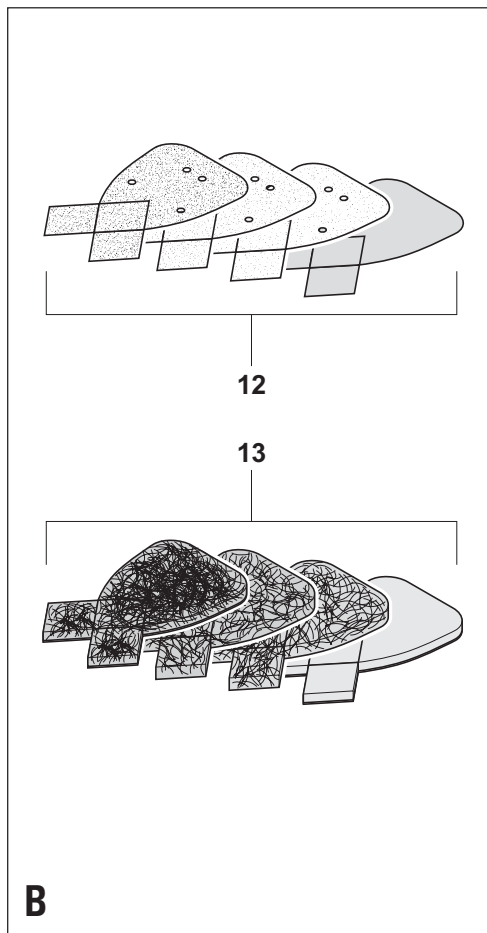
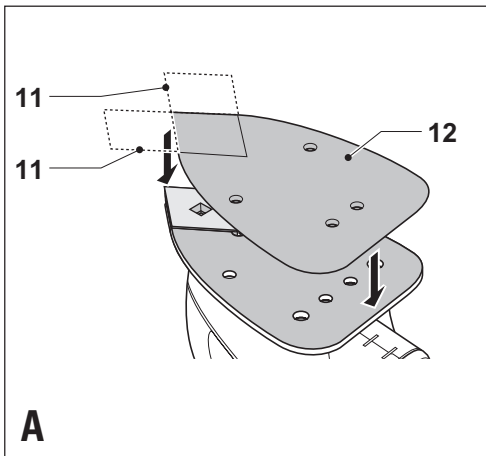


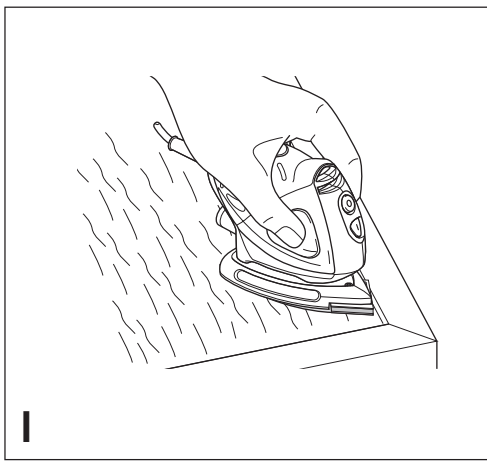
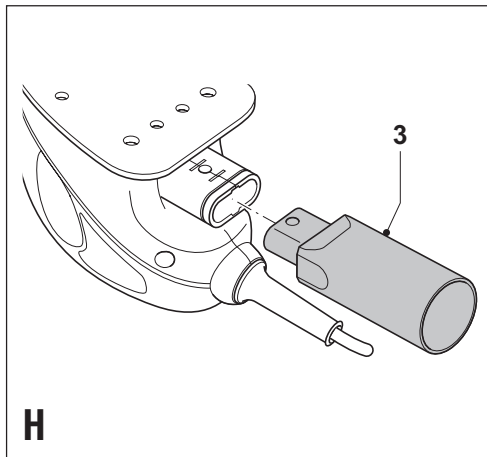
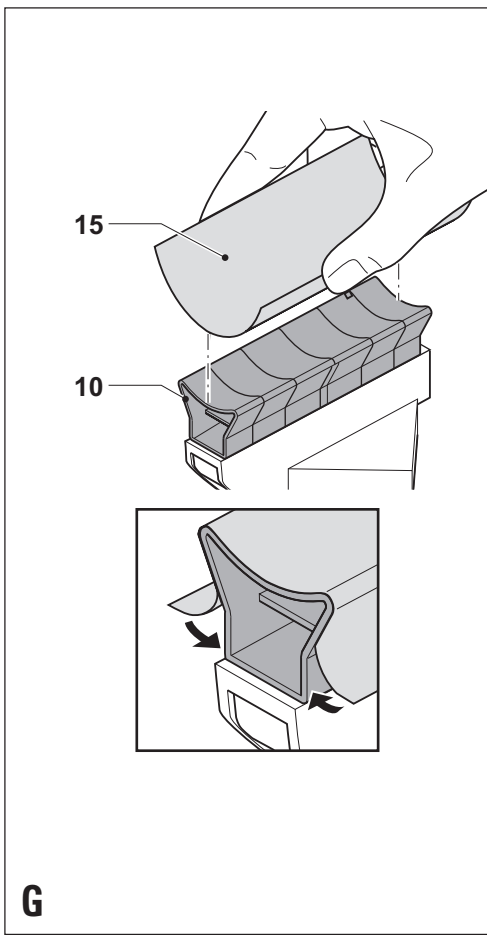
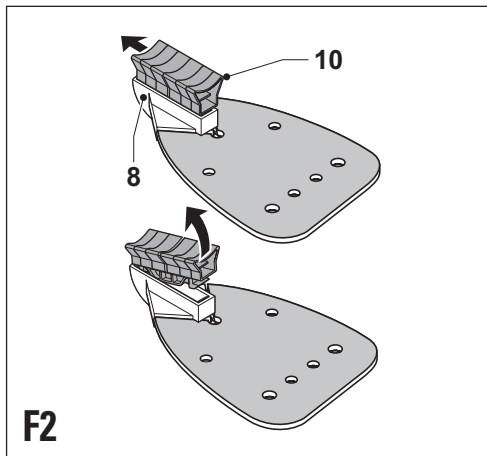
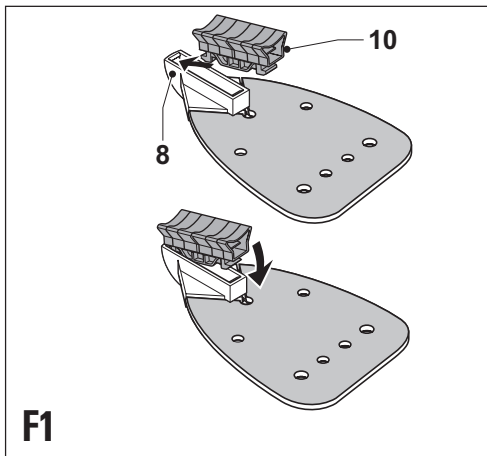
BLACK & DECKER®

www.blackanddecker.com



English	4
Deutsch	8
Français	13
Italiano	17
Nederlands	21
Español	25
Português	29
Svenska	33
Norsk	37
Dansk	41
Suomi	45
Ελληνικά	49





Intended use

Your Black & Decker sander has been designed for sanding and polishing wood, metal, plastics and painted surfaces. This tool is intended for consumer use only.

Safety instructions

- ◆ **Warning!** When using mains-powered tools, basic safety precautions, including the following, should always be followed to reduce the risk of fire, electric shock, personal injury and material damage.
- ◆ Read all of this manual carefully before operating the tool.
- ◆ Retain this manual for future reference.
- ◆ Remove the plug from the socket before carrying out any adjustment, servicing or maintenance.

Keep work area clean

Cluttered areas and benches can cause accidents.

Consider work area environment

Do not expose the tool to rain. Do not use the tool in damp or wet conditions. Keep the work area well lit. Do not use the tool where there is a risk of causing fire or explosion, e.g. in the presence of flammable liquids and gases.

Keep children away

Do not allow children, visitors or animals to come near the work area or to touch the tool or mains cable.

Dress properly

Do not wear loose clothing or jewellery, as these can be caught in moving parts. Preferably wear rubber gloves and non-slip footwear when working outdoors. Wear protective hair covering to keep long hair out of the way.

Personal protection

Always use safety glasses. Use a face or dust mask whenever the operations may produce dust or flying particles. Hearing protection should be worn whenever the sound level seems uncomfortable.

Guard against electric shock

Prevent body contact with earthed or grounded surfaces (e.g. pipes, radiators, cookers and refrigerators). Electric safety can be further improved by using a high-sensitivity (30 mA / 30 mS) residual current device (RCD).

Do not overreach

Keep proper footing and balance at all times.

Stay alert

Watch what you are doing. Use common sense. Do not operate the tool when you are tired.

Secure workpiece

Use clamps or a vice to hold the workpiece. It is safer and it frees both hands to operate the tool.

Connect dust extraction equipment

If devices are provided for the connection of dust extraction and collection facilities, ensure that these are connected and properly used.

Remove adjusting keys and wrenches

Always check that adjusting keys and wrenches are removed from the tool before operating the tool.

Extension cables

Before use, inspect the extension cable and replace if damaged. When using the tool outdoors, only use extension cables intended for outdoor use. Up to 30 m of Black & Decker extension cable can be used without loss of power.

Use appropriate tool

The intended use is described in this instruction manual. Do not force small tools or attachments to do the job of a heavy-duty tool. The tool will do the job better and safer at the rate for which it was intended. Do not force the tool. Do not use the tool for purposes not intended, for example, do not use a circular saw to cut tree limbs or logs.

Warning! The use of any accessory or attachment or performance of any operation with this tool other than those recommended in this instruction manual may present a risk of personal injury.

Check for damaged parts

Before use, carefully check the tool and mains cable for damage. Check for misalignment and seizure of moving parts, breakage of parts, damage to guards and switches and any other conditions that may affect its operation. Ensure that the tool will operate properly and perform its intended function. Do not use the tool if any part is damaged or defective. Do not use the tool if the switch does not turn it on and off. Have any damaged or defective parts repaired or replaced by an authorised repair agent. Never attempt any repairs yourself.

Unplug the tool

Unplug the tool when it is not in use, before changing any parts of the tool, accessories or attachments and before servicing.

Avoid unintentional starting

Do not carry the tool with a finger on the on/off switch. Be sure that the tool is switched off when plugging in.

Do not abuse cord

Never carry the tool by its cord or pull it to disconnect from the socket. Keep the cord away from heat, oil and sharp edges.

Store idle tools

When not in use, tools should be stored in a dry, locked up or high place, out of reach of children.

Maintain tools with care

Keep cutting tools sharp and clean for better and safer performance. Follow the instructions for maintenance and changing accessories. Keep handles and switches dry, clean and free from oil and grease.

Repairs

This tool complies with relevant safety requirements. Repairs should only be carried out by qualified persons using original spare parts; otherwise this may result in considerable danger to the user.

Electrical safety



This tool is double insulated; therefore no earth wire is required. Always check that the power supply corresponds to the voltage on the rating plate.

Additional safety instructions for sanders

- ◆ Always wear a dust mask whenever sanding.
- ◆ Thoroughly remove all dust after sanding.
- ◆ Before using the tool on wooden workpieces, make sure to fit dust extraction equipment.
- ◆ Before using the tool on metal workpieces, make sure to remove the dust extraction equipment.
- ◆ Never use the tool without a sanding sheet.
- ◆ Never use the tool without a sanding base.
- ◆ Hearing protection should be worn whenever the sound level seems uncomfortable.

Sanding lead-based paint or MDF

Sanding of lead-based paint is not recommended due to the difficulty of controlling the contaminated dust. The greatest danger of lead poisoning is to children and pregnant women. Any pre-1960 building may in the past have been painted with paint containing lead. This paint may be covered with additional layers of paint. Before starting work, it is important to determine whether the paint to be sanded contains lead. This can be done using a test kit or by a professional decorator.

Personal protection

- ◆ Do not let children or pregnant women enter the work area.
- ◆ Wear a dust mask specifically designed for protection against lead paint dust and fumes and ensure that persons within or entering the work area are also protected.
- ◆ Do not eat, drink or smoke in the work area. Do not store any food or drink in the work area.
- ◆ Wash yourself very carefully before eating, drinking or smoking.

Environment

- ◆ Remove the paint in such a way that the amount of dust is minimised.
- ◆ Seal the work area with plastic sheeting.
- ◆ Minimise the amount of dust outside the work area.

Cleaning

- ◆ Thoroughly vacuum and clean all surfaces in the work area every day.
- ◆ Regularly change the dustbag and filters of the vacuum cleaner.
- ◆ Thoroughly wash any foreign objects exposed to dust before using them again.

Additional safety instructions for Australia and New Zealand

- ◆ This appliance is not intended for use by young or infirm persons without supervision. Children must be supervised to ensure they do not play with the appliance.
- ◆ If the supply cord is damaged, it must be replaced by the manufacturer or an authorised Black & Decker Service Centre in order to avoid a hazard.

Features

This tool includes some or all of the following features.

1. On/off switch
2. Gel comfort grip
3. Dust extraction connector
4. Base
5. Tip holder
6. Sanding base tip
7. Finger attachment
8. Profile attachment (KA165GTK only)
9. Screw
10. Sanding profiles (KA165GTK only)

In addition, this tool is supplied with some or all of the following accessories:

Accessory

Accessory	Recommended application and use
- Coarse grit sandpaper	Fast paint, varnish and rust removal
- Medium grit sandpaper	Paint, varnish and rust removal
- Fine grit sandpaper	Surface blending and finishing
- Extra fine grit sandpaper	Sanding between coats
- Detail sanding tips	Corners and hard to reach places
- 1 OT polishing/stripping wool	Polishing metals, stripping varnish and glass cleaning
- Grey foam pad	Applying and removing polish
- Red non-woven pad	Heavy scrubbing and rust removal
- Grey abrasive paper	Polishing plastics
- Contour attachments	Curves and profiles

Assembly

Warning! Before assembly, make sure that the tool is switched off and unplugged.

Fitting sanding sheets (fig. A & B)

- ◆ Detach the two diamond-shaped tips (11) from the sanding sheet (12).
- ◆ Hold the tool with the sanding base facing upwards.
- ◆ Place the sanding sheet (12) onto the sanding base, making sure that the holes in the sheet line up with the holes in the base.

The diamond-shaped tip (11) can be reversed and replaced when worn.

- ◆ When the front part of the tip is worn, detach it from the sheet, reverse it and press it onto the sanding base again.
- ◆ When the whole tip is worn, remove it from the sanding base and fit a new tip.
- ◆ The polishing foam and pads (13) can be fitted the same way as the sanding sheets.

Tip of the sanding base (fig. C)

When the sanding base tip (6) or tip holder (5) is worn, it can be reversed or replaced. Spare parts are available from your Black & Decker dealer.

- ◆ Remove the screw (9).
- ◆ Reverse or replace the worn part.
- ◆ Fit and tighten the screw.

Finger attachment (fig. D)

The finger attachment is used for fine detail sanding.

- ◆ Remove the screw (9).
- ◆ Remove the diamond-shaped tip holder (5) from the sanding base.
- ◆ Fit the finger attachment (7) onto the sanding base.
- ◆ Fit and tighten the screw.
- ◆ Fit the appropriate sanding sheet (14) onto the finger attachment.

Profile attachment (fig. E)

The profile attachment is used for contour sanding.

- ◆ Remove the screw (9).
- ◆ Remove the diamond-shaped tip holder (5) from the sanding base.
- ◆ Fit the profile attachment (8) onto the sanding base.
- ◆ Fit and tighten the screw.

Fitting and removing a sanding profile (fig. F1 & F2)

- ◆ Choose the sanding profile most suitable for your application.
- ◆ Place one end of the sanding profile (10) into the recess at the front end of the profile holder (8).
- ◆ Push the other end of the sanding profile until it clicks into place.
- ◆ To remove the sanding profile, push it forward and pull the rear end out of the profile holder (fig. F2).

Fitting a sanding sheet onto a sanding profile (fig. G)

- ◆ Align the sanding sheet (15) with the sanding profile (10).
- ◆ Press the sanding sheet onto the sanding profile, making sure that the sanding sheet follows the shape of the profile.

Connecting a vacuum cleaner (fig. H)

The tool has an adaptor to connect it to a vacuum cleaner when sanding wood. To connect the tool to a vacuum cleaner, proceed as follows:

- ◆ Fit the dust extraction connector (3) onto the adaptor at the back of the tool.
- ◆ Connect the hose of a suitable vacuum cleaner to the connector.

Use

Warning! Let the tool work at its own pace. Do not overload.

Warning! Do not cover the ventilation slots when using the tool. Hold the tool as shown in fig. I. Make sure that the sanding base is flat on the workpiece.

Switching on and off

- ◆ To switch the tool on, set the on/off switch (1) to position I.
- ◆ To switch the tool off, set the on/off switch to position O.

Accessories

The performance of your tool depends on the accessory used. Black & Decker and Piranha accessories are engineered to high quality standards and designed to enhance the performance of your tool. By using these accessories you will get the very best from your tool.

Maintenance

Your tool has been designed to operate over a long period of time with a minimum of maintenance. Continuous satisfactory operation depends upon proper tool care and regular cleaning.

- ◆ Clear the cooling vents and slots with a clean, dry paint brush.
- ◆ Clean the housing with a clean, damp cloth. Do not use solvents.

Mains plug replacement (U.K. & Ireland only)

If a new mains plug needs to be fitted:

- ◆ Safely dispose of the old plug.
- ◆ Connect the brown lead to the live terminal in the new plug.
- ◆ Connect the blue lead to the neutral terminal.

Warning! No connection is to be made to the earth terminal. Follow the fitting instructions supplied with good quality plugs. Recommended fuse: 5 A.

Protecting the environment



Black & Decker provides a facility for recycling Black & Decker products once they have reached the end of their working life. This service is provided free of charge.

To take advantage of this service please return your product to any authorised repair agent who will collect them on our behalf.

You can check the location of your nearest authorised repair agent by contacting your local Black & Decker office at the address indicated in this manual. Alternatively, a list of authorised Black & Decker repair agents and full details of our after-sales service and contacts are available on the Internet at: **www.2helpU.com**

Technical data

		KA165GT/KA165GTK
Voltage	V _{AC}	230
Power input	W	55
No-load speed	min ⁻¹	11,000

EC declaration of conformity

KA165GT/KA165GTK

Black & Decker declares that these products conform to:
98/37/EC, 89/336/EEC, EN 50144, EN 55014, EN 61000

L_{pA} (sound pressure): 59 dB(A), L_{WA} (acoustic power) 72 dB(A),
hand/arm weighted vibration < 2.5 m/s²

Kevin Hewitt
Director of Consumer Engineering
Spennymoor, County Durham DL16 6JG,
United Kingdom

Guarantee

Black & Decker is confident of the quality of its products and offers an outstanding guarantee. This guarantee statement is in addition to and in no way prejudices your statutory rights. The guarantee is valid within the territories of the Member States of the European Union and the European Free Trade Area.

If a Black & Decker product becomes defective due to faulty materials, workmanship or lack of conformity, within 24 months from the date of purchase, Black & Decker guarantees to replace defective parts, repair products subjected to fair wear and tear or replace such products to ensure minimum inconvenience to the customer unless:

- ◆ The product has been used for trade, professional or hire purposes;
- ◆ The product has been subjected to misuse or neglect;
- ◆ The product has sustained damage through foreign objects, substances or accidents;

- ◆ Repairs have been attempted by persons other than authorised repair agents or Black & Decker service staff.

To claim on the guarantee, you will need to submit proof of purchase to the seller or an authorised repair agent. You can check the location of your nearest authorised repair agent by contacting your local Black & Decker office at the address indicated in this manual. Alternatively, a list of authorised Black & Decker repair agents and full details of our after-sales service and contacts are available on the Internet at: **www.2helpU.com**

Please visit our website **www.blackanddecker.co.uk** to register your new Black & Decker product and to be kept up to date on new products and special offers. Further information on the Black & Decker brand and our range of products is available at **www.blackanddecker.co.uk**

Bestimmungsgemäße Verwendung

Ihr Black & Decker Schleifgerät wurde zum Schleifen und Polieren von Holz, Metall, Kunststoff und lackierten Oberflächen entwickelt. Dieses Gerät ist nicht für den gewerblichen Einsatz vorgesehen.

Sicherheitshinweise

- ◆ **Warnung!** Bei der Verwendung elektrischer Geräte sind zum Schutz gegen Feuergefahr, gegen elektrischen Schlag sowie gegen Körper- und Sachschaden grundlegende Sicherheitsmaßnahmen, einschließlich der folgenden Vorschriften, zu beachten.
- ◆ Lesen Sie diese Anleitung gründlich durch, bevor Sie das Gerät verwenden.
- ◆ Bewahren Sie diese Anleitung auf.
- ◆ Ziehen Sie immer den Netzstecker, bevor Sie Einstellungs- oder Wartungsarbeiten durchführen.

Halten Sie Ihren Arbeitsbereich in Ordnung!

Unordnung im Arbeitsbereich führt zu Unfallgefahren.

Berücksichtigen Sie Umgebungseinflüsse!

Setzen Sie das Gerät keinem Regen aus. Verwenden Sie das Gerät nicht in einer feuchten oder nassen Umgebung. Sorgen Sie für eine gute Beleuchtung des Arbeitsbereiches. Benutzen Sie das Gerät nicht an Orten, wo Feuergefahr oder Explosionsgefahr besteht, z.B. in der Nähe von brennbaren Flüssigkeiten oder Gasen.

Halten Sie Kinder fern!

Halten Sie Kinder, Besucher und Tiere dem Arbeitsbereich fern und sorgen Sie dafür, daß sie das Gerät und das Netzkabel nicht berühren.

Tragen Sie geeignete Arbeitskleidung!

Tragen Sie keine weite Kleidung oder Schmuck, da diese von sich bewegenden Teilen erfaßt werden können. Beim Arbeiten im Freien sind Arbeitshandschuhe und rutschfestes Schuhwerk empfehlenswert. Tragen Sie bei langen Haaren ein Haarnetz.

Schutzmaßnahmen:

Verwenden Sie immer eine Schutzbrille. Tragen Sie einen Gesichtsschutz oder eine Staubmaske, falls die Arbeiten Staub oder herumfliegende Teilchen verursachen können. Falls der Lärmpegel unannehmlich ist, tragen Sie einen Gehörschutz.

Schutz vor elektrischem Schlag:

Vermeiden Sie eine Körperberührung mit geerdeten Objekten (z.B. Rohren, Heizkörpern, Herden und Kühlschränken). Die elektrische Sicherheit läßt sich durch Verwendung eines Fehlerstrom-Schutzschalters (30 mA / 30 mS) weiter erhöhen.

Achten Sie auf einen sicheren Stand!

Achten Sie auf einen sicheren Stand, um in jeder Arbeitsposition das Gleichgewicht zu halten.

Seien Sie stets aufmerksam!

Konzentrieren Sie sich auf Ihre Arbeit. Gehen Sie vernünftig vor. Verwenden Sie das Gerät nicht, wenn Sie müde sind.

Sichern Sie das Werkstück!

Benutzen Sie Spannvorrichtungen oder einen Schraubstock, um das Werkstück festzuhalten. Es ist damit sicherer gehalten und ermöglicht die Bedienung des Gerätes mit beiden Händen.

Schließen Sie Vorrichtungen zur Staubabsaugung an!

Falls Vorrichtungen zur Absaugung oder zum Sammeln von Staub an das Gerät angeschlossen werden können, vergewissern Sie sich, daß diese angeschlossen sind und ordnungsgemäß verwendet werden.

Lassen Sie keine Schlüssel stecken!

Überprüfen Sie vor dem Einschalten, ob die Schlüssel und Einstellwerkzeuge entfernt sind.

Verlängerungskabel

Prüfen Sie vor dem Gebrauch das Verlängerungskabel und tauschen Sie es aus, falls es beschädigt ist. Wenn Sie das Gerät im Freien verwenden, verwenden Sie nur Verlängerungskabel, die sich für den Einsatz im Freien eignen. Ein bis zu 30 m langes Black & Decker Verlängerungskabel kann verwendet werden, ohne daß Leistungsverluste entstehen.

Benutzen Sie das richtige Gerät!

Die bestimmungsgemäße Verwendung ist in dieser Betriebsanleitung beschrieben. Verwenden Sie keine zu schwachen Geräte oder Zubehörteile für schwere Arbeiten. Mit dem richtigen Gerät erzielen Sie eine optimale Qualität und gewährleisten Ihre persönliche Sicherheit. Überlasten Sie das Gerät nicht. Verwenden Sie das Gerät nicht für andere Zwecke als vorgesehen; verwenden Sie z.B. eine Handkreissäge nicht zum Sägen von Baumstämmen und Ästen.

Warnung! Das Verwenden anderer als der in dieser Anleitung empfohlenen Vorsatzgeräte und Zubehörteile oder die Ausführung von Arbeiten mit diesem Gerät, die nicht der bestimmungsgemäßen Verwendung entsprechen, kann zu Unfallgefahren führen.

Kontrollieren Sie Ihr Gerät auf Beschädigungen!

Überprüfen Sie das Gerät und das Netzkabel vor der Arbeit auf Beschädigungen. Überprüfen Sie, ob alle beweglichen Teile richtig montiert sind, ob keine Teile gebrochen sind, ob keine Schutzvorrichtungen und Schalter beschädigt sind, und ob irgendwelche anderen Schäden den einwandfreien Betrieb des Gerätes beeinträchtigen könnten. Vergewissern Sie sich, daß das Gerät ordnungsgemäß funktionieren wird. Benutzen Sie das Gerät nicht, wenn ein Teil defekt ist. Verwenden Sie das Gerät nicht, wenn der Ein-/Aus-Schalter nicht funktioniert. Lassen Sie defekte Teile immer von einer unserer Kundendienstwerkstätten reparieren oder austauschen. Versuchen Sie nie, das Gerät selber zu reparieren.

Ziehen Sie den Netzstecker!

Ziehen Sie den Netzstecker, wenn Sie das Gerät nicht benutzen, bevor Sie irgendwelche Werkzeuge, Zubehörteile oder Geräteteile auswechseln und bevor Sie irgendwelche Wartungsarbeiten vornehmen.

Vermeiden Sie ein unbeabsichtigtes Einschalten!

Tragen Sie das Gerät nicht mit dem Finger am Ein-/Aus-Schalter. Vergewissern Sie sich, daß das Gerät ausgeschaltet ist, wenn Sie es an die Stromversorgung anschließen.

Behandeln Sie das Kabel sorgfältig!

Tragen Sie das Gerät nicht am Kabel und benutzen Sie das Kabel nicht, um den Stecker aus der Steckdose zu ziehen. Schützen Sie das Kabel vor Hitze, Öl und scharfen Kanten.

Bewahren Sie Ihre Geräte sicher auf!

Unbenutzte Geräte sind an einem trockenen, für Kinder nicht erreichbaren Ort aufzubewahren.

Pflegen Sie Ihre Geräte mit Sorgfalt!

Halten Sie Schneidwerkzeuge scharf und sauber, um gut und sicher arbeiten zu können. Befolgen Sie die Wartungsvorschriften und die Hinweise für den Werkzeugwechsel. Halten Sie Handgriffe und Schalter trocken, sauber und frei von Öl und Fett.

Reparaturen:

Dieses Gerät entspricht den einschlägigen Sicherheitsvorschriften. Reparaturen sind nur von autorisierten Fachkräften und mit Original-Ersatzteilen vorzunehmen; andernfalls kann Unfallgefahr für den Betreiber entstehen.

Elektrische Sicherheit:

Dieses Gerät ist schutzisoliert, daher ist keine Erdleitung erforderlich. Überprüfen Sie stets, ob die Netzspannung der auf dem Typenschild angegebenen Spannung entspricht.

Zusätzliche Sicherheitshinweise für Schleifgeräte

- ◆ Tragen Sie beim Schleifen immer eine Staubmaske.
- ◆ Entfernen Sie nach dem Schleifen sorgfältig alle Staubreste.
- ◆ Vor dem Einsatz des Geräts bei Werkstücken aus Holz stellen Sie bitte sicher, daß die Staubabsaugung angebracht wurde.
- ◆ Vor dem Einsatz des Geräts bei Werkstücken aus Metall stellen Sie bitte sicher, daß die Staubabsaugung entfernt wurde.
- ◆ Verwenden Sie das Gerät niemals ohne Schleifpapier.
- ◆ Verwenden Sie das Gerät niemals ohne Schleifplatte.
- ◆ Falls der Lärmpegel unannehmlich ist, tragen Sie einen Gehörschutz.

Schleifen von bleihaltiger Farbe oder MDF

Das Schleifen von bleihaltiger Farbe wird aufgrund der Schwierigkeit, den Schmutzstaub unter Kontrolle zu halten, nicht empfohlen. Eine Bleivergiftung ist bei Kindern und Schwangeren am gefährlichsten! Gebäude vor Baujahr 1960 wurden in der Vergangenheit möglicherweise mit bleihaltiger Farbe gestrichen. Diese Farbe kann wiederum von weiteren Farbschichten überdeckt sein.

Bevor Sie mit der Arbeit beginnen, ist es wichtig, festzustellen, ob die zu schleifende Farbe Blei enthält. Dies kann mit Hilfe eines Test-Kits oder von einem Maler durchgeführt werden.

Schutzmaßnahmen

- ◆ Verhindern Sie, daß Kinder oder Schwangere den Arbeitsplatz betreten.
- ◆ Tragen Sie eine spezielle Maske zum Schutz vor Bleifarbstaub und -dämpfen, und stellen Sie sicher, daß auch andere Personen, die den Arbeitsplatz betreten, geschützt sind.
- ◆ Essen, trinken und rauchen Sie nicht am Arbeitsplatz. Bewahren Sie keine Lebensmittel oder Getränke im Arbeitsplatz auf.
- ◆ Waschen Sie sich äußerst gründlich, bevor Sie essen, trinken oder rauchen.

Umwelt

- ◆ Entfernen Sie die Farbe auf eine solche Weise, daß die Staubmenge möglichst gering gehalten wird.
- ◆ Dichten Sie den Arbeitsbereich mit Kunststoffplanen ab.
- ◆ Halten Sie die Staubmenge außerhalb des Arbeitsbereiches gering.

Reinigung

- ◆ Saugen Sie täglich sämtliche Flächen im Arbeitsbereich ab und reinigen Sie sie gründlich.
- ◆ Wechseln Sie regelmäßig den Staubbeutel und die Filter des Staubsaugers.
- ◆ Reinigen Sie die dem Staub ausgesetzten Gegenstände gründlich, bevor Sie sie wiederverwenden.

Merkmale

Dieses Gerät weist einige oder alle der folgenden Merkmale auf.

1. Ein-/Ausschalter
2. Gel-Komfortgriff
3. Staubsaugeranschluß
4. Basis
5. Spitzenhalter
6. Schleiffußspitze
7. Fingeraufsatz
8. Profilaufsatz (nur KA165GTK)
9. Schraube
10. Schleifprofile (nur KA165GTK)

Dieses Werkzeug wird mit einigen oder allen der folgenden Zubehörteile ausgeliefert:

Zubehör	Empfohlener Einsatz und Gebrauch
- Grobkörniges Sandpapier	Schnelles Entfernen von Farbe, Lack und Rost
- Mittelkörniges Sandpapier	Entfernen von Farbe, Lack und Rost
- Feinkörniges Sandpapier	Oberflächenveredelung und Endbearbeitung
- Extrafeinkörniges Sandpapier	Schleifarbeiten zwischen Schichten
- Detailschleifspitzen	Ecken und schwer zugängliche Stellen
- 1 Schleif-/Polierwolle	Polieren von Metallen, Entfernen von Lack und Reinigung von Glas
- Graues Schaumstoffkissen	Auftragen und Entfernen von Politur
- Rotes, nicht gewobenes Kissen	Starkes Bürsten und Rostbeseitigung
- Graues Schleifpapier	Polieren von Kunststoffen
- Konturenaufsatz	Kurven und Profile

Montage

Achtung! Vergewissern Sie sich vor der Montage, daß das Gerät ausgeschaltet ist und daß der Netzstecker gezogen wurde.

Anbringen des Schleifpapiers (Abb. A & B)

- ◆ Nehmen Sie die beiden diamantförmigen Spitzen (11) vom Schleifpapier (12) ab.
- ◆ Halten Sie das Gerät mit der Schleifplatte nach obenweisend.
- ◆ Bringen Sie das Schleifpapier (12) auf der Schleifplatte an. Sorgen Sie dafür, daß die Löcher im Schleifpapier mit denen in der Schleifplatte fluchten.

Die diamantförmige Spitze (11) kann umgedreht wieder angebracht werden, wenn sie verschlissen ist.

- ◆ Ist der vordere Teil der Spitze verschlissen, nehmen Sie die Spitze vom Schleifpapier, drehen Sie sie um und drücken Sie sie wieder auf die Schleifplatte.
- ◆ Ist die gesamte Spitze verschlissen, nehmen Sie sie von der Schleifplatte ab und bringen Sie eine neue Spitze an.
- ◆ Der Polierschaumstoff und die Kissen (13) können auf die gleiche Weise wie das Schleifpapier angebracht werden.

Spitze der Schleifplatte (Abb. C)

Ist die Schleifplattenspitze (6) oder der Spitzenhalter (5) verschlissen, so können diese Teile umgedreht oder erneuert werden. Ersatzteile sind bei Ihrem Black & Decker Händler erhältlich.

- ◆ Entfernen Sie die Schraube (9).
- ◆ Drehen Sie das verschlissene Teil um oder erneuern Sie es.
- ◆ Bringen Sie die Schraube an und ziehen Sie sie fest.

Fingeraufsatz (Abb. D)

Der Fingeraufsatz wird für feines Detailschleifen verwendet.

- ◆ Entfernen Sie die Schraube (9).
- ◆ Entfernen Sie den diamantförmigen Spitzenhalter (5) von der Schleifplatte.
- ◆ Bringen Sie den Fingeraufsatz (7) auf der Schleifplatte an.
- ◆ Bringen Sie die Schraube an und ziehen Sie sie fest.
- ◆ Bringen Sie das passende Schleifpapier (14) am Fingeraufsatz an.

Profilaufsatz (Abb. E)

Der Profilaufsatz wird für Konturschleifarbeiten verwendet.

- ◆ Entfernen Sie die Schraube (9).
- ◆ Entfernen Sie den diamantförmigen Spitzenhalter (5) von der Schleifplatte.
- ◆ Bringen Sie den Profilaufsatz (8) auf der Schleifplatte an.
- ◆ Bringen Sie die Schraube an und ziehen Sie sie fest.

Anbringen und Entfernen eines Schleifprofils (Abb. F1 & F2)

- ◆ Wählen Sie das für Ihren Einsatz am besten geeignete Schleifprofil.
- ◆ Setzen Sie ein Ende des Schleifprofils (10) in die Aussparung am vorderen Ende des Profilhalters (8).
- ◆ Drücken Sie auf das andere Ende des Schleifprofils, bis es in seiner Lage einrastet.
- ◆ Um das Schleifprofil zu entfernen, schieben Sie es nach vorne, und ziehen Sie das hintere Ende aus dem Profilhalter heraus (Abb. F2).

Anbringen eines Schleifpapiers auf einem Schleifprofil (Abb. G)

- ◆ Richten Sie das Schleifpapier (15) mit dem Schleifprofil (10) aus.
- ◆ Drücken Sie das Schleifpapier auf das Schleifprofil und stellen Sie sicher, daß sich das Schleifpapier der Form des Profils anpaßt.

Anschließen eines Staubsaugers (Abb. H)

Das Werkzeug verfügt über einen Adapter, an den ein Staubsauger angeschlossen werden kann, wenn Schleifarbeiten auf Holz durchgeführt werden. Um das Werkzeug an einen Staubsauger anzuschließen, gehen Sie folgendermaßen vor:

- ◆ Bringen Sie den Staubsaugeranschluß (3) am Adapter an der Rückseite des Werkzeugs an.
- ◆ Verbinden Sie den Schlauch eines geeigneten Staubsaugers mit dem Anschluß.

Gebrauch

Achtung! Beschleunigen Sie den Arbeitsvorgang nicht mit Gewalt. Vermeiden Sie eine Überlastung des Gerätes.

Achtung! Verdecken Sie beim Gebrauch des Geräts nicht die Ventilations Schlitzte. Halten Sie das Werkzeug gemäß Abb. I. Stellen Sie sicher, daß die Schleifplatte flach auf dem Werkstück aufliegt.

Ein- und Ausschalten

- ◆ Zum Einschalten des Geräts stellen Sie den Ein-/Aus-Schalter (1) in die Position I.
- ◆ Zum Ausschalten des Geräts stellen Sie den Ein-/Aus-Schalter in die Position O.

Zubehör

Die Leistung Ihres Geräts hängt vom verwendeten Zubehör ab. Black & Decker und Piranha Zubehör ist nach hohen Qualitätsnormen gefertigt und dafür ausgelegt, die Leistung Ihres Geräts zu steigern. Durch Verwendung dieses Zubehörs erzielen Sie die größtmögliche Leistung Ihres Geräts.

Wartung

Ihr Gerät wurde im Hinblick auf eine lange Lebensdauer und einen möglichst geringen Wartungsaufwand entwickelt. Ein dauerhafter, einwandfreier Betrieb setzt eine regelmäßige Pflege und Reinigung voraus.

- ◆ Reinigen Sie die Ventilationsöffnungen und Schlitzte mit einem sauberen, trockenen Pinsel.
- ◆ Reinigen Sie das Gehäuse mit einem sauberen, feuchten Tuch. Verwenden Sie keine Lösungsmittel.

Umweltschutz



Black & Decker nimmt Ihre ausgedienten Black & Decker Geräte gern zurück und sorgt für eine umweltfreundliche Entsorgung. Diese Dienstleistung ist für Sie kostenlos. Um diese Dienstleistung in Anspruch zu nehmen, geben Sie das Gerät bitte bei einer autorisierten Reparaturwerkstatt ab, die für uns die Einsammlung übernimmt.

Die Adresse des zuständigen Büros von Black & Decker finden Sie in dieser Anleitung, darüber läßt sich die nächstgelegene Vertragswerkstatt ermitteln.

Außerdem ist eine Liste der Vertragswerkstätten und aller Kundendienststellen von Black & Decker sowie der zuständigen Ansprechpartner im Internet zu finden unter: www.2helpU.com

Technische Daten

KA165GT/KA165GTK		
Spannung	V_{AC}	230
Leistungsaufnahme	W	55
Leerlaufdrehzahl	min^{-1}	11.000

EU-Konformitätserklärung

KA165GT/KA165GTK

Black & Decker erklärt hiermit, daß diese Geräte entsprechend folgenden Richtlinien und Normen konzipiert wurden: 98/37/EWG, 89/336/EWG, EN 50144, EN 55014, EN 61000 L_{pA} (Schalldruck): 59 dB(A), L_{WA} (Schalleistung) 72 dB(A), gewichteter Effektivwert der Beschleunigung < 2,5 m/s^2

Kevin Hewitt
Director of Consumer Engineering
Spennymoor, County Durham DL16 6JG,
United Kingdom

Garantie

Black & Decker vertraut auf die Qualität der eigenen Geräte und bietet dem Käufer eine außergewöhnliche Garantie. Diese Garantiezusage versteht sich unbeschadet der gesetzlichen Gewährleistungsansprüche und schränkt diese keinesfalls ein. Sie gilt in sämtlichen Mitgliedsstaaten der Europäischen Union und der Europäischen Freihandelszone EFTA.

Tritt innerhalb von 24 Monaten ab Kaufdatum an einem Gerät von Black & Decker ein auf Material- oder Verarbeitungsfehler zurückzuführender Mangel auf, garantiert Black & Decker den Austausch defekter Teile, die Reparatur von Geräten mit üblichem Verschleiß bzw. den Austausch eines mangelhaften Geräts, ohne den Kunden dabei mehr als unbedingt nötig in Anspruch zu nehmen, allerdings vorbehaltlich folgender Ausnahmen:

- ◆ wenn das Gerät gewerblich, beruflich oder im Verleihgeschäft benutzt wurde;
- ◆ wenn das Gerät mißbräuchlich verwendet oder mit mangelnder Sorgfalt behandelt wurde;
- ◆ wenn das Gerät durch irgendwelche Fremdeinwirkung beschädigt wurde;
- ◆ wenn ein unbefugter Reparaturversuch durch anderes Personal als das einer Vertragswerkstatt oder des Black & Decker-Kundendienstes unternommen wurde.

Zur Inanspruchnahme dieser Garantie ist dem Verkäufer bzw. der Vertragswerkstatt ein Kaufnachweis vorzulegen. Der Kaufnachweis muß Kaufdatum und Gerätetyp bescheinigen. Die Adresse des zuständigen Büros von Black & Decker steht in dieser Anleitung, darüber läßt sich die nächstgelegene Vertragswerkstatt ermitteln.

Außerdem ist eine Liste der Vertragswerkstätten und aller Kundendienststellen von Black & Decker sowie der zuständigen Ansprechpartner im Internet zu finden unter:

www.2helpU.com

Bitte besuchen Sie unsere Webseite

www.blackanddecker.de, um Ihr neues Black & Decker Produkt zu registrieren und über neue Produkte und Sonderangebote aktuell informiert zu werden. Weitere Informationen über die Marke Black & Decker und unsere Produkte finden Sie unter **www.blackanddecker.de**

Utilisation prévue

Votre ponceuse Black & Decker a été spécialement conçue pour poncer et polir le bois, le métal, le plastique et les surfaces peintes. Cet outil a été conçu uniquement pour une utilisation domestique.

Instructions de sécurité

- ◆ **Attention!** Lors de l'utilisation d'outils électriques, observez les consignes fondamentales de sécurité, y compris celles qui suivent afin de réduire les risques d'incendie, de décharges électriques, de blessures et de dommages matériels.
- ◆ Lisez et observez attentivement les instructions avant d'utiliser l'outil.
- ◆ Conservez ces instructions.
- ◆ Débranchez l'outil avant d'effectuer tout réglage, entretien ou réparation.

Tenez votre aire de travail propre et bien rangée

Le désordre augmente les risques d'accident.

Tenez compte des conditions ambiantes

N'exposez pas l'outil à la pluie. N'exposez pas l'outil à l'humidité. Veillez à ce que l'aire de travail soit bien éclairée. N'utilisez pas l'outil s'il existe un risque d'incendie ou d'explosion, par exemple en présence de liquides ou de gaz inflammables.

Tenez les enfants éloignés

Ne laissez pas les enfants, les visiteurs ou les animaux s'approcher de l'aire de travail ou toucher l'outil ou le câble d'alimentation.

Portez des vêtements de travail appropriés

Ne pas porter de vêtements flottants ou de bijoux. Ils pourraient être happés par les pièces en mouvement. Lors de travaux à l'extérieur, il est recommandé de porter des gants en caoutchouc et des chaussures à semelle anti-dérapante. Le cas échéant, attachez vos cheveux s'ils sont longs, ou couvrez vous la tête.

Protection

Portez toujours des lunettes de protection. Portez des lunettes de protection et un masque pour protéger le visage si le travail exécuté produit de la poussière ou des particules volatiles. Portez des protections anti-bruit lorsque le niveau sonore semble gênant.

Protégez-vous des décharges électriques.

Veillez à ce que le corps n'entre pas en contact avec des surfaces reliées à la prise de masse ou de terre (par ex. tuyaux, radiateurs, cuisinières et réfrigérateurs). Utilisez un interrupteur de protection contre les courants de court-circuits à haute sensibilité (30 mA / 30 mS) pour améliorer la sécurité électrique.

Adoptez une position confortable

Toujours tenir les deux pieds à terre et garder l'équilibre.

Faites preuve de vigilance

Observez votre travail. Faites preuve de bon sens. Ne pas employer l'outil en cas de fatigue.

Fixez bien la pièce à travailler

Pour plus de sécurité, fixez la pièce à travailler avec un dispositif de serrage ou un étau. Ainsi, vous aurez les deux mains libres pour manier l'outil.

Branchez le dispositif d'extraction de poussière.

Si vous disposez de systèmes pour brancher les dispositifs d'extraction et de ramassage de poussière, assurez-vous qu'ils sont bien branchés et qu'ils fonctionnent correctement.

Enlevez les clés et outils de réglage

Avant de mettre l'outil en marche, retirez les clés et outils de réglage.

Rallonges

Vérifiez la rallonge avant de l'utiliser et remplacez-la en cas de dommage. Si vous souhaitez utiliser cet outil à l'extérieur, n'utilisez que des rallonges prévues à cet effet. Des rallonges Black & Decker de 30 m de longueur peuvent être utilisées sans perte de puissance.

Utilisez l'outil adéquat

Le domaine d'utilisation de l'outil est décrit dans le présent manuel. Ne pas utiliser d'outils ou d'accessoires de trop faible puissance pour exécuter des travaux lourds. L'utilisation d'accessoires autres que ceux recommandés dans le présent manuel pourrait entraîner un risque de blessure. Ne forcez pas l'outil. N'utilisez jamais l'outil pour effectuer des travaux autres que ceux pour lesquels il a été conçu, par exemple n'utilisez pas les scies circulaires pour scier des branches

Attention! Utilisez l'outil conformément à sa destination.

Contrôlez les dommages éventuels de votre outil

Avant d'utiliser l'outil et le câble d'alimentation, vérifiez soigneusement qu'ils ne sont pas endommagés. Vérifiez l'alignement des pièces en mouvement, leur prise et toute rupture de pièces, tout dommage des protections et des interrupteurs et toute autre condition pouvant affecter le fonctionnement de l'outil.

Veillez à ce que l'outil fonctionne correctement et qu'il exécute les tâches pour lesquelles il est prévu. N'utilisez pas l'outil si une pièce est défectueuse. Ne pas utiliser l'outil si l'interrupteur marche/arrêt ne fonctionne pas.

Faites réparer ou échangez toute pièce endommagée par un service de réparation agréé. Ne tentez jamais de le réparer vous-même.

Retirez l'outil de la prise

Retirez l'outil de la prise lorsque l'outil n'est pas utilisé, avant de changer toute pièce de l'outil ou tout accessoire et avant de procéder à l'entretien.

Évitez tout démarrage involontaire

Ne portez pas l'outil avec un doigt sur l'interrupteur marche/arrêt. Assurez-vous que l'outil est en position d'arrêt avant de le brancher.

Ne tirez pas sur le câble d'alimentation

Ne portez jamais l'outil par le câble et ne tirez pas sur celui-ci pour le débrancher de la prise. Préservez le câble de la chaleur, de l'huile et des arêtes tranchantes.

Rangez vos outils dans un endroit sûr

Lorsque vous n'utilisez pas vos outils, rangez-les dans un endroit sec, fermé ou élevé, hors de portée des enfants.

Entretenez vos outils avec soin

Maintenez vos outils affûtés et propres afin de travailler mieux et plus sûrement. Suivez les instructions d'entretien et de changement d'accessoires. Maintenez les poignées et les interrupteurs secs, propres et exempts d'huile et de graisse.

Réparations

Cet outil est conforme aux conditions de sécurité requises. Les réparations devront uniquement être effectuées par des personnes qualifiées utilisant des pièces de rechange d'origine ; en cas contraire, cela pourrait être très dangereux pour l'utilisateur.

Sécurité électrique



L'outil est doublement isolé, par conséquent, une prise de terre n'est pas nécessaire. Vérifiez si la tension secteur correspond à la tension indiquée sur la plaque d'identification.

Instructions de sécurité supplémentaires pour ponceuses

- ◆ Portez toujours un masque contre la poussière lorsque vous poncez.
- ◆ Enlevez soigneusement toute poussière après le ponçage.
- ◆ Nous vous conseillons de mettre en place le matériel d'extraction de poussières avant d'utiliser votre outil sur le bois.
- ◆ Vérifiez que vous avez bien démonté le matériel d'extraction de poussières avant d'utiliser votre outil sur le métal.
- ◆ N'utilisez jamais l'outil sans feuille de ponçage.
- ◆ N'utilisez jamais l'outil sans base de ponçage.
- ◆ Portez des protections anti-bruit lorsque le niveau sonore semble gênant.

Ponçage de peinture à base de plomb ou MDF.

Il n'est pas conseillé de poncer la peinture à base de plomb car il est très difficile de contrôler les émanations de poussière polluée. L'empoisonnement au plomb peut être particulièrement grave pour les enfants et les femmes enceintes. Tous les immeubles construits avant 1960 sont susceptibles d'avoir été peints avec de la peinture au plomb. Cette peinture doit être recouverte de couches de peinture sans plomb. Avant de commencer le travail, il est important de déterminer si la peinture à poncer contient du plomb. Pour ce faire, utilisez un kit de test ou consultez un décorateur professionnel.

Protection individuelle

- ◆ Ne laissez pas les enfants ou les femmes enceintes entrer dans la zone de travail.
- ◆ Portez un masque contre la poussière spécialement conçu pour vous protéger de la poussière des peintures et des fumées à base de plomb et veillez à ce que les personnes se trouvant à l'intérieur de la zone de travail ou y pénétrant soient également protégées.
- ◆ Ne mangez pas, ne buvez pas et ne fumez pas dans la zone de travail. Ne conservez pas de nourriture ou de boissons dans la zone de travail.
- ◆ Lavez-vous très soigneusement avant de manger, de boire ou de fumer.

Environnement

- ◆ Enlevez la peinture en prenant soin que la quantité de poussière dégagée soit la moindre possible.
- ◆ Isolez la zone de travail avec des feuilles de plastique.
- ◆ Faites en sorte de minimiser la quantité de poussière dégagée à l'extérieur de la zone de travail.

Nettoyage

- ◆ Aspirez et nettoyez soigneusement et quotidiennement toutes les surfaces de la zone de travail.
- ◆ Changez régulièrement le sac à poussière et les filtres de l'aspirateur.
- ◆ Lavez soigneusement tous les corps étrangers exposés à la poussière avant de les utiliser à nouveau.

Caractéristiques

Cet outil comprend toutes ou certaines des caractéristiques suivantes.

1. Bouton marche/arrêt
2. Poignée confortable recouverte de gel
3. Connecteur d'extraction de poussière
4. Base
5. Support de pointe
6. Pointe de base de ponçage
7. Accessoire doigt
8. Accessoire profil (uniquement KA165GTK)
9. Vis
10. Profils de ponçage (uniquement KA165GTK)

De plus, cet outil comporte quelques uns ou tous les éléments suivants :

Accessoire

- Papier de verre gros grain
- Papier de verre grain moyen

Application et utilisation recommandées

Décapant rapide pour peinture, vernis et rouille
Décapant pour peinture, vernis et rouille

- Papier de verre grain fin	Ponçage et finition de surfaces
- Papier de verre grain extra-fin	Ponçage entre deux couches
- Pointes de ponçage de précision	Angles et lieux d'accès difficile
- 1 OT laine de polissage / décapage	Polissage des métaux, décapage de vernis et nettoyage de verre
- Tampon en mousse gris	Application et décapage de poli
- Tampon rouge non-tissé	Lavage profond et décapage de la rouille
- Papier abrasif gris	Polissage de plastiques
- Accessoires de contour	Courbes et profils

Assemblage

Attention ! Avant l'assemblage, assurez-vous que l'outil est éteint et débranché.

Mise en place des feuilles de ponçage (fig. A & B)

- ◆ Détachez les deux pointes en forme de losange (11) de la feuille de ponçage (12).
- ◆ Maintenez l'outil avec la base de ponçage vers le haut.
- ◆ Placez la feuille (12) sur la base de ponçage, en veillant à ce que les trous de la feuille coïncident avec les trous de la base.

La pointe en forme de losange (11) peut être inversée et remplacée lorsqu'elle est usée.

- ◆ Lorsque la partie avant de la pointe est usée, détachez-la de la feuille, retournez-la et enfoncez-la à nouveau sur la base.
- ◆ Lorsque la pointe est complètement usée, retirez-la de la base de ponçage et installez une nouvelle pointe.
- ◆ Les mousses et les tampons de polissage (13) peuvent être mis en place de la même manière que les feuilles de ponçage.

Pointe de la base de ponçage (fig. C)

Lorsque la pointe de la base de ponçage (6) ou le support de pointe (5) sont usés, ils peuvent être inversés ou remplacés. Vous pouvez vous procurer les pièces de rechange auprès des détaillants Black & Decker.

- ◆ Enlevez la vis (9).
- ◆ Inversez ou remplacez la pièce usée.
- ◆ Mettez la vis en place et serrez-la.

Accessoire doigt (fig. D)

Le doigt fourni comme accessoire est utilisé pour le ponçage de précision.

- ◆ Enlevez la vis (9).
- ◆ Démontez le support de pointe en losange (5) de la base de ponçage.
- ◆ Placez le doigt (7) sur la base de ponçage.
- ◆ Mettez la vis en place et serrez-la.
- ◆ Placez la feuille de ponçage adéquate (14) sur l'accessoire doigt.

Accessoire profil (fig. E)

Le profil fourni comme accessoire est utilisé pour le ponçage de profils.

- ◆ Enlevez la vis (9).
- ◆ Démontez le support de pointe en losange (5) de la base de ponçage.
- ◆ Placez l'accessoire profil (8) sur la base de ponçage.
- ◆ Mettez la vis en place et serrez-la.

Mise en place et retrait du profil de ponçage (fig. F1 & F2)

- ◆ Choisissez le profil de ponçage le mieux adapté à votre application.
- ◆ Placez une extrémité du profil de ponçage (10) sur l'encoche à l'avant du support de profil (8).
- ◆ Emboîtez l'autre extrémité du profil de ponçage.
- ◆ Pour démonter le profil de ponçage, tirez-le vers l'avant et extrayez l'extrémité arrière du support de profil (fig. F2).

Mise en place de la feuille de ponçage sur un profil de ponçage (fig. G)

- ◆ Alignez la feuille de ponçage (15) avec le profil de ponçage (10)
- ◆ Enfoncez la feuille de ponçage sur le profil de ponçage, en vérifiant que la feuille de ponçage suit bien la forme du profil.

Branchement de l'aspirateur (fig. H)

L'outil possède un adaptateur pour brancher un aspirateur lors du ponçage du bois. Pour brancher un aspirateur, procédez comme suit :

- ◆ Placez le connecteur d'extraction de poussières (3) sur l'adaptateur à l'arrière de l'outil.
- ◆ Branchez le tuyau d'un aspirateur adéquat au connecteur.

Utilisation

Attention ! Laissez l'outil fonctionner à sa propre vitesse. Ne le surchargez pas.

Attention ! Prenez soin de ne pas boucher les orifices de ventilation lorsque vous utilisez l'outil. Tenez l'outil comme indiqué dans la fig. I. Assurez-vous que la base de ponçage est bien posée à plat sur la pièce à travailler.

Démarrage et arrêt

- ◆ Pour démarrer l'outil, mettez l'interrupteur marche/arrêt (1) sur la position I.
- ◆ Pour éteindre l'outil, mettez l'interrupteur marche/arrêt sur la position O.

Accessoires

Les performances de votre outil dépendent de l'accessoire que vous utilisez. Les accessoires Black & Decker et Piranha sont conçus selon les normes de haute qualité pour améliorer les performances de votre outil. En utilisant ces accessoires, vous obtiendrez les meilleurs résultats de votre outil.

Entretien

Votre outil a été conçu pour fonctionner pendant longtemps avec un minimum d'entretien. Un fonctionnement continu satisfaisant dépend d'un nettoyage régulier et d'un entretien approprié de l'outil.

- ◆ Dégagez les grilles et les fentes d'aération à l'aide d'un pinceau propre et sec.
- ◆ Nettoyez le carter à l'aide d'un chiffon propre et humide. Ne pas utiliser de solvants.

Protection de l'environnement



Black & Decker fournit un dispositif permettant de recycler les produits Black & Decker lorsqu'ils ont atteint la fin de leur cycle de vie. Ce service est gratuit. Pour pouvoir profiter de ce service, veuillez retourner votre produit à un réparateur agréé qui se chargera de le collecter pour nous.

Pour connaître l'adresse du réparateur agréé le plus proche de chez vous, contactez le bureau Black & Decker à l'adresse indiquée dans ce manuel. Vous pourrez aussi trouver une liste des réparateurs agréés de Black & Decker et de plus amples détails sur notre service après-vente sur le site Internet à l'adresse suivante : www.2helpU.com

Caractéristiques techniques

	KA165GT/KA165GTK	
Tension	V _{AC}	230
Puissance absorbée	W	55
Vitesse à vide	min ⁻¹	11.000

Déclaration de conformité CE

KA165GT/KA165GTK

Black & Decker déclare que ces outils sont conformes aux normes:

98/37/CEE, 89/336/CEE, EN 50144, EN 55014, EN 61000

L_{PA} (pression acoustique): 59 dB(A), L_{WA} (puissance acoustique) 72 dB(A), niveau de vibration main/bras < 2,5 m/s²

Kevin Hewitt
Directeur du Développement
Spennymoor, County Durham DL16 6JG,
Royaume-Uni

Garantie

Black & Decker est confiant dans la qualité de ses produits et vous offre une garantie très étendue. Ce certificat de garantie est un document supplémentaire et ne peut en aucun cas se substituer à vos droits légaux. La garantie est valable sur tout le territoire des Etats Membres de l'Union Européenne et de la Zone de Libre Echange Européenne.

Si un produit Black & Decker s'avère défectueux en raison de matériaux en mauvaises conditions, d'une erreur humaine, ou d'un manque de conformité dans les 24 mois suivant la date d'achat, Black & Decker garantit le remplacement des pièces défectueuses, la réparation des produits usés ou cassés ou remplace ces produits à la convenance du client, sauf dans les circonstances suivantes :

- ◆ Le produit a été utilisé dans un but commercial, professionnel, ou a été loué.
- ◆ Le produit a été mal utilisé ou avec négligence.
- ◆ Le produit a subi des dommages à cause d'objets étrangers, de substances ou à cause d'accidents.
- ◆ Des réparations ont été tentées par des techniciens ne faisant pas partie du service technique de Black & Decker.

Pour avoir recours à la garantie, il est nécessaire de fournir une preuve d'achat au vendeur ou à un réparateur agréé. Pour connaître l'adresse du réparateur agréé le plus proche de chez vous, contactez le bureau Black & Decker à l'adresse indiquée dans ce manuel. Vous pourrez aussi trouver une liste des réparateurs agréés de Black & Decker et de plus amples détails sur notre service après-vente sur le site Internet à l'adresse suivante : www.2helpU.com

Visitez notre site Web www.blackanddecker.fr pour enregistrer votre nouveau produit Black & Decker et être informé des nouveaux produits et des offres spéciales. Pour plus d'informations concernant la marque Black & Decker et notre gamme de produits, consultez notre site www.blackanddecker.fr

Uso previsto

La levigatrice Black & Decker è stata progettata per levigare e lucidare superfici in legno, metallo, plastica e verniciate. Questo utensile è destinato al solo utilizzo non professionale.

Istruzioni di sicurezza

- ◆ **Attenzione!** Quando si adoperano utensili alimentati elettricamente, per ridurre il rischio di incendio, di scosse elettriche e danni a persone e cose è necessario seguire sempre alcune precauzioni di sicurezza basilari, incluso le seguenti:
 - ◆ Prima di adoperare l'utensile, leggere attentamente le istruzioni di cui al presente manuale.
 - ◆ Conservare queste istruzioni per successive consultazioni.
 - ◆ Prima di eseguire interventi di manutenzione, di assistenza o delle regolazioni, estrarre la spina dalla presa.

Tenere pulita l'area di lavoro

Ambienti e banchi di lavoro in disordine possono essere causa d'incidenti.

Tener presenti le caratteristiche dell'ambiente di lavoro

Non lasciare l'utensile sotto la pioggia. Non usare l'utensile in ambienti carichi di umidità. Tenere ben illuminata l'area di lavoro. Non usare l'utensile quando vi sia rischio di provocare un incendio o un'esplosione, per es. in luoghi con atmosfera gassosa o infiammabile.

Tenere i bambini lontani dall'area di lavoro

Non permettere a bambini, ad altre persone o ad animali di avvicinarsi alla zona di lavoro, toccare l'utensile o il cavo di alimentazione.

Usare il vestiario appropriato

Evitare l'uso di abiti svolazzanti, catenine, ecc. in quanto potrebbero rimanere impigliati nelle parti mobili dell'utensile. Lavorando all'aperto indossare guanti di gomma e scarpe con solette antisdrucciolo.

Raccogliere i capelli se si portano lunghi.

Protezione personale

Indossare occhiali di sicurezza. Fare uso di una mascherina antipolvere ogni volta che l'impiego dell'utensile può produrre polvere o schegge. Ogni volta che il livello sonoro non è sopportabile è necessario fare uso di otoprotezioni.

Fare attenzione alle scosse elettriche

Evitare il contatto con le superfici messe a terra (ad esempio tubi, radiatori, cuocitori e refrigeratori). La sicurezza elettrica può essere ulteriormente ampliata utilizzando un dispositivo a corrente residua (RCD) ad alta sensibilità (30 mA / 30 mS).

Non sbilanciarsi

Mantenere sempre un buon equilibrio evitando posizioni malsicure.

Stare sempre attenti

Prestare attenzione a quanto si sta facendo. Usare il proprio buon senso. Non utilizzare l'utensile quando si è stanchi.

Bloccare il pezzo da lavorare

Usare pinze o morse per bloccare il pezzo da lavorare.

Ciò aumenta la sicurezza e consente di mantenere entrambe le mani libere per operare meglio.

Connettere l'apparecchiatura aspirapolvere

Se sono forniti i dispositivi per la connessione delle macchine per l'aspirazione e la raccolta della polvere, verificare che vengano collegati e utilizzati correttamente.

Non lasciare sull'utensile chiavi o strumenti di misura

Prima di mettere in funzione l'utensile abbiate cura di togliere chiavi e altri strumenti.

Prolunghe

Ispezionare la prolunga prima dell'uso e sostituirla se è danneggiata. Quando l'utensile viene impiegato all'esterno, usare unicamente le prolunghe per uso esterno. È possibile adoperare una prolunga Black & Decker fino a 30 m senza perdita di potenza.

Adoperare l'utensile adatto alla situazione

L'utilizzo previsto è quello indicato nel presente manuale. Non forzare utensili e accessori di potenza limitata impiegandoli per lavori destinati ad utensili di maggiore potenza. Non forzare l'utensile. L'attrezzo va utilizzato esclusivamente per l'uso cui è destinato; ad esempio una sega circolare non deve essere adoperata per tagliare rami o tronchi.

Attenzione! L'uso di accessori o attrezzature diversi o l'impiego del presente utensile per scopi diversi da quelli indicati nel presente manuale d'uso comportano il rischio di infortuni.

Controllare che non vi siano parti danneggiate

Prima dell'uso, ispezionare accuratamente l'utensile e il cavo elettrico per rilevare eventuali danni. Controllare se ci sono parti non allineate o parti mobili con gioco, componenti rotti, danni alle protezioni o agli interruttori e qualsiasi altra condizione che possa incidere sul funzionamento dell'utensile. Accertare che l'utensile funzioni come previsto e che venga impiegato per lo scopo per cui è stato progettato. Non usare l'utensile se presenta elementi danneggiati o difettosi. Non impiegare l'utensile se non è possibile accenderlo e spegnerlo mediante l'interruttore. Eventuali componenti difettosi o danneggiati devono essere sostituiti o riparati da un tecnico autorizzato. Non tentare mai di effettuare delle riparazioni.

Estrarre la spina dalla presa di alimentazione

Estrarre la spina dalla presa di alimentazione quando l'utensile non è in uso, prima di cambiare pezzi, accessori o complementi e prima di eseguire lavori di manutenzione.

Evitare di avviare l'utensile quando non è necessario

Non portate l'utensile con il dito sull'interruttore. Prima di collegare l'utensile alla presa, verificare che sia spento.

Non forzare il cavo di collegamento elettrico

Non sostenere mai l'utensile mediante il cavo né tirare quest'ultimo per estrarne la spina dalla presa. Mantenere il cavo lontano da fonti di calore, olio e spigoli taglienti.

Conservazione dell'utensile dopo l'uso

Quando non vengono usati, gli utensili vanno conservati in un luogo asciutto e inaccessibile (sottochiave o in alto), fuori dalla portata dei bambini.

Mantenere l'utensile con cura

Mantenere gli utensili da taglio affilati e puliti in modo da ottenere una miglior e più sicura resa. Seguire le istruzioni di manutenzione e cambio di accessori. Mantenere le impugnature e gli interruttori asciutti, puliti e senza tracce di olio o grassi.

Riparazioni

Questo utensile è conforme ai relativi requisiti di sicurezza. Le riparazioni devono essere eseguite soltanto da personale qualificato e con pezzi di ricambio originali, per evitare di esporre gli utenti a considerevoli rischi.

Sicurezza elettrica



Il doppio isolamento di cui è provvisto l'utensile rende superfluo il filo di terra. Controllare sempre che la tensione di alimentazione corrisponda a quella indicata sulla targhetta.

Ulteriori precauzioni di sicurezza per le levigatrici

- ◆ Quando si leviga indossare sempre una mascherina.
- ◆ Dopo la levigazione, rimuovere tutta la polvere.
- ◆ Prima di utilizzare l'utensile su pezzi di legno, controllare di avere installato il dispositivo raccogli-polvere.
- ◆ Prima di utilizzare l'utensile su pezzi di metallo, controllare di avere smontato il dispositivo raccogli-polvere.
- ◆ Non utilizzare mai l'attrezzo senza la carta vetrata.
- ◆ Non utilizzare mai l'attrezzo senza la piastra di levigatura.
- ◆ Ogni volta che il livello sonoro non è sopportabile è necessario fare uso di apposite protezioni.

Levigatura di vernici a base di piombo o MDF

Si suggerisce di non levigare le superfici rivestite di vernice a base di piombo data la difficoltà di controllare le polveri contaminate. L'avvelenamento da piombo è pericoloso soprattutto per i bambini e le donne in gravidanza. Tutti gli edifici la cui costruzione risale a prima del 1960 possono essere stati pitturati con vernice contenente piombo, ricoperta in seguito con successivi strati di vernice. Prima di iniziare a lavorare è importante determinare se la vernice da levigare contiene o meno piombo. A questo scopo è possibile utilizzare un kit di prova oppure richiedere l'intervento di uno stuccatore professionista.

Protezione personale

- ◆ Non consentire a bambini o donne in gravidanza di entrare nell'area di lavoro.

- ◆ Indossare una mascherina di protezione specifica per fumi e polveri di vernice al piombo e verificare che anche le persone presenti o in arrivo nell'area di lavoro siano adeguatamente protette.
- ◆ Non mangiare, bere o fumare nell'area di lavoro. Non conservare alimenti o bevande nell'area di lavoro.
- ◆ Lavarsi con cura prima di mangiare, bere o fumare.

Ambiente

- ◆ La vernice deve essere rimossa in modo da ridurre al minimo la polvere che si produce.
- ◆ Sigillare l'area di lavoro con una copertura di plastica.
- ◆ Ridurre al minimo la quantità di polvere all'esterno dell'area di lavoro.

Pulizia

- ◆ Utilizzare un aspirapolvere e pulire tutte le superfici dell'area di lavoro ogni giorno.
- ◆ Sostituire con regolarità i filtri e il sacchetto raccogli-polvere dell'aspirapolvere.
- ◆ Prima di riutilizzarlo, lavare a fondo qualsiasi oggetto estraneo esposto alle polveri.

Caratteristiche

Questo utensile è dotato di tutte le funzioni elencate di seguito, o di alcune di esse.

1. Interruttore on /off
2. Comoda impugnatura in morbido gel
3. Connettore per il raccogli-polvere
4. Base
5. Portapunta
6. Punta base di levigatura
7. Piastra per dettagli
8. Accessorio per profili (solo KA165GTK)
9. Vite
10. Profili per levigare (solo KA165GTK)

Questo strumento, inoltre, viene fornito con alcuni o tutti i seguenti accessori:

Accessorio

- Carta vetrata a grana grossa
- Carta vetrata a grana media
- Carta vetrata a grana sottile
- Carta vetrata a grana extrasottile

Uso e applicazione consigliati

Rimozione di ruggine, vernici o pitture rapide
Rimozione di ruggine, vernici e pitture
Rifinitura di superfici

Levigatura intermedia tra rivestimenti

- Punte di levigatura di precisione Angoli e punti difficilmente accessibili
- 1 OT lana smeriglio Lucidatura di metalli, smerigliatura di vernici e pulizia di vetri
- Tampone di spugna grigio Applicazione e rimozione di lucidanti
- Spugna rossa non-tessuto Lavaggio energico e rimozione di ruggine
- Carta abrasiva grigia Lucidatura di materie plastiche
- Accessori per bordi Curve e profili

Montaggio

Attenzione! Prima di montarlo assicuratevi che l'utensile sia spento e desinserito.

Inserimento dei fogli di carta vetrata (fig. A e B)

- ◆ Staccare le due punte romboidali (11) dal foglio di carta vetrata (12).
- ◆ Mantenere l'attrezzo con la base di levigatura rivolta verso l'alto.
- ◆ Collocare il foglio di carta vetrata (12) sulla base di levigatura, accertando che i fori del foglio coincidano con i fori della base.

La punta romboidale (11) usurata può essere girata e sostituita quando è del tutto consumata.

- ◆ Quando la parte anteriore della punta è consumata, staccarla dal foglio, girarla e premerla di nuovo sulla base di levigatura.
- ◆ Quando l'intera punta è consumata, smontarla dalla base di levigatura ed installarne una nuova.
- ◆ I tamponi e le spugne per levigare (13) vanno installati come i fogli di carta vetrata.

Punta della base di levigatura (fig. C)

Quando la punta della base di levigatura (6) o il relativo supporto (5) sono usurati, possono essere girati o sostituiti. Le parti di ricambio sono disponibili presso il concessionario Black & Decker.

- ◆ Rimuovere la vite (9).
- ◆ Girare o sostituire il pezzo usurato.
- ◆ Inserire e serrare la vite.

Piastra per dettagli (fig. D)

L'accessorio lungo è utilizzato per la levigatura di precisione.

- ◆ Rimuovere la vite (9).
- ◆ Smontare il portapunte romboidale (5) dalla base di levigatura.
- ◆ Installare l'accessorio lungo (7) sulla base di levigatura.
- ◆ Inserire e serrare la vite.

- ◆ Inserire il foglio di carta vetro adatto (14) sulla piastra per dettagli.

Accessorio per profili (fig. E)

L'accessorio per profili va usato per levigare i bordi.

- ◆ Rimuovere la vite (9).
- ◆ Smontare il portapunte romboidale (5) dalla base di levigatura.
- ◆ Installare l'accessorio per profili (8) sulla base di levigatura.
- ◆ Inserire e serrare la vite.

Inserimento ed estrazione di un profilo di smerigliatura (fig. F1 e F2)

- ◆ Scegliere il profilo di smerigliatura adatto al lavoro da eseguire.
- ◆ Collocare un'estremità del profilo di levigatura (10) nella nicchia sul lato anteriore del portaprofilo (8).
- ◆ Spingere l'altra estremità del profilo finché non scatta in posizione.
- ◆ Per smontare il profilo di smerigliatura, spingerlo in avanti e tirare l'estremità posteriore fuori dal portaprofilo (fig. F2).

Inserimento di un foglio di carta vetrata su un profilo di levigatura (fig. G)

- ◆ Allineare il foglio di carta vetrata (15) con il profilo di levigatura (10).
- ◆ Premere sul profilo di levigatura il foglio di carta vetrata, accertando che segua la forma del profilo.

Attacco di un aspirapolvere (fig. H)

L'attrezzo dispone di un adattatore per il collegamento a un aspirapolvere quando si leviga il legno. Per collegare l'attrezzo a un aspirapolvere, procedere come segue:

- ◆ Collocare il connettore per il raccogli-polvere (3) sull'adattatore che si trova dietro l'attrezzo.
- ◆ Attaccare al connettore il flessibile di un aspirapolvere adatto.

Uso

Attenzione! Lasciare che l'utensile lavori al suo ritmo, senza sovraccaricarlo.

Attenzione! Non ostruire le prese di ventilazione quando si adopera l'attrezzo. L'attrezzo va mantenuto come mostra la fig. I. Verificare che la base di levigatura poggi piatta sul pezzo da lavorare.

Avviamento e spegnimento

- ◆ Per avviare l'utensile, posizionare l'interruttore (1) sulla posizione I.
- ◆ Per spegnere l'utensile posizionare l'interruttore sulla posizione O.

Accessori

Le prestazioni dell'utensile dipendono dall'accessorio usato. Gli accessori Black & Decker e Piranha, che sono prodotti di altissima qualità, sono stati progettati per ottimizzare la resa dell'utensile. Quando si scelgono questi accessori l'utensile offre prestazioni eccellenti.

Manutenzione

Questo utensile è stato progettato per funzionare a lungo con un minimo di manutenzione. Per ottenere prestazioni sempre soddisfacenti occorre avere cura dell'utensile e sottoporlo a manutenzione periodica.

- ◆ Pulire le prese e i fori di raffreddamento con un pennello pulito e asciutto.
- ◆ Pulire l'alloggiamento con un panno umido pulito. Non usare solventi.

Protezione dell'ambiente



Black & Decker offre ai suoi clienti la possibilità di riciclare i prodotti Black & Decker che hanno esaurito la loro vita di servizio. Il servizio viene offerto gratuitamente. Per utilizzarlo, è sufficiente restituire il prodotto a qualsiasi tecnico autorizzato, incaricato della raccolta per conto dell'azienda.

Per individuare il tecnico autorizzato più vicino, rivolgersi alla sede Black & Decker locale, presso il recapito indicato nel presente manuale. Altrimenti un elenco completo di tutti i tecnici autorizzati Black & Decker e i dettagli completi sui contatti e i servizi post-vendita sono disponibili su Internet presso: www.2helpU.com

Dati tecnici

	KA165GT/KA165GTK	
Tensione	V_{AC}	230
Potenza assorbita	W	55
Velocità a vuoto	min^{-1}	11.000

Dichiarazione CE di conformità

KA165GT/KA165GTK

Black & Decker dichiara che questi utensili sono stati costruiti in conformità a:

98/37/CEE, 89/336/CEE, EN 50144, EN 55014, EN 61000

L_{pA} (rumorosità): 59 dB(A), L_{WA} (potenza sonora) 72 dB(A),
vibrazioni mano-braccio < 2,5 m/s²

Kevin Hewitt
Direttore di Ricerca e Sviluppo
Spennymoor, County Durham DL16 6JG,
United Kingdom

Garanzia

Certa della qualità dei suoi prodotti, Black & Decker offre una garanzia eccezionale. Il presente certificato di garanzia è complementare ai diritti statutari e non li pregiudica in alcun modo. La garanzia è valida entro il territorio degli Stati membri dell'Unione Europea e dell'EFTA (European Free Trade Area).

Se un prodotto Black & Decker risulta difettoso per qualità del materiale, della costruzione o per mancata conformità entro 24 mesi dalla data di acquisto, Black & Decker garantisce la sostituzione delle parti difettose, provvede alla riparazione dei prodotti se ragionevolmente usurati oppure alla loro sostituzione, in modo da ridurre al minimo il disagio del cliente a meno che:

- ◆ Il prodotto non sia stato destinato ad usi commerciali, professionali o al noleggio;
- ◆ Il prodotto non sia stato usato in modo improprio o scorretto;
- ◆ Il prodotto non abbia subito danni causati da oggetti o sostanze estranee oppure incidenti;
- ◆ Il prodotto non abbia subito tentativi di riparazione non effettuati da tecnici autorizzati né dall'assistenza Black & Decker.

Per attivare la garanzia è necessario esibire la prova comprovante l'acquisto al venditore o al tecnico autorizzato. Per individuare il tecnico autorizzato più vicino, rivolgersi alla sede Black & Decker locale, presso il recapito indicato nel presente manuale. Altrimenti un elenco completo di tutti i tecnici autorizzati Black & Decker e i dettagli completi sui contatti e i servizi post-vendita sono disponibili su Internet presso: www.2helpU.com

I clienti che desiderano registrare il nuovo prodotto Black & Decker e ricevere gli aggiornamenti sui nuovi prodotti e le offerte speciali, sono invitati a visitare il sito Web (www.blackanddecker.it). Ulteriori informazioni sul marchio e la gamma di prodotti Black & Decker sono disponibili all'indirizzo www.blackanddecker.it

Gebruik volgens bestemming

Uw Black & Decker schuurmachine is ontworpen voor het schuren en polijsten van hout, metaal, kunststof en geverfde oppervlakken. Dit instrument is uitsluitend bedoeld voor consumentengebruik.

Veiligheidsvoorschriften

- ◆ **Waarschuwing!** Bij het gebruik van elektrische machines dienen ter bescherming tegen brandgevaar, elektrische schokken, letsel en materiële schade altijd gepaste veiligheidsmaatregelen in acht te worden genomen, waaronder de volgende veiligheidsvoorschriften.
- ◆ Lees de gebruiksaanwijzing aandachtig door voordat u met de machine gaat werken.
- ◆ Bewaar deze instructies zorgvuldig!
- ◆ Neem de stekker uit het stopcontact alvorens instellingen, reparaties of onderhoudswerkzaamheden uit te voeren.

Zorg voor een opgeruimde werkomgeving

Een rommelige werkomgeving leidt tot ongelukken.

Houd rekening met omgevingsinvloeden

Stel de machine niet bloot aan regen. Gebruik de machine niet in een vochtige of natte omgeving. Zorg dat de werkomgeving goed is verlicht. Gebruik de machine niet op plaatsen waar brand- of explosiegevaar bestaat, b.v. in de buurt van brandbare vloeistoffen of gassen.

Houd kinderen uit de buurt

Houd kinderen, bezoekers en dieren buiten het werkgebied en laat ze de machine of de elektriciteitskabel niet aanraken.

Draag geschikte werkkleding

Draag geen wijde kleding of loshangende sieraden. Deze kunnen door de bewegende delen worden gegrepen. Draag bij het werken buitenshuis bij voorkeur rubber werkhandschoenen en schoenen met profielzolen. Houd lang haar bijeen.

Persoonlijke bescherming

Draag altijd een veiligheidsbril. Draag een gezichts- of stofmasker bij werkzaamheden waarbij stofdeeltjes of spanen vrijkomen. Gehoorbescherming moet worden gebruikt als het geluidsniveau onaangenaam hoog is.

Bescherming tegen elektrische schokken

Voorkom aanraking van geaarde oppervlakken (bijv. buizen, radiatoren, fornuizen en koelkasten). Elektrische veiligheid kan verder worden verbeterd met behulp van een hooggevoelige (30 mA / 30 mS) reststroomschakelaar (RCD).

Zorg voor een veilige houding

Zorg altijd voor een juiste, stabiele houding.

Blijf voortdurend opletten

Houd uw aandacht bij uw werk. Ga met verstand te werk. Gebruik de machine niet als u niet geconcentreerd bent.

Klem het werkstuk goed vast

Gebruik klemmen of een bankschroef om het werkstuk te fixeren. Dit is veiliger, bovendien kan de machine dan met beide handen worden bediend.

Sluit de uitrusting van de stofafvoer aan

Indien hulpmiddelen zijn meegeleverd voor de aansluiting van stofafvoer en voorzieningen voor stofopvang, zorg dan dat deze zijn aangesloten en naar behoren worden gebruikt.

Verwijder sleutels en hulpgereedschappen

Controleer vóór het inschakelen altijd of sleutels en andere hulpgereedschappen zijn verwijderd.

Verlengsnoeren

Inspecteer voor gebruik het verlengsnoer. Vervang het snoer indien het beschadigd is. Maak bij gebruik buitenshuis uitsluitend gebruik van verlengsnoeren die geschikt zijn voor gebruik buitenshuis. Een Black & Decker verlengsnoer met een lengte tot 30 m kan worden gebruikt zonder verlies van vermogen.

Gebruik de juiste machine

Het gebruik volgens bestemming is beschreven in deze handleiding. Gebruik geen te lichte machine of hulpstukken voor te zwaar werk. De machine werkt beter en veiliger indien u deze gebruikt voor het beoogde doel. Overbelast de machine niet. Gebruik de machine niet voor doeleinden waarvoor zij niet bestemd is; gebruik een cirkelzaag bijvoorbeeld niet voor het zagen van boomstronken.

Waarschuwing! Gebruik ter voorkoming van lichamelijk letsel uitsluitend de in deze gebruiksaanwijzing aanbevolen accessoires en hulpstukken. Gebruik de machine uitsluitend volgens bestemming.

Controleer de machine op beschadigingen

Controleer de machine voor gebruik op schade. Controleer of alle bewegende delen correct gemonteerd zijn, of er geen onderdelen gebroken zijn, of er geen beschermkappen en schakelaars beschadigd zijn en of er andere gebreken zijn die invloed op de werking van de machine zouden kunnen hebben. Vergewis u ervan dat de machine correct werkt. Gebruik de machine niet als enig onderdeel defect is. Gebruik de machine niet als de aan/uit-schakelaar niet werkt. Defecte onderdelen dienen door een erkend servicecentrum te worden gerepareerd of vervangen. Probeer nooit om de machine zelf te repareren.

De stekker uit het stopcontact verwijderen

Verwijder de stekker uit het stopcontact als u de machine niet gebruikt, voordat u gereedschappen, accessoires of onderdelen van de machine verwisselt en voordat u onderhoud aan de machine uitvoert.

Voorkom onbedoeld inschakelen

Draag de machine niet met uw vingers aan de aan/uit-schakelaar. Wees ervan verzekerd dat de machine is uitgeschakeld voordat u de stekker in het stopcontact steekt.

Misbruik het snoer niet

Draag de machine nooit aan het snoer. Trek niet aan het snoer om de stekker uit het stopcontact te verwijderen. Houd het snoer uit de buurt van warmtebronnen, olie en scherpe randen.

Berg de machine veilig op

Indien niet in gebruik, dienen machines te worden opgeborgen in een droge, afsluitbare of hoge plaats, buiten bereik van kinderen.

Onderhoud de machine met zorg

Houd snijgereedschappen scherp en schoon om beter en veiliger te kunnen werken. Houdt u aan de instructies met betrekking tot het onderhoud en het vervangen van accessoires. Houd de handgrepen en schakelaars droog en vrij van olie en vet.

Reparaties

Deze machine voldoet aan de geldende veiligheidseisen. Reparaties mogen uitsluitend worden uitgevoerd door bevoegde vakmensen en met behulp van originele reserveonderdelen; anders kan er een aanzienlijk gevaar voor de gebruiker ontstaan.

Elektrische veiligheid



Deze machine is dubbel geïsoleerd; een aardaansluiting is daarom niet noodzakelijk. Controleer altijd of uw netspanning overeenkomt met de waarde op het typeplaatje.

Aanvullende veiligheidsinstructies voor schuurmachines

- ◆ Draag altijd een stofmasker bij het schuren.
- ◆ Verwijder zorgvuldig alle stof na het schuren.
- ◆ Breng de stofafzuiging op de machine aan alvorens de machine op houten werkstukken te gebruiken.
- ◆ Verwijder de stofafzuiging van de machine alvorens de machine op metalen werkstukken te gebruiken.
- ◆ Gebruik de machine nooit zonder schuurvel.
- ◆ Gebruik de machine nooit zonder schuurzool.
- ◆ Gehoorbescherming moet worden gebruikt als het geluidsniveau onaangenaam hoog is.

Het schuren van loodhoudende verf of MDF

Het schuren van loodhoudende verf wordt niet aanbevolen omdat het verontreinigde stof moeilijk te beheersen is. Het grootste gevaar van loodvergiftiging bestaat voor kinderen en zwangere vrouwen. Elk gebouw van voor 1960 kan in het verleden zijn geschilderd met loodhoudende verf. Deze verf kan met aanvullende verflagen zijn overdekt. Voordat u begint te werken, is het belangrijk om te bepalen of de te schuren verf lood bevat. Dit kan worden gedaan met een testset of door een professionele schilder.

Persoonlijke bescherming

- ◆ Kinderen en zwangere vrouwen mogen de werkvloer niet betreden.
- ◆ Draag een stofmasker dat speciaal ontworpen is ter bescherming tegen loodverfstof en -damp en verzeker u ervan dat andere personen op de werkvloer of die de werkvloer betreden eveneens beschermd zijn.
- ◆ Eten, drinken en roken op de werkvloer is niet toegestaan. Het bewaren van eten of drinken op de werkvloer is niet toegestaan.
- ◆ Was uzelf zeer zorgvuldig voor het eten, drinken of roken.

Milieu

- ◆ Verwijder de verf op dusdanige wijze dat de hoeveelheid stof wordt geminimaliseerd.
- ◆ Scherm de werkruimte af met plastic zeil.
- ◆ Minimaliseer de hoeveelheid stof buiten de werkruimte.

Reinigen

- ◆ Reinig en stofzuig dagelijks alle oppervlakken in de werkruimte op grondige wijze.
- ◆ Wissel regelmatig de stofzak en de filters van de stofzuiger.
- ◆ Was voorwerpen die aan stof hebben blootgestaan grondig voordat u ze hergebruikt.

Onderdelen

Al naar gelang de uitvoering beschikt deze machine over de volgende onderdelen.

1. Aan/uitschakelaar
2. Gelcomfortgreep
3. Stofafzuigaansluiting
4. Zool
5. Punthouder
6. Schuurzoolpunt
7. Vingerhulpstuk
8. Profielhulpstuk (alleen voor KA165GTK)
9. Schroef
10. Schuurprofielen (alleen voor KA165GTK)

Daarbij wordt deze machine geleverd met enkele of alle van de volgende accessoires:

Accessoire	Aanbevolen toepassing en gebruik
- Grove korrel schuurpapier	Snel verwijderen van verf, vernis en roest
- Medium korrel schuurpapier	Verwijderen van verf, vernis en roest
- Fijne korrel schuurpapier	Afwerken van oppervlakken
- Extra fijne korrel schuurpapier	Schuren tussen verflagen
- Schuurpunten voor details bereikbare plekken	Hoeken en moeilijk
- 1 OT polijst/slijpwol	Polijsten van metalen, strippen van vernis en schoonmaken van glas
- Grijs schuimkussen	Aanbrengen en verwijderen van polijstmiddel
- Rood non-woven kussen	Zwaar borstelen en verwijderen van roest
- Grijs schuurpapier	Polijsten van kunststoffen
- Contour hulpstukken	Bochten en profielen

Montage

Waarschuwing! Zorg vóór aanvang van de montage dat de machine is uitgeschakeld en de netstekker van het lichtnet is losgekoppeld.

Aanbrengen van schuurvellen (fig. A & B)

- ◆ Maak de twee ruitvormige punten (11) los van het schuurvel (12).
- ◆ Houd de machine vast met de schuurzool omhoog.
- ◆ Plaats het schuurvel (12) op de schuurzool en zorg dat de gaten in het vel samenvallen met de gaten in de zool.

De ruitvormige punt (11) kan worden omgedraaid en vervangen wanneer deze versleten is.

- ◆ Als het voorste gedeelte van de punt versleten is, haal hem dan los van het vel, draai hem om, en druk hem weer terug op de schuurzool.
- ◆ Als de gehele punt versleten is, verwijder hem dan van de schuurzool en plaats een nieuwe punt.
- ◆ De schuimkussens voor polijsten (13) kunnen op dezelfde wijze worden aangebracht als de schuurvellen.

Punt van de schuurzool (fig. C)

Wanneer de punt van de schuurzool (6) of de punthouder (5) is versleten, kan deze worden omgedraaid of vervangen. Reserve onderdelen zijn verkrijgbaar bij uw Black & Decker leverancier.

- ◆ Verwijder de schroef (9).
- ◆ Draai het versleten deel om of vervang het.
- ◆ Bevestig de schroef en draai deze vast.

Vingerhulpstuk (fig. D)

Het vingerhulpstuk wordt gebruikt voor het schuren van fijne details.

- ◆ Verwijder de schroef (9).
- ◆ Verwijder de ruitvormige punthouder (5) van de schuurzool.
- ◆ Plaats het vingerhulpstuk (7) op de schuurzool.
- ◆ Bevestig de schroef en draai deze vast.
- ◆ Plaats het geschikte schuurvel (14) op de schuurzool.

Profielhulpstuk (fig. E)

Het profielhulpstuk wordt gebruikt voor het schuren van contouren.

- ◆ Verwijder de schroef (9).
- ◆ Verwijder de ruitvormige punthouder (5) van de schuurzool.
- ◆ Plaats het profielhulpstuk (8) op de schuurzool.
- ◆ Bevestig de schroef en draai deze vast.

Aanbrengen en verwijderen van een schuurprofiel (fig. F1 & F2)

- ◆ Kies het meest geschikte schuurprofiel voor uw toepassing.
- ◆ Plaats de ene kant van het schuurprofiel (10) in de uitsparing aan de voorkant van de profielhouder (8).

- ◆ Druk op de andere kant van het schuurprofiel totdat hij op zijn plaats klikt.
- ◆ Duw het schuurprofiel naar voren en trek het achterste gedeelte uit de profielhouder, om het schuurprofiel te verwijderen (fig. F2).

Aanbrengen van een schuurvel op een schuurprofiel (fig. G)

- ◆ Breng het schuurvel (15) in lijn met het schuurprofiel (10).
- ◆ Druk het schuurvel op het schuurprofiel terwijl u ervoor zorgt dat het schuurvel precies op de vorm van het profiel past.

Aansluiten van een stofzuiger (fig. H)

De machine heeft een adapter om een stofzuiger aan te sluiten voor het schuren van hout. Om een stofzuiger op de machine aan te sluiten, gaat u als volgt te werk:

- ◆ Plaats de stofafzuigaansluiting (3) op de adapter aan de achterkant van de machine.
- ◆ Sluit de slang van een geschikte stofzuiger aan op de adapter.

Gebruik

Waarschuwing! Laat de machine op haar eigen tempo werken. Niet overbelasten.

Waarschuwing! Bedek de ventilatiesleuven niet wanneer u de machine gebruikt. Houd de machine vast zoals afgebeeld in fig. I. Zorg ervoor dat de schuurzool vlak op het werkstuk ligt.

Aan- en uitschakelen

- ◆ Om de machine aan te schakelen, zet u de aan/uitschakelaar (1) in positie I.
- ◆ Om de machine uit te schakelen, zet u de aan/uitschakelaar in positie O.

Accessoires

De prestaties van uw machine hangen af van welke accessoire u gebruikt. Black & Decker en Piranha accessoires zijn ontwikkeld om te voldoen aan hoge kwaliteitseisen en ontworpen om de prestaties van uw machine te verbeteren. Met behulp van deze accessoires haalt u het beste uit uw machine.

Onderhoud

Uw machine is ontworpen om gedurende langere periode te functioneren met een minimum aan onderhoud. Voortdurend tevreden gebruik is afhankelijk van correct onderhoud en regelmatig schoonmaken.

- ◆ Maak de koelgaten en sleuven schoon met een schone, droge kwast.
- ◆ Reinig de behuizing met een schone, vochtige doek. Gebruik geen oplosmiddelen.

Milieu



Black & Decker biedt de mogelijkheid tot recycleren van afgedankte Black & Decker producten. Deze service is kosteloos. Om gebruik van deze service te maken, dient u het product aan een van onze servicecentra te sturen, die voor ons de inzameling verzorgen.

U kunt het adres van het dichtstbijzijnde servicecentrum opvragen via de adressen op de achterzijde van deze handleiding. U kunt ook een lijst van onze servicecentra en meer informatie m.b.t. onze klantenservice vinden op het volgende Internet-adres: **www.2helpU.com**

Technische gegevens

		KA165GT/KA165GTK
Spanning	V_{AC}	230
Opgenomen vermogen	W	55
Onbelast toerental	min^{-1}	11.000

EG-verklaring van overeenstemming

KA165GT/KA165GTK

Black & Decker verklaart dat deze machines in overeenstemming zijn met:

98/37/EEG, 89/336/EEG, EN 50144, EN 55014, EN 61000

L_{pA} (geluidsdruk): 59 dB(A), L_{WA} (geluidsvermogen) 72 dB(A),
gewogen kwadratische gemiddelde waarde van de versnelling
< 2,5 m/s^2

Kevin Hewitt
Director of Consumer Engineering
Spennymoor, County Durham DL16 6JG,
United Kingdom

Garantie

Black & Decker heeft vertrouwen in zijn producten en biedt een uitstekende garantie. Deze garantiebepalingen vormen een aanvulling op uw wettelijke rechten en beperken deze niet. De garantie geldt in de lidstaten van de Europese Unie en de Europese Vrijhandelsassociatie.

Mocht uw Black & Decker product binnen 24 maanden na datum van aankoop defect raken tengevolge van materiaal- of constructiefouten, dan garanderen wij de kosteloze vervanging van defecte onderdelen, de reparatie van het product of de vervanging van het product, tenzij:

- ◆ Het product is gebruikt voor handelsdoeleinden, professionele toepassingen of verhuurdoeleinden;
- ◆ Het product onoordeelkundig is gebruikt;
- ◆ Het product is beschadigd door invloeden van buitenaf of door een ongeval;

- ◆ Reparaties zijn uitgevoerd door anderen dan onze servicecentra of Black & Decker personeel.

Om een beroep op de garantie te doen, dient u een aankoopbewijs te overhandigen aan de verkoper of een van onze servicecentra. U kunt het adres van het dichtstbijzijnde servicecentrum opvragen via de adressen op de achterzijde van deze handleiding. U kunt ook een lijst van onze servicecentra en meer informatie m.b.t. onze klantenservice vinden op het volgende Internet-adres: **www.2helpU.com**

Meld u aan op onze website **www.blackanddecker.nl** om te worden geïnformeerd over nieuwe producten en speciale aanbiedingen. Verdere informatie over het merk Black & Decker en onze producten vindt u op **www.blackanddecker.nl**

Uso previsto

Su lijadora Black & Decker ha sido diseñada para lijar y pulir madera, metal, plástico y superficies pintadas. Esta herramienta está pensada únicamente para uso doméstico.

Instrucciones de seguridad

- ◆ **¡Atención!** Cuando use herramientas eléctricas, debe seguir siempre las precauciones de seguridad básicas, incluidas las siguientes, a fin de reducir el riesgo de incendios, posibilidad de electrocutarse, lesiones personales y daños materiales.
- ◆ Lea completamente este manual antes de utilizar la herramienta.
- ◆ Mantenga a mano este manual para consultas posteriores.
- ◆ Desenchufe la herramienta de la red antes de realizar cualquier ajuste, reparación o mantenimiento.

Mantenga limpia el área de trabajo

Un área o un banco de trabajo en desorden aumentan el riesgo de accidentes.

Tenga en cuenta el entorno del área de trabajo

No exponga herramientas a la humedad. Procure que el área de trabajo esté bien iluminada. No utilice la herramienta donde exista riesgo de incendio o explosión, p. ej. en la proximidad de líquidos o gases inflamables.

¡Mantenga alejados a los niños!

No permita que niños, otras personas o animales se acerquen al área de trabajo ni toquen la herramienta o el cable de corriente.

Vista ropa de trabajo apropiada

No lleve vestidos anchos ni joyas. Estos podrían ser atrapados por piezas en movimiento. Para trabajos en el exterior, se recomienda llevar guantes de goma y calzado de suela antideslizante. Si tiene el pelo largo, téngalo recogido y cubierto.

Protección personal

Lleve gafas de protección. Utilice una mascarilla si el trabajo a ejecutar produce polvo u otras partículas volantes. La protección auditiva se considerará desgastada cuando el nivel del sonido resulte incómodo.

Protéjase contra la posibilidad de electrocutarse

Evite que su cuerpo haga contacto con objetos conectados a tierra (p. ej. tuberías, radiadores, frigoríficos y electrodomésticos en general). Se puede incrementar la seguridad eléctrica utilizando disyuntores de alta sensibilidad (30 mA / 30 mS) para detectar corrientes de fuga.

No alargue demasiado su radio de acción

Mantenga un apoyo firme sobre el suelo y conserve el equilibrio en todo momento.

Esté siempre alerta

Mire lo que está haciendo. Use el sentido común. No maneje la herramienta cuando esté cansado.

Sujete bien la pieza de trabajo

Utilice abrazaderas o un torno para sujetar la pieza de trabajo. Es más seguro que sujetarla con la mano y le permite utilizar ambas manos para manejar la herramienta.

Conecte los accesorios para la extracción de polvo.

Si se suministran adaptadores para la conexión de accesorios extractores y para el almacenamiento del polvo, asegúrese de que se conectan y utilizan adecuadamente.

Retire las llaves u otros utensilios fuera del área de trabajo

Antes de poner la herramienta en marcha, asegúrese de que las llaves y utensilios de reglaje hayan sido retirados.

Cables alargadores

Revise el cable alargador antes de utilizarlo por si presenta desperfectos. Al utilizar las herramientas en exteriores, utilice exclusivamente aquellos cables prolongadores diseñados para estas condiciones. Puede utilizarse un cable alargador Black & Decker de hasta 30 m sin pérdida de potencia.

Utilice la herramienta adecuada

En este manual se explica para qué uso está destinada la herramienta. No utilice herramientas o dispositivos acoplables de potencia demasiado débil para ejecutar trabajos pesados. La herramienta funcionará mejor y con mayor seguridad al ser utilizada de acuerdo con sus características técnicas. No fuerce la herramienta. Utilice las herramientas para su uso previsto únicamente; por ejemplo, no use una sierra circular para cortar ramas o troncos de árbol.

¡Atención! El uso de otros accesorios, adaptadores, o la propia utilización de la herramienta en cualquier forma diferente de las recomendadas en este manual de instrucciones puede constituir un riesgo de lesiones a las personas.

Compruebe que no haya piezas averiadas

Antes de usarla, compruebe cuidadosamente que la herramienta y el cable de corriente no presenten desperfectos. Compruebe la posible existencia de piezas móviles mal alineadas o atascadas, la rotura de piezas, el posible daño de protectores e interruptores y cualquier otro aspecto que pueda afectar al funcionamiento de la herramienta. Asegúrese de que la herramienta puede funcionar adecuadamente y cumplir con el cometido para el que ha sido diseñada. No use la herramienta si hay alguna pieza defectuosa o averiada. No utilice la herramienta si no es posible apagar y encender el interruptor. Encargue al servicio técnico autorizado que repare o sustituya las piezas defectuosas o averiadas. Jamás intente repararla usted mismo.

Desenchufe la herramienta

Desenchufe la herramienta cuando no esté usando la herramienta, antes de sustituir piezas, accesorios o acoplamientos, y antes de efectuar revisiones.

Evite un arranque involuntario

Procure no tocar el conmutador de encendido/apagado mientras transporta la herramienta. Asegúrese de que la herramienta esté apagada cuando la enchufe.

Cuide el cable de alimentación

No arrastre la herramienta tirando del cable, ni tire del cable para desenchufarlo. Proteja el cable del calor, del aceite y de las aristas vivas.

Guarde las herramientas que no utiliza

Cuando no las utilice, las herramientas deben guardarse en un lugar seco y cerrado o elevado, fuera del alcance de los niños.

Mantenga las herramientas asiduamente

Mantenga sus herramientas afiladas y limpias para trabajar mejor y más seguro. Siga las instrucciones para el mantenimiento y la sustitución de accesorios. Mantenga los mandos y conmutadores secos, limpios y libres de aceite y grasa.

Reparaciones

Esta herramienta cumple las normas de seguridad aplicables. Las reparaciones deben llevarse a cabo por personal cualificado, usando piezas de recambio originales; en caso contrario, podría ocasionarse un considerable riesgo para el usuario.

Seguridad eléctrica



La herramienta lleva un doble aislamiento; por lo tanto no requiere una toma a tierra. Compruebe siempre que la tensión de la red corresponda con el valor indicado en la placa de datos de la herramienta.

Instrucciones de seguridad adicionales para lijadoras

- ◆ Preferiblemente use una mascarilla contra el polvo cuando esté lijando.
- ◆ Elimine a fondo todo el polvo después de lijar.
- ◆ Antes de utilizar la herramienta con piezas de madera, asegúrese de que instala el equipo para la extracción del polvo.
- ◆ Antes de utilizar la herramienta con piezas de metal, asegúrese de que instala el equipo para la extracción del polvo.
- ◆ No use nunca la herramienta sin la hoja de lijar.
- ◆ No use nunca la herramienta sin la base de lijar.
- ◆ La protección auditiva se considerará desgastada cuando el nivel del sonido resulte incómodo.

Lijado de pintura con base de plomo o MDF

No se recomienda lijar pinturas con base de plomo debido a la dificultad de controlar el polvo contaminado. El peligro mayor de envenenamiento por plomo es para niños y mujeres embarazadas. Los edificios construidos antes de 1960 podrán haber sido pintados con pintura que contenía plomo. Esta pintura puede ser cubierta con capas adicionales de pintura. Antes de comenzar el trabajo, es importante dilucidar si la pintura que se va a lijar contiene plomo. Esto se puede realizar empleando un kit de prueba o a través de un decorador profesional.

Protección personal

- ◆ No permita la entrada de niños ni de mujeres embarazadas al área de trabajo.
- ◆ Utilice una mascarilla contra el polvo diseñada específicamente para proteger contra el polvo y las emanaciones de pinturas con plomo, y asegúrese de que las demás personas que se encuentren dentro de, o que penetren en el área de trabajo también estén protegidas.
- ◆ No ingiera alimentos, beba o fume en la zona de trabajo. No guarde alimentos ni bebidas en el área de trabajo.
- ◆ Lávese muy cuidadosamente antes de comer, beber o fumar.

Medio ambiente

- ◆ Elimine la pintura de forma a fin de reducir al mínimo la cantidad de polvo.
- ◆ Proteja la zona de trabajo con láminas de plástico.
- ◆ Reduzca al mínimo la cantidad de polvo que salga al exterior de la zona de trabajo.

Limpieza

- ◆ Limpie a fondo a diario todas las superficies de la zona de trabajo.
- ◆ Cambie periódicamente la bolsa de polvo y los filtros del aspirador.
- ◆ Limpie a fondo cualquier objeto extraño expuesto al polvo antes de usarlos de nuevo.

Características

Esta herramienta incluye alguna o todas las características siguientes.

1. Botón de encendido/apagado
2. Agarre confortable gelificado
3. Conector para la extracción del polvo
4. Base
5. Mango de punta
6. Punta para base de lijar
7. Acoplamiento de dedo
8. Acoplamiento de perfil (KA165GTK solamente)
9. Tornillo
10. Lijado de perfiles (KA165GTK solamente)

Además, esta herramienta se suministra con alguno o todos los accesorios siguientes:

Acesorio

- Lija de grano grueso
- Lija de grano medio
- Lija de grano fino

Aplicación y uso para el que se recomienda

Rápida eliminación de pintura, barniz y óxido
Eliminación de pintura, barniz y óxido
Mezcla y acabados de superficies

- Lija de grano extra fino Lijado entre capas
- Lijado al detalle de puntas Esquinas y zonas de difícil acceso
- 1 paño de lana para pulir/rascar OT Pulido de metales, remoción de barniz y limpieza de cristales
- Esponja gris Aplicar y eliminar el abrillantador
- Almohadilla roja no compuesta de tela Fregado a fondo y eliminación del óxido
- Papel abrasivo gris Pulido de plásticos
- Acoplamientos para contornos Curvas y perfiles

Montaje

¡Atención! Antes de proceder al montaje, compruebe que la herramienta está apagada y desenchufada.

Colocación de las hojas para lijar (fig. A y B)

- ◆ Separe las dos puntas afiladas de diamante (11) de la hoja de lijar (12).
- ◆ Sujete la herramienta con la base lijadora encarada hacia arriba.
- ◆ Coloque la hoja de papel de lijar (12) sobre la base de la lijadora, y asegúrese de que los orificios de la hoja de papel de lija coincidan con los de la base de la lijadora.

Se pueden invertir y sustituir las puntas en forma de diamante (11) cuando estén desgastadas.

- ◆ Cuando la parte frontal de la punta esté desgastada, sáquela de la hoja, inviértala y presiónela sobre la base lijadora de nuevo.
- ◆ Cuando está desgastada toda la punta, retírela de la base lijadora y coloque una nueva.
- ◆ Las esponjas y almohadillas de pulir (13) se pueden colocar de la misma forma que las hojas de papel de lija.

Punta de la base lijadora (fig. C)

Cuando esté desgastada la punta de la base lijadora (6) o el portapuntas (5), se podrán invertir o cambiar. Su concesionario Black & Decker dispone de piezas de repuesto.

- ◆ Retire el tornillo (9).
- ◆ Invierta o cambie la pieza gastada.
- ◆ Coloque y apriete el tornillo.

Acoplamiento del dedo (fig. D)

El acoplamiento del dedo se usa para un lijado fino de detalles.

- ◆ Retire el tornillo (9).
- ◆ Retire el porta punta en forma de diamante (5) de la base lijadora.

- ◆ Coloque el acoplamiento del dedo (7) en la base lijadora.
- ◆ Coloque y apriete el tornillo.
- ◆ Coloque la hoja de papel de lijar adecuada (14) sobre el acoplamiento del dedo.

Acoplamiento de perfil (fig. E)

El acoplamiento de perfil se utiliza para lijar contornos.

- ◆ Retire el tornillo (9).
- ◆ Retire el porta punta en forma de diamante (5) de la base lijadora.
- ◆ Coloque el acoplamiento de perfil (8) en la base lijadora.
- ◆ Coloque y apriete el tornillo.

Colocación y retirada del perfil de lijado (fig. F1 y F2)

- ◆ Elija el perfil de lijado que sea más adecuado para el trabajo va a realizar.
- ◆ Coloque un extremo del perfil de lijado (10) dentro del rebaje del extremo delantero del portador de perfiles (8).
- ◆ Empuje el otro extremo del perfil de lijado hasta que encaje en su posición haciendo clic.
- ◆ Para retirar el perfil de lijado, empújelo hacia adelante y extraiga el extremo posterior del portador de perfil (fig. F2).

Colocación de una hoja de papel de lijar en el perfil de lijado (fig. G)

- ◆ Alinee la hoja lijadora (15) con el perfil de lijado (10).
- ◆ Presione la hoja lijadora sobre el perfil de lijado, asegurándose de que la hoja lijadora sigue la forma del perfil.

Acoplamiento de un aspirador (fig. H)

La herramienta dispone de un adaptador para conectarlo a un aspirador cuando se lija madera. Para acoplar la herramienta a un aspirador, proceda de la forma siguiente:

- ◆ Coloque el conector de extracción del polvo (3) en el adaptador en la parte posterior de la herramienta.
- ◆ Conecte la manguera de un aspirador adecuado al conector.

Uso

¡Atención! Deje que la herramienta funcione a su ritmo.

No lo sobrecargue.

¡Atención! Cuando utilice la herramienta no tape las ranuras de ventilación. Sujete la herramienta tal como se indica en la fig. I. Asegúrese de que la base lijadora está plana sobre la pieza de trabajo.

Encendido y apagado

- ◆ Para poner en marcha la herramienta, coloque el conmutador On/Off (1) en la posición I.
- ◆ Para desconectar la herramienta, coloque el conmutador On/Off en la posición O.

Accesorios

El rendimiento de la herramienta dependerá del accesorio utilizado. Los accesorios de Black & Decker y Piranha están fabricados según las más altas normas de calidad para ampliar el rendimiento de la herramienta. Utilizando estos accesorios, logrará aprovechar al máximo la herramienta.

Mantenimiento

Su herramienta está diseñada para que funcione durante un largo período de tiempo con un mantenimiento mínimo. El funcionamiento satisfactorio continuado depende de un cuidado apropiado y una limpieza periódica de la herramienta.

- ◆ Limpie las rejillas y ranuras de ventilación con un cepillo de pintar seco y limpio.
- ◆ Limpie periódicamente la carcasa con un paño húmedo y limpio. No use disolventes.

Protección del medio ambiente



Black & Decker proporciona facilidades para el reciclado de los productos Black & Decker que hayan llegado al final de su vida útil. Este servicio se proporciona de forma gratuita. Para poderlo utilizar, le rogamos entregue el producto en cualquier servicio técnico autorizado quien se hará cargo del mismo en nuestro nombre.

Pueden consultar la dirección de su servicio técnico más cercano poniéndose en contacto con la oficina local de Black & Decker en la dirección que se indica en este manual. Como alternativa, se puede consultar en Internet, en la dirección siguiente, la lista de servicios técnico autorizados e información completa de nuestros servicios de postventa y contactos: **www.2helpU.com**

Características técnicas

	KA165GT/KA165GTK	
Voltaje	V _{AC}	230
Potencia absorbida	W	55
Velocidad sin carga	min ⁻¹	11.000

Declaración CE de conformidad

KA165GT/KA165GTK

Black & Decker certifica que estas herramientas han sido construidas de acuerdo a las normas siguientes:

98/37/CEE, 89/336/CEE, EN 50144, EN 55014, EN 61000

L_{PA} (presión acústica): 59 dB(A),

L_{WA} (potencia acústica) 72 dB(A),

valor cuadrático medio ponderado en frecuencia de la aceleración < 2,5 m/s²

Kevin Hewitt
 Director de Ingeniería
 Spennymoor, County Durham DL16 6JG,
 United Kingdom

Garantía

Black & Decker confía plenamente en la calidad de sus productos y ofrece una garantía extraordinaria. Esta declaración de garantía es una añadido, y en ningún caso un perjuicio para sus derechos estatutarios. La garantía es válida dentro de los territorios de los Estados Miembros de la Unión Europea y de los de la Zona Europea de Libre Comercio.

Si un producto Black & Decker resultará defectuoso debido a materiales o mano de obra defectuosos o a la falta de conformidad, Black & Decker garantiza, dentro de los 24 meses de la fecha de compra, la sustitución de las piezas defectuosas, la reparación de los productos sujetos a un desgaste y rotura razonables o la sustitución de tales productos para garantizar al cliente el mínimo de inconvenientes, a menos que:

- ◆ El producto haya sido utilizado con propósitos comerciales, profesionales o de alquiler;
- ◆ El producto haya sido sometido a un uso inadecuado o negligente;
- ◆ El producto haya sufrido daños causados por objetos o sustancias extrañas o accidentes;
- ◆ Se hayan realizado reparaciones por parte de personas que no sean los servicios de reparación autorizados o personal de servicios de Black & Decker;

Para reclamar en garantía, será necesario que presente la prueba de compra al vendedor o al servicio técnico de reparaciones autorizado. Pueden consultar la dirección de su servicio técnico más cercano poniéndose en contacto con la oficina local de Black & Decker en la dirección que se indica en este manual. Como alternativa, se puede consultar en Internet, en la dirección siguiente, la lista de servicios técnicos autorizados e información completa de nuestros servicios de postventa y contactos: **www.2helpU.com**

Visite nuestro sitio web **www.blackanddecker.com** para registrar su nuevo producto Black & Decker y mantenerse al día sobre nuestros productos y ofertas especiales. Encontrará información adicional sobre la marca Black & Decker y nuestra gama de productos en **www.blackanddecker.com**

Utilização

A sua lixadora Black & Decker foi projectada para lixar e polir madeira, metal, plástico e superfícies pintadas. Esta ferramenta destina-se apenas ao uso doméstico.

Instruções de segurança

- ◆ **Aviso!** Ao utilizar ferramentas eléctricas, é preciso seguir sempre as precauções básicas para a segurança, incluindo as detalhadas a seguir, para diminuir os riscos de incêndio, choque eléctrico, ferimentos pessoais e danos materiais.
- ◆ Leia atentamente este manual antes de utilizar a ferramenta.
- ◆ Guarde este manual para futura consulta.
- ◆ Remova a ficha da tomada antes de efectuar qualquer ajuste, reparação ou manutenção.

Mantenha a área de trabalho arrumada

Áreas de trabalho desarrumadas podem implicar ferimentos.

Cuide do ambiente da área de trabalho

Não deve expor ferramentas eléctricas à chuva, nem usá-las em locais húmidos ou molhados.

Mantenha a área de trabalho bem iluminada. Não utilize a ferramenta onde haja risco de fogo ou explosão, p.ex. em presença de líquidos ou gases inflamáveis.

Mantenha as crianças afastadas

Não permita que crianças, visitantes ou animais cheguem perto da área de trabalho ou toquem na ferramenta ou no cabo eléctrico.

Vista-se adequadamente

Não use roupas folgadas nem bijutaria pois podem ficar presas nas partes móveis da máquina. Quando se trabalha no exterior, aconselha-se o uso de luvas de borracha e de calçado antiderrapante. Se tiver o cabelo comprido apanhe-o ou use uma protecção.

Protecção pessoal

Utilize óculos de protecção. Utilize óculos de protecção e uma máscara de rosto ou poeira sempre que as operações possam produzir poeira ou partículas que voem. Deverá utilizar auriculares de protecção sempre o o nível de som se tornar desagradável.

Tenha cuidado com os choques eléctricos

Evite tocar em superfícies aterradas ou ligadas à terra, como por exemplo: canos, radiadores, fogões e frigoríficos.

A segurança eléctrica pode ser melhorada mediante o uso de dispositivos de corrente residual (RCD) de alta sensibilidade (30 mA / 30 mS).

Não se incline demasiadamente

Mantenha-se numa posição de pé e bem equilibrada.

Mantenha-se atento

Dê atenção ao que vai fazendo. Seja cuidadoso. Não utilize ferramentas quando estiver cansado.

Fixe a peça a trabalhar

Utilize grampos ou um torno para segurar as peças de trabalho. É mais seguro e permite manter as duas mãos livres para trabalhar.

Coloque o equipamento de extracção de poeiras

Caso sejam fornecidos os dispositivos para a extracção e colecta de poeiras, assegure-se de que os mesmos estão correctamente ligados e são bem utilizados.

Retire as chaves de aperto

Verifique sempre se as chaves de aperto foram retiradas da ferramenta antes de a utilizar.

Extensões eléctricas

Antes de iniciar o uso, verifique o estado da extensão eléctrica e substitua-a se estiver danificada. Ao utilizar a ferramenta no exterior, utilize apenas extensões adequadas para este tipo de uso. Pode ser utilizado um cabo de extensão Black & Decker de 30 m.

Utilize a ferramenta correcta

Neste manual indicam-se as aplicações da ferramenta.

Não force pequenas ferramentas ou acessórios para fazer o trabalho numa ferramenta forte. A ferramenta trabalhará melhor e de uma maneira mais segura se for utilizada para o efeito indicado. Não force a ferramenta. Não utilize a ferramenta para fins diferentes dos previstos. Por exemplo, não utilize as serras circulares para cortar ramos de árvore ou lenha.

Aviso! O uso de qualquer acessório ou da própria ferramenta, além do que é recomendado neste manual de instruções pode constituir um risco para a segurança do utilizador.

Verifique se há peças danificadas.

Antes de a utilizar, verifique cuidadosamente se a ferramenta e o cabo eléctrico não estão danificados. Verifique o tamanho das peças móveis e se as mesmas estão alinhadas; verifique se há alguma peça partida, se as protecções e os interruptores estão danificados, bem como quaisquer outras condições que possam afectar o funcionamento da ferramenta. Assegure-se de que a ferramenta funciona correctamente e de que está a desempenhar as funções para as quais foi projectada.

Não utilize a ferramenta se houver alguma peça defeituosa. Não utilize a ferramenta se o interruptor de ligar/desligar não estiver a funcionar. Qualquer peça defeituosa deve ser reparada ou substituída por um técnico autorizado. Nunca tente efectuar qualquer reparação por sua conta.

Desligue a ferramenta

Desligue a ferramenta quando não estiver em uso, antes de trocar qualquer peça da ferramenta, acessórios ou dispositivos e antes de a enviar para os serviços técnicos.

Evite ligar sem intenção

Não transporte a ferramenta com um dedo sobre o interruptor de ligar/desligar. Assegure-se de que a ferramenta está desligada quando for ligá-la à tomada.

Não force o cabo eléctrico

Nunca transporte a ferramenta pelo cabo ou puxe o mesmo para retirá-lo da tomada. Proteja o cabo contra o calor e evite o contacto com óleo e objectos cortantes.

Guarde as ferramentas que não estiverem a ser utilizadas.

Quando não estiver em uso, as ferramentas deverão ser armazenadas em local seco, fechado ou alto, fora do alcance das crianças.

Cuide das suas ferramentas com atenção

Mantenha as ferramentas cortantes afiadas e limpas para um melhor e mais seguro desempenho. Siga as instruções para a manutenção e a troca de acessórios. Mantenha os punhos e os interruptores secos, limpos e isentos de óleo e gordura.

Reparações

Esta ferramenta cumpre os requisitos de segurança pertinentes. As reparações devem ser realizadas somente por pessoas qualificadas e as peças de reposição devem ser originais. A não observância disso poderá resultar em perigos consideráveis para os utilizadores.

Segurança eléctrica



Esta ferramenta está duplamente vedada; assim não é necessário fio de terra. Certifique-se sempre de que o fornecimento de energia corresponde à voltagem indicada na placa de especificações.

Instruções adicionais de segurança para lixadoras

- ◆ Utilize preferivelmente uma máscara de protecção para poeiras quando estiver a lixar.
- ◆ Remova completamente toda a poeira após lixar.
- ◆ Antes de utilizar a ferramenta em peças de madeira, não se esqueça de colocar o compartimento do saco de pó.
- ◆ Antes de utilizar a ferramenta em peças metálicas, não se esqueça de remover o compartimento do saco de pó.
- ◆ Nunca utilize a ferramenta sem uma folha de lixa.
- ◆ Nunca utilize a ferramenta sem uma base de lixar.
- ◆ Deverá utilizar auriculares de protecção sempre o o nível de som se tornar desagradável.

Lixar tinta à base de chumbo ou MDF

Não se recomenda lixar tinta à base de chumbo devido à dificuldade de controlar o pó contaminado. O maior perigo de envenenamento de chumbo reflecte-se em crianças e grávidas. Qualquer edifício anterior a 1960 poderá ter sido pintado com tinta à base de chumbo. Esta tinta pode estar coberta com camadas adicionais de tinta. Antes de iniciar o trabalho, é importante determinar se a tinta a ser lixada contém chumbo. Isto pode ser feito utilizando um kit de teste ou por um profissional.

Protecção pessoal

- ◆ Não permita que crianças ou mulheres grávidas entrem na área de trabalho.
- ◆ Utilize uma máscara especificamente projectada para proteger contra as poeiras e vapores de pintura com chumbo e assegure-se de que as pessoas que estejam na área de trabalho ou que entrem na mesma também estão protegidas.
- ◆ Não coma, beba ou fume na área de trabalho. Não coma, beba ou fume na área de trabalho.
- ◆ Depois de executar a sua tarefa, e antes de comer, beber ou fumar, deverá lavar-se.

Meio ambiente

- ◆ Remova a tinta por forma a que a quantidade de pó seja minimizada.
- ◆ Vede a área de trabalho com folha de plástico.
- ◆ Minimize a quantidade de pó fora da área de trabalho.

Limpeza

- ◆ Aspire e limpe todas as superfícies da área de trabalho todos os dias.
- ◆ Mude regularmente o saco de poeiras e os filtros do aspirador.
- ◆ Lave quaisquer objectos estranhos expostos ao pó antes de os voltar a utilizar.

Funções

Esta ferramenta inclui algumas ou todas as seguintes funções.

1. Interruptor de ligar/desligar
2. Garra macia de gel
3. Conector de extracção do pó
4. Base
5. Suporte da ponta
6. Ponta da base de lixar
7. Ferramenta de detalhes
8. Ferramenta de perfis (apenas KA165GTK)
9. Parafuso
10. Perfis de lixar (apenas KA165GTK)

Para além disso, a ferramenta é fornecida com alguns ou todos os seguintes acessórios:

Acessório

- Papel de lixar com granulação grossa
- Papel de lixar com granulação média

Aplicação e utilização recomendadas

- Remoção rápida de tinta, verniz e ferrugem
- Remoção de tinta, verniz e ferrugem

- Papel de lixar com granulação fina Polimento e acabamento de superfícies
- Papel de lixar com granulação extra-fina Para lixar entre camadas de revestimento
- Pontas de lixar detalhes Para cantos e áreas difíceis de alcançar
- 1 pano de fio de polimento/remoção descartável Polimento de metais, remoção de verniz e limpeza de vidro
- Almofada de espuma cinzenta Aplicar e remover polimentos
- Almofada de tecido falso vermelha Raspar e remover ferrugem
- Papel abrasivo cinzento Polimento de plásticos
- Ferramenta de contornos Curvas e perfis

Montagem

Advertência! Antes da montagem, certifique-se de que a ferramenta está desligada da corrente eléctrica.

Instalação das folhas de lixa (fig. A & B)

- ◆ Remova as duas pontas extra (11) da folha de lixa (12).
- ◆ Segure na ferramenta com a base virada para cima.
- ◆ Posicione a folha de lixa (12) na base assegurando-se de que os orifícios da folha coincidem com os orifícios da base.

As pontas extra (11) podem ser invertidas e substituídas quando desgastadas.

- ◆ Quando a parte frontal da ponta estiver desgastada, remova-a da lixa, inverta-a e coloque-a novamente na base de lixa.
- ◆ Quanto a ponta estiver completamente desgastada, remova-a da base e coloque uma nova.
- ◆ A espuma e almofadas de polimento (13) podem ser colocadas da mesma maneira que as folhas de lixa.

Ponta da base de lixar (fig. C)

Quando a ponta da base (6) ou o suporte da ponta (5) estiverem desgastados, estes podem ser invertidos ou substituídos. Estão disponíveis como peças no seu agente Black & Decker.

- ◆ Remova o parafuso (9).
- ◆ Inverta ou substitua a peça desgastada.
- ◆ Coloque e aperte o parafuso.

Ferramenta de detalhes (fig. D)

A ferramenta de detalhes é utilizada para lixar pequenos detalhes.

- ◆ Remova o parafuso (9).
- ◆ Remova o suporte das pontas (5) na parte em forma de diamante da base de lixar.
- ◆ Coloque a ferramenta para detalhes (7) na base de lixar.

- ◆ Coloque e aperte o parafuso.
- ◆ Coloque a folha de lixa adequada (14) na ferramenta de detalhes.

Ferramenta de perfis (fig. E)

A ferramenta de perfis é utilizada para o lixamento de contornos.

- ◆ Remova o parafuso (9).
- ◆ Remova o suporte das pontas (5) na parte em forma de diamante da base de lixar.
- ◆ Coloque a ferramenta de perfis (8) na base de lixar.
- ◆ Coloque e aperte o parafuso.

Colocação e remoção de um perfil de lixar (fig. F1 & F2)

- ◆ Escolha o perfil de lixar mais adequado à sua aplicação.
- ◆ Coloque uma extremidade do perfil de lixar (10) na ranhura na extremidade frontal do suporte do perfil (8).
- ◆ Empurre a outra extremidade do perfil de lixar até que este faça clique.
- ◆ Para remover o perfil de lixar, empurre-o para a frente e retire a extremidade traseira do suporte do perfil (fig. F2).

Colocação de uma folha de lixa num perfil de lixar (fig. G)

- ◆ Alinhe a folha de lixa (15) com o perfil de lixar (10).
- ◆ Pressione a folha de lixa contra o perfil de lixar assegurando-se de que a folha de lixa segue a forma do perfil.

Como conectar o aspirador de pó (fig. H)

A ferramenta tem um adaptador para ligar um aspirador sempre que lixar madeira. Para ligar a ferramenta a um aspirador, proceda da seguinte maneira:

- ◆ Coloque o conector de extracção de pó (3) no adaptador na parte de trás da ferramenta.
- ◆ Ligue o tubo de um aspirador adequado ao conector.

Utilização

Advertência! Deixe que a ferramenta funcione à vontade. Não o sobrecarregue.

Advertência! Não tape as ranhuras de ventilação durante a utilização da ferramenta. Segure a ferramenta como mostrado na fig. I. Certifique-se que a base fica nivelada com a peça de trabalho.

Como ligar e desligar o aparelho

- ◆ Para desligar o aparelho, coloque o interruptor de ligar/desligar (1) na posição I.
- ◆ Para desligá-lo, coloque o interruptor na posição O.

Acessórios

O desempenho da sua ferramenta depende dos acessórios utilizados. Os acessórios da Black & Decker e Piranha são fabricados de acordo com os mais altos padrões de qualidade e são concebidos para melhorar o desempenho da sua ferramenta. Ao utilizar estes acessórios, poderá tirar um maior partido da sua ferramenta.

Manutenção

Esta ferramenta foi desenvolvida para funcionar por um longo período, com um mínimo de manutenção. O funcionamento contínuo e satisfatório depende da limpeza regular e cuidado adequado da ferramenta.

- ◆ Limpe as ventoinhas e as ranhuras com um pincel limpo e seco.
- ◆ Limpe o compartimento utilizando um pano limpo e húmido. Não utilize solventes.

Protecção do meio ambiente



A Black & Decker oferece facilidades para a reciclagem de produtos Black & Decker uma vez que os mesmos tenham alcançado o final de suas vidas úteis. Este serviço é fornecido sem encargos. Para utilizá-lo, devolva o seu produto a qualquer agente de reparação autorizado, que se encarregará de recolher o equipamento em nosso nome.

Para verificar a localização do agente de reparação mais próximo de si, contacte o escritório local da Black & Decker no endereço indicado neste manual. Se preferir, consulte a lista de agentes autorizados da Black & Decker e os dados completos dos nossos serviços de atendimento pós-venda na Internet no endereço: **www.2helpU.com**

Dados técnicos

		KA165GT/KA165GTK
Voltagem	V _{AC}	230
Potência	W	55
Velocidade sem carga	min ⁻¹	11.000

Declaração de conformidade

KA165GT/KA165GTK

A Black & Decker declara que estas ferramentas foram concebidas em conformidade com:

98/37/CEE, 89/336/CEE, EN 50144, EN 55014, EN 61000

L_{PA} (pressão sonora): 59 dB(A),

L_{WA} (potência sonora) 72 dB(A),

vibração < 2,5 m/s²

Kevin Hewitt
Engenheiro Responsável
Spennymoor, County Durham DL16 6JG,
United Kingdom

Garantia

A Black & Decker confia na qualidade de seus produtos e oferece um programa de garantia excelente. Esta declaração de garantia soma-se aos seus direitos legais e não os prejudica em nenhum aspecto. A garantia será válida nos territórios dos Estados Membros da União Europeia e na Área de Livre Comércio da Europa.

Caso algum produto da Black & Decker apresente avarias devido a defeitos de material, mão-de-obra ou ausência de conformidade no prazo de 24 meses a partir da data de compra, a Black & Decker garantirá a substituição das peças defeituosas, a reparação dos produtos que foram submetidos a uso adequado e remoção ou substituição dos mesmos para assegurar o mínimo de inconvenientes ao cliente a menos que:

- ◆ O produto tenha sido utilizado para fins comerciais, profissionais ou aluguer;
- ◆ O produto tenha sido submetido a uso incorrecto ou descuido;
- ◆ O produto tenha sofrido danos causados por objectos estranhos, substâncias ou acidentes;
- ◆ Tenha um histórico de reparações efectuadas por terceiros que não sejam os agentes autorizados ou profissionais de manutenção da Black & Decker.

Para activar a garantia, será necessário enviar a prova de compra ao revendedor ou agente de reparação autorizado. Para verificar a localização do agente de reparação mais próximo de si contacte o escritório local da Black & Decker no endereço indicado neste manual. Se preferir, consulte a lista de agentes autorizados da Black & Decker e os dados completos de nossos serviços de atendimento pós-venda na Internet no endereço: **www.2helpU.com**

Visite o nosso website **www.blackanddecker.com** para registar o seu novo produto Black & Decker e para se manter actualizado sobre novos produtos e ofertas especiais. Estão disponíveis mais informações sobre a Black & Decker e sobre a nossa gama de produtos em **www.blackanddecker.com**

Användningsområde

Din Black & Decker slipmaskin är avsedd för slipning och polering av trä, metall, plast och målade ytor. Verktöget är endast avsett för bruk i hemmet.

Säkerhetsinstruktioner

- ◆ **Varning!** När man använder elverktyg är det viktigt att man bl.a. följer nedanstående säkerhetsanvisningar för att minska risken för brand, elektriska stötar, personsador och materialsador.
- ◆ Spara bruksanvisningen lättillgängligt.
- ◆ Ta ut kontakten ur vägguttaget före installationer, service eller underhåll.

Håll arbetsområdet i ordning

Nedskräpade ytor och arbetsbänkar inbjuder till skador.

Tänk på arbetsmiljöns inverkan

Utsätt inte verktöget för regn. Använd inte verktöget på fuktiga eller våta platser. Ha bra belysning över arbetsytan. Använd inte verktöget där det finns risk för eldsvåda eller explosion, t.ex. i närheten av lättantändliga vätskor eller gaser.

Utom räckhåll för barn

Tillåt inte barn, besökande eller djur att komma i närheten av arbetsplatsen eller att röra vid verktöget eller sladden.

Klä dig rätt

Bär inte löst hängande kläder eller smycken. De kan fastna i rörliga delar. Gummihandskar och halkfria skor rekommenderas vid utomhusarbeten. Använd hårnät om du har långt hår.

Skyddskläder

Använd alltid skyddsglasögon. Använd ansiktsmask om arbetet förorsakar damm eller partiklar i luften. Alltid när bullernivån närmar sig det obehagliga ska hörselskydd användas.

Eliminera risken för elektriska stötar

Undvik kroppskontakt med jordade ytor (t.ex. rör, värmelement, vattenkokare och kylskåp). Elsäkerheten kan förbättras ytterligare genom användning av en jordfelsbrytare med hög känslighet (30 mA/30 mS).

Sträck dig inte för mycket

Se till att du alltid har säkert fotfäste och balans.

Var uppmärksam

Titta på det du gör. Använd sunt förnuft. Använd inte verktöget när du är trött.

Sätt fast arbetsstycket

Använd skruvtingar eller ett skruvstycke för att hålla fast arbetsstycket. Det är säkrare än att använda handen och du får bägge händerna fria för arbetet.

Anslut dammsugningsutrustning

Om möjligheter finns för anslutning av utrustning för dammsugning och dammuppsamling ska sådan utrustning anslutas och användas på korrekt sätt. OBS! Anslut endast grovsugare.

Tag bort nycklar

Kontrollera att nycklar och justerverktyg har tagits bort från verktöget innan det startas.

Förlängningssladdar

Kontrollera förlängningssladden innan den används. Byt ut den om det behövs. Om verktöget används utomhus ska bara förlängningssladdar som är avsedda för utomhusbruk användas. Förlängningssladd upp till 30 meter kan användas utan att effekten avtar.

Använd rätt verktyg

Använd inte verktyg för ändamål de inte är avsedda för. Tvinga inte verktöget att göra arbeten som är avsedda för kraftigare verktyg. Använd endast tillbehör och tillsatser som är rekommenderade i bruksanvisningen och katalogerna. Överbelasta inte verktöget. Använd till exempel inte cirkelsågar för att såga grenar eller ved.

Varning! Användning av annat verktyg eller tillbehör kan innebära risk för personskada.

Kontrollera verktöget för skador

Kontrollera verktöget och sladden för skador innan du använder verktöget. Kontrollera att de rörliga delarna inte har fastnat eller är felmonterade. Kontrollera även att övriga delar och skydd inte är skadade och att det inte föreligger några andra fel som kan påverka verktögets funktion. Kontrollera att verktöget fungerar riktigt och kan utföra de avsedda funktionerna.

Använd inte verktöget om fel uppstått på någon av dess delar.

Använd inte verktöget om det inte kan kopplas till och från med strömbrytaren. Om fel uppstår skall delarna repareras eller bytas ut av en auktoriserad Black & Decker serviceverkstad. Försök aldrig reparera verktöget själv.

Dra ur kontakten

Tag ur kontakten när verktöget inte är i bruk samt före byte av någon del av verktöget, tillbehör eller verktögsfästen eller innan serviceåtgärder utförs.

Undvik oavsiktlig start

Bär aldrig verktöget med ett finger på strömbrytaren. Kontrollera att verktöget är avstängt innan du sätter i kontakten.

Misshandla inte sladden

Bär aldrig verktöget i sladden och använd inte sladden för att dra ut kontakten. Utsätt inte sladden för värmekällor, olja eller skarpa kanter.

Förvara verktöget säkert

När verktöget inte används ska det förvaras på ett torrt ställe, som antingen är låst eller högt beläget så att barn inte kan komma åt det.

Sköt verktöget med omsorg

Håll verktöget rent och använd skarpa tillbehör för bättre prestanda och säkrare drift. Följ instruktionerna beträffande skötsel och byte av tillbehör. Håll handtagen och strömbrytare torra, rena och fria från olja och fett.

Reparationer

Detta verktyg uppfyller gällande säkerhetskrav. Reparationer ska utföras av en auktoriserad Black & Decker serviceverkstad som använder originaldelar, annars kan användaren utsättas för stor fara.

Elektrisk säkerhet



Eftersom verktyget är dubbelisolerat behövs ingen jordledare. Kontrollera alltid att spänningen på nätet överensstämmer med den spänning som finns angiven på märkplåten.

Extra säkerhetsföreskrifter för slipmaskiner

- ◆ Använd alltid ansiktsmask när du utför sliparbeten.
- ◆ Var noga med att ta bort allt slipdamm när slipningen har avslutats.
- ◆ Innan du börjar arbeta med arbetsstycken i trä, bör du sätta fast dammuppsamlaren.
- ◆ Innan du börjar arbeta med arbetsstycken i metall, bör du ta av dammuppsamlaren.
- ◆ Använd aldrig verktyget utan slippapper
- ◆ Använd aldrig verktyget utan slippatta
- ◆ Om bullernivån närmar sig det obehagliga ska alltid hörselskydd användas.

Slipning av blybaserad färg eller fibermaterial typ MDF

Vi tillråder inte slipning av blybaserad färg med tanke på hur svårt det är att kontrollera det förorenade dammet.

Blyförgiftning utgör en mycket stor fara, särskilt för barn och gravida kvinnor. Alla byggnader från tiden före 1960 kan ha målats med färg som innehåller bly. Denna färg kan sedan ha målats över med ytterligare färglager. Innan man påbörjar arbetet, är det viktigt att avgöra om färgytan, som skall slipas, innehåller bly. Detta kan göras med en testutrustning eller av en yrkesperson (målare, dekoratör etc.)

Personskydd

- ◆ Låt aldrig barn eller gravida kvinnor vistas på arbetsplatsen.
- ◆ Använd en specialkonstruerad ansiktsmask som skyddar mot damm från blyhaltiga färger och ångor, samt se till att personer som vistas på, eller kommer i närheten av, arbetsplatsen också är skyddade.
- ◆ Åt, drick eller rök inte på arbetsplatsen. Förvara inte matvaror eller dryck på arbetsplatsen.
- ◆ Tvätta av dig mycket noga innan du äter, dricker eller röker.

Miljö

- ◆ Avlägsna färgen så att mängden slipdamm blir minsta möjliga.
- ◆ Inneslut arbetsytan med plastduk.
- ◆ Se till att mängden slipdamm utanför arbetsytan blir minsta möjliga.

Rengöring

- ◆ Dammsug och rengör dagligen alla ytor inom arbetsområden med största grundlighet.
- ◆ Byt regelbundet dammpåse och filter i dammsugaren.
- ◆ Tvätta grundligt av alla föremål som exponerats för dammet, innan du använder dem igen.

Detaljbeskrivning

Verktyget har en del eller samtliga av nedanstående funktioner.

1. Strömbrytare
2. Behagligt gelgrepp
3. Dammuppsamlingsanslutning
4. Slipfot
5. Spetshållare
6. Slipspets
7. Fingerslipplatta
8. Profiltillsats (KA165GTK enbart)
9. Skruv
10. Slipp profiler (KA165GTK enbart)

Dessutom är det här verktyget försett med några av följande tillbehör:

Tillbehör	Rekommenderad användning
- Grovt sandpapper	Snabbortagning av färg, fernissa och rost
- Medelgrovt sandpapper	Bortagning av färg, fernissa och rost
- Fint sandpapper	Ytputsning och finish
- Extra fint sandpapper	Slipning mellan skikt
- Detaljslippspetsar	Hörn och svåråtkomliga ställen
- 1 OT stålul för polering/ slättslipning	Polering av metall, slättslipning av fernissade ytor, rengöring av glas
- Skumplastskiva polérmedel	Täcka med polérmedel/Ta bort
- Röd fiberskiva	Hårdskrubbnig och rostborttagning
- Grått slippapper	Plastpolering
- Konturtillsatser	Kurvor och profiler

Montering

Varning! Se till att verktyget är avstängt samt att det inte är anslutet innan monteringen börjar.

Montering av slippapper (fig. A & B)

- ◆ Dra av de två diamantformade spetsarna (11) från slippappret (12).
- ◆ Håll verktyget med slippattan vänd uppåt.
- ◆ Placera slippappret (12) på slippattan och se till att hålen i pappret stämmer överens med hålen i plattan.

Den diamantformade spetsen (11) kan vändas och bytas ut när den blir sliten.

- ◆ När spetsens främre del är sliten, drar man av den från pappret, vänder på den och trycker fast den igen på slipplattan.
- ◆ När hela spetsen har slitits ut, tar man av den och sätter på en ny spets.
- ◆ Kuddar och plattor för polering (13) kan sättas fast på samma sätt som slippappren.

Slipplattans spets (fig. C)

När spetsen på slipplattan (6) har blivit utsliten kan den vändas eller bytas ut. Detta gäller även för hållaren (5). Reservdelar finns hos din Black & Decker återförsäljare.

- ◆ Ta ut skruven (9).
- ◆ Vänd den slitna delen helt om eller byt ut den.
- ◆ Sätt i skruven och dra åt.

Tillsatsspets (fig. D)

Tillsatsspetsen används för slipning av fina detaljer.

- ◆ Ta ut skruven (9).
- ◆ Ta av den diamantformade spetshållaren (5) från slipplattan.
- ◆ Sätt fast tillsatsspetsen (7) på slipplattan.
- ◆ Sätt i skruven och dra åt.
- ◆ Sätt på lämpligt slippapper (14) på tillsatsspetsen.

Profiltillsats (fig. E)

Profiltillsatsen används för konturslipning.

- ◆ Ta ut skruven (9).
- ◆ Ta av den diamantformade spetshållaren (5) från slipplattan.
- ◆ Sätt fast profiltillsatsen (8) på slipplattan.
- ◆ Sätt i skruven och dra åt.

Montera och ta bort en slippprofil (fig. F1 & F2)

- ◆ Välj ut den profil som bäst passar för ditt ändamål.
- ◆ Sätt ena änden på slippprofilen (10) i uttaget framtill på profilhållaren (8).
- ◆ Tryck in profilen från andra änden tills den låser fast.
- ◆ Slippprofilen tas bort genom att man trycker den framåt och drar ut den ur profilhållaren (fig. F2).

Montering av slippappret på slippprofil (fig. G)

- ◆ Passa in slippappret (15) på slippprofilen (10).
- ◆ Tryck fast slippappret mot profilen och se till att slippappret anpassar sig till profilen.

Ansluta dammsugare (fig. H)

Verktyget har en adapter för anslutning till en dammsugare när man slipar trä. Anslut verktyget till dammsugaren på följande sätt:

- ◆ Sätt dammuppsamlaren (3) på adapter baktill på verktyget.
- ◆ Anslut slangen till en lämplig dammsugare.

Användning

Varning! Överbelasta inte maskinen, låt den arbeta i sin egen takt.

Varning! Täck aldrig över luftspringorna medan du använder verktyget. Håll verktyget som fig. I visar. Se till att slipplattan ligger platt mot arbetsstycket.

Start och stopp

- ◆ För att starta maskinen ställ strömbrytaren (1) i läge I.
- ◆ För att stanna maskinen ställ strömbrytaren i läge 0.

Tillbehör

Verktygets användningsområde beror på vilket tillbehör du väljer. Black & Decker- och Piranhatillbehören är av hög kvalitet. Genom att använda dessa tillbehör kan du få ut mesta möjliga av verktyget.

Skötsel

Ditt verktyg har tillverkats för att fungera under lång tid med ett minimum av underhåll. Med rätt underhåll och regelbunden rengöring behåller verktyget sin prestanda.

- ◆ Rengör lufthålmen med en ren, torr målarborste.
- ◆ Rengör kåpan regelbundet med en fuktig trasa. Använd inga lösningsmedel.

Miljö



När din apparat är utsliten, skydda naturen genom att inte slänga det tillsammans med vanligt avfall. Lämna det till de uppsamlingsställen som finns i din kommun eller där du köpt apparaten.

Tekniska data

	KA165GT/KA165GTK	
Spänning	V_{AC}	230
Ineffekt	W	55
Obelastad hastighet	min^{-1}	11.000

CE-försäkran om överensstämmelse

KA165GT/KA165GTK

Black & Decker förklarar att dessa verktyg är konstruerade i överensstämmelse med: 98/37/EEG, 89/336/EEG, EN 50144, EN 55014, EN 61000

L_{pA} (Ijudtryck): 59 dB(A),

L_{WA} (Ijudeffekt): 72 dB(A),

vägt geometrisk medelvärde av vibrationsfrekvensen < 2,5 m/s²



Kevin Hewitt
Director of Consumer Engineering
Spennymoor, County Durham DL16 6JG,
United Kingdom

Reservdelar / reparationer

Reservdelar finns att köpa hos auktoriserade Black & Decker verkstäder, som även ger kostnadsförslag och reparerar våra produkter.

Förteckning över våra auktoriserade verkstäder finns på Internet, vår hemsida **www.blackanddecker.se** samt **www.2helpU.com**

Garanti

Black & Decker garanterar att produkten är fri från material- och/eller fabrikationsfel vid leverans till kund. Garantin är i tillägg till konsumentens lagliga rättigheter och påverkar inte dessa. Garantin gäller inom medlemsstaterna i Europeiska Unionen och i det Europeiska Frihandelsområdet.

Om en Black & Decker produkt går sönder på grund av material- och/eller fabrikationsfel eller brister i överensstämmelse med specifikationen, inom 24 månader från köpet, åtar sig Black & Decker att reparera eller byta ut produkten med minsta besvär för kunden.

Garantin gäller inte för fel som beror på:

- ◆ normalt slitage
- ◆ felaktig användning eller skötsel
- ◆ att produkten skadats av främmande föremål, ämnen eller genom olyckshändelse

Garantin gäller inte om reparation har utförts av någon annan än en auktoriserad Black & Decker verkstad.

För att utnyttja garantin skall produkten och inköpskvittot lämnas till återförsäljaren eller till en auktoriserad verkstad senast 2 månader efter det att felet har upptäckts. För information om närmaste auktoriserad verkstad; kontakta det lokala Black & Decker kontoret på den adress som är angiven i bruksanvisningen. En lista på alla auktoriserade verkstäder samt servicevillkor finns även tillgängligt på Internet, adress: **www.2helpU.com**

Besök vår webbplats **www.blackanddecker.se** för att registrera din nya Black & Decker-produkt samt för att erhålla information om nya produkter och specialerbjudanden. Vidare information om märket Black & Decker och vårt produktsortiment kan återfinnas på **www.blackanddecker.se**

Bruksområde

Sliperen fra Black & Decker er utformet for sliping og polering av treverk, metall, plast og malte overflater. Verktøyet er kun beregnet på bruk i hjemmet.

Sikkerhetsinstruksjoner

- ◆ **Advarsel!** Ved bruk av elektroverktøy, må du alltid følge en del grunnleggende sikkerhetsregler, inkludert følgende, for å redusere faren for brann, elektrisk støt, personskade og materialskade.
- ◆ Ta deg tid til å lese nøye gjennom bruksanvisningen før du begynner å bruke verktøyet.
- ◆ Oppbevar bruksanvisningen på et lett tilgjengelig sted.
- ◆ Trekk støpset ut av kontakten før du utfører justeringer, service eller vedlikehold.

Hold arbeidsområdet rent og ryddig

En uryddig arbeidsplass innbyr til skader.

Tenk på arbeidsmiljøets innvirkning

Utsett ikke verktøyet for regn. Bruk ikke verktøyet under våte eller fuktige forhold. Pass på at arbeidsområdet er godt opplyst. Bruk ikke verktøyet hvor det er fare for forårsaking av brann eller en eksplosjon, f. eks. i nærheten av brannfarlige væsker eller gasser.

Hold barn unna

Ikke la barn, besøkende eller dyr komme i nærheten av arbeidsområdet eller berøre verktøyet eller strømkabelen.

Kle deg riktig

Ha ikke på deg løstsittende klær eller smykker. De kan sette seg fast i de bevegelige delene. Vi anbefaler gummihansker og sko som ikke glir når du arbeider utendørs. Bruk hårnett hvis du har langt hår.

Personlig vern

Bruk vernebriller. Bruk en ansikts- eller støvmaske når operasjonene kan forårsake støv eller flygende partikler. Bruk alltid hørselsvern ved ukomfortable støynivåer.

Vern mot elektrisk støt

Unngå kroppskontakt med jordede overflater (f. eks. rør, radiatorer, komfyrer og kjøleskap). Strømsikkerheten kan forbedres ytterligere ved bruk av jordfeilbryter med høy følsomhet (30 mA/30 mS).

Strekk deg ikke for langt

Pass på at du alltid har sikkert fotfeste og balanse.

Vær oppmerksom

Se på det du gjør. Bruk sunn fornuft. Bruk ikke maskinen når du er trett.

Sikre arbeidsstykket

Bruk tvinger eller skrustikker til å feste arbeidsstykket med. Dette er sikrere enn å bruke hånden, og du får begge hendene fri til å styre verktøyet.

Kople til støvutsugstut

Hvis det følger med utstyr for tilkoping av støvutsug og støvoppsamling, må du sørge for at dette koples til og brukes riktig. Obs! Benytt kun grovsugere!

Fjern nøkler

Gjør det til vane å sjekke om nøkler og justeringsverktøy er fjernet før verktøyet startes.

Skjøteledninger

Før bruk må du kontrollere skjøteledningen og bytte den ut hvis den er skadet. Når du bruker verktøyet utendørs, må du kun bruke skjøteledninger beregnet for utendørs bruk. Skjøteledning på opptil 30 m kan brukes uten effekttap.

Bruk riktig verktøy

Bruk ikke verktøyet til formål det ikke er ment for. Tving ikke en maskin til å gjøre arbeid som krever kraftigere verktøy. Bruk bare tilbehør og utstyr som anbefales i bruksanvisningen og i katalogene. Overbelast ikke verktøyet. For eksempel skal sirkelsager ikke brukes til å sage grener eller ved.

Advarsel! Bruk av annet verktøy eller tilbehør kan medføre en mulig risiko for personskade.

Sjekk verktøyet for skader

Kontroller verktøyet og strømledningen grundig for skade før bruk. Se etter feiljusteringer, om deler har satt seg fast eller har gått i stykker, skadede deksler og brytere eller andre forhold som kan påvirke bruken av verktøyet. Kontroller at verktøyet fungerer som det skal og utfører beregnet funksjon. Bruk aldri verktøyet hvis noen av delene er skadet. Ikke bruk verktøyet hvis det ikke er mulig å slå det på og av med strømbryteren. Hvis noen av delene er skadet så få de reparert eller byttet ut av et autorisert Black & Decker serviceverksted. Prøv aldri å reparere selv.

Trekk ut støpset

Trekk ut støpset når verktøyet ikke er i bruk, før du bytter noen av delene på verktøyet, tilbehør eller tilslutning og før vedlikehold.

Unngå utilsiktet start

Bær aldri verktøyet med fingeren på strømbryteren. Pass på at verktøyet er slått av når du setter i støpset.

Ikke mislighold ledningen

Ikke bær verktøyet etter ledningen eller trekk i ledningen når du skal ta ut støpset. Utsett ikke ledningen for varme, olje, eller skarpe kanter.

Oppbevar verktøyet på et trygt sted

Når verktøyet ikke er i bruk, bør det oppbevares på et tørt sted som er låst eller høyt oppe, utenfor barns rekkevidde.

Vær nøye med vedlikeholdet

Hold verktøyet rent og bruk skarpe tilbehør for bedre prestasjon og sikrere drift. Følg forskriftene når det gjelder vedlikehold og skifte av tilbehør. Hold håndtakene og brytere tørre, rene og fri for olje og fett.

Reparasjoner

Dette verktøyet overholder relevante sikkerhetskrav. Reparasjoner må bare utføres av autoriserte Black & Decker serviceverksteder som benytter originale reservedeler, ellers kan det være farlig å bruke utstyret.

Elektrisk sikkerhet



Dette verktøyet er dobbeltisolert. Jordet ledning er derfor ikke nødvendig. Kontroller at nettspenningen er i overensstemmelse med spenningen på typeskiltet.

Ekstra sikkerhetsinstruksjoner for slিপemaskiner

- ◆ Bruk alltid maske når du sliper.
- ◆ Fjern alt støv grundig etter sliping.
- ◆ Før du bruker verktøyet på arbeidsemner av tre, må du montere støvutsugststyr.
- ◆ Før du bruker verktøyet på arbeidsemner av metall, må du fjerne støvutsugststyret.
- ◆ Bruk aldri verktøyet uten slipepapir.
- ◆ Bruk aldri verktøyet uten slipeplaten.
- ◆ Bruk alltid hørselsvern ved ukomfortable støynivåer.

Sliping av blybasert maling eller fibermaterialet MDF

Vi anbefaler ikke sliping av blybasert maling, fordi det er vanskelig å kontrollere det forurensede støvet. Barn og gravide står i størst fare for blyforgiftning. Alle bygninger fra før 1960 kan ha blitt malt med maling som inneholder bly. Denne malingen kan være dekket av flere andre lag med maling. Før du begynner arbeidet må du finne ut om malingen som skal slipes, inneholder bly. Dette kan du gjøre ved å bruke en testpakke som du får fra fargehandlere eller malere.

Personlig verneutstyr

- ◆ La ikke barn eller gravide komme inn der du arbeider.
- ◆ Bruk en spesialmaske som beskyttelse mot støv og gasser fra blyholdig maling, og pass på at andre som kommer inn der du arbeider, også beskytter seg.
- ◆ Ikke spis, drikk eller røyk der du arbeider. Ikke oppbevar mat eller drikke i arbeidsområdet.
- ◆ Vask deg godt før du spiser, drikker eller røyker.

Miljø

- ◆ Fjern malingen på en slik måte at støvmengden minimaliseres.
- ◆ Steng av arbeidsområdet ved å henge opp plast.
- ◆ Minimaliser støvmengden utenfor arbeidsområdet.

Rengjøring

- ◆ Støvsug og rengjør alle overflater i arbeidsområdet grundig hver dag.
- ◆ Bytt støvposen og filtrene i støvsugeren ofte.
- ◆ Vask alle gjenstander som utsettes for støv nøye før du bruker dem igjen.

Funksjoner

Dette verktøyet har noen av eller alle følgende funksjoner.

1. Strømbryter

2. Komfortabelt gel-håndtak
3. Støvutsugskopling
4. Bunnendel
5. Spissholder
6. Slipeplatespiss
7. Fingerslipeplate
8. Profilslipeplate (kun KA165GTK)
9. Skruer
10. Slipeprofiler (kun KA165GTK)

I tillegg har dette verktøyet noe eller alt av dette tilbehøret:

Tilbehør

- Grovt sandpapir
- Middels grovt sandpapir
- Fint sandpapir
- Ekstra fint sandpapir
- Slipe-spisser for detaljarbeid
- 1 OT polerings-/stripppegarn
- Grå skumpute
- Rød non-woven-pute
- Grått slipepapir
- Konturslipeplater

Anbefalt bruk

- Rask fjerning av maling, lakk og rust
- Fjerning av maling, lakk og rust
- Overflatesliping og polering
- Sliping mellom strøk
- Hjørner og vanskelig tilgjengelige steder
- Polering av metall, stripping av lakk og glassrengjøring
- Påføre og fjerne poleringsmiddel
- Kraftig skrubbing og rustfjerning
- Polering av plast
- Kurver og profiler

Montering

Advarsel! Før monteringen, må du passe på at verktøyet er slått av og at kontakten er trukket ut.

Montere slipepapir (fig. A & B)

- ◆ Ta av de to diamantformede spissene (11) fra slipepapiret (12).
- ◆ Hold verktøyet med slipeplaten vendt oppover.
- ◆ Plasser slipepapiret (12) på slipeplaten, og sørg for at hullene på papiret er på linje med hullene i platen.

Den diamantformede spissen (11) kan snus, og skiftes når den er utslitt.

- ◆ Når fremre del av spissen er slitt, river du den av papiret, snur den, og trykker den fast på slipeplaten igjen.
- ◆ Når hele spissen er slitt, fjerner du den fra slipeplaten og setter på en ny spiss.
- ◆ Poleringsskumgummien og putene (13) kan monteres på samme måte som sandpapiret.

Spissen på slipeplaten (fig. C)

Når spissen på slipeplaten (6) eller spissholderen (5) er utslitt, kan den snus eller byttes. Reservedeler er tilgjengelig fra din Black & Decker-forhandler

- ◆ Fjern skruen (9).

- ◆ Snu eller bytt ut den slitte delen.
- ◆ Sett på og stram skruen.

Fingerslipeplate (fig. D)

Fingerslipeplaten brukes til sliping på steder som er vanskelig å komme til.

- ◆ Fjern skruen (9).
- ◆ Fjern den diamantformede spissholderen (5) fra slipeplaten.
- ◆ Monter fingerslipeplaten (7) på slipeplaten.
- ◆ Sett på og stram skruen.
- ◆ Monter egnet sandpapir (14) på fingerslipeplaten.

Profilslipeplate (fig. E)

Profilslipeplaten brukes til konturslipping.

- ◆ Fjern skruen (9).
- ◆ Fjern den diamantformede spissholderen (5) fra slipeplaten.
- ◆ Monter profilslipeplaten (8) på slipeplaten.
- ◆ Sett på og stram skruen.

Sette på og ta av en slipeprofil (fig. F1 & F2)

- ◆ Velg den slipeprofilen som er best egnet for ditt bruk.
- ◆ Plasser den ene enden av slipeprofilen (10) inn i utsparingen på bakre ende av profilholderen (8).
- ◆ Skyv den andre enden av slipeprofilen helt inn til den klikker på plass.
- ◆ Du fjerner slipeprofilen ved å skyve den fremover og trekke bakre ende ut av profilholderen (fig. F2).

Montere et sandpapir på en slipeprofil (fig. G)

- ◆ Juster slipepapiret (15) etter slipeprofilen (10).
- ◆ Trykk slipepapiret fast på slipeprofilen, og pass på at slipepapiret følger formen på profilen.

Kople til en støvsuger (fig. H)

Verktøyet har en adapter for tilkopling til støvsuger ved sliping av tre. Gjør som følger for å kople verktøyet til en støvsuger:

- ◆ Fest støvutsugskoplingen (3) på adapteren på baksiden av verktøyet.
- ◆ Kople slangen fra en egnet støvsuger til koplingen.

Bruk

Advarsel! La verktøyet jobbe med sin egen hastighet. Ikke overbelast det.

Advarsel! Ikke tildekk ventilasjonsåpningene når du bruker verktøyet. Hold verktøyet som vist i fig. I. Pass på at slipeplaten ligger flatt mot arbeidsemnet.

Start og stopp

- ◆ For å sette igang verktøyet, setter du strømbryteren (1) i posisjon I.
- ◆ For å slå av verktøyet, setter du strømbryteren i posisjon O.

Tilbehør

Verktøyet bruksområde er avhengig av hvilket tilbehør du velger. Tilbehør fra Black & Decker og Piranha er utformet i henhold til høye kvalitetsstandarder og er utformet for å gi optimal ytelse ved bruk sammen med ditt verktøy. Når du bruker dette tilbehøret, får du optimal ytelse fra ditt verktøy.

Vedlikehold

Verktøyet ditt er utformet for å være i drift over en lang periode med et minimum av vedlikehold. Med riktig vedlikehold og regelmessig rengjøring beholder verktøyet ytelsen.

- ◆ Rens kjøleventilene og -sporene med en ren, tørr malekost.
- ◆ Rengjør kåpen regelmessig med en ren, fuktig klut. Ikke bruk løsemidler.

Miljø



Når verktøyet ditt er utslitt, beskytt naturen ved ikke å kaste det sammen med vanlig avfall. Lever det til en oppsamlingsplass som finnes i din kommune eller der hvor du kjøpte verktøyet.

Tekniske data

	KA165GT/KA165GTK	
Spenning	V _{AC}	230
Inn-effekt	W	55
Hastighet ubelastet	min ⁻¹	11.000

CE-sikkerhetserklæring

KA165GT/KA165GTK

Black & Decker erklærer at disse verktøyer er konstruert i henhold til: 98/37/EØF, 89/336/EØF, EN 50144, EN 55014, EN 61000

L_{PA} (lydnivå): 59 dB(A),

L_{WA} (akustisk effekt) 72 dB(A),

veid geometrisk middelvei av vibrasjonsfrekvensen < 2,5 m/s²

Kevin Hewitt
Director of Consumer Engineering
Spennymoor, County Durham DL16 6JG,
United Kingdom

Reservdeler / reparasjoner

Reservdeler kan kjøpes hos autoriserte Black & Decker serviceverksteder, som også gir kostnadsoverslag og reparerer våre produkter.

Oversikt over våre autoriserte serviceverksteder finnes på Internet, vår hjemmeside **www.blackanddecker.no** samt **www.2helpU.com**

Garanti

Black & Decker garanterer at produktet ikke har material- og/eller fabrikkasjonsfeil ved levering til kunde. Garantien er i tillegg til kundens lovlige rettigheter og påvirker ikke disse. Garantien gjelder innen medlemsstatene i den Europeiske Unionen og i det Europeiske Frihandelsområdet.

Hvis et Black & Decker produkt går i stykker på grunn av material- og/eller fabrikkasjonsfeil eller har mangler i forhold til spesifikasjonene, innen 24 måneder fra kjøpet, påtar Black & Decker seg å reparere eller bytte ut produktet med minst mulig vanskelighet for kunden.

Garantien gjelder ikke for feil som kommer av:

- ◆ normal slittasje
- ◆ feilaktig bruk eller vedlikehold (mislighold)
- ◆ at produktet har blitt skadet av fremmede gjenstander, emner eller ved et uhell

Det gjøres oppmerksom på at produktet ikke er beregnet på industriell/profesjonell/yrkesmessig bruk, men til hus- og hjemmebruk.

Garantien gjelder ikke om reparasjoner har blitt utført av noen andre enn et autorisert Black & Decker serviceverksted.

For å ta garantien i bruk skal produktet og kjøpekvitteing leveres til forhandleren eller til et autorisert serviceverksted senest 2 måneder etter at feilen har blitt oppdaget. For informasjon om nærmeste autoriserte serviceverksted; kontakt det lokale Black & Decker kontoret på den adressen som er angitt i bruksanvisningen. En oversikt over alle autoriserte serviceverksteder samt servicevilkår finnes også tilgjengelig på Internet, adresse: **www.2helpU.com**

Vennligst stikk innom våre nettsider på **www.blackanddecker.no** for å registrere ditt nye Black & Decker-produkt og for å holde deg oppdatert om nye produkter og spesialtilbud. Du finner mer informasjon om Black & Decker og produktutvalget vårt på **www.blackanddecker.no**

Anvendelsesområde

Din Black & Decker slibemaskine er designet til slibning og pudsning af træ, metal, plastic og malede overflader. Dette værktøj er kun beregnet til privat brug.

Sikkerhedsinstruktioner

- ◆ **Advarsel!** Ved brug af elværktøj skal de grundlæggende sikkerhedsforanstaltninger altid følges, således at risikoen for brand, elektrisk stød, person- og materialeskader mindskes.
- ◆ Læs denne brugsanvisning igennem, inden værktøjet tages i brug.
- ◆ Opbevar brugsanvisningen let tilgængeligt.
- ◆ Tag altid stikket ud af kontakten, før der foretages justering, service eller vedligeholdelse.

Hold arbejdsområdet i orden

Risikoen for ulykke er mindre hvis man holder orden omkring arbejdsområdet.

Tænk på arbejdsmiljøets indflydelse

Udsæt ikke værktøjet for regn. Anvend ikke værktøjet på fugtige eller våde pladser. Sørg for en god belysning over arbejdsområdet.

Anvend ikke værktøjet hvor der eksisterer risiko for at brand kan opstå eller eksplosioner forekomme, som følge af brug af værktøjet. F. eks. aldrig i nærheden af let antændelige væsker eller gasser.

Hold børnene på afstand

Børn, besøgende eller dyr må ikke nærme sig arbejdsområdet eller røre ved værktøjet eller netkablet.

Klæd dig rigtigt på

Bær ikke løst hængende tøj eller smykker. De kan sidde fast i bevægelige dele. Gummihandsker og skridsikre sko anbefales ved udendørs arbejde. Brug hånet, hvis du har langt hår.

Personlig beskyttelse

Brug beskyttelsesbriller. Brug en ansigts- eller støvmaske, når brugen af værktøjet kan medføre støv eller flyvende partikler. Brug høreværn, når lydniveauet virker generende.

Beskyttelse mod elektrisk stød

Undgå kropskontakt med jordede emner (f.eks. rør, radiatorer, komfurer og køleskabe). Den elektriske sikkerhed kan forbedres yderligere ved brug af en højfølsom (30 mA / 30 mS) fejlstrømsafbryder (RCD).

Stræk dig ikke for meget

Sørg for, at du altid har sikkert fodfæste og balance.

Vær opmærksom

Se på det, du gør. Brug din sunde fornuft. Brug ikke værktøjet, når du er træt.

Sæt arbejdsområdet fast

Brug skruetvinger eller skruestik for at spænde arbejdsområdet fast. Det er sikrere end at bruge hånden, og du får begge hænder fri til arbejdet.

Tilslut støvudsugningsudstyret

Hvis der findes enheder til tilslutningsfunktionerne støvudsugning og støvopsamling, skal man sørge for, at disse tilsluttes og bruges korrekt. OBS! Tilslut kun grovstøvsuger.

Fjern nøglerne

Kontrollér at nøgler og justerværktøj er fjernet fra værktøjet, inden det startes.

Forlængerledningen

Før brugen skal forlængerledningen efterses og udskiftes, hvis det er skadet. Ved brug af værktøjet udendørs må man kun benytte forlængerledninger, der er beregnet til udendørs brug. Der kan bruges op til 30 m forlængerledning uden at styrken forringes.

Brug det rigtige værktøj

Brugen af værktøjet er beskrevet i denne brugsanvisning. Tving ikke elværktøj til at udføre arbejde, som er beregnet til kraftigere værktøj. Brug kun tilbehør og dele, der er anbefalet i brugsanvisningen og katalogerne. Værktøjet må ikke forceres. Brug ikke værktøjet til formål, som det ikke er beregnet til. Brug for eksempel ikke rundsave til at save trægrene eller brænde med.

Advarsel! Anvendelsen af andet tilbehør eller udførelse af opgaver med andet værktøj end det her anbefalede kan medføre risiko for personskader.

Kontrollér værktøjet for skader

Kontrollér omhyggeligt værktøjet og ledningen for beskadigelser, før det tages i brug. Check de bevægelige dele for skæv indstilling og sammenbrændinger, kontrollér for brud på dele, skader på skærme og kontakter samt alt andet, der kan påvirke værktøjets funktion. Kontrollér, at værktøjet fungerer rigtigt og kan udføre det arbejde, det er beregnet til. Værktøjet må ikke benyttes, hvis en af delene er beskadiget eller defekt. Brug ikke værktøjet, hvis det ikke kan tændes og slukkes ved afbryderen. Skadede eller defekte dele skal repareres eller udskiftes af en autoriseret tekniker. Man må aldrig forsøge selv at reparere værktøjet.

Afbryd værktøjet

Afbryd værktøjet når det er ude af brug og før udskiftning af enhver værktøjsdel, tilbehør eller andet udstyr.

Undgå utilsigtet start af værktøjet

Bær ikke værktøjet med en finger på tænd/sluk knappen. Sørg for, at værktøjet er slukket, når ledningen tilsluttes strømmen.

Vær forsigtig med ledningen

Man må aldrig bære værktøjet i ledningen eller tage det ud af stikkontakten ved at rive i ledningen. Ledningen skal holdes på afstand af varme, olie og skarpe kanter.

Opbevar værktøjet sikkert, når det ikke bruges

Når værktøjet ikke er i brug, skal det opbevares på et tørt sted, aflåst eller anbragt højt udenfor børns rækkevidde.

Vedligehold værktøjet omhyggeligt

Skærende værktøjer skal holdes skarpe og rene, for på denne måde at opnå et bedre og mere sikkert brug.

Følg vedligeholdelsesvejledningen samt vejledningen til udskiftning af tilbehør. Hold håndtag og knapper tørre, rene og fri for olie og fedt.

Reparationer

Dette værktøj opfylder de relevante sikkerhedskrav. Reparationer må kun foretages af dertil kvalificerede personer, som bruger originale reservedele. I modsat fald kan der opstå betydelig fare for brugeren.

Elektrisk sikkerhed



Værktøjet er dobbelt isoleret; derfor er jordledning ikke nødvendig. Kontrollér altid, at strømforsyningen svarer til spændingen på typeskiltet.

Yderligere sikkerhedsvejledninger for slibemaskiner

- ◆ Man bør altid bære støvmaske, når man sliber.
- ◆ Man skal grundigt fjerne alt støv efter slibning.
- ◆ Sæt støvudsugningsudstyret fast, før maskinen bruges til arbejdsstykker af træ.
- ◆ Fjern støvudsugningsudstyret, før maskinen bruges til arbejdsstykker af metal.
- ◆ Benyt aldrig værktøjet uden slibepapir.
- ◆ Benyt aldrig værktøjet uden slibegrundplade.
- ◆ Brug høreværn, når lydniveauet virker generende.

Slibning af blybaseret maling eller MDF

Slibning af blybaseret maling kan ikke anbefales, da det er vanskeligt at styre det forurenede støv. Børn og gravide kvinder er mest udsat for blyforgiftning. Alle bygninger fra før 1960 kan før i tiden være blevet malet med maling, der indeholder bly. Denne maling kan være dækket af flere lag maling. Før arbejdet påbegyndes, er det vigtigt at afgøre, om den maling, der skal slibes af, indeholder bly. Dette kan gøres med et test-kit eller med hjælp fra en professionel (f.eks. maler eller dekoratør).

Personlig beskyttelse

- ◆ Børn og gravide kvinder må ikke betræde arbejdsområdet.
- ◆ Man skal bære en specielt designet støvmaske til beskyttelse mod støv frembragt af blybaseret maling og blybaserede dampe samt sikre sig, at personer inden for arbejdsområdet også er beskyttet.
- ◆ Man må hverken spise, drikke eller ryge inden for arbejdsområdet. Man må ikke opbevare mad eller drikke inden for arbejdsområdet.
- ◆ Efterfølgende skal man vaske sig omhyggeligt før man spiser, drikker eller ryger.

Miljø

- ◆ Fjern malingen på en sådan måde, at støvmængden er minimal.

- ◆ Dæk arbejdsområdet til med plasticfolie.
- ◆ Sørg for, at mængden af støv uden for området er minimal.

Rengøring

- ◆ Alle flader i arbejdsområdet skal støvsuges og gøres rene hver dag.
- ◆ Skift regelmæssigt støvpose og filter i støvsugeren.
- ◆ Vask alle andre genstande, der er udsat for støv, før de bruges igen.

Funktioner

Dette værktøj har nogle af eller alle følgende funktioner:

1. Strømafbryder
2. Blødt gelhåndtag
3. Støvudsugningskontakt
4. Grundplade
5. Spidsholder
6. Slibegrundpladespids
7. Fingertilbehør
8. Profiltilbehør (kun KA165GTK)
9. Skrue
10. Slibeprofiler (kun KA165GTK)

Desuden leveres dette værktøj med noget af følgende tilbehør eller det hele:

Tilbehør

- Grovkornet sandpapir
- Mediumkornet sandpapir
- Finkornet sandpapir
- Ekstra finkornet sandpapir
- Detaljeslibningsspids
- 1 OT polerings- og pudsepude
- Grå pude af skumplast
- Rød uvævet pude
- Gråt slibepapir
- Konturtilbehør

Anbefalet anvendelse og brug

Hurtiglak, fernis og rustfjerner
Lak, fernis og rustfjerner
Overfladeblanding og -finish
Slibning mellem flader
Hjørner og svært tilgængelige steder

Polering af metal, fernisfjernelse og glasrensning
Påføring og fjernelse af pudsemiddel
Kraftig skrubning og rustfjernelse
Polering af plastik
Kurver og profiler

Montering

Advarsel! Før montering skal man sikre sig, at værktøjet er slukket og taget ud af stikkontakten.

Påsætning af slibepapir (fig. A og B)

- ◆ Tag de to diamantformede spidser (11) af slibepapiret (12).
- ◆ Hold værktøjet med slibegrundfladen vendende opad.

- ◆ Placer slibepapiret (12) på slibgrundpladen, og sørg for, at hullerne i papiret passer sammen med hullerne i grundpladen.

Den diamantformede spids (11) kan vendes om og sættes fast igen, når den er blevet slidt.

- ◆ Når den forreste del af spidsen er slidt, løsnes den fra papiret, vendes og trykkes fast på slibgrundpladen igen.
- ◆ Når hele spidsen er slidt, fjernes den fra slibgrundpladen, og der monteres en ny spids.
- ◆ Polerepuden af skumplast og puderne (13) kan monteres på samme måde som slibepapiret.

Slibgrundpladens spids (fig. C)

Når slibgrundpladens spids (6) eller spidsholder (5) er slidt, kan den vendes eller udskiftes. Reservedele fås hos din Black & Decker forhandler.

- ◆ Fjern skruen (9).
- ◆ Vend eller udskift den slidte del.
- ◆ Sæt skruen i og stram den.

Fingertilbehør (fig. D)

Fingertilbehøret bruges til fin detaljeslibning.

- ◆ Fjern skruen (9).
- ◆ Fjern den diamantformede spidsholder (5) fra slibgrundpladen.
- ◆ Fastgør fingertilbehøret (7) på slibgrundpladen.
- ◆ Sæt skruen i og stram den.
- ◆ Monter et passende slibepapir (14) på fingertilbehøret.

Profiltilbehør (fig. E)

Profiltilbehøret bruges til konturslibning.

- ◆ Fjern skruen (9).
- ◆ Fjern den diamantformede spidsholder (5) fra slibgrundpladen.
- ◆ Fastgør profiltilbehøret (8) på slibgrundpladen.
- ◆ Sæt skruen i og stram den.

På- og afmontering af slibprofilen (fig. F1 og F2)

- ◆ Vælg den slibprofil, der passer bedst til din opgave.
- ◆ Placér den ene ende af slibprofilen (10) i indskæringen i den forreste ende af profilholderen (8).
- ◆ Tryk på den anden ende af slibprofilen, til den klikker på plads.
- ◆ Fjern slibprofilen ved at trykke den frem og trække bagenden ud af profilholderen (fig. F2).

Påsætning af et slibepapir på en slibprofil (fig. G)

- ◆ Justér slibepapiret (15) efter slibprofilen (10).
- ◆ Tryk slibepapiret ned på slibprofilen, og sørg for, at slibepapiret følger profilens form.

Tilslutning af en støvsuger (fig. H)

Værktøjet har en adapter til tilslutning til en støvsuger, når man sliber træ. Værktøjet sluttes til en støvsuger på følgende måde:

- ◆ Anbring støvudsugningsadapteren (3) på adapteren på bagsiden af værktøjet.
- ◆ Slut slangen på en velegnet støvsuger til kontakten.

Anvendelse

Advarsel! Lad værktøjet arbejde i dets eget tempo. Det må ikke overbelastes.

Advarsel! Dæk ikke ventilationshullerne, mens værktøjet er i brug. Hold værktøjet som vist i fig. I. Sørg for at slibgrundpladen ligger fladt på arbejdsstykket.

Tænding og slukning

- ◆ For at tænde værktøjet, sættes tænd/sluk knappen (1) på I position.
- ◆ For at slukke værktøjet, sættes tænd/sluk knappen på O position.

Tilbehør

Værktøjets ydeevne afhænger af, hvilket tilbehør der bruges. Black & Decker og Piranha tilbehør er konstrueret, så det opfylder høje kvalitetsstandarder, og det er beregnet til at forbedre værktøjets ydeevne. Bruger du dette tilbehør, vil du få det allerbedste ud af værktøjet.

Vedligeholdelse

Værktøjet er beregnet til at være i drift gennem en længere periode med minimal vedligeholdelse. Forsat tilfredsstillende drift afhænger af korrekt behandling af værktøjet samt regelmæssig rengøring.

- ◆ Rens kølingshuller og -riller med en ren, tør pensel.
- ◆ Rengør motorhuset med en ren, fugtig klud. Brug ikke opløsningsmidler.

Miljø



Når dit værktøj er udtjent, beskyt da naturen ved ikke at smide det ud sammen med det almindelige affald. Aflever det på den genbrugsstation, der findes i din kommune eller der hvor værktøjet er købt.

Tekniske data

	KA165GT/KA165GK	
Spænding	VAC	230
Motoreffekt	W	55
Ubelastet hastighed	min ⁻¹	11.000

EU-overensstemmelseserklæring

KA165GT/KA165GTK

Black & Decker erklærer, at disse værktøjer er konstrueret i henhold til: 98/37/EØF, 89/336/EØF, EN 50144, EN 55014,

EN 61000

L_{pA} (lydniveau) 59 dB(A),

L_{WA} (akustisk styrke) 72 dB(A),

hånd/arm vægt vibration $< 2,5 \text{ m/s}^2$



Kevin Hewitt

Director of Consumer Engineering
Spennymoor, County Durham DL16 6JG,
United Kingdom

Liste over alle autoriserede Black & Decker serviceværksteder samt servicevilkår er tilgængelig på internettet, på adressen www.2helpU.com

Gå venligst ind på vores website www.blackanddecker.dk for at registrere dit nye produkt og for at blive holdt ajour om nye produkter og specialtilbud. Der findes yderligere oplysninger om mærket Black & Decker og vores produktsortiment på adressen www.blackanddecker.dk

Reservedele / reparationer

Reservedele kan købes hos autoriserede Black & Decker serviceværksteder, som giver forslag til omkostninger og reparerer vore produkter. Oversigt over vore autoriserede værksteder findes på internettet på vor hjemmeside www.blackanddecker.dk samt www.2helpU.com

Garanti

Black & Decker garanterer, at produktet er fri for materielle skader og/eller fabrikationsfejl ved levering til kunden. Garantien er et tillæg til konsumentens lovlige rettigheder og påvirker ikke disse. Garantien gælder indenfor medlemsstaterne af den Europæiske Union og i det Europæiske Frihandelsområde.

Hvis et Black & Decker produkt går i stykker på grund af materiel skade og/eller fabrikationsfejl eller på anden måde ikke fungerer i overensstemmelse med specifikationen, inden for 24 måneder fra købsdatoen, påtager Black & Decker sig at reparere eller ombytte produktet med mindst muligt besvær for kunden.

Garantien gælder ikke for fejl og mangler, der er sket i forbindelse med:

- ◆ normal slitage
- ◆ uheldige følger efter unormal anvendelse af værktøjet
- ◆ overbelastning, hævværk eller overdrevent intensivt brug af værktøjet
- ◆ ulykkeshændelse

Garantien gælder ikke hvis reparationer er udført af nogen anden end et autoriseret Black & Decker værksted.

For at udnytte garantien skal produktet og købskvitteringen indleveres til forhandleren eller til et autoriseret værksted, senest 2 måneder efter at fejlen opdages. For information om nærmeste autoriserede værksted: kontakt det lokale Black & Decker kontor på den adresse som er opgivet i brugsanvisningen.

Käyttötarkoitus

Black & Deckerin hiomakone on suunniteltu puun, metallin, muovin ja maalipintojen hiomiseen ja kiillottamiseen. Kone on tarkoitettu kotikäyttöön.

Turvallisuusohjeet

- ◆ **Varoitus!** Sähkötyökaluja käytettäessä on aina noudatettava mm. seuraavia turvallisuusohjeita, jotta tulipalojen, sähköiskujen, henkilövahinkojen ja materiaalivaurioiden riski olisi mahdollisimman pieni.
- ◆ Säilytä käyttöohje kaikkien koneen käyttäjien ulottuvilla.
- ◆ Irrota pistoke virtalähteestä ennen kuin säädät, puhdistat tai huollat konetta.

Pidä työskentelyalue siistinä

Poista roskat ja mahdolliset esteet työskentelyalueelta välttyäksesi vaurioilta.

Ajattele työskentelyalueen vaikutusta työhösi

Älä altista sähkötyökaluja sateelle äläkä käytä niitä kosteissa tai märissä paikoissa. Järjestä työskentelyalueelle hyvä valaistus. Älä käytä konetta paikassa, jossa on tulipalo- tai räjähdysvaara, esim. palavien nesteiden tai kaasujen läheisyydessä.

Työskentele lasten ulottumattomissa

Älä anna lasten, vieraiden tai eläinten tulla lähelle työskentelyaluetta tai koskea koneeseen tai sähköjohtoon.

Pukeudu asianmukaisesti

Älä käytä liian väljiä vaatteita tai koruja. Ne voivat tarttua liikkuviin osiin. Käytä ulkona työskennellessäsi kumihansikkaita ja liukumattomia kenkiä. Jos sinulla on pitkät hiukset, käytä hiusverkkoa.

Suojavaatetus

Käytä suojalaseja. Käytä kasvosuojaa, jos työskennellessä syntyy pölyä tai hiukkasia. Käytä kuulosuojaimia aina, kun melutaso käy epämuikavaksi.

Suojaudu sähköiskuilta

Vältä kosketusta maadoitettuihin pintoihin (esim. putket, lämpöpatterit, liedet ja jääkaapit). Sähköistä turvallisuutta voidaan parantaa käyttämällä erittäin herkkää (30 mA / 30 mS) vikavirtasuojaa.

Älä kurottele

Seiso aina tukevasti ja tasapainossa.

Ole tarkkaavainen

Keskity työhösi. Käytä tervettä järkeä. Älä käytä sähkötyökalua, kun olet väsynyt.

Kiinnitä työstökappale kunnolla

Käytä ruuvipuristinta tai -kappaletta, jotta työstökappale pysyy kunnolla kiinni. Näin saat molemmat kädet vapaaksi työhön.

Liitä pölynpoistolaite

Jos koneessa on liitántä pölynpoisto- ja pölynkeräyslaitteistolle tulee sellainen kiinnittää ja käyttää oikein. HUOM! Liitä koneeseen ainoastaan teollisuuspölynimuri.

Poista avaimet

Poista säätöavaimet ja asennustyökalut koneesta ennen kuin käynnistät sen.

Jatkojohdot

Tarkista jatkojohto ennen käyttöä, ja vaihda vaurioitunut johto uuteen. Käytettäessä konetta ulkona tulee käyttää vain ulkokäyttöön soveltuvia jatkojohtoja. Jopa 30 m:n pituista jatkojohtoa voidaan käyttää tehon vähenemättä.

Käytä oikeaa konetta

Älä käytä konetta muihin töihin, kuin mihin se on tarkoitettu. Älä käytä pientä konetta työssä, joka vaatii tehokkaamman työkalun. Älä ylikuormita konetta. Käytä konetta ainoastaan sellaiseen työhön, johon se on tarkoitettu. Esim. älä sahaa pyörösaahalla oksia tai polttopuita.

Varoitus! Käytä konetta ainoastaan sellaiseen työhön, johon se on tarkoitettu, ja käytä vain käyttöohjeessa ja tuotekuvastossa suositeltuja tarvikkeita ja lisälaitteita. Ohjeesta poikkeava käyttö voi aiheuttaa onnettomuuden.

Tarkista, että kone on kunnossa

Tarkista ennen käyttöä, ettei kone tai sähköjohto ole vaurioitunut. Tarkista, etteivät liikkuvat ja muut osat sekä suoja ole viallisia, ja että kaikki muut käyttöön mahdollisesti vaikuttavat tekijät ovat kunnossa. Varmista, että kone toimii oikein ja täyttää tehtävänsä.

Älä käytä konetta, jos jokin sen osista on viallinen tai se ei käynnisty ja pysähdy virrankatkaisijasta. Viallinen osa tulee korjata tai vaihtaa valtuutetussa Black & Deckerin huoltoliikkeessä. Älä koskaan yritä korjata konetta itse.

Irrota kone virtalähteestä

Irrota kone virtalähteestä, kun konetta ei käytetä, ennen minkään koneen osan, tarvikkeen tai lisävarusteen vaihtamista, sekä ennen huoltoa.

Vältä tahatonta käynnistämistä

Älä koskaan kanno konetta sormet kiinni virrankatkaisijassa. Varmista, että kone on pois päältä, ennen kuin kytket sen virtalähteeseen.

Huolehdi johdon kunnosta

Älä koskaan kanno konetta johdosta äläkä irrota pistoketta virtalähteestä vetämällä johdosta. Suojaa johto kuumuudelta, öljyltä ja teräviltä reunoilta.

Säilytä konetta oikein

Kun konetta ei käytetä, säilytä sitä kuivassa, lukitussa paikassa tai korkealla lasten ulottumattomissa.

Hoida työkalua huolellisesti

Pidä työkalu puhtaana ja käytä teräviä teriä tehokasta ja turvallista työskentelyä varten. Noudata huollosta ja tarvikkeiden vaihdosta annettuja ohjeita. Pidä virrankatkaisijaa ja kädensijat kuivina ja puhtaina öljyistä ja rasvasta.

Korjaukset

Tämä kone täyttää voimassa olevat turvallisuusvaatimukset. Korjauksia saa tehdä vain Black & Deckerin valtuuttama huoltoliike, joka käyttää alkuperäisosa. Muussa tapauksessa käyttäjä saattaa joutua vaaratilanteeseen.

Sähköinen turvallisuus



Tämä kone on kaksoiseristetty; siksi ei tarvita erillistä maadoitusta. Tarkista aina, että virtalähde vastaa arvokilvessä ilmoitettua jännitettä.

Lisäturvaohjeet hiomakoneelle

- ◆ Käytä aina kasvosuojaa hiottaessa.
- ◆ Poista pöly huolellisesti hiomisen jälkeen.
- ◆ Aseta pölynpoistolaite paikalleen ennen kuin aloitat puun hiomisen.
- ◆ Poista pölynpoistolaite ennen kuin aloitat metallisten kappaleiden työstämisen.
- ◆ Älä koskaan käytä konetta ilman hiomapaperia.
- ◆ Älä koskaan käytä konetta ilman hioma-alustaa.
- ◆ Käytä kuulosuojaimia aina, kun melutaso käy epämukavaksi.

Öljypohjaisen maalin tai MDF-levyn hiominen

Lyijypohjaisen maalin hiomista ei suositella, koska saastuneen pölyn kontrolloiminen on vaikeaa. Lyijymyrkytyksen vaara on suurin lapsilla ja raskaana olevilla naisilla. Ennen 1960-lukua rakennetut talot on voitu maalata lyijyä sisältävällä maalilla. Tämän maalin päällä voi olla muita maalikerroksia. Ennen hiomisen aloittamista on tärkeää selvittää, sisältääkö hiottava maali lyijyä. Tämä voidaan selvittää testipakkauksella tai ottamalla yhteyttä alan ammattilaiseen (esim. maalari, tms.).

Suojavaatetus

- ◆ Älä anna lasten tai raskaana olevien naisten olla työskentelyalueella.
- ◆ Käytä erityismuotoiltua, lyijypitoisen maalin pölyltä ja höyryiltä suojaavaa kasvosuojaa. Varmista, että sekä työskentelyalueella olevat että sen läheisyyteen saapuvat ihmiset käyttävät suojaa.
- ◆ Älä syö, juo tai tupakoi työskentelyalueella. Älä säilytä ruokaa tai juomaa työskentelyalueella.
- ◆ Peseydy huolellisesti ennen syömistä, juomista tai tupakoimista.

Ympäristö

- ◆ Poista maali siten, että pölyä muodostuu mahdollisimman vähän.
- ◆ Tiivistä työalue muovikalvolla.
- ◆ Minimoi työalueen ulkopuolisen pölyn määrä.

Puhdistus

- ◆ Imuroi ja puhdista työskentelyalueen kaikki pinnat huolellisesti joka päivä.
- ◆ Vaihda pölynimurin pölypussi ja suodattimet säännöllisesti.
- ◆ Pese pölylle altistuneet esineet huolellisesti ennen niiden käyttämistä uudelleen.

Yleiskuvaus

Tällä koneella on kaikki tai osa seuraavista ominaisuuksista.

1. Virtakatkaisin
2. Mukava geeliosa
3. Pölynpoistoliitin
4. Jalusta
5. Kärjen pidike
6. Hiomisjalustan kärki
7. Jatkokärki
8. Muotoilulisäosa (ainoastaan KA165GTK)
9. Ruuvi
10. Muotoilukärjet (ainoastaan KA165GTK)

Lisäksi tämä työkalu on varustettu joillakin tai kaikilla seuraavista lisälaitteista:

Lisälaitte

- Karkea hiomapaperi

Suosittelu sovellus ja käyttö

Nopea maalin, lakan ja ruosteen poisto

- Keskikarkea hiomapaperi

Maalin, lakan ja ruosteen poisto

- Hieno hiomapaperi

Pinnan hiominen ja viimeistely

- Erittäin hieno hiomapaperi

Maalikerrosten välinen hionta

- Kärjet vaikeapääsyisten

paikkojen hiomiseen

Nurkat ja vaikeapääsyiset paikat

- 1 OT kiillotus/

kuorintatyökalu

Metallien kiillottamiseen, lakan kuorimiseen ja lasin puhdistukseen

- Harmaa vaahtoalusta

Kiillotusaineen levittämiseen ja poistamiseen

- Punainen ei-kudottu alusta

Perusteelliseen hankaamiseen ja ruosteen poistoon

- Harmaa hankauspaperi

Muovien kiillottamiseen

- Reunaisävaruste

Kaartuille pinnoille ja muodoille

Kokoaminen

Varoitus! Ennen kokoamista varmista, että kone on pois päältä eikä sitä ole liitetty virtalähteeseen.

Hiomapaperin kiinnittäminen (kuvat A & B)

- ◆ Irrota kaksi irtokärkeä (11) hiomapaperista (12).
- ◆ Pidä koneesta kiinni siten, että hioma-alusta on ylöspäin.
- ◆ Paina hiomapaperi (12) hioma-alustaan varmistaen, että paperissa olevat reiät ovat kohdakkain hioma-alustassa olevien reikien kanssa.

Irtokärki (11) voidaan kääntää ja vaihtaa, kun se on kulunut.

- ◆ Kun kärjen etuosaa on kulunut, irrota se paperista, käännä se ja paina kiinni hioma-alustaan.
- ◆ Kun koko kärki on kulunut, poista se ja laita tilalle uusi kärki.

- ◆ Kiillotusvaahto ja alustat (13) kiinnitetään samalla tavoin kuin hiomapaperit.

Hioma-alustan kärki (kuva C)

Kun hioma-alustan kärki (6) tai kärjen pidike (5) on kulunut, se voidaan kääntää tai vaihtaa. Varaosia on saatavana Black & Decker -jälleenmyyjältä.

- ◆ Irrota ruuvi (9).
- ◆ Käännä tai vaihda kulunut osa.
- ◆ Laita ruuvi paikalleen ja kiristä se.

Jatkokärki (kuva D)

Jatkokärjellä hiotaan vaikeapääsyisiä paikkoja.

- ◆ Irrota ruuvi (9).
- ◆ Irrota kärjen pidike (5) hioma-alustasta.
- ◆ Kiinnitä jatkokärki (7) hioma-alustaan.
- ◆ Laita ruuvi paikalleen ja kiristä se.
- ◆ Kiinnitä asiaankuuluva hiomapaperi (14) jatkokärkeen.

Muotoilulisäosa (kuva E)

Muotoilulisäosaa käytetään reunahiontaan.

- ◆ Irrota ruuvi (9).
- ◆ Irrota kärjen pidike (5) hioma-alustasta.
- ◆ Kiinnitä muotoilulisäosa (8) hioma-alustaan.
- ◆ Laita ruuvi paikalleen ja kiristä se.

Muotoilukärjen (kuvat F1 ja F2) asentaminen ja irrottaminen

- ◆ Valitse parhaiten tarkoitukseen sopiva muotoilukärki.
- ◆ Aseta muotoilukärjen (10) toinen pää uraan, joka on muotoilupidikkeen (8) etuosassa.
- ◆ Työnnä ja paina muotoilukärjen toista päätä, kunnes se napsahtaa paikalleen.
- ◆ Muotoilukärki irrotetaan työntämällä sitä eteenpäin ja vetämällä takapä ulos muotoilukärkitelineestä (kuva F2).

Hiomapaperin asetus muotoilukärkeen (kuva G)

- ◆ Kohdista hiomapaperi (15) muotoilukärkeen (10).
- ◆ Paina hiomapaperi kiinni muotoilukärkeen ja varmista, että hiomapaperi noudattaa kärjen muotoa.

Imurin kytkeminen (kuva H)

Työkalussa on sovitin, johon imuri voidaan kytkeä puuta hiottaessa. Kytke imuri työkaluun seuraavasti:

- ◆ Sovita pölynpoistoliitin (3) työkalun takana olevaan sovittimeen.
- ◆ Kytke sopivan imurin letku liittimeen.

Käyttö

Varoitus! Anna koneen käydä omaan tahtiinsa. Älä ylikuormita sitä.

Varoitus! Älä peitä ilma-aukkoja, kun käytät tätä konetta. Pitele konetta kuvan 1 osoittamalla tavalla. Varmista, että hioma-alusta on kokonaan työstökappaleen pinnalla.

Käynnistys ja pysäytys

- ◆ Käynnistä kone painamalla virrankatkaisija (1) asentoon I.
- ◆ Sammuta kone painamalla virrankatkaisija (1) asentoon O.

Tarvikkeet

Koneen käyttöalue riippuu käytettävästä tarvikkeesta.

Black & Decker- ja Piranha -tarvikkeet ovat korkealaatuisia. Käyttämällä näitä tarvikkeita saat koneestasi irti parhaan mahdollisen.

Huolto

Kone on suunniteltu toimimaan mahdollisimman pitkän aikaa mahdollisimman vähällä huollolla. Oikealla huollolla ja säännöllisellä puhdistuksella kone säilyttää suorituskykynsä.

- ◆ Puhdista jäähdytysventtiilit ja –aukot puhtaalla ja kuivalla harjalla.
- ◆ Puhdista koneen kuori puhtaalla, kostealla rievulla. Älä käytä liuottimia.

Ympäristö



Kun koneesi on käytetty loppuun, älä heitä sitä tavallisten roskien mukana pois, vaan vie se paikkakuntasi kierrätyskeskukseen tai jätä valtuutettuun Black & Deckerin huoltoilikkeeseen.

Tekniset tiedot

KA165GT/KA165GTK		
Jännite	V _{AC}	230
Ottoteho	W	55
Kuormittamaton nopeus	min ⁻¹	11.000

CE-vaatimustenmukaisuusvakuutus

KA165GT/KA165GTK

Black & Decker vakuuttaa, että nämä työkalut ovat 98/37/EC, 89/336/EEC, EN 50144, EN 55014, EN 61000 mukaiset.

L_{PA} (äänenpaine): 59 dB(A),

L_{WA} (ääniteho) 72 dB(A),

tärinätaajuuden painotettu geometrinen keskiarvo < 2,5 m/s²

Kevin Hewitt
Director of Consumer Engineering
Spennymoor, County Durham DL16 6JG,
United Kingdom

Korjaukset / varaosat

Mikäli koneeseen tulee vikaa, jätä se aina Black & Deckerin valtuuttamaan huoltoliikkeeseen korjattavaksi (tiedot löytyvät uusimmasta tuoteluettelostamme tai ottamalla yhteyttä Black & Decker Oy:hyn). Varaosia myyvät valtuutetut Black & Deckerin huoltoliikkeet, ja heiltä voi myös pyytää kustannusarvion koneen korjauksesta.

Tiedot valtuutetuista huoltoliikkeistä löytyvät myös internetistä osoitteesta www.2helpU.com sekä kotisivuiltamme www.blackanddecker.fi

Takuu

Black & Decker Oy takaa, ettei koneessa ollut materiaali- ja/ tai valmistusvikaa silloin, kun se toimitettiin ostajalle. Takuu on lisäys kuluttajan laillisiin oikeuksiin eikä vaikuta niihin. Takuu on voimassa Euroopan Unionin jäsenmaissa ja Euroopan vapaakauppa-alueella (EFTA).

Mikäli Black & Decker -kone hajoaa materiaali- ja/ tai valmistusvirheen tai teknisten tietojen epätarkkuuden vuoksi 24 kk:n kuluessa ostopäivästä, Black & Decker korjaa koneen ilman kustannuksia ostajalle tai vaihtaa sen uuteen Black & Decker Oy:n valinnan mukaan.

Takuu ei kata vikoja, jotka johtuvat koneen

- ◆ normaalista kulumisesta
- ◆ ylikuormituksesta, virheellisestä käytöstä tai hoidosta
- ◆ vahingoittamisesta vieraalla esineellä tai aineella tai onnettomuustapauksessa.

Takuu ei ole voimassa, mikäli konetta on korjannut joku muu kuin Black & Deckerin valtuuttama huoltoliike.

Edellytyksenä takuun saamiselle on, että ostaja jättää koneen ja ostokuitin jälleenmyyjälle tai valtuutetulle huoltoliikkeelle viimeistään 2 kuukauden kuluessa vian ilmenemisestä. Tiedot valtuutetuista huoltoliikkeistä saa ottamalla yhteyttä Black & Decker Oy:hyn sekä internetistä osoitteesta www.2helpU.com, jossa on myös takuehdot.

Voit vieraila verkkosivullamme www.blackanddecker.fi rekisteröidäksesi uuden Black & Decker-tuotteesi ja saadaksesi tietoa uusista tuotteista ja erikoistarjouksista. Saat lisätietoja Black & Deckerin tavaramerkistä ja tuotevalikoimastamme osoitteesta www.blackanddecker.fi

Ενδεδειγμένη χρήση

Το τριβείο σας της Black & Decker έχει σχεδιαστεί για τη λείανση και στίλβωση ξύλου, μετάλλου, πλαστικών και βαμμένων επιφανειών. Το εργαλείο αυτό προορίζεται μόνο για ερασιτεχνική χρήση.

Οδηγίες ασφαλείας

- ♦ **Προσοχή!** Κατά τη χρήση εργαλείων που τροφοδοτούνται με ηλεκτρικό ρεύμα, θα πρέπει πάντα να λαμβάνονται οι βασικές προφυλάξεις ασφαλείας, για τον περιορισμό του κινδύνου πυρκαγιάς, ηλεκτροπληξίας, σωματικών βλαβών και υλικών ζημιών.
- ♦ Πριν χρησιμοποιήσετε το εργαλείο διαβάστε προσεκτικά τις παρακάτω οδηγίες.
- ♦ Φυλάξτε τις οδηγίες καλά.
- ♦ Αποσυνδέστε το εργαλείο από την πρίζα πριν προχωρήσετε σε εργασίες ρύθμισης, σέρβις ή συντήρησης.

Διατηρείτε καθαρό το χώρο εργασίας

Ακατάστατο χώρο και πάγκοι εγκυμονούν κίνδυνο τραυματισμού.

Λάβετε υπ' όψη τις επιδράσεις του περιβάλλοντος

Μην εκθέτετε ηλεκτρικά εργαλεία σε υγρασία. Φροντίστε η περιοχή εργασίας να είναι καλά φωτισμένη. Μη χρησιμοποιείτε το εργαλείο αν υπάρχει κίνδυνος να προκληθεί πυρκαγιά ή έκρηξη, π.χ. κοντά σε εύφλεκτα υγρά και αέρια.

Κρατάτε τα παιδιά σε απόσταση

Μην επιτρέπετε σε παιδιά, επισκέπτες ή ζώα να πλησιάζουν στο χώρο εργασίας ή να αγγίζουν το εργαλείο ή το καλώδιο τροφοδοσίας.

Φοράτε τα κατάλληλα ρούχα εργασίας

Μη φοράτε φαρδιά ρούχα ή κοσμήματα. Υπάρχει πιθανότητα να παστούν σε κινούμενα μέρη μηχανών. Για υπαίθριες εργασίες συνιστώνται λαστιχένια γάντια και υποδήματα που δε γλιστρούν. Εάν έχετε μακριά μαλλιά φοράτε προστατευτικό διχτάκι.

Ατομική προστασία

Φορέστε προστατευτικά γυαλιά. Φορέστε μάσκα προσώπου ή προστασίας από τη σκόνη, στις περιπτώσεις που η εργασία ενδέχεται να προκαλέσει την παραγωγή σκόνης ή αιωρούμενων σωματιδίων. Πρέπει να φοράτε προστατευτικά καλύμματα για τα αυτιά σας όταν η στάθμη του θορύβου σας προκαλεί δυσφορία.

Λάβετε τις κατάλληλες προφυλάξεις για το ενδεχόμενο ηλεκτροπληξίας

Αποφύγετε τη σωματική επαφή με γειωμένες ή συνδεδεμένες με το έδαφος επιφάνειες (π.χ. σωλήνες, ψυγεία, βραστήρες και ψυγεία). Η ηλεκτρική ασφάλεια μπορεί να βελτιωθεί αν χρησιμοποιηθεί συσκευή παραμόντος ρεύματος (RCD) υψηλής ευαισθησίας (30 mA / 30 ms).

Μη σκύβετε πάρα πολύ

Φροντίστε πάντοτε να έχετε την κατάλληλη στάση και να διατηρείτε την ισορροπία σας.

Να είστε πάντα προσεκτικοί

Παρακολουθείτε την εργασία σας. Ενεργείτε λογικά. Μη χρησιμοποιείτε το εργαλείο όταν είστε κουρασμένοι.

Στηρίξτε με ασφαλή τρόπο το αντικείμενο στο οποίο εργάζεστε

Χρησιμοποιήστε σφιγκτήρες ή μέγνε για το σκοπό αυτό. Η μέθοδος αυτή είναι ασφαλέστερη και ελευθερώνει και τα δύο σας χέρια για το χειρισμό του εργαλείου.

Συνδέστε τη συσκευή αφαίρεσης σκόνης

Εάν παρέχονται συσκευές για τη σύνδεση συσκευών αφαίρεσης και συλλογής σκόνης, βεβαιωθείτε ότι η σύνδεση και η χρήση τους γίνεται με τον ενδεδειγμένο τρόπο.

Απομακρύνετε από το μηχάνημα τα κλειδιά που χρησιμοποιείτε για τη ρύθμισή του

Πριν βάλετε σε λειτουργία το εργαλείο, βεβαιωθείτε πάντα ότι έχετε βγάλει από αυτό τα κλειδιά για τη ρύθμισή του.

Καλώδια επιμήκυνσης

Πριν τη χρήση, επιθεωρήστε το καλώδιο επιμήκυνσης και αντικαταστήστε το, αν έχει φθαρεί. Εάν χρησιμοποιείτε τη συσκευή σε υπαίθριο χώρο, χρησιμοποιείτε μόνο καλώδια επιμήκυνσης κατάλληλα για χρήση σε υπαίθριο χώρο. Μπορεί να χρησιμοποιηθεί καλώδιο προέκτασης Black & Decker έως και 30 m χωρίς να προκληθεί απώλεια ισχύος.

Χρησιμοποιείτε το σωστό εργαλείο

Η ενδεδειγμένη χρησιμοποίηση αναφέρεται σε αυτές τις οδηγίες χρήσεως. Μη χρησιμοποιείτε εργαλεία χαμηλής ισχύος ή προσθήκες για βαριές εργασίες. Το εργαλείο σας θα λειτουργήσει επιτυχέστερα και ασφαλέστερα εάν χρησιμοποιηθεί σύμφωνα με τις προδιαγραφές του. Μη ζορίζετε το εργαλείο. Μη χρησιμοποιείτε το εργαλείο σε εργασίες για τις οποίες δεν είναι κατάλληλα. Για παράδειγμα, μη χρησιμοποιείτε δισκοπρίονο για να κόψετε κλαδιά ή κορμούς δέντρων.

Προσοχή! Τόσο η χρήση εξαρτημάτων ή προσθηκών όσο και η πραγματοποίηση εργασιών που δεν συνιστώνται στις οδηγίες αυτές εγκυμονεί κίνδυνο τραυματισμού.

Ελέγχετε εάν το εργαλείο σας έχει θλάβες

Πριν από τη χρήση, ελέγξτε προσεκτικά το εργαλείο και το καλώδιο τροφοδοσίας για τυχόν ζημιές. Ελέγξτε για τυχόν κακή ευθυγράμμιση και εμπλοκή των κινούμενων μερών, για μέρη που έχουν σπάσει, για τυχόν ζημιές στους προστατευτικούς και τους διακόπτες, και γενικά κάθε είδους συνθήκες οι οποίες ενδέχεται να επηρεάσουν τη λειτουργία του εργαλείου.

Βεβαιωθείτε ότι το εργαλείο λειτουργεί κανονικά και χρησιμοποιείται για το σκοπό για τον οποίο προορίζεται. Μη χρησιμοποιείτε το εργαλείο αν κάποιο εξάρτημά του παρουσιάζει ελάττωμα. Μη χρησιμοποιείτε το εργαλείο, εάν ο διακόπτης δεν μπορεί να το θέσει εντός ή εκτός λειτουργίας. Φροντίστε για την επισκευή ή αντικατάσταση τυχόν ελαττωματικών εξαρτημάτων από εξουσιοδοτημένο κέντρο επισκευών. Ποτέ μην επιχειρήσετε να επισκευάσετε οι ίδιοι το εργαλείο.

Βγάλετε το εργαλείο από την πρίζα

Βγάλετε το εργαλείο από την πρίζα όταν το εργαλείο δεν χρησιμοποιείται, προτού αλλάξετε οποιοδήποτε ανταλλακτικό, παρελκόμενο ή εξάρτημα του εργαλείου, και πριν από την συντήρησή του.

Αποφύγετε την τυχαία εκκίνηση του εργαλείου

Μη μεταφέρετε το εργαλείο έχοντας το δακτύλο σας πάνω στο διακόπτη εκκίνησης. Όταν βάζετε την πρίζα, βεβαιωθείτε ότι ο διακόπτης του εργαλείου είναι κλειστός.

Μην κακομεταχειρίζεστε το καλώδιο

Ποτέ μη μεταφέρετε το εργαλείο κρατώντας το από το καλώδιο και μην το τραβάτε από το καλώδιο για να το βγάλετε από την πρίζα. Φροντίστε το καλώδιο να παραμένει μακριά από την θερμότητα, τα λάδια και από αιχμηρές ακμές.

Φυλάγετε τα εργαλεία σας σε ασφαλές μέρος

Ηλεκτρικά εργαλεία που δεν χρησιμοποιούνται πρέπει να φυλάσσονται σε στεγνούς, κλειστούς χώρους ή σε μεγάλο ύψος, μακριά από παιδιά.

Συντηρήστε προσεκτικά τα εργαλεία

Φροντίστε τα εργαλεία σας να είναι κοφτερά και καθαρά, ώστε να προσφέρουν υψηλή απόδοση και ασφάλεια κατά τη χρήση τους. Ακολουθήστε τις σχετικές οδηγίες σε όλη αφορά τη συντήρηση και την αλλαγή των εξαρτημάτων. Φροντίστε οι λαβές και οι διακόπτες να είναι στεγνοί, καθαροί και χωρίς λάδια ή γράσα.

Επισκευές

Το εργαλείο αυτό συμμορφώνεται με τις σχετικές προϋποθέσεις ασφαλείας. Οι επισκευές θα πρέπει να γίνονται μόνο από ειδικευμένους τεχνικούς και με τη χρήση αποκλειστικά γνήσιων ανταλλακτικών, διαφορετικά υπάρχει το ενδεχόμενο σοβαρού κινδύνου για το χρήστη.

Ηλεκτρική ασφάλεια

Το εργαλείο σας φέρει διπλή μόνωση. Κατά συνέπεια δε χρειάζεται καλώδιο γείωσης. Ελέγχετε πάντοτε αν η τάση τροφοδοσίας αντιστοιχεί σε αυτήν που αναγράφεται στην πινακίδα στοιχείων του εργαλείου.

Συμπληρωματικές οδηγίες ασφαλείας για τριεία

- ♦ Κατά τη λείανση, να φοράτε πάντα μάσκα προστασίας από τη σκόνη.
- ♦ Μετά τη λείανση, καθαρίστε καλά τη σκόνη.
- ♦ Πριν τη χρήση του εργαλείου σε ξύλινα τεμάχια εργασίας, τοποθετήστε την συσκευή αφαίρεσης σκόνης.
- ♦ Πριν τη χρήση του εργαλείου σε μεταλλικά τεμάχια εργασίας, αφαιρέστε την συσκευή αφαίρεσης σκόνης.
- ♦ Ποτέ μη χρησιμοποιείτε το εργαλείο χωρίς να έχετε τοποθετήσει φύλλο γυαλόχαρτο.
- ♦ Ποτέ μη χρησιμοποιείτε το εργαλείο χωρίς να έχετε τοποθετήσει την βάση λείανσης.
- ♦ Πρέπει να φοράτε ωτασπίδες όταν η στάθμη του θορύβου σας προκαλεί δυσφορία.

Λείανση θαμμένων επιφανειών με χρώμα με βάση το μολύβδο ή επιφανειών MDF

Η λείανση επιφανειών με χρώμα με βάση τον μολύβδο δεν ενδείκνυται λόγω της δυσκολίας ελέγχου της επιβλαβούς σκόνης. Από τον κίνδυνο δηλητηρίασης από μολύβδο πρέπει να προφυλάσσονται κυρίως τα παιδιά και οι έγκυες. Τα κτίρια κατασκευής πριν το 1960, ενδέχεται να έχουν βαφτεί στο παρελθόν με χρώματα που περιέχουν μολύβδο. Το χρώμα ενδέχεται να έχει καλυφθεί με πρόσθετες στρώσεις μπογιάς. Πριν ξεκινήσετε την εργασία σας, είναι σημαντικό να γνωρίζετε αν το χρώμα που θα λειάνετε περιέχει μολύβδο. Αυτό διαπιστώνεται χρησιμοποιώντας ένα κιτ ελέγχου ή συμβουλευώντας έναν επαγγελματία διακοσμητή.

Ατομική προστασία

- ♦ Μην επιτρέπετε σε παιδιά ή εγκύους να εισέρχονται στο χώρο εργασίας.
- ♦ Φορέστε μάσκα σκόνης ειδικά σχεδιασμένη για προστασία έναντι της σκόνης και των αναθυμιάσεων από χρώματα με μολύβδο και βεβαιωθείτε ότι τα άτομα που βρίσκονται, ή εισέρχονται, στο χώρο εργασίας είναι επίσης προστατευμένα.
- ♦ Μην τρώτε, πίνετε ή καπνίζετε στο χώρο εργασίας. Μην φυλάσσετε τρόφιμα ή ποτά στο χώρο εργασίας.
- ♦ Πλυθείτε προσεκτικά πριν να φάτε, να πιείτε ή να καπνίσετε.

Περιβάλλον

- ♦ Αφαιρέστε το χρώμα προκαλώντας τη λιγότερη δυνατή παραγωγή σκόνης.
- ♦ Σφραγίστε τον χώρο εργασίας με πλαστικό κάλυμμα.
- ♦ Ελαχιστοποιήστε την ποσότητα σκόνης εκτός του χώρου εργασίας.

Καθαρισμός

- ♦ Να σκουπίζετε καλά με ηλεκτρική σκούπα και να καθαρίζετε όλες τις επιφάνειες του χώρου εργασίας καθημερινά.
- ♦ Να αλλάζετε τακτικά τον σάκο σκόνης και τα φίλτρα της ηλεκτρικής σκούπας.
- ♦ Να ξεπλύνετε τα ξένα αντικείμενα που είναι εκτεθειμένα στη σκόνη πριν τα ξαναχρησιμοποιήσετε.

Χαρακτηριστικά

Το εργαλείο διαθέτει όλα ή ορισμένα από τα εξής χαρακτηριστικά:

1. Διακόπτης On/off
2. Άνετη χειρολαβή με τζελ
3. Στόμιο απαγωγής της σκόνης
4. Βάση
5. Στήριγμα μύτης
6. Αιχμή της βάσης λείανσης
7. Εξάρτημα δακτύλου

8. Εξάρτημα προφίλ (μόνο στο KA165GTK)
9. Βίδα
10. Προφίλ λείανσης (μόνο στο KA165GTK)

Επιπλέον, το εργαλείο αυτό διαθέτει κάποια ή όλα από τα ακόλουθα εξαρτήματα:

Εξάρτημα **Συνιστώμενη εφαρμογή και χρήση**

- | | |
|------------------------------------|------------------------------------------------------------|
| - Γυαλόχαρτο μεγάλης τραχύτητας | Ταχεία αφαίρεση βαφής, λάκας και σκουριάς |
| - Γυαλόχαρτο μέσης τραχύτητας | Αφαίρεση βαφής, λάκας και σκουριάς |
| - Γυαλόχαρτο μικρής τραχύτητας | Ανάμιξη και φινιρίσμα επιφανειών |
| - ΰλο γυαλόχαρτο | Λείανση μεταξύ των στρώσεων |
| - Μύτες λείανσης ακριβείας | Γωνίες και δυσπρόσιτα μέρη |
| - 1 σύρμα γυαλίσματος/ απόξεσης ΟΤ | Γυάλισμα μετάλλων, απόξεση λάκας και καθάρισμα γυαλιού |
| - Γκριζό σφουγγάρι | Εφαρμογή και αφαίρεση στιλβώματος |
| - Κόκκινο μη-πλεκτό σφουγγάρι | Χρήση σε βαριές συνθήκες τριψίματος και αφαίρεσης σκουριάς |
| - Γκριζό γυαλόχαρτο | Γυάλισμα πλαστικών |
| - Εξαρτήματα καμπυλών | Καμπύλες και προφίλ |

Συναρμολόγηση

Προειδοποίηση! Πριν από τη συναρμολόγηση, βεβαιωθείτε ότι το εργαλείο είναι σθηστό και ότι το φινιρίσμα δεν είναι στην πρίζα.

Τοποθέτηση φύλλων γυαλόχαρτου (εικ. Α & Β)

- ◆ Αποσυνδέστε τις διαμαντέ μύτες (11) από το φύλλο γυαλόχαρτου (12).
- ◆ Κρατήστε το εργαλείο με την βάση λείανσης στραμμένη προς τα πάνω.
- ◆ Τοποθετήστε το φύλλο γυαλόχαρτου (12) στη βάση λείανσης, και βεβαιωθείτε ότι οι οπές του φύλλου συμπίπτουν με τις οπές της βάσης.

Η διαμαντέ μύτη (11) μπορεί να γυριστεί από την άλλη πλευρά και να αντικατασταθεί όταν φθαρεί.

- ◆ Όταν το μπροστινό μέρος της μύτης έχει φθαρεί, αποσυνδέστε το από το φύλλο, γυρίστε το από την άλλη πλευρά και πιέστε το πάλι μέσα στην βάση λείανσης.
- ◆ Όταν έχει φθαρεί όλη η μύτη, αφαιρέστε την από την βάση λείανσης και τοποθετήστε μια νέα μύτη.
- ◆ Τα σφουγγάρια στιλβώματος (13) τοποθετούνται με τον ίδιο τρόπο όπως τα φύλλα γυαλόχαρτου.

Η αιχμή της βάσης λείανσης (εικ. C)

Όταν φθαρεί η αιχμή της βάσης λείανσης (6) ή το στήριγμα μύτης (5), μπορεί να αναποδογυριστεί ή να αντικατασταθεί. Το δικό σας εξουσιοδοτημένο κατάστημα Black & Decker διαθέτει ανταλλακτικά.

- ◆ Αφαιρέστε τη βίδα (9).
- ◆ Αναποδογυρίστε ή αντικαταστήστε το φθαρμένο εξάρτημα.
- ◆ Τοποθετήστε και σφίξτε τη βίδα.

Εξάρτημα δακτύλου (εικ. D)

Το εξάρτημα δακτύλου χρησιμοποιείται για λείανση μεγάλης ακριβείας.

- ◆ Αφαιρέστε τη βίδα (9).
- ◆ Αφαιρέστε το στήριγμα μύτης σε σχήμα διαμαντιού (5) από την βάση λείανσης.
- ◆ Τοποθετήστε το εξάρτημα δακτύλου (7) πάνω στην βάση λείανσης.
- ◆ Τοποθετήστε και σφίξτε τη βίδα.
- ◆ Τοποθετήστε το κατάλληλο φύλλο γυαλόχαρτου (14) στο εξάρτημα δακτύλου.

Εξάρτημα προφίλ (εικ. E)

Το εξάρτημα προφίλ χρησιμοποιείται για την λείανση καμπύλων.

- ◆ Αφαιρέστε τη βίδα (9).
- ◆ Αφαιρέστε το στήριγμα μύτης σε σχήμα διαμαντιού (5) από την βάση λείανσης.
- ◆ Τοποθετήστε το εξάρτημα προφίλ (8) πάνω στην βάση λείανσης.
- ◆ Τοποθετήστε και σφίξτε τη βίδα.

Τοποθέτηση και αφαίρεση προφίλ λείανσης (εικ. F1 & F2)

- ◆ Επιλέξτε το προφίλ λείανσης ανάλογα με την εφαρμογή σας.
- ◆ Τοποθετήστε την μια άκρη του προφίλ λείανσης (10) στην εσοχή στο εμπρός μέρος της υποδοχής του προφίλ (8).
- ◆ Σπρώξτε την άλλη άκρη του προφίλ λείανσης μέχρι να ασφαλίσει στη θέση του.
- ◆ Για να αφαιρέσετε το προφίλ λείανσης, ωθήστε το προς τα εμπρός και απομακρύνετε τραβώντας το πίσω άκρο από την υποδοχή του προφίλ (εικ. F2).

Τοποθέτηση φύλλου γυαλόχαρτου σε προφίλ λείανσης (εικ. G)

- ◆ Ευθυγραμμίστε το φύλλο γυαλόχαρτου (15) με το προφίλ λείανσης (10).
- ◆ Πιέστε το φύλλο γυαλόχαρτου πάνω στο προφίλ λείανσης, και σιγουρευτείτε πως το φύλλο γυαλόχαρτου ακολουθεί το σχήμα του προφίλ.

Σύνδεση ηλεκτρικής σκούπας (εικ. Η)

Το εργαλείο διαθέτει ένα προσαρμογέα για την σύνδεσή του με ηλεκτρική σκούπα όταν λειανείτε ξύλο. Για να συνδέσετε το εργαλείο με μια ηλεκτρική σκούπα, ενεργήστε ως ακολούθως:

- Τοποθετήστε το στόμιο απαγωγής της σκόνης (3) στον προσαρμογέα στο πίσω μέρος του εργαλείου.
- Συνδέστε τον σωλήνα μιας κατάλληλης ηλεκτρικής σκούπας στο στόμιο.

Χρήση

Προειδοποίηση! Αφήστε το εργαλείο να λειτουργήσει με το δικό του ρυθμό. Μην το υπερφορτώνετε.

Προειδοποίηση! Μην καλύπτετε τα ανοίγματα εξερισμού όταν χρησιμοποιείτε το εργαλείο. Να κρατάτε το εργαλείο όπως φαίνεται στην εικ. 1. Βεβαιωθείτε ότι η βάση λείανσης είναι τοποθετημένη σε ευθεία γραμμή πάνω στο τεμάχιο εργασίας.

Θέση εντός και εκτός λειτουργίας

- Για να ανάψετε το εργαλείο, βάλτε το διακόπτη on/off (1) στη θέση I.
- Για να σβήσετε το εργαλείο, βάλτε το διακόπτη on/off στη θέση O.

Εξαρτήματα

Η απόδοση του εργαλείου σας εξαρτάται από τα εξαρτήματα που χρησιμοποιείτε. Τα εξαρτήματα Black & Decker και Piranha είναι σχεδιασμένα σύμφωνα με πρότυπα υψηλής ποιότητας για να βελτιώνουν την απόδοση του εργαλείου σας. Χρησιμοποιώντας τα θα επιτύχετε τη βέλτιστη απόδοση του εργαλείου.

Συντήρηση

Αυτό το εργαλείο έχει σχεδιαστεί έτσι ώστε να λειτουργεί για μεγάλο χρονικό διάστημα με την ελάχιστη δυνατή συντήρηση. Η αδιάλειπτη και κανονική λειτουργία του εργαλείου εξαρτάται από τη φροντίδα και τον τακτικό καθαρισμό.

- Καθαρίζετε τις οπές και τα ανοίγματα ψύξης με μια καθαρή, στεγνή βούρτσα βαψίματος.
- Καθαρίστε το περιβλήμα με ένα καθαρό, υγρό πανί. Μην χρησιμοποιείτε διαλυτικά.

Προστασία του περιβάλλοντος



Η Black & Decker δίνει τη δυνατότητα ανακύκλωσης των προϊόντων της που έχουν συμπληρώσει τη διάρκεια ζωής τους. Η υπηρεσία αυτή είναι δωρεάν. Αν θέλετε να χρησιμοποιήσετε την εν λόγω υπηρεσία, επιστρέψτε το προϊόν σας σε οποιοδήποτε εξουσιοδοτημένο κέντρο επισκευών, όπου θα το παραλάβουν εκ μέρους σας.

Ενημερωθείτε για το πλησιέστερο κέντρο επισκευών της περιοχής σας, επικοινωνώντας με τα γραφεία της Black & Decker στη διεύθυνση που αναγράφεται στο εγχειρίδιο.

Επίσης, για να πληροφορηθείτε για τα εξουσιοδοτημένα κέντρα επισκευών της Black & Decker, τις λεπτομέρειες και τους αρμόδιους των υπηρεσιών που παρέχονται μετά την πώληση, μπορείτε να ανατρέξετε στο Διαδίκτυο στη διεύθυνση: www.2helpU.com

Τεχνικά χαρακτηριστικά

KA165GT/KA165GTK		
Τάση	V _{AC}	230
Ισχύς εισόδου	W	55
Ταχύτητα άφορτου κίνησης	min ⁻¹	11.000

Δήλωση συμμόρφωσης ΕΚ

KA165GT/KA165GTK

Black & Decker δηλώνει ότι αυτά τα ηλεκτρικά εργαλεία σχεδιάστηκαν σύμφωνα με:

98/37/EOK, 89/336/EOK, EN 50144, EN 55014, EN 61000

L_{PA} (ηχητική πίεση): 59 dB(A),

L_{WA} (ακουστική δύναμη) 72 dB(A),

σταθμισμένος τετραγωνικός μέσος όρος επιτάχυνσης < 2,5 m/s²

Kevin Hewitt

Διευθυντής μηχανολογίας

Spennymoor, County Durham DL16 6JG,

United Kingdom

Εγγύηση

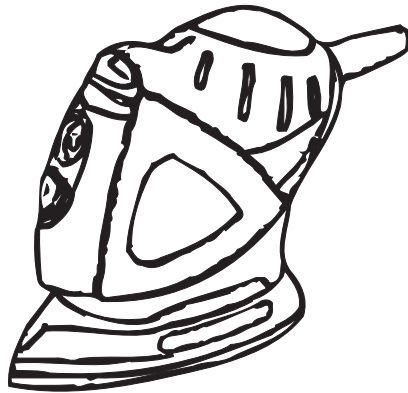
Η Black & Decker είναι σίγουρη για την ποιότητα των προϊόντων της και παρέχει σημαντική εγγύηση. Η παρούσα γραπτή εγγύηση αποτελεί πρόσθετο δικαίωμά σας και δεν ζημιώνει τα συνταγματικά σας δικαιώματα. Η εγγύηση ισχύει εντός της επικράτειας των Κρατών Μελών της Ευρωπαϊκής Ένωσης και της Ευρωπαϊκής Ζώνης Ελευθέρων Συναλλαγών.

Σε περίπτωση που κάποιο προϊόν της Black & Decker παρουσιάσει βλάβη εξαιτίας ελαττωματικών υλικών, ποιότητας εργασίας ή έλλειψης συμφωνίας με τις προδιαγραφές εντός 24 μηνών από την ημερομηνία αγοράς, η Black & Decker εγγυάται την αντικατάσταση των ελαττωματικών τμημάτων, την επισκευή προϊόντων που έχουν υποστεί εύλογη φθορά λόγω χρήσης ή την αντικατάσταση των προϊόντων προκειμένου να εξασφαλιστεί την ελάχιστη ενόχληση στους πελάτες της, εκτός αν:

- Το προϊόν έχει χρησιμοποιηθεί σε εργασιακό, επαγγελματικό περιβάλλον ή αν έχει ενοικιαστεί
- Έχει γίνει εσφαλμένη χρήση του προϊόντος ή αν έχει παραμεληθεί
- Το προϊόν έχει υποστεί βλάβη από άλλα αντικείμενα, από ουσίες ή λόγω ατυχήματος
- Έχει γίνει προσπάθεια επισκευής από μη εξουσιοδοτημένα κέντρα επισκευών ή από προσωπικό που δεν ανήκει στο προσωπικό της Black & Decker

Για να ισχύσει η εγγύηση, πρέπει να υποβάλετε απόδειξη αγοράς στον πωλητή ή το εξουσιοδοτημένο κέντρο επισκευών. Ενημερωθείτε για το πλησιέστερο κέντρο επισκευών της περιοχής σας, επικοινωνώντας με τα γραφεία της Black & Decker στη διεύθυνση που αναγράφεται στο εγχειρίδιο. Επίσης, για να πληροφορηθείτε για τα εξουσιοδοτημένα κέντρα επισκευών της Black & Decker, τις λεπτομέρειες και τους αρμόδιους των υπηρεσιών που παρέχονται μετά την πώληση, μπορείτε να ανατρέξετε στο Διαδίκτυο στη διεύθυνση: **www.2helpU.com**

Παρακαλούμε να επισκεφτείτε την ιστοσελίδα μας **www.blackanddecker.com** για να καταχωρήσετε το νέο σας προϊόν Black & Decker και για να ενημερώνεστε για τα νέα προϊόντα και τις ειδικές προσφορές. Περισσότερες πληροφορίες σχετικά με τη μάρκα Black & Decker και τη σειρά προϊόντων μας θα βρείτε στη διεύθυνση **www.blackanddecker.com**



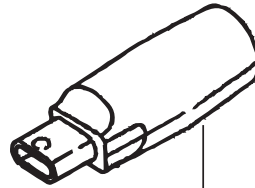
101



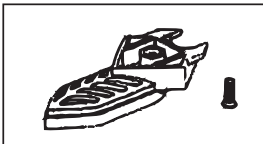
105



106



104



103

102



Australia	Black & Decker (Australia) Pty. Ltd. 20 Fletcher Road, Mooroolbark, Victoria, 3138	Tel. 03-8720 5100 Fax 03-9727 5940
België/Belgique	Black & Decker (Belgium) N.V. Campus Noord, Schaliënhoevedreef 20E 2800 Mechelen	Tel. 015 - 47 92 11 Fax 015 - 47 92 10
Danmark	Black & Decker Sluseholmen 2-4, 2450 København SV Internet: www.blackanddecker.dk	Tel. 70 20 15 30 Fax 36 94 49 01
Deutschland	Black & Decker GmbH Black & Decker Str. 40, D - 65510 Idstein	Tel. 06126/21 - 0 Fax 06126/21 29 80
Ελλάδα	Black & Decker (Ελλάς) Α.Ε. Στράβωνος 7 & Λεωφ. Βουλιαγμένης 159 166 74 Γλυφάδα - Αθήνα	Τηλ. 210 8981616 Τηλ. 210 8982630 Φαξ Service 210 8983285
España	Black & Decker Ibérica, S.C.A. Parque de Negocios "Mas Blau" Edificio Muntadas, c/Bergadá, 1, Of. A6 08820 El Prat de Llobregat (Barcelona)	Tel. 934 797 400 Fax 934 797 419
France	Black & Decker (France) S.A.S. B.P. 21, 69571 Dardilly Cédex	Tel. 04 72 20 39 20 Fax 04 72 20 39 00
Helvetia	RÖFO AG Gewerbezone Seeblick 3213 Kleinbödingen	Tel. 026-6749391 Fax 026-6749394
Italia	Black & Decker Italia SpA Viale Elvezia 2 20052 Monza (MI)	Tel. 039-23871 Fax 039-2387592/2387594 Numero verde 800-213935
Nederland	Black & Decker Benelux Joulehof 12, 4622 RG Bergen op Zoom	Tel. 0164 - 283000 Fax 0164 - 283100
New Zealand	Black & Decker 81 Hugo Johnston Drive Penrose, Auckland, New Zealand	Tel. 09 579 7600 Fax 09 579 8200
Norge	Black & Decker (Norge) A/S Postboks 4814, Nydalen, 0422 Oslo Internet: www.blackanddecker.no	Tif. 22 90 99 00 Fax 22 90 99 01
Österreich	Black & Decker Vertriebsges.m.b.H Erlaaerstraße 165, 1231 Wien	Tel. 01 66116-0 Fax 01 66116-14
Portugal	Black & Decker Rua Egas Moniz 173 S. João do Estoril 2766-651 Estoril	Tel. 214667500 Fax 214667575
Suomi	Black & Decker Oy Keilasatama 3, 02150 Espoo Black & Decker Oy, Kägelhamnen 3, 02150 Esbo	Puh.: 010 400 430 Faksi: (09) 2510 7100 Tel: 010 400 430 Fax: (09) 2510 7100
Sverige	Black & Decker AB Fabriksg. 7, 412 50 Göteborg	Tel: 031-68 60 60 Fax: 031-68 60 80
Türkiye	İntratek Mühendislik ve Dış Tic. A.Ş. Ortaklar Cad. No:19/2 80290 Mecidiyeköy / İstanbul	Tel. 0212 211 22 10 Faks 0212 266 33 03
United Kingdom	Black & Decker 210 Bath Road Slough, Berkshire SL1 3YD	Tel. 01753 511234 Fax 01753 551155 Helpline 01753 574277
Middle East & Africa	Black & Decker (Overseas) A.G. PB 5420, Dubai, United Arab Emirates	Tel. +971 4 2826464 Fax +971 4 2826466

Dealer address
Händleradresse
Cachet du revendeur
Indirizzo del rivenditore
Adres van de dealer
Dirección del detallista
Morada do revendedor
Äterförsäljarens adress
Forhandlens adresse
Forhandler adresse
Jälleenmyyjän osoite
Διεύθυνση αντιπροσώπου

Date of purchase
Kaufdatum
Date d'achat
Data d'acquisto
Aankoopdatum
Fecha de compra
Data de compra
Inkõpsdatum
Innkjøpsdato
Indkøbsdato
Osttopäivä
Ημερομηνία αγοράς

◆ Name ◆ Nom ◆ Nome
◆ Naam ◆ Nombre ◆ Nome ◆ Namn
◆ Navn ◆ Navn ◆ Nimi ◆ Ovojna:

◆ Address ◆ Adresse ◆ Adresse ◆ Indirizzo ◆
Adres ◆ Dirección ◆ Morada ◆ Address ◆
Adresse ◆ Adresse ◆ Osoite ◆ Διεύθυνση:

◆ Town ◆ Ort ◆ Ville ◆ Città ◆ Plaats
◆ Ciudad ◆ Localidade ◆ Ort ◆ By ◆ By
◆ Paikkakunta ◆ Πόλη:

◆ Postal code ◆ Postleitzahl ◆ Code postal ◆
Codice postale ◆ Postcode
◆ Código ◆ Código postal ◆ Postnr.
◆ Postnr. ◆ Postnr. ◆ Postnummero
◆ Κωδικός

◆ Is this tool a gift? ◆ Ist dieses Gerät ein
Geschenk? ◆ S'agit-il d'un cadeau? ◆ Si tratta
di un regalo? ◆ Kreeg u de machine als cadeau?
◆ ¿Ha recibido usted esta herramienta como
regalo? ◆ Reçebeu esta ferramenta como
presente? ◆ Är verktyget en gåva?
◆ Er verktoyet en gave? ◆ Er verktojet en gave?
◆ Onko kone lahja? ◆ Το εργαλείο είναι δώρο?

◆ Yes ◆ Ja ◆ Oui ◆ Si ◆ Ja ◆ Si ◆
◆ Sim ◆ Ja ◆ Ja ◆ Ja ◆ Kyllä ◆ Nαι
 ◆ No ◆ Nein ◆ Non ◆ No ◆ Nee
◆ No ◆ Não ◆ Nej ◆ Nei ◆ Nej
◆ Ei ◆ Oxi

◆ Is this tool your first purchase? ◆ Ist dieses
Gerät ein Erstkauf? ◆ Est-ce un 1er achat? ◆
Questo prodotto è il suo primo acquisto? ◆ Is
deze machine uw eerste aankoop? ◆ ¿Es esta
herramienta la primera de este tipo?
◆ Esta ferramenta é a primeira compra? ◆
Är detta ditt första B&D-verktyg? ◆ Er dette ditt
første B&D verktoy? ◆ Er dette ditt første B&D
verktøj? ◆ Onko tämä ensimmäinen B&D-

koneesi? ◆ Είναι το εργαλείο αυτό η
πρώτη σας αγορά?

◆ Yes ◆ Ja ◆ Oui ◆ Si ◆ Ja ◆ Si
◆ Sim ◆ Ja ◆ Ja ◆ Ja ◆ Kyllä ◆ Nαι
 ◆ No ◆ Nein ◆ Non ◆ No ◆ Nee
◆ No ◆ Não ◆ Nej ◆ Nei ◆ Nej
◆ Ei ◆ Oxi

◆ Dealer address ◆ Händleradresse
◆ Cachet du revendeur ◆ Indirizzo del
rivenditore ◆ Adres van de dealer
◆ Dirección del detallista ◆ Morada do
revendedor ◆ Äterförsäljarens adress
◆ Forhandlens adresse ◆ Forhandler adresse
◆ Jälleenmyyjän osoite
◆ Διεύθυνση αντιπροσώπου

Cat. no.:



- ✦ GUARANTEE CARD ✦ GARANTIEKARTE ✦ CARTE DE GARANTIE ✦ TAGLIANDO DI GARANZIA
✦ GARANTIEKAART ✦ TARJETA DE GARANTÍA ✦ CARTÃO DE GARANTIA ✦ GARANTIBEVIS
✦ GARANTI KORT ✦ GARANTI KORT ✦ TAKUUKORTTI ✦ KAPTA ΕΓΓΥΗΣΗΣ



English

Please complete this section immediately after the purchase of your tool and send it to Black & Decker in your country. If you live in Australia or New Zealand, please register by using the alternative guarantee card supplied.

Deutsch

Bitte schneiden Sie diesen Abschnitt ab, stecken ihn in einen frankierten Umschlag und schicken ihn an die Black & Decker Adresse Ihres Landes.

Français

Découpez cette partie et envoyez-la sous enveloppe timbrée à l'adresse de Black & Decker dans votre pays, ceci immédiatement après votre achat.

Italiano

Per favore ritagliate questa parte, inseritela in una busta con francobollo e spedite la subito dopo l'acquisto del prodotto all'indirizzo della Black & Decker nella vostra nazione.

Nederlands

Knip dit gedeelte uit en zend het direct na aankoop in een gefrankeerde, geaddresseerde envelop naar het adres van Black & Decker in uw land.

Español

Después de haber comprado su herramienta envíe usted, por favor, esta tarjeta a la central de Black & Decker en su país.

Português

Por favor, recorte esta parte, coloque-a num envelope selado e endereçado e envie-o logo após a compra do seu produto para o endereço da Black & Decker do seu país.

Svenska

Var vänlig klipp ur denna del och sänd den i ett frankerat kuvert till Black & Deckers adress i Ditt land.

Norsk

Vennligst klipp ut denne delen umiddelbart etter du har pakket ut ditt produkt og legg det i en adressert konvolutt til Black & Decker (Norge) AS.

Dansk

Venligst klip denne del ud og send frankeret til Black & Decker i dit land.

Suomi

Leikkaa irti tämä osa, laita se kuoreen ja postita kuori paikalliseen Black & Decker osoitteeseen.

Ελληνικά

Παράκατω κόψτε αυτό το κομμάτι και ταχυδρομήστε το queóς jestά tny ayopά tou npoióvtopó óας σtny óeúßuvon tny Black & Decker σtny Eλλáδá.